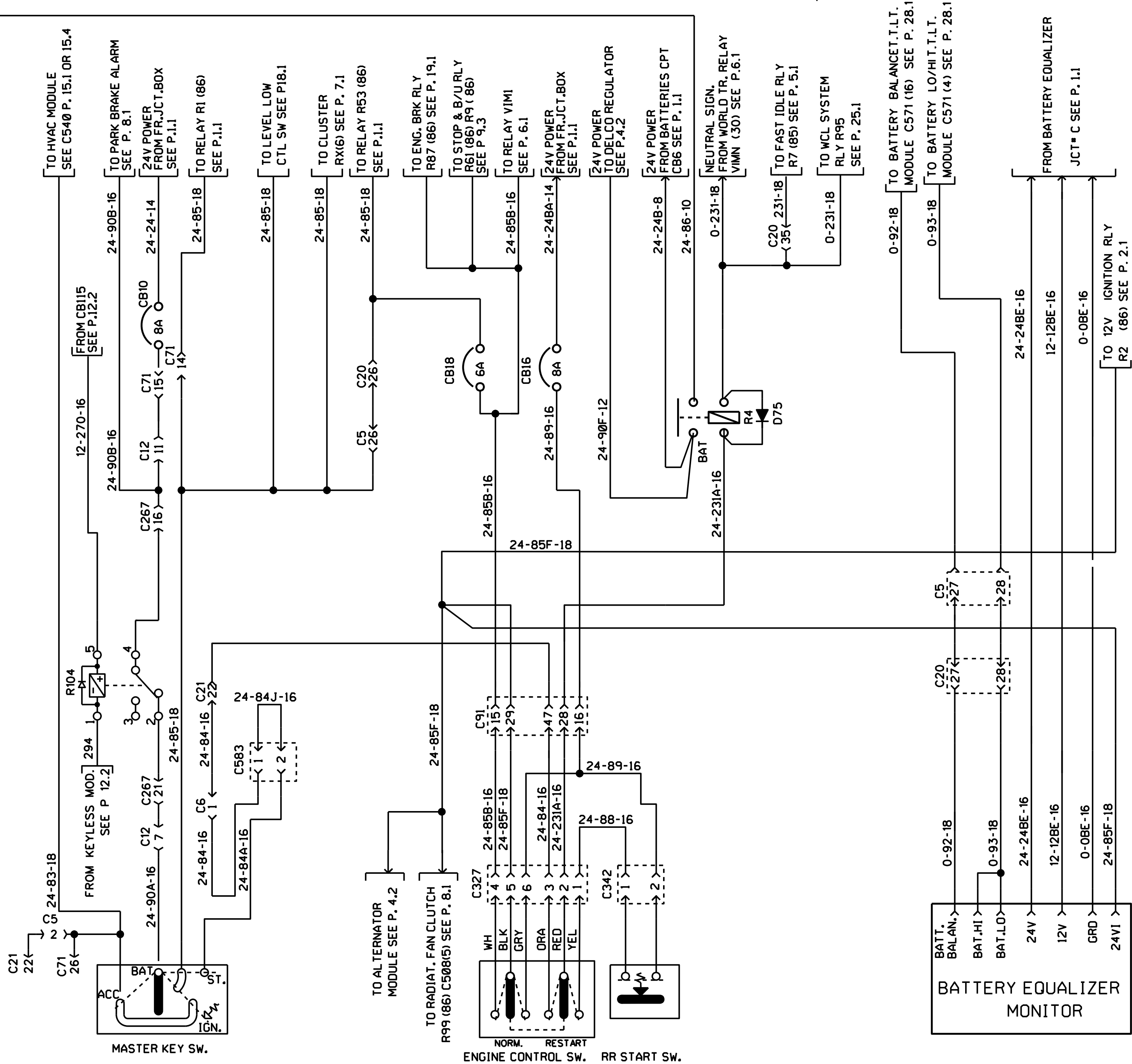


TO STARTER SOL.
SEE P. 4.2



ENGINE CONTROL