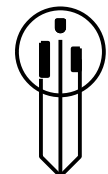
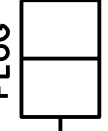


SHORE PLUG 110V



CHARGER PLUG

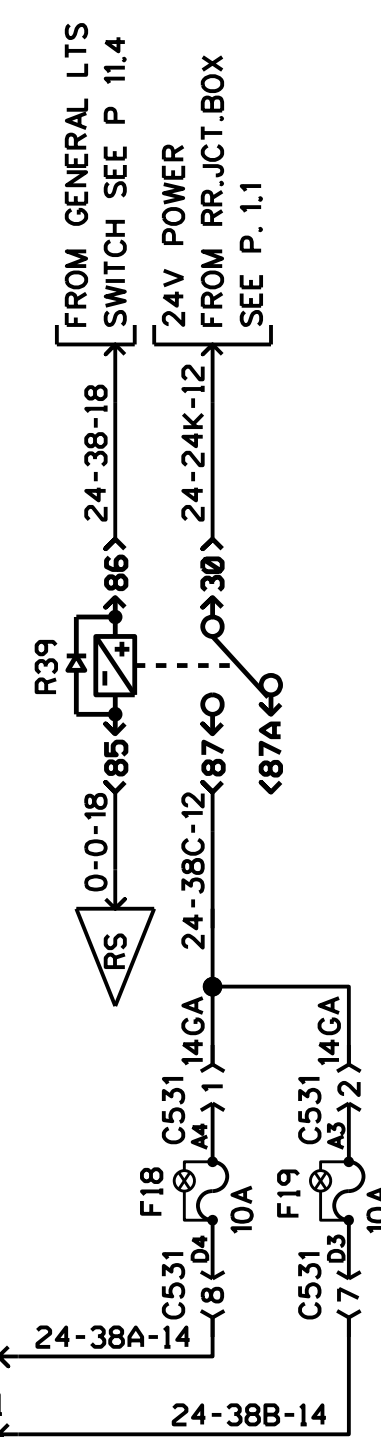
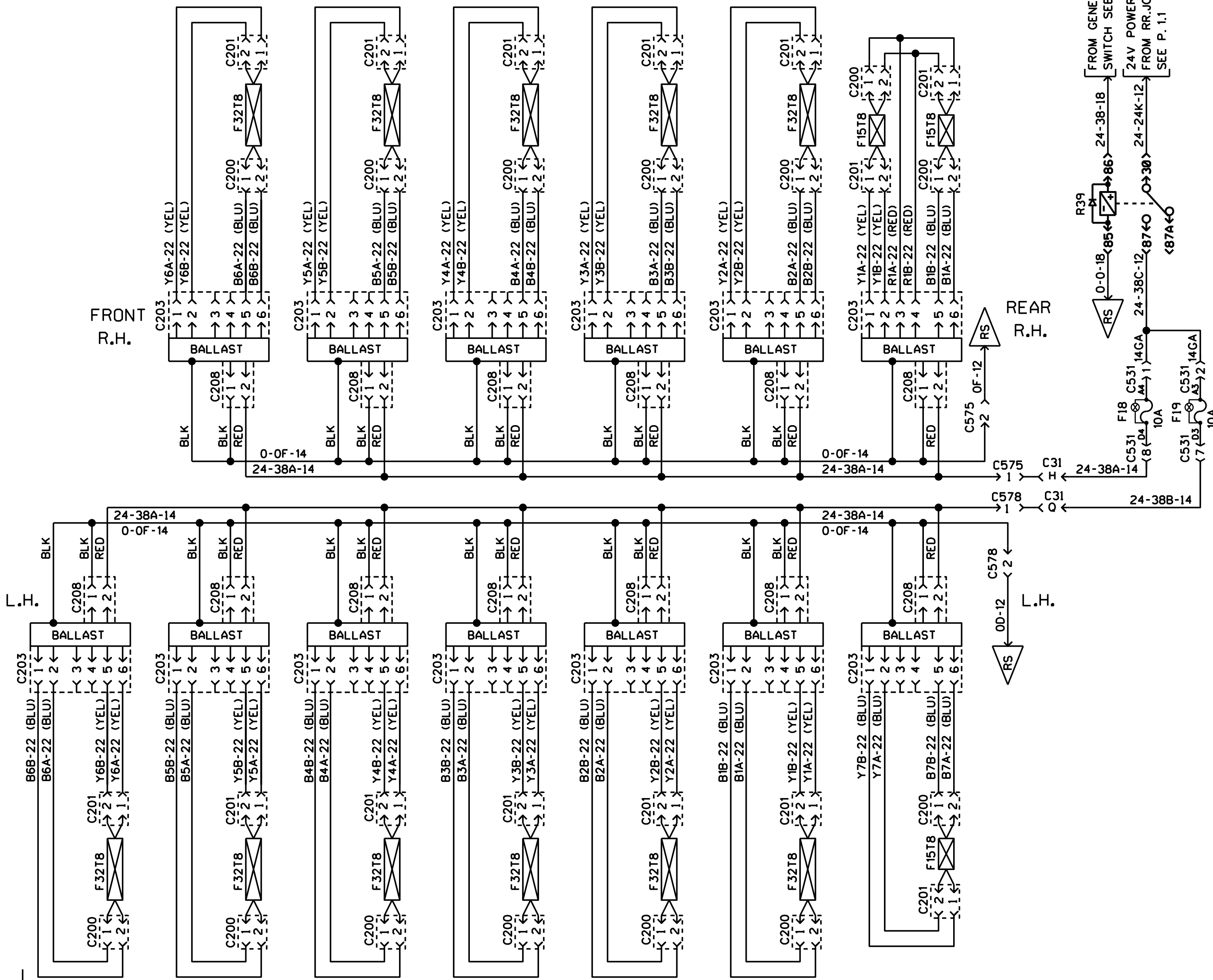


THREE STAGE BATTERY CHARGER 28 V / 41 AMP.

TO BOOSTER BLOCK SEE P. 1.1

FRONT R.H.

REAR R.H.



BATTERY CHARGER OR IN-STATION LIGHTING

24V FLUORESCENT INTERIOR LIGHTING