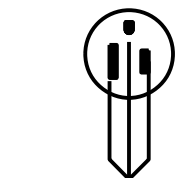
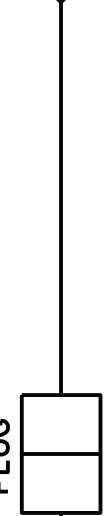


SHORE PLUG 110V



CHARGER PLUG



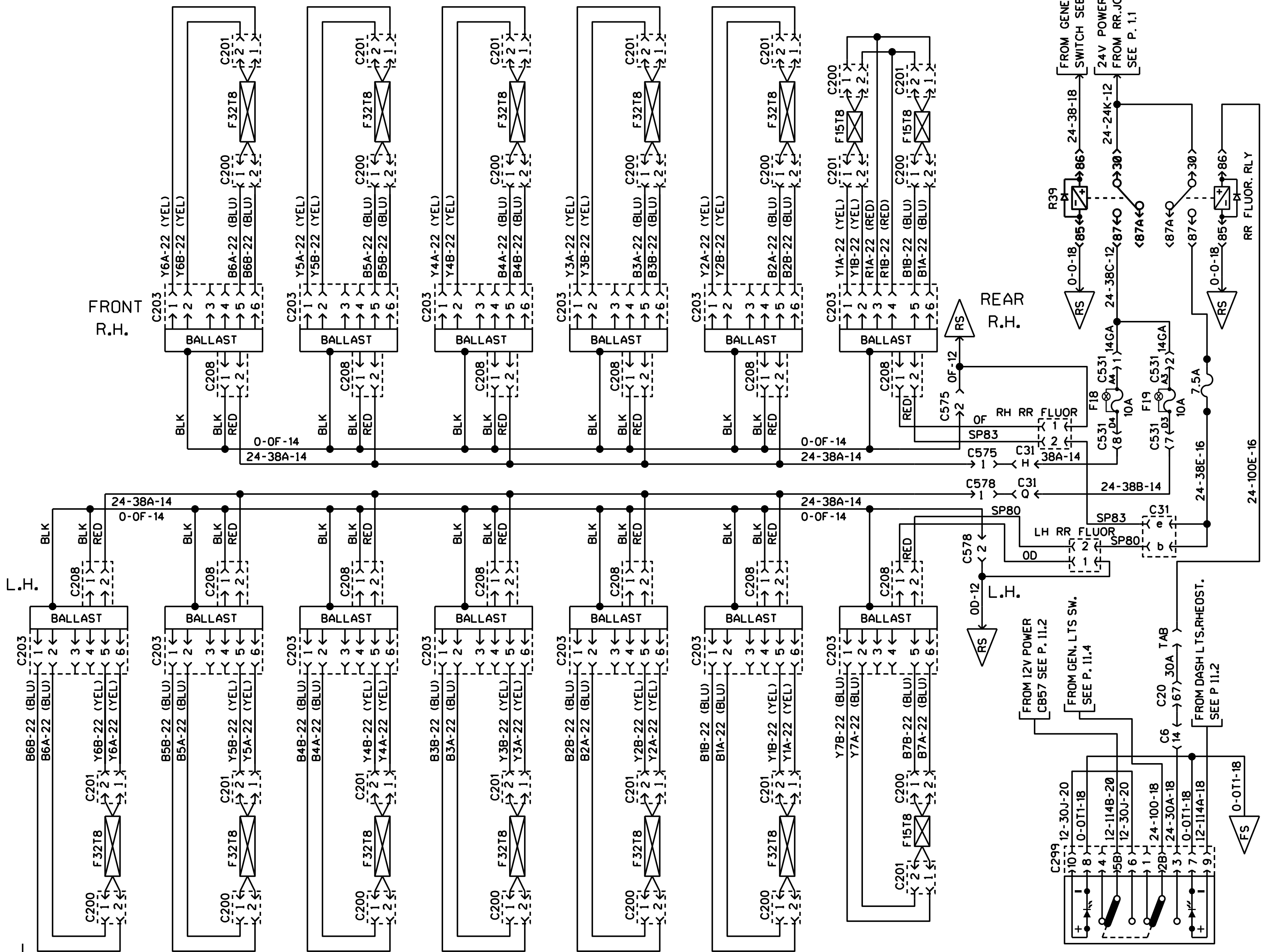
THREE STAGE BATTERY CHARGER 28 V /41 AMP.

TO BOOSTER BLOCK SEE P. 1.1

BATTERY CHARGER OR IN-STATION LIGHTING

FRONT R.H.

REAR R.H.



24V FLUORESCENT INTERIOR LIGHTING

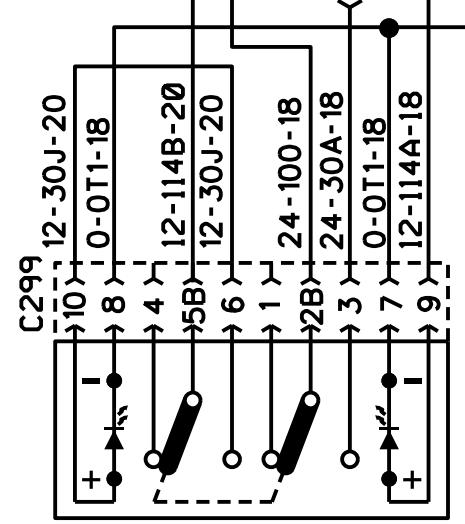
FROM GENERAL LTS SWITCH SEE P. 11.4

24V POWER FROM RR.JCT.BOX SEE P. 1.1

FROM 12V POWER CB57 SEE P. 11.2

FROM GEN. LTS SW. SEE P. 11.4

FROM DASH LTS.RHEOST. SEE P. 11.2



LAST FLUOR. SW. (SPECIAL)