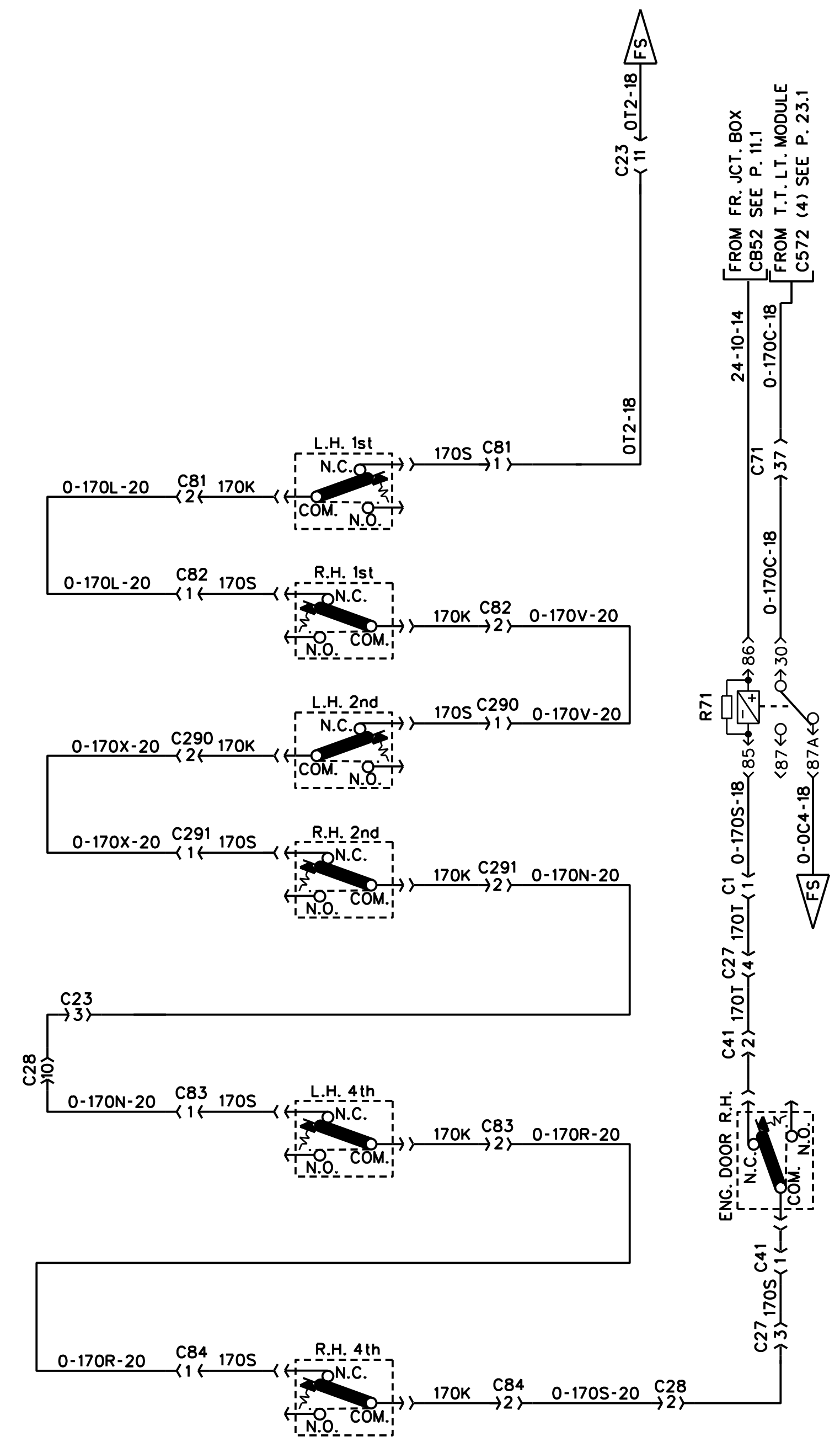


LUGGAGE DOOR LOCK



NOTE : DOOR UNLOCK - SW. PRESS

