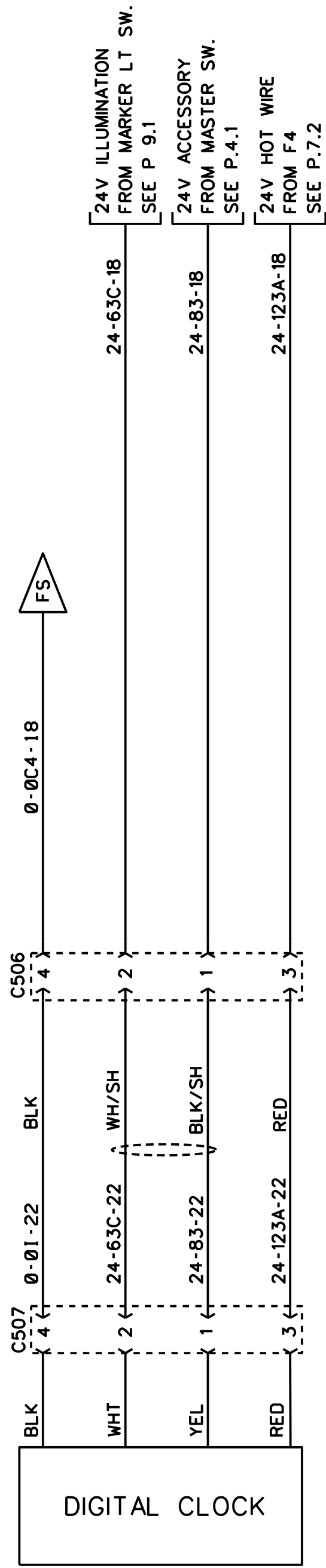
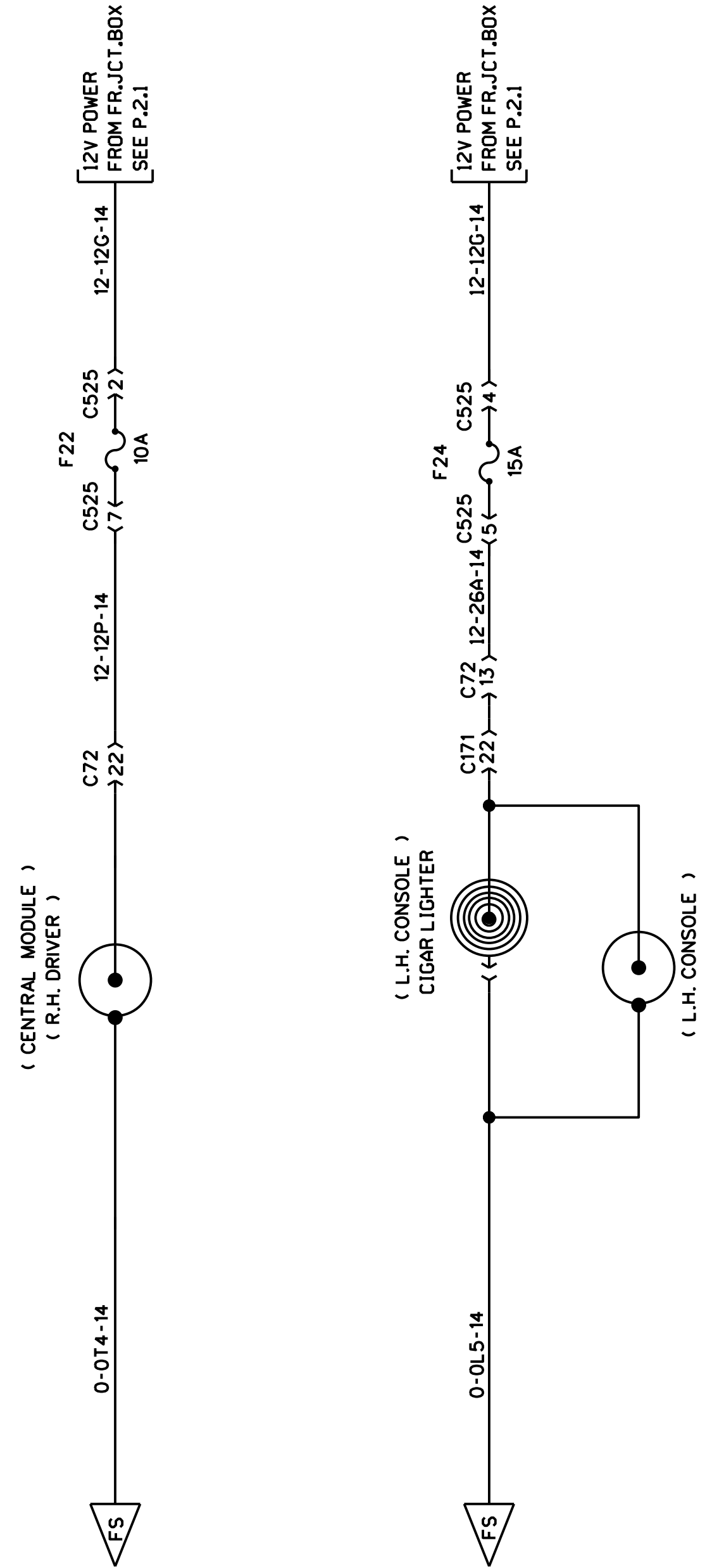


WIRING FOR DRIVER'S SEAT ELECT. ADJ.



DIGITAL CLOCK



POWER 12 VOLT OUTLET