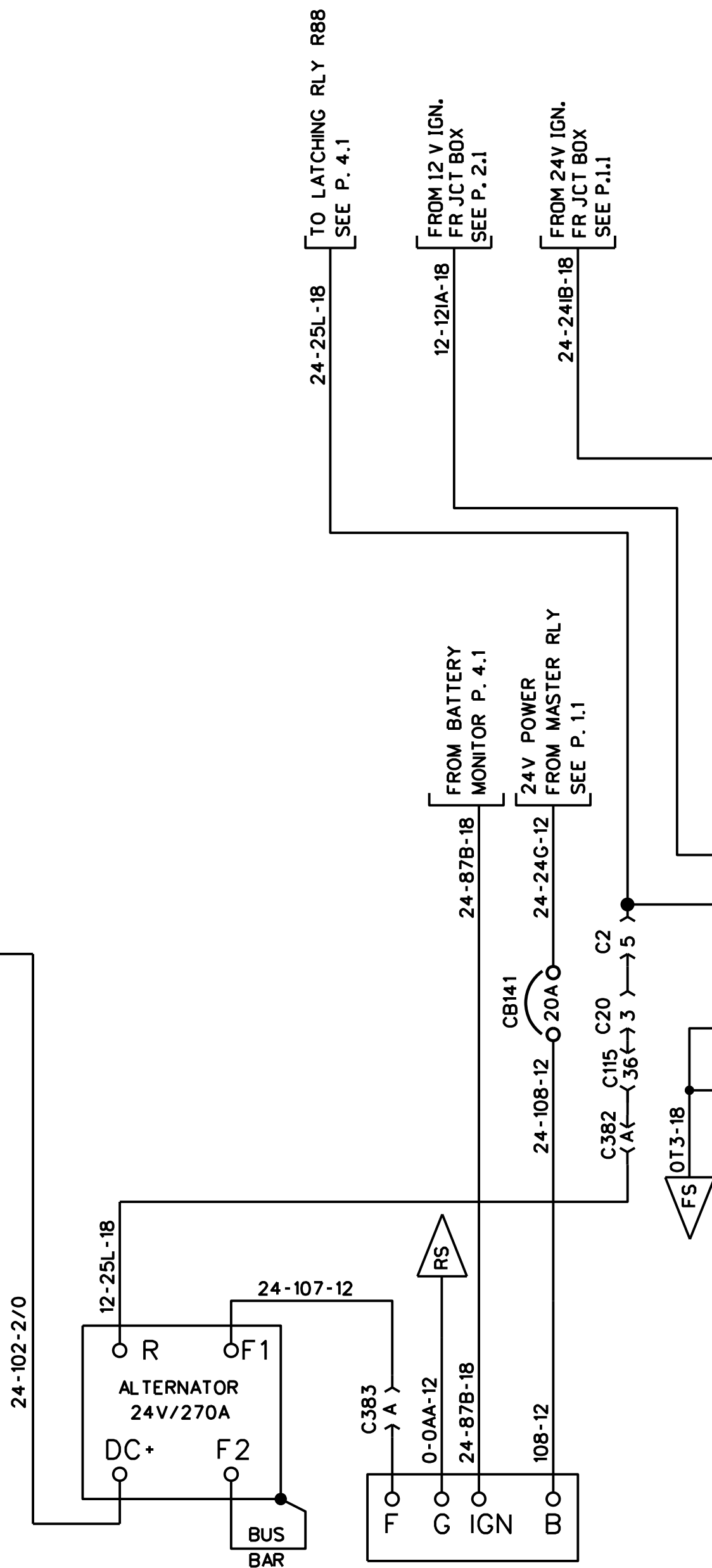
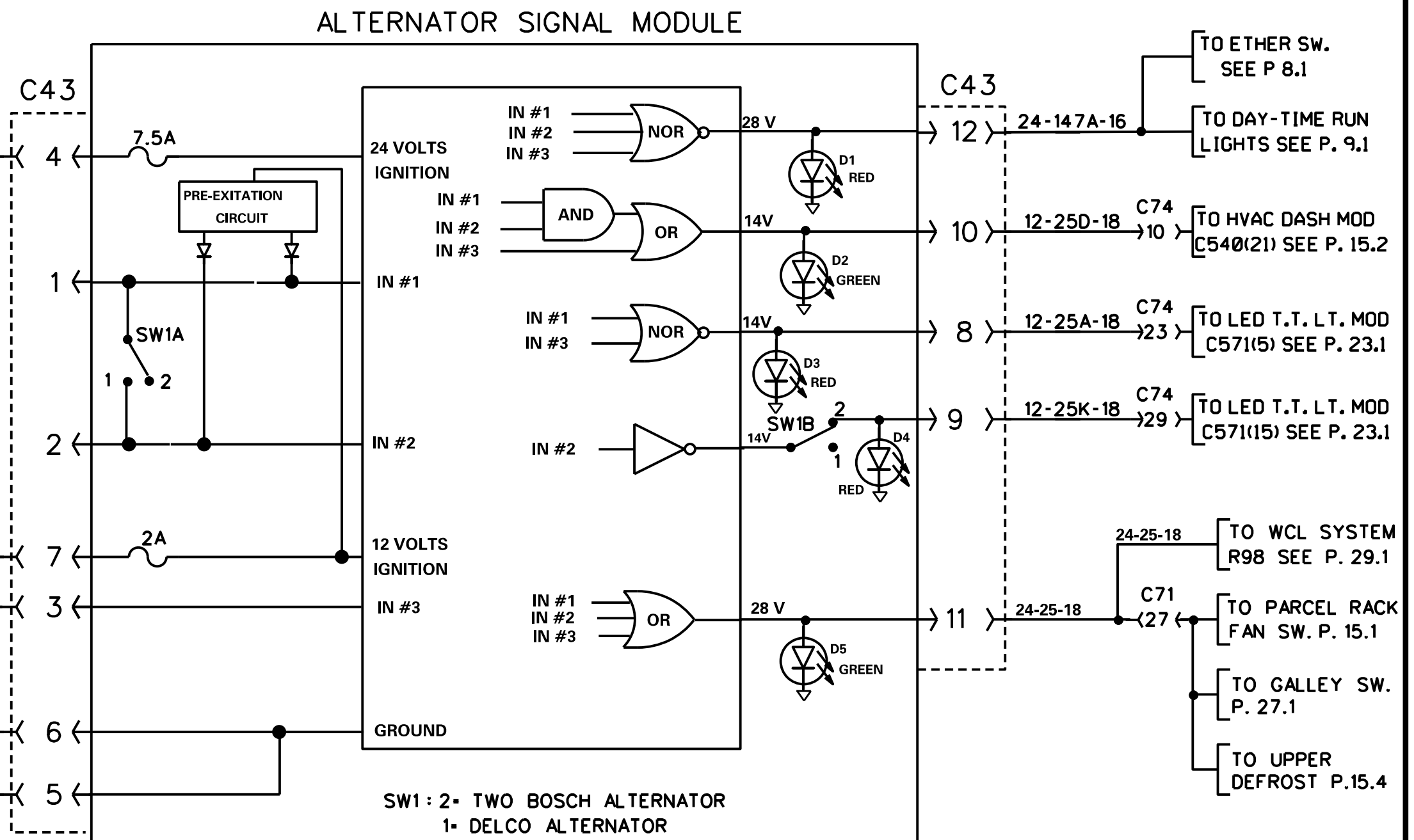


STARTER



DELCO ALTERNATOR



ALTERNATOR SIGNAL MODULE

SW1: 2- TWO BOSCH ALTERNATOR
1- DELCO ALTERNATOR