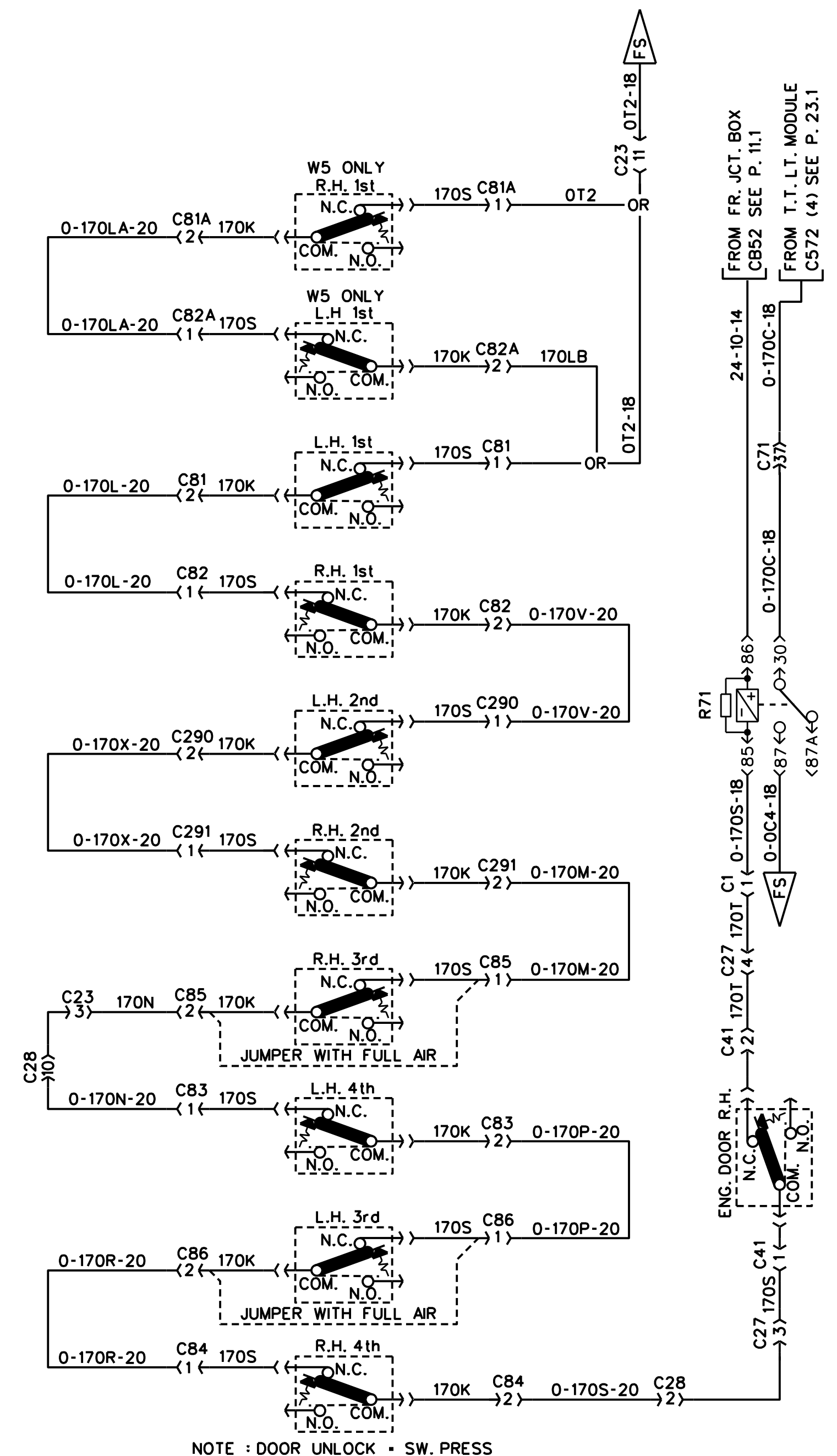


LUGGAGE DOOR LOCK



NOTE : DOOR UNLOCK = SW. PRESS