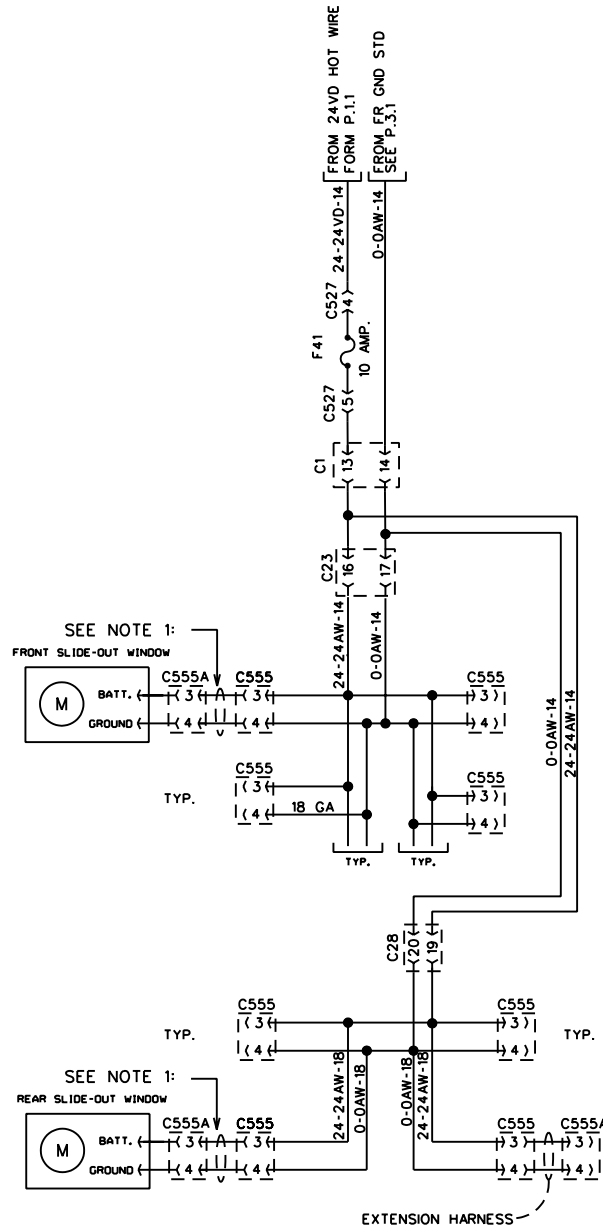


L.H. WINDOW AJAR SENSING
ONLY AWNING



R.H. AWNING OR SLIDING MECANISM

FOR INTERNAL SCHEMATIC
SEE P 7.4 FOR AWNING WINDOW
P 7.5 FOR SLIDING WINDOW