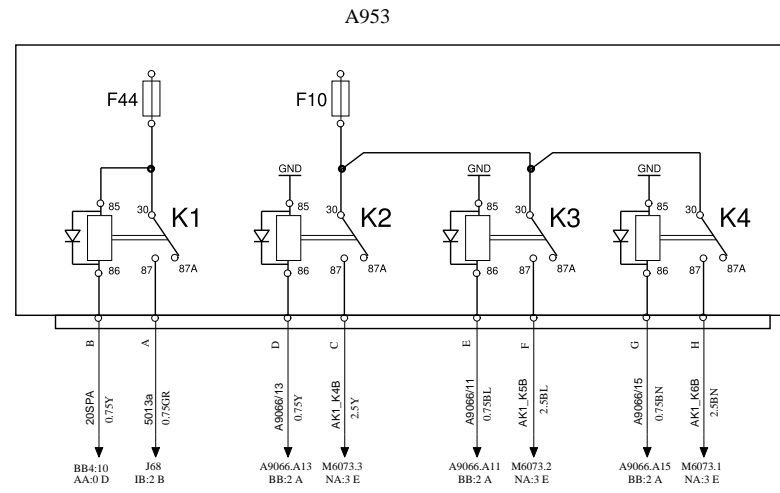
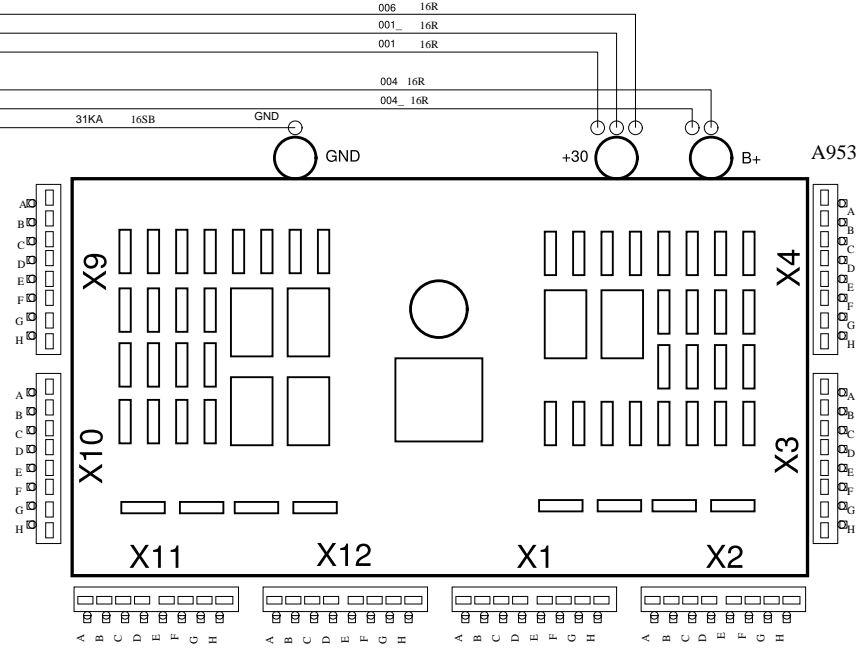
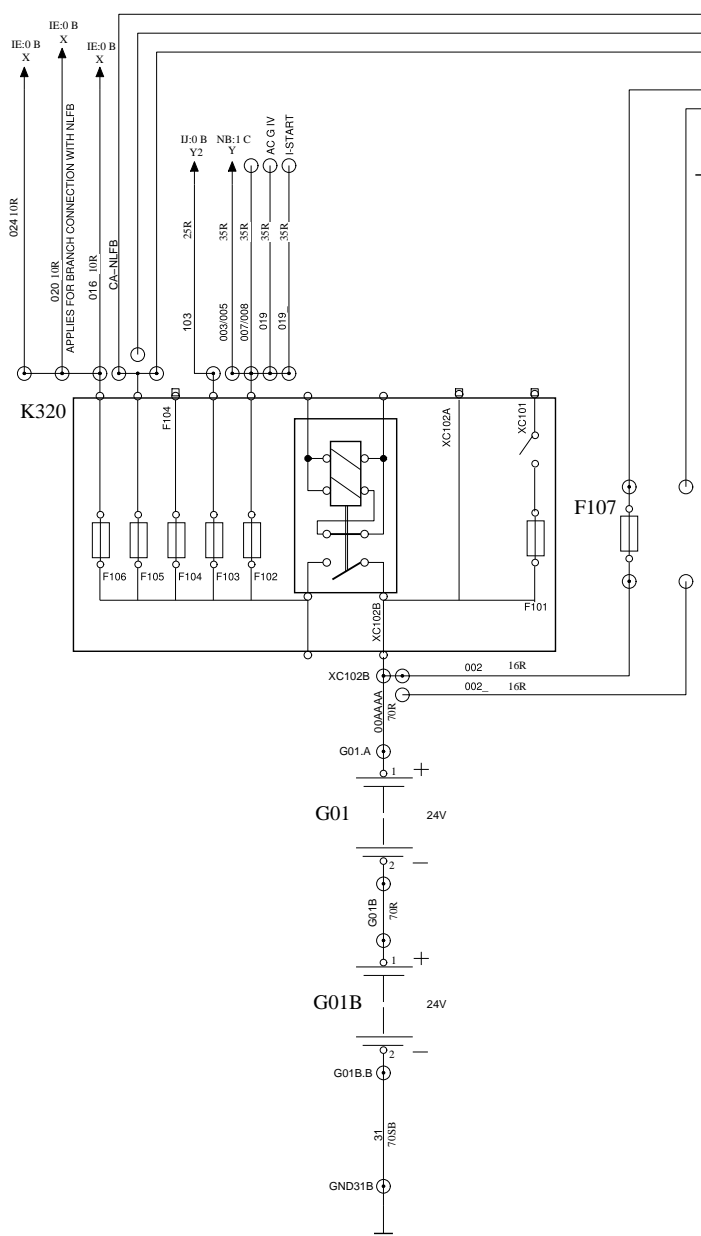


ELECTRIC CENTER

AB

WIRING DIAGRAM



Volvo Bus Corporation

Document title WIRING DIAGRAM
Document type PRODUCT SCHEMATIC

Document No <b>22600119</b>	Issue <b>01</b>	Volume <b>01</b>	Page <b>3/74</b>
--------------------------------	--------------------	---------------------	---------------------