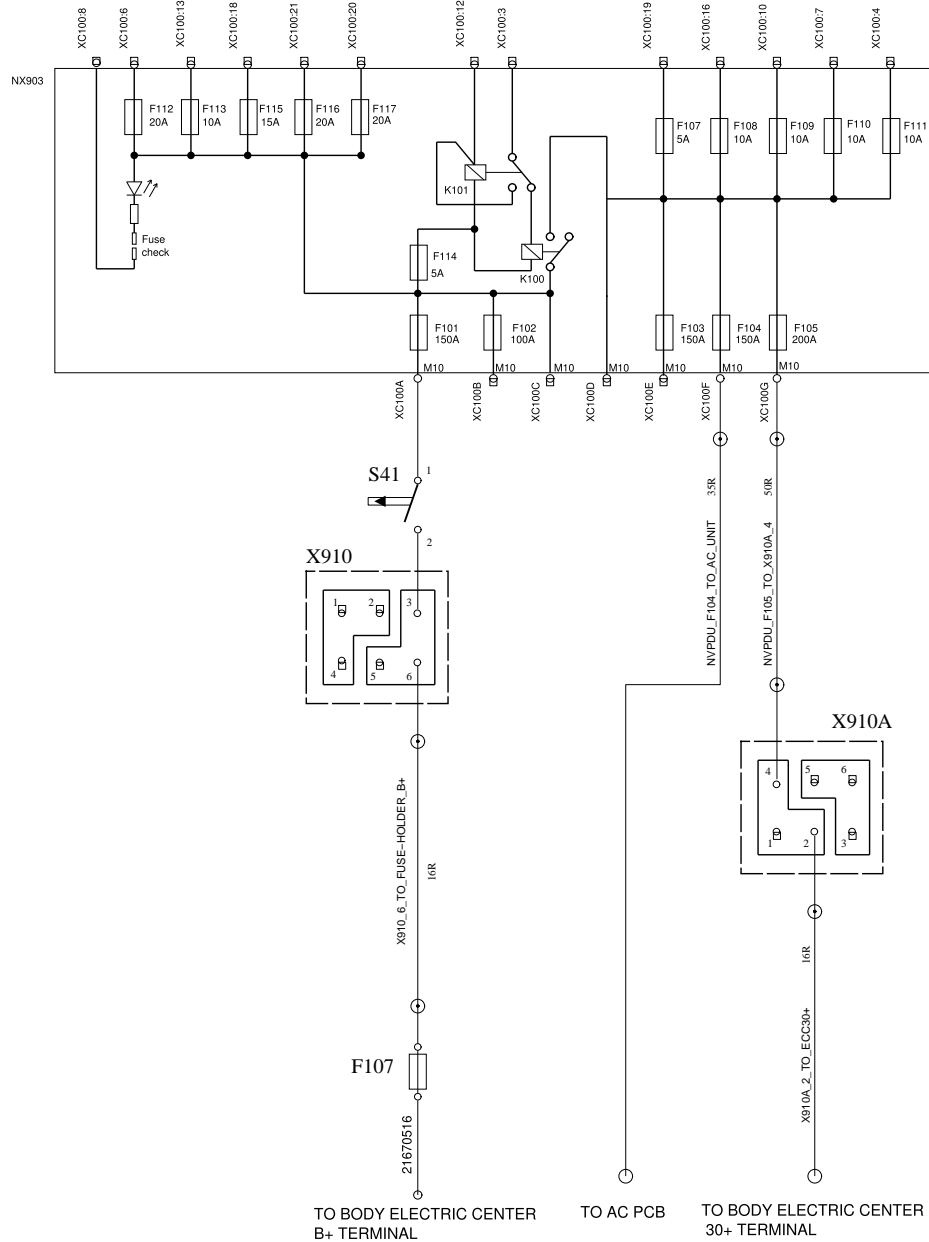


AC FRONT NVPDU

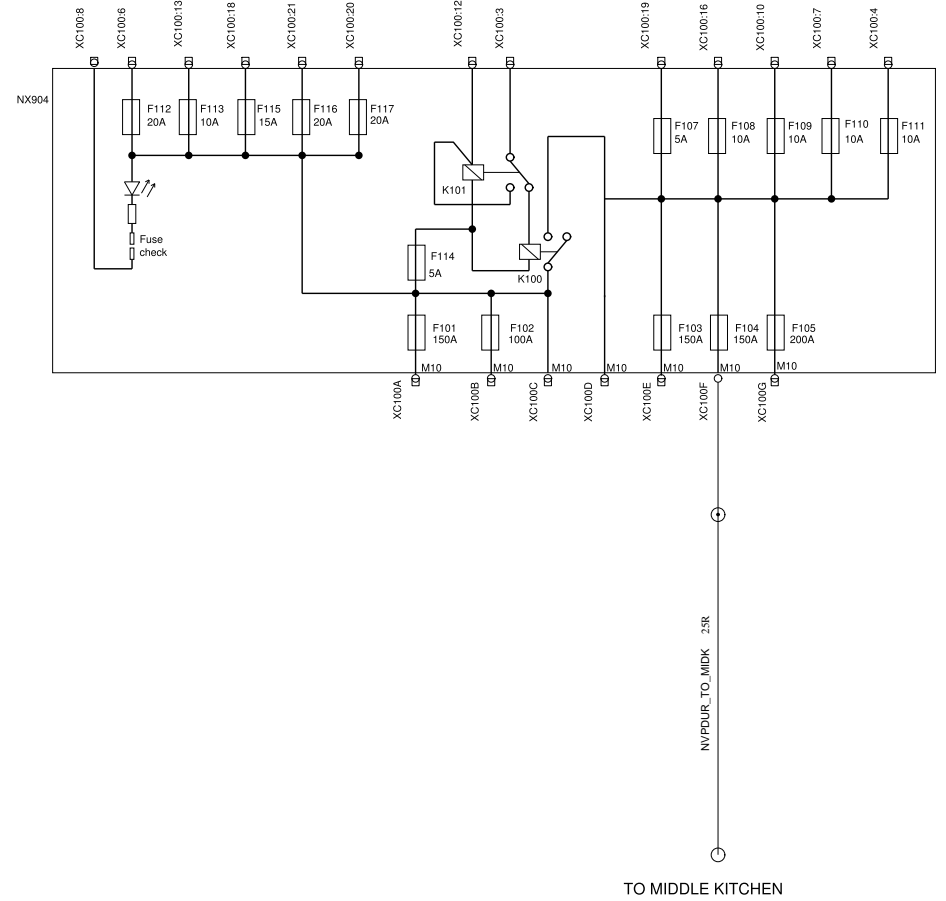


TO BODY ELECTRIC CENTER B+ TERMINAL

TO AC PCB

TO BODY ELECTRIC CENTER 30+ TERMINAL

REAR NVPDU



TO MIDDLE KITCHEN