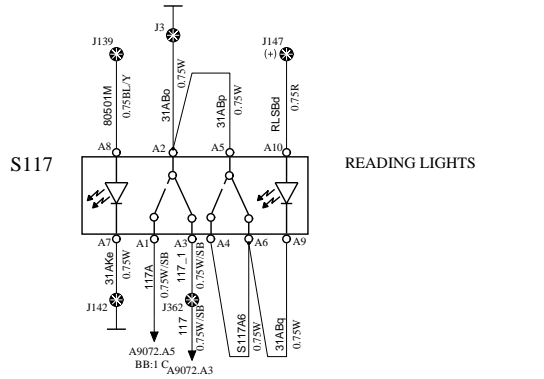


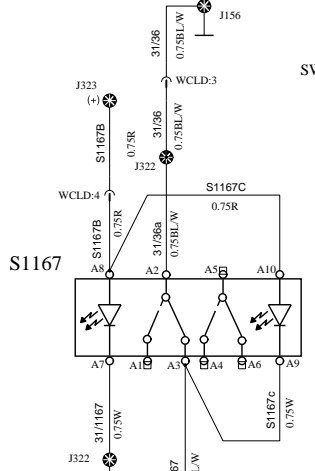
READING LIGHTS PASSENGER AND WCL

CC

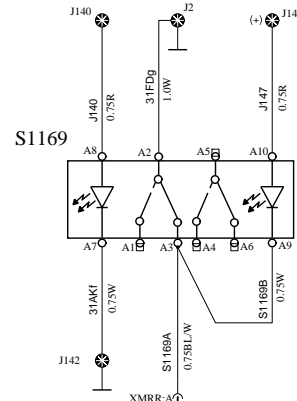
WIRING DIAGRAM



SWITCH, READING LIGHT WCL DOOR



SWITCH, WCL READING LAMPS DASHBOARD



SWITCH, WCL HOST CALL

