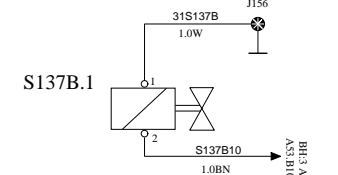
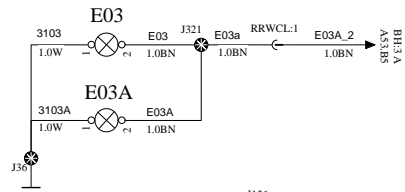
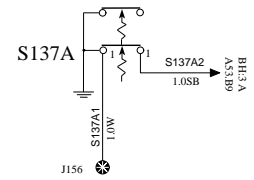
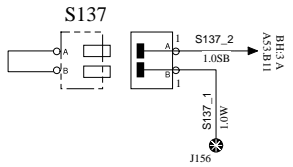
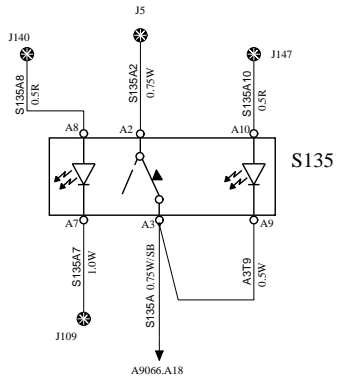


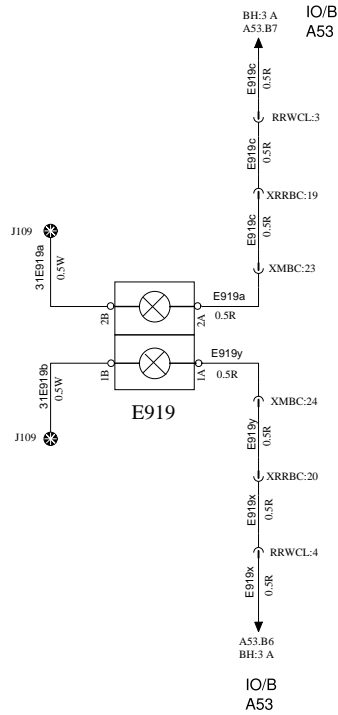
WHEEL CHAIR LIFT

GB

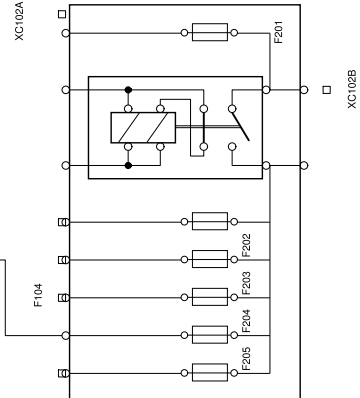
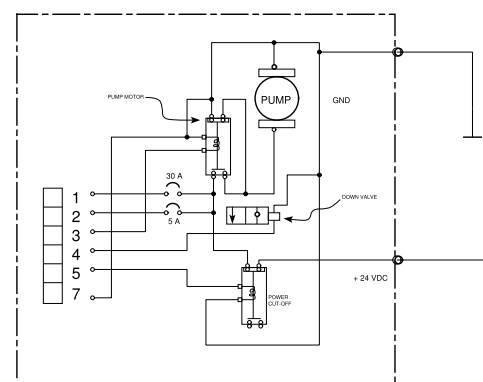
WIRING DIAGRAM



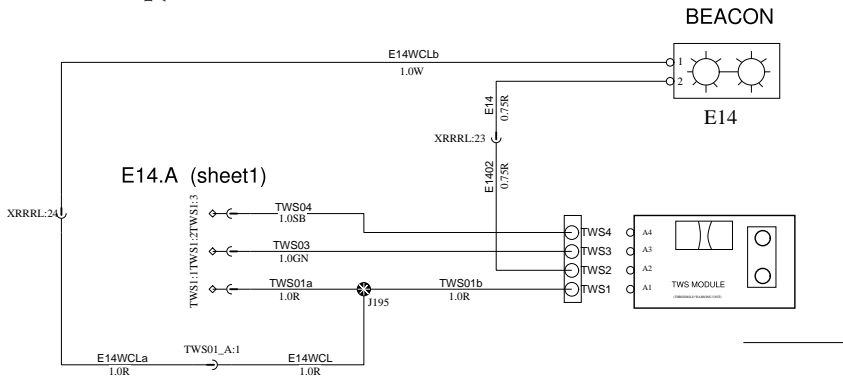
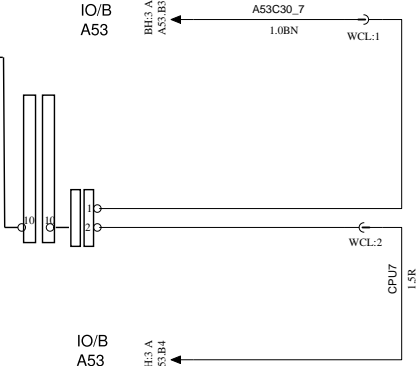
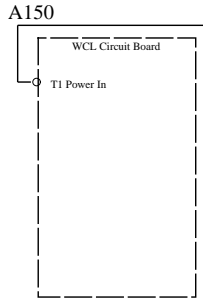
ELECTRICAL HATCH LOCK WHEEL CHAIR LIFT



PUMP ENCLOSURE



ENGINE FUSE BOX



Volvo Bus Corporation

Document title
WIRING DIAGRAM
Document type
PRODUCT SCHEMATIC

Document No	Issue	Volume	Page
22600119	01	01	31/74