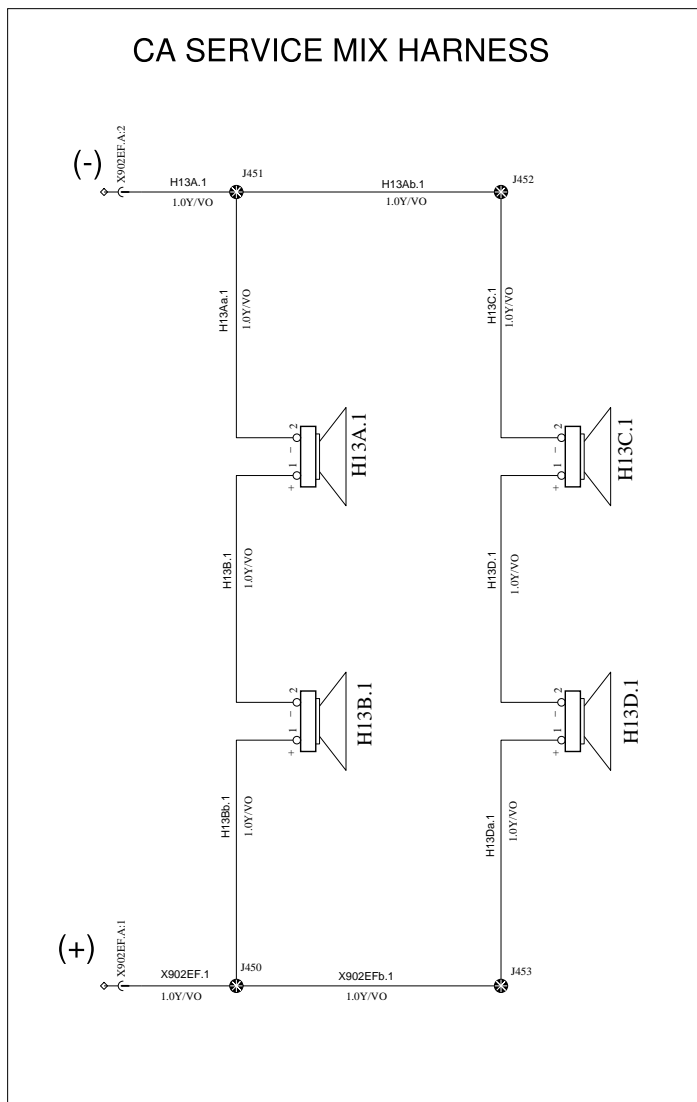


CA SERVICE MIX HARNESS



Volvo Bus Corporation

|                                    |
|------------------------------------|
| Document title<br>WIRING DIAGRAM   |
| Document type<br>PRODUCT SCHEMATIC |

|                             |
|-----------------------------|
| Document No<br><br>22600119 |
|-----------------------------|

|                 |
|-----------------|
| Issue<br><br>01 |
|-----------------|

|                  |
|------------------|
| Volume<br><br>01 |
|------------------|

|                   |
|-------------------|
| Page<br><br>60/74 |
|-------------------|