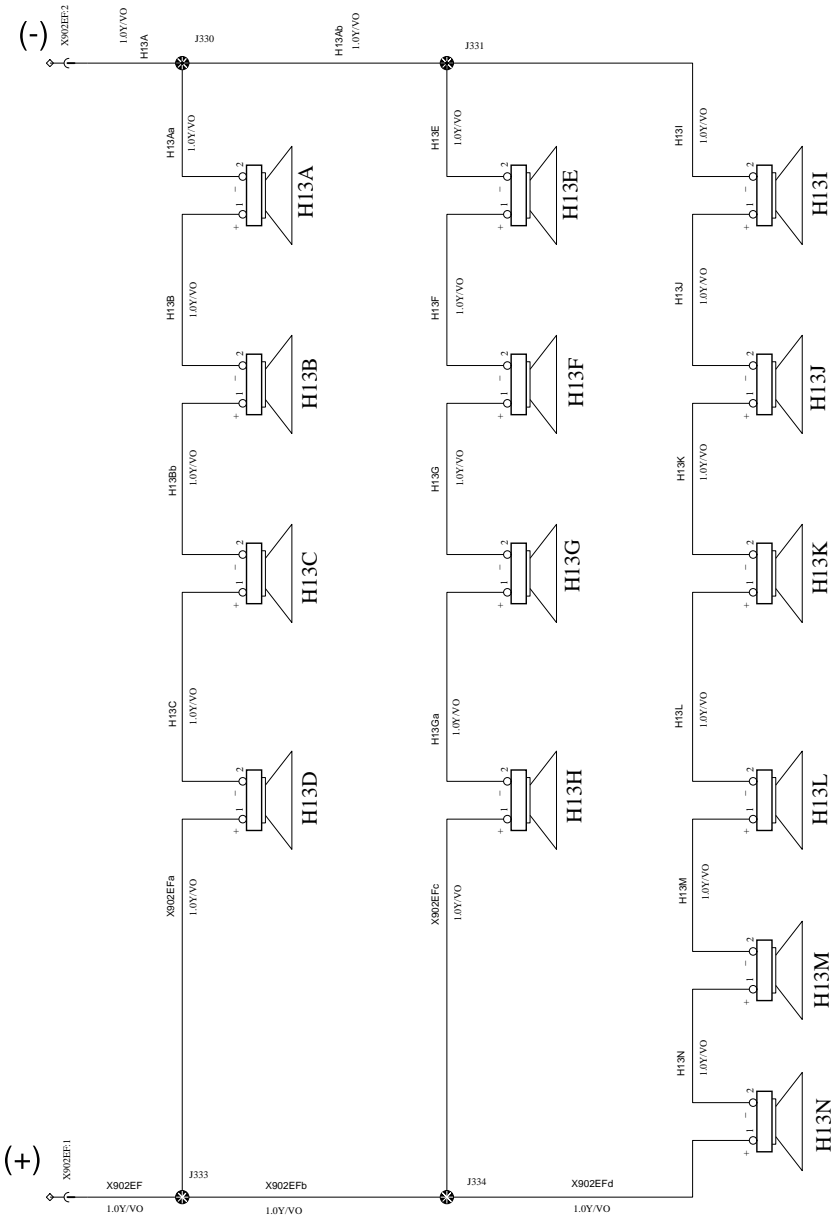


AUDIO LUGGAGE RACK

LF

WIRING DIAGRAM



VOLVO

Volvo Bus Corporation

Document title WIRING DIAGRAM
Document type PRODUCT SCHEMATIC

Document No	Issue	Volume	Page
21894999	02	01	50/65