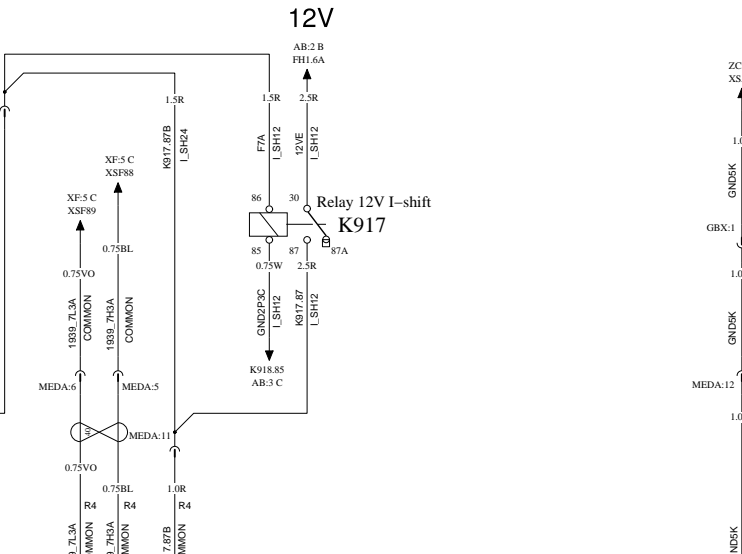
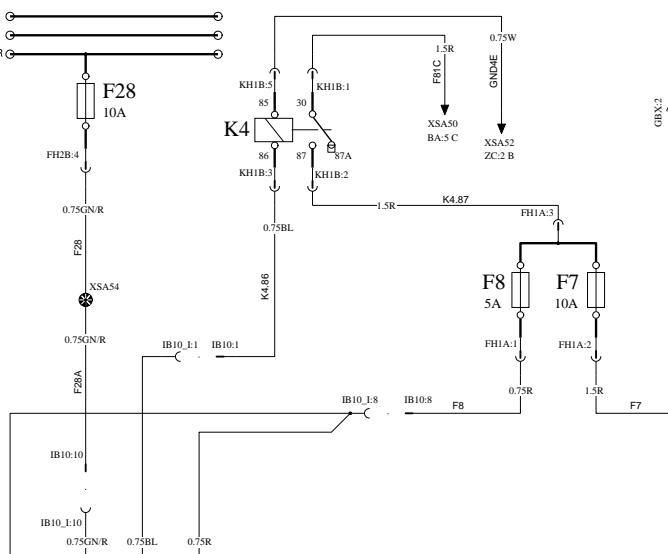


I-SHIFT

WIRING DIAGRAM DN



SEE XC AND XD FOR CAN

SEE XC AND XD FOR CAN

