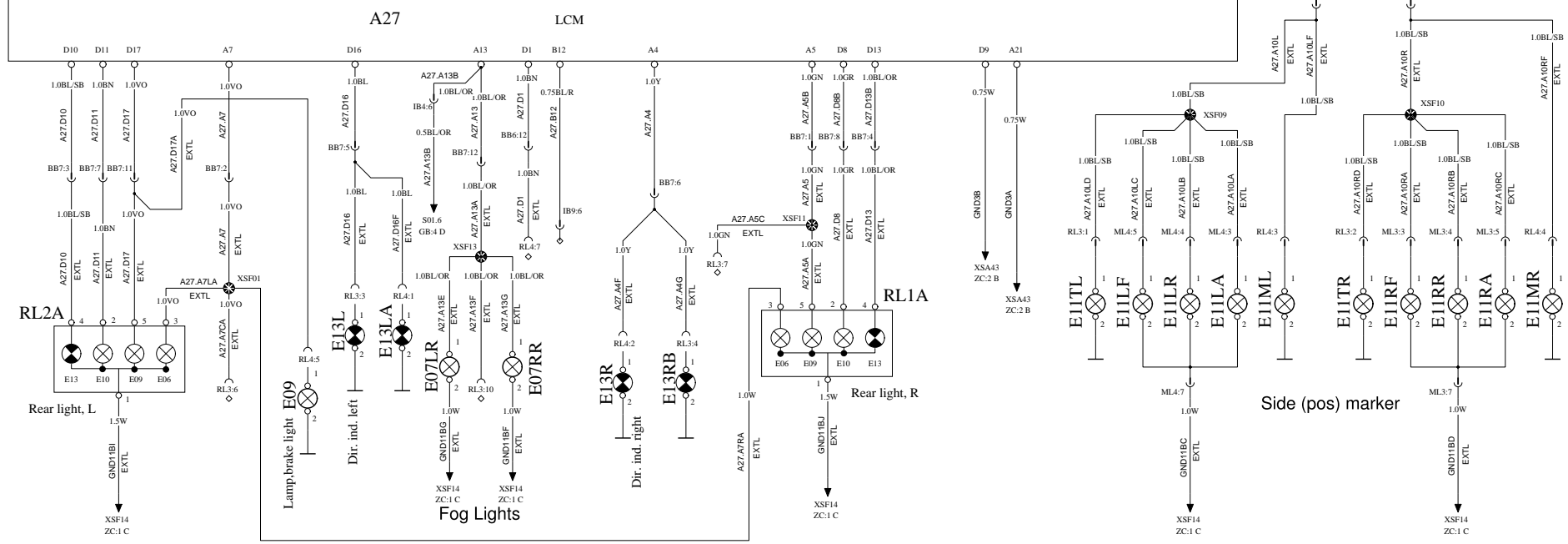
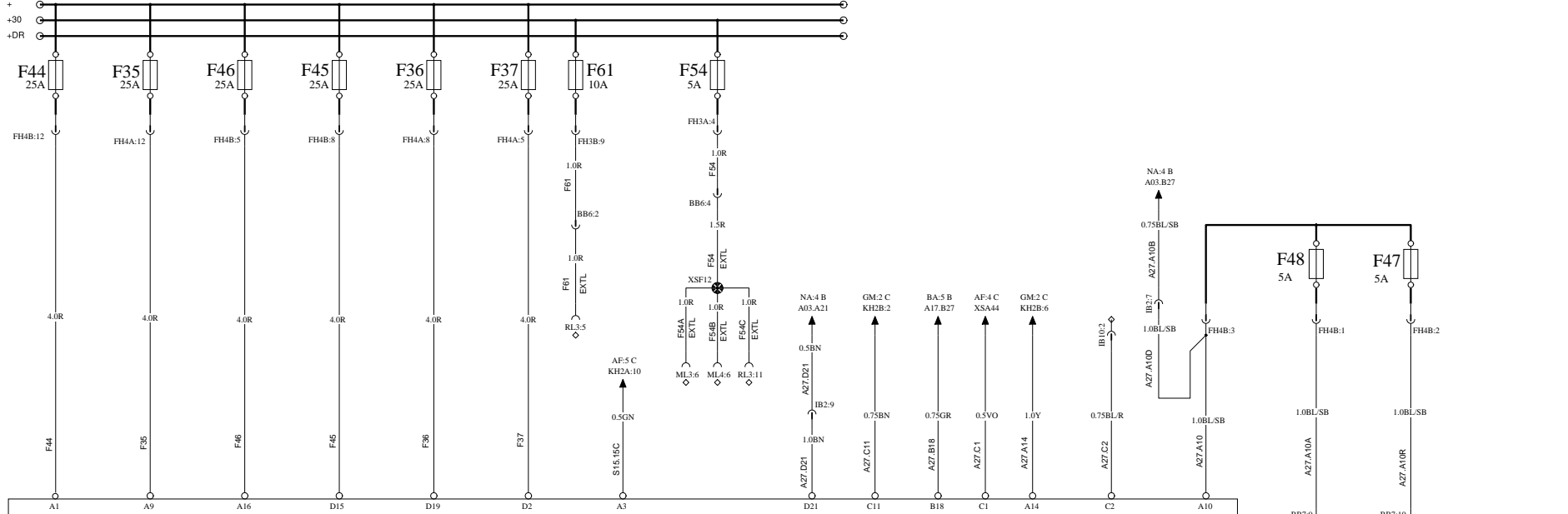


LCM

REAR LIGHTS

WIRING DIAGRAM GA



VOLVO
Volvo Bus Corporation

Document title
WIRING DIAGRAM GA
Document type
PRODUCT SCHEMATIC

Document No
70396509

Issue	Volume	Page
04	01(02)	19(33)