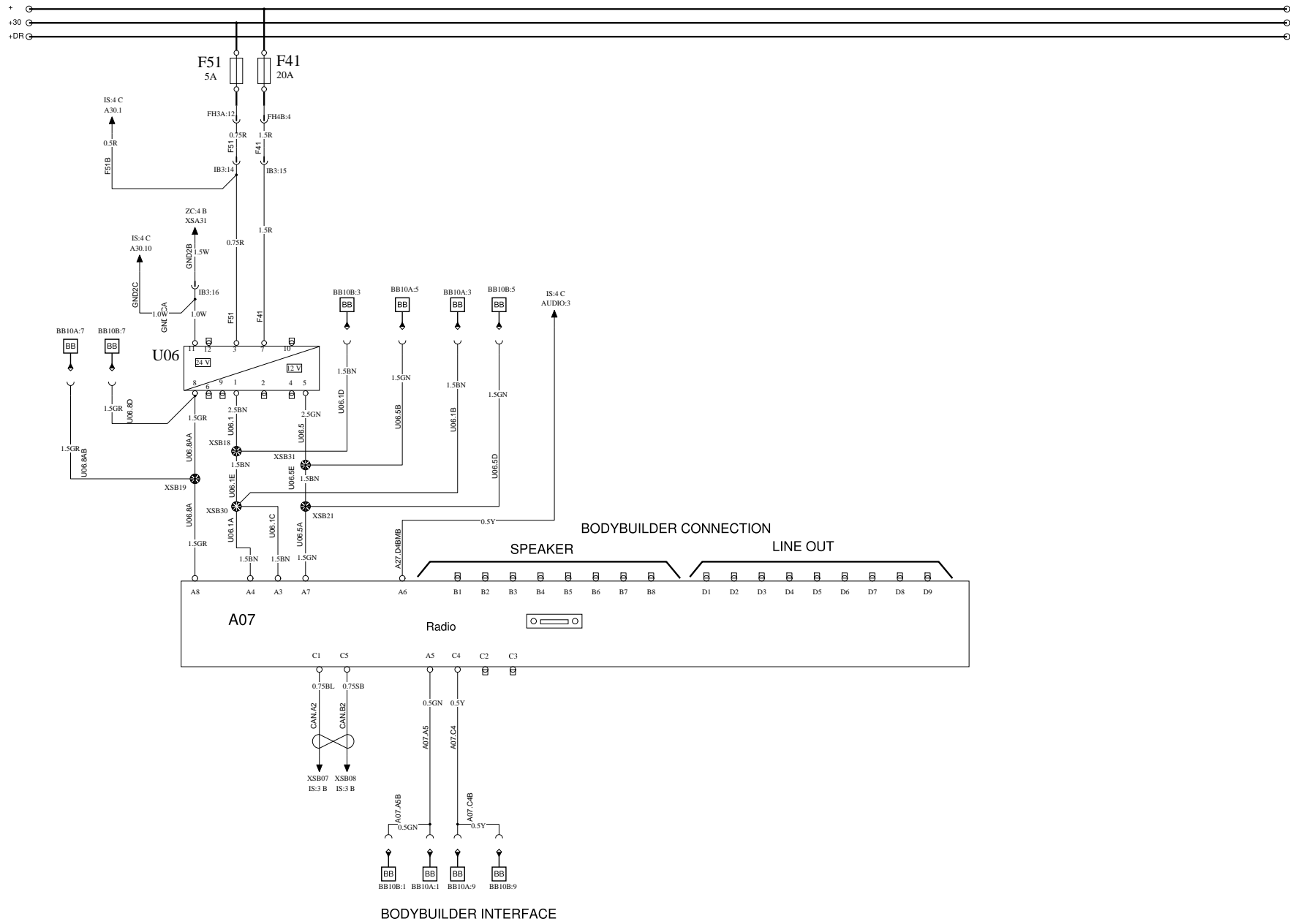


AUDIO

WIRING DIAGRAM IU



VOLVO
Volvo Bus Corporation

Document title WIRING DIAGRAM IU
Document type PRODUCT SCHEMATIC

Document No 70396509	Issue 04	Volume 01(02)	Page 25(33)
--------------------------------	--------------------	-------------------------	-----------------------