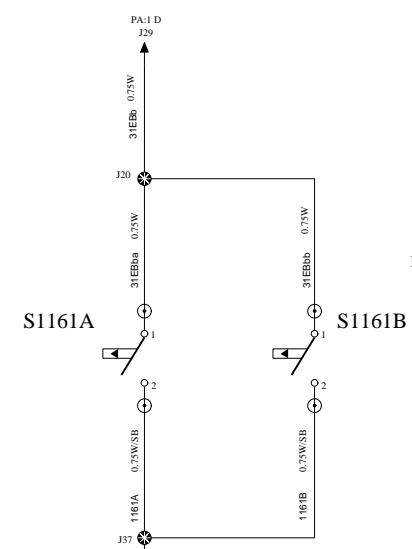
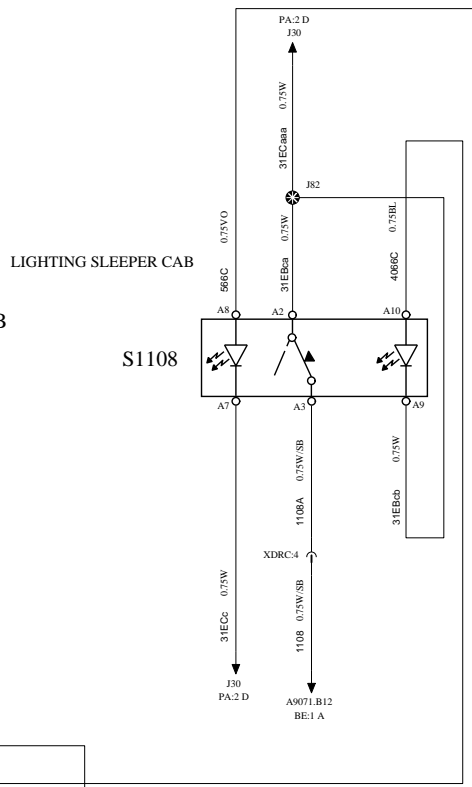


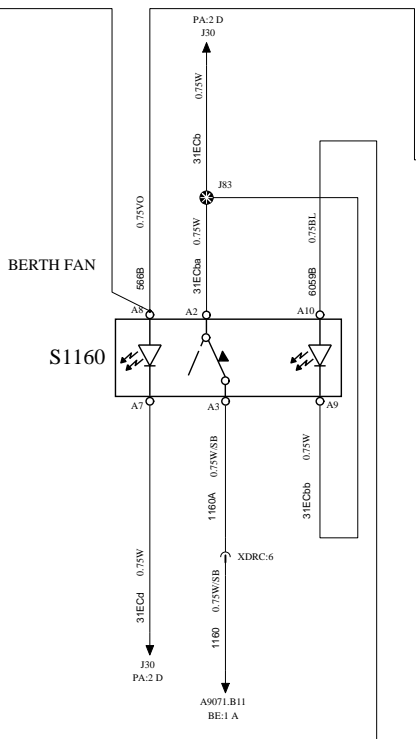
DRC



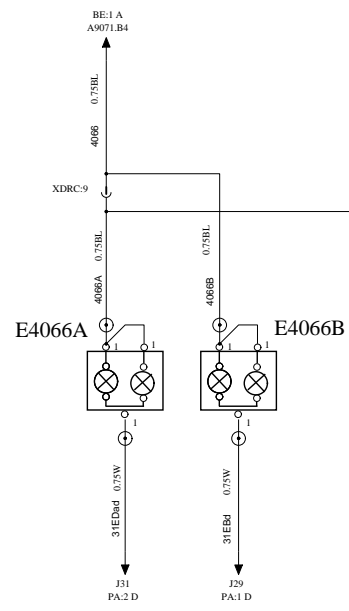
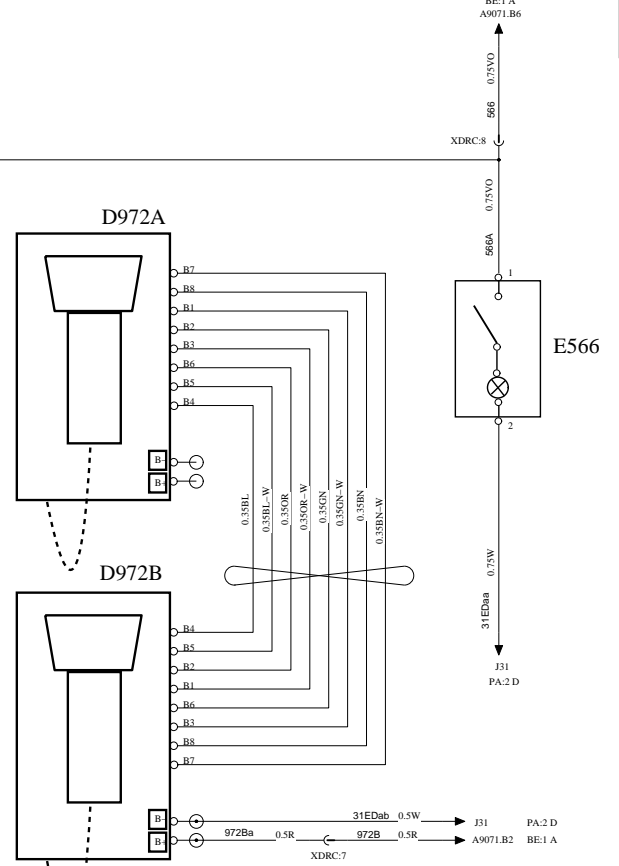
GA



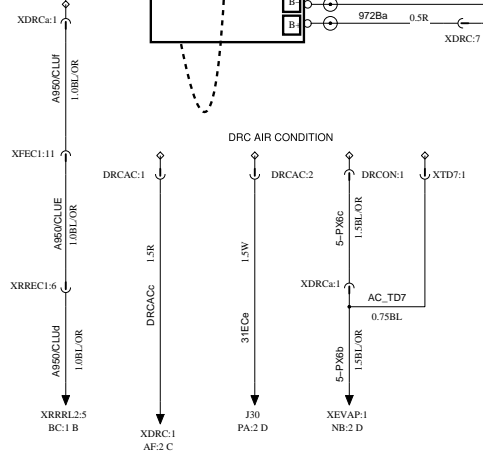
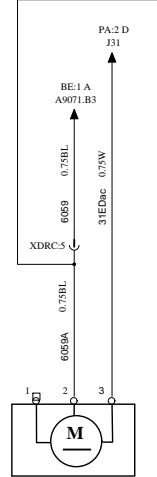
BERTH FAN



WIRING DIAGRAM



M6059



Volvo Bus Corporation

Document title  
WIRING DIAGRAM

Document type  
PRODUCT SCHEMATIC

Document No	Issue	Volume	Page
21250316	01	01	23/47