

TO FR. JCT. PANEL
JCT.#77 SEE P.15

TO WATER PUMP RLY.
FR. JCT. PANEL JCT.#51
SEE P.12 & 13

24V HOT WIRE
FROM RR. JCT. BOX
JCT.#59 SEE P.1

24V IGNITION
FROM FR. JCT. PANEL
BREAKER CB31
SEE P.5

24V HOT WIRE
FROM FR. JCT. PANEL
JCT.# 61
SEE P.5

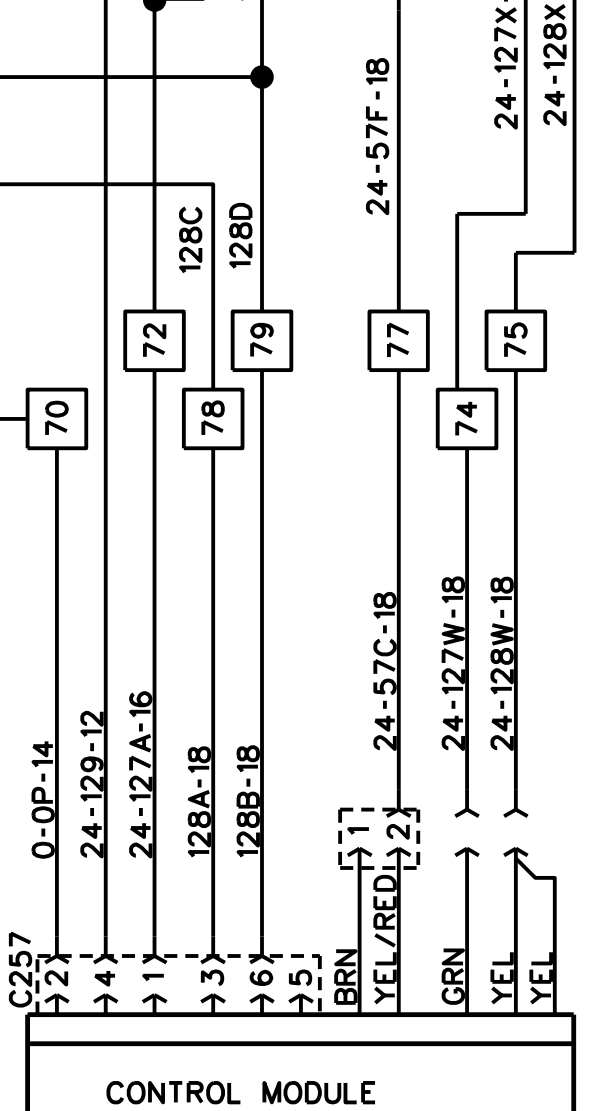
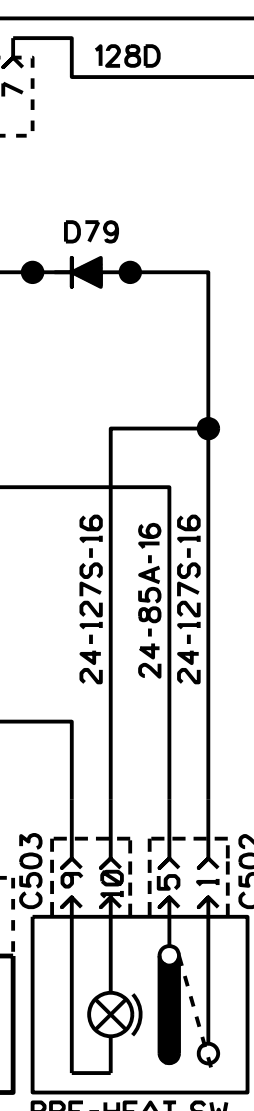
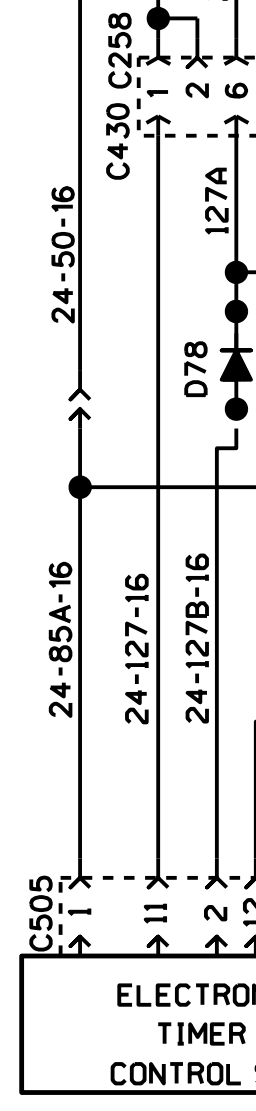
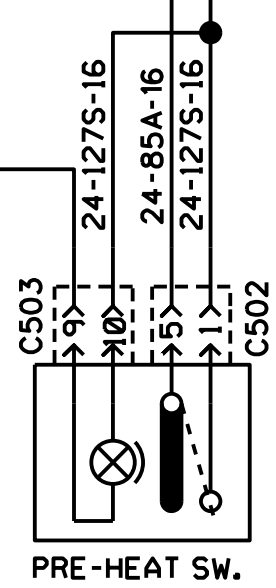
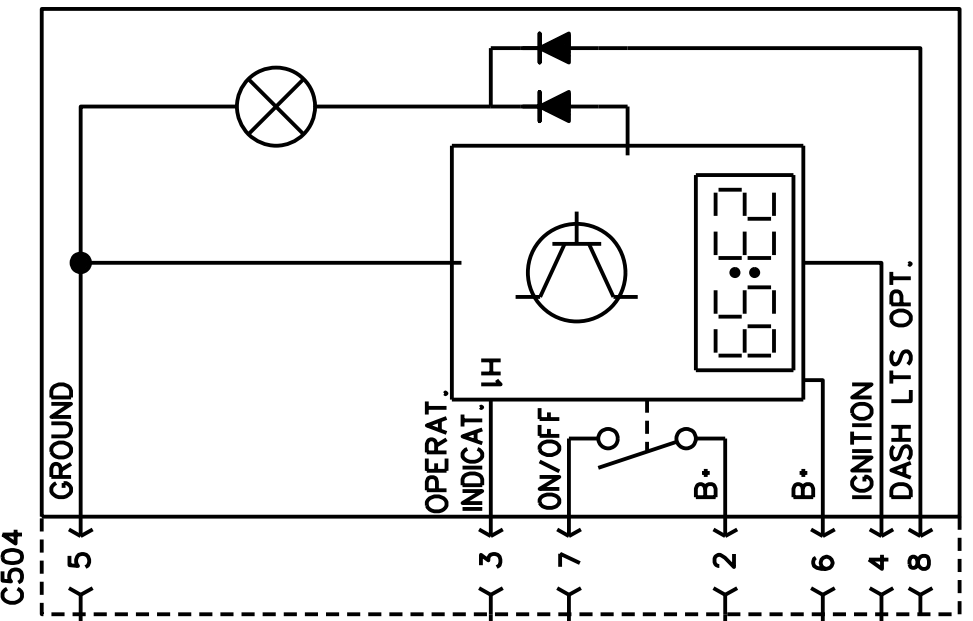
24V HOT WIRE
FROM FR. JCT. PANEL
JCT.# 61
SEE P.5

24V HOT WIRE
FROM RR. JCT. BOX
JCT.#59 SEE P.1

TO FR. JCT. PANEL
JCT.#77 SEE P.15

TO WATER PUMP RLY.
FR. JCT. PANEL JCT.#51
SEE P.15

WEBASTO TIMER



ELECTRICAL MODULE WEBASTO 2020 (24V)

CHASSIS GROUND

PRE-HEAT WATER HEATER WEBASTO 2020

CHASSIS GROUND

ELECTRICAL MODULE WEBASTO 2020 (24V)

CHASSIS GROUND

PRE-HEAT WATER HEATER ESPAR

CHASSIS GROUND