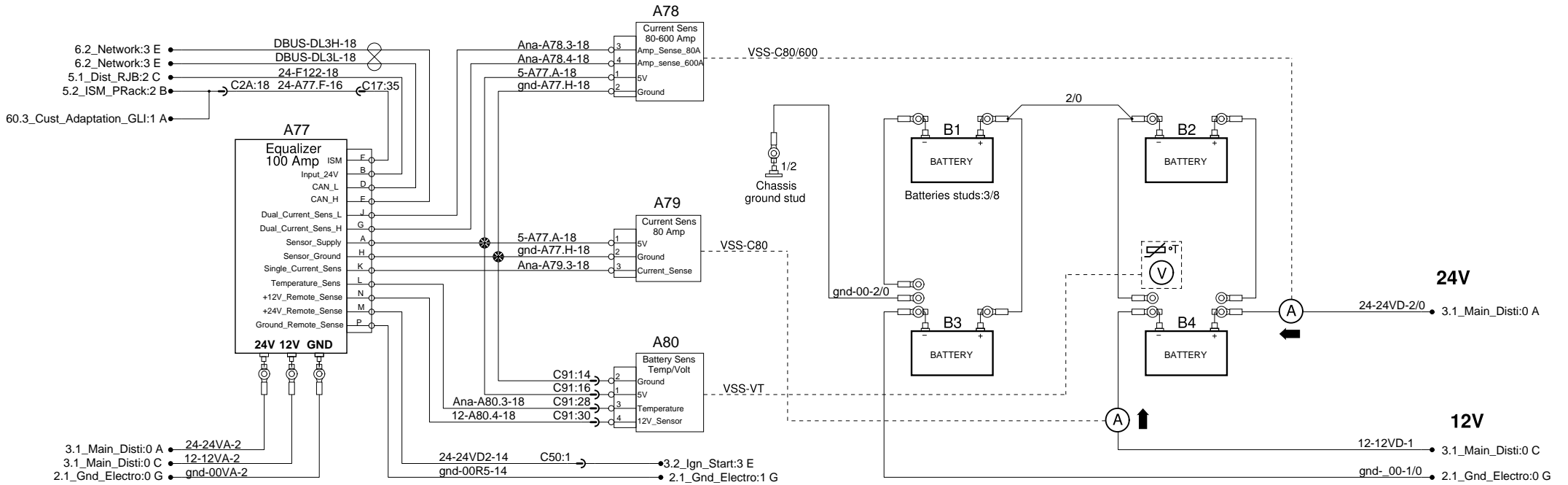


# Batteries and alternators



## RJB Fan

