

0

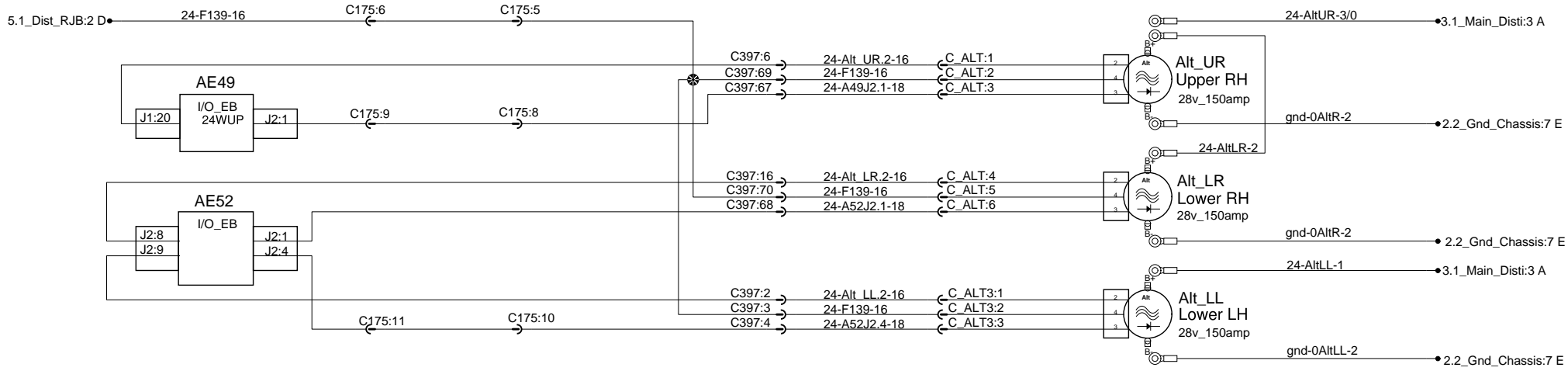
1

2

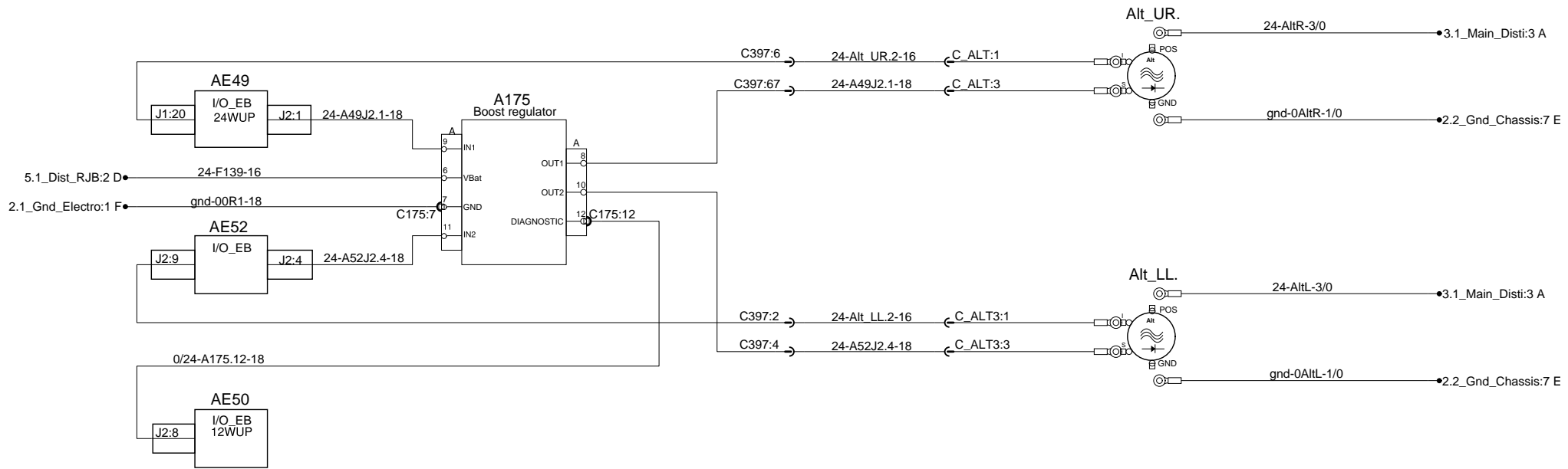
3

4

Alternators Bosch



Alternators Remy



0

1

2

3

4