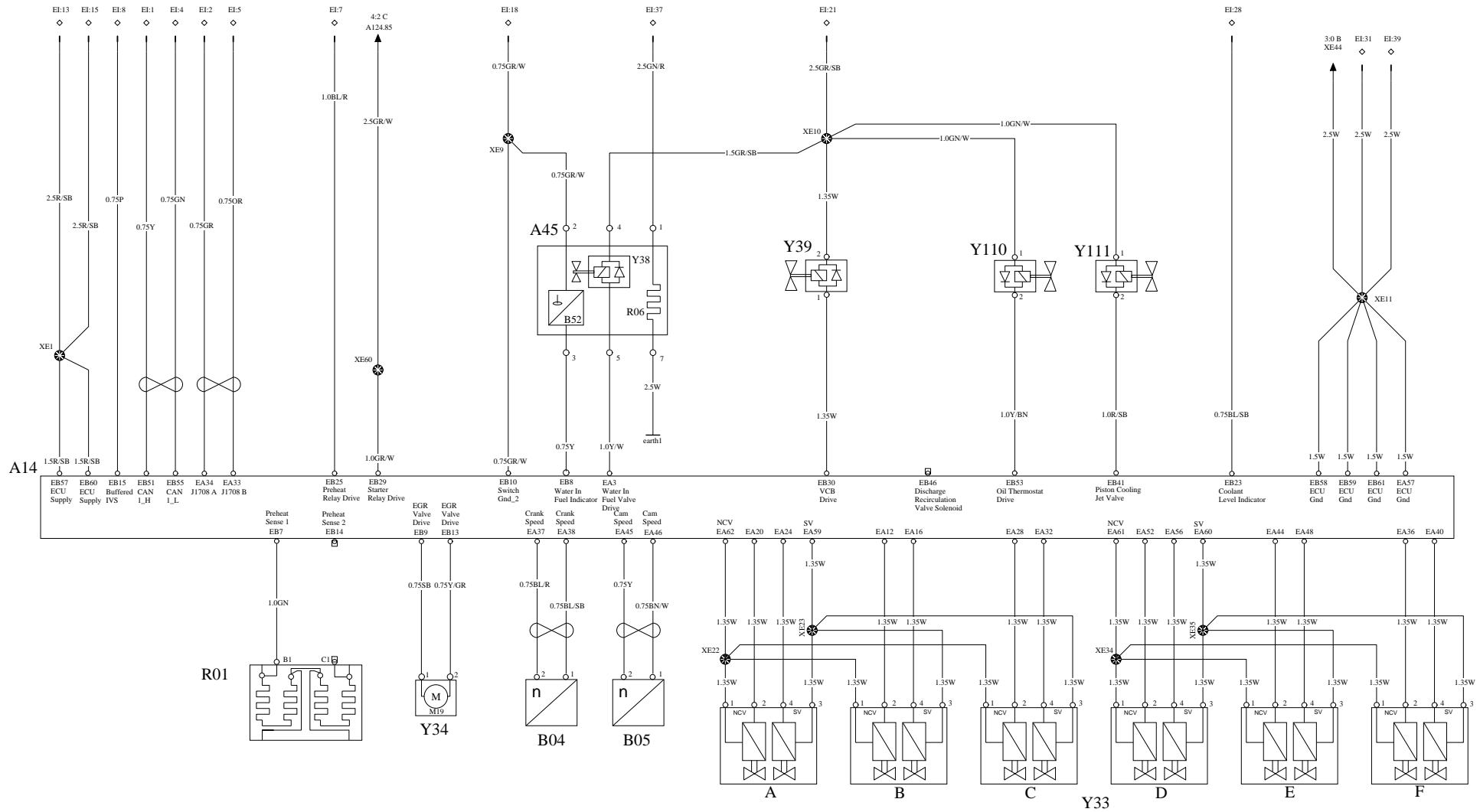


Engineering Release Notice (ERN)	Location	Change Description	A = Added D = Deleted	W = Was	Document Release Status RELEASED
					Date Modification Count

--	--	--	--	--	--

<p>The copying, distribution and utilization of this document as well as the communication of its contents to others without expressed authorization is prohibited. Offenders will be held liable for payment of damages. All rights reserved in the event of the grant of a patent, utility model or ornamental design registration.</p>	<p>Document Title WIRING DIAGRAM HDE13 US10 PREVOST</p>
---	--

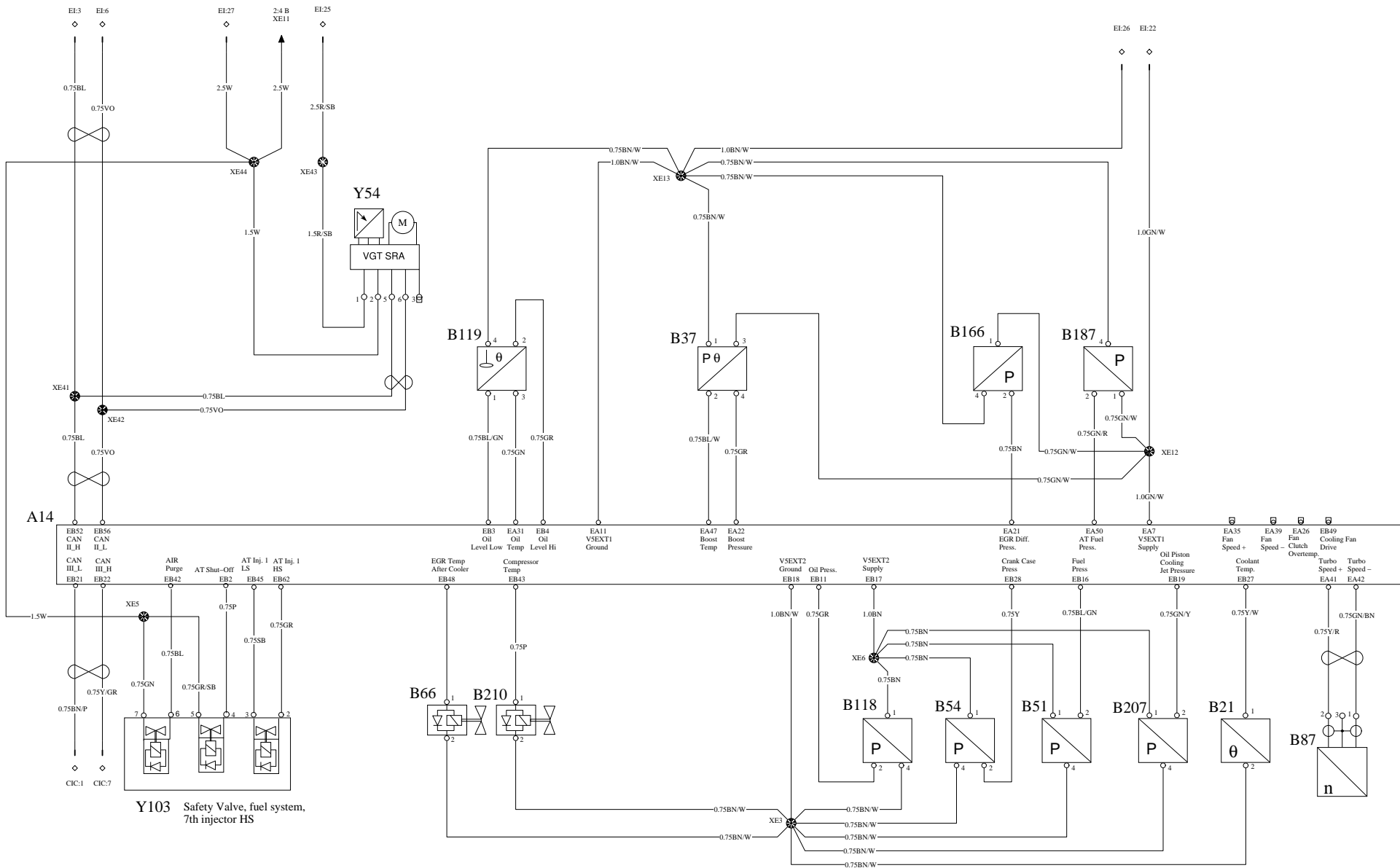
<p>VOLVO</p> <p>Volvo Powertrain Corporation</p>	<p>EDM-W 2000-04-01</p>	<p>Document Type INSTALLATION REQUIREMENT</p>			
		<p>Owner Domain: Document Prefix</p>			
		<p>Document No 21357389</p>	<p>Issue Index 07</p>	<p>Volume No 01</p>	<p>Page No 1(6)</p>



ENGINE

HDE13 US10 PREVOST

WIRING DIAGRAM



Document title
WIRING DIAGRAM
 Document type
INSTALLATION REQUIREMENT

Document No
21357389

Issue	Volume	Page
07	01	3(6)

ENGINE

HDE13 US10 PREVOST

WIRING DIAGRAM

A

A

B

B

C

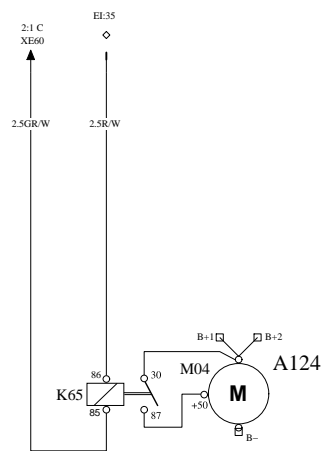
C

D

D

E

E



VOLVO
Volvo Powertrain

Document title
WIRING DIAGRAM

Document type
INSTALLATION REQUIREMENT

Document No
21357389

Issue
07

Volume
01

Page
4(6)

Symbol	Description
A14	Control unit, EMS (Engine Management System)
A45	WIF Valve & WIF Indicator (Incl. R06, B52, Y38)
A124	Comp. group engine. (Incl. M04, K65) Stater Motor
B04	Sensor, engine speed, crankshaft
B05	Sensor, engine speed, camshaft
B21	Sensor, coolant temperature, engine
B37	Sensor, boost pressure and boost temperature
B51	Sensor, fuel pressure
B54	Sensor, crankcase pressure
B66	Sensor, EGR temperature aftercooler
B87	Sensor, turbo speed
B118	Sensor, oil pressure
B119	Sensor, oil level and oil temp
B166	Sensor, EGR Differential pressure
B187	Sensor, after treatment fuel pressure
B210	Sensor, compressor discharge temp
B207	Sensor, oil cooling jet pressure
G02	Alternator
M04	Starter motor (Incl. in A124)
M19	Motor, EGR, control valve (Incl. in Y34)
K65	Starter motor relay (Incl. in A124)
R06	Heater, fuel pre filter (Incl. in A45)
Y33	Solenoid valves UI (Unit Injector)
Y34	Actuator, EGR system (Incl. M19)
Y39	Solenoid valve, VCB (Volvo Compression Brake)
Y54	Control unit, Volvo geometric turbo, Can based
Y103	Safety Valve, fuel system
Y110	Solenoid valve, oil thermostat
Y111	Solenoid valve, oil piston cooling jet

EDM-W 2000-04-01

VOLVO
Volvo Powertrain Corporation

Document Title WIRING DIAGRAM			
Document Type INSTALLATION REQUIREMENT			
Document No 21357389	Issue Index 07	Volume No 01	Page No 5(6)

Vehicle Interface EI

Pin	Function
EI:1	CAN I (H)
EI:2	J1708 (A)
EI:3	CAN II (H)
EI:4	CAN I (L)
EI:5	J1708 (B)
EI:6	CAN II (L)
EI:8	IVS
EI:13	Power supply for A14
EI:15	Power supply for A14
EI:18	Switch ground, coolant level
EI:21	Power supply for Y37, Y38 & Y39
EI:22	Power supply for external sensors (+5V)
EI:25	Power supply VGT
EI:26	GND for external sensors
EI:27	GND
EI:28	Signal, coolant level
EI:31	GND
EI:35	Starter control
EI:37	Power supply for R10
EI:39	GND

CIC#1, CANIII Interface Connector

CIC1:	CANIII (L)
CIC7:	CANIII (H)

VOLVO

Volvo Powertrain Corporation

Document Title

WIRING DIAGRAM

Document Type

INSTALLATION REQUIREMENT

Document No

21357389

Issue Index

07

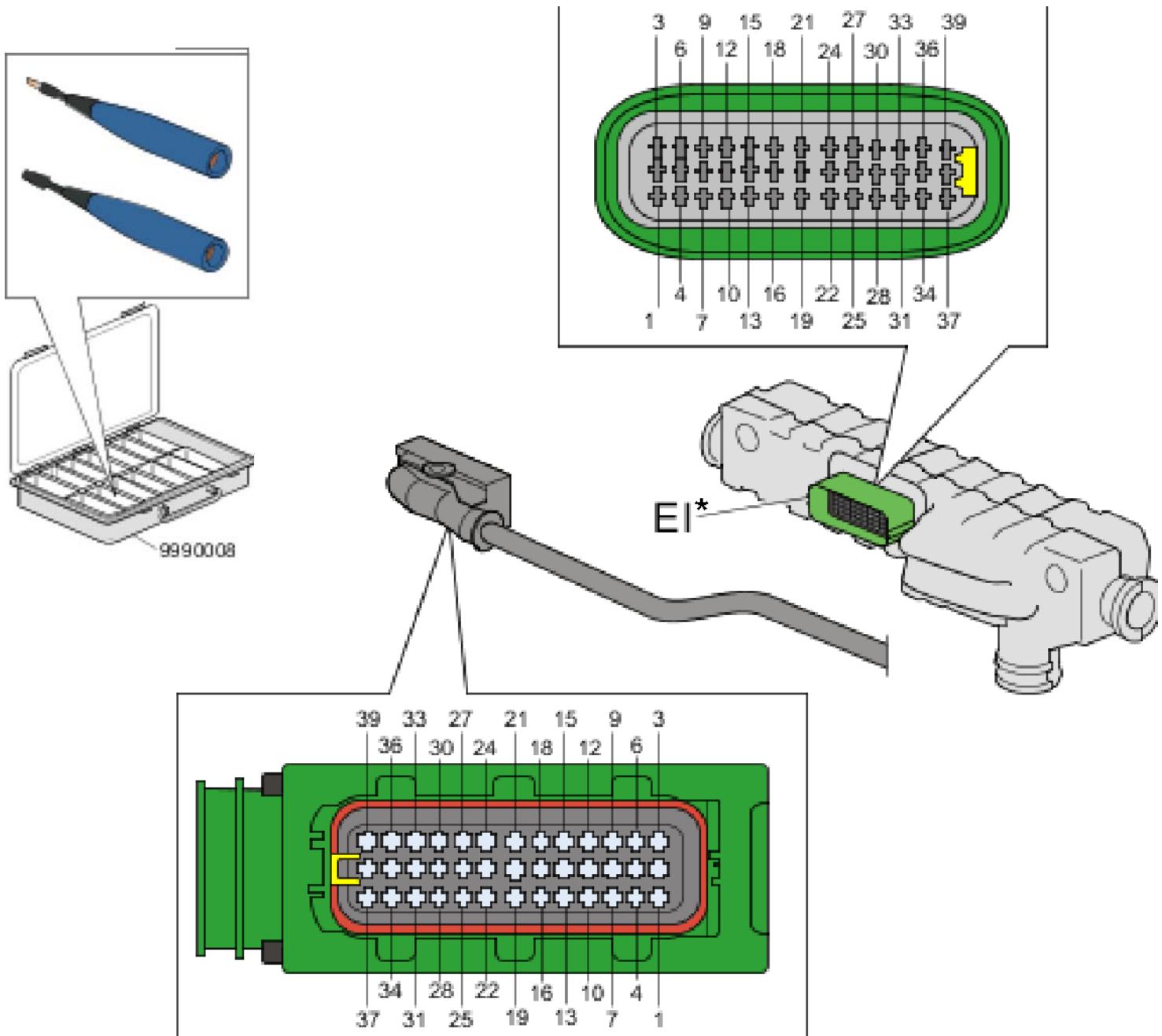
Volume No

01

Page No

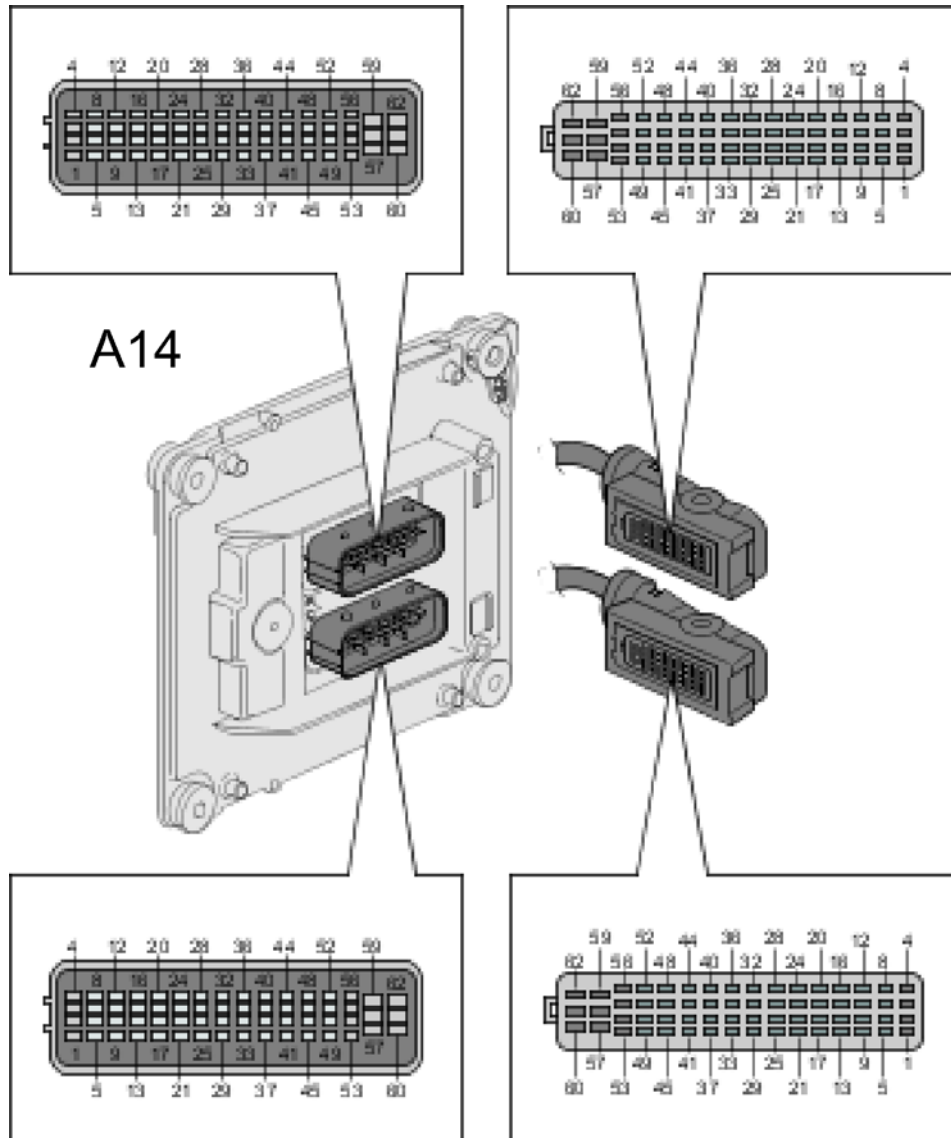
6(6)

EI, Engine Interface, Pin view



*Note: The EI connector is commonly referred to as the A82 engine interface connector

US07, A14, EECU, EA+EB, Pin view



A14

