
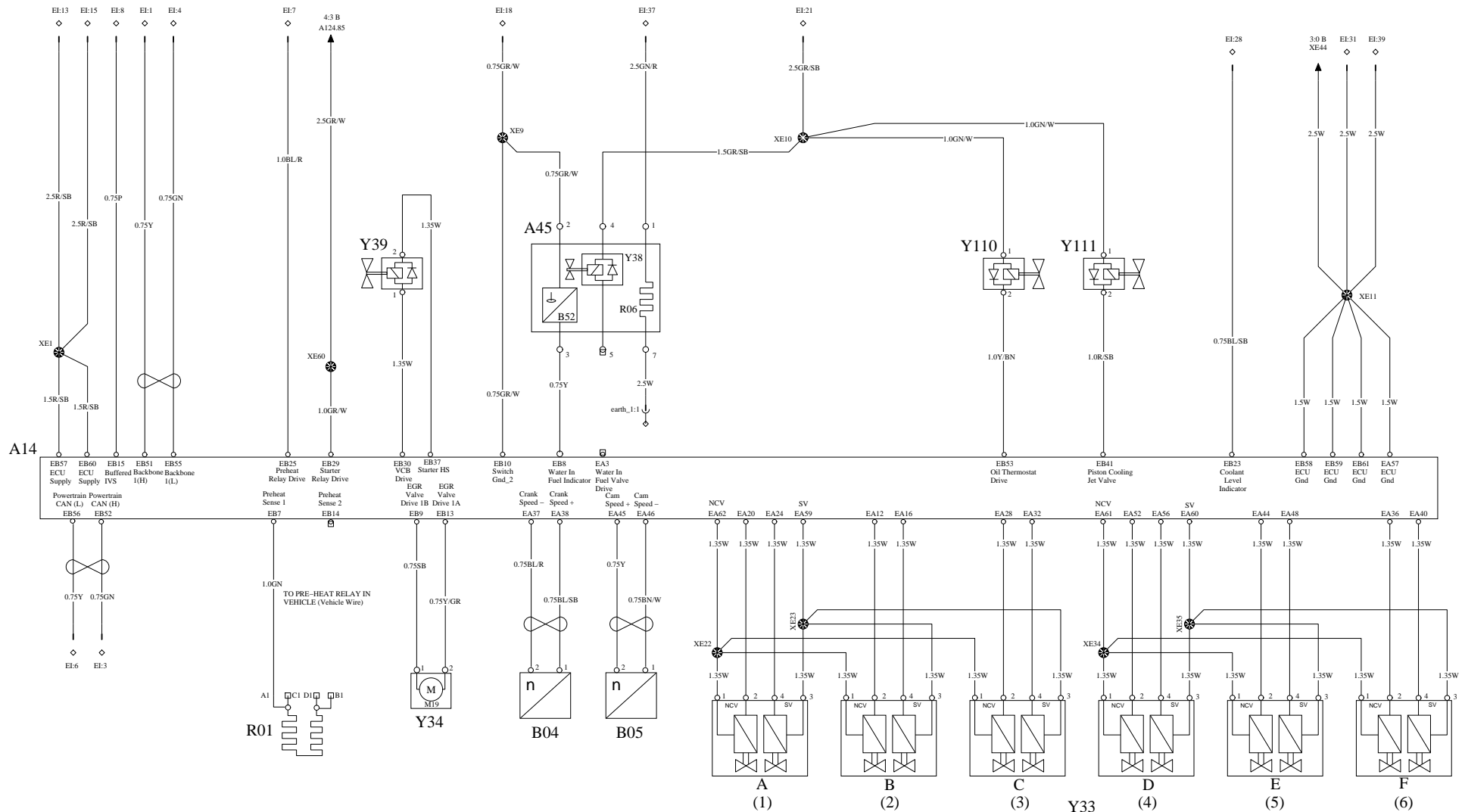


Engineering Release Notice (ERN)	Location	Change Description	A = Added D = Deleted	W = Was	Document Release Status RELEASED
					Date Modification Count

--	--	--	--	--	--

<p>The copying, distribution and utilization of this document as well as the communication of its contents to others without expressed authorization is prohibited. Offenders will be held liable for payment of damages. All rights reserved in the event of the grant of a patent, utility model or ornamental design registration.</p>	<p>Document Title WIRING DIAGRAM US14 P3173</p>
---	--

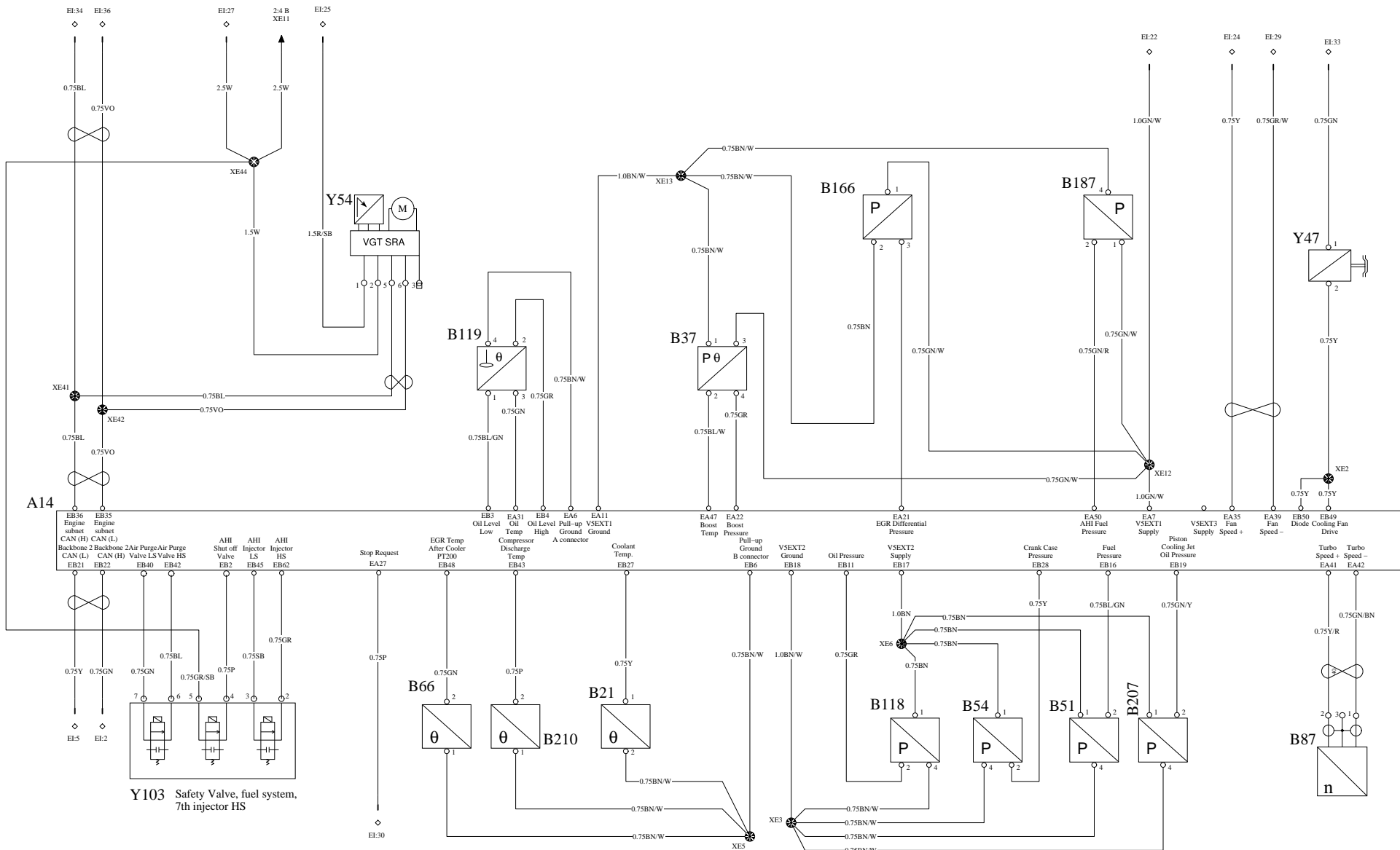
	<p>Document Type INSTALLATION REQUIREMENT</p>			
	<p>Owner Domain: Document Prefix</p>			
	<p>Document No 21798305</p>	<p>Issue Index 03</p>	<p>Volume No 01</p>	<p>Page No 1(6)</p>



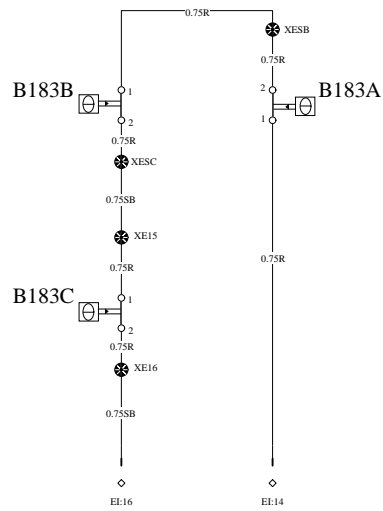
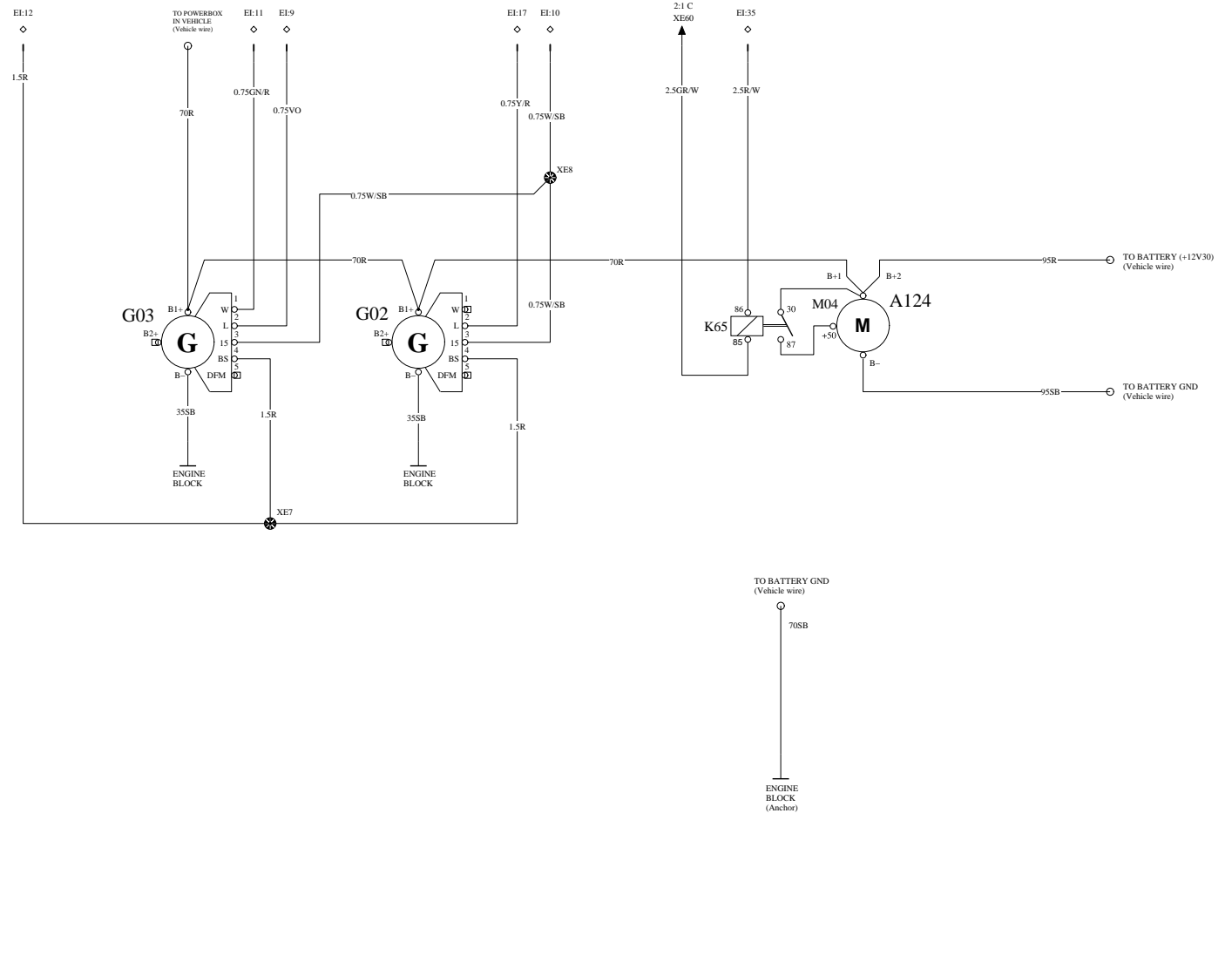
ENGINE

US14 VBC

WIRING DIAGRAM



<p>Group Trucks Technology</p>	Document title	Document No	Issue	Volume	Page
	WIRING DIAGRAM	21798305	03	01	3(6)
	Document type				
	INSTALLATION REQUIREMENT				



<p>Group Trucks Technology</p>	Document title WIRING DIAGRAM		Document No 21798305	Issue 03	Volume 01	Page 4(6)
	Document type INSTALLATION REQUIREMENT					

Symbol	Description
A14	Control unit, EMS (Engine Management System)
A43	Electronic fan control (Incl. B32, Y35)
A45	Fuel conditioner (Incl. R10, B52, Y38)
A124	Comp. group starter motor. Contains M04 and K65
B04	Sensor, engine speed, crankshaft
B05	Sensor, engine speed, camshaft
B187	Sensor, after treatment fuel pressure
B118	Sensor, oil pressure
B119	Sensor, oil level and oil temp
B21	Sensor, coolant temperature, engine
B37	Sensor, boost temperature, boost pressure (EGR Mixer position)
B51	Sensor, fuel pressure
B54	Sensor, crank case pressure
B66	Sensor, EGR temperature
B87	Sensor, turbo speed
B207	Sensor, oil cooling jet pressure
B210	Sensor, compressor discharge temp
B166	Sensor, EGR Differential pressure
G02	Alternator
M04	Starter motor (Included in A124)
K65	Starter motor relay (Included in A124)
R01	Heater, engine preheat
R10	Heater, fuel pre filter (Included in A45)
RLY42	Relay, pre heater
Y103	Safety Valve, fuel system, AT1
Y33	Solenoid valves UI (Unit Injector)
Y34	Actuator, EGR system (Lisk)
Y35	Solenoid valve, engine cooling fan (Included in A43)
G03	Alternator
Y38	Solenoid valve, WIF, fuel pre filter water draining ((Included in A45))
Y39	Solenoid valve, VCB (Volvo Compression Brake)
Y42	Clutch, magnetic air conditioning compressor
Y54	Control unit, Volvo geometric turbo, Can based
B183	Fire sensors
Y110	Solenoid valve, oil thermostat
Y111	Solenoid valve, oil piston cooling jet
X71	GND Stud, Engine block (close to alternator)
B32	Sensor, engine cooling fan speed (included in A43)
B52	Sensor, water level in fuel pre filter (included in A45)

VOLVO

Group Trucks Technology

Document Title

WIRING DIAGRAM

Document Type

INSTALLATION REQUIREMENT

Document No

21798305

Issue Index

03

Volume No

01

Page No

5(6)

Vehicle interface EI

Pin	Function
EI:1	Backbone1-CAN (H)
EI:2	Backbone2-CAN(H)
EI:3	Powertrain subnet CAN(H)
EI:4	Backbone1-CAN (L)
EI:5	Backbone2-CAN(L)
EI:6	Powertrain subnet CAN(L)
EI:8	IVS
EI:9	Alternator- I-engine-running-1
EI:11	Alternator R-speed-1
EI:13	Power supply for EMS
EI:15	Power supply for EMS
EI:18	Switch ground, coolant level
EI:21	Power supply for Y37, Y38, Y39 & A43
EI:22	Power supply for external sensors (+5V)
EI:23	AC compressor control
EI:25	Power supply VGT & Pre heat relay
EI:26	GND for external sensors (c/o EI:22)
EI:27	GND-EMS-extra
EI:28	Signal, coolant level
EI:31	GND-EMS-2
EI:33	EMS Loads Power Supply 1
EI:35	Starter control-HS
EI:37	EMS loads power supply-3 for R10
EI:39	GND-EMS-1
EI:7	VBC - Preheat drive
EI:10	VBC - Alternator control 1
EI:12	VBC - Alternator
EI:14	VBC - switches, heat sensor
EI:16	VBC - switches, heat sensor feedback
EI:17	VBC - Alternator
EI:19	Not used
EI:20	Not used
EI:24	VBC - Fan Speed +
EI:29	VBC - Fan Speed -
EI:30	VBC - Stop Request
EI:32	Not used
EI:34	Engine subnet CAN H
EI:36	Engine subnet CAN L
EI:38	Prevost - Preheat drive