

# WIRING DIAGRAM H5-60

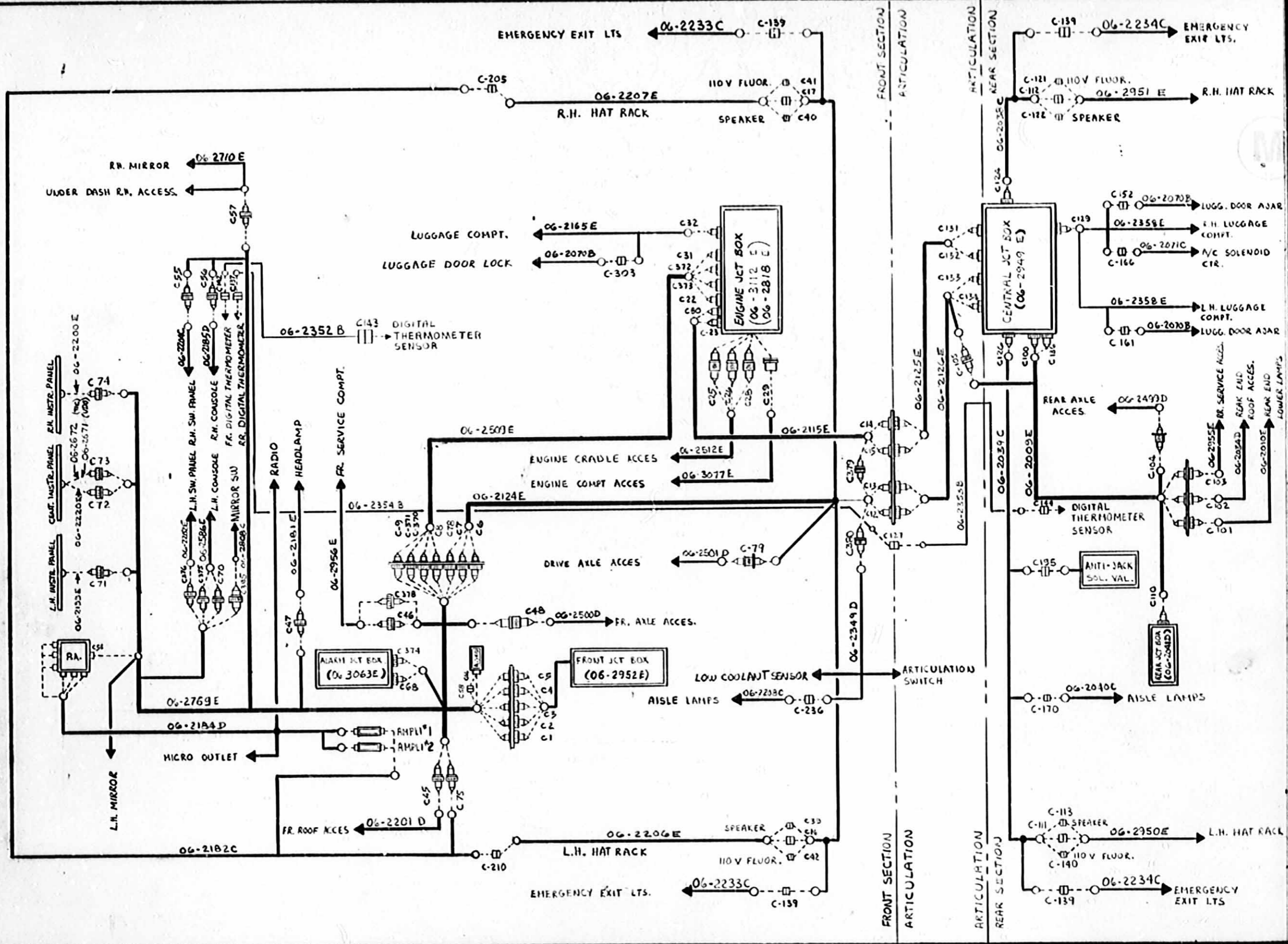
## CODE

HARNESS ARRANGEMENT  
 CABLE ARRANGEMENT  
 SPARE WIRE  
 CIRCUIT BREAKER CODE  
 RELAY CODE  
 DIODE CODE  
 RESISTOR CODE  
 CONNECTOR CODE  
 WIRING DIAGRAM KEY

## INDEX

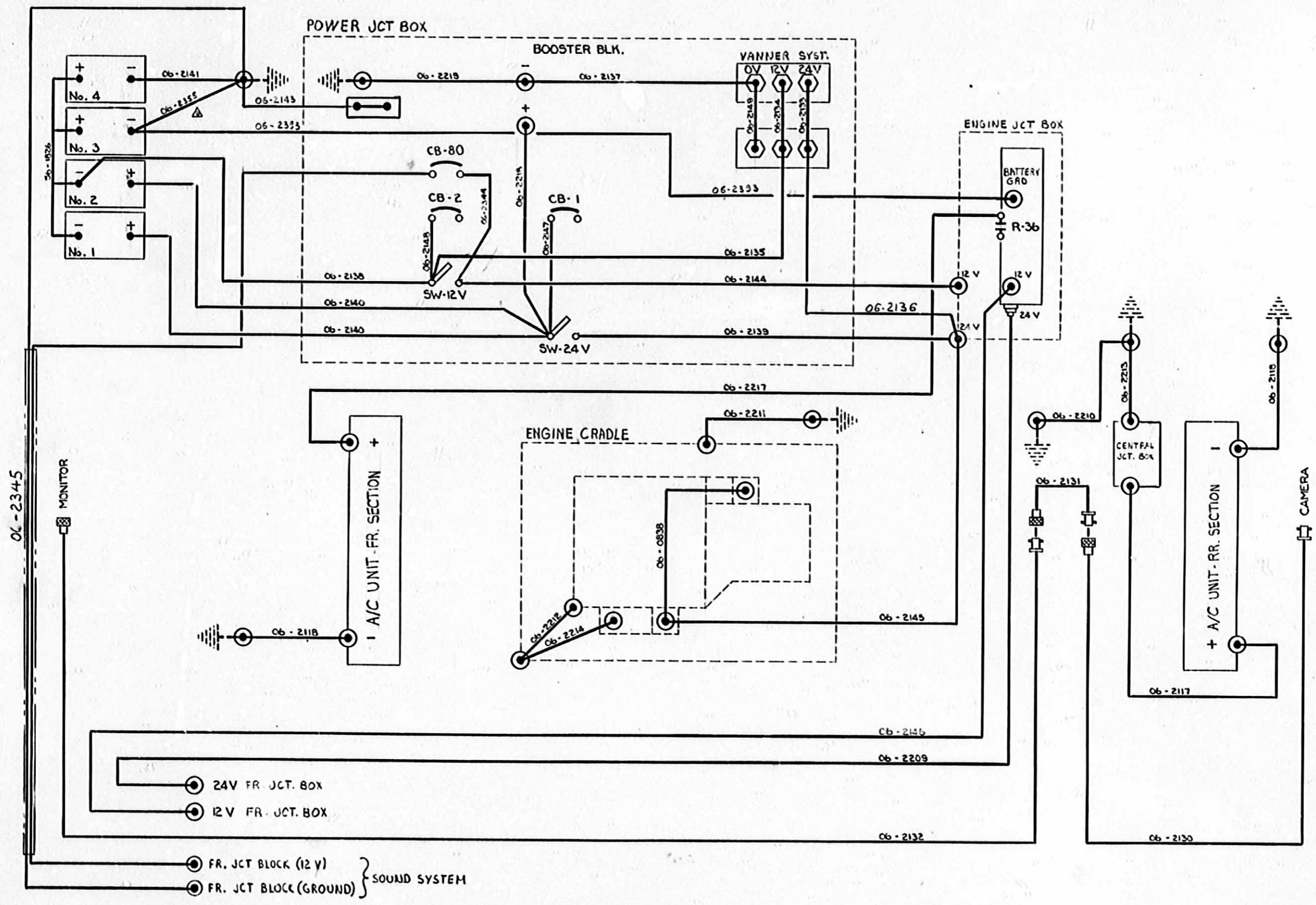
P.A	A/C AND HEAT SYSTEM	P. 11 TO 13	LOW FUEL	P. 16
P.B	AIR DRYER	P. 22	LUGGAGE DOOR LOCK	P. 23
P.C	ALARM & SIGNAL	P. 4	MIRROR-RA VIEW ADJUST. & HEATED	P. 14
P.D	ANTI-SKID	P. 19, 20	PASSENGER CHIME	P. 10
P.E	ARTICULATION BRAKE	P. 22	PRE-HEAT WATER HEATER	P. 1
P.F	ARTICULATION SWITCH & ACCELEROMETER	P. 21	QUICK START	P. 21
P.G	ATEC.	P. 3	RACOR FUEL FILTER	P. 21
P.H	BACK-UP MONITOR	P. 22	RETARDER	P. 3
P.I	CHARGING SYSTEM	P. 1	SOUND SYSTEM	P. 24, P. 24A
	CIGAR LIGHTER	P. 14	SPEEDOMETER	P. 16
	CRUISE CONTROL	P. 2	STORE	P. 15
	DDEC-II	P. 2	TACHOGRAPH	P. 16
	DIFFERENTIAL LOCK	P. 16	TACHOMETER	P. 16
	DIGITAL THERMOMETER	P. 23	UPPER WINDSHIELD DEFROST	P. 17
	DRIVER'S SEAT HEATER	P. 22	UPPER WINDSHIELD (WIPER & WASHER)	P. 17
	DRIVER'S WINDOW	P. 14	WATER TANK HEATER	P. 23
	ENGINE BLOCK HEATER	P. 23	VIDEO SYSTEM	P. 28
	ENGINE CONTROL	P. 1		
	ENTRANCE DOOR CTR. (FRONT & REAR)	P. 18		
	EXTERIOR LIGHTING	P. 4 TO 7		
	FRONT DESTINATION SIGN	P. 15		
	GALLEY (OPTION)	P. 26		
	HOSTESS CHIME	P. 10		
	INTERCOM (OPTION)	P. 25		
	INTERIOR LIGHTING	P. 7 TO 10		
	KNEELING	P. 21		
	LAVATORY	P. 16		
	LOWER WINDSHIELD (WIPER & WASHER)	P. 17		
	C.B. MOTOROLA SYSTEM (OPTION)	P. 27		

					DESCRIPTION:			DR.- M	DATE-90-01
					WIRING DIAGRAM			CK - <i>CC</i>	APPR - <i>[Signature]</i>
ITEM	DATE	REVISION	BY	APPL: EFF W/	L027	PRIOR TO:	REF: H5-60	NO: D-060732	C
C	91-01	P.24B AJOUTEE (VIDEO SYSTEM)	AB						
B	90/11	P.24B ENLEVEE	DT						
A	90/08	P.24B AJOUTEE (SOUND SYSTEM)	M/						



				DESC :	HARNESS ARRANGEMENT		DESS: <i>ML</i>	DATE- 90-06
C	91-02	06-4020A 06-3112 REHRAZE	06-2510	DV			VER- <i>lc</i>	APPR- <i>[Signature]</i>
B	91-01	06-4008E 06-3063 REH. ACE	06-2446	AB				
A	91-10	06-3077 ETAT	06-2821	ML				
ITEM	DATE	REVISION	PAR	APPL: EFF. W/	L-027, L-033, L-034, L-035	REF: H5-60 WESTONS	NO: D-060732 P.A.A C	

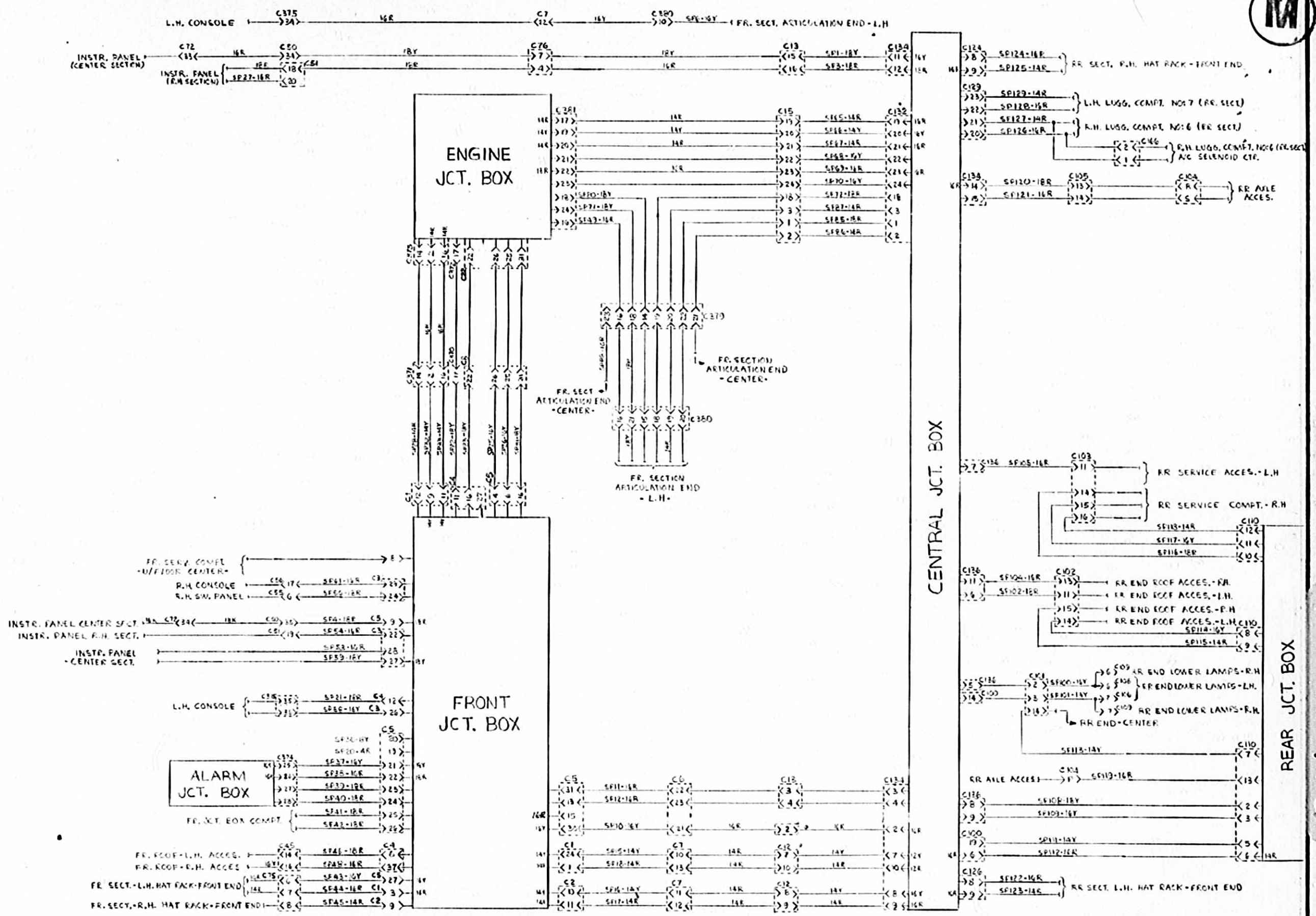




06-2345

DESC :	CABLE ARRANGEMENT	DESS:	DATE- 90-01
APPL: W/ L-027 L-033	REF: HS-60	VER.-	APPR.-
NO: D-060732	p. B	C	

ITEM	DATE	REVISION	PAR
A	91-02	MISE A JOUR	M/A



DESCRIPTION:		DR. - B. C.	DATE - 30-01,
SPARE WIRES		CK. -	APPR. -
APPL: EFF. W/L-027 L-033...		REF: H5-60	NO: D-060732 PC C

ITEM	DATE	REVISION	BY	DESCRIPTION
			B	9/1/01 MISC. & JOUR
			A	9/0/06 MISC. & JOUR

# CIRCUIT BREAKER CODE

M

CIRCUIT BREAKER					
CB#	AMP	VOLT.	DIAG. PAGE	LOCATION	FUNCTION
69	6	24H	16	FR. JCT. BOX	TACHOGRAPH CLOCK
70	3	24i	16	"	LOW FUEL SENSOR & TT LT
71	8	24	16	CENT. JCT. BOX	TOILET PUMP
72	8	"	"	"	TOILET LTS
73	"	"	"	"	TOILET FAN
74	10	24i	17	FR. JCT. BOX	UPPER WIND. DEFROST
75	10	24	15	"	L.H. CONSOLE SWITCH
76	10	24i	17	"	UPPER WIND. WIPER & WASHER
77	8	24	18	"	RR & FR DOOR CONTROL
78	3	12i	3	"	RETARDER SW.
79	8	24	18	CENT. JCT. BOX	RR CTR DOOR
80	30	12	24	POWER JCT. BOX	SOUND SYSTEM
81	16	24	19	FR. JCT. BOX	FR E.C.U. ANTI SKID
82	16	"	19	"	" " "
83	6	24i	19	"	" " "
84	70	12	1	ENG. JCT. BOX	CENTRAL JCT BOX
85	8	24i	8	ENG. JCT. BOX	HATRACK COMPT. LT.
86	6	24	21	FR. JCT. BOX	FEED KNEELING SYSTEM
87	6	24i	21	ENG. JCT. BOX	ARTICULATION SW
88	8	24	22	FR. JCT. BOX	ARTICULATION BRAKE
89	8	24i	"	ENG. JCT. BOX	AIR DRYER
90	6	"	22	FR. JCT. BOX	BACK UP MONITOR CONVERTER
91	8	24i	18	FR. JCT. BOX	SPEED LIMITER SW.
92	6	24i	22	FR. JCT. BOX	DRIVER'S SEAT HEATER / DG. THRM
94	10	12	23	FR. JCT. BOX	LUGGAGE DOOR LOCK
95	15	12	24	"	RADIL
97	6	24	16	CENT. JCT. BOX	aisle LTS.
98	10	12	7	"	BACK-UP LIGHT & BACK-UP ALARM
99	"	"	7	"	BACK-UP LT
100	8	24	9	"	GENERAL LT - REAR SECTION
101	6	"	9	"	24V FLUOR LT - REAR SECTION
102	6	12i	22	"	CAMERA HEATER
103	6	12	16	"	LAV. NIGHT LIGHT
105	6	110	9	MARK JCT. BOX	110-V FLUORESCENT - FR L.H.

CIRCUIT BREAKER					
CB#	AMP	VOLT.	DIAG. PAGE	LOCATION	FUNCTION
106	6	110	23	ALPH JCT. BOX	WATER HEATER TANK
107	20	110	23	"	ENGINE BLOCK HEATER
108	3	24	3	ENG. JCT. BOX	RETARDER ATEC CTR
109	10	12	6	FR. JCT. BOX	CORNERING LTS
110	15	12	24	"	AUDIO. AMPLI - FR. SECT.
111	15	12	24	"	" - RR SECT.
112	6	24	15	FR. JCT. BOX	FR. DESTINATION SIGN
113	20	24	23	CENT. JCT. BOX	LH LUGGAGE DOOR LOCK - RR
114	20	24	23	"	RH LUGGAGE DOOR LOCK - RR
115	25	24	23	ENG. JCT. BOX	FR. LUGGAGE DOOR LOCK
116	6	12	2	"	LOW COOLANT MODULE
117	8	24	26	GALLEY	HEATING CONTAINER #1
118	8	24	26	"	" " " " #2
119	8	24	26	"	" " " " #3
120	6	24	26	"	GALLEY LAMPS
121	70	24	26	POWER JCT. BOX	GALLEY (MICROWAVE OVEN)
122	25	24	26	"	GALLEY (HEATING CONT. & LAMPS)
123	6	12	26	"	GALLEY WATER PUMP
124	70	12	28	"	VIDEO SYSTEM

	DESC: <b>CIRCUIT BREAKER CODE</b>	DESS: <i>D.V.</i>	DATE: 90-01
		VER: <i>lc</i>	APPR: <i>[Signature]</i>
B 91-02 MISE A JOUR <i>[Signature]</i>	A 90-10 CB76 ETAT SUR 24V → 24V <i>[Signature]</i>		
90-09 BREAKER GA ETAT SA OC 2002 <i>[Signature]</i>			
TEM DATE REVISION	APPL: EFF. W/ L-027 L-035...	REF: H5-60	NO: D-060732 P-D1 C

# CIRCUIT BREAKER CODE



CIRCUIT BREAKER						
CB#	AMP	VOLT.	DIAG. PAGE	LOCATION	FUNCTION	
1	30	24	1	FR. JCT. BOX	24 V HOT WIRE	
2	30	12	1	"	12 V HOT WIRE	
3	90	24	1	ENG. JCT. BOX	24 V FEED FRONT JCT. BOX	
4	70	24	1	"	24 V FEED CENTRAL JCT. BOX	
5	70	12	1	"	12 V FEED FRONT JCT. BOX	
6	8	24	1	FR. JCT. BOX	FEED MASTER SWITCH	
7	8	24	1	ENG. JCT. BOX	ENGINE - RR START SW. & SERV. LT.	
8	8	24	1	"	RR ENGINE CTR SW	
9	8	24	1	FR. JCT. BOX	WEBASTO SW.	
10	15	24	1	ENG. JCT. BOX	WEBASTO	
11	20	12	2	"	ECM (DDEC II)	
12	20	12	2	"	ECH (DDEC II)	
13	6	12	3	"	ECU (ATEC)	
14	8	12	3	"	ATEC CTR	
15	10	12	3	"	BACK-UP ATEC CTR	
16	8	24	4	FR. JCT. BOX	ALARM BUZZER & INSTRUMENT	
17	10	24	4	"	ELECT. HORI)	
18	6	24	4	"	FIRE ALARM	
19	6	12	4	"	12V VOLT METER	
20	6	24	4	"	FOG LT SW	
21	15	12	4	"	FOG LT	
22	20	12	4	"	HEADLAMP (HI)	
23	15	12	4	"	HEADLAMP (LO)	
24	6	24	5	"	HEAD LAMP SW & MULTI-FUNC SW	
25	10	24	17	"	MULTI-FUNC SW. (WIPER, WASHER)	
26	20	12	6	"	FLASHER & HAZARD UNIT	
27	15	24	7	ENG. JCT. BOX	FRONT BAGGAGE LT.	
28	15	12	5	CENT. JCT. BOX	REAR ID TAIL & LICENCE LT	
29	8	12	5	"	REAR CLEARANCE LT	
30	8	12	5	"	REAR TAIL & MARKER LT	
31	6	12	5	"	LICENCE PLATE LT	
32	15	12	5	"	STOP LT	
33	6	24	7	FR. JCT. BOX	STOP LT SW	
34	6	24	7	"	PARK BRAKE SW.	

CIRCUIT BREAKER						
CB#	AMP	VOLT.	DIAG. PAGE	LOCATION	FUNCTION	
35	8	12	7	FR. JCT. BOX	FR. CLEARANCE LT.	
36	6	24	8	CENT. JCT. BOX	EXIT LAMP	
37	8	12	7	FR. JCT. BOX	FR. SECTION MARKER LT.	
38	15	24	7	ENG. JCT. BOX	RR BAG. COMP'T LT.	
39	6	24	8	FR. JCT. BOX	FR SERV. COMP'T LT	
40	6	110	9	ALARM JCT. BOX	110V. FLUOR. - RR	
41	6	"	"	"	110V. FLUOR. - FR. RH	
42	15	24	"	ENG. JCT. BOX	FRONT FLUORESCENT (24V)	
43	8	24	"	FR. JCT. BOX	HAT RACK LTS SW	
44	15	"	"	ENG. JCT. BOX	FRONT READING LTS - RH.	
45	15	"	"	"	" " " LH.	
46	8	"	"	ENG. JCT. BOX	REAR " " - RH.	
47	8	"	"	"	" " " LH	
48	10	"	9	ENG. JCT. BOX	FRONT GENERAL LTS	
50	8	24	10	FR. JCT. BOX	DASH LT REOSTAT	
51	10	"	"	"	U/SEAT LT	
52	6	"	"	"	PASS & HOSTESS CHIME SW	
53	8	24	11	"	A/C & HEAT SW.	
54	8	24	11	ENG. JCT. BOX	A/C LOGIC PANEL.	
55	6	24	13	FR. JCT. BOX	DRIVER'S HTR FAN SW. IGN CTR	
56	15	24	"	ENG. JCT. BOX	REAR WATER PUMP	
57	15	"	"	"	FRONT WATER PUMP	
58	8	"	"	"	A/C COMP. CLUTCH & COND. FAN SOL.	
59	90	"	"	"	FRONT EVAP. FAN MOTOR	
60	40	"	"	F.E.F.M.	" " " " RH	
61	40	"	"	"	" " " " LH	
62	90	"	"	ENG. JCT. BOX	REAR EVAP. FAN MOTOR	
63	40	"	"	R.E.F.M.	" " " " RH	
64	40	"	"	"	" " " " LH	
65	6	"	"	ENG. JCT. BOX	HUMIDISTAT CTR.	
66	10	"	"	FR. JCT. BOX	DRIVER'S HTR FAN SW	
67	10	24	14	"	REAR VIEW MIRROR	
68	15	12	14	"	DRIV. WINDOW LIFTER & CIGAR LIG	
69	40	24	12	POWER JCT. BOX	AUX. CONDENSER	

	DESC: <b>CIRCUIT BREAKER CODE</b>	CLASS: <i>P.T.</i>	DATE: <b>90-01</b>
		VER: <i>CC</i>	APPR: <i>[Signature]</i>
REV: <i>A</i>	DATE: <i>90-11</i>	REVISION: <i>CB25 ETAIT SUR LA V → ZAVI</i>	PAR: <i>M/</i>
		<i>CC# 2182 LES BREAKERS</i>	<i>CHANGEMENT SANS</i>
		<i>MISE à JOUR</i>	<i>M/</i>
		APPR: EFF. W/L-027	REF: H5-60
			NO: D-060732 p. D 'C





# RELAYS CODE

RELAYS							
R#	DIAG. PAGE		AMP	CATEGORY	VOLT. COIL	LOCATION	FUNCTION
	COIL	CNTT					
1	1	4	200	MAGNETIC NO	24	FR. JCT. BOX	ENGINE RUN (24V)
2	1	1	20	CUBIC NO	"	ENG. JCT. BOX	" " (24V)
3	1	16	10	" DC	"	ENG. JCT. BOX	" " (24V)
4	1	1	200	MAGNETIC NO	"	ENG. JCT. BOX	STARTING MOTOR
5	1	11	20	CUBIC NO	12	FR. JCT. BOX	BLOWER CUT IN
6	2	2	20	" NO.	24	ENG. JCT. BOX	BRAKE SW CRUISE CTR.
7	2	2	10	" DC	"	"	FAST IDLE DEEC CTR
8	3	3	10	" "	"	"	CUT IN 12V ATEC
9	3	3	20	" NO.	"	"	CHECK TRANSM ATEC
10	3	3	20	" "	"	"	BACK UP ATEC SIGNAL
11	3	3	20	" "	"	"	RETARDER ATEC
12	4	4	20	" "	12	FR. JCT. BOX	ELECTRICAL HORN
13	4	4	20	" "	"	"	FRONT FOG LT
15	5	4	20	CUBIC NO.	24	FR. JCT. BOX	HEADLAMPS (HI)
16	5	4	20	" "	"	"	" (Lo)
17	5	7	20	" "	"	"	FRONT CLEARANCE LT
18	5	10	20	" "	"	"	U/SEAT LT & DASH RHEOSTAT
19	5	6	20	" "	"	"	RH. DIRECTIONAL LT
20	5	6	20	" "	24	"	LH. " "
21	5	5	10	" DC	"	"	NIGHT BLINKER
22	5	5	20	" NO	"	ENG. JCT. BOX	RR CLEAR MARKER & LIC. LT
23	7	5	20	" "	"	"	STOP LT
24	9	9	20	" "	"	ENG. JCT. BOX	FRONT FLUORESCENT (24V)
25	9	9	20	" "	"	"	FRONT READING LTS
26	9	9	20	" "	"	ENG. JCT. BOX	REAR " "
27	9	9	20	" "	"	ENG. JCT. BOX	GENERAL LTS
28	9	9	20	" "	24	"	A/C LOCK PANEL
29	11	13	20	" "	"	"	REAR WATER PUMP
30	13	11	20	" "	"	"	REAR HUMIDISTAT CTR
31	12	13	10	" DC	"	"	FRONT WATER PUMP
32	13	12	20	" NO.	"	"	FRONT HUMIDISTAT CTR
33							
34	12	13	20	CUBIC NO	"	ENG. JCT. BOX	A/C COMPRESSOR CLUTCH
35	12	13	20	" "	"	"	COND. FAN SOL. VALVE
1A	1	22	20	" "	24	FR. JCT. BOX	12V IGNITION - FR.
2A	1	1	20	" "	"	ENG. JCT. BOX	12V IGNITION - ENG.
3A	1	22	20	" "	"	ENG. JCT. BOX	12V IGNITION - CENT

RELAYS							
R#	DIAG. PAGE		AMP	CATEGORY	VOLT. COIL	LOCATION	FUNCTION
	COIL	CNTT					
36	13	13	200	MAGNETIC NO	24	ENG. JCT. BOX	EVAP. FAN MOTOR - FR.
37	13	13	200	" "	"	"	" " " -RR
38	13	13	20	CUBIC NO.	"	FR. JCT. BOX	DEFROSTER CTR
39	8	8	20	" "	"	"	DOOR AJAR
40	18	18	20	" "	"	"	RR & FR DOOR SPEED SW CTR.
41	19	19	20	" "	"	"	ANTI SKID CTR
42	19	19	20	" "	"	"	" " "
43	19	19	20	" "	"	"	" " "
44	19	7	20	" DC	"	"	" " "
45	21	21	20	" NO	"	"	KNEELING CTR
46	21	21	10	" DC	"	"	" " "
47	21	21	20	" NO	12	ENG. JCT. BOX	ARTICULATION SW
48	6	6	20	" "	24	FR. JCT. BOX	DOOR AJAR IGNITION
49	23	23	20	" "	12	"	RADIO & AMPLI.
50	23	23	20	" "	12	"	" " "
51	2	2	20	" "	24	ENG. JCT. BOX	"KILL SW" CRUISE CTR
52							
53	7	7	20	CUBIC NO	12	ENG. JCT. BOX	BACK-UP LT
54	9	9	20	" "	24	"	GENERAL LT (REAR SECTION)
55	9	9	20	" "	24	"	24V FLOOR (REAR SECTION)
56	5	5	20	" "	24	ENG. JCT. BOX	SIDE MARKER, TAIL / LICENSE LT.
57	1	1	20	" "	"	ENG. JCT. BOX	VOLTAGE REGULATOR - IGN
58	16	16	20	" "	"	ENG. JCT. BOX	TOILET FLUORESCENT
59	5	6	20	" "	"	FR. JCT. BOX	CORNERING LT RH
60	5	6	20	" "	"	"	" " LH
61	5	5	20	" "	"	"	" " CUT-OUT
62	5	7	20	" "	"	"	MARKER LT-FR SECTION
63	5	8	20	" "	"	ENG. JCT. BOX	EXIT LT
64	22	22	20	" "	12	ENG. JCT. BOX	CAMERA DOOR SYST. - SERVICE
65	23	23	50	" "	"	ENG. JCT. BOX	LUGGAGE DOOR LOCK - FR
66	23	23	50	" "	"	"	" " " "
67	23	23	20	CUBIC NO	24	ENG. JCT. BOX	LH LUGGAGE DOOR LOCK - RR
68	23	23	20	" "	"	"	" " " "
69	23	23	20	" "	"	"	RH LUGGAGE DOOR LOCK - RR
70	23	23	20	" "	"	"	" " " "
71	22	22	20	" "	12	FR. JCT. BOX	BACK-UP MONITOR
72							
73	1	24	20	CUBIC NO.	24	FR. JCT. BOX	RADIO AMPL. CUT-IN

				TITLE: RELAYS CODE		DESS: BC	DATE: 90.01
						VER: /	APP: /
				APP: W/1-037 L-033...		REF: HS-60	NO: D-060732 P. E C
				REV DATE: 90/01 (C990184) R12 VOLT. COIL ETAIT 24		SL	
				REV DATE: 90/06 MISE A JOUR		M/	
				REV DATE: REVISION		PAR	

# DIODE CODE

DIODE					
D <sup>B</sup>	AMP.	VOLT	DIFF. PAGE	LOCATION	FUNCTION
1		24	4	FR. JCT. BOX	LO - AIR SEC.
2		24	4	"	LO - AIR PRIM.
4		24	1	ENG. JCT. BOX	NEUTRAL GROUND
5		"	9	ENG. JCT. BOX	RR ELECTRONIC TRANSMITTER
6		"	12	"	A/C CTR MODUL - REAR
7		"	10	"	FR ELECTRONIC TRANSMITTER
8		"	12	"	A/C CTR MODUL - REAR
9		"	12	"	" " " "
10		"	11	"	A/C CTR
11		"	11	FR. JCT. BOX	" "
12		"	11	"	" "
13		"	16	CENT. JCT. BOX	TOILET
14		"	18	FR. JCT. BOX	REAR & FRONT CTR DOOR
15		"	18	"	" " " "
16		"	18	"	" " " "
17		"	21	"	KNEELING CTR
18		"	21	"	" "
19		"	21	"	" "
20		12	21	ENG. JCT. BOX	ARTICULATION SW # 3
21		24	13	"	FAN A/C ONLY
22		24	5	FR. JCT. BOX	HAZARD - FLASHER RH.
23		24	5	"	" " LH
24		24	5	"	(BRAKE TT LT) SW.
25		24	5	"	(FASTIDLE SW) STOP SW
26		24	13	ENG. JCT. BOX	FAN A/C ONLY
29		24	22	CENT. JCT. BOX	ARTICULATION BRAKE SYSTEM
31		24	22	CENT. JCT. BOX	ARTICULATION BRAKE SYSTEM
32	20	24	23	ENG. JCT. BOX	LUGGAGE DOOR LOCK FP.
33	20	24	23	"	" " " "
34	20	24	23	CENT. JCT. BOX	LUGGAGE DOOR LOCK RR
35	20	24	23	"	" " " "
36	20	24	23	"	" " " "
37	20	24	23	"	" " " "
38	3	24	5	FR. JCT. BOX	BACK-UP CORNERING " SPECIAL VOYAGEUR "

DIODE					
D <sup>B</sup>	AMP.	VOLT	DIFF. PAGE	LOCATION	FUNCTION
39	3	12	5	FR. JCT. BOX	BACK-UP CORNERING " SPECIAL VOYAGEUR "
40	3	12	5	"	" " " "
41	3	24	5	"	" " " "
42	3	24	4	FR. JCT. BOX	DAYTIME CUT-IN - PARK BRAK
43	3	24	4	" " "	DAYTIME CUT-IN - TAIL LTS
44	3	24	7	ENG. JCT. BOX	STOP LTS - RETARDER
45	3	24	13	" " "	A/C COMPR CLUTCH - DIODE RECTIFIER
46	3	24	16	CENT. JCT. BOX	TOILET EMERG BUZZER
47					
48	3	24	13	ENG. J. B	A/C COMPRESSOR CLUTCH
49	3	24	18	F. J. B	THROTTLE INHABIT - RR DOOR
50	3	24	18	F. J. B	THROTTLE INHABIT - FR DOOR
51	3	24	18	F. J. B	DAMPER ON - FR & RR DOOR OPEN
52	3	24	11	R.H. SW. PANEL	FRESH AIR CONTROL
53	3	24	11	ENG. J. B	CONSTANT A/C & HEAT
54	3	24	13	ENG. J. B	CONSTANT A/C & HEAT

				DESC: DIODE CODE		DESS: B.C.	DATE: 90-01
				A 92/06 MISE A JOUR		VER: [Signature]	APPR: [Signature]
				B 92-04 DS3 & DS4 ANTE 062030			
				TEM DATE REVISION		REF: H5-60	
				APPL: W/L-027 L-033...		NO: D-060732 P.F C	

RESISTOR CODE						
RS #		WATT	VALUE	DIAG. PAGE	LOC. ITEM	FUNCTION
1		1/4	10K	2	BJ M	E.C.M. DDEC
2		1/4	4.3K	2	"	" "
3						
4		1/2	470K	12	"	R/C TIME DELAY RELAY
5		10	1	6	B.J.A	CORNERING LTS
6		10	1	7	B.J.A.R	DOCKING LT - RH
7		10	1	7	"	DOCKING LT - LH
8		10	1	4	FR. SERVO. CPT	FR. FOG - LH
9		10	1	4	"	FR. FOG - RH.
10		20	2X0.82	5	REF. J. B	PARKING BRAKE STOP LTS
11			2X0.82	4	B.J. AV.	DAY TIME RUNNING LTS
12		10	1	6	B.J. AV.	CORNERING LTS
13		2	RD	15	FR. TOP	FR. DESTINATION SIGN

RESISTOR CODE						
RS #		WATT	VALUE	DIAG. PAGE	LOC. ITEM	FUNCTION

					TITRE:	RESISTOR CODE	DESS: B.C.	CATE - 90-01
					APPL: W/L-034		VER. -	APPR. <i>W</i>
		ITEM DATE	REVISION	PAR	REF: H5-60		NO: D-060732 P.G	C



# CONNECTOR CODE

CONNECTOR			
C #	LOCATION	DESIGNATION	NO. CAVITY
C77	FR. SERVICE COMPT.	FEED FR. SERVICE COMPT. ACCESSORIES	16
C78			
C79	DRIVE AXLE	FEED DRIVE AXLE ACCESSORIES	22
C80	ENGINE JCT BOX COMPT.	FROM ARTICULATION TO ENGINE JCT. BOX	14
C81	" " " "	ELECTRONIC CONTROL MODULE ENGINE	30
C82	" " " "	" " " "	30
C83	" " " "	ELECTRONIC CONTROL UNIT (TRANSMISSN)	30
C84	" " " "	" " " "	30
C85	FR. JCT BOX COMPT.	SPEED LIMITE SW.	9
C86	FR. SERVICE COMPT.	SIDE FLASHER RH	2
C87	" " " "	SIDE MARKER	2
C88	" " " "	DRIVER'S LIQUID SOL. VALVE	2
C89	" " " "	DRIVER'S WATER VALVE	2
C90	" " " "	THROTTLE POSITION SENSOR	3
C91	" " " "	INSTRUMENT PANEL RHEOSTAT	2
C92	" " " "	AIR RETURN SENSOR	2
C93	" " " "	SIDE FLASHER LH	2
C94	" " " "	BRAKE INTERLOCK SOL. VALVE	2
C95	" " " "	FRESH AIR DAMPER SOL. VALVE	2
C96	" " " "	ELECTRICAL HORN	2
C97	" " " "	BELLOWS CTR. VALVE	2
C98	" " " "	EXHAUST CTR. SOL. VALVE	2
C99	" " " "	STEERING COMPT. LTS	2
C100	CENTRAL JCT. BOX	CENTRAL JCT BOX TO RR SERVICE COMPT.	22
C101	RR SERVICE COMPT.	FEED RR LOWER LAMP	16
C102	" " " "	FEED RR ROOF ACCESSORIES	22
C103	" " " "	FEED RR SERVICE COMPT. ACCESSORIES	24
C104	RR AXLE ACCESSORIES	FEED RR AXLE ACCESSORIES	22
C105	ARTICULATION	FROM ARTICULATION TO RR SERVICE COMPT.	14
C106	RR END LH SIDE	RR LH LOWER LAMP	9
C107	RR END CENTER	CYCLOP LT.	2
C108	" " " "	LICENCE PLATE LT.	2
C109	RR END RH SIDE	RR RH LOWER LAMP	9
C110	RR SERVICE COMPT.	RR JCT BOX	24
C111	RR SECT. LH HAT RACK -FR.	FEED LH HAT RACK ACCESSORIES	9
C112	RR SECT. RH HAT RACK -FR.	FEED RH HAT RACK ACCESSORIES	9
C113	RR SECT. LH HAT RACK -FR.	FEED LH SPEAKER	4
C114	RR & FR LH HAT RACK	FOR READING LTS	2

CONNECTOR			
C #	LOCATION	DESIGNATION	NO. CAVITY
C115	HAT RACK	FLUORESCENT	4
C116	" "	BALLAST DISTRIBUTION	6
C117	" "	BALLAST FEEDING	4
C118	" "	FEED GENERAL & HAT RACK LTS	3
C119	" "	FLUORESCENT	4
C120	" "	BALLAST DISTRIBUTION	6
C121	RR SECT. RH HAT RACK -FR.	FEED 110-V FLUOR.	2
C122	" " " " " "	FEED SPEAKER	4
C123	RR & FR. RH HAT RACK	READING LTS	2
C124	CENTRAL JCT. BOX	FROM CENTRAL JCT. BOX TO RR RH HAT RACK	24
C125			
C126	CENTRAL JCT. BOX	FROM CENTRAL JCT. BOX TO RR LH HAT RACK	24
C127	ARTICULATION	RR DIGITAL THERMOMETER FEEDING	3
C128			
C129	CENTRAL JCT. BOX	FROM CENTRAL JCT. BOX TO LUGGAGE COMPT.	24
C130			
C131	CENTRAL JCT. BOX	FROM CENTRAL JCT. BOX TO ARTICUL. HARN.	6
C132	" " " "	" " " " " "	24
C133	" " " "	" " " " " "	37
C134	" " " "	" " " " " "	16
C135			
C136	CENTRAL JCT. BOX	FROM CENTRAL JCT. BOX TO RR SERVICE COMPT.	16
C137	RR CONSOLE	RR DIGITAL THERMOMETER	2
C138	AISLE RR STEP WELL	AIR RETURN SENSOR	2
C139	LH & RH ROOF ARTICULATION	FEED EMERGENCY EXIT LTS	2
C140	RR SECT. LH HAT RACK -FR.	FEED 110-V FLUOR.	2
C141	FR. SERVICE COMPT.	KNEELING LT	2
C142	RH CONSOLE	FR. DIGITAL THERMOMETER	2
C143	FR LUGGAGE COMPT.	" " " " SENSOR	2
C144	ARTICULATION -LH	RR DIGITAL THERMOMETER SENSOR	2
C145	RR SECT. LUGGAGE COMPT. -RH	LUGGAGE LTS	2
C146	" " " " " "	" " " " " "	2
C147	" " " " " "	FEED LUGGAGE DOOR LOCK	6
C148	" " " " " "	LUGGAGE LTS	2
C149	" " " " " "	FEED LUGGAGE DOOR LOCK	6
C150	" " " " " "	LUGGAGE LTS	2
C151	" " " " " "	AIR RETURN SENSOR	2
C152	" " " " " "	FEED LUGGAGE DOOR LOCK	6

		DESC: CONNECTOR CODE	DESS: <i>D.J.</i>	DATE: 90-01
			VER: <i>EC</i>	APPR: <i>10</i>
REV	DATE	REVISION	PAR	APPL: EFF. W/L034
				REF: H5-60
				NO: D-060732 p. H2 C



# CONNECTOR CODE

CONNECTOR			
C #	LOCATION	DESIGNATION	NO. CAVITY
C153	RR SECT. LUGGAGE COMPT. LH	LUGGAGE LTS	2
C154	" " " " " "	AIR AMBIENT SENSOR	2
C155	" " " " " "	LUGGAGE LTS	2
C156	" " " " " "	FEED LUGGAGE DOOR LOCK	6
C157	" " " " " "	LUGGAGE LTS	2
C158	" " " " " "	FEED LUGGAGE DOOR LOCK	6
C159	" " " " " "	LUGGAGE LTS	2
C160	" " " " " "	AIR RETURN SENSOR	2
C161	" " " " " "	LUGGAGE DOOR LOCK	6
C162	RR SECT. LUGGAGE COMPT.	ST1 WATER VALVE	2
C163	" " " " " "	ST2 WATER VALVE	2
C164	" " " " " "	ST3 WATER VALVE	2
C165	" " " " " "	LIQUID SOLENOID VALVE	2
C166	" " " " " "	FEED WATER VALVE	9
C167	RR END ROOF	CLEARANCE LTS	2
C168	" " " " " "	WATCH YOUR STEP	2
C169	" " " " " "	LAVATORY OCCUPIED SW.	2
C170	RR SECT. UNDER LH SEAT	FEED. LH UNDER SEAT ACCESSORIES	4
C171	" " " " " "	ACCELEROMETER	2
C172	" " " " " "	AISLE LTS	2
C173	" " " " " "	RUNNING LTS	2
C174	UNDER DASH - RH	DRIVERS HTR SPEED CTR MODULE	9
C175	" " " " " "	" " " " " "	9
C176	" " " " " "	LOWER WIND. WIPER PULSE GENERATOR	6
C177	" " " " " "	LOWER WINDSHIELD WIPER MOTOR	6
C178	" " " " " "	DRIVER'S HTR & DEFROSTER LH FAN	2
C179	" " " " " "	" " " " " RH "	2
C180	RR END ROOF - CENTER	CAMERA	4
C181	" " " " - LH	LAVATORY FLUORESCENT	2
C182	" " " " - LH	WATER TANK HEATER	3
C183	RR SERVICE COMPT.	SIDE MARKER	2
C184	" " " " " "	SIDE DIRECTIONNAL LTS LH	2
C185	" " " " " "	FRESH AIR DAMPER SOL. VALVE	2
C186	" " " " " "	FRESH AIR SENSOR	2
C187	" " " " " "	CAMERA DOOR SOLENOID	2
C188	" " " " " "	CAMERA DOOR CTR. SW	4
C189	" " " " " "	LAVATORY PUMP	2
C190	" " " " " "	BACK-UP ALARM	2

CONNECTOR			
C #	LOCATION	DESIGNATION	NO. CAVITY
C191	RR SERVICE COMPT	TOILET VENTILATION	2
C192	" " " " " "	SIDE DIRECTIONNAL LTS-RH	2
C193	" " " " " "	" " " " " "	
C194	" " " " " "	" " " " " "	
C195	ARTICULATION	ANTI-JACK SYSTEM	2
C196	ENGINE JCT BOX	RED LED INDICATOR -FR. SECT. (HTR)	2
C197	" " " " " "	" " " " -RR. SECT. (HTR)	2
C198	" " " " " "	GREEN LED INDICATOR -FR. SECT. (A/C)	2
C199	" " " " " "	" " " " -RR. SECT. (A/C)	2
C200	FR. SECT. HAT RACK	FLUORESCENT	4
C201	" " " " " "	" " " " " "	4
C202	" " " " " "	BALLAST FEEDING	4
C203	" " " " " "	BALLAST DISTRIBUTION	6
C204	" " " " " "	FEED GENERAL & HAT RACK LTS	3
C205	FR. SECT. RH HAT RACK -FR.	SPEAKER	4
C206	L.H. CONSOLE	GOOSE NECK MICROPHONE	4
C207	L.H. CONSOLE	GOOSE NECK MICRO. SWITCH	8
C208	FR. SECT. LH HAT RACK	BALLAST FEEDING	4
C209	" " " " " "	READING LTS	2
C210	FR. SECT. LH HAT RACK -FR.	SPEAKER	4
C211	FRONT ROOF	DRIVER'S STORE-LH	2
C212	" " " " " "	DRIVER'S STORE-RH	2
C213	" " " " " "	CLEARANCE LTS	2
C214	" " " " " "	AMPLIFIER RH SPEAKER CONNECTION	2
C215	" " " " " "	" LH " " "	2
C216	UNDER DASH - LH CORNER	P.A. DISTRIBUTION	9
C217	" " " " " "	P.A. MICRO OUTLET	3
C218	" " " " " "	P.A. VOLUME	3
C219	" " " " " "	P.A. DRIVER'S SPEAKERS CONNECTION	4
C220	" " " " " "	P.A. AMPLIFIER CONNECTION	7
C221	" " " " " "	P.A. RADIO CONNECTION	7
C222	ALARM JCT BOX COMPT.	MICRO OUTLET	4
C223	" " " " " "	DRIVER'S SPEAKERS FEEDING	4
C224	RH SWITCH PANEL	RADIO	7
C225	" " " " " "	" " " " " "	
C226	FR. ROOF - LH	AMPLIFIER	7
C227	RH SWITCH PANEL	SPEAKER SELECTOR SWL	8
C228	" " " " " "	MICRO OUTLET	4

	DESC: CONNECTOR CODE	DESS: <i>D.V.</i>	DATE: 90-01
		VER: <i>MC</i>	APP: <i>MC</i>
A 91-02 ITEM DATE	MISE A JOUR REVISION	M PAR	REF: H5-60
	APPL: EFF W/ L-021 L-033		W: D-060732 P.H3 C



# CONNECTOR CODE

CONNECTOR			
C #	LOCATION	DESIGNATION	NO. CAVITY
C229	RH SWITCH PANEL	P.A. VOLUME CONTROL	4
C230	" " "	LH DRIVER'S SPEAKER	2
C231	" " "	RADIO FEEDING	4
C232	" " "	RH DRIVER'S SPEAKER	2
C233	FR. SECTION ARTICULATION	ARTICULATION VERTICAL SAFETY SW.	2
C234	" " "	ARTICULATION HORIZONTAL SAFETY SW.	6
C235	" " "	LOW COOLANT SENSOR	3
C236			
C237	FR. SECT. UNDER SEAT - LH	aisle LTS FEEDING	2
C238	" " " " "	aisle LTS	2
C239	FR. AXLE	FUEL TANK LEVEL GAUGE	4
C240	" " "	KNEELING SW.	2
C241	FR. SERVICE COMPT.	FOG RESISTOR BOX	3
C242	" " "	FR. L.H. MARKER & DIRECT. LT.	3
C243	" " "	HEADLAMPS	3
C244	" " "	L.H. FOG LAMP	2
C245	" " "	R.H. FOG LAMP	2
C246	" " "	FR. R.H. MARKER & DIRECT. LT.	3
C247			
C248	ALARM XT. BOX	UPPER WIND. WIPER PULSE GENERATOR	12
C249	" " "	CONVERTER 12V TO 5V (BU MONITOR)	3
C250	" " "	DASH LTS REGULATOR CTR	6
C251	LT SWITCH PANEL	FAST IDLE SW.	8
C252	" " "	SWITCH LTS.	2
C253	" " "	ETHER SW.	8
C254	" " "	WEBASTO SW.	8
C255	" " "	RETARDER SW.	8
C256	RR SECT RH HAT RACK	RR SECT AMPLIFIER CUT OUT SW	4
C257			
C258	LT SWITCH PANEL	MULTI-FUNCTION SW.	8
C259	" " "	MULTI-FUNCTION SW.	6
C260	INSTR. PANEL - CENTER PLATE	TACHOGRAPH HEAD RPM	4
C261	" " " " "	TACHOGRAPH HEAD ANTI-JACK	4
C262	" " " " "	TACHOGRAPH HEAD FEEDING	4
C263	" " " " "	TACHOGRAPH HEAD SPEEDO	4
C264	" " " " "	ENGLER TACHO HEAD	6
C265	" " " " "	ENGLER SPEEDO HEAD	6
C266	ENGINE CRADLE	HANDUAL TRANSMISSION ACCES.	4

CONNECTOR			
C #	LOCATION	DESIGNATION	NO. CAVITY
C267	ENGINE CRADLE	SPEED SENSOR	3
C268	" " "	RPM SENSOR	3
C269	" " "	JACOB L.H. BANK BRAKE	1
C270			
C271	ENGINE CRADLE	JACOB R.H. BANK BRAKE	1
C272			
C273	ENGINE CRADLE	MOTOR BLOCK HEATER	3
C274	RADIO	RADIO FEEDING	9
C275	ENGINE CRADLE	DDEC OPTION	4
C276	" " "	CONDENSER FAN SOL. VALVE	2
C277	ENGINE CRADLE	RACOR FUEL FILTER	2
C278	" " "	WEBASTO	6
C279	" " "	FR. WATER PUMP	2
C280	" " "	FR. ST3 WATER VALVE	2
C281	" " "	FR. ST2 WATER VALVE	2
C282	" " "	FR. ST1 WATER VALVE	2
C283	" " "	ATEC SPEED SENSOR	2
C284	" " "	ATEC THROTTLE SENSOR N/A	3
C285	" " "	ATEC TRANSMISSION	23
C286	RH SWITCH PANEL	A/C & HEAT SW.	1
C287	" " "	A/C FAN ONLY	1
C288	" " "	FRESH AIR SW.	1
C289	" " "	SWITCH LTS	2
C290			
C291	FR. SECTION LUGGAGE COMPT.	LUGGAGE LTS	2
C292	" " "	" " "	2
C293	" " "	" " "	2
C294	" " "	" " "	2
C295	" " "	AIR AMBIENT SENSOR	2
C296	" " "	LUGGAGE LTS	2
C297	FR SECTION LUGGAGE COMPT.	AIR RETURN SENSOR	2
C298	" " " " "	" " "	2
C299	" " " " "	LUGGAGE LTS	2
C300	" " " " "	FRESH AIR SENSOR	2
C301			2
C302	FR. SECTION LUGGAGE COMPT.	LIQUID SOLENOID VALVE	2
C303	" " " " "	LUGGAGE DOOR LOCK FEEDING	6
C304	" " " " "	" " " " "	6

	DESC: CONNECTOR CODE	DESS: D.T.	DATE: 90-01
		VER: <i>lc</i>	APPR: <i>ll</i>
A 90/08	C274 ASSYING CC# 90151	M2	
ITEM DATE	REVISION	PAR	
	APPL: EFF. W/ L-027 L-033...	REF: H5-60	NO: D-060732 P.H4 C

# CONNECTOR CODE

CONNECTOR			
C#	LOCATION	DESIGNATION	NO. CAVITY
C 305	FR SECTION LUGGAGE COMPT.	LUGGAGE DOOR LOCK FEEDING	6
C 306	" " " "	" " " "	6
C 307	L.H. CONSOLE	DRIVER'S SEAT HEATER	4
C 308	" "	DASH LT. RHEOSTAT	
C 309	" "	GALLEY SW.	8
C 310	" "	LUGGAGE DOOR LOCK SW.	8
C 311	" "	HOSSTESS & PASS. CHIME SW.	8
C 312	" "	READING LT. SW.	8
C 313	" "	GENERAL LT. & 24V FLUOR. SW.	8
C 314	" "	FR. DESTINATION SIGN SW.	8
C 315	" "	L.H. STORE SW.	8
C 316	" "	ARTICULATION BRAKE SW	8
C 317	" "	R.H. STORE SW.	8
C 318	" "	DRIVER'S WINDOW LIFTER	
C 319	" "	DRIVER'S SEAT HEATER SW.	8
C 320	" "	DRIVER'S LT. SW.	8
C 321	" "	SHIFTER SELECTOR	16
C 322	" "	DRIVER'S WINDOW LIFTER MOTOR	2
C 323	" "	CRUISE CONTROL SW. PANEL	14
C 324	" "	RR ENTRANCE DOOR SW	8
C 325	" "	KNEELING SW.	8
C 326	" "	FR. ENTRANCE DOOR SW.	8
C 327	ENGINE COMPT.	ENGINE CONTROL SWITCHES	9
C 328	" "	WATER PUMP	2
C 329	" "	SERVICE LTS.	2
C 330	ENGINE COMPT. - AT A/C COMPR.	UNDER LOADER SOL. VALVE	2
C 331	" " " "	" " " "	2
C 332	" " " "	A/C COMPR. CLUTCH	2
C 333	" " " "	A/C LO-PRESSURE SW.	2
C 334	" " " "	A/C HI-PRESSURE SW.	2
C 335	ENGINE COMPT.	RETARDER SOL. VALVE	2
C 336	INSTRUMENT PANEL - LH SECT.	INSTRUMENT & SW. LTS	
C 337	" " " "	UPPER WIND. WIPER MOTOR CONTROL SW.	8
C 338	" " " "	UPPER WINDSHIELD DEFROST SW.	8
C 339	" " " "	UPPER WINDSHIELD WASHER CTR. SW.	8
C 340	" " " "	L.H. MIRROR ADJUSTING SW.	8
C 341	" " " "	HEATED MIRROR SW.	8
C 342	" " " "	R.H. MIRROR ADJUSTING SW.	8

CONNECTOR			
C#	LOCATION	DESIGNATION	NO. CAVITY
C 343	INSTRUMENT PANEL - LH. SECT.	HEADLAMP SW.	8
C 344	" " " "	HAZARD WARNING LTS SW.	8
C 345	" " " "	FOG LT. SW.	8
C 346	" " " "	SWITCH LTS.	2
C 347	" " " "	DASH LT. SW.	2
C 348	INSTRUMENT PANEL - CENTER	RACOR FILTER T.T. LT. MODULE	6
C 349	R.H. CONSOLE	RED LED INDICATOR - FR. SECT. (HTR)	2
C 350	" "	DIGITAL THERMOMETER	3
C 351	" "	RED LED INDICATOR - RR. SECT. (HTR)	2
C 352	" "	DRIVER'S TEMP. CONTROL SENSOR	3
C 353	INSTRUMENT PANEL - RH	DRIVER'S HTR. FAN SPEED CTR. RHEOSTAT	6
C 354	" " " "	DRIVER'S TEMP. CONTROL	6
C 355	" " " "	FRONT TEMP. CONTROL	3
C 356	" " " "	REAR TEMP. CONTROL	3
C 357	" " " "	WATER TEMP. GAUGE	3
C 358	" " " "	FUEL LEVEL GAUGE	3
C 359	" " " "	INSTRUMENT PANEL LIGHTING	2
C 360	" " " "	B/U MONITOR	2
C 361	FR. ROOF	UPPER WIPER MOTOR	6
C 362	" "	LAVATORY OCCUPIED SIGN	2
C 363	" "	WATCH YOUR STEP SIGN	2
C 364	" "	FR. DESTINATION SIGN	3
C 365	" "	UPPER WINDSHIELD DEFROST	3
C 366	R.H. CONSOLE	GREEN LED INDICATOR - FR. SECT. (A/C)	2
C 367	" "	GREEN LED INDICATOR - RR. SECT. (A/C)	2
C 368	ENGINE COMPT.	ETHER QUICK START SW	8
C 369	ALARM JCT BOX COMPT	FEED LH SW PANEL	6
C 370	FR. SERVICE COMPT. - UNDERNEATH	FROM ARTICULATION TO INTERFACE HARNESS	37
C 371	FR. SERVICE COMPT.	FROM ENGINE JCT. BOX TO INTERFACE HARNESS	16
C 372	ENGINE JCT. BOX	FROM FR. SERVICE COMPT. TO ENGINE JCT BOX	37
C 373	" " " "	" " " " " "	16
C 374	ALARM JCT. BOX	ALARM JCT. BOX TO INTERFACE HARNESS	37
C 375	ALARM JCT. BOX COMPT.	FEED LH CONSOLE	37
C 376	" " " "	FEED LH SW. PANEL	37
C 377	LT. SWITCH PANEL	STOP ENGINE OVERRIDE SW.	8
C 378	FR. SERVICE COMPT.	FEED FR. SERVICE COMPT. ACCES.	16
C 379	ARTICULATION	FR. COMPT. TO ENGINE COMPT.	24
C 380	"	FEED ARTICULATION ACCES.	22

				DESC:	CONNECTOR CODE		DESS: B.C.	DATE: 90-01	
							VER: <i>MC</i>	APPR: <i>W</i>	
A	90/10	C329	WIND. WIPER MOTOR CONTROL SW.	024	MJ	APPL: W/L-027, L-033...	REF: HS-60	NO: D-060732	pH5 C
REV	DATE		REVISION	90189	PAR				

M

# CONNECTOR CODE

CONNECTOR			
C #	LOCATION	DESIGNATION	NO. CAVITY
C 381	ENGINE JCT BOX	FROM ARTICULATION TO ENGINE XT. BOX	24
C 382	ALARM JCT BOX	DIAGNOSTIC DDEC II & ATEC	12
C 383	ENGINE JCT BOX	ATEC & DDEC II - INTERFACE MODULE	3
C 384	" " "	" " " " " "	1
C 385	" " "	HARNESS No 1 TO No 2	37
C 386	" " "	LOW COOLANT MODULE	6
C 387	" " "	ATEC & DDEC II - INTERFACE MODULE	6
C 388	" " "	" " " " " "	2
C 389	INSTR. PANEL - CENTER PLATE	TACHO. & SPEEDO. DASH LTS	2
C 390	ENGINE CRADLE	RPM SENSOR	2
C 391	FR SERVICE COMPT	FR LUG DOOR LOCK SOL.	6
C 392	ARTICULATION RR PART	FR. LUG DOOR LOCK SOL.	6
C 393	ENG. COMP AT A/C COMP	A/C PRESS SW.	3
C 394	ARTICULATION	ANTI-JACK PRESS. SW	2
C 395	ALARM JCT. BOX COMPT	FEEDMIRROR HEATED & ADJUST SW	9
C 396	" " " "	L H. MIRROR	6
C 397	UNDER DASH R.H.	R H MIRROR	6
C 398	POWER JCT BOX	COMPRESSOR PRESSURE SW	3
C 399	RR HAT RACK	FLUORESCENT SW.	8
C 400	" " "	SWITCH LT	2
C 401	LH CONSOLE	MASTER INTERCOM SUPPLY	4
C 402	LH CONSOLE	MASTER INTERCOM	6
C 403	ARTICULATION	FRONT MASTER INTERCOM TO SEC. INTER.	6
C 404	REAR HOSTESS AREA	SECONDARY INTERCOM	6
C 405	ARTICULATION	GALLEY SUPPLY	9
C 406	ARTICULATION	" " " " " "	2
C 407	UNDER GALLEY	" " " " " "	9
C 408	UNDER GALLEY	" " " " " "	3
C 409	GALLEY	GALLEY RELAYS & BREAKERS	9
C 410	"	FRONT GALLEY RELAYS TO GALLEY SW	6
C 411	"	FRONT GALLEY RELAYS TO GALLEY LEDS	6
C 412	"	GALLEY SWITCHES	6
C 413	"	GALLEY LEDS	6
C 414	A/C COMPRESSOR	AUX. COND. PRESS. SW.	2
C 415	" "	AUX. COND. SOL. VALVE	2
C 416	GALLEY	GALLEY WATER PUMP	4

CONNECTOR			
C #	LOCATION	DESIGNATION	NO. CAVITY

	DESC: <b>CONNECTOR CODE</b>	DESS: <i>D.F.</i>	DATE: 90-01
		VER: <i>LC</i>	APPR: <i>[Signature]</i>
A 30X6 REV DATE	MISE A JOUR REVISION	W/ PAR	APPL: EFF. W/ <i>1-017</i> <i>1-023...</i>
		REF: H5-60	NO: D-060732 p. 116 C





# CONNECTOR CODE

CONNECTOR			
C#	LOCATION	DESIGNATION	NO. CAVITY
C1	FR. JCT. BOX COMPT	FR. JCT. BOX TO INTERFACE HARNESS	24
C2	" " " "	" " " "	22
C3	" " " "	" " " "	37
C4	" " " "	" " " "	37
C5	" " " "	" " " "	37
C6	FR. SERVICE COMPT. - UNDERNEATH	FROM ARTICULATION TO INTERFACE HARNESS	37
C7	" " " "	" " " "	24
C8	" " " "	FROM ENGINE JCT BOX TO INTERFACE HARNESS	37
C9	" " " "	" " " "	16
C10			
C11			
C12	ARTICULATION	FROM FR. SERVICE COMPT TO ARTICULATION HARN	24
C13	"	" " " "	37
C14	"	FROM ENG. JCT BOX TO ARTICULATION HARN.	6
C15	"	" " " "	24
C16	FR. SECT. LH HAT RACK - RR	FEED LH HAT RACK ACCESSORIES	9
C17	FR. SECT. RH HAT RACK - RR	FEED RH HAT RACK ACCESSORIES	9
C18			
C19			
C20			
C21			
C22	ENGINE JCT BOX - ENGINE COMPT.	FROM FR. SERVICE COMPT. TO ENGINE JCT. BOX	37
C23			
C24			
C25	ENGINE JCT. BOX - ENGINE COMPT.	ENG. JCT. BOX TO ENGINE CRADLE HARNESS	35
C26	" " " " "	" " " " "	47
C27			
C28	ENGINE JCT. BOX - ENGINE COMPT.	ENG. JCT. BOX TO ENGINE CRADLE HARNESS	26
C29	" " " " "	ENG. JCT. BOX TO ENGINE COMPT. HARNESS	22
C30			
C31	ENGINE JCT. BOX	FROM FR. SERVICE COMPT. TO ENGINE JCT. BOX	16
C32	" " " "	ENG. JCT. BOX TO LUGGAGE COMPT. LTS.	22
C33	ENGINE CRADLE	DDEC POWER COMM. E.C.M.	6
C34	ENGINE CRADLE	DDEC E.C.M.	30
C35			
C36			
C37			
C38			

-CONNECTOR			
C#	LOCATION	DESIGNATION	NO. CAVITY
C39	FR. SECT. LH HAT RACK - RR	FEED LH SPEAKER	2
C40	FR. SECT. RH HAT RACK - RR	FEED RH SPEAKER	2
C41	FR. SECT. RH HAT RACK - RR	FEED RH 110V FLUORESCENT	2
C42	FR. SECT. LH HAT RACK - RR	FEED LH 110V FLUORESCENT	2
C43			
C44	FR. JCT BOX COMPT.	ANTI-SKID E.C.U. MODULE	54
C45	ALARM JCT BOX COMPT.	FEED FR. ROOF ACCESSORIES	24
C46	FR. SERVICE COMPT.	FEED FR. SERVICE COMPT. ACCESSORIES	24
C47	FR. SERVICE COMPT.	FEED HEAD & FOG LAMP	7
C48	FR. AXLE	FEED FR. AXLE ACCESSORIES	22
C49			
C50			
C51			
C52			
C53			
C54	UNDER DASH - LH CORNER	FEED P.A. UNIT	3
C55	UNDER DASH - CENTER	FEED RH SW. PANEL	9
C56	" " " "	FEED RH CONSOLE	24
C57	" " " "	FEED UNDER DASH ACCESSORIES - RH	22
C58	FR. JCT BOX COMPT.	OPTION SLIP DRIVE CONTROL	3
C59	LH CONSOLE	CRUISE ON OFF SW.	8
C60	" "	CRUISE SET SW.	8
C61	" "	CRUISE RESUME SW.	8
C62			
C63			
C64			
C65			
C66			
C67			
C68	ALARM JCT BOX	ALARM JCT. BOX TO INTERFACE HARNESS	16
C69			
C70	ALARM JCT BOX	FEED LH CONSOLE	24
C71	UNDER INSTRUMENT PANEL - LH	FEED INSTRUMENT PANEL - LH	37
C72	UNDER INSTRUMENT PANEL	FEED CENTRAL INSTRUMENT PANEL	37
C73	" " " "	" " " "	16
C74	" " " " RH	FEED INSTRUMENT PANEL RH	24
C75	ALARM JCT BOX COMPT.	FEED FR. ROOF ACCESSORIES	22
C76	FR. SERVICE COMPT.	FROM ENGINE JCT. BOX TO INTERFACE HARNESS	14

DESC: <b>CONNECTOR CODE</b>	DESS: <i>D.T.</i>	DATE: 90-01		
	VER: <i>MC</i>	APPR: <i>10</i>		
APPL: EFF. W/L034	REF: H5-60	NO: D-060732 P.H. C		

REV	DATE	REVISION	
A	92-04	C44 CAVITY WAS 35 06 92030	<i>MC</i>

# WIRING DIAGRAM CODE H5-60

			BATTERY		CIRCUIT BREAKER		
			GROUND		FUSE		
			METER GAUGE		DIODE		
			MOMENTARY CONTACT PUSH BUTTON SWITCH		JUNCTION TERMINAL BLOCK		
			BUZZER		THERMOSTAT		
			SOLENOID		PUMP		
			BELL		LIGHT		
			VALVE		FLASHER		
			HEATER				
			MAGNETIC SWITCH RELAY				
			MINI-RELAY N.O.				
			MINI-RELAY N.O. (87) AND N.C. (87A)				
			MINI-RELAY N.C.				
	CONNECTOR SOCKET ← PIN		WIRES CROSSING		WIRES CONNECTED		

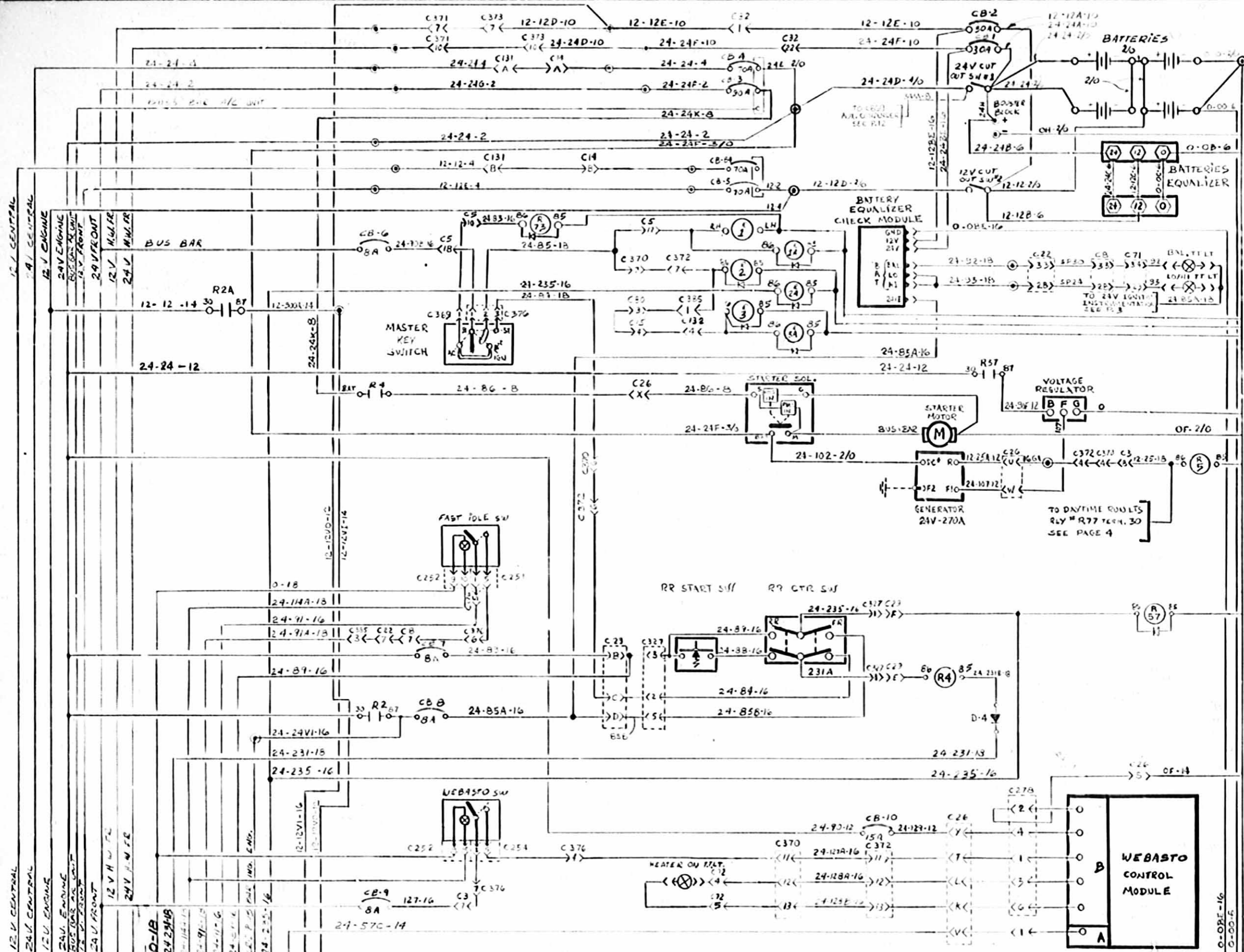
DESC: WIRING DIAGRAM

DESS: D.V. DATE: 90-01  
 VER: CC APPR: [Signature]

ITEM DATE REVISION PAR APPL: EFF. W/ L034

REF: H5-60

NO: D-060732 p. I C

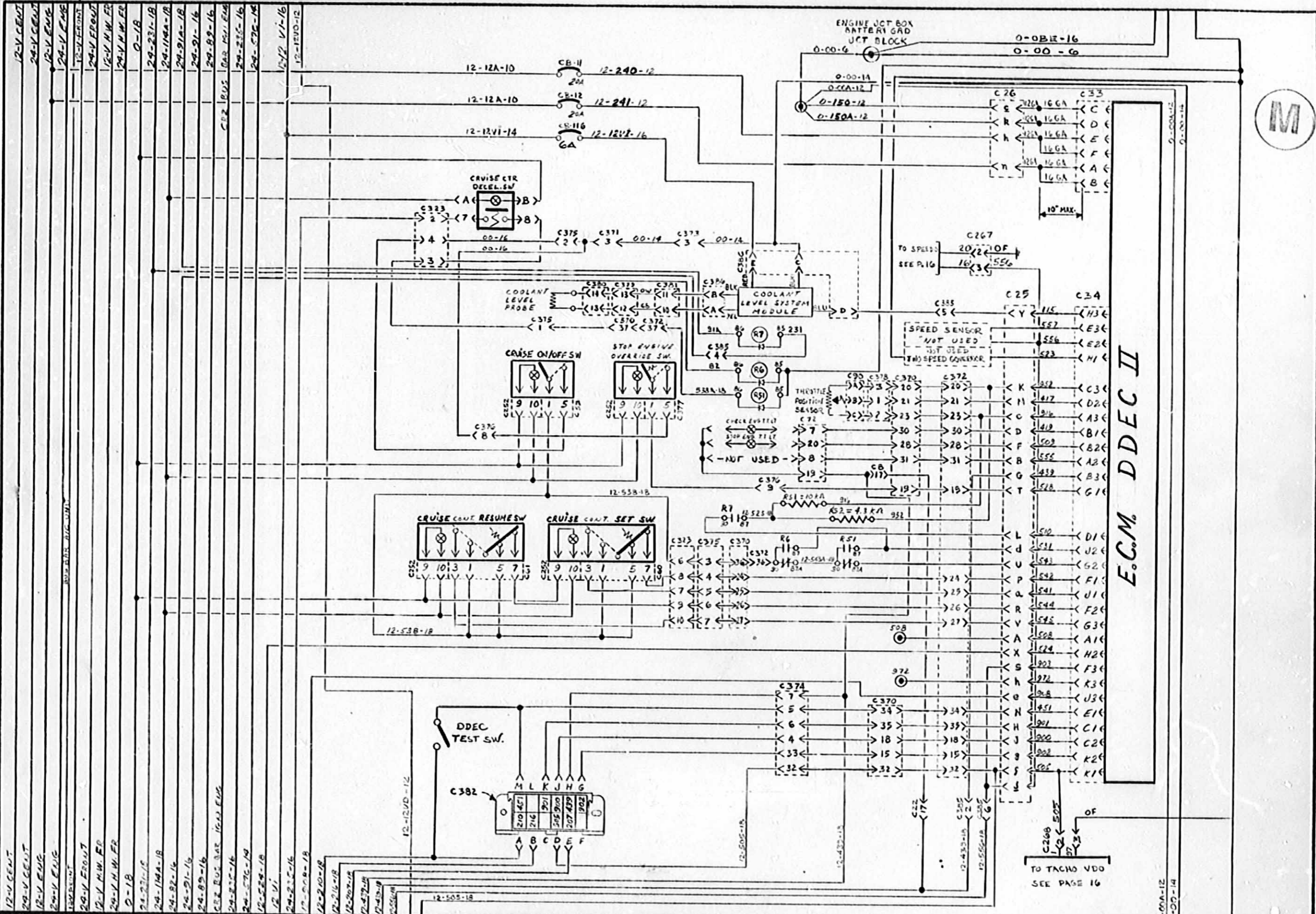


CHARGING SYSTEM

ENGINE CONTROLS

PRE-HEAT WATER HEATER

DESC:		WIRING DIAGRAM		DESS: D.V.	DATE: 90-01
APPL: EFF. W/L-021 L-013...		REF: H5-60		VER: [Signature]	APPR: [Signature]
ITEM	DATE	REVISION	PAR	NO: D-060732 R1 C	



E.C.M. DDEC II

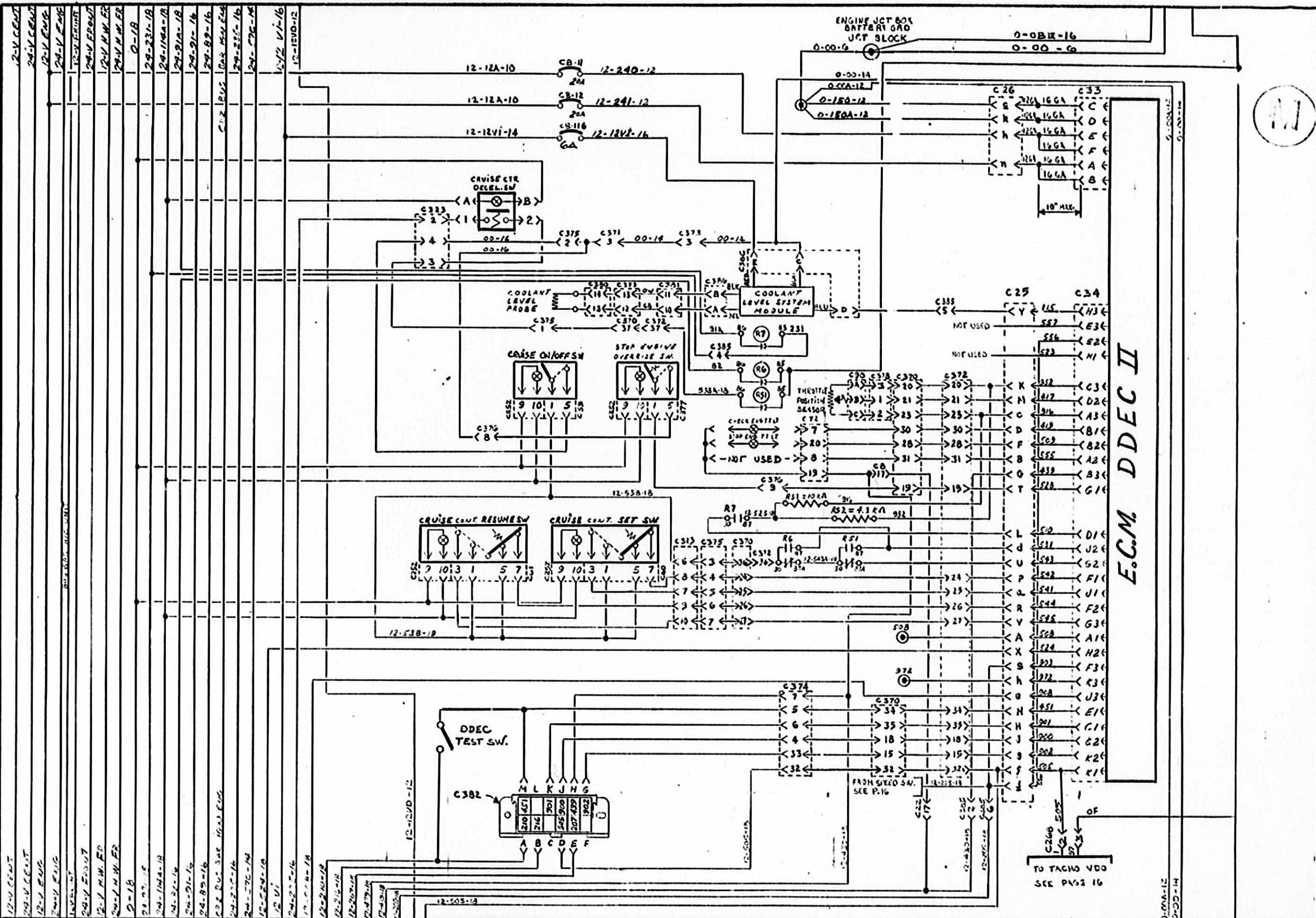
### DDEC II WIRING DIAGRAM

DESS: <i>D.T.</i>	DATE: <i>90-01</i>
VER: <i>C</i>	APPR: <i>[Signature]</i>
NO: <i>D-060732 2/24</i>	

ITEM: <i>H 70-01</i>	DATE: <i>02/90</i>	REVISION: <i>152 LE GENIER CB116 AVAIT SAME PAR</i>
----------------------	--------------------	---

APPL: VER. EFF. L-027 L-033...

REF: *45-60*



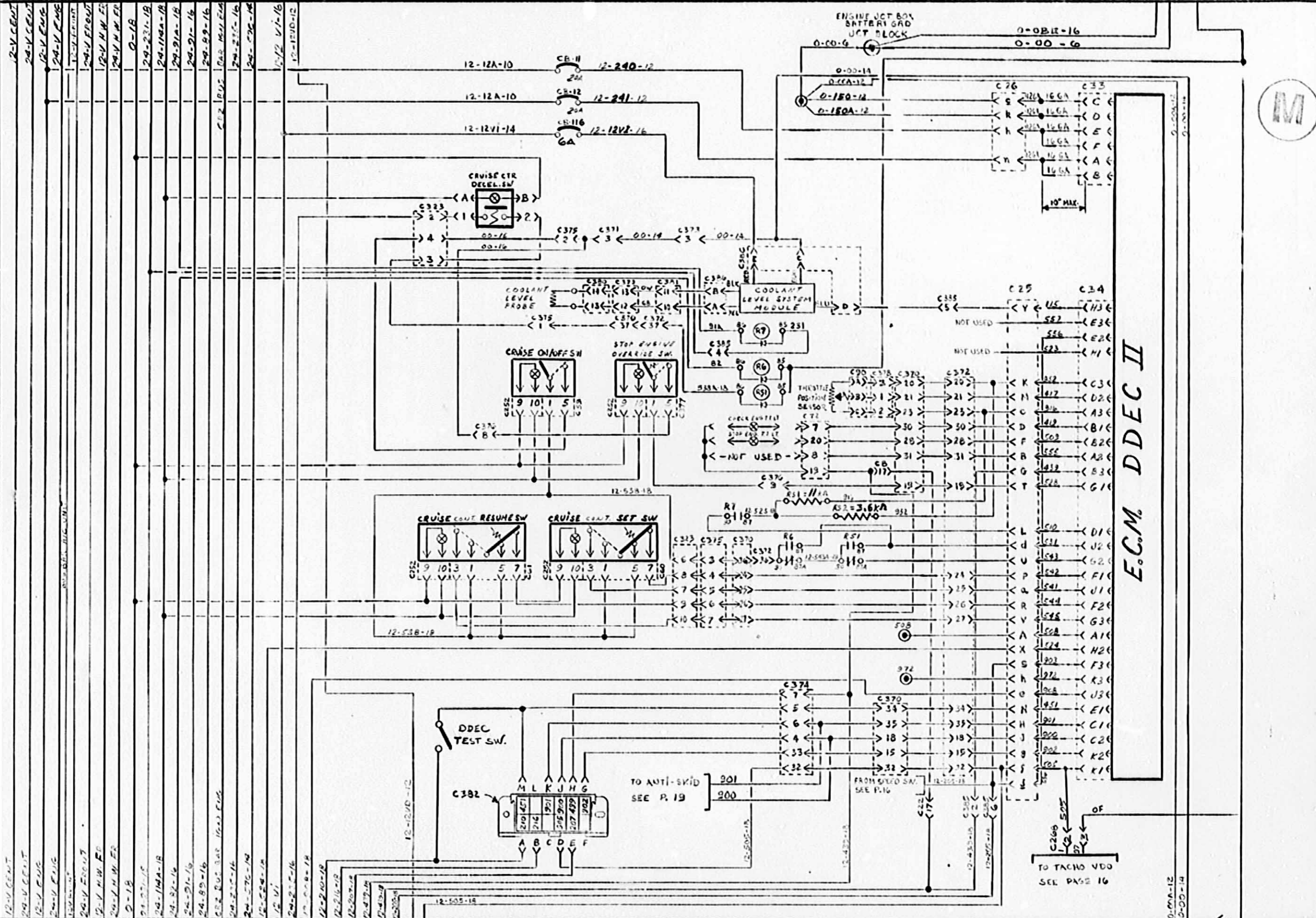
E.C.M. DDEC II

DDEC II WIRING DIAGRAM

REV	DATE	BY	REVISION
A	92-04	PROR	N-208 WIRE
	9/1/02	LAWS	02491034

APPL: VER. EFF. 01/11/03 PROR N-208 REF: 45-60

DESS:	M. 11	DATE:	91-06
VER.:	11	APPR.:	11
NO:	D-060732	20/24	C



E.C.M. DDEC II

DDEC II WIRING DIAGRAM

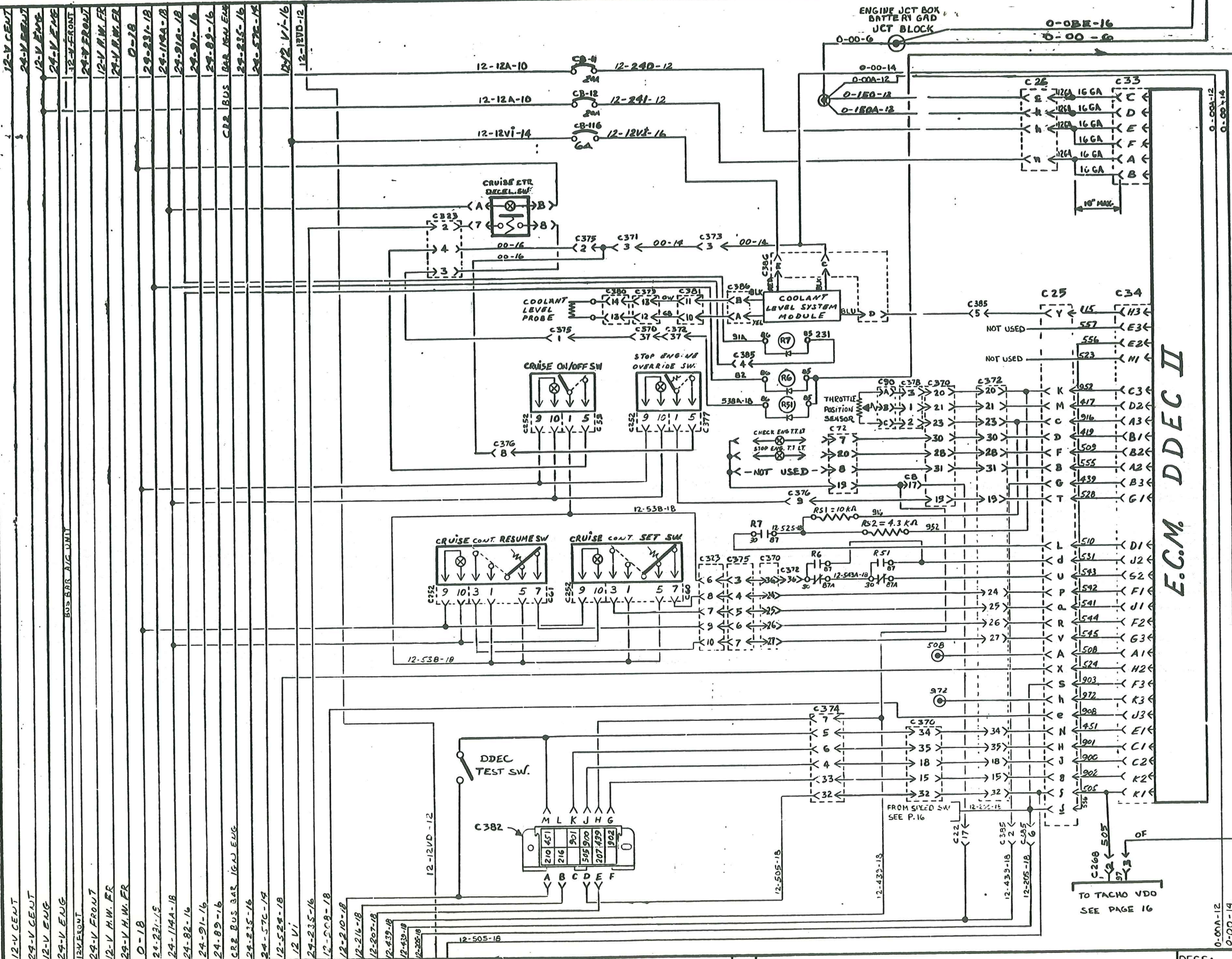
DESS: <i>LC</i>	DATE: 92-04
VER: <i>LC</i>	APPR: <i>LC</i>
NO: D-060732 2b/24	

DATE: 92-04	LAWS DC# 92030
REVISION:	

APPL: VEIL. EFF. W/11-208

REF: H5-60

C



E.C.M. DDEC II

12-V CENT	24-V FRONT	24-V ENGR	12-V FRONT	24-V H.W. FR	24-V H.W. FR	0-18	24-231-16	24-114A-18	24-91A-18	24-91-16	24-89-16	CR2 BUS BAR IGAJ ENG	24-235-16	24-576-14	12-524-18	12 VI	24-235-16	12-505-18	12-210-18	12-216-18	12-207-18	12-439-18	12-439-18	12-235-18	12-505-16
12-12A-10	12-12A-10	12-12A-10	12-12VI-14	12-12A-10	12-240-12	12-241-12	12-12V1-14	12-12V1-16	12-12V1-16	12-12V1-16	12-12V1-16	12-12V1-16	12-12V1-16	12-12V1-16	12-12V1-16	12-12V1-16	12-12V1-16	12-12V1-16	12-12V1-16	12-12V1-16	12-12V1-16	12-12V1-16	12-12V1-16	12-12V1-16	12-12V1-16

DESS: *D.V.* DATE: 90-01

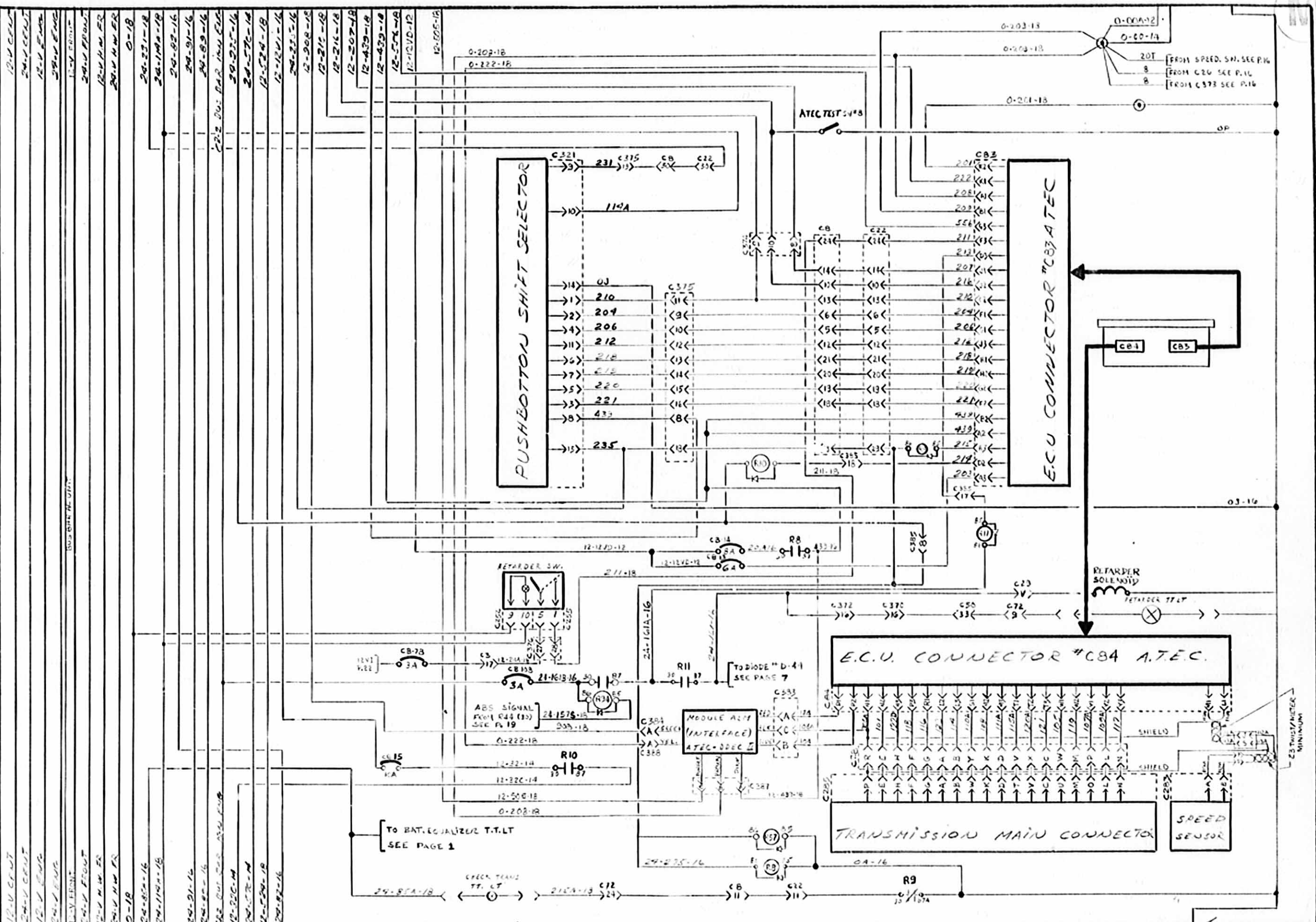
VER: *LC* APPR: *[Signature]*

DDEC II WIRING DIAGRAM

APPL: VEH. EFF. L-027 PRIOR TO: N-168 REF: 45-60

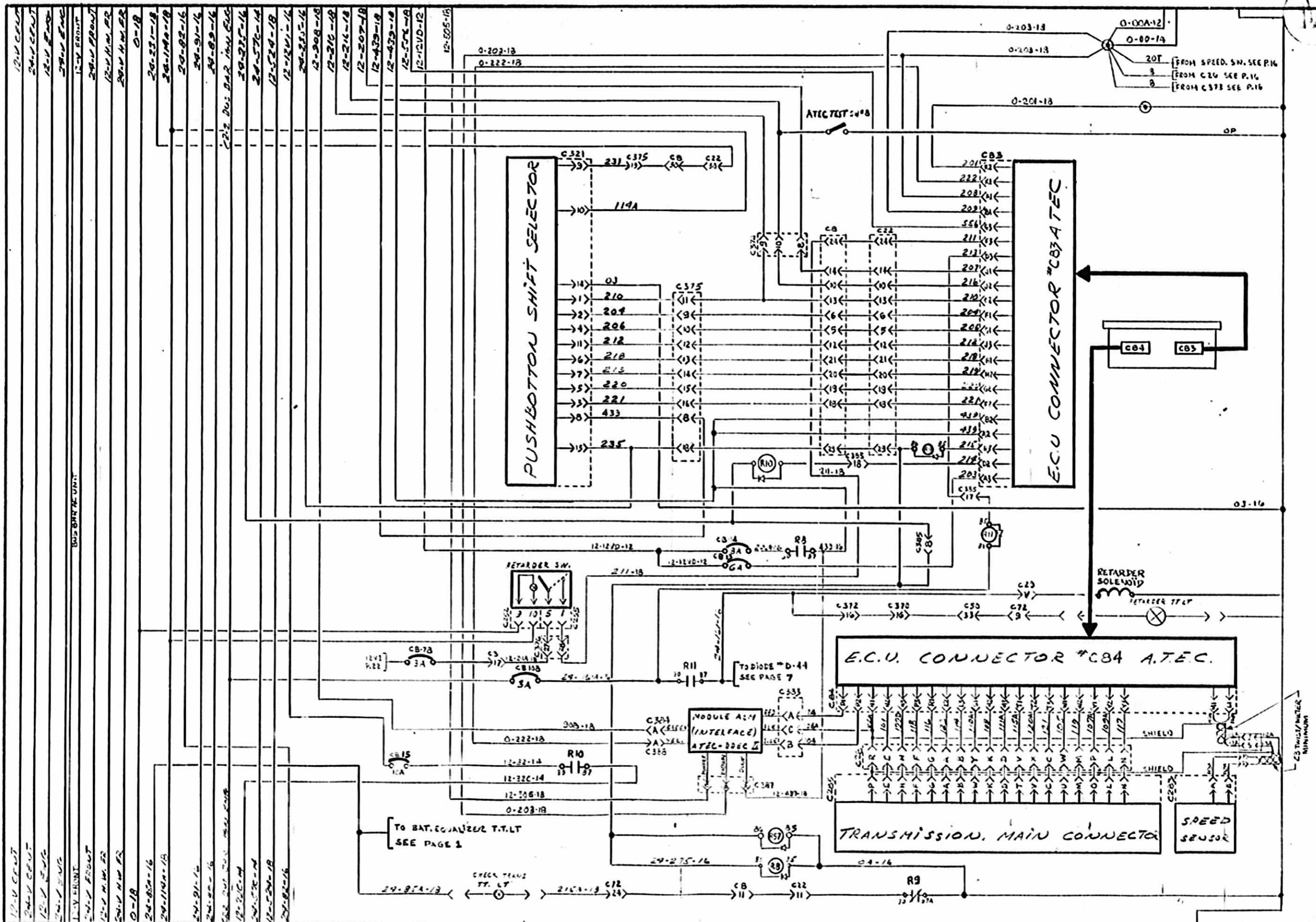
NO: D-060732 2/24 C

ITEM	DATE	REVISION	PAR
C	91-06	PRIOR OC# 91084	MJ
B	90-12	WISE A JOUR O.C. 90201A	DV
A	90-04	OC#90152 LE BREAKER	[Signature]
		CONIG AVAIL 50MP	



DESC:	ATEC WIRING DIAGRAM		DESS:	DATE: 92-04
APPL: VEH. EFF N-208	REF: 115-60	VER.:	APPR.:	
TEV DATE: 92-04	LNICE OC° 92030	PAR:	ID: D-060732 3/24	C
REVISION:				





12-V C/PWT	24-V C/PWT	12-V B/C	24-V B/C	12-V FRONT	24-V FRONT	12-V M.W. ER	24-V M.W. ER	0-18	24-231-18	24-199-18	24-82-16	24-91-16	24-89-16	24-201-16	24-202-16	24-203-16	24-204-16	24-205-16	24-206-16	24-207-16	24-208-16	24-209-16	24-210-16	24-211-16	24-212-16	24-213-16	24-214-16	24-215-16	24-216-16	24-217-16	24-218-16	24-219-16	24-220-16	24-221-16	24-222-16	24-223-16	24-224-16	24-225-16	24-226-16	24-227-16	24-228-16	24-229-16	24-230-16	24-231-16	24-232-16	24-233-16	24-234-16	24-235-16	24-236-16	24-237-16	24-238-16	24-239-16	24-240-16	24-241-16	24-242-16	24-243-16	24-244-16	24-245-16	24-246-16	24-247-16	24-248-16	24-249-16	24-250-16	24-251-16	24-252-16	24-253-16	24-254-16	24-255-16	24-256-16	24-257-16	24-258-16	24-259-16	24-260-16	24-261-16	24-262-16	24-263-16	24-264-16	24-265-16	24-266-16	24-267-16	24-268-16	24-269-16	24-270-16	24-271-16	24-272-16	24-273-16	24-274-16	24-275-16	24-276-16	24-277-16	24-278-16	24-279-16	24-280-16	24-281-16	24-282-16	24-283-16	24-284-16	24-285-16	24-286-16	24-287-16	24-288-16	24-289-16	24-290-16	24-291-16	24-292-16	24-293-16	24-294-16	24-295-16	24-296-16	24-297-16	24-298-16	24-299-16	24-300-16
12-V C/PWT	24-V C/PWT	12-V B/C	24-V B/C	12-V FRONT	24-V FRONT	12-V M.W. ER	24-V M.W. ER	0-18	24-231-18	24-199-18	24-82-16	24-91-16	24-89-16	24-201-16	24-202-16	24-203-16	24-204-16	24-205-16	24-206-16	24-207-16	24-208-16	24-209-16	24-210-16	24-211-16	24-212-16	24-213-16	24-214-16	24-215-16	24-216-16	24-217-16	24-218-16	24-219-16	24-220-16	24-221-16	24-222-16	24-223-16	24-224-16	24-225-16	24-226-16	24-227-16	24-228-16	24-229-16	24-230-16	24-231-16	24-232-16	24-233-16	24-234-16	24-235-16	24-236-16	24-237-16	24-238-16	24-239-16	24-240-16	24-241-16	24-242-16	24-243-16	24-244-16	24-245-16	24-246-16	24-247-16	24-248-16	24-249-16	24-250-16	24-251-16	24-252-16	24-253-16	24-254-16	24-255-16	24-256-16	24-257-16	24-258-16	24-259-16	24-260-16	24-261-16	24-262-16	24-263-16	24-264-16	24-265-16	24-266-16	24-267-16	24-268-16	24-269-16	24-270-16	24-271-16	24-272-16	24-273-16	24-274-16	24-275-16	24-276-16	24-277-16	24-278-16	24-279-16	24-280-16	24-281-16	24-282-16	24-283-16	24-284-16	24-285-16	24-286-16	24-287-16	24-288-16	24-289-16	24-290-16	24-291-16	24-292-16	24-293-16	24-294-16	24-295-16	24-296-16	24-297-16	24-298-16	24-299-16	24-300-16

DESC: ATEC WIRING DIAGRAM

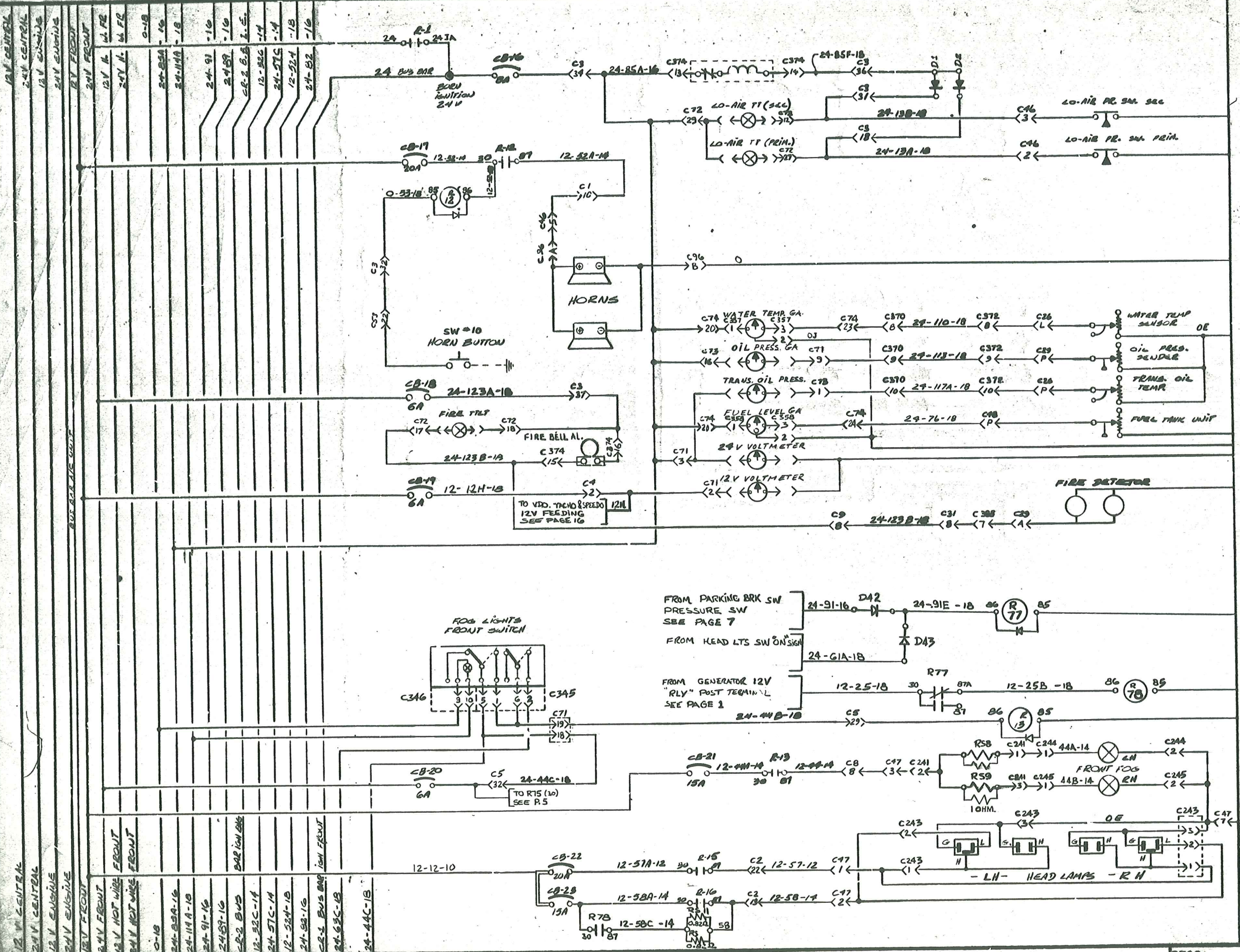
APPL: VEH. EFF L-027 PRIOR TO N-208 L-033...

REF: H5-60

DATE: 90-01

APPR: [Signature]

NO: D-060732 3/24



ALARM & SIGNAL

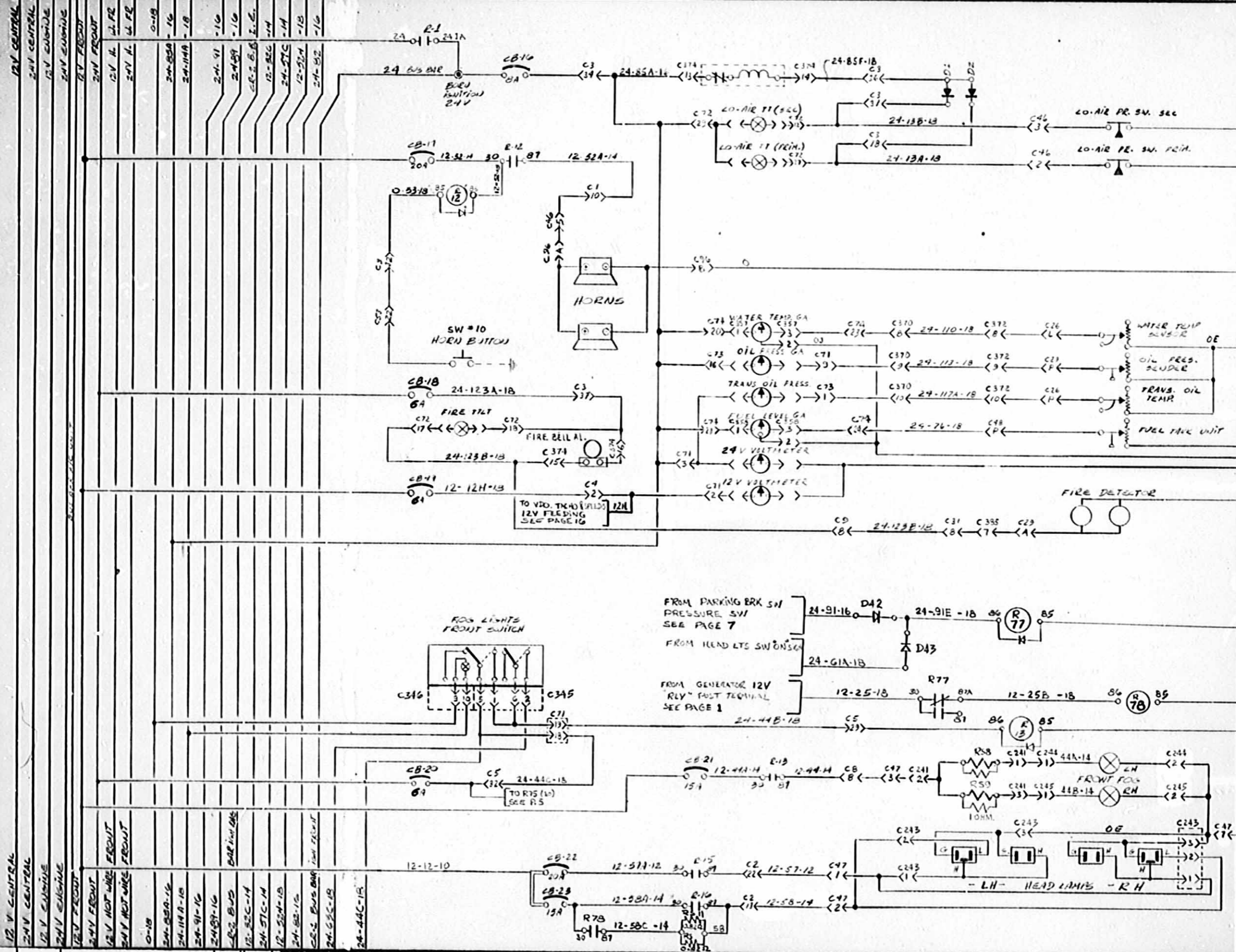
FOG LTS

EXTERIOR LIGHTING

HEAD LTS

WIRING DIAGRAM

DESS: S.L.	DATE: 90-11
VER: 10	APP: 10
NO: D-060732 P.4a	



ALARM & SIGNAL

FOG LTS

EXTERIOR LIGHTING

HEAD LTS

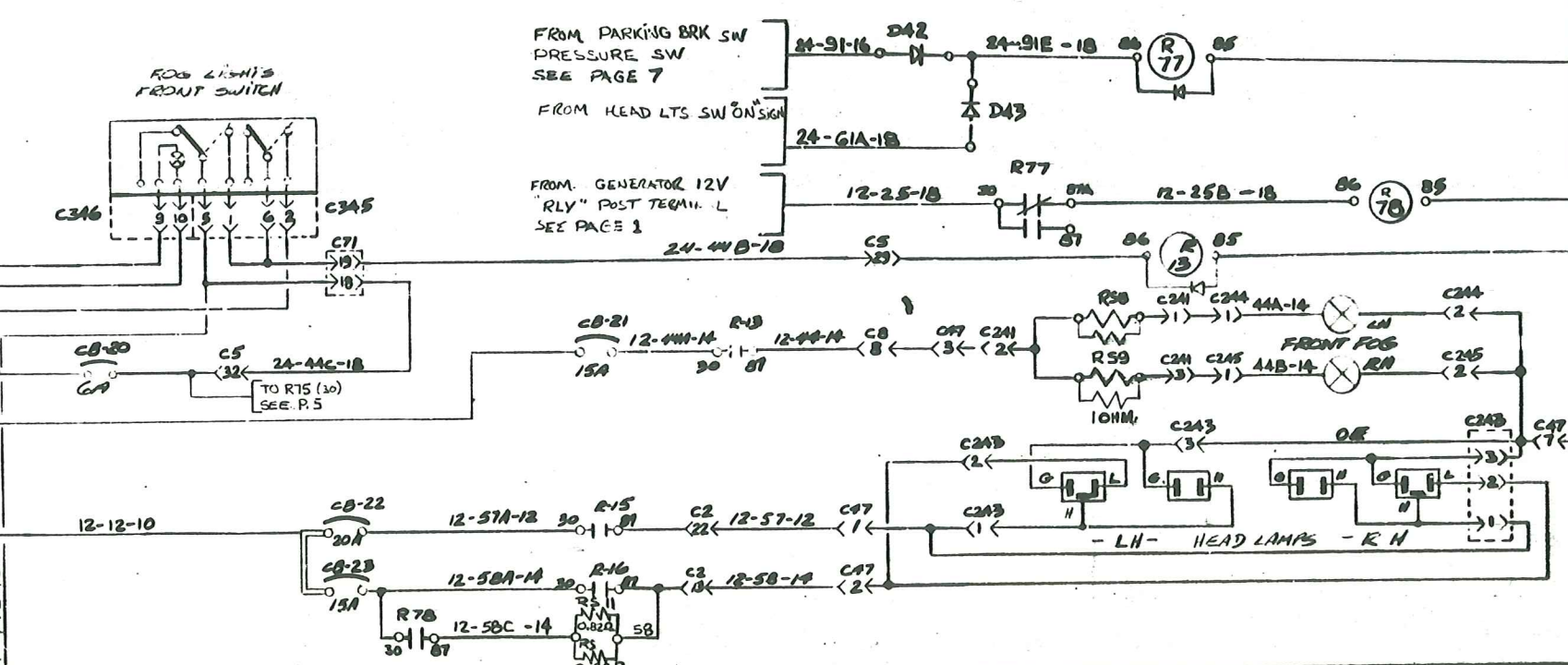
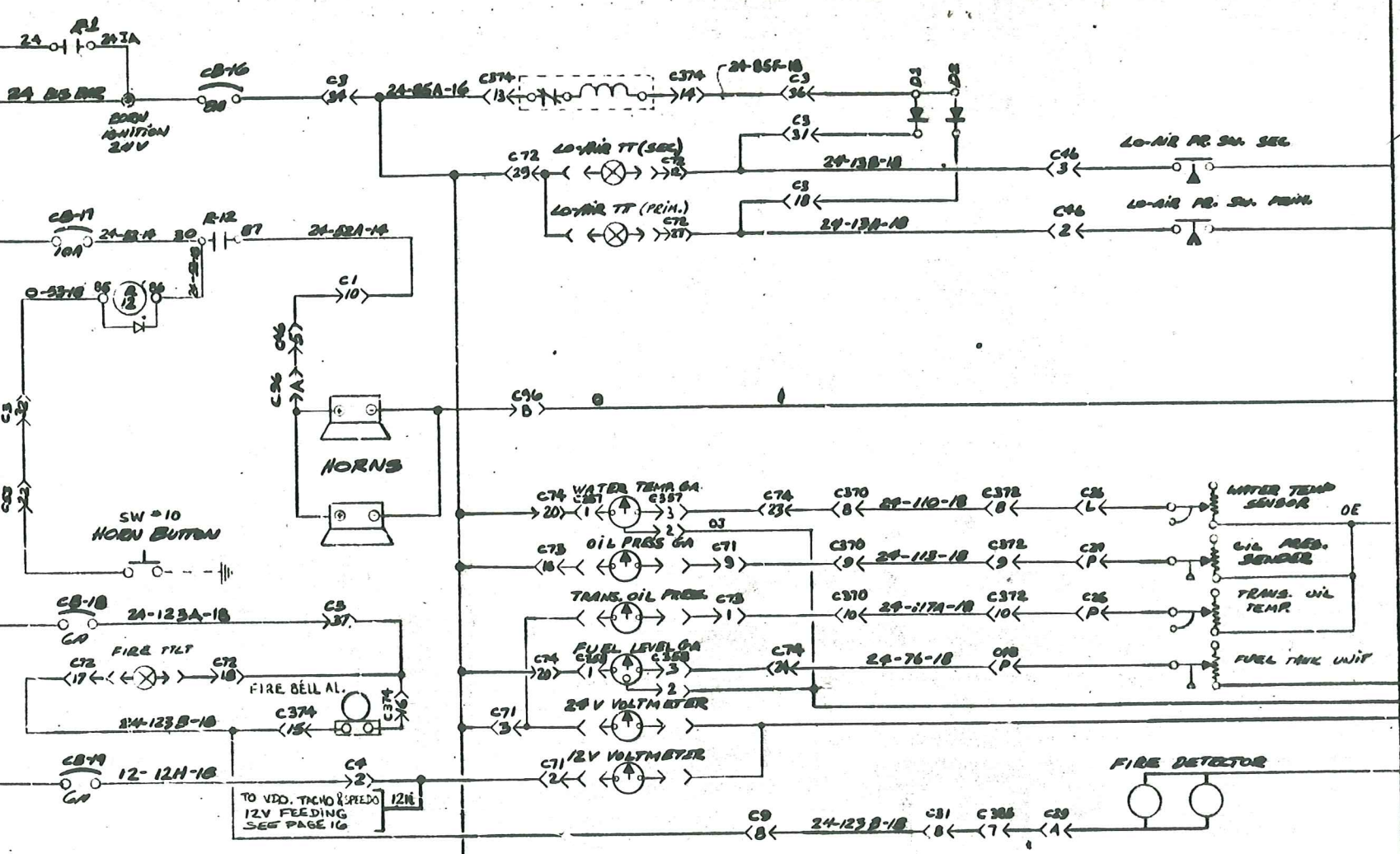
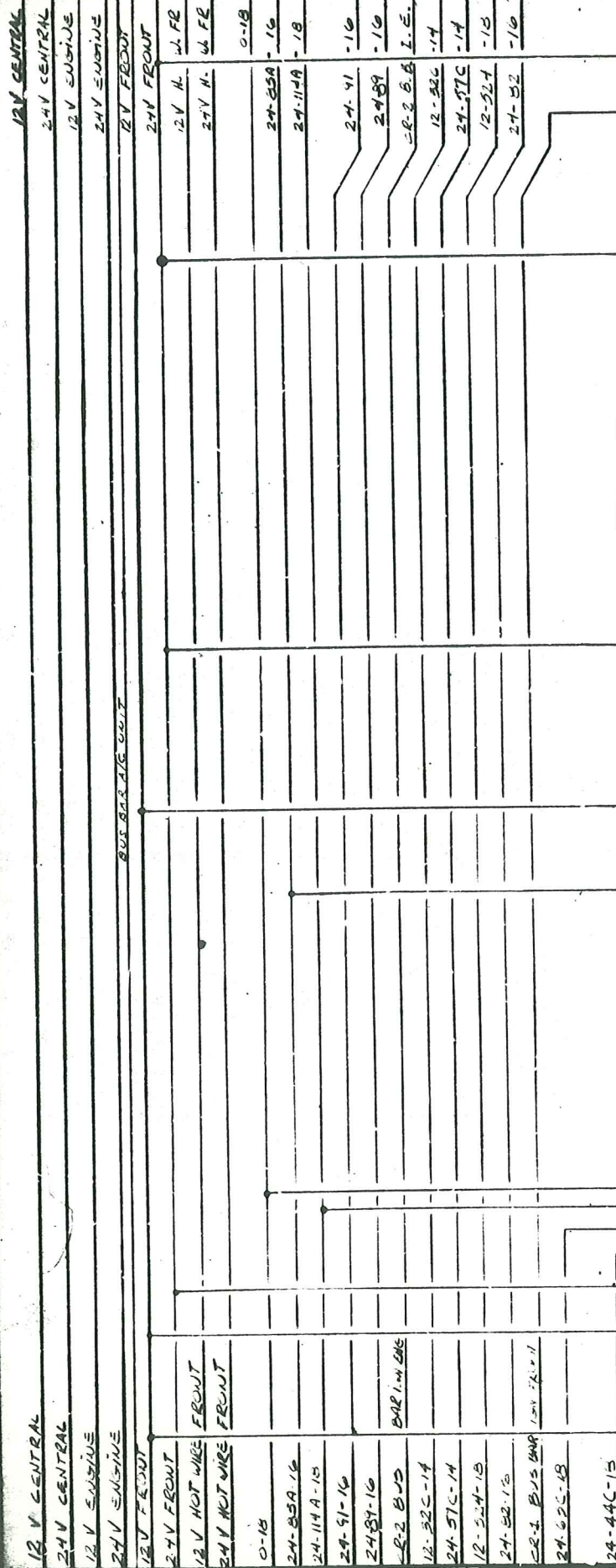
B	90-09	0690152 LES BILAKRES CB10, CB11, CB20 AVAIENT SA	SL
	90-09	(0690154) LE BREAKER AVAIT 10A & ALIMENT. 24VOLT	SL
A	90/06	MISE A JOUR	M/.
ITEM	DATE	REVISION	PAR

WIRING DIAGRAM

APPL: EFF. W/L 047  
L-033.4

REF: H5-60

DESS: D.V.	DATE: 90-01
VER: <i>lc</i>	APPR: <i>lc</i>
NO: D-060732 P.4 C	



ALARM & SIGNAL

FOG LTS  
EXTERIOR LIGHTING

HEAD LTS

11  
58

8.5"  
11"

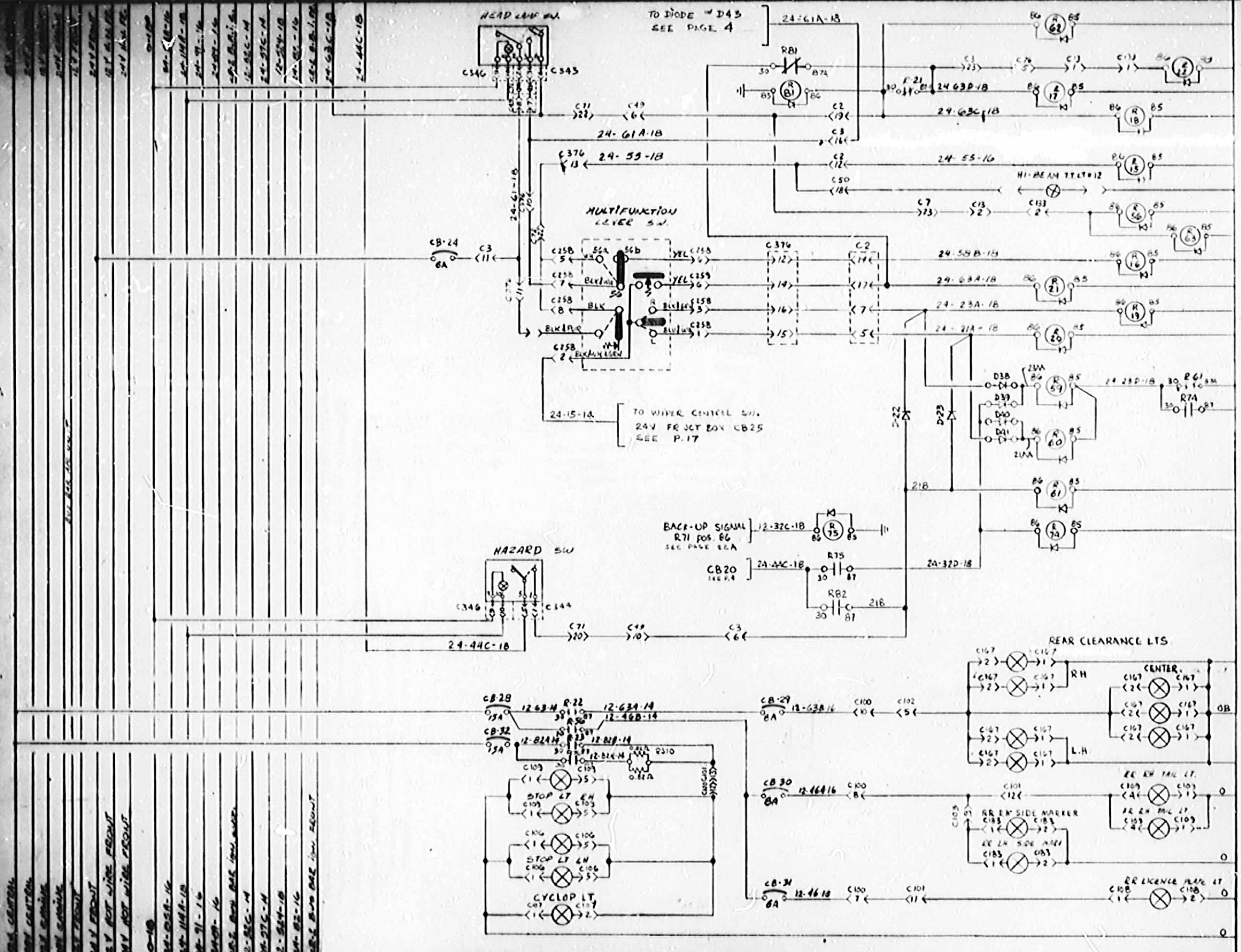
C	90/11	PRIOR 0*90184	SL
B	90/09	(00*90152) LES BREAKERS CB18, 19, 20 AVAIENT 5A	SL
A	90/06	MISE A JOUR	M.
ITEM	DATE	REVISION	PAR

WIRING DIAGRAM

APPL. EFF. W/ L-027 PRIOR TO: M-170 REF: HS-60

DESS: D.T. DATE: 90-01  
 VER: KC APPR: [Signature]  
 NO: D-060732 P.4





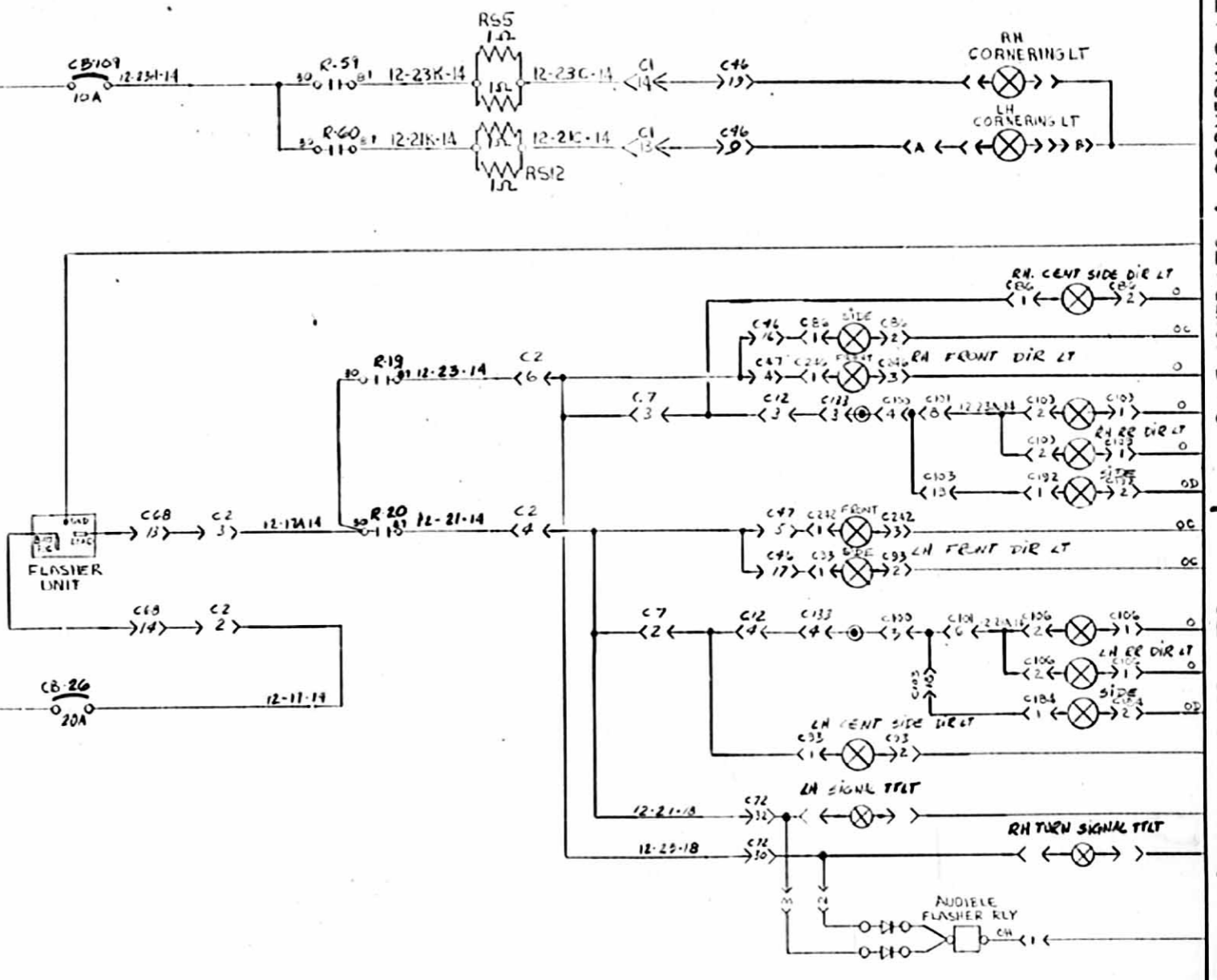
EXTERIOR LIGHTING

- 0-10
- 24-05B-16
- 24-11A-1B
- 24-91-16
- 24-09-16
- 24-09-16
- 12-81C-14
- 24-27C-14
- 12-81A-1B
- 24-82-16
- 24-09-16
- 24-09-16

DESC:	WIRING DIAGRAM		DESS:	M/	DATE:	90-06
VER:			VER:	KC	APPR:	1/1
APPL EFF. W/	L-027, L-033, L-03A, L-03S	REF:	H5-60 "WESTORS"		NOI	D-060732 P.5A C
REVISION						



12V CENTRAL	12V CENTRAL
24V CENTRAL	24V CENTRAL
12V ENGINE	12V ENGINE
24V ENGINE	24V ENGINE
12V FRONT	12V FRONT
24V FRONT	24V FRONT
12V HOT WIRE FRONT	12V HOT WIRE FRONT
24V HOT WIRE FRONT	24V HOT WIRE FRONT
0-18	0-18
24-85A-16	24-85A-16
24-114A-13	24-114A-13
24-91-16	24-91-16
24-89-16	24-89-16
CR2 BUS BAR ION ENG	CR2 BUS BAR ION ENG
12-32C-14	12-32C-14
24-57C-14	24-57C-14
12-224-15	12-224-15
24-52-16	24-52-16
CR1 BUS BAR ION FE	CR1 BUS BAR ION FE



CORNERING LTS  
RH FLASHER LTS  
LH FLASHER LTS

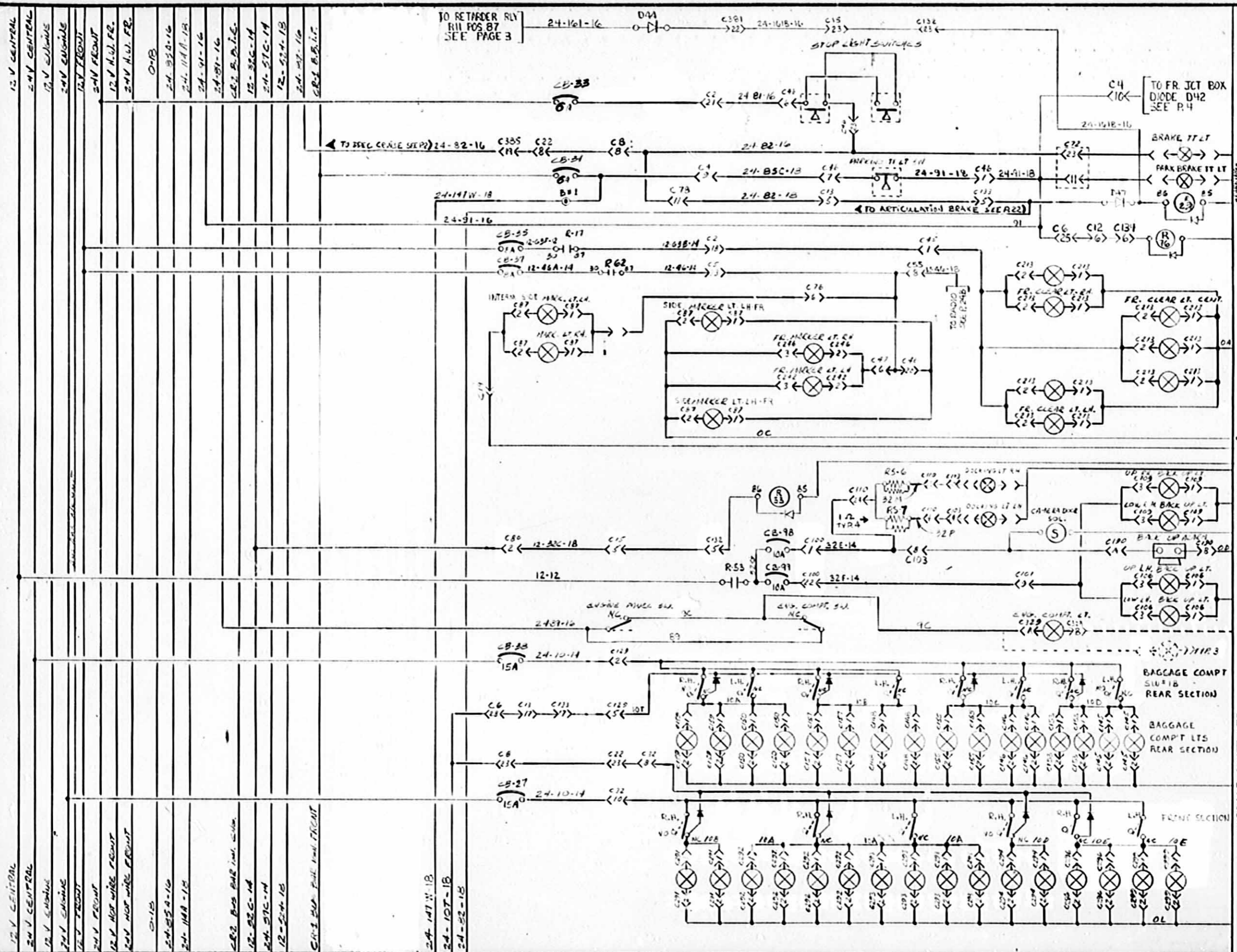
EXTERIOR LIGHTING

DESC:	WIRING DIAGRAM		DESS:	B.C.	DATE:	90-01
APPL:	W/L027, L033...	REF:	H5-60	VER.:	KC	APPR.:
NO:	D-060732	PAR:				

ITEM	DATE	REVISION	PAR
A	90/09	AUDIBLE FLASHER RLY ADJUST	111





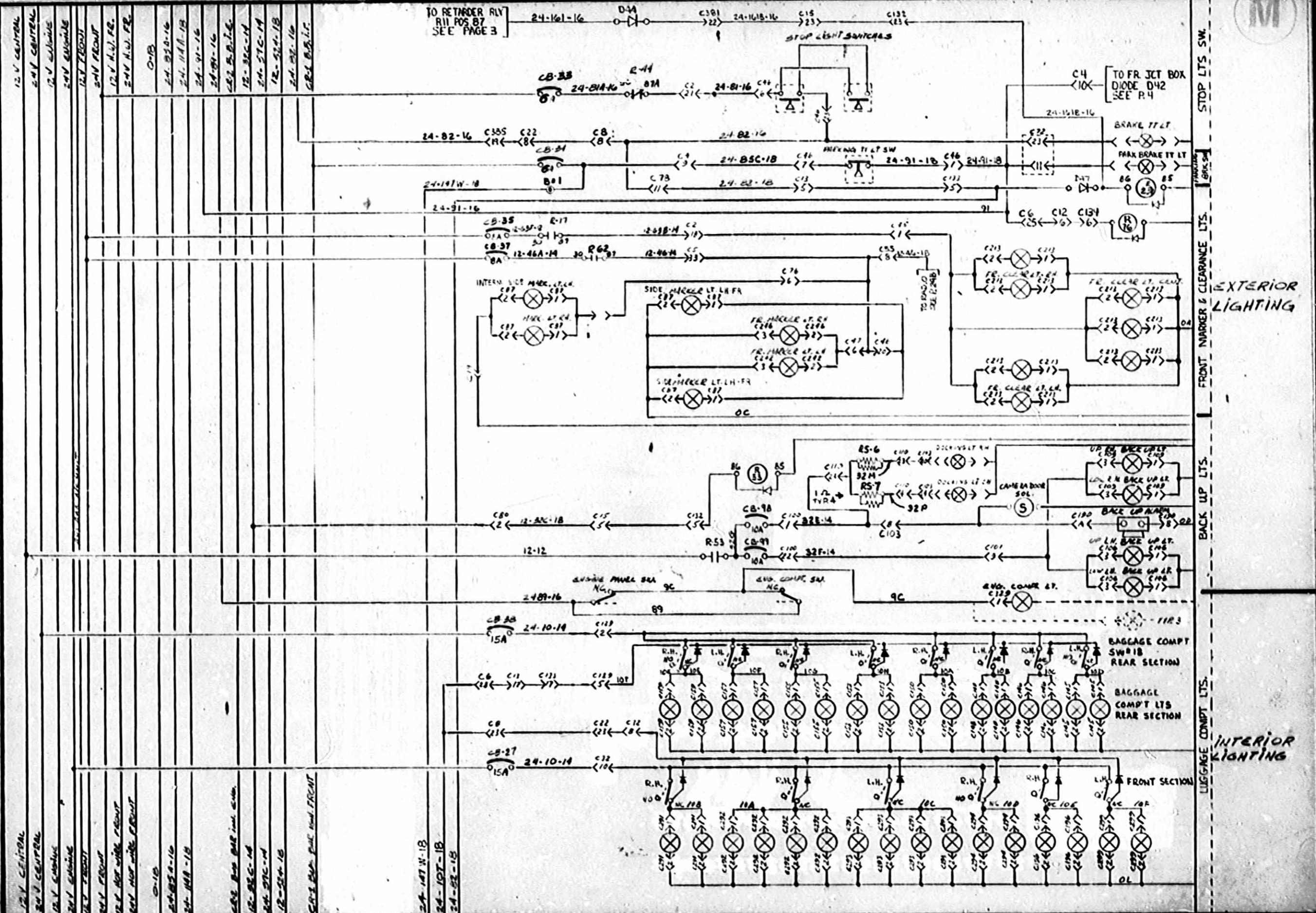


EXTERIOR LIGHTING

INTERIOR LIGHTING

- 12V CENTRAL
- 24V CENTRAL
- 12V SWIRL
- 24V ENGINE
- 12V FRONT
- 24V FRONT
- 12V HOT WIRE FRONT
- 24V HOT WIRE FRONT
- O-1B
- 24-350-16
- 24-11A-12
- 24-91-16
- 24-91-16
- 24-91-16
- 12-32C-14
- 24-32C-14
- 12-52A-13
- 24-52A-13
- CR-1 B.F.I.F.
- 24-147W-18
- 24-107-18
- 24-82-18

DESC :			DESS: <i>LC</i>	DATE: 92-04
WIRING DIAGRAM			VER: <i>LC</i>	APPR: <i>10</i>
92-04	LANCE 92030	PAR	APPL: EFF. W/ N-208	REF: H5-60
ITEM	DATE	REVISION	NO: D-060732	76/24 C



EXTERIOR LIGHTING

BACK UP LTS.

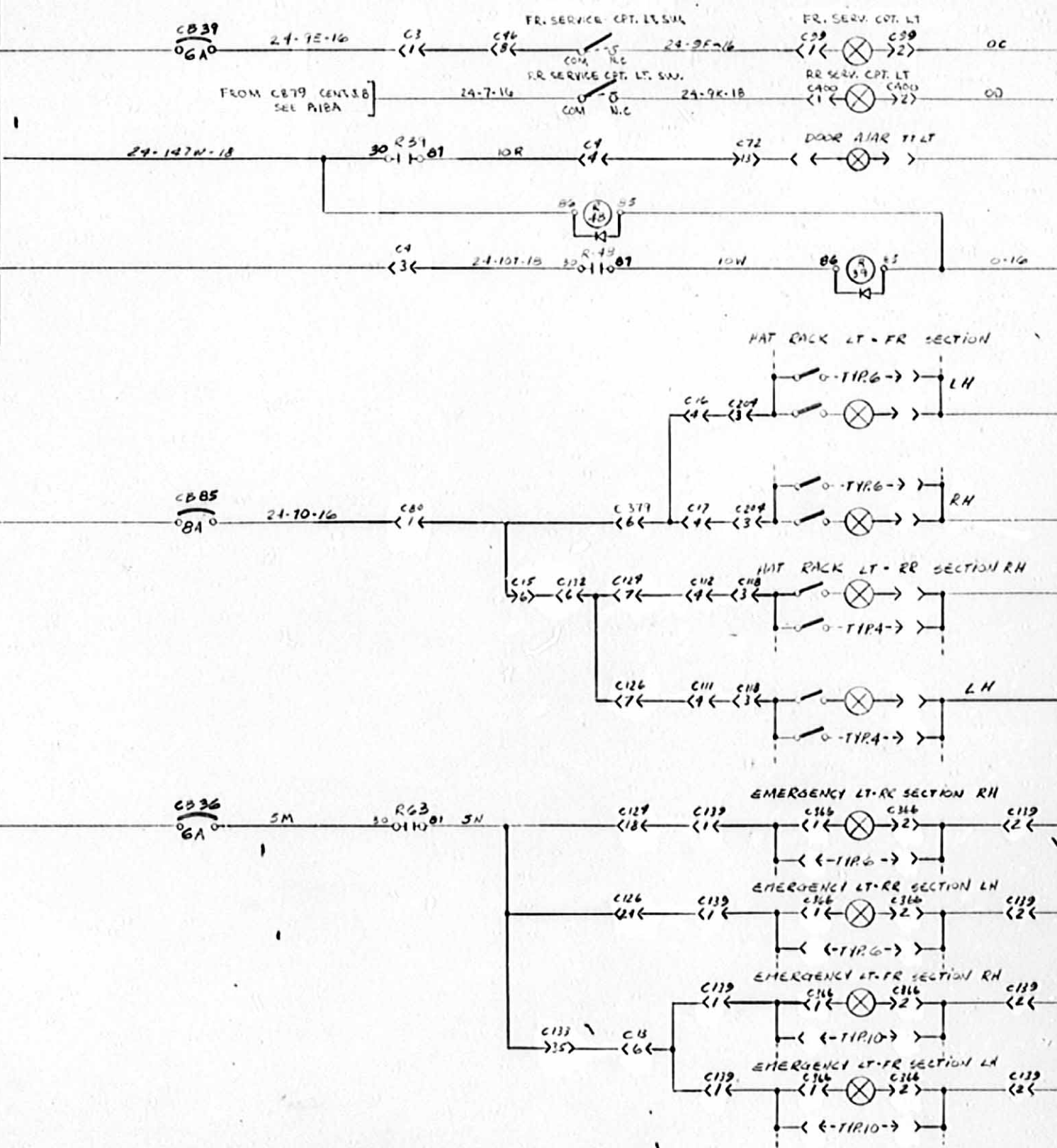
LUGGAGE COMP. LTS.

INTERIOR LIGHTING

DESC 1			DESI	DATE
WIRING DIAGRAM			S.B	90/01
B 90/11 PRIOR O.C. #90178			VER.	
A 0896 CD#19899 α# 90151				
APPL EFF. W/L-027, L-033, PROR. #90178			NOI	D-060732
REF: H5-60				



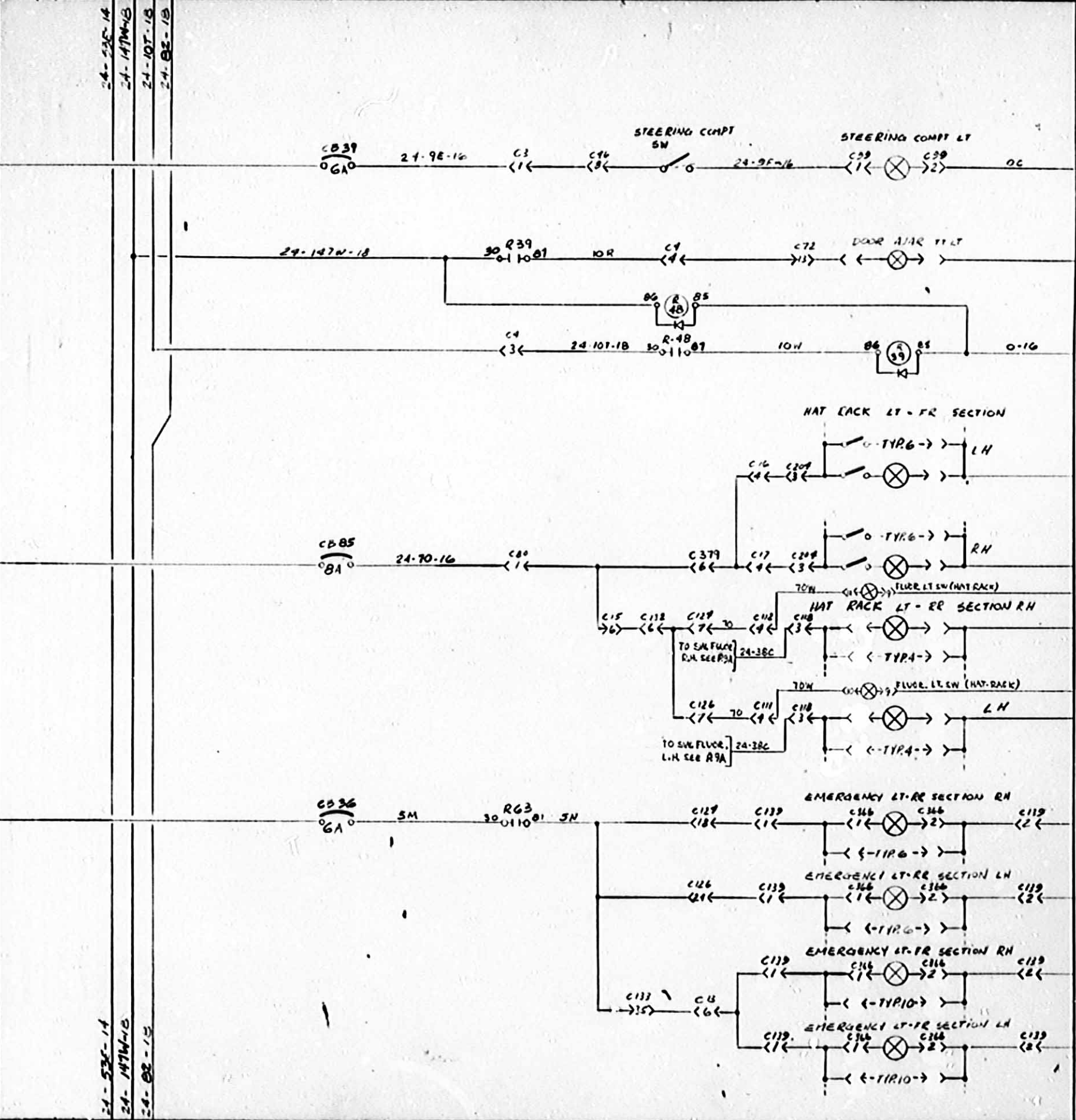
12V CENTRAL	24V CENTRAL	12V ENGINE	24V ENGINE	12V FRONT	24V FRONT	12V HOT WIRE FRONT	24V HOT WIRE FRONT	0-1B	24-85A-16	24-114A-1B	CR-2 BUD BAR 104L. ENGR.	12-32C-14	24-51G-14	12-524-1B	CR-2 BUD BAR 104L FRONT	24-52E-14	24-147W-1B	24-82-1B
12V CENTRAL	24V CENTRAL	12V ENGINE	24V ENGINE	12V FRONT	24V FRONT	12V HOT WIRE FRONT	24V HOT WIRE FRONT	0-1B	24-85A-16	24-114A-1B	CR-2 BUD BAR 104L. ENGR.	12-32C-14	24-51G-14	12-524-1B	CR-2 BUD BAR 104L FRONT	24-52E-14	24-147W-1B	24-82-1B



RR 2 FR. SERVICE CPT. LTS	DOOR ADJAR	HAT RACK LIGHTING	INTERIOR LIGHTING	EMERGENCY LTS
---------------------------	------------	-------------------	-------------------	---------------

DESC:	WIRING DIAGRAM		DESS: S.B.	DATE: 9/01
APPL: EFF. W/	L-027	L-032..	VER.:	APPR.:
REF: H5-60	NO: D-060732		8/14	C
ITEM	DATE	REVISION	PAR	
A	9/01/10	RR SERV. CPT LT. DC#90159	SL	
	7/0/09	CC#90152 LES BRAYERS	SL	
		CS26 39 RALANT 5A	PAR	

12V CENTRAL	24V CENTRAL	12V ENGINE	24V ENGINE	12V FRONT	24V FRONT	12V HOT WIRE FRONT	24V HOT WIRE FRONT	0-12	24-85A-16	24-14A-13	CR-2 BUBBLE	12-32C-14	24-37C-14	12-32A-15	CR-2 BUBBLE	24-53C-14	24-147W-13	24-107-13	24-82-13
12V CENTRAL	24V CENTRAL	12V ENGINE	24V ENGINE	12V FRONT	24V FRONT	12V HOT WIRE FRONT	24V HOT WIRE FRONT	0-12	24-85A-16	24-14A-13	CR-2 BUBBLE 10W. ENGR.	12-32C-14	24-37C-14	12-32A-15	CR-2 BUBBLE	24-53C-14	24-147W-13	24-107-13	24-82-13



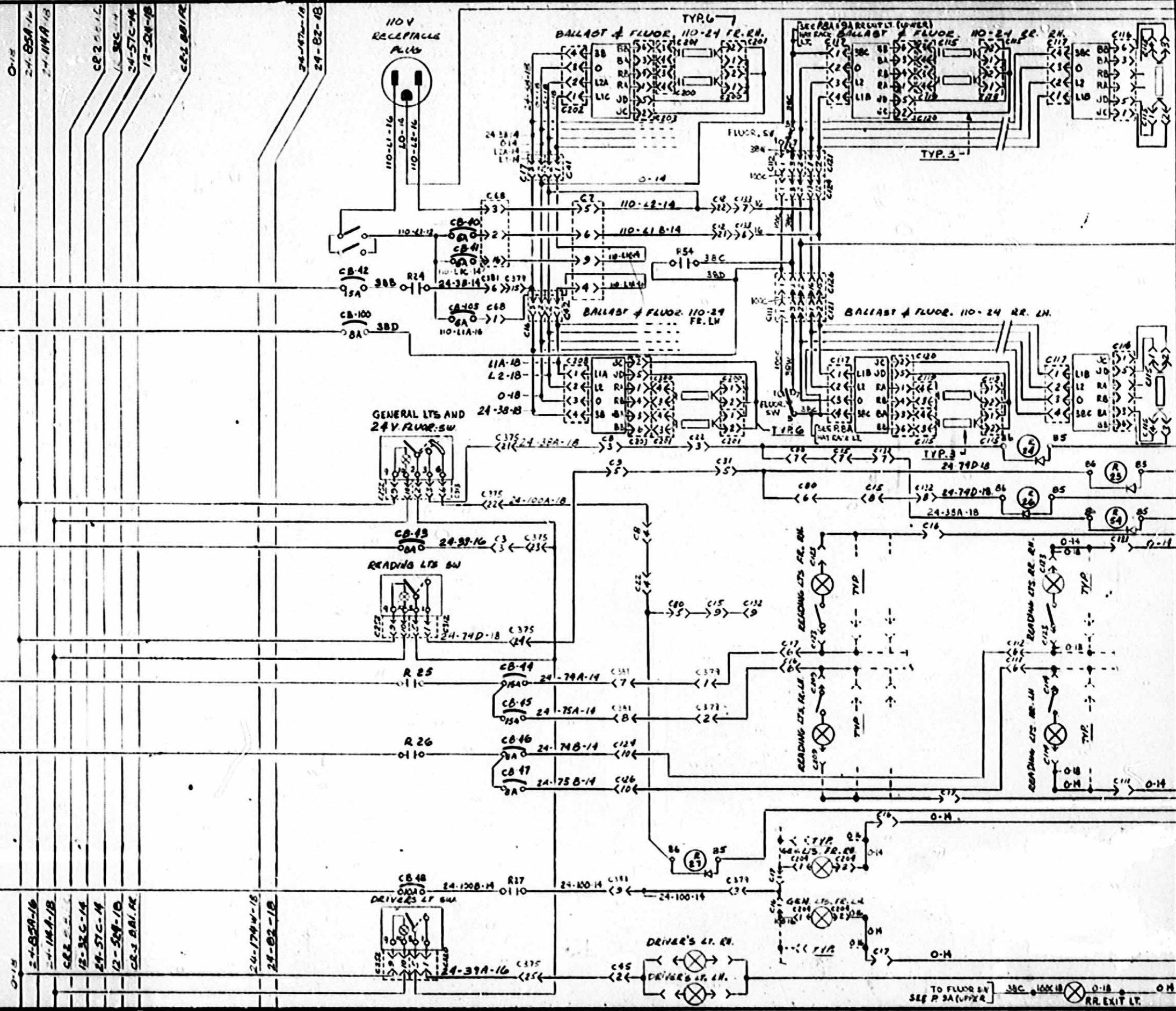
STEERING COMPT. LTS.	DOOR ADJAR	HAT RACK LIGHTING	EMERGENCY LTS.
----------------------	------------	-------------------	----------------

M

DESC: WIRING DIAGRAM	CESS: M.1	DATE: 90/06
APPL: EFF. W/ L-027, L-033, L-034, L-035 M-035 J.M-104	VER: -	APPR: [Signature]
REF: H5-60 "WESTOURS"	NO: D-060732 P.8A	C
ITEM: A	DATE: 30-09	REVISION: BREAKER CHANGES 060152



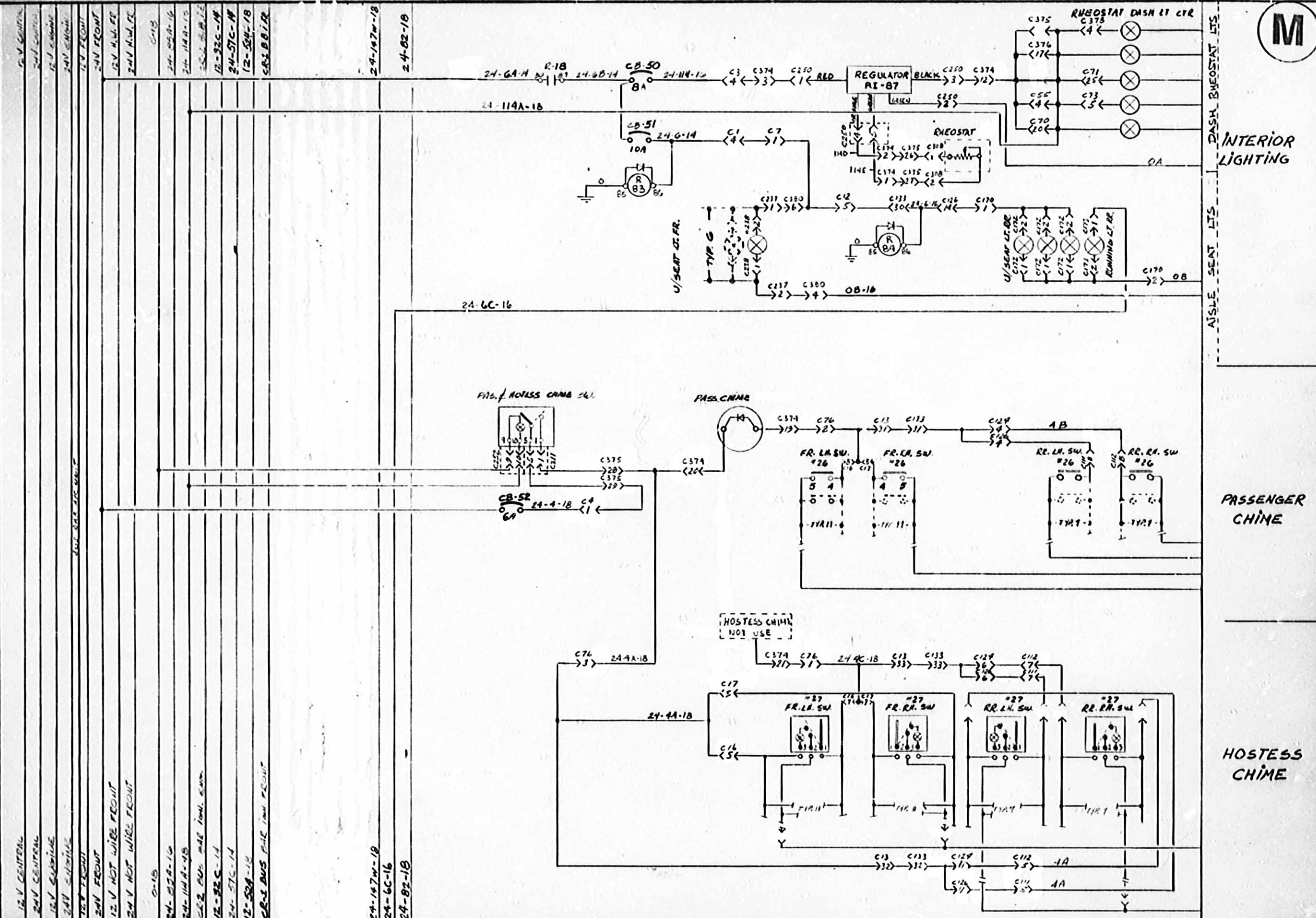
12V CENTRAL  
24V CENTRAL  
12V SWING  
24V SWING  
12V FRONT  
24V FRONT  
12V HOT WIRE LR  
24V HOT WIRE LR  
0-18  
24-85A-16  
24-118A-18  
CB 2-3  
12-32C-14  
24-57C-14  
12-52A-18  
CB-3 BAI RE  
24-174W-18  
24-82-18



110V & 24V FLUORESCENT LTS.  
INTERIOR LIGHTING  
READING LTS.  
GENERAL LTS.



DESC:	WIRING DIAGRAM		DESS:	M/	DATE:	90/06
VER:					APPR:	R
A 30-09	BREXNER GAETAT SA OC 30/90	PAR	APPL: EFF. W/	L-027, L-033, L-034, L-035	REF: H5-60 "WESTOURS"	NO: D-060732 P.9A
ITEM DATE	REVISION					



- 12V CENTRAL
- 24V CENTRAL
- 12V SUBLINE
- 24V SUBLINE
- 12V FRONT
- 24V FRONT
- 12V HOT WIRE FRONT
- 24V HOT WIRE FRONT
- 0-1B
- 24-114A-1B
- 24-114A-1B
- 12-32C-14
- 24-57C-14
- 12-52A-18
- CR-3 BUS AIRL. FRONT
- 24-147W-18
- 24-6C-16
- 24-82-18

DASH, RHEOSTAT, LITS  
 INTERIOR LIGHTING  
 AISLE, SEAT, LITS  
 PASSENGER CHIME  
 HOSTESS CHIME

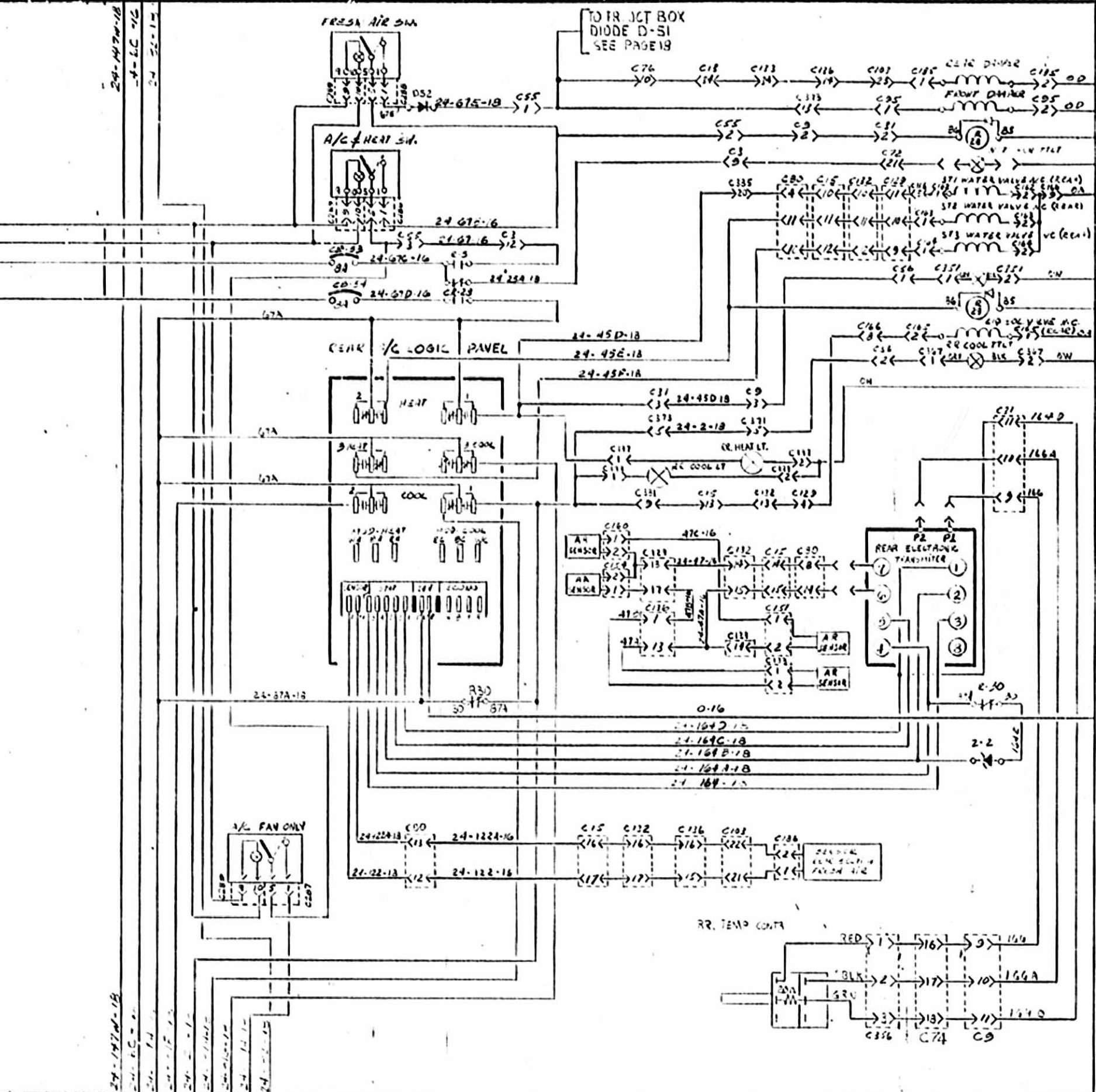
DESC :	WIRING DIAGRAM		DESS: D.V.	DATE: 90-01
VER.:	90/69	CM 10152 LE BREKER	VER.:	APPR.:
ITEM:	90/66	MISE A JOUR		
DATE:		REVISION	APPL: EFF. W/L-027	REF: H5-60
			L-053...	NO: D-060732 P. 10 C







12V CONTROL
24V CONTROL
12V EXHAUST
24V EXHAUST
12V FRONT
24V FRONT
12V REAR
24V REAR
12V WIRE FRONT
24V WIRE FRONT
12V WIRE REAR
24V WIRE REAR
0-18
24-25A-10
24-114A-13
24-25B-14
12-25C-14
24-25E-14
12-25D-14
24-25F-14
24-147A-18
24-147B-18
24-147C-18
24-147D-18
24-147E-18
24-147F-18
24-147G-18
24-147H-18
24-147I-18
24-147J-18
24-147K-18
24-147L-18
24-147M-18
24-147N-18
24-147O-18
24-147P-18
24-147Q-18
24-147R-18
24-147S-18
24-147T-18
24-147U-18
24-147V-18
24-147W-18
24-147X-18
24-147Y-18
24-147Z-18



A/C & HEAT SYSTEM

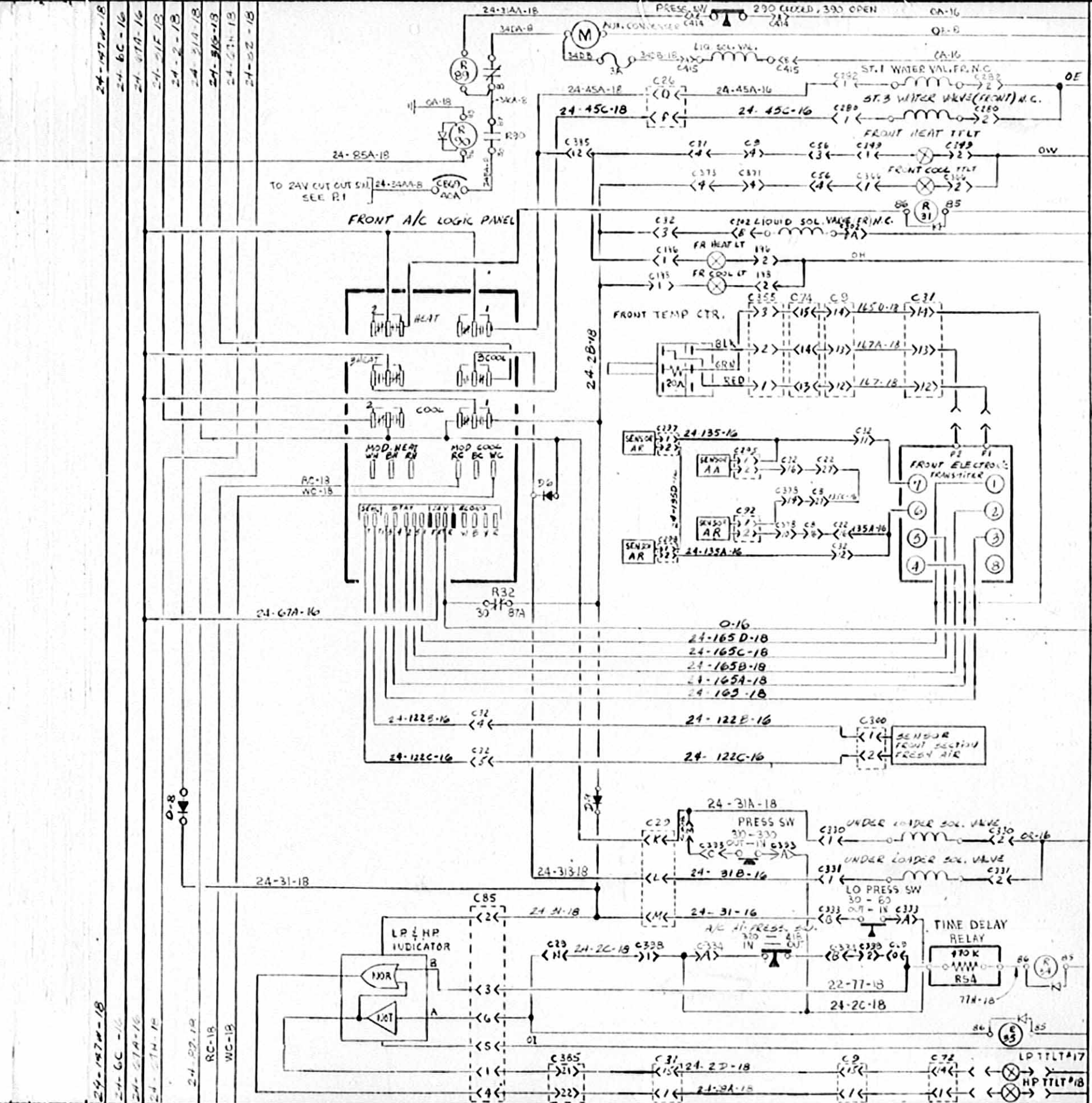
DESC:	WIRING DIAGRAM		DESS: B.C	DATE: 30-01
VER:	10		APPR: [Signature]	
APPL: W/L-021	PRIOR TO N-208	REF: HS-60	ID: D-060732 P.11 C	
DATE	REVISION	PAR		
B 92-04	PRIOR N-208 ROUTE	[Signature]		
A 03/76	WIRE YOUR	[Signature]		



AUX. CONDENSER

A/C & HEAT SYSTEM

- 12 V CENTRAL
- 24 V CENTRAL
- 12 V ENGINE
- 24 V ENGINE
- 12 V FRONT
- 24 V FRONT
- 12 V HOT WIRE FRONT
- 24 V HOT WIRE FRONT
- 0-18
- 24-85A-18
- 24-14A-18
- CR2 BUB BAR (incl. Selen)
- 12-52C-14
- 24-57C-14
- 12-52A-18
- CR2 BUB BAR (incl. FRONT)
- 24-15-14
- 24-147A-18
- 24-6C-16
- 24-87A-16
- 24-87F-18
- 24-2-18
- 24-21A-18
- 24-51B-18
- 24-27A-18
- 24-52-18
- 0-8
- 24-165D-18
- 24-165C-18
- 24-165B-18
- 24-165A-18
- 24-165-18
- 24-122B-16
- 24-122C-16
- 24-31A-18
- 24-31B-16
- 24-31-18
- 24-31-16
- 24-2C-18
- 24-2A-18
- 0-18
- 24-85A-16
- 24-14A-16
- CR2 BUB BAR (incl. Selen)
- 12-52C-14
- 24-57C-14
- 12-52A-18
- CR2 BUB BAR (incl. FRONT)
- 24-15-14
- 24-147A-18
- 24-6C-16
- 24-87A-16
- 24-87F-18
- 24-2-18
- 24-21A-18
- 24-51B-18
- 24-27A-18
- 24-52-18
- 0-8
- 24-165D-18
- 24-165C-18
- 24-165B-18
- 24-165A-18
- 24-165-18
- 24-122B-16
- 24-122C-16
- 24-31A-18
- 24-31B-16
- 24-31-18
- 24-31-16
- 24-2C-18
- 24-2A-18



DESC:

WIRING DIAGRAM

DESS:

BC

DATE:

90-01

VER:

1/C

APPR:

[Signature]

ITEM DATE

REVISION

PAR

APPL: W/L-027  
L-053...

REF: HS-60

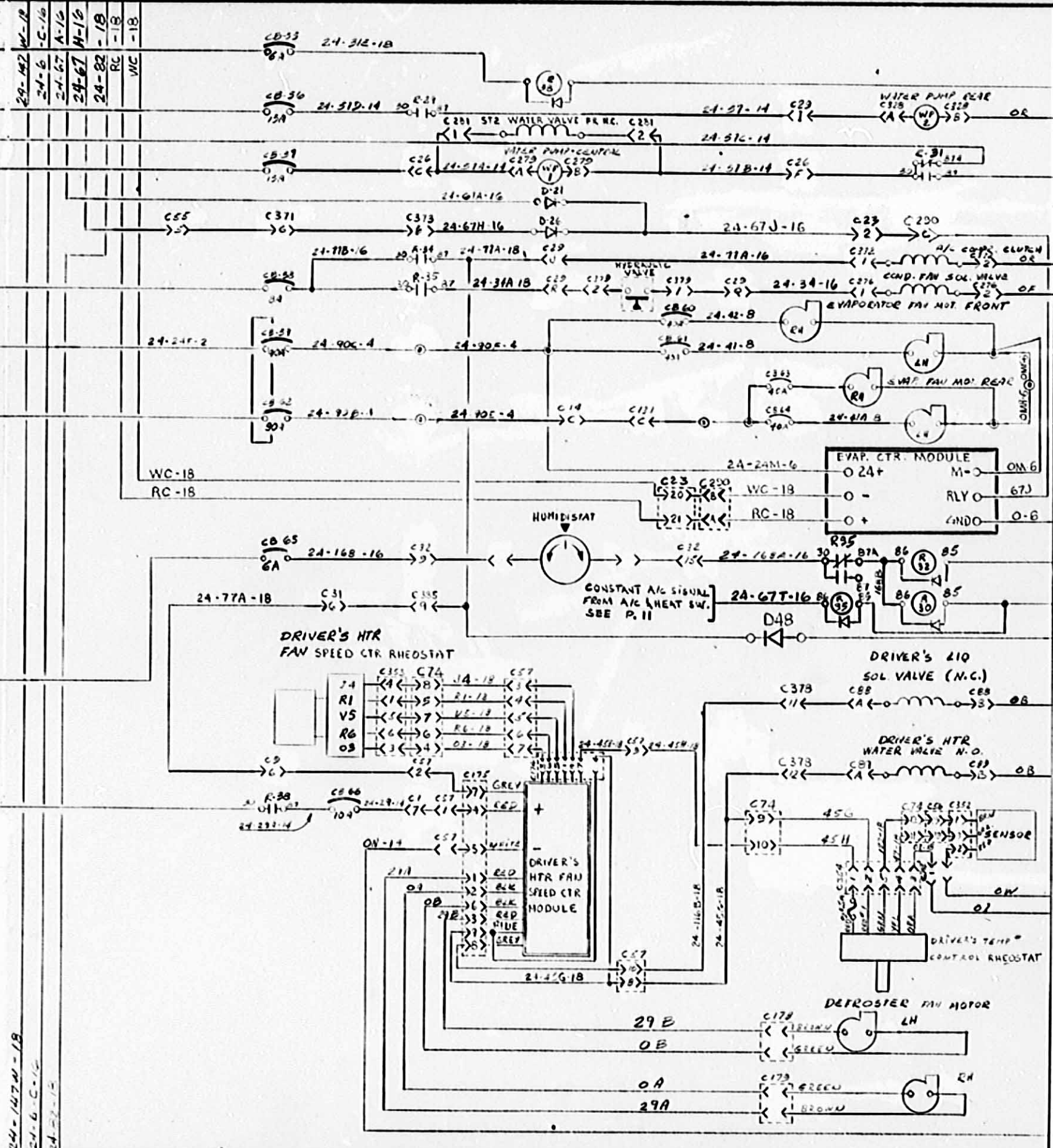
NO: D-060732

12/24 C



12V CENTRAL  
 24V CENTRAL  
 12V ENGINE  
 24V ENGINE  
 24V FRONT  
 12V H.W. 12  
 24V H.W. 12  
 O-18  
 24-55A-16  
 24-118A-18  
 C-2-28A-15  
 12-32C-14  
 24-57C-14  
 12-52A-18  
 C-2-28B-11R

12V CENTRAL  
 24V CENTRAL  
 12V ENGINE  
 24V ENGINE  
 12V FRONT  
 24V FRONT  
 12V HOT WIRE  
 24V HOT WIRE  
 O-18  
 24-55A-16  
 24-118A-18  
 C-2-28A-15  
 12-32C-14  
 24-57C-14  
 12-52A-18  
 C-2-28B-11R



A/C & HEAT SYSTEM

DESC :

WIRING DIAGRAM

DESS: *KC* DATE: 92-04

VER: *KC* APPR: *KC*

92-04	LANCE OC 92030	PAR
ITEM DATE	REVISION	

APPL: W/ N-208

REF: HS-60

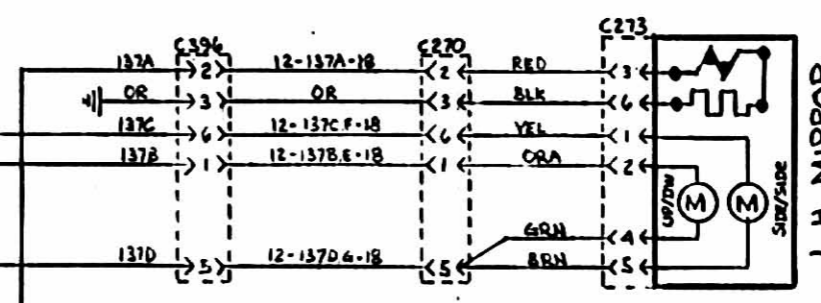
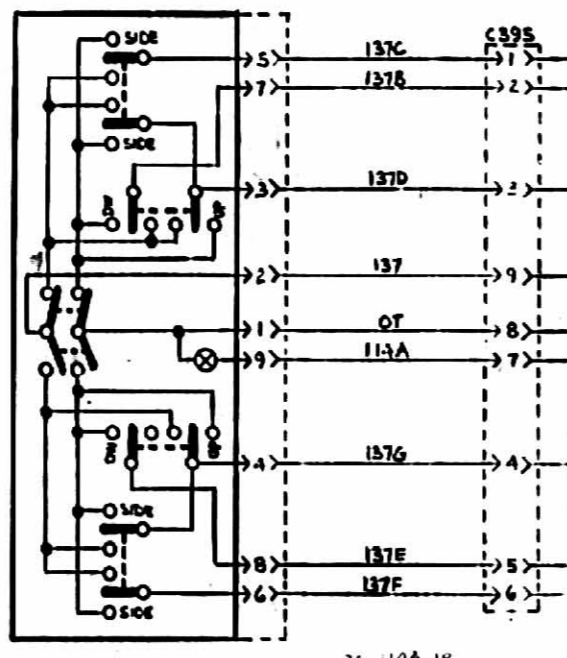
NO: D-060732 13a/21 C



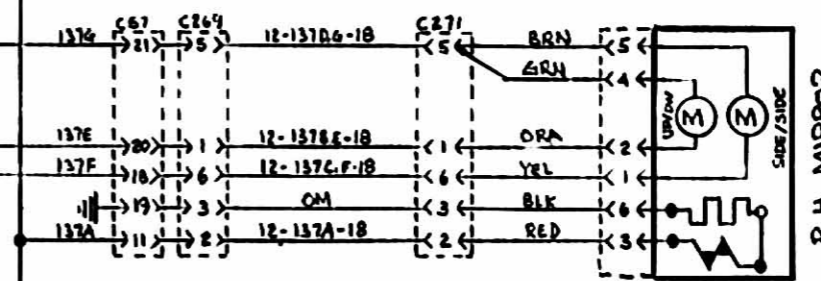


- 12V CENTRAL
- 24V CENTRAL
- 12V ENGINE
- 24V ENGINE
- 12V FRONT
- 24V FRONT
- 12V HOT WIRE FRONT
- 24V HOT WIRE FRONT
- 0-18
- 24-55A-16
- 24-11A-18
- CR2 BUS BAR INST.
- 12-22C-14
- 12-22A-18
- CR3 BUS BAR INST.
- 24-147N-18
- 24-6C-16
- 24-82-18
- 0-48
- 24-55A-16
- 24-11A-18
- CR2 BUS BAR INST.
- 12-22C-14
- 12-22A-18
- CR3 BUS BAR INST.
- 24-147N-18
- 24-6C-16
- 24-82-18

MIRROR SW.



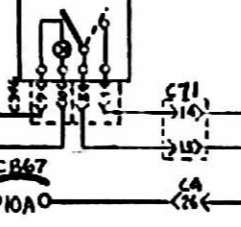
L.H. MIRROR



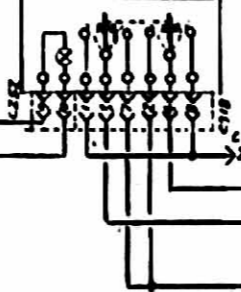
R.H. MIRROR

REAR VIEW ADJUST & HEATED MIRROR

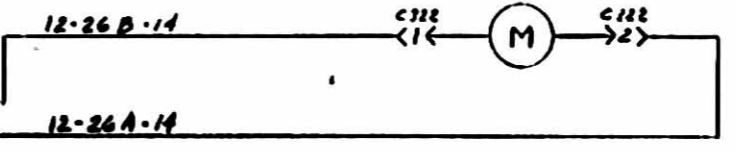
HEATED MIRROR SW.



DRIVER'S WINDOW LIFTER SW. #38

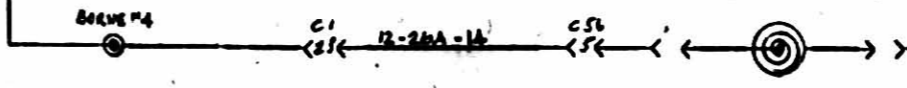


DRIVER'S WINDOW LIFTER MOTOR



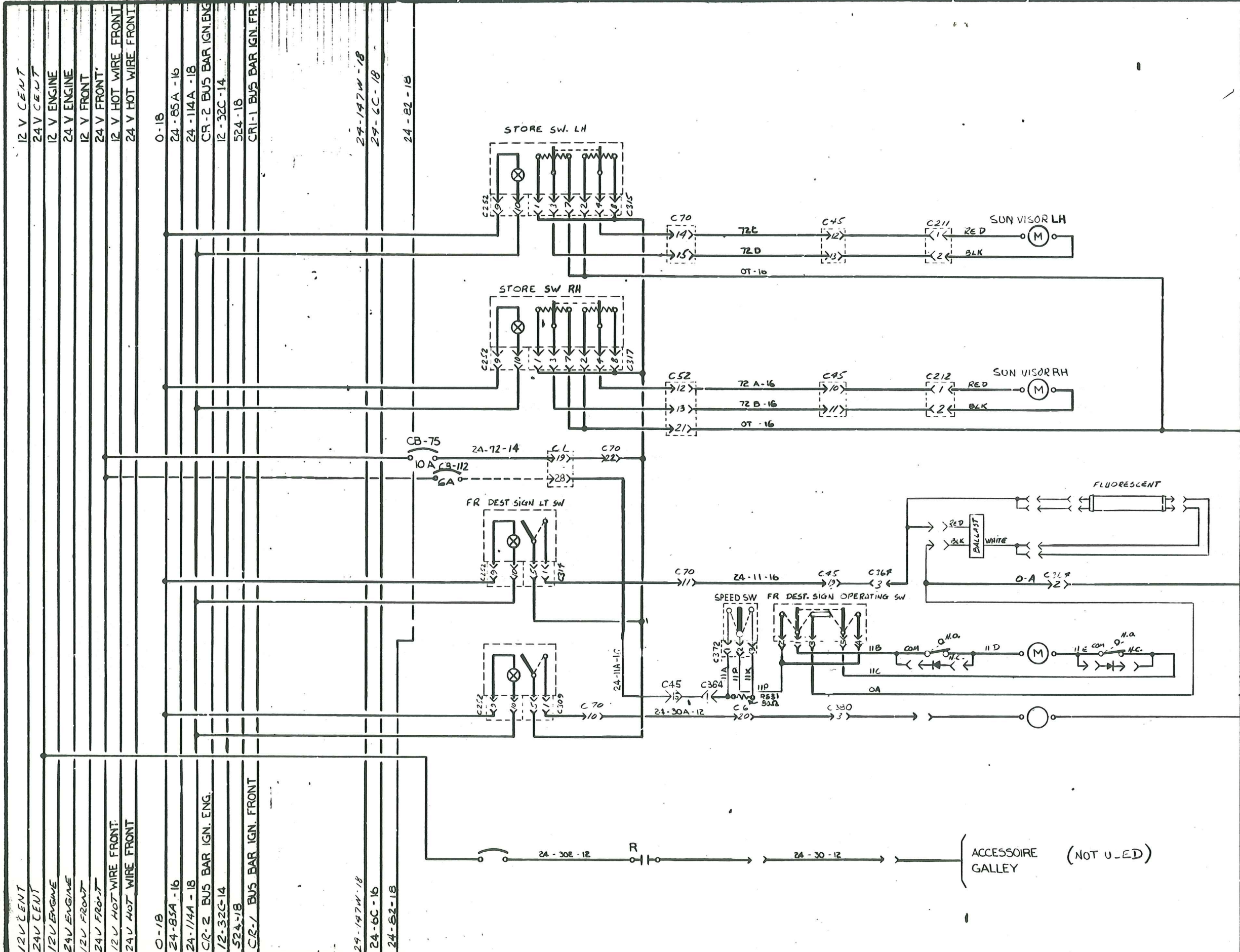
DRIVER'S WINDOW

CIGAR LIGHTER



CIGAR LIGHTER

DESC: WIRING DIAGRAM			DESS: M/L	DATE: 90/01
B 91-01 MISE A JOUR MIRROR			VER: K	APPR: [Signature]
A 90-09 MISE A JOUR				
ITEM	DATE	REVISION	APPL: EFF. W/ L-027 L-033...	REF: H5-60
			NO: D-060732 1/24 C	



12 V CENT	24 V CENT	12 V ENGINE	24 V ENGINE	12 V FRONT	24 V FRONT	12 V HOT WIRE FRONT	24 V HOT WIRE FRONT	0-18	24-85A-16	24-114A-18	CR-2 BUS BAR IGN. ENG.	12-32C-14	524-18	CR-1 BUS BAR IGN. FR.	24-147W-18	24-6C-16	24-52-18	24-82-18	SUN VISOR LH	SUN VISOR RH	FRONT DESTINATION SIGN	OPTION GALLEY	ACCESSOIRE GALLEY (NOT U-ED)
-----------	-----------	-------------	-------------	------------	------------	---------------------	---------------------	------	-----------	------------	------------------------	-----------	--------	-----------------------	------------	----------	----------	----------	--------------	--------------	------------------------	---------------	------------------------------

11

8.5

FLUORESCENT

BALLAST

WHITE

O-A

11D

11E

11F

11G

11H

11I

11J

11K

11L

11M

11N

11O

11P

11Q

11R

11S

11T

11U

11V

11W

11X

11Y

11Z

11

8.5

11"

D-060732

15/24

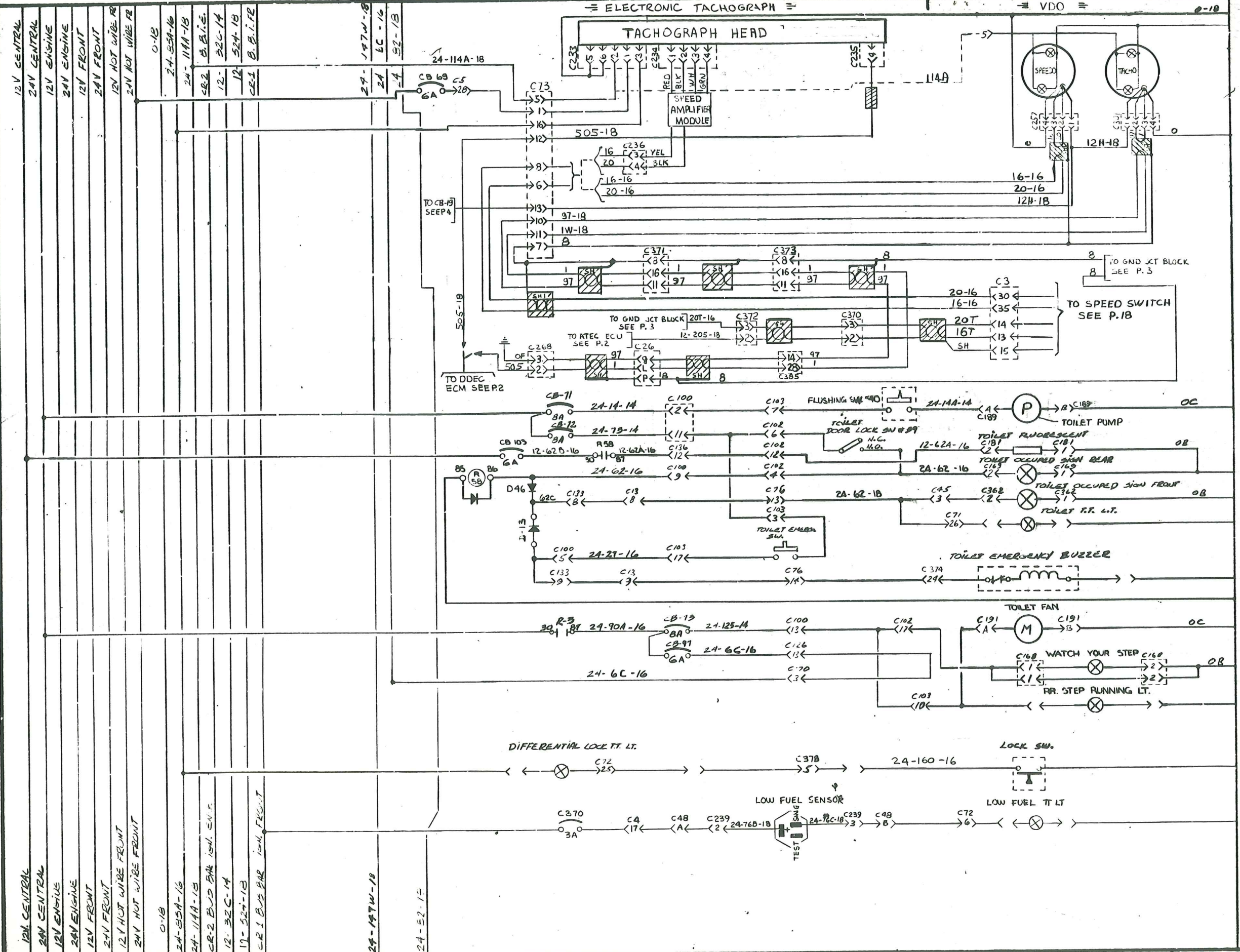
8.5

DESC:	WIRING DIAGRAM	DESS:	BC	DATE:	30-01
VER.:		APPR.:			
NO:	D-060732		15/24		C

ITEM	DATE	REVISION	PAR
B	9-10	SUN VISOR ETAT STORE	M
A	7-09	CR-112 AWAIT 50MP	

5"

1"



VDO  
TACHOGRAPH  
OR  
VDO  
SPEEDO/TACHO

TOILET

DIFFERENTIAL  
LOCK

LOW FUEL

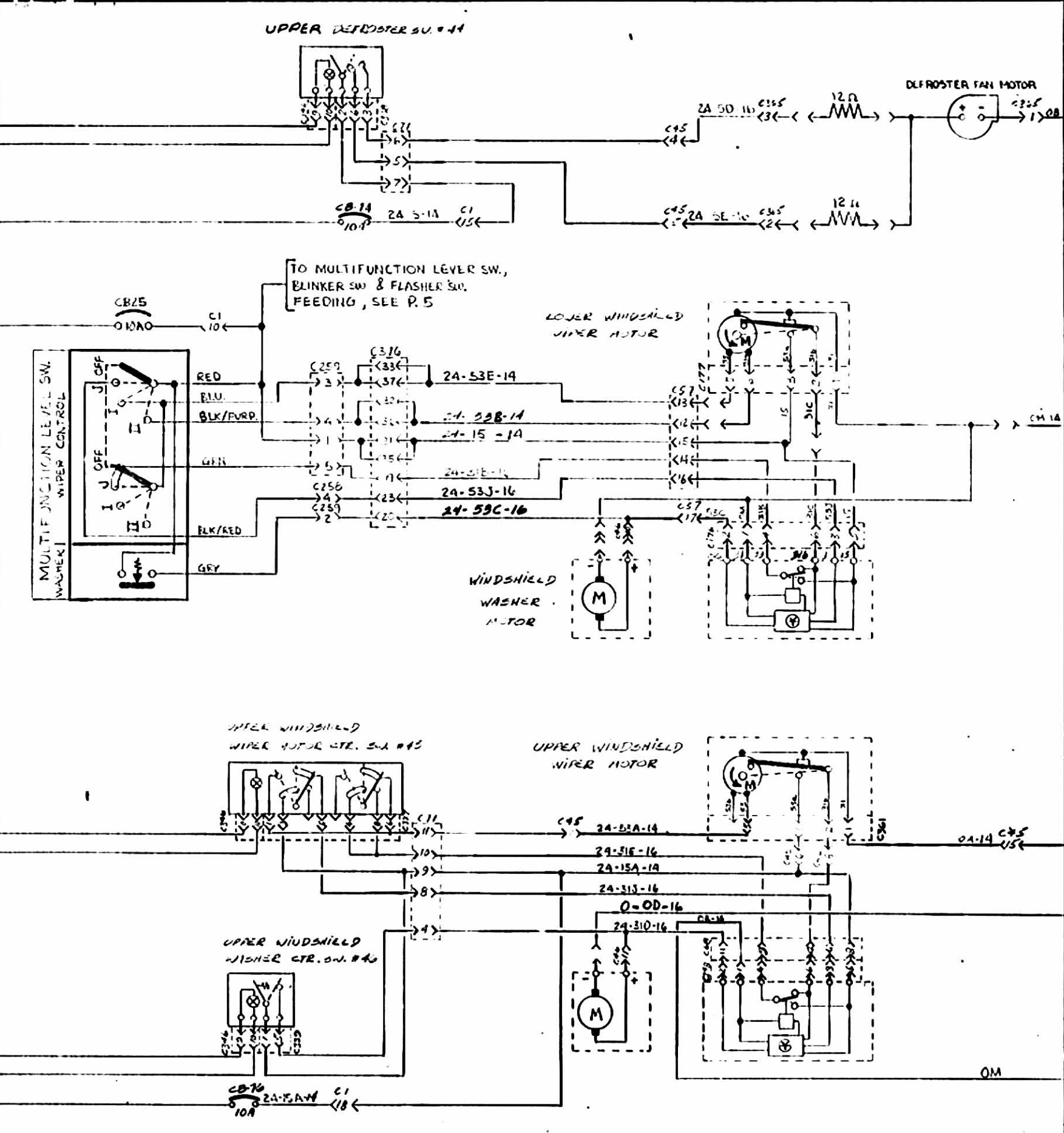
19/11/90  
 261090

DESC :		WIRING DIAGRAM		DESS: D.V.	DATE: 90-01
APPL: EFF. W/ L-027		REF: HS-60		VER: <i>lc</i>	APPR: <i>[Signature]</i>
B	90-10	MISE A JOUR O.C. 90201A	DT	NO: D-060732 16/24 C	
A	70-09	06/09/92 LES BREAKERS	SL		
		CB49,105,97 AWANT SAMP	DAB		
		REVISION			



- 12V CENTRAL
- 24V CENTRAL
- 12V SIGNAL
- 24V SIGNAL
- 12V FRONT
- 24V FRONT
- 12V HOT WIRE FRONT
- 24V HOT WIRE FRONT

- 0-18
- 24-25A-16
- 24-114A-13
- CR-2 P.A.B.I.E.
- 12-92C-14
- 12-92A-13
- CR-1 P.B.I.F.R.
- 24-147W-18
- 24-176-16
- 24-162C-16
- 24-82-13
- 24-176-18



- UPPER WINDSHIELD DEFROST
- LOWER WINDSHIELD WIPER & WASHER
- UPPER WINDSHIELD WIPER & WASHER

	DESC: <b>WIRING DIAGRAM</b>	DESS: <i>MJ</i>	DATE: 90-01
		VER: <i>KL</i>	
A 90/11	REVISION	APPL: EFF. W/ L027, L033...	REF: H5-60
ITEM DATE	REVISION	PAR	NO: D-060732 11/24



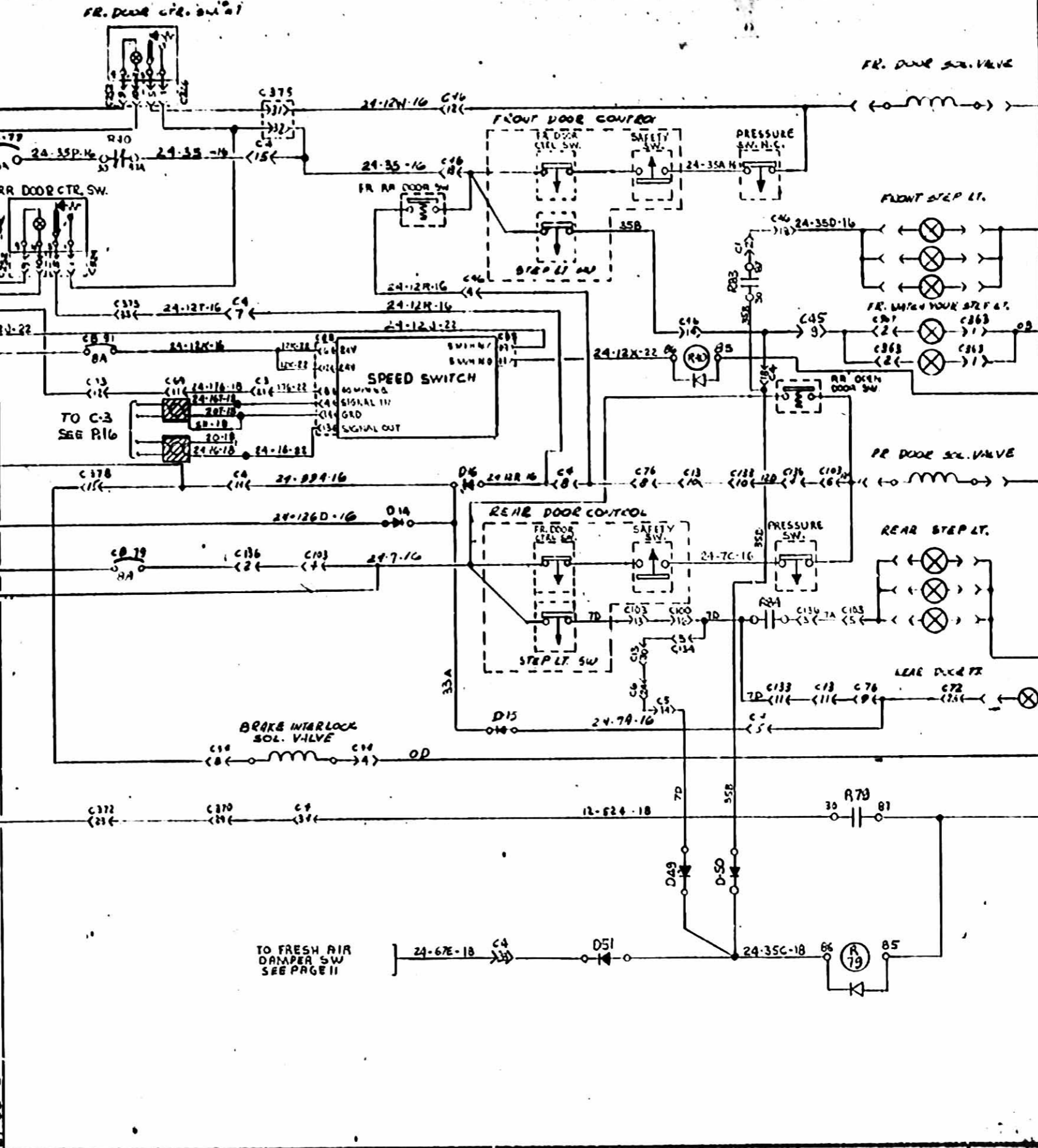


12V CENTRAL  
24V CENTRAL  
12V ENGINE  
24V ENGINE  
12V FRONT  
24V FRONT  
12V NOT WIRE FRONT  
24V NOT WIRE FRONT

12V CENTRAL  
24V CENTRAL  
12V ENGINE  
24V ENGINE  
12V FRONT  
24V FRONT  
12V NOT WIRE FRONT  
24V NOT WIRE FRONT

24-12H-16  
24-35-16  
24-12R-16  
24-12J-22  
24-12X-22  
24-126D-16  
24-7-16  
24-79-16  
24-35C-18  
24-67E-18  
24-12N-16  
24-35-16  
24-12R-16  
24-12J-22  
24-12X-22  
24-126D-16  
24-7-16  
24-79-16  
24-35C-18  
24-67E-18

24-12H-16  
24-35-16  
24-12R-16  
24-12J-22  
24-12X-22  
24-126D-16  
24-7-16  
24-79-16  
24-35C-18  
24-67E-18  
24-12N-16  
24-35-16  
24-12R-16  
24-12J-22  
24-12X-22  
24-126D-16  
24-7-16  
24-79-16  
24-35C-18  
24-67E-18



TO FRESH AIR DAMPER SW SEE PAGE II

REAR & FRONT DOOR CONTROL

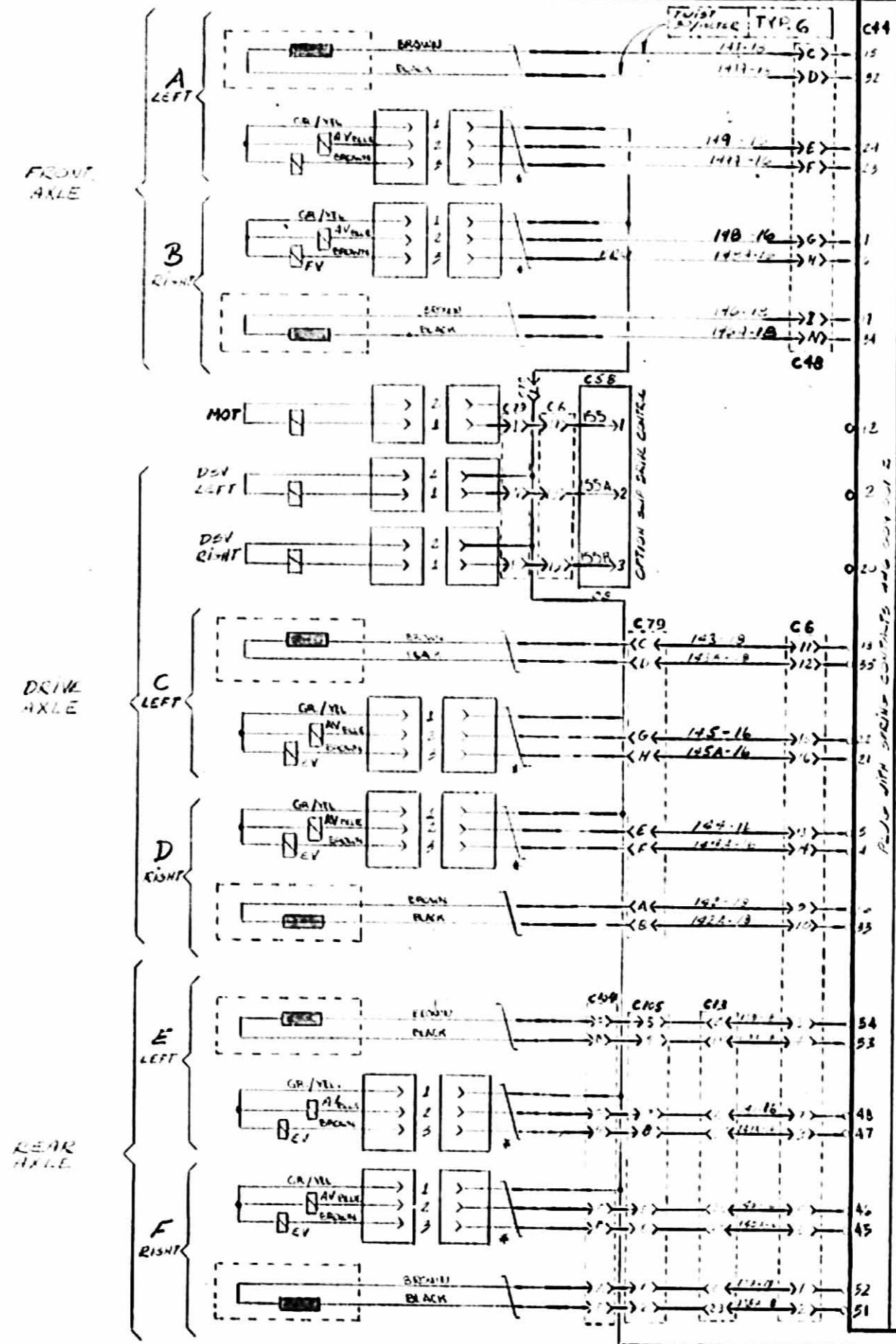
REV	DATE	REVISION	PAR
C	91/01	MISE A JOUR O.C. 90201A	DT
B	90/08	PRIOR O.C. 90159	DT
A	90/06	MISE A JOUR	MA

DESC: WIRING DIAGRAM  
APPL. EFF. W/ L027 1.033... PRIOR TO: M109 REF: IIS-60

DESSA 3C DATE 90.01  
VER- C  
NO. 060732 P. 18



12V CENTER
24V CENTER
12V FRONT
24V FRONT
12V NOT WIRE FRONT
24V NOT WIRE FRONT
0-12
24-82-1-16
24-114A-12
24-114B-12
24-114C-12
24-114D-12
24-114E-12
24-114F-12
24-114G-12
24-114H-12
24-114I-12
24-114J-12
24-114K-12
24-114L-12
24-114M-12
24-114N-12
24-114O-12
24-114P-12
24-114Q-12
24-114R-12
24-114S-12
24-114T-12
24-114U-12
24-114V-12
24-114W-12
24-114X-12
24-114Y-12
24-114Z-12

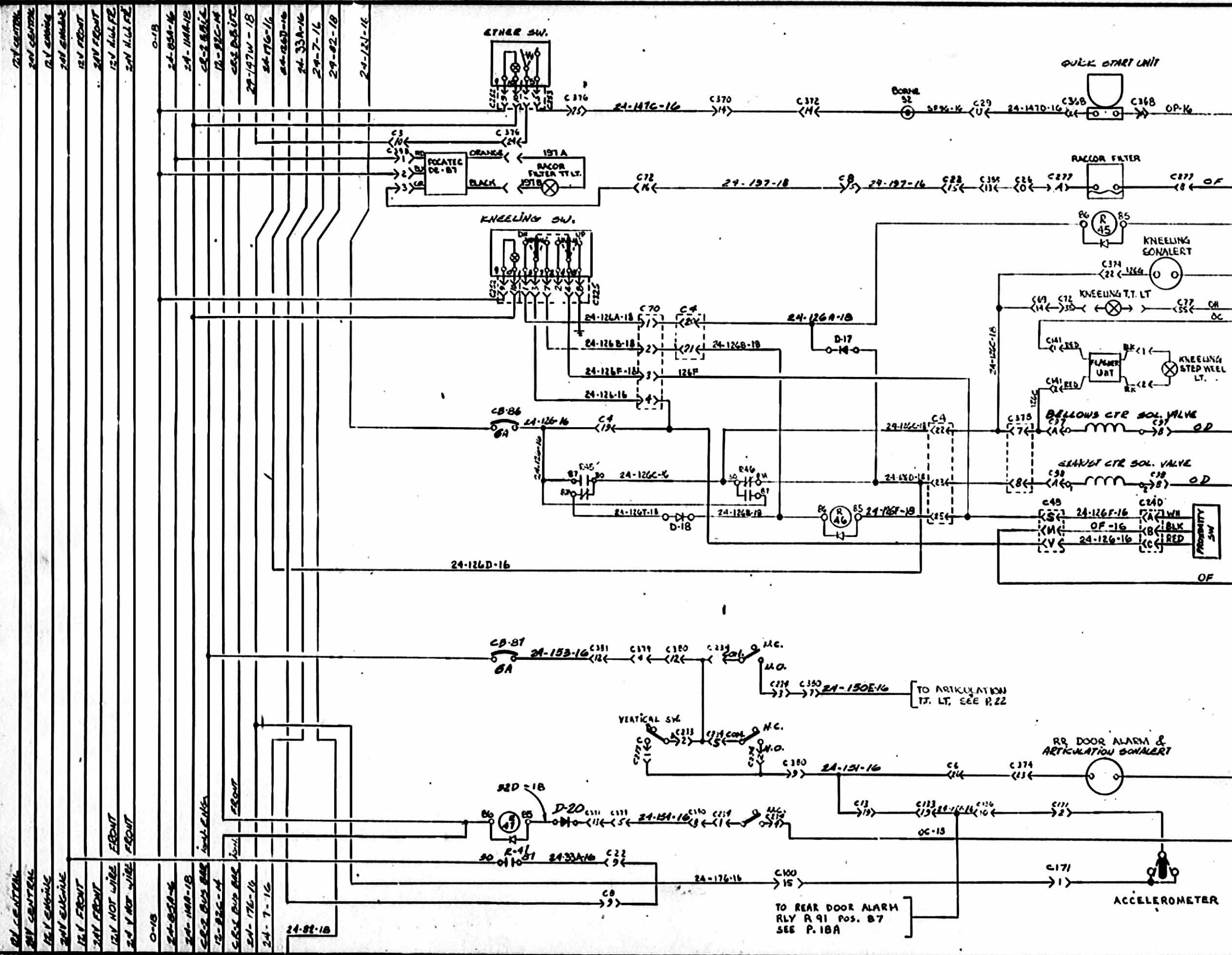


THIS DOES NOT APPLY TO OPTION 254 IDENTIFIICAL FUNCTION WITH THE 254 IF DRIVE SLIP CONTROL IS NOT USED  
 THIS DOES NOT APPLY TO OPTION 254 (WITHOUT DRIVE SLIP CONTROL)  
 PULL WITH SPRING CONTACTS AND SOLDER

ANTI-SKID

06

DESC :	WIRING DIAGRAM		DESS: D.V.	DATE: 92-04
VER: 16	APPL: EFF. W/ N-208		VER: 16	APPR: [Signature]
92-04	LANGE OC*92030	PAR: [Signature]	NO: D-060732	200/24
TEM DATE	REVISION	PAR	REF: HS-60	



QUICK START

FUEL WATER FILTER

KNEELING

ARTICULATION SWITCH

ACCELEROMETER

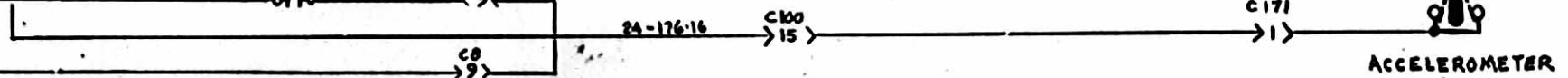
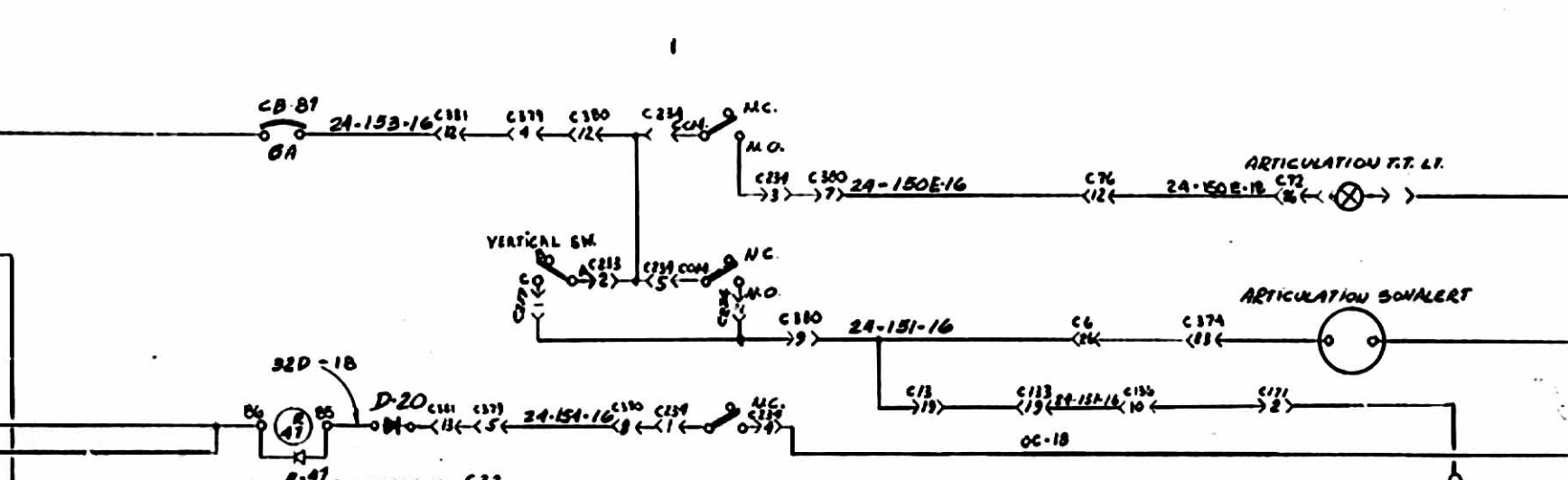
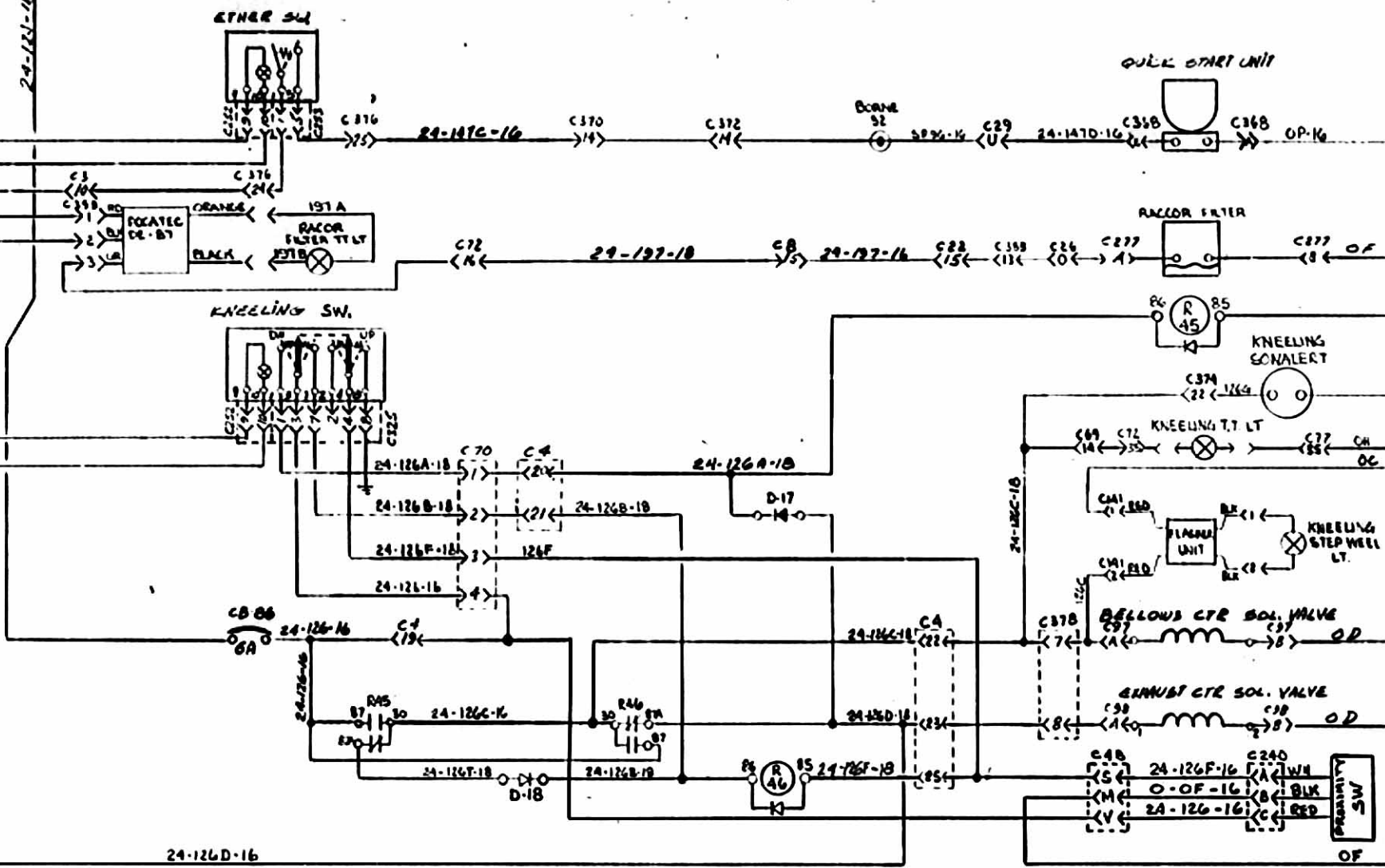
DESC :			DESS I D.V.		DATE - 90-08	
WIRING DIAGRAM			VER. -		APPR. -	
A	9/08	LNKE EFF. OC 9015	REF: H5-60		NO: D-060732 P.21a	
ITEM	DATE	REVISION	APPLIEFF.W/M110		C	

12V CENTER  
201 CENTER  
12V ENGINE  
201 ENGINE  
12V FRONT  
201 FRONT  
12V HOT WIRE  
201 HOT WIRE

0-15  
24-050-16  
24-110A-12  
24-290-16  
12-22C-14  
24-17W-18  
24-17G-16  
24-126D-18  
24-33A-16  
24-7-16  
24-02-18  
24-121-16

12V CENTER  
201 CENTER  
12V ENGINE  
201 ENGINE  
12V FRONT  
201 FRONT  
12V HOT WIRE  
201 HOT WIRE

0-18  
24-050-16  
24-110A-12  
24-290-16  
12-22C-14  
24-17W-18  
24-17G-16  
24-7-16  
24-02-18  
24-82-18



QUICK START

FUEL WATER FILTER

KNEELING

ARTICULATION SWITCH

ACCELEROMETER

DESC :

WIRING DIAGRAM

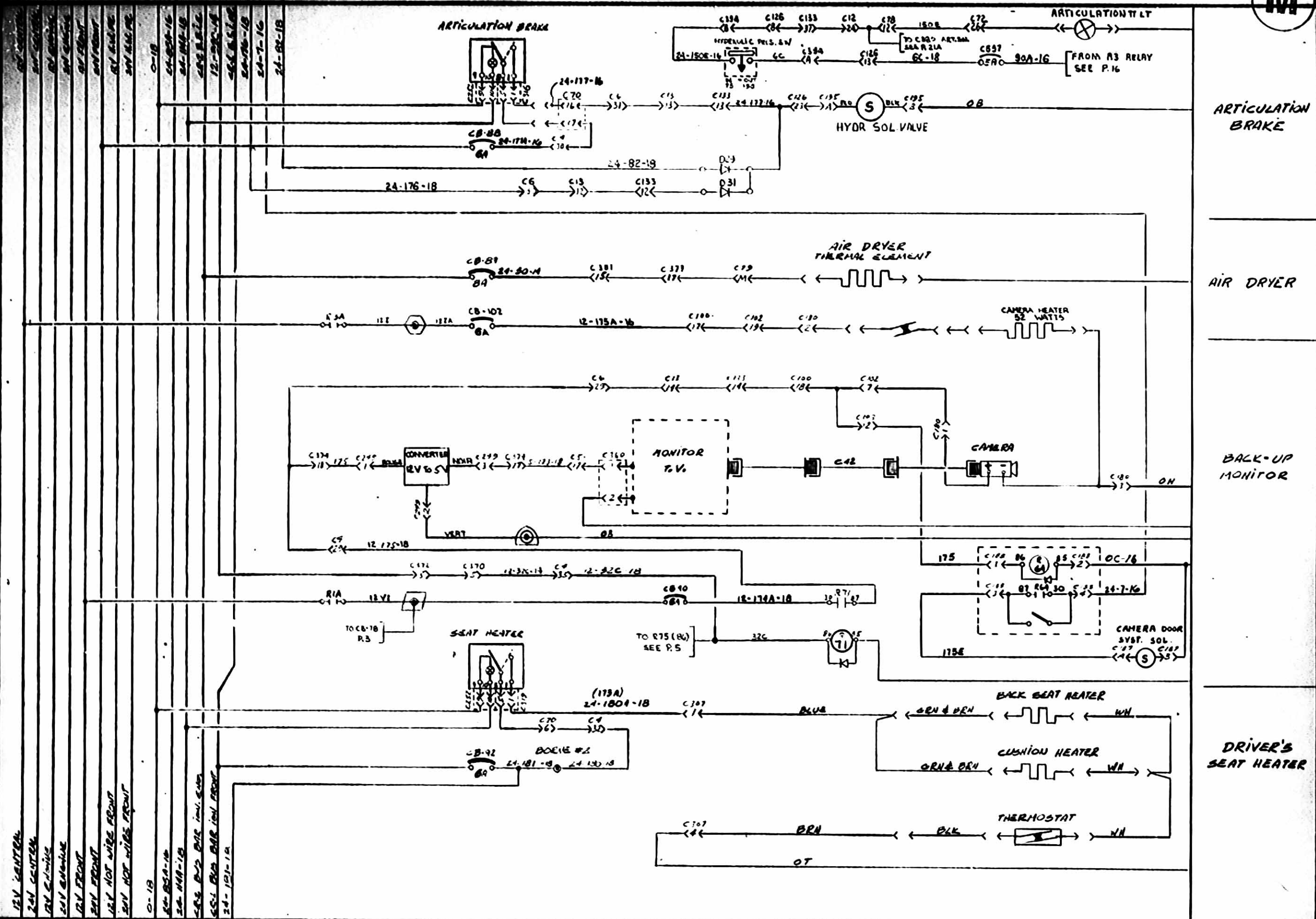
ITEM	DATE	REVISION	PAR
B	90/11	PRIOR O.C. # 90159	DT
A	70/06	MISE 2 JOUR	M/A

APPL: EFF. W/L 037... PRIOR TO M109 REF: H5-60

DESS: *MJ* DATE: 90-01

VER. *K* APPR. *[Signature]*

NO: D-060732 P.21 C

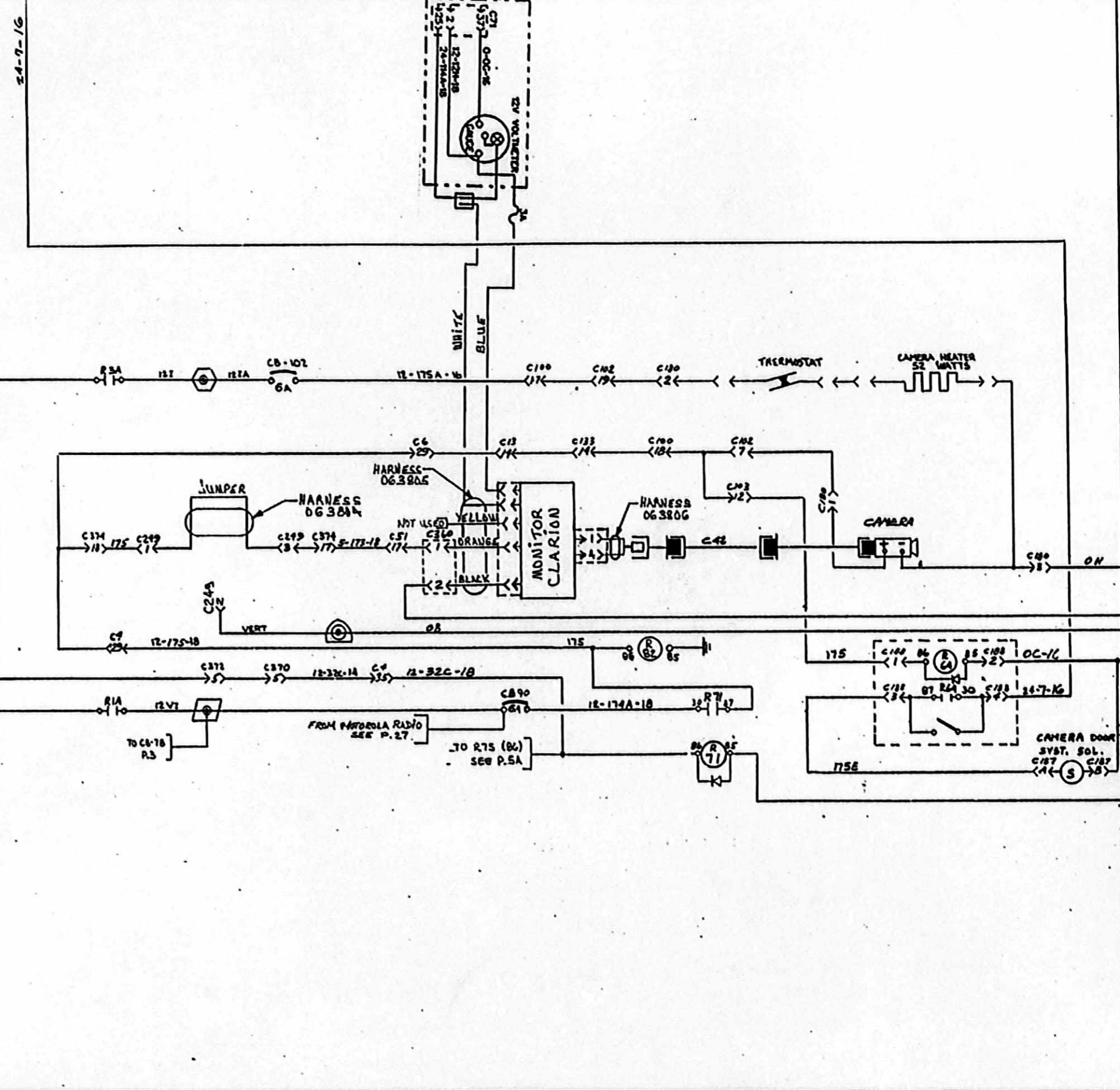


- 12V CENTER
- 24V CENTER
- 12V ENGINE
- 24V ENGINE
- 12V FRONT
- 24V FRONT
- 12V HOT WIRE FRONT
- 24V HOT WIRE FRONT
- 0-1B
- 24-82A-1B
- 24-82B-1B
- 24-82C-1B
- 24-82D-1B
- 24-82E-1B
- 24-82F-1B
- 24-82G-1B
- 24-82H-1B
- 24-82I-1B
- 24-82J-1B
- 24-82K-1B
- 24-82L-1B
- 24-82M-1B
- 24-82N-1B
- 24-82O-1B
- 24-82P-1B
- 24-82Q-1B
- 24-82R-1B
- 24-82S-1B
- 24-82T-1B
- 24-82U-1B
- 24-82V-1B
- 24-82W-1B
- 24-82X-1B
- 24-82Y-1B
- 24-82Z-1B

DESC :	WIRING DIAGRAM		DESS: B.C	DATE-90-01
VER.:			VER.:	APPR.:
APPL: W/L-027 L-033...	REF: H5-60	NO: D-060732 P.22		C
ITEM DATE	REVISION	PAR		
90/06	MISE A JOUR	MJ		
90/06	MISE A JOUR	MJ		



12V CENTRAL	12V CENTRAL
24V CENTRAL	24V CENTRAL
12V ENGINE	12V ENGINE
24V ENGINE	24V ENGINE
12V FRONT	12V FRONT
24V FRONT	24V FRONT
12V NOT WIRE FRONT	12V NOT WIRE FRONT
24V NOT WIRE FRONT	24V NOT WIRE FRONT
0-18	0-18
24-85A-16	24-85A-16
24-114A-18	24-114A-18
CS-3 B.B.I.C.	CS-3 B.B.I.C.
12-22C-18	12-22C-18
CS-1 B.B.I.C.	CS-1 B.B.I.C.
24-7-16	24-7-16



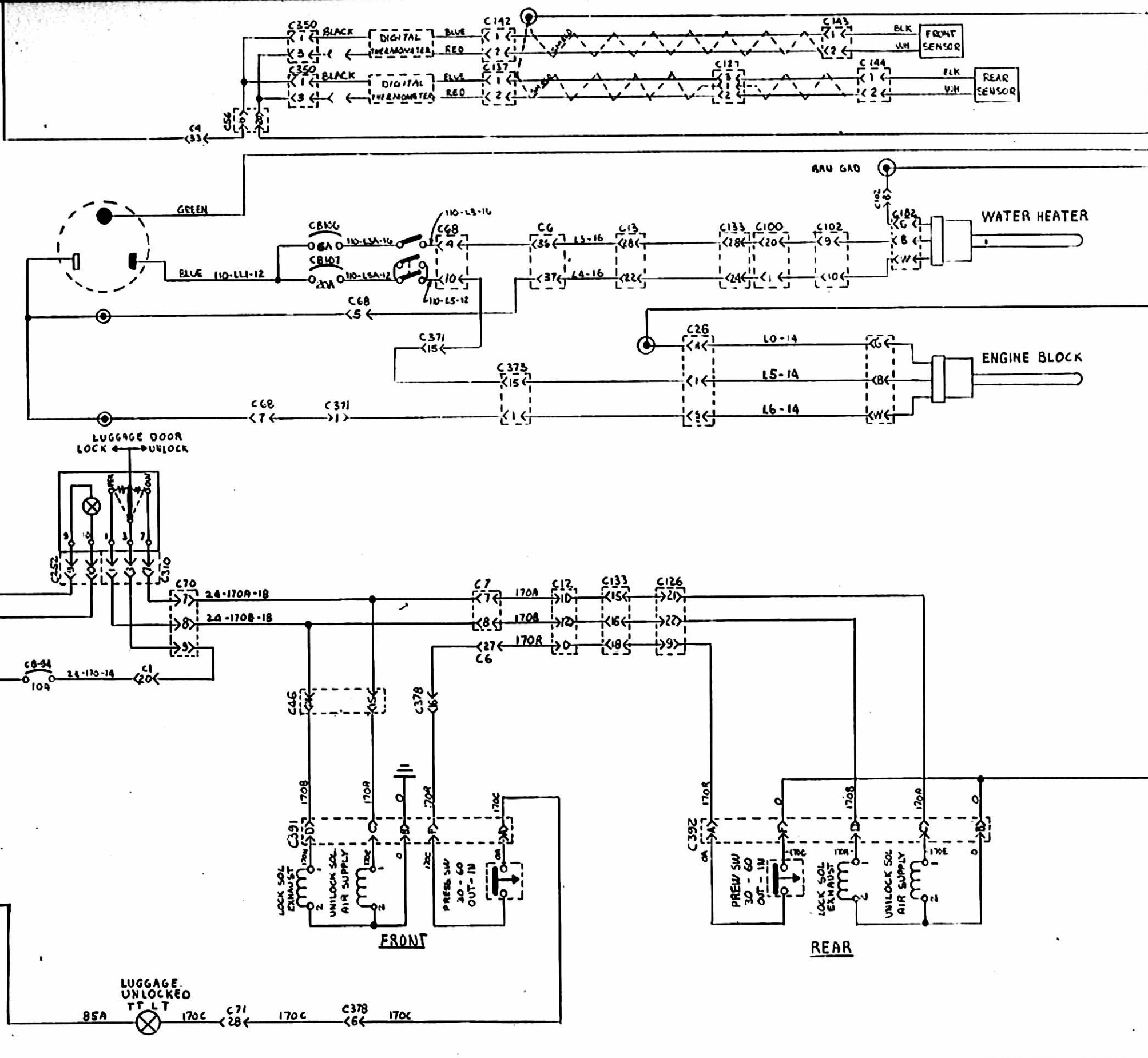
BACK-UP  
MONITOR

DESC :	WIRING DIAGRAM	DESS: S. G.	DATE - 97-02
APPL: KIT SERVICE O.C.#24079	REF: H5-60	VER. -	APPR. -
NO: D-060732 R228	C		

ITEM DATE REVISION PAR



- 12V CENTRAL
- 24V CENTRAL
- 12V ENGINE
- 24V ENGINE
- 12V FRONT
- 24V FRONT
- 12V HOT WIRE FRONT
- 24V HOT WIRE FRONT
- 0-18
- 24-85B-16
- 24-11AB-18
- CR-2 B.B.I.E
- CR-1 B.B.I.FR
- 24-181-18



DIGITAL THERMOMETER

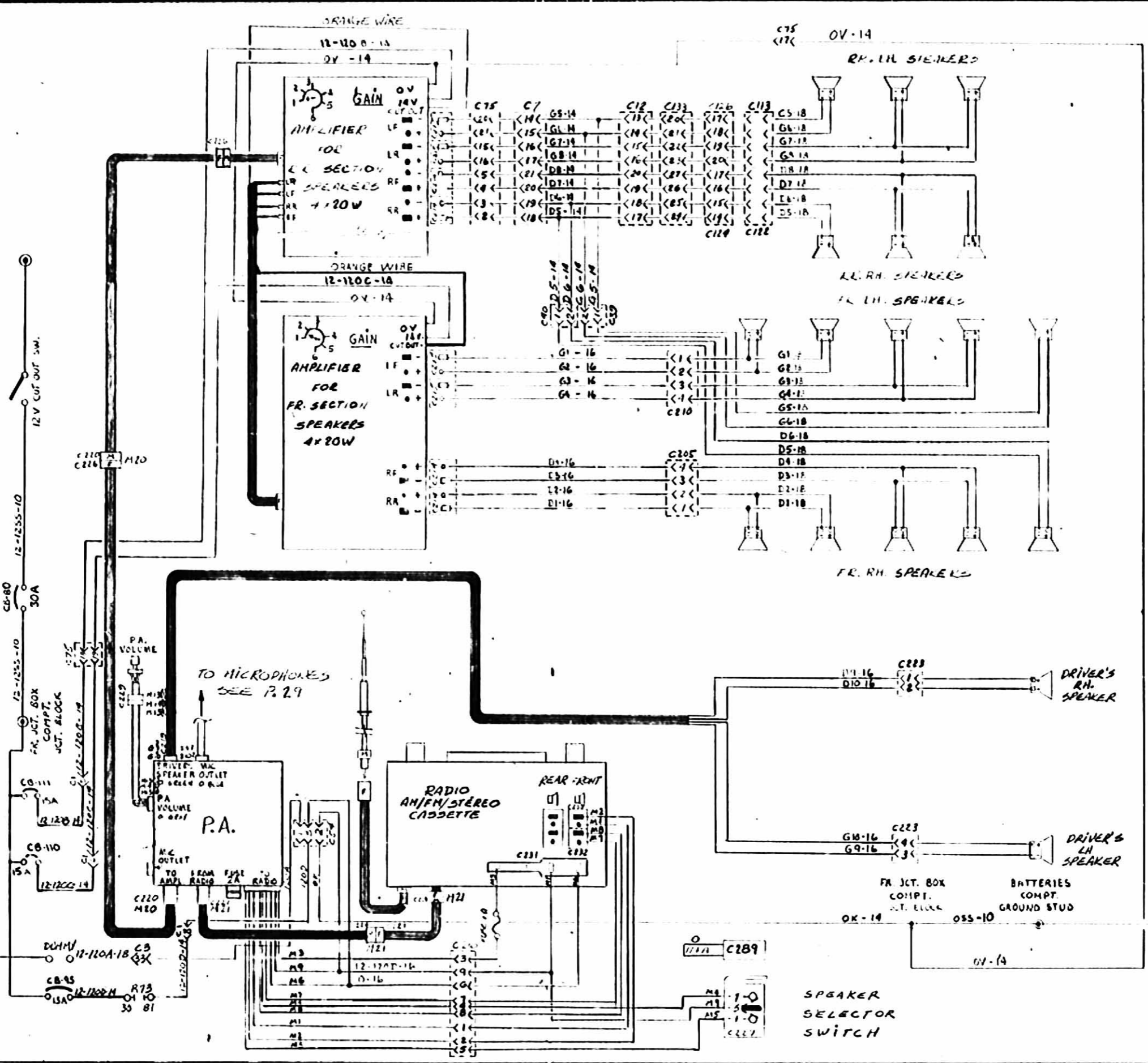
WATER TANK HEATER

ENGINE BLOCK

LUGGAGE DOOR LOCK

12V CENTRAL	24V CENTRAL	12V ENGINE	24V ENGINE	12V FRONT	24V FRONT	12V HOT WIRE FRONT	24V HOT WIRE FRONT	0-18	24-85B-16	24-11AB-18	CR-2 B.B.I.E	CR-1 B.B.I.FR	24-181-18	DESCRIPTION: WIRING DIAGRAM.	DR.- B C	DATE- 90-05
														APPL: EFF. W/ L-027 L-025...	CR.- <i>[Signature]</i>	APPR.- <i>[Signature]</i>
														REF: HS-60		NO: D-060732 P23 C
														REVISION: MISE & JOUR		
														BY: M		

- 12V CENTRAL
- 24V CENTRAL
- 12V ENGINE
- 24V ENGINE
- 12V FRONT
- 24V FRONT
- 12V HOT WIRE FRONT
- 24V HOT WIRE FRONT
- 12V BUC BAR
- 24V BUC BAR
- 12V BUC BAR
- 24V BUC BAR

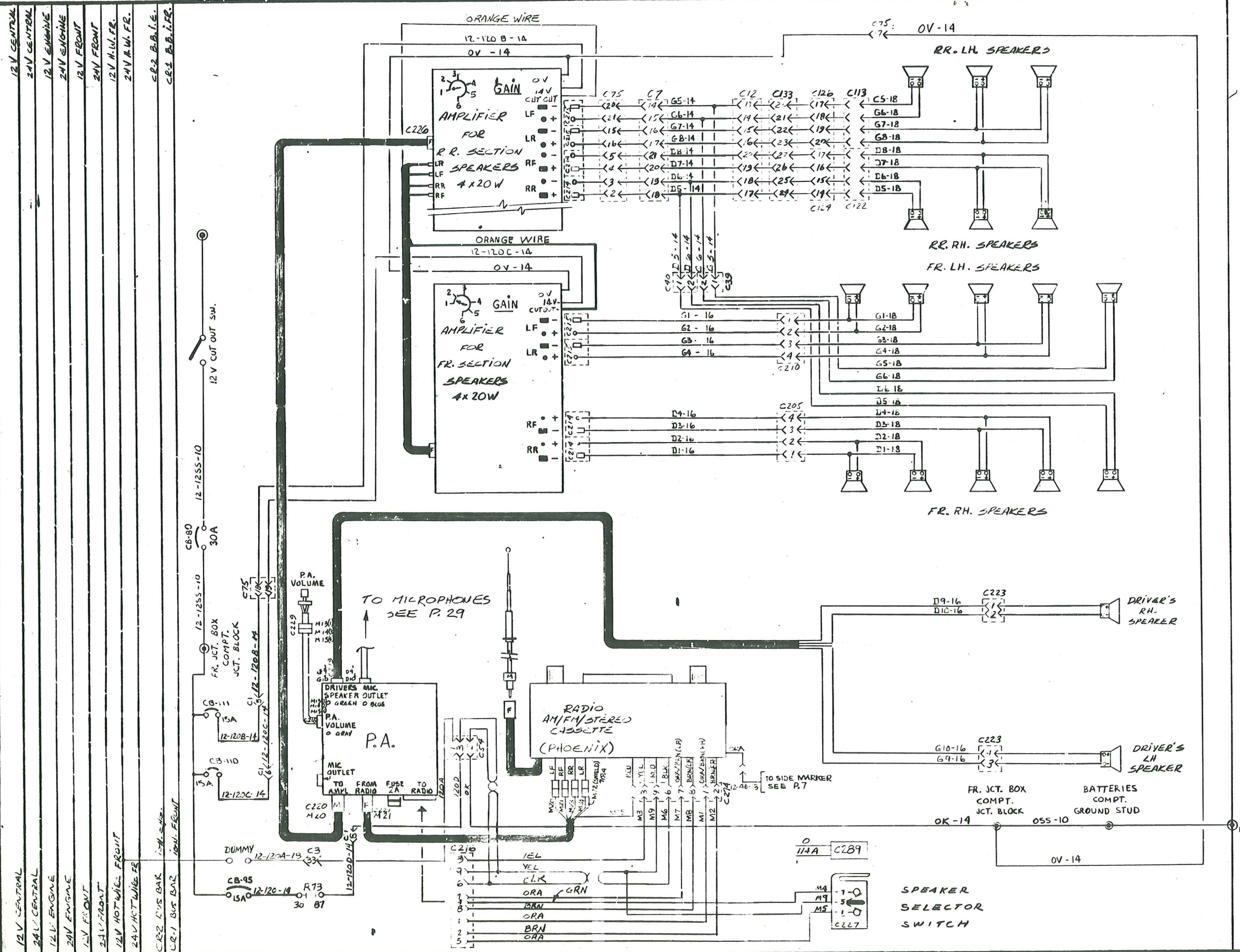


SOUND SYSTEM

DESC :	WIRING DIAGRAM	DESS: AB	DATE - 90-01
VER. -	1/C	APPR. -	[Signature]
REF: HS-60	NO: D-060732	2/14	C

ITEM	DATE	REVISION	PAR
A	91-02	MICRO ENVELOPE	AB

M



SOUND SYSTEM

D-060132  
P.246

D	91-06	MISE A JOUR (DRIVER'S SPEAKER)	MA
C	71-04	MISE A JOUR	HE
E	71-12	MISE A JOUR	HE
A	09/79	LANCE OC# 90151	MA
REV	DATE	REVISION	PAR

DESC : WIRING DIAGRAM

APPL: EFF. W/ M-131

REF: HS-60

DESS: M/J

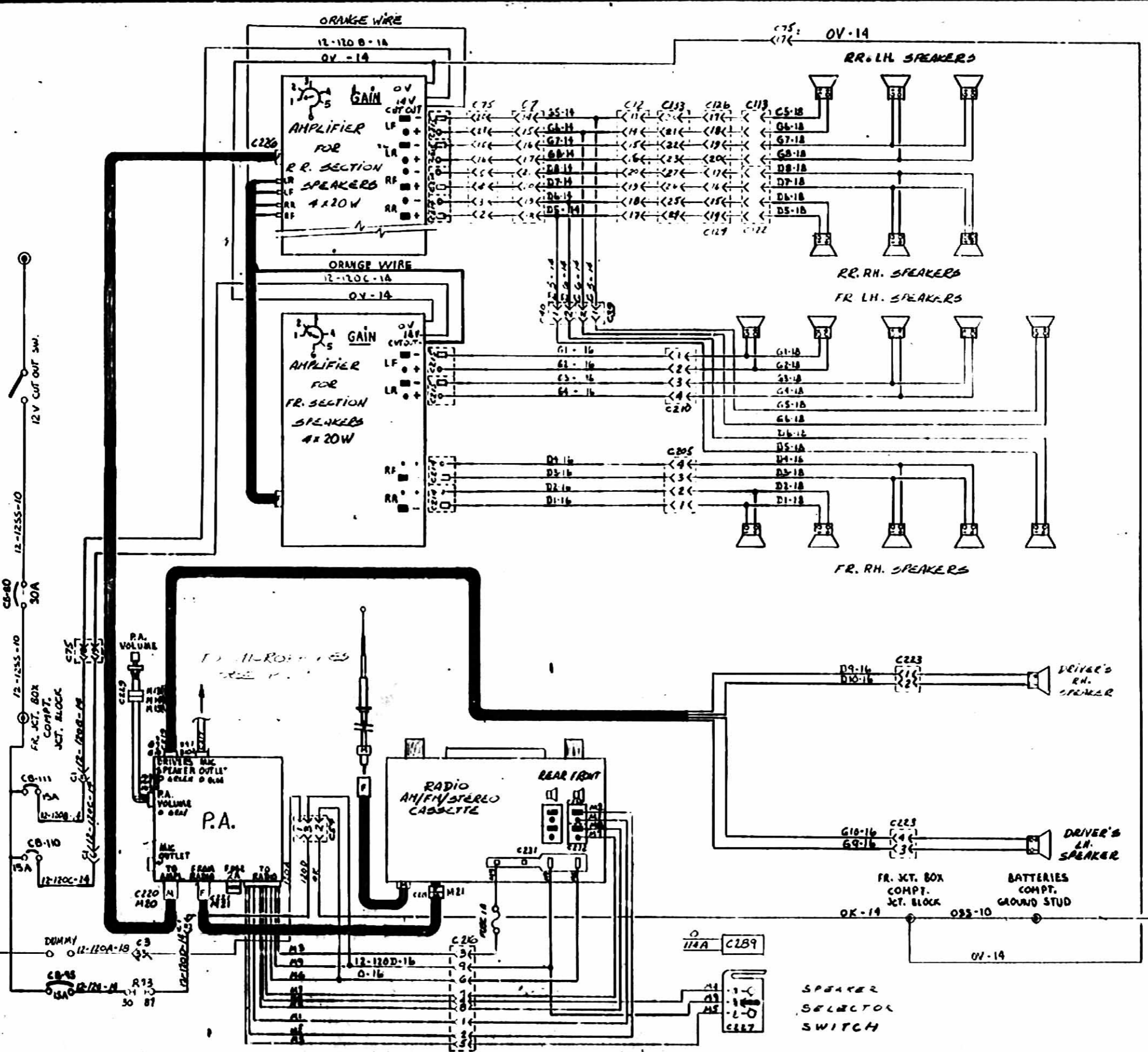
VER: /C

DATE: 73 01

APPR: [Signature]

NO: D-060132 P.246 C

12V CENTRAL  
24V CENTRAL  
12V ENGINE  
24V ENGINE  
12V FRONT  
24V FRONT  
12V M.I.L.P.  
24V M.I.L.P.  
C22 B.B.L.P.  
C23 B.B.L.P.



SOUND SYSTEM

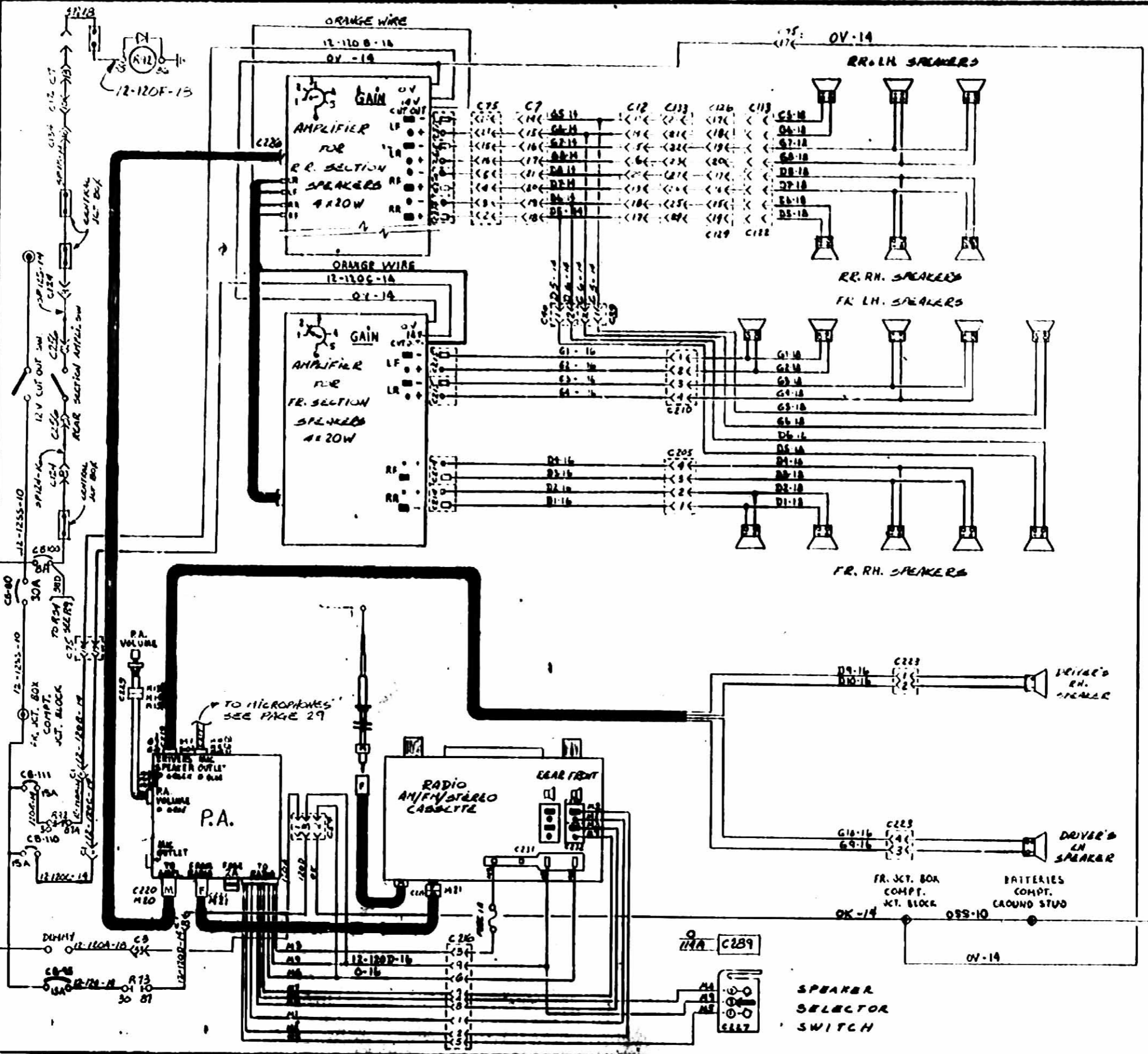
12V CENTRAL  
24V CENTRAL  
12V ENGINE  
24V ENGINE  
12V FRONT  
24V FRONT  
12V M.I.L.P.  
24V M.I.L.P.  
C22 B.B.L.P.  
C23 B.B.L.P.

REV	DATE	REVISION
C	91-02	M.R. ENLARGED
B	90-11	VEH. EFF. ST. PROGRAMMED
A	90-06	PRIOR O.C. 90151
		MISE A JOUR

DESC: WIRING DIAGRAM  
REF: HS-60

DESS: AB  
VER: /C  
DATE: 90-01  
APPR: /  
NOID-060732 P24

- 12V CENTRAL
- 24V CENTRAL
- 12V ENGINE
- 24V ENGINE
- 12V FRONT
- 24V FRONT
- 12V HOT WIRE FRONT
- 24V HOT WIRE FRONT
- CR-2 6V D.C.
- CR-1 6V D.C.
- CR-3 6V D.C.
- CR-4 6V D.C.
- CR-5 6V D.C.
- CR-6 6V D.C.
- CR-7 6V D.C.
- CR-8 6V D.C.
- CR-9 6V D.C.
- CR-10 6V D.C.
- CR-11 6V D.C.
- CR-12 6V D.C.
- CR-13 6V D.C.
- CR-14 6V D.C.
- CR-15 6V D.C.
- CR-16 6V D.C.
- CR-17 6V D.C.
- CR-18 6V D.C.
- CR-19 6V D.C.
- CR-20 6V D.C.
- CR-21 6V D.C.
- CR-22 6V D.C.
- CR-23 6V D.C.
- CR-24 6V D.C.
- CR-25 6V D.C.
- CR-26 6V D.C.
- CR-27 6V D.C.
- CR-28 6V D.C.
- CR-29 6V D.C.
- CR-30 6V D.C.
- CR-31 6V D.C.
- CR-32 6V D.C.
- CR-33 6V D.C.
- CR-34 6V D.C.
- CR-35 6V D.C.
- CR-36 6V D.C.
- CR-37 6V D.C.
- CR-38 6V D.C.
- CR-39 6V D.C.
- CR-40 6V D.C.
- CR-41 6V D.C.
- CR-42 6V D.C.
- CR-43 6V D.C.
- CR-44 6V D.C.
- CR-45 6V D.C.
- CR-46 6V D.C.
- CR-47 6V D.C.
- CR-48 6V D.C.
- CR-49 6V D.C.
- CR-50 6V D.C.



SOUND SYSTEM

DESC 1

# WIRING DIAGRAM

DESS1 A.B. DATE 70-01

VER-1/C

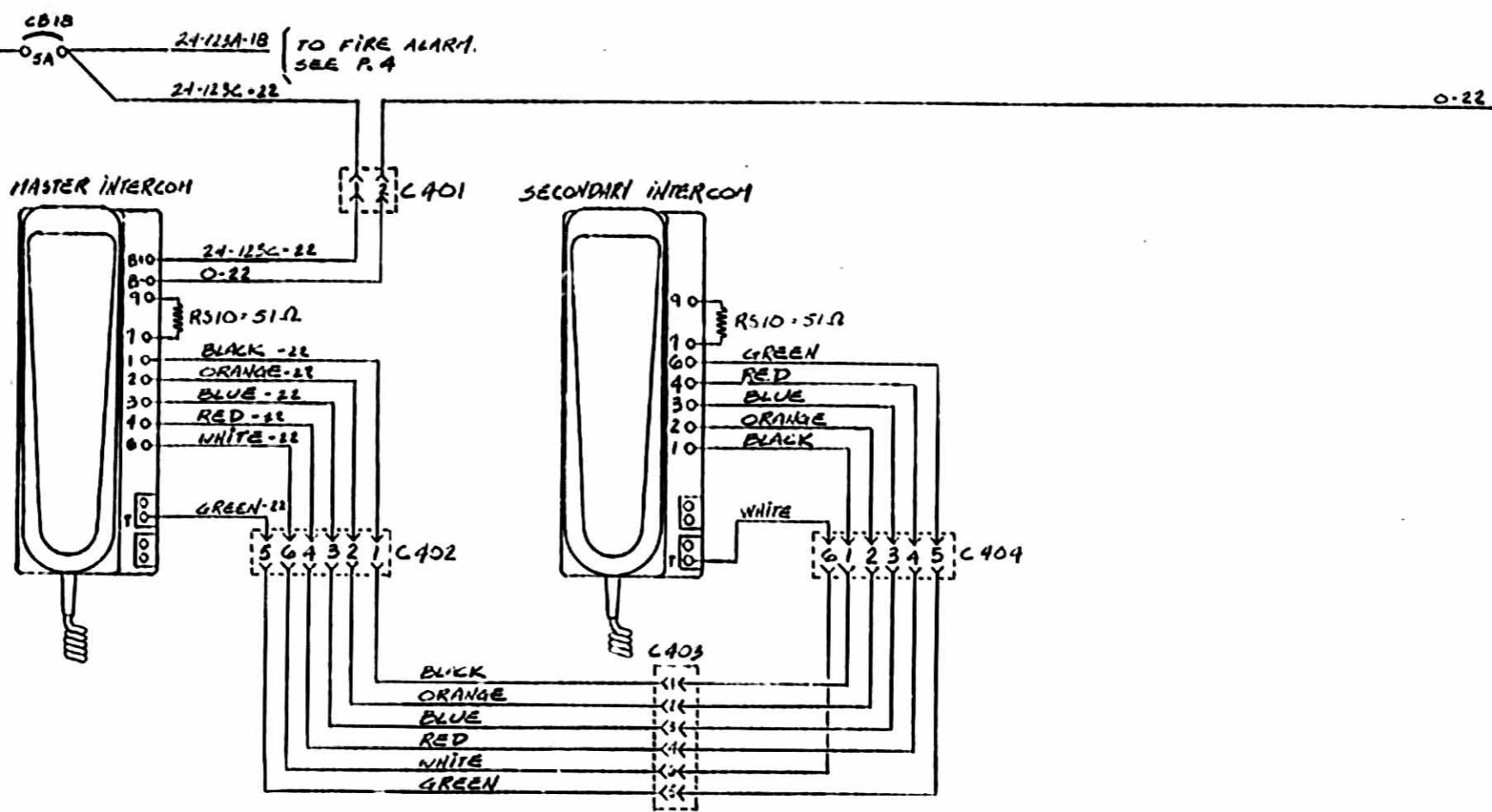
A 91-01 11/2 4 JOUR 08

REF. W/L-027, L-033, L-034, L-035 M-015 D.M.-14

HS-60 WESTOURS

IND-060732 P.24C

12V CENTRAL  
 24V CENTRAL  
 12V ENGINE  
 24V ENGINE  
 12V FRONT  
 24V FRONT  
 12V H.W.FR  
 24V H.W.FR  
 CR-2 P.O.I.E  
 CR-1 P.O.I.FR  
 12V CENTRAL  
 24V CENTRAL  
 12V ENGINE  
 24V ENGINE  
 12V FRONT  
 24V FRONT  
 12V HOT WIRE FRONT  
 24V HOT WIRE FRONT  
 CR-2 BUS BAR ION. ENGINE  
 CR-1 BUS BAR ION. FRONT

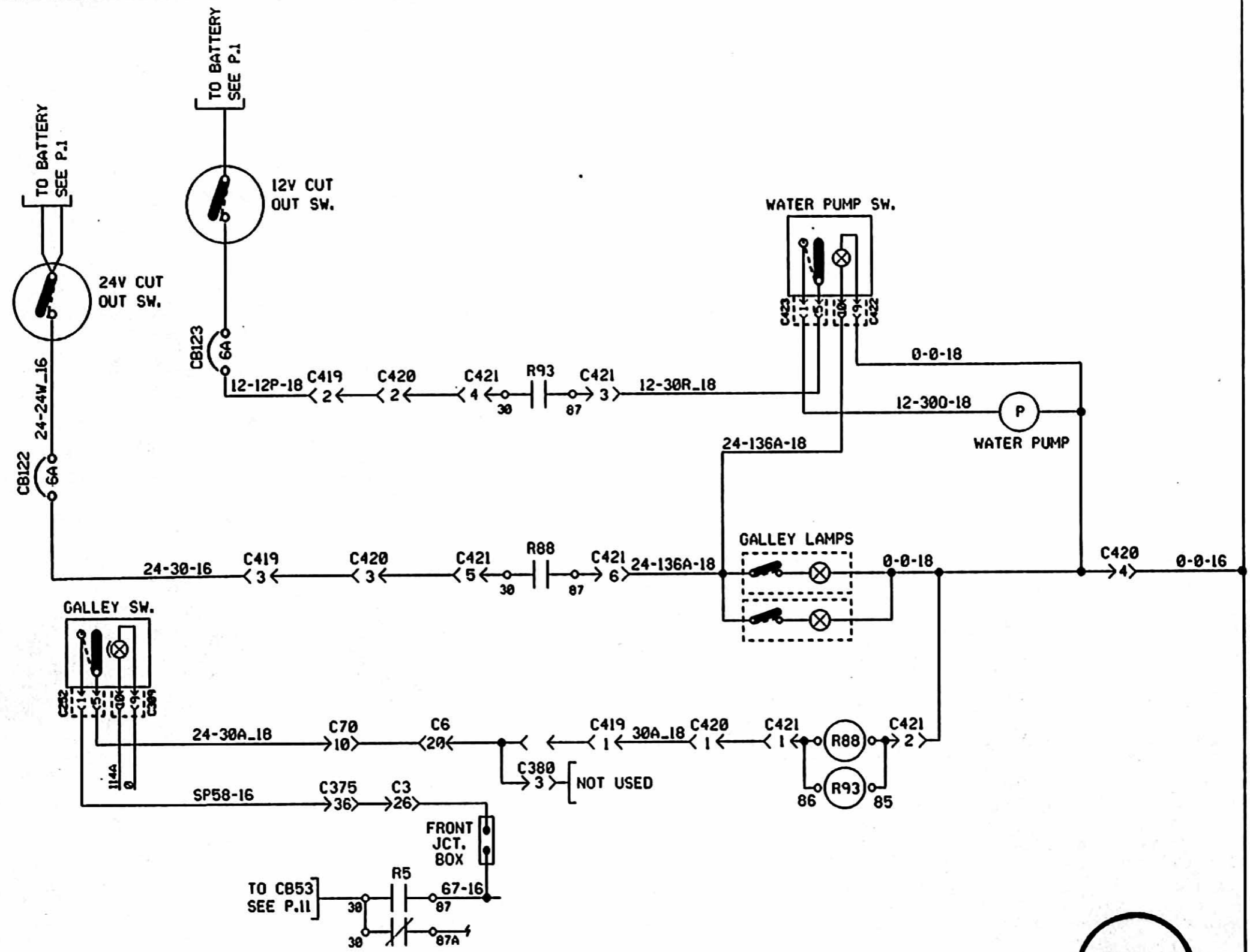


OPTION INTERCOM

					DESCRIPTION:	DR.- AB	DATE- 90-05
					WIRING DIAGRAM	CK - C	APPR- DR.
ITEM	DATE	REVISION	BY	APPL: EFF W/L-027 L-053...	PRIOR TO:	REF: H5-60. WESTOURS	NO: D-060732 R25 C

12V CENTRAL  
 24V CENTRAL  
 12V ENGINE  
 24V ENGINE  
 12V FRONT  
 24V FRONT  
 12V HOT WIRE FRONT  
 24V HOT WIRE FRONT  
 CR-2 BUS BAR IGN. ENGINE  
 CR-1 BUS BAR IGN. FRONT

12V CENTRAL  
 24V CENTRAL  
 12V ENGINE  
 24V ENGINE  
 12V FRONT  
 24V FRONT  
 12V HOT WIRE FRONT  
 24V HOT WIRE FRONT  
 CR-2 BUS BAR IGN. ENGINE  
 CR-1 BUS BAR IGN. FRONT

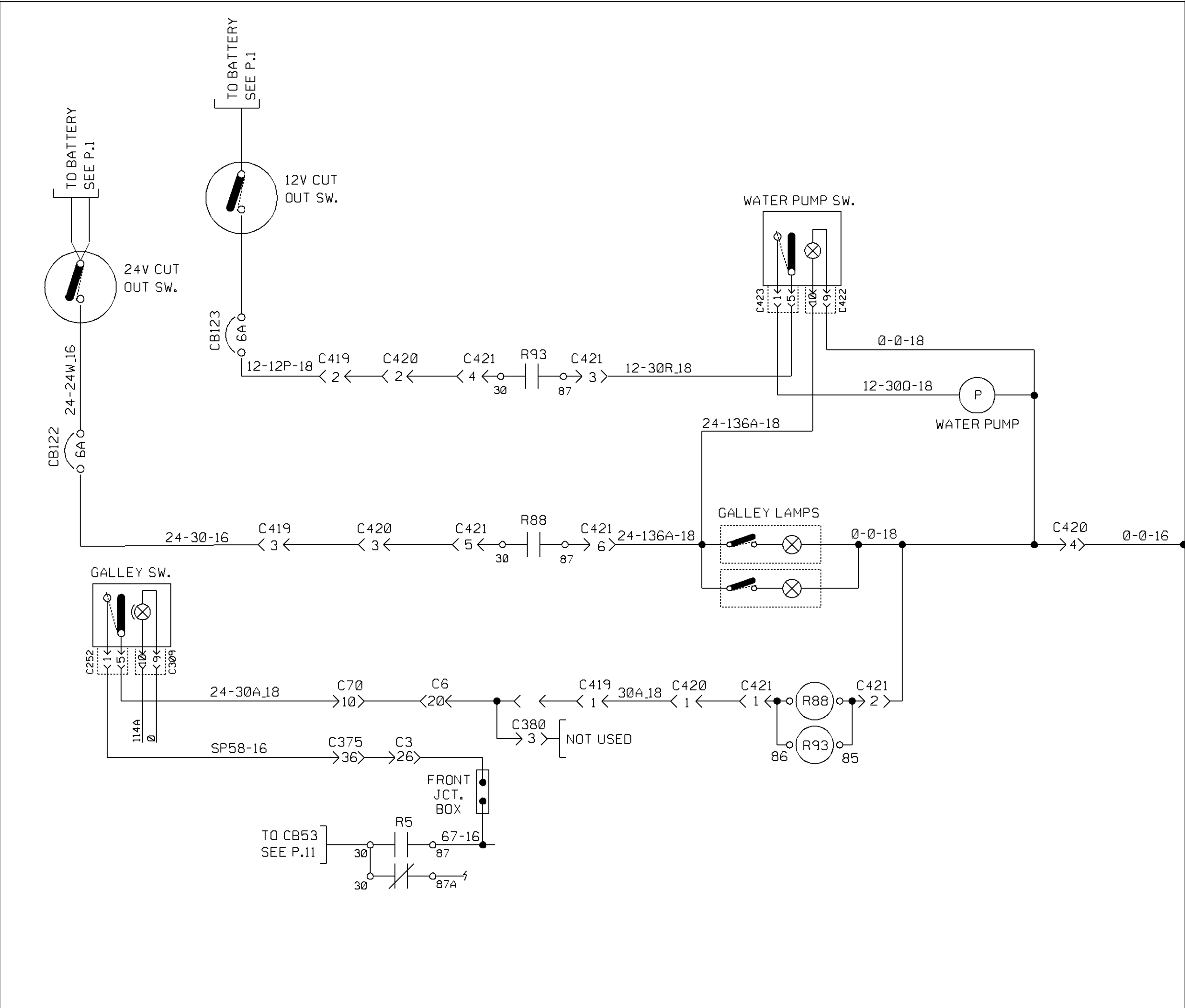


OPTION  
 GALLEY  
 W/O  
 HEAT  
 CONTAINER



					description: WIRING DIAGRAM					PREVOST CAR inc.					
					ref: MS-60 WESTOURS					dr. MAF date: 92/01 ck. oppr. <i>[Signature]</i>					
					eff. w/ oc: prior to/ oc:					NO: D060732					
					eff. w/ veh. N200.211.214 prior to/ veh.:					p. 26A					
no	date	revision	par	no	date	revision	par	no	date	revision	par	no	date	revision	par

12V CENTRAL	12V CENTRAL
24V CENTRAL	24V CENTRAL
12V ENGINE	12V ENGINE
24V ENGINE	24V ENGINE
12V FRONT	12V FRONT
24V FRONT	24V FRONT
12V HOT WIRE FRONT	12V HOT WIRE FRONT
24V HOT WIRE FRONT	24V HOT WIRE FRONT
CR-2 BUS BAR IGN. ENGINE	CR-2 BUS BAR IGN. ENGINE
CR-1 BUS BAR IGN. FRONT	CR-1 BUS BAR IGN. FRONT

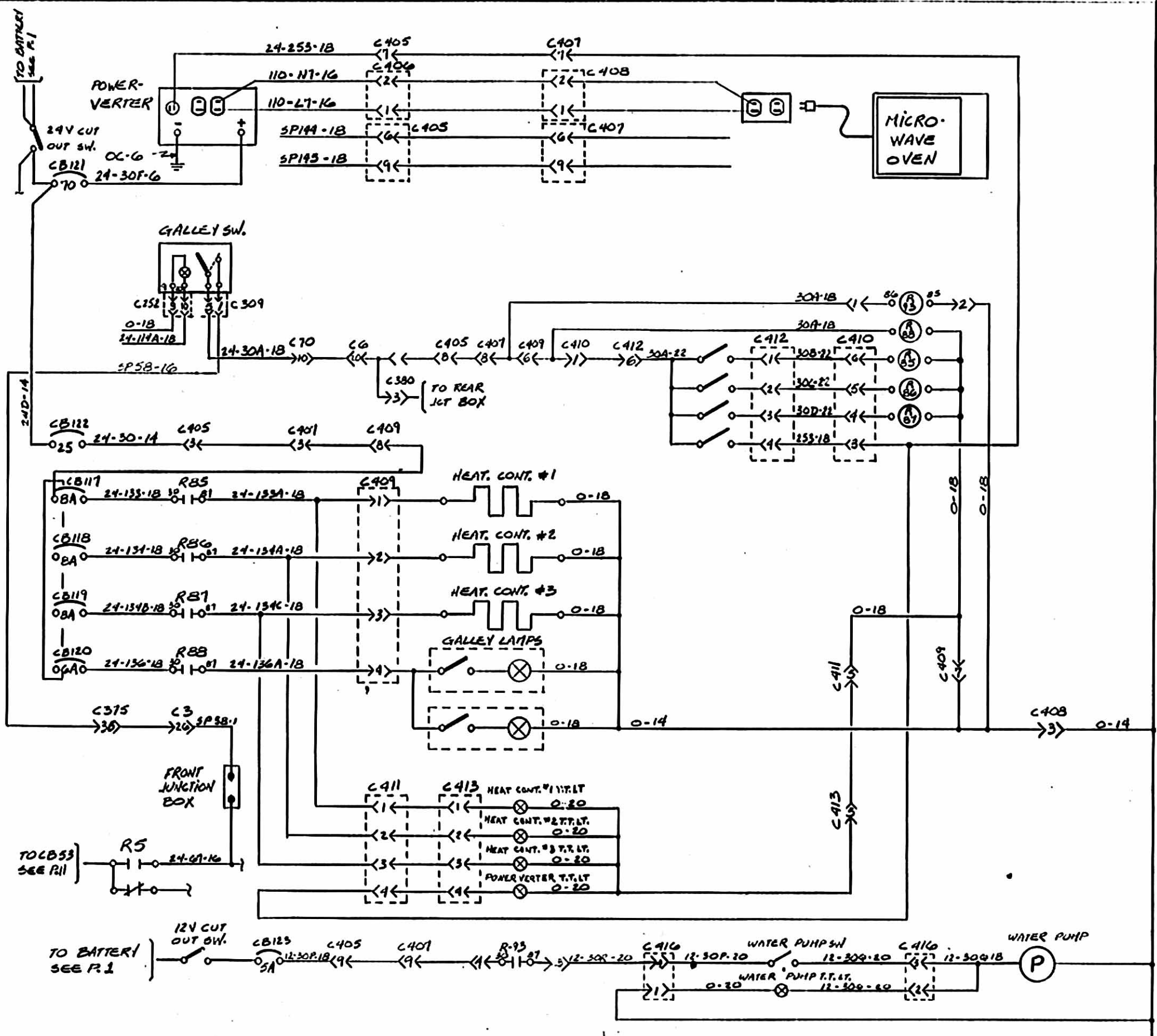


OPTION  
GALLEY  
W/O  
HEAT  
CONTAINER

											description: WIRING DIAGRAM		PREVOST CAR inc.	
											ref: H5-60 WESTOURS		dr. MLAF date. 92/01 ck. appr.	
											eff. w/ oc# prior to/ oc#		NO: D060732	
											eff. w/ veh.# N208,211,214 prior to/ veh.#		p. 26A	
no	date	revision	par	no	date	revision	par	no	date	revision	par			



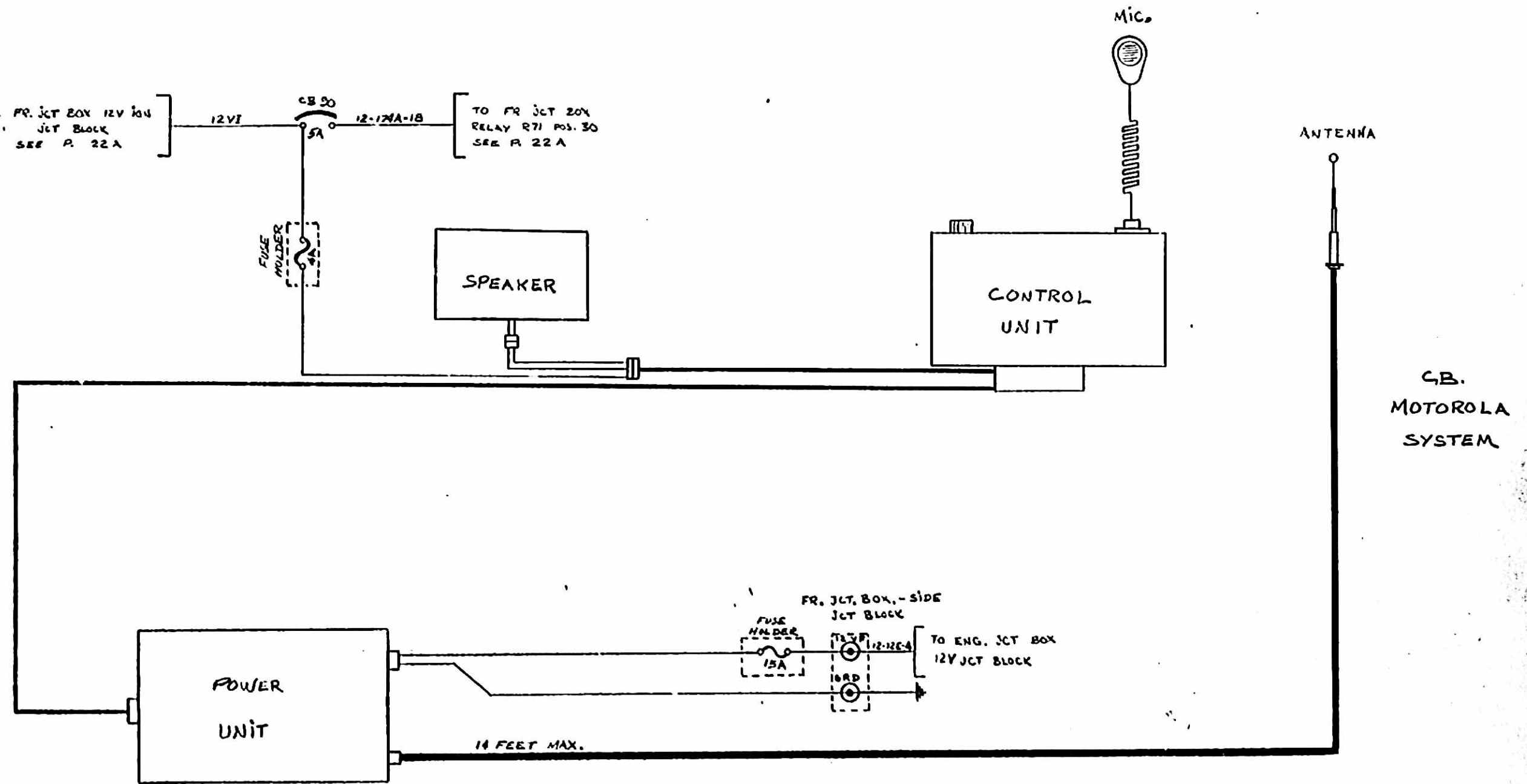
12V CENTRAL  
 24V CENTRAL  
 12V ENGINE  
 24V ENGINE  
 12V FRONT  
 24V FRONT  
 12V H.W.FR  
 24V H.W.FR  
 CR-2 B.B.I.E.  
 CR-1 B.B.I.E.



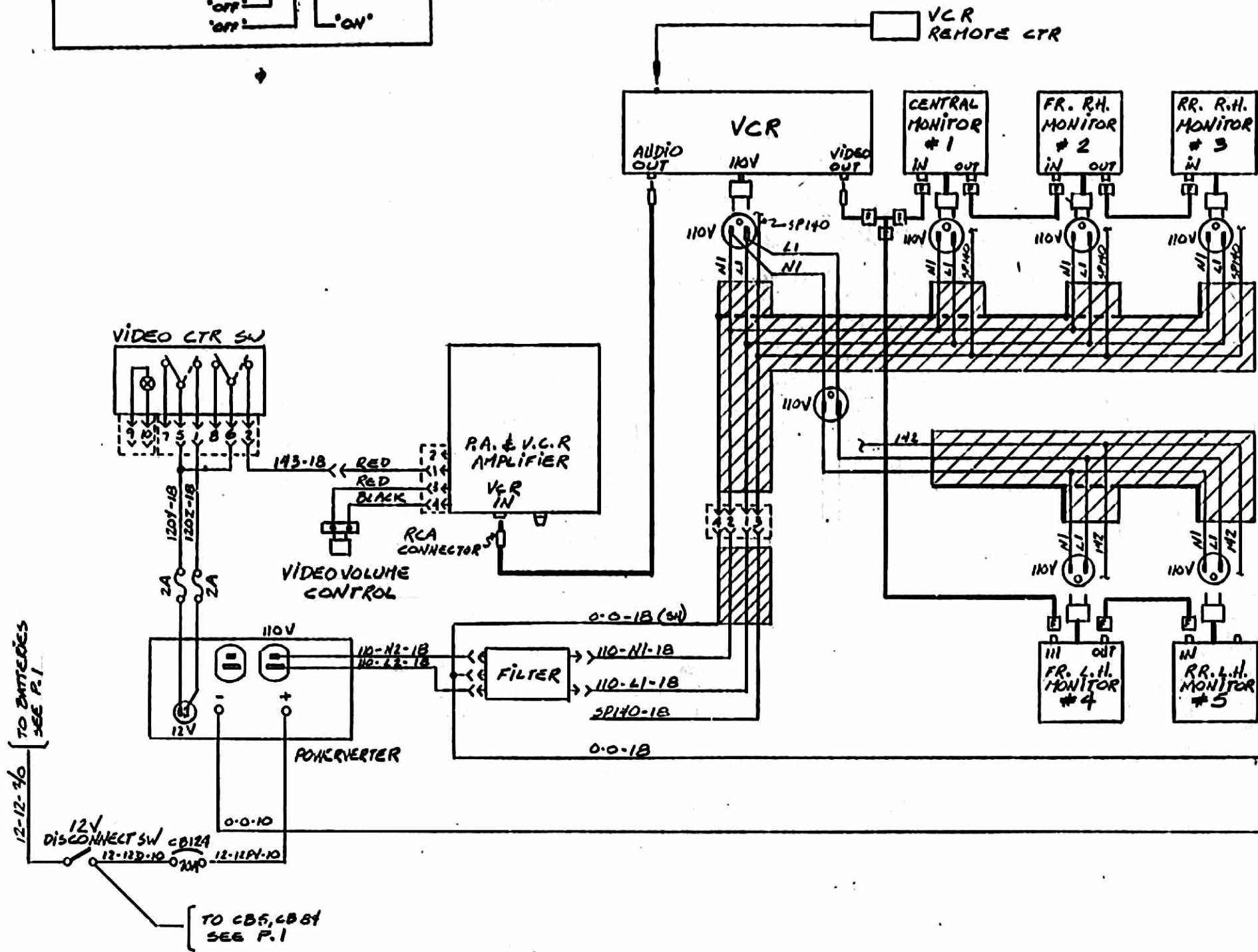
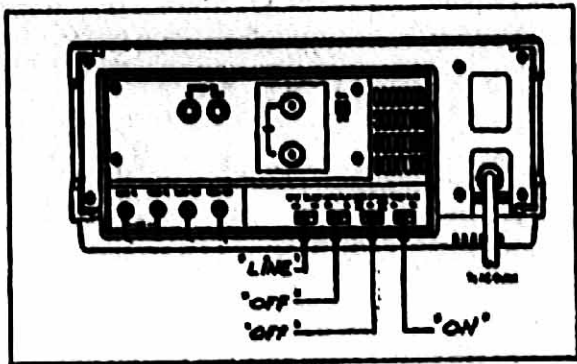
OPTION GALLEY

12V CENTRAL  
 24V CENTRAL  
 12V ENGINE  
 24V ENGINE  
 12V FRONT  
 24V FRONT  
 12V HOT WIRE FRONT  
 24V HOT WIRE FRONT  
 CR-2 BUS BAR 12V ENGINE  
 CR-1 BUS BAR 12V FRONT

			DESCRIPTION:	DR.- AB	DATE-90.06
			C 91-01 MISC A JOUR	AB	
			B 90-10 MISC A JOUR	AB	
			A 90-09 MISC A JOUR	AB	
ITEM	DATE	REVISION	BY	APPL: EFF W/L-027 L.033...	PRIOR TO: N208
				REF: H5-60, WESTAIRS	NO: D-060732 R26
					C



DESCRIPTION: WIRING DIAGRAM																				
APPL: EFR. W/ 4-027 4-033 4-035 4-035 4-104																				
REF: H5-60 "WESTOURS"																				
NO: D-060732 P27																				
DATE: 30-08-12																				
APPR.:																				
DR.:																				
CR.:																				
REVISION:																				
ITEM DATE:																				



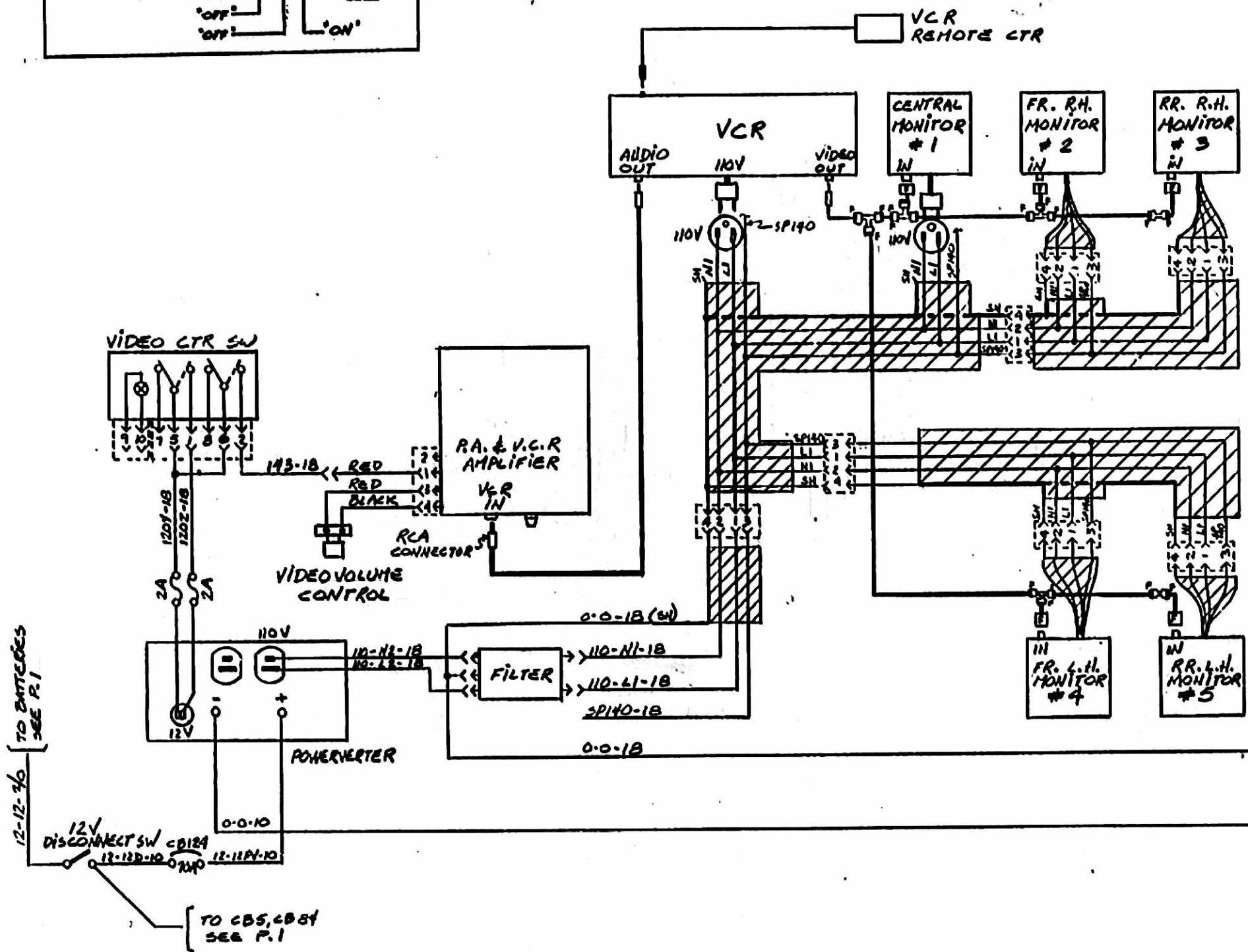
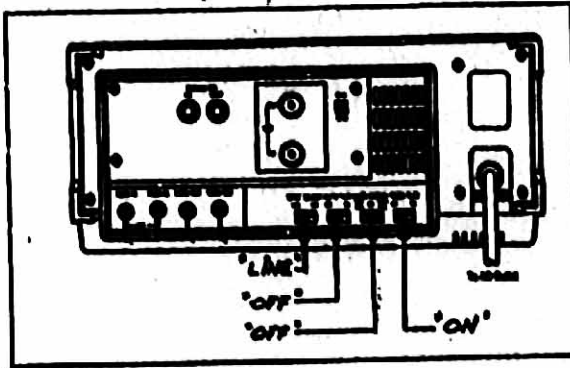
- 12V CENTRAL
- 24V CENTRAL
- 12V ENGINE
- 24V ENGINE
- 12V FRONT
- 24V FRONT
- 12V HOT WIRE FRONT
- 24V HOT WIRE FRONT
- CR-2 BUS BAR 10W ENGINE
- CR-1 BUS BAR 10W FRONT

12-12-3/6 TO BATTERIES SEE P.1

TO CBS, CBS1 SEE P.1

TITRE:		CLASS: AB		DATE: 90.12	
WIRING DIAGRAM		VER.:		APPR. <i>D.S.</i>	
APPL: EFF. W/MO95 PRIOR TO: N/A		REF: H5-60 WESTOURS		NO: D-060732, P.28 C	

ITEM	DATE	REVISION	PAR
------	------	----------	-----



VIDEO SYSTEM

- 12V CENTRAL
- 24V CENTRAL
- 12V ENGINE
- 24V ENGINE
- 12V FRONT
- 24V FRONT
- 12V HOT WIRE FRONT
- 24V HOT WIRE FRONT
- CR-2 BUS BAR IGN ENGINE
- CR-1 BUS BAR IGN FRONT

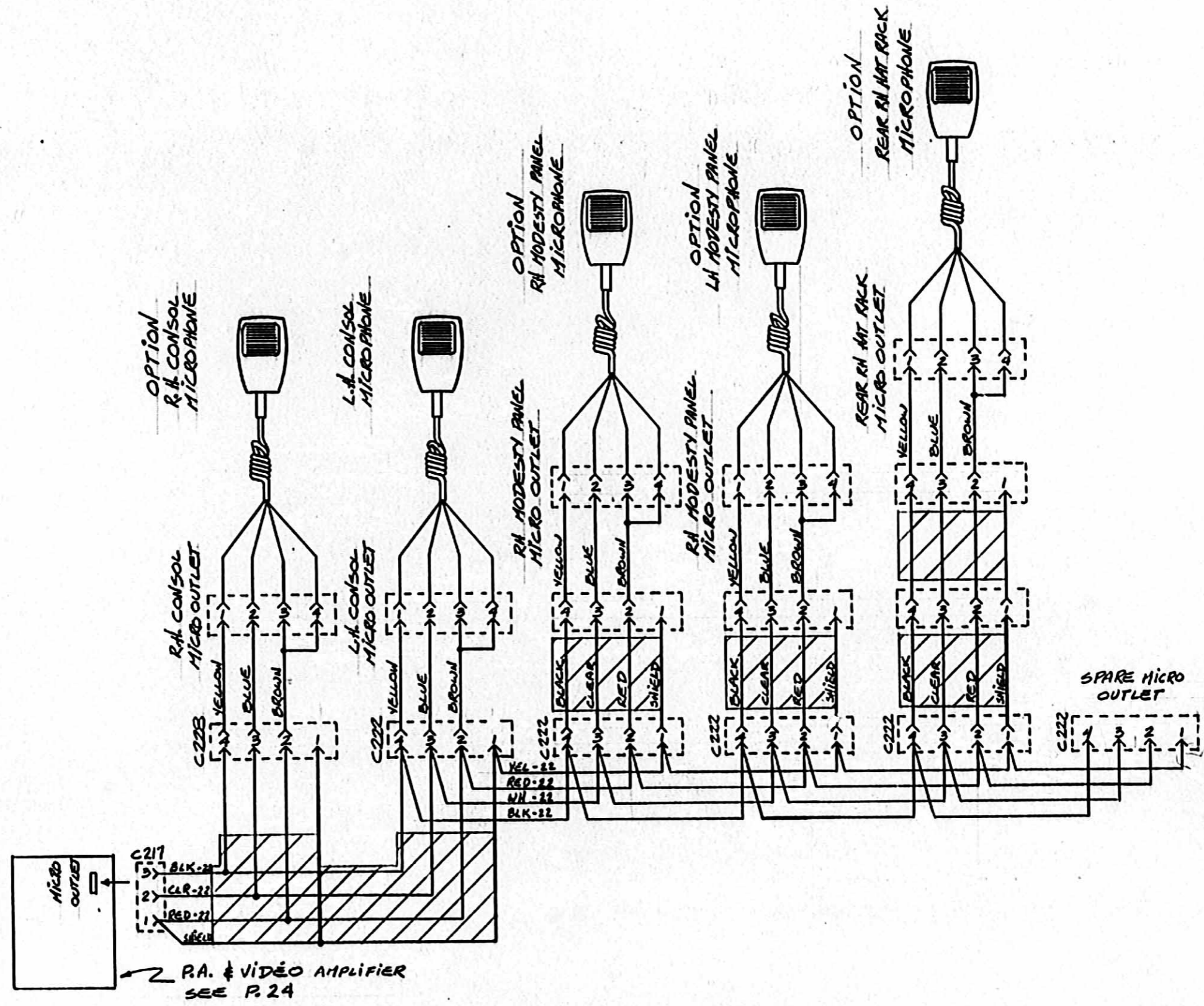
TO BATTERIES  
SEE P.1

TO CBS, CBS4  
SEE P.1

					TITLE:	WIRING DIAGRAM		CLASS:	M.H	DATE:	92-01
					APPL:	EFF. W/M104	PRIOR TO:	REF:	115-60 WESTOURG	NO:	D-060732 P.28a C
ITEM	DATE	REVISION	PAR					VER.:		APPR.:	<i>[Signature]</i>

12V CENTRAL  
 24V CENTRAL  
 12V ENGINE  
 24V ENGINE  
 12V FRONT  
 24V FRONT  
 12V HOT WIRE FR  
 24V HOT WIRE FR  
 CR2 BUS BAR I.E.  
 CR1 BUS BAR I.EK

12V CENTRAL  
 24V CENTRAL  
 12V ENGINE  
 24V ENGINE  
 12V FRONT  
 24V FRONT  
 12V HOT WIRE FRONT  
 24V HOT WIRE FRONT  
 CR2 BUS BAR IGN ENGINE  
 CR1 BUS BAR IGN FRONT

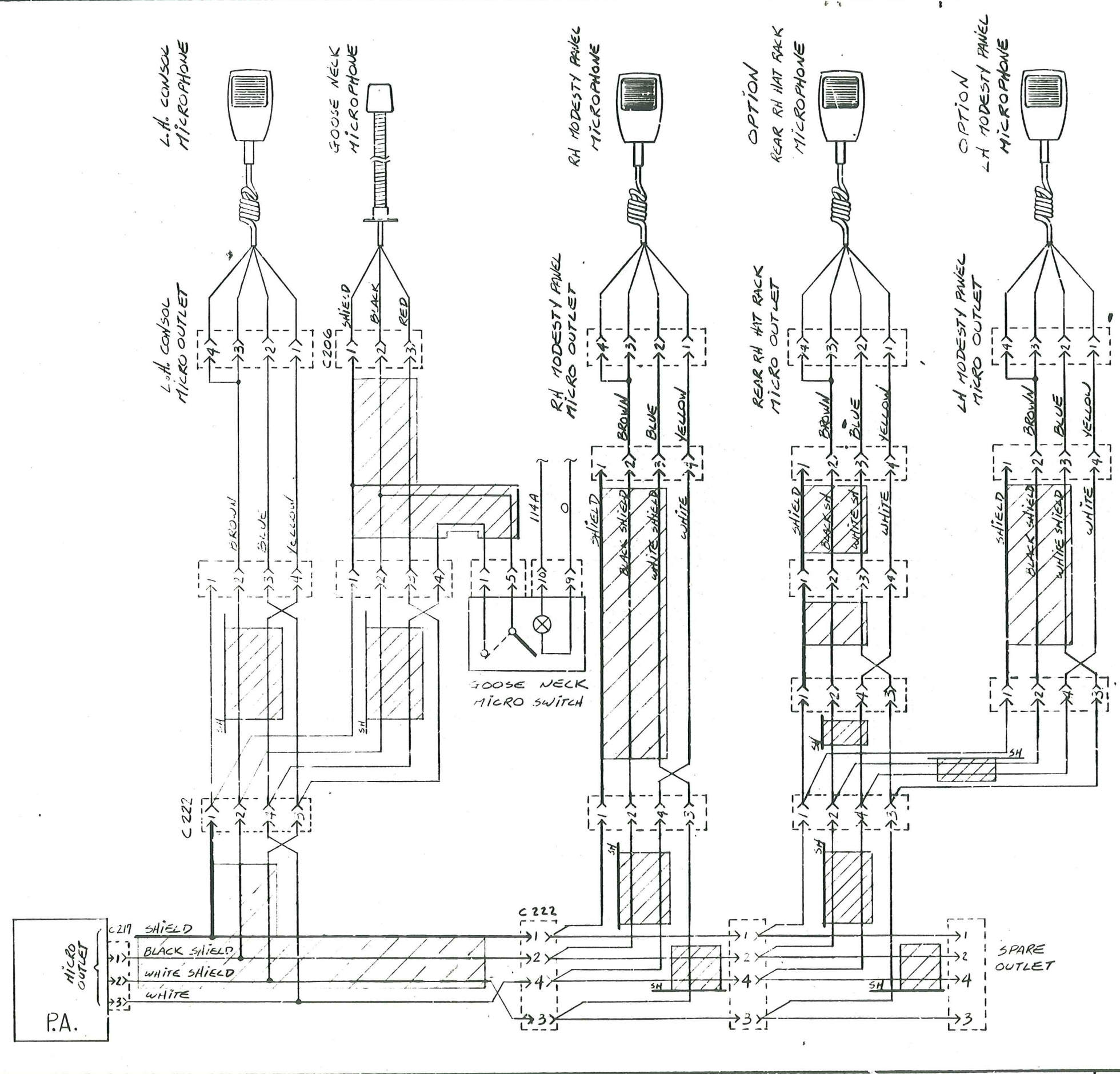


MICROPHONE  
 OUTLET

				DESCRIPTION: <b>WIRING DIAGRAM</b>		DR.- AB	DATE- 91-04
				APPL: EFF. W/N-221 PRIOR TO:		CK.-	APPR.-
ITEM	DATE	REVISION	BY	REF: H5-60	NO: D-060732 P.29a		C
A	91-04	EFF. 06 91051	AB				

11" 8.5" 11" 8.5" 11" 8.5" 11"

- 12V CENTRAL
- 24V CENTRAL
- 12V ENGINE
- 24V ENGINE
- 12V FRONT
- 24V FRONT
- 12V HOT WIRE FR
- 24V HOT WIRE FR
- CR-2 BUS BAR I.G.E.
- CR-1 BUS BAR I.G.E.
- 12V CENTRAL
- 24V CENTRAL
- 12V ENGINE
- 24V ENGINE
- 12V FRONT
- 24V FRONT
- 12V HOT WIRE FRONT
- 24V HOT WIRE FRONT
- CR-2 BUS BAR I.G.M. ENGINE
- CR-2 BUS BAR I.G.M. FRONT

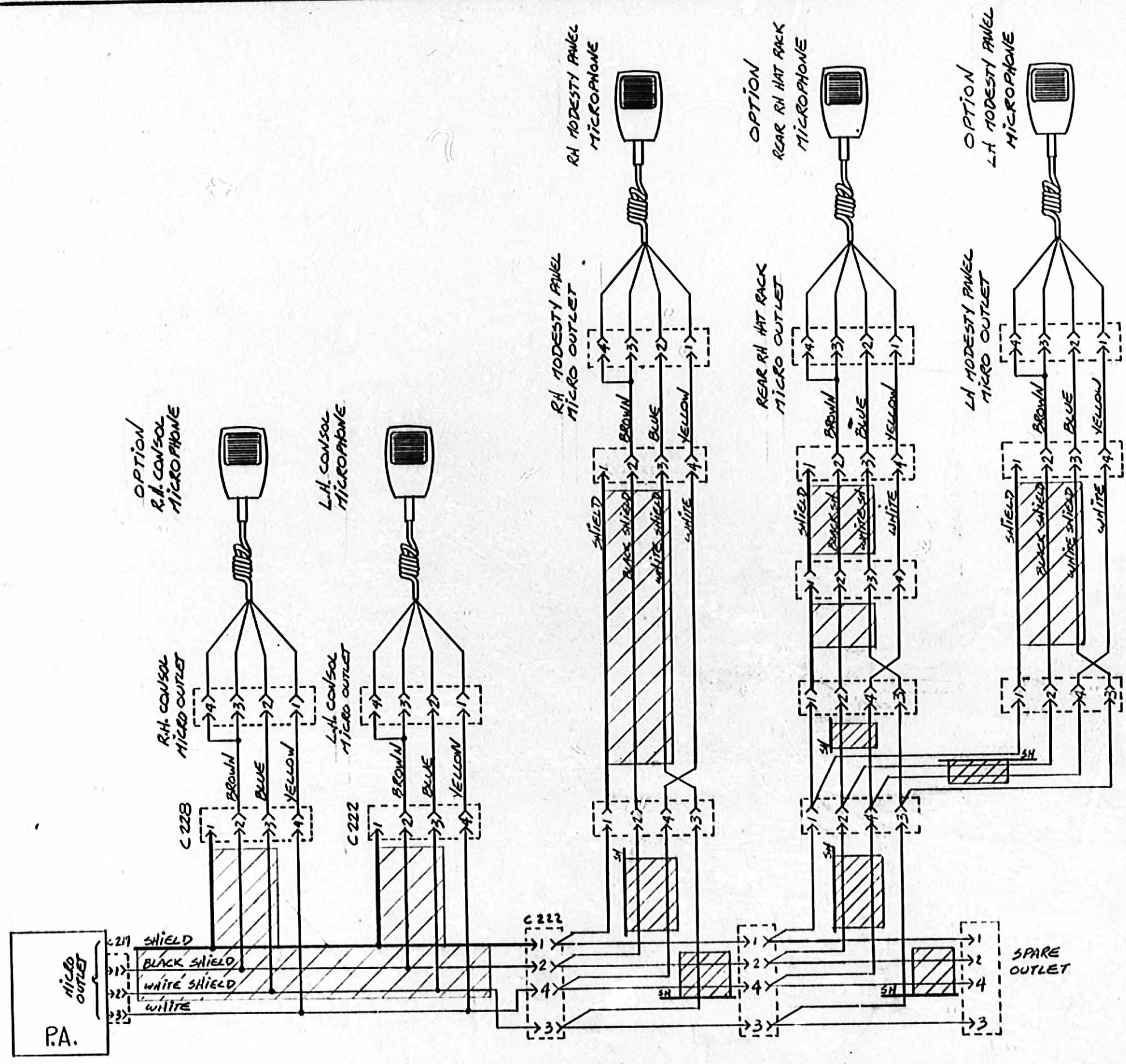


MICROPHONE OUTLET

DESCRIPTION:		DR. - AB	DATE - 90-09
WIRING DIAGRAM		CK. -	APPR. - D.R.
		18 dec 90	
A	90-09	MISE A JOUR	AB
REV	DATE	REVISION	REV
APPL: EFF. W/L-027		PRIOR TO:	REF: 115-60 WESTOURS NO: D-060132 P.29A C

11" 8.5" 11" 8.5" 11"

12V CENTRAL	CR2 BUS BAR IGN. ENGINE
24V CENTRAL	CR2 BUS BAR IGN. FRONT
12V ENGINE	
24V ENGINE	
12V FRONT	
24V FRONT	
12V HOT WIRE FR	
24V HOT WIRE FR	
CR2 BUS BAR L.S.	
CR1 BUS BAR L.S.	



MICROPHONE  
OUTLET

DESCRIPTION:	WIRING DIAGRAM		
APPL: EFF. W/ L-027 L-035...	PRIOR TO: N-221	REF: H5-60	
BY	AB		
DATE	90-09	REVISION	
	A	mix A 10UR	
	B	91-04 PRIOR OG 91051	

DR. -	AB	DATE -	90-09
CK. -		APPR. -	AB
			1816680
NO:	D-560732 P29		C