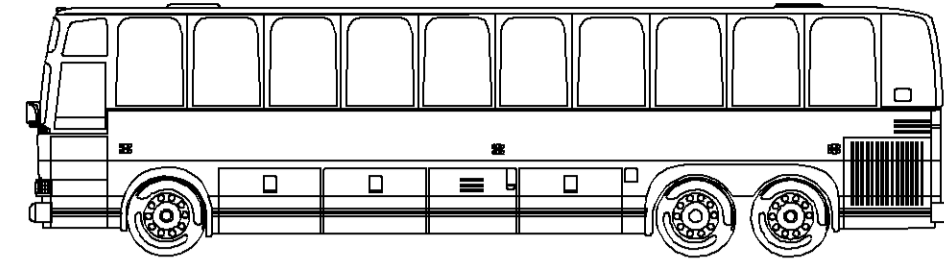


**PREVOST**

MODEL 96 D060871

LE MIRAGE 40' BUS



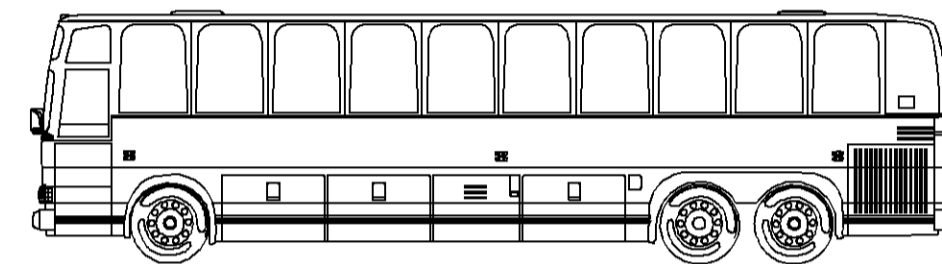
MJ  
J.R.

R

# WIRING DIAGRAM

**PREVOST**

LE MIRAGE 40' BUS



REFERENCE: STANDARD - MODEL 96-97 NO: 98 D060871

EFF. W/ OC# N/A PRIOR TO / OC# DR. SERGE GROLEAU DATE: 95-07-11  
 EFF. W/ VEH.# T5663 PRIOR TO / VEH.# CK. ROCH CHAMPAGNE APPR. ROLAND LAPOINTE

REV.	DATE	DESCRIPTION	PAGE	BY	CK.	APPR.
001	95-07-20	NEW OPTION, POWER 12V OUTLET	A, 1, 18	MJ	R	R
002	95-08-16	NEW SPEAKER OC# 95037 EFF.W/T5681	C	MJ	R	R
003	95-09-07	KNEELING ALARM OC# 95060 EFF.W/T5711	C, G2, H, 21	MJ	R	R
004	95-11-09	TAG AXLE PRESS. SW. WAS N.C. CHANGED TO N.O. - OC# 95052 EFF.W/T5778	5	R.C.	R	R
005	95-11-16	CB18 WAS FEED FROM JCT.#58 CHANGED TO JCT.#23 EFF.W/T5763, UPDATE P.30	F, 2	S.G.	R	R
006	95-11-24	RAD. FAN CLUTCH ACTIVITED WITH A/C OR RETARDER OC#95078 EFF. W/T5763 PAGES: A, C, I, J, 1, 2, 3, 5, 9, 16, 23	← SEE C, G2, G3, 4	MJ MJ	R R	R R
007	95-11-28	WORLD TRANSM. HARNESS OC#95124 EFF. W/T5766	← SEE	MJ	R	R
008	96-04-10	NEW SOUND SYSTEM EFF. W/T5884 OC#96007 PAGES: A, B, C, E1, E2, E3, F, G1, G2, G3, I, 1, 2, 28, 29, 30	← SEE C, 19	MJ	R	R
009	96-04-05	NEW SPEEDO & TACHY EFF. W/T5915 OC#96014	C, G3, 4, 19	S.G.	R	R
010	96-06-19	WORLD TRANSM. PROGRAMMABLE SPEED SIGNAL EFF. W/V6008 OC#96109	G1, 9	MJ	R	R
011	96-10-22	NEW OPTION, DIGITAL CLOCK EFF. W/V6096 OC#96158	7,12,17,21,28,31	MJ	R	R
012	97-01-20	UPDATE PAGES: RESISTOR RUNNING LIGHT CONNECTOR ADDED C510 EFF. W/6160 OC#96155	C, G3,6	S.G.	R	R
013	97-01-20	WINDSHIELD WASHER MOTOR ADDED EFF.W/V6172 OC#96125	C, 9	MJ	R	R
014	97-01-25	NEW A/C FAN CONDENSER & NEW FUEL TANK EFF.W/V6259 OC#95023	B,C,D,E,F,G,I, 1, 5,15	MJ	R	R
015	97-02-25	NEW OPTION FAN CLUTCH OVERRIDE WIRELESS MICRO RECEIVER ADDED	D, G3, 9SP1, 23	S.G.	R	R
016	97-04-01	ESPAR TIMER EFF.W/V6253 OC#97022	A, 28, 33	S.G.	R	R
017	97-10-23	NEW VOLTAGE REGULATOR EFF.W/W6435 OC#97104	C, G3, 17	MJ	R	R
018	98-01-20	NEW TRANSMISSION AND ABS EFF.W/W6503 OC#97140	1	S.G.	R	R
019	98-02-05	NEW WEBASTO TIMER EFF.W/W6503 OC#97154	C,D,F,G,I,3,4,14,19,23,24	S.G.	J.R.	R
020	98-02-12	NEW HARNESS ARRANG. SOUND SYS. & BACK-UP P.A. REMOVED EFF.W/W6576 OC#97056	C, 17	MJ	J.R.	R
021	98-04-08	UPDATE MIRROR RAMCO	G3, 28, 29, 33	MJ	J.R.	R
022	98-04-08	UPDATE MIRROR RAMCO	18	S.G.	J.R.	R

# PREVOST LE MIRAGE 40' BUS

NO: D060871 p. 2/2

REV.	DATE	DESCRIPTION	PAGE	BY	CK.	APPR.
022	98-08-12	ABS DIFFERENTIAL SENSOR EFF.W/X6691 OC#98075 UPDATE	C, G2/3 H,1,1,2,9,15,20,21,24	S.G.	J.R.	R
023	98-08-17	WIRE #90G MOVED BEFORE R29 RELAY O.C. 98088 EFF. W/W-6681	15	J.R.	J.R.	R
024	98-10	RESISTOR ADDED IN SERIAL WITH COIL OF CONDENSER RELAY OC#98112 EEF :X6809	J,15	J.R.	J.R.	R
025	98-11	THERMOSTAT BYPASSED ON A/C AUXILIARY UNIT OC#98118 EFF.:S-1624 TO X-6818	16	J.R.	J.R.	R
026	98-11	THERMOSTAT & SENSOR REMOVED ON A/C AUXILIARY UNIT OC #98118 EFF. : X-6819	16	J.R.	J.R.	R
027	98-11	NEW HAT RACK SPEAKER EFF.W/X6831 OC#98161	C, G3/3, 28	S.G.	J.R.	R

# INDEX

A	A/C & HEAT SYSTEM	P. 15	D	D.D.E.C. III	P. 3	M	MIRROR-RR VIEW ADJUST. & HEATED	P. 18
	A/C AUXILIARY SYSTEM	P. 16		DIFFERENTIAL OIL TEMP.	P. 5	P	PARKING BRAKE SWITCH	P. 5
	AIR DRYER	P. 5		DIGITAL CLOCK	P. 9		PASSENGER CHIME	P. 14
	ALARM AND SIGNAL	P. 5	E	ENGINE BLOCK HEATER	P. 14		POWER 12V OUTLET	P. 18
	ABS	P. 24		ENGINE CONTROL	P. 2		PRODRIVER	P. 16
	ARRANGEMENT - CABLE	P. B		ENGINE BRAKE SYSTEM	P. 23		PYROMETER	P. 25
	ARRANGEMENT - HARNESS	P. C		ETHER COLD START	P. 5	R	RETARDER (WT)	P. 23
	ARRANGEMENT - SPARE WIRE	P. D		EXTERIOR LIGHTING	P. 6	S	SPEEDOMETER (VDO)	P. 19
B	BACK-UP ALARM	P. 8	F	FAN CLUTCH-RADIATOR	P. 5		SOUND SYSTEM-P.A. ONLY	P. 28
	BACK-UP MONITOR	P. 31		FUEL-LOW WARNING LTS	P. 5		SOUND SYSTEM-RADIO & P.A.	P. 29
C	CB OPTION	P. 25		FUEL PRIME PUMP	P. 31	T	TACHOMETER (VDO)	P. 19
	CHARGING SYSTEM	P. 1		FUEL WATER FILTER	P. 5		TACHOGRAPH ELECTRONIC	P. 19
	CIGAR LIGHTER	P. 18		FRONT DESTINATION SIGN	P. 31		TRANSMISSION MANUAL	P. 25
	CODE - CIRCUIT NUMBER	P. E	G	GALLEY	P. 26		TRANSMISSION WORLD	P. 4
	CODE - CIRCUIT BREAKER	P. F		GALLEY WITH FRIGO	P. 27	V	VIDEO SYSTEM	P. 30
	CODE - CONNECTOR	P. G	H	HIGH BUOY	P. 21	W	WATER HEATER PRE-HEAT	P. 17
	CODE - DIODE	P. H		HOSTESS CHIME	P. 14		WATER TANK HEATER	P. 14
	CODE - RELAY	P. I	I	INTERIOR LIGHTING	P. 10		WIPER & WASHER WINDSHIELD	P. 9
	CODE - RESISTOR	P. J	K	KNEELING SYSTEM	P. 21			
	CODE - WIRING KEY	P. K	L	LAVATORY	P. 20			
	CRUISE CONTROL - D.D.E.C.	P. 3		LUGGAGE DOOR LOCK	P. 22			

# INDEX

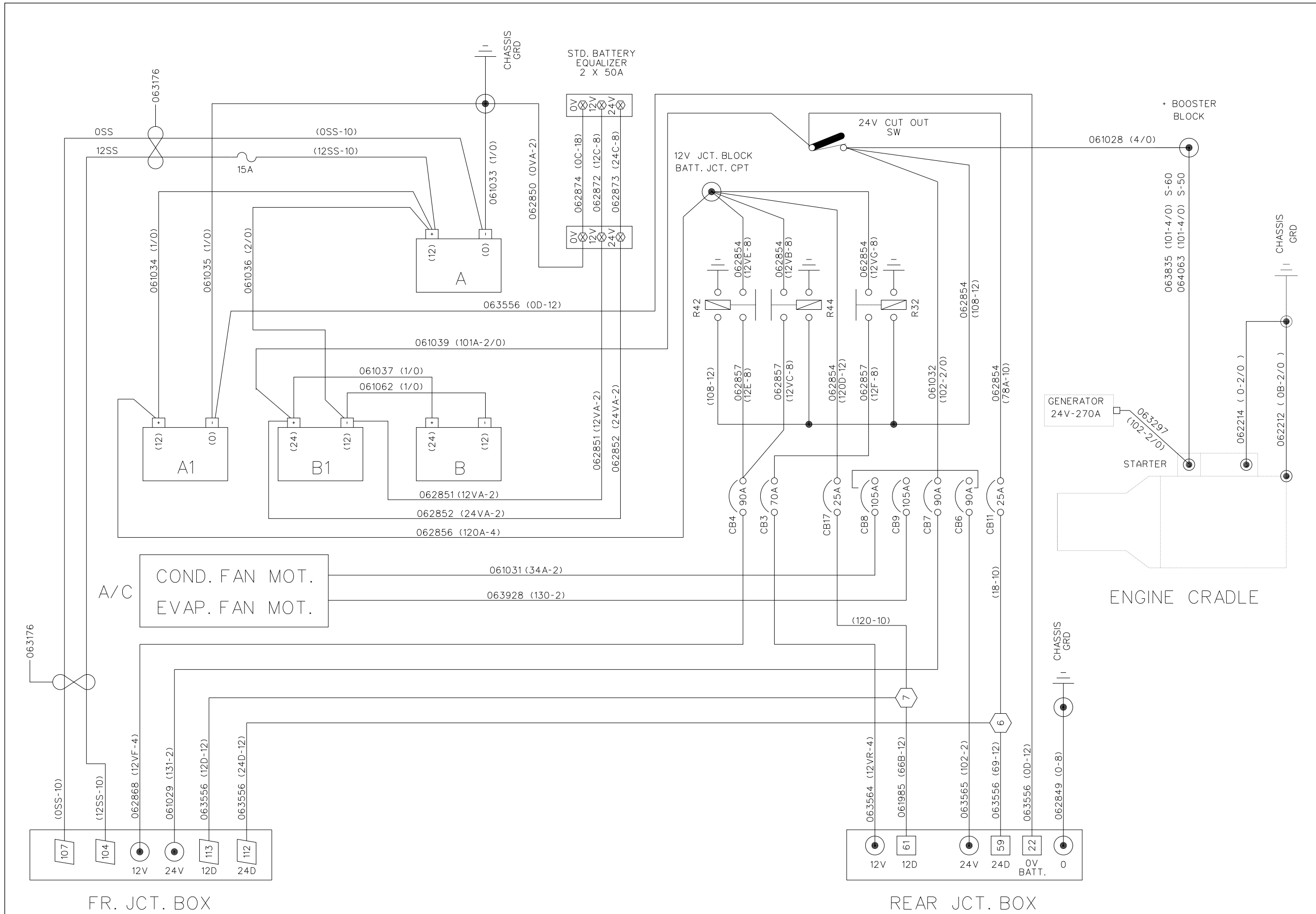
A	A/C & HEAT SYSTEM	P. 15	D	D.D.E.C. III	P. 3	M	MIRROR-RR VIEW ADJUST. & HEATED	P. 18
	A/C AUXILIARY SYSTEM	P. 16		DIFFERENTIAL OIL TEMP.	P. 5	P	PARKING BRAKE SWITCH	P. 5
	AIR DRYER	P. 5		DIGITAL CLOCK	P. 9		PASSENGER CHIME	P. 14
	ALARM AND SIGNAL	P. 5	E	ENGINE BLOCK HEATER	P. 14		POWER 12V OUTLET	P. 18
	ABS	P. 24		ENGINE CONTROL	P. 2		PRODRIVER	P. 16
	ARRANGEMENT - CABLE	P. B		ENGINE BRAKE SYSTEM	P. 23		PYROMETER	P. 25
	ARRANGEMENT - HARNESS	P. C		ETHER COLD START	P. 5	R	RETARDER (WT)	P. 23
	ARRANGEMENT - SPARE WIRE	P. D		EXTERIOR LIGHTING	P. 6	S	SPEEDOMETER (VDO)	P. 19
B	BACK-UP ALARM	P. 8	F	FAN CLUTCH-RADIATOR	P. 9		SOUND SYSTEM-P.A. ONLY	P. 28
	BACK-UP MONITOR	P. 31		FUEL-LOW WARNING LTS	P. 5		SOUND SYSTEM-RADIO & P.A.	P. 29
C	CB OPTION	P. 25		FUEL PRIME PUMP	P. 31	T	TACHOMETER (VDO)	P. 19
	CHARGING SYSTEM	P. 1		FUEL WATER FILTER	P. 5		TACHOGRAPH ELECTRONIC	P. 19
	CIGAR LIGHTER	P. 18		FRONT DESTINATION SIGN	P. 31		TRANSMISSION MANUAL	P. 25
	CODE - CIRCUIT NUMBER	P. E	G	GALLEY	P. 26		TRANSMISSION WORLD	P. 4
	CODE - CIRCUIT BREAKER	P. F		GALLEY WITH FRIGO	P. 27	V	VIDEO SYSTEM	P. 30
	CODE - CONNECTOR	P. G	H	HIGH BUOY	P. 21	W	WATER HEATER PRE-HEAT	P. 17
	CODE - DIODE	P. H		HOSTESS CHIME	P. 14		WATER TANK HEATER	P. 14
	CODE - RELAY	P. I		INTERIOR LIGHTING	P. 10		WIPER & WASHER WINDSHIELD	P. 9
	CODE - RESISTOR	P. J	I	INTERIOR LIGHTING	P. 10			
	CODE - WIRING KEY	P. K	K	KNEELING SYSTEM	P. 21			
	CRUISE CONTROL - D.D.E.C.	P. 3	L	LAVATORY	P. 20			
				LUGGAGE DOOR LOCK	P. 22			

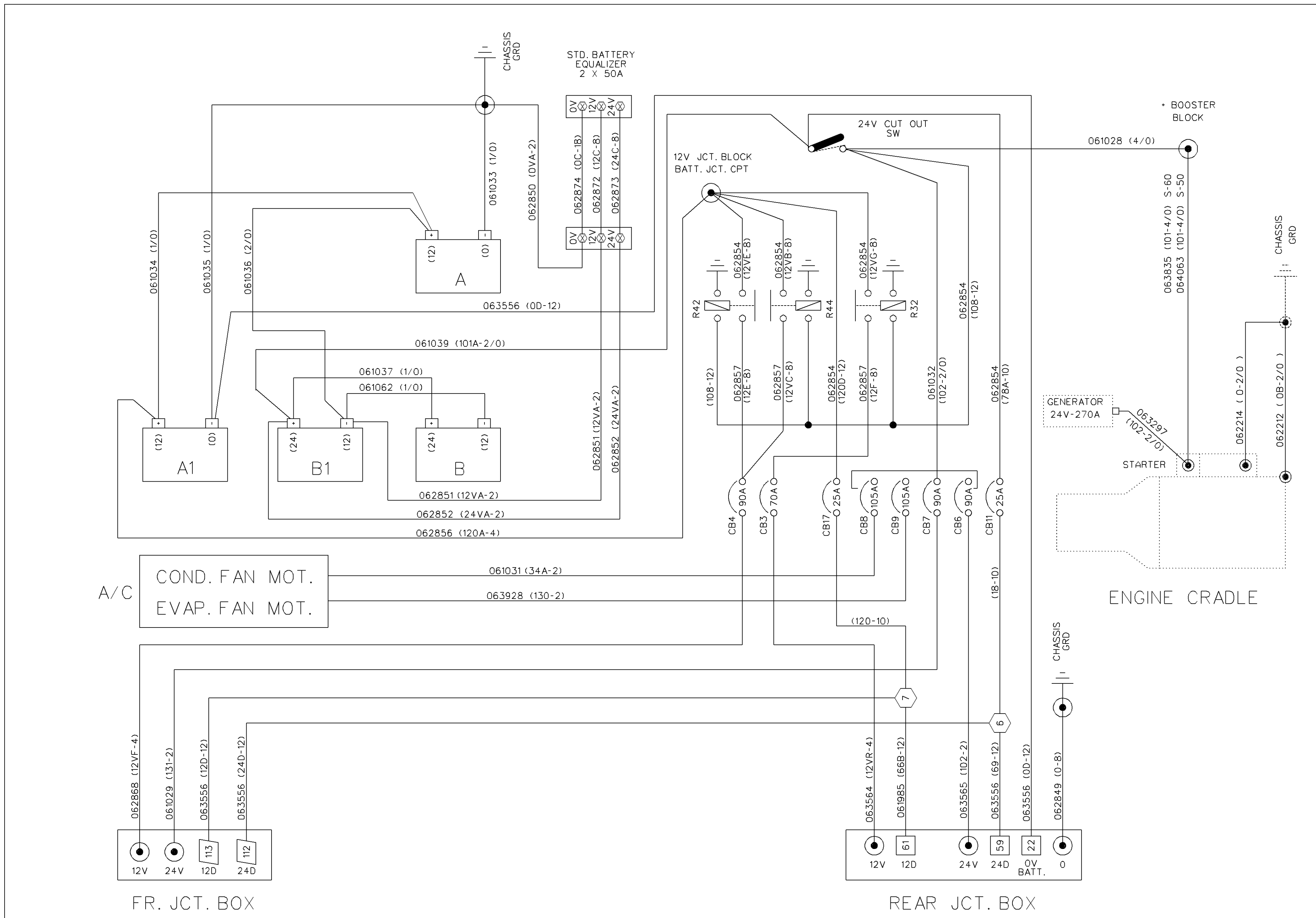
# INDEX

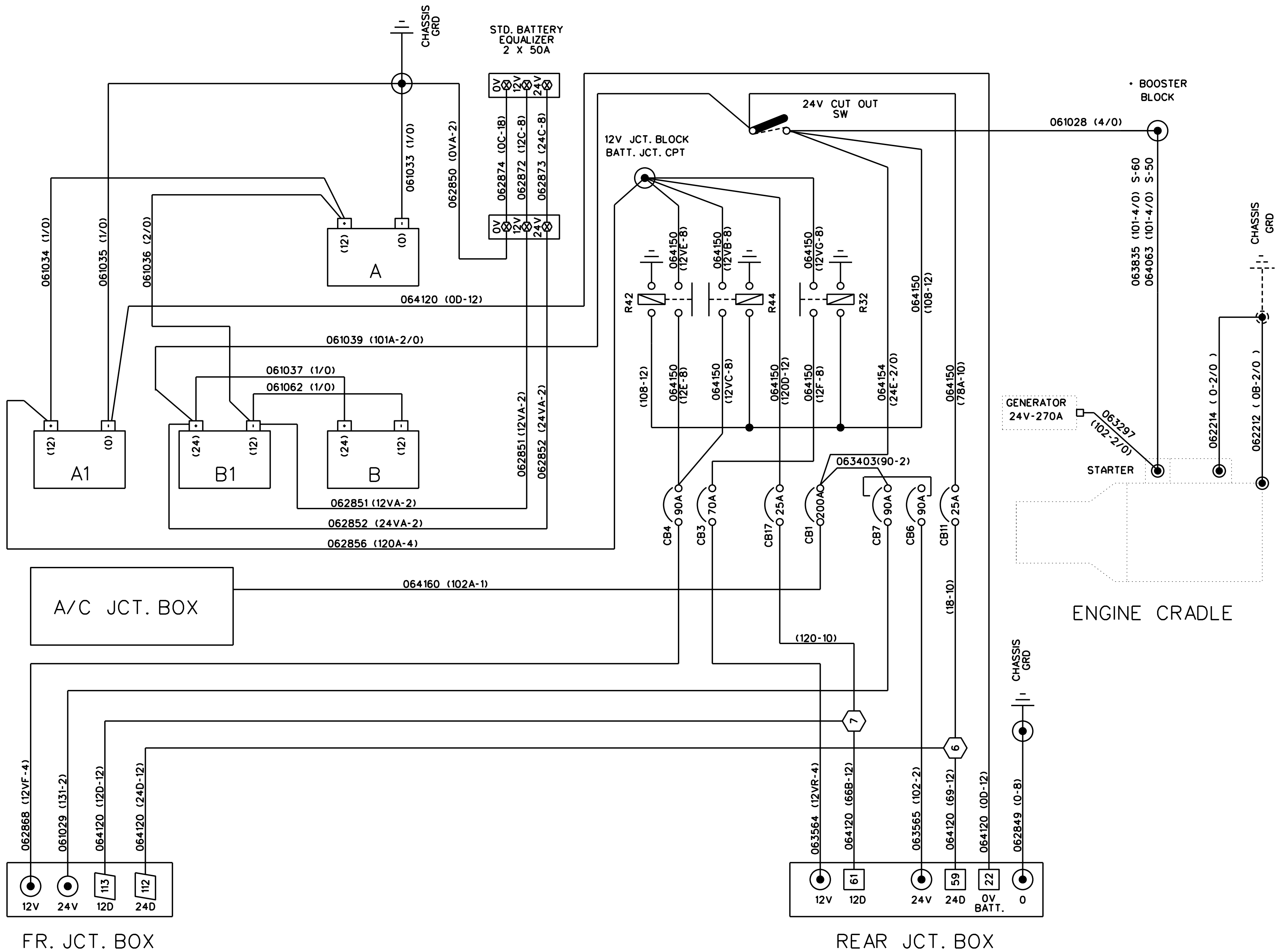
A	A/C & HEAT SYSTEM	P. 15	D	D.D.E.C. III	P. 3	M	MIRROR-RR VIEW ADJUST. & HEATED	P. 18
	A/C AUXILIARY SYSTEM	P. 16		DIFFERENTIAL OIL TEMP.	P. 5	P	PARKING BRAKE SWITCH	P. 5
	AIR DRYER	P. 5		DIGITAL CLOCK	P. 9		PASSENGER CHIME	P. 14
	ALARM AND SIGNAL	P. 5	E	ENGINE BLOCK HEATER	P. 14		POWER 12V OUTLET	P. 18
	ABS	P. 24		ENGINE CONTROL	P. 2		PRODRIVER	P. 16
	ARRANGEMENT - CABLE	P. B		ENGINE BRAKE SYSTEM	P. 23		PYROMETER	P. 25
	ARRANGEMENT - HARNESS	P. C		ETHER COLD START	P. 5	R	RETARDER (WT)	P. 23
	ARRANGEMENT - SPARE WIRE	P. D		EXTERIOR LIGHTING	P. 6	S	SPEEDOMETER (VDO)	P. 19
B	BACK-UP ALARM	P. 8	F	FAN CLUTCH-RADIATOR	P. 9		SOUND SYSTEM-RADIO	P. 28
	BACK-UP MONITOR	P. 31		FUEL-LOW WARNING LTS	P. 5	T	TACHOMETER (VDO)	P. 19
C	CB OPTION	P. 25		FUEL PRIME PUMP	P. 31		TACHOGRAPH ELECTRONIC	P. 19
	CHARGING SYSTEM	P. 1		FUEL WATER FILTER	P. 5		TRANSMISSION MANUAL	P. 25
	CIGAR LIGHTER	P. 18		FRONT DESTINATION SIGN	P. 31		TRANSMISSION WORLD	P. 4
	CODE - CIRCUIT NUMBER	P. E	G	GALLEY	P. 26	V	VIDEO SYSTEM	P. 29
	CODE - CIRCUIT BREAKER	P. F		GALLEY WITH FRIGO	P. 27		VIDEO SYSTEM & TV RECEIVER	P. 30
	CODE - CONNECTOR	P. G	H	HIGH BUOY	P. 21	W	WATER HEATER PRE-HEAT	P. 17
	CODE - DIODE	P. H		HOSTESS CHIME	P. 14		WATER TANK HEATER	P. 14
	CODE - RELAY	P. I		INTERIOR LIGHTING	P. 10		WIPER & WASHER WINDSHIELD	P. 9
	CODE - RESISTOR	P. J	I	INTERIOR LIGHTING	P. 10			
	CODE - WIRING KEY	P. K	K	KNEELING SYSTEM	P. 21			
	CRUISE CONTROL - D.D.E.C.	P. 3	L	LAVATORY	P. 20			
				LUGGAGE DOOR LOCK	P. 22			

# INDEX

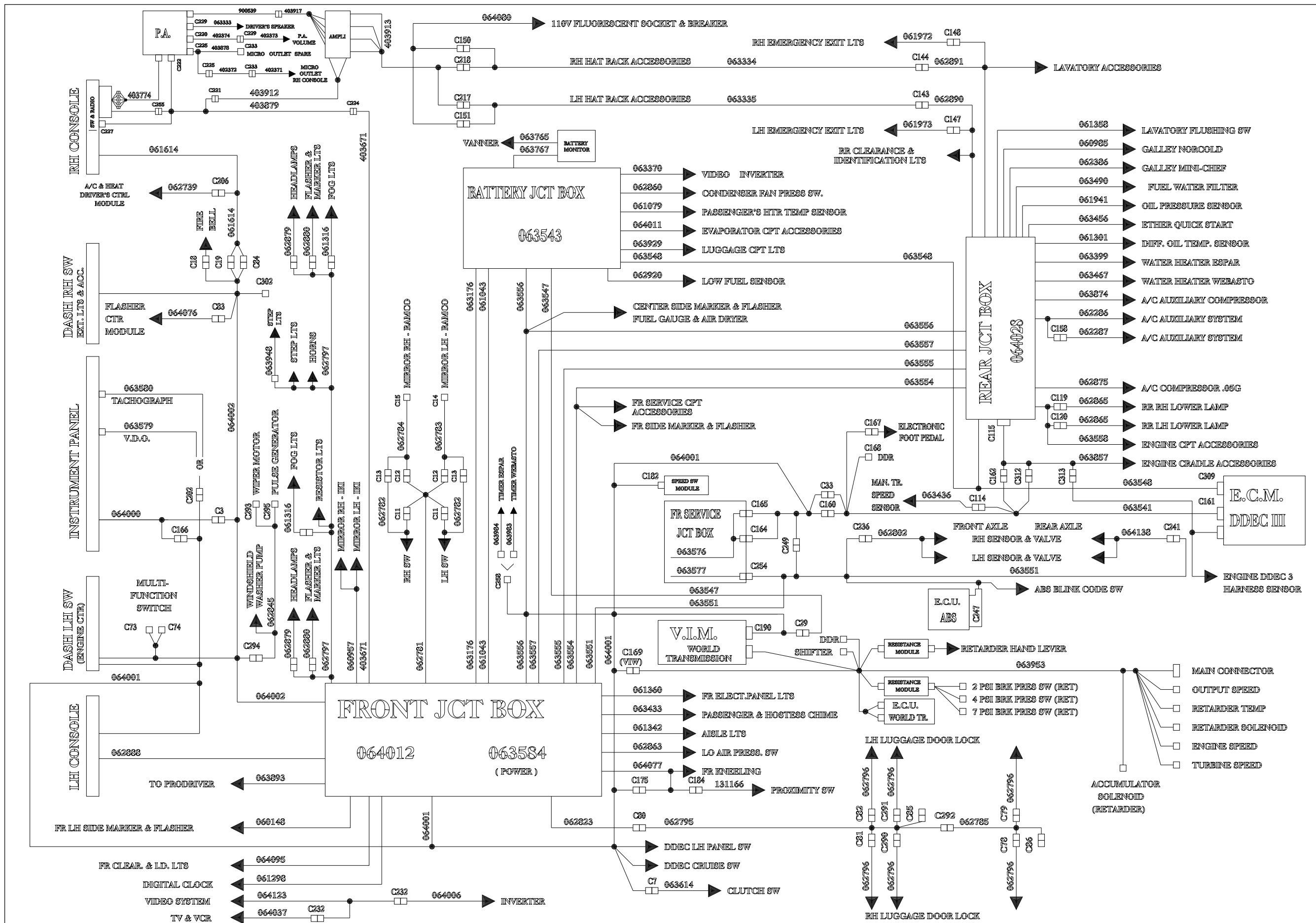
A	A/C & HEAT SYSTEM	P. 15	D	D.D.E.C. III	P. 3	M	MIRROR-RR VIEW ADJUST. & HEATED	P. 18
	A/C AUXILIARY SYSTEM	P. 16		DIFFERENTIAL OIL TEMP.	P. 5	P	PARKING BRAKE SWITCH	P. 5
	AIR DRYER	P. 5		DIGITAL CLOCK	P. 9		PASSENGER CHIME	P. 14
	ALARM AND SIGNAL	P. 5	E	ENGINE BLOCK HEATER	P. 14		POWER 12V OUTLET	P. 18
	ABS	P. 24		ENGINE CONTROL	P. 2		PRODRIVER	P. 16
	ARRANGEMENT - CABLE	P. B		ENGINE BRAKE SYSTEM	P. 23		PYROMETER	P. 25
	ARRANGEMENT - HARNESS	P. C		ETHER COLD START	P. 5	R	RETARDER (WT)	P. 23
	ARRANGEMENT - SPARE WIRE	P. D		EXTERIOR LIGHTING	P. 6	S	SPEEDOMETER (VDO)	P. 19
B	BACK-UP ALARM	P. 8	F	FAN CLUTCH-RADIATOR	P. 9		SOUND SYSTEM-RADIO	P. 28
	BACK-UP MONITOR	P. 31		FUEL-LOW WARNING LTS	P. 5	T	TACHOMETER (VDO)	P. 19
C	CB OPTION	P. 25		FUEL PRIME PUMP	P. 31		TACHOGRAPH ELECTRONIC	P. 19
	CHARGING SYSTEM	P. 1		FUEL WATER FILTER	P. 5		TRANSMISSION MANUAL	P. 25
	CIGAR LIGHTER	P. 18		FRONT DESTINATION SIGN	P. 31		TRANSMISSION WORLD	P. 4
	CODE - CIRCUIT NUMBER	P. E	G	GALLEY	P. 26	V	VIDEO SYSTEM	P. 29
	CODE - CIRCUIT BREAKER	P. F		GALLEY WITH FRIGO	P. 27		VIDEO SYSTEM & TV RECEIVER	P. 30
	CODE - CONNECTOR	P. G	H	HIGH BUOY	P. 21	W	WATER HEATER PRE-HEAT	P. 17
	CODE - DIODE	P. H		HOSTESS CHIME	P. 14		WATER TANK HEATER	P. 14
	CODE - RELAY	P. I		INTERIOR LIGHTING	P. 10		WIPER & WASHER WINDSHIELD	P. 9
	CODE - RESISTOR	P. J	I	INTERIOR LIGHTING	P. 10		WIRELESS MICRO RECEIVER	P. 33
	CODE - WIRING KEY	P. K	K	KNEELING SYSTEM	P. 21			
	CRUISE CONTROL - D.D.E.C.	P. 3	L	LAVATORY	P. 20			
				LUGGAGE DOOR LOCK	P. 22			

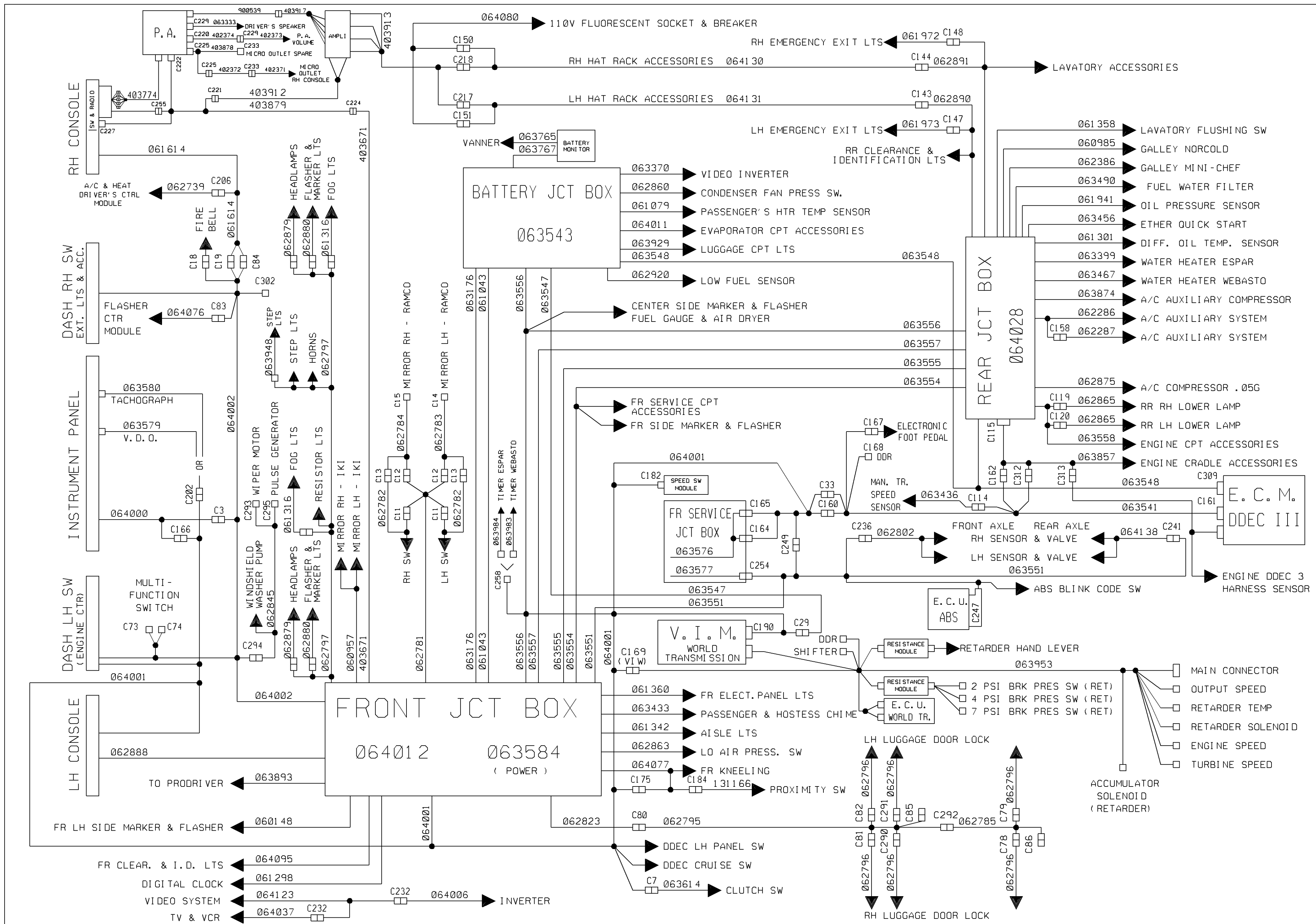


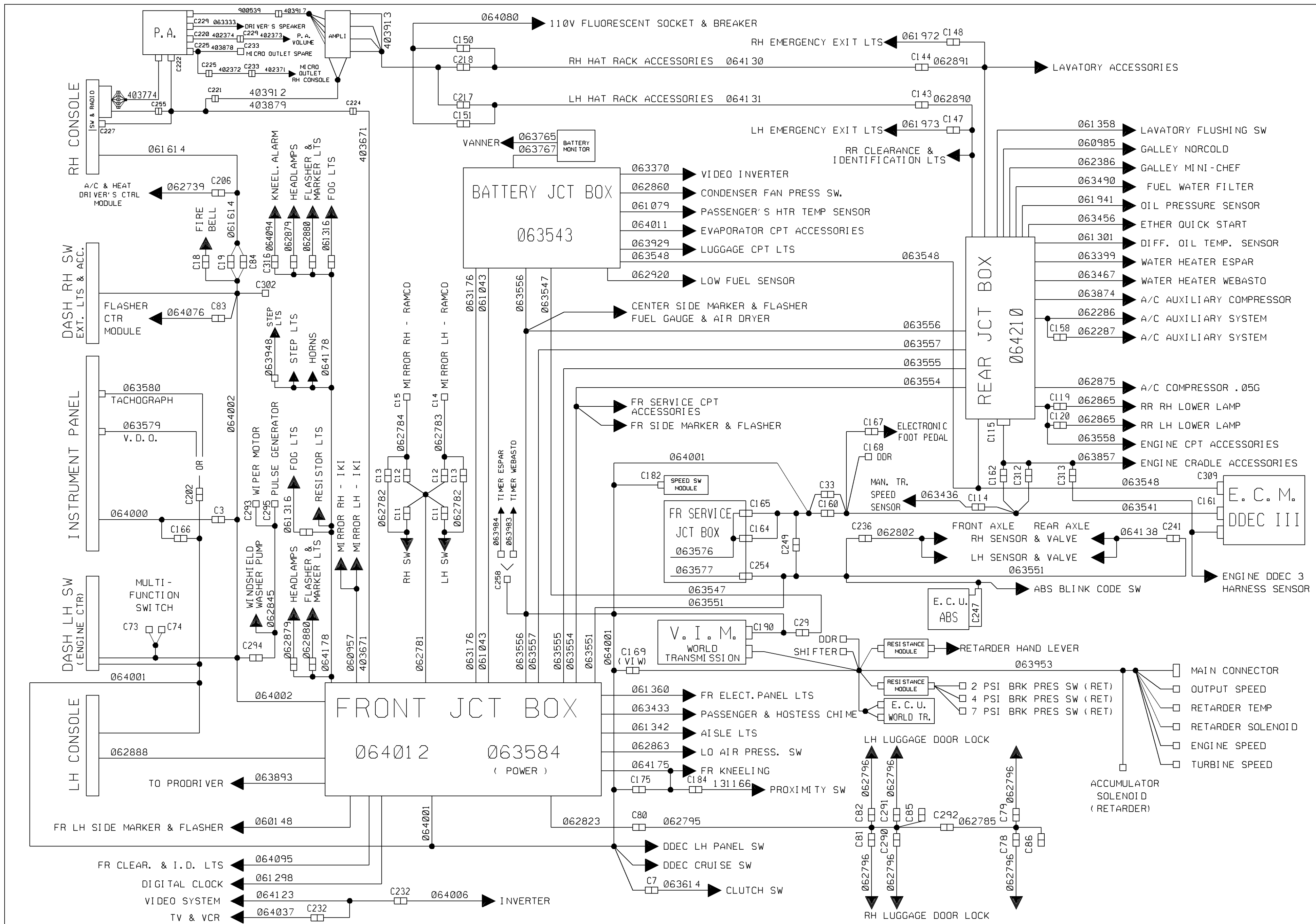


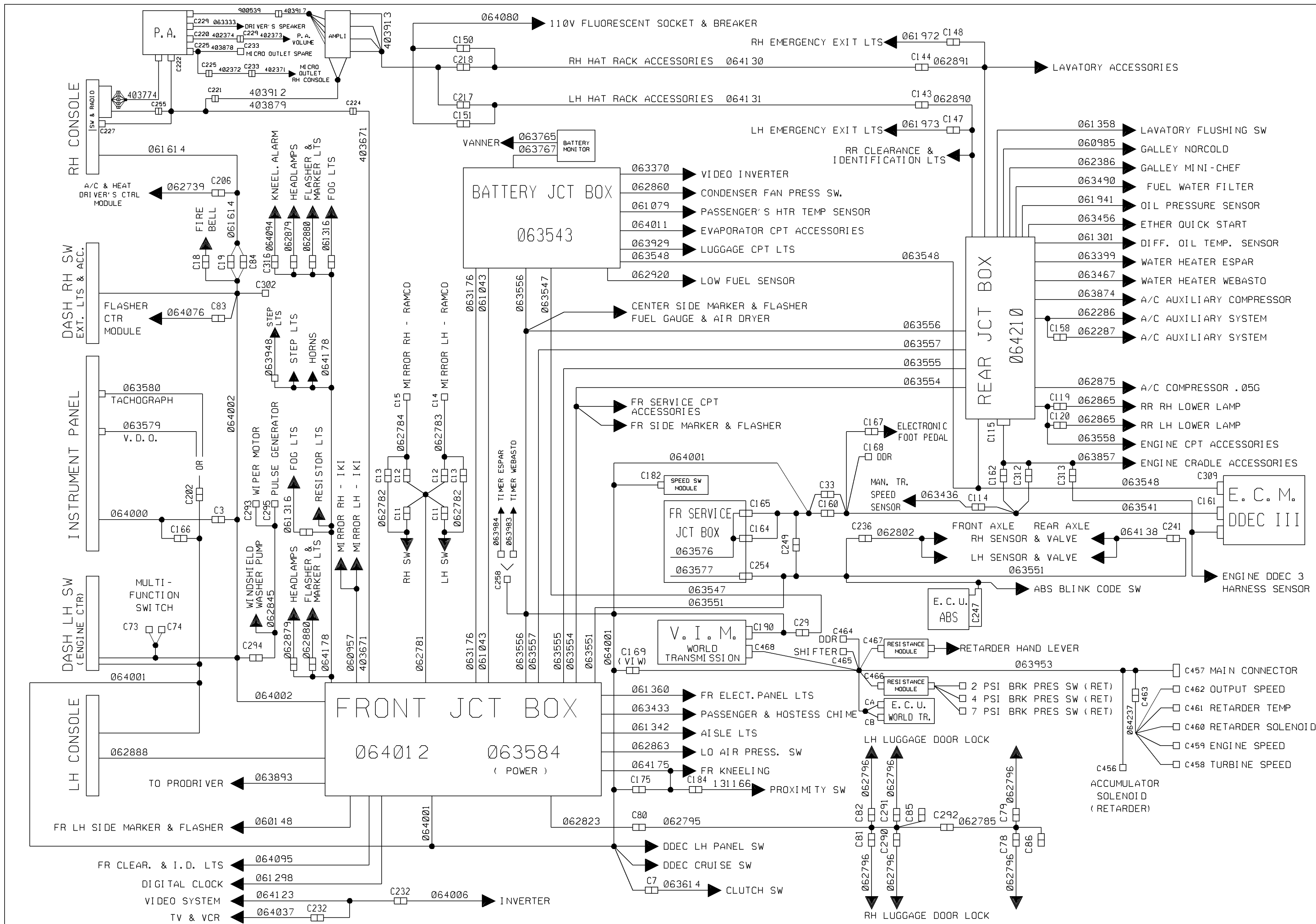


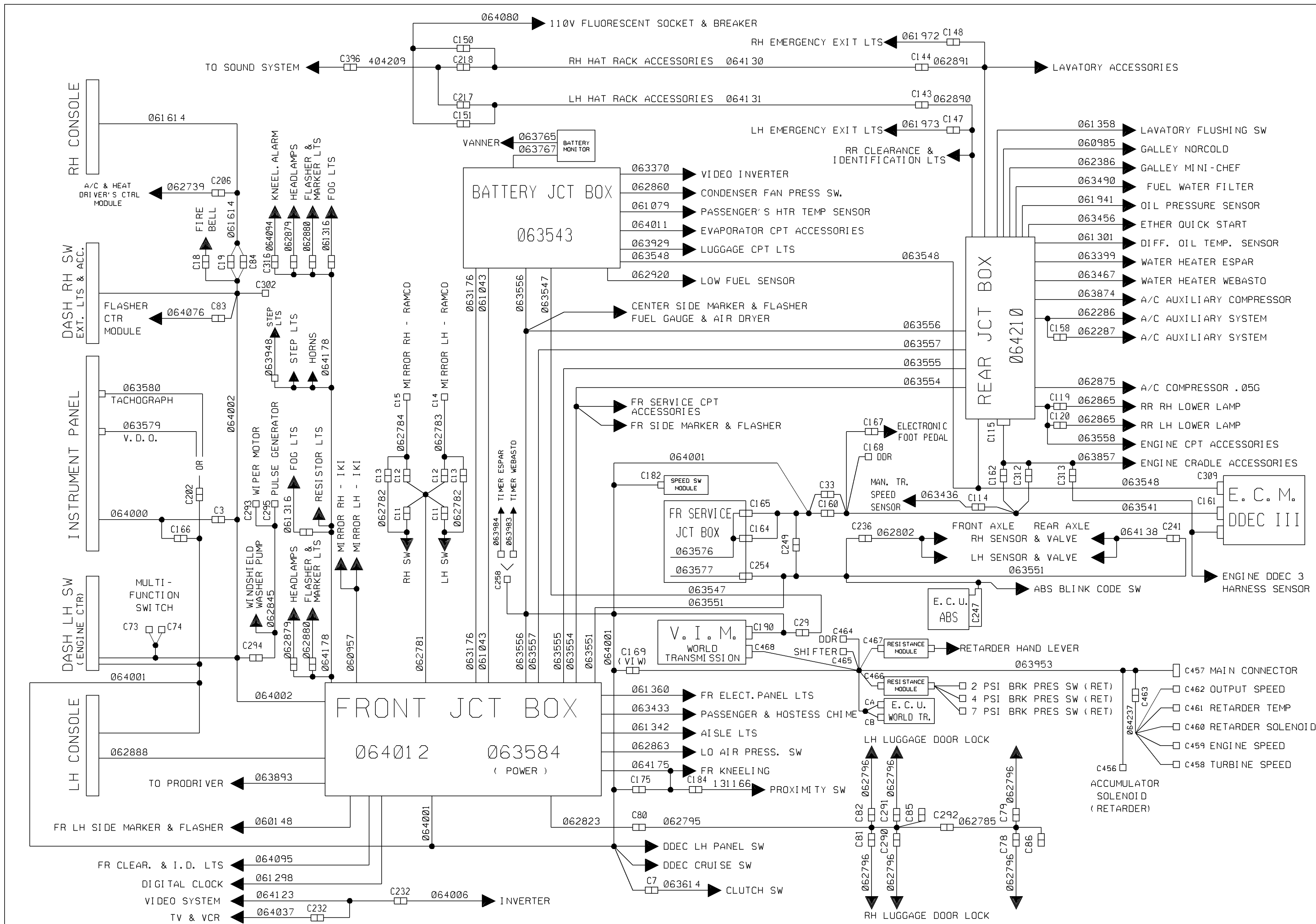


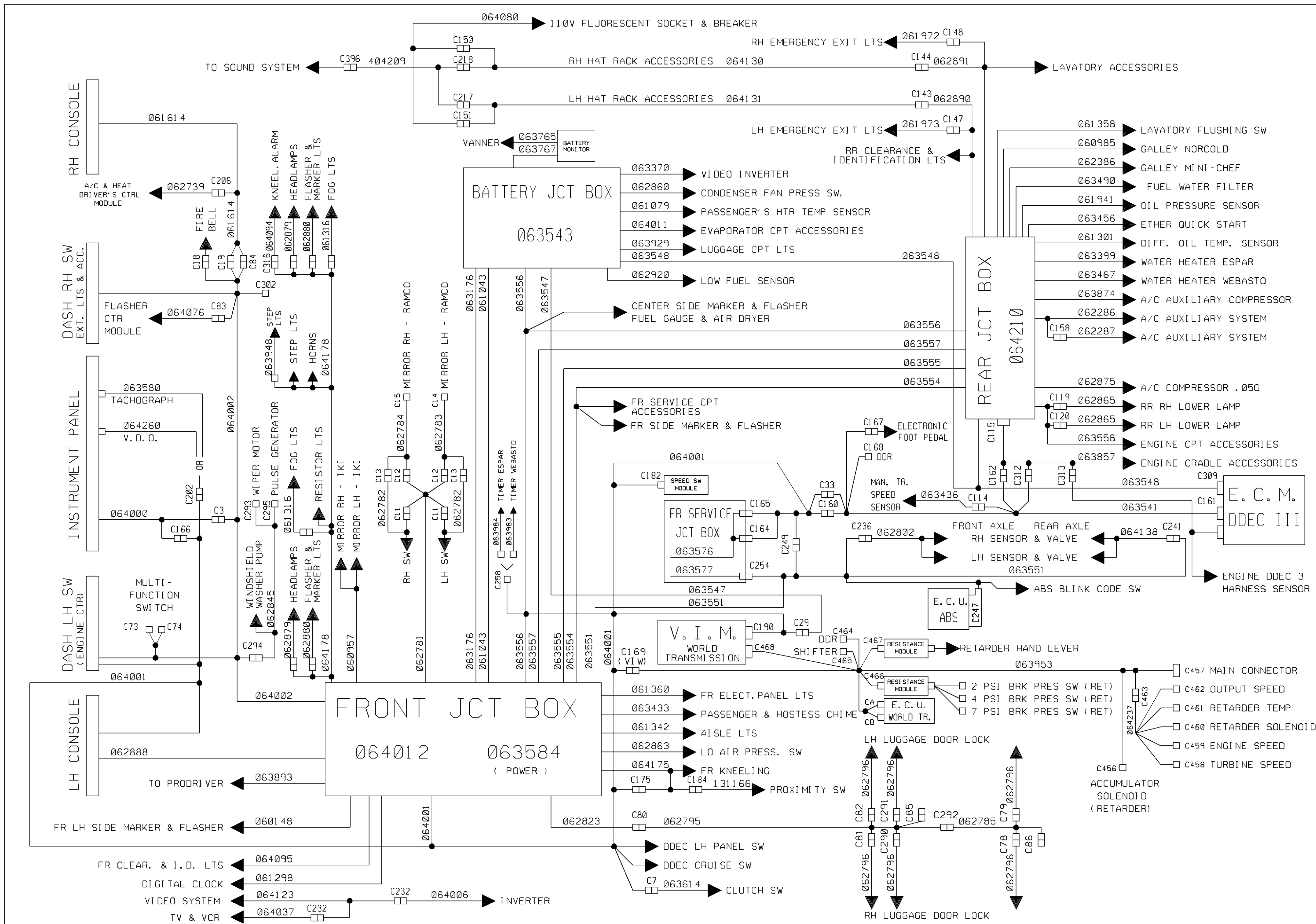


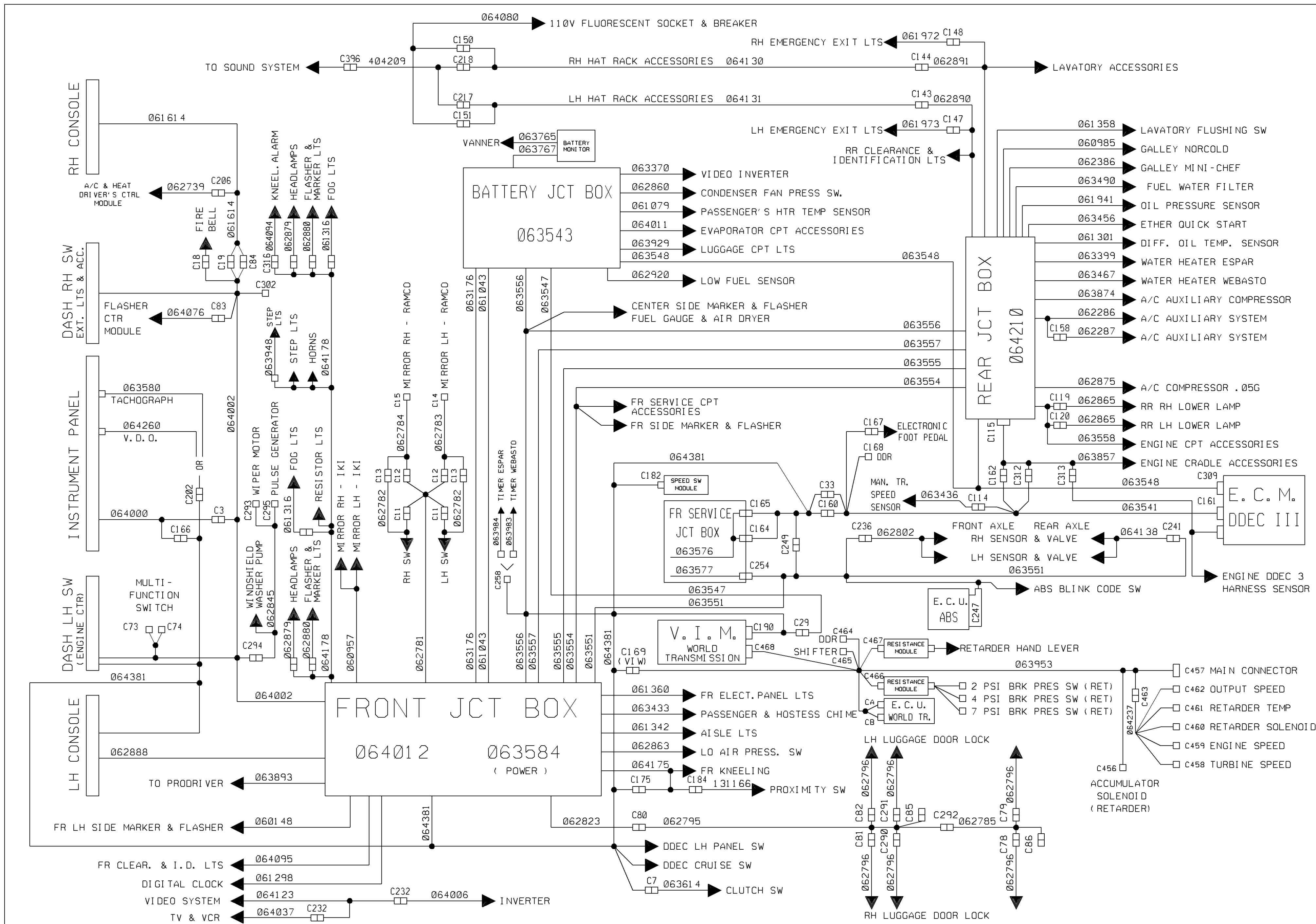


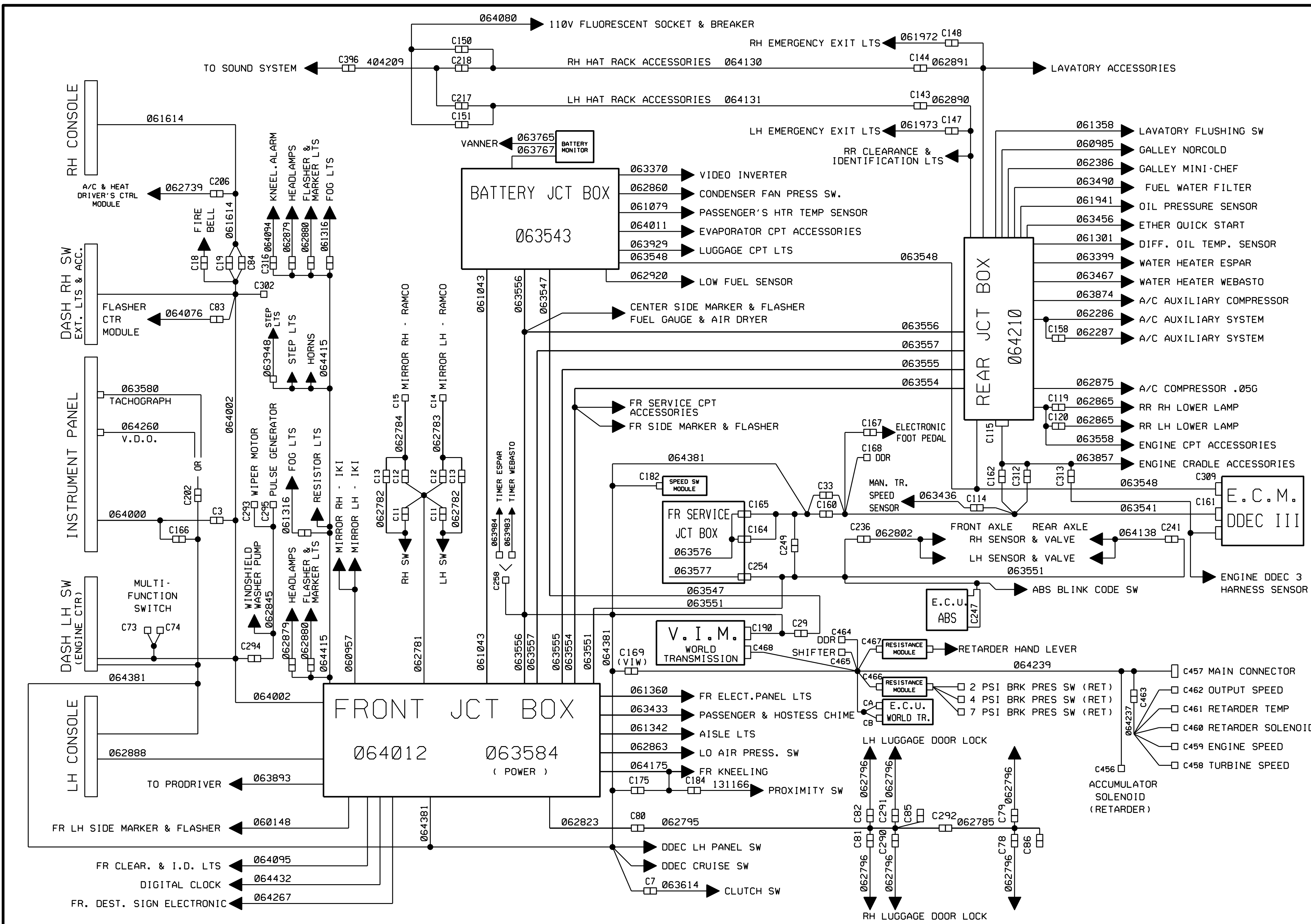




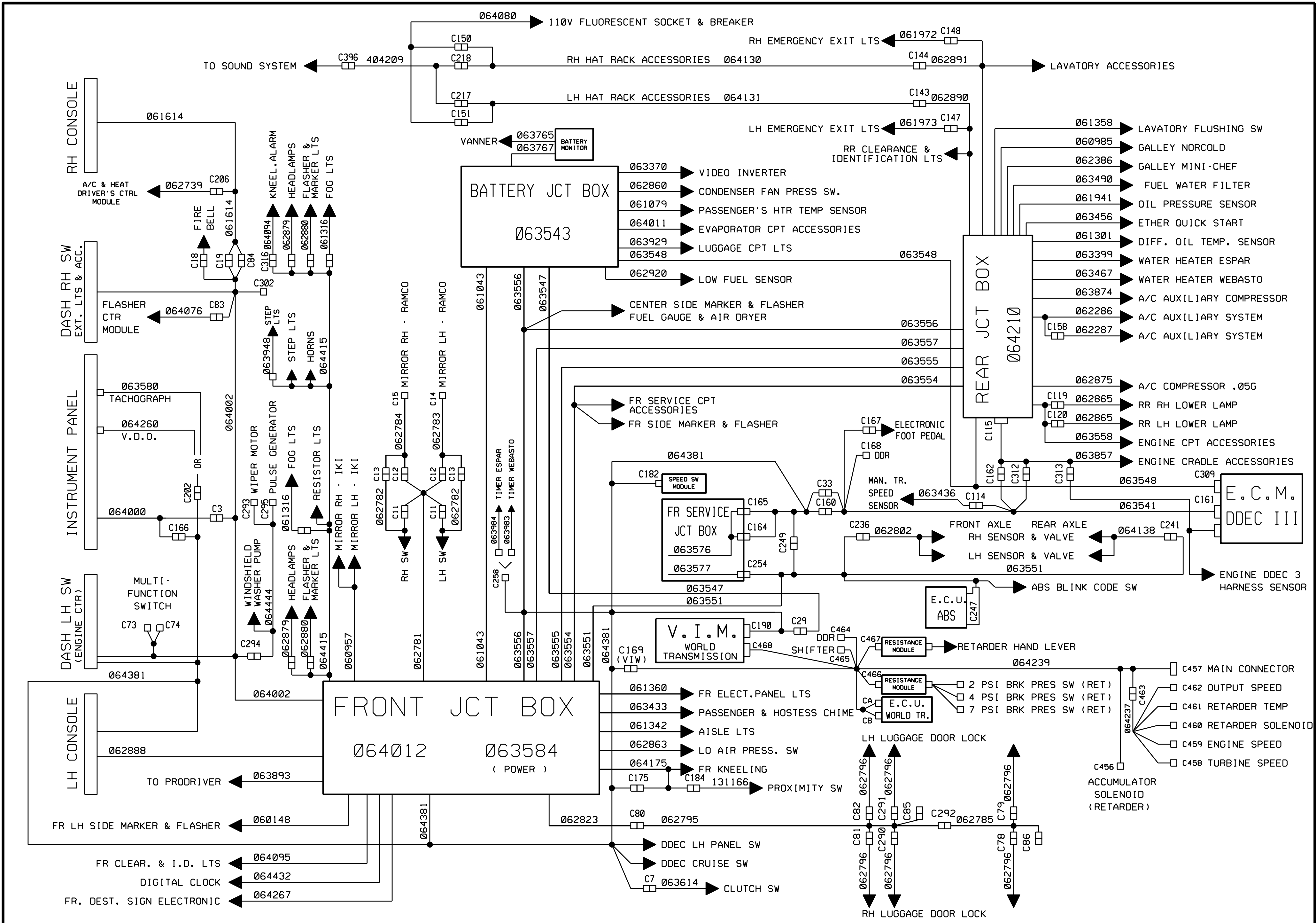


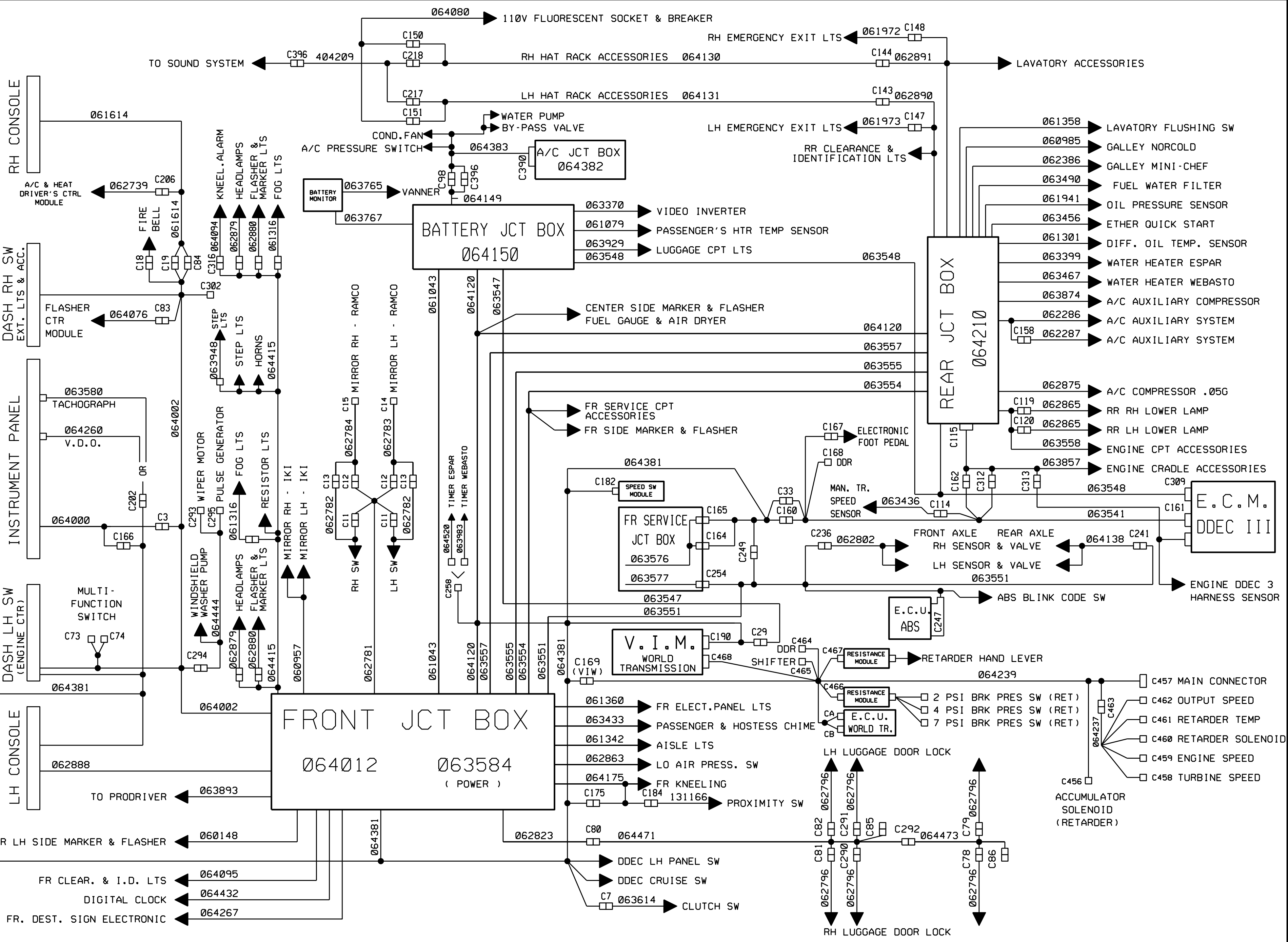


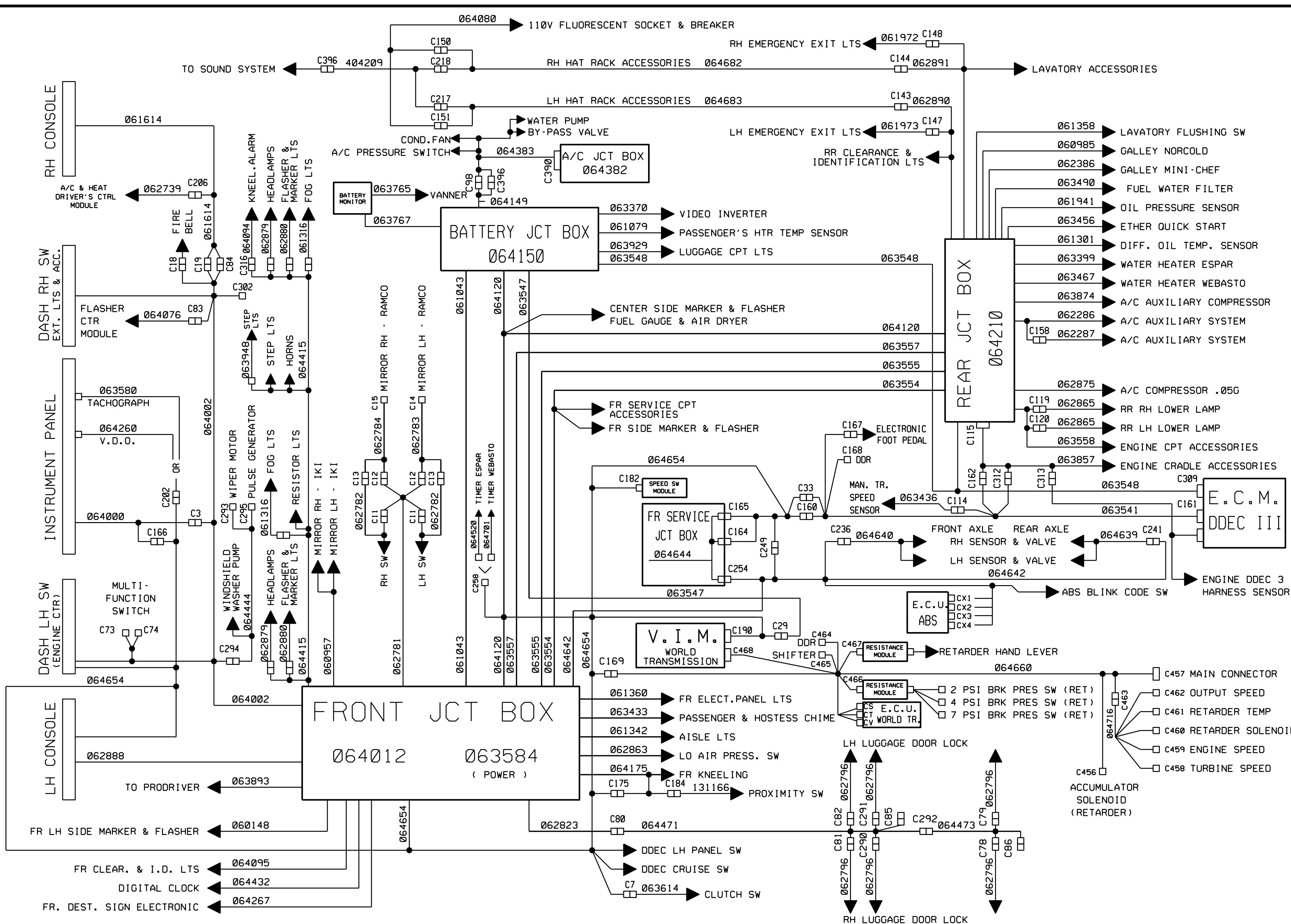


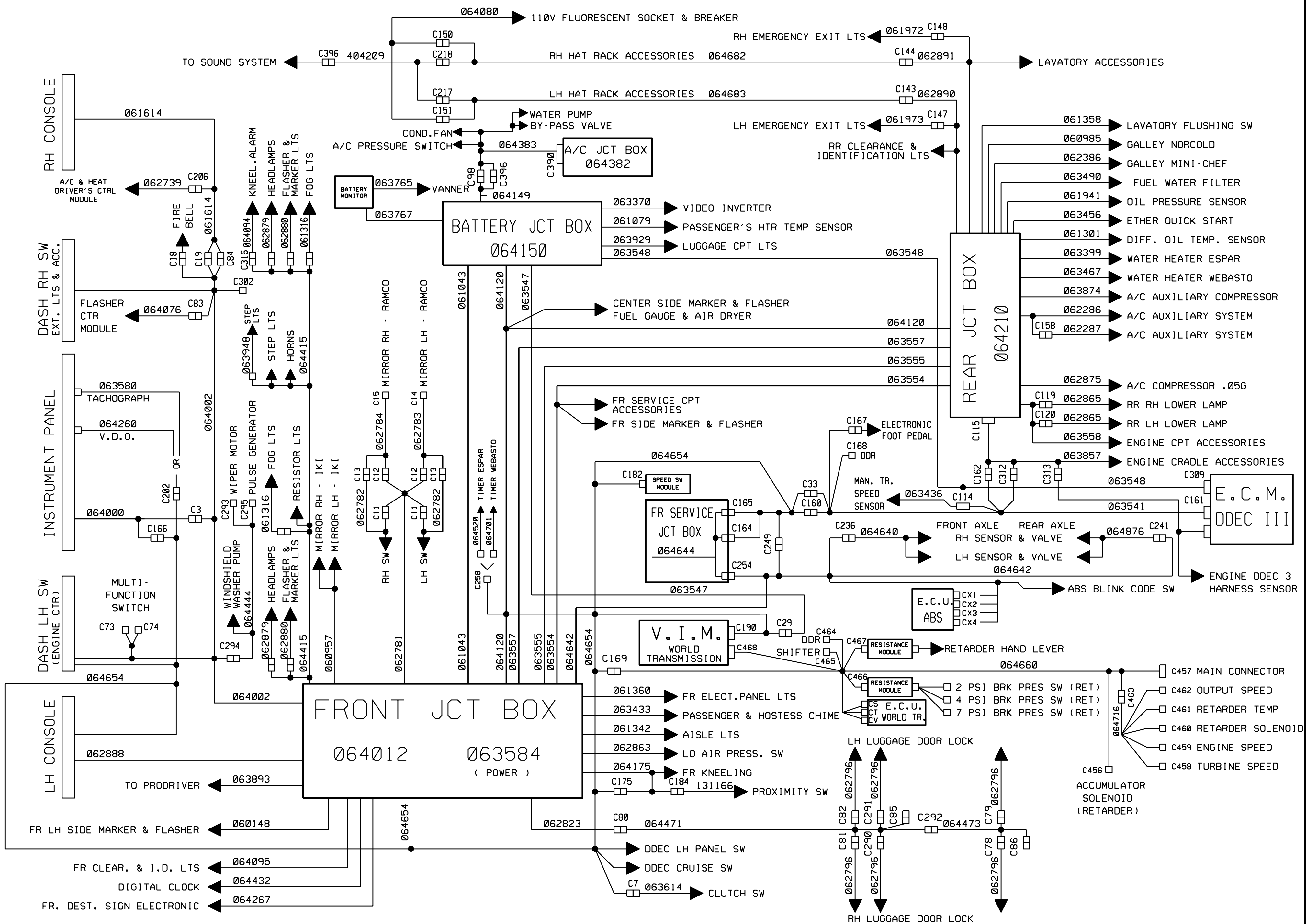


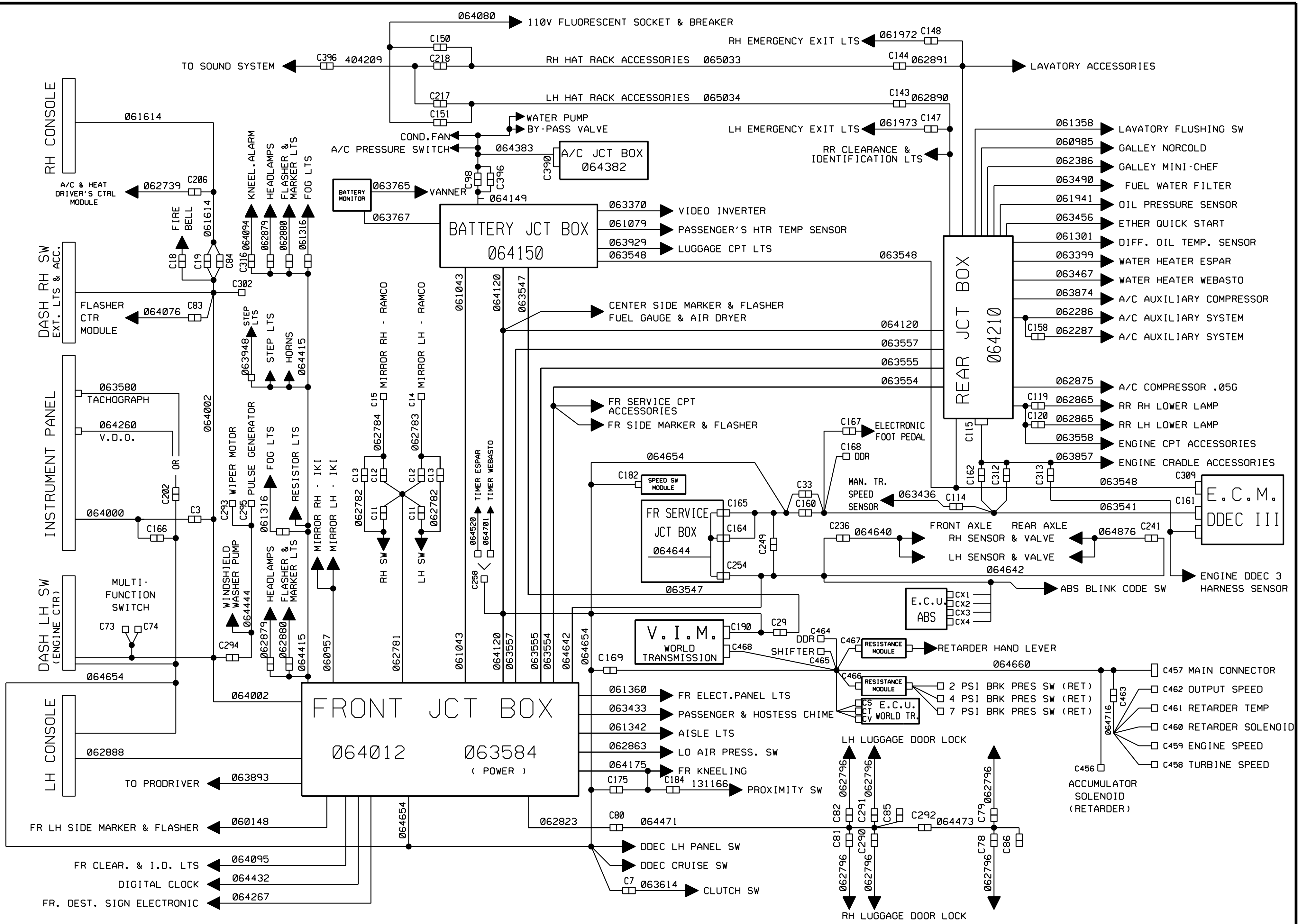


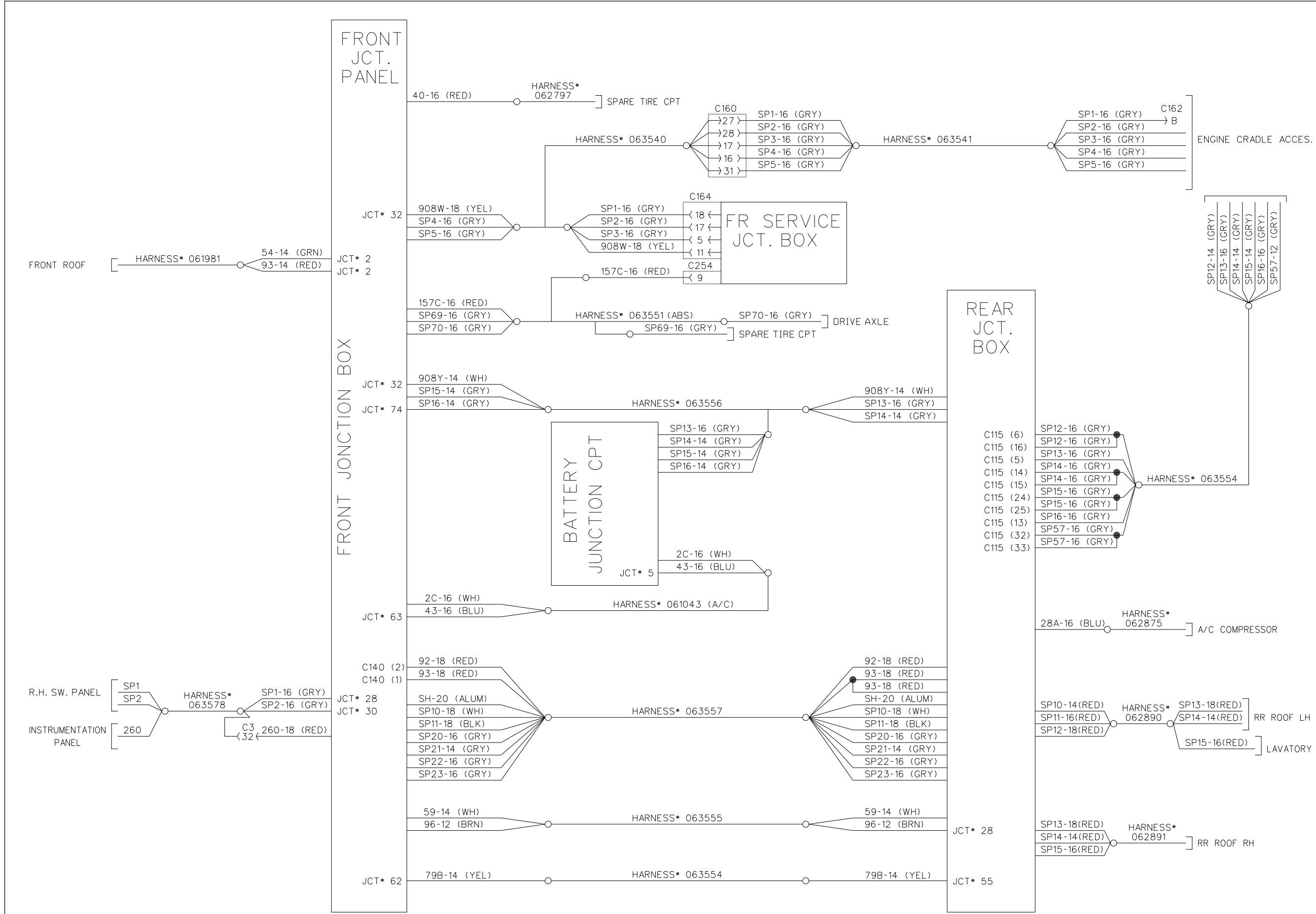


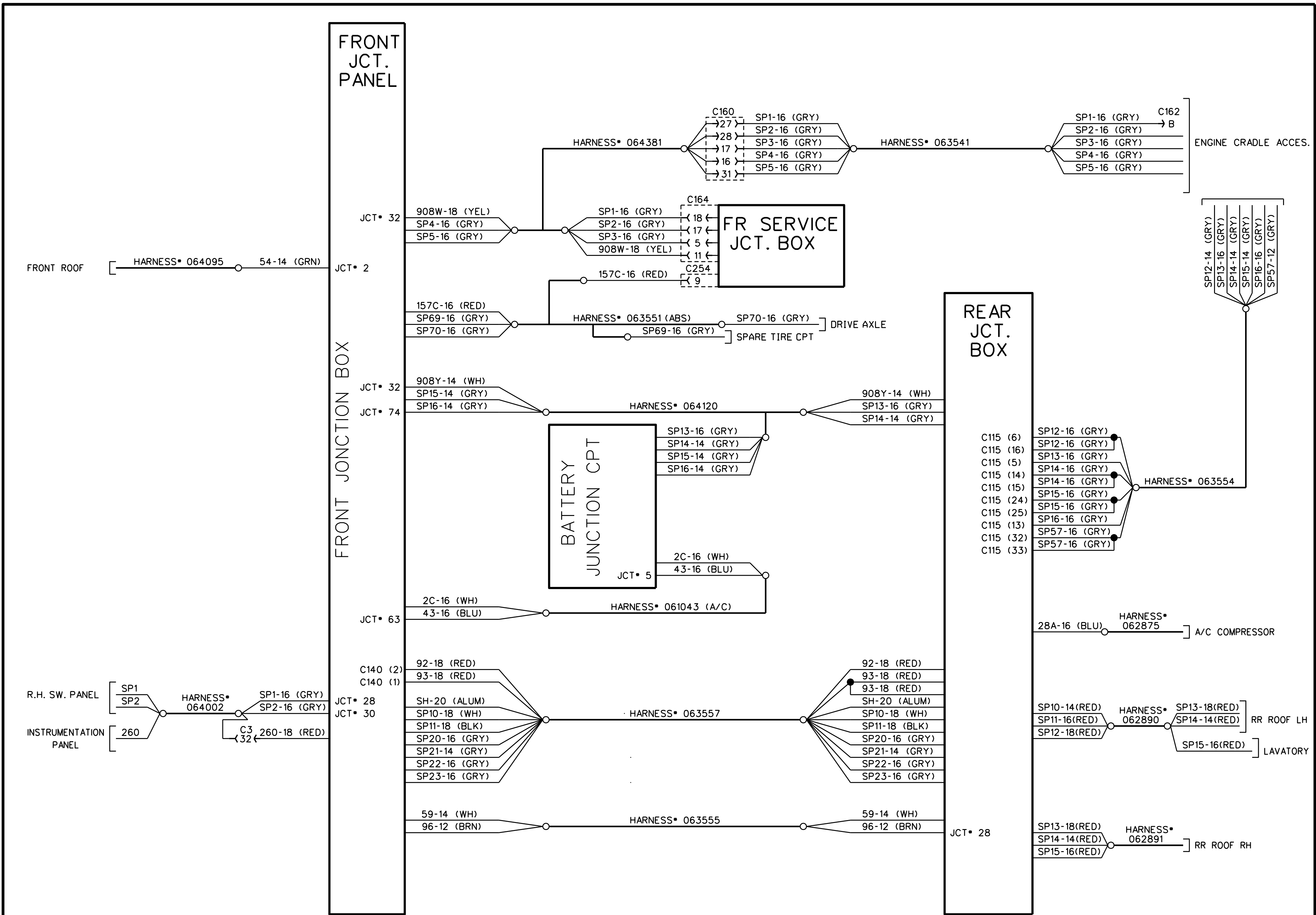


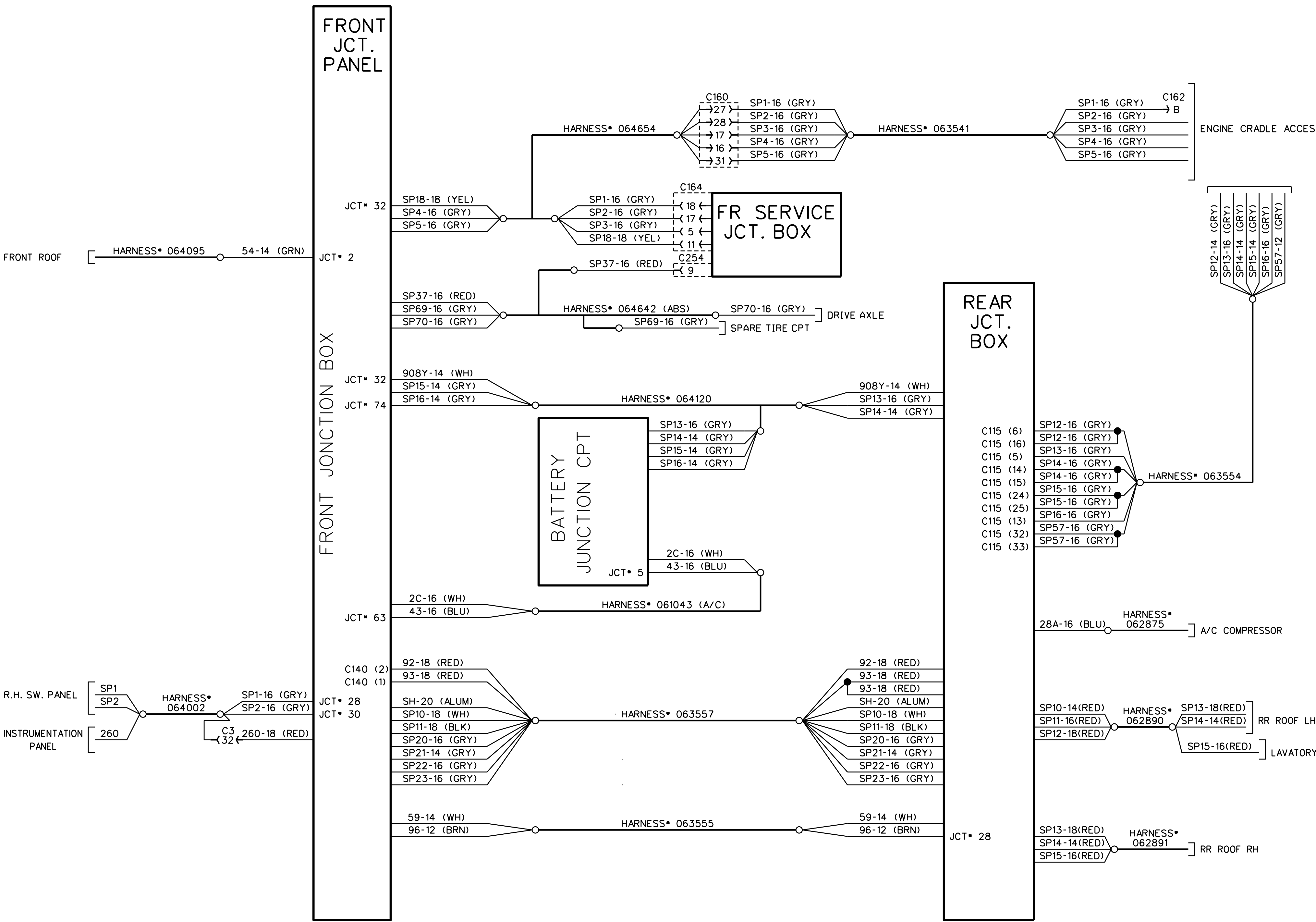
















CIRCUIT NUMBER CODE		P.L./O E : 1		CIRCUIT NUMBER CODE		P.L./O E : 1	
NO.	SYSTEM	NO.	SYSTEM	NO.	SYSTEM	NO.	SYSTEM
0	GRD BATTERY A TO GRD STUD	10	INTERIOR LTS-LUGGAGE CPT	23B	EXTERIOR LTS-DIRECTIONAL RH	38	INTERIOR LTS-24V FLUORESCENT
0	GRD BATTERY A1 TO GRD STUD	10A	INTERIOR LTS-LUGGAGE CPT	23C	KNEELING-RH EXT. FLASHING LTS	38A	INTERIOR LTS-24V FLUORESCENT
0	GRD STARTER MOTOR TO GRD STUD	10A	A/C AUXILIARY-CLUTCH	23F	A/C AUXILIARY-CLUTCH	38B	INTERIOR LTS-24V FLUORESCENT
0	FJP - GRD	10B	INTERIOR LTS-LUGGAGE CPT	23H	EXTERIOR LTS-HAZARD SIGNAL	38C	INTERIOR LTS-24V FLUORESCENT
0	RJB - GRD	10C	INTERIOR LTS-LUGGAGE CPT	24	BATTERY B TO BATTERY BI	38E	INTERIOR LTS-24V FLUORESCENT
0	BJP - GRD	11	FR. DESTINATION SIGN	24	BOOSTER TO 24V DISC SW	38F	INTERIOR LTS-24V FLUORESCENT
0A	RJB - GRD	11A	FR. DESTINATION SIGN	24A	RR JCT BOX 24V DISC SW	39	INTERIOR LTS-DRI VER'S LTS
0A	FR SERV JCT BOX - GRD	11B	FR. DESTINATION SIGN	24A	FR JCT PANEL 24V DISC SW	39A	INTERIOR LTS-DRI VER'S LTS
0B	FJP - GRD	11C	FR. DESTINATION SIGN	24B	FR JCT PANEL 24V DISC SW	39B	INTERIOR LTS-DRI VER'S LTS
0B	RJB - GRD	11D	FR. DESTINATION SIGN	24BE	BATTERY MONITOR	44	EXTERIOR LTS-FOG
0BE	OV BATTERY MONITOR	11E	FR. DESTINATION SIGN	24C	FR JCT PANEL 24V DISC SW	44A	EXTERIOR LTS-FOG
0C	RJB - GRD	11K	FR. DESTINATION SIGN	24F	FR JCT PANEL 24V DISC SW	44B	EXTERIOR LTS-FOG
0D	FJP - GRD	11P	FR. DESTINATION SIGN	24I	FR JCT PANEL 24V IGNITION	44C	EXTERIOR LTS-FOG & HAZARD SW
0D	RJB - GRD	12	12V BATTERY A1 BATTERY A	24I	RR JCT BOX 24V IGNITION	45	A/C & HEAT SYSTEM-DRI VER'S CTRL
0E	RJB - GRD	12	12V BATTERY B1 TO BATTERY A	24IA	FR JCT PANEL 24V IGNITION	45	A/C & HEAT SYSTEM-WATER VALVE
0F	RJB - GRD	12	12V BATTERY B1 TO BATTERY B	24IB	FR JCT PANEL 24V IGNITION	45A	A/C & HEAT SYSTEM-WATER VALVE
0H	FJP - GRD	12	12V VIDEO SYSTEM	24K	FR JCT PANEL 24V DISC SW	45B	A/C & HEAT SYSTEM-WATER VALVE
0M	BACK-UP MONITOR	12A	FR JCT PANEL 12V DISC SW	24K	FR JCT PANEL 24V DISC SW	45E	A/C & HEAT SYSTEM-BYPASS VALVE
0P	RJB - GRD	12A	RR JCT BOX 12V DISC SW	24R	RR JCT BOX 24V DISC SW	46	EXTERIOR LTS-MARKER
0R	FJP - SOUND SYSTEM GRD	12B	FR JCT PANEL 12V DISC SW	24S	RR JCT BOX 24V DISC SW	46A	EXTERIOR LTS-MARKER
0S2	RADIO- BATTERY GRD	12BE	12V BATTERY MONITOR	24S1	24V BATTERY-SOUND SYSTEM	46B	EXTERIOR LTS-MARKER
0S3	VIDEO- BATTERY GRD	12C	RR JCT BOX 12V DISC SW	24S2	24V BATTERY-SOUND SYSTEM	46C	EXTERIOR LTS-MARKER
0SS	SOUND SYSTEM - BATTERY GRD	12D	FR JCT PANEL 12V HOT WIRE	24S3	24V BATTERY-SOUND SYSTEM VIDEO	47	A/C & HEAT SYSTEM-DRI VER'S HTR
0SSS	SOUND SYSTEM - BATTERY GRD	12E	FR JCT PANEL 12V DISC SW	24S4	24V BATTERY-SOUND SYSTEM VIDEO	47	A/C & HEAT SYSTEM-FULL AIR
0T	FJP - GRD	12F	RR JCT BOX 12V DISC SW	24S5	24V BATTERY-SOUND SYSTEM	48	INTERIOR LTS-STEPWELL LTS
0T	FR SERVICE CPT-GRD	12G	FR JCT PANEL 12V DISC SW	24S5	24V BATTERY-SOUND SYSTEM	51	INTERIOR LTS-READING LTS
0V	FJP - GRD	12I	FR JCT PANEL 12V IGNITION	24T	RR JCT BOX 24V DISC SW	52	ALARM & SIGNAL-ELEC. HORN
0VA	GRD STUD TO BAT. EQUALIZER	12IF	FR JCT PANEL 12V IGNITION	24VA	24V BATTERY POST TO EQUALIZER	52A	ALARM & SIGNAL-ELEC. HORN
0W	FJP - GRD	12IM	BACK-UP MONITOR	24VI	RR JCT BOX 24V IGNITION	53	ALARM & SIGNAL-ELEC. HORN
0W	WORLD TRANSM. VIM CHASSIS GRD	12M	FR JCT PANEL 12V DISC SW	24VIF	FR JCT PANEL 24V IGNITION	53B	WIPER & WASHER SYSTEM
0WA	PRE-HEAT WATER HEATER WEBASTO	12S	12V BATTERY-SOUND SYSTEM RADIO	24VD	FR JCT PANEL 24V HOT WIRE	53C	WIPER & WASHER SYSTEM
0WB	PRE-HEAT WATER HEATER WEBASTO	12S1	12V BATTERY-SOUND SYSTEM RADIO	24VD	RR JCTY BOX 24V HOT WIRE	53E	WIPER & WASHER SYSTEM
0X	RJB - GRD	12S2	12V BATTERY-SOUND SYSTEM RADIO	24VF	FR JCT PANEL 24V DISC SW	53F	WIPER & WASHER SYSTEM
0Y	ABS SYSTEM-GRD	12S5	12V BATTERY-SOUND SYSTEM	24X	24V SPEED SW & KNEELING	50J	WIPER & WASHER SYSTEM
0Y1	ABS SYSTEM-GRD	12S5	12V BATTERY-SOUND SYSTEM	25	12VAC GEN RLY ON SIGNAL	54	SPARE-F. J. B. TO FR ROOF
2	A/C & HEAT SYSTEM-CONSENSER	12T	RR JCT BOX 12V DISC SW	25A	NOT GENERATOR-WARNING LT	55	EXTERIOR LTS-HI BEAM
2A	A/C & HEAT SYSTEM-CONSENSER	12VA	12V BATTERY POST TO EQUALIZER	25B	EXTERIOR LTS-DAYTIME RUN LTS	56	TRANSM. OIL TEMP GAUGE
2C	A/C & HEAT SYSTEM-CONSENSER	12VF	12V FR JCT PANEL	25L	12VAC GEN RLY ON SIGNAL	57	EXTERIOR LTS-HI BEAM
2D	A/C & HEAT SYSTEM-CONSENSER	12VI	RR JCT BOX 12V IGNITION	27	LAVATORY-EMERGENCY BUZZER	57	A/C & HEAT SYSTEM-WATER PUMP
3	A/C & HEAT SYSTEM-EVAPORATOR	12VR	RR JCT BOX 12V DISC SW	28	A/C & HEAT SYSTEM-WARNING LT	57A	EXTERIOR LTS-HI BEAM
3A	A/C & HEAT SYSTEM-EVAPORATOR	12W	12V HOT WIRE DDEC III FEED	29	A/C & HEAT SYSTEM-DRI VER'S HTR	57A	A/C & HEAT SYSTEM-WATER PUMP
3B	A/C & HEAT SYSTEM-EVAPORATOR	13A	ALARM & SIGNAL-LO AIR PRIM.	29A	A/C & HEAT SYSTEM-DRI VER'S HTR	57B	A/C & HEAT SYSTEM-WATER PUMP
4	CHIME-PASSENGER & HOSTESS	13B	ALARM & SIGNAL-LO AIR SEC.	29B	A/C & HEAT SYSTEM-DRI VER'S HTR	57C	PRE-HEAT WATER HEATER
4A	CHIME-PASSENGER & HOSTESS	14	LAVATORY-FLUSHING SW	30	GALLEY SYSTEM	57D	PRE-HEAT WATER HEATER
4B	CHIME-PASSENGER & HOSTESS	15	ALARM & SIGNAL-MULTI FUNC LEVEL	30A	GALLEY SYSTEM	57E	PRE-HEAT WTR HTR PUMP
4C	CHIME-PASSENGER & HOSTESS	15	ALARM & SIGNAL-DIF. OIL TEMP	31A	A/C & HEAT SYSTEM-PRESSURE SW	57F	PRE-HEAT WATER HEATER
4D	CHIME-PASSENGER & HOSTESS	15	WIPER & WASHER SYSTEM	31B	A/C & HEAT SYSTEM-PRESSURE SW	57W	PRE-HEAT WATER HEATER
4E	CHIME-PASSENGER & HOSTESS	15A	ALARM & SIGNAL-DIF. OIL TEMP	31B	WIPER & WASHER SYSTEM	58	EXTERIOR LTS-LO BEAM
5	INTERIOR LTS-EMERGENCY EXIT LTS	16	SPEEDOMETER SIGNAL (+)	32	EXTERIOR LTS-BACK-UP	58A	EXTERIOR LTS-LO BEAM
5A	INTERIOR LTS-EMERGENCY EXIT LTS	16T	SPEED SW SIGNAL IN (+)	32A	BACK-UP MONITOR	58B	EXTERIOR LTS-LO BEAM
5C	INTERIOR LTS-EMERGENCY EXIT LTS	17	EXTERIOR LTS-FLASHER UNIT	32B	EXTERIOR LTS-BACK-UP	58E	EXTERIOR LTS-LO BEAM
6	INTERIOR LTS-AISLE LTS	17A	EXTERIOR LTS-FLASHER UNIT	32M	BACK-UP MONITOR	59A	ENGINE BRAKE SYSTEM
7	INTERIOR LTS-STEPWELL LTS	18	ETHER COLD START SYST.	32M	BACK-UP MONITOR	60	EXTERIOR LTS-RR & FR ROOF GRD
8A	INTERIOR LTS-AISLE & EMERG. LTS	20	SPEEDOMETER SIGNAL (-)	34	A/C & HEAT SYSTEM-CONDENSER	61	EXTERIOR LTS-24V FEED SW
8B	INTERIOR LTS-AISLE & EMERG. LTS	20T	SPEED SW SIGNAL IN (-)	34A	A/C & HEAT SYSTEM-CONDENSER	61A	EXTERIOR LTS-HEAD SIGNAL
9	INTERIOR LTS-ENGINE CPT	21	EXTERIOR LTS-DIRECTIONAL LH	35	INTERIOR LTS-STEPWELL LTS	62	LAVATORY-OCCUPIED LTS
9	INTERIOR LTS-RR JCT BOX	21A	EXTERIOR LTS-DIRECTIONAL LH	35	ENGINE BRAKE SYSTEM & RETARDER	62B	LAVATORY-OCCUPIED LTS
9	INTERIOR LTS-FR SERVICE CPT	21B	EXTERIOR LTS-DIRECTIONAL LH	36A	ENGINE BRAKE SYSTEM	63	EXTERIOR LTS-CLEARANCE
9A	INTERIOR LTS-FR JCT PANEL	21H	EXTERIOR LTS-HAZARD SIGNAL	36C	ENGINE BRAKE SYSTEM-ABS CANCEL	63A	EXTERIOR LTS-CLEARANCE
9E	CHIME-PASSENGER & HOSTESS	23	EXTERIOR LTS-DIRECTIONAL RH	37	LAVATORY-OCCUPIED LTS	63B	EXTERIOR LTS-CLEARANCE
10	A/C & HEAT SYSTEM-LO PRES.	23A	EXTERIOR LTS-DIRECTIONAL RH	38	FUEL WATER FILTER		

CIRCUIT NUMBER CODE		P.L./O E : 2		CIRCUIT NUMBER CODE		P.L./O E : 2	
NO.	SYSTEM	NO.	SYSTEM	NO.	SYSTEM	NO.	SYSTEM
63C	EXTERIOR LTS-MARKER SIGNAL	85Y	ABS-WARNING LT	114B	INTERIOR LTS-DASH LT REGUL.	129	PRE-HEAT WATER HEATER
63D	EXTERIOR LTS-MARKER & TAIL	86	ENGINE CTR-STARTER SOL SIGN	114C	INTERIOR LTS-DASH LT	129A	PRE-HEAT WATER HEATER
63E	EXTERIOR LTS-CLEARANCE	86A	ENGINE CTR-STARTER SOL SIGN	114D	ALARM & SIGNAL-TAG PRESS	129B	PRE-HEAT WATER HEATER
63F	EXTERIOR LTS-MARKER BLINKER	87B	ENGINE CTR-24V IGNITION	115	DDEC III-COOLANT LEVEL	130	WORLD TRANSM-SOL. GRD 3
63H	EXTERIOR LTS-TAIL	88	ENGINE CTR-RR START SIGNAL	115A	ALARM & SIGNAL-TAG PRESS	130	A/C & HEAT SYSTEM-EVAPORATOR
63K	EXTERIOR LTS-TAIL	89	ENGINE CTR-RR START SIGNAL	115B	ALARM & SIGNAL-TAG PRESS	130	A/C & HEAT SYSTEM-EVAPORATOR
64	DIFFERENTIAL OIL TEMP GAUGE	90	A/C & HEAT SYSTEM-WATER PUMP	115C	DDEC III-COOLANT LEVEL	131	24V DISC SW TO FR JCT PANEL
65A	PRE-HEAT WATER HEATER	90	GALLEY SYSTEM	116	WORLD TRANSM-SOL. C4	131	WORLD TRANSM-SOL. C4
66B	RR JCT BOX 12V HOT WIRE	90A	DIGITAL CLOCK	115W	WORLD TRANSM-DO NOT SHIFT SIGNAL	132	WORLD TRANSM-ENG BRK OUTPUT (-)
67	A/C & HEAT SYSTEM	90A	GALLEY SYSTEM	116	WORLD TRANSM-LO SIGNAL SOL. HI	132W	WORLD TRANSM-ENG BRK OUTPUT (-)
67A	A/C & HEAT SYSTEM	90B	ENGINE CTR-MAST KEY SW FEED	116	A/C & HEAT SYSTEM-DRI VER'S HTR	133	WORLD TRANSM-RET. ACTUATOR HI
67B	A/C & HEAT SYSTEM	90B	GALLEY SYSTEM	116A	A/C & HEAT SYSTEM-DRI VER'S HTR	133	GALLEY SYSTEM-CONTAINER RH
67C	A/C & HEAT SYSTEM	90B	FR JCT PANEL 24V DISC SW	116B	A/C & HEAT SYSTEM-DRI VER'S HTR	133A	GALLEY SYSTEM-CONTAINER RH
69	RR JCT BOX 24V HOT WIRE	90C	ALARM & SIGNAL-FIRE DETECTOR	117	WORLD TRANSM-SPARE INPUT (-)	134	WORLD TRANSM-RET. APPLY SOL. HI
70	INTERIOR LTS-HAT RACK LTS	90E	GALLEY SYSTEM	117	ALARM & SIGNAL-TRANSM OIL TEMP	134	GALLEY SYSTEM-CONTAINER RH
70A	INTERIOR LTS-HAT RACK LTS	90F	GALLEY SYSTEM	117A	ALARM & SIGNAL-TRANSM OIL TEMP	134A	GALLEY SYSTEM-CONTAINER RH
70C	INTERIOR LTS-HAT RACK LTS	91	PARKING BRAKE SW SIGNAL	118	WORLD TRANSM-SPARE INPUT (+)	135	WORLD TRANSM-ANALOG GRD
71	A/C AUXILIARY-DASH SW	91A	CHIME-HOSTESS & PASSENGER	119	CHIME-HOSTESS & PASSENGER	135	A/C AUXILIARY-FAN
71B	R J B GRD-BACK UP ALARM	91B	DDEC III-FAST IDLE SIGNAL	119	WORLD TRANSM-ENG BRK INPUT (+)	135A	A/C AUXILIARY-FAN
71H	A/C AUXILIARY-DASH SW	91B	CHIME-HOSTESS & PASSENGER	119A	CHIME-HOSTESS & PASSENGER	135B	A/C AUXILIARY-COIL SENSING
72	A/C AUXILIARY-DASH SW	91C	PRE-HEAT WATER HEATER	119B	CHIME-HOSTESS & PASSENGER	135C	WORLD TRANSM-RETARDER TEMP
72H	A/C AUXILIARY-DASH SW	92	12V HOT WIRE	120	BATTERY MONITOR-CHECK BALANCE	135D	WORLD TRANSM-RETARDER RES MOD
73	LAVATORY-NIGHT LTS	92A	BATTERY MONITOR-CHECK BALANCE	120	BATTERY MONITOR-CHECK LO/HI	136	GALLEY SYSTEM-LAMP
74	INTERIOR LTS-READING LTS	93	BATTERY MONITOR-CHECK LO/HI	120D	12V HOT WIRE	136	WORLD TRANSM-ECU POWER
74A	INTERIOR LTS-READING LTS	93A	BATTERY MONITOR-CHECK LO/HI	120Y	VIDEO SYSTEM	136V	WORLD TRANSM-12V BATTERY
74B	INTERIOR LTS-READING LTS	94	HIGH BUOY SYSTEM	120Z	VIDEO SYSTEM	136W	WORLD TRANSM-12V BATTERY
75	INTERIOR LTS-READING LTS	94A	HIGH BUOY SYSTEM	121	WORLD TRANSM-SOL. GRD 2	136X	WORLD TRANSM-12V BATTERY
76	FUEL TANK GAUGE	95	ENGINE BRAKE & RETARDER SYSTEM	121	CIGAR LIGHTER	137	WORLD TRANSM-RETARDER
76A	LOW FUEL LT	95A	ENGINE BRAKE & RETARDER SYSTEM	122	A/C & HEAT SYSTEM-DRI VER'S HTR	137	RR VIEW MIRROR
76B	LOW FUEL LT	95B	ENGINE BRAKE & RETARDER SYSTEM	122	A/C & HEAT SYSTEM-FRESH AIR	137A	RR VIEW MIRROR
76C	LOW FUEL LT	97	TACHOMETER (-)	122	WORLD TRANSM-SOL. GRD 4	138	WORLD TRANSM-RETARDER TEMP
76D	LOW FUEL LT	99	A/C AUXILIARY-DASH SW	123	WORLD TRANSM-NEUTRAL START	138	ABS SYSTEM
76L	LOW FUEL LT	100	INTERIOR LTS-GENERAL LTS	123	ALARM & SIGNAL-FIRE DETECTOR	138	A/C AUXILIARY-FAN
76M	FUEL PRIME PUMP	100A	INTERIOR LTS-GENERAL LTS	123A	ALARM & SIGNAL-FIRE DETECTOR	138A	ABS SYSTEM
76P	FUEL PRIME PUMP	100B	INTERIOR LTS-GENERAL LTS	124	WORLD TRANSM-THROTTLE (HI)	138A	A/C AUXILIARY-FAN
77H	A/C & HEAT SYSTEM-CLUTCH	100C	INTERIOR LTS-GENERAL LTS	125	LAVATORY-FAN	139	ABS SYSTEM
77C	A/C AUXILIARY-LIO. SOL.	101	WORLD TRANSM-SIGNAL SOL. LO	125	WORLD TRANSM-RETARDER INDICATOR	139	A/C AUXILIARY-FAN
77C	A/C AUXILIARY-LIO. SOL.	101A	24V DISC SW TO BATTERY	125W	WORLD TRANSM-RETARDER INDICATOR	139	WORLD TRANSM-OUTPUT SPEED HI
77H	A/C & HEAT SYSTEM-FAN CLUTCH	102	24V STARTER TO GENERATOR	126	WORLD TRANSM-LUBE PRESS SW.	139A	A/C AUXILIARY-FAN
78	24V HOT WIRE	102	WORLD TRANSM-SOL. GRD 1	126	KNEELING SYSTEM	140	A/C AUXILIARY-SHUTTER
78A	24V HOT WIRE	102	WORLD TRANSM-SOL. C3	126A	KNEELING SYSTEM	140	WORLD TRANSM-OUTPUT SPEED LO
80	WORLD TRANSM-NEUTRAL SIGNAL GRD	104	WORLD TRANSM-SOL. FORWARD	126B	KNEELING SYSTEM	140	ABS SYSTEM
81	EXTERIOR LTS-STOP SW	105	WORLD TRANSM-RETARDER & SUMP	126C	KNEELING SYSTEM	141	ABS SYSTEM
82	EXTERIOR LTS-STOP SIGNAL	105W	WORLD TRANSM-RETARDER & SUMP	126G	KNEELING SYSTEM	141	WORLD TRANSM-ENGINE SPEED HI
82A	EXTERIOR LTS-STOP SIGNAL	106	WORLD TRANSM-OIL LEVEL HI	126H	KNEELING SYSTEM	142	WORLD TRANSM-SERIAL COM. A
82B	EXTERIOR LTS-STOP LTS	107	CHARG SYST-VOLTAGE REGUL. 'F'	127	WORLD TRANSM-RETARDER FEED SOL.	142	ABS SYSTEM
82K	EXTERIOR LTS-STOP RETARDER	107	PRE-HEAT WATER HEATER	127	PRE-HEAT WATER HEATER	143	ABS SYSTEM
82L	EXTERIOR LTS-STOP LTS	108	PRE-HEAT WATER HEATER	127A	PRE-HEAT WATER HEATER	143A	ABS SYSTEM
82R	EXTERIOR LTS-STOP LTS	108	24V DISC SW TO 24V SW ACCES	127B	PRE-HEAT WATER HEATER	143	WORLD TRANSM-ECU BATTERY GRD
83	ENGINE CTR-MAST KEY SW ACCES	108A	CHARG SYST-VOLTAGE REGUL. 'B'	127X	PRE-HEAT WATER HEATER	143W	WORLD TRANSM-BATTERY GRD
84	ENGINE CTR-MAST KEY SW START	109	WORLD TRANSM-RET. SOL. LO	127W	PRE-HEAT WATER HEATER	143X	WORLD TRANSM-BATTERY GRD
84A	ENGINE CTR-MAST KEY SW START	110	ALARM & SIGNAL-WATER TEMP	128	WORLD TRANSM-SOL. C2	144	WORLD TRANSM-ECU CHASSIS GRD
85	ENGINE CTR-MAST KEY SW IGN	110	WORLD TRANSM-LOCKUP SOL. LO	128A	PRE-HEAT WATER HEATER	144	ABS SYSTEM
85A	24V IGN DASH INSTRUMENTATION	111	BATTERY GRD	128B	PRE-HEAT WATER HEATER	144A	ABS SYSTEM
85B	24V IGN DASH INSTRUMENTATION	111	WORLD TRANSM-SOL. C6	128C	PRE-HEAT WATER HEATER	145	ABS SYSTEM
85BE	BATTERY MONI TOR 24V IGN	112	WORLD TRANSM-SPARE OUTPUT (+)	128D	PRE-HEAT WATER HEATER	146	ABS SYSTEM
85C	ENGINE CTR-24V IGNITION	113	ALARM & SIGNAL-OIL PRESS	128E	PRE-HEAT WATER HEATER	146	WORLD TRANSM-IGNITION SENSE
85C	PARKING BRAKE SWITCH	113	WORLD TRANSM-REVERSE WARNING	128F	PRE-HEAT WATER HEATER	146W	WORLD TRANSM-12V IGNITION
85F	LO AIR SONALERT	114	WORLD TRANSM-SPARE OUTPUT (-)	128W	PRE-HEAT WATER HEATER	146X	WORLD TRANSM-12V IGNITION
85W	ABS-24V IGN	114	INTERIOR LTS-DASH LT REGUL.	128X	PRE-HEAT WATER HEATER		
85X	ABS-24V IGN	114A	INTERIOR LTS-DASH LT	129	WORLD TRANSM-SOL. C5		

CIRCUIT NUMBER CODE		P.L./O E : 3		CIRCUIT NUMBER CODE		P.L./O E : 3	
NO.	SYSTEM	NO.	SYSTEM	NO.	SYSTEM	NO.	SYSTEM
147	WORLD TRANSM-OIL TEMP	197A	FUEL WATER FILTER	L9	ENG. BLK & WATER TANK-HEATER		
147	ABS SYSTEM	197B	FUEL WATER FILTER	N1	VIDEO SYSTEM- 110V		
147	ETHER COLD START	201	WORLD TRANSM-SPARE	N2	INTERIOR LTS-110V FLUORESCENT		
147A	ETHER COLD START	202	WORLD TRANSM-SPARE	J4	A/C & HEAT SYSTEM-DRI VER'S HTR		
148	WORLD TRANSM-OUTPUT SPEED LO	203	WORLD TRANSM-SPARE	O3	A/C & HEAT SYSTEM-DRI VER'S HTR		
149	WORLD TRANSM-TURBINE SPEED HI	205	WORLD TRANSM-SPARE	R1	A/C & HEAT SYSTEM-DRI VER'S HTR		
149A	ABS SYSTEM	206	WORLD TRANSM-SPARE	R6	A/C & HEAT SYSTEM-DRI VER'S HTR		
150	ABS SYSTEM-SPARE	214A	BACK UP SIGNAL	SH1	SHIELD WIRE GRD		
150	ABS SYSTEM	214	WORLD TRANSM-BACK UP SIGNAL	SH2	SHIELD WIRE GRD		
150	WORLD TRANSM-ENGINE SPEED LO	214B	BACK UP SIGNAL	SH3	SHIELD WIRE GRD		
150	DDEC III-ECM BATTERY GRD	231	NEUTRAL SIGNAL GRD	V5	A/C & HEAT SYSTEM-DRI VER'S HTR		
150A	DDEC III-ECM BATTERY GRD	240	DDEC III-ECM 12V FEEDING	V7	A/C & HEAT SYSTEM-DRI VER'S HTR		
151	DDEC III-ECM BATTERY GRD	241	DDEC III-ECM 12V FEEDING				
151	WORLD TRANSM-SERIAL COM. B	251	PRODRIVER-12V HOT WIRE				
151	ABS SYSTEM-SPARE	290	FAN CLUTCH RADIATOR				
152	ABS SYSTEM-SPARE	291	FAN CLUTCH RADIATOR SPD 1				

NO.	SYSTEM	NO.	SYSTEM	NO.	SYSTEM	NO.	SYSTEM
Ø	GRD BATTERY A TO GRD STUD	1Ø	INTERIOR LTS-LUGGAGE CPT	23B	EXTERIOR LTS-DIRECTIONNAL RH	38	INTERIOR LTS-24V FLUORESCENT
Ø	GRD BATTERY A1 TO GRD STUD	1ØA	INTERIOR LTS-LUGGAGE CPT	23E	KNEELING-RH EXT. FLASHING LTS	38A	INTERIOR LTS-24V FLUORESCENT
Ø	GRD STARTER MOTOR TO GRD STUD	1ØA	A/C AUXILIARY-CLUTCH	23F	KNEELING-RH EXT. FLASHING LTS	38B	INTERIOR LTS-24V FLUORESCENT
Ø	FJP - GRD	1ØB	INTERIOR LTS-LUGGAGE CPT	23H	EXTERIOR LTS-HAZARD SIGNAL	38C	INTERIOR LTS-24V FLUORESCENT
Ø	RJB - GRD	1ØC	INTERIOR LTS-LUGGAGE CPT	24	BATTERY B TO BATTERY B1	38E	INTERIOR LTS-24V FLUORESCENT
Ø	BJP - GRD	11	FR.DESTINATION SIGN	24	BOOSTER TO 24V DISC SW	38F	INTERIOR LTS-24V FLUORESCENT
ØA	RJB - GRD	11A	FR.DESTINATION SIGN	24A	RR JCT BOX 24V DISC SW	39	INTERIOR LTS-DRIVER'S LTS
ØA	FR SERV JCT BOX - GRD	11B	FR.DESTINATION SIGN	24A	FR JCT PANEL 24V DISC SW	39A	INTERIOR LTS-DRIVER'S LTS
ØB	FJP - GRD	11C	FR.DESTINATION SIGN	24B	FR JCT PANEL 24V DISC SW	39B	INTERIOR LTS-DRIVER'S LTS
ØB	RJB - GRD	11D	FR.DESTINATION SIGN	24BE	BATTERY MONITOR	44	EXTERIOR LTS-FOG
ØBE	ØV BATTERY MONITOR	11E	FR.DESTINATION SIGN	24C	FR JCT PANEL 24V DISC SW	44A	EXTERIOR LTS-FOG
ØC	RJB - GRD	11K	FR.DESTINATION SIGN	24F	FR JCT PANEL 24V DISC SW	44B	EXTERIOR LTS-FOG
ØD	FJP - GRD	11P	FR.DESTINATION SIGN	24I	FR JCT PANEL 24V IGNITION	44C	EXTERIOR LTS-FOG & HAZARD SW
ØD	RJB - GRD	12	12V BATTERY A1 TO BATTERY A	24I	RR JCT BOX 24V IGNITION	45	A/C & HEAT SYSTEM-DRIVER'S CTRL
ØE	RJB - GRD	12	12V BATTERY B1 TO BATTERY A	24IA	FR JCT PANEL 24V IGNITION	45	A/C & HEAT SYSTEM-WATER VALVE
ØF	RJB - GRD	12	12V BATTERY B1 TO BATTERY B	24IB	FR JCT PANEL 24V IGNITION	45A	A/C & HEAT SYSTEM-WATER VALVE
ØH	FJP - GRD	12	12V VIDEO SYSTEM	24K	FR JCT PANEL 24V DISC SW	45B	A/C & HEAT SYSTEM-WATER VALVE
ØM	BACK-UP MONITOR	12A	FR JCT PANEL 12V DISC SW	24P	FR JCT PANEL 24V DISC SW	45E	A/C & HEAT SYSTEM-BYPASS VALVE
ØP	RJB - GRD	12A	RR JCT BOX 12V DISC SW	24R	RR JCT BOX 24V DISC SW	46	EXTERIOR LTS-MARKER
ØR	FJP - SOUND SYSTEM GRD	12B	FR JCT PANEL 12V DISC SW	24S	RR JCT BOX 24V DISC SW	46A	EXTERIOR LTS-MARKER
ØS2	RADIO- BATTERY GRD	12BE	12V BATTERY MONITOR	24S1	24V BATTERY-SOUND SYSTEM	46B	EXTERIOR LTS-MARKER
ØS3	VIDEO- BATTERY GRD	12C	RR JCT BOX 12V DISC SW	24S2	24V BATTERY-SOUND SYSTEM	46C	EXTERIOR LTS-MARKER
ØSS	SOUND SYSTEM - BATTERY GRD	12D	FR JCT PANEL 12V HOT WIRE	24S3	24V BATTERY-SOUND SYSTEM VIDEO	47	A/C & HEAT SYSTEM-DRIVER'S HTR
ØSSS	SOUND SYSTEM - BATTERY GRD	12E	FR JCT PANEL 12V DISC SW	24S4	24V BATTERY-SOUND SYSTEM VIDEO	47	A/C & HEAT SYSTEM-FULL AIR
ØT	FJP - GRD	12F	RR JCT BOX 12V DISC SW	24SB	24V BATTERY-SOUND SYSTEM	48	INTERIOR LTS-STEPWELL LTS
ØT	FR SERVICE CPT-GRD	12G	FR JCT PANEL 12V DISC SW	24SS	24V BATTERY-SOUND SYSTEM	51	INTERIOR LTS-READING LTS
ØV	FJP - GRD	12I	FR JCT PANEL 12V IGNITION	24T	RR JCT BOX 24V DISC SW	52	ALARM & SIGNAL-ELEC. HORN
ØVA	GRD STUD TO BAT.EQUALIZER	12IF	FR JCT PANEL 12V IGNITION	24VA	24V BATTERY POST TO EQUALIZER	52A	ALARM & SIGNAL-ELEC. HORN
ØW	FJP - GRD	12IM	BACK-UP MONITOR	24VI	RR JCT BOX 24V IGNITION	53	ALARM & SIGNAL-ELEC. HORN
ØW	WORLD TRANSM. VIM CHASSIS GRD	12P	FR JCT PANEL 12V DISC SW	24VIF	FR JCT PANEL 24V IGNITION	53B	WIPER & WASHER SYSTEM
ØWA	PRE_HEAT WATER HEATER WEBASTO	12S	12V BATTERY-SOUND SYSTEM RADIO	24VD	FR JCT PANEL 24V HOT WIRE	53C	WIPER & WASHER SYSTEM
ØWB	PRE_HEAT WATER HEATER WEBASTO	12S1	12V BATTERY-SOUND SYSTEM RADIO	24VD	RR JCTY BOX 24V HOT WIRE	53E	WIPER & WASHER SYSTEM
ØX	RJB - GRD	12S2	12V BATTERY-SOUND SYSTEM RADIO	24VF	FR JCT PANEL 24V DISC SW	53F	WIPER & WASHER SYSTEM
ØY	ABS SYSTEM-GRD	12SB	12V BATTERY-SOUND SYSTEM	24X	24V SPEED SW & KNEELING	5ØJ	WIREBR&WASHER SYSTEM
ØY1	ABS SYSTEM-GRD	12SS	12V BATTERY-SOUND SYSTEM	25	12VAC GEN RLY ON SIGNAL	54	SPARE-F.J.B. TO FR ROOF
2	A/C & HEAT SYSTEM-CONSENSER	12T	RR JCT BOX 12V DISC SW	25A	NOT GENERATOR-WARNING LT	55	EXTERIOR LTS-HI BEAM
2A	A/C & HEAT SYSTEM-CONSENSER	12VA	12V BATTERY POST TO EQUALIZER	25B	EXTERIOR LTS-DAYTIME RUN LTS	56	TRANSM. OIL TEMP GAUGE
2C	A/C & HEAT SYSTEM-CONSENSER	12VF	12V FR JCT PANEL	25L	12VAC GEN RLY ON SIGNAL	57	EXTERIOR LTS-HI BEAM
2D	A/C & HEAT SYSTEM-CONSENSER	12VI	RR JCT BOX 12V IGNITION	27	LAVATORY-EMERGENCY BUZZER	57	A/C & HEAT SYSTEM-WATER PUMP
3	A/C & HEAT SYSTEM-EVAPORATOR	12VR	RR JCT BOX 12V DISC SW	28	A/C & HEAT SYSTEM-WARNING LT	57A	EXTERIOR LTS-HI BEAM
3A	A/C & HEAT SYSTEM-EVAPORATOR	12W	12V HOT WIRE DDEC III FEED	29	A/C & HEAT SYSTEM-DRIVER'S HTR	57A	A/C & HEAT SYSTEM-WATER PUMP
3B	A/C & HEAT SYSTEM-EVAPORATOR	13A	ALARM & SIGNAL-LO AIR PRIM.	29A	A/C & HEAT SYSTEM-DRIVER'S HTR	57B	A/C & HEAT SYSTEM-WATER PUMP
4	CHIME-PASSENGER & HOSTESS	13B	ALARM & SIGNAL-LO AIR SEC.	29B	A/C & HEAT SYSTEM-DRIVER'S HTR	57C	PRE-HEAT WATER HEATER
4A	CHIME-PASSENGER & HOSTESS	14	LAVATORY-FLUSHING SW	3Ø	GALLEY SYSTEM	57D	PRE-HEAT WATER HEATER
4B	CHIME-PASSENGER & HOSTESS	15	EXTERIOR LTS-MULTI FUNC LEVEL	3ØA	GALLEY SYSTEM	57E	PRE-HEAT WTR HTR PUMP
4C	CHIME-PASSENGER & HOSTESS	15	ALARM & SIGNAL-DIF. OIL TEMP	31A	A/C & HEAT SYSTEM-PRESSURE SW	57F	PRE-HEAT WATER HEATER
4D	CHIME-PASSENGER & HOSTESS	15	WIPER & WASHER SYSTEM	31B	A/C & HEAT SYSTEM-PRESSURE SW	57W	PRE-HEAT WATER HEATER
4E	CHIME-PASSENGER & HOSTESS	15A	ALARM & SIGNAL-DIF. OIL TEMP	31B	WIPER & WASHER SYSTEM	58	EXTERIOR LTS-LO BEAM
5	INTERIOR LTS-EMERGENCY EXIT LTS	16	SPEEDOMETER SIGNAL (·)	32	EXTERIOR LTS-BACK-UP	58A	EXTERIOR LTS-LO BEAM
5A	INTERIOR LTS-EMERGENCY EXIT LTS	16T	SPEED SW SIGNAL IN (·)	32A	BACK-UP MONITOR	58B	EXTERIOR LTS-LO BEAM
5C	INTERIOR LTS-EMERGENCY EXIT LTS	17	EXTERIOR LTS-FLASHER UNIT	32B	EXTERIOR LTS-BACK-UP	58E	EXTERIOR LTS-LO BEAM
6	INTERIOR LTS-AISLE LTS	17A	EXTERIOR LTS-FLASHER UNIT	32D	BACK-UP ALARM	59A	ENGINE BRAKE SYSTEM
7	INTERIOR LTS-STEPWELL LTS	18	ETHER COLD START SYST.	32M	BACK-UP MONITOR	6Ø	EXTERIOR LTS-RR & FR ROOF GRD
8A	INTERIOR LTS-AISLE & EMERG. LTS	2Ø	SPEEDOMETER SIGNAL (-)	34	A/C & HEAT SYSTEM-CONDENSER	61	EXTERIOR LTS-24V FEED SW
8B	INTERIOR LTS-AISLE & EMERG. LTS	2ØT	SPEED SW SIGNAL IN (-)	34A	A/C & HEAT SYSTEM-CONDENSER	61A	EXTERIOR LTS-HEAD SIGNAL
9	INTERIOR LTS-ENGINE CPT	21	EXTERIOR LTS-DIRECTIONNAL LH	35	INTERIOR LTS-STEPWELL LTS	62	LAVATORY-OCCUPIED LTS
9	INTERIOR LTS-RR JCT BOX	21A	EXTERIOR LTS-DIRECTIONNAL LH	36	ENGINE BRAKE SYSTEM & RETARDER	62B	LAVATORY-OCCUPIED LTS
9	INTERIOR LTS-FR SERVICE CPT	21B	EXTERIOR LTS-DIRECTIONNAL LH	36A	ENGINE BRAKE SYSTEM	63	EXTERIOR LTS-CLEARANCE
9A	INTERIOR LTS-FR JCT PANEL	21H	EXTERIOR LTS-HAZARD SIGNAL	36C	ENGINE BRAKE SYSTEM-ABS CANCEL	63A	EXTERIOR LTS-CLEARANCE
9E	CHIME-PASSENGER & HOSTESS	23	EXTERIOR LTS-DIRECTIONNAL RH	37	LAVATORY-OCCUPIED LTS	63B	EXTERIOR LTS-CLEARANCE
1Ø	A/C & HEAT SYSTEM-LO PRES.	23A	EXTERIOR LTS-DIRECTIONNAL RH	38	FUEL WATER FILTER		

NO.	SYSTEM	NO.	SYSTEM
63C	EXTERIOR LTS-MARKER SIGNAL	85Y	ABS-WARNING LT
63D	EXTERIOR LTS-MARKER & TAIL	86	ENGINE CTR-STARTER SOL SIGN
63E	EXTERIOR LTS-CLEARANCE	86A	ENGINE CTR-STARTER SOL SIGN
63F	EXTERIOR LTS-MARKER BLINKER	87B	ENGINE CTR-24V IGNITION
63H	EXTERIOR LTS-TAIL	88	ENGINE CTR-RR START SIGNAL
63K	EXTERIOR LTS-TAIL	89	ENGINE CTR-RR START SIGNAL
64	DIFFERENTIAL OIL TEMP GAUGE	90	A/C & HEAT SYSTEM-WATER PUMP
65A	PRE-HEAT WATER HEATER	90	GALLEY SYSTEM
66B	RR JCT BOX 12V HOT WIRE	90	DIGITAL CLOCK
67	A/C & HEAT SYSTEM	90A	GALLEY SYSTEM
67A	A/C & HEAT SYSTEM	90B	ENGINE CTR-MAST KEY SW FEED
67B	A/C & HEAT SYSTEM	90B	GALLEY SYSTEM
67C	A/C & HEAT SYSTEM	90B	FR JCT PANEL 24V DISC SW
69	RR JCT BOX 24V HOT WIRE	90C	ALARM & SIGNAL-FIRE DETECTOR
70	INTERIOR LTS-HAT RACK LTS	90E	GALLEY SYSTEM
70A	INTERIOR LTS-HAT RACK LTS	90F	GALLEY SYSTEM
70C	INTERIOR LTS-HAT RACK LTS	91	PARKING BRAKE SW SIGNAL
71	A/C AUXILIARY-DASH SW	91A	PARKING BRAKE SW SIGNAL
71B	R J B GRD-BACK UP ALARM	91B	DDEC III-FAST IDLE SIGNAL
71H	A/C AUXILIARY-DASH SW	91B	EXTERIOR LTS-RUN LTS CANCEL
72	A/C AUXILIARY-DASH SW	91C	PRE-HEAT WATER HEATER
72H	A/C AUXILIARY-DASH SW	92	BATTERY MONITOR-CHECK BALANCE
73	LAVATORY-NIGHT LTS	92A	BATTERY MONITOR-CHECK BALANCE
74	INTERIOR LTS-READING LTS	93	BATTERY MONITOR-CHECK LO/HI
74A	INTERIOR LTS-READING LTS	93A	BATTERY MONITOR-CHECK LO/HI
74B	INTERIOR LTS-READING LTS	94	HIGH BUOY SYSTEM
75	INTERIOR LTS-READING LTS	94A	HIGH BUOY SYSTEM
76	FUEL TANK GAUGE	95	ENGINE BRAKE & RETARDER SYSTEM
76C	LOW FUEL LT	95A	ENGINE BRAKE & RETARDER SYSTEM
76L	LOW FUEL LT	95B	ENGINE BRAKE & RETARDER SYSTEM
76M	FUEL PRIME PUMP	97	TACHOMETER (-)
76P	FUEL PRIME PUMP	99	A/C AUXILIARY-DASH SW
77H	A/C & HEAT SYSTEM-CLUTCH	100	INTERIOR LTS-GENERAL LTS
77B	A/C AUXILIARY-LIQ. SOL.	100A	INTERIOR LTS-GENERAL LTS
77C	A/C AUXILIARY-LIQ. SOL.	100B	INTERIOR LTS-GENERAL LTS
77H	A/C & HEAT SYSTEM-FAN CLUTCH	100C	INTERIOR LTS-GENERAL LTS
78	24V HOT WIRE	101	WORLD TRANSM-LO SIGNAL SOL. LO
78A	24V HOT WIRE	101A	24V DISC SW TO BATTERY
80	WORLD TRANSM-NEUTRAL SIGNAL GRD	102	24V STARTER TO GENERATOR
81	EXTERIOR LTS-STOP SW	102	WORLD TRANSM-SOL. GRD 1
82	EXTERIOR LTS-STOP SIGNAL	102	WORLD TRANSM-SOL. C3
82A	EXTERIOR LTS-STOP SIGNAL	104	WORLD TRANSM-SOL. FORWARD
82B	EXTERIOR LTS-STOP LTS	105	WORLD TRANSM-RETARDER & SUMP
82K	EXTERIOR LTS-STOP RETARDER	105W	WORLD TRANSM-RETARDER & SUMP
82L	EXTERIOR LTS-STOP LTS	106	WORLD TRANSM-OIL LEVEL HI
82R	EXTERIOR LTS-STOP LTS	107	CHARG SYST-VOLTAGE REGUL. "F"
83	ENGINE CTR-MAST KEY SW ACCES	107	WORLD TRANSM-LOCKUP SOL. HI
84	ENGINE CTR-MAST KEY SW START	108	WORLD TRANSM-REMOTE PWR WAKE UP
84A	ENGINE CTR-MAST KEY SW START	108	24V DISC SW TO 24V SYSTEM
85	ENGINE CTR-MAST KEY SW IGN	108A	CHARG SYST-VOLTAGE REGUL. "B"
85A	24V IGN DASH INSTRUMENTATION	109	WORLD TRANSM-RET. SOL. LO
85B	24V IGN DASH INSTRUMENTATION	110	ALARM & SIGNAL-WATER TEMP
85BE	BATTERY MONITOR 24V IGN	110	WORLD TRANSM-LOCKUP SOL. LO
85C	ENGINE CTR-24V IGNITION	111	BATTERY GRD
85C	PARKING BRAKE SWITCH	111	WORLD TRANSM-SOL. C6
85F	LO AIR SONALERT	112	WORLD TRANSM-SPARE OUTPUT (+)
85W	ABS-24V IGN	113	ALARM & SIGNAL-OIL PRESS
85X	ABS-24V IGN	113	WORLD TRANSM-REVERSE WARNING
		114	WORLD TRANSM-SPARE OUTPUT (-)
		114	INTERIOR LTS-DASH LT REGUL.
		114A	INTERIOR LTS-DASH LT

NO.	SYSTEM	NO.	SYSTEM
114B	INTERIOR LTS-DASH LT REGUL.	129	PRE-HEAT WATER HEATER
114C	INTERIOR LTS-DASH LT	129A	PRE-HEAT WATER HEATER
115	ALARM & SIGNAL-TAG PRESS	129B	PRE-HEAT WATER HEATER
115	DDEC III-COOLANT LEVEL	130	WORLD TRANSM-SOL. GRD 3
115	WORLD TRANSM-DO NOT SHIFT SIGNAL	130A	A/C & HEAT SYSTEM-EVAPORATOR
115A	ALARM & SIGNAL-TAG PRESS	130	A/C & HEAT SYSTEM-EVAPORATOR
115B	ALARM & SIGNAL-TAG PRESS	131	24V DISC SW TO FR JCT PANEL
115C	DDEC III-COOLANT LEVEL	131	WORLD TRANSM-SOL. C4
115W	WORLD TRANSM-DO NOT SHIFT SIGNAL	132	WORLD TRANSM-ENG BRK OUTPUT (-)
116	WORLD TRANSM-LO SIGNAL SOL. HI	132W	WORLD TRANSM-ENG BRK OUTPUT (-)
116	A/C & HEAT SYSTEM-DRIVER'S HTR	133	WORLD TRANSM-RET. ACTUATOR HI
116A	A/C & HEAT SYSTEM-DRIVER'S HTR	133	GALLEY SYSTEM-CONTAINER RH
116B	A/C & HEAT SYSTEM-DRIVER'S HTR	133A	GALLEY SYSTEM-CONTAINER RH
117	WORLD TRANSM-SPARE INPUT (-)	134	WORLD TRANSM-RET. APPLY SOL. HI
117	ALARM & SIGNAL-TRANSM OIL TEMP	134	GALLEY SYSTEM-CONTAINER RH
117A	ALARM & SIGNAL-TRANSM OIL TEMP	134A	GALLEY SYSTEM-CONTAINER RH
118	WORLD TRANSM-SPARE INPUT (+)	135	WORLD TRANSM-ANALOG GRD
119	CHIME-HOSTESS & PASSENGER	135	A/C AUXILIARY-FAN
119	WORLD TRANSM-ENG BRK INPUT (+)	135A	A/C AUXILIARY-FAN
119A	CHIME-HOSTESS & PASSENGER	135B	A/C AUXILIARY-COIL SENSING
119B	CHIME-HOSTESS & PASSENGER	135C	WORLD TRANSM-RETARDER TEMP
120	12V HOT WIRE	135D	WORLD TRANSM-RETARDER RES MOD
120	WORLD TRANSM-SOL. C1	136	GALLEY SYSTEM-LAMP
120D	12V HOT WIRE	136	WORLD TRANSM-ECU POWER
120Y	VIDEO SYSTEM	136V	WORLD TRANSM-12V BATTERY
120Z	VIDEO SYSTEM	136W	WORLD TRANSM-12V BATTERY
121	WORLD TRANSM-SOL. GRD 2	136X	WORLD TRANSM-12V BATTERY
121	CIGAR LIGHTER	137	WORLD TRANSM-RETARDER
122	A/C & HEAT SYSTEM-DRIVER'S HTR	137	RR VIEW MIRROR
122	A/C & HEAT SYSTEM-FRESH AIR	137A	RR VIEW MIRROR
122	WORLD TRANSM-SOL. GRD 4	138	WORLD TRANSM-RETARDER TEMP
123	WORLD TRANSM-NEUTRAL START	138	ABS SYSTEM
123	ALARM & SIGNAL-FIRE DETECTOR	138	A/C AUXILIARY-FAN
123A	ALARM & SIGNAL-FIRE DETECTOR	138A	ABS SYSTEM
124	WORLD TRANSM-THROTTLE (HI)	138A	ABS SYSTEM
125	LAVATORY-FAN	139	A/C AUXILIARY-FAN
125	WORLD TRANSM-RETARDER INDICATOR	139	A/C AUXILIARY-FAN
125W	WORLD TRANSM-RETARDER INDICATOR	139	WORLD TRANSM-OUTPUT SPEED HI
126	WORLD TRANSM-LUBE PRESS SW.	139A	A/C AUXILIARY-FAN
126	KNEELING SYSTEM	140	A/C AUXILIARY-SHUTTER
126A	KNEELING SYSTEM	140	WORLD TRANSM-OUTPUT SPEED LO
126B	KNEELING SYSTEM	140	ABS SYSTEM
126C	KNEELING SYSTEM	141	ABS SYSTEM
126G	KNEELING SYSTEM	141	WORLD TRANSM-ENGINE SPEED HI
126H	KNEELING SYSTEM	142	WORLD TRANSM-SERIAL COM. A
127	WORLD TRANSM-RETARDER FEED SOL.	142	ABS SYSTEM
127	PRE-HEAT WATER HEATER	143	ABS SYSTEM
127A	PRE-HEAT WATER HEATER	143A	ABS SYSTEM
127B	PRE-HEAT WATER HEATER	143	WORLD TRANSM-ECU BATTERY GRD
127W	PRE-HEAT WATER HEATER	143W	WORLD TRANSM-BATTERY GRD
127X	PRE-HEAT WATER HEATER	143X	WORLD TRANSM-BATTERY GRD
128	WORLD TRANSM-SOL. C2	144	WORLD TRANSM-ECU CHASSIS GRD
128A	PRE-HEAT WATER HEATER	144	ABS SYSTEM
128B	PRE-HEAT WATER HEATER	144A	ABS SYSTEM
128C	PRE-HEAT WATER HEATER	145	ABS SYSTEM
128D	PRE-HEAT WATER HEATER	146	ABS SYSTEM
128E	PRE-HEAT WATER HEATER	146	WORLD TRANSM-IGNITION SENSE
128F	PRE-HEAT WATER HEATER	146W	WORLD TRANSM-12V IGNITION
128W	PRE-HEAT WATER HEATER	146X	WORLD TRANSM-12V IGNITION
128X	PRE-HEAT WATER HEATER		
129	WORLD TRANSM-SOL. C5		

NO.	SYSTEM	NO.	SYSTEM	NO.	SYSTEM	NO.	SYSTEM
147	WORLD TRANSM-OIL TEMP	197A	FUEL WATER FILTER	L9	ENG.BLK & WATER TANK-HEATER		
147	ABS SYSTEM	197B	FUEL WATER FILTER	N1	VIDEO SYSTEM- 110V		
147	ETHER COLD START	201	WORLD TRANSM-SPARE	N2	INTERIOR LTS-110V FLUORESCENT		
147A	ETHER COLD START	202	WORLD TRANSM-SPARE	J4	A/C & HEAT SYSTEM-DRIVER'S HTR		
148	ABS SYSTEM	203	WORLD TRANSM-SPARE	O3	A/C & HEAT SYSTEM-DRIVER'S HTR		
148	WORLD TRANSM-OUTPUT SPEED LO	204	WORLD TRANSM-SPARE	R1	A/C & HEAT SYSTEM-DRIVER'S HTR		
149	WORLD TRANSM-TURBINE SPEED HI	205	WORLD TRANSM-SPARE	R6	A/C & HEAT SYSTEM-DRIVER'S HTR		
149	ABS SYSTEM	206	WORLD TRANSM-SPARE	SH1	SHIELD WIRE GRD		
149A	ABS SYSTEM	214	WORLD TRANSM-BACK UP SIGNAL	SH2	SHIELD WIRE GRD		
150	ABS SYSTEM-SPARE	214A	BACK UP SIGNAL	SH3	SHIELD WIRE GRD		
150	WORLD TRANSM-ENGINE SPEED LO	214B	BACK UP SIGNAL	V5	A/C & HEAT SYSTEM-DRIVER'S HTR		
150	DDEC III-ECM BATTERY GRD	231	NEUTRAL SIGNAL GRD	V7	A/C & HEAT SYSTEM-DRIVER'S HTR		
150A	DDEC III-ECM BATTERY GRD	240	DDEC III-ECM 12V FEEDING				
151	DDEC III-ECM BATTERY GRD	241	DDEC III-ECM 12V FEEDING				
151	WORLD TRANSM-SERIAL COM. B	251	PRODRIVER-12V HOT WIRE				
151	ABS SYSTEM-SPARE	290	FAN CLUTCH RADIATOR				
152	ABS SYSTEM-SPARE	291	FAN CLUTCH RADIATOR SPD 1				
153	ABS SYSTEM	292	FAN CLUTCH RADIATOR SPD 2				
153	WORLD TRANSM-SPARE INPUT (-)	417	DDEC III-LIMIT SPEED GOVERNOR				
154	WORLD TRANSM-ABS RETARDER INPUT	419	DDEC III-CHECK ENGINE LIGHT				
155	WORLD TRANSM-SPARE INPUT (-)	439	DDEC III-12V IGNITION				
155	ABS SYSTEM	440	DDEC III-12V IGNITION				
156	WORLD TRANSM-THROTTLE POS.	440A	DDEC III-12V IGNITION				
156	ABS SYSTEM	451	DDEC III-A/C FAN CLUTCH				
156A	ABS SYSTEM	505	DDEC III-TACHOMETER DRIVE				
156C	ABS SYSTEM	509	DDEC III-STOP ENGINE LIGHT				
156W	ABS SYSTEM	510	DDEC III-FAST IDLE SIGNAL				
157	WORLD TRANSM-SPEEDOMETER SIGNAL	524	DDEC III-ENGINE BRAKE DISABLE				
157	ABS SYSTEM	525	DDEC III-FAST IDLE SIGNAL				
157A	ABS SYSTEM	528	DDEC III-STOP ENG. OVERRIDE				
157B	ABS SYSTEM	531	DDEC III-CRUISE CLUTCH RELEASE				
157C	ABS SYST.-CANCEL SEC. BRK	541	DDEC III-CRUISE SET SW				
158	WORLD TRANSM-DIMMER	543	DDEC III-CRUISE STOP SW CUT IN				
160	WORLD TRANSM-SER. INTERFACE (-)	544	DDEC III-CRUISE ON/OFF SW				
161	WORLD TRANSM-SIGNAL GRD	545	DDEC III-CRUISE RESUME SW				
161B	WORLD TRANSM-SIGNAL GRD	555	DDEC III-FAN CLUTCH SPEED* 1				
162	WORLD TRANSM-PRESS. SW C3	556	DDEC III-VEHICLE SPEED (*)				
163	WORLD TRANSM-RETARDER ENABLE	557	DDEC III-VEHICLE SPEED (-)				
164	WORLD TRANSM-RET. ACTUATOR SIGN	563	DDEC III-FAN CLUTCH SPEED* 2				
165	WORLD TRANSM-OIL LEVEL SIGNAL	583	DDEC III-ENGINE BRAKE 4 CYL.				
168	WORLD TRANSM-SER. INTERFACE (*)	750	PRODRIVER-ILLUMINATION LIGHT				
170C	LUGGAGE DOOR LOCK	900	DDEC III-DATA LINK (*)				
170D	LUGGAGE DOOR LOCK	901	DDEC III-DATA LINK (-)				
170E	LUGGAGE DOOR LOCK	908	DDEC III-HYDRAULIC TRANSM. MODUL.				
170F	LUGGAGE DOOR LOCK	916	DDEC III-SENSOR SUPPLY (5VDC)				
170G	LUGGAGE DOOR LOCK	952	DDEC III-SENSOR RETURN				
170H	LUGGAGE DOOR LOCK	953	DDEC III-BATTERY GRD				
170J	LUGGAGE DOOR LOCK	953C	DDEC III-BATTERY GRD				
170L	LUGGAGE DOOR LOCK	979	DDEC III-ENGINE BRAKE 2 CYL.				
170M	LUGGAGE DOOR LOCK	A	A/C & HEAT SYSTEM-HI PRES.				
170N	LUGGAGE DOOR LOCK	A1	A/C & HEAT SYSTEM-LO PRES.				
170P	LUGGAGE DOOR LOCK	A4	A/C & HEAT SYSTEM-CONTROL SW				
170R	LUGGAGE DOOR LOCK	A5	A/C & HEAT SYSTEM-CONTROL SW				
170S	LUGGAGE DOOR LOCK	A6	A/C & HEAT SYSTEM-CONTROL SW				
170V	LUGGAGE DOOR LOCK	L1	VIDEO SYSTEM- 110V				
170W	LUGGAGE DOOR LOCK	L1	INTERIOR LTS-110V FLUORESCENT				
170X	LUGGAGE DOOR LOCK	L1A	INTERIOR LTS-110V FLUORESCENT				
170Y	LUGGAGE DOOR LOCK	L1C	INTERIOR LTS-110V FLUORESCENT				
170Z	LUGGAGE DOOR LOCK	L2A	INTERIOR LTS-110V FLUORESCENT				
182	PYROMETER	L2C	INTERIOR LTS-110V FLUORESCENT				
182A	PYROMETER	L8	ENG.BLK & WATER TANK-HEATER				

# PLOTTAGE = 3.18:1

CIRCUIT BREAKER CODE (CB) Page F : 1

NO. PAGE AMPERE #PREVOST LOCATION FUNCTION

CB3	1	70A	561767	BAT JCT CPT	12V FEED RR JCT BOX
CB4	1	90A	560298	BAT JCT CPT	12V FEED FR JCT BOX
CB6	1	90A	560298	BAT JCT CPT	24V FEED RR JCT BOX
CB7	1	90A	560298	BAT JCT CPT	24V FEED FR JCT BOX
CB8	1	105A	560465	BAT JCT CPT	CONDENSER FAN MOTOR
CB9	1	105A	560465	BAT JCT CPT	EVAPORATOR FAN MOTOR
CB10	2	8A	561791	FR JCT PANEL	MASTER SWITCH
CB11	1	25A	561795	BAT JCT PANEL	24V HOT WIRE FEED RR & FR
CB12	15	15A	561793	BAT JCT PANEL	WATER BOOSTER PUMP
CB13	10	8A	561791	BAT JCT PANEL	LUGGAGE CPT LTS
CB16	2	8A	561791	RR JCT BOX	ENGINE-RR CTR & STAIRT SW
CB17	1	25A	561795	BAT JCT PANEL	12V HOT WIRE FEED RR & FR
CB18	2	8A	561791	RR JCT BOX	ENGINE-FR CTR SW
CB19	3	15A	561793	RR JCT BOX	DDDEC III E.C.M. POWER
CB20	3	15A	561793	RR JCT BOX	DDDEC III E.C.M. POWER
CB21	3	6A	561790	RR JCT BOX	DDDEC III 12V IGNITION
CB22	27	15A	561793	GALLEY	GALLEY BATTERY CHARGER
CB23	26-27	8A	560828	GALLEY	GALLEY CONTAINER RH
CB24	26-27	8A	560828	GALLEY	GALLEY CONTAINER LH
CB25	26-27	6A	560827	GALLEY	GALLEY LAMP
CB26	8	10A	561792	RR JCT BOX	BACK-UP LTS & ALARM
CB27	5	8A	561791	FR JCT PANEL	24V IGN DASH ACCESSORIES
CB29	5	20A	561794	FR JCT PANEL	ELECTRICAL HORNS
CB30	5	10A	561793	FR JCT PANEL	FIRE ALARM & WATER HTR TIMER
CB31	5	8A	561791	FR JCT PANEL	AIR DRYER
CB32	5	6A	561790	BAT JCT PANEL	LOW FUEL WARNING LT
CB35	6	6A	561790	FR JCT PANEL	FOG & HAZARD SW
CB36	6	15A	561793	FR JCT PANEL	FOG LTS
CB37	6	8A	561791	FR JCT PANEL	HEAD & MULTI-FUNC. SW
CB38	6	10A	561792	FR JCT PANEL	MARKER LTS
CB39	19	6A	561790	FR JCT PANEL	DASHBOARD - SPEEDO & TACHIO
CB40	6	8A	561791	FR JCT PANEL	FR & RR CLEARANCE & ID. LTS
CB42	6	10A	561792	FR JCT PANEL	RR MARKER, TAIL, LICENCE LTS
CB43	6	20A	561794	FR JCT PANEL	HEADLAMP (HI)
CB44	6	15A	561793	FR JCT PANEL	HEADLAMP (LO)
CB45	7	10A	561792	FR JCT PANEL	MULTI-FUNC. SW (WIPER CTR)
CB48	8	6A	561790	FR JCT PANEL	STOP SW
CB49	8	15A	561793	RR JCT BOX	LH STOP LTS
CB50	11	6A	561790	RR JCT BOX	HAT RACK LIGHTING
CB51	8	20A	561794	FR JCT PANEL	RH STOP & CYCLOP LTS
CB52	14	6A	561790	FR JCT PANEL	HOSTESS & PASSENGER CHIME
CB55	11	10A	561792	FR JCT PANEL	aisle LTS
CB56	11	8A	561791	RR JCT BOX	EMERGENCY EXIT LTS
CB59	12	8A	561791	FR JCT PANEL	DRIVER'S LTS SW.
CB60	12	15A	561793	RR JCT BOX	READING LTS LH
CB61	12	15A	561793	RR JCT BOX	READING LTS RH
CB63	13	8A	562293	FR SERVICE CPT	110V FLUORESCENT LH
CB64	13	8A	562293	FR SERVICE CPT	110V FLUORESCENT RH
CB65	13	15A	561793	RR JCT BOX	24V FLUORESCENT RH
CB66	13	15A	561793	RR JCT BOX	24V FLUORESCENT LH
CB67	16	10A	561792	A/C AUX UNIT	AUXILIARY A/C FAN
CB68	16	10A	561792	A/C AUX UNIT	AUXILIARY A/C FAN
CB70	15-16	8A	561791	FR JCT PANEL	BLOWER CUT-IN RELAY
CB71	16	8A	561791	A/C AUX UNIT	AUXILIARY A/C TEMP CTRL
CB72	16	6A	561790	RR JCT BOX	AUXILIARY A/C COMP. CLUTCH
CB74	16	20A	561794	RR JCT BOX	AUXILIARY A/C UNIT POWER
CB75	26-27	20A	561794	RR JCT BOX	GALLEY
CB79	15-16	10A	561792	FR JCT PANEL	DRIVER'S HTR FAN

CIRCUIT BREAKER CODE (CB) Page F : 1

NO. PAGE AMPERE #PREVOST LOCATION FUNCTION

CB83	4	20A	561794	RR JCT BOX	WORLD TRANSMISSION VIM POWER
CB86	20	8A	561791	RR JCT BOX	LAVATORY PUMP
CB89	20	8A	561791	RR JCT BOX	LAVATORY LIGHTING
CB92	19	6A	561790	FR JCT PANEL	SPEED SW & KNEELING SYST.
CB94	12	8A	561791	FR JCT PANEL	READING LTS & GENERAL LTS MAIN SW
CB102	28-29	10A	561792	FR JCT PANEL	SOUND SYSTEM
CB104	24	6A	561790	FR JCT PANEL	ABS E.C.U.
CB105	24	20A	561794	FR JCT PANEL	ABS E.C.U.
CB106	24	10A	561792	FR SERV JCT BOX	ABS E.C.U.
CB107	24	10A	561792	FR SERV JCT BOX	ABS E.C.U.
CB109	20	8A	561791	RR JCT BOX	LAVATORY EXH.FAN
CB117	18	8A	561791	FR JCT PANEL	RR VIEW MIRROR
CB118	22	20A	561794	FR JCT PANEL	LUGGAGE DOOR LOCK MOTOR
CB119	22	3A	561797	FR JCT PANEL	LUGGAGE UNLOCK TT LT & SW
CB120	22	20A	561794	FR JCT PANEL	LUGGAGE DOOR LOCK MOTOR
CB121	18	10A	561792	FR JCT PANEL	CIGAR LIGHTER
CB125	7	20A	561794	FR JCT PANEL	DIRECTIONAL LTS LH
CB126	7	20A	561794	FR JCT PANEL	DIRECTIONAL LTS RH
CB129	17	15A	561793	RR JCT BOX	WATER HEATER
CB130	5	6A	561790	RR JCT BOX	FAN CLUTCH RADIATOR
CB132	17	15A	561793	RR JCT BOX	WATER HEATER

# PLOTTAGE = 3.18:1

CIRCUIT BREAKER CODE (CB)

Page F : 1

NO.	PAGE	AMPERE	*PREVOST	LOCATION	FUNCTION
CB3	1	70A	561767	BAT JCT CPT	12V FEED RR JCT BOX
CB4	1	90A	560298	BAT JCT CPT	12V FEED FR JCT BOX
CB6	1	90A	560298	BAT JCT CPT	24V FEED RR JCT BOX
CB7	1	90A	560298	BAT JCT CPT	24V FEED FR JCT BOX
CB8	1	105A	560465	BAT JCT CPT	CONDENSER FAN MOTOR
CB9	1	105A	560465	BAT JCT CPT	EVAPORATOR FAN MOTOR
CB10	2	8A	561791	FR JCT PANEL	MASTER SWITCH
CB11	1	25A	561795	BAT JCT PANEL	24V HOT WIRE FEED RR & FR
CB12	15	15A	561793	BAT JCT PANEL	WATER BOOSTER PUMP
CB13	10	8A	561791	BAT JCT PANEL	LUGGAGE CPT LTS
CB16	2	8A	561791	RR JCT BOX	ENGINE-RR CTR & START SW
CB17	1	25A	561795	BAT JCT PANEL	12V HOT WIRE FEED RR & FR
CB18	2	6A	561791	RR JCT BOX	ENGINE-FR CTR SW
CB19	3	15A	561793	RR JCT BOX	DDEC III E.C.M. POWER
CB20	3	15A	561793	RR JCT BOX	DDEC III E.C.M. POWER
CB21	3	6A	561790	RR JCT BOX	DDEC III 12V IGNITION
CB22	27	15A	561793	GALLEY	GALLEY BATTERY CHARGER
CB23	26-27	8A	560828	GALLEY	GALLEY CONTAINER RH
CB24	26-27	8A	560828	GALLEY	GALLEY CONTAINER LH
CB25	26-27	6A	560827	GALLEY	GALLEY LAMP
CB26	8	10A	561792	RR JCT BOX	BACK-UP LTS & ALARM
CB27	5	8A	561791	FR JCT PANEL	24V IGN DASH ACCESSORIES
CB29	5	20A	561794	FR JCT PANEL	ELECTRICAL HORNS
CB30	5	10A	561793	FR JCT PANEL	FIRE ALARM & WATER HTR TIMER
CB31	5	8A	561791	FR JCT PANEL	AIR DRYER
CB32	5	6A	561790	BAT JCT PANEL	LOW FUEL WARNING LT
CB35	6	6A	561790	FR JCT PANEL	FOG & HAZARD SW
CB36	6	15A	561793	FR JCT PANEL	FOG LTS
CB37	6	8A	561791	FR JCT PANEL	HEAD & MULTI-FUNC. SW
CB38	6	10A	561792	FR JCT PANEL	MARKER LTS
CB39	19	6A	561790	FR JCT PANEL	DASHBOARD - SPEEDO & TACHO
CB40	6	8A	561791	FR JCT PANEL	FR & RR CLEARANCE & ID. LTS
CB42	6	10A	561792	FR JCT PANEL	RR MARKER, TAIL, LICENCE LTS
CB43	6	20A	561794	FR JCT PANEL	HEADLAMP (HI)
CB44	6	15A	561793	FR JCT PANEL	HEADLAMP (LO)
CB45	7	10A	561792	FR JCT PANEL	MULTI-FUNC. SW (WIPER CTR)
CB48	8	6A	561790	FR JCT PANEL	STOP SW
CB49	8	15A	561793	RR JCT BOX	LH STOP LTS
CB50	11	6A	561790	RR JCT BOX	HAT RACK LIGHTING
CB51	8	20A	561794	FR JCT PANEL	RH STOP & CYCLOP LTS
CB52	14	6A	561790	FR JCT PANEL	HOSTESS & PASSENGER CHIME
CB55	11	10A	561792	FR JCT PANEL	AISLE LTS
CB56	11	8A	561791	RR JCT BOX	EMERGENCY EXIT LTS
CB59	12	8A	561791	FR JCT PANEL	DRIVER'S LTS SW.
CB60	12	15A	561793	RR JCT BOX	READING LTS LH
CB61	12	15A	561793	RR JCT BOX	READING LTS RH
CB63	13	8A	562293	FR SERVICE CPT	110V FLUORESCENT LH
CB64	13	8A	562293	FR SERVICE CPT	110V FLUORESCENT RH
CB65	13	15A	561793	RR JCT BOX	24V FLUORESCENT RH
CB66	13	15A	561793	RR JCT BOX	24V FLUORESCENT LH
CB67	16	10A	561792	A/C AUX UNIT	AUXILIARY A/C FAN
CB68	16	10A	561792	A/C AUX UNIT	AUXILIARY A/C FAN
CB70	15-16	8A	561791	FR JCT PANEL	BLOWER CUT-IN RELAY
CB71	16	8A	561791	A/C AUX UNIT	AUXILIARY A/C TEMP CTRL
CB72	16	6A	561790	RR JCT BOX	AUXILIARY A/C COMPR. CLUTCH
CB74	16	20A	561794	RR JCT BOX	AUXILIARY A/C UNIT POWER
CB75	26-27	20A	561794	RR JCT BOX	GALLEY
CB79	15-16	10A	561792	FR JCT PANEL	DRIVER'S HTR FAN

CIRCUIT BREAKER CODE (CB)

Page F : 1

NO.	PAGE	AMPERE	*PREVOST	LOCATION	FUNCTION
CB83	4	20A	561794	RR JCT BOX	WORLD TRANSMISSION VIM POWER
CB86	20	8A	561791	RR JCT BOX	LAVATORY PUMP
CB89	20	8A	561791	RR JCT BOX	LAVATORY LIGHTING
CB92	19	6A	561790	FR JCT PANEL	SPEED SW & KNEELING SYST.
CB94	12	8A	561791	FR JCT PANEL	READING LTS & GENERAL LTS MAIN SW
CB102	28-29	10A	561792	FR JCT PANEL	SOUND SYSTEM
CB104	24	6A	561790	FR JCT PANEL	ABS E.C.U.
CB105	24	20A	561794	FR JCT PANEL	ABS E.C.U.
CB106	24	10A	561792	FR SERV JCT BOX	ABS E.C.U.
CB107	24	10A	561792	FR SERV JCT BOX	ABS E.C.U.
CB109	20	8A	561791	RR JCT BOX	LAVATORY EXH.FAN
CB117	18	8A	561791	FR JCT PANEL	RR VIEW MIRROR
CB118	22	20A	561794	FR JCT PANEL	LUGGAGE DOOR LOCK MOTOR
CB119	22	3A	561797	FR JCT PANEL	LUGGAGE UNLOCK TT LT & SW
CB120	22	20A	561794	FR JCT PANEL	LUGGAGE DOOR LOCK MOTOR
CB121	18	10A	561792	FR JCT PANEL	CIGAR LIGHTER
CB125	7	20A	561794	FR JCT PANEL	DIRECTIONAL LTS LH
CB126	7	20A	561794	FR JCT PANEL	DIRECTIONAL LTS RH
CB129	17	15A	561793	RR JCT BOX	WATER HEATER
CB130	5	6A	561790	RR JCT BOX	FAN CLUTCH RADIATOR
CB132	17	15A	561793	RR JCT BOX	WATER HEATER

NO.	PAGE	AMPERE	*PREVOST	LOCATION	FUNCTION
CB3	1	70A	561767	BAT JCT CPT	12V FEED RR JCT BOX
CB4	1	90A	560298	BAT JCT CPT	12V FEED FR JCT BOX
CB6	1	90A	560298	BAT JCT CPT	24V FEED RR JCT BOX
CB7	1	90A	560298	BAT JCT CPT	24V FEED FR JCT BOX
CB8	1	105A	560465	BAT JCT CPT	CONDENSER FAN MOTOR
CB9	1	105A	560465	BAT JCT CPT	EVAPORATOR FAN MOTOR
CB10	2	8A	561791	FR JCT PANEL	MASTER SWITCH
CB11	1	25A	561795	BAT JCT PANEL	24V HOT WIRE FEED RR & FR
CB12	15	15A	561793	BAT JCT PANEL	WATER BOOSTER PUMP
CB13	10	8A	561791	BAT JCT PANEL	LUGGAGE CPT LTS
CB16	2	8A	561791	RR JCT BOX	ENGINE-RR CTR & START SW
CB17	1	25A	561795	BAT JCT PANEL	12V HOT WIRE FEED RR & FR
CB18	2	6A	561791	RR JCT BOX	ENGINE-FR CTR SW
CB19	3	15A	561793	RR JCT BOX	DDEC III E.C.M. POWER
CB20	3	15A	561793	RR JCT BOX	DDEC III E.C.M. POWER
CB21	3	6A	561790	RR JCT BOX	DDEC III 12V IGNITION
CB22	27	15A	561793	GALLEY	GALLEY BATTERY CHARGER
CB23	26-27	8A	560828	GALLEY	GALLEY CONTAINER RH
CB24	26-27	8A	560828	GALLEY	GALLEY CONTAINER LH
CB25	26-27	6A	560827	GALLEY	GALLEY LAMP
CB26	8	10A	561792	RR JCT BOX	BACK-UP LTS & ALARM
CB27	5	8A	561791	FR JCT PANEL	24V IGN DASH ACCESSORIES
CB29	5	20A	561794	FR JCT PANEL	ELECTRICAL HORNS
CB30	5	10A	561792	FR JCT PANEL	FIRE ALARM & WATER HTR TIMER
CB31	5	8A	561791	FR JCT PANEL	AIR DRYER
CB32	5	6A	561790	BAT JCT PANEL	LOW FUEL WARNING LT
CB35	6	6A	561790	FR JCT PANEL	FOG & HAZARD SW
CB36	6	15A	561793	FR JCT PANEL	FOG LTS
CB37	6	8A	561791	FR JCT PANEL	HEAD & MULTI-FUNC. SW
CB38	6	10A	561792	FR JCT PANEL	MARKER LTS
CB39	19	6A	561790	FR JCT PANEL	DASHBOARD - SPEEDO & TACHO
CB40	6	8A	561791	FR JCT PANEL	FR & RR CLEARANCE & ID. LTS
CB42	6	10A	561792	FR JCT PANEL	RR MARKER, TAIL, LICENCE LTS
CB43	6	20A	561794	FR JCT PANEL	HEADLAMP (HI)
CB44	6	15A	561793	FR JCT PANEL	HEADLAMP (LO)
CB45	7	10A	561792	FR JCT PANEL	MULTI-FUNC. SW (WIPER CTR)
CB48	8	6A	561790	FR JCT PANEL	STOP SW
CB49	8	15A	561793	RR JCT BOX	LH STOP LTS
CB50	11	6A	561790	RR JCT BOX	HAT RACK LIGHTING
CB51	8	20A	561794	FR JCT PANEL	RH STOP & CYCLOP LTS
CB52	14	6A	561790	FR JCT PANEL	HOSTESS & PASSENGER CHIME
CB55	11	10A	561792	FR JCT PANEL	aisle LTS
CB56	11	8A	561791	RR JCT BOX	EMERGENCY EXIT LTS
CB59	12	8A	561791	FR JCT PANEL	DRIVER'S LTS SW.
CB60	12	15A	561793	RR JCT BOX	READING LTS LH
CB61	12	15A	561793	RR JCT BOX	READING LTS RH
CB63	13	8A	562293	FR SERVICE CPT	110V FLUORESCENT LH
CB64	13	8A	562293	FR SERVICE CPT	110V FLUORESCENT RH
CB65	13	15A	561793	RR JCT BOX	24V FLUORESCENT RH
CB66	13	15A	561793	RR JCT BOX	24V FLUORESCENT LH
CB67	16	10A	561792	A/C AUX UNIT	AUXILIARY A/C FAN
CB68	16	10A	561792	A/C AUX UNIT	AUXILIARY A/C FAN
CB70	15-16	8A	561791	FR JCT PANEL	BLOWER CUT-IN RELAY
CB71	16	8A	561791	A/C AUX UNIT	AUXILIARY A/C TEMP CTRL
CB72	16	6A	561790	RR JCT BOX	AUXILIARY A/C COMPR. CLUTCH
CB74	16	20A	561794	RR JCT BOX	AUXILIARY A/C UNIT POWER
CB75	26-27	20A	561794	RR JCT BOX	GALLEY
CB79	15-16	10A	561792	FR JCT PANEL	DRIVER'S HTR FAN
CB83	4	20A	561794	RR JCT BOX	WORLD TRANSMISSION VIM POWER

NO.	PAGE	AMPERE	*PREVOST	LOCATION	FUNCTION
CB86	20	8A	561791	RR JCT BOX	LAVATORY PUMP
CB89	20	8A	561791	RR JCT BOX	LAVATORY LIGHTING
CB90	1	30A	870690	BAT JCT PANEL	12V SOUND SYSTEM
CB91	1	30A	870690	BAT JCT PANEL	24V SOUND SYSTEM
CB92	19	6A	561790	FR JCT PANEL	SPEED SW & KNEELING SYST.
CB94	12	8A	561791	FR JCT PANEL	READING LTS & GENERAL LTS MAIN SW
CB95	28	10A	561792	SND SYS JCT PAN	24V AMPLIFEEDING
CB96	28	10A	561792	SND SYS JCT PAN	24V VIDEO SYSTEM
CB97	28	10A	561792	SND SYS JCT PAN	24V B/U AMPLIFEEDING
CB98	28	10A	561792	SND SYS JCT PAN	12V RADIO FEEDING
CB102	28-29	10A	561792	FR JCT PANEL	SOUND SYSTEM *** PRIOR REV 008
CB104	24	6A	561790	FR JCT PANEL	ABS E.C.U.
CB105	24	20A	561794	FR JCT PANEL	ABS E.C.U.
CB106	24	10A	561792	FR SERV JCT BOX	ABS E.C.U.
CB107	24	10A	561792	FR SERV JCT BOX	ABS E.C.U.
CB109	20	8A	561791	RR JCT BOX	LAVATORY EXH.FAN
CB117	18	8A	561791	FR JCT PANEL	RR VIEW MIRROR
CB118	22	20A	561794	FR JCT PANEL	LUGGAGE DOOR LOCK MOTOR
CB119	22	3A	561797	FR JCT PANEL	LUGGAGE UNLOCK TT LT & SW
CB120	22	20A	561794	FR JCT PANEL	LUGGAGE DOOR LOCK MOTOR
CB121	18	10A	561792	FR JCT PANEL	CIGAR LIGHTER
CB125	7	20A	561794	FR JCT PANEL	DIRECTIONAL LTS LH
CB126	7	20A	561794	FR JCT PANEL	DIRECTIONAL LTS RH
CB129	17	15A	561793	RR JCT BOX	WATER HEATER
CB130	5	6A	561790	RR JCT BOX	FAN CLUTCH RADIATOR
CB132	17	15A	561793	RR JCT BOX	WATER HEATER



NO.	PAGE	AMPERE	•PREVOST	LOCATION	FUNCTION
CB1	1	200A	560838	BAT JCT CPT	A/C FEED
CB3	1	70A	561767	BAT JCT CPT	12V FEED RR JCT BOX
CB4	1	90A	560298	BAT JCT CPT	12V FEED FR JCT BOX
CB5	15	40A	560703	A/C JCT BOX	CONDENSER FAN MOTOR
CB6	1	90A	560298	BAT JCT CPT	24V FEED RR JCT BOX
CB7	1	90A	560298	BAT JCT CPT	24V FEED FR JCT BOX
CB8	15	40A	560703	A/C JCT BOX	CONDENSER FAN MOTOR
CB9	1	105A	560465	BAT JCT CPT	EVAPORATOR FAN MOTOR
CB10	2	8A	561791	FR JCT PANEL	MASTER SWITCH
CB11	1	25A	561795	BAT JCT PANEL	24V HOT WIRE FEED RR & FR
CB12	15	15A	561793	BAT JCT PANEL	WATER BOOSTER PUMP
CB13	10	8A	561791	BAT JCT PANEL	LUGGAGE CPT LTS
CB16	2	8A	561791	RR JCT BOX	ENGINE-RR CTR & START SW
CB17	1	25A	561795	BAT JCT PANEL	12V HOT WIRE FEED RR & FR
CB18	2	6A	561791	RR JCT BOX	ENGINE-FR CTR SW
CB19	3	15A	561793	RR JCT BOX	DDEC III E.C.M. POWER
CB20	3	15A	561793	RR JCT BOX	DDEC III E.C.M. POWER
CB21	3	6A	561790	RR JCT BOX	DDEC III 12V IGNITION
CB22	27	15A	561793	GALLEY	GALLEY BATTERY CHARGER
CB23	26-27	8A	560828	GALLEY	GALLEY CONTAINER RH
CB24	26-27	8A	560828	GALLEY	GALLEY CONTAINER LH
CB25	26-27	6A	560827	GALLEY	GALLEY LAMP
CB26	8	10A	561792	RR JCT BOX	BACK-UP LTS & ALARM
CB27	5	8A	561791	FR JCT PANEL	24V IGN DASH ACCESSORIES
CB29	5	20A	561794	FR JCT PANEL	ELECTRICAL HORNS
CB30	5	10A	561792	FR JCT PANEL	FIRE ALARM & WATER HTR TIMER
CB31	5	8A	561791	FR JCT PANEL	AIR DRYER
CB35	6	6A	561790	FR JCT PANEL	FOG & HAZARD SW
CB36	6	15A	561793	FR JCT PANEL	FOG LTS
CB37	6	8A	561791	FR JCT PANEL	HEAD & MULTI-FUNC. SW
CB38	6	10A	561792	FR JCT PANEL	MARKER LTS
CB39	19	6A	561790	FR JCT PANEL	DASHBOARD - SPEEDO & TACHO
CB40	6	8A	561791	FR JCT PANEL	FR & RR CLEARANCE & ID. LTS
CB42	6	10A	561792	FR JCT PANEL	RR MARKER, TAIL, LICENCE LTS
CB43	6	20A	561794	FR JCT PANEL	HEADLAMP (HI)
CB44	6	15A	561793	FR JCT PANEL	HEADLAMP (LO)
CB45	7	10A	561792	FR JCT PANEL	MULTI-FUNC. SW (WIPER CTR)
CB48	8	6A	561790	FR JCT PANEL	STOP SW
CB49	8	15A	561793	RR JCT BOX	LH STOP LTS
CB50	11	6A	561790	RR JCT BOX	HAT RACK LIGHTING
CB51	8	20A	561794	FR JCT PANEL	RH STOP & CYCLOP LTS
CB52	14	6A	561790	FR JCT PANEL	HOSTESS & PASSENGER CHIME
CB55	11	10A	561792	FR JCT PANEL	AISLE LTS
CB56	11	8A	561791	RR JCT BOX	EMERGENCY EXIT LTS
CB59	12	8A	561791	FR JCT PANEL	DRIVER'S LTS SW.
CB60	12	15A	561793	RR JCT BOX	READING LTS LH
CB61	12	15A	561793	RR JCT BOX	READING LTS RH
CB63	13	8A	562293	FR SERVICE CPT	110V FLUORESCENT LH
CB64	13	8A	562293	FR SERVICE CPT	110V FLUORESCENT RH
CB65	13	15A	561793	RR JCT BOX	24V FLUORESCENT RH
CB66	13	15A	561793	RR JCT BOX	24V FLUORESCENT LH
CB67	16	10A	561792	A/C AUX UNIT	AUXILIARY A/C FAN
CB68	16	10A	561792	A/C AUX UNIT	AUXILIARY A/C FAN
CB70	15-16	8A	561791	FR JCT PANEL	BLOWER CUT-IN RELAY
CB71	16	8A	561791	A/C AUX UNIT	AUXILIARY A/C TEMP CTRL
CB72	16	6A	561790	RR JCT BOX	AUXILIARY A/C COMPR. CLUTCH
CB74	16	20A	561794	RR JCT BOX	AUXILIARY A/C UNIT POWER

NO.	PAGE	AMPERE	•PREVOST	LOCATION	FUNCTION
CB75	26-27	20A	561794	RR JCT BOX	GALLEY
CB79	15	10A	561792	FR JCT PANEL	DRIVER'S HTR FAN
CB83	4	20A	561794	RR JCT BOX	WORLD TRANSMISSION VIM POWER
CB86	20	8A	561791	RR JCT BOX	LAVATORY PUMP
CB89	20	8A	561791	RR JCT BOX	LAVATORY LIGHTING
CB90	1	30A	870690	BAT JCT PANEL	12V SOUND SYSTEM
CB91	1	30A	870690	BAT JCT PANEL	24V SOUND SYSTEM
CB92	19	6A	561790	FR JCT PANEL	SPEED SW & KNEELING SYST.
CB94	12	8A	561791	FR JCT PANEL	READING LTS & GENERAL LTS MAIN SW
CB95	28	10A	561792	SND SYS JCT PAN	24V AMPLI FEEDING
CB96	28	10A	561792	SND SYS JCT PAN	24V VIDEO SYSTEM
CB97	28	10A	561792	SND SYS JCT PAN	24V B/U AMPLI FEEDING
CB98	28	10A	561792	SND SYS JCT PAN	12V RADIO FEEDING
CB102	28-29	10A	561792	FR JCT PANEL	SOUND SYSTEM *** PRIOR REV 008
CB104	24	6A	561790	FR JCT PANEL	ABS E.C.U.
CB105	24	20A	561794	FR JCT PANEL	ABS E.C.U.
CB106	24	10A	561792	FR SERV JCT BOX	ABS E.C.U.
CB107	24	10A	561792	FR SERV JCT BOX	ABS E.C.U.
CB109	20	8A	561791	RR JCT BOX	LAVATORY EXH.FAN
CB117	18	8A	561791	FR JCT PANEL	RR VIEW MIRROR
CB118	22	20A	561794	FR JCT PANEL	LUGGAGE DOOR LOCK MOTOR
CB119	22	3A	561797	FR JCT PANEL	LUGGAGE UNLOCK TT LT & SW
CB120	22	20A	561794	FR JCT PANEL	LUGGAGE DOOR LOCK MOTOR
CB121	18	10A	561792	FR JCT PANEL	CIGAR LIGHTER
CB125	7	20A	561794	FR JCT PANEL	DIRECTIONAL LTS LH
CB126	7	20A	561794	FR JCT PANEL	DIRECTIONAL LTS RH
CB129	17	15A	561793	RR JCT BOX	WATER HEATER
CB130	5	6A	561790	RR JCT BOX	FAN CLUTCH RADIATOR
CB132	17	15A	561793	RR JCT BOX	WATER HEATER

NO.	PAGE	AMPERE	•PREVOST	LOCATION	FUNCTION
CB1	1	200A	560838	BAT JCT CPT	A/C FEED
CB3	1	70A	561767	BAT JCT CPT	12V FEED RR JCT BOX
CB4	1	90A	560298	BAT JCT CPT	12V FEED FR JCT BOX
CB5	15	40A	560703	A/C JCT BOX	CONDENSER FAN MOTOR
CB6	1	90A	560298	BAT JCT CPT	24V FEED RR JCT BOX
CB7	1	90A	560298	BAT JCT CPT	24V FEED FR JCT BOX
CB8	15	40A	560703	A/C JCT BOX	CONDENSER FAN MOTOR
CB9	1	105A	560465	A/C JCT BOX	EVAPORATOR FAN MOTOR
CB10	2	8A	561791	FR JCT PANEL	MASTER SWITCH
CB11	1	25A	561795	BAT JCT PANEL	24V HOT WIRE FEED RR & FR
CB12	15	15A	561793	BAT JCT PANEL	WATER BOOSTER PUMP
CB13	10	8A	561791	BAT JCT PANEL	LUGGAGE CPT LTS
CB16	2	8A	561791	RR JCT BOX	ENGINE-RR CTR & START SW
CB17	1	25A	561795	BAT JCT PANEL	12V HOT WIRE FEED RR & FR
CB18	2	6A	561791	RR JCT BOX	ENGINE-FR CTR SW
CB19	3	15A	561793	BAT JCT. PANEL	DDEC III E.C.M. POWER
CB20	3	15A	561793	BAT JCT. PANEL	DDEC III E.C.M. POWER
CB21	3	6A	561790	BAT JCT. PANEL	DDEC III 12V IGNITION
CB22	27	15A	561793	GALLEY	GALLEY BATTERY CHARGER
CB23	26-27	8A	560828	GALLEY	GALLEY CONTAINER RH
CB24	26-27	8A	560828	GALLEY	GALLEY CONTAINER LH
CB25	26-27	6A	560827	GALLEY	GALLEY LAMP
CB26	8	10A	561792	RR JCT BOX	BACK-UP LTS & ALARM
CB27	5	8A	561791	FR JCT PANEL	24V IGN DASH ACCESSORIES
CB29	5	20A	561794	FR JCT PANEL	ELECTRICAL HORNS
CB30	5	10A	561792	FR JCT PANEL	FIRE ALARM & WATER HTR TIMER
CB31	5	8A	561791	FR JCT PANEL	AIR DRYER
CB35	6	6A	561790	FR JCT PANEL	FOG & HAZARD SW
CB36	6	15A	561793	FR JCT PANEL	FOG LTS
CB37	6	8A	561791	FR JCT PANEL	HEAD & MULTI-FUNC. SW
CB38	6	10A	561792	FR JCT PANEL	MARKER LTS
CB39	19	6A	561790	FR JCT PANEL	DASHBOARD - SPEEDO & TACHO
CB40	6	8A	561791	FR JCT PANEL	FR & RR CLEARANCE & ID. LTS
CB42	6	10A	561792	FR JCT PANEL	RR MARKER, TAIL, LICENCE LTS
CB43	6	20A	561794	FR JCT PANEL	HEADLAMP (HI)
CB44	6	15A	561793	FR JCT PANEL	HEADLAMP (LO)
CB45	7	10A	561792	FR JCT PANEL	MULTI-FUNC. SW (WIPER CTR)
CB48	8	6A	561790	FR JCT PANEL	STOP SW
CB49	8	15A	561793	RR JCT BOX	LH STOP LTS
CB50	11	6A	561790	RR JCT BOX	HAT RACK LIGHTING
CB51	8	20A	561794	FR JCT PANEL	RH STOP & CYCLOP LTS
CB52	14	6A	561790	FR JCT PANEL	HOSTESS & PASSENGER CHIME
CB55	11	10A	561792	FR JCT PANEL	AISLE LTS
CB56	11	8A	561791	RR JCT BOX	EMERGENCY EXIT LTS
CB59	12	8A	561791	FR JCT PANEL	DRIVER'S LTS SW.
CB60	12	15A	561793	RR JCT BOX	READING LTS LH
CB61	12	15A	561793	RR JCT BOX	READING LTS RH
CB63	13	8A	562293	FR SERVICE CPT	110V FLUORESCENT LH
CB64	13	8A	562293	FR SERVICE CPT	110V FLUORESCENT RH
CB65	13	15A	561793	RR JCT BOX	24V FLUORESCENT RH
CB66	13	15A	561793	RR JCT BOX	24V FLUORESCENT LH
CB67	16	10A	561792	A/C AUX UNIT	AUXILIARY A/C FAN
CB68	16	10A	561792	A/C AUX UNIT	AUXILIARY A/C FAN
CB70	15-16	8A	561791	FR JCT PANEL	BLOWER CUT-IN RELAY
CB71	16	8A	561791	A/C AUX UNIT	AUXILIARY A/C TEMP CTRL
CB72	16	6A	561790	RR JCT BOX	AUXILIARY A/C COMPR. CLUTCH
CB74	16	20A	561794	RR JCT BOX	AUXILIARY A/C UNIT POWER

NO.	PAGE	AMPERE	•PREVOST	LOCATION	FUNCTION
CB75	26-27	20A	561794	RR JCT BOX	GALLEY
CB79	15	10A	561792	FR JCT PANEL	DRIVER'S HTR FAN
CB83	4	20A	561794	RR JCT BOX	WORLD TRANSMISSION VIM POWER
CB86	20	8A	561791	RR JCT BOX	LAVATORY PUMP
CB89	20	8A	561791	RR JCT BOX	LAVATORY LIGHTING
CB90	1	30A	870690	BAT JCT PANEL	12V SOUND SYSTEM
CB91	1	30A	870690	BAT JCT PANEL	24V SOUND SYSTEM
CB92	19	6A	561790	FR JCT PANEL	SPEED SW & KNEELING SYST.
CB94	12	8A	561791	FR JCT PANEL	READING LTS & GENERAL LTS MAIN SW
CB95	28	10A	561792	SND SYS JCT PAN	24V AMPLI FEEDING
CB96	28	10A	561792	SND SYS JCT PAN	24V VIDEO SYSTEM
CB97	28	10A	561792	SND SYS JCT PAN	24V B/U AMPLI FEEDING
CB98	28	10A	561792	SND SYS JCT PAN	12V RADIO FEEDING
CB102	28-29	10A	561792	FR JCT PANEL	SOUND SYSTEM *** PRIOR REV 008
CB104	24	6A	561790	FR JCT PANEL	ABS E.C.U.
CB105	24	20A	561794	FR JCT PANEL	ABS E.C.U.
CB106	24	10A	561792	FR SERV JCT BOX	ABS E.C.U.
CB107	24	10A	561792	FR SERV JCT BOX	ABS E.C.U.
CB109	20	8A	561791	RR JCT BOX	LAVATORY EXH.FAN
CB117	18	8A	561791	FR JCT PANEL	RR VIEW MIRROR
CB118	22	20A	561794	FR JCT PANEL	LUGGAGE DOOR LOCK MOTOR
CB119	22	3A	561797	FR JCT PANEL	LUGGAGE UNLOCK TT LT & SW
CB120	22	20A	561794	FR JCT PANEL	LUGGAGE DOOR LOCK MOTOR
CB121	18	10A	561792	FR JCT PANEL	CIGAR LIGHTER
CB125	7	20A	561794	FR JCT PANEL	DIRECTIONAL LTS LH
CB126	7	20A	561794	FR JCT PANEL	DIRECTIONAL LTS RH
CB129	17	15A	561793	RR JCT BOX	WATER HEATER
CB130	5	6A	561790	RR JCT BOX	FAN CLUTCH RADIATOR
CB132	17	15A	561793	RR JCT BOX	WATER HEATER



No.	LOCATION	(NB) TYPE	*PIN CAVITY	*SOCKET HOUSING	HOUSING
C3	UNDER DASH-LH	AMP CPC	37	561645	561646
C7	FR SERVICE COMPT.-CLUTCH SW	ITT SS	3	561111	561080
C8	FR JCT PANEL VCR FEED	AMP MNL	2	561248	561247
C11	LH CONSOLE SW-MIRROR	AMP MNL	3	561667	561550
C12	LH CONSOLE SW-MIRROR HTR	AMP MNL	2	561248	561247
C13	LH CONSOLE SW-MIRROR	AMP MNL	6	561552	561515
C14	UNDER DASH LH-MIRROR	AMP MNL	9	561670	561669
C15	UNDER DASH RH-MIRROR	AMP MNL	9	561670	561669
C18	UNDER DASH-FIRE ALARM	AMP MNL	2	560900	560898
C19	UNDER DASH-A/C & HEAT SYST. TC	AMP MNL	10	561072	561104
C20	RR JCT BOX DIODES	AMP MNL	9	561670	561669
C21	LUGGAGE COMPT.-LOCK DOOR MOT. PED	AMP MNL	2	561667	561666
C22	ENGINE COMPT.-CYCLOP LT	PED WP	2	561566	561690
C26	UNDER INSTRUMENT.-PANEL RHEO. TC	AMP MNL	2	561030	560997
C29	FR SERVICE COMPT.-VIM FEED	PED WP	3	561781	561782
C32	RH CONSOLE-DRV TEMP SENSOR	BURNDY	3	561111	561104
C33	FRSERVICE COMPT. DDEC VSS	PED WP	2	561566	561690
C34	RH CONSOLE-DRV TEMP CTRL	BURNDY	6	561111	561103
C35	RECIRCULATED AIR GRIL.-SENSOR	BURNDY	3	561111	561104
C36	LH CONSOLE SW-CRUISE ON/OFF	SWF	8	561111	561107
C37	LH CONSOLE SW-CRUISE SET	SWF	8	561111	561107
C38	LH CONSOLE SW-CRUISE RESUME	SWF	8	561111	561107
C41	UNDER DASH-FLASHER UNIT	TC	2	561940	561940
C49	LAVATORY NIGHT LTS	AMP MNL	2	560900	560898
C50	RH CONSOLE-PAS. TEMP CTRL	BURNDY	6	561111	561103
C51	RH CONSOLE SW-A/C & HEAT	SWF	8	561111	561107
C52	ENGINE COMPT.-COMPRESSOR OSC	PED WP	2	561566	561690
C53	ENGINE COMPT.-COMPRESSOR OSC	PED WP	2	561566	561690
C54	ENGINE COMPT.-COMPRESSOR OSC	TC	1	560098	560697
C61	ENGINE COMPT.-FUEL FILTER	PED WP	2	561566	561690
C67	LH UNDER DASH-AMPLIF. RH SPK	BLAUPUNKT	2	561988	561988
C68	LH UNDER DASH-AMPLIF. RH SPK	BLAUPUNKT	2	561988	561988
C73	LH SW PANEL-MULTIFUNC. LEV.	AMP FF	8	561188	561188
C74	LH SW PANEL-MULTIFUNC. LEV.	AMP FF	6	561111	561108
C78	LUGGAGE COMPT.-DOOR LOCK 4 LH	AMP MNL	4	560851	560852
C79	LUGGAGE COMPT.-DOOR LOCK 4 RH	AMP MNL	4	560851	560852
C80	FR JCT PANEL-LUG. DOOR LOCK	AMP MNL	6	561552	561515
C81	LUGGAGE COMPT.-DOOR LOCK 1 LH	AMP MNL	4	560851	560852
C82	LUGGAGE COMPT.-DOOR LOCK 1 RH	AMP MNL	4	560851	560852
C83	UNDER DASH-FLASHER MODULE	TC	10	561072	561110
C84	UNDER DASH-A/C SYSTEM	TC	3	561091	561071
C85	LUGGAGE COMPT.-DOOR LOCK 3 RH	AMP MNL	4	560851	560852
C86	LUGGAGE COMPT.-DOOR LOCK 3 LH	AMP MNL	4	560851	560852
C88	RR END ROOF-CLEARANCE LTS	AMP MNL	2	560900	560898
C90	RR ROOF AUX. A/C THERMOST.	BURNDY	6	561111	561103
C91	RR ROOF AUX. A/C TMP SENSOR	BURNDY	6	561111	561104
C92	RR ROOF AUX. A/C FAN RH	TC	2	561030	560997
C93	RR ROOF AUX. A/C FAN LH	TC	2	561030	560997
C94	RR ROOF AUX. A/C FAN RES LH	AMP MNL	2	560900	560898
C95	RR ROOF AUX. A/C FAN RES RH	AMP MNL	2	560900	560898
C96	RR ROOF AUX. A/C LIQ SOL VAL	TC	2	561030	560997
C97	RR ROOF AUX. A/C SHUT SOL VAL	AMPHENOL	2	560412	560412
C105	UNDER DASH RH-DRV LIO SOL VL	TC	2	561030	560997
C106	UNDER DASH RH-DRV WTR VALVE	TC	2	561030	560997
C107	UNDER DASH RH-DRV HTR RH FAN	TC	2	561030	560997
C108	UNDER DASH RH-DRV HTR LH FAN	TC	2	561030	560997
C111	LH CONSOLE SW-DRIVER/LTS	SWF	8	561111	561107

No.	LOCATION	(NB) TYPE	*PIN CAVITY	*SOCKET HOUSING	HOUSING
C112	LH CONSOLE SW-GENERAL LTS	SWF	8	561111	561107
C114	ENGINE DDEC-SPEED SIGNAL	PED WP	2	561566	561590
C115	RR JCT BOX-ENGINE ACCE.	DEUTSCH	40	562281	562284
C116	DRIVE AXLE COMPT.-AIR DRYER	PED MP	2	562251	562251
C119	ENGINE COMPT.-LH LOWER LAMP	PED WP	6	561606	561607
C120	ENGINE COMPT.-LH LOWER LAMP	PED WP	6	561606	561607
C123	HAT RACK-BALLAST RH	AMP MNL	6	561552	561515
C123	HAT RACK-BALLAST RH	AMP MNL	6	561552	561515
C124	HAT RACK-FLUORESCENT	AMP MNL	4	561551	561668
C125	HAT RACK-FLUORESCENT	AMP MNL	4	561551	561668
C126	HAT RACK-READING LTS	AMP MNL	2	560900	560898
C130	LH CONSOLE SW-READING LTS	SWF	8	561111	561107
C131	LH CONSOLE SW-LUG-DOOR LOCK	SWF	6	561606	561607
C132	LH CONSOLE SW-PAS & HOS CHIME	SWF	8	561111	561107
C133	LH CONSOLE SW-JACOB OR RET.	SWF	8	561111	561107
C134	LH CONSOLE SW-GALLEY	SWF	8	561111	561107
C135	LH SW PANEL-ETHER	SWF	8	561111	561107
C136	LH CONSOLE SW-MIRROR HTR	SWF	8	561111	561107
C137	RH SW PANEL-HEAD LAMP	SWF	8	561111	561107
C138	RH SW PANEL-SPARE	SWF	8	561111	561107
C139	RH SW PANEL-FOG LAMP	SWF	8	561111	561107
C140	FR JCT PANEL-BAT. H/LO	AMP MNL	2	560900	560898
C141	ENGINE COMPT.-B/UP ALARM	PED WP	2	561566	561590
C142	FR SERVICE CPT-LH MARKER LTS	ITT SS	3	561111	561080
C143	RR LH HAT RACK-FEEDING	AMP MNL	9	561661	561662
C144	RR RH HAT RACK-FEEDING	AMP MNL	9	561661	561662
C145	RH HAT RACK-BALLAST	AMP MNL	4	560851	560852
C146	FR SERVICE CPT-RH MARKER LTS	ITT SS	3	561111	561080
C147	RR ROOF LH-EMERGENCY EXIT LTS	AMP MNL	2	560900	560898
C148	RR ROOF RH-EMERGENCY EXIT LTS	AMP MNL	2	560900	560898
C149	LH HAT RACK-BALLAST	AMP MNL	4	560851	560852
C150	FR RH HAT RACK-110V FLUOR	AMP MNL	2	561248	561247
C151	FR LH HAT RACK-110V FLUOR	AMP MNL	2	561248	561247
C152	LH HAT RACK-GENERAL LTS	AMP MNL	3	561667	561550
C153	RH HAT RACK-GENERAL LTS	AMP MNL	3	561667	561550
C154	RH SW PANEL-HAZARD	SWF	8	561111	561107
C155	LH SW PANEL-FAST IDLE	SWF	8	561111	561107
C156	LH SW PANEL-STP ENG. OVER.	SWF	8	561111	561107
C158	RR ROOF AUX. A/C FEEDING	AMP MNL	3	561667	561550
C160	FR SERVICE CPT-INTERFACE	AMP CPC	37	561644	561646
C161	ENGINE DDEC III-ECM	PED	30	561600	561600
C162	ENGINE DDEC III-ACCESSORIES	PED WP	4	561610	561611
C163	ENGINE CPT-COOLANT PROBE	PED MP	2	562350	562350
C164	FR SERVICE JCT BOX	AMP CPC	22	561709	561710
C165	FR SERVICE JCT BOX	AMP CPC	16	561693	561695
C166	UNDER INSTRUMENT PANEL	AMP CPC	16	561639	561640
C167	FR SERVICE CPT-EL. FOOT PEDAL	PED WP	3	561781	561782
C168	FR SERVICE CPT-DDR	DEUTSCH	6	562360	562360
C169	FR SERVICE CPT-WORLD TR. VIM	AMP CPC	16	561638	561640
C172	ENGINE COMPT-WATER TANK HEAT.	PED WP	2	561566	561690
C173	LAV.POTABLE-WATER TANK HEAT.	AMP MNL	2	560900	560898
C175	FR SERV CPT-KNEELING FEEDING	PED WP	3	561781	561782
C177	GALLEY-REFRIGERATOR	AMP MNL	2	561248	561247
C179	RH HAT RACK-110V MONITOR	MOLEX	4	561477	561476
C181	FR SERV CPT-KNEELING MODULE	AMP MNL	12	561735	561734
C182	FR SERVICE CPT-SPEED SW	AMP HDP	15	562012	562012
C184	FR SERV CPT-KNEEL. MOD. CTRL	AMP MNL	3	561550	561550
C184	FR AXLE-KNEELING PROXIMITY SW	AMP MNL	3	561667	561550
C185	FR SERV CPT-KNEEL. MOD. EXH.	AMP MNL	3	561550	561550



Table with columns: No., LOCATION, TYPE, INB, \*PN, \*SOCKET, CAVITY, HOUSING, HOUSING. Contains connector codes and descriptions for page G-1.

Table with columns: No., LOCATION, TYPE, INB, \*PN, \*SOCKET, CAVITY, HOUSING, HOUSING. Contains connector codes and descriptions for page G-1.

Table with columns: No., LOCATION, TYPE, INB, \*PN, \*SOCKET, CAVITY, HOUSING, HOUSING. Contains connector codes and descriptions for page G-2.

Table with columns: No., LOCATION, TYPE, INB, \*PN, \*SOCKET, CAVITY, HOUSING, HOUSING. Contains connector codes and descriptions for page G-2.

Table with columns: No., LOCATION, TYPE, INB, \*PN, \*SOCKET, CAVITY, HOUSING, HOUSING. Contains connector codes and descriptions for page G-3.

Table with columns: No., LOCATION, TYPE, INB, \*PN, \*SOCKET, CAVITY, HOUSING, HOUSING. Contains connector codes and descriptions for page G-3.



NO.	LOCATION	TYPE	(NB) CAVITY	*PIN HOUSING	*SOCKET HOUSING
C3	UNDER DASH-LH	AMP CPC	37	561645	561646
C7	FR SERVICE COMPT.-CLUTCH SW	ITT SS	3	561111	561080
C8	FR JCT PANEL VCR FEED	AMP MNL	2	561248	561247 PRIOR REV 008
C11	LH CONSOLE SW-MIRROR	AMP MNL	3	561667	561550
C12	LH CONSOLE SW-MIRROR HTR	AMP MNL	2	561248	561247
C13	LH CONSOLE SW-MIRROR	AMP MNL	6	561552	561515
C14	UNDER DASH LH-MIRROR	AMP MNL	9	561670	561669
C15	UNDER DASH RH-MIRROR	AMP MNL	9	561670	561669
C18	UNDER DASH-FIRE ALARM	AMP MNL	2	560900	560898
C19	UNDER DASH-A/C & HEAT SYST.	TC	10	561072	561110
C20	RR JCT BOX DIODES	AMP MNL	9	561670	561669
C21	LUGGAGE COMPT.-LOCK DOOR MOT.	PED	2	-----	562076
C22	ENGINE COMPT.-CYCLOP LT	PED WP	2	561566	561690
C26	UNDER INSTRUMENT.-PANEL RHEO.	TC	2	561030	560997
C29	FR SERVICE COMPT.-VIM FEED	PED WP	3	561781	561782
C32	RH CONSOLE-DRV TEMP SENSOR	BURNDY	3	-----	561104
C33	FRSERVICE COMPT. DDEC VSS	PED WP	2	561566	561690
C34	RH CONSOLE-DRV TEMP CTRL	BURNDY	6	-----	561103
C35	RECIRULATED AIR GRIL.-SENSER	BURNDY	3	-----	561104
C36	LH CONSOLE SW-CRUISE ON/OFF	SWF	8	-----	561107
C37	LH CONSOLE SW-CRUISE SET	SWF	8	-----	561107
C38	LH CONSOLE SW-CRUISE RESUME	SWF	8	-----	561107
C41	UNDER DASH-FLASHER UNIT	TC	2	-----	561940
C49	LAVATORY NIGHT LTS	AMP MNL	2	560900	560898
C50	RH CONSOLE-PAS. TEMP CTRL	BURNDY	6	-----	561103
C51	RH CONSOLE SW-A/C & HEAT	SWF	8	-----	561107
C52	ENGINE COMPT.-COMPRESSOR 05G	PED WP	2	561566	561690
C53	ENGINE COMPT.-COMPRESSOR 05G	PED WP	2	561566	561690
C54	ENGINE COMPT.-COMPRESSOR 05G	TC	1	560098	560697
C61	ENGINE COMPT.-FUEL FILTER	PED WP	2	561566	561690
C65	UNDER LH HAT RACK	MOLEX	4	561477	561476
C67	LH UNDER DASH-AMPLIF. RH SPK	BLAUPUNKT	2	561988	-----
C68	LH UNDER DASH-AMPLIF. RH SPK	BLAUPUNKT	2	561988	-----
C73	LH SW PANEL-MULTI FUNC. LEV.	AMP FF	8	561188	-----
C74	LH SW PANEL-MULTI FUNC. LEV.	AMP FF	6	-----	561108
C78	LUGGAGE COMPT.-DOOR LOCK 4 LH	AMP MNL	4	560851	560852
C79	LUGGAGE COMPT.-DOOR LOCK 4 RH	AMP MNL	4	560851	560852
C80	FR JCT PANEL-LUG. DOOR LOCK	AMP MNL	6	561552	561515
C81	LUGGAGE COMPT.-DOOR LOCK 1 LH	AMP MNL	4	560851	560852
C82	LUGGAGE COMPT.-DOOR LOCK 1 RH	AMP MNL	4	560851	560852
C83	UNDER DASH-FLASHER MODULE	TC	10	561072	561110
C84	UNDER DASH-A/C SYSTEM	TC	3	561091	561071
C85	LUGGAGE COMPT.-DOOR LOCK 3 RH	AMP MNL	4	560851	560852
C86	LUGGAGE COMPT.-DOOR LOCK 3 LH	AMP MNL	4	560851	560852
C88	RR END ROOF-CLEARANCE LTS	AMP MNL	2	560900	560898
C90	RR ROOF AUX. A/C THERMOST.	BURNDY	6	-----	561103
C91	RR ROOF AUX. A/C TMP SENSOR	BURNDY	6	-----	561104
C92	RR ROOF AUX. A/C FAN RH	TC	2	561030	560997
C93	RR ROOF AUX. A/C FAN LH	TC	2	561030	560997
C94	RR ROOF AUX. A/C FAN RES LH	AMP MNL	2	560900	560898
C95	RR ROOF AUX. A/C FAN RES RH	AMP MNL	2	560900	560898
C96	RR ROOF AUX. A/C LIO SOL VAL	TC	2	561030	560997
C97	RR ROOF AUX. A/C SHUT SOL VAL	AMPHENOL	2	-----	560412
C105	UNDER DASH RH-DRV LIO SOL VL	TC	2	561030	560997
C106	UNDER DASH RH-DRV WTR VALVE	TC	2	561030	560997
C107	UNDER DASH RH-DRV HTR RH FAN	TC	2	561030	560997
C108	UNDER DASH RH-DRV HTR LH FAN	TC	2	561030	560997
C111	LH CONSOLE SW-DRIVER'LTS	SWF	8	-----	561107

NO.	LOCATION	TYPE	(NB) CAVITY	*PIN HOUSING	*SOCKET HOUSING
C112	LH CONSOLE SW-GENERAL LTS	SWF	8	-----	561107
C114	ENGINE DDEC-SPEED SIGNAL	PED WP	2	561566	561590
C115	RR JCT BOX-ENGINE ACCES.	DEUTSCH	40	562281	562284
C116	DRIVE AXLE COMPT.-AIR DRYER	PED MP	2	-----	562251
C119	ENGINE COMPT.-LH LOWER LAMP	PED WP	6	561606	561607
C120	ENGINE COMPT.-LH LOWER LAMP	PED WP	6	561606	561607
C123	HAT RACK-BALLAST RH	AMP MNL	6	561552	561515
C123	HAT RACK-BALLAST RH	AMP MNL	6	561552	561515
C124	HAT RACK-FLUORESCENT	AMP MNL	4	561551	561668
C125	HAT RACK-FLUORESCENT	AMP MNL	4	561551	561668
C126	HAT RACK-READING LTS	AMP MNL	2	560900	560898
C130	LH CONSOLE SW-READING LTS	SWF	8	-----	561107
C131	LH CONSOLE SW-LUG.DOOR LOCK	SWF	8	-----	561107
C132	LH CONSOLE SW-PAS & HOS CHIME	SWF	8	-----	561107
C133	LH CONSOLE SW-JACOB OR RET.	SWF	8	-----	561107
C134	LH CONSOLE SW-GALLEY	SWF	8	-----	561107
C135	LH SW PANEL-ETHER	SWF	8	-----	561107
C136	LH CONSOLE SW-MIRROR HTR	SWF	8	-----	561107
C137	RH SW PANEL-HEAD LAMP	SWF	8	-----	561107
C138	RH SW PANEL-SPARE	SWF	8	-----	561107
C139	RH SW PANEL-FOG LAMP	SWF	8	-----	561107
C140	FR JCT PANEL-BAT. HI/LO	AMP MNL	2	560900	560898
C141	ENGINE COMPT.-B/UP ALARM	PED WP	2	561566	561590
C142	FR SERVICE CPT-LH MARKER LTS	ITT SS	3	561111	561080
C143	RR LH HAT RACK-FEEDING	AMP MNL	9	561661	561662
C144	RR RH HAT RACK-FEEDING	AMP MNL	9	561661	561662
C145	RH HAT RACK-BALLAST	AMP MNL	4	560851	560852
C146	FR SERVICE CPT-RH MARKER LTS	ITT SS	3	561111	561080
C147	RR ROOF LH-EMERGENCY EXIT LTS	AMP MNL	2	560900	560898
C148	RR ROOF RH-EMERGENCY EXIT LTS	AMP MNL	2	560900	560898
C149	LH HAT RACK-BALLAST	AMP MNL	4	560851	560852
C150	FR RH HAT RACK-110V FLUOR	AMP MNL	2	561248	561247
C151	FR LH HAT RACK-110V FLUOR	AMP MNL	2	561248	561247
C152	LH HAT RACK-GENERAL LTS	AMP MNL	3	561667	561550
C153	RH HAT RACK-GENERAL LTS	AMP MNL	3	561667	561550
C154	RH SW PANEL-HAZARD	SWF	8	-----	561107
C155	LH SW PANEL-FAST IDLE	SWF	8	-----	561107
C156	LH SW PANEL-STP ENG. OVER.	SWF	8	-----	561107
C158	RR ROOF AUX. A/C FEEDING	AMP MNL	3	561667	561550
C160	FR SERVICE CPT-INTERFACE	AMP CPC	37	561644	561646
C161	ENGINE DDEC III-ECM	PED	30	-----	561600
C162	ENGINE DDEC III-ACCESSORIES	PED WP	4	561610	561611
C163	ENGINE CPT-COOLANT PROBE	PED MP	2	-----	562350
C164	FR SERVICE JCT BOX	AMP CPC	22	561709	561710
C165	FR SERVICE JCT BOX	AMP CPC	16	561693	561695
C166	UNDER INSTRUMENT PANEL	AMP CPC	16	561639	561640
C167	FR SERVICE CPT-EL. FOOT PEDAL	PED WP	3	561781	561782
C168	FR SERVICE CPT-DDR	DEUTSCH	6	562360	-----
C169	FR SERVICE CPT-WORLD TR. VIW	AMP CPC	16	561638	561640
C172	ENGINE COMPT-WATER TANK HEAT.	PED WP	2	561566	561690
C173	LAV.POTABLE-WATER TANK HEAT.	AMP MNL	2	560900	560898
C175	FR SERV CPT-KNEELING FEEDING	PED WP	3	561781	561782
C177	GALLEY-REFRIGERATOR	AMP MNL	2	561248	561247
C179	RH HAT RACK-110V MONITOR	MOLEX	4	561477	561476 PRIOR REV 008
C181	FR SERV CPT-KNEELING MODULE	AMP MNL	12	561735	561734
C182	FR SERVICE CPT-SPEED SW	AMP HDP	15	-----	562012
C184	FR SERV CPT-KNEEL. MOD. CTRL	AMP MNL	3	-----	561550
C184	FR AXLE-KNEELING PROXIMITY SW	AMP MNL	3	561667	561550
C185	FR SERV CPT-KNEEL. MOD. EXH.	AMP MNL	3	-----	561550



NO.	LOCATION	TYPE	(NB) CAVITY	*PIN HOUSING	*SOCKET HOUSING
C187	FR SERV CPT-KNEEL. MOD. BRK	AMP MNL	3	-----	561550
C187	FR SERVICE JCT BOX-RESISTORS	AMP MNL	6	561552	561515
C188	LH CONSOLE SW-KNEELING	SWF	8	-----	561107
C190	FR SERVICE CPT.-WORLD TR VIM	PED WP	30	-----	561600
C192	GALLEY-FEEDING	AMP CPC	3	561862	561847
C194	GALLEY SW-CONTAINER RH	SWF	8	-----	561107
C195	GALLEY SW-CONTAINER LH	SWF	8	-----	561107
C199	FR SERV. JCT BOX-SERVICE BRK	AMP MNL	3	561667	561550
C200	LH CONSOLE SW-24V FLUOR	SWF	8	-----	561107
C201	UNDER INSTRUMENT PANEL	AMP MNL	2	560900	560898 PRIOR REV. 008
C202	UNDER INSTRUMENT PANEL	AMP CPC	9	561636	561637
C205	LH UNDER DASH-AMPLIF. LH SPK	BLAUPUNKT	2	561988	----- PRIOR REV. 008
C206	RH CONSOLE-FR DEFROSTER	TC	2	561030	560997
C207	RH CONSOLE-DRV RHEOSTAT	AMP MNL	6	561552	561515
C208	UNDER DASH-DRV HTR MODULE	AMP MNL	9	561670	561669
C209	UNDER DASH-DRV HTR MODULE	AMP MNL	9	561670	561669
C210	LH UNDER DASH-AMPLIF. LH SPK	BLAUPUNKT	2	561988	----- PRIOR REV. 008
C211	RH CONSOLE-VCR VOLUME	AMP MNL	4	561551	561668 PRIOR REV. 008
C212	LH CONSOLE SW-VCR VIDEO	SWF	8	-----	561107 PRIOR REV. 008
C213	FR ROOF-CLEARANCE LT	AMP MNL	2	560900	560898
C214	UNDER DASH PANEL-TACHOGRAPH	V.D.O.	8	-----	562041
C215	UNDER DASH PANEL-TACHOGRAPH	V.D.O.	8	-----	562043
C216	UNDER DASH PANEL-TACHOGRAPH	AMP MNL	4	560851	560852
C217	FR LH HAT RACK-SPEAKER	AMP MNL	4	561659	561660
C218	FR RH HAT RACK-SPEAKER	AMP MNL	4	561659	561660
C219	DASH RHEOSTAT-P.A. VOLUME	MOLEX	4	561477	561476 PRIOR REV. 008
C220	LH UNDER DASH-P.A. VOLUME	AMP MNL	3	561667	561550 PRIOR REV. 008
C221	LH UNDER DASH-AMPLIFIER FEED	AMP MNL	3	561550	561667 PRIOR REV. 008
C222	LH UNDER DASH-P.A. RADIO	AMP MNL	9	561670	561669 PRIOR REV. 008
C223	LH UNDER DASH-P.A. RADIO	AMP MNL	9	561670	561669 PRIOR REV. 008
C224	LH UNDER DASH-PA & RADIO FEED	AMP MNL	6	561552	561515 PRIOR REV. 008
C225	LH UNDER DASH-PA MICRO OUTLET	AMP MNL	3	561667	561550 PRIOR REV. 008
C226	LH UNDER DASH-PA MICRO OUTLET	AMP MNL	3	561667	561550 PRIOR REV. 008
C227	RH CONSOLE-SPEAKER CONTROL SW	SWF	8	-----	561107 PRIOR REV. 008
C229	LH UNDER DASH-PA DRV SPEAKERS	AMP MNL	4	561551	561668 PRIOR REV. 008
C230	ENG.CPT.-FUEL PRIME PUMP SW.	PED WP	2	561566	561690
C231	ENG.CPT.-FUEL PRIME PUMP	PED WP	2	561566	561690
C232	LAST LUGGAGE-INVERTER	AMP MNL	4	561551	561668 PRIOR REV. 008
C233	MICRO OUTLET SOCKET	MOLEX	4	561477	561476 PRIOR REV. 008
C234	UNDER INSTRUMENT PANEL-VDO	AMP MNL	4	560851	560852 PRIOR REV. 008
C234	UNDER INSTRUMENT PANEL-VDO	AMP FF	8	-----	562363 PRIOR REV. 008
C235	UNDER INSTRUMENT PANEL-VDO	AMP MNL	4	560851	560852 PRIOR REV. 008
C235	UNDER INSTRUMENT PANEL-VDO	AMP FF	8	-----	562363 PRIOR REV. 008
C236	FR SERVICE CPT CENTER-ABS	AMP CPC	14	561585	561583
C237	FR AXLE CPT-ABS RH SENSOR	WABCO	2	641132	-----
C238	FR AXLE CPT-ABS RH VALVE	WABCO	3	-----	641098
C239	FR AXLE CPT-ABS LH VALVE	WABCO	3	-----	641098
C240	FR AXLE CPT-ABS LH SENSOR	WABCO	2	641132	-----
C241	DRIVE AXLE CPT-ABS	PED WP	6	561606	561607
C242	DRIVE AXLE CPT-ABS LH SENSOR	DEUTSCH	2	562486	562485
C243	DRIVE AXLE CPT-ABS LH VALVE	WABCO	3	-----	641098
C244	DRIVE AXLE CPT-ABS RH VALVE	WABCO	3	-----	641098
C245	DRIVE AXLE CPT-ABS RH SENSOR	DEUTSCH	2	562486	562485
C246	DRIVE AXLE CPT-ABS SPARE	PED WP	4	561610	561611
C247	FR SERVICE CPT-ABS MODULE	WABCO	35	-----	561094
C248	DRIVE AXLE CPT-ABS	PED WP	6	561606	561607
C249	FR SERVICE CPT-ABS/DDEC	PED WP	2	561566	561690
C250	RH SW PANEL-B/UP CANCEL	SWF	8	-----	561107

NO.	LOCATION	TYPE	(NB) CAVITY	*PIN HOUSING	*SOCKET HOUSING
C251	RH SW PANEL-SEAT HTR	SWF	8	-----	561107
C252	LH SW PANEL-SWITCH LT	SWF	2	-----	561837
C254	FR SERVICE JCT BOX-ABS	AMP CPC	16	561693	561695
C255	RH CONSOLE-RADIO	AMP MNL	9	561670	561669 PRIOR REV 008
C257	ENGINE COMPT-WATER HEATER	AMP FF	6	-----	561186
C258	DRIVER GUARD WATER HTR TIMER	AMP FF	8	561188	562363
C259	ENGINE COMPT-WATER HEATER	TC	2	561597	-----
C260	ENGINE COMPT-WATER HEATER	TC	1	561073	-----
C261	ENGINE COMPT-WATER HEATER	TC	2	561597	-----
C267	LUGGAGE COMPT. LTS - 1	AMP MNL	2	561248	561247
C268	LUGGAGE COMPT. LTS - 2	AMP MNL	2	561248	561247
C269	LUGGAGE COMPT. LTS - 3 RH	AMP MNL	2	561248	561247
C270	LUGGAGE COMPT. LTS - 3 LH	AMP MNL	2	561248	561247
C271	LUGGAGE COMPT. LTS - 4	AMP MNL	2	561248	561247
C272	FR SERVICE CPT LTS	AMP MNL	2	561248	561247
C274	FR JCT PANEL-DIODES	AMP MNL	15	561987	561986
C276	FR JCT PANEL-ALARM BUZZER	BOSCH	5	-----	561183
C281	LH CONSOLE-FR. DEST. SIGN.	SWF	2	-----	561837
C282	FR ROOF-DEST. SIGN.	AMP CPC	9	561636	561637
C290	LUGGAGE CPT-DOOR LOCK	AMP MNL	4	560851	560852
C291	LUGGAGE CPT-DOOR LOCK	AMP MNL	4	560851	560852
C292	LUGGAGE CPT-DOOR LOCK	AMP MNL	4	560851	560852
C293	WIPER MOTOR	AMP FF	6	-----	561186
C294	UNDER DASH-WIPER SYST. FEED	AMP MNL	6	561552	561515
C295	UNDER DASH-WIPER PULSE GEN.	AMP FF	6	-----	561186
C296	FR SERVICE CPT-HEAD LTS	ITT SS	3	561111	561080
C298	FR LH HAT RACK-AMPLI	MOLEX	6	-----	562464 PRIOR REV 008
C299	FR LH HAT RACK-AMPLI	MOLEX	10	-----	562465 PRIOR REV 008
C302	UNDER DASH-FLASHER MODULE	AMP MNL	2	560900	560898
C309	ENGINE DDEC III-ECM POWER	PED WP	5	-----	562345
C312	ENGINE DDEC III-ECM SIGNAL	PED WP	3	561781	561782
C313	ENGINE DDEC III-OUTPUT	PED WP	4	562398	-----
C314	FR SERVICE CPT-PRESS.SW KNEEL	PED WP	2	561566	561690
C315	FR SERVICE CPT-KNEEL. ALARM	PED WP	2	561566	561690
C316	FR SERVICE CPT-KNEEL. ALARM	AMP MNL	2	560900	560898
C326	ENGINE DDEC III- MANUAL TR.	PED WP	4	561610	561611
C364	FR ROOF-DESTINATION SIGN	AMP MNL	3	561667	561550
C365	FR ROOF-DESTINATION SIGN	AMP MNL	2	560900	560898
C368	FR ROOF-DEST. SIGN BALLAST	AMP MNL	3	561667	561550
C369	FR ROOF-DEST. SIGN OPER. SW.	TORRIX	5	-----	562110
C370	FR ROOF-DEST. SIGN FLUOR.	AMP MNL	2	560900	560898
C371	FR ROOF-DEST. SIGN FLUOR.	AMP MNL	2	560900	560898
C372	FR ROOF-DEST. SIGN SPEED SW.	MOLEX	4	561477	561476
C382	ENGINE GENERATOR 12 VAC RLY	PED WP	1	561605	561577
C383	LH UNDER DASH-MICRO W/O WIRE	AMP MNL	2	561248	561247 PRIOR REV 008
C384	LH UNDER DASH-MICRO W/O WIRE	AMP MNL	3	561550	561667 PRIOR REV 008
C385	EVAPORATOR CPT-WATER PUMP	PED WP	2	561566	561590
C386	EVAPORATOR CPT-BYPASS VALVE	PED WP	2	561566	561590
C387	CONDENSER CPT-FAN PRES. SW.	PED WP	2	561566	561590
C394	LH OVER CONSOLE - B/U MONITOR	AMP MNL	4	560851	560852
C395	LH OVER CONSOLE - B/U MONITOR	AMP	5	-----	-----
C396	HAT RACK SPEAKER	MOLEX	4	562507	562503
C400	ENGINE CPT.BLOCK HEATER	PED WP	3	561781	561782
C426	ENGINE S60 RAD. FAN CLUTCH	PED WP	3	561781	561782
C430	DRIVER GUARD WATER HTR TIMER	AMP FF	8	561188	562363

NO.	LOCATION	TYPE	(NB) CAVITY	*PIN HOUSING	*SOCKET HOUSING
C450	SOUND SYS. JCT. PANEL	MOLEX	4	562507	562503
C451	WIRELESS MICRO-FIRST CPT BAG	MOLEX	2	562550	562549
C452	UNDER DASH INSTR. PANEL	MOLEX	2	562550	562549
C453	SOUND SYS. JCT.PANEL-VCP	PED WP	2	561566	561590
C454	SOUND SYS. JCT.PAN.-FILT. VCP	PED WP	2	561566	561590
C455	WIRELESS MICRO-LH HAT-RACK	CINCH	2	562554	562551
C456	WORLD TRANSM.-RETARDER ACCUM.	PED MP	2	-----	562427
C457	WORLD TRANSM.-MAIN CONNECTOR	DEUTSCH	31	562572	562536
C458	WORLD TRANSM.-TURBINE SP.SENS	PED MP	2	-----	562426
C459	WORLD TRANSM.-ENGINE SP.SENS.	PED MP	2	-----	562426
C460	WORLD TRANSM.-SPEED SENSOR	ITT	2	-----	562541
C461	WORLD TRANSM.-RETARDER TEMP.	PED MP	2	561566	561590
C462	WORLD TRANSM.-RETARD SOL."K"	PED MP	2	-----	562426
C463	WORLD TRANSM.-SENSOR CONN.	DEUTSCH	16	562570	562571
C464	FR SERVICE CPT.-DDL CONN W.T.	PED MP	12	-----	562574
C465	LH CONSOLE-SHIFTER SELECTOR	T & BET	10	-----	562429
C466	FR SERVICE CPT.-RESIS. MOD.	PED WP	3	-----	562428
C467	FR SERVICE CPT.-RESIS. MOD.	PED WP	3	-----	562428
C468	FR SERVICE CPT.-VIM MOD. W.T.	PED MP	18	-----	562573
C470	FR SERVICE CPT.-SILENT 1000	AMP MNL	2	561248	561247
C471	FR SERVICE CPT.-SILENT 1000	AMP MNL	2	561248	561247
C472	FR SERVICE CPT.-SILENT 1000	PED WP	2	561566	561690
C473	FR SERVICE CPT.-SILENT 1000	AMP MNL	3	561667	561550
C475	FR SERVICE CPT-SPEED SIGN CON	DEUTSCH	6	-----	562581
C475M	FR SERVICE CPT-SPEED SIGN M.T	DEUTSCH	6	562583	-----
C475W	FR SERVICE CPT-SPEED SIGN W.T	DEUTSCH	6	562583	-----
C500	FR JCT PANEL-PRODRIVER	MOLEX	6	562070	562069
C501	RH CONSOLE-PRODRIVER	PED MP	7	562433	-----
C502	DRIVER GUARD PRE-HTR SW.	SWF	8	-----	561107
C503	DRIVER GUARD PRE-HTR SW.	SWF	2	-----	561837
C504	DRIVER GUARD WEBASTO TIMER	AMP FF	8	561188	562363
C505	DRIVER GUARD ESPAR TIMER	AMP FF	3	-----	562034
C508	RR JCT BOX-MOD.FAN CLUTCH	AMP MNL	6	561552	561515
CA	FR SERVICE CPT-ECU WORLD TR.	T & BET	34	-----	562419
CB	FR SERVICE CPT-ECU WORLD TR.	T & BET	34	-----	562420

NO.	LOCATION	TYPE	(NB) CAVITY	*PIN HOUSING	*SOCKET HOUSING
-----	----------	------	----------------	-----------------	--------------------











Table with columns: No., LOGARITH, TYPE, GAVITY, POINTS, POINTS. Contains wiring codes for components like WINDHOLE, WINDHOLE, WINDHOLE, etc.

Table with columns: No., LOGARITH, TYPE, GAVITY, POINTS, POINTS. Contains wiring codes for components like WINDHOLE, WINDHOLE, WINDHOLE, etc.

Table with columns: No., LOGARITH, TYPE, GAVITY, POINTS, POINTS. Contains wiring codes for components like WINDHOLE, WINDHOLE, WINDHOLE, etc.

Table with columns: No., LOGARITH, TYPE, GAVITY, POINTS, POINTS. Contains wiring codes for components like WINDHOLE, WINDHOLE, WINDHOLE, etc.

Table with columns: No., LOGARITH, TYPE, GAVITY, POINTS, POINTS. Contains wiring codes for components like WINDHOLE, WINDHOLE, WINDHOLE, etc.

Table with columns: No., LOGARITH, TYPE, GAVITY, POINTS, POINTS. Contains wiring codes for components like WINDHOLE, WINDHOLE, WINDHOLE, etc.



# PLOTTAGE = 3.18:1

DIODE CODE (D)

Page H : 1

DIODE CODE (D)

Page H : 1

NO.	PAGE	AMP	*PREVOST	LOCATION	FUNCTION
D1	5	3A	561740	FR JCT PANEL	PRIMARY LO-AIR SONALERT
D2	5	3A	561740	FR JCT PANEL	SECONDARY LO-AIR SONALERT
D3	15	3A	063849	FR JCT PANEL	A/C & HEAT CONTROL SW
D4	15	3A	063849	FR JCT PANEL	WATER HEATER ON SIGNAL
D5	15	3A	060798	BATT.JCT PANEL	CONDENSER FAN RLY SUPPRESSOR
D6	15	3A	060798	BATT.JCT PANEL	EVAPORATOR FAN RLY SUPPRESSOR
D7	15	3A	560931	BATT.JCT PANEL	WATER VALVE SUPPRESSOR
D8	15	3A	560931	BATT.JCT PANEL	BYPASS VALVE SUPPRESSOR
D9	14	3A	561740	CHIME	CHIME SUPPRESSOR
D10	21	3A	062120	FR JCT PANEL	KNEELING SYSTEM FEED BACK
D11	7	3A	062120	FR JCT PANEL	FR RH. SIDE DIRECTIONNAL LTS
D12	21	3A	062588	FR SERVICE CPT	KNEELING SYSTEM
D13	21	3A	062588	FR SERVICE CPT	KNEELING SYSTEM
D14	21	3A	062588	FR SERVICE CPT	KNEELING SYSTEM
D15	31	3A	561740	FR DEST. SIGN	FR. DESTINATION SIGN
D16	31	3A	561740	FR DEST. SIGN	FR. DESTINATION SIGN
D17	7	3A	561740	FR JCT PANEL	HAZARD LH
D18	7	3A	561740	FR JCT PANEL	HAZARD RH
D19	6	3A	561740	FR JCT PANEL	DAYTIME RUNNING LTS
D20	6	3A	561740	FR JCT PANEL	DAYTIME RUNNING LTS
D21	7	3A	561740	UNDER DASH	AUDIBLE FLASHER RLY LH
D22	7	3A	561740	UNDER DASH	AUDIBLE FLASHER RLY RH
D60	16	3A	561740	RR JCT BOX	AUX. A/C COMPRESSOR CLUTCH
D61	15&16	3A	561740	RR JCT BOX	A/C COMPRESSOR CLUTCH
D78	17	3A	561740	LH CONSOLE	WATER HEATER TIMER & SW
D79	17	3A	561740	LH CONSOLE	WATER HEATER TIMER & SW

NO. PAGE AMP \*PREVOST LOCATION FUNCTION

# PLOTTAGE = 3.18:1

DIODE CODE (D)

Page H :1

DIODE CODE (D)

Page H :1

NO.	PAGE	AMP	*PREVOST	LOCATION	FUNCTION
D1	5	3A	561740	FR JCT PANEL	PRIMARY LO-AIR SONALERT
D2	5	3A	561740	FR JCT PANEL	SECONDARY LO-AIR SONALERT
D3	15	3A	063849	FR JCT PANEL	A/C & HEAT CONTROL SW
D4	15	3A	063849	FR JCT PANEL	WATER HEATER ON SIGNAL
D5	15	3A	060798	BATT.JCT PANEL	CONDENSER FAN RLY SUPPRESSOR
D6	15	3A	060798	BATT.JCT PANEL	EVAPORATOR FAN RLY SUPPRESSOR
D7	15	3A	560931	BATT.JCT PANEL	WATER VALVE SUPPRESSOR
D8	15	3A	560931	BATT.JCT PANEL	BYPASS VALVE SUPPRESSOR
D9	14	3A	561740	CHIME	CHIME SUPPRESSOR
D10	21	3A	062120	FR JCT PANEL	KNEELING SYSTEM FEED BACK
D11	7	3A	062120	FR JCT PANEL	FR RH. SIDE DIRECTIONNAL LTS
D12	21	3A	062588	FR SERVICE CPT	KNEELING SYSTEM
D13	21	3A	062588	FR SERVICE CPT	KNEELING SYSTEM
D14	21	3A	062588	FR SERVICE CPT	KNEELING SYSTEM
D15	31	3A	561740	FR DEST. SIGN	FR. DESTINATION SIGN
D16	31	3A	561740	FR DEST. SIGN	FR. DESTINATION SIGN
D17	7	3A	561740	FR JCT PANEL	HAZARD LH
D18	7	3A	561740	FR JCT PANEL	HAZARD RH
D19	6	3A	561740	FR JCT PANEL	DAYTIME RUNNING LTS
D20	6	3A	561740	FR JCT PANEL	DAYTIME RUNNING LTS
D21	7	3A	561740	UNDER DASH	AUDIBLE FLASHER RLY LH
D22	7	3A	561740	UNDER DASH	AUDIBLE FLASHER RLY RH
D60	16	3A	561740	RR JCT BOX	AUX. A/C COMPRESSOR CLUTCH
D61	15&16	3A	561740	RR JCT BOX	A/C COMPRESSOR CLUTCH
D78	17	3A	561740	LH CONSOLE	WATER HEATER TIMER & SW
D79	17	3A	561740	LH CONSOLE	WATER HEATER TIMER & SW
D81	21	3A	062588	FR SERVICE CPT	KNEELING ALARM
D82	21	3A	062588	FR SERVICE CPT	KNEELING ALARM
D83	9	3A	561740	RR JCT BOX	FAN CLUTCH W/RETARDER

NO.	PAGE	AMP	*PREVOST	LOCATION	FUNCTION
-----	------	-----	----------	----------	----------

NO.	PAGE	AMP	•PREVOST	LOCATION	FUNCTION
D1	5	3A	561740	FR JCT PANEL	PRIMARY LO-AIR SONALERT
D2	5	3A	561740	FR JCT PANEL	SECONDARY LO-AIR SONALERT
D3	15	3A	063849	FR JCT PANEL	A/C & HEAT CONTROL SW
D4	15	3A	063849	FR JCT PANEL	WATER HEATER ON SIGNAL
D5	15	3A	060798	BATT.JCT PANEL	CONDENSER FAN RLY SUPPRESSOR
D6	15	3A	060798	BATT.JCT PANEL	EVAPORATOR FAN RLY SUPPRESSOR
D7	15	3A	560931	BATT.JCT PANEL	WATER VALVE SUPPRESSOR
D8	15	3A	560931	BATT.JCT PANEL	BYPASS VALVE SUPPRESSOR
D9	14	3A	561740	CHIME	CHIME SUPPRESSOR
D10	21	3A	062120	FR JCT PANEL	KNEELING SYSTEM FEED BACK
D11	7	3A	062120	FR JCT PANEL	FR RH. SIDE DIRECTIONNAL LTS
D12	21	3A	062588	FR SERVICE CPT	KNEELING SYSTEM
D13	21	3A	062588	FR SERVICE CPT	KNEELING SYSTEM
D14	21	3A	062588	FR SERVICE CPT	KNEELING SYSTEM
D15	31	3A	561740	FR DEST. SIGN	FR. DESTINATION SIGN
D16	31	3A	561740	FR DEST. SIGN	FR. DESTINATION SIGN
D17	7	3A	561740	FR JCT PANEL	HAZARD LH
D18	7	3A	561740	FR JCT PANEL	HAZARD RH
D19	6	3A	561740	FR JCT PANEL	DAYTIME RUNNING LTS
D20	6	3A	561740	FR JCT PANEL	DAYTIME RUNNING LTS
D21	7	3A	561740	UNDER DASH	AUDIBLE FLASHER RLY LH
D22	7	3A	561740	UNDER DASH	AUDIBLE FLASHER RLY RH
D60	16	3A	561740	RR JCT BOX	AUX. A/C COMPRESSOR CLUTCH
D61	15&16	3A	561740	RR JCT BOX	A/C COMPRESSOR CLUTCH
D78	17	3A	561740	LH CONSOLE	WATER HEATER TIMER & SW
D79	17	3A	561740	LH CONSOLE	WATER HEATER TIMER & SW
D81	21	3A	062588	FR SERVICE CPT	KNEELING ALARM
D82	21	3A	062588	FR SERVICE CPT	KNEELING ALARM
D83	9	3A	561740	RR JCT BOX	FAN CLUTCH W/RETARDER
D84	1	3A	060798	RR JCT BOX	STARTER - SUPPRESSOR COIL RLY

## RELAYS CODE (R)

Page 1:1

NO.	PAGE	COIL V	*PREVOST	LOCATION	FUNCTION
R1	2	24V	561991	FR JCT PANEL	ENGINE RUN (24) FR
R2	2	24V	561991	FR JCT PANEL	ENGINE RUN (12) FR
R3	1	24V	561707	BAT.JCT.PANEL	FIELD RELAY
R4	1	24V	561005	RR JCT BOX	STARTING MOTOR
R9	8	24V	561707	RR JCT BOX	BACK-UP LTS
R12	5	12V	562092	FR JCT PANEL	ELECTRICAL HORNS
R13	6	24V	561707	FR JCT PANEL	FOG LTS
R14	6	24V	561707	FR JCT PANEL	NIGHT'S BLINKER
R15	6	24V	561707	FR JCT PANEL	FR MARKER LTS
R16	6	24V	561707	FR JCT PANEL	IDENT. & CLEARANCE LTS
R17	6	24V	561707	RR JCT BOX	TAIL,LICENCE,MARKER-RR LTS
R18	6	24V	561707	FR JCT PANEL	DAYTIME RUN LTS-CANCEL
R19	6	24V	561707	FR JCT PANEL	HI-BEAM
R20	6	24V	561707	FR JCT PANEL	LO-BEAM
R22	3	24V	561707	FR SERV JCT BOX	DDEC III FAST IDLE SIGNAL
R23	3	24V	561707	RR JCT BOX	DDEC III 12V IGNITION
R24	4	24V	561707	BAT JCT PANEL	WORLD TRANSMISSION 12V IGN.
R25	3	24V	561707	FR SERV JCT BOX	BRAKE SW-DDEC CRUISE CTR
R26	8	24V	561707	RR JCT BOX	STOP LTS
R27	27	24V	560407	GALLEY	GALLEY CHARGER
R28	27	24V	561014	GALLEY	GALLEY CHARGER
R29	15	24V	561005	BAT JCT PANEL	A/C CONDENSER FAN
R30	15	24V	561005	BAT JCT PANEL	A/C EVAPORATOR FAN
R31	15	24V	561707	BAT JCT PANEL	A/C WATER PUMP
R32	1	24V	561991	BAT JCT PANEL	12V RR CUT-IN RLY
R33	15	12V	561538	FR JCT PANEL	A/C BLOWER CUT-IN
R34	15	24V	561707	RR JCT BOX	A/C WARNING LT
R35	15	24V	561707	FR JCT BOX	A/C WATER VALVE
R36	16	24V	561707	RR JCT BOX	AUX. A/C COMPRESSOR CLUTCH
R37	1	24V	561707	RR JCT BOX	GENERATOR-12VAC RLY SIGN
R38	16	24V	561707	RR JCT BOX	AUX. A/C FAN MOTOR
R39	13	24V	561707	RR JCT BOX	24V FLUORESCENT
R42	1	24V	561991	BAT JCT PANEL	12V FRONT CUT-IN RLY
R43	15	24V	561707	FR JCT BOX	WATER HEATER-BYPASS VALVE
R44	1	24V	561991	BAT JCT PANEL	12V FRONT CUT-IN RLY
R45	12	24V	561707	RR JCT BOX	READING LTS
R46	7	24V	561707	UNDER INST PANEL	LH DIRECTIONNAL LTS
R47	7	24V	561707	UNDER INST PANEL	RH DIRECTIONNAL LTS
R49	24	24V	561707	FR SERV JCT BOX	ABS - SERVICE BRAKE RLY
R50	24	24V	561707	FR SERV JCT BOX	ABS - VR2 RLY
R51	24	24V	561707	FR SERV JCT BOX	ABS - WARNING RLY
R52	24	24V	561707	FR SERV JCT BOX	ABS - VR1 RLY
R53	2	24V	561991	RR JCT BOX	ENGINE RUN 24V RR
R54	2	24V	561991	RR JCT BOX	ENGINE RUN 12V RR
R57	6	24V	561707	FR JCT PANEL	DAY'S BLINKER
R60	6	12V	561538	FR JCT PANEL	DAYTIME RUN LTS
R62	7	24V	561707	BEHIND RH CONS	RH CORNERING
R63	7	24V	561707	BEHIND RH CONS	LH CORNERING
R66	19	24V	562341	RR JCT BOX	UNLOAD TAG-TIME DELAY OFF
R67	19	24V	561707	RR JCT BOX	UNLOAD TAG SYSTEM
R69	22	12V	562092	FR JCT PANEL	LUGG DOOR LOCK
R70	22	12V	562092	FR JCT PANEL	LUGG DOOR UNLOCK
R71	22	12V	562092	FR JCT PANEL	LUGG DOOR LOCK TT LT
R72	11	24V	561707	FR JCT PANEL	DASH EMERGENCY AISLE-LTS
R73	28-29	24V	561557	FR JCT PANEL	SOUND SYSTEM
R74	22	12V	562092	RR JCT BOX	LUGG DOOR LOCK
R75	22	12V	562092	RR JCT BOX	LUGG DOOR UNLOCK
R76	8	24V	561707	RR JCT BOX	STOP LTS-ENG. BRK & RET. SYST.

## RELAYS CODE (R)

Page 1:1

NO.	PAGE	COIL V	*PREVOST	LOCATION	FUNCTION
R77	7	12V	562092	UNDER DASH	AUDIBLE FLASHER RLY
R78	5	24V	561707	RR JCT BOX	DDEC3 FAN CONTROL SPEED*1
R79	5	24V	561707	RR JCT BOX	DDEC3 FAN CONTROL SPEED*2
R80	23	24V	561707	FR SERV JCT BOX	ENGINE BRAKE SYSTEM-WT CONTROL
R81	23	24V	561707	FR SERV JCT BOX	ENGINE BRAKE SYSTEM-WT CONTROL
R82	23	24V	561707	FR SERV JCT BOX	RETARDER SYSTEM
R83	17	24V	561707	RR JCT BOX	WATER HEATER WEBASTO-PUMP
R84	16	24V	561707	RR JCT BOX	AUX. A/C RAD. FAN CLUTCH CTRL
R86	21	24V	561707	FR SERVICE CPT	KNEELING SYSTEM
R87	21	24V	561707	FR SERVICE CPT	KNEELING SYSTEM
R88	21	24V	561707	FR SERVICE CPT	KNEELING SYSTEM
R91	30	24V	561707	FR JCT PANEL	VIDEO SYSTEM & TV RECEIVER

## RELAYS CODE (R)

Page 1:1

NO.	PAGE	COIL V	*PREVOST	LOCATION	FUNCTION
R1	2	24V	561991	FR JCT PANEL	ENGINE RUN (24) FR
R2	2	24V	561991	FR JCT PANEL	ENGINE RUN (12) FR
R3	1	24V	561707	BAT.JCT.PANEL	FIELD RELAY
R4	1	24V	561005	RR JCT BOX	STARTING MOTOR
R9	8	24V	561707	RR JCT BOX	BACK-UP LTS
R12	5	12V	562092	FR JCT PANEL	ELECTRICAL HORNS
R13	6	24V	561707	FR JCT PANEL	FOG LTS
R14	6	24V	561707	FR JCT PANEL	NIGHT'S BLINKER
R15	6	24V	561707	FR JCT PANEL	FR MARKER LTS
R16	6	24V	561707	FR JCT PANEL	IDENT. & CLEARANCE LTS
R17	6	24V	561707	RR JCT BOX	TAIL,LICENCE,MARKER-RR LTS
R18	6	24V	561707	FR JCT PANEL	DAYTIME RUN LTS-CANCEL
R19	6	24V	561707	FR JCT PANEL	HI-BEAM
R20	6	24V	561707	FR JCT PANEL	LO-BEAM
R22	3	24V	561707	FR SERV JCT BOX	DDEC III FAST IDLE SIGNAL
R23	3	24V	561707	RR JCT BOX	DDEC III 12V IGNITION
R24	4	24V	561707	BAT JCT PANEL	WORLD TRANSMISSION 12V IGN.
R25	3	24V	561707	FR SERV JCT BOX	BRAKE SW-DDEC CRUISE CTR
R26	8	24V	561707	RR JCT BOX	STOP LTS
R27	27	24V	560407	GALLEY	GALLEY CHARGER
R28	27	24V	561014	GALLEY	GALLEY CHARGER
R29	15	24V	561005	BAT JCT PANEL	A/C CONDENSER FAN
R30	15	24V	561005	BAT JCT PANEL	A/C EVAPORATOR FAN
R31	15	24V	561707	BAT JCT PANEL	A/C WATER PUMP
R32	1	24V	561991	BAT JCT PANEL	12V RR CUT-IN RLY
R33	15	12V	561538	FR JCT PANEL	A/C BLOWER CUT-IN
R34	15	24V	561707	RR JCT BOX	A/C WARNING LT
R35	15	24V	561707	FR JCT BOX	A/C WATER VALVE
R36	16	24V	561707	RR JCT BOX	AUX. A/C COMPRESSOR CLUTCH
R37	1	24V	561707	RR JCT BOX	GENERATOR-12VAC RLY SIGN
R38	16	24V	561707	RR JCT BOX	AUX. A/C FAN MOTOR
R39	13	24V	561707	RR JCT BOX	24V FLUORESCENT
R42	1	24V	561991	BAT JCT PANEL	12V FRONT CUT-IN RLY
R43	15	24V	561707	FR JCT BOX	WATER HEATER-BYPASS VALVE
R44	1	24V	561991	BAT JCT PANEL	12V FRONT CUT-IN RLY
R45	12	24V	561707	RR JCT BOX	READING LTS
R46	7	24V	561707	UNDER INST PANEL	LH DIRECTIONNAL LTS
R47	7	24V	561707	UNDER INST PANEL	RH DIRECTIONNAL LTS
R49	24	24V	561707	FR SERV JCT BOX	ABS - SERVICE BRAKE RLY
R50	24	24V	561707	FR SERV JCT BOX	ABS - VR2 RLY
R51	24	24V	561707	FR SERV JCT BOX	ABS - WARNING RLY
R52	24	24V	561707	FR SERV JCT BOX	ABS - VR1 RLY
R53	2	24V	561991	RR JCT BOX	ENGINE RUN 24V RR
R54	2	24V	561991	RR JCT BOX	ENGINE RUN 12V RR
R57	6	24V	561707	FR JCT PANEL	DAY'S BLINKER
R60	6	12V	561538	FR JCT PANEL	DAYTIME RUN LTS
R62	7	24V	561707	BEHIND RH CONS	RH CORNERING
R63	7	24V	561707	BEHIND RH CONS	LH CORNERING
R66	19	24V	562341	RR JCT BOX	UNLOAD TAG-TIME DELAY OFF
R67	19	24V	561707	RR JCT BOX	UNLOAD TAG SYSTEM
R69	22	12V	562092	FR JCT PANEL	LUGG DOOR LOCK
R70	22	12V	562092	FR JCT PANEL	LUGG DOOR UNLOCK
R71	22	12V	562092	FR JCT PANEL	LUGG DOOR LOCK TT LT
R72	11	24V	561707	FR JCT PANEL	DASH EMERGENCY AISLE-LTS
R73	28-29	24V	561557	FR JCT PANEL	SOUND SYSTEM
R74	22	12V	562092	RR JCT BOX	LUGG DOOR LOCK
R75	22	12V	562092	RR JCT BOX	LUGG DOOR UNLOCK
R76	8	24V	561707	RR JCT BOX	STOP LTS-ENG. BRK & RET. SYST.

## RELAYS CODE (R)

Page 1:1

NO.	PAGE	COIL V	*PREVOST	LOCATION	FUNCTION
R77	7	12V	562092	UNDER DASH	AUDIBLE FLASHER RLY
R78	5	24V	561707	RR JCT BOX	DDEC3 FAN CONTROL SPEED#1
R79	5	24V	561707	RR JCT BOX	DDEC3 FAN CONTROL SPEED#2
R80	23	24V	561707	FR SERV JCT BOX	ENGINE BRAKE SYSTEM-WT CONTROL
R81	23	24V	561707	FR SERV JCT BOX	ENGINE BRAKE SYSTEM-WT CONTROL
R82	23	24V	561707	FR SERV JCT BOX	RETARDER SYSTEM
R83	17	24V	561707	RR JCT BOX	WATER HEATER WEBASTO-PUMP
R84	16	24V	561707	RR JCT BOX	AUX. A/C RAD. FAN CLUTCH CTRL
R86	21	24V	561707	FR SERVICE CPT	KNEELING SYSTEM
R87	21	24V	561707	FR SERVICE CPT	KNEELING SYSTEM
R88	21	24V	561707	FR SERVICE CPT	KNEELING SYSTEM
R91	30	24V	561707	FR JCT PANEL	VIDEO SYSTEM & TV RECEIVER
R99	9	24V	561707	RR JCT BOX	RADIATOR FAN CLUTCH
RF1	9	24V	561707	RR JCT BOX	FAN CLUTCH W. A/C OR RET.SP#1
RF2	9	24V	561707	RR JCT BOX	FAN CLUTCH W. A/C OR RET.SP#2
RF3	9	24V	560772	RR JCT BOX	TIME DELAY

## RELAYS CODE (R)

Page 1:1

NO.	PAGE	COIL V	*PREVOST	LOCATION	FUNCTION
R1	2	24V	561991	FR JCT PANEL	ENGINE RUN (24) FR
R2	2	24V	561991	FR JCT PANEL	ENGINE RUN (12) FR
R3	1	24V	561707	BAT.JCT.PANEL	FIELD RELAY
R4	1	24V	561005	RR JCT BOX	STARTING MOTOR
R9	8	24V	561707	RR JCT BOX	BACK-UP LTS
R12	5	12V	562092	FR JCT PANEL	ELECTRICAL HORNS
R13	6	24V	561707	FR JCT PANEL	FOG LTS
R14	6	24V	561707	FR JCT PANEL	NIGHT'S BLINKER
R15	6	24V	561707	FR JCT PANEL	FR MARKER LTS
R16	6	24V	561707	FR JCT PANEL	IDENT. & CLEARANCE LTS
R17	6	24V	561707	RR JCT BOX	TAIL,LICENCE,MARKER-RR LTS
R18	6	24V	561707	FR JCT PANEL	DAYTIME RUN LTS-CANCEL
R19	6	24V	561707	FR JCT PANEL	HI-BEAM
R20	6	24V	561707	FR JCT PANEL	LO-BEAM
R22	3	24V	561707	FR SERV JCT BOX	DDEC III FAST IDLE SIGNAL
R23	3	24V	561707	RR JCT BOX	DDEC III 12V IGNITION
R24	4	24V	561707	BAT JCT PANEL	WORLD TRANSMISSION 12V IGN.
R25	3	24V	561707	FR SERV JCT BOX	BRAKE SW-DDEC CRUISE CTR
R26	8	24V	561707	RR JCT BOX	STOP LTS
R27	27	24V	560407	GALLEY	GALLEY CHARGER
R28	27	24V	561014	GALLEY	GALLEY CHARGER
R29	15	24V	561005	BAT JCT PANEL	A/C CONDENSER FAN
R30	15	24V	561005	BAT JCT PANEL	A/C EVAPORATOR FAN
R31	15	24V	561707	BAT JCT PANEL	A/C WATER PUMP
R32	1	24V	561991	BAT JCT PANEL	12V RR CUT-IN RLY
R33	15	12V	561538	FR JCT PANEL	A/C BLOWER CUT-IN
R34	15	24V	561707	RR JCT BOX	A/C WARNING LT
R35	15	24V	561707	FR JCT BOX	A/C WATER VALVE
R36	16	24V	561707	RR JCT BOX	AUX. A/C COMPRESSOR CLUTCH
R37	1	24V	561707	RR JCT BOX	GENERATOR-12VAC RLY SIGN
R38	16	24V	561707	RR JCT BOX	AUX. A/C FAN MOTOR
R39	13	24V	561707	RR JCT BOX	24V FLUORESCENT
R42	1	24V	561991	BAT JCT PANEL	12V FRONT CUT-IN RLY
R43	15	24V	561707	FR JCT BOX	WATER HEATER-BYPASS VALVE
R44	1	24V	561991	BAT JCT PANEL	12V FRONT CUT-IN RLY
R45	12	24V	561707	RR JCT BOX	READING LTS
R46	7	24V	561707	UNDER INST PANEL	LH DIRECTIONNAL LTS
R47	7	24V	561707	UNDER INST PANEL	RH DIRECTIONNAL LTS
R49	24	24V	561707	FR SERV JCT BOX	ABS - SERVICE BRAKE RLY
R50	24	24V	561707	FR SERV JCT BOX	ABS - VR2 RLY
R51	24	24V	561707	FR SERV JCT BOX	ABS - WARNING RLY
R52	24	24V	561707	FR SERV JCT BOX	ABS - VR1 RLY
R53	2	24V	561991	RR JCT BOX	ENGINE RUN 24V RR
R54	2	24V	561991	RR JCT BOX	ENGINE RUN 12V RR
R57	6	24V	561707	FR JCT PANEL	DAY'S BLINKER
R60	6	12V	561538	FR JCT PANEL	DAYTIME RUN LTS
R62	7	24V	561707	BEHIND RH CONS	RH CORNERING
R63	7	24V	561707	BEHIND RH CONS	LH CORNERING
R66	29-30	24V	561707	SND SYS JCT PAN	VIDEO SYSTEM
R67	28	24V	561707	SND SYS JCT PAN	SOUND SYSTEM RADIO
R68	28	24V	561991	SND SYS JCT PAN	SOUND SYSTEM - 24V IGNITION
R69	22	12V	562092	FR JCT PANEL	LUGG DOOR LOCK
R70	22	12V	562092	FR JCT PANEL	LUGG DOOR UNLOCK
R71	22	12V	562092	FR JCT PANEL	LUGG DOOR LOCK TT LT
R72	11	24V	561707	FR JCT PANEL	DASH EMERGENCY AISLE-LTS
R73	28-29	24V	561557	FR JCT PANEL	SOUND SYSTEM PRIOR REV. 008
R74	22	12V	562092	RR JCT BOX	LUGG DOOR LOCK
R75	22	12V	562092	RR JCT BOX	LUGG DOOR UNLOCK
R76	8	24V	561707	RR JCT BOX	STOP LTS-ENG. BRK & RET. SYST.

## RELAYS CODE (R)

Page 1:1

NO.	PAGE	COIL V	*PREVOST	LOCATION	FUNCTION
R77	7	12V	562092	UNDER DASH	AUDIBLE FLASHER RLY
R78	5	24V	561707	RR JCT BOX	DDEC3 FAN CONTROL SPEED#1
R79	5	24V	561707	RR JCT BOX	DDEC3 FAN CONTROL SPEED#2
R80	23	24V	561707	FR SERV JCT BOX	ENGINE BRAKE SYSTEM-WT CONTROL
R81	23	24V	561707	FR SERV JCT BOX	ENGINE BRAKE SYSTEM-WT CONTROL
R82	23	24V	561707	FR SERV JCT BOX	RETARDER SYSTEM
R83	17	24V	561707	RR JCT BOX	WATER HEATER WEBASTO-PUMP
R84	16	24V	561707	RR JCT BOX	AUX. A/C RAD. FAN CLUTCH CTRL
R86	21	24V	561707	FR SERVICE CPT	KNEELING SYSTEM
R87	21	24V	561707	FR SERVICE CPT	KNEELING SYSTEM
R88	21	24V	561707	FR SERVICE CPT	KNEELING SYSTEM
R91	30	24V	561707	FR JCT PANEL	VIDEO SYSTEM & TV RECEIVER
R99	9	24V	561707	RR JCT BOX	RADIATOR FAN CLUTCH
RF1	9	24V	561707	RR JCT BOX	FAN CLUTCH W. A/C OR RET.SP#1
RF2	9	24V	561707	RR JCT BOX	FAN CLUTCH W. A/C OR RET.SP#2
RF3	9	24V	560772	RR JCT BOX	TIME DELAY

NO.	PAGE	COIL V	•PREVOST	LOCATION	FUNCTION
R1	2	24V	561991	FR JCT PANEL	ENGINE RUN (24) FR
R2	2	24V	561991	FR JCT PANEL	ENGINE RUN (12) FR
R3	1	24V	561707	BAT. JCT. PANEL	FIELD RELAY
R4	1	24V	561005	RR JCT BOX	STARTING MOTOR
R9	8	24V	561707	RR JCT BOX	BACK-UP LTS
R12	5	12V	562092	FR JCT PANEL	ELECTRICAL HORNS
R13	6	24V	561707	FR JCT PANEL	FOG LTS
R14	6	24V	561707	FR JCT PANEL	NIGHT'S BLINKER
R15	6	24V	561707	FR JCT PANEL	FR MARKER LTS
R16	6	24V	561707	FR JCT PANEL	IDENT. & CLEARANCE LTS
R17	6	24V	561707	RR JCT BOX	TAIL, LICENCE, MARKER-RR LTS
R18	6	24V	561707	FR JCT PANEL	DAYTIME RUN LTS-CANCEL
R19	6	24V	561707	FR JCT PANEL	HI-BEAM
R20	6	24V	561707	FR JCT PANEL	LO-BEAM
R22	3	24V	561707	FR SERV JCT BOX	DDEC III FAST IDLE SIGNAL
R23	3	24V	561707	RR JCT BOX	DDEC III 12V IGNITION
R24	4	24V	561707	BAT JCT PANEL	WORLD TRANSMISSION 12V IGN.
R25	3	24V	561707	FR SERV JCT BOX	BRAKE SW-DDEC CRUISE CTR
R26	8	24V	561707	RR JCT BOX	STOP LTS
R27	27	24V	560407	GALLEY	GALLEY CHARGER
R28	27	24V	561014	GALLEY	GALLEY CHARGER
R29	15	24V	561005	A/C JCT. BOX	A/C CONDENSER FAN
R30	15	24V	561005	A/C JCT. BOX	A/C EVAPORATOR FAN
R31	15	24V	561707	BAT JCT PANEL	A/C WATER PUMP
R32	1	24V	561991	BAT JCT PANEL	12V RR CUT-IN RLY
R33	15	12V	561538	FR JCT PANEL	A/C BLOWER CUT-IN
R34	15	24V	561707	RR JCT BOX	A/C WARNING LT
R35	15	24V	561707	FR JCT BOX	A/C WATER VALVE
R36	16	24V	561707	RR JCT BOX	AUX. A/C COMPRESSOR CLUTCH
R37	1	24V	561707	RR JCT BOX	GENERATOR-12VAC RLY SIGN
R38	16	24V	561707	RR JCT BOX	AUX. A/C FAN MOTOR
R39	13	24V	561707	RR JCT BOX	24V FLUORESCENT
R40	15	24V	561014	A/C JCT. BOX	A/C CONDENSER FAN
R41	15	24V	561991	A/C JCT. BOX	A/C CONDENSER FAN
R42	1	24V	561991	BAT JCT PANEL	12V FRONT CUT-IN RLY
R43	15	24V	561707	FR JCT BOX	WATER HEATER-BYPASS VALVE
R44	1	24V	561991	BAT JCT PANEL	12V FRONT CUT-IN RLY
R45	12	24V	561707	RR JCT BOX	READING LTS
R46	7	24V	561707	UNDER INST PANEL	LH DIRECTIONNAL LTS
R47	7	24V	561707	UNDER INST PANEL	RH DIRECTIONNAL LTS
R49	24	24V	561707	FR SERV JCT BOX	ABS - SERVICE BRAKE RLY
R50	24	24V	561707	FR SERV JCT BOX	ABS - VR2 RLY
R51	24	24V	561707	FR SERV JCT BOX	ABS - WARNING RLY
R52	24	24V	561707	FR SERV JCT BOX	ABS - VR1 RLY
R53	2	24V	561991	RR JCT BOX	ENGINE RUN 24V RR
R54	2	24V	561991	RR JCT BOX	ENGINE RUN 12V RR
R57	6	24V	561707	FR JCT PANEL	DAY'S BLINKER
R60	6	12V	561538	FR JCT PANEL	DAYTIME RUN LTS
R62	7	24V	561707	BEHIND RH CONS	RH CORNERING
R63	7	24V	561707	BEHIND RH CONS	LH CORNERING
R66	29-30	24V	561707	SND SYS JCT PAN	VIDEO SYSTEM
R67	28	24V	561707	SND SYS JCT PAN	SOUND SYSTEM RADIO
R68	28	24V	561991	SND SYS JCT PAN	SOUND SYSTEM - 24V IGNITION
R69	22	12V	562092	FR JCT PANEL	LUGG DOOR LOCK
R70	22	12V	562092	FR JCT PANEL	LUGG DOOR UNLOCK
R71	22	12V	562092	FR JCT PANEL	LUGG DOOR LOCK TT LT
R72	11	24V	561707	FR JCT PANEL	DASH EMERGENCY AISLE-LTS

NO.	PAGE	COIL V	•PREVOST	LOCATION	FUNCTION
R73	28-29	24V	561557	FR JCT PANEL	SOUND SYSTEM PRIOR REV. 008
R74	22	12V	562092	RR JCT BOX	LUGG DOOR LOCK
R75	22	12V	562092	RR JCT BOX	LUGG DOOR UNLOCK
R76	8	24V	561707	RR JCT BOX	STOP LTS-ENG. BRK & RET. SYST.
R77	7	12V	562092	UNDER DASH	AUDIBLE FLASHER RLY
R78	5	24V	561707	RR JCT BOX	DDEC3 FAN CONTROL SPEED*1
R79	5	24V	561707	RR JCT BOX	DDEC3 FAN CONTROL SPEED*2
R80	23	24V	561707	FR SERV JCT BOX	ENGINE BRAKE SYSTEM-WT CONTROL
R81	23	24V	561707	FR SERV JCT BOX	ENGINE BRAKE SYSTEM-WT CONTROL
R82	23	24V	561707	FR SERV JCT BOX	RETARDER SYSTEM
R83	17	24V	561707	RR JCT BOX	WATER HEATER WEBASTO-PUMP
R84	16	24V	561707	RR JCT BOX	AUX. A/C RAD. FAN CLUTCH CTRL
R86	21	24V	561707	FR SERVICE CPT	KNEELING SYSTEM
R87	21	24V	561707	FR SERVICE CPT	KNEELING SYSTEM
R88	21	24V	561707	FR SERVICE CPT	KNEELING SYSTEM
R91	30	24V	561707	FR JCT PANEL	VIDEO SYSTEM & TV RECEIVER
R99	9	24V	561707	RR JCT BOX	RADIATOR FAN CLUTCH
RF1	9	24V	561707	RR JCT BOX	FAN CLUTCH W. A/C OR RET.SP*1
RF2	9	24V	561707	RR JCT BOX	FAN CLUTCH W. A/C OR RET.SP*2
RF3	9	24V	560772	RR JCT BOX	TIME DELAY

NO.	PAGE	COIL V	•PREVOST	LOCATION	FUNCTION
R1	2	24V	561991	FR JCT PANEL	ENGINE RUN (24) FR
R2	2	24V	561991	FR JCT PANEL	ENGINE RUN (12) FR
R3	1	24V	561707	BAT. JCT. PANEL	FIELD RELAY
R4	1	24V	561005	RR JCT BOX	STARTING MOTOR
R9	8	24V	561707	RR JCT BOX	BACK-UP LTS
R12	5	12V	562092	FR JCT PANEL	ELECTRICAL HORNS
R13	6	24V	561707	FR JCT PANEL	FOG LTS
R14	6	24V	561707	FR JCT PANEL	NIGHT'S BLINKER
R15	6	24V	561707	FR JCT PANEL	FR MARKER LTS
R16	6	24V	561707	FR JCT PANEL	IDENT. & CLEARANCE LTS
R17	6	24V	561707	RR JCT BOX	TAIL. LICENCE. MARKER-RR LTS
R18	6	24V	561707	FR JCT PANEL	DAYTIME RUN LTS-CANCEL
R19	6	24V	561707	FR JCT PANEL	HI-BEAM
R20	6	24V	561707	FR JCT PANEL	LO-BEAM
R22	3	24V	561707	FR SERV JCT BOX	DDEC III FAST IDLE SIGNAL
R23	3	24V	561707	RR JCT BOX	DDEC III 12V IGNITION
R24	4	24V	561707	BAT JCT PANEL	WORLD TRANSMISSION 12V IGN.
R25	3	24V	561707	FR SERV JCT BOX	BRAKE SW-DDEC CRUISE CTR
R26	8	24V	561707	RR JCT BOX	STOP LTS
R27	27	24V	560407	GALLEY	GALLEY CHARGER
R28	27	24V	561014	GALLEY	GALLEY CHARGER
R29	15	24V	561005	A/C JCT. BOX	A/C CONDENSER FAN
R30	15	24V	561005	A/C JCT. BOX	A/C EVAPORATOR FAN
R31	15	24V	561707	BAT JCT PANEL	A/C WATER PUMP
R32	1	24V	561991	BAT JCT PANEL	12V RR CUT-IN RLY
R33	15	12V	561538	FR JCT PANEL	A/C BLOWER CUT-IN
R34	15	24V	561707	RR JCT BOX	A/C WARNING LT
R35	15	24V	561707	FR JCT BOX	A/C WATER VALVE
R36	16	24V	561707	RR JCT BOX	AUX. A/C COMPRESSOR CLUTCH
R37	1	24V	561707	RR JCT BOX	GENERATOR-12VAC RLY SIGN
R38	16	24V	561707	RR JCT BOX	AUX. A/C FAN MOTOR
R39	13	24V	561707	RR JCT BOX	24V FLUORESCENT
R40	15	24V	561014	A/C JCT. BOX	A/C CONDENSER FAN
R41	15	24V	561005	A/C JCT. BOX	A/C CONDENSER FAN
R42	1	24V	561991	BAT JCT PANEL	12V FRONT CUT-IN RLY
R43	15	24V	561707	FR JCT BOX	WATER HEATER-BYPASS VALVE
R44	1	24V	561991	BAT JCT PANEL	12V FRONT CUT-IN RLY
R45	12	24V	561707	RR JCT BOX	READING LTS
R46	7	24V	561707	UNDER INST PANEL	LH DIRECTIONNAL LTS
R47	7	24V	561707	UNDER INST PANEL	RH DIRECTIONNAL LTS
R49	24	24V	561707	FR SERV JCT BOX	ABS - ENGINE BRAKE
R52	24	24V	561707	FR SERV JCT BOX	ABS - RETARDER
R53	2	24V	561991	RR JCT BOX	ENGINE RUN 24V RR
R54	2	24V	561991	RR JCT BOX	ENGINE RUN 12V RR
R57	6	24V	561707	FR JCT PANEL	DAY'S BLINKER
R60	6	12V	561538	FR JCT PANEL	DAYTIME RUN LTS
R62	7	24V	561707	BEHIND RH CONS	RH CORNERING
R63	7	24V	561707	BEHIND RH CONS	LH CORNERING
R66	29-30	24V	561707	SND SYS JCT PAN	VIDEO SYSTEM
R67	28	24V	561707	SND SYS JCT PAN	SOUND SYSTEM RADIO
R68	28	24V	561991	SND SYS JCT PAN	SOUND SYSTEM - 24V IGNITION
R69	22	12V	562092	FR JCT PANEL	LUGG DOOR LOCK
R70	22	12V	562092	FR JCT PANEL	LUGG DOOR UNLOCK
R71	22	12V	562092	FR JCT PANEL	LUGG DOOR LOCK TT LT
R72	11	24V	561707	FR JCT PANEL	DASH EMERGENCY AISLE-LTS

NO.	PAGE	COIL V	•PREVOST	LOCATION	FUNCTION
R73	28-29	24V	561557	FR JCT PANEL	SOUND SYSTEM PRIOR REV. 008
R74	22	12V	562092	RR JCT BOX	LUGG DOOR LOCK
R75	22	12V	562092	RR JCT BOX	LUGG DOOR UNLOCK
R76	8	24V	561707	RR JCT BOX	STOP LTS-ENG. BRK & RET. SYST.
R77	7	12V	562092	UNDER DASH	AUDIBLE FLASHER RLY
R78	5	24V	561707	RR JCT BOX	DDEC3 FAN CONTROL SPEED*1
R79	5	24V	561707	RR JCT BOX	DDEC3 FAN CONTROL SPEED*2
R80	23	24V	561707	FR SERV JCT BOX	ENGINE BRAKE SYSTEM-WT CONTROL
R82	23	24V	561707	FR SERV JCT BOX	RETARDER SYSTEM
R83	17	24V	561707	RR JCT BOX	WATER HEATER WEBASTO-PUMP
R84	16	24V	561707	RR JCT BOX	AUX. A/C RAD. FAN CLUTCH CTRL
R86	21	24V	561707	FR SERVICE CPT	KNEELING SYSTEM
R87	21	24V	561707	FR SERVICE CPT	KNEELING SYSTEM
R88	21	24V	561707	FR SERVICE CPT	KNEELING SYSTEM
R91	30	24V	561707	FR JCT PANEL	VIDEO SYSTEM & TV RECEIVER
R99	9	24V	561707	RR JCT BOX	RADIATOR FAN CLUTCH
RF1	9	24V	561707	RR JCT BOX	FAN CLUTCH W. A/C OR RET.SP*1
RF2	9	24V	561707	RR JCT BOX	FAN CLUTCH W. A/C OR RET.SP*2
RF3	9	24V	560772	RR JCT BOX	TIME DELAY



NO.	PAGE	COIL V	•PREVOST	LOCATION	FUNCTION
R1	2	24V	561991	FR JCT PANEL	ENGINE RUN (24) FR
R2	2	24V	561991	FR JCT PANEL	ENGINE RUN (12) FR
R3	1	24V	561707	BAT. JCT. PANEL	FIELD RELAY
R4	1	24V	561005	RR JCT BOX	STARTING MOTOR
R9	8	24V	561707	RR JCT BOX	BACK-UP LTS
R12	5	12V	562092	FR JCT PANEL	ELECTRICAL HORNS
R13	6	24V	561707	FR JCT PANEL	FOG LTS
R14	6	24V	561707	FR JCT PANEL	NIGHT'S BLINKER
R15	6	24V	561707	FR JCT PANEL	FR MARKER LTS
R16	6	24V	561707	FR JCT PANEL	IDENT. & CLEARANCE LTS
R17	6	24V	561707	RR JCT BOX	TAIL, LICENCE, MARKER-RR LTS
R18	6	24V	561707	FR JCT PANEL	DAYTIME RUN LTS-CANCEL
R19	6	24V	561707	FR JCT PANEL	HI-BEAM
R20	6	24V	561707	FR JCT PANEL	LO-BEAM
R22	3	24V	561707	FR SERV JCT BOX	DDEC III FAST IDLE SIGNAL
R23	3	24V	561707	RR JCT BOX	DDEC III 12V IGNITION
R24	4	24V	561707	BAT JCT PANEL	WORLD TRANSMISSION 12V IGN.
R25	3	24V	561707	FR SERV JCT BOX	BRAKE SW-DDEC CRUISE CTR
R26	8	24V	561707	RR JCT BOX	STOP LTS
R27	27	24V	560407	GALLEY	GALLEY CHARGER
R28	27	24V	561014	GALLEY	GALLEY CHARGER
R29	15	24V	561005	A/C JCT. BOX	A/C CONDENSER FAN
R30	15	24V	561005	A/C JCT. BOX	A/C EVAPORATOR FAN
R31	15	24V	561707	BAT JCT PANEL	A/C WATER PUMP
R32	1	24V	561991	BAT JCT PANEL	12V RR CUT-IN RLY
R33	15	12V	561538	FR JCT PANEL	A/C BLOWER CUT-IN
R34	15	24V	561707	RR JCT BOX	A/C WARNING LT
R35	15	24V	561707	FR JCT BOX	A/C WATER VALVE
R36	16	24V	561707	RR JCT BOX	AUX. A/C COMPRESSOR CLUTCH
R37	1	24V	561707	RR JCT BOX	GENERATOR-12VAC RLY SIGN
R38	16	24V	561707	RR JCT BOX	AUX. A/C FAN MOTOR
R39	13	24V	561707	RR JCT BOX	24V FLUORESCENT
R40	15	24V	561014	A/C JCT. BOX	A/C CONDENSER FAN
R41	15	24V	561005	A/C JCT. BOX	A/C CONDENSER FAN
R42	1	24V	561991	BAT JCT PANEL	12V FRONT CUT-IN RLY
R43	15	24V	561707	FR JCT BOX	WATER HEATER-BYPASS VALVE
R44	1	24V	561991	BAT JCT PANEL	12V FRONT CUT-IN RLY
R45	12	24V	561707	RR JCT BOX	READING LTS
R46	7	24V	561707	UNDER INST PANEL	LH DIRECTIONNAL LTS
R47	7	24V	561707	UNDER INST PANEL	RH DIRECTIONNAL LTS
R49	24	24V	561707	FR SERV JCT BOX	ABS - ENGINE BRAKE
R52	24	24V	561707	FR SERV JCT BOX	ABS SYSTEM
R53	2	24V	561991	RR JCT BOX	ENGINE RUN 24V RR
R54	2	24V	561991	RR JCT BOX	ENGINE RUN 12V RR
R57	6	24V	561707	FR JCT PANEL	DAY'S BLINKER
R60	6	12V	561538	FR JCT PANEL	DAYTIME RUN LTS
R62	7	24V	561707	BEHIND RH CONS	RH CORNERING
R63	7	24V	561707	BEHIND RH CONS	LH CORNERING
R66	29-30	24V	561707	SND SYS JCT PAN	VIDEO SYSTEM
R67	28	24V	561707	SND SYS JCT PAN	SOUND SYSTEM RADIO
R68	28	24V	561991	SND SYS JCT PAN	SOUND SYSTEM - 24V IGNITION
R69	22	12V	562092	FR JCT PANEL	LUGG DOOR LOCK
R70	22	12V	562092	FR JCT PANEL	LUGG DOOR UNLOCK
R71	22	12V	562092	FR JCT PANEL	LUGG DOOR LOCK TT LT
R72	11	24V	561707	FR JCT PANEL	DASH EMERGENCY AISLE-LTS

NO.	PAGE	COIL V	•PREVOST	LOCATION	FUNCTION
R73	28-29	24V	561557	FR JCT PANEL	SOUND SYSTEM PRIOR REV. 008
R74	22	12V	562092	RR JCT BOX	LUGG DOOR LOCK
R75	22	12V	562092	RR JCT BOX	LUGG DOOR UNLOCK
R76	8	24V	561707	RR JCT BOX	STOP LTS-ENG. BRK & RET. SYST.
R77	7	12V	562092	UNDER DASH	AUDIBLE FLASHER RLY
R78	5	24V	561707	RR JCT BOX	DDEC3 FAN CONTROL SPEED*1
R79	5	24V	561707	RR JCT BOX	DDEC3 FAN CONTROL SPEED*2
R80	23	24V	561707	FR SERV JCT BOX	ENGINE BRAKE SYSTEM-WT CONTROL
R82	23	24V	561707	FR SERV JCT BOX	RETARDER SYSTEM
R83	17	24V	561707	RR JCT BOX	WATER HEATER WEBASTO-PUMP
R84	16	24V	561707	RR JCT BOX	AUX. A/C RAD. FAN CLUTCH CTRL
R86	21	24V	561707	FR SERVICE CPT	KNEELING SYSTEM
R87	21	24V	561707	FR SERVICE CPT	KNEELING SYSTEM
R88	21	24V	561707	FR SERVICE CPT	KNEELING SYSTEM
R91	30	24V	561707	FR JCT PANEL	VIDEO SYSTEM & TV RECEIVER
R99	9	24V	561707	RR JCT BOX	RADIATOR FAN CLUTCH
RF1	9	24V	561707	RR JCT BOX	FAN CLUTCH W. A/C OR RET.SP*1
RF2	9	24V	561707	RR JCT BOX	FAN CLUTCH W. A/C OR RET.SP*2
RF3	9	24V	560772	RR JCT BOX	TIME DELAY

## RESISTOR CODE (RS)

Page J :1

## RESISTOR CODE (RS)

Page J :1

NO.	PAGE	OHM(S)	*PREVOST	LOCATION	FUNCTION
RS1	3	11 K	562307	FR SERV JCT BOX	DDEC III-FAST IDLE
RS2	3	3.6 K	562306	FR SERV JCT BOX	DDEC III-FAST IDLE
RS3	6	1 (2)	561537	FR SERV. COMPT.	FOG LT - RH
RS4	6	1 (2)	561537	FR SERV. COMPT.	FOG LT - LH
RS11	16	2	062289	REAR A/C AUX.	A./C AUXILIARY
RS12	16	2	062289	REAR A/C AUX.	A./C AUXILIARY
RS13	16	470 K	061962	RR JCT BOX	AUX. A/C TD COMPR. CLUTCH
RS14	6	.82 (2)	060806	FR SERV. COMPT.	DAYTIME RUN LTS
RS15	12	33	063073	RR JCT BOX	COMPR CLUTCH TIME DELAY ON
RS16	31	80	562108	FRONT TOP	FR. DESTINATION SIGN
RS17	5	220	562498	UNDER DASH	FIRE ALARM

NO.	PAGE	OHM(S)	*PREVOST	LOCATION	FUNCTION
-----	------	--------	----------	----------	----------

## RESISTOR CODE (RS)

Page J : 1

NO.	PAGE	OHM(S)	*PREVOST	LOCATION	FUNCTION
RS1	3	11 K	562307	FR SERV JCT BOX	DDEC III-FAST IDLE
RS2	3	3.6 K	562306	FR SERV JCT BOX	DDEC III-FAST IDLE
RS3	6	1 (2)	561537	FR SERV. COMPT.	FOG LT - RH
RS4	6	1 (2)	561537	FR SERV. COMPT.	FOG LT - LH
RS11	16	2	062289	REAR A/C AUX.	A./C AUXILIARY
RS12	16	2	062289	REAR A/C AUX.	A./C AUXILIARY
RS13	16	470 K	061962	RR JCT BOX	AUX. A/C TD COMPR. CLUTCH
RS14	6	.82 (2)	060806	FR SERV. COMPT.	DAYTIME RUN LTS
RS15	12	33	063073	RR JCT BOX	COMPR CLUTCH TIME DELAY ON
RS16	31	80	562108	FRONT TOP	FR. DESTINATION SIGN
RS17	5	220	562498	UNDER DASH	FIRE ALARM
RS18	9	75 K	064208	RR JCT BOX	RAD. FAN CLUTCH W.A/C OR RETARD.

## RESISTOR CODE (RS)

Page J : 1

NO.	PAGE	OHM(S)	*PREVOST	LOCATION	FUNCTION
-----	------	--------	----------	----------	----------

## RESISTOR CODE (RS)

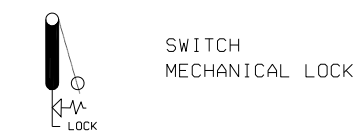
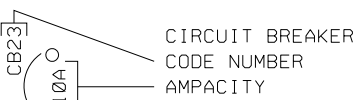
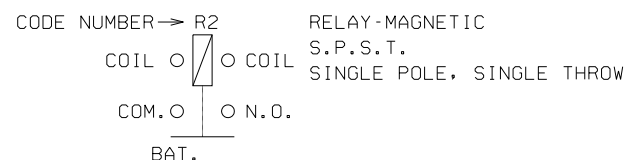
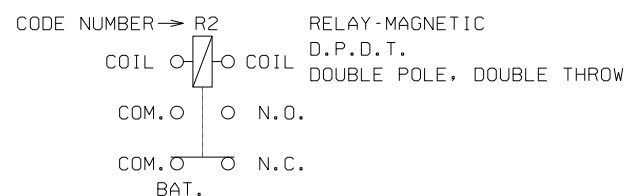
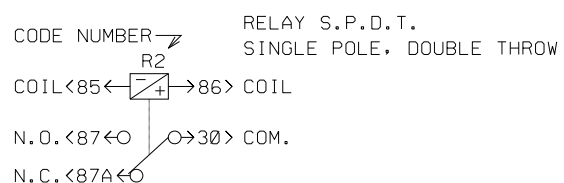
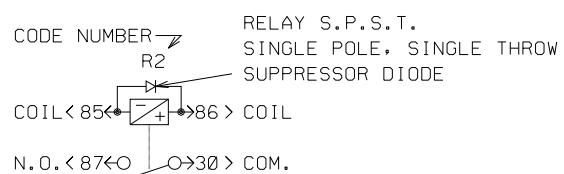
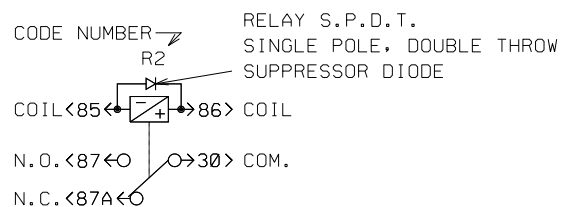
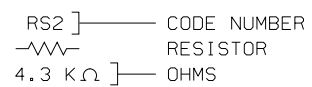
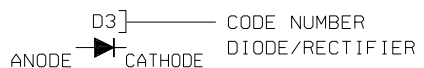
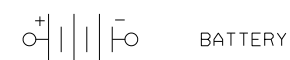
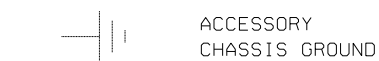
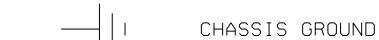
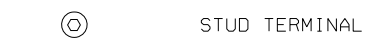
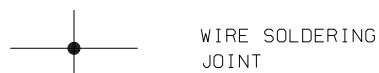
PAGE J : 1

## RESISTOR CODE (RS)

PAGE J : 1

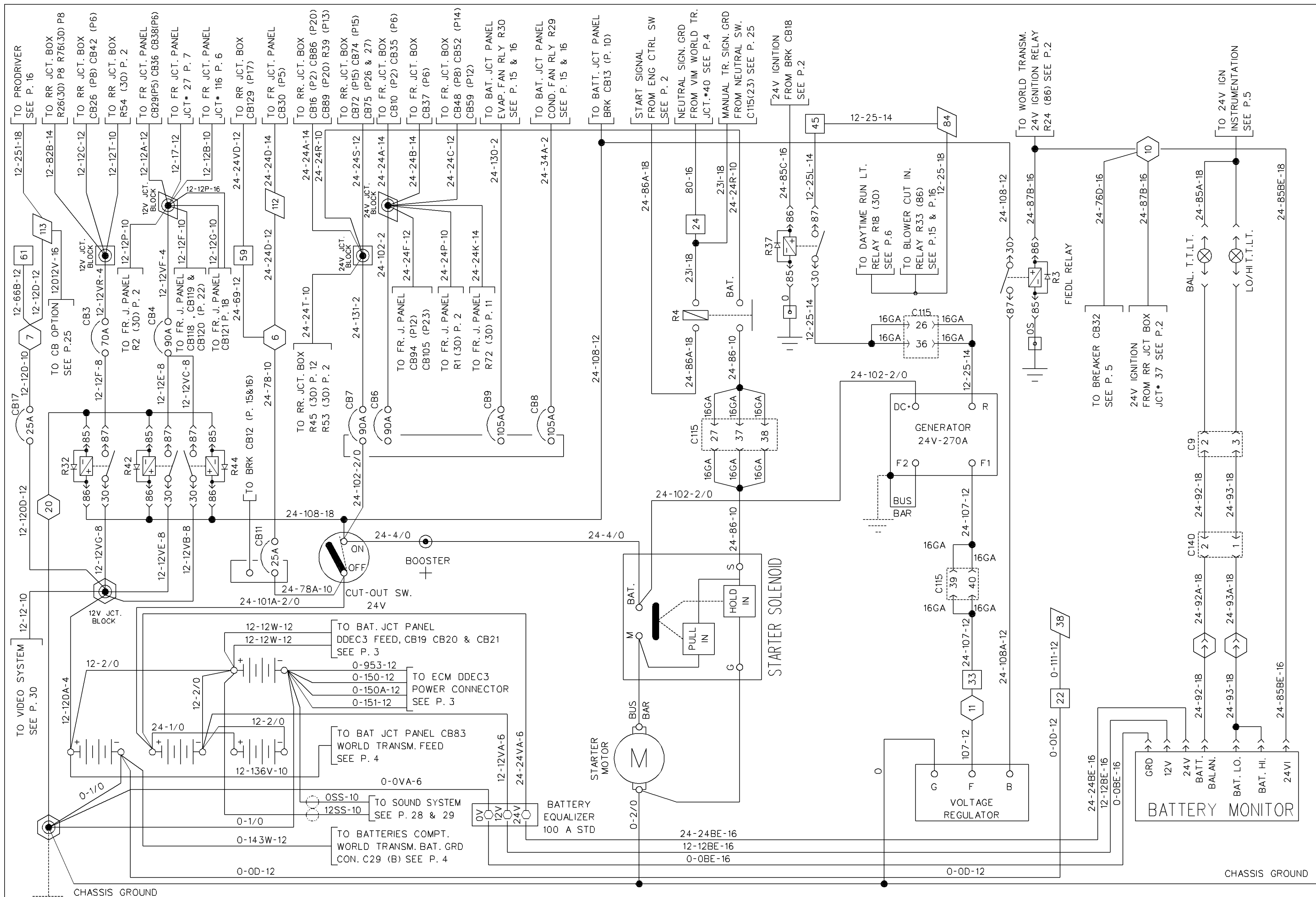
NO.	PAGE	OHM(S)	•PREVOST	LOCATION	FUNCTION
RS1	3	11 K	562307	FR SERV JCT BOX	DDEC III-FAST IDLE
RS2	3	3.6 K	562306	FR SERV JCT BOX	DDEC III-FAST IDLE
RS3	6	1 (2)	561537	FR SERV. COMPT.	FOG LT - RH
RS4	6	1 (2)	561537	FR SERV. COMPT.	FOG LT - LH
RS11	16	2	062289	REAR A/C AUX.	A./C AUXILIARY
RS12	16	2	062289	REAR A/C AUX.	A./C AUXILIARY
RS13	16	470 K	061962	RR JCT BOX	AUX. A/C TD COMPR. CLUTCH
RS14	6	.82 (2)	060806	FR SERV. COMPT.	DAYTIME RUN LTS
RS15	12	33	063073	RR JCT BOX	COMPR CLUTCH TIME DELAY ON
RS16	31	80	562108	FRONT TOP	FR. DESTINATION SIGN
RS17	5	220	562498	UNDER DASH	FIRE ALARM
RS18	9	75 K	064208	RR JCT BOX	RAD. FAN CLUTCH W.A/C OR RETARD.
RS36	15	10	064907	COND. COMPT.	CURRENT LIMITER FOR RELAY
RS37	15	5	064907	COND. COMPT.	CURRENT LIMITER FOR RELAY

# WIRING DIAGRAM KEYS

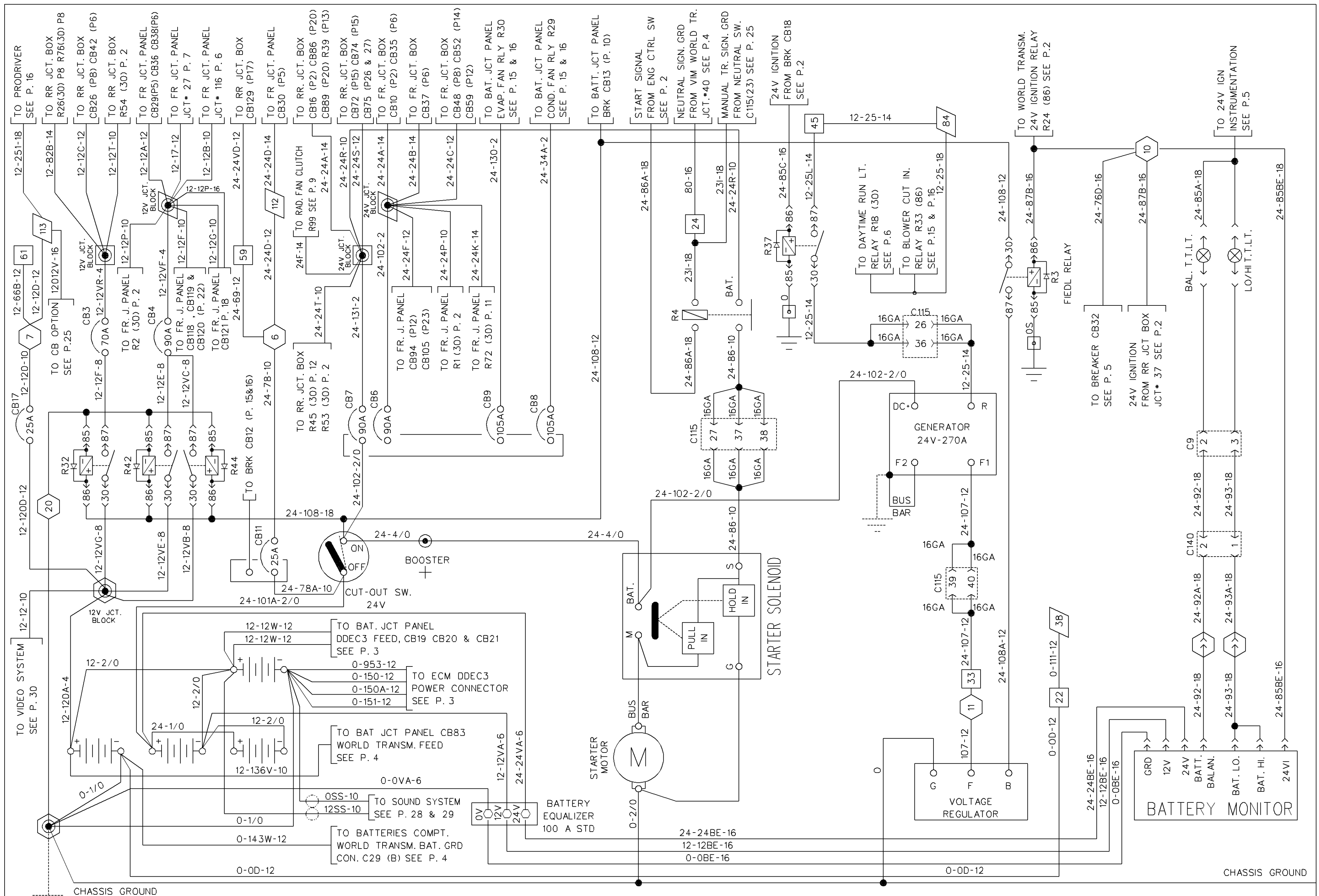


- BLK BLACK
- YEL YELLOW
- RED RED
- WH WHITE
- GRY GREY
- ORA ORANGE
- BLU BLUE
- GRN GREEN
- BRN BROWN
- PUR PURPLE
- PK PINK

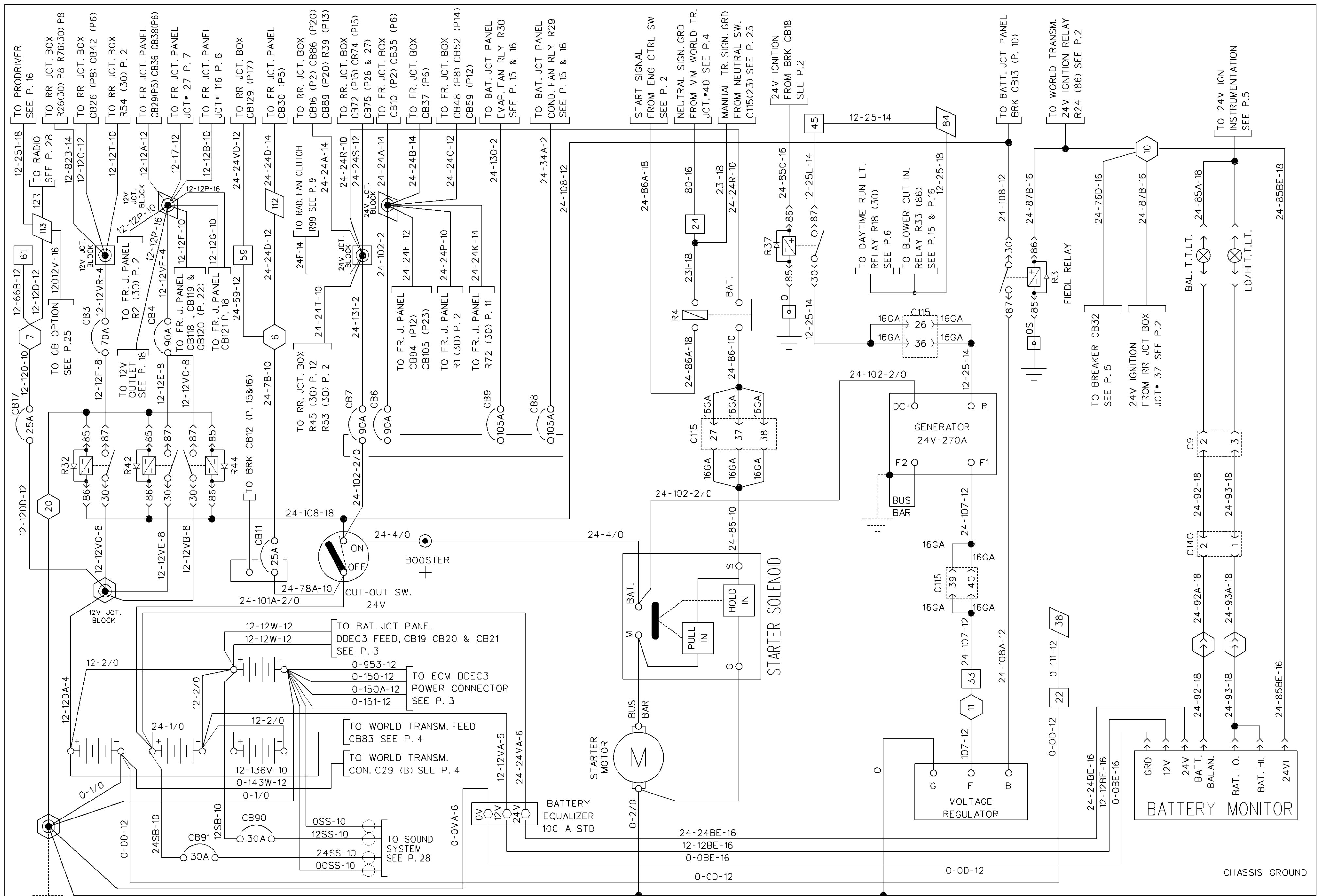
- RR. JCT BOX - JUNCTION BLOCK
- FR. JCT PANEL - JUNCTION BLOCK
- BATT. CPT - JUNCTION BLOCK



CHARGING SYSTEM

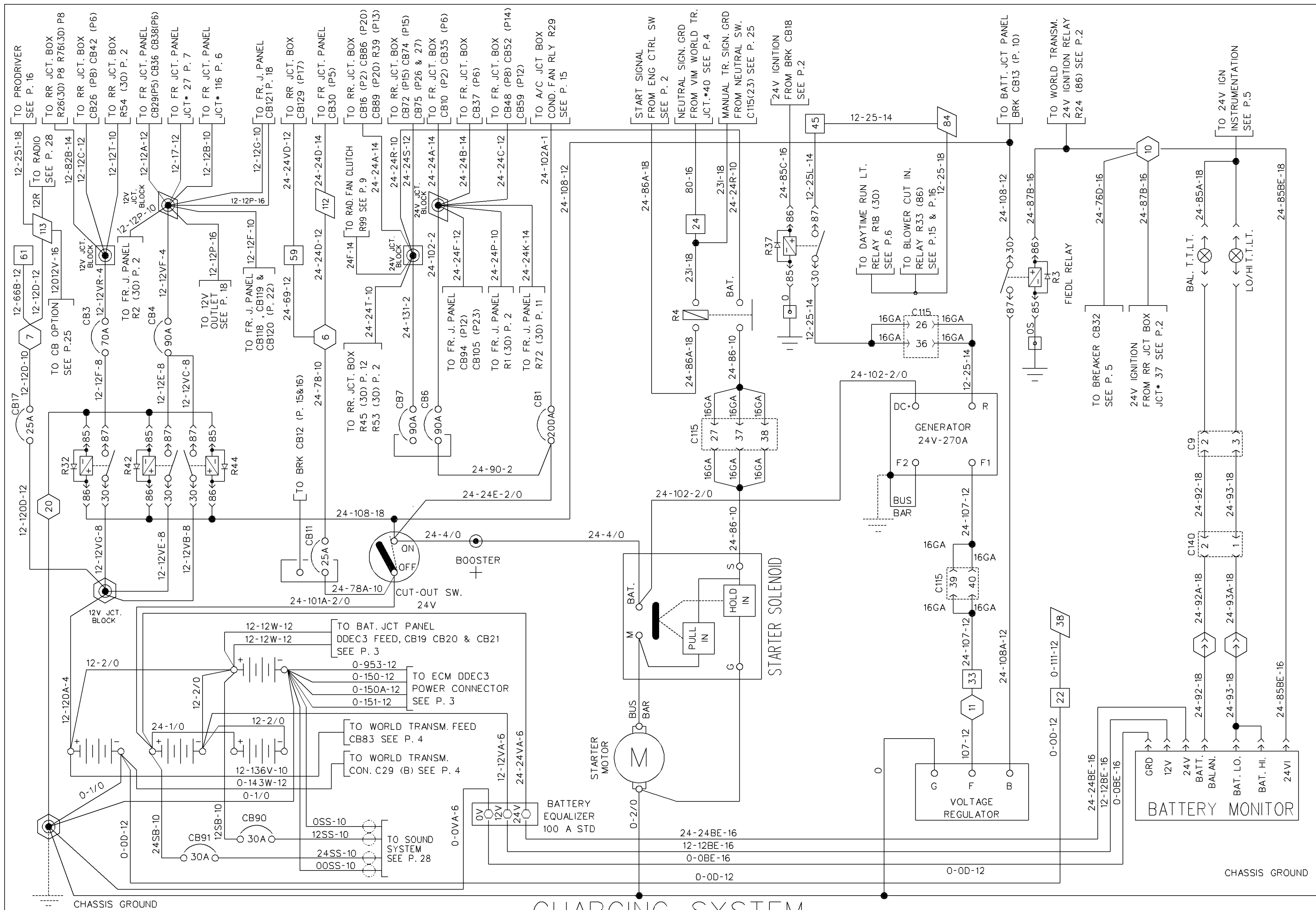


CHARGING SYSTEM

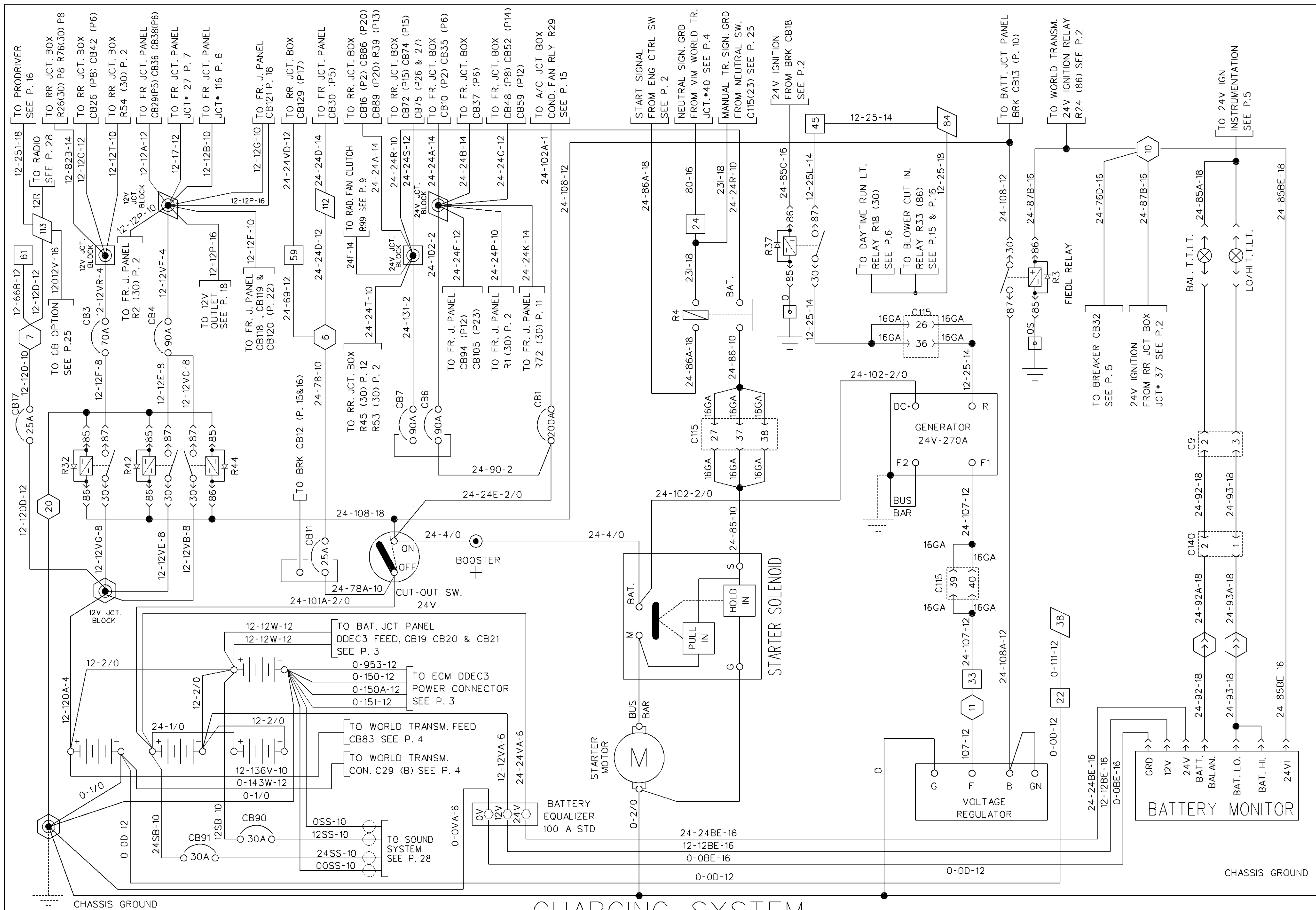


# CHARGING SYSTEM

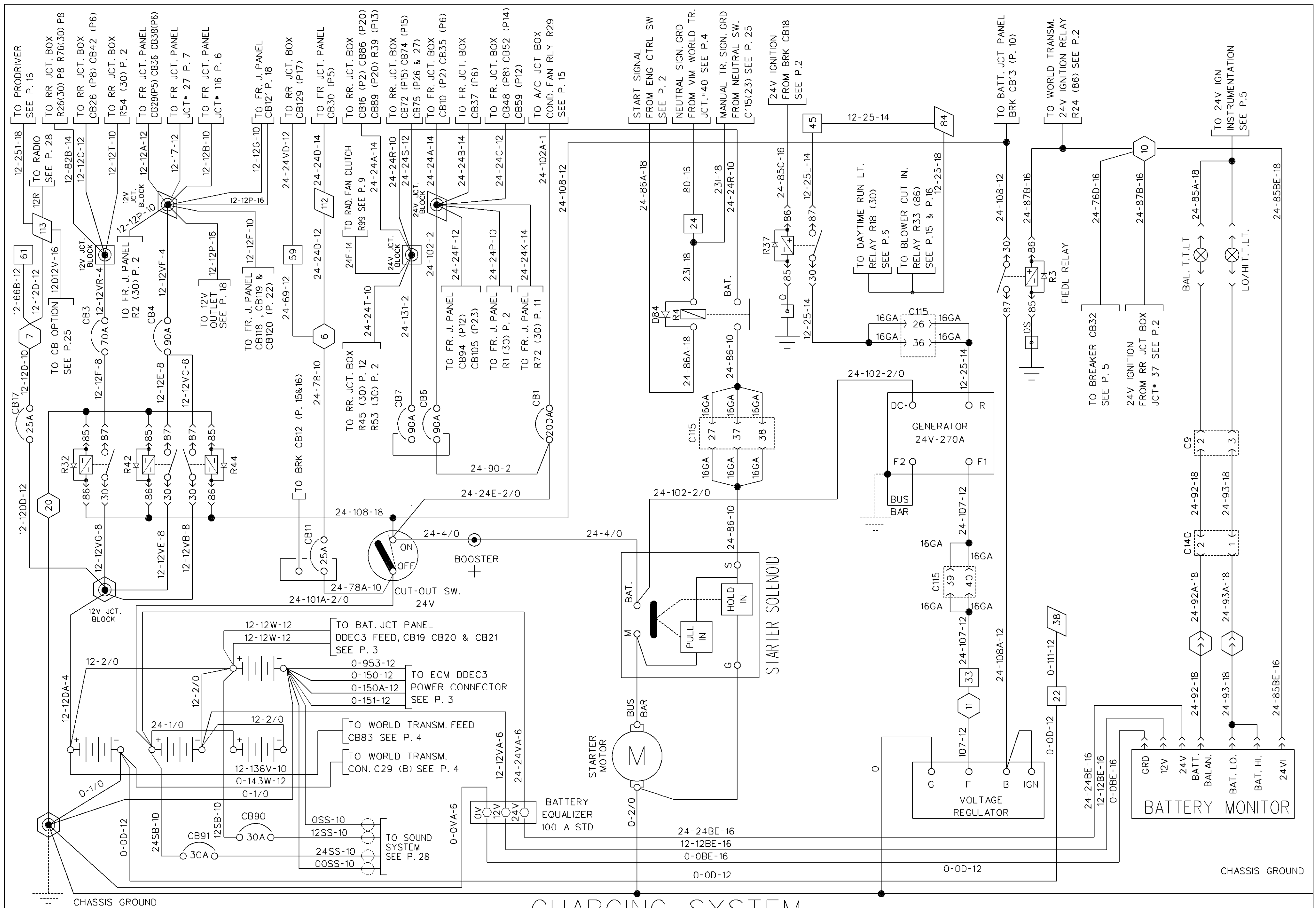




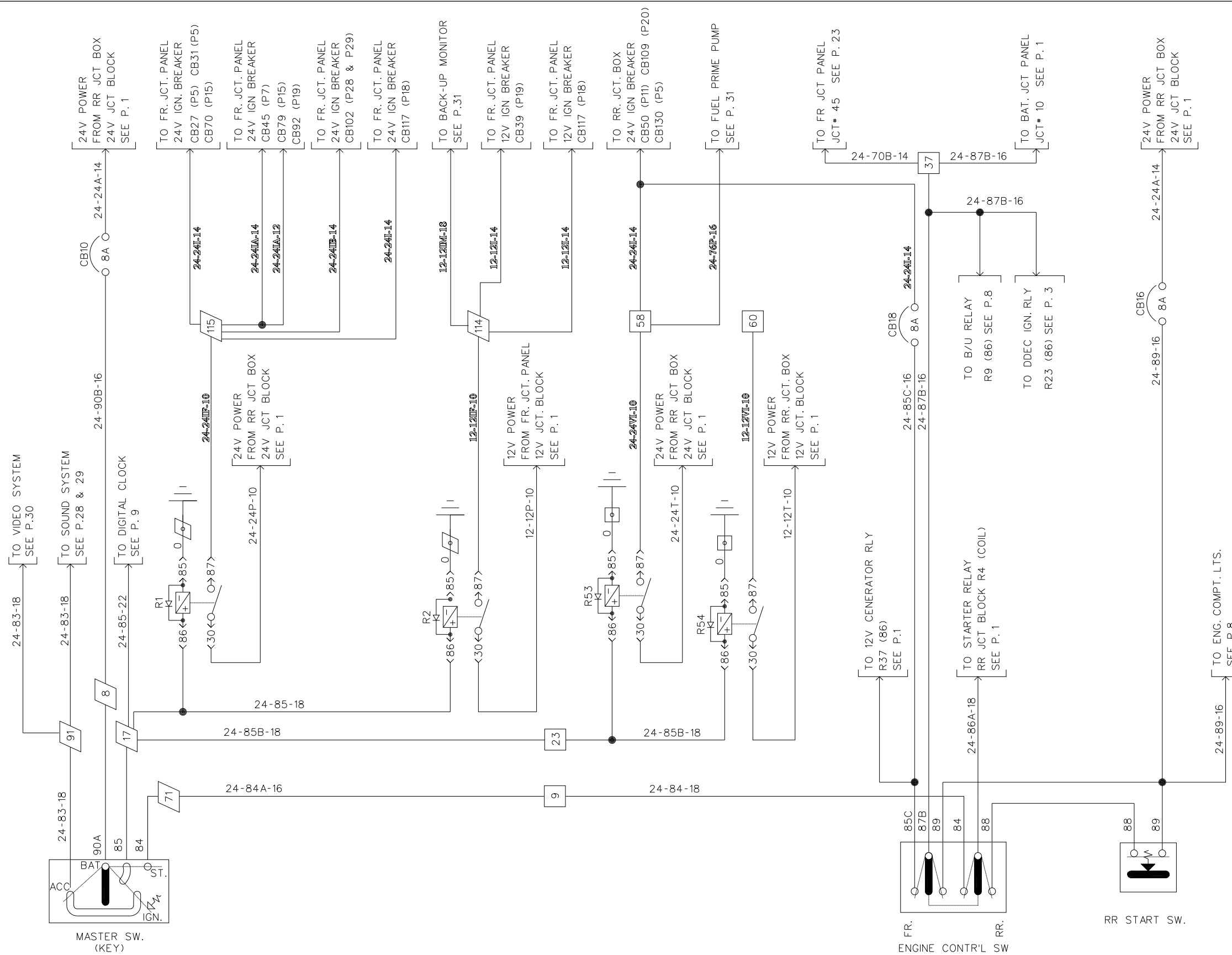
# CHARGING SYSTEM



CHARGING SYSTEM



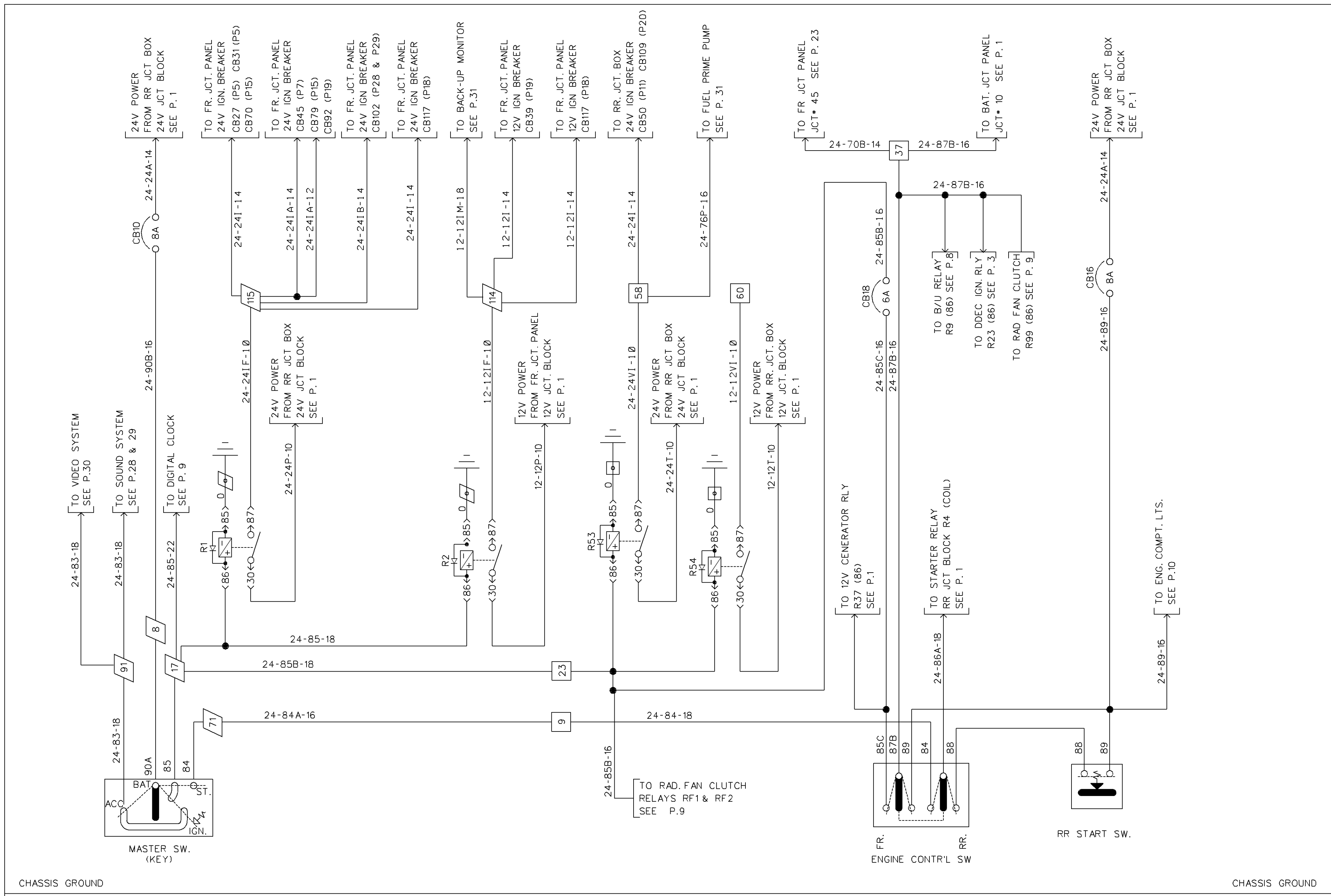
CHARGING SYSTEM



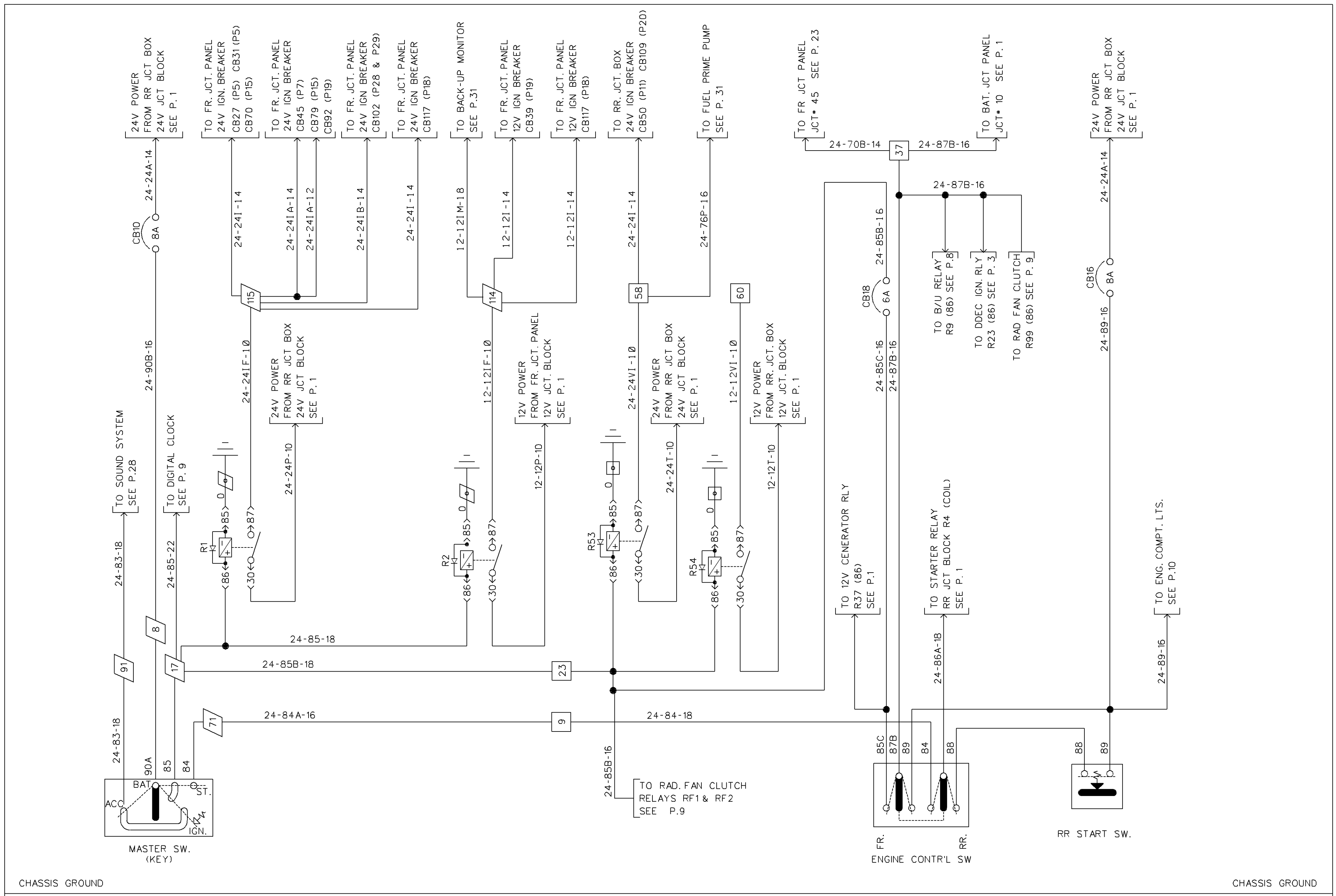
CHASSIS GROUND

CHASSIS GROUND

### ENGINE CONTROL



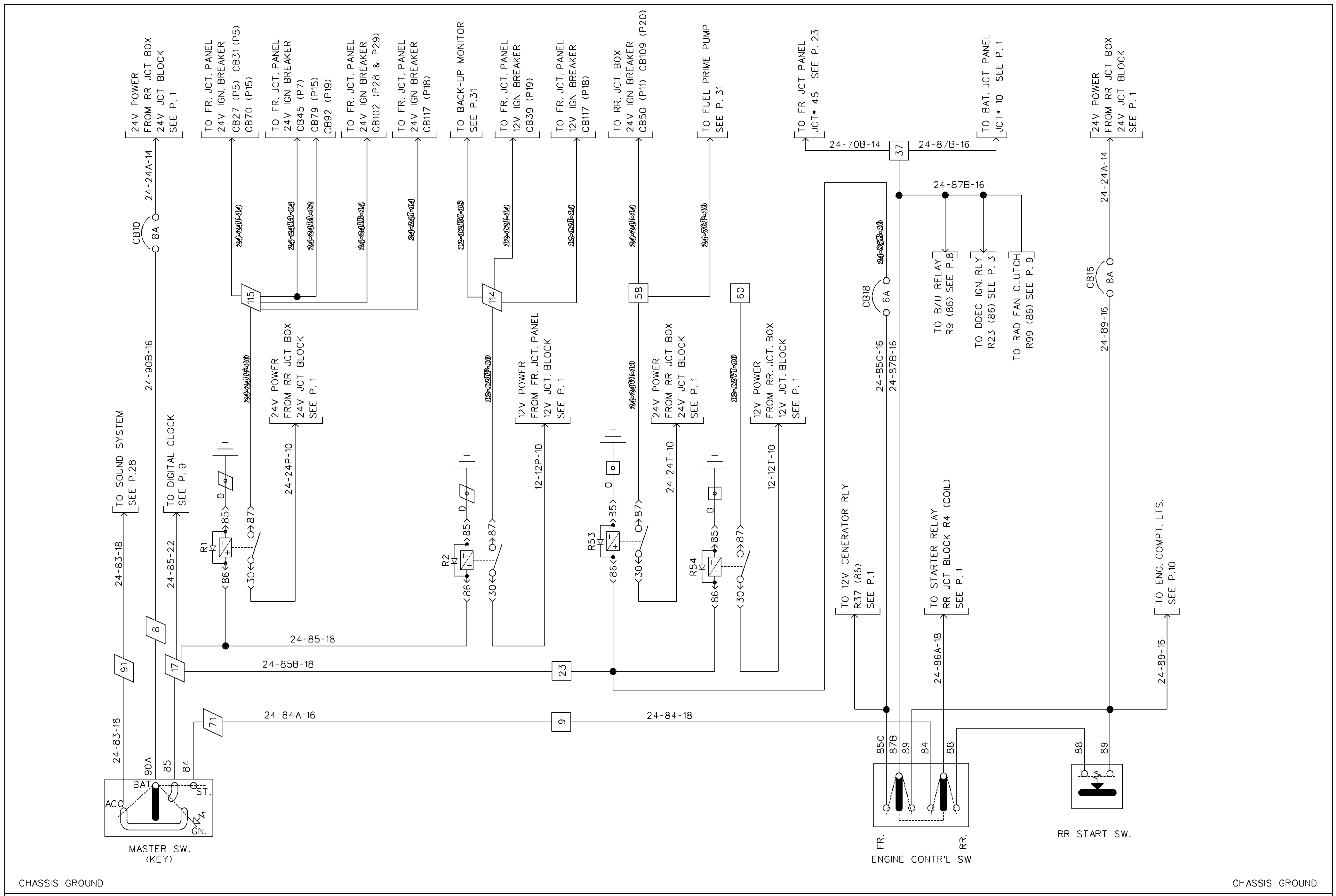
# ENGINE CONTROL



CHASSIS GROUND

CHASSIS GROUND

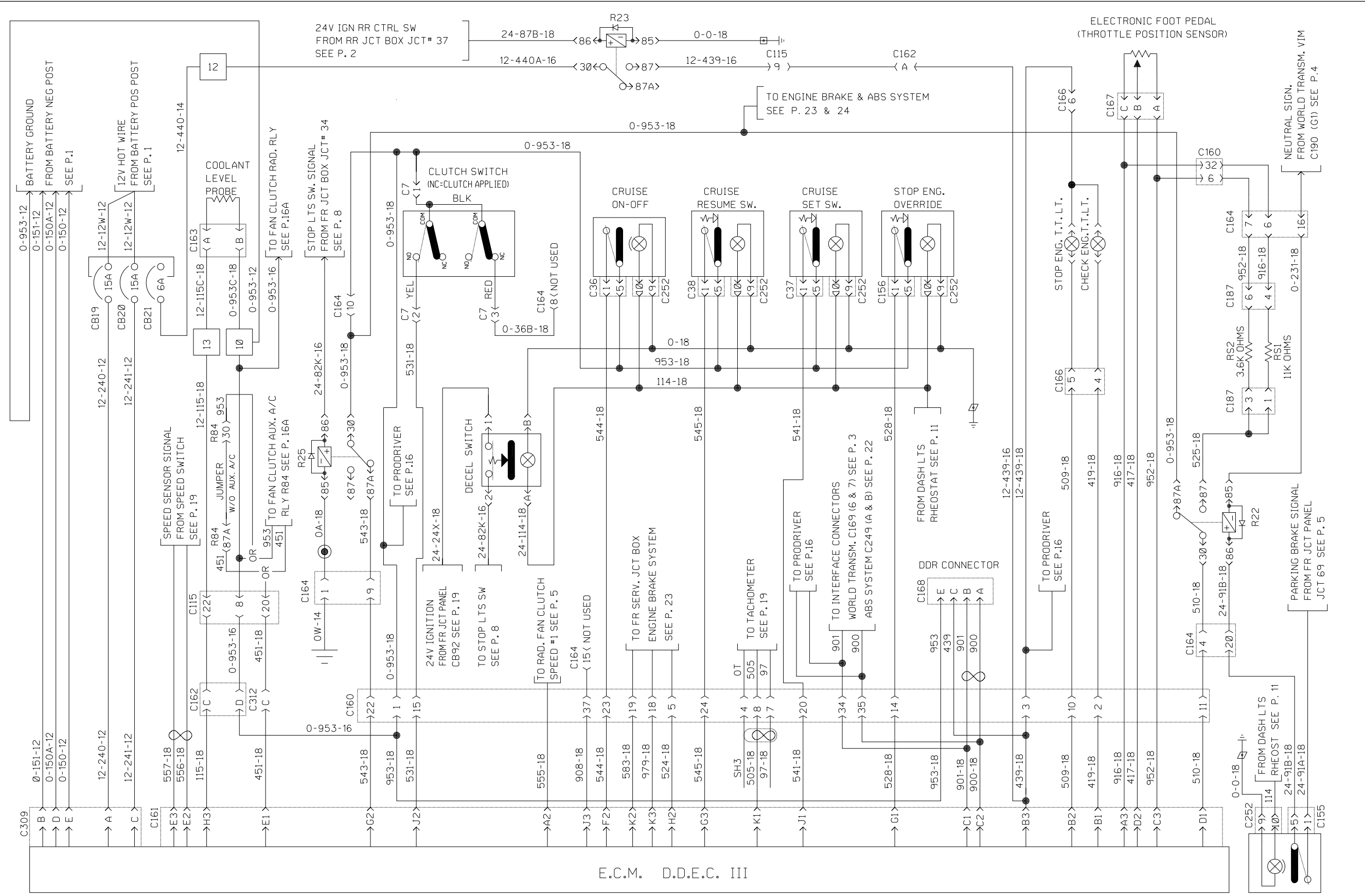
# ENGINE CONTROL



CHASSIS GROUND

CHASSIS GROUND

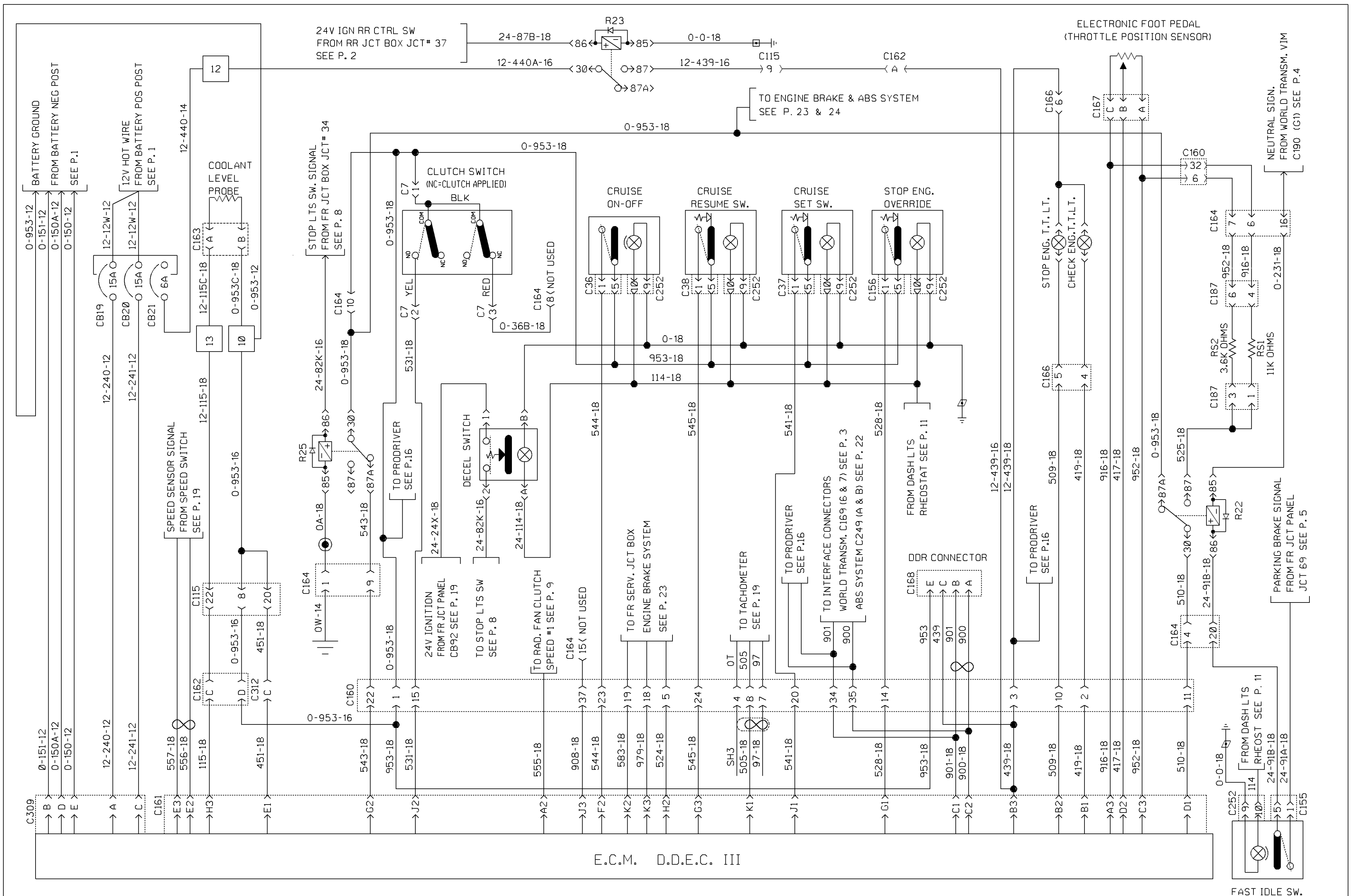
# ENGINE CONTROL



E.C.M. D.D.E.C. III

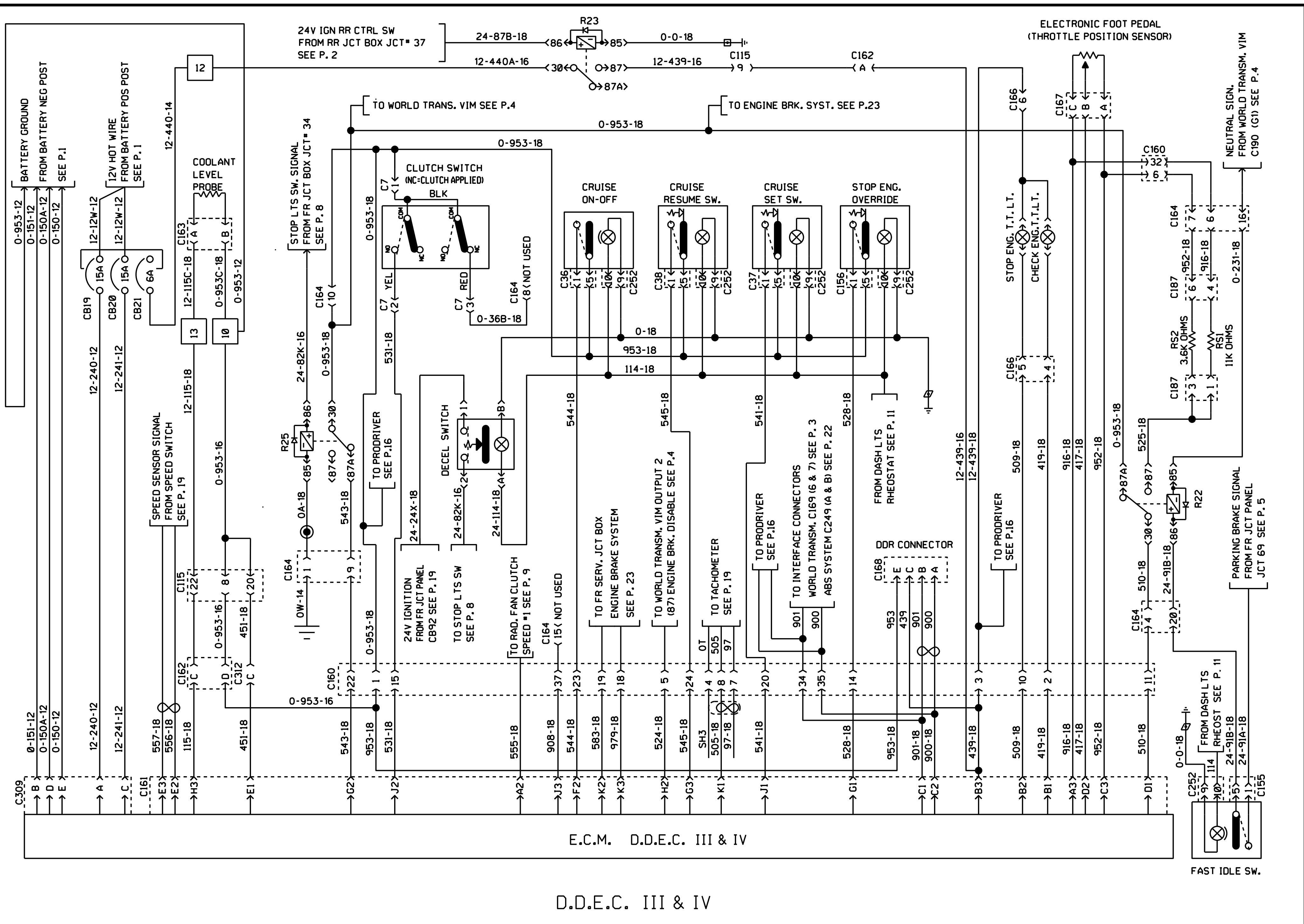
D.D.E.C. III

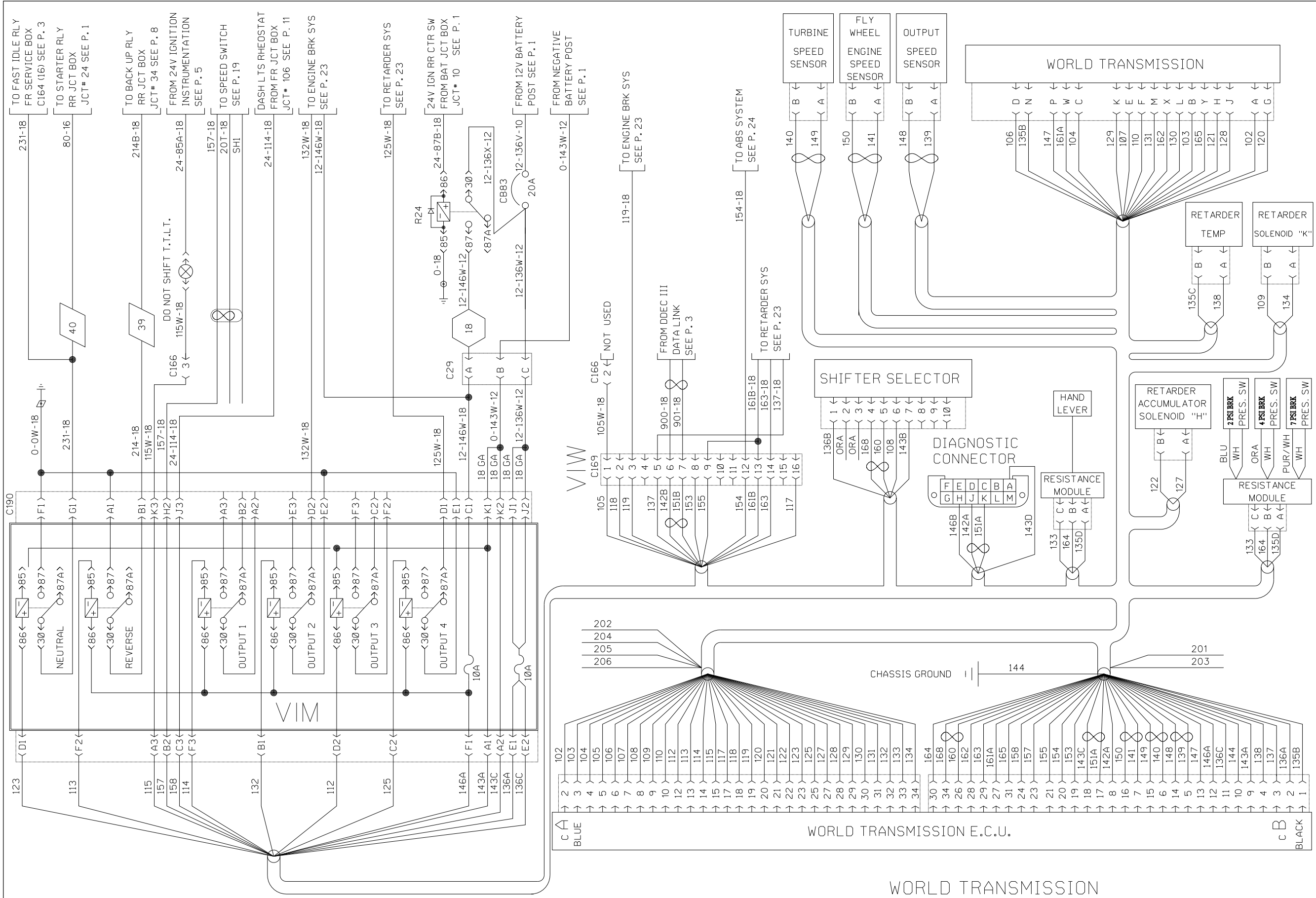


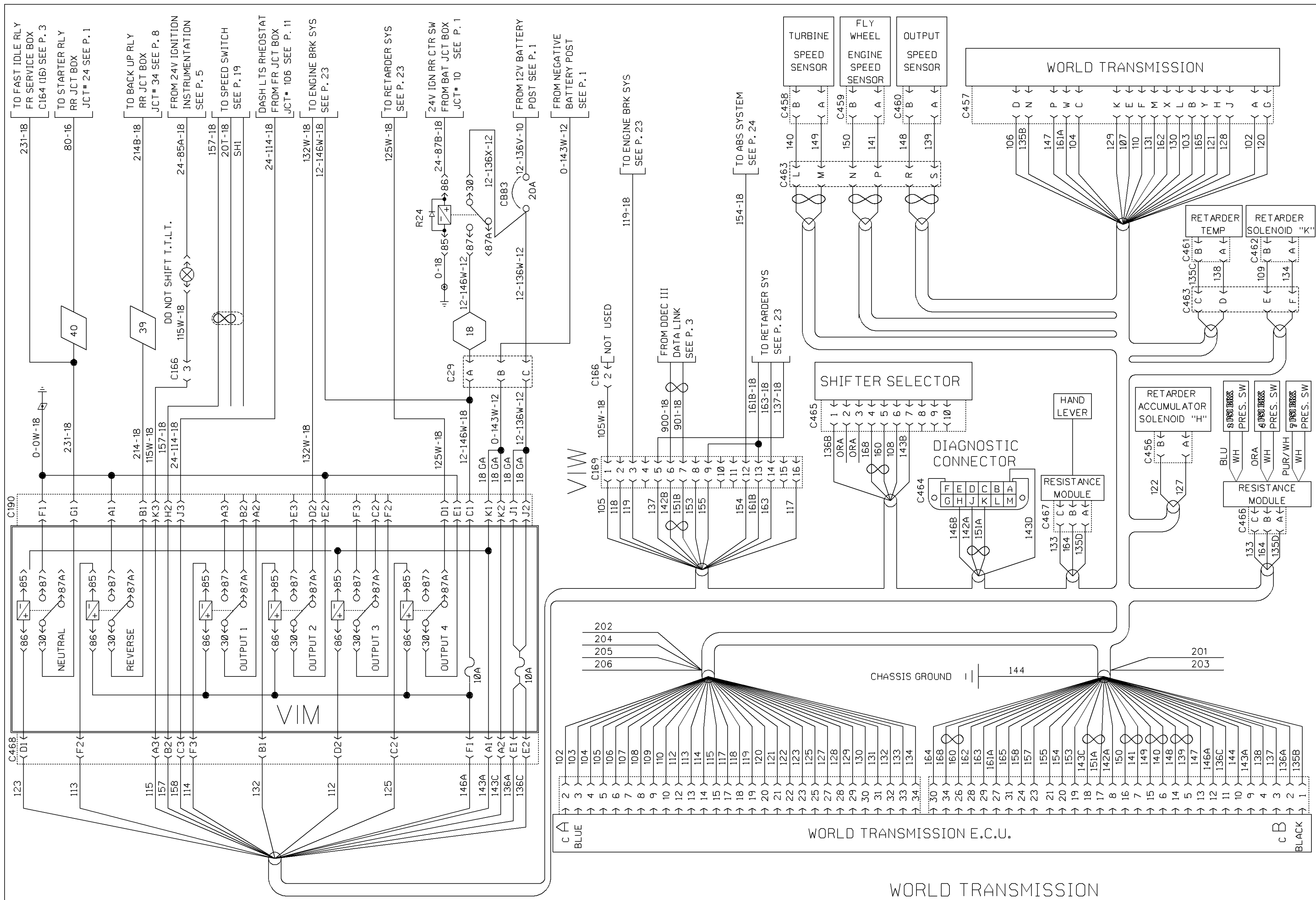


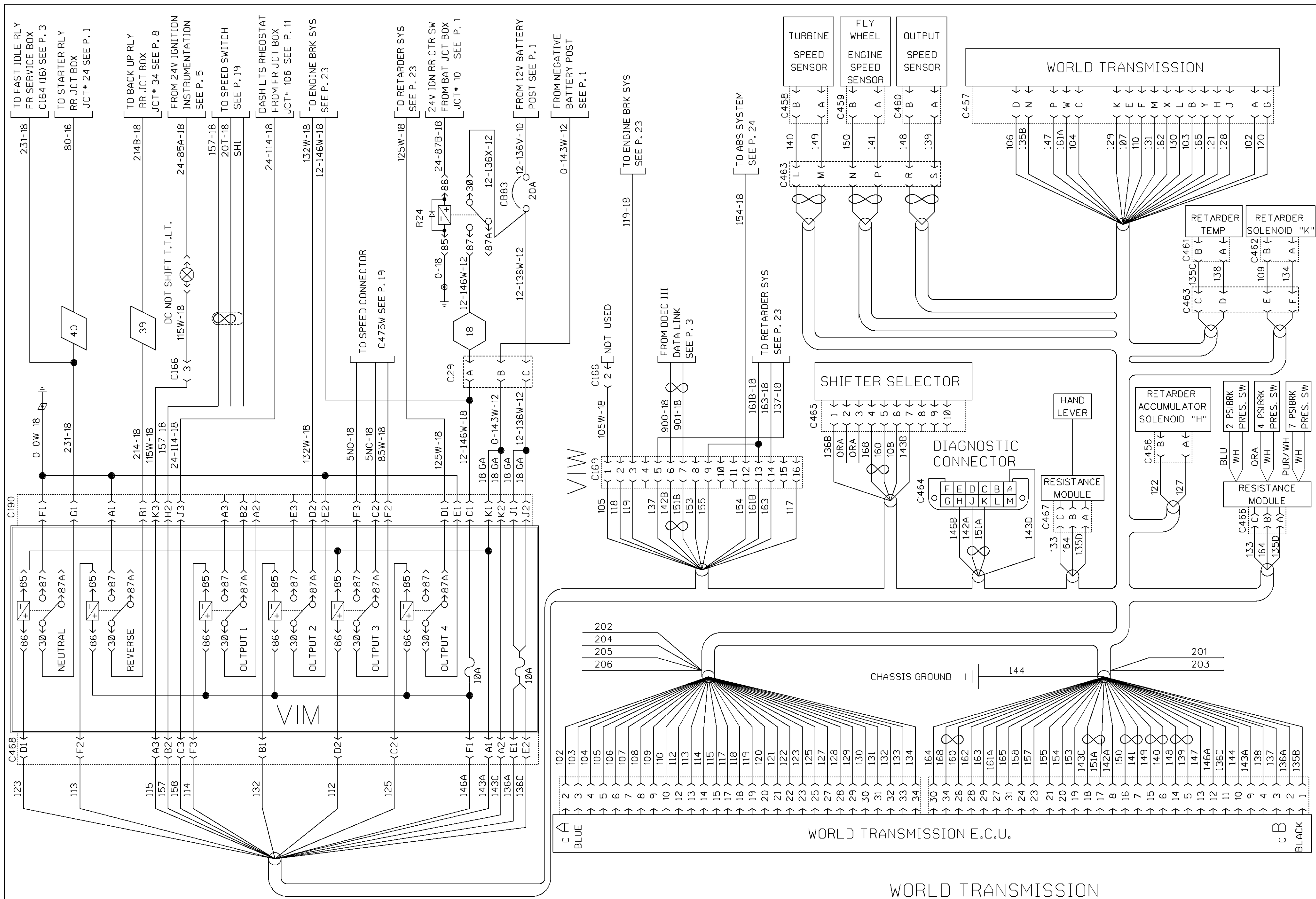
E.C.M. D.D.E.C. III

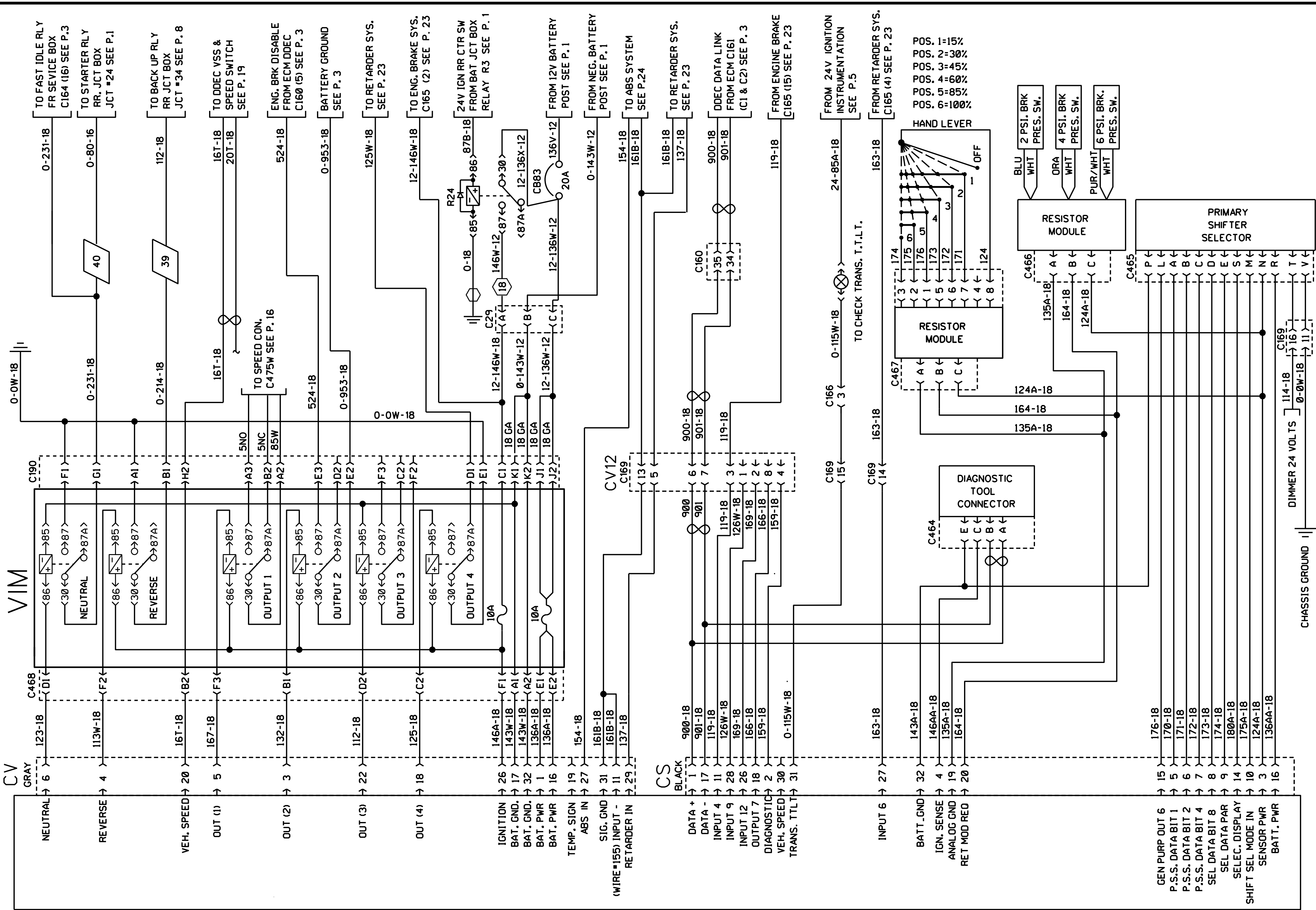
D.D.E.C. III



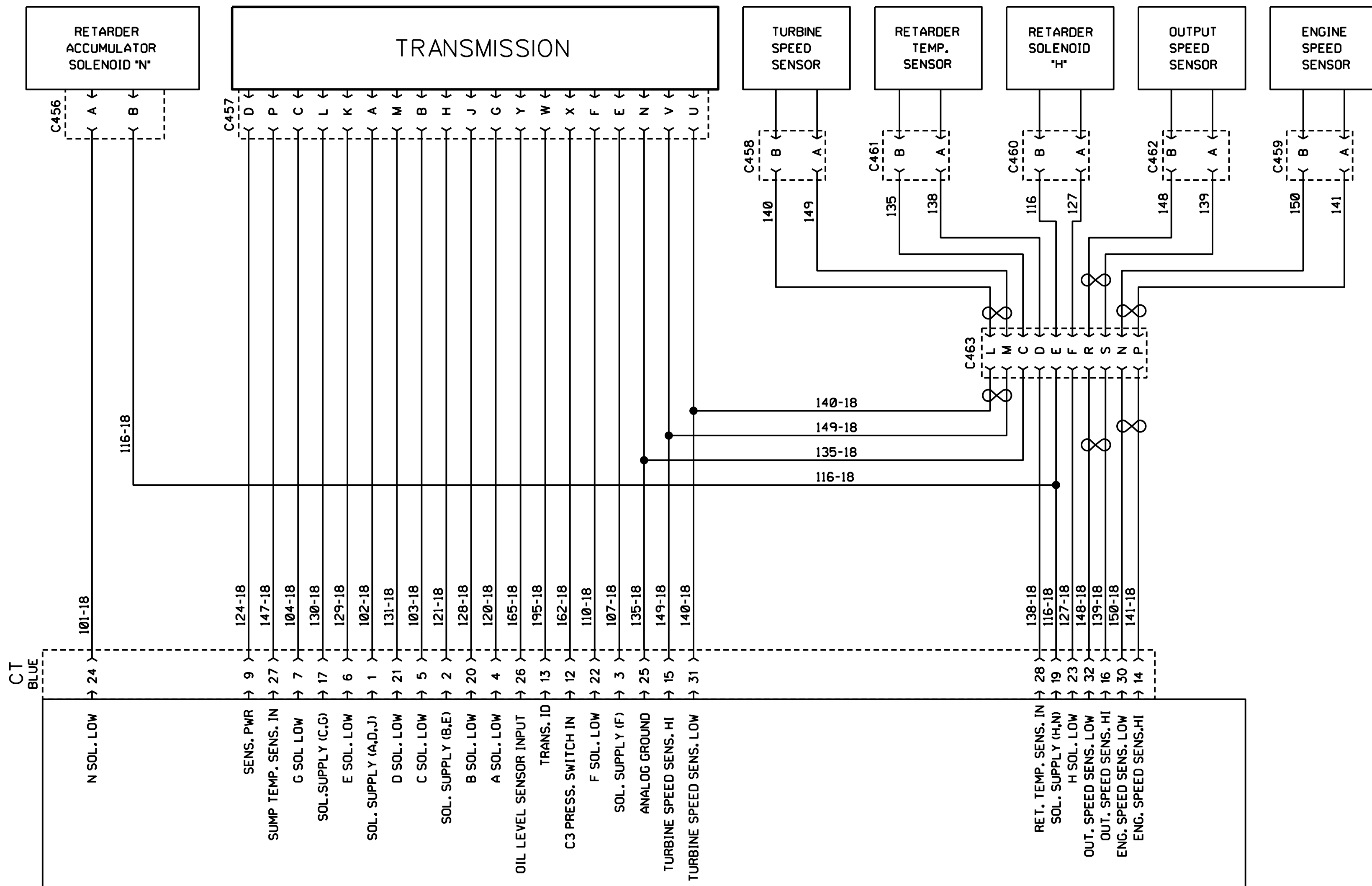




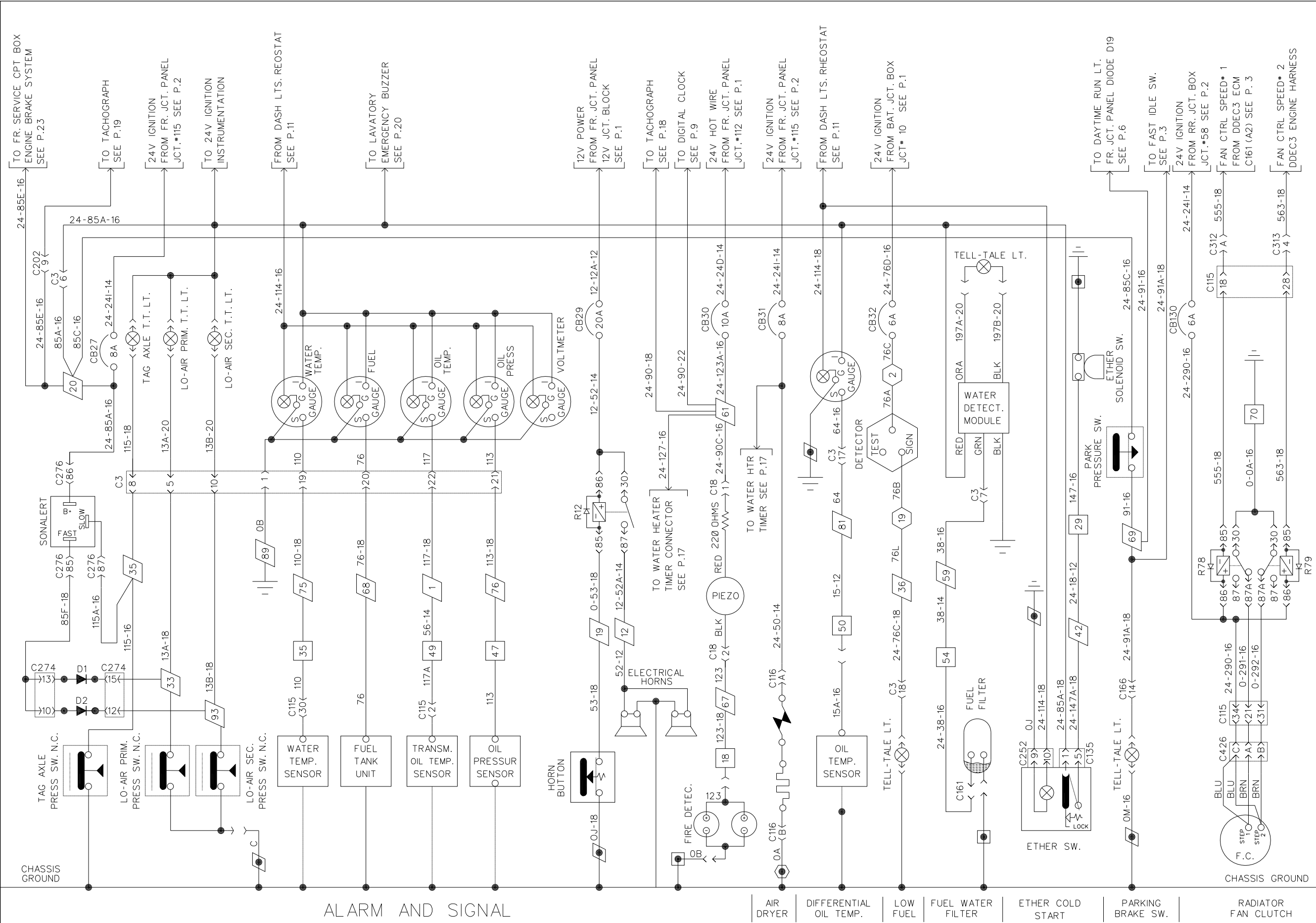




WORLD TRANSMISSION E.C.U.



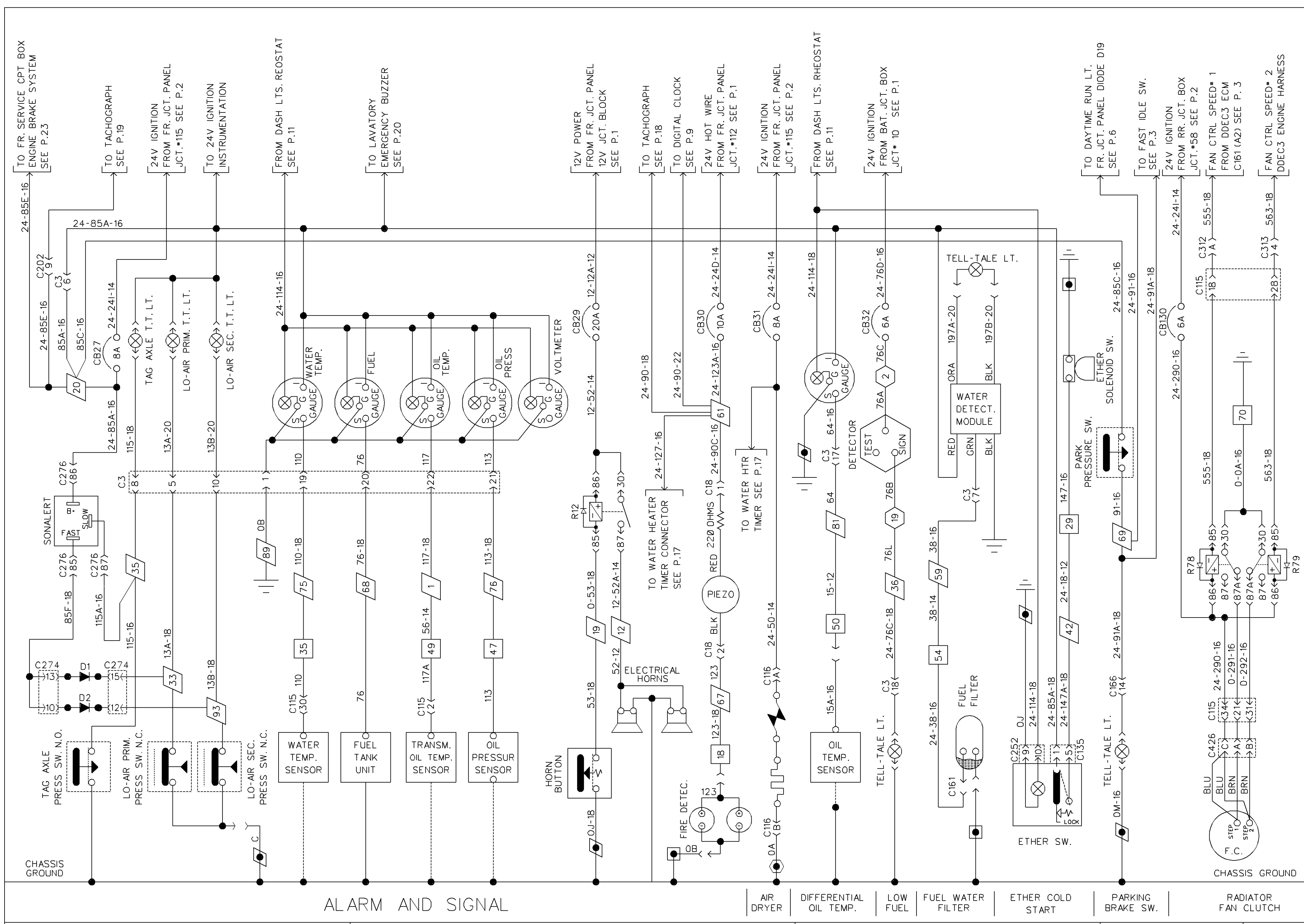
WORLD TRANSMISSION E.C.U. (SUITE)

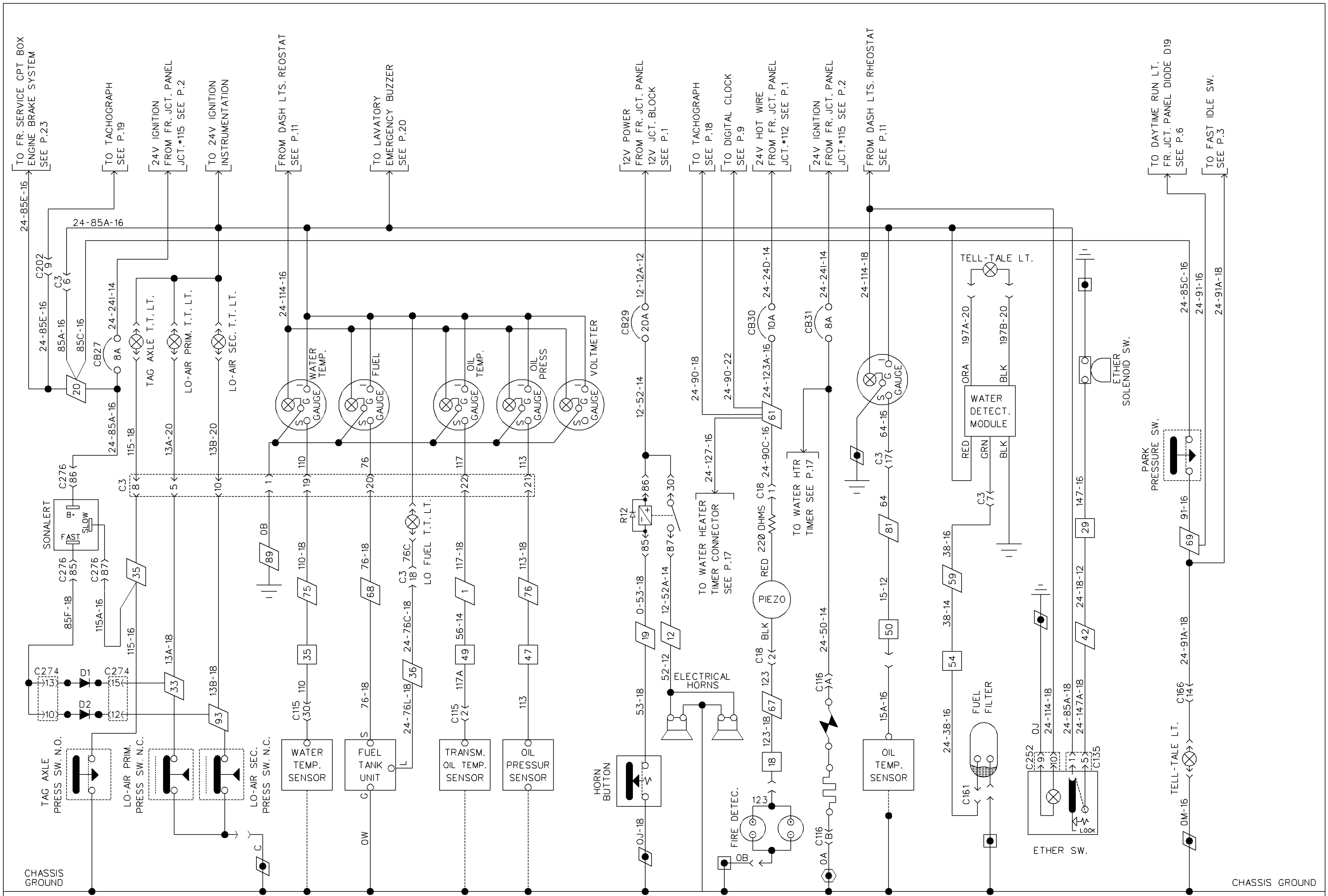


ALARM AND SIGNAL

- AIR DRYER
- DIFFERENTIAL OIL TEMP.
- LOW FUEL
- FUEL FILTER
- FUEL WATER
- ETHER SW.
- ETHER COLD START
- PARKING BRAKE SW.
- RADIATOR FAN CLUTCH

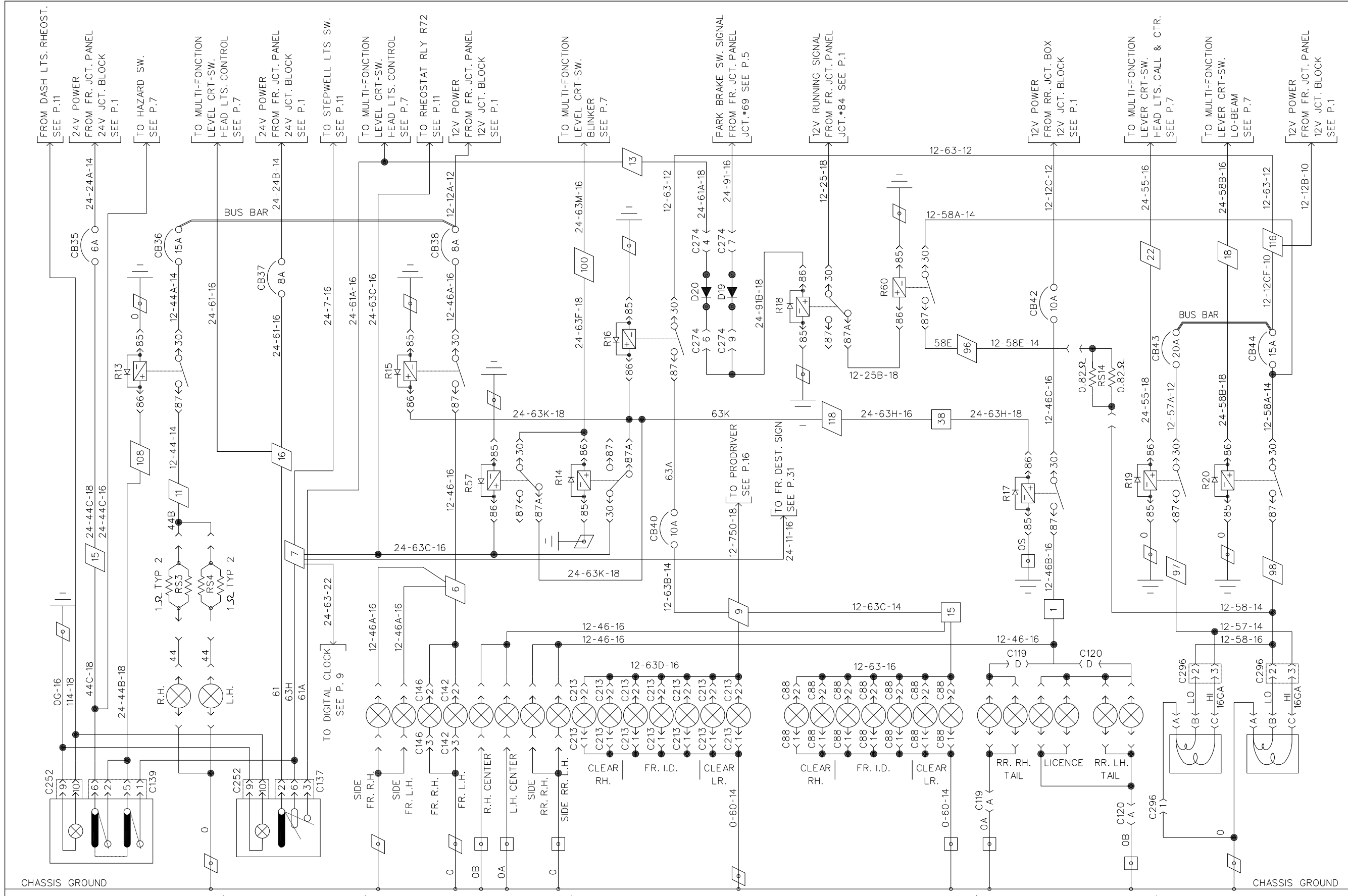




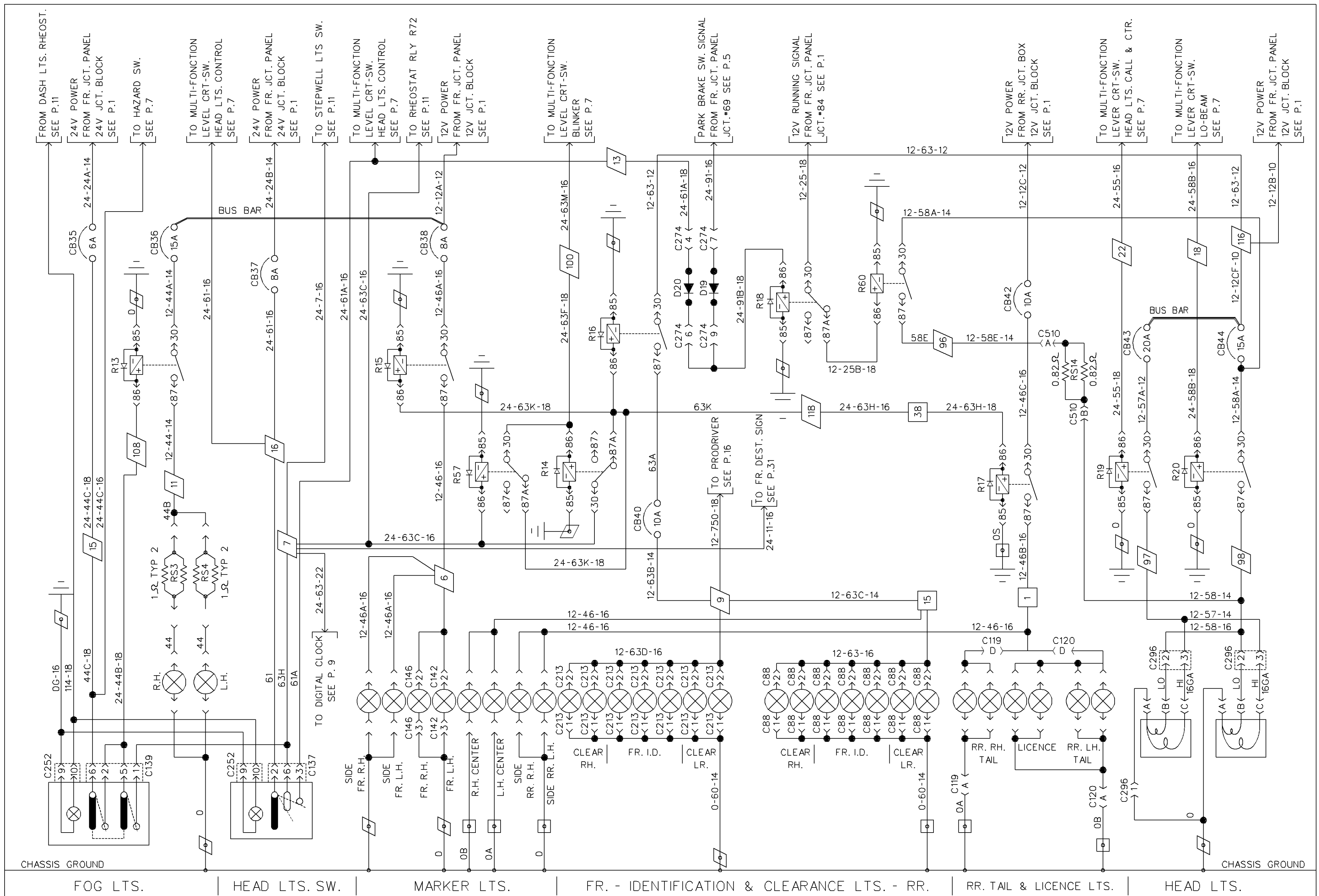


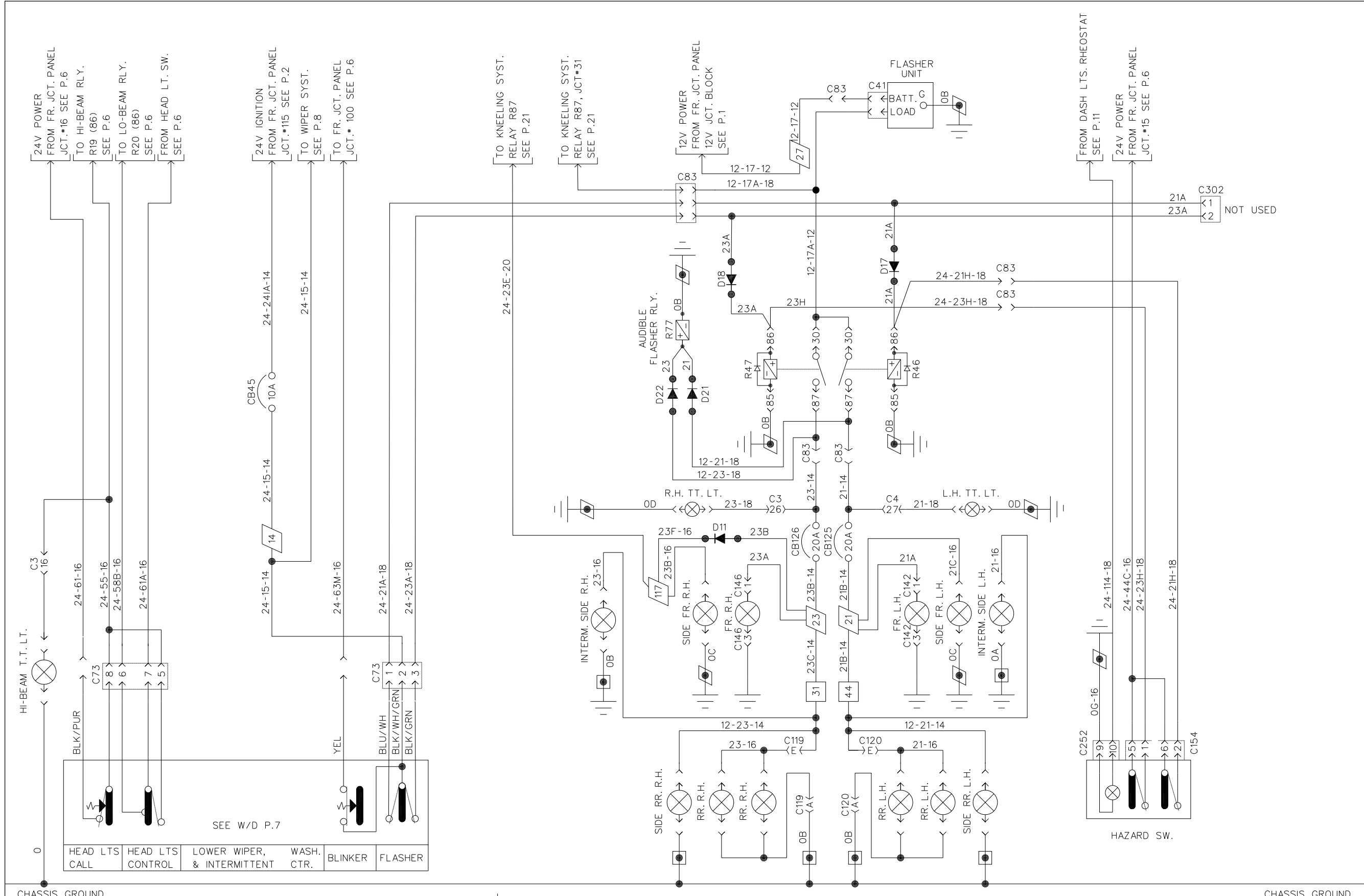
ALARM AND SIGNAL

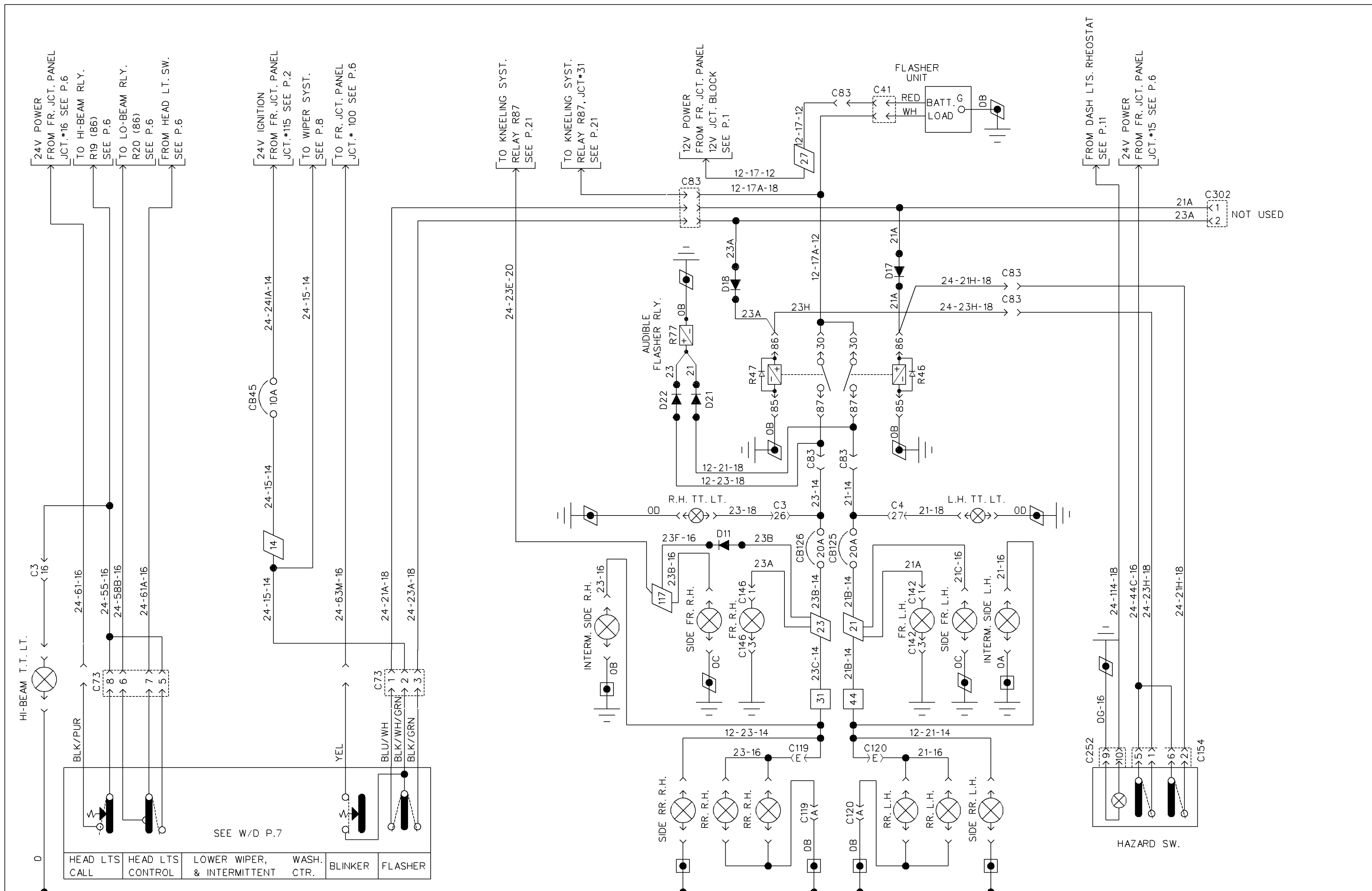
- AIR DRYER
- DIFFERENTIAL OIL TEMP.
- FUEL WATER FILTER
- ETHER COLD START
- PARKING BRAKE SW.

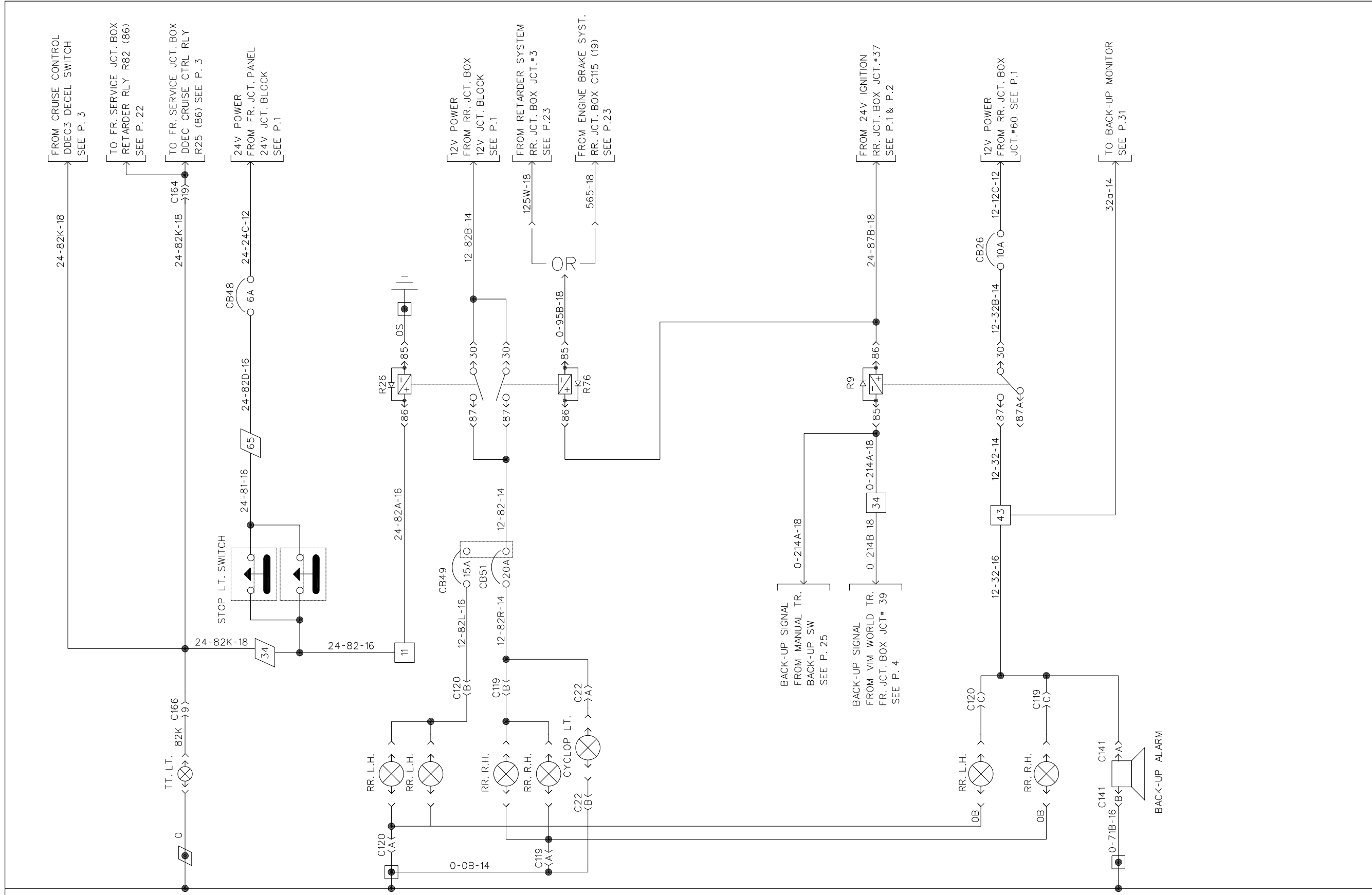


EXTERIOR LIGHTING





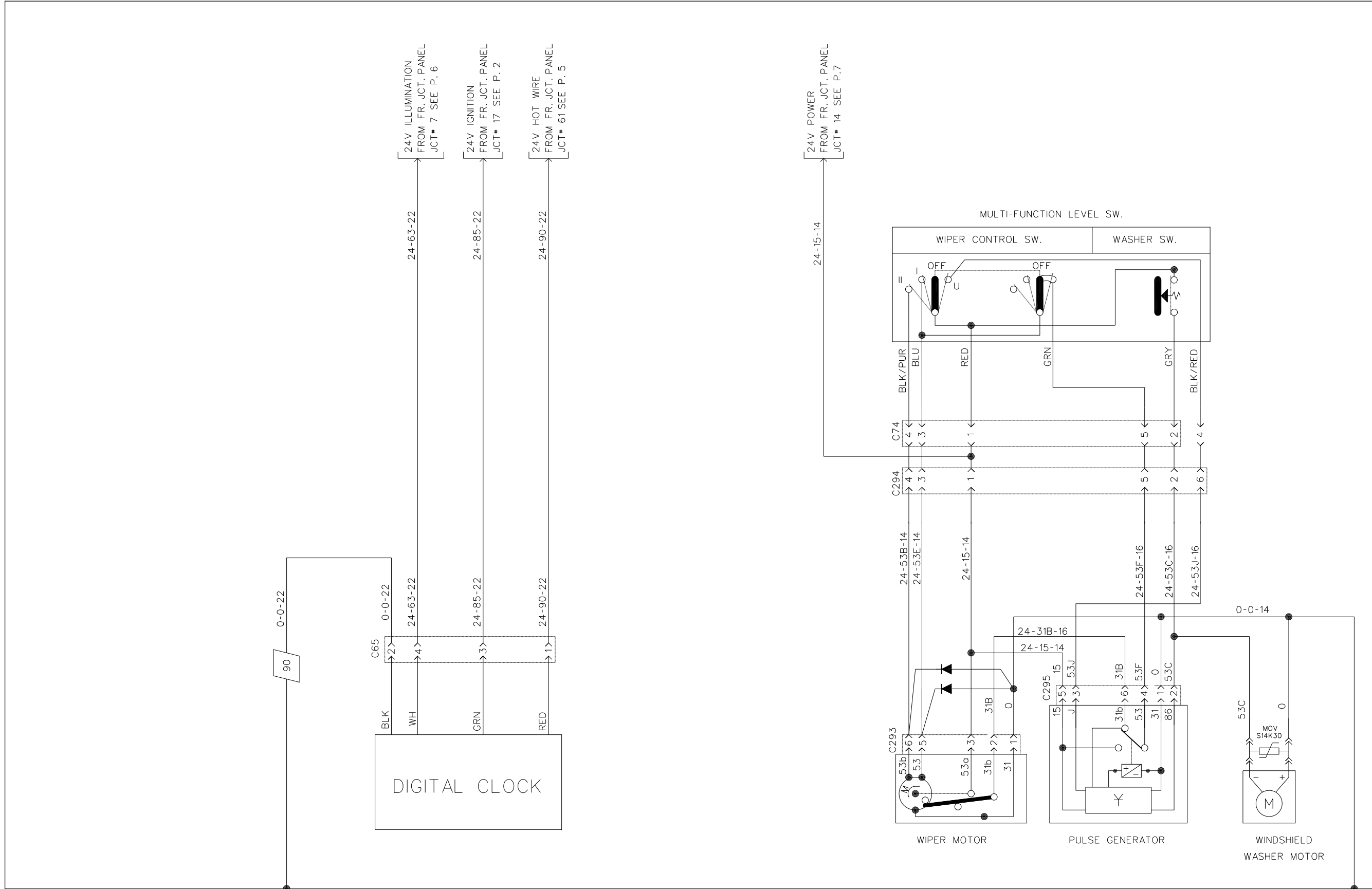




STOP LIGHTS

BACK-UP LIGHTS

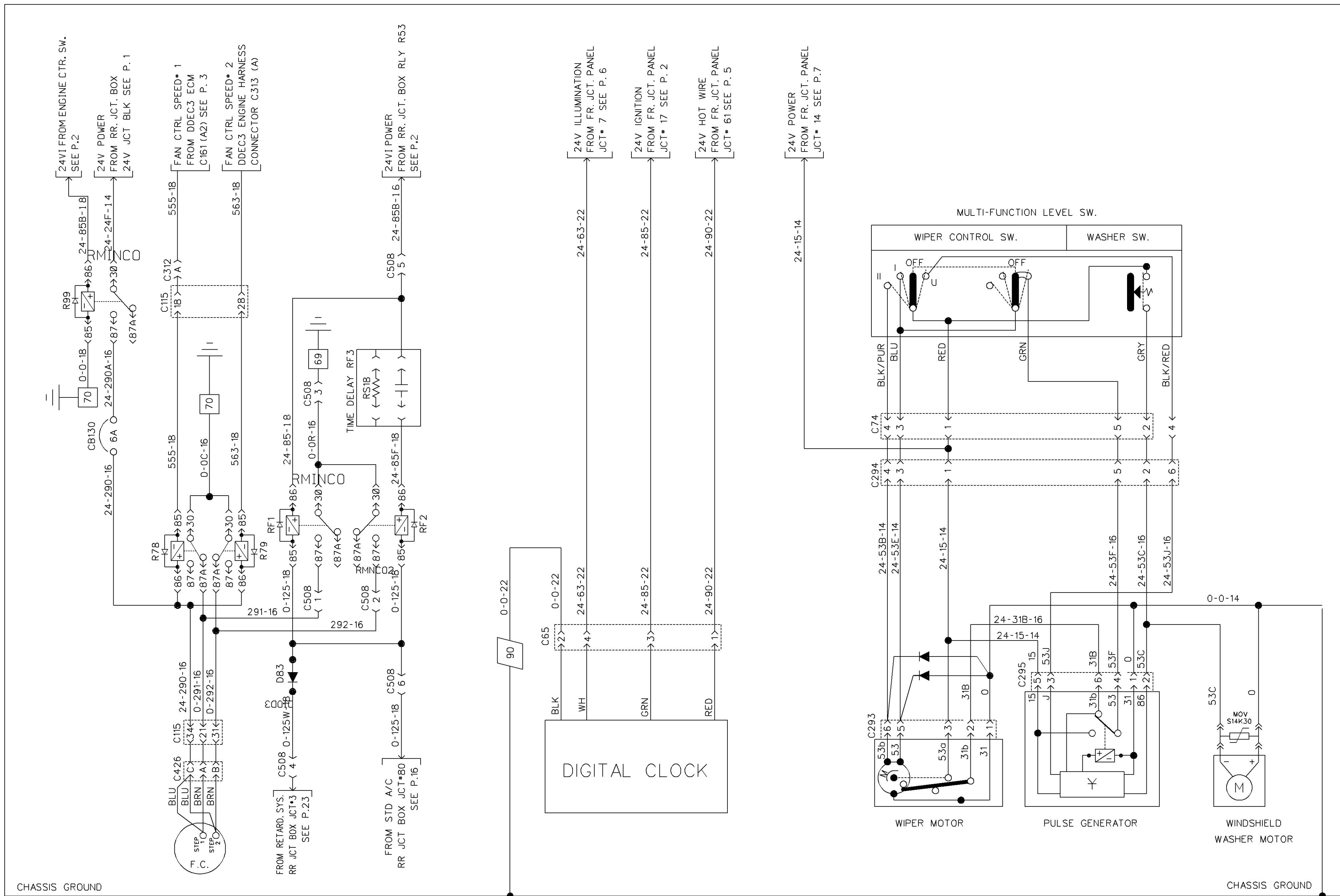
EXTERIOR LIGHTING



DIGITAL CLOCK

WINDSHIELD WIPER AND WASHER





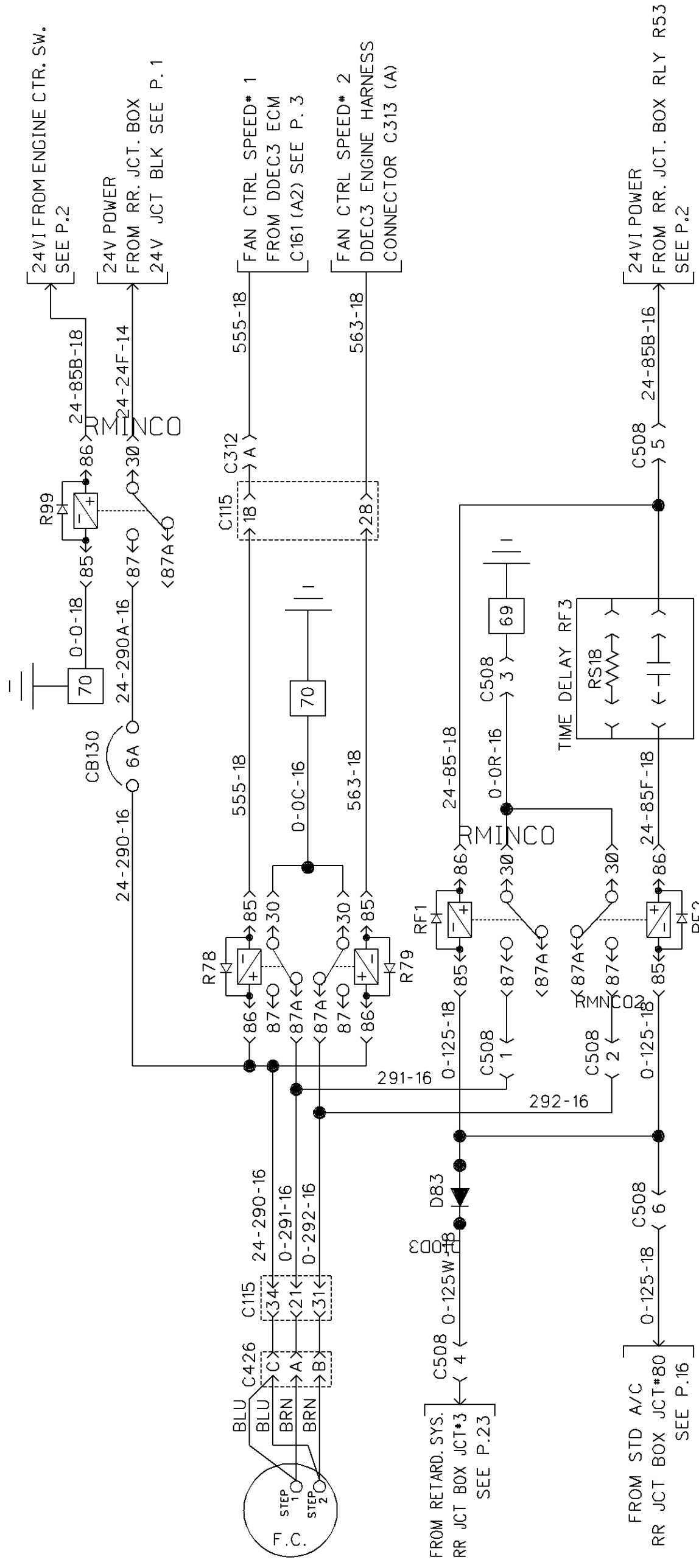
CHASSIS GROUND

CHASSIS GROUND

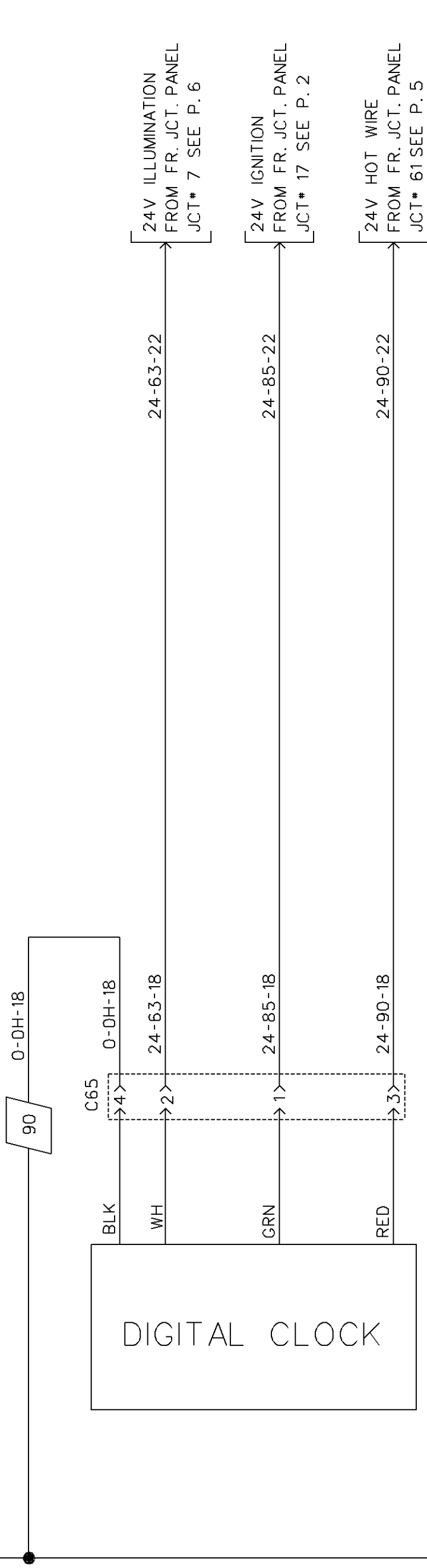
RADIATOR FAN CLUTCH

DIGITAL CLOCK

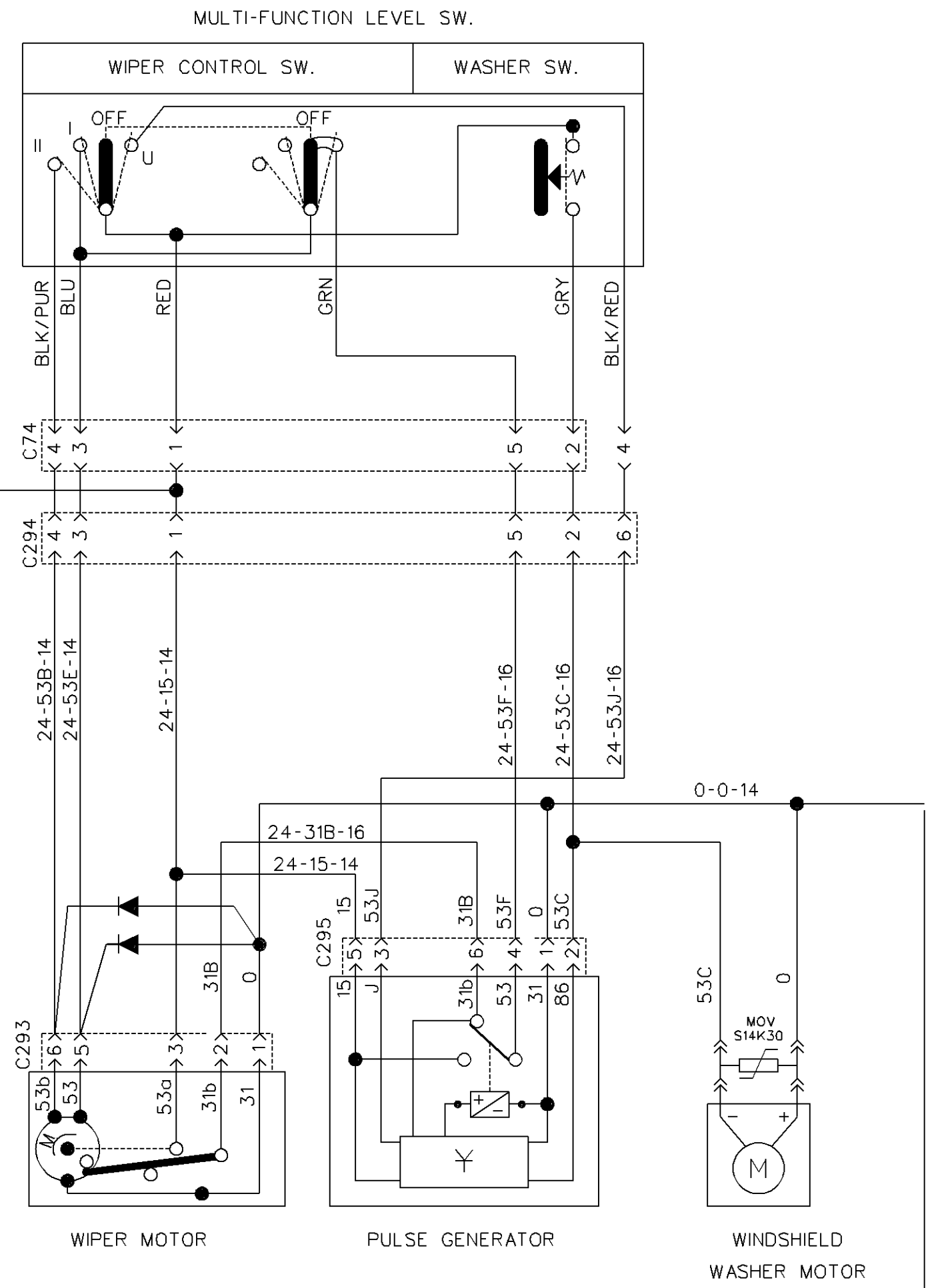
WINDSHIELD WIPER AND WASHER



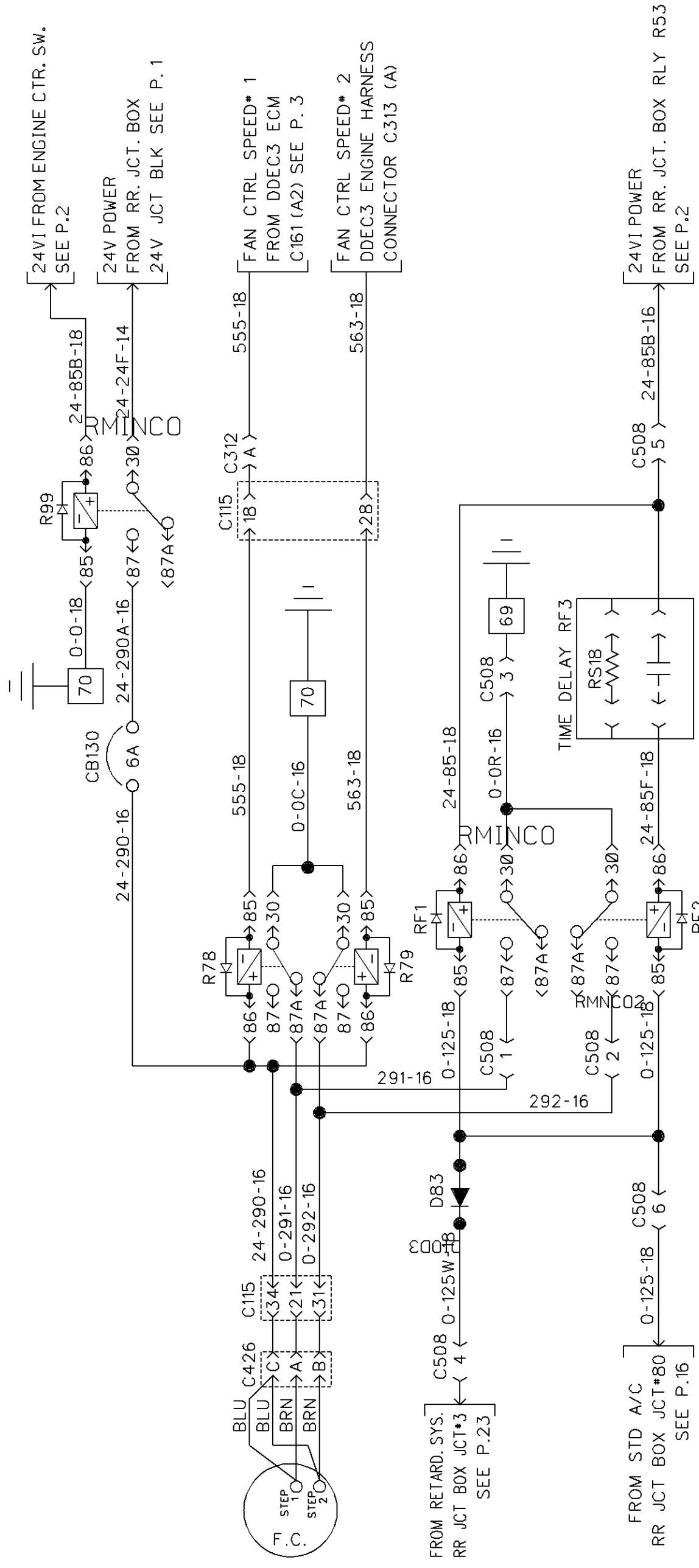
RADIATOR FAN CLUTCH



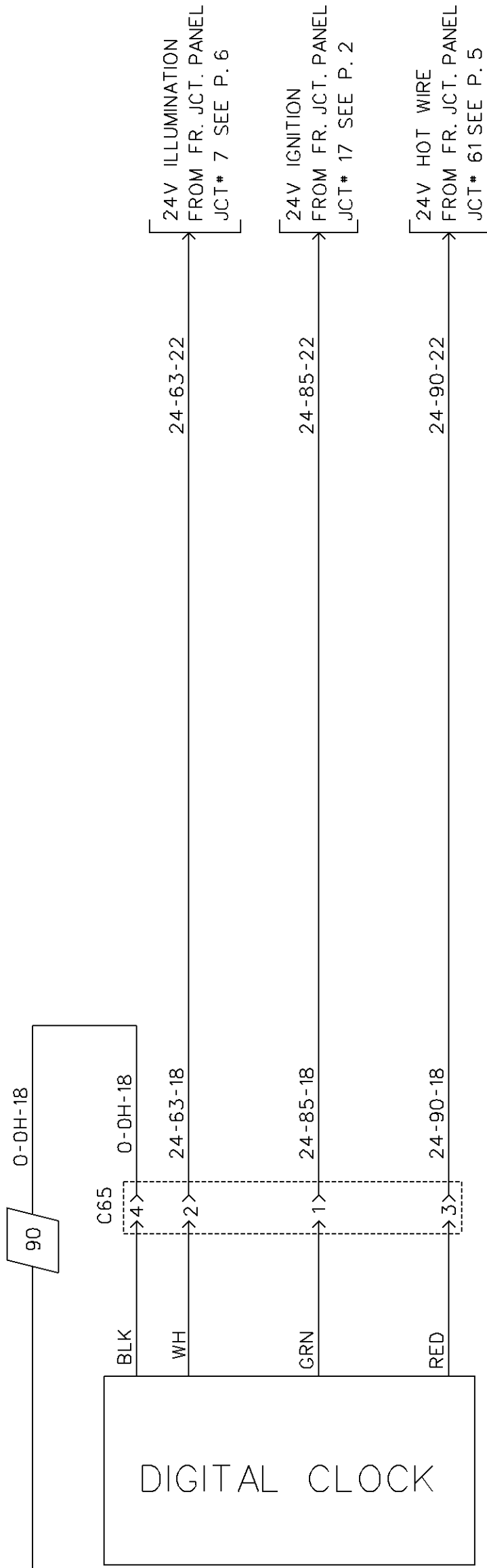
DIGITAL CLOCK



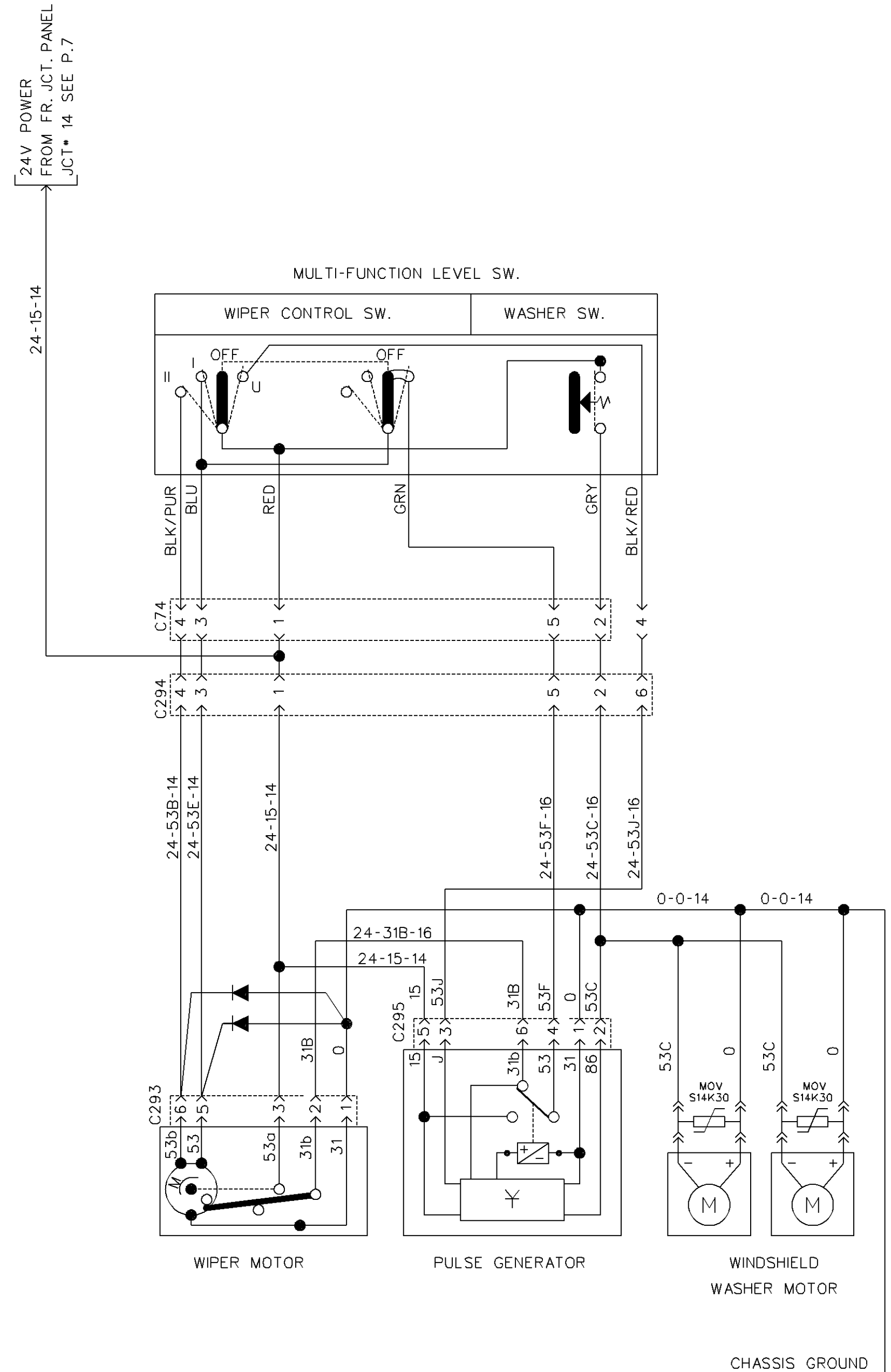
WINDSHIELD WIPER AND WASHER



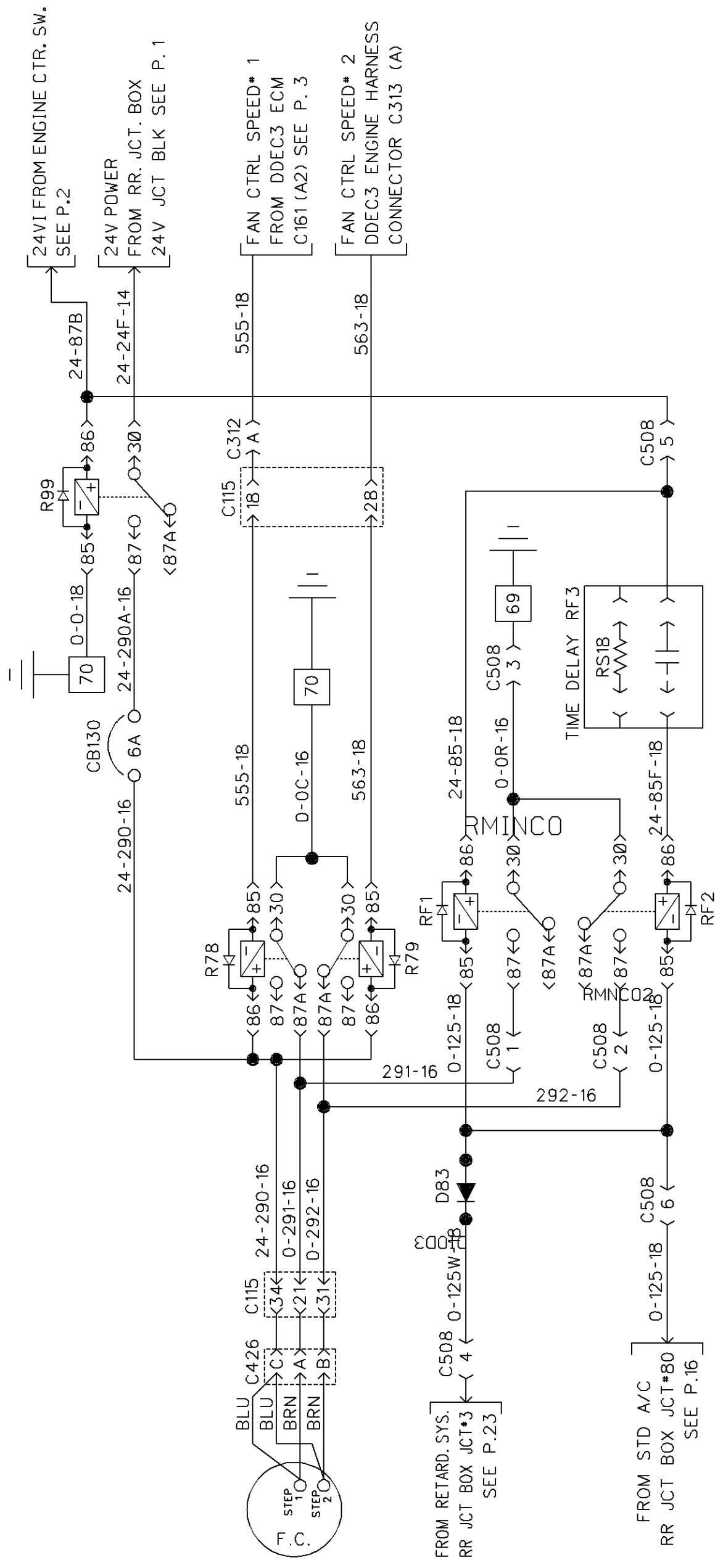
RADIATOR FAN CLUTCH



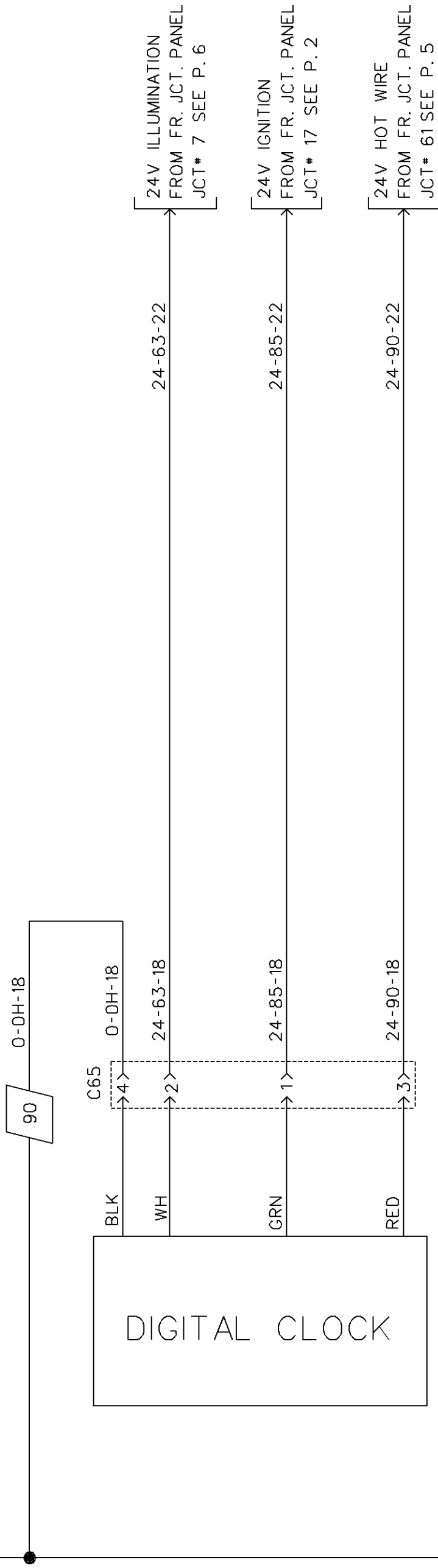
DIGITAL CLOCK



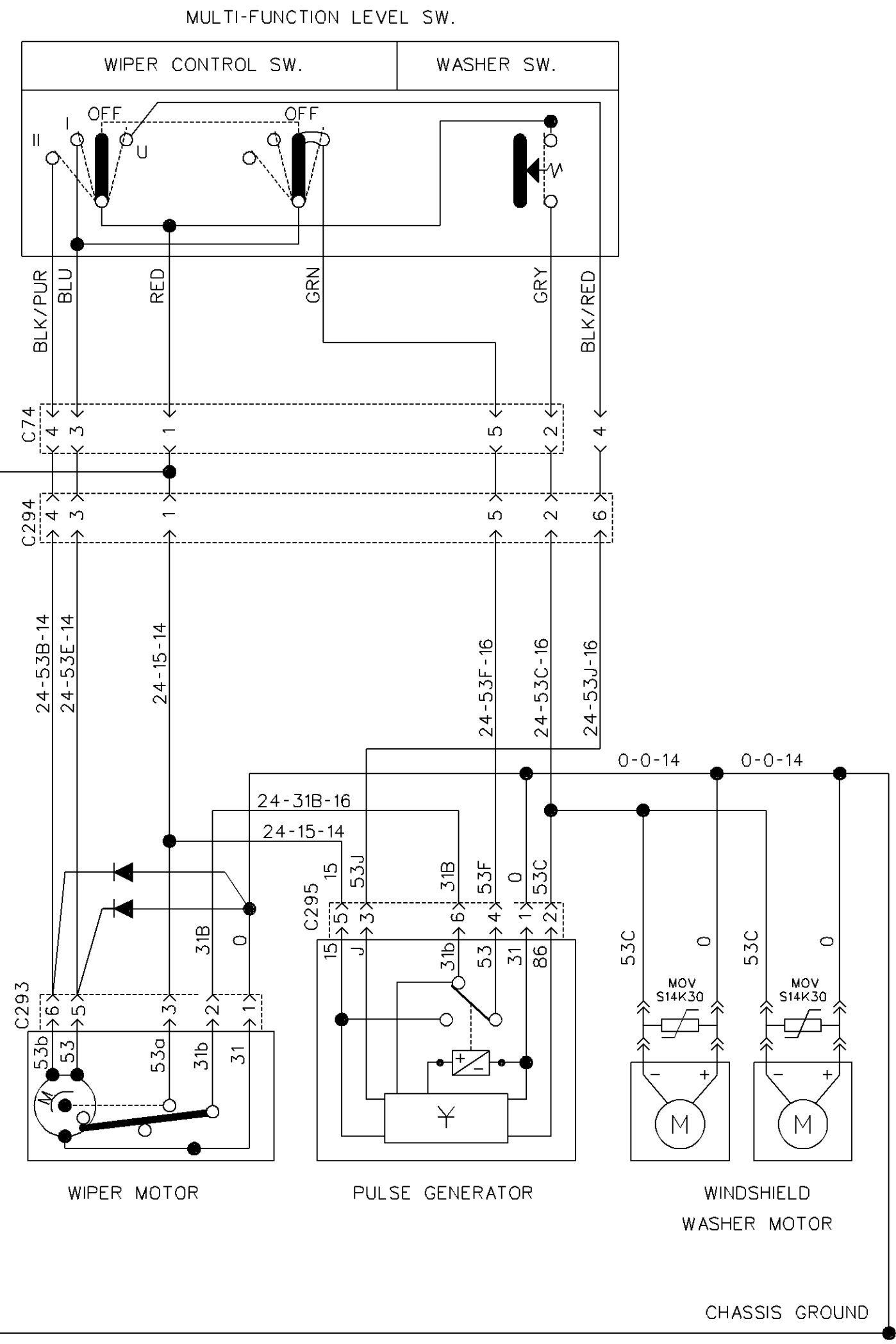
WINDSHIELD WIPER AND WASHER



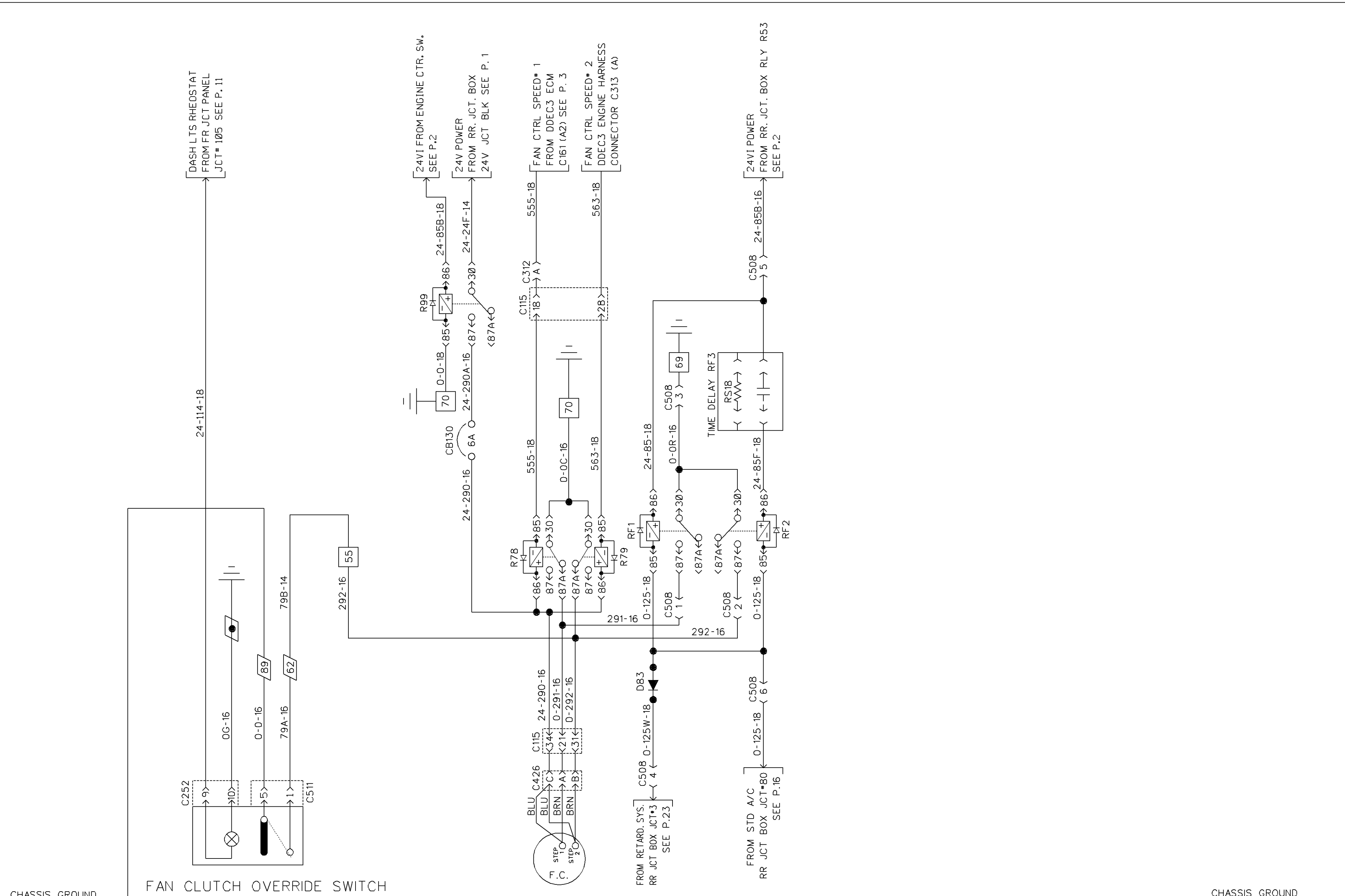
RADIATOR FAN CLUTCH



DIGITAL CLOCK



WINDSHIELD WIPER AND WASHER



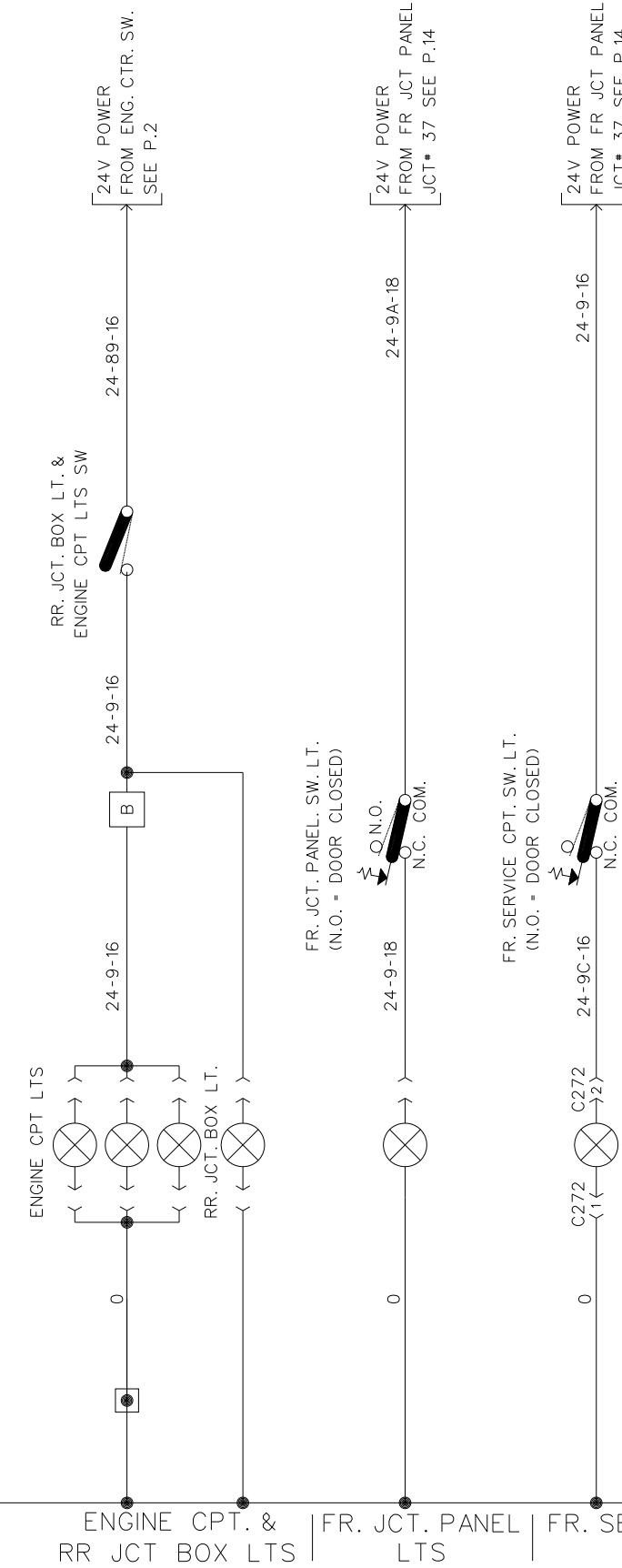
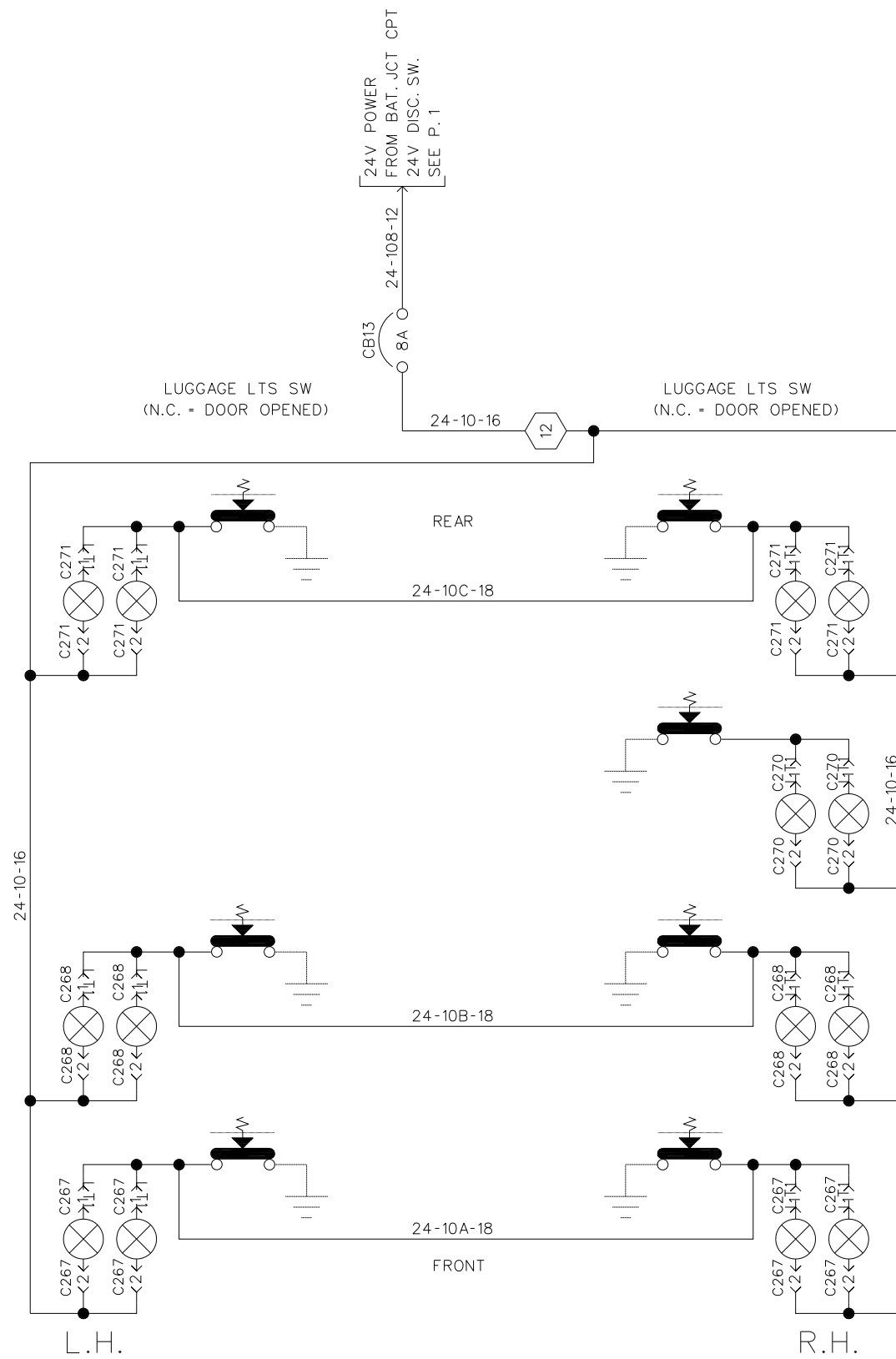
CHASSIS GROUND

FAN CLUTCH OVERRIDE SWITCH

CHASSIS GROUND

RADIATOR FAN CLUTCH WITH DRIVER'S OVERRIDE SWITCH

SPECIAL OPTION



CHASSIS GROUND

CHASSIS GROUND

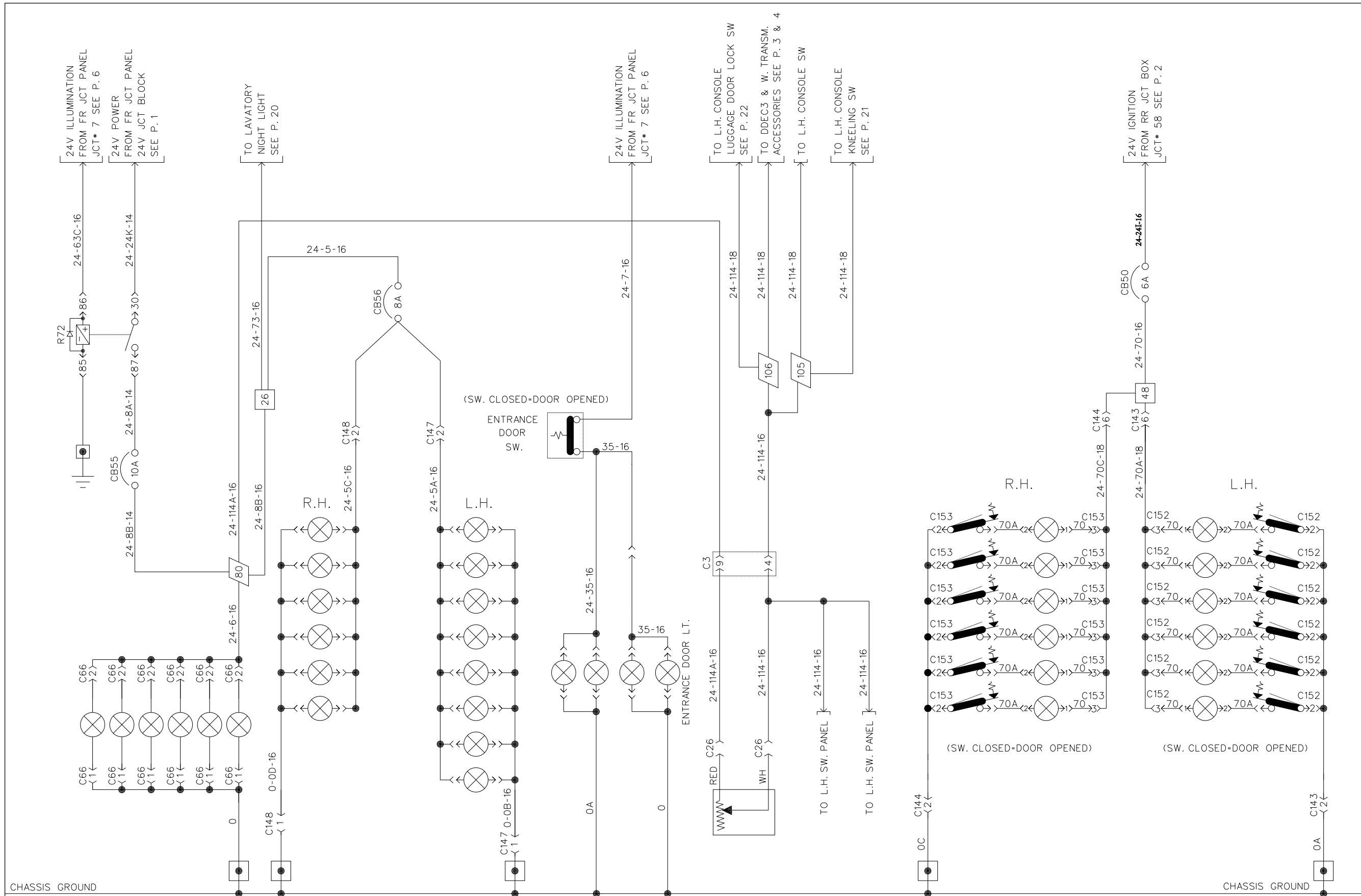
LUGGAGE COMPARTMENT LTS

ENGINE CPT. & RR JCT BOX LTS

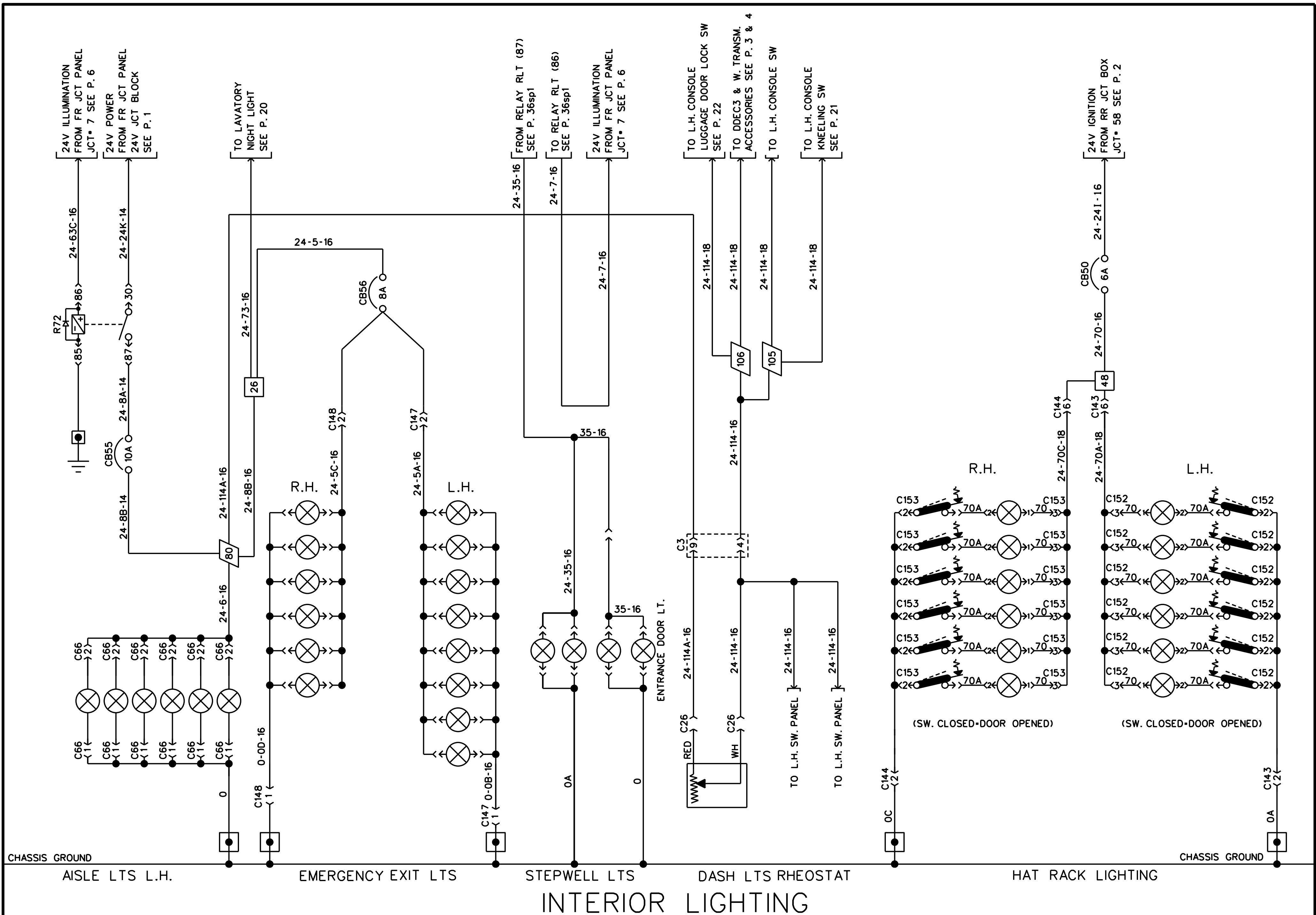
FR. JCT. PANEL LTS

FR. SERVICE CPT LTS

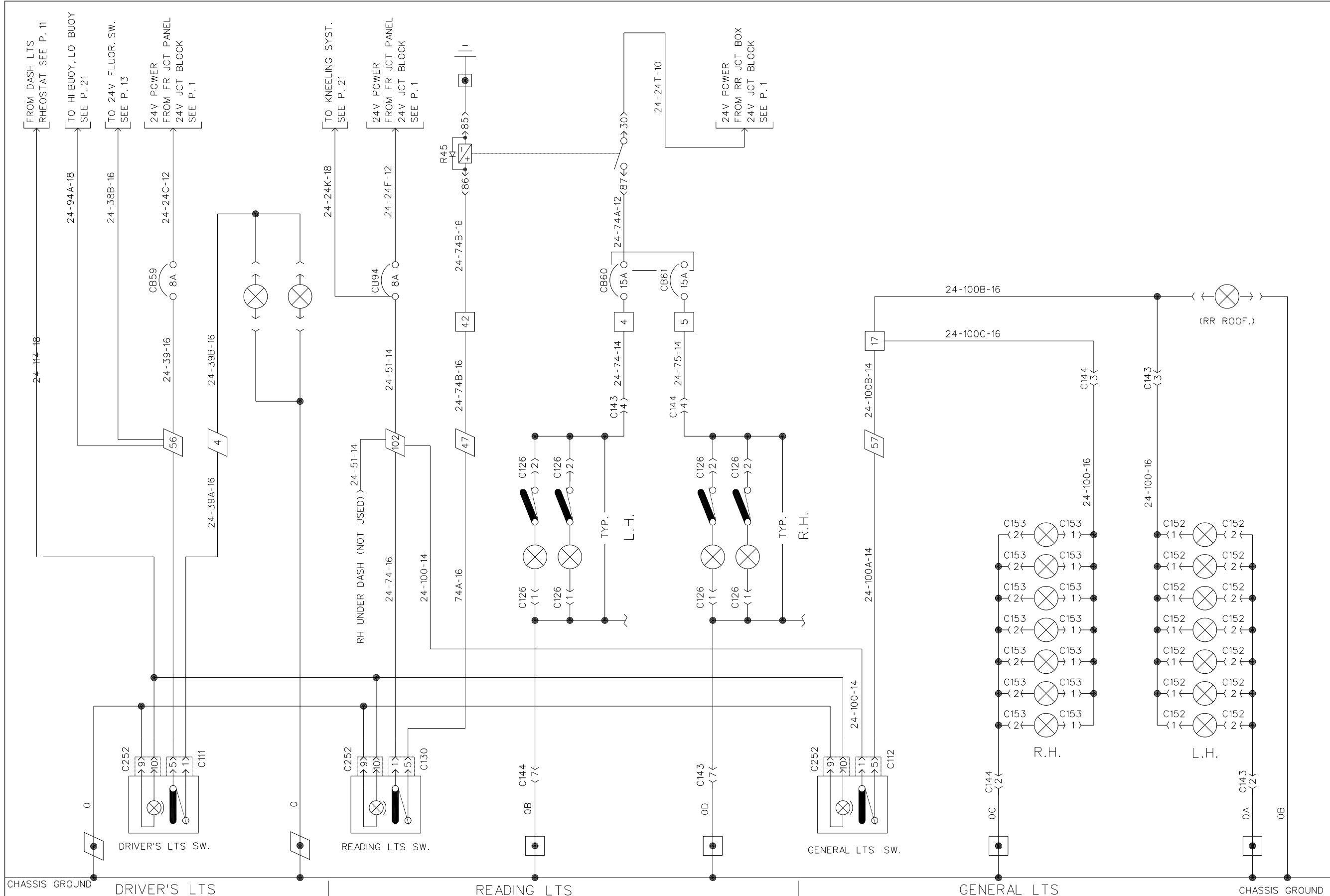
INTERIOR LIGHTING



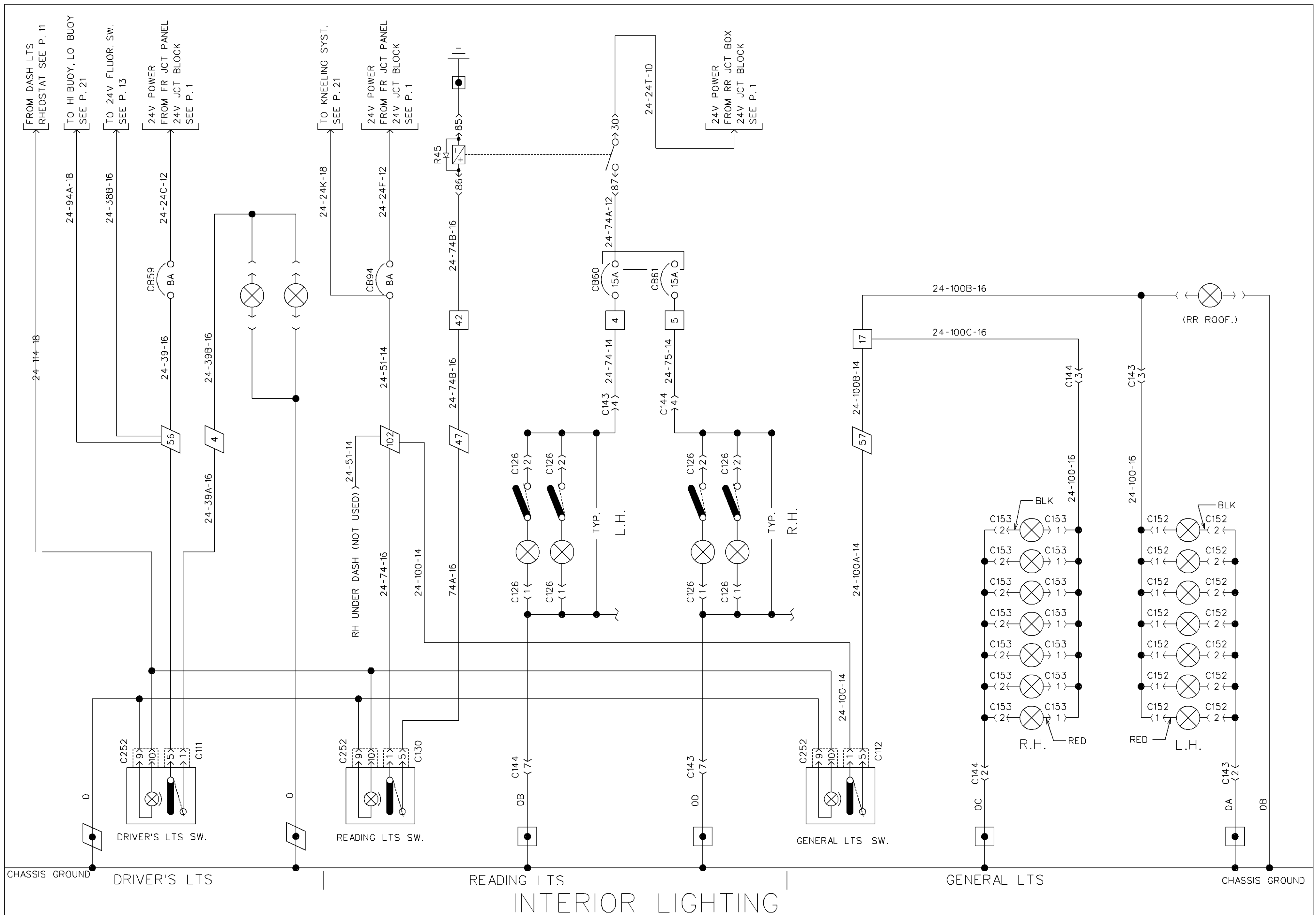
## INTERIOR LIGHTING



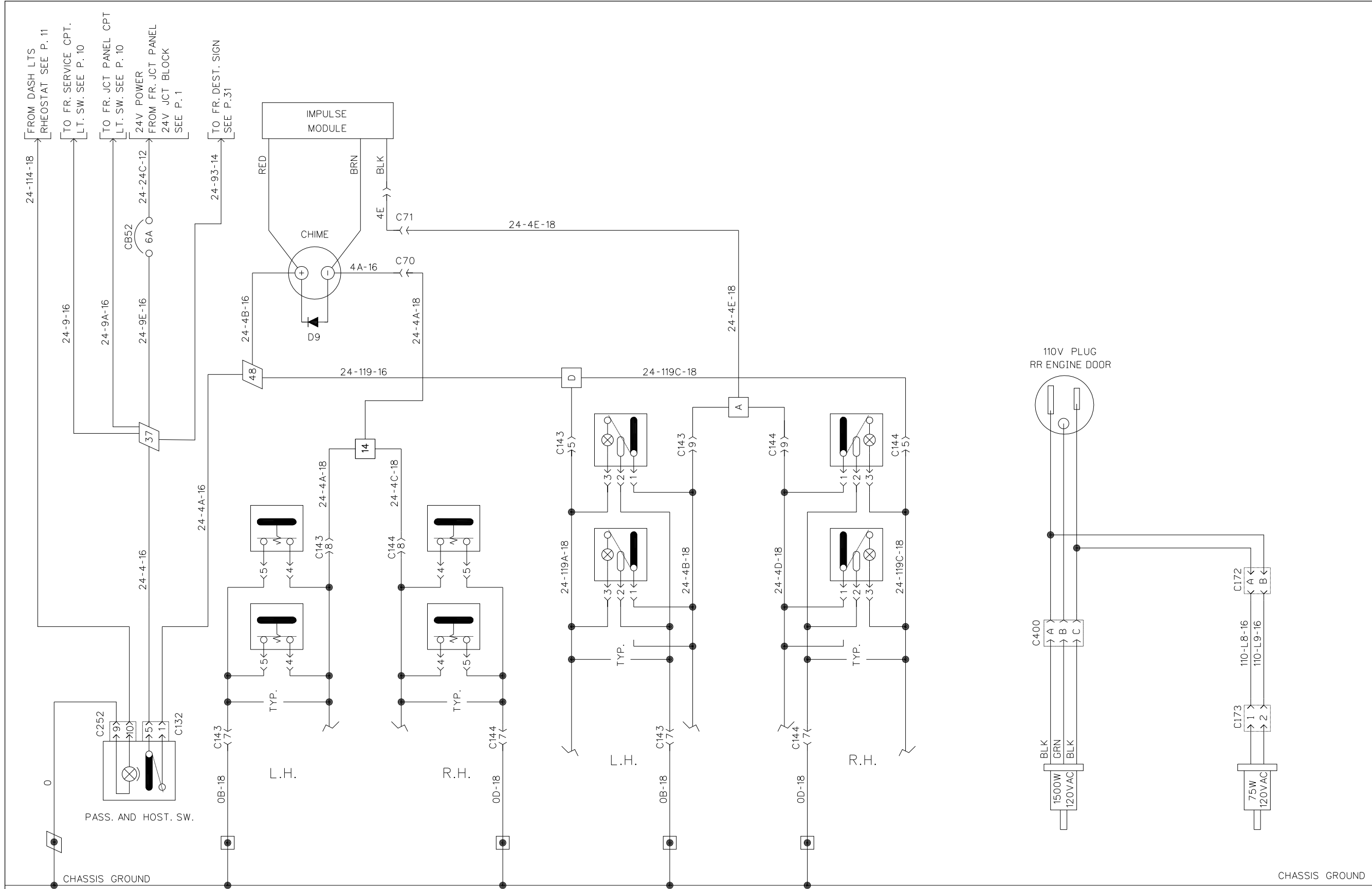




INTERIOR LIGHTING







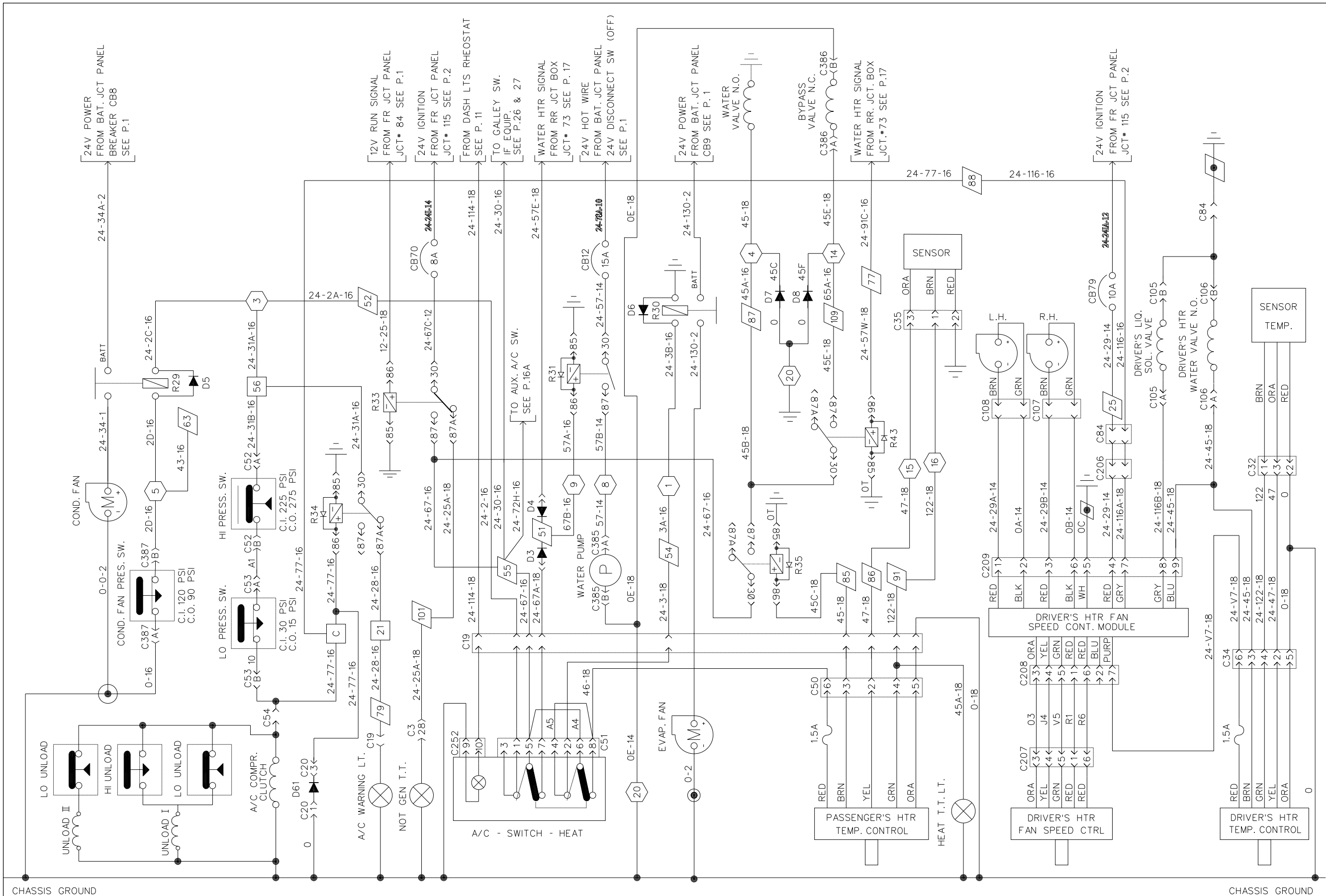
PASSENGER CHIME

HOSTESS CHIME

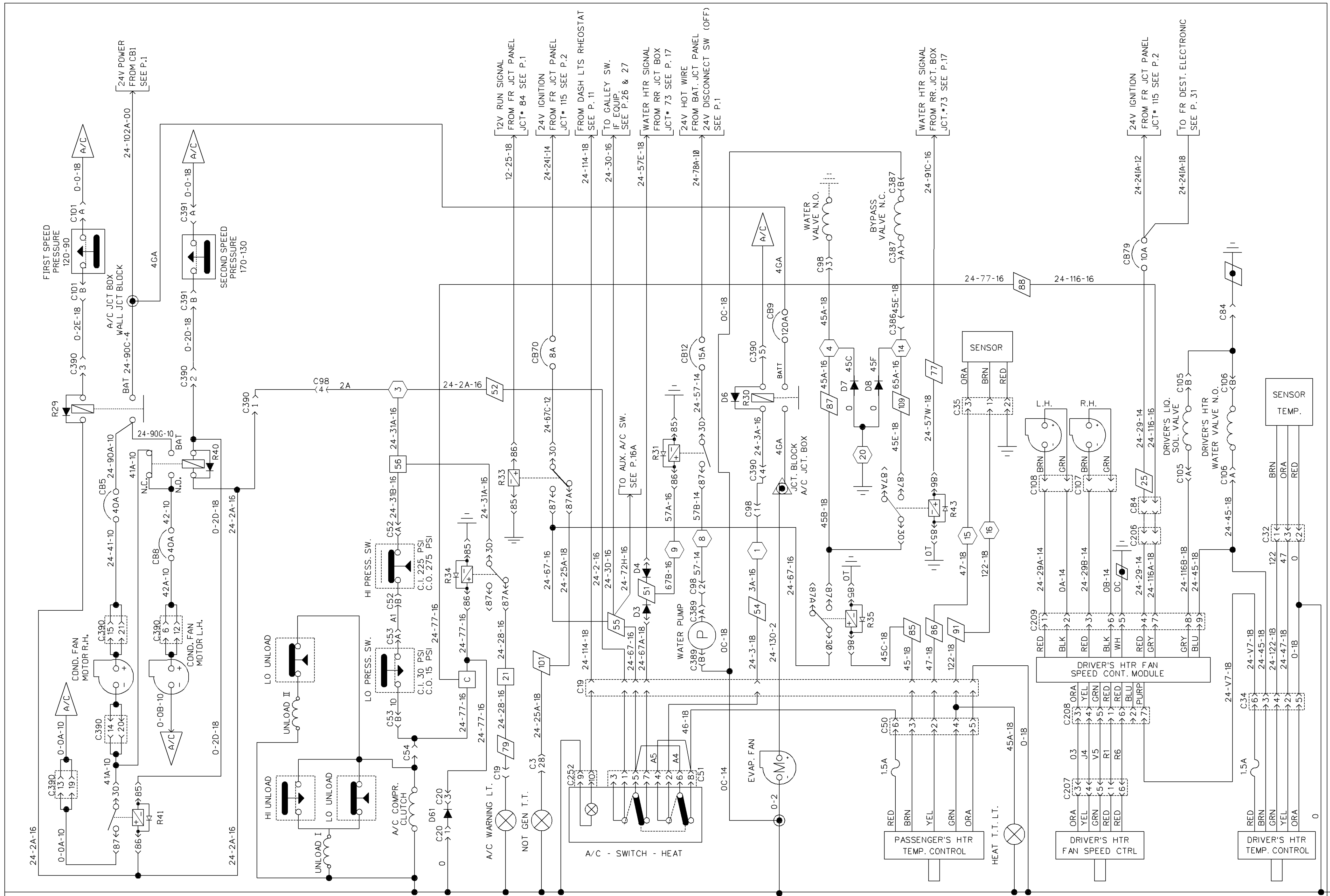
ENGINE BLOCK HEATER

WATER TANK HEATER

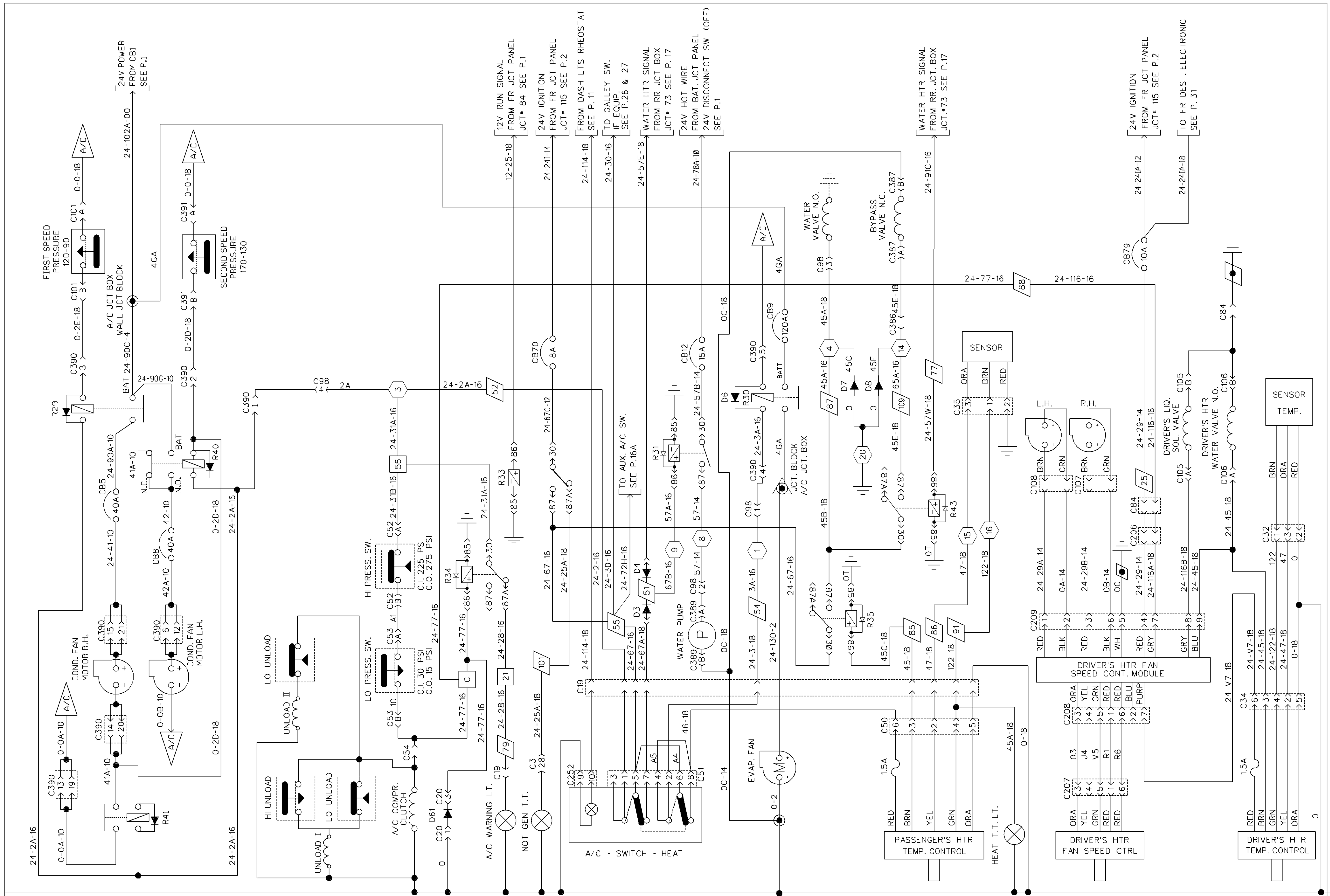




A/C AND HEAT SYSTEM



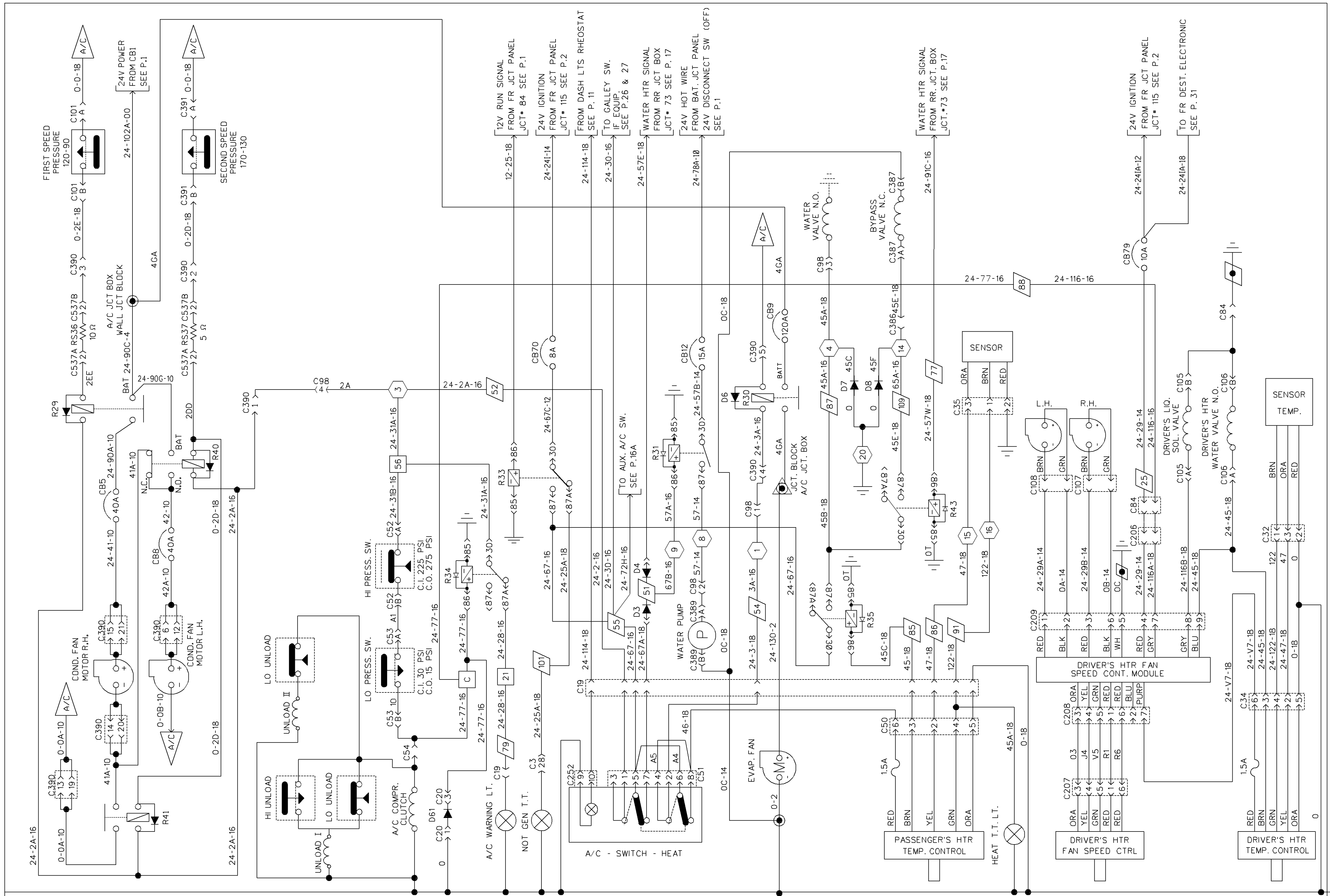
A/C AND HEAT SYSTEM



CHASSIS GROUND

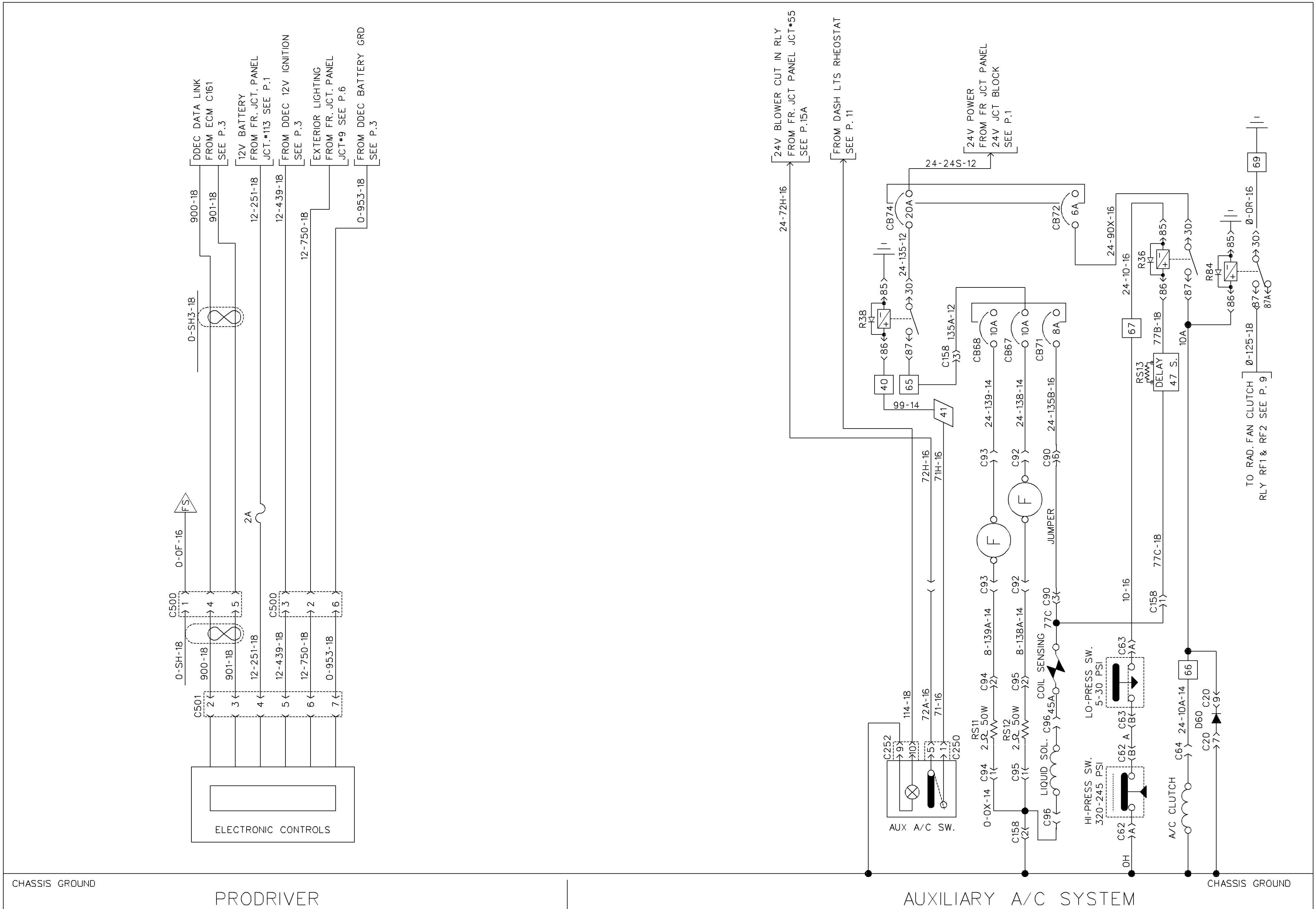
### A/C AND HEAT SYSTEM





CHASSIS GROUND

### A/C AND HEAT SYSTEM

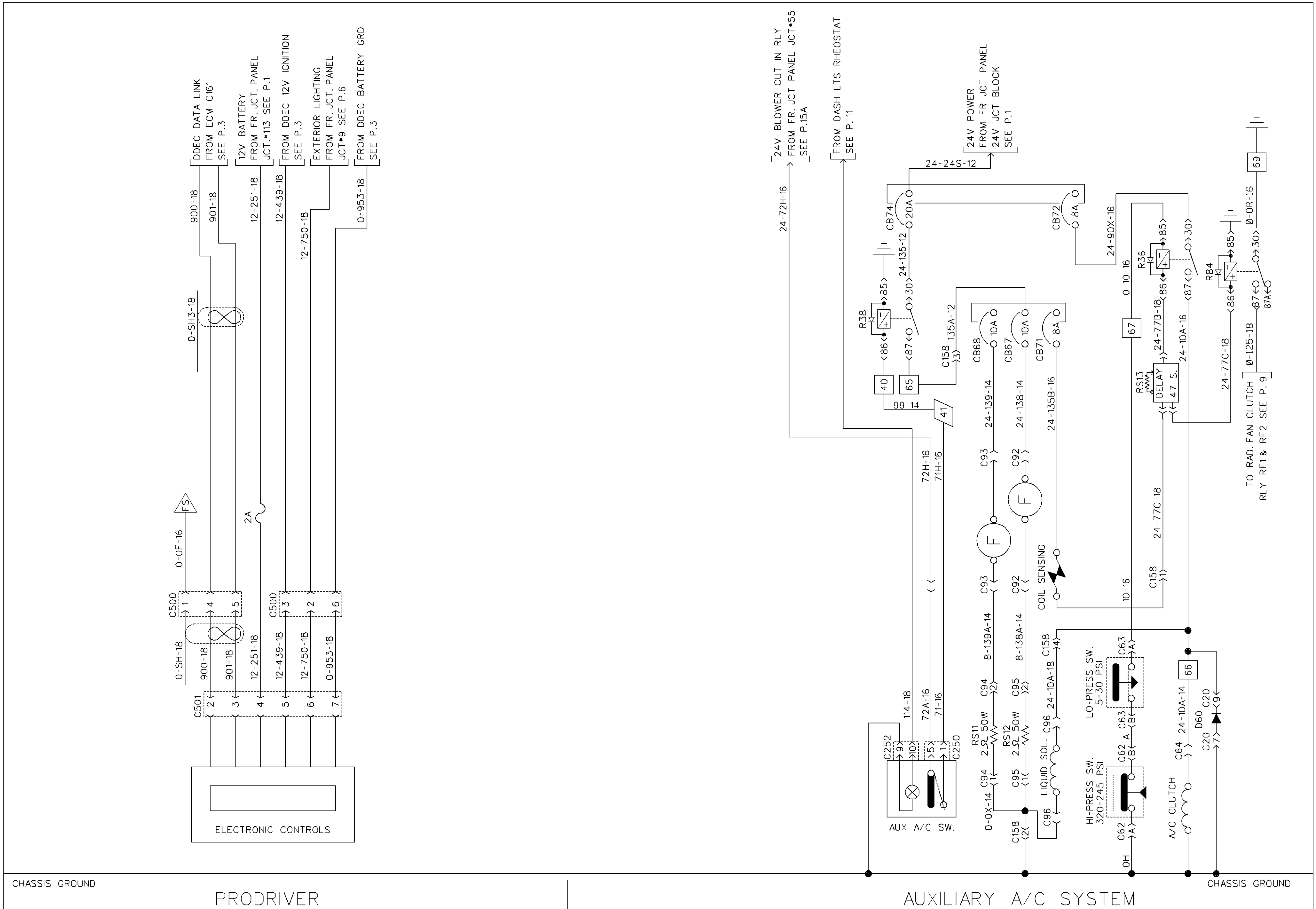


CHASSIS GROUND

PRODRIVER

AUXILIARY A/C SYSTEM

CHASSIS GROUND



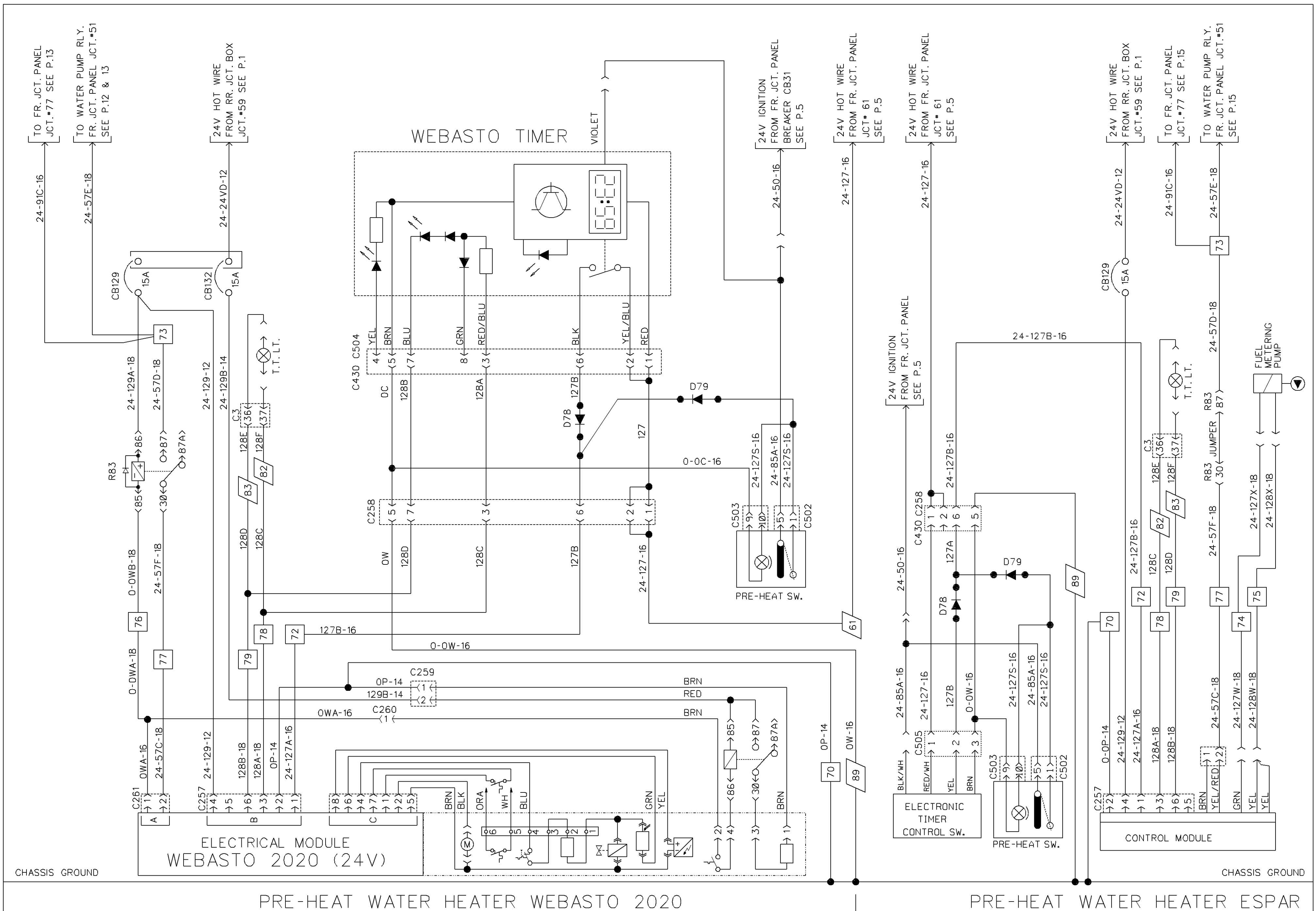
CHASSIS GROUND

PRODRIVER

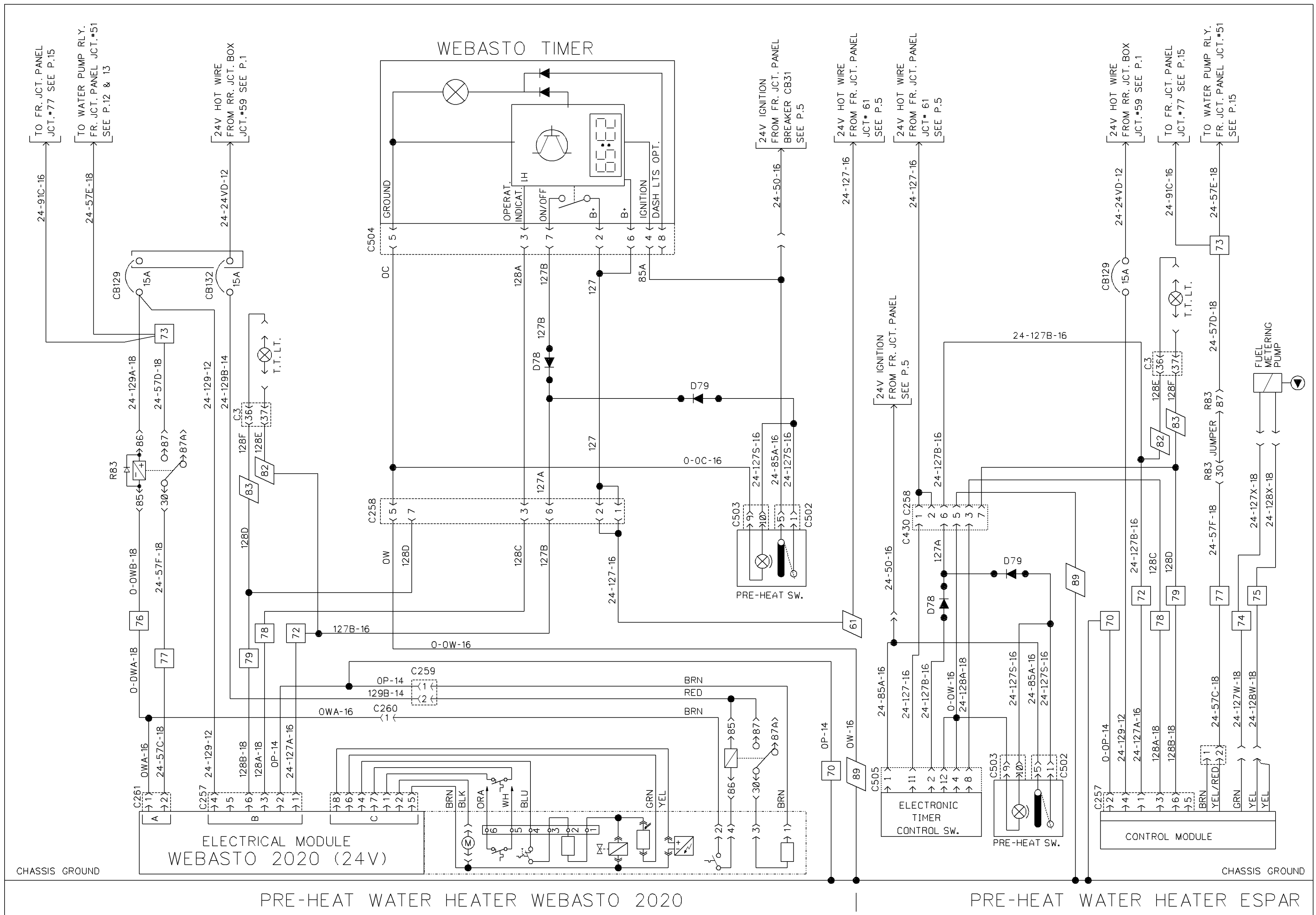
AUXILIARY A/C SYSTEM

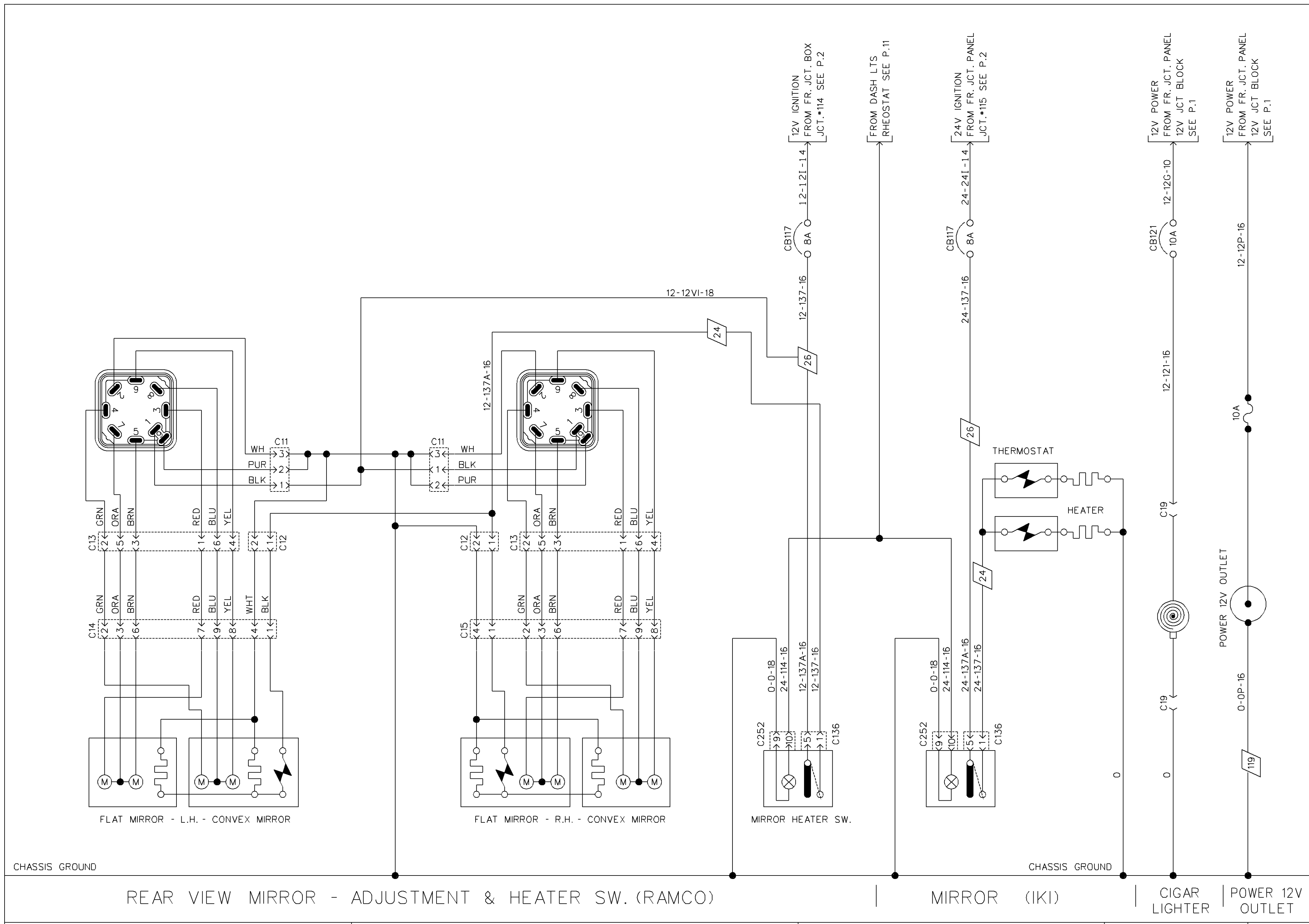
CHASSIS GROUND







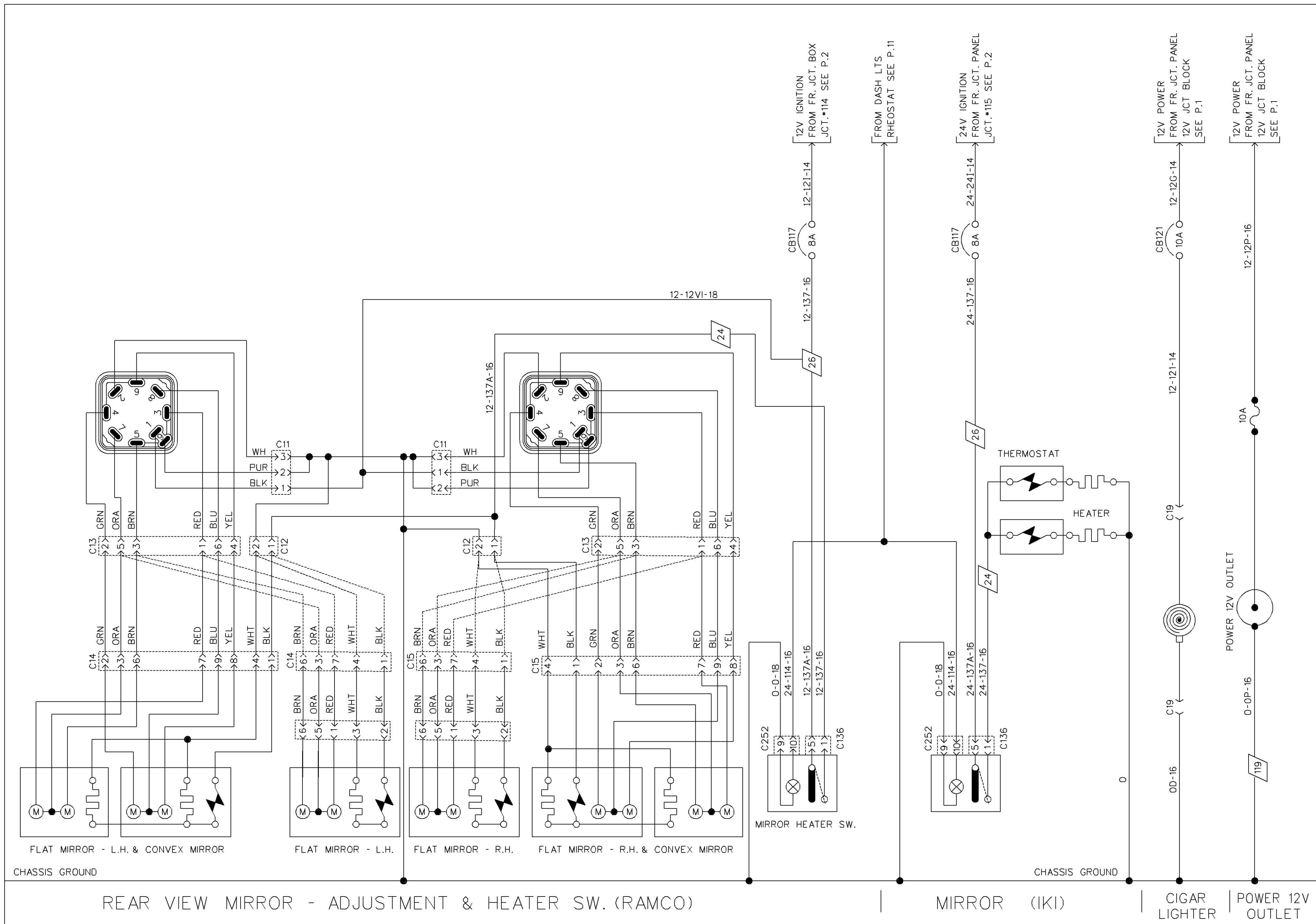




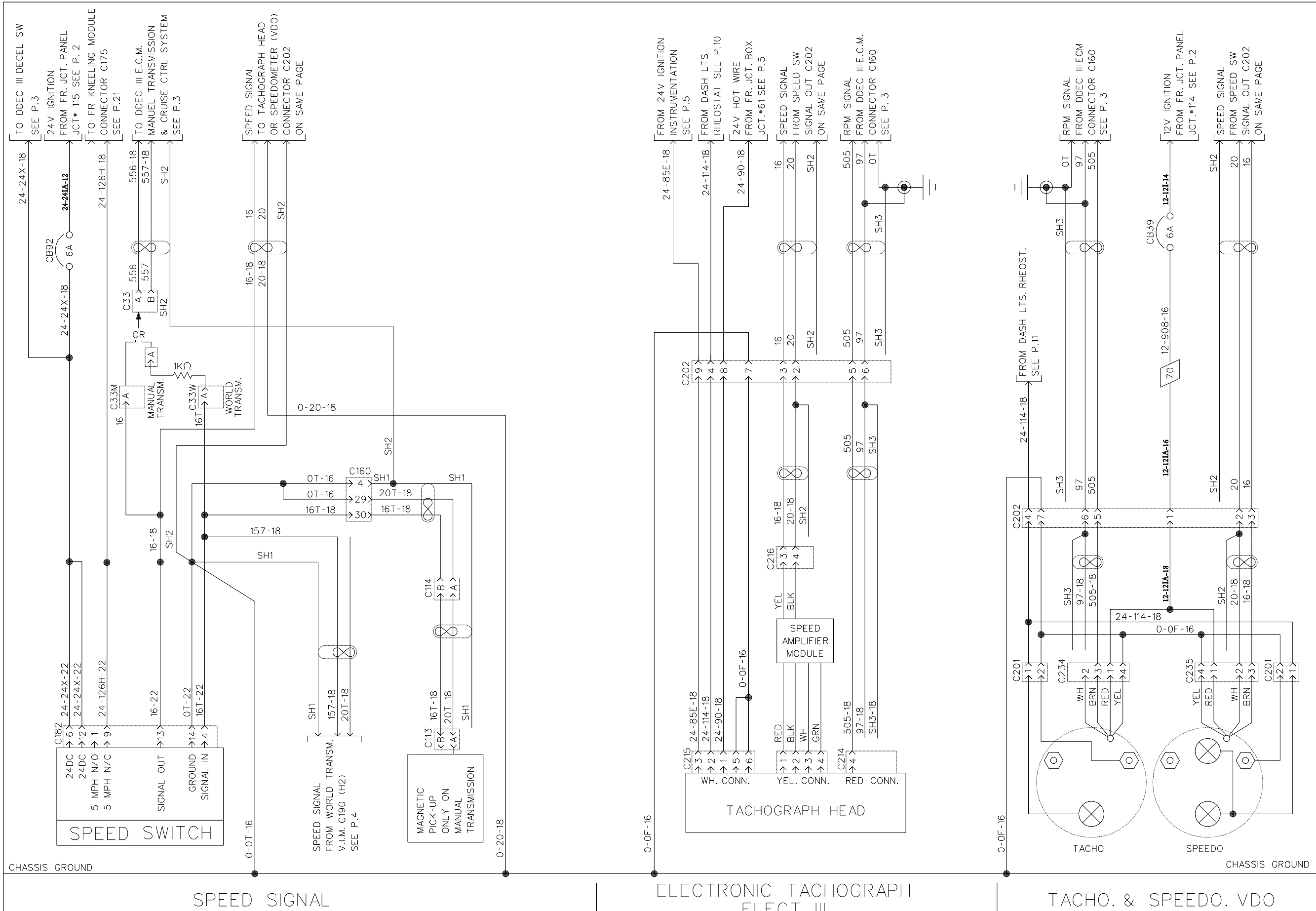
CHASSIS GROUND

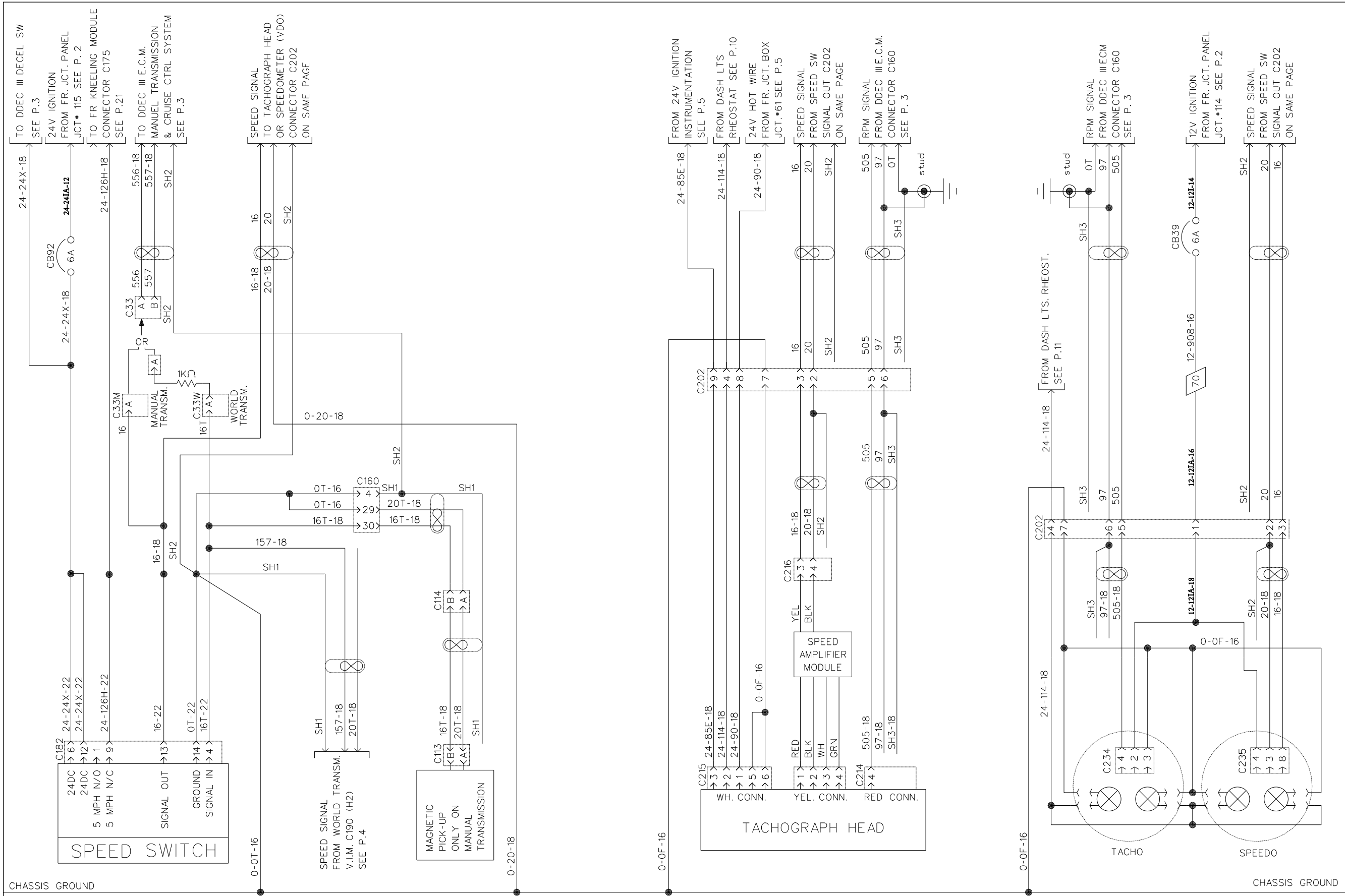
CHASSIS GROUND

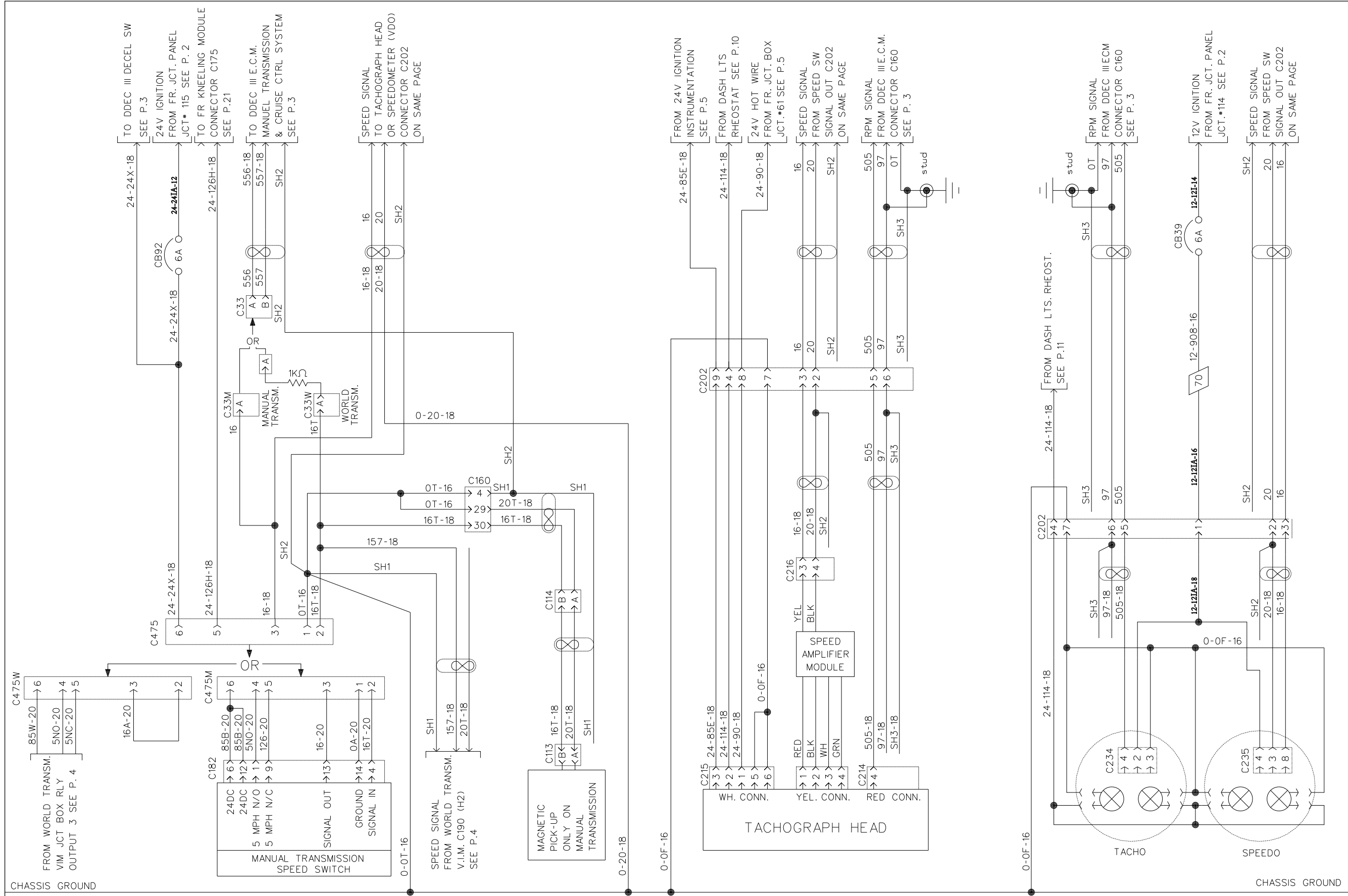


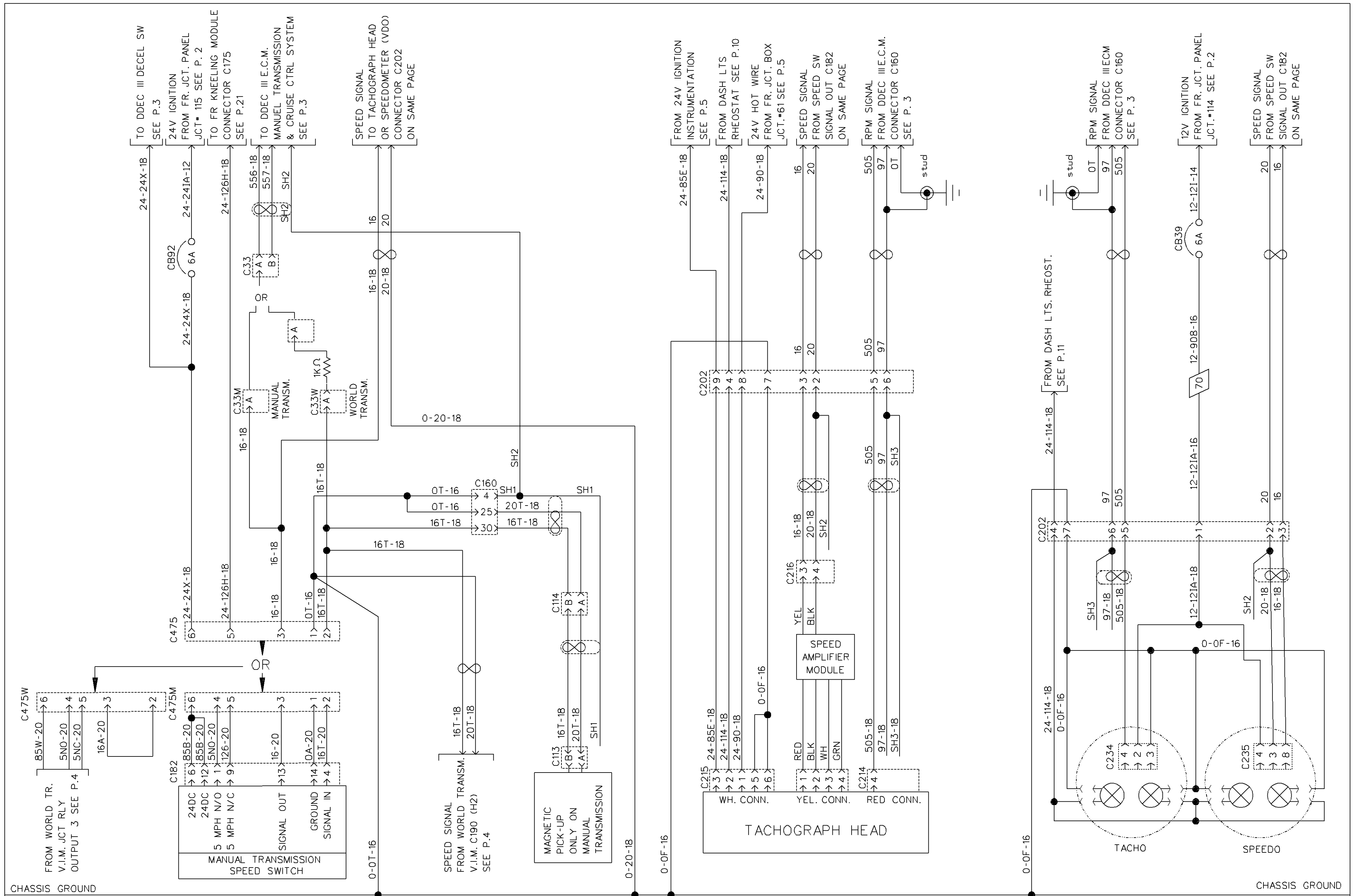


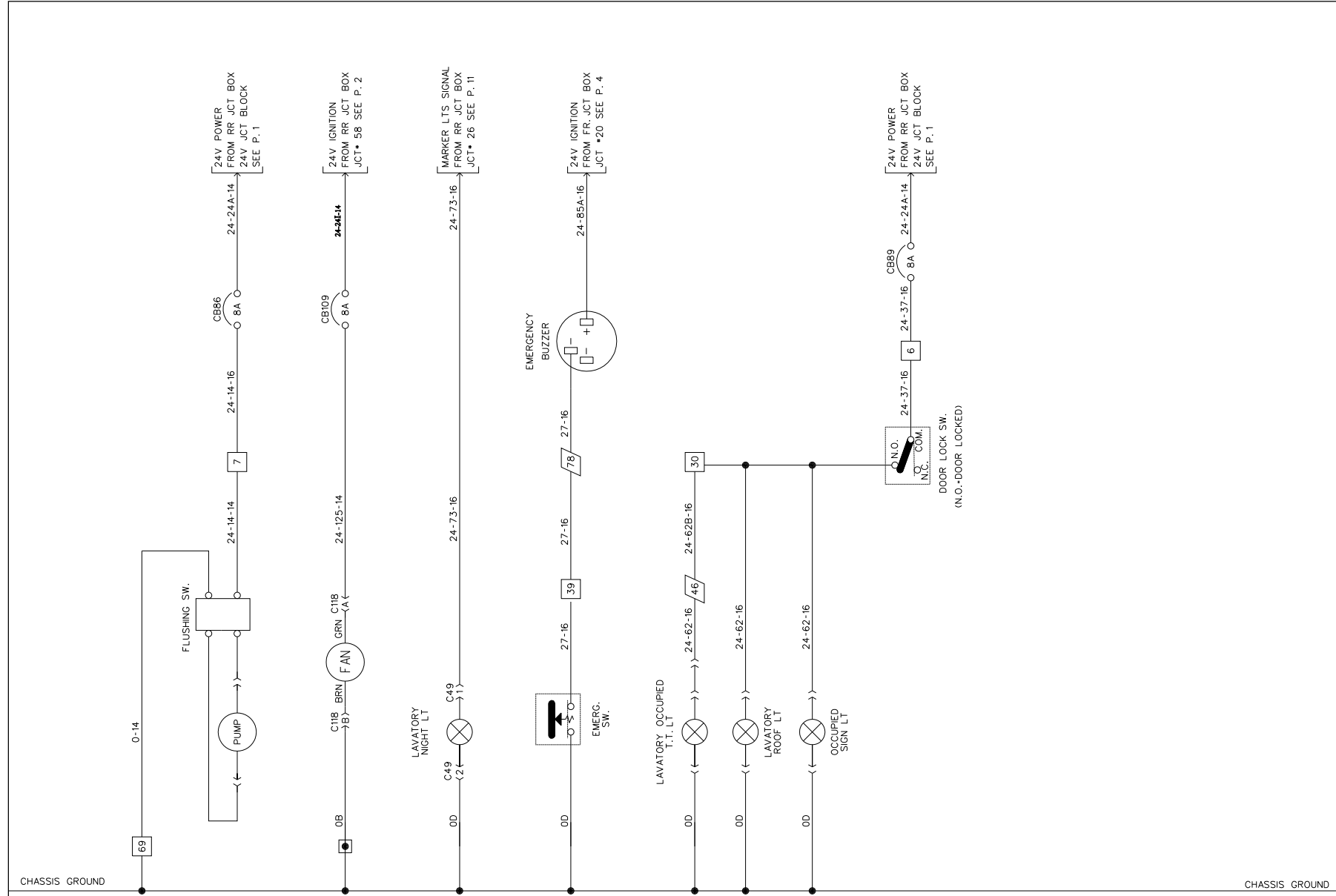
CHASSIS GROUND  
 FLAT MIRROR - L.H. & CONVEX MIRROR  
 FLAT MIRROR - L.H.  
 FLAT MIRROR - R.H.  
 FLAT MIRROR - R.H. & CONVEX MIRROR  
 REAR VIEW MIRROR - ADJUSTMENT & HEATER SW. (RAMCO)  
 MIRROR HEATER SW.  
 MIRROR (IKI)  
 CHASSIS GROUND  
 THERMOSTAT  
 HEATER  
 CIGAR LIGHTER  
 POWER 12V OUTLET  
 10A



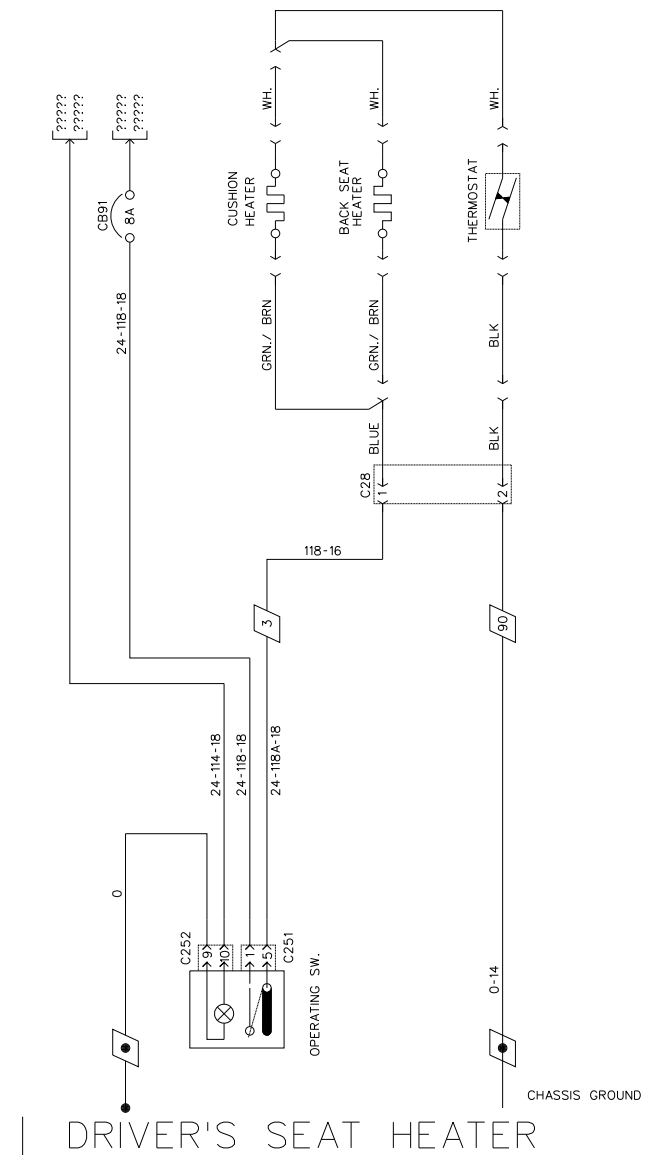




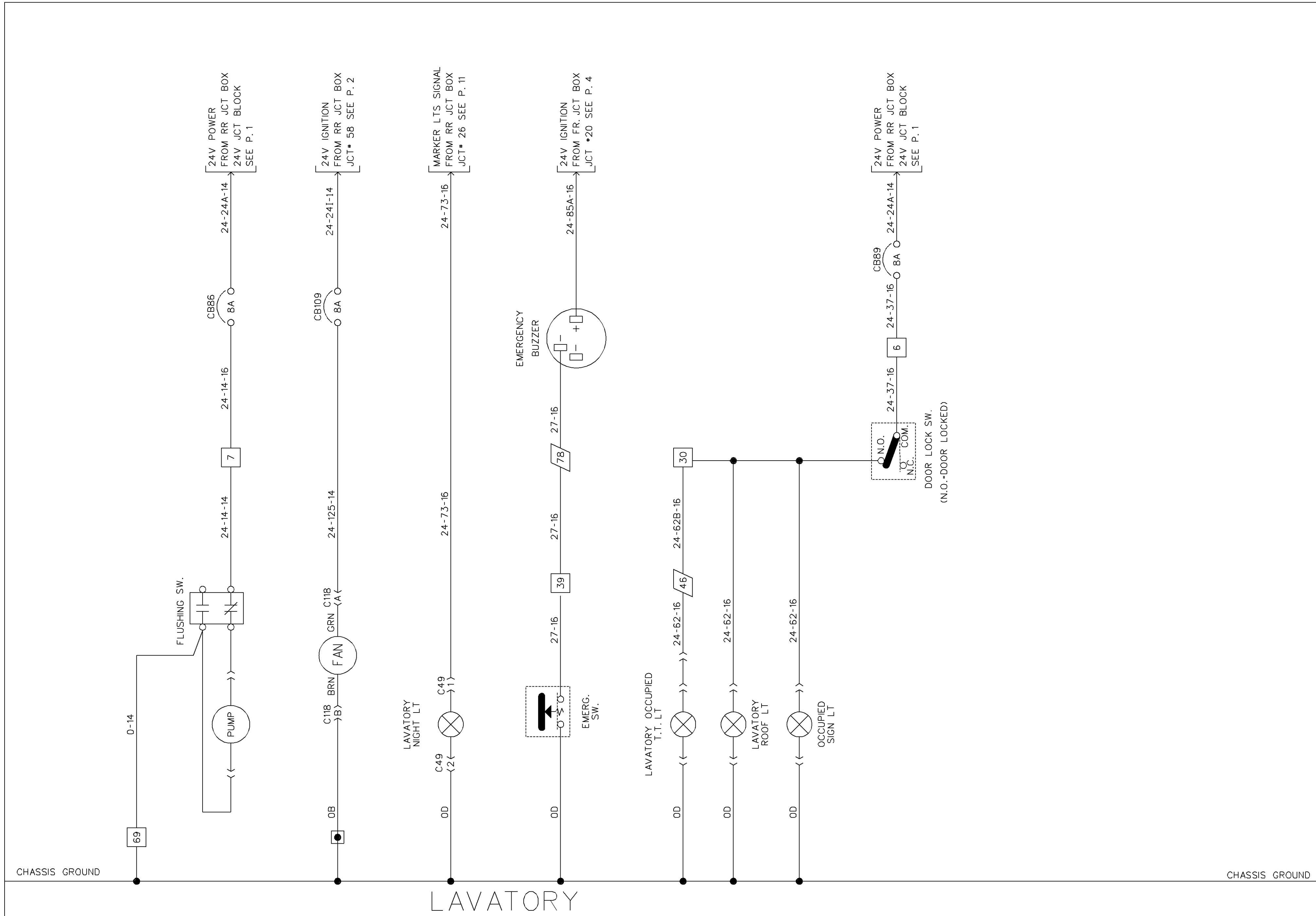


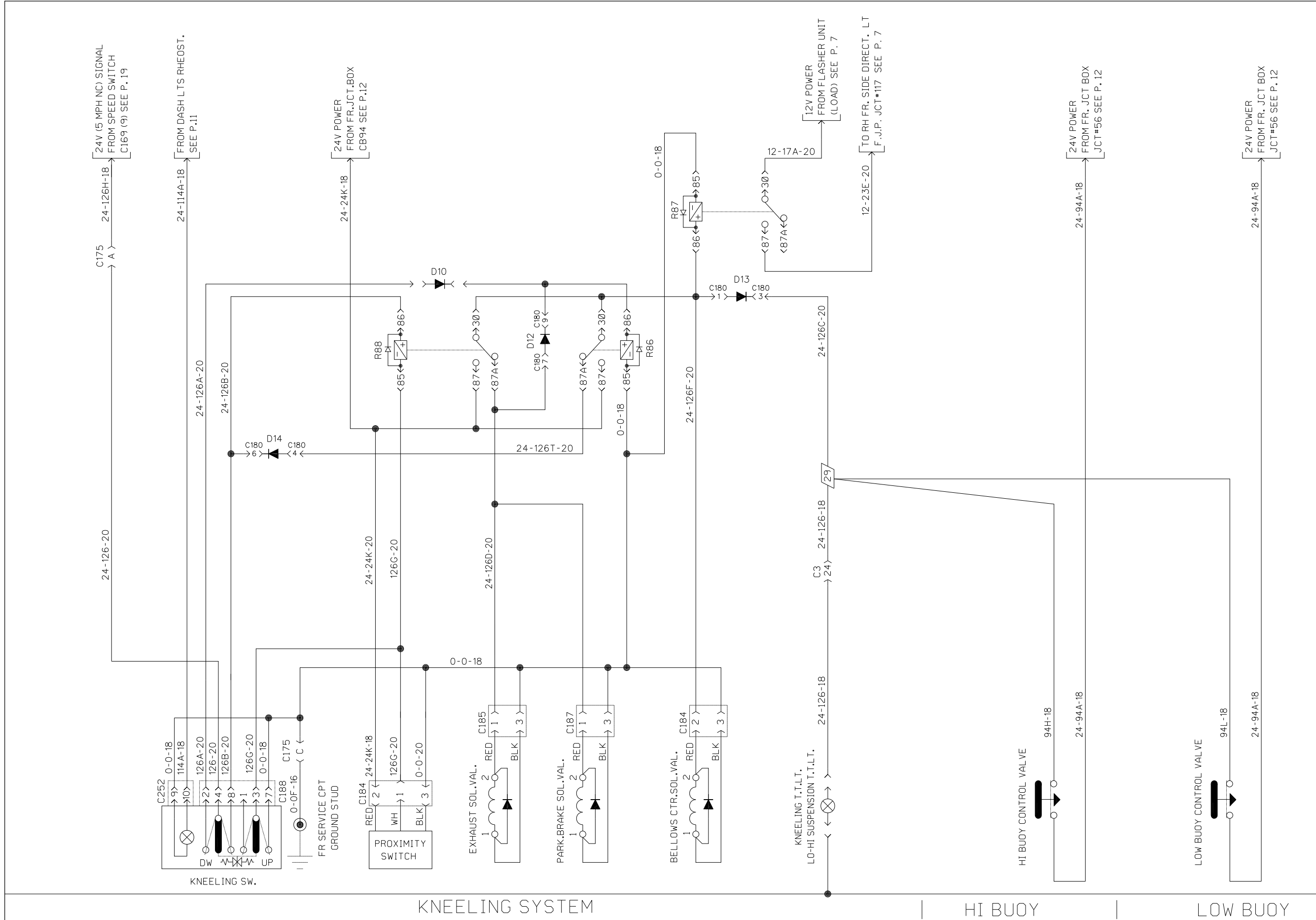


LAVATORY



DRIVER'S SEAT HEATER



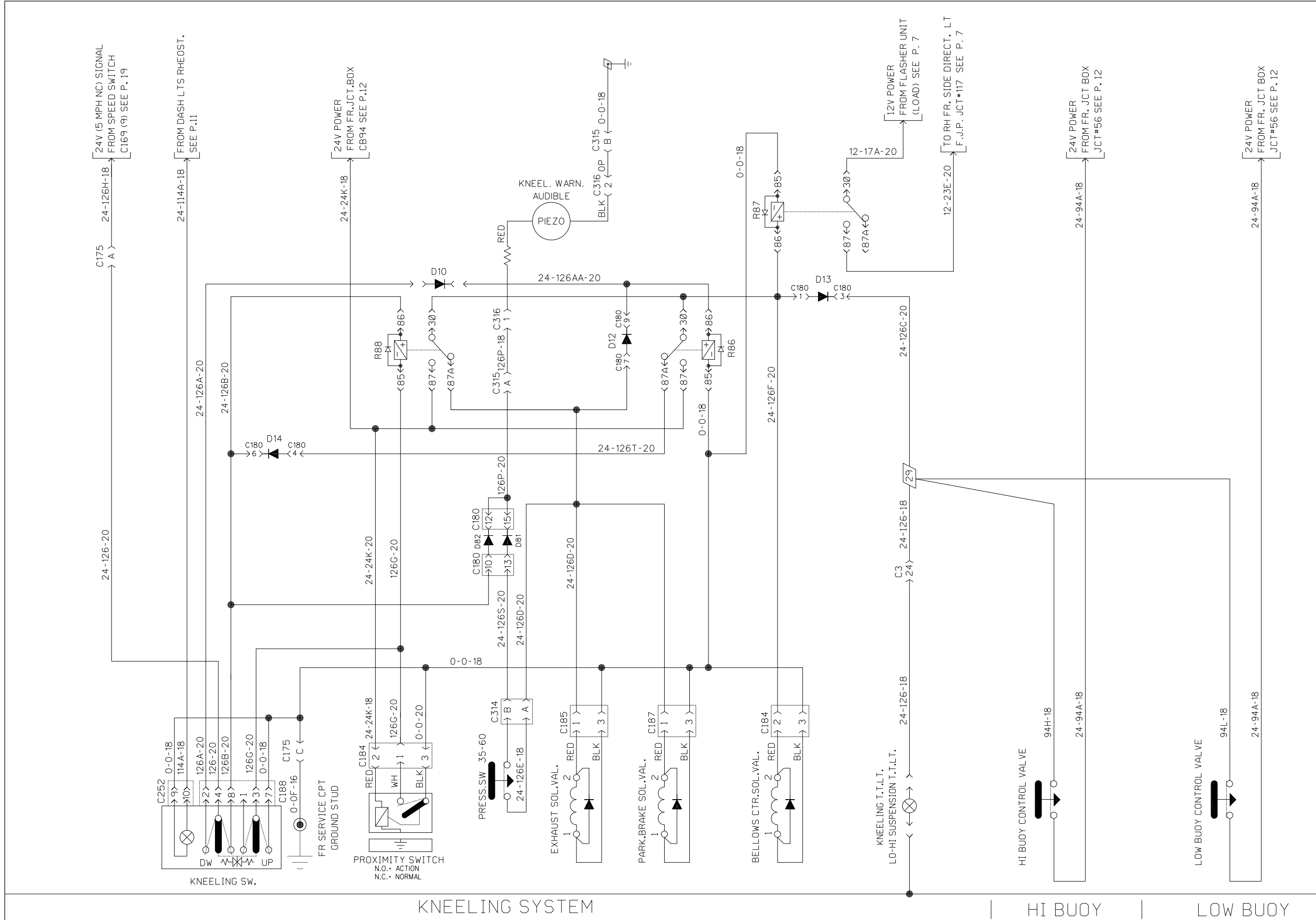


KNEELING SYSTEM

HI BUOY

LOW BUOY

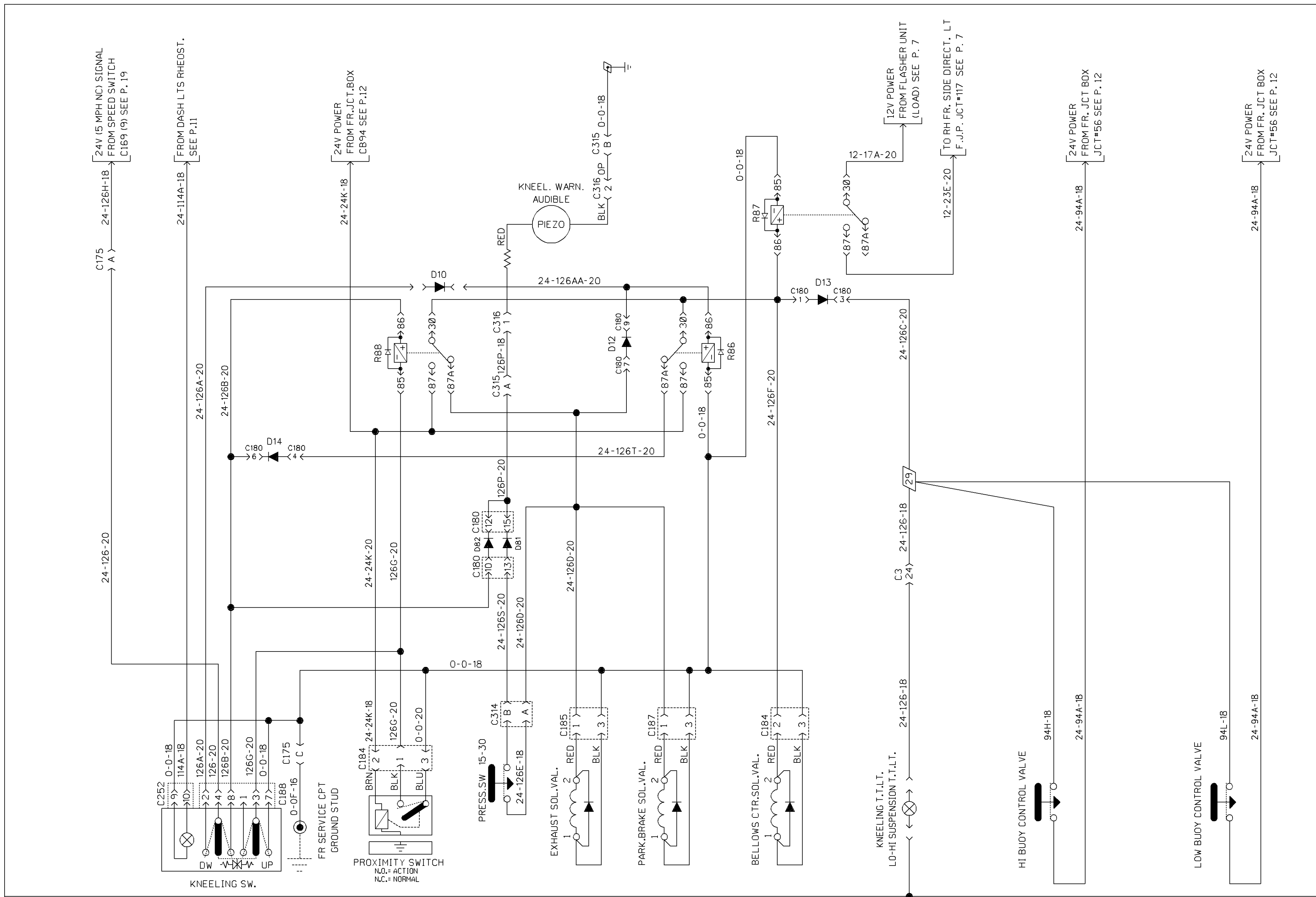




KNEELING SYSTEM

HI BUOY

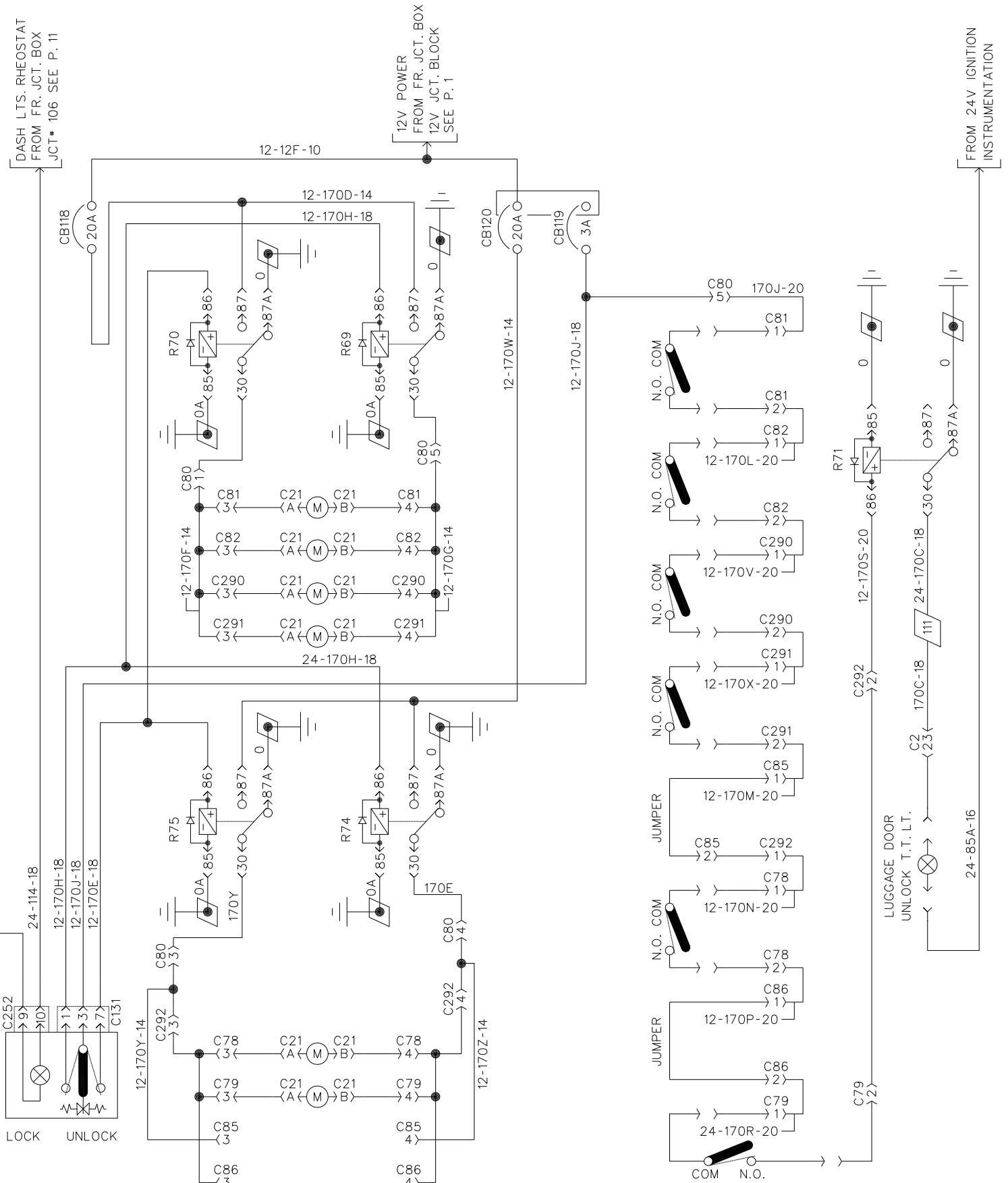
LOW BUOY



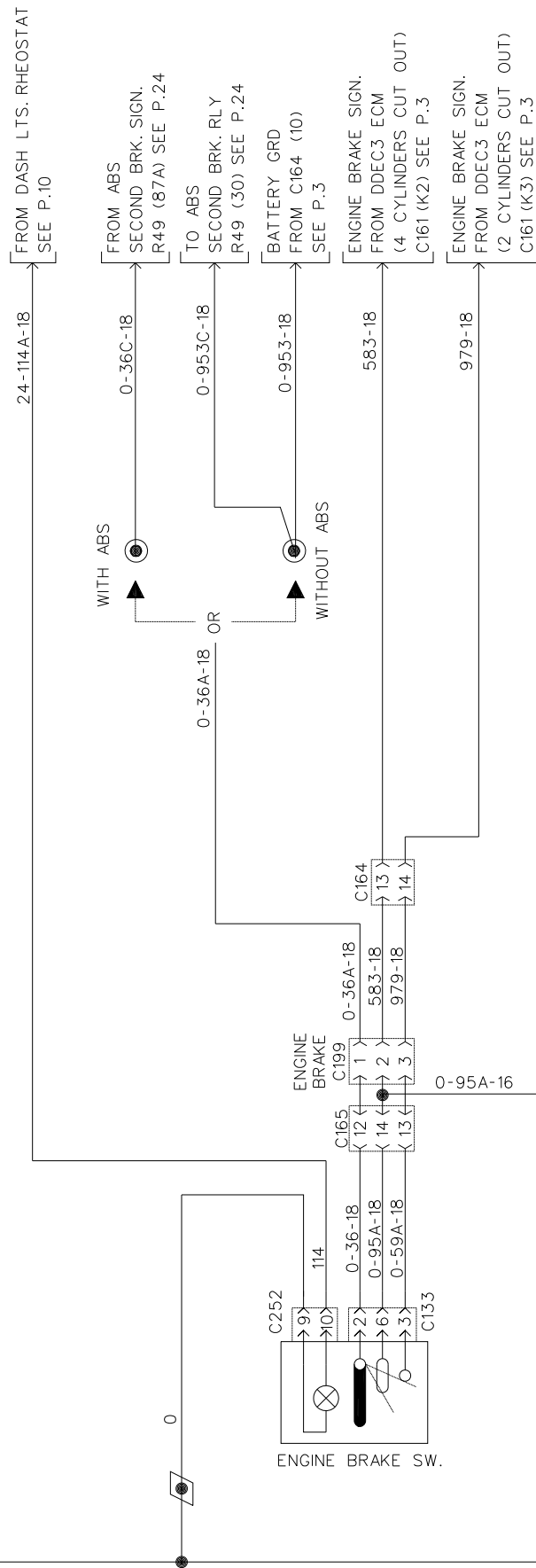
KNEELING SYSTEM

HI BUOY

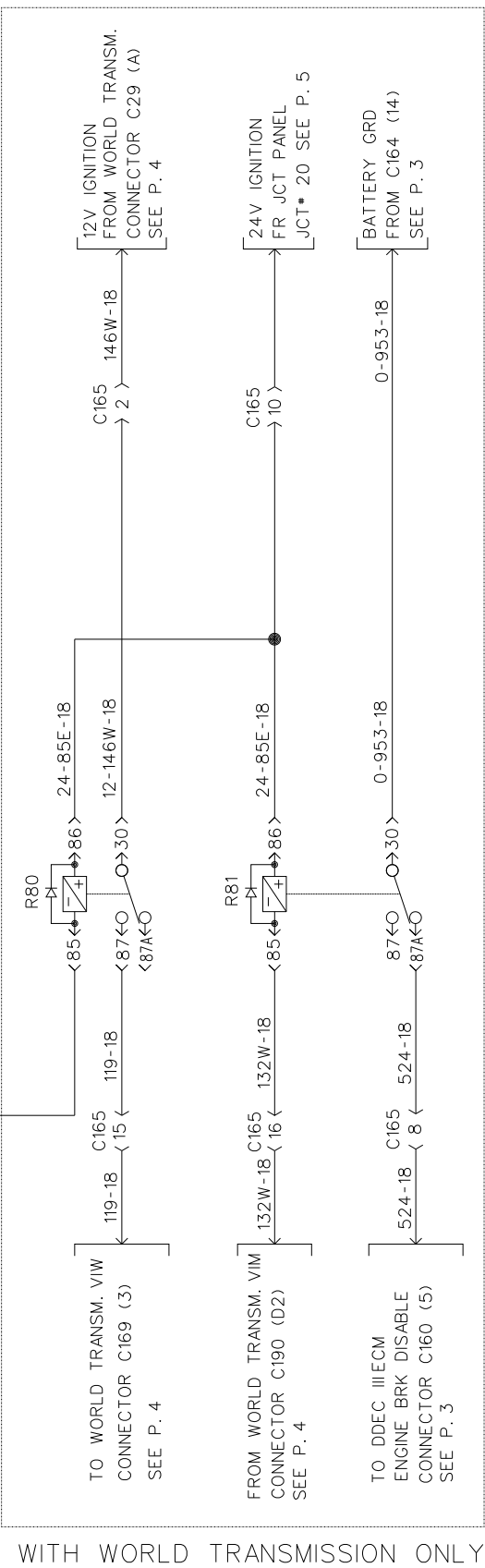
LOW BUOY



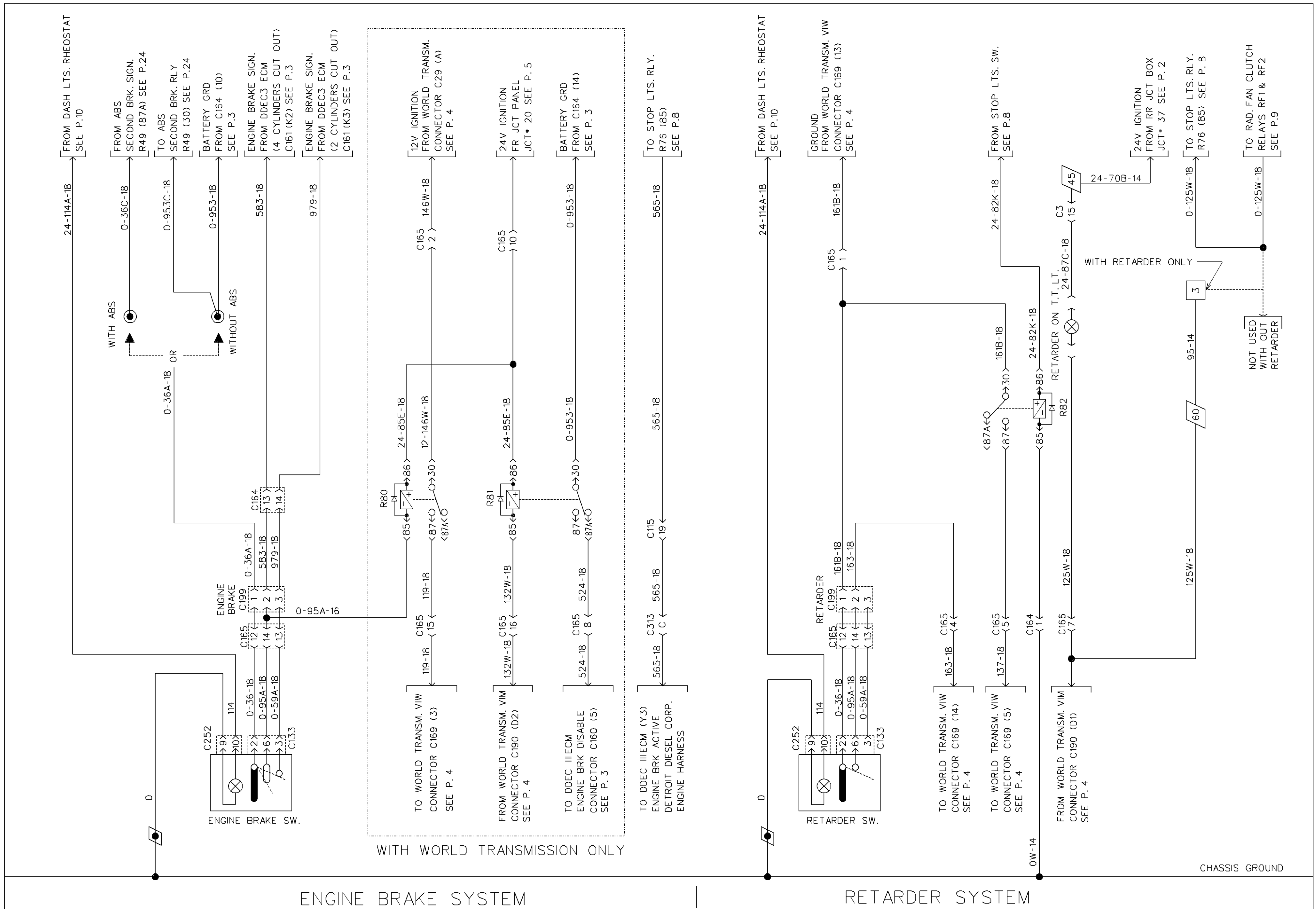
LUGGAGE DOOR LOCK.

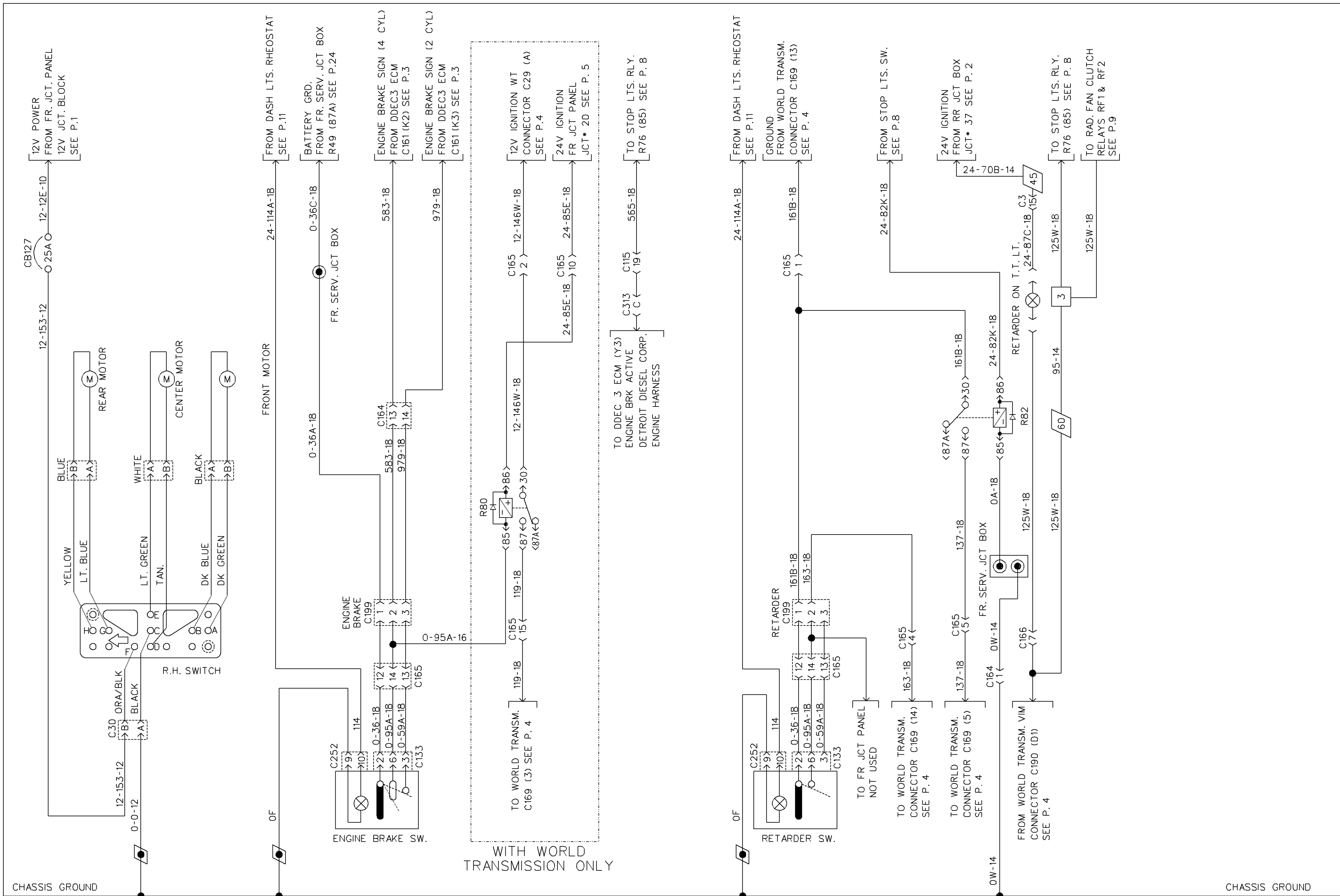


ENGINE BRAKE SYSTEM



RETARDER SYSTEM  
( WORLD TRANSMISSION )

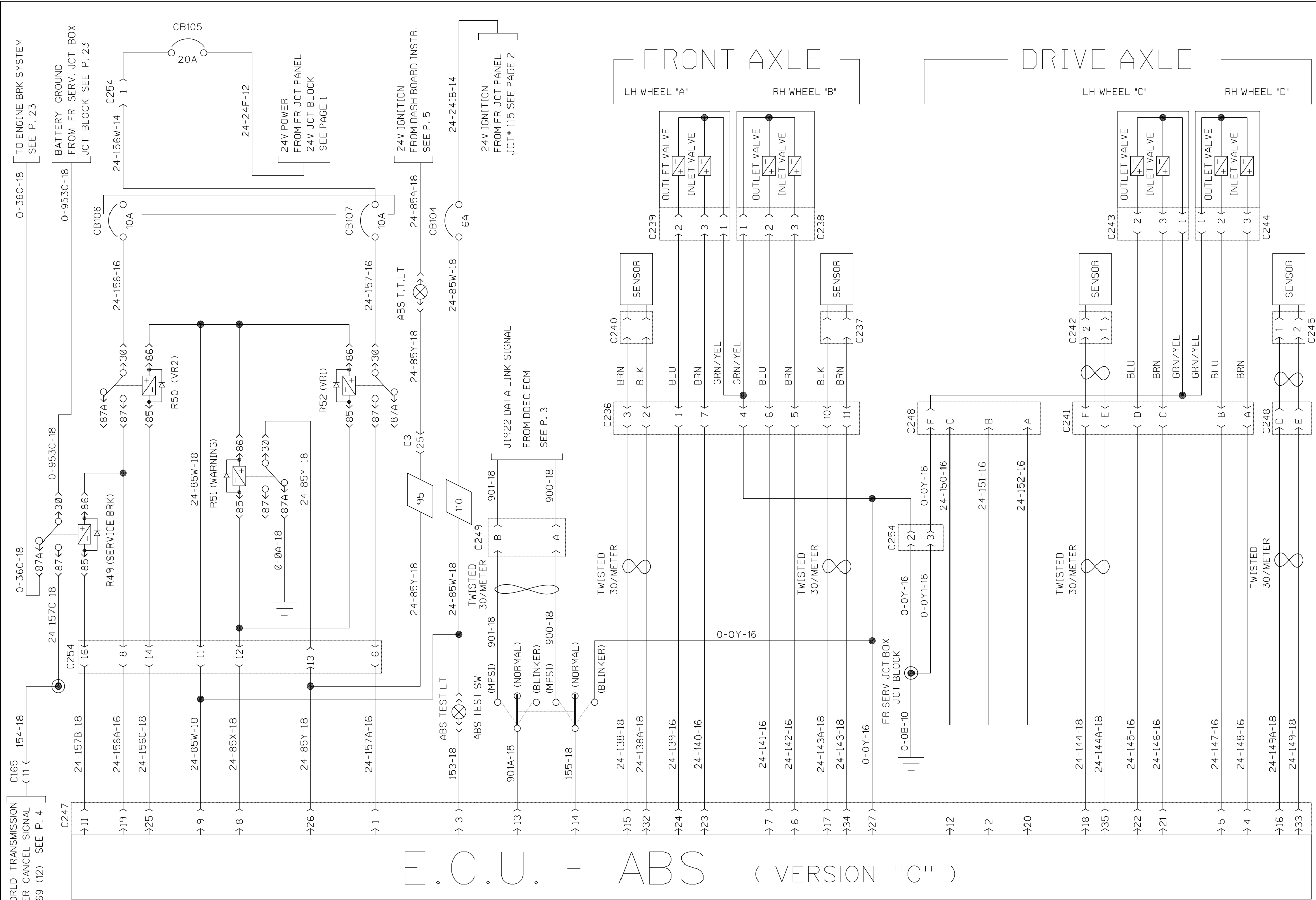


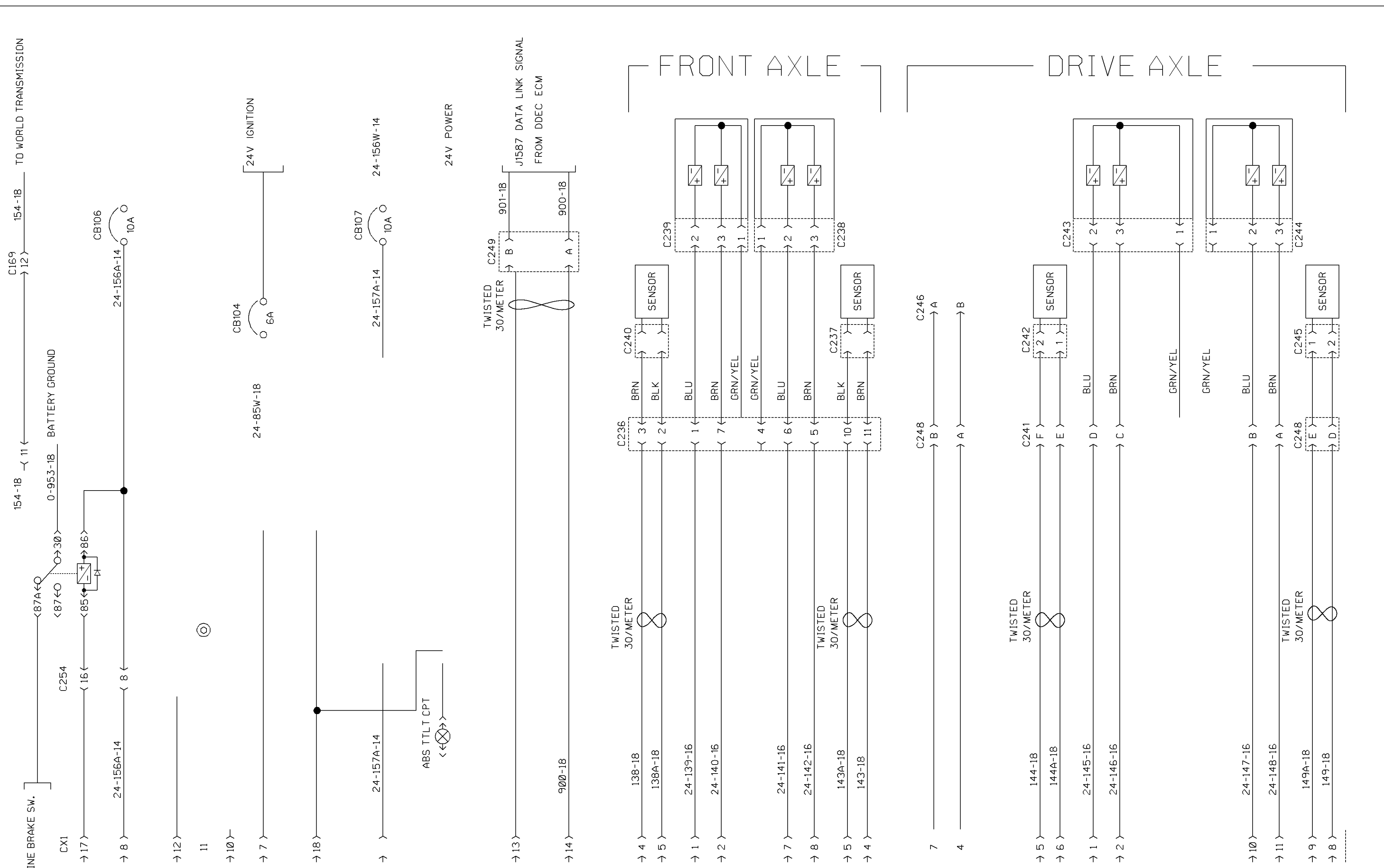


ELECTRIC DRIVER'S SEAT

ENGINE BRAKE SYSTEM

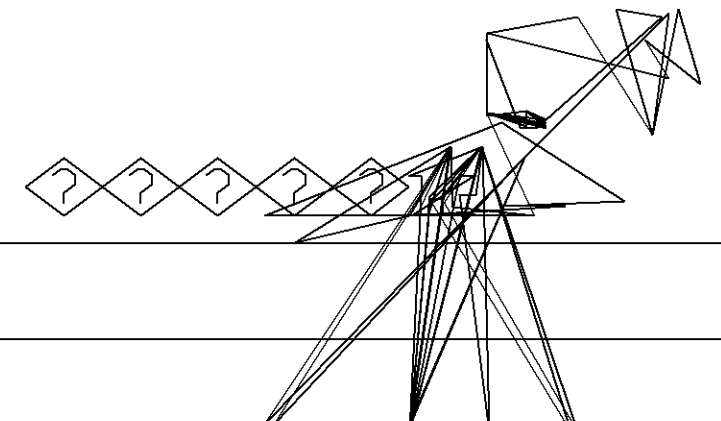
RETARDER SYSTEM  
( WORLD TRANSMISSION )





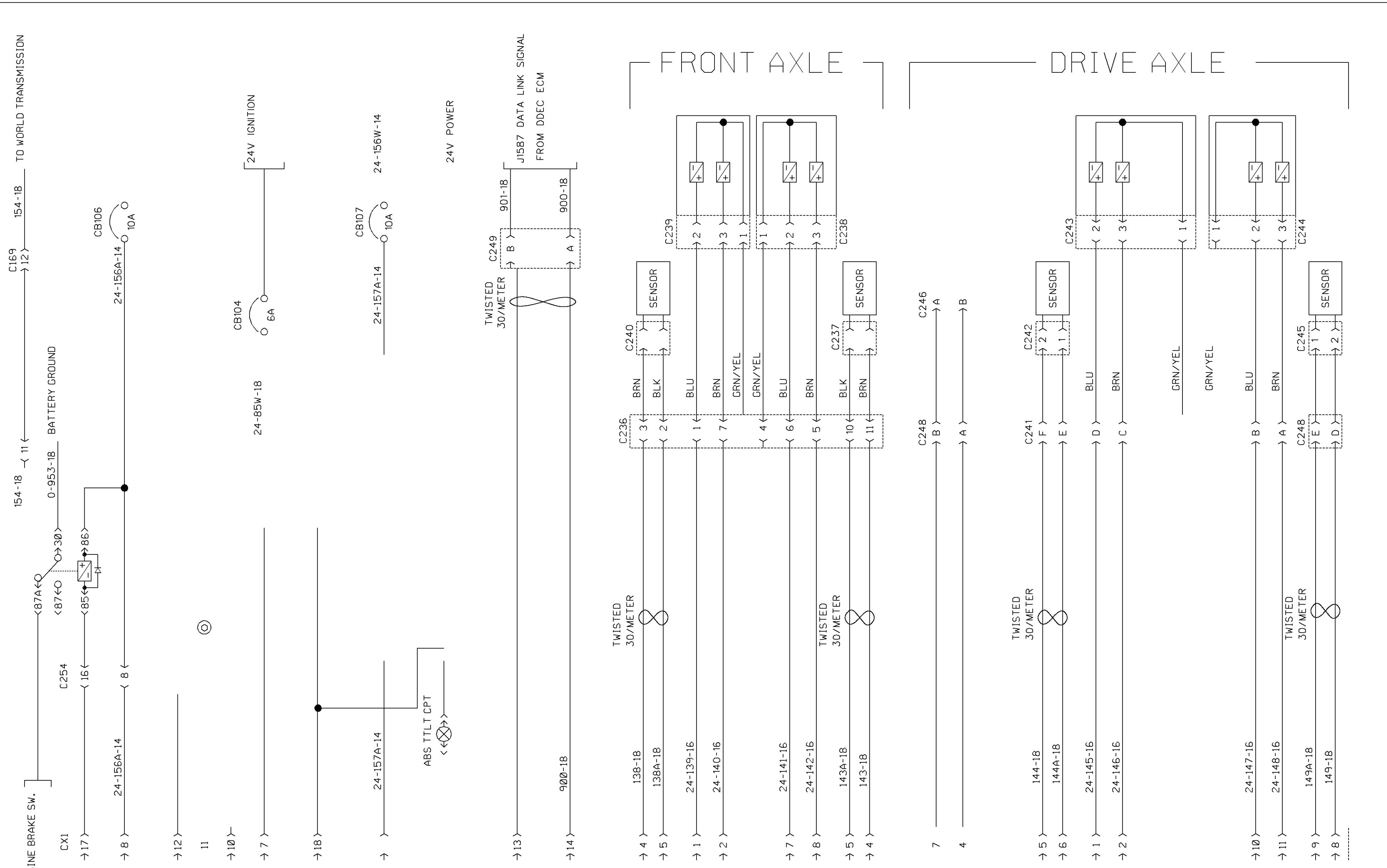
E.C.U. - ABS

( VERSION "D" )



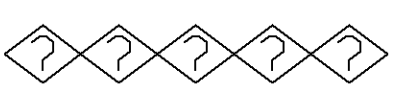
NO: 0060871



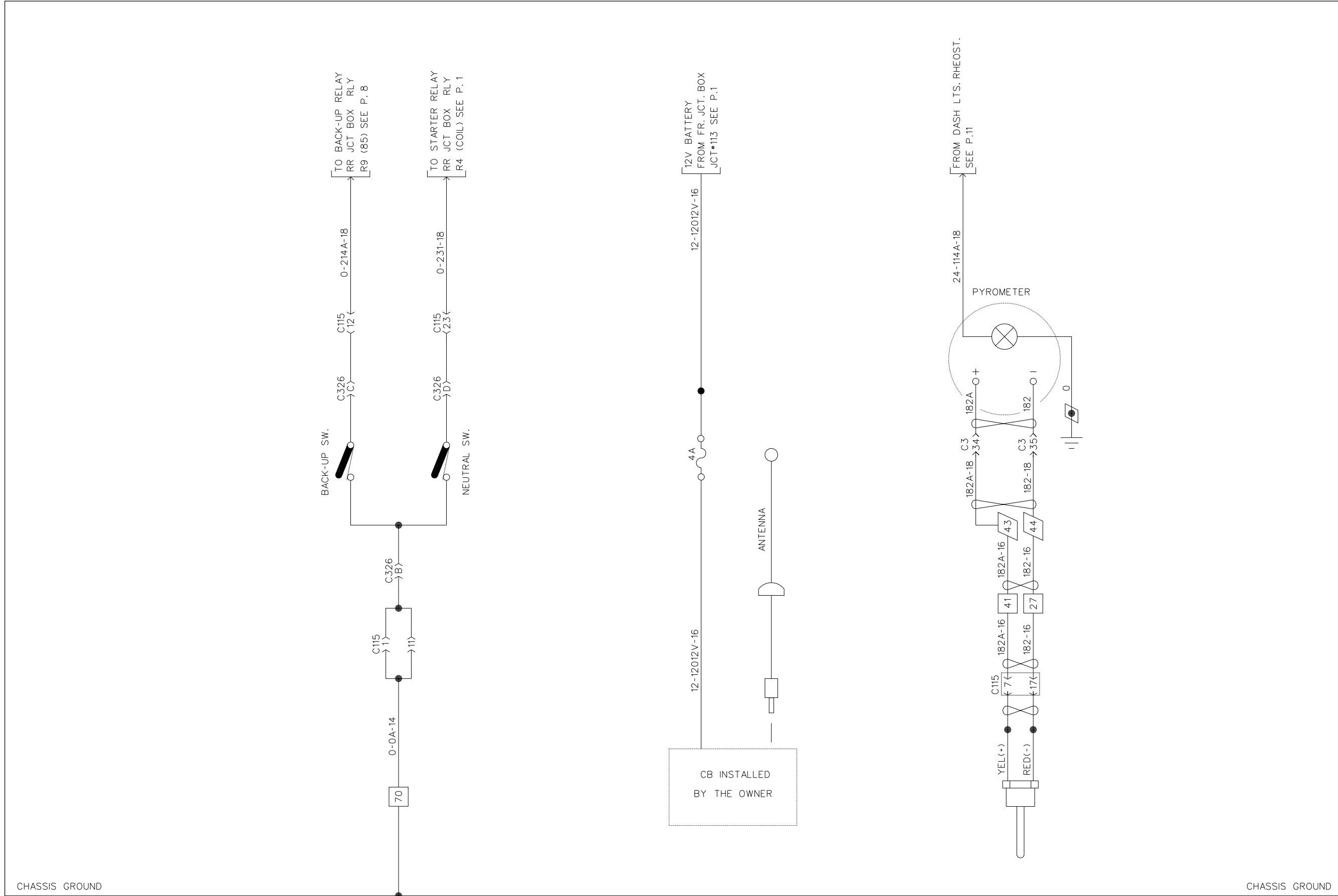


E . C . U . - ABS

( VERSION "D" )



NO: D060871



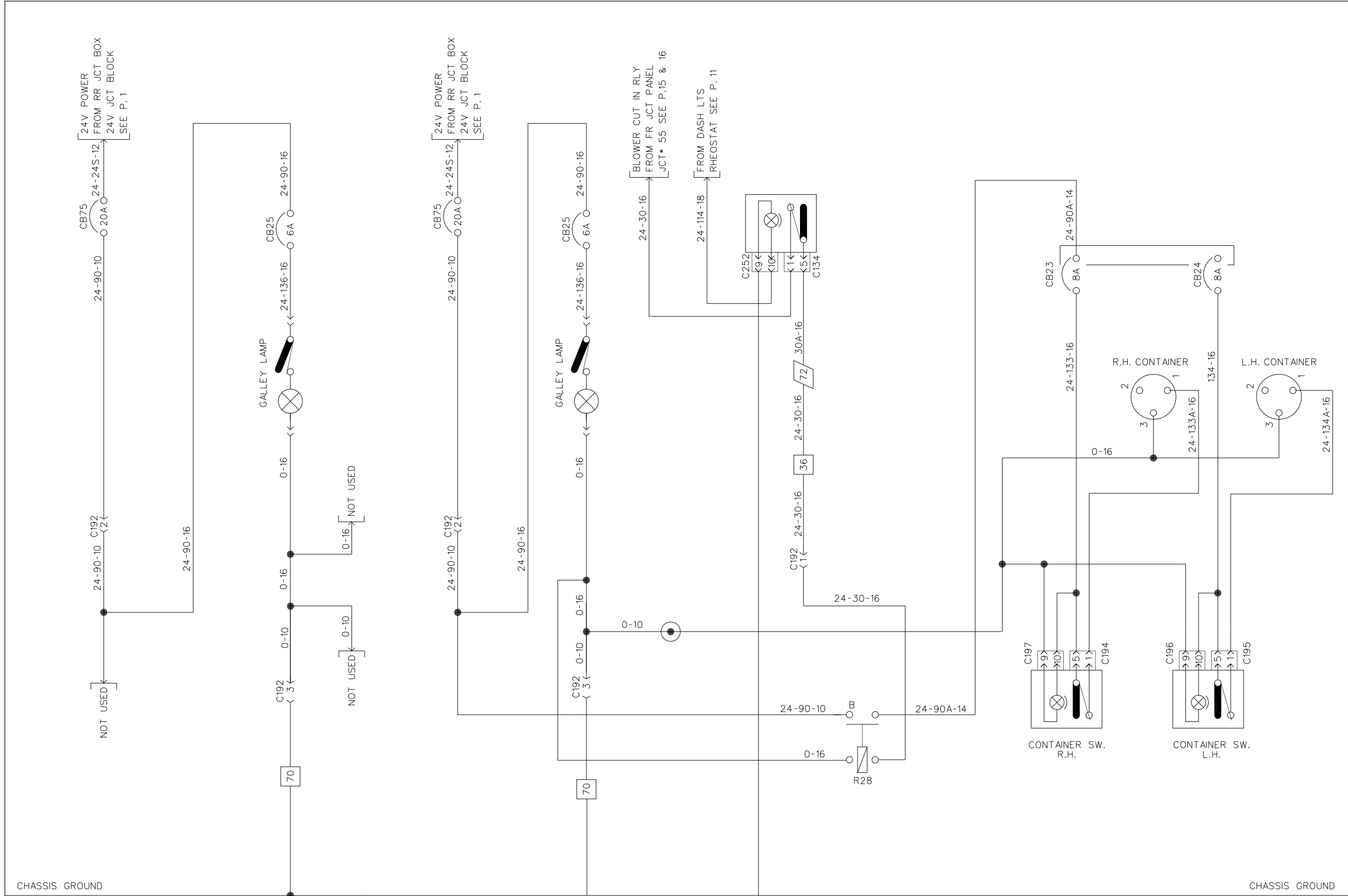
CHASSIS GROUND

CHASSIS GROUND

MANUAL TRANSMISSION

CB OPTION

PYROMETER



GALLEY "MINICHEF 100"

GALLEY "MINICHEF 200"

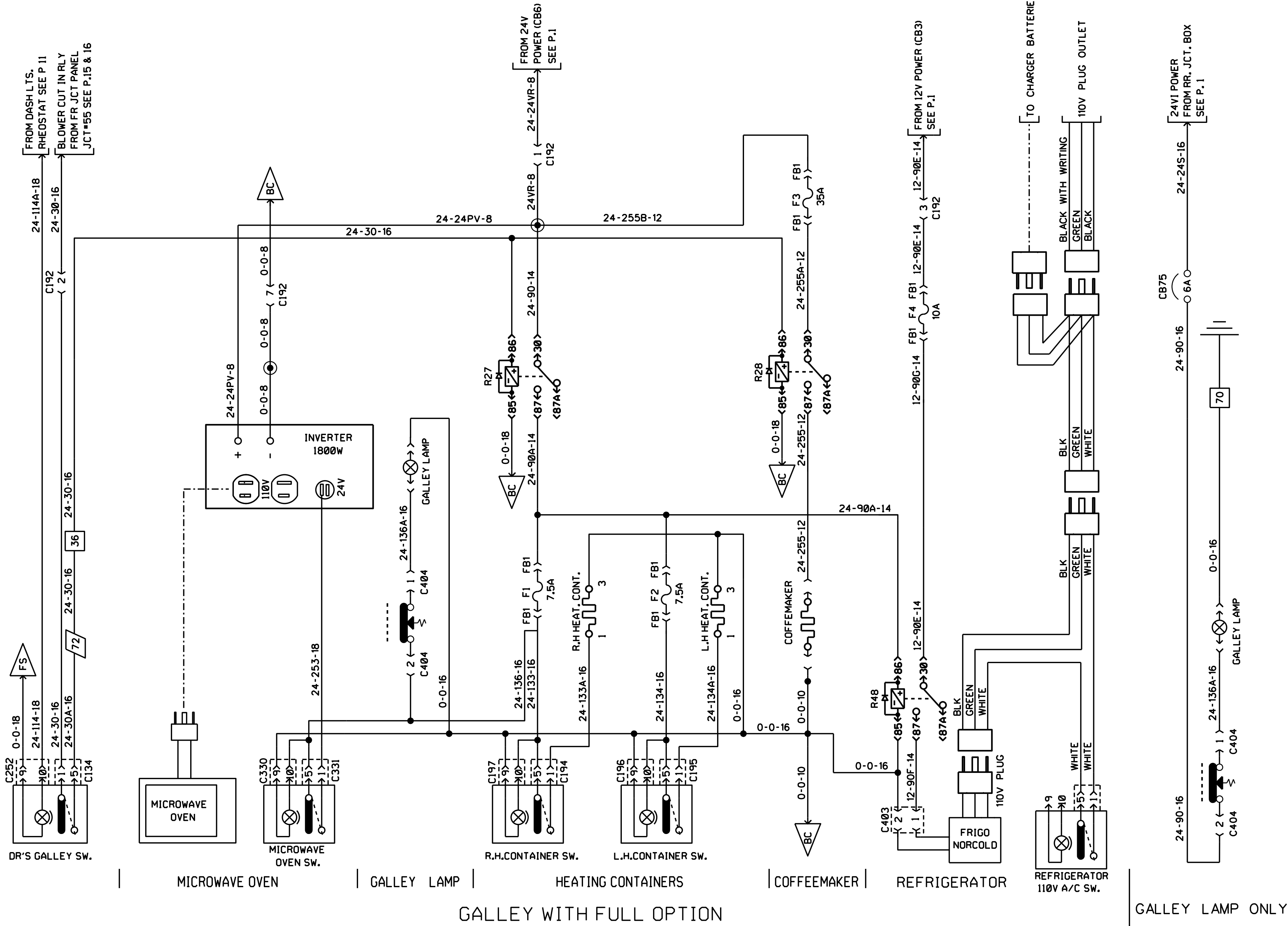
PREVOST CAR inc.

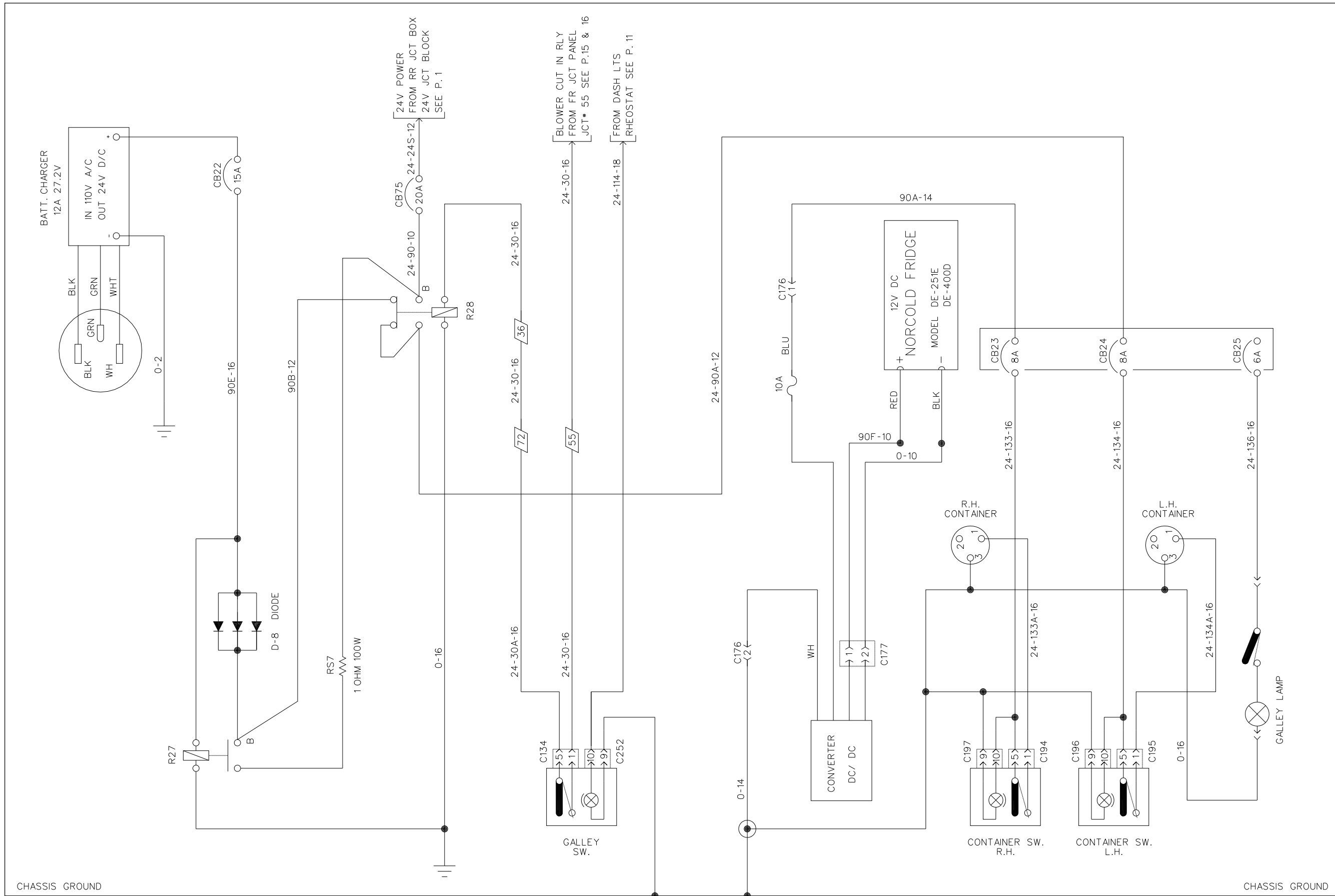
WIRING DIAGRAM

NO: D060871

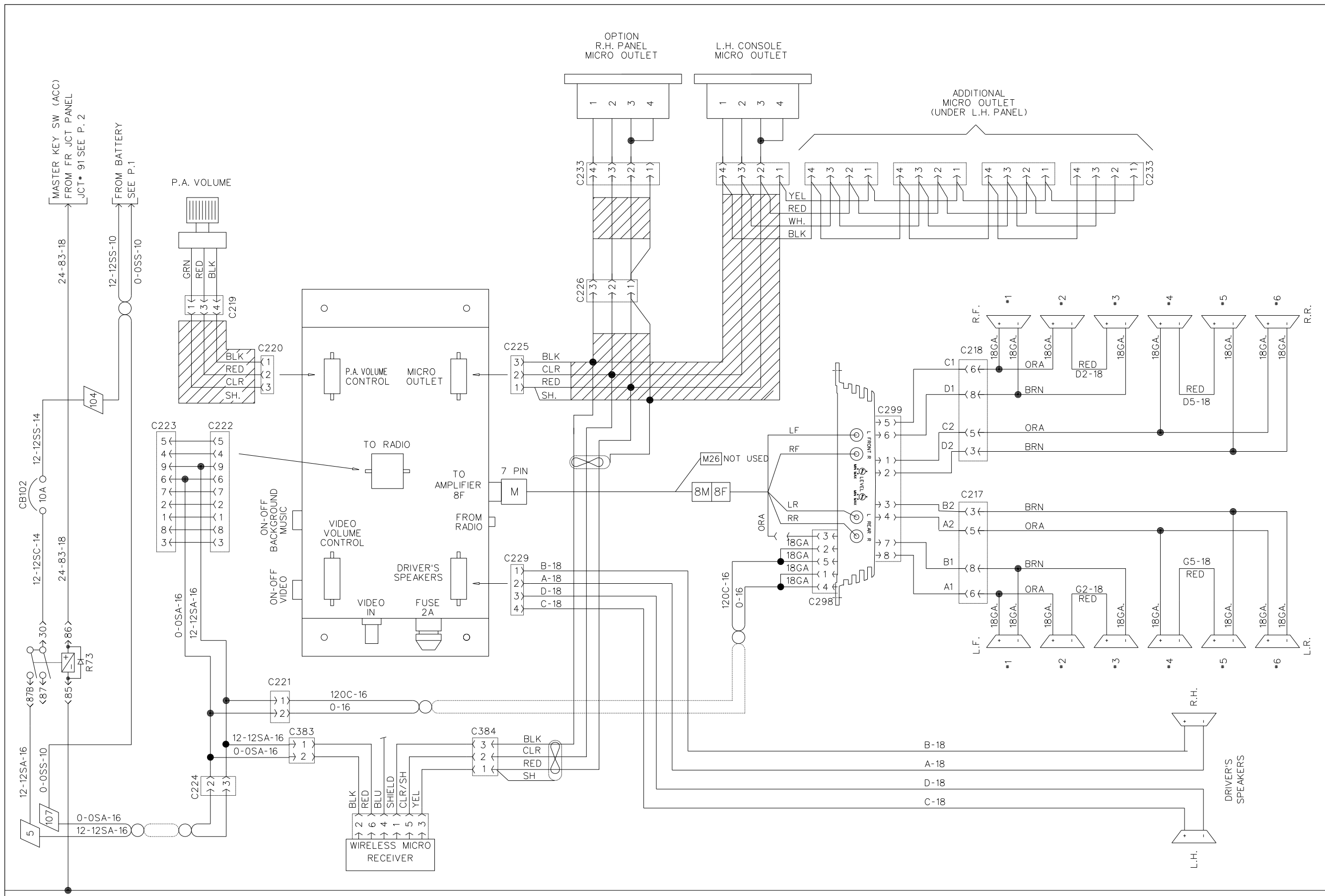
P. 26

REVISION 000

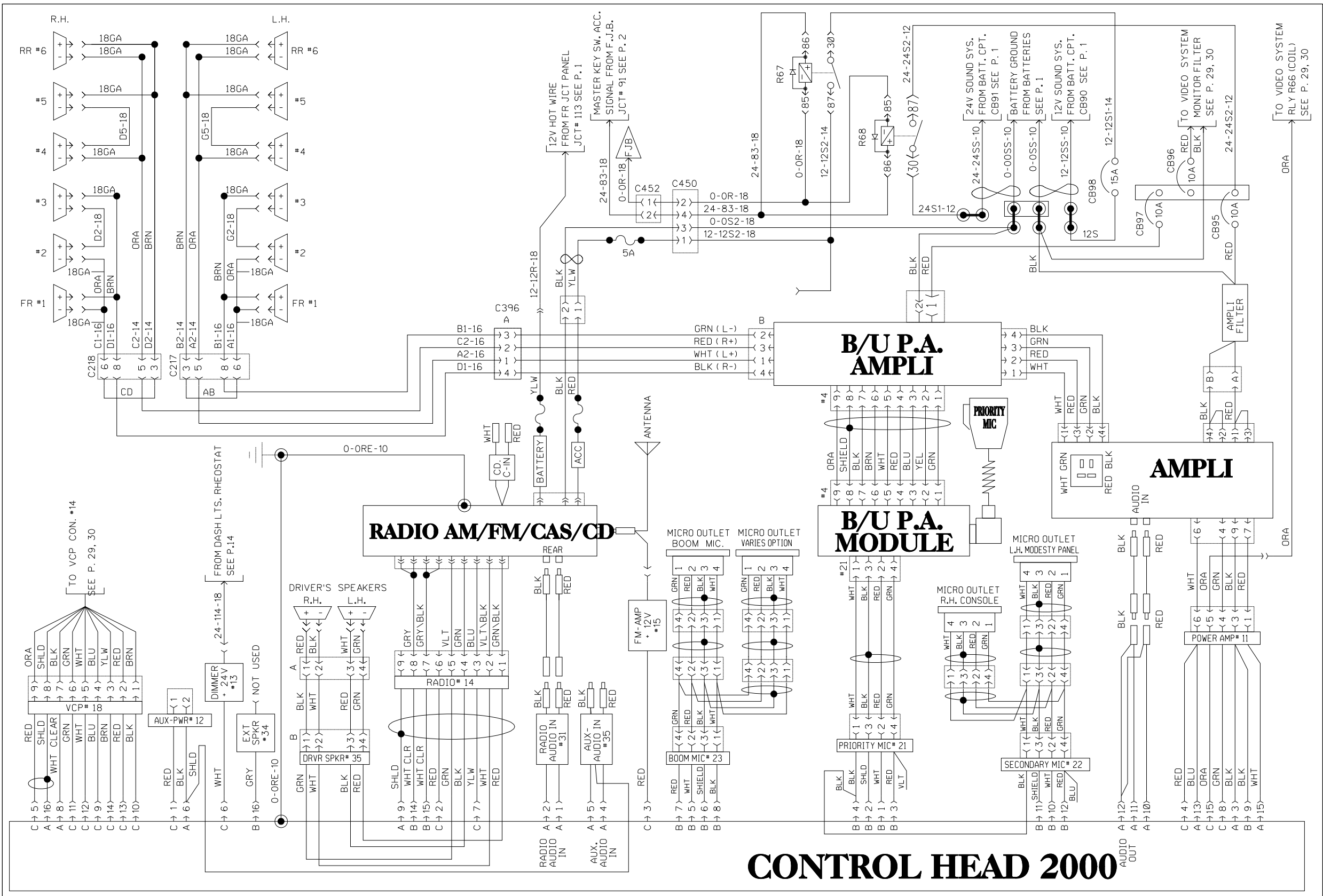


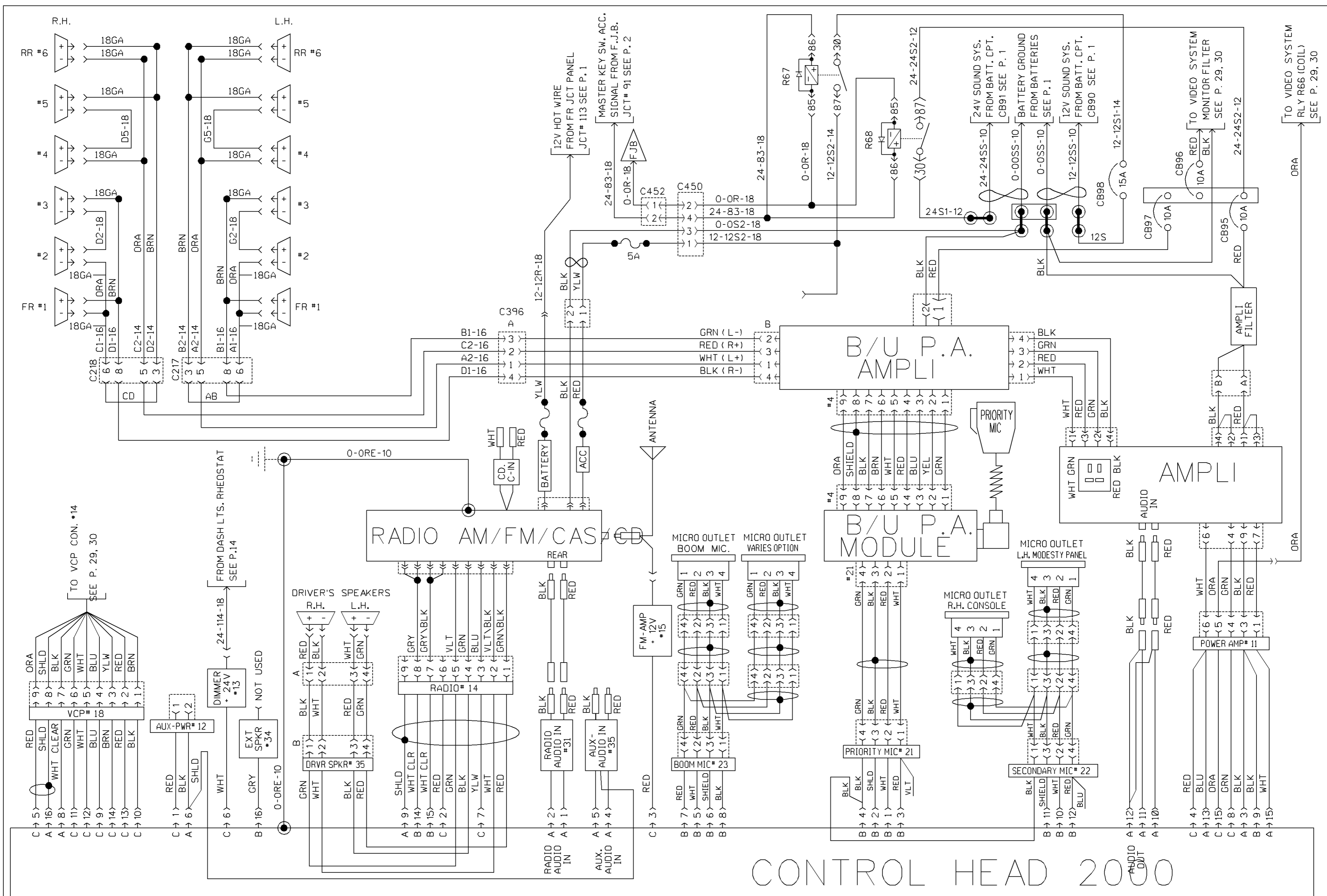


GALLEY "MINI-CHEF" NORCOLD REFRIGERATOR



SOUND SYSTEM (P.A. ONLY)



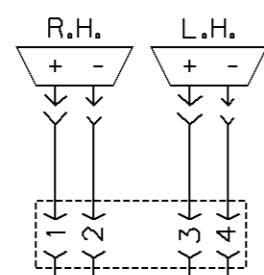


CONTROL HEAD 2000

SOUND SYSTEM

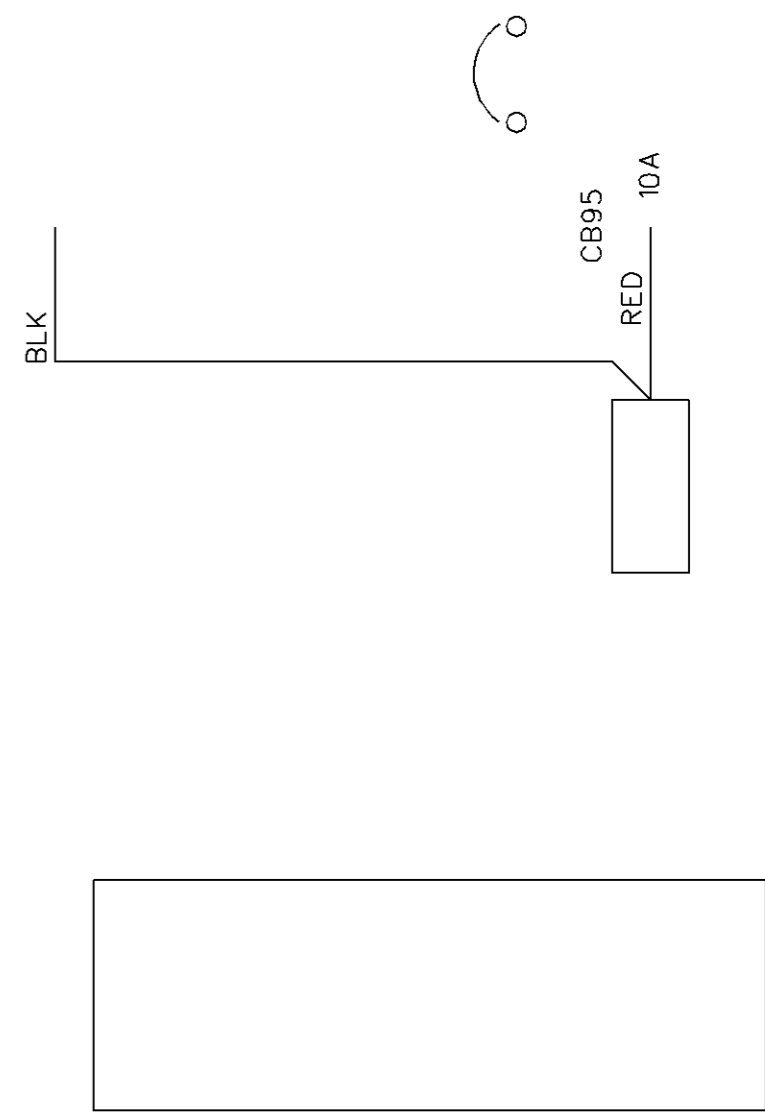
# SOUND SYSTEM MIRBUS40

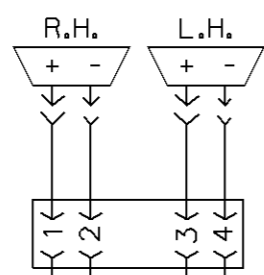




24-83-18

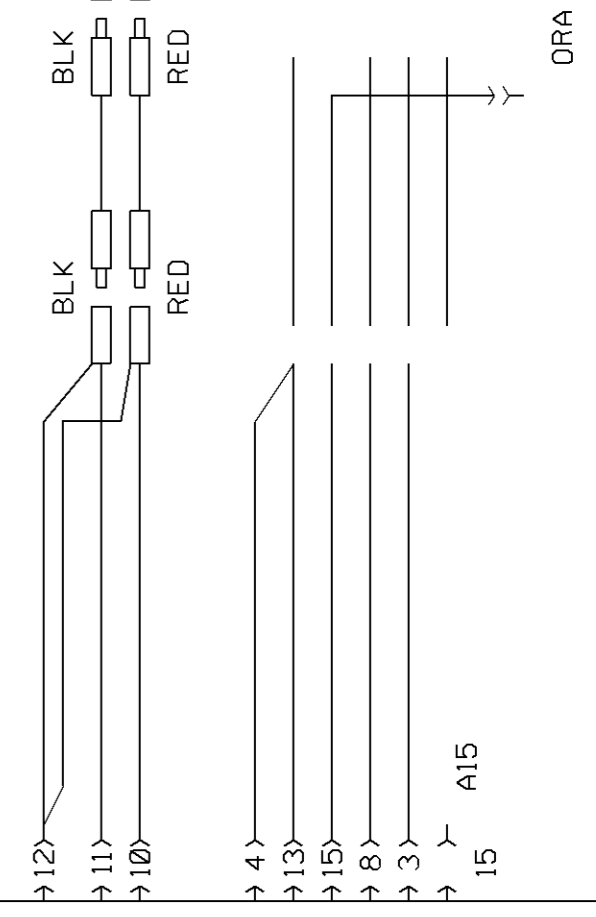
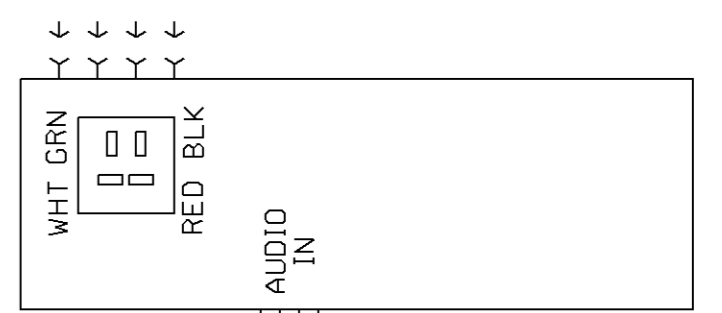
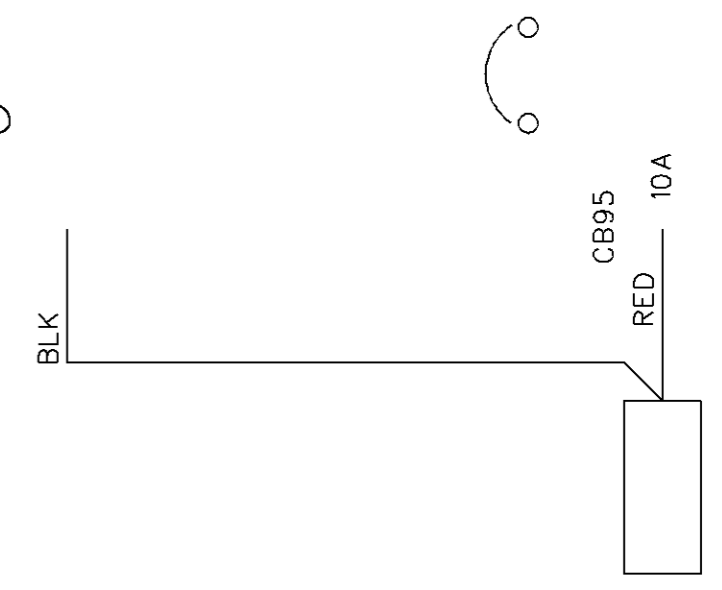
24-24SS-10

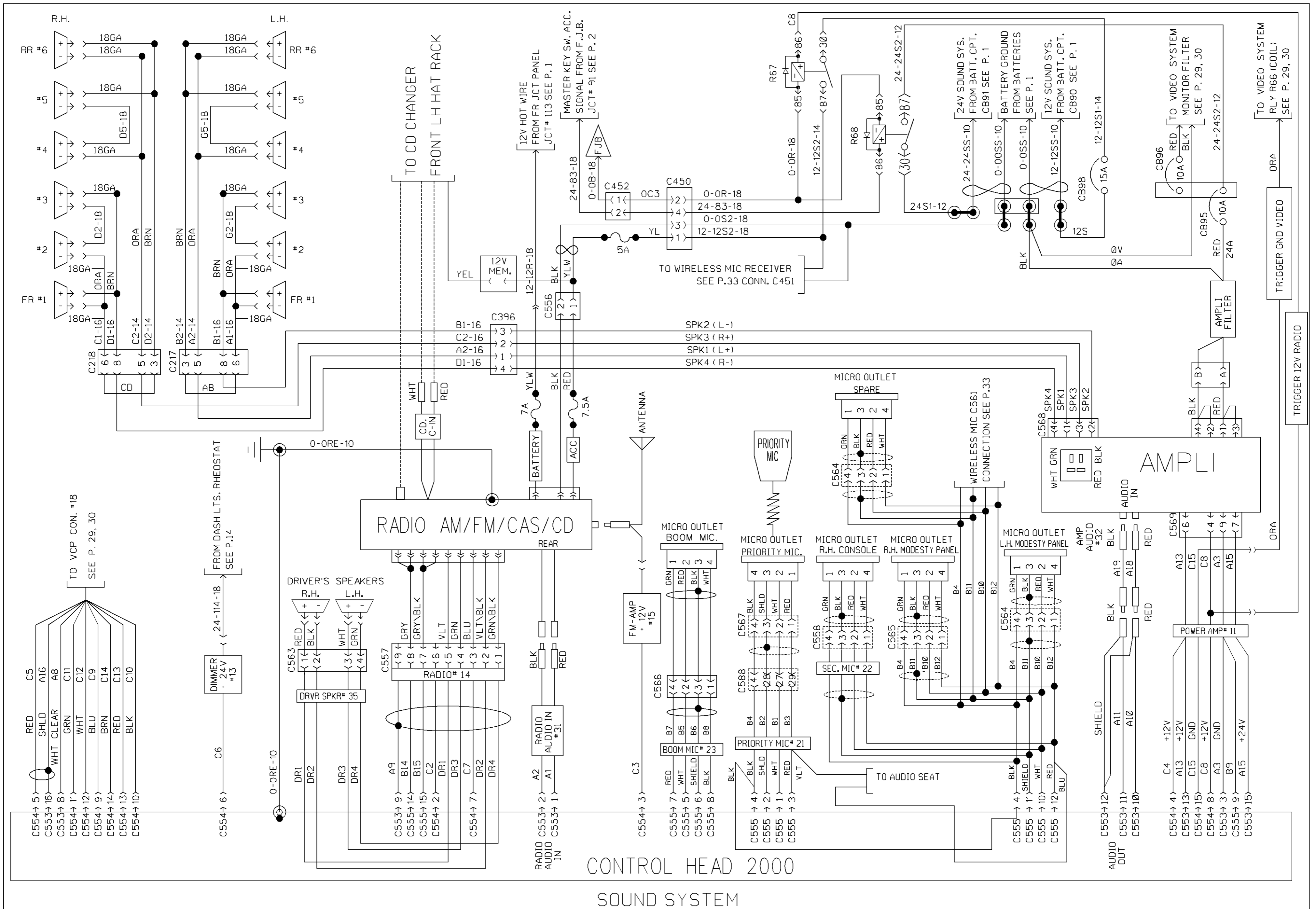


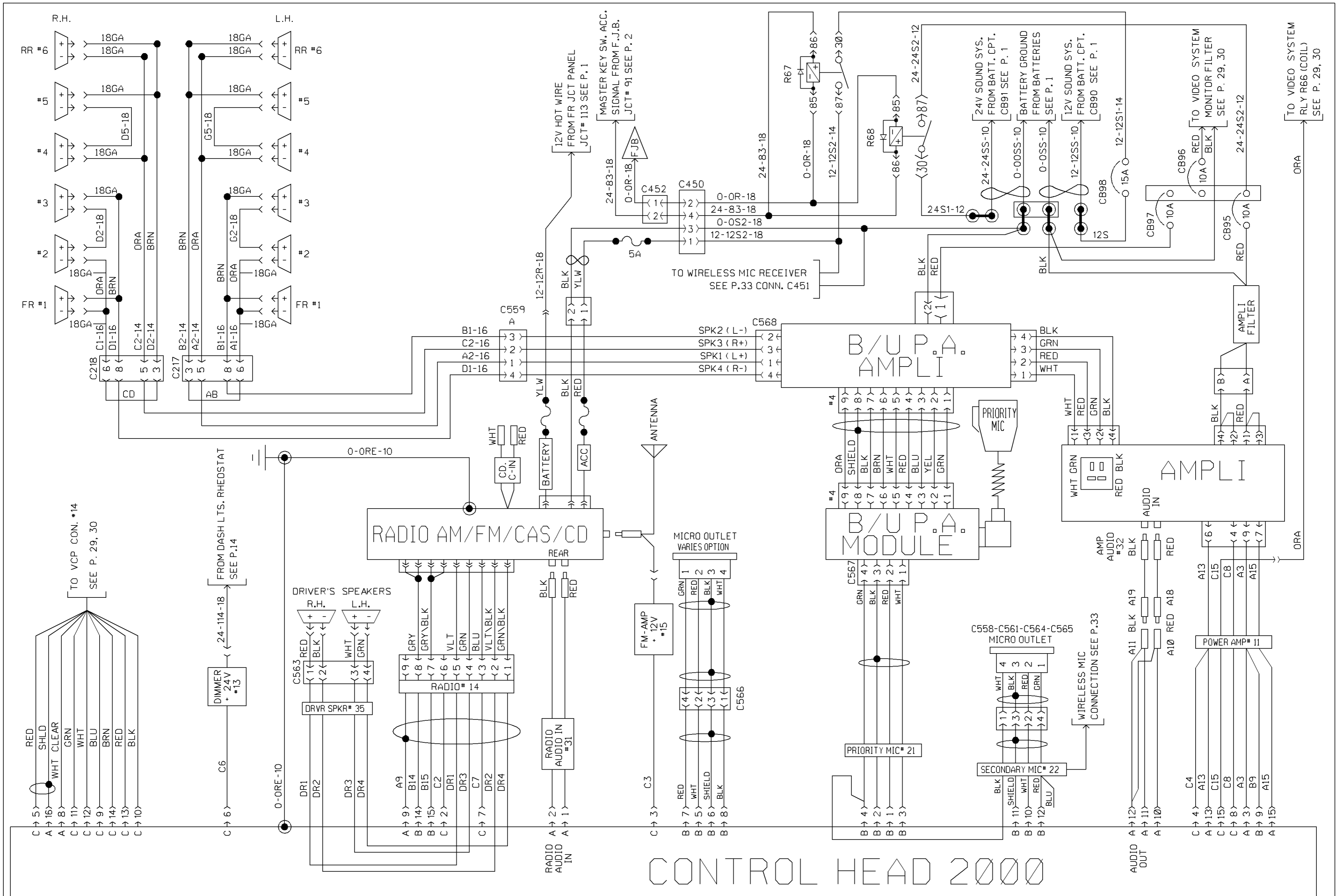


24-83-18

24-24SS-10







SOUND SYSTEM

VEH:W6390

PREVOST CAR inc.

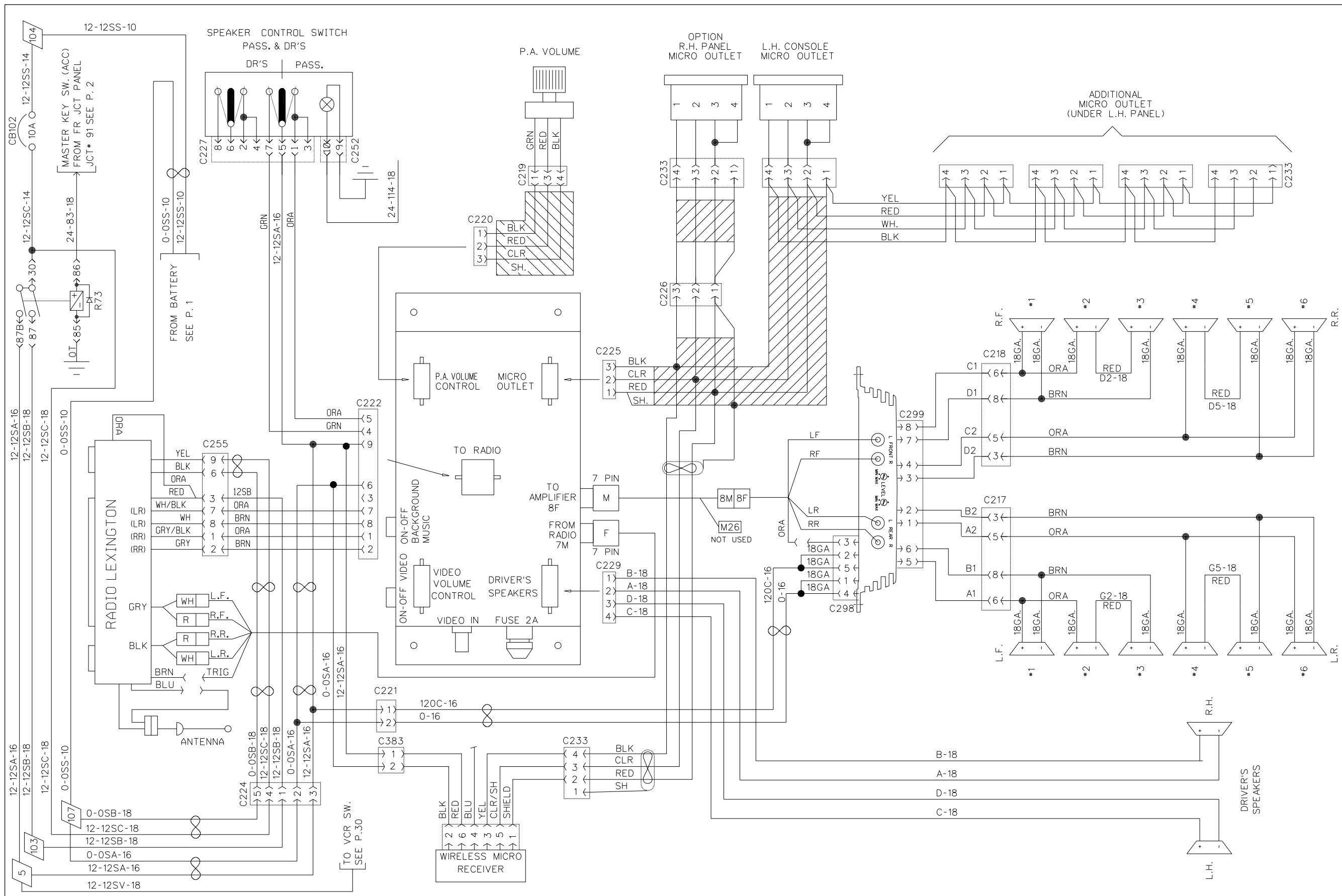
WIRING DIAGRAM

NO: D060871

P. SP28

REVISION SP015

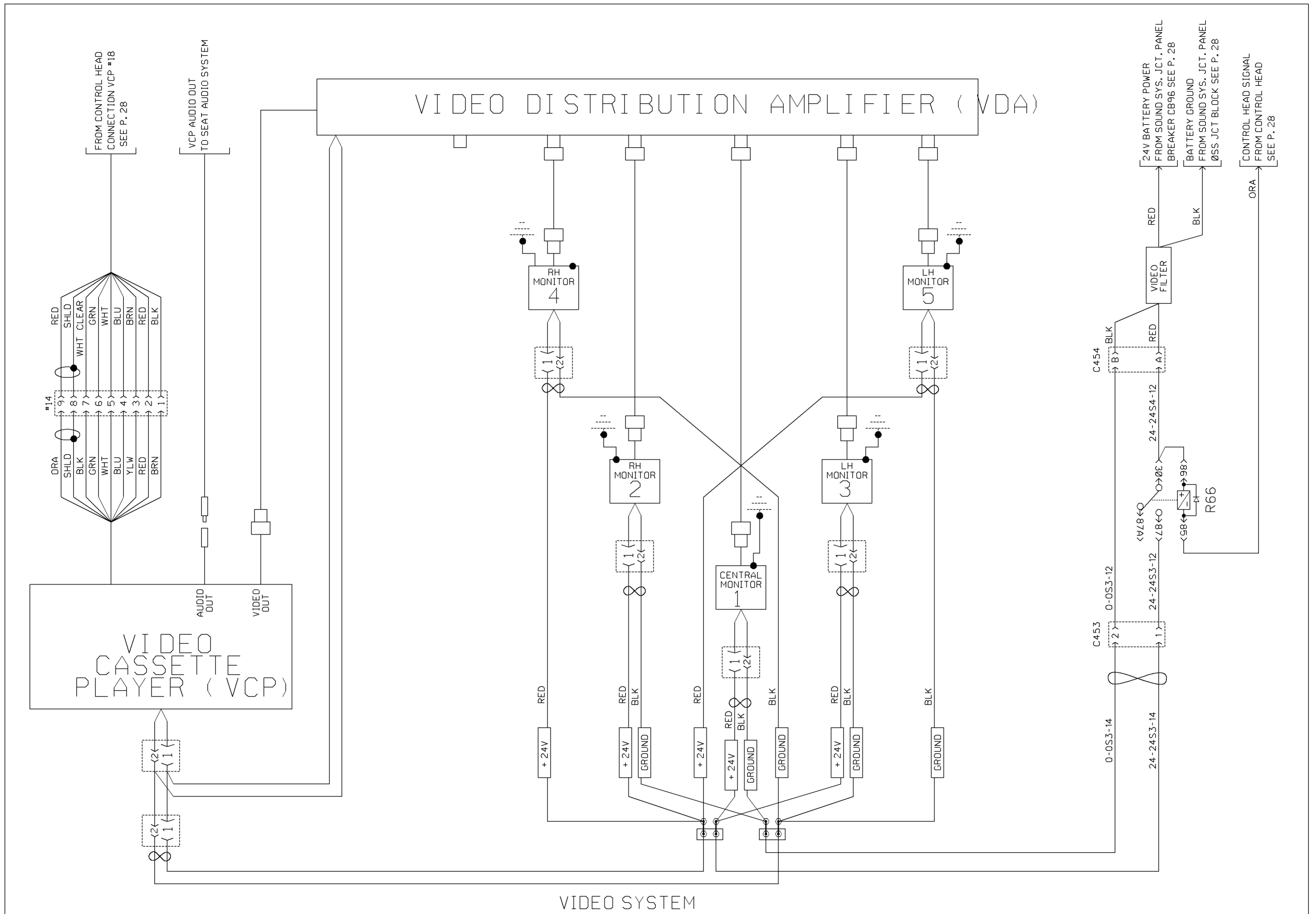
SOUND SYSTEM MIRBUS 40

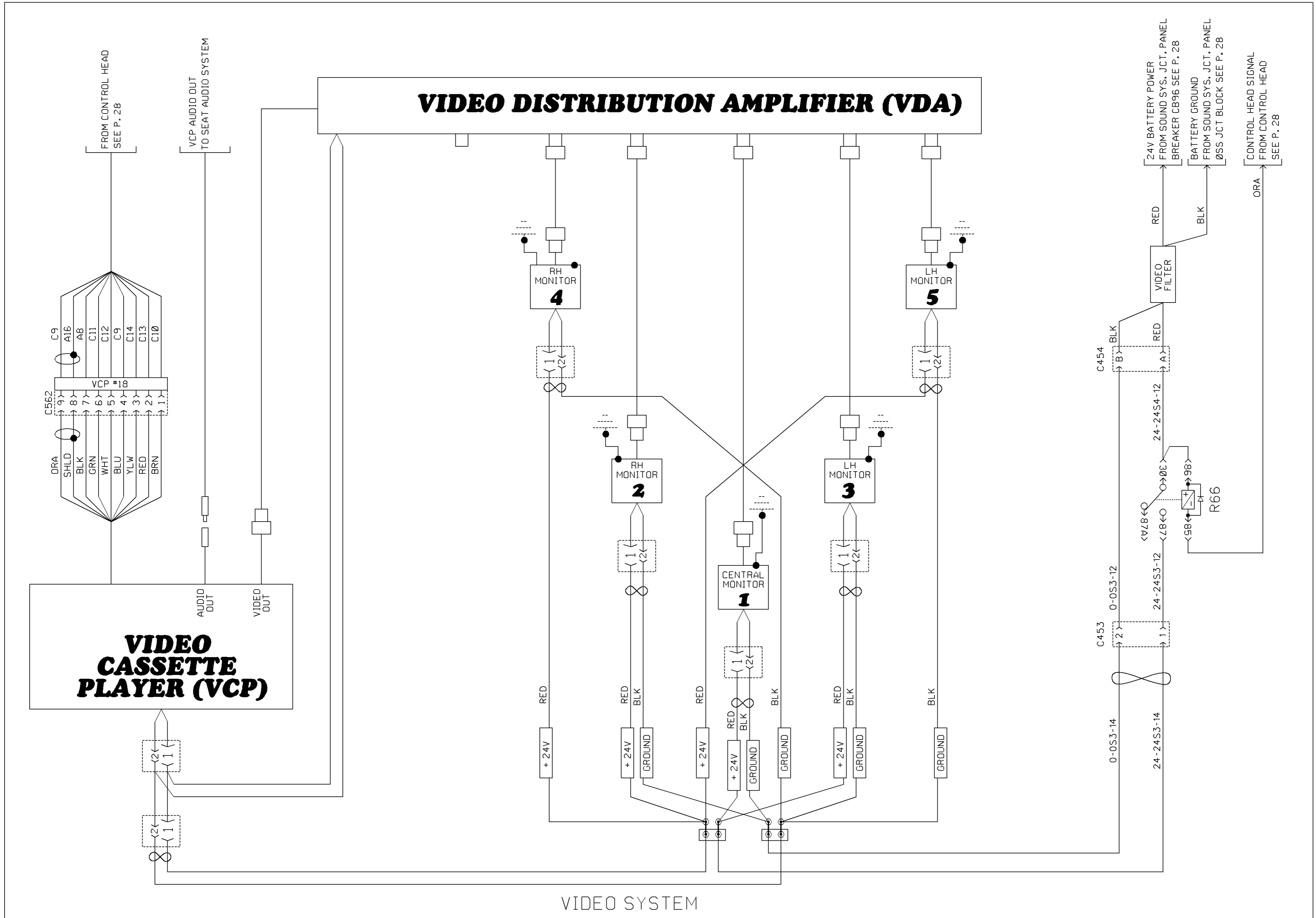


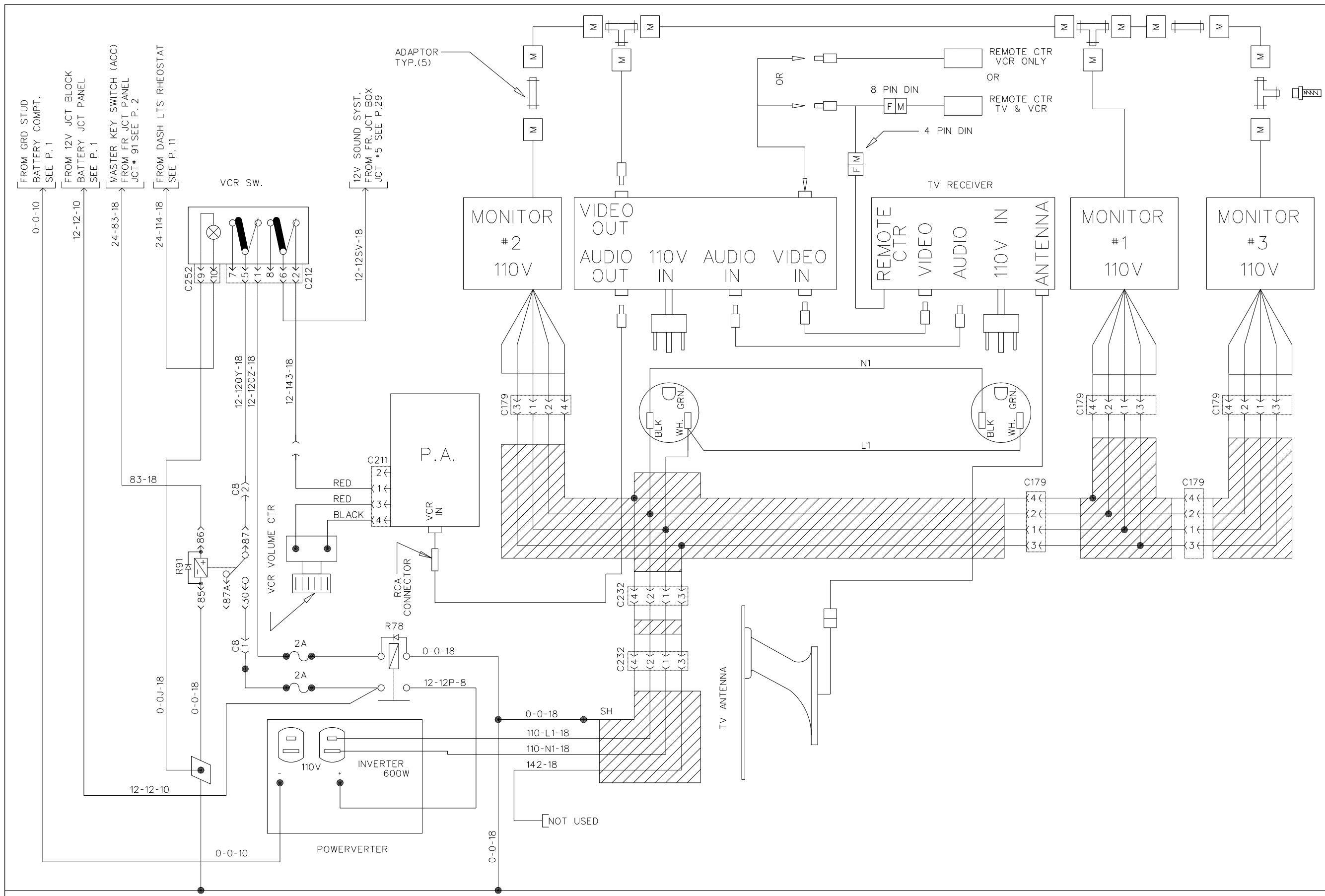
CHASSIS GROUND

# SOUND SYSTEM (RADIO & P.A.)

CHASSIS GROUND

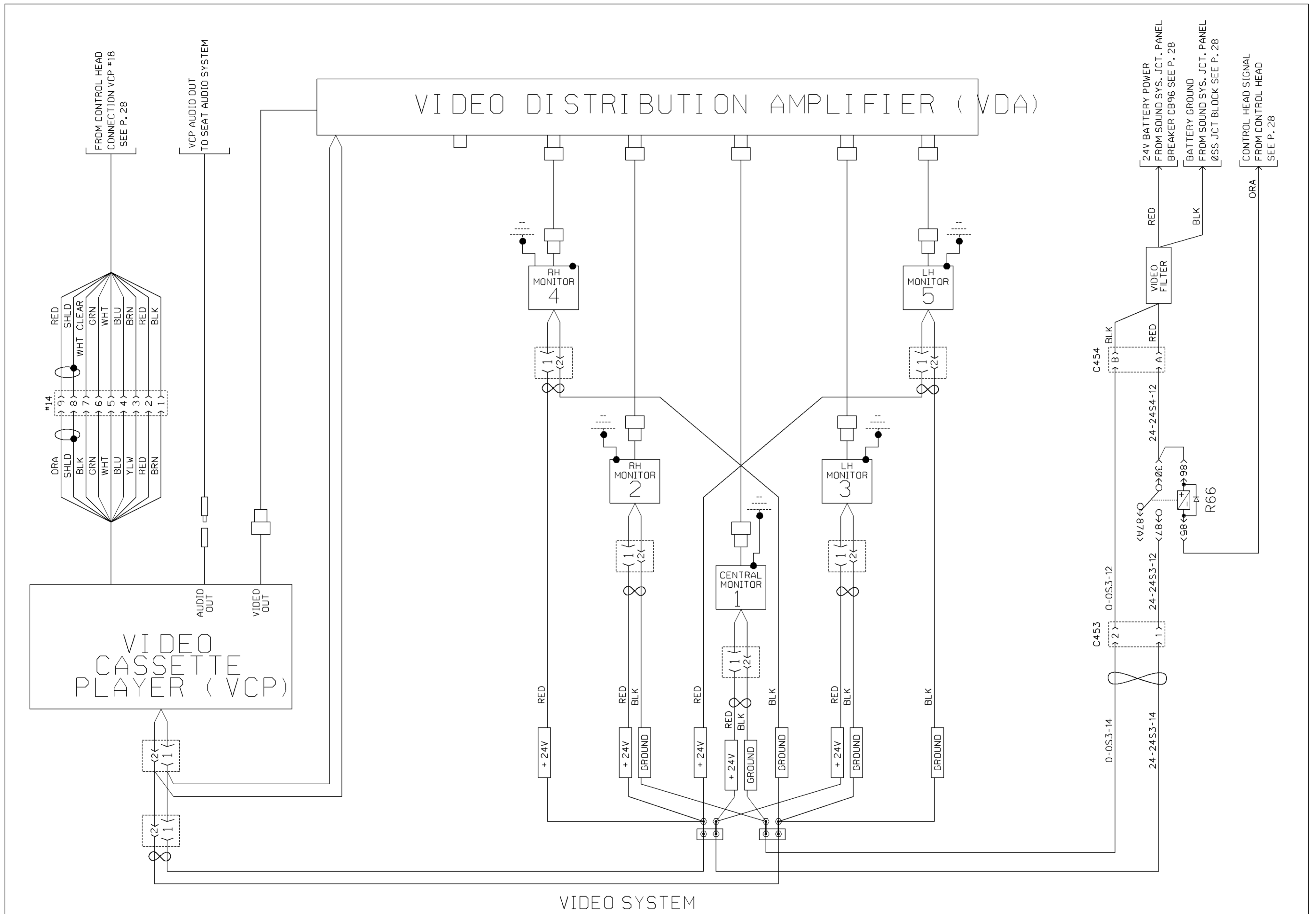


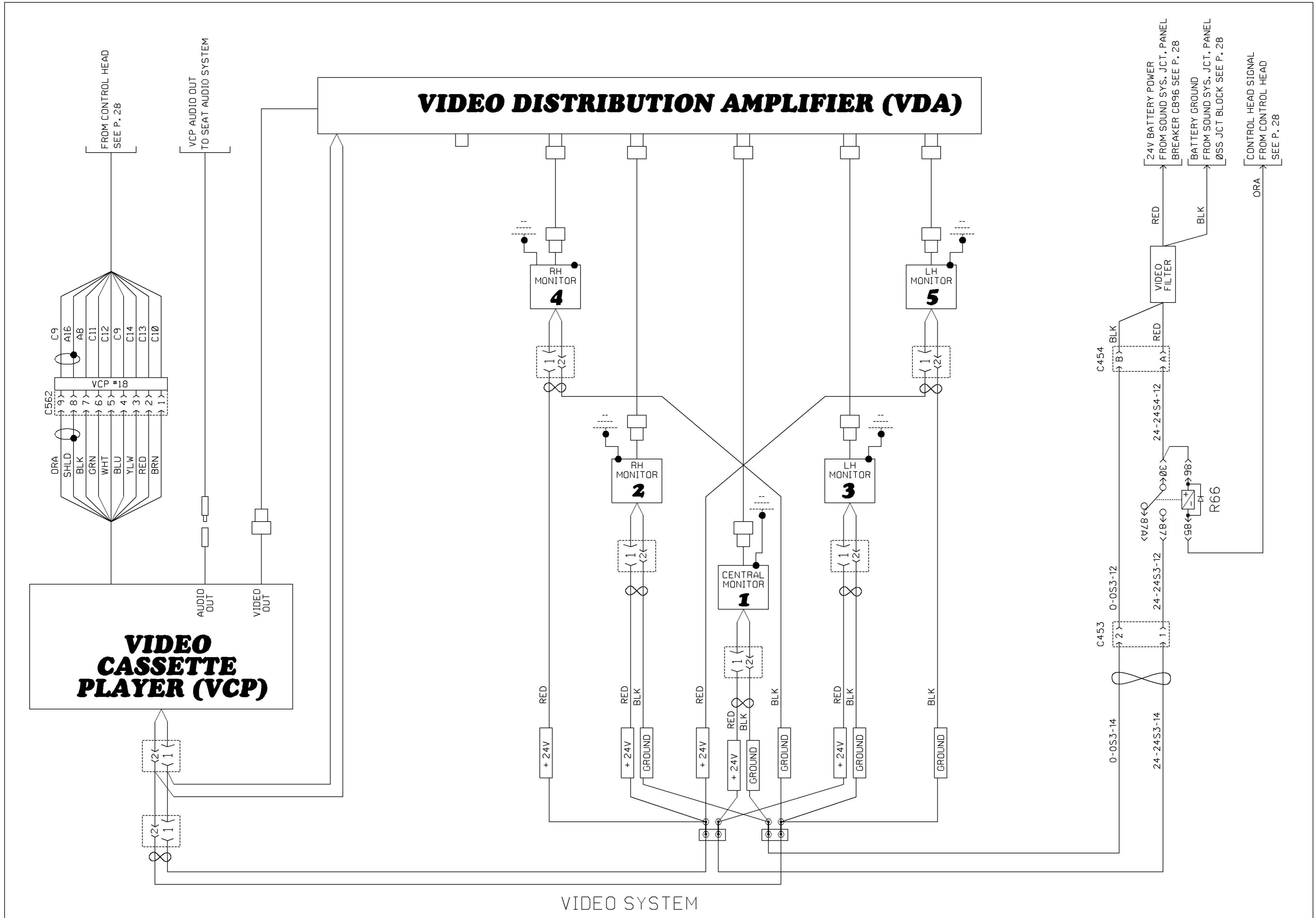


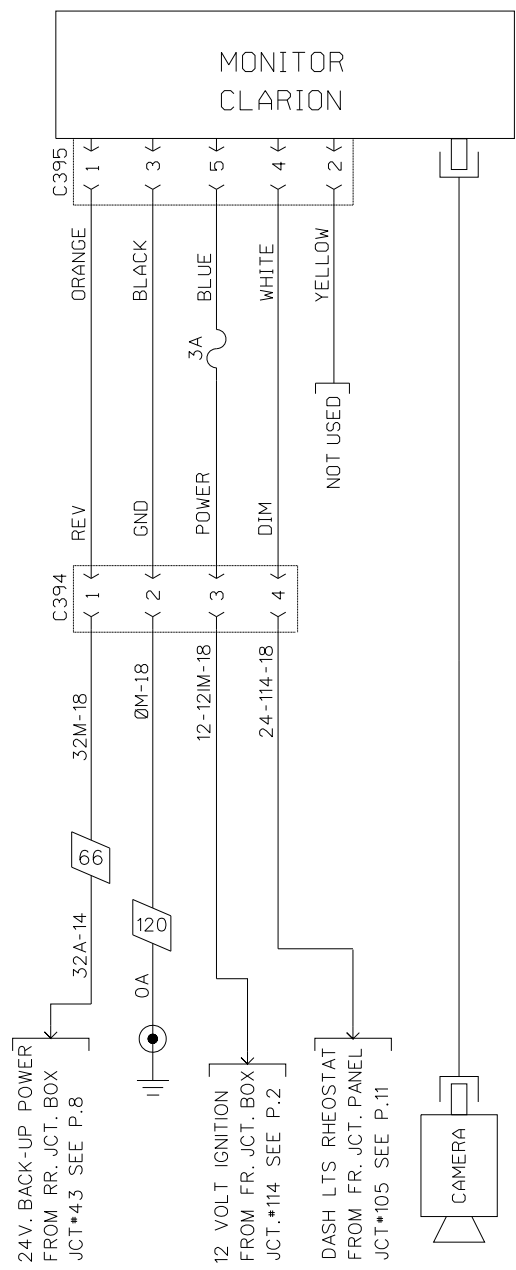


VIDEO SYSTEM & TV RECEIVER

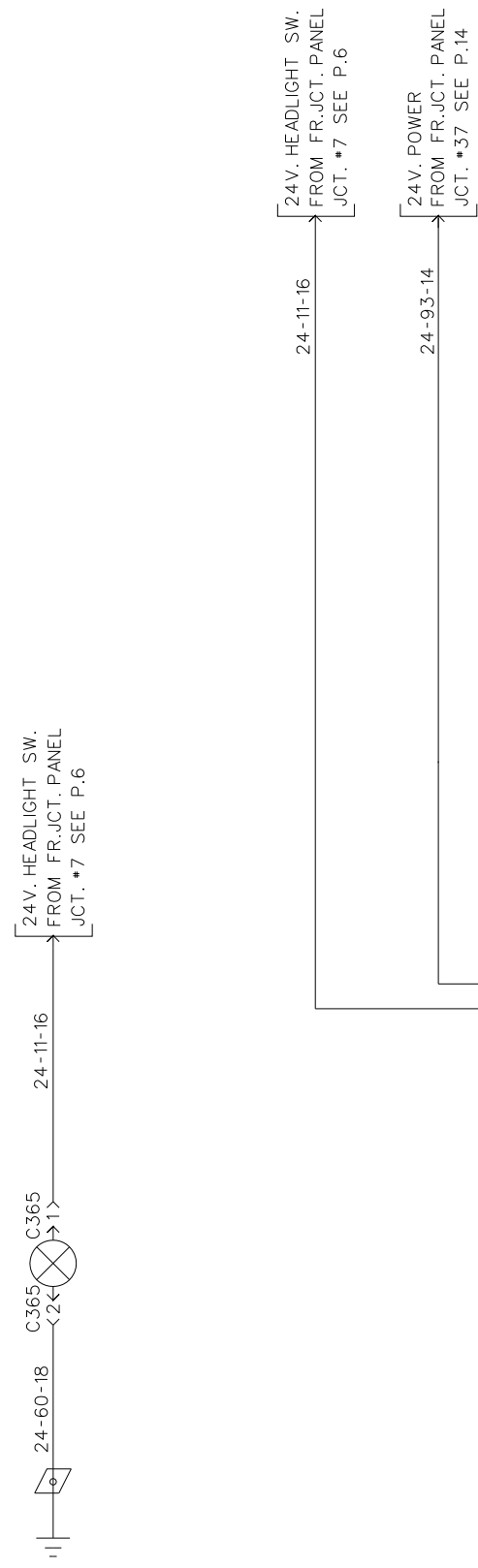




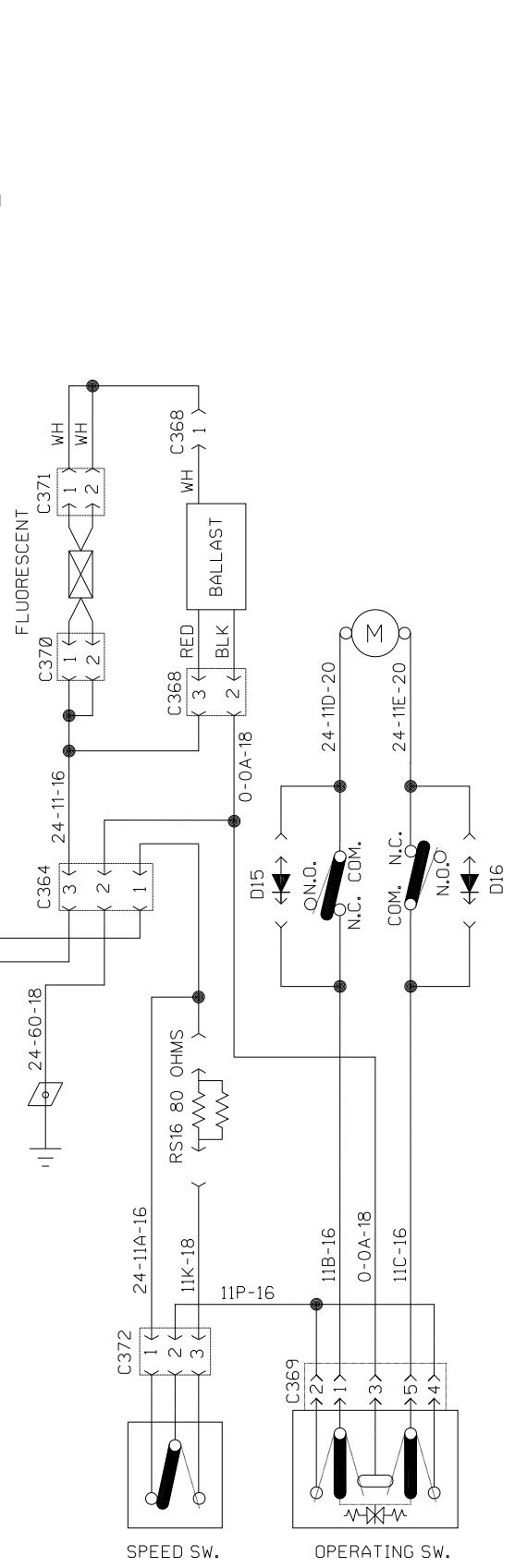




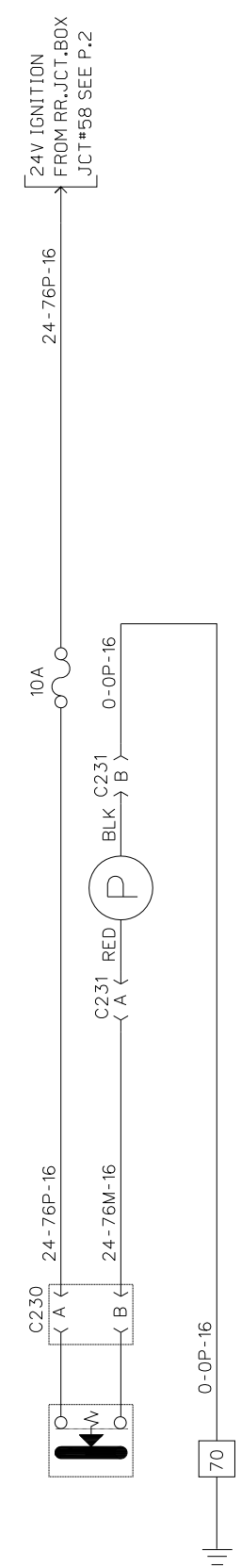
BACK-UP MONITOR (CLARION)



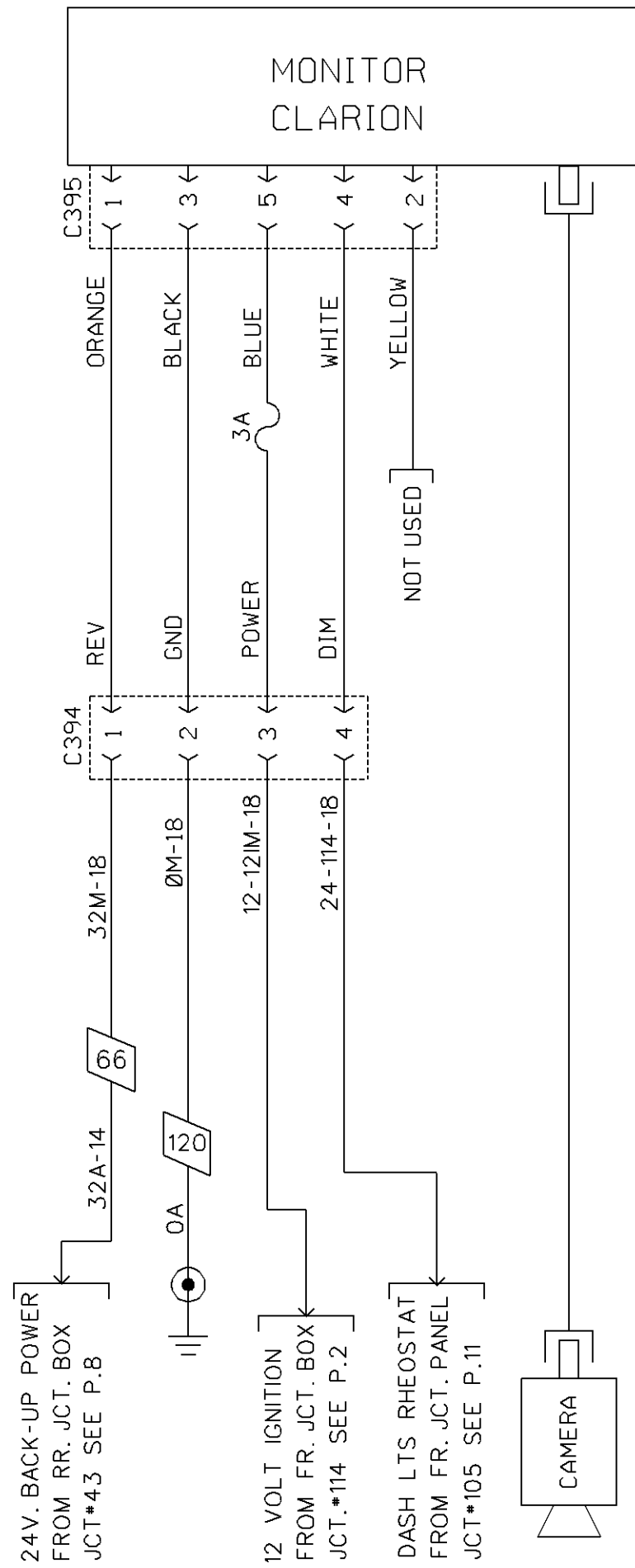
FRONT DESTINATION SIGN (MANUAL)



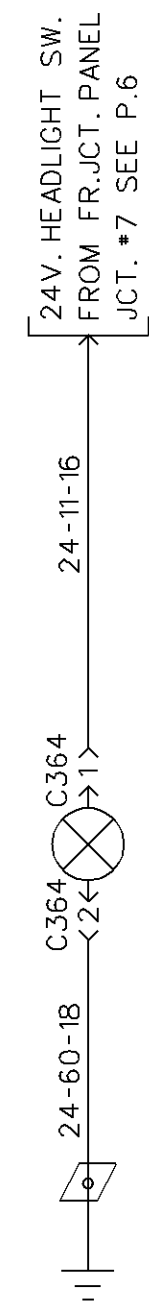
FRONT DESTINATION SIGN (ELECTRICAL)



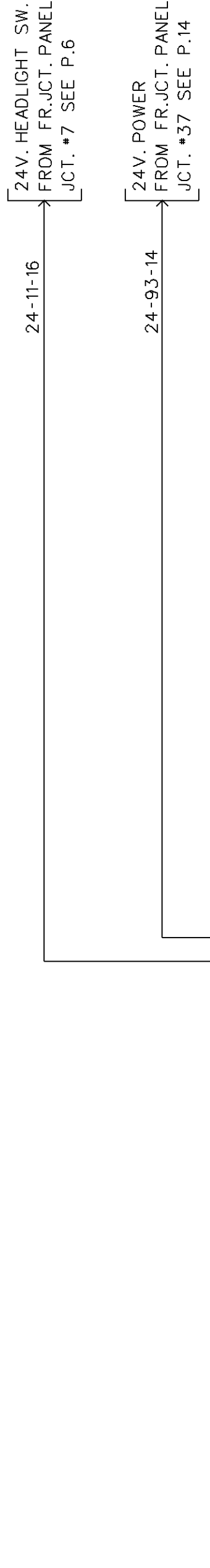
FUEL PRIME PUMP



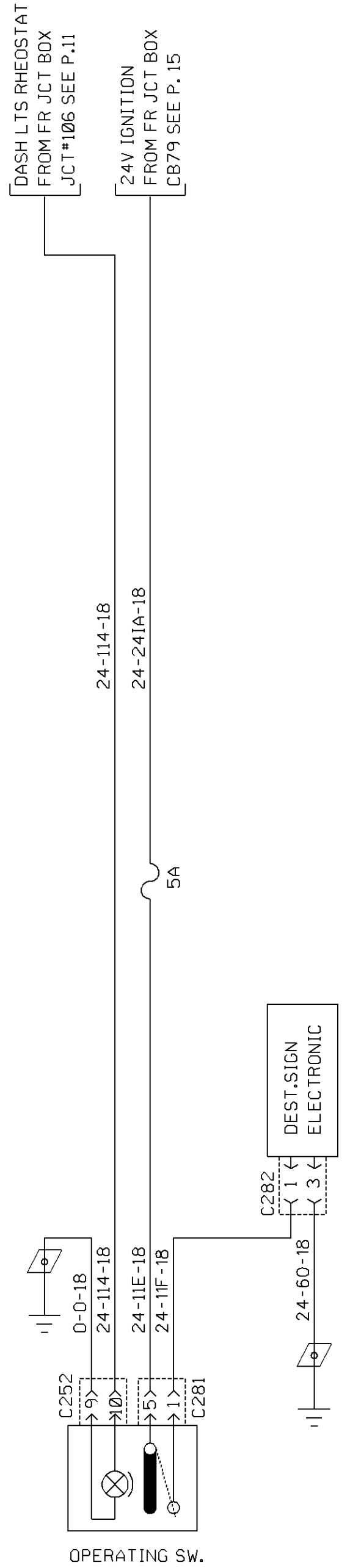
BACK-UP MONITOR (CLARION)



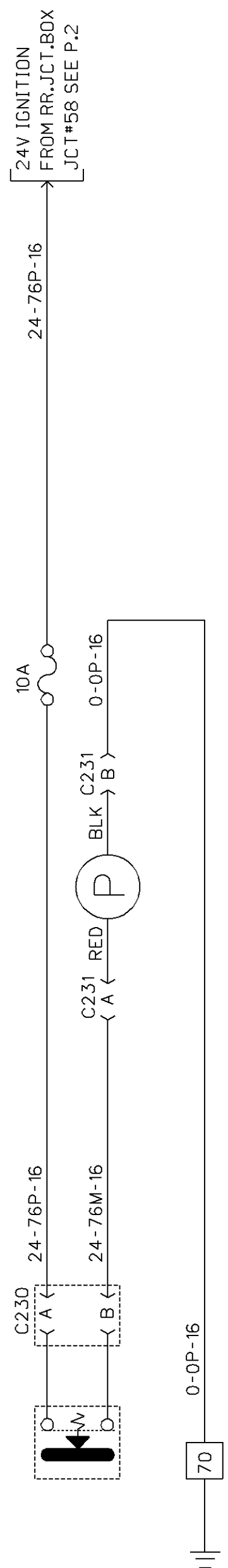
FRONT DEST. SIGN (MANUAL)



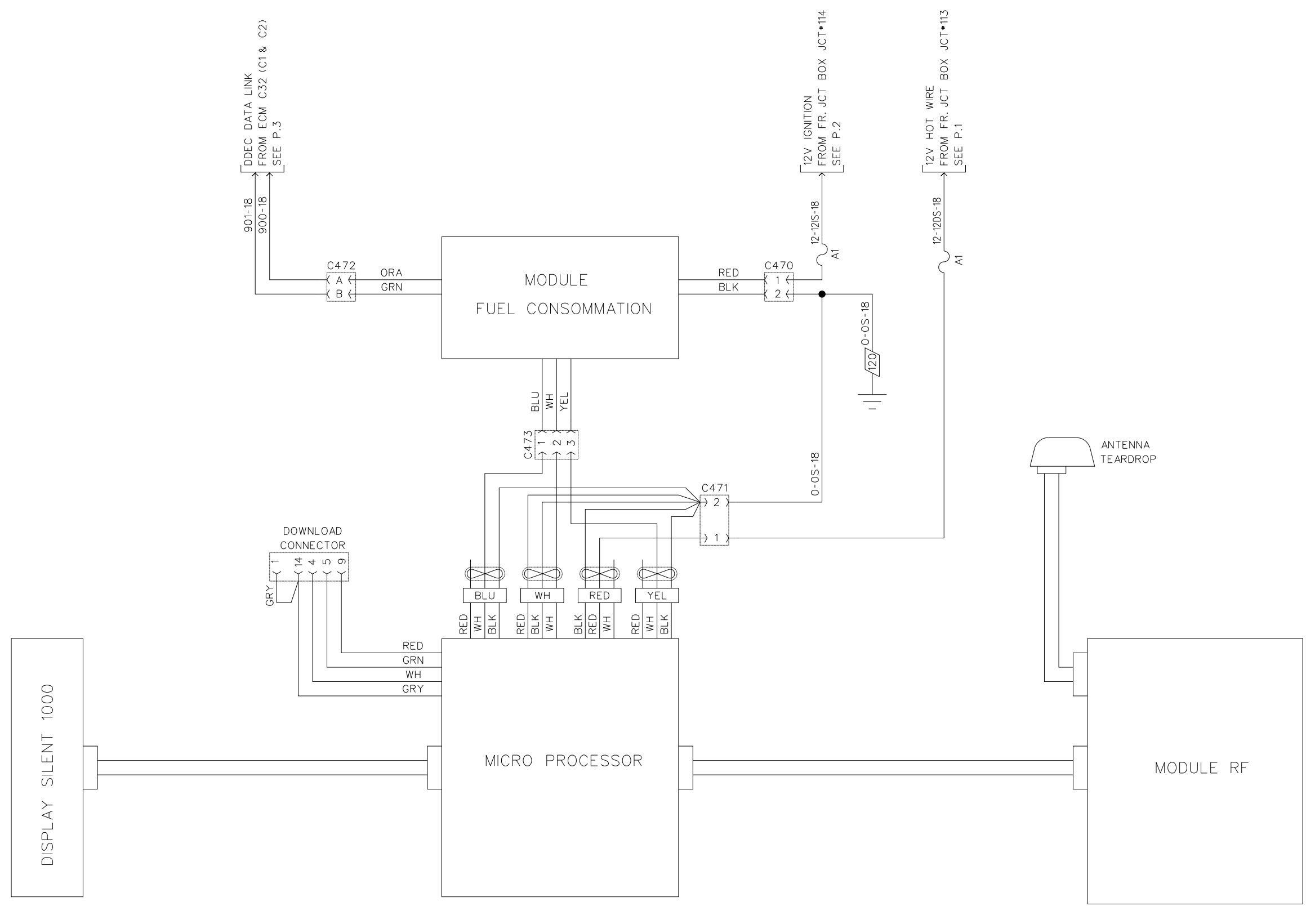
FRONT DESTINATION SIGN (ELECTRICAL)



FRONT DEST. SIGN (ELECTRONIC)

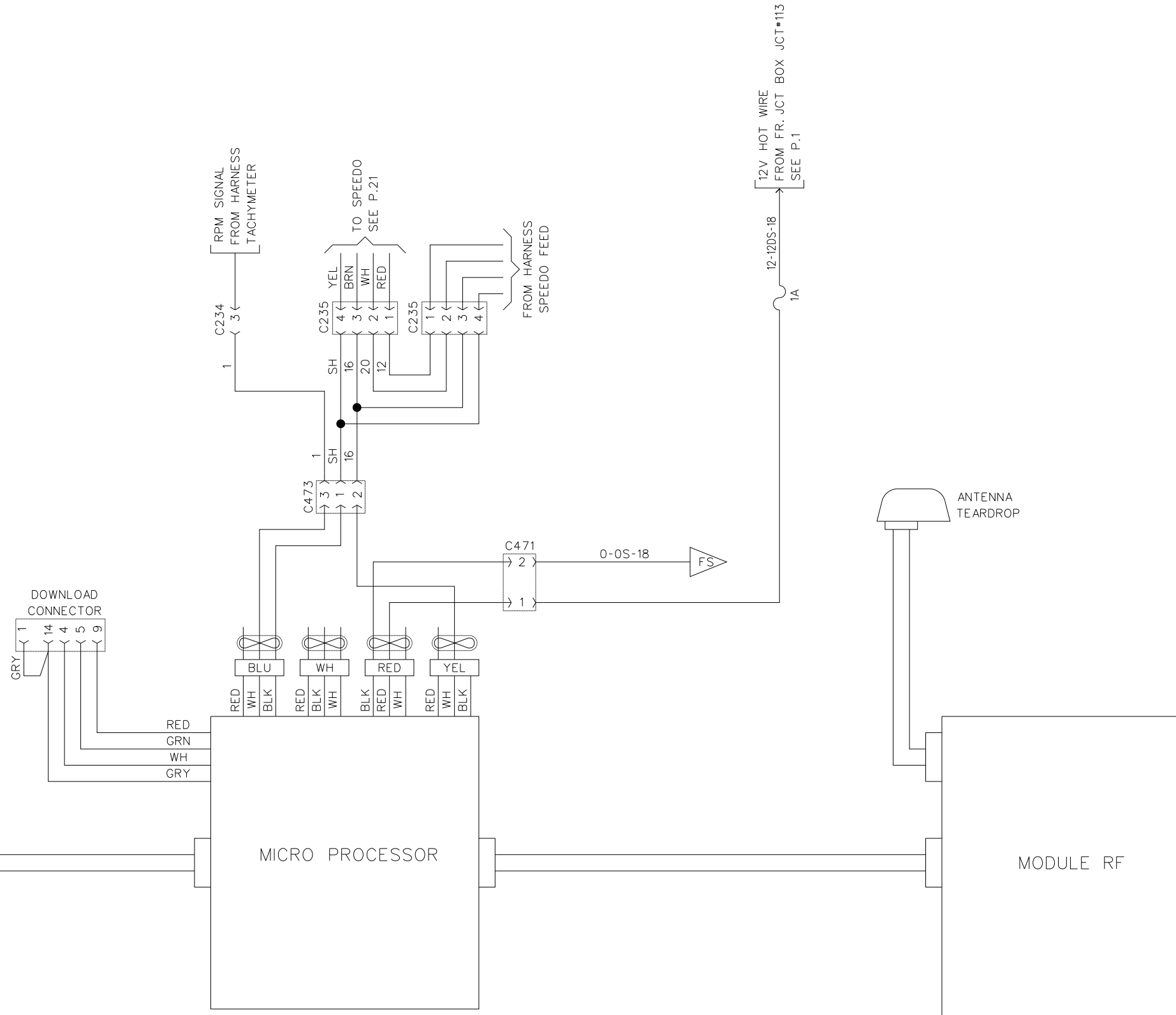


FUEL PRIME PUMP

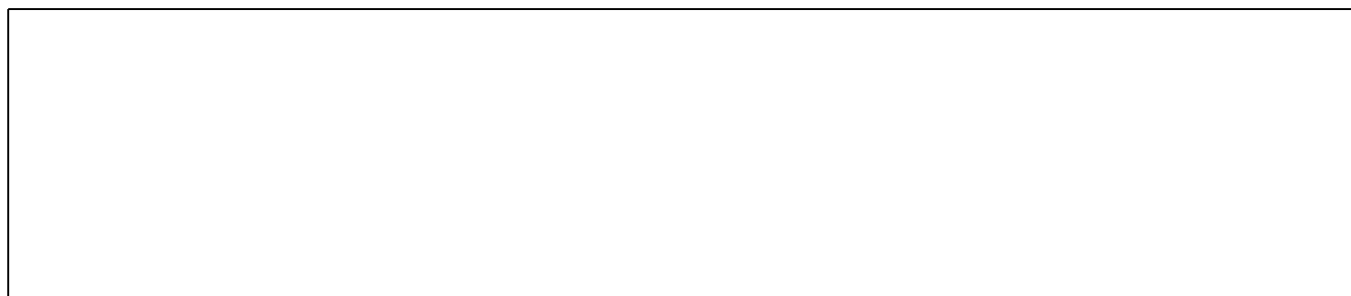


SILENT 1000

DISPLAY SILENT 1000

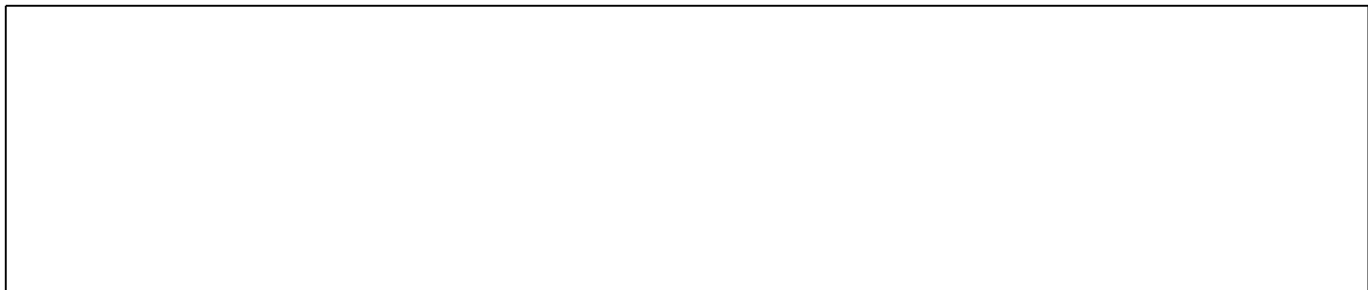


SILENT 1000 W/O FUEL CONSOMATION

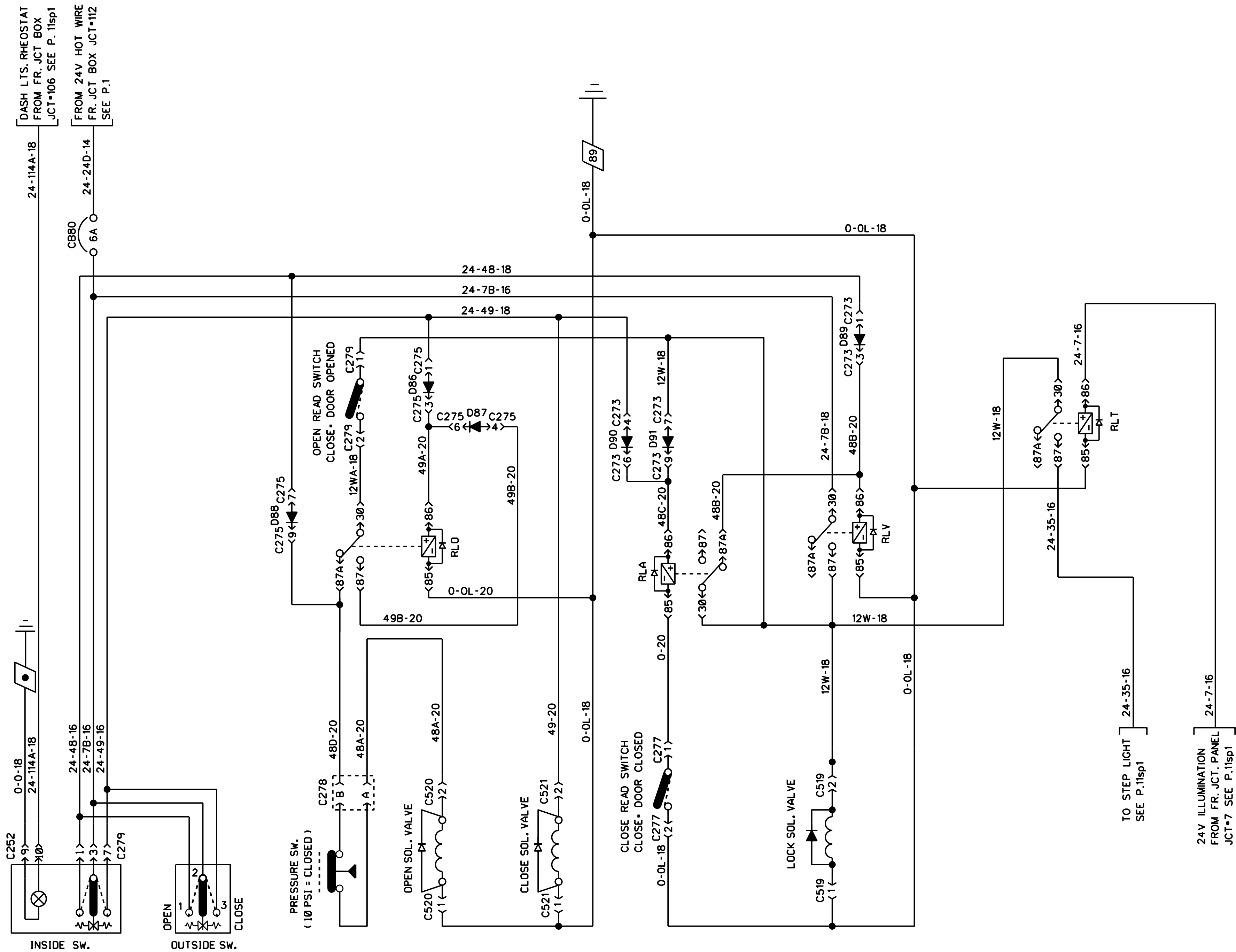


NO:

0060871







ENTRANCE DOOR (SEDAN)