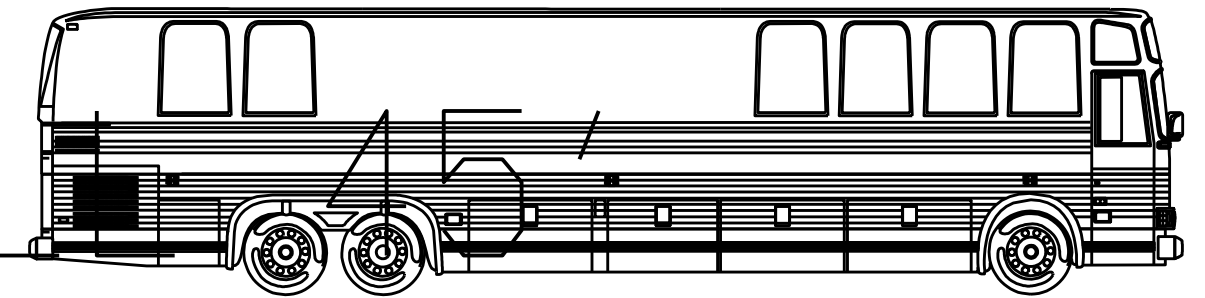


WIRING DIAGRAM

PREVOST

LE MIRAGE BUS SHELL



REFERENCE: STANDARD - MODEL 96 - NO. 97 0060874

EFF. W/ OC#	N/A	PRIOR TO / OC#	DR.	SERGE GROLEAU	DATE:	95-08-17
EFF. W/ VEH.#	T5680	PRIOR TO / VEH.#	CK.	ROCH CHAMPAGNE	APPR.	ROLAND LAPOINTE

REV.	DATE	DESCRIPTION	PAGE	BY	CK.	APPR.
001	95/09/22	SPEED CONTROL MODULE RELOCATED O.C.#94177A EFF. W/T5700	C	S.G.	<i>h</i>	<i>R</i>
002	95/10/02	CB18 WAS FEED FROM JCT.#58 CHANGED TO JCT.#23 EFF. W/T5708	F, 2	S.G.	<i>h</i>	<i>R</i>
003	95/11/06	LEVEL LOW SYSTEM O.C.#95058 EFF. W/T5750 PAGES:C, E 2/3, G 1/2, 10, 16, 20	← SEE	S.G.	<i>h</i>	<i>R</i>
004	95/11/09	TAG AXLE PRESS. SW. WAS N.C. CHANGED TO N.O. - O.C.#95052 EFF. W/T5776	5	R.C.	<i>h</i>	<i>R</i>
		UNLOAD TAG RESISTOR 75K CHANGED TO 240K - O.C.#95052 EFF. W/T5776	J, 19	R.C.	<i>h</i>	<i>R</i>
005	95/11/24	RAD. FAN CLUTCH ACTIVITED WITH A/C OR RETARD. O.C.#95078 EFF. W/T5710				
		PAGES: A, C, G2, H, I, 1, 2, 3, 5, 9, 12, 15	← SEE	MJ	<i>h</i>	<i>R</i>
006	95/11/27	WORLD TRANSM. HARNESS O.C.#95124 EFF. W/T5768	C, 4	MJ	<i>h</i>	<i>R</i>
007	96/01/16	RADIATOR FAN CLUTCH ACTIVITED WITH STD A/C WITHOUT RETARDER				
		O.C.#95078A EFF. W/T5710	I, 9, 12	R.C.	<i>h</i>	<i>R</i>
008	96/04/08	UPDATE	6, 7, 19	MJ	<i>h</i>	<i>R</i>
009	96/04/08	NEW SPEEDO & TACHY O.C.#96014 EFF. W/T5886	C, G1, 16	MJ	<i>h</i>	<i>R</i>
010	96-06-19	WORLD TRANSM. PROGRAMMABLE SPEED SIGNAL EFF. W/V6003 OC#96109	C, G2, 4, 16	R.C.	<i>h</i>	<i>R</i>
011	96-10-21	EVAPORATOR MOTOR SPEED VARIATOR CHANGED EFF. W/V6041 OC#96101	C, G2, 13	S.G.	<i>h</i>	<i>R</i>
012	96-11-26	RESISTOR RUNNING LIGHT CONNECTOR ADDED C510 EFF. W/V6141 OC#96155	G2, 6	S.G.	<i>h</i>	<i>R</i>
013	97-01-21	UPDATE	A,C,D,5,7,11,15	MJ	<i>h</i>	<i>R</i>
014	97-04-03	ESPAR TIMER O.C.#97022 EFF. W/V6253	C, G2, 18	MJ	<i>h</i>	<i>R</i>
015	97-10-23	NEW VOLTAGE REGULATOR O.C.#97104 EFF. W/W6417	1	S.G.	<i>h</i>	<i>R</i>
016	98-01-07	NEW TRANSMISSION AND ABS O.C.#97140 EFF. W/W6493	C,D,F,G,I,J,3,4,15,16,17	S.G.	J.R.	<i>R</i>
017	98-02-02	NEW TEMP. SENSOR ON WTEC III O.C.#98009 EFF. W/W6493	C	MJ	J.R.	<i>R</i>
018	98-02-05	NEW WEBASTO TIMER O.C.#97154 EFF. W/W6503	C, 18	MJ	J.R.	<i>R</i>
019	98-04-09	UPDATE MIRROR RAMCO	14	S.G.	J.R.	<i>R</i>
		SUPPRESSOR DIODE ADDED RELAY R4	H, 1	S.G.	J.R.	<i>R</i>
020	98-04-23	KEYLESS ENTRY SYSTEM O.C.#96079 EFF. W/W6613, X6680	C,G2,I,2,5,10,11,16.1,16.2	MJ	J.R.	<i>R</i>
021	98-08-11	ABS DIFFERENTIEL SENSOR O.C.#98075 EFF. W/X6691 & UPDATE	A,C,G2/2,1,2,9,12,17	S.G.		<i>R</i>

INDEX

<u>A</u>	A/C & HEAT SYSTEM-STANDARD	P. 12	<u>D</u>	D.D.E.C. III	P. 3	<u>R</u>	RETARDER	P. 15
	A/C & HEAT SYSTEM-FULL AIR	P. 13		DIFFERENTIAL OIL TEMP.	P. 5	<u>S</u>	SPEEDOMETER (VDO)	P. 16
	AIR DRYER	P. 5		DRIVER'S SEAT ELEC. ADJUST.	P. 15		SUN VISOR	P. 21
	ALARM AND SIGNAL	P. 5		DRIVER'S SEAT HEATER	P. 15	<u>T</u>	TACHOMETER (VDO)	P. 16
	ABS	P. 17	<u>E</u>	ENGINE BLOCK HEATER	P. 11		TAG-UNLOAD SYSTEM	P. 19
	ARRANGEMENT - CABLE	P. B		ENGINE BRAKE SYSTEM	P. 15	<u>W</u>	WATER HEATER PRE-HEAT	P. 18
	ARRANGEMENT - HARNESS	P. C		ENGINE CONTROL	P. 2		WINDOW AJAR	P. 11
	ARRANGEMENT - SPARE WIRE	P. D		ENTRANCE DOOR (AIR LOCK)	P. 11		WIPER & WASHER LO & UP	
<u>B</u>	BACK-UP ALARM	P. 5		ETHER COLD START	P. 5		WINDSHIELD	P. 8
<u>C</u>	CHARGING SYSTEM	P. 1		EXTERIOR LIGHTING	P. 6		WORLD TRANSMISSION	P. 4
	CENTER DOOR-AIR LOCK	P. 11	<u>F</u>	FAN CLUTCH-RADIATOR	P. 5			
	CIGAR LIGHTER	P. 14		FUEL PRIME PUMP	P. 21			
	CODE - CIRCUIT NUMBER	P. E		FUEL WATER FILTER	P. 5			
	CODE - CIRCUIT BREAKER	P. F	<u>I</u>	INTERIOR LIGHTING	P. 9			
	CODE - CONNECTOR	P. g		LEVEL-LOW SYSTEM	P. 20			
	CODE - DIODE	P. H	<u>L</u>	LUGGAGE DOOR LOCK	P. 16			
	CODE - RELAY	P. I		MIRROR-RR VIEW ADJUST.				
	CODE - RESISTOR	P. J		& HEATED	P. 14			
	CODE - WIRING KEY	P. K	<u>M</u>	MIRROR-RR VIEW ADJUST.				
	CO-PILOT SEAT HEATER	P. 15		& HEATED	P. 14	<u>P</u>	PARKING BRAKE SWITCH	P. 5
	CRUISE CONTROL - D.D.E.C.	P. 3					PARKING BRAKE ALARM	P. 11
							PRODRIVER	P. 11
							PYROMETER	P. 16

INDEX

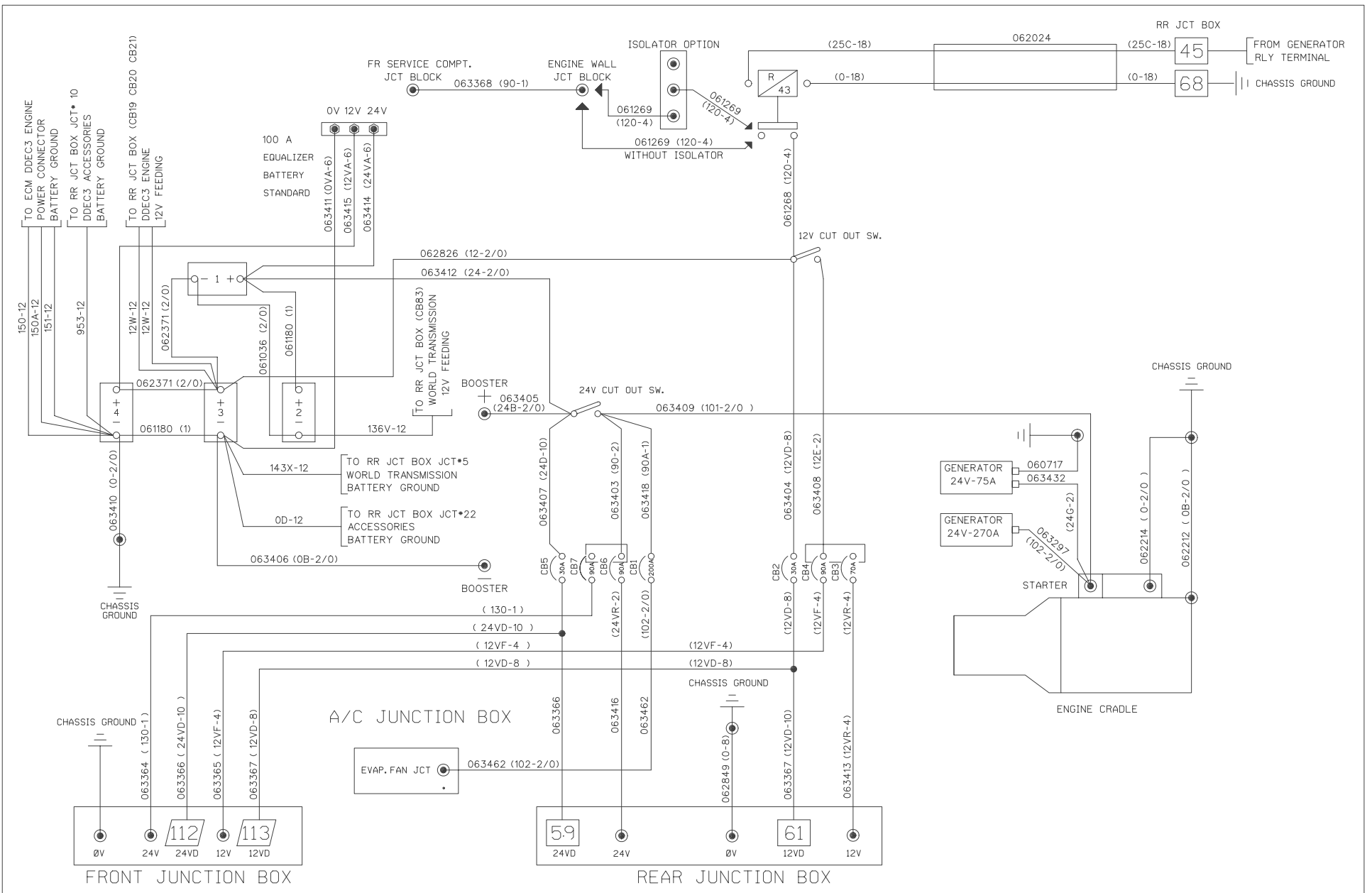
A	A/C & HEAT SYSTEM-STANDARD	P. 12	D	D.D.E.C. III	P. 3	R	RETARDER	P. 15
	A/C & HEAT SYSTEM-FULL AIR	P. 13		DIFFERENTIAL OIL TEMP.	P. 5	S	SPEEDOMETER (VDO)	P. 16
	AIR DRYER	P. 5		DRIVER'S SEAT ELEC. ADJUST.	P. 15		SUN VISOR	P. 21
	ALARM AND SIGNAL	P. 5		DRIVER'S SEAT HEATER	P. 15	T	TACHOMETER (VDO)	P. 16
	ABS	P. 17	E	ENGINE BLOCK HEATER	P. 11		TAG-UNLOAD SYSTEM	P. 19
	ARRANGEMENT - CABLE	P. B		ENGINE BRAKE SYSTEM	P. 15	W	WATER HEATER PRE-HEAT	P. 18
	ARRANGEMENT - HARNESS	P. C		ENGINE CONTROL	P. 2		WINDOW AJAR	P. 11
	ARRANGEMENT - SPARE WIRE	P. D		ENTRANCE DOOR (AIR LOCK)	P. 11		WIPER & WASHER LO & UP	
B	BACK-UP ALARM	P. 5		ETHER COLD START	P. 5		WINDSHIELD	P. 8
C	CHARGING SYSTEM	P. 1		EXTERIOR LIGHTING	P. 6		WORLD TRANSMISSION	P. 4
	CENTER DOOR-AIR LOCK	P. 11	F	FAN CLUTCH-RADIATOR	P. 9			
	CIGAR LIGHTER	P. 14		FUEL PRIME PUMP	P. 21			
	CODE - CIRCUIT NUMBER	P. E		FUEL WATER FILTER	P. 5			
	CODE - CIRCUIT BREAKER	P. F	I	INTERIOR LIGHTING	P. 9			
	CODE - CONNECTOR	P. g	L	LEVEL-LOW SYSTEM	P. 20			
	CODE - DIODE	P. H		LUGGAGE DOOR LOCK	P. 16			
	CODE - RELAY	P. I	M	MIRROR-RR VIEW ADJUST.				
	CODE - RESISTOR	P. J		& HEATED	P. 14			
	CODE - WIRING KEY	P. K	P	PARKING BRAKE SWITCH	P. 5			
	CO-PILOT SEAT HEATER	P. 15		PARKING BRAKE ALARM	P. 11			
	CRUISE CONTROL - D.D.E.C.	P. 3		PRODRIVER	P. 11			
				PYROMETER	P. 16			

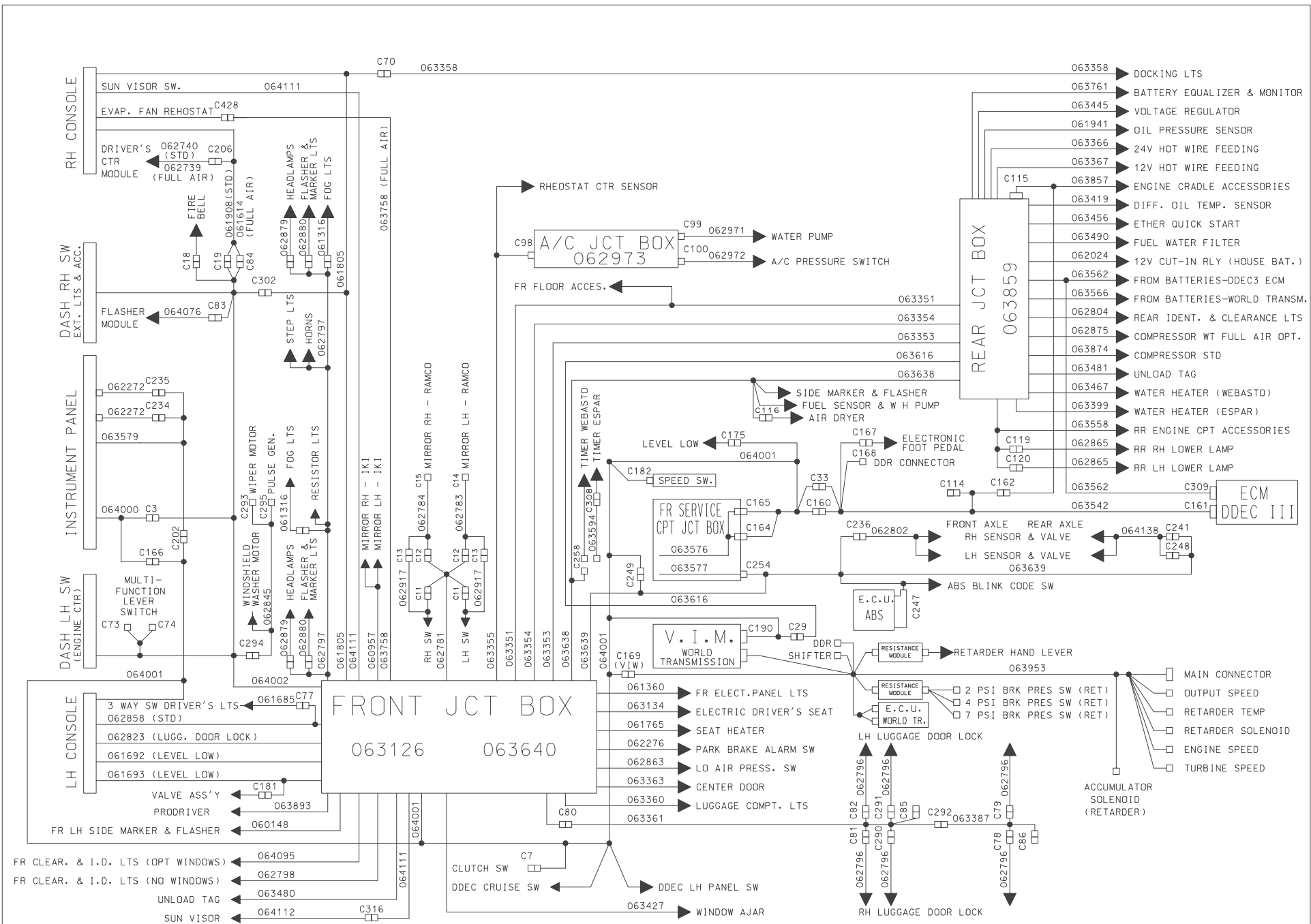
INDEX

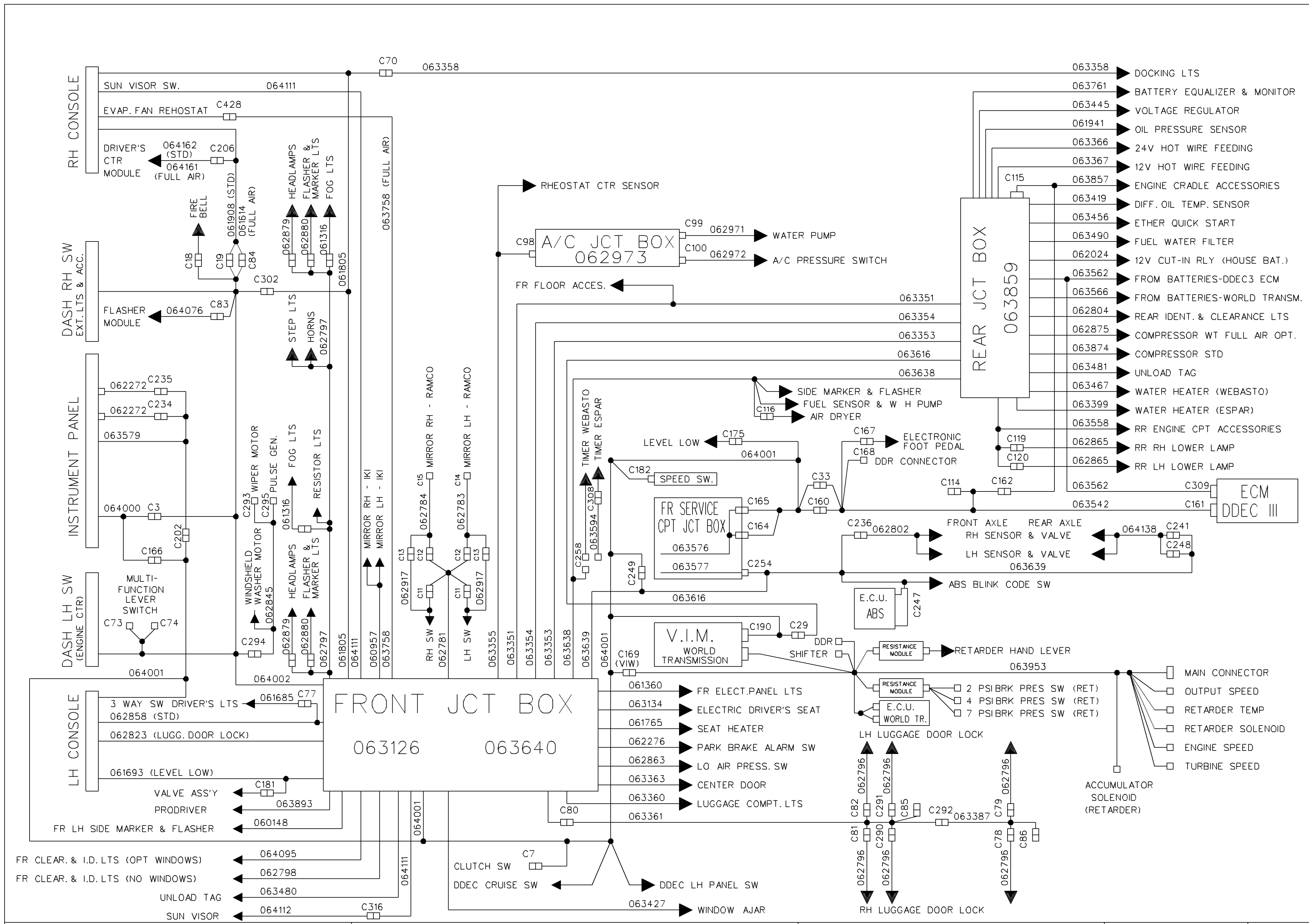
A	A/C & HEAT SYSTEM-STANDARD	P. 12	D	D.D.E.C. III	P. 3	R	RETARDER	P. 15
	A/C & HEAT SYSTEM-FULL AIR	P. 13		DIFFERENTIAL OIL TEMP.	P. 5	S	SPEEDOMETER (VDO)	P. 16
	AIR DRYER	P. 5		DRIVER'S SEAT ELEC. ADJUST.	P. 15		SUN VISOR	P. 21
	ALARM AND SIGNAL	P. 5	E	ENGINE BLOCK HEATER	P. 11	T	TACHOMETER (VDO)	P. 16
	ABS	P. 17		ENGINE BRAKE SYSTEM	P. 15		TAG-UNLOAD SYSTEM	P. 19
	ARRANGEMENT - CABLE	P. B		ENGINE CONTROL	P. 2	W	WATER HEATER PRE-HEAT	P. 18
	ARRANGEMENT - HARNESS	P. C		ENTRANCE DOOR (AIR LOCK)	P. 11		WINDOW AJAR	P. 11
	ARRANGEMENT - SPARE WIRE	P. D		ETHER COLD START	P. 5		WIPER & WASHER LO & UP WINDSHIELD	P. 8
B	BACK-UP ALARM	P. 5		EXTERIOR LIGHTING	P. 6		WORLD TRANSMISSION	P. 4
C	CHARGING SYSTEM	P. 1	F	FAN CLUTCH-RADIATOR	P. 9			
	CENTER DOOR-AIR LOCK	P. 11		FUEL PRIME PUMP	P. 21			
	CIGAR LIGHTER	P. 14		FUEL WATER FILTER	P. 5			
	CODE - CIRCUIT NUMBER	P. E	I	INTERIOR LIGHTING	P. 9			
	CODE - CIRCUIT BREAKER	P. F	L	LEVEL-LOW SYSTEM	P. 20			
	CODE - CONNECTOR	P. g		LUGGAGE DOOR LOCK	P. 16			
	CODE - DIODE	P. H	M	MIRROR-RR VIEW ADJUST. & HEATED	P. 14			
	CODE - RELAY	P. I	P	PARKING BRAKE SWITCH	P. 5			
	CODE - RESISTOR	P. J		PARKING BRAKE ALARM	P. 11			
	CODE - WIRING KEY	P. K		PRODRIVER	P. 11			
	CO-PILOT SEAT HEATER	P. 15						
	CRUISE CONTROL - D.D.E.C.	P. 3						

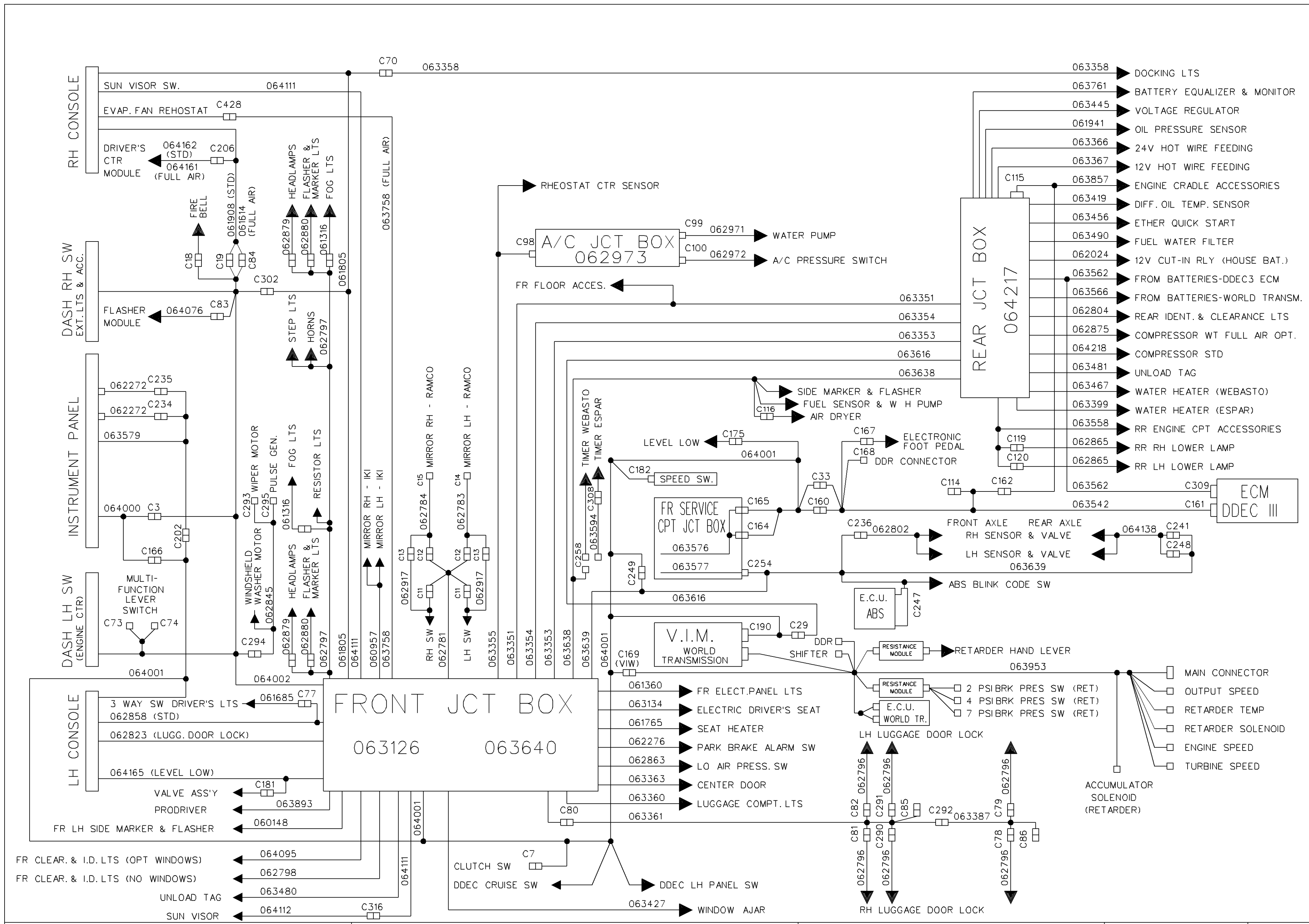
INDEX

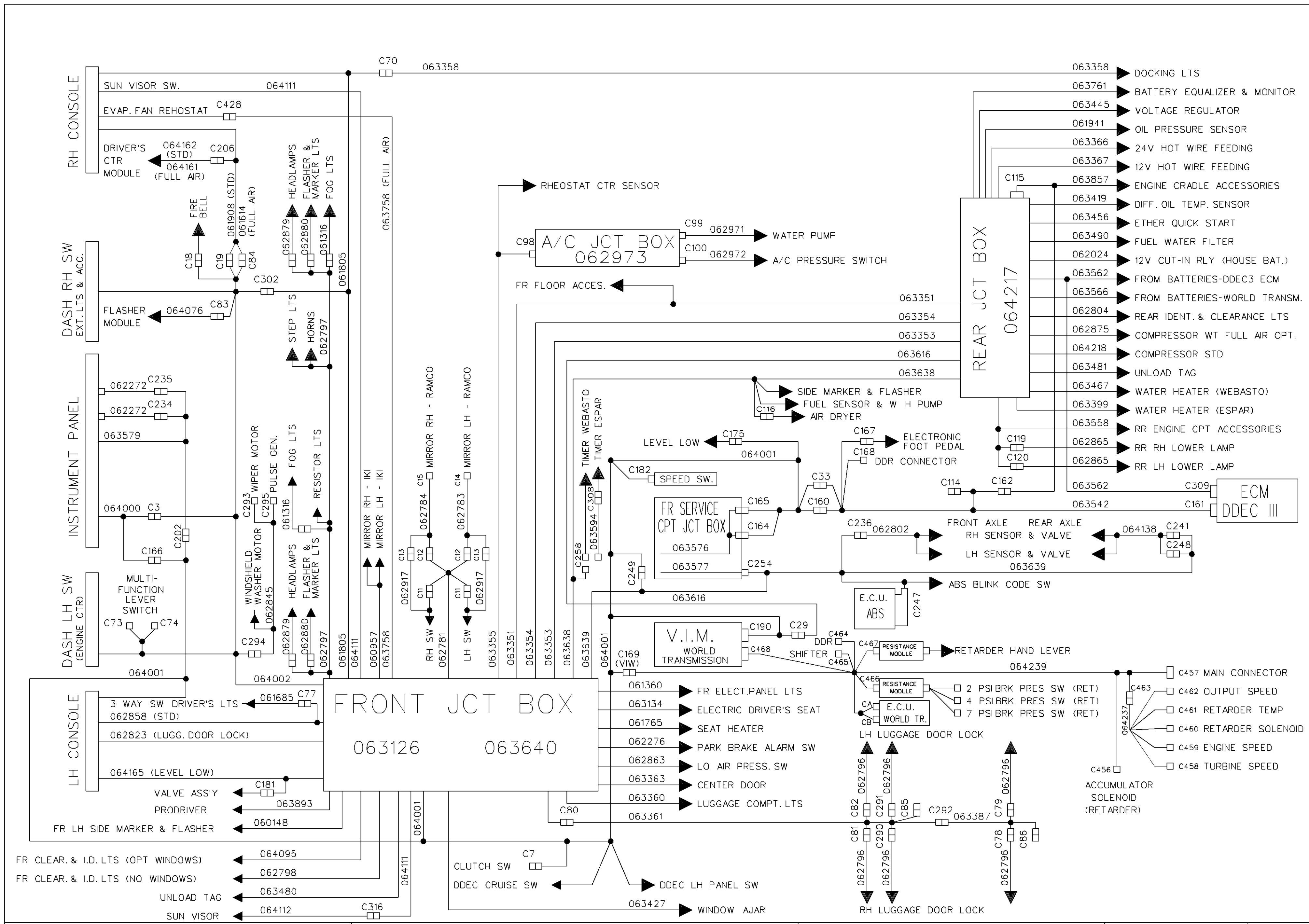
A	A/C & HEAT SYSTEM-STANDARD	P. 12	D	D.D.E.C. III	P. 3	R	RETARDER	P. 15
	A/C & HEAT SYSTEM-FULL AIR	P. 13		DIFFERENTIAL OIL TEMP.	P. 5	S	SPEEDOMETER (VDO)	P. 16.1
	AIR DRYER	P. 5		DRIVER'S SEAT ELEC. ADJUST.	P. 15		SUN VISOR	P. 21
	ALARM AND SIGNAL	P. 5	E	ENGINE BLOCK HEATER	P. 11	T	TACHOMETER (VDO)	P. 16
	ABS	P. 17		ENGINE BRAKE SYSTEM	P. 15		TAG-UNLOAD SYSTEM	P. 19
	ARRANGEMENT - CABLE	P. B		ENGINE CONTROL	P. 2	W	WATER HEATER PRE-HEAT	P. 18
	ARRANGEMENT - HARNESS	P. C		ENTRANCE DOOR (AIR LOCK)	P. 11		WINDOW AJAR	P. 11
	ARRANGEMENT - SPARE WIRE	P. D		ETHER COLD START	P. 5		WIPER & WASHER LO & UP	
B	BACK-UP ALARM	P. 5		EXTERIOR LIGHTING	P. 6		WINDSHIELD	P. 8
C	CHARGING SYSTEM	P. 1	F	FAN CLUTCH-RADIATOR	P. 9		WORLD TRANSMISSION	P. 4
	CENTER DOOR-AIR LOCK	P. 11		FUEL PRIME PUMP	P. 21			
	CIGAR LIGHTER	P. 14		FUEL WATER FILTER	P. 5			
	CODE - CIRCUIT NUMBER	P. E	I	INTERIOR LIGHTING	P. 9			
	CODE - CIRCUIT BREAKER	P. F	K	KEYLESS ENTRY SYSTEM	P. 16.2			
	CODE - CONNECTOR	P. G	L	LEVEL-LOW SYSTEM	P. 20			
	CODE - DIODE	P. H		LUGGAGE DOOR LOCK	P. 16			
	CODE - RELAY	P. I	M	MIRROR-RR VIEW ADJUST.				
	CODE - RESISTOR	P. J		& HEATED	P. 14			
	CODE - WIRING KEY	P. K	P	PARKING BRAKE SWITCH	P. 5			
	CO-PILOT SEAT HEATER	P. 15		PARKING BRAKE ALARM	P. 11			
	CRUISE CONTROL - D.D.E.C.	P. 3		PRODRIVER	P. 11			

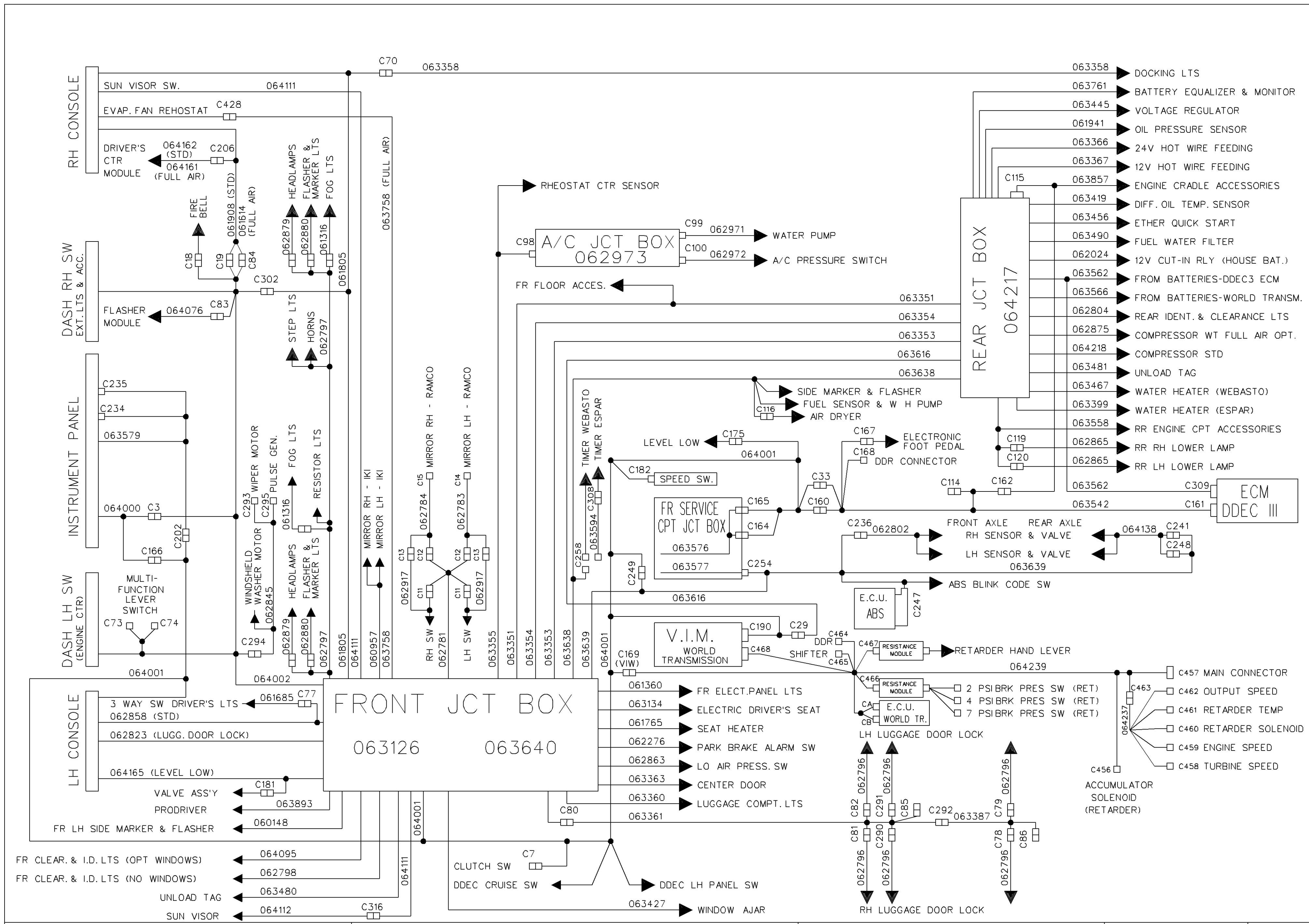


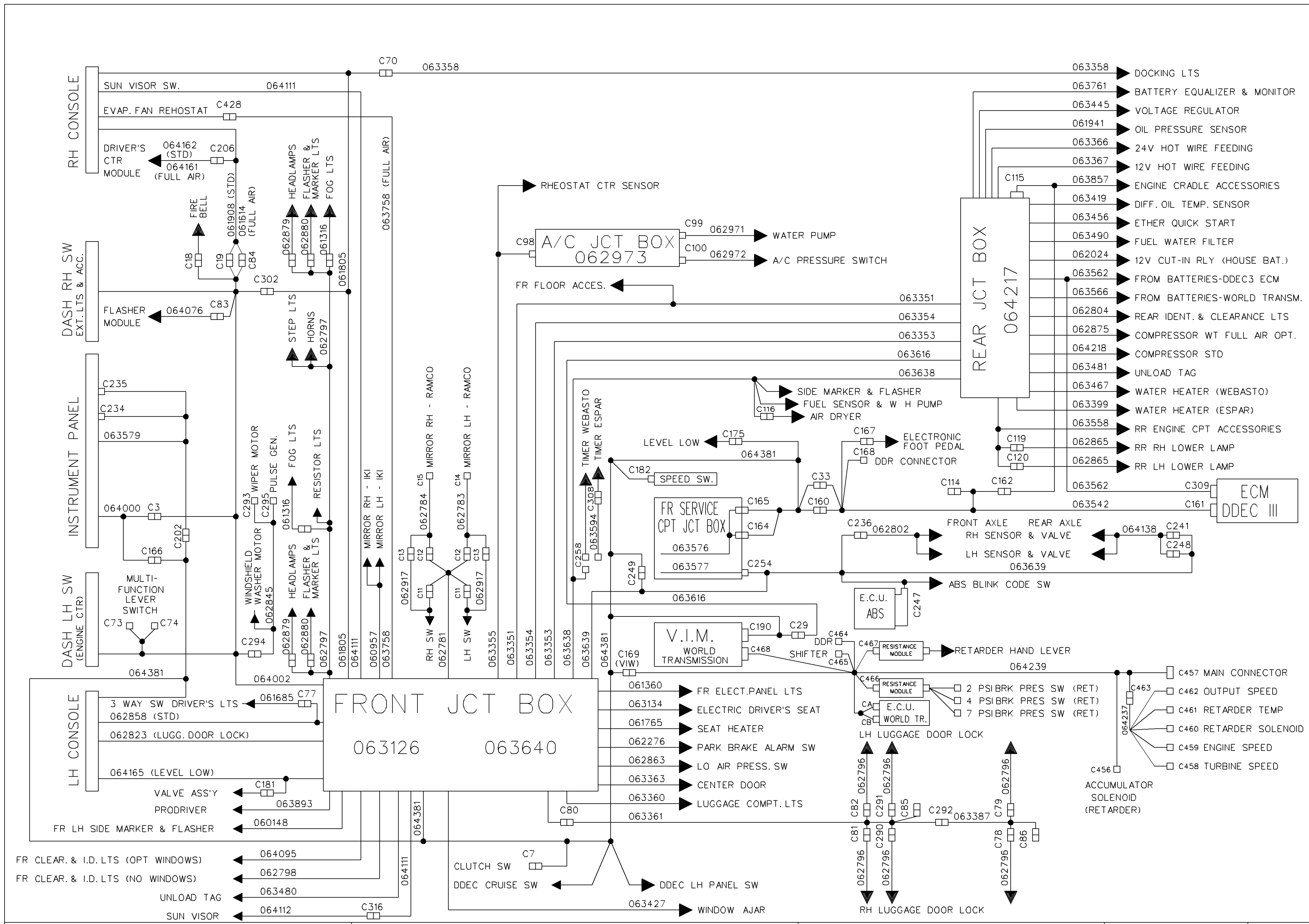


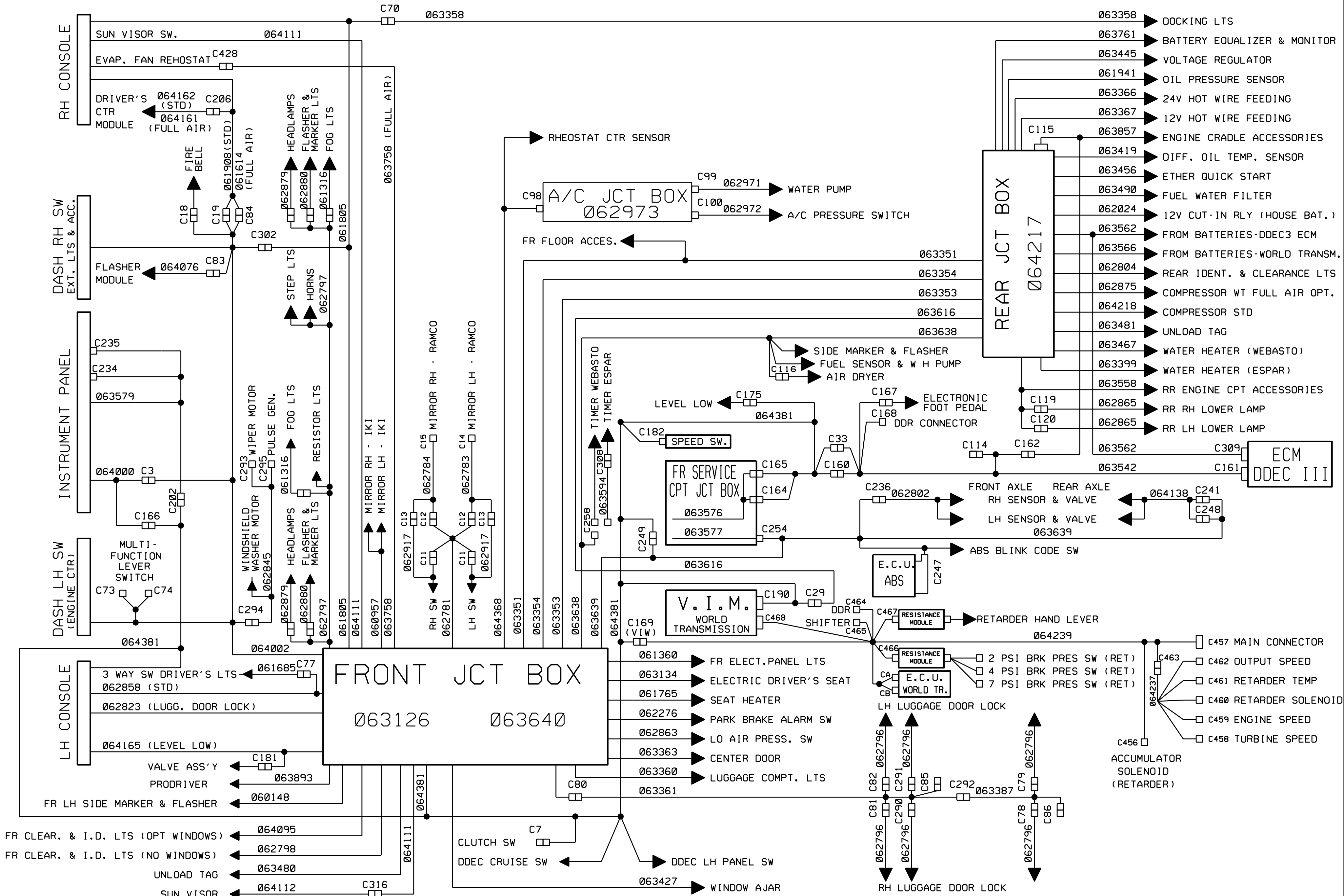


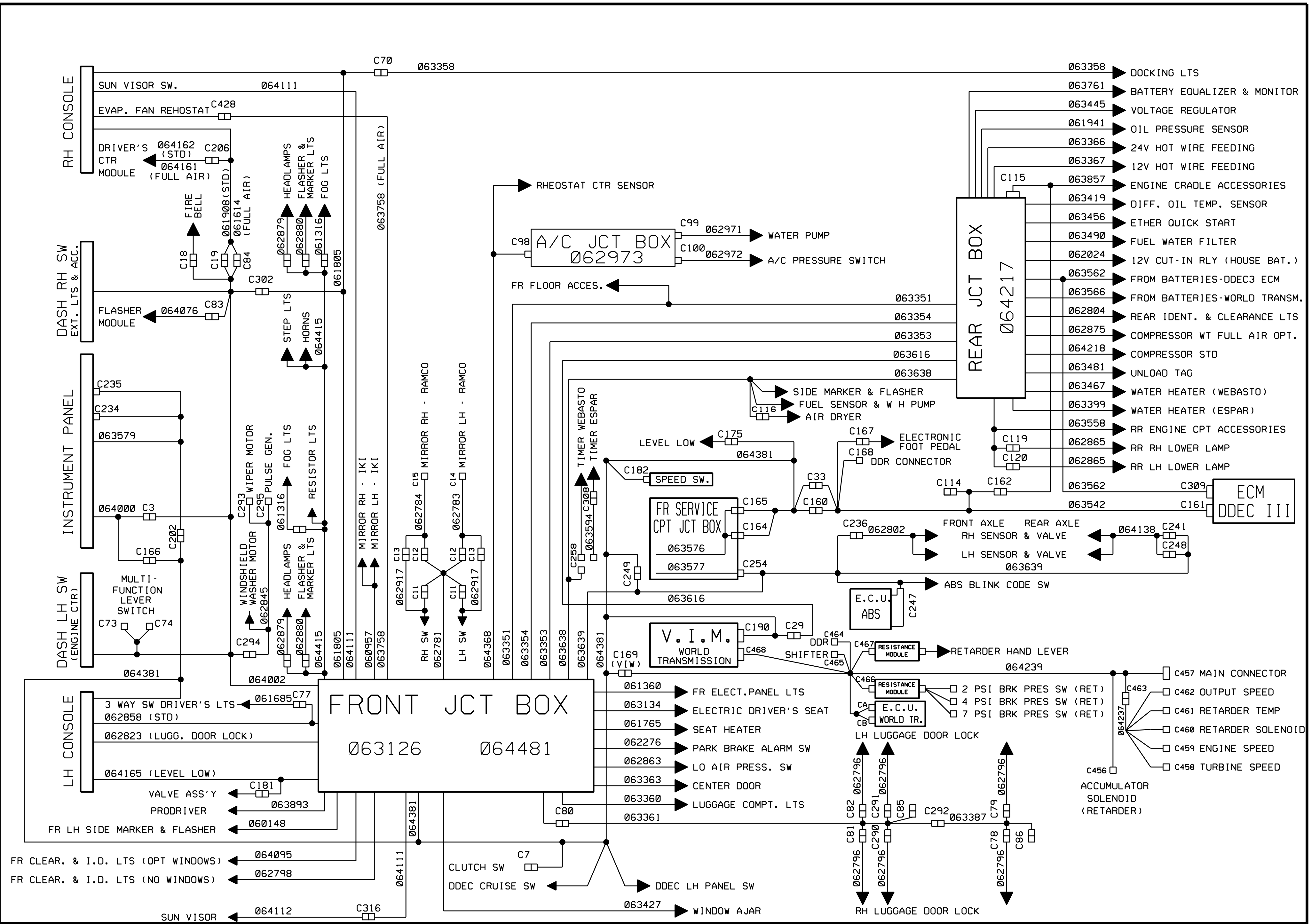


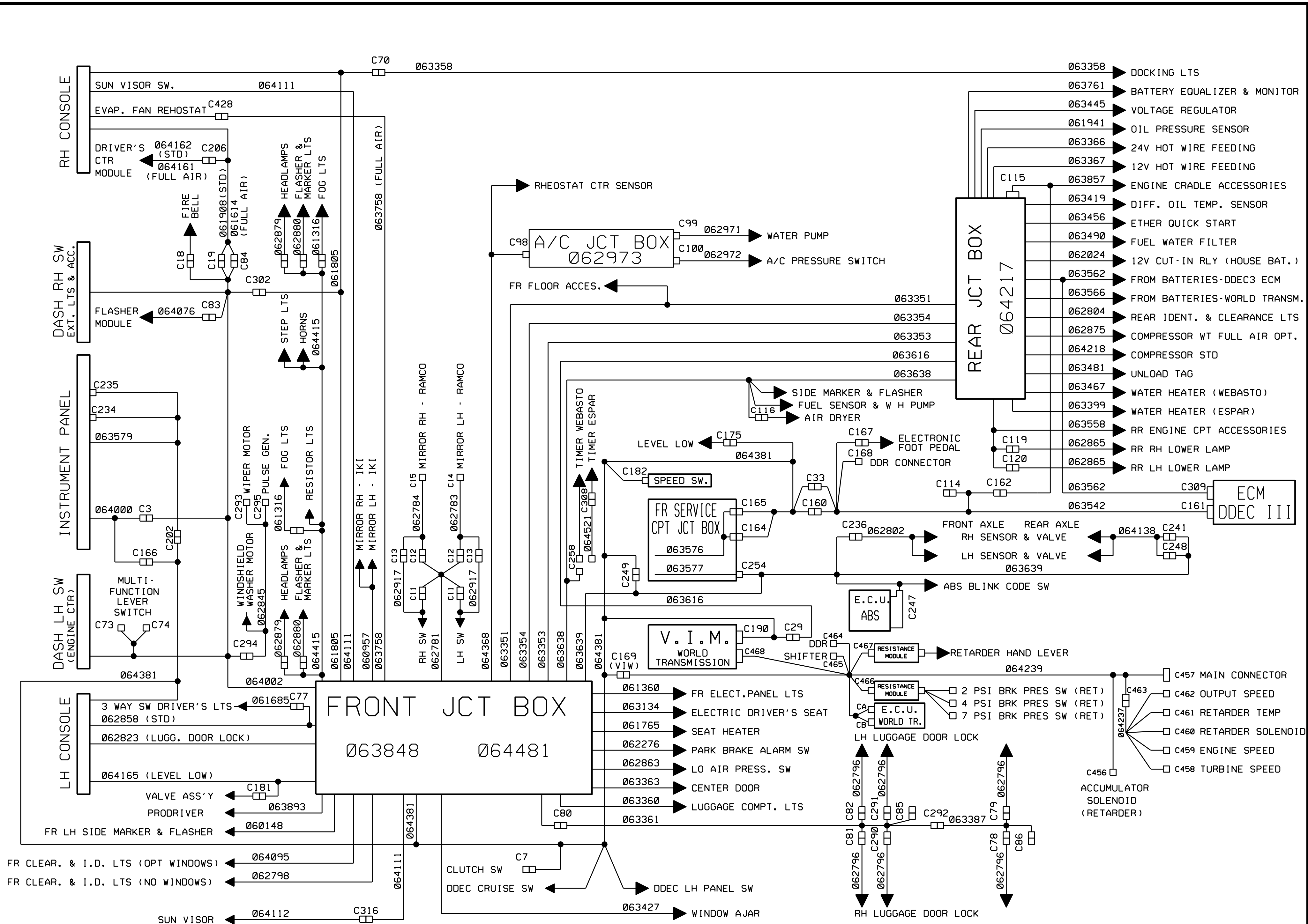


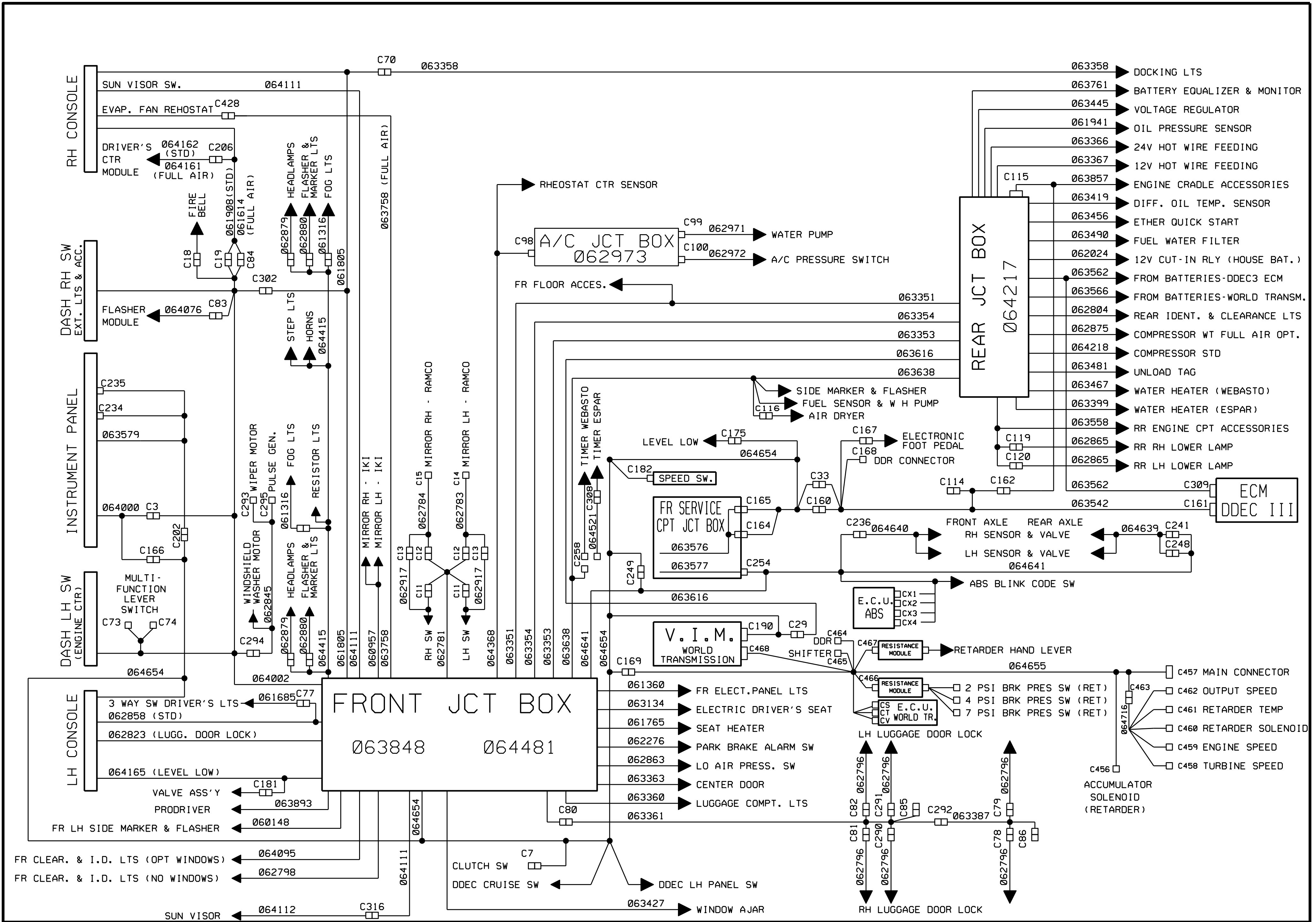


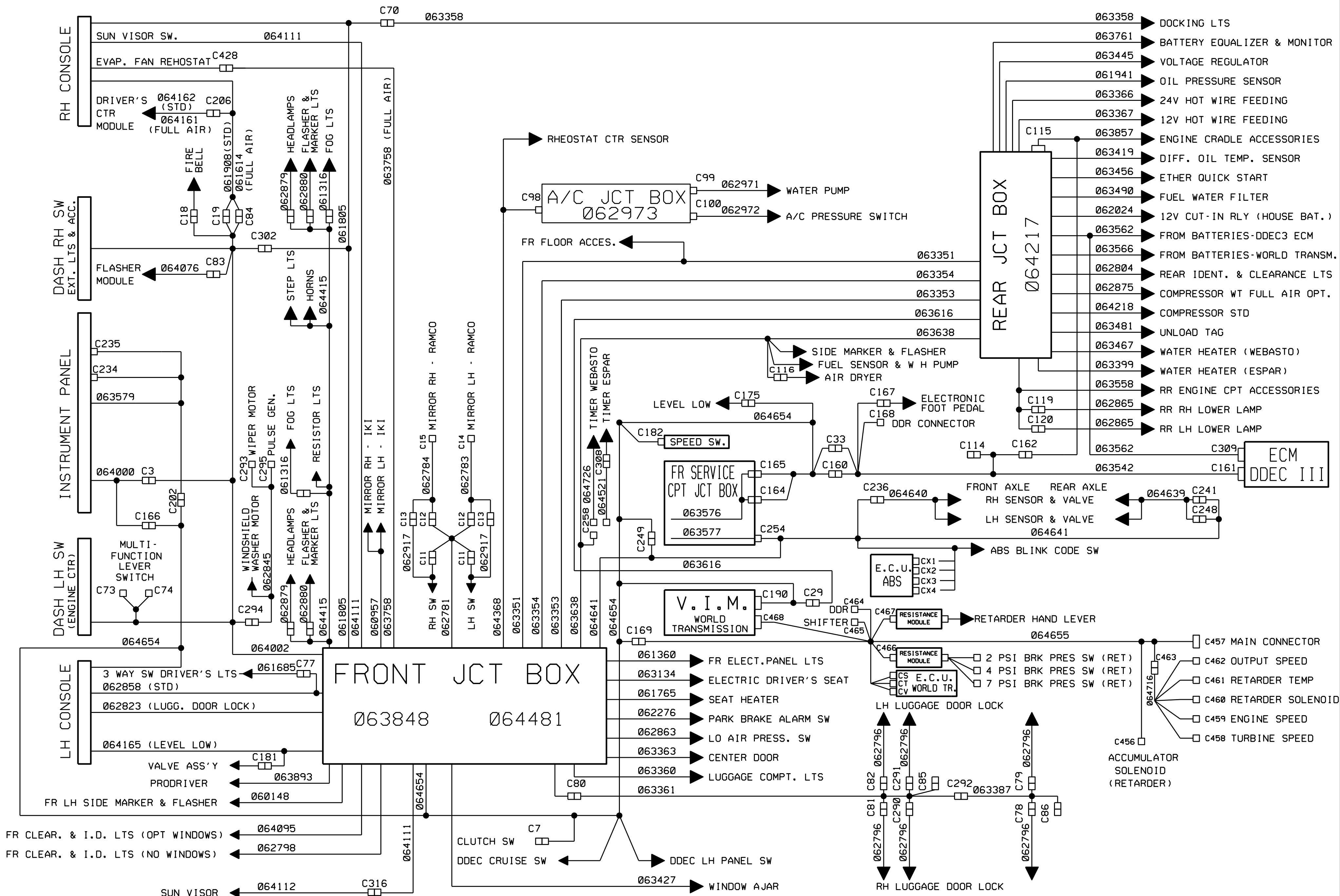


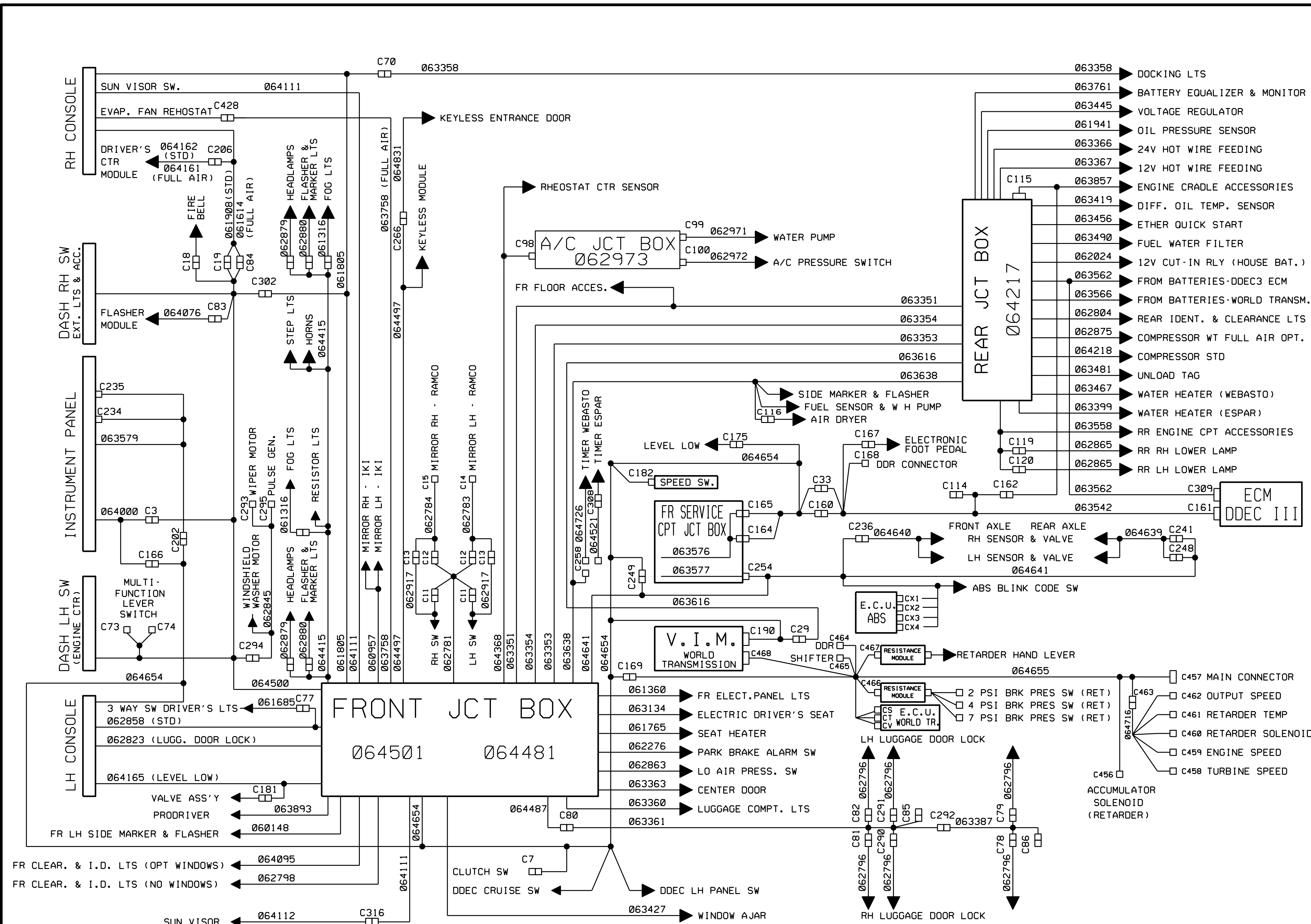


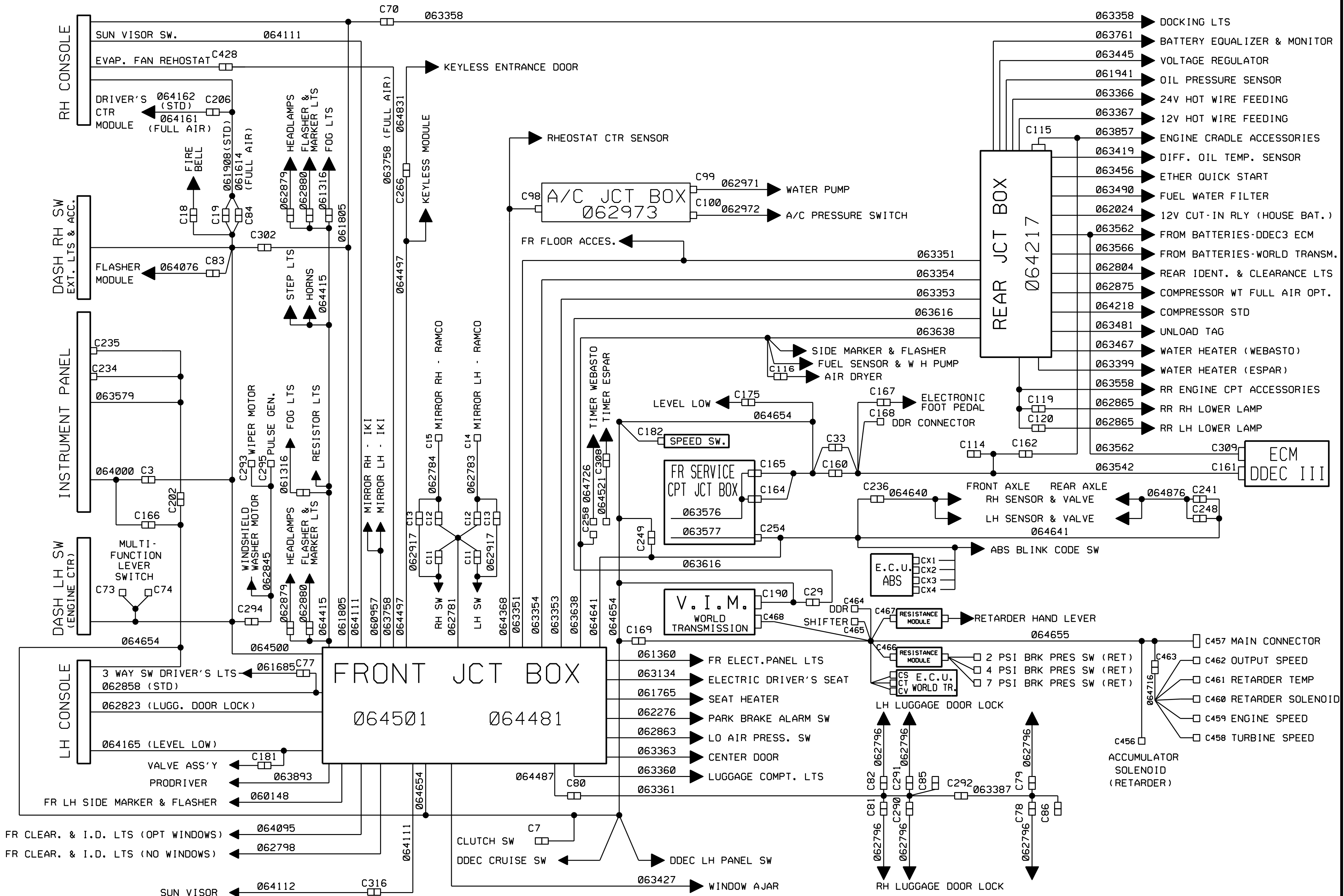


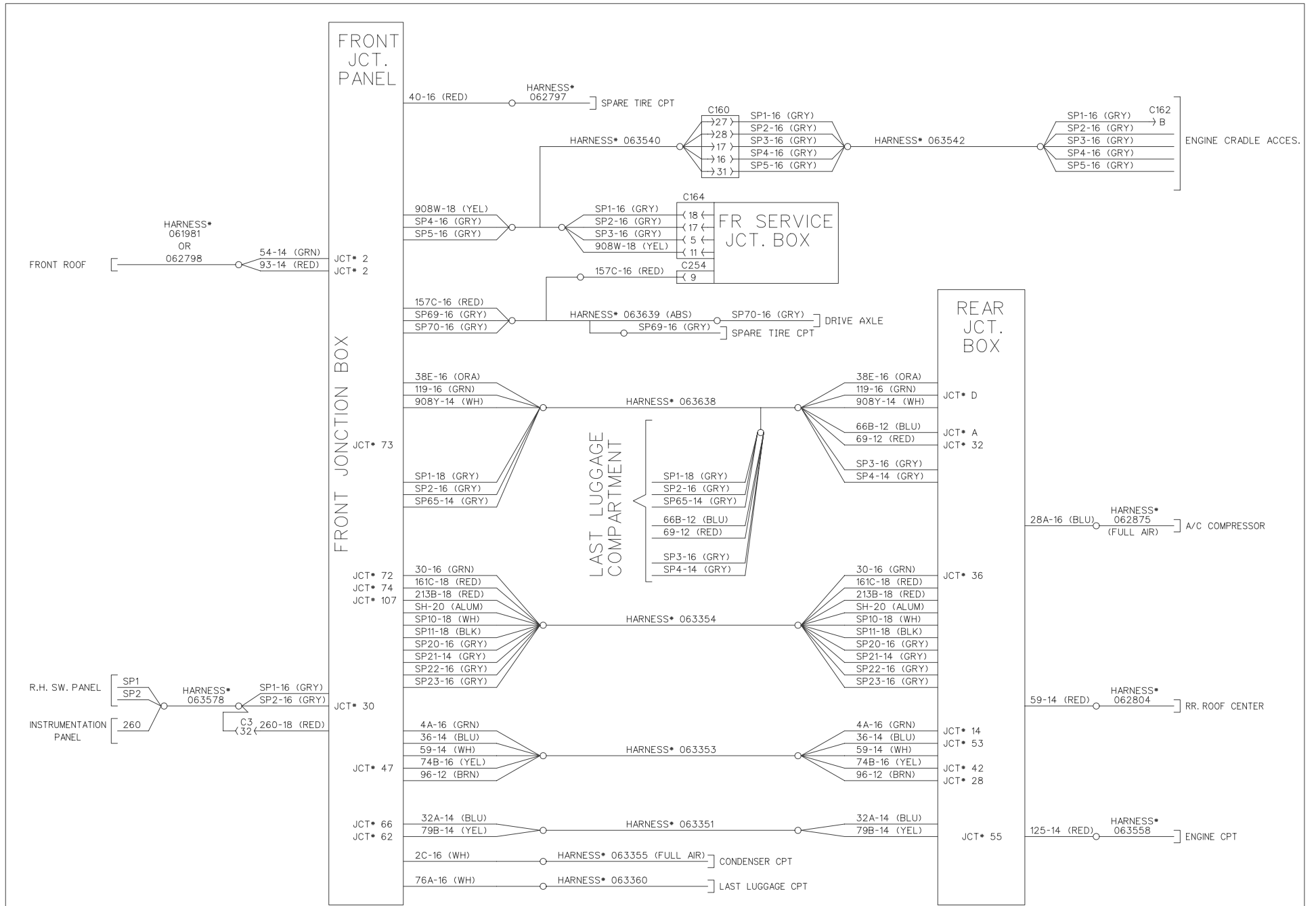


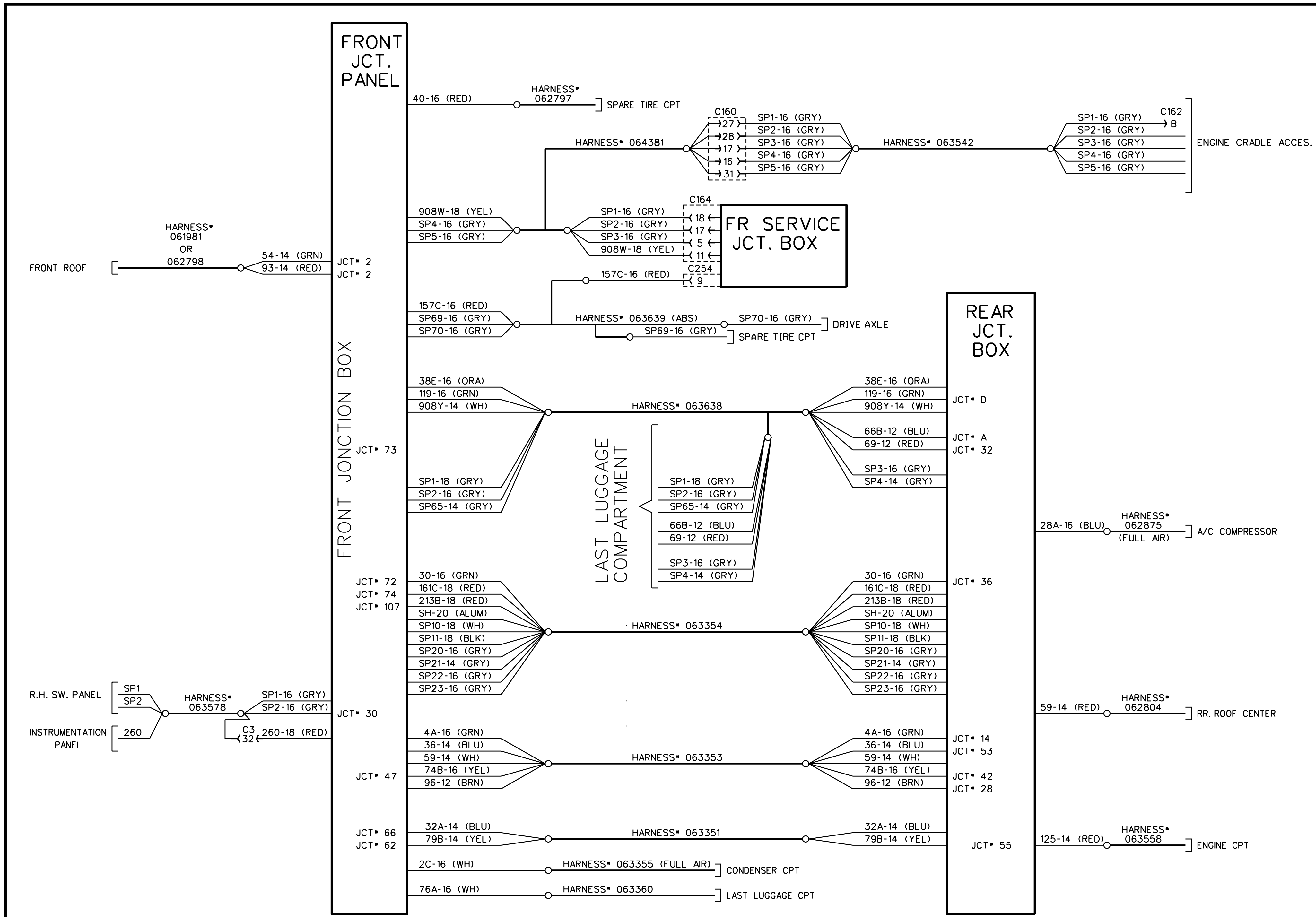


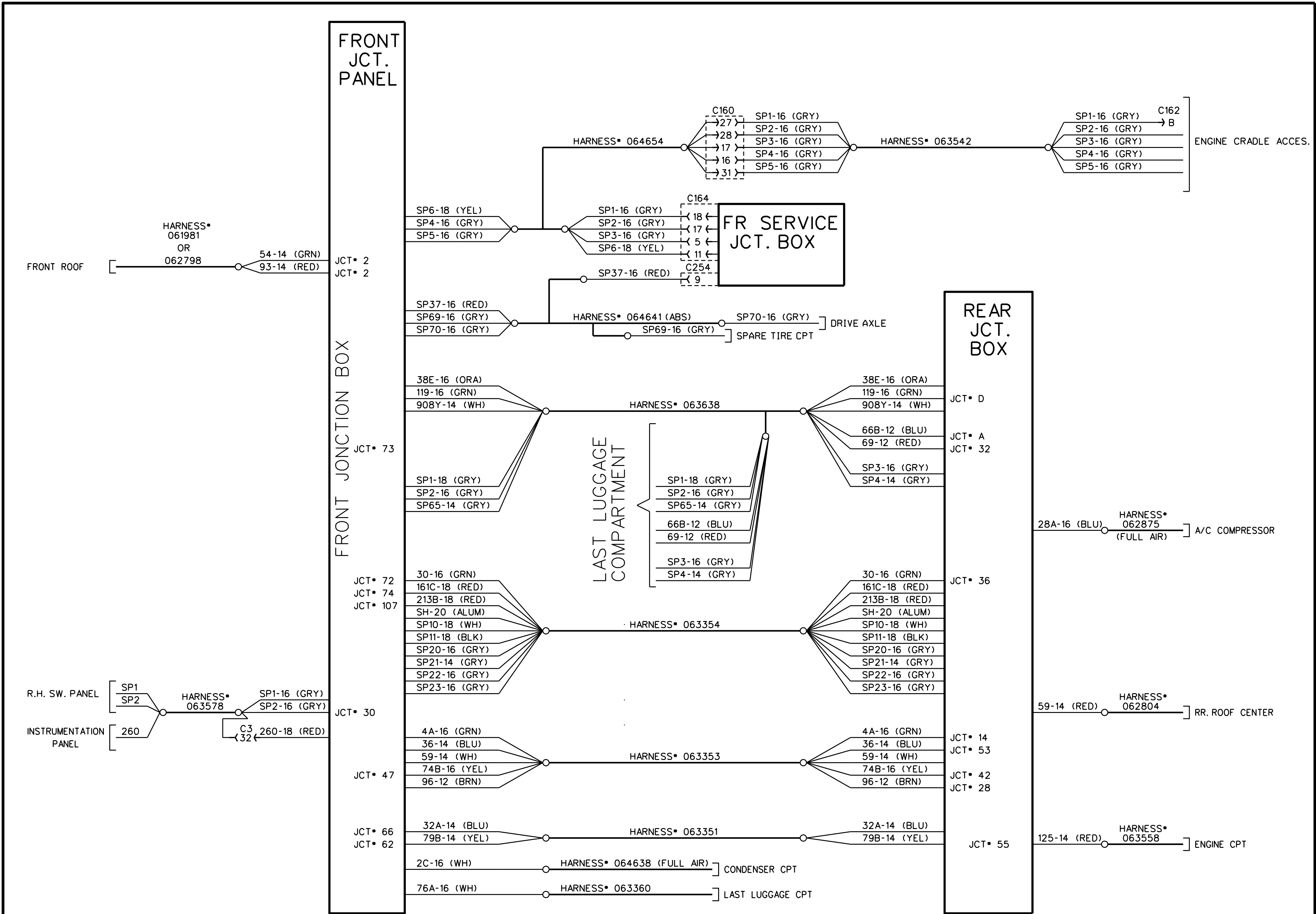












CIRCUIT NUMBER CODE		Page E : 1		CIRCUIT NUMBER CODE		Page E : 1	
No.	SYSTEM	No.	SYSTEM	No.	SYSTEM	No.	SYSTEM
0	GRD BATTERY 1 TO BATTERY 2	10	INTERIOR LTS-LUGGAGE CPT	23A	EXTERIOR LTS-DIRECTIONNAL RH	36C	ENGINE BRAKE SYSTEM
0	GRD BATTERY 1 TO GRD STUD	10A	INTERIOR LTS-LUGGAGE CPT	23B	EXTERIOR LTS-DIRECTIONNAL RH	38	FUEL WATER FILTER
0	GRD STARTER MOTOR TO GRD STUD	10A	A/C & HEAT SYSTEM-HIPRES.	23C	EXTERIOR LTS-DIRECTIONNAL RH	39	INTERIOR LTS-DRIVER'S LTS
0	FJP - INSIDE GRD	10B	INTERIOR LTS-LUGGAGE CPT	23H	EXTERIOR LTS-HAZARD SIGNAL	39A	INTERIOR LTS-DRIVER'S LTS
0	RJB - INSIDE GRD	10D	INTERIOR LTS-LUGGAGE CPT	24	BATTERY 3 TO BATTERY 4	39B	INTERIOR LTS-DRIVER'S LTS
0A	ATEC1 TEST SW GRD	10E	INTERIOR LTS-LUGGAGE CPT	24A	BATTERY 4 TO 24V DISC SW	39C	INTERIOR LTS-DRIVER'S LTS
0A	A/C - A/C JCT BOX GRD	12	12V CUT OUT SW TO BATTERY	24A	RR JCT BOX 24V DISC SW	40	SPARE - F.J.PANEL TO F.SERV CPT
0A	FJP - GRD	12	FR JCT PANEL 12V DISC SW	24A	FR JCT PANEL 24V DISC SW	43	A/C & HEAT SYSTEM-FULL AIR
0A	RJB - GRD	12	ENTRANCE DOOR AIR LOCK	24B	RR JCT BOX 24V DISC SW	44	EXTERIOR LTS-FOG
0AA	VOLTAGE REGULATOR GRD	12A	FR JCT PANEL 12V DISC SW	24B	FR JCT PANEL 24V DISC SW	44A	EXTERIOR LTS-FOG
0B	FJP - GRD	12A	RR JCT BOX 12V DISC SW	24BE	EXTERIOR LTS-FOG	44B	EXTERIOR LTS-FOG
0B	RJB - GRD	12A	ENTRANCE DOOR AIR LOCK	24C	RR JCT BOX 24V DISC SW	44C	EXTERIOR LTS-FOG & HAZARD SW
0BE	OV BATTERY MONITOR	12B	FR JCT PANEL 12V DISC SW	24C	RR JCT PANEL 12V DISC SW	45	A/C & HEAT SYSTEM-DRIVER'S CTRL
0C	FJP - GRD	12B	RR JCT BOX 12V DISC SW	24E	FR JCT PANEL 24V DISC SW	45	A/C & HEAT SYSTEM-FULL AIR
0C	RJB - GRD	12BE	12V BATTERY MONITOR	24E	RR JCT BOX 24V DISC SW	45A	A/C & HEAT SYSTEM-FULL AIR
0D	FJP - GRD	12C	FR JCT PANEL 12V DISC SW	24F	FR JCT PANEL 24V DISC SW	45G	A/C & HEAT SYSTEM-DRIVER'S HTR
0D	RJB - GRD	12C	RR JCT BOX 12V DISC SW	24G	FR JCT PANEL 24V DISC SW	46	EXTERIOR LTS-MARKER
0E	FJP - GRD	12D	FR JCT PANEL 12V DISC SW	24I	FR JCT PANEL 24V IGNITION	46A	EXTERIOR LTS-MARKER
0E	RJB - GRD	12D	RR JCT BOX 12V DISC SW	24I	RR JCT BOX 24V IGNITION	46B	EXTERIOR LTS-MARKER
0G	FJP - GRD	12E	FR JCT PANEL 12V DISC SW	24IA	FR JCT PANEL 24V IGNITION	46C	EXTERIOR LTS-MARKER
0G	RJB - GRD	12E	RR JCT BOX 12V DISC SW	24IA	RR JCT BOX 24V IGNITION	47	A/C & HEAT SYSTEM-DRIVER'S HTR
0P	FJP - GRD	12F	FR JCT PANEL 12V DISC SW	24IB	FR JCT PANEL 24V IGNITION	47	A/C & HEAT SYSTEM-FULL AIR
0P	RJB - GRD	12F	RR JCT BOX 12V DISC SW	24IF	FR JCT PANEL 24V IGNITION	50	AIR DRYER
0S	FJB - SUN VISOR GRD	12G	FR JCT PANEL 12V DISC SW	24J	FR JCT PANEL 12V IGNITION	50	ALARM & SIGNAL-ELEC. HORN
0T	RJB - UNLOAD TAG GRD	12I	RR JCT BOX 12V IGNITION	24J	FR JCT PANEL 24V IGNITION	52A	ALARM & SIGNAL-ELEC. HORN
0T	FR SERVICE CPT-GRD	12I	JCT PANEL 12V IGNITION	24J	FR JCT PANEL 24V DISC SW	53	ALARM & SIGNAL-ELEC. HORN
0VA	GRD BATTERY 2 TO BAT.EQUALIZER	12IA	FR JCT PANEL 12V IGNITION	24K	24V RR JCT BLK TO STARTER	53B	WIPER & WASHER SYSTEM
0W	FJP - GRD	12IF	FR JCT PANEL 12V IGNITION	24S	FJP 24V DISC SW-SUN VISOR	53C	WIPER & WASHER SYSTEM
0W	WORLD TRANSM.VIM CHASSIS GRD	12T	RR JCT BOX 12V DISC SW	24T	FR JCT PANEL 24V DISC SW	53C	WIPER & WASHER SYSTEM
0WA	PRE-HEAT WATER HEATER	12T	RR JCT BOX 12V DISC SW	24VA	24V BATTERY POST TO EQUALIZER	53E	WIPER & WASHER SYSTEM
0WB	PRE-HEAT WATER HEATER	12V	RR JCT BOX 12V DISC SW	24VI	FR JCT PANEL 24V IGNITION	53F	WIPER & WASHER SYSTEM
0X	DDEC II-COOLANT MODULE GRD	12VA	12V BATTERY POST TO EQUALIZER	24VIF	RR JCT BOX 24V IGNITION	53J	WIPER & WASHER SYSTEM
0Y	ABS SYSTEM-GRD	12VD	12V HOT WIRE	24VIR	RR JCT BOX 24V IGNITION	54	SPARE-F.J.B. TO FR ROOF
0Y	DDEC II-COOLANT MODULE GRD	12VDF	12V HOT WIRE FJB	24VIF	24V HOT WIRE	55	EXTERIOR LTS-HIBEAM
0Z	DDEC II-COOLANT MODULE GRD	12VDR	12V HOT WIRE RJB	24VF	FR JCT PANEL 24V DISC SW	56	TRANS. OIL TEMP GAUGE
00	BATTERY GRD	12VF	12V FR JCT PANEL	24VR	RR JCT BOX 24V DISC SW	57	EXTERIOR LTS-HIBEAM
2	A/C & HEAT SYSTEM-CONSENSER	12VIF	FR JCT PANEL 12V IGNITION	24X	24V SPEED SW & LEVEL LOW	57	A/C & HEAT SYSTEM-WATER PUMP
2A	A/C & HEAT SYSTEM-CONSENSER	12VIR	RR JCT BOX 12V IGNITION	25	12VAC GEN RLY ON SIGNAL	57A	EXTERIOR LTS-HIBEAM
2A	A/C & HEAT SYSTEM-CONSENSER	12VIR	12V RR JCT BOX	25A	NOT GENERATOR-WARNING LT	57B	A/C & HEAT SYSTEM-WATER PUMP
3	A/C & HEAT SYSTEM-EVAPORATOR	12W	12V HOT WIRE DDEC III FEED	25B	EXTERIOR LTS-DAYTIME RUN LTS	57C	PRE-HEAT WATER HEATER
3	A/C & HEAT SYSTEM-CLUTCH SW	13A	ALARM & SIGNAL-LO AIR PRIM.	25C	12VAC GEN RLY ON SIGNAL	57C	A/C & HEAT SYSTEM-WATER PUMP
3A	A/C & HEAT SYSTEM-EVAPORATOR	13B	ALARM & SIGNAL-LO AIR SEC.	25K	12VAC GEN RLY ON SIGNAL	57D	PRE-HEAT WATER HEATER
6	EXTERIOR LTS-DOCKING	15	ALARM & SIGNAL-MULTIFUNC LEVEL	25L	12VAC GEN RLY ON SIGNAL	57E	PRE-HEAT WTR HTR PUMP
6A	EXTERIOR LTS-CORNERING	15	ALARM & SIGNAL-DIF. OIL TEMP	26A	ATEC1-NEUTRAL SIGNAL	57F	PRE-HEAT WATER HEATER
6B	EXTERIOR LTS-CORNERING	15	WIPER & WASHER SYSTEM	28A	A/C & HEAT SYSTEM-WARNING LT	58	EXTERIOR LTS-LO BEAM
6B1	EXTERIOR LTS-CORNERING RH	15A	ALARM & SIGNAL-DIF. OIL TEMP	28A	A/C & HEAT SYSTEM-WARNING LT	58A	EXTERIOR LTS-LO BEAM
6C	EXTERIOR LTS-CORNERING	16	SPEEDOMETER SIGNAL (+)	29	A/C & HEAT SYSTEM-DRIVER'S HTR	58B	EXTERIOR LTS-LO BEAM
6C1	EXTERIOR LTS-CORNERING LH	16T	SPEED SW SIGNAL IN (+)	29A	A/C & HEAT SYSTEM-DRIVER'S HTR	58E	EXTERIOR LTS-LO BEAM
6D	EXTERIOR LTS-DOCKING	17	EXTERIOR LTS-FLASHER UNIT	29B	A/C & HEAT SYSTEM-DRIVER'S HTR	59A	ENGINE BRAKE SYSTEM
6E2	EXTERIOR LTS-CORNERING LH	17A	EXTERIOR LTS-FLASHER UNIT	31	A/C & HEAT SYSTEM-WARNING LT	60	EXTERIOR LTS-RR & FR ROOF GRD
6F1	EXTERIOR LTS-CORNERING RH	18	ETHER COLD START SYST.	31A	A/C & HEAT SYSTEM-WARNING LT	61	EXTERIOR LTS-24V FEED SW
7	ENTRANCE DOOR	19	SPARE - RJB TO RR ROOF RH	31A	A/C & HEAT SYSTEM-PRESSURE SW	61A	EXTERIOR LTS-HEAD SIGNAL
8	DDEC II-STP ENG. OVERRIDE	20	SPEEDOMETER SIGNAL (-)	31B	A/C & HEAT SYSTEM-PRESSURE SW	62	LEVEL-LOW SYSTEM
9	INTERIOR LTS-ENGINE CPT	20T	SPEED SW SIGNAL IN (-)	31B	WIPER & WASHER SYSTEM	63	EXTERIOR LTS-CLEARANCE
9	INTERIOR LTS-RR JCT BOX	21	EXTERIOR LTS-DIRECTIONNAL LH	32	EXTERIOR LTS-BACK-UP	63A	EXTERIOR LTS-CLEARANCE
9	INTERIOR LTS-FR SERVICE CPT	21A	EXTERIOR LTS-DIRECTIONNAL LH	32B	EXTERIOR LTS-BACK-UP	63B	EXTERIOR LTS-CLEARANCE
9A	INTERIOR LTS-FR JCT PANEL	21B	EXTERIOR LTS-DIRECTIONNAL LH	32D	BACK-UP ALARM	63C	EXTERIOR LTS-MARKER SIGNAL
9B	INTERIOR LTS-FR JCT PANEL	21C	EXTERIOR LTS-DIRECTIONNAL LH	34	A/C & HEAT SYSTEM-CONDENSER	63D	EXTERIOR LTS-MARKER & TAIL
9C	INTERIOR LTS-FR SERVICE CPT	21H	EXTERIOR LTS-HAZARD SIGNAL	35	INTERIOR LTS-ENTRANCE DOOR	63E	EXTERIOR LTS-CLEARANCE
9E	INTERIOR LTS-LUGGAGE CPT	23	EXTERIOR LTS-DIRECTIONNAL RH	36	ENGINE BRAKE SYSTEM & RETARDER	63F	EXTERIOR LTS-MARKER BLINKER
10	A/C & HEAT SYSTEM-LO PRES.			36A	ENGINE BRAKE SYSTEM		

CIRCUIT NUMBER CODE		Page E : 2		CIRCUIT NUMBER CODE		Page E : 2	
No.	SYSTEM	No.	SYSTEM	No.	SYSTEM	No.	SYSTEM
63H	EXTERIOR LTS-TAIL	90F	CHARG SYST-VOLTAGE REGUL. "B"	120	12V HOT WIRE-DISC SW TO FJP	136X	WORLD TRANSM-12V BATTERY
63K	EXTERIOR LTS-TAIL	91	PARKING BRAKE SW SIGNAL	120	WORLD TRANSM-SOL. C1	137	WORLD TRANSM-RETARDER
64	DIFFERENTIAL OIL TEMP GAUGE	91A	PARKING BRAKE SW SIGNAL	121	WORLD TRANSM-SOL. GRD 2	137A	RR VIEW MIRROR
65A	CENTER DOOR AIR LOCK	91B	DDEC III-FAST IDLE SIGNAL	121	CIGAR LIGHTER	138	RR VIEW MIRROR
65A	LOW FUEL T.T. LT.	91B	EXTERIOR LTS-RUN LTS CANCEL	122	A/C & HEAT SYSTEM-DRIVER'S HTR	138A	WORLD TRANSM-RETARDER TEMP
67	A/C & HEAT SYSTEM	91M	PARKING BRAKE ALARM	122	A/C & HEAT SYSTEM-FRESH AIR	139	ABS SYSTEM
67A	A/C & HEAT SYSTEM	91N	PARKING BRAKE ALARM	122	WORLD TRANSM-SOL. GRD 4	139A	ABS SYSTEM
67B	A/C & HEAT SYSTEM	92	BATTERY EQUALIZER-CHECK BALANCE	123	WORLD TRANSM-NEUTRAL START	139	ABS SYSTEM
67C	A/C & HEAT SYSTEM	93	BATTERY EQUALIZER-CHECK LO/HI	123	ALARM & SIGNAL-FIRE DETECTOR	140	WORLD TRANSM-OUTPUT SPEED HI
70B	ENGINE CONTROL SW - 24V IGN.	95	ENGINE BRAKE & RETARDER SYSTEM	123A	ALARM & SIGNAL-FIRE DETECTOR	140	WORLD TRANSM-OUTPUT SPEED LO
71	BACK-UP CANCEL SW	95A	ENGINE BRAKE & RETARDER SYSTEM	124	WORLD TRANSM-THROTTLE (HI)	140	ABS SYSTEM
71B	BACK-UP CANCEL SW	95B	ENGINE BRAKE & RETARDER SYSTEM	125	WORLD TRANSM-RETARDER INDICATOR	141	ABS SYSTEM
72	BACK-UP CANCEL SW	97	TACHOMETER-NOT USE	125W	WORLD TRANSM-RETARDER INDICATOR	141	WORLD TRANSM-ENGINE SPEED HI
72	SPARE F.J.B. TO R.J.B.	99	UNLOAD TAG SYSTEM	126	WORLD TRANSM-LUBE PRESS SW.	142	WORLD TRANSM-SERIAL COM. A
72	SPARE F.J.B. TO R.J.B.	99A	FR SERVICE JCT BOX 12V HOT WIRE	126	CENTER DOOR AIR LOCK	142	ABS SYSTEM
72B	SUN VISOR	100B	BACK-UP CANCEL SW	127	WORLD TRANSM-RETARDER FEED SOL.	143	ABS SYSTEM
72C	SUN VISOR	101	24V DISC SW TO STARTER	127	PRE-HEAT WATER HEATER	143A	ABS SYSTEM
72D	SUN VISOR	101	WORLD TRANSM-LO SIGNAL SOL. LO	127A	PRE-HEAT WATER HEATER	143	WORLD TRANSM-ECU BATTERY GRD
72E	SUN VISOR	102	24V STARTER TO GENERATOR	127W	PRE-HEAT WATER HEATER	143W	WORLD TRANSM-BATTERY GRD
72S	SUN VISOR	102	24V DISC SW TO A/C JCT BOX	127X	PRE-HEAT WATER HEATER	143X	WORLD TRANSM-BATTERY GRD
76	FUEL TANK GAUGE	102	WORLD TRANSM-SOL. GRD 1	128	WORLD TRANSM-SOL. C2	144	WORLD TRANSM-ECU CHASSIS GRD
76A	CENTER DOOR AJAR LT	102	WORLD TRANSM-SOL. C3	128A	PRE-HEAT WATER HEATER	144	ABS SYSTEM
76L	LOW FUEL LT	104	LEVEL-LOW SYSTEM	128B	PRE-HEAT WATER HEATER	144A	ABS SYSTEM
76M	FUEL PRIME PUMP	104	WORLD TRANSM-SOL. FORWARD	128C	PRE-HEAT WATER HEATER	145	ABS SYSTEM
76P	FUEL PRIME PUMP	105	WORLD TRANSM-RETARDER & SUMP	128W	PRE-HEAT WATER HEATER	146	ABS SYSTEM
77	A/C & HEAT SYSTEM	106	WORLD TRANSM-OIL LEVEL HI	128X	PRE-HEAT WATER HEATER	146	WORLD TRANSM-IGNITION SENSE
77B	A/C & HEAT SYSTEM	107	CHARG SYST-VOLTAGE REGUL. "F"	129	WORLD TRANSM-SOL. C5	146W	WORLD TRANSM-12V IGNITION
77C	A/C & HEAT SYSTEM-COMPRESSOR	107	WORLD TRANSM-LOCKUP SOL. HI	129	PRE-HEAT WATER HEATER	146X	WORLD TRANSM-12V IGNITION
77H	A/C & HEAT SYSTEM-FAN CLUTCH	108	WORLD TRANSM-REMOTE PWR WAKE UP	129	PRE-HEAT WATER HEATER	147	WORLD TRANSM-OIL TEMP
80	WORLD TRANSM-NEUTRAL SIGNAL GRD	109	WORLD TRANSM-RET. SOL. LO	129A	PRE-HEAT WATER HEATER	147	ABS SYSTEM
81	EXTERIOR LTS-STOP SW	110	ALARM & SIGNAL-WATER TEMP	129B	PRE-HEAT WATER HEATER	147	ETHER COLD START
82	EXTERIOR LTS-STOP SIGNAL	110	WORLD TRANSM-LOCKUP SOL. LO	130	WORLD TRANSM-SOL. GRD 3	147C	ETHER COLD START
82A	EXTERIOR LTS-STOP LTS	111	BATTERY GRD	130	A/C & HEAT SYSTEM-EVAPORATOR	148	ABS SYSTEM
82B	EXTERIOR LTS-STOP LTS	111	WORLD TRANSM-SOL. C6	131	24V DISC SW TO FR JCT PANEL	148	WORLD TRANSM-OUTPUT SPEED LO
82K	EXTERIOR LTS-STOP RETARDER	112	WORLD TRANSM-SPARE OUTPUT (+)	131	WORLD TRANSM-SOL. C4	149	WORLD TRANSM-TURBINE SPEED HI
82L	EXTERIOR LTS-STOP LTS	112	BACK-UP SIGNAL	132	LEVEL LOW SYSTEM	149	ABS SYSTEM
82R	EXTERIOR LTS-STOP LTS	113	ALARM & SIGNAL-OIL PRESS	132A	WORLD TRANSM-REVERSE WARNING	149A	ABS SYSTEM
83	ENGINE CTR-MAST KEY SW ACCES	113	WORLD TRANSM-SPARE OUTPUT (-)	132B	LEVEL-LOW SYSTEM	150	ABS SYSTEM-SPARE
83A	DDEC II-COOLANT LEVEL PROBE	114	INTERIOR LTS-DASH LT REGUL.	132C	LEVEL-LOW SYSTEM	150	WORLD TRANSM-ENGINE SPEED LO
84	ENGINE CTR-MAST KEY SW START	114	INTERIOR LTS-DASH LT	132D	LEVEL-LOW SYSTEM	150	DDEC III-ECM BATTERY GRD
84A	ENGINE CTR-MAST KEY SW START	114A	INTERIOR LTS-DASH LT REGUL.	132E	LEVEL-LOW SYSTEM	150A	DDEC III-ECM BATTERY GRD
85	ENGINE CTR-MAST KEY SW IGN	114B	INTERIOR LTS-DASH LT REGUL.	132W	WORLD TRANSM-ENGINE BRAKE	151	DDEC III-ECM BATTERY GRD
85A	24V IGN DASH INSTRUMENTATION	114C	ALARM & SIGNAL-TAG PRESS	133	WORLD TRANSM-RET. ACTUATOR HI	151	WORLD TRANSM-SERIAL COM. B
85B	ENGINE CTR-24V IGNITION	115	WORLD TRANSM-RET. APPLY SOL. HI	134	WORLD TRANSM-RET. APPLY SOL. HI	152	ABS SYSTEM-SPARE
85C	PARKING BRAKE SWITCH	115	WORLD TRANSM-ANALOG GRD	135	WORLD TRANSM-ANALOG GRD	153	ABS SYSTEM
85F	LO AIR SONALERT	115	A/C & HEAT SYSTEM-AIR SENSOR	135	A/C & HEAT SYSTEM-AIR SENSOR	153	ELECTRICAL DRIVER'S SEAT
85L	LEVEL LOW SYSTEM	115A	ALARM & SIGNAL-TAG PRESS	135A	A/C & HEAT SYSTEM-AIR SENSOR	153	WORLD TRANSM-SPARE INPUT (-)
85W	ABS-24V IGN	115B	DDEC III-COOLANT LEVEL	135C	A/C & HEAT SYSTEM-AIR SENSOR	154	WORLD TRANSM-SPARE
85X	ABS-24V IGN	115C	WORLD TRANSM-LO SIGNAL SOL. HI	135D	A/C & HEAT SYSTEM-AIR SENSOR	155	WORLD TRANSM-SPARE INPUT (-)
85Y	ABS-WARNING LT	116	A/C & HEAT SYSTEM-DRIVER'S HTR	136	GALLEY-ACCESSORIES	155	ABS SYSTEM
86	ENGINE CTR-STARTER SOL SIGN	116A	A/C & HEAT SYSTEM-DRIVER'S HTR	136	WORLD TRANSM-ECU POWER	156	WORLD TRANSM-THROTTLE POS. SIGNAL
86A	ENGINE CTR-STARTER SOL SIGN	116B	A/C & HEAT SYSTEM-DRIVER'S HTR	136V	WORLD TRANSM-12V BATTERY	156	ABS SYSTEM
87B	ENGINE CTR-24V IGNITION	117	WORLD TRANSM-SPARE INPUT (-)	136W	WORLD TRANSM-12V BATTERY	156A	ABS SYSTEM
88	ENGINE CTR-RR START SIGNAL	117	ALARM & SIGNAL-TRANS OIL TEMP			156C	ABS SYSTEM
89	ENGINE CTR-RR START SIGNAL	117A	ALARM & SIGNAL-TRANS OIL TEMP			156W	ABS SYSTEM
90	A/C & HEAT SYSTEM-WATER PUMP	118	WORLD TRANSM-SPARE INPUT (-)				
90A	ENGINE CTR-MAST KEY SW FEED	118	DRIVER'S & CO-PILOT SEAT HTR				
90B	A/C & HEAT SYSTEM-COND FAN MOT	118A	DRIVER'S & CO-PILOT SEAT HTR				
90B	ENGINE CTR-MAST KEY SW FEED	119	WORLD TRANSM-ENGINE BRAKE				
90C	FR JCT PANEL 24V DISC SW						
90C	ALARM & SIGNAL-FIRE DETECTOR						

CIRCUIT NUMBER CODE		Page E : 3		CIRCUIT NUMBER CODE		Page E : 3	
No.	SYSTEM	No.	SYSTEM	No.	SYSTEM	No.	SYSTEM
157	WORLD TRANSM-SPEEDOMETER SIGNAL	292	FAN CLUTCH RADIATOR SPD 2				
157	ABS SYSTEM	417	DDEC III-LIMIT SPEED GOVERNOR				
157A	ABS SYSTEM	419	DDEC III-CHECK ENGINE LIGHT				
157B	ABS SYSTEM	439	DDEC III-12V IGNITION				
157C	ABS SYST-CANCEL SEC. BRK	440	DDEC III-12V IGNITION				
158	WORLD TRANSM-DIMMER	505	DDEC III-TACHOMETER DRIVE				
160	WORLD TRANSM-SER. INTERFACE (-)	505	DDEC III-TACHOMETER DRIVE				
161	WORLD TRANSM-SIGNAL GRD	509	DDEC III-STOP ENGINE LIGHT				
161	UNLOAD TAG SYSTEM	510	DDEC III-FAST IDLE SIGNAL				
161B	WORLD TRANSM-SIGNAL GRD	524	DDEC III-ENGINE BRAKE DISABLE				
162	WORLD TRANSM-PRESS. SW C3	525	DDEC III-FAST IDLE SIGNAL				
163	WORLD TRANSM-RETARDER ENABLE	528	DDEC III-STOP ENG. OVERRIDE				
164	WORLD TRANSM-RET. ACTUATOR SIGN	531	DDEC III-CRUISE CLUTCH CUT OUT				
165	WORLD TRANSM-OIL LEVEL SIGNAL	541	DDEC III-CRUISE SET SW				
168	WORLD TRANSM-SER. INTERFACE (-)	543	DDEC III-CRUISE STOP SW CUT OUT				
170C	LUGGAGE DOOR LOCK	544	DDEC III-CRUISE ON/OFF SW				
170D	LUGGAGE DOOR LOCK	545	DDEC III-CRUISE RESUME SW				
170E	LUGGAGE DOOR LOCK	555	DDEC III-CRUISE ANABLE LIGHT				
170F	LUGGAGE DOOR LOCK	556	DDEC III-VEHICLE SPEED (+)				
170G	LUGGAGE DOOR LOCK	557	DDEC III-VEHICLE SPEED (-)				
170H	LUGGAGE DOOR LOCK	565	DDEC III-ENGINE BRAKE ACTIVE				
170J	LUGGAGE DOOR LOCK	583	DDEC III-ENGINE BRAKE 4 CYL.				
170L	LUGGAGE DOOR LOCK	750	PRODRIVER-ILLUMINATION LTS				
170M	LUGGAGE DOOR LOCK						

NO.	PAGE	AMPERE	#PREVOST	LOCATION	FUNCTION	NO.	PAGE	AMPERE	#PREVOST	LOCATION	FUNCTION
CB1	1	200A	560838	ENGINE CPT	A/C FULL AIR	CB127	15	25A	561795	FR JCT BOX	ELECTRIC DRIVER'S SEAT
CB2	1	30A	870630	ENGINE CPT	12V HOT WIRE RR JCT BOX	CB128	19	6A	561790	RR JCT BOX	UNLOAD TAG SYSTEM
CB3	1	70A	561767	ENGINE CPT	12V FEED RR JCT BOX	CB129	18	15A	561793	RR JCT BOX	WATER HEATER
CB4	1	90A	560298	ENGINE CPT	12V FEED FR JCT BOX	CB130	5	6A	561790	RR JCT BOX	FAN CLUTCH RADIATOR
CB5	1	30A	870630	ENGINE CPT	24V HOT WIRE RR JCT BOX	CB132	18	15A	561793	RR JCT BOX	WATER HEATER WEBASTO
CB6	1	90A	560298	ENGINE CPT	24V FEED RR JCT BOX	CB138	21	3A	561797	FR JCT BOX	SUN VISOR
CB7	1	90A	560298	ENGINE CPT	24V FEED FR JCT BOX						
CB8	13	120A	562397	A/C JCT BOX	CONDENSER FAN MOTOR						
CB9	13	120A	560465	A/C JCT BOX	EVAPORATOR FAN MOTOR						
CB10	2	8A	561791	FR JCT BOX	MASTER SWITCH						
CB16	2	8A	561791	RR JCT BOX	ENGINE-RR CTR & START SW						
CB18	2	8A	561791	RR JCT BOX	ENGINE-FR CTR SW						
CB19	3	15A	561793	RR JCT BOX	DDEC III E.C.M. POWER						
CB20	3	15A	561793	RR JCT BOX	DDEC III E.C.M. POWER						
CB21	3	6A	561790	RR JCT BOX	DDEC III 12V IGNITION						
CB26	8	10A	561792	FR JCT BOX	BACK-UP LTS						
CB27	5	8A	561791	FR JCT BOX	24V IGN DASH ACCESSORIES						
CB29	5	20A	561794	FR JCT BOX	ELECTRICAL HORNS						
CB30	5	15A	561793	FR JCT BOX	FIRE ALARM & WATER HTR TIMER						
CB31	5	8A	561791	FR JCT BOX	AIR DRYER						
CB35	6	6A	561790	FR JCT BOX	FOG & HAZARD SW						
CB36	6	15A	561793	FR JCT BOX	FOG LTS						
CB37	6	8A	561791	FR JCT BOX	HEAD & MULTI-FUNC. SW						
CB38	6	10A	561792	FR JCT BOX	MARKER LTS						
CB39	6	6A	561790	FR JCT BOX	TACHO & SPEEDO						
CB40	6	8A	561791	FR JCT BOX	FR & RR CLEARANCE & ID. LTS						
CB42	6	10A	561792	FR JCT BOX	RR MARKER, TAIL, LICENCE LTS						
CB43	6	20A	561794	FR JCT BOX	HEADLAMP (HI)						
CB44	6	15A	561793	FR JCT BOX	HEADLAMP (LO)						
CB45	7	10A	561792	FR JCT BOX	MULTI-FUNC. SW (WIPER CTR)						
CB47	7	15A	561793	FR JCT BOX	CORNERING LTS						
CB48	8	6A	561790	FR JCT BOX	STOP SW						
CB49	8	15A	561793	RR JCT BOX	LH STOP LTS						
CB51	8	20A	561794	RR JCT BOX	RH STOP & CYCLOP LTS						
CB52	9	15A	561793	FR JCT BOX	LUGGAGE LTS						
CB55	10	8A	561791	FR JCT BOX	DASH LTS RHEOSTAT						
CB59	10	8A	561791	FR JCT BOX	DRIVER'S LTS SW.						
CB70	12-13	8A	561791	FR JCT BOX	BLOWER CUT-IN RELAY						
CB72	12	10A	561792	RR JCT BOX	A/C COMPRESSOR CLUTCH						
CB73	12	15A	561793	FR JCT BOX	WATER PUMP (A/C STANDARD)						
CB73	13	15A	561793	FR JCT BOX	WATER PUMP (A/C FULL AIR)						
CB79	12-13	10A	561792	FR JCT BOX	DRIVER'S HTR FAN						
CB83	4	20A	561794	RR JCT BOX	WORLD TRANSMISSION VIM POWER						
CB91	15	8A	561791	FR JCT BOX	DRIVER'S SEAT HEATER						
CB92	16	6A	561790	FR JCT BOX	SPEED SW & LEVEL-LOW						
CB104	17	6A	561790	FR JCT BOX	ABS E.C.U.						
CB105	17	20A	561794	FR JCT BOX	ABS E.C.U.						
CB106	17	10A	561792	FR SERV JCT BOX	ABS E.C.U.						
CB107	17	10A	561792	FR SERV JCT BOX	ABS E.C.U.						
CB117	14	8A	561791	FR JCT BOX	RR VIEW MIRROR						
CB118	16	20A	561794	FR JCT BOX	LUGGAGE DOOR LOCK MOTOR						
CB119	16	3A	561797	FR JCT BOX	LUGGAGE UNLOCK TT LT & SW						
CB120	16	20A	561794	FR JCT BOX	LUGGAGE DOOR LOCK MOTOR						
CB121	14	10A	561792	FR JCT BOX	CIGAR LIGHTER						
CB122	11	6A	561790	FR JCT BOX	ENTRANCE DOOR AIR LOCK						
CB125	7	20A	561794	FR JCT BOX	DIRECTIONAL LTS LH						
CB126	7	20A	561794	FR JCT BOX	DIRECTIONAL LTS RH						

CIRCUIT BREAKER CODE (CB)

P 2 / 0 F : 1

CIRCUIT BREAKER CODE (CB)

P 2 / 0 F : 1

NO.	PAGE	AMPERE	#PREVOST	LOCATION	FUNCTION	NO.	PAGE	AMPERE	#PREVOST	LOCATION	FUNCTION
CB1	1	200A	560838	ENGINE CPT	A/C FULL AIR	CB127	15	25A	561795	FR JCT BOX	ELECTRIC DRIVER'S SEAT
CB2	1	30A	870630	ENGINE CPT	12V HOT WIRE RR JCT BOX	CB128	19	6A	561790	RR JCT BOX	UNLOAD TAG SYSTEM
CB3	1	70A	561767	ENGINE CPT	12V FEED RR JCT BOX	CB129	18	15A	561793	RR JCT BOX	WATER HEATER
CB4	1	90A	560298	ENGINE CPT	12V FEED FR JCT BOX	CB130	5	6A	561790	RR JCT BOX	FAN CLUTCH RADIATOR
CB5	1	30A	870630	ENGINE CPT	24V HOT WIRE RR JCT BOX	CB132	18	15A	561793	RR JCT BOX	WATER HEATER WEBASTO
CB6	1	90A	560298	ENGINE CPT	24V FEED RR JCT BOX	CB138	21	3A	561797	FR JCT BOX	SUN VISOR
CB7	1	90A	560298	ENGINE CPT	24V FEED FR JCT BOX						
CB8	13	120A	562397	A/C JCT BOX	CONDENSER FAN MOTOR						
CB9	13	120A	562397	A/C JCT BOX	EVAPORATOR FAN MOTOR						
CB10	2	8A	561791	FR JCT BOX	MASTER SWITCH						
CB16	2	8A	561791	RR JCT BOX	ENGINE-RR CTR & START SW						
CB18	2	6A	561791	RR JCT BOX	ENGINE-FR CTR SW						
CB19	3	15A	561793	RR JCT BOX	DDEC III E.C.M. POWER						
CB20	3	15A	561793	RR JCT BOX	DDEC III E.C.M. POWER						
CB21	3	6A	561790	RR JCT BOX	DDEC III 12V IGNITION						
CB26	8	10A	561792	FR JCT BOX	BACK-UP LTS						
CB27	5	8A	561791	FR JCT BOX	24V IGN DASH ACCESSORIES						
CB29	5	20A	561794	FR JCT BOX	ELECTRICAL HORNS						
CB30	5	15A	561793	FR JCT BOX	FIRE ALARM & WATER HTR TIMER						
CB31	5	8A	561791	FR JCT BOX	AIR DRYER						
CB35	6	6A	561790	FR JCT BOX	FOG & HAZARD SW						
CB36	6	15A	561793	FR JCT BOX	FOG LTS						
CB37	6	8A	561791	FR JCT BOX	HEAD & MULTI-FUNC. SW						
CB38	6	10A	561792	FR JCT BOX	MARKER LTS						
CB39	6	6A	561790	FR JCT BOX	TACHO & SPEEDO						
CB40	6	8A	561791	FR JCT BOX	FR & RR CLEARANCE & ID. LTS						
CB42	6	10A	561792	FR JCT BOX	RR MARKER, TAIL, LICENCE LTS						
CB43	6	20A	561794	FR JCT BOX	HEADLAMP (HI)						
CB44	6	15A	561793	FR JCT BOX	HEADLAMP (LO)						
CB45	7	10A	561792	FR JCT BOX	MULTI-FUNC. SW (WIPER CTR)						
CB47	7	15A	561793	FR JCT BOX	CORNERING LTS						
CB48	8	6A	561790	FR JCT BOX	STOP SW						
CB49	8	15A	561793	RR JCT BOX	LH STOP LTS						
CB51	8	20A	561794	RR JCT BOX	RH STOP & CYCLOP LTS						
CB52	9	15A	561793	FR JCT BOX	LUGGAGE LTS						
CB55	10	8A	561791	FR JCT BOX	DASH LTS RHEOSTAT						
CB59	10	8A	561791	FR JCT BOX	DRIVER'S LTS SW.						
CB70	12-13	8A	561791	FR JCT BOX	BLOWER CUT-IN RELAY						
CB72	12	10A	561792	RR JCT BOX	A/C COMPRESSOR CLUTCH						
CB73	12	15A	561793	FR JCT BOX	WATER PUMP (A/C STANDARD)						
CB73	13	15A	561793	FR JCT BOX	WATER PUMP (A/C FULL AIR)						
CB79	12-13	10A	561792	FR JCT BOX	DRIVER'S HTR FAN						
CB83	4	20A	561794	RR JCT BOX	WORLD TRANSMISSION VIM POWER						
CB91	15	8A	561791	FR JCT BOX	DRIVER'S SEAT HEATER						
CB92	16	6A	561790	FR JCT BOX	SPEED SW & LEVEL-LOW						
CB104	17	6A	561790	FR JCT BOX	ABS E.C.U.						
CB105	17	20A	561794	FR JCT BOX	ABS E.C.U.						
CB106	17	10A	561792	FR SERV JCT BOX	ABS E.C.U.						
CB107	17	10A	561792	FR SERV JCT BOX	ABS E.C.U.						
CB117	14	8A	561791	FR JCT BOX	RR VIEW MIRROR						
CB118	16	20A	561794	FR JCT BOX	LUGGAGE DOOR LOCK MOTOR						
CB119	16	3A	561797	FR JCT BOX	LUGGAGE UNLOCK TT LT & SW						
CB120	16	20A	561794	FR JCT BOX	LUGGAGE DOOR LOCK MOTOR						
CB121	14	10A	561792	FR JCT BOX	CIGAR LIGHTER						
CB122	11	6A	561790	FR JCT BOX	ENTRANCE DOOR AIR LOCK						
CB125	7	20A	561794	FR JCT BOX	DIRECTIONAL LTS LH						
CB126	7	20A	561794	FR JCT BOX	DIRECTIONAL LTS RH						

CIRCUIT BREAKER CODE (CB)

PAGE F : 1

NO.	PAGE	AMPERE	•PREVOST	LOCATION	FUNCTION
CB1	1	200A	560838	ENGINE CPT	A/C FULL AIR
CB2	1	30A	870630	ENGINE CPT	12V HOT WIRE RR JCT BOX
CB3	1	70A	561767	ENGINE CPT	12V FEED RR JCT BOX
CB4	1	90A	560298	ENGINE CPT	12V FEED FR JCT BOX
CB5	1	30A	870630	ENGINE CPT	24V HOT WIRE RR JCT BOX
CB6	1	90A	560298	ENGINE CPT	24V FEED RR JCT BOX
CB7	1	90A	560298	ENGINE CPT	24V FEED FR JCT BOX
CB8	13	120A	562397	A/C JCT BOX	CONDENSER FAN MOTOR
CB9	13	120A	562397	A/C JCT BOX	EVAPORATOR FAN MOTOR
CB10	2	8A	561791	FR JCT BOX	MASTER SWITCH
CB16	2	8A	561791	RR JCT BOX	ENGINE-RR CTR & START SW
CB18	2	6A	561791	RR JCT BOX	ENGINE-FR CTR SW
CB19	3	15A	561793	RR JCT BOX	DDEC III E.C.M. POWER
CB20	3	15A	561793	RR JCT BOX	DDEC III E.C.M. POWER
CB21	3	6A	561790	RR JCT BOX	DDEC III 12V IGNITION
CB26	8	10A	561792	FR JCT BOX	BACK-UP LTS
CB27	5	8A	561791	FR JCT BOX	24V IGN DASH ACCESSORIES
CB29	5	20A	561794	FR JCT BOX	ELECTRICAL HORNS
CB30	5	15A	561793	FR JCT BOX	FIRE ALARM & WATER HTR TIMER
CB31	5	8A	561791	FR JCT BOX	AIR DRYER
CB35	6	6A	561790	FR JCT BOX	FOG & HAZARD SW
CB36	6	15A	561793	FR JCT BOX	FOG LTS
CB37	6	8A	561791	FR JCT BOX	HEAD & MULTI-FUNC. SW
CB38	6	10A	561792	FR JCT BOX	MARKER LTS
CB39	6	6A	561790	FR JCT BOX	TACHO & SPEEDO
CB40	6	8A	561791	FR JCT BOX	FR & RR CLEARANCE & ID. LTS
CB42	6	10A	561792	FR JCT BOX	RR MARKER, TAIL, LICENCE LTS
CB43	6	20A	561794	FR JCT BOX	HEADLAMP (HI)
CB44	6	15A	561793	FR JCT BOX	HEADLAMP (LO)
CB45	7	10A	561792	FR JCT BOX	MULTI-FUNC. SW (WIPER CTR)
CB47	7	15A	561793	FR JCT BOX	CORNERING LTS
CB48	8	6A	561790	FR JCT BOX	STOP SW
CB49	8	15A	561793	RR JCT BOX	LH STOP LTS
CB51	8	20A	561794	RR JCT BOX	RH STOP & CYCLOP LTS
CB52	9	15A	561793	FR JCT BOX	LUGGAGE LTS
CB55	10	8A	561791	FR JCT BOX	DASH LTS RHEOSTAT
CB59	10	8A	561791	FR JCT BOX	DRIVER'S LTS SW.
CB70	12-13	8A	561791	FR JCT BOX	BLOWER CUT-IN RELAY
CB72	12	10A	561792	RR JCT BOX	A/C COMPRESSOR CLUTCH
CB73	12	15A	561793	FR JCT BOX	WATER PUMP (A/C STANDARD)
CB73	13	15A	561793	FR JCT BOX	WATER PUMP (A/C FULL AIR)
CB79	12-13	10A	561792	FR JCT BOX	DRIVER'S HTR FAN
CB83	4	20A	561794	RR JCT BOX	WORLD TRANSMISSION VIM POWER
CB91	15	8A	561791	FR JCT BOX	DRIVER'S SEAT HEATER
CB92	16	6A	561790	FR JCT BOX	SPEED SW & LEVEL-LOW
CB104	17	6A	561790	FR JCT BOX	ABS E.C.U.
CB105	17	20A	561794	FR JCT BOX	ABS E.C.U.
CB106	17	10A	561792	FR SERV JCT BOX	ABS E.C.U.
CB107	17	10A	561792	FR SERV JCT BOX	ABS E.C.U.
CB117	14	8A	561791	FR JCT BOX	RR VIEW MIRROR
CB118	16	20A	561794	FR JCT BOX	LUGGAGE DOOR LOCK MOTOR
CB119	16	3A	561797	FR JCT BOX	LUGGAGE UNLOCK TT LT & SW
CB120	16	20A	561794	FR JCT BOX	LUGGAGE DOOR LOCK MOTOR
CB121	14	10A	561792	FR JCT BOX	CIGAR LIGHTER
CB122	11	6A	561790	FR JCT BOX	ENTRANCE DOOR AIR LOCK
CB125	7	20A	561794	FR JCT BOX	DIRECTIONAL LTS LH
CB126	7	20A	561794	FR JCT BOX	DIRECTIONAL LTS RH

CIRCUIT BREAKER CODE (CB)

PAGE F : 1

NO.	PAGE	AMPERE	•PREVOST	LOCATION	FUNCTION
CB127	15	25A	561795	FR JCT BOX	ELECTRIC DRIVER'S SEAT
CB129	18	15A	561793	RR JCT BOX	WATER HEATER
CB130	5	6A	561790	RR JCT BOX	FAN CLUTCH RADIATOR
CB132	18	15A	561793	RR JCT BOX	WATER HEATER WEBASTO
CB138	21	3A	561797	FR JCT BOX	SUN VISOR

No.	LOCATION	(NB) TYPE	*PIN CAVITY	*SOCKET HOUSING	HOUSING
C3	UNDER DASH-LH	AMP CPC	37	561645	561646
C7	FR SERVICE COMPT.-CLUTCH SW	ITT SS	3	561111	561080
C11	LH CONSOLE SW-MIRROR	AMP MNL	3	561667	561550
C12	LH CONSOLE SW-MIRROR HTR	AMP MNL	2	561248	561247
C13	LH CONSOLE SW-MIRROR	AMP MNL	6	561552	561515
C14	UNDER DASH LH-MIRROR	AMP MNL	9	561670	561669
C15	UNDER DASH RH-MIRROR	AMP MNL	9	561670	561669
C18	UNDER DASH-FIRE ALARM	AMP MNL	2	560900	560898
C19	UNDER DASH-A/C & HEAT SYST. TC		10	561072	56110
C21	LUGGAGE COMPT.-LOCK DOOR MOT. PED		2	-----	562076
C22	ENGINE COMPT.-CYCLOP LT	PED WP	2	561566	561690
C23	FR SERVICE COMPT.-WTR PUMP	PED WP	2	561566	561690
C26	UNDER INSTRUMENT.-PANEL RHEO. TC		2	561030	560997
C28	FR SERVICE COMPT.-SEAT HTR	AMP MNL	2	560900	560898
C29	FR SERVICE COMPT.-VIM FEED	PED WP	3	561781	561782
C30	FR SERVICE COMPT.-SEAT ELECT. PED WP		2	562237	-----
C32	RH CONSOLE-DRV TEMP SENSOR BURNDY		3	-----	561104
C33	ENGINE DDEC II-SPARE GOV. PED WP		2	561566	561690
C34	RH CONSOLE-DRV TEMP CTRL BURNDY		6	-----	561103
C35	RECIRCULATED AIR GRIL.-SENER BURNDY		3	-----	561104
C36	LH CONSOLE SW-CRUISE ON/OFF	SWF	8	-----	561107
C37	LH CONSOLE SW-CRUISE SET	SWF	8	-----	561107
C38	LH CONSOLE SW-CRUISE RESUME	SWF	8	-----	561107
C41	UNDER DASH-FLASHER UNIT	TC	2	-----	561940
C49	FR JCT PANEL-PARK BRK ALARM	AMP MNL	2	560900	560898
C50	RH CONSOLE-PAS. TEMP CTRL BURNDY		6	-----	561103
C51	RH CONSOLE SW-A/C & HEAT	SWF	8	-----	561107
C52	ENGINE COMPT.-COMPRESSOR 05G	PED WP	2	561566	561690
C53	ENGINE COMPT.-COMPRESSOR 05G	PED WP	2	561566	561690
C54	ENGINE COMPT.-COMPRESSOR 05G TC		1	560098	560697
C55	CENTRAL DOOR	PED WP	2	561566	561690
C61	ENGINE COMPT.-FUEL FILTER	PED WP	2	561566	561690
C62	ENGINE COMPT.-COMPRESSOR STD	PED WP	2	561566	561690
C63	ENGINE COMPT.-COMPRESSOR STD	PED WP	2	561566	561690
C64	ENGINE COMPT.-COMPRESSOR STD TC		1	560098	560697
C65	ENG.CPT.-PRESS.SW.FAN CLUTCH	PED WP	2	561566	561690
C70	FR JCT PANEL-DOCKING LTS	TC	1	560098	560697
C73	LH SW PANEL-MULTIFUNC. LEV. AMP FF		8	561188	-----
C74	LH SW PANEL-MULTIFUNC. LEV. AMP FF		6	-----	561108
C77	UNDER DASH-3 WAY SW	TC	2	561030	560997
C78	LUGGAGE COMPT.-DOOR LOCK 4 LH AMP MNL		4	560851	560852
C79	LUGGAGE COMPT.-DOOR LOCK 4 RH AMP MNL		4	560851	560852
C80	FR JCT PANEL-LUG. DOOR LOCK	AMP MNL	6	561552	561515
C81	LUGGAGE COMPT.-DOOR LOCK 1 LH AMP MNL		4	560851	560852
C82	LUGGAGE COMPT.-DOOR LOCK 1 RH AMP MNL		4	560851	560852
C83	UNDER DASH-FLASHER MODULE	TC	10	561072	561110
C84	UNDER DASH-A/C SYSTEM	TC	3	561091	561071
C85	LUGGAGE COMPT.-DOOR LOCK 3 RH AMP MNL		4	560851	560852
C86	LUGGAGE COMPT.-DOOR LOCK 3 LH AMP MNL		4	560851	560852
C88	RR END ROOF-CLEARANCE LTS	AMP MNL	2	560900	560898
C98	A/C JCT BOX	ITT SS	4	561998	561999
C99	A/C JCT BOX	ITT SS	3	561111	561080
C100	A/C JCT BOX	ITT SS	2	561813	561812
C101	CONDENSER COMPT.-A/C PRES. SW	PED WP	2	561566	561690
C105	UNDER DASH RH-DRV LIQ SOL VL	TC	2	561030	560997
C106	UNDER DASH RH-DRV WTR VALVE	TC	2	561030	560997
C107	UNDER DASH RH-DRV HTR RH FAN	TC	2	561030	560997
C108	UNDER DASH RH-DRV HTR LH FAN	TC	2	561030	560997

No.	LOCATION	(NB) TYPE	*PIN CAVITY	*SOCKET HOUSING	HOUSING
C109	RH CONSOLE SW-A/C CLUTCH SW	SWF	8	-----	561107
C114	ENGINE DDEC II-SPEED SIGNAL	PED WP	2	561566	561590
C115	RR JCT BOX	DEUTSCH	40	562281	562284
C116	DRIVE AXLE COMPT.-AIR DRYER	PED MP	2	-----	562251
C119	ENGINE COMPT.-LH LOWER LAMP	PED WP	6	561606	561607
C120	ENGINE COMPT.-LH LOWER LAMP	PED WP	6	561606	561607
C127	FR SERVICE COMPT.-JACOB	PED WP	4	561610	561783
C131	LH CONSOLE SW-LUG.DOOR LOCK	SWF	8	-----	561107
C132	LH CONSOLE SW-DRIVER'S LTS	SWF	8	-----	561107
C133	LH CONS.SW-JACOB OR RETARDER	SWF	8	-----	561107
C135	LH SW PANEL-ETHER	SWF	8	-----	561107
C136	LH CONSOLE SW-MIRROR HTR	SWF	8	-----	561107
C137	RH SW PANEL-HEAD LAMP	SWF	8	-----	561107
C138	RH SW PANEL-SPARE	SWF	8	-----	561107
C139	RH SW PANEL-FOG LAMP	SWF	8	-----	561107
C140	FR JCT PANEL-BAT. HI/LO	AMP MNL	2	560900	560898
C141	ENGINE COMPT.-B/UP ALARM	PED WP	2	561566	561590
C142	FR SERVICE CPT-LH MARKER LTS	ITT SS	3	561111	561080
C146	FR SERVICE CPT-RH MARKER LTS	ITT SS	3	561111	561080
C154	RH SW PANEL-HAZARD	SWF	8	-----	561107
C155	LH SW PANEL-FAST IDLE	SWF	8	-----	561107
C156	LH SW PANEL-STP ENG.OVER.	SWF	8	-----	561107
C157	RH SW PANEL-ENTRANCE DOOR LCK	SWF	8	-----	561107
C160	FR SERVICE CPT-INTERFACE	AMP CPC	37	561644	561646
C161	ENGINE DDEC III-ECM	PED	30	-----	561600
C162	ENGINE DDEC III-ACCESSORIES	PED WP	4	561610	561611
C163	ENGINE CPT-COOLANT PROBE	PED MP	2	-----	562350
C164	FR SERVICE JCT BOX	AMP CPC	22	561709	561710
C165	FR SERVICE JCT BOX	AMP CPC	16	561693	561695
C166	UNDER INSTRUMENT PANEL	AMP CPC	16	561639	561640
C167	FR SERVICE CPT-EL. FOOT PEDAL	PED WP	3	561781	561782
C168	FR SERVICE CPT-DDR	DEUTSCH	6	562360	-----
C169	FR SERVICE CPT-WORLD TR. VIM	AMP CPC	16	561638	561640
C180	FR JCT PANEL-DIODES	MOLEX	10	-----	561251
C181	FR SERVICE COMPT.-LEVEL LOW	AMP MNL	6	561552	561515
C182	FR SERVICE CPT-SPEED SW	AMP HDP	15	-----	562012
C187	FR SERVICE JCT BOX-RESISTORS	AMP MNL	6	561552	561515
C190	FR SERVICE CPT.-WORLD TR VIM	PED WP	30	-----	561600
C199	FR SERV. JCT BOX-SERVICE BRK	AMP MNL	3	561667	561550
C201	UNDER INSTRUMENT PANEL	AMP MNL	2	560900	560898
C202	UNDER INSTRUMENT PANEL	AMP CPC	9	561636	561637
C206	RH CONSOLE-FR DEFROSTER	TC	2	561030	560997
C207	RH CONSOLE-DRV RHEOSTAT	AMP MNL	6	561552	561515
C208	UNDER DASH-DRV HTR MODULE	AMP MNL	9	561670	561669
C209	UNDER DASH-DRV HTR MODULE	AMP MNL	9	561670	561669
C213	FR ROOF-CLEARANCE LT	AMP MNL	2	560900	560898
C230	ENG.CPT. -FUEL PRIME PUMP SW.	PED WP	2	561566	561690
C231	ENG.CPT. -FUEL PRIME PUMP	PED WP	2	561566	561690
C234	UNDER INSTRUMENT PANEL-VDO	AMP MNL	4	560851	560852
C235	UNDER INSTRUMENT PANEL-VDO	AMP MNL	4	560851	560852
C236	FR SERVICE CPT CENTER-ABS	AMP CPC	14	561585	561583
C237	FR AXLE CPT-ABS RH SENSOR	WABCO	2	641132	-----
C238	FR AXLE CPT-ABS RH VALVE	WABCO	3	-----	641098
C239	FR AXLE CPT-ABS LH VALVE	WABCO	3	-----	641098
C240	FR AXLE CPT-ABS LH SENSOR	WABCO	2	641132	-----
C241	DRIVE AXLE CPT-ABS	PED WP	6	561606	561607

No.	LOCATION	(NB) TYPE	*PIN CAVITY	*SOCKET HOUSING	HOUSING
C242	DRIVE AXLE CPT-ABS LH SENSOR	DEUTSCH	2	562486	562485
C243	DRIVE AXLE CPT-ABS LH VALVE	WABCO	3	-----	641098
C244	DRIVE AXLE CPT-ABS RH VALVE	WABCO	3	-----	641098
C245	DRIVE AXLE CPT-ABS RH SENSOR	DEUTSCH	2	562486	562485
C246	DRIVE AXLE CPT-ABS SPARE	PED WP	4	561610	561611
C247	FR SERVICE CPT-ABS MODULE	WABCO	35	-----	561094
C248	DRIVE AXLE CPT-ABS	PED WP	6	561606	561607
C249	FR SERVICE CPT-ABS/DDEC	PED WP	2	561566	561690
C250	RH SW PANEL-B/UP CANCEL	SWF	8	-----	561107
C251	RH SW PANEL-SEAT HTR	SWF	8	-----	561107
C252	LH SW PANEL-SWITCH LT	SWF	2	-----	561837
C253	LUGGAGE COMPT.-WINDOW AJAR	MOLEX	4	561477	561476
C254	FR SERVICE JCT BOX-ABS	AMP CPC	16	561693	561695
C257	ENGINE COMPT-WATER HEATER	AMP FF	6	-----	561186
C258	LH CONSOLE-WATER HTR TIMER	AMP FF	8	561188	562363
C259	ENGINE COMPT-WATER HEATER	TC.	2	561597	-----
C260	ENGINE COMPT-WATER HEATER	TC.	1	561073	-----
C261	ENGINE COMPT-WATER HEATER	TC.	2	561597	-----
C267	LUGGAGE COMPT. LTS - 1	AMP MNL	2	561248	561247
C268	LUGGAGE COMPT. LTS - 2	AMP MNL	2	561248	561247
C269	LUGGAGE COMPT. LTS - 3 RH	AMP MNL	2	561248	561247
C270	LUGGAGE COMPT. LTS - 3 LH	AMP MNL	2	561248	561247
C271	LUGGAGE COMPT. LTS - 4	AMP MNL	2	561248	561247
C272	FR SERVICE CPT LTS	AMP MNL	2	561248	561247
C273	LH CONSOLE SW-UNLOAD TAG	SWF	8	-----	561107
C274	FR JCT PANEL-DIODES	AMP MNL	15	561987	561986
C275	FR JCT PANEL-DIODES	AMP MNL	15	561987	561986
C276	FR JCT PANEL-ALARM BUZZER	BOSCH	5	-----	561183
C280	ENGINE COMPT-COMPRESSOR STD	PED WP	2	561566	561690
C290	LUGGAGE CPT-DOOR LOCK	AMP MNL	4	560851	560852
C291	LUGGAGE CPT-DOOR LOCK	AMP MNL	4	560851	560852
C292	LUGGAGE CPT-DOOR LOCK	AMP MNL	4	560851	560852
C293	WIPER MOTOR	AMP FF	6	-----	561186
C294	UNDER DASH-WIPER SYST. FEED	AMP MNL	6	561552	561515
C295	UNDER DASH-WIPER PULSE GEN.	AMP FF	6	-----	561186
C296	FR SERVICE CPT-HEAD LTS	ITT SS	3	561111	561080
C302	UNDER DASH-FLASHER MODULE	AMP MNL	2	560900	560898
C303	RR JCT BOX-DIODES	AMP MNL	15	561987	561986
C304	ENGINE COMPT-RETARDER VALVE	AMPHENOL	2	-----	560412
C309	ENGINE DDEC III-ECM POWER	PED WP	5	-----	562345
C312	ENGINE DDEC III-ACCESSORIES	PED WP	2	561566	561690
C313	ENGINE DDEC III-INPUT	PED WP	3	562398	-----
C314	FR.ROOF - RH SUN VISOR	AMP MNL	2	560900	560898
C315	FR.ROOF - LH SUN VISOR	AMP MNL	2	560900	560898
C316	FR JCT PANEL - SUN VISOR	AMP MNL	4	560851	560852
C317	RH CONSOLE - LH SUN VISOR SW.	SWF	8	-----	561107
C318	RH CONSOLE - RH SUN VISOR SW.	SWF	8	-----	561107
C326	ENGINE DDEC III- HYDR. TR.	PED WP	4	561610	561611
C359	ENGINE COMPT-UNLOAD TAG VALVE	PED WP	2	561566	561690
C360	ENGINE COMPT-UNLOAD TAG VALVE	PED WP	2	561566	561690
C361	ENGINE COMPT-UNLOAD TAG VALVE	PED WP	2	561566	561690
C381	ENGINE S60 AIR TEMP SW	PED WP	2	561566	561690
C382	ENGINE GENERATOR 12 VAC RLY	PED WP	1	561605	561577
C426	ENGINE S60 RAD.FAN CLUTCH	PED WP	3	561781	561782
C427	ENGINE S60 TEMP SENSOR	BEHR	3	-----	562310
C428	RH CONSOLE-RHEOSTAT A/C (F A)	AMP MNL	3	561667	561550

No.	LOCATION	(NB) TYPE	*PIN CAVITY	*SOCKET HOUSING	HOUSING
C456	WORLD TRANSM.-RETARDER ACCUM. PED MP		2	-----	562427
C457	WORLD TRANSM.-MAIN CONNECTOR DEUTSCH		31	562572	562536
C458	WORLD TRANSM.-TURBINE SP.SENS PED MP		2	-----	562426
C459	WORLD TRANSM.-ENGINE SP.SENS. PED MP		2	-----	562426
C460	WORLD TRANSM.-SPEED SENSOR	ITT	2	-----	562541
C461	WORLD TRANSM.-RETARDER TEMP. PED MP		2	561566	561590
C462	WORLD TRANSM.-RETARD SOL."K" PED MP		2	-----	562426
C463	WORLD TRANSM.-SENSOR CONN. DEUTSCH		16	562570	562571
C464	FR SERVICE CPT.-DDL CONN W.T. PED MP		12	-----	562574
C465	LH CONSOLE-SHIFTER SELECTOR T & BET		10	-----	562429
C466	FR SERVICE CPT.-RESIS. MOD. PED WP		3	-----	562428
C467	FR SERVICE CPT.-RESIS. MOD. PED WP		3	-----	562428
C468	FR SERVICE CPT.-VIM MOD. W.T. PED MP		18	-----	562573
C500	FR.JCT PANEL-PRODRIVER	MOLEX	6	562070	562069
C501	RH CONSOLE-PRODRIVER	PED	7	562433	-----
C502	RH CONSOLE-LEVEL LOW	PED	8	-----	561107
C508	RR JCT BOX-FAN CLUTCH MOD	AMP MNL	6	561552	561515
CA	FR SERVICE CPT-ECU WORLD TR. T & BET		34	-----	562419
CB	FR SERVICE CPT-ECU WORLD TR. T & BET		34	-----	562420

CONNECTORS CODE (C)

P<A>O G : 1

CONNECTORS CODE (C)

P<A>O G : 1

NO.	LOCATION	TYPE	(NB) CAVITY	*PIN HOUSING	*SOCKET HOUSING	NO.	LOCATION	TYPE	(NB) CAVITY	*PIN HOUSING	*SOCKET HOUSING
C3	UNDER DASH-LH	AMP CPC	37	561645	561646	C109	RH CONSOLE SW-A/C CLUTCH SW	SWF	8	-----	561107
C7	FR SERVICE COMPT. -CLUTCH SW	ITT SS	3	561111	561080	C114	ENGINE DDEC II-SPEED SIGNAL	PED WP	2	561566	561590
C11	LH CONSOLE SW-MIRROR	AMP MNL	3	561667	561550	C115	RR JCT BOX	DEUTSCH	40	562281	562284
C12	LH CONSOLE SW-MIRROR HTR	AMP MNL	2	561248	561247	C116	DRIVE AXLE COMPT. -AIR DRYER	PED MP	2	-----	562251
C13	LH CONSOLE SW-MIRROR	AMP MNL	6	561552	561515	C119	ENGINE COMPT. -LH LOWER LAMP	PED WP	6	561606	561607
C14	UNDER DASH LH-MIRROR	AMP MNL	9	561670	561669	C120	ENGINE COMPT. -LH LOWER LAMP	PED WP	6	561606	561607
C15	UNDER DASH RH-MIRROR	AMP MNL	9	561670	561669	C127	FR SERVICE COMPT. -JACOB	PED WP	4	561610	561783
C18	UNDER DASH-FIRE ALARM	AMP MNL	2	560900	560898	C131	LH CONSOLE SW-LUG. DOOR LOCK	SWF	8	-----	561107
C19	UNDER DASH-A/C & HEAT SYST.	TC	10	561110	561110	C132	LH CONSOLE SW-DRIVER'S LTS	SWF	8	-----	561107
C21	LUGGAGE COMPT. -LOCK DOOR MOT.	PED	2	-----	562076	C133	LH CONS. SW-JACOB OR RETARDER	SWF	8	-----	561107
C22	ENGINE COMPT. -CYCLOP LT	PED WP	2	561566	561690	C135	LH SW PANEL-ETHER	SWF	8	-----	561107
C23	FR SERVICE COMPT. -WTR PUMP	PED WP	2	561566	561690	C136	LH CONSOLE SW-MIRROR HTR	SWF	8	-----	561107
C26	UNDER INSTRUMENT. -PANEL RHEO.	TC	2	561030	560997	C137	RH SW PANEL-HEAD LAMP	SWF	8	-----	561107
C28	FR SERVICE COMPT. -SEAT HTR	AMP MNL	2	560900	560898	C138	RH SW PANEL-SPARE	SWF	8	-----	561107
C29	FR SERVICE COMPT. -VIM FEED	PED WP	3	561781	561782	C139	RH SW PANEL-FOG LAMP	SWF	8	-----	561107
C30	FR SERVICE COMPT. -SEAT ELECT.	PED WP	2	562237	-----	C140	FR JCT PANEL-BAT. HI /LO	AMP MNL	2	560900	560898
C32	RH CONSOLE-DRV TEMP SENSOR	BURNDY	3	-----	561104	C141	ENGINE COMPT. -B/UP ALARM	PED WP	2	561566	561590
C33	ENGINE DDEC II-SPARE GOV.	PED WP	2	561566	561690	C142	FR SERVICE CPT-LH MARKER LTS	ITT SS	3	561111	561080
C34	RH CONSOLE-DRV TEMP CTRL	BURNDY	6	-----	561103	C146	FR SERVICE CPT-RH MARKER LTS	ITT SS	3	561111	561080
C35	RECIRCULATED AIR GRIL. -SENER	BURNDY	3	-----	561104	C154	RH SW PANEL-HAZARD	SWF	8	-----	561107
C36	LH CONSOLE SW-CRUISE ON/OFF	SWF	8	-----	561107	C155	LH SW PANEL-FAST IDLE	SWF	8	-----	561107
C37	LH CONSOLE SW-CRUISE SET	SWF	8	-----	561107	C156	LH SW PANEL-STP ENG. OVER.	SWF	8	-----	561107
C38	LH CONSOLE SW-CRUISE RESUME	SWF	8	-----	561107	C157	RH SW PANEL-ENTRANCE DOOR LCK	SWF	8	-----	561107
C41	UNDER DASH-FLASHER UNIT	TC	2	-----	561940	C160	FR SERVICE CPT-INTERFACE	AMP CPC	37	561644	561646
C49	FR JCT PANEL-PARK BRK ALARM	AMP MNL	2	560900	560898	C161	ENGINE DDEC III-ECM	PED	30	-----	561600
C50	RH CONSOLE-PAS. TEMP CTRL	BURNDY	6	-----	561103	C162	ENGINE DDEC III-ACCESSORIES	PED WP	4	561610	561611
C51	RH CONSOLE SW-A/C & HEAT	SWF	8	-----	561107	C163	ENGINE CPT-COOLANT PROBE	PED MP	2	-----	562350
C52	ENGINE COMPT. -COMPRESSOR 05G	PED WP	2	561566	561690	C164	FR SERVICE JCT BOX	AMP CPC	22	561709	561710
C53	ENGINE COMPT. -COMPRESSOR 05G	PED WP	2	561566	561690	C165	FR SERVICE JCT BOX	AMP CPC	16	561693	561695
C54	ENGINE COMPT. -COMPRESSOR 05G	TC	1	560098	560697	C166	UNDER INSTRUMENT PANEL	AMP CPC	16	561639	561640
C55	CENTRAL DOOR	PED WP	2	561566	561690	C167	FR SERVICE CPT-EL. FOOT PEDAL	PED WP	3	561781	561782
C61	ENGINE COMPT. -FUEL FILTER	PED WP	2	561566	561690	C168	FR SERVICE CPT-DDR	DEUTSCH	6	562360	-----
C62	ENGINE COMPT. -COMPRESSOR STD	PED WP	2	561566	561690	C169	FR SERVICE CPT-WORLD TR. VIW	AMP CPC	16	561638	561640
C63	ENGINE COMPT. -COMPRESSOR STD	PED WP	2	561566	561690	C180	FR JCT PANEL-DIODES	MOLEX	10	-----	561251
C64	ENGINE COMPT. -COMPRESSOR STD	TC	1	560098	560697	C181	FR SERVICE COMPT. -LEVEL LOW	AMP MNL	6	561552	561515
C65	ENG. CPT-PRESS. SW. FAN CLUTCH	PED WP	2	561566	561690	C182	FR SERVICE CPT-SPEED SW	AMP HDP	15	-----	562012
C70	FR JCT PANEL-DOCKING LTS	TC	1	560098	560697	C187	FR SERVICE CPT-BOX-RESISTORS	AMP MNL	6	561552	561515
C73	LH SW PANEL-MULTI FUNC. LEV.	AMP FF	8	561188	-----	C190	FR SERVICE CPT. -WORLD TR VIM	PED WP	30	-----	561600
C74	LH SW PANEL-MULTI FUNC. LEV.	AMP FF	6	-----	561108	C199	FR SERV. JCT BOX-SERVICE BRK	AMP MNL	3	561667	561550
C77	UNDER DASH-3 WAY SW	TC	2	561030	560997	C201	UNDER INSTRUMENT PANEL	AMP MNL	2	560900	560898
C78	LUGGAGE COMPT. -DOOR LOCK 4 LH	AMP MNL	4	560851	560852	C202	UNDER INSTRUMENT PANEL	AMP CPC	9	561636	561637
C79	LUGGAGE COMPT. -DOOR LOCK 4 RH	AMP MNL	4	560851	560852	C206	RH CONSOLE-FR DEFROSTER	TC	2	561030	560997
C80	FR JCT PANEL-LUG. DOOR LOCK	AMP MNL	6	561552	561515	C207	RH CONSOLE-DRV RHEOSTAT	AMP MNL	6	561552	561515
C81	LUGGAGE COMPT. -DOOR LOCK 1 LH	AMP MNL	4	560851	560852	C208	UNDER DASH-DRV HTR MODULE	AMP MNL	9	561670	561669
C82	LUGGAGE COMPT. -DOOR LOCK 1 RH	AMP MNL	4	560851	560852	C209	UNDER DASH-DRV HTR MODULE	AMP MNL	9	561670	561669
C83	UNDER DASH-FLASHER MODULE	TC	10	561072	561110	C213	FR ROOF-CLEARANCE LT	AMP MNL	2	560900	560898
C84	UNDER DASH-A/C SYSTEM	TC	3	561091	561071	C230	ENG. CPT. -FUEL PRIME PUMP SW.	PED WP	2	561566	561690
C85	LUGGAGE COMPT. -DOOR LOCK 3 RH	AMP MNL	4	560851	560852	C231	ENG. CPT. -FUEL PRIME PUMP	PED WP	2	561566	561690
C86	LUGGAGE COMPT. -DOOR LOCK 3 LH	AMP MNL	4	560851	560852	C234	UNDER INSTRUMENT PANEL-VDO	AMP MNL	4	560851	560852 PRIOR REV. 009
C88	RR END ROOF-CLEARANCE LTS	AMP MNL	2	560900	560898	C234	UNDER INSTRUMENT PANEL-VDO	AMP FF	8	-----	562363
C98	A/C JCT BOX	ITT SS	4	561998	561999	C235	UNDER INSTRUMENT PANEL-VDO	AMP MNL	4	560851	560852 PRIOR REV. 009
C99	A/C JCT BOX	ITT SS	3	561111	561080	C235	UNDER INSTRUMENT PANEL-VDO	AMP FF	8	-----	562363
C100	A/C JCT BOX	ITT SS	2	561813	561812	C236	FR SERVICE CPT CENTER-ABS	AMP CPC	14	561585	561583
C101	CONDENSER COMPT. -A/C PRES. SW	PED WP	2	561566	561690	C237	FR AXLE CPT-ABS RH SENSOR	WABCO	2	641132	-----
C105	UNDER DASH RH-DRV LIQ SOL VL	TC	2	561030	560997	C238	FR AXLE CPT-ABS RH VALVE	WABCO	3	-----	641098
C106	UNDER DASH RH-DRV WTR VALVE	TC	2	561030	560997	C239	FR AXLE CPT-ABS LH VALVE	WABCO	3	-----	641098
C107	UNDER DASH RH-DRV HTR RH FAN	TC	2	561030	560997	C240	FR AXLE CPT-ABS LH SENSOR	WABCO	2	641132	-----
C108	UNDER DASH RH-DRV HTR LH FAN	TC	2	561030	560997	C241	DRIVE AXLE CPT-ABS	PED WP	6	561606	561607

CONNECTORS CODE (C)

P<A>O G : 2

CONNECTORS CODE (C)

P<A>O G : 2

NO.	LOCATION	TYPE	(NB) CAVITY	*PIN HOUSING	*SOCKET HOUSING	NO.	LOCATION	TYPE	(NB) CAVITY	*PIN HOUSING	*SOCKET HOUSING
C242	DRIVE AXLE CPT-ABS LH SENSOR	DEUTSCH	2	562486	562485	C456	WORLD TRANSM. -RETARDER ACCUM.	PED MP	2	-----	562427
C243	DRIVE AXLE CPT-ABS LH VALVE	WABCO	3	-----	641098	C457	WORLD TRANSM. -MAIN CONNECTOR	DEUTSCH	31	562572	562536
C244	DRIVE AXLE CPT-ABS RH VALVE	WABCO	3	-----	641098	C458	WORLD TRANSM. -TURBINE SP. SENS	PED MP	2	-----	562426
C245	DRIVE AXLE CPT-ABS RH SENSOR	DEUTSCH	2	562486	562485	C459	WORLD TRANSM. -ENGINE SP. SENS.	PED MP	2	-----	562426
C246	DRIVE AXLE CPT-ABS SPARE	PED WP	4	561610	561611	C460	WORLD TRANSM. -SPEED SENSOR	ITT	2	-----	562541
C247	FR SERVICE CPT-ABS MODULE	WABCO	35	-----	561094	C461	WORLD TRANSM. -RETARDER TEMP.	PED MP	2	561566	561590
C248	DRIVE AXLE CPT-ABS	PED WP	6	561606	561607	C462	WORLD TRANSM. -RETARD SOL. "K"	PED MP	2	-----	562426
C249	FR SERVICE CPT-ABS/DDEC	PED WP	2	561566	561690	C463	WORLD TRANSM. -SENSOR CONN.	DEUTSCH	16	562570	562571
C250	RH SW PANEL-B/UP CANCEL	SWF	8	-----	561107	C464	FR SERVICE CPT. -DDL CONN W. T.	PED MP	12	-----	562574
C251	RH SW PANEL-SEAT HTR	SWF	8	-----	561107	C465	LH CONSOLE-SHIFTER SELECTOR	T & BET	10	-----	562429
C252	LH SW PANEL-SWITCH LT	SWF	2	-----	561837	C466	FR SERVICE CPT. -RESIS. MOD.	PED WP	3	-----	562428
C253	LUGGAGE COMPT. -WINDOW AJAR	MOLEX	4	561477	561476	C467	FR SERVICE CPT. -RESIS. MOD.	PED WP	3	-----	562428
C254	FR SERVICE JCT BOX-ABS	AMP CPC	16	561693	561695	C468	FR SERVICE CPT. -VIM MOD. W. T.	PED MP	18	-----	562573
C257	ENGINE COMPT-WATER HEATER	AMP FF	6	-----	561186	C500	FR JCT PANEL-PRODRI VVER	MOLEX	6	562070	562069
C258	LH CONSOLE-WATER HTR TIMER	AMP FF	8	561188	562363	C501	RH CONSOLE-PRODRI VVER	PED	7	562433	-----
C259	ENGINE COMPT-WATER HEATER	TC.	2	561597	-----	C502	RH CONSOLE-LEVEL LOW	PED	8	-----	561107
C260	ENGINE COMPT-WATER HEATER	TC.	1	561073	-----	C508	RR JCT BOX-FAN CLUTCH MOD	AMP MNL	6	561552	561515
C261	ENGINE COMPT-WATER HEATER	TC.	2	561597	-----						
C267	LUGGAGE COMPT. LTS - 1	AMP MNL	2	561248	561247	CA	FR SERVICE CPT-ECU WORLD TR.	T & BET	34	-----	562419
C268	LUGGAGE COMPT. LTS - 2	AMP MNL	2	561248	561247	CB	FR SERVICE CPT-ECU WORLD TR.	T & BET	34	-----	562420
C269	LUGGAGE COMPT. LTS - 3 RH	AMP MNL	2	561248	561247						
C270	LUGGAGE COMPT. LTS - 3 LH	AMP MNL	2	561248	561247						
C271	LUGGAGE COMPT. LTS - 4	AMP MNL	2	561248	561247						
C272	FR SERVICE CPT LTS	AMP MNL	2	561248	561247						
C273	LH CONSOLE SW-UNLOAD TAG	SWF	8	-----	561107						
C274	FR JCT PANEL-DIODES	AMP MNL	15	561987	561986						
C275	FR JCT PANEL-DIODES	AMP MNL	15	561987	561986						
C276	FR JCT PANEL-ALARM BUZZER	BOSCH	5	-----	561183						
C280	ENGINE COMPT-COMPRESSOR STD	PED WP	2	561566	561690						
C290	LUGGAGE CPT-DOOR LOCK	AMP MNL	4	560851	560852						
C291	LUGGAGE CPT-DOOR LOCK	AMP MNL	4	560851	560852						
C292	LUGGAGE CPT-DOOR LOCK	AMP MNL	4	560851	560852						
C293	WIPER MOTOR	AMP FF	6	-----	561186						
C294	UNDER DASH-WIPER SYST. FEED	AMP MNL	6	561552	561515						
C295	UNDER DASH-WIPER PULSE GEN.	AMP FF	6	-----	561186						
C296	FR SERVICE CPT-HEAD LTS	ITT SS	3	561111	561080						
C302	UNDER DASH-FLASHER MODULE	AMP MNL	2	560900	560898						
C303	RR JCT BOX-DIODES	AMP MNL	15	561987	561986						
C304	ENGINE COMPT-RETARDER VALVE	AMPHENOL	2	-----	560412						
C309	ENGINE DDEC III-ECM POWER	PED WP	5	-----	562345						
C312	ENGINE DDEC III-ACCESSORIES	PED WP	2	561566	561690						
C313	ENGINE DDEC III-INPUT	PED WP	3	562398	-----						
C314	FR. ROOF - RH SUN VISOR	AMP MNL	2	560900	560898						
C315	FR. ROOF - LH SUN VISOR	AMP MNL	2	560900	560898						
C316	FR JCT PANEL - SUN VISOR	AMP MNL	4	560851	560852						
C317	RH CONSOLE - LH SUN VISOR SW.	SWF	8	-----	561107						
C318	RH CONSOLE - RH SUN VISOR SW.	SWF	8	-----	561107						
C326	ENGINE DDEC III- HYDR. TR.	PED WP	4	561610	561611						
C359	ENGINE COMPT-UNLOAD TAG VALVE	PED WP	2	561566	561690						
C360	ENGINE COMPT-UNLOAD TAG VALVE	PED WP	2	561566	561690						
C361	ENGINE COMPT-UNLOAD TAG VALVE	PED WP	2	561566							

No.	LOCATION	(NB) TYPE	*PIN CAVITY	*SOCKET HOUSING	HOUSING
C3	UNDER DASH-LH	AMP CPC	37	561645	561646
C7	FR SERVICE COMPT.-CLUTCH SW	ITT SS	3	561111	561080
C11	LH CONSOLE SW-MIRROR	AMP MNL	3	561667	561550
C12	LH CONSOLE SW-MIRROR HTR	AMP MNL	2	561248	561247
C13	LH CONSOLE SW-MIRROR	AMP MNL	6	561552	561515
C14	UNDER DASH LH-MIRROR	AMP MNL	9	561670	561669
C15	UNDER DASH RH-MIRROR	AMP MNL	9	561670	561669
C18	UNDER DASH-FIRE ALARM	AMP MNL	2	560900	560898
C19	UNDER DASH-A/C & HEAT SYST. TC		10	561072	56110
C21	LUGGAGE COMPT.-LOCK DOOR MOT. PED		2	-----	562076
C22	ENGINE COMPT.-CYCLOP LT	PED WP	2	561566	561690
C23	FR SERVICE COMPT.-WTR PUMP	PED WP	2	561566	561690
C26	UNDER INSTRUMENT.-PANEL RHEO. TC		2	561030	560997
C28	FR SERVICE COMPT.-SEAT HTR	AMP MNL	2	560900	560898
C29	FR SERVICE COMPT.-VIM FEED	PED WP	3	561781	561782
C30	FR SERVICE COMPT.-SEAT ELECT. PED WP		2	562237	-----
C32	RH CONSOLE-DRV TEMP SENSOR BURNDY		3	-----	561104
C33	ENGINE DDEC II-SPARE GOV. PED WP		2	561566	561690
C34	RH CONSOLE-DRV TEMP CTRL BURNDY		6	-----	561103
C35	RECIRCULATED AIR GRIL.-SENER BURNDY		3	-----	561104
C36	LH CONSOLE SW-CRUISE ON/OFF	SWF	8	-----	561107
C37	LH CONSOLE SW-CRUISE SET	SWF	8	-----	561107
C38	LH CONSOLE SW-CRUISE RESUME	SWF	8	-----	561107
C41	UNDER DASH-FLASHER UNIT	TC	2	-----	561940
C49	FR JCT PANEL-PARK BRK ALARM	AMP MNL	2	560900	560898
C50	RH CONSOLE-PAS. TEMP CTRL BURNDY		6	-----	561103
C51	RH CONSOLE SW-A/C & HEAT	SWF	8	-----	561107
C52	ENGINE COMPT.-COMPRESSOR 05G	PED WP	2	561566	561690
C53	ENGINE COMPT.-COMPRESSOR 05G	PED WP	2	561566	561690
C54	ENGINE COMPT.-COMPRESSOR 05G TC		1	560098	560697
C55	CENTRAL DOOR	PED WP	2	561566	561690
C61	ENGINE COMPT.-FUEL FILTER	PED WP	2	561566	561690
C62	ENGINE COMPT.-COMPRESSOR STD	PED WP	2	561566	561690
C63	ENGINE COMPT.-COMPRESSOR STD	PED WP	2	561566	561690
C64	ENGINE COMPT.-COMPRESSOR STD TC		1	560098	560697
C65	ENG.CPT.-PRESS.SW. FAN CLUTCH	PED WP	2	561566	561690
C70	FR JCT PANEL-DOCKING LTS	TC	1	560098	560697
C73	LH SW PANEL-MULTIFUNC. LEV. AMP FF		8	561188	-----
C74	LH SW PANEL-MULTIFUNC. LEV. AMP FF		6	-----	561108
C77	UNDER DASH-3 WAY SW	TC	2	561030	560997
C78	LUGGAGE COMPT.-DOOR LOCK 4 LH	AMP MNL	4	560851	560852
C79	LUGGAGE COMPT.-DOOR LOCK 4 RH	AMP MNL	4	560851	560852
C80	FR JCT PANEL-LUG. DOOR LOCK	AMP MNL	6	561552	561515
C81	LUGGAGE COMPT.-DOOR LOCK 1 LH	AMP MNL	4	560851	560852
C82	LUGGAGE COMPT.-DOOR LOCK 1 RH	AMP MNL	4	560851	560852
C83	UNDER DASH-FLASHER MODULE	TC	10	561072	561110
C84	UNDER DASH-A/C SYSTEM	TC	3	561091	561071
C85	LUGGAGE COMPT.-DOOR LOCK 3 RH	AMP MNL	4	560851	560852
C86	LUGGAGE COMPT.-DOOR LOCK 3 LH	AMP MNL	4	560851	560852
C88	RR END ROOF-CLEARANCE LTS	AMP MNL	2	560900	560898
C98	A/C JCT BOX	ITT SS	4	561998	561999
C99	A/C JCT BOX	ITT SS	3	561111	561080
C100	A/C JCT BOX	ITT SS	2	561813	561812
C101	CONDENSER COMPT.-A/C PRES. SW	PED WP	2	561566	561690
C105	UNDER DASH RH-DRV LIQ SOL VL	TC	2	561030	560997
C106	UNDER DASH RH-DRV WTR VALVE	TC	2	561030	560997
C107	UNDER DASH RH-DRV HTR RH FAN	TC	2	561030	560997
C108	UNDER DASH RH-DRV HTR LH FAN	TC	2	561030	560997

No.	LOCATION	(NB) TYPE	*PIN CAVITY	*SOCKET HOUSING	HOUSING
C109	RH CONSOLE SW-A/C CLUTCH SW	SWF	8	-----	561107
C114	ENGINE DDEC II-SPEED SIGNAL	PED WP	2	561566	561590
C115	RR JCT BOX	DEUTSCH	40	562281	562284
C116	DRIVE AXLE COMPT.-AIR DRYER	PED MP	2	-----	562251
C119	ENGINE COMPT.-LH LOWER LAMP	PED WP	6	561606	561607
C120	ENGINE COMPT.-LH LOWER LAMP	PED WP	6	561606	561607
C127	FR SERVICE COMPT.-JACOB	PED WP	4	561610	561783
C131	LH CONSOLE SW-LUG.DOOR LOCK	SWF	8	-----	561107
C132	LH CONSOLE SW-DRIVER'S LTS	SWF	8	-----	561107
C133	LH CONS.SW-JACOB OR RETARDER	SWF	8	-----	561107
C135	LH SW PANEL-ETHER	SWF	8	-----	561107
C136	LH CONSOLE SW-MIRROR HTR	SWF	8	-----	561107
C137	RH SW PANEL-HEAD LAMP	SWF	8	-----	561107
C138	RH SW PANEL-SPARE	SWF	8	-----	561107
C139	RH SW PANEL-FOG LAMP	SWF	8	-----	561107
C140	FR JCT PANEL-BAT. HI/LO	AMP MNL	2	560900	560898
C141	ENGINE COMPT.-B/UP ALARM	PED WP	2	561566	561590
C142	FR SERVICE CPT-LH MARKER LTS	ITT SS	3	561111	561080
C146	FR SERVICE CPT-RH MARKER LTS	ITT SS	3	561111	561080
C154	RH SW PANEL-HAZARD	SWF	8	-----	561107
C155	LH SW PANEL-FAST IDLE	SWF	8	-----	561107
C156	LH SW PANEL-STP ENG.OVER.	SWF	8	-----	561107
C157	RH SW PANEL-ENTRANCE DOOR LCK	SWF	8	-----	561107
C160	FR SERVICE CPT-INTERFACE	AMP CPC	37	561644	561646
C161	ENGINE DDEC III-ECM	PED	30	-----	561600
C162	ENGINE DDEC III-ACCESSORIES	PED WP	4	561610	561611
C163	ENGINE CPT-COOLANT PROBE	PED MP	2	-----	562350
C164	FR SERVICE JCT BOX	AMP CPC	22	561709	561710
C165	FR SERVICE JCT BOX	AMP CPC	16	561693	561695
C166	UNDER INSTRUMENT PANEL	AMP CPC	16	561639	561640
C167	FR SERVICE CPT-EL. FOOT PEDAL	PED WP	3	561781	561782
C168	FR SERVICE CPT-DDR	DEUTSCH	6	562360	-----
C169	FR SERVICE CPT-WORLD TR. VIM	AMP CPC	16	561638	561640
C180	FR JCT PANEL-DIODES	MOLEX	10	-----	561251
C181	FR SERVICE COMPT.-LEVEL LOW	AMP MNL	6	561552	561515
C182	FR SERVICE CPT-SPEED SW	AMP HDP	15	-----	562012
C187	FR SERVICE JCT BOX-RESISTORS	AMP MNL	6	561552	561515
C190	FR SERVICE CPT.-WORLD TR VIM	PED WP	30	-----	561600
C199	FR SERV. JCT BOX-SERVICE BRK	AMP MNL	3	561667	561550
C201	UNDER INSTRUMENT PANEL	AMP MNL	2	560900	560898
C202	UNDER INSTRUMENT PANEL	AMP CPC	9	561636	561637
C206	RH CONSOLE-FR DEFROSTER	TC	2	561030	560997
C207	RH CONSOLE-DRV RHEOSTAT	AMP MNL	6	561552	561515
C208	UNDER DASH-DRV HTR MODULE	AMP MNL	9	561670	561669
C209	UNDER DASH-DRV HTR MODULE	AMP MNL	9	561670	561669
C213	FR ROOF-CLEARANCE LT	AMP MNL	2	560900	560898
C230	ENG.CPT. -FUEL PRIME PUMP SW.	PED WP	2	561566	561690
C231	ENG.CPT. -FUEL PRIME PUMP	PED WP	2	561566	561690
C234	UNDER INSTRUMENT PANEL-VDO	AMP MNL	4	560851	560852 PRIOR REV.009
C234	UNDER INSTRUMENT PANEL-VDO	AMP FF	8	-----	562363
C235	UNDER INSTRUMENT PANEL-VDO	AMP MNL	4	560851	560852 PRIOR REV.009
C235	UNDER INSTRUMENT PANEL-VDO	AMP FF	8	-----	562363
C236	FR SERVICE CPT CENTER-ABS	AMP CPC	14	561585	561583
C237	FR AXLE CPT-ABS RH SENSOR	WABCO	2	641132	-----
C238	FR AXLE CPT-ABS RH VALVE	WABCO	3	-----	641098
C239	FR AXLE CPT-ABS LH VALVE	WABCO	3	-----	641098
C240	FR AXLE CPT-ABS LH SENSOR	WABCO	2	641132	-----
C241	DRIVE AXLE CPT-ABS	PED WP	6	561606	561607

No.	LOCATION	(NB) TYPE	*PIN CAVITY	*SOCKET HOUSING	HOUSING
C242	DRIVE AXLE CPT-ABS LH SENSOR	DEUTSCH	2	562486	562485
C243	DRIVE AXLE CPT-ABS LH VALVE	WABCO	3	-----	641098
C244	DRIVE AXLE CPT-ABS RH VALVE	WABCO	3	-----	641098
C245	DRIVE AXLE CPT-ABS RH SENSOR	DEUTSCH	2	562486	562485
C246	DRIVE AXLE CPT-ABS SPARE	PED WP	4	561610	561611
C247	FR SERVICE CPT-ABS MODULE	WABCO	35	-----	561094
C248	DRIVE AXLE CPT-ABS	PED WP	6	561606	561607
C249	FR SERVICE CPT-ABS/DDEC	PED WP	2	561566	561690
C250	RH SW PANEL-B/UP CANCEL	SWF	8	-----	561107
C251	RH SW PANEL-SEAT HTR	SWF	8	-----	561107
C252	LH SW PANEL-SWITCH LT	SWF	2	-----	561837
C253	LUGGAGE COMPT.-WINDOW AJAR	MOLEX	4	561477	561476
C254	FR SERVICE JCT BOX-ABS	AMP CPC	16	561693	561695
C257	ENGINE COMPT-WATER HEATER	AMP FF	6	-----	561186
C258	LH CONSOLE-WATER HTR TIMER	AMP FF	8	561188	562363
C259	ENGINE COMPT-WATER HEATER	TC.	2	561597	-----
C260	ENGINE COMPT-WATER HEATER	TC.	1	561073	-----
C261	ENGINE COMPT-WATER HEATER	TC.	2	561597	-----
C267	LUGGAGE COMPT. LTS - 1	AMP MNL	2	561248	561247
C268	LUGGAGE COMPT. LTS - 2	AMP MNL	2	561248	561247
C269	LUGGAGE COMPT. LTS - 3 RH	AMP MNL	2	561248	561247
C270	LUGGAGE COMPT. LTS - 3 LH	AMP MNL	2	561248	561247
C271	LUGGAGE COMPT. LTS - 4	AMP MNL	2	561248	561247
C272	FR SERVICE CPT LTS	AMP MNL	2	561248	561247
C273	LH CONSOLE SW-UNLOAD TAG	SWF	8	-----	561107
C274	FR JCT PANEL-DIODES	AMP MNL	15	561987	561986
C275	FR JCT PANEL-DIODES	AMP MNL	15	561987	561986
C276	FR JCT PANEL-ALARM BUZZER	BOSCH	5	-----	561183
C280	ENGINE COMPT-COMPRESSOR STD	PED WP	2	561566	561690
C290	LUGGAGE CPT-DOOR LOCK	AMP MNL	4	560851	560852
C291	LUGGAGE CPT-DOOR LOCK	AMP MNL	4	560851	560852
C292	LUGGAGE CPT-DOOR LOCK	AMP MNL	4	560851	560852
C293	WIPER MOTOR	AMP FF	6	-----	561186
C294	UNDER DASH-WIPER SYST. FEED	AMP MNL	6	561552	561515
C295	UNDER DASH-WIPER PULSE GEN.	AMP FF	6	-----	561186
C296	FR SERVICE CPT-HEAD LTS	ITT SS	3	561111	561080
C302	UNDER DASH-FLASHER MODULE	AMP MNL	2	560900	560898
C303	RR JCT BOX-DIODES	AMP MNL	15	561987	561986
C304	ENGINE COMPT-RETARDER VALVE	AMPHENOL	2	-----	560412
C309	ENGINE DDEC III-ECM POWER	PED WP	5	-----	562345
C312	ENGINE DDEC III-ACCESSORIES	PED WP	2	561566	561690
C313	ENGINE DDEC III-INPUT	PED WP	3	562398	-----
C314	FR.ROOF - RH SUN VISOR	AMP MNL	2	560900	560898
C315	FR.ROOF - LH SUN VISOR	AMP MNL	2	560900	560898
C316	FR JCT PANEL - SUN VISOR	AMP MNL	4	560851	560852
C317	RH CONSOLE - LH SUN VISOR SW.	SWF	8	-----	561107
C318	RH CONSOLE - RH SUN VISOR SW.	SWF	8	-----	561107
C326	ENGINE DDEC III- HYDR. TR.	PED WP	4	561610	561611
C359	ENGINE COMPT-UNLOAD TAG VALVE	PED WP	2	561566	561690
C360	ENGINE COMPT-UNLOAD TAG VALVE	PED WP	2	561566	561690
C361	ENGINE COMPT-UNLOAD TAG VALVE	PED WP	2	561566	561690
C381	ENGINE S60 AIR TEMP SW	PED WP	2	561566	561690
C382	ENGINE GENERATOR 12 VAC RLY	PED WP	1	561605	561577
C426	ENGINE S60 RAD. FAN CLUTCH	PED WP	3	561781	561782
C427	ENGINE S60 TEMP SENSOR	BEHR	3	-----	562310
C428	RH CONSOLE-RHEOSTAT A/C (F A)	AMP MNL	3	561667	561550

No.	LOCATION	(NB) TYPE	*PIN CAVITY	*SOCKET HOUSING	HOUSING
C456	WORLD TRANSM.-RETARDER ACCUM.	PED MP	2	-----	562427
C457	WORLD TRANSM.-MAIN CONNECTOR	DEUTSCH	31	562572	562536
C458	WORLD TRANSM.-TURBINE SP.SENS	PED MP	2	-----	562426
C459	WORLD TRANSM.-ENGINE SP.SENS.	PED MP	2	-----	562426
C460	WORLD TRANSM.-SPEED SENSOR	ITT	2	-----	562541
C461	WORLD TRANSM.-RETARDER TEMP.	PED MP	2	561566	561590
C462	WORLD TRANSM.-RETARD SOL."K"	PED MP	2	-----	562426
C463	WORLD TRANSM.-SENSOR CONN.	DEUTSCH	16	562570	562571
C464	FR SERVICE CPT.-DDL CONN W.T.	PED MP	12	-----	562574
C465	LH CONSOLE-SHIFTER SELECTOR	T & BET	10	-----	562429
C466	FR SERVICE CPT.-RESIS. MOD.	PED WP	3	-----	562428
C467	FR SERVICE CPT.-RESIS. MOD.	PED WP	3	-----	562428
C468	FR SERVICE CPT.-VIM MOD. W.T.	PED MP	18	-----	562573
C475	FR SERVICE CPT-SPEED SIGN CON	DEUTSCH	6	-----	562581
C475M	FR SERVICE CPT-SPEED SIGN M.T	DEUTSCH	6	562583	-----
C475W	FR SERVICE CPT-SPEED SIGN W.T	DEUTSCH	6	562583	-----
C500	FR.JCT PANEL-PRODRIVER	MOLEX	6	562070	562069
C501	RH CONSOLE-PRODRIVER	PED	7	562433	-----
C502	RH CONSOLE-LEVEL LOW	PED	8	-----	561107
C508	RR JCT BOX-FAN CLUTCH MOD	AMP MNL	6	561552	561515
CA	FR SERVICE CPT-ECU WORLD TR.	T & BET	34	-----	562419
CB	FR SERVICE CPT-ECU WORLD TR.	T & BET	34	-----	562420

NO.	LOCATION	TYPE	(NB) CAVITY	*PIN HOUSING	*SOCKET HOUSING
C3	UNDER DASH-LH	AMP CPC	37	561645	561646
C7	FR SERVICE COMPT.-CLUTCH SW	ITT SS	3	561111	561080
C11	LH CONSOLE SW-MIRROR	AMP MNL	3	561667	561550
C12	LH CONSOLE SW-MIRROR HTR	AMP MNL	2	561248	561247
C13	LH CONSOLE SW-MIRROR	AMP MNL	6	561552	561515
C14	UNDER DASH LH-MIRROR	AMP MNL	9	561670	561669
C15	UNDER DASH RH-MIRROR	AMP MNL	9	561670	561669
C18	UNDER DASH-FIRE ALARM	AMP MNL	2	560900	560898
C19	UNDER DASH-A/C & HEAT SYST.	TC	10	561072	561110
C21	LUGGAGE COMPT.-LOCK DOOR MOT.	PED	2	-----	562076
C22	ENGINE COMPT.-CYCLOP LT	PED WP	2	561566	561690
C23	FR SERVICE COMPT.-WTR PUMP	PED WP	2	561566	561690
C26	UNDER INSTRUMENT.-PANEL RHEO.	TC	2	561030	560997
C28	FR SERVICE COMPT.-SEAT HTR	AMP MNL	2	560900	560898
C29	FR SERVICE COMPT.-VIM FEED	PED WP	3	561781	561782
C30	FR SERVICE COMPT.-SEAT ELECT.	PED WP	2	562237	-----
C32	RH CONSOLE-DRV TEMP SENSOR	BURNDY	3	-----	561104
C33	ENGINE DDEC II-SPARE GOV.	PED WP	2	561566	561690
C34	RH CONSOLE-DRV TEMP CTRL	BURNDY	6	-----	561103
C35	RECIRULATED AIR GRIL.-SENSER	BURNDY	3	-----	561104
C36	LH CONSOLE SW-CRUISE ON/OFF	SWF	8	-----	561107
C37	LH CONSOLE SW-CRUISE SET	SWF	8	-----	561107
C38	LH CONSOLE SW-CRUISE RESUME	SWF	8	-----	561107
C41	UNDER DASH-FLASHER UNIT	TC	2	-----	561940
C49	FR JCT PANEL-PARK BRK ALARM	AMP MNL	2	560900	560898
C50	RH CONSOLE-PAS. TEMP CTRL	BURNDY	6	-----	561103
C51	RH CONSOLE SW-A/C & HEAT	SWF	8	-----	561107
C52	ENGINE COMPT.-COMPRESSOR Ø5G	PED WP	2	561566	561690
C53	ENGINE COMPT.-COMPRESSOR Ø5G	PED WP	2	561566	561690
C54	ENGINE COMPT.-COMPRESSOR Ø5G	TC	1	560098	560697
C55	CENTRAL DOOR	PED WP	2	561566	561690
C61	ENGINE COMPT.-FUEL FILTER	PED WP	2	561566	561690
C62	ENGINE COMPT.-COMPRESSOR STD	PED WP	2	561566	561690
C63	ENGINE COMPT.-COMPRESSOR STD	PED WP	2	561566	561690
C64	ENGINE COMPT.-COMPRESSOR STD	TC	1	560098	560697
C65	ENG.CPT-PRESS.SW. FAN CLUTCH	PED WP	2	561566	561690
C70	FR JCT PANEL-DOCKING LTS	TC	1	560098	560697
C73	LH SW PANEL-MULTI FUNC. LEV.	AMP FF	8	561188	-----
C74	LH SW PANEL-MULTI FUNC. LEV.	AMP FF	6	-----	561108
C77	UNDER DASH-3 WAY SW	TC	2	561030	560997
C78	LUGGAGE COMPT.-DOOR LOCK 4 LH	AMP MNL	4	560851	560852
C79	LUGGAGE COMPT.-DOOR LOCK 4 RH	AMP MNL	4	560851	560852
C80	FR JCT PANEL-LUG. DOOR LOCK	AMP MNL	6	561552	561515
C81	LUGGAGE COMPT.-DOOR LOCK 1 LH	AMP MNL	4	560851	560852
C82	LUGGAGE COMPT.-DOOR LOCK 1 RH	AMP MNL	4	560851	560852
C83	UNDER DASH-FLASHER MODULE	TC	10	561072	561110
C84	UNDER DASH-A/C SYSTEM	TC	3	561091	561071
C85	LUGGAGE COMPT.-DOOR LOCK 3 RH	AMP MNL	4	560851	560852
C86	LUGGAGE COMPT.-DOOR LOCK 3 LH	AMP MNL	4	560851	560852
C88	RR END ROOF-CLEARANCE LTS	AMP MNL	2	560900	560898
C98	A/C JCT BOX	ITT SS	4	561998	561999
C99	A/C JCT BOX	ITT SS	3	561111	561080
C100	A/C JCT BOX	ITT SS	2	561813	561812
C101	CONDENSER COMPT.-A/C PRES. SW	PED WP	2	561566	561690
C105	UNDER DASH RH-DRV LIQ SOL VL	TC	2	561030	560997
C106	UNDER DASH RH-DRV WTR VALVE	TC	2	561030	560997
C107	UNDER DASH RH-DRV HTR RH FAN	TC	2	561030	560997
C108	UNDER DASH RH-DRV HTR LH FAN	TC	2	561030	560997

NO.	LOCATION	TYPE	(NB) CAVITY	*PIN HOUSING	*SOCKET HOUSING
C109	RH CONSOLE SW-A/C CLUTCH SW	SWF	8	-----	561107
C114	ENGINE DDEC II-SPEED SIGNAL	PED WP	2	561566	561590
C115	RR JCT BOX	DEUTSCH	40	562281	562284
C116	DRIVE AXLE COMPT.-AIR DRYER	PED MP	2	-----	562251
C119	ENGINE COMPT.-LH LOWER LAMP	PED WP	6	561606	561607
C120	ENGINE COMPT.-LH LOWER LAMP	PED WP	6	561606	561607
C127	FR SERVICE COMPT.-JACOB	PED WP	4	561610	561783
C131	LH CONSOLE SW-LUG.DOOR LOCK	SWF	8	-----	561107
C132	LH CONSOLE SW-DRIVER'S LTS	SWF	8	-----	561107
C133	LH CONS.SW-JACOB OR RETARDER	SWF	8	-----	561107
C135	LH SW PANEL-ETHER	SWF	8	-----	561107
C136	LH CONSOLE SW-MIRROR HTR	SWF	8	-----	561107
C137	RH SW PANEL-HEAD LAMP	SWF	8	-----	561107
C138	RH SW PANEL-SPARE	SWF	8	-----	561107
C139	RH SW PANEL-FOG LAMP	SWF	8	-----	561107
C140	FR JCT PANEL-BAT. HI/LO	AMP MNL	2	560900	560898
C141	ENGINE COMPT.-B/UP ALARM	PED WP	2	561566	561590
C142	FR SERVICE CPT-LH MARKER LTS	ITT SS	3	561111	561080
C146	FR SERVICE CPT-RH MARKER LTS	ITT SS	3	561111	561080
C154	RH SW PANEL-HAZARD	SWF	8	-----	561107
C155	LH SW PANEL-FAST IDLE	SWF	8	-----	561107
C156	LH SW PANEL-STP ENG. OVER.	SWF	8	-----	561107
C157	RH SW PANEL-ENTRANCE DOOR LCK	SWF	8	-----	561107
C160	FR SERVICE CPT-INTERFACE	AMP CPC	37	561644	561646
C161	ENGINE DDEC III-ECM	PED	30	-----	561600
C162	ENGINE DDEC III-ACCESSORIES	PED WP	4	561610	561611
C163	ENGINE CPT-COOLANT PROBE	PED MP	2	-----	562350
C164	FR SERVICE JCT BOX	AMP CPC	22	561709	561710
C165	FR SERVICE JCT BOX	AMP CPC	16	561693	561695
C166	UNDER INSTRUMENT PANEL	AMP CPC	16	561639	561640
C167	FR SERVICE CPT-EL. FOOT PEDAL	PED WP	3	561781	561782
C168	FR SERVICE CPT-DDR	DEUTSCH	6	562360	-----
C169	FR SERVICE CPT-WORLD TR. VIW	AMP CPC	16	561638	561640
C180	FR JCT PANEL-DIODES	MOLEX	10	-----	561251
C181	FR SERVICE COMPT.-LEVEL LOW	AMP MNL	6	561552	561515
C182	FR SERVICE CPT-SPEED SW	AMP HDP	15	-----	562012
C187	FR SERVICE JCT BOX-RESISTORS	AMP MNL	6	561552	561515
C190	FR SERVICE CPT.-WORLD TR VIM	PED WP	30	-----	561600
C199	FR SERV. JCT BOX-SERVICE BRK	AMP MNL	3	561667	561550
C201	UNDER INSTRUMENT PANEL	AMP MNL	2	560900	560898
C202	UNDER INSTRUMENT PANEL	AMP CPC	9	561636	561637
C206	RH CONSOLE-FR DEFROSTER	TC	2	561030	560997
C207	RH CONSOLE-DRV RHEOSTAT	AMP MNL	6	561552	561515
C208	UNDER DASH-DRV HTR MODULE	AMP MNL	9	561670	561669
C209	UNDER DASH-DRV HTR MODULE	AMP MNL	9	561670	561669
C213	FR ROOF-CLEARANCE LT	AMP MNL	2	560900	560898
C230	ENG.CPT. -FUEL PRIME PUMP SW.	PED WP	2	561566	561690
C231	ENG.CPT. -FUEL PRIME PUMP	PED WP	2	561566	561690
C234	UNDER INSTRUMENT PANEL-VDO	AMP MNL	4	560851	560852 PRIOR REV.009
C234	UNDER INSTRUMENT PANEL-VDO	AMP FF	8	-----	562363
C235	UNDER INSTRUMENT PANEL-VDO	AMP MNL	4	560851	560852 PRIOR REV.009
C235	UNDER INSTRUMENT PANEL-VDO	AMP FF	8	-----	562363
C236	FR SERVICE CPT CENTER-ABS	AMP CPC	14	561585	561583
C237	FR AXLE CPT-ABS RH SENSOR	WABCO	2	641132	-----
C238	FR AXLE CPT-ABS RH VALVE	WABCO	3	-----	641098
C239	FR AXLE CPT-ABS LH VALVE	WABCO	3	-----	641098
C240	FR AXLE CPT-ABS LH SENSOR	WABCO	2	641132	-----
C241	DRIVE AXLE CPT-ABS	PED WP	6	561606	561607

NO.	LOCATION	TYPE	(NB) CAVITY	*PIN HOUSING	*SOCKET HOUSING
C242	DRIVE AXLE CPT-ABS LH SENSOR	DEUTSCH	2	562486	562485
C243	DRIVE AXLE CPT-ABS LH VALVE	WABCO	3	-----	641098
C244	DRIVE AXLE CPT-ABS RH VALVE	WABCO	3	-----	641098
C245	DRIVE AXLE CPT-ABS RH SENSOR	DEUTSCH	2	562486	562485
C246	DRIVE AXLE CPT-ABS SPARE	PED WP	4	561610	561611
C247	FR SERVICE CPT-ABS MODULE	WABCO	35	-----	561094
C248	DRIVE AXLE CPT-ABS	PED WP	6	561606	561607
C249	FR SERVICE CPT-ABS/DDEC	PED WP	2	561566	561690
C250	RH SW PANEL-B/UP CANCEL	SWF	8	-----	561107
C251	RH SW PANEL-SEAT HTR	SWF	8	-----	561107
C252	LH SW PANEL-SWITCH LT	SWF	2	-----	561837
C253	LUGGAGE COMPT.-WINDOW AJAR	MOLEX	4	561477	561476
C254	FR SERVICE JCT BOX-ABS	AMP CPC	16	561693	561695
C257	ENGINE COMPT-WATER HEATER	AMP FF	6	-----	561186
C258	LH CONSOLE-WATER HTR TIMER	AMP FF	8	561188	562363
C259	ENGINE COMPT-WATER HEATER	TC.	2	561597	-----
C260	ENGINE COMPT-WATER HEATER	TC.	1	561073	-----
C261	ENGINE COMPT-WATER HEATER	TC.	2	561597	-----
C267	LUGGAGE COMPT. LTS - 1	AMP MNL	2	561248	561247
C268	LUGGAGE COMPT. LTS - 2	AMP MNL	2	561248	561247
C269	LUGGAGE COMPT. LTS - 3 RH	AMP MNL	2	561248	561247
C270	LUGGAGE COMPT. LTS - 3 LH	AMP MNL	2	561248	561247
C271	LUGGAGE COMPT. LTS - 4	AMP MNL	2	561248	561247
C272	FR SERVICE CPT LTS	AMP MNL	2	561248	561247
C273	LH CONSOLE SW-UNLOAD TAG	SWF	8	-----	561107
C274	FR JCT PANEL-DIODES	AMP MNL	15	561987	561986
C275	FR JCT PANEL-DIODES	AMP MNL	15	561987	561986
C276	FR JCT PANEL-ALARM BUZZER	BOSCH	5	-----	561183
C280	ENGINE COMPT-COMPRESSOR STD	PED WP	2	561566	561690
C290	LUGGAGE CPT-DOOR LOCK	AMP MNL	4	560851	560852
C291	LUGGAGE CPT-DOOR LOCK	AMP MNL	4	560851	560852
C292	LUGGAGE CPT-DOOR LOCK	AMP MNL	4	560851	560852
C293	WIPER MOTOR	AMP FF	6	-----	561186
C294	UNDER DASH-WIPER SYST. FEED	AMP MNL	6	561552	561515
C295	UNDER DASH-WIPER PULSE GEN.	AMP FF	6	-----	561186
C296	FR SERVICE CPT-HEAD LTS	ITT SS	3	561111	561080
C302	UNDER DASH-FLASHER MODULE	AMP MNL	2	560900	560898
C303	RR JCT BOX-DIODES	AMP MNL	15	561987	561986
C304	ENGINE COMPT-RETARDER VALVE	AMPHENOL	2	-----	560412
C309	ENGINE DDEC III-ECM POWER	PED WP	5	-----	562345
C312	ENGINE DDEC III-ACCESSORIES	PED WP	2	561566	561690
C313	ENGINE DDEC III-INPUT	PED WP	3	562398	-----
C314	FR.ROOF - RH SUN VISOR	AMP MNL	2	560900	560898
C315	FR.ROOF - LH SUN VISOR	AMP MNL	2	560900	560898
C316	FR JCT PANEL - SUN VISOR	AMP MNL	4	560851	560852
C317	RH CONSOLE - LH SUN VISOR SW.	SWF	8	-----	561107
C318	RH CONSOLE - RH SUN VISOR SW.	SWF	8	-----	561107
C326	ENGINE DDEC III- HYDR. TR.	PED WP	4	561610	561611
C359	ENGINE COMPT-UNLOAD TAG VALVE	PED WP	2	561566	561690
C360	ENGINE COMPT-UNLOAD TAG VALVE	PED WP	2	561566	561690
C361	ENGINE COMPT-UNLOAD TAG VALVE	PED WP	2	561566	561690
C381	ENGINE S60 AIR TEMP SW	PED WP	2	561566	561690
C382	ENGINE GENERATOR 12 VAC RLY	PED WP	1	561605	561577
C426	ENGINE S60 RAD. FAN CLUTCH	PED WP	3	561781	561782
C427	ENGINE S60 TEMP SENSOR	BEHR	3	-----	562310
C428	RH CONSOLE-RHEOSTAT A/C (F A)	AMP MNL	3	561667	561550

NO.	LOCATION	TYPE	(NB) CAVITY	*PIN HOUSING	*SOCKET HOUSING
C456	WORLD TRANSM.-RETARDER ACCUM.	PED MP	2	-----	562427
C457	WORLD TRANSM.-MAIN CONNECTOR	DEUTSCH	31	562572	562536
C458	WORLD TRANSM.-TURBINE SP.SENS	PED MP	2	-----	562426
C459	WORLD TRANSM.-ENGINE SP.SENS.	PED MP	2	-----	562426
C460	WORLD TRANSM.-SPEED SENSOR	ITT	2	-----	562541
C461	WORLD TRANSM.-RETARDER TEMP.	PED MP	2	561566	561590
C462	WORLD TRANSM.-RETARD SOL."K"	PED MP	2	-----	562426
C463	WORLD TRANSM.-SENSOR CONN.	DEUTSCH	16	562570	562571
C464	FR SERVICE CPT.-DDL CONN W.T.	PED MP	12	-----	562574
C465	LH CONSOLE-SHIFTER SELECTOR	T & BET	10	-----	562429
C466	FR SERVICE CPT.-RESIS. MOD.	PED WP	3	-----	562428
C467	FR SERVICE CPT.-RESIS. MOD.	PED WP	3	-----	562428
C468	FR SERVICE CPT.-VIM MOD. W.T.	PED MP	18	-----	562573
C475	FR SERVICE CPT-SPEED SIGN CON	DEUTSCH	6	-----	562581
C475M	FR SERVICE CPT-SPEED SIGN M.T	DEUTSCH	6	562583	-----
C475W	FR SERVICE CPT-SPEED SIGN W.T	DEUTSCH	6	562583	-----
C500	FR. JCT PANEL-PRODRIVER	MOLEX	6	562070	562069
C501	RH CONSOLE-PRODRIVVER	PED	7	562433	-----
C502	RH CONSOLE-LEVEL LOW	PED	8	-----	561107
C508	RR JCT BOX-FAN CLUTCH MOD	AMP MNL	6	561552	561515
C509	EVAPORATOR CPT-SPEED VARIATOR	DEUTSCH	5	562565	562566
CA	FR SERVICE CPT-ECU WORLD TR.	T & BET	34	-----	562419
CB	FR SERVICE CPT-ECU WORLD TR.	T & BET	34	-----	562420

NO.	LOCATION	TYPE	(NB) CAVITY	*PIN HOUSING	*SOCKET HOUSING
C3	UNDER DASH-LH	AMP CPC	37	561645	561646
C7	FR SERVICE COMPT.-CLUTCH SW	ITT SS	3	561111	561080
C11	LH CONSOLE SW-MIRROR	AMP MNL	3	561667	561550
C12	LH CONSOLE SW-MIRROR HTR	AMP MNL	2	561248	561247
C13	LH CONSOLE SW-MIRROR	AMP MNL	6	561552	561515
C14	UNDER DASH LH-MIRROR	AMP MNL	9	561670	561669
C15	UNDER DASH RH-MIRROR	AMP MNL	9	561670	561669
C18	UNDER DASH-FIRE ALARM	AMP MNL	2	560900	560898
C19	UNDER DASH-A/C & HEAT SYST.	TC	10	561072	561110
C21	LUGGAGE COMPT.-LOCK DOOR MOT.	PED	2	-----	562076
C22	ENGINE COMPT.-CYCLOP LT	PED WP	2	561566	561690
C23	FR SERVICE COMPT.-WTR PUMP	PED WP	2	561566	561690
C26	UNDER INSTRUMENT.-PANEL RHEO.	TC	2	561030	560997
C28	FR SERVICE COMPT.-SEAT HTR	AMP MNL	2	560900	560898
C29	FR SERVICE COMPT.-VIM FEED	PED WP	3	561781	561782
C30	FR SERVICE COMPT.-SEAT ELECT.	PED WP	2	562237	-----
C32	RH CONSOLE-DRV TEMP SENSOR	BURNDY	3	-----	561104
C33	ENGINE DDEC II-SPARE GOV.	PED WP	2	561566	561690
C34	RH CONSOLE-DRV TEMP CTRL	BURNDY	6	-----	561103
C35	RECIRULATED AIR GRIL.-SENSE	BURNDY	3	-----	561104
C36	LH CONSOLE SW-CRUISE ON/OFF	SWF	8	-----	561107
C37	LH CONSOLE SW-CRUISE SET	SWF	8	-----	561107
C38	LH CONSOLE SW-CRUISE RESUME	SWF	8	-----	561107
C41	UNDER DASH-FLASHER UNIT	TC	2	-----	561940
C49	FR JCT PANEL-PARK BRK ALARM	AMP MNL	2	560900	560898
C50	RH CONSOLE-PAS. TEMP CTRL	BURNDY	6	-----	561103
C51	RH CONSOLE SW-A/C & HEAT	SWF	8	-----	561107
C52	ENGINE COMPT.-COMPRESSOR Ø5G	PED WP	2	561566	561690
C53	ENGINE COMPT.-COMPRESSOR Ø5G	PED WP	2	561566	561690
C54	ENGINE COMPT.-COMPRESSOR Ø5G	TC	1	560098	560697
C55	CENTRAL DOOR	PED WP	2	561566	561690
C61	ENGINE COMPT.-FUEL FILTER	PED WP	2	561566	561690
C62	ENGINE COMPT.-COMPRESSOR STD	PED WP	2	561566	561690
C63	ENGINE COMPT.-COMPRESSOR STD	PED WP	2	561566	561690
C64	ENGINE COMPT.-COMPRESSOR STD	TC	1	560098	560697
C65	ENG.CPT-PRESS.SW. FAN CLUTCH	PED WP	2	561566	561690
C70	FR JCT PANEL-DOCKING LTS	TC	1	560098	560697
C73	LH SW PANEL-MULTI FUNC. LEV.	AMP FF	8	561188	-----
C74	LH SW PANEL-MULTI FUNC. LEV.	AMP FF	6	-----	561108
C77	UNDER DASH-3 WAY SW	TC	2	561030	560997
C78	LUGGAGE COMPT.-DOOR LOCK 4 LH	AMP MNL	4	560851	560852
C79	LUGGAGE COMPT.-DOOR LOCK 4 RH	AMP MNL	4	560851	560852
C80	FR JCT PANEL-LUG. DOOR LOCK	AMP MNL	6	561552	561515
C81	LUGGAGE COMPT.-DOOR LOCK 1 LH	AMP MNL	4	560851	560852
C82	LUGGAGE COMPT.-DOOR LOCK 1 RH	AMP MNL	4	560851	560852
C83	UNDER DASH-FLASHER MODULE	TC	10	561072	561110
C84	UNDER DASH-A/C SYSTEM	TC	3	561091	561071
C85	LUGGAGE COMPT.-DOOR LOCK 3 RH	AMP MNL	4	560851	560852
C86	LUGGAGE COMPT.-DOOR LOCK 3 LH	AMP MNL	4	560851	560852
C88	RR END ROOF-CLEARANCE LTS	AMP MNL	2	560900	560898
C98	A/C JCT BOX	ITT SS	4	561998	561999
C99	A/C JCT BOX	ITT SS	3	561111	561080
C100	A/C JCT BOX	ITT SS	2	561813	561812
C101	CONDENSER COMPT.-A/C PRES. SW	PED WP	2	561566	561690
C105	UNDER DASH RH-DRV LIQ SOL VL	TC	2	561030	560997
C106	UNDER DASH RH-DRV WTR VALVE	TC	2	561030	560997
C107	UNDER DASH RH-DRV HTR RH FAN	TC	2	561030	560997
C108	UNDER DASH RH-DRV HTR LH FAN	TC	2	561030	560997

NO.	LOCATION	TYPE	(NB) CAVITY	*PIN HOUSING	*SOCKET HOUSING
C109	RH CONSOLE SW-A/C CLUTCH SW	SWF	8	-----	561107
C114	ENGINE DDEC II-SPEED SIGNAL	PED WP	2	561566	561590
C115	RR JCT BOX	DEUTSCH	40	562281	562284
C116	DRIVE AXLE COMPT.-AIR DRYER	PED MP	2	-----	562251
C119	ENGINE COMPT.-LH LOWER LAMP	PED WP	6	561606	561607
C120	ENGINE COMPT.-LH LOWER LAMP	PED WP	6	561606	561607
C127	FR SERVICE COMPT.-JACOB	PED WP	4	561610	561783
C131	LH CONSOLE SW-LUG.DOOR LOCK	SWF	8	-----	561107
C132	LH CONSOLE SW-DRIVER'S LTS	SWF	8	-----	561107
C133	LH CONS.SW-JACOB OR RETARDER	SWF	8	-----	561107
C135	LH SW PANEL-ETHER	SWF	8	-----	561107
C136	LH CONSOLE SW-MIRROR HTR	SWF	8	-----	561107
C137	RH SW PANEL-HEAD LAMP	SWF	8	-----	561107
C138	RH SW PANEL-SPARE	SWF	8	-----	561107
C139	RH SW PANEL-FOG LAMP	SWF	8	-----	561107
C140	FR JCT PANEL-BAT. HI/LO	AMP MNL	2	560900	560898
C141	ENGINE COMPT.-B/UP ALARM	PED WP	2	561566	561590
C142	FR SERVICE CPT-LH MARKER LTS	ITT SS	3	561111	561080
C146	FR SERVICE CPT-RH MARKER LTS	ITT SS	3	561111	561080
C154	RH SW PANEL-HAZARD	SWF	8	-----	561107
C155	LH SW PANEL-FAST IDLE	SWF	8	-----	561107
C156	LH SW PANEL-STP ENG. OVER.	SWF	8	-----	561107
C157	RH SW PANEL-ENTRANCE DOOR LCK	SWF	8	-----	561107
C160	FR SERVICE CPT-INTERFACE	AMP CPC	37	561644	561646
C161	ENGINE DDEC III-ECM	PED	30	-----	561600
C162	ENGINE DDEC III-ACCESSORIES	PED WP	4	561610	561611
C163	ENGINE CPT-COOLANT PROBE	PED MP	2	-----	562350
C164	FR SERVICE JCT BOX	AMP CPC	22	561709	561710
C165	FR SERVICE JCT BOX	AMP CPC	16	561693	561695
C166	UNDER INSTRUMENT PANEL	AMP CPC	16	561639	561640
C167	FR SERVICE CPT-EL. FOOT PEDAL	PED WP	3	561781	561782
C168	FR SERVICE CPT-DDR	DEUTSCH	6	562360	-----
C169	FR SERVICE CPT-WORLD TR. VIW	AMP CPC	16	561638	561640
C180	FR JCT PANEL-DIODES	MOLEX	10	-----	561251
C181	FR SERVICE COMPT.-LEVEL LOW	AMP MNL	6	561552	561515
C182	FR SERVICE CPT-SPEED SW	AMP HDP	15	-----	562012
C187	FR SERVICE JCT BOX-RESISTORS	AMP MNL	6	561552	561515
C190	FR SERVICE CPT.-WORLD TR VIM	PED WP	30	-----	561600
C199	FR SERV. JCT BOX-SERVICE BRK	AMP MNL	3	561667	561550
C201	UNDER INSTRUMENT PANEL	AMP MNL	2	560900	560898
C202	UNDER INSTRUMENT PANEL	AMP CPC	9	561636	561637
C206	RH CONSOLE-FR DEFROSTER	TC	2	561030	560997
C207	RH CONSOLE-DRV RHEOSTAT	AMP MNL	6	561552	561515
C208	UNDER DASH-DRV HTR MODULE	AMP MNL	9	561670	561669
C209	UNDER DASH-DRV HTR MODULE	AMP MNL	9	561670	561669
C213	FR ROOF-CLEARANCE LT	AMP MNL	2	560900	560898
C230	ENG.CPT. -FUEL PRIME PUMP SW.	PED WP	2	561566	561690
C231	ENG.CPT. -FUEL PRIME PUMP	PED WP	2	561566	561690
C234	UNDER INSTRUMENT PANEL-VDO	AMP MNL	4	560851	560852 PRIOR REV.009
C234	UNDER INSTRUMENT PANEL-VDO	AMP FF	8	-----	562363
C235	UNDER INSTRUMENT PANEL-VDO	AMP MNL	4	560851	560852 PRIOR REV.009
C235	UNDER INSTRUMENT PANEL-VDO	AMP FF	8	-----	562363
C236	FR SERVICE CPT CENTER-ABS	AMP CPC	14	561585	561583
C237	FR AXLE CPT-ABS RH SENSOR	WABCO	2	641132	-----
C238	FR AXLE CPT-ABS RH VALVE	WABCO	3	-----	641098
C239	FR AXLE CPT-ABS LH VALVE	WABCO	3	-----	641098
C240	FR AXLE CPT-ABS LH SENSOR	WABCO	2	641132	-----
C241	DRIVE AXLE CPT-ABS	PED WP	6	561606	561607

NO.	LOCATION	TYPE	(NB) CAVITY	*PIN HOUSING	*SOCKET HOUSING
C242	DRIVE AXLE CPT-ABS LH SENSOR	DEUTSCH	2	562486	562485
C243	DRIVE AXLE CPT-ABS LH VALVE	WABCO	3	-----	641098
C244	DRIVE AXLE CPT-ABS RH VALVE	WABCO	3	-----	641098
C245	DRIVE AXLE CPT-ABS RH SENSOR	DEUTSCH	2	562486	562485
C246	DRIVE AXLE CPT-ABS SPARE	PED WP	4	561610	561611
C247	FR SERVICE CPT-ABS MODULE	WABCO	35	-----	561094
C248	DRIVE AXLE CPT-ABS	PED WP	6	561606	561607
C249	FR SERVICE CPT-ABS/DDEC	PED WP	2	561566	561690
C250	RH SW PANEL-B/UP CANCEL	SWF	8	-----	561107
C251	RH SW PANEL-SEAT HTR	SWF	8	-----	561107
C252	LH SW PANEL-SWITCH LT	SWF	2	-----	561837
C253	LUGGAGE COMPT.-WINDOW AJAR	MOLEX	4	561477	561476
C254	FR SERVICE JCT BOX-ABS	AMP CPC	16	561693	561695
C257	ENGINE COMPT-WATER HEATER	AMP FF	6	-----	561186
C258	LH CONSOLE-WATER HTR TIMER	AMP FF	8	561188	562363
C259	ENGINE COMPT-WATER HEATER	TC.	2	561597	-----
C260	ENGINE COMPT-WATER HEATER	TC.	1	561073	-----
C261	ENGINE COMPT-WATER HEATER	TC.	2	561597	-----
C267	LUGGAGE COMPT. LTS - 1	AMP MNL	2	561248	561247
C268	LUGGAGE COMPT. LTS - 2	AMP MNL	2	561248	561247
C269	LUGGAGE COMPT. LTS - 3 RH	AMP MNL	2	561248	561247
C270	LUGGAGE COMPT. LTS - 3 LH	AMP MNL	2	561248	561247
C271	LUGGAGE COMPT. LTS - 4	AMP MNL	2	561248	561247
C272	FR SERVICE CPT LTS	AMP MNL	2	561248	561247
C273	LH CONSOLE SW-UNLOAD TAG	SWF	8	-----	561107
C274	FR JCT PANEL-DIODES	AMP MNL	15	561987	561986
C275	FR JCT PANEL-DIODES	AMP MNL	15	561987	561986
C276	FR JCT PANEL-ALARM BUZZER	BOSCH	5	-----	561183
C280	ENGINE COMPT-COMPRESSOR STD	PED WP	2	561566	561690
C290	LUGGAGE CPT-DOOR LOCK	AMP MNL	4	560851	560852
C291	LUGGAGE CPT-DOOR LOCK	AMP MNL	4	560851	560852
C292	LUGGAGE CPT-DOOR LOCK	AMP MNL	4	560851	560852
C293	WIPER MOTOR	AMP FF	6	-----	561186
C294	UNDER DASH-WIPER SYST. FEED	AMP MNL	6	561552	561515
C295	UNDER DASH-WIPER PULSE GEN.	AMP FF	6	-----	561186
C296	FR SERVICE CPT-HEAD LTS	ITT SS	3	561111	561080
C302	UNDER DASH-FLASHER MODULE	AMP MNL	2	560900	560898
C303	RR JCT BOX-DIODES	AMP MNL	15	561987	561986
C304	ENGINE COMPT-RETARDER VALVE	AMPHENOL	2	-----	560412
C309	ENGINE DDEC III-ECM POWER	PED WP	5	-----	562345
C312	ENGINE DDEC III-ACCESSORIES	PED WP	2	561566	561690
C313	ENGINE DDEC III-INPUT	PED WP	3	562398	-----
C314	FR.ROOF - RH SUN VISOR	AMP MNL	2	560900	560898
C315	FR.ROOF - LH SUN VISOR	AMP MNL	2	560900	560898
C316	FR JCT PANEL - SUN VISOR	AMP MNL	4	560851	560852
C317	RH CONSOLE - LH SUN VISOR SW.	SWF	8	-----	561107
C318	RH CONSOLE - RH SUN VISOR SW.	SWF	8	-----	561107
C326	ENGINE DDEC III- HYDR. TR.	PED WP	4	561610	561611
C359	ENGINE COMPT-UNLOAD TAG VALVE	PED WP	2	561566	561690
C360	ENGINE COMPT-UNLOAD TAG VALVE	PED WP	2	561566	561690
C361	ENGINE COMPT-UNLOAD TAG VALVE	PED WP	2	561566	561690
C381	ENGINE S60 AIR TEMP SW	PED WP	2	561566	561690
C382	ENGINE GENERATOR 12 VAC RLY	PED WP	1	561605	561577
C426	ENGINE S60 RAD. FAN CLUTCH	PED WP	3	561781	561782
C427	ENGINE S60 TEMP SENSOR	BEHR	3	-----	562310
C428	RH CONSOLE-RHEOSTAT A/C (F A)	AMP MNL	3	561667	561550

NO.	LOCATION	TYPE	(NB) CAVITY	*PIN HOUSING	*SOCKET HOUSING
C456	WORLD TRANSM.-RETARDER ACCUM.	PED MP	2	-----	562427
C457	WORLD TRANSM.-MAIN CONNECTOR	DEUTSCH	31	562572	562536
C458	WORLD TRANSM.-TURBINE SP.SENS	PED MP	2	-----	562426
C459	WORLD TRANSM.-ENGINE SP.SENS.	PED MP	2	-----	562426
C460	WORLD TRANSM.-SPEED SENSOR	ITT	2	-----	562541
C461	WORLD TRANSM.-RETARDER TEMP.	PED MP	2	561566	561590
C462	WORLD TRANSM.-RETARD SOL."K"	PED MP	2	-----	562426
C463	WORLD TRANSM.-SENSOR CONN.	DEUTSCH	16	562570	562571
C464	FR SERVICE CPT.-DDL CONN W.T.	PED MP	12	-----	562574
C465	LH CONSOLE-SHIFTER SELECTOR	T & BET	10	-----	562429
C466	FR SERVICE CPT.-RESIS. MOD.	PED WP	3	-----	562428
C467	FR SERVICE CPT.-RESIS. MOD.	PED WP	3	-----	562428
C468	FR SERVICE CPT.-VIM MOD. W.T.	PED MP	18	-----	562573
C475	FR SERVICE CPT-SPEED SIGN CON	DEUTSCH	6	-----	562581
C475M	FR SERVICE CPT-SPEED SIGN M.T	DEUTSCH	6	562583	-----
C475W	FR SERVICE CPT-SPEED SIGN W.T	DEUTSCH	6	562583	-----
C500	FR. JCT PANEL-PRODRIVER	MOLEX	6	562070	562069
C501	RH CONSOLE-PRODRIVVER	PED	7	562433	-----
C502	RH CONSOLE-LEVEL LOW	PED	8	-----	561107
C508	RR JCT BOX-FAN CLUTCH MOD	AMP MNL	6	561552	561515
C509	EVAPORATOR CPT-SPEED VARIATOR	DEUTSCH	5	562565	562566
C510	FR SERVICE CPT-RESIST.RUN LTS	PED	2	561566	561590
CA	FR SERVICE CPT-ECU WORLD TR.	T & BET	34	-----	562419
CB	FR SERVICE CPT-ECU WORLD TR.	T & BET	34	-----	562420

NO.	LOCATION	TYPE	(NB) CAVITY	*PIN HOUSING	*SOCKET HOUSING
C3	UNDER DASH-LH	AMP CPC	37	561645	561646
C7	FR SERVICE COMPT.-CLUTCH SW	ITT SS	3	561111	561080
C11	LH CONSOLE SW-MIRROR	AMP MNL	3	561667	561550
C12	LH CONSOLE SW-MIRROR HTR	AMP MNL	2	561248	561247
C13	LH CONSOLE SW-MIRROR	AMP MNL	6	561552	561515
C14	UNDER DASH LH-MIRROR	AMP MNL	9	561670	561669
C15	UNDER DASH RH-MIRROR	AMP MNL	9	561670	561669
C18	UNDER DASH-FIRE ALARM	AMP MNL	2	560900	560898
C19	UNDER DASH-A/C & HEAT SYST.	TC	10	561072	561110
C21	LUGGAGE COMPT.-LOCK DOOR MOT.	PED	2	-----	562076
C22	ENGINE COMPT.-CYCLOP LT	PED WP	2	561566	561690
C23	FR SERVICE COMPT.-WTR PUMP	PED WP	2	561566	561690
C26	UNDER INSTRUMENT.-PANEL RHEO.	TC	2	561030	560997
C28	FR SERVICE COMPT.-SEAT HTR	AMP MNL	2	560900	560898
C29	FR SERVICE COMPT.-VIM FEED	PED WP	3	561781	561782
C30	FR SERVICE COMPT.-SEAT ELECT.	PED WP	2	562237	-----
C32	RH CONSOLE-DRV TEMP SENSOR	BURNDY	3	-----	561104
C33	ENGINE DDEC II-SPARE GOV.	PED WP	2	561566	561690
C34	RH CONSOLE-DRV TEMP CTRL	BURNDY	6	-----	561103
C35	RECIRULATED AIR GRIL.-SENSE	BURNDY	3	-----	561104
C36	LH CONSOLE SW-CRUISE ON/OFF	SWF	8	-----	561107
C37	LH CONSOLE SW-CRUISE SET	SWF	8	-----	561107
C38	LH CONSOLE SW-CRUISE RESUME	SWF	8	-----	561107
C41	UNDER DASH-FLASHER UNIT	TC	2	-----	561940
C49	FR JCT PANEL-PARK BRK ALARM	AMP MNL	2	560900	560898
C50	RH CONSOLE-PAS. TEMP CTRL	BURNDY	6	-----	561103
C51	RH CONSOLE SW-A/C & HEAT	SWF	8	-----	561107
C52	ENGINE COMPT.-COMPRESSOR Ø5G	PED WP	2	561566	561690
C53	ENGINE COMPT.-COMPRESSOR Ø5G	PED WP	2	561566	561690
C54	ENGINE COMPT.-COMPRESSOR Ø5G	TC	1	560098	560697
C55	CENTRAL DOOR	PED WP	2	561566	561690
C61	ENGINE COMPT.-FUEL FILTER	PED WP	2	561566	561690
C62	ENGINE COMPT.-COMPRESSOR STD	PED WP	2	561566	561690
C63	ENGINE COMPT.-COMPRESSOR STD	PED WP	2	561566	561690
C64	ENGINE COMPT.-COMPRESSOR STD	TC	1	560098	560697
C65	ENG.CPT-PRESS.SW. FAN CLUTCH	PED WP	2	561566	561690
C70	FR JCT PANEL-DOCKING LTS	TC	1	560098	560697
C73	LH SW PANEL-MULTI FUNC. LEV.	AMP FF	8	561188	-----
C74	LH SW PANEL-MULTI FUNC. LEV.	AMP FF	6	-----	561108
C77	UNDER DASH-3 WAY SW	TC	2	561030	560997
C78	LUGGAGE COMPT.-DOOR LOCK 4 LH	AMP MNL	4	560851	560852
C79	LUGGAGE COMPT.-DOOR LOCK 4 RH	AMP MNL	4	560851	560852
C80	FR JCT PANEL-LUG. DOOR LOCK	AMP MNL	6	561552	561515
C81	LUGGAGE COMPT.-DOOR LOCK 1 LH	AMP MNL	4	560851	560852
C82	LUGGAGE COMPT.-DOOR LOCK 1 RH	AMP MNL	4	560851	560852
C83	UNDER DASH-FLASHER MODULE	TC	10	561072	561110
C84	UNDER DASH-A/C SYSTEM	TC	3	561091	561071
C85	LUGGAGE COMPT.-DOOR LOCK 3 RH	AMP MNL	4	560851	560852
C86	LUGGAGE COMPT.-DOOR LOCK 3 LH	AMP MNL	4	560851	560852
C88	RR END ROOF-CLEARANCE LTS	AMP MNL	2	560900	560898
C98	A/C JCT BOX	ITT SS	4	561998	561999
C99	A/C JCT BOX	ITT SS	3	561111	561080
C100	A/C JCT BOX	ITT SS	2	561813	561812
C101	CONDENSER COMPT.-A/C PRES. SW	PED WP	2	561566	561690
C105	UNDER DASH RH-DRV LIQ SOL VL	TC	2	561030	560997
C106	UNDER DASH RH-DRV WTR VALVE	TC	2	561030	560997
C107	UNDER DASH RH-DRV HTR RH FAN	TC	2	561030	560997
C108	UNDER DASH RH-DRV HTR LH FAN	TC	2	561030	560997

NO.	LOCATION	TYPE	(NB) CAVITY	*PIN HOUSING	*SOCKET HOUSING
C109	RH CONSOLE SW-A/C CLUTCH SW	SWF	8	-----	561107
C114	ENGINE DDEC II-SPEED SIGNAL	PED WP	2	561566	561590
C115	RR JCT BOX	DEUTSCH	40	562281	562284
C116	DRIVE AXLE COMPT.-AIR DRYER	PED MP	2	-----	562251
C119	ENGINE COMPT.-LH LOWER LAMP	PED WP	6	561606	561607
C120	ENGINE COMPT.-LH LOWER LAMP	PED WP	6	561606	561607
C127	FR SERVICE COMPT.-JACOB	PED WP	4	561610	561783
C131	LH CONSOLE SW-LUG.DOOR LOCK	SWF	8	-----	561107
C132	LH CONSOLE SW-DRIVER'S LTS	SWF	8	-----	561107
C133	LH CONS.SW-JACOB OR RETARDER	SWF	8	-----	561107
C135	LH SW PANEL-ETHER	SWF	8	-----	561107
C136	LH CONSOLE SW-MIRROR HTR	SWF	8	-----	561107
C137	RH SW PANEL-HEAD LAMP	SWF	8	-----	561107
C138	RH SW PANEL-SPARE	SWF	8	-----	561107
C139	RH SW PANEL-FOG LAMP	SWF	8	-----	561107
C140	FR JCT PANEL-BAT. HI/LO	AMP MNL	2	560900	560898
C141	ENGINE COMPT.-B/UP ALARM	PED WP	2	561566	561590
C142	FR SERVICE CPT-LH MARKER LTS	ITT SS	3	561111	561080
C146	FR SERVICE CPT-RH MARKER LTS	ITT SS	3	561111	561080
C154	RH SW PANEL-HAZARD	SWF	8	-----	561107
C155	LH SW PANEL-FAST IDLE	SWF	8	-----	561107
C156	LH SW PANEL-STP ENG. OVER.	SWF	8	-----	561107
C157	RH SW PANEL-ENTRANCE DOOR LCK	SWF	8	-----	561107
C160	FR SERVICE CPT-INTERFACE	AMP CPC	37	561644	561646
C161	ENGINE DDEC III-ECM	PED	30	-----	561600
C162	ENGINE DDEC III-ACCESSORIES	PED WP	4	561610	561611
C163	ENGINE CPT-COOLANT PROBE	PED MP	2	-----	562350
C164	FR SERVICE JCT BOX	AMP CPC	22	561709	561710
C165	FR SERVICE JCT BOX	AMP CPC	16	561693	561695
C166	UNDER INSTRUMENT PANEL	AMP CPC	16	561639	561640
C167	FR SERVICE CPT-EL. FOOT PEDAL	PED WP	3	561781	561782
C168	FR SERVICE CPT-DDR	DEUTSCH	6	562360	-----
C169	FR SERVICE CPT-WORLD TR. VIW	AMP CPC	16	561638	561640
C180	FR JCT PANEL-DIODES	MOLEX	10	-----	561251
C181	FR SERVICE COMPT.-LEVEL LOW	AMP MNL	6	561552	561515
C182	FR SERVICE CPT-SPEED SW	AMP HDP	15	-----	562012
C187	FR SERVICE JCT BOX-RESISTORS	AMP MNL	6	561552	561515
C190	FR SERVICE CPT.-WORLD TR VIM	PED WP	30	-----	561600
C199	FR SERV. JCT BOX-SERVICE BRK	AMP MNL	3	561667	561550
C201	UNDER INSTRUMENT PANEL	AMP MNL	2	560900	560898
C202	UNDER INSTRUMENT PANEL	AMP CPC	9	561636	561637
C206	RH CONSOLE-FR DEFROSTER	TC	2	561030	560997
C207	RH CONSOLE-DRV RHEOSTAT	AMP MNL	6	561552	561515
C208	UNDER DASH-DRV HTR MODULE	AMP MNL	9	561670	561669
C209	UNDER DASH-DRV HTR MODULE	AMP MNL	9	561670	561669
C213	FR ROOF-CLEARANCE LT	AMP MNL	2	560900	560898
C230	ENG.CPT. -FUEL PRIME PUMP SW.	PED WP	2	561566	561690
C231	ENG.CPT. -FUEL PRIME PUMP	PED WP	2	561566	561690
C234	UNDER INSTRUMENT PANEL-VDO	AMP MNL	4	560851	560852 PRIOR REV.009
C234	UNDER INSTRUMENT PANEL-VDO	AMP FF	8	-----	562363
C235	UNDER INSTRUMENT PANEL-VDO	AMP MNL	4	560851	560852 PRIOR REV.009
C235	UNDER INSTRUMENT PANEL-VDO	AMP FF	8	-----	562363
C236	FR SERVICE CPT CENTER-ABS	AMP CPC	14	561585	561583
C237	FR AXLE CPT-ABS RH SENSOR	WABCO	2	641132	-----
C238	FR AXLE CPT-ABS RH VALVE	WABCO	3	-----	641098
C239	FR AXLE CPT-ABS LH VALVE	WABCO	3	-----	641098
C240	FR AXLE CPT-ABS LH SENSOR	WABCO	2	641132	-----
C241	DRIVE AXLE CPT-ABS	PED WP	6	561606	561607

NO.	LOCATION	TYPE	(NB) CAVITY	*PIN HOUSING	*SOCKET HOUSING
C242	DRIVE AXLE CPT-ABS LH SENSOR	DEUTSCH	2	562486	562485
C243	DRIVE AXLE CPT-ABS LH VALVE	WABCO	3	-----	641098
C244	DRIVE AXLE CPT-ABS RH VALVE	WABCO	3	-----	641098
C245	DRIVE AXLE CPT-ABS RH SENSOR	DEUTSCH	2	562486	562485
C246	DRIVE AXLE CPT-ABS SPARE	PED WP	4	561610	561611
C247	FR SERVICE CPT-ABS MODULE	WABCO	35	-----	561094
C248	DRIVE AXLE CPT-ABS	PED WP	6	561606	561607
C249	FR SERVICE CPT-ABS/DDEC	PED WP	2	561566	561690
C250	RH SW PANEL-B/UP CANCEL	SWF	8	-----	561107
C251	RH SW PANEL-SEAT HTR	SWF	8	-----	561107
C252	LH SW PANEL-SWITCH LT	SWF	2	-----	561837
C253	LUGGAGE COMPT.-WINDOW AJAR	MOLEX	4	561477	561476
C254	FR SERVICE JCT BOX-ABS	AMP CPC	16	561693	561695
C257	ENGINE COMPT-WATER HEATER	AMP FF	6	-----	561186
C258	LH CONSOLE-WATER HTR TIMER	AMP FF	8	561188	562363
C259	ENGINE COMPT-WATER HEATER	TC.	2	561597	-----
C260	ENGINE COMPT-WATER HEATER	TC.	1	561073	-----
C261	ENGINE COMPT-WATER HEATER	TC.	2	561597	-----
C264	UNDER DASH RH-KEYPAD	AMP CPC	9	561636	561637
C267	LUGGAGE COMPT. LTS - 1	AMP MNL	2	561248	561247
C268	LUGGAGE COMPT. LTS - 2	AMP MNL	2	561248	561247
C269	LUGGAGE COMPT. LTS - 3 RH	AMP MNL	2	561248	561247
C270	LUGGAGE COMPT. LTS - 3 LH	AMP MNL	2	561248	561247
C271	LUGGAGE COMPT. LTS - 4	AMP MNL	2	561248	561247
C272	FR SERVICE CPT LTS	AMP MNL	2	561248	561247
C273	LH CONSOLE SW-UNLOAD TAG	SWF	8	-----	561107
C274	FR JCT PANEL-DIODES	AMP MNL	15	561987	561986
C275	FR JCT PANEL-DIODES	AMP MNL	15	561987	561986
C276	FR JCT PANEL-ALARM BUZZER	BOSCH	5	-----	561183
C280	ENGINE COMPT-COMPRESSOR STD	PED WP	2	561566	561690
C285	ENTRANCE DOOR-SOLENOID DOOR	PED PO	2	-----	562076
C290	LUGGAGE CPT-DOOR LOCK	AMP MNL	4	560851	560852
C291	LUGGAGE CPT-DOOR LOCK	AMP MNL	4	560851	560852
C292	LUGGAGE CPT-DOOR LOCK	AMP MNL	4	560851	560852
C293	WIPER MOTOR	AMP FF	6	-----	561186
C294	UNDER DASH-WIPER SYST. FEED	AMP MNL	6	561552	561515
C295	UNDER DASH-WIPER PULSE GEN.	AMP FF	6	-----	561186
C296	FR SERVICE CPT-HEAD LTS	ITT SS	3	561111	561080
C302	UNDER DASH-FLASHER MODULE	AMP CPC	2	560900	560898
C303	RR JCT BOX-DIODES	AMP MNL	15	561987	561986
C304	ENGINE COMPT-RETARDER VALVE	AMPHENOL	2	-----	560412
C309	ENGINE DDEC III-ECM POWER	PED WP	5	-----	562345
C310	UNDER DASH PANEL-ANTI-TH.LED	AMP MNL	2	561248	561247
C311	FR JCT PAN.-DOOR LOCK KEYLESS	AMP MNL	4	561551	561668
C312	ENGINE DDEC III-ACCESSORIES	PED WP	2	561566	561690
C313	ENGINE DDEC III-INPUT	PED WP	3	562398	-----
C314	FR.ROOF - RH SUN VISOR	AMP MNL	2	560900	560898
C315	FR.ROOF - LH SUN VISOR	AMP MNL	2	560900	560898
C316	FR JCT PANEL - SUN VISOR	AMP MNL	4	560851	560852
C317	RH CONSOLE - LH SUN VISOR SW.	SWF	8	-----	561107
C318	RH CONSOLE - RH SUN VISOR SW.	SWF	8	-----	561107
C321	UNDER DASH RH-KEYLESS MOD.	AMP	26	-----	562675
C322	UNDER DASH RH-KEYLESS MOD.	AMP	22	-----	562676
C323	FR JCT PANEL-MASTER SW. FEED	AMP	1	561539	561540
C324	F. JCT PAN.-CTR DOOR SOL.FEED	AMP MNL	2	561248	561247
C325	FR.SERV.CPT.-CTR DOOR KEYPAD	AMP CPC	9	561636	561637

NO.	LOCATION	TYPE	(NB) CAVITY	*PIN HOUSING	*SOCKET HOUSING
C326	ENGINE DDEC III- HYDR. TR.	PED WP	4	561610	561611
C359	ENGINE COMPT-UNLOAD TAG VALVE	PED WP	2	561566	561690
C360	ENGINE COMPT-UNLOAD TAG VALVE	PED WP	2	561566	561690
C361	ENGINE COMPT-UNLOAD TAG VALVE	PED WP	2	561566	561690
C381	ENGINE S60 AIR TEMP SW	PED WP	2	561566	561690
C382	ENGINE GENERATOR 12 VAC RLY	PED WP	1	561605	561577
C426	ENGINE S60 RAD. FAN CLUTCH	PED WP	3	561781	561782
C427	ENGINE S60 TEMP SENSOR	BEHR	3	-----	562310
C428	RH CONSOLE-RHEOSTAT A/C (F A)	AMP MNL	3	561667	561550
C456	WORLD TRANSM.-RETARDER ACCUM.	PED MP	2	-----	562427
C457	WORLD TRANSM.-MAIN CONNECTOR	DEUTSCH	31	562572	562536
C458	WORLD TRANSM.-TURBINE SP.SENS	PED MP	2	-----	562426
C459	WORLD TRANSM.-ENGINE SP.SENS.	PED MP	2	-----	562426
C460	WORLD TRANSM.-SPEED SENSOR	ITT	2	-----	562541
C461	WORLD TRANSM.-RETARDER TEMP.	PED MP	2	561566	561590
C462	WORLD TRANSM.-RETARD SOL."K"	PED MP	2	-----	562426
C463	WORLD TRANSM.-SENSOR CONN.	DEUTSCH	16	562570	562571
C464	FR SERVICE CPT.-DDL CONN W.T.	PED MP	12	-----	562574
C465	LH CONSOLE-SHIFTER SELECTOR	T & BET	10	-----	562429
C466	FR SERVICE CPT.-RESIS. MOD.	PED WP	3	-----	562428
C467	FR SERVICE CPT.-RESIS. MOD.	PED WP	3	-----	562428
C468	FR SERVICE CPT.-VIM MOD. W.T.	PED MP	18	-----	562573
C475	FR SERVICE CPT-SPEED SIGN CON	DEUTSCH	6	-----	562581
C475M	FR SERVICE CPT-SPEED SIGN M.T	DEUTSCH	6	562583	-----
C475W	FR SERVICE CPT-SPEED SIGN W.T	DEUTSCH	6	562583	-----
C500	FR. JCT PANEL-PRODRIVER	MOLEX	6	562070	562069
C501	RH CONSOLE-PRODRIVVER	PED	7	562433	-----
C502	RH CONSOLE-LEVEL LOW	PED	8	-----	561107
C505	ESPAR-TIMER CTR	AMP JPT	12	-----	562681
C508	RR JCT BOX-FAN CLUTCH MOD	AMP MNL	6	561552	561515
C509	EVAPORATOR CPT-SPEED VARIATOR	DEUTSCH	5	562565	562566
C510	FR SERVICE CPT-RESIST.RUN LTS	PED	2	561566	561590
CA	FR SERVICE CPT-ECU WORLD TR.	T & BET	34	-----	562419
CB	FR SERVICE CPT-ECU WORLD TR.	T & BET	34	-----	562420

NO.	LOCATION	TYPE	(NB) CAVITY	*PIN HOUSING	*SOCKET HOUSING
C3	UNDER DASH-LH	AMP CPC	37	561645	561646
C7	FR SERVICE COMPT.-CLUTCH SW	ITT SS	3	561111	561080
C11	LH CONSOLE SW-MIRROR	AMP MNL	3	561667	561550
C12	LH CONSOLE SW-MIRROR HTR	AMP MNL	2	561248	561247
C13	LH CONSOLE SW-MIRROR	AMP MNL	6	561552	561515
C14	UNDER DASH LH-MIRROR	AMP MNL	9	561670	561669
C15	UNDER DASH RH-MIRROR	AMP MNL	9	561670	561669
C18	UNDER DASH-FIRE ALARM	AMP MNL	2	560900	560898
C19	UNDER DASH-A/C & HEAT SYST.	TC	10	561072	561110
C21	LUGGAGE COMPT.-LOCK DOOR MOT.	PED	2	-----	562076
C22	ENGINE COMPT.-CYCLOP LT	PED WP	2	561566	561690
C23	FR SERVICE COMPT.-WTR PUMP	PED WP	2	561566	561690
C26	UNDER INSTRUMENT.-PANEL RHEO.	TC	2	561030	560997
C28	FR SERVICE COMPT.-SEAT HTR	AMP MNL	2	560900	560898
C29	FR SERVICE COMPT.-VIM FEED	PED WP	3	561781	561782
C30	FR SERVICE COMPT.-SEAT ELECT.	PED WP	2	562237	-----
C32	RH CONSOLE-DRV TEMP SENSOR	BURNDY	3	-----	561104
C33	ENGINE DDEC II-SPARE GOV.	PED WP	2	561566	561690
C34	RH CONSOLE-DRV TEMP CTRL	BURNDY	6	-----	561103
C35	RECIRULATED AIR GRIL.-SENER	BURNDY	3	-----	561104
C36	LH CONSOLE SW-CRUISE ON/OFF	SWF	8	-----	561107
C37	LH CONSOLE SW-CRUISE SET	SWF	8	-----	561107
C38	LH CONSOLE SW-CRUISE RESUME	SWF	8	-----	561107
C41	UNDER DASH-FLASHER UNIT	TC	2	-----	561940
C49	FR JCT PANEL-PARK BRK ALARM	AMP MNL	2	560900	560898
C50	RH CONSOLE-PAS. TEMP CTRL	BURNDY	6	-----	561103
C51	RH CONSOLE SW-A/C & HEAT	SWF	8	-----	561107
C52	ENGINE COMPT.-COMPRESSOR 05G	PED WP	2	561566	561690
C53	ENGINE COMPT.-COMPRESSOR 05G	PED WP	2	561566	561690
C54	ENGINE COMPT.-COMPRESSOR 05G	TC	1	560098	560697
C55	CENTRAL DOOR	PED WP	2	561566	561690
C61	ENGINE COMPT.-FUEL FILTER	PED WP	2	561566	561690
C62	ENGINE COMPT.-COMPRESSOR STD	PED WP	2	561566	561690
C63	ENGINE COMPT.-COMPRESSOR STD	PED WP	2	561566	561690
C64	ENGINE COMPT.-COMPRESSOR STD	TC	1	560098	560697
C65	ENG.CPT-PRESS.SW. FAN CLUTCH	PED WP	2	561566	561690
C70	FR JCT PANEL-DOCKING LTS	TC	1	560098	560697
C73	LH SW PANEL-MULTI FUNC. LEV.	AMP FF	8	561188	-----
C74	LH SW PANEL-MULTI FUNC. LEV.	AMP FF	6	-----	561108
C77	UNDER DASH-3 WAY SW	TC	2	561030	560997
C78	LUGGAGE COMPT.-DOOR LOCK 4 LH	AMP MNL	4	560851	560852
C79	LUGGAGE COMPT.-DOOR LOCK 4 RH	AMP MNL	4	560851	560852
C80	FR JCT PANEL-LUG. DOOR LOCK	AMP MNL	6	561552	561515
C81	LUGGAGE COMPT.-DOOR LOCK 1 LH	AMP MNL	4	560851	560852
C82	LUGGAGE COMPT.-DOOR LOCK 1 RH	AMP MNL	4	560851	560852
C83	UNDER DASH-FLASHER MODULE	TC	10	561072	561110
C84	UNDER DASH-A/C SYSTEM	TC	3	561091	561071
C85	LUGGAGE COMPT.-DOOR LOCK 3 RH	AMP MNL	4	560851	560852
C86	LUGGAGE COMPT.-DOOR LOCK 3 LH	AMP MNL	4	560851	560852
C88	RR END ROOF-CLEARANCE LTS	AMP MNL	2	560900	560898
C98	A/C JCT BOX	ITT SS	4	561998	561999
C99	A/C JCT BOX	ITT SS	3	561111	561080
C100	A/C JCT BOX	ITT SS	2	561813	561812
C101	CONDENSER COMPT.-A/C PRES. SW	PED WP	2	561566	561690
C105	UNDER DASH RH-DRV LIQ SOL VL	TC	2	561030	560997
C106	UNDER DASH RH-DRV WTR VALVE	TC	2	561030	560997
C107	UNDER DASH RH-DRV HTR RH FAN	TC	2	561030	560997
C108	UNDER DASH RH-DRV HTR LH FAN	TC	2	561030	560997

NO.	LOCATION	TYPE	(NB) CAVITY	*PIN HOUSING	*SOCKET HOUSING
C109	RH CONSOLE SW-A/C CLUTCH SW	SWF	8	-----	561107
C114	ENGINE DDEC II-SPEED SIGNAL	PED WP	2	561566	561590
C115	RR JCT BOX	DEUTSCH	40	562281	562284
C116	DRIVE AXLE COMPT.-AIR DRYER	PED MP	2	-----	562251
C119	ENGINE COMPT.-LH LOWER LAMP	PED WP	6	561606	561607
C120	ENGINE COMPT.-LH LOWER LAMP	PED WP	6	561606	561607
C127	FR SERVICE COMPT.-JACOB	PED WP	4	561610	561783
C131	LH CONSOLE SW-LUG.DOOR LOCK	SWF	8	-----	561107
C132	LH CONSOLE SW-DRIVER'S LTS	SWF	8	-----	561107
C133	LH CONS.SW-JACOB OR RETARDER	SWF	8	-----	561107
C135	LH SW PANEL-ETHER	SWF	8	-----	561107
C136	LH CONSOLE SW-MIRROR HTR	SWF	8	-----	561107
C137	RH SW PANEL-HEAD LAMP	SWF	8	-----	561107
C138	RH SW PANEL-SPARE	SWF	8	-----	561107
C139	RH SW PANEL-FOG LAMP	SWF	8	-----	561107
C140	FR JCT PANEL-BAT. HI/LO	AMP MNL	2	560900	560898
C141	ENGINE COMPT.-B/UP ALARM	PED WP	2	561566	561590
C142	FR SERVICE CPT-LH MARKER LTS	ITT SS	3	561111	561080
C146	FR SERVICE CPT-RH MARKER LTS	ITT SS	3	561111	561080
C154	RH SW PANEL-HAZARD	SWF	8	-----	561107
C155	LH SW PANEL-FAST IDLE	SWF	8	-----	561107
C156	LH SW PANEL-STP ENG. OVER.	SWF	8	-----	561107
C157	RH SW PANEL-ENTRANCE DOOR LCK	SWF	8	-----	561107
C160	FR SERVICE CPT-INTERFACE	AMP CPC	37	561644	561646
C161	ENGINE DDEC III-ECM	PED	30	-----	561600
C162	ENGINE DDEC III-ACCESSORIES	PED WP	4	561610	561611
C163	ENGINE CPT-COOLANT PROBE	PED MP	2	-----	562350
C164	FR SERVICE JCT BOX	AMP CPC	22	561709	561710
C165	FR SERVICE JCT BOX	AMP CPC	16	561693	561695
C166	UNDER INSTRUMENT PANEL	AMP CPC	16	561639	561640
C167	FR SERVICE CPT-EL. FOOT PEDAL	PED WP	3	561781	561782
C168	FR SERVICE CPT-DDR	DEUTSCH	6	562360	-----
C169	FR SERVICE CPT-WORLD TR. VIW	AMP CPC	16	561638	561640
C180	FR JCT PANEL-DIODES	MOLEX	10	-----	561251
C181	FR SERVICE COMPT.-LEVEL LOW	AMP MNL	6	561552	561515
C182	FR SERVICE CPT-SPEED SW	AMP HDP	15	-----	562012
C187	FR SERVICE JCT BOX-RESISTORS	AMP MNL	6	561552	561515
C190	FR SERVICE CPT.-WORLD TR VIM	PED WP	30	-----	561600
C199	FR SERV. JCT BOX-SERVICE BRK	AMP MNL	3	561667	561550
C201	UNDER INSTRUMENT PANEL	AMP MNL	2	560900	560898
C202	UNDER INSTRUMENT PANEL	AMP CPC	9	561636	561637
C206	RH CONSOLE-FR DEFROSTER	TC	2	561030	560997
C207	RH CONSOLE-DRV RHEOSTAT	AMP MNL	6	561552	561515
C208	UNDER DASH-DRV HTR MODULE	AMP MNL	9	561670	561669
C209	UNDER DASH-DRV HTR MODULE	AMP MNL	9	561670	561669
C213	FR ROOF-CLEARANCE LT	AMP MNL	2	560900	560898
C230	ENG.CPT. -FUEL PRIME PUMP SW.	PED WP	2	561566	561690
C231	ENG.CPT. -FUEL PRIME PUMP	PED WP	2	561566	561690
C234	UNDER INSTRUMENT PANEL-VDO	AMP MNL	4	560851	560852 PRIOR REV.009
C234	UNDER INSTRUMENT PANEL-VDO	AMP FF	8	-----	562363
C235	UNDER INSTRUMENT PANEL-VDO	AMP MNL	4	560851	560852 PRIOR REV.009
C235	UNDER INSTRUMENT PANEL-VDO	AMP FF	8	-----	562363
C236	FR SERVICE CPT CENTER-ABS	AMP CPC	14	561585	561583
C237	FR AXLE CPT-ABS RH SENSOR	WABCO	2	641132	-----
C238	FR AXLE CPT-ABS RH VALVE	WABCO	3	-----	641098
C239	FR AXLE CPT-ABS LH VALVE	WABCO	3	-----	641098
C240	FR AXLE CPT-ABS LH SENSOR	WABCO	2	641132	-----
C241	LAST LUGGAGE COMPT.-ABS	PED WP	6	561606	561607

NO.	LOCATION	TYPE	(NB) CAVITY	*PIN HOUSING	*SOCKET HOUSING
C242	DRIVE AXLE CPT-ABS LH SENSOR	DEUTSCH	2	562486	562485
C243	DRIVE AXLE CPT-ABS LH VALVE	WABCO	3	-----	641098
C244	DRIVE AXLE CPT-ABS RH VALVE	WABCO	3	-----	641098
C245	DRIVE AXLE CPT-ABS RH SENSOR	DEUTSCH	2	562486	562485
C246	DRIVE AXLE CPT-ABS SPARE	PED WP	2	561566	561690
C248	LAST LUGGAGE CPT.-ABS	PED WP	6	561606	561607
C249	FR SERVICE CPT-ABS/DDEC	PED WP	2	561566	561690
C250	RH SW PANEL-B/UP CANCEL	SWF	8	-----	561107
C251	RH SW PANEL-SEAT HTR	SWF	8	-----	561107
C252	LH SW PANEL-SWITCH LT	SWF	2	-----	561837
C253	LUGGAGE COMPT.-WINDOW AJAR	MOLEX	4	561477	561476
C254	FR SERVICE JCT BOX-ABS	AMP CPC	16	561693	561695
C257	ENGINE COMPT-WATER HEATER	AMP FF	6	-----	561186
C258	LH CONSOLE-WATER HTR TIMER	AMP FF	8	561188	562363
C259	ENGINE COMPT-WATER HEATER	TC.	2	561597	-----
C260	ENGINE COMPT-WATER HEATER	TC.	1	561073	-----
C261	ENGINE COMPT-WATER HEATER	TC.	2	561597	-----
C264	UNDER DASH RH-KEYPAD	AMP CPC	9	561636	561637
C267	LUGGAGE COMPT. LTS - 1	AMP MNL	2	561248	561247
C268	LUGGAGE COMPT. LTS - 2	AMP MNL	2	561248	561247
C269	LUGGAGE COMPT. LTS - 3 RH	AMP MNL	2	561248	561247
C270	LUGGAGE COMPT. LTS - 3 LH	AMP MNL	2	561248	561247
C271	LUGGAGE COMPT. LTS - 4	AMP MNL	2	561248	561247
C272	FR SERVICE CPT LTS	AMP MNL	2	561248	561247
C273	LH CONSOLE SW-UNLOAD TAG	SWF	8	-----	561107
C274	FR JCT PANEL-DIODES	AMP MNL	15	561987	561986
C275	FR JCT PANEL-DIODES	AMP MNL	15	561987	561986
C276	FR JCT PANEL-ALARM BUZZER	BOSCH	5	-----	561183
C280	ENGINE COMPT-COMPRESSOR STD	PED WP	2	561566	561690
C285	ENTRANCE DOOR-SOLENOID DOOR	PED PO	2	-----	562076
C290	LUGGAGE CPT-DOOR LOCK	AMP MNL	4	560851	560852
C291	LUGGAGE CPT-DOOR LOCK	AMP MNL	4	560851	560852
C292	LUGGAGE CPT-DOOR LOCK	AMP MNL	4	560851	560852
C293	WIPER MOTOR	AMP FF	6	-----	561186
C294	UNDER DASH-WIPER SYST. FEED	AMP MNL	6	561552	561515
C295	UNDER DASH-WIPER PULSE GEN.	AMP FF	6	-----	561186
C296	FR SERVICE CPT-HEAD LTS	ITT SS	3	561111	561080
C302	UNDER DASH-FLASHER MODULE	AMP CPC	2	560900	560898
C303	RR JCT BOX-DIODES	AMP MNL	15	561987	561986
C304	ENGINE COMPT-RETARDER VALVE	AMPHENOL	2	-----	560412
C309	ENGINE DDEC III-ECM POWER	PED WP	5	-----	562345
C310	UNDER DASH PANEL-ANTI-TH.LED	AMP MNL	2	561248	561247
C310	LH CONSOLE SW-LUGG.DOOR LOCK	SWF	8	-----	561107
C311	FR JCT PAN.-DOOR LOCK KEYLESS	AMP MNL	4	561551	561668
C312	ENGINE DDEC III-ACCESSORIES	PED WP	2	561566	561690
C313	ENGINE DDEC III-INPUT	PED WP	3	562398	-----
C314	FR.ROOF - RH SUN VISOR	AMP MNL	2	560900	560898
C315	FR.ROOF - LH SUN VISOR	AMP MNL	2	560900	560898
C316	FR JCT PANEL - SUN VISOR	AMP MNL	4	560851	560852
C317	RH CONSOLE - LH SUN VISOR SW.	SWF	8	-----	561107
C318	RH CONSOLE - RH SUN VISOR SW.	SWF	8	-----	561107
C321	UNDER DASH RH-KEYLESS MOD.	AMP	26	-----	562675
C322	UNDER DASH RH-KEYLESS MOD.	AMP	22	-----	562676
C323	FR JCT PANEL-MASTER SW. FEED	AMP	1	561539	561540
C324	F. JCT PAN.-CTR DOOR SOL.FEED	AMP MNL	2	561248	561247
C325	FR.SERV.CPT.-CTR DOOR KEYPAD	AMP CPC	9	561636	561637

NO.	LOCATION	TYPE	(NB) CAVITY	*PIN HOUSING	*SOCKET HOUSING
C326	ENGINE DDEC III- HYDR. TR.	PED WP	4	561610	561611
C359	ENGINE COMPT-UNLOAD TAG VALVE	PED WP	2	561566	561690
C360	ENGINE COMPT-UNLOAD TAG VALVE	PED WP	2	561566	561690
C361	ENGINE COMPT-UNLOAD TAG VALVE	PED WP	2	561566	561690
C381	ENGINE S60 AIR TEMP SW	PED WP	2	561566	561690
C382	ENGINE GENERATOR 12 VAC RLY	PED WP	1	561605	561577
C426	ENGINE S60 RAD. FAN CLUTCH	PED WP	3	561781	561782
C427	ENGINE S60 TEMP SENSOR	BEHR	3	-----	562310
C428	RH CONSOLE-RHEOSTAT A/C (F A)	AMP MNL	3	561667	561550
C456	WORLD TRANSM.-RETARDER ACCUM.	PED MP	2	-----	562427
C457	WORLD TRANSM.-MAIN CONNECTOR	DEUTSCH	31	562572	562536
C458	WORLD TRANSM.-TURBINE SP.SENS	PED MP	2	-----	562426
C459	WORLD TRANSM.-ENGINE SP.SENS.	PED MP	2	-----	562426
C460	WORLD TRANSM.-SPEED SENSOR	ITT	2	-----	562541
C461	WORLD TRANSM.-RETARDER TEMP.	PED MP	2	561566	561590
C462	WORLD TRANSM.-RETARD SOL."K"	PED MP	2	-----	562426
C463	WORLD TRANSM.-SENSOR CONN.	DEUTSCH	16	562570	562571
C464	FR SERVICE CPT.-DDL CONN W.T.	PED MP	12	-----	562574 PRIOR REV. 016
C464	FR SERVICE CPT.-DDL CONN W.T.	DEUTSCH	6	562360	-----
C465	LH CONSOLE-SHIFTER SELECTOR	T & BET	10	-----	562429 PRIOR REV. 016
C465	LH CONSOLE-SHIFTER SELECTOR	PED	20	-----	562825
C466	FR SERVICE CPT.-RESIS. MOD.	PED WP	3	-----	562428
C467	FR SERVICE CPT.-RESIS. MOD.	PED WP	3	-----	562428
C468	FR SERVICE CPT.-VIM MOD. W.T.	PED MP	18	-----	562573
C475	FR SERVICE CPT-SPEED SIGN CON	DEUTSCH	6	-----	562581
C475M	FR SERVICE CPT-SPEED SIGN M.T	DEUTSCH	6	562583	-----
C475W	FR SERVICE CPT-SPEED SIGN W.T	DEUTSCH	6	562583	-----
C500	FR.JCT PANEL-PRODRIVER	MOLEX	6	562070	562069
C501	RH CONSOLE-PRODRIVVER	PED	7	562433	-----
C502	RH CONSOLE-LEVEL LOW	PED	8	-----	561107
C505	ESPAR-TIMER CTR	AMP JPT	12	-----	562681
C508	RR JCT BOX-FAN CLUTCH MOD	AMP MNL	6	561552	561515
C509	EVAPORATOR CPT-SPEED VARIATOR	DEUTSCH	5	562565	562566
C510	FR SERVICE CPT-RESIST.RUN LTS	PED	2	561566	561590
CS	FR SERVICE CPT-ECU WORLD TR.	PED	32	-----	562817
CT	FR SERVICE CPT-ECU WORLD TR.	PED	32	-----	562824
CV	FR SERVICE CPT-ECU WORLD TR.	PED	32	-----	562823
CX1	FR SERVICE CPT-ECU ABS	AMP	18	-----	562792
CX2	FR SERVICE CPT-ECU ABS	AMP	6	-----	562793
CX3	FR SERVICE CPT-ECU ABS	AMP	9	-----	562794
CX4	FR SERVICE CPT-ECU ABS	AMP	15	-----	562795

NO.	LOCATION	TYPE	(NB) CAVITY	*PIN HOUSING	*SOCKET HOUSING
C3	UNDER DASH-LH	AMP CPC	37	561645	561646
C7	FR SERVICE COMPT.-CLUTCH SW	ITT SS	3	561111	561080
C11	LH CONSOLE SW-MIRROR	AMP MNL	3	561667	561550
C12	LH CONSOLE SW-MIRROR HTR	AMP MNL	2	561248	561247
C13	LH CONSOLE SW-MIRROR	AMP MNL	6	561552	561515
C14	UNDER DASH LH-MIRROR	AMP MNL	9	561670	561669
C15	UNDER DASH RH-MIRROR	AMP MNL	9	561670	561669
C18	UNDER DASH-FIRE ALARM	AMP MNL	2	560900	560898
C19	UNDER DASH-A/C & HEAT SYST.	TC	10	561072	561110
C21	LUGGAGE COMPT.-LOCK DOOR MOT.	PED	2	-----	562076
C22	ENGINE COMPT.-CYCLOP LT	PED WP	2	561566	561690
C23	FR SERVICE COMPT.-WTR PUMP	PED WP	2	561566	561690
C26	UNDER INSTRUMENT.-PANEL RHEO.	TC	2	561030	560997
C28	FR SERVICE COMPT.-SEAT HTR	AMP MNL	2	560900	560898
C29	FR SERVICE COMPT.-VIM FEED	PED WP	3	561781	561782
C30	FR SERVICE COMPT.-SEAT ELECT.	PED WP	2	562237	-----
C32	RH CONSOLE-DRV TEMP SENSOR	BURNDY	3	-----	561104
C33	ENGINE DDEC II-SPARE GOV.	PED WP	2	561566	561690
C34	RH CONSOLE-DRV TEMP CTRL	BURNDY	6	-----	561103
C35	RECIRCULATED AIR GRIL.-SENSOR	BURNDY	3	-----	561104
C36	LH CONSOLE SW-CRUISE ON/OFF	SWF	8	-----	561107
C37	LH CONSOLE SW-CRUISE SET	SWF	8	-----	561107
C38	LH CONSOLE SW-CRUISE RESUME	SWF	8	-----	561107
C41	UNDER DASH-FLASHER UNIT	TC	2	-----	561940
C49	FR JCT PANEL-PARK BRK ALARM	AMP MNL	2	560900	560898
C50	RH CONSOLE-PAS. TEMP CTRL	BURNDY	6	-----	561103
C51	RH CONSOLE SW-A/C & HEAT	SWF	8	-----	561107
C52	ENGINE COMPT.-COMPRESSOR 05G	PED WP	2	561566	561690
C53	ENGINE COMPT.-COMPRESSOR 05G	PED WP	2	561566	561690
C54	ENGINE COMPT.-COMPRESSOR 05G	TC	1	560098	560697
C55	CENTRAL DOOR	PED WP	2	561566	561690
C61	ENGINE COMPT.-FUEL FILTER	PED WP	2	561566	561690
C62	ENGINE COMPT.-COMPRESSOR STD	PED WP	2	561566	561690
C63	ENGINE COMPT.-COMPRESSOR STD	PED WP	2	561566	561690
C64	ENGINE COMPT.-COMPRESSOR STD	TC	1	560098	560697
C65	ENG.CPT-PRESS.SW. FAN CLUTCH	PED WP	2	561566	561690
C70	FR JCT PANEL-DOCKING LTS	TC	1	560098	560697
C73	LH SW PANEL-MULTI FUNC. LEV.	AMP FF	8	561188	-----
C74	LH SW PANEL-MULTI FUNC. LEV.	AMP FF	6	-----	561108
C77	UNDER DASH-3 WAY SW	TC	2	561030	560997
C78	LUGGAGE COMPT.-DOOR LOCK 4 LH	AMP MNL	4	560851	560852
C79	LUGGAGE COMPT.-DOOR LOCK 4 RH	AMP MNL	4	560851	560852
C80	FR JCT PANEL-LUG. DOOR LOCK	AMP MNL	6	561552	561515
C81	LUGGAGE COMPT.-DOOR LOCK 1 LH	AMP MNL	4	560851	560852
C82	LUGGAGE COMPT.-DOOR LOCK 1 RH	AMP MNL	4	560851	560852
C83	UNDER DASH-FLASHER MODULE	TC	10	561072	561110
C84	UNDER DASH-A/C SYSTEM	TC	3	561091	561071
C85	LUGGAGE COMPT.-DOOR LOCK 3 RH	AMP MNL	4	560851	560852
C86	LUGGAGE COMPT.-DOOR LOCK 3 LH	AMP MNL	4	560851	560852
C88	RR END ROOF-CLEARANCE LTS	AMP MNL	2	560900	560898
C98	A/C JCT BOX	ITT SS	4	561998	561999
C99	A/C JCT BOX	ITT SS	3	561111	561080
C100	A/C JCT BOX	ITT SS	2	561813	561812
C101	CONDENSER COMPT.-A/C PRES. SW	PED WP	2	561566	561690
C105	UNDER DASH RH-DRV LIQ SOL VL	TC	2	561030	560997
C106	UNDER DASH RH-DRV WTR VALVE	TC	2	561030	560997
C107	UNDER DASH RH-DRV HTR RH FAN	TC	2	561030	560997
C108	UNDER DASH RH-DRV HTR LH FAN	TC	2	561030	560997

NO.	LOCATION	TYPE	(NB) CAVITY	*PIN HOUSING	*SOCKET HOUSING
C109	RH CONSOLE SW-A/C CLUTCH SW	SWF	8	-----	561107
C114	ENGINE DDEC II-SPEED SIGNAL	PED WP	2	561566	561590
C115	RR JCT BOX	DEUTSCH	40	562281	562284
C116	DRIVE AXLE COMPT.-AIR DRYER	PED MP	2	-----	562251
C119	ENGINE COMPT.-LH LOWER LAMP	PED WP	6	561606	561607
C120	ENGINE COMPT.-LH LOWER LAMP	PED WP	6	561606	561607
C127	FR SERVICE COMPT.-JACOB	PED WP	4	561610	561783
C131	LH CONSOLE SW-LUG.DOOR LOCK	SWF	8	-----	561107
C132	LH CONSOLE SW-DRIVER'S LTS	SWF	8	-----	561107
C133	LH CONS.SW-JACOB OR RETARDER	SWF	8	-----	561107
C135	LH SW PANEL-ETHER	SWF	8	-----	561107
C136	LH CONSOLE SW-MIRROR HTR	SWF	8	-----	561107
C137	RH SW PANEL-HEAD LAMP	SWF	8	-----	561107
C138	RH SW PANEL-SPARE	SWF	8	-----	561107
C139	RH SW PANEL-FOG LAMP	SWF	8	-----	561107
C140	FR JCT PANEL-BAT. HI/LO	AMP MNL	2	560900	560898
C141	ENGINE COMPT.-B/UP ALARM	PED WP	2	561566	561590
C142	FR SERVICE CPT-LH MARKER LTS	ITT SS	3	561111	561080
C146	FR SERVICE CPT-RH MARKER LTS	ITT SS	3	561111	561080
C154	RH SW PANEL-HAZARD	SWF	8	-----	561107
C155	LH SW PANEL-FAST IDLE	SWF	8	-----	561107
C156	LH SW PANEL-STP ENG. OVER.	SWF	8	-----	561107
C157	RH SW PANEL-ENTRANCE DOOR LCK	SWF	8	-----	561107
C160	FR SERVICE CPT-INTERFACE	AMP CPC	37	561644	561646
C161	ENGINE DDEC III-ECM	PED	30	-----	561600
C162	ENGINE DDEC III-ACCESSORIES	PED WP	4	561610	561611
C163	ENGINE CPT-COOLANT PROBE	PED MP	2	-----	562350
C164	FR SERVICE JCT BOX	AMP CPC	22	561709	561710
C165	FR SERVICE JCT BOX	AMP CPC	16	561693	561695
C166	UNDER INSTRUMENT PANEL	AMP CPC	16	561639	561640
C167	FR SERVICE CPT-EL. FOOT PEDAL	PED WP	3	561781	561782
C168	FR SERVICE CPT-DDR	DEUTSCH	6	562360	-----
C169	FR SERVICE CPT-WORLD TR. VIW	AMP CPC	16	561638	561640
C180	FR JCT PANEL-DIODES	MOLEX	10	-----	561251
C181	FR SERVICE COMPT.-LEVEL LOW	AMP MNL	6	561552	561515
C182	FR SERVICE CPT-SPEED SW	AMP HDP	15	-----	562012
C187	FR SERVICE JCT BOX-RESISTORS	AMP MNL	6	561552	561515
C190	FR SERVICE CPT.-WORLD TR VIM	PED WP	30	-----	561600
C199	FR SERV. JCT BOX-SERVICE BRK	AMP MNL	3	561667	561550
C201	UNDER INSTRUMENT PANEL	AMP MNL	2	560900	560898
C202	UNDER INSTRUMENT PANEL	AMP CPC	9	561636	561637
C206	RH CONSOLE-FR DEFROSTER	TC	2	561030	560997
C207	RH CONSOLE-DRV RHEOSTAT	AMP MNL	6	561552	561515
C208	UNDER DASH-DRV HTR MODULE	AMP MNL	9	561670	561669
C209	UNDER DASH-DRV HTR MODULE	AMP MNL	9	561670	561669
C213	FR ROOF-CLEARANCE LT	AMP MNL	2	560900	560898
C230	ENG.CPT. -FUEL PRIME PUMP SW.	PED WP	2	561566	561690
C231	ENG.CPT. -FUEL PRIME PUMP	PED WP	2	561566	561690
C234	UNDER INSTRUMENT PANEL-VDO	AMP MNL	4	560851	560852 PRIOR REV.009
C234	UNDER INSTRUMENT PANEL-VDO	AMP FF	8	-----	562363
C235	UNDER INSTRUMENT PANEL-VDO	AMP MNL	4	560851	560852 PRIOR REV.009
C235	UNDER INSTRUMENT PANEL-VDO	AMP FF	8	-----	562363
C236	FR SERVICE CPT CENTER-ABS	AMP CPC	14	561585	561583
C237	FR AXLE CPT-ABS RH SENSOR	WABCO	2	641132	-----
C238	FR AXLE CPT-ABS RH VALVE	WABCO	3	-----	641098
C239	FR AXLE CPT-ABS LH VALVE	WABCO	3	-----	641098
C240	FR AXLE CPT-ABS LH SENSOR	WABCO	2	641132	-----
C241	LAST LUGGAGE COMPT.-ABS	PED WP	6	561606	561607

NO.	LOCATION	TYPE	(NB) CAVITY	*PIN HOUSING	*SOCKET HOUSING
C242	DRIVE AXLE CPT-ABS LH SENSOR	DEUTSCH	2	562486	562485
C243	DRIVE AXLE CPT-ABS LH VALVE	WABCO	3	-----	641098
C244	DRIVE AXLE CPT-ABS RH VALVE	WABCO	3	-----	641098
C245	DRIVE AXLE CPT-ABS RH SENSOR	DEUTSCH	2	562486	562485
C246	DRIVE AXLE CPT-ABS SPARE	PED WP	2	561566	561690
C248	LAST LUGGAGE CPT.-ABS	PED WP	6	561606	561607
C249	FR SERVICE CPT-ABS/DDEC	PED WP	2	561566	561690
C250	RH SW PANEL-B/UP CANCEL	SWF	8	-----	561107
C251	RH SW PANEL-SEAT HTR	SWF	8	-----	561107
C252	LH SW PANEL-SWITCH LT	SWF	2	-----	561837
C253	LUGGAGE COMPT.-WINDOW AJAR	MOLEX	4	561477	561476
C254	FR SERVICE JCT BOX-ABS	AMP CPC	16	561693	561695
C257	ENGINE COMPT-WATER HEATER	AMP FF	6	-----	561186
C258	LH CONSOLE-WATER HTR TIMER	AMP FF	8	561188	562363
C259	ENGINE COMPT-WATER HEATER	TC.	2	561597	-----
C260	ENGINE COMPT-WATER HEATER	TC.	1	561073	-----
C261	ENGINE COMPT-WATER HEATER	TC.	2	561597	-----
C264	UNDER DASH RH-KEYPAD	AMP CPC	9	561636	561637
C266	UNDER DASH RH-KEYLESS	AMP CPC	14	561585	561584
C267	LUGGAGE COMPT. LTS - 1	AMP MNL	2	561248	561247
C268	LUGGAGE COMPT. LTS - 2	AMP MNL	2	561248	561247
C269	LUGGAGE COMPT. LTS - 3 RH	AMP MNL	2	561248	561247
C270	LUGGAGE COMPT. LTS - 3 LH	AMP MNL	2	561248	561247
C271	LUGGAGE COMPT. LTS - 4	AMP MNL	2	561248	561247
C272	FR SERVICE CPT LTS	AMP MNL	2	561248	561247
C273	LH CONSOLE SW-UNLOAD TAG	SWF	8	-----	561107
C274	FR JCT PANEL-DIODES	AMP MNL	15	561987	561986
C275	FR JCT PANEL-DIODES	AMP MNL	15	561987	561986
C276	FR JCT PANEL-ALARM BUZZER	BOSCH	5	-----	561183
C280	ENGINE COMPT-COMPRESSOR STD	PED WP	2	561566	561690
C285	ENTRANCE DOOR-SOLENOID DOOR	PED PO	2	-----	562076
C290	LUGGAGE CPT-DOOR LOCK	AMP MNL	4	560851	560852
C291	LUGGAGE CPT-DOOR LOCK	AMP MNL	4	560851	560852
C292	LUGGAGE CPT-DOOR LOCK	AMP MNL	4	560851	560852
C293	WIPER MOTOR	AMP FF	6	-----	561186
C294	UNDER DASH-WIPER SYST. FEED	AMP MNL	6	561552	561515
C295	UNDER DASH-WIPER PULSE GEN.	AMP FF	6	-----	561186
C296	FR SERVICE CPT-HEAD LTS	ITT SS	3	561111	561080
C302	UNDER DASH-FLASHER MODULE	AMP CPC	2	560900	560898
C303	RR JCT BOX-DIODES	AMP MNL	15	561987	561986
C304	ENGINE COMPT-RETARDER VALVE	AMPHENOL	2	-----	560412
C309	ENGINE DDEC III-ECM POWER	PED WP	5	-----	562345
C310	UNDER DASH PANEL-ANTI-TH.LED	AMP MNL	2	561248	561247
C310	LH CONSOLE SW-LUGG.DOOR LOCK	SWF	8	-----	561107
C311	FR JCT PAN.-DOOR LOCK KEYLESS	AMP MNL	4	561551	561668
C312	ENGINE DDEC III-ACCESSORIES	PED WP	2	561566	561690
C313	ENGINE DDEC III-INPUT	PED WP	3	562398	-----
C314	FR.ROOF - RH SUN VISOR	AMP MNL	2	560900	560898
C315	FR.ROOF - LH SUN VISOR	AMP MNL	2	560900	560898
C316	FR JCT PANEL - SUN VISOR	AMP MNL	4	560851	560852
C317	RH CONSOLE - LH SUN VISOR SW.	SWF	8	-----	561107
C318	RH CONSOLE - RH SUN VISOR SW.	SWF	8	-----	561107
C321	UNDER DASH RH-KEYLESS MOD.	AMP	26	-----	562675
C322	UNDER DASH RH-KEYLESS MOD.	AMP	22	-----	562676
C323	FR JCT PANEL-MASTER SW. FEED	AMP	1	561539	561540
C324	F.JCT PAN.-CTR DOOR SOL.FEED	AMP MNL	2	561248	561247
C325	FR.SERV.CPT.-CTR DOOR KEYPAD	AMP CPC	9	561636	561637

NO.	LOCATION	TYPE	(NB) CAVITY	*PIN HOUSING	*SOCKET HOUSING
C326	ENGINE DDEC III- HYDR. TR.	PED WP	4	561610	561611
C359	ENGINE COMPT-UNLOAD TAG VALVE	PED WP	2	561566	561690
C360	ENGINE COMPT-UNLOAD TAG VALVE	PED WP	2	561566	561690
C361	ENGINE COMPT-UNLOAD TAG VALVE	PED WP	2	561566	561690
C381	ENGINE S60 AIR TEMP SW	PED WP	2	561566	561690
C382	ENGINE GENERATOR 12 VAC RLY	PED WP	1	561605	561577
C426	ENGINE S60 RAD. FAN CLUTCH	PED WP	3	561781	561782
C427	ENGINE S60 TEMP SENSOR	BEHR	3	-----	562310
C428	RH CONSOLE-RHEOSTAT A/C (F A)	AMP MNL	3	561667	561550
C456	WORLD TRANSM.-RETARDER ACCUM.	PED MP	2	-----	562427
C457	WORLD TRANSM.-MAIN CONNECTOR	DEUTSCH	31	562572	562536
C458	WORLD TRANSM.-TURBINE SP.SENS	PED MP	2	-----	562426
C459	WORLD TRANSM.-ENGINE SP.SENS.	PED MP	2	-----	562426
C460	WORLD TRANSM.-SPEED SENSOR	ITT	2	-----	562541
C461	WORLD TRANSM.-RETARDER TEMP.	PED MP	2	561566	561590
C462	WORLD TRANSM.-RETARD SOL."K"	PED MP	2	-----	562426
C463	WORLD TRANSM.-SENSOR CONN.	DEUTSCH	16	562570	562571
C464	FR SERVICE CPT.-DDL CONN W.T.	PED MP	12	-----	562574 PRIOR REV. 016
C464	FR SERVICE CPT.-DDL CONN W.T.	DEUTSCH	6	562360	-----
C465	LH CONSOLE-SHIFTER SELECTOR T & BET		10	-----	562429 PRIOR REV. 016
C465	LH CONSOLE-SHIFTER SELECTOR	PED	20	-----	562825
C466	FR SERVICE CPT.-RESIS. MOD.	PED WP	3	-----	562428
C467	FR SERVICE CPT.-RESIS. MOD.	PED WP	3	-----	562428
C468	FR SERVICE CPT.-VIM MOD. W.T.	PED MP	18	-----	562573
C475	FR SERVICE CPT-SPEED SIGN CON	DEUTSCH	6	-----	562581
C475M	FR SERVICE CPT-SPEED SIGN M.T	DEUTSCH	6	562583	-----
C475W	FR SERVICE CPT-SPEED SIGN W.T	DEUTSCH	6	562583	-----
C500	FR.JCT PANEL-PRODRIVER	MOLEX	6	562070	562069
C501	RH CONSOLE-PRODRIVVER	PED	7	562433	-----
C502	RH CONSOLE-LEVEL LOW	PED	8	-----	561107
C504	WEBASTO-TIMER CTR	AMP	8	-----	562852
C505	ESPAR-TIMER CTR	AMP JPT	12	-----	562681
C508	RR JCT BOX-FAN CLUTCH MOD	AMP MNL	6	561552	561515
C509	EVAPORATOR CPT-SPEED VARIATOR	DEUTSCH	5	562565	562566
C510	FR SERVICE CPT-RESIST.RUN LTS	PED	2	561566	561590
CS	FR SERVICE CPT-ECU WORLD TR.	PED	32	-----	562817
CT	FR SERVICE CPT-ECU WORLD TR.	PED	32	-----	562824
CV	FR SERVICE CPT-ECU WORLD TR.	PED	32	-----	562823
CX1	FR SERVICE CPT-ECU ABS	AMP	18	-----	562792
CX2	FR SERVICE CPT-ECU ABS	AMP	6	-----	562793
CX3	FR SERVICE CPT-ECU ABS	AMP	9	-----	562794
CX4	FR SERVICE CPT-ECU ABS	AMP	15	-----	562795

NO.	LOCATION	TYPE	(NB) CAVITY	*PIN HOUSING	*SOCKET HOUSING
C3	UNDER DASH-LH	AMP CPC	37	561645	561646
C7	FR SERVICE COMPT.-CLUTCH SW	ITT SS	3	561111	561080
C11	LH CONSOLE SW-MIRROR	AMP MNL	3	561667	561550
C12	LH CONSOLE SW-MIRROR HTR	AMP MNL	2	561248	561247
C13	LH CONSOLE SW-MIRROR	AMP MNL	6	561552	561515
C14	UNDER DASH LH-MIRROR	AMP MNL	9	561670	561669
C15	UNDER DASH RH-MIRROR	AMP MNL	9	561670	561669
C18	UNDER DASH-FIRE ALARM	AMP MNL	2	560900	560898
C19	UNDER DASH-A/C & HEAT SYST.	TC	10	561072	561110
C21	LUGGAGE COMPT.-LOCK DOOR MOT.	PED	2	-----	562076
C22	ENGINE COMPT.-CYCLOP LT	PED WP	2	561566	561690
C23	FR SERVICE COMPT.-WTR PUMP	PED WP	2	561566	561690
C26	UNDER INSTRUMENT.-PANEL RHEO.	TC	2	561030	560997
C28	FR SERVICE COMPT.-SEAT HTR	AMP MNL	2	560900	560898
C29	FR SERVICE COMPT.-VIM FEED	PED WP	3	561781	561782
C30	FR SERVICE COMPT.-SEAT ELECT.	PED WP	2	562237	-----
C32	RH CONSOLE-DRV TEMP SENSOR	BURNDY	3	-----	561104
C33	ENGINE DDEC II-SPARE GOV.	PED WP	2	561566	561690
C34	RH CONSOLE-DRV TEMP CTRL	BURNDY	6	-----	561103
C35	RECIRULATED AIR GRIL.-SENSE	BURNDY	3	-----	561104
C36	LH CONSOLE SW-CRUISE ON/OFF	SWF	8	-----	561107
C37	LH CONSOLE SW-CRUISE SET	SWF	8	-----	561107
C38	LH CONSOLE SW-CRUISE RESUME	SWF	8	-----	561107
C41	UNDER DASH-FLASHER UNIT	TC	2	-----	561940
C49	FR JCT PANEL-PARK BRK ALARM	AMP MNL	2	560900	560898
C50	RH CONSOLE-PAS. TEMP CTRL	BURNDY	6	-----	561103
C51	RH CONSOLE SW-A/C & HEAT	SWF	8	-----	561107
C52	ENGINE COMPT.-COMPRESSOR Ø5G	PED WP	2	561566	561690
C53	ENGINE COMPT.-COMPRESSOR Ø5G	PED WP	2	561566	561690
C54	ENGINE COMPT.-COMPRESSOR Ø5G	TC	1	560098	560697
C55	CENTRAL DOOR	PED WP	2	561566	561690
C61	ENGINE COMPT.-FUEL FILTER	PED WP	2	561566	561690
C62	ENGINE COMPT.-COMPRESSOR STD	PED WP	2	561566	561690
C63	ENGINE COMPT.-COMPRESSOR STD	PED WP	2	561566	561690
C64	ENGINE COMPT.-COMPRESSOR STD	TC	1	560098	560697
C65	ENG.CPT-PRESS.SW. FAN CLUTCH	PED WP	2	561566	561690
C70	FR JCT PANEL-DOCKING LTS	TC	1	560098	560697
C73	LH SW PANEL-MULTI FUNC. LEV.	AMP FF	8	561188	-----
C74	LH SW PANEL-MULTI FUNC. LEV.	AMP FF	6	-----	561108
C77	UNDER DASH-3 WAY SW	TC	2	561030	560997
C78	LUGGAGE COMPT.-DOOR LOCK 4 LH	AMP MNL	4	560851	560852
C79	LUGGAGE COMPT.-DOOR LOCK 4 RH	AMP MNL	4	560851	560852
C80	FR JCT PANEL-LUG. DOOR LOCK	AMP MNL	6	561552	561515
C81	LUGGAGE COMPT.-DOOR LOCK 1 LH	AMP MNL	4	560851	560852
C82	LUGGAGE COMPT.-DOOR LOCK 1 RH	AMP MNL	4	560851	560852
C83	UNDER DASH-FLASHER MODULE	TC	10	561072	561110
C84	UNDER DASH-A/C SYSTEM	TC	3	561091	561071
C85	LUGGAGE COMPT.-DOOR LOCK 3 RH	AMP MNL	4	560851	560852
C86	LUGGAGE COMPT.-DOOR LOCK 3 LH	AMP MNL	4	560851	560852
C88	RR END ROOF-CLEARANCE LTS	AMP MNL	2	560900	560898
C98	A/C JCT BOX	ITT SS	4	561998	561999
C99	A/C JCT BOX	ITT SS	3	561111	561080
C100	A/C JCT BOX	ITT SS	2	561813	561812
C101	CONDENSER COMPT.-A/C PRES. SW	PED WP	2	561566	561690
C105	UNDER DASH RH-DRV LIQ SOL VL	TC	2	561030	560997
C106	UNDER DASH RH-DRV WTR VALVE	TC	2	561030	560997
C107	UNDER DASH RH-DRV HTR RH FAN	TC	2	561030	560997
C108	UNDER DASH RH-DRV HTR LH FAN	TC	2	561030	560997

NO.	LOCATION	TYPE	(NB) CAVITY	*PIN HOUSING	*SOCKET HOUSING
C109	RH CONSOLE SW-A/C CLUTCH SW	SWF	8	-----	561107
C114	ENGINE DDEC II-SPEED SIGNAL	PED WP	2	561566	561590
C115	RR JCT BOX	DEUTSCH	40	562281	562284
C116	DRIVE AXLE COMPT.-AIR DRYER	PED MP	2	-----	562251
C119	ENGINE COMPT.-LH LOWER LAMP	PED WP	6	561606	561607
C120	ENGINE COMPT.-LH LOWER LAMP	PED WP	6	561606	561607
C127	FR SERVICE COMPT.-JACOB	PED WP	4	561610	561783
C131	LH CONSOLE SW-LUG.DOOR LOCK	SWF	8	-----	561107
C132	LH CONSOLE SW-DRIVER'S LTS	SWF	8	-----	561107
C133	LH CONS.SW-JACOB OR RETARDER	SWF	8	-----	561107
C135	LH SW PANEL-ETHER	SWF	8	-----	561107
C136	LH CONSOLE SW-MIRROR HTR	SWF	8	-----	561107
C137	RH SW PANEL-HEAD LAMP	SWF	8	-----	561107
C138	RH SW PANEL-SPARE	SWF	8	-----	561107
C139	RH SW PANEL-FOG LAMP	SWF	8	-----	561107
C140	FR JCT PANEL-BAT. HI/LO	AMP MNL	2	560900	560898
C141	ENGINE COMPT.-B/UP ALARM	PED WP	2	561566	561590
C142	FR SERVICE CPT-LH MARKER LTS	ITT SS	3	561111	561080
C146	FR SERVICE CPT-RH MARKER LTS	ITT SS	3	561111	561080
C154	RH SW PANEL-HAZARD	SWF	8	-----	561107
C155	LH SW PANEL-FAST IDLE	SWF	8	-----	561107
C156	LH SW PANEL-STP ENG. OVER.	SWF	8	-----	561107
C157	RH SW PANEL-ENTRANCE DOOR LCK	SWF	8	-----	561107
C160	FR SERVICE CPT-INTERFACE	AMP CPC	37	561644	561646
C161	ENGINE DDEC III-ECM	PED	30	-----	561600
C162	ENGINE DDEC III-ACCESSORIES	PED WP	4	561610	561611
C163	ENGINE CPT-COOLANT PROBE	PED MP	2	-----	562350
C164	FR SERVICE JCT BOX	AMP CPC	22	561709	561710
C165	FR SERVICE JCT BOX	AMP CPC	16	561693	561695
C166	UNDER INSTRUMENT PANEL	AMP CPC	16	561639	561640
C167	FR SERVICE CPT-EL. FOOT PEDAL	PED WP	3	561781	561782
C168	FR SERVICE CPT-DDR	DEUTSCH	6	562360	-----
C169	FR SERVICE CPT-WORLD TR. VIW	AMP CPC	16	561638	561640
C180	FR JCT PANEL-DIODES	MOLEX	10	-----	561251
C181	FR SERVICE COMPT.-LEVEL LOW	AMP MNL	6	561552	561515
C182	FR SERVICE CPT-SPEED SW	AMP HDP	15	-----	562012
C187	FR SERVICE JCT BOX-RESISTORS	AMP MNL	6	561552	561515
C190	FR SERVICE CPT.-WORLD TR VIM	PED WP	30	-----	561600
C199	FR SERV. JCT BOX-SERVICE BRK	AMP MNL	3	561667	561550
C201	UNDER INSTRUMENT PANEL	AMP MNL	2	560900	560898
C202	UNDER INSTRUMENT PANEL	AMP CPC	9	561636	561637
C206	RH CONSOLE-FR DEFROSTER	TC	2	561030	560997
C207	RH CONSOLE-DRV RHEOSTAT	AMP MNL	6	561552	561515
C208	UNDER DASH-DRV HTR MODULE	AMP MNL	9	561670	561669
C209	UNDER DASH-DRV HTR MODULE	AMP MNL	9	561670	561669
C213	FR ROOF-CLEARANCE LT	AMP MNL	2	560900	560898
C230	ENG.CPT. -FUEL PRIME PUMP SW.	PED WP	2	561566	561690
C231	ENG.CPT. -FUEL PRIME PUMP	PED WP	2	561566	561690
C234	UNDER INSTRUMENT PANEL-VDO	AMP MNL	4	560851	560852 PRIOR REV.009
C234	UNDER INSTRUMENT PANEL-VDO	AMP FF	8	-----	562363
C235	UNDER INSTRUMENT PANEL-VDO	AMP MNL	4	560851	560852 PRIOR REV.009
C235	UNDER INSTRUMENT PANEL-VDO	AMP FF	8	-----	562363
C236	FR SERVICE CPT CENTER-ABS	AMP CPC	14	561585	561583
C237	FR AXLE CPT-ABS RH SENSOR	WABCO	2	641132	-----
C238	FR AXLE CPT-ABS RH VALVE	WABCO	3	-----	641098
C239	FR AXLE CPT-ABS LH VALVE	WABCO	3	-----	641098
C240	FR AXLE CPT-ABS LH SENSOR	WABCO	2	641132	-----
C241	LAST LUGGAGE COMPT.-ABS	PED WP	6	561606	561607

NO.	LOCATION	TYPE	(NB) CAVITY	*PIN HOUSING	*SOCKET HOUSING
C242	DRIVE AXLE CPT-ABS LH SENSOR	WABCO	2	641132	-----
C243	DRIVE AXLE CPT-ABS LH VALVE	WABCO	3	-----	641098
C244	DRIVE AXLE CPT-ABS RH VALVE	WABCO	3	-----	641098
C245	DRIVE AXLE CPT-ABS RH SENSOR	WABCO	2	641132	-----
C246	DRIVE AXLE CPT-ABS SPARE	PED WP	2	561566	561690
C248	LAST LUGGAGE CPT.-ABS	PED WP	6	561606	561607
C249	FR SERVICE CPT-ABS/DDEC	PED WP	2	561566	561690
C250	RH SW PANEL-B/UP CANCEL	SWF	8	-----	561107
C251	RH SW PANEL-SEAT HTR	SWF	8	-----	561107
C252	LH SW PANEL-SWITCH LT	SWF	2	-----	561837
C253	LUGGAGE COMPT.-WINDOW AJAR	MOLEX	4	561477	561476
C254	FR SERVICE JCT BOX-ABS	AMP CPC	16	561693	561695
C257	ENGINE COMPT-WATER HEATER	AMP FF	6	-----	561186
C258	LH CONSOLE-WATER HTR TIMER	AMP FF	8	561188	562363
C259	ENGINE COMPT-WATER HEATER	TC.	2	561597	-----
C260	ENGINE COMPT-WATER HEATER	TC.	1	561073	-----
C261	ENGINE COMPT-WATER HEATER	TC.	2	561597	-----
C264	UNDER DASH RH-KEYPAD	AMP CPC	9	561636	561637
C266	UNDER DASH RH-KEYLESS	AMP CPC	14	561585	561584
C267	LUGGAGE COMPT. LTS - 1	AMP MNL	2	561248	561247
C268	LUGGAGE COMPT. LTS - 2	AMP MNL	2	561248	561247
C269	LUGGAGE COMPT. LTS - 3 RH	AMP MNL	2	561248	561247
C270	LUGGAGE COMPT. LTS - 3 LH	AMP MNL	2	561248	561247
C271	LUGGAGE COMPT. LTS - 4	AMP MNL	2	561248	561247
C272	FR SERVICE CPT LTS	AMP MNL	2	561248	561247
C273	LH CONSOLE SW-UNLOAD TAG	SWF	8	-----	561107
C274	FR JCT PANEL-DIODES	AMP MNL	15	561987	561986
C275	FR JCT PANEL-DIODES	AMP MNL	15	561987	561986
C276	FR JCT PANEL-ALARM BUZZER	BOSCH	5	-----	561183
C280	ENGINE COMPT-COMPRESSOR STD	PED WP	2	561566	561690
C285	ENTRANCE DOOR-SOLENOID DOOR	PED PO	2	-----	562076
C290	LUGGAGE CPT-DOOR LOCK	AMP MNL	4	560851	560852
C291	LUGGAGE CPT-DOOR LOCK	AMP MNL	4	560851	560852
C292	LUGGAGE CPT-DOOR LOCK	AMP MNL	4	560851	560852
C293	WIPER MOTOR	AMP FF	6	-----	561186
C294	UNDER DASH-WIPER SYST. FEED	AMP MNL	6	561552	561515
C295	UNDER DASH-WIPER PULSE GEN.	AMP FF	6	-----	561186
C296	FR SERVICE CPT-HEAD LTS	ITT SS	3	561111	561080
C302	UNDER DASH-FLASHER MODULE	AMP CPC	2	560900	560898
C303	RR JCT BOX-DIODES	AMP MNL	15	561987	561986
C304	ENGINE COMPT-RETARDER VALVE	AMPHENOL	2	-----	560412
C309	ENGINE DDEC III-ECM POWER	PED WP	5	-----	562345
C310	UNDER DASH PANEL-ANTI-TH.LED	AMP MNL	2	561248	561247
C310	LH CONSOLE SW-LUGG.Door LOCK	SWF	8	-----	561107
C311	FR JCT PAN.-DOOR LOCK KEYLESS	AMP MNL	4	561551	561668
C312	ENGINE DDEC III-ACCESSORIES	PED WP	2	561566	561690
C313	ENGINE DDEC III-INPUT	PED WP	3	562398	-----
C314	FR.ROOF - RH SUN VISOR	AMP MNL	2	560900	560898
C315	FR.ROOF - LH SUN VISOR	AMP MNL	2	560900	560898
C316	FR JCT PANEL - SUN VISOR	AMP MNL	4	560851	560852
C317	RH CONSOLE - LH SUN VISOR SW.	SWF	8	-----	561107
C318	RH CONSOLE - RH SUN VISOR SW.	SWF	8	-----	561107
C321	UNDER DASH RH-KEYLESS MOD.	AMP	26	-----	562675
C322	UNDER DASH RH-KEYLESS MOD.	AMP	22	-----	562676
C323	FR JCT PANEL-MASTER SW. FEED	AMP	1	561539	561540
C324	F. JCT PAN.-CTR DOOR SOL.FEED	AMP MNL	2	561248	561247
C325	FR.SERV.CPT.-CTR DOOR KEYPAD	AMP CPC	9	561636	561637

NO.	LOCATION	TYPE	(NB) CAVITY	*PIN HOUSING	*SOCKET HOUSING
C326	ENGINE DDEC III- HYDR. TR.	PED WP	4	561610	561611
C359	ENGINE COMPT-UNLOAD TAG VALVE	PED WP	2	561566	561690
C360	ENGINE COMPT-UNLOAD TAG VALVE	PED WP	2	561566	561690
C361	ENGINE COMPT-UNLOAD TAG VALVE	PED WP	2	561566	561690
C381	ENGINE S60 AIR TEMP SW	PED WP	2	561566	561690
C382	ENGINE GENERATOR 12 VAC RLY	PED WP	1	561605	561577
C426	ENGINE S60 RAD. FAN CLUTCH	PED WP	3	561781	561782
C427	ENGINE S60 TEMP SENSOR	BEHR	3	-----	562310
C428	RH CONSOLE-RHEOSTAT A/C (F A)	AMP MNL	3	561667	561550
C456	WORLD TRANSM.-RETARDER ACCUM.	PED MP	2	-----	562427
C457	WORLD TRANSM.-MAIN CONNECTOR	DEUTSCH	31	562572	562536
C458	WORLD TRANSM.-TURBINE SP.SENS	PED MP	2	-----	562426
C459	WORLD TRANSM.-ENGINE SP.SENS.	PED MP	2	-----	562426
C460	WORLD TRANSM.-SPEED SENSOR	ITT	2	-----	562541
C461	WORLD TRANSM.-RETARDER TEMP.	PED MP	2	561566	561590
C462	WORLD TRANSM.-RETARD SOL."K"	PED MP	2	-----	562426
C463	WORLD TRANSM.-SENSOR CONN.	DEUTSCH	16	562570	562571
C464	FR SERVICE CPT.-DDL CONN W.T.	PED MP	12	-----	562574 PRIOR REV. 016
C464	FR SERVICE CPT.-DDL CONN W.T.	DEUTSCH	6	562360	-----
C465	LH CONSOLE-SHIFTER SELECTOR	T & BET	10	-----	562429 PRIOR REV. 016
C465	LH CONSOLE-SHIFTER SELECTOR	PED	20	-----	562825
C466	FR SERVICE CPT.-RESIS. MOD.	PED WP	3	-----	562428
C467	FR SERVICE CPT.-RESIS. MOD.	PED WP	3	-----	562428
C468	FR SERVICE CPT.-VIM MOD. W.T.	PED MP	18	-----	562573
C475	FR SERVICE CPT-SPEED SIGN CON	DEUTSCH	6	-----	562581
C475M	FR SERVICE CPT-SPEED SIGN M.T	DEUTSCH	6	562583	-----
C475W	FR SERVICE CPT-SPEED SIGN W.T	DEUTSCH	6	562583	-----
C500	FR. JCT PANEL-PRODRIVER	MOLEX	6	562070	562069
C501	RH CONSOLE-PRODRIVVER	PED	7	562433	-----
C502	RH CONSOLE-LEVEL LOW	PED	8	-----	561107
C504	WEBASTO-TIMER CTR	AMP	8	-----	562852
C505	ESPAR-TIMER CTR	AMP JPT	12	-----	562681
C508	RR JCT BOX-FAN CLUTCH MOD	AMP MNL	6	561552	561515
C509	EVAPORATOR CPT-SPEED VARIATOR	DEUTSCH	5	562565	562566
C510	FR SERVICE CPT-RESIST.RUN LTS	PED	2	561566	561590
CS	FR SERVICE CPT-ECU WORLD TR.	PED	32	-----	562817
CT	FR SERVICE CPT-ECU WORLD TR.	PED	32	-----	562824
CV	FR SERVICE CPT-ECU WORLD TR.	PED	32	-----	562823
CX1	FR SERVICE CPT-ECU ABS	AMP	18	-----	562792
CX2	FR SERVICE CPT-ECU ABS	AMP	6	-----	562793
CX3	FR SERVICE CPT-ECU ABS	AMP	9	-----	562794
CX4	FR SERVICE CPT-ECU ABS	AMP	15	-----	562795

NO.	PAGE	AMP	#PREVOST	LOCATION	FUNCTION	NO.	PAGE	AMP	#PREVOST	LOCATION	FUNCTION
D1	5	3A	561740	FR JCT BOX	PRIMARY LO-AIR SONALERT						
D2	5	3A	561740	FR JCT BOX	SECONDARY LO-AIR SONALERT						
D3	12-13	3A	063849	FR JCT BOX	A/C (FULL AIR) - CONTROL SW.						
D4	12-13	3A	063849	FR JCT BOX	WATER HEATER ON SIGNAL						
D17	7	3A	561740	FR JCT BOX	HAZARD LH						
D18	7	3A	561740	FR JCT BOX	HAZARD RH						
D19	6	3A	561740	FR JCT BOX	DAYTIME RUNNING LTS						
D20	6	3A	561740	FR JCT BOX	DAYTIME RUNNING LTS						
D21	7	3A	561740	UNDER DASH	AUDIBLE FLASHER RLY LH						
D22	7	3A	561740	UNDER DASH	AUDIBLE FLASHER RLY RH						
D23	18	3A	063763	RR JCT BOX	PRE WATER HEATER (ESPAR PRIOR)						
D24	5	3A	561740	FR JCT BOX	UNLOAD TAG SYSTEM						
D25	19	3A	561740	FR JCT BOX	UNLOAD TAG SYSTEM						
D26	20	3A	560931	FR SERVICE CPT.	LEVEL LOW SYSTEM						
D27	20	3A	560931	FR SERVICE CPT.	LEVEL LOW SYSTEM						
D60	12	3A	561740	RR JCT BOX	A/C STD - COMPR. CLUTCH						
D61	13	3A	561740	RR JCT BOX	A/C FULL AIR - COMPR. CLUTCH						

DIODE CODE (D)

P<H/O H : 1

DIODE CODE (D)

P<H/O H : 1

NO.	PAGE	AMP	#PREVOST	LOCATION	FUNCTION
D1	5	3A	561740	FR JCT BOX	PRIMARY LO-AIR SONALERT
D2	5	3A	561740	FR JCT BOX	SECONDARY LO-AIR SONALERT
D3	12-13	3A	063849	FR JCT BOX	A/C (FULL AIR) - CONTROL SW.
D4	12-13	3A	063849	FR JCT BOX	WATER HEATER ON SIGNAL
D17	7	3A	561740	FR JCT BOX	HAZARD LH
D18	7	3A	561740	FR JCT BOX	HAZARD RH
D19	6	3A	561740	FR JCT BOX	DAYTIME RUNNING LTS
D20	6	3A	561740	FR JCT BOX	DAYTIME RUNNING LTS
D21	7	3A	561740	UNDER DASH	AUDIBLE FLASHER RLY LH
D22	7	3A	561740	UNDER DASH	AUDIBLE FLASHER RLY RH
D23	18	3A	063763	RR JCT BOX	PRE WATER HEATER (ESPAR PRIOR)
D24	5	3A	561740	FR JCT BOX	UNLOAD TAG SYSTEM
D25	19	3A	561740	FR JCT BOX	UNLOAD TAG SYSTEM
D26	20	3A	560931	FR SERVICE CPT.	LEVEL LOW SYSTEM
D27	20	3A	560931	FR SERVICE CPT.	LEVEL LOW SYSTEM
D60	12	3A	561740	RR JCT BOX	A/C STD - COMPR. CLUTCH
D61	13	3A	561740	RR JCT BOX	A/C FULL AIR - COMPR. CLUTCH
D83	9	3A	561740	RR JCT BOX	RAD. FAN CLUTCH W. A/C OR RETARDER

NO.	PAGE	AMP	•PREVOST	LOCATION	FUNCTION
D1	5	3A	561740	FR JCT BOX	PRIMARY LO-AIR SONALERT
D2	5	3A	561740	FR JCT BOX	SECONDARY LO-AIR SONALERT
D3	12-13	3A	063849	FR JCT BOX	A/C (FULL AIR) - CONTROL SW.
D4	12-13	3A	063849	FR JCT BOX	WATER HEATER ON SIGNAL
D5	11	3A	063849	FR JCT BOX	KEYLESS - CENTER DOOR AJAR ALARM
D6	1	3A	060798	RR JCT BOX	STARTER - SUPPRESSOR COIL RLY
D17	7	3A	561740	FR JCT BOX	HAZARD LH
D18	7	3A	561740	FR JCT BOX	HAZARD RH
D19	6	3A	561740	FR JCT BOX	DAYTIME RUNNING LTS
D20	6	3A	561740	FR JCT BOX	DAYTIME RUNNING LTS
D21	7	3A	561740	UNDER DASH	AUDIBLE FLASHER RLY LH
D22	7	3A	561740	UNDER DASH	AUDIBLE FLASHER RLY RH
D23	18	3A	063763	RR JCT BOX	PRE WATER HEATER (ESPAR PRIOR)
D24	5	3A	561740	FR JCT BOX	UNLOAD TAG SYSTEM
D26	20	3A	560931	FR SERVICE CPT.	LEVEL LOW SYSTEM
D27	20	3A	560931	FR SERVICE CPT.	LEVEL LOW SYSTEM
D60	12	3A	561740	RR JCT BOX	A/C STD - COMPR. CLUTCH
D61	13	3A	561740	RR JCT BOX	A/C FULL AIR - COMPR. CLUTCH
D83	9	3A	561740	RR JCT BOX	RAD. FAN CLUTCH W. A/C OR RETARDER

NO.	PAGE	COIL V	#PREVOST	LOCATION	FUNCTION	NO.	PAGE	COIL V	#PREVOST	LOCATION	FUNCTION
R1	2	24V	561991	FR JCT BOX	ENGINE RUN (24) FR	R83	18	24V	561707	RR JCT BOX	WATER HEATER-WEBASTO
R2	2	24V	561991	FR JCT BOX	ENGINE RUN (12) FR	R84	12	24V	561707	RR JCT BOX	DDEC3 A/C STD FAN CONTROL
R3	1	24V	561707	RR JCT BOX	FIELD RELAY						
R4	1	24V	561005	RR JCT BOX	STARTING MOTOR						
R9	8	24V	561707	RR JCT BOX	BACK-UP LTS						
R12	5	12V	562092	FR JCT BOX	ELECTRICAL HORNS						
R13	6	24V	561707	FR JCT BOX	FOG LTS - 12V						
R14	6	24V	561707	FR JCT BOX	NIGHT'S BLINKER						
R15	6	24V	561707	FR JCT BOX	FR MARKER LTS						
R16	6	24V	561707	FR JCT BOX	IDENT. & CLEARANCE LTS						
R17	6	24V	561707	RR JCT BOX	TAIL,LICENCE,MARKER-RR LTS						
R18	6	24V	561707	FR JCT BOX	DAYTIME RUN LTS-CANCEL						
R19	6	24V	561707	FR JCT BOX	HI-BEAM						
R20	6	24V	561707	FR JCT BOX	LO-BEAM						
R22	3	24V	561707	FR SERV JCT BOX	DDEC III FAST IDLE SIGNAL						
R23	3	24V	561707	RR JCT BOX	DDEC III 12V IGNITION						
R24	4	24V	561707	RR JCT BOX	WORLD TRANSMISSION 12V IGN.						
R25	3	24V	561707	FR SERV JCT BOX	BRAKE SW-DDEC CRUISE CTR						
R26	8	24V	561707	RR JCT BOX	STOP LTS						
R31	13	24V	561707	FR JCT BOX	A/C FULL AIR WATER HTR - WATER VALVE						
R32	12	24V	560772	RR JCT BOX	COMPR. CLUTCH TIME DELAY ON						
R33	12-13	12V	561538	FR JCT BOX	BLOWER CUT-IN						
R34	13	24V	561707	RR JCT BOX	A/C WARNING LT						
R35	12	24V	561707	FR JCT BOX	WATER PUMP A/C STD						
R36	12	24V	561707	RR JCT BOX	A/C STD-COMPR. CLUTCH						
R37	1	24V	561707	RR JCT BOX	GENERATOR-12VAC RLY SIGN						
R38	13	24V	561005	A/C JCT BOX	EVAP. FAN MOTOR (FULL AIR)						
R39	13	24V	561005	A/C JCT BOX	COND. FAN MOTOR (FULL AIR)						
R40	13	24V	561707	A/C JCT BOX	WATER PUMP (FULL AIR)						
R43	1	12V	560271	ENGINE COMPT	12V HOUSE						
R46	7	24V	561707	UNDER INST PANEL	LH DIRECTIONNAL LTS						
R47	7	24V	561707	UNDER INST PANEL	RH DIRECTIONNAL LTS						
R49	17	24V	561707	FR SERV JCT BOX	ABS - SERVICE BRAKE RLY						
R50	17	24V	561707	FR SERV JCT BOX	ABS - VR2 RLY						
R51	17	24V	561707	FR SERV JCT BOX	ABS - WARNING RLY						
R52	17	24V	561707	FR SERV JCT BOX	ABS - VR1 RLY						
R53	2	24V	561991	RR JCT BOX	ENGINE RUN 24V RR						
R54	2	24V	561991	RR JCT BOX	ENGINE RUN 12V RR						
R56	15	24V	561707	FR SERV JCT BOX	ENGINE BRAKE SYSTEM						
R57	6	24V	561707	FR JCT BOX	DAY'S BLINKER						
R60	6	12V	561538	FR JCT BOX	DAYTIME RUN LTS						
R62	7	24V	561707	BEHIND RH CONS	RH CORNERING						
R63	7	24V	561707	BEHIND RH CONS	LH CORNERING						
R66	19	24V	562341	RR JCT BOX	UNLOAD TAG-TIME DELAY OFF						
R67	19	24V	561707	RR JCT BOX	UNLOAD TAG SYSTEM						
R68	11	24V	561707	FR JCT BOX	PARK BRAKE ALARM						
R69	16	12V	562092	FR JCT BOX	LUGG DOOR LOCK						
R70	16	12V	562092	FR JCT BOX	LUGG DOOR UNLOCK						
R71	16	12V	562092	FR JCT BOX	LUGG DOOR LOCK TT LT						
R72	10	24V	561707	FR JCT BOX	DASH LTS RHEOSTAT						
R74	16	12V	562092	RR JCT BOX	LUGG DOOR LOCK						
R75	16	12V	562092	RR JCT BOX	LUGG DOOR UNLOCK						
R76	8	24V	561707	RR JCT BOX	STOP LTS-ENGINE BRK & RETARDER SYST.						
R77	7	12V	562092	UNDER DASH	AUDIBLE FLASHER RLY						
R78	5	24V	561707	RR JCT BOX	DDEC3 FAN CONTROL SPEED# 1						
R79	5	24V	561707	RR JCT BOX	DDEC3 FAN CONTROL SPEED# 2						
R80	15	24V	561707	FR SERV JCT BOX	ENGINE BRAKE SYS.-W/T CTR						
R81	15	24V	561707	FR SERV JCT BOX	ENGINE BRAKE SYS.-W/T CTR						
R82	15	24V	561707	FR SERV JCT BOX	RETARDER SYSTEM						

RELAYS CODE (R)

Page 1:1

NO.	PAGE	COIL V	*PREVOST	LOCATION	FUNCTION
R1	2	24V	561991	FR JCT BOX	ENGINE RUN (24) FR
R2	2	24V	561991	FR JCT BOX	ENGINE RUN (12) FR
R3	1	24V	561707	RR JCT BOX	FIELD RELAY
R4	1	24V	561005	RR JCT BOX	STARTING MOTOR
R9	8	24V	561707	RR JCT BOX	BACK-UP LTS
R12	5	12V	562092	FR JCT BOX	ELECTRICAL HORNS
R13	6	24V	561707	FR JCT BOX	FOG LTS - 12V
R14	6	24V	561707	FR JCT BOX	NIGHT'S BLINKER
R15	6	24V	561707	FR JCT BOX	FR MARKER LTS
R16	6	24V	561707	FR JCT BOX	IDENT. & CLEARANCE LTS
R17	6	24V	561707	RR JCT BOX	TAIL,LICENCE,MARKER-RR LTS
R18	6	24V	561707	FR JCT BOX	DAYTIME RUN LTS-CANCEL
R19	6	24V	561707	FR JCT BOX	HI-BEAM
R20	6	24V	561707	FR JCT BOX	LO-BEAM
R22	3	24V	561707	FR SERV JCT BOX	DDEC III FAST IDLE SIGNAL
R23	3	24V	561707	RR JCT BOX	DDEC III 12V IGNITION
R24	4	24V	561707	RR JCT BOX	WORLD TRANSMISSION 12V IGN.
R25	3	24V	561707	FR SERV JCT BOX	BRAKE SW-DDEC CRUISE CTR
R26	8	24V	561707	RR JCT BOX	STOP LTS
R31	13	24V	561707	FR JCT BOX	A/C FULL AIR WATER HTR - WATER VALVE
R32	12	24V	560772	RR JCT BOX	COMPR. CLUTCH TIME DELAY ON
R33	12-13	12V	561538	FR JCT BOX	BLOWER CUT-IN
R34	13	24V	561707	RR JCT BOX	A/C WARNING LT
R35	12	24V	561707	FR JCT BOX	WATER PUMP A/C STD
R36	12	24V	561707	RR JCT BOX	A/C STD-COMPR. CLUTCH
R37	1	24V	561707	RR JCT BOX	GENERATOR-12VAC RLY SIGN
R38	13	24V	561005	A/C JCT BOX	EVAP. FAN MOTOR (FULL AIR)
R39	13	24V	561005	A/C JCT BOX	COND. FAN MOTOR (FULL AIR)
R40	13	24V	561707	A/C JCT BOX	WATER PUMP (FULL AIR)
R43	1	12V	560271	ENGINE COMPT	12V HOUSE
R46	7	24V	561707	UNDER INST PANEL	LH DIRECTIONNAL LTS
R47	7	24V	561707	UNDER INST PANEL	RH DIRECTIONNAL LTS
R49	17	24V	561707	FR SERV JCT BOX	ABS - SERVICE BRAKE RLY
R50	17	24V	561707	FR SERV JCT BOX	ABS - VR2 RLY
R51	17	24V	561707	FR SERV JCT BOX	ABS - WARNING RLY
R52	17	24V	561707	FR SERV JCT BOX	ABS - VR1 RLY
R53	2	24V	561991	RR JCT BOX	ENGINE RUN 24V RR
R54	2	24V	561991	RR JCT BOX	ENGINE RUN 12V RR
R56	15	24V	561707	FR SERV JCT BOX	ENGINE BRAKE SYSTEM
R57	6	24V	561707	FR JCT BOX	DAY'S BLINKER
R60	6	12V	561538	FR JCT BOX	DAYTIME RUN LTS
R62	7	24V	561707	BEHIND RH CONS	RH CORNERING
R63	7	24V	561707	BEHIND RH CONS	LH CORNERING
R66	19	24V	562341	RR JCT BOX	UNLOAD TAG-TIME DELAY OFF
R67	19	24V	561707	RR JCT BOX	UNLOAD TAG SYSTEM
R68	11	24V	561707	FR JCT BOX	PARK BRAKE ALARM
R69	16	12V	562092	FR JCT BOX	LUGG DOOR LOCK
R70	16	12V	562092	FR JCT BOX	LUGG DOOR UNLOCK
R71	16	12V	562092	FR JCT BOX	LUGG DOOR LOCK TT LT
R72	10	24V	561707	FR JCT BOX	DASH LTS RHEOSTAT
R74	16	12V	562092	RR JCT BOX	LUGG DOOR LOCK
R75	16	12V	562092	RR JCT BOX	LUGG DOOR UNLOCK
R76	8	24V	561707	RR JCT BOX	STOP LTS-ENGINE BRK & RETARDER SYST.
R77	7	12V	562092	UNDER DASH	AUDIBLE FLASHER RLY
R78	5	24V	561707	RR JCT BOX	DDEC3 FAN CONTROL SPEED* 1
R79	5	24V	561707	RR JCT BOX	DDEC3 FAN CONTROL SPEED* 2
R80	15	24V	561707	FR SERV JCT BOX	ENGINE BRAKE SYS.-W/T CTR
R81	15	24V	561707	FR SERV JCT BOX	ENGINE BRAKE SYS.-W/T CTR
R82	15	24V	561707	FR SERV JCT BOX	RETARDER SYSTEM

RELAYS CODE (R)

Page 1:1

NO.	PAGE	COIL V	*PREVOST	LOCATION	FUNCTION
R83	18	24V	561707	RR JCT BOX	WATER HEATER-WEBASTO
R84	12	24V	561707	RR JCT BOX	DDEC3 A/C STD FAN CONTROL
R99	9	24V	561707	RR JCT BOX	RADIATOR FAN CLUTCH
RF1	9	24V	561707	RR JCT BOX	FAN CLUTCH SP#1 OPT. RETARDER
RF2	9	24V	561707	RR JCT BOX	FAN CLUTCH SP#2 OPT. RETARDER
RF3	9	24V	560772	RR JCT BOX	TIME DELAY
RF4	9	24V	561707	RR JCT BOX	FAN CLUTCH SP2-STD A/C NO RET

NO.	PAGE	COIL V	•PREVOST	LOCATION	FUNCTION	NO.	PAGE	COIL V	•PREVOST	LOCATION	FUNCTION
R1	2	24V	561991	FR JCT BOX	ENGINE RUN (24) FR	R83	18	24V	561707	RR JCT BOX	WATER HEATER-WEBASTO
R2	2	24V	561991	FR JCT BOX	ENGINE RUN (12) FR	R84	12	24V	561707	RR JCT BOX	DDEC3 A/C STD FAN CONTROL
R3	1	24V	561707	RR JCT BOX	FIELD RELAY	R99	9	24V	561707	RR JCT BOX	RADIATOR FAN CLUTCH
R4	1	24V	561005	RR JCT BOX	STARTING MOTOR						
R9	8	24V	561707	RR JCT BOX	BACK-UP LTS						
R12	5	12V	562092	FR JCT BOX	ELECTRICAL HORNS	RF1	9	24V	561707	RR JCT BOX	FAN CLUTCH SP•1 OPT. RETARDER
R13	6	24V	561707	FR JCT BOX	FOG LTS - 12V	RF2	9	24V	561707	RR JCT BOX	FAN CLUTCH SP•2 OPT. RETARDER
R14	6	24V	561707	FR JCT BOX	NIGHT'S BLINKER	RF3	9	24V	560772	RR JCT BOX	TIME DELAY
R15	6	24V	561707	FR JCT BOX	FR MARKER LTS	RF4	9	24V	561707	RR JCT BOX	FAN CLUTCH SP2-STD A/C NO RET
R16	6	24V	561707	FR JCT BOX	IDENT. & CLEARANCE LTS						
R17	6	24V	561707	RR JCT BOX	TAIL,LICENCE,MARKER-RR LTS						
R18	6	24V	561707	FR JCT BOX	DAYTIME RUN LTS-CANCEL						
R19	6	24V	561707	FR JCT BOX	HI-BEAM						
R20	6	24V	561707	FR JCT BOX	LO-BEAM						
R22	3	24V	561707	FR SERV JCT BOX	DDEC III FAST IDLE SIGNAL						
R23	3	24V	561707	RR JCT BOX	DDEC III 12V IGNITION						
R24	4	24V	561707	RR JCT BOX	WORLD TRANSMISSION 12V IGN.						
R25	3	24V	561707	FR SERV JCT BOX	BRAKE SW-DDEC CRUISE CTR						
R26	8	24V	561707	RR JCT BOX	STOP LTS						
R31	13	24V	561707	FR JCT BOX	A/C FULL AIR WATER HTR - WATER VALVE						
R32	12	24V	560772	RR JCT BOX	COMPR. CLUTCH TIME DELAY ON						
R33	12-13	12V	561538	FR JCT BOX	BLOWER CUT-IN						
R34	13	24V	561707	RR JCT BOX	A/C WARNING LT						
R35	12	24V	561707	FR JCT BOX	WATER PUMP A/C STD						
R36	12	24V	561707	RR JCT BOX	A/C STD-COMPR. CLUTCH						
R37	1	24V	561707	RR JCT BOX	GENERATOR-12VAC RLY SIGN						
R38	13	24V	561005	A/C JCT BOX	EVAP. FAN MOTOR (FULL AIR)						
R39	13	24V	561005	A/C JCT BOX	COND. FAN MOTOR (FULL AIR)						
R40	13	24V	561707	A/C JCT BOX	WATER PUMP (FULL AIR)						
R43	1	12V	560271	ENGINE COMPT	12V HOUSE						
R46	7	24V	561707	UNDER INST PANEL	LH DIRECTIONNAL LTS						
R47	7	24V	561707	UNDER INST PANEL	RH DIRECTIONNAL LTS						
R49	17	24V	561707	FR SERV JCT BOX	ABS - ENGINE BRAKE						
R52	17	24V	561707	FR SERV JCT BOX	ABS - RETARDER						
R53	2	24V	561991	RR JCT BOX	ENGINE RUN 24V RR						
R54	2	24V	561991	RR JCT BOX	ENGINE RUN 12V RR						
R56	15	24V	561707	FR SERV JCT BOX	ENGINE BRAKE SYSTEM						
R57	6	24V	561707	FR JCT BOX	DAY'S BLINKER						
R60	6	12V	561538	FR JCT BOX	DAYTIME RUN LTS						
R62	7	24V	561707	BEHIND RH CONS	RH CORNERING						
R63	7	24V	561707	BEHIND RH CONS	LH CORNERING						
R68	11	24V	561707	FR JCT BOX	PARK BRAKE ALARM						
R69	16	12V	562092	FR JCT BOX	LUGG DOOR LOCK						
R70	16	12V	562092	FR JCT BOX	LUGG DOOR UNLOCK						
R71	16	12V	562092	FR JCT BOX	LUGG DOOR LOCK TT LT						
R72	10	24V	561707	FR JCT BOX	DASH LTS RHEOSTAT						
R74	16	12V	562092	RR JCT BOX	LUGG DOOR LOCK						
R75	16	12V	562092	RR JCT BOX	LUGG DOOR UNLOCK						
R76	8	24V	561707	RR JCT BOX	STOP LTS-ENGINE BRK & RETARDER SYST.						
R77	7	12V	562092	UNDER DASH	AUDIBLE FLASHER RLY						
R78	5	24V	561707	RR JCT BOX	DDEC3 FAN CONTROL SPEED• 1						
R79	5	24V	561707	RR JCT BOX	DDEC3 FAN CONTROL SPEED• 2						
R80	15	24V	561707	FR SERV JCT BOX	ENGINE BRAKE SYS.-W/T CTR						
R82	15	24V	561707	FR SERV JCT BOX	RETARDER SYSTEM						

NO.	PAGE	COIL V	•PREVOST	LOCATION	FUNCTION	NO.	PAGE	COIL V	•PREVOST	LOCATION	FUNCTION
R1	2	24V	561991	FR JCT BOX	ENGINE RUN (24) FR	R83	18	24V	561707	RR JCT BOX	WATER HEATER-WEBASTO
R2	2	24V	561991	FR JCT BOX	ENGINE RUN (12) FR	R84	12	24V	561707	RR JCT BOX	DDEC3 A/C STD FAN CONTROL
R3	1	24V	561707	RR JCT BOX	FIELD RELAY	R99	9	24V	561707	RR JCT BOX	RADIATOR FAN CLUTCH
R4	1	24V	561005	RR JCT BOX	STARTING MOTOR						
R5	16.2	12V	562092	UNDER DASH RH	KEYLESS-DRIVER'S DOOR UNLOCK	RF1	9	24V	561707	RR JCT BOX	FAN CLUTCH SP*1 OPT. RETARDER
R6	2	24V	561707	UNDER DASH RH	KEYLESS-START INTERRUPT	RF2	9	24V	561707	RR JCT BOX	FAN CLUTCH SP*2 OPT. RETARDER
R7	10	24V	562341	UNDER DASH RH	KEYLESS-DRIVER'S LTS TIME DELAY OFF	RF3	9	24V	560772	RR JCT BOX	TIME DELAY
R8	10	24V	561707	UNDER DASH RH	KEYLESS-DRIVER'S LTS ALARM	RF4	9	24V	561707	RR JCT BOX	FAN CLUTCH SP2-STD A/C NO RET
R9	8	24V	561707	RR JCT BOX	BACK-UP LTS						
R10	16.2	12V	562092	UNDER DASH RH	KEYLESS-DRIVER'S & LUGG. DOOR LOCK						
R12	5	12V	562092	FR JCT BOX	ELECTRICAL HORNS						
R13	6	24V	561707	FR JCT BOX	FOG LTS - 12V						
R14	6	24V	561707	FR JCT BOX	NIGHT'S BLINKER						
R15	6	24V	561707	FR JCT BOX	FR MARKER LTS						
R16	6	24V	561707	FR JCT BOX	IDENT. & CLEARANCE LTS						
R17	6	24V	561707	RR JCT BOX	TAIL,LICENCE,MARKER-RR LTS						
R18	6	24V	561707	FR JCT BOX	DAYTIME RUN LTS-CANCEL						
R19	6	24V	561707	FR JCT BOX	HI-BEAM						
R20	6	24V	561707	FR JCT BOX	LO-BEAM						
R22	3	24V	561707	FR SERV JCT BOX	DDEC III FAST IDLE SIGNAL						
R23	3	24V	561707	RR JCT BOX	DDEC III 12V IGNITION						
R24	4	24V	561707	RR JCT BOX	WORLD TRANSMISSION 12V IGN.						
R25	3	24V	561707	FR SERV JCT BOX	BRAKE SW-DDEC CRUISE CTR						
R26	8	24V	561707	RR JCT BOX	STOP LTS						
R31	13	24V	561707	FR JCT BOX	A/C FULL AIR WATER HTR - WATER VALVE						
R32	12	24V	560772	RR JCT BOX	COMPR. CLUTCH TIME DELAY ON						
R33	12-13	12V	561538	FR JCT BOX	BLOWER CUT-IN						
R34	13	24V	561707	RR JCT BOX	A/C WARNING LT						
R35	12	24V	561707	FR JCT BOX	WATER PUMP A/C STD						
R36	12	24V	561707	RR JCT BOX	A/C STD-COMPR. CLUTCH						
R37	1	24V	561707	RR JCT BOX	GENERATOR-12VAC RLY SIGN						
R38	13	24V	561005	A/C JCT BOX	EVAP. FAN MOTOR (FULL AIR)						
R39	13	24V	561005	A/C JCT BOX	COND. FAN MOTOR (FULL AIR)						
R40	13	24V	561707	A/C JCT BOX	WATER PUMP (FULL AIR)						
R43	1	12V	560271	ENGINE COMPT	12V HOUSE						
R46	7	24V	561707	UNDER INST PANEL	LH DIRECTIONNAL LTS						
R47	7	24V	561707	UNDER INST PANEL	RH DIRECTIONNAL LTS						
R49	17	24V	561707	FR SERV JCT BOX	ABS - ENGINE BRAKE						
R52	17	24V	561707	FR SERV JCT BOX	ABS - RETARDER						
R53	2	24V	561991	RR JCT BOX	ENGINE RUN 24V RR						
R54	2	24V	561991	RR JCT BOX	ENGINE RUN 12V RR						
R56	15	24V	561707	FR SERV JCT BOX	ENGINE BRAKE SYSTEM						
R57	6	24V	561707	FR JCT BOX	DAY'S BLINKER						
R60	6	12V	561538	FR JCT BOX	DAYTIME RUN LTS						
R62	7	24V	561707	BEHIND RH CONS	RH CORNERING						
R63	7	24V	561707	BEHIND RH CONS	LH CORNERING						
R68	11	24V	561707	FR JCT BOX	PARK BRAKE ALARM						
R69	16	12V	562092	FR JCT BOX	LUGG DOOR LOCK						
R70	16	12V	562092	FR JCT BOX	LUGG DOOR UNLOCK						
R71	16	12V	562092	FR JCT BOX	LUGG DOOR LOCK TT LT						
R72	10	24V	561707	FR JCT BOX	DASH LTS RHEOSTAT						
R74	16	12V	562092	RR JCT BOX	LUGG DOOR LOCK						
R75	16	12V	562092	RR JCT BOX	LUGG DOOR UNLOCK						
R76	8	24V	561707	RR JCT BOX	STOP LTS-ENGINE BRK & RETARDER SYST.						
R77	7	12V	562092	UNDER DASH	AUDIBLE FLASHER RLY						
R78	5	24V	561707	RR JCT BOX	DDEC3 FAN CONTROL SPEED* 1						
R79	5	24V	561707	RR JCT BOX	DDEC3 FAN CONTROL SPEED* 2						
R80	15	24V	561707	FR SERV JCT BOX	ENGINE BRAKE SYS.-W/T CTR						
R82	15	24V	561707	FR SERV JCT BOX	RETARDER SYSTEM						

NO.	PAGE	COIL V	•PREVOST	LOCATION	FUNCTION	NO.	PAGE	COIL V	•PREVOST	LOCATION	FUNCTION
R1	2	24V	561991	FR JCT BOX	ENGINE RUN (24) FR	R83	18	24V	561707	RR JCT BOX	WATER HEATER-WEBASTO
R2	2	24V	561991	FR JCT BOX	ENGINE RUN (12) FR	R84	12	24V	561707	RR JCT BOX	DDEC3 A/C STD FAN CONTROL
R3	1	24V	561707	RR JCT BOX	FIELD RELAY	R99	9	24V	561707	RR JCT BOX	RADIATOR FAN CLUTCH
R4	1	24V	561005	RR JCT BOX	STARTING MOTOR						
R5	16.2	12V	562092	UNDER DASH RH	KEYLESS-DRIVER'S DOOR UNLOCK	RF1	9	24V	561707	RR JCT BOX	FAN CLUTCH SP•1 OPT. RETARDER
R6	2	24V	561707	UNDER DASH RH	KEYLESS-START INTERRUPT	RF2	9	24V	561707	RR JCT BOX	FAN CLUTCH SP•2 OPT. RETARDER
R7	10	24V	562341	UNDER DASH RH	KEYLESS-DRIVER'S LTS TIME DELAY OFF	RF3	9	24V	560772	RR JCT BOX	TIME DELAY
R8	10	24V	561707	UNDER DASH RH	KEYLESS-DRIVER'S LTS ALARM	RF4	9	24V	561707	RR JCT BOX	FAN CLUTCH SP2-STD A/C NO RET
R9	8	24V	561707	RR JCT BOX	BACK-UP LTS						
R10	16.2	12V	562092	UNDER DASH RH	KEYLESS-DRIVER'S & LUGG. DOOR LOCK						
R12	5	12V	562092	FR JCT BOX	ELECTRICAL HORNS						
R13	6	24V	561707	FR JCT BOX	FOG LTS - 12V						
R14	6	24V	561707	FR JCT BOX	NIGHT'S BLINKER						
R15	6	24V	561707	FR JCT BOX	FR MARKER LTS						
R16	6	24V	561707	FR JCT BOX	IDENT. & CLEARANCE LTS						
R17	6	24V	561707	RR JCT BOX	TAIL,LICENCE,MARKER-RR LTS						
R18	6	24V	561707	FR JCT BOX	DAYTIME RUN LTS-CANCEL						
R19	6	24V	561707	FR JCT BOX	HI-BEAM						
R20	6	24V	561707	FR JCT BOX	LO-BEAM						
R22	3	24V	561707	FR SERV JCT BOX	DDEC III FAST IDLE SIGNAL						
R23	3	24V	561707	RR JCT BOX	DDEC III 12V IGNITION						
R24	4	24V	561707	RR JCT BOX	WORLD TRANSMISSION 12V IGN.						
R25	3	24V	561707	FR SERV JCT BOX	BRAKE SW-DDEC CRUISE CTR						
R26	8	24V	561707	RR JCT BOX	STOP LTS						
R31	13	24V	561707	FR JCT BOX	A/C FULL AIR WATER HTR - WATER VALVE						
R32	12	24V	560772	RR JCT BOX	COMPR. CLUTCH TIME DELAY ON						
R33	12-13	12V	561538	FR JCT BOX	BLOWER CUT-IN						
R34	13	24V	561707	RR JCT BOX	A/C WARNING LT						
R35	12	24V	561707	FR JCT BOX	WATER PUMP A/C STD						
R36	12	24V	561707	RR JCT BOX	A/C STD-COMPR. CLUTCH						
R37	1	24V	561707	RR JCT BOX	GENERATOR-12VAC RLY SIGN						
R38	13	24V	561005	A/C JCT BOX	EVAP. FAN MOTOR (FULL AIR)						
R39	13	24V	561005	A/C JCT BOX	COND. FAN MOTOR (FULL AIR)						
R40	13	24V	561707	A/C JCT BOX	WATER PUMP (FULL AIR)						
R43	1	12V	560271	ENGINE COMPT	12V HOUSE						
R46	7	24V	561707	UNDER INST PANEL	LH DIRECTIONNAL LTS						
R47	7	24V	561707	UNDER INST PANEL	RH DIRECTIONNAL LTS						
R49	17	24V	561707	FR SERV JCT BOX	ABS - ENGINE BRAKE						
R52	17	24V	561707	FR SERV JCT BOX	ABS SYSTEM						
R53	2	24V	561991	RR JCT BOX	ENGINE RUN 24V RR						
R54	2	24V	561991	RR JCT BOX	ENGINE RUN 12V RR						
R56	15	24V	561707	FR SERV JCT BOX	ENGINE BRAKE SYSTEM						
R57	6	24V	561707	FR JCT BOX	DAY'S BLINKER						
R60	6	12V	561538	FR JCT BOX	DAYTIME RUN LTS						
R62	7	24V	561707	BEHIND RH CONS	RH CORNERING						
R63	7	24V	561707	BEHIND RH CONS	LH CORNERING						
R68	11	24V	561707	FR JCT BOX	PARK BRAKE ALARM						
R69	16	12V	562092	FR JCT BOX	LUGG DOOR LOCK						
R70	16	12V	562092	FR JCT BOX	LUGG DOOR UNLOCK						
R71	16	12V	562092	FR JCT BOX	LUGG DOOR LOCK TT LT						
R72	10	24V	561707	FR JCT BOX	DASH LTS RHEOSTAT						
R74	16	12V	562092	RR JCT BOX	LUGG DOOR LOCK						
R75	16	12V	562092	RR JCT BOX	LUGG DOOR UNLOCK						
R76	8	24V	561707	RR JCT BOX	STOP LTS-ENGINE BRK & RETARDER SYST.						
R77	7	12V	562092	UNDER DASH	AUDIBLE FLASHER RLY						
R78	5	24V	561707	RR JCT BOX	DDEC3 FAN CONTROL SPEED• 1						
R79	5	24V	561707	RR JCT BOX	DDEC3 FAN CONTROL SPEED• 2						
R80	15	24V	561707	FR SERV JCT BOX	ENGINE BRAKE SYS.-W/T CTR						
R82	15	24V	561707	FR SERV JCT BOX	RETARDER SYSTEM						

RESISTOR CODE (RS)

Page J : 1

NO.	PAGE	OHM(S)	#PREVOST	LOCATION	FUNCTION
RS1	3	11 K	562307	FR SERV JCT BOX	DDEC III-FAST IDLE
RS2	3	3.6 K	562306	FR SERV JCT BOX	DDEC III-FAST IDLE
RS3	6	1 (2)	561537	FR SERV. COMPT.	FOG LT - RH
RS4	6	1 (2)	561537	FR SERV. COMPT.	FOG LT - LH
RS5	7	1 (2)	561537	LAMP ASM	CORNERING LT - LH
RS8	7	1 (2)	561537	LAMP ASM	CORNERING LT - RH
RS9	7	1 (2)	561537	LAMP ASM	DOCKING LT - RH
RS10	7	1 (2)	561537	LAMP ASM	DOCKING LT - LH
RS14	6	.82 (2)	560822	FR SERV. COMPT.	DAYTIME RUN LTS
RS15	12	470 K	560805	RR JCT BOX	COMPR CLUTCH TIME DELAY ON
RS16	19	75 K	562342	RR JCT BOX	UNLOAD TAG TIME DELAY OFF
RS17	5	220	562498	UNDER DASH	FIRE ALARM

RESISTOR CODE (RS)

Page J : 1

NO.	PAGE	OHM(S)	#PREVOST	LOCATION	FUNCTION
-----	------	--------	----------	----------	----------

NO.	PAGE	OHM(S)	*PREVOST	LOCATION	FUNCTION
RS1	3	11 K	562307	FR SERV JCT BOX	DDEC III-FAST IDLE
RS2	3	3.6 K	562306	FR SERV JCT BOX	DDEC III-FAST IDLE
RS3	6	1 (2)	561537	FR SERV. COMPT.	FOG LT - RH
RS4	6	1 (2)	561537	FR SERV. COMPT.	FOG LT - LH
RS5	7	1 (2)	561537	LAMP ASM	CORNERING LT - LH
RS8	7	1 (2)	561537	LAMP ASM	CORNERING LT - RH
RS9	7	1 (2)	561537	LAMP ASM	DOCKING LT - RH
RS10	7	1 (2)	561537	LAMP ASM	DOCKING LT - LH
RS14	6	.82 (2)	560822	FR SERV. COMPT.	DAYTIME RUN LTS
RS15	12	470 K	560805	RR JCT BOX	COMPR CLUTCH TIME DELAY ON
RS16	19	240 K	562516	RR JCT BOX	UNLOAD TAG TIME DELAY OFF
RS17	5	220	562498	UNDER DASH	FIRE ALARM
RS18	9	75 K	064208	RR JCT BOX	FAN CLUTCH WITH A/C STD & OR RETARDER

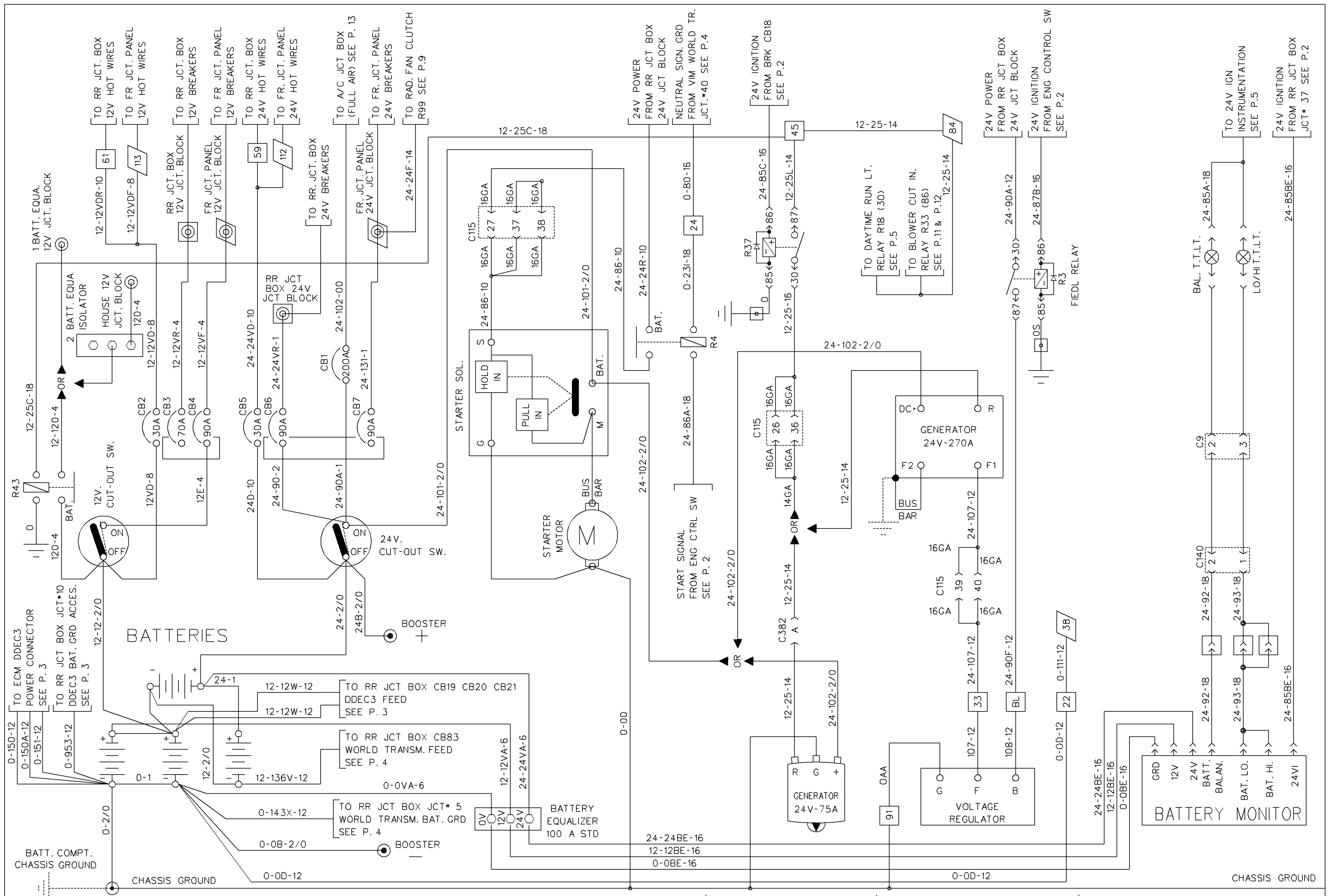
RESISTOR CODE (RS)

PAGE J : 1

RESISTOR CODE (RS)

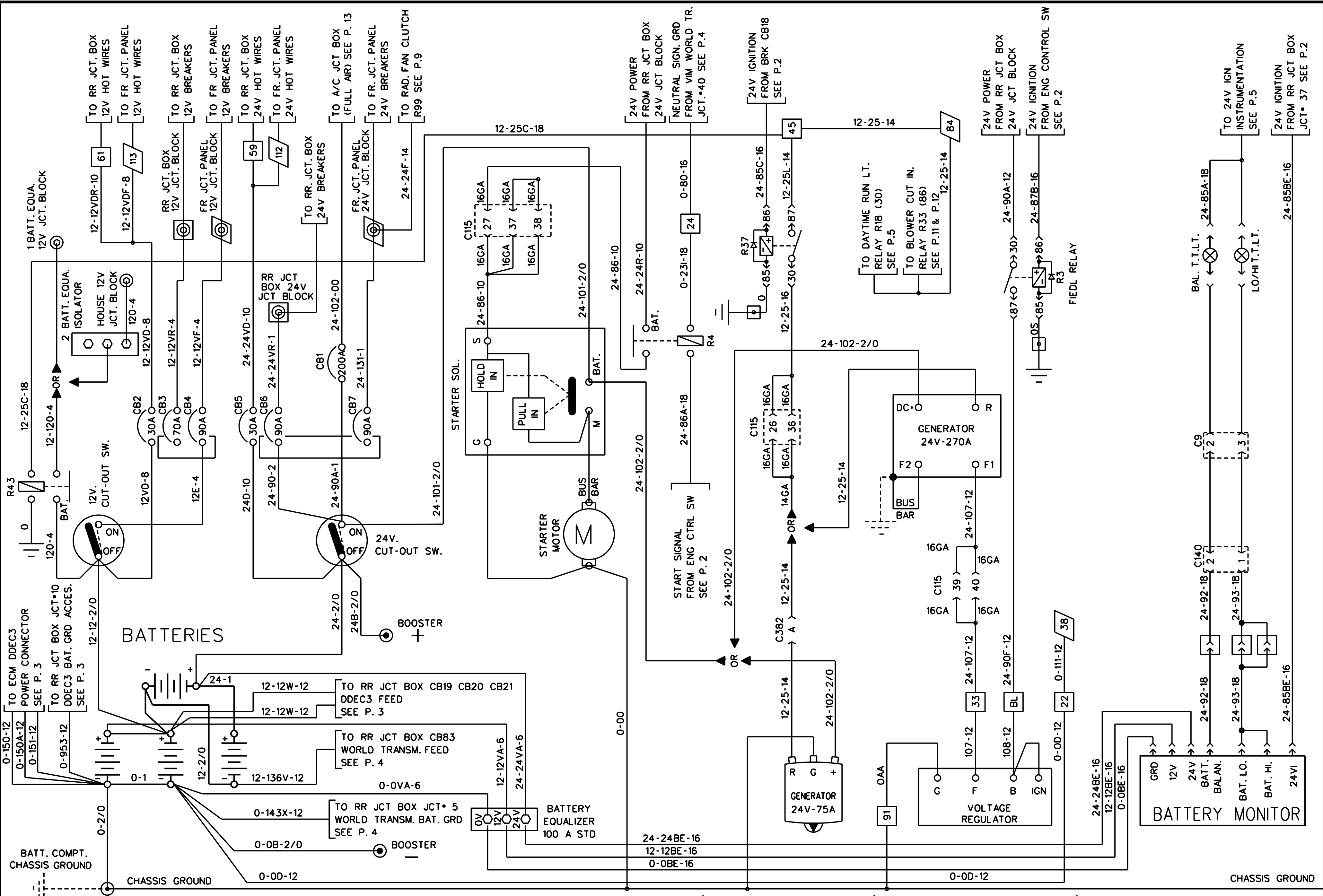
PAGE J : 1

NO.	PAGE	OHM(S)	•PREVOST	LOCATION	FUNCTION
RS1	3	11 K	562307	FR SERV JCT BOX	DDEC III-FAST IDLE
RS2	3	3.6 K	562306	FR SERV JCT BOX	DDEC III-FAST IDLE
RS3	6	1 (2)	561537	FR SERV. COMPT.	FOG LT - RH
RS4	6	1 (2)	561537	FR SERV. COMPT.	FOG LT - LH
RS5	7	1 (2)	561537	LAMP ASM	CORNERING LT - LH
RS8	7	1 (2)	561537	LAMP ASM	CORNERING LT - RH
RS9	7	1 (2)	561537	LAMP ASM	DOCKING LT - RH
RS10	7	1 (2)	561537	LAMP ASM	DOCKING LT - LH
RS14	6	.82 (2)	560822	FR SERV. COMPT.	DAYTIME RUN LTS
RS15	12	470 K	560805	RR JCT BOX	COMPR CLUTCH TIME DELAY ON
RS17	5	220	562498	UNDER DASH	FIRE ALARM
RS18	9	75 K	064208	RR JCT BOX	FAN CLUTCH WITH A/C STD & OR RETARDER



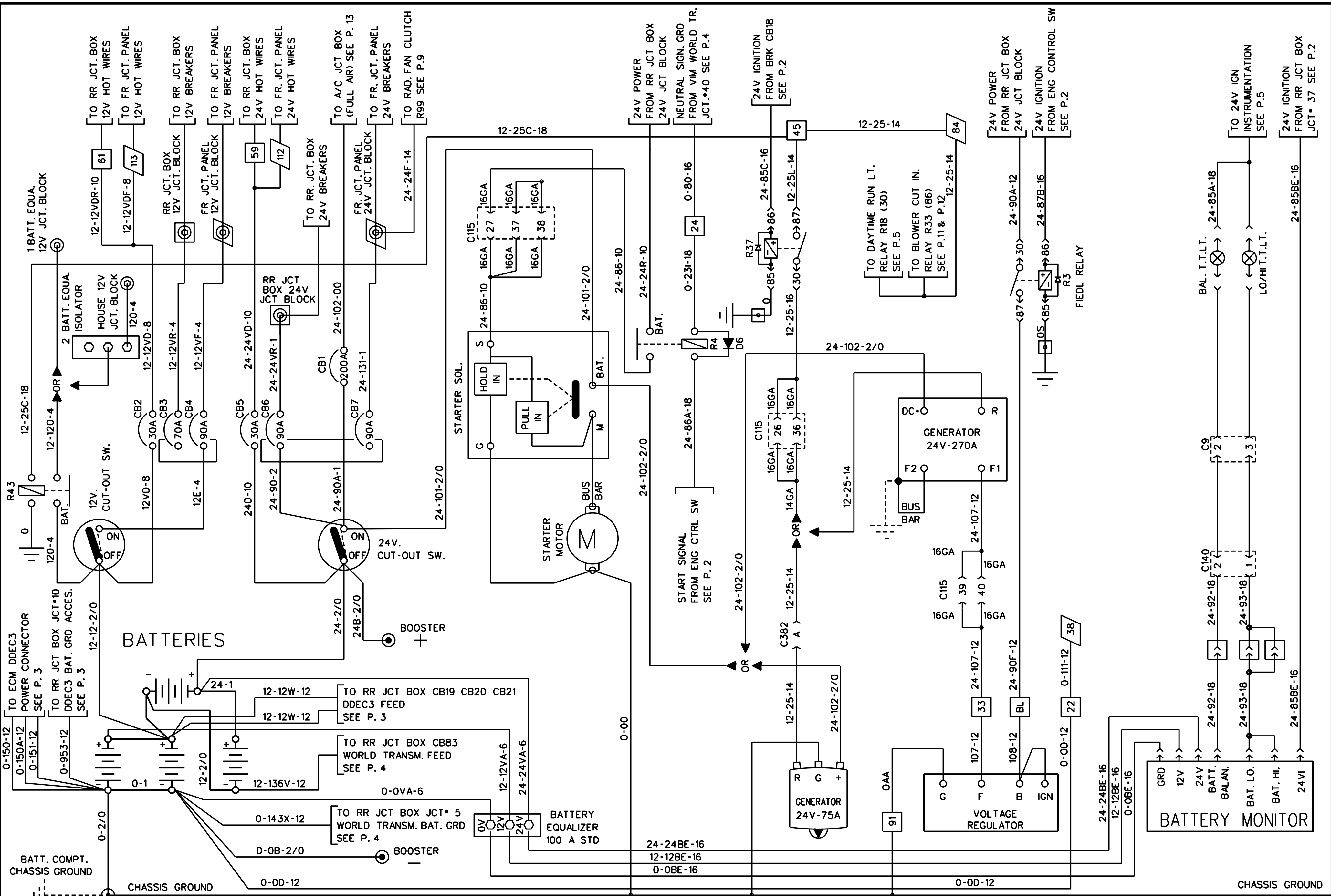
CHARGING SYSTEM

W/24V 75A | W/24V 270A



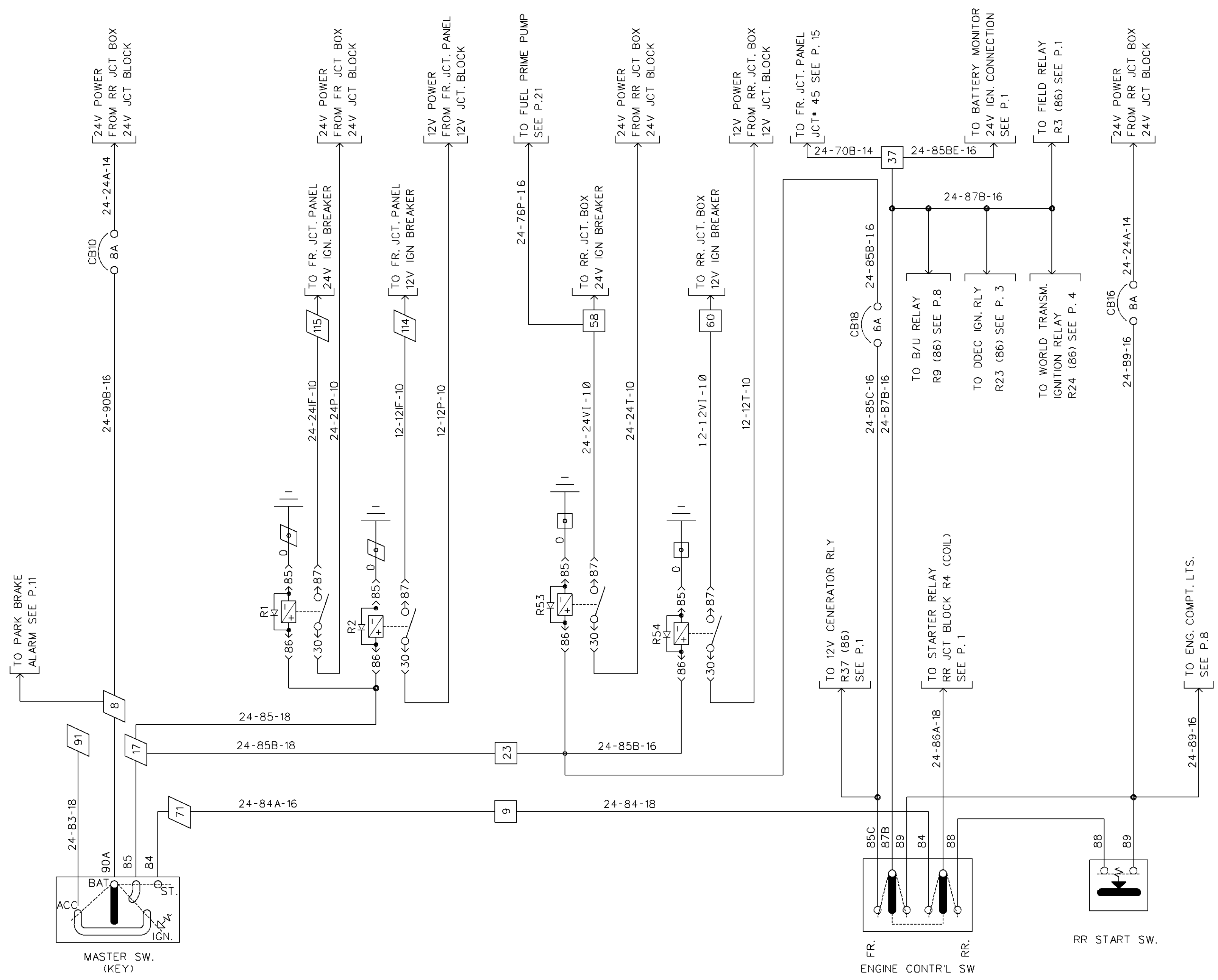
CHARGING SYSTEM

| W/24V 75A | W/24V 270A |



CHARGING SYSTEM

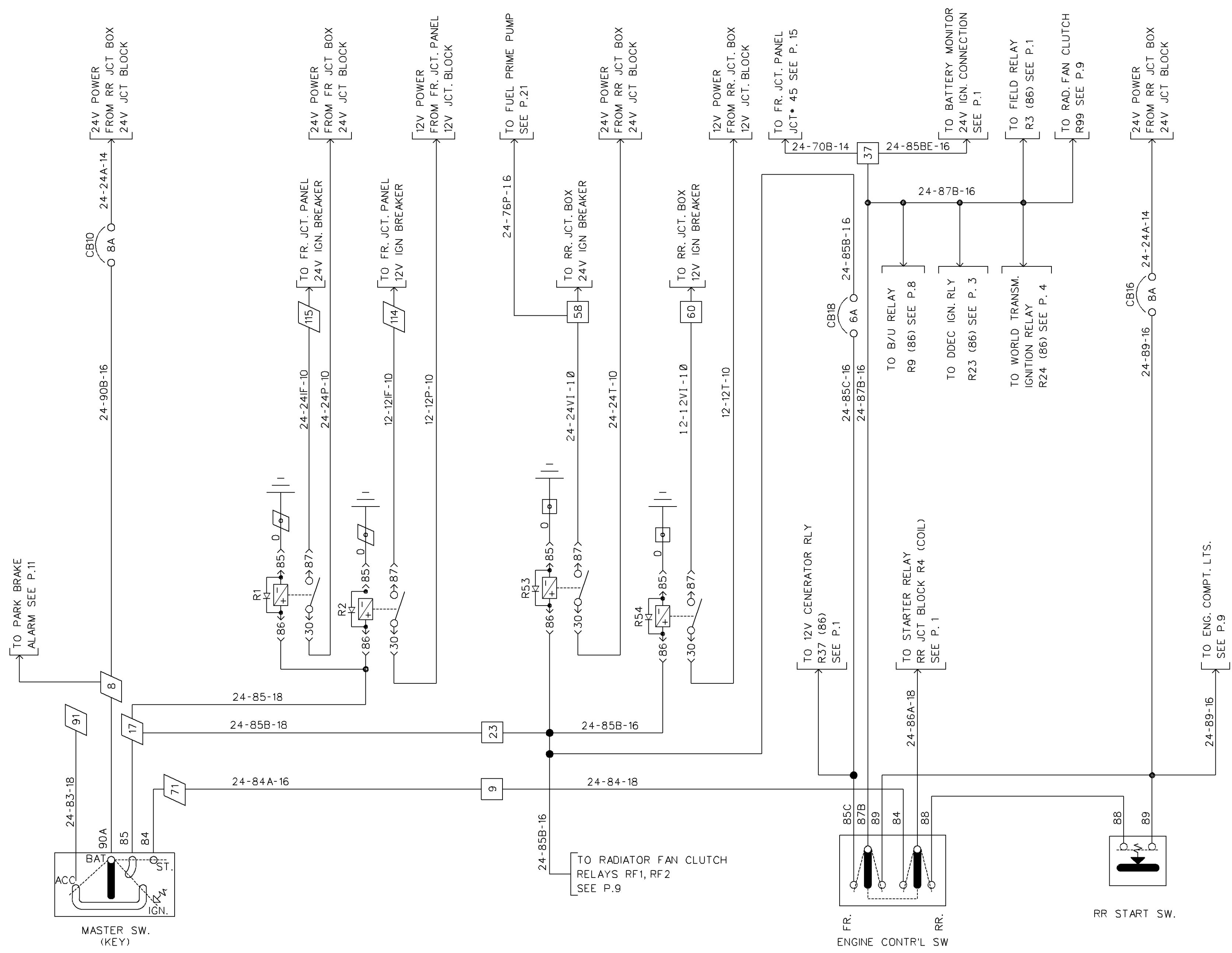
| W/24V 75A | W/24V 270A |



CHASSIS GROUND

CHASSIS GROUND

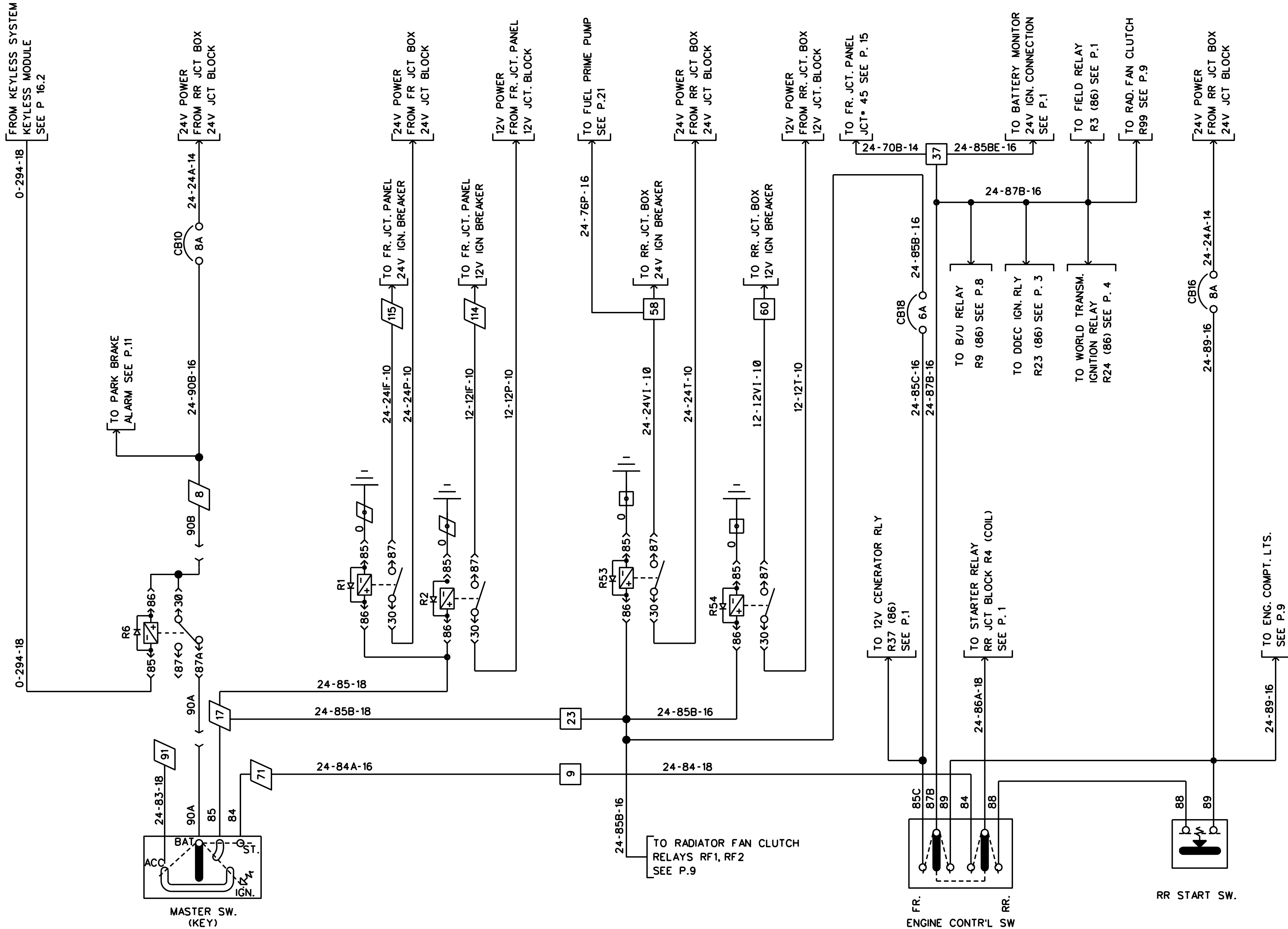
ENGINE CONTROL



CHASSIS GROUND

CHASSIS GROUND

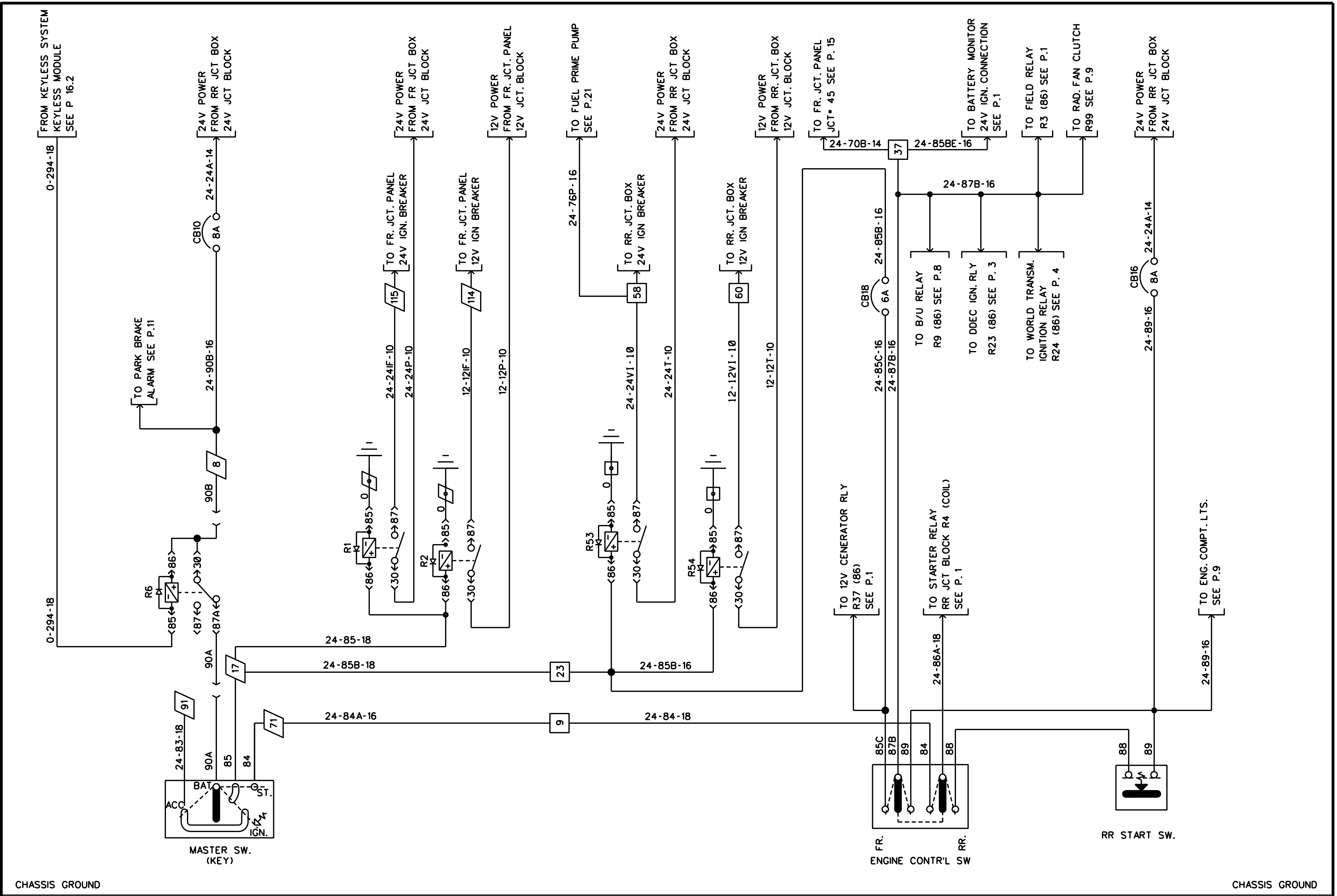
ENGINE CONTROL



CHASSIS GROUND

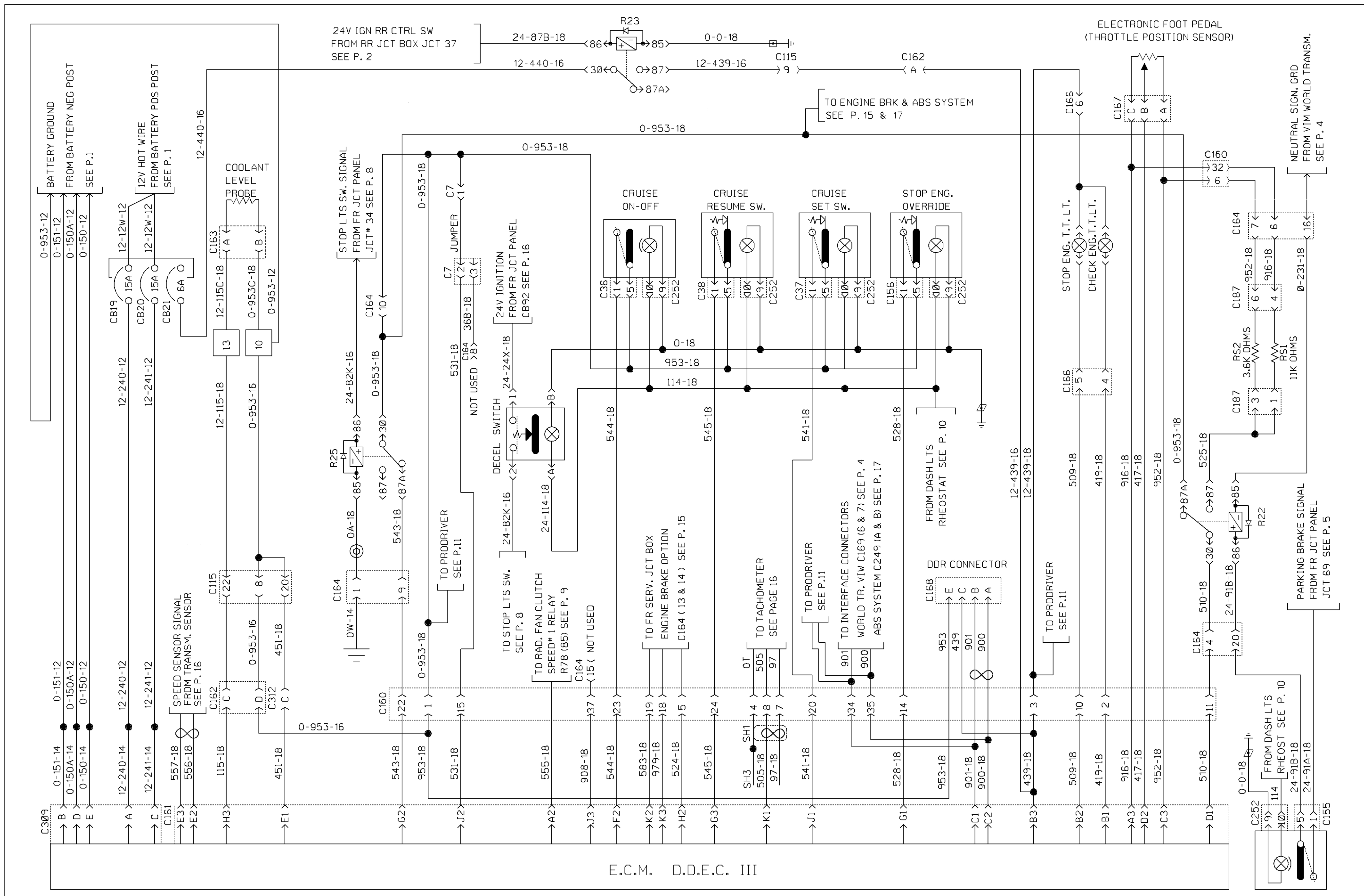
CHASSIS GROUND

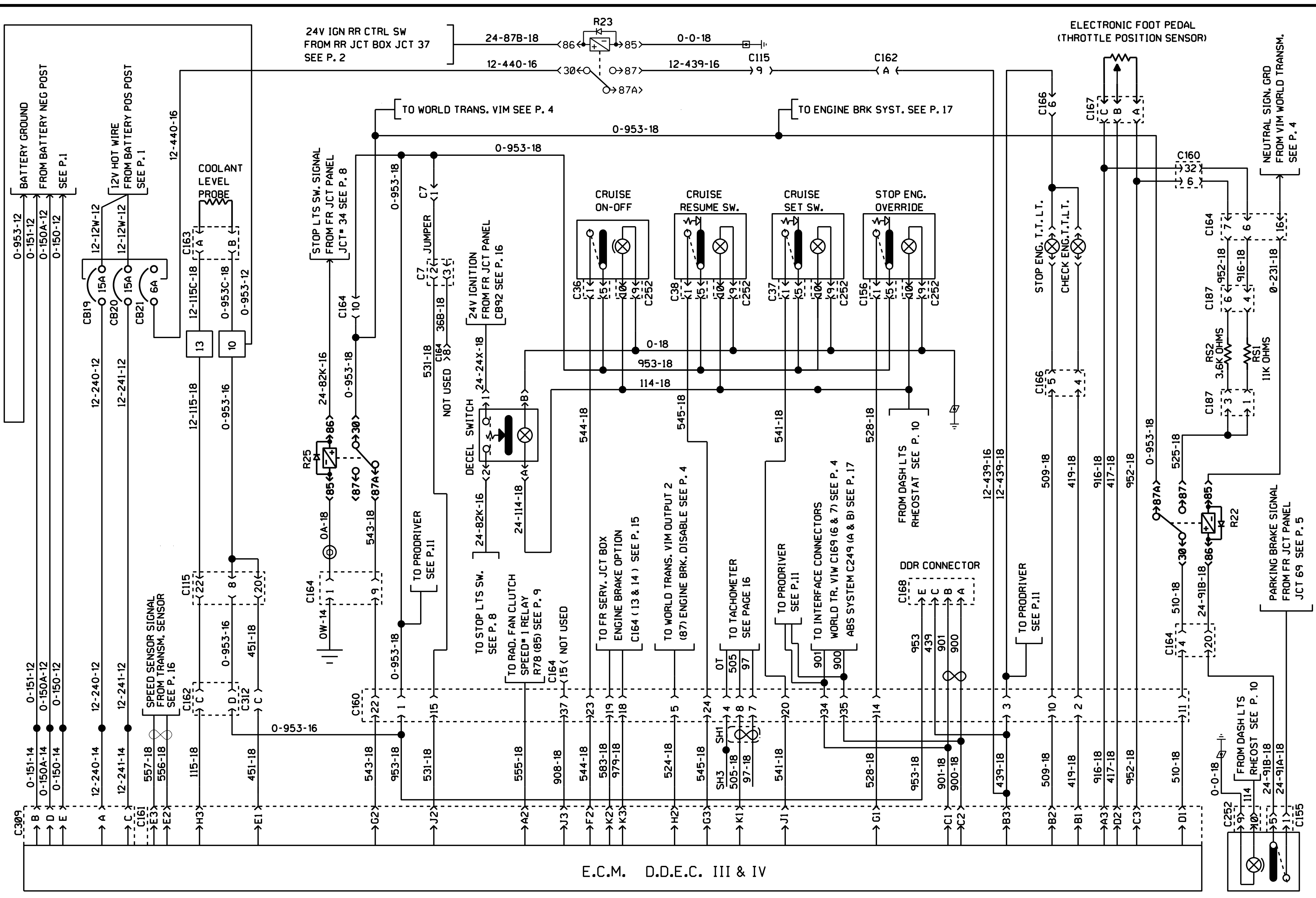
ENGINE CONTROL



CHASSIS GROUND CHASSIS GROUND

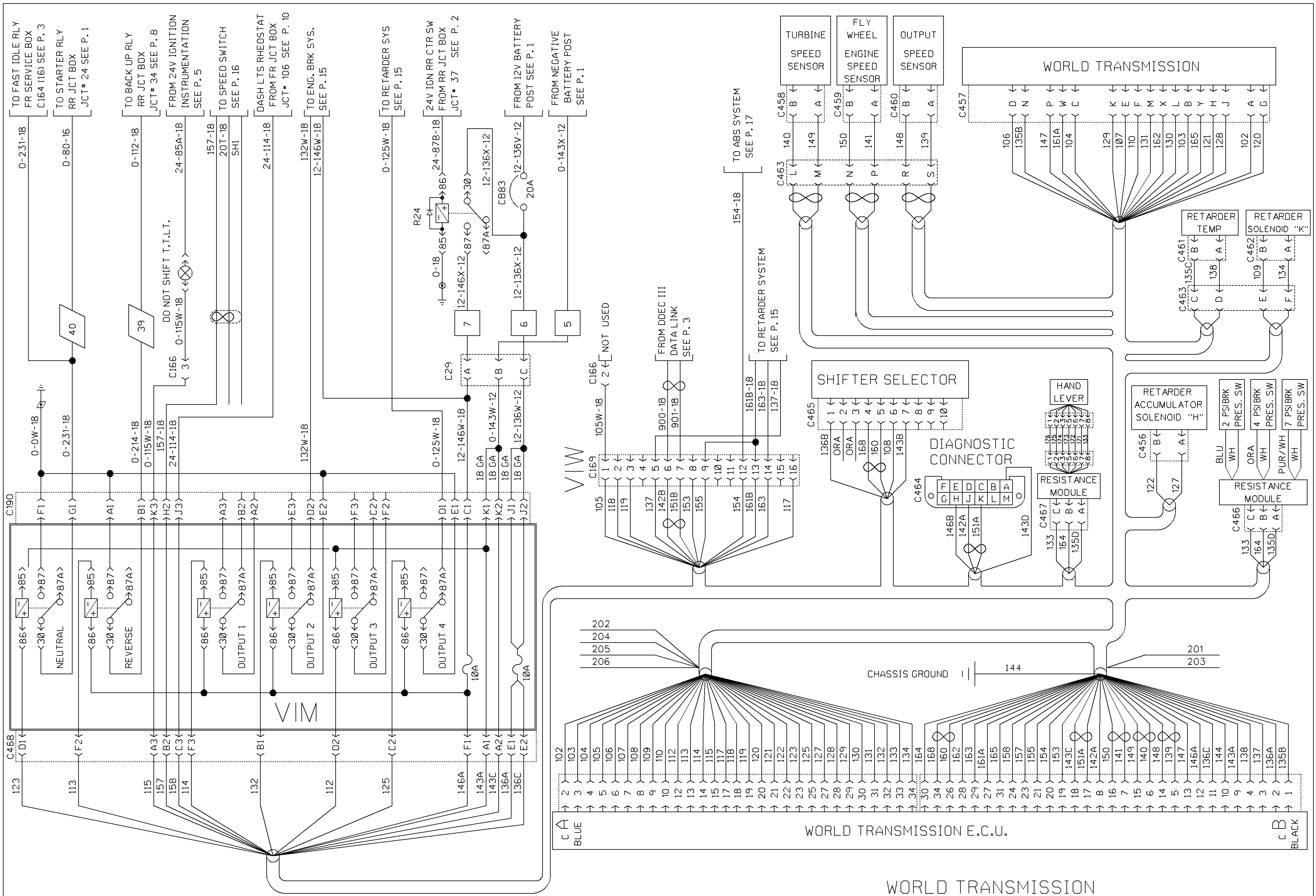
ENGINE CONTROL

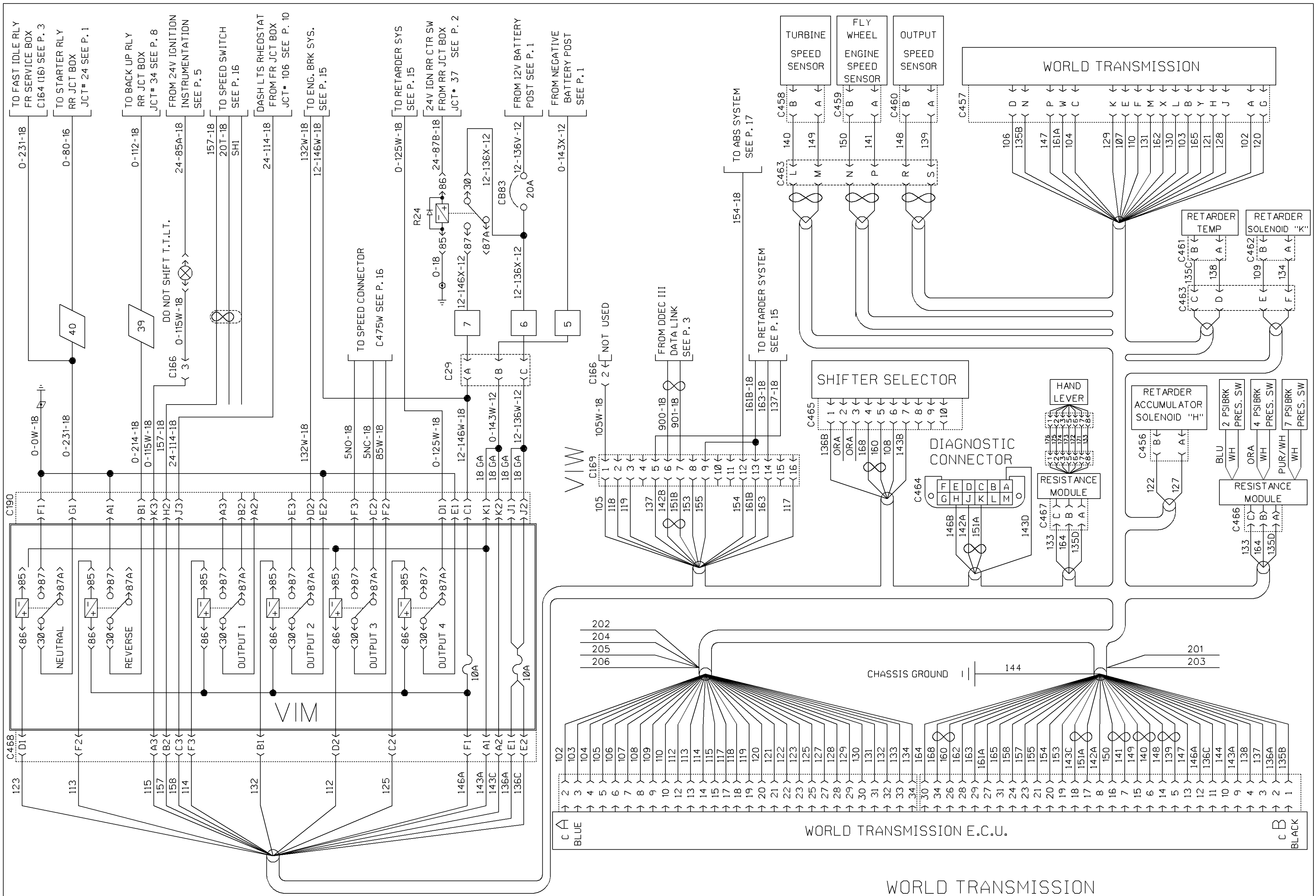


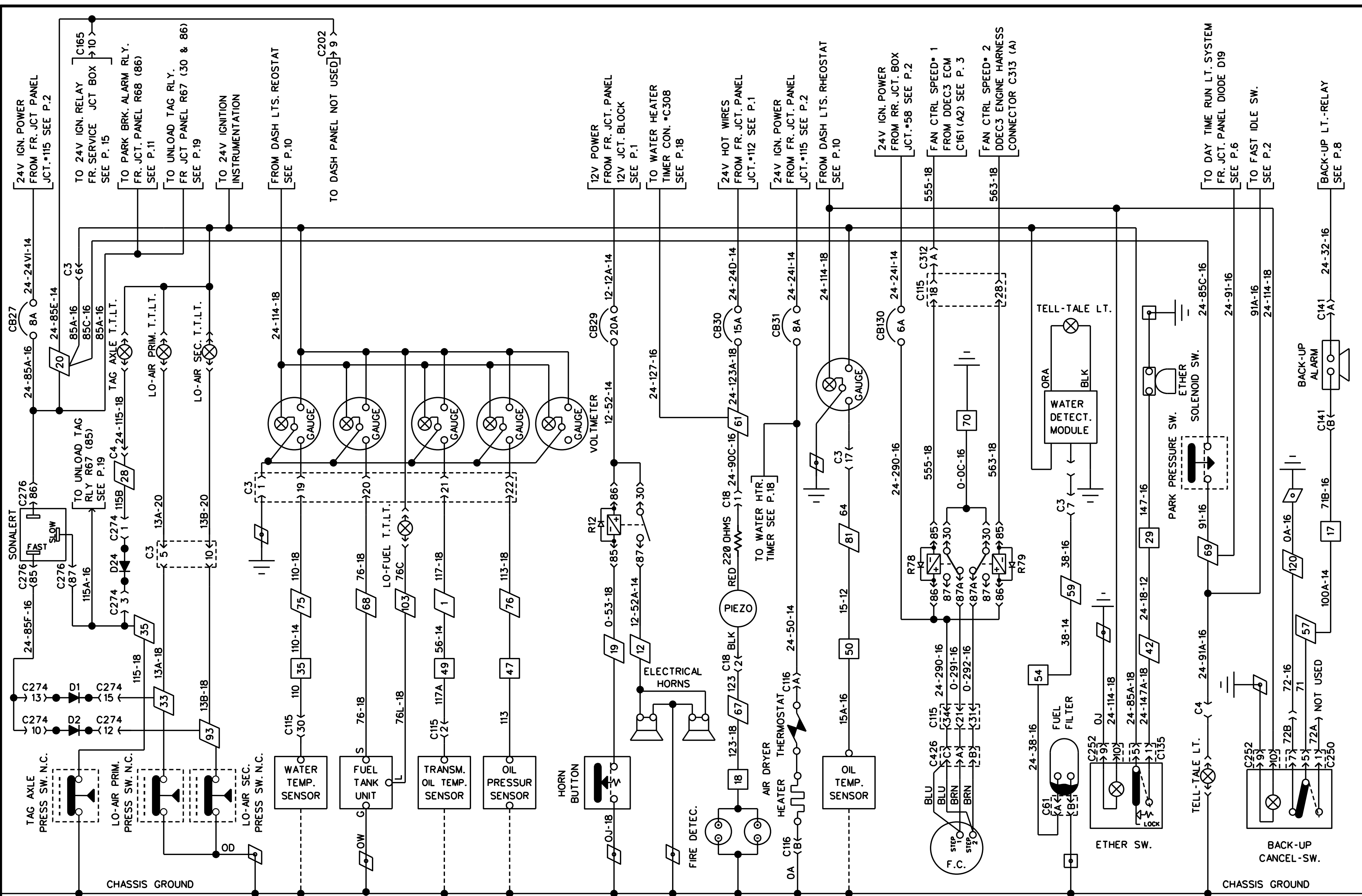


E.C.M. D.D.E.C. III & IV

D.D.E.C. III & IV

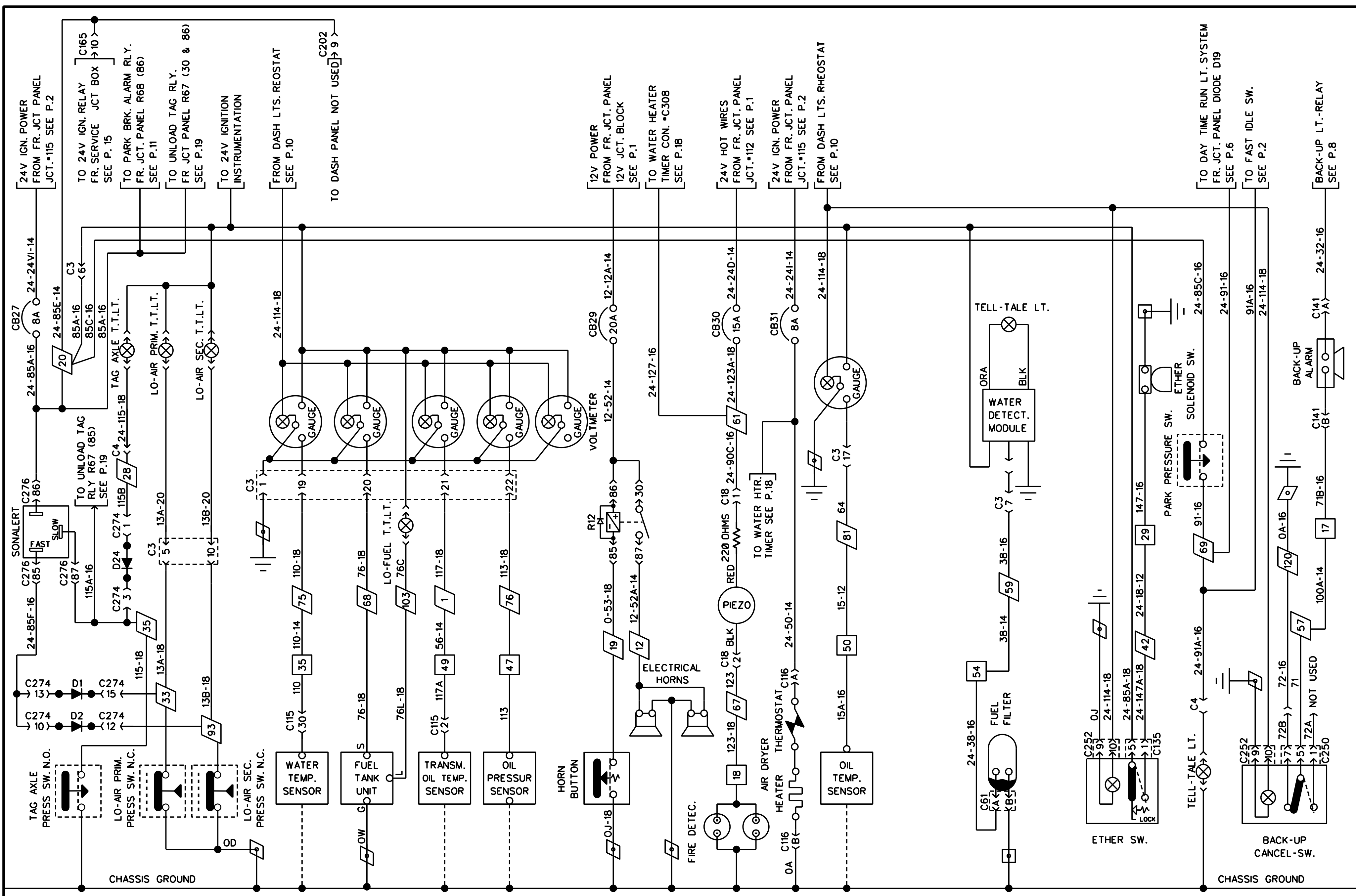






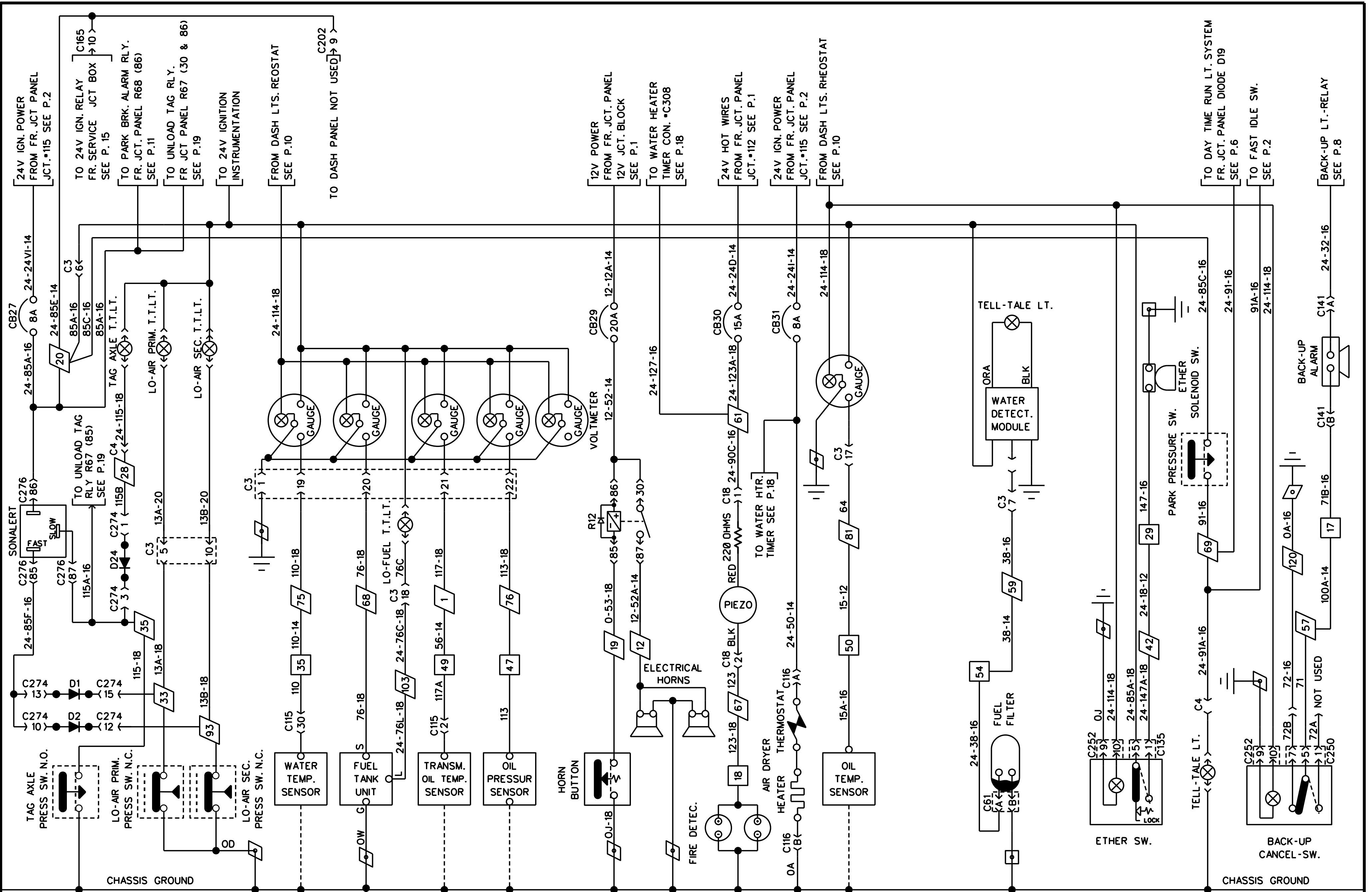
ALARM AND SIGNAL

- AIR DRYER
- DIFFERENTIAL OIL TEMP.
- RADIATOR FAN CLUTCH
- FUEL WATER FILTER
- ETHER COLD START
- PARKING BRAKE SW.
- BACK-UP ALARM



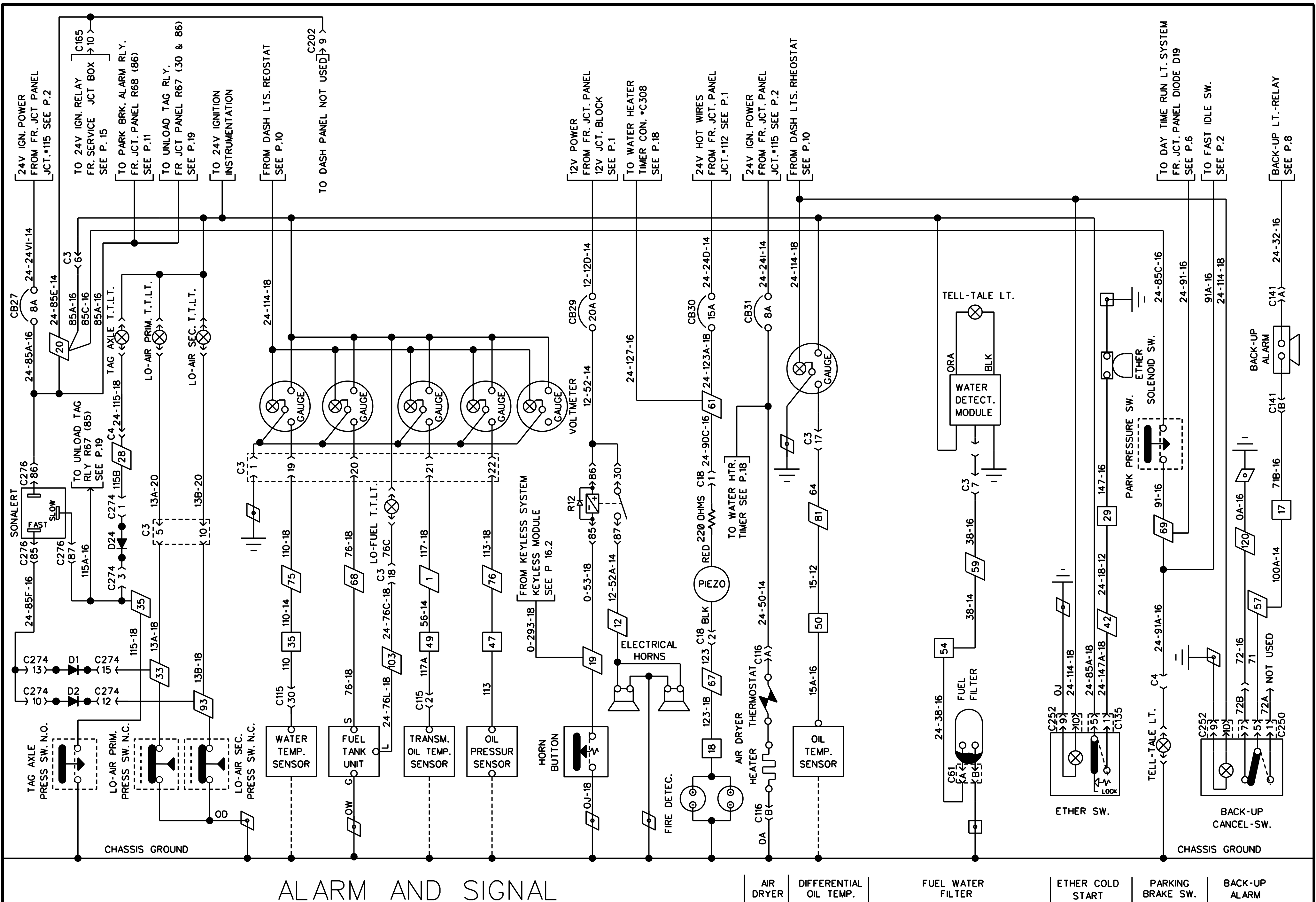
ALARM AND SIGNAL

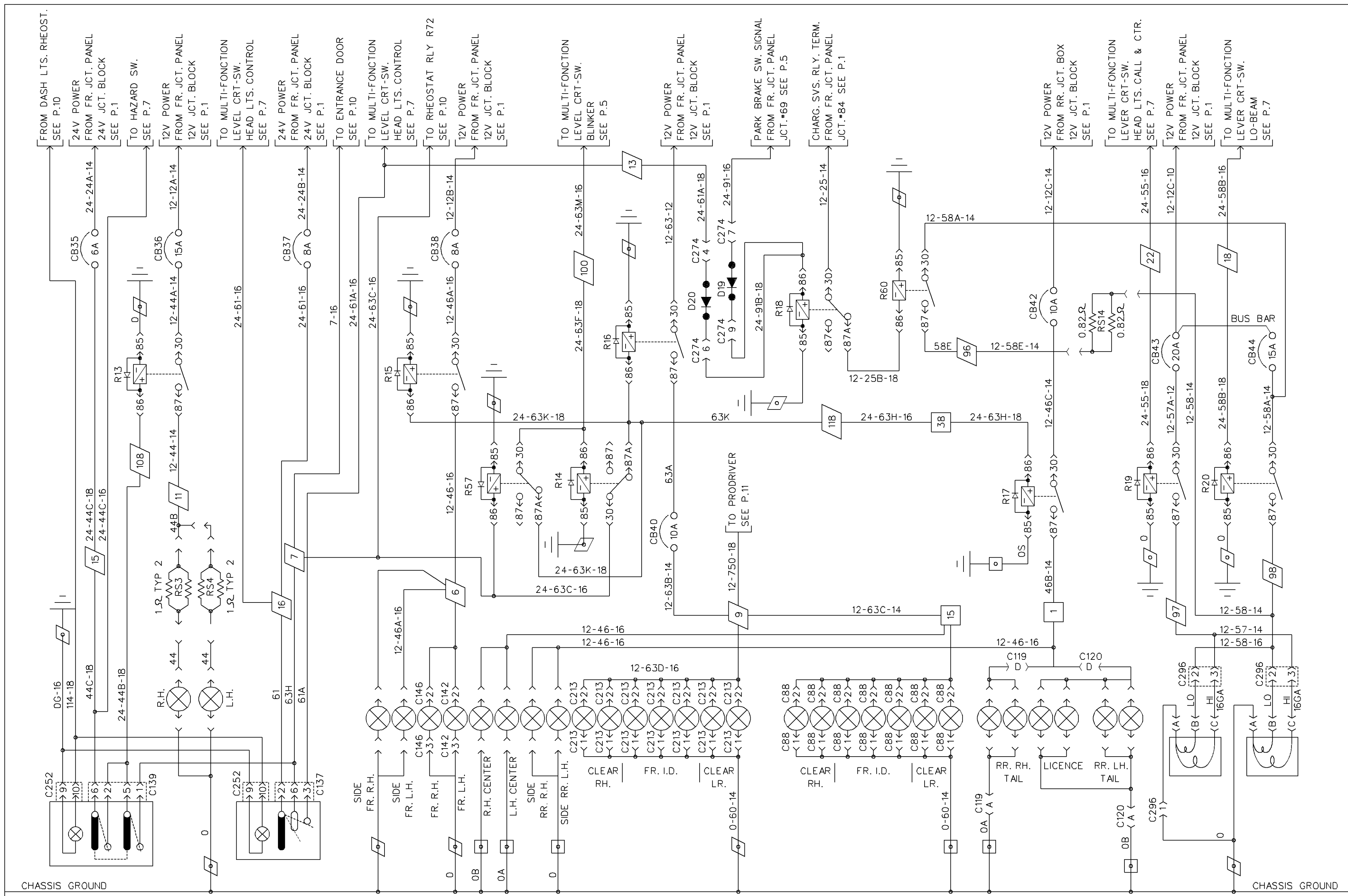
- AIR DRYER
- DIFFERENTIAL OIL TEMP.
- FUEL WATER FILTER
- ETHER COLD START
- PARKING BRAKE SW.
- BACK-UP ALARM



ALARM AND SIGNAL

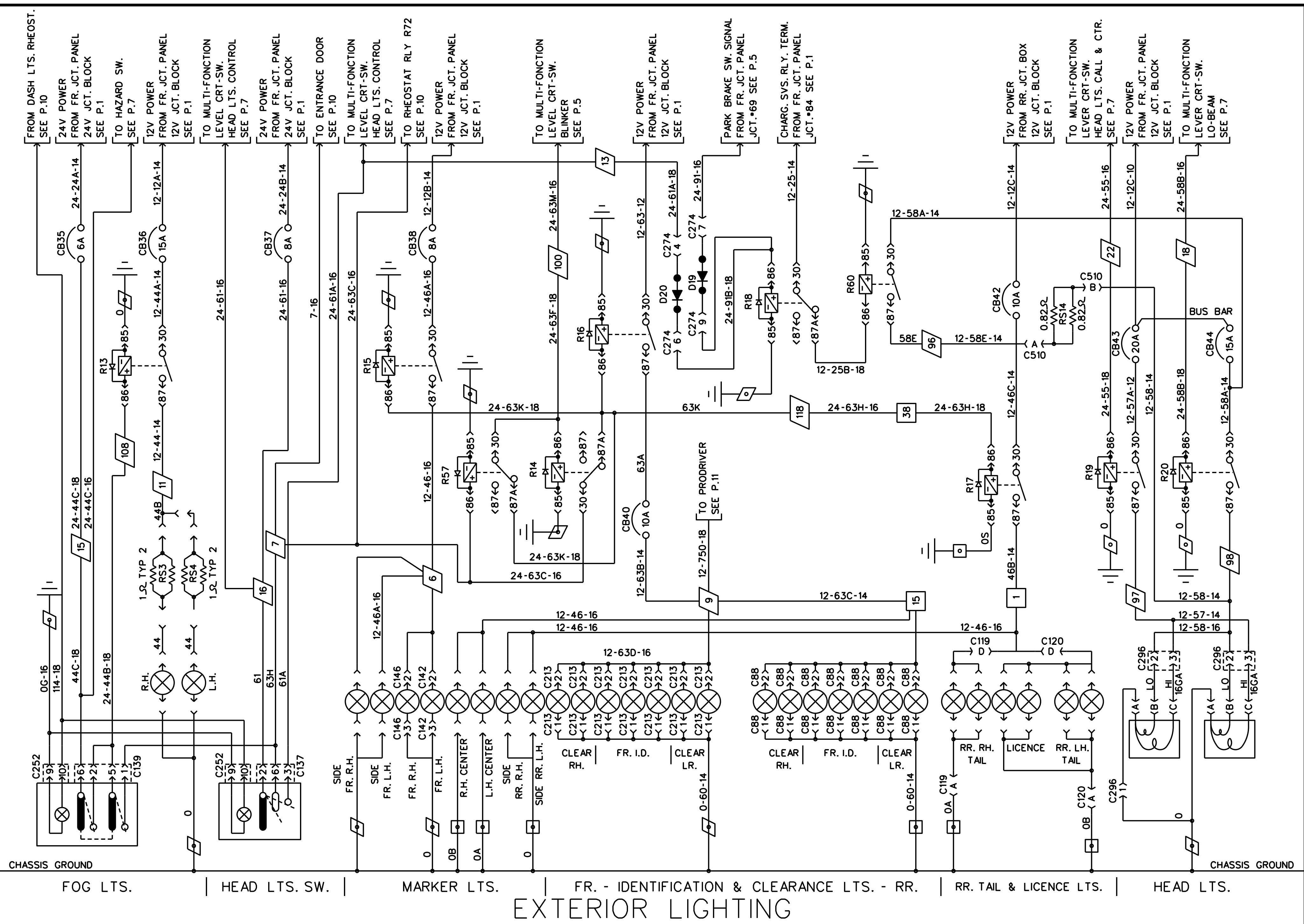
- AIR DRYER
- DIFFERENTIAL OIL TEMP.
- FUEL WATER FILTER
- ETHER COLD START
- PARKING BRAKE SW.
- BACK-UP ALARM

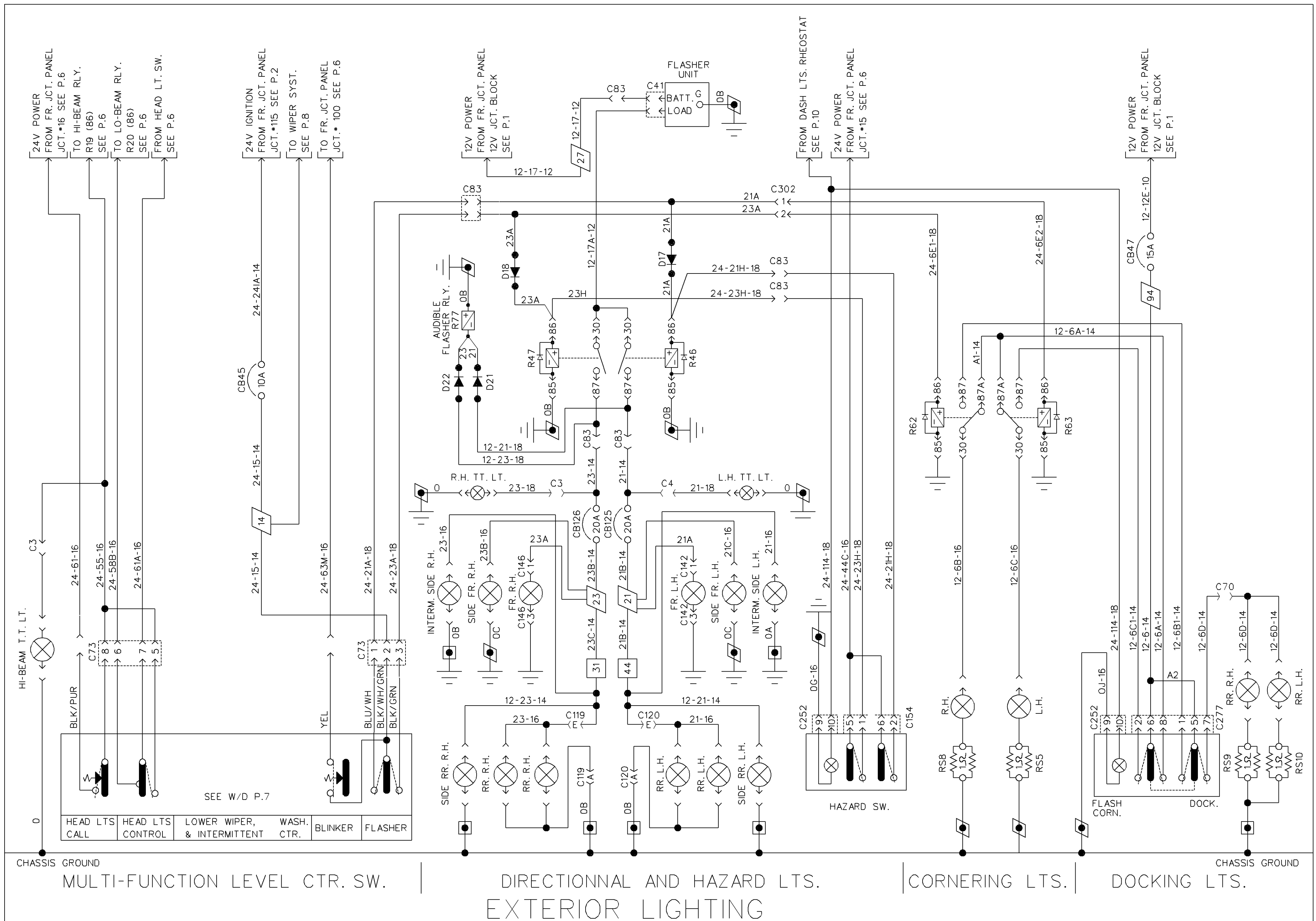


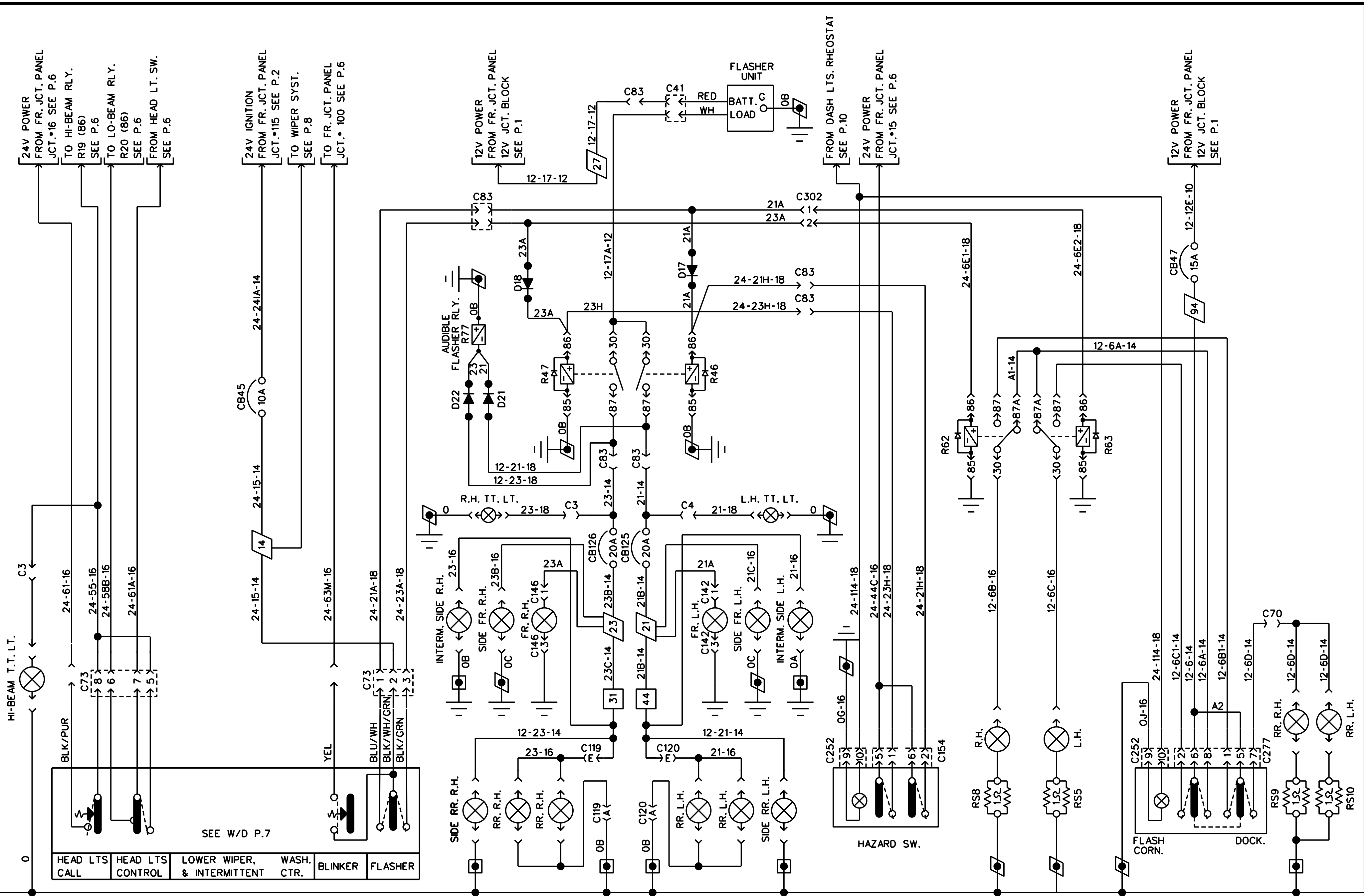


FOG LTS. | HEAD LTS. SW. | MARKER LTS. | FR. - IDENTIFICATION & CLEARANCE LTS. - RR. | RR. TAIL & LICENCE LTS. | HEAD LTS.

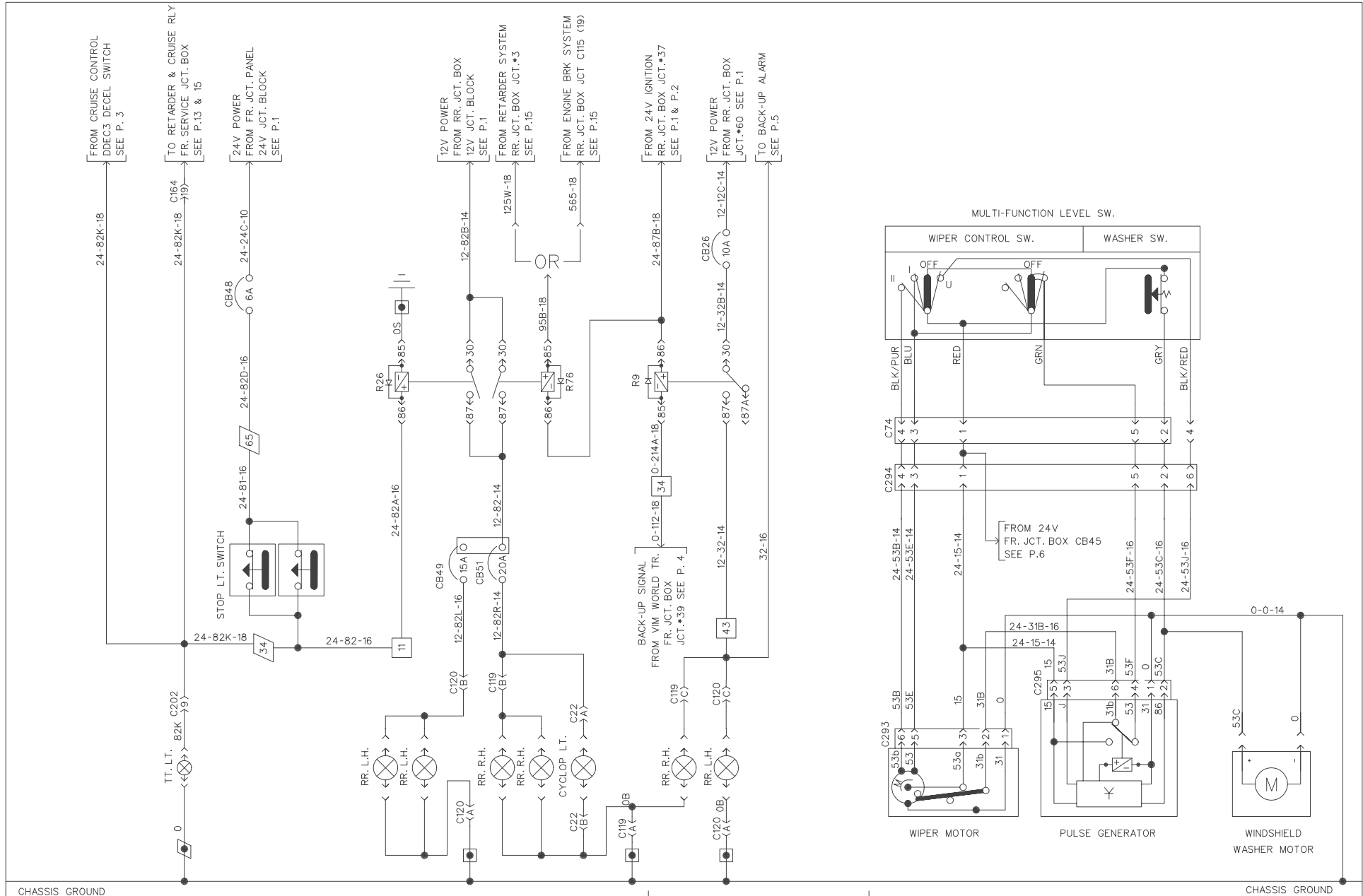
EXTERIOR LIGHTING







CHASSIS GROUND | MULTI-FUNCTION LEVEL CTR. SW. | DIRECTIONAL AND HAZARD LTS. EXTERIOR LIGHTING | CORNERING LTS. | DOCKING LTS. | CHASSIS GROUND

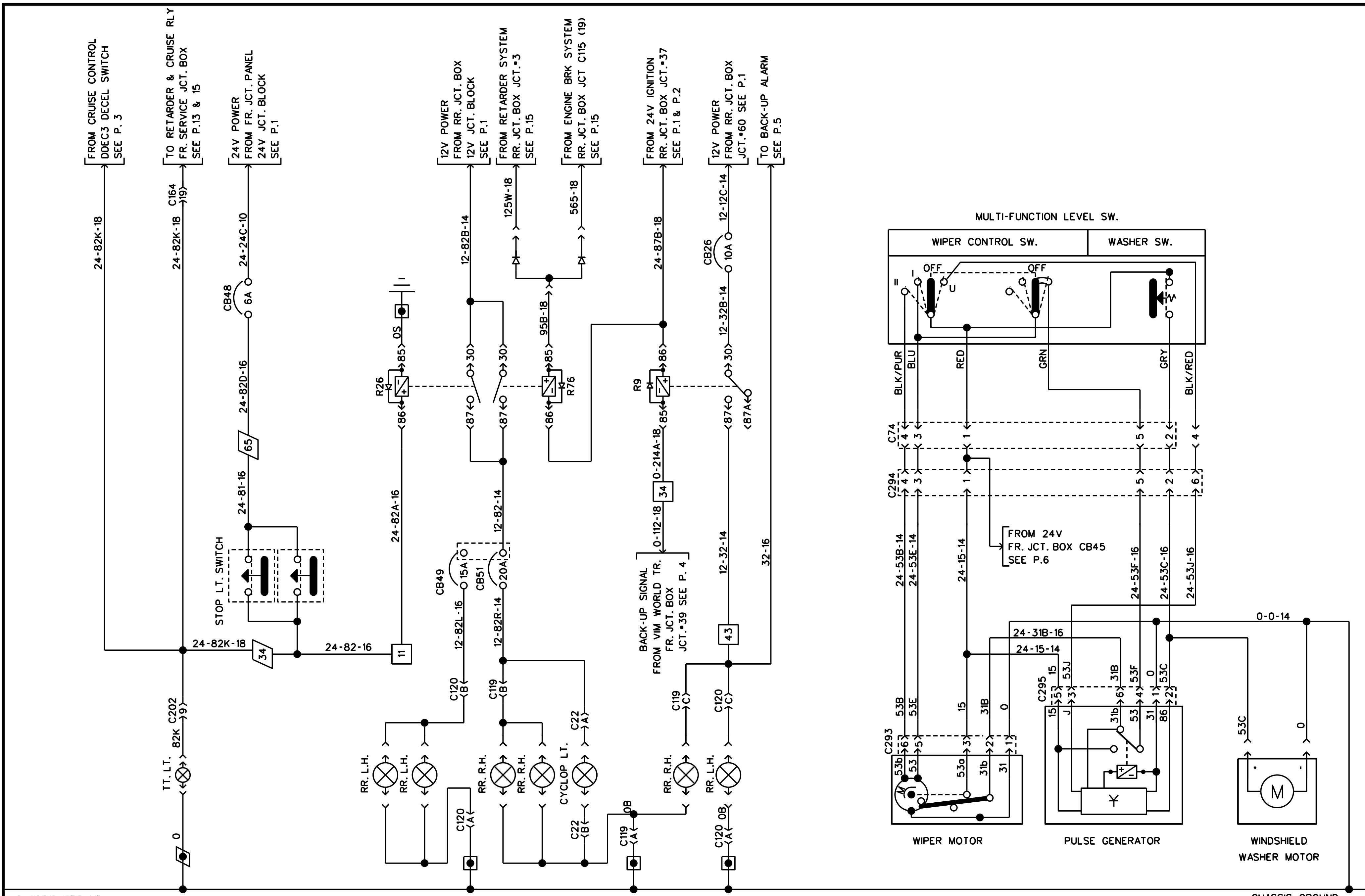


STOP LIGHTS

BACK-UP LIGHTS

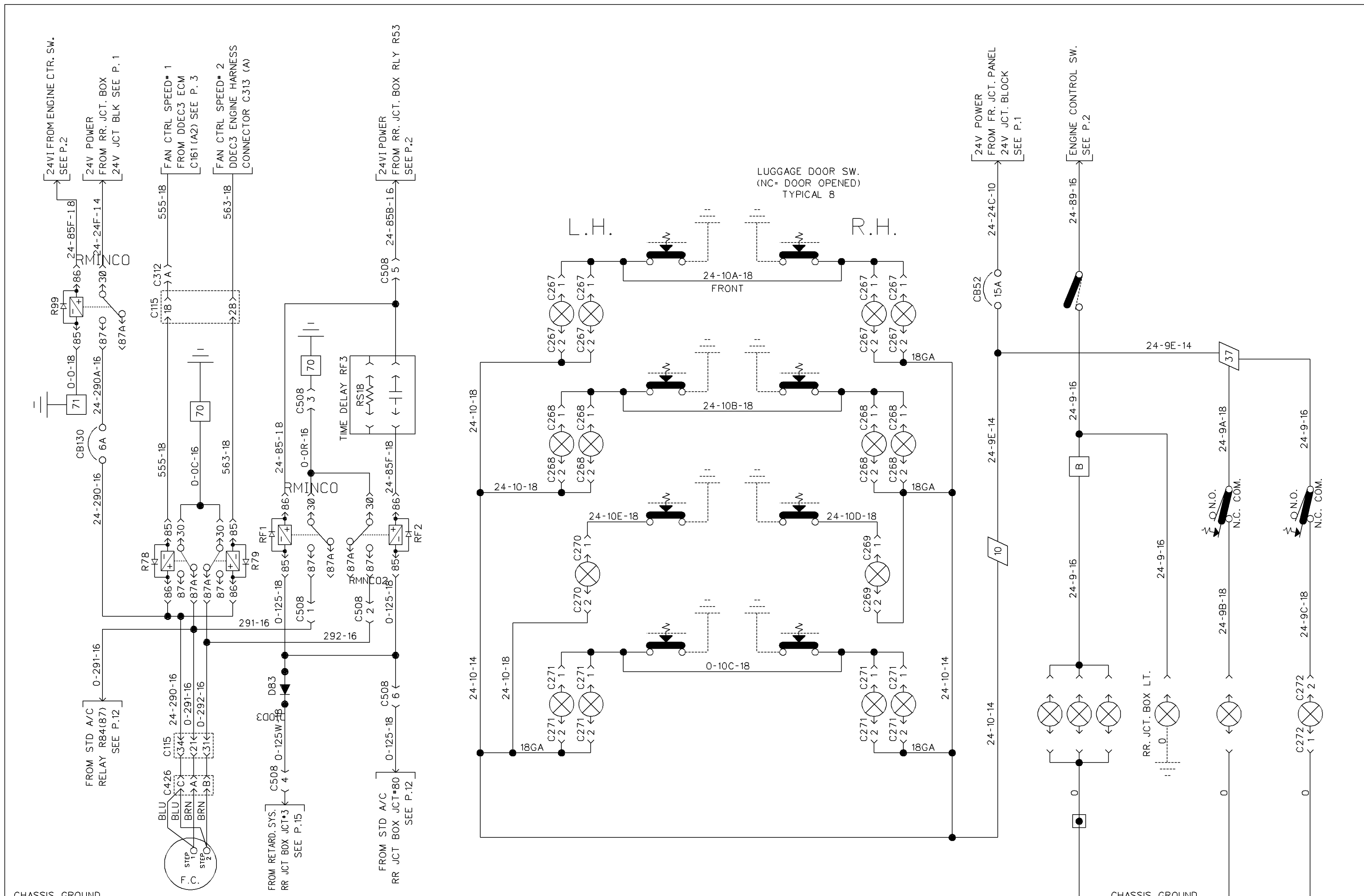
WINDSHIELD WIPER AND WASHER

EXTERIOR LIGHTING



CHASSIS GROUND | STOP LIGHTS | BACK-UP LIGHTS | WINDSHIELD WIPER AND WASHER | CHASSIS GROUND

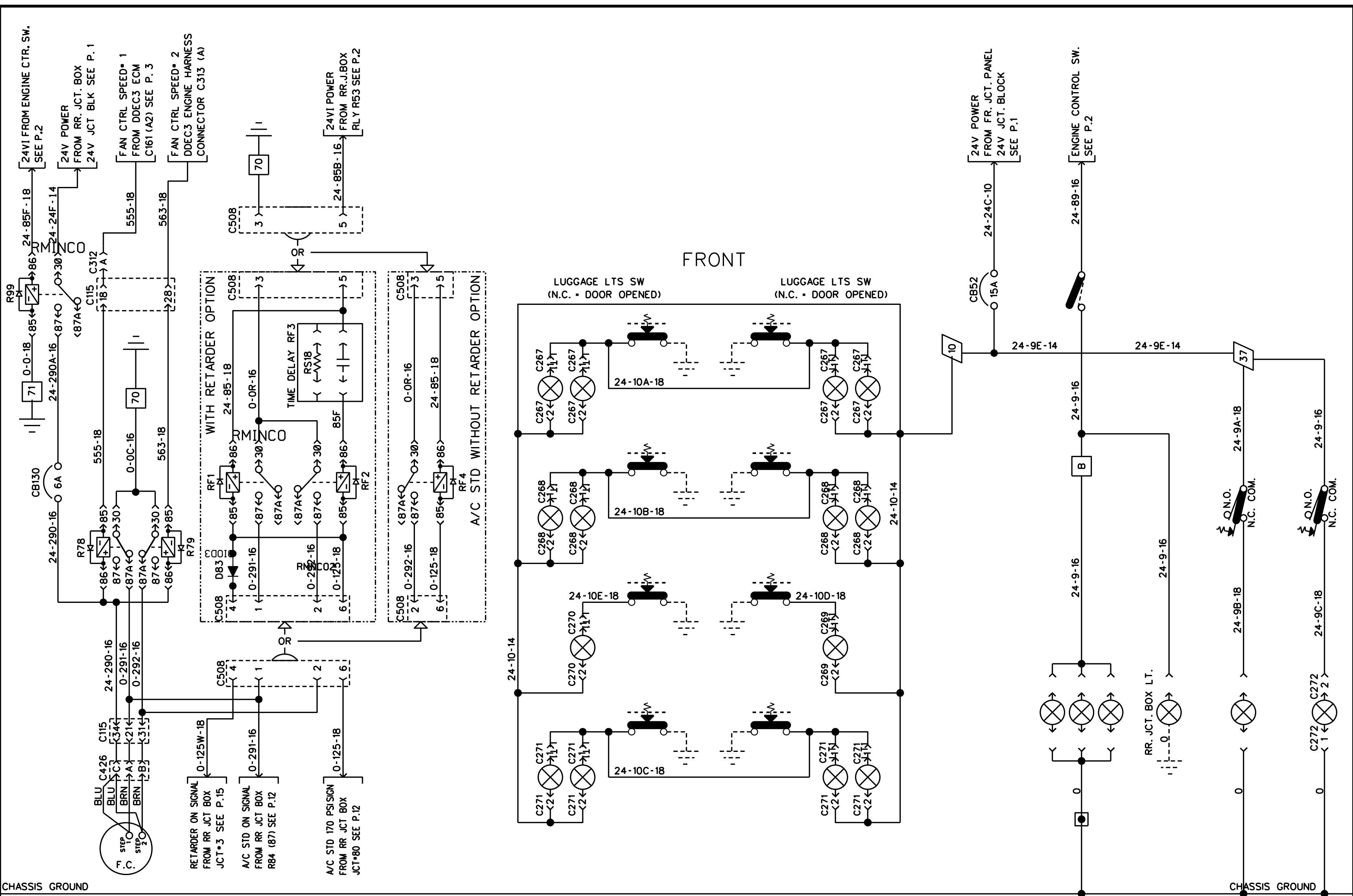
STOP LIGHTS EXTERIOR LIGHTING



RADIATOR FAN CLUTCH

LUGGAGE COMPARTMENT LTS.
INTERIOR LIGHTING

ENGINE COMPT. LTS. | FR. JCT. CPT | FR. SERVICE COMPT.



CHASSIS GROUND

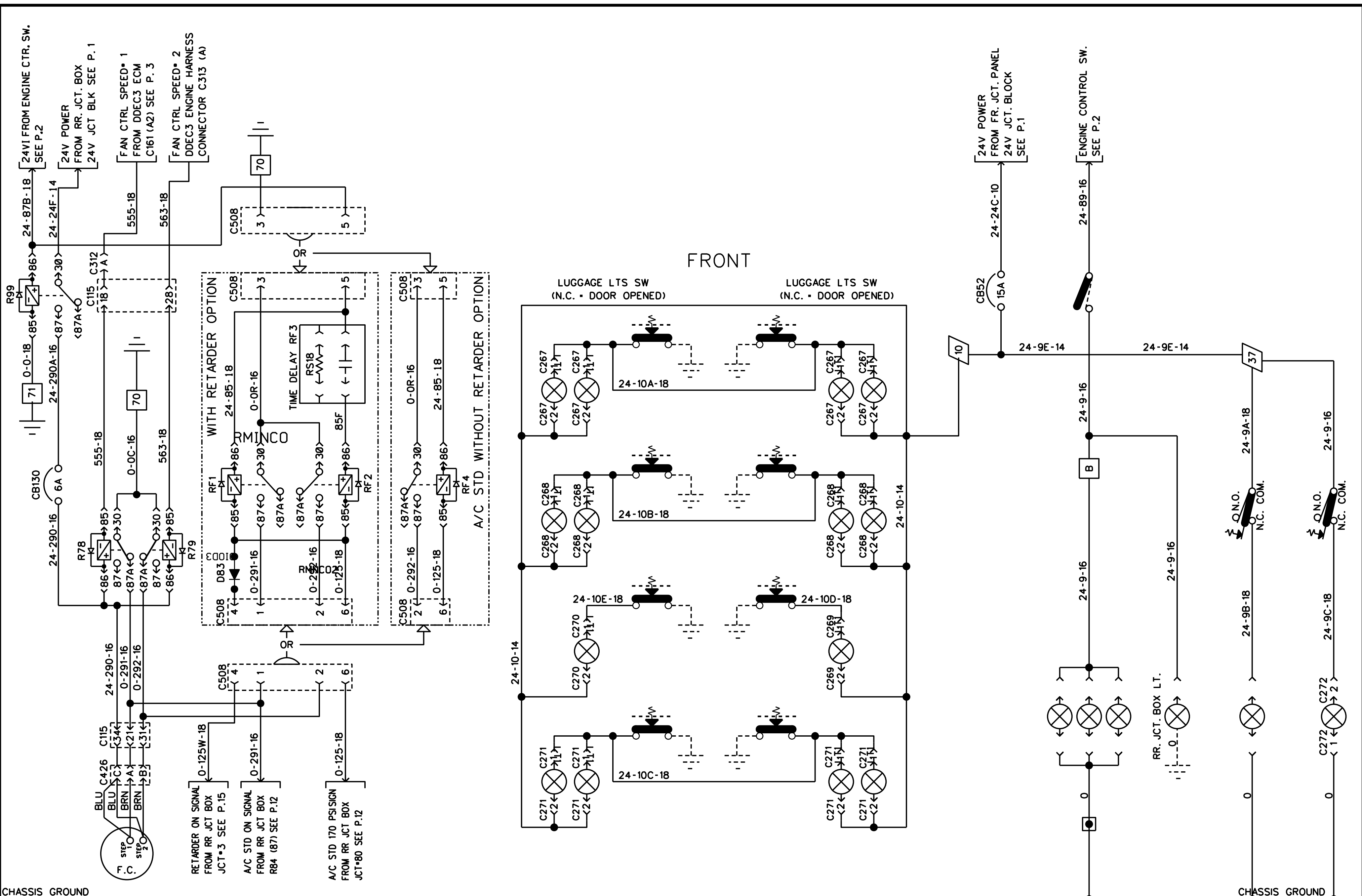
RADIATOR FAN CLUTCH

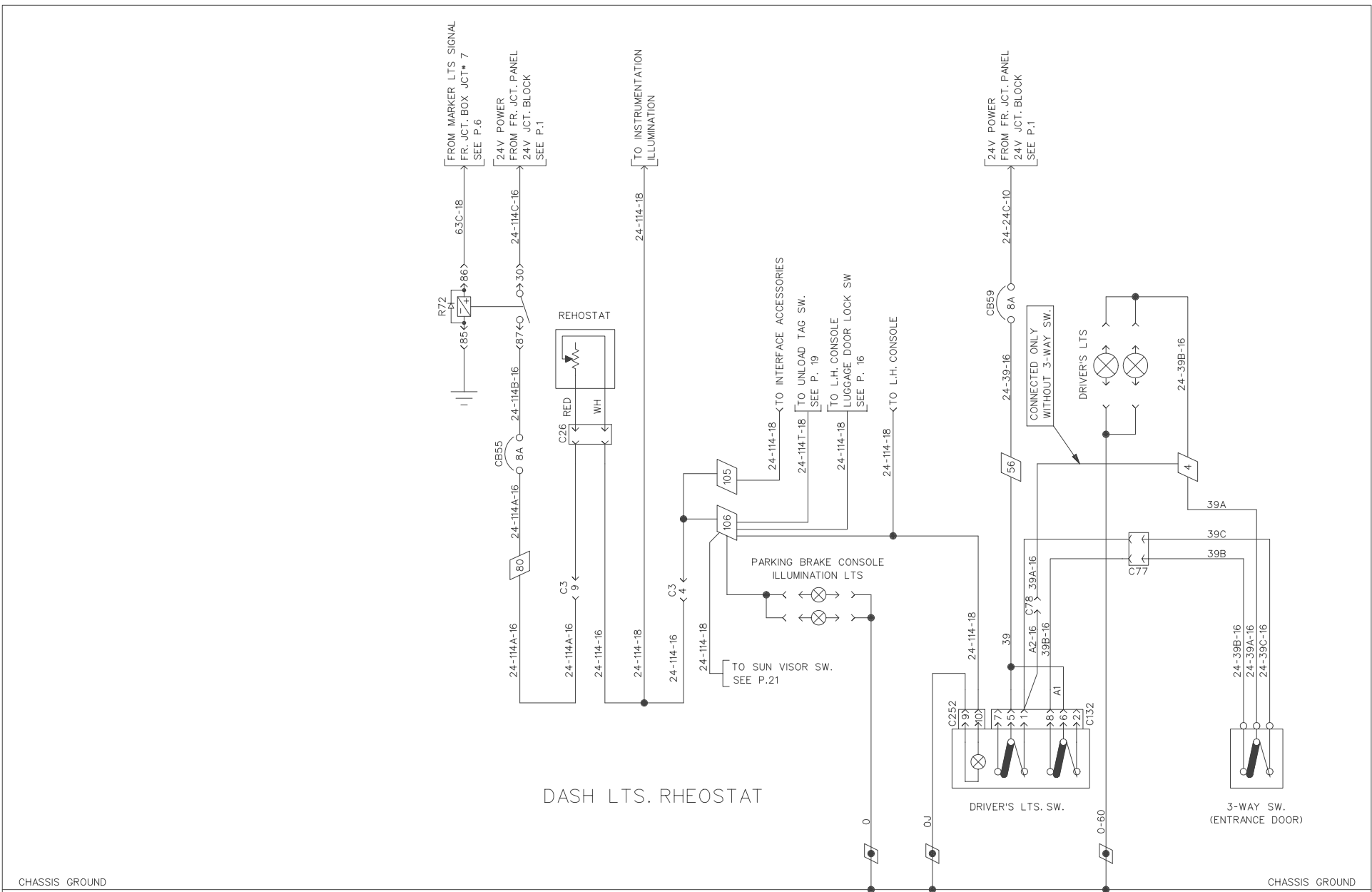
LUGGAGE COMPARTMENT LTS.

ENGINE COMPT. LTS.

FR. JCT. BOX LT.

FR. SERV. CPT. LT.



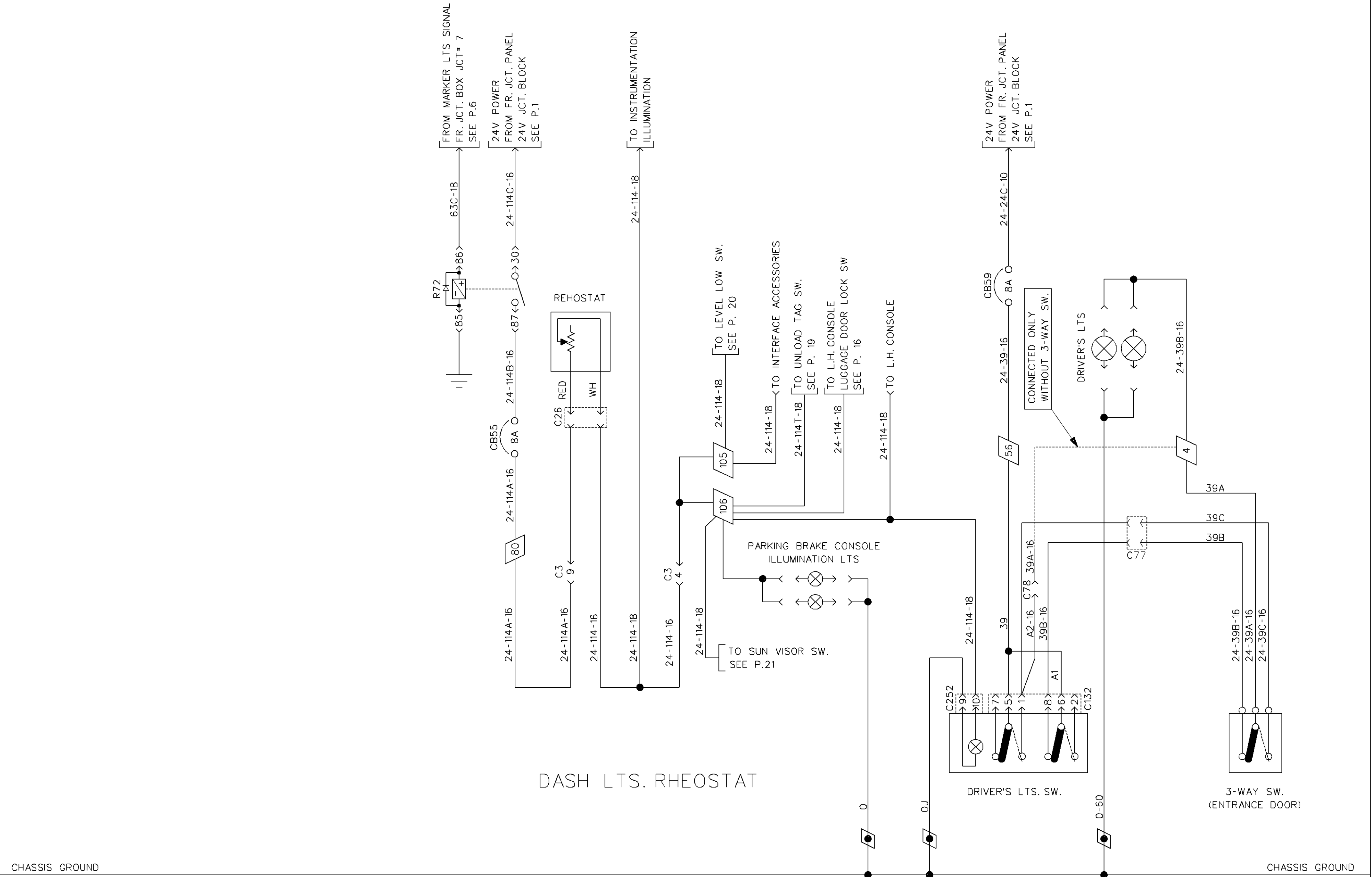


DASH LTS. RHEOSTAT

DRIVER'S LTS. SW.

3-WAY SW. (ENTRANCE DOOR)

INTERIOR LIGHTING

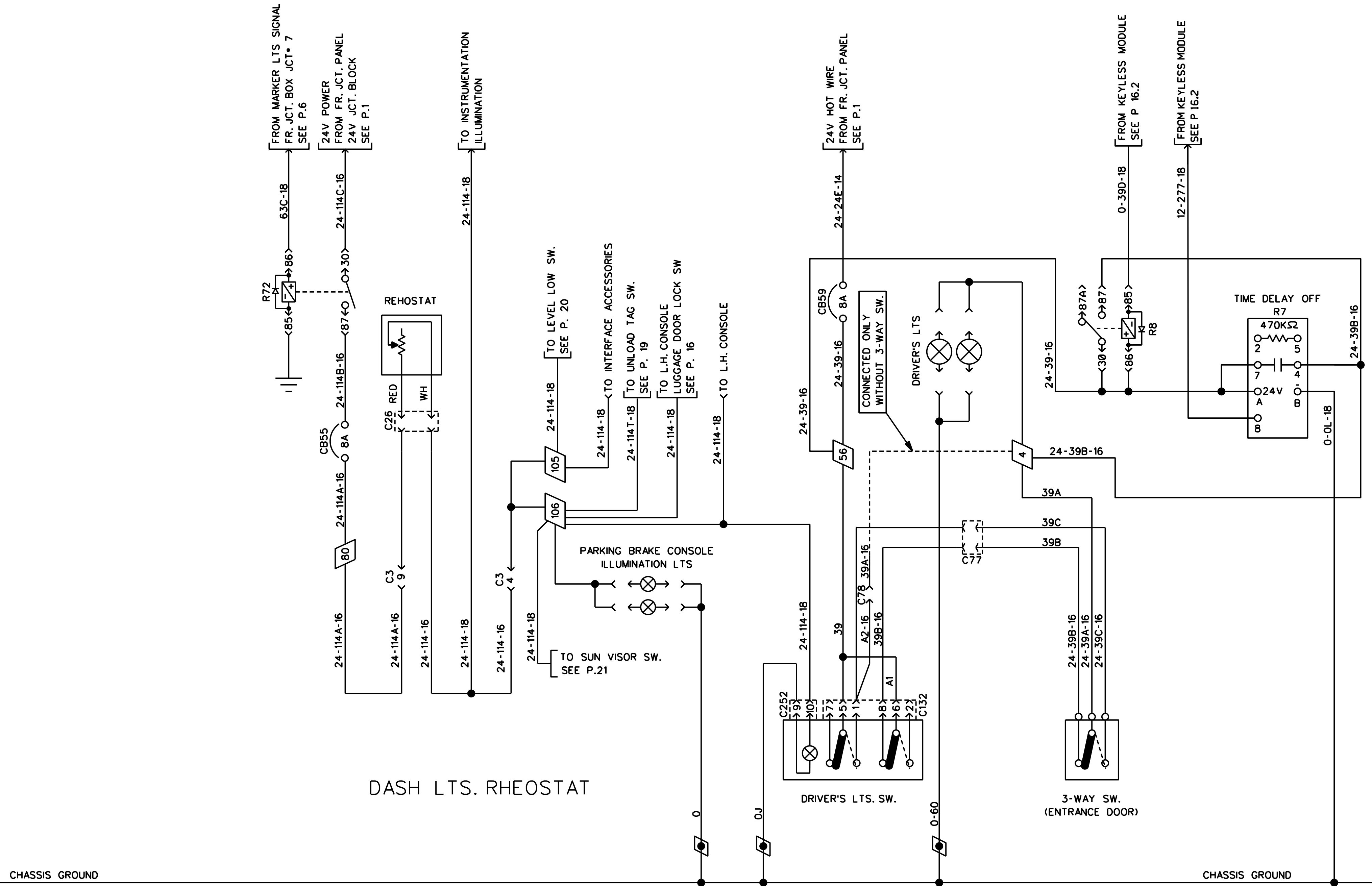


DASH LTS. RHEOSTAT

DRIVER'S LTS. SW.

3-WAY SW. (ENTRANCE DOOR)

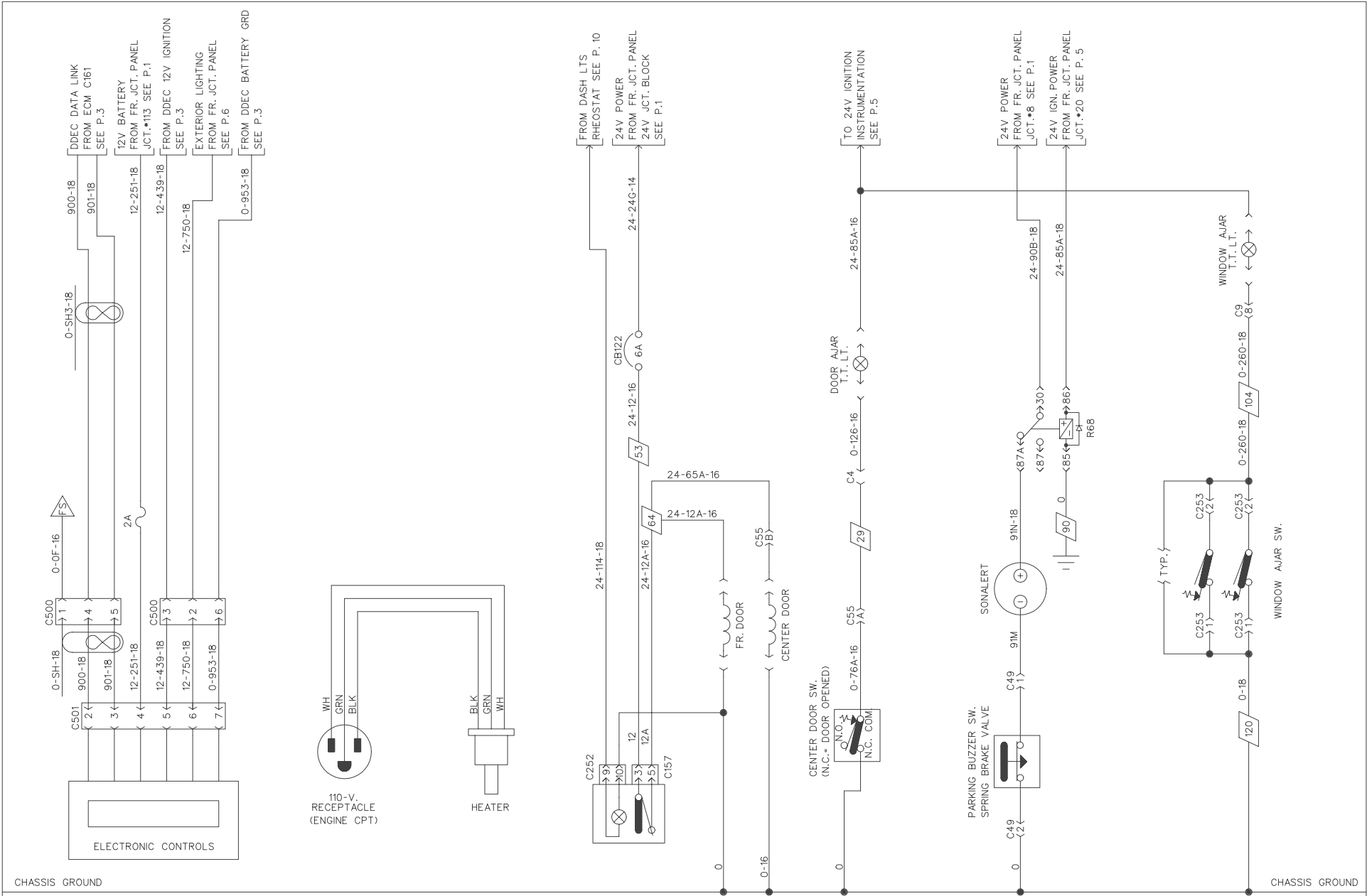
INTERIOR LIGHTING



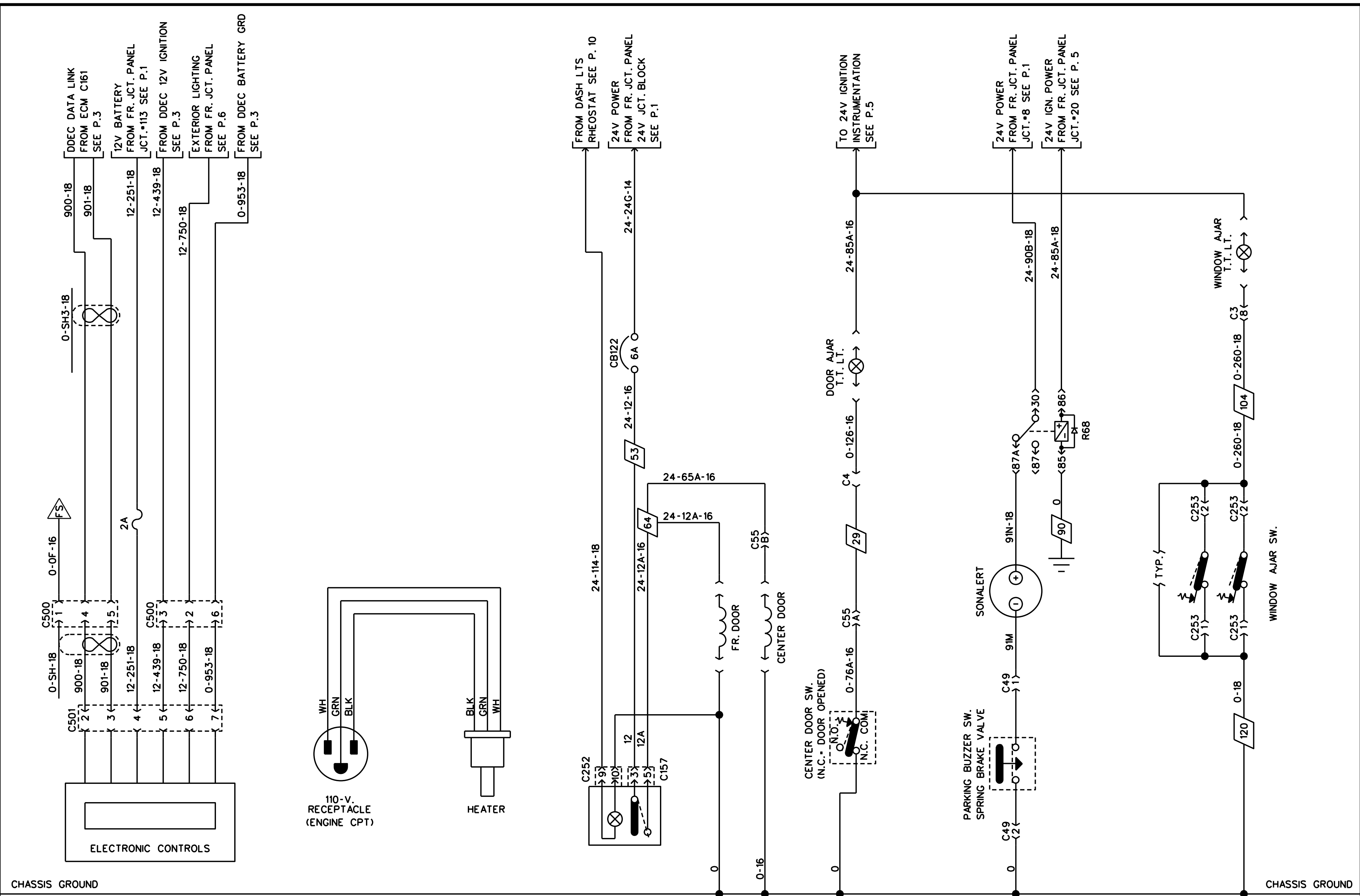
CHASSIS GROUND

CHASSIS GROUND

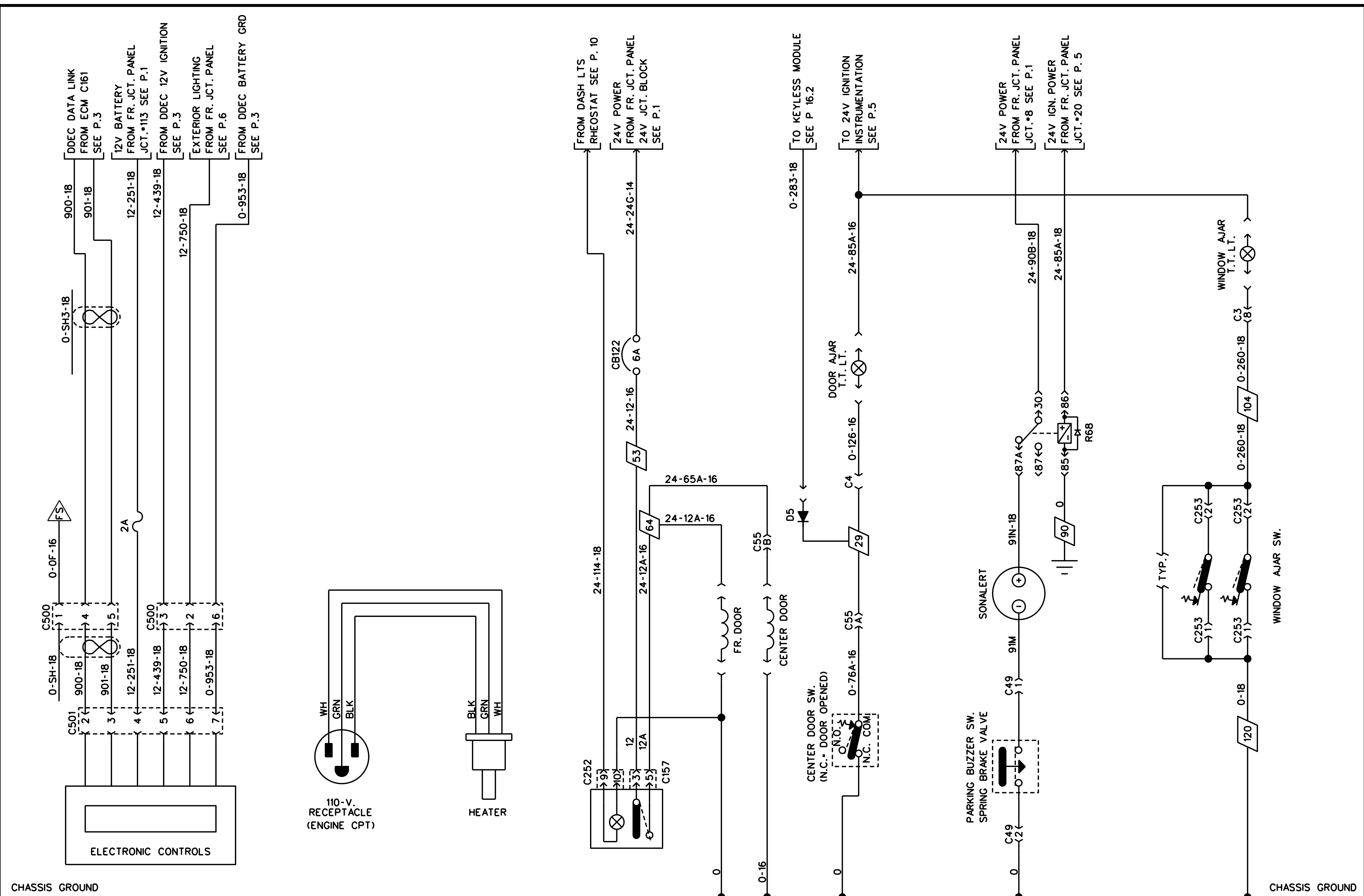
INTERIOR LIGHTING



PRODRIVER | ENGINE BLOCK HEATER | ENTRANCE DOOR AIR LOCK | CENTER DOOR AIR LOCK | PARKING BRAKE ALARM | WINDOW AJAR



PRODRIVER | ENGINE BLOCK HEATER | ENTRANCE DOOR AIR LOCK | CENTER DOOR AIR LOCK | PARKING BRAKE ALARM | WINDOW AJAR



PRODRIVER

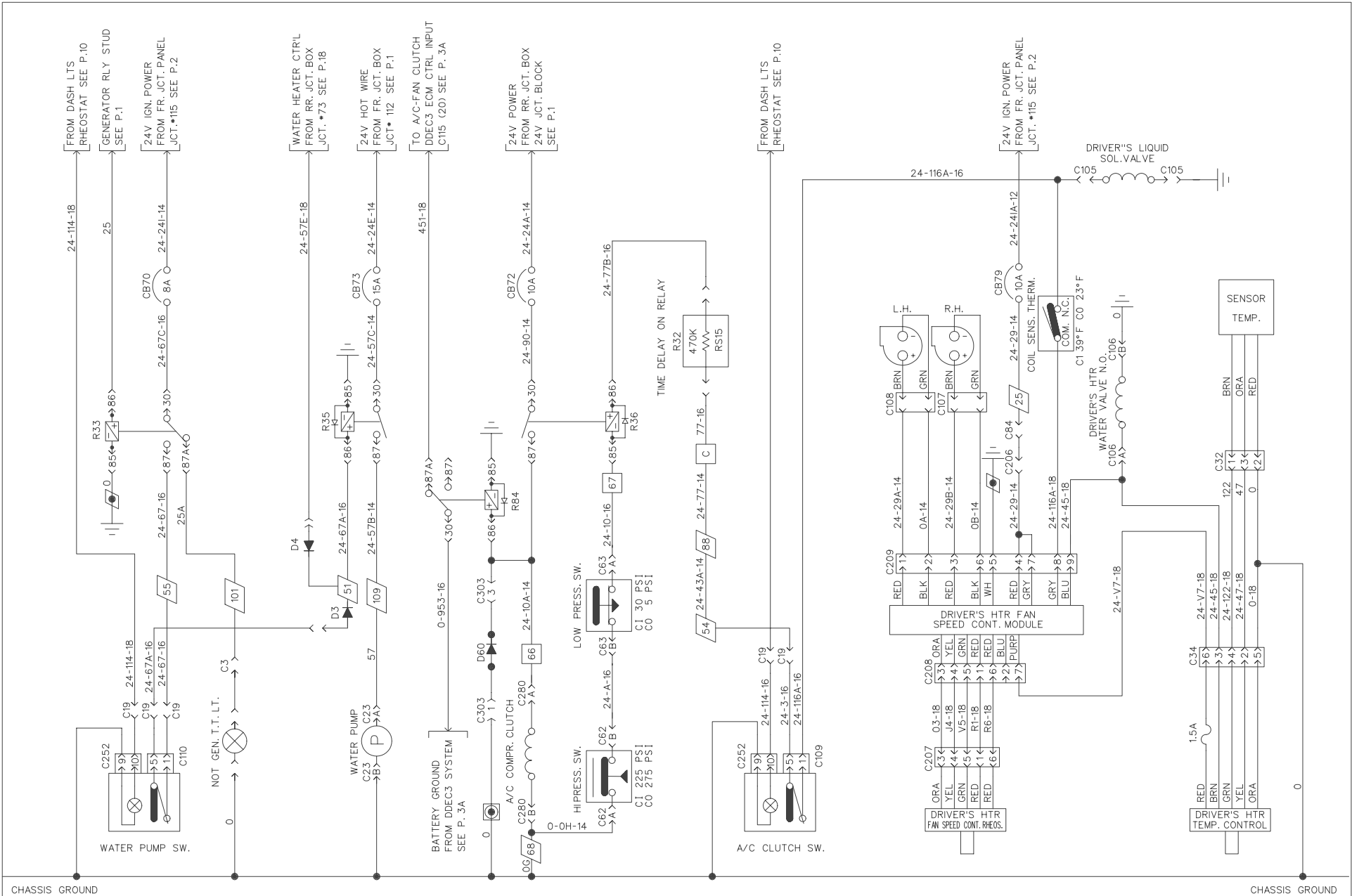
ENGINE BLOCK HEATER

ENTRANCE DOOR AIR LOCK

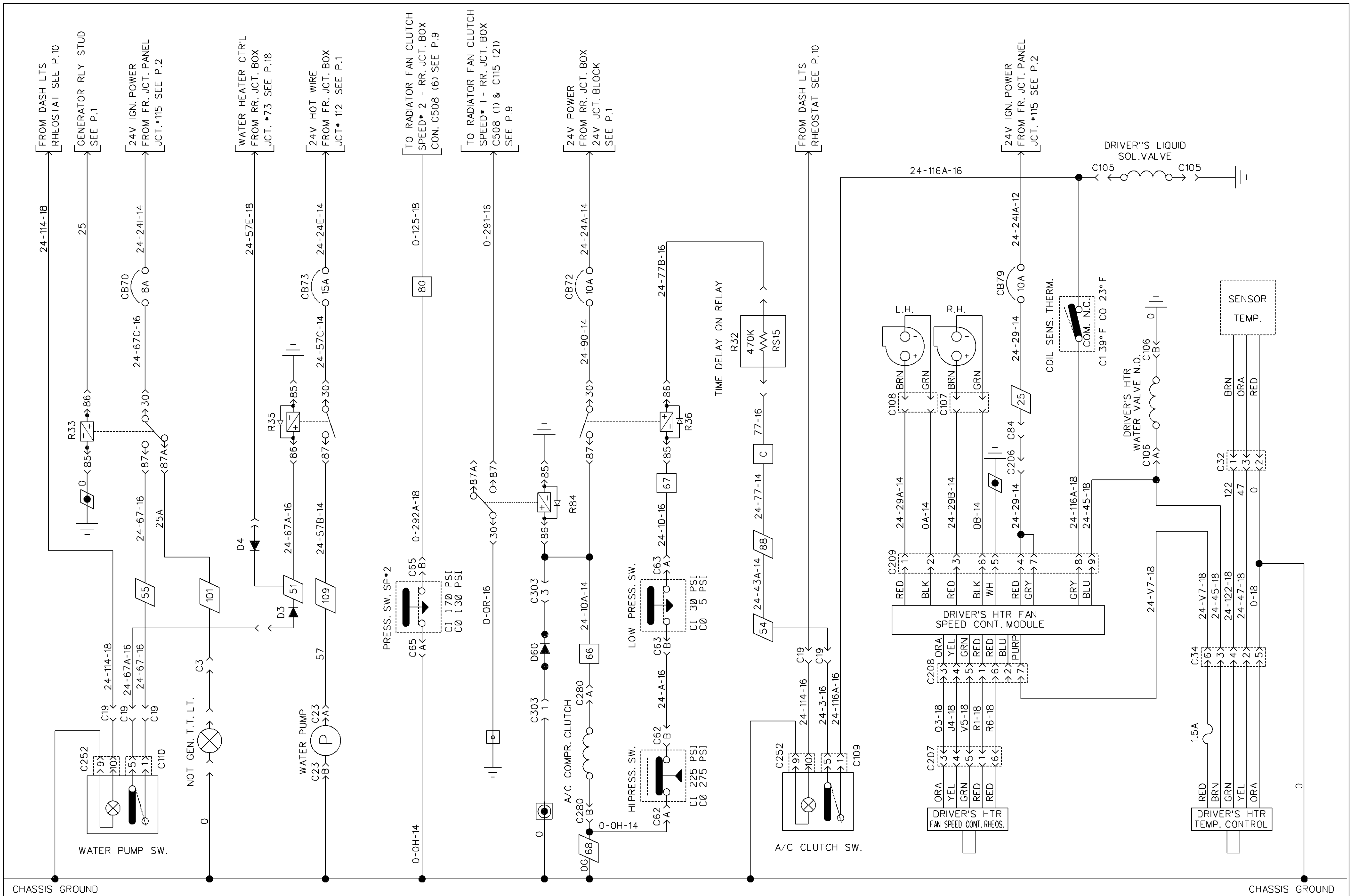
CENTER DOOR AIR LOCK

PARKING BRAKE ALARM

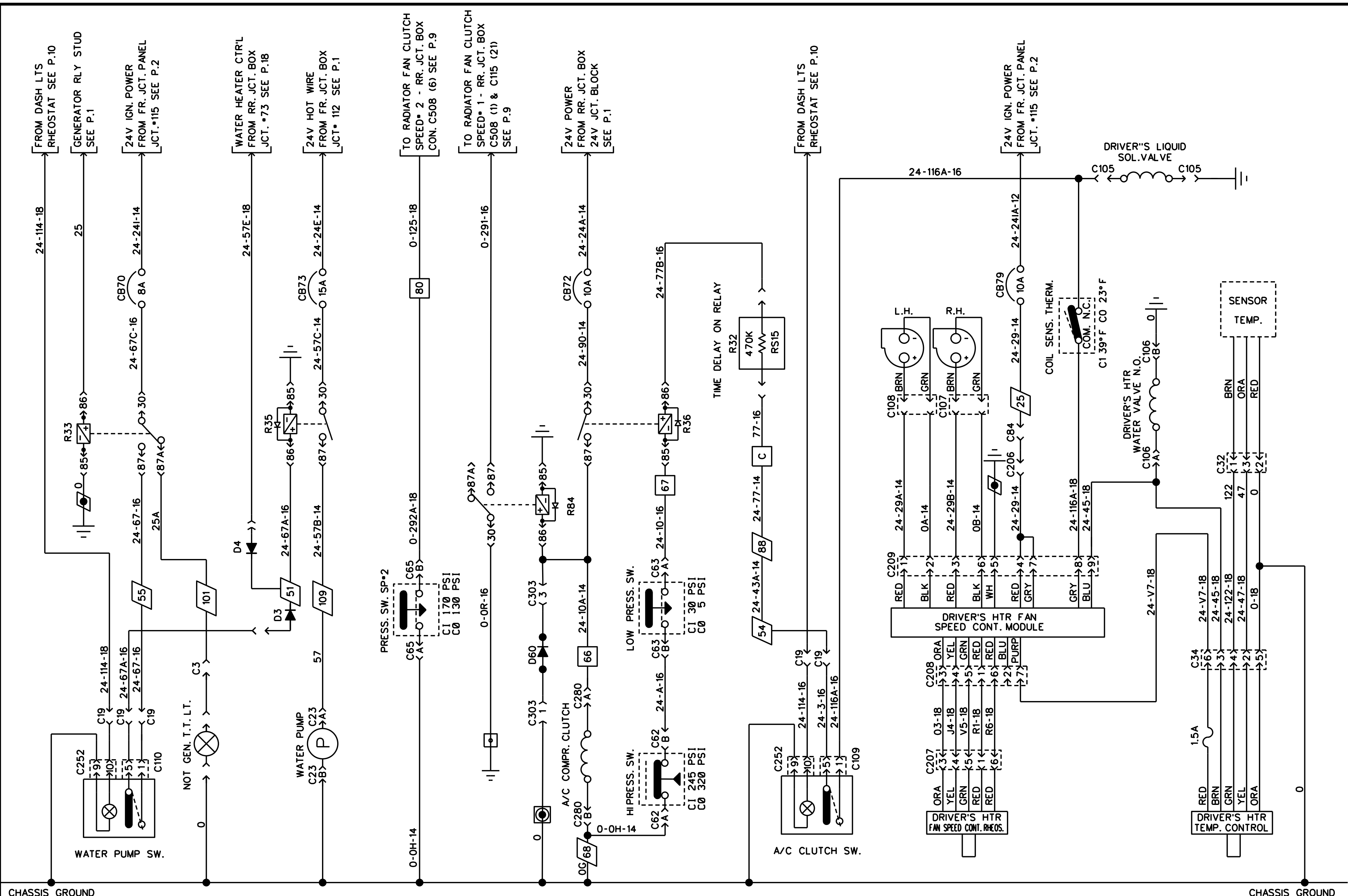
WINDOW AJAR



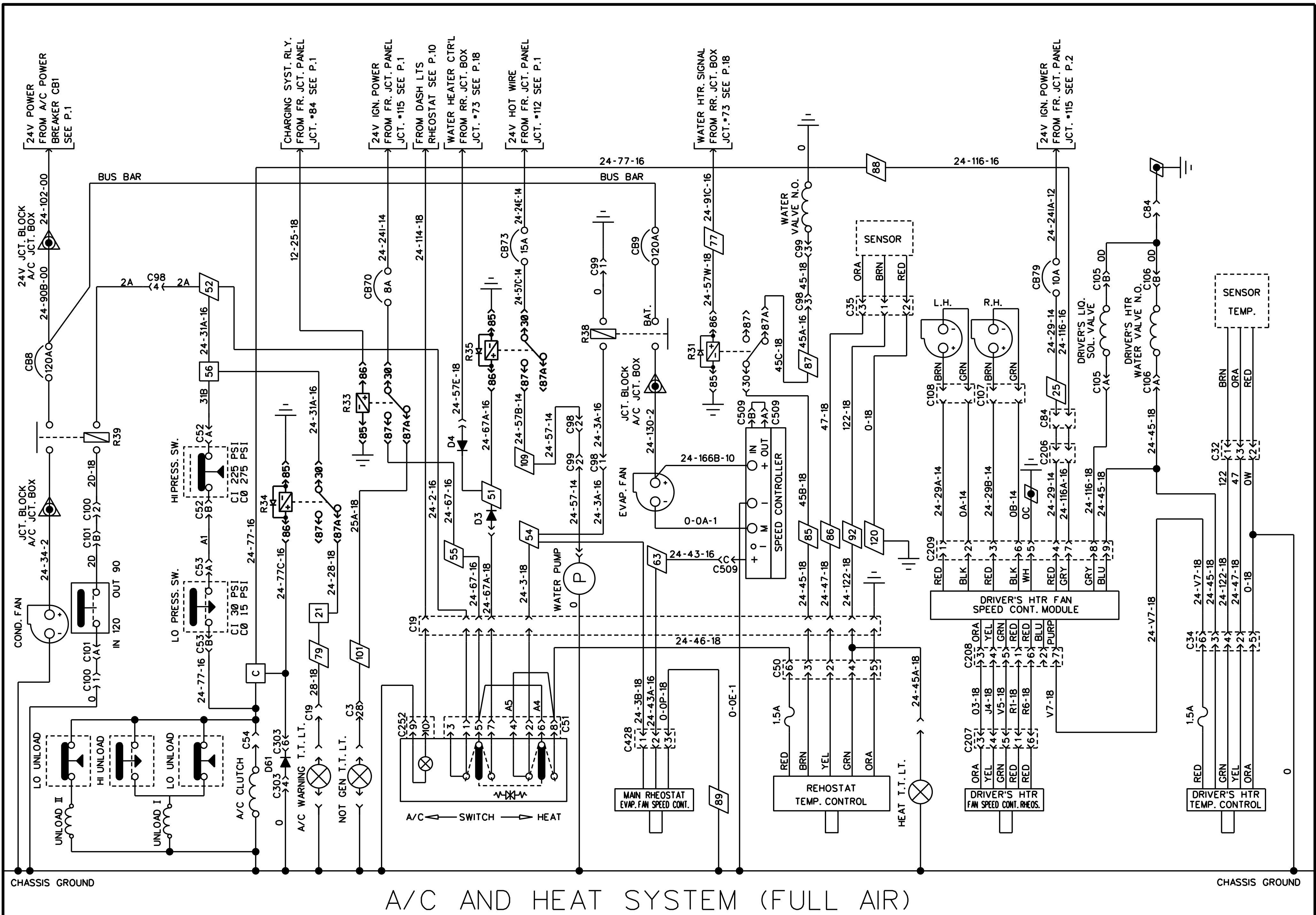
STANDARD A/C AND HEAT SYSTEM



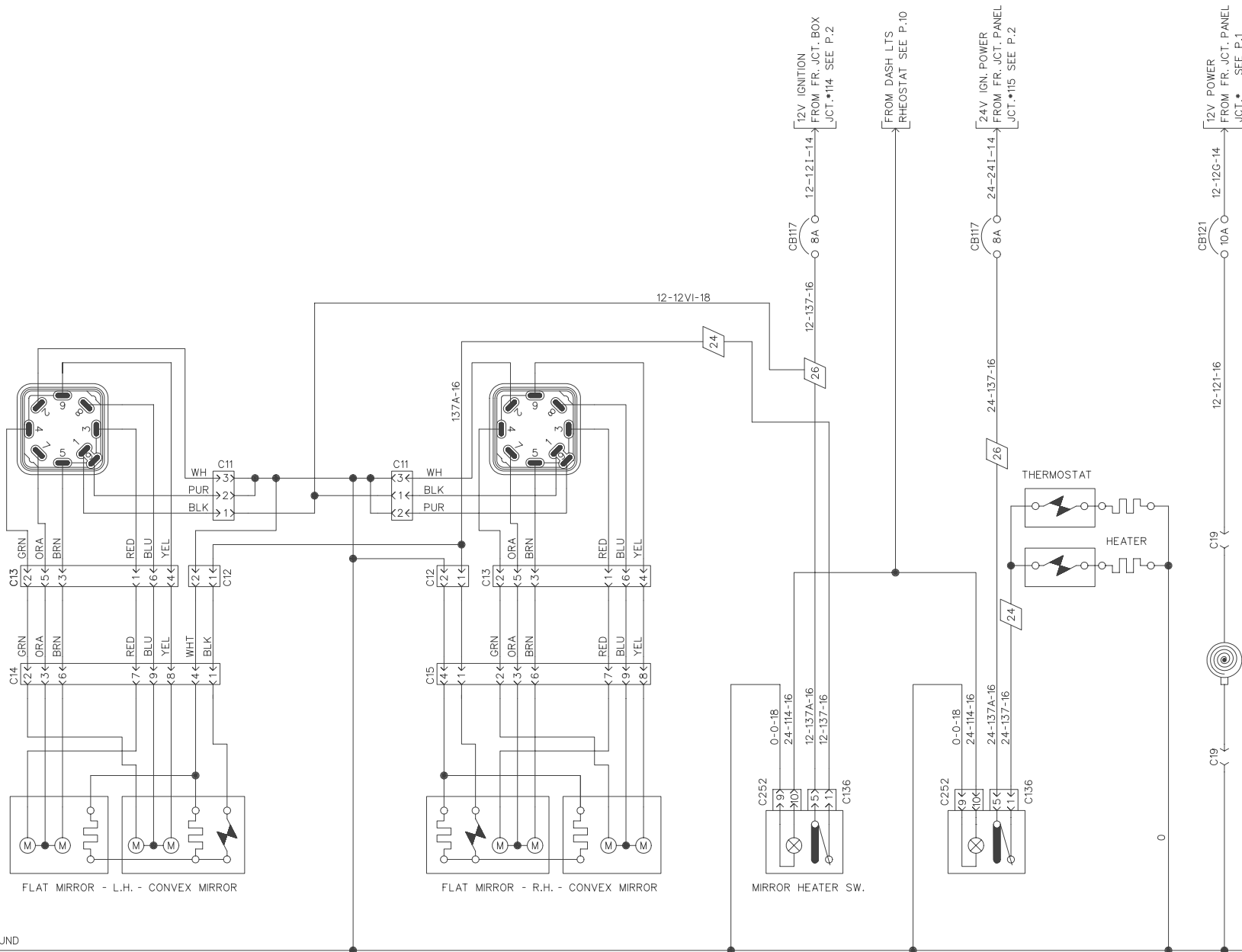
STANDARD A/C AND HEAT SYSTEM



STANDARD A/C AND HEAT SYSTEM



A/C AND HEAT SYSTEM (FULL AIR)

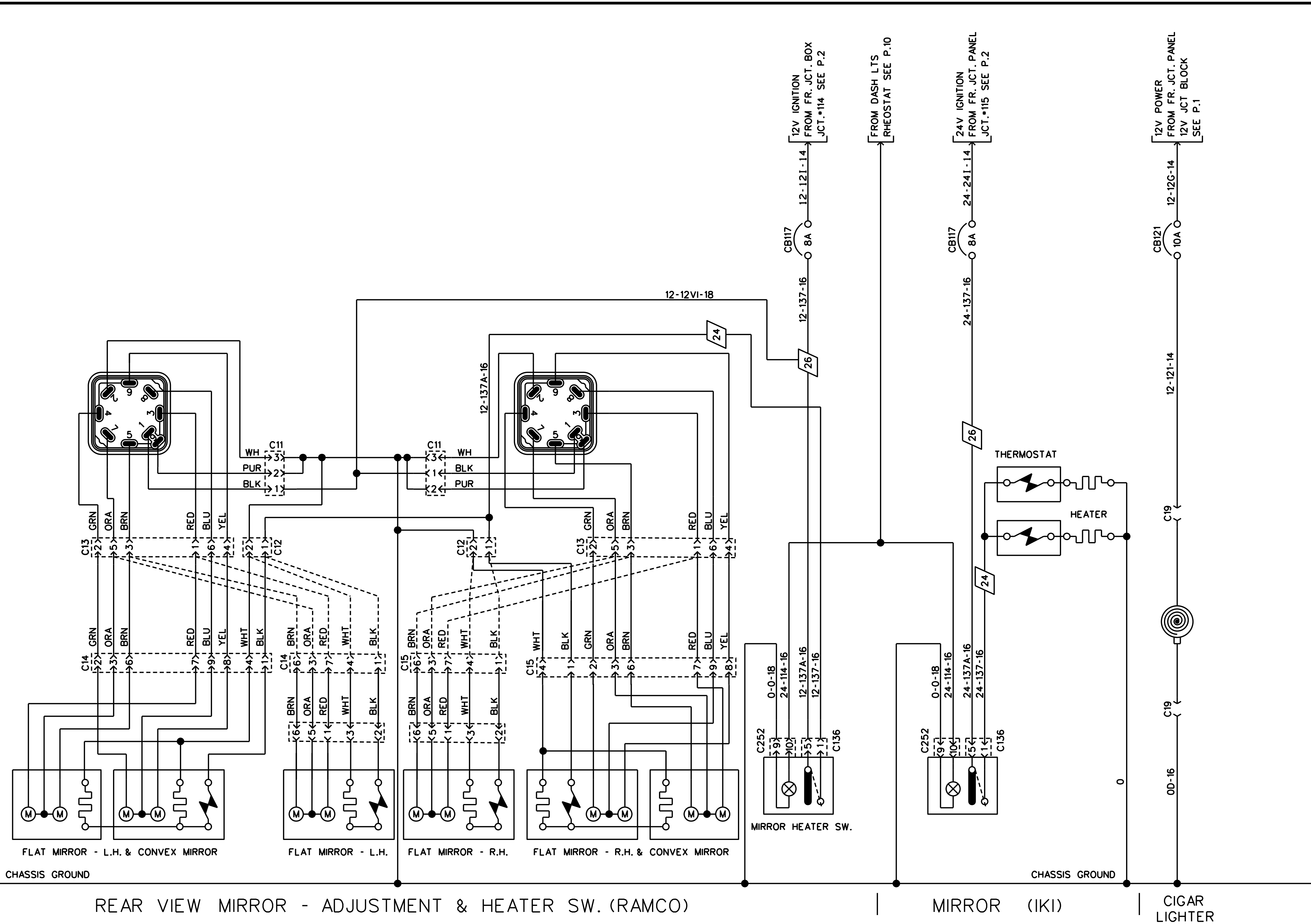


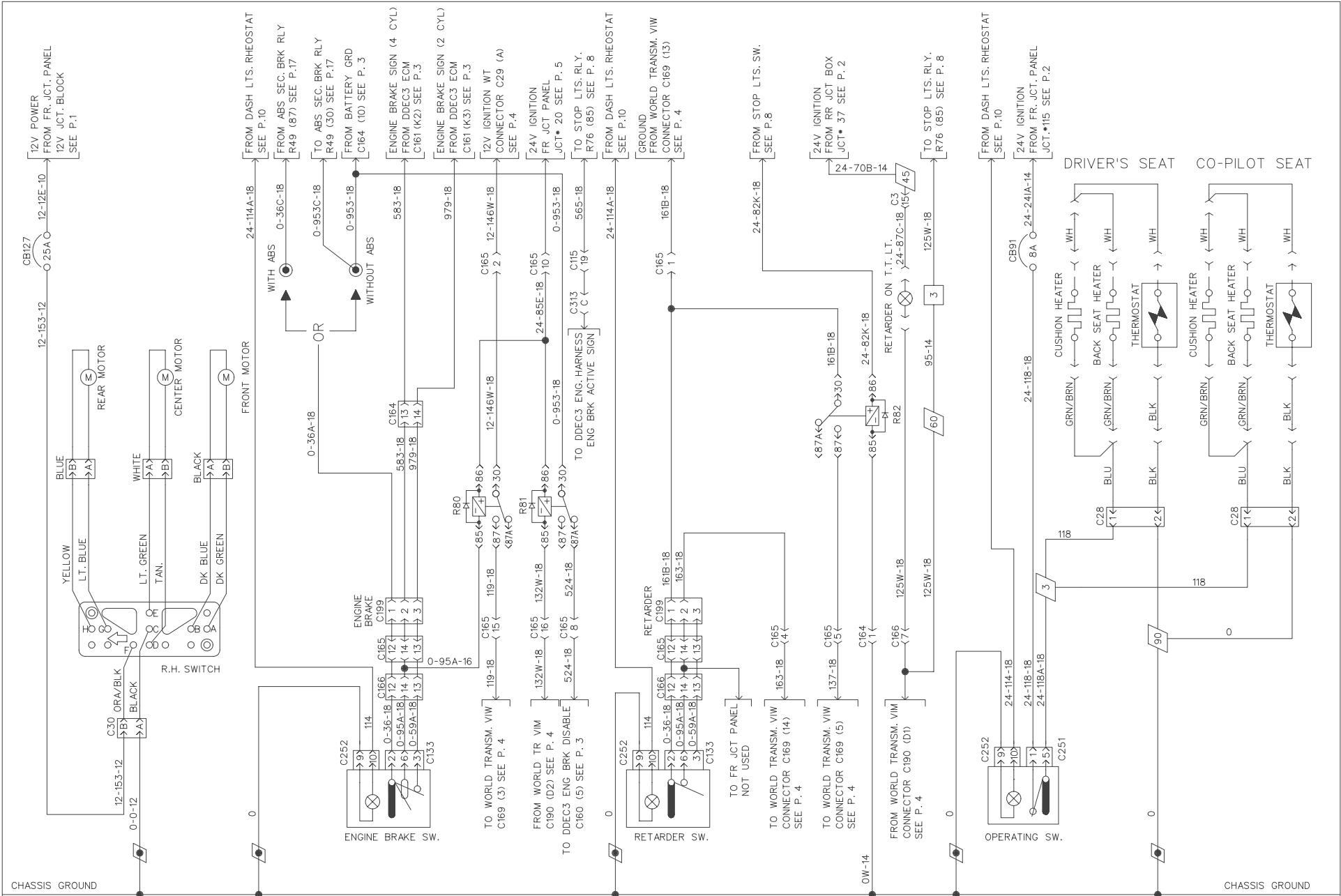
CHASSIS GROUND

REAR VIEW MIRROR - ADJUSTMENT & HEATER SW.

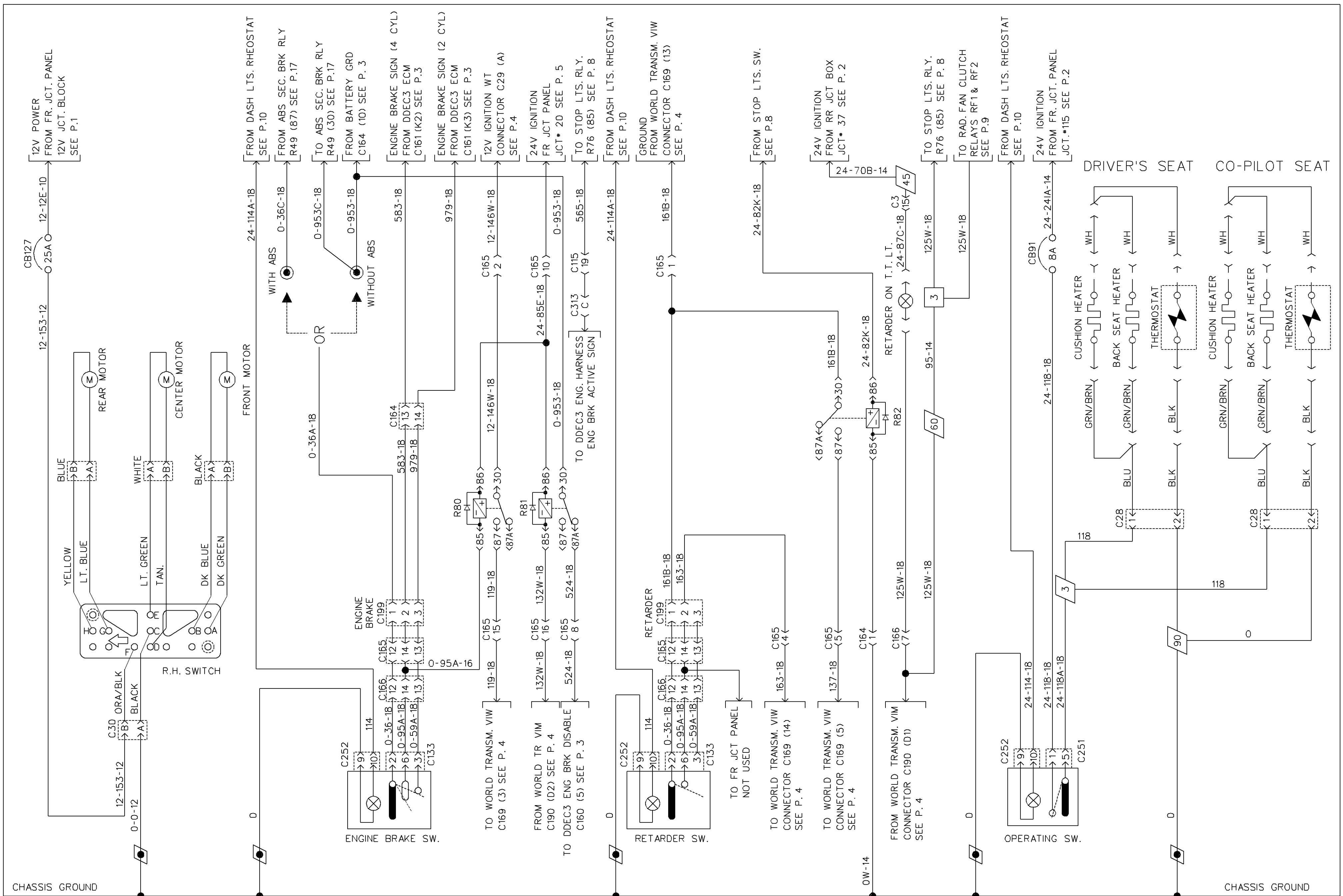
MIRROR - IKI

CIGAR LIGHTER

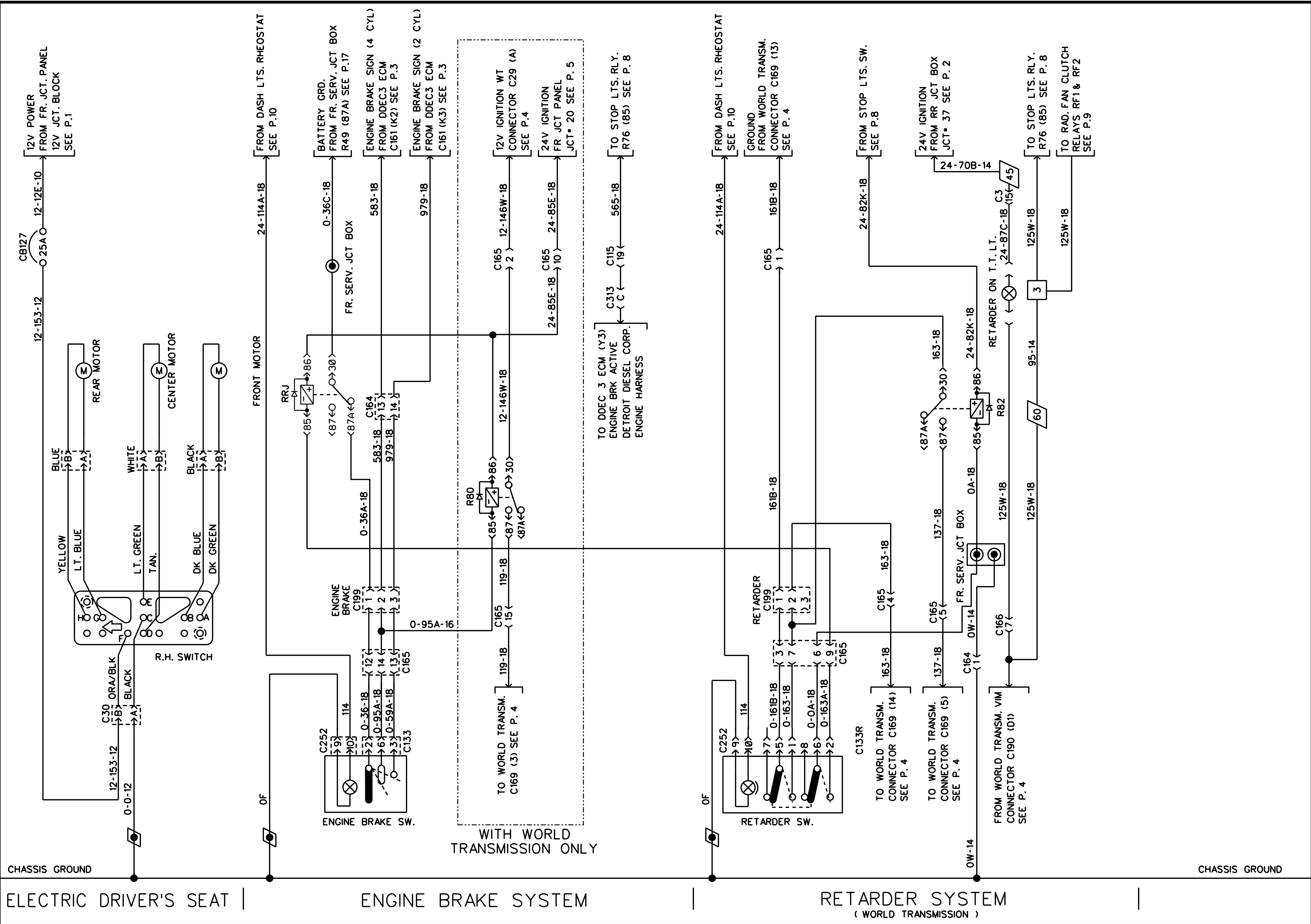


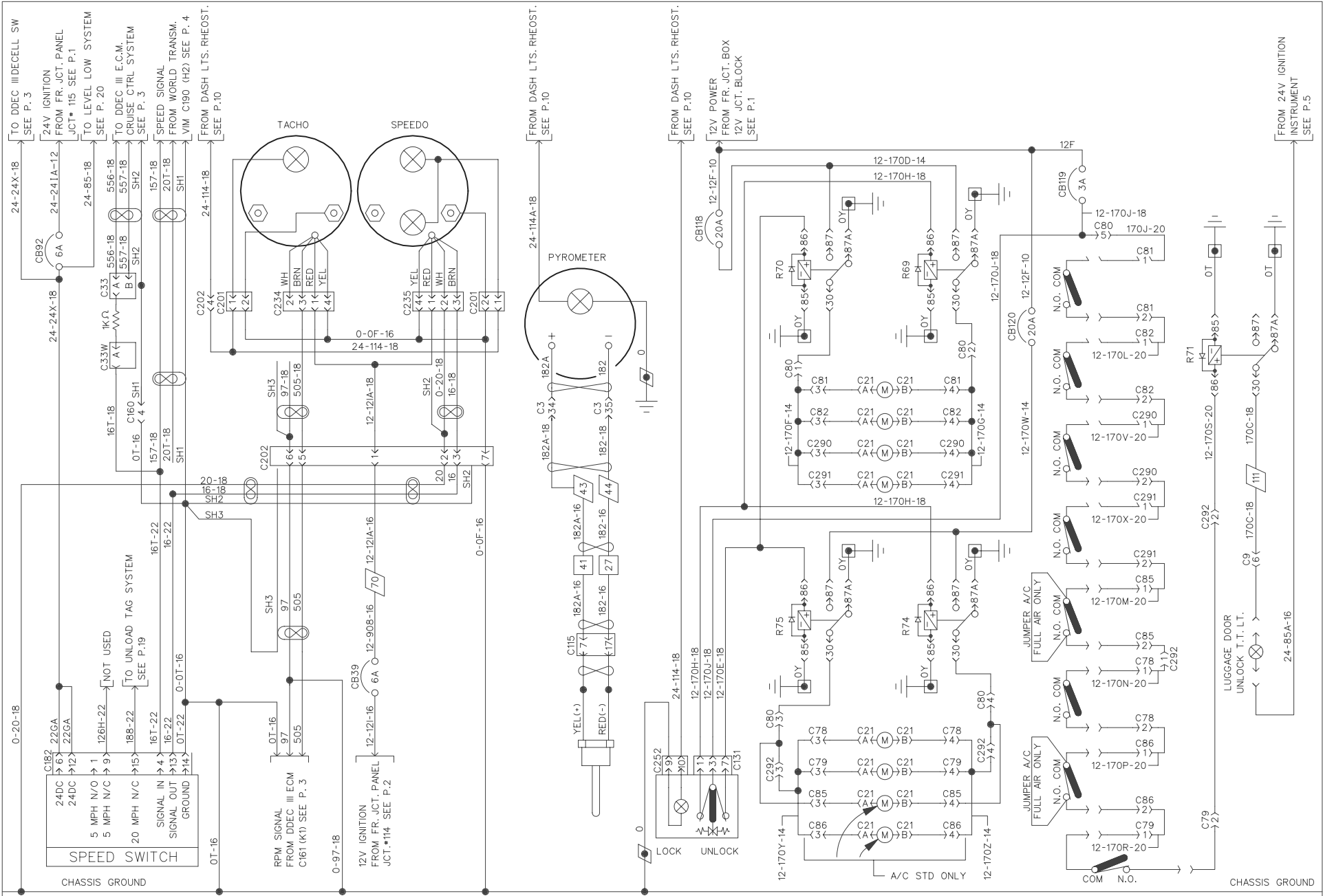


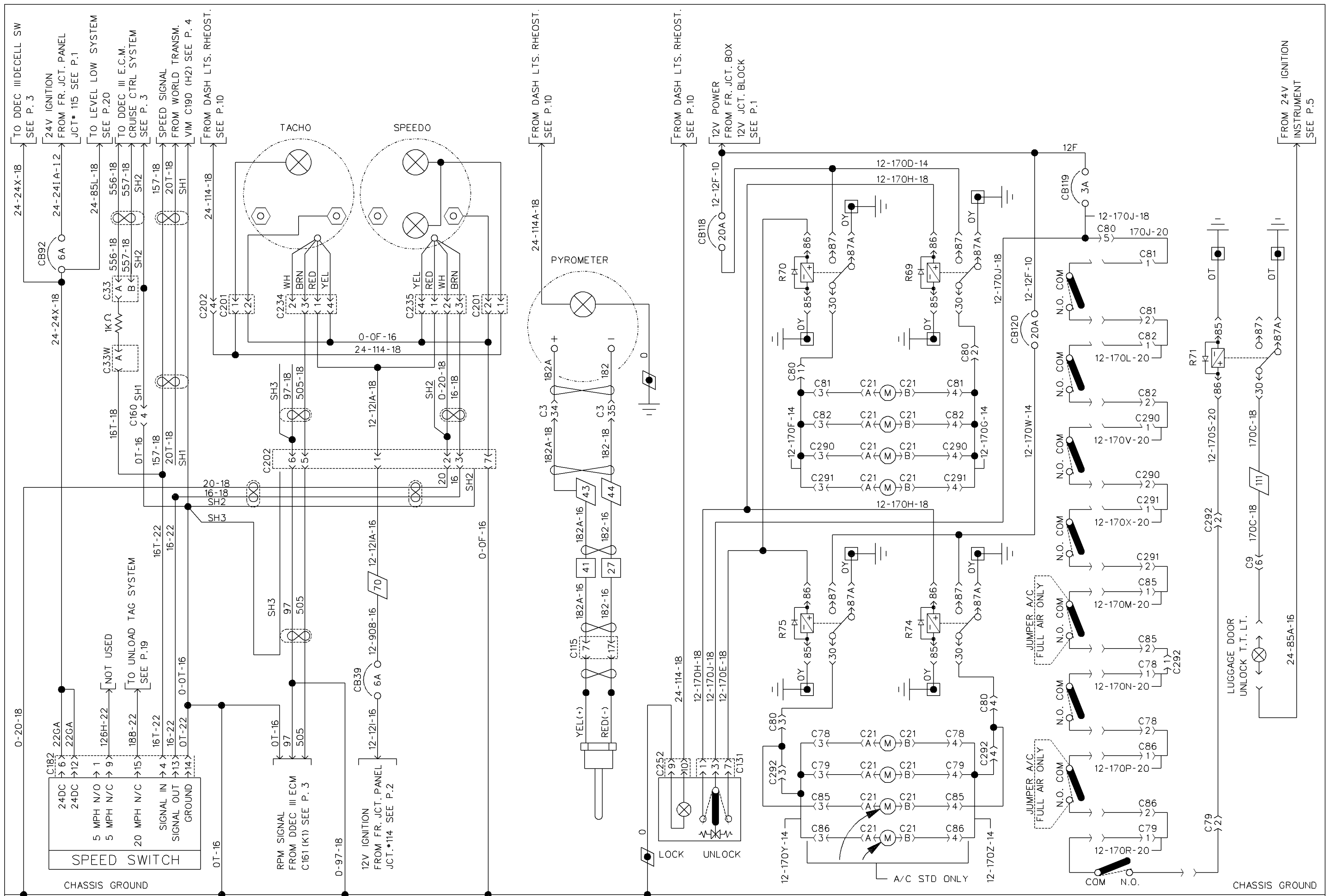
ELECTRIC DRIVER'S SEAT | ENGINE BRAKE SYSTEM | RETARDER SYSTEM (WORLD TRANSMISSION) | DRIVER'S & CO-PILOT SEAT HEATER

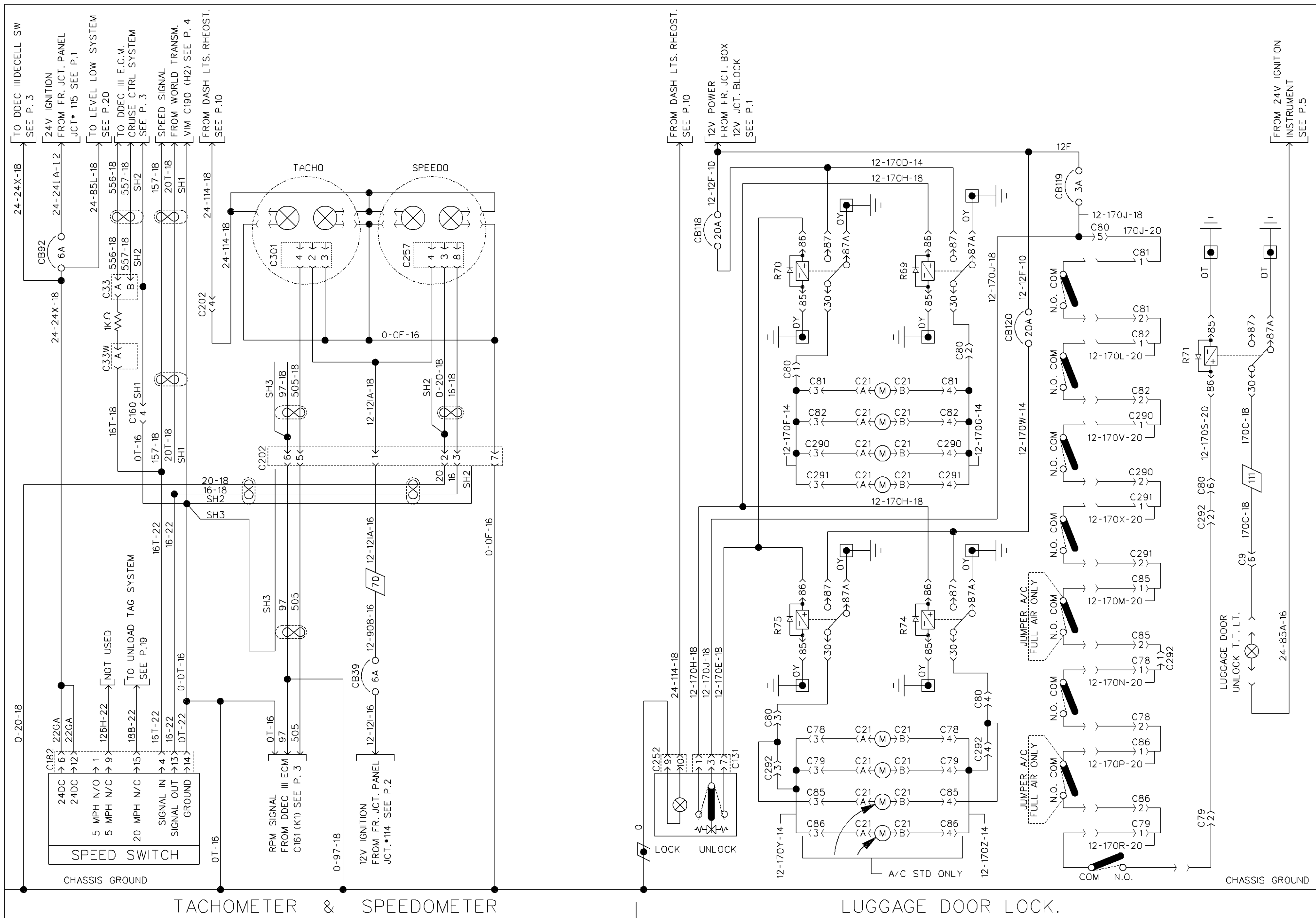


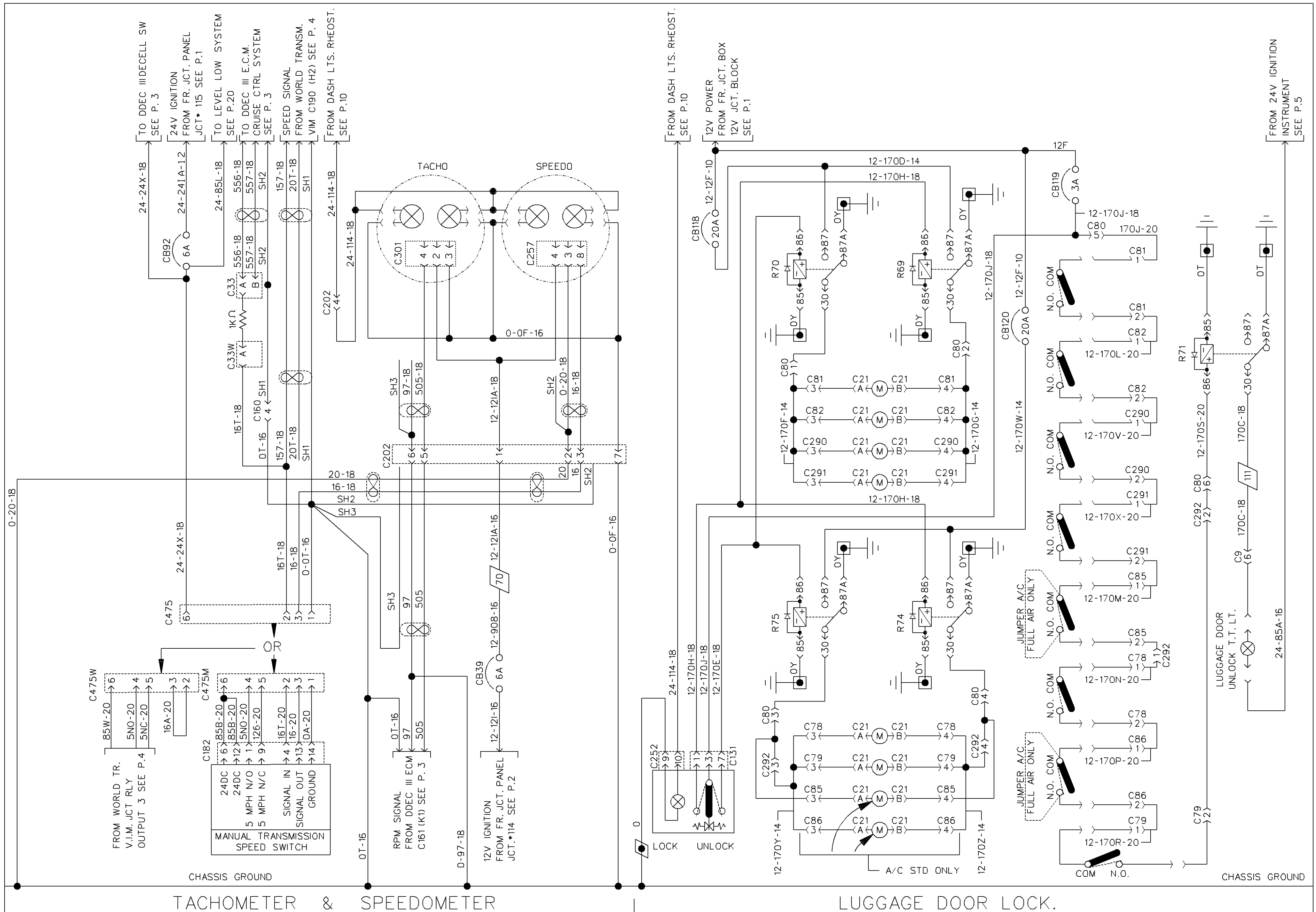
ELECTRIC DRIVER'S SEAT | ENGINE BRAKE SYSTEM | RETARDER SYSTEM (WORLD TRANSMISSION) | DRIVER'S & CO-PILOT SEAT HEATER





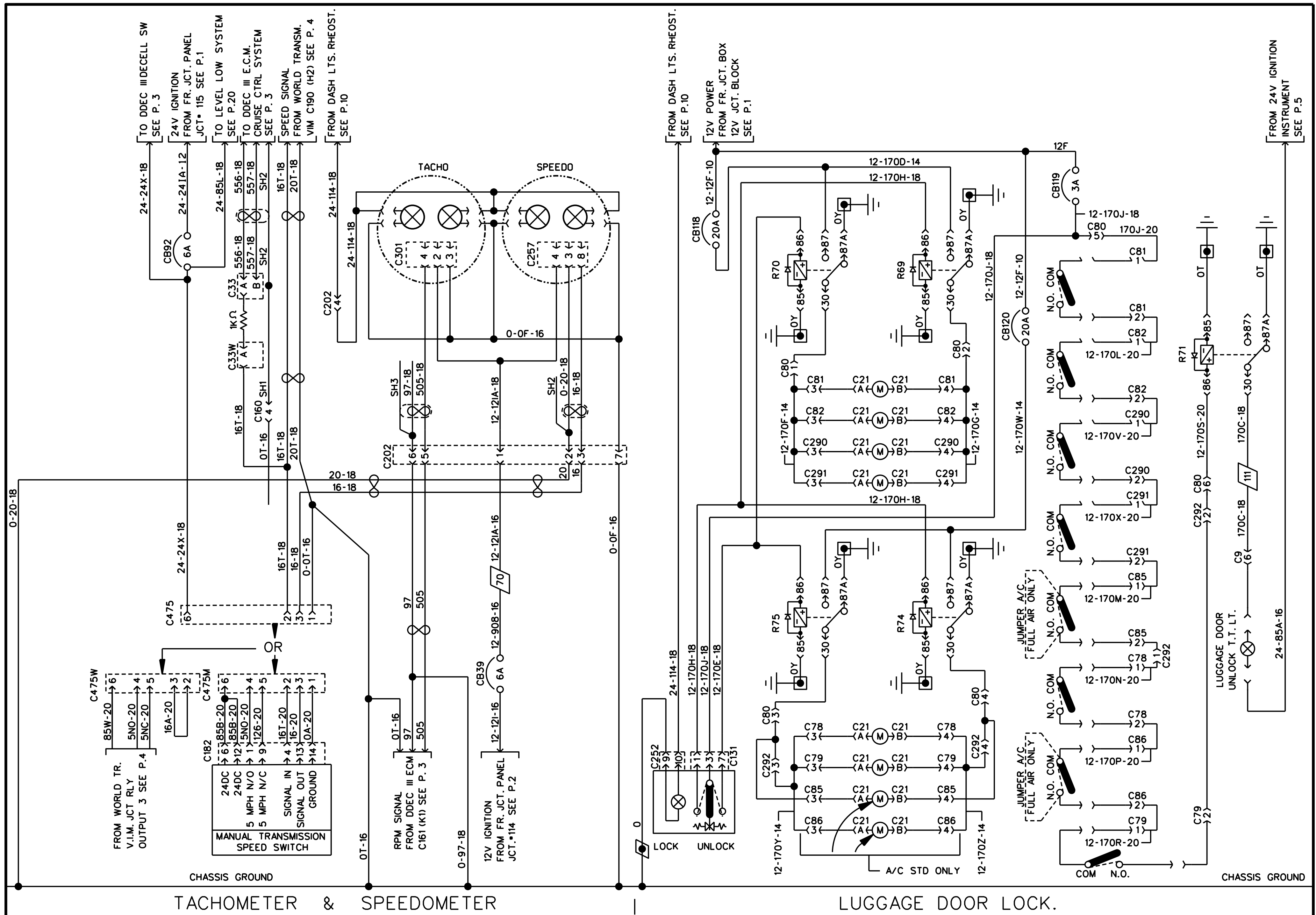


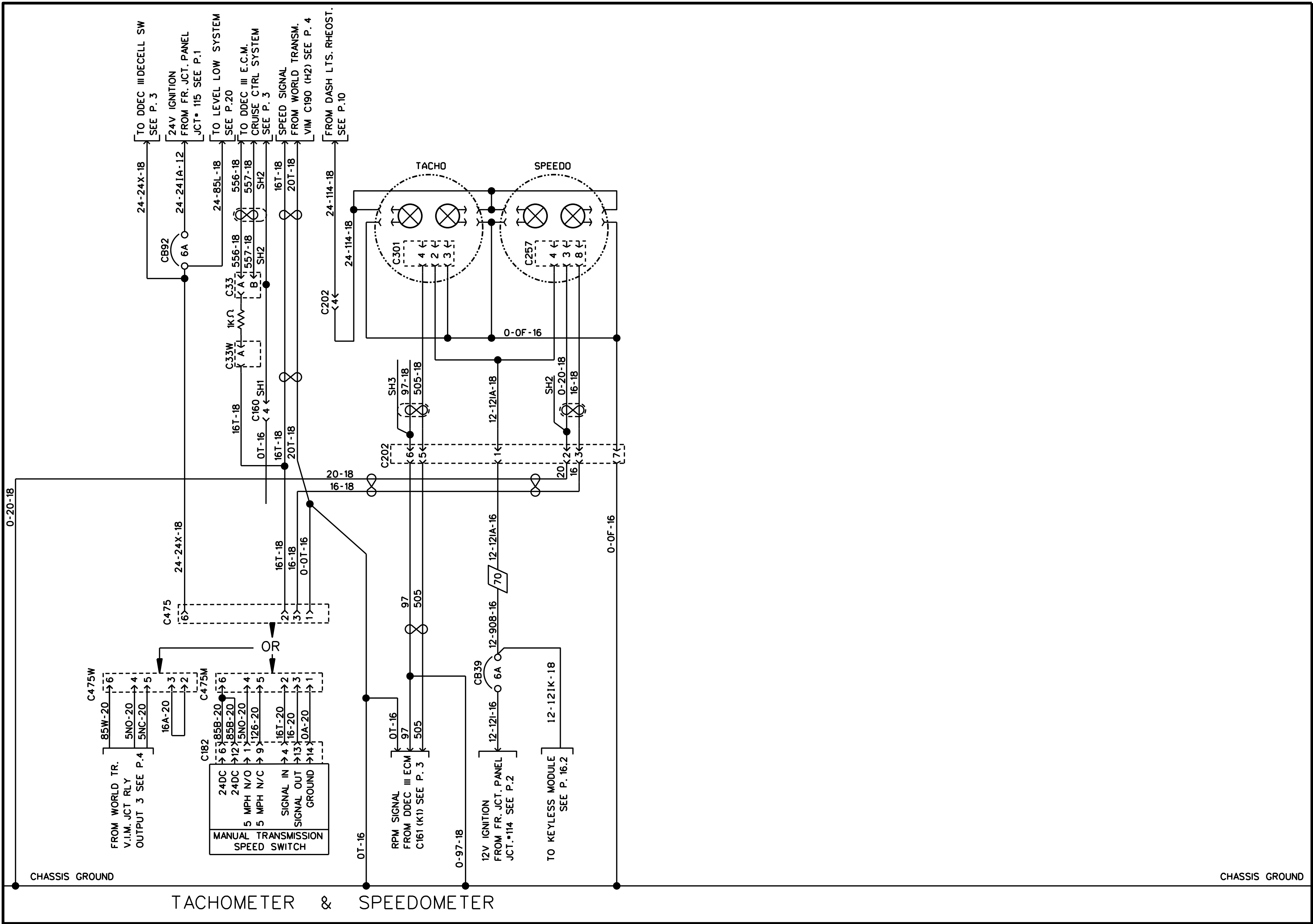


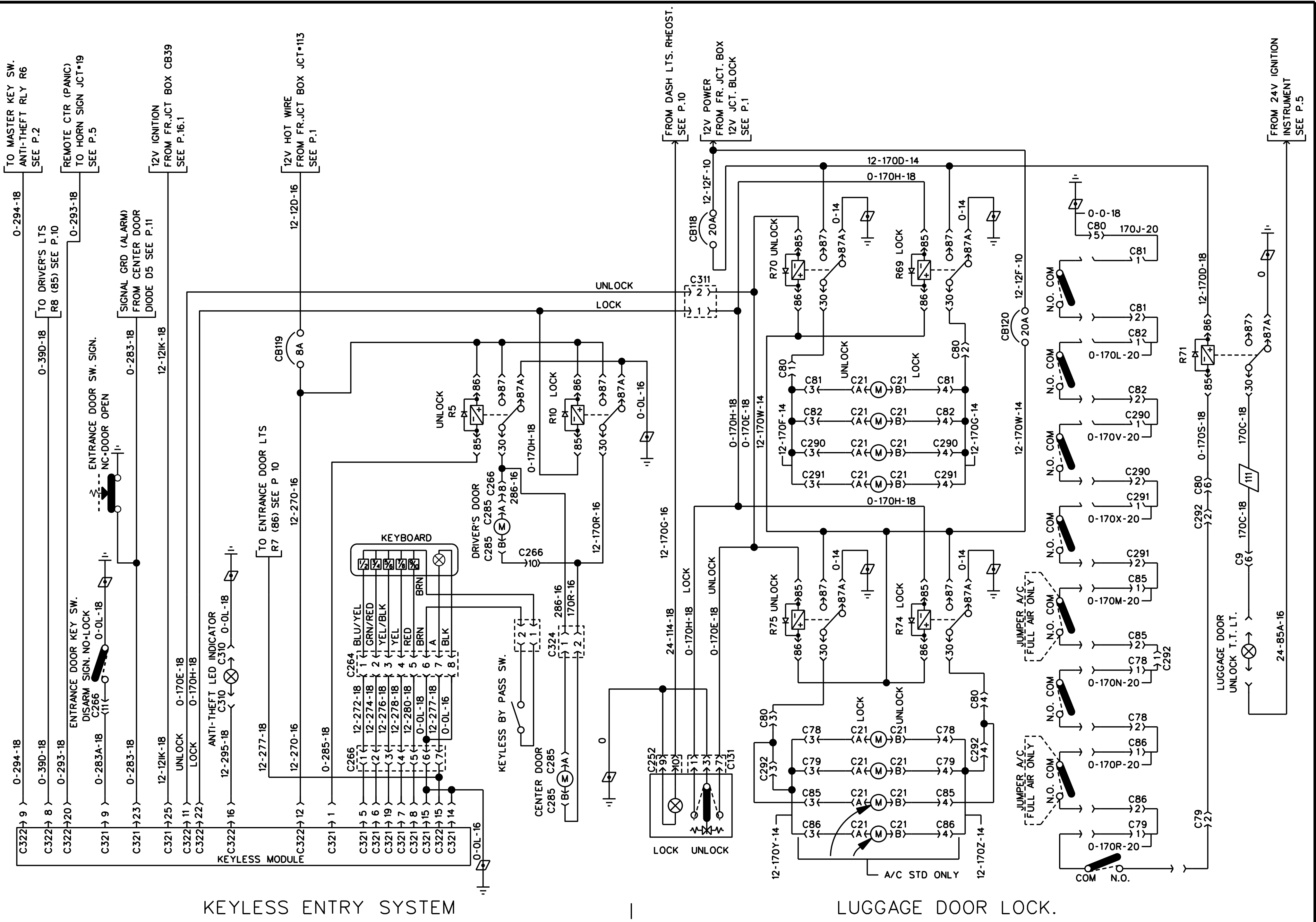


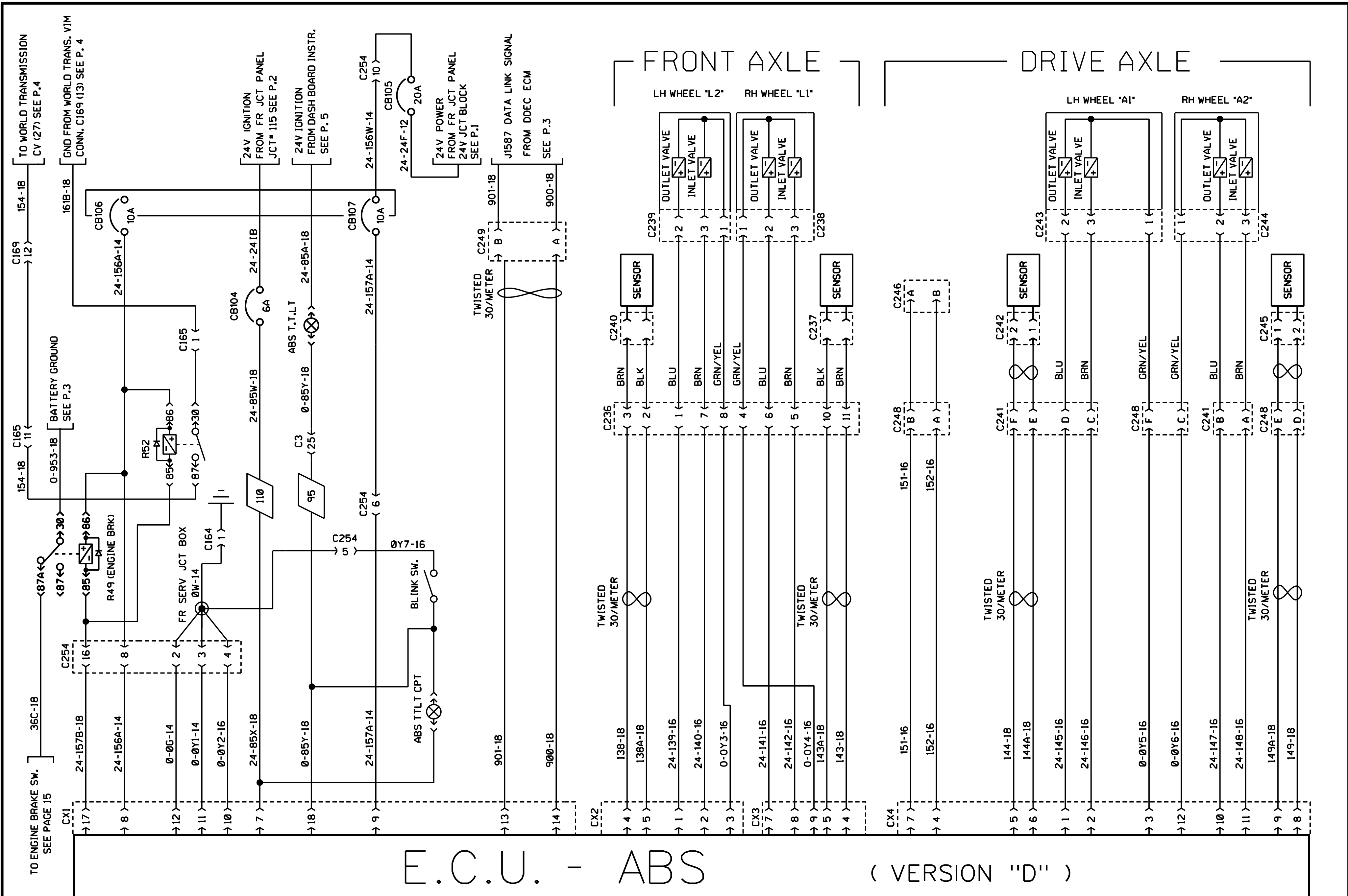
TACHOMETER & SPEEDOMETER

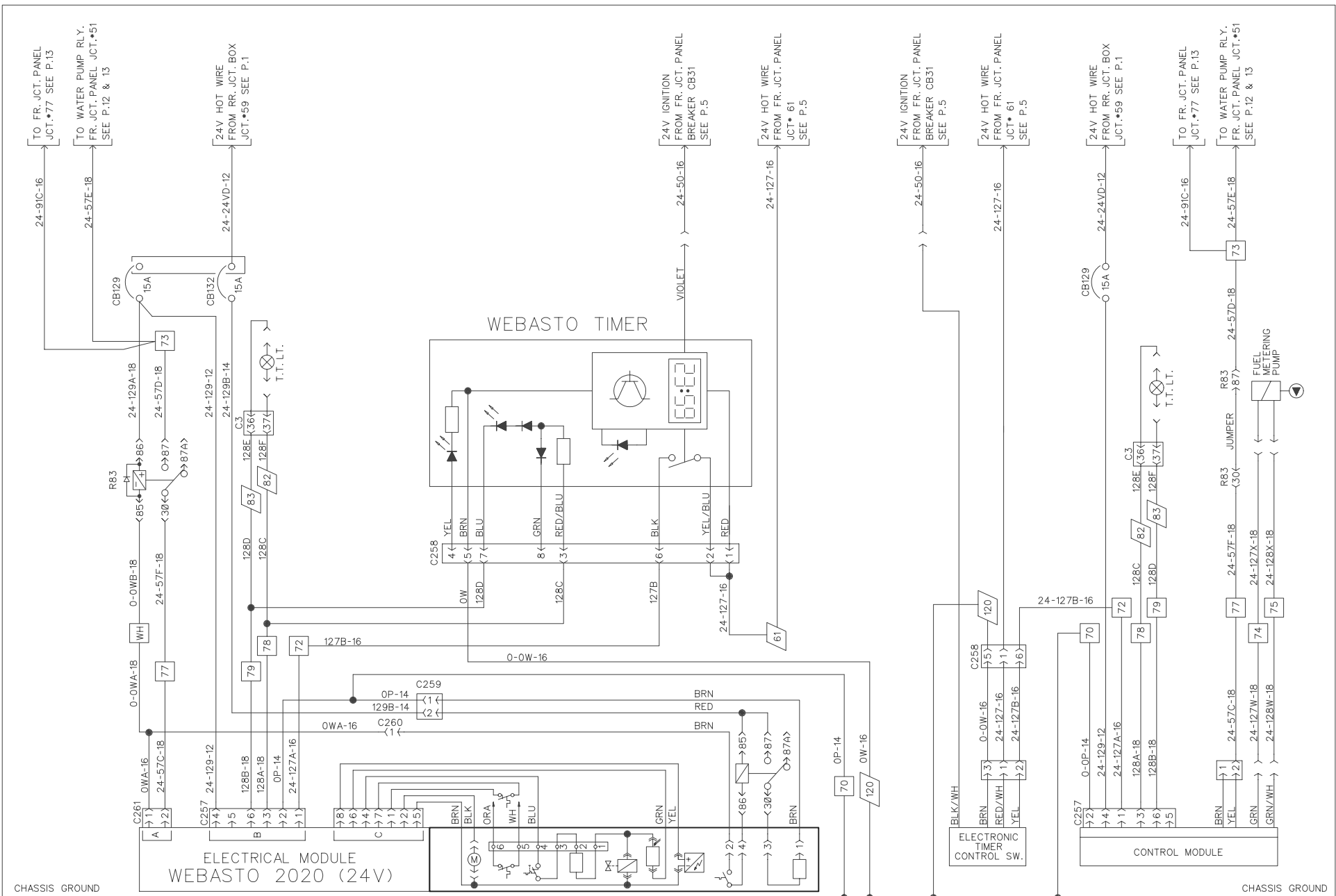
LUGGAGE DOOR LOCK.





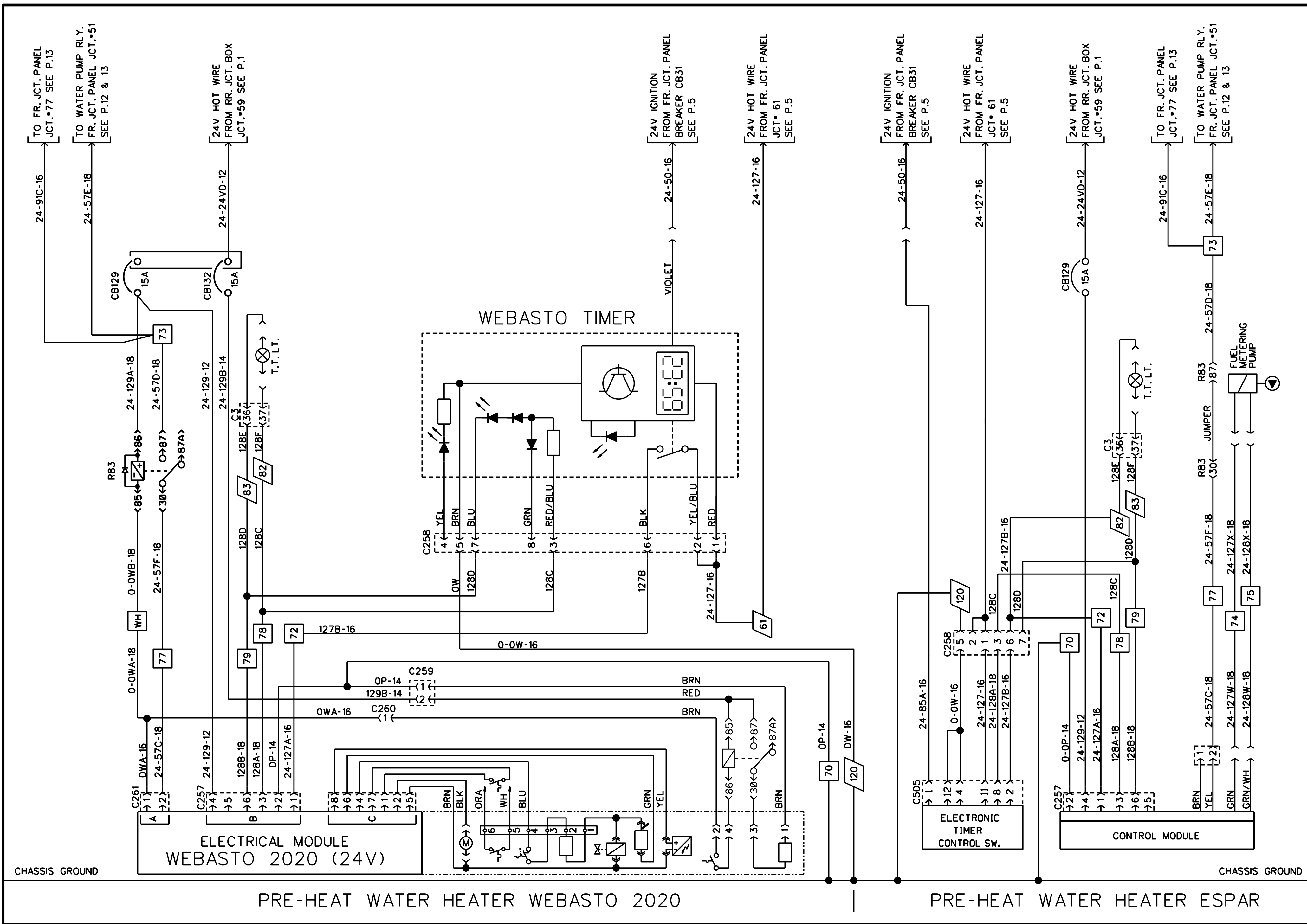


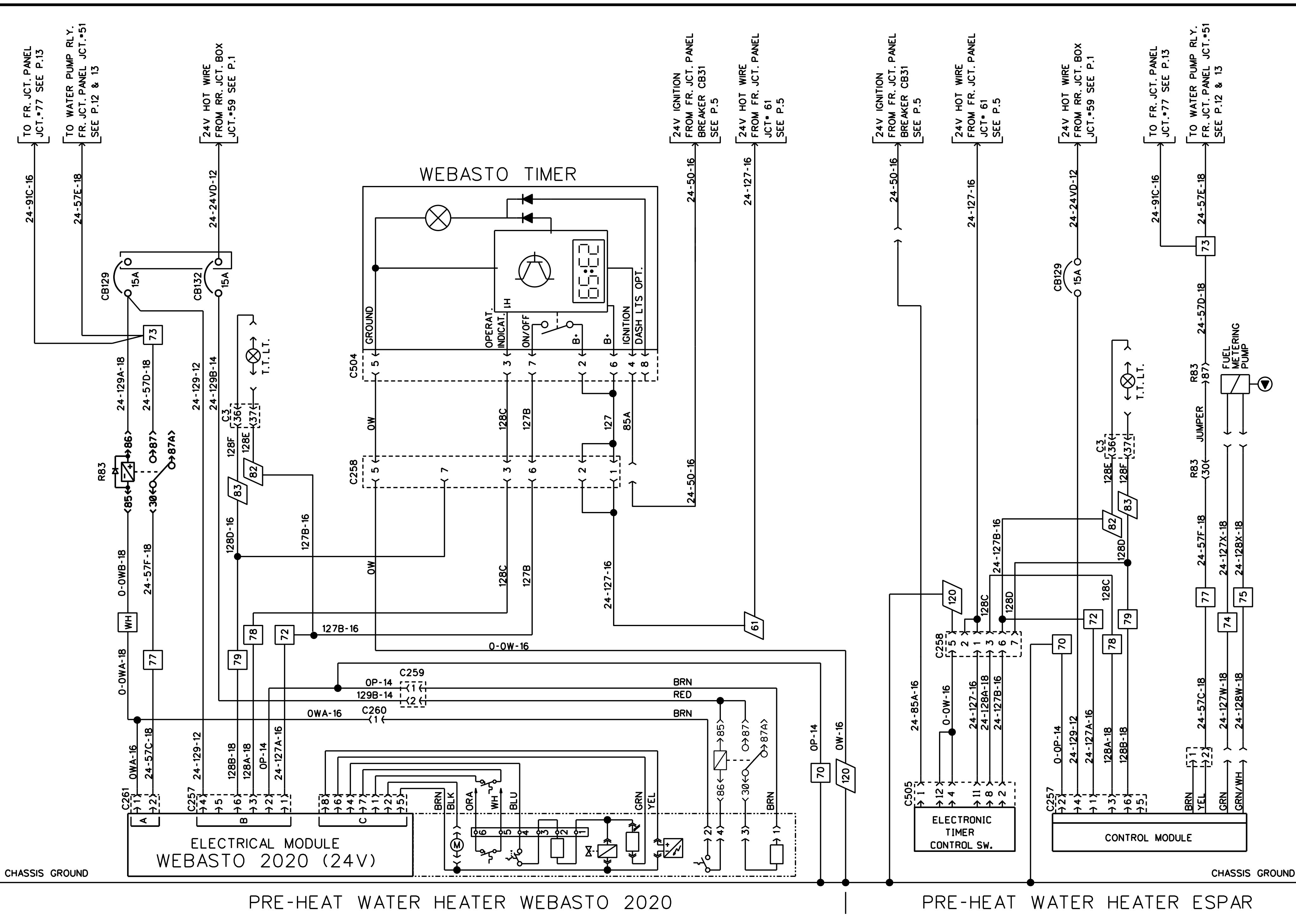


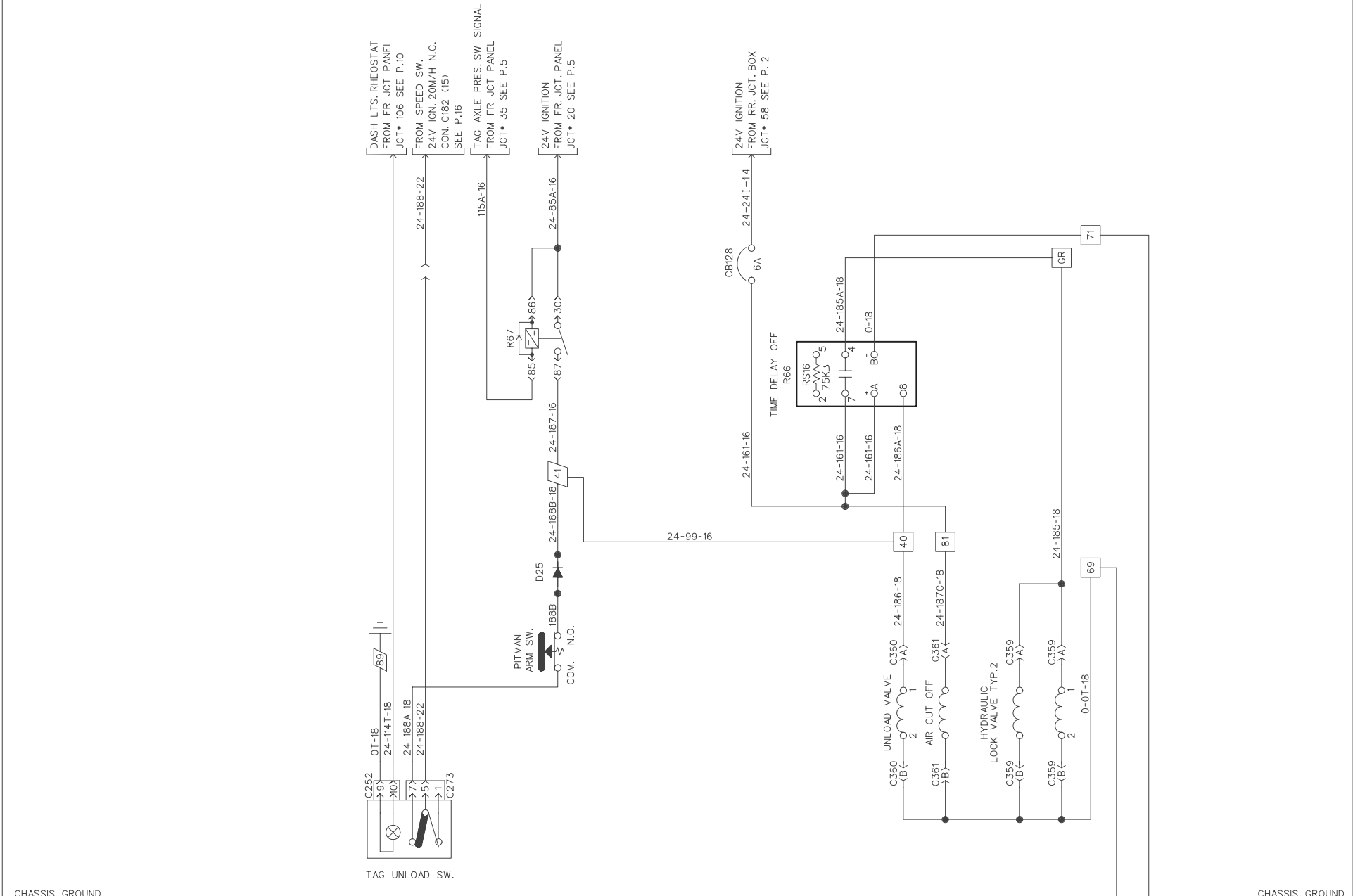


PRE-HEAT WATER HEATER WEBASTO 200

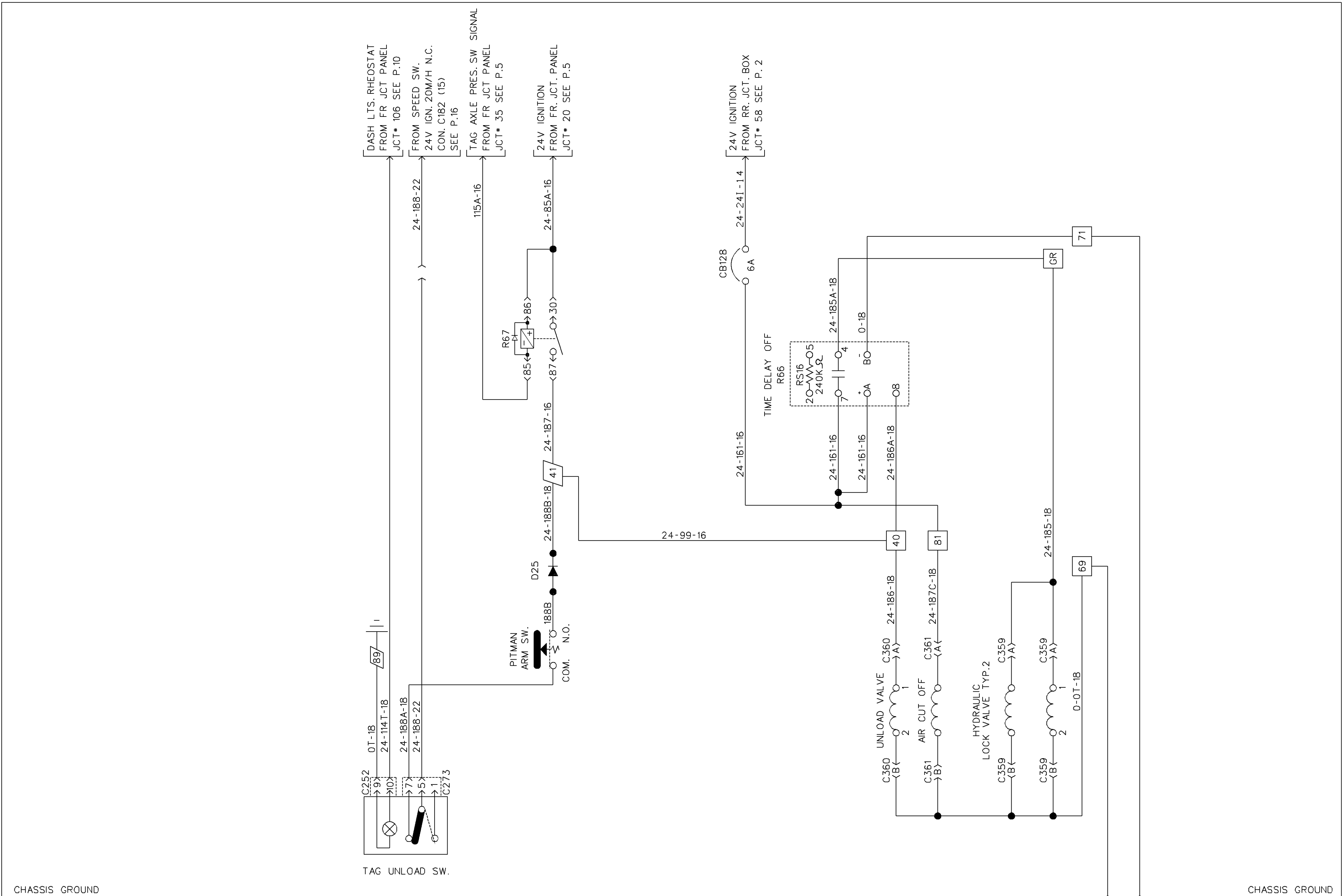
PRE-HEAT WATER HEATER ESPAR







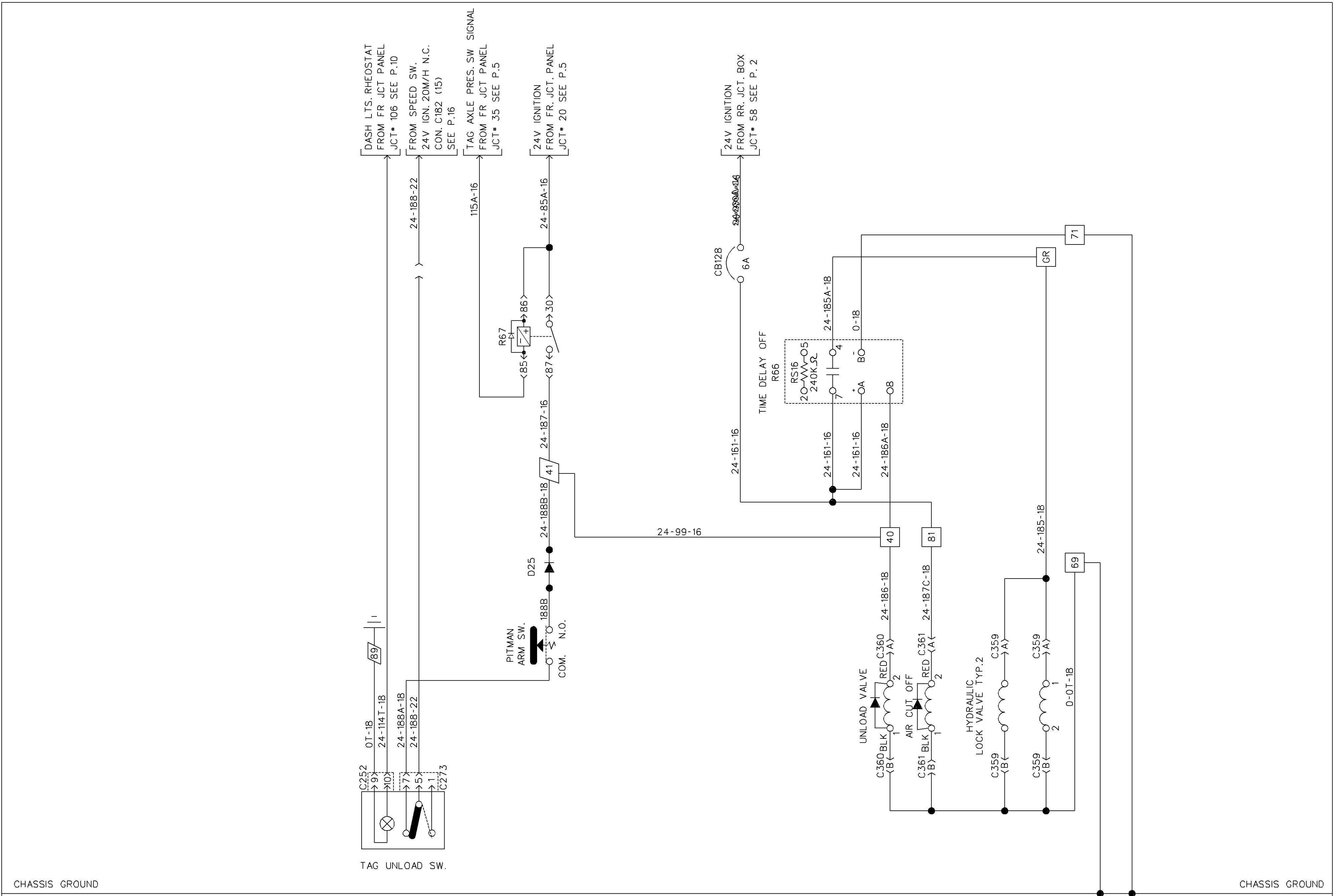
UNLOAD TAG SYSTEM



CHASSIS GROUND

CHASSIS GROUND

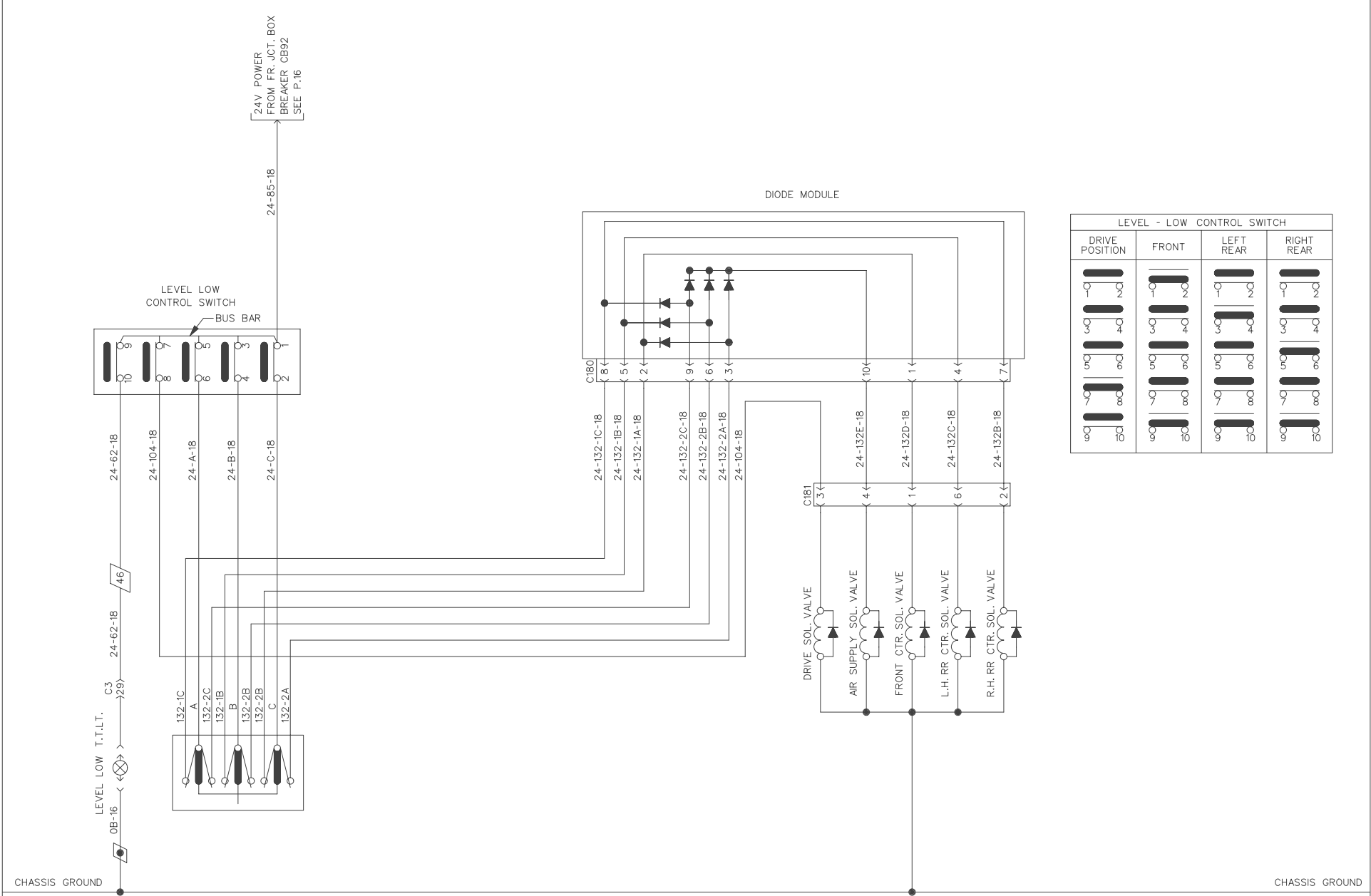
UNLOAD TAG SYSTEM



CHASSIS GROUND

CHASSIS GROUND

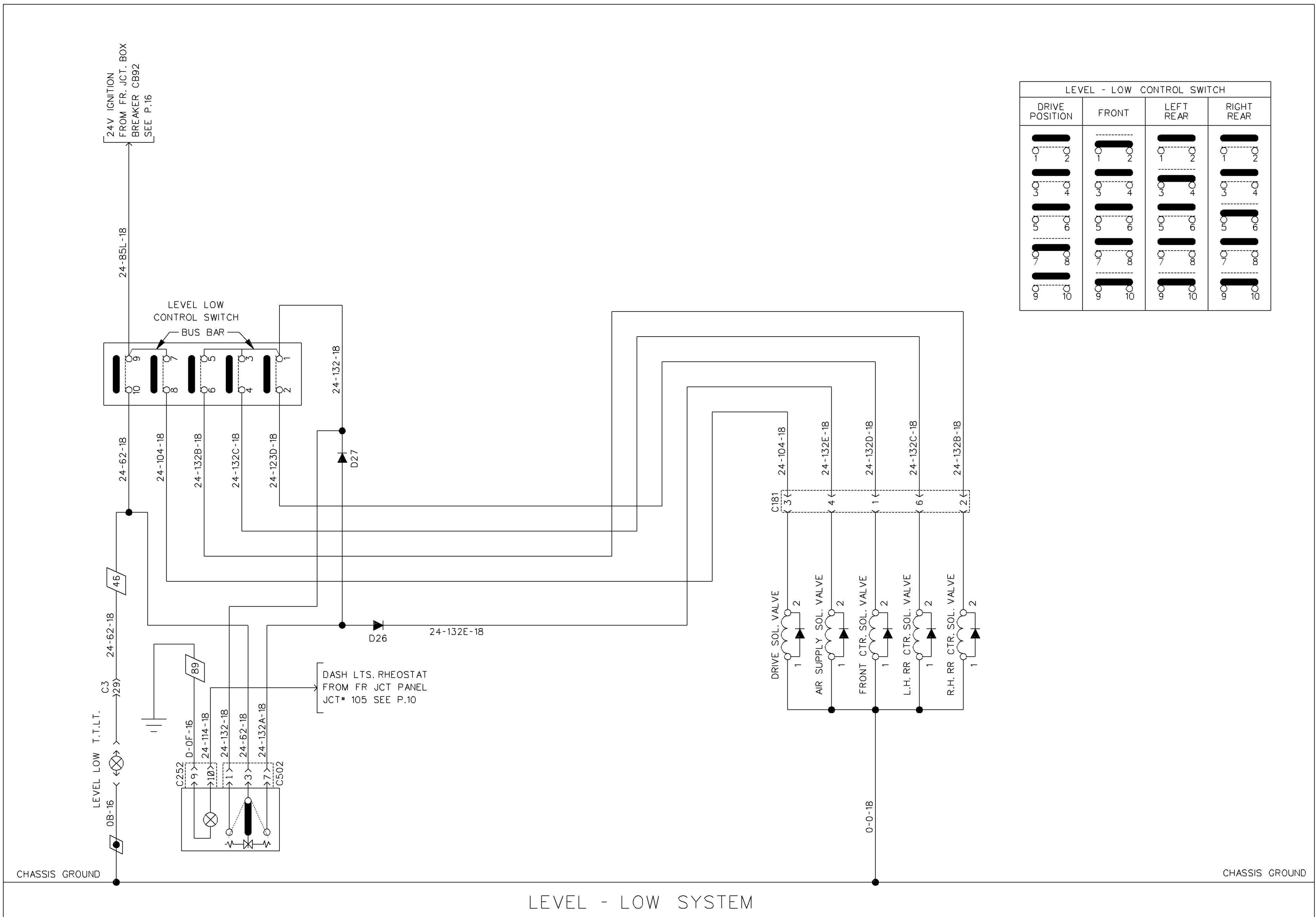
UNLOAD TAG SYSTEM



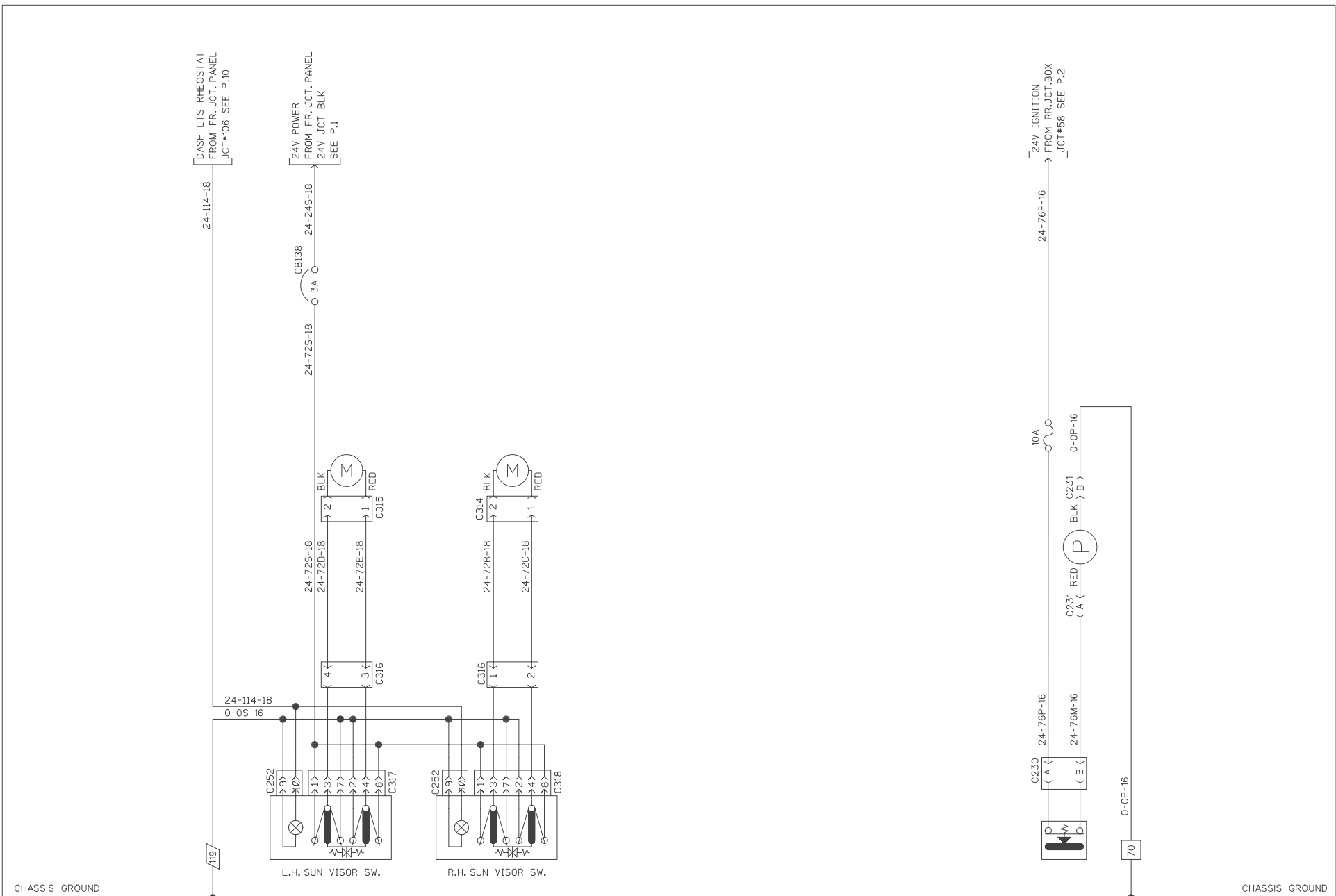
LEVEL - LOW CONTROL SWITCH

DRIVE POSITION	FRONT	LEFT REAR	RIGHT REAR

LEVEL - LOW SYSTEM



LEVEL - LOW CONTROL SWITCH			
DRIVE POSITION	FRONT	LEFT REAR	RIGHT REAR



SUN VISOR | FUEL PRIME PUMP