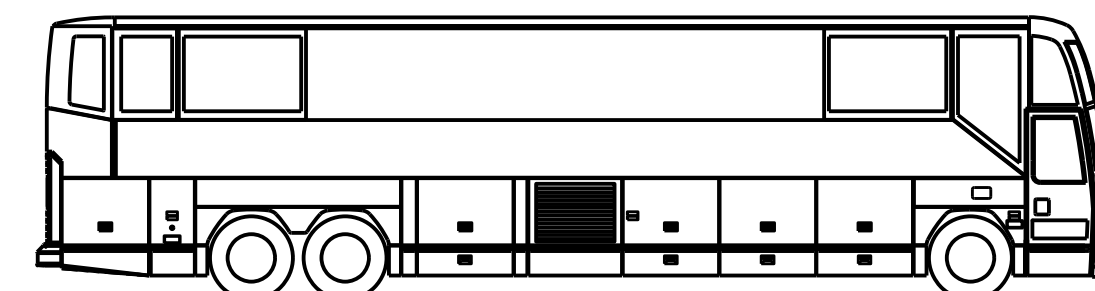


WIRING DIAGRAM

PREVOST

H3-45 VIP



REFERENCE: MODEL 98	NO: 0060912
---------------------	-------------

EFF. W/ OC# 97048	PRIOR TO / OC#	DR. MARTIN LAFLAMME	DATE: 98-02-06
EFF. W/ VEH.# W2369, W2458	PRIOR TO / VEH.#	CK. JEAN RUEL	APPR. ROLAND LAPOINTE

REV.	DATE	DESCRIPTION	PAGE	BY	CK.	APPR.
01	98-05-11	INTRODUCTION DRIVER'S HVAC ONLY OC *98011 AVAILABLE WITH X-2488	A,B1,C1,C2,E,F,G,H,I, K,L,1.1,1.1SP1,2.1,3.1, 4.1,4.2,7.1,8.1SP1, 9.1SP1,9.2,9.3,11.2, 12.1,13.1,15.3,19.1, 23.1,11.1	J.R.		
02	98-07-02	RELAY R8 ET R11 REMOVED. OC *98048 EFF. W/X-2657	C1,C2,F,I,2.1,4.1,5.1, 6.1,8.1,8.1SP1,21.1, 21.1SP1	J.R.		
03	98-07-13	HUMIDISTAT REMOVED OC *98090 EFF. W/X-2814	C1,15.2	J.R.		
04	98-08-11	HARNESS FOR KEYLESS OC *98066 EFF. W/X-2633 UPDATE PAGES. D,I,E,2,1.1,3.1,8.1,14.1,15.2,22.1	C1,C2,G,11.2,12.1	S.G.		
05	98-10	RESISTOR ADDED IN SERIAL WITH COIL OF CONDENSER RELAY OC*98112 EFF. X-2816	P. J,15.1	J.R.		
06	98-10	CABLE 12VF AND BREAKER CB4 WERE INCREASE OC. *98133 EFF : X-2878	P. B1,F,1.1,1.1SP1,2.1	J.R.		
07	98-11	CONDENSER LUGG. DOOR LOCK ADDED WITH DRIVER'S AIR OC* 98094 EFF. X-2862	P. 12.1	J.R.		
08	99-01	ENGINE DOOR SWITCH REPLACED O.C. *98135 EFF./ X 3022	P. C1,C2,11.1	J.R.		
09	99-07	CLUSTER POLLAK OC *99003 EFF: Y-3395 T.T. LT STARTER ON OC *99054 EFF. Y-3395 UPDATE & NEW REPRESENTATION HVAC SCHEMATIC	P.A,B1,C1,C2,F,G,M 1.1,1.1SP1,2.1,4.1,4.2, 5.1,7.1,7.2,8.1SP1,9.1 9.2,9.3,11.2,12.1,13.1, 14.1,14.2,15.1,15.2, 23.1SP1	PG J.R.		
10		SEE FOLLOWING PAGE FOR REV 10				

PREVOST

H3-45 VIP

NO: D060912 p. 2

REV.	DATE	DESCRIPTION	PAGE	BY	CK.	APPR.
10	2000-03	UPDATE & NEW FIRE DETECTOR OC *99091 EFF. Y-3832 CONDENSER RELAY MOVED IN EVAP. COMPT. OC*99135 EFF.: Y-3415 CONNECTOR ADDED ON PARK BRAKE PRESS. SW. OC*99057 EFF.: Y-3537 NEW KEYPAD AND KEYLESS ENTRY BY-PASS SWITCH REMOVED OC* 99116 EFF. : Y-3909	A,B1,B2,C1,C2,E,G,3.1, 4.2,6.1SP1,7.2,8.1, 8.1SP1,9.3SP2,11.2, 12.1,13.1,15.4,17.1,18.1 19.1,23.1,24.1SP1	PG		
11	2000-04	NEW HVAC DASH CONTROL W/PID O.C. *99121 EFF.: Y-3892 NEW CLEARANCE&MARKER LAMP WITH LED O.C. * 99059 EFF. : Y-3355	C1,C2,4.1,8.1,15.1,15.2, 15.3,23.1,23.1SP1 P. K, 9.1, 9.1SP1,9.2	JR JR	 	
12	2000-06	NEW SENSOR HARNESS FOR WTEC TRANSMISSION OC*00019 EFF. 1-4009	P. C1,C2,6.2	JR		
13	2000-09	NEW F26 ON WEBASTO AND NEW R62 FOR DDEC OC*00075 EFF. 1-4084 UPDATE ON KEYLESS ENTRY OC*00053 EFF. 1-4097 C1,C2,E2,E4,H,3.1,4.1,12.1,12.2 NEW DELPHI THERMISTOR FOR DRIVER TEMP. OC*00091 EFF. 1-4166 NEW FUSE ON BATTERY MONITOR OC*00064 EFF. 1-4169 UPDATE B1,E1,G3,G4,I,2.1,7.1,7.1SP1,8.1SP1,9.1,11.2,18.1,20.1,22.1	C1,C2,5.1,8.1,14.1,14.2 ← SEE C1 C1,C2,1.1,1.1SP1,1.2 ← SEE	SD EL	 SD	
14	2000-10	ISOLATED GROUND OT5 FOR HVAC DASH MODULE OC* 00126 EFF.1-4150	E,3.1,15.1,15.4	EL	SD	
15	2000-11	NEW HVAC DASH CONTROL HEAT DRIVER'S ONLY O.C. *2000093 EFF.: 1- 4195 UPDATE	C2, 7.1, 15.4 C1,G,I,L, 7.2, 9.3sp1, 9.3sp2, 15.1, 15.3	EL	SD	
16	2001-02	STEERING CONTROL SERVOTRONIC ZF OPTIONAL O.C.*2000109 EFF.: 1- 4294	A,C1,C2,G,L,2.1,3.1, 17.1,17.1SP1	EL	SD	
17	2001-04	BLINK CODE SWITCH REMOVED & NEW ABS ECU O.C.*2001009 EFF.: 1- 4262 UPDATE	22.1 8.1, 8.1SP1	S.G. EL	EL EL	
18	2001-06	NEW TWO SPEED EVAPORATOR MOTOR O.C.*2000032 EFF.: 2- 4315 UPDATE	C1,E,11.1,15.1,15.2,15.3 15.4,23.1,23.1SP1	EL	EL	
19	2001-07	ABS SERVICE LAMP REMOVED AND REPLACED BY RESISTOR O.C.*2001026 EFF: 2-4347 AIR DRYER W/O THERMAL ELEMENT : WIRES REMOVED O.C.*2000007 EFF: 2-4351	J, 22.1 A,C1,C2,E,G,L,1.1,1.1SP1	S.G. EL	SD SD	
20	2001-09	ADD TIME DELAY RELAY ON EVAP. FAN O.C.*2000018 EFF.*2-4363	I,J,15.3	MLAF	SD	
21	2001-11	NEW FACE LIFT O.C.2000001 PRELIM*2-4259,2-4345,2-4392 EFF.*2-4417 OPTION WATER HEATER DELETED OPTION WINDSHIELD (UP) HEATER DELETED	A,C1,C2,E,F,G,H,I,L,1.1 4.1,4.2,9.1,9.2,9.3,13.1 16.2,16.3,14.1	SD	EL	
22	2001-12	NEW ABS SYSTEM 12 VOLTS O.C.*20001163 EFF: 2-4440 UPDATED	C,E,F,G,I,J,1.1,1.1SP1 2.1, 22.1,23.1 7.1,15.2	EL	EL	

PREVOST

H3-45 VIP

NO: D060912 p. 3

REV.	DATE	DESCRIPTION	PAGE	BY	CK.	APPR.
23	2002-03	DELCO ALT. CABLE SUPPORT O.C.*2002008 EFF: 2-4460 UPDATED →	E, 4.1 C1,C2,	EL	EA	EA
24	02-07-10	UPDATE PAGE 10.1, (MOV HAS BEEN REMOVED) O.C.*2001065 EFF: 2-4376 BACK TO BENDIX AD-9 AIR DRYER - O.C.*2002058 EFF: 3-4581	10.1 C1,C2,E,G,L,8.1,8.1SP1	EL	EA	EA
25	02-07-19	WORLD TRANSMISSION SHROUDED CONNECTORS - O.C.*2002049 EFF.: 3-4574 UPDATED →	C1,C2 4.1,11.1,22.1	EL	EA	EA
26	03-01-07	NEW STARTER MELCO - O.C.*2002053 EFF.: 3-4716 BIGGER VANNER/BATTERIE CABLES - O.C.*2002114 EFF.: 3-4716	4.2 B2, 1.2	S.G.		

WIRING DIAGRAM INDEX

A A/C & HEAT SYSTEM Page: 15 AIR DRYER Page: 8 ALARM & SIGNAL Page: 7 ABS Page: 22 ARRANGEMENT - CABLE Page: B ARRANGEMENT - HARNESS Page: C ARRANGEMENT - SPARE WIRE Page: D	E ENGINE BLOCK HEATER Page: 14.2 ENGINE BRAKE SYSTEM Page: 21 ENGINE CONTROL Page: 4 ETHER COLD START Page: 8 EXTERIOR LIGHTING Page: 9 F FAN-CLUTCH RADIATOR Page: 8 FAST IDLE - DDEC Page: 5 FIRE DETECTOR Page: 7 FUEL WATER FILTER Page: 8 FUEL PRIME PUMP Page: 14.2	S SPEEDOMETER (VDO) Page: 17 SUN VISOR Page: 19 T TACHOMETER (VDO) Page: 17 TELL TALE LIGHT MODULES Page: 23 THERMOMETER-DIGITAL Page: 23 TRANSMISSION - WORLD Page: 6 W WATER HEATER PRE-HEAT Page: 14 WINDSHIELD (UP) HEATED Page: 13 WIPER & WASHER Page: 10
B BACK-UP ALARM Page: 9.3 BACK-UP MONITOR Page: 20	G GROUND SYSTEM Page: 3	
C CHARGING SYSTEM Page: 4 CIGAR LIGHTER Page: 19 CODE - CIRCUIT NUMBER Page: E CODE - CIRCUIT BREAKER Page: F CODE - CONNECTOR Page: G CODE - DIODE Page: H CODE - RELAY Page: I CODE - RESISTOR Page: J CODE - WIRING KEY Page: K CODE - FUSE Page: L CODE - MODULE Page: M CRUISE CONTROL - DDEC Page: 5	I INTERIOR LIGHTING Page: 11 K KEYLESS ENTRY SYSTEM Page: 12 L LEVEL LOW SYSTEM Page: 18 LUGGAGE DOOR LOCK Page: 12 M MIRROR-REAR VIEW Page: 16	
D DDEC III Page: 5 DISTRIBUTION 12V Page: 2 DISTRIBUTION 24V Page: 1 DRIVER'S WINDOW LIFTER Page: 19 DRIVER'S SEAT-ELECT. ADJUST Page: 13 DRIVER'S & CO-PILOT SEAT-HEATER Page: 13	P PARKING BRAKE ALARM Page: 8 PARKING BRAKE SWITCH Page: 8 PRODRIVER Page: 8 R RETARDER - WORLD TRANSM. Page: 21	

WIRING DIAGRAM INDEX

A A/C & HEAT SYSTEM (FULL AIR) Page: 15.1 A/C & HEAT SYSTEM (DRIVER ONLY) Page: 15.3 AIR DRYER Page: 8 ALARM & SIGNAL Page: 7 ALTERNATOR DELCO & STARTER Page: 4.1 ALTERNATOR BOSCH & STARTER Page: 4.2 ABS Page: 22 ARRANGEMENT - CABLE Page: B ARRANGEMENT - HARNESS Page: C ARRANGEMENT - SPARE WIRE Page: D	E ENGINE BLOCK HEATER Page: 14.2 ENGINE BREAKE SYSTEM Page: 21 ENGINE CONTROL Page: 4 ETHER COLD START Page: 8 EXTERIOR LIGHTIHG Page: 9 F FAN-CLUTCH RADIATOR Page: 8 FAST IDLE - DDEC Page: 5 FIRE DETECTOR Page: 7 FUEL WATER FILTER Page: 8 FUEL PRIME PUMP Page: 14.2	R RETARDER - WORLD TRANSM. Page: 21 S SPEEDOMETER (VDO) Page: 17 SUN VISOR Page: 19 T TACHOMETER (VDO) Page: 17 TELL TALE LIGHT MODULES Page: 23 THERMOMETER-DIGITAL Page: 23 TRANSMISSION - WORLD Page: 6 W WATER HEATER PRE-HEAT Page: 14 WINDSHIELD (UP) HEATED Page: 13 WIPER & WASHER Page: 10
B BACK-UP ALARM Page: 9.3 BACK-UP MONITOR Page: 20	G GROUND SYSTEM Page: 3 I INTERIOR LIGHTING Page: 11 K KEYLESS ENTRY SYSTEM Page: 12 L LEVEL LOW SYSTEM Page: 18 LUGGAGE DOOR LOCK Page: 12 M MIRROR-REAR VIEW Page: 16	
C CIGAR LIGHTER Page: 19 CODE - CIRCUIT NUMBER Page: E CODE - CIRCUIT BREAKER Page: F CODE - CONNECTOR Page: G CODE - DIODE Page: H CODE - RELAY Page: I CODE - RESISTOR Page: J CODE - WIRING KEY Page: K CODE - FUSE Page: L CODE - MODULE Page: M CRUISE CONTROL - DDEC Page: 5	D DDEC III Page: 5 DISTRIBUTION 12V Page: 2 DISTRIBUTION 24V Page: 1 DRIVER'S WINDOW LIFTER Page: 19	

WIRING DIAGRAM INDEX

A A/C & HEAT SYSTEM (FULL AIR) Page: 15.1 A/C & HEAT SYSTEM (DRIVER ONLY) Page: 15.4 AIR DRYER Page: 8 ALARM & SIGNAL Page: 7 ALTERNATOR DELCO & STARTER Page: 4.1 ALTERNATOR BOSCH & STARTER Page: 4.2 ABS Page: 22 ARRANGEMENT - CABLE Page: B ARRANGEMENT - HARNESS Page: C ARRANGEMENT - SPARE WIRE Page: D	E ENGINE BLOCK HEATER Page: 14.2 ENGINE BREAKE SYSTEM Page: 21 ENGINE CONTROL Page: 4 ETHER COLD START Page: 8 EXTERIOR LIGHTIHG Page: 9 F FAN-CLUTCH RADIATOR Page: 8 FAST IDLE - DDEC Page: 5 FIRE DETECTOR Page: 7 FUEL WATER FILTER Page: 8 FUEL PRIME PUMP Page: 14.2	R RETARDER - WORLD TRANSM. Page: 21 S SPEEDOMETER (VDO) Page: 17 SUN VISOR Page: 19 T TACHOMETER (VDO) Page: 17 TELL TALE LIGHT MODULES Page: 23 THERMOMETER-DIGITAL Page: 23 TRANSMISSION - WORLD Page: 6 W WATER HEATER PRE-HEAT Page: 14 WINDSHIELD (UP) HEATED Page: 13 WIPER & WASHER Page: 10
B BACK-UP ALARM Page: 9.3 BACK-UP MONITOR Page: 20		
C CIGAR LIGHTER Page: 19 CODE - CIRCUIT NUMBER Page: E CODE - CIRCUIT BREAKER Page: F CODE - CONNECTOR Page: G CODE - DIODE Page: H CODE - RELAY Page: I CODE - RESISTOR Page: J CODE - WIRING KEY Page: K CODE - FUSE Page: L CODE - MODULE Page: M CRUISE CONTROL - DDEC Page: 5	G GROUND SYSTEM Page: 3 I INTERIOR LIGHTING Page: 11 K KEYLESS ENTRY SYSTEM Page: 12 L LEVEL LOW SYSTEM Page: 18 LUGGAGE DOOR LOCK Page: 12 M MIRROR-REAR VIEW Page: 16	
D DDEC III Page: 5 DISTRIBUTION 12V Page: 2 DISTRIBUTION 24V Page: 1 DRIVER'S WINDOW LIFTER Page: 19	P PARKING BREAKE ALARM Page: 8 PARKING BREAKE SWITCH Page: 8 PRODRIVER Page: 8	

WIRING DIAGRAM INDEX

A A/C & HEAT SYSTEM (FULL AIR) Page: 15.1 A/C & HEAT SYSTEM (DRIVER ONLY) Page: 15.4 AIR DRYER Page: 8 ALARM & SIGNAL Page: 7 ALTERNATOR DELCO & STARTER Page: 4.1 ALTERNATOR BOSCH & STARTER Page: 4.2 ABS Page: 22 ARRANGEMENT - CABLE Page: B ARRANGEMENT - HARNESS Page: C ARRANGEMENT - SPARE WIRE Page: D	E ENGINE BLOCK HEATER Page: 14.2 ENGINE BREAKE SYSTEM Page: 21 ENGINE CONTROL Page: 4 ETHER COLD START Page: 8 EXTERIOR LIGHTIHG Page: 9 F FAN-CLUTCH RADIATOR Page: 8 FAST IDLE - DDEC Page: 5 FIRE DETECTOR Page: 7 FUEL WATER FILTER Page: 8 FUEL PRIME PUMP Page: 14.2	R RETARDER - WORLD TRANSM. Page: 21 S SPEEDOMETER (VDO) Page: 17 SUN VISOR Page: 19 T TACHOMETER (VDO) Page: 17 TELL TALE LIGHT MODULES Page: 23 THERMOMETER-DIGITAL Page: 23 TRANSMISSION - WORLD Page: 6 W WATER HEATER PRE-HEAT Page: 14 WINDSHIELD (UP) HEATED Page: 13 WIPER & WASHER Page: 10 W.C.L. RICON 9000 Page : 24.1
B BACK-UP ALARM Page: 9.3 BACK-UP MONITOR Page: 20	G GROUND SYSTEM Page: 3 I INTERIOR LIGHTING Page: 11 K KEYLESS ENTRY SYSTEM Page: 12 L LEVEL LOW SYSTEM Page: 18 LUGGAGE DOOR LOCK Page: 12 M MIRROR-REAR VIEW Page: 16	
C CIGAR LIGHTER Page: 19 CODE - CIRCUIT NUMBER Page: E CODE - CIRCUIT BREAKER Page: F CODE - CONNECTOR Page: G CODE - DIODE Page: H CODE - RELAY Page: I CODE - RESISTOR Page: J CODE - WIRING KEY Page: K CODE - FUSE Page: L CODE - MODULE Page: M CRUISE CONTROL - DDEC Page: 5	D DDEC III Page: 5 DISTRIBUTION 12V Page: 2 DISTRIBUTION 24V Page: 1 DRIVER'S WINDOW LIFTER Page: 19	

WIRING DIAGRAM INDEX

A A/C & HEAT SYSTEM (FULL AIR) Page: 15.1 A/C & HEAT SYSTEM (DRIVER ONLY) Page: 15.4 AIR DRYER Page: 8 ALARM & SIGNAL Page: 7 ALTERNATOR DELCO & STARTER Page: 4.1 ALTERNATOR BOSCH & STARTER Page: 4.2 ABS Page: 22 ARRANGEMENT - CABLE Page: B ARRANGEMENT - HARNESS Page: C ARRANGEMENT - SPARE WIRE Page: D	DRIVER'S SEAT-ELECT. ADJUST Page: 13 DRIVER'S & CO-PILOT SEAT-HEATER Page: 13 E ENGINE BLOCK HEATER Page: 14.2 ENGINE BRAKE SYSTEM Page: 21 ENGINE CONTROL Page: 4 ETHER COLD START Page: 8 EXTERIOR LIGHTING Page: 9 F FAN-CLUTCH RADIATOR Page: 8 FAST IDLE - DDEC Page: 5 FIRE DETECTOR Page: 7 FUEL WATER FILTER Page: 8 FUEL PRIME PUMP Page: 14.2	R RETARDER - WORLD TRANSM. Page: 21 S SPEEDOMETER (VDO) Page: 17 SUN VISOR Page: 19 STEERING CONTROL Page: 17.1 T TACHOMETER (VDO) Page: 17 TELL TALE LIGHT MODULES Page: 23 THERMOMETER-DIGITAL Page: 23 TRANSMISSION - WORLD Page: 6 W WATER HEATER PRE-HEAT Page: 14 WINDSHIELD (UP) HEATED Page: 13 WIPER & WASHER Page: 10 W.C.L. RICON 9000 Page: 24.1
B BACK-UP ALARM Page: 9.3 BACK-UP MONITOR Page: 20	G GROUND SYSTEM Page: 3	
C CIGAR LIGHTER Page: 19 CODE - CIRCUIT NUMBER Page: E CODE - CIRCUIT BREAKER Page: F CODE - CONNECTOR Page: G CODE - DIODE Page: H CODE - RELAY Page: I CODE - RESISTOR Page: J CODE - WIRING KEY Page: K CODE - FUSE Page: L CODE - MODULE Page: M CRUISE CONTROL - DDEC Page: 5	I INTERIOR LIGHTING Page: 11 K KEYLESS ENTRY SYSTEM Page: 12 L LEVEL LOW SYSTEM Page: 18 LUGGAGE DOOR LOCK Page: 12 M MIRROR-REAR VIEW Page: 16	
D DDEC III Page: 5 DISTRIBUTION 12V Page: 2 DISTRIBUTION 24V Page: 1 DRIVER'S WINDOW LIFTER Page: 19	P PARKING BRAKE ALARM Page: 8 PARKING BRAKE SWITCH Page: 8 PRODRIVER Page: 8	

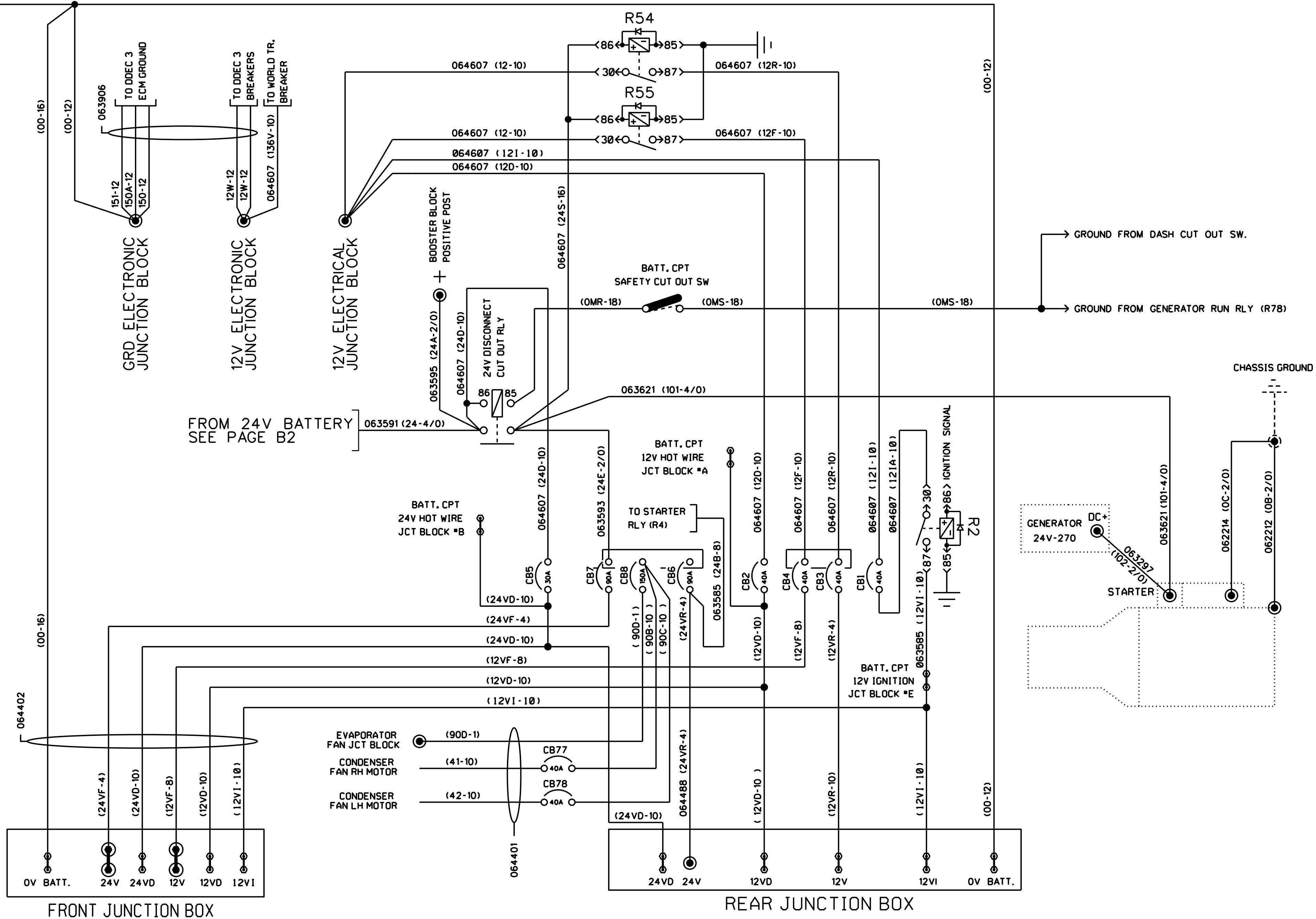
WIRING DIAGRAM INDEX

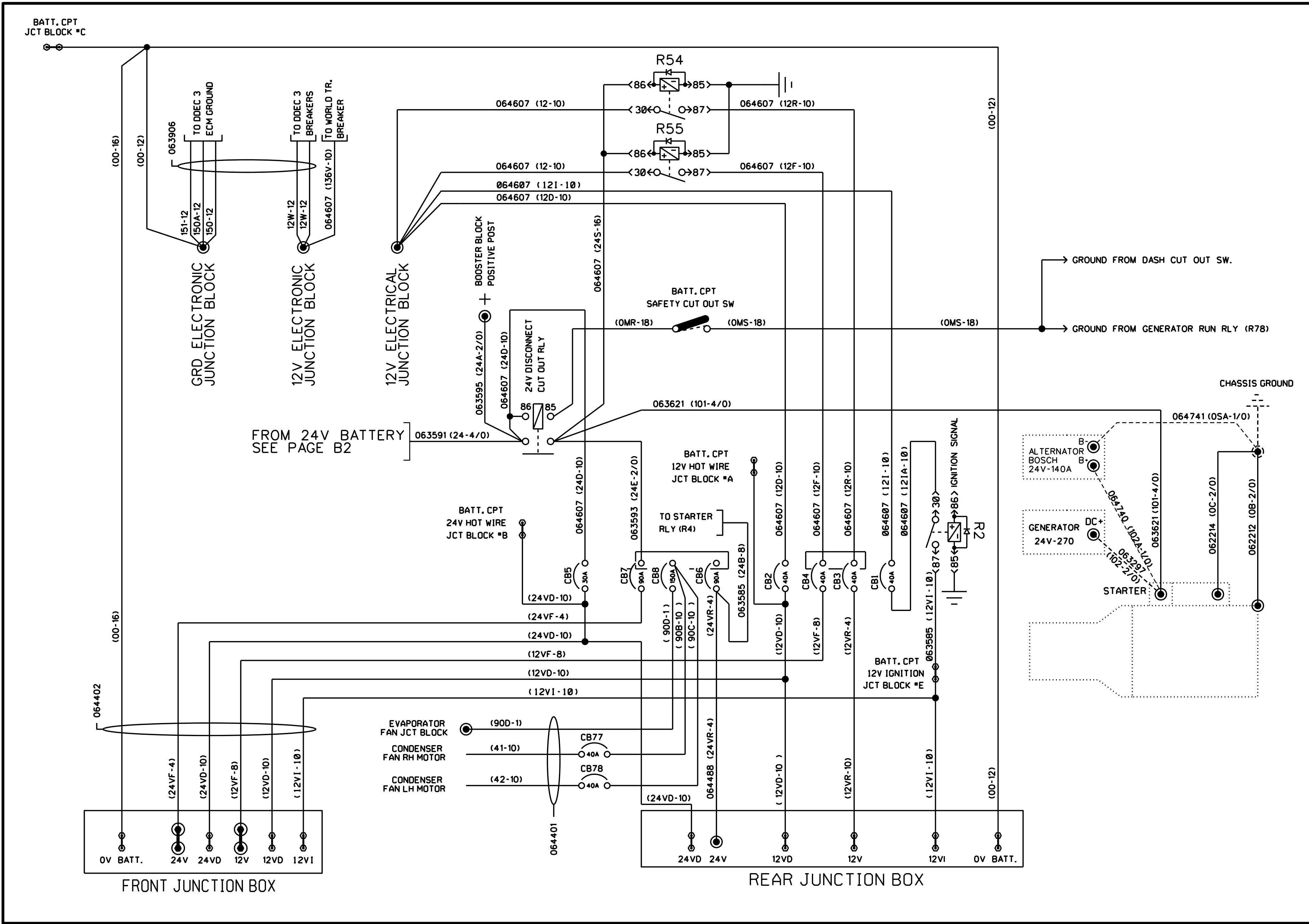
<p>A A/C & HEAT SYSTEM (FULL AIR) Page: 15.1</p> <p>A/C & HEAT SYSTEM (DRIVER ONLY) Page: 15.4</p> <p>ALARM & SIGNAL Page: 7</p> <p>ALTERNATOR DELCO & STARTER Page: 4.1</p> <p>ALTERNATOR BOSCH & STARTER Page: 4.2</p> <p>ABS Page: 22</p> <p>ARRANGEMENT - CABLE Page: B</p> <p>ARRANGEMENT - HARNESS Page: C</p> <p>ARRANGEMENT - SPARE WIRE Page: D</p>	<p>DRIVER'S & CO-PILOT SEAT-HEATER Page: 13</p> <p>E ENGINE BLOCK HEATER Page: 14.2</p> <p>ENGINE BREAKE SYSTEM Page: 21</p> <p>ENGINE CONTROL Page: 4</p> <p>ETHER COLD START Page: 8</p> <p>EXTERIOR LIGHTING Page: 9</p> <p>F FAN-CLUTCH RADIATOR Page: 8</p> <p>FAST IDLE - DDEC Page: 5</p> <p>FIRE DETECTOR Page: 7.2</p> <p>FUEL WATER FILTER Page: 8</p> <p>FUEL PRIME PUMP Page: 14.2</p> <p>G GROUND SYSTEM Page: 3</p> <p>I INTERIOR LIGHTING Page: 11</p> <p>K KEYLESS ENTRY SYSTEM Page: 12</p> <p>L LEVEL LOW SYSTEM Page: 18</p> <p>LUGGAGE DOOR LOCK Page: 12</p> <p>M MIRROR-REAR VIEW Page: 16</p> <p>P PARKING BREAKE ALARM Page: 8</p> <p>PARKING BREAKE SWITCH Page: 8</p> <p>PRODRIVER Page: 8</p> <p>R RETARDER - WORLD TRANSM. Page: 21</p>	<p>S SPEEDOMETER (VDO) Page: 17</p> <p>SUN VISOR Page: 19</p> <p>STEERING CONTROL Page: 17.1</p> <p>T TACHOMETER (VDO) Page: 17</p> <p>TELL TALE LIGHT MODULES Page: 23</p> <p>THERMOMETER-DIGITAL Page: 23</p> <p>TRANSMISSION - WORLD Page: 6</p> <p>W WATER HEATER PRE-HEAT Page: 14</p> <p>WINDSHIELD (UP) HEATED Page: 13</p> <p>WIPER & WASHER Page: 10</p> <p>W.C.L. RICON 9000 Page: 24.1</p>
<p>B BACK-UP ALARM Page: 9.3</p> <p>BACK-UP MONITOR Page: 20</p>		
<p>C CIGAR LIGHTER Page: 19</p> <p>CODE - CIRCUIT NUMBER Page: E</p> <p>CODE - CIRCUIT BREAKER Page: F</p> <p>CODE - CONNECTOR Page: G</p> <p>CODE - DIODE Page: H</p> <p>CODE - RELAY Page: I</p> <p>CODE - RESISTOR Page: J</p> <p>CODE - WIRING KEY Page: K</p> <p>CODE - FUSE Page: L</p> <p>CODE - MODULE Page: M</p> <p>CRUISE CONTROL - DDEC Page: 5</p>		
<p>D DDEC III Page: 5</p> <p>DISTRIBUTION 12V Page: 2</p> <p>DISTRIBUTION 24V Page: 1</p> <p>DRIVER'S WINDOW LIFTER Page: 19</p> <p>DRIVER'S SEAT-ELECT. ADJUST Page: 13</p>		

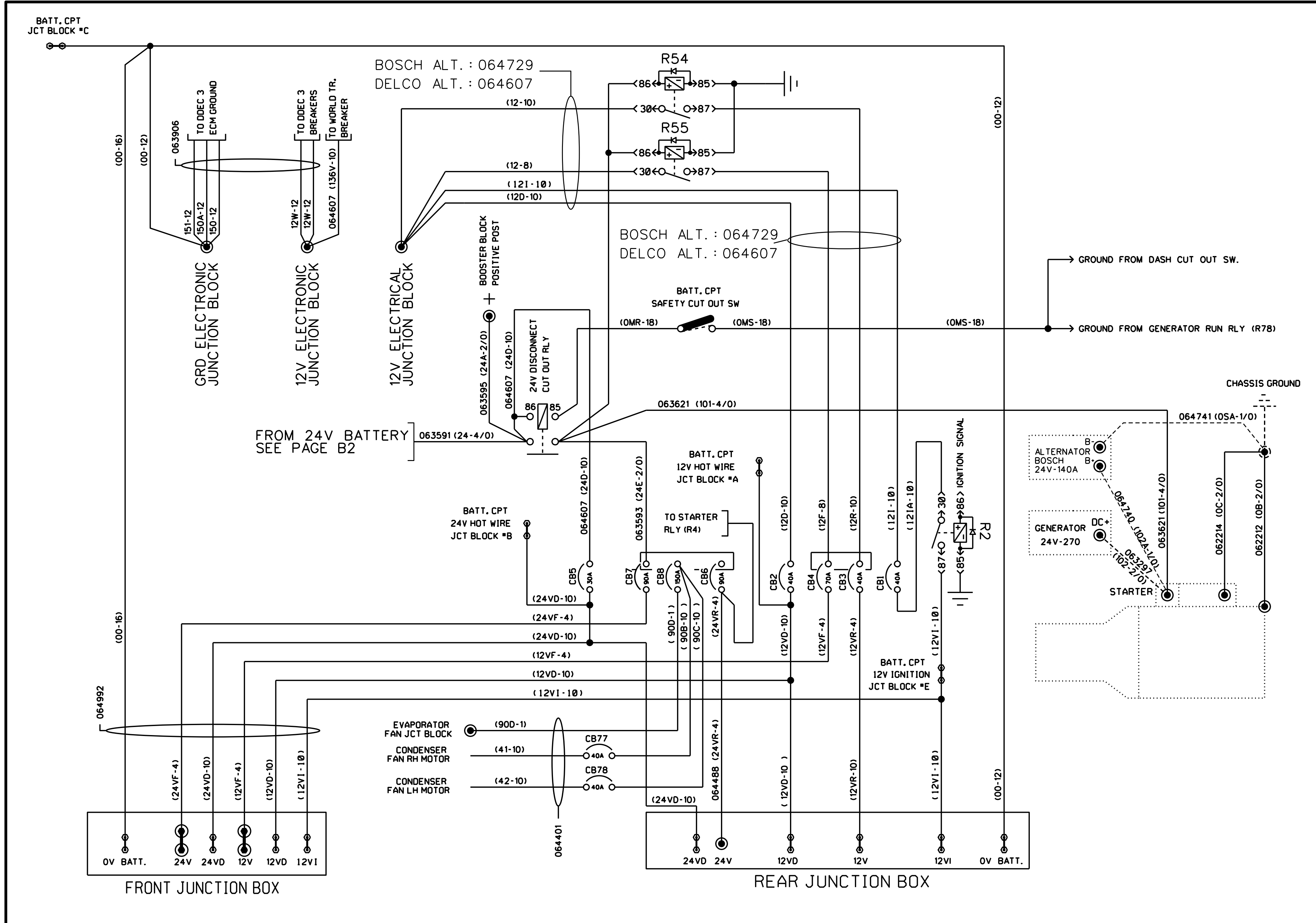
WIRING DIAGRAM INDEX

<p>A A/C & HEAT SYSTEM (FULL AIR) Page: 15.1</p> <p>A/C & HEAT SYSTEM (DRIVER ONLY) Page: 15.4</p> <p>ALARM & SIGNAL Page: 7</p> <p>ALTERNATOR DELCO & STARTER Page: 4.1</p> <p>ALTERNATOR BOSCH & STARTER Page: 4.2</p> <p>ABS Page: 22</p> <p>ARRANGEMENT - CABLE Page: B</p> <p>ARRANGEMENT - HARNESS Page: C</p> <p>ARRANGEMENT - SPARE WIRE Page: D</p>	<p>DRIVER'S & CO-PILOT SEAT-HEATER Page: 13</p> <p>E ENGINE BLOCK HEATER Page: 14</p> <p>ENGINE BREAKE SYSTEM Page: 21</p> <p>ENGINE CONTROL Page: 4</p> <p>ETHER COLD START Page: 8</p> <p>EXTERIOR LIGHTING Page: 9</p> <p>F FAN-CLUTCH RADIATOR Page: 8</p> <p>FAST IDLE - DDEC Page: 5</p> <p>FIRE DETECTOR Page: 7.2</p> <p>FUEL WATER FILTER Page: 8</p> <p>FUEL PRIME PUMP Page: 14</p>	<p>S SPEEDOMETER (VDO) Page: 17</p> <p>SUN VISOR Page: 19</p> <p>STEERING CONTROL Page: 17.1</p> <p>T TACHOMETER (VDO) Page: 17</p> <p>TELL TALE LIGHT MODULES Page: 23</p> <p>THERMOMETER-DIGITAL Page: 23</p> <p>TRANSMISSION - WORLD Page: 6</p> <p>W WIPER & WASHER Page: 10</p> <p>W.C.L. RICON 9000 Page: 24.1</p>
<p>B BACK-UP ALARM Page: 9.3</p> <p>BACK-UP MONITOR Page: 20</p>	<p>G GROUND SYSTEM Page: 3</p>	
<p>C CIGAR LIGHTER Page: 19</p> <p>CODE - CIRCUIT NUMBER Page: E</p> <p>CODE - CIRCUIT BREAKER Page: F</p> <p>CODE - CONNECTOR Page: G</p> <p>CODE - DIODE Page: H</p> <p>CODE - RELAY Page: I</p> <p>CODE - RESISTOR Page: J</p> <p>CODE - WIRING KEY Page: K</p> <p>CODE - FUSE Page: L</p> <p>CODE - MODULE Page: M</p> <p>CRUISE CONTROL - DDEC Page: 5</p>	<p>I INTERIOR LIGHTING Page: 11</p> <p>K KEYLESS ENTRY SYSTEM Page: 12</p> <p>L LEVEL LOW SYSTEM Page: 18</p> <p>LUGGAGE DOOR LOCK Page: 12</p> <p>M MIRROR-REAR VIEW Page: 16</p>	
<p>D DDEC III Page: 5</p> <p>DISTRIBUTION 12V Page: 2</p> <p>DISTRIBUTION 24V Page: 1</p> <p>DRIVER'S WINDOW LIFTER Page: 19</p> <p>DRIVER'S SEAT-ELECT. ADJUST Page: 13</p>	<p>P PARKING BREAKE ALARM Page: 8</p> <p>PARKING BREAKE SWITCH Page: 8</p> <p>PRODRIVER Page: 8</p> <p>R RETARDER - WORLD TRANSM. Page: 21</p>	

BATT. CPT
JCT BLOCK #C







BOSCH ALT. : 064729
DELCO ALT. : 064607

BOSCH ALT. : 064729
DELCO ALT. : 064607

FROM 24V BATTERY
SEE PAGE B2

BATT. CPT
24V HOT WIRE
JCT BLOCK #B

BATT. CPT
12V HOT WIRE
JCT BLOCK #A

BATT. CPT
12V IGNITION
JCT BLOCK #E

EVAPORATOR
FAN JCT BLOCK

CONDENSER
FAN RH MOTOR

CONDENSER
FAN LH MOTOR

ALTERNATOR
BOSCH
24V-140A

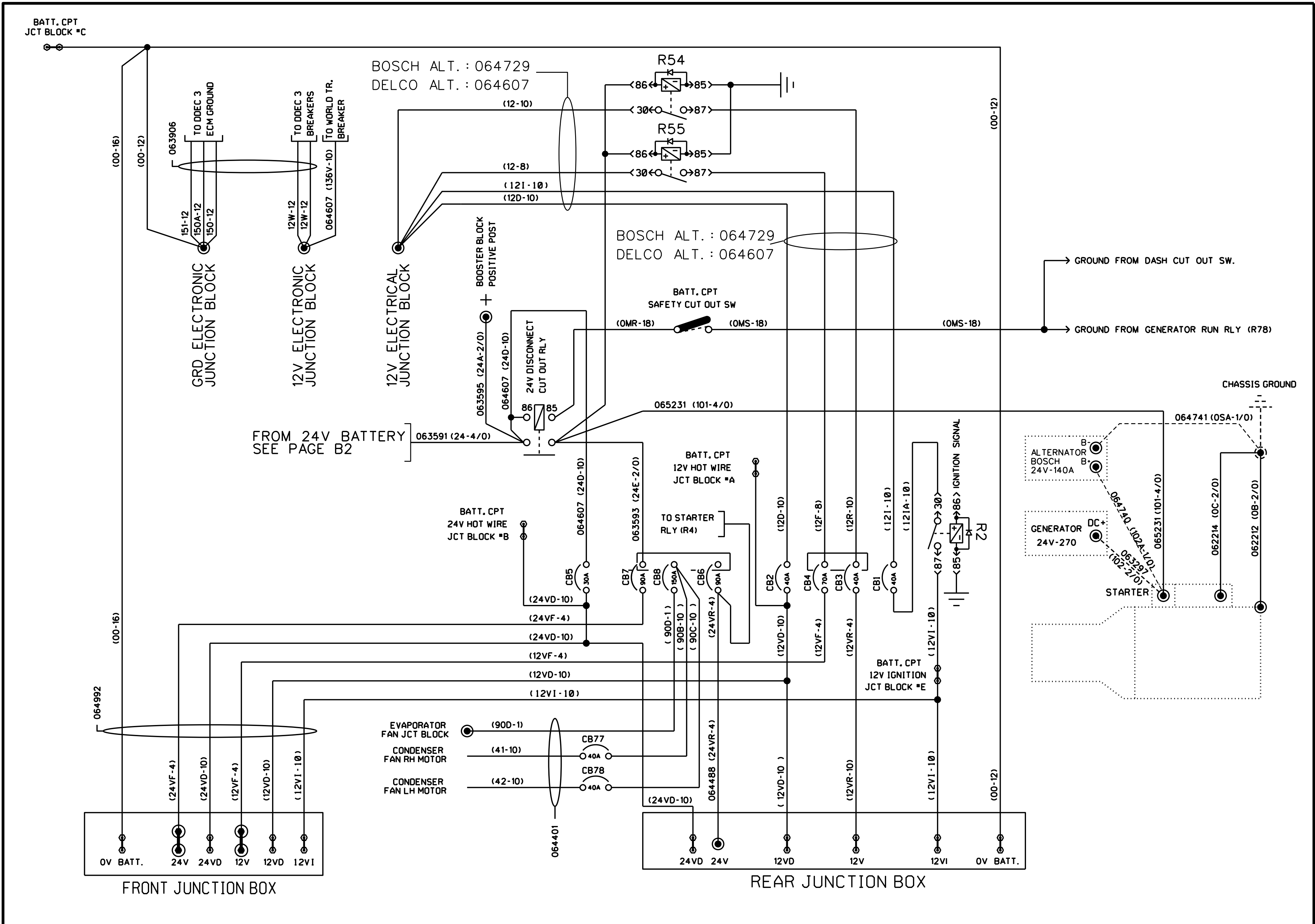
GENERATOR
24V-270

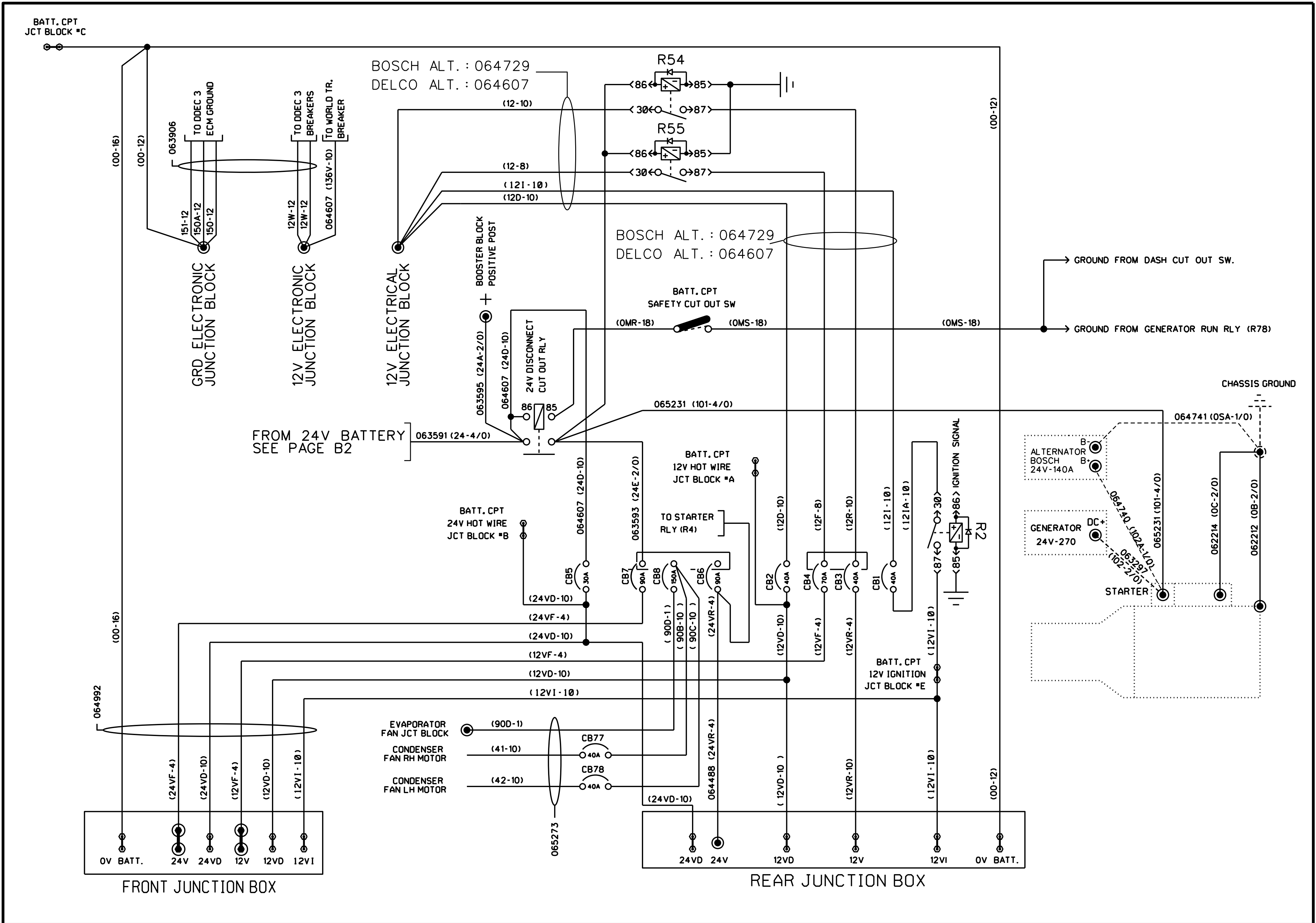
STARTER

CHASSIS GROUND

GROUND FROM DASH CUT OUT SW.

GROUND FROM GENERATOR RUN RLY (R78)





BATT. CPT
JCT BLOCK #C

BOSCH ALT. : 064729
DELCO ALT. : 064607

BOSCH ALT. : 064729
DELCO ALT. : 064607

FROM 24V BATTERY
SEE PAGE B2

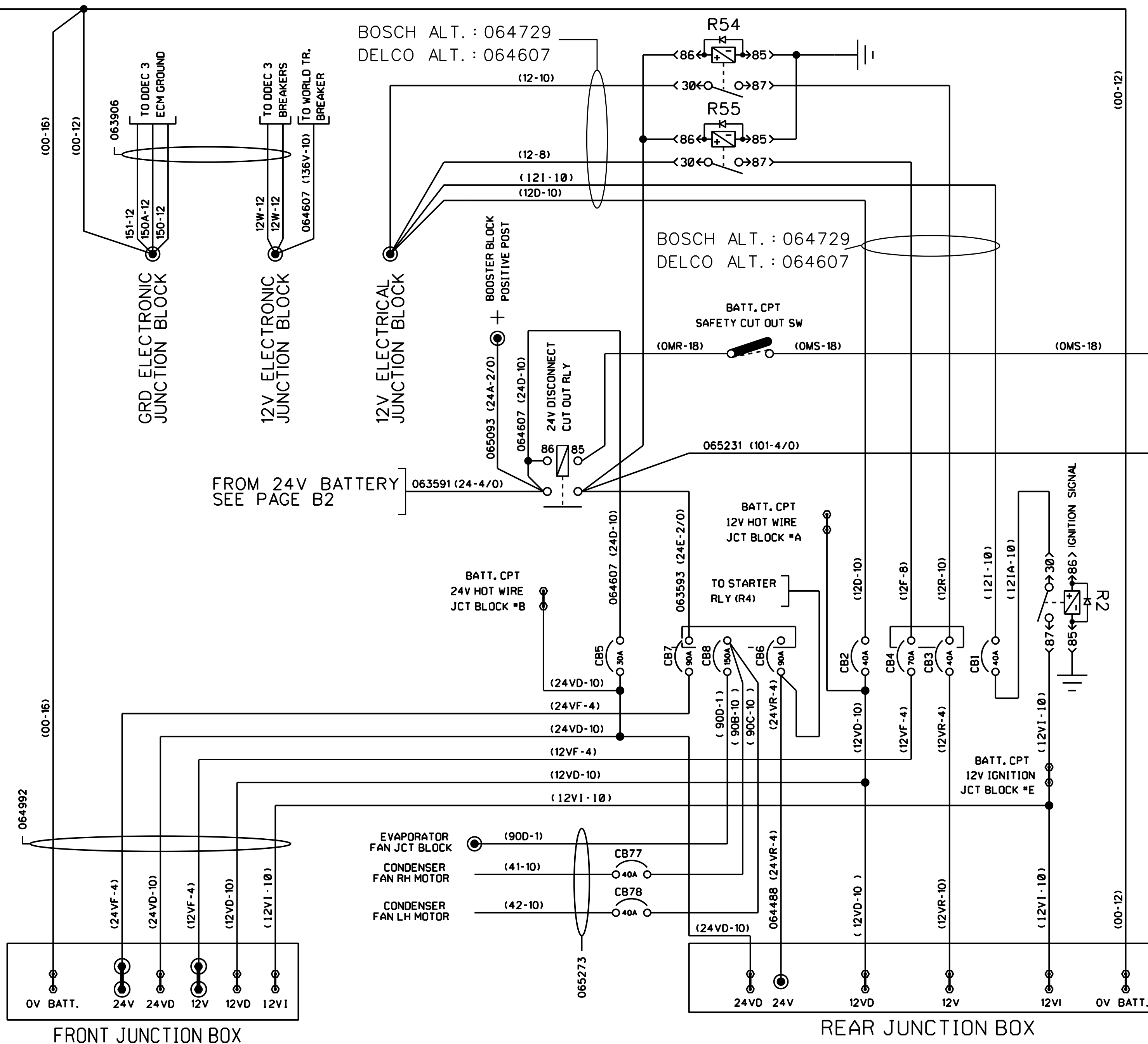
BATT. CPT
24V HOT WIRE
JCT BLOCK #B

BATT. CPT
12V HOT WIRE
JCT BLOCK #A

BATT. CPT
12V IGNITION
JCT BLOCK #E

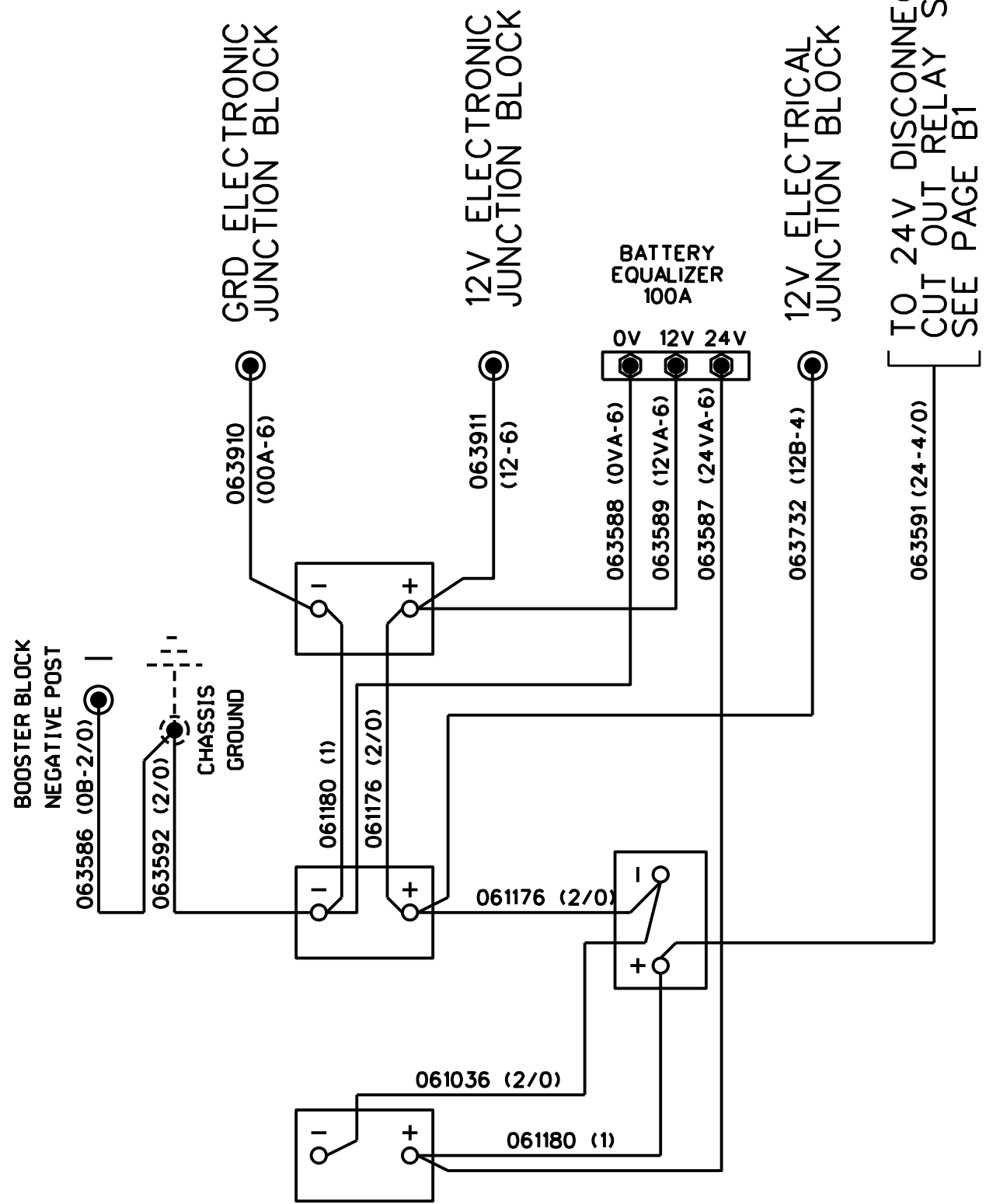
EVAPORATOR
FAN JCT BLOCK
CONDENSER
FAN RH MOTOR
CONDENSER
FAN LH MOTOR

ALTERNATOR
BOSCH
24V-140A
GENERATOR
DC+
24V-270
STARTER

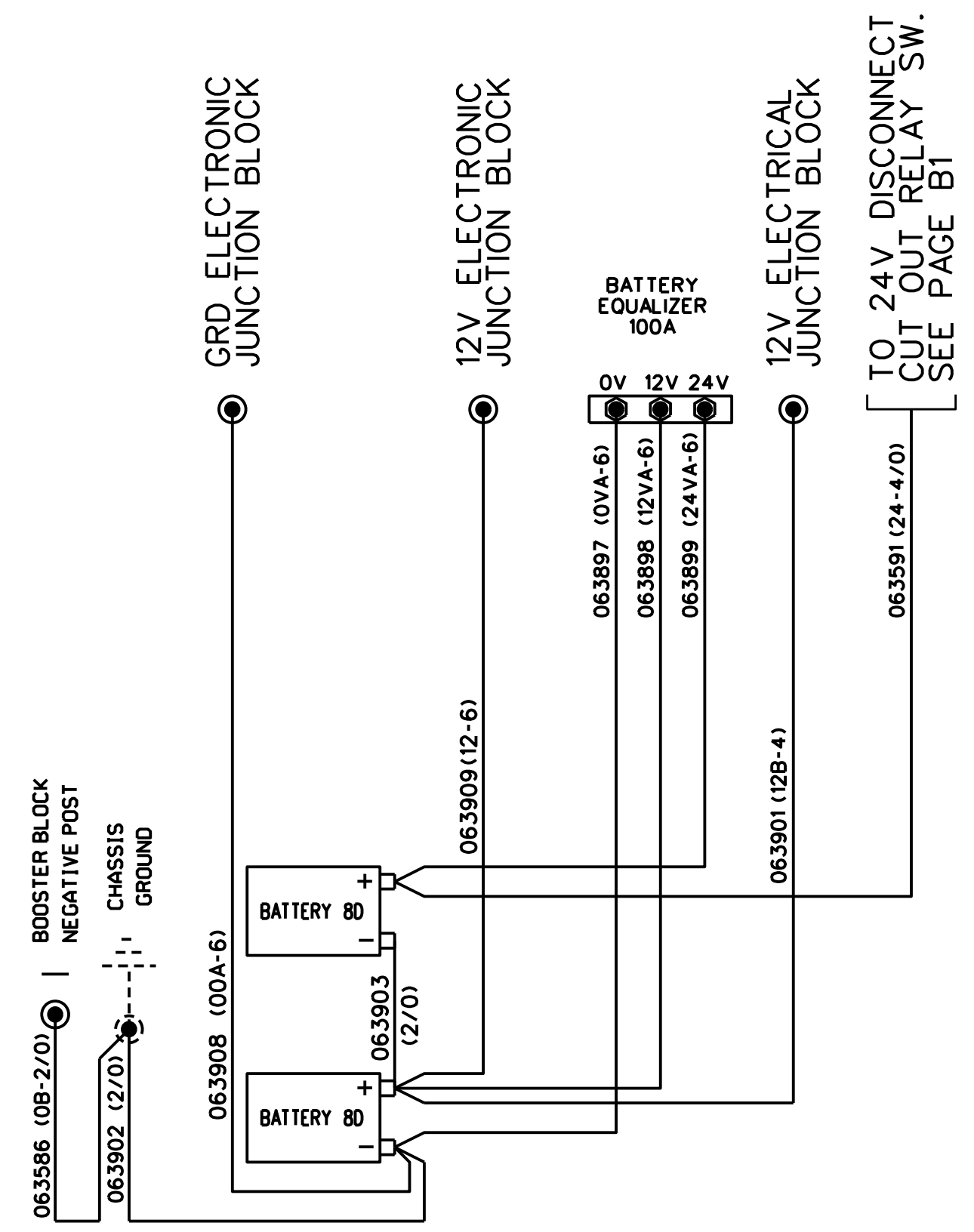


FRONT JUNCTION BOX

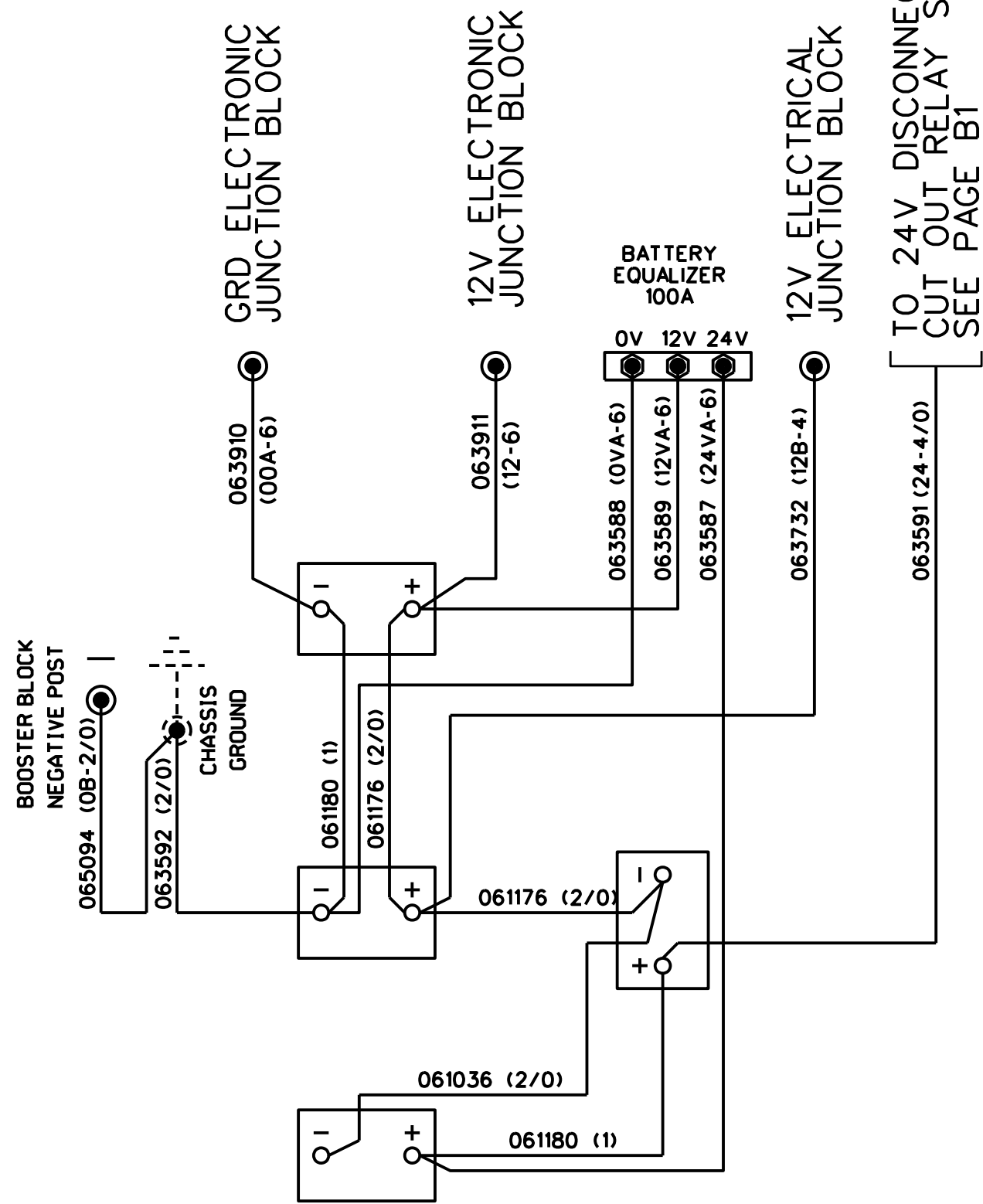
REAR JUNCTION BOX



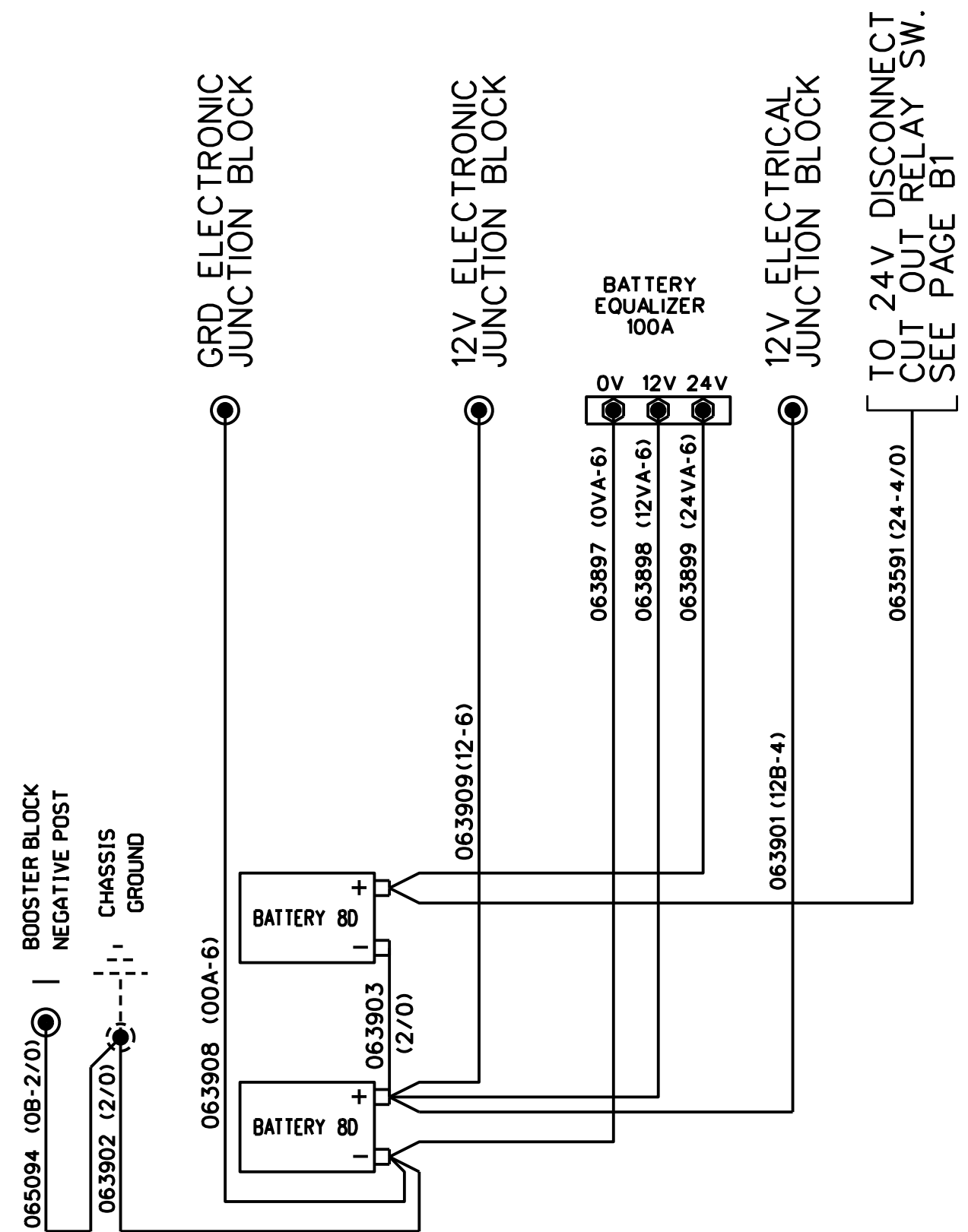
STANDARD BATTERIES



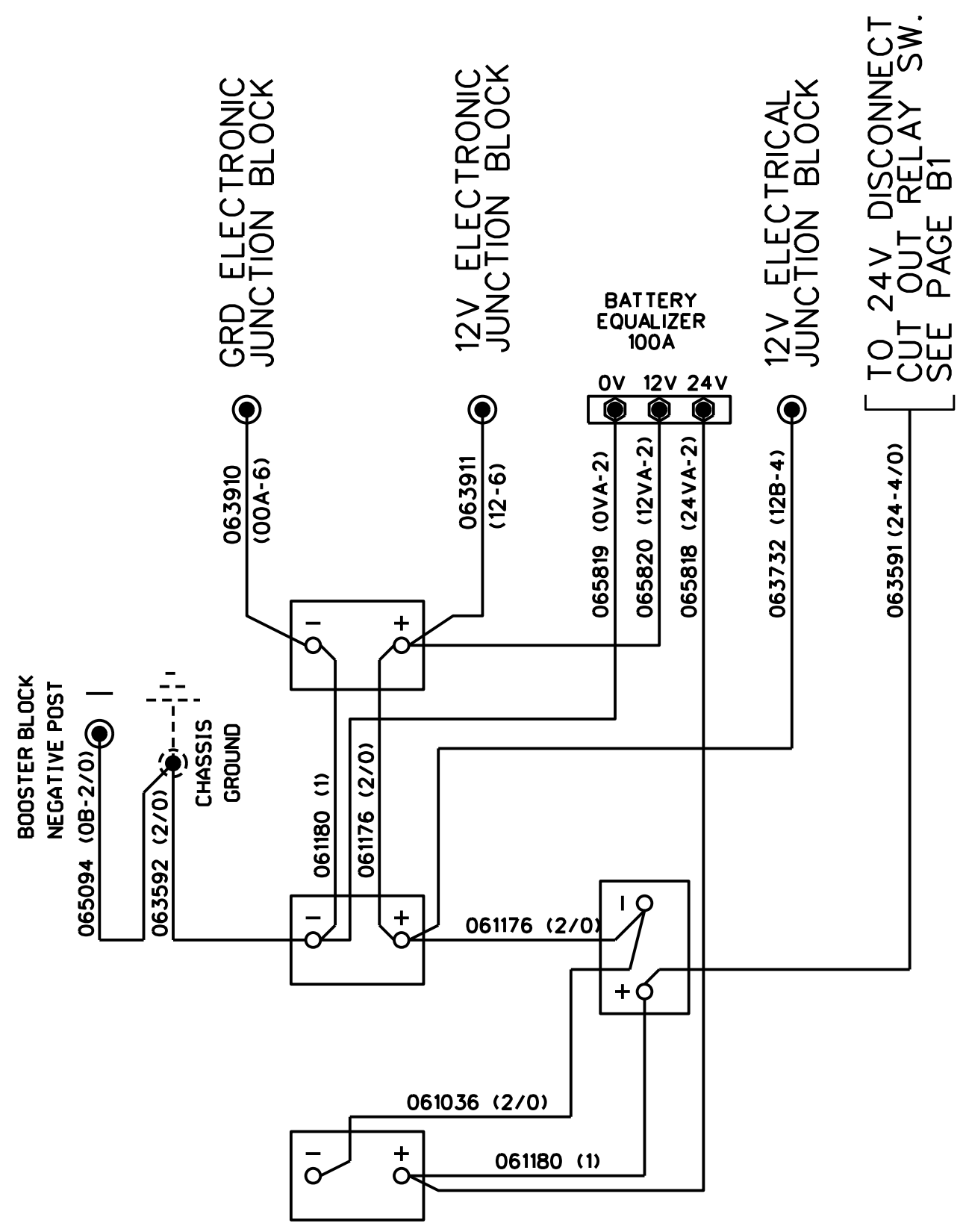
8D BATTERIES



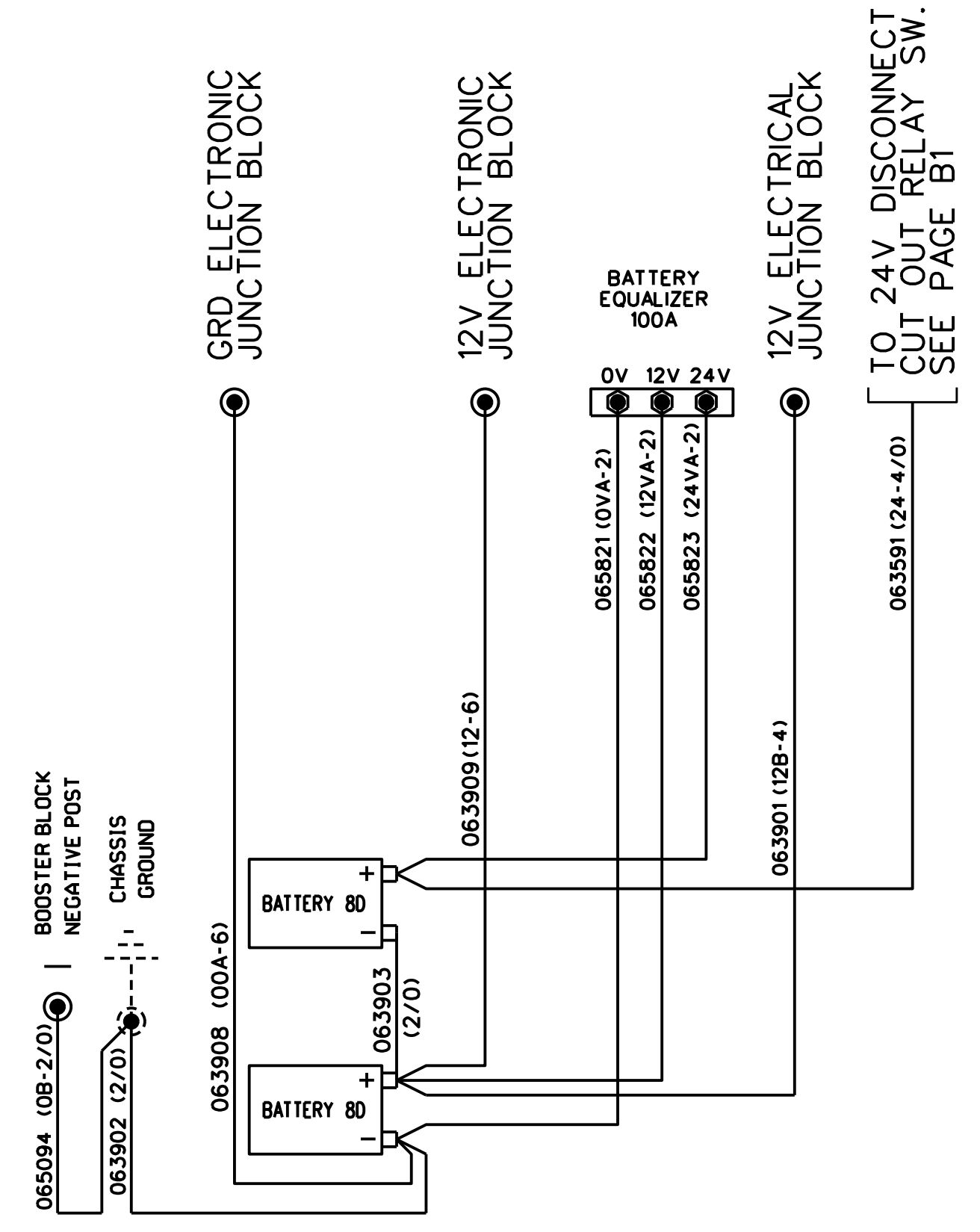
STANDARD BATTERIES



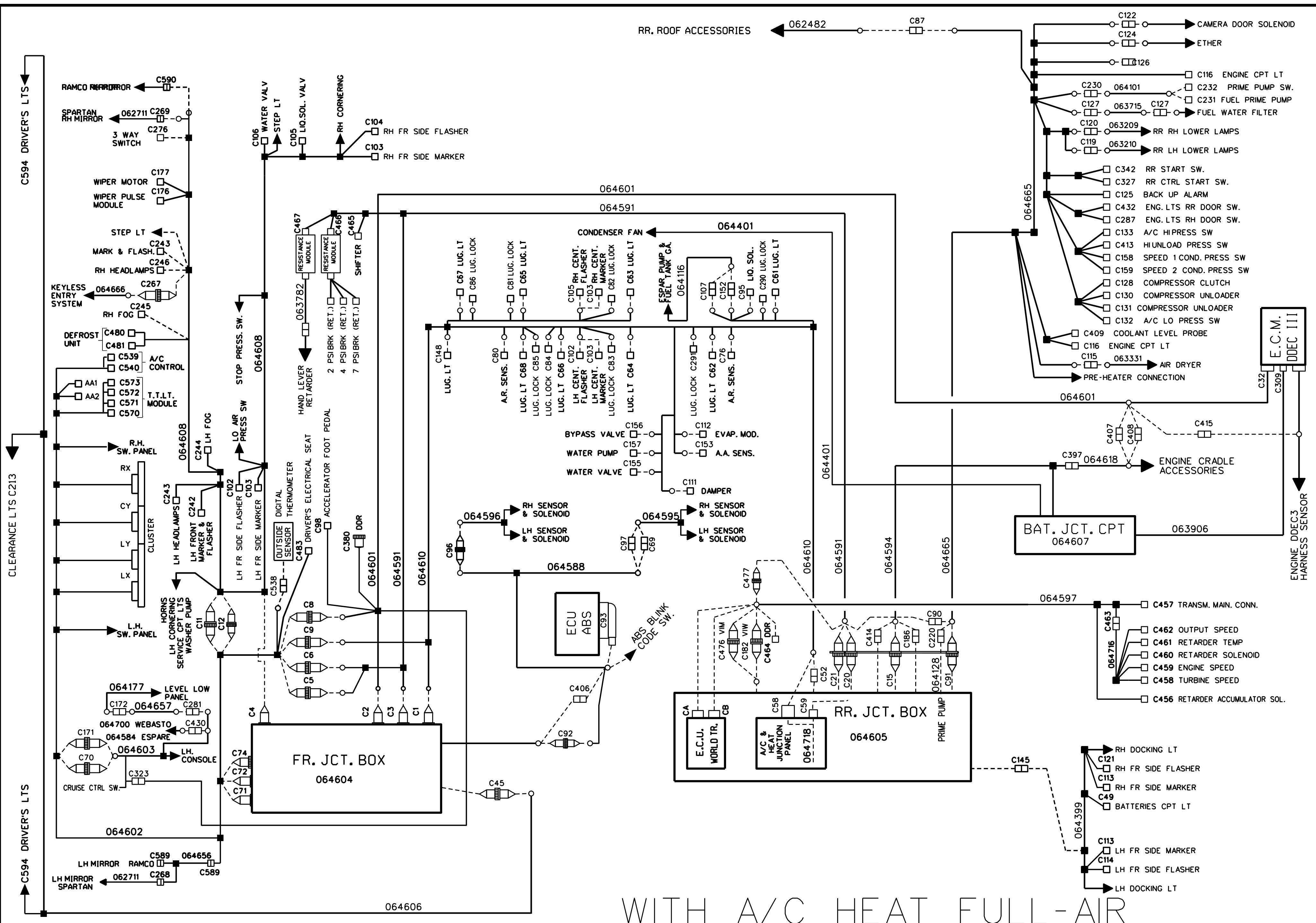
8D BATTERIES



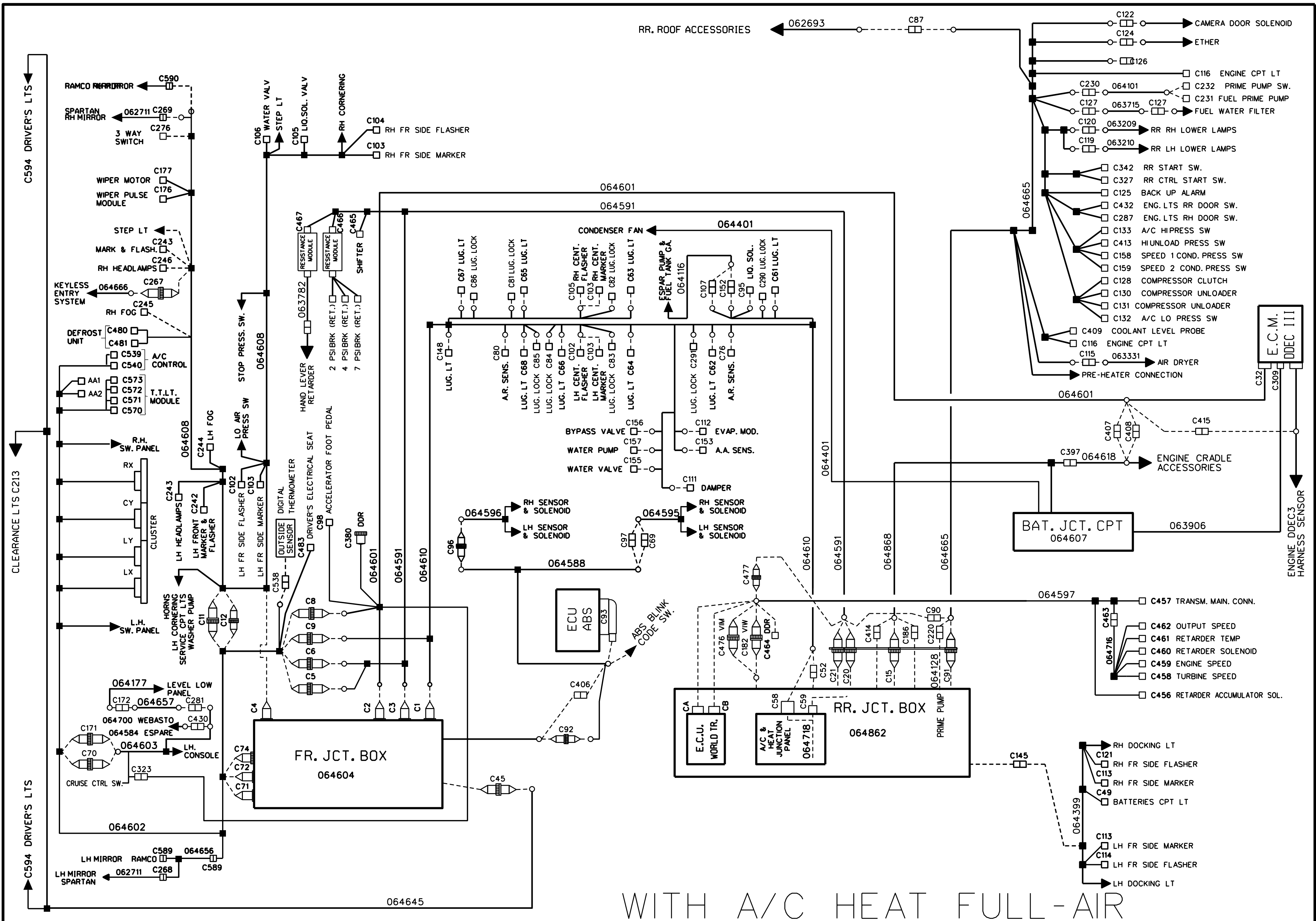
STANDARD BATTERIES



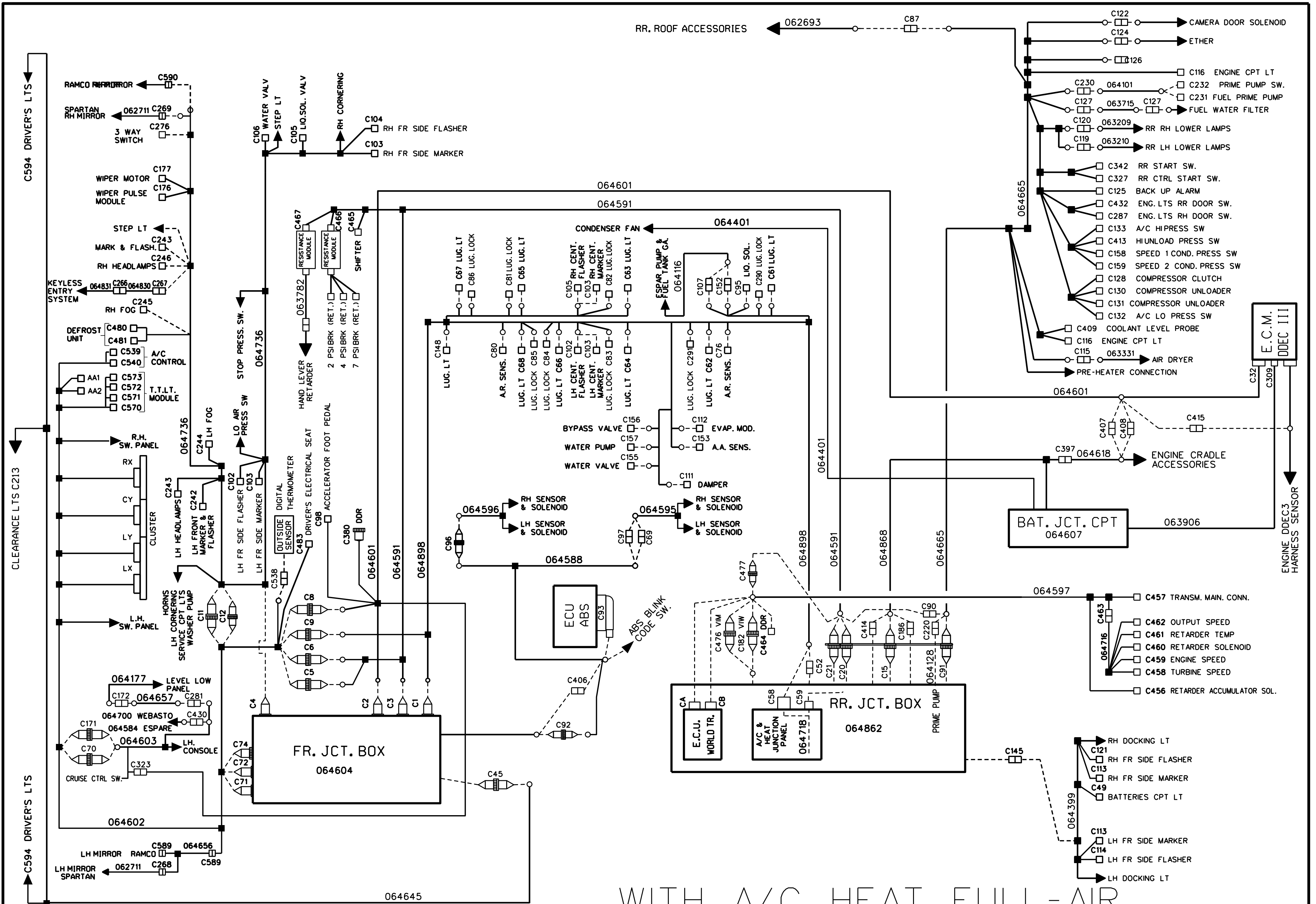
8D BATTERIES



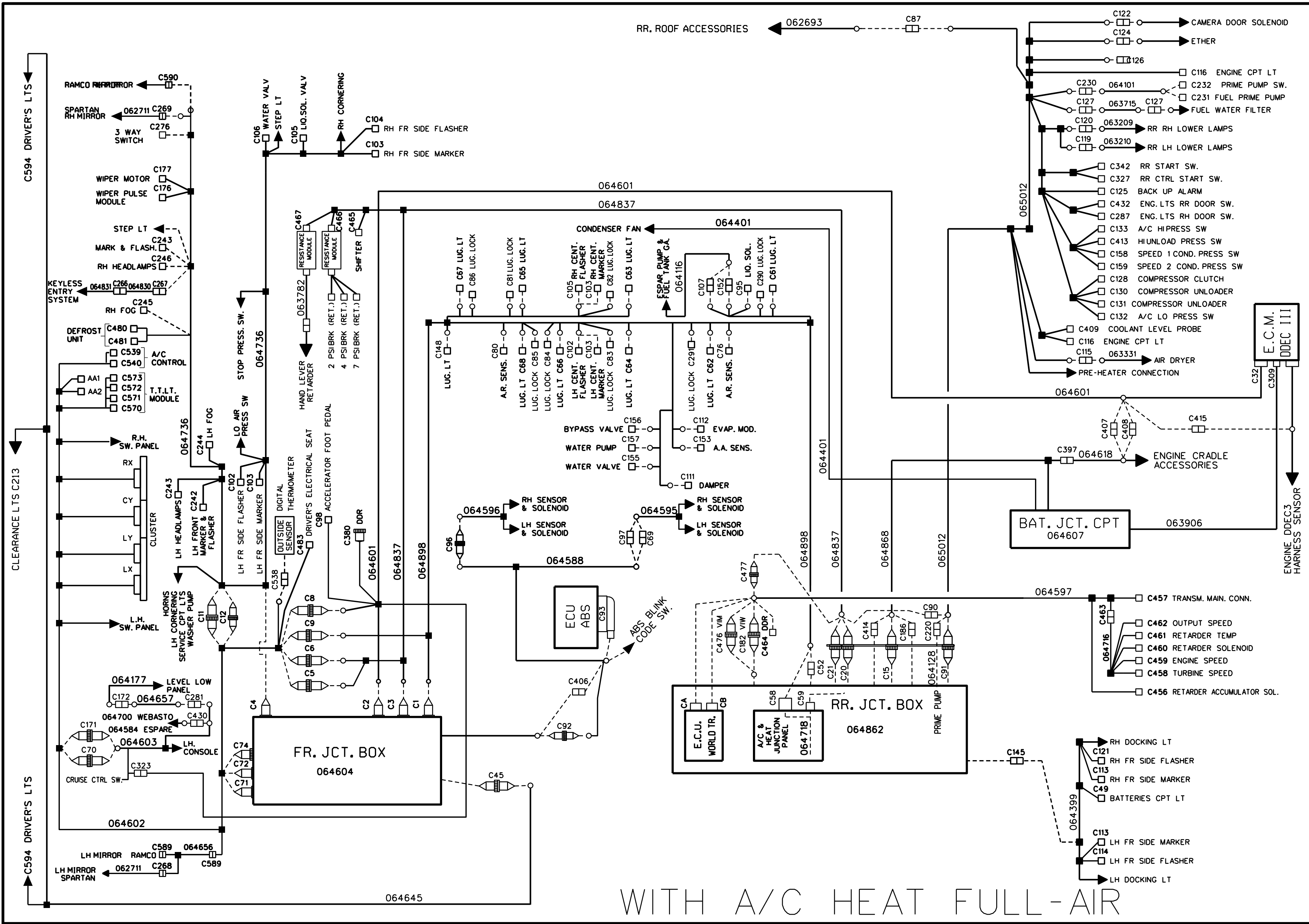
WITH A/C HEAT FULL-AIR



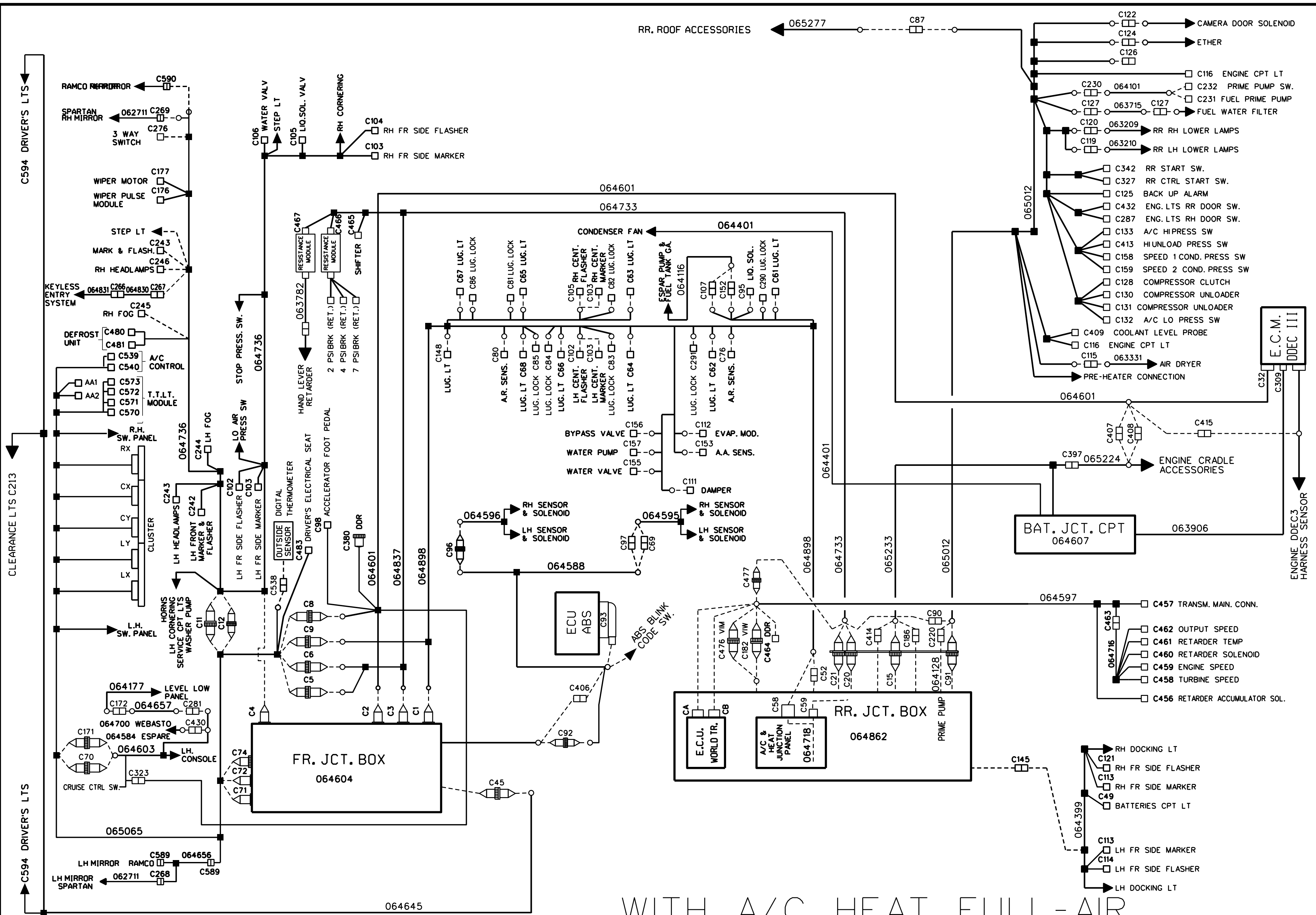
WITH A/C HEAT FULL-AIR

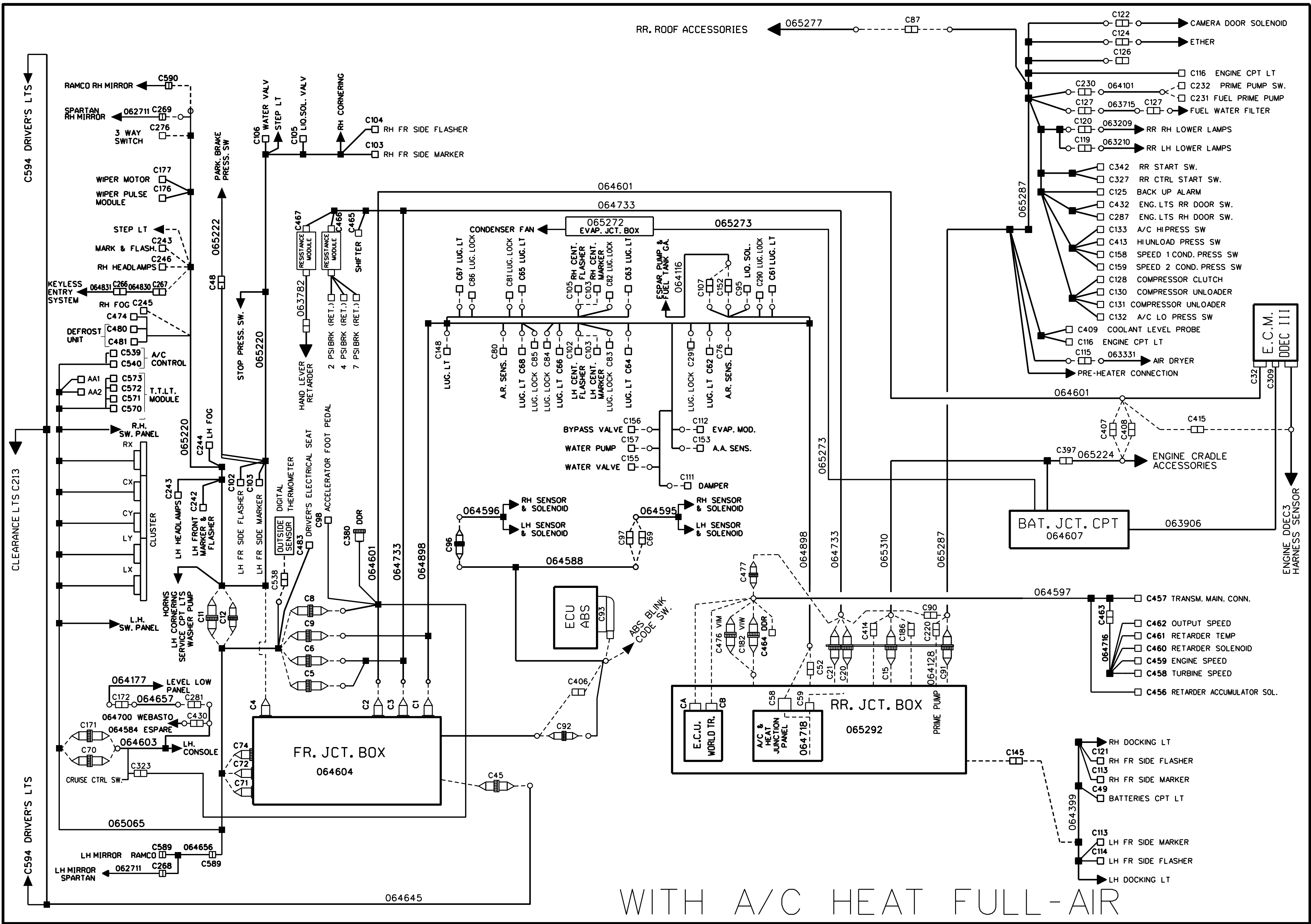


WITH A/C HEAT FULL-AIR

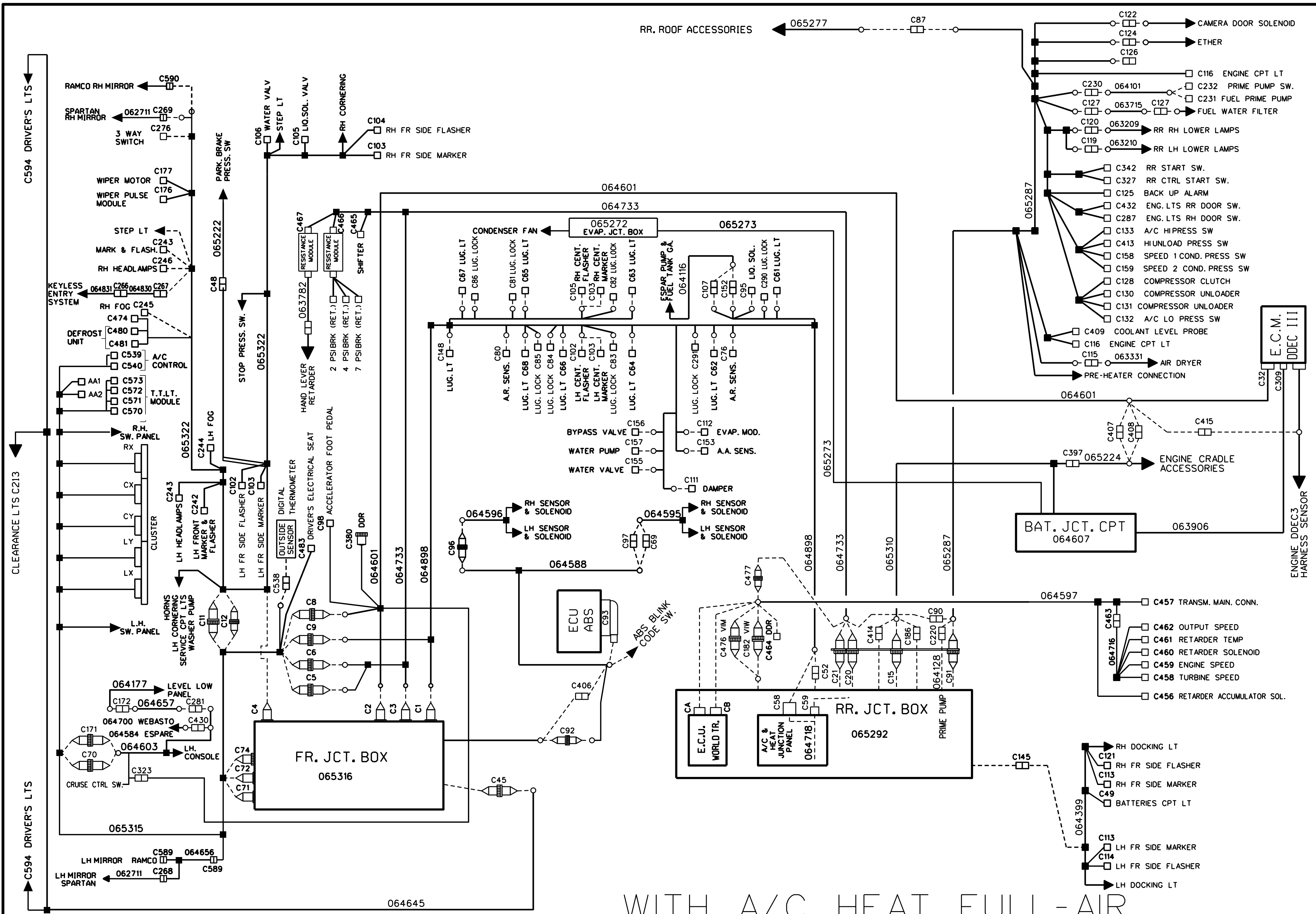


WITH A/C HEAT FULL-AIR

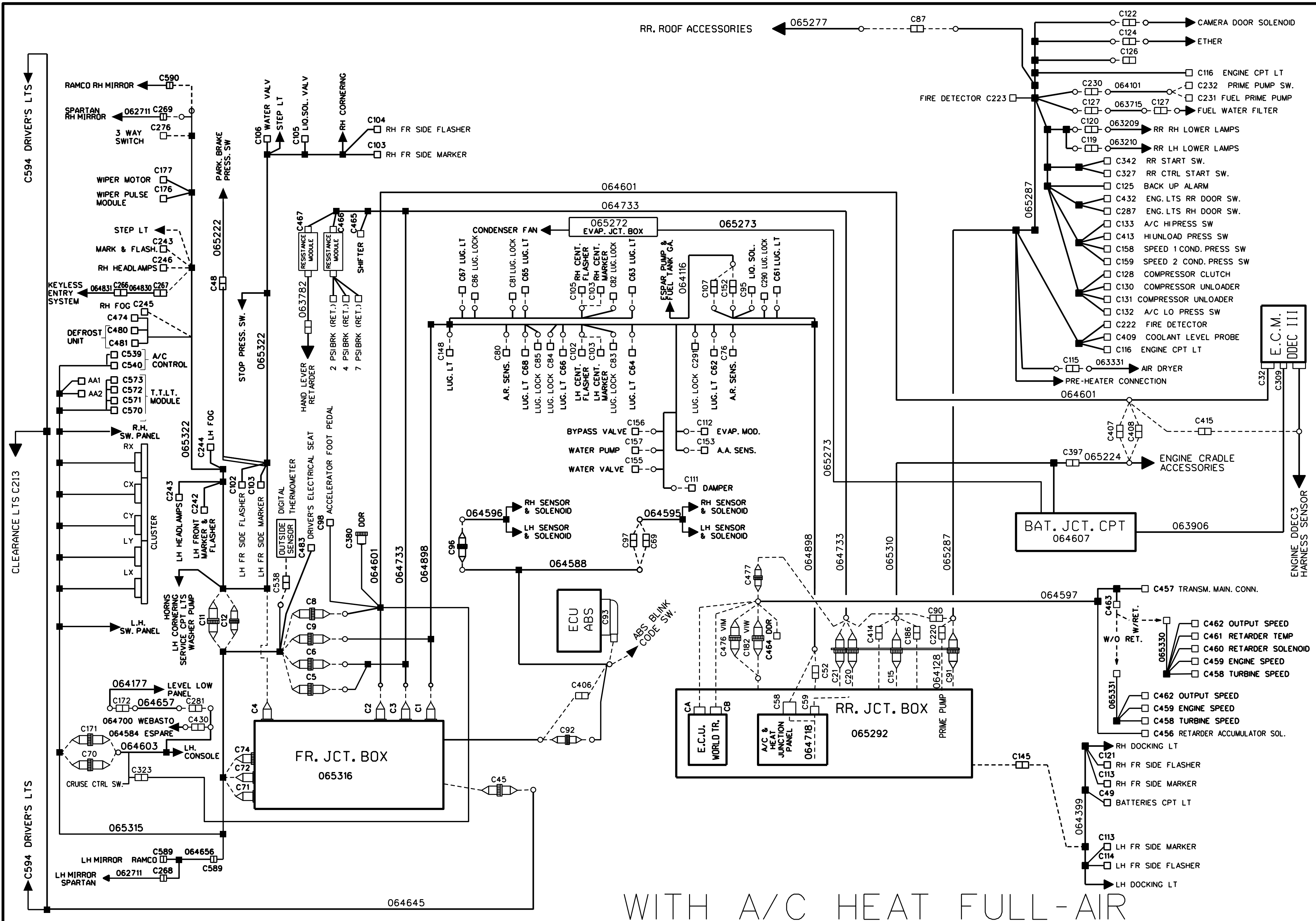




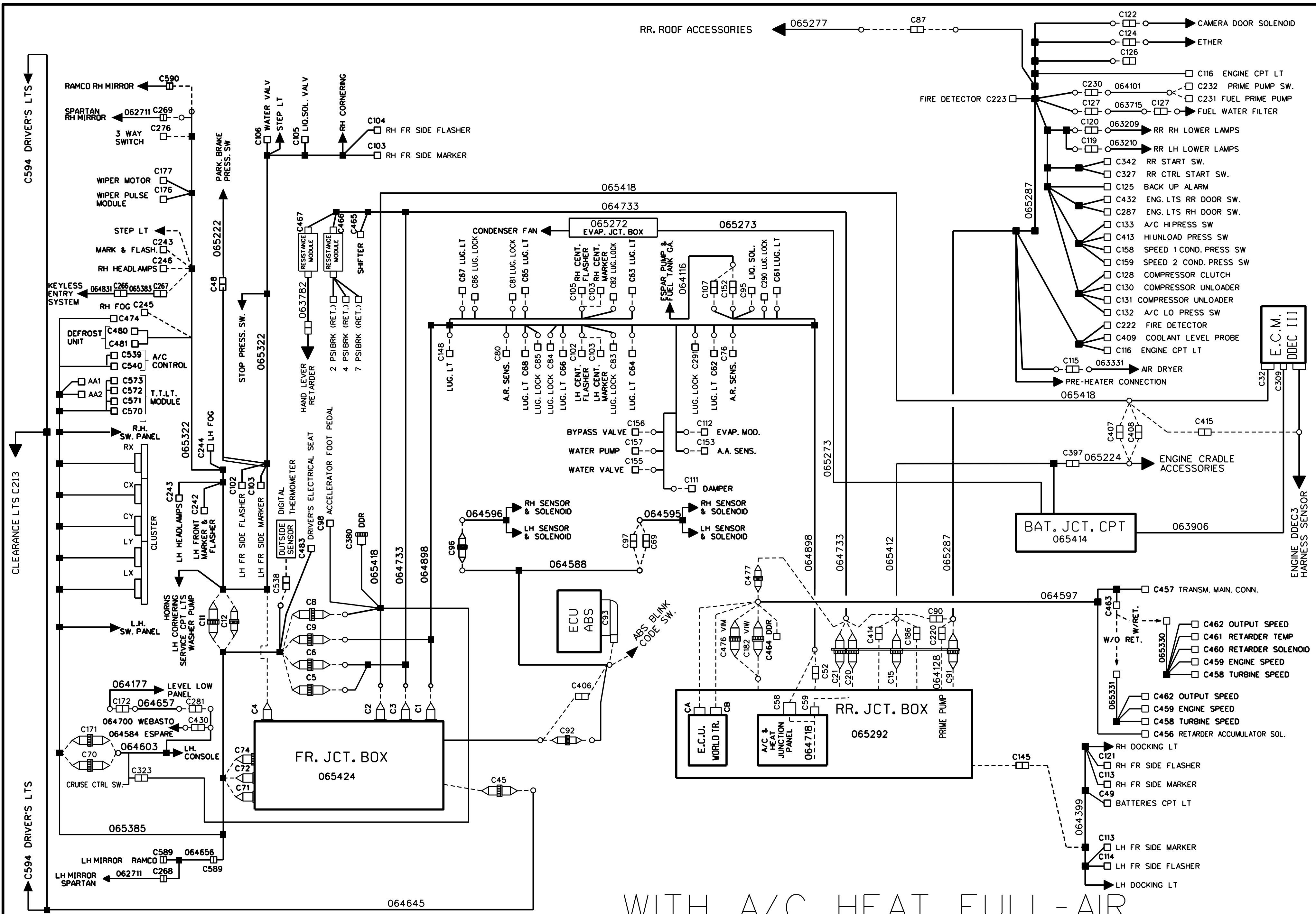
WITH A/C HEAT FULL-AIR



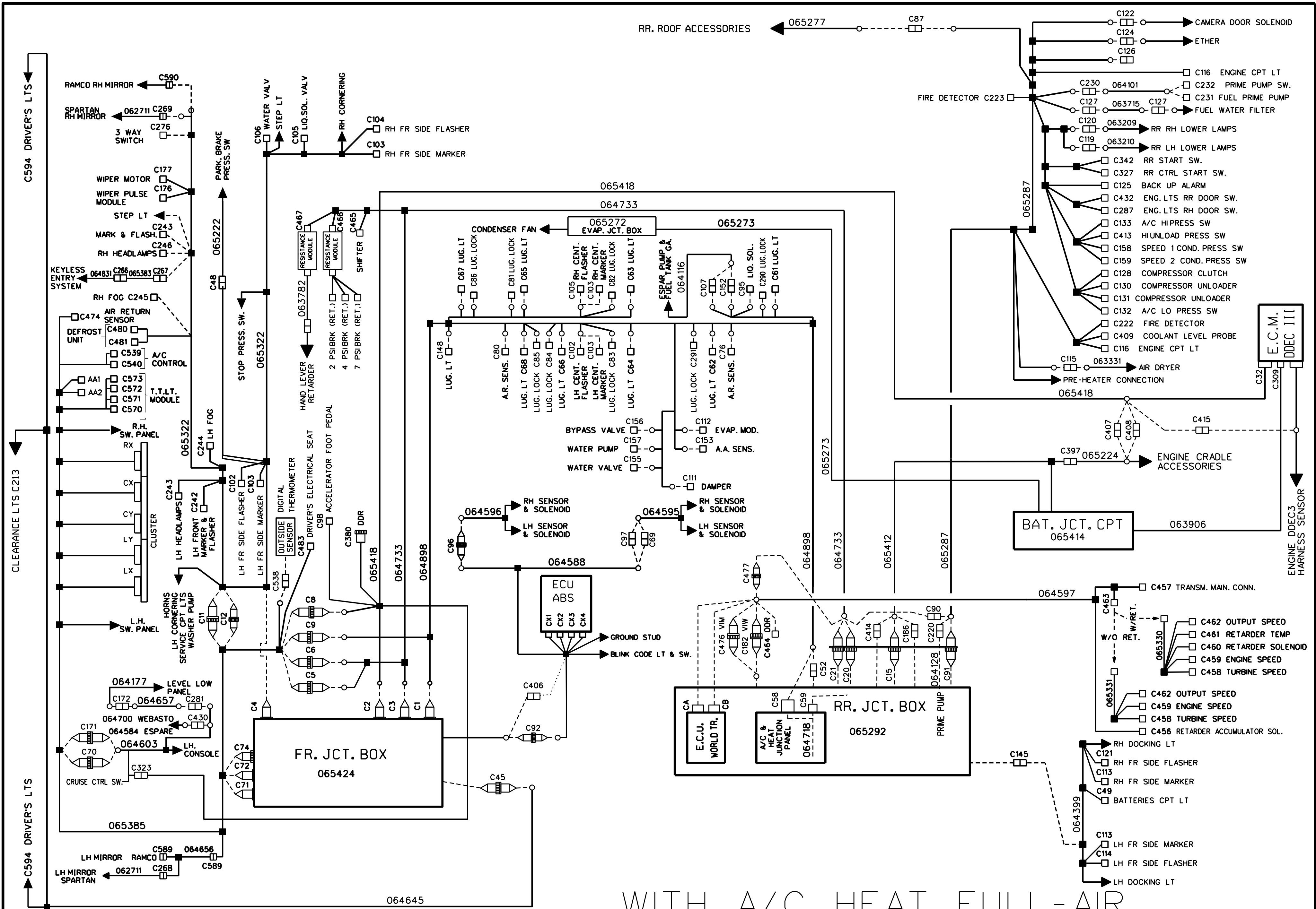
WITH A/C HEAT FULL-AIR



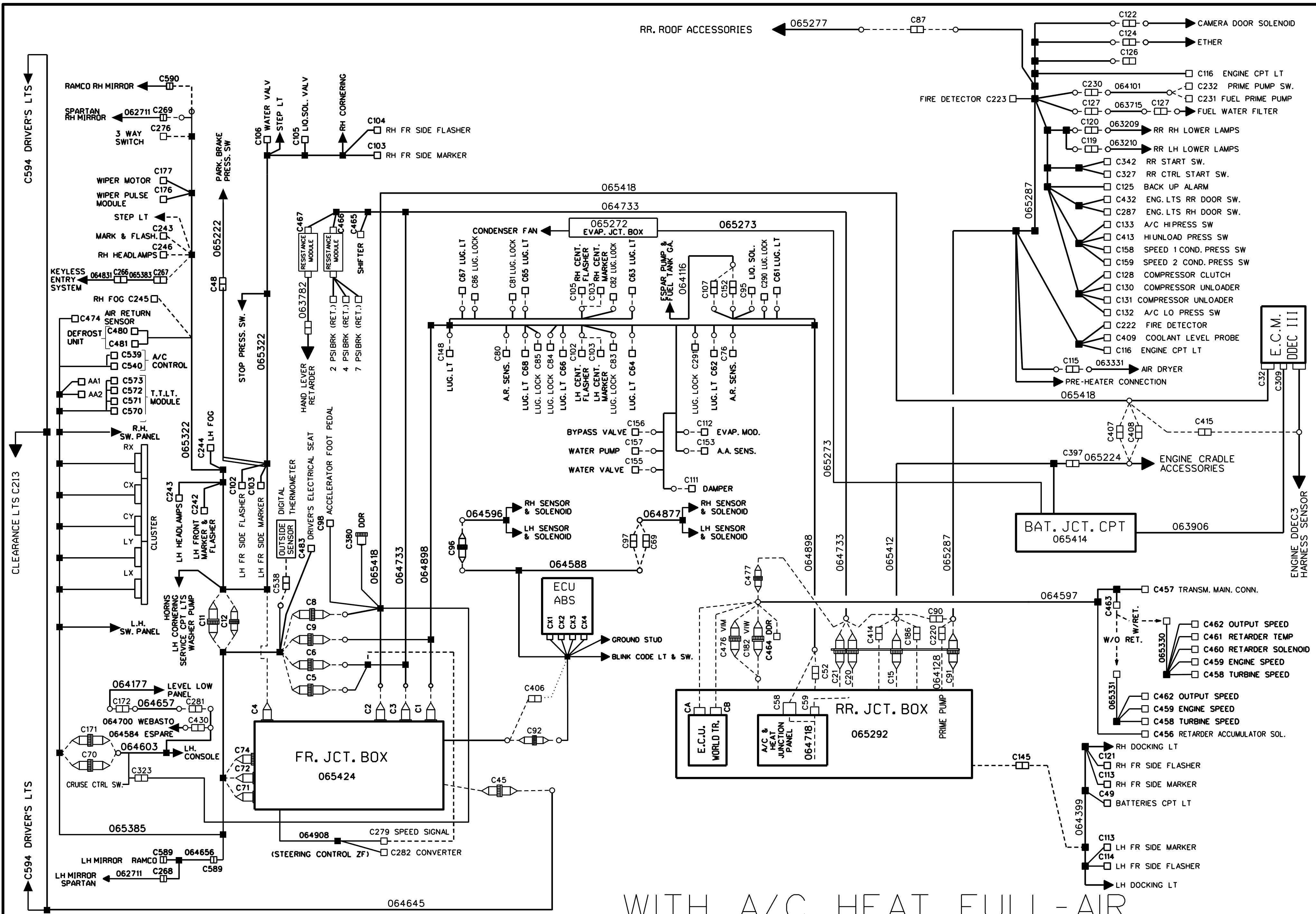
WITH A/C HEAT FULL-AIR



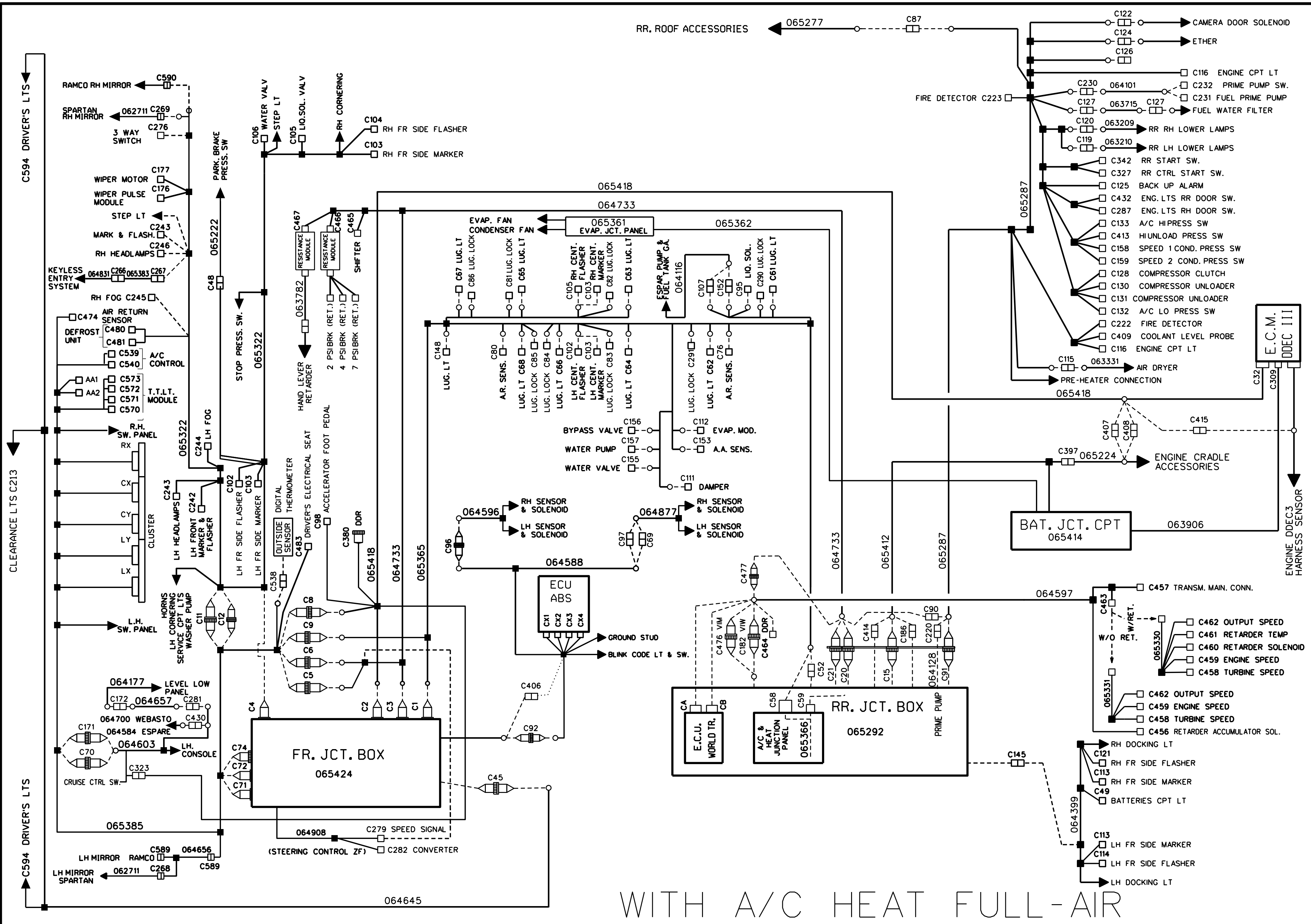
WITH A/C HEAT FULL-AIR



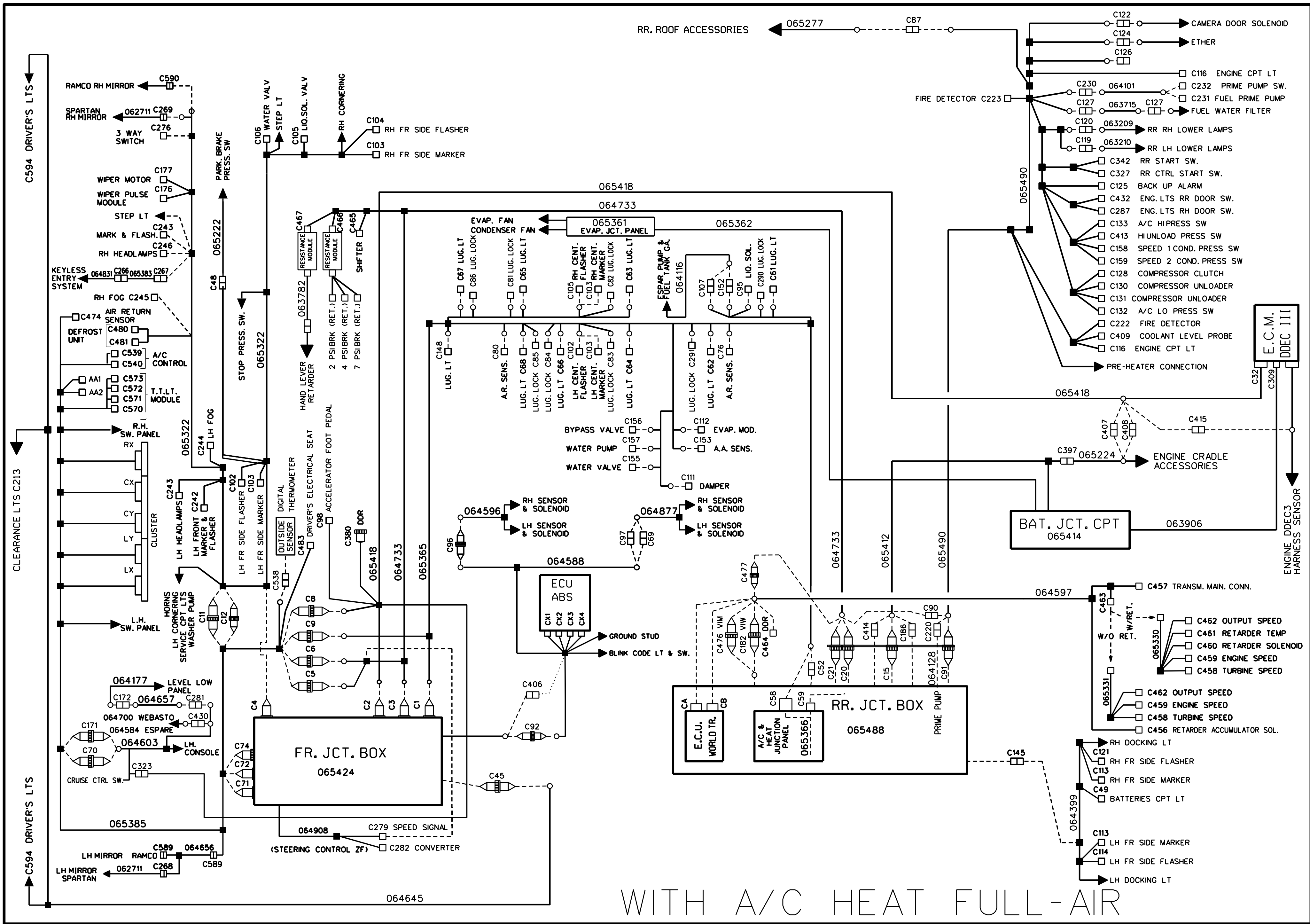
WITH A/C HEAT FULL-AIR



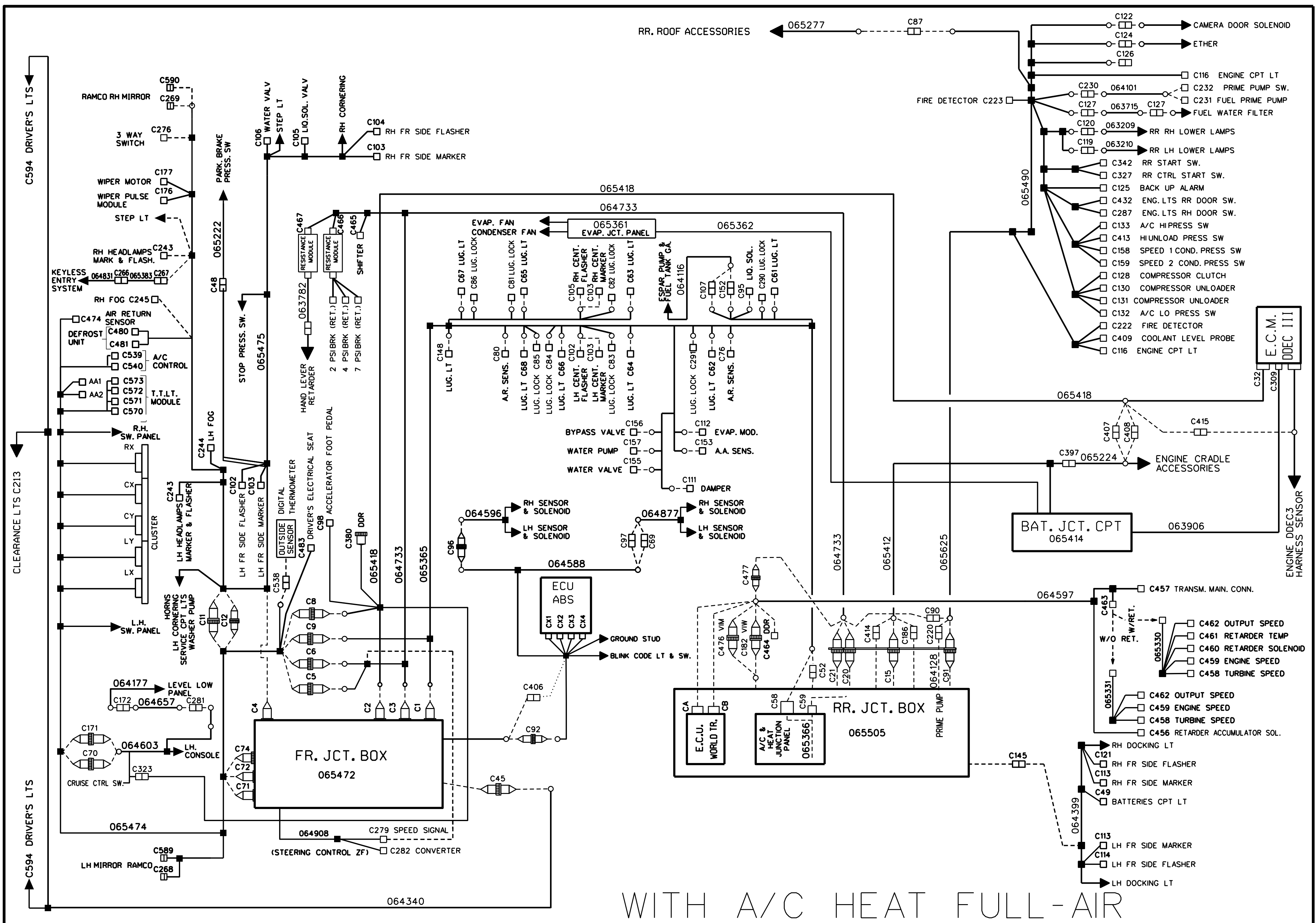
WITH A/C HEAT FULL-AIR



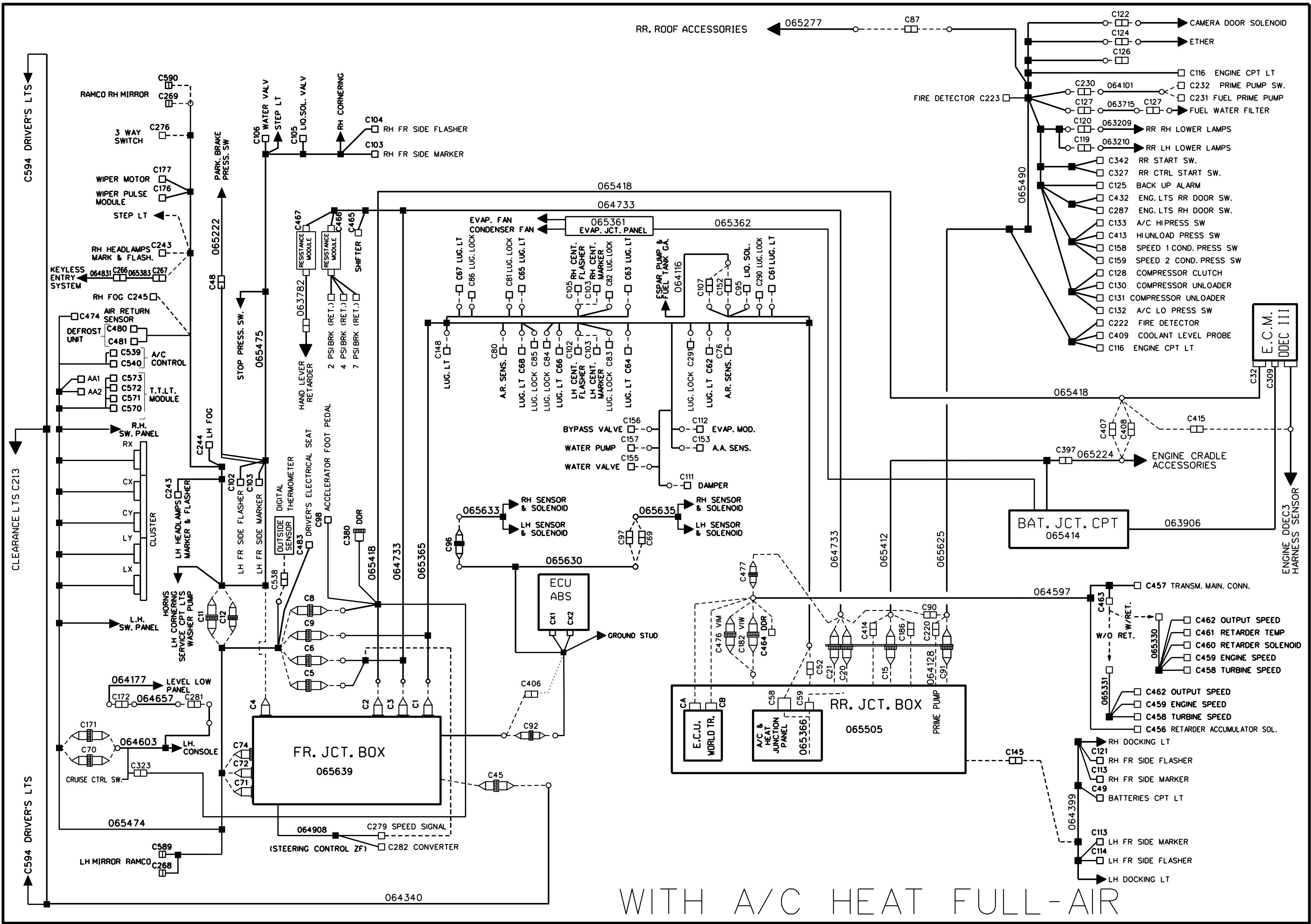
WITH A/C HEAT FULL-AIR



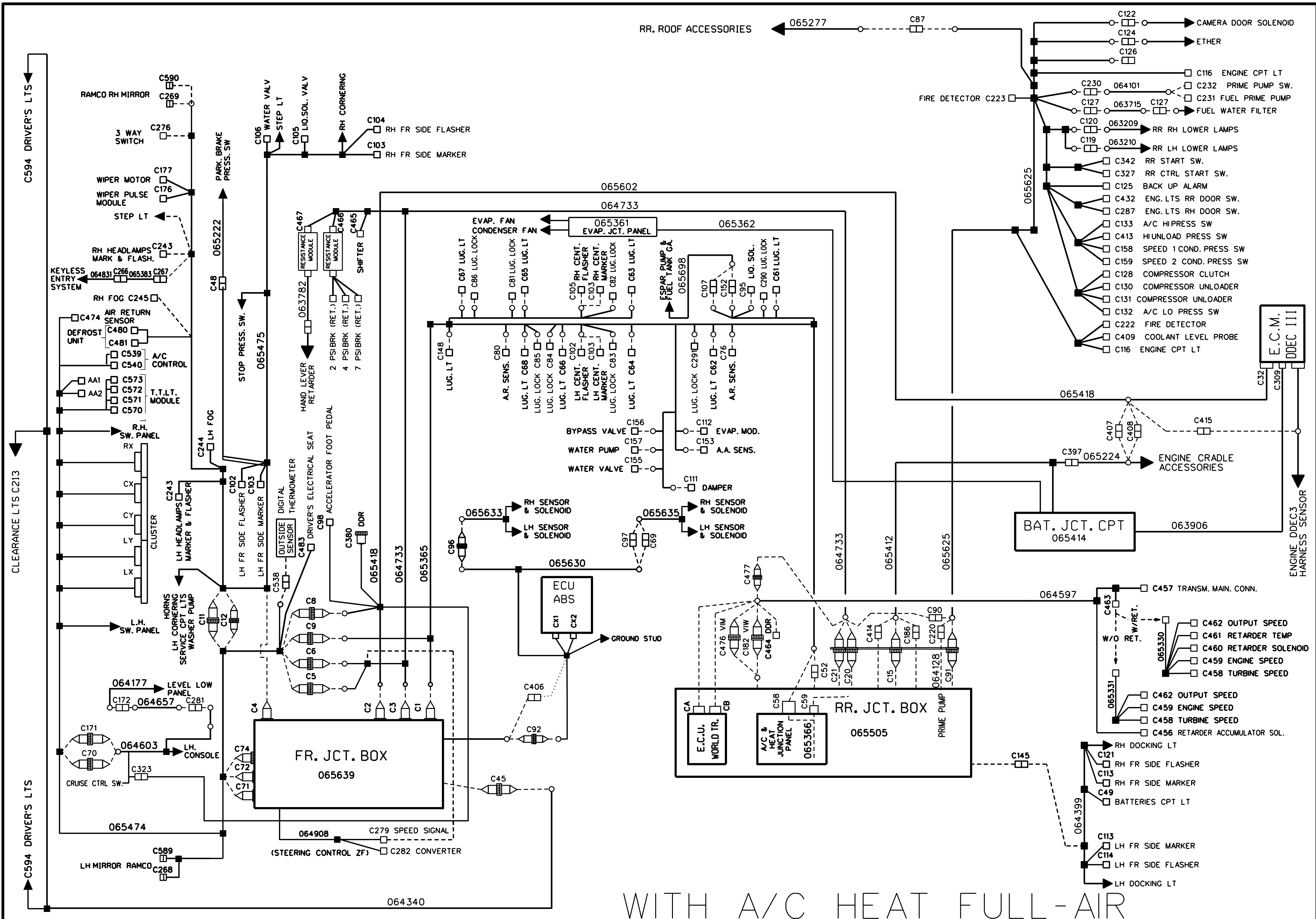
WITH A/C HEAT FULL-AIR



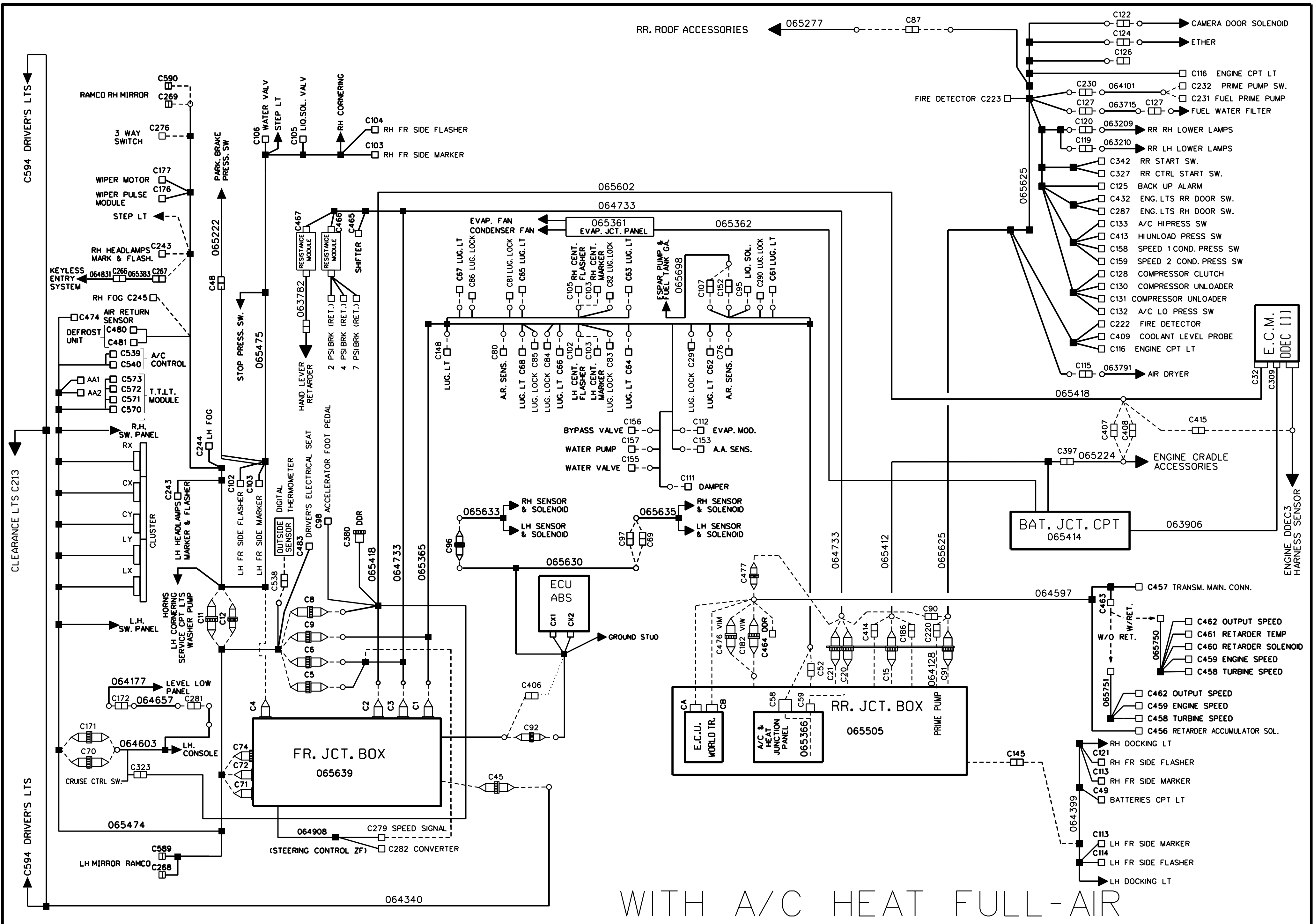
WITH A/C HEAT FULL-AIR

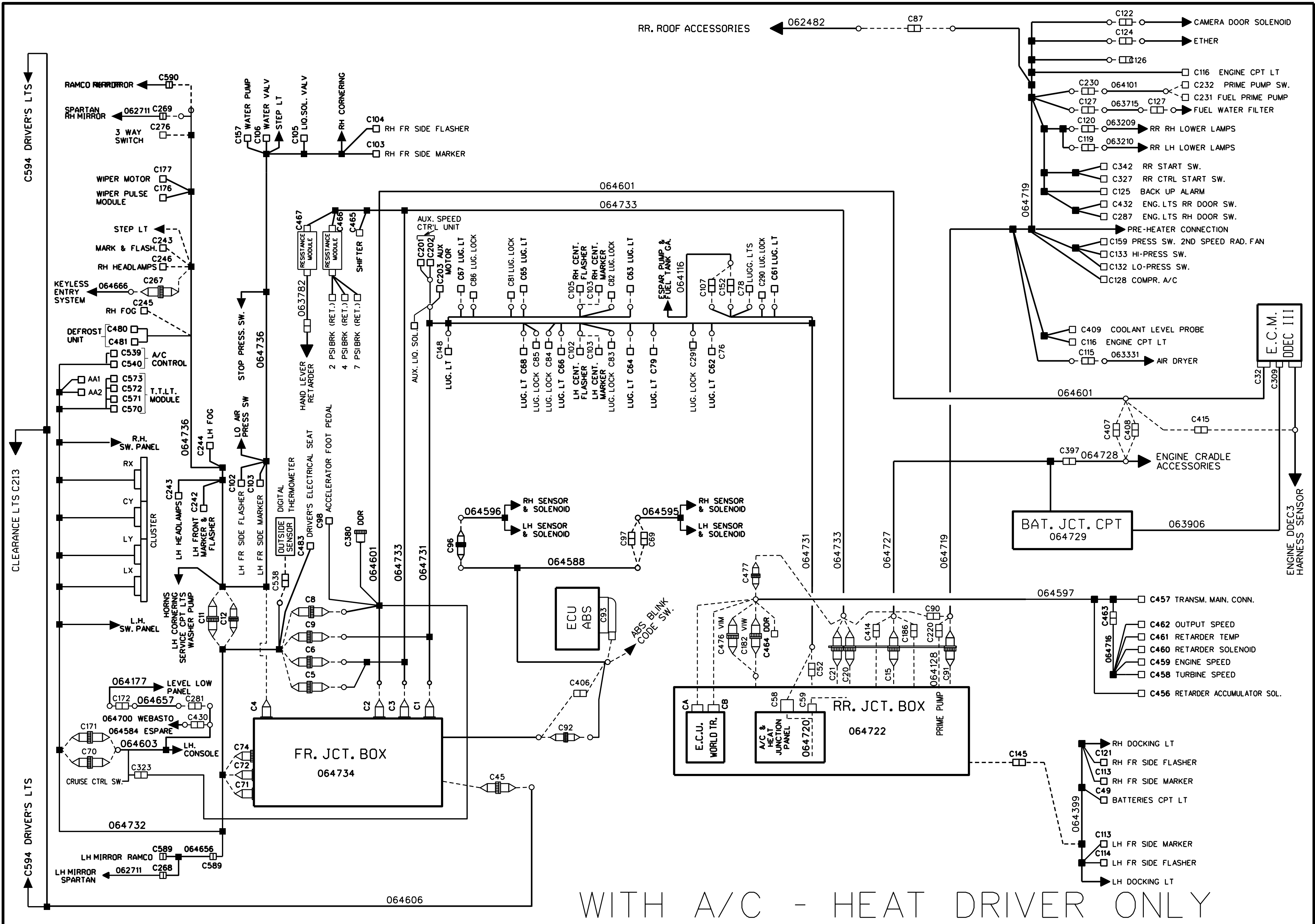


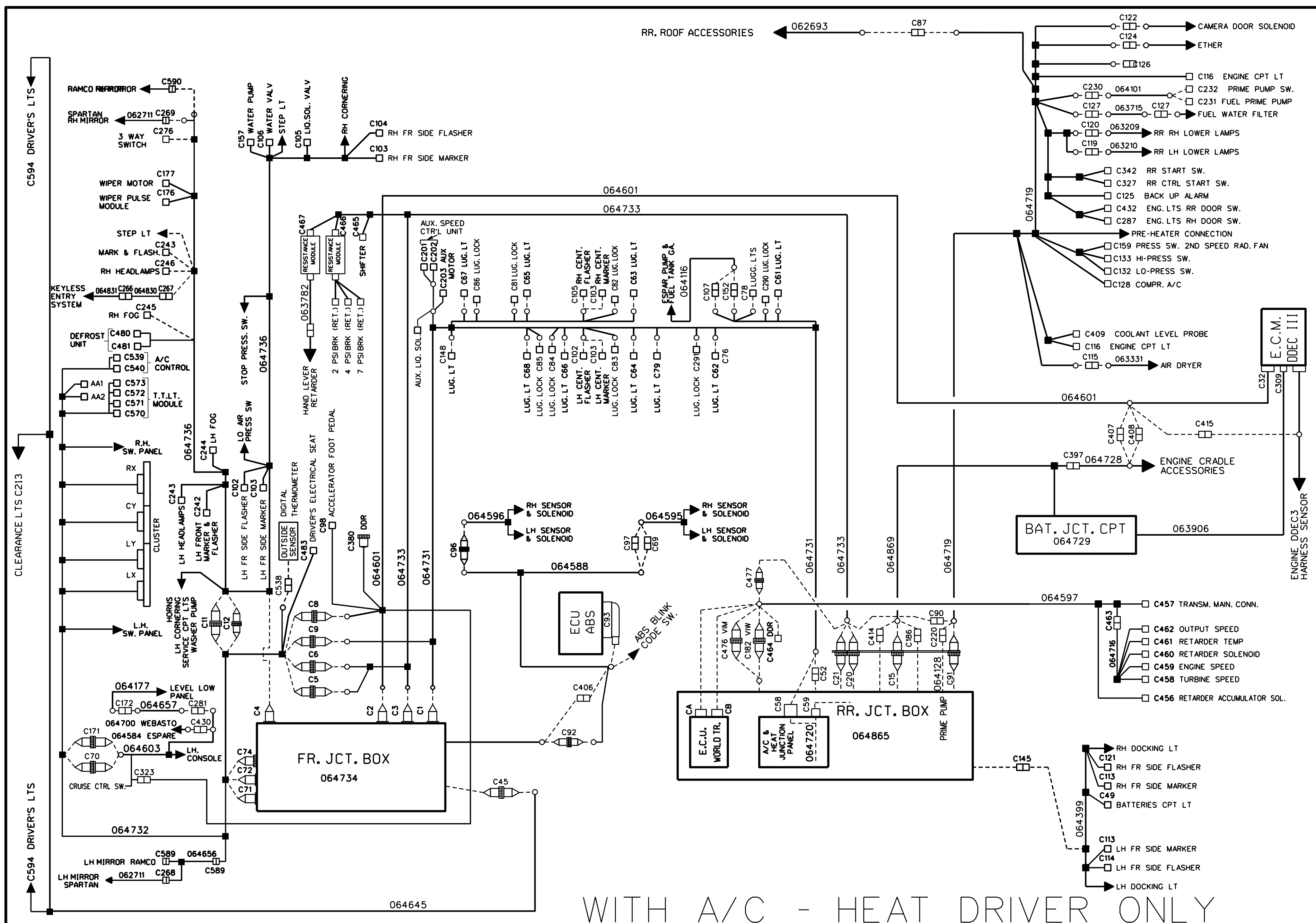
WITH A/C HEAT FULL-AIR



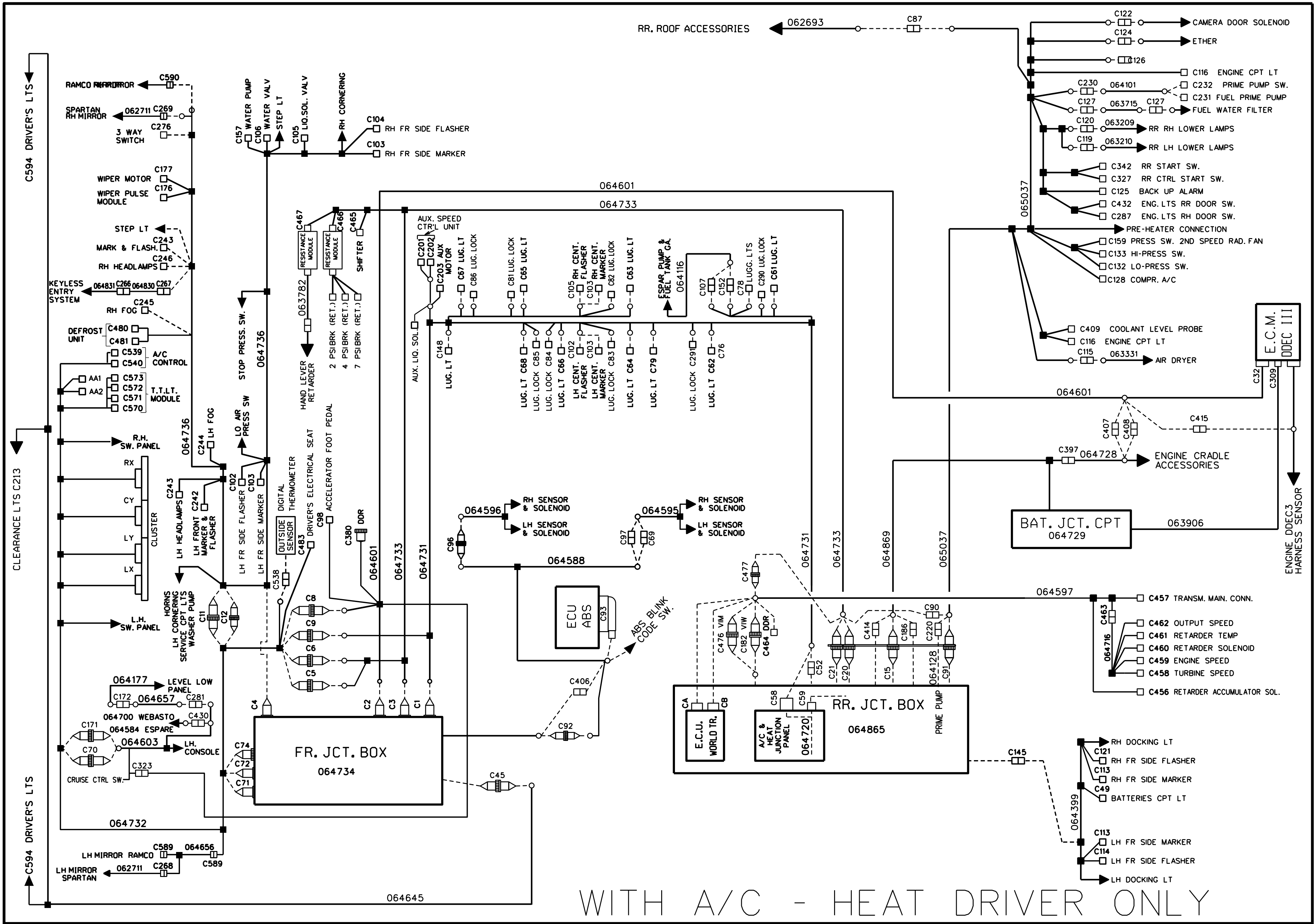
WITH A/C HEAT FULL-AIR



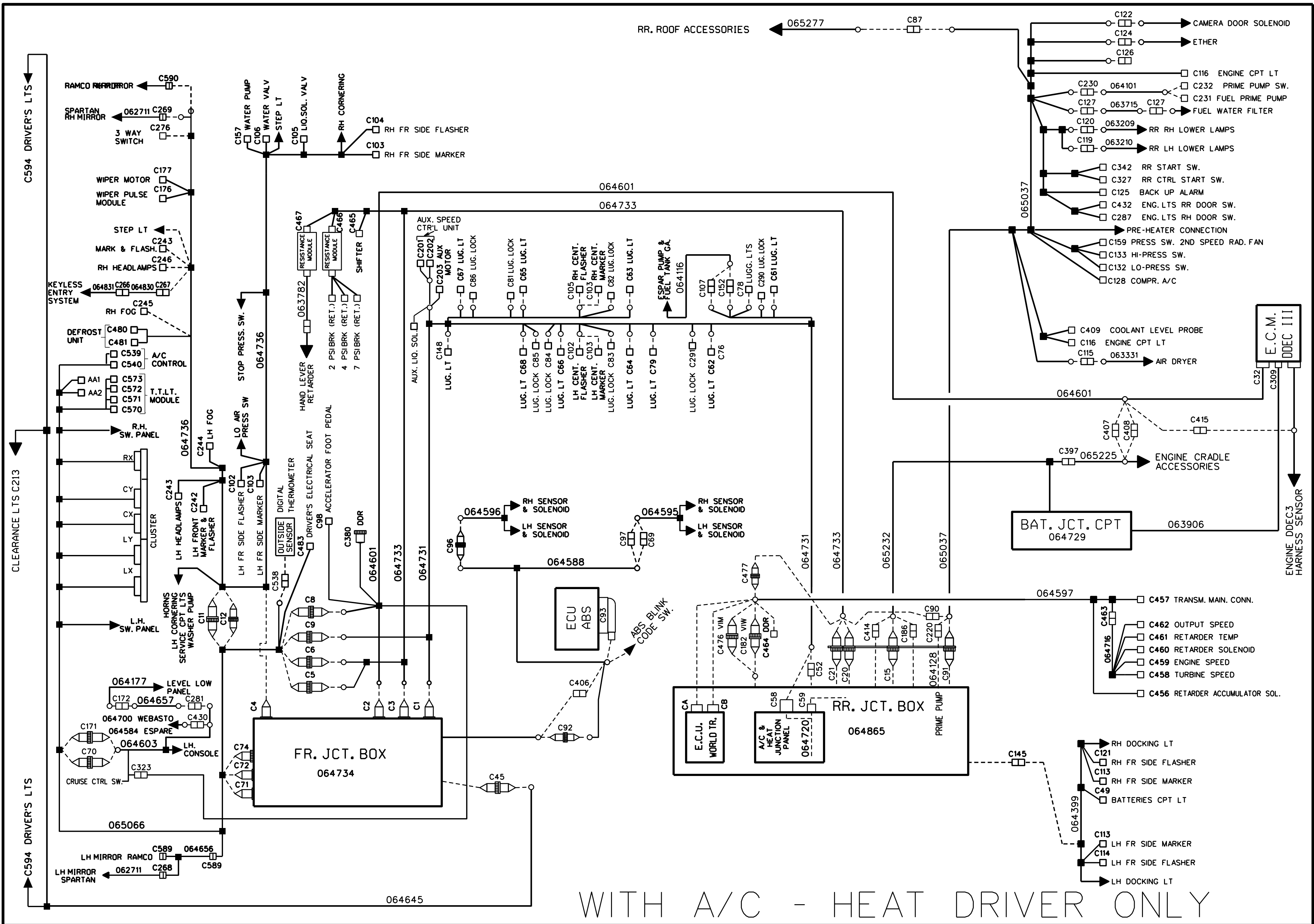




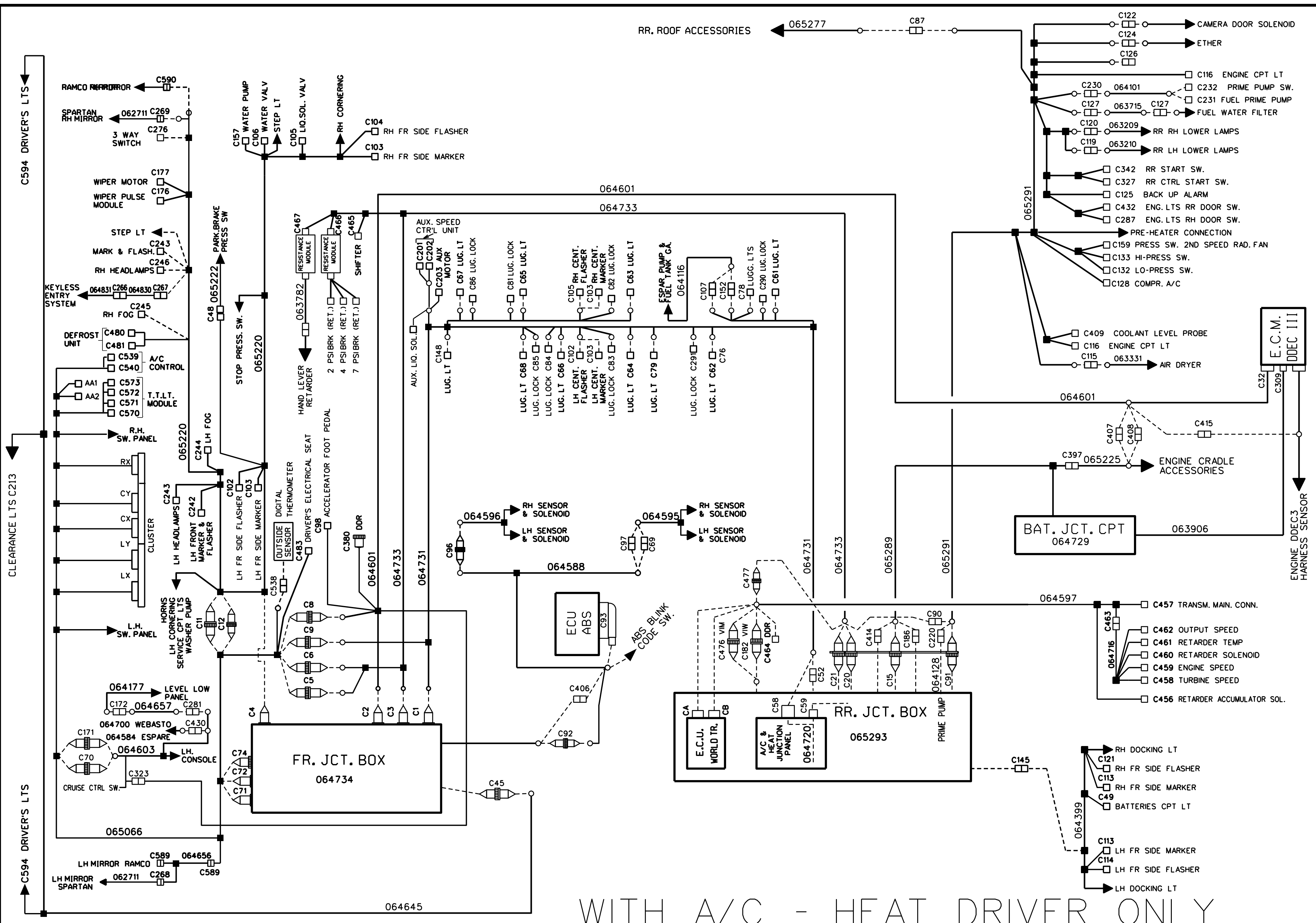
WITH A/C - HEAT DRIVER ONLY



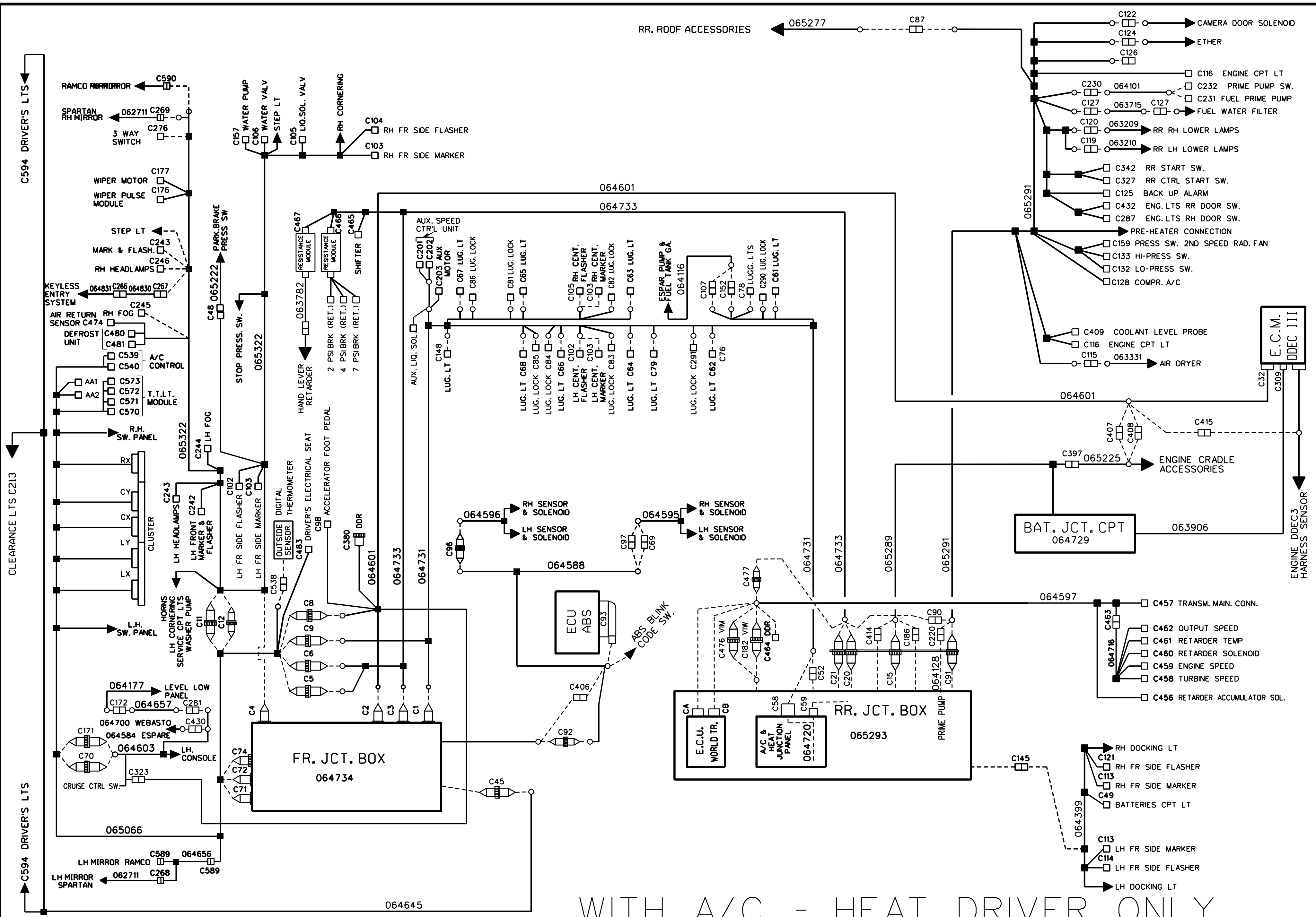
WITH A/C - HEAT DRIVER ONLY



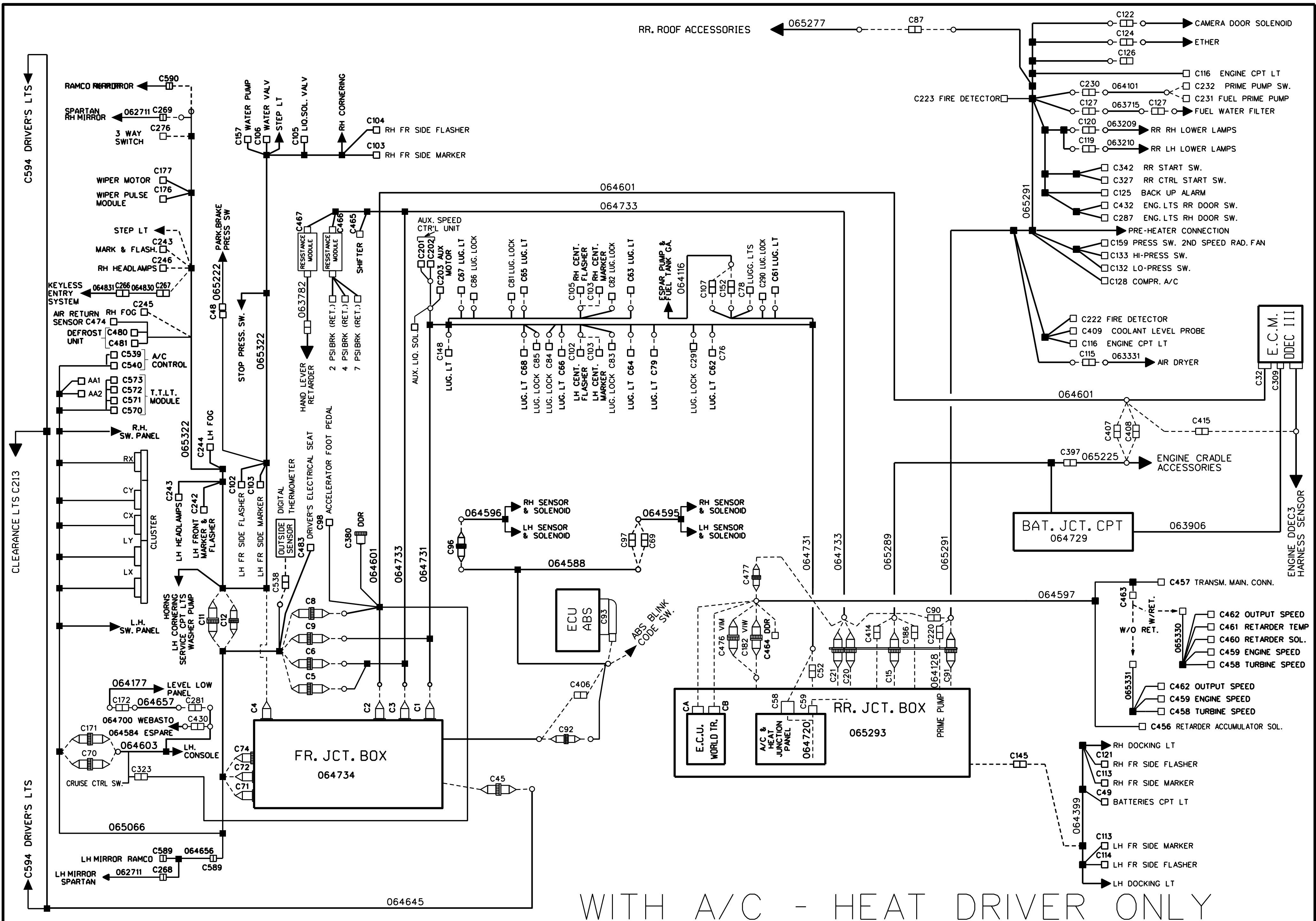
WITH A/C - HEAT DRIVER ONLY



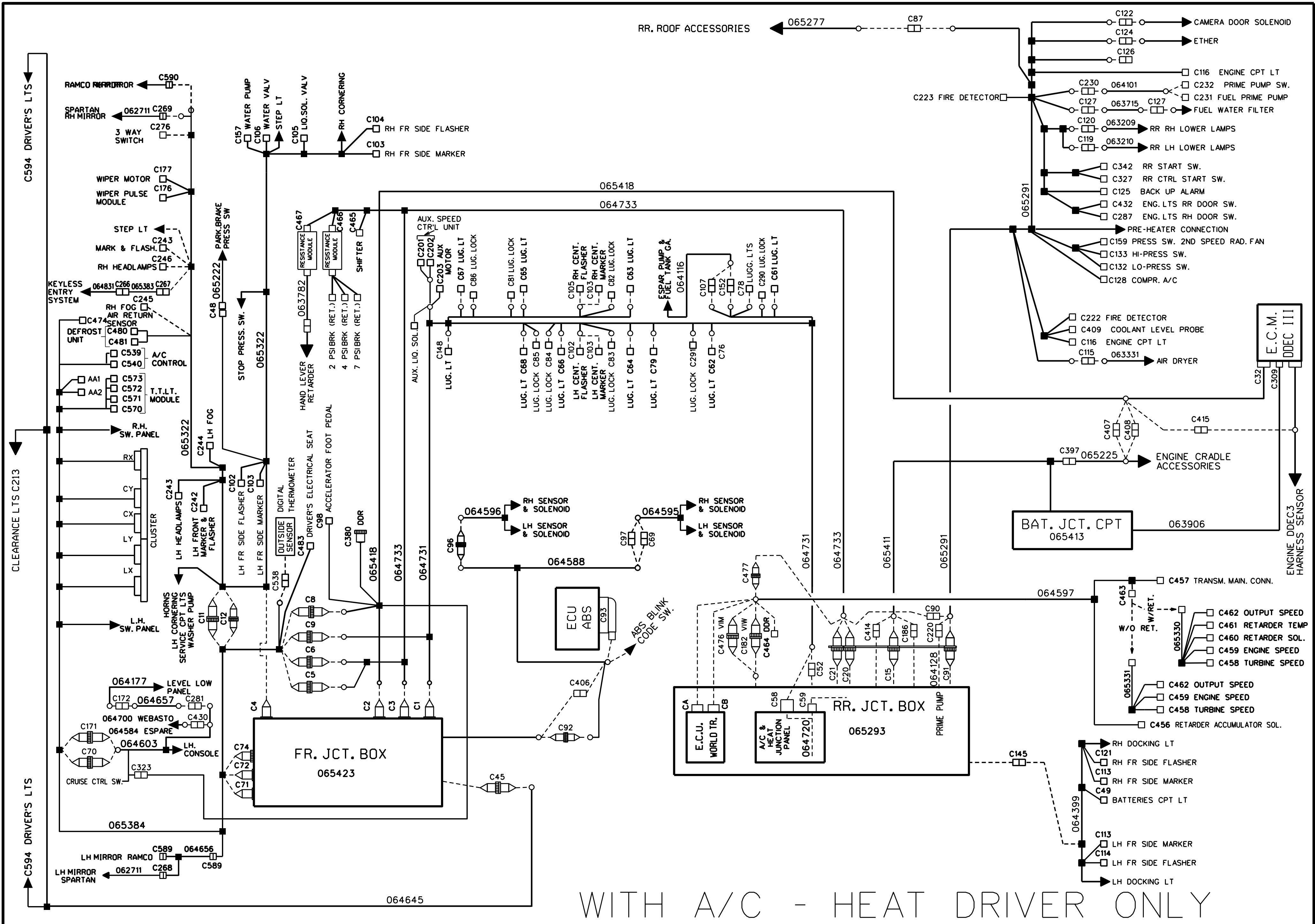
WITH A/C - HEAT DRIVER ONLY



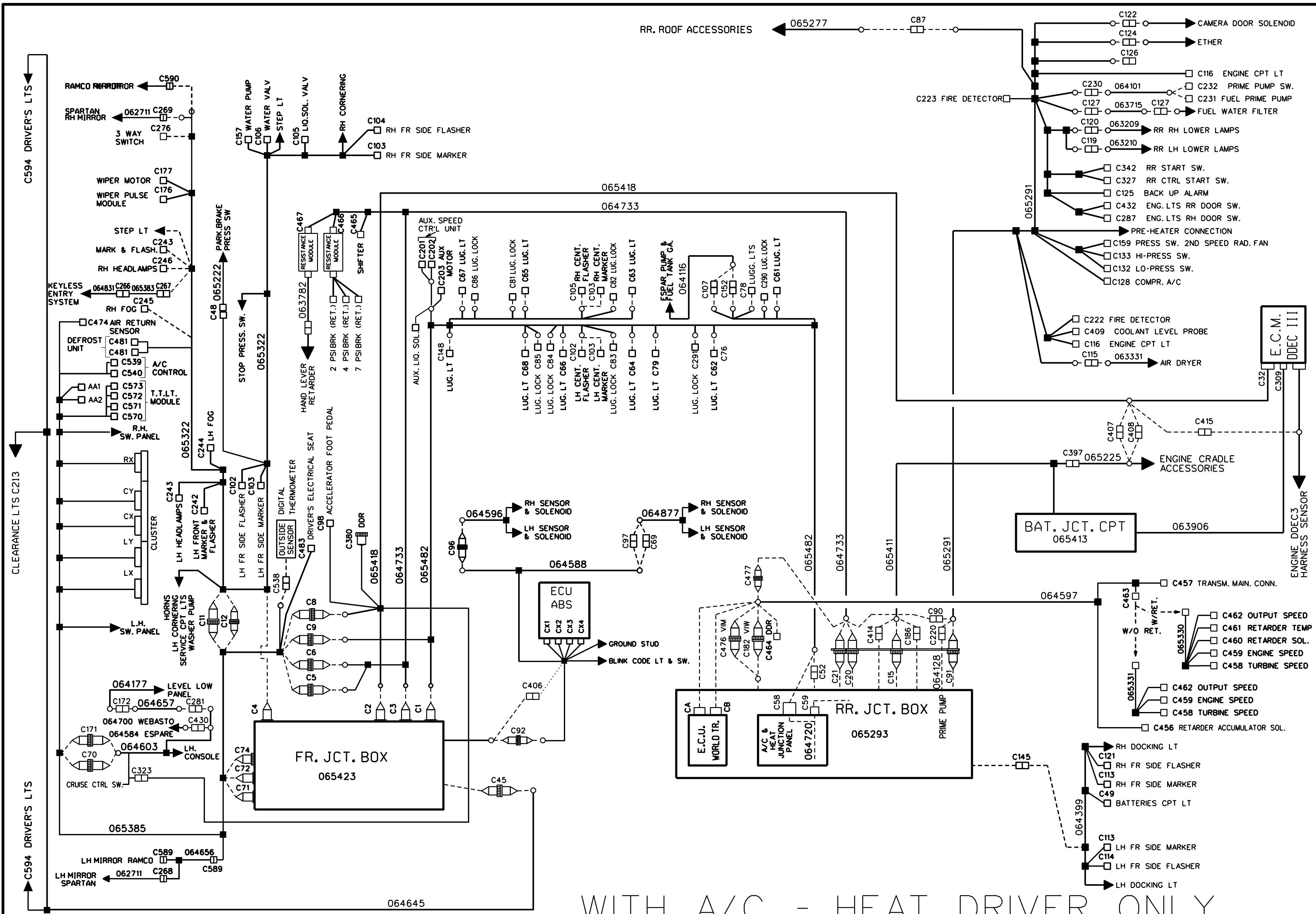
WITH A/C - HEAT DRIVER ONLY



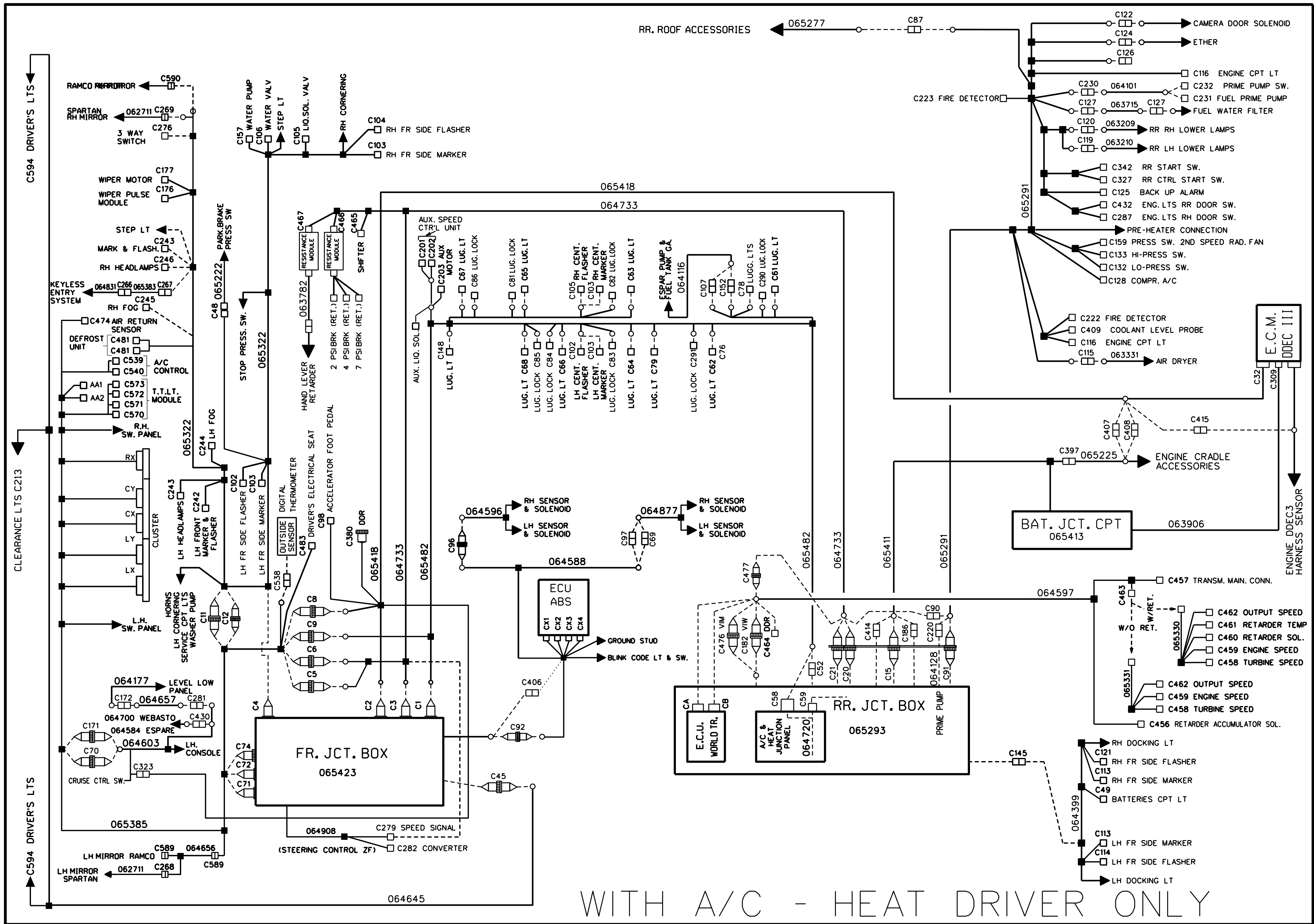
WITH A/C - HEAT DRIVER ONLY

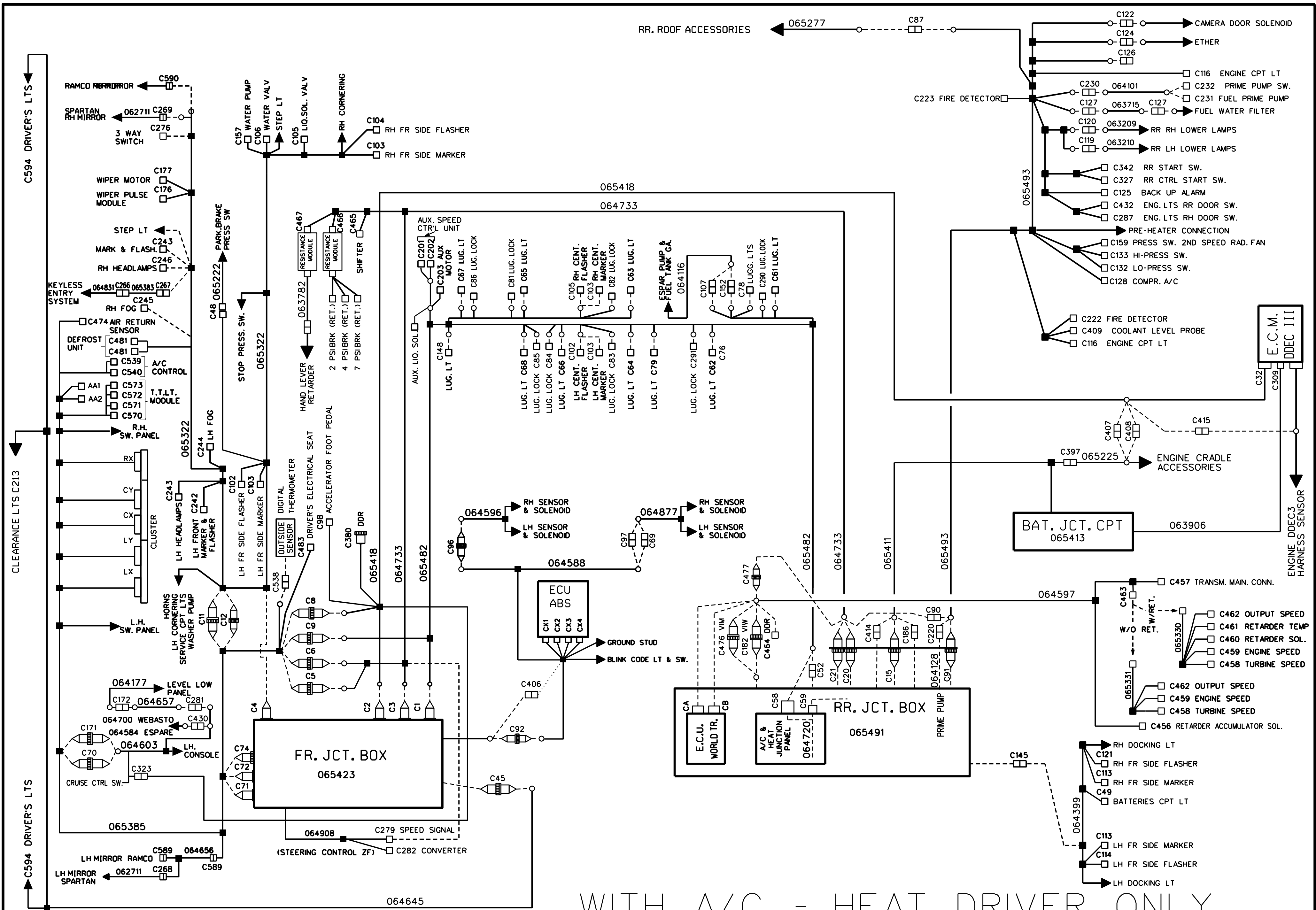


WITH A/C - HEAT DRIVER ONLY

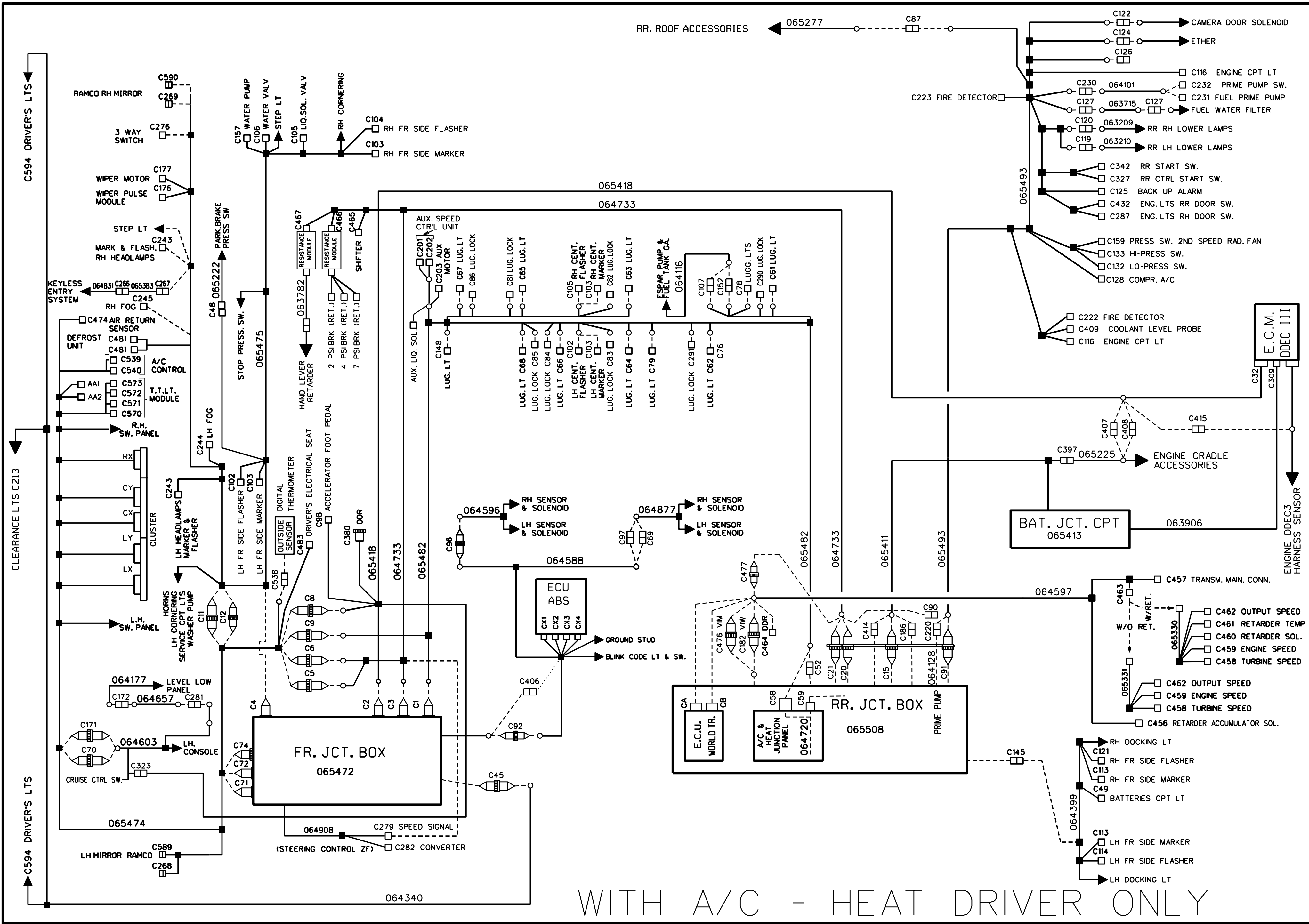


WITH A/C - HEAT DRIVER ONLY

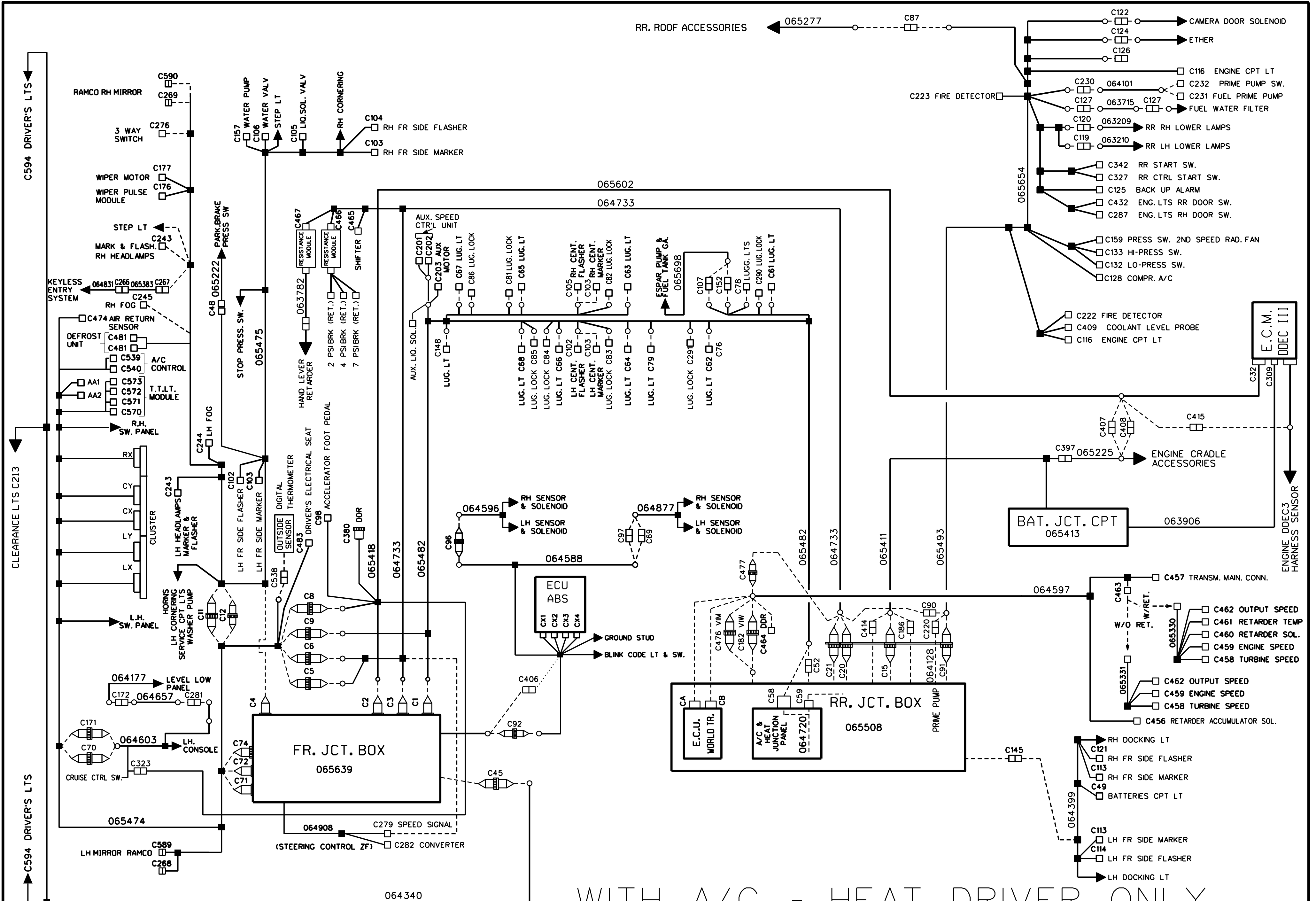




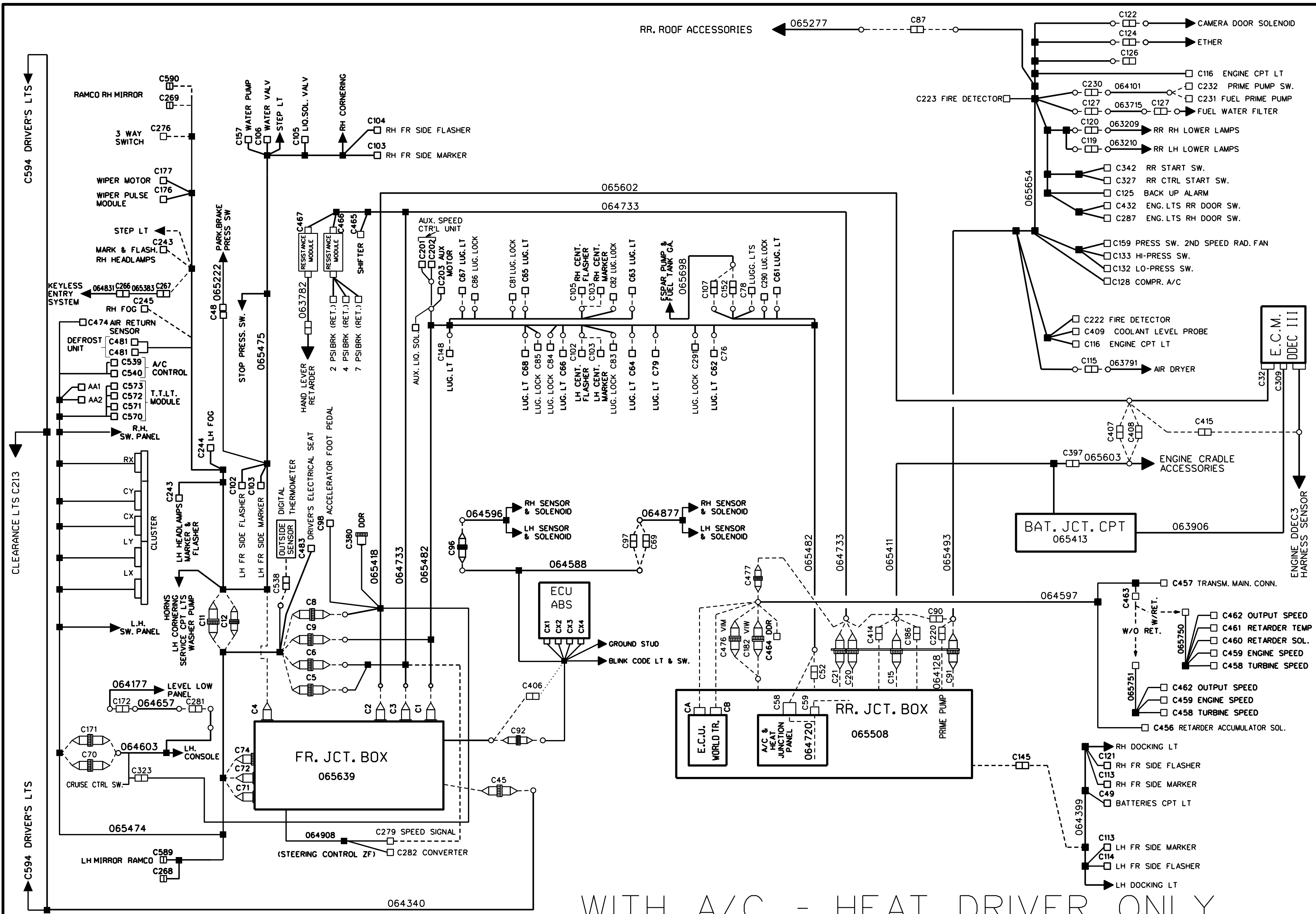
WITH A/C - HEAT DRIVER ONLY



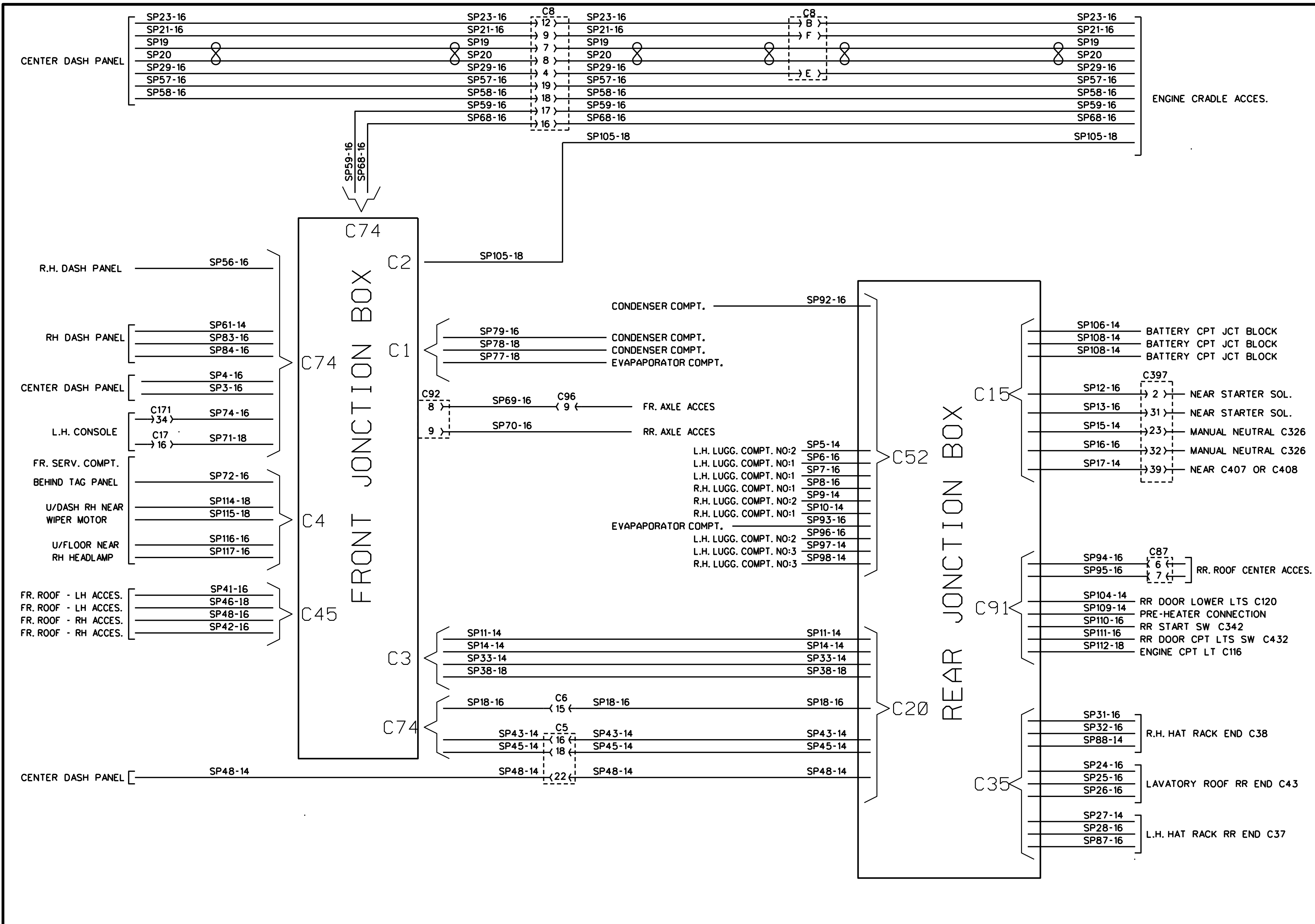
WITH A/C - HEAT DRIVER ONLY

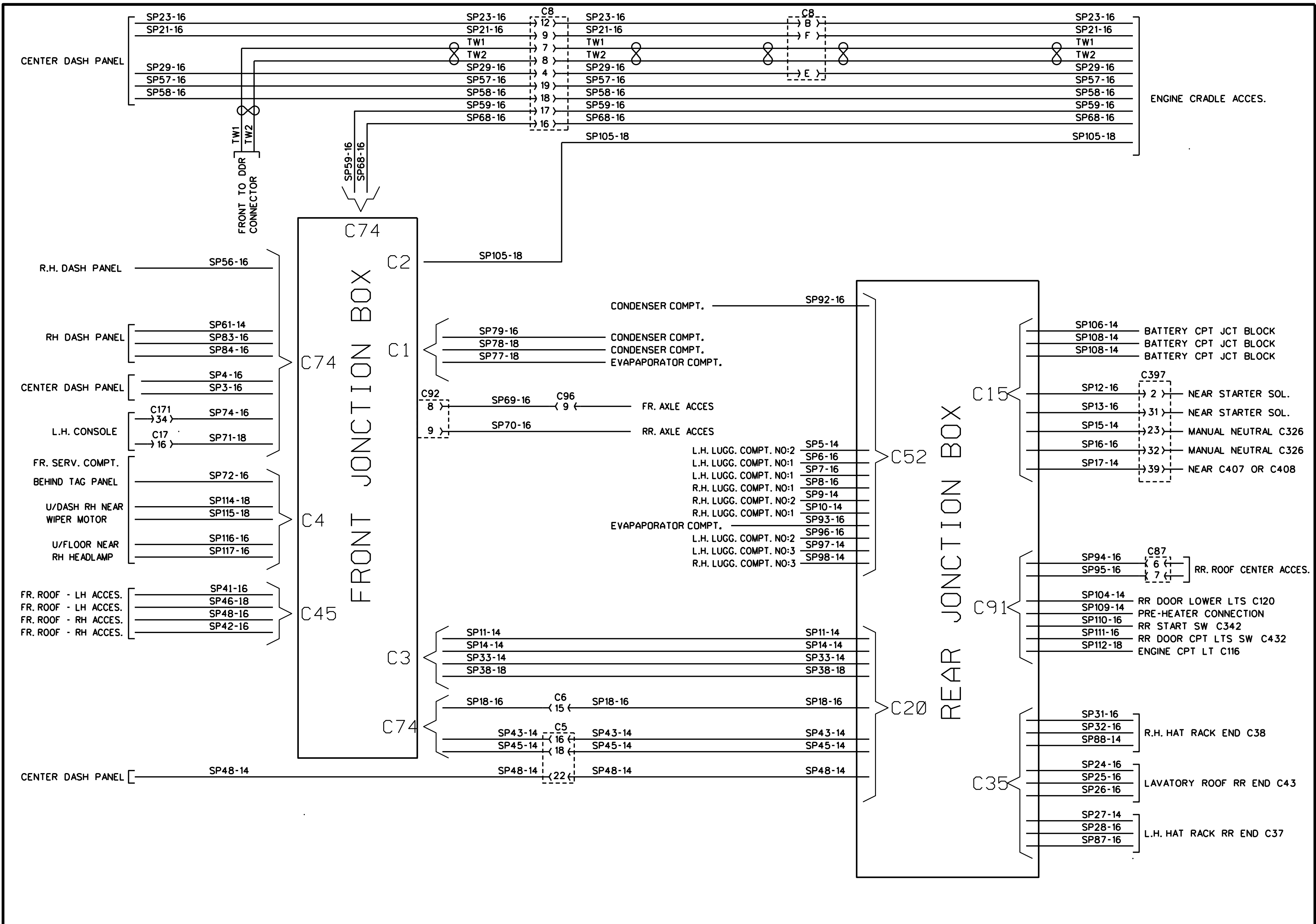


WITH A/C - HEAT DRIVER ONLY



WITH A/C - HEAT DRIVER ONLY





CIRCUIT NUMBER CODE

No.	DESCRIPTION	No.	DESCRIPTION	No.	DESCRIPTION	No.	DESCRIPTION
L 8	ENG. BLK HEATER	SP 94	SPARE-RJB TO RR ROOF	0 L2	FS - FR SERVICE CPT LTS GRD	9 A	INTERIOR LTS-ENGINE CPT
L 9	ENG. BLK HEATER	SP 95	SPARE-RJB TO RR ROOF	0 L3	FS - FJB GRD	9 B	INTERIOR LTS-ENGINE CPT
SP 2	SPARE-FJB TO FR SERV CPT	SP 96	SPARE-RJB TO LUGG CPT #2	0 L4	FS - FJB GRD	9 E	INTERIOR LTS-FR SERVICE CPT
SP 3	SPARE-FJB TO CENTER DASH	SP 97	SPARE-RJB TO LUGG CPT #3	0 L5	FS - CIGAR LIGHTER	9 F	INTERIOR LTS-FR SERVICE CPT
SP 4	SPARE-FJB TO CENTER DASH	SP 98	SPARE-RJB TO LUGG CPT #3	0 L	RS - ENGINE CPT ACCES. GRD	10	INTERIOR LTS-LUGGAGE CPT
SP 5	SPARE-RJB TO LUGG CPT #2	SP 104	SPARE-RJB TO ENGINE CPT	0 L	ENTRANCE DOOR GRD	10 A	INTERIOR LTS-LUGGAGE CPT
SP 6	SPARE-RJB TO LUGG CPT #1	SP 105	SPARE-FJB TO ENGINE	0 LH	RS - RR END LAMPS LH GRD	10 B	INTERIOR LTS-LUGGAGE CPT
SP 7	SPARE-RJB TO LUGG CPT #1	SP 106	SPARE-RJB TO BATT. CPT.	0 M	FS - ELECTRICAL MOTOR GRD	10 C	INTERIOR LTS-LUGGAGE CPT
SP 8	SPARE-RJB TO LUGG CPT #1	SP 107	SPARE-RJB TO BATT. CPT.	0 M3	FS - ELECTRICAL MOTOR GRD	10 D	INTERIOR LTS-LUGGAGE CPT
SP 9	SPARE-RJB TO LUGG CPT #2	SP 108	SPARE-RJB TO BATT. CPT.	0 M4	FS - ELECTRICAL MOTOR GRD	10 F	INTERIOR LTS-LUGGAGE CPT
SP 10	SPARE-RJB TO LUGG CPT #1	SP 109	SPARE-RJB TO ENGINE CPT.	0 M5	FS - ELECTRICAL MOTOR GRD	10 H	INTERIOR LTS-LUGGAGE CPT
SP 11	SPARE-FJB TO RJB	SP 110	SPARE-RJB TO ENGINE CPT.	0 M6	FS - FJB GRD	10 R	INTERIOR LTS-LUGGAGE DOOR AJAR
SP 12	SPARE-RJB TO ENGINE	SP 111	SPARE-RJB TO ENGINE CPT.	0 M7	FS - ELECTRICAL MOTOR GRD	12	12V BAT ELECTRONIC JCT BLOCK
SP 13	SPARE-RJB TO ENGINE	SP 112	SPARE-RJB TO ENGINE CPT.	0 M	RS - ENGINE CPT ACCES. GRD	12	BAT CPT 12V BATTERY
SP 14	SPARE-FJB TO RJB	SP 114	SPARE-FJB TO U/DASH WIPER	0 MR	24V DISC. SW. RLY GRD SIGNAL	12 A	FR JCT BOX 12V DISC SW
SP 15	SPARE-RJB TO ENGINE	SP 115	SPARE-FJB TO U/DASH WIPER	0 MS	24V DISC. SW. RLY GRD SIGNAL	12 A	RR JCT BOX 12V DISC SW
SP 16	SPARE-RJB TO ENGINE	SP 116	SPARE-FJB TO U/DASH FLOOR	0 N	RS - ENGINE CPT ACCES. GRD	12 B	12V BAT ELECTRICAL JCT BLOCK
SP 17	SPARE-RJB TO ENGINE	SP 117	SPARE-FJB TO U/DASH FLOOR	0 P	RS - ENGINE CPT ACCES. GRD	12 B	RR JCT BOX 12V DISC SW
SP 18	SPARE-FJB TO RJB	W C	A/C & HEAT SYST-EVAP CTR SIGN	0 R	RS - RJB GRD	12 B	FR JCT BOX 12V DISC SW
SP 24	SPARE-RJB TO LAVATORY ROOF	0	BC - BAT. CPT CHASSIS GRD	0 R	RS - ENGINE CPT ACCES. GRD	12 BE	BAT. EQUALIZER MONITOR
SP 25	SPARE-RJB TO LAVATORY ROOF	0	CONDENSER CPT GRD	0 RH	RS - RR END LAMPS RH GRD	12 C	FR JCT BOX 12V DISC SW
SP 26	SPARE-RJB TO LAVATORY ROOF	0	RS - RR JCT BOX RLY GRD	0 S	12 VOLT RUN- GND RLY	12 C	RR JCT BOX 12V DISC SW
SP 27	SPARE-RJB TO LH HAT RACK	0 A	BC - SHIELD GRD	0 T	FS - DASH ACCES. GRD	12 D	BAT CPT 12V BATTERY
SP 28	SPARE-RJB TO LH HAT RACK	0 A	RS - RR JCT BOX RLY GRD	0 T1	FS - DASH ACCES. GRD	12 DT	TTL MODULE
SP 31	SPARE-RJB TO RH HAT RACK	0 A	FRS - FR ROOF ACCES. GRD	0 T2	FS - DASH ACCES. GRD	12 E	FR JCT BOX 12V DISC SW
SP 32	SPARE-RJB TO RH HAT RACK	0 A	RS - LUG. CPT ACCES. GRD	0 T3	FS - DASH ACCES. GRD	12 E	RR JCT BOX 12V DISC SW
SP 33	SPARE-FJB TO RJB	0 AA	RS - VOLTAGE REGULATOR GRD	0 T4	FS - DASH ACCES. GRD	12 F	BAT CPT 12V FJB & IC
SP 38	SPARE-FJB TO RJB	0 B	EC - ENGINE GRD	0 V	RR JCT BOX CPT GRD STUD	12 F	FR JCT BOX 12V DISC SW
SP 43	SPARE-FJB TO RJB	0 B	FRS - FR ROOF HEAT WIND GRD	0 VA	BATTERY TO EQUALISER 0V	12 F	FR JCT BOX 12V DISC SW
SP 45	SPARE-FJB TO RJB	0 B	RS - LUG. CPT ACCES. GRD	0 W	FS - WT GND & SHIELD	12 G	FR JCT BOX 12V DISC SW
SP 46	SPARE-RJB TO LH FR ROOF	0 BE	RJB - BAT. EQUAL. BAT GRD	0 W	RS - RR JCT BOX (WCL) GRD	12 J	FR JCT BOX 12V DISC SW
SP 48	SPARE-RJB TO DASH CENTER PANEL	0 C	EC - STARTER MOTOR GRD	0 WC	RS - RR JCT BOX GRD (WCL)	12 K	HVAC MODULE
SP 56	SPARE-ENGINE TO RH SW PANEL	0 C	FS - SERV. CPT ACCES. GRD	0 X	RS - RR JCT BOX GRD	12 I	12V IGNITION DISTRIBUTION
SP 57	SPARE-DASH CENTER PANEL TO ENG.	0 C	BC - FAN CONDENSER GRD	0 Y	ABS FR JCT BOX CPT GRD STUD	12 I	RR JCT BOX 12V IGNITION
SP 58	SPARE-DASH CENTER PANEL TO ENG.	0 CR	24V DISC. SW. RLY GRD SIGNAL	0 Y	RR JCT BOX GRD	12 IA	12V IGNITION DISTRIBUTION
SP 59	SPARE-FJB TO ENGINE	0 CS	24V DISC. SW. RLY GRD SIGNAL	0 Y1	ABS FR JCT BOX CPT GRD STUD	12 IA	FR JCT BOX 12V IGNITION
SP 61	SPARE-FJB TO DASH RH PANEL	0 C1	FS - SERV. CPT ACCES. GRD	0 Z	RR JCT BOX CPT GRD STUD	12 IB	FR JCT BOX 12V IGNITION
SP 68	SPARE-FJB TO ENGINE	0 C2	FS - SERV. CPT ACCES. GRD	00	FJB & RJB BATT. GRD	12 LX	CLUSTER FEED
SP 69	SPARE-FJB TO FR AXLE	0 C3	FS - SERV. CPT ACCES. GRD	00 A	FBG - T.T.LT. MODULES BATT. GRD	12 IF	FR JCT BOX 12V IGNITION
SP 70	SPARE-FJB TO FR AXLE	0 C4	FS - FJB. CPT ACCES. GRD	00 Y	FS - ABS MODULE BATT. GRD	12 P	LH CONSOLE POWER OUTLET
SP 71	SPARE-FJB TO RH SW PANEL	0 D	BC - FAN CONDENSER GRD	00 SS	SOUND SYSTEM BATT. GRD	12 R	BAT CPT 12V DISC RLY TO RJB
SP 72	SPARE-FJB TO FR SERV CPT	0 D	RS - HAT RACK ACCES. LH GRD	1	TACHO SYSTEM - RPM SIGNAL +	12 VA	BATTERY TO EQUALIZER 12V
SP 74	SPARE-FJB TO LH CONSOLE	0 DF	RS - RR SIDE FLASH & MARK GRD	2 A	A/C & HEAT SYSTEM-COOL 1 SIGN	12 VD	12V HOT WIRE DISTRIBUTION
SP 77	SPARE-FJB TO EVAPORATOR CPT	0 DR	RS - RJB DOCKING LT RESISTORS	2 B	A/C & HEAT SYSTEM-COOL SIGN	12 VF	BAT CPT 12V FJB & IC
SP 78	SPARE-FJB TO CONDENSER CPT	0 J	FS - LH CONSOLE SW GRD	2 H	A/C & HEAT SYSTEM-HI PRESS SW	12 VI	12V IGNITION DISTRIBUTION
SP 79	SPARE-FJB TO CONDENSER CPT	0 J	RS - RR ROOF ACCES. GRD	2 HL	A/C & HEAT SYSTEM-LO & HI PRESS SW	12 VR	BAT CPT 12V DISC RLY TO RJB
SP 87	SPARE-RJB TO LH HAT RACK	0 K	RS - RR ROOF ACCES. GRD	2 L	A/C & HEAT SYSTEM-LO PRESS SW	12 W	12V BATTERY DDEC III
SP 88	SPARE-RJB TO RH HAT RACK	0 K	RS - RJB A/C JCT PANEL GRD	5 NC	SPEED SIGNAL LOWER 5MPH	12 X	FR JCT BOX 12V DISC SW
SP 92	SPARE-RJB TO CONDENSER CPT	0 L	FS - FR SERVICE CPT LTS GRD	5 NO	SPEED SIGNAL HIGHER 5MPH	12 X2	FR JCT BOX 12V DISC SW
SP 93	SPARE-RJB TO EVAPORATOR CPT	0 L1	FS - FR SERVICE CPT LTS GRD	9	INTERIOR LTS-ENGINE CPT	12 Y	FR JCT BOX 12V DISC SW

CIRCUIT NUMBER CODE

No.	DESCRIPTION	No.	DESCRIPTION	No.	DESCRIPTION	No.	DESCRIPTION
13 A	ALARM & SIGNAL-LO AIR PRIM.	24 H	FR JCT BOX 24V DISC SW	32 D	BACK-UP ALARM	58 A	EXTERIOR LTS-LO BEAM
13 B	ALARM & SIGNAL-LO AIR SEC.	24 H	RR JCT BOX 24V DISC SW	35	ENTRANCE DOOR	58 B	EXTERIOR LTS-LO BEAM
15	EXTERIOR LTS-MULTI FUNC LEVEL	24 I	FR JCT BOX 24V IGNITION	35 B	ENTRANCE DOOR	58 E	EXTERIOR LTS-LO BEAM
15 A	WIPER & WASHER UPPER WINDSHIELD	24 I	RR JCT BOX 24V IGNITION	36	JACOB BRAKE SYSREM	59 A	JACOB BRAKE SYSTEM
16	SPEED - SIGNAL +	24 I A	FR JCT BOX 24V IGNITION	36 A	JACOB BRAKE SYSREM	61	EXTERIOR LTS-24V FEED SW
16 A	SPEED - SIGNAL +	24 I A	RR JCT BOX 24V IGNITION	39	INTERIOR LTS-24V LH CONSOLE SW	61 A	EXTERIOR LTS-HEAD SIGNAL
16 T	SPEED - SIGNAL +	24 I B	FR JCT BOX 24V IGNITION	39 A	INTERIOR LTS-DRIVER'S LTS	63	EXTERIOR LTS-CLEARANCE
17	EXTERIOR LTS-FLASHER UNIT	24 I B	RR JCT BOX 24V IGNITION	39 K	DRIVER'S LTS KEYLESS	63 A	EXTERIOR LTS-CLEARANCE
17 A	EXTERIOR LTS-FLASHER UNIT	24 I F	FJB 24V IGNITION	41	A/C & HEAT SYSTEM-COND FAN MOT	63 B	EXTERIOR LTS-CLEARANCE
19	DIFFERENTIAL OIL TEMP	24 I C	FR JCT BOX 24V IGNITION	41 A	A/C & HEAT SYSTEM-COND FAN MOT	63 C	EXTERIOR LTS-MARKER SIGNAL
20	SPEED - SIGNAL -	24 P	FR JCT BOX 24V DISC SW	41 B	A/C & HEAT SYSTEM-COND FAN MOT	63 D	EXTERIOR LTS-MARKER & TAIL
20 T	SPEED - SIGNAL -	24 S	24V DISC SW RLY SIGNAL	42	A/C & HEAT SYSTEM-COND FAN MOT	63 E	EXTERIOR LTS-CLEARANCE
20 W	SPEED - SIGNAL -	24 T	RR JCT BOX 24V DISC SW	43	A/C & HEAT SYSTEM-COND FAN MOT	63 F	EXTERIOR LTS-MARKER BLINKER
21	EXTERIOR LTS-DIRECTIONNAL LH	24 V 2	RR JCT BOX 24V DISC SW	42 A	A/C & HEAT SYSTEM-COND FAN MOT	63 H	EXTERIOR LTS-TAIL
21 A	EXTERIOR LTS-DIRECTIONNAL LH	24 V 3	RR JCT BOX 24V DISC SW	44	EXTERIOR LTS-FOG	64	DRIVER'S FAN
21 B	EXTERIOR LTS-HAZARD	24 V 4	RR JCT BOX 24V DISC SW	44 A	EXTERIOR LTS-FOG	64 B	DRIVER'S FAN
21 C	EXTERIOR LTS-CORNERING LH	24 V 5	RR JCT BOX 24V DISC SW	44 B	EXTERIOR LTS-FOG	64 C	DRIVER'S FAN
21 H	EXTERIOR LTS-DIRECTIONNAL LH	24 V D	24V HOT WIRE DISTRIBUTION	44 C	EXTERIOR LTS-FOG & HAZARD	65	FOOT DAMPER MOTOR
21 K	EXTERIOR LTS-CORNERING	24 V F	BAT CPT 24V SW TO FJB & IC	45 B	A/C & HEAT SYSTEM-HEAT SIGN	65 A	FOOT DAMPER MOTOR
21 N	EXTERIOR LTS-CORNERING LH	24 V A	BATTERY TO EQUALIZER 24V	45 D	A/C & HEAT SYSTEM-WATER VALVE	65 D	DRIVER'S REC. DAMPER
21 P	EXTERIOR LTS-CORNERING LH	24 V I	RR JCT BOX 24V IGNITION	45 E	A/C & HEAT SYSTEM-HEAT 1 SIGN	65 P	PASSENGER REC. DAMPER
23	EXTERIOR LTS-DIRECTIONNAL RH	24 V R	BAT CPT 24V DISC SW TO RJB	45 G	A/C & HEAT SYSTEM-DRIVER'S HTR	66	O_PASS. ON/OFF
23	EXTERIOR LTS-DIRECTIONNAL RH	25	12VAC GEN RLY ON SIGNAL	45 H	A/C & HEAT SYSTEM-DRIVER'S HTR	67	A/C & HEAT SYSTEM
23 A	EXTERIOR LTS-DIRECTIONNAL RH	25	12VAC GEN RLY ON SIGNAL	45 W	A/C & HEAT SYSTEM-COND. DOOR AJAR	67 A	A/C & HEAT SYSTEM
23 B	EXTERIOR LTS-DIRECTIONNAL RH	25 A	ETHER SWITCH	46	EXTERIOR LTS-MARKER	67 B	A/C & HEAT SYSTEM
23 C	EXTERIOR LTS-CORNERING RH	25 A	NOT GENERATOR-WARNING LT	46 A	EXTERIOR LTS-MARKER	67 C	HEAT WINDS.
23 N	EXTERIOR LTS-CORNERING RH	25 F	12V IGNITION DISTRIBUTION	46 B	EXTERIOR LTS-MARKER	67 K	A/C & HEAT SYSTEM-COND FAN CTR
23 P	EXTERIOR LTS-CORNERING RH	25 B	EXTERIOR LTS-DAYTIME RUN LTS	46 B	EXTERIOR LTS-MARKER	67 L	A/C & HEAT SYSTEM-COND FAN CTR
24	BAT CPT 24V BATTERY	26	CIGAR LIGHTER	46 C	EXTERIOR LTS-MARKER	67 V	A/C & HEAT SYSTEM-WATER VALVE
24	FR JCT BOX 24V DISC SW	26	DRIVER'S WINDOW LIFTER	47	A/C & HEAT SYSTEM-DRIVER'S HTR	68	DASH & DEFROST DAMPER MOTOR
24 A	BOOSTER BLOCK 24V DISC SW	26 B	DRIVER'S WINDOW LIFTER	50	AIR DRYER	68 A	DASH & DEFROST DAMPER MOTOR
24 A	FR JCT BOX 24V DISC SW	26 C	DRIVER'S WINDOW LIFTER	52	ALARM & SIGNAL-ELEC. HORN	70	INTERIOR LTS-HAT RACK & RR RUN.
24 A	RR JCT BOX 24V DISC SW	27	PARKING BRAKE SONALERT	52 A	ALARM & SIGNAL-ELEC. HORN	72	SUN VISOR-FEEDING
24 B	24V STARTER RLY FEEDING	27 A	PARKING BRAKE SONALERT	52 B	ALARM & SIGNAL-AIR HORN	72 A	SUN VISOR-RH
24 B	FR JCT BOX 24V DISC SW	28 A	A/C & HEAT SYSTEM-HI PRESSURE	52 C	ALARM & SIGNAL-AIR HORN	72 B	SUN VISOR-RH
24 B	RR JCT BOX 24V DISC SW	29	A/C & HEAT SYSTEM-DRIVER'S HTR	53	ALARM & SIGNAL-ELEC. HORN	72 C	SUN VISOR-LH
24 B E	RJB CPT-BAT EQ MONITOR HOT WIRE	29 A	A/C & HEAT SYSTEM-DRIVER'S HTR	53 A	WIPER & WASHER SYSTEM	72 D	SUN VISOR-LH
24 C	FR JCT BOX 24V DISC SW	29 H	HVAC DASH MODULE	53 B	WIPER & WASHER SYSTEM	76	FUEL TANK GAUGE
24 C	RR JCT BOX 24V DISC SW	29 B	A/C & HEAT SYSTEM-DRIVER'S HTR	53 C	WIPER & WASHER SYSTEM	76 B	LOW FUEL LT & ETHER COLD START
24 D	BAT CPT 24V HOT WIRE	31 A	A/C & HEAT SYSTEM-UNLOADER	53 E	WIPER & WASHER SYSTEM	76 C	LOW FUEL LT
24 D	FR JCT BOX 24V HOT WIRE	31 B	A/C & HEAT SYSTEM-UNLOADER	53 J	WIPER & WASHER SYSTEM	76 P	FUEL PRIME PUMP
24 D	RR JCT BOX 24V HOT WIRE	31 B	WIPER & WASHER SYSTEM	55	EXTERIOR LTS-HI BEAM	76 M	FUEL PRIME PUMP
24 D A	A/C JCT BOX 24V HOT WIRE	31 C	WIPER & WASHER SYSTEM	57	EXTERIOR LTS-HI BEAM	77	A/C & HEAT SYSTEM-HI PRESSURE
24 E	BAT CPT 24V DISC SW	31 D	WIPER & WASHER SYSTEM	57 A	A/C & HEAT SYSTEM-WATER PUMP	77 A	A/C & HEAT SYSTEM-DRIVER'S HTR
24 E	FR JCT BOX 24V DISC SW	31 E	WIPER & WASHER SYSTEM	57 A	EXTERIOR LTS-HI BEAM	77 B	A/C & HEAT SYSTEM-COMPRESSOR
24 E	RR JCT BOX 24V DISC SW	31 J	WIPER & WASHER SYSTEM	57 B	A/C & HEAT SYSTEM-WATER PUMP	77 C	A/C & HEAT SYSTEM-COMPRESSOR
24 F	FR JCT BOX 24V DISC SW	31 X	WIPER & WASHER SYSTEM	57 C	PRE-HEAT WATER HEATER	77 H	A/C & HEAT SYSTEM-COMPRESSOR
24 F	RR JCT BOX 24V DISC SW	32	EXTERIOR LTS-BACK-UP	57 C A	A/C & HEAT SYSTEM-HEAT SIGN	81	EXTERIOR LTS-STOP SW
24 G	FR JCT BOX 24V DISC SW	32 B	EXTERIOR LTS-BACK-UP	57 C C	A/C & HEAT SYSTEM-HEAT SIGN	82	EXTERIOR LTS-STOP SIGNAL
24 G	RR JCT BOX 24V DISC SW	32 C	BACK-UP PWR & SIGNAL	58	EXTERIOR LTS-LO BEAM	82 A	EXTERIOR LTS-STOP SIGNAL

CIRCUIT NUMBER CODE

No.	DESCRIPTION	No.	DESCRIPTION	No.	DESCRIPTION	No.	DESCRIPTION
82 B	EXTERIOR LTS-STOP LTS	111	WORLD TRANSM-SOL. C6	130	WORLD TRANSM-SOL. GRD 3	144	ABS SYSTEM
82 K	EXTERIOR LTS-STOP PARK BRK	112	WORLD TRANSM-SPARE OUTPUT (+)	131	WORLD TRANSM-SOL. C4	144	WORLD TRANSM-ECU CHASSIS GRD
82 L	EXTERIOR LTS-LH STOP	113	ALARM & SIGNAL-OIL PRESS	132	WORLD TRANSM-ENG BRK OUTPUT (-)	144 A	ABS SYSTEM
82 R	EXTERIOR LTS-LH STOP	113	WORLD TRANSM-REVERSE WARNING	132 A	LEVEL LOW SYSTEM	145	ABS SYSTEM
83	ENGINE CTR-KEY SW ACCES SIGN	114	INTERIOR LTS-DASH LT REGUL.	132 B	LEVEL LOW SYSTEM	146	ABS SYSTEM
84	ENGINE CTR-KEY SW ACCES SIGN	114	WORLD TRANSM-SPARE OUTPUT (-)	132 C	LEVEL LOW SYSTEM	146	WORLD TRANSM-IGNITION SENSE
85	ENGINE CTR-KEY SWIGNITION SIGN	114 A	INTERIOR LTS-DASH LT	132 D	LEVEL LOW SYSTEM	146 W	WORLD TRANSM-12V IGNITION
85	24V IGNITION SIGNAL	114 B	INTERIOR LTS-DASH LT REGUL.	132 E	LEVEL LOW SYSTEM	146 X	WORLD TRANSM-12V IGNITION
85 A	24V IGN DASH INSTRUMENTATION	114 D	INTERIOR LTS-DASH LT REGUL.	132 F	LEVEL LOW SYSTEM	147	ABS SYSTEM
85 B	ENGINE CTR-24V IGNITION	114 E	INTERIOR LTS-DASH LT REGUL.	132 G	LEVEL LOW SYSTEM	147	ETHER COLD START
85 C	PARKING BRAKE SWITCH	115	ALARM & SIGNAL-TAG PRESS	132 H	LEVEL LOW SYSTEM	147	WORLD TRANSM-OIL TEMP
85 F	ENGINE CTR-ENGINE CTR SW IGN	115	DDEC III-COOLANT LEVEL	132 J	LEVEL LOW SYSTEM	147 C	ETHER COLD START
85 F	LO AIR SONALERT	115	WORLD TRANSM-DO NOT SHIFT SIGN	132 K	LEVEL LOW SYSTEM	148	ABS SYSTEM
85 W	24V IGN ABS	115 C	DDEC III-COOLANT LEVEL	132 W	WORLD TRANSM-ENG BRK OUTPUT (-)	148	WORLD TRANSM-OUTPUT SPEED LO
85 X	24V IGN ABS	115 W	WORLD TRANSM-DO NOT SHIFT SIGN	133	WORLD TRANSM-RET. ACTUATOR HI	149	ABS SYSTEM
85 Y	ABS-WARNING LT	116	WORLD TRANSM-LO SIGNAL SOL. HI	134	WORLD TRANSM-RET. APPLY SOL. HI	149	WORLD TRANSM-TURBINE SPEED HI
86	ENGINE CTR-STARTER SOL SIGN	116 B	A/C & HEAT SYSTEM-DRIVER'S HTR	135	A/C & HEAT SYSTEM-AIR SENSOR	149 A	ABS SYSTEM
86 A	ENGINE CTR-STARTER SOL SIGN	117	WORLD TRANSM-SPARE INPUT (-)	135	WORLD TRANSM-ANALOG GRD	150	DDEC III-ECM BATTERY GRD
88	ENGINE CTR-RR START SIGNAL	117 A	ALARM & SIGNAL-TRANSM OIL TEMP	135 A	A/C & HEAT SYSTEM-AIR SENSOR	150	WORLD TRANSM-ENGINE SPEED LO
89	ENGINE CTR-RR START SIGNAL	117 A	ALARM & SIGNAL-TRANSM OIL TEMP	135 D	A/C & HEAT SYSTEM-AIR SENSOR	150 A	DDEC III-ECM BATTERY GRD
90 B	A/C & HEAT SYSTEM-COND FAN MOT	118	WORLD TRANSM-SPARE INPUT (+)	135 C	A/C & HEAT SYSTEM-AIR SENSOR	151	ABS SYSTEM
90 B	ENGINE CTR-MAST KEY SW FEED	119	WORLD TRANSM-ENG BRK INPUT (+)	135 D	WORLD TRANSM-RETARDER RES MOD	151	DDEC III-ECM BATTERY GRD
90 C	A/C & HEAT SYSTEM-COND FAN MOT	120	WORLD TRANSM-SOL. C1	135 C	WORLD TRANSM-RETARDER TEMP	151	WORLD TRANSM-SERIAL COM. B
90 F	CHARG SYST-VOLTAGE REGUL. "B"	121	WORLD TRANSM-SOL. GRD 2	136	WORLD TRANSM-ECU POWER	151 A	ABS SYSTEM
90 H	A/C & HEAT SYSTEM-EVAP FAN MOT	122	A/C & HEAT SYSTEM-DRIVER'S HTR	136 V	WORLD TRANSM-12V BATTERY	152	ABS SYSTEM
90 J	A/C & HEAT SYSTEM-COND FAN MOT	122	A/C & HEAT SYSTEM-FRESH AIR	136 W	WORLD TRANSM-12V BATTERY	152 A	ABS SYSTEM
91	PARKING BRAKE SW SIGNAL	122	WORLD TRANSM-SOL. GRD 4	136 X	WORLD TRANSM-12V BATTERY	153	ABS SYSTEM
91 A	DDEC-FAST IDLE SIGNAL	122 A	A/C & HEAT SYSTEM-FRESH AIR	137	WORLD TRANSM-RETARDER	153	WORLD TRANSM-SPARE INPUT (-)
91 S	SONALERT PARKING BRAKE	123	WORLD TRANSM-NEUTRAL START	137 A	MIRROR (SPARTAN & RAMCO)	154	ABS SYSTEM
91 W	PARK, BRAKE SW SIGN (WCL)	123 A	ALARM & SIGNAL-FIRE DETECTOR	137 B	RR VIEW MIRROR (SPARTAN)	154	WORLD TRANSM-ABS RET. INPUT
92	BATTERY EQUALIZER-CHECK BALANCE	123 B	ALARM & SIGNAL-FIRE DETECTOR	137 C	RR VIEW MIRROR (SPARTAN)	155	ABS SYSTEM
93	BATTERY EQUALIZER-CHECK LO/HI	124	WORLD TRANSM-THROTTLE (HI)	137 D	RR VIEW MIRROR (SPARTAN)	155	WORLD TRANSM-SPARE INPUT (-)
95 A	ENGINE BRAKE & RETARDER SYSTEM	125	WORLD TRANSM-RET. INDICATOR	137 E	RR VIEW MIRROR (SPARTAN)	156	ABS SYSTEM
97	TACHOMETER (-)	125 W	WORLD TRANSM-RET. INDICATOR	137 G	RR VIEW MIRROR (SPARTAN)	156	WORLD TRANSM-THROTTLE POS.
101	24V STARTER SOL FEEDING	126	LEVEL LOW SYSTEM	138	ABS SYSTEM	156 A	ABS SYSTEM
101	WORLD TRANSM-LO SIGN SOL. LO	126	WORLD TRANSM-LUBE PRESS SW.	138	WORLD TRANSM-RETARDER TEMP	157	ABS SYSTEM
102	24V STARTER TO GENERATOR	127	WORLD TRANSM-LUBE PRESS SW.	138 A	ABS SYSTEM	157	WORLD TRANSM-SPEEDO SIGNAL
102	WORLD TRANSM-SOL. GRD 1	127	PRE-HEAT WATER HEATER	139	ABS SYSTEM	157 A	ABS SYSTEM
102	WORLD TRANSM-SOL. C3	127 A	PRE-HEAT WATER HEATER	139	WORLD TRANSM-OUTPUT SPEED HI	157 B	ABS SYSTEM
104	WORLD TRANSM-SOL. FORWARD	127 B	PRE-HEAT WATER HEATER	140	ABS SYSTEM	158	WORLD TRANSM-DIMMER
104	LEVEL LOW SYSTEM	127	WORLD TRANSM-RETARDER FEED SOL.	140	WORLD TRANSM-OUTPUT SPEED LO	160	ALARM & SIGNAL-TAG PRESS SW
105	WORLD TRANSM-RETARDER & SUMP	127 S	PRE-HEAT WATER HEATER	141	ABS SYSTEM	160	WORLD TRANSM-SER. INTERFACE (-)
105 W	WORLD TRANSM-RETARDER & SUMP	127 W	PRE-HEAT WATER HEATER	141	WORLD TRANSM-ENGINE SPEED HI	161	WORLD TRANSM-SIGNAL GRD
106	WORLD TRANSM-OIL LEVEL HI	128	PRE-HEAT WATER HEATER	142	ABS SYSTEM	161 B	WORLD TRANSM-SIGNAL GRD
107	CHARG SYST-VOLTAGE REGUL. "F"	128 A	PRE-HEAT WATER HEATER	142	WORLD TRANSM-SERIAL COM. A	162	WORLD TRANSM-PRESS. SW C3
107	WORLD TRANSM-LOCKUP SOL. HI	128 B	PRE-HEAT WATER HEATER	143	ABS SYSTEM	163	WORLD TRANSM-RETARDER ENABLE
108	WORLD TRANSM-REM. PWR WAKE UP	128 W	PRE-HEAT WATER HEATER	143	WORLD TRANSM-ECU BATTERY GRD	164	WORLD TRANSM-RET. ACTUATOR SIGN
109	WORLD TRANSM-RET. SOL. LO	128	WORLD TRANSM-SOL. C2	143 A	ABS SYSTEM	165	A/C & HEAT SYSTEM-TRANSMITER
110	ALARM & SIGNAL-WATER TEMP	129	PRE-HEAT WATER HEATER	143 W	WORLD TRANSM-BATTERY GRD	165	WORLD TRANSM-OIL LEVEL SIGNAL
110	WORLD TRANSM-LOCKUP SOL. LO	129	WORLD TRANSM-SOL. C5	143 X	WORLD TRANSM-BATTERY GRD	165 A	A/C & HEAT SYSTEM-TRANSMITER

CIRCUIT NUMBER CODE

No.	DESCRIPTION	No.	DESCRIPTION	No.	DESCRIPTION	No.	DESCRIPTION
165 B	A/C & HEAT SYSTEM-TRANSMITER	205	WORLD TRANSM-SPARE	509	DDEC III-STOP ENGINE LIGHT		
165 C	A/C & HEAT SYSTEM-TRANSMITER	206	WORLD TRANSM-SPARE	510	DDEC III-FAST IDLE SIGNAL		
165 D	A/C & HEAT SYSTEM-TRANSMITER	214	WORLD TRANSM-BACK UP SIGNAL	524	DDEC III-ENGINE BRAKE DISABLE		
166 B	A/C & HEAT SYSTEM-EVAP. MOD.	231	NEUTRAL SIGNAL GRD	525	DDEC III-FAST IDLE SIGNAL		
167	A/C & HEAT SYSTEM-TEMP. CTR	231 A	NEUTRAL COIL RELAY FEED SIGNAL	528	DDEC III-STOP ENG. OVERRIDE		
167 A	A/C & HEAT SYSTEM-TEMP. CTR	231 W	NEUTRAL SIGNAL GRD (WCL)	531	DDEC III-CRUISE CLUTCH RELEASE		
168	A/C & HEAT SYSTEM-HUMIDISTAT	240	DDEC III-ECM 12V FEEDING	540	DDEC III-CRUISE ENABLE LTS.		
168	WORLD TRANSM-SER. INTERFACE (+)	241	DDEC III-ECM 12V FEEDING	541	DDEC III-CRUISE SET SW		
168 A	A/C & HEAT SYSTEM-HUMIDISTAT	251	DDEC III - PRODRIVER 12V H.W.	543	DDEC III-CRUISE STOP SW CUT IN		
170 C	LUGGAGE DOOR LOCK	251 A	DDEC III -DATA LOGGER 12V H.W.	544	DDEC III-CRUISE ON/OFF SW		
170 D	LUGGAGE DOOR LOCK	257	WINDSHIELD HEATED	545	DDEC III-CRUISE RESUME SW		
170 E	LUGGAGE DOOR LOCK	257 A	WINDSHIELD HEATED	555	DDEC III-FAN CLUTCH SPEED# 1		
170 F	LUGGAGE DOOR LOCK	257 B	WINDSHIELD HEATED	556	DDEC III-VEHICLE SPEED (+)		
170 G	LUGGAGE DOOR LOCK	257 C	WINDSHIELD HEATED	557	DDEC III-VEHICLE SPEED (-)		
170 H	LUGGAGE DOOR LOCK	257 D	WINDSHIELD HEATED SPARE	563	DDEC III-FAN CLUTCH SPEED# 2		
170 K	LUGGAGE DOOR LOCK	257 E	WINDSHIELD HEATED SPARE	564	DDEC III-DIGITAL OUTPUT		
170 L	LUGGAGE DOOR LOCK	258	WINDSHIELD HEATED	565	DDEC III-ENGINE BRAKE ACTIVE		
170 M	LUGGAGE DOOR LOCK	258 A	WINDSHIELD HEATED	583	DDEC III-ENGINE BRAKE 4 CYL.		
170 N	LUGGAGE DOOR LOCK	259	WINDSHIELD HEATED	900	DDEC III-DATA LINK (+)		
170 P	LUGGAGE DOOR LOCK	259 A	WINDSHIELD HEATED	901	DDEC III-DATA LINK (-)		
170 R	LUGGAGE DOOR LOCK	270	KEYLESS ENTRY SYSTEM	908	DDEC III-HYDRAULIC PWM#1 OUTPUT		
170 S	LUGGAGE DOOR LOCK	272	KEYLESS ENTRY SYSTEM	916	DDEC III-SENSOR SUPPLY (5VDC)		
170 V	LUGGAGE DOOR LOCK	274	KEYLESS ENTRY SYSTEM	952	DDEC III-SENSOR RETURN		
170 W	LUGGAGE DOOR LOCK	275	KEYLESS ENTRY SYSTEM	953	DDEC III-BATTERY GRD		
170 X	LUGGAGE DOOR LOCK	276	KEYLESS ENTRY SYSTEM	979	DDEC III-ENGINE BRAKE 2 CYL.		
170 Y	LUGGAGE DOOR LOCK	277	KEYLESS ENTRY SYSTEM				
170 Z	LUGGAGE DOOR LOCK	278	KEYLESS ENTRY SYSTEM				
173	BACK-UP MONITOR	279	KEYLESS ENTRY SYSTEM				
174	BACK-UP MONITOR	280	KEYLESS ENTRY SYSTEM				
175	BACK-UP MONITOR	283	KEYLESS ENTRY SYSTEM				
175 A	BACK-UP MONITOR	283 A	KEYLESS ENTRY SYSTEM				
175 B	BACK-UP MONITOR	284 A	KEYLESS ENTRY SYSTEM				
175 C	BACK-UP MONITOR	285	KEYLESS ENTRY SYSTEM				
180	DRIVER'S SEAT HEATER	286	KEYLESS ENTRY SYSTEM				
180 A	DRIVER'S SEAT HEATER	286 A	KEYLESS ENTRY SYSTEM				
180 B	CO-PILOT SEAT HEATER	290	FAN CLUTCH RADIATOR				
180 C	CO-PILOT SEAT HEATER	290	FAN CLUTCH RADIATOR				
181 A	THERMOMETER INSIDE SENSOR	291	FAN CLUTCH RADIATOR SPD 1				
181 B	THERMOMETER INSIDE SENSOR	291	KEYLESS ENTRY SYSTEM				
181 C	THERMOMETER OUTSIDE SENSOR	292	FAN CLUTCH RADIATOR SPD 2				
181 D	THERMOMETER OUTSIDE SENSOR	293	KEYLESS ENTRY SYSTEM				
197	FUEL WATER FILTER	294	ANTI-THEFT SYSTEM KEYLESS				
197 A	FUEL WATER FILTER	295	LED FEED ALARM -KEYLESS				
197 B	FUEL WATER FILTER	417	DDEC III-LIMIT SPEED GOVERNOR				
198	FILTER FUEL HEATER	419	DDEC III-CHECK ENGINE LIGHT				
199	AIR FILTER RESTRICTION SENDER	439	DDEC III-12V IGNITION				
201	WORLD TRANSM-SPARE	440	DDEC III-12V IGNITION				
202	WORLD TRANSM-SPARE	440 A	DDEC III-12V IGNITION				
203	WORLD TRANSM-SPARE	451	DDEC III-A/C FAN CLUTCH				
204	WORLD TRANSM-SPARE	505	DDEC III-TACHOMETER DRIVE				

CIRCUIT NUMBER CODE

No.	DESCRIPTION	No.	DESCRIPTION	No.	DESCRIPTION	No.	DESCRIPTION
L 8	ENG. BLK HEATER	SP 94	SPARE-RJB TO RR ROOF	0 L2	FS - FR SERVICE CPT LTS GRD	5 NC	SPEED SIGNAL LOWER 5MPH
L 9	ENG. BLK HEATER	SP 95	SPARE-RJB TO RR ROOF	0 L3	FS - FJB GRD	5 NO	SPEED SIGNAL HIGHER 5MPH
SP 2	SPARE-FJB TO FR SERV CPT	SP 96	SPARE-RJB TO LUGG CPT #2	0 L4	FS - FJB GRD	9	INTERIOR LTS-ENGINE CPT
SP 3	SPARE-FJB TO CENTER DASH	SP 97	SPARE-RJB TO LUGG CPT #3	0 L5	FS - CIGAR LIGHTER	9 A	INTERIOR LTS-ENGINE CPT
SP 4	SPARE-FJB TO CENTER DASH	SP 98	SPARE-RJB TO LUGG CPT #3	0 L	RS - ENGINE CPT ACCES. GRD	9 B	INTERIOR LTS-ENGINE CPT
SP 5	SPARE-RJB TO LUGG CPT #2	SP 104	SPARE-RJB TO ENGINE CPT	0 L	ENTRANCE DOOR GRD	9 E	INTERIOR LTS-FR SERVICE CPT
SP 6	SPARE-RJB TO LUGG CPT #1	SP 105	SPARE-FJB TO ENGINE	0 LH	RS - RR END LAMPS LH GRD	9 F	INTERIOR LTS-FR SERVICE CPT
SP 7	SPARE-RJB TO LUGG CPT #1	SP 106	SPARE-RJB TO BATT. CPT.	0 M	FS - ELECTRICAL MOTOR GRD	10	INTERIOR LTS-LUGGAGE CPT
SP 8	SPARE-RJB TO LUGG CPT #1	SP 107	SPARE-RJB TO BATT. CPT.	0 M3	FS - ELECTRICAL MOTOR GRD	10 A	INTERIOR LTS-LUGGAGE CPT
SP 9	SPARE-RJB TO LUGG CPT #2	SP 108	SPARE-RJB TO BATT. CPT.	0 M4	FS - ELECTRICAL MOTOR GRD	10 B	INTERIOR LTS-LUGGAGE CPT
SP 10	SPARE-RJB TO LUGG CPT #1	SP 109	SPARE-RJB TO ENGINE CPT.	0 M5	FS - ELECTRICAL MOTOR GRD	10 C	INTERIOR LTS-LUGGAGE CPT
SP 11	SPARE-FJB TO RJB	SP 110	SPARE-RJB TO ENGINE CPT.	0 M6	FS - FJB GRD	10 D	INTERIOR LTS-LUGGAGE CPT
SP 12	SPARE-RJB TO ENGINE	SP 111	SPARE-RJB TO ENGINE CPT.	0 M7	FS - ELECTRICAL MOTOR GRD	10 E	INTERIOR LTS-EVAP. CPT
SP 13	SPARE-RJB TO ENGINE	SP 112	SPARE-RJB TO ENGINE CPT.	0 M8	FS - AUX. A/C UNIT	10 F	INTERIOR LTS-LUGGAGE CPT
SP 14	SPARE-FJB TO RJB	SP 114	SPARE-FJB TO U/DASH WIPER	0 M9	FS - WATER PUMP DRIVER	10 H	INTERIOR LTS-LUGGAGE CPT
SP 15	SPARE-RJB TO ENGINE	SP 115	SPARE-FJB TO U/DASH WIPER	0 M	RS - ENGINE CPT ACCES. GRD	10 R	INTERIOR LTS-LUGGAGE DOOR AJAR
SP 16	SPARE-RJB TO ENGINE	SP 116	SPARE-RJB TO U/DASH FLOOR	0 MR	24V DISC. SW. RLY GRD SIGNAL	12	12V BAT ELECTRICAL JCT BLOCK
SP 17	SPARE-RJB TO ENGINE	SP 117	SPARE-FJB TO U/DASH FLOOR	0 MS	24V DISC. SW. RLY GRD SIGNAL	12	BAT CPT 12V BATTERY
SP 18	SPARE-FJB TO RJB	W C	A/C & HEAT SYST-EVAP CTR SIGN	0 N	RS - ENGINE CPT ACCES. GRD	12 A	FR JCT BOX 12V DISC SW
SP 24	SPARE-RJB TO LAVATORY ROOF	0	BC - BAT. CPT CHASSIS GRD	0 P	RS - ENGINE CPT ACCES. GRD	12 A	RR JCT BOX 12V DISC SW
SP 25	SPARE-RJB TO LAVATORY ROOF	0	CONDENSER CPT GRD	0 R	RS - RJB GRD	12 B	12V BAT ELECTRICAL JCT BLOCK
SP 26	SPARE-RJB TO LAVATORY ROOF	0	RS - RR JCT BOX RLY GRD	0 R	RS - ENGINE CPT ACCES. GRD	12 B	RR JCT BOX 12V DISC SW
SP 27	SPARE-RJB TO LH HAT RACK	0 A	BC - SHIELD GRD	0 RH	RS - RR END LAMPS RH GRD	12 B	FR JCT BOX 12V DISC SW
SP 28	SPARE-RJB TO LH HAT RACK	0 A	RS - RR JCT BOX RLY GRD	0 S	12 VOLT RUN- GND RLY	12 BE	BAT. EQUALIZER MONITOR
SP 31	SPARE-RJB TO RH HAT RACK	0 A	FRS - FR ROOF ACCES. GRD	0 SA	ENGINE CPT STUD-ALTERN. BOSCH	12 C	FR JCT BOX 12V DISC SW
SP 32	SPARE-RJB TO RH HAT RACK	0 A	RS - LUG. CPT ACCES. GRD	0 T	FS - DASH ACCES. GRD	12 C	RR JCT BOX 12V DISC SW
SP 33	SPARE-FJB TO RJB	0 AA	RS - VOLTAGE REGULATOR GRD	0 T1	FS - DASH ACCES. GRD	12 D	BAT CPT 12V BATTERY
SP 38	SPARE-FJB TO RJB	0 B	EC - ENGINE GRD	0 T2	FS - DASH ACCES. GRD	12 DT	TTLT MODULE
SP 43	SPARE-FJB TO RJB	0 B	FRS - FR ROOF HEAT WIND GRD	0 T3	FS - DASH ACCES. GRD	12 E	FR JCT BOX 12V DISC SW
SP 45	SPARE-FJB TO RJB	0 B	RS - LUG. CPT ACCES. GRD	0 T4	FS - DASH ACCES. GRD	12 E	RR JCT BOX 12V DISC SW
SP 46	SPARE-RJB TO LH FR ROOF	0 BE	RJB - BAT. EQUAL. BAT GRD	0 V	RR JCT BOX CPT GRD STUD	12 F	BAT CPT 12V FJB & IC
SP 48	SPARE-RJB TO DASH CENTER PANEL	0 C	EC - STARTER MOTOR GRD	0 VA	BATTERY TO EQUALISER 0V	12 F	FR JCT BOX 12V DISC SW
SP 56	SPARE-ENGINE TO RH SW PANEL	0 C	FS - SERV. CPT ACCES. GRD	0 W	FS - WT GND & SHIELD	12 F	RR JCT BOX 12V DISC SW
SP 57	SPARE-DASH CENTER PANEL TO ENG.	0 C	BC - FAN CONDENSER GRD	0 W	RS - RR JCT BOX (WCL) GRD	12 G	FR JCT BOX 12V DISC SW
SP 58	SPARE-DASH CENTER PANEL TO ENG.	0 CR	24V DISC. SW. RLY GRD SIGNAL	0 WC	RS - RR JCT BOX GRD (WCL)	12 J	FR JCT BOX 12V DISC SW
SP 59	SPARE-FJB TO ENGINE	0 CS	24V DISC. SW. RLY GRD SIGNAL	0 X	RS - RR JCT BOX GRD	12 K	HVAC MODULE
SP 61	SPARE-FJB TO DASH RH PANEL	0 C1	FS - SERV. CPT ACCES. GRD	0 Y	ABS FR JCT BOX CPT GRD STUD	12 I	12V IGNITION DISTRIBUTION
SP 68	SPARE-FJB TO ENGINE	0 C2	FS - SERV. CPT ACCES. GRD	0 Y	RR JCT BOX GRD	12 I	RR JCT BOX 12V IGNITION
SP 69	SPARE-FJB TO FR AXLE	0 C3	FS - SERV. CPT ACCES. GRD	0 Y1	ABS FR JCT BOX CPT GRD STUD	12 IA	12V IGNITION DISTRIBUTION
SP 70	SPARE-FJB TO FR AXLE	0 C4	FS - FJB. CPT ACCES. GRD	0 Z	RR JCT BOX CPT GRD STUD	12 IA	FR JCT BOX 12V IGNITION
SP 71	SPARE-FJB TO RH SW PANEL	0 D	BC - FAN CONDENSER GRD	00	FJB & RJB BATT. GRD	12 IB	FR JCT BOX 12V IGNITION
SP 72	SPARE-FJB TO FR SERV CPT	0 D	RS - HAT RACK ACCES. LH GRD	00 A	FBG - T.T.LT. MODULES BATT. GRD	12 LX	CLUSTER FEED
SP 74	SPARE-FJB TO LH CONSOLE	0 DF	RS - RR SIDE FLASH & MARK GRD	00 Y	FS - ABS MODULLE BATT. GRD	12 IF	FR JCT BOX 12V IGNITION
SP 77	SPARE-FJB TO EVAPORATOR CPT	0 DR	RS - RJB DOCKING LT RESISTORS	00 SS	SOUND SYSTEM BATT. GRD	12 P	LH CONSOLE POWER OUTLET
SP 78	SPARE-FJB TO CONDENSER CPT	0 J	FS - LH CONSOLE SW GRD	1	TACHO SYSTEM - RPM SIGNAL +	12 R	BAT CPT 12V DISC RLY TO RJB
SP 79	SPARE-FJB TO CONDENSER CPT	0 J	RS - RR ROOF ACCES. GRD	2 A	A/C & HEAT SYSTEM-COOL 1 SIGN	12 VA	BATTERY TO EQUALIZER 12V
SP 87	SPARE-RJB TO LH HAT RACK	0 K	RS - RR ROOF ACCES. GRD	2 B	A/C & HEAT SYSTEM-COOL SIGN	12 VD	12V HOT WIRE DISTRIBUTION
SP 88	SPARE-RJB TO RH HAT RACK	0 K	RS - RJB A/C JCT PANEL GRD	2 H	A/C & HEAT SYSTEM-HI PRESS SW	12 VF	BAT CPT 12V FJB & IC
SP 92	SPARE-RJB TO CONDENSER CPT	0 L	FS - FR SERVICE CPT LTS GRD	2 HL	A/C & HEAT SYSTEM-LO & HI PRESS SW	12 VI	12V IGNITION DISTRIBUTION
SP 93	SPARE-RJB TO EVAPORATOR CPT	0 L1	FS - FR SERVICE CPT LTS GRD	2 L	A/C & HEAT SYSTEM-LO PRESS SW	12 VR	BAT CPT 12V DISC RLY TO RJB

CIRCUIT NUMBER CODE

No.	DESCRIPTION	No.	DESCRIPTION	No.	DESCRIPTION	No.	DESCRIPTION
12 W	12V BATTERY DDEC III	24 F	FR JCT BOX 24V DISC SW	29 B	A/C & HEAT SYSTEM-DRIVER'S HTR	53 B	WIPER & WASHER SYSTEM
12 X	FR JCT BOX 12V DISC SW	24 F	RR JCT BOX 24V DISC SW	31 A	A/C & HEAT SYSTEM-UNLOADER	53 C	WIPER & WASHER SYSTEM
12 X2	FR JCT BOX 12V DISC SW	24 G	FR JCT BOX 24V DISC SW	31 B	A/C & HEAT SYSTEM-UNLOADER	53 E	WIPER & WASHER SYSTEM
12 Y	FR JCT BOX 12V DISC SW	24 G	RR JCT BOX 24V DISC SW	31 B	WIPER & WASHER SYSTEM	53 J	WIPER & WASHER SYSTEM
13 A	ALARM & SIGNAL-LO AIR PRIM.	24 H	FR JCT BOX 24V DISC SW	31 C	WIPER & WASHER SYSTEM	55	EXTERIOR LTS-HI BEAM
13 B	ALARM & SIGNAL-LO AIR SEC.	24 H	RR JCT BOX 24V DISC SW	31 D	WIPER & WASHER SYSTEM	57	EXTERIOR LTS-HI BEAM
15	EXTERIOR LTS-MULTI FUNC LEVEL	24 I	FR JCT BOX 24V IGNITION	31 E	WIPER & WASHER SYSTEM	57 A	A/C & HEAT SYSTEM-WATER PUMP
15 A	WIPER & WASHER UPPER WINDSHIELD	24 I	RR JCT BOX 24V IGNITION	31 J	WIPER & WASHER SYSTEM	57 A	EXTERIOR LTS-HI BEAM
16	SPEED - SIGNAL +	24 I A	FR JCT BOX 24V IGNITION	31 X	WIPER & WASHER SYSTEM	57 B	A/C & HEAT SYSTEM-WATER PUMP
16 A	SPEED - SIGNAL +	24 I A	RR JCT BOX 24V IGNITION	32	EXTERIOR LTS-BACK-UP	57 C	PRE-HEAT WATER HEATER
16 T	SPEED - SIGNAL +	24 I B	FR JCT BOX 24V IGNITION	32 B	EXTERIOR LTS-BACK-UP	57 CA	A/C & HEAT SYSTEM-HEAT SIGN
17	EXTERIOR LTS-FLASHER UNIT	24 I B	RR JCT BOX 24V IGNITION	32 C	BACK-UP PWR & SIGNAL	57 C C	A/C & HEAT SYSTEM-HEAT SIGN
17 A	EXTERIOR LTS-FLASHER UNIT	24 I F	FJB 24V IGNITION	32 D	BACK-UP ALARM	58	EXTERIOR LTS-LO BEAM
19	DIFFERENTIAL OIL TEMP	24 I C	FR JCT BOX 24V IGNITION	35	ENTRANCE DOOR	58 A	EXTERIOR LTS-LO BEAM
20	SPEED - SIGNAL -	24 P	FR JCT BOX 24V DISC SW	35 B	ENTRANCE DOOR	58 B	EXTERIOR LTS-LO BEAM
20 T	SPEED - SIGNAL -	24 S	24V DISC SW RLY SIGNAL	36	JACOB BRAKE SYSREM	58 C	DAYTIME RUNNING LIGHT
20 W	SPEED - SIGNAL -	24 T	RR JCT BOX 24V DISC SW	36 A	JACOB BRAKE SYSREM	58 D	DAYTIME RUNNING LIGHT
21	EXTERIOR LTS-DIRECTIONNAL LH	24 V 2	RR JCT BOX 24V DISC SW	39	INTERIOR LTS-24V LH CONSOLE SW	58 E	EXTERIOR LTS-LO BEAM
21 A	EXTERIOR LTS-DIRECTIONNAL LH	24 V 3	RR JCT BOX 24V DISC SW	39 A	INTERIOR LTS-DRIVER'S LTS	59 A	JACOB BRAKE SYSTEM
21 B	EXTERIOR LTS-HAZARD	24 V 4	RR JCT BOX 24V DISC SW	39 K	DRIVER'S LTS KEYLESS	61	EXTERIOR LTS-24V FEED SW
21 C	EXTERIOR LTS-CORNERING LH	24 V 5	RR JCT BOX 24V DISC SW	41	A/C & HEAT SYSTEM-COND FAN MOT	61 A	EXTERIOR LTS-HEAD SIGNAL
21 H	EXTERIOR LTS-DIRECTIONNAL LH	24 V D	24V HOT WIRE DISTRIBUTION	41 A	A/C & HEAT SYSTEM-COND FAN MOT	63	EXTERIOR LTS-CLEARANCE
21 K	EXTERIOR LTS-CORNERING	24 V F	BAT CPT 24V SW TO FJB & IC	41 B	A/C & HEAT SYSTEM-COND FAN MOT	63 A	EXTERIOR LTS-CLEARANCE
21 N	EXTERIOR LTS-CORNERING LH	24 V A	BATTERY TO EQUALIZER 24V	42	A/C & HEAT SYSTEM-COND FAN MOT	63 B	EXTERIOR LTS-CLEARANCE
21 P	EXTERIOR LTS-CORNERING LH	24 V I	RR JCT BOX 24V IGNITION	43	A/C & HEAT SYSTEM-COND FAN MOT	63 C	EXTERIOR LTS-MARKER SIGNAL
23	EXTERIOR LTS-DIRECTIONNAL RH	24 V R	BAT CPT 24V DISC SW TO RJB	42 A	A/C & HEAT SYSTEM-COND FAN MOT	63 D	EXTERIOR LTS-MARKER & TAIL
23	EXTERIOR LTS-DIRECTIONNAL RH	25	12VAC GEN RLY ON SIGNAL	44	EXTERIOR LTS-FOG	63 E	EXTERIOR LTS-CLEARANCE
23 A	EXTERIOR LTS-DIRECTIONNAL RH	25	12VAC GEN RLY ON SIGNAL	44 A	EXTERIOR LTS-FOG	63 F	EXTERIOR LTS-MARKER BLINKER
23 B	EXTERIOR LTS-DIRECTIONNAL RH	25 A	ETHER SWITCH	44 B	EXTERIOR LTS-FOG	63 H	EXTERIOR LTS-TAIL
23 C	EXTERIOR LTS-CORNERING RH	25 A	NOT ALTERNATOR #1-WARNING LT	44 C	EXTERIOR LTS-FOG & HAZARD	64	DRIVER'S FAN
23 N	EXTERIOR LTS-CORNERING RH	25 A 1	24 VOLTS EXCITING SIGNAL - ALT. #1	45 A	WATER PUMP SIGNAL	64 B	DRIVER'S FAN
23 P	EXTERIOR LTS-CORNERING RH	25 A 2	24 VOLTS EXCITING SIGNAL - ALT. #2	45 B	A/C & HEAT SYSTEM-HEAT SIGN	64 C	DRIVER'S FAN
24	BAT CPT 24V BATTERY	25 A 3	24 V. SIGNAL ALT#1 OR ALT. #2 RUN	45 D	A/C & HEAT SYSTEM-WATER VALVE	65	FOOT DAMPER MOTOR
24	FR JCT BOX 24V DISC SW	25 F	12V IGNITION DISTRIBUTION	45 E	A/C & HEAT SYSTEM-HEAT 1 SIGN	65 A	FOOT DAMPER MOTOR
24 A	BOOSTER BLOCK 24V DISC SW	25 B	EXTERIOR LTS-DAYTIME RUN LTS	45 G	A/C & HEAT SYSTEM-DRIVER'S HTR	65 D	DRIVER'S REC. DAMPER
24 A	FR JCT BOX 24V DISC SW	25 B	12 V. IGN. ALTERNATOR BOSCH	45 H	A/C & HEAT SYSTEM-DRIVER'S HTR	65 P	PASSENGER REC. DAMPER
24 A	RR JCT BOX 24V DISC SW	25 C	12 V. SIGNAL ALT.#1 AND ALT.#2 RUN	45 W	A/C & HEAT SYSTEM-COND. DOOR AJAR	66	O_PASS. ON/OFF
24 B	24V STARTER RLY FEEDING	25 D	12 V. SIGNAL ALT.#1 AND ALT.#2 RUN	46	EXTERIOR LTS-MARKER	67	A/C & HEAT SYSTEM
24 B	FR JCT BOX 24V DISC SW	25 H	24 V. IGN. ALTERNATOR BOSCH	46 A	EXTERIOR LTS-MARKER	67 A	A/C & HEAT SYSTEM
24 B	RR JCT BOX 24V DISC SW	25 K	NOT ALTERNATOR #2-WARNING LT	46 B	EXTERIOR LTS-MARKER	67 B	A/C & HEAT SYSTEM
24 BE	RJB CPT-BAT EQ MONITOR HOT WIRE	26	CIGAR LIGHTER	46 B	EXTERIOR LTS-MARKER	67 C	HEAT WINDS.
24 C	FR JCT BOX 24V DISC SW	26	DRIVER'S WINDOW LIFTER	46 C	EXTERIOR LTS-MARKER	67 K	A/C & HEAT SYSTEM-COND FAN CTR
24 C	RR JCT BOX 24V DISC SW	26 B	DRIVER'S WINDOW LIFTER	47	A/C & HEAT SYSTEM-DRIVER'S HTR	67 L	A/C & HEAT SYSTEM-COND FAN CTR
24 D	BAT CPT 24V HOT WIRE	26 C	DRIVER'S WINDOW LIFTER	50	AIR DRYER	67 V	A/C & HEAT SYSTEM-WATER VALVE
24 D	FR JCT BOX 24V HOT WIRE	27	PARKING BRAKE SONALERT	52	ALARM & SIGNAL-ELEC. HORN	68	DASH & DEFROST DAMPER MOTOR
24 D	RR JCT BOX 24V HOT WIRE	27 A	PARKING BRAKE SONALERT	52 A	ALARM & SIGNAL-ELEC. HORN	68 A	DASH & DEFROST DAMPER MOTOR
24 DA	A/C JCT BOX 24V HOT WIRE	28 A	A/C & HEAT SYSTEM-HI PRESSURE	52 B	ALARM & SIGNAL-AIR HORN	70	INTERIOR LTS-HAT RACK & RR RUN.
24 E	BAT CPT 24V DISC SW	29	A/C & HEAT SYSTEM-DRIVER'S HTR	52 C	ALARM & SIGNAL-AIR HORN	72	SUN VISOR-FEEDING
24 E	FR JCT BOX 24V DISC SW	29 A	A/C & HEAT SYSTEM-DRIVER'S HTR	53	ALARM & SIGNAL-ELEC. HORN	72 A	SUN VISOR-RH
24 E	RR JCT BOX 24V DISC SW	29 H	HVAC DASH MODULE	53 A	WIPER & WASHER SYSTEM	72 B	SUN VISOR-RH

CIRCUIT NUMBER CODE

No.	DESCRIPTION	No.	DESCRIPTION	No.	DESCRIPTION	No.	DESCRIPTION
72 C	SUN VISOR-LH	101	WORLD TRANSM-LO SIGN SOL. LO	126	LEVEL LOW SYSTEM	138	ABS SYSTEM
72 D	SUN VISOR-LH	102	24V STARTER TO GENERATOR DELCO	126	WORLD TRANSM-LUBE PRESS SW.	138	WORLD TRANSM-RETARDER TEMP
76	FUEL TANK GAUGE	102	WORLD TRANSM-SOL. GRD 1	127	WORLD TRANSM-LUBE PRESS SW.	138 A	ABS SYSTEM
76 B	LOW FUEL LT & ETHER COLD START	102	WORLD TRANSM-SOL. C3	127	PRE-HEAT WATER HEATER	139	ABS SYSTEM
76 C	LOW FUEL LT	102 A	24V STARTER TO GENERATOR BOSCH	127 A	PRE-HEAT WATER HEATER	139	WORLD TRANSM-OUTPUT SPEED HI
76 P	FUEL PRIME PUMP	104	WORLD TRANSM-SOL. FORWARD	127 B	PRE-HEAT WATER HEATER	140	ABS SYSTEM
76 M	FUEL PRIME PUMP	104	LEVEL LOW SYSTEM	127	WORLD TRANSM-RETARDER FEED SOL.	140	WORLD TRANSM-OUTPUT SPEED LO
77 A	A/C & HEAT SYSTEM-COMPRESSOR	105	WORLD TRANSM-RETARDER & SUMP	127 S	PRE-HEAT WATER HEATER	141	ABS SYSTEM
77 B	A/C & HEAT SYSTEM-COMPRESSOR	105 W	WORLD TRANSM-RETARDER & SUMP	127 W	PRE-HEAT WATER HEATER	141	WORLD TRANSM-ENGINE SPEED HI
77 C	A/C & HEAT SYSTEM-COMPRESSOR	106	WORLD TRANSM-OIL LEVEL HI	128	PRE-HEAT WATER HEATER	142	ABS SYSTEM
77 H	A/C & HEAT SYSTEM-COMPRESSOR	107	CHARG SYST-VOLTAGE REGUL. "F"	128 A	PRE-HEAT WATER HEATER	142	WORLD TRANSM-SERIAL COM. A
77 K	GRD SIGNAL-COMPRESSOR CUT-OUT	107	WORLD TRANSM-LOCKUP SOL. HI	128 B	PRE-HEAT WATER HEATER	143	ABS SYSTEM
81	EXTERIOR LTS-STOP SW	108	WORLD TRANSM-REM. PWR WAKE UP	128 W	PRE-HEAT WATER HEATER	143	WORLD TRANSM-ECU BATTERY GRD
82	EXTERIOR LTS-STOP SIGNAL	109	WORLD TRANSM-RET. SOL. LO	128	WORLD TRANSM-SOL. C2	143 A	ABS SYSTEM
82 A	EXTERIOR LTS-STOP SIGNAL	110	ALARM & SIGNAL-WATER TEMP	129	PRE-HEAT WATER HEATER	143 W	WORLD TRANSM-BATTERY GRD
82 B	EXTERIOR LTS-STOP LTS	110	WORLD TRANSM-LOCKUP SOL. LO	129	WORLD TRANSM-SOL. C5	143 X	WORLD TRANSM-BATTERY GRD
82 K	EXTERIOR LTS-STOP PARK BRK	111	WORLD TRANSM-SOL. C6	130	WORLD TRANSM-SOL. GRD 3	144	ABS SYSTEM
82 L	EXTERIOR LTS-LH STOP	112	WORLD TRANSM-SPARE OUTPUT (+)	131	WORLD TRANSM-SOL. C4	144	WORLD TRANSM-ECU CHASSIS GRD
82 R	EXTERIOR LTS-LH STOP	113	ALARM & SIGNAL-OIL PRESS	132	WORLD TRANSM-ENG BRK OUTPUT (-)	144 A	ABS SYSTEM
83	ENGINE CTR-KEY SW ACCES SIGN	113	WORLD TRANSM-REVERSE WARNING	132 A	LEVEL LOW SYSTEM	145	ABS SYSTEM
84	ENGINE CTR-KEY SW ACCES SIGN	114	INTERIOR LTS-DASH LT REGUL.	132 B	LEVEL LOW SYSTEM	146	ABS SYSTEM
85	ENGINE CTR-KEY SWIGNITION SIGN	114	WORLD TRANSM-SPARE OUTPUT (-)	132 C	LEVEL LOW SYSTEM	146	WORLD TRANSM-IGNITION SENSE
85	24V IGNITION SIGNAL	114 A	INTERIOR LTS-DASH LT	132 D	LEVEL LOW SYSTEM	146 W	WORLD TRANSM-12V IGNITION
85 A	24V IGN DASH INSTRUMENTATION	114 B	INTERIOR LTS-DASH LT REGUL.	132 E	LEVEL LOW SYSTEM	146 X	WORLD TRANSM-12V IGNITION
85 B	ENGINE CTR-24V IGNITION	114 D	INTERIOR LTS-DASH LT REGUL.	132 F	LEVEL LOW SYSTEM	147	ABS SYSTEM
85 C	PARKING BRAKE SWITCH	114 E	INTERIOR LTS-DASH LT REGUL.	132 G	LEVEL LOW SYSTEM	147	ETHER COLD START
85 F	ENGINE CTR-ENGINE CTR SW IGN	115	ALARM & SIGNAL-TAG PRESS	132 H	LEVEL LOW SYSTEM	147	WORLD TRANSM-OIL TEMP
85 F	LO AIR SONALERT	115	DDEC III-COOLANT LEVEL	132 J	LEVEL LOW SYSTEM	147 C	ETHER COLD START
85 W	24V IGN ABS	115	WORLD TRANSM-DO NOT SHIFT SIGN	132 K	LEVEL LOW SYSTEM	148	ABS SYSTEM
85 X	24V IGN ABS	115 C	DDEC III-COOLANT LEVEL	132 W	WORLD TRANSM-ENG BRK OUTPUT (-)	148	WORLD TRANSM-OUTPUT SPEED LO
85 Y	ABS-WARNING LT	115 W	WORLD TRANSM-DO NOT SHIFT SIGN	133	WORLD TRANSM-RET. ACTUATOR HI	149	ABS SYSTEM
86	ENGINE CTR-STARTER SOL SIGN	116	WORLD TRANSM-LO SIGNAL SOL. HI	134	WORLD TRANSM-RET. APPLY SOL. HI	149	WORLD TRANSM-TURBINE SPEED HI
86 A	ENGINE CTR-STARTER SOL SIGN	116 B	A/C & HEAT SYSTEM-DRIVER'S HTR	135	A/C & HEAT SYSTEM-AIR SENSOR	149 A	ABS SYSTEM
88	ENGINE CTR-RR START SIGNAL	117	WORLD TRANSM-SPARE INPUT (-)	135	WORLD TRANSM-ANALOG GRD	150	DDEC III-ECM BATTERY GRD
89	ENGINE CTR-RR START SIGNAL	117 A	ALARM & SIGNAL-TRANSM OIL TEMP	135 A	A/C & HEAT SYSTEM-AIR SENSOR	150	WORLD TRANSM-ENGINE SPEED LO
90 B	A/C & HEAT SYSTEM-COND FAN MOT	117 A	ALARM & SIGNAL-TRANSM OIL TEMP	135 D	A/C & HEAT SYSTEM-AIR SENSOR	150 A	DDEC III-ECM BATTERY GRD
90 B	ENGINE CTR-MAST KEY SW FEED	118	WORLD TRANSM-SPARE INPUT (+)	135 C	A/C & HEAT SYSTEM-AIR SENSOR	151	ABS SYSTEM
90 C	A/C & HEAT SYSTEM-COND FAN MOT	119	WORLD TRANSM-ENG BRK INPUT (+)	135 D	WORLD TRANSM-RETARDER RES MOD	151	DDEC III-ECM BATTERY GRD
90 F	CHARG SYST-VOLTAGE REGUL. "B"	120	WORLD TRANSM-SOL. C1	135 C	WORLD TRANSM-RETARDER TEMP	151	WORLD TRANSM-SERIAL COM. B
90 H	A/C & HEAT SYSTEM-EVAP FAN MOT	121	WORLD TRANSM-SOL. GRD 2	136	WORLD TRANSM-ECU POWER	151 A	ABS SYSTEM
90 J	A/C & HEAT SYSTEM-COND FAN MOT	122	A/C & HEAT SYSTEM-DRIVER'S HTR	136 V	WORLD TRANSM-12V BATTERY	152	ABS SYSTEM
91	PARKING BRAKE SW SIGNAL	122	A/C & HEAT SYSTEM-FRESH AIR	136 W	WORLD TRANSM-12V BATTERY	152 A	ABS SYSTEM
91 A	DDEC-FAST IDLE SIGNAL	122	WORLD TRANSM-SOL. GRD 4	136 X	WORLD TRANSM-12V BATTERY	153	ABS SYSTEM
91 S	SONALERT PARKING BRAKE	122 A	A/C & HEAT SYSTEM-FRESH AIR	137	WORLD TRANSM-RETARDER	153	WORLD TRANSM-SPARE INPUT (-)
91 W	PARK, BRAKE SW SIGN (WCL)	123	WORLD TRANSM-NEUTRAL START	137 A	MIRROR (SPARTAN & RAMCO)	154	ABS SYSTEM
92	BATTERY EQUALIZER-CHECK BALANCE	123 A	ALARM & SIGNAL-FIRE DETECTOR	137 B	RR VIEW MIRROR (SPARTAN)	154	WORLD TRANSM-ABS RET. INPUT
93	BATTERY EQUALIZER-CHECK LO/HI	123 B	ALARM & SIGNAL-FIRE DETECTOR	137 C	RR VIEW MIRROR (SPARTAN)	155	ABS SYSTEM
95 A	ENGINE BRAKE & RETARDER SYSTEM	124	WORLD TRANSM-THROTTLE (HI)	137 D	RR VIEW MIRROR (SPARTAN)	155	WORLD TRANSM-SPARE INPUT (-)
97	TACHOMETER (-)	125	WORLD TRANSM-RET. INDICATOR	137 E	RR VIEW MIRROR (SPARTAN)	156	ABS SYSTEM
101	24V STARTER SOL FEEDING	125 W	WORLD TRANSM-RET. INDICATOR	137 G	RR VIEW MIRROR (SPARTAN)	156	WORLD TRANSM-THROTTLE POS.

CIRCUIT NUMBER CODE

No.	DESCRIPTION	No.	DESCRIPTION	No.	DESCRIPTION	No.	DESCRIPTION
156 A	ABS SYSTEM	180 A	DRIVER'S SEAT HEATER	279	KEYLESS ENTRY SYSTEM		
157	ABS SYSTEM	180 B	CO-PILOT SEAT HEATER	280	KEYLESS ENTRY SYSTEM		
157	WORLD TRANSM-SPEEDO SIGNAL	180 C	CO-PILOT SEAT HEATER	283	KEYLESS ENTRY SYSTEM		
157 A	ABS SYSTEM	181 A	THERMOMETER INSIDE SENSOR	283 A	KEYLESS ENTRY SYSTEM		
157 B	ABS SYSTEM	181 B	THERMOMETER INSIDE SENSOR	284 A	KEYLESS ENTRY SYSTEM		
158	WORLD TRANSM-DIMMER	181 C	THERMOMETER OUTSIDE SENSOR	285	KEYLESS ENTRY SYSTEM		
160	ALARM & SIGNAL-TAG PRESS SW	181 D	THERMOMETER OUTSIDE SENSOR	286	KEYLESS ENTRY SYSTEM		
160	WORLD TRANSM-SER. INTERFACE (-)	197	FUEL WATER FILTER	286 A	KEYLESS ENTRY SYSTEM		
161	WORLD TRANSM-SIGNAL GRD	197 A	FUEL WATER FILTER	290	FAN CLUTCH RADIATOR		
161 B	WORLD TRANSM-SIGNAL GRD	197 B	FUEL WATER FILTER	290	FAN CLUTCH RADIATOR		
162	WORLD TRANSM-PRESS. SW C3	198	FILTER FUEL HEATER	291	FAN CLUTCH RADIATOR SPD 1		
163	WORLD TRANSM-RETARDER ENABLE	199	AIR FILTER RESTRICTION SENDER	291	KEYLESS ENTRY SYSTEM		
164	WORLD TRANSM-RET. ACTUATOR SIGN	201	WORLD TRANSM-SPARE	292	FAN CLUTCH RADIATOR SPD 2		
165	A/C & HEAT SYSTEM-TRANSMITER	202	WORLD TRANSM-SPARE	293	KEYLESS ENTRY SYSTEM		
165	WORLD TRANSM-OIL LEVEL SIGNAL	203	WORLD TRANSM-SPARE	294	ANTI-THEFT SYSTEM KEYLESS		
165 A	A/C & HEAT SYSTEM-TRANSMITER	204	WORLD TRANSM-SPARE	295	LED FEED ALARM -KEYLESS		
165 B	A/C & HEAT SYSTEM-TRANSMITER	205	WORLD TRANSM-SPARE	417	DDEC III-LIMIT SPEED GOVERNOR		
165 C	A/C & HEAT SYSTEM-TRANSMITER	206	WORLD TRANSM-SPARE	419	DDEC III-CHECK ENGINE LIGHT		
165 D	A/C & HEAT SYSTEM-TRANSMITER	214	WORLD TRANSM-BACK UP SIGNAL	439	DDEC III-12V IGNITION		
166 B	A/C & HEAT SYSTEM-EVAP. MOD.	216 B	24V SIGNAL AUX. LIQ. SOL. VALVE	440	DDEC III-12V IGNITION		
167	A/C & HEAT SYSTEM-TEMP. CTR	216 C	12 V. TRIGGER AUX. A/C UNIT	440 A	DDEC III-12V IGNITION		
167 A	A/C & HEAT SYSTEM-TEMP. CTR	229	24 V. POWER AUX. A/C UNIT	451	DDEC III-A/C FAN CLUTCH		
168	A/C & HEAT SYSTEM-HUMIDISTAT	229 A	PWM SIGNAL - AUX. FAN UNIT	505	DDEC III-TACHOMETER DRIVE		
168	WORLD TRANSM-SER. INTERFACE (+)	231	NEUTRAL SIGNAL GRD	509	DDEC III-STOP ENGINE LIGHT		
168 A	A/C & HEAT SYSTEM-HUMIDISTAT	231 A	NEUTRAL COIL RELAY FEED SIGNAL	510	DDEC III-FAST IDLE SIGNAL		
170 C	LUGGAGE DOOR LOCK	231 W	NEUTRAL SIGNAL GRD (WCL)	524	DDEC III-ENGINE BRAKE DISABLE		
170 D	LUGGAGE DOOR LOCK	240	DDEC III-ECM 12V FEEDING	525	DDEC III-FAST IDLE SIGNAL		
170 E	LUGGAGE DOOR LOCK	241	DDEC III-ECM 12V FEEDING	528	DDEC III-STOP ENG. OVERRIDE		
170 F	LUGGAGE DOOR LOCK	251	DDEC III - PRODRIVER 12V H.W.	531	DDEC III-CRUISE CLUTCH RELEASE		
170 G	LUGGAGE DOOR LOCK	251 A	DDEC III -DATA LOGGER 12V H.W.	540	DDEC III-CRUISE ENABLE LTS.		
170 H	LUGGAGE DOOR LOCK	257	WINDSHIELD HEATED	541	DDEC III-CRUISE SET SW		
170 K	LUGGAGE DOOR LOCK	257 A	WINDSHIELD HEATED	543	DDEC III-CRUISE STOP SW CUT IN		
170 L	LUGGAGE DOOR LOCK	257 B	WINDSHIELD HEATED	544	DDEC III-CRUISE ON/OFF SW		
170 M	LUGGAGE DOOR LOCK	257 C	WINDSHIELD HEATED	545	DDEC III-CRUISE RESUME SW		
170 N	LUGGAGE DOOR LOCK	257 D	WINDSHIELD HEATED SPARE	555	DDEC III-FAN CLUTCH SPEED# 1		
170 P	LUGGAGE DOOR LOCK	257 E	WINDSHIELD HEATED SPARE	556	DDEC III-VEHICLE SPEED (+)		
170 R	LUGGAGE DOOR LOCK	258	WINDSHIELD HEATED	557	DDEC III-VEHICLE SPEED (-)		
170 S	LUGGAGE DOOR LOCK	258 A	WINDSHIELD HEATED	563	DDEC III-FAN CLUTCH SPEED# 2		
170 V	LUGGAGE DOOR LOCK	259	WINDSHIELD HEATED	564	DDEC III-DIGITAL OUTPUT		
170 W	LUGGAGE DOOR LOCK	259 A	WINDSHIELD HEATED	565	DDEC III-ENGINE BRAKE ACTIVE		
170 X	LUGGAGE DOOR LOCK	264	SPEED SIGNAL- AUX. FAN UNIT	583	DDEC III-ENGINE BRAKE 4 CYL.		
170 Y	LUGGAGE DOOR LOCK	264 A	SPEED SIGNAL- AUX. FAN UNIT	900	DDEC III-DATA LINK (+)		
170 Z	LUGGAGE DOOR LOCK	264 B	SPEED SIGNAL- AUX. FAN UNIT	901	DDEC III-DATA LINK (-)		
173	BACK-UP MONITOR	270	KEYLESS ENTRY SYSTEM	908	DDEC III-HYDRAULIC PWM#1 OUTPUT		
174	BACK-UP MONITOR	272	KEYLESS ENTRY SYSTEM	916	DDEC III-SENSOR SUPPLY (5VDC)		
175	BACK-UP MONITOR	274	KEYLESS ENTRY SYSTEM	952	DDEC III-SENSOR RETURN		
175 A	BACK-UP MONITOR	275	KEYLESS ENTRY SYSTEM	953	DDEC III-BATTERY GRD		
175 B	BACK-UP MONITOR	276	KEYLESS ENTRY SYSTEM	979	DDEC III-ENGINE BRAKE 2 CYL.		
175 C	BACK-UP MONITOR	277	KEYLESS ENTRY SYSTEM				
180	DRIVER'S SEAT HEATER	278	KEYLESS ENTRY SYSTEM				

CIRCUIT NUMBER CODE

No.	DESCRIPTION	No.	DESCRIPTION	No.	DESCRIPTION	No.	DESCRIPTION
L 8	ENG. BLK HEATER	SP 94	SPARE-RJB TO RR ROOF	0 L2	FS - FR SERVICE CPT LTS GRD	5 NC	SPEED SIGNAL LOWER 5MPH
L 9	ENG. BLK HEATER	SP 95	SPARE-RJB TO RR ROOF	0 L3	FS - FJB GRD	5 NO	SPEED SIGNAL HIGHER 5MPH
SP 2	SPARE-FJB TO FR SERV CPT	SP 96	SPARE-RJB TO LUGG CPT #2	0 L4	FS - FJB GRD	9	INTERIOR LTS-ENGINE CPT
SP 3	SPARE-FJB TO CENTER DASH	SP 97	SPARE-RJB TO LUGG CPT #3	0 L5	FS - CIGAR LIGHTER	9 A	INTERIOR LTS-ENGINE CPT
SP 4	SPARE-FJB TO CENTER DASH	SP 98	SPARE-RJB TO LUGG CPT #3	0 L	RS - ENGINE CPT ACCES. GRD	9 B	INTERIOR LTS-ENGINE CPT
SP 5	SPARE-RJB TO LUGG CPT #2	SP 104	SPARE-RJB TO ENGINE CPT	0 L	ENTRANCE DOOR GRD	9 E	INTERIOR LTS-FR SERVICE CPT
SP 6	SPARE-RJB TO LUGG CPT #1	SP 105	SPARE-FJB TO ENGINE	0 LH	RS - RR END LAMPS LH GRD	9 F	INTERIOR LTS-FR SERVICE CPT
SP 7	SPARE-RJB TO LUGG CPT #1	SP 106	SPARE-RJB TO BATT. CPT.	0 M	FS - ELECTRICAL MOTOR GRD	10	INTERIOR LTS-LUGGAGE CPT
SP 8	SPARE-RJB TO LUGG CPT #1	SP 107	SPARE-RJB TO BATT. CPT.	0 M3	FS - ELECTRICAL MOTOR GRD	10 A	INTERIOR LTS-LUGGAGE CPT
SP 9	SPARE-RJB TO LUGG CPT #2	SP 108	SPARE-RJB TO BATT. CPT.	0 M4	FS - ELECTRICAL MOTOR GRD	10 B	INTERIOR LTS-LUGGAGE CPT
SP 10	SPARE-RJB TO LUGG CPT #1	SP 109	SPARE-RJB TO ENGINE CPT.	0 M5	FS - ELECTRICAL MOTOR GRD	10 C	INTERIOR LTS-LUGGAGE CPT
SP 11	SPARE-FJB TO RJB	SP 110	SPARE-RJB TO ENGINE CPT.	0 M6	FS - FJB GRD	10 D	INTERIOR LTS-LUGGAGE CPT
SP 12	SPARE-RJB TO ENGINE	SP 111	SPARE-RJB TO ENGINE CPT.	0 M7	FS - ELECTRICAL MOTOR GRD	10 E	INTERIOR LTS-EVAP. CPT
SP 13	SPARE-RJB TO ENGINE	SP 112	SPARE-RJB TO ENGINE CPT.	0 M8	FS - AUX. A/C UNIT	10 F	INTERIOR LTS-LUGGAGE CPT
SP 14	SPARE-FJB TO RJB	SP 114	SPARE-FJB TO U/DASH WIPER	0 M9	FS - WATER PUMP DRIVER	10 H	INTERIOR LTS-LUGGAGE CPT
SP 15	SPARE-RJB TO ENGINE	SP 115	SPARE-FJB TO U/DASH WIPER	0 M	RS - ENGINE CPT ACCES. GRD	10 R	INTERIOR LTS-LUGGAGE DOOR AJAR
SP 16	SPARE-RJB TO ENGINE	SP 116	SPARE-RJB TO U/DASH FLOOR	0 MR	24V DISC. SW. RLY GRD SIGNAL	12	12V BAT ELECTRICAL JCT BLOCK
SP 17	SPARE-RJB TO ENGINE	SP 117	SPARE-FJB TO U/DASH FLOOR	0 MS	24V DISC. SW. RLY GRD SIGNAL	12	BAT CPT 12V BATTERY
SP 18	SPARE-FJB TO RJB	W C	A/C & HEAT SYST-EVAP CTR SIGN	0 N	RS - ENGINE CPT ACCES. GRD	12 A	FR JCT BOX 12V DISC SW
SP 24	SPARE-RJB TO LAVATORY ROOF	0	BC - BAT. CPT CHASSIS GRD	0 P	RS - ENGINE CPT ACCES. GRD	12 A	RR JCT BOX 12V DISC SW
SP 25	SPARE-RJB TO LAVATORY ROOF	0	CONDENSER CPT GRD	0 R	RS - RJB GRD	12 B	12V BAT ELECTRICAL JCT BLOCK
SP 26	SPARE-RJB TO LAVATORY ROOF	0	RS - RR JCT BOX RLY GRD	0 R	RS - ENGINE CPT ACCES. GRD	12 B	RR JCT BOX 12V DISC SW
SP 27	SPARE-RJB TO LH HAT RACK	0 A	BC - SHIELD GRD	0 RH	RS - RR END LAMPS RH GRD	12 B	FR JCT BOX 12V DISC SW
SP 28	SPARE-RJB TO LH HAT RACK	0 A	RS - RR JCT BOX RLY GRD	0 S	12 VOLT RUN- GND RLY	12 BE	BAT. EQUALIZER MONITOR
SP 31	SPARE-RJB TO RH HAT RACK	0 A	FRS - FR ROOF ACCES. GRD	0 SA	ENGINE CPT STUD-ALTERN. BOSCH	12 C	FR JCT BOX 12V DISC SW
SP 32	SPARE-RJB TO RH HAT RACK	0 A	RS - LUG. CPT ACCES. GRD	0 T	FS - DASH ACCES. GRD	12 C	RR JCT BOX 12V DISC SW
SP 33	SPARE-FJB TO RJB	0 AA	RS - VOLTAGE REGULATOR GRD	0 T1	FS - DASH ACCES. GRD	12 D	BAT CPT 12V BATTERY
SP 38	SPARE-FJB TO RJB	0 B	EC - ENGINE GRD	0 T2	FS - DASH ACCES. GRD	12 DT	TTL MODULE
SP 43	SPARE-FJB TO RJB	0 B	FRS - FR ROOF HEAT WIND GRD	0 T3	FS - DASH ACCES. GRD	12 E	FR JCT BOX 12V DISC SW
SP 45	SPARE-FJB TO RJB	0 B	RS - LUG. CPT ACCES. GRD	0 T4	FS - DASH ACCES. GRD	12 E	RR JCT BOX 12V DISC SW
SP 46	SPARE-RJB TO LH FR ROOF	0 BE	RJB - BAT. EQUAL. BAT GRD	0 V	RR JCT BOX CPT GRD STUD	12 F	BAT CPT 12V FJB & IC
SP 48	SPARE-RJB TO DASH CENTER PANEL	0 C	EC - STARTER MOTOR GRD	0 VA	BATTERY TO EQUALISER 0V	12 F	FR JCT BOX 12V DISC SW
SP 56	SPARE-ENGINE TO RH SW PANEL	0 C	FS - SERV. CPT ACCES. GRD	0 W	FS - WT GND & SHIELD	12 F	RR JCT BOX 12V DISC SW
SP 57	SPARE-DASH CENTER PANEL TO ENG.	0 C	BC - FAN CONDENSER GRD	0 W	RS - RR JCT BOX (WCL) GRD	12 G	FR JCT BOX 12V DISC SW
SP 58	SPARE-DASH CENTER PANEL TO ENG.	0 CR	24V DISC. SW. RLY GRD SIGNAL	0 WC	RS - RR JCT BOX GRD (WCL)	12 J	FR JCT BOX 12V DISC SW
SP 59	SPARE-FJB TO ENGINE	0 CS	24V DISC. SW. RLY GRD SIGNAL	0 X	RS - RR JCT BOX GRD	12 K	HVAC MODULE
SP 61	SPARE-FJB TO DASH RH PANEL	0 C1	FS - SERV. CPT ACCES. GRD	0 Y	ABS FR JCT BOX CPT GRD STUD	12 I	12V IGNITION DISTRIBUTION
SP 68	SPARE-FJB TO ENGINE	0 C2	FS - SERV. CPT ACCES. GRD	0 Y	RR JCT BOX GRD	12 I	RR JCT BOX 12V IGNITION
SP 69	SPARE-FJB TO FR AXLE	0 C3	FS - SERV. CPT ACCES. GRD	0 Y1	ABS FR JCT BOX CPT GRD STUD	12 IA	12V IGNITION DISTRIBUTION
SP 70	SPARE-FJB TO FR AXLE	0 C4	FS - FJB. CPT ACCES. GRD	0 Z	RR JCT BOX CPT GRD STUD	12 IA	FR JCT BOX 12V IGNITION
SP 71	SPARE-FJB TO RH SW PANEL	0 D	BC - FAN CONDENSER GRD	00	FJB & RJB BATT. GRD	12 IB	FR JCT BOX 12V IGNITION
SP 72	SPARE-FJB TO FR SERV CPT	0 D	RS - HAT RACK ACCES. LH GRD	00 A	FBG - T.T.LT. MODULES BATT. GRD	12 LX	CLUSTER FEED
SP 74	SPARE-FJB TO LH CONSOLE	0 DF	RS - RR SIDE FLASH & MARK GRD	00 Y	FS - ABS MODULLE BATT. GRD	12 IF	FR JCT BOX 12V IGNITION
SP 77	SPARE-FJB TO EVAPORATOR CPT	0 DR	RS - RJB DOCKING LT RESISTORS	00 SS	SOUND SYSTEM BATT. GRD	12 P	LH CONSOLE POWER OUTLET
SP 78	SPARE-FJB TO CONDENSER CPT	0 J	FS - LH CONSOLE SW GRD	1	TACHO SYSTEM - RPM SIGNAL +	12 R	BAT CPT 12V DISC RLY TO RJB
SP 79	SPARE-FJB TO CONDENSER CPT	0 J	RS - RR ROOF ACCES. GRD	2 A	A/C & HEAT SYSTEM-COOL 1 SIGN	12 VA	BATTERY TO EQUALIZER 12V
SP 87	SPARE-RJB TO LH HAT RACK	0 K	RS - RR ROOF ACCES. GRD	2 B	A/C & HEAT SYSTEM-COOL SIGN	12 VD	12V HOT WIRE DISTRIBUTION
SP 88	SPARE-RJB TO RH HAT RACK	0 K	RS - RJB A/C JCT PANEL GRD	2 H	A/C & HEAT SYSTEM-HI PRESS SW	12 VF	BAT CPT 12V FJB & IC
SP 92	SPARE-RJB TO CONDENSER CPT	0 L	FS - FR SERVICE CPT LTS GRD	2 HL	A/C & HEAT SYSTEM-LO & HI PRESS SW	12 VI	12V IGNITION DISTRIBUTION
SP 93	SPARE-RJB TO EVAPORATOR CPT	0 L1	FS - FR SERVICE CPT LTS GRD	2 L	A/C & HEAT SYSTEM-LO PRESS SW	12 VR	BAT CPT 12V DISC RLY TO RJB

CIRCUIT NUMBER CODE

No.	DESCRIPTION	No.	DESCRIPTION	No.	DESCRIPTION	No.	DESCRIPTION
12 W	12V BATTERY DDEC III	24 F	FR JCT BOX 24V DISC SW	29 B	A/C & HEAT SYSTEM-DRIVER'S HTR	53 B	WIPER & WASHER SYSTEM
12 X	FR JCT BOX 12V DISC SW	24 F	RR JCT BOX 24V DISC SW	31 A	A/C & HEAT SYSTEM-UNLOADER	53 C	WIPER & WASHER SYSTEM
12 X2	FR JCT BOX 12V DISC SW	24 G	FR JCT BOX 24V DISC SW	31 B	A/C & HEAT SYSTEM-UNLOADER	53 E	WIPER & WASHER SYSTEM
12 Y	FR JCT BOX 12V DISC SW	24 G	RR JCT BOX 24V DISC SW	31 B	WIPER & WASHER SYSTEM	53 J	WIPER & WASHER SYSTEM
13 A	ALARM & SIGNAL-LO AIR PRIM.	24 H	FR JCT BOX 24V DISC SW	31 C	WIPER & WASHER SYSTEM	55	EXTERIOR LTS-HI BEAM
13 B	ALARM & SIGNAL-LO AIR SEC.	24 H	RR JCT BOX 24V DISC SW	31 D	WIPER & WASHER SYSTEM	57	EXTERIOR LTS-HI BEAM
15	EXTERIOR LTS-MULTI FUNC LEVEL	24 I	FR JCT BOX 24V IGNITION	31 E	WIPER & WASHER SYSTEM	57 A	A/C & HEAT SYSTEM-WATER PUMP
15 A	WIPER & WASHER UPPER WINDSHIELD	24 I	RR JCT BOX 24V IGNITION	31 J	WIPER & WASHER SYSTEM	57 A	EXTERIOR LTS-HI BEAM
16	SPEED - SIGNAL +	24 I A	FR JCT BOX 24V IGNITION	31 X	WIPER & WASHER SYSTEM	57 B	A/C & HEAT SYSTEM-WATER PUMP
16 A	SPEED - SIGNAL +	24 I A	RR JCT BOX 24V IGNITION	32	EXTERIOR LTS-BACK-UP	57 C	PRE-HEAT WATER HEATER
16 T	SPEED - SIGNAL +	24 I B	FR JCT BOX 24V IGNITION	32 B	EXTERIOR LTS-BACK-UP	57 CA	A/C & HEAT SYSTEM-HEAT SIGN
17	EXTERIOR LTS-FLASHER UNIT	24 I B	RR JCT BOX 24V IGNITION	32 C	BACK-UP PWR & SIGNAL	57 C C	A/C & HEAT SYSTEM-HEAT SIGN
17 A	EXTERIOR LTS-FLASHER UNIT	24 I F	FJB 24V IGNITION	32 D	BACK-UP ALARM	58	EXTERIOR LTS-LO BEAM
19	DIFFERENTIAL OIL TEMP	24 I C	FR JCT BOX 24V IGNITION	35	ENTRANCE DOOR	58 A	EXTERIOR LTS-LO BEAM
20	SPEED - SIGNAL -	24 P	FR JCT BOX 24V DISC SW	35 B	ENTRANCE DOOR	58 B	EXTERIOR LTS-LO BEAM
20 T	SPEED - SIGNAL -	24 S	24V DISC SW RLY SIGNAL	36	JACOB BRAKE SYSREM	58 C	DAYTIME RUNNING LIGHT
20 W	SPEED - SIGNAL -	24 T	RR JCT BOX 24V DISC SW	36 A	JACOB BRAKE SYSTEM	58 D	DAYTIME RUNNING LIGHT
21	EXTERIOR LTS-DIRECTIONNAL LH	24 V 2	RR JCT BOX 24V DISC SW	39	INTERIOR LTS-12V RH PANEL SW.	58 E	EXTERIOR LTS-LO BEAM
21 A	EXTERIOR LTS-DIRECTIONNAL LH	24 V 3	RR JCT BOX 24V DISC SW	39 A	INTERIOR LTS-DRIVER'S LTS	59 A	JACOB BRAKE SYSTEM
21 B	EXTERIOR LTS-HAZARD	24 V 4	RR JCT BOX 24V DISC SW	39 K	DRIVER'S LTS KEYLESS	61	EXTERIOR LTS-24V FEED SW
21 C	EXTERIOR LTS-CORNERING LH	24 V 5	RR JCT BOX 24V DISC SW	41	A/C & HEAT SYSTEM-COND FAN MOT	61 A	EXTERIOR LTS-HEAD SIGNAL
21 H	EXTERIOR LTS-DIRECTIONNAL LH	24 V D	24V HOT WIRE DISTRIBUTION	41 A	A/C & HEAT SYSTEM-COND FAN MOT	63	EXTERIOR LTS-CLEARANCE
21 K	EXTERIOR LTS-CORNERING	24 V F	BAT CPT 24V SW TO FJB & IC	41 B	A/C & HEAT SYSTEM-COND FAN MOT	63 A	EXTERIOR LTS-CLEARANCE
21 N	EXTERIOR LTS-CORNERING LH	24 V A	BATTERY TO EQUALIZER 24V	42	A/C & HEAT SYSTEM-COND FAN MOT	63 B	EXTERIOR LTS-CLEARANCE
21 P	EXTERIOR LTS-CORNERING LH	24 V I	RR JCT BOX 24V IGNITION	43	A/C & HEAT SYSTEM-COND FAN MOT	63 C	EXTERIOR LTS-MARKER SIGNAL
23	EXTERIOR LTS-DIRECTIONNAL RH	24 V R	BAT CPT 24V DISC SW TO RJB	42 A	A/C & HEAT SYSTEM-COND FAN MOT	63 D	EXTERIOR LTS-MARKER & TAIL
23	EXTERIOR LTS-DIRECTIONNAL RH	25	12VAC GEN RLY ON SIGNAL	44	EXTERIOR LTS-FOG	63 E	EXTERIOR LTS-CLEARANCE
23 A	EXTERIOR LTS-DIRECTIONNAL RH	25	12VAC GEN RLY ON SIGNAL	44 A	EXTERIOR LTS-FOG	63 F	EXTERIOR LTS-MARKER BLINKER
23 B	EXTERIOR LTS-DIRECTIONNAL RH	25 A	ETHER SWITCH	44 B	EXTERIOR LTS-FOG	63 H	EXTERIOR LTS-TAIL
23 C	EXTERIOR LTS-CORNERING RH	25 A	NOT ALTERNATOR #1-WARNING LT	44 C	EXTERIOR LTS-FOG & HAZARD	64	DRIVER'S FAN
23 N	EXTERIOR LTS-CORNERING RH	25 A 1	24 VOLTS EXCITING SIGNAL - ALT. #1	45 A	WATER PUMP SIGNAL	64 B	DRIVER'S FAN
23 P	EXTERIOR LTS-CORNERING RH	25 A 2	24 VOLTS EXCITING SIGNAL - ALT. #2	45 B	A/C & HEAT SYSTEM-HEAT SIGN	64 C	DRIVER'S FAN
24	BAT CPT 24V BATTERY	25 A 3	24 V. SIGNAL ALT#1 OR ALT. #2 RUN	45 D	A/C & HEAT SYSTEM-WATER VALVE	65	FOOT DAMPER MOTOR
24	FR JCT BOX 24V DISC SW	25 F	12V IGNITION DISTRIBUTION	45 E	A/C & HEAT SYSTEM-HEAT 1 SIGN	65 A	FOOT DAMPER MOTOR
24 A	BOOSTER BLOCK 24V DISC SW	25 B	EXTERIOR LTS-DAYTIME RUN LTS	45 G	A/C & HEAT SYSTEM-DRIVER'S HTR	65 D	DRIVER'S REC. DAMPER
24 A	FR JCT BOX 24V DISC SW	25 B	12 V. IGN. ALTERNATOR BOSCH	45 H	A/C & HEAT SYSTEM-DRIVER'S HTR	65 P	PASSENGER REC. DAMPER
24 A	RR JCT BOX 24V DISC SW	25 C	12 V. SIGNAL ALT.#1 AND ALT.#2 RUN	45 W	A/C & HEAT SYSTEM-COND. DOOR AJAR	66	O_PASS. ON/OFF
24 B	24V STARTER RLY FEEDING	25 D	12 V. SIGNAL ALT.#1 AND ALT.#2 RUN	46	EXTERIOR LTS-MARKER	67	A/C & HEAT SYSTEM
24 B	FR JCT BOX 24V DISC SW	25 H	24 V. IGN. ALTERNATOR BOSCH	46 A	EXTERIOR LTS-MARKER	67 A	A/C & HEAT SYSTEM
24 B	RR JCT BOX 24V DISC SW	25 K	NOT ALTERNATOR #2-WARNING LT	46 B	EXTERIOR LTS-MARKER	67 B	A/C & HEAT SYSTEM
24 BE	RJB CPT-BAT EQ MONITOR HOT WIRE	26	CIGAR LIGHTER	46 B	EXTERIOR LTS-MARKER	67 C	HEAT WINDS.
24 C	FR JCT BOX 24V DISC SW	26	DRIVER'S WINDOW LIFTER	46 C	EXTERIOR LTS-MARKER	67 K	A/C & HEAT SYSTEM-COND FAN CTR
24 C	RR JCT BOX 24V DISC SW	26 B	DRIVER'S WINDOW LIFTER	47	A/C & HEAT SYSTEM-DRIVER'S HTR	67 L	A/C & HEAT SYSTEM-COND FAN CTR
24 D	BAT CPT 24V HOT WIRE	26 C	DRIVER'S WINDOW LIFTER	50	AIR DRYER	67 V	A/C & HEAT SYSTEM-WATER VALVE
24 D	FR JCT BOX 24V HOT WIRE	27	PARKING BRAKE SONALERT	52	ALARM & SIGNAL-ELEC. HORN	68	DASH & DEFROST DAMPER MOTOR
24 D	RR JCT BOX 24V HOT WIRE	27 A	PARKING BRAKE SONALERT	52 A	ALARM & SIGNAL-ELEC. HORN	68 A	DASH & DEFROST DAMPER MOTOR
24 DA	A/C JCT BOX 24V HOT WIRE	28 A	A/C & HEAT SYSTEM-HI PRESSURE	52 B	ALARM & SIGNAL-AIR HORN	70	INTERIOR LTS-HAT RACK & RR RUN.
24 E	BAT CPT 24V DISC SW	29	A/C & HEAT SYSTEM-DRIVER'S HTR	52 C	ALARM & SIGNAL-AIR HORN	72	SUN VISOR-FEEDING
24 E	FR JCT BOX 24V DISC SW	29 A	A/C & HEAT SYSTEM-DRIVER'S HTR	53	ALARM & SIGNAL-ELEC. HORN	72 A	SUN VISOR-RH
24 E	RR JCT BOX 24V DISC SW	29 H	HVAC DASH MODULE	53 A	WIPER & WASHER SYSTEM	72 B	SUN VISOR-RH

CIRCUIT NUMBER CODE

No.	DESCRIPTION	No.	DESCRIPTION	No.	DESCRIPTION	No.	DESCRIPTION
72 C	SUN VISOR-LH	101	WORLD TRANSM-LO SIGN SOL. LO	126	LEVEL LOW SYSTEM	138	ABS SYSTEM
72 D	SUN VISOR-LH	102	24V STARTER TO GENERATOR DELCO	126	WORLD TRANSM-LUBE PRESS SW.	138	WORLD TRANSM-RETARDER TEMP
76	FUEL TANK GAUGE	102	WORLD TRANSM-SOL. GRD 1	127	WORLD TRANSM-LUBE PRESS SW.	138 A	ABS SYSTEM
76 B	LOW FUEL LT & ETHER COLD START	102	WORLD TRANSM-SOL. C3	127	PRE-HEAT WATER HEATER	139	ABS SYSTEM
76 C	LOW FUEL LT	102 A	24V STARTER TO GENERATOR BOSCH	127 A	PRE-HEAT WATER HEATER	139	WORLD TRANSM-OUTPUT SPEED HI
76 P	FUEL PRIME PUMP	104	WORLD TRANSM-SOL. FORWARD	127 B	PRE-HEAT WATER HEATER	140	ABS SYSTEM
76 M	FUEL PRIME PUMP	104	LEVEL LOW SYSTEM	127	WORLD TRANSM-RETARDER FEED SOL.	140	WORLD TRANSM-OUTPUT SPEED LO
77 A	A/C & HEAT SYSTEM-COMPRESSOR	105	WORLD TRANSM-RETARDER & SUMP	127 S	PRE-HEAT WATER HEATER	141	ABS SYSTEM
77 B	A/C & HEAT SYSTEM-COMPRESSOR	105 W	WORLD TRANSM-RETARDER & SUMP	127 W	PRE-HEAT WATER HEATER	141	WORLD TRANSM-ENGINE SPEED HI
77 C	A/C & HEAT SYSTEM-COMPRESSOR	106	WORLD TRANSM-OIL LEVEL HI	128	PRE-HEAT WATER HEATER	142	ABS SYSTEM
77 H	A/C & HEAT SYSTEM-COMPRESSOR	107	CHARG SYST-VOLTAGE REGUL. "F"	128 A	PRE-HEAT WATER HEATER	142	WORLD TRANSM-SERIAL COM. A
77 K	GRD SIGNAL-COMPRESSOR CUT-OUT	107	WORLD TRANSM-LOCKUP SOL. HI	128 B	PRE-HEAT WATER HEATER	143	ABS SYSTEM
81	EXTERIOR LTS-STOP SW	108	WORLD TRANSM-REM. PWR WAKE UP	128 W	PRE-HEAT WATER HEATER	143	WORLD TRANSM-ECU BATTERY GRD
82	EXTERIOR LTS-STOP SIGNAL	109	WORLD TRANSM-RET. SOL. LO	128	WORLD TRANSM-SOL. C2	143 A	ABS SYSTEM
82 A	EXTERIOR LTS-STOP SIGNAL	110	ALARM & SIGNAL-WATER TEMP	129	PRE-HEAT WATER HEATER	143 W	WORLD TRANSM-BATTERY GRD
82 B	EXTERIOR LTS-STOP LTS	110	WORLD TRANSM-LOCKUP SOL. LO	129	WORLD TRANSM-SOL. C5	143 X	WORLD TRANSM-BATTERY GRD
82 K	EXTERIOR LTS-STOP PARK BRK	111	WORLD TRANSM-SOL. C6	130	WORLD TRANSM-SOL. GRD 3	144	ABS SYSTEM
82 L	EXTERIOR LTS-LH STOP	112	WORLD TRANSM-SPARE OUTPUT (+)	131	WORLD TRANSM-SOL. C4	144	WORLD TRANSM-ECU CHASSIS GRD
82 R	EXTERIOR LTS-LH STOP	113	ALARM & SIGNAL-OIL PRESS	132	WORLD TRANSM-ENG BRK OUTPUT (-)	144 A	ABS SYSTEM
83	ENGINE CTR-KEY SW ACCES SIGN	113	WORLD TRANSM-REVERSE WARNING	132 A	LEVEL LOW SYSTEM	145	ABS SYSTEM
84	ENGINE CTR-KEY SW ACCES SIGN	114	INTERIOR LTS-DASH LT REGUL.	132 B	LEVEL LOW SYSTEM	146	ABS SYSTEM
85	ENGINE CTR-KEY SWIGNITION SIGN	114	WORLD TRANSM-SPARE OUTPUT (-)	132 C	LEVEL LOW SYSTEM	146	WORLD TRANSM-IGNITION SENSE
85	24V IGNITION SIGNAL	114 A	INTERIOR LTS-DASH LT	132 D	LEVEL LOW SYSTEM	146 W	WORLD TRANSM-12V IGNITION
85 A	24V IGN DASH INSTRUMENTATION	114 B	INTERIOR LTS-DASH LT REGUL.	132 E	LEVEL LOW SYSTEM	146 X	WORLD TRANSM-12V IGNITION
85 B	ENGINE CTR-24V IGNITION	114 D	INTERIOR LTS-DASH LT REGUL.	132 F	LEVEL LOW SYSTEM	147	ABS SYSTEM
85 C	PARKING BRAKE SWITCH	114 E	INTERIOR LTS-DASH LT REGUL.	132 G	LEVEL LOW SYSTEM	147	ETHER COLD START
85 F	ENGINE CTR-ENGINE CTR SW IGN	115	ALARM & SIGNAL-TAG PRESS	132 H	LEVEL LOW SYSTEM	147	WORLD TRANSM-OIL TEMP
85 F	LO AIR SONALERT	115	DDEC III-COOLANT LEVEL	132 J	LEVEL LOW SYSTEM	147 C	ETHER COLD START
85 W	24V IGN ABS	115	WORLD TRANSM-DO NOT SHIFT SIGN	132 K	LEVEL LOW SYSTEM	148	ABS SYSTEM
85 X	24V IGN ABS	115 C	DDEC III-COOLANT LEVEL	132 W	WORLD TRANSM-ENG BRK OUTPUT (-)	148	WORLD TRANSM-OUTPUT SPEED LO
85 Y	ABS-WARNING LT	115 W	WORLD TRANSM-DO NOT SHIFT SIGN	133	WORLD TRANSM-RET. ACTUATOR HI	149	ABS SYSTEM
86	ENGINE CTR-STARTER SOL SIGN	116	WORLD TRANSM-LO SIGNAL SOL. HI	134	WORLD TRANSM-RET. APPLY SOL. HI	149	WORLD TRANSM-TURBINE SPEED HI
86 A	ENGINE CTR-STARTER SOL SIGN	116 B	A/C & HEAT SYSTEM-DRIVER'S HTR	135	A/C & HEAT SYSTEM-AIR SENSOR	149 A	ABS SYSTEM
88	ENGINE CTR-RR START SIGNAL	117	WORLD TRANSM-SPARE INPUT (-)	135	WORLD TRANSM-ANALOG GRD	150	DDEC III-ECM BATTERY GRD
89	ENGINE CTR-RR START SIGNAL	117 A	ALARM & SIGNAL-TRANSM OIL TEMP	135 A	A/C & HEAT SYSTEM-AIR SENSOR	150	WORLD TRANSM-ENGINE SPEED LO
90 B	A/C & HEAT SYSTEM-COND FAN MOT	117 A	ALARM & SIGNAL-TRANSM OIL TEMP	135 D	A/C & HEAT SYSTEM-AIR SENSOR	150 A	DDEC III-ECM BATTERY GRD
90 B	ENGINE CTR-MAST KEY SW FEED	118	WORLD TRANSM-SPARE INPUT (+)	135 C	A/C & HEAT SYSTEM-AIR SENSOR	151	ABS SYSTEM
90 C	A/C & HEAT SYSTEM-COND FAN MOT	119	WORLD TRANSM-ENG BRK INPUT (+)	135 D	WORLD TRANSM-RETARDER RES MOD	151	DDEC III-ECM BATTERY GRD
90 F	CHARG SYST-VOLTAGE REGUL. "B"	120	WORLD TRANSM-SOL. C1	135 C	WORLD TRANSM-RETARDER TEMP	151	WORLD TRANSM-SERIAL COM. B
90 H	A/C & HEAT SYSTEM-EVAP FAN MOT	121	WORLD TRANSM-SOL. GRD 2	136	WORLD TRANSM-ECU POWER	151 A	ABS SYSTEM
90 J	A/C & HEAT SYSTEM-COND FAN MOT	122	A/C & HEAT SYSTEM-DRIVER'S HTR	136 V	WORLD TRANSM-12V BATTERY	152	ABS SYSTEM
91	PARKING BRAKE SW SIGNAL	122	A/C & HEAT SYSTEM-FRESH AIR	136 W	WORLD TRANSM-12V BATTERY	152 A	ABS SYSTEM
91 A	DDEC-FAST IDLE SIGNAL	122	WORLD TRANSM-SOL. GRD 4	136 X	WORLD TRANSM-12V BATTERY	153	ABS SYSTEM
91 S	SONALERT PARKING BRAKE	122 A	A/C & HEAT SYSTEM-FRESH AIR	137	WORLD TRANSM-RETARDER	153	WORLD TRANSM-SPARE INPUT (-)
91 W	PARK, BRAKE SW SIGN (WCL)	123	WORLD TRANSM-NEUTRAL START	137 A	MIRROR (SPARTAN & RAMCO)	154	ABS SYSTEM
92	BATTERY EQUALIZER-CHECK BALANCE	123 A	ALARM & SIGNAL-FIRE DETECTOR	137 B	RR VIEW MIRROR (SPARTAN)	154	WORLD TRANSM-ABS RET. INPUT
93	BATTERY EQUALIZER-CHECK LO/HI	123 B	ALARM & SIGNAL-FIRE DETECTOR	137 C	RR VIEW MIRROR (SPARTAN)	155	ABS SYSTEM
95 A	ENGINE BRAKE & RETARDER SYSTEM	124	WORLD TRANSM-THROTTLE (HI)	137 D	RR VIEW MIRROR (SPARTAN)	155	WORLD TRANSM-SPARE INPUT (-)
97	TACHOMETER (-)	125	WORLD TRANSM-RET. INDICATOR	137 E	RR VIEW MIRROR (SPARTAN)	156	ABS SYSTEM
101	24V STARTER SOL FEEDING	125 W	WORLD TRANSM-RET. INDICATOR	137 G	RR VIEW MIRROR (SPARTAN)	156	WORLD TRANSM-THROTTLE POS.

CIRCUIT NUMBER CODE

No.	DESCRIPTION	No.	DESCRIPTION	No.	DESCRIPTION	No.	DESCRIPTION
156 A	ABS SYSTEM	180 A	DRIVER'S SEAT HEATER	279	KEYLESS ENTRY SYSTEM		
157	ABS SYSTEM	180 B	CO-PILOT SEAT HEATER	280	KEYLESS ENTRY SYSTEM		
157	WORLD TRANSM-SPEEDO SIGNAL	180 C	CO-PILOT SEAT HEATER	283	KEYLESS ENTRY SYSTEM		
157 A	ABS SYSTEM	181 A	THERMOMETER INSIDE SENSOR	283 A	KEYLESS ENTRY SYSTEM		
157 B	ABS SYSTEM	181 B	THERMOMETER INSIDE SENSOR	284 A	KEYLESS ENTRY SYSTEM		
158	WORLD TRANSM-DIMMER	181 C	THERMOMETER OUTSIDE SENSOR	285	KEYLESS ENTRY SYSTEM		
160	ALARM & SIGNAL-TAG PRESS SW	181 D	THERMOMETER OUTSIDE SENSOR	286	KEYLESS ENTRY SYSTEM		
160	WORLD TRANSM-SER. INTERFACE (-)	197	FUEL WATER FILTER	286 A	KEYLESS ENTRY SYSTEM		
161	WORLD TRANSM-SIGNAL GRD	197 A	FUEL WATER FILTER	290	FAN CLUTCH RADIATOR		
161 B	WORLD TRANSM-SIGNAL GRD	197 B	FUEL WATER FILTER	290	FAN CLUTCH RADIATOR		
162	WORLD TRANSM-PRESS. SW C3	198	FILTER FUEL HEATER	291	FAN CLUTCH RADIATOR SPD 1		
163	WORLD TRANSM-RETARDER ENABLE	199	AIR FILTER RESTRICTION SENDER	291	KEYLESS ENTRY SYSTEM		
164	WORLD TRANSM-RET. ACTUATOR SIGN	201	WORLD TRANSM-SPARE	292	FAN CLUTCH RADIATOR SPD 2		
165	A/C & HEAT SYSTEM-TRANSMITER	202	WORLD TRANSM-SPARE	293	KEYLESS ENTRY SYSTEM		
165	WORLD TRANSM-OIL LEVEL SIGNAL	203	WORLD TRANSM-SPARE	294	ANTI-THEFT SYSTEM KEYLESS		
165 A	A/C & HEAT SYSTEM-TRANSMITER	204	WORLD TRANSM-SPARE	295	LED FEED ALARM -KEYLESS		
165 B	A/C & HEAT SYSTEM-TRANSMITER	205	WORLD TRANSM-SPARE	417	DDEC III-LIMIT SPEED GOVERNOR		
165 C	A/C & HEAT SYSTEM-TRANSMITER	206	WORLD TRANSM-SPARE	419	DDEC III-CHECK ENGINE LIGHT		
165 D	A/C & HEAT SYSTEM-TRANSMITER	214	WORLD TRANSM-BACK UP SIGNAL	439	DDEC III-12V IGNITION		
166 B	A/C & HEAT SYSTEM-EVAP. MOD.	216 B	24V SIGNAL AUX. LIQ. SOL. VALVE	440	DDEC III-12V IGNITION		
167	A/C & HEAT SYSTEM-TEMP. CTR	216 C	12 V. TRIGGER AUX. A/C UNIT	440 A	DDEC III-12V IGNITION		
167 A	A/C & HEAT SYSTEM-TEMP. CTR	229	24 V. POWER AUX. A/C UNIT	451	DDEC III-A/C FAN CLUTCH		
168	A/C & HEAT SYSTEM-HUMIDISTAT	229 A	PWM SIGNAL - AUX. FAN UNIT	505	DDEC III-TACHOMETER DRIVE		
168	WORLD TRANSM-SER. INTERFACE (+)	231	NEUTRAL SIGNAL GRD	509	DDEC III-STOP ENGINE LIGHT		
168 A	A/C & HEAT SYSTEM-HUMIDISTAT	231 A	NEUTRAL COIL RELAY FEED SIGNAL	510	DDEC III-FAST IDLE SIGNAL		
170 C	LUGGAGE DOOR LOCK	231 W	NEUTRAL SIGNAL GRD (WCL)	524	DDEC III-ENGINE BRAKE DISABLE		
170 D	LUGGAGE DOOR LOCK	240	DDEC III-ECM 12V FEEDING	525	DDEC III-FAST IDLE SIGNAL		
170 E	LUGGAGE DOOR LOCK	241	DDEC III-ECM 12V FEEDING	528	DDEC III-STOP ENG. OVERRIDE		
170 F	LUGGAGE DOOR LOCK	251	DDEC III - PRODRIVER 12V H.W.	531	DDEC III-CRUISE CLUTCH RELEASE		
170 G	LUGGAGE DOOR LOCK	251 A	DDEC III -DATA LOGGER 12V H.W.	540	DDEC III-CRUISE ENABLE LTS.		
170 H	LUGGAGE DOOR LOCK	257	WINDSHIELD HEATED	541	DDEC III-CRUISE SET SW		
170 K	LUGGAGE DOOR LOCK	257 A	WINDSHIELD HEATED	543	DDEC III-CRUISE STOP SW CUT IN		
170 L	LUGGAGE DOOR LOCK	257 B	WINDSHIELD HEATED	544	DDEC III-CRUISE ON/OFF SW		
170 M	LUGGAGE DOOR LOCK	257 C	WINDSHIELD HEATED	545	DDEC III-CRUISE RESUME SW		
170 N	LUGGAGE DOOR LOCK	257 D	WINDSHIELD HEATED SPARE	555	DDEC III-FAN CLUTCH SPEED# 1		
170 P	LUGGAGE DOOR LOCK	257 E	WINDSHIELD HEATED SPARE	556	DDEC III-VEHICLE SPEED (+)		
170 R	LUGGAGE DOOR LOCK	258	WINDSHIELD HEATED	557	DDEC III-VEHICLE SPEED (-)		
170 S	LUGGAGE DOOR LOCK	258 A	WINDSHIELD HEATED	563	DDEC III-FAN CLUTCH SPEED# 2		
170 V	LUGGAGE DOOR LOCK	259	WINDSHIELD HEATED	564	DDEC III-DIGITAL OUTPUT		
170 W	LUGGAGE DOOR LOCK	259 A	WINDSHIELD HEATED	565	DDEC III-ENGINE BRAKE ACTIVE		
170 X	LUGGAGE DOOR LOCK	264	SPEED SIGNAL- AUX. FAN UNIT	583	DDEC III-ENGINE BRAKE 4 CYL.		
170 Y	LUGGAGE DOOR LOCK	264 A	SPEED SIGNAL- AUX. FAN UNIT	900	DDEC III-DATA LINK (+)		
170 Z	LUGGAGE DOOR LOCK	264 B	SPEED SIGNAL- AUX. FAN UNIT	901	DDEC III-DATA LINK (-)		
173	BACK-UP MONITOR	270	KEYLESS ENTRY SYSTEM	908	DDEC III-HYDRAULIC PWM#1 OUTPUT		
174	BACK-UP MONITOR	272	KEYLESS ENTRY SYSTEM	916	DDEC III-SENSOR SUPPLY (5VDC)		
175	BACK-UP MONITOR	274	KEYLESS ENTRY SYSTEM	952	DDEC III-SENSOR RETURN		
175 A	BACK-UP MONITOR	275	KEYLESS ENTRY SYSTEM	953	DDEC III-BATTERY GRD		
175 B	BACK-UP MONITOR	276	KEYLESS ENTRY SYSTEM	979	DDEC III-ENGINE BRAKE 2 CYL.		
175 C	BACK-UP MONITOR	277	KEYLESS ENTRY SYSTEM				
180	DRIVER'S SEAT HEATER	278	KEYLESS ENTRY SYSTEM				

CIRCUIT NUMBER CODE

No.	DESCRIPTION	No.	DESCRIPTION	No.	DESCRIPTION	No.	DESCRIPTION
L 8	ENG. BLK HEATER	SP 94	SPARE-RJB TO RR ROOF	0 L2	FS - FR SERVICE CPT LTS GRD	5 NC	SPEED SIGNAL LOWER 5MPH
L 9	ENG. BLK HEATER	SP 95	SPARE-RJB TO RR ROOF	0 L3	FS - FJB GRD	5 NO	SPEED SIGNAL HIGHER 5MPH
SP 2	SPARE-FJB TO FR SERV CPT	SP 96	SPARE-RJB TO LUGG CPT #2	0 L4	FS - FJB GRD	9	INTERIOR LTS-ENGINE CPT
SP 3	SPARE-FJB TO CENTER DASH	SP 97	SPARE-RJB TO LUGG CPT #3	0 L5	FS - CIGAR LIGHTER	9 A	INTERIOR LTS-ENGINE CPT
SP 4	SPARE-FJB TO CENTER DASH	SP 98	SPARE-RJB TO LUGG CPT #3	0 L	RS - ENGINE CPT ACCES. GRD	9 B	INTERIOR LTS-ENGINE CPT
SP 5	SPARE-RJB TO LUGG CPT #2	SP 104	SPARE-RJB TO ENGINE CPT	0 L	ENTRANCE DOOR GRD	9 E	INTERIOR LTS-FR SERVICE CPT
SP 6	SPARE-RJB TO LUGG CPT #1	SP 105	SPARE-FJB TO ENGINE	0 LH	RS - RR END LAMPS LH GRD	9 F	INTERIOR LTS-FR SERVICE CPT
SP 7	SPARE-RJB TO LUGG CPT #1	SP 106	SPARE-RJB TO BATT. CPT.	0 M	FS - ELECTRICAL MOTOR GRD	10	INTERIOR LTS-LUGGAGE CPT
SP 8	SPARE-RJB TO LUGG CPT #1	SP 107	SPARE-RJB TO BATT. CPT.	0 M3	FS - ELECTRICAL MOTOR GRD	10 A	INTERIOR LTS-LUGGAGE CPT
SP 9	SPARE-RJB TO LUGG CPT #2	SP 108	SPARE-RJB TO BATT. CPT.	0 M4	FS - ELECTRICAL MOTOR GRD	10 B	INTERIOR LTS-LUGGAGE CPT
SP 10	SPARE-RJB TO LUGG CPT #1	SP 109	SPARE-RJB TO ENGINE CPT.	0 M5	FS - ELECTRICAL MOTOR GRD	10 C	INTERIOR LTS-LUGGAGE CPT
SP 11	SPARE-FJB TO RJB	SP 110	SPARE-RJB TO ENGINE CPT.	0 M6	FS - FJB GRD	10 D	INTERIOR LTS-LUGGAGE CPT
SP 12	SPARE-RJB TO ENGINE	SP 111	SPARE-RJB TO ENGINE CPT.	0 M7	FS - ELECTRICAL MOTOR GRD	10 E	INTERIOR LTS-EVAP. CPT
SP 13	SPARE-RJB TO ENGINE	SP 112	SPARE-RJB TO ENGINE CPT.	0 M8	FS - AUX. A/C UNIT	10 F	INTERIOR LTS-LUGGAGE CPT
SP 14	SPARE-FJB TO RJB	SP 114	SPARE-FJB TO U/DASH WIPER	0 M9	FS - WATER PUMP DRIVER	10 H	INTERIOR LTS-LUGGAGE CPT
SP 15	SPARE-RJB TO ENGINE	SP 115	SPARE-FJB TO U/DASH WIPER	0 M	RS - ENGINE CPT ACCES. GRD	10 R	INTERIOR LTS-LUGGAGE DOOR AJAR
SP 16	SPARE-RJB TO ENGINE	SP 116	SPARE-RJB TO U/DASH FLOOR	0 MR	24V DISC. SW. RLY GRD SIGNAL	12	12V BAT ELECTRICAL JCT BLOCK
SP 17	SPARE-RJB TO ENGINE	SP 117	SPARE-FJB TO U/DASH FLOOR	0 MS	24V DISC. SW. RLY GRD SIGNAL	12	BAT CPT 12V BATTERY
SP 18	SPARE-FJB TO RJB	W C	A/C & HEAT SYST-EVAP CTR SIGN	0 N	RS - ENGINE CPT ACCES. GRD	12 A	FR JCT BOX 12V DISC SW
SP 24	SPARE-RJB TO LAVATORY ROOF	0	BC - BAT. CPT CHASSIS GRD	0 P	RS - ENGINE CPT ACCES. GRD	12 A	RR JCT BOX 12V DISC SW
SP 25	SPARE-RJB TO LAVATORY ROOF	0	CONDENSER CPT GRD	0 R	RS - RJB GRD	12 B	12V BAT ELECTRICAL JCT BLOCK
SP 26	SPARE-RJB TO LAVATORY ROOF	0	RS - RR JCT BOX RLY GRD	0 R	RS - ENGINE CPT ACCES. GRD	12 B	RR JCT BOX 12V DISC SW
SP 27	SPARE-RJB TO LH HAT RACK	0 A	BC - SHIELD GRD	0 RH	RS - RR END LAMPS RH GRD	12 B	FR JCT BOX 12V DISC SW
SP 28	SPARE-RJB TO LH HAT RACK	0 A	RS - RR JCT BOX RLY GRD	0 S	12 VOLT RUN- GND RLY	12 BE	BAT. EQUALIZER MONITOR
SP 31	SPARE-RJB TO RH HAT RACK	0 A	FRS - FR ROOF ACCES. GRD	0 SA	ENGINE CPT STUD-ALTERN. BOSCH	12 C	FR JCT BOX 12V DISC SW
SP 32	SPARE-RJB TO RH HAT RACK	0 A	RS - LUG. CPT ACCES. GRD	0 T	FS - DASH ACCES. GRD	12 C	RR JCT BOX 12V DISC SW
SP 33	SPARE-FJB TO RJB	0 AA	RS - VOLTAGE REGULATOR GRD	0 T1	FS - DASH ACCES. GRD	12 D	BAT CPT 12V BATTERY
SP 38	SPARE-FJB TO RJB	0 B	EC - ENGINE GRD	0 T2	FS - DASH ACCES. GRD	12 DT	TTL MODULE
SP 43	SPARE-FJB TO RJB	0 B	FRS - FR ROOF HEAT WIND GRD	0 T3	FS - DASH ACCES. GRD	12 E	FR JCT BOX 12V DISC SW
SP 45	SPARE-FJB TO RJB	0 B	RS - LUG. CPT ACCES. GRD	0 T4	FS - DASH ACCES. GRD	12 E	RR JCT BOX 12V DISC SW
SP 46	SPARE-RJB TO LH FR ROOF	0 BE	RJB - BAT. EQUAL. BAT GRD	0 V	RR JCT BOX CPT GRD STUD	12 F	BAT CPT 12V FJB & IC
SP 48	SPARE-RJB TO DASH CENTER PANEL	0 C	EC - STARTER MOTOR GRD	0 VA	BATTERY TO EQUALISER 0V	12 F	FR JCT BOX 12V DISC SW
SP 56	SPARE-ENGINE TO RH SW PANEL	0 C	FS - SERV. CPT ACCES. GRD	0 W	FS - WT GND & SHIELD	12 F	RR JCT BOX 12V DISC SW
SP 57	SPARE-DASH CENTER PANEL TO ENG.	0 C	BC - FAN CONDENSER GRD	0 W	RS - RR JCT BOX (WCL) GRD	12 G	FR JCT BOX 12V DISC SW
SP 58	SPARE-DASH CENTER PANEL TO ENG.	0 CR	24V DISC. SW. RLY GRD SIGNAL	0 WC	RS - RR JCT BOX GRD (WCL)	12 J	FR JCT BOX 12V DISC SW
SP 59	SPARE-FJB TO ENGINE	0 CS	24V DISC. SW. RLY GRD SIGNAL	0 X	RS - RR JCT BOX GRD	12 K	HVAC MODULE
SP 61	SPARE-FJB TO DASH RH PANEL	0 C1	FS - SERV. CPT ACCES. GRD	0 Y	ABS FR JCT BOX CPT GRD STUD	12 I	12V IGNITION DISTRIBUTION
SP 68	SPARE-FJB TO ENGINE	0 C2	FS - SERV. CPT ACCES. GRD	0 Y	RR JCT BOX GRD	12 I	RR JCT BOX 12V IGNITION
SP 69	SPARE-FJB TO FR AXLE	0 C3	FS - SERV. CPT ACCES. GRD	0 Y1	ABS FR JCT BOX CPT GRD STUD	12 IA	12V IGNITION DISTRIBUTION
SP 70	SPARE-FJB TO FR AXLE	0 C4	FS - FJB. CPT ACCES. GRD	0 Z	RR JCT BOX CPT GRD STUD	12 IA	FR JCT BOX 12V IGNITION
SP 71	SPARE-FJB TO RH SW PANEL	0 D	BC - FAN CONDENSER GRD	00	FJB & RJB BATT. GRD	12 IB	FR JCT BOX 12V IGNITION
SP 72	SPARE-FJB TO FR SERV CPT	0 D	RS - HAT RACK ACCES. LH GRD	00 A	FBG - T.T.LT. MODULES BATT. GRD	12 LX	CLUSTER FEED
SP 74	SPARE-FJB TO LH CONSOLE	0 DF	RS - RR SIDE FLASH & MARK GRD	00 Y	FS - ABS MODULLE BATT. GRD	12 IF	FR JCT BOX 12V IGNITION
SP 77	SPARE-FJB TO EVAPORATOR CPT	0 DR	RS - RJB DOCKING LT RESISTORS	00 SS	SOUND SYSTEM BATT. GRD	12 P	LH CONSOLE POWER OUTLET
SP 78	SPARE-FJB TO CONDENSER CPT	0 J	FS - LH CONSOLE SW GRD	1	TACHO SYSTEM - RPM SIGNAL +	12 R	BAT CPT 12V DISC RLY TO RJB
SP 79	SPARE-FJB TO CONDENSER CPT	0 J	RS - RR ROOF ACCES. GRD	2 A	A/C & HEAT SYSTEM-COOL 1 SIGN	12 VA	BATTERY TO EQUALIZER 12V
SP 87	SPARE-RJB TO LH HAT RACK	0 K	RS - RR ROOF ACCES. GRD	2 B	A/C & HEAT SYSTEM-COOL SIGN	12 VD	12V HOT WIRE DISTRIBUTION
SP 88	SPARE-RJB TO RH HAT RACK	0 K	RS - RJB A/C JCT PANEL GRD	2 H	A/C & HEAT SYSTEM-HI PRESS SW	12 VF	BAT CPT 12V FJB & IC
SP 92	SPARE-RJB TO CONDENSER CPT	0 L	FS - FR SERVICE CPT LTS GRD	2 HL	A/C & HEAT SYSTEM-LO & HI PRESS SW	12 VI	12V IGNITION DISTRIBUTION
SP 93	SPARE-RJB TO EVAPORATOR CPT	0 L1	FS - FR SERVICE CPT LTS GRD	2 L	A/C & HEAT SYSTEM-LO PRESS SW	12 VR	BAT CPT 12V DISC RLY TO RJB

CIRCUIT NUMBER CODE

No.	DESCRIPTION	No.	DESCRIPTION	No.	DESCRIPTION	No.	DESCRIPTION
12 W	12V BATTERY DDEC III	24 F	FR JCT BOX 24V DISC SW	29 B	A/C & HEAT SYSTEM-DRIVER'S HTR	53 B	WIPER & WASHER SYSTEM
12 X	FR JCT BOX 12V DISC SW	24 F	RR JCT BOX 24V DISC SW	31 A	A/C & HEAT SYSTEM-UNLOADER	53 C	WIPER & WASHER SYSTEM
12 X2	FR JCT BOX 12V DISC SW	24 G	FR JCT BOX 24V DISC SW	31 B	A/C & HEAT SYSTEM-UNLOADER	53 E	WIPER & WASHER SYSTEM
12 Y	FR JCT BOX 12V DISC SW	24 G	RR JCT BOX 24V DISC SW	31 B	WIPER & WASHER SYSTEM	53 J	WIPER & WASHER SYSTEM
13 A	ALARM & SIGNAL-LO AIR PRIM.	24 H	FR JCT BOX 24V DISC SW	31 C	WIPER & WASHER SYSTEM	55	EXTERIOR LTS-HI BEAM
13 B	ALARM & SIGNAL-LO AIR SEC.	24 H	RR JCT BOX 24V DISC SW	31 D	WIPER & WASHER SYSTEM	57	EXTERIOR LTS-HI BEAM
15	EXTERIOR LTS-MULTI FUNC LEVEL	24 I	FR JCT BOX 24V IGNITION	31 E	WIPER & WASHER SYSTEM	57 A	A/C & HEAT SYSTEM-WATER PUMP
15 A	WIPER & WASHER UPPER WINDSHIELD	24 I	RR JCT BOX 24V IGNITION	31 J	WIPER & WASHER SYSTEM	57 A	EXTERIOR LTS-HI BEAM
16	SPEED - SIGNAL +	24 I A	FR JCT BOX 24V IGNITION	31 X	WIPER & WASHER SYSTEM	57 B	A/C & HEAT SYSTEM-WATER PUMP
16 A	SPEED - SIGNAL +	24 I A	RR JCT BOX 24V IGNITION	32	EXTERIOR LTS-BACK-UP	57 C	PRE-HEAT WATER HEATER
16 T	SPEED - SIGNAL +	24 I B	FR JCT BOX 24V IGNITION	32 B	EXTERIOR LTS-BACK-UP	57 CA	A/C & HEAT SYSTEM-HEAT SIGN
17	EXTERIOR LTS-FLASHER UNIT	24 I B	RR JCT BOX 24V IGNITION	32 C	BACK-UP PWR & SIGNAL	57 C C	A/C & HEAT SYSTEM-HEAT SIGN
17 A	EXTERIOR LTS-FLASHER UNIT	24 I F	FJB 24V IGNITION	32 D	BACK-UP ALARM	58	EXTERIOR LTS-LO BEAM
19	DIFFERENTIAL OIL TEMP	24 I C	FR JCT BOX 24V IGNITION	35	ENTRANCE DOOR	58 A	EXTERIOR LTS-LO BEAM
20	SPEED - SIGNAL -	24 P	FR JCT BOX 24V DISC SW	35 B	ENTRANCE DOOR	58 B	EXTERIOR LTS-LO BEAM
20 T	SPEED - SIGNAL -	24 S	24V DISC SW RLY SIGNAL	36	JACOB BRAKE SYSREM	58 C	DAYTIME RUNNING LIGHT
20 W	SPEED - SIGNAL -	24 T	RR JCT BOX 24V DISC SW	36 A	JACOB BRAKE SYSTEM	58 D	DAYTIME RUNNING LIGHT
21	EXTERIOR LTS-DIRECTIONNAL LH	24 V 2	RR JCT BOX 24V DISC SW	39	INTERIOR LTS-12V RH PANEL SW.	58 E	EXTERIOR LTS-LO BEAM
21 A	EXTERIOR LTS-DIRECTIONNAL LH	24 V 3	RR JCT BOX 24V DISC SW	39 A	INTERIOR LTS-DRIVER'S LTS	59 A	JACOB BRAKE SYSTEM
21 B	EXTERIOR LTS-HAZARD	24 V 4	RR JCT BOX 24V DISC SW	39 K	DRIVER'S LTS KEYLESS	61	EXTERIOR LTS-24V FEED SW
21 C	EXTERIOR LTS-CORNERING LH	24 V 5	RR JCT BOX 24V DISC SW	41	A/C & HEAT SYSTEM-COND FAN MOT	61 A	EXTERIOR LTS-HEAD SIGNAL
21 H	EXTERIOR LTS-DIRECTIONNAL LH	24 V D	24V HOT WIRE DISTRIBUTION	41 A	A/C & HEAT SYSTEM-COND FAN MOT	63	EXTERIOR LTS-CLEARANCE
21 K	EXTERIOR LTS-CORNERING	24 V F	BAT CPT 24V SW TO FJB & IC	41 B	A/C & HEAT SYSTEM-COND FAN MOT	63 A	EXTERIOR LTS-CLEARANCE
21 N	EXTERIOR LTS-CORNERING LH	24 V A	BATTERY TO EQUALIZER 24V	42	A/C & HEAT SYSTEM-COND FAN MOT	63 B	EXTERIOR LTS-CLEARANCE
21 P	EXTERIOR LTS-CORNERING LH	24 V I	RR JCT BOX 24V IGNITION	43	A/C & HEAT SYSTEM-COND FAN MOT	63 C	EXTERIOR LTS-MARKER SIGNAL
23	EXTERIOR LTS-DIRECTIONNAL RH	24 V R	BAT CPT 24V DISC SW TO RJB	42 A	A/C & HEAT SYSTEM-COND FAN MOT	63 D	EXTERIOR LTS-MARKER & TAIL
23	EXTERIOR LTS-DIRECTIONNAL RH	25	12VAC GEN RLY ON SIGNAL	44	EXTERIOR LTS-FOG	63 E	EXTERIOR LTS-CLEARANCE
23 A	EXTERIOR LTS-DIRECTIONNAL RH	25	12VAC GEN RLY ON SIGNAL	44 A	EXTERIOR LTS-FOG	63 F	EXTERIOR LTS-MARKER BLINKER
23 B	EXTERIOR LTS-DIRECTIONNAL RH	25 A	ETHER SWITCH	44 B	EXTERIOR LTS-FOG	63 H	EXTERIOR LTS-TAIL
23 C	EXTERIOR LTS-CORNERING RH	25 A	NOT ALTERNATOR #1-WARNING LT	44 C	EXTERIOR LTS-FOG & HAZARD	64	DRIVER'S FAN
23 N	EXTERIOR LTS-CORNERING RH	25 A 1	24 VOLTS EXCITING SIGNAL - ALT. #1	45 A	WATER PUMP SIGNAL	64 B	DRIVER'S FAN
23 P	EXTERIOR LTS-CORNERING RH	25 A 2	24 VOLTS EXCITING SIGNAL - ALT. #2	45 B	A/C & HEAT SYSTEM-HEAT SIGN	64 C	DRIVER'S FAN
24	BAT CPT 24V BATTERY	25 A 3	24 V. SIGNAL ALT#1 OR ALT. #2 RUN	45 D	A/C & HEAT SYSTEM-WATER VALVE	65	FOOT DAMPER MOTOR
24	FR JCT BOX 24V DISC SW	25 F	12V IGNITION DISTRIBUTION	45 E	A/C & HEAT SYSTEM-HEAT 1 SIGN	65 A	FOOT DAMPER MOTOR
24 A	BOOSTER BLOCK 24V DISC SW	25 B	EXTERIOR LTS-DAYTIME RUN LTS	45 G	A/C & HEAT SYSTEM-DRIVER'S HTR	65 D	DRIVER'S REC. DAMPER
24 A	FR JCT BOX 24V DISC SW	25 B	12 V. IGN. ALTERNATOR BOSCH	45 H	A/C & HEAT SYSTEM-DRIVER'S HTR	65 P	PASSENGER REC. DAMPER
24 A	RR JCT BOX 24V DISC SW	25 C	12 V. SIGNAL ALT.#1 AND ALT.#2 RUN	45 W	A/C & HEAT SYSTEM-COND. DOOR AJAR	66	O_PASS. ON/OFF
24 B	24V STARTER RLY FEEDING	25 D	12 V. SIGNAL ALT.#1 AND ALT.#2 RUN	46	EXTERIOR LTS-MARKER	67	A/C & HEAT SYSTEM
24 B	FR JCT BOX 24V DISC SW	25 H	24 V. IGN. ALTERNATOR BOSCH	46 A	EXTERIOR LTS-MARKER	67 A	A/C & HEAT SYSTEM
24 B	RR JCT BOX 24V DISC SW	25 K	NOT ALTERNATOR #2-WARNING LT	46 B	EXTERIOR LTS-MARKER	67 B	A/C & HEAT SYSTEM
24 BE	RJB CPT-BAT EQ MONITOR HOT WIRE	26	CIGAR LIGHTER	46 B	EXTERIOR LTS-MARKER	67 C	HEAT WINDS.
24 C	FR JCT BOX 24V DISC SW	26	DRIVER'S WINDOW LIFTER	46 C	EXTERIOR LTS-MARKER	67 K	A/C & HEAT SYSTEM-COND FAN CTR
24 C	RR JCT BOX 24V DISC SW	26 B	DRIVER'S WINDOW LIFTER	47	A/C & HEAT SYSTEM-DRIVER'S HTR	67 L	A/C & HEAT SYSTEM-COND FAN CTR
24 D	BAT CPT 24V HOT WIRE	26 C	DRIVER'S WINDOW LIFTER	50	AIR DRYER	67 V	A/C & HEAT SYSTEM-WATER VALVE
24 D	FR JCT BOX 24V HOT WIRE	27	PARKING BRAKE SONALERT	52	ALARM & SIGNAL-ELEC. HORN	68	DASH & DEFROST DAMPER MOTOR
24 D	RR JCT BOX 24V HOT WIRE	27 A	PARKING BRAKE SONALERT	52 A	ALARM & SIGNAL-ELEC. HORN	68 A	DASH & DEFROST DAMPER MOTOR
24 DA	A/C JCT BOX 24V HOT WIRE	28 A	A/C & HEAT SYSTEM-HI PRESSURE	52 B	ALARM & SIGNAL-AIR HORN	70	INTERIOR LTS-HAT RACK & RR RUN.
24 E	BAT CPT 24V DISC SW	29	A/C & HEAT SYSTEM-DRIVER'S HTR	52 C	ALARM & SIGNAL-AIR HORN	72	SUN VISOR-FEEDING
24 E	FR JCT BOX 24V DISC SW	29 A	A/C & HEAT SYSTEM-DRIVER'S HTR	53	ALARM & SIGNAL-ELEC. HORN	72 A	SUN VISOR-RH
24 E	RR JCT BOX 24V DISC SW	29 H	HVAC DASH MODULE	53 A	WIPER & WASHER SYSTEM	72 B	SUN VISOR-RH

CIRCUIT NUMBER CODE

No.	DESCRIPTION	No.	DESCRIPTION	No.	DESCRIPTION	No.	DESCRIPTION
72 C	SUN VISOR-LH	101	WORLD TRANSM-LO SIGN SOL. LO	126	LEVEL LOW SYSTEM	138	ABS SYSTEM
72 D	SUN VISOR-LH	102	24V STARTER TO GENERATOR DELCO	126	WORLD TRANSM-LUBE PRESS SW.	138	WORLD TRANSM-RETARDER TEMP
76	FUEL TANK GAUGE	102	WORLD TRANSM-SOL. GRD 1	127	WORLD TRANSM-LUBE PRESS SW.	138 A	ABS SYSTEM
76 B	LOW FUEL LT & ETHER COLD START	102	WORLD TRANSM-SOL. C3	127	PRE-HEAT WATER HEATER	139	ABS SYSTEM
76 C	LOW FUEL LT	102 A	24V STARTER TO GENERATOR BOSCH	127 A	PRE-HEAT WATER HEATER	139	WORLD TRANSM-OUTPUT SPEED HI
76 P	FUEL PRIME PUMP	104	WORLD TRANSM-SOL. FORWARD	127 B	PRE-HEAT WATER HEATER	140	ABS SYSTEM
76 M	FUEL PRIME PUMP	104	LEVEL LOW SYSTEM	127	WORLD TRANSM-RETARDER FEED SOL.	140	WORLD TRANSM-OUTPUT SPEED LO
77 A	A/C & HEAT SYSTEM-COMPRESSOR	105	WORLD TRANSM-RETARDER & SUMP	127 S	PRE-HEAT WATER HEATER	141	ABS SYSTEM
77 B	A/C & HEAT SYSTEM-COMPRESSOR	105 W	WORLD TRANSM-RETARDER & SUMP	127 W	PRE-HEAT WATER HEATER	141	WORLD TRANSM-ENGINE SPEED HI
77 C	A/C & HEAT SYSTEM-COMPRESSOR	106	WORLD TRANSM-OIL LEVEL HI	128	PRE-HEAT WATER HEATER	142	ABS SYSTEM
77 H	A/C & HEAT SYSTEM-COMPRESSOR	107	CHARG SYST-VOLTAGE REGUL. "F"	128 A	PRE-HEAT WATER HEATER	142	WORLD TRANSM-SERIAL COM. A
77 K	GRD SIGNAL-COMPRESSOR CUT-OUT	107	WORLD TRANSM-LOCKUP SOL. HI	128 B	PRE-HEAT WATER HEATER	143	ABS SYSTEM
81	EXTERIOR LTS-STOP SW	108	WORLD TRANSM-REM. PWR WAKE UP	128 W	PRE-HEAT WATER HEATER	143	WORLD TRANSM-ECU BATTERY GRD
82	EXTERIOR LTS-STOP SIGNAL	109	WORLD TRANSM-RET. SOL. LO	128	WORLD TRANSM-SOL. C2	143 A	ABS SYSTEM
82 A	EXTERIOR LTS-STOP SIGNAL	110	ALARM & SIGNAL-WATER TEMP	129	PRE-HEAT WATER HEATER	143 W	WORLD TRANSM-BATTERY GRD
82 B	EXTERIOR LTS-STOP LTS	110	WORLD TRANSM-LOCKUP SOL. LO	129	WORLD TRANSM-SOL. C5	143 X	WORLD TRANSM-BATTERY GRD
82 K	EXTERIOR LTS-STOP PARK BRK	111	WORLD TRANSM-SOL. C6	130	WORLD TRANSM-SOL. GRD 3	144	ABS SYSTEM
82 L	EXTERIOR LTS-LH STOP	112	WORLD TRANSM-SPARE OUTPUT (+)	131	WORLD TRANSM-SOL. C4	144	WORLD TRANSM-ECU CHASSIS GRD
82 R	EXTERIOR LTS-LH STOP	113	ALARM & SIGNAL-OIL PRESS	132	WORLD TRANSM-ENG BRK OUTPUT (-)	144 A	ABS SYSTEM
83	ENGINE CTR-KEY SW ACCES SIGN	113	WORLD TRANSM-REVERSE WARNING	132 A	LEVEL LOW SYSTEM	145	ABS SYSTEM
84	ENGINE CTR-KEY SW ACCES SIGN	114	INTERIOR LTS-DASH LT REGUL.	132 B	LEVEL LOW SYSTEM	146	ABS SYSTEM
85	ENGINE CTR-KEY SWIGNITION SIGN	114	WORLD TRANSM-SPARE OUTPUT (-)	132 C	LEVEL LOW SYSTEM	146	WORLD TRANSM-IGNITION SENSE
85	24V IGNITION SIGNAL	114 A	INTERIOR LTS-DASH LT	132 D	LEVEL LOW SYSTEM	146 W	WORLD TRANSM-12V IGNITION
85 A	24V IGN DASH INSTRUMENTATION	114 B	INTERIOR LTS-DASH LT REGUL.	132 E	LEVEL LOW SYSTEM	146 X	WORLD TRANSM-12V IGNITION
85 B	ENGINE CTR-24V IGNITION	114 D	INTERIOR LTS-DASH LT REGUL.	132 F	LEVEL LOW SYSTEM	147	ABS SYSTEM
85 C	PARKING BRAKE SWITCH	114 E	INTERIOR LTS-DASH LT REGUL.	132 G	LEVEL LOW SYSTEM	147	ETHER COLD START
85 F	ENGINE CTR-ENGINE CTR SW IGN	115	ALARM & SIGNAL-TAG PRESS	132 H	LEVEL LOW SYSTEM	147	WORLD TRANSM-OIL TEMP
85 F	LO AIR SONALERT	115	DDEC III-COOLANT LEVEL	132 J	LEVEL LOW SYSTEM	147 C	ETHER COLD START
85 W	24V IGN ABS	115	WORLD TRANSM-DO NOT SHIFT SIGN	132 K	LEVEL LOW SYSTEM	148	ABS SYSTEM
85 X	24V IGN ABS	115 C	DDEC III-COOLANT LEVEL	132 W	WORLD TRANSM-ENG BRK OUTPUT (-)	148	WORLD TRANSM-OUTPUT SPEED LO
85 Y	ABS-WARNING LT	115 W	WORLD TRANSM-DO NOT SHIFT SIGN	133	WORLD TRANSM-RET. ACTUATOR HI	149	ABS SYSTEM
86	ENGINE CTR-STARTER SOL SIGN	116	WORLD TRANSM-LO SIGNAL SOL. HI	134	WORLD TRANSM-RET. APPLY SOL. HI	149	WORLD TRANSM-TURBINE SPEED HI
86 A	ENGINE CTR-STARTER SOL SIGN	116 B	A/C & HEAT SYSTEM-DRIVER'S HTR	135	A/C & HEAT SYSTEM-AIR SENSOR	149 A	ABS SYSTEM
88	ENGINE CTR-RR START SIGNAL	117	WORLD TRANSM-SPARE INPUT (-)	135	WORLD TRANSM-ANALOG GRD	150	DDEC III-ECM BATTERY GRD
89	ENGINE CTR-RR START SIGNAL	117 A	ALARM & SIGNAL-TRANSM OIL TEMP	135 A	A/C & HEAT SYSTEM-AIR SENSOR	150	WORLD TRANSM-ENGINE SPEED LO
90 B	A/C & HEAT SYSTEM-COND FAN MOT	117 A	ALARM & SIGNAL-TRANSM OIL TEMP	135 D	A/C & HEAT SYSTEM-AIR SENSOR	150 A	DDEC III-ECM BATTERY GRD
90 B	ENGINE CTR-MAST KEY SW FEED	118	WORLD TRANSM-SPARE INPUT (+)	135 C	A/C & HEAT SYSTEM-AIR SENSOR	151	ABS SYSTEM
90 C	A/C & HEAT SYSTEM-COND FAN MOT	119	WORLD TRANSM-ENG BRK INPUT (+)	135 D	WORLD TRANSM-RETARDER RES MOD	151	DDEC III-ECM BATTERY GRD
90 F	CHARG SYST-VOLTAGE REGUL. "B"	120	WORLD TRANSM-SOL. C1	135 C	WORLD TRANSM-RETARDER TEMP	151	WORLD TRANSM-SERIAL COM. B
90 H	A/C & HEAT SYSTEM-EVAP FAN MOT	121	WORLD TRANSM-SOL. GRD 2	136	WORLD TRANSM-ECU POWER	151 A	ABS SYSTEM
90 J	A/C & HEAT SYSTEM-COND FAN MOT	122	A/C & HEAT SYSTEM-DRIVER'S HTR	136 V	WORLD TRANSM-12V BATTERY	152	ABS SYSTEM
91	PARKING BRAKE SW SIGNAL	122	A/C & HEAT SYSTEM-FRESH AIR	136 W	WORLD TRANSM-12V BATTERY	152 A	ABS SYSTEM
91 A	DDEC-FAST IDLE SIGNAL	122	WORLD TRANSM-SOL. GRD 4	136 X	WORLD TRANSM-12V BATTERY	153	ABS SYSTEM
91 S	SONALERT PARKING BRAKE	122 A	A/C & HEAT SYSTEM-FRESH AIR	137	WORLD TRANSM-RETARDER	153	WORLD TRANSM-SPARE INPUT (-)
91 W	PARK, BRAKE SW SIGN (WCL)	123	WORLD TRANSM-NEUTRAL START	137 A	MIRROR (SPARTAN & RAMCO)	154	ABS SYSTEM
92	BATTERY EQUALIZER-CHECK BALANCE	123 A	ALARM & SIGNAL-FIRE DETECTOR	137 B	RR VIEW MIRROR (SPARTAN)	154	WORLD TRANSM-ABS RET. INPUT
93	BATTERY EQUALIZER-CHECK LO/HI	123 B	ALARM & SIGNAL-FIRE DETECTOR	137 C	RR VIEW MIRROR (SPARTAN)	155	ABS SYSTEM
95 A	ENGINE BRAKE & RETARDER SYSTEM	124	WORLD TRANSM-THROTTLE (HI)	137 D	RR VIEW MIRROR (SPARTAN)	155	WORLD TRANSM-SPARE INPUT (-)
97	TACHOMETER (-)	125	WORLD TRANSM-RET. INDICATOR	137 E	RR VIEW MIRROR (SPARTAN)	156	ABS SYSTEM
101	24V STARTER SOL FEEDING	125 W	WORLD TRANSM-RET. INDICATOR	137 G	RR VIEW MIRROR (SPARTAN)	156	WORLD TRANSM-THROTTLE POS.

CIRCUIT NUMBER CODE

No.	DESCRIPTION	No.	DESCRIPTION	No.	DESCRIPTION	No.	DESCRIPTION
156 A	ABS SYSTEM	180 A	DRIVER'S SEAT HEATER	279	KEYLESS ENTRY SYSTEM		
157	ABS SYSTEM	180 B	CO-PILOT SEAT HEATER	280	KEYLESS ENTRY SYSTEM		
157	WORLD TRANSM-SPEEDO SIGNAL	180 C	CO-PILOT SEAT HEATER	283	KEYLESS ENTRY SYSTEM		
157 A	ABS SYSTEM	181 A	THERMOMETER INSIDE SENSOR	283 A	KEYLESS ENTRY SYSTEM		
157 B	ABS SYSTEM	181 B	THERMOMETER INSIDE SENSOR	284 A	KEYLESS ENTRY SYSTEM		
158	WORLD TRANSM-DIMMER	181 C	THERMOMETER OUTSIDE SENSOR	285	KEYLESS ENTRY SYSTEM		
160	ALARM & SIGNAL-TAG PRESS SW	181 D	THERMOMETER OUTSIDE SENSOR	286	KEYLESS ENTRY SYSTEM		
160	WORLD TRANSM-SER. INTERFACE (-)	197	FUEL WATER FILTER	286 A	KEYLESS ENTRY SYSTEM		
161	WORLD TRANSM-SIGNAL GRD	197 A	FUEL WATER FILTER	290	FAN CLUTCH RADIATOR		
161 B	WORLD TRANSM-SIGNAL GRD	197 B	FUEL WATER FILTER	290	FAN CLUTCH RADIATOR		
162	WORLD TRANSM-PRESS. SW C3	198	FILTER FUEL HEATER	291	FAN CLUTCH RADIATOR SPD 1		
163	WORLD TRANSM-RETARDER ENABLE	199	AIR FILTER RESTRICTION SENDER	291	KEYLESS ENTRY SYSTEM		
164	WORLD TRANSM-RET. ACTUATOR SIGN	201	WORLD TRANSM-SPARE	292	FAN CLUTCH RADIATOR SPD 2		
165	A/C & HEAT SYSTEM-TRANSMITER	202	WORLD TRANSM-SPARE	293	KEYLESS ENTRY SYSTEM		
165	WORLD TRANSM-OIL LEVEL SIGNAL	203	WORLD TRANSM-SPARE	294	ANTI-THEFT SYSTEM KEYLESS		
165 A	A/C & HEAT SYSTEM-TRANSMITER	204	WORLD TRANSM-SPARE	295	LED FEED ALARM -KEYLESS		
165 B	A/C & HEAT SYSTEM-TRANSMITER	205	WORLD TRANSM-SPARE	417	DDEC III-LIMIT SPEED GOVERNOR		
165 C	A/C & HEAT SYSTEM-TRANSMITER	206	WORLD TRANSM-SPARE	419	DDEC III-CHECK ENGINE LIGHT		
165 D	A/C & HEAT SYSTEM-TRANSMITER	214	WORLD TRANSM-BACK UP SIGNAL	439	DDEC III-12V IGNITION		
166 B	A/C & HEAT SYSTEM-EVAP. MOD.	216 B	24V SIGNAL AUX. LIQ. SOL. VALVE	440	DDEC III-12V IGNITION		
167	A/C & HEAT SYSTEM-TEMP. CTR	216 C	12 V. TRIGGER AUX. A/C UNIT	440 A	DDEC III-12V IGNITION		
167 A	A/C & HEAT SYSTEM-TEMP. CTR	229	24 V. POWER AUX. A/C UNIT	451	DDEC III-A/C FAN CLUTCH		
168	A/C & HEAT SYSTEM-HUMIDISTAT	229 A	PWM SIGNAL - AUX. FAN UNIT	505	DDEC III-TACHOMETER DRIVE		
168	WORLD TRANSM-SER. INTERFACE (+)	231	NEUTRAL SIGNAL GRD	509	DDEC III-STOP ENGINE LIGHT		
168 A	A/C & HEAT SYSTEM-HUMIDISTAT	231 A	NEUTRAL COIL RELAY FEED SIGNAL	510	DDEC III-FAST IDLE SIGNAL		
170 C	LUGGAGE DOOR LOCK	231 W	NEUTRAL SIGNAL GRD (WCL)	524	DDEC III-ENGINE BRAKE DISABLE		
170 D	LUGGAGE DOOR LOCK	240	DDEC III-ECM 12V FEEDING	525	DDEC III-FAST IDLE SIGNAL		
170 E	LUGGAGE DOOR LOCK	241	DDEC III-ECM 12V FEEDING	528	DDEC III-STOP ENG. OVERRIDE		
170 F	LUGGAGE DOOR LOCK	251	DDEC III - PRODRIVER 12V H.W.	531	DDEC III-CRUISE CLUTCH RELEASE		
170 G	LUGGAGE DOOR LOCK	251 A	DDEC III -DATA LOGGER 12V H.W.	540	DDEC III-CRUISE ENABLE LTS.		
170 H	LUGGAGE DOOR LOCK	257	WINDSHIELD HEATED	541	DDEC III-CRUISE SET SW		
170 K	LUGGAGE DOOR LOCK	257 A	WINDSHIELD HEATED	543	DDEC III-CRUISE STOP SW CUT IN		
170 L	LUGGAGE DOOR LOCK	257 B	WINDSHIELD HEATED	544	DDEC III-CRUISE ON/OFF SW		
170 M	LUGGAGE DOOR LOCK	257 C	WINDSHIELD HEATED	545	DDEC III-CRUISE RESUME SW		
170 N	LUGGAGE DOOR LOCK	257 D	WINDSHIELD HEATED SPARE	555	DDEC III-FAN CLUTCH SPEED# 1		
170 P	LUGGAGE DOOR LOCK	257 E	WINDSHIELD HEATED SPARE	556	DDEC III-VEHICLE SPEED (+)		
170 R	LUGGAGE DOOR LOCK	258	WINDSHIELD HEATED	557	DDEC III-VEHICLE SPEED (-)		
170 S	LUGGAGE DOOR LOCK	258 A	WINDSHIELD HEATED	563	DDEC III-FAN CLUTCH SPEED# 2		
170 V	LUGGAGE DOOR LOCK	259	WINDSHIELD HEATED	564	DDEC III-DIGITAL OUTPUT		
170 W	LUGGAGE DOOR LOCK	259 A	WINDSHIELD HEATED	565	DDEC III-ENGINE BRAKE ACTIVE		
170 X	LUGGAGE DOOR LOCK	264	SPEED SIGNAL- AUX. FAN UNIT	583	DDEC III-ENGINE BRAKE 4 CYL.		
170 Y	LUGGAGE DOOR LOCK	264 A	SPEED SIGNAL- AUX. FAN UNIT	900	DDEC III-DATA LINK (+)		
170 Z	LUGGAGE DOOR LOCK	264 B	SPEED SIGNAL- AUX. FAN UNIT	901	DDEC III-DATA LINK (-)		
173	BACK-UP MONITOR	270	KEYLESS ENTRY SYSTEM	908	DDEC III-HYDRAULIC PWM#1 OUTPUT		
174	BACK-UP MONITOR	272	KEYLESS ENTRY SYSTEM	916	DDEC III-SENSOR SUPPLY (5VDC)		
175	BACK-UP MONITOR	274	KEYLESS ENTRY SYSTEM	952	DDEC III-SENSOR RETURN		
175 A	BACK-UP MONITOR	275	KEYLESS ENTRY SYSTEM	953	DDEC III-BATTERY GRD		
175 B	BACK-UP MONITOR	276	KEYLESS ENTRY SYSTEM	979	DDEC III-ENGINE BRAKE 2 CYL.		
175 C	BACK-UP MONITOR	277	KEYLESS ENTRY SYSTEM				
180	DRIVER'S SEAT HEATER	278	KEYLESS ENTRY SYSTEM				

CIRCUIT NUMBER CODE

No.	DESCRIPTION	No.	DESCRIPTION	No.	DESCRIPTION	No.	DESCRIPTION
L 8	ENG. BLK HEATER	SP 94	SPARE-RJB TO RR ROOF	0 L2	FS - FR SERVICE CPT LTS GRD	2 HL	A/C & HEAT SYSTEM-LO & HI PRESS SW
L 9	ENG. BLK HEATER	SP 95	SPARE-RJB TO RR ROOF	0 L3	FS - FJB GRD	2 L	A/C & HEAT SYSTEM-LO PRESS SW
SP 2	SPARE-FJB TO FR SERV CPT	SP 96	SPARE-RJB TO LUGG CPT #2	0 L4	FS - FJB GRD	5 NC	SPEED SIGNAL LOWER 5MPH
SP 3	SPARE-FJB TO CENTER DASH	SP 97	SPARE-RJB TO LUGG CPT #3	0 L5	FS - CIGAR LIGHTER	5 NO	SPEED SIGNAL HIGHER 5MPH
SP 4	SPARE-FJB TO CENTER DASH	SP 98	SPARE-RJB TO LUGG CPT #3	0 L	RS - ENGINE CPT ACCES. GRD	9	INTERIOR LTS-ENGINE CPT
SP 5	SPARE-RJB TO LUGG CPT #2	SP 104	SPARE-RJB TO ENGINE CPT	0 L	ENTRANCE DOOR GRD	9 A	INTERIOR LTS-ENGINE CPT
SP 6	SPARE-RJB TO LUGG CPT #1	SP 105	SPARE-FJB TO ENGINE	0 LH	RS - RR END LAMPS LH GRD	9 B	INTERIOR LTS-ENGINE CPT
SP 7	SPARE-RJB TO LUGG CPT #1	SP 106	SPARE-RJB TO BATT. CPT.	0 M	FS - ELECTRICAL MOTOR GRD	9 E	INTERIOR LTS-FR SERVICE CPT
SP 8	SPARE-RJB TO LUGG CPT #1	SP 107	SPARE-RJB TO BATT. CPT.	0 M3	FS - ELECTRICAL MOTOR GRD	9 F	INTERIOR LTS-ENGINE CPT
SP 9	SPARE-RJB TO LUGG CPT #2	SP 108	SPARE-RJB TO BATT. CPT.	0 M4	FS - ELECTRICAL MOTOR GRD	10	INTERIOR LTS-LUGGAGE CPT
SP 10	SPARE-RJB TO LUGG CPT #1	SP 109	SPARE-RJB TO ENGINE CPT.	0 M5	FS - ELECTRICAL MOTOR GRD	10 A	INTERIOR LTS-LUGGAGE CPT
SP 11	SPARE-FJB TO RJB	SP 110	SPARE-RJB TO ENGINE CPT.	0 M6	FS - FJB GRD	10 B	INTERIOR LTS-LUGGAGE CPT
SP 12	SPARE-RJB TO ENGINE	SP 111	SPARE-RJB TO ENGINE CPT.	0 M7	FS - ELECTRICAL MOTOR GRD	10 C	INTERIOR LTS-LUGGAGE CPT
SP 13	SPARE-RJB TO ENGINE	SP 112	SPARE-RJB TO ENGINE CPT.	0 M8	FS - AUX. A/C UNIT	10 D	INTERIOR LTS-LUGGAGE CPT
SP 14	SPARE-FJB TO RJB	SP 114	SPARE-FJB TO U/DASH WIPER	0 M9	FS - WATER PUMP DRIVER	10 E	INTERIOR LTS-EVAP. CPT
SP 15	SPARE-RJB TO ENGINE	SP 115	SPARE-FJB TO U/DASH WIPER	0 M	RS - ENGINE CPT ACCES. GRD	10 F	INTERIOR LTS-LUGGAGE CPT
SP 16	SPARE-RJB TO ENGINE	SP 116	SPARE-RJB TO U/DASH FLOOR	0 MR	24V DISC. SW. RLY GRD SIGNAL	10 H	INTERIOR LTS-LUGGAGE CPT
SP 17	SPARE-RJB TO ENGINE	SP 117	SPARE-FJB TO U/DASH FLOOR	0 MS	24V DISC. SW. RLY GRD SIGNAL	10 R	INTERIOR LTS-LUGGAGE DOOR AJAR
SP 18	SPARE-FJB TO RJB	W C	A/C & HEAT SYST-EVAP CTR SIGN	0 N	RS - ENGINE CPT ACCES. GRD	12	12V BAT ELECTRONIC JCT BLOCK
SP 24	SPARE-RJB TO LAVATORY ROOF	0	BC - BAT. CPT CHASSIS GRD	0 P	RS - ENGINE CPT ACCES. GRD	12	BAT CPT 12V BATTERY
SP 25	SPARE-RJB TO LAVATORY ROOF	0	CONDENSER CPT GRD	0 R	RS - RJB GRD	12 A	FR JCT BOX 12V DISC SW
SP 26	SPARE-RJB TO LAVATORY ROOF	0	RS - RR JCT BOX RLY GRD	0 R	RS - ENGINE CPT ACCES. GRD	12 A	RR JCT BOX 12V DISC SW
SP 27	SPARE-RJB TO LH HAT RACK	0 A	BC - SHIELD GRD	0 RH	RS - RR END LAMPS RH GRD	12 B	12V BAT ELECTRICAL JCT BLOCK
SP 28	SPARE-RJB TO LH HAT RACK	0 A	RS - RR JCT BOX RLY GRD	0 S	12 VOLT RUN- GND RLY	12 B	RR JCT BOX 12V DISC SW
SP 31	SPARE-RJB TO RH HAT RACK	0 A	FRS - FR ROOF ACCES. GRD	0 SA	ENGINE CPT STUD-ALTERN. BOSCH	12 B	FR JCT BOX 12V DISC SW
SP 32	SPARE-RJB TO RH HAT RACK	0 A	RS - LUG. CPT ACCES. GRD	0 T	FS - DASH ACCES. GRD	12 BE	BAT. EQUALIZER MONITOR
SP 33	SPARE-FJB TO RJB	0 AA	RS - VOLTAGE REGULATOR GRD	0 T1	FS - DASH ACCES. GRD	12 C	FR JCT BOX 12V DISC SW
SP 38	SPARE-FJB TO RJB	0 B	EC - ENGINE GRD	0 T2	FS - DASH ACCES. GRD	12 C	RR JCT BOX 12V DISC SW
SP 43	SPARE-FJB TO RJB	0 B	FRS - FR ROOF HEAT WIND GRD	0 T3	FS - DASH ACCES. GRD	12 D	BAT CPT 12V BATTERY
SP 45	SPARE-FJB TO RJB	0 B	RS - LUG. CPT ACCES. GRD	0 T4	FS - DASH ACCES. GRD	12 DT	TTLT MODULE
SP 46	SPARE-RJB TO LH FR ROOF	0 BE	RJB - BAT. EQUAL. BAT GRD	0 V	RR JCT BOX CPT GRD STUD	12 E	FR JCT BOX 12V DISC SW
SP 48	SPARE-RJB TO DASH CENTER PANEL	0 C	EC - STARTER MOTOR GRD	0 VA	BATTERY TO EQUALISER 0V	12 E	RR JCT BOX 12V DISC SW
SP 56	SPARE-ENGINE TO RH SW PANEL	0 C	FS - SERV. CPT ACCES. GRD	0 W	FS - WT GND & SHIELD	12 F	BAT CPT 12V FJB & IC
SP 57	SPARE-DASH CENTER PANEL TO ENG.	0 C	BC - FAN CONDENSER GRD	0 W	RS - RR JCT BOX (WCL) GRD	12 F	FR JCT BOX 12V DISC SW
SP 58	SPARE-DASH CENTER PANEL TO ENG.	0 CR	24V DISC. SW. RLY GRD SIGNAL	0 WC	RS - RR JCT BOX GRD (WCL)	12 F	RR JCT BOX 12V DISC SW
SP 59	SPARE-FJB TO ENGINE	0 CS	24V DISC. SW. RLY GRD SIGNAL	0 X	RS - RR JCT BOX GRD	12 G	FR JCT BOX 12V DISC SW
SP 61	SPARE-FJB TO DASH RH PANEL	0 C1	FS - SERV. CPT ACCES. GRD	0 Y	ABS FR JCT BOX CPT GRD STUD	12 J	FR JCT BOX 12V DISC SW
SP 68	SPARE-FJB TO ENGINE	0 C2	FS - SERV. CPT ACCES. GRD	0 Y	RR JCT BOX GRD	12 K	HVAC MODULE
SP 69	SPARE-FJB TO FR AXLE	0 C3	FS - SERV. CPT ACCES. GRD	0 Y1	ABS FR JCT BOX CPT GRD STUD	12 I	12V IGNITION DISTRIBUTION
SP 70	SPARE-FJB TO FR AXLE	0 C4	FS - FJB. CPT ACCES. GRD	0 Z	RR JCT BOX CPT GRD STUD	12 I	RR JCT BOX 12V IGNITION
SP 71	SPARE-FJB TO RH SW PANEL	0 D	BC - FAN CONDENSER GRD	00	FJB & RJB BATT. GRD	12 IA	12V IGNITION DISTRIBUTION
SP 72	SPARE-FJB TO FR SERV CPT	0 D	RS - HAT RACK ACCES. LH GRD	00 A	FBG - T.T.LT. MODULES BATT. GRD	12 IA	FR JCT BOX 12V IGNITION
SP 74	SPARE-FJB TO LH CONSOLE	0 DF	RS - RR SIDE FLASH & MARK GRD	00 Y	FS - ABS MODULLE BATT. GRD	12 IB	FR JCT BOX 12V IGNITION
SP 77	SPARE-FJB TO EVAPORATOR CPT	0 DR	RS - RJB DOCKING LT RESISTORS	00 SS	SOUND SYSTEM BATT. GRD	12 LX	CLUSTER FEED
SP 78	SPARE-FJB TO CONDENSER CPT	0 J	FS - LH CONSOLE SW GRD	1	TACHO SYSTEM - RPM SIGNAL +	12 IF	FR JCT BOX 12V IGNITION
SP 79	SPARE-FJB TO CONDENSER CPT	0 J	RS - RR ROOF ACCES. GRD	2 A	A/C & HEAT SYSTEM-COOL 1 SIGN	12 P	LH CONSOLE POWER OUTLET
SP 87	SPARE-RJB TO LH HAT RACK	0 K	RS - RR ROOF ACCES. GRD	2 B	A/C & HEAT SYSTEM-COOL. SIGN	12 R	BAT CPT 12V DISC RLY TO RJB
SP 88	SPARE-RJB TO RH HAT RACK	0 K	RS - RJB A/C JCT PANEL GRD	2 E	A/C & HEAT EVAP. CONTROL	12 VA	BATTERY TO EQUALIZER 12V
SP 92	SPARE-RJB TO CONDENSER CPT	0 L	FS - FR SERVICE CPT LTS GRD	2 F	A/C & HEAT EVAP. CONTROL	12 VD	12V HOT WIRE DISTRIBUTION
SP 93	SPARE-RJB TO EVAPORATOR CPT	0 L1	FS - FR SERVICE CPT LTS GRD	2 H	A/C & HEAT SYSTEM-HI PRESS SW	12 VF	BAT CPT 12V FJB & IC

CIRCUIT NUMBER CODE

No.	DESCRIPTION	No.	DESCRIPTION	No.	DESCRIPTION	No.	DESCRIPTION
12 VI	12V IGNITION DISTRIBUTION	24 E	FR JCT BOX 24V DISC SW	29 A	A/C & HEAT SYSTEM-DRIVER'S HTR	52 C	ALARM & SIGNAL-AIR HORN
12 VR	BAT CPT 12V DISC RLY TO RJB	24 E	RR JCT BOX 24V DISC SW	29 H	HVAC DASH MODULE	53	ALARM & SIGNAL-ELEC. HORN
12 W	12V BATTERY DDEC III	24 F	FR JCT BOX 24V DISC SW	29 B	A/C & HEAT SYSTEM-DRIVER'S HTR	53 A	WIPER & WASHER SYSTEM
12 X	FR JCT BOX 12V DISC SW	24 F	RR JCT BOX 24V DISC SW	31 A	A/C & HEAT SYSTEM-UNLOADER	53 B	WIPER & WASHER SYSTEM
12 X2	FR JCT BOX 12V DISC SW	24 G	FR JCT BOX 24V DISC SW	31 B	A/C & HEAT SYSTEM-UNLOADER	53 C	WIPER & WASHER SYSTEM
12 Y	FR JCT BOX 12V DISC SW	24 G	RR JCT BOX 24V DISC SW	31 B	WIPER & WASHER SYSTEM	53 E	WIPER & WASHER SYSTEM
13 A	ALARM & SIGNAL-LO AIR PRIM.	24 H	FR JCT BOX 24V DISC SW	31 C	WIPER & WASHER SYSTEM	53 J	WIPER & WASHER SYSTEM
13 B	ALARM & SIGNAL-LO AIR SEC.	24 H	RR JCT BOX 24V DISC SW	31 D	WIPER & WASHER SYSTEM	53 K	KEYLESS
15	EXTERIOR LTS-MULTI FUNC LEVEL	24 I	FR JCT BOX 24V IGNITION	31 E	WIPER & WASHER SYSTEM	55	EXTERIOR LTS-HI BEAM
15 A	WIPER & WASHER UPPER WINDSHIELD	24 I	RR JCT BOX 24V IGNITION	31 J	WIPER & WASHER SYSTEM	57	EXTERIOR LTS-HI BEAM
16	SPEED - SIGNAL +	24 IA	FR JCT BOX 24V IGNITION	31 X	WIPER & WASHER SYSTEM	57 A	A/C & HEAT SYSTEM-WATER PUMP
16 A	SPEED - SIGNAL +	24 IA	RR JCT BOX 24V IGNITION	32	EXTERIOR LTS-BACK-UP	57 A	EXTERIOR LTS-HI BEAM
16 T	SPEED - SIGNAL +	24 IB	FR JCT BOX 24V IGNITION	32 B	EXTERIOR LTS-BACK-UP	57 B	A/C & HEAT SYSTEM-WATER PUMP
17	EXTERIOR LTS-FLASHER UNIT	24 IB	RR JCT BOX 24V IGNITION	32 C	BACK-UP PWR & SIGNAL	57 C	PRE-HEAT WATER HEATER
17 A	EXTERIOR LTS-FLASHER UNIT	24 IF	FJB 24V IGNITION	32 D	BACK-UP ALARM	57 CA	A/C & HEAT SYSTEM-HEAT SIGN
19	DIFFERENTIAL OIL TEMP	24 IC	FR JCT BOX 24V IGNITION	35	ENTRANCE DOOR	57 CC	A/C & HEAT SYSTEM-HEAT SIGN
20	SPEED - SIGNAL -	24 P	FR JCT BOX 24V DISC SW	35 B	ENTRANCE DOOR	58	EXTERIOR LTS-LO BEAM
20 T	SPEED - SIGNAL -	24 S	24V DISC SW RLY SIGNAL	36	JACOB BRAKE SYSREM	58 A	EXTERIOR LTS-LO BEAM
20 W	SPEED - SIGNAL -	24 T	RR JCT BOX 24V DISC SW	36 A	JACOB BRAKE SYSREM	58 B	EXTERIOR LTS-LO BEAM
21	EXTERIOR LTS-DIRECTIONNAL LH	24 V2	RR JCT BOX 24V DISC SW	39	INTERIOR LTS-12V RH PANEL SW.	58 C	DAYTIME RUNNING LIGHT
21 A	EXTERIOR LTS-DIRECTIONNAL LH	24 V3	RR JCT BOX 24V DISC SW	39 A	INTERIOR LTS-DRIVER'S LTS	58 D	DAYTIME RUNNING LIGHT
21 B	EXTERIOR LTS-HAZARD	24 V4	RR JCT BOX 24V DISC SW	39 B	DRIVER'S LTS KEYLESS	58 E	EXTERIOR LTS-LO BEAM
21 C	EXTERIOR LTS-CORNERING LH	24 V5	RR JCT BOX 24V DISC SW	39 K	DRIVER'S LTS KEYLESS	59 A	JACOB BRAKE SYSTEM
21 H	EXTERIOR LTS-DIRECTIONNAL LH	24 VD	24V HOT WIRE DISTRIBUTION	41	A/C & HEAT SYSTEM-COND FAN MOT	61	EXTERIOR LTS-24V FEED SW
21 K	EXTERIOR LTS-CORNERING	24 VF	BAT CPT 24V SW TO FJB & IC	41 A	A/C & HEAT SYSTEM-COND FAN MOT	61 A	EXTERIOR LTS-HEAD SIGNAL
21 N	EXTERIOR LTS-CORNERING LH	24 VA	BATTERY TO EQUALIZER 24V	41 B	A/C & HEAT SYSTEM-COND FAN MOT	63	EXTERIOR LTS-CLEARANCE
21 P	EXTERIOR LTS-CORNERING LH	24 VI	RR JCT BOX 24V IGNITION	42	A/C & HEAT SYSTEM-COND FAN MOT	63 A	EXTERIOR LTS-CLEARANCE
23	EXTERIOR LTS-DIRECTIONNAL RH	24 VI	BAT CPT 24V DISC SW TO RJB	43	A/C & HEAT SYSTEM-COND FAN MOT	63 B	EXTERIOR LTS-CLEARANCE
23	EXTERIOR LTS-DIRECTIONNAL RH	25	12VAC GEN RLY ON SIGNAL	42 A	A/C & HEAT SYSTEM-COND FAN MOT	63 C	EXTERIOR LTS-MARKER SIGNAL
23 A	EXTERIOR LTS-DIRECTIONNAL RH	25	12VAC GEN RLY ON SIGNAL	44	EXTERIOR LTS-FOG	63 D	EXTERIOR LTS-MARKER & TAIL
23 B	EXTERIOR LTS-DIRECTIONNAL RH	25 A	ETHER SWITCH	44 A	EXTERIOR LTS-FOG	63 E	EXTERIOR LTS-CLEARANCE
23 C	EXTERIOR LTS-CORNERING RH	25 A	NOT ALTERNATOR #1-WARNING LT	44 B	EXTERIOR LTS-FOG	63 F	EXTERIOR LTS-MARKER BLINKER
23 N	EXTERIOR LTS-CORNERING RH	25 A1	24 VOLTS EXCITING SIGNAL - ALT. #1	44 C	EXTERIOR LTS-FOG & HAZARD	63 H	EXTERIOR LTS-TAIL
23 P	EXTERIOR LTS-CORNERING RH	25 A2	24 VOLTS EXCITING SIGNAL - ALT. #2	45 A	WATER PUMP SIGNAL	64	DRIVER'S FAN
24	BAT CPT 24V BATTERY	25 A3	24 V. SIGNAL ALT#1 OR ALT. #2 RUN	45 B	A/C & HEAT SYSTEM-HEAT SIGN	64 B	DRIVER'S FAN
24	FR JCT BOX 24V DISC SW	25 F	12V IGNITION DISTRIBUTION	45 D	A/C & HEAT SYSTEM-WATER VALVE	64 C	DRIVER'S FAN
24 A	BOOSTER BLOCK 24V DISC SW	25 B	EXTERIOR LTS-DAYTIME RUN LTS	45 E	A/C & HEAT SYSTEM-HEAT 1 SIGN	65	FOOT DAMPER MOTOR
24 A	FR JCT BOX 24V DISC SW	25 B	12 V. IGN. ALTERNATOR BOSCH	45 G	A/C & HEAT SYSTEM-DRIVER'S HTR	65 A	FOOT DAMPER MOTOR
24 A	RR JCT BOX 24V DISC SW	25 C	12 V. SIGNAL ALT.#1 AND ALT.#2 RUN	45 H	A/C & HEAT SYSTEM-DRIVER'S HTR	65 D	DRIVER'S REC. DAMPER
24 B	24V STARTER RLY FEEDING	25 D	12 V. SIGNAL ALT.#1 AND ALT.#2 RUN	45 W	A/C & HEAT SYSTEM-COND. DOOR AJAR	65 P	PASSENGER REC. DAMPER
24 B	FR JCT BOX 24V DISC SW	25 H	24 V. IGN. ALTERNATOR BOSCH	46	EXTERIOR LTS-MARKER	66	O_PASS_ON/OFF
24 B	RR JCT BOX 24V DISC SW	25 K	NOT ALTERNATOR #2-WARNING LT	46 A	EXTERIOR LTS-MARKER	67	A/C & HEAT SYSTEM
24 BE	RJB CPT-BAT EQ MONITOR HOT WIRE	26	CIGAR LIGHTER	46 B	EXTERIOR LTS-MARKER	67 A	A/C & HEAT SYSTEM
24 C	FR JCT BOX 24V DISC SW	26	DRIVER'S WINDOW LIFTER	46 B	EXTERIOR LTS-MARKER	67 B	A/C & HEAT SYSTEM
24 C	RR JCT BOX 24V DISC SW	26 B	DRIVER'S WINDOW LIFTER	46 C	EXTERIOR LTS-MARKER	67 C	HEAT WINDS.
24 D	BAT CPT 24V HOT WIRE	26 C	DRIVER'S WINDOW LIFTER	47	A/C & HEAT SYSTEM-DRIVER'S HTR	67 K	A/C & HEAT SYSTEM-COND FAN CTR
24 D	FR JCT BOX 24V HOT WIRE	27	PARKING BRAKE SONALERT	50	AIR DRYER	67 L	A/C & HEAT SYSTEM-COND FAN CTR
24 D	RR JCT BOX 24V HOT WIRE	27 A	PARKING BRAKE SONALERT	52	ALARM & SIGNAL-ELEC. HORN	67 V	A/C & HEAT SYSTEM-WATER VALVE
24 DA	A/C JCT BOX 24V HOT WIRE	28 A	A/C & HEAT SYSTEM-HI PRESSURE	52 A	ALARM & SIGNAL-ELEC. HORN	68	DASH & DEFROST DAMPER MOTOR
24 E	BAT CPT 24V DISC SW	29	A/C & HEAT SYSTEM-DRIVER'S HTR	52 B	ALARM & SIGNAL-AIR HORN	68 A	DASH & DEFROST DAMPER MOTOR

CIRCUIT NUMBER CODE

No.	DESCRIPTION	No.	DESCRIPTION	No.	DESCRIPTION	No.	DESCRIPTION
70	INTERIOR LTS-HAT RACK & RR RUN.	93	BATTERY EQUALIZER-CHECK LO/HI	1 2 3 B	ALARM & SIGNAL-FIRE DETECTOR	1 3 7 C	RR VIEW MIRROR (SPARTAN)
72	SUN VISOR-FEEDING	95 A	ENGINE BRAKE & RETARDER SYSTEM	1 2 4	WORLD TRANSM-THROTTLE (HI)	1 3 7 D	RR VIEW MIRROR (SPARTAN)
72 A	SUN VISOR-RH	97	TACHOMETER (-)	1 2 5	WORLD TRANSM-RET. INDICATOR	1 3 7 E	RR VIEW MIRROR (SPARTAN)
72 B	SUN VISOR-RH	1 0 1	24V STARTER SOL FEEDING	1 2 5 W	WORLD TRANSM-RET. INDICATOR	1 3 7 G	RR VIEW MIRROR (SPARTAN)
72 C	SUN VISOR-LH	1 0 1	WORLD TRANSM-LO SIGN SOL. LO	1 2 6	LEVEL LOW SYSTEM	1 3 8	ABS SYSTEM
72 D	SUN VISOR-LH	1 0 2	24V STARTER TO GENERATOR DELCO	1 2 6	WORLD TRANSM-LUBE PRESS SW.	1 3 8	WORLD TRANSM-RETARDER TEMP
76	FUEL TANK GAUGE	1 0 2	WORLD TRANSM-SOL. GRD 1	1 2 7	WORLD TRANSM-LUBE PRESS SW.	1 3 8 A	ABS SYSTEM
76 B	LOW FUEL LT & ETHER COLD START	1 0 2	WORLD TRANSM-SOL. C3	1 2 7	PRE-HEAT WATER HEATER	1 3 9	ABS SYSTEM
76 C	LOW FUEL LT	1 0 2 A	24V STARTER TO GENERATOR BOSCH	1 2 7 A	PRE-HEAT WATER HEATER	1 3 9	WORLD TRANSM-OUTPUT SPEED HI
76 P	FUEL PRIME PUMP	1 0 4	WORLD TRANSM-SOL. FORWARD	1 2 7 B	PRE-HEAT WATER HEATER	1 4 0	ABS SYSTEM
76 M	FUEL PRIME PUMP	1 0 4	LEVEL LOW SYSTEM	1 2 7	WORLD TRANSM-RETARDER FEED SOL.	1 4 0	WORLD TRANSM-OUTPUT SPEED LO
77 A	A/C & HEAT SYSTEM-COMPRESSOR	1 0 5	WORLD TRANSM-RETARDER & SUMP	1 2 7 S	PRE-HEAT WATER HEATER	1 4 1	ABS SYSTEM
77 B	A/C & HEAT SYSTEM-COMPRESSOR	1 0 5 W	WORLD TRANSM-RETARDER & SUMP	1 2 7 W	PRE-HEAT WATER HEATER	1 4 1	WORLD TRANSM-ENGINE SPEED HI
77 C	A/C & HEAT SYSTEM-COMPRESSOR	1 0 6	WORLD TRANSM-OIL LEVEL HI	1 2 8	PRE-HEAT WATER HEATER	1 4 2	ABS SYSTEM
77 H	A/C & HEAT SYSTEM-COMPRESSOR	1 0 7	CHARG SYST-VOLTAGE REGUL. "F"	1 2 8 A	PRE-HEAT WATER HEATER	1 4 2	WORLD TRANSM-SERIAL COM. A
77 K	GRD SIGNAL-COMPRESSOR CUT-OUT	1 0 7	WORLD TRANSM-LOCKUP SOL. HI	1 2 8 B	PRE-HEAT WATER HEATER	1 4 3	ABS SYSTEM
81	EXTERIOR LTS-STOP SW	1 0 8	WORLD TRANSM-REM. PWR WAKE UP	1 2 8 W	PRE-HEAT WATER HEATER	1 4 3	WORLD TRANSM-ECU BATTERY GRD
82	EXTERIOR LTS-STOP SIGNAL	1 0 9	WORLD TRANSM-RET. SOL. LO	1 2 8	WORLD TRANSM-SOL. C2	1 4 3 A	ABS SYSTEM
82 A	EXTERIOR LTS-STOP SIGNAL	1 1 0	ALARM & SIGNAL-WATER TEMP	1 2 9	PRE-HEAT WATER HEATER	1 4 3 W	WORLD TRANSM-BATTERY GRD
82 B	EXTERIOR LTS-STOP LTS	1 1 0	WORLD TRANSM-LOCKUP SOL. LO	1 2 9	WORLD TRANSM-SOL. C5	1 4 3 X	WORLD TRANSM-BATTERY GRD
82 K	EXTERIOR LTS-STOP PARK BRK	1 1 1	WORLD TRANSM-SOL. C6	1 3 0	WORLD TRANSM-SOL. GRD 3	1 4 4	ABS SYSTEM
82 L	EXTERIOR LTS-LH STOP	1 1 2	WORLD TRANSM-SPARE OUTPUT (+)	1 3 1	WORLD TRANSM-SOL. C4	1 4 4	WORLD TRANSM-ECU CHASSIS GRD
82 R	EXTERIOR LTS-LH STOP	1 1 3	ALARM & SIGNAL-OIL PRESS	1 3 2	WORLD TRANSM-ENG BRK OUTPUT (-)	1 4 4 A	ABS SYSTEM
83	ENGINE CTR-KEY SW ACCES SIGN	1 1 3	WORLD TRANSM-REVERSE WARNING	1 3 2 A	LEVEL LOW SYSTEM	1 4 5	ABS SYSTEM
84	ENGINE CTR-KEY SW ACCES SIGN	1 1 4	INTERIOR LTS-DASH LT REGUL.	1 3 2 B	LEVEL LOW SYSTEM	1 4 6	ABS SYSTEM
85	ENGINE CTR-KEY SWIGNITION SIGN	1 1 4	WORLD TRANSM-SPARE OUTPUT (-)	1 3 2 C	LEVEL LOW SYSTEM	1 4 6	WORLD TRANSM-IGNITION SENSE
85	24V IGNITION SIGNAL	1 1 4 A	INTERIOR LTS-DASH LT	1 3 2 D	LEVEL LOW SYSTEM	1 4 6 W	WORLD TRANSM-12V IGNITION
85 A	24V IGN DASH INSTRUMENTATION	1 1 4 B	INTERIOR LTS-DASH LT REGUL.	1 3 2 E	LEVEL LOW SYSTEM	1 4 6 X	WORLD TRANSM-12V IGNITION
85 B	ENGINE CTR-24V IGNITION	1 1 4 D	INTERIOR LTS-DASH LT REGUL.	1 3 2 F	LEVEL LOW SYSTEM	1 4 7	ABS SYSTEM
85 C	PARKING BRAKE SWITCH	1 1 4 E	INTERIOR LTS-DASH LT REGUL.	1 3 2 G	LEVEL LOW SYSTEM	1 4 7	ETHER COLD START
85 F	ENGINE CTR-ENGINE CTR SW IGN	1 1 5	ALARM & SIGNAL-TAG PRESS	1 3 2 H	LEVEL LOW SYSTEM	1 4 7	WORLD TRANSM-OIL TEMP
85 F	LO AIR SONALERT	1 1 5	DDEC III-COOLANT LEVEL	1 3 2 J	LEVEL LOW SYSTEM	1 4 7 C	ETHER COLD START
85 W	24V IGN ABS	1 1 5	WORLD TRANSM-DO NOT SHIFT SIGN	1 3 2 K	LEVEL LOW SYSTEM	1 4 8	ABS SYSTEM
85 X	24V IGN ABS	1 1 5 C	DDEC III-COOLANT LEVEL	1 3 2 W	WORLD TRANSM-ENG BRK OUTPUT (-)	1 4 8	WORLD TRANSM-OUTPUT SPEED LO
85 Y	ABS-WARNING LT	1 1 5 W	WORLD TRANSM-DO NOT SHIFT SIGN	1 3 3	WORLD TRANSM-RET. ACTUATOR HI	1 4 9	ABS SYSTEM
86	ENGINE CTR-STARTER SOL SIGN	1 1 6	WORLD TRANSM-LO SIGNAL SOL. HI	1 3 4	WORLD TRANSM-RET. APPLY SOL. HI	1 4 9	WORLD TRANSM-TURBINE SPEED HI
86 A	ENGINE CTR-STARTER SOL SIGN	1 1 6 B	A/C & HEAT SYSTEM-DRIVER'S HTR	1 3 5	A/C & HEAT SYSTEM-AIR SENSOR	1 4 9 A	ABS SYSTEM
88	ENGINE CTR-RR START SIGNAL	1 1 7	WORLD TRANSM-SPARE INPUT (-)	1 3 5	WORLD TRANSM-ANALOG GRD	1 5 0	DDEC III-ECM BATTERY GRD
89	ENGINE CTR-RR START SIGNAL	1 1 7 A	ALARM & SIGNAL-TRANSM OIL TEMP	1 3 5 A	A/C & HEAT SYSTEM-AIR SENSOR	1 5 0	WORLD TRANSM-ENGINE SPEED LO
90 B	A/C & HEAT SYSTEM-COND FAN MOT	1 1 7 A	ALARM & SIGNAL-TRANSM OIL TEMP	1 3 5 D	A/C & HEAT SYSTEM-AIR SENSOR	1 5 0 A	DDEC III-ECM BATTERY GRD
90 B	ENGINE CTR-MAST KEY SW FEED	1 1 8	WORLD TRANSM-SPARE INPUT (+)	1 3 5 C	A/C & HEAT SYSTEM-AIR SENSOR	1 5 1	ABS SYSTEM
90 C	A/C & HEAT SYSTEM-COND FAN MOT	1 1 9	WORLD TRANSM-ENG BRK INPUT (+)	1 3 5 D	WORLD TRANSM-RETARDER RES MOD	1 5 1	DDEC III-ECM BATTERY GRD
90 F	CHARG SYST-VOLTAGE REGUL. "B"	1 2 0	WORLD TRANSM-SOL. C1	1 3 5 C	WORLD TRANSM-RETARDER TEMP	1 5 1	WORLD TRANSM-SERIAL COM. B
90 H	A/C & HEAT SYSTEM-EVAP FAN MOT	1 2 1	WORLD TRANSM-SOL. GRD 2	1 3 6	WORLD TRANSM-ECU POWER	1 5 1 A	ABS SYSTEM
90 J	A/C & HEAT SYSTEM-COND FAN MOT	1 2 2	A/C & HEAT SYSTEM-DRIVER'S HTR	1 3 6 V	WORLD TRANSM-12V BATTERY	1 5 2	ABS SYSTEM
91	PARKING BRAKE SW SIGNAL	1 2 2	A/C & HEAT SYSTEM-FRESH AIR	1 3 6 W	WORLD TRANSM-12V BATTERY	1 5 2 A	ABS SYSTEM
91 A	DDEC-FAST IDLE SIGNAL	1 2 2	WORLD TRANSM-SOL. GRD 4	1 3 6 X	WORLD TRANSM-12V BATTERY	1 5 3	ABS SYSTEM
91 S	SONALERT PARKING BRAKE	1 2 2 A	A/C & HEAT SYSTEM-FRESH AIR	1 3 7	WORLD TRANSM-RETARDER	1 5 3	WORLD TRANSM-SPARE INPUT (-)
91 W	PARK, BRAKE SW SIGN (WCL)	1 2 3	WORLD TRANSM-NEUTRAL START	1 3 7 A	MIRROR (SPARTAN & RAMCO)	1 5 4	ABS SYSTEM
92	BATTERY EQUALIZER-CHECK BALANCE	1 2 3 A	ALARM & SIGNAL-FIRE DETECTOR	1 3 7 B	RR VIEW MIRROR (SPARTAN)	1 5 4	WORLD TRANSM-ABS RET. INPUT

CIRCUIT NUMBER CODE

No.	DESCRIPTION	No.	DESCRIPTION	No.	DESCRIPTION	No.	DESCRIPTION
155	ABS SYSTEM	175 A	BACK-UP MONITOR	275	KEYLESS ENTRY SYSTEM	901	DDEC III-DATA LINK (-)
155	WORLD TRANSM-SPARE INPUT (-)	175 B	BACK-UP MONITOR	276	KEYLESS ENTRY SYSTEM	908	DDEC III-HYDRAULIC PWM#1 OUTPUT
156	ABS SYSTEM	175 C	BACK-UP MONITOR	277	KEYLESS ENTRY SYSTEM	916	DDEC III-SENSOR SUPPLY (5VDC)
156	WORLD TRANSM-THROTTLE POS.	180	DRIVER'S SEAT HEATER	278	KEYLESS ENTRY SYSTEM	952	DDEC III-SENSOR RETURN
156 A	ABS SYSTEM	180 A	DRIVER'S SEAT HEATER	279	KEYLESS ENTRY SYSTEM	953	DDEC III-BATTERY GRD
157	ABS SYSTEM	180 B	CO-PILOT SEAT HEATER	280	KEYLESS ENTRY SYSTEM	979	DDEC III-ENGINE BRAKE 2 CYL.
157	WORLD TRANSM-SPEEDO SIGNAL	180 C	CO-PILOT SEAT HEATER	283	KEYLESS ENTRY SYSTEM		
157 A	ABS SYSTEM	181 A	THERMOMETER INSIDE SENSOR	283 A	KEYLESS ENTRY SYSTEM		
157 B	ABS SYSTEM	181 B	THERMOMETER INSIDE SENSOR	284 A	KEYLESS ENTRY SYSTEM		
158	WORLD TRANSM-DIMMER	181 C	THERMOMETER OUTSIDE SENSOR	284 B	KEYLESS ENTRY SYSTEM		
160	ALARM & SIGNAL-TAG PRESS SW	181 D	THERMOMETER OUTSIDE SENSOR	285	KEYLESS ENTRY SYSTEM		
160	WORLD TRANSM-SER. INTERFACE (-)	197	FUEL WATER FILTER	285 B	KEYLESS ENTRY SYSTEM		
161	WORLD TRANSM-SIGNAL GRD	197 A	FUEL WATER FILTER	285 C	KEYLESS ENTRY SYSTEM		
161 B	WORLD TRANSM-SIGNAL GRD	197 B	FUEL WATER FILTER	286	KEYLESS ENTRY SYSTEM		
162	WORLD TRANSM-PRESS. SW C3	198	FILTER FUEL HEATER	286 A	KEYLESS ENTRY SYSTEM		
163	WORLD TRANSM-RETARDER ENABLE	199	AIR FILTER RESTRICTION SENDER	290	FAN CLUTCH RADIATOR		
164	WORLD TRANSM-RET. ACTUATOR SIGN	201	WORLD TRANSM-SPARE	290	FAN CLUTCH RADIATOR		
165	A/C & HEAT SYSTEM-TRANSMITER	202	WORLD TRANSM-SPARE	291	FAN CLUTCH RADIATOR SPD 1		
165	WORLD TRANSM-OIL LEVEL SIGNAL	203	WORLD TRANSM-SPARE	291	KEYLESS ENTRY SYSTEM		
165 A	A/C & HEAT SYSTEM-TRANSMITER	204	WORLD TRANSM-SPARE	292	FAN CLUTCH RADIATOR SPD 2		
165 B	A/C & HEAT SYSTEM-TRANSMITER	205	WORLD TRANSM-SPARE	293	KEYLESS ENTRY SYSTEM		
165 C	A/C & HEAT SYSTEM-TRANSMITER	206	WORLD TRANSM-SPARE	294	ANTI-THEFT SYSTEM KEYLESS		
165 D	A/C & HEAT SYSTEM-TRANSMITER	214	WORLD TRANSM-BACK UP SIGNAL	295	LED FEED ALARM -KEYLESS		
166 B	A/C & HEAT SYSTEM-EVAP. MOD.	216 B	24V SIGNAL AUX. LIQ. SOL. VALVE	417	DDEC III-LIMIT SPEED GOVERNOR		
167	A/C & HEAT SYSTEM-TEMP. CTR	216 C	12 V. TRIGGER AUX. A/C UNIT	419	DDEC III-CHECK ENGINE LIGHT		
167 A	A/C & HEAT SYSTEM-TEMP. CTR	229	24 V. POWER AUX. A/C UNIT	439	DDEC III-12V IGNITION		
168	A/C & HEAT SYSTEM-HUMIDISTAT	229 A	PWM SIGNAL - AUX. FAN UNIT	440	DDEC III-12V IGNITION		
168	WORLD TRANSM-SER. INTERFACE (+)	231	NEUTRAL SIGNAL GRD	440 A	DDEC III-12V IGNITION		
168 A	A/C & HEAT SYSTEM-HUMIDISTAT	231 A	NEUTRAL COIL RELAY FEED SIGNAL	451	DDEC III-A/C FAN CLUTCH		
170 C	LUGGAGE DOOR LOCK	231 W	NEUTRAL SIGNAL GRD (WCL)	505	DDEC III-TACHOMETER DRIVE		
170 D	LUGGAGE DOOR LOCK	240	DDEC III-ECM 12V FEEDING	509	DDEC III-STOP ENGINE LIGHT		
170 E	LUGGAGE DOOR LOCK	241	DDEC III-ECM 12V FEEDING	510	DDEC III-FAST IDLE SIGNAL		
170 F	LUGGAGE DOOR LOCK	251	DDEC III - PRODRIVER 12V H.W.	524	DDEC III-ENGINE BRAKE DISABLE		
170 G	LUGGAGE DOOR LOCK	251 A	DDEC III -DATA LOGGER 12V H.W.	525	DDEC III-FAST IDLE SIGNAL		
170 H	LUGGAGE DOOR LOCK	257	WINDSHIELD HEATED	528	DDEC III-STOP ENG. OVERRIDE		
170 K	LUGGAGE DOOR LOCK	257 A	WINDSHIELD HEATED	531	DDEC III-CRUISE CLUTCH RELEASE		
170 L	LUGGAGE DOOR LOCK	257 B	WINDSHIELD HEATED	540	DDEC III-CRUISE ENABLE LTS.		
170 M	LUGGAGE DOOR LOCK	257 C	WINDSHIELD HEATED	541	DDEC III-CRUISE SET SW		
170 N	LUGGAGE DOOR LOCK	257 D	WINDSHIELD HEATED SPARE	542	INPUT PARK BRAKE INTERLOCK		
170 P	LUGGAGE DOOR LOCK	257 E	WINDSHIELD HEATED SPARE	543	DDEC III-CRUISE STOP SW CUT IN		
170 R	LUGGAGE DOOR LOCK	258	WINDSHIELD HEATED	544	DDEC III-CRUISE ON/OFF SW		
170 S	LUGGAGE DOOR LOCK	258 A	WINDSHIELD HEATED	545	DDEC III-CRUISE RESUME SW		
170 V	LUGGAGE DOOR LOCK	259	WINDSHIELD HEATED	555	DDEC III-FAN CLUTCH SPEED# 1		
170 W	LUGGAGE DOOR LOCK	259 A	WINDSHIELD HEATED	556	DDEC III-VEHICLE SPEED (+)		
170 X	LUGGAGE DOOR LOCK	264	SPEED SIGNAL- AUX. FAN UNIT	557	DDEC III-VEHICLE SPEED (-)		
170 Y	LUGGAGE DOOR LOCK	264 A	SPEED SIGNAL- AUX. FAN UNIT	563	DDEC III-FAN CLUTCH SPEED# 2		
170 Z	LUGGAGE DOOR LOCK	264 B	SPEED SIGNAL- AUX. FAN UNIT	564	DDEC III-DIGITAL OUTPUT		
173	BACK-UP MONITOR	270	KEYLESS ENTRY SYSTEM	565	DDEC III-ENGINE BRAKE ACTIVE		
174	BACK-UP MONITOR	272	KEYLESS ENTRY SYSTEM	583	DDEC III-ENGINE BRAKE 4 CYL.		
175	BACK-UP MONITOR	274	KEYLESS ENTRY SYSTEM	900	DDEC III-DATA LINK (+)		

CIRCUIT NUMBER CODE

No.	DESCRIPTION	No.	DESCRIPTION	No.	DESCRIPTION	No.	DESCRIPTION
L 8	ENG. BLK HEATER	SP 94	SPARE-RJB TO RR ROOF	0 L2	FS - FR SERVICE CPT LTS GRD	2 H	A/C & HEAT SYSTEM-HI PRESS SW
L 9	ENG. BLK HEATER	SP 95	SPARE-RJB TO RR ROOF	0 L3	FS - FJB GRD	2 HL	A/C & HEAT SYSTEM-LO & HI PRESS SW
SP 2	SPARE-FJB TO FR SERV CPT	SP 96	SPARE-RJB TO LUGG CPT #2	0 L4	FS - FJB GRD	2 L	A/C & HEAT SYSTEM-LO PRESS SW
SP 3	SPARE-FJB TO CENTER DASH	SP 97	SPARE-RJB TO LUGG CPT #3	0 L5	FS - CIGAR LIGHTER	5 NC	SPEED SIGNAL LOWER 5MPH
SP 4	SPARE-FJB TO CENTER DASH	SP 98	SPARE-RJB TO LUGG CPT #3	0 L	RS - ENGINE CPT ACCES. GRD	5 NO	SPEED SIGNAL HIGHER 5MPH
SP 5	SPARE-RJB TO LUGG CPT #2	SP 104	SPARE-RJB TO ENGINE CPT	0 L	ENTRANCE DOOR GRD	9	INTERIOR LTS-ENGINE CPT
SP 6	SPARE-RJB TO LUGG CPT #1	SP 105	SPARE-FJB TO ENGINE	0 LH	RS - RR END LAMPS LH GRD	9 A	INTERIOR LTS-ENGINE CPT
SP 7	SPARE-RJB TO LUGG CPT #1	SP 106	SPARE-RJB TO BATT. CPT.	0 M	FS - ELECTRICAL MOTOR GRD	9 B	INTERIOR LTS-ENGINE CPT
SP 8	SPARE-RJB TO LUGG CPT #1	SP 107	SPARE-RJB TO BATT. CPT.	0 M3	FS - ELECTRICAL MOTOR GRD	9 E	INTERIOR LTS-FR SERVICE CPT
SP 9	SPARE-RJB TO LUGG CPT #2	SP 108	SPARE-RJB TO BATT. CPT.	0 M4	FS - ELECTRICAL MOTOR GRD	9 F	INTERIOR LTS-FR SERVICE CPT
SP 10	SPARE-RJB TO LUGG CPT #1	SP 109	SPARE-RJB TO ENGINE CPT.	0 M5	FS - ELECTRICAL MOTOR GRD	10	INTERIOR LTS-LUGGAGE CPT
SP 11	SPARE-FJB TO RJB	SP 110	SPARE-RJB TO ENGINE CPT.	0 M6	FS - FJB GRD	10 A	INTERIOR LTS-LUGGAGE CPT
SP 12	SPARE-RJB TO ENGINE	SP 111	SPARE-RJB TO ENGINE CPT.	0 M7	FS - ELECTRICAL MOTOR GRD	10 B	INTERIOR LTS-LUGGAGE CPT
SP 13	SPARE-RJB TO ENGINE	SP 112	SPARE-RJB TO ENGINE CPT.	0 M8	FS - AUX. A/C UNIT	10 C	INTERIOR LTS-LUGGAGE CPT
SP 14	SPARE-FJB TO RJB	SP 114	SPARE-FJB TO U/DASH WIPER	0 M9	FS - WATER PUMP DRIVER	10 D	INTERIOR LTS-LUGGAGE CPT
SP 15	SPARE-RJB TO ENGINE	SP 115	SPARE-FJB TO U/DASH WIPER	0 M	RS - ENGINE CPT ACCES. GRD	10 E	INTERIOR LTS-EVAP. CPT
SP 16	SPARE-RJB TO ENGINE	SP 116	SPARE-RJB TO U/DASH FLOOR	0 MR	24V DISC. SW. RLY GRD SIGNAL	10 F	INTERIOR LTS-LUGGAGE CPT
SP 17	SPARE-RJB TO ENGINE	SP 117	SPARE-FJB TO U/DASH FLOOR	0 MS	24V DISC. SW. RLY GRD SIGNAL	10 H	INTERIOR LTS-LUGGAGE CPT
SP 18	SPARE-FJB TO RJB	W C	A/C & HEAT SYST-EVAP CTR SIGN	0 N	RS - ENGINE CPT ACCES. GRD	10 R	INTERIOR LTS-LUGGAGE DOOR AJAR
SP 24	SPARE-RJB TO LAVATORY ROOF	0	BC - BAT. CPT CHASSIS GRD	0 P	RS - ENGINE CPT ACCES. GRD	12	12V BAT ELECTRONIC JCT BLOCK
SP 25	SPARE-RJB TO LAVATORY ROOF	0	CONDENSER CPT GRD	0 R	RS - RJB GRD	12	BAT CPT 12V BATTERY
SP 26	SPARE-RJB TO LAVATORY ROOF	0	RS - RR JCT BOX RLY GRD	0 R	RS - ENGINE CPT ACCES. GRD	12 A	FR JCT BOX 12V DISC SW
SP 27	SPARE-RJB TO LH HAT RACK	0 A	BC - SHIELD GRD	0 RH	RS - RR END LAMPS RH GRD	12 A	RR JCT BOX 12V DISC SW
SP 28	SPARE-RJB TO LH HAT RACK	0 A	RS - RR JCT BOX RLY GRD	0 S	12 VOLT RUN- GND RLY	12 B	12V BAT ELECTRICAL JCT BLOCK
SP 31	SPARE-RJB TO RH HAT RACK	0 A	FRS - FR ROOF ACCES. GRD	0 SA	ENGINE CPT STUD-ALTERN. BOSCH	12 B	RR JCT BOX 12V DISC SW
SP 32	SPARE-RJB TO RH HAT RACK	0 A	RS - LUG. CPT ACCES. GRD	0 T	FS - DASH ACCES. GRD	12 B	FR JCT BOX 12V DISC SW
SP 33	SPARE-FJB TO RJB	0 AA	RS - VOLTAGE REGULATOR GRD	0 T1	FS - DASH ACCES. GRD	12 BE	BAT. EQUALIZER MONITOR
SP 38	SPARE-FJB TO RJB	0 B	EC - ENGINE GRD	0 T2	FS - DASH ACCES. GRD	12 C	FR JCT BOX 12V DISC SW
SP 43	SPARE-FJB TO RJB	0 B	FRS - FR ROOF HEAT WIND GRD	0 T3	FS - DASH ACCES. GRD	12 C	RR JCT BOX 12V DISC SW
SP 45	SPARE-FJB TO RJB	0 B	RS - LUG. CPT ACCES. GRD	0 T4	FS - DASH ACCES. GRD	12 D	BAT CPT 12V BATTERY
SP 46	SPARE-RJB TO LH FR ROOF	0 BE	RJB - BAT. EQUAL. BAT GRD	0 T5	FS - HVAC DASH MODULE. GRD	12 DT	TTLT MODULE
SP 48	SPARE-RJB TO DASH CENTER PANEL	0 C	EC - STARTER MOTOR GRD	0 V	RR JCT BOX CPT GRD STUD	12 E	FR JCT BOX 12V DISC SW
SP 56	SPARE-ENGINE TO RH SW PANEL	0 C	FS - SERV. CPT ACCES. GRD	0 VA	BATTERY TO EQUALISER 0V	12 E	RR JCT BOX 12V DISC SW
SP 57	SPARE-DASH CENTER PANEL TO ENG.	0 C	BC - FAN CONDENSER GRD	0 W	FS - WT GND & SHIELD	12 F	BAT CPT 12V FJB & IC
SP 58	SPARE-DASH CENTER PANEL TO ENG.	0 CR	24V DISC. SW. RLY GRD SIGNAL	0 W	RS - RR JCT BOX (WCL) GRD	12 F	FR JCT BOX 12V DISC SW
SP 59	SPARE-FJB TO ENGINE	0 CS	24V DISC. SW. RLY GRD SIGNAL	0 WC	RS - RR JCT BOX GRD (WCL)	12 F	RR JCT BOX 12V DISC SW
SP 61	SPARE-FJB TO DASH RH PANEL	0 C1	FS - SERV. CPT ACCES. GRD	0 X	RS - RR JCT BOX GRD	12 G	FR JCT BOX 12V DISC SW
SP 68	SPARE-FJB TO ENGINE	0 C2	FS - SERV. CPT ACCES. GRD	0 Y	ABS FR JCT BOX CPT GRD STUD	12 J	FR JCT BOX 12V DISC SW
SP 69	SPARE-FJB TO FR AXLE	0 C3	FS - SERV. CPT ACCES. GRD	0 Y	RR JCT BOX GRD	12 K	HVAC MODULE
SP 70	SPARE-FJB TO FR AXLE	0 C4	FS - FJB. CPT ACCES. GRD	0 Y1	ABS FR JCT BOX CPT GRD STUD	12 I	12V IGNITION DISTRIBUTION
SP 71	SPARE-FJB TO RH SW PANEL	0 D	BC - FAN CONDENSER GRD	0 Z	RR JCT BOX CPT GRD STUD	12 I	RR JCT BOX 12V IGNITION
SP 72	SPARE-FJB TO FR SERV CPT	0 D	RS - HAT RACK ACCES. LH GRD	00	FJB & RJB BATT. GRD	12 IA	12V IGNITION DISTRIBUTION
SP 74	SPARE-FJB TO LH CONSOLE	0 DF	RS - RR SIDE FLASH & MARK GRD	00 A	FBG - T.T.LT. MODULES BATT. GRD	12 IA	FR JCT BOX 12V IGNITION
SP 77	SPARE-FJB TO EVAPORATOR CPT	0 DR	RS - RJB DOCKING LT RESISTORS	00 Y	FS - ABS MODULLE BATT. GRD	12 IB	FR JCT BOX 12V IGNITION
SP 78	SPARE-FJB TO CONDENSER CPT	0 J	FS - LH CONSOLE SW GRD	00 SS	SOUND SYSTEM BATT. GRD	12 LX	CLUSTER FEED
SP 79	SPARE-FJB TO CONDENSER CPT	0 J	RS - RR ROOF ACCES. GRD	1	TACHO SYSTEM - RPM SIGNAL +	12 IF	FR JCT BOX 12V IGNITION
SP 87	SPARE-RJB TO LH HAT RACK	0 K	RS - RR ROOF ACCES. GRD	2 A	A/C & HEAT SYSTEM-COOL 1 SIGN	12 P	LH CONSOLE POWER OUTLET
SP 88	SPARE-RJB TO RH HAT RACK	0 K	RS - RJB A/C JCT PANEL GRD	2 B	A/C & HEAT SYSTEM-COOL SIGN	12 R	BAT CPT 12V DISC RLY TO RJB
SP 92	SPARE-RJB TO CONDENSER CPT	0 L	FS - FR SERVICE CPT LTS GRD	2 E	A/C & HEAT EVAP. CONTROL	12 VA	BATTERY TO EQUALIZER 12V
SP 93	SPARE-RJB TO EVAPORATOR CPT	0 L1	FS - FR SERVICE CPT LTS GRD	2 F	A/C & HEAT EVAP. CONTROL	12 VD	12V HOT WIRE DISTRIBUTION

CIRCUIT NUMBER CODE

No.	DESCRIPTION	No.	DESCRIPTION	No.	DESCRIPTION	No.	DESCRIPTION
12 VF	BAT CPT 12V FJB & IC	24 E	FR JCT BOX 24V DISC SW	29	A/C & HEAT SYSTEM-DRIVER'S HTR	52 B	ALARM & SIGNAL-AIR HORN
12 VI	12V IGNITION DISTRIBUTION	24 E	FR JCT BOX 24V DISC SW	29 A	A/C & HEAT SYSTEM-DRIVER'S HTR	52 C	ALARM & SIGNAL-AIR HORN
12 VR	BAT CPT 12V DISC RLY TO RJB	24 E	RR JCT BOX 24V DISC SW	29 H	HVAC DASH MODULE	53	ALARM & SIGNAL-ELEC. HORN
12 W	12V BATTERY DDEC III	24 F	FR JCT BOX 24V DISC SW	29 B	A/C & HEAT SYSTEM-DRIVER'S HTR	53 A	WIPER & WASHER SYSTEM
12 X	FR JCT BOX 12V DISC SW	24 F	RR JCT BOX 24V DISC SW	31 A	A/C & HEAT SYSTEM-UNLOADER	53 B	WIPER & WASHER SYSTEM
12 X2	FR JCT BOX 12V DISC SW	24 G	FR JCT BOX 24V DISC SW	31 B	A/C & HEAT SYSTEM-UNLOADER	53 C	WIPER & WASHER SYSTEM
12 Y	FR JCT BOX 12V DISC SW	24 G	RR JCT BOX 24V DISC SW	31 B	WIPER & WASHER SYSTEM	53 E	WIPER & WASHER SYSTEM
13 A	ALARM & SIGNAL-LO AIR PRIM.	24 H	FR JCT BOX 24V DISC SW	31 C	WIPER & WASHER SYSTEM	53 J	WIPER & WASHER SYSTEM
13 B	ALARM & SIGNAL-LO AIR SEC.	24 H	RR JCT BOX 24V DISC SW	31 D	WIPER & WASHER SYSTEM	53 K	KEYLESS
15	EXTERIOR LTS-MULTI FUNC LEVEL	24 I	FR JCT BOX 24V IGNITION	31 E	WIPER & WASHER SYSTEM	55	EXTERIOR LTS-HI BEAM
15 A	WIPER & WASHER UPPER WINDSHIELD	24 I	RR JCT BOX 24V IGNITION	31 J	WIPER & WASHER SYSTEM	57	EXTERIOR LTS-HI BEAM
16	SPEED - SIGNAL +	24 IA	FR JCT BOX 24V IGNITION	31 X	WIPER & WASHER SYSTEM	57 A	A/C & HEAT SYSTEM-WATER PUMP
16 A	SPEED - SIGNAL +	24 IA	RR JCT BOX 24V IGNITION	32	EXTERIOR LTS-BACK-UP	57 A	EXTERIOR LTS-HI BEAM
16 T	SPEED - SIGNAL +	24 IB	FR JCT BOX 24V IGNITION	32 B	EXTERIOR LTS-BACK-UP	57 B	A/C & HEAT SYSTEM-WATER PUMP
17	EXTERIOR LTS-FLASHER UNIT	24 IB	RR JCT BOX 24V IGNITION	32 C	BACK-UP PWR & SIGNAL	57 C	PRE-HEAT WATER HEATER
17 A	EXTERIOR LTS-FLASHER UNIT	24 IF	FJB 24V IGNITION	32 D	BACK-UP ALARM	57 CA	A/C & HEAT SYSTEM-HEAT SIGN
19	DIFFERENTIAL OIL TEMP	24 IC	FR JCT BOX 24V IGNITION	35	ENTRANCE DOOR	57 CC	A/C & HEAT SYSTEM-HEAT SIGN
20	SPEED - SIGNAL -	24 P	FR JCT BOX 24V DISC SW	35 B	ENTRANCE DOOR	58	EXTERIOR LTS-LO BEAM
20 T	SPEED - SIGNAL -	24 S	24V DISC SW RLY SIGNAL	36	JACOB BRAKE SYSREM	58 A	EXTERIOR LTS-LO BEAM
20 W	SPEED - SIGNAL -	24 T	RR JCT BOX 24V DISC SW	36 A	JACOB BRAKE SYSREM	58 B	EXTERIOR LTS-LO BEAM
21	EXTERIOR LTS-DIRECTIONNAL LH	24 V2	RR JCT BOX 24V DISC SW	39	INTERIOR LTS-12V RH PANEL SW.	58 C	DAYTIME RUNNING LIGHT
21 A	EXTERIOR LTS-DIRECTIONNAL LH	24 V3	RR JCT BOX 24V DISC SW	39 A	INTERIOR LTS-DRIVER'S LTS	58 D	DAYTIME RUNNING LIGHT
21 B	EXTERIOR LTS-HAZARD	24 V4	RR JCT BOX 24V DISC SW	39 B	DRIVER'S LTS KEYLESS	58 E	EXTERIOR LTS-LO BEAM
21 C	EXTERIOR LTS-CORNERING LH	24 V5	RR JCT BOX 24V DISC SW	39 K	DRIVER'S LTS KEYLESS	59 A	JACOB BRAKE SYSTEM
21 H	EXTERIOR LTS-DIRECTIONNAL LH	24 VD	24V HOT WIRE DISTRIBUTION	41	A/C & HEAT SYSTEM-COND FAN MOT	61	EXTERIOR LTS-24V FEED SW
21 K	EXTERIOR LTS-CORNERING	24 VF	BAT CPT 24V SW TO FJB & IC	41 A	A/C & HEAT SYSTEM-COND FAN MOT	61 A	EXTERIOR LTS-HEAD SIGNAL
21 N	EXTERIOR LTS-CORNERING LH	24 VA	BATTERY TO EQUALIZER 24V	41 B	A/C & HEAT SYSTEM-COND FAN MOT	63	EXTERIOR LTS-CLEARANCE
21 P	EXTERIOR LTS-CORNERING LH	24 VI	RR JCT BOX 24V IGNITION	42	A/C & HEAT SYSTEM-COND FAN MOT	63 A	EXTERIOR LTS-CLEARANCE
23	EXTERIOR LTS-DIRECTIONNAL RH	24 VR	BAT CPT 24V DISC SW TO RJB	43	A/C & HEAT SYSTEM-COND FAN MOT	63 B	EXTERIOR LTS-CLEARANCE
23	EXTERIOR LTS-DIRECTIONNAL RH	25	12VAC GEN RLY ON SIGNAL	42 A	A/C & HEAT SYSTEM-COND FAN MOT	63 C	EXTERIOR LTS-MARKER SIGNAL
23 A	EXTERIOR LTS-DIRECTIONNAL RH	25	12VAC GEN RLY ON SIGNAL	44	EXTERIOR LTS-FOG	63 D	EXTERIOR LTS-MARKER & TAIL
23 B	EXTERIOR LTS-DIRECTIONNAL RH	25 A	ETHER SWITCH	44 A	EXTERIOR LTS-FOG	63 E	EXTERIOR LTS-CLEARANCE
23 C	EXTERIOR LTS-CORNERING RH	25 A	NOT ALTERNATOR #1-WARNING LT	44 B	EXTERIOR LTS-FOG	63 F	EXTERIOR LTS-MARKER BLINKER
23 N	EXTERIOR LTS-CORNERING RH	25 A1	24 VOLTS EXCITING SIGNAL - ALT. #1	44 C	EXTERIOR LTS-FOG & HAZARD	63 H	EXTERIOR LTS-TAIL
23 P	EXTERIOR LTS-CORNERING RH	25 A2	24 VOLTS EXCITING SIGNAL - ALT. #2	45 A	WATER PUMP SIGNAL	64	DRIVER'S FAN
24	BAT CPT 24V BATTERY	25 A3	24 V. SIGNAL ALT#1 OR ALT. #2 RUN	45 B	A/C & HEAT SYSTEM-HEAT SIGN	64 B	DRIVER'S FAN
24	FR JCT BOX 24V DISC SW	25 F	12V IGNITION DISTRIBUTION	45 D	A/C & HEAT SYSTEM-WATER VALVE	64 C	DRIVER'S FAN
24 A	BOOSTER BLOCK 24V DISC SW	25 B	EXTERIOR LTS-DAYTIME RUN LTS	45 E	A/C & HEAT SYSTEM-HEAT 1 SIGN	65	FOOT DAMPER MOTOR
24 A	FR JCT BOX 24V DISC SW	25 B	12 V. IGN. ALTERNATOR BOSCH	45 G	A/C & HEAT SYSTEM-DRIVER'S HTR	65 A	FOOT DAMPER MOTOR
24 A	RR JCT BOX 24V DISC SW	25 C	12 V. SIGNAL ALT.#1 AND ALT.#2 RUN	45 H	A/C & HEAT SYSTEM-DRIVER'S HTR	65 D	DRIVER'S REC. DAMPER
24 B	24V STARTER RLY FEEDING	25 D	12 V. SIGNAL ALT.#1 AND ALT.#2 RUN	45 W	A/C & HEAT SYSTEM-COND. DOOR AJAR	65 P	PASSENGER REC. DAMPER
24 B	FR JCT BOX 24V DISC SW	25 H	24 V. IGN. ALTERNATOR BOSCH	46	EXTERIOR LTS-MARKER	66	O_PASS. ON/OFF
24 B	RR JCT BOX 24V DISC SW	25 K	NOT ALTERNATOR #2-WARNING LT	46 A	EXTERIOR LTS-MARKER	67	A/C & HEAT SYSTEM
24 BE	RJB CPT-BAT EQ MONITOR HOT WIRE	26	CIGAR LIGHTER	46 B	EXTERIOR LTS-MARKER	67 A	A/C & HEAT SYSTEM
24 C	FR JCT BOX 24V DISC SW	26	DRIVER'S WINDOW LIFTER	46 B	EXTERIOR LTS-MARKER	67 B	A/C & HEAT SYSTEM
24 C	RR JCT BOX 24V DISC SW	26 B	DRIVER'S WINDOW LIFTER	46 C	EXTERIOR LTS-MARKER	67 C	HEAT WINDS.
24 D	BAT CPT 24V HOT WIRE	26 C	DRIVER'S WINDOW LIFTER	47	A/C & HEAT SYSTEM-DRIVER'S HTR	67 K	A/C & HEAT SYSTEM-COND FAN CTR
24 D	FR JCT BOX 24V HOT WIRE	27	PARKING BRAKE SONALERT	50	AIR DRYER	67 L	A/C & HEAT SYSTEM-COND FAN CTR
24 D	RR JCT BOX 24V HOT WIRE	27 A	PARKING BRAKE SONALERT	52	ALARM & SIGNAL-ELEC. HORN	67 V	A/C & HEAT SYSTEM-WATER VALVE
24 DA	A/C JCT BOX 24V HOT WIRE	28 A	A/C & HEAT SYSTEM-HI PRESSURE	52 A	ALARM & SIGNAL-ELEC. HORN	68	DASH & DEFROST DAMPER MOTOR

CIRCUIT NUMBER CODE

No.	DESCRIPTION	No.	DESCRIPTION	No.	DESCRIPTION	No.	DESCRIPTION
68 A	DASH & DEFROST DAMPER MOTOR	92	BATTERY EQUALIZER-CHECK BALANCE	1 2 3 A	ALARM & SIGNAL-FIRE DETECTOR	1 3 7 B	RR VIEW MIRROR (SPARTAN)
70	INTERIOR LTS-HAT RACK & RR RUN.	93	BATTERY EQUALIZER-CHECK LO/HI	1 2 3 B	ALARM & SIGNAL-FIRE DETECTOR	1 3 7 C	RR VIEW MIRROR (SPARTAN)
72	SUN VISOR-FEEDING	95 A	ENGINE BRAKE & RETARDER SYSTEM	1 2 4	WORLD TRANSM-THROTTLE (HI)	1 3 7 D	RR VIEW MIRROR (SPARTAN)
72 A	SUN VISOR-RH	97	TACHOMETER (-)	1 2 5	WORLD TRANSM-RET. INDICATOR	1 3 7 E	RR VIEW MIRROR (SPARTAN)
72 B	SUN VISOR-RH	101	24V STARTER SOL FEEDING	1 2 5 W	WORLD TRANSM-RET. INDICATOR	1 3 7 G	RR VIEW MIRROR (SPARTAN)
72 C	SUN VISOR-LH	101	WORLD TRANSM-LO SIGN SOL. LO	1 2 6	LEVEL LOW SYSTEM	1 3 8	ABS SYSTEM
72 D	SUN VISOR-LH	102	24V STARTER TO GENERATOR DELCO	1 2 6	WORLD TRANSM-LUBE PRESS SW.	1 3 8	WORLD TRANSM-RETARDER TEMP
76	FUEL TANK GAUGE	102	WORLD TRANSM-SOL. GRD 1	1 2 7	WORLD TRANSM-LUBE PRESS SW.	1 3 8 A	ABS SYSTEM
76 B	LOW FUEL LT & ETHER COLD START	102	WORLD TRANSM-SOL. C3	1 2 7	PRE-HEAT WATER HEATER	1 3 9	ABS SYSTEM
76 C	LOW FUEL LT	102 A	24V STARTER TO GENERATOR BOSCH	1 2 7 A	PRE-HEAT WATER HEATER	1 3 9	WORLD TRANSM-OUTPUT SPEED HI
76 P	FUEL PRIME PUMP	104	WORLD TRANSM-SOL. FORWARD	1 2 7 B	PRE-HEAT WATER HEATER	1 4 0	ABS SYSTEM
76 M	FUEL PRIME PUMP	104	LEVEL LOW SYSTEM	1 2 7	WORLD TRANSM-RETARDER FEED SOL.	1 4 0	WORLD TRANSM-OUTPUT SPEED LO
77 A	A/C & HEAT SYSTEM-COMPRESSOR	105	WORLD TRANSM-RETARDER & SUMP	1 2 7 S	PRE-HEAT WATER HEATER	1 4 1	ABS SYSTEM
77 B	A/C & HEAT SYSTEM-COMPRESSOR	105 W	WORLD TRANSM-RETARDER & SUMP	1 2 7 W	PRE-HEAT WATER HEATER	1 4 1	WORLD TRANSM-ENGINE SPEED HI
77 C	A/C & HEAT SYSTEM-COMPRESSOR	106	WORLD TRANSM-OIL LEVEL HI	1 2 8	PRE-HEAT WATER HEATER	1 4 2	ABS SYSTEM
77 H	A/C & HEAT SYSTEM-COMPRESSOR	107	CHARG SYST-VOLTAGE REGUL. "F"	1 2 8 A	PRE-HEAT WATER HEATER	1 4 2	WORLD TRANSM-SERIAL COM. A
77 K	GRD SIGNAL-COMPRESSOR CUT-OUT	107	WORLD TRANSM-LOCKUP SOL. HI	1 2 8 B	PRE-HEAT WATER HEATER	1 4 3	ABS SYSTEM
81	EXTERIOR LTS-STOP SW	108	WORLD TRANSM-REM. PWR WAKE UP	1 2 8 W	PRE-HEAT WATER HEATER	1 4 3	WORLD TRANSM-ECU BATTERY GRD
82	EXTERIOR LTS-STOP SIGNAL	109	WORLD TRANSM-RET. SOL. LO	1 2 8	WORLD TRANSM-SOL. C2	1 4 3 A	ABS SYSTEM
82 A	EXTERIOR LTS-STOP SIGNAL	110	ALARM & SIGNAL-WATER TEMP	1 2 9	PRE-HEAT WATER HEATER	1 4 3 W	WORLD TRANSM-BATTERY GRD
82 B	EXTERIOR LTS-STOP LTS	110	WORLD TRANSM-LOCKUP SOL. LO	1 2 9	WORLD TRANSM-SOL. C5	1 4 3 X	WORLD TRANSM-BATTERY GRD
82 K	EXTERIOR LTS-STOP PARK BRK	111	WORLD TRANSM-SOL. C6	1 3 0	WORLD TRANSM-SOL. GRD 3	1 4 4	ABS SYSTEM
82 L	EXTERIOR LTS-LH STOP	112	WORLD TRANSM-SPARE OUTPUT (+)	1 3 1	WORLD TRANSM-SOL. C4	1 4 4	WORLD TRANSM-ECU CHASSIS GRD
82 R	EXTERIOR LTS-LH STOP	113	ALARM & SIGNAL-OIL PRESS	1 3 2	WORLD TRANSM-ENG BRK OUTPUT (-)	1 4 4 A	ABS SYSTEM
83	ENGINE CTR-KEY SW ACCES SIGN	113	WORLD TRANSM-REVERSE WARNING	1 3 2 A	LEVEL LOW SYSTEM	1 4 5	ABS SYSTEM
84	ENGINE CTR-KEY SW ACCES SIGN	114	INTERIOR LTS-DASH LT REGUL.	1 3 2 B	LEVEL LOW SYSTEM	1 4 6	ABS SYSTEM
85	ENGINE CTR-KEY SWIGNITION SIGN	114	WORLD TRANSM-SPARE OUTPUT (-)	1 3 2 C	LEVEL LOW SYSTEM	1 4 6	WORLD TRANSM-IGNITION SENSE
85	24V IGNITION SIGNAL	114 A	INTERIOR LTS-DASH LT	1 3 2 D	LEVEL LOW SYSTEM	1 4 6 W	WORLD TRANSM-12V IGNITION
85 A	24V IGN DASH INSTRUMENTATION	114 B	INTERIOR LTS-DASH LT REGUL.	1 3 2 E	LEVEL LOW SYSTEM	1 4 6 X	WORLD TRANSM-12V IGNITION
85 B	ENGINE CTR-24V IGNITION	114 D	INTERIOR LTS-DASH LT REGUL.	1 3 2 F	LEVEL LOW SYSTEM	1 4 7	ABS SYSTEM
85 C	PARKING BRAKE SWITCH	114 E	INTERIOR LTS-DASH LT REGUL.	1 3 2 G	LEVEL LOW SYSTEM	1 4 7	ETHER COLD START
85 F	ENGINE CTR-ENGINE CTR SW IGN	115	ALARM & SIGNAL-TAG PRESS	1 3 2 H	LEVEL LOW SYSTEM	1 4 7	WORLD TRANSM-OIL TEMP
85 F	LO AIR SONALERT	115	DDEC III-COOLANT LEVEL	1 3 2 J	LEVEL LOW SYSTEM	1 4 7 C	ETHER COLD START
85 W	24V IGN ABS	115	WORLD TRANSM-DO NOT SHIFT SIGN	1 3 2 K	LEVEL LOW SYSTEM	1 4 8	ABS SYSTEM
85 X	24V IGN ABS	115 C	DDEC III-COOLANT LEVEL	1 3 2 W	WORLD TRANSM-ENG BRK OUTPUT (-)	1 4 8	WORLD TRANSM-OUTPUT SPEED LO
85 Y	ABS-WARNING LT	115 W	WORLD TRANSM-DO NOT SHIFT SIGN	1 3 3	WORLD TRANSM-RET. ACTUATOR HI	1 4 9	ABS SYSTEM
86	ENGINE CTR-STARTER SOL SIGN	116	WORLD TRANSM-LO SIGNAL SOL. HI	1 3 4	WORLD TRANSM-RET. APPLY SOL. HI	1 4 9	WORLD TRANSM-TURBINE SPEED HI
86 A	ENGINE CTR-STARTER SOL SIGN	116 B	A/C & HEAT SYSTEM-DRIVER'S HTR	1 3 5	A/C & HEAT SYSTEM-AIR SENSOR	1 4 9 A	ABS SYSTEM
88	ENGINE CTR-RR START SIGNAL	117	WORLD TRANSM-SPARE INPUT (-)	1 3 5	WORLD TRANSM-ANALOG GRD	1 5 0	DDEC III-ECM BATTERY GRD
89	ENGINE CTR-RR START SIGNAL	117 A	ALARM & SIGNAL-TRANSM OIL TEMP	1 3 5 A	A/C & HEAT SYSTEM-AIR SENSOR	1 5 0	WORLD TRANSM-ENGINE SPEED LO
90 B	A/C & HEAT SYSTEM-COND FAN MOT	117 A	ALARM & SIGNAL-TRANSM OIL TEMP	1 3 5 D	A/C & HEAT SYSTEM-AIR SENSOR	1 5 0 A	DDEC III-ECM BATTERY GRD
90 B	ENGINE CTR-MAST KEY SW FEED	118	WORLD TRANSM-SPARE INPUT (+)	1 3 5 C	A/C & HEAT SYSTEM-AIR SENSOR	1 5 1	ABS SYSTEM
90 C	A/C & HEAT SYSTEM-COND FAN MOT	119	WORLD TRANSM-ENG BRK INPUT (+)	1 3 5 D	WORLD TRANSM-RETARDER RES MOD	1 5 1	DDEC III-ECM BATTERY GRD
90 F	CHARG SYST-VOLTAGE REGUL. "B"	120	WORLD TRANSM-SOL. C1	1 3 5 C	WORLD TRANSM-RETARDER TEMP	1 5 1	WORLD TRANSM-SERIAL COM. B
90 H	A/C & HEAT SYSTEM-EVAP FAN MOT	121	WORLD TRANSM-SOL. GRD 2	1 3 6	WORLD TRANSM-ECU POWER	1 5 1 A	ABS SYSTEM
90 J	A/C & HEAT SYSTEM-COND FAN MOT	122	A/C & HEAT SYSTEM-DRIVER'S HTR	1 3 6 V	WORLD TRANSM-12V BATTERY	1 5 2	ABS SYSTEM
91	PARKING BRAKE SW SIGNAL	122	A/C & HEAT SYSTEM-FRESH AIR	1 3 6 W	WORLD TRANSM-12V BATTERY	1 5 2 A	ABS SYSTEM
91 A	DDEC-FAST IDLE SIGNAL	122	WORLD TRANSM-SOL. GRD 4	1 3 6 X	WORLD TRANSM-12V BATTERY	1 5 3	ABS SYSTEM
91 S	SONALERT PARKING BRAKE	122 A	A/C & HEAT SYSTEM-FRESH AIR	1 3 7	WORLD TRANSM-RETARDER	1 5 3	WORLD TRANSM-SPARE INPUT (-)
91 W	PARK, BRAKE SW SIGN (WCL)	1 2 3	WORLD TRANSM-NEUTRAL START	1 3 7 A	MIRROR (SPARTAN & RAMCO)	1 5 4	ABS SYSTEM

CIRCUIT NUMBER CODE

No.	DESCRIPTION	No.	DESCRIPTION	No.	DESCRIPTION	No.	DESCRIPTION
154	WORLD TRANSM-ABS RET. INPUT	175	BACK-UP MONITOR	274	KEYLESS ENTRY SYSTEM	900	DDEC III-DATA LINK (+)
155	ABS SYSTEM	175 A	BACK-UP MONITOR	275	KEYLESS ENTRY SYSTEM	901	DDEC III-DATA LINK (-)
155	WORLD TRANSM-SPARE INPUT (-)	175 B	BACK-UP MONITOR	276	KEYLESS ENTRY SYSTEM	908	DDEC III-HYDRAULIC PWM#1 OUTPUT
156	ABS SYSTEM	175 C	BACK-UP MONITOR	277	KEYLESS ENTRY SYSTEM	916	DDEC III-SENSOR SUPPLY (5VDC)
156	WORLD TRANSM-THROTTLE POS.	180	DRIVER'S SEAT HEATER	278	KEYLESS ENTRY SYSTEM	952	DDEC III-SENSOR RETURN
156 A	ABS SYSTEM	180 A	DRIVER'S SEAT HEATER	279	KEYLESS ENTRY SYSTEM	953	DDEC III-BATTERY GRD
157	ABS SYSTEM	180 B	CO-PILOT SEAT HEATER	280	KEYLESS ENTRY SYSTEM	979	DDEC III-ENGINE BRAKE 2 CYL.
157	WORLD TRANSM-SPEEDO SIGNAL	180 C	CO-PILOT SEAT HEATER	283	KEYLESS ENTRY SYSTEM		
157 A	ABS SYSTEM	181 A	THERMOMETER INSIDE SENSOR	283 A	KEYLESS ENTRY SYSTEM		
157 B	ABS SYSTEM	181 B	THERMOMETER INSIDE SENSOR	284 A	KEYLESS ENTRY SYSTEM		
158	WORLD TRANSM-DIMMER	181 C	THERMOMETER OUTSIDE SENSOR	284 B	KEYLESS ENTRY SYSTEM		
160	ALARM & SIGNAL-TAG PRESS SW	181 D	THERMOMETER OUTSIDE SENSOR	285	KEYLESS ENTRY SYSTEM		
160	WORLD TRANSM-SER. INTERFACE (-)	197	FUEL WATER FILTER	285 B	KEYLESS ENTRY SYSTEM		
161	WORLD TRANSM-SIGNAL GRD	197 A	FUEL WATER FILTER	285 C	KEYLESS ENTRY SYSTEM		
161 B	WORLD TRANSM-SIGNAL GRD	197 B	FUEL WATER FILTER	286	KEYLESS ENTRY SYSTEM		
162	WORLD TRANSM-PRESS. SW C3	198	FILTER FUEL HEATER	286 A	KEYLESS ENTRY SYSTEM		
163	WORLD TRANSM-RETARDER ENABLE	199	AIR FILTER RESTRICTION SENDER	290	FAN CLUTCH RADIATOR		
164	WORLD TRANSM-RET. ACTUATOR SIGN	201	WORLD TRANSM-SPARE	290	FAN CLUTCH RADIATOR		
165	A/C & HEAT SYSTEM-TRANSMITER	202	WORLD TRANSM-SPARE	291	FAN CLUTCH RADIATOR SPD 1		
165	WORLD TRANSM-OIL LEVEL SIGNAL	203	WORLD TRANSM-SPARE	291	KEYLESS ENTRY SYSTEM		
165 A	A/C & HEAT SYSTEM-TRANSMITER	204	WORLD TRANSM-SPARE	292	FAN CLUTCH RADIATOR SPD 2		
165 B	A/C & HEAT SYSTEM-TRANSMITER	205	WORLD TRANSM-SPARE	293	KEYLESS ENTRY SYSTEM		
165 C	A/C & HEAT SYSTEM-TRANSMITER	206	WORLD TRANSM-SPARE	294	ANTI-THEFT SYSTEM KEYLESS		
165 D	A/C & HEAT SYSTEM-TRANSMITER	214	WORLD TRANSM-BACK UP SIGNAL	295	LED FEED ALARM -KEYLESS		
166 B	A/C & HEAT SYSTEM-EVAP. MOD.	216 B	24V SIGNAL AUX. LIQ. SOL. VALVE	417	DDEC III-LIMIT SPEED GOVERNOR		
167	A/C & HEAT SYSTEM-TEMP. CTR	216 C	12 V. TRIGGER AUX. A/C UNIT	419	DDEC III-CHECK ENGINE LIGHT		
167 A	A/C & HEAT SYSTEM-TEMP. CTR	229	24 V. POWER AUX. A/C UNIT	439	DDEC III-12V IGNITION		
168	A/C & HEAT SYSTEM-HUMIDISTAT	229 A	PWM SIGNAL - AUX. FAN UNIT	440	DDEC III-12V IGNITION		
168	WORLD TRANSM-SER. INTERFACE (+)	231	NEUTRAL SIGNAL GRD	440 A	DDEC III-12V IGNITION		
168 A	A/C & HEAT SYSTEM-HUMIDISTAT	231 A	NEUTRAL COIL RELAY FEED SIGNAL	451	DDEC III-A/C FAN CLUTCH		
170 C	LUGGAGE DOOR LOCK	231 W	NEUTRAL SIGNAL GRD (WCL)	505	DDEC III-TACHOMETER DRIVE		
170 D	LUGGAGE DOOR LOCK	240	DDEC III-ECM 12V FEEDING	509	DDEC III-STOP ENGINE LIGHT		
170 E	LUGGAGE DOOR LOCK	241	DDEC III-ECM 12V FEEDING	510	DDEC III-FAST IDLE SIGNAL		
170 F	LUGGAGE DOOR LOCK	251	DDEC III - PRODRIVER 12V H.W.	524	DDEC III-ENGINE BRAKE DISABLE		
170 G	LUGGAGE DOOR LOCK	251 A	DDEC III -DATA LOGGER 12V H.W.	525	DDEC III-FAST IDLE SIGNAL		
170 H	LUGGAGE DOOR LOCK	257	WINDSHIELD HEATED	528	DDEC III-STOP ENG. OVERRIDE		
170 K	LUGGAGE DOOR LOCK	257 A	WINDSHIELD HEATED	531	DDEC III-CRUISE CLUTCH RELEASE		
170 L	LUGGAGE DOOR LOCK	257 B	WINDSHIELD HEATED	540	DDEC III-CRUISE ENABLE LTS.		
170 M	LUGGAGE DOOR LOCK	257 C	WINDSHIELD HEATED	541	DDEC III-CRUISE SET SW		
170 N	LUGGAGE DOOR LOCK	257 D	WINDSHIELD HEATED SPARE	542	INPUT PARK BRAKE INTERLOCK		
170 P	LUGGAGE DOOR LOCK	257 E	WINDSHIELD HEATED SPARE	543	DDEC III-CRUISE STOP SW CUT IN		
170 R	LUGGAGE DOOR LOCK	258	WINDSHIELD HEATED	544	DDEC III-CRUISE ON/OFF SW		
170 S	LUGGAGE DOOR LOCK	258 A	WINDSHIELD HEATED	545	DDEC III-CRUISE RESUME SW		
170 V	LUGGAGE DOOR LOCK	259	WINDSHIELD HEATED	555	DDEC III-FAN CLUTCH SPEED# 1		
170 W	LUGGAGE DOOR LOCK	259 A	WINDSHIELD HEATED	556	DDEC III-VEHICLE SPEED (+)		
170 X	LUGGAGE DOOR LOCK	264	SPEED SIGNAL- AUX. FAN UNIT	557	DDEC III-VEHICLE SPEED (-)		
170 Y	LUGGAGE DOOR LOCK	264 A	SPEED SIGNAL- AUX. FAN UNIT	563	DDEC III-FAN CLUTCH SPEED# 2		
170 Z	LUGGAGE DOOR LOCK	264 B	SPEED SIGNAL- AUX. FAN UNIT	564	DDEC III-DIGITAL OUTPUT		
173	BACK-UP MONITOR	270	KEYLESS ENTRY SYSTEM	565	DDEC III-ENGINE BRAKE ACTIVE		
174	BACK-UP MONITOR	272	KEYLESS ENTRY SYSTEM	583	DDEC III-ENGINE BRAKE 4 CYL.		

CIRCUIT NUMBER CODE

No.	DESCRIPTION	No.	DESCRIPTION	No.	DESCRIPTION	No.	DESCRIPTION
L 8	ENG. BLK HEATER	SP 94	SPARE-RJB TO RR ROOF	0 L1	FS - FR SERVICE CPT LTS GRD	2 F	A/C & HEAT EVAP. CONTROL
L 9	ENG. BLK HEATER	SP 95	SPARE-RJB TO RR ROOF	0 L2	FS - FR SERVICE CPT LTS GRD	2 H	A/C & HEAT SYSTEM-HI PRESS SW
SP 2	SPARE-FJB TO FR SERV CPT	SP 96	SPARE-RJB TO LUGG CPT #2	0 L3	FS - FJB GRD	2 HL	A/C & HEAT SYSTEM-LO & HI PRESS SW
SP 3	SPARE-FJB TO CENTER DASH	SP 97	SPARE-RJB TO LUGG CPT #3	0 L4	FS - FJB GRD	2 L	A/C & HEAT SYSTEM-LO PRESS SW
SP 4	SPARE-FJB TO CENTER DASH	SP 98	SPARE-RJB TO LUGG CPT #3	0 L5	FS - CIGAR LIGHTER	5 NC	SPEED SIGNAL LOWER 5MPH
SP 5	SPARE-RJB TO LUGG CPT #2	SP 104	SPARE-RJB TO ENGINE CPT	0 L	RS - ENGINE CPT ACCES. GRD	5 NO	SPEED SIGNAL HIGHER 5MPH
SP 6	SPARE-RJB TO LUGG CPT #1	SP 105	SPARE-FJB TO ENGINE	0 L	ENTRANCE DOOR GRD	9	INTERIOR LTS-ENGINE CPT
SP 7	SPARE-RJB TO LUGG CPT #1	SP 106	SPARE-RJB TO BATT. CPT.	0 LH	RS - RR END LAMPS LH GRD	9 A	INTERIOR LTS-ENGINE CPT
SP 8	SPARE-RJB TO LUGG CPT #1	SP 107	SPARE-RJB TO BATT. CPT.	0 M	FS - ELECTRICAL MOTOR GRD	9 B	INTERIOR LTS-ENGINE CPT
SP 9	SPARE-RJB TO LUGG CPT #2	SP 108	SPARE-RJB TO BATT. CPT.	0 M3	FS - ELECTRICAL MOTOR GRD	9 E	INTERIOR LTS-FR SERVICE CPT
SP 10	SPARE-RJB TO LUGG CPT #1	SP 109	SPARE-RJB TO ENGINE CPT.	0 M4	FS - ELECTRICAL MOTOR GRD	9 F	INTERIOR LTS-FR SERVICE CPT
SP 11	SPARE-FJB TO RJB	SP 110	SPARE-RJB TO ENGINE CPT.	0 M5	FS - ELECTRICAL MOTOR GRD	10	INTERIOR LTS-LUGGAGE CPT
SP 12	SPARE-RJB TO ENGINE	SP 111	SPARE-RJB TO ENGINE CPT.	0 M6	FS - FJB GRD	10 A	INTERIOR LTS-LUGGAGE CPT
SP 13	SPARE-RJB TO ENGINE	SP 112	SPARE-RJB TO ENGINE CPT.	0 M7	FS - ELECTRICAL MOTOR GRD	10 B	INTERIOR LTS-LUGGAGE CPT
SP 14	SPARE-FJB TO RJB	SP 114	SPARE-FJB TO U/DASH WIPER	0 M8	FS - AUX. A/C UNIT	10 C	INTERIOR LTS-LUGGAGE CPT
SP 15	SPARE-RJB TO ENGINE	SP 115	SPARE-FJB TO U/DASH WIPER	0 M9	FS - WATER PUMP DRIVER	10 D	INTERIOR LTS-LUGGAGE CPT
SP 16	SPARE-RJB TO ENGINE	SP 116	SPARE-FJB TO U/DASH FLOOR	0 M	RS - ENGINE CPT ACCES. GRD	10 E	INTERIOR LTS-EVAP. CPT
SP 17	SPARE-RJB TO ENGINE	SP 117	SPARE-FJB TO U/DASH FLOOR	0 MR	24V DISC. SW. RLY GRD SIGNAL	10 F	INTERIOR LTS-LUGGAGE CPT
SP 18	SPARE-FJB TO RJB	W C	A/C & HEAT SYST-EVAP CTR SIGN	0 MS	24V DISC. SW. RLY GRD SIGNAL	10 H	INTERIOR LTS-LUGGAGE CPT
SP 24	SPARE-RJB TO LAVATORY ROOF	0	BC - BAT. CPT CHASSIS GRD	0 N	RS - ENGINE CPT ACCES. GRD	10 R	INTERIOR LTS-LUGGAGE DOOR AJAR
SP 25	SPARE-RJB TO LAVATORY ROOF	0	CONDENSER CPT GRD	0 P	RS - ENGINE CPT ACCES. GRD	12	12V BAT ELECTRONIC JCT BLOCK
SP 26	SPARE-RJB TO LAVATORY ROOF	0	RS - RR JCT BOX RLY GRD	0 R	RS - RJB GRD	12	BAT CPT 12V BATTERY
SP 27	SPARE-RJB TO LH HAT RACK	0 A	BC - SHIELD GRD	0 R	RS - ENGINE CPT ACCES. GRD	12 A	FR JCT BOX 12V DISC SW
SP 28	SPARE-RJB TO LH HAT RACK	0 A	RS - RR JCT BOX RLY GRD	0 RH	RS - RR END LAMPS RH GRD	12 A	RR JCT BOX 12V DISC SW
SP 31	SPARE-RJB TO RH HAT RACK	0 A	FRS - FR ROOF ACCES. GRD	0 S	12 VOLT RUN- GND RLY	12 B	12V BAT ELECTRICAL JCT BLOCK
SP 32	SPARE-RJB TO RH HAT RACK	0 A	RS - LUG. CPT ACCES. GRD	0 SA	ENGINE CPT STUD-ALTERN. BOSCH	12 B	RR JCT BOX 12V DISC SW
SP 33	SPARE-FJB TO RJB	0 A	A/C HEAT SYSTEM - EVAP. GRD	0 T	FS - DASH ACCES. GRD	12 B	FR JCT BOX 12V DISC SW
SP 38	SPARE-FJB TO RJB	0 AA	RS - VOLTAGE REGULATOR GRD	0 T1	FS - DASH ACCES. GRD	12 BE	BAT. EQUALIZER MONITOR
SP 43	SPARE-FJB TO RJB	0 B	EC - ENGINE GRD	0 T2	FS - DASH ACCES. GRD	12 C	FR JCT BOX 12V DISC SW
SP 45	SPARE-FJB TO RJB	0 B	FRS - FR ROOF HEAT WIND GRD	0 T3	FS - DASH ACCES. GRD	12 C	RR JCT BOX 12V DISC SW
SP 46	SPARE-RJB TO LH FR ROOF	0 B	RS - LUG. CPT ACCES. GRD	0 T4	FS - DASH ACCES. GRD	12 D	BAT CPT 12V BATTERY
SP 48	SPARE-RJB TO DASH CENTER PANEL	0 BE	RJB - BAT. EQUAL. BAT GRD	0 T5	FS - HVAC DASH MODULE. GRD	12 DT	TTLT MODULE
SP 56	SPARE-ENGINE TO RH SW PANEL	0 C	EC - STARTER MOTOR GRD	0 V	RR JCT BOX CPT GRD STUD	12 E	FR JCT BOX 12V DISC SW
SP 57	SPARE-DASH CENTER PANEL TO ENG.	0 C	FS - SERV. CPT ACCES. GRD	0 VA	BATTERY TO EQUALISER 0V	12 E	RR JCT BOX 12V DISC SW
SP 58	SPARE-DASH CENTER PANEL TO ENG.	0 C	BC - FAN EVAP & CONDENSER GRD	0 W	FS - WT GND & SHIELD	12 F	BAT CPT 12V FJB & IC
SP 59	SPARE-FJB TO ENGINE	0 CR	24V DISC. SW. RLY GRD SIGNAL	0 W	RS - RR JCT BOX (WCL) GRD	12 F	FR JCT BOX 12V DISC SW
SP 61	SPARE-FJB TO DASH RH PANEL	0 CS	24V DISC. SW. RLY GRD SIGNAL	0 WC	RS - RR JCT BOX GRD (WCL)	12 F	RR JCT BOX 12V DISC SW
SP 68	SPARE-FJB TO ENGINE	0 C1	FS - SERV. CPT ACCES. GRD	0 X	RS - RR JCT BOX GRD	12 G	FR JCT BOX 12V DISC SW
SP 69	SPARE-FJB TO FR AXLE	0 C2	FS - SERV. CPT ACCES. GRD	0 Y	ABS FR JCT BOX CPT GRD STUD	12 J	FR JCT BOX 12V DISC SW
SP 70	SPARE-FJB TO FR AXLE	0 C3	FS - SERV. CPT ACCES. GRD	0 Y	RR JCT BOX GRD	12 K	HVAC MODULE
SP 71	SPARE-FJB TO RH SW PANEL	0 C4	FS - FJB. CPT ACCES. GRD	0 Y1	ABS FR JCT BOX CPT GRD STUD	12 I	12V IGNITION DISTRIBUTION
SP 72	SPARE-FJB TO FR SERV CPT	0 D	BC - FAN CONDENSER GRD	0 Z	RR JCT BOX CPT GRD STUD	12 I	RR JCT BOX 12V IGNITION
SP 74	SPARE-FJB TO LH CONSOLE	0 D	RS - HAT RACK ACCES. LH GRD	00	FJB & RJB BATT. GRD	12 IA	12V IGNITION DISTRIBUTION
SP 77	SPARE-FJB TO EVAPORATOR CPT	0 DF	RS - RR SIDE FLASH & MARK GRD	00 A	FBG - T.T.LT. MODULES BATT. GRD	12 IA	FR JCT BOX 12V IGNITION
SP 78	SPARE-FJB TO CONDENSER CPT	0 DR	RS - RJB DOCKING LT RESISTORS	00 Y	RS - ABS MODULE BATT. GRD	12 IB	FR JCT BOX 12V IGNITION
SP 79	SPARE-FJB TO CONDENSER CPT	0 J	FS - LH CONSOLE SW GRD	00 SS	SOUND SYSTEM BATT. GRD	12 LX	CLUSTER FEED
SP 87	SPARE-RJB TO LH HAT RACK	0 J	RS - RR ROOF ACCES. GRD	1	TACHO SYSTEM - RPM SIGNAL +	12 IF	FR JCT BOX 12V IGNITION
SP 88	SPARE-RJB TO RH HAT RACK	0 K	RS - RR ROOF ACCES. GRD	2 A	A/C & HEAT SYSTEM-COOL 1 SIGN	12 P	LH CONSOLE POWER OUTLET
SP 92	SPARE-RJB TO CONDENSER CPT	0 K	RS - RJB A/C JCT PANEL GRD	2 B	A/C & HEAT SYSTEM-COOL SIGN	12 R	BAT CPT 12V DISC RLY TO RJB
SP 93	SPARE-RJB TO EVAPORATOR CPT	0 L	FS - FR SERVICE CPT LTS GRD	2 E	A/C & HEAT EVAP. CONTROL	12 VA	BATTERY TO EQUALIZER 12V

CIRCUIT NUMBER CODE

No.	DESCRIPTION	No.	DESCRIPTION	No.	DESCRIPTION	No.	DESCRIPTION
12 VD	12V HOT WIRE DISTRIBUTION	24 DA	A/C JCT BOX 24V HOT WIRE	28 A	A/C & HEAT SYSTEM-HI PRESSURE	52 A	ALARM & SIGNAL-ELEC. HORN
12 VF	BAT CPT 12V FJB & IC	24 E	BAT CPT 24V DISC SW	29	A/C & HEAT SYSTEM-DRIVER'S HTR	52 B	ALARM & SIGNAL-AIR HORN
12 VI	12V IGNITION DISTRIBUTION	24 E	FR JCT BOX 24V DISC SW	29 A	A/C & HEAT SYSTEM-DRIVER'S HTR	52 C	ALARM & SIGNAL-AIR HORN
12 VR	BAT CPT 12V DISC RLY TO RJB	24 E	RR JCT BOX 24V DISC SW	29 H	HVAC DASH MODULE	53	ALARM & SIGNAL-ELEC. HORN
12 W	12V BATTERY DDEC III	24 F	FR JCT BOX 24V DISC SW	29 B	A/C & HEAT SYSTEM-DRIVER'S HTR	53 A	WIPER & WASHER SYSTEM
12 X	FR JCT BOX 12V DISC SW	24 F	RR JCT BOX 24V DISC SW	31 A	A/C & HEAT SYSTEM-UNLOADER	53 B	WIPER & WASHER SYSTEM
12 X2	FR JCT BOX 12V DISC SW	24 G	FR JCT BOX 24V DISC SW	31 B	A/C & HEAT SYSTEM-UNLOADER	53 C	WIPER & WASHER SYSTEM
12 Y	FR JCT BOX 12V DISC SW	24 G	RR JCT BOX 24V DISC SW	31 B	WIPER & WASHER SYSTEM	53 E	WIPER & WASHER SYSTEM
13 A	ALARM & SIGNAL-LO AIR PRIM.	24 H	FR JCT BOX 24V DISC SW	31 C	WIPER & WASHER SYSTEM	53 J	WIPER & WASHER SYSTEM
13 B	ALARM & SIGNAL-LO AIR SEC.	24 H	RR JCT BOX 24V DISC SW	31 D	WIPER & WASHER SYSTEM	53 K	KEYLESS
15	EXTERIOR LTS-MULTI FUNC LEVEL	24 I	FR JCT BOX 24V IGNITION	31 E	WIPER & WASHER SYSTEM	55	EXTERIOR LTS-HI BEAM
15 A	WIPER & WASHER UPPER WINDSHIELD	24 I	RR JCT BOX 24V IGNITION	31 J	WIPER & WASHER SYSTEM	57	EXTERIOR LTS-HI BEAM
16	SPEED - SIGNAL +	24 IA	FR JCT BOX 24V IGNITION	31 X	WIPER & WASHER SYSTEM	57 A	A/C & HEAT SYSTEM-WATER PUMP
16 A	SPEED - SIGNAL +	24 IA	RR JCT BOX 24V IGNITION	32	EXTERIOR LTS-BACK-UP	57 A	EXTERIOR LTS-HI BEAM
16 T	SPEED - SIGNAL +	24 IB	FR JCT BOX 24V IGNITION	32 B	EXTERIOR LTS-BACK-UP	57 B	A/C & HEAT SYSTEM-WATER PUMP
17	EXTERIOR LTS-FLASHER UNIT	24 IB	RR JCT BOX 24V IGNITION	32 C	BACK-UP PWR & SIGNAL	57 C	PRE-HEAT WATER HEATER
17 A	EXTERIOR LTS-FLASHER UNIT	24 IF	FJB 24V IGNITION	32 D	BACK-UP ALARM	57 CA	WIPER & WASHER HEAT SIGN
19	DIFFERENTIAL OIL TEMP	24 IC	FR JCT BOX 24V IGNITION	35	ENTRANCE DOOR	57 CC	A/C & HEAT SYSTEM-HEAT SIGN
20	SPEED - SIGNAL -	24 P	FR JCT BOX 24V DISC SW	35 B	ENTRANCE DOOR	58	EXTERIOR LTS-LO BEAM
20 T	SPEED - SIGNAL -	24 S	24V DISC SW RLY SIGNAL	36	JACOB BRAKE SYSREM	58 A	EXTERIOR LTS-LO BEAM
20 W	SPEED - SIGNAL -	24 T	RR JCT BOX 24V DISC SW	36 A	JACOB BRAKE SYSTEM	58 B	EXTERIOR LTS-LO BEAM
21	EXTERIOR LTS-DIRECTIONNAL LH	24 V2	RR JCT BOX 24V DISC SW	39	INTERIOR LTS-12V RH PANEL SW.	58 C	DAYTIME RUNNING LIGHT
21 A	EXTERIOR LTS-DIRECTIONNAL LH	24 V3	RR JCT BOX 24V DISC SW	39 A	INTERIOR LTS-DRIVER'S LTS	58 D	DAYTIME RUNNING LIGHT
21 B	EXTERIOR LTS-HAZARD	24 V4	RR JCT BOX 24V DISC SW	39 B	DRIVER'S LTS KEYLESS	58 E	EXTERIOR LTS-LO BEAM
21 C	EXTERIOR LTS-CORNERING LH	24 V5	RR JCT BOX 24V DISC SW	39 K	DRIVER'S LTS KEYLESS	59 A	JACOB BRAKE SYSTEM
21 H	EXTERIOR LTS-DIRECTIONNAL LH	24 VD	24V HOT WIRE DISTRIBUTION	41	A/C & HEAT SYSTEM-COND FAN MOT	61	EXTERIOR LTS-24V FEED SW
21 K	EXTERIOR LTS-CORNERING	24 VF	BAT CPT 24V SW TO FJB & IC	41 A	A/C & HEAT SYSTEM-COND FAN MOT	61 A	EXTERIOR LTS-HEAD SIGNAL
21 N	EXTERIOR LTS-CORNERING LH	24 VA	BATTERY TO EQUALIZER 24V	41 B	A/C & HEAT SYSTEM-COND FAN MOT	63	EXTERIOR LTS-CLEARANCE
21 P	EXTERIOR LTS-CORNERING LH	24 VI	RR JCT BOX 24V IGNITION	42	A/C & HEAT SYSTEM-COND FAN MOT	63 A	EXTERIOR LTS-CLEARANCE
23	EXTERIOR LTS-DIRECTIONNAL RH	24 VR	BAT CPT 24V DISC SW TO RJB	43	A/C & HEAT SYSTEM-COND FAN MOT	63 B	EXTERIOR LTS-CLEARANCE
23	EXTERIOR LTS-DIRECTIONNAL RH	25	12VAC GEN RLY ON SIGNAL	42 A	A/C & HEAT SYSTEM-COND FAN MOT	63 C	EXTERIOR LTS-MARKER SIGNAL
23 A	EXTERIOR LTS-DIRECTIONNAL RH	25	12VAC GEN RLY ON SIGNAL	44	EXTERIOR LTS-FOG	63 D	EXTERIOR LTS-MARKER & TAIL
23 B	EXTERIOR LTS-DIRECTIONNAL RH	25 A	ETHER SWITCH	44 A	EXTERIOR LTS-FOG	63 E	EXTERIOR LTS-CLEARANCE
23 C	EXTERIOR LTS-CORNERING RH	25 A	NOT ALTERNATOR #1-WARNING LT	44 B	EXTERIOR LTS-FOG	63 F	EXTERIOR LTS-MARKER BLINKER
23 N	EXTERIOR LTS-CORNERING RH	25 A1	24 VOLTS EXCITING SIGNAL - ALT. #1	44 C	EXTERIOR LTS-FOG & HAZARD	63 H	EXTERIOR LTS-TAIL
23 P	EXTERIOR LTS-CORNERING RH	25 A2	24 VOLTS EXCITING SIGNAL - ALT. #2	45 A	WATER PUMP SIGNAL	64	DRIVER'S FAN
24	BAT CPT 24V BATTERY	25 A3	24 V. SIGNAL ALT#1 OR ALT. #2 RUN	45 B	A/C & HEAT SYSTEM-HEAT SIGN	64 B	DRIVER'S FAN
24	FR JCT BOX 24V DISC SW	25 F	12V IGNITION DISTRIBUTION	45 D	A/C & HEAT SYSTEM-WATER VALVE	64 C	DRIVER'S FAN
24 A	BOOSTER BLOCK 24V DISC SW	25 B	EXTERIOR LTS-DAYTIME RUN LTS	45 E	A/C & HEAT SYSTEM-HEAT 1 SIGN	65	FOOT DAMPER MOTOR
24 A	FR JCT BOX 24V DISC SW	25 B	12 V. IGN. ALTERNATOR BOSCH	45 G	A/C & HEAT SYSTEM-DRIVER'S HTR	65 A	FOOT DAMPER MOTOR
24 A	RR JCT BOX 24V DISC SW	25 C	12 V. SIGNAL ALT.#1 AND ALT.#2 RUN	45 H	A/C & HEAT SYSTEM-DRIVER'S HTR	65 D	DRIVER'S REC. DAMPER
24 B	24V STARTER RLY FEEDING	25 D	12 V. SIGNAL ALT.#1 AND ALT.#2 RUN	45 W	A/C & HEAT SYSTEM-COND. DOOR AJAR	65 P	PASSENGER REC. DAMPER
24 B	FR JCT BOX 24V DISC SW	25 H	24 V. IGN. ALTERNATOR BOSCH	46	EXTERIOR LTS-MARKER	66	O_PASS_ON/OFF
24 B	RR JCT BOX 24V DISC SW	25 K	NOT ALTERNATOR #2-WARNING LT	46 A	EXTERIOR LTS-MARKER	67	A/C & HEAT SYSTEM
24 BE	RJB CPT-BAT EQ MONITOR HOT WIRE	26	CIGAR LIGHTER	46 B	EXTERIOR LTS-MARKER	67 A	A/C & HEAT SYSTEM
24 C	FR JCT BOX 24V DISC SW	26	DRIVER'S WINDOW LIFTER	46 B	EXTERIOR LTS-MARKER	67 B	A/C & HEAT SYSTEM
24 C	RR JCT BOX 24V DISC SW	26 B	DRIVER'S WINDOW LIFTER	46 C	EXTERIOR LTS-MARKER	67 C	HEAT WINDS.
24 D	BAT CPT 24V HOT WIRE	26 C	DRIVER'S WINDOW LIFTER	47	A/C & HEAT SYSTEM-DRIVER'S HTR	67 K	A/C & HEAT SYSTEM-COND FAN CTR
24 D	FR JCT BOX 24V HOT WIRE	27	PARKING BRAKE SONALERT	50	AIR DRYER	67 L	A/C & HEAT SYSTEM-COND FAN CTR
24 D	RR JCT BOX 24V HOT WIRE	27 A	PARKING BRAKE SONALERT	52	ALARM & SIGNAL-ELEC. HORN	67 V	A/C & HEAT SYSTEM-WATER VALVE

CIRCUIT NUMBER CODE

No.	DESCRIPTION	No.	DESCRIPTION	No.	DESCRIPTION	No.	DESCRIPTION
67 X	A/C & HEAT SYSTEM	91 W	PARK, BRAKE SW SIGN (WCL)	123	WORLD TRANSM-NEUTRAL START	137	WORLD TRANSM-RETARDER
68	DASH & DEFROST DAMPER MOTOR	92	BATTERY EQUALIZER-CHECK BALANCE	123 A	ALARM & SIGNAL-FIRE DETECTOR	137 A	MIRROR (SPARTAN & RAMCO)
68 A	DASH & DEFROST DAMPER MOTOR	93	BATTERY EQUALIZER-CHECK LO/HI	123 B	ALARM & SIGNAL-FIRE DETECTOR	137 B	RR VIEW MIRROR (SPARTAN)
70	INTERIOR LTS-HAT RACK & RR RUN.	95 A	ENGINE BRAKE & RETARDER SYSTEM	124	WORLD TRANSM-THROTTLE (HI)	137 C	RR VIEW MIRROR (SPARTAN)
72	SUN VISOR-FEEDING	97	TACHOMETER (-)	125	WORLD TRANSM-RET. INDICATOR	137 D	RR VIEW MIRROR (SPARTAN)
72 A	SUN VISOR-RH	101	24V STARTER SOL FEEDING	125 W	WORLD TRANSM-RET. INDICATOR	137 E	RR VIEW MIRROR (SPARTAN)
72 B	SUN VISOR-RH	101	WORLD TRANSM-LO SIGN SOL. LO	126	LEVEL LOW SYSTEM	137 G	RR VIEW MIRROR (SPARTAN)
72 C	SUN VISOR-LH	102	24V STARTER TO GENERATOR DELCO	126	WORLD TRANSM-LUBE PRESS SW.	138	ABS SYSTEM
72 D	SUN VISOR-LH	102	WORLD TRANSM-SOL. GRD 1	127	WORLD TRANSM-LUBE PRESS SW.	138	WORLD TRANSM-RETARDER TEMP
76	FUEL TANK GAUGE	102	WORLD TRANSM-SOL. C3	127	PRE-HEAT WATER HEATER	138 A	ABS SYSTEM
76 B	LOW FUEL LT & ETHER COLD START	102 A	24V STARTER TO GENERATOR BOSCH	127 A	PRE-HEAT WATER HEATER	139	ABS SYSTEM
76 C	LOW FUEL LT	104	WORLD TRANSM-SOL. FORWARD	127 B	PRE-HEAT WATER HEATER	139	WORLD TRANSM-OUTPUT SPEED HI
76 P	FUEL PRIME PUMP	104	LEVEL LOW SYSTEM	127	WORLD TRANSM-RETARDER FEED SOL.	140	ABS SYSTEM
76 M	FUEL PRIME PUMP	105	WORLD TRANSM-RETARDER & SUMP	127 S	PRE-HEAT WATER HEATER	140	WORLD TRANSM-OUTPUT SPEED LO
77 A	A/C & HEAT SYSTEM-COMPRESSOR	105 W	WORLD TRANSM-RETARDER & SUMP	127 W	PRE-HEAT WATER HEATER	141	ABS SYSTEM
77 B	A/C & HEAT SYSTEM-COMPRESSOR	106	WORLD TRANSM-OIL LEVEL HI	128	PRE-HEAT WATER HEATER	141	WORLD TRANSM-ENGINE SPEED HI
77 C	A/C & HEAT SYSTEM-COMPRESSOR	107	CHARG SYST-VOLTAGE REGUL. "F"	128 A	PRE-HEAT WATER HEATER	142	ABS SYSTEM
77 H	A/C & HEAT SYSTEM-COMPRESSOR	107	WORLD TRANSM-LOCKUP SOL. HI	128 B	PRE-HEAT WATER HEATER	142	WORLD TRANSM-SERIAL COM. A
77 K	GRD SIGNAL-COMPRESSOR CUT-OUT	108	WORLD TRANSM-REM. PWR WAKE UP	128 W	PRE-HEAT WATER HEATER	143	ABS SYSTEM
81	EXTERIOR LTS-STOP SW	109	WORLD TRANSM-RET. SOL. LO	128	WORLD TRANSM-SOL. C2	143	WORLD TRANSM-ECU BATTERY GRD
82	EXTERIOR LTS-STOP SIGNAL	110	ALARM & SIGNAL-WATER TEMP	129	PRE-HEAT WATER HEATER	143 A	ABS SYSTEM
82 A	EXTERIOR LTS-STOP SIGNAL	110	WORLD TRANSM-LOCKUP SOL. LO	129	WORLD TRANSM-SOL. C5	143 W	WORLD TRANSM-BATTERY GRD
82 B	EXTERIOR LTS-STOP LTS	111	WORLD TRANSM-SOL. C6	130	A/C HEAT SYSTEM-EVAP FAN MOT	143 X	WORLD TRANSM-BATTERY GRD
82 K	EXTERIOR LTS-STOP PARK BRK	112	WORLD TRANSM-SPARE OUTPUT (+)	130	WORLD TRANSM-SOL. GRD 3	144	ABS SYSTEM
82 L	EXTERIOR LTS-LH STOP	113	ALARM & SIGNAL-OIL PRESS	131	WORLD TRANSM-SOL. C4	144	WORLD TRANSM-ECU CHASSIS GRD
82 R	EXTERIOR LTS-LH STOP	113	WORLD TRANSM-REVERSE WARNING	132	WORLD TRANSM-ENG BRK OUTPUT (-)	144 A	ABS SYSTEM
83	ENGINE CTR-KEY SW ACCES SIGN	114	INTERIOR LTS-DASH LT REGUL.	132 A	LEVEL LOW SYSTEM	145	ABS SYSTEM
84	ENGINE CTR-KEY SW ACCES SIGN	114	WORLD TRANSM-SPARE OUTPUT (-)	132 B	LEVEL LOW SYSTEM	146	ABS SYSTEM
85	ENGINE CTR-KEY SWIGNITION SIGN	114 A	INTERIOR LTS-DASH LT	132 C	LEVEL LOW SYSTEM	146	WORLD TRANSM-IGNITION SENSE
85	24V IGNITION SIGNAL	114 B	INTERIOR LTS-DASH LT REGUL.	132 D	LEVEL LOW SYSTEM	146 W	WORLD TRANSM-12V IGNITION
85 A	24V IGN DASH INSTRUMENTATION	114 D	INTERIOR LTS-DASH LT REGUL.	132 E	LEVEL LOW SYSTEM	146 X	WORLD TRANSM-12V IGNITION
85 B	ENGINE CTR-24V IGNITION	114 E	INTERIOR LTS-DASH LT REGUL.	132 F	LEVEL LOW SYSTEM	147	ABS SYSTEM
85 C	PARKING BRAKE SWITCH	115	ALARM & SIGNAL-TAG PRESS	132 G	LEVEL LOW SYSTEM	147	ETHER COLD START
85 F	ENGINE CTR-ENGINE CTR SW IGN	115	DDEC III-COOLANT LEVEL	132 H	LEVEL LOW SYSTEM	147	WORLD TRANSM-OIL TEMP
85 F	LO AIR SONALERT	115	WORLD TRANSM-DO NOT SHIFT SIGN	132 J	LEVEL LOW SYSTEM	147 C	ETHER COLD START
85 W	24V IGN ABS	115 C	DDEC III-COOLANT LEVEL	132 K	LEVEL LOW SYSTEM	148	ABS SYSTEM
85 X	24V IGN ABS	115 W	WORLD TRANSM-DO NOT SHIFT SIGN	132 W	WORLD TRANSM-ENG BRK OUTPUT (-)	148	WORLD TRANSM-OUTPUT SPEED LO
85 Y	ABS-WARNING LT	116	WORLD TRANSM-LO SIGNAL SOL. HI	133	WORLD TRANSM-RET. ACTUATOR HI	149	ABS SYSTEM
86	ENGINE CTR-STARTER SOL SIGN	116 B	A/C & HEAT SYSTEM-DRIVER'S HTR	134	WORLD TRANSM-RET. APPLY SOL. HI	149	WORLD TRANSM-TURBINE SPEED HI
86 A	ENGINE CTR-STARTER SOL SIGN	117	WORLD TRANSM-SPARE INPUT (-)	135	A/C & HEAT SYSTEM-AIR SENSOR	149 A	ABS SYSTEM
88	ENGINE CTR-RR START SIGNAL	117 A	ALARM & SIGNAL-TRANSM OIL TEMP	135	WORLD TRANSM-ANALOG GRD	150	DDEC III-ECM BATTERY GRD
89	ENGINE CTR-RR START SIGNAL	117 A	ALARM & SIGNAL-TRANSM OIL TEMP	135 A	A/C & HEAT SYSTEM-AIR SENSOR	150	WORLD TRANSM-ENGINE SPEED LO
90 B	A/C & HEAT SYSTEM-COND FAN MOT	118	WORLD TRANSM-SPARE INPUT (+)	135 D	A/C & HEAT SYSTEM-AIR SENSOR	150 A	DDEC III-ECM BATTERY GRD
90 B	ENGINE CTR-MAST KEY SW FEED	119	WORLD TRANSM-ENG BRK INPUT (+)	135 C	A/C & HEAT SYSTEM-AIR SENSOR	151	ABS SYSTEM
90 C	A/C & HEAT SYSTEM-COND FAN MOT	120	WORLD TRANSM-SOL. C1	135 D	WORLD TRANSM-RETARDER RES MOD	151	DDEC III-ECM BATTERY GRD
90 F	CHARG SYST-VOLTAGE REGUL. "B"	121	WORLD TRANSM-SOL. GRD 2	135 C	WORLD TRANSM-RETARDER TEMP	151	WORLD TRANSM-SERIAL COM. B
90 H	A/C & HEAT SYSTEM-EVAP FAN MOT	122	A/C & HEAT SYSTEM-DRIVER'S HTR	136	WORLD TRANSM-ECU POWER	151 A	ABS SYSTEM
91	PARKING BRAKE SW SIGNAL	122	A/C & HEAT SYSTEM-FRESH AIR	136 V	WORLD TRANSM-12V BATTERY	152	ABS SYSTEM
91 A	DDEC-FAST IDLE SIGNAL	122	WORLD TRANSM-SOL. GRD 4	136 W	WORLD TRANSM-12V BATTERY	152 A	ABS SYSTEM
91 S	SONALERT PARKING BRAKE	122 A	A/C & HEAT SYSTEM-FRESH AIR	136 X	WORLD TRANSM-12V BATTERY	153	ABS SYSTEM

CIRCUIT NUMBER CODE

No.	DESCRIPTION	No.	DESCRIPTION	No.	DESCRIPTION	No.	DESCRIPTION
153	WORLD TRANSM-SPARE INPUT (-)	173	BACK-UP MONITOR	270	KEYLESS ENTRY SYSTEM	565	DDEC III-ENGINE BRAKE ACTIVE
154	ABS SYSTEM	174	BACK-UP MONITOR	272	KEYLESS ENTRY SYSTEM	583	DDEC III-ENGINE BRAKE 4 CYL.
154	WORLD TRANSM-ABS RET. INPUT	175	BACK-UP MONITOR	274	KEYLESS ENTRY SYSTEM	900	DDEC III-DATA LINK (+)
155	ABS SYSTEM	175 A	BACK-UP MONITOR	275	KEYLESS ENTRY SYSTEM	901	DDEC III-DATA LINK (-)
155	WORLD TRANSM-SPARE INPUT (-)	175 B	BACK-UP MONITOR	276	KEYLESS ENTRY SYSTEM	908	DDEC III-HYDRAULIC PWM#1 OUTPUT
156	ABS SYSTEM	175 C	BACK-UP MONITOR	277	KEYLESS ENTRY SYSTEM	916	DDEC III-SENSOR SUPPLY (5VDC)
156	WORLD TRANSM-THROTTLE POS.	180	DRIVER'S SEAT HEATER	278	KEYLESS ENTRY SYSTEM	952	DDEC III-SENSOR RETURN
156 A	ABS SYSTEM	180 A	DRIVER'S SEAT HEATER	279	KEYLESS ENTRY SYSTEM	953	DDEC III-BATTERY GRD
157	ABS SYSTEM	180 B	CO-PILOT SEAT HEATER	280	KEYLESS ENTRY SYSTEM	979	DDEC III-ENGINE BRAKE 2 CYL.
157	WORLD TRANSM-SPEEDO SIGNAL	180 C	CO-PILOT SEAT HEATER	283	KEYLESS ENTRY SYSTEM		
157 A	ABS SYSTEM	181 A	THERMOMETER INSIDE SENSOR	283 A	KEYLESS ENTRY SYSTEM		
157 B	ABS SYSTEM	181 B	THERMOMETER INSIDE SENSOR	284 A	KEYLESS ENTRY SYSTEM		
158	WORLD TRANSM-DIMMER	181 C	THERMOMETER OUTSIDE SENSOR	284 B	KEYLESS ENTRY SYSTEM		
160	ALARM & SIGNAL-TAG PRESS SW	181 D	THERMOMETER OUTSIDE SENSOR	285	KEYLESS ENTRY SYSTEM		
160	WORLD TRANSM-SER. INTERFACE (-)	197	FUEL WATER FILTER	285 B	KEYLESS ENTRY SYSTEM		
161	WORLD TRANSM-SIGNAL GRD	197 A	FUEL WATER FILTER	285 C	KEYLESS ENTRY SYSTEM		
161 B	WORLD TRANSM-SIGNAL GRD	197 B	FUEL WATER FILTER	286	KEYLESS ENTRY SYSTEM		
162	WORLD TRANSM-PRESS. SW C3	198	FILTER FUEL HEATER	286 A	KEYLESS ENTRY SYSTEM		
163	WORLD TRANSM-RETARDER ENABLE	199	AIR FILTER RESTRICTION SENDER	290	FAN CLUTCH RADIATOR		
164	WORLD TRANSM-RET. ACTUATOR SIGN	201	WORLD TRANSM-SPARE	290	FAN CLUTCH RADIATOR		
165	A/C & HEAT SYSTEM-TRANSMITER	202	WORLD TRANSM-SPARE	291	FAN CLUTCH RADIATOR SPD 1		
165	WORLD TRANSM-OIL LEVEL SIGNAL	203	WORLD TRANSM-SPARE	291	KEYLESS ENTRY SYSTEM		
165 A	A/C & HEAT SYSTEM-TRANSMITER	204	WORLD TRANSM-SPARE	292	FAN CLUTCH RADIATOR SPD 2		
165 B	A/C & HEAT SYSTEM-TRANSMITER	205	WORLD TRANSM-SPARE	293	KEYLESS ENTRY SYSTEM		
165 C	A/C & HEAT SYSTEM-TRANSMITER	206	WORLD TRANSM-SPARE	294	ANTI-THEFT SYSTEM KEYLESS		
165 D	A/C & HEAT SYSTEM-TRANSMITER	214	WORLD TRANSM-BACK UP SIGNAL	295	LED FEED ALARM -KEYLESS		
166 B	A/C & HEAT SYSTEM-EVAP. MOD.	216 B	24V SIGNAL AUX. LIQ. SOL. VALVE	417	DDEC III-LIMIT SPEED GOVERNOR		
167	A/C & HEAT SYSTEM-TEMP. CTR	216 C	12 V. TRIGGER AUX. A/C UNIT	419	DDEC III-CHECK ENGINE LIGHT		
167 A	A/C & HEAT SYSTEM-TEMP. CTR	229	24 V. POWER AUX. A/C UNIT	439	DDEC III-12V IGNITION		
168	A/C & HEAT SYSTEM-HUMIDISTAT	229 A	PWM SIGNAL - AUX. FAN UNIT	440	DDEC III-12V IGNITION		
168	WORLD TRANSM-SER. INTERFACE (+)	231	NEUTRAL SIGNAL GRD	440 A	DDEC III-12V IGNITION		
168 A	A/C & HEAT SYSTEM-HUMIDISTAT	231 A	NEUTRAL COIL RELAY FEED SIGNAL	451	DDEC III-A/C FAN CLUTCH		
170 C	LUGGAGE DOOR LOCK	231 W	NEUTRAL SIGNAL GRD (WCL)	505	DDEC III-TACHOMETER DRIVE		
170 D	LUGGAGE DOOR LOCK	240	DDEC III-ECM 12V FEEDING	509	DDEC III-STOP ENGINE LIGHT		
170 E	LUGGAGE DOOR LOCK	241	DDEC III-ECM 12V FEEDING	510	DDEC III-FAST IDLE SIGNAL		
170 F	LUGGAGE DOOR LOCK	251	DDEC III - PRODRIVER 12V H.W.	524	DDEC III-ENGINE BRAKE DISABLE		
170 G	LUGGAGE DOOR LOCK	251 A	DDEC III -DATA LOGGER 12V H.W.	525	DDEC III-FAST IDLE SIGNAL		
170 H	LUGGAGE DOOR LOCK	257	WINDSHIELD HEATED	528	DDEC III-STOP ENG. OVERRIDE		
170 K	LUGGAGE DOOR LOCK	257 A	WINDSHIELD HEATED	531	DDEC III-CRUISE CLUTCH RELEASE		
170 L	LUGGAGE DOOR LOCK	257 B	WINDSHIELD HEATED	540	DDEC III-CRUISE ENABLE LTS.		
170 M	LUGGAGE DOOR LOCK	257 C	WINDSHIELD HEATED	541	DDEC III-CRUISE SET SW		
170 N	LUGGAGE DOOR LOCK	257 D	WINDSHIELD HEATED SPARE	542	INPUT PARK BRAKE INTERLOCK		
170 P	LUGGAGE DOOR LOCK	257 E	WINDSHIELD HEATED SPARE	543	DDEC III-CRUISE STOP SW CUT IN		
170 R	LUGGAGE DOOR LOCK	258	WINDSHIELD HEATED	544	DDEC III-CRUISE ON/OFF SW		
170 S	LUGGAGE DOOR LOCK	258 A	WINDSHIELD HEATED	545	DDEC III-CRUISE RESUME SW		
170 V	LUGGAGE DOOR LOCK	259	WINDSHIELD HEATED	555	DDEC III-FAN CLUTCH SPEED# 1		
170 W	LUGGAGE DOOR LOCK	259 A	WINDSHIELD HEATED	556	DDEC III-VEHICLE SPEED (+)		
170 X	LUGGAGE DOOR LOCK	264	SPEED SIGNAL- AUX. FAN UNIT	557	DDEC III-VEHICLE SPEED (-)		
170 Y	LUGGAGE DOOR LOCK	264 A	SPEED SIGNAL- AUX. FAN UNIT	563	DDEC III-FAN CLUTCH SPEED# 2		
170 Z	LUGGAGE DOOR LOCK	264 B	SPEED SIGNAL- AUX. FAN UNIT	564	DDEC III-DIGITAL OUTPUT		

CIRCUIT NUMBER CODE

No.	DESCRIPTION	No.	DESCRIPTION	No.	DESCRIPTION	No.	DESCRIPTION
L 8	ENG. BLK HEATER	SP 94	SPARE-RJB TO RR ROOF	0 L1	FS - FR SERVICE CPT LTS GRD	2 F	A/C & HEAT EVAP. CONTROL
L 9	ENG. BLK HEATER	SP 95	SPARE-RJB TO RR ROOF	0 L2	FS - FR SERVICE CPT LTS GRD	2 H	A/C & HEAT SYSTEM-HI PRESS SW
SP 2	SPARE-FJB TO FR SERV CPT	SP 96	SPARE-RJB TO LUGG CPT #2	0 L3	FS - FJB GRD	2 HL	A/C & HEAT SYSTEM-LO & HI PRESS SW
SP 3	SPARE-FJB TO CENTER DASH	SP 97	SPARE-RJB TO LUGG CPT #3	0 L4	FS - FJB GRD	2 L	A/C & HEAT SYSTEM-LO PRESS SW
SP 4	SPARE-FJB TO CENTER DASH	SP 98	SPARE-RJB TO LUGG CPT #3	0 L5	FS - CIGAR LIGHTER	5 NC	SPEED SIGNAL LOWER 5MPH
SP 5	SPARE-RJB TO LUGG CPT #2	SP 104	SPARE-RJB TO ENGINE CPT	0 L	RS - ENGINE CPT ACCES. GRD	5 NO	SPEED SIGNAL HIGHER 5MPH
SP 6	SPARE-RJB TO LUGG CPT #1	SP 105	SPARE-FJB TO ENGINE	0 L	ENTRANCE DOOR GRD	9	INTERIOR LTS-ENGINE CPT
SP 7	SPARE-RJB TO LUGG CPT #1	SP 106	SPARE-RJB TO BATT. CPT.	0 LH	RS - RR END LAMPS LH GRD	9 A	INTERIOR LTS-ENGINE CPT
SP 8	SPARE-RJB TO LUGG CPT #1	SP 107	SPARE-RJB TO BATT. CPT.	0 M	FS - ELECTRICAL MOTOR GRD	9 B	INTERIOR LTS-ENGINE CPT
SP 9	SPARE-RJB TO LUGG CPT #2	SP 108	SPARE-RJB TO BATT. CPT.	0 M3	FS - ELECTRICAL MOTOR GRD	9 E	INTERIOR LTS-FR SERVICE CPT
SP 10	SPARE-RJB TO LUGG CPT #1	SP 109	SPARE-RJB TO ENGINE CPT.	0 M4	FS - ELECTRICAL MOTOR GRD	9 F	INTERIOR LTS-FR SERVICE CPT
SP 11	SPARE-FJB TO RJB	SP 110	SPARE-RJB TO ENGINE CPT.	0 M5	FS - ELECTRICAL MOTOR GRD	10	INTERIOR LTS-LUGGAGE CPT
SP 12	SPARE-RJB TO ENGINE	SP 111	SPARE-RJB TO ENGINE CPT.	0 M6	FS - FJB GRD	10 A	INTERIOR LTS-LUGGAGE CPT
SP 13	SPARE-RJB TO ENGINE	SP 112	SPARE-RJB TO ENGINE CPT.	0 M7	FS - ELECTRICAL MOTOR GRD	10 B	INTERIOR LTS-LUGGAGE CPT
SP 14	SPARE-FJB TO RJB	SP 114	SPARE-FJB TO U/DASH WIPER	0 M8	FS - AUX. A/C UNIT	10 C	INTERIOR LTS-LUGGAGE CPT
SP 15	SPARE-RJB TO ENGINE	SP 115	SPARE-FJB TO U/DASH WIPER	0 M9	FS - WATER PUMP DRIVER	10 D	INTERIOR LTS-LUGGAGE CPT
SP 16	SPARE-RJB TO ENGINE	SP 116	SPARE-FJB TO U/DASH FLOOR	0 M	RS - ENGINE CPT ACCES. GRD	10 E	INTERIOR LTS-EVAP. CPT
SP 17	SPARE-RJB TO ENGINE	SP 117	SPARE-FJB TO U/DASH FLOOR	0 MR	24V DISC. SW. RLY GRD SIGNAL	10 F	INTERIOR LTS-LUGGAGE CPT
SP 18	SPARE-FJB TO RJB	W C	A/C & HEAT SYST-EVAP CTR SIGN	0 MS	24V DISC. SW. RLY GRD SIGNAL	10 H	INTERIOR LTS-LUGGAGE CPT
SP 24	SPARE-RJB TO LAVATORY ROOF	0	BC - BAT. CPT CHASSIS GRD	0 N	RS - ENGINE CPT ACCES. GRD	10 R	INTERIOR LTS-LUGGAGE DOOR AJAR
SP 25	SPARE-RJB TO LAVATORY ROOF	0	CONDENSER CPT GRD	0 P	RS - ENGINE CPT ACCES. GRD	12	12V BAT ELECTRONIC JCT BLOCK
SP 26	SPARE-RJB TO LAVATORY ROOF	0	RS - RR JCT BOX RLY GRD	0 R	RS - RJB GRD	12	BAT CPT 12V BATTERY
SP 27	SPARE-RJB TO LH HAT RACK	0 A	BC - SHIELD GRD	0 R	RS - ENGINE CPT ACCES. GRD	12 A	FR JCT BOX 12V DISC SW
SP 28	SPARE-RJB TO LH HAT RACK	0 A	RS - RR JCT BOX RLY GRD	0 RH	RS - RR END LAMPS RH GRD	12 A	RR JCT BOX 12V DISC SW
SP 31	SPARE-RJB TO RH HAT RACK	0 A	FRS - FR ROOF ACCES. GRD	0 S	12 VOLT RUN- GND RLY	12 B	12V BAT ELECTRICAL JCT BLOCK
SP 32	SPARE-RJB TO RH HAT RACK	0 A	RS - LUG. CPT ACCES. GRD	0 SA	ENGINE CPT STUD-ALTERN. BOSCH	12 B	RR JCT BOX 12V DISC SW
SP 33	SPARE-FJB TO RJB	0 A	A/C HEAT SYSTEM - EVAP. GRD	0 T	FS - DASH ACCES. GRD	12 B	FR JCT BOX 12V DISC SW
SP 38	SPARE-FJB TO RJB	0 AA	RS - VOLTAGE REGULATOR GRD	0 T1	FS - DASH ACCES. GRD	12 BE	BAT. EQUALIZER MONITOR
SP 43	SPARE-FJB TO RJB	0 B	EC - ENGINE GRD	0 T2	FS - DASH ACCES. GRD	12 C	FR JCT BOX 12V DISC SW
SP 45	SPARE-FJB TO RJB	0 B	FRS - FR ROOF HEAT WIND GRD	0 T3	FS - DASH ACCES. GRD	12 C	RR JCT BOX 12V DISC SW
SP 46	SPARE-RJB TO LH FR ROOF	0 B	RS - LUG. CPT ACCES. GRD	0 T4	FS - DASH ACCES. GRD	12 D	BAT CPT 12V BATTERY
SP 48	SPARE-RJB TO DASH CENTER PANEL	0 BE	RJB - BAT. EQUAL. BAT GRD	0 T5	FS - HVAC DASH MODULE. GRD	12 DT	TTLT MODULE
SP 56	SPARE-ENGINE TO RH SW PANEL	0 C	EC - STARTER MOTOR GRD	0 V	RR JCT BOX CPT GRD STUD	12 E	FR JCT BOX 12V DISC SW
SP 57	SPARE-DASH CENTER PANEL TO ENG.	0 C	FS - SERV. CPT ACCES. GRD	0 VA	BATTERY TO EQUALISER 0V	12 E	RR JCT BOX 12V DISC SW
SP 58	SPARE-DASH CENTER PANEL TO ENG.	0 C	BC - FAN EVAP & CONDENSER GRD	0 W	FS - WT GND & SHIELD	12 F	BAT CPT 12V FJB & IC
SP 59	SPARE-FJB TO ENGINE	0 CR	24V DISC. SW. RLY GRD SIGNAL	0 W	RS - RR JCT BOX (WCL) GRD	12 F	FR JCT BOX 12V DISC SW
SP 61	SPARE-FJB TO DASH RH PANEL	0 CS	24V DISC. SW. RLY GRD SIGNAL	0 WC	RS - RR JCT BOX GRD (WCL)	12 F	RR JCT BOX 12V DISC SW
SP 68	SPARE-FJB TO ENGINE	0 C1	FS - SERV. CPT ACCES. GRD	0 X	RS - RR JCT BOX GRD	12 G	FR JCT BOX 12V DISC SW
SP 69	SPARE-FJB TO FR AXLE	0 C2	FS - SERV. CPT ACCES. GRD	0 Y	ABS FR JCT BOX CPT GRD STUD	12 J	FR JCT BOX 12V DISC SW
SP 70	SPARE-FJB TO FR AXLE	0 C3	FS - SERV. CPT ACCES. GRD	0 Y	RR JCT BOX GRD	12 K	HVAC MODULE
SP 71	SPARE-FJB TO RH SW PANEL	0 C4	FS - FJB. CPT ACCES. GRD	0 Y1	ABS FR JCT BOX CPT GRD STUD	12 I	12V IGNITION DISTRIBUTION
SP 72	SPARE-FJB TO FR SERV CPT	0 D	BC - FAN CONDENSER GRD	0 Z	RR JCT BOX CPT GRD STUD	12 I	RR JCT BOX 12V IGNITION
SP 74	SPARE-FJB TO LH CONSOLE	0 D	RS - HAT RACK ACCES. LH GRD	00	FJB & RJB BATT. GRD	12 IA	12V IGNITION DISTRIBUTION
SP 77	SPARE-FJB TO EVAPORATOR CPT	0 DF	RS - RR SIDE FLASH & MARK GRD	00 A	FBG - T.T.LT. MODULES BATT. GRD	12 IA	FR JCT BOX 12V IGNITION
SP 78	SPARE-FJB TO CONDENSER CPT	0 DR	RS - RJB DOCKING LT RESISTORS	00 Y	RS - ABS MODULE BATT. GRD	12 IB	FR JCT BOX 12V IGNITION
SP 79	SPARE-FJB TO CONDENSER CPT	0 J	FS - LH CONSOLE SW GRD	00 SS	SOUND SYSTEM BATT. GRD	12 LX	CLUSTER FEED
SP 87	SPARE-RJB TO LH HAT RACK	0 J	RS - RR ROOF ACCES. GRD	1	TACHO SYSTEM - RPM SIGNAL +	12 IF	FR JCT BOX 12V IGNITION
SP 88	SPARE-RJB TO RH HAT RACK	0 K	RS - RR ROOF ACCES. GRD	2 A	A/C & HEAT SYSTEM-COOL 1 SIGN	12 P	LH CONSOLE POWER OUTLET
SP 92	SPARE-RJB TO CONDENSER CPT	0 K	RS - RJB A/C JCT PANEL GRD	2 B	A/C & HEAT SYSTEM-COOL SIGN	12 R	BAT CPT 12V DISC RLY TO RJB
SP 93	SPARE-RJB TO EVAPORATOR CPT	0 L	FS - FR SERVICE CPT LTS GRD	2 E	A/C & HEAT EVAP. CONTROL	12 VA	BATTERY TO EQUALIZER 12V

CIRCUIT NUMBER CODE

No.	DESCRIPTION	No.	DESCRIPTION	No.	DESCRIPTION	No.	DESCRIPTION
12 VD	12V HOT WIRE DISTRIBUTION	24 DA	A/C JCT BOX 24V HOT WIRE	28 A	A/C & HEAT SYSTEM-HI PRESSURE	52 A	ALARM & SIGNAL-ELEC. HORN
12 VF	BAT CPT 12V FJB & IC	24 E	BAT CPT 24V DISC SW	29	A/C & HEAT SYSTEM-DRIVER'S HTR	52 B	ALARM & SIGNAL-AIR HORN
12 VI	12V IGNITION DISTRIBUTION	24 E	FR JCT BOX 24V DISC SW	29 A	A/C & HEAT SYSTEM-DRIVER'S HTR	52 C	ALARM & SIGNAL-AIR HORN
12 VR	BAT CPT 12V DISC RLY TO RJB	24 E	RR JCT BOX 24V DISC SW	29 H	HVAC DASH MODULE	53	ALARM & SIGNAL-ELEC. HORN
12 W	12V BATTERY DDEC III	24 F	FR JCT BOX 24V DISC SW	29 B	A/C & HEAT SYSTEM-DRIVER'S HTR	53 A	WIPER & WASHER SYSTEM
12 X	FR JCT BOX 12V DISC SW	24 F	RR JCT BOX 24V DISC SW	31 A	A/C & HEAT SYSTEM-UNLOADER	53 B	WIPER & WASHER SYSTEM
12 X2	FR JCT BOX 12V DISC SW	24 G	FR JCT BOX 24V DISC SW	31 B	A/C & HEAT SYSTEM-UNLOADER	53 C	WIPER & WASHER SYSTEM
12 Y	FR JCT BOX 12V DISC SW	24 G	RR JCT BOX 24V DISC SW	31 B	WIPER & WASHER SYSTEM	53 E	WIPER & WASHER SYSTEM
13 A	ALARM & SIGNAL-LO AIR PRIM.	24 H	FR JCT BOX 24V DISC SW	31 C	WIPER & WASHER SYSTEM	53 J	WIPER & WASHER SYSTEM
13 B	ALARM & SIGNAL-LO AIR SEC.	24 H	RR JCT BOX 24V DISC SW	31 D	WIPER & WASHER SYSTEM	53 K	KEYLESS
15	EXTERIOR LTS-MULTI FUNC LEVEL	24 I	FR JCT BOX 24V IGNITION	31 E	WIPER & WASHER SYSTEM	55	EXTERIOR LTS-HI BEAM
15 A	WIPER & WASHER UPPER WINDSHIELD	24 I	RR JCT BOX 24V IGNITION	31 J	WIPER & WASHER SYSTEM	57	EXTERIOR LTS-HI BEAM
16	SPEED - SIGNAL +	24 IA	FR JCT BOX 24V IGNITION	31 X	WIPER & WASHER SYSTEM	57 A	A/C & HEAT SYSTEM-WATER PUMP
16 A	SPEED - SIGNAL +	24 IA	RR JCT BOX 24V IGNITION	32	EXTERIOR LTS-BACK-UP	57 A	EXTERIOR LTS-HI BEAM
16 T	SPEED - SIGNAL +	24 IB	FR JCT BOX 24V IGNITION	32 B	EXTERIOR LTS-BACK-UP	57 B	A/C & HEAT SYSTEM-WATER PUMP
17	EXTERIOR LTS-FLASHER UNIT	24 IB	RR JCT BOX 24V IGNITION	32 C	BACK-UP PWR & SIGNAL	57 C	PRE-HEAT WATER HEATER
17 A	EXTERIOR LTS-FLASHER UNIT	24 IF	FJB 24V IGNITION	32 D	BACK-UP ALARM	57 CA	WIPER & WASHER HEAT SIGN
19	DIFFERENTIAL OIL TEMP	24 IC	FR JCT BOX 24V IGNITION	35	ENTRANCE DOOR	57 CC	A/C & HEAT SYSTEM-HEAT SIGN
20	SPEED - SIGNAL -	24 P	FR JCT BOX 24V DISC SW	35 B	ENTRANCE DOOR	58	EXTERIOR LTS-LO BEAM
20 T	SPEED - SIGNAL -	24 S	24V DISC SW RLY SIGNAL	36	JACOB BRAKE SYSREM	58 A	EXTERIOR LTS-LO BEAM
20 W	SPEED - SIGNAL -	24 T	RR JCT BOX 24V DISC SW	36 A	JACOB BRAKE SYSTEM	58 B	EXTERIOR LTS-LO BEAM
21	EXTERIOR LTS-DIRECTIONNAL LH	24 V2	RR JCT BOX 24V DISC SW	39	INTERIOR LTS-12V RH PANEL SW.	58 C	DAYTIME RUNNING LIGHT
21 A	EXTERIOR LTS-DIRECTIONNAL LH	24 V3	RR JCT BOX 24V DISC SW	39 A	INTERIOR LTS-DRIVER'S LTS	58 D	DAYTIME RUNNING LIGHT
21 B	EXTERIOR LTS-HAZARD	24 V4	RR JCT BOX 24V DISC SW	39 B	DRIVER'S LTS KEYLESS	58 E	EXTERIOR LTS-LO BEAM
21 C	EXTERIOR LTS-CORNERING LH	24 V5	RR JCT BOX 24V DISC SW	39 K	DRIVER'S LTS KEYLESS	59 A	JACOB BRAKE SYSTEM
21 H	EXTERIOR LTS-DIRECTIONNAL LH	24 VD	24V HOT WIRE DISTRIBUTION	41	A/C & HEAT SYSTEM-COND FAN MOT	61	EXTERIOR LTS-24V FEED SW
21 K	EXTERIOR LTS-CORNERING	24 VF	BAT CPT 24V SW TO FJB & IC	41 A	A/C & HEAT SYSTEM-COND FAN MOT	61 A	EXTERIOR LTS-HEAD SIGNAL
21 N	EXTERIOR LTS-CORNERING LH	24 VA	BATTERY TO EQUALIZER 24V	41 B	A/C & HEAT SYSTEM-COND FAN MOT	63	EXTERIOR LTS-CLEARANCE
21 P	EXTERIOR LTS-CORNERING LH	24 VI	RR JCT BOX 24V IGNITION	42	A/C & HEAT SYSTEM-COND FAN MOT	63 A	EXTERIOR LTS-CLEARANCE
23	EXTERIOR LTS-DIRECTIONNAL RH	24 VR	BAT CPT 24V DISC SW TO RJB	43	A/C & HEAT SYSTEM-COND FAN MOT	63 B	EXTERIOR LTS-CLEARANCE
23	EXTERIOR LTS-DIRECTIONNAL RH	25	12VAC GEN RLY ON SIGNAL	42 A	A/C & HEAT SYSTEM-COND FAN MOT	63 C	EXTERIOR LTS-MARKER SIGNAL
23 A	EXTERIOR LTS-DIRECTIONNAL RH	25	12VAC GEN RLY ON SIGNAL	44	EXTERIOR LTS-FOG	63 D	EXTERIOR LTS-MARKER & TAIL
23 B	EXTERIOR LTS-DIRECTIONNAL RH	25 A	ETHER SWITCH	44 A	EXTERIOR LTS-FOG	63 E	EXTERIOR LTS-CLEARANCE
23 C	EXTERIOR LTS-CORNERING RH	25 A	NOT ALTERNATOR #1-WARNING LT	44 B	EXTERIOR LTS-FOG	63 F	EXTERIOR LTS-MARKER BLINKER
23 N	EXTERIOR LTS-CORNERING RH	25 A1	24 VOLTS EXCITING SIGNAL - ALT. #1	44 C	EXTERIOR LTS-FOG & HAZARD	63 H	EXTERIOR LTS-TAIL
23 P	EXTERIOR LTS-CORNERING RH	25 A2	24 VOLTS EXCITING SIGNAL - ALT. #2	45 A	WATER PUMP SIGNAL	64	DRIVER'S FAN
24	BAT CPT 24V BATTERY	25 A3	24 V. SIGNAL ALT#1 OR ALT. #2 RUN	45 B	A/C & HEAT SYSTEM-HEAT SIGN	64 B	DRIVER'S FAN
24	FR JCT BOX 24V DISC SW	25 F	12V IGNITION DISTRIBUTION	45 D	A/C & HEAT SYSTEM-WATER VALVE	64 C	DRIVER'S FAN
24 A	BOOSTER BLOCK 24V DISC SW	25 B	EXTERIOR LTS-DAYTIME RUN LTS	45 E	A/C & HEAT SYSTEM-HEAT 1 SIGN	65	FOOT DAMPER MOTOR
24 A	FR JCT BOX 24V DISC SW	25 B	12 V. IGN. ALTERNATOR BOSCH	45 G	A/C & HEAT SYSTEM-DRIVER'S HTR	65 A	FOOT DAMPER MOTOR
24 A	RR JCT BOX 24V DISC SW	25 C	12 V. SIGNAL ALT.#1 AND ALT.#2 RUN	45 H	A/C & HEAT SYSTEM-DRIVER'S HTR	65 D	DRIVER'S REC. DAMPER
24 B	24V STARTER RLY FEEDING	25 D	12 V. SIGNAL ALT.#1 AND ALT.#2 RUN	45 W	A/C & HEAT SYSTEM-COND. DOOR AJAR	65 P	PASSENGER REC. DAMPER
24 B	FR JCT BOX 24V DISC SW	25 H	24 V. IGN. ALTERNATOR BOSCH	46	EXTERIOR LTS-MARKER	66	O_PASS_ON/OFF
24 B	RR JCT BOX 24V DISC SW	25 K	NOT ALTERNATOR #2-WARNING LT	46 A	EXTERIOR LTS-MARKER	67	A/C & HEAT SYSTEM
24 BE	RJB CPT-BAT EQ MONITOR HOT WIRE	26	CIGAR LIGHTER	46 B	EXTERIOR LTS-MARKER	67 A	A/C & HEAT SYSTEM
24 C	FR JCT BOX 24V DISC SW	26	DRIVER'S WINDOW LIFTER	46 B	EXTERIOR LTS-MARKER	67 B	A/C & HEAT SYSTEM
24 C	RR JCT BOX 24V DISC SW	26 B	DRIVER'S WINDOW LIFTER	46 C	EXTERIOR LTS-MARKER	67 C	HEAT WINDS.
24 D	BAT CPT 24V HOT WIRE	26 C	DRIVER'S WINDOW LIFTER	47	A/C & HEAT SYSTEM-DRIVER'S HTR	67 K	A/C & HEAT SYSTEM-COND FAN CTR
24 D	FR JCT BOX 24V HOT WIRE	27	PARKING BRAKE SONALERT			67 L	A/C & HEAT SYSTEM-COND FAN CTR
24 D	RR JCT BOX 24V HOT WIRE	27 A	PARKING BRAKE SONALERT	52	ALARM & SIGNAL-ELEC. HORN	67 V	A/C & HEAT SYSTEM-WATER VALVE

CIRCUIT NUMBER CODE

No.	DESCRIPTION	No.	DESCRIPTION	No.	DESCRIPTION	No.	DESCRIPTION
67 X	A/C & HEAT SYSTEM	91 W	PARK, BRAKE SW SIGN (WCL)	123	WORLD TRANSM-NEUTRAL START	137	WORLD TRANSM-RETARDER
68	DASH & DEFROST DAMPER MOTOR	92	BATTERY EQUALIZER-CHECK BALANCE	123 A	ALARM & SIGNAL-FIRE DETECTOR	137 A	MIRROR (SPARTAN & RAMCO)
68 A	DASH & DEFROST DAMPER MOTOR	93	BATTERY EQUALIZER-CHECK LO/HI	123 B	ALARM & SIGNAL-FIRE DETECTOR	137 B	RR VIEW MIRROR (SPARTAN)
70	INTERIOR LTS-HAT RACK & RR RUN.	95 A	ENGINE BRAKE & RETARDER SYSTEM	124	WORLD TRANSM-THROTTLE (HI)	137 C	RR VIEW MIRROR (SPARTAN)
72	SUN VISOR-FEEDING	97	TACHOMETER (-)	125	WORLD TRANSM-RET. INDICATOR	137 D	RR VIEW MIRROR (SPARTAN)
72 A	SUN VISOR-RH	101	24V STARTER SOL FEEDING	125 W	WORLD TRANSM-RET. INDICATOR	137 E	RR VIEW MIRROR (SPARTAN)
72 B	SUN VISOR-RH	101	WORLD TRANSM-LO SIGN SOL. LO	126	LEVEL LOW SYSTEM	137 G	RR VIEW MIRROR (SPARTAN)
72 C	SUN VISOR-LH	102	24V STARTER TO GENERATOR DELCO	126	WORLD TRANSM-LUBE PRESS SW.	138	ABS SYSTEM
72 D	SUN VISOR-LH	102	WORLD TRANSM-SOL. GRD 1	127	WORLD TRANSM-LUBE PRESS SW.	138	WORLD TRANSM-RETARDER TEMP
76	FUEL TANK GAUGE	102	WORLD TRANSM-SOL. C3	127	PRE-HEAT WATER HEATER	138 A	ABS SYSTEM
76 B	LOW FUEL LT & ETHER COLD START	102 A	24V STARTER TO GENERATOR BOSCH	127 A	PRE-HEAT WATER HEATER	139	ABS SYSTEM
76 C	LOW FUEL LT	104	WORLD TRANSM-SOL. FORWARD	127 B	PRE-HEAT WATER HEATER	139	WORLD TRANSM-OUTPUT SPEED HI
76 P	FUEL PRIME PUMP	104	LEVEL LOW SYSTEM	127	WORLD TRANSM-RETARDER FEED SOL.	140	ABS SYSTEM
76 M	FUEL PRIME PUMP	105	WORLD TRANSM-RETARDER & SUMP	127 S	PRE-HEAT WATER HEATER	140	WORLD TRANSM-OUTPUT SPEED LO
77 A	A/C & HEAT SYSTEM-COMPRESSOR	105 W	WORLD TRANSM-RETARDER & SUMP	127 W	PRE-HEAT WATER HEATER	141	ABS SYSTEM
77 B	A/C & HEAT SYSTEM-COMPRESSOR	106	WORLD TRANSM-OIL LEVEL HI	128	PRE-HEAT WATER HEATER	141	WORLD TRANSM-ENGINE SPEED HI
77 C	A/C & HEAT SYSTEM-COMPRESSOR	107	CHARG SYST-VOLTAGE REGUL. "F"	128 A	PRE-HEAT WATER HEATER	142	ABS SYSTEM
77 H	A/C & HEAT SYSTEM-COMPRESSOR	107	WORLD TRANSM-LOCKUP SOL. HI	128 B	PRE-HEAT WATER HEATER	142	WORLD TRANSM-SERIAL COM. A
77 K	GRD SIGNAL-COMPRESSOR CUT-OUT	108	WORLD TRANSM-REM. PWR WAKE UP	128 W	PRE-HEAT WATER HEATER	143	ABS SYSTEM
81	EXTERIOR LTS-STOP SW	109	WORLD TRANSM-RET. SOL. LO	128	WORLD TRANSM-SOL. C2	143	WORLD TRANSM-ECU BATTERY GRD
82	EXTERIOR LTS-STOP SIGNAL	110	ALARM & SIGNAL-WATER TEMP	129	PRE-HEAT WATER HEATER	143 A	ABS SYSTEM
82 A	EXTERIOR LTS-STOP SIGNAL	110	WORLD TRANSM-LOCKUP SOL. LO	129	WORLD TRANSM-SOL. C5	143 W	WORLD TRANSM-BATTERY GRD
82 B	EXTERIOR LTS-STOP LTS	111	WORLD TRANSM-SOL. C6	130	A/C HEAT SYSTEM-EVAP FAN MOT	143 X	WORLD TRANSM-BATTERY GRD
82 K	EXTERIOR LTS-STOP PARK BRK	112	WORLD TRANSM-SPARE OUTPUT (+)	130	WORLD TRANSM-SOL. GRD 3	144	ABS SYSTEM
82 L	EXTERIOR LTS-LH STOP	113	ALARM & SIGNAL-OIL PRESS	131	WORLD TRANSM-SOL. C4	144	WORLD TRANSM-ECU CHASSIS GRD
82 R	EXTERIOR LTS-LH STOP	113	WORLD TRANSM-REVERSE WARNING	132	WORLD TRANSM-ENG BRK OUTPUT (-)	144 A	ABS SYSTEM
83	ENGINE CTR-KEY SW ACCES SIGN	114	INTERIOR LTS-DASH LT REGUL.	132 A	LEVEL LOW SYSTEM	145	ABS SYSTEM
84	ENGINE CTR-KEY SW ACCES SIGN	114	WORLD TRANSM-SPARE OUTPUT (-)	132 B	LEVEL LOW SYSTEM	146	ABS SYSTEM
85	ENGINE CTR-KEY SWIGNITION SIGN	114 A	INTERIOR LTS-DASH LT	132 C	LEVEL LOW SYSTEM	146	WORLD TRANSM-IGNITION SENSE
85	24V IGNITION SIGNAL	114 B	INTERIOR LTS-DASH LT REGUL.	132 D	LEVEL LOW SYSTEM	146 W	WORLD TRANSM-12V IGNITION
85 A	24V IGN DASH INSTRUMENTATION	114 D	INTERIOR LTS-DASH LT REGUL.	132 E	LEVEL LOW SYSTEM	146 X	WORLD TRANSM-12V IGNITION
85 B	ENGINE CTR-24V IGNITION	114 E	INTERIOR LTS-DASH LT REGUL.	132 F	LEVEL LOW SYSTEM	147	ABS SYSTEM
85 C	PARKING BRAKE SWITCH	115	ALARM & SIGNAL-TAG PRESS	132 G	LEVEL LOW SYSTEM	147	ETHER COLD START
85 F	ENGINE CTR-ENGINE CTR SW IGN	115	DDEC III-COOLANT LEVEL	132 H	LEVEL LOW SYSTEM	147	WORLD TRANSM-OIL TEMP
85 F	LO AIR SONALERT	115	WORLD TRANSM-DO NOT SHIFT SIGN	132 J	LEVEL LOW SYSTEM	147 C	ETHER COLD START
85 W	24V IGN ABS	115 C	DDEC III-COOLANT LEVEL	132 K	LEVEL LOW SYSTEM	148	ABS SYSTEM
85 X	24V IGN ABS	115 W	WORLD TRANSM-DO NOT SHIFT SIGN	132 W	WORLD TRANSM-ENG BRK OUTPUT (-)	148	WORLD TRANSM-OUTPUT SPEED LO
85 Y	ABS-WARNING LT	116	WORLD TRANSM-LO SIGNAL SOL. HI	133	WORLD TRANSM-RET. ACTUATOR HI	149	ABS SYSTEM
86	ENGINE CTR-STARTER SOL SIGN	116 B	A/C & HEAT SYSTEM-DRIVER'S HTR	134	WORLD TRANSM-RET. APPLY SOL. HI	149	WORLD TRANSM-TURBINE SPEED HI
86 A	ENGINE CTR-STARTER SOL SIGN	117	WORLD TRANSM-SPARE INPUT (-)	135	A/C & HEAT SYSTEM-AIR SENSOR	149 A	ABS SYSTEM
88	ENGINE CTR-RR START SIGNAL	117 A	ALARM & SIGNAL-TRANSM OIL TEMP	135	WORLD TRANSM-ANALOG GRD	150	DDEC III-ECM BATTERY GRD
89	ENGINE CTR-RR START SIGNAL	117 A	ALARM & SIGNAL-TRANSM OIL TEMP	135 A	A/C & HEAT SYSTEM-AIR SENSOR	150	WORLD TRANSM-ENGINE SPEED LO
90 B	A/C & HEAT SYSTEM-COND FAN MOT	118	WORLD TRANSM-SPARE INPUT (+)	135 D	A/C & HEAT SYSTEM-AIR SENSOR	150 A	DDEC III-ECM BATTERY GRD
90 B	ENGINE CTR-MAST KEY SW FEED	119	WORLD TRANSM-ENG BRK INPUT (+)	135 C	A/C & HEAT SYSTEM-AIR SENSOR	151	ABS SYSTEM
90 C	A/C & HEAT SYSTEM-COND FAN MOT	120	WORLD TRANSM-SOL. C1	135 D	WORLD TRANSM-RETARDER RES MOD	151	DDEC III-ECM BATTERY GRD
90 F	CHARG SYST-VOLTAGE REGUL. "B"	121	WORLD TRANSM-SOL. GRD 2	135 C	WORLD TRANSM-RETARDER TEMP	151	WORLD TRANSM-SERIAL COM. B
90 H	A/C & HEAT SYSTEM-EVAP FAN MOT	122	A/C & HEAT SYSTEM-DRIVER'S HTR	136	WORLD TRANSM-ECU POWER	151 A	ABS SYSTEM
91	PARKING BRAKE SW SIGNAL	122	A/C & HEAT SYSTEM-FRESH AIR	136 V	WORLD TRANSM-12V BATTERY	152	ABS SYSTEM
91 A	DDEC-FAST IDLE SIGNAL	122	WORLD TRANSM-SOL. GRD 4	136 W	WORLD TRANSM-12V BATTERY	152 A	ABS SYSTEM
91 S	SONALERT PARKING BRAKE	122 A	A/C & HEAT SYSTEM-FRESH AIR	136 X	WORLD TRANSM-12V BATTERY	153	ABS SYSTEM

CIRCUIT NUMBER CODE

No.	DESCRIPTION	No.	DESCRIPTION	No.	DESCRIPTION	No.	DESCRIPTION
153	WORLD TRANSM-SPARE INPUT (-)	173	BACK-UP MONITOR	270	KEYLESS ENTRY SYSTEM	565	DDEC III-ENGINE BRAKE ACTIVE
154	ABS SYSTEM	174	BACK-UP MONITOR	272	KEYLESS ENTRY SYSTEM	583	DDEC III-ENGINE BRAKE 4 CYL.
154	WORLD TRANSM-ABS RET. INPUT	175	BACK-UP MONITOR	274	KEYLESS ENTRY SYSTEM	900	DDEC III-DATA LINK (+)
155	ABS SYSTEM	175 A	BACK-UP MONITOR	275	KEYLESS ENTRY SYSTEM	901	DDEC III-DATA LINK (-)
155	WORLD TRANSM-SPARE INPUT (-)	175 B	BACK-UP MONITOR	276	KEYLESS ENTRY SYSTEM	908	DDEC III-HYDRAULIC PWM#1 OUTPUT
156	ABS SYSTEM	175 C	BACK-UP MONITOR	277	KEYLESS ENTRY SYSTEM	916	DDEC III-SENSOR SUPPLY (5VDC)
156	WORLD TRANSM-THROTTLE POS.	180	DRIVER'S SEAT HEATER	278	KEYLESS ENTRY SYSTEM	952	DDEC III-SENSOR RETURN
156 A	ABS SYSTEM	180 A	DRIVER'S SEAT HEATER	279	KEYLESS ENTRY SYSTEM	953	DDEC III-BATTERY GRD
157	ABS SYSTEM	180 B	CO-PILOT SEAT HEATER	280	KEYLESS ENTRY SYSTEM	979	DDEC III-ENGINE BRAKE 2 CYL.
157	WORLD TRANSM-SPEEDO SIGNAL	180 C	CO-PILOT SEAT HEATER	283	KEYLESS ENTRY SYSTEM		
157 A	ABS SYSTEM	181 A	THERMOMETER INSIDE SENSOR	283 A	KEYLESS ENTRY SYSTEM		
157 B	ABS SYSTEM	181 B	THERMOMETER INSIDE SENSOR	284 A	KEYLESS ENTRY SYSTEM		
158	WORLD TRANSM-DIMMER	181 C	THERMOMETER OUTSIDE SENSOR	284 B	KEYLESS ENTRY SYSTEM		
160	ALARM & SIGNAL-TAG PRESS SW	181 D	THERMOMETER OUTSIDE SENSOR	285	KEYLESS ENTRY SYSTEM		
160	WORLD TRANSM-SER. INTERFACE (-)	197	FUEL WATER FILTER	285 B	KEYLESS ENTRY SYSTEM		
161	WORLD TRANSM-SIGNAL GRD	197 A	FUEL WATER FILTER	285 C	KEYLESS ENTRY SYSTEM		
161 B	WORLD TRANSM-SIGNAL GRD	197 B	FUEL WATER FILTER	286	KEYLESS ENTRY SYSTEM		
162	WORLD TRANSM-PRESS. SW C3	198	FILTER FUEL HEATER	286 A	KEYLESS ENTRY SYSTEM		
163	WORLD TRANSM-RETARDER ENABLE	199	AIR FILTER RESTRICTION SENDER	290	FAN CLUTCH RADIATOR		
164	WORLD TRANSM-RET. ACTUATOR SIGN	201	WORLD TRANSM-SPARE	290	FAN CLUTCH RADIATOR		
165	A/C & HEAT SYSTEM-TRANSMITER	202	WORLD TRANSM-SPARE	291	FAN CLUTCH RADIATOR SPD 1		
165	WORLD TRANSM-OIL LEVEL SIGNAL	203	WORLD TRANSM-SPARE	291	KEYLESS ENTRY SYSTEM		
165 A	A/C & HEAT SYSTEM-TRANSMITER	204	WORLD TRANSM-SPARE	292	FAN CLUTCH RADIATOR SPD 2		
165 B	A/C & HEAT SYSTEM-TRANSMITER	205	WORLD TRANSM-SPARE	293	KEYLESS ENTRY SYSTEM		
165 C	A/C & HEAT SYSTEM-TRANSMITER	206	WORLD TRANSM-SPARE	294	ANTI-THEFT SYSTEM KEYLESS		
165 D	A/C & HEAT SYSTEM-TRANSMITER	214	WORLD TRANSM-BACK UP SIGNAL	295	LED FEED ALARM -KEYLESS		
166 B	A/C & HEAT SYSTEM-EVAP. MOD.	216 B	24V SIGNAL AUX. LIQ. SOL. VALVE	417	DDEC III-LIMIT SPEED GOVERNOR		
167	A/C & HEAT SYSTEM-TEMP. CTR	216 C	12 V. TRIGGER AUX. A/C UNIT	419	DDEC III-CHECK ENGINE LIGHT		
167 A	A/C & HEAT SYSTEM-TEMP. CTR	229	24 V. POWER AUX. A/C UNIT	439	DDEC III-12V IGNITION		
168	A/C & HEAT SYSTEM-HUMIDISTAT	229 A	PWM SIGNAL - AUX. FAN UNIT	440	DDEC III-12V IGNITION		
168	WORLD TRANSM-SER. INTERFACE (+)	231	NEUTRAL SIGNAL GRD	440 A	DDEC III-12V IGNITION		
168 A	A/C & HEAT SYSTEM-HUMIDISTAT	231 A	NEUTRAL COIL RELAY FEED SIGNAL	451	DDEC III-A/C FAN CLUTCH		
170 C	LUGGAGE DOOR LOCK	231 W	NEUTRAL SIGNAL GRD (WCL)	505	DDEC III-TACHOMETER DRIVE		
170 D	LUGGAGE DOOR LOCK	240	DDEC III-ECM 12V FEEDING	509	DDEC III-STOP ENGINE LIGHT		
170 E	LUGGAGE DOOR LOCK	241	DDEC III-ECM 12V FEEDING	510	DDEC III-FAST IDLE SIGNAL		
170 F	LUGGAGE DOOR LOCK	251	DDEC III - PRODRIVER 12V H.W.	524	DDEC III-ENGINE BRAKE DISABLE		
170 G	LUGGAGE DOOR LOCK	251 A	DDEC III -DATA LOGGER 12V H.W.	525	DDEC III-FAST IDLE SIGNAL		
170 H	LUGGAGE DOOR LOCK	257	WINDSHIELD HEATED	528	DDEC III-STOP ENG. OVERRIDE		
170 K	LUGGAGE DOOR LOCK	257 A	WINDSHIELD HEATED	531	DDEC III-CRUISE CLUTCH RELEASE		
170 L	LUGGAGE DOOR LOCK	257 B	WINDSHIELD HEATED	540	DDEC III-CRUISE ENABLE LTS.		
170 M	LUGGAGE DOOR LOCK	257 C	WINDSHIELD HEATED	541	DDEC III-CRUISE SET SW		
170 N	LUGGAGE DOOR LOCK	257 D	WINDSHIELD HEATED SPARE	542	INPUT PARK BRAKE INTERLOCK		
170 P	LUGGAGE DOOR LOCK	257 E	WINDSHIELD HEATED SPARE	543	DDEC III-CRUISE STOP SW CUT IN		
170 R	LUGGAGE DOOR LOCK	258	WINDSHIELD HEATED	544	DDEC III-CRUISE ON/OFF SW		
170 S	LUGGAGE DOOR LOCK	258 A	WINDSHIELD HEATED	545	DDEC III-CRUISE RESUME SW		
170 V	LUGGAGE DOOR LOCK	259	WINDSHIELD HEATED	555	DDEC III-FAN CLUTCH SPEED# 1		
170 W	LUGGAGE DOOR LOCK	259 A	WINDSHIELD HEATED	556	DDEC III-VEHICLE SPEED (+)		
170 X	LUGGAGE DOOR LOCK	264	SPEED SIGNAL- AUX. FAN UNIT	557	DDEC III-VEHICLE SPEED (-)		
170 Y	LUGGAGE DOOR LOCK	264 A	SPEED SIGNAL- AUX. FAN UNIT	563	DDEC III-FAN CLUTCH SPEED# 2		
170 Z	LUGGAGE DOOR LOCK	264 B	SPEED SIGNAL- AUX. FAN UNIT	564	DDEC III-DIGITAL OUTPUT		

CIRCUIT NUMBER CODE

No.	DESCRIPTION	No.	DESCRIPTION	No.	DESCRIPTION	No.	DESCRIPTION
L 8	ENG. BLK HEATER	SP 94	SPARE-RJB TO RR ROOF	0 L1	FS - FR SERVICE CPT LTS GRD	2 E	A/C & HEAT EVAP. CONTROL
L 9	ENG. BLK HEATER	SP 95	SPARE-RJB TO RR ROOF	0 L2	FS - FR SERVICE CPT LTS GRD	2 F	A/C & HEAT EVAP. CONTROL
SP 2	SPARE-FJB TO FR SERV CPT	SP 96	SPARE-RJB TO LUGG CPT #2	0 L3	FS - FJB GRD	2 H	A/C & HEAT SYSTEM-HI PRESS SW
SP 3	SPARE-FJB TO CENTER DASH	SP 97	SPARE-RJB TO LUGG CPT #3	0 L4	FS - FJB GRD	2 HL	A/C & HEAT SYSTEM-LO & HI PRESS SW
SP 4	SPARE-FJB TO CENTER DASH	SP 98	SPARE-RJB TO LUGG CPT #3	0 L5	FS - CIGAR LIGHTER	2 L	A/C & HEAT SYSTEM-LO PRESS SW
SP 5	SPARE-RJB TO LUGG CPT #2	SP 104	SPARE-RJB TO ENGINE CPT	0 L6	FS - FR SERVICE CPT LTS GRD	5 NC	SPEED SIGNAL LOWER 5MPH
SP 6	SPARE-RJB TO LUGG CPT #1	SP 105	SPARE-FJB TO ENGINE	0 L	RS - ENGINE CPT ACCES. GRD	5 NO	SPEED SIGNAL HIGHER 5MPH
SP 7	SPARE-RJB TO LUGG CPT #1	SP 106	SPARE-RJB TO BATT. CPT.	0 L	ENTRANCE DOOR GRD	9	INTERIOR LTS-ENGINE CPT
SP 8	SPARE-RJB TO LUGG CPT #1	SP 107	SPARE-RJB TO BATT. CPT.	0 LH	RS - RR END LAMPS LH GRD	9 A	INTERIOR LTS-ENGINE CPT
SP 9	SPARE-RJB TO LUGG CPT #2	SP 108	SPARE-RJB TO BATT. CPT.	0 M	FS - ELECTRICAL MOTOR GRD	9 B	INTERIOR LTS-ENGINE CPT
SP 10	SPARE-RJB TO LUGG CPT #1	SP 109	SPARE-RJB TO ENGINE CPT.	0 M3	FS - ELECTRICAL MOTOR GRD	9 E	INTERIOR LTS-FR SERVICE CPT
SP 11	SPARE-FJB TO RJB	SP 110	SPARE-RJB TO ENGINE CPT.	0 M4	FS - ELECTRICAL MOTOR GRD	9 F	INTERIOR LTS-FR SERVICE CPT
SP 12	SPARE-RJB TO ENGINE	SP 111	SPARE-RJB TO ENGINE CPT.	0 M5	FS - ELECTRICAL MOTOR GRD	10	INTERIOR LTS-LUGGAGE CPT
SP 13	SPARE-RJB TO ENGINE	SP 112	SPARE-RJB TO ENGINE CPT.	0 M6	FS - FJB GRD	10 A	INTERIOR LTS-LUGGAGE CPT
SP 14	SPARE-FJB TO RJB	SP 114	SPARE-FJB TO U/DASH WIPER	0 M7	FS - ELECTRICAL MOTOR GRD	10 B	INTERIOR LTS-LUGGAGE CPT
SP 15	SPARE-RJB TO ENGINE	SP 115	SPARE-FJB TO U/DASH WIPER	0 M8	FS - AUX. A/C UNIT	10 C	INTERIOR LTS-LUGGAGE CPT
SP 16	SPARE-RJB TO ENGINE	SP 116	SPARE-FJB TO U/DASH FLOOR	0 M9	FS - WATER PUMP DRIVER	10 D	INTERIOR LTS-LUGGAGE CPT
SP 17	SPARE-RJB TO ENGINE	SP 117	SPARE-FJB TO U/DASH FLOOR	0 M	RS - ENGINE CPT ACCES. GRD	10 E	INTERIOR LTS-EVAP. CPT
SP 18	SPARE-FJB TO RJB	W C	A/C & HEAT SYST-EVAP CTR SIGN	0 MR	24V DISC. SW. RLY GRD SIGNAL	10 F	INTERIOR LTS-LUGGAGE CPT
SP 24	SPARE-RJB TO LAVATORY ROOF	0	BC - BAT. CPT CHASSIS GRD	0 MS	24V DISC. SW. RLY GRD SIGNAL	10 H	INTERIOR LTS-LUGGAGE CPT
SP 25	SPARE-RJB TO LAVATORY ROOF	0	CONDENSER CPT GRD	0 N	RS - ENGINE CPT ACCES. GRD	10 R	INTERIOR LTS-LUGGAGE DOOR AJAR
SP 26	SPARE-RJB TO LAVATORY ROOF	0	RS - RR JCT BOX RLY GRD	0 P	RS - ENGINE CPT ACCES. GRD	12	12V BAT ELECTRONIC JCT BLOCK
SP 27	SPARE-RJB TO LH HAT RACK	0 A	BC - SHIELD GRD	0 R	RS - RJB GRD	12	BAT CPT 12V BATTERY
SP 28	SPARE-RJB TO LH HAT RACK	0 A	RS - RR JCT BOX RLY GRD	0 R	RS - ENGINE CPT ACCES. GRD	12 A	FR JCT BOX 12V DISC SW
SP 31	SPARE-RJB TO RH HAT RACK	0 A	FRS - FR ROOF ACCES. GRD	0 RH	RS - RR END LAMPS RH GRD	12 A	RR JCT BOX 12V DISC SW
SP 32	SPARE-RJB TO RH HAT RACK	0 A	RS - LUG. CPT ACCES. GRD	0 S	12 VOLT RUN- GND RLY	12 B	12V BAT ELECTRICAL JCT BLOCK
SP 33	SPARE-FJB TO RJB	0 A	A/C HEAT SYSTEM - EVAP. GRD	0 SA	ENGINE CPT STUD-ALTERN. BOSCH	12 B	RR JCT BOX 12V DISC SW
SP 38	SPARE-FJB TO RJB	0 AA	RS - VOLTAGE REGULATOR GRD	0 T	FS - DASH ACCES. GRD	12 B	FR JCT BOX 12V DISC SW
SP 43	SPARE-FJB TO RJB	0 B	EC - ENGINE GRD	0 T1	FS - DASH ACCES. GRD	12 BE	BAT. EQUALIZER MONITOR
SP 45	SPARE-FJB TO RJB	0 B	FRS - FR ROOF HEAT WIND GRD	0 T2	FS - DASH ACCES. GRD	12 C	FR JCT BOX 12V DISC SW
SP 46	SPARE-RJB TO LH FR ROOF	0 B	RS - LUG. CPT ACCES. GRD	0 T3	FS - DASH ACCES. GRD	12 C	RR JCT BOX 12V DISC SW
SP 48	SPARE-RJB TO DASH CENTER PANEL	0 BE	RJB - BAT. EQUAL. BAT GRD	0 T4	FS - DASH ACCES. GRD	12 D	BAT CPT 12V BATTERY
SP 56	SPARE-ENGINE TO RH SW PANEL	0 C	EC - STARTER MOTOR GRD	0 T5	FS - HVAC DASH MODULE. GRD	12 DT	TTLT MODULE
SP 57	SPARE-DASH CENTER PANEL TO ENG.	0 C	FS - SERV. CPT ACCES. GRD	0 V	RR JCT BOX CPT GRD STUD	12 E	FR JCT BOX 12V DISC SW
SP 58	SPARE-DASH CENTER PANEL TO ENG.	0 C	BC - FAN EVAP & CONDENSER GRD	0 VA	BATTERY TO EQUALISER 0V	12 E	RR JCT BOX 12V DISC SW
SP 59	SPARE-FJB TO ENGINE	0 CR	24V DISC. SW. RLY GRD SIGNAL	0 W	FS - WT GND & SHIELD	12 F	BAT CPT 12V FJB & IC
SP 61	SPARE-FJB TO DASH RH PANEL	0 CS	24V DISC. SW. RLY GRD SIGNAL	0 W	RS - RR JCT BOX (WCL) GRD	12 F	FR JCT BOX 12V DISC SW
SP 68	SPARE-FJB TO ENGINE	0 C1	FS - SERV. CPT ACCES. GRD	0 WC	RS - RR JCT BOX GRD (WCL)	12 F	RR JCT BOX 12V DISC SW
SP 69	SPARE-FJB TO FR AXLE	0 C2	FS - SERV. CPT ACCES. GRD	0 X	RS - RR JCT BOX GRD	12 G	FR JCT BOX 12V DISC SW
SP 70	SPARE-FJB TO FR AXLE	0 C3	FS - SERV. CPT ACCES. GRD	0 Y	ABS FR JCT BOX CPT GRD STUD	12 J	FR JCT BOX 12V DISC SW
SP 71	SPARE-FJB TO RH SW PANEL	0 C4	FS - FJB. CPT ACCES. GRD	0 Y	RR JCT BOX GRD	12 K	HVAC MODULE
SP 72	SPARE-FJB TO FR SERV CPT	0 D	BC - FAN CONDENSER GRD	0 Y1	ABS FR JCT BOX CPT GRD STUD	12 I	12V IGNITION DISTRIBUTION
SP 74	SPARE-FJB TO LH CONSOLE	0 D	RS - HAT RACK ACCES. LH GRD	0 Z	RR JCT BOX CPT GRD STUD	12 I	RR JCT BOX 12V IGNITION
SP 77	SPARE-FJB TO EVAPORATOR CPT	0 DF	RS - RR SIDE FLASH & MARK GRD	00	FJB & RJB BATT. GRD	12 IA	12V IGNITION DISTRIBUTION
SP 78	SPARE-FJB TO CONDENSER CPT	0 DR	RS - RJB DOCKING LT RESISTORS	00 A	FBG - T.T.LT. MODULES BATT. GRD	12 IA	FR JCT BOX 12V IGNITION
SP 79	SPARE-FJB TO CONDENSER CPT	0 J	FS - LH CONSOLE SW GRD	00 Y	FS - ABS MODULLE BATT. GRD	12 IB	FR JCT BOX 12V IGNITION
SP 87	SPARE-RJB TO LH HAT RACK	0 J	RS - RR ROOF ACCES. GRD	00 SS	SOUND SYSTEM BATT. GRD	12 LX	CLUSTER FEED
SP 88	SPARE-RJB TO RH HAT RACK	0 K	RS - RR ROOF ACCES. GRD	1	TACHO SYSTEM - RPM SIGNAL +	12 IF	FR JCT BOX 12V IGNITION
SP 92	SPARE-RJB TO CONDENSER CPT	0 K	RS - RJB A/C JCT PANEL GRD	2 A	A/C & HEAT SYSTEM-COOL 1 SIGN	12 P	LH CONSOLE POWER OUTLET
SP 93	SPARE-RJB TO EVAPORATOR CPT	0 L	FS - FR SERVICE CPT LTS GRD	2 B	A/C & HEAT SYSTEM-COOL SIGN	12 R	BAT CPT 12V DISC RLY TO RJB

CIRCUIT NUMBER CODE

No.	DESCRIPTION	No.	DESCRIPTION	No.	DESCRIPTION	No.	DESCRIPTION
12 VA	BATTERY TO EQUALIZER 12V	24 C	RR JCT BOX 24V DISC SW	26 B	DRIVER'S WINDOW LIFTER	46 C	EXTERIOR LTS-MARKER
12 VD	12V HOT WIRE DISTRIBUTION	24 D	BAT CPT 24V HOT WIRE	26 C	DRIVER'S WINDOW LIFTER	47	A/C & HEAT SYSTEM-DRIVER'S HTR
12 VF	BAT CPT 12V FJB & IC	24 D	FR JCT BOX 24V HOT WIRE	27	PARKING BRAKE SONALERT		
12 VI	12V IGNITION DISTRIBUTION	24 D	RR JCT BOX 24V HOT WIRE	27 A	PARKING BRAKE SONALERT	52	ALARM & SIGNAL-ELEC. HORN
12 VR	BAT CPT 12V DISC RLY TO RJB	24 DA	A/C JCT BOX 24V HOT WIRE	28 A	A/C & HEAT SYSTEM-HI PRESSURE	52 A	ALARM & SIGNAL-ELEC. HORN
12 W	12V BATTERY DDEC III	24 E	BAT CPT 24V DISC SW	29	A/C & HEAT SYSTEM-DRIVER'S HTR	52 B	ALARM & SIGNAL-AIR HORN
12 X	FR JCT BOX 12V DISC SW	24 E	FR JCT BOX 24V DISC SW	29 A	A/C & HEAT SYSTEM-DRIVER'S HTR	52 C	ALARM & SIGNAL-AIR HORN
12 X2	FR JCT BOX 12V DISC SW	24 E	RR JCT BOX 24V DISC SW	29 H	HVAC DASH MODULE	53	ALARM & SIGNAL-ELEC. HORN
12 Y	FR JCT BOX 12V DISC SW	24 F	FR JCT BOX 24V DISC SW	29 B	A/C & HEAT SYSTEM-DRIVER'S HTR	53 A	WIPER & WASHER SYSTEM
13 A	ALARM & SIGNAL-LO AIR PRIM.	24 F	RR JCT BOX 24V DISC SW	31 A	A/C & HEAT SYSTEM-UNLOADER	53 B	WIPER & WASHER SYSTEM
13 B	ALARM & SIGNAL-LO AIR SEC.	24 G	FR JCT BOX 24V DISC SW	31 B	A/C & HEAT SYSTEM-UNLOADER	53 C	WIPER & WASHER SYSTEM
15	EXTERIOR LTS-MULTI FUNC LEVEL	24 G	RR JCT BOX 24V DISC SW	31 B	WIPER & WASHER SYSTEM	53 E	WIPER & WASHER SYSTEM
15 A	WIPER & WASHER UPPER WINDSHIELD	24 H	FR JCT BOX 24V DISC SW	31 C	WIPER & WASHER SYSTEM	53 J	WIPER & WASHER SYSTEM
16	SPEED - SIGNAL +	24 H	RR JCT BOX 24V DISC SW	31 D	WIPER & WASHER SYSTEM	53 K	KEYLESS
16 A	SPEED - SIGNAL +	24 I	FR JCT BOX 24V IGNITION	31 E	WIPER & WASHER SYSTEM	55	EXTERIOR LTS-HI BEAM
16 T	SPEED - SIGNAL +	24 I	RR JCT BOX 24V IGNITION	31 J	WIPER & WASHER SYSTEM	57	EXTERIOR LTS-HI BEAM
17	EXTERIOR LTS-FLASHER UNIT	24 IA	FR JCT BOX 24V IGNITION	31 X	WIPER & WASHER SYSTEM	57 A	A/C & HEAT SYSTEM-WATER PUMP
17 A	EXTERIOR LTS-FLASHER UNIT	24 IA	RR JCT BOX 24V IGNITION	32	EXTERIOR LTS-BACK-UP	57 A	EXTERIOR LTS-HI BEAM
19	DIFFERENTIAL OIL TEMP	24 IB	FR JCT BOX 24V IGNITION	32 B	EXTERIOR LTS-BACK-UP	57 B	A/C & HEAT SYSTEM-WATER PUMP
20	SPEED - SIGNAL -	24 IB	RR JCT BOX 24V IGNITION	32 C	BACK-UP PWR & SIGNAL	57 C	PRE-HEAT WATER HEATER
20 T	SPEED - SIGNAL -	24 IF	FJB 24V IGNITION	32 D	BACK-UP ALARM	57 CA	A/C & HEAT SYSTEM-HEAT SIGN
20 W	SPEED - SIGNAL -	24 IC	FR JCT BOX 24V IGNITION	35	ENTRANCE DOOR	57 CC	A/C & HEAT SYSTEM-HEAT SIGN
21	EXTERIOR LTS-DIRECTIONNAL LH	24 P	FR JCT BOX 24V DISC SW	35 B	ENTRANCE DOOR	58	EXTERIOR LTS-LO BEAM
21 A	EXTERIOR LTS-DIRECTIONNAL LH	24 S	24V DISC SW RLY SIGNAL	36	JACOB BRAKE SYSREM	58 A	EXTERIOR LTS-LO BEAM
21 B	EXTERIOR LTS-HAZARD	24 T	RR JCT BOX 24V DISC SW	36 A	JACOB BRAKE SYSREM	58 B	EXTERIOR LTS-LO BEAM
21 C	EXTERIOR LTS-CORNERING LH	24 V2	RR JCT BOX 24V DISC SW	39	INTERIOR LTS-12V RH PANEL SW.	58 C	DAYTIME RUNNING LIGHT
21 D	EXTERIOR LTS-DIRECTIONNAL LH	24 V3	RR JCT BOX 24V DISC SW	39 A	INTERIOR LTS-DRIVER'S LTS	58 D	DAYTIME RUNNING LIGHT
21 H	EXTERIOR LTS-DIRECTIONNAL LH	24 V4	RR JCT BOX 24V DISC SW	39 B	DRIVER'S LTS KEYLESS	58 E	EXTERIOR LTS-LO BEAM
21 K	EXTERIOR LTS-CORNERING	24 V5	RR JCT BOX 24V DISC SW	39 K	DRIVER'S LTS KEYLESS	59 A	JACOB BRAKE SYSTEM
21 N	EXTERIOR LTS-CORNERING LH	24 VD	24V HOT WIRE DISTRIBUTION	41	A/C & HEAT SYSTEM-COND FAN MOT	61	EXTERIOR LTS-24V FEED SW
21 P	EXTERIOR LTS-CORNERING LH	24 VF	BAT CPT 24V SW TO FJB & IC	41 A	A/C & HEAT SYSTEM-COND FAN MOT	61 A	EXTERIOR LTS-HEAD SIGNAL
22	LATCHING RLY.	24 VA	BATTERY TO EQUALIZER 24V	41 B	A/C & HEAT SYSTEM-COND FAN MOT	63	EXTERIOR LTS-CLEARANCE
23	EXTERIOR LTS-DIRECTIONNAL RH	24 VI	RR JCT BOX 24V IGNITION	42	A/C & HEAT SYSTEM-COND FAN MOT	63 A	EXTERIOR LTS-CLEARANCE
23	EXTERIOR LTS-DIRECTIONNAL RH	24 VR	BAT CPT 24V DISC SW TO RJB	43	A/C & HEAT SYSTEM-COND FAN MOT	63 B	EXTERIOR LTS-CLEARANCE
23 A	EXTERIOR LTS-DIRECTIONNAL RH	25	12VAC GEN RLY ON SIGNAL	42 A	A/C & HEAT SYSTEM-COND FAN MOT	63 C	EXTERIOR LTS-MARKER SIGNAL
23 B	EXTERIOR LTS-DIRECTIONNAL RH	25	12VAC GEN RLY ON SIGNAL	44	EXTERIOR LTS-FOG	63 D	EXTERIOR LTS-MARKER & TAIL
23 C	EXTERIOR LTS-CORNERING RH	25 A	ETHER SWITCH	44 A	EXTERIOR LTS-FOG	63 E	EXTERIOR LTS-CLEARANCE
23 D	EXTERIOR LTS-DIRECTIONNAL RH	25 A	NOT ALTERNATOR #1-WARNING LT	44 B	EXTERIOR LTS-FOG	63 F	EXTERIOR LTS-MARKER BLINKER
23 N	EXTERIOR LTS-CORNERING RH	25 A1	24 VOLTS EXCITING SIGNAL - ALT. #1	44 C	EXTERIOR LTS-FOG & HAZARD	63 H	EXTERIOR LTS-TAIL
23 P	EXTERIOR LTS-CORNERING RH	25 A2	24 VOLTS EXCITING SIGNAL - ALT. #2	45 A	WATER PUMP SIGNAL	64	DRIVER'S FAN
24	BAT CPT 24V BATTERY	25 A3	24 V. SIGNAL ALT.#1 OR ALT. #2 RUN	45 B	A/C & HEAT SYSTEM-HEAT SIGN	64 B	DRIVER'S FAN
24	FR JCT BOX 24V DISC SW	25 F	12V IGNITION DISTRIBUTION	45 D	A/C & HEAT SYSTEM-WATER VALVE	64 C	DRIVER'S FAN
24 A	BOOSTER BLOCK 24V DISC SW	25 B	EXTERIOR LTS-DAYTIME RUN LTS	45 E	A/C & HEAT SYSTEM-HEAT 1 SIGN	65	FOOT DAMPER MOTOR
24 A	FR JCT BOX 24V DISC SW	25 B	12 V. IGN. ALTERNATOR BOSCH	45 G	A/C & HEAT SYSTEM-DRIVER'S HTR	65 A	FOOT DAMPER MOTOR
24 A	RR JCT BOX 24V DISC SW	25 C	12 V. SIGNAL ALT.#1 AND ALT.#2 RUN	45 H	A/C & HEAT SYSTEM-DRIVER'S HTR	65 D	DRIVER'S REC. DAMPER
24 B	24V STARTER RLY FEEDING	25 D	12 V. SIGNAL ALT.#1 AND ALT.#2 RUN	45 W	A/C & HEAT SYSTEM-COND. DOOR AJAR	65 P	PASSENGER REC. DAMPER
24 B	FR JCT BOX 24V DISC SW	25 H	24 V. IGN. ALTERNATOR BOSCH	46	EXTERIOR LTS-MARKER	66	O_PASS_ON/OFF
24 B	RR JCT BOX 24V DISC SW	25 K	NOT ALTERNATOR #2-WARNING LT	46 A	EXTERIOR LTS-MARKER	67	A/C & HEAT SYSTEM
24 BE	RJB CPT-BAT EQ MONITOR HOT WIRE	26	CIGAR LIGHTER	46 B	EXTERIOR LTS-MARKER	67 A	A/C & HEAT SYSTEM
24 C	FR JCT BOX 24V DISC SW	26	DRIVER'S WINDOW LIFTER	46 B	EXTERIOR LTS-MARKER	67 B	A/C & HEAT SYSTEM

CIRCUIT NUMBER CODE

No.	DESCRIPTION	No.	DESCRIPTION	No.	DESCRIPTION	No.	DESCRIPTION
67 C	HEAT WINDS.	90 H	A/C & HEAT SYSTEM-EVAP FAN MOT	122	A/C & HEAT SYSTEM-DRIVER'S HTR	136	WORLD TRANSM-ECU POWER
67 K	A/C & HEAT SYSTEM-COND FAN CTR	91	PARKING BRAKE SW SIGNAL	122	A/C & HEAT SYSTEM-FRESH AIR	136 V	WORLD TRANSM-12V BATTERY
67 L	A/C & HEAT SYSTEM-COND FAN CTR	91 A	DDEC-FAST IDLE SIGNAL	122	WORLD TRANSM-SOL. GRD 4	136 W	WORLD TRANSM-12V BATTERY
67 V	A/C & HEAT SYSTEM-WATER VALVE	91 S	SONALERT PARKING BRAKE	122 A	A/C & HEAT SYSTEM-FRESH AIR	136 X	WORLD TRANSM-12V BATTERY
67 X	A/C & HEAT SYSTEM	91 W	PARK, BRAKE SW SIGN (WCL)	123	WORLD TRANSM-NEUTRAL START	137	WORLD TRANSM-RETARDER
68	DASH & DEFROST DAMPER MOTOR	92	BATTERY EQUALIZER-CHECK BALANCE	123 A	ALARM & SIGNAL-FIRE DETECTOR	137 A	MIRROR (SPARTAN & RAMCO)
68 A	DASH & DEFROST DAMPER MOTOR	93	BATTERY EQUALIZER-CHECK LO/HI	123 B	ALARM & SIGNAL-FIRE DETECTOR	137 B	RR VIEW MIRROR (SPARTAN)
70	INTERIOR LTS-HAT RACK & RR RUN.	95 A	ENGINE BRAKE & RETARDER SYSTEM	124	WORLD TRANSM-THROTTLE (HI)	137 C	RR VIEW MIRROR (SPARTAN)
72	SUN VISOR-FEEDING	97	TACHOMETER (-)	125	WORLD TRANSM-RET. INDICATOR	137 D	RR VIEW MIRROR (SPARTAN)
72 A	SUN VISOR-RH	101	24V STARTER SOL FEEDING	125 W	WORLD TRANSM-RET. INDICATOR	137 E	RR VIEW MIRROR (SPARTAN)
72 B	SUN VISOR-RH	101	WORLD TRANSM-LO SIGN SOL. LO	126	LEVEL LOW SYSTEM	137 G	RR VIEW MIRROR (SPARTAN)
72 C	SUN VISOR-LH	102	24V STARTER TO GENERATOR DELCO	126	WORLD TRANSM-LUBE PRESS SW.	138	ABS SYSTEM
72 D	SUN VISOR-LH	102	WORLD TRANSM-SOL. GRD 1	127	WORLD TRANSM-RET. PRESS SW.	138	ABS TRANSM-RETARDER TEMP
76	FUEL TANK GAUGE	102	WORLD TRANSM-SOL. C3	127	PRE-HEAT WATER HEATER	138 A	ABS SYSTEM
76 B	LOW FUEL LT & ETHER COLD START	102 A	24V STARTER TO GENERATOR BOSCH	127 A	PRE-HEAT WATER HEATER	139	ABS SYSTEM
76 C	LOW FUEL LT	104	WORLD TRANSM-SOL. FORWARD	127 B	PRE-HEAT WATER HEATER	139	WORLD TRANSM-OUTPUT SPEED HI
76 P	FUEL PRIME PUMP	104	LEVEL LOW SYSTEM	127	WORLD TRANSM-RETARDER FEED SOL.	140	ABS SYSTEM
76 M	FUEL PRIME PUMP	105	WORLD TRANSM-RETARDER & SUMP	127 S	PRE-HEAT WATER HEATER	140	WORLD TRANSM-OUTPUT SPEED LO
77 A	A/C & HEAT SYSTEM-COMPRESSOR	105 W	WORLD TRANSM-RETARDER & SUMP	127 W	PRE-HEAT WATER HEATER	141	ABS SYSTEM
77 B	A/C & HEAT SYSTEM-COMPRESSOR	106	WORLD TRANSM-OIL LEVEL HI	128	PRE-HEAT WATER HEATER	141	WORLD TRANSM-ENGINE SPEED HI
77 C	A/C & HEAT SYSTEM-COMPRESSOR	107	CHARG SYST-VOLTAGE REGUL. "F"	128 A	PRE-HEAT WATER HEATER	142	ABS SYSTEM
77 H	A/C & HEAT SYSTEM-COMPRESSOR	107	WORLD TRANSM-LOCKUP SOL. HI	128 B	PRE-HEAT WATER HEATER	142	WORLD TRANSM-SERIAL COM. A
77 K	GRD SIGNAL-COMPRESSOR CUT-OUT	108	WORLD TRANSM-REM. PWR WAKE UP	128 W	PRE-HEAT WATER HEATER	143	ABS SYSTEM
81	EXTERIOR LTS-STOP SW	109	WORLD TRANSM-RET. SOL. LO	128	WORLD TRANSM-SOL. C2	143	WORLD TRANSM-ECU BATTERY GRD
82	EXTERIOR LTS-STOP SIGNAL	110	ALARM & SIGNAL-WATER TEMP	129	PRE-HEAT WATER HEATER	143 A	ABS SYSTEM
82 A	EXTERIOR LTS-STOP SIGNAL	110	WORLD TRANSM-LOCKUP SOL. LO	129	WORLD TRANSM-SOL. C5	143 W	WORLD TRANSM-BATTERY GRD
82 B	EXTERIOR LTS-STOP LTS	111	WORLD TRANSM-SOL. C6	130	A/C HEAT SYSTEM-EVAP FAN MOT	143 X	WORLD TRANSM-BATTERY GRD
82 K	EXTERIOR LTS-STOP PARK BRK	112	WORLD TRANSM-SPARE OUTPUT (+)	130	WORLD TRANSM-SOL. GRD 3	144	ABS SYSTEM
82 L	EXTERIOR LTS-LH STOP	113	ALARM & SIGNAL-OIL PRESS	131	WORLD TRANSM-SOL. C4	144	WORLD TRANSM-ECU CHASSIS GRD
82 R	EXTERIOR LTS-LH STOP	113	WORLD TRANSM-REVERSE WARNING	132	WORLD TRANSM-ENG BRK OUTPUT (-)	144 A	ABS SYSTEM
83	ENGINE CTR-KEY SW ACCES SIGN	114	INTERIOR LTS-DASH LT REGUL.	132 A	LEVEL LOW SYSTEM	145	ABS SYSTEM
84	ENGINE CTR-KEY SW ACCES SIGN	114	WORLD TRANSM-SPARE OUTPUT (-)	132 B	LEVEL LOW SYSTEM	146	ABS SYSTEM
85	ENGINE CTR-KEY SWIGNITION SIGN	114 A	INTERIOR LTS-DASH LT	132 C	LEVEL LOW SYSTEM	146	WORLD TRANSM-IGNITION SENSE
85	24V IGNITION SIGNAL	114 B	INTERIOR LTS-DASH LT REGUL.	132 D	LEVEL LOW SYSTEM	146 W	WORLD TRANSM-12V IGNITION
85 A	24V IGN DASH INSTRUMENTATION	114 D	INTERIOR LTS-DASH LT REGUL.	132 E	LEVEL LOW SYSTEM	146 X	WORLD TRANSM-12V IGNITION
85 B	ENGINE CTR-24V IGNITION	114 E	INTERIOR LTS-DASH LT REGUL.	132 F	LEVEL LOW SYSTEM	147	ABS SYSTEM
85 C	PARKING BRAKE SWITCH	115	ALARM & SIGNAL-TAG PRESS	132 G	LEVEL LOW SYSTEM	147	ETHER COLD START
85 F	ENGINE CTR-ENGINE CTR SW IGN	115	DDEC III-COOLANT LEVEL	132 H	LEVEL LOW SYSTEM	147	WORLD TRANSM-OIL TEMP
85 F	LO AIR SONALERT	115	WORLD TRANSM-DO NOT SHIFT SIGN	132 J	LEVEL LOW SYSTEM	147 C	ETHER COLD START
85 W	24V IGN ABS	115 C	DDEC III-COOLANT LEVEL	132 K	LEVEL LOW SYSTEM	148	ABS SYSTEM
85 X	24V IGN ABS	115 W	WORLD TRANSM-DO NOT SHIFT SIGN	132 W	WORLD TRANSM-ENG BRK OUTPUT (-)	148	WORLD TRANSM-OUTPUT SPEED LO
85 Y	ABS-WARNING LT	116	WORLD TRANSM-LO SIGNAL SOL. HI	133	WORLD TRANSM-RET. ACTUATOR HI	149	ABS SYSTEM
86	ENGINE CTR-STARTER SOL SIGN	116 B	A/C & HEAT SYSTEM-DRIVER'S HTR	134	WORLD TRANSM-RET. APPLY SOL. HI	149	WORLD TRANSM-TURBINE SPEED HI
86 A	ENGINE CTR-STARTER SOL SIGN	117	WORLD TRANSM-SPARE INPUT (-)	135	A/C & HEAT SYSTEM-AIR SENSOR	149 A	ABS SYSTEM
88	ENGINE CTR-RR START SIGNAL	117 A	ALARM & SIGNAL-TRANSM OIL TEMP	135	WORLD TRANSM-ANALOG GRD	150	DDEC III-ECM BATTERY GRD
89	ENGINE CTR-RR START SIGNAL	117 A	ALARM & SIGNAL-TRANSM OIL TEMP	135 A	A/C & HEAT SYSTEM-AIR SENSOR	150	WORLD TRANSM-ENGINE SPEED LO
90 B	A/C & HEAT SYSTEM-COND FAN MOT	118	WORLD TRANSM-SPARE INPUT (+)	135 D	A/C & HEAT SYSTEM-AIR SENSOR	150 A	DDEC III-ECM BATTERY GRD
90 B	ENGINE CTR-MAST KEY SW FEED	119	WORLD TRANSM-ENG BRK INPUT (+)	135 C	A/C & HEAT SYSTEM-AIR SENSOR	151	ABS SYSTEM
90 C	A/C & HEAT SYSTEM-COND FAN MOT	120	WORLD TRANSM-SOL. C1	135 D	WORLD TRANSM-RETARDER RES MOD	151	DDEC III-ECM BATTERY GRD
90 F	CHARG SYST-VOLTAGE REGUL. "B"	121	WORLD TRANSM-SOL. GRD 2	135 C	WORLD TRANSM-RETARDER TEMP	151	WORLD TRANSM-SERIAL COM. B

CIRCUIT NUMBER CODE

No.	DESCRIPTION	No.	DESCRIPTION	No.	DESCRIPTION	No.	DESCRIPTION
151 A	ABS SYSTEM	170 W	LUGGAGE DOOR LOCK	259 A	WINDSHIELD HEATED	556	DDEC III-VEHICLE SPEED (+)
152	ABS SYSTEM	170 X	LUGGAGE DOOR LOCK	264	SPEED SIGNAL- AUX. FAN UNIT	557	DDEC III-VEHICLE SPEED (-)
152 A	ABS SYSTEM	170 Y	LUGGAGE DOOR LOCK	264 A	SPEED SIGNAL- AUX. FAN UNIT	563	DDEC III-FAN CLUTCH SPEED# 2
153	ABS SYSTEM	170 Z	LUGGAGE DOOR LOCK	264 B	SPEED SIGNAL- AUX. FAN UNIT	564	DDEC III-DIGITAL OUTPUT
153	WORLD TRANSM-SPARE INPUT (-)	173	BACK-UP MONITOR	270	KEYLESS ENTRY SYSTEM	565	DDEC III-ENGINE BRAKE ACTIVE
154	ABS SYSTEM	174	BACK-UP MONITOR	272	KEYLESS ENTRY SYSTEM	583	DDEC III-ENGINE BRAKE 4 CYL.
154	WORLD TRANSM-ABS RET. INPUT	175	BACK-UP MONITOR	274	KEYLESS ENTRY SYSTEM	900	DDEC III-DATA LINK (+)
155	ABS SYSTEM	175 A	BACK-UP MONITOR	275	KEYLESS ENTRY SYSTEM	901	DDEC III-DATA LINK (-)
155	WORLD TRANSM-SPARE INPUT (-)	175 B	BACK-UP MONITOR	276	KEYLESS ENTRY SYSTEM	908	DDEC III-HYDRAULIC PWM#1 OUTPUT
156	ABS SYSTEM	175 C	BACK-UP MONITOR	277	KEYLESS ENTRY SYSTEM	916	DDEC III-SENSOR SUPPLY (5VDC)
156	WORLD TRANSM-THROTTLE POS.	180	DRIVER'S SEAT HEATER	278	KEYLESS ENTRY SYSTEM	952	DDEC III-SENSOR RETURN
156 A	ABS SYSTEM	180 A	DRIVER'S SEAT HEATER	279	KEYLESS ENTRY SYSTEM	953	DDEC III-BATTERY GRD
157	ABS SYSTEM	180 B	CO-PILOT SEAT HEATER	280	KEYLESS ENTRY SYSTEM	979	DDEC III-ENGINE BRAKE 2 CYL.
157	WORLD TRANSM-SPEEDO SIGNAL	180 C	CO-PILOT SEAT HEATER	283	KEYLESS ENTRY SYSTEM		
157 A	ABS SYSTEM	181 A	THERMOMETER INSIDE SENSOR	283 A	KEYLESS ENTRY SYSTEM		
157 B	ABS SYSTEM	181 B	THERMOMETER INSIDE SENSOR	284 A	KEYLESS ENTRY SYSTEM		
158	WORLD TRANSM-DIMMER	181 C	THERMOMETER OUTSIDE SENSOR	284 B	KEYLESS ENTRY SYSTEM		
160	ALARM & SIGNAL-TAG PRESS SW	181 D	THERMOMETER OUTSIDE SENSOR	285	KEYLESS ENTRY SYSTEM		
160	WORLD TRANSM-SER. INTERFACE (-)	197	FUEL WATER FILTER	285 B	KEYLESS ENTRY SYSTEM		
161	WORLD TRANSM-SIGNAL GRD	197 A	FUEL WATER FILTER	285 C	KEYLESS ENTRY SYSTEM		
161 B	WORLD TRANSM-SIGNAL GRD	197 B	FUEL WATER FILTER	286	KEYLESS ENTRY SYSTEM		
162	WORLD TRANSM-PRESS. SW C3	198	FILTER FUEL HEATER	286 A	KEYLESS ENTRY SYSTEM		
163	WORLD TRANSM-RETARDER ENABLE	199	AIR FILTER RESTRICTION SENDER	290	FAN CLUTCH RADIATOR		
164	WORLD TRANSM-RET. ACTUATOR SIGN	201	WORLD TRANSM-SPARE	290	FAN CLUTCH RADIATOR		
165	A/C & HEAT SYSTEM-TRANSMITER	202	WORLD TRANSM-SPARE	291	FAN CLUTCH RADIATOR SPD 1		
165	WORLD TRANSM-OIL LEVEL SIGNAL	203	WORLD TRANSM-SPARE	291	KEYLESS ENTRY SYSTEM		
165 A	A/C & HEAT SYSTEM-TRANSMITER	204	WORLD TRANSM-SPARE	292	FAN CLUTCH RADIATOR SPD 2		
165 B	A/C & HEAT SYSTEM-TRANSMITER	205	WORLD TRANSM-SPARE	293	KEYLESS ENTRY SYSTEM		
165 C	A/C & HEAT SYSTEM-TRANSMITER	206	WORLD TRANSM-SPARE	294	ANTI-THEFT SYSTEM KEYLESS		
165 D	A/C & HEAT SYSTEM-TRANSMITER	214	WORLD TRANSM-BACK UP SIGNAL	295	LED FEED ALARM -KEYLESS		
166 B	A/C & HEAT SYSTEM-EVAP. MOD.	216 B	24V SIGNAL AUX. LIQ. SOL. VALVE	417	DDEC III-LIMIT SPEED GOVERNOR		
167	A/C & HEAT SYSTEM-TEMP. CTR	216 C	12 V. TRIGGER AUX. A/C UNIT	419	DDEC III-CHECK ENGINE LIGHT		
167 A	A/C & HEAT SYSTEM-TEMP. CTR	229	24 V. POWER AUX. A/C UNIT	439	DDEC III-12V IGNITION		
168	A/C & HEAT SYSTEM-HUMIDISTAT	229 A	PWM SIGNAL - AUX. FAN UNIT	440	DDEC III-12V IGNITION		
168	WORLD TRANSM-SER. INTERFACE (+)	231	NEUTRAL SIGNAL GRD	440 A	DDEC III-12V IGNITION		
168 A	A/C & HEAT SYSTEM-HUMIDISTAT	231 A	NEUTRAL COIL RELAY FEED SIGNAL	451	DDEC III-A/C FAN CLUTCH		
170 C	LUGGAGE DOOR LOCK	231 W	NEUTRAL SIGNAL GRD (WCL)	505	DDEC III-TACHOMETER DRIVE		
170 D	LUGGAGE DOOR LOCK	240	DDEC III-ECM 12V FEEDING	509	DDEC III-STOP ENGINE LIGHT		
170 E	LUGGAGE DOOR LOCK	241	DDEC III-ECM 12V FEEDING	510	DDEC III-FAST IDLE SIGNAL		
170 F	LUGGAGE DOOR LOCK	251	DDEC III - PRODRIVER 12V H.W.	524	DDEC III-ENGINE BRAKE DISABLE		
170 G	LUGGAGE DOOR LOCK	251 A	DDEC III -DATA LOGGER 12V H.W.	525	DDEC III-FAST IDLE SIGNAL		
170 H	LUGGAGE DOOR LOCK	257	WINDSHIELD HEATED	528	DDEC III-STOP ENG. OVERRIDE		
170 K	LUGGAGE DOOR LOCK	257 A	WINDSHIELD HEATED	531	DDEC III-CRUISE CLUTCH RELEASE		
170 L	LUGGAGE DOOR LOCK	257 B	WINDSHIELD HEATED	540	DDEC III-CRUISE ENABLE LTS.		
170 M	LUGGAGE DOOR LOCK	257 C	WINDSHIELD HEATED	541	DDEC III-CRUISE SET SW		
170 N	LUGGAGE DOOR LOCK	257 D	WINDSHIELD HEATED SPARE	542	INPUT PARK BRAKE INTERLOCK		
170 P	LUGGAGE DOOR LOCK	257 E	WINDSHIELD HEATED SPARE	543	DDEC III-CRUISE STOP SW CUT IN		
170 R	LUGGAGE DOOR LOCK	258	WINDSHIELD HEATED	544	DDEC III-CRUISE ON/OFF SW		
170 S	LUGGAGE DOOR LOCK	258 A	WINDSHIELD HEATED	545	DDEC III-CRUISE RESUME SW		
170 V	LUGGAGE DOOR LOCK	259	WINDSHIELD HEATED	555	DDEC III-FAN CLUTCH SPEED# 1		

CIRCUIT NUMBER CODE

No.	DESCRIPTION	No.	DESCRIPTION	No.	DESCRIPTION	No.	DESCRIPTION
L 8	ENG. BLK HEATER	SP 94	SPARE-RJB TO RR ROOF	0 L1	FS - FR SERVICE CPT LTS GRD	0 0 Y	FS - ABS MODULLE BATT. GRD
L 9	ENG. BLK HEATER	SP 95	SPARE-RJB TO RR ROOF	0 L2	FS - FR SERVICE CPT LTS GRD	0 0 SS	SOUND SYSTEM BATT. GRD
SP 2	SPARE-FJB TO FR SERV CPT	SP 96	SPARE-RJB TO LUGG CPT #2	0 L3	FS - FJB GRD	1	TACHO SYSTEM - RPM SIGNAL +
SP 3	SPARE-FJB TO CENTER DASH	SP 97	SPARE-RJB TO LUGG CPT #3	0 L4	FS - FJB GRD	2 A	A/C & HEAT SYSTEM-COOL 1 SIGN
SP 4	SPARE-FJB TO CENTER DASH	SP 98	SPARE-RJB TO LUGG CPT #3	0 L5	FS - CIGAR LIGHTER	2 B	A/C & HEAT SYSTEM-COOL SIGN
SP 5	SPARE-RJB TO LUGG CPT #2	SP 104	SPARE-RJB TO ENGINE CPT	0 L6	FS - FR SERVICE CPT LTS GRD	2 E	A/C & HEAT EVAP. CONTROL
SP 6	SPARE-RJB TO LUGG CPT #1	SP 105	SPARE-FJB TO ENGINE	0 L	RS - ENGINE CPT ACCES. GRD	2 F	A/C & HEAT EVAP. CONTROL
SP 7	SPARE-RJB TO LUGG CPT #1	SP 106	SPARE-RJB TO BATT. CPT.	0 L	ENTRANCE DOOR GRD	2 H	A/C & HEAT SYSTEM-HI PRESS SW
SP 8	SPARE-RJB TO LUGG CPT #1	SP 107	SPARE-RJB TO BATT. CPT.	0 LH	RS - RR END LAMPS LH GRD	2 HL	A/C & HEAT SYSTEM-LO & HI PRESS SW
SP 9	SPARE-RJB TO LUGG CPT #2	SP 108	SPARE-RJB TO BATT. CPT.	0 M	FS - ELECTRICAL MOTOR GRD	2 L	A/C & HEAT SYSTEM-LO PRESS SW
SP 10	SPARE-RJB TO LUGG CPT #1	SP 109	SPARE-RJB TO ENGINE CPT.	0 M3	FS - ELECTRICAL MOTOR GRD	5 NC	SPEED SIGNAL LOWER 5MPH
SP 11	SPARE-FJB TO RJB	SP 110	SPARE-RJB TO ENGINE CPT.	0 M4	FS - ELECTRICAL MOTOR GRD	5 NO	SPEED SIGNAL HIGHER 5MPH
SP 12	SPARE-RJB TO ENGINE	SP 111	SPARE-RJB TO ENGINE CPT.	0 M5	FS - ELECTRICAL MOTOR GRD	9	INTERIOR LTS-ENGINE CPT
SP 13	SPARE-RJB TO ENGINE	SP 112	SPARE-RJB TO ENGINE CPT.	0 M6	FS - FJB GRD	9 A	INTERIOR LTS-ENGINE CPT
SP 14	SPARE-FJB TO RJB	SP 114	SPARE-FJB TO U/DASH WIPER	0 M7	FS - ELECTRICAL MOTOR GRD	9 B	INTERIOR LTS-ENGINE CPT
SP 15	SPARE-RJB TO ENGINE	SP 115	SPARE-FJB TO U/DASH WIPER	0 M8	FS - AUX. A/C UNIT	9 E	INTERIOR LTS-FR SERVICE CPT
SP 16	SPARE-RJB TO ENGINE	SP 116	SPARE-FJB TO U/DASH FLOOR	0 M9	FS - WATER PUMP DRIVER	9 F	INTERIOR LTS-FR SERVICE CPT
SP 17	SPARE-RJB TO ENGINE	SP 117	SPARE-FJB TO U/DASH FLOOR	0 M	RS - ENGINE CPT ACCES. GRD	10	INTERIOR LTS-LUGGAGE CPT
SP 18	SPARE-FJB TO RJB	W C	A/C & HEAT SYST-EVAP CTR SIGN	0 MR	24V DISC. SW. RLY GRD SIGNAL	10 A	INTERIOR LTS-LUGGAGE CPT
SP 24	SPARE-RJB TO LAVATORY ROOF	0	BC - BAT. CPT CHASSIS GRD	0 MS	24V DISC. SW. RLY GRD SIGNAL	10 B	INTERIOR LTS-LUGGAGE CPT
SP 25	SPARE-RJB TO LAVATORY ROOF	0	CONDENSER CPT GRD	0 N	RS - ENGINE CPT ACCES. GRD	10 C	INTERIOR LTS-LUGGAGE CPT
SP 26	SPARE-RJB TO LAVATORY ROOF	0	RS - RR JCT BOX RLY GRD	0 P	RS - ENGINE CPT ACCES. GRD	10 D	INTERIOR LTS-LUGGAGE CPT
SP 27	SPARE-RJB TO LH HAT RACK	0 A	BC - SHIELD GRD	0 R	RS - RJB GRD	10 E	INTERIOR LTS-EVAP. CPT
SP 28	SPARE-RJB TO LH HAT RACK	0 A	RS - RR JCT BOX RLY GRD	0 R	RS - ENGINE CPT ACCES. GRD	10 F	INTERIOR LTS-LUGGAGE CPT
SP 31	SPARE-RJB TO RH HAT RACK	0 A	FRS - FR ROOF ACCES. GRD	0 RH	RS - RR END LAMPS RH GRD	10 H	INTERIOR LTS-LUGGAGE CPT
SP 32	SPARE-RJB TO RH HAT RACK	0 A	RS - LUG. CPT ACCES. GRD	0 S	12 VOLT RUN- GND RLY	10 R	INTERIOR LTS-LUGGAGE DOOR AJAR
SP 33	SPARE-FJB TO RJB	0 A	A/C HEAT SYSTEM - EVAP. GRD	0 SA	ENGINE CPT STUD-ALTERN. BOSCH	12	12V BAT ELECTRONIC JCT BLOCK
SP 38	SPARE-FJB TO RJB	0 AA	RS - VOLTAGE REGULATOR GRD	0 T	FS - DASH ACCES. GRD	12	BAT CPT 12V BATTERY
SP 43	SPARE-FJB TO RJB	0 B	EC - ENGINE GRD	0 T1	FS - DASH ACCES. GRD	12 A	FR JCT BOX 12V DISC SW
SP 45	SPARE-FJB TO RJB	0 B	FRS - FR ROOF HEAT WIND GRD	0 T2	FS - DASH ACCES. GRD	12 A	RR JCT BOX 12V DISC SW
SP 46	SPARE-RJB TO LH FR ROOF	0 B	RS - LUG. CPT ACCES. GRD	0 T3	FS - DASH ACCES. GRD	12 B	12V BAT ELECTRICAL JCT BLOCK
SP 48	SPARE-RJB TO DASH CENTER PANEL	0 BE	RJB - BAT. EQUAL. BAT GRD	0 T4	FS - DASH ACCES. GRD	12 B	RR JCT BOX 12V DISC SW
SP 56	SPARE-ENGINE TO RH SW PANEL	0 C	EC - STARTER MOTOR GRD	0 T5	FS - HVAC DASH MODULE. GRD	12 B	FR JCT BOX 12V DISC SW
SP 57	SPARE-DASH CENTER PANEL TO ENG.	0 C	FS - SERV. CPT ACCES. GRD	0 V	RR JCT BOX CPT GRD STUD	12 BE	BAT. EQUALIZER MONITOR
SP 58	SPARE-DASH CENTER PANEL TO ENG.	0 C	BC - FAN EVAP & CONDENSER GRD	0 VA	BATTERY TO EQUALISER 0V	12 C	FR JCT BOX 12V DISC SW
SP 59	SPARE-FJB TO ENGINE	0 CR	24V DISC. SW. RLY GRD SIGNAL	0 W	FS - WT GND & SHIELD	12 C	RR JCT BOX 12V DISC SW
SP 61	SPARE-FJB TO DASH RH PANEL	0 CS	24V DISC. SW. RLY GRD SIGNAL	0 W	RS - RR JCT BOX (WCL) GRD	12 D	BAT CPT 12V BATTERY
SP 68	SPARE-FJB TO ENGINE	0 C1	FS - SERV. CPT ACCES. GRD	0 WC	RS - RR JCT BOX GRD (WCL)	12 DT	TTLT MODULE
SP 69	SPARE-FJB TO FR AXLE	0 C2	FS - SERV. CPT ACCES. GRD	0 X	RS - RR JCT BOX GRD	12 E	FR JCT BOX 12V DISC SW
SP 70	SPARE-FJB TO FR AXLE	0 C3	FS - SERV. CPT ACCES. GRD	0 Y	ABS FR JCT BOX CPT GRD STUD	12 E	RR JCT BOX 12V DISC SW
SP 71	SPARE-FJB TO RH SW PANEL	0 C4	FS - FJB. CPT ACCES. GRD	0 Y	RR JCT BOX GRD	12 F	BAT CPT 12V FJB & IC
SP 72	SPARE-FJB TO FR SERV CPT	0 D	BC - FAN CONDENSER GRD	0 Y1	ABS SYSTEM GRD	12 F	FR JCT BOX 12V DISC SW
SP 74	SPARE-FJB TO LH CONSOLE	0 D	RS - HAT RACK ACCES. LH GRD	0 Y2	ABS SYSTEM GRD	12 F	RR JCT BOX 12V DISC SW
SP 77	SPARE-FJB TO EVAPORATOR CPT	0 DF	RS - RR SIDE FLASH & MARK GRD	0 Y3	ABS SYSTEM GRD	12 G	FR JCT BOX 12V DISC SW
SP 78	SPARE-FJB TO CONDENSER CPT	0 DR	RS - RJB DOCKING LT RESISTORS	0 Y4	ABS SYSTEM GRD	12 J	FR JCT BOX 12V DISC SW
SP 79	SPARE-FJB TO CONDENSER CPT	0 J	FS - LH CONSOLE SW GRD	0 Y5		12 K	HVAC MODULE
SP 87	SPARE-RJB TO LH HAT RACK	0 J	RS - RR ROOF ACCES. GRD	0 Y6		12 I	12V IGNITION DISTRIBUTION
SP 88	SPARE-RJB TO RH HAT RACK	0 K	RS - RR ROOF ACCES. GRD	0 Z	RR JCT BOX CPT GRD STUD	12 I	RR JCT BOX 12V IGNITION
SP 92	SPARE-RJB TO CONDENSER CPT	0 K	RS - RJB A/C JCT PANEL GRD	0 0	FJB & RJB BATT. GRD	12 IA	12V IGNITION DISTRIBUTION
SP 93	SPARE-RJB TO EVAPORATOR CPT	0 L	FS - FR SERVICE CPT LTS GRD	0 0 A	FBG - T.T.LT. MODULES BATT. GRD	12 IA	FR JCT BOX 12V IGNITION

CIRCUIT NUMBER CODE

No.	DESCRIPTION	No.	DESCRIPTION	No.	DESCRIPTION	No.	DESCRIPTION
12 I B	FR JCT BOX 12V IGNITION	24 A	FR JCT BOX 24V DISC SW	25 C	12 V. SIGNAL ALT.#1 AND ALT.#2 RUN	45 H	A/C & HEAT SYSTEM-DRIVER'S HTR
12 I E	ABS - FR JCT BOX 12V IGNITION	24 A	RR JCT BOX 24V DISC SW	25 D	12 V. SIGNAL ALT.#1 AND ALT.#2 RUN	45 W	A/C & HEAT SYSTEM-COND. DOOR AJAR
12 L X	CLUSTER FEED	24 B	24V STARTER RLY FEEDING	25 H	24 V. IGN. ALTERNATOR BOSCH	46	EXTERIOR LTS-MARKER
12 I F	FR JCT BOX 12V IGNITION	24 B	FR JCT BOX 24V DISC SW	25 K	NOT ALTERNATOR #2-WARNING LT	46 A	EXTERIOR LTS-MARKER
12 M	ABS - FR JCT BOX 12V DISC. SW.	24 B E	RJB CPT-BAT EQ MONITOR HOT WIRE	26	CIGAR LIGHTER	46 B	EXTERIOR LTS-MARKER
12 P	LH CONSOLE POWER OUTLET	24 C	FR JCT BOX 24V DISC SW	26	DRIVER'S WINDOW LIFTER	46 B	EXTERIOR LTS-MARKER
12 R	BAT CPT 12V DISC RLY TO RJB	24 C	RR JCT BOX 24V DISC SW	26 B	DRIVER'S WINDOW LIFTER	46 C	EXTERIOR LTS-MARKER
12 V A	BATTERY TO EQUALIZER 12V	24 D	BAT CPT 24V HOT WIRE	26 C	DRIVER'S WINDOW LIFTER	47	A/C & HEAT SYSTEM-DRIVER'S HTR
12 V D	12V HOT WIRE DISTRIBUTION	24 D	FR JCT BOX 24V HOT WIRE	27	PARKING BRAKE SONALERT		
12 V F	BAT CPT 12V FJB & IC	24 D	RR JCT BOX 24V HOT WIRE	27 A	PARKING BRAKE SONALERT	52	ALARM & SIGNAL-ELEC. HORN
12 V I	12V IGNITION DISTRIBUTION	24 D A	A/C JCT BOX 24V HOT WIRE	28 A	A/C & HEAT SYSTEM-HI PRESSURE	52 A	ALARM & SIGNAL-ELEC. HORN
12 V R	BAT CPT 12V DISC RLY TO RJB	24 E	BAT CPT 24V DISC SW	29	A/C & HEAT SYSTEM-DRIVER'S HTR	52 B	ALARM & SIGNAL-AIR HORN
12 W	12V BATTERY DDEC III	24 E	FR JCT BOX 24V DISC SW	29 A	A/C & HEAT SYSTEM-DRIVER'S HTR	52 C	ALARM & SIGNAL-AIR HORN
12 X	FR JCT BOX 12V DISC SW	24 E	RR JCT BOX 24V DISC SW	29 H	HVAC DASH MODULE	53	ALARM & SIGNAL-ELEC. HORN
12 X 2	FR JCT BOX 12V DISC SW	24 F	FR JCT BOX 24V DISC SW	29 B	A/C & HEAT SYSTEM-DRIVER'S HTR	53 A	WIPER & WASHER SYSTEM
12 Y	FR JCT BOX 12V DISC SW	24 F	RR JCT BOX 24V DISC SW	31 A	A/C & HEAT SYSTEM-UNLOADER	53 B	WIPER & WASHER SYSTEM
13 A	ALARM & SIGNAL-LO AIR PRIM.	24 G	FR JCT BOX 24V DISC SW	31 B	A/C & HEAT SYSTEM-UNLOADER	53 C	WIPER & WASHER SYSTEM
13 B	ALARM & SIGNAL-LO AIR SEC.	24 G	RR JCT BOX 24V DISC SW	31 B	WIPER & WASHER SYSTEM	53 E	WIPER & WASHER SYSTEM
15	EXTERIOR LTS-MULTI FUNC LEVEL	24 H	FR JCT BOX 24V DISC SW	31 C	WIPER & WASHER SYSTEM	53 J	WIPER & WASHER SYSTEM
15 A	WIPER & WASHER UPPER WINDSHIELD	24 H	RR JCT BOX 24V DISC SW	31 D	WIPER & WASHER SYSTEM	53 K	KEYLESS
16	SPEED - SIGNAL +	24 I	FR JCT BOX 24V IGNITION	31 E	WIPER & WASHER SYSTEM	55	EXTERIOR LTS-HI BEAM
16 A	SPEED - SIGNAL +	24 I	RR JCT BOX 24V IGNITION	31 J	WIPER & WASHER SYSTEM	57	EXTERIOR LTS-HI BEAM
16 T	SPEED - SIGNAL +	24 I A	FR JCT BOX 24V IGNITION	31 X	WIPER & WASHER SYSTEM	57 A	A/C & HEAT SYSTEM-WATER PUMP
17	EXTERIOR LTS-FLASHER UNIT	24 I A	RR JCT BOX 24V IGNITION	32	EXTERIOR LTS-BACK-UP	57 A	EXTERIOR LTS-HI BEAM
17 A	EXTERIOR LTS-FLASHER UNIT	24 I B	FR JCT BOX 24V IGNITION	32 B	EXTERIOR LTS-BACK-UP	57 B	A/C & HEAT SYSTEM-WATER PUMP
19	DIFFERENTIAL OIL TEMP	24 I B	RR JCT BOX 24V IGNITION	32 C	BACK-UP PWR & SIGNAL	57 C	PRE-HEAT WATER HEATER
20	SPEED - SIGNAL -	24 I F	FJB 24V IGNITION	32 D	BACK-UP ALARM	57 C A	A/C & HEAT SYSTEM-HEAT SIGN
20 T	SPEED - SIGNAL -	24 I C	FR JCT BOX 24V IGNITION	35	ENTRANCE DOOR	57 C C	A/C & HEAT SYSTEM-HEAT SIGN
20 W	SPEED - SIGNAL -	24 P	FR JCT BOX 24V DISC SW	35 B	ENTRANCE DOOR	58	EXTERIOR LTS-LO BEAM
21	EXTERIOR LTS-DIRECTIONNAL LH	24 S	24V DISC SW RLY SIGNAL	36	JACOB BRAKE SYSREM	58 A	EXTERIOR LTS-LO BEAM
21 A	EXTERIOR LTS-DIRECTIONNAL LH	24 T	RR JCT BOX 24V DISC SW	36 A	JACOB BRAKE SYSREM	58 B	EXTERIOR LTS-LO BEAM
21 B	EXTERIOR LTS-HAZARD	24 V 2	RR JCT BOX 24V DISC SW	39	INTERIOR LTS-12V RH PANEL SW.	58 C	DAYTIME RUNNING LIGHT
21 C	EXTERIOR LTS-CORNERING LH	24 V 3	RR JCT BOX 24V DISC SW	39 A	INTERIOR LTS-DRIVER'S LTS	58 D	DAYTIME RUNNING LIGHT
21 D	EXTERIOR LTS-DIRECTIONNAL LH	24 V 4	RR JCT BOX 24V DISC SW	39 B	DRIVER'S LTS KEYLESS	58 E	EXTERIOR LTS-LO BEAM
21 H	EXTERIOR LTS-DIRECTIONNAL LH	24 V 5	RR JCT BOX 24V DISC SW	39 K	DRIVER'S LTS KEYLESS	59 A	JACOB BRAKE SYSTEM
21 K	EXTERIOR LTS-CORNERING	24 V D	24V HOT WIRE DISTRIBUTION	41	A/C & HEAT SYSTEM-COND FAN MOT	61	EXTERIOR LTS-24V FEED SW
21 N	EXTERIOR LTS-CORNERING LH	24 V F	BAT CPT 24V SW TO FJB & IC	41 A	A/C & HEAT SYSTEM-COND FAN MOT	61 A	EXTERIOR LTS-HEAD SIGNAL
21 P	EXTERIOR LTS-CORNERING LH	24 V A	BATTERY TO EQUALIZER 24V	41 B	A/C & HEAT SYSTEM-COND FAN MOT	63	EXTERIOR LTS-CLEARANCE
22	LATCHING RLY.	24 V I	RR JCT BOX 24V IGNITION	42	A/C & HEAT SYSTEM-COND FAN MOT	63 A	EXTERIOR LTS-CLEARANCE
23	EXTERIOR LTS-DIRECTIONNAL RH	24 V R	BAT CPT 24V DISC SW TO RJB	43	A/C & HEAT SYSTEM-COND FAN MOT	63 B	EXTERIOR LTS-CLEARANCE
23	EXTERIOR LTS-DIRECTIONNAL RH	25	12VAC GEN RLY ON SIGNAL	42 A	A/C & HEAT SYSTEM-COND FAN MOT	63 C	EXTERIOR LTS-MARKER SIGNAL
23 A	EXTERIOR LTS-DIRECTIONNAL RH	25	12VAC GEN RLY ON SIGNAL	44	EXTERIOR LTS-FOG	63 D	EXTERIOR LTS-MARKER & TAIL
23 B	EXTERIOR LTS-DIRECTIONNAL RH	25 A	ETHER SWITCH	44 A	EXTERIOR LTS-FOG	63 E	EXTERIOR LTS-CLEARANCE
23 C	EXTERIOR LTS-CORNERING RH	25 A	NOT ALTERNATOR #1-WARNING LT	44 B	EXTERIOR LTS-FOG	63 F	EXTERIOR LTS-MARKER BLINKER
23 D	EXTERIOR LTS-DIRECTIONNAL RH	25 A 1	24 VOLTS EXCITING SIGNAL - ALT. #1	44 C	EXTERIOR LTS-FOG & HAZARD	63 H	EXTERIOR LTS-TAIL
23 N	EXTERIOR LTS-CORNERING RH	25 A 2	24 VOLTS EXCITING SIGNAL - ALT. #2	45 A	WATER PUMP SIGNAL	64	DRIVER'S FAN
23 P	EXTERIOR LTS-CORNERING RH	25 A 3	24 V. SIGNAL ALT#1 OR ALT. #2 RUN	45 B	A/C & HEAT SYSTEM-HEAT SIGN	64 B	DRIVER'S FAN
24	BAT CPT 24V BATTERY	25 F	12V IGNITION DISTRIBUTION	45 D	A/C & HEAT SYSTEM-WATER VALVE	64 C	DRIVER'S FAN
24	FR JCT BOX 24V DISC SW	25 B	EXTERIOR LTS-DAYTIME RUN LTS	45 E	A/C & HEAT SYSTEM-HEAT 1 SIGN	65	FOOT DAMPER MOTOR
24 A	BOOSTER BLOCK 24V DISC SW	25 B	12 V. IGN. ALTERNATOR BOSCH	45 G	A/C & HEAT SYSTEM-DRIVER'S HTR	65 A	FOOT DAMPER MOTOR

CIRCUIT NUMBER CODE

No.	DESCRIPTION	No.	DESCRIPTION	No.	DESCRIPTION	No.	DESCRIPTION
65 D	DRIVER'S REC. DAMPER	88	ENGINE CTR-RR START SIGNAL	117 A	ALARM & SIGNAL-TRANSM OIL TEMP	135	WORLD TRANSM-ANALOG GRD
65 P	PASSENGER REC. DAMPER	89	ENGINE CTR-RR START SIGNAL	117 A	ALARM & SIGNAL-TRANSM OIL TEMP	135 A	A/C & HEAT SYSTEM-AIR SENSOR
66	O_PASS. ON/OFF	90 B	A/C & HEAT SYSTEM-COND FAN MOT	118	WORLD TRANSM-SPARE INPUT (+)	135 D	A/C & HEAT SYSTEM-AIR SENSOR
67	A/C & HEAT SYSTEM	90 B	ENGINE CTR-MAST KEY SW FEED	119	WORLD TRANSM-ENG BRK INPUT (+)	135 C	A/C & HEAT SYSTEM-AIR SENSOR
67 A	A/C & HEAT SYSTEM	90 C	A/C & HEAT SYSTEM-COND FAN MOT	120	WORLD TRANSM-SOL. C1	135 D	WORLD TRANSM-RETARDER RES MOD
67 B	A/C & HEAT SYSTEM	90 F	CHARG SYST-VOLTAGE REGUL. "B"	121	WORLD TRANSM-SOL. GRD 2	135 C	WORLD TRANSM-RETARDER TEMP
67 C	HEAT WINDS.	90 H	A/C & HEAT SYSTEM-EVAP FAN MOT	122	A/C & HEAT SYSTEM-DRIVER'S HTR	136	WORLD TRANSM-ECU POWER
67 K	A/C & HEAT SYSTEM-COND FAN CTR	91	PARKING BRAKE SW SIGNAL	122	A/C & HEAT SYSTEM-FRESH AIR	136 V	WORLD TRANSM-12V BATTERY
67 L	A/C & HEAT SYSTEM-COND FAN CTR	91 A	DDEC-FAST IDLE SIGNAL	122	WORLD TRANSM-SOL. GRD 4	136 W	WORLD TRANSM-12V BATTERY
67 V	A/C & HEAT SYSTEM-WATER VALVE	91 S	SONALERT PARKING BRAKE	122 A	A/C & HEAT SYSTEM-FRESH AIR	136 X	WORLD TRANSM-12V BATTERY
67 X	A/C & HEAT SYSTEM	91 W	PARK, BRAKE SW SIGN (WCL)	123	WORLD TRANSM-NEUTRAL START	137	WORLD TRANSM-RETARDER
68	DASH & DEFROST DAMPER MOTOR	92	BATTERY EQUALIZER-CHECK BALANCE	123 A	ALARM & SIGNAL-FIRE DETECTOR	137 A	MIRROR (SPARTAN & RAMCO)
68 A	DASH & DEFROST DAMPER MOTOR	93	BATTERY EQUALIZER-CHECK LO/HI	123 B	ALARM & SIGNAL-FIRE DETECTOR	137 B	RR VIEW MIRROR (SPARTAN)
70	INTERIOR LTS-HAT RACK & RR RUN.	95 A	ENGINE BRAKE & RETARDER SYSTEM	124	WORLD TRANSM-THROTTLE (HI)	137 C	RR VIEW MIRROR (SPARTAN)
72	SUN VISOR-FEEDING	97	TACHOMETER (-)	125	WORLD TRANSM-RET. INDICATOR	137 D	RR VIEW MIRROR (SPARTAN)
72 A	SUN VISOR-RH	101	24V STARTER SOL FEEDING	125 W	WORLD TRANSM-RET. INDICATOR	137 E	RR VIEW MIRROR (SPARTAN)
72 B	SUN VISOR-RH	101	WORLD TRANSM-LO SIGN SOL. LO	126	LEVEL LOW SYSTEM	137 G	RR VIEW MIRROR (SPARTAN)
72 C	SUN VISOR-LH	102	24V STARTER TO GENERATOR DELCO	126	WORLD TRANSM-LUBE PRESS SW.	138	ABS SYSTEM
72 D	SUN VISOR-LH	102	WORLD TRANSM-SOL. GRD 1	127	WORLD TRANSM-LUBE PRESS SW.	138	WORLD TRANSM-RETARDER TEMP
76	FUEL TANK GAUGE	102	WORLD TRANSM-SOL. C3	127	PRE-HEAT WATER HEATER	138 A	ABS SYSTEM
76 B	LOW FUEL LT & ETHER COLD START	102 A	24V STARTER TO GENERATOR BOSCH	127 A	PRE-HEAT WATER HEATER	139	ABS SYSTEM
76 C	LOW FUEL LT	104	WORLD TRANSM-SOL. FORWARD	127 B	PRE-HEAT WATER HEATER	139	WORLD TRANSM-OUTPUT SPEED HI
76 P	FUEL PRIME PUMP	104	LEVEL LOW SYSTEM	127	WORLD TRANSM-RETARDER FEED SOL.	140	ABS SYSTEM
76 M	FUEL PRIME PUMP	105	WORLD TRANSM-RETARDER & SUMP	127 S	PRE-HEAT WATER HEATER	140	WORLD TRANSM-OUTPUT SPEED LO
77 A	A/C & HEAT SYSTEM-COMPRESSOR	105 W	WORLD TRANSM-RETARDER & SUMP	127 W	PRE-HEAT WATER HEATER	141	ABS SYSTEM
77 B	A/C & HEAT SYSTEM-COMPRESSOR	106	WORLD TRANSM-OIL LEVEL HI	128	PRE-HEAT WATER HEATER	141	WORLD TRANSM-ENGINE SPEED HI
77 C	A/C & HEAT SYSTEM-COMPRESSOR	107	CHARG SYST-VOLTAGE REGUL. "F"	128 A	PRE-HEAT WATER HEATER	142	ABS SYSTEM
77 H	A/C & HEAT SYSTEM-COMPRESSOR	107	WORLD TRANSM-LOCKUP SOL. HI	128 B	PRE-HEAT WATER HEATER	142	WORLD TRANSM-SERIAL COM. A
77 K	GRD SIGNAL-COMPRESSOR CUT-OUT	108	WORLD TRANSM-REM. PWR WAKE UP	128 W	PRE-HEAT WATER HEATER	143	ABS SYSTEM
81	EXTERIOR LTS-STOP SW	109	WORLD TRANSM-RET. SOL. LO	128	WORLD TRANSM-SOL. C2	143	WORLD TRANSM-ECU BATTERY GRD
82	EXTERIOR LTS-STOP SIGNAL	110	ALARM & SIGNAL-WATER TEMP	129	PRE-HEAT WATER HEATER	143 A	ABS SYSTEM
82 A	EXTERIOR LTS-STOP SIGNAL	110	WORLD TRANSM-LOCKUP SOL. LO	129	WORLD TRANSM-SOL. C5	143 W	WORLD TRANSM-BATTERY GRD
82 B	EXTERIOR LTS-STOP LTS	111	WORLD TRANSM-SOL. C6	130	A/C HEAT SYSTEM-EVAP FAN MOT	143 X	WORLD TRANSM-BATTERY GRD
82 K	EXTERIOR LTS-STOP PARK BRK	112	WORLD TRANSM-SPARE OUTPUT (+)	130	WORLD TRANSM-SOL. GRD 3	144	ABS SYSTEM
82 L	EXTERIOR LTS-LH STOP	113	ALARM & SIGNAL-OIL PRESS	131	WORLD TRANSM-SOL. C4	144	WORLD TRANSM-ECU CHASSIS GRD
82 R	EXTERIOR LTS-LH STOP	113	WORLD TRANSM-REVERSE WARNING	132	WORLD TRANSM-ENG BRK OUTPUT (-)	144 A	ABS SYSTEM
83	ENGINE CTR-KEY SW ACCES SIGN	114	INTERIOR LTS-DASH LT REGUL.	132 A	LEVEL LOW SYSTEM	145	ABS SYSTEM
84	ENGINE CTR-KEY SW ACCES SIGN	114	WORLD TRANSM-SPARE OUTPUT (-)	132 B	LEVEL LOW SYSTEM	146	ABS SYSTEM
85	ENGINE CTR-KEY SWIGNITION SIGN	114 A	INTERIOR LTS-DASH LT	132 C	LEVEL LOW SYSTEM	146	WORLD TRANSM-IGNITION SENSE
85	24V IGNITION SIGNAL	114 B	INTERIOR LTS-DASH LT REGUL.	132 D	LEVEL LOW SYSTEM	146 W	WORLD TRANSM-12V IGNITION
85 A	24V IGN DASH INSTRUMENTATION	114 D	INTERIOR LTS-DASH LT REGUL.	132 E	LEVEL LOW SYSTEM	146 X	WORLD TRANSM-12V IGNITION
85 B	ENGINE CTR-24V IGNITION	114 E	INTERIOR LTS-DASH LT REGUL.	132 F	LEVEL LOW SYSTEM	147	ABS SYSTEM
85 C	PARKING BRAKE SWITCH	115	ALARM & SIGNAL-TAG PRESS	132 G	LEVEL LOW SYSTEM	147	ETHER COLD START
85 F	ENGINE CTR-ENGINE CTR SW IGN	115	DDEC III-COOLANT LEVEL	132 H	LEVEL LOW SYSTEM	147	WORLD TRANSM-OIL TEMP
85 F	LO AIR SONALERT	115	WORLD TRANSM-DO NOT SHIFT SIGN	132 J	LEVEL LOW SYSTEM	147 C	ETHER COLD START
85 X	12V IGN ABS	115 C	DDEC III-COOLANT LEVEL	132 K	LEVEL LOW SYSTEM	148	ABS SYSTEM
85 Y	ABS SYSTEM	115 W	WORLD TRANSM-DO NOT SHIFT SIGN	132 W	WORLD TRANSM-ENG BRK OUTPUT (-)	148	WORLD TRANSM-OUTPUT SPEED LO
85 Z	TRAILER ABS SYSTEM	116	WORLD TRANSM-LO SIGNAL SOL. HI	133	WORLD TRANSM-RET. ACTUATOR HI	149	ABS SYSTEM
86	ENGINE CTR-STARTER SOL SIGN	116 B	A/C & HEAT SYSTEM-DRIVER'S HTR	134	WORLD TRANSM-RET. APPLY SOL. HI	149	WORLD TRANSM-TURBINE SPEED HI
86 A	ENGINE CTR-STARTER SOL SIGN	117	WORLD TRANSM-SPARE INPUT (-)	135	A/C & HEAT SYSTEM-AIR SENSOR	149 A	ABS SYSTEM

CIRCUIT NUMBER CODE

No.	DESCRIPTION	No.	DESCRIPTION	No.	DESCRIPTION	No.	DESCRIPTION
150	DDEC III-ECM BATTERY GRD	170 X	LUGGAGE DOOR LOCK	264	S PEED SIGNAL- AUX. FAN UNIT	557	DDEC III-VEHICLE SPEED (-)
150	WORLD TRANSM-ENGINE SPEED LO	170 Y	LUGGAGE DOOR LOCK	264 A	SPEED SIGNAL- AUX. FAN UNIT	563	DDEC III-FAN CLUTCH SPEED# 2
150 A	DDEC III-ECM BATTERY GRD	170 Z	LUGGAGE DOOR LOCK	264 B	SPEED SIGNAL- AUX. FAN UNIT	564	DDEC III-DIGITAL OUTPUT
151	ABS SYSTEM	173	BACK-UP MONITOR	270	KEYLESS ENTRY SYSTEM	565	DDEC III-ENGINE BRAKE ACTIVE
151	DDEC III-ECM BATTERY GRD	174	BACK-UP MONITOR	272	KEYLESS ENTRY SYSTEM	583	DDEC III-ENGINE BRAKE 4 CYL.
151	WORLD TRANSM-SERIAL COM. B	175	BACK-UP MONITOR	274	KEYLESS ENTRY SYSTEM	900	DDEC III-DATA LINK (+)
152	ABS SYSTEM	175 A	BACK-UP MONITOR	275	KEYLESS ENTRY SYSTEM	901	DDEC III-DATA LINK (-)
153	WORLD TRANSM-SPARE INPUT (-)	175 B	BACK-UP MONITOR	276	KEYLESS ENTRY SYSTEM	908	DDEC III-HYDRAULIC PWM#1 OUTPUT
154	ABS SYSTEM	175 C	BACK-UP MONITOR	277	KEYLESS ENTRY SYSTEM	916	DDEC III-SENSOR SUPPLY (5VDC)
154	WORLD TRANSM-ABS RET. INPUT	180	DRIVER'S SEAT HEATER	278	KEYLESS ENTRY SYSTEM	952	DDEC III-SENSOR RETURN
155	WORLD TRANSM-SPARE INPUT (-)	180 A	DRIVER'S SEAT HEATER	279	KEYLESS ENTRY SYSTEM	953	DDEC III-BATTERY GRD
156	WORLD TRANSM-THROTTLE POS.	180 B	CO-PILOT SEAT HEATER	280	KEYLESS ENTRY SYSTEM	979	DDEC III-ENGINE BRAKE 2 CYL.
156 A	ABS SYSTEM	180 C	CO-PILOT SEAT HEATER	283	KEYLESS ENTRY SYSTEM		
157	WORLD TRANSM-SPEEDO SIGNAL	181 A	THERMOMETER INSIDE SENSOR	283 A	KEYLESS ENTRY SYSTEM		
157 B	ABS SYSTEM	181 B	THERMOMETER INSIDE SENSOR	284 A	KEYLESS ENTRY SYSTEM		
158	WORLD TRANSM-DIMMER	181 C	THERMOMETER OUTSIDE SENSOR	284 B	KEYLESS ENTRY SYSTEM		
160	ALARM & SIGNAL-TAG PRESS SW	181 D	THERMOMETER OUTSIDE SENSOR	285	KEYLESS ENTRY SYSTEM		
160	WORLD TRANSM-SER. INTERFACE (-)	197	FUEL WATER FILTER	285 B	KEYLESS ENTRY SYSTEM		
161	WORLD TRANSM-SIGNAL GRD	197 A	FUEL WATER FILTER	285 C	KEYLESS ENTRY SYSTEM		
161 B	WORLD TRANSM-SIGNAL GRD	197 B	FUEL WATER FILTER	286	KEYLESS ENTRY SYSTEM		
162	WORLD TRANSM-PRESS. SW C3	198	FILTER FUEL HEATER	286 A	KEYLESS ENTRY SYSTEM		
163	WORLD TRANSM-RETARDER ENABLE	199	AIR FILTER RESTRICTION SENDER	290	FAN CLUTCH RADIATOR		
164	WORLD TRANSM-RET. ACTUATOR SIGN	201	WORLD TRANSM-SPARE	290	FAN CLUTCH RADIATOR		
165	A/C & HEAT SYSTEM-TRANSMITER	202	WORLD TRANSM-SPARE	291	FAN CLUTCH RADIATOR SPD 1		
165	WORLD TRANSM-OIL LEVEL SIGNAL	203	WORLD TRANSM-SPARE	291	KEYLESS ENTRY SYSTEM		
165 A	A/C & HEAT SYSTEM-TRANSMITER	204	WORLD TRANSM-SPARE	292	FAN CLUTCH RADIATOR SPD 2		
165 B	A/C & HEAT SYSTEM-TRANSMITER	205	WORLD TRANSM-SPARE	293	KEYLESS ENTRY SYSTEM		
165 C	A/C & HEAT SYSTEM-TRANSMITER	206	WORLD TRANSM-SPARE	294	ANTI-THEFT SYSTEM KEYLESS		
165 D	A/C & HEAT SYSTEM-TRANSMITER	214	WORLD TRANSM-BACK UP SIGNAL	295	LED FEED ALARM -KEYLESS		
166 B	A/C & HEAT SYSTEM-EVAP. MOD.	216 B	24V SIGNAL AUX. LIQ. SOL. VALVE	417	DDEC III-LIMIT SPEED GOVERNOR		
167	A/C & HEAT SYSTEM-TEMP. CTR	216 C	12 V. TRIGGER AUX. A/C UNIT	419	DDEC III-CHECK ENGINE LIGHT		
167 A	A/C & HEAT SYSTEM-TEMP. CTR	229	24 V. POWER AUX. A/C UNIT	439	DDEC III-12V IGNITION		
168	A/C & HEAT SYSTEM-HUMIDISTAT	229 A	PWM SIGNAL - AUX. FAN UNIT	440	DDEC III-12V IGNITION		
168	WORLD TRANSM-SER. INTERFACE (+)	231	NEUTRAL SIGNAL GRD	440 A	DDEC III-12V IGNITION		
168 A	A/C & HEAT SYSTEM-HUMIDISTAT	231 A	NEUTRAL COIL RELAY FEED SIGNAL	451	DDEC III-A/C FAN CLUTCH		
170 C	LUGGAGE DOOR LOCK	231 W	NEUTRAL SIGNAL GRD (WCL)	505	DDEC III-TACHOMETER DRIVE		
170 D	LUGGAGE DOOR LOCK	240	DDEC III-ECM 12V FEEDING	509	DDEC III-STOP ENGINE LIGHT		
170 E	LUGGAGE DOOR LOCK	241	DDEC III-ECM 12V FEEDING	510	DDEC III-FAST IDLE SIGNAL		
170 F	LUGGAGE DOOR LOCK	251	DDEC III - PRODRIVER 12V H.W.	524	DDEC III-ENGINE BRAKE DISABLE		
170 G	LUGGAGE DOOR LOCK	251 A	DDEC III -DATA LOGGER 12V H.W.	525	DDEC III-FAST IDLE SIGNAL		
170 H	LUGGAGE DOOR LOCK	257	WINDSHIELD HEATED	528	DDEC III-STOP ENG. OVERRIDE		
170 K	LUGGAGE DOOR LOCK	257 A	WINDSHIELD HEATED	531	DDEC III-CRUISE CLUTCH RELEASE		
170 L	LUGGAGE DOOR LOCK	257 B	WINDSHIELD HEATED	540	DDEC III-CRUISE ENABLE LTS.		
170 M	LUGGAGE DOOR LOCK	257 C	WINDSHIELD HEATED	541	DDEC III-CRUISE SET SW		
170 N	LUGGAGE DOOR LOCK	257 D	WINDSHIELD HEATED SPARE	542	INPUT PARK BRAKE INTERLOCK		
170 P	LUGGAGE DOOR LOCK	257 E	WINDSHIELD HEATED SPARE	543	DDEC III-CRUISE STOP SW CUT IN		
170 R	LUGGAGE DOOR LOCK	258	WINDSHIELD HEATED	544	DDEC III-CRUISE ON/OFF SW		
170 S	LUGGAGE DOOR LOCK	258 A	WINDSHIELD HEATED	545	DDEC III-CRUISE RESUME SW		
170 V	LUGGAGE DOOR LOCK	259	WINDSHIELD HEATED	555	DDEC III-FAN CLUTCH SPEED# 1		
170 W	LUGGAGE DOOR LOCK	259 A	WINDSHIELD HEATED	556	DDEC III-VEHICLE SPEED (+)		

CIRCUIT NUMBER CODE

No.	DESCRIPTION	No.	DESCRIPTION	No.	DESCRIPTION	No.	DESCRIPTION
L 8	ENG. BLK HEATER	SP 94	SPARE-RJB TO RR ROOF	0 L	FS - FR SERVICE CPT LTS GRD	0 0 A	FBG - T.T.LT. MODULES BATT. GRD
L 9	ENG. BLK HEATER	SP 95	SPARE-RJB TO RR ROOF	0 L 1	FS - FR SERVICE CPT LTS GRD	0 0 Y	FS - ABS MODULE BATT. GRD
SP 2	SPARE-FJB TO FR SERV CPT	SP 96	SPARE-RJB TO LUGG CPT #2	0 L 2	FS - FR SERVICE CPT LTS GRD	0 0 SS	SOUND SYSTEM BATT. GRD
SP 3	SPARE-FJB TO CENTER DASH	SP 97	SPARE-RJB TO LUGG CPT #3	0 L 3	FS - FJB GRD	1	TACHO SYSTEM - RPM SIGNAL +
SP 4	SPARE-FJB TO CENTER DASH	SP 98	SPARE-RJB TO LUGG CPT #3	0 L 4	FS - FJB GRD	2 A	A/C & HEAT SYSTEM-COOL 1 SIGN
SP 5	SPARE-RJB TO LUGG CPT #2	SP 104	SPARE-RJB TO ENGINE CPT	0 L 5	FS - CIGAR LIGHTER	2 B	A/C & HEAT SYSTEM-COOL SIGN
SP 6	SPARE-RJB TO LUGG CPT #1	SP 105	SPARE-FJB TO ENGINE	0 L 6	FS - FR SERVICE CPT LTS GRD	2 E	A/C & HEAT EVAP. CONTROL
SP 7	SPARE-RJB TO LUGG CPT #1	SP 106	SPARE-RJB TO BATT. CPT.	0 L	RS - ENGINE CPT ACCES. GRD	2 F	A/C & HEAT EVAP. CONTROL
SP 8	SPARE-RJB TO LUGG CPT #1	SP 107	SPARE-RJB TO BATT. CPT.	0 L	ENTRANCE DOOR GRD	2 H	A/C & HEAT SYSTEM-HI PRESS SW
SP 9	SPARE-RJB TO LUGG CPT #2	SP 108	SPARE-RJB TO BATT. CPT.	0 L H	RS - RR END LAMPS LH GRD	2 HL	A/C & HEAT SYSTEM-LO & HI PRESS SW
SP 10	SPARE-RJB TO LUGG CPT #1	SP 109	SPARE-RJB TO ENGINE CPT.	0 M	FS - ELECTRICAL MOTOR GRD	2 L	A/C & HEAT SYSTEM-LO PRESS SW
SP 11	SPARE-FJB TO RJB	SP 110	SPARE-RJB TO ENGINE CPT.	0 M 3	FS - ELECTRICAL MOTOR GRD	5 NC	SPEED SIGNAL LOWER 5MPH
SP 12	SPARE-RJB TO ENGINE	SP 111	SPARE-RJB TO ENGINE CPT.	0 M 4	FS - ELECTRICAL MOTOR GRD	5 NO	SPEED SIGNAL HIGHER 5MPH
SP 13	SPARE-RJB TO ENGINE	SP 112	SPARE-RJB TO ENGINE CPT.	0 M 5	FS - ELECTRICAL MOTOR GRD	9	INTERIOR LTS-ENGINE CPT
SP 14	SPARE-FJB TO RJB	SP 114	SPARE-FJB TO U/DASH WIPER	0 M 6	FS - FJB GRD	9 A	INTERIOR LTS-ENGINE CPT
SP 15	SPARE-RJB TO ENGINE	SP 115	SPARE-FJB TO U/DASH WIPER	0 M 7	FS - ELECTRICAL MOTOR GRD	9 B	INTERIOR LTS-ENGINE CPT
SP 16	SPARE-RJB TO ENGINE	SP 116	SPARE-FJB TO U/DASH FLOOR	0 M 8	FS - AUX. A/C UNIT	9 E	INTERIOR LTS-FR SERVICE CPT
SP 17	SPARE-RJB TO ENGINE	SP 117	SPARE-FJB TO U/DASH FLOOR	0 M 9	FS - WATER PUMP DRIVER	9 F	INTERIOR LTS-FR SERVICE CPT
SP 18	SPARE-FJB TO RJB	W C	A/C & HEAT SYST-EVAP CTR SIGN	0 M	RS - ENGINE CPT ACCES. GRD	10	INTERIOR LTS-LUGGAGE CPT
SP 24	SPARE-RJB TO LAVATORY ROOF	0	BC - BAT. CPT CHASSIS GRD	0 M R	24V DISC. SW. RLY GRD SIGNAL	10 A	INTERIOR LTS-LUGGAGE CPT
SP 25	SPARE-RJB TO LAVATORY ROOF	0	CONDENSER CPT GRD	0 M S	24V DISC. SW. RLY GRD SIGNAL	10 B	INTERIOR LTS-LUGGAGE CPT
SP 26	SPARE-RJB TO LAVATORY ROOF	0	RS - RR JCT BOX RLY GRD	0 N	RS - ENGINE CPT ACCES. GRD	10 C	INTERIOR LTS-LUGGAGE CPT
SP 27	SPARE-RJB TO LH HAT RACK	0 A	BC - SHIELD GRD	0 P	RS - ENGINE CPT ACCES. GRD	10 D	INTERIOR LTS-LUGGAGE CPT
SP 28	SPARE-RJB TO LH HAT RACK	0 A	RS - RR JCT BOX RLY GRD	0 R	RS - RJB GRD	10 E	INTERIOR LTS-EVAP. CPT
SP 31	SPARE-RJB TO RH HAT RACK	0 A	FRS - FR ROOF ACCES. GRD	0 R	RS - ENGINE CPT ACCES. GRD	10 F	INTERIOR LTS-LUGGAGE CPT
SP 32	SPARE-RJB TO RH HAT RACK	0 A	RS - LUG. CPT ACCES. GRD	0 R H	RS - RR END LAMPS RH GRD	10 H	INTERIOR LTS-LUGGAGE CPT
SP 33	SPARE-FJB TO RJB	0 A	A/C HEAT SYSTEM - EVAP. GRD	0 S	12 VOLT RUN- GND RLY	10 R	INTERIOR LTS-LUGGAGE DOOR AJAR
SP 38	SPARE-FJB TO RJB	0 A A	RS - VOLTAGE REGULATOR GRD	0 S A	ENGINE CPT STUD-ALTERN. BOSCH	12	12V BAT ELECTRONIC JCT BLOCK
SP 43	SPARE-FJB TO RJB	0 B	EC - ENGINE GRD	0 T	FS - DASH ACCES. GRD	12	BAT CPT 12V BATTERY
SP 45	SPARE-FJB TO RJB	0 B	FRS - FR ROOF HEAT WIND GRD	0 T 1	FS - DASH ACCES. GRD	12 A	FR JCT BOX 12V DISC SW
SP 46	SPARE-RJB TO LH FR ROOF	0 B	RS - LUG. CPT ACCES. GRD	0 T 2	FS - DASH ACCES. GRD	12 A	RR JCT BOX 12V DISC SW
SP 48	SPARE-RJB TO DASH CENTER PANEL	0 B E	RJB - BAT. EQUAL. BAT GRD	0 T 3	FS - DASH ACCES. GRD	12 B	12V BAT ELECTRICAL JCT BLOCK
SP 56	SPARE-ENGINE TO RH SW PANEL	0 C	EC - STARTER MOTOR GRD	0 T 4	FS - DASH ACCES. GRD	12 B	RR JCT BOX 12V DISC SW
SP 57	SPARE-DASH CENTER PANEL TO ENG.	0 C	FS - SERV. CPT ACCES. GRD	0 T 5	FS - HVAC DASH MODULE. GRD	12 B	FR JCT BOX 12V DISC SW
SP 58	SPARE-DASH CENTER PANEL TO ENG.	0 C	BC - FAN EVAP & CONDENSER GRD	0 V	RR JCT BOX CPT GRD STUD	12 B E	BAT. EQUALIZER MONITOR
SP 59	SPARE-FJB TO ENGINE	0 C R	24V DISC. SW. RLY GRD SIGNAL	0 V A	BATTERY TO EQUALISER 0V	12 C	FR JCT BOX 12V DISC SW
SP 61	SPARE-FJB TO DASH RH PANEL	0 C S	24V DISC. SW. RLY GRD SIGNAL	0 W	FS - WT GND & SHIELD	12 C	RR JCT BOX 12V DISC SW
SP 68	SPARE-FJB TO ENGINE	0 C 1	FS - SERV. CPT ACCES. GRD	0 W	RS - RR JCT BOX (WCL) GRD	12 D	BAT CPT 12V BATTERY
SP 69	SPARE-FJB TO FR AXLE	0 C 2	FS - SERV. CPT ACCES. GRD	0 W C	RS - RR JCT BOX GRD (WCL)	12 D T	TTLT MODULE
SP 70	SPARE-FJB TO FR AXLE	0 C 3	FS - SERV. CPT ACCES. GRD	0 X	RS - RR JCT BOX GRD	12 E	FR JCT BOX 12V DISC SW
SP 71	SPARE-FJB TO RH SW PANEL	0 C 4	FS - FJB. CPT ACCES. GRD	0 Y	ABS FR JCT BOX CPT GRD STUD	12 E	RR JCT BOX 12V DISC SW
SP 72	SPARE-FJB TO FR SERV CPT	0 D	BC - FAN CONDENSER GRD	0 Y	RR JCT BOX GRD	12 F	BAT CPT 12V FJB & IC
SP 74	SPARE-FJB TO LH CONSOLE	0 D	RS - HAT RACK ACCES. LH GRD	0 Y 1	ABS SYSTEM GRD	12 F	FR JCT BOX 12V DISC SW
SP 77	SPARE-FJB TO EVAPORATOR CPT	0 D F	RS - RR SIDE FLASH & MARK GRD	0 Y 2	ABS SYSTEM GRD	12 F	RR JCT BOX 12V DISC SW
SP 78	SPARE-FJB TO CONDENSER CPT	0 D G	EC- ALTERNATOR CASING GRD	0 Y 3	ABS SYSTEM GRD	12 G	FR JCT BOX 12V DISC SW
SP 79	SPARE-FJB TO CONDENSER CPT	0 D R	RS - RJB DOCKING LT RESISTORS	0 Y 4	ABS SYSTEM GRD	12 J	FR JCT BOX 12V DISC SW
SP 87	SPARE-RJB TO LH HAT RACK	0 J	FS - LH CONSOLE SW GRD	0 Y 5		12 K	HVAC MODULE
SP 88	SPARE-RJB TO RH HAT RACK	0 J	RS - RR ROOF ACCES. GRD	0 Y 6		12 I	12V IGNITION DISTRIBUTION
SP 92	SPARE-RJB TO CONDENSER CPT	0 K	RS - RR ROOF ACCES. GRD	0 Z	RR JCT BOX CPT GRD STUD	12 I	RR JCT BOX 12V IGNITION
SP 93	SPARE-RJB TO EVAPORATOR CPT	0 K	RS - RJB A/C JCT PANEL GRD	0 0	FJB & RJB BATT. GRD	12 I A	12V IGNITION DISTRIBUTION

CIRCUIT NUMBER CODE

No.	DESCRIPTION	No.	DESCRIPTION	No.	DESCRIPTION	No.	DESCRIPTION
12 I A	FR JCT BOX 12V IGNITION	24 A	BOOSTER BLOCK 24V DISC SW	25 B	12 V. IGN. ALTERNATOR BOSCH	45 G	A/C & HEAT SYSTEM-DRIVER'S HTR
12 I B	FR JCT BOX 12V IGNITION	24 A	FR JCT BOX 24V DISC SW	25 C	12 V. SIGNAL ALT.#1 AND ALT.#2 RUN	45 H	A/C & HEAT SYSTEM-DRIVER'S HTR
12 I E	ABS - FR JCT BOX 12V IGNITION	24 A	RR JCT BOX 24V DISC SW	25 D	12 V. SIGNAL ALT.#1 AND ALT.#2 RUN	45 W	A/C & HEAT SYSTEM-COND. DOOR AJAR
12 L X	CLUSTER FEED	24 B	24V STARTER RLY FEEDING	25 H	24 V. IGN. ALTERNATOR BOSCH	46	EXTERIOR LTS-MARKER
12 I F	FR JCT BOX 12V IGNITION	24 B	FR JCT BOX 24V DISC SW	25 K	NOT ALTERNATOR #2-WARNING LT	46 A	EXTERIOR LTS-MARKER
12 M	ABS - FR JCT BOX 12V DISC. SW.	24 B E	RJB CPT-BAT EQ MONITOR HOT WIRE	26	CIGAR LIGHTER	46 B	EXTERIOR LTS-MARKER
12 P	LH CONSOLE POWER OUTLET	24 C	FR JCT BOX 24V DISC SW	26	DRIVER'S WINDOW LIFTER	46 B	EXTERIOR LTS-MARKER
12 R	BAT CPT 12V DISC RLY TO RJB	24 C	RR JCT BOX 24V DISC SW	26 B	DRIVER'S WINDOW LIFTER	46 C	EXTERIOR LTS-MARKER
12 VA	BATTERY TO EQUALIZER 12V	24 D	BAT CPT 24V HOT WIRE	26 C	DRIVER'S WINDOW LIFTER	47	A/C & HEAT SYSTEM-DRIVER'S HTR
12 V D	12V HOT WIRE DISTRIBUTION	24 D	FR JCT BOX 24V HOT WIRE	27	PARKING BRAKE SONALERT		
12 V F	BAT CPT 12V FJB & IC	24 D	RR JCT BOX 24V HOT WIRE	27 A	PARKING BRAKE SONALERT	52	ALARM & SIGNAL-ELEC. HORN
12 V I	12V IGNITION DISTRIBUTION	24 D A	A/C JCT BOX 24V HOT WIRE	28 A	A/C & HEAT SYSTEM-HI PRESSURE	52 A	ALARM & SIGNAL-ELEC. HORN
12 V R	BAT CPT 12V DISC RLY TO RJB	24 E	BAT CPT 24V DISC SW	29	A/C & HEAT SYSTEM-DRIVER'S HTR	52 B	ALARM & SIGNAL-AIR HORN
12 W	12V BATTERY DDEC III	24 E	FR JCT BOX 24V DISC SW	29 A	A/C & HEAT SYSTEM-DRIVER'S HTR	52 C	ALARM & SIGNAL-AIR HORN
12 X	FR JCT BOX 12V DISC SW	24 E	RR JCT BOX 24V DISC SW	29 H	HVAC DASH MODULE	53	ALARM & SIGNAL-ELEC. HORN
12 X 2	FR JCT BOX 12V DISC SW	24 F	FR JCT BOX 24V DISC SW	29 B	A/C & HEAT SYSTEM-DRIVER'S HTR	53 A	WIPER & WASHER SYSTEM
12 Y	FR JCT BOX 12V DISC SW	24 F	RR JCT BOX 24V DISC SW	31 A	A/C & HEAT SYSTEM-UNLOADER	53 B	WIPER & WASHER SYSTEM
13 A	ALARM & SIGNAL-LO AIR PRIM.	24 G	FR JCT BOX 24V DISC SW	31 B	A/C & HEAT SYSTEM-UNLOADER	53 C	WIPER & WASHER SYSTEM
13 B	ALARM & SIGNAL-LO AIR SEC.	24 G	RR JCT BOX 24V DISC SW	31 B	WIPER & WASHER SYSTEM	53 E	WIPER & WASHER SYSTEM
15	EXTERIOR LTS-MULTI FUNC LEVEL	24 H	FR JCT BOX 24V DISC SW	31 C	WIPER & WASHER SYSTEM	53 J	WIPER & WASHER SYSTEM
15 A	WIPER & WASHER UPPER WINDSHIELD	24 H	RR JCT BOX 24V DISC SW	31 D	WIPER & WASHER SYSTEM	53 K	KEYLESS
16	SPEED - SIGNAL +	24 I	FR JCT BOX 24V IGNITION	31 E	WIPER & WASHER SYSTEM	55	EXTERIOR LTS-HI BEAM
16 A	SPEED - SIGNAL +	24 I	RR JCT BOX 24V IGNITION	31 J	WIPER & WASHER SYSTEM	57	EXTERIOR LTS-HI BEAM
16 T	SPEED - SIGNAL +	24 I A	FR JCT BOX 24V IGNITION	31 X	WIPER & WASHER SYSTEM	57 A	A/C & HEAT SYSTEM-WATER PUMP
17	EXTERIOR LTS-FLASHER UNIT	24 I A	RR JCT BOX 24V IGNITION	32	EXTERIOR LTS-BACK-UP	57 A	EXTERIOR LTS-HI BEAM
17 A	EXTERIOR LTS-FLASHER UNIT	24 I B	FR JCT BOX 24V IGNITION	32 B	EXTERIOR LTS-BACK-UP	57 B	A/C & HEAT SYSTEM-WATER PUMP
19	DIFFERENTIAL OIL TEMP	24 I B	RR JCT BOX 24V IGNITION	32 C	BACK-UP PWR & SIGNAL	57 C	PRE-HEAT WATER HEATER
20	SPEED - SIGNAL -	24 I F	FJB 24V IGNITION	32 D	BACK-UP ALARM	57 CA	A/C & HEAT SYSTEM-HEAT SIGN
20 T	SPEED - SIGNAL -	24 I C	FR JCT BOX 24V IGNITION	35	ENTRANCE DOOR	57 CC	A/C & HEAT SYSTEM-HEAT SIGN
20 W	SPEED - SIGNAL -	24 P	FR JCT BOX 24V DISC SW	35 B	ENTRANCE DOOR	58	EXTERIOR LTS-LO BEAM
21	EXTERIOR LTS-DIRECTIONNAL LH	24 S	24V DISC SW RLY SIGNAL	36	JACOB BRAKE SYSREM	58 A	EXTERIOR LTS-LO BEAM
21 A	EXTERIOR LTS-DIRECTIONNAL LH	24 T	RR JCT BOX 24V DISC SW	36 A	JACOB BRAKE SYSREM	58 B	EXTERIOR LTS-LO BEAM
21 B	EXTERIOR LTS-HAZARD	24 V 2	RR JCT BOX 24V DISC SW	39	INTERIOR LTS-12V RH PANEL SW.	58 C	DAYTIME RUNNING LIGHT
21 C	EXTERIOR LTS-CORNERING LH	24 V 3	RR JCT BOX 24V DISC SW	39 A	INTERIOR LTS-DRIVER'S LTS	58 D	DAYTIME RUNNING LIGHT
21 D	EXTERIOR LTS-DIRECTIONNAL LH	24 V 4	RR JCT BOX 24V DISC SW	39 B	DRIVER'S LTS KEYLESS	58 E	EXTERIOR LTS-LO BEAM
21 H	EXTERIOR LTS-DIRECTIONNAL LH	24 V 5	RR JCT BOX 24V DISC SW	39 K	DRIVER'S LTS KEYLESS	59 A	JACOB BRAKE SYSTEM
21 K	EXTERIOR LTS-CORNERING	24 V D	24V HOT WIRE DISTRIBUTION	41	A/C & HEAT SYSTEM-COND FAN MOT	61	EXTERIOR LTS-24V FEED SW
21 N	EXTERIOR LTS-CORNERING LH	24 V F	BAT CPT 24V SW TO FJB & IC	41 A	A/C & HEAT SYSTEM-COND FAN MOT	61 A	EXTERIOR LTS-HEAD SIGNAL
21 P	EXTERIOR LTS-CORNERING LH	24 VA	BATTERY TO EQUALIZER 24V	41 B	A/C & HEAT SYSTEM-COND FAN MOT	63	EXTERIOR LTS-CLEARANCE
22	LATCHING RLY.	24 V I	RR JCT BOX 24V IGNITION	42	A/C & HEAT SYSTEM-COND FAN MOT	63 A	EXTERIOR LTS-CLEARANCE
23	EXTERIOR LTS-DIRECTIONNAL RH	24 V R	BAT CPT 24V DISC SW TO RJB	43	A/C & HEAT SYSTEM-COND FAN MOT	63 B	EXTERIOR LTS-CLEARANCE
23	EXTERIOR LTS-DIRECTIONNAL RH	25	12VAC GEN RLY ON SIGNAL	42 A	A/C & HEAT SYSTEM-COND FAN MOT	63 C	EXTERIOR LTS-MARKER SIGNAL
23 A	EXTERIOR LTS-DIRECTIONNAL RH	25	12VAC GEN RLY ON SIGNAL	44	EXTERIOR LTS-FOG	63 D	EXTERIOR LTS-MARKER & TAIL
23 B	EXTERIOR LTS-DIRECTIONNAL RH	25 A	ETHER SWITCH	44 A	EXTERIOR LTS-FOG	63 E	EXTERIOR LTS-CLEARANCE
23 C	EXTERIOR LTS-CORNERING RH	25 A	NOT ALTERNATOR #1-WARNING LT	44 B	EXTERIOR LTS-FOG	63 F	EXTERIOR LTS-MARKER BLINKER
23 D	EXTERIOR LTS-DIRECTIONNAL RH	25 A 1	24 VOLTS EXCITING SIGNAL - ALT. #1	44 C	EXTERIOR LTS-FOG & HAZARD	63 H	EXTERIOR LTS-TAIL
23 N	EXTERIOR LTS-CORNERING RH	25 A 2	24 VOLTS EXCITING SIGNAL - ALT. #2	45 A	WATER PUMP SIGNAL	64	DRIVER'S FAN
23 P	EXTERIOR LTS-CORNERING RH	25 A 3	24 V. SIGNAL ALT#1 OR ALT. #2 RUN	45 B	A/C & HEAT SYSTEM-HEAT SIGN	64 B	DRIVER'S FAN
24	BAT CPT 24V BATTERY	25 F	12V IGNITION DISTRIBUTION	45 D	A/C & HEAT SYSTEM-WATER VALVE	64 C	DRIVER'S FAN
24	FR JCT BOX 24V DISC SW	25 B	EXTERIOR LTS-DAYTIME RUN LTS	45 E	A/C & HEAT SYSTEM-HEAT 1 SIGN	65	FOOT DAMPER MOTOR

CIRCUIT NUMBER CODE

No.	DESCRIPTION	No.	DESCRIPTION	No.	DESCRIPTION	No.	DESCRIPTION
65 A	FOOT DAMPER MOTOR	86 A	ENGINE CTR-STARTER SOL SIGN	117	WORLD TRANSM-SPARE INPUT (-)	135	A/C & HEAT SYSTEM-AIR SENSOR
65 D	DRIVER'S REC. DAMPER	88	ENGINE CTR-RR START SIGNAL	117 A	ALARM & SIGNAL-TRANSM OIL TEMP	135	WORLD TRANSM-ANALOG GRD
65 P	PASSENGER REC. DAMPER	89	ENGINE CTR-RR START SIGNAL	117 A	ALARM & SIGNAL-TRANSM OIL TEMP	135 A	A/C & HEAT SYSTEM-AIR SENSOR
66	O_PASS. ON/OFF	90 B	A/C & HEAT SYSTEM-COND FAN MOT	118	WORLD TRANSM-SPARE INPUT (+)	135 D	A/C & HEAT SYSTEM-AIR SENSOR
67	A/C & HEAT SYSTEM	90 B	ENGINE CTR-MAST KEY SW FEED	119	WORLD TRANSM-ENG BRK INPUT (+)	135 C	A/C & HEAT SYSTEM-AIR SENSOR
67 A	A/C & HEAT SYSTEM	90 C	A/C & HEAT SYSTEM-COND FAN MOT	120	WORLD TRANSM-SOL. C1	135 D	WORLD TRANSM-RETARDER RES MOD
67 B	A/C & HEAT SYSTEM	90 F	CHARG SYST-VOLTAGE REGUL. "B"	121	WORLD TRANSM-SOL. GRD 2	135 C	WORLD TRANSM-RETARDER TEMP
67 C	HEAT WINDS.	90 H	A/C & HEAT SYSTEM-EVAP FAN MOT	122	A/C & HEAT SYSTEM-DRIVER'S HTR	136	WORLD TRANSM-ECU POWER
67 K	A/C & HEAT SYSTEM-COND FAN CTR	91	PARKING BRAKE SW SIGNAL	122	A/C & HEAT SYSTEM-FRESH AIR	136 V	WORLD TRANSM-12V BATTERY
67 L	A/C & HEAT SYSTEM-COND FAN CTR	91 A	DDEC-FAST IDLE SIGNAL	122	WORLD TRANSM-SOL. GRD 4	136 W	WORLD TRANSM-12V BATTERY
67 V	A/C & HEAT SYSTEM-WATER VALVE	91 S	SONALERT PARKING BRAKE	122 A	A/C & HEAT SYSTEM-FRESH AIR	136 X	WORLD TRANSM-12V BATTERY
67 X	A/C & HEAT SYSTEM	91 W	PARK, BRAKE SW SIGN (WCL)	123	WORLD TRANSM-NEUTRAL START	137	WORLD TRANSM-RETARDER
68	DASH & DEFROST DAMPER MOTOR	92	BATTERY EQUALIZER-CHECK BALANCE	123 A	ALARM & SIGNAL-FIRE DETECTOR	137 A	MIRROR (SPARTAN & RAMCO)
68 A	DASH & DEFROST DAMPER MOTOR	93	BATTERY EQUALIZER-CHECK LO/HI	123 B	ALARM & SIGNAL-FIRE DETECTOR	137 B	RR VIEW MIRROR (SPARTAN)
70	INTERIOR LTS-HAT RACK & RR RUN.	95 A	ENGINE BRAKE & RETARDER SYSTEM	124	WORLD TRANSM-THROTTLE (HI)	137 C	RR VIEW MIRROR (SPARTAN)
72	SUN VISOR-FEEDING	97	TACHOMETER (-)	125	WORLD TRANSM-RET. INDICATOR	137 D	RR VIEW MIRROR (SPARTAN)
72 A	SUN VISOR-RH	101	24V STARTER SOL FEEDING	125 W	WORLD TRANSM-RET. INDICATOR	137 E	RR VIEW MIRROR (SPARTAN)
72 B	SUN VISOR-RH	101	WORLD TRANSM-LO SIGN SOL. LO	126	LEVEL LOW SYSTEM	137 G	RR VIEW MIRROR (SPARTAN)
72 C	SUN VISOR-LH	102	24V STARTER TO GENERATOR DELCO	126	WORLD TRANSM-LUBE PRESS SW.	138	ABS SYSTEM
72 D	SUN VISOR-LH	102	WORLD TRANSM-SOL. GRD 1	127	WORLD TRANSM-LUBE PRESS SW.	138	WORLD TRANSM-RETARDER TEMP
76	FUEL TANK GAUGE	102	WORLD TRANSM-SOL. C3	127	PRE-HEAT WATER HEATER	138 A	ABS SYSTEM
76 B	LOW FUEL LT & ETHER COLD START	102 A	24V STARTER TO GENERATOR BOSCH	127 A	PRE-HEAT WATER HEATER	139	ABS SYSTEM
76 C	LOW FUEL LT	104	WORLD TRANSM-SOL. FORWARD	127 B	PRE-HEAT WATER HEATER	139	WORLD TRANSM-OUTPUT SPEED HI
76 P	FUEL PRIME PUMP	104	LEVEL LOW SYSTEM	127	WORLD TRANSM-RETARDER FEED SOL.	140	ABS SYSTEM
76 M	FUEL PRIME PUMP	105	WORLD TRANSM-RETARDER & SUMP	127 S	PRE-HEAT WATER HEATER	140	WORLD TRANSM-OUTPUT SPEED LO
77 A	A/C & HEAT SYSTEM-COMPRESSOR	105 W	WORLD TRANSM-RETARDER & SUMP	127 W	PRE-HEAT WATER HEATER	141	ABS SYSTEM
77 B	A/C & HEAT SYSTEM-COMPRESSOR	106	WORLD TRANSM-OIL LEVEL HI	128	PRE-HEAT WATER HEATER	141	WORLD TRANSM-ENGINE SPEED HI
77 C	A/C & HEAT SYSTEM-COMPRESSOR	107	CHARG SYST-VOLTAGE REGUL. "F"	128 A	PRE-HEAT WATER HEATER	142	ABS SYSTEM
77 H	A/C & HEAT SYSTEM-COMPRESSOR	107	WORLD TRANSM-LOCKUP SOL. HI	128 B	PRE-HEAT WATER HEATER	142	WORLD TRANSM-SERIAL COM. A
77 K	GRD SIGNAL-COMPRESSOR CUT-OUT	108	WORLD TRANSM-REM. PWR WAKE UP	128 W	PRE-HEAT WATER HEATER	143	ABS SYSTEM
81	EXTERIOR LTS-STOP SW	109	WORLD TRANSM-RET. SOL. LO	128	WORLD TRANSM-SOL. C2	143	WORLD TRANSM-ECU BATTERY GRD
82	EXTERIOR LTS-STOP SIGNAL	110	ALARM & SIGNAL-WATER TEMP	129	PRE-HEAT WATER HEATER	143 A	ABS SYSTEM
82 A	EXTERIOR LTS-STOP SIGNAL	110	WORLD TRANSM-LOCKUP SOL. LO	129	WORLD TRANSM-SOL. C5	143 W	WORLD TRANSM-BATTERY GRD
82 B	EXTERIOR LTS-STOP LTS	111	WORLD TRANSM-SOL. C6	130	A/C HEAT SYSTEM-EVAP FAN MOT	143 X	WORLD TRANSM-BATTERY GRD
82 K	EXTERIOR LTS-STOP PARK BRK	112	WORLD TRANSM-SPARE OUTPUT (+)	130	WORLD TRANSM-SOL. GRD 3	144	ABS SYSTEM
82 L	EXTERIOR LTS-LH STOP	113	ALARM & SIGNAL-OIL PRESS	131	WORLD TRANSM-SOL. C4	144	WORLD TRANSM-ECU CHASSIS GRD
82 R	EXTERIOR LTS-LH STOP	113	WORLD TRANSM-REVERSE WARNING	132	WORLD TRANSM-ENG BRK OUTPUT (-)	144 A	ABS SYSTEM
83	ENGINE CTR-KEY SW ACCES SIGN	114	INTERIOR LTS-DASH LT REGUL.	132 A	LEVEL LOW SYSTEM	145	ABS SYSTEM
84	ENGINE CTR-KEY SW ACCES SIGN	114	WORLD TRANSM-SPARE OUTPUT (-)	132 B	LEVEL LOW SYSTEM	146	ABS SYSTEM
85	ENGINE CTR-KEY SWIGNITION SIGN	114 A	INTERIOR LTS-DASH LT	132 C	LEVEL LOW SYSTEM	146	WORLD TRANSM-IGNITION SENSE
85	24V IGNITION SIGNAL	114 B	INTERIOR LTS-DASH LT REGUL.	132 D	LEVEL LOW SYSTEM	146 W	WORLD TRANSM-12V IGNITION
85 A	24V IGN DASH INSTRUMENTATION	114 D	INTERIOR LTS-DASH LT REGUL.	132 E	LEVEL LOW SYSTEM	146 X	WORLD TRANSM-12V IGNITION
85 B	ENGINE CTR-24V IGNITION	114 E	INTERIOR LTS-DASH LT REGUL.	132 F	LEVEL LOW SYSTEM	147	ABS SYSTEM
85 C	PARKING BRAKE SWITCH	115	ALARM & SIGNAL-TAG PRESS	132 G	LEVEL LOW SYSTEM	147	ETHER COLD START
85 F	ENGINE CTR-ENGINE CTR SW IGN	115	DDEC III-COOLANT LEVEL	132 H	LEVEL LOW SYSTEM	147	WORLD TRANSM-OIL TEMP
85 F	LO AIR SONALERT	115	WORLD TRANSM-DO NOT SHIFT SIGN	132 J	LEVEL LOW SYSTEM	147 C	ETHER COLD START
85 X	12V IGN ABS	115 C	DDEC III-COOLANT LEVEL	132 K	LEVEL LOW SYSTEM	148	ABS SYSTEM
85 Y	ABS SYSTEM	115 W	WORLD TRANSM-DO NOT SHIFT SIGN	132 W	WORLD TRANSM-ENG BRK OUTPUT (-)	148	WORLD TRANSM-OUTPUT SPEED LO
85 Z	TRAILER ABS SYSTEM	116	WORLD TRANSM-LO SIGNAL SOL. HI	133	WORLD TRANSM-RET. ACTUATOR HI	149	ABS SYSTEM
86	ENGINE CTR-STARTER SOL SIGN	116 B	A/C & HEAT SYSTEM-DRIVER'S HTR	134	WORLD TRANSM-RET. APPLY SOL. HI	149	WORLD TRANSM-TURBINE SPEED HI

CIRCUIT NUMBER CODE

No.	DESCRIPTION	No.	DESCRIPTION	No.	DESCRIPTION	No.	DESCRIPTION
149 A	ABS SYSTEM	170 W	LUGGAGE DOOR LOCK	259 A	WINDSHIELD HEATED	556	DDEC III-VEHICLE SPEED (+)
150	DDEC III-ECM BATTERY GRD	170 X	LUGGAGE DOOR LOCK	264	SPEED SIGNAL- AUX. FAN UNIT	557	DDEC III-VEHICLE SPEED (-)
150	WORLD TRANSM-ENGINE SPEED LO	170 Y	LUGGAGE DOOR LOCK	264 A	SPEED SIGNAL- AUX. FAN UNIT	563	DDEC III-FAN CLUTCH SPEED# 2
150 A	DDEC III-ECM BATTERY GRD	170 Z	LUGGAGE DOOR LOCK	264 B	SPEED SIGNAL- AUX. FAN UNIT	564	DDEC III-DIGITAL OUTPUT
151	ABS SYSTEM	173	BACK-UP MONITOR	270	KEYLESS ENTRY SYSTEM	565	DDEC III-ENGINE BRAKE ACTIVE
151	DDEC III-ECM BATTERY GRD	174	BACK-UP MONITOR	272	KEYLESS ENTRY SYSTEM	583	DDEC III-ENGINE BRAKE 4 CYL.
151	WORLD TRANSM-SERIAL COM. B	175	BACK-UP MONITOR	274	KEYLESS ENTRY SYSTEM	900	DDEC III-DATA LINK (+)
152	ABS SYSTEM	175 A	BACK-UP MONITOR	275	KEYLESS ENTRY SYSTEM	901	DDEC III-DATA LINK (-)
153	WORLD TRANSM-SPARE INPUT (-)	175 B	BACK-UP MONITOR	276	KEYLESS ENTRY SYSTEM	908	DDEC III-HYDRAULIC PWM#1 OUTPUT
154	ABS SYSTEM	175 C	BACK-UP MONITOR	277	KEYLESS ENTRY SYSTEM	916	DDEC III-SENSOR SUPPLY (5VDC)
154	WORLD TRANSM-ABS RET. INPUT	180	DRIVER'S SEAT HEATER	278	KEYLESS ENTRY SYSTEM	952	DDEC III-SENSOR RETURN
155	WORLD TRANSM-SPARE INPUT (-)	180 A	DRIVER'S SEAT HEATER	279	KEYLESS ENTRY SYSTEM	953	DDEC III-BATTERY GRD
156	WORLD TRANSM-THROTTLE POS.	180 B	CO-PILOT SEAT HEATER	280	KEYLESS ENTRY SYSTEM	979	DDEC III-ENGINE BRAKE 2 CYL.
156 A	ABS SYSTEM	180 C	CO-PILOT SEAT HEATER	283	KEYLESS ENTRY SYSTEM		
157	WORLD TRANSM-SPEEDO SIGNAL	181 A	THERMOMETER INSIDE SENSOR	283 A	KEYLESS ENTRY SYSTEM		
157 B	ABS SYSTEM	181 B	THERMOMETER INSIDE SENSOR	284 A	KEYLESS ENTRY SYSTEM		
158	WORLD TRANSM-DIMMER	181 C	THERMOMETER OUTSIDE SENSOR	284 B	KEYLESS ENTRY SYSTEM		
160	ALARM & SIGNAL-TAG PRESS SW	181 D	THERMOMETER OUTSIDE SENSOR	285	KEYLESS ENTRY SYSTEM		
160	WORLD TRANSM-SER. INTERFACE (-)	197	FUEL WATER FILTER	285 B	KEYLESS ENTRY SYSTEM		
161	WORLD TRANSM-SIGNAL GRD	197 A	FUEL WATER FILTER	285 C	KEYLESS ENTRY SYSTEM		
161 B	WORLD TRANSM-SIGNAL GRD	197 B	FUEL WATER FILTER	286	KEYLESS ENTRY SYSTEM		
162	WORLD TRANSM-PRESS. SW C3	198	FILTER FUEL HEATER	286 A	KEYLESS ENTRY SYSTEM		
163	WORLD TRANSM-RETARDER ENABLE	199	AIR FILTER RESTRICTION SENDER	290	FAN CLUTCH RADIATOR		
164	WORLD TRANSM-RET. ACTUATOR SIGN	201	WORLD TRANSM-SPARE	290	FAN CLUTCH RADIATOR		
165	A/C & HEAT SYSTEM-TRANSMITER	202	WORLD TRANSM-SPARE	291	FAN CLUTCH RADIATOR SPD 1		
165	WORLD TRANSM-OIL LEVEL SIGNAL	203	WORLD TRANSM-SPARE	291	KEYLESS ENTRY SYSTEM		
165 A	A/C & HEAT SYSTEM-TRANSMITER	204	WORLD TRANSM-SPARE	292	FAN CLUTCH RADIATOR SPD 2		
165 B	A/C & HEAT SYSTEM-TRANSMITER	205	WORLD TRANSM-SPARE	293	KEYLESS ENTRY SYSTEM		
165 C	A/C & HEAT SYSTEM-TRANSMITER	206	WORLD TRANSM-SPARE	294	ANTI-THEFT SYSTEM KEYLESS		
165 D	A/C & HEAT SYSTEM-TRANSMITER	214	WORLD TRANSM-BACK UP SIGNAL	295	LED FEED ALARM -KEYLESS		
166 B	A/C & HEAT SYSTEM-EVAP. MOD.	216 B	24V SIGNAL AUX. LIQ. SOL. VALVE	417	DDEC III-LIMIT SPEED GOVERNOR		
167	A/C & HEAT SYSTEM-TEMP. CTR	216 C	12 V. TRIGGER AUX. A/C UNIT	419	DDEC III-CHECK ENGINE LIGHT		
167 A	A/C & HEAT SYSTEM-TEMP. CTR	229	24 V. POWER AUX. A/C UNIT	439	DDEC III-12V IGNITION		
168	A/C & HEAT SYSTEM-HUMIDISTAT	229 A	PWM SIGNAL - AUX. FAN UNIT	440	DDEC III-12V IGNITION		
168	WORLD TRANSM-SER. INTERFACE (+)	231	NEUTRAL SIGNAL GRD	440 A	DDEC III-12V IGNITION		
168 A	A/C & HEAT SYSTEM-HUMIDISTAT	231 A	NEUTRAL COIL RELAY FEED SIGNAL	451	DDEC III-A/C FAN CLUTCH		
170 C	LUGGAGE DOOR LOCK	231 W	NEUTRAL SIGNAL GRD (WCL)	505	DDEC III-TACHOMETER DRIVE		
170 D	LUGGAGE DOOR LOCK	240	DDEC III-ECM 12V FEEDING	509	DDEC III-STOP ENGINE LIGHT		
170 E	LUGGAGE DOOR LOCK	241	DDEC III-ECM 12V FEEDING	510	DDEC III-FAST IDLE SIGNAL		
170 F	LUGGAGE DOOR LOCK	251	DDEC III - PRODRIVER 12V H.W.	524	DDEC III-ENGINE BRAKE DISABLE		
170 G	LUGGAGE DOOR LOCK	251 A	DDEC III -DATA LOGGER 12V H.W.	525	DDEC III-FAST IDLE SIGNAL		
170 H	LUGGAGE DOOR LOCK	257	WINDSHIELD HEATED	528	DDEC III-STOP ENG. OVERRIDE		
170 K	LUGGAGE DOOR LOCK	257 A	WINDSHIELD HEATED	531	DDEC III-CRUISE CLUTCH RELEASE		
170 L	LUGGAGE DOOR LOCK	257 B	WINDSHIELD HEATED	540	DDEC III-CRUISE ENABLE LTS.		
170 M	LUGGAGE DOOR LOCK	257 C	WINDSHIELD HEATED	541	DDEC III-CRUISE SET SW		
170 N	LUGGAGE DOOR LOCK	257 D	WINDSHIELD HEATED SPARE	542	INPUT PARK BRAKE INTERLOCK		
170 P	LUGGAGE DOOR LOCK	257 E	WINDSHIELD HEATED SPARE	543	DDEC III-CRUISE STOP SW CUT IN		
170 R	LUGGAGE DOOR LOCK	258	WINDSHIELD HEATED	544	DDEC III-CRUISE ON/OFF SW		
170 S	LUGGAGE DOOR LOCK	258 A	WINDSHIELD HEATED	545	DDEC III-CRUISE RESUME SW		
170 V	LUGGAGE DOOR LOCK	259	WINDSHIELD HEATED	555	DDEC III-FAN CLUTCH SPEED# 1		

CIRCUIT NUMBER CODE

No.	DESCRIPTION	No.	DESCRIPTION	No.	DESCRIPTION	No.	DESCRIPTION
L 8	ENG. BLK HEATER	SP 94	SPARE-RJB TO RR ROOF	0 L	FS - FR SERVICE CPT LTS GRD	0 0 A	FBG - T.T.LT. MODULES BATT. GRD
L 9	ENG. BLK HEATER	SP 95	SPARE-RJB TO RR ROOF	0 L 1	FS - FR SERVICE CPT LTS GRD	0 0 Y	FS - ABS MODULLE BATT. GRD
SP 2	SPARE-FJB TO FR SERV CPT	SP 96	SPARE-RJB TO LUGG CPT #2	0 L 2	FS - FR SERVICE CPT LTS GRD	0 0 SS	SOUND SYSTEM BATT. GRD
SP 3	SPARE-FJB TO CENTER DASH	SP 9 7	SPARE-RJB TO LUGG CPT #3	0 L 3	FS - FJB GRD	1	TACHO SYSTEM - RPM SIGNAL +
SP 4	SPARE-FJB TO CENTER DASH	SP 98	SPARE-RJB TO LUGG CPT #3	0 L 4	FS - FJB GRD	2 A	A/C & HEAT SYSTEM-COOL 1 SIGN
SP 5	SPARE-RJB TO LUGG CPT #2	SP 1 0 4	SPARE-RJB TO ENGINE CPT	0 L 5	FS - CIGAR LIGHTER	2 B	A/C & HEAT SYSTEM-COOL SIGN
SP 6	SPARE-RJB TO LUGG CPT #1	SP 1 0 5	SPARE-FJB TO ENGINE	0 L 6	FS - FR SERVICE CPT LTS GRD	2 E	A/C & HEAT EVAP. CONTROL
SP 7	SPARE-RJB TO LUGG CPT #1	SP 1 0 6	SPARE-RJB TO BATT. CPT.	0 L	RS - ENGINE CPT ACCES. GRD	2 F	A/C & HEAT EVAP. CONTROL
SP 8	SPARE-RJB TO LUGG CPT #1	SP 1 0 7	SPARE-RJB TO BATT. CPT.	0 L	ENTRANCE DOOR GRD	2 H	A/C & HEAT SYSTEM-HI PRESS SW
SP 9	SPARE-RJB TO LUGG CPT #2	SP 1 0 8	SPARE-RJB TO BATT. CPT.	0 L H	RS - RR END LAMPS LH GRD	2 HL	A/C & HEAT SYSTEM-LO & HI PRESS SW
SP 1 0	SPARE-RJB TO LUGG CPT #1	SP 1 0 9	SPARE-RJB TO ENGINE CPT.	0 M	FS - ELECTRICAL MOTOR GRD	2 L	A/C & HEAT SYSTEM-LO PRESS SW
SP 1 1	SPARE-FJB TO RJB	SP 1 1 0	SPARE-RJB TO ENGINE CPT.	0 M 3	FS - ELECTRICAL MOTOR GRD	5 NC	SPEED SIGNAL LOWER 5MPH
SP 1 2	SPARE-RJB TO ENGINE	SP 1 1 1	SPARE-RJB TO ENGINE CPT.	0 M 4	FS - ELECTRICAL MOTOR GRD	5 NO	SPEED SIGNAL HIGHER 5MPH
SP 1 3	SPARE-RJB TO ENGINE	SP 1 1 2	SPARE-RJB TO ENGINE CPT.	0 M 5	FS - ELECTRICAL MOTOR GRD	9	INTERIOR LTS-ENGINE CPT
SP 1 4	SPARE-FJB TO RJB	SP 1 1 4	SPARE-FJB TO U/DASH WIPER	0 M 6	FS - FJB GRD	9 A	INTERIOR LTS-ENGINE CPT
SP 1 5	SPARE-RJB TO ENGINE	SP 1 1 5	SPARE-FJB TO U/DASH WIPER	0 M 7	FS - ELECTRICAL MOTOR GRD	9 B	INTERIOR LTS-ENGINE CPT
SP 1 6	SPARE-RJB TO ENGINE	SP 1 1 6	SPARE-FJB TO U/DASH FLOOR	0 M 8	FS - AUX. A/C UNIT	9 E	INTERIOR LTS-FR SERVICE CPT
SP 1 7	SPARE-RJB TO ENGINE	SP 1 1 7	SPARE-FJB TO U/DASH FLOOR	0 M 9	FS - WATER PUMP DRIVER	9 F	INTERIOR LTS-FR SERVICE CPT
SP 1 8	SPARE-FJB TO RJB	W C	A/C & HEAT SYST-EVAP CTR SIGN	0 M	RS - ENGINE CPT ACCES. GRD	1 0	INTERIOR LTS-LUGGAGE CPT
SP 2 4	SPARE-RJB TO LAVATORY ROOF	0	BC - BAT. CPT CHASSIS GRD	0 M R	24V DISC. SW. RLY GRD SIGNAL	1 0 A	INTERIOR LTS-LUGGAGE CPT
SP 2 5	SPARE-RJB TO LAVATORY ROOF	0	CONDENSER CPT GRD	0 M S	24V DISC. SW. RLY GRD SIGNAL	1 0 B	INTERIOR LTS-LUGGAGE CPT
SP 2 6	SPARE-RJB TO LAVATORY ROOF	0	RS - RR JCT BOX RLY GRD	0 N	RS - ENGINE CPT ACCES. GRD	1 0 C	INTERIOR LTS-LUGGAGE CPT
SP 2 7	SPARE-RJB TO LH HAT RACK	0 A	BC - SHIELD GRD	0 P	RS - ENGINE CPT ACCES. GRD	1 0 D	INTERIOR LTS-LUGGAGE CPT
SP 2 8	SPARE-RJB TO LH HAT RACK	0 A	RS - RR JCT BOX RLY GRD	0 R	RS - RJB GRD	1 0 E	INTERIOR LTS-EVAP. CPT
SP 3 1	SPARE-RJB TO RH HAT RACK	0 A	FRS - FR ROOF ACCES. GRD	0 R	RS - ENGINE CPT ACCES. GRD	1 0 F	INTERIOR LTS-LUGGAGE CPT
SP 3 2	SPARE-RJB TO RH HAT RACK	0 A	RS - LUG. CPT ACCES. GRD	0 R H	RS - RR END LAMPS RH GRD	1 0 H	INTERIOR LTS-LUGGAGE CPT
SP 3 3	SPARE-FJB TO RJB	0 A	A/C HEAT SYSTEM - EVAP. GRD	0 S	12 VOLT RUN- GND RLY	1 0 R	INTERIOR LTS-LUGGAGE DOOR AJAR
SP 3 8	SPARE-FJB TO RJB	0 A A	RS - VOLTAGE REGULATOR GRD	0 S A	ENGINE CPT STUD-ALTERN. BOSCH	1 2	12V BAT ELECTRONIC JCT BLOCK
SP 4 3	SPARE-FJB TO RJB	0 B	EC - ENGINE GRD	0 T	FS - DASH ACCES. GRD	1 2	BAT CPT 12V BATTERY
SP 4 5	SPARE-FJB TO RJB	0 B	FRS - FR ROOF HEAT WIND GRD	0 T 1	FS - DASH ACCES. GRD	1 2 A	FR JCT BOX 12V DISC SW
SP 4 6	SPARE-RJB TO LH FR ROOF	0 B	RS - LUG. CPT ACCES. GRD	0 T 2	FS - DASH ACCES. GRD	1 2 A	RR JCT BOX 12V DISC SW
SP 4 8	SPARE-RJB TO DASH CENTER PANEL	0 B E	RJB - BAT. EQUAL. BAT GRD	0 T 3	FS - DASH ACCES. GRD	1 2 B	12V BAT ELECTRICAL JCT BLOCK
SP 5 6	SPARE-ENGINE TO RH SW PANEL	0 C	EC - STARTER MOTOR GRD	0 T 4	FS - DASH ACCES. GRD	1 2 B	RR JCT BOX 12V DISC SW
SP 5 7	SPARE-DASH CENTER PANEL TO ENG.	0 C	FS - SERV. CPT ACCES. GRD	0 T 5	FS - HVAC DASH MODULE. GRD	1 2 B	FR JCT BOX 12V DISC SW
SP 5 8	SPARE-DASH CENTER PANEL TO ENG.	0 C	BC - FAN EVAP & CONDENSER GRD	0 V	RR JCT BOX CPT GRD STUD	1 2 B E	BAT. EQUALIZER MONITOR
SP 5 9	SPARE-FJB TO ENGINE	0 C R	24V DISC. SW. RLY GRD SIGNAL	0 V A	BATTERY TO EQUALISER 0V	1 2 C	FR JCT BOX 12V DISC SW
SP 6 1	SPARE-FJB TO DASH RH PANEL	0 C S	24V DISC. SW. RLY GRD SIGNAL	0 W	FS - WT GND & SHIELD	1 2 C	RR JCT BOX 12V DISC SW
SP 6 8	SPARE-FJB TO ENGINE	0 C 1	FS - SERV. CPT ACCES. GRD	0 W	RS - RR JCT BOX (WCL) GRD	1 2 D	BAT CPT 12V BATTERY
SP 6 9	SPARE-FJB TO FR AXLE	0 C 2	FS - SERV. CPT ACCES. GRD	0 W C	RS - RR JCT BOX GRD (WCL)	1 2 D T	TTLT MODULE
SP 7 0	SPARE-FJB TO FR AXLE	0 C 3	FS - SERV. CPT ACCES. GRD	0 X	RS - RR JCT BOX GRD	1 2 E	FR JCT BOX 12V DISC SW
SP 7 1	SPARE-FJB TO RH SW PANEL	0 C 4	FS - FJB. CPT ACCES. GRD	0 Y	ABS FR JCT BOX CPT GRD STUD	1 2 E	RR JCT BOX 12V DISC SW
SP 7 2	SPARE-FJB TO FR SERV CPT	0 D	BC - FAN CONDENSER GRD	0 Y	RR JCT BOX GRD	1 2 F	BAT CPT 12V FJB & IC
SP 7 4	SPARE-FJB TO LH CONSOLE	0 D	RS - HAT RACK ACCES. LH GRD	0 Y 1	ABS SYSTEM GRD	1 2 F	FR JCT BOX 12V DISC SW
SP 7 7	SPARE-FJB TO EVAPORATOR CPT	0 D F	RS - RR SIDE FLASH & MARK GRD	0 Y 2	ABS SYSTEM GRD	1 2 F	RR JCT BOX 12V DISC SW
SP 7 8	SPARE-FJB TO CONDENSER CPT	0 D G	EC- ALTERNATOR CASING GRD	0 Y 3	ABS SYSTEM GRD	1 2 G	FR JCT BOX 12V DISC SW
SP 7 9	SPARE-FJB TO CONDENSER CPT	0 D R	RS - RJB DOCKING LT RESISTORS	0 Y 4	ABS SYSTEM GRD	1 2 J	FR JCT BOX 12V DISC SW
SP 8 7	SPARE-RJB TO LH HAT RACK	0 J	FS - LH CONSOLE SW GRD	0 Y 5		1 2 K	HVAC MODULE
SP 8 8	SPARE-RJB TO RH HAT RACK	0 J	RS - RR ROOF ACCES. GRD	0 Y 6		1 2 I	12V IGNITION DISTRIBUTION
SP 9 2	SPARE-RJB TO CONDENSER CPT	0 K	RS - RR ROOF ACCES. GRD	0 Z	RR JCT BOX CPT GRD STUD	1 2 I	RR JCT BOX 12V IGNITION
SP 9 3	SPARE-RJB TO EVAPORATOR CPT	0 K	RS - RJB A/C JCT PANEL GRD	0 0	FJB & RJB BATT. GRD	1 2 I A	12V IGNITION DISTRIBUTION

CIRCUIT NUMBER CODE

No.	DESCRIPTION	No.	DESCRIPTION	No.	DESCRIPTION	No.	DESCRIPTION
12 I A	FR JCT BOX 12V IGNITION	24 A	BOOSTER BLOCK 24V DISC SW	25 B	12 V. IGN. ALTERNATOR BOSCH	45 G	A/C & HEAT SYSTEM-DRIVER'S HTR
12 I B	FR JCT BOX 12V IGNITION	24 A	FR JCT BOX 24V DISC SW	25 C	12 V. SIGNAL ALT.#1 AND ALT.#2 RUN	45 H	A/C & HEAT SYSTEM-DRIVER'S HTR
12 I E	ABS - FR JCT BOX 12V IGNITION	24 A	RR JCT BOX 24V DISC SW	25 D	12 V. SIGNAL ALT.#1 AND ALT.#2 RUN	45 W	A/C & HEAT SYSTEM-COND. DOOR AJAR
12 L X	CLUSTER FEED	24 B	24V STARTER RLY FEEDING	25 H	24 V. IGN. ALTERNATOR BOSCH	46	EXTERIOR LTS-MARKER
12 I F	FR JCT BOX 12V IGNITION	24 B	FR JCT BOX 24V DISC SW	25 K	NOT ALTERNATOR #2-WARNING LT	46 A	EXTERIOR LTS-MARKER
12 M	ABS - FR JCT BOX 12V DISC. SW.	24 B E	RJB CPT-BAT EQ MONITOR HOT WIRE	26	CIGAR LIGHTER	46 B	EXTERIOR LTS-MARKER
12 P	LH CONSOLE POWER OUTLET	24 C	FR JCT BOX 24V DISC SW	26	DRIVER'S WINDOW LIFTER	46 B	EXTERIOR LTS-MARKER
12 R	BAT CPT 12V DISC RLY TO RJB	24 C	RR JCT BOX 24V DISC SW	26 B	DRIVER'S WINDOW LIFTER	46 C	EXTERIOR LTS-MARKER
12 VA	BATTERY TO EQUALIZER 12V	24 D	BAT CPT 24V HOT WIRE	26 C	DRIVER'S WINDOW LIFTER	47	A/C & HEAT SYSTEM-DRIVER'S HTR
12 VD	12V HOT WIRE DISTRIBUTION	24 D	FR JCT BOX 24V HOT WIRE	27	PARKING BRAKE SONALERT	50	AIR DRYER
12 VF	BAT CPT 12V FJB & IC	24 D	RR JCT BOX 24V HOT WIRE	27 A	PARKING BRAKE SONALERT	52	ALARM & SIGNAL-ELEC. HORN
12 VI	12V IGNITION DISTRIBUTION	24 D A	A/C JCT BOX 24V HOT WIRE	28 A	A/C & HEAT SYSTEM-HI PRESSURE	52 A	ALARM & SIGNAL-ELEC. HORN
12 VR	BAT CPT 12V DISC RLY TO RJB	24 E	BAT CPT 24V DISC SW	29	A/C & HEAT SYSTEM-DRIVER'S HTR	52 B	ALARM & SIGNAL-AIR HORN
12 W	12V BATTERY DDEC III	24 E	FR JCT BOX 24V DISC SW	29 A	A/C & HEAT SYSTEM-DRIVER'S HTR	52 C	ALARM & SIGNAL-AIR HORN
12 X	FR JCT BOX 12V DISC SW	24 E	RR JCT BOX 24V DISC SW	29 H	HVAC DASH MODULE	53	ALARM & SIGNAL-ELEC. HORN
12 X 2	FR JCT BOX 12V DISC SW	24 F	FR JCT BOX 24V DISC SW	29 B	A/C & HEAT SYSTEM-DRIVER'S HTR	53 A	WIPER & WASHER SYSTEM
12 Y	FR JCT BOX 12V DISC SW	24 F	RR JCT BOX 24V DISC SW	31 A	A/C & HEAT SYSTEM-UNLOADER	53 B	WIPER & WASHER SYSTEM
13 A	ALARM & SIGNAL-LO AIR PRIM.	24 G	FR JCT BOX 24V DISC SW	31 B	A/C & HEAT SYSTEM-UNLOADER	53 C	WIPER & WASHER SYSTEM
13 B	ALARM & SIGNAL-LO AIR SEC.	24 G	RR JCT BOX 24V DISC SW	31 B	WIPER & WASHER SYSTEM	53 E	WIPER & WASHER SYSTEM
15	EXTERIOR LTS-MULTI FUNC LEVEL	24 H	FR JCT BOX 24V DISC SW	31 C	WIPER & WASHER SYSTEM	53 J	WIPER & WASHER SYSTEM
15 A	WIPER & WASHER UPPER WINDSHIELD	24 H	RR JCT BOX 24V DISC SW	31 D	WIPER & WASHER SYSTEM	53 K	KEYLESS
16	SPEED - SIGNAL +	24 I	FR JCT BOX 24V IGNITION	31 E	WIPER & WASHER SYSTEM	55	EXTERIOR LTS-HI BEAM
16 A	SPEED - SIGNAL +	24 I	RR JCT BOX 24V IGNITION	31 J	WIPER & WASHER SYSTEM	57	EXTERIOR LTS-HI BEAM
16 T	SPEED - SIGNAL +	24 I A	FR JCT BOX 24V IGNITION	31 X	WIPER & WASHER SYSTEM	57 A	A/C & HEAT SYSTEM-WATER PUMP
17	EXTERIOR LTS-FLASHER UNIT	24 I A	RR JCT BOX 24V IGNITION	32	EXTERIOR LTS-BACK-UP	57 A	EXTERIOR LTS-HI BEAM
17 A	EXTERIOR LTS-FLASHER UNIT	24 I B	FR JCT BOX 24V IGNITION	32 B	EXTERIOR LTS-BACK-UP	57 B	A/C & HEAT SYSTEM-WATER PUMP
19	DIFFERENTIAL OIL TEMP	24 I B	RR JCT BOX 24V IGNITION	32 C	BACK-UP PWR & SIGNAL	57 C	PRE-HEAT WATER HEATER
20	SPEED - SIGNAL -	24 I F	FJB 24V IGNITION	32 D	BACK-UP ALARM	57 CA	A/C & HEAT SYSTEM-HEAT SIGN
20 T	SPEED - SIGNAL -	24 I C	FR JCT BOX 24V IGNITION	35	ENTRANCE DOOR	57 CC	A/C & HEAT SYSTEM-HEAT SIGN
20 W	SPEED - SIGNAL -	24 P	FR JCT BOX 24V DISC SW	35 B	ENTRANCE DOOR	58	EXTERIOR LTS-LO BEAM
21	EXTERIOR LTS-DIRECTIONNAL LH	24 S	24V DISC SW RLY SIGNAL	36	JACOB BRAKE SYSREM	58 A	EXTERIOR LTS-LO BEAM
21 A	EXTERIOR LTS-DIRECTIONNAL LH	24 T	RR JCT BOX 24V DISC SW	36 A	JACOB BRAKE SYSREM	58 B	EXTERIOR LTS-LO BEAM
21 B	EXTERIOR LTS-HAZARD	24 V 2	RR JCT BOX 24V DISC SW	39	INTERIOR LTS-12V RH PANEL SW.	58 C	DAYTIME RUNNING LIGHT
21 C	EXTERIOR LTS-CORNERING LH	24 V 3	RR JCT BOX 24V DISC SW	39 A	INTERIOR LTS-DRIVER'S LTS	58 D	DAYTIME RUNNING LIGHT
21 D	EXTERIOR LTS-DIRECTIONNAL LH	24 V 4	RR JCT BOX 24V DISC SW	39 B	DRIVER'S LTS KEYLESS	58 E	EXTERIOR LTS-LO BEAM
21 H	EXTERIOR LTS-DIRECTIONNAL LH	24 V 5	RR JCT BOX 24V DISC SW	39 K	DRIVER'S LTS KEYLESS	59 A	JACOB BRAKE SYSTEM
21 K	EXTERIOR LTS-CORNERING	24 V D	24V HOT WIRE DISTRIBUTION	41	A/C & HEAT SYSTEM-COND FAN MOT	61	EXTERIOR LTS-24V FEED SW
21 N	EXTERIOR LTS-CORNERING LH	24 V F	BAT CPT 24V SW TO FJB & IC	41 A	A/C & HEAT SYSTEM-COND FAN MOT	61 A	EXTERIOR LTS-HEAD SIGNAL
21 P	EXTERIOR LTS-CORNERING LH	24 VA	BATTERY TO EQUALIZER 24V	41 B	A/C & HEAT SYSTEM-COND FAN MOT	63	EXTERIOR LTS-CLEARANCE
22	LATCHING RLY.	24 VI	RR JCT BOX 24V IGNITION	42	A/C & HEAT SYSTEM-COND FAN MOT	63 A	EXTERIOR LTS-CLEARANCE
23	EXTERIOR LTS-DIRECTIONNAL RH	24 V R	BAT CPT 24V DISC SW TO RJB	43	A/C & HEAT SYSTEM-COND FAN MOT	63 B	EXTERIOR LTS-CLEARANCE
23	EXTERIOR LTS-DIRECTIONNAL RH	25	12VAC GEN RLY ON SIGNAL	42 A	A/C & HEAT SYSTEM-COND FAN MOT	63 C	EXTERIOR LTS-MARKER SIGNAL
23 A	EXTERIOR LTS-DIRECTIONNAL RH	25	12VAC GEN RLY ON SIGNAL	44	EXTERIOR LTS-FOG	63 D	EXTERIOR LTS-MARKER & TAIL
23 B	EXTERIOR LTS-DIRECTIONNAL RH	25 A	ETHER SWITCH	44 A	EXTERIOR LTS-FOG	63 E	EXTERIOR LTS-CLEARANCE
23 C	EXTERIOR LTS-CORNERING RH	25 A	NOT ALTERNATOR #1-WARNING LT	44 B	EXTERIOR LTS-FOG	63 F	EXTERIOR LTS-MARKER BLINKER
23 D	EXTERIOR LTS-DIRECTIONNAL RH	25 A 1	24 VOLTS EXCITING SIGNAL - ALT. #1	44 C	EXTERIOR LTS-FOG & HAZARD	63 H	EXTERIOR LTS-TAIL
23 N	EXTERIOR LTS-CORNERING RH	25 A 2	24 VOLTS EXCITING SIGNAL - ALT. #2	45 A	WATER PUMP SIGNAL	64	DRIVER'S FAN
23 P	EXTERIOR LTS-CORNERING RH	25 A 3	24 V. SIGNAL ALT#1 OR ALT. #2 RUN	45 B	A/C & HEAT SYSTEM-HEAT SIGN	64 B	DRIVER'S FAN
24	BAT CPT 24V BATTERY	25 F	12V IGNITION DISTRIBUTION	45 D	A/C & HEAT SYSTEM-WATER VALVE	64 C	DRIVER'S FAN
24	FR JCT BOX 24V DISC SW	25 B	EXTERIOR LTS-DAYTIME RUN LTS	45 E	A/C & HEAT SYSTEM-HEAT 1 SIGN	65	FOOT DAMPER MOTOR

CIRCUIT NUMBER CODE

No.	DESCRIPTION	No.	DESCRIPTION	No.	DESCRIPTION	No.	DESCRIPTION
65 A	FOOT DAMPER MOTOR	86 A	ENGINE CTR-STARTER SOL SIGN	117	WORLD TRANSM-SPARE INPUT (-)	135	A/C & HEAT SYSTEM-AIR SENSOR
65 D	DRIVER'S REC. DAMPER	88	ENGINE CTR-RR START SIGNAL	117 A	ALARM & SIGNAL-TRANSM OIL TEMP	135	WORLD TRANSM-ANALOG GRD
65 P	PASSENGER REC. DAMPER	89	ENGINE CTR-RR START SIGNAL	117 A	ALARM & SIGNAL-TRANSM OIL TEMP	135 A	A/C & HEAT SYSTEM-AIR SENSOR
66	O_PASS. ON/OFF	90 B	A/C & HEAT SYSTEM-COND FAN MOT	118	WORLD TRANSM-SPARE INPUT (+)	135 D	A/C & HEAT SYSTEM-AIR SENSOR
67	A/C & HEAT SYSTEM	90 B	ENGINE CTR-MAST KEY SW FEED	119	WORLD TRANSM-ENG BRK INPUT (+)	135 C	A/C & HEAT SYSTEM-AIR SENSOR
67 A	A/C & HEAT SYSTEM	90 C	A/C & HEAT SYSTEM-COND FAN MOT	120	WORLD TRANSM-SOL. C1	135 D	WORLD TRANSM-RETARDER RES MOD
67 B	A/C & HEAT SYSTEM	90 F	CHARG SYST-VOLTAGE REGUL. "B"	121	WORLD TRANSM-SOL. GRD 2	135 C	WORLD TRANSM-RETARDER TEMP
67 C	HEAT WINDS.	90 H	A/C & HEAT SYSTEM-EVAP FAN MOT	122	A/C & HEAT SYSTEM-DRIVER'S HTR	136	WORLD TRANSM-ECU POWER
67 K	A/C & HEAT SYSTEM-COND FAN CTR	91	PARKING BRAKE SW SIGNAL	122	A/C & HEAT SYSTEM-FRESH AIR	136 V	WORLD TRANSM-12V BATTERY
67 L	A/C & HEAT SYSTEM-COND FAN CTR	91 A	DDEC-FAST IDLE SIGNAL	122	WORLD TRANSM-SOL. GRD 4	136 W	WORLD TRANSM-12V BATTERY
67 V	A/C & HEAT SYSTEM-WATER VALVE	91 S	SONALERT PARKING BRAKE	122 A	A/C & HEAT SYSTEM-FRESH AIR	136 X	WORLD TRANSM-12V BATTERY
67 X	A/C & HEAT SYSTEM	91 W	PARK, BRAKE SW SIGN (WCL)	123	WORLD TRANSM-NEUTRAL START	137	WORLD TRANSM-RETARDER
68	DASH & DEFROST DAMPER MOTOR	92	BATTERY EQUALIZER-CHECK BALANCE	123 A	ALARM & SIGNAL-FIRE DETECTOR	137 A	MIRROR (SPARTAN & RAMCO)
68 A	DASH & DEFROST DAMPER MOTOR	93	BATTERY EQUALIZER-CHECK LO/HI	123 B	ALARM & SIGNAL-FIRE DETECTOR	137 B	RR VIEW MIRROR (SPARTAN)
70	INTERIOR LTS-HAT RACK & RR RUN.	95 A	ENGINE BRAKE & RETARDER SYSTEM	124	WORLD TRANSM-THROTTLE (HI)	137 C	RR VIEW MIRROR (SPARTAN)
72	SUN VISOR-FEEDING	97	TACHOMETER (-)	125	WORLD TRANSM-RET. INDICATOR	137 D	RR VIEW MIRROR (SPARTAN)
72 A	SUN VISOR-RH	101	24V STARTER SOL FEEDING	125 W	WORLD TRANSM-RET. INDICATOR	137 E	RR VIEW MIRROR (SPARTAN)
72 B	SUN VISOR-RH	101	WORLD TRANSM-LO SIGN SOL. LO	126	LEVEL LOW SYSTEM	137 G	RR VIEW MIRROR (SPARTAN)
72 C	SUN VISOR-LH	102	24V STARTER TO GENERATOR DELCO	126	WORLD TRANSM-LUBE PRESS SW.	138	ABS SYSTEM
72 D	SUN VISOR-LH	102	WORLD TRANSM-SOL. GRD 1	127	WORLD TRANSM-LUBE PRESS SW.	138	WORLD TRANSM-RETARDER TEMP
76	FUEL TANK GAUGE	102	WORLD TRANSM-SOL. C3	127	PRE-HEAT WATER HEATER	138 A	ABS SYSTEM
76 B	LOW FUEL LT & ETHER COLD START	102 A	24V STARTER TO GENERATOR BOSCH	127 A	PRE-HEAT WATER HEATER	139	ABS SYSTEM
76 C	LOW FUEL LT	104	WORLD TRANSM-SOL. FORWARD	127 B	PRE-HEAT WATER HEATER	139	WORLD TRANSM-OUTPUT SPEED HI
76 P	FUEL PRIME PUMP	104	LEVEL LOW SYSTEM	127	WORLD TRANSM-RETARDER FEED SOL.	140	ABS SYSTEM
76 M	FUEL PRIME PUMP	105	WORLD TRANSM-RETARDER & SUMP	127 S	PRE-HEAT WATER HEATER	140	WORLD TRANSM-OUTPUT SPEED LO
77 A	A/C & HEAT SYSTEM-COMPRESSOR	105 W	WORLD TRANSM-RETARDER & SUMP	127 W	PRE-HEAT WATER HEATER	141	ABS SYSTEM
77 B	A/C & HEAT SYSTEM-COMPRESSOR	106	WORLD TRANSM-OIL LEVEL HI	128	PRE-HEAT WATER HEATER	141	WORLD TRANSM-ENGINE SPEED HI
77 C	A/C & HEAT SYSTEM-COMPRESSOR	107	CHARG SYST-VOLTAGE REGUL. "F"	128 A	PRE-HEAT WATER HEATER	142	ABS SYSTEM
77 H	A/C & HEAT SYSTEM-COMPRESSOR	107	WORLD TRANSM-LOCKUP SOL. HI	128 B	PRE-HEAT WATER HEATER	142	WORLD TRANSM-SERIAL COM. A
77 K	GRD SIGNAL-COMPRESSOR CUT-OUT	108	WORLD TRANSM-REM. PWR WAKE UP	128 W	PRE-HEAT WATER HEATER	143	ABS SYSTEM
81	EXTERIOR LTS-STOP SW	109	WORLD TRANSM-RET. SOL. LO	128	WORLD TRANSM-SOL. C2	143	WORLD TRANSM-ECU BATTERY GRD
82	EXTERIOR LTS-STOP SIGNAL	110	ALARM & SIGNAL-WATER TEMP	129	PRE-HEAT WATER HEATER	143 A	ABS SYSTEM
82 A	EXTERIOR LTS-STOP SIGNAL	110	WORLD TRANSM-LOCKUP SOL. LO	129	WORLD TRANSM-SOL. C5	143 W	WORLD TRANSM-BATTERY GRD
82 B	EXTERIOR LTS-STOP LTS	111	WORLD TRANSM-SOL. C6	130	A/C HEAT SYSTEM-EVAP FAN MOT	143 X	WORLD TRANSM-BATTERY GRD
82 K	EXTERIOR LTS-STOP PARK BRK	112	WORLD TRANSM-SPARE OUTPUT (+)	130	WORLD TRANSM-SOL. GRD 3	144	ABS SYSTEM
82 L	EXTERIOR LTS-LH STOP	113	ALARM & SIGNAL-OIL PRESS	131	WORLD TRANSM-SOL. C4	144	WORLD TRANSM-ECU CHASSIS GRD
82 R	EXTERIOR LTS-LH STOP	113	WORLD TRANSM-REVERSE WARNING	132	WORLD TRANSM-ENG BRK OUTPUT (-)	144 A	ABS SYSTEM
83	ENGINE CTR-KEY SW ACCES SIGN	114	INTERIOR LTS-DASH LT REGUL.	132 A	LEVEL LOW SYSTEM	145	ABS SYSTEM
84	ENGINE CTR-KEY SW ACCES SIGN	114	WORLD TRANSM-SPARE OUTPUT (-)	132 B	LEVEL LOW SYSTEM	146	ABS SYSTEM
85	ENGINE CTR-KEY SWIGNITION SIGN	114 A	INTERIOR LTS-DASH LT	132 C	LEVEL LOW SYSTEM	146	WORLD TRANSM-IGNITION SENSE
85	24V IGNITION SIGNAL	114 B	INTERIOR LTS-DASH LT REGUL.	132 D	LEVEL LOW SYSTEM	146 W	WORLD TRANSM-12V IGNITION
85 A	24V IGN DASH INSTRUMENTATION	114 D	INTERIOR LTS-DASH LT REGUL.	132 E	LEVEL LOW SYSTEM	146 X	WORLD TRANSM-12V IGNITION
85 B	ENGINE CTR-24V IGNITION	114 E	INTERIOR LTS-DASH LT REGUL.	132 F	LEVEL LOW SYSTEM	147	ABS SYSTEM
85 C	PARKING BRAKE SWITCH	115	ALARM & SIGNAL-TAG PRESS	132 G	LEVEL LOW SYSTEM	147	ETHER COLD START
85 F	ENGINE CTR-ENGINE CTR SW IGN	115	DDEC III-COOLANT LEVEL	132 H	LEVEL LOW SYSTEM	147	WORLD TRANSM-OIL TEMP
85 F	LO AIR SONALERT	115	WORLD TRANSM-DO NOT SHIFT SIGN	132 J	LEVEL LOW SYSTEM	147 C	ETHER COLD START
85 X	12V IGN ABS	115 C	DDEC III-COOLANT LEVEL	132 K	LEVEL LOW SYSTEM	148	ABS SYSTEM
85 Y	ABS SYSTEM	115 W	WORLD TRANSM-DO NOT SHIFT SIGN	132 W	WORLD TRANSM-ENG BRK OUTPUT (-)	148	WORLD TRANSM-OUTPUT SPEED LO
85 Z	TRAILER ABS SYSTEM	116	WORLD TRANSM-LO SIGNAL SOL. HI	133	WORLD TRANSM-RET. ACTUATOR HI	149	ABS SYSTEM
86	ENGINE CTR-STARTER SOL SIGN	116 B	A/C & HEAT SYSTEM-DRIVER'S HTR	134	WORLD TRANSM-RET. APPLY SOL. HI	149	WORLD TRANSM-TURBINE SPEED HI

CIRCUIT NUMBER CODE

No.	DESCRIPTION	No.	DESCRIPTION	No.	DESCRIPTION	No.	DESCRIPTION
149 A	ABS SYSTEM	170 W	LUGGAGE DOOR LOCK	259 A	WINDSHIELD HEATED	556	DDEC III-VEHICLE SPEED (+)
150	DDEC III-ECM BATTERY GRD	170 X	LUGGAGE DOOR LOCK	264	SPEED SIGNAL- AUX. FAN UNIT	557	DDEC III-VEHICLE SPEED (-)
150	WORLD TRANSM-ENGINE SPEED LO	170 Y	LUGGAGE DOOR LOCK	264 A	SPEED SIGNAL- AUX. FAN UNIT	563	DDEC III-FAN CLUTCH SPEED# 2
150 A	DDEC III-ECM BATTERY GRD	170 Z	LUGGAGE DOOR LOCK	264 B	SPEED SIGNAL- AUX. FAN UNIT	564	DDEC III-DIGITAL OUTPUT
151	ABS SYSTEM	173	BACK-UP MONITOR	270	KEYLESS ENTRY SYSTEM	565	DDEC III-ENGINE BRAKE ACTIVE
151	DDEC III-ECM BATTERY GRD	174	BACK-UP MONITOR	272	KEYLESS ENTRY SYSTEM	583	DDEC III-ENGINE BRAKE 4 CYL.
151	WORLD TRANSM-SERIAL COM. B	175	BACK-UP MONITOR	274	KEYLESS ENTRY SYSTEM	900	DDEC III-DATA LINK (+)
152	ABS SYSTEM	175 A	BACK-UP MONITOR	275	KEYLESS ENTRY SYSTEM	901	DDEC III-DATA LINK (-)
153	WORLD TRANSM-SPARE INPUT (-)	175 B	BACK-UP MONITOR	276	KEYLESS ENTRY SYSTEM	908	DDEC III-HYDRAULIC PWM#1 OUTPUT
154	ABS SYSTEM	175 C	BACK-UP MONITOR	277	KEYLESS ENTRY SYSTEM	916	DDEC III-SENSOR SUPPLY (5VDC)
154	WORLD TRANSM-ABS RET. INPUT	180	DRIVER'S SEAT HEATER	278	KEYLESS ENTRY SYSTEM	952	DDEC III-SENSOR RETURN
155	WORLD TRANSM-SPARE INPUT (-)	180 A	DRIVER'S SEAT HEATER	279	KEYLESS ENTRY SYSTEM	953	DDEC III-BATTERY GRD
156	WORLD TRANSM-THROTTLE POS.	180 B	CO-PILOT SEAT HEATER	280	KEYLESS ENTRY SYSTEM	979	DDEC III-ENGINE BRAKE 2 CYL.
156 A	ABS SYSTEM	180 C	CO-PILOT SEAT HEATER	283	KEYLESS ENTRY SYSTEM		
157	WORLD TRANSM-SPEEDO SIGNAL	181 A	THERMOMETER INSIDE SENSOR	283 A	KEYLESS ENTRY SYSTEM		
157 B	ABS SYSTEM	181 B	THERMOMETER INSIDE SENSOR	284 A	KEYLESS ENTRY SYSTEM		
158	WORLD TRANSM-DIMMER	181 C	THERMOMETER OUTSIDE SENSOR	284 B	KEYLESS ENTRY SYSTEM		
160	ALARM & SIGNAL-TAG PRESS SW	181 D	THERMOMETER OUTSIDE SENSOR	285	KEYLESS ENTRY SYSTEM		
160	WORLD TRANSM-SER. INTERFACE (-)	197	FUEL WATER FILTER	285 B	KEYLESS ENTRY SYSTEM		
161	WORLD TRANSM-SIGNAL GRD	197 A	FUEL WATER FILTER	285 C	KEYLESS ENTRY SYSTEM		
161 B	WORLD TRANSM-SIGNAL GRD	197 B	FUEL WATER FILTER	286	KEYLESS ENTRY SYSTEM		
162	WORLD TRANSM-PRESS. SW C3	198	FILTER FUEL HEATER	286 A	KEYLESS ENTRY SYSTEM		
163	WORLD TRANSM-RETARDER ENABLE	199	AIR FILTER RESTRICTION SENDER	290	FAN CLUTCH RADIATOR		
164	WORLD TRANSM-RET. ACTUATOR SIGN	201	WORLD TRANSM-SPARE	290	FAN CLUTCH RADIATOR		
165	A/C & HEAT SYSTEM-TRANSMITER	202	WORLD TRANSM-SPARE	291	FAN CLUTCH RADIATOR SPD 1		
165	WORLD TRANSM-OIL LEVEL SIGNAL	203	WORLD TRANSM-SPARE	291	KEYLESS ENTRY SYSTEM		
165 A	A/C & HEAT SYSTEM-TRANSMITER	204	WORLD TRANSM-SPARE	292	FAN CLUTCH RADIATOR SPD 2		
165 B	A/C & HEAT SYSTEM-TRANSMITER	205	WORLD TRANSM-SPARE	293	KEYLESS ENTRY SYSTEM		
165 C	A/C & HEAT SYSTEM-TRANSMITER	206	WORLD TRANSM-SPARE	294	ANTI-THEFT SYSTEM KEYLESS		
165 D	A/C & HEAT SYSTEM-TRANSMITER	214	WORLD TRANSM-BACK UP SIGNAL	295	LED FEED ALARM -KEYLESS		
166 B	A/C & HEAT SYSTEM-EVAP. MOD.	216 B	24V SIGNAL AUX. LIQ. SOL. VALVE	417	DDEC III-LIMIT SPEED GOVERNOR		
167	A/C & HEAT SYSTEM-TEMP. CTR	216 C	12 V. TRIGGER AUX. A/C UNIT	419	DDEC III-CHECK ENGINE LIGHT		
167 A	A/C & HEAT SYSTEM-TEMP. CTR	229	24 V. POWER AUX. A/C UNIT	439	DDEC III-12V IGNITION		
168	A/C & HEAT SYSTEM-HUMIDISTAT	229 A	PWM SIGNAL - AUX. FAN UNIT	440	DDEC III-12V IGNITION		
168	WORLD TRANSM-SER. INTERFACE (+)	231	NEUTRAL SIGNAL GRD	440 A	DDEC III-12V IGNITION		
168 A	A/C & HEAT SYSTEM-HUMIDISTAT	231 A	NEUTRAL COIL RELAY FEED SIGNAL	451	DDEC III-A/C FAN CLUTCH		
170 C	LUGGAGE DOOR LOCK	231 W	NEUTRAL SIGNAL GRD (WCL)	505	DDEC III-TACHOMETER DRIVE		
170 D	LUGGAGE DOOR LOCK	240	DDEC III-ECM 12V FEEDING	509	DDEC III-STOP ENGINE LIGHT		
170 E	LUGGAGE DOOR LOCK	241	DDEC III-ECM 12V FEEDING	510	DDEC III-FAST IDLE SIGNAL		
170 F	LUGGAGE DOOR LOCK	251	DDEC III - PRODRIVER 12V H.W.	524	DDEC III-ENGINE BRAKE DISABLE		
170 G	LUGGAGE DOOR LOCK	251 A	DDEC III -DATA LOGGER 12V H.W.	525	DDEC III-FAST IDLE SIGNAL		
170 H	LUGGAGE DOOR LOCK	257	WINDSHIELD HEATED	528	DDEC III-STOP ENG. OVERRIDE		
170 K	LUGGAGE DOOR LOCK	257 A	WINDSHIELD HEATED	531	DDEC III-CRUISE CLUTCH RELEASE		
170 L	LUGGAGE DOOR LOCK	257 B	WINDSHIELD HEATED	540	DDEC III-CRUISE ENABLE LTS.		
170 M	LUGGAGE DOOR LOCK	257 C	WINDSHIELD HEATED	541	DDEC III-CRUISE SET SW		
170 N	LUGGAGE DOOR LOCK	257 D	WINDSHIELD HEATED SPARE	542	INPUT PARK BRAKE INTERLOCK		
170 P	LUGGAGE DOOR LOCK	257 E	WINDSHIELD HEATED SPARE	543	DDEC III-CRUISE STOP SW CUT IN		
170 R	LUGGAGE DOOR LOCK	258	WINDSHIELD HEATED	544	DDEC III-CRUISE ON/OFF SW		
170 S	LUGGAGE DOOR LOCK	258 A	WINDSHIELD HEATED	545	DDEC III-CRUISE RESUME SW		
170 V	LUGGAGE DOOR LOCK	259	WINDSHIELD HEATED	555	DDEC III-FAN CLUTCH SPEED# 1		

CIRCUIT BREAKERS CODE

No.	PAGE	AMP.	#PREV.	LOCATION	FUNCTION	No.	PAGE	AMP.	#PREV	LOCATION	FUNCTION
CB 1	2.1	40A	560703	BAT. CPT.	12V IGNITION	CB 59					
CB 2	1.1	40A	870093	BAT. CPT.	12V HOT WIRE	CB 60					
CB 3	1.1	40A	560703	BAT. CPT.	12V FEED RR. JCT. BOX	CB 61					
CB 4	1.1	40A	560703	BAT. CPT.	12V FEED FR. JCT. BOX	CB 62					
CB 5	1.1	30A	870690	BAT. CPT.	24V HOT WIRE	CB 63					
CB 6	1.1	90A	560298	BAT. CPT.	24V FEED RR. JCT. BOX	CB 64					
CB 7	1.1	90A	560298	BAT. CPT.	24V FEED FR. JCT. BOX	CB 65					
CB 8	1.1	150A	560299	BAT. CPT.	24V EVAPORATOR FAN MOTOR	CB 66					
CB 9						CB 67					
CB 10	4.1	8A	561791	FR. JCT. BOX	MASTER KEY SWITCH	CB 68					
CB 11						CB 69					
CB 12						CB 70	15.1	6A	561790	FR. JCT. BOX	A/C & HEAT SW.
CB 13						CB 71	15.1	10A	561792	RR. JCT. BOX	A/C & HEAT LOGIC PANEL
CB 14						CB 72	15.1	10A	561792	RR. JCT. BOX	A/C COMPRESSOR CLUTCH
CB 15						CB 73	15.1	15A	561793	RR. JCT. BOX	WATER PUMP
CB 16	4.1	8A	561791	RR. JCT. BOX	ENGINE-RR. CTRL & START SW.	CB 74					
CB 17						CB 75					
CB 18	4.1	6A	561790	RR. JCT. BOX	ENGINE-FR. CTRL SW.	CB 76					
CB 19	5.1	15A	561793	BAT. CPT.	E.C.M. DDEC III 12V POWER	CB 77	15.2	40A	870093	BAT. CPT.	CONDENSER FAN MOTOR RH
CB 20	5.1	15A	561793	BAT. CPT.	E.C.M. DDEC III 12V POWER	CB 78	15.2	40A	870093	BAT. CPT.	CONDENSER FAN MOTOR LH
CB 21	5.1	6A	561790	BAT. CPT.	E.C.M. DDEC III 12V IGNITION	CB 79	15.2	15A	561793	FR. JCT. BOX	DRIVER'S HTR FAN SPEED CTRL MODULE
CB 22						CB 80					
CB 23						CB 81					
CB 24	6.1	20A	561794	BAT. CPT.	WORLD TRANSMISSION 12V POWER	CB 82					
CB 25						CB 83					
CB 26	9.3	10A	561792	RR. JCT. BOX	BACK-UP LTS	CB 84					
CB 27	7.1	8A	561791	FR. JCT. BOX	24V IGNITION DASH ACCESSORIES	CB 85	11.2	10A	561790	FR. JCT. BOX	ENTRANCE DOOR & STEP LTS
CB 28	7.2	6A	561790	FR. JCT. BOX	12V IGNITION DASH ACCESSORIES	CB 86					
CB 29						CB 87					
CB 30						CB 88					
CB 31						CB 89					
CB 32						CB 90					
CB 33						CB 91					
CB 34	9.3	6A	561790	RR. JCT. BOX	BACK-UP ALARM	CB 92					
CB 35	9.3	15A	561790	FR. JCT. BOX	FOG & HAZARD DASH SW.	CB 93					
CB 36						CB 94					
CB 37	9.1	6A	561790	FR. JCT. BOX	HEAD & MULTI-FUNCTION LEVEL SW.	CB 95					
CB 38	9.1	10A	561792	FR. JCT. BOX	FR. MARKER LTS	CB 96					
CB 39	9.1	20A	561794	FR. JCT. BOX	CLEARANCE & IDENTIFICATION LTS	CB 97					
CB 40	9.1	8A	561791	FR. JCT. BOX	FR. CLEARANCE & IDENTIFICATION LTS	CB 98					
CB 41	9.1	8A	561791	RR. JCT. BOX	RR. CLEARANCE & IDENTIFICATION LTS	CB 99					
CB 42	9.1	8A	561791	RR. JCT. BOX	RR. TAIL & LICENCE LTS	CB 100					
CB 43	9.1	20A	561794	FR. JCT. BOX	HEADLAMP (HI)	CB 101					
CB 44	9.1	15A	561793	FR. JCT. BOX	HEADLAMP (LO)	CB 102					
CB 45	9.2	10A	561792	FR. JCT. BOX	WIPER CTRL MULTI-FUNCTION LEVEL SW.	CB 103					
CB 46	9.2	20A	561794	FR. JCT. BOX	FLASHER & HAZARD UNIT	CB 104					
CB 47						CB 105	22.1	6A	561790	FR. JCT. BOX	E.C.U. ABS
CB 48	9.3	6A	561790	FR. JCT. BOX	STOP LTS PRESSURE SW.	CB 106	22.1	10A	561792	FR. JCT. BOX	E.C.U. ABS
CB 49	9.3	15A	561793	RR. JCT. BOX	STOP & CYCLOP LTS	CB 107	22.1	10A	561792	FR. JCT. BOX	E.C.U. ABS
CB 50						CB 108					
CB 51	10.1	10A	561792	FR. JCT. BOX	UPPER WIPER CTRL SW.	CB 118	12.1	20A	561794	RR. JCT. BOX	KEYLESS ENTRY SYS. - LUGGAGE DOOR LOCK
CB 52	11.1	15A	561793	RR. JCT. BOX	LUGGAGE & DOOR AJAR LTS	CB 120	12.1	20A	561794	RR. JCT. BOX	KEYLESS ENTRY SYS. - LUGGAGE DOOR LOCK
CB 53						CB 123	13.1	25A	561795	FR. JCT. BOX	DRIVER'S SEAT ELECTRICAL ADJUSTMENT
CB 54						CB 124	8.1	6A	561790	RR. JCT. BOX	RADIATOR FAN CLUTCH
CB 55						CB 129	7.2	6A	561790	FR. JCT. BOX	CLUSTER
CB 56						CB 130	23.1	6A	561790	FR. JCT. BOX	TELL TALE LIGHTS MODULE
CB 57	11.2	8A	561791	FR. JCT. BOX	DASH LTS RHEOSTAT						
CB 58	15.1	6A	561790	FR. JCT. BOX	HVAC DASH MODULE						

CIRCUIT BREAKERS CODE

No.	PAGE	AMP.	#PREV.	LOCATION	FUNCTION	No.	PAGE	AMP.	#PREV	LOCATION	FUNCTION
CB 1	2.1	40A	560703	BAT. CPT.	12V IGNITION	CB 59					
CB 2	1.1	40A	870093	BAT. CPT.	12V HOT WIRE	CB 60					
CB 3	1.1	40A	560703	BAT. CPT.	12V FEED RR. JCT. BOX	CB 61					
CB 4	1.1	40A	560703	BAT. CPT.	12V FEED FR. JCT. BOX	CB 62					
CB 5	1.1	30A	870690	BAT. CPT.	24V HOT WIRE	CB 63					
CB 6	1.1	90A	560298	BAT. CPT.	24V FEED RR. JCT. BOX	CB 64					
CB 7	1.1	90A	560298	BAT. CPT.	24V FEED FR. JCT. BOX	CB 65					
CB 8	1.1	150A	560299	BAT. CPT.	24V EVAPORATOR FAN MOTOR	CB 66					
CB 9						CB 67					
CB 10	4.1	8A	561791	FR. JCT. BOX	MASTER KEY SWITCH	CB 68					
CB 11						CB 69					
CB 12						CB 70	15.1	6A	561790	FR. JCT. BOX	A/C & HEAT SW.
CB 13						CB 71	15.1	10A	561792	RR. JCT. BOX	A/C & HEAT LOGIC PANEL
CB 14						CB 72	15.1	10A	561792	RR. JCT. BOX	A/C COMPRESSOR CLUTCH
CB 15						CB 73	15.1	15A	561793	RR. JCT. BOX	WATER PUMP
CB 16	4.1	8A	561791	RR. JCT. BOX	ENGINE-RR. CTRL & START SW.	CB 74					
CB 17						CB 75					
CB 18	4.1	6A	561790	RR. JCT. BOX	ENGINE-FR. CTRL SW.	CB 76					
CB 19	5.1	15A	561793	BAT. CPT.	E.C.M. DDEC III 12V POWER	CB 77	15.2	40A	870093	BAT. CPT.	CONDENSER FAN MOTOR RH
CB 20	5.1	15A	561793	BAT. CPT.	E.C.M. DDEC III 12V POWER	CB 78	15.2	40A	870093	BAT. CPT.	CONDENSER FAN MOTOR LH
CB 21	5.1	6A	561790	BAT. CPT.	E.C.M. DDEC III 12V IGNITION	CB 79	15.2	15A	561793	FR. JCT. BOX	DRIVER'S HTR FAN SPEED CTRL MODULE
CB 22						CB 80					
CB 23						CB 81					
CB 24	6.1	20A	561794	BAT. CPT.	WORLD TRANSMISSION 12V POWER	CB 82					
CB 25						CB 83					
CB 26	9.3	10A	561792	RR. JCT. BOX	BACK-UP LTS	CB 84					
CB 27	7.1	8A	561791	FR. JCT. BOX	24V IGNITION DASH ACCESSORIES	CB 85	11.2	10A	561790	FR. JCT. BOX	ENTRANCE DOOR & STEP LTS
CB 28	7.2	6A	561790	FR. JCT. BOX	12V IGNITION DASH ACCESSORIES	CB 86					
CB 29						CB 87					
CB 30						CB 88					
CB 31						CB 89					
CB 32						CB 90					
CB 33						CB 91					
CB 34	9.3	6A	561790	RR. JCT. BOX	BACK-UP ALARM	CB 92					
CB 35	9.3	15A	561790	FR. JCT. BOX	FOG & HAZARD DASH SW.	CB 93					
CB 36						CB 94					
CB 37	9.1	6A	561790	FR. JCT. BOX	HEAD & MULTI-FUNCTION LEVEL SW.	CB 95					
CB 38	9.1	10A	561792	FR. JCT. BOX	FR. MARKER LTS	CB 96					
CB 39	9.1	20A	561794	FR. JCT. BOX	CLEARANCE & IDENTIFICATION LTS	CB 97					
CB 40	9.1	8A	561791	FR. JCT. BOX	FR. CLEARANCE & IDENTIFICATION LTS	CB 98					
CB 41	9.1	8A	561791	RR. JCT. BOX	RR. CLEARANCE & IDENTIFICATION LTS	CB 99					
CB 42	9.1	8A	561791	RR. JCT. BOX	RR. TAIL & LICENCE LTS	CB 102					
CB 43	9.1	20A	561794	FR. JCT. BOX	HEADLAMP (HI)	CB 103					
CB 44	9.1	15A	561793	FR. JCT. BOX	HEADLAMP (LO)	CB 104					
CB 45	9.2	10A	561792	FR. JCT. BOX	WIPER CTRL MULTI-FUNCTION LEVEL SW.	CB 105	22.1	6A	561790	FR. JCT. BOX	E.C.U. ABS
CB 46	9.2	20A	561794	FR. JCT. BOX	FLASHER & HAZARD UNIT	CB 106	22.1	10A	561792	FR. JCT. BOX	E.C.U. ABS
CB 47						CB 107	22.1	10A	561792	FR. JCT. BOX	E.C.U. ABS
CB 48	9.3	6A	561790	FR. JCT. BOX	STOP LTS PRESSURE SW.	CB 108					
CB 49	9.3	15A	561793	RR. JCT. BOX	STOP & CYCLOP LTS	CB 118	12.1	20A	561794	RR. JCT. BOX	KEYLESS ENTRY SYS. - LUGGAGE DOOR LOCK
CB 50						CB 120	12.1	20A	561794	RR. JCT. BOX	KEYLESS ENTRY SYS. - LUGGAGE DOOR LOCK
CB 51	10.1	10A	561792	FR. JCT. BOX	UPPER WIPER CTRL SW.	CB 123	13.1	25A	561795	FR. JCT. BOX	DRIVER'S SEAT ELECTRICAL ADJUSTMENT
CB 52	11.1	15A	561793	RR. JCT. BOX	LUGGAGE & DOOR AJAR LTS	CB 124	8.1	6A	561790	RR. JCT. BOX	RADIATOR FAN CLUTCH
CB 53						CB 129	7.2	6A	561790	FR. JCT. BOX	CLUSTER
CB 54						CB 130	23.1	6A	561790	FR. JCT. BOX	TELL TALE LIGHTS MODULE
CB 55						CB 131	4.2	6A	561790	RR. JCT. BOX	24 V. IGN. - ALTERNATOR BOSCH
CB 56						CB 132	4.2	6A	561790	RR. JCT. BOX	12 V. IGN. - ALTERNATOR BOSCH
CB 57	11.2	8A	561791	FR. JCT. BOX	DASH LTS RHEOSTAT						
CB 58	15.1	6A	561790	FR. JCT. BOX	HVAC DASH MODULE						

CIRCUIT BREAKERS CODE

No.	PAGE	AMP.	#PREV.	LOCATION	FUNCTION	No.	PAGE	AMP.	#PREV	LOCATION	FUNCTION
CB 1	2.1	40A	560703	BAT. CPT.	12V IGNITION	CB 59					
CB 2	1.1	40A	870093	BAT. CPT.	12V HOT WIRE	CB 60					
CB 3	1.1	40A	560703	BAT. CPT.	12V FEED RR. JCT. BOX	CB 61					
CB 4	1.1	40A	560703	BAT. CPT.	12V FEED FR. JCT. BOX	CB 62					
CB 5	1.1	30A	870690	BAT. CPT.	24V HOT WIRE	CB 63					
CB 6	1.1	90A	560298	BAT. CPT.	24V FEED RR. JCT. BOX	CB 64					
CB 7	1.1	90A	560298	BAT. CPT.	24V FEED FR. JCT. BOX	CB 65					
CB 8	1.1	150A	560299	BAT. CPT.	24V EVAPORATOR FAN MOTOR	CB 66					
CB 9						CB 67					
CB 10	4.1	8A	561791	FR. JCT. BOX	MASTER KEY SWITCH	CB 68					
CB 11						CB 69					
CB 12						CB 70	15.1	6A	561790	FR. JCT. BOX	A/C & HEAT SW.
CB 13						CB 71	15.1	10A	561792	RR. JCT. BOX	A/C & HEAT LOGIC PANEL
CB 14						CB 72	15.1	10A	561792	RR. JCT. BOX	A/C COMPRESSOR CLUTCH
CB 15						CB 73	15.1	15A	561793	RR. JCT. BOX	WATER PUMP
CB 16	4.1	8A	561791	RR. JCT. BOX	ENGINE-RR. CTRL & START SW.	CB 74					
CB 17						CB 75					
CB 18	4.1	6A	561790	RR. JCT. BOX	ENGINE-FR. CTRL SW.	CB 76					
CB 19	5.1	15A	561793	BAT. CPT.	E.C.M. DDEC III 12V POWER	CB 77	15.2	40A	870093	BAT. CPT.	CONDENSER FAN MOTOR RH
CB 20	5.1	15A	561793	BAT. CPT.	E.C.M. DDEC III 12V POWER	CB 78	15.2	40A	870093	BAT. CPT.	CONDENSER FAN MOTOR LH
CB 21	5.1	10A	561792	RR. JCT. BOX	E.C.M. DDEC AND WTEC 12V IGNITION	CB 79	15.2	15A	561793	FR. JCT. BOX	DRIVER'S HTR FAN SPEED CTRL MODULE
CB 22						CB 80					
CB 23						CB 81					
CB 24	6.1	20A	561794	BAT. CPT.	WORLD TRANSMISSION 12V POWER	CB 82					
CB 25						CB 83					
CB 26	9.3	10A	561792	RR. JCT. BOX	BACK-UP LTS	CB 84					
CB 27	7.1	8A	561791	FR. JCT. BOX	24V IGNITION DASH ACCESSORIES	CB 85	11.2	10A	561790	FR. JCT. BOX	ENTRANCE DOOR & STEP LTS
CB 28	7.2	6A	561790	FR. JCT. BOX	12V IGNITION DASH ACCESSORIES	CB 86					
CB 29						CB 87					
CB 30						CB 88					
CB 31						CB 89					
CB 32						CB 90					
CB 33						CB 91					
CB 34	9.3	6A	561790	RR. JCT. BOX	BACK-UP ALARM	CB 92					
CB 35	9.3	15A	561790	FR. JCT. BOX	FOG & HAZARD DASH SW.	CB 93					
CB 36						CB 94					
CB 37	9.1	6A	561790	FR. JCT. BOX	HEAD & MULTI-FUNCTION LEVEL SW.	CB 95					
CB 38	9.1	10A	561792	FR. JCT. BOX	FR. MARKER LTS	CB 96					
CB 39	9.1	20A	561794	FR. JCT. BOX	CLEARANCE & IDENTIFICATION LTS	CB 97					
CB 40	9.1	8A	561791	FR. JCT. BOX	FR. CLEARANCE & IDENTIFICATION LTS	CB 98					
CB 41	9.1	8A	561791	RR. JCT. BOX	RR. CLEARANCE & IDENTIFICATION LTS	CB 99					
CB 42	9.1	8A	561791	RR. JCT. BOX	RR. TAIL & LICENCE LTS	CB 102					
CB 43	9.1	20A	561794	FR. JCT. BOX	HEADLAMP (HI)	CB 103					
CB 44	9.1	15A	561793	FR. JCT. BOX	HEADLAMP (LO)	CB 104					
CB 45	9.2	10A	561792	FR. JCT. BOX	WIPER CTRL. MULTI-FUNCTION LEVEL SW.	CB 105	22.1	6A	561790	FR. JCT. BOX	E.C.U. ABS
CB 46	9.2	20A	561794	FR. JCT. BOX	FLASHER & HAZARD UNIT	CB 106	22.1	10A	561792	FR. JCT. BOX	E.C.U. ABS
CB 47						CB 107	22.1	10A	561792	FR. JCT. BOX	E.C.U. ABS
CB 48	9.3	6A	561790	FR. JCT. BOX	STOP LTS PRESSURE SW.	CB 108					
CB 49	9.3	15A	561793	RR. JCT. BOX	STOP & CYCLOP LTS	CB 118	12.1	20A	561794	RR. JCT. BOX	KEYLESS ENTRY SYS. - LUGGAGE DOOR LOCK
CB 50						CB 120	12.1	20A	561794	RR. JCT. BOX	KEYLESS ENTRY SYS. - LUGGAGE DOOR LOCK
CB 51	10.1	10A	561792	FR. JCT. BOX	UPPER WIPER CTRL SW.	CB 123	13.1	25A	561795	FR. JCT. BOX	DRIVER'S SEAT ELECTRICAL ADJUSTMENT
CB 52	11.1	15A	561793	RR. JCT. BOX	LUGGAGE & DOOR AJAR LTS	CB 124	8.1	6A	561790	RR. JCT. BOX	RADIATOR FAN CLUTCH
CB 53						CB 129	7.2	6A	561790	FR. JCT. BOX	CLUSTER
CB 54						CB 130	23.1	6A	561790	FR. JCT. BOX	TELL TALE LIGHTS MODULE
CB 55						CB 131	4.2	6A	561790	RR. JCT. BOX	24 V. IGN. - ALTERNATOR BOSCH
CB 56						CB 132	4.2	6A	561790	RR. JCT. BOX	12 V. IGN. - ALTERNATOR BOSCH
CB 57	11.2	8A	561791	FR. JCT. BOX	DASH LTS RHEOSTAT						
CB 58	15.1	6A	561790	FR. JCT. BOX	HVAC DASH MODULE						

CIRCUIT BREAKERS CODE

No.	PAGE	AMP.	#PREV.	LOCATION	FUNCTION	No.	PAGE	AMP.	#PREV	LOCATION	FUNCTION
CB 1	2.1	40A	562686	BAT. CPT.	12V IGNITION	CB 59					
CB 2	1.1	40A	870093	BAT. CPT.	12V HOT WIRE	CB 60					
CB 3	1.1	40A	562686	BAT. CPT.	12V FEED RR. JCT. BOX	CB 61					
CB 4	1.1	70A	562687	BAT. CPT.	12V FEED FR. JCT. BOX	CB 62					
CB 5	1.1	30A	870690	BAT. CPT.	24V HOT WIRE	CB 63					
CB 6	1.1	90A	562683	BAT. CPT.	24V FEED RR. JCT. BOX	CB 64					
CB 7	1.1	90A	562683	BAT. CPT.	24V FEED FR. JCT. BOX	CB 65					
CB 8	1.1	150A	560299	BAT. CPT.	24V EVAPORATOR FAN MOTOR	CB 66					
CB 9						CB 67					
CB 10	4.1	8A	561791	FR. JCT. BOX	MASTER KEY SWITCH	CB 68					
CB 11						CB 69					
CB 12						CB 70	15.1	6A	561790	FR. JCT. BOX	A/C & HEAT SW.
CB 13						CB 71	15.1	10A	561792	RR. JCT. BOX	A/C & HEAT LOGIC PANEL
CB 14						CB 72	15.1	10A	561792	RR. JCT. BOX	A/C COMPRESSOR CLUTCH
CB 15						CB 73	15.1	15A	561793	RR. JCT. BOX	WATER PUMP
CB 16	4.1	8A	561791	RR. JCT. BOX	ENGINE-RR. CTRL & START SW.	CB 74					
CB 17						CB 75					
CB 18	4.1	6A	561790	RR. JCT. BOX	ENGINE-FR. CTRL SW.	CB 76					
CB 19	5.1	15A	561793	BAT. CPT.	E.C.M. DDEC III 12V POWER	CB 77	15.2	40A	870093	BAT. CPT.	CONDENSER FAN MOTOR RH
CB 20	5.1	15A	561793	BAT. CPT.	E.C.M. DDEC III 12V POWER	CB 78	15.2	40A	870093	BAT. CPT.	CONDENSER FAN MOTOR LH
CB 21	5.1	10A	561792	RR. JCT. BOX	E.C.M. DDEC AND WTEC 12V IGNITION	CB 79	15.2	15A	561793	FR. JCT. BOX	DRIVER'S HTR FAN SPEED CTRL MODULE
CB 22						CB 80					
CB 23						CB 81					
CB 24	6.1	20A	561794	BAT. CPT.	WORLD TRANSMISSION 12V POWER	CB 82					
CB 25						CB 83					
CB 26	9.3	10A	561792	RR. JCT. BOX	BACK-UP LTS	CB 84					
CB 27	7.1	8A	561791	FR. JCT. BOX	24V IGNITION DASH ACCESSORIES	CB 85	11.2	10A	561790	FR. JCT. BOX	ENTRANCE DOOR & STEP LTS
CB 28	7.2	6A	561790	FR. JCT. BOX	12V IGNITION DASH ACCESSORIES	CB 86					
CB 29						CB 87					
CB 30						CB 88					
CB 31						CB 89					
CB 32						CB 90					
CB 33						CB 91					
CB 34	9.3	6A	561790	RR. JCT. BOX	BACK-UP ALARM	CB 92					
CB 35	9.3	15A	561790	FR. JCT. BOX	FOG & HAZARD DASH SW.	CB 93					
CB 36						CB 94					
CB 37	9.1	6A	561790	FR. JCT. BOX	HEAD & MULTI-FUNCTION LEVEL SW.	CB 95					
CB 38	9.1	10A	561792	FR. JCT. BOX	FR. MARKER LTS	CB 96					
CB 39	9.1	20A	561794	FR. JCT. BOX	CLEARANCE & IDENTIFICATION LTS	CB 97					
CB 40	9.1	8A	561791	FR. JCT. BOX	FR. CLEARANCE & IDENTIFICATION LTS	CB 98					
CB 41	9.1	8A	561791	RR. JCT. BOX	RR. CLEARANCE & IDENTIFICATION LTS	CB 99					
CB 42	9.1	8A	561791	RR. JCT. BOX	RR. TAIL & LICENCE LTS	CB 102					
CB 43	9.1	20A	561794	FR. JCT. BOX	HEADLAMP (HI)	CB 103					
CB 44	9.1	15A	561793	FR. JCT. BOX	HEADLAMP (LO)	CB 104					
CB 45	9.2	10A	561792	FR. JCT. BOX	WIPER CTRL MULTI-FUNCTION LEVEL SW.	CB 105	22.1	6A	561790	FR. JCT. BOX	E.C.U. ABS
CB 46	9.2	20A	561794	FR. JCT. BOX	FLASHER & HAZARD UNIT	CB 106	22.1	10A	561792	FR. JCT. BOX	E.C.U. ABS
CB 47						CB 107	22.1	10A	561792	FR. JCT. BOX	E.C.U. ABS
CB 48	9.3	6A	561790	FR. JCT. BOX	STOP LTS PRESSURE SW.	CB 108					
CB 49	9.3	15A	561793	RR. JCT. BOX	STOP & CYCLOP LTS	CB 118	12.1	20A	561794	RR. JCT. BOX	KEYLESS ENTRY SYS. - LUGGAGE DOOR LOCK
CB 50						CB 120	12.1	20A	561794	RR. JCT. BOX	KEYLESS ENTRY SYS. - LUGGAGE DOOR LOCK
CB 51	10.1	10A	561792	FR. JCT. BOX	UPPER WIPER CTRL SW.	CB 123	13.1	25A	561795	FR. JCT. BOX	DRIVER'S SEAT ELECTRICAL ADJUSTMENT
CB 52	11.1	15A	561793	RR. JCT. BOX	LUGGAGE & DOOR AJAR LTS	CB 124	8.1	6A	561790	RR. JCT. BOX	RADIATOR FAN CLUTCH
CB 53						CB 129	7.2	6A	561790	FR. JCT. BOX	CLUSTER
CB 54						CB 130	23.1	6A	561790	FR. JCT. BOX	TELL TALE LIGHTS MODULE
CB 55						CB 131	4.2	6A	561790	RR. JCT. BOX	24 V. IGN. - ALTERNATOR BOSCH
CB 56						CB 132	4.2	6A	561790	RR. JCT. BOX	12 V. IGN. - ALTERNATOR BOSCH
CB 57	11.2	8A	561791	FR. JCT. BOX	DASH LTS RHEOSTAT						
CB 58	15.1	6A	561790	FR. JCT. BOX	HVAC DASH MODULE						

CIRCUIT BREAKERS CODE

No.	PAGE	AMP.	#PREV.	LOCATION	FUNCTION	No.	PAGE	AMP.	#PREV	LOCATION	FUNCTION
CB 1	2.1	40A	562686	BAT. CPT.	12V IGNITION	CB 59					
CB 2	1.1	40A	870093	BAT. CPT.	12V HOT WIRE	CB 60					
CB 3	1.1	40A	562686	BAT. CPT.	12V FEED RR. JCT. BOX	CB 61					
CB 4	1.1	70A	562687	BAT. CPT.	12V FEED FR. JCT. BOX	CB 62					
CB 5	1.1	30A	870690	BAT. CPT.	24V HOT WIRE	CB 63					
CB 6	1.1	90A	562683	BAT. CPT.	24V FEED RR. JCT. BOX	CB 64					
CB 7	1.1	90A	562683	BAT. CPT.	24V FEED FR. JCT. BOX	CB 65					
CB 8	1.1	150A	560299	BAT. CPT.	24V EVAPORATOR FAN MOTOR	CB 66					
CB 9						CB 67					
CB 10	4.1	8A	561791	FR. JCT. BOX	MASTER KEY SWITCH	CB 68					
CB 11						CB 69					
CB 12						CB 70	15.1	6A	561790	FR. JCT. BOX	A/C & HEAT SW.
CB 13						CB 71	15.1	10A	561792	RR. JCT. BOX	A/C & HEAT LOGIC PANEL
CB 14						CB 72	15.1	10A	561792	RR. JCT. BOX	A/C COMPRESSOR CLUTCH
CB 15						CB 73	15.1	15A	561793	RR. JCT. BOX	WATER PUMP
CB 16	4.1	8A	561791	RR. JCT. BOX	ENGINE-RR. CTRL & START SW.	CB 74					
CB 17						CB 75					
CB 18	4.1	6A	561790	RR. JCT. BOX	ENGINE-FR. CTRL SW.	CB 76					
CB 19	5.1	15A	561793	BAT. CPT.	E.C.M. DDEC III 12V POWER	CB 77	15.2	40A	870093	BAT. CPT.	CONDENSER FAN MOTOR RH
CB 20	5.1	15A	561793	BAT. CPT.	E.C.M. DDEC III 12V POWER	CB 78	15.2	40A	870093	BAT. CPT.	CONDENSER FAN MOTOR LH
CB 21	5.1	10A	561792	RR. JCT. BOX	E.C.M. DDEC AND WTEC 12V IGNITION	CB 79	15.2	15A	561793	FR. JCT. BOX	DRIVER'S HTR FAN SPEED CTRL MODULE
CB 22						CB 80					
CB 23						CB 81					
CB 24	6.1	20A	561794	BAT. CPT.	WORLD TRANSMISSION 12V POWER	CB 82					
CB 25						CB 83					
CB 26	9.3	10A	561792	RR. JCT. BOX	BACK-UP LTS	CB 84					
CB 27	7.1	8A	561791	FR. JCT. BOX	24V IGNITION DASH ACCESSORIES	CB 85	11.2	10A	561790	FR. JCT. BOX	ENTRANCE DOOR & STEP LTS
CB 28	7.2	6A	561790	FR. JCT. BOX	12V IGNITION DASH ACCESSORIES	CB 86					
CB 29						CB 87					
CB 30						CB 88					
CB 31						CB 89					
CB 32						CB 90					
CB 33						CB 91					
CB 34	9.3	6A	561790	RR. JCT. BOX	BACK-UP ALARM	CB 92					
CB 35	9.3	15A	561790	FR. JCT. BOX	FOG & HAZARD DASH SW.	CB 93					
CB 36						CB 94					
CB 37	9.1	6A	561790	FR. JCT. BOX	HEAD & MULTI-FUNCTION LEVEL SW.	CB 95					
CB 38	9.1	10A	561792	FR. JCT. BOX	FR. MARKER LTS	CB 96					
CB 39	9.1	20A	561794	FR. JCT. BOX	CLEARANCE & IDENTIFICATION LTS	CB 97					
CB 40	9.1	8A	561791	FR. JCT. BOX	FR. CLEARANCE & IDENTIFICATION LTS	CB 98					
CB 41	9.1	8A	561791	RR. JCT. BOX	RR. CLEARANCE & IDENTIFICATION LTS	CB 99					
CB 42	9.1	8A	561791	RR. JCT. BOX	RR. TAIL & LICENCE LTS	CB 102					
CB 43	9.1	20A	561794	FR. JCT. BOX	HEADLAMP (HI)	CB 103					
CB 44	9.1	15A	561793	FR. JCT. BOX	HEADLAMP (LO)	CB 104					
CB 45	9.2	10A	561792	FR. JCT. BOX	WIPER CTRL MULTI-FUNCTION LEVEL SW.	CB 105	22.1	6A	561790	FR. JCT. BOX	E.C.U. ABS
CB 46	9.2	20A	561794	FR. JCT. BOX	FLASHER & HAZARD UNIT	CB 106	22.1	10A	561792	FR. JCT. BOX	E.C.U. ABS
CB 47						CB 107	22.1	10A	561792	FR. JCT. BOX	E.C.U. ABS
CB 48	9.3	6A	561790	FR. JCT. BOX	STOP LTS PRESSURE SW.	CB 115	12.1	8A	561791	FR. JCT. BOX	KEYLESS MODULE
CB 49	9.3	15A	561793	RR. JCT. BOX	STOP & CYCLOP LTS	CB 118	12.1	20A	561794	RR. JCT. BOX	KEYLESS ENTRY SYS. - LUGGAGE DOOR LOCK
CB 50						CB 120	12.1	20A	561794	RR. JCT. BOX	KEYLESS ENTRY SYS. - LUGGAGE DOOR LOCK
CB 51	10.1	10A	561792	FR. JCT. BOX	UPPER WIPER CTRL SW.	CB 123	13.1	25A	561795	FR. JCT. BOX	DRIVER'S SEAT ELECTRICAL ADJUSTMENT
CB 52	11.1	15A	561793	RR. JCT. BOX	LUGGAGE & DOOR AJAR LTS	CB 124	8.1	6A	561790	RR. JCT. BOX	RADIATOR FAN CLUTCH
CB 53						CB 129	7.2	6A	561790	FR. JCT. BOX	CLUSTER
CB 54						CB 130	23.1	6A	561790	FR. JCT. BOX	TELL TALE LIGHTS MODULE
CB 55						CB 131	4.2	6A	561790	RR. JCT. BOX	24 V. IGN. - ALTERNATOR BOSCH
CB 56						CB 132	4.2	6A	561790	RR. JCT. BOX	12 V. IGN. - ALTERNATOR BOSCH
CB 57	11.2	8A	561791	FR. JCT. BOX	DASH LTS RHEOSTAT						
CB 58	15.1	6A	561790	FR. JCT. BOX	HVAC DASH MODULE						

CIRCUIT BREAKERS CODE

No.	PAGE	AMP.	#PREV.	LOCATION	FUNCTION	No.	PAGE	AMP.	#PREV	LOCATION	FUNCTION
CB 1	2.1	40A	562686	BAT. CPT.	12V IGNITION	CB 59					
CB 2	1.1	40A	870093	BAT. CPT.	12V HOT WIRE	CB 60					
CB 3	1.1	40A	562686	BAT. CPT.	12V FEED RR. JCT. BOX	CB 61					
CB 4	1.1	70A	562687	BAT. CPT.	12V FEED FR. JCT. BOX	CB 62					
CB 5	1.1	30A	870690	BAT. CPT.	24V HOT WIRE	CB 63					
CB 6	1.1	90A	562683	BAT. CPT.	24V FEED RR. JCT. BOX	CB 64					
CB 7	1.1	90A	562683	BAT. CPT.	24V FEED FR. JCT. BOX	CB 65					
CB 8	1.1	150A	560299	BAT. CPT.	24V EVAPORATOR FAN MOTOR	CB 66					
CB 9						CB 67					
CB 10	4.1	8A	561791	FR. JCT. BOX	MASTER KEY SWITCH	CB 68					
CB 11						CB 69					
CB 12						CB 70					
CB 13						CB 71	15.1	10A	561792	RR. JCT. BOX	A/C & HEAT LOGIC PANEL
CB 14						CB 72	15.1	10A	561792	RR. JCT. BOX	A/C COMPRESSOR CLUTCH
CB 15						CB 73	15.1	15A	561793	RR. JCT. BOX	WATER PUMP
CB 16	4.1	8A	561791	RR. JCT. BOX	ENGINE-RR. CTRL & START SW.	CB 74					
CB 17						CB 75					
CB 18	4.1	6A	561790	RR. JCT. BOX	ENGINE-FR. CTRL SW.	CB 76					
CB 19	5.1	15A	561793	BAT. CPT.	E.C.M. DDEC III 12V POWER	CB 77	15.2	40A	870093	BAT. CPT.	CONDENSER FAN MOTOR RH
CB 20	5.1	15A	561793	BAT. CPT.	E.C.M. DDEC III 12V POWER	CB 78	15.2	40A	870093	BAT. CPT.	CONDENSER FAN MOTOR LH
CB 21	5.1	10A	561792	RR. JCT. BOX	E.C.M. DDEC AND WTEC 12V IGNITION	CB 79	15.2	15A	561793	FR. JCT. BOX	DRIVER'S HTR FAN SPEED CTRL MODULE
CB 22						CB 80					
CB 23						CB 81					
CB 24	6.1	20A	561794	BAT. CPT.	WORLD TRANSMISSION 12V POWER	CB 82					
CB 25						CB 83					
CB 26	9.3	8A	561791	RR. JCT. BOX	BACK-UP LTS	CB 84					
CB 27	7.1	8A	561791	FR. JCT. BOX	24V IGNITION DASH ACCESSORIES	CB 85	11.2	10A	561790	FR. JCT. BOX	ENTRANCE DOOR & STEP LTS
CB 28	7.2	6A	561790	FR. JCT. BOX	12V IGNITION DASH ACCESSORIES	CB 86					
CB 29						CB 87					
CB 30						CB 88					
CB 31						CB 89					
CB 32						CB 90					
CB 33						CB 91					
CB 34	9.3	6A	561790	RR. JCT. BOX	BACK-UP ALARM	CB 92					
CB 35	9.3	15A	561790	FR. JCT. BOX	FOG & HAZARD DASH SW.	CB 93					
CB 36						CB 94					
CB 37	9.1	6A	561790	FR. JCT. BOX	HEAD & MULTI-FUNCTION LEVEL SW.	CB 95					
CB 38	9.1	3A	561797	FR. JCT. BOX	FR. MARKER LTS	CB 96					
CB 39	9.1	6A	561790	FR. JCT. BOX	CLEARANCE & IDENTIFICATION LTS	CB 97					
CB 40	9.1	3A	561797	FR. JCT. BOX	FR. CLEARANCE & IDENTIFICATION LTS	CB 98					
CB 41	9.1	3A	561797	RR. JCT. BOX	RR. CLEARANCE & IDENTIFICATION LTS	CB 99					
CB 42	9.1	8A	561791	RR. JCT. BOX	RR. TAIL & LICENCE LTS	CB 102					
CB 43	9.1	20A	561794	FR. JCT. BOX	HEADLAMP (HI)	CB 103					
CB 44	9.1	15A	561793	FR. JCT. BOX	HEADLAMP (LO)	CB 104					
CB 45	9.2	10A	561792	FR. JCT. BOX	WIPER CTRL MULTI-FUNCTION LEVEL SW.	CB 105	22.1	6A	561790	FR. JCT. BOX	E.C.U. ABS
CB 46	9.2	10A	561792	FR. JCT. BOX	FLASHER & HAZARD UNIT	CB 106	22.1	10A	561792	FR. JCT. BOX	E.C.U. ABS
CB 47						CB 107	22.1	10A	561792	FR. JCT. BOX	E.C.U. ABS
CB 48	9.3	6A	561790	FR. JCT. BOX	STOP LTS PRESSURE SW.	CB 115	12.1	8A	561791	FR. JCT. BOX	KEYLESS MODULE
CB 49	9.3	6A	561790	RR. JCT. BOX	STOP & CYCLOP LTS	CB 118	12.1	20A	561794	RR. JCT. BOX	KEYLESS ENTRY SYS. - LUGGAGE DOOR LOCK
CB 50						CB 120	12.1	20A	561794	RR. JCT. BOX	KEYLESS ENTRY SYS. - LUGGAGE DOOR LOCK
CB 51	10.1	10A	561792	FR. JCT. BOX	UPPER WIPER CTRL SW.	CB 123	13.1	25A	561795	FR. JCT. BOX	DRIVER'S SEAT ELECTRICAL ADJUSTMENT
CB 52	11.1	15A	561793	RR. JCT. BOX	LUGGAGE & DOOR AJAR LTS	CB 124	8.1	6A	561790	RR. JCT. BOX	RADIATOR FAN CLUTCH
CB 53						CB 129	7.2	6A	561790	FR. JCT. BOX	CLUSTER
CB 54						CB 130	23.1	6A	561790	FR. JCT. BOX	TELL TALE LIGHTS MODULE
CB 55						CB 131	4.2	6A	561790	RR. JCT. BOX	24 V. IGN. - ALTERNATOR BOSCH
CB 56						CB 132	4.2	6A	561790	RR. JCT. BOX	12 V. IGN. - ALTERNATOR BOSCH
CB 57	11.2	8A	561791	FR. JCT. BOX	DASH LTS RHEOSTAT						
CB 58	15.1	6A	561790	FR. JCT. BOX	HVAC DASH MODULE						

CIRCUIT BREAKERS CODE

No.	PAGE	AMP.	#PREV.	LOCATION	FUNCTION	No.	PAGE	AMP.	#PREV	LOCATION	FUNCTION
CB 1	2.1	40A	562686	BAT. CPT.	12V IGNITION	CB 59					
CB 2	1.1	40A	870093	BAT. CPT.	12V HOT WIRE	CB 60					
CB 3	1.1	40A	562686	BAT. CPT.	12V FEED RR. JCT. BOX	CB 61					
CB 4	1.1	70A	562687	BAT. CPT.	12V FEED FR. JCT. BOX	CB 62					
CB 5	1.1	30A	870690	BAT. CPT.	24V HOT WIRE	CB 63					
CB 6	1.1	90A	562683	BAT. CPT.	24V FEED RR. JCT. BOX	CB 64					
CB 7	1.1	90A	562683	BAT. CPT.	24V FEED FR. JCT. BOX	CB 65					
CB 8	1.1	150A	560299	BAT. CPT.	24V EVAPORATOR FAN MOTOR	CB 66					
CB 9						CB 67					
CB 10	4.1	8A	561791	FR. JCT. BOX	MASTER KEY SWITCH	CB 68					
CB 11						CB 69					
CB 12						CB 70					
CB 13						CB 71	15.1	10A	561792	RR. JCT. BOX	A/C & HEAT LOGIC PANEL
CB 14						CB 72	15.1	10A	561792	RR. JCT. BOX	A/C COMPRESSOR CLUTCH
CB 15						CB 73	15.1	15A	561793	RR. JCT. BOX	WATER PUMP
CB 16	4.1	8A	561791	RR. JCT. BOX	ENGINE-RR. CTRL & START SW.	CB 74					
CB 17						CB 75					
CB 18	4.1	6A	561790	RR. JCT. BOX	ENGINE-FR. CTRL SW.	CB 76					
CB 19	5.1	15A	561793	BAT. CPT.	E.C.M. DDEC III 12V POWER	CB 77	15.2	40A	870093	BAT. CPT.	CONDENSER FAN MOTOR RH
CB 20	5.1	15A	561793	BAT. CPT.	E.C.M. DDEC III 12V POWER	CB 78	15.2	40A	870093	BAT. CPT.	CONDENSER FAN MOTOR LH
CB 21	5.1	10A	561792	RR. JCT. BOX	E.C.M. DDEC AND WTEC 12V IGNITION	CB 79	15.2	15A	561793	FR. JCT. BOX	DRIVER'S HTR FAN SPEED CTRL MODULE
CB 22						CB 80					
CB 23						CB 81					
CB 24	6.1	20A	561794	BAT. CPT.	WORLD TRANSMISSION 12V POWER	CB 82					
CB 25						CB 83					
CB 26	9.3	8A	561791	RR. JCT. BOX	BACK-UP LTS	CB 84					
CB 27	7.1	8A	561791	FR. JCT. BOX	24V IGNITION DASH ACCESSORIES	CB 85	11.2	10A	561790	FR. JCT. BOX	ENTRANCE DOOR & STEP LTS
CB 28	7.2	6A	561790	FR. JCT. BOX	12V IGNITION DASH ACCESSORIES	CB 86					
CB 29						CB 87					
CB 30						CB 88					
CB 31						CB 89					
CB 32						CB 90					
CB 33						CB 91					
CB 34	9.3	6A	561790	RR. JCT. BOX	BACK-UP ALARM	CB 92					
CB 35	9.3	15A	561790	FR. JCT. BOX	FOG & HAZARD DASH SW.	CB 93					
CB 36						CB 94					
CB 37	9.1	6A	561790	FR. JCT. BOX	HEAD & MULTI-FUNCTION LEVEL SW.	CB 95					
CB 38	9.1	3A	561797	FR. JCT. BOX	FR. MARKER LTS	CB 96					
CB 39	9.1	6A	561790	FR. JCT. BOX	CLEARANCE & IDENTIFICATION LTS	CB 97					
CB 40	9.1	3A	561797	FR. JCT. BOX	FR. CLEARANCE & IDENTIFICATION LTS	CB 98					
CB 41	9.1	3A	561797	RR. JCT. BOX	RR. CLEARANCE & IDENTIFICATION LTS	CB 99					
CB 42	9.1	8A	561791	RR. JCT. BOX	RR. TAIL & LICENCE LTS	CB 102					
CB 43	9.1	20A	561794	FR. JCT. BOX	HEADLAMP (HI)	CB 103					
CB 44	9.1	15A	561793	FR. JCT. BOX	HEADLAMP (LO)	CB 104					
CB 45	9.2	10A	561792	FR. JCT. BOX	WIPER CTRL MULTI-FUNCTION LEVEL SW.	CB 105	22.1	6A	561790	FR. JCT. BOX	E.C.U. ABS
CB 46	9.2	10A	561792	FR. JCT. BOX	FLASHER & HAZARD UNIT	CB 106	22.1	15A	561793	FR. JCT. BOX	E.C.U. ABS
CB 47						CB 115	12.1	8A	561791	FR. JCT. BOX	KEYLESS MODULE
CB 48	9.3	6A	561790	FR. JCT. BOX	STOP LTS PRESSURE SW.	CB 118	12.1	20A	561794	RR. JCT. BOX	KEYLESS ENTRY SYS. - LUGGAGE DOOR LOCK
CB 49	9.3	6A	561790	RR. JCT. BOX	STOP & CYCLOP LTS	CB 120	12.1	20A	561794	RR. JCT. BOX	KEYLESS ENTRY SYS. - LUGGAGE DOOR LOCK
CB 50						CB 123	13.1	25A	561795	FR. JCT. BOX	DRIVER'S SEAT ELECTRICAL ADJUSTMENT
CB 51	10.1	10A	561792	FR. JCT. BOX	UPPER WIPER CTRL SW.	CB 124	8.1	6A	561790	RR. JCT. BOX	RADIATOR FAN CLUTCH
CB 52	11.1	15A	561793	RR. JCT. BOX	LUGGAGE & DOOR AJAR LTS	CB 129	7.2	6A	561790	FR. JCT. BOX	CLUSTER
CB 53						CB 130	23.1	6A	561790	FR. JCT. BOX	TELL TALE LIGHTS MODULE
CB 54						CB 131	4.2	6A	561790	RR. JCT. BOX	24 V. IGN. - ALTERNATOR BOSCH
CB 55						CB 132	4.2	6A	561790	RR. JCT. BOX	12 V. IGN. - ALTERNATOR BOSCH
CB 56											
CB 57	11.2	8A	561791	FR. JCT. BOX	DASH LTS RHEOSTAT						
CB 58	15.1	6A	561790	FR. JCT. BOX	HVAC DASH MODULE						

CONNECTORS CODE

NO	LOCATION	TYPE	CAVITY	#PIN HOUSING	#SOCKET HOUSING	NO	LOCATION	TYPE	CAVITY	#PIN HOUSING	#SOCKET HOUSING
C X1	FR LH UPPER WHELL CPT-ABS	WABCO	18		562792	C 58	RR JCT BOX - A/C PANEL	DEUTSCH	24	562280	562283
C X2	FR LH UPPER WHELL CPT-ABS	WABCO	6		562793	C 59	RR JCT BOX - A/C PANEL	AMP CPC	14	561585	561583
C X3	FR LH UPPER WHELL CPT-ABS	WABCO	9		562794	C 60	RR JCT BOX COMPT.-LT	AMP MNL	2	561248	561247
C X4	FR LH UPPER WHELL CPT-ABS	WABCO	15		562795	C 61	LUGGAGE COMPARTMENT LTS	AMP MNL	2	561248	561247
C S	RR JCT BOX ECU WORLD TR.	PED	32		562817	C 62	LUGGAGE COMPARTMENT LTS	AMP MNL	2	561248	561247
C T	RR JCT BOX ECU WORLD TR.	PED	32		562824	C 63	LUGGAGE COMPARTMENT LTS	AMP MNL	2	561248	561247
C V	RR JCT BOX ECU WORLD TR.	PED	32		562823	C 64	LUGGAGE COMPARTMENT LTS	AMP MNL	2	561248	561247
CV I2	RR JCT BOX-WORLD TRANS. SHIFT & RET.	AMP CPC	9	561636	561637	C 65	LUGGAGE COMPARTMENT LTS	AMP MNL	2	561248	561247
C Y	CLUSTER	JAE	30		562765	C 66	LUGGAGE COMPARTMENT LTS	AMP MNL	2	561248	561247
C 1	FR JCT BOX COMPARTMENT	AMP CPC	14	561585	561584	C 67	LUGGAGE COMPARTMENT LTS	AMP MNL	2	561248	561247
C 2	FR JCT BOX COMPARTMENT	AMP CPC	16	561639	561640	C 68	LUGGAGE COMPARTMENT LTS	AMP MNL	2	561248	561247
C 3	FR JCT BOX COMPARTMENT	AMP CPC	24	561641	561643	C 69	RR AXLE ACC-INSIDE PVC END	PED WP	6	561568	561578
C 4	FR JCT BOX COMPARTMENT	AMP CPC	37	561644	561646	C 70	LH CONSOLE	AMP CPC	24	561642	561643
C 5	FR SERVICE COMPT.-UNDERNEATH	AMP CPC	37	561644	561646	C 71	FR JCT BOX COMPARTMENT	AMP CPC	37	561645	561646
C 6	FR SERVICE COMPT.-UNDERNEATH	AMP CPC	16	561639	561640	C 72	FR JCT BOX COMPARTMENT	AMP CPC	24	561642	561643
C 8	FR SERVICE COMPT.-UNDERNEATH	AMP CPC	24	561641	561643	C 74	FR JCT BOX COMPARTMENT	AMP CPC	37	561645	561646
C 9	FR SERVICE COMPT.-UNDERNEATH	AMP CPC	24	561641	561643	C 75					
C 10						C 76	LUGGAGE COMPT.-AIR RET.SENS.	AMP MNL	2	561248	561247
C 11	FR SERVICE COMPARTMENT	AMP CPC	37	561644	561646	C 77					
C 12	FR SERVICE COMPARTMENT	AMP CPC	16	561639	561640	C 78	LUGGAGE COMPT.-LTS	AMP MNL	2	561248	561247
C 13	LH CONSOLE-CTR MIRROR	AMP MNL	6	561552	561515	C 79	LUGGAGE COMPT.-LTS	AMP MNL	2	561248	561247
C 14	UNDER DASH-LH MIRROR	AMP MNL	9	561661	561662	C 80	LUGGAGE COMPT.-AIR RET.SENS.	AMP MNL	2	561248	561247
C 15	RR JCT BOX	AMP CPC	24	561641	561643	C 81	LUGGAGE COMPT.-DOOR LOCK	AMP MNL	2	561248	561247
C 16	LH CONSOLE SW-CRUISE ON OFF	EATON	10	-----	562763	C 82	LUGGAGE COMPT.-DOOR LOCK	AMP MNL	2	561248	561247
C 17	LH CONSOLE SW-CRUISE RESUME	EATON	10	-----	562763	C 83	LUGGAGE COMPT.-DOOR LOCK	AMP MNL	2	561248	561247
C 18	LH CONSOLE SW-CRUISE SET	EATON	10	-----	562763	C 84	LUGGAGE COMPT.-DOOR LOCK	AMP MNL	2	561248	561247
C 19	LH CONSOLE DECEL SW	EATON	10	-----	562763	C 85	LUGGAGE COMPT.-DOOR LOCK	AMP MNL	2	561248	561247
C 20	RR JCT BOX	AMP CPC	37	561644	561646	C 86	LUGGAGE COMPT.-DOOR LOCK	AMP MNL	2	561248	561247
C 21	RR JCT BOX	AMP CPC	24	561641	561643	C 87	RR END ROOF	AMP CPC	9	561636	561637
C 22						C 88	RR END ROOF-CLEARANCE LTS	AMP MNL	2	560900	560898
C 23						C 89	RR END ROOF-B/U NONITOR	AMP CPC	4	561582	561581
C 24						C 90	RR JCT BOX	AMP CPC	15	561987	561986
C 25						C 91	RR JCT BOX	AMP CPC	37	561714	561713
C 26						C 92	FR LH UPPER WHELL CPT-ABS	AMP CPC	9	561635	561637
C 27						C 93	FR LH UPPER WHELL CPT-ABS	WABCO	35	-----	641094
C 28						C 94					
C 29						C 95					
C 30						C 96	FR AXLE ACCESSORIES	AMP CPC	14	561585	561585
C 31						C 97	RR AXLE ACC-INSIDE PVC END	PED WP	6	561568	561578
C 32	DDEC ENGINE-ECM	PED	30	-----	561600	C 98	FR SERVICE COMPT-EL.FT.PEDAL	PED WP	3	561782	561781
C 33						C 99	FR SERVICE COMPT LTS	AMP MNL	2	561248	561247
C 34						C 100					
C 35	RR JCT BOX	AMP CPC	24	561642	561643	C 101	FR SERVICE COMPT-ELEC. HORNS	PED WP	2	561566	561690
C 36						C 102	FR SERV & SIDE CPT-FLASH. LH	GROTE	2	-----	562155
C 37						C 103	FR SERV & SIDE CPT-MARKERS	GROTE	2	-----	562155
C 38						C 104	FR SERV & SIDE CPT-FLASH. RH	GROTE	2	-----	562155
C 39						C 105	FR SERVICE COMPT-LIQ.S.VALVE	PED WP	2	561566	561690
C 40						C 106	FR SERVICE COMPT-WATER VALVE	PED WP	2	561566	561690
C 41						C 107	EVAPORATOR COMPT-DAMPER	PED WP	2	561566	561690
C 42						C 108					
C 43						C 109					
C 44						C 110					
C 45	FR. JCT BOX COMPARTMENT	AMP CPC	24	561642	561643	C 111	EVAPORATOR COMPT-DAMPER	DEUTSCH	2	562486	562485
C 46						C 112	EVAPORATOR COMPT-SPEED MOT CTRL	DEUTSCH	5	-----	562566
C 47	FR SERVICE COMPARTMENT	AMP CPC	16	561694	561695	C 113	BATT. & RR J.B.CPT.MARKER LT	GROTE	2	-----	562155
C 48						C 114	RR J. BOX CPT DOOR DIR LT LH	GROTE	2	-----	562155
C 49	BATTERIE COMPT.-LT	AMP MNL	2	561248	561247	C 115	ENGINE COMPT-AIR DRYER	PED WP	2	561566	561690
C 50						C 116	ENGINE COMPT. LTS	PED WP	1	561605	561577
C 51						C 117					
C 52	RR JCT BOX	AMP CPC	22	561709	561710	C 118					
C 53						C 119	ENGINE CPT RR DOOR RH LO LAMP	PED WP	6	561606	561607
C 54						C 120	ENGINE CPT RR DOOR LH LO LAMP	PED WP	6	561606	561607
C 55	RH SWITCH PANEL	AMP CPC	9	561636	561637	C 121	BATTERIE CPT. DOOR DIR LT RH	GROTE	2	-----	562155
C 56						C 122	ENGINE CPT-CAMERA DOOR VALVE	PED WP	2	561566	561690
C 57						C 123					

CONNECTORS CODE

NO	LOCATION	TYPE	CAVITY	#PIN HOUSING	#SOCKET HOUSING	NO	LOCATION	TYPE	CAVITY	#PIN HOUSING	#SOCKET HOUSING
C 124	ENGINE CPT-ETHER SW	PED WP	2	561566	561690	C 186W	RR JCT BOX CPT.-SPD SIGN. WT	PED WP	2	561566	561690
C 125	ENGINE CPT-B/U ALARM	PED WP	2	561566	561690	C 187	FR JCT BOX-RPM RESISTOR CON.	AMP MNL	6	561552	561515
C 126						C 188					
C 127	ENGINE CPT-FUEL FILTER	PED WP	2	561566	561690	C 189	ENGINE CPT RR DOOR B/U LT	PED WP	2	561566	561690
C 128	ENGINE CPT-A/C COMPR.CLUTCH	ITT SS	2	561813	561812	C 190	ENGINE CPT RR DOOR TAIL LT	PED WP	2	561566	561690
C 129	ENGINE CPT-PRE-HEAT WATER	AMP FF	6	561672	561186	C 191	ENGINE CPT RR DOOR RH STOP LT	PED WP	2	561566	561690
C 130	ENGINE CPT-UNLOADER	ITT SS	2	561813	561812	C 192	ENGINE CPT RR DOOR RH DIR. LT	PED WP	2	561566	561690
C 131	ENGINE CPT-UNLOADER	ITT SS	2	561813	561812	C 193					
C 132	ENGINE CPT-A/C LO PRESS SW	PED WP	2	561566	561690	C 194	ENGINE CPT RR DOOR LH DIR. LT	PED WP	2	561566	561690
C 133	ENGINE CPT-A/C HI PRESS SW	PED WP	2	561566	561690	C 195	ENGINE CPT RR DOOR LH STOP LT	PED WP	2	561566	561690
C 134	FR JCT BOX-LUGGAGE DIODE CON.	AMP MNL	15	561987	561986	C 196	ENGINE CPT RR DOOR CYCLOP LT	PED WP	2	561566	561690
C 135	FR JCT BOX-LUGGAGE DIODE CON.	AMP MNL	15	561987	561986	C 197					
C 136	RR JCT BOX-A/C PANEL DIODE CON.	AMP MNL	15	561987	561986	C 198					
C 137	RR JCT BOX-TRANSMITTER	AMP MNL	2	560900	560898	C 199	ENGINE CPT RR DOOR LICENCE LT	DOM AUTO	2	930210	-----
C 138	RR JCT BOX-CONTROL MODULE	AMP HDP	15	-----	562012	C 200					
C 139	RR JCT BOX-LOGIC MODULE	AMP HDP	15	562011	-----	C 201	AUX. UNIT CONTROL	PED WP	4	561610	561611
C 140	HVAC DASH MODULE THERMOMETER	MOLEX	4	562782	-----	C 202	AUX. UNIT CONTROL	PED WP	3	561781	561782
C 141	INSTRUMENT PANEL LH UNLOAD TAG	AMP	2	561248	561247	C 203	AUX. UNIT CONTROL	PED WP	2	561566	561690
C 142						C 204	AUX. LIQUIDE SOL.VALVE	PED WP	2	561566	561690
C 143						C 205					
C 144						C 206					
C 145	RR JCT BOX CPT-RR SIDE LTS	AMP MNL	9	561670	561669	C 207					
C 146	ENGINE CPT-MODULATOR VALVE	AMPHENOL	2	-----	560412	C 208					
C 147	BATT & RR J.B.CPT-DOCK.LTS	PED WP	2	561566	561690	C 209					
C 148						C 210					
C 149	CONDENSER CPT-FAN MOTOR	ORDNANCE	3	562555	562001	C 211	FR ROOF-STORE LH	AMP MNL	2	560900	560898
C 150	ENGINE CPT. - FUEL FILTER	PED WP	1	561605	561577	C 212	FR ROOF-STORE RH	AMP MNL	2	560900	560898
C 151	EVAPORATOR CPT-THERMOSTAT	ITT	2	561813	562159	C 213	FR ROOF-CLEARANCE LT	AMP MNL	2	560900	560898
C 152	CONDENSER CPT-FUEL GAUGE	PED WP	4	561610	561611	C 214					
C 153	EVAPORATOR CPT-AIR AMB. SENS	AMP MNL	2	561248	561247	C 215					
C 154	EVAPORATOR CPT-FRESH AIR SENS	ITT SS	2	561813	561812	C 216					
C 155	EVAPORATOR CPT-WATER VALVE	PED WP	4	561610	561611	C 217					
C 156	EVAPOR. CPT-BYPASS WATER VAL.	PED WP	2	561566	561690	C 218					
C 157	EVAPORATOR CPT-WATER PUMP	PED WP	2	561566	561690	C 219					
C 158	CONDENSER CPT-A/C LO TEMP.	PED WP	2	561566	561690	C 220	RR.JCT.BOX-FUEL PRIME PUMP	TC	1	561070	561073
C 159	CONDENSER CPT-A/C HI TEMP.	PED WP	2	561566	561690	C 221					
C 160	FR AXLE-ABS RH SENSOR	WABCO	2	641132	-----	C 222					
C 161	FR AXLE-ABS RH VALVE	WABCO	3	-----	641098	C 223					
C 162	FR AXLE-ABS LH VALVE	WABCO	3	-----	641098	C 224					
C 163	FR AXLE-ABS LH SENSOR	WABCO	2	641132	-----	C 225					
C 164	RR AXLE-ABS LH SENSOR	DEUTSCH	2	562486	562485	C 226					
C 165	RR AXLE-ABS LH VALVE	WABCO	3	-----	641098	C 227					
C 166	RR AXLE-ABS RH VALVE	WABCO	3	-----	641098	C 228					
C 167	RR AXLE-ABS RH SENSOR	DEUTSCH	2	562486	562485	C 229					
C 168	RR AXLE-ABS OPT ATC	PED WP	2	561566	561690	C 230	ENG.CPT.-FUEL PRIME PUMP FEED	DEUTSCH	2	562486	562485
C 169	RR JCT BOX-SPEED SW	AMP HDP	15	-----	562012	C 231	ENG.CPT.-FUEL PRIME PUMP SW.	PED WP	2	561566	561690
C 170	FR JCT BOX-FLASHER UNIT	TC	2	-----	561940	C 232	ENG.CPT.-FUEL PRIME PUMP	PED WP	2	561566	561690
C 171	LH CONSOLE	AMP CPC	24	561642	561643	C 233					
C 172	FR SERV. COMPT.- LEVEL LOW	AMP CPC	9	561635	561637	C 234					
C 173	LAV.POTABLE-WATER TANK HEAT.	AMP MNL	2	560900	560898	C 235					
C 174	UNDER DASH RH-HTR MODULE	AMP MNL	9	561670	561669	C 236					
C 175	UNDER DASH RH-HTR MODULE	AMP MNL	9	561670	561669	C 237					
C 176	UNDER DASH RH-WIPER PULSE	AMP FF	6	-----	561186	C 238	RR JCT BOX-DIODE CONNECTOR	AMP MNL	9	561670	561669
C 177	UNDER DASH RH-WIPER MOTOR	AMP FF	6	-----	561186	C 239					
C 178	UNDER DASH RH-LH FAN	TC	2	561030	560997	C 240	LUGG. CPT.-CO-PILOT SEAT HEATER	AMP MNL	2	560900	560898
C 179	UNDER DASH RH-RH FAN	TC	2	561030	560997	C 241					
C 181	RR JCT BOX-DIODE CONNECTOR	AMP MNL	15	561987	561986	C 242	FR SERVICE CPT-MARK & DIR LT	ITT SS	3	561111	561080
C 180						C 243	FR SERVICE CPT-HEADLAMPS	TC	3	-----	561071
C 181						C 244	FR SERVICE CPT-LH FOG LAMP	ITT SS	2	561813	561812
C 182						C 245	FR SERVICE CPT-RH FOG LAMP	ITT SS	2	561813	561812
C 183						C 246	FR SERVICE CPT-MARK & DIR LT	ITT SS	3	561111	561080
C 184						C 247					
C 185						C 248	FR JCT BOX-WIPER PULSE GEN	AMP FF	6	-----	561108
C 186	RR JCT BOX CPT.-SPEED SIGN.TR	PED WP	2	561566	561690	C 249					
C 186M	RR JCT BOX CPT.-SPD SIGN. M.TR	PED WP	2	561566	561690	C 250					

CONNECTORS CODE

NO	LOCATION	TYPE	CAVITY	#PIN HOUSING	#SOCKET HOUSING	NO	LOCATION	TYPE	CAVITY	#PIN HOUSING	#SOCKET HOUSING
C 251	LH SW PANEL-FAST IDLE	EATON	10	-----	562763	C 316					
C 252						C 317	LH CONSOLE SW-RH STORE	EATON	10	-----	562763
C 253	LH SW PANEL-ETHER	EATON	10	-----	562763	C 318	LH CONSOLE SW-DRV WINDOW LIFT	EATON	10	-----	562763
C 254	INST. PANEL RH-ENTR.DOOR SW.	TORRIX	5	-----	562110	C 319					
C 255	LH SW PANEL-JACOB	EATON	10	-----	562763	C 320	LH CONSOLE SW-DRIVER'S LTS	EATON	10	-----	562763
C 256						C 321					
C 257						C 322	LH CONSOLE DRV WIND LIFT MOT	PED PO	2	-----	561848
C 258	LH SW PANEL-MULTI FUNC. SW	AMP FF	8	561188	-----	C 323	LH CONSOLE CRUISE CTR SW PAN.	AMP CPC	9	561636	561637
C 259	LH SW PANEL-MULTI FUNC. SW	AMP FF	6	-----	561108	C 324					
C 260						C 325	LH CONSOLE SW-KNEELING	EATON	8	-----	562763
C 261						C 326	LH CONSOLE SW-SPARE	EATON	8	-----	562763
C 262	UNDER DASH RH-KEYLESS MODULE	AMP MUL	22	-----	562675	C 327	ENGINE CONTROL	DEUTSCH	6	562583	562581
C 263	UNDER DASH RH- KEYLESS MODULE	AMP MUL	26	-----	562676	C 328					
C 264	ENTRANCE DOOR-KEYPAD	AMP CPC	9	561536	561637	C 329	ENGINE TACHO SIGNAL	PED WP	3	561781	561789
C 265	RH SW PANEL -DRIVER'S DOOR SW.	EATON	10	-----	562763	C 330					
C 266						C 331					
C 267	UNDER DASH RH	AMP CPC	24	561642	561643	C 332					
C 268	UNDER DASH LH-MIRROR	AMP MNL	6	561552	561515	C 333					
C 269	UNDER DASH RH-MIRROR	AMP MNL	6	561552	561515	C 334					
C 270	LH MIRROR POST	MOLEX	6	562070	562069	C 335					
C 271	RH MIRROR POST	MOLEX	6	562070	562069	C 336					
C 272	LH MIRROR	SPARTAN	6	-----	990158	C 337	INSTR PANEL LH-UP WIPER SW	EATON	8	-----	562763
C 273	RH MIRROR	SPARTAN	6	-----	990158	C 338	INSTR PANEL LH-UP DEFROST SW	EATON	8	-----	562763
C 274						C 339	INSTR PANEL LH-UP WASHER SW	EATON	8	-----	562763
C 275						C 340	FR JCT. BOX FIRE PIEZO ALARM	AMP MNL	2	560900	560898
C 276	UNDER DASH RH -3 WAY LTS	EATON	10	-----	562763	C 341	INSTR PANEL LH-HEAT MIRROR SW	EATON	8	-----	562763
C 277	LH CONSOLE -DOCK. & CORN. SW.	EATON	10	-----	562763	C 342	ENGINE RR START SW	DEUTSCH	2	562586	562585
C 278	LH CONSOLE -BACK-UP CANCEL SW.	EATON	10	-----	562763	C 343	INSTR PANEL LH-HEADLAMP SW	EATON	8	-----	562763
C 279						C 344	INSTR PANEL LH-HAZARD LT SW	EATON	8	-----	562763
C 280	UNDER DASH RH -3 WAY LTS	EATON	10	-----	562763	C 345	INSTR PANEL LH-FOG LT SW	EATON	8	-----	562763
C 281	LH CONSOLE -LEVEL LOW	AMP MNL	4	560851	560852	C 346	INSTR PANEL LH-SWITCH LTS	EATON	2	-----	561837
C 282	LH CONSOLE -MONITOR OPER. SW.	EATON	10	-----	562763	C 347	INSTR PANEL LH-DASH LT SW	AMP MNL	2	560900	560898
C 283	LH CONSOLE -LOW DOCKING SW.	EATON	10	-----	562763	C 348	INSTR PANEL CENT-RACOR MODULE	MOLEX	6	562070	562067
C 284						C 349					
C 285	ENTRANCE DOOR -SOL. DOOR	PED PO	2	-----	562076	C 350	RH CONSOLE-THERMOMETER	AMP MNL	3	561667	561550
C 286	RH SW PANEL-A/C & HEAT	EATON	10	-----	562763	C 351					
C 287	ENGINE COMPT-LTS SW	PED WP	2	561566	561690	C 352	RH CONSOLE-DRV TEMP SENSOR	BURNDY	4	-----	561104
C 288	RH SW PANEL-FRESH AIR	EATON	10	-----	562763	C 353	INSTR PANEL RH-DRV FAN RHEOST	AMP MNL	6	561552	561515
C 289						C 354	INSTR PANEL RH-DRV TEMP CTR	AMP MNL	6	561552	561515
C 290	LUGGAGE COMPT -DOOR LOCK	AMP MNL	4	561551	561668	C 355	INSTR PANEL RH-FR TEMP CTR	AMP MNL	3	561667	561550
C 291	LUGGAGE COMPT -DOOR LOCK	AMP MNL	4	561551	561668	C 356					
C 292						C 357	INSTR PANEL RH-WATER TEMP GA	AMP MNL	3	561667	561550
C 293						C 358	INSTR PANEL RH-FUEL LEVEL GA	AMP MNL	3	561667	561550
C 294						C 359					
C 295						C 360	INSTR PANEL RH-B/U MONITOR	AMP MNL	2	561248	561247
C 296						C 361	FR ROOF-WIPER MOTOR	AMP FF	6	-----	561186
C 297	INSTRUMENT PANEL RH -LTS	AMP MNL	2	560900	560898	C 362					
C 298						C 363					
C 299						C 364					
C 300						C 365					
C 301						C 366	RH DASH PANEL-GRN & RED LEDS	AMP MNL	3	560908	562006
C 302						C 367					
C 303						C 368					
C 304						C 369					
C 305						C 370					
C 306						C 371					
C 307						C 372	FR ROOF-DEST. SIGN SPEED SW	MOLEX	4	561477	561476
C 308	LH CONSOLE SW-RHEOSTAT	TC	2	561030	560997	C 373	FR ROOF-NO SMOKING LT	AMP MNL	2	561248	561247
C 309	DDEC ENGINE-ECM POWER CON.	PED MP	5	-----	562345	C 374	LH SWITCH PANEL	AMP MNL	6	561552	561515
C 310	LH CONSOLE SW-LUG. DOOR LOCK	EATON	10	-----	562763	C 375					
C 311						C 376	LH SWITCH PANEL	AMP CPC	37	561714	562005
C 312						C 377	LH SW PANEL-STOP ENG.OVERRIDE	EATON	10	-----	562763
C 313						C 378					
C 314						C 379					
C 315	LH CONSOLE SW-LH STORE	EATON	10	-----	562763	C 380	LH CONSOLE-DDR CONNECTOR	DEUTSCH	6	562360	-----

CONNECTORS CODE

NO	LOCATION	TYPE	CAVITY	#PIN HOUSING	#SOCKET HOUSING	NO	LOCATION	TYPE	CAVITY	#PIN HOUSING	#SOCKET HOUSING
C 381	INST. PANEL CENTER-ANTI-THEFT LED	AMP MNL	2	561248	561247	C 446					
C 382						C 447					
C 383						C 448					
C 384						C 449					
C 385						C 450					
C 386						C 451					
C 387						C 452					
C 388						C 453					
C 389						C 454					
C 390						C 455					
C 391						C 456	WORLD TRANSM.-RETARDER ACCUM.	PED MP	2	-----	562427
C 392						C 457	WORLD TRANSM.-MAIN CONNECTOR	DEUTSCH	31	562572	562536
C 393						C 458	WORLD TRANSM.-TURBINE SP.SENS	PED MP	2	-----	562426
C 394						C 459	WORLD TRANSM.-ENGINE SP.SENS.	PED MP	2	-----	562426
C 395						C 460	WORLD TRANSM.-SPEED SENSOR	ITT	2	-----	562541
C 396						C 461	WORLD TRANSM.-RETARDER TEMP.	PED MP	2	561566	561590
C 397	ENGINE COMPT. CRADLE ACC.	DEUTSCH	40	562281	562284	C 462	WORLD TRANSM.-RETARD SOL."K"	PED MP	2	-----	562426
C 398						C 463	WORLD TRANSM.-SENSOR CONN.	DEUTSCH	16	562570	562571
C 399						C 464	RR JCT BOX-DDL CONN W.T.	DEUTSCH	6	-----	562360
C 400	ENGINE COMPT. BLOCK HEATER	PED MP	3	561781	561782	C 465	LH CONSOLE-SHIFTER SELECTOR	PED	20	-----	562825
C 401						C 466	FR SERVICE CPT.-RESIS. MOD.	PED WP	3	-----	562428
C 402	RR DRIVE AXLE-AIR DRYER	PED MP	2	-----	562251	C 467	FR SERVICE CPT.-RESIS. MOD.	PED WP	3	-----	562428
C 403						C 468					
C 404						C 469					
C 405						C 470	FR LH UPPER WHELL CPT-SILENT 1000	AMP MNL	2	561248	561247
C 406	FR JCT BOX COMPT.-ABS	AMP MNL	2	560900	560898	C 471	FR LH UPPER WHELL CPT-SILENT 1000	AMP MNL	2	561248	561247
C 407	ENGINE COMPT. -SIGNAL	PED WP	6	561606	561607	C 472	FR LH UPPER WHELL CPT-SILENT 1000	PED WP	2	561566	561690
C 408	ENGINE COMPT. -SIGNAL	PED WP	6	561606	561607	C 473	FR LH UPPER WHELL CPT-SILENT 1000	AMP MNL	3	561667	561550
C 409	ENGINE CPT -LOW COOL. LEVEL	PED MP	2	-----	562350	C 474	DRIVER'S.-TEMP. SENSOR	AMP MNL	2	561247	561248
C 410	FR JCT BOX-DIODE CONNECTOR	AMP MNL	15	561987	561986	C 475	RR JCT BOX-SPEED SIGN CONNECTOR	AMP MNL	2	561248	561247
C 411	FR JCT BOX-DIODE CONNECTOR	AMP MNL	15	561987	561986	C 475M	RR JCT BOX-SPEED SIGN MANUAL TR.	MOLEX	6	562070	562069
C 412	LH SW PANEL-MASTER SWITCH	EATON	10	-----	562763	C 475W	RR JCT BOX-SPEED SIGN WORLD TR.	MOLEX	6	562070	562069
C 413	ENG CPT-A/C HI UNLOAD PRS SW	PED WP	2	561566	561690	C 476					
C 414	RR JCT BOX	AMP MNL	9	561670	561669	C 477					
C 415	ENGINE CRADLE-FAN SIGNAL	PED WP	3	561781	561782	C 478					
C 416	ENGINE CRADLE-FAN SIGNAL	PED P-C	3	562237	-----	C 479	HVAC MODULE (NOT USED)	-----	-	-----	-----
C 417	FRONT JCT BOX-DIODES	AMP MNL	15	561987	561986	C 480	UNDER DASH RH-DR'S FAN SPEED CTR MOD	PED	4	561889	561890
C 418	INSTR. PANEL LH-HTR WINDSH.SW	EATON	10	-----	562763	C 481	UNDER DASH RH-DR'S FAN SPEED CTR MOD	PED	3	561781	561782
C 419	FR JCT BOX-RETARDER OR JACOB	AMP MNL	3	561667	561550	C 482					
C 420	ENGINE COMPT. WEBASTO WATER HTR	TC	2	561597	-----	C 483	FR SERVICE CPT. -SEAT ELECTRICAL SEAT	PED PC	2	-----	562237
C 421	ENGINE COMPT. WEBASTO WATER HTR	TC	1	561073	-----	C 484	UNDER DASH LH-FOOT DAMPER MOTOR	PED PC	2	-----	562076
C 422	ENGINE COMPT. WEBASTO WATER HTR	TC	2	561597	-----	C 485	UNDER DASH LH-DASH & DEFROST DAMP.M.	AMP MNL	3	561667	561550
C 423						C 486					
C 424	UNDER INSTRUMENT PANEL CENTER	AMP MNL	3	561667	561550	C 487					
C 425	FR JCT BOX-DIODES	AMP MNL	15	561987	561986	C 488					
C 426	ENGINE COMPT. CLUTCH CTR FAN	PED WP	3	561781	561782	C 489					
C 427						C 490					
C 428						C 491					
C 429	FR JCT BOX COMPT.	AMP MNL	6	561552	561515	C 492					
C 430	LH CONSOLE-TIMER	AMP FF	8	561188	562363	C 493					
C 431	LH CONSOLE-PRE HEAT.	TAB AMP	1	561540	561539	C 494					
C 432	ENGINE CPT.-PROX. SW. DOOR AJAR	DEUTSCH	4	562479	562477	C 495					
C 433	FR SERVICE CPT. KNEEL. PRESS. SW	PED WP	2	561566	561690	C 496					
C 434	FRONT JCT. BOX-DIODES	AMP MNL	15	561987	561986	C 497					
C 435	FR SERVICE CPT.(RH) KNEEL. PIEZO	AMP MNL	2	560900	560898	C 498					
C 436	RH HAT RACK-WCL CENTER ROOF ACC	AMP CPC	16	561639	561640	C 499					
C 437						C 500	FR LH UPPER WHELL CPT -PRODRIVER	MOLEX	6	562070	562069
C 438						C 501	FR LH UPPER WHELL CPT -PRODRIVER MOD	PED MP	7	562433	-----
C 439						C 502	LH CONSOLE-PRE HEATER SW.	EATON	10	-----	562763
C 440						C 503					
C 441						C 504	LH CONSOLE WEBASTO TIMER	AMP	8	-----	562852
C 442						C 505	LH CONSOLE ESPAR TIMER	AMP	12	-----	562681
C 443						C 506	LH CONSOLE-LEVEL LOW SW.	EATON	10	-----	562763
C 444						C 508	RR JCT BOX-FAN CLUTCH RETARDER	AMP MNL	6	561552	561515
C 445						C 509	FR LH UPPER WHELL CPT -DATA LOGGER	PED MP	16	-----	562530

CONNECTORS CODE

NO	LOCATION	TYPE	CAVITY	#PIN HOUSING	#SOCKET HOUSING	NO	LOCATION	TYPE	CAVITY	#PIN HOUSING	#SOCKET HOUSING
C 510	FR LH UPPER WHELL CPT -DATA LOGGER	DEUTSCH	9	562531	-----	C 575					
C 511	FR LH UPPER WHELL CPT -DATA LOGGER	PED MP	4	562532	-----	C 576					
C 512	FR LH UPPER WHELL CPT -DATA LOGGER	PED MP	10	562533	-----	C 577					
C 513	FR LH UPPER WHELL CPT -DATA LOGGER	AMP MNL	3	561667	561550	C 578					
C 514	FR LH UPPER WHELL CPT -DATA LOGGER	PED MP	6	562433	562417	C 579					
C 515						C 580					
C 516						C 581					
C 517						C 582	FRONT SERVICE CMPT. - WINDOWS AJAR	PED WP	2	561566	561690
C 518						C 583	L.H. DASH PANEL - MASTER KEY	DEUTSCH	2	562486	562485
C 519						C 584	FRONT SERVICE CMPT. - AIR HORH	HUMPHREY	3	-----	641385
C 520						C 585					
C 521						C 586					
C 522	FR JCT BOX-DAYTIME LTS MODULE	BOSCH	5	-----	561183	C 587					
C 523	FR JCT BOX-FUSE BLOCK	PED	8	562647	562646	C 588					
C 524	FR JCT BOX-FUSE BLOCK	PED	8	562647	562646	C 589	UNDER DASH - L.H. MIRROR	AMP MNL	9	561670	561669
C 525	FR JCT BOX-FUSE BLOCK	PED	8	562647	562646	C 590	UNDER DASH - R.H. MIRROR	AMP MNL	9	561670	561669
C 526	FR JCT BOX-FUSE BLOCK	PED	8	562647	562646	C 591	L.H.CONSOLE - MIRROR L.H.	EURAMTEC	8	-----	562799
C 527	FR JCT BOX-FUSE BLOCK	PED	8	562647	562646	C 592	L.H.CONSOLE - MIRROR R.H.	EURAMTEC	8	-----	562799
C 528						C 593					
C 529	FR JCT BOX-12V OUTLET	AMP MNL	2	561247	561248	C 594	FRONT ROOF - DRIVERS LIGHT	LEEKRAFT		-----	562803
C 530	RR JCT BOX-FUSE BLOCK	PED	8	562647	562646	C 595					
C 531	RR JCT BOX-FUSE BLOCK	PED	8	562647	562646	C 596					
C 532	RR JCT BOX-FUSE BLOCK	PED	8	562647	562646	C 597	L.H. DASH PANEL - DISPLAY SET SW.	MOLEX	5	-----	562812
C 533						C 598	L.H. DASH PANEL - DISPLAY SET SW.	MOLEX	5	-----	562812
C 534						C 599					
C 535	RR JCT BOX-FIRE MODULE DETECT.	AMP MNL	3	561667	561550	C 600	ENGINE CPT.-A/C LOW PRESS SW. UNLOAD	PED	2	562348	562471
C 536	UNDER DASH RH-DRIVER'S HTR TEMP. CTR	AMP MNL	6	561552	561515	C 601					
C 537	BATT. CPT.-A/C PRESS. SIGN. RLY	AMP MNL	2	561248	561247	C 602					
C 538	FR SERVICE CPT.-OUTSIDE TEMP. SENSOR	AMP MNL	2	561248	561247	C 603					
C 539	HVAC DASH MODULE OUTPUT CON	MOLEX	24		562780	C 604					
C 540	HVAC DASH MODULE INPUT CON	MOLEX	22		562781	C 605					
C 541						C 606					
C 542						C 607	FRONT SERVICE CMPT. RPM SIGNAL	PED WP	2	561566	561690
C 543	RR JCT BOX-PARK. BRAKE STOP LTS RESIS.	PED WP	2	561566	561690	C 608	FRONT SERVICE CMPT. SPEED SIGNAL	PED WP	2	561566	561690
C 544						LX	CLUSTER	JAE	22	-----	562766
C 545						LY	CLUSTER	JAE	30	-----	562767
C 546	LH DASH PANEL-ACCESSORIES	AMP CPC	37	561645	561646	R X	CLUSTER	JAE	22	-----	562764
C 547	RH DASH PANEL-ACCESSORIES	AMP CPC	37	561645	561646						
C 548	LH DASH PANEL-T.T. LT. TEST SW.	EATON	10	-----	562763						
C 549											
C 550	EVAPORATOR COMPARTIMENT	ITT	2	561813	562159						
C 551	RR JCT BOX - A/C PANEL	PED	2	561566	561690						
C 552											
C 553											
C 554											
C 555											
C 556											
C 557											
C 558											
C 559											
C 560											
C 561											
C 562											
C 563											
C 564											
C 565											
C 566											
C 567											
C 568											
C 569											
C 570	UNDER DASH PANEL TTLT MODULE	MOLEX	6		562464						
C 571	UNDER DASH PANEL TTLT MODULE	MOLEX	20		562778						
C 572	UNDER DASH PANEL TTLT MODULE	MOLEX	18		562779						
C 573	UNDER DASH PANEL TTLT MODULE	MOLEX	16		562465						
C 574											

CONNECTORS CODE

NO	LOCATION	TYPE	CAVITY	#PIN HOUSING	#SOCKET HOUSING	NO	LOCATION	TYPE	CAVITY	#PIN HOUSING	#SOCKET HOUSING
C X1	FR LH UPPER WHELL CPT-ABS	WABCO	18		562792	C 58	RR JCT BOX - A/C PANEL	DEUTSCH	24	562280	562283
C X2	FR LH UPPER WHELL CPT-ABS	WABCO	6		562793	C 59	RR JCT BOX - A/C PANEL	AMP CPC	14	561585	561583
C X3	FR LH UPPER WHELL CPT-ABS	WABCO	9		562794	C 60	RR JCT BOX COMPT.-LT	AMP MNL	2	561248	561247
C X4	FR LH UPPER WHELL CPT-ABS	WABCO	15		562795	C 61	LUGGAGE COMPARTMENT LTS	AMP MNL	2	561248	561247
C S	RR JCT BOX ECU WORLD TR.	PED	32		562817	C 62	LUGGAGE COMPARTMENT LTS	AMP MNL	2	561248	561247
C T	RR JCT BOX ECU WORLD TR.	PED	32		562824	C 63	LUGGAGE COMPARTMENT LTS	AMP MNL	2	561248	561247
C V	RR JCT BOX ECU WORLD TR.	PED	32		562823	C 64	LUGGAGE COMPARTMENT LTS	AMP MNL	2	561248	561247
CV I2	RR JCT BOX-WORLD TRANS. SHIFT & RET.	AMP CPC	9	561636	561637	C 65	LUGGAGE COMPARTMENT LTS	AMP MNL	2	561248	561247
C Y	CLUSTER	JAE	30		562765	C 66	LUGGAGE COMPARTMENT LTS	AMP MNL	2	561248	561247
C 1	FR JCT BOX COMPARTMENT	AMP CPC	14	561585	561584	C 67	LUGGAGE COMPARTMENT LTS	AMP MNL	2	561248	561247
C 2	FR JCT BOX COMPARTMENT	AMP CPC	16	561639	561640	C 68	LUGGAGE COMPARTMENT LTS	AMP MNL	2	561248	561247
C 3	FR JCT BOX COMPARTMENT	AMP CPC	24	561641	561643	C 69	RR AXLE ACC-INSIDE PVC END	PED WP	6	561568	561578
C 4	FR JCT BOX COMPARTMENT	AMP CPC	37	561644	561646	C 70	LH CONSOLE	AMP CPC	24	561642	561643
C 5	FR SERVICE COMPT.-UNDERNEATH	AMP CPC	37	561644	561646	C 71	FR JCT BOX COMPARTMENT	AMP CPC	37	561645	561646
C 6	FR SERVICE COMPT.-UNDERNEATH	AMP CPC	16	561639	561640	C 72	FR JCT BOX COMPARTMENT	AMP CPC	24	561642	561643
C 8	FR SERVICE COMPT.-UNDERNEATH	AMP CPC	24	561641	561643	C 74	FR JCT BOX COMPARTMENT	AMP CPC	37	561645	561646
C 9	FR SERVICE COMPT.-UNDERNEATH	AMP CPC	24	561641	561643	C 75					
C 10						C 76	LUGGAGE COMPT.-AIR RET.SENS.	AMP MNL	2	561248	561247
C 11	FR SERVICE COMPARTMENT	AMP CPC	37	561644	561646	C 77	LUGGAGE COMPT.-DOOR LOCK		4	561551	561668
C 12	FR SERVICE COMPARTMENT	AMP CPC	16	561639	561640	C 78	LUGGAGE COMPT.-LTS - COND. CPT	AMP MNL	2	561248	561247
C 13	LH CONSOLE-CTR MIRROR	AMP MNL	6	561552	561515	C 79	LUGGAGE COMPT.-LTS - EVAP. CPT.	AMP MNL	2	561248	561247
C 14	UNDER DASH-LH MIRROR	AMP MNL	9	561661	561662	C 80	LUGGAGE COMPT.-AIR RET.SENS.	AMP MNL	2	561248	561247
C 15	RR JCT BOX	AMP CPC	24	561641	561643	C 81	LUGGAGE COMPT.-DOOR LOCK	AMP MNL	2	561551	561668
C 16	LH CONSOLE SW-CRUISE ON OFF	EATON	10	-----	562763	C 82	LUGGAGE COMPT.-DOOR LOCK	AMP MNL	2	561551	561668
C 17	LH CONSOLE SW-CRUISE RESUME	EATON	10	-----	562763	C 83	LUGGAGE COMPT.-DOOR LOCK	AMP MNL	2	561551	561668
C 18	LH CONSOLE SW-CRUISE SET	EATON	10	-----	562763	C 84	LUGGAGE COMPT.-DOOR LOCK	AMP MNL	2	561551	561668
C 19	LH CONSOLE DECEL SW	EATON	10	-----	562763	C 85	LUGGAGE COMPT.-DOOR LOCK	AMP MNL	2	561551	561668
C 20	RR JCT BOX	AMP CPC	37	561644	561646	C 86	LUGGAGE COMPT.-DOOR LOCK	AMP MNL	2	561551	561668
C 21	RR JCT BOX	AMP CPC	24	561641	561643	C 87	RR END ROOF	AMP CPC	9	561636	561637
C 22						C 88	RR END ROOF-CLEARANCE LTS	AMP MNL	2	560900	560898
C 23						C 89	RR END ROOF-B/U NONITOR	AMP CPC	4	561582	561581
C 24						C 90	RR JCT BOX	AMP CPC	15	561987	561986
C 25						C 91	RR JCT BOX	AMP CPC	37	561714	561713
C 26						C 92	FR LH UPPER WHELL CPT-ABS	AMP CPC	9	561635	561637
C 27						C 93	FR LH UPPER WHELL CPT-ABS	WABCO	35	-----	641094
C 28						C 94					
C 29						C 95					
C 30						C 96	FR AXLE ACCESSORIES	AMP CPC	14	561585	561585
C 31						C 97	RR AXLE ACC-INSIDE PVC END	PED WP	6	561568	561578
C 32	DDEC ENGINE-ECM	PED	30	-----	561600	C 98	FR SERVICE COMPT-EL.FT.PEDAL	PED WP	3	561782	561781
C 33						C 99	FR SERVICE COMPT LTS	AMP MNL	2	561248	561247
C 34						C 100					
C 35	RR JCT BOX	AMP CPC	24	561642	561643	C 101	FR SERVICE COMPT-ELEC. HORNS	PED WP	2	561566	561690
C 36						C 102	FR SERV & SIDE CPT-FLASH. LH	GROTE	2	-----	562155
C 37						C 103	FR SERV & SIDE CPT-MARKERS	GROTE	2	-----	562155
C 38						C 104	FR SERV & SIDE CPT-FLASH. RH	GROTE	2	-----	562155
C 39						C 105	FR SERVICE COMPT-LIQ.S.VALVE	PED WP	2	561566	561690
C 40						C 106	FR SERVICE COMPT-WATER VALVE	PED WP	2	561566	561690
C 41						C 107	EVAPORATOR COMPT-DAMPER	PED WP	2	561566	561690
C 42						C 108					
C 43						C 109					
C 44						C 110					
C 45	FR. JCT BOX COMPARTMENT	AMP CPC	24	561642	561643	C 111	EVAPORATOR COMPT-DAMPER	DEUTSCH	2	562486	562485
C 46						C 112	EVAPORATOR COMPT-SPEED MOT CTRL	DEUTSCH	5	-----	562566
C 47	FR SERVICE COMPARTMENT	AMP CPC	16	561694	561695	C 113	BATT. & RR J.B.CPT.MARKER LT	GROTE	2	-----	562155
C 48						C 114	RR J. BOX CPT DOOR DIR LT LH	GROTE	2	-----	562155
C 49	BATTERIE COMPT.-LT	AMP MNL	2	561248	561247	C 115	ENGINE COMPT-AIR DRYER	PED WP	2	561566	561690
C 50						C 116	ENGINE COMPT. LTS	PED WP	1	561605	561577
C 51						C 117					
C 52	RR JCT BOX	AMP CPC	22	561709	561710	C 118					
C 53						C 119	ENGINE CPT RR DOOR RH LO LAMP	PED WP	6	561606	561607
C 54						C 120	ENGINE CPT RR DOOR LH LO LAMP	PED WP	6	561606	561607
C 55	RH SWITCH PANEL	AMP CPC	9	561636	561637	C 121	BATTERIE CPT. DOOR DIR LT RH	GROTE	2	-----	562155
C 56						C 122	ENGINE CPT-CAMERA DOOR VALVE	PED WP	2	561566	561690
C 57						C 123					

CONNECTORS CODE

NO	LOCATION	TYPE	CAVITY	#PIN HOUSING	#SOCKET HOUSING	NO	LOCATION	TYPE	CAVITY	#PIN HOUSING	#SOCKET HOUSING
C 124	ENGINE CPT-ETHER SW	PED WP	2	561566	561690	C 186W	RR JCT BOX CPT.-SPD SIGN. WT	PED WP	2	561566	561690
C 125	ENGINE CPT-B/U ALARM	PED WP	2	561566	561690	C 187	FR JCT BOX-RPM RESISTOR CON.	AMP MNL	6	561552	561515
C 126						C 188					
C 127	ENGINE CPT-FUEL FILTER	PED WP	2	561566	561690	C 189	ENGINE CPT RR DOOR B/U LT	PED WP	2	561566	561690
C 128	ENGINE CPT-A/C COMPR.CLUTCH	ITT SS	2	561813	561812	C 190	ENGINE CPT RR DOOR TAIL LT	PED WP	2	561566	561690
C 129	ENGINE CPT-PRE-HEAT WATER	AMP FF	6	561672	561186	C 191	ENGINE CPT RR DOOR RH STOP LT	PED WP	2	561566	561690
C 130	ENGINE CPT-UNLOADER	ITT SS	2	561813	561812	C 192	ENGINE CPT RR DOOR RH DIR. LT	PED WP	2	561566	561690
C 131	ENGINE CPT-UNLOADER	ITT SS	2	561813	561812	C 193					
C 132	ENGINE CPT-A/C LO PRESS SW	PED WP	2	561566	561690	C 194	ENGINE CPT RR DOOR LH DIR. LT	PED WP	2	561566	561690
C 133	ENGINE CPT-A/C HI PRESS SW	PED WP	2	561566	561690	C 195	ENGINE CPT RR DOOR LH STOP LT	PED WP	2	561566	561690
C 134	FR JCT BOX-LUGGAGE DIODE CON.	AMP MNL	15	561987	561986	C 196	ENGINE CPT RR DOOR CYCLOP LT	PED WP	2	561566	561690
C 135	FR JCT BOX-LUGGAGE DIODE CON.	AMP MNL	15	561987	561986	C 197					
C 136	RR JCT BOX-A/C PANEL DIODE CON.	AMP MNL	15	561987	561986	C 198					
C 137	RR JCT BOX-TRANSMITTER	AMP MNL	2	560900	560898	C 199	ENGINE CPT RR DOOR LICENCE LT	DOM AUTO	2	930210	-----
C 138	RR JCT BOX-CONTROL MODULE	AMP HDP	15	-----	562012	C 200					
C 139	RR JCT BOX-LOGIC MODULE	AMP HDP	15	562011	-----	C 201	AUX. UNIT CONTROL	PED WP	4	561610	561611
C 140	HVAC DASH MODULE THERMOMETER	MOLEX	4	562782	-----	C 202	AUX. UNIT CONTROL	PED WP	3	561781	561782
C 141	INSTRUMENT PANEL LH UNLOAD TAG	AMP	2	561248	561247	C 203	AUX. UNIT CONTROL	PED WP	2	561566	561690
C 142						C 204	AUX. LIQUID SOL.VALVE	PED WP	2	561566	561690
C 143						C 205					
C 144						C 206					
C 145	RR JCT BOX CPT-RR SIDE LTS	AMP MNL	9	561670	561669	C 207					
C 146	ENGINE CPT-MODULATOR VALVE	AMPHENOL	2	-----	560412	C 208					
C 147	BATT & RR J.B.CPT-DOCK.LTS	PED WP	2	561566	561690	C 209					
C 148						C 210					
C 149	CONDENSER CPT-FAN MOTOR	ORDNANCE	3	562555	562001	C 211	FR ROOF-STORE LH	AMP MNL	2	560900	560898
C 150	ENGINE CPT. - FUEL FILTER	PED WP	1	561605	561577	C 212	FR ROOF-STORE RH	AMP MNL	2	560900	560898
C 151	EVAPORATOR CPT-THERMOSTAT	ITT	2	561813	562159	C 213	FR ROOF-CLEARANCE LT	AMP MNL	2	560900	560898
C 152	CONDENSER CPT-FUEL GAUGE	PED WP	4	561610	561611	C 214					
C 153	EVAPORATOR CPT-AIR AMB. SENS	AMP MNL	2	561248	561247	C 215					
C 154	EVAPORATOR CPT-FRESH AIR SENS	ITT SS	2	561813	561812	C 216					
C 155	EVAPORATOR CPT-WATER VALVE	PED WP	4	561610	561611	C 217					
C 156	EVAPOR. CPT-BYPASS WATER VAL.	PED WP	2	561566	561690	C 218					
C 157	EVAPORATOR CPT-WATER PUMP	PED WP	2	561566	561690	C 219					
C 158	ENGINE CPT-A/C LO TEMP.	PED WP	2	561566	561690	C 220	RR.JCT.BOX-FUEL PRIME PUMP	TC	1	561070	561073
C 159	ENGINE CPT-A/C HI TEMP.	PED WP	2	561566	561690	C 221					
C 160	FR AXLE-ABS RH SENSOR	WABCO	2	641132	-----	C 222					
C 161	FR AXLE-ABS RH VALVE	WABCO	3	-----	641098	C 223					
C 162	FR AXLE-ABS LH VALVE	WABCO	3	-----	641098	C 224					
C 163	FR AXLE-ABS LH SENSOR	WABCO	2	641132	-----	C 225					
C 164	RR AXLE-ABS LH SENSOR	DEUTSCH	2	562486	562485	C 226					
C 165	RR AXLE-ABS LH VALVE	WABCO	3	-----	641098	C 227					
C 166	RR AXLE-ABS RH VALVE	WABCO	3	-----	641098	C 228					
C 167	RR AXLE-ABS RH SENSOR	DEUTSCH	2	562486	562485	C 229					
C 168	RR AXLE-ABS OPT ATC	PED WP	2	561566	561690	C 230	ENG.CPT.-FUEL PRIME PUMP FEED	DEUTSCH	2	562486	562485
C 169	RR JCT BOX-SPEED SW	AMP HDP	15	-----	562012	C 231	ENG.CPT.-FUEL PRIME PUMP SW.	PED WP	2	561566	561690
C 170	FR JCT BOX-FLASHER UNIT	TC	2	-----	561940	C 232	ENG.CPT.-FUEL PRIME PUMP	PED WP	2	561566	561690
C 171	LH CONSOLE	AMP CPC	24	561642	561643	C 233					
C 172	FR SERV. COMPT.- LEVEL LOW	AMP CPC	9	561635	561637	C 234					
C 173	LAV.POTABLE-WATER TANK HEAT.	AMP MNL	2	560900	560898	C 235					
C 174	UNDER DASH RH-HTR MODULE	AMP MNL	9	561670	561669	C 236					
C 175	UNDER DASH RH-HTR MODULE	AMP MNL	9	561670	561669	C 237					
C 176	UNDER DASH RH-WIPER PULSE	AMP FF	6	-----	561186	C 238	RR JCT BOX-DIODE CONNECTOR	AMP MNL	9	561670	561669
C 177	UNDER DASH RH-WIPER MOTOR	AMP FF	6	-----	561186	C 239					
C 178	UNDER DASH RH-LH FAN	TC	2	561030	560997	C 240	LUGG. CPT.-CO-PILOT SEAT HEATER	AMP MNL	2	560900	560898
C 179	UNDER DASH RH-RH FAN	TC	2	561030	560997	C 241					
C 181	RR JCT BOX-DIODE CONNECTOR	AMP MNL	15	561987	561986	C 242	FR SERVICE CPT-MARK & DIR LT	ITT SS	3	561111	561080
C 180						C 243	FR SERVICE CPT-HEADLAMPS	TC	3	-----	561071
C 181						C 244	FR SERVICE CPT-LH FOG LAMP	ITT SS	2	561813	561812
C 182						C 245	FR SERVICE CPT-RH FOG LAMP	ITT SS	2	561813	561812
C 183						C 246	FR SERVICE CPT-MARK & DIR LT	ITT SS	3	561111	561080
C 184						C 247					
C 185						C 248	FR JCT BOX-WIPER PULSE GEN	AMP FF	6	-----	561108
C 186	RR JCT BOX CPT.-SPEED SIGN.TR	PED WP	2	561566	561690	C 249					
C 186M	RR JCT BOX CPT.-SPD SIGN. M.TR	PED WP	2	561566	561690	C 250					

CONNECTORS CODE

NO	LOCATION	TYPE	CAVITY	#PIN HOUSING	#SOCKET HOUSING	NO	LOCATION	TYPE	CAVITY	#PIN HOUSING	#SOCKET HOUSING
C 251	LH SW PANEL-FAST IDLE	EATON	10	-----	562763	C 316					
C 252						C 317	LH CONSOLE SW-RH STORE	EATON	10	-----	562763
C 253	LH SW PANEL-ETHER	EATON	10	-----	562763	C 318	LH CONSOLE SW-DRV WINDOW LIFT	EATON	10	-----	562763
C 254	INST. PANEL RH-ENTR.DOOR SW.	TORRIX	5	-----	562110	C 319					
C 255	LH SW PANEL-JACOB	EATON	10	-----	562763	C 320	LH CONSOLE SW-DRIVER'S LTS	EATON	10	-----	562763
C 256						C 321					
C 257						C 322	LH CONSOLE DRV WIND LIFT MOT	PED PO	2	-----	561848
C 258	LH SW PANEL-MULTI FUNC. SW	AMP FF	8	561188	-----	C 323	LH CONSOLE CRUISE CTR SW PAN.	AMP CPC	9	561636	561637
C 259	LH SW PANEL-MULTI FUNC. SW	AMP FF	6	-----	561108	C 324					
C 260						C 325	LH CONSOLE SW-KNEELING	EATON	8	-----	562763
C 261						C 326	LH CONSOLE SW-SPARE	EATON	8	-----	562763
C 262	UNDER DASH RH-KEYLESS MODULE	AMP MUL	22	-----	562675	C 327	ENGINE CONTROL	DEUTSCH	6	562583	562581
C 263	UNDER DASH RH- KEYLESS MODULE	AMP MUL	26	-----	562676	C 328					
C 264	ENTRANCE DOOR-KEYPAD	AMP CPC	9	561536	561637	C 329	ENGINE TACHO SIGNAL	PED WP	3	561781	561789
C 265	RH SW PANEL -DRIVER'S DOOR SW.	EATON	10	-----	562763	C 330					
C 266						C 331					
C 267	UNDER DASH RH	AMP CPC	24	561642	561643	C 332					
C 268	UNDER DASH LH-MIRROR	AMP MNL	6	561552	561515	C 333					
C 269	UNDER DASH RH-MIRROR	AMP MNL	6	561552	561515	C 334					
C 270	LH MIRROR POST	MOLEX	6	562070	562069	C 335					
C 271	RH MIRROR POST	MOLEX	6	562070	562069	C 336					
C 272	LH MIRROR	SPARTAN	6	-----	990158	C 337	INSTR PANEL LH-UP WIPER SW	EATON	8	-----	562763
C 273	RH MIRROR	SPARTAN	6	-----	990158	C 338	INSTR PANEL LH-UP DEFROST SW	EATON	8	-----	562763
C 274						C 339	INSTR PANEL LH-UP WASHER SW	EATON	8	-----	562763
C 275						C 340	FR JCT. BOX FIRE PIEZO ALARM	AMP MNL	2	560900	560898
C 276	UNDER DASH RH -3 WAY LTS	EATON	10	-----	562763	C 341	INSTR PANEL LH-HEAT MIRROR SW	EATON	8	-----	562763
C 277	LH CONSOLE -DOCK. & CORN. SW.	EATON	10	-----	562763	C 342	ENGINE RR START SW	DEUTSCH	2	562586	562585
C 278	LH CONSOLE -BACK-UP CANCEL SW.	EATON	10	-----	562763	C 343	INSTR PANEL LH-HEADLAMP SW	EATON	8	-----	562763
C 279						C 344	INSTR PANEL LH-HAZARD LT SW	EATON	8	-----	562763
C 280	UNDER DASH RH -3 WAY LTS	EATON	10	-----	562763	C 345	INSTR PANEL LH-FOG LT SW	EATON	8	-----	562763
C 281	LH CONSOLE -LEVEL LOW	AMP MNL	4	560851	560852	C 346	INSTR PANEL LH-SWITCH LTS	EATON	2	-----	561837
C 282	LH CONSOLE -MONITOR OPER. SW.	EATON	10	-----	562763	C 347	INSTR PANEL LH-DASH LT SW	AMP MNL	2	560900	560898
C 283	LH CONSOLE -LOW DOCKING SW.	EATON	10	-----	562763	C 348	INSTR PANEL CENT-RACOR MODULE	MOLEX	6	562070	562067
C 284						C 349					
C 285	ENTRANCE DOOR -SOL. DOOR	PED PO	2	-----	562076	C 350	RH CONSOLE-THERMOMETER	AMP MNL	3	561667	561550
C 286	RH SW PANEL-A/C & HEAT	EATON	10	-----	562763	C 351					
C 287	ENGINE COMPT-LTS SW	PED WP	2	561566	561690	C 352	RH CONSOLE-DRV TEMP SENSOR	BURNDY	4	-----	561104
C 288	RH SW PANEL-FRESH AIR	EATON	10	-----	562763	C 353	INSTR PANEL RH-DRV FAN RHEOST	AMP MNL	6	561552	561515
C 289						C 354	INSTR PANEL RH-DRV TEMP CTR	AMP MNL	6	561552	561515
C 290	LUGGAGE COMPT -DOOR LOCK	AMP MNL	4	561551	561668	C 355	INSTR PANEL RH-FR TEMP CTR	AMP MNL	3	561667	561550
C 291	LUGGAGE COMPT -DOOR LOCK	AMP MNL	4	561551	561668	C 356					
C 292						C 357	INSTR PANEL RH-WATER TEMP GA	AMP MNL	3	561667	561550
C 293						C 358	INSTR PANEL RH-FUEL LEVEL GA	AMP MNL	3	561667	561550
C 294						C 359					
C 295						C 360	INSTR PANEL RH-B/U MONITOR	AMP MNL	2	561248	561247
C 296						C 361	FR ROOF-WIPER MOTOR	AMP FF	6	-----	561186
C 297	INSTRUMENT PANEL RH -LTS	AMP MNL	2	560900	560898	C 362					
C 298						C 363					
C 299						C 364					
C 300						C 365					
C 301						C 366	RH DASH PANEL-GRN & RED LEDS	AMP MNL	3	560908	562006
C 302						C 367					
C 303						C 368					
C 304						C 369					
C 305						C 370					
C 306						C 371					
C 307						C 372	FR ROOF-DEST. SIGN SPEED SW	MOLEX	4	561477	561476
C 308	LH CONSOLE SW-RHEOSTAT	TC	2	561030	560997	C 373	FR ROOF-NO SMOKING LT	AMP MNL	2	561248	561247
C 309	DDEC ENGINE-ECM POWER CON.	PED MP	5	-----	562345	C 374	LH SWITCH PANEL	AMP MNL	6	561552	561515
C 310	LH CONSOLE SW-LUG. DOOR LOCK	EATON	10	-----	562763	C 375					
C 311						C 376	LH SWITCH PANEL	AMP CPC	37	561714	562005
C 312						C 377	LH SW PANEL-STOP ENG.OVERRIDE	EATON	10	-----	562763
C 313						C 378					
C 314						C 379					
C 315	LH CONSOLE SW-LH STORE	EATON	10	-----	562763	C 380	LH CONSOLE-DDR CONNECTOR	DEUTSCH	6	562360	-----

CONNECTORS CODE

NO	LOCATION	TYPE	CAVITY	#PIN HOUSING	#SOCKET HOUSING	NO	LOCATION	TYPE	CAVITY	#PIN HOUSING	#SOCKET HOUSING
C 381	INST. PANEL CENTER-ANTI-THEFT LED	AMP MNL	2	561248	561247	C 446					
C 382						C 447					
C 383						C 448					
C 384						C 449					
C 385						C 450					
C 386						C 451					
C 387						C 452					
C 388						C 453					
C 389						C 454					
C 390						C 455					
C 391						C 456	WORLD TRANSM.-RETARDER ACCUM.	PED MP	2	-----	562427
C 392						C 457	WORLD TRANSM.-MAIN CONNECTOR	DEUTSCH	31	562572	562536
C 393						C 458	WORLD TRANSM.-TURBINE SP.SENS	PED MP	2	-----	562426
C 394						C 459	WORLD TRANSM.-ENGINE SP.SENS.	PED MP	2	-----	562426
C 395						C 460	WORLD TRANSM.-SPEED SENSOR	ITT	2	-----	562541
C 396						C 461	WORLD TRANSM.-RETARDER TEMP.	PED MP	2	561566	561590
C 397	ENGINE COMPT. CRADLE ACC.	DEUTSCH	40	562281	562284	C 462	WORLD TRANSM.-RETARD SOL."K"	PED MP	2	-----	562426
C 398						C 463	WORLD TRANSM.-SENSOR CONN.	DEUTSCH	16	562570	562571
C 399	ENGINE COMPT. - EXITING SIGNAL ALTERN.	PED WP	2	561566	561690	C 464	RR JCT BOX-DDL CONN W.T.	DEUTSCH	6	-----	562360
C 400	ENGINE COMPT. BLOCK HEATER	PED MP	3	561781	561782	C 465	LH CONSOLE-SHIFTER SELECTOR	PED	20	-----	562825
C 401						C 466	FR SERVICE CPT.-RESIS. MOD.	PED WP	3	-----	562428
C 402	RR DRIVE AXLE-AIR DRYER	PED MP	2	-----	562251	C 467	FR SERVICE CPT.-RESIS. MOD.	PED WP	3	-----	562428
C 403						C 468					
C 404						C 469					
C 405						C 470	FR LH UPPER WHELL CPT-SILENT 1000	AMP MNL	2	561248	561247
C 406	FR JCT BOX COMPT.-ABS	AMP MNL	2	560900	560898	C 471	FR LH UPPER WHELL CPT-SILENT 1000	AMP MNL	2	561248	561247
C 407	ENGINE COMPT. -SIGNAL	PED WP	6	561606	561607	C 472	FR LH UPPER WHELL CPT-SILENT 1000	PED WP	2	561566	561690
C 408	ENGINE COMPT. -SIGNAL	PED WP	6	561606	561607	C 473	FR LH UPPER WHELL CPT-SILENT 1000	AMP MNL	3	561667	561550
C 409	ENGINE CPT -LOW COOL. LEVEL	PED MP	2	-----	562350	C 474	DRIVER'S.-TEMP. SENSOR	AMP MNL	2	561247	561248
C 410	FR JCT BOX-DIODE CONNECTOR	AMP MNL	15	561987	561986	C 475	RR JCT BOX-SPEED SIGN CONNECTOR	AMP MNL	2	561248	561247
C 411	FR JCT BOX-DIODE CONNECTOR	AMP MNL	15	561987	561986	C 475M	RR JCT BOX-SPEED SIGN MANUAL TR.	MOLEX	6	562070	562069
C 412	LH SW PANEL-MASTER SWITCH	EATON	10	-----	562763	C 475W	RR JCT BOX-SPEED SIGN WORLD TR.	MOLEX	6	562070	562069
C 413	ENG CPT-A/C HI UNLOAD PRS SW	PED WP	2	561566	561690	C 476					
C 414	RR JCT BOX	AMP MNL	9 - 12			C 477					
C 415	ENGINE CRADLE-FAN SIGNAL	PED WP	3	561781	561782	C 478					
C 416	ENGINE CRADLE-FAN SIGNAL	PED P-C	3	562237	-----	C 479	HVAC MODULE (NOT USED)	-----	-	-----	-----
C 417	FRONT JCT BOX-DIODES	AMP MNL	15	561987	561986	C 480	UNDER DASH RH-DR'S FAN SPEED CTR MOD	PED	4	561889	561890
C 418	INSTR. PANEL LH-HTR WINDSH.SW	EATON	10	-----	562763	C 481	UNDER DASH RH-DR'S FAN SPEED CTR MOD	PED	3	561781	561782
C 419	FR JCT BOX-RETARDER OR JACOB	AMP MNL	3	561667	561550	C 482					
C 420	ENGINE COMPT. WEBASTO WATER HTR	TC	2	561597	-----	C 483	FR SERVICE CPT. -SEAT ELECTRICAL SEAT	PED PC	2	-----	562237
C 421	ENGINE COMPT. WEBASTO WATER HTR	TC	1	561073	-----	C 484	UNDER DASH LH-FOOT DAMPER MOTOR	PED PC	2	-----	562076
C 422	ENGINE COMPT. WEBASTO WATER HTR	TC	2	561597	-----	C 485	UNDER DASH LH-DASH & DEFROST DAMP.M.	AMP MNL	3	561667	561550
C 423						C 486					
C 424	UNDER INSTRUMENT PANEL CENTER	AMP MNL	3	561667	561550	C 487					
C 425	FR JCT BOX-DIODES	AMP MNL	15	561987	561986	C 488					
C 426	ENGINE COMPT. CLUTCH CTR FAN	PED WP	3	561781	561782	C 489					
C 427						C 490					
C 428						C 491					
C 429	FR JCT BOX COMPT.	AMP MNL	6	561552	561515	C 492					
C 430	LH CONSOLE-TIMER	AMP FF	8	561188	562363	C 493					
C 431	LH CONSOLE-PRE HEAT.	TAB AMP	1	561540	561539	C 494					
C 432	ENGINE CPT.-PROX. SW. DOOR AJAR	DEUTSCH	4	562479	562477	C 495					
C 433	FR SERVICE CPT. KNEEL. PRESS. SW	PED WP	2	561566	561690	C 496					
C 434	FRONT JCT. BOX-DIODES	AMP MNL	15	561987	561986	C 497					
C 435	FR SERVICE CPT.(RH) KNEEL. PIEZO	AMP MNL	2	560900	560898	C 498					
C 436	RH HAT RACK-WCL CENTER ROOF ACC	AMP CPC	16	561639	561640	C 499					
C 437						C 500	FR LH UPPER WHELL CPT -PRODRIVER	MOLEX	6	562070	562069
C 438						C 501	FR LH UPPER WHELL CPT -PRODRIVER MOD	PED MP	7	562433	-----
C 439						C 502	LH CONSOLE-PRE HEATER SW.	EATON	10	-----	562763
C 440						C 503					
C 441						C 504	LH CONSOLE WEBASTO TIMER	AMP	8	-----	562852
C 442						C 505	LH CONSOLE ESPAR TIMER	AMP	12	-----	562681
C 443						C 506	LH CONSOLE-LEVEL LOW SW.	EATON	10	-----	562763
C 444						C 508	RR JCT BOX-FAN CLUTCH RETARDER	AMP MNL	6	561552	561515
C 445						C 509	FR LH UPPER WHELL CPT -DATA LOGGER	PED MP	16	-----	562530

CONNECTORS CODE

NO	LOCATION	TYPE	CAVITY	#PIN HOUSING	#SOCKET HOUSING	NO	LOCATION	TYPE	CAVITY	#PIN HOUSING	#SOCKET HOUSING
C 510	FR LH UPPER WHELL CPT -DATA LOGGER	DEUTSCH	9	562531	-----	C 575					
C 511	FR LH UPPER WHELL CPT -DATA LOGGER	PED MP	4	562532	-----	C 576					
C 512	FR LH UPPER WHELL CPT -DATA LOGGER	PED MP	10	562533	-----	C 577					
C 513	FR LH UPPER WHELL CPT -DATA LOGGER	AMP MNL	3	561667	561550	C 578					
C 514	FR LH UPPER WHELL CPT -DATA LOGGER	PED MP	6	562433	562417	C 579					
C 515						C 580					
C 516						C 581					
C 517						C 582	FRONT SERVICE CMPT. - WINDOWS AJAR	PED WP	2	561566	561690
C 518						C 583	L.H. DASH PANEL - MASTER KEY	DEUTSCH	2	562486	562485
C 519						C 584	FRONT SERVICE CMPT. - AIR HORH	HUMPHREY	3	-----	641385
C 520						C 585					
C 521						C 586					
C 522	FR JCT BOX-DAYTIME LTS MODULE	BOSCH	5	-----	561183	C 587					
C 523	FR JCT BOX-FUSE BLOCK	PED	8	562647	562646	C 588					
C 524	FR JCT BOX-FUSE BLOCK	PED	8	562647	562646	C 589	UNDER DASH - L.H. MIRROR	AMP MNL	9	561670	561669
C 525	FR JCT BOX-FUSE BLOCK	PED	8	562647	562646	C 590	UNDER DASH - R.H. MIRROR	AMP MNL	9	561670	561669
C 526	FR JCT BOX-FUSE BLOCK	PED	8	562647	562646	C 591	L.H.CONSOLE - MIRROR L.H.	EURAMTEC	8	-----	562799
C 527	FR JCT BOX-FUSE BLOCK	PED	8	562647	562646	C 592	L.H.CONSOLE - MIRROR R.H.	EURAMTEC	8	-----	562799
C 528						C 593					
C 529	FR JCT BOX-12V OUTLET	AMP MNL	2	561247	561248	C 594	FRONT ROOF - DRIVERS LIGHT	LEEKRAFT		-----	562803
C 530	RR JCT BOX-FUSE BLOCK	PED	8	562647	562646	C 595					
C 531	RR JCT BOX-FUSE BLOCK	PED	8	562647	562646	C 596					
C 532	RR JCT BOX-FUSE BLOCK	PED	8	562647	562646	C 597	L.H. DASH PANEL - DISPLAY SET SW.	MOLEX	5	-----	562812
C 533						C 598	L.H. DASH PANEL - DISPLAY SET SW.	MOLEX	5	-----	562812
C 534						C 599					
C 535	RR JCT BOX-FIRE MODULE DETECT.	AMP MNL	3	561667	561550	C 600	ENGINE CPT.-A/C LOW PRESS SW. UNLOAD	PED	2	562348	562471
C 536	UNDER DASH RH-DRIVER'S HTR TEMP. CTR	AMP MNL	6	561552	561515	C 601					
C 537	BATT. CPT.-A/C PRESS. SIGN. RLY	AMP MNL	2	561248	561247	C 602					
C 538	FR SERVICE CPT.-OUTSIDE TEMP. SENSOR	AMP MNL	2	561248	561247	C 603					
C 539	HVAC DASH MODULE OUTPUT CON	MOLEX	24		562780	C 604					
C 540	HVAC DASH MODULE INPUT CON	MOLEX	22		562781	C 605					
C 541						C 606					
C 542						C 607	FRONT SERVICE CMPT. RPM SIGNAL	PED WP	2	561566	561690
C 543	RR JCT BOX-PARK. BRAKE STOP LTS RESIS.	PED WP	2	561566	561690	C 608	FRONT SERVICE CMPT. SPEED SIGNAL	PED WP	2	561566	561690
C 544						LX	CLUSTER	JAE	22	-----	562766
C 545						LY	CLUSTER	JAE	30	-----	562767
C 546	LH DASH PANEL-ACCESSORIES	AMP CPC	37	561645	561646	R X	CLUSTER	JAE	22	-----	562764
C 547	RH DASH PANEL-ACCESSORIES	AMP CPC	37	561645	561646						
C 548	LH DASH PANEL-T.T. LT. TEST SW.	EATON	10	-----	562763						
C 549											
C 550	EVAPORATOR COMPARTIMENT	ITT	2	561813	562159						
C 551	RR JCT BOX - A/C PANEL	PED	2	561566	561690						
C 552											
C 553											
C 554											
C 555											
C 556											
C 557											
C 558											
C 559											
C 560											
C 561											
C 562											
C 563											
C 564											
C 565											
C 566											
C 567											
C 568											
C 569											
C 570	UNDER DASH PANEL TTLT MODULE	MOLEX	6		562464						
C 571	UNDER DASH PANEL TTLT MODULE	MOLEX	20		562778						
C 572	UNDER DASH PANEL TTLT MODULE	MOLEX	18		562779						
C 573	UNDER DASH PANEL TTLT MODULE	MOLEX	16		562465						
C 574											

CONNECTORS CODE

NO	LOCATION	TYPE	CAVITY	#PIN	#SOCKET	NO	LOCATION	TYPE	CAVITY	#PIN	#SOCKET
				HOUSING	HOUSING					HOUSING	HOUSING
C X1	FR LH UPPER WHELL CPT-ABS	WABCO	18		562792	C 58	RR JCT BOX - A/C PANEL	DEUTSCH	24	562280	562283
C X2	FR LH UPPER WHELL CPT-ABS	WABCO	6		562793	C 59	RR JCT BOX - A/C PANEL	AMP CPC	14	561585	561583
C X3	FR LH UPPER WHELL CPT-ABS	WABCO	9		562794	C 60	RR JCT BOX COMPT.-LT	AMP MNL	2	561248	561247
C X4	FR LH UPPER WHELL CPT-ABS	WABCO	15		562795	C 61	LUGGAGE COMPARTMENT LTS	AMP MNL	2	561248	561247
C S	RR JCT BOX ECU WORLD TR.	PED	32		562817	C 62	LUGGAGE COMPARTMENT LTS	AMP MNL	2	561248	561247
C T	RR JCT BOX ECU WORLD TR.	PED	32		562824	C 63	LUGGAGE COMPARTMENT LTS	AMP MNL	2	561248	561247
C V	RR JCT BOX ECU WORLD TR.	PED	32		562823	C 64	LUGGAGE COMPARTMENT LTS	AMP MNL	2	561248	561247
CV I2	RR JCT BOX-WORLD TRANS. SHIFT & RET.	AMP CPC	9	561636	561637	C 65	LUGGAGE COMPARTMENT LTS	AMP MNL	2	561248	561247
C Y	CLUSTER	JAE	30		562765	C 66	LUGGAGE COMPARTMENT LTS	AMP MNL	2	561248	561247
C 1	FR JCT BOX COMPARTMENT	AMP CPC	14	561585	561584	C 67	LUGGAGE COMPARTMENT LTS	AMP MNL	2	561248	561247
C 2	FR JCT BOX COMPARTMENT	AMP CPC	16	561639	561640	C 68	LUGGAGE COMPARTMENT LTS	AMP MNL	2	561248	561247
C 3	FR JCT BOX COMPARTMENT	AMP CPC	24	561641	561643	C 69	RR AXLE ACC-INSIDE PVC END	PED WP	6	561568	561578
C 4	FR JCT BOX COMPARTMENT	AMP CPC	37	561644	561646	C 70	LH CONSOLE	AMP CPC	24	561642	561643
C 5	FR SERVICE COMPT.-UNDERNEATH	AMP CPC	37	561644	561646	C 71	FR JCT BOX COMPARTMENT	AMP CPC	37	561645	561646
C 6	FR SERVICE COMPT.-UNDERNEATH	AMP CPC	16	561639	561640	C 72	FR JCT BOX COMPARTMENT	AMP CPC	24	561642	561643
C 8	FR SERVICE COMPT.-UNDERNEATH	AMP CPC	24	561641	561643	C 74	FR JCT BOX COMPARTMENT	AMP CPC	37	561645	561646
C 9	FR SERVICE COMPT.-UNDERNEATH	AMP CPC	24	561641	561643	C 75					
C 10						C 76	LUGGAGE COMPT.-AIR RET.SENS.	AMP MNL	2	561248	561247
C 11	FR SERVICE COMPARTMENT	AMP CPC	37	561644	561646	C 77	LUGGAGE COMPT.-DOOR LOCK		4	561551	561668
C 12	FR SERVICE COMPARTMENT	AMP CPC	16	561639	561640	C 78	LUGGAGE COMPT.-LTS - COND. CPT	AMP MNL	2	561248	561247
C 13	LH CONSOLE-CTR MIRROR	AMP MNL	6	561552	561515	C 79	LUGGAGE COMPT.-LTS - EVAP. CPT.	AMP MNL	2	561248	561247
C 14	UNDER DASH-LH MIRROR	AMP MNL	9	561661	561662	C 80	LUGGAGE COMPT.-AIR RET.SENS.	AMP MNL	2	561248	561247
C 15	RR JCT BOX	AMP CPC	24	561641	561643	C 81	LUGGAGE COMPT.-DOOR LOCK	AMP MNL	2	561551	561668
C 16	LH CONSOLE SW-CRUISE ON OFF	EATON	10	-----	562763	C 82	LUGGAGE COMPT.-DOOR LOCK	AMP MNL	2	561551	561668
C 17	LH CONSOLE SW-CRUISE RESUME	EATON	10	-----	562763	C 83	LUGGAGE COMPT.-DOOR LOCK	AMP MNL	2	561551	561668
C 18	LH CONSOLE SW-CRUISE SET	EATON	10	-----	562763	C 84	LUGGAGE COMPT.-DOOR LOCK	AMP MNL	2	561551	561668
C 19	LH CONSOLE DECEL SW	EATON	10	-----	562763	C 85	LUGGAGE COMPT.-DOOR LOCK	AMP MNL	2	561551	561668
C 20	RR JCT BOX	AMP CPC	37	561644	561646	C 86	LUGGAGE COMPT.-DOOR LOCK	AMP MNL	2	561551	561668
C 21	RR JCT BOX	AMP CPC	24	561641	561643	C 87	RR END ROOF	AMP CPC	9	561636	561637
C 22						C 88	RR END ROOF-CLEARANCE LTS	AMP MNL	2	560900	560898
C 23						C 89	RR END ROOF-B/U NONITOR	AMP CPC	4	561582	561581
C 24						C 90	RR JCT BOX	AMP CPC	15	561987	561986
C 25						C 91	RR JCT BOX	AMP CPC	37	561714	561713
C 26						C 92	FR LH UPPER WHELL CPT-ABS	AMP CPC	9	561635	561637
C 27						C 93	FR LH UPPER WHELL CPT-ABS	WABCO	35	-----	641094
C 28						C 94					
C 29						C 95					
C 30						C 96	FR AXLE ACCESSORIES	AMP CPC	14	561585	561585
C 31						C 97	RR AXLE ACC-INSIDE PVC END	PED WP	6	561568	561578
C 32	DDEC ENGINE-ECM	PED	30	-----	561600	C 98	FR SERVICE COMPT-EL.FT.PEDAL	PED WP	3	561782	561781
C 33						C 99	FR SERVICE COMPT LTS	AMP MNL	2	561248	561247
C 34						C 100					
C 35	RR JCT BOX	AMP CPC	24	561642	561643	C 101	FR SERVICE COMPT-ELEC. HORNS	PED WP	2	561566	561690
C 36						C 102	FR SERV & SIDE CPT-FLASH. LH	GROTE	2	-----	562155
C 37						C 103	FR SERV & SIDE CPT-MARKERS	GROTE	2	-----	562155
C 38						C 104	FR SERV & SIDE CPT-FLASH. RH	GROTE	2	-----	562155
C 39						C 105	FR SERVICE COMPT-LIQ.S.VALVE	PED WP	2	561566	561690
C 40						C 106	FR SERVICE COMPT-WATER VALVE	PED WP	2	561566	561690
C 41						C 107	EVAPORATOR COMPT-DAMPER	PED WP	2	561566	561690
C 42						C 108					
C 43						C 109					
C 44						C 110					
C 45	FR. JCT BOX COMPARTMENT	AMP CPC	24	561642	561643	C 111	EVAPORATOR COMPT-DAMPER	DEUTSCH	2	562486	562485
C 46						C 112	EVAPORATOR COMPT-SPEED MOT CTRL	DEUTSCH	5	-----	562566
C 47	FR SERVICE COMPARTMENT	AMP CPC	16	561694	561695	C 113	BATT. & RR J.B.CPT.MARKER LT	GROTE	2	-----	562155
C 48						C 114	RR J. BOX CPT DOOR DIR LT LH	GROTE	2	-----	562155
C 49	BATTERIE COMPT.-LT	AMP MNL	2	561248	561247	C 115	ENGINE COMPT-AIR DRYER	PED WP	2	561566	561690
C 50						C 116	ENGINE COMPT. LTS	PED WP	1	561605	561577
C 51						C 117					
C 52	RR JCT BOX	AMP CPC	22	561709	561710	C 118					
C 53						C 119	ENGINE CPT RR DOOR RH LO LAMP	PED WP	6	561606	561607
C 54						C 120	ENGINE CPT RR DOOR LH LO LAMP	PED WP	6	561606	561607
C 55	RH SWITCH PANEL	AMP CPC	9	561636	561637	C 121	BATTERIE CPT. DOOR DIR LT RH	GROTE	2	-----	562155
C 56						C 122	ENGINE CPT-CAMERA DOOR VALVE	PED WP	2	561566	561690
C 57						C 123					

CONNECTORS CODE

NO	LOCATION	TYPE	CAVITY	#PIN HOUSING	#SOCKET HOUSING	NO	LOCATION	TYPE	CAVITY	#PIN HOUSING	#SOCKET HOUSING
C 124	ENGINE CPT-ETHER SW	PED WP	2	561566	561690	C 186W	RR JCT BOX CPT.-SPD SIGN. WT	PED WP	2	561566	561690
C 125	ENGINE CPT-B/U ALARM	PED WP	2	561566	561690	C 187	FR JCT BOX-RPM RESISTOR CON.	AMP MNL	6	561552	561515
C 126						C 188					
C 127	ENGINE CPT-FUEL FILTER	PED WP	2	561566	561690	C 189	ENGINE CPT RR DOOR B/U LT	PED WP	2	561566	561690
C 128	ENGINE CPT-A/C COMPR.CLUTCH	ITT SS	2	561813	561812	C 190	ENGINE CPT RR DOOR TAIL LT	PED WP	2	561566	561690
C 129	ENGINE CPT-PRE-HEAT WATER	AMP FF	6	561672	561186	C 191	ENGINE CPT RR DOOR RH STOP LT	PED WP	2	561566	561690
C 130	ENGINE CPT-UNLOADER	ITT SS	2	561813	561812	C 192	ENGINE CPT RR DOOR RH DIR. LT	PED WP	2	561566	561690
C 131	ENGINE CPT-UNLOADER	ITT SS	2	561813	561812	C 193					
C 132	ENGINE CPT-A/C LO PRESS SW	PED WP	2	561566	561690	C 194	ENGINE CPT RR DOOR LH DIR. LT	PED WP	2	561566	561690
C 133	ENGINE CPT-A/C HI PRESS SW	PED WP	2	561566	561690	C 195	ENGINE CPT RR DOOR LH STOP LT	PED WP	2	561566	561690
C 134	FR JCT BOX-LUGGAGE DIODE CON.	AMP MNL	15	561987	561986	C 196	ENGINE CPT RR DOOR CYCLOP LT	PED WP	2	561566	561690
C 135	FR JCT BOX-LUGGAGE DIODE CON.	AMP MNL	15	561987	561986	C 197					
C 136	RR JCT BOX-A/C PANEL DIODE CON.	AMP MNL	15	561987	561986	C 198					
C 137	RR JCT BOX-TRANSMITTER	AMP MNL	2	560900	560898	C 199	ENGINE CPT RR DOOR LICENCE LT	DOM AUTO	2	930210	-----
C 138	RR JCT BOX-CONTROL MODULE	AMP HDP	15	-----	562012	C 200					
C 139	RR JCT BOX-LOGIC MODULE	AMP HDP	15	562011	-----	C 201	AUX. UNIT CONTROL	PED WP	4	561610	561611
C 140	HVAC DASH MODULE THERMOMETER	MOLEX	4	562782	-----	C 202	AUX. UNIT CONTROL	PED WP	3	561781	561782
C 141	INSTRUMENT PANEL LH UNLOAD TAG	AMP	2	561248	561247	C 203	AUX. UNIT CONTROL	PED WP	2	561566	561690
C 142						C 204	AUX. LIQUID SOL.VALVE	PED WP	2	561566	561690
C 143						C 205					
C 144						C 206					
C 145	RR JCT BOX CPT-RR SIDE LTS	AMP MNL	9	561670	561669	C 207					
C 146	ENGINE CPT-MODULATOR VALVE	AMPHENOL	2	-----	560412	C 208					
C 147	BATT & RR J.B.CPT-DOCK.LTS	PED WP	2	561566	561690	C 209					
C 148						C 210					
C 149	CONDENSER CPT-FAN MOTOR	ORDNANCE	3	562555	562001	C 211	FR ROOF-STORE LH	AMP MNL	2	560900	560898
C 150	ENGINE CPT. - FUEL FILTER	PED WP	1	561605	561577	C 212	FR ROOF-STORE RH	AMP MNL	2	560900	560898
C 151	EVAPORATOR CPT-THERMOSTAT	ITT	2	561813	562159	C 213	FR ROOF-CLEARANCE LT	AMP MNL	2	560900	560898
C 152	CONDENSER CPT-FUEL GAUGE	PED WP	4	561610	561611	C 214					
C 153	EVAPORATOR CPT-AIR AMB. SENS	AMP MNL	2	561248	561247	C 215					
C 154	EVAPORATOR CPT-FRESH AIR SENS	ITT SS	2	561813	561812	C 216					
C 155	EVAPORATOR CPT-WATER VALVE	PED WP	4	561610	561611	C 217					
C 156	EVAPOR. CPT-BYPASS WATER VAL.	PED WP	2	561566	561690	C 218					
C 157	EVAPORATOR CPT-WATER PUMP	PED WP	2	561566	561690	C 219					
C 158	ENGINE CPT-A/C LO TEMP.	PED WP	2	561566	561690	C 220	RR.JCT.BOX-FUEL PRIME PUMP	TC	1	561070	561073
C 159	ENGINE CPT-A/C HI TEMP.	PED WP	2	561566	561690	C 221					
C 160	FR AXLE-ABS RH SENSOR	WABCO	2	641132	-----	C 222					
C 161	FR AXLE-ABS RH VALVE	WABCO	3	-----	641098	C 223					
C 162	FR AXLE-ABS LH VALVE	WABCO	3	-----	641098	C 224					
C 163	FR AXLE-ABS LH SENSOR	WABCO	2	641132	-----	C 225					
C 164	RR AXLE-ABS LH SENSOR	DEUTSCH	2	562486	562485	C 226					
C 165	RR AXLE-ABS LH VALVE	WABCO	3	-----	641098	C 227					
C 166	RR AXLE-ABS RH VALVE	WABCO	3	-----	641098	C 228					
C 167	RR AXLE-ABS RH SENSOR	DEUTSCH	2	562486	562485	C 229					
C 168	RR AXLE-ABS OPT ATC	PED WP	2	561566	561690	C 230	ENG.CPT.-FUEL PRIME PUMP FEED	DEUTSCH	2	562486	562485
C 169	RR JCT BOX-SPEED SW	AMP HDP	15	-----	562012	C 231	ENG.CPT.-FUEL PRIME PUMP SW.	PED WP	2	561566	561690
C 170	FR JCT BOX-FLASHER UNIT	TC	2	-----	561940	C 232	ENG.CPT.-FUEL PRIME PUMP	PED WP	2	561566	561690
C 171	LH CONSOLE	AMP CPC	24	561642	561643	C 233					
C 172	FR SERV. COMPT.- LEVEL LOW	AMP CPC	9	561635	561637	C 234					
C 173	LAV.POTABLE-WATER TANK HEAT.	AMP MNL	2	560900	560898	C 235					
C 174	UNDER DASH RH-HTR MODULE	AMP MNL	9	561670	561669	C 236					
C 175	UNDER DASH RH-HTR MODULE	AMP MNL	9	561670	561669	C 237					
C 176	UNDER DASH RH-WIPER PULSE	AMP FF	6	-----	561186	C 238	RR JCT BOX-DIODE CONNECTOR	AMP MNL	9	561670	561669
C 177	UNDER DASH RH-WIPER MOTOR	AMP FF	6	-----	561186	C 239					
C 178	UNDER DASH RH-LH FAN	TC	2	561030	560997	C 240	LUGG. CPT.-CO-PILOT SEAT HEATER	AMP MNL	2	560900	560898
C 179	UNDER DASH RH-RH FAN	TC	2	561030	560997	C 241					
C 181	RR JCT BOX-DIODE CONNECTOR	AMP MNL	15	561987	561986	C 242	FR SERVICE CPT-MARK & DIR LT	ITT SS	3	561111	561080
C 180						C 243	FR SERVICE CPT-HEADLAMPS	TC	3	-----	561071
C 181						C 244	FR SERVICE CPT-LH FOG LAMP	ITT SS	2	561813	561812
C 182						C 245	FR SERVICE CPT-RH FOG LAMP	ITT SS	2	561813	561812
C 183						C 246	FR SERVICE CPT-MARK & DIR LT	ITT SS	3	561111	561080
C 184						C 247					
C 185						C 248	FR JCT BOX-WIPER PULSE GEN	AMP FF	6	-----	561108
C 186	RR JCT BOX CPT.-SPEED SIGN.TR	PED WP	2	561566	561690	C 249					
C 186M	RR JCT BOX CPT.-SPD SIGN. M.TR	PED WP	2	561566	561690	C 250					

CONNECTORS CODE

NO	LOCATION	TYPE	CAVITY	#PIN HOUSING	#SOCKET HOUSING	NO	LOCATION	TYPE	CAVITY	#PIN HOUSING	#SOCKET HOUSING
C 251	LH SW PANEL-FAST IDLE	EATON	10	-----	562763	C 316					
C 252						C 317	LH CONSOLE SW-RH STORE	EATON	10	-----	562763
C 253	LH SW PANEL-ETHER	EATON	10	-----	562763	C 318	LH CONSOLE SW-DRV WINDOW LIFT	EATON	10	-----	562763
C 254	INST. PANEL RH-ENTR.DOOR SW.	TORRIX	5	-----	562110	C 319					
C 255	LH SW PANEL-JACOB	EATON	10	-----	562763	C 320	RH SW PANEL-DRIVER'S LTS	EATON	10	-----	562763
C 256						C 321					
C 257						C 322	LH CONSOLE DRV WIND LIFT MOT	PED PO	2	-----	561848
C 258	LH SW PANEL-MULTI FUNC. SW	AMP FF	8	561188	-----	C 323	LH CONSOLE CRUISE CTR SW PAN.	AMP CPC	9	561636	561637
C 259	LH SW PANEL-MULTI FUNC. SW	AMP FF	6	-----	561108	C 324					
C 260						C 325	LH CONSOLE SW-KNEELING	EATON	8	-----	562763
C 261						C 326	LH CONSOLE SW-SPARE	EATON	8	-----	562763
C 262	UNDER DASH RH-KEYLESS MODULE	AMP MUL	22	-----	562675	C 327	ENGINE CONTROL	DEUTSCH	6	562583	562581
C 263	UNDER DASH RH- KEYLESS MODULE	AMP MUL	26	-----	562676	C 328					
C 264	ENTRANCE DOOR-KEYPAD	AMP CPC	9	561536	561637	C 329	ENGINE TACHO SIGNAL	PED WP	3	561781	561789
C 265	RH SW PANEL -DRIVER'S DOOR SW.	EATON	10	-----	562763	C 330					
C 266	ENTRANCE DOOR-KEYLESS	AMP CPC	14	561585		C 331					
C 267	UNDER DASH RH	AMP CPC	24	561642	561643	C 332					
C 268	UNDER DASH LH-MIRROR	AMP MNL	6	561552	561515	C 333					
C 269	UNDER DASH RH-MIRROR	AMP MNL	6	561552	561515	C 334					
C 270	LH MIRROR POST	MOLEX	6	562070	562069	C 335					
C 271	RH MIRROR POST	MOLEX	6	562070	562069	C 336					
C 272	LH MIRROR	SPARTAN	6	-----	990158	C 337	INSTR PANEL LH-UP WIPER SW	EATON	8	-----	562763
C 273	RH MIRROR	SPARTAN	6	-----	990158	C 338	INSTR PANEL LH-UP DEFROST SW	EATON	8	-----	562763
C 274						C 339	INSTR PANEL LH-UP WASHER SW	EATON	8	-----	562763
C 275						C 340	FR JCT. BOX FIRE PIEZO ALARM	AMP MNL	2	560900	560898
C 276	UNDER DASH RH -3 WAY LTS	EATON	10	-----	562763	C 341	INSTR PANEL LH-HEAT MIRROR SW	EATON	8	-----	562763
C 277	LH CONSOLE -DOCK. & CORN. SW.	EATON	10	-----	562763	C 342	ENGINE RR START SW	DEUTSCH	2	562586	562585
C 278	LH CONSOLE -BACK-UP CANCEL SW.	EATON	10	-----	562763	C 343	INSTR PANEL LH-HEADLAMP SW	EATON	8	-----	562763
C 279						C 344	INSTR PANEL LH-HAZARD LT SW	EATON	8	-----	562763
C 280	UNDER DASH RH -3 WAY LTS	EATON	10	-----	562763	C 345	INSTR PANEL LH-FOG LT SW	EATON	8	-----	562763
C 281	LH CONSOLE -LEVEL LOW	AMP MNL	4	560851	560852	C 346	INSTR PANEL LH-SWITCH LTS	EATON	2	-----	561837
C 282	RH SW PANEL -MONITOR OPER. SW.	EATON	10	-----	562763	C 347	INSTR PANEL LH-DASH LT SW	AMP MNL	2	560900	560898
C 283	LH CONSOLE -LOW DOCKING SW.	EATON	10	-----	562763	C 348	INSTR PANEL CENT-RACOR MODULE	MOLEX	6	562070	562067
C 284						C 349					
C 285	ENTRANCE DOOR -SOL. DOOR	PED PO	2	-----	562076	C 350	RH CONSOLE-THERMOMETER	AMP MNL	3	561667	561550
C 286	RH SW PANEL-A/C & HEAT	EATON	10	-----	562763	C 351					
C 287	ENGINE COMPT-LTS SW	PED WP	2	561566	561690	C 352	RH CONSOLE-DRV TEMP SENSOR	BURNDY	4	-----	561104
C 288	RH SW PANEL-FRESH AIR	EATON	10	-----	562763	C 353	INSTR PANEL RH-DRV FAN RHEOST	AMP MNL	6	561552	561515
C 289						C 354	INSTR PANEL RH-DRV TEMP CTR	AMP MNL	6	561552	561515
C 290	LUGGAGE COMPT -DOOR LOCK	AMP MNL	4	561551	561668	C 355	INSTR PANEL RH-FR TEMP CTR	AMP MNL	3	561667	561550
C 291	LUGGAGE COMPT -DOOR LOCK	AMP MNL	4	561551	561668	C 356					
C 292						C 357	INSTR PANEL RH-WATER TEMP GA	AMP MNL	3	561667	561550
C 293						C 358	INSTR PANEL RH-FUEL LEVEL GA	AMP MNL	3	561667	561550
C 294						C 359					
C 295						C 360	INSTR PANEL RH-B/U MONITOR	AMP MNL	2	561248	561247
C 296						C 361	FR ROOF-WIPER MOTOR	AMP FF	6	-----	561186
C 297	INSTRUMENT PANEL RH -LTS	AMP MNL	2	560900	560898	C 362					
C 298						C 363					
C 299						C 364					
C 300						C 365					
C 301						C 366	RH DASH PANEL-GRN & RED LEDS	AMP MNL	3	560908	562006
C 302						C 367					
C 303						C 368					
C 304						C 369					
C 305						C 370					
C 306						C 371					
C 307						C 372	FR ROOF-DEST. SIGN SPEED SW	MOLEX	4	561477	561476
C 308	LH CONSOLE SW-RHEOSTAT	TC	2	561030	560997	C 373	FR ROOF-NO SMOKING LT	AMP MNL	2	561248	561247
C 309	DDEC ENGINE-ECM POWER CON.	PED MP	5	-----	562345	C 374	LH SWITCH PANEL	AMP MNL	6	561552	561515
C 310	LH CONSOLE SW-LUG. DOOR LOCK	EATON	10	-----	562763	C 375					
C 311						C 376	LH SWITCH PANEL	AMP CPC	37	561714	562005
C 312						C 377	LH SW PANEL-STOP ENG.OVERRIDE	EATON	10	-----	562763
C 313						C 378					
C 314						C 379					
C 315	LH CONSOLE SW-LH STORE	EATON	10	-----	562763	C 380	LH CONSOLE-DDR CONNECTOR	DEUTSCH	6	562360	-----

CONNECTORS CODE

NO	LOCATION	TYPE	CAVITY	#PIN HOUSING	#SOCKET HOUSING	NO	LOCATION	TYPE	CAVITY	#PIN HOUSING	#SOCKET HOUSING
C 381	INST. PANEL CENTER-ANTI-THEFT LED	AMP MNL	2	561248	561247	C 446					
C 382						C 447					
C 383						C 448					
C 384						C 449					
C 385						C 450					
C 386						C 451					
C 387						C 452					
C 388						C 453					
C 389						C 454					
C 390						C 455					
C 391						C 456	WORLD TRANSM.-RETARDER ACCUM.	PED MP	2	-----	562427
C 392						C 457	WORLD TRANSM.-MAIN CONNECTOR	DEUTSCH	31	562572	562536
C 393						C 458	WORLD TRANSM.-TURBINE SP.SENS	PED MP	2	-----	562426
C 394						C 459	WORLD TRANSM.-ENGINE SP.SENS.	PED MP	2	-----	562426
C 395						C 460	WORLD TRANSM.-SPEED SENSOR	ITT	2	-----	562541
C 396						C 461	WORLD TRANSM.-RETARDER TEMP.	PED MP	2	561566	561590
C 397	ENGINE COMPT. CRADLE ACC.	DEUTSCH	40	562281	562284	C 462	WORLD TRANSM.-RETARD SOL."K"	PED MP	2	-----	562426
C 398						C 463	WORLD TRANSM.-SENSOR CONN.	DEUTSCH	16	562570	562571
C 399	ENGINE COMPT. - EXITING SIGNAL ALTERN.	PED WP	2	561566	561690	C 464	RR JCT BOX-DDL CONN W.T.	DEUTSCH	6	-----	562360
C 400	ENGINE COMPT. BLOCK HEATER	PED MP	3	561781	561782	C 465	LH CONSOLE-SHIFTER SELECTOR	PED	20	-----	562825
C 401						C 466	FR SERVICE CPT.-RESIS. MOD.	PED WP	3	-----	562428
C 402	RR DRIVE AXLE-AIR DRYER	PED MP	2	-----	562251	C 467	FR SERVICE CPT.-RESIS. MOD.	PED WP	3	-----	562428
C 403						C 468					
C 404						C 469					
C 405						C 470	FR LH UPPER WHELL CPT-SILENT 1000	AMP MNL	2	561248	561247
C 406	FR JCT BOX COMPT.-ABS	AMP MNL	2	560900	560898	C 471	FR LH UPPER WHELL CPT-SILENT 1000	AMP MNL	2	561248	561247
C 407	ENGINE COMPT. -SIGNAL	PED WP	6	561606	561607	C 472	FR LH UPPER WHELL CPT-SILENT 1000	PED WP	2	561566	561690
C 408	ENGINE COMPT. -SIGNAL	PED WP	6	561606	561607	C 473	FR LH UPPER WHELL CPT-SILENT 1000	AMP MNL	3	561667	561550
C 409	ENGINE CPT -LOW COOL. LEVEL	PED MP	2	-----	562350	C 474	DRIVER'S.-TEMP. SENSOR	AMP MNL	2	561247	561248
C 410	FR JCT BOX-DIODE CONNECTOR	AMP MNL	15	561987	561986	C 475	RR JCT BOX-SPEED SIGN CONNECTOR	AMP MNL	2	561248	561247
C 411	FR JCT BOX-DIODE CONNECTOR	AMP MNL	15	561987	561986	C 475M	RR JCT BOX-SPEED SIGN MANUAL TR.	MOLEX	6	562070	562069
C 412	LH SW PANEL-MASTER SWITCH	EATON	10	-----	562763	C 475W	RR JCT BOX-SPEED SIGN WORLD TR.	MOLEX	6	562070	562069
C 413	ENG CPT-A/C HI UNLOAD PRS SW	PED WP	2	561566	561690	C 476					
C 414	RR JCT BOX	AMP MNL	9 - 12			C 477					
C 415	ENGINE CRADLE-FAN SIGNAL	PED WP	3	561781	561782	C 478					
C 416	ENGINE CRADLE-FAN SIGNAL	PED P-C	3	562237	-----	C 479	HVAC MODULE (NOT USED)	-----	-	-----	-----
C 417	FRONT JCT BOX-DIODES	AMP MNL	15	561987	561986	C 480	UNDER DASH RH-DR'S FAN SPEED CTR MOD	PED	4	561889	561890
C 418	INSTR. PANEL LH-HTR WINDSH.SW	EATON	10	-----	562763	C 481	UNDER DASH RH-DR'S FAN SPEED CTR MOD	PED	3	561781	561782
C 419	FR JCT BOX-RETARDER OR JACOB	AMP MNL	3	561667	561550	C 482					
C 420	ENGINE COMPT. WEBASTO WATER HTR	TC	2	561597	-----	C 483	FR SERVICE CPT. -SEAT ELECTRICAL SEAT	PED PC	2	-----	562237
C 421	ENGINE COMPT. WEBASTO WATER HTR	TC	1	561073	-----	C 484	UNDER DASH LH-FOOT DAMPER MOTOR	PED PC	2	-----	562076
C 422	ENGINE COMPT. WEBASTO WATER HTR	TC	2	561597	-----	C 485	UNDER DASH LH-DASH & DEFROST DAMP.M.	AMP MNL	3	561667	561550
C 423						C 486					
C 424	UNDER INSTRUMENT PANEL CENTER	AMP MNL	3	561667	561550	C 487					
C 425	FR JCT BOX-DIODES	AMP MNL	15	561987	561986	C 488					
C 426	ENGINE COMPT. CLUTCH CTR FAN	PED WP	3	561781	561782	C 489					
C 427						C 490					
C 428						C 491					
C 429	FR JCT BOX COMPT.	AMP MNL	6	561552	561515	C 492					
C 430	LH CONSOLE-TIMER	AMP FF	8	561188	562363	C 493					
C 431	LH CONSOLE-PRE HEAT.	TAB AMP	1	561540	561539	C 494					
C 432	ENGINE CPT.-PROX. SW. DOOR AJAR	DEUTSCH	4	562479	562477	C 495					
C 433	FR SERVICE CPT. KNEEL. PRESS. SW	PED WP	2	561566	561690	C 496					
C 434	FRONT JCT. BOX-DIODES	AMP MNL	15	561987	561986	C 497					
C 435	FR SERVICE CPT.(RH) KNEEL. PIEZO	AMP MNL	2	560900	560898	C 498					
C 436	RH HAT RACK-WCL CENTER ROOF ACC	AMP CPC	16	561639	561640	C 499					
C 437						C 500	FR LH UPPER WHELL CPT -PRODRIVER	MOLEX	6	562070	562069
C 438						C 501	FR LH UPPER WHELL CPT -PRODRIVER MOD	PED MP	7	562433	-----
C 439						C 502	LH CONSOLE-PRE HEATER SW.	EATON	10	-----	562763
C 440						C 503					
C 441						C 504	LH CONSOLE WEBASTO TIMER	AMP	8	-----	562852
C 442						C 505	LH CONSOLE ESPAR TIMER	AMP	12	-----	562681
C 443						C 506	LH CONSOLE-LEVEL LOW SW.	EATON	10	-----	562763
C 444						C 508	RR JCT BOX-FAN CLUTCH RETARDER	AMP MNL	6	561552	561515
C 445						C 509	FR LH UPPER WHELL CPT -DATA LOGGER	PED MP	16	-----	562530

CONNECTORS CODE

NO	LOCATION	TYPE	CAVITY	#PIN HOUSING	#SOCKET HOUSING	NO	LOCATION	TYPE	CAVITY	#PIN HOUSING	#SOCKET HOUSING
C 510	FR LH UPPER WHELL CPT -DATA LOGGER	DEUTSCH	9	562531	-----	C 575					
C 511	FR LH UPPER WHELL CPT -DATA LOGGER	PED MP	4	562532	-----	C 576					
C 512	FR LH UPPER WHELL CPT -DATA LOGGER	PED MP	10	562533	-----	C 577					
C 513	FR LH UPPER WHELL CPT -DATA LOGGER	AMP MNL	3	561667	561550	C 578					
C 514	FR LH UPPER WHELL CPT -DATA LOGGER	PED MP	6	562433	562417	C 579					
C 515						C 580					
C 516						C 581					
C 517						C 582	FRONT SERVICE CMPT. - WINDOWS AJAR	PED WP	2	561566	561690
C 518						C 583	L.H. DASH PANEL - MASTER KEY	DEUTSCH	2	562486	562485
C 519						C 584	FRONT SERVICE CMPT. - AIR HORH	HUMPHREY	3	-----	641385
C 520						C 585					
C 521						C 586					
C 522	FR JCT BOX-DAYTIME LTS MODULE	BOSCH	5	-----	561183	C 587					
C 523	FR JCT BOX-FUSE BLOCK	PED	8	562647	562646	C 588					
C 524	FR JCT BOX-FUSE BLOCK	PED	8	562647	562646	C 589	UNDER DASH - L.H. MIRROR	AMP MNL	9	561670	561669
C 525	FR JCT BOX-FUSE BLOCK	PED	8	562647	562646	C 590	UNDER DASH - R.H. MIRROR	AMP MNL	9	561670	561669
C 526	FR JCT BOX-FUSE BLOCK	PED	8	562647	562646	C 591	L.H.CONSOLE - MIRROR L.H.	EURAMTEC	8	-----	562799
C 527	FR JCT BOX-FUSE BLOCK	PED	8	562647	562646	C 592	L.H.CONSOLE - MIRROR R.H.	EURAMTEC	8	-----	562799
C 528						C 593					
C 529	FR JCT BOX-12V OUTLET	AMP MNL	2	561247	561248	C 594	FRONT ROOF - DRIVERS LIGHT	LEEKRAFT		-----	562803
C 530	RR JCT BOX-FUSE BLOCK	PED	8	562647	562646	C 595					
C 531	RR JCT BOX-FUSE BLOCK	PED	8	562647	562646	C 596					
C 532	RR JCT BOX-FUSE BLOCK	PED	8	562647	562646	C 597	L.H. DASH PANEL - DISPLAY SET SW.	MOLEX	5	-----	562812
C 533						C 598	L.H. DASH PANEL - DISPLAY SET SW.	MOLEX	5	-----	562812
C 534						C 599					
C 535	RR JCT BOX-FIRE MODULE DETECT.	AMP MNL	3	561667	561550	C 600	ENGINE CPT.-A/C LOW PRESS SW. UNLOAD	PED	2	562348	562471
C 536	UNDER DASH RH-DRIVER'S HTR TEMP. CTR	AMP MNL	6	561552	561515	C 601					
C 537	BATT. CPT.-A/C PRESS. SIGN. RLY	AMP MNL	2	561248	561247	C 602					
C 538	FR SERVICE CPT.-OUTSIDE TEMP. SENSOR	AMP MNL	2	561248	561247	C 603					
C 539	HVAC DASH MODULE OUTPUT CON	MOLEX	24		562780	C 604					
C 540	HVAC DASH MODULE INPUT CON	MOLEX	22		562781	C 605					
C 541						C 606					
C 542						C 607	FRONT SERVICE CMPT. RPM SIGNAL	PED WP	2	561566	561690
C 543	RR JCT BOX-PARK. BRAKE STOP LTS RESIS.	PED WP	2	561566	561690	C 608	FRONT SERVICE CMPT. SPEED SIGNAL	PED WP	2	561566	561690
C 544						LX	CLUSTER	JAE	22	-----	562766
C 545						LY	CLUSTER	JAE	30	-----	562767
C 546	LH DASH PANEL-ACCESSORIES	AMP CPC	37	561645	561646	R X	CLUSTER	JAE	22	-----	562764
C 547	RH DASH PANEL-ACCESSORIES	AMP CPC	37	561645	561646						
C 548	LH DASH PANEL-T.T. LT. TEST SW.	EATON	10	-----	562763						
C 549											
C 550	EVAPORATOR COMPARTIMENT	ITT	2	561813	562159						
C 551	RR JCT BOX - A/C PANEL	PED	2	561566	561690						
C 552											
C 553											
C 554											
C 555											
C 556											
C 557											
C 558											
C 559											
C 560											
C 561											
C 562											
C 563											
C 564											
C 565											
C 566											
C 567											
C 568											
C 569											
C 570	UNDER DASH PANEL TTLT MODULE	MOLEX	6		562464						
C 571	UNDER DASH PANEL TTLT MODULE	MOLEX	20		562778						
C 572	UNDER DASH PANEL TTLT MODULE	MOLEX	18		562779						
C 573	UNDER DASH PANEL TTLT MODULE	MOLEX	16		562465						
C 574											

CONNECTORS CODE

NO	LOCATION	TYPE	CAVITY	#PIN HOUSING	#SOCKET HOUSING	NO	LOCATION	TYPE	CAVITY	#PIN HOUSING	#SOCKET HOUSING
C X1	FR LH UPPER WHELL CPT-ABS	AMP	18		562792	C 58	RR JCT BOX - A/C PANEL	DEUTSCH	24	562280	562283
C X2	FR LH UPPER WHELL CPT-ABS	AMP	6		562793	C 59	RR JCT BOX - A/C PANEL	AMP CPC	14	561585	561583
C X3	FR LH UPPER WHELL CPT-ABS	AMP	9		562794	C 60	RR JCT BOX COMPT.-LT	AMP MNL	2	561248	561247
C X4	FR LH UPPER WHELL CPT-ABS	AMP	15		562795	C 61	LUGGAGE COMPARTMENT LTS	AMP MNL	2	561248	561247
C S	RR JCT BOX ECU WORLD TR.	PED	32		562817	C 62	LUGGAGE COMPARTMENT LTS	AMP MNL	2	561248	561247
C T	RR JCT BOX ECU WORLD TR.	PED	32		562824	C 63	LUGGAGE COMPARTMENT LTS	AMP MNL	2	561248	561247
C V	RR JCT BOX ECU WORLD TR.	PED	32		562823	C 64	LUGGAGE COMPARTMENT LTS	AMP MNL	2	561248	561247
CV I2	RR JCT BOX-WORLD TRANS. SHIFT & RET.	AMP CPC	9	561636	561637	C 65	LUGGAGE COMPARTMENT LTS	AMP MNL	2	561248	561247
C Y	CLUSTER	JAE	30		562765	C 66	LUGGAGE COMPARTMENT LTS	AMP MNL	2	561248	561247
C 1	FR JCT BOX COMPARTMENT	AMP CPC	14	561585	561584	C 67	LUGGAGE COMPARTMENT LTS	AMP MNL	2	561248	561247
C 2	FR JCT BOX COMPARTMENT	AMP CPC	16	561639	561640	C 68	LUGGAGE COMPARTMENT LTS	AMP MNL	2	561248	561247
C 3	FR JCT BOX COMPARTMENT	AMP CPC	24	561641	561643	C 69	RR AXLE ACC-INSIDE PVC END	PED WP	6	561568	561578
C 4	FR JCT BOX COMPARTMENT	AMP CPC	37	561644	561646	C 70	LH CONSOLE	AMP CPC	24	561642	561643
C 5	FR SERVICE COMPT.-UNDERNEATH	AMP CPC	37	561644	561646	C 71	FR JCT BOX COMPARTMENT	AMP CPC	37	561645	561646
C 6	FR SERVICE COMPT.-UNDERNEATH	AMP CPC	16	561639	561640	C 72	FR JCT BOX COMPARTMENT	AMP CPC	24	561642	561643
C 8	FR SERVICE COMPT.-UNDERNEATH	AMP CPC	24	561641	561643	C 74	FR JCT BOX COMPARTMENT	AMP CPC	37	561645	561646
C 9	FR SERVICE COMPT.-UNDERNEATH	AMP CPC	24	561641	561643	C 75	LUGG. COMPT. - DOOR LOCK	AMP MNL	2	561551	561668
C 10						C 76	LUGGAGE COMPT.-AIR RET.SENS.	AMP MNL	2	561248	561247
C 11	FR SERVICE COMPARTMENT	AMP CPC	37	561644	561646	C 77	LUGGAGE COMPT.-DOOR LOCK		4	561551	561668
C 12	FR SERVICE COMPARTMENT	AMP CPC	16	561639	561640	C 78	LUGGAGE COMPT.-LTS - COND. CPT	AMP MNL	2	561248	561247
C 13	LH CONSOLE-CTR MIRROR	AMP MNL	6	561552	561515	C 79	LUGGAGE COMPT.-LTS - EVAP. CPT.	AMP MNL	2	561248	561247
C 14	UNDER DASH-LH MIRROR	AMP MNL	9	561661	561662	C 80	LUGGAGE COMPT.-AIR RET.SENS.	AMP MNL	2	561248	561247
C 15	RR JCT BOX	AMP CPC	24	561641	561643	C 81	LUGGAGE COMPT.-DOOR LOCK	AMP MNL	2	561551	561668
C 16	LH CONSOLE SW-CRUISE ON OFF	EATON	10	-----	562763	C 82	LUGGAGE COMPT.-DOOR LOCK	AMP MNL	2	561551	561668
C 17	LH CONSOLE SW-CRUISE RESUME	EATON	10	-----	562763	C 83	LUGGAGE COMPT.-DOOR LOCK	AMP MNL	2	561551	561668
C 18	LH CONSOLE SW-CRUISE SET	EATON	10	-----	562763	C 84	LUGGAGE COMPT.-DOOR LOCK	AMP MNL	2	561551	561668
C 19	LH CONSOLE DECEL SW	EATON	10	-----	562763	C 85	LUGGAGE COMPT.-DOOR LOCK	AMP MNL	2	561551	561668
C 20	RR JCT BOX	AMP CPC	37	561644	561646	C 86	LUGGAGE COMPT.-DOOR LOCK	AMP MNL	2	561551	561668
C 21	RR JCT BOX	AMP CPC	24	561641	561643	C 87	RR END ROOF	AMP CPC	9	561636	561637
C 22						C 88					
C 23						C 89	RR END ROOF-B/U NONITOR	AMP CPC	4	561582	561581
C 24						C 90	RR JCT BOX	AMP CPC	15	561987	561986
C 25						C 91	RR JCT BOX	AMP CPC	37	561714	561713
C 26						C 92	FR LH UPPER WHELL CPT-ABS	AMP CPC	9	561635	561637
C 27						C 93	FR LH UPPER WHELL CPT-ABS	WABCO	35	-----	641094
C 28						C 94					
C 29						C 95					
C 30						C 96	FR AXLE ACCESSORIES	AMP CPC	14	561585	561585
C 31						C 97	RR AXLE ACC-INSIDE PVC END	PED WP	6	561568	561578
C 32	DDEC ENGINE-ECM	PED	30	-----	561600	C 98	FR SERVICE COMPT-EL.FT.PEDAL	PED WP	3	561782	561781
C 33						C 99	FR SERVICE COMPT LTS	AMP MNL	2	561248	561247
C 34						C 100					
C 35	RR JCT BOX	AMP CPC	24	561642	561643	C 101	FR SERVICE COMPT-ELEC. HORNS	PED WP	2	561566	561690
C 36						C 102	FR SERV & SIDE CPT-FLASH. LH	GROTE	2	-----	562155
C 37						C 103	FR SERV & SIDE CPT-MARKERS	GROTE	2	-----	562155
C 38						C 104	FR SERV & SIDE CPT-FLASH. RH	GROTE	2	-----	562155
C 39						C 105	FR SERVICE COMPT-LIQ.S.VALVE	PED WP	2	561566	561690
C 40						C 106	FR SERVICE COMPT-WATER VALVE	PED WP	2	561566	561690
C 41						C 107	EVAPORATOR COMPT-DAMPER	PED WP	2	561566	561690
C 42						C 108					
C 43						C 109					
C 44						C 110					
C 45	FR. JCT BOX COMPARTMENT	AMP CPC	24	561642	561643	C 111	EVAPORATOR COMPT-DAMPER	DEUTSCH	2	562486	562485
C 46						C 112	EVAPORATOR COMPT-SPEED MOT CTRL	DEUTSCH	5	-----	562566
C 47	FR SERVICE COMPARTMENT	AMP CPC	16	561694	561695	C 113	BATT. & RR J.B.CPT.MARKER LT	GROTE	2	-----	562155
C 48	FR. SERV. COMPT.-PRESS SW. PARK BRAKE	DEUTSCH	4	562479	562477	C 114	RR J. BOX CPT DOOR DIR LT LH	GROTE	2	-----	562155
C 49	BATTERIE COMPT.-LT	AMP MNL	2	561248	561247	C 115	ENGINE COMPT-AIR DRYER	PED WP	2	561566	561690
C 50						C 116	ENGINE COMPT. LTS	PED WP	1	561605	561577
C 51						C 117					
C 52	RR JCT BOX	AMP CPC	22	561709	561710	C 118					
C 53						C 119	ENGINE CPT RR DOOR RH LO LAMP	PED WP	6	561606	561607
C 54						C 120	ENGINE CPT RR DOOR LH LO LAMP	PED WP	6	561606	561607
C 55	RH SWITCH PANEL	AMP CPC	9	561636	561637	C 121	BATTERIE CPT. DOOR DIR LT RH	GROTE	2	-----	562155
C 56						C 122	ENGINE CPT-CAMERA DOOR VALVE	PED WP	2	561566	561690
C 57						C 123					

CONNECTORS CODE

NO	LOCATION	TYPE	CAVITY	#PIN HOUSING	#SOCKET HOUSING	NO	LOCATION	TYPE	CAVITY	#PIN HOUSING	#SOCKET HOUSING
C 124	ENGINE CPT-ETHER SW	PED WP	2	561566	561690	C 187	FR JCT BOX-RPM RESISTOR CON.	AMP MNL	6	561552	561515
C 125	ENGINE CPT-B/U ALARM	PED WP	2	561566	561690	C 188					
C 126						C 189	ENGINE CPT RR DOOR B/U LT	PED WP	2	561566	561690
C 127	ENGINE CPT-FUEL FILTER	PED WP	2	561566	561690	C 190	ENGINE CPT RR DOOR TAIL LT	PED WP	2	561566	561690
C 128	ENGINE CPT-A/C COMPR.CLUTCH	ITT SS	2	561813	561812	C 191	ENGINE CPT RR DOOR RH STOP LT	PED WP	2	561566	561690
C 129	ENGINE CPT-PRE-HEAT WATER	AMP FF	6	561672	561186	C 192	ENGINE CPT RR DOOR RH DIR. LT	PED WP	2	561566	561690
C 130	ENGINE CPT-UNLOADER	ITT SS	2	561813	561812	C 193					
C 131	ENGINE CPT-UNLOADER	ITT SS	2	561813	561812	C 194	ENGINE CPT RR DOOR LH DIR. LT	PED WP	2	561566	561690
C 132	ENGINE CPT-A/C LO PRESS SW	PED WP	2	561566	561690	C 195	ENGINE CPT RR DOOR LH STOP LT	PED WP	2	561566	561690
C 133	ENGINE CPT-A/C HI PRESS SW	PED WP	2	561566	561690	C 196	ENGINE CPT RR DOOR CYCLOP LT	PED WP	2	561566	561690
C 134	FR JCT BOX-LUGGAGE DIODE CON.	AMP MNL	15	561987	561986	C 197					
C 135	FR JCT BOX-LUGGAGE DIODE CON.	AMP MNL	15	561987	561986	C 198					
C 136	RR JCT BOX-A/C PANEL DIODE CON.	AMP MNL	15	561987	561986	C 199	ENGINE CPT RR DOOR LICENCE LT	DOM AUTO	2	930210	-----
C 137	RR JCT BOX-TRANSMITTER	AMP MNL	2	560900	560898	C 200					
C 138	RR JCT BOX-CONTROL MODULE	AMP HDP	15	-----	562012	C 201	AUX. UNIT CONTROL	PED WP	4	561610	561611
C 139	RR JCT BOX-LOGIC MODULE	AMP HDP	15	562011	-----	C 202	AUX. UNIT CONTROL	PED WP	3	561781	561782
C 140	HVAC DASH MODULE THERMOMETER	MOLEX	4	562782	-----	C 203	AUX. UNIT CONTROL	PED WP	2	561566	561690
C 141	INSTRUMENT PANEL LH UNLOAD TAG	AMP	2	561248	561247	C 204	AUX. LIQUID SOL.VALVE	PED WP	2	561566	561690
C 142						C 205					
C 143						C 206					
C 144						C 207					
C 145	RR JCT BOX CPT-RR SIDE LTS	AMP MNL	9	561670	561669	C 208					
C 146	ENGINE CPT-MODULATOR VALVE	AMPHENOL	2	-----	560412	C 209					
C 147	BATT & RR J.B.CPT-DOCK.LTS	PED WP	2	561566	561690	C 210					
C 148						C 211	FR ROOF-STORE LH	AMP MNL	2	560900	560898
C 149	CONDENSER CPT-FAN MOTOR	ORDNANCE	3	562555	562001	C 212	FR ROOF-STORE RH	AMP MNL	2	560900	560898
C 150	ENGINE CPT. - FUEL FILTER	PED WP	1	561605	561577	C 213					
C 151	EVAPORATOR CPT-THERMOSTAT	ITT	2	561813	562159	C 214					
C 152	CONDENSER CPT-FUEL GAUGE	PED WP	4	561610	561611	C 215					
C 153	EVAPORATOR CPT-AIR AMB. SENS	AMP MNL	2	561248	561247	C 216					
C 154	EVAPORATOR CPT-FRESH AIR SENS	ITT SS	2	561813	561812	C 217					
C 155	EVAPORATOR CPT-WATER VALVE	PED WP	4	561610	561611	C 218					
C 156	EVAPOR. CPT-BYPASS WATER VAL.	PED WP	2	561566	561690	C 219					
C 157	EVAPORATOR CPT-WATER PUMP	PED WP	2	561566	561690	C 220	RR.JCT.BOX-FUEL PRIME PUMP	TC	1	561070	561073
C 158	ENGINE CPT-A/C LO TEMP.	PED WP	2	561566	561690	C 221					
C 159	ENGINE CPT-A/C HI TEMP.	PED WP	2	561566	561690	C 222					
C 160	FR AXLE-ABS RH SENSOR	WABCO	2	641132	-----	C 223					
C 161	FR AXLE-ABS RH VALVE	WABCO	3	-----	641098	C 224					
C 162	FR AXLE-ABS LH VALVE	WABCO	3	-----	641098	C 225					
C 163	FR AXLE-ABS LH SENSOR	WABCO	2	641132	-----	C 226					
C 164	RR AXLE-ABS LH SENSOR	DEUTSCH	2	562486	562485	C 227					
C 165	RR AXLE-ABS LH VALVE	WABCO	3	-----	641098	C 228					
C 166	RR AXLE-ABS RH VALVE	WABCO	3	-----	641098	C 229					
C 167	RR AXLE-ABS RH SENSOR	DEUTSCH	2	562486	562485	C 230	ENG.CPT.-FUEL PRIME PUMP FEED	DEUTSCH	2	562486	562485
C 168	RR AXLE-ABS OPT ATC	PED WP	2	561566	561690	C 231	ENG.CPT.-FUEL PRIME PUMP SW.	PED WP	2	561566	561690
C 169	RR JCT BOX-SPEED SW	AMP HDP	15	-----	562012	C 232	ENG.CPT.-FUEL PRIME PUMP	PED WP	2	561566	561690
C 170	FR JCT BOX-FLASHER UNIT	TC	2	-----	561940	C 233					
C 171	LH CONSOLE	AMP CPC	24	561642	561643	C 234					
C 172	FR SERV. COMPT.- LEVEL LOW	AMP CPC	9	561635	561637	C 235					
C 173	LAV.POTABLE-WATER TANK HEAT.	AMP MNL	2	560900	560898	C 236					
C 174	UNDER DASH RH-HTR MODULE	AMP MNL	9	561670	561669	C 237					
C 175	UNDER DASH RH-HTR MODULE	AMP MNL	9	561670	561669	C 238	RR JCT BOX-DIODE CONNECTOR	AMP MNL	9	561670	561669
C 176	UNDER DASH RH-WIPER PULSE	AMP FF	6	-----	561186	C 239					
C 177	UNDER DASH RH-WIPER MOTOR	AMP FF	6	-----	561186	C 240	LUGG. CPT.-CO-PILOT SEAT HEATER	AMP MNL	2	560900	560898
C 178	UNDER DASH RH-LH FAN	TC	2	561030	560997	C 241					
C 179	UNDER DASH RH-RH FAN	TC	2	561030	560997	C 242	FR SERVICE CPT-MARK & DIR LT	ITT SS	3	561111	561080
C 181	RR JCT BOX-DIODE CONNECTOR	AMP MNL	15	561987	561986	C 243	FR SERVICE CPT-HEADLAMPS	TC	3	-----	561071
C 180						C 244	FR SERVICE CPT-LH FOG LAMP	ITT SS	2	561813	561812
C 182						C 245	FR SERVICE CPT-RH FOG LAMP	ITT SS	2	561813	561812
C 183						C 246	FR SERVICE CPT-MARK & DIR LT	ITT SS	3	561111	561080
C 184						C 247					
C 185						C 248	FR JCT BOX-WIPER PULSE GEN	AMP FF	6	-----	561108
C 186	RR JCT BOX CPT.-SPEED SIGN.TR	PED WP	2	561566	561690	C 249					
C 186M	RR JCT BOX CPT.-SPD SIGN. M.TR	PED WP	2	561566	561690	C 250					
C 186W	RR JCT BOX CPT.-SPD SIGN. WT	PED WP	2	561566	561690	C 251	LH SW PANEL-FAST IDLE	EATON	10	-----	562763

CONNECTORS CODE

NO	LOCATION	TYPE	CAVITY	#PIN HOUSING	#SOCKET HOUSING	NO	LOCATION	TYPE	CAVITY	#PIN HOUSING	#SOCKET HOUSING
C 252						C 317	LH CONSOLE SW-RH STORE	EATON	10	-----	562763
C 253	LH SW PANEL-ETHER	EATON	10	-----	562763	C 318	LH CONSOLE SW-DRV WINDOW LIFT	EATON	10	-----	562763
C 254	INST. PANEL RH-ENTR.DOOR SW.	TORRIX	5	-----	562110	C 319					
C 255	LH SW PANEL-JACOB	EATON	10	-----	562763	C 320	RH SW PANEL-DRIVER'S LTS	EATON	10	-----	562763
C 256						C 321					
C 257						C 322	LH CONSOLE DRV WIND LIFT MOT	PED PO	2	-----	561848
C 258	LH SW PANEL-MULTI FUNC. SW	AMP FF	8	561188	-----	C 323	LH CONSOLE CRUISE CTR SW PAN.	AMP CPC	9	561636	561637
C 259	LH SW PANEL-MULTI FUNC. SW	AMP FF	6	-----	561108	C 324					
C 260						C 325	LH CONSOLE SW-KNEELING	EATON	8	-----	562763
C 261						C 326	LH CONSOLE SW-SPARE	EATON	8	-----	562763
C 262	UNDER DASH RH-KEYLESS MODULE	AMP MUL	22	-----	562675	C 327	ENGINE CONTROL	DEUTSCH	6	562583	562581
C 263	UNDER DASH RH- KEYLESS MODULE	AMP MUL	26	-----	562676	C 328					
C 264	ENTRANCE DOOR-KEYPAD	AMP CPC	9	561536	561637	C 329	ENGINE TACHO SIGNAL	PED WP	3	561781	561789
C 265	RH SW PANEL -DRIVER'S DOOR SW.	EATON	10	-----	562763	C 330					
C 266	ENTRANCE DOOR-KEYLESS	AMP CPC	14	561585		C 331					
C 267	UNDER DASH RH	AMP CPC	24	561642	561643	C 332					
C 268	UNDER DASH LH-MIRROR	AMP MNL	6	561552	561515	C 333					
C 269	UNDER DASH RH-MIRROR	AMP MNL	6	561552	561515	C 334					
C 270	LH MIRROR POST	MOLEX	6	562070	562069	C 335					
C 271	RH MIRROR POST	MOLEX	6	562070	562069	C 336					
C 272	LH MIRROR	SPARTAN	6	-----	990158	C 337	INSTR PANEL LH-UP WIPER SW	EATON	8	-----	562763
C 273	RH MIRROR	SPARTAN	6	-----	990158	C 338	INSTR PANEL LH-UP DEFROST SW	EATON	8	-----	562763
C 274						C 339	INSTR PANEL LH-UP WASHER SW	EATON	8	-----	562763
C 275						C 340	FR JCT. BOX FIRE PIEZO ALARM	AMP MNL	2	560900	560898
C 276	UNDER DASH RH -3 WAY LTS	EATON	10	-----	562763	C 341	INSTR PANEL LH-HEAT MIRROR SW	EATON	8	-----	562763
C 277	LH CONSOLE -DOCK. & CORN. SW.	EATON	10	-----	562763	C 342	ENGINE RR START SW	DEUTSCH	2	562586	562585
C 278	LH CONSOLE -BACK-UP CANCEL SW.	EATON	10	-----	562763	C 343	INSTR PANEL LH-HEADLAMP SW	EATON	8	-----	562763
C 279						C 344	INSTR PANEL LH-HAZARD LT SW	EATON	8	-----	562763
C 280	UNDER DASH RH -3 WAY LTS	EATON	10	-----	562763	C 345	INSTR PANEL LH-FOG LT SW	EATON	8	-----	562763
C 281	LH CONSOLE -LEVEL LOW	AMP MNL	4	560851	560852	C 346	INSTR PANEL LH-SWITCH LTS	EATON	2	-----	561837
C 282	RH SW PANEL -MONITOR OPER. SW.	EATON	10	-----	562763	C 347	INSTR PANEL LH-DASH LT SW	AMP MNL	2	560900	560898
C 283	LH CONSOLE -LOW DOCKING SW.	EATON	10	-----	562763	C 348	INSTR PANEL CENT-RACOR MODULE	MOLEX	6	562070	562067
C 284						C 349					
C 285	ENTRANCE DOOR -SOL. DOOR	PED PO	2	-----	562076	C 350	RH CONSOLE-THERMOMETER	AMP MNL	3	561667	561550
C 286	RH SW PANEL-A/C & HEAT	EATON	10	-----	562763	C 351					
C 287	ENGINE COMPT-LTS SW	PED WP	2	561566	561690	C 352	RH CONSOLE-DRV TEMP SENSOR	BURNDY	4	-----	561104
C 288	RH SW PANEL-FRESH AIR	EATON	10	-----	562763	C 353	INSTR PANEL RH-DRV FAN RHEOST	AMP MNL	6	561552	561515
C 289						C 354	INSTR PANEL RH-DRV TEMP CTR	AMP MNL	6	561552	561515
C 290	LUGGAGE COMPT -DOOR LOCK	AMP MNL	4	561551	561668	C 355	INSTR PANEL RH-FR TEMP CTR	AMP MNL	3	561667	561550
C 291	LUGGAGE COMPT -DOOR LOCK	AMP MNL	4	561551	561668	C 356					
C 292						C 357	INSTR PANEL RH-WATER TEMP GA	AMP MNL	3	561667	561550
C 293						C 358	INSTR PANEL RH-FUEL LEVEL GA	AMP MNL	3	561667	561550
C 294						C 359					
C 295						C 360	INSTR PANEL RH-B/U MONITOR	AMP MNL	2	561248	561247
C 296						C 361	FR ROOF-WIPER MOTOR	AMP FF	6	-----	561186
C 297	INSTRUMENT PANEL RH -LTS	AMP MNL	2	560900	560898	C 362					
C 298						C 363					
C 299						C 364					
C 300						C 365					
C 301						C 366	RH DASH PANEL-GRN & RED LEDS	AMP MNL	3	560908	562006
C 302						C 367					
C 303						C 368					
C 304						C 369					
C 305						C 370					
C 306						C 371					
C 307						C 372	FR ROOF-DEST. SIGN SPEED SW	MOLEX	4	561477	561476
C 308	LH CONSOLE SW-RHEOSTAT	TC	2	561030	560997	C 373	FR ROOF-NO SMOKING LT	AMP MNL	2	561248	561247
C 309	DDEC ENGINE-ECM POWER CON.	PED MP	5	-----	562345	C 374	LH SWITCH PANEL	AMP MNL	6	561552	561515
C 310	LH CONSOLE SW-LUG. DOOR LOCK	EATON	10	-----	562763	C 375					
C 311						C 376	LH SWITCH PANEL	AMP CPC	37	561714	562005
C 312						C 377	LH SW PANEL-STOP ENG.OVERRIDE	EATON	10	-----	562763
C 313						C 378					
C 314						C 379					
C 315	LH CONSOLE SW-LH STORE	EATON	10	-----	562763	C 380	LH CONSOLE-DDR CONNECTOR	DEUTSCH	6	562360	-----
C 316						C 381	INST. PANEL CENTER-ANTI-THEFT LED	AMP MNL	2	561248	561247

CONNECTORS CODE

NO	LOCATION	TYPE	CAVITY	#PIN HOUSING	#SOCKET HOUSING	NO	LOCATION	TYPE	CAVITY	#PIN HOUSING	#SOCKET HOUSING
C 382						C 447					
C 383						C 448					
C 384						C 449					
C 385						C 450					
C 386						C 451					
C 387						C 452					
C 388						C 453					
C 389						C 454					
C 390						C 455					
C 391						C 456	WORLD TRANSM.-RETARDER ACCUM.	PED MP	2	-----	562427
C 392						C 457	WORLD TRANSM.-MAIN CONNECTOR	DEUTSCH	31	562572	562536
C 393						C 458	WORLD TRANSM.-TURBINE SP.SENS	PED MP	2	-----	562426
C 394						C 459	WORLD TRANSM.-ENGINE SP.SENS.	PED MP	2	-----	562426
C 395						C 460	WORLD TRANSM.-SPEED SENSOR	ITT	2	-----	562541
C 396						C 461	WORLD TRANSM.-RETARDER TEMP.	PED MP	2	561566	561590
C 397	ENGINE COMPT. CRADLE ACC.	DEUTSCH	40	562281	562284	C 462	WORLD TRANSM.-RETARD SOL."K"	PED MP	2	-----	562426
C 398						C 463	WORLD TRANSM.-SENSOR CONN.	DEUTSCH	16	562570	562571
C 399	ENGINE COMPT. - EXITING SIGNAL ALTERN.	PED WP	2	561566	561690	C 464	RR JCT BOX-DDL CONN W.T.	DEUTSCH	6	-----	562360
C 400	ENGINE COMPT. BLOCK HEATER	PED MP	3	561781	561782	C 465	LH CONSOLE-SHIFTER SELECTOR	PED	20	-----	562825
C 401						C 466	FR SERVICE CPT.-RESIS. MOD.	PED WP	3	-----	562428
C 402	RR DRIVE AXLE-AIR DRYER	PED MP	2	-----	562251	C 467	FR SERVICE CPT.-RESIS. MOD.	PED WP	3	-----	562428
C 403						C 468					
C 404						C 469					
C 405						C 470	FR LH UPPER WHELL CPT-SILENT 1000	AMP MNL	2	561248	561247
C 406	FR JCT BOX COMPT.-ABS	AMP MNL	2	560900	560898	C 471	FR LH UPPER WHELL CPT-SILENT 1000	AMP MNL	2	561248	561247
C 407	ENGINE COMPT. -SIGNAL	PED WP	6	561606	561607	C 472	FR LH UPPER WHELL CPT-SILENT 1000	PED WP	2	561566	561690
C 408	ENGINE COMPT. -SIGNAL	PED WP	6	561606	561607	C 473	FR LH UPPER WHELL CPT-SILENT 1000	AMP MNL	3	561667	561550
C 409	ENGINE CPT -LOW COOL. LEVEL	PED MP	2	-----	562350	C 474	DRIVER'S.-TEMP. SENSOR	AMP MNL	2	561247	561248
C 410	FR JCT BOX-DIODE CONNECTOR	AMP MNL	15	561987	561986	C 475	RR JCT BOX-SPEED SIGN CONNECTOR	AMP MNL	2	561248	561247
C 411	FR JCT BOX-DIODE CONNECTOR	AMP MNL	15	561987	561986	C 475M	RR JCT BOX-SPEED SIGN MANUAL TR.	MOLEX	6	562070	562069
C 412	LH SW PANEL-MASTER SWITCH	EATON	10	-----	562763	C 475WV	RR JCT BOX-SPEED SIGN WORLD TR.	MOLEX	6	562070	562069
C 413	ENG CPT-A/C HI UNLOAD PRS SW	PED WP	2	561566	561690	C 476					
C 414	RR JCT BOX	AMP MNL	9 - 12			C 477					
C 415	ENGINE CRADLE-FAN SIGNAL	PED WP	3	561781	561782	C 478					
C 416	ENGINE CRADLE-FAN SIGNAL	PED P-C	3	562237	-----	C 479	HVAC MODULE (NOT USED)	-----	-	-----	-----
C 417	FRONT JCT BOX-DIODES	AMP MNL	15	561987	561986	C 480	UNDER DASH RH-DR'S FAN SPEED CTR MOD	PED	4	561889	561890
C 418	INSTR. PANEL LH-HTR WINDSH.SW	EATON	10	-----	562763	C 481	UNDER DASH RH-DR'S FAN SPEED CTR MOD	PED	3	561781	561782
C 419	FR JCT BOX-RETARDER OR JACOB	AMP MNL	3	561667	561550	C 482					
C 420	ENGINE COMPT. WEBASTO WATER HTR	TC	2	561597	-----	C 483	FR SERVICE CPT. -SEAT ELECTRICAL SEAT	PED PC	2	-----	562237
C 421	ENGINE COMPT. WEBASTO WATER HTR	TC	1	561073	-----	C 484	UNDER DASH LH-FOOT DAMPER MOTOR	PED PC	2	-----	562076
C 422	ENGINE COMPT. WEBASTO WATER HTR	TC	2	561597	-----	C 485	UNDER DASH LH-DASH & DEFROST DAMP.M.	AMP MNL	3	561667	561550
C 423						C 486					
C 424	UNDER INSTRUMENT PANEL CENTER	AMP MNL	3	561667	561550	C 487					
C 425	FR JCT BOX-DIODES	AMP MNL	15	561987	561986	C 488					
C 426	ENGINE COMPT. CLUTCH CTR FAN	PED WP	3	561781	561782	C 489					
C 427						C 490					
C 428						C 491					
C 429	FR JCT BOX COMPT.	AMP MNL	6	561552	561515	C 492					
C 430	LH CONSOLE-TIMER	AMP FF	8	561188	562363	C 493					
C 431	LH CONSOLE-PRE HEAT.	TAB AMP	1	561540	561539	C 494					
C 432	ENGINE CPT.-PROX. SW. DOOR AJAR	DEUTSCH	4	562479	562477	C 495					
C 433	FR SERVICE CPT. KNEEL. PRESS. SW	PED WP	2	561566	561690	C 496					
C 434	FRONT JCT. BOX-DIODES	AMP MNL	15	561987	561986	C 497					
C 435	FR SERVICE CPT.(RH) KNEEL. PIEZO	AMP MNL	2	560900	560898	C 498					
C 436	RH HAT RACK-WCL CENTER ROOF ACC	AMP CPC	16	561639	561640	C 499					
C 437						C 500	FR LH UPPER WHELL CPT -PRODRIVER	MOLEX	6	562070	562069
C 438						C 501	FR LH UPPER WHELL CPT -PRODRIVER MOD	PED MP	7	562433	-----
C 439						C 502	LH CONSOLE-PRE HEATER SW.	EATON	10	-----	562763
C 440						C 503					
C 441						C 504	LH CONSOLE WEBASTO TIMER	AMP	8	-----	562852
C 442						C 505	LH CONSOLE ESPAR TIMER	AMP	12	-----	562681
C 443						C 506	LH CONSOLE-LEVEL LOW SW.	EATON	10	-----	562763
C 444						C 508	RR JCT BOX-FAN CLUTCH RETARDER	AMP MNL	6	561552	561515
C 445						C 509	FR LH UPPER WHELL CPT -DATA LOGGER	PED MP	16	-----	562530
C 446						C 510	FR LH UPPER WHELL CPT -DATA LOGGER	DEUTSCH	9	562531	-----

CONNECTORS CODE

NO	LOCATION	TYPE	CAVITY	#PIN	#SOCKET	NO	LOCATION	TYPE	CAVITY	#PIN	#SOCKET
				HOUSING	HOUSING					HOUSING	HOUSING
C 511	FR LH UPPER WHELL CPT -DATA LOGGER	PED MP	4	562532	-----	C 576					
C 512	FR LH UPPER WHELL CPT -DATA LOGGER	PED MP	10	562533	-----	C 577					
C 513	FR LH UPPER WHELL CPT -DATA LOGGER	AMP MNL	3	561667	561550	C 578					
C 514	FR LH UPPER WHELL CPT -DATA LOGGER	PED MP	6	562433	562417	C 579					
C 515						C 580					
C 516						C 581					
C 517						C 582	FRONT SERVICE CMPT. - WINDOWS AJAR	PED WP	2	561566	561690
C 518						C 583	L.H. DASH PANEL - MASTER KEY	DEUTSCH	2	562486	562485
C 519						C 584	FRONT SERVICE CMPT. - AIR HORH	HUMPHREY	3	-----	641385
C 520						C 585					
C 521						C 586					
C 522	FR JCT BOX-DAYTIME LTS MODULE	BOSCH	5	-----	561183	C 587					
C 523	FR JCT BOX-FUSE BLOCK	PED	8	562647	562646	C 588					
C 524	FR JCT BOX-FUSE BLOCK	PED	8	562647	562646	C 589	UNDER DASH - L.H. MIRROR	AMP MNL	9	561670	561669
C 525	FR JCT BOX-FUSE BLOCK	PED	8	562647	562646	C 590	UNDER DASH - R.H. MIRROR	AMP MNL	9	561670	561669
C 526	FR JCT BOX-FUSE BLOCK	PED	8	562647	562646	C 591	L.H.CONSOLE - MIRROR L.H.	EURAMTEC	8	-----	562799
C 527	FR JCT BOX-FUSE BLOCK	PED	8	562647	562646	C 592	L.H.CONSOLE - MIRROR R.H.	EURAMTEC	8	-----	562799
C 528						C 593					
C 529	FR JCT BOX-12V OUTLET	AMP MNL	2	561247	561248	C 594	FRONT ROOF - DRIVERS LIGHT	LEEKRAFT		-----	562803
C 530	RR JCT BOX-FUSE BLOCK	PED	8	562647	562646	C 595					
C 531	RR JCT BOX-FUSE BLOCK	PED	8	562647	562646	C 596					
C 532	RR JCT BOX-FUSE BLOCK	PED	8	562647	562646	C 597	L.H. DASH PANEL - DISPLAY SET SW.	MOLEX	5	-----	562812
C 533						C 598	L.H. DASH PANEL - DISPLAY SET SW.	MOLEX	5	-----	562812
C 534						C 599					
C 535	RR JCT BOX-FIRE MODULE DETECT.	AMP MNL	3	561667	561550	C 600	ENGINE CPT.-A/C LOW PRESS SW. UNLOAD	PED	2	562348	562471
C 536	UNDER DASH RH-DRIVER'S HTR TEMP. CTR	AMP MNL	6	561552	561515	C 601					
C 537	BATT. CPT.-A/C PRESS. SIGN. RLY	AMP MNL	2	561248	561247	C 602					
C 538	FR SERVICE CPT.-OUTSIDE TEMP. SENSOR	AMP MNL	2	561248	561247	C 603					
C 539	HVAC DASH MODULE OUTPUT CON	MOLEX	24		562780	C 604					
C 540	HVAC DASH MODULE INPUT CON	MOLEX	22		562781	C 605					
C 541						C 606					
C 542						C 607	FRONT SERVICE CMPT. RPM SIGNAL	PED WP	2	561566	561690
C 543	RR JCT BOX-PARK. BRAKE STOP LTS RESIS.	PED WP	2	561566	561690	L 608	FRONT SERVICE CMPT. SPEED SIGNAL	PED WP	2	561566	561690
C 544						LX	CLUSTER	JAE	22	-----	562766
C 545						RY	CLUSTER	JAE	30	-----	562767
C 546	LH DASH PANEL-ACCESSORIES	AMP CPC	37	561645	561646	X	CLUSTER	JAE	22	-----	562764
C 547	RH DASH PANEL-ACCESSORIES	AMP CPC	37	561645	561646						
C 548	LH DASH PANEL-T.T. LT. TEST SW.	EATON	10	-----	562763						
C 549											
C 550	EVAPORATOR COMPARTIMENT	ITT	2	561813	562159						
C 551	RR JCT BOX - A/C PANEL	PED	2	561566	561690						
C 552											
C 553											
C 554											
C 555											
C 556											
C 557											
C 558											
C 559											
C 560											
C 561											
C 562											
C 563											
C 564											
C 565											
C 566											
C 567											
C 568											
C 569											
C 570	UNDER DASH PANEL TTLT MODULE	MOLEX	6		562464						
C 571	UNDER DASH PANEL TTLT MODULE	MOLEX	20		562778						
C 572	UNDER DASH PANEL TTLT MODULE	MOLEX	18		562779						
C 573	UNDER DASH PANEL TTLT MODULE	MOLEX	8		562465						
C 574											
C 575											

CONNECTORS CODE

NO	LOCATION	TYPE	CAVITY	#PIN HOUSING	#SOCKET HOUSING	NO	LOCATION	TYPE	CAVITY	#PIN HOUSING	#SOCKET HOUSING
C X1	FR LH UPPER WHELL CPT-ABS	AMP	18		562792	C 58	RR JCT BOX - A/C PANEL	DEUTSCH	24	562280	562283
C X2	FR LH UPPER WHELL CPT-ABS	AMP	6		562793	C 59	RR JCT BOX - A/C PANEL	AMP CPC	14	561585	561583
C X3	FR LH UPPER WHELL CPT-ABS	AMP	9		562794	C 60	RR JCT BOX COMPT.-LT	AMP MNL	2	561248	561247
C X4	FR LH UPPER WHELL CPT-ABS	AMP	15		562795	C 61	LUGGAGE COMPARTMENT LTS	AMP MNL	2	561248	561247
C S	RR JCT BOX ECU WORLD TR.	PED	32		562817	C 62	LUGGAGE COMPARTMENT LTS	AMP MNL	2	561248	561247
C T	RR JCT BOX ECU WORLD TR.	PED	32		562824	C 63	LUGGAGE COMPARTMENT LTS	AMP MNL	2	561248	561247
C V	RR JCT BOX ECU WORLD TR.	PED	32		562823	C 64	LUGGAGE COMPARTMENT LTS	AMP MNL	2	561248	561247
CV I2	RR JCT BOX-WORLD TRANS. SHIFT & RET.	AMP CPC	9	561636	561637	C 65	LUGGAGE COMPARTMENT LTS	AMP MNL	2	561248	561247
C Y	CLUSTER	JAE	30		562765	C 66	LUGGAGE COMPARTMENT LTS	AMP MNL	2	561248	561247
C 1	FR JCT BOX COMPARTMENT	AMP CPC	14	561585	561584	C 67	LUGGAGE COMPARTMENT LTS	AMP MNL	2	561248	561247
C 2	FR JCT BOX COMPARTMENT	AMP CPC	16	561639	561640	C 68	LUGGAGE COMPARTMENT LTS	AMP MNL	2	561248	561247
C 3	FR JCT BOX COMPARTMENT	AMP CPC	24	561641	561643	C 69	RR AXLE ACC-INSIDE PVC END	PED WP	6	561568	561578
C 4	FR JCT BOX COMPARTMENT	AMP CPC	37	561644	561646	C 70	LH CONSOLE	AMP CPC	24	561642	561643
C 5	FR SERVICE COMPT.-UNDERNEATH	AMP CPC	37	561644	561646	C 71	FR JCT BOX COMPARTMENT	AMP CPC	37	561645	561646
C 6	FR SERVICE COMPT.-UNDERNEATH	AMP CPC	16	561639	561640	C 72	FR JCT BOX COMPARTMENT	AMP CPC	24	561642	561643
C 8	FR SERVICE COMPT.-UNDERNEATH	AMP CPC	24	561641	561643	C 74	FR JCT BOX COMPARTMENT	AMP CPC	37	561645	561646
C 9	FR SERVICE COMPT.-UNDERNEATH	AMP CPC	24	561641	561643	C 75	LUGG. COMPT. - DOOR LOCK	AMP MNL	2	561551	561668
C 10						C 76	LUGGAGE COMPT.-AIR RET.SENS.	AMP MNL	2	561248	561247
C 11	FR SERVICE COMPARTMENT	AMP CPC	37	561644	561646	C 77	LUGGAGE COMPT.-DOOR LOCK		4	561551	561668
C 12	FR SERVICE COMPARTMENT	AMP CPC	16	561639	561640	C 78	LUGGAGE COMPT.-LTS - COND. CPT	AMP MNL	2	561248	561247
C 13	LH CONSOLE-CTR MIRROR	AMP MNL	6	561552	561515	C 79	LUGGAGE COMPT.-LTS - EVAP. CPT.	AMP MNL	2	561248	561247
C 14	UNDER DASH-LH MIRROR	AMP MNL	9	561661	561662	C 80	LUGGAGE COMPT.-AIR RET.SENS.	AMP MNL	2	561248	561247
C 15	RR JCT BOX	AMP CPC	24	561641	561643	C 81	LUGGAGE COMPT.-DOOR LOCK	AMP MNL	2	561551	561668
C 16	LH CONSOLE SW-CRUISE ON OFF	EATON	10	-----	562763	C 82	LUGGAGE COMPT.-DOOR LOCK	AMP MNL	2	561551	561668
C 17	LH CONSOLE SW-CRUISE RESUME	EATON	10	-----	562763	C 83	LUGGAGE COMPT.-DOOR LOCK	AMP MNL	2	561551	561668
C 18	LH CONSOLE SW-CRUISE SET	EATON	10	-----	562763	C 84	LUGGAGE COMPT.-DOOR LOCK	AMP MNL	2	561551	561668
C 19	LH CONSOLE DECEL SW	EATON	10	-----	562763	C 85	LUGGAGE COMPT.-DOOR LOCK	AMP MNL	2	561551	561668
C 20	RR JCT BOX	AMP CPC	37	561644	561646	C 86	LUGGAGE COMPT.-DOOR LOCK	AMP MNL	2	561551	561668
C 21	RR JCT BOX	AMP CPC	24	561641	561643	C 87	RR END ROOF	AMP CPC	9	561636	561637
C 22						C 88					
C 23						C 89	RR END ROOF-B/U NONITOR	AMP CPC	4	561582	561581
C 24						C 90	RR JCT BOX	AMP CPC	15	561987	561986
C 25						C 91	RR JCT BOX	AMP CPC	37	561714	561713
C 26						C 92	FR LH UPPER WHELL CPT-ABS	AMP CPC	9	561635	561637
C 27						C 93	FR LH UPPER WHELL CPT-ABS	WABCO	35	-----	641094
C 28						C 94					
C 29						C 95					
C 30						C 96	FR AXLE ACCESSORIES	AMP CPC	14	561585	561585
C 31						C 97	RR AXLE ACC-INSIDE PVC END	PED WP	6	561568	561578
C 32	DDEC ENGINE-ECM	PED	30	-----	561600	C 98	FR SERVICE COMPT-EL.FT.PEDAL	PED WP	3	561782	561781
C 33						C 99	FR SERVICE COMPT LTS	AMP MNL	2	561248	561247
C 34						C 100					
C 35	RR JCT BOX	AMP CPC	24	561642	561643	C 101	FR SERVICE COMPT-ELEC. HORNS	PED WP	2	561566	561690
C 36						C 102	FR SERV & SIDE CPT-FLASH. LH	GROTE	2	-----	562155
C 37						C 103	FR SERV & SIDE CPT-MARKERS	GROTE	2	-----	562155
C 38						C 104	FR SERV & SIDE CPT-FLASH. RH	GROTE	2	-----	562155
C 39						C 105	FR SERVICE COMPT-LIQ.S.VALVE	PED WP	2	561566	561690
C 40						C 106	FR SERVICE COMPT-WATER VALVE	PED WP	2	561566	561690
C 41						C 107	EVAPORATOR COMPT-DAMPER	PED WP	2	561566	561690
C 42						C 108					
C 43						C 109					
C 44						C 110					
C 45	FR. JCT BOX COMPARTMENT	AMP CPC	24	561642	561643	C 111	EVAPORATOR COMPT-DAMPER	DEUTSCH	2	562486	562485
C 46						C 112	EVAPORATOR COMPT-SPEED MOT CTRL	DEUTSCH	5	-----	562566
C 47	FR SERVICE COMPARTMENT	AMP CPC	16	561694	561695	C 113	BATT. & RR J.B.CPT.MARKER LT	GROTE	2	-----	562155
C 48	FR. SERV. COMPT.-PRESS SW. PARK BRAKE	DEUTSCH	4	562479	562477	C 114	RR J. BOX CPT DOOR DIR LT LH	GROTE	2	-----	562155
C 49	BATTERIE COMPT.-LT	AMP MNL	2	561248	561247	C 115	ENGINE COMPT-AIR DRYER	PED WP	2	561566	561690
C 50						C 116	ENGINE COMPT. LTS	PED WP	1	561605	561577
C 51						C 117					
C 52	RR JCT BOX	AMP CPC	22	561709	561710	C 118					
C 53						C 119	ENGINE CPT RR DOOR RH LO LAMP	PED WP	6	561606	561607
C 54						C 120	ENGINE CPT RR DOOR LH LO LAMP	PED WP	6	561606	561607
C 55	RH SWITCH PANEL	AMP CPC	9	561636	561637	C 121	BATTERIE CPT. DOOR DIR LT RH	GROTE	2	-----	562155
C 56						C 122	ENGINE CPT-CAMERA DOOR VALVE	PED WP	2	561566	561690
C 57						C 123					

CONNECTORS CODE

NO	LOCATION	TYPE	CAVITY	#PIN HOUSING	#SOCKET HOUSING	NO	LOCATION	TYPE	CAVITY	#PIN HOUSING	#SOCKET HOUSING
C 124	ENGINE CPT-ETHER SW	PED WP	2	561566	561690	C 187	FR JCT BOX-RPM RESISTOR CON.	AMP MNL	6	561552	561515
C 125	ENGINE CPT-B/U ALARM	PED WP	2	561566	561690	C 188					
C 126						C 189	ENGINE CPT RR DOOR B/U LT	PED WP	2	561566	561690
C 127	ENGINE CPT-FUEL FILTER	PED WP	2	561566	561690	C 190	ENGINE CPT RR DOOR TAIL LT	PED WP	2	561566	561690
C 128	ENGINE CPT-A/C COMPR.CLUTCH	ITT SS	2	561813	561812	C 191	ENGINE CPT RR DOOR RH STOP LT	PED WP	2	561566	561690
C 129	ENGINE CPT-PRE-HEAT WATER	AMP FF	6	561672	561186	C 192	ENGINE CPT RR DOOR RH DIR. LT	PED WP	2	561566	561690
C 130	ENGINE CPT-UNLOADER	ITT SS	2	561813	561812	C 193					
C 131	ENGINE CPT-UNLOADER	ITT SS	2	561813	561812	C 194	ENGINE CPT RR DOOR LH DIR. LT	PED WP	2	561566	561690
C 132	ENGINE CPT-A/C LO PRESS SW	PED WP	2	561566	561690	C 195	ENGINE CPT RR DOOR LH STOP LT	PED WP	2	561566	561690
C 133	ENGINE CPT-A/C HI PRESS SW	PED WP	2	561566	561690	C 196	ENGINE CPT RR DOOR CYCLOP LT	PED WP	2	561566	561690
C 134	FR JCT BOX-LUGGAGE DIODE CON.	AMP MNL	15	561987	561986	C 197					
C 135	FR JCT BOX-LUGGAGE DIODE CON.	AMP MNL	15	561987	561986	C 198					
C 136	RR JCT BOX-A/C PANEL DIODE CON.	AMP MNL	15	561987	561986	C 199	ENGINE CPT RR DOOR LICENCE LT	DOM AUTO	2	930210	-----
C 137	RR JCT BOX-TRANSMITTER	AMP MNL	2	560900	560898	C 200					
C 138	RR JCT BOX-CONTROL MODULE	AMP HDP	15	-----	562012	C 201	AUX. UNIT CONTROL	PED WP	4	561610	561611
C 139	RR JCT BOX-LOGIC MODULE	AMP HDP	15	562011	-----	C 202	AUX. UNIT CONTROL	PED WP	3	561781	561782
C 140	HVAC DASH MODULE THERMOMETER	MOLEX	4	562782	-----	C 203	AUX. UNIT CONTROL	PED WP	2	561566	561690
C 141	INSTRUMENT PANEL LH UNLOAD TAG	AMP	2	561248	561247	C 204	AUX. LIQUID SOL.VALVE	PED WP	2	561566	561690
C 142						C 205					
C 143						C 206					
C 144						C 207					
C 145	RR JCT BOX CPT-RR SIDE LTS	AMP MNL	9	561670	561669	C 208					
C 146	ENGINE CPT-MODULATOR VALVE	AMPHENOL	2	-----	560412	C 209					
C 147	BATT & RR J.B.CPT-DOCK.LTS	PED WP	2	561566	561690	C 210					
C 148						C 211	FR ROOF-STORE LH	AMP MNL	2	560900	560898
C 149	CONDENSER CPT-FAN MOTOR	ORDNANCE	3	562555	562001	C 212	FR ROOF-STORE RH	AMP MNL	2	560900	560898
C 150	ENGINE CPT. - FUEL FILTER	PED WP	1	561605	561577	C 213					
C 151	EVAPORATOR CPT-THERMOSTAT	ITT	2	561813	562159	C 214					
C 152	CONDENSER CPT-FUEL GAUGE	PED WP	4	561610	561611	C 215					
C 153	EVAPORATOR CPT-AIR AMB. SENS	AMP MNL	2	561248	561247	C 216					
C 154	EVAPORATOR CPT-FRESH AIR SENS	ITT SS	2	561813	561812	C 217					
C 155	EVAPORATOR CPT-WATER VALVE	PED WP	4	561610	561611	C 218					
C 156	EVAPOR. CPT-BYPASS WATER VAL.	PED WP	2	561566	561690	C 219					
C 157	EVAPORATOR CPT-WATER PUMP	PED WP	2	561566	561690	C 220	RR.JCT.BOX-FUEL PRIME PUMP	TC	1	561070	561073
C 158	ENGINE CPT-A/C LO TEMP.	PED WP	2	561566	561690	C 221	BATTERY CMPT. FIRE DETECTOR	DEUTSCH	2	562486	562485
C 159	ENGINE CPT-A/C HI TEMP.	PED WP	2	561566	561690	C 222	ENGINE CMPT. FIRE DETECTOR	DEUTSCH	2	562486	562485
C 160	FR AXLE-ABS RH SENSOR	WABCO	2	641132	-----	C 223	ENGINE CMPT. FIRE DETECTOR	DEUTSCH	2	562486	562485
C 161	FR AXLE-ABS RH VALVE	WABCO	3	-----	641098	C 224					
C 162	FR AXLE-ABS LH VALVE	WABCO	3	-----	641098	C 225					
C 163	FR AXLE-ABS LH SENSOR	WABCO	2	641132	-----	C 226					
C 164	RR AXLE-ABS LH SENSOR	DEUTSCH	2	562486	562485	C 227					
C 165	RR AXLE-ABS LH VALVE	WABCO	3	-----	641098	C 228					
C 166	RR AXLE-ABS RH VALVE	WABCO	3	-----	641098	C 229					
C 167	RR AXLE-ABS RH SENSOR	DEUTSCH	2	562486	562485	C 230	ENG.CPT.-FUEL PRIME PUMP FEED	DEUTSCH	2	562486	562485
C 168	RR AXLE-ABS OPT ATC	PED WP	2	561566	561690	C 231	ENG.CPT.-FUEL PRIME PUMP SW.	PED WP	2	561566	561690
C 169	RR JCT BOX-SPEED SW	AMP HDP	15	-----	562012	C 232	ENG.CPT.-FUEL PRIME PUMP	PED WP	2	561566	561690
C 170	FR JCT BOX-FLASHER UNIT	TC	2	-----	561940	C 233					
C 171	LH CONSOLE	AMP CPC	24	561642	561643	C 234					
C 172	FR SERV. COMPT.- LEVEL LOW	AMP CPC	9	561635	561637	C 235					
C 173	LAV.POTABLE-WATER TANK HEAT.	AMP MNL	2	560900	560898	C 236					
C 174	UNDER DASH RH-HTR MODULE	AMP MNL	9	561670	561669	C 237					
C 175	UNDER DASH RH-HTR MODULE	AMP MNL	9	561670	561669	C 238	RR JCT BOX-DIODE CONNECTOR	AMP MNL	9	561670	561669
C 176	UNDER DASH RH-WIPER PULSE	AMP FF	6	-----	561186	C 239					
C 177	UNDER DASH RH-WIPER MOTOR	AMP FF	6	-----	561186	C 240	LUGG. CPT.-CO-PILOT SEAT HEATER	AMP MNL	2	560900	560898
C 178	UNDER DASH RH-LH FAN	TC	2	561030	560997	C 241					
C 179	UNDER DASH RH-RH FAN	TC	2	561030	560997	C 242	FR SERVICE CPT-MARK & DIR LT	ITT SS	3	561111	561080
C 181	RR JCT BOX-DIODE CONNECTOR	AMP MNL	15	561987	561986	C 243	FR SERVICE CPT-HEADLAMPS	TC	3	-----	561071
C 180						C 244	FR SERVICE CPT-LH FOG LAMP	ITT SS	2	561813	561812
C 182						C 245	FR SERVICE CPT-RH FOG LAMP	ITT SS	2	561813	561812
C 183						C 246	FR SERVICE CPT-MARK & DIR LT	ITT SS	3	561111	561080
C 184						C 247					
C 185						C 248	FR JCT BOX-WIPER PULSE GEN	AMP FF	6	-----	561108
C 186	RR JCT BOX CPT.-SPEED SIGN.TR	PED WP	2	561566	561690	C 249					
C 186M	RR JCT BOX CPT.-SPD SIGN. M.TR	PED WP	2	561566	561690	C 250					
C 186W	RR JCT BOX CPT.-SPD SIGN. WT	PED WP	2	561566	561690	C 251	LH SW PANEL-FAST IDLE	EATON	10	-----	562763

CONNECTORS CODE

NO	LOCATION	TYPE	CAVITY	#PIN HOUSING	#SOCKET HOUSING	NO	LOCATION	TYPE	CAVITY	#PIN HOUSING	#SOCKET HOUSING
C 252						C 317	LH CONSOLE SW-RH STORE	EATON	10	-----	562763
C 253	LH SW PANEL-ETHER	EATON	10	-----	562763	C 318	LH CONSOLE SW-DRV WINDOW LIFT	EATON	10	-----	562763
C 254	INST. PANEL RH-ENTR.DOOR SW.	TORRIX	5	-----	562110	C 319					
C 255	LH SW PANEL-JACOB	EATON	10	-----	562763	C 320	RH SW PANEL-DRIVER'S LTS	EATON	10	-----	562763
C 256						C 321					
C 257						C 322	LH CONSOLE DRV WIND LIFT MOT	PED PO	2	-----	561848
C 258	LH SW PANEL-MULTI FUNC. SW	AMP FF	8	561188	-----	C 323	LH CONSOLE CRUISE CTR SW PAN.	AMP CPC	9	561636	561637
C 259	LH SW PANEL-MULTI FUNC. SW	AMP FF	6	-----	561108	C 324					
C 260						C 325	LH CONSOLE SW-KNEELING	EATON	8	-----	562763
C 261						C 326	LH CONSOLE SW-SPARE	EATON	8	-----	562763
C 262	UNDER DASH RH-KEYLESS MODULE	AMP MUL	22	-----	562675	C 327	ENGINE CONTROL	DEUTSCH	6	562583	562581
C 263	UNDER DASH RH- KEYLESS MODULE	AMP MUL	26	-----	562676	C 328					
C 264	ENTRANCE DOOR-KEYPAD	AMP CPC	9	561536	561637	C 329	ENGINE TACHO SIGNAL	PED WP	3	561781	561789
C 265	RH SW PANEL -DRIVER'S DOOR SW.	EATON	10	-----	562763	C 330					
C 266	ENTRANCE DOOR-KEYLESS	AMP CPC	14	561585		C 331					
C 267	UNDER DASH RH	AMP CPC	24	561642	561643	C 332					
C 268	UNDER DASH LH-MIRROR	AMP MNL	6	561552	561515	C 333					
C 269	UNDER DASH RH-MIRROR	AMP MNL	6	561552	561515	C 334					
C 270	LH MIRROR POST	MOLEX	6	562070	562069	C 335					
C 271	RH MIRROR POST	MOLEX	6	562070	562069	C 336					
C 272	LH MIRROR	SPARTAN	6	-----	990158	C 337	INSTR PANEL LH-UP WIPER SW	EATON	8	-----	562763
C 273	RH MIRROR	SPARTAN	6	-----	990158	C 338	INSTR PANEL LH-UP DEFROST SW	EATON	8	-----	562763
C 274						C 339	INSTR PANEL LH-UP WASHER SW	EATON	8	-----	562763
C 275						C 340	FR JCT. BOX FIRE PIEZO ALARM	AMP MNL	2	560900	560898
C 276	UNDER DASH RH -3 WAY LTS	EATON	10	-----	562763	C 341	INSTR PANEL LH-HEAT MIRROR SW	EATON	8	-----	562763
C 277	LH CONSOLE -DOCK. & CORN. SW.	EATON	10	-----	562763	C 342	ENGINE RR START SW	DEUTSCH	2	562586	562585
C 278	LH CONSOLE -BACK-UP CANCEL SW.	EATON	10	-----	562763	C 343	INSTR PANEL LH-HEADLAMP SW	EATON	8	-----	562763
C 279						C 344	INSTR PANEL LH-HAZARD LT SW	EATON	8	-----	562763
C 280	UNDER DASH RH -3 WAY LTS	EATON	10	-----	562763	C 345	INSTR PANEL LH-FOG LT SW	EATON	8	-----	562763
C 281	LH CONSOLE -LEVEL LOW	AMP MNL	4	560851	560852	C 346	INSTR PANEL LH-SWITCH LTS	EATON	2	-----	561837
C 282	RH SW PANEL -MONITOR OPER. SW.	EATON	10	-----	562763	C 347	INSTR PANEL LH-DASH LT SW	AMP MNL	2	560900	560898
C 283	LH CONSOLE -LOW DOCKING SW.	EATON	10	-----	562763	C 348	INSTR PANEL CENT-RACOR MODULE	MOLEX	6	562070	562067
C 284						C 349					
C 285	ENTRANCE DOOR -SOL. DOOR	PED PO	2	-----	562076	C 350	RH CONSOLE-THERMOMETER	AMP MNL	3	561667	561550
C 286	RH SW PANEL-A/C & HEAT	EATON	10	-----	562763	C 351					
C 287	ENGINE COMPT-LTS SW	PED WP	2	561566	561690	C 352	RH CONSOLE-DRV TEMP SENSOR	BURNDY	4	-----	561104
C 288	RH SW PANEL-FRESH AIR	EATON	10	-----	562763	C 353	INSTR PANEL RH-DRV FAN RHEOST	AMP MNL	6	561552	561515
C 289						C 354	INSTR PANEL RH-DRV TEMP CTR	AMP MNL	6	561552	561515
C 290	LUGGAGE COMPT -DOOR LOCK	AMP MNL	4	561551	561668	C 355	INSTR PANEL RH-FR TEMP CTR	AMP MNL	3	561667	561550
C 291	LUGGAGE COMPT -DOOR LOCK	AMP MNL	4	561551	561668	C 356					
C 292						C 357	INSTR PANEL RH-WATER TEMP GA	AMP MNL	3	561667	561550
C 293						C 358	INSTR PANEL RH-FUEL LEVEL GA	AMP MNL	3	561667	561550
C 294						C 359					
C 295						C 360	INSTR PANEL RH-B/U MONITOR	AMP MNL	2	561248	561247
C 296						C 361	FR ROOF-WIPER MOTOR	AMP FF	6	-----	561186
C 297	INSTRUMENT PANEL RH -LTS	AMP MNL	2	560900	560898	C 362					
C 298						C 363					
C 299						C 364					
C 300						C 365					
C 301						C 366	RH DASH PANEL-GRN & RED LEDS	AMP MNL	3	560908	562006
C 302						C 367					
C 303						C 368					
C 304						C 369					
C 305						C 370					
C 306						C 371					
C 307						C 372	FR ROOF-DEST. SIGN SPEED SW	MOLEX	4	561477	561476
C 308	LH CONSOLE SW-RHEOSTAT	TC	2	561030	560997	C 373	FR ROOF-NO SMOKING LT	AMP MNL	2	561248	561247
C 309	DDEC ENGINE-ECM POWER CON.	PED MP	5	-----	562345	C 374	LH SWITCH PANEL	AMP MNL	6	561552	561515
C 310	LH CONSOLE SW-LUG. DOOR LOCK	EATON	10	-----	562763	C 375					
C 311						C 376	LH SWITCH PANEL	AMP CPC	37	561714	562005
C 312						C 377	LH SW PANEL-STOP ENG.OVERRIDE	EATON	10	-----	562763
C 313						C 378					
C 314						C 379					
C 315	LH CONSOLE SW-LH STORE	EATON	10	-----	562763	C 380	LH CONSOLE-DDR CONNECTOR	DEUTSCH	6	562360	-----
C 316						C 381	INST. PANEL CENTER-ANTI-THEFT LED	AMP MNL	2	561248	561247

CONNECTORS CODE

NO	LOCATION	TYPE	CAVITY	#PIN HOUSING	#SOCKET HOUSING	NO	LOCATION	TYPE	CAVITY	#PIN HOUSING	#SOCKET HOUSING
C 382						C 447					
C 383						C 448					
C 384						C 449					
C 385						C 450					
C 386						C 451					
C 387						C 452					
C 388						C 453					
C 389						C 454					
C 390						C 455					
C 391						C 456	WORLD TRANSM.-RETARDER ACCUM.	PED MP	2	-----	562427
C 392						C 457	WORLD TRANSM.-MAIN CONNECTOR	DEUTSCH	31	562572	562536
C 393						C 458	WORLD TRANSM.-TURBINE SP.SENS	PED MP	2	-----	562426
C 394						C 459	WORLD TRANSM.-ENGINE SP.SENS.	PED MP	2	-----	562426
C 395						C 460	WORLD TRANSM.-SPEED SENSOR	ITT	2	-----	562541
C 396						C 461	WORLD TRANSM.-RETARDER TEMP.	PED MP	2	561566	561590
C 397	ENGINE COMPT. CRADLE ACC.	DEUTSCH	40	562281	562284	C 462	WORLD TRANSM.-RETARD SOL."K"	PED MP	2	-----	562426
C 398						C 463	WORLD TRANSM.-SENSOR CONN.	DEUTSCH	16	562570	562571
C 399	ENGINE COMPT. - EXITING SIGNAL ALTERN.	PED WP	2	561566	561690	C 464	RR JCT BOX-DDL CONN W.T.	DEUTSCH	6	-----	562360
C 400	ENGINE COMPT. BLOCK HEATER	PED MP	3	561781	561782	C 465	LH CONSOLE-SHIFTER SELECTOR	PED	20	-----	562825
C 401						C 466	FR SERVICE CPT.-RESIS. MOD.	PED WP	3	-----	562428
C 402	RR DRIVE AXLE-AIR DRYER	PED MP	2	-----	562251	C 467	FR SERVICE CPT.-RESIS. MOD.	PED WP	3	-----	562428
C 403						C 468					
C 404						C 469					
C 405						C 470	FR LH UPPER WHELL CPT-SILENT 1000	AMP MNL	2	561248	561247
C 406	FR JCT BOX COMPT.-ABS	AMP MNL	2	560900	560898	C 471	FR LH UPPER WHELL CPT-SILENT 1000	AMP MNL	2	561248	561247
C 407	ENGINE COMPT. -SIGNAL	PED WP	6	561606	561607	C 472	FR LH UPPER WHELL CPT-SILENT 1000	PED WP	2	561566	561690
C 408	ENGINE COMPT. -SIGNAL	PED WP	6	561606	561607	C 473	FR LH UPPER WHELL CPT-SILENT 1000	AMP MNL	3	561667	561550
C 409	ENGINE CPT -LOW COOL. LEVEL	PED MP	2	-----	562350	C 474	DRIVER'S.-TEMP. SENSOR	AMP MNL	2	561247	561248
C 410	FR JCT BOX-DIODE CONNECTOR	AMP MNL	15	561987	561986	C 475	RR JCT BOX-SPEED SIGN CONNECTOR	AMP MNL	2	561248	561247
C 411	FR JCT BOX-DIODE CONNECTOR	AMP MNL	15	561987	561986	C 475M	RR JCT BOX-SPEED SIGN MANUAL TR.	MOLEX	6	562070	562069
C 412	LH SW PANEL-MASTER SWITCH	EATON	10	-----	562763	C 475WV	RR JCT BOX-SPEED SIGN WORLD TR.	MOLEX	6	562070	562069
C 413	ENG CPT-A/C HI UNLOAD PRS SW	PED WP	2	561566	561690	C 476					
C 414	RR JCT BOX	AMP MNL	9 - 12			C 477					
C 415	ENGINE CRADLE-FAN SIGNAL	PED WP	3	561781	561782	C 478					
C 416	ENGINE CRADLE-FAN SIGNAL	PED P-C	3	562237	-----	C 479	HVAC MODULE (NOT USED)	-----	-	-----	-----
C 417	FRONT JCT BOX-DIODES	AMP MNL	15	561987	561986	C 480	UNDER DASH RH-DR'S FAN SPEED CTR MOD	PED	4	561889	561890
C 418	INSTR. PANEL LH-HTR WINDSH.SW	EATON	10	-----	562763	C 481	UNDER DASH RH-DR'S FAN SPEED CTR MOD	PED	3	561781	561782
C 419	FR JCT BOX-RETARDER OR JACOB	AMP MNL	3	561667	561550	C 482					
C 420	ENGINE COMPT. WEBASTO WATER HTR	TC	2	561597	-----	C 483	FR SERVICE CPT. -SEAT ELECTRICAL SEAT	PED PC	2	-----	562237
C 421	ENGINE COMPT. WEBASTO WATER HTR	TC	1	561073	-----	C 484	UNDER DASH LH-FOOT DAMPER MOTOR	PED PC	2	-----	562076
C 422	ENGINE COMPT. WEBASTO WATER HTR	TC	2	561597	-----	C 485	UNDER DASH LH-DASH & DEFROST DAMP.M.	AMP MNL	3	561667	561550
C 423						C 486					
C 424	UNDER INSTRUMENT PANEL CENTER	AMP MNL	3	561667	561550	C 487					
C 425	FR JCT BOX-DIODES	AMP MNL	15	561987	561986	C 488					
C 426	ENGINE COMPT. CLUTCH CTR FAN	PED WP	3	561781	561782	C 489					
C 427						C 490					
C 428						C 491					
C 429	FR JCT BOX COMPT.	AMP MNL	6	561552	561515	C 492					
C 430	LH CONSOLE-TIMER	AMP FF	8	561188	562363	C 493					
C 431	LH CONSOLE-PRE HEAT.	TAB AMP	1	561540	561539	C 494					
C 432	ENGINE CPT.-PROX. SW. DOOR AJAR	DEUTSCH	4	562479	562477	C 495					
C 433	FR SERVICE CPT. KNEEL. PRESS. SW	PED WP	2	561566	561690	C 496					
C 434	FRONT JCT. BOX-DIODES	AMP MNL	15	561987	561986	C 497					
C 435	FR SERVICE CPT.(RH) KNEEL. PIEZO	AMP MNL	2	560900	560898	C 498					
C 436	RH HAT RACK-WCL CENTER ROOF ACC	AMP CPC	16	561639	561640	C 499					
C 437						C 500	FR LH UPPER WHELL CPT -PRODRIVER	MOLEX	6	562070	562069
C 438						C 501	FR LH UPPER WHELL CPT -PRODRIVER MOD	PED MP	7	562433	-----
C 439						C 502	LH CONSOLE-PRE HEATER SW.	EATON	10	-----	562763
C 440						C 503					
C 441						C 504	LH CONSOLE WEBASTO TIMER	AMP	8	-----	562852
C 442						C 505	LH CONSOLE ESPAR TIMER	AMP	12	-----	562681
C 443						C 506	LH CONSOLE-LEVEL LOW SW.	EATON	10	-----	562763
C 444						C 508	RR JCT BOX-FAN CLUTCH RETARDER	AMP MNL	6	561552	561515
C 445						C 509	FR LH UPPER WHELL CPT -DATA LOGGER	PED MP	16	-----	562530
C 446						C 510	FR LH UPPER WHELL CPT -DATA LOGGER	DEUTSCH	9	562531	-----

CONNECTORS CODE

NO	LOCATION	TYPE	CAVITY	#PIN	#SOCKET	NO	LOCATION	TYPE	CAVITY	#PIN	#SOCKET
				HOUSING	HOUSING					HOUSING	HOUSING
C 511	FR LH UPPER WHELL CPT -DATA LOGGER	PED MP	4	562532	-----	C 576					
C 512	FR LH UPPER WHELL CPT -DATA LOGGER	PED MP	10	562533	-----	C 577					
C 513	FR LH UPPER WHELL CPT -DATA LOGGER	AMP MNL	3	561667	561550	C 578					
C 514	FR LH UPPER WHELL CPT -DATA LOGGER	PED MP	6	562433	562417	C 579					
C 515						C 580					
C 516						C 581					
C 517						C 582	FRONT SERVICE CMPT. - WINDOWS AJAR	PED WP	2	561566	561690
C 518						C 583	L.H. DASH PANEL - MASTER KEY	DEUTSCH	2	562486	562485
C 519						C 584	FRONT SERVICE CMPT. - AIR HORH	HUMPHREY	3	-----	641385
C 520						C 585					
C 521						C 586					
C 522	FR JCT BOX-DAYTIME LTS MODULE	BOSCH	5	-----	561183	C 587					
C 523	FR JCT BOX-FUSE BLOCK	PED	8	562647	562646	C 588					
C 524	FR JCT BOX-FUSE BLOCK	PED	8	562647	562646	C 589	UNDER DASH - L.H. MIRROR	AMP MNL	9	561670	561669
C 525	FR JCT BOX-FUSE BLOCK	PED	8	562647	562646	C 590	UNDER DASH - R.H. MIRROR	AMP MNL	9	561670	561669
C 526	FR JCT BOX-FUSE BLOCK	PED	8	562647	562646	C 591	L.H.CONSOLE - MIRROR L.H.	EURAMTEC	8	-----	562799
C 527	FR JCT BOX-FUSE BLOCK	PED	8	562647	562646	C 592	L.H.CONSOLE - MIRROR R.H.	EURAMTEC	8	-----	562799
C 528						C 593					
C 529	FR JCT BOX-12V OUTLET	AMP MNL	2	561247	561248	C 594	FRONT ROOF - DRIVERS LIGHT	LEEKRAFT		-----	562803
C 530	RR JCT BOX-FUSE BLOCK	PED	8	562647	562646	C 595					
C 531	RR JCT BOX-FUSE BLOCK	PED	8	562647	562646	C 596					
C 532	RR JCT BOX-FUSE BLOCK	PED	8	562647	562646	C 597	L.H. DASH PANEL - DISPLAY SET SW.	MOLEX	5	-----	562812
C 533						C 598	L.H. DASH PANEL - DISPLAY SET SW.	MOLEX	5	-----	562812
C 534						C 599					
C 535	RR JCT BOX-FIRE MODULE DETECT.	AMP MNL	3	561667	561550	C 600	ENGINE CPT.-A/C LOW PRESS SW. UNLOAD	PED	2	562348	562471
C 536	UNDER DASH RH-DRIVER'S HTR TEMP. CTR	AMP MNL	6	561552	561515	C 601					
C 537	BATT. CPT.-A/C PRESS. SIGN. RLY	AMP MNL	2	561248	561247	C 602					
C 538	FR SERVICE CPT.-OUTSIDE TEMP. SENSOR	AMP MNL	2	561248	561247	C 603					
C 539	HVAC DASH MODULE OUTPUT CON	MOLEX	24		562780	C 604					
C 540	HVAC DASH MODULE INPUT CON	MOLEX	22		562781	C 605					
C 541						C 606					
C 542						C 607	FRONT SERVICE CMPT. RPM SIGNAL	PED WP	2	561566	561690
C 543	RR JCT BOX-PARK. BRAKE STOP LTS RESIS.	PED WP	2	561566	561690	L 608	FRONT SERVICE CMPT. SPEED SIGNAL	PED WP	2	561566	561690
C 544						LX	CLUSTER	JAE	22	-----	562766
C 545						RY	CLUSTER	JAE	30	-----	562767
C 546	LH DASH PANEL-ACCESSORIES	AMP CPC	37	561645	561646	X	CLUSTER	JAE	22	-----	562764
C 547	RH DASH PANEL-ACCESSORIES	AMP CPC	37	561645	561646						
C 548	LH DASH PANEL-T.T. LT. TEST SW.	EATON	10	-----	562763						
C 549											
C 550	EVAPORATOR COMPARTIMENT	ITT	2	561813	562159						
C 551	RR JCT BOX - A/C PANEL	PED	2	561566	561690						
C 552											
C 553											
C 554											
C 555											
C 556											
C 557											
C 558											
C 559											
C 560											
C 561											
C 562											
C 563											
C 564											
C 565											
C 566											
C 567											
C 568											
C 569											
C 570	UNDER DASH PANEL TTLT MODULE	MOLEX	6		562464						
C 571	UNDER DASH PANEL TTLT MODULE	MOLEX	20		562778						
C 572	UNDER DASH PANEL TTLT MODULE	MOLEX	18		562779						
C 573	UNDER DASH PANEL TTLT MODULE	MOLEX	8		562465						
C 574											
C 575											

CONNECTORS CODE

NO	LOCATION	TYPE	CAVITY	#PIN HOUSING	#SOCKET HOUSING	NO	LOCATION	TYPE	CAVITY	#PIN HOUSING	#SOCKET HOUSING
C X1	FR LH UPPER WHELL CPT-ABS	AMP	18		562792	C 58	RR JCT BOX - A/C PANEL	DEUTSCH	24	562280	562283
C X2	FR LH UPPER WHELL CPT-ABS	AMP	6		562793	C 59	RR JCT BOX - A/C PANEL	AMP CPC	14	561585	561583
C X3	FR LH UPPER WHELL CPT-ABS	AMP	9		562794	C 60	RR JCT BOX COMPT.-LT	AMP MNL	2	561248	561247
C X4	FR LH UPPER WHELL CPT-ABS	AMP	15		562795	C 61	LUGGAGE COMPARTMENT LTS	AMP MNL	2	561248	561247
C S	RR JCT BOX ECU WORLD TR.	PED	32		562817	C 62	LUGGAGE COMPARTMENT LTS	AMP MNL	2	561248	561247
C T	RR JCT BOX ECU WORLD TR.	PED	32		562824	C 63	LUGGAGE COMPARTMENT LTS	AMP MNL	2	561248	561247
C V	RR JCT BOX ECU WORLD TR.	PED	32		562823	C 64	LUGGAGE COMPARTMENT LTS	AMP MNL	2	561248	561247
CV I2	RR JCT BOX-WORLD TRANS. SHIFT & RET.	AMP CPC	9	561636	561637	C 65	LUGGAGE COMPARTMENT LTS	AMP MNL	2	561248	561247
C Y	CLUSTER	JAE	30		562765	C 66	LUGGAGE COMPARTMENT LTS	AMP MNL	2	561248	561247
C 1	FR JCT BOX COMPARTMENT	AMP CPC	14	561585	561584	C 67	LUGGAGE COMPARTMENT LTS	AMP MNL	2	561248	561247
C 2	FR JCT BOX COMPARTMENT	AMP CPC	16	561639	561640	C 68	LUGGAGE COMPARTMENT LTS	AMP MNL	2	561248	561247
C 3	FR JCT BOX COMPARTMENT	AMP CPC	24	561641	561643	C 69	RR AXLE ACC-INSIDE PVC END	PED WP	6	561568	561578
C 4	FR JCT BOX COMPARTMENT	AMP CPC	37	561644	561646	C 70	LH CONSOLE	AMP CPC	24	561642	561643
C 5	FR SERVICE COMPT.-UNDERNEATH	AMP CPC	37	561644	561646	C 71	FR JCT BOX COMPARTMENT	AMP CPC	37	561645	561646
C 6	FR SERVICE COMPT.-UNDERNEATH	AMP CPC	16	561639	561640	C 72	FR JCT BOX COMPARTMENT	AMP CPC	24	561642	561643
C 8	FR SERVICE COMPT.-UNDERNEATH	AMP CPC	24	561641	561643	C 74	FR JCT BOX COMPARTMENT	AMP CPC	37	561645	561646
C 9	FR SERVICE COMPT.-UNDERNEATH	AMP CPC	24	561641	561643	C 75	LUGG. COMPT. - DOOR LOCK	AMP MNL	2	561551	561668
C 10						C 76	LUGGAGE COMPT.-AIR RET.SENS.	AMP MNL	2	561248	561247
C 11	FR SERVICE COMPARTMENT	AMP CPC	37	561644	561646	C 77	LUGGAGE COMPT.-DOOR LOCK		4	561551	561668
C 12	FR SERVICE COMPARTMENT	AMP CPC	16	561639	561640	C 78	LUGGAGE COMPT.-LTS - COND. CPT	AMP MNL	2	561248	561247
C 13	LH CONSOLE-CTR MIRROR	AMP MNL	6	561552	561515	C 79	LUGGAGE COMPT.-LTS - EVAP. CPT.	AMP MNL	2	561248	561247
C 14	UNDER DASH-LH MIRROR	AMP MNL	9	561661	561662	C 80	LUGGAGE COMPT.-AIR RET.SENS.	AMP MNL	2	561248	561247
C 15	RR JCT BOX	AMP CPC	24	561641	561643	C 81	LUGGAGE COMPT.-DOOR LOCK	AMP MNL	2	561551	561668
C 16	LH CONSOLE SW-CRUISE ON OFF	EATON	10	-----	562763	C 82	LUGGAGE COMPT.-DOOR LOCK	AMP MNL	2	561551	561668
C 17	LH CONSOLE SW-CRUISE RESUME	EATON	10	-----	562763	C 83	LUGGAGE COMPT.-DOOR LOCK	AMP MNL	2	561551	561668
C 18	LH CONSOLE SW-CRUISE SET	EATON	10	-----	562763	C 84	LUGGAGE COMPT.-DOOR LOCK	AMP MNL	2	561551	561668
C 19	LH CONSOLE DECEL SW	EATON	10	-----	562763	C 85	LUGGAGE COMPT.-DOOR LOCK	AMP MNL	2	561551	561668
C 20	RR JCT BOX	AMP CPC	37	561644	561646	C 86	LUGGAGE COMPT.-DOOR LOCK	AMP MNL	2	561551	561668
C 21	RR JCT BOX	AMP CPC	24	561641	561643	C 87	RR END ROOF	AMP CPC	9	561636	561637
C 22						C 88					
C 23						C 89	RR END ROOF-B/U NONITOR	AMP CPC	4	561582	561581
C 24						C 90	RR JCT BOX	AMP CPC	15	561987	561986
C 25						C 91	RR JCT BOX	AMP CPC	37	561714	561713
C 26						C 92	FR LH UPPER WHELL CPT-ABS	AMP CPC	9	561635	561637
C 27						C 93	FR LH UPPER WHELL CPT-ABS	WABCO	35	-----	641094
C 28						C 94					
C 29						C 95					
C 30						C 96	FR AXLE ACCESSORIES	AMP CPC	14	561585	561585
C 31						C 97	RR AXLE ACC-INSIDE PVC END	PED WP	6	561568	561578
C 32	DDEC ENGINE-ECM	PED	30	-----	561600	C 98	FR SERVICE COMPT-EL.FT.PEDAL	PED WP	3	561782	561781
C 33						C 99	FR SERVICE COMPT LTS	AMP MNL	2	561248	561247
C 34						C 100					
C 35	RR JCT BOX	AMP CPC	24	561642	561643	C 101	FR SERVICE COMPT-ELEC. HORNS	PED WP	2	561566	561690
C 36						C 102	FR SERV & SIDE CPT-FLASH. LH	GROTE	2	-----	562155
C 37						C 103	FR SERV & SIDE CPT-MARKERS	GROTE	2	-----	562155
C 38						C 104	FR SERV & SIDE CPT-FLASH. RH	GROTE	2	-----	562155
C 39						C 105	FR SERVICE COMPT-LIQ.S.VALVE	PED WP	2	561566	561690
C 40						C 106	FR SERVICE COMPT-WATER VALVE	PED WP	2	561566	561690
C 41						C 107	EVAPORATOR COMPT-DAMPER	PED WP	2	561566	561690
C 42						C 108					
C 43						C 109					
C 44						C 110					
C 45	FR. JCT BOX COMPARTMENT	AMP CPC	24	561642	561643	C 111	EVAPORATOR COMPT-DAMPER	DEUTSCH	2	562486	562485
C 46						C 112	EVAPORATOR COMPT-SPEED MOT CTRL	DEUTSCH	5	-----	562566
C 47	FR SERVICE COMPARTMENT	AMP CPC	16	561694	561695	C 113	BATT. & RR J.B.CPT.MARKER LT	GROTE	2	-----	562155
C 48	FR. SERV. COMPT.-PRESS SW. PARK BRAKE	DEUTSCH	4	562479	562477	C 114	RR J. BOX CPT DOOR DIR LT LH	GROTE	2	-----	562155
C 49	BATTERIE COMPT.-LT	AMP MNL	2	561248	561247	C 115	ENGINE COMPT-AIR DRYER	PED WP	2	561566	561690
C 50						C 116	ENGINE COMPT. LTS	PED WP	1	561605	561577
C 51						C 117					
C 52	RR JCT BOX	AMP CPC	22	561709	561710	C 118					
C 53						C 119	ENGINE CPT RR DOOR RH LO LAMP	PED WP	6	561606	561607
C 54						C 120	ENGINE CPT RR DOOR LH LO LAMP	PED WP	6	561606	561607
C 55	RH SWITCH PANEL	AMP CPC	9	561636	561637	C 121	BATTERIE CPT. DOOR DIR LT RH	GROTE	2	-----	562155
C 56						C 122	ENGINE CPT-CAMERA DOOR VALVE	PED WP	2	561566	561690
C 57						C 123					

CONNECTORS CODE

NO	LOCATION	TYPE	CAVITY	#PIN HOUSING	#SOCKET HOUSING	NO	LOCATION	TYPE	CAVITY	#PIN HOUSING	#SOCKET HOUSING
C 124	ENGINE CPT-ETHER SW	PED WP	2	561566	561690	C 187	FR JCT BOX-RPM RESISTOR CON.	AMP MNL	6	561552	561515
C 125	ENGINE CPT-B/U ALARM	PED WP	2	561566	561690	C 188					
C 126						C 189	ENGINE CPT RR DOOR B/U LT	PED WP	2	561566	561690
C 127	ENGINE CPT-FUEL FILTER	PED WP	2	561566	561690	C 190	ENGINE CPT RR DOOR TAIL LT	PED WP	2	561566	561690
C 128	ENGINE CPT-A/C COMPR.CLUTCH	ITT SS	2	561813	561812	C 191	ENGINE CPT RR DOOR RH STOP LT	PED WP	2	561566	561690
C 129	ENGINE CPT-PRE-HEAT WATER	AMP FF	6	561672	561186	C 192	ENGINE CPT RR DOOR RH DIR. LT	PED WP	2	561566	561690
C 130	ENGINE CPT-UNLOADER	ITT SS	2	561813	561812	C 193					
C 131	ENGINE CPT-UNLOADER	ITT SS	2	561813	561812	C 194	ENGINE CPT RR DOOR LH DIR. LT	PED WP	2	561566	561690
C 132	ENGINE CPT-A/C LO PRESS SW	PED WP	2	561566	561690	C 195	ENGINE CPT RR DOOR LH STOP LT	PED WP	2	561566	561690
C 133	ENGINE CPT-A/C HI PRESS SW	PED WP	2	561566	561690	C 196	ENGINE CPT RR DOOR CYCLOP LT	PED WP	2	561566	561690
C 134	FR JCT BOX-LUGGAGE DIODE CON.	AMP MNL	15	561987	561986	C 197					
C 135	FR JCT BOX-LUGGAGE DIODE CON.	AMP MNL	15	561987	561986	C 198					
C 136	RR JCT BOX-A/C PANEL DIODE CON.	AMP MNL	15	561987	561986	C 199	ENGINE CPT RR DOOR LICENCE LT	DOM AUTO	2	930210	-----
C 137	RR JCT BOX-TRANSMITTER	AMP MNL	2	560900	560898	C 200					
C 138	RR JCT BOX-CONTROL MODULE	AMP HDP	15	-----	562012	C 201	AUX. UNIT CONTROL	PED WP	4	561610	561611
C 139	RR JCT BOX-LOGIC MODULE	AMP HDP	15	562011	-----	C 202	AUX. UNIT CONTROL	PED WP	3	561781	561782
C 140	HVAC DASH MODULE THERMOMETER	MOLEX	4	562782	-----	C 203	AUX. UNIT CONTROL	PED WP	2	561566	561690
C 141	INSTRUMENT PANEL LH UNLOAD TAG	AMP	2	561248	561247	C 204	AUX. LIQUID SOL.VALVE	PED WP	2	561566	561690
C 142						C 205					
C 143						C 206					
C 144						C 207					
C 145	RR JCT BOX CPT-RR SIDE LTS	AMP MNL	9	561670	561669	C 208					
C 146	ENGINE CPT-MODULATOR VALVE	AMPHENOL	2	-----	560412	C 209					
C 147	BATT & RR J.B.CPT-DOCK.LTS	PED WP	2	561566	561690	C 210					
C 148						C 211	FR ROOF-STORE LH	AMP MNL	2	560900	560898
C 149	CONDENSER CPT-FAN MOTOR	ORDNANCE	3	562555	562001	C 212	FR ROOF-STORE RH	AMP MNL	2	560900	560898
C 150	ENGINE CPT. - FUEL FILTER	PED WP	1	561605	561577	C 213					
C 151	EVAPORATOR CPT-THERMOSTAT	ITT	2	561813	562159	C 214					
C 152	CONDENSER CPT-FUEL GAUGE	PED WP	4	561610	561611	C 215					
C 153	EVAPORATOR CPT-AIR AMB. SENS	AMP MNL	2	561248	561247	C 216					
C 154	EVAPORATOR CPT-FRESH AIR SENS	ITT SS	2	561813	561812	C 217					
C 155	EVAPORATOR CPT-WATER VALVE	PED WP	4	561610	561611	C 218					
C 156	EVAPOR. CPT-BYPASS WATER VAL.	PED WP	2	561566	561690	C 219					
C 157	EVAPORATOR CPT-WATER PUMP	PED WP	2	561566	561690	C 220	RR.JCT.BOX-FUEL PRIME PUMP	TC	1	561070	561073
C 158	ENGINE CPT-A/C LO TEMP.	PED WP	2	561566	561690	C 221	BATTERY CMPT. FIRE DETECTOR	DEUTSCH	2	562486	562485
C 159	ENGINE CPT-A/C HI TEMP.	PED WP	2	561566	561690	C 222	ENGINE CMPT. FIRE DETECTOR	DEUTSCH	2	562486	562485
C 160	FR AXLE-ABS RH SENSOR	WABCO	2	641132	-----	C 223	ENGINE CMPT. FIRE DETECTOR	DEUTSCH	2	562486	562485
C 161	FR AXLE-ABS RH VALVE	WABCO	3	-----	641098	C 224					
C 162	FR AXLE-ABS LH VALVE	WABCO	3	-----	641098	C 225					
C 163	FR AXLE-ABS LH SENSOR	WABCO	2	641132	-----	C 226					
C 164	RR AXLE-ABS LH SENSOR	DEUTSCH	2	562486	562485	C 227					
C 165	RR AXLE-ABS LH VALVE	WABCO	3	-----	641098	C 228					
C 166	RR AXLE-ABS RH VALVE	WABCO	3	-----	641098	C 229					
C 167	RR AXLE-ABS RH SENSOR	DEUTSCH	2	562486	562485	C 230	ENG.CPT.-FUEL PRIME PUMP FEED	DEUTSCH	2	562486	562485
C 168	RR AXLE-ABS OPT ATC	PED WP	2	561566	561690	C 231	ENG.CPT.-FUEL PRIME PUMP SW.	PED WP	2	561566	561690
C 169	RR JCT BOX-SPEED SW	AMP HDP	15	-----	562012	C 232	ENG.CPT.-FUEL PRIME PUMP	PED WP	2	561566	561690
C 170	FR JCT BOX-FLASHER UNIT	TC	2	-----	561940	C 233					
C 171	LH CONSOLE	AMP CPC	24	561642	561643	C 234					
C 172	FR SERV. COMPT.- LEVEL LOW	AMP CPC	9	561635	561637	C 235					
C 173	LAV.POTABLE-WATER TANK HEAT.	AMP MNL	2	560900	560898	C 236					
C 174	UNDER DASH RH-HTR MODULE	AMP MNL	9	561670	561669	C 237					
C 175	UNDER DASH RH-HTR MODULE	AMP MNL	9	561670	561669	C 238	RR JCT BOX-DIODE CONNECTOR	AMP MNL	9	561670	561669
C 176	UNDER DASH RH-WIPER PULSE	AMP FF	6	-----	561186	C 239	RR I.D. LTS	PED WP	2	561566	561690
C 177	UNDER DASH RH-WIPER MOTOR	AMP FF	6	-----	561186	C 240	LUGG. CPT.-CO-PILOT SEAT HEATER	AMP MNL	2	560900	560898
C 178	UNDER DASH RH-LH FAN	TC	2	561030	560997	C 241					
C 179	UNDER DASH RH-RH FAN	TC	2	561030	560997	C 242	FR SERVICE CPT-MARK & DIR LT	ITT SS	3	561111	561080
C 181	RR JCT BOX-DIODE CONNECTOR	AMP MNL	15	561987	561986	C 243	FR SERVICE CPT-HEADLAMPS	TC	3	-----	561071
C 180						C 244	FR SERVICE CPT-LH FOG LAMP	ITT SS	2	561813	561812
C 182						C 245	FR SERVICE CPT-RH FOG LAMP	ITT SS	2	561813	561812
C 183						C 246	FR SERVICE CPT-MARK & DIR LT	ITT SS	3	561111	561080
C 184						C 247					
C 185						C 248	FR JCT BOX-WIPER PULSE GEN	AMP FF	6	-----	561108
C 186	RR JCT BOX CPT.-SPEED SIGN.TR	PED WP	2	561566	561690	C 249					
C 186M	RR JCT BOX CPT.-SPD SIGN. M.TR	PED WP	2	561566	561690	C 250					
C 186W	RR JCT BOX CPT.-SPD SIGN. WT	PED WP	2	561566	561690	C 251	LH SW PANEL-FAST IDLE	EATON	10	-----	562763

CONNECTORS CODE

NO	LOCATION	TYPE	CAVITY	#PIN HOUSING	#SOCKET HOUSING	NO	LOCATION	TYPE	CAVITY	#PIN HOUSING	#SOCKET HOUSING
C 252						C 317	LH CONSOLE SW-RH STORE	EATON	10	-----	562763
C 253	LH SW PANEL-ETHER	EATON	10	-----	562763	C 318	LH CONSOLE SW-DRV WINDOW LIFT	EATON	10	-----	562763
C 254	INST. PANEL RH-ENTR.DOOR SW.	TORRIX	5	-----	562110	C 319					
C 255	LH SW PANEL-JACOB	EATON	10	-----	562763	C 320	RH SW PANEL-DRIVER'S LTS	EATON	10	-----	562763
C 256						C 321					
C 257						C 322	LH CONSOLE DRV WIND LIFT MOT	PED PO	2	-----	561848
C 258	LH SW PANEL-MULTI FUNC. SW	AMP FF	8	561188	-----	C 323	LH CONSOLE CRUISE CTR SW PAN.	AMP CPC	9	561636	561637
C 259	LH SW PANEL-MULTI FUNC. SW	AMP FF	6	-----	561108	C 324					
C 260						C 325	LH CONSOLE SW-KNEELING	EATON	8	-----	562763
C 261						C 326	LH CONSOLE SW-SPARE	EATON	8	-----	562763
C 262	UNDER DASH RH-KEYLESS MODULE	AMP MUL	22	-----	562675	C 327	ENGINE CONTROL	DEUTSCH	6	562583	562581
C 263	UNDER DASH RH- KEYLESS MODULE	AMP MUL	26	-----	562676	C 328					
C 264	ENTRANCE DOOR-KEYPAD	AMP CPC	9	561536	561637	C 329	ENGINE TACHO SIGNAL	PED WP	3	561781	561789
C 265	RH SW PANEL -DRIVER'S DOOR SW.	EATON	10	-----	562763	C 330					
C 266	ENTRANCE DOOR-KEYLESS	AMP CPC	14	561585		C 331					
C 267	UNDER DASH RH	AMP CPC	24	561642	561643	C 332					
C 268	UNDER DASH LH-MIRROR	AMP MNL	6	561552	561515	C 333					
C 269	UNDER DASH RH-MIRROR	AMP MNL	6	561552	561515	C 334					
C 270	LH MIRROR POST	MOLEX	6	562070	562069	C 335					
C 271	RH MIRROR POST	MOLEX	6	562070	562069	C 336					
C 272	LH MIRROR	SPARTAN	6	-----	990158	C 337	INSTR PANEL LH-UP WIPER SW	EATON	8	-----	562763
C 273	RH MIRROR	SPARTAN	6	-----	990158	C 338	INSTR PANEL LH-UP DEFROST SW	EATON	8	-----	562763
C 274						C 339	INSTR PANEL LH-UP WASHER SW	EATON	8	-----	562763
C 275						C 340	FR JCT. BOX FIRE PIEZO ALARM	AMP MNL	2	560900	560898
C 276	UNDER DASH RH -3 WAY LTS	EATON	10	-----	562763	C 341	INSTR PANEL LH-HEAT MIRROR SW	EATON	8	-----	562763
C 277	LH CONSOLE -DOCK. & CORN. SW.	EATON	10	-----	562763	C 342	ENGINE RR START SW	DEUTSCH	2	562586	562585
C 278	LH CONSOLE -BACK-UP CANCEL SW.	EATON	10	-----	562763	C 343	INSTR PANEL LH-HEADLAMP SW	EATON	8	-----	562763
C 279						C 344	INSTR PANEL LH-HAZARD LT SW	EATON	8	-----	562763
C 280	UNDER DASH RH -3 WAY LTS	EATON	10	-----	562763	C 345	INSTR PANEL LH-FOG LT SW	EATON	8	-----	562763
C 281	LH CONSOLE -LEVEL LOW	AMP MNL	4	560851	560852	C 346	INSTR PANEL LH-SWITCH LTS	EATON	2	-----	561837
C 282	RH SW PANEL -MONITOR OPER. SW.	EATON	10	-----	562763	C 347	INSTR PANEL LH-DASH LT SW	AMP MNL	2	560900	560898
C 283	LH CONSOLE -LOW DOCKING SW.	EATON	10	-----	562763	C 348	INSTR PANEL CENT-RACOR MODULE	MOLEX	6	562070	562067
C 284						C 349					
C 285	ENTRANCE DOOR -SOL. DOOR	PED PO	2	-----	562076	C 350	RH CONSOLE-THERMOMETER	AMP MNL	3	561667	561550
C 286	RH SW PANEL-A/C & HEAT	EATON	10	-----	562763	C 351					
C 287	ENGINE COMPT-LTS SW	PED WP	2	561566	561690	C 352	RH CONSOLE-DRV TEMP SENSOR	BURNDY	4	-----	561104
C 288	RH SW PANEL-FRESH AIR	EATON	10	-----	562763	C 353	INSTR PANEL RH-DRV FAN RHEOST	AMP MNL	6	561552	561515
C 289						C 354	INSTR PANEL RH-DRV TEMP CTR	AMP MNL	6	561552	561515
C 290	LUGGAGE COMPT -DOOR LOCK	AMP MNL	4	561551	561668	C 355	INSTR PANEL RH-FR TEMP CTR	AMP MNL	3	561667	561550
C 291	LUGGAGE COMPT -DOOR LOCK	AMP MNL	4	561551	561668	C 356					
C 292	FR SERVICE CMPT-LEVEL LOW		2	641385		C 357	INSTR PANEL RH-WATER TEMP GA	AMP MNL	3	561667	561550
C 293	FR SERVICE CMPT-LEVEL LOW		2	641385		C 358	INSTR PANEL RH-FUEL LEVEL GA	AMP MNL	3	561667	561550
C 294	FR SERVICE CMPT-LEVEL LOW		2	641385		C 359					
C 295	FR SERVICE CMPT-LEVEL LOW		2	641385		C 360	INSTR PANEL RH-B/U MONITOR	AMP MNL	2	561248	561247
C 296	FR SERVICE CMPT-LEVEL LOW		2	641385		C 361	FR ROOF-WIPER MOTOR	AMP FF	6	-----	561186
C 297	INSTRUMENT PANEL RH -LTS	AMP MNL	2	560900	560898	C 362					
C 298						C 363					
C 299						C 364					
C 300						C 365					
C 301						C 366	RH DASH PANEL-GRN & RED LEDS	AMP MNL	3	560908	562006
C 302						C 367					
C 303						C 368					
C 304						C 369					
C 305						C 370					
C 306						C 371					
C 307						C 372	FR ROOF-DEST. SIGN SPEED SW	MOLEX	4	561477	561476
C 308	LH CONSOLE SW-RHEOSTAT	TC	2	561030	560997	C 373	FR ROOF-NO SMOKING LT	AMP MNL	2	561248	561247
C 309	DDEC ENGINE-ECM POWER CON.	PED MP	5	-----	562345	C 374	LH SWITCH PANEL	AMP MNL	6	561552	561515
C 310	LH CONSOLE SW-LUG. DOOR LOCK	EATON	10	-----	562763	C 375					
C 311						C 376	LH SWITCH PANEL	AMP CPC	37	561714	562005
C 312						C 377	LH SW PANEL-STOP ENG.OVERRIDE	EATON	10	-----	562763
C 313						C 378					
C 314						C 379					
C 315	LH CONSOLE SW-LH STORE	EATON	10	-----	562763	C 380	LH CONSOLE-DDR CONNECTOR	DEUTSCH	6	562360	-----
C 316						C 381	INST. PANEL CENTER-ANTI-THEFT LED	AMP MNL	2	561248	561247

CONNECTORS CODE

NO	LOCATION	TYPE	CAVITY	#PIN HOUSING	#SOCKET HOUSING	NO	LOCATION	TYPE	CAVITY	#PIN HOUSING	#SOCKET HOUSING
C 382						C 447					
C 383						C 448					
C 384						C 449					
C 385						C 450					
C 386						C 451					
C 387						C 452					
C 388						C 453					
C 389						C 454					
C 390						C 455					
C 391						C 456	WORLD TRANSM.-RETARDER ACCUM.	PED MP	2	-----	562427
C 392						C 457	WORLD TRANSM.-MAIN CONNECTOR	DEUTSCH	31	562572	562536
C 393						C 458	WORLD TRANSM.-TURBINE SP.SENS	PED MP	2	-----	562426
C 394						C 459	WORLD TRANSM.-ENGINE SP.SENS.	PED MP	2	-----	562426
C 395						C 460	WORLD TRANSM.-SPEED SENSOR	ITT	2	-----	562541
C 396						C 461	WORLD TRANSM.-RETARDER TEMP.	PED MP	2	561566	561590
C 397	ENGINE COMPT. CRADLE ACC.	DEUTSCH	40	562281	562284	C 462	WORLD TRANSM.-RETARD SOL."K"	PED MP	2	-----	562426
C 398						C 463	WORLD TRANSM.-SENSOR CONN.	DEUTSCH	16	562570	562571
C 399	ENGINE COMPT. - EXITING SIGNAL ALTERN.	PED WP	2	561566	561690	C 464	RR JCT BOX-DDL CONN W.T.	DEUTSCH	6	-----	562360
C 400	ENGINE COMPT. BLOCK HEATER	PED MP	3	561781	561782	C 465	LH CONSOLE-SHIFTER SELECTOR	PED	20	-----	562825
C 401						C 466	FR SERVICE CPT.-RESIS. MOD.	PED WP	3	-----	562428
C 402	RR DRIVE AXLE-AIR DRYER	PED MP	2	-----	562251	C 467	FR SERVICE CPT.-RESIS. MOD.	PED WP	3	-----	562428
C 403						C 468					
C 404						C 469					
C 405						C 470	FR LH UPPER WHELL CPT-SILENT 1000	AMP MNL	2	561248	561247
C 406	FR JCT BOX COMPT.-ABS	AMP MNL	2	560900	560898	C 471	FR LH UPPER WHELL CPT-SILENT 1000	AMP MNL	2	561248	561247
C 407	ENGINE COMPT. -SIGNAL	PED WP	6	561606	561607	C 472	FR LH UPPER WHELL CPT-SILENT 1000	PED WP	2	561566	561690
C 408	ENGINE COMPT. -SIGNAL	PED WP	6	561606	561607	C 473	FR LH UPPER WHELL CPT-SILENT 1000	AMP MNL	3	561667	561550
C 409	ENGINE CPT -LOW COOL. LEVEL	PED MP	2	-----	562350	C 474	DRIVER'S.-TEMP. SENSOR	AMP MNL	2	561247	561248
C 410	FR JCT BOX-DIODE CONNECTOR	AMP MNL	15	561987	561986	C 475	RR JCT BOX-SPEED SIGN CONNECTOR	AMP MNL	2	561248	561247
C 411	FR JCT BOX-DIODE CONNECTOR	AMP MNL	15	561987	561986	C 475M	RR JCT BOX-SPEED SIGN MANUAL TR.	MOLEX	6	562070	562069
C 412	LH SW PANEL-MASTER SWITCH	EATON	10	-----	562763	C 475WV	RR JCT BOX-SPEED SIGN WORLD TR.	MOLEX	6	562070	562069
C 413	ENG CPT-A/C HI UNLOAD PRS SW	PED WP	2	561566	561690	C 476					
C 414	RR JCT BOX	AMP MNL	9 - 12			C 477					
C 415	ENGINE CRADLE-FAN SIGNAL	PED WP	3	561781	561782	C 478					
C 416	ENGINE CRADLE-FAN SIGNAL	PED P-C	3	562237	-----	C 479	HVAC MODULE (NOT USED)	-----	-	-----	-----
C 417	FRONT JCT BOX-DIODES	AMP MNL	15	561987	561986	C 480	UNDER DASH RH-DR'S FAN SPEED CTR MOD	PED	4	561889	561890
C 418	INSTR. PANEL LH-HTR WINDSH.SW	EATON	10	-----	562763	C 481	UNDER DASH RH-DR'S FAN SPEED CTR MOD	PED	3	561781	561782
C 419	FR JCT BOX-RETARDER OR JACOB	AMP MNL	3	561667	561550	C 482					
C 420	ENGINE COMPT. WEBASTO WATER HTR	TC	2	561597	-----	C 483	FR SERVICE CPT. -SEAT ELECTRICAL SEAT	PED PC	2	-----	562237
C 421	ENGINE COMPT. WEBASTO WATER HTR	TC	1	561073	-----	C 484	UNDER DASH LH-FOOT DAMPER MOTOR	PED PC	2	-----	562076
C 422	ENGINE COMPT. WEBASTO WATER HTR	TC	2	561597	-----	C 485	UNDER DASH LH-DASH & DEFROST DAMP.M.	AMP MNL	3	561667	561550
C 423						C 486					
C 424	UNDER INSTRUMENT PANEL CENTER	AMP MNL	3	561667	561550	C 487					
C 425	FR JCT BOX-DIODES	AMP MNL	15	561987	561986	C 488					
C 426	ENGINE COMPT. CLUTCH CTR FAN	PED WP	3	561781	561782	C 489					
C 427						C 490					
C 428						C 491					
C 429	FR JCT BOX COMPT.	AMP MNL	6	561552	561515	C 492					
C 430	LH CONSOLE-TIMER	AMP FF	8	561188	562363	C 493					
C 431	LH CONSOLE-PRE HEAT.	TAB AMP	1	561540	561539	C 494					
C 432	ENGINE CPT.-PROX. SW. DOOR AJAR	DEUTSCH	4	562479	562477	C 495					
C 433	FR SERVICE CPT. KNEEL. PRESS. SW	PED WP	2	561566	561690	C 496					
C 434	FRONT JCT. BOX-DIODES	AMP MNL	15	561987	561986	C 497					
C 435	FR SERVICE CPT.(RH) KNEEL. PIEZO	AMP MNL	2	560900	560898	C 498					
C 436	RH HAT RACK-WCL CENTER ROOF ACC	AMP CPC	16	561639	561640	C 499					
C 437						C 500	FR LH UPPER WHELL CPT -PRODRIVER	MOLEX	6	562070	562069
C 438	EVAP. COMPT.-COND.RELAY	AMP MNL	2	561248	561247	C 501	FR LH UPPER WHELL CPT -PRODRIVER MOD	PED MP	7	562433	-----
C 439	EVAP. COMPT.-COND.RELAY	AMP MNL	2	561248	561247	C 502	LH CONSOLE-PRE HEATER SW.	EATON	10	-----	562763
C 440	EVAP. COMPT.-EVAP.RELAY	DEUTSCH	4	562479	562477	C 503					
C 441						C 504	LH CONSOLE WEBASTO TIMER	AMP	8	-----	562852
C 442						C 505	LH CONSOLE ESPAR TIMER	AMP	12	-----	562681
C 443						C 506	LH CONSOLE-LEVEL LOW SW.	EATON	10	-----	562763
C 444						C 508	RR JCT BOX-FAN CLUTCH RETARDER	AMP MNL	6	561552	561515
C 445						C 509	FR LH UPPER WHELL CPT -DATA LOGGER	PED MP	16	-----	562530
C 446						C 510	FR LH UPPER WHELL CPT -DATA LOGGER	DEUTSCH	9	562531	-----

CONNECTORS CODE

NO	LOCATION	TYPE	CAVITY	#PIN	#SOCKET	NO	LOCATION	TYPE	CAVITY	#PIN	#SOCKET
				HOUSING	HOUSING					HOUSING	HOUSING
C 511	FR LH UPPER WHELL CPT -DATA LOGGER	PED MP	4	562532	-----	C 576					
C 512	FR LH UPPER WHELL CPT -DATA LOGGER	PED MP	10	562533	-----	C 577					
C 513	FR LH UPPER WHELL CPT -DATA LOGGER	AMP MNL	3	561667	561550	C 578					
C 514	FR LH UPPER WHELL CPT -DATA LOGGER	PED MP	6	562433	562417	C 579					
C 515						C 580					
C 516						C 581					
C 517						C 582	FRONT SERVICE CMPT. - WINDOWS AJAR	PED WP	2	561566	561690
C 518						C 583	L.H. DASH PANEL - MASTER KEY	DEUTSCH	2	562486	562485
C 519						C 584	FRONT SERVICE CMPT. - AIR HORH	HUMPHREY	3	-----	641385
C 520						C 585					
C 521						C 586					
C 522	FR JCT BOX-DAYTIME LTS MODULE	BOSCH	5	-----	561183	C 587					
C 523	FR JCT BOX-FUSE BLOCK	PED	8	562647	562646	C 588					
C 524	FR JCT BOX-FUSE BLOCK	PED	8	562647	562646	C 589	UNDER DASH - L.H. MIRROR	AMP MNL	9	561670	561669
C 525	FR JCT BOX-FUSE BLOCK	PED	8	562647	562646	C 590	UNDER DASH - R.H. MIRROR	AMP MNL	9	561670	561669
C 526	FR JCT BOX-FUSE BLOCK	PED	8	562647	562646	C 591	L.H.CONSOLE - MIRROR L.H.	EURAMTEC	8	-----	562799
C 527	FR JCT BOX-FUSE BLOCK	PED	8	562647	562646	C 592	L.H.CONSOLE - MIRROR R.H.	EURAMTEC	8	-----	562799
C 528						C 593					
C 529	FR JCT BOX-12V OUTLET	AMP MNL	2	561247	561248	C 594	FRONT ROOF - DRIVERS LIGHT	LEEKRAFT		-----	562803
C 530	RR JCT BOX-FUSE BLOCK	PED	8	562647	562646	C 595					
C 531	RR JCT BOX-FUSE BLOCK	PED	8	562647	562646	C 596					
C 532	RR JCT BOX-FUSE BLOCK	PED	8	562647	562646	C 597	L.H. DASH PANEL - DISPLAY SET SW.	MOLEX	5	-----	562812
C 533						C 598	L.H. DASH PANEL - DISPLAY SET SW.	MOLEX	5	-----	562812
C 534						C 599					
C 535	RR JCT BOX-FIRE MODULE DETECT.	AMP MNL	3	561667	561550	C 600	ENGINE CPT.-A/C LOW PRESS SW. UNLOAD	PED	2	562348	562471
C 536	UNDER DASH RH-DRIVER'S HTR TEMP. CTR	AMP MNL	6	561552	561515	C 601					
C 537	BATT. CPT.-A/C PRESS. SIGN. RLY	AMP MNL	2	561248	561247	C 602					
C 538	FR SERVICE CPT.-OUTSIDE TEMP. SENSOR	AMP MNL	2	561248	561247	C 603					
C 539	HVAC DASH MODULE OUTPUT CON	MOLEX	24		562780	C 604					
C 540	HVAC DASH MODULE INPUT CON	MOLEX	22		562781	C 605					
C 541						C 606					
C 542						C 607	FRONT SERVICE CMPT. RPM SIGNAL	PED WP	2	561566	561690
C 543	RR JCT BOX-PARK. BRAKE STOP LTS RESIS.	PED WP	2	561566	561690	L 608	FRONT SERVICE CMPT. SPEED SIGNAL	PED WP	2	561566	561690
C 544						LX	CLUSTER	JAE	22	-----	562766
C 545						RY	CLUSTER	JAE	30	-----	562767
C 546	LH DASH PANEL-ACCESSORIES	AMP CPC	37	561645	561646	X	CLUSTER	JAE	22	-----	562764
C 547	RH DASH PANEL-ACCESSORIES	AMP CPC	37	561645	561646						
C 548	LH DASH PANEL-T.T. LT. TEST SW.	EATON	10	-----	562763						
C 549											
C 550	EVAPORATOR COMPARTIMENT	ITT	2	561813	562159						
C 551	RR JCT BOX - A/C PANEL	PED	2	561566	561690						
C 552											
C 553											
C 554											
C 555											
C 556											
C 557											
C 558											
C 559											
C 560											
C 561											
C 562											
C 563											
C 564											
C 565											
C 566											
C 567											
C 568											
C 569											
C 570	UNDER DASH PANEL TTLT MODULE	MOLEX	6		562464						
C 571	UNDER DASH PANEL TTLT MODULE	MOLEX	20		562778						
C 572	UNDER DASH PANEL TTLT MODULE	MOLEX	18		562779						
C 573	UNDER DASH PANEL TTLT MODULE	MOLEX	8		562465						
C 574											
C 575											

CONNECTORS CODE

NO	LOCATION	TYPE	CAVITY	#PIN HOUSING	#SOCKET HOUSING	NO	LOCATION	TYPE	CAVITY	#PIN HOUSING	#SOCKET HOUSING
C X1	FR LH UPPER WHELL CPT-ABS	AMP	18		562792	C 58	RR JCT BOX - A/C PANEL	DEUTSCH	24	562280	562283
C X2	FR LH UPPER WHELL CPT-ABS	AMP	6		562793	C 59	RR JCT BOX - A/C PANEL	AMP CPC	14	561585	561583
C X3	FR LH UPPER WHELL CPT-ABS	AMP	9		562794	C 60	RR JCT BOX COMPT.-LT	AMP MNL	2	561248	561247
C X4	FR LH UPPER WHELL CPT-ABS	AMP	15		562795	C 61	LUGGAGE COMPARTMENT LTS	AMP MNL	2	561248	561247
C S	RR JCT BOX ECU WORLD TR.	PED	32		562817	C 62	LUGGAGE COMPARTMENT LTS	AMP MNL	2	561248	561247
C T	RR JCT BOX ECU WORLD TR.	PED	32		562824	C 63	LUGGAGE COMPARTMENT LTS	AMP MNL	2	561248	561247
C V	RR JCT BOX ECU WORLD TR.	PED	32		562823	C 64	LUGGAGE COMPARTMENT LTS	AMP MNL	2	561248	561247
CV I2	RR JCT BOX-WORLD TRANS. SHIFT & RET.	AMP CPC	9	561636	561637	C 65	LUGGAGE COMPARTMENT LTS	AMP MNL	2	561248	561247
C Y	CLUSTER	JAE	30		562765	C 66	LUGGAGE COMPARTMENT LTS	AMP MNL	2	561248	561247
C 1	FR JCT BOX COMPARTMENT	AMP CPC	14	561585	561584	C 67	LUGGAGE COMPARTMENT LTS	AMP MNL	2	561248	561247
C 2	FR JCT BOX COMPARTMENT	AMP CPC	16	561639	561640	C 68	LUGGAGE COMPARTMENT LTS	AMP MNL	2	561248	561247
C 3	FR JCT BOX COMPARTMENT	AMP CPC	24	561641	561643	C 69	RR AXLE ACC-INSIDE PVC END	PED WP	6	561568	561578
C 4	FR JCT BOX COMPARTMENT	AMP CPC	37	561644	561646	C 70	LH CONSOLE	AMP CPC	24	561642	561643
C 5	FR SERVICE COMPT.-UNDERNEATH	AMP CPC	37	561644	561646	C 71	FR JCT BOX COMPARTMENT	AMP CPC	37	561645	561646
C 6	FR SERVICE COMPT.-UNDERNEATH	AMP CPC	16	561639	561640	C 72	FR JCT BOX COMPARTMENT	AMP CPC	24	561642	561643
C 8	FR SERVICE COMPT.-UNDERNEATH	AMP CPC	24	561641	561643	C 74	FR JCT BOX COMPARTMENT	AMP CPC	37	561645	561646
C 9	FR SERVICE COMPT.-UNDERNEATH	AMP CPC	24	561641	561643	C 75	LUGG. COMPT. - DOOR LOCK	AMP MNL	2	561551	561668
C 10						C 76	LUGGAGE COMPT.-AIR RET.SENS.	AMP MNL	2	561248	561247
C 11	FR SERVICE COMPARTMENT	AMP CPC	37	561644	561646	C 77	LUGGAGE COMPT.-DOOR LOCK		4	561551	561668
C 12	FR SERVICE COMPARTMENT	AMP CPC	16	561639	561640	C 78	LUGGAGE COMPT.-LTS - COND. CPT	AMP MNL	2	561248	561247
C 13	LH CONSOLE-CTR MIRROR	AMP MNL	6	561552	561515	C 79	LUGGAGE COMPT.-LTS - EVAP. CPT.	AMP MNL	2	561248	561247
C 14	UNDER DASH-LH MIRROR	AMP MNL	9	561661	561662	C 80	LUGGAGE COMPT.-AIR RET.SENS.	AMP MNL	2	561248	561247
C 15	RR JCT BOX	AMP CPC	24	561641	561643	C 81	LUGGAGE COMPT.-DOOR LOCK	AMP MNL	2	561551	561668
C 16	LH CONSOLE SW-CRUISE ON OFF	EATON	10	-----	562763	C 82	LUGGAGE COMPT.-DOOR LOCK	AMP MNL	2	561551	561668
C 17	LH CONSOLE SW-CRUISE RESUME	EATON	10	-----	562763	C 83	LUGGAGE COMPT.-DOOR LOCK	AMP MNL	2	561551	561668
C 18	LH CONSOLE SW-CRUISE SET	EATON	10	-----	562763	C 84	LUGGAGE COMPT.-DOOR LOCK	AMP MNL	2	561551	561668
C 19	LH CONSOLE DECEL SW	EATON	10	-----	562763	C 85	LUGGAGE COMPT.-DOOR LOCK	AMP MNL	2	561551	561668
C 20	RR JCT BOX	AMP CPC	37	561644	561646	C 86	LUGGAGE COMPT.-DOOR LOCK	AMP MNL	2	561551	561668
C 21	RR JCT BOX	AMP CPC	24	561641	561643	C 87	RR END ROOF	AMP CPC	9	561636	561637
C 22						C 88					
C 23						C 89	RR END ROOF-B/U NONITOR	AMP CPC	4	561582	561581
C 24						C 90	RR JCT BOX	AMP CPC	15	561987	561986
C 25						C 91	RR JCT BOX	AMP CPC	37	561714	561713
C 26						C 92	FR LH UPPER WHELL CPT-ABS	AMP CPC	9	561635	561637
C 27						C 93					
C 28						C 94					
C 29						C 95					
C 30						C 96	FR AXLE ACCESSORIES	AMP CPC	14	561585	561585
C 31						C 97	RR AXLE ACC-INSIDE PVC END	PED WP	6	561568	561578
C 32	DDEC ENGINE-ECM	PED	30	-----	561600	C 98	FR SERVICE COMPT-EL.FT.PEDAL	PED WP	3	561782	561781
C 33						C 99	FR SERVICE COMPT LTS	AMP MNL	2	561248	561247
C 34						C 100					
C 35	RR JCT BOX	AMP CPC	24	561642	561643	C 101	FR SERVICE COMPT-ELEC. HORNS	PED WP	2	561566	561690
C 36						C 102	FR SERV & SIDE CPT-FLASH. LH	GROTE	2	-----	562155
C 37						C 103	FR SERV & SIDE CPT-MARKERS	GROTE	2	-----	562155
C 38						C 104	FR SERV & SIDE CPT-FLASH. RH	GROTE	2	-----	562155
C 39						C 105	FR SERVICE COMPT-LIQ.S.VALVE	PED WP	2	561566	561690
C 40						C 106	FR SERVICE COMPT-WATER VALVE	PED WP	2	561566	561690
C 41						C 107	EVAPORATOR COMPT-DAMPER	PED WP	2	561566	561690
C 42						C 108					
C 43						C 109					
C 44						C 110					
C 45	FR. JCT BOX COMPARTMENT	AMP CPC	24	561642	561643	C 111	EVAPORATOR COMPT-DAMPER	DEUTSCH	2	562486	562485
C 46						C 112	EVAPORATOR COMPT-SPEED MOT CTRL	DEUTSCH	5	-----	562566
C 47	FR SERVICE COMPARTMENT	AMP CPC	16	561694	561695	C 113	BATT. & RR J.B.CPT.MARKER LT	GROTE	2	-----	562155
C 48	FR. SERV. COMPT.-PRESS SW. PARK BRAKE	DEUTSCH	4	562479	562477	C 114	RR J. BOX CPT DOOR DIR LT LH	GROTE	2	-----	562155
C 49	BATTERIE COMPT.-LT	AMP MNL	2	561248	561247	C 115	ENGINE COMPT-AIR DRYER	PED WP	2	561566	561690
C 50						C 116	ENGINE COMPT. LTS	PED WP	1	561605	561577
C 51						C 117					
C 52	RR JCT BOX	AMP CPC	12	561735	561734	C 118					
C 53						C 119	ENGINE CPT RR DOOR RH LO LAMP	PED WP	6	561606	561607
C 54						C 120	ENGINE CPT RR DOOR LH LO LAMP	PED WP	6	561606	561607
C 55	RH SWITCH PANEL	AMP CPC	9	561636	561637	C 121	BATTERIE CPT. DOOR DIR LT RH	GROTE	2	-----	562155
C 56						C 122	ENGINE CPT-CAMERA DOOR VALVE	PED WP	2	561566	561690
C 57						C 123					

CONNECTORS CODE

NO	LOCATION	TYPE	CAVITY	#PIN HOUSING	#SOCKET HOUSING	NO	LOCATION	TYPE	CAVITY	#PIN HOUSING	#SOCKET HOUSING
C 124	ENGINE CPT-ETHER SW	PED WP	2	561566	561690	C 187	FR JCT BOX-RPM RESISTOR CON.	AMP MNL	6	561552	561515
C 125	ENGINE CPT-B/U ALARM	PED WP	2	561566	561690	C 188					
C 126						C 189	ENGINE CPT RR DOOR B/U LT	PED WP	2	561566	561690
C 127	ENGINE CPT-FUEL FILTER	PED WP	2	561566	561690	C 190	ENGINE CPT RR DOOR TAIL LT	PED WP	2	561566	561690
C 128	ENGINE CPT-A/C COMPR.CLUTCH	ITT SS	2	561813	561812	C 191	ENGINE CPT RR DOOR RH STOP LT	PED WP	2	561566	561690
C 129	ENGINE CPT-PRE-HEAT WATER	AMP FF	6	561672	561186	C 192	ENGINE CPT RR DOOR RH DIR. LT	PED WP	2	561566	561690
C 130	ENGINE CPT-UNLOADER	ITT SS	2	561813	561812	C 193					
C 131	ENGINE CPT-UNLOADER	ITT SS	2	561813	561812	C 194	ENGINE CPT RR DOOR LH DIR. LT	PED WP	2	561566	561690
C 132	ENGINE CPT-A/C LO PRESS SW	PED WP	2	561566	561690	C 195	ENGINE CPT RR DOOR LH STOP LT	PED WP	2	561566	561690
C 133	ENGINE CPT-A/C HI PRESS SW	PED WP	2	561566	561690	C 196	ENGINE CPT RR DOOR CYCLOP LT	PED WP	2	561566	561690
C 134	FR JCT BOX-LUGGAGE DIODE CON.	AMP MNL	15	561987	561986	C 197					
C 135	FR JCT BOX-LUGGAGE DIODE CON.	AMP MNL	15	561987	561986	C 198					
C 136	RR JCT BOX-A/C PANEL DIODE CON.	AMP MNL	15	561987	561986	C 199	ENGINE CPT RR DOOR LICENCE LT	DOM AUTO	2	930210	-----
C 137	RR JCT BOX-TRANSMITTER	AMP MNL	2	560900	560898	C 200					
C 138	RR JCT BOX-CONTROL MODULE	AMP HDP	15	-----	562012	C 201	AUX. UNIT CONTROL	PED WP	4	561610	561611
C 139	RR JCT BOX-LOGIC MODULE	AMP HDP	15	562011	-----	C 202	AUX. UNIT CONTROL	PED WP	3	561781	561782
C 140	HVAC DASH MODULE THERMOMETER	MOLEX	4	562782	-----	C 203	AUX. UNIT CONTROL	PED WP	2	561566	561690
C 141	INSTRUMENT PANEL LH UNLOAD TAG	AMP	2	561248	561247	C 204	AUX. LIQUID SOL.VALVE	PED WP	2	561566	561690
C 142						C 205					
C 143						C 206					
C 144						C 207					
C 145	RR JCT BOX CPT-RR SIDE LTS	AMP MNL	9	561670	561669	C 208					
C 146	ENGINE CPT-MODULATOR VALVE	AMPHENOL	2	-----	560412	C 209					
C 147	BATT & RR J.B.CPT-DOCK.LTS	PED WP	2	561566	561690	C 210					
C 148						C 211	FR ROOF-STORE LH	AMP MNL	2	560900	560898
C 149	CONDENSER CPT-FAN MOTOR	ORDNANCE	3	562555	562001	C 212	FR ROOF-STORE RH	AMP MNL	2	560900	560898
C 150	ENGINE CPT. - FUEL FILTER	PED WP	1	561605	561577	C 213					
C 151	EVAPORATOR CPT-THERMOSTAT	ITT	2	561813	562159	C 214					
C 152	CONDENSER CPT-FUEL GAUGE	PED WP	4	561610	561611	C 215					
C 153	EVAPORATOR CPT-AIR AMB. SENS	AMP MNL	2	561248	561247	C 216					
C 154	EVAPORATOR CPT-FRESH AIR SENS	ITT SS	2	561813	561812	C 217					
C 155	EVAPORATOR CPT-WATER VALVE	PED WP	4	561610	561611	C 218					
C 156	EVAPOR. CPT-BYPASS WATER VAL.	PED WP	2	561566	561690	C 219					
C 157	EVAPORATOR CPT-WATER PUMP	PED WP	2	561566	561690	C 220	RR.JCT.BOX-FUEL PRIME PUMP	TC	1	561070	561073
C 158	ENGINE CPT-A/C LO TEMP.	PED WP	2	561566	561690	C 221	BATTERY CMPT. FIRE DETECTOR	DEUTSCH	2	562486	562485
C 159	ENGINE CPT-A/C HI TEMP.	PED WP	2	561566	561690	C 222	ENGINE CMPT. FIRE DETECTOR	DEUTSCH	2	562486	562485
C 160	FR AXLE-ABS RH SENSOR	WABCO	2	641132	-----	C 223	ENGINE CMPT. FIRE DETECTOR	DEUTSCH	2	562486	562485
C 161	FR AXLE-ABS RH VALVE	WABCO	3	-----	641098	C 224					
C 162	FR AXLE-ABS LH VALVE	WABCO	3	-----	641098	C 225					
C 163	FR AXLE-ABS LH SENSOR	WABCO	2	641132	-----	C 226					
C 164	RR AXLE-ABS LH SENSOR	DEUTSCH	2	562486	562485	C 227					
C 165	RR AXLE-ABS LH VALVE	WABCO	3	-----	641098	C 228					
C 166	RR AXLE-ABS RH VALVE	WABCO	3	-----	641098	C 229					
C 167	RR AXLE-ABS RH SENSOR	DEUTSCH	2	562486	562485	C 230	ENG.CPT.-FUEL PRIME PUMP FEED	DEUTSCH	2	562486	562485
C 168	RR AXLE-ABS OPT ATC	PED WP	2	561566	561690	C 231	ENG.CPT.-FUEL PRIME PUMP SW.	PED WP	2	561566	561690
C 169	RR JCT BOX-SPEED SW	AMP HDP	15	-----	562012	C 232	ENG.CPT.-FUEL PRIME PUMP	PED WP	2	561566	561690
C 170	FR JCT BOX-FLASHER UNIT	TC	2	-----	561940	C 233					
C 171	LH CONSOLE	AMP CPC	24	561642	561643	C 234					
C 172	FR SERV. COMPT.- LEVEL LOW	AMP CPC	9	561635	561637	C 235					
C 173	LAV.POTABLE-WATER TANK HEAT.	AMP MNL	2	560900	560898	C 236					
C 174	UNDER DASH RH-HTR MODULE	AMP MNL	9	561670	561669	C 237					
C 175	UNDER DASH RH-HTR MODULE	AMP MNL	9	561670	561669	C 238	RR JCT BOX-DIODE CONNECTOR	AMP MNL	9	561670	561669
C 176	UNDER DASH RH-WIPER PULSE	AMP FF	6	-----	561186	C 239	RR I.D. LTS	PED WP	2	561566	561690
C 177	UNDER DASH RH-WIPER MOTOR	AMP FF	6	-----	561186	C 240	LUGG. CPT.-CO-PILOT SEAT HEATER	AMP MNL	2	560900	560898
C 178	UNDER DASH RH-LH FAN	TC	2	561030	560997	C 241					
C 179	UNDER DASH RH-RH FAN	TC	2	561030	560997	C 242	FR SERVICE CPT-MARK & DIR LT	ITT SS	3	561111	561080
C 181	RR JCT BOX-DIODE CONNECTOR	AMP MNL	15	561987	561986	C 243	FR SERVICE CPT-HEADLAMPS	TC	3	-----	561071
C 180						C 244	FR SERVICE CPT-LH FOG LAMP	ITT SS	2	561813	561812
C 182						C 245	FR SERVICE CPT-RH FOG LAMP	ITT SS	2	561813	561812
C 183						C 246	FR SERVICE CPT-MARK & DIR LT	ITT SS	3	561111	561080
C 184						C 247					
C 185						C 248	FR JCT BOX-WIPER PULSE GEN	AMP FF	6	-----	561108
C 186	RR JCT BOX CPT.-SPEED SIGN.TR	PED WP	2	561566	561690	C 249					
C 186M	RR JCT BOX CPT.-SPD SIGN. M.TR	PED WP	2	561566	561690	C 250					
C 186W	RR JCT BOX CPT.-SPD SIGN. WT	PED WP	2	561566	561690	C 251	LH SW PANEL-FAST IDLE	EATON	10	-----	562763

CONNECTORS CODE

NO	LOCATION	TYPE	CAVITY	#PIN HOUSING	#SOCKET HOUSING	NO	LOCATION	TYPE	CAVITY	#PIN HOUSING	#SOCKET HOUSING
C 252						C 317	LH CONSOLE SW-RH STORE	EATON	10	-----	562763
C 253	LH SW PANEL-ETHER	EATON	10	-----	562763	C 318	LH CONSOLE SW-DRV WINDOW LIFT	EATON	10	-----	562763
C 254	INST. PANEL RH-ENTR.DOOR SW.	TORRIX	5	-----	562110	C 319					
C 255	LH SW PANEL-JACOB	EATON	10	-----	562763	C 320	RH SW PANEL-DRIVER'S LTS	EATON	10	-----	562763
C 256						C 321					
C 257						C 322	LH CONSOLE DRV WIND LIFT MOT	PED PO	2	-----	561848
C 258	LH SW PANEL-MULTI FUNC. SW	AMP FF	8	561188	-----	C 323	LH CONSOLE CRUISE CTR SW PAN.	AMP CPC	9	561636	561637
C 259	LH SW PANEL-MULTI FUNC. SW	AMP FF	6	-----	561108	C 324					
C 260						C 325	LH CONSOLE SW-KNEELING	EATON	8	-----	562763
C 261						C 326	LH CONSOLE SW-SPARE	EATON	8	-----	562763
C 262	UNDER DASH RH-KEYLESS MODULE	AMP MUL	22	-----	562675	C 327	ENGINE CONTROL	DEUTSCH	6	562583	562581
C 263	UNDER DASH RH- KEYLESS MODULE	AMP MUL	26	-----	562676	C 328					
C 264	ENTRANCE DOOR-KEYPAD	AMP CPC	9	561536	561637	C 329	ENGINE TACHO SIGNAL	PED WP	3	561781	561789
C 265	RH SW PANEL -DRIVER'S DOOR SW.	EATON	10	-----	562763	C 330					
C 266	ENTRANCE DOOR-KEYLESS	AMP CPC	14	561585	-----	C 331					
C 267	UNDER DASH RH	AMP CPC	24	561642	561643	C 332					
C 268	UNDER DASH LH-MIRROR	AMP MNL	6	561552	561515	C 333					
C 269	UNDER DASH RH-MIRROR	AMP MNL	6	561552	561515	C 334					
C 270	LH MIRROR POST	MOLEX	6	562070	562069	C 335					
C 271	RH MIRROR POST	MOLEX	6	562070	562069	C 336					
C 272	LH MIRROR	SPARTAN	6	-----	990158	C 337	INSTR PANEL LH-UP WIPER SW	EATON	8	-----	562763
C 273	RH MIRROR	SPARTAN	6	-----	990158	C 338	INSTR PANEL LH-UP DEFROST SW	EATON	8	-----	562763
C 274						C 339	INSTR PANEL LH-UP WASHER SW	EATON	8	-----	562763
C 275						C 340	FR JCT. BOX FIRE PIEZO ALARM	AMP MNL	2	560900	560898
C 276	UNDER DASH RH -3 WAY LTS	EATON	10	-----	562763	C 341	INSTR PANEL LH-HEAT MIRROR SW	EATON	8	-----	562763
C 277	LH CONSOLE -DOCK. & CORN. SW.	EATON	10	-----	562763	C 342	ENGINE RR START SW	DEUTSCH	2	562586	562585
C 278	LH CONSOLE -BACK-UP CANCEL SW.	EATON	10	-----	562763	C 343	INSTR PANEL LH-HEADLAMP SW	EATON	8	-----	562763
C 279						C 344	INSTR PANEL LH-HAZARD LT SW	EATON	8	-----	562763
C 280	UNDER DASH RH -3 WAY LTS	EATON	10	-----	562763	C 345	INSTR PANEL LH-FOG LT SW	EATON	8	-----	562763
C 281	LH CONSOLE -LEVEL LOW	AMP MNL	4	560851	560852	C 346	INSTR PANEL LH-SWITCH LTS	EATON	2	-----	561837
C 282	RH SW PANEL -MONITOR OPER. SW.	EATON	10	-----	562763	C 347	INSTR PANEL LH-DASH LT SW	AMP MNL	2	560900	560898
C 283	LH CONSOLE -LOW DOCKING SW.	EATON	10	-----	562763	C 348	INSTR PANEL CENT-RACOR MODULE	MOLEX	6	562070	562067
C 284						C 349					
C 285	ENTRANCE DOOR -SOL. DOOR	PED PO	2	-----	562076	C 350	RH CONSOLE-THERMOMETER	AMP MNL	3	561667	561550
C 286	RH SW PANEL-A/C & HEAT	EATON	10	-----	562763	C 351					
C 287	ENGINE COMPT-LTS SW	PED WP	2	561566	561690	C 352	RH CONSOLE-DRV TEMP SENSOR	BURNDY	4	-----	561104
C 288	RH SW PANEL-FRESH AIR	EATON	10	-----	562763	C 353	INSTR PANEL RH-DRV FAN RHEOST	AMP MNL	6	561552	561515
C 289						C 354	INSTR PANEL RH-DRV TEMP CTR	AMP MNL	6	561552	561515
C 290	LUGGAGE COMPT -DOOR LOCK	AMP MNL	4	561551	561668	C 355	INSTR PANEL RH-FR TEMP CTR	AMP MNL	3	561667	561550
C 291	LUGGAGE COMPT -DOOR LOCK	AMP MNL	4	561551	561668	C 356					
C 292	FR SERVICE CMPT-LEVEL LOW		2	641385	-----	C 357	INSTR PANEL RH-WATER TEMP GA	AMP MNL	3	561667	561550
C 293	FR SERVICE CMPT-LEVEL LOW		2	641385	-----	C 358	INSTR PANEL RH-FUEL LEVEL GA	AMP MNL	3	561667	561550
C 294	FR SERVICE CMPT-LEVEL LOW		2	641385	-----	C 359					
C 295	FR SERVICE CMPT-LEVEL LOW		2	641385	-----	C 360	INSTR PANEL RH-B/U MONITOR	AMP MNL	2	561248	561247
C 296	FR SERVICE CMPT-LEVEL LOW		2	641385	-----	C 361	FR ROOF-WIPER MOTOR	AMP FF	6	-----	561186
C 297	INSTRUMENT PANEL RH -LTS	AMP MNL	2	560900	560898	C 362					
C 298						C 363					
C 299						C 364					
C 300						C 365					
C 301						C 366	RH DASH PANEL-GRN & RED LEDS	AMP MNL	3	560908	562006
C 302						C 367					
C 303						C 368					
C 304						C 369					
C 305						C 370					
C 306						C 371					
C 307						C 372	FR ROOF-DEST. SIGN SPEED SW	MOLEX	4	561477	561476
C 308	LH CONSOLE SW-RHEOSTAT	TC	2	561030	560997	C 373	FR ROOF-NO SMOKING LT	AMP MNL	2	561248	561247
C 309	DDEC ENGINE-ECM POWER CON.	PED MP	5	-----	562345	C 374	LH SWITCH PANEL	AMP MNL	6	561552	561515
C 310	LH CONSOLE SW-LUG. DOOR LOCK	EATON	10	-----	562763	C 375					
C 311						C 376	LH SWITCH PANEL	AMP CPC	37	561714	562005
C 312						C 377	LH SW PANEL-STOP ENG.OVERRIDE	EATON	10	-----	562763
C 313						C 378					
C 314						C 379					
C 315	LH CONSOLE SW-LH STORE	EATON	10	-----	562763	C 380	LH CONSOLE-DDR CONNECTOR	DEUTSCH	6	562360	-----
C 316						C 381	INST. PANEL CENTER-ANTI-THEFT LED	AMP MNL	2	561248	561247

CONNECTORS CODE

NO	LOCATION	TYPE	CAVITY	#PIN HOUSING	#SOCKET HOUSING	NO	LOCATION	TYPE	CAVITY	#PIN HOUSING	#SOCKET HOUSING
C 382						C 447					
C 383						C 448					
C 384						C 449					
C 385						C 450					
C 386						C 451					
C 387						C 452					
C 388						C 453					
C 389						C 454					
C 390						C 455					
C 391						C 456	WORLD TRANSM.-RETARDER ACCUM.	PED MP	2	-----	562427
C 392						C 457	WORLD TRANSM.-MAIN CONNECTOR	DEUTSCH	31	562572	562536
C 393						C 458	WORLD TRANSM.-TURBINE SP.SENS	PED MP	2	-----	562426
C 394						C 459	WORLD TRANSM.-ENGINE SP.SENS.	PED MP	2	-----	562426
C 395						C 460	WORLD TRANSM.-SPEED SENSOR	ITT	2	-----	562541
C 396						C 461	WORLD TRANSM.-RETARDER TEMP.	PED MP	2	561566	561590
C 397	ENGINE COMPT. CRADLE ACC.	DEUTSCH	40	562281	562284	C 462	WORLD TRANSM.-RETARD SOL."K"	PED MP	2	-----	562426
C 398						C 463	WORLD TRANSM.-SENSOR CONN.	DEUTSCH	16	562570	562571
C 399	ENGINE COMPT. - EXITING SIGNAL ALTERN.	PED WP	2	561566	561690	C 464	RR JCT BOX-DDL CONN W.T.	DEUTSCH	6	-----	562360
C 400	ENGINE COMPT. BLOCK HEATER	PED MP	3	561781	561782	C 465	LH CONSOLE-SHIFTER SELECTOR	PED	20	-----	562825
C 401						C 466	FR SERVICE CPT.-RESIS. MOD.	PED WP	3	-----	562428
C 402	RR DRIVE AXLE-AIR DRYER	PED MP	2	-----	562251	C 467	FR SERVICE CPT.-RESIS. MOD.	PED WP	3	-----	562428
C 403						C 468					
C 404						C 469					
C 405						C 470	FR LH UPPER WHELL CPT-SILENT 1000	AMP MNL	2	561248	561247
C 406	FR JCT BOX COMPT.-ABS	AMP MNL	2	560900	560898	C 471	FR LH UPPER WHELL CPT-SILENT 1000	AMP MNL	2	561248	561247
C 407	ENGINE COMPT. -SIGNAL	PED WP	6	561606	561607	C 472	FR LH UPPER WHELL CPT-SILENT 1000	PED WP	2	561566	561690
C 408	ENGINE COMPT. -SIGNAL	PED WP	6	561606	561607	C 473	FR LH UPPER WHELL CPT-SILENT 1000	AMP MNL	3	561667	561550
C 409	ENGINE CPT -LOW COOL. LEVEL	PED MP	2	-----	562350	C 474	DRIVER'S.-TEMP. SENSOR	AMP MNL	2	561247	561248
C 410	FR JCT BOX-DIODE CONNECTOR	AMP MNL	15	561987	561986	C 475	RR JCT BOX-SPEED SIGN CONNECTOR	AMP MNL	2	561248	561247
C 411	FR JCT BOX-DIODE CONNECTOR	AMP MNL	15	561987	561986	C 475M	RR JCT BOX-SPEED SIGN MANUAL TR.	MOLEX	6	562070	562069
C 412	LH SW PANEL-MASTER SWITCH	EATON	10	-----	562763	C 475WV	RR JCT BOX-SPEED SIGN WORLD TR.	MOLEX	6	562070	562069
C 413	ENG CPT-A/C HI UNLOAD PRS SW	PED WP	2	561566	561690	C 476					
C 414	RR JCT BOX	AMP MNL	9 - 12			C 477					
C 415	ENGINE CRADLE-FAN SIGNAL	PED WP	3	561781	561782	C 478					
C 416	ENGINE CRADLE-FAN SIGNAL	PED P-C	3	562237	-----	C 479	HVAC MODULE (NOT USED)	-----	-	-----	-----
C 417	FRONT JCT BOX-DIODES	AMP MNL	15	561987	561986	C 480	UNDER DASH RH-DR'S FAN SPEED CTR MOD	PED	4	561889	561890
C 418	INSTR. PANEL LH-HTR WINDSH.SW	EATON	10	-----	562763	C 481	UNDER DASH RH-DR'S FAN SPEED CTR MOD	PED	3	561781	561782
C 419	FR JCT BOX-RETARDER OR JACOB	AMP MNL	3	561667	561550	C 482					
C 420	ENGINE COMPT. WEBASTO WATER HTR	TC	2	561597	-----	C 483	FR SERVICE CPT. -SEAT ELECTRICAL SEAT	PED PC	2	-----	562237
C 421	ENGINE COMPT. WEBASTO WATER HTR	TC	1	561073	-----	C 484	UNDER DASH LH-FOOT DAMPER MOTOR	PED PC	2	-----	562076
C 422	ENGINE COMPT. WEBASTO WATER HTR	TC	2	561597	-----	C 485	UNDER DASH LH-DASH & DEFROST DAMP.M.	AMP MNL	3	561667	561550
C 423						C 486					
C 424	UNDER INSTRUMENT PANEL CENTER	AMP MNL	3	561667	561550	C 487					
C 425	FR JCT BOX-DIODES	AMP MNL	15	561987	561986	C 488					
C 426	ENGINE COMPT. CLUTCH CTR FAN	PED WP	3	561781	561782	C 489					
C 427						C 490					
C 428						C 491					
C 429	FR JCT BOX COMPT.	AMP MNL	6	561552	561515	C 492					
C 430	LH CONSOLE-TIMER	AMP FF	8	561188	562363	C 493					
C 431	LH CONSOLE-PRE HEAT.	TAB AMP	1	561540	561539	C 494					
C 432	ENGINE CPT.-PROX. SW. DOOR AJAR	DEUTSCH	4	562479	562477	C 495					
C 433	FR SERVICE CPT. KNEEL. PRESS. SW	PED WP	2	561566	561690	C 496					
C 434	FRONT JCT. BOX-DIODES	AMP MNL	15	561987	561986	C 497					
C 435	FR SERVICE CPT.(RH) KNEEL. PIEZO	AMP MNL	2	560900	560898	C 498					
C 436	RH HAT RACK-WCL CENTER ROOF ACC	AMP CPC	16	561639	561640	C 499					
C 437						C 500	FR LH UPPER WHELL CPT -PRODRIVER	MOLEX	6	562070	562069
C 438	EVAP. COMPT.-COND.RELAY	AMP MNL	2	561248	561247	C 501	FR LH UPPER WHELL CPT -PRODRIVER MOD	PED MP	7	562433	-----
C 439	EVAP. COMPT.-COND.RELAY	AMP MNL	2	561248	561247	C 502	LH CONSOLE-PRE HEATER SW.	EATON	10	-----	562763
C 440	EVAP. COMPT.-EVAP.RELAY	DEUTSCH	4	562479	562477	C 503					
C 441						C 504	LH CONSOLE WEBASTO TIMER	AMP	8	-----	562852
C 442						C 505	LH CONSOLE ESPAR TIMER	AMP	12	-----	562681
C 443						C 506	LH CONSOLE-LEVEL LOW SW.	EATON	10	-----	562763
C 444						C 508	RR JCT BOX-FAN CLUTCH RETARDER	AMP MNL	6	561552	561515
C 445						C 509	FR LH UPPER WHELL CPT -DATA LOGGER	PED MP	16	-----	562530
C 446						C 510	FR LH UPPER WHELL CPT -DATA LOGGER	DEUTSCH	9	562531	-----

CONNECTORS CODE

NO	LOCATION	TYPE	CAVITY	#PIN	#SOCKET	NO	LOCATION	TYPE	CAVITY	#PIN	#SOCKET
				HOUSING	HOUSING					HOUSING	HOUSING
C 511	FR LH UPPER WHELL CPT -DATA LOGGER	PED MP	4	562532	-----	C 576					
C 512	FR LH UPPER WHELL CPT -DATA LOGGER	PED MP	10	562533	-----	C 577					
C 513	FR LH UPPER WHELL CPT -DATA LOGGER	AMP MNL	3	561667	561550	C 578					
C 514	FR LH UPPER WHELL CPT -DATA LOGGER	PED MP	6	562433	562417	C 579					
C 515						C 580					
C 516						C 581					
C 517						C 582	FRONT SERVICE CMPT. - WINDOWS AJAR	PED WP	2	561566	561690
C 518						C 583	L.H. DASH PANEL - MASTER KEY	DEUTSCH	2	562486	562485
C 519						C 584	FRONT SERVICE CMPT. - AIR HORH	HUMPHREY	3	-----	641385
C 520						C 585					
C 521						C 586					
C 522	FR JCT BOX-DAYTIME LTS MODULE	BOSCH	5	-----	561183	C 587					
C 523	FR JCT BOX-FUSE BLOCK	PED	8	562647	562646	C 588					
C 524	FR JCT BOX-FUSE BLOCK	PED	8	562647	562646	C 589	UNDER DASH - L.H. MIRROR	AMP MNL	9	561670	561669
C 525	FR JCT BOX-FUSE BLOCK	PED	8	562647	562646	C 590	UNDER DASH - R.H. MIRROR	AMP MNL	9	561670	561669
C 526	FR JCT BOX-FUSE BLOCK	PED	8	562647	562646	C 591	L.H.CONSOLE - MIRROR L.H.	EURAMTEC	8	-----	562799
C 527	FR JCT BOX-FUSE BLOCK	PED	8	562647	562646	C 592	L.H.CONSOLE - MIRROR R.H.	EURAMTEC	8	-----	562799
C 528						C 593					
C 529	FR JCT BOX-12V OUTLET	AMP MNL	2	561247	561248	C 594	FRONT ROOF - DRIVERS LIGHT	LEEKRAFT	-----	562803	
C 530	RR JCT BOX-FUSE BLOCK	PED	8	562647	562646	C 595					
C 531	RR JCT BOX-FUSE BLOCK	PED	8	562647	562646	C 596					
C 532	RR JCT BOX-FUSE BLOCK	PED	8	562647	562646	C 597	L.H. DASH PANEL - DISPLAY SET SW.	MOLEX	5	-----	562812
C 533						C 598	L.H. DASH PANEL - DISPLAY SET SW.	MOLEX	5	-----	562812
C 534						C 599					
C 535	RR JCT BOX-FIRE MODULE DETECT.	AMP MNL	3	561667	561550	C 600	ENGINE CPT.-A/C LOW PRESS SW. UNLOAD	PED	2	562348	562471
C 536	UNDER DASH RH-DRIVER'S HTR TEMP. CTR	AMP MNL	6	561552	561515	C 601					
C 537	BATT. CPT.-A/C PRESS. SIGN. RLY	AMP MNL	2	561248	561247	C 602					
C 538	FR SERVICE CPT.-OUTSIDE TEMP. SENSOR	AMP MNL	2	561248	561247	C 603					
C 539	HVAC DASH MODULE OUTPUT CON	MOLEX	24	562780	562780	C 604					
C 540	HVAC DASH MODULE INPUT CON	MOLEX	22	562781	562781	C 605					
C 541						C 606					
C 542						C 607	FRONT SERVICE CMPT. RPM SIGNAL	PED WP	2	561566	561690
C 543	RR JCT BOX-PARK. BRAKE STOP LTS RESIS.	PED WP	2	561566	561690	L 608	FRONT SERVICE CMPT. SPEED SIGNAL	PED WP	2	561566	561690
C 544						LX	CLUSTER	JAE	22	-----	562766
C 545						RY	CLUSTER	JAE	30	-----	562767
C 546	LH DASH PANEL-ACCESSORIES	AMP CPC	37	561645	561646	X	CLUSTER	JAE	22	-----	562764
C 547	RH DASH PANEL-ACCESSORIES	AMP CPC	37	561645	561646						
C 548	LH DASH PANEL-T.T. LT. TEST SW.	EATON	10	-----	562763						
C 549											
C 550	EVAPORATOR COMPARTIMENT	ITT	2	561813	562159						
C 551	RR JCT BOX - A/C PANEL	PED	2	561566	561690						
C 552											
C 553											
C 554											
C 555											
C 556											
C 557											
C 558											
C 559											
C 560											
C 561											
C 562											
C 563											
C 564											
C 565											
C 566											
C 567											
C 568											
C 569											
C 570	UNDER DASH PANEL TTLT MODULE	MOLEX	6	562464	562464						
C 571	UNDER DASH PANEL TTLT MODULE	MOLEX	20	562778	562778						
C 572	UNDER DASH PANEL TTLT MODULE	MOLEX	18	562779	562779						
C 573	UNDER DASH PANEL TTLT MODULE	MOLEX	8	562465	562465						
C 574											
C 575											

CONNECTORS CODE

NO	LOCATION	TYPE	CAVITY	#PIN HOUSING	#SOCKET HOUSING	NO	LOCATION	TYPE	CAVITY	#PIN HOUSING	#SOCKET HOUSING
C X1	FR LH UPPER WHELL CPT-ABS	AMP	18		562792	C 58	RR JCT BOX - A/C PANEL	DEUTSCH	24	562280	562283
C X2	FR LH UPPER WHELL CPT-ABS	AMP	6		562793	C 59	RR JCT BOX - A/C PANEL	AMP CPC	14	561585	561583
C X3	FR LH UPPER WHELL CPT-ABS	AMP	9		562794	C 60	RR JCT BOX COMPT.-LT	AMP MNL	2	561248	561247
C X4	FR LH UPPER WHELL CPT-ABS	AMP	15		562795	C 61	LUGGAGE COMPARTMENT LTS	AMP MNL	2	561248	561247
C S	RR JCT BOX ECU WORLD TR.	PED	32		562817	C 62	LUGGAGE COMPARTMENT LTS	AMP MNL	2	561248	561247
C T	RR JCT BOX ECU WORLD TR.	PED	32		562824	C 63	LUGGAGE COMPARTMENT LTS	AMP MNL	2	561248	561247
C V	RR JCT BOX ECU WORLD TR.	PED	32		562823	C 64	LUGGAGE COMPARTMENT LTS	AMP MNL	2	561248	561247
CV I2	RR JCT BOX-WORLD TRANS. SHIFT & RET.	AMP CPC	9	561636	561637	C 65	LUGGAGE COMPARTMENT LTS	AMP MNL	2	561248	561247
C Y	CLUSTER	JAE	30		562765	C 66	LUGGAGE COMPARTMENT LTS	AMP MNL	2	561248	561247
C 1	FR JCT BOX COMPARTMENT	AMP CPC	14	561585	561584	C 67	LUGGAGE COMPARTMENT LTS	AMP MNL	2	561248	561247
C 2	FR JCT BOX COMPARTMENT	AMP CPC	16	561639	561640	C 68	LUGGAGE COMPARTMENT LTS	AMP MNL	2	561248	561247
C 3	FR JCT BOX COMPARTMENT	AMP CPC	24	561641	561643	C 69	RR AXLE ACC-INSIDE PVC END	PED WP	6	561568	561578
C 4	FR JCT BOX COMPARTMENT	AMP CPC	37	561644	561646	C 70	LH CONSOLE	AMP CPC	24	561642	561643
C 5	FR SERVICE COMPT.-UNDERNEATH	AMP CPC	37	561644	561646	C 71	FR JCT BOX COMPARTMENT	AMP CPC	37	561645	561646
C 6	FR SERVICE COMPT.-UNDERNEATH	AMP CPC	16	561639	561640	C 72	FR JCT BOX COMPARTMENT	AMP CPC	24	561642	561643
C 8	FR SERVICE COMPT.-UNDERNEATH	AMP CPC	24	561641	561643	C 74	FR JCT BOX COMPARTMENT	AMP CPC	37	561645	561646
C 9	FR SERVICE COMPT.-UNDERNEATH	AMP CPC	24	561641	561643	C 75	LUGG. COMPT. - DOOR LOCK	AMP MNL	2	561551	561668
C 10						C 76	LUGGAGE COMPT.-AIR RET.SENS.	AMP MNL	2	561248	561247
C 11	FR SERVICE COMPARTMENT	AMP CPC	37	561644	561646	C 77	LUGGAGE COMPT.-DOOR LOCK		4	561551	561668
C 12	FR SERVICE COMPARTMENT	AMP CPC	16	561639	561640	C 78	LUGGAGE COMPT.-LTS - COND. CPT	AMP MNL	2	561248	561247
C 13	LH CONSOLE-CTR MIRROR	AMP MNL	6	561552	561515	C 79	LUGGAGE COMPT.-LTS - EVAP. CPT.	AMP MNL	2	561248	561247
C 14	UNDER DASH-LH MIRROR	AMP MNL	9	561661	561662	C 80	LUGGAGE COMPT.-AIR RET.SENS.	AMP MNL	2	561248	561247
C 15	RR JCT BOX	AMP CPC	24	561641	561643	C 81	LUGGAGE COMPT.-DOOR LOCK	AMP MNL	2	561551	561668
C 16	LH CONSOLE SW-CRUISE ON OFF	EATON	10	-----	562763	C 82	LUGGAGE COMPT.-DOOR LOCK	AMP MNL	2	561551	561668
C 17	LH CONSOLE SW-CRUISE RESUME	EATON	10	-----	562763	C 83	LUGGAGE COMPT.-DOOR LOCK	AMP MNL	2	561551	561668
C 18	LH CONSOLE SW-CRUISE SET	EATON	10	-----	562763	C 84	LUGGAGE COMPT.-DOOR LOCK	AMP MNL	2	561551	561668
C 19	LH CONSOLE DECEL SW	EATON	10	-----	562763	C 85	LUGGAGE COMPT.-DOOR LOCK	AMP MNL	2	561551	561668
C 20	RR JCT BOX	AMP CPC	37	561644	561646	C 86	LUGGAGE COMPT.-DOOR LOCK	AMP MNL	2	561551	561668
C 21	RR JCT BOX	AMP CPC	24	561641	561643	C 87	RR END ROOF	AMP CPC	9	561636	561637
C 22						C 88					
C 23						C 89	RR END ROOF-B/U NONITOR	AMP CPC	4	561582	561581
C 24						C 90	RR JCT BOX	AMP CPC	15	561987	561986
C 25						C 91	RR JCT BOX	AMP CPC	37	561714	561713
C 26						C 92	FR LH UPPER WHELL CPT-ABS	AMP CPC	9	561635	561637
C 27						C 93					
C 28						C 94					
C 29						C 95					
C 30						C 96	FR AXLE ACCESSORIES	AMP CPC	14	561585	561585
C 31						C 97	RR AXLE ACC-INSIDE PVC END	PED WP	6	561568	561578
C 32	DDEC ENGINE-ECM	PED	30	-----	561600	C 98	FR SERVICE COMPT-EL.FT.PEDAL	PED WP	3	561782	561781
C 33						C 99	FR SERVICE COMPT LTS	AMP MNL	2	561248	561247
C 34						C 100					
C 35	RR JCT BOX	AMP CPC	24	561642	561643	C 101	FR SERVICE COMPT-ELEC. HORNS	PED WP	2	561566	561690
C 36						C 102	FR SERV & SIDE CPT-FLASH. LH	GROTE	2	-----	562155
C 37						C 103	FR SERV & SIDE CPT-MARKERS	GROTE	2	-----	562155
C 38						C 104	FR SERV & SIDE CPT-FLASH. RH	GROTE	2	-----	562155
C 39						C 105	FR SERVICE COMPT-LIQ.S.VALVE	PED WP	2	561566	561690
C 40						C 106	FR SERVICE COMPT-WATER VALVE	PED WP	2	561566	561690
C 41						C 107	EVAPORATOR COMPT-DAMPER	PED WP	2	561566	561690
C 42						C 108					
C 43						C 109					
C 44						C 110					
C 45	FR. JCT BOX COMPARTMENT	AMP CPC	24	561642	561643	C 111	EVAPORATOR COMPT-DAMPER	DEUTSCH	2	562486	562485
C 46						C 112	EVAPORATOR COMPT-SPEED MOT CTRL	DEUTSCH	5	-----	562566
C 47	FR SERVICE COMPARTMENT	AMP CPC	16	561694	561695	C 113	BATT. & RR J.B.CPT.MARKER LT	GROTE	2	-----	562155
C 48	FR. SERV. COMPT.-PRESS SW. PARK BRAKE	DEUTSCH	4	562479	562477	C 114	RR J. BOX CPT DOOR DIR LT LH	GROTE	2	-----	562155
C 49	BATTERIE COMPT.-LT	AMP MNL	2	561248	561247	C 115	ENGINE COMPT-AIR DRYER	PED WP	2	561566	561690
C 50						C 116	ENGINE COMPT. LTS	PED WP	1	561605	561577
C 51						C 117					
C 52	RR JCT BOX	AMP CPC	12	561735	561734	C 118					
C 53						C 119	ENGINE CPT RR DOOR RH LO LAMP	PED WP	6	561606	561607
C 54						C 120	ENGINE CPT RR DOOR LH LO LAMP	PED WP	6	561606	561607
C 55	RH SWITCH PANEL	AMP CPC	9	561636	561637	C 121	BATTERIE CPT. DOOR DIR LT RH	GROTE	2	-----	562155
C 56						C 122	ENGINE CPT-CAMERA DOOR VALVE	PED WP	2	561566	561690
C 57						C 123					

CONNECTORS CODE

NO	LOCATION	TYPE	CAVITY	#PIN HOUSING	#SOCKET HOUSING	NO	LOCATION	TYPE	CAVITY	#PIN HOUSING	#SOCKET HOUSING
C 124	ENGINE CPT-ETHER SW	PED WP	2	561566	561690	C 187	FR JCT BOX-RPM RESISTOR CON.	AMP MNL	6	561552	561515
C 125	ENGINE CPT-B/U ALARM	PED WP	2	561566	561690	C 188					
C 126						C 189	ENGINE CPT RR DOOR B/U LT	PED WP	2	561566	561690
C 127	ENGINE CPT-FUEL FILTER	PED WP	2	561566	561690	C 190	ENGINE CPT RR DOOR TAIL LT	PED WP	2	561566	561690
C 128	ENGINE CPT-A/C COMPR.CLUTCH	ITT SS	2	561813	561812	C 191	ENGINE CPT RR DOOR RH STOP LT	PED WP	2	561566	561690
C 129	ENGINE CPT-PRE-HEAT WATER	AMP FF	6	561672	561186	C 192	ENGINE CPT RR DOOR RH DIR. LT	PED WP	2	561566	561690
C 130	ENGINE CPT-UNLOADER	ITT SS	2	561813	561812	C 193					
C 131	ENGINE CPT-UNLOADER	ITT SS	2	561813	561812	C 194	ENGINE CPT RR DOOR LH DIR. LT	PED WP	2	561566	561690
C 132	ENGINE CPT-A/C LO PRESS SW	PED WP	2	561566	561690	C 195	ENGINE CPT RR DOOR LH STOP LT	PED WP	2	561566	561690
C 133	ENGINE CPT-A/C HI PRESS SW	PED WP	2	561566	561690	C 196	ENGINE CPT RR DOOR CYCLOP LT	PED WP	2	561566	561690
C 134	FR JCT BOX-LUGGAGE DIODE CON.	AMP MNL	15	561987	561986	C 197					
C 135	FR JCT BOX-LUGGAGE DIODE CON.	AMP MNL	15	561987	561986	C 198					
C 136	RR JCT BOX-A/C PANEL DIODE CON.	AMP MNL	15	561987	561986	C 199	ENGINE CPT RR DOOR LICENCE LT	DOM AUTO	2	930210	-----
C 137	RR JCT BOX-TRANSMITTER	AMP MNL	2	560900	560898	C 200					
C 138	RR JCT BOX-CONTROL MODULE	AMP HDP	15	-----	562012	C 201	AUX. UNIT CONTROL	PED WP	4	561610	561611
C 139	RR JCT BOX-LOGIC MODULE	AMP HDP	15	562011	-----	C 202	AUX. UNIT CONTROL	PED WP	3	561781	561782
C 140	HVAC DASH MODULE THERMOMETER	MOLEX	4	562782	-----	C 203	AUX. UNIT CONTROL	PED WP	2	561566	561690
C 141	INSTRUMENT PANEL LH UNLOAD TAG	AMP	2	561248	561247	C 204	AUX. LIQUID SOL.VALVE	PED WP	2	561566	561690
C 142						C 205					
C 143						C 206					
C 144						C 207					
C 145	RR JCT BOX CPT-RR SIDE LTS	AMP MNL	9	561670	561669	C 208					
C 146	ENGINE CPT-MODULATOR VALVE	AMPHENOL	2	-----	560412	C 209					
C 147	BATT & RR J.B.CPT-DOCK.LTS	PED WP	2	561566	561690	C 210					
C 148						C 211	FR ROOF-STORE LH	AMP MNL	2	560900	560898
C 149	CONDENSER CPT-FAN MOTOR	ORDNANCE	3	562555	562001	C 212	FR ROOF-STORE RH	AMP MNL	2	560900	560898
C 150	ENGINE CPT. - FUEL FILTER	PED WP	1	561605	561577	C 213					
C 151	EVAPORATOR CPT-THERMOSTAT	ITT	2	561813	562159	C 214					
C 152	CONDENSER CPT-FUEL GAUGE	PED WP	4	561610	561611	C 215					
C 153	EVAPORATOR CPT-AIR AMB. SENS	AMP MNL	2	561248	561247	C 216					
C 154	EVAPORATOR CPT-FRESH AIR SENS	ITT SS	2	561813	561812	C 217					
C 155	EVAPORATOR CPT-WATER VALVE	PED WP	4	561610	561611	C 218					
C 156	EVAPOR. CPT-BYPASS WATER VAL.	PED WP	2	561566	561690	C 219					
C 157	EVAPORATOR CPT-WATER PUMP	PED WP	2	561566	561690	C 220	RR.JCT.BOX-FUEL PRIME PUMP	TC	1	561070	561073
C 158	ENGINE CPT-A/C LO TEMP.	PED WP	2	561566	561690	C 221	BATTERY CMPT. FIRE DETECTOR	DEUTSCH	2	562486	562485
C 159	ENGINE CPT-A/C HI TEMP.	PED WP	2	561566	561690	C 222	ENGINE CMPT. FIRE DETECTOR	DEUTSCH	2	562486	562485
C 160	FR AXLE-ABS RH SENSOR	WABCO	2	641132	-----	C 223	ENGINE CMPT. FIRE DETECTOR	DEUTSCH	2	562486	562485
C 161	FR AXLE-ABS RH VALVE	WABCO	3	-----	641098	C 224					
C 162	FR AXLE-ABS LH VALVE	WABCO	3	-----	641098	C 225					
C 163	FR AXLE-ABS LH SENSOR	WABCO	2	641132	-----	C 226					
C 164	RR AXLE-ABS LH SENSOR	DEUTSCH	2	562486	562485	C 227					
C 165	RR AXLE-ABS LH VALVE	WABCO	3	-----	641098	C 228					
C 166	RR AXLE-ABS RH VALVE	WABCO	3	-----	641098	C 229					
C 167	RR AXLE-ABS RH SENSOR	DEUTSCH	2	562486	562485	C 230	ENG.CPT.-FUEL PRIME PUMP FEED	DEUTSCH	2	562486	562485
C 168	RR AXLE-ABS OPT ATC	PED WP	2	561566	561690	C 231	ENG.CPT.-FUEL PRIME PUMP SW.	PED WP	2	561566	561690
C 169	RR JCT BOX-SPEED SW	AMP HDP	15	-----	562012	C 232	ENG.CPT.-FUEL PRIME PUMP	PED WP	2	561566	561690
C 170	FR JCT BOX-FLASHER UNIT	TC	2	-----	561940	C 233					
C 171	LH CONSOLE	AMP CPC	24	561642	561643	C 234					
C 172	FR SERV. COMPT.- LEVEL LOW	AMP CPC	9	561635	561637	C 235					
C 173	LAV.POTABLE-WATER TANK HEAT.	AMP MNL	2	560900	560898	C 236					
C 174	UNDER DASH RH-HTR MODULE	AMP MNL	9	561670	561669	C 237					
C 175	UNDER DASH RH-HTR MODULE	AMP MNL	9	561670	561669	C 238	RR JCT BOX-DIODE CONNECTOR	AMP MNL	9	561670	561669
C 176	UNDER DASH RH-WIPER PULSE	AMP FF	6	-----	561186	C 239	RR I.D. LTS	PED WP	2	561566	561690
C 177	UNDER DASH RH-WIPER MOTOR	AMP FF	6	-----	561186	C 240	LUGG. CPT.-CO-PILOT SEAT HEATER	AMP MNL	2	560900	560898
C 178	UNDER DASH RH-LH FAN	TC	2	561030	560997	C 241					
C 179	UNDER DASH RH-RH FAN	TC	2	561030	560997	C 242	FR SERVICE CPT-MARK & DIR LT	ITT SS	3	561111	561080
C 181	RR JCT BOX-DIODE CONNECTOR	AMP MNL	15	561987	561986	C 243	FR SERVICE CPT-HEADLAMPS	TC	3	-----	561071
C 180						C 244	FR SERVICE CPT-LH FOG LAMP	ITT SS	2	561813	561812
C 182						C 245	FR SERVICE CPT-RH FOG LAMP	ITT SS	2	561813	561812
C 183						C 246	FR SERVICE CPT-MARK & DIR LT	ITT SS	3	561111	561080
C 184						C 247					
C 185						C 248	FR JCT BOX-WIPER PULSE GEN	AMP FF	6	-----	561108
C 186	RR JCT BOX CPT.-SPEED SIGN.TR	PED WP	2	561566	561690	C 249					
C 186M	RR JCT BOX CPT.-SPD SIGN. M.TR	PED WP	2	561566	561690	C 250					
C 186W	RR JCT BOX CPT.-SPD SIGN. WT	PED WP	2	561566	561690	C 251	LH SW PANEL-FAST IDLE	EATON	10	-----	562763

CONNECTORS CODE

NO	LOCATION	TYPE	CAVITY	#PIN HOUSING	#SOCKET HOUSING	NO	LOCATION	TYPE	CAVITY	#PIN HOUSING	#SOCKET HOUSING
C 252						C 316					
C 253	LH SW PANEL-ETHER	EATON	10	-----	562763	C 317	LH CONSOLE SW-RH STORE	EATON	10	-----	562763
C 254	INST. PANEL RH-ENTR.DOOR SW.	TORRIX	5	-----	562110	C 318	LH CONSOLE SW-DRV WINDOW LIFT	EATON	10	-----	562763
C 255	LH SW PANEL-JACOB	EATON	10	-----	562763	C 319					
C 256						C 320	RH SW PANEL-DRIVER'S LTS	EATON	10	-----	562763
C 257						C 321					
C 258	LH SW PANEL-MULTI FUNC. SW	AMP FF	8	561188	-----	C 322	LH CONSOLE DRV WIND LIFT MOT	PED PO	2	-----	561848
C 259	LH SW PANEL-MULTI FUNC. SW	AMP FF	6	-----	561108	C 323	LH CONSOLE CRUISE CTR SW PAN.	AMP CPC	9	561636	561637
C 260						C 324					
C 261						C 325	LH CONSOLE SW-KNEELING	EATON	8	-----	562763
C 262	UNDER DASH RH-KEYLESS MODULE	AMP MUL	22	-----	562675	C 326	LH CONSOLE SW-SPARE	EATON	8	-----	562763
C 263	UNDER DASH RH- KEYLESS MODULE	AMP MUL	26	-----	562676	C 327	ENGINE CONTROL	DEUTSCH	6	562583	562581
C 264	ENTRANCE DOOR-KEYPAD	AMP CPC	9	561536	561637	C 328					
C 265	RH SW PANEL -DRIVER'S DOOR SW.	EATON	10	-----	562763	C 329	ENGINE TACHO SIGNAL	PED WP	3	561781	561789
C 266	ENTRANCE DOOR-KEYLESS	AMP CPC	14	561585		C 330					
C 267	UNDER DASH RH	AMP CPC	24	561642	561643	C 331					
C 268	UNDER DASH LH-MIRROR	AMP MNL	6	561552	561515	C 332					
C 269	UNDER DASH RH-MIRROR	AMP MNL	6	561552	561515	C 333					
C 270	LH MIRROR POST	MOLEX	6	562070	562069	C 334					
C 271	RH MIRROR POST	MOLEX	6	562070	562069	C 335					
C 272	LH MIRROR	SPARTAN	6	-----	990158	C 336					
C 273	RH MIRROR	SPARTAN	6	-----	990158	C 337	INSTR PANEL LH-UP WIPER SW	EATON	8	-----	562763
C 274						C 338	INSTR PANEL LH-UP DEFROST SW	EATON	8	-----	562763
C 275						C 339	INSTR PANEL LH-UP WASHER SW	EATON	8	-----	562763
C 276	UNDER DASH RH -3 WAY LTS	EATON	10	-----	562763	C 340	FR JCT. BOX FIRE PIEZO ALARM	AMP MNL	2	560900	560898
C 277	LH CONSOLE -DOCK. & CORN. SW.	EATON	10	-----	562763	C 341	INSTR PANEL LH-HEAT MIRROR SW	EATON	8	-----	562763
C 278	LH CONSOLE -BACK-UP CANCEL SW.	EATON	10	-----	562763	C 342	ENGINE RR START SW	DEUTSCH	2	562586	562585
C 279	FR SERVICE CPT- STEERING ZF	DEUTSCH	2		562485	C 343	INSTR PANEL LH-HEADLAMP SW	EATON	8	-----	562763
C 280	UNDER DASH RH -3 WAY LTS	EATON	10	-----	562763	C 344	INSTR PANEL LH-HAZARD LT SW	EATON	8	-----	562763
C 281	LH CONSOLE -LEVEL LOW	AMP MNL	4	560851	560852	C 345	INSTR PANEL LH-FOG LT SW	EATON	8	-----	562763
C 282	RH SW PANEL -MONITOR OPER. SW.	EATON	10	-----	562763	C 346	INSTR PANEL LH-SWITCH LTS	EATON	2	-----	561837
C 282	FR SERVICE CPT- STEERING GEAR BOX ZF	VOLVO	2		562928	C 347	INSTR PANEL LH-DASH LT SW	AMP MNL	2	560900	560898
C 283	LH CONSOLE -LOW DOCKING SW.	EATON	10	-----	562763	C 348	INSTR PANEL CENT-RACOR MODULE	MOLEX	6	562070	562067
C 284						C 349					
C 285	ENTRANCE DOOR -SOL. DOOR	PED PO	2	-----	562076	C 350	RH CONSOLE-THERMOMETER	AMP MNL	3	561667	561550
C 286	RH SW PANEL-A/C & HEAT	EATON	10	-----	562763	C 351					
C 287	ENGINE COMPT-LTS SW	PED WP	2	561566	561690	C 352	RH CONSOLE-DRV TEMP SENSOR	BURNDY	4	-----	561104
C 288	RH SW PANEL-FRESH AIR	EATON	10	-----	562763	C 353	INSTR PANEL RH-DRV FAN RHEOST	AMP MNL	6	561552	561515
C 289						C 354	INSTR PANEL RH-DRV TEMP CTR	AMP MNL	6	561552	561515
C 290	LUGGAGE COMPT -DOOR LOCK	AMP MNL	4	561551	561668	C 355	INSTR PANEL RH-FR TEMP CTR	AMP MNL	3	561667	561550
C 291	LUGGAGE COMPT -DOOR LOCK	AMP MNL	4	561551	561668	C 356					
C 292	FR SERVICE CMPT-LEVEL LOW		2		641385	C 357	INSTR PANEL RH-WATER TEMP GA	AMP MNL	3	561667	561550
C 293	FR SERVICE CMPT-LEVEL LOW		2		641385	C 358	INSTR PANEL RH-FUEL LEVEL GA	AMP MNL	3	561667	561550
C 294	FR SERVICE CMPT-LEVEL LOW		2		641385	C 359					
C 295	FR SERVICE CMPT-LEVEL LOW		2		641385	C 360	INSTR PANEL RH-B/U MONITOR	AMP MNL	2	561248	561247
C 296	FR SERVICE CMPT-LEVEL LOW		2		641385	C 361	FR ROOF-WIPER MOTOR	AMP FF	6	-----	561186
C 297	INSTRUMENT PANEL RH -LTS	AMP MNL	2	560900	560898	C 362					
C 298						C 363					
C 299						C 364					
C 300						C 365					
C 301						C 366	RH DASH PANEL-GRN & RED LEDS	AMP MNL	3	560908	562006
C 302						C 367					
C 303						C 368					
C 304						C 369					
C 305						C 370					
C 306						C 371					
C 307						C 372	FR ROOF-DEST. SIGN SPEED SW	MOLEX	4	561477	561476
C 308	LH CONSOLE SW-RHEOSTAT	TC	2	561030	560997	C 373	FR ROOF-NO SMOKING LT	AMP MNL	2	561248	561247
C 309	DDEC ENGINE-ECM POWER CON.	PED MP	5	-----	562345	C 374	LH SWITCH PANEL	AMP MNL	6	561552	561515
C 310	LH CONSOLE SW-LUG. DOOR LOCK	EATON	10	-----	562763	C 375					
C 311						C 376	LH SWITCH PANEL	AMP CPC	37	561714	562005
C 312						C 377	LH SW PANEL-STOP ENG.OVERRIDE	EATON	10	-----	562763
C 313						C 378					
C 314						C 379					
C 315	LH CONSOLE SW-LH STORE	EATON	10	-----	562763	C 380	LH CONSOLE-DDR CONNECTOR	DEUTSCH	6	562360	-----

CONNECTORS CODE

NO	LOCATION	TYPE	CAVITY	#PIN HOUSING	#SOCKET HOUSING	NO	LOCATION	TYPE	CAVITY	#PIN HOUSING	#SOCKET HOUSING
C 381	INST. PANEL CENTER-ANTI-THEFT LED	AMP MNL	2	561248	561247	C 446					
C 382						C 447					
C 383						C 448					
C 384						C 449					
C 385						C 450					
C 386						C 451					
C 387						C 452					
C 388						C 453					
C 389						C 454					
C 390						C 455					
C 391						C 456	WORLD TRANSM.-RETARDER ACCUM.	PED MP	2	-----	562427
C 392						C 457	WORLD TRANSM.-MAIN CONNECTOR	DEUTSCH	31	562572	562536
C 393						C 458	WORLD TRANSM.-TURBINE SP.SENS	PED MP	2	-----	562426
C 394						C 459	WORLD TRANSM.-ENGINE SP.SENS.	PED MP	2	-----	562426
C 395						C 460	WORLD TRANSM.-SPEED SENSOR	ITT	2	-----	562541
C 396						C 461	WORLD TRANSM.-RETARDER TEMP.	PED MP	2	561566	561590
C 397	ENGINE COMPT. CRADLE ACC.	DEUTSCH	40	562281	562284	C 462	WORLD TRANSM.-RETARD SOL."K"	PED MP	2	-----	562426
C 398						C 463	WORLD TRANSM.-SENSOR CONN.	DEUTSCH	16	562570	562571
C 399	ENGINE COMPT. - EXITING SIGNAL ALTERN.	PED WP	2	561566	561690	C 464	RR JCT BOX-DDL CONN W.T.	DEUTSCH	6	-----	562360
C 400	ENGINE COMPT. BLOCK HEATER	PED MP	3	561781	561782	C 465	LH CONSOLE-SHIFTER SELECTOR	PED	20	-----	562825
C 401						C 466	FR SERVICE CPT.-RESIS. MOD.	PED WP	3	-----	562428
C 402	RR DRIVE AXLE-AIR DRYER	PED MP	2	-----	562251	C 467	FR SERVICE CPT.-RESIS. MOD.	PED WP	3	-----	562428
C 403						C 468					
C 404						C 469					
C 405						C 470	FR LH UPPER WHELL CPT-SILENT 1000	AMP MNL	2	561248	561247
C 406	FR JCT BOX COMPT.-ABS	AMP MNL	2	560900	560898	C 471	FR LH UPPER WHELL CPT-SILENT 1000	AMP MNL	2	561248	561247
C 407	ENGINE COMPT. -SIGNAL	PED WP	6	561606	561607	C 472	FR LH UPPER WHELL CPT-SILENT 1000	PED WP	2	561566	561690
C 408	ENGINE COMPT. -SIGNAL	PED WP	6	561606	561607	C 473	FR LH UPPER WHELL CPT-SILENT 1000	AMP MNL	3	561667	561550
C 409	ENGINE CPT -LOW COOL. LEVEL	PED MP	2	-----	562350	C 474	DRIVER'S.-TEMP. SENSOR	AMP MNL	2	561247	561248
C 410	FR JCT BOX-DIODE CONNECTOR	AMP MNL	15	561987	561986	C 475	RR JCT BOX-SPEED SIGN CONNECTOR	AMP MNL	2	561248	561247
C 411	FR JCT BOX-DIODE CONNECTOR	AMP MNL	15	561987	561986	C 475M	RR JCT BOX-SPEED SIGN MANUAL TR.	MOLEX	6	562070	562069
C 412	LH SW PANEL-MASTER SWITCH	EATON	10	-----	562763	C 475W	RR JCT BOX-SPEED SIGN WORLD TR.	MOLEX	6	562070	562069
C 413	ENG CPT-A/C HI UNLOAD PRS SW	PED WP	2	561566	561690	C 476					
C 414	RR JCT BOX	AMP MNL	9 - 12			C 477					
C 415	ENGINE CRADLE-FAN SIGNAL	PED WP	3	561781	561782	C 478					
C 416	ENGINE CRADLE-FAN SIGNAL	PED P-C	3	562237	-----	C 479	HVAC MODULE (NOT USED)	-----	-	-----	-----
C 417	FRONT JCT BOX-DIODES	AMP MNL	15	561987	561986	C 480	UNDER DASH RH-DR'S FAN SPEED CTR MOD	PED	4	561889	561890
C 418	INSTR. PANEL LH-HTR WINDSH.SW	EATON	10	-----	562763	C 481	UNDER DASH RH-DR'S FAN SPEED CTR MOD	PED	3	561781	561782
C 419	FR JCT BOX-RETARDER OR JACOB	AMP MNL	3	561667	561550	C 482					
C 420	ENGINE COMPT. WEBASTO WATER HTR	TC	2	561597	-----	C 483	FR SERVICE CPT. -SEAT ELECTRICAL SEAT	PED PC	2	-----	562237
C 421	ENGINE COMPT. WEBASTO WATER HTR	TC	1	561073	-----	C 484	UNDER DASH LH-FOOT DAMPER MOTOR	PED PC	2	-----	562076
C 422	ENGINE COMPT. WEBASTO WATER HTR	TC	2	561597	-----	C 485	UNDER DASH LH-DASH & DEFROST DAMP.M.	AMP MNL	3	561667	561550
C 423						C 486					
C 424	UNDER INSTRUMENT PANEL CENTER	AMP MNL	3	561667	561550	C 487					
C 425	FR JCT BOX-DIODES	AMP MNL	15	561987	561986	C 488					
C 426	ENGINE COMPT. CLUTCH CTR FAN	PED WP	3	561781	561782	C 489					
C 427						C 490					
C 428						C 491					
C 429	FR JCT BOX COMPT.	AMP MNL	6	561552	561515	C 492					
C 430	LH CONSOLE-TIMER	AMP FF	8	561188	562363	C 493					
C 431	LH CONSOLE-PRE HEAT.	TAB AMP	1	561540	561539	C 494					
C 432	ENGINE CPT.-PROX. SW. DOOR AJAR	DEUTSCH	4	562479	562477	C 495					
C 433	FR SERVICE CPT. KNEEL. PRESS. SW	PED WP	2	561566	561690	C 496					
C 434	FRONT JCT. BOX-DIODES	AMP MNL	15	561987	561986	C 497					
C 435	FR SERVICE CPT.(RH) KNEEL. PIEZO	AMP MNL	2	560900	560898	C 498					
C 436	RH HAT RACK-WCL CENTER ROOF ACC	AMP CPC	16	561639	561640	C 499					
C 437						C 500	FR LH UPPER WHELL CPT -PRODRIVER	MOLEX	6	562070	562069
C 438	EVAP. COMPT.-COND.RELAY	AMP MNL	2	561248	561247	C 501	FR LH UPPER WHELL CPT -PRODRIVER MOD	PED MP	7	562433	-----
C 439	EVAP. COMPT.-COND.RELAY	AMP MNL	2	561248	561247	C 502	LH CONSOLE-PRE HEATER SW.	EATON	10	-----	562763
C 440	EVAP. COMPT.-EVAP.RELAY	DEUTSCH	4	562479	562477	C 503					
C 441						C 504	LH CONSOLE WEBASTO TIMER	AMP	8	-----	562852
C 442						C 505	LH CONSOLE ESPAR TIMER	AMP	12	-----	562681
C 443						C 506	LH CONSOLE-LEVEL LOW SW.	EATON	10	-----	562763
C 444						C 508	RR JCT BOX-FAN CLUTCH RETARDER	AMP MNL	6	561552	561515
C 445						C 509	FR LH UPPER WHELL CPT -DATA LOGGER	PED MP	16	-----	562530

CONNECTORS CODE

NO	LOCATION	TYPE	CAVITY	#PIN HOUSING	#SOCKET HOUSING	NO	LOCATION	TYPE	CAVITY	#PIN HOUSING	#SOCKET HOUSING
C 510	FR LH UPPER WHELL CPT -DATA LOGGER	DEUTSCH	9	562531	-----	C 575					
C 511	FR LH UPPER WHELL CPT -DATA LOGGER	PED MP	4	562532	-----	C 576					
C 512	FR LH UPPER WHELL CPT -DATA LOGGER	PED MP	10	562533	-----	C 577					
C 513	FR LH UPPER WHELL CPT -DATA LOGGER	AMP MNL	3	561667	561550	C 578					
C 514	FR LH UPPER WHELL CPT -DATA LOGGER	PED MP	6	562433	562417	C 579					
C 515						C 580					
C 516						C 581					
C 517						C 582	FRONT SERVICE CMPT. - WINDOWS AJAR	PED WP	2	561566	561690
C 518						C 583	L.H. DASH PANEL - MASTER KEY	DEUTSCH	2	562486	562485
C 519						C 584	FRONT SERVICE CMPT. - AIR HORH	HUMPHREY	3	-----	641385
C 520						C 585					
C 521						C 586					
C 522	FR JCT BOX-DAYTIME LTS MODULE	BOSCH	5	-----	561183	C 587					
C 523	FR JCT BOX-FUSE BLOCK	PED	8	562647	562646	C 588					
C 524	FR JCT BOX-FUSE BLOCK	PED	8	562647	562646	C 589	UNDER DASH - L.H. MIRROR	AMP MNL	9	561670	561669
C 525	FR JCT BOX-FUSE BLOCK	PED	8	562647	562646	C 590	UNDER DASH - R.H. MIRROR	AMP MNL	9	561670	561669
C 526	FR JCT BOX-FUSE BLOCK	PED	8	562647	562646	C 591	L.H.CONSOLE - MIRROR L.H.	EURAMTEC	8	-----	562799
C 527	FR JCT BOX-FUSE BLOCK	PED	8	562647	562646	C 592	L.H.CONSOLE - MIRROR R.H.	EURAMTEC	8	-----	562799
C 528						C 593					
C 529	FR JCT BOX-12V OUTLET	AMP MNL	2	561247	561248	C 594	FRONT ROOF - DRIVERS LIGHT	LEEKRAFT		-----	562803
C 530	RR JCT BOX-FUSE BLOCK	PED	8	562647	562646	C 595					
C 531	RR JCT BOX-FUSE BLOCK	PED	8	562647	562646	C 596					
C 532	RR JCT BOX-FUSE BLOCK	PED	8	562647	562646	C 597	L.H. DASH PANEL - DISPLAY SET SW.	MOLEX	5	-----	562812
C 533						C 598	L.H. DASH PANEL - DISPLAY SET SW.	MOLEX	5	-----	562812
C 534						C 599					
C 535	RR JCT BOX-FIRE MODULE DETECT.	AMP MNL	3	561667	561550	C 600	ENGINE CPT.-A/C LOW PRESS SW. UNLOAD	PED	2	562348	562471
C 536	UNDER DASH RH-DRIVER'S HTR TEMP. CTR	AMP MNL	6	561552	561515	C 601					
C 537	BATT. CPT.-A/C PRESS. SIGN. RLY	AMP MNL	2	561248	561247	C 602					
C 538	FR SERVICE CPT.-OUTSIDE TEMP. SENSOR	AMP MNL	2	561248	561247	C 603					
C 539	HVAC DASH MODULE OUTPUT CON	MOLEX	24		562780	C 604					
C 540	HVAC DASH MODULE INPUT CON	MOLEX	22		562781	C 605					
C 541						C 606					
C 542						C 607	FRONT SERVICE CMPT. RPM SIGNAL	PED WP	2	561566	561690
C 543	RR JCT BOX-PARK. BRAKE STOP LTS RESIS.	PED WP	2	561566	561690	L 608	FRONT SERVICE CMPT. SPEED SIGNAL	PED WP	2	561566	561690
C 544						LX	CLUSTER	JAE	22	-----	562766
C 545						RY	CLUSTER	JAE	30	-----	562767
C 546	LH DASH PANEL-ACCESSORIES	AMP CPC	37	561645	561646	X	CLUSTER	JAE	22	-----	562764
C 547	RH DASH PANEL-ACCESSORIES	AMP CPC	37	561645	561646						
C 548	LH DASH PANEL-T.T. LT. TEST SW.	EATON	10	-----	562763						
C 549											
C 550	EVAPORATOR COMPARTIMENT	ITT	2	561813	562159						
C 551	RR JCT BOX - A/C PANEL	PED	2	561566	561690						
C 552											
C 553											
C 554											
C 555											
C 556											
C 557											
C 558											
C 559											
C 560											
C 561											
C 562											
C 563											
C 564											
C 565											
C 566											
C 567											
C 568											
C 569											
C 570	UNDER DASH PANEL TTLT MODULE	MOLEX	6		562464						
C 571	UNDER DASH PANEL TTLT MODULE	MOLEX	20		562778						
C 572	UNDER DASH PANEL TTLT MODULE	MOLEX	18		562779						
C 573	UNDER DASH PANEL TTLT MODULE	MOLEX	8		562465						
C 574											

CONNECTORS CODE

NO	LOCATION	TYPE	CAVITY	#PIN HOUSING	#SOCKET HOUSING	NO	LOCATION	TYPE	CAVITY	#PIN HOUSING	#SOCKET HOUSING
C X1	FR LH UPPER WHELL CPT-ABS	AMP	18		562792	C 58	RR JCT BOX - A/C PANEL	DEUTSCH	24	562280	562283
C X2	FR LH UPPER WHELL CPT-ABS	AMP	6		562793	C 59	RR JCT BOX - A/C PANEL	AMP CPC	14	561585	561583
C X3	FR LH UPPER WHELL CPT-ABS	AMP	9		562794	C 60	RR JCT BOX COMPT.-LT	AMP MNL	2	561248	561247
C X4	FR LH UPPER WHELL CPT-ABS	AMP	15		562795	C 61	LUGGAGE COMPARTMENT LTS	AMP MNL	2	561248	561247
C S	RR JCT BOX ECU WORLD TR.	PED	32		562817	C 62	LUGGAGE COMPARTMENT LTS	AMP MNL	2	561248	561247
C T	RR JCT BOX ECU WORLD TR.	PED	32		562824	C 63	LUGGAGE COMPARTMENT LTS	AMP MNL	2	561248	561247
C V	RR JCT BOX ECU WORLD TR.	PED	32		562823	C 64	LUGGAGE COMPARTMENT LTS	AMP MNL	2	561248	561247
CV I2	RR JCT BOX-WORLD TRANS. SHIFT & RET.	AMP CPC	9	561636	561637	C 65	LUGGAGE COMPARTMENT LTS	AMP MNL	2	561248	561247
C Y	CLUSTER	JAE	30		562765	C 66	LUGGAGE COMPARTMENT LTS	AMP MNL	2	561248	561247
C 1	FR JCT BOX COMPARTMENT	AMP CPC	14	561585	561584	C 67	LUGGAGE COMPARTMENT LTS	AMP MNL	2	561248	561247
C 2	FR JCT BOX COMPARTMENT	AMP CPC	16	561639	561640	C 68	LUGGAGE COMPARTMENT LTS	AMP MNL	2	561248	561247
C 3	FR JCT BOX COMPARTMENT	AMP CPC	24	561641	561643	C 69	RR AXLE ACC-INSIDE PVC END	PED WP	6	561568	561578
C 4	FR JCT BOX COMPARTMENT	AMP CPC	37	561644	561646	C 70	LH CONSOLE	AMP CPC	24	561642	561643
C 5	FR SERVICE COMPT.-UNDERNEATH	AMP CPC	37	561644	561646	C 71	FR JCT BOX COMPARTMENT	AMP CPC	37	561645	561646
C 6	FR SERVICE COMPT.-UNDERNEATH	AMP CPC	16	561639	561640	C 72	FR JCT BOX COMPARTMENT	AMP CPC	24	561642	561643
C 8	FR SERVICE COMPT.-UNDERNEATH	AMP CPC	24	561641	561643	C 74	FR JCT BOX COMPARTMENT	AMP CPC	37	561645	561646
C 9	FR SERVICE COMPT.-UNDERNEATH	AMP CPC	24	561641	561643	C 75	LUGG. COMPT. - DOOR LOCK	AMP MNL	2	561551	561668
C 10						C 76	LUGGAGE COMPT.-AIR RET.SENS.	AMP MNL	2	561248	561247
C 11	FR SERVICE COMPARTMENT	AMP CPC	37	561644	561646	C 77	LUGGAGE COMPT.-DOOR LOCK		4	561551	561668
C 12	FR SERVICE COMPARTMENT	AMP CPC	16	561639	561640	C 78	LUGGAGE COMPT.-LTS - COND. CPT	AMP MNL	2	561248	561247
C 13	LH CONSOLE-CTR MIRROR	AMP MNL	6	561552	561515	C 79	LUGGAGE COMPT.-LTS - EVAP. CPT.	AMP MNL	2	561248	561247
C 14	UNDER DASH-LH MIRROR	AMP MNL	9	561661	561662	C 80	LUGGAGE COMPT.-AIR RET.SENS.	AMP MNL	2	561248	561247
C 15	RR JCT BOX	AMP CPC	24	561641	561643	C 81	LUGGAGE COMPT.-DOOR LOCK	AMP MNL	2	561551	561668
C 16	LH CONSOLE SW-CRUISE ON OFF	EATON	10	-----	562763	C 82	LUGGAGE COMPT.-DOOR LOCK	AMP MNL	2	561551	561668
C 17	LH CONSOLE SW-CRUISE RESUME	EATON	10	-----	562763	C 83	LUGGAGE COMPT.-DOOR LOCK	AMP MNL	2	561551	561668
C 18	LH CONSOLE SW-CRUISE SET	EATON	10	-----	562763	C 84	LUGGAGE COMPT.-DOOR LOCK	AMP MNL	2	561551	561668
C 19	LH CONSOLE DECEL SW	EATON	10	-----	562763	C 85	LUGGAGE COMPT.-DOOR LOCK	AMP MNL	2	561551	561668
C 20	RR JCT BOX	AMP CPC	37	561644	561646	C 86	LUGGAGE COMPT.-DOOR LOCK	AMP MNL	2	561551	561668
C 21	RR JCT BOX	AMP CPC	24	561641	561643	C 87	RR END ROOF	AMP CPC	9	561636	561637
C 22						C 88					
C 23						C 89	RR END ROOF-B/U NONITOR	AMP CPC	4	561582	561581
C 24						C 90	RR JCT BOX	AMP CPC	15	561987	561986
C 25						C 91	RR JCT BOX	AMP CPC	37	561714	561713
C 26						C 92	FR LH UPPER WHELL CPT-ABS	AMP CPC	9	561635	561637
C 27						C 93					
C 28						C 94					
C 29						C 95					
C 30						C 96	FR AXLE ACCESSORIES	AMP CPC	14	561585	561585
C 31						C 97	RR AXLE ACC-INSIDE PVC END	PED WP	6	561568	561578
C 32	DDEC ENGINE-ECM	PED	30	-----	561600	C 98	FR SERVICE COMPT-EL.FT.PEDAL	PED WP	3	561782	561781
C 33						C 99	FR SERVICE COMPT LTS	AMP MNL	2	561248	561247
C 34						C 100					
C 35	RR JCT BOX	AMP CPC	24	561642	561643	C 101	FR SERVICE COMPT-ELEC. HORNS	PED WP	2	561566	561690
C 36						C 102	FR SERV & SIDE CPT-FLASH. LH	GROTE	2	-----	562155
C 37						C 103	FR SERV & SIDE CPT-MARKERS	GROTE	2	-----	562155
C 38						C 104	FR SERV & SIDE CPT-FLASH. RH	GROTE	2	-----	562155
C 39						C 105	FR SERVICE COMPT-LIQ.S.VALVE	PED WP	2	561566	561690
C 40						C 106	FR SERVICE COMPT-WATER VALVE	PED WP	2	561566	561690
C 41						C 107	EVAPORATOR COMPT-DAMPER	PED WP	2	561566	561690
C 42						C 108					
C 43						C 109					
C 44						C 110					
C 45	FR. JCT BOX COMPARTMENT	AMP CPC	24	561642	561643	C 111	EVAPORATOR COMPT-DAMPER	DEUTSCH	2	562486	562485
C 46						C 112	EVAPORATOR COMPT-SPEED MOT CTRL	DEUTSCH	5	-----	562566
C 47	FR SERVICE COMPARTMENT	AMP CPC	16	561694	561695	C 113	BATT. & RR J.B.CPT.MARKER LT	GROTE	2	-----	562155
C 48	FR. SERV. COMPT.-PRESS SW. PARK BRAKE	DEUTSCH	4	562479	562477	C 114	RR J. BOX CPT DOOR DIR LT RH	GROTE	2	-----	562155
C 49	BATTERIE COMPT.-LT	AMP MNL	2	561248	561247	C 115					
C 50						C 116	ENGINE COMPT. LTS	PED WP	1	561605	561577
C 51						C 117					
C 52	RR JCT BOX	AMP CPC	12	561735	561734	C 118					
C 53						C 119	ENGINE CPT RR DOOR RH LO LAMP	PED WP	6	561606	561607
C 54						C 120	ENGINE CPT RR DOOR LH LO LAMP	PED WP	6	561606	561607
C 55	RH SWITCH PANEL	AMP CPC	9	561636	561637	C 121	BATTERIE CPT. DOOR DIR LT RH	GROTE	2	-----	562155
C 56						C 122	ENGINE CPT-CAMERA DOOR VALVE	PED WP	2	561566	561690
C 57						C 123					

CONNECTORS CODE

NO	LOCATION	TYPE	CAVITY	#PIN HOUSING	#SOCKET HOUSING	NO	LOCATION	TYPE	CAVITY	#PIN HOUSING	#SOCKET HOUSING
C 124	ENGINE CPT-ETHER SW	PED WP	2	561566	561690	C 187	FR JCT BOX-RPM RESISTOR CON.	AMP MNL	6	561552	561515
C 125	ENGINE CPT-B/U ALARM	PED WP	2	561566	561690	C 188					
C 126						C 189	ENGINE CPT RR DOOR B/U LT	PED WP	2	561566	561690
C 127	ENGINE CPT-FUEL FILTER	PED WP	2	561566	561690	C 190	ENGINE CPT RR DOOR TAIL LT	PED WP	2	561566	561690
C 128	ENGINE CPT-A/C COMPR.CLUTCH	ITT SS	2	561813	561812	C 191	ENGINE CPT RR DOOR RH STOP LT	PED WP	2	561566	561690
C 129	ENGINE CPT-PRE-HEAT WATER	AMP FF	6	561672	561186	C 192	ENGINE CPT RR DOOR RH DIR. LT	PED WP	2	561566	561690
C 130	ENGINE CPT-UNLOADER	ITT SS	2	561813	561812	C 193					
C 131	ENGINE CPT-UNLOADER	ITT SS	2	561813	561812	C 194	ENGINE CPT RR DOOR LH DIR. LT	PED WP	2	561566	561690
C 132	ENGINE CPT-A/C LO PRESS SW	PED WP	2	561566	561690	C 195	ENGINE CPT RR DOOR LH STOP LT	PED WP	2	561566	561690
C 133	ENGINE CPT-A/C HI PRESS SW	PED WP	2	561566	561690	C 196	ENGINE CPT RR DOOR CYCLOP LT	PED WP	2	561566	561690
C 134	FR JCT BOX-LUGGAGE DIODE CON.	AMP MNL	15	561987	561986	C 197					
C 135	FR JCT BOX-LUGGAGE DIODE CON.	AMP MNL	15	561987	561986	C 198					
C 136	RR JCT BOX-A/C PANEL DIODE CON.	AMP MNL	15	561987	561986	C 199	ENGINE CPT RR DOOR LICENCE LT	DOM AUTO	2	930210	-----
C 137	RR JCT BOX-TRANSMITTER	AMP MNL	2	560900	560898	C 200					
C 138	RR JCT BOX-CONTROL MODULE	AMP HDP	15	-----	562012	C 201	AUX. UNIT CONTROL	PED WP	4	561610	561611
C 139	RR JCT BOX-LOGIC MODULE	AMP HDP	15	562011	-----	C 202	AUX. UNIT CONTROL	PED WP	3	561781	561782
C 140	HVAC DASH MODULE THERMOMETER	MOLEX	4	562782	-----	C 203	AUX. UNIT CONTROL	PED WP	2	561566	561690
C 141	INSTRUMENT PANEL LH UNLOAD TAG	AMP	2	561248	561247	C 204	AUX. LIQUID SOL.VALVE	PED WP	2	561566	561690
C 142						C 205					
C 143						C 206					
C 144						C 207					
C 145	RR JCT BOX CPT-RR SIDE LTS	AMP MNL	9	561670	561669	C 208					
C 146	ENGINE CPT-MODULATOR VALVE	AMPHENOL	2	-----	560412	C 209					
C 147	BATT & RR J.B.CPT-DOCK.LTS	PED WP	2	561566	561690	C 210					
C 148						C 211	FR ROOF-STORE LH	AMP MNL	2	560900	560898
C 149	CONDENSER CPT-FAN MOTOR	ORDNANCE	3	562555	562001	C 212	FR ROOF-STORE RH	AMP MNL	2	560900	560898
C 150	ENGINE CPT. - FUEL FILTER	PED WP	1	561605	561577	C 213					
C 151	EVAPORATOR CPT-THERMOSTAT	ITT	2	561813	562159	C 214					
C 152	CONDENSER CPT-FUEL GAUGE	PED WP	4	561610	561611	C 215					
C 153	EVAPORATOR CPT-AIR AMB. SENS	AMP MNL	2	561248	561247	C 216					
C 154	EVAPORATOR CPT-FRESH AIR SENS	ITT SS	2	561813	561812	C 217					
C 155	EVAPORATOR CPT-WATER VALVE	PED WP	4	561610	561611	C 218					
C 156	EVAPOR. CPT-BYPASS WATER VAL.	PED WP	2	561566	561690	C 219					
C 157	EVAPORATOR CPT-WATER PUMP	PED WP	2	561566	561690	C 220	RR.JCT.BOX-FUEL PRIME PUMP	TC	1	561070	561073
C 158	ENGINE CPT-A/C LO TEMP.	PED WP	2	561566	561690	C 221	BATTERY CMPT. FIRE DETECTOR	DEUTSCH	2	562486	562485
C 159	ENGINE CPT-A/C HI TEMP.	PED WP	2	561566	561690	C 222	ENGINE CMPT. FIRE DETECTOR	DEUTSCH	2	562486	562485
C 160	FR AXLE-ABS RH SENSOR	WABCO	2	641132	-----	C 223	ENGINE CMPT. FIRE DETECTOR	DEUTSCH	2	562486	562485
C 161	FR AXLE-ABS RH VALVE	WABCO	3	-----	641098	C 224					
C 162	FR AXLE-ABS LH VALVE	WABCO	3	-----	641098	C 225					
C 163	FR AXLE-ABS LH SENSOR	WABCO	2	641132	-----	C 226					
C 164	RR AXLE-ABS LH SENSOR	DEUTSCH	2	562486	562485	C 227					
C 165	RR AXLE-ABS LH VALVE	WABCO	3	-----	641098	C 228					
C 166	RR AXLE-ABS RH VALVE	WABCO	3	-----	641098	C 229					
C 167	RR AXLE-ABS RH SENSOR	DEUTSCH	2	562486	562485	C 230	ENG.CPT.-FUEL PRIME PUMP FEED	DEUTSCH	2	562486	562485
C 168	RR AXLE-ABS OPT ATC	PED WP	2	561566	561690	C 231	ENG.CPT.-FUEL PRIME PUMP SW.	PED WP	2	561566	561690
C 169	RR JCT BOX-SPEED SW	AMP HDP	15	-----	562012	C 232	ENG.CPT.-FUEL PRIME PUMP	PED WP	2	561566	561690
C 170	FR JCT BOX-FLASHER UNIT	TC	2	-----	561940	C 233					
C 171	LH CONSOLE	AMP CPC	24	561642	561643	C 234					
C 172	FR SERV. COMPT.- LEVEL LOW	AMP CPC	9	561635	561637	C 235					
C 173	LAV.POTABLE-WATER TANK HEAT.	AMP MNL	2	560900	560898	C 236					
C 174	UNDER DASH RH-HTR MODULE	AMP MNL	9	561670	561669	C 237					
C 175	UNDER DASH RH-HTR MODULE	AMP MNL	9	561670	561669	C 238	RR JCT BOX-DIODE CONNECTOR	AMP MNL	9	561670	561669
C 176	UNDER DASH RH-WIPER PULSE	AMP FF	6	-----	561186	C 239	RR I.D. LTS	PED WP	2	561566	561690
C 177	UNDER DASH RH-WIPER MOTOR	AMP FF	6	-----	561186	C 240	LUGG. CPT.-CO-PILOT SEAT HEATER	AMP MNL	2	560900	560898
C 178	UNDER DASH RH-LH FAN	TC	2	561030	560997	C 241					
C 179	UNDER DASH RH-RH FAN	TC	2	561030	560997	C 242	FR SERVICE CPT-MARK & DIR LT	ITT SS	3	561111	561080
C 181	RR JCT BOX-DIODE CONNECTOR	AMP MNL	15	561987	561986	C 243	FR SERVICE CPT-HEADLAMPS	TC	3	-----	561071
C 180						C 244	FR SERVICE CPT-LH FOG LAMP	ITT SS	2	561813	561812
C 182						C 245	FR SERVICE CPT-RH FOG LAMP	ITT SS	2	561813	561812
C 183						C 246	FR SERVICE CPT-MARK & DIR LT	ITT SS	3	561111	561080
C 184						C 247					
C 185						C 248	FR JCT BOX-WIPER PULSE GEN	AMP FF	6	-----	561108
C 186	RR JCT BOX CPT.-SPEED SIGN.TR	PED WP	2	561566	561690	C 249					
C 186M	RR JCT BOX CPT.-SPD SIGN. M.TR	PED WP	2	561566	561690	C 250					
C 186W	RR JCT BOX CPT.-SPD SIGN. WT	PED WP	2	561566	561690	C 251	LH SW PANEL-FAST IDLE	EATON	10	-----	562763

CONNECTORS CODE

NO	LOCATION	TYPE	CAVITY	#PIN HOUSING	#SOCKET HOUSING	NO	LOCATION	TYPE	CAVITY	#PIN HOUSING	#SOCKET HOUSING
C 252						C 316					
C 253	LH SW PANEL-ETHER	EATON	10	-----	562763	C 317	LH CONSOLE SW-RH STORE	EATON	10	-----	562763
C 254	INST. PANEL RH-ENTR.DOOR SW.	TORRIX	5	-----	562110	C 318	LH CONSOLE SW-DRV WINDOW LIFT	EATON	10	-----	562763
C 255	LH SW PANEL-JACOB	EATON	10	-----	562763	C 319					
C 256						C 320	RH SW PANEL-DRIVER'S LTS	EATON	10	-----	562763
C 257						C 321					
C 258	LH SW PANEL-MULTI FUNC. SW	AMP FF	8	561188	-----	C 322	LH CONSOLE DRV WIND LIFT MOT	PED PO	2	-----	561848
C 259	LH SW PANEL-MULTI FUNC. SW	AMP FF	6	-----	561108	C 323	LH CONSOLE CRUISE CTR SW PAN.	AMP CPC	9	561636	561637
C 260						C 324					
C 261						C 325	LH CONSOLE SW-KNEELING	EATON	8	-----	562763
C 262	UNDER DASH RH-KEYLESS MODULE	AMP MUL	22	-----	562675	C 326	LH CONSOLE SW-SPARE	EATON	8	-----	562763
C 263	UNDER DASH RH- KEYLESS MODULE	AMP MUL	26	-----	562676	C 327	ENGINE CONTROL	DEUTSCH	6	562583	562581
C 264	ENTRANCE DOOR-KEYPAD	AMP CPC	9	561536	561637	C 328					
C 265	RH SW PANEL -DRIVER'S DOOR SW.	EATON	10	-----	562763	C 329	ENGINE TACHO SIGNAL	PED WP	3	561781	561789
C 266	ENTRANCE DOOR-KEYLESS	AMP CPC	14	561585		C 330					
C 267	UNDER DASH RH	AMP CPC	24	561642	561643	C 331					
C 268	UNDER DASH LH-MIRROR	AMP MNL	6	561552	561515	C 332					
C 269	UNDER DASH RH-MIRROR	AMP MNL	6	561552	561515	C 333					
C 270	LH MIRROR POST	MOLEX	6	562070	562069	C 334					
C 271	RH MIRROR POST	MOLEX	6	562070	562069	C 335					
C 272	LH MIRROR	SPARTAN	6	-----	990158	C 336					
C 273	RH MIRROR	SPARTAN	6	-----	990158	C 337	INSTR PANEL LH-UP WIPER SW	EATON	8	-----	562763
C 274						C 338	INSTR PANEL LH-UP DEFROST SW	EATON	8	-----	562763
C 275						C 339	INSTR PANEL LH-UP WASHER SW	EATON	8	-----	562763
C 276	UNDER DASH RH -3 WAY LTS	EATON	10	-----	562763	C 340	FR JCT. BOX FIRE PIEZO ALARM	AMP MNL	2	560900	560898
C 277	LH CONSOLE -DOCK. & CORN. SW.	EATON	10	-----	562763	C 341	INSTR PANEL LH-HEAT MIRROR SW	EATON	8	-----	562763
C 278	LH CONSOLE -BACK-UP CANCEL SW.	EATON	10	-----	562763	C 342	ENGINE RR START SW	DEUTSCH	2	562586	562585
C 279	FR SERVICE CPT- STEERING ZF	DEUTSCH	2		562485	C 343	INSTR PANEL LH-HEADLAMP SW	EATON	8	-----	562763
C 280	UNDER DASH RH -3 WAY LTS	EATON	10	-----	562763	C 344	INSTR PANEL LH-HAZARD LT SW	EATON	8	-----	562763
C 281	LH CONSOLE -LEVEL LOW	AMP MNL	4	560851	560852	C 345	INSTR PANEL LH-FOG LT SW	EATON	8	-----	562763
C 282	RH SW PANEL -MONITOR OPER. SW.	EATON	10	-----	562763	C 346	INSTR PANEL LH-SWITCH LTS	EATON	2	-----	561837
C 282	FR SERVICE CPT- STEERING GEAR BOX ZF	VOLVO	2		562928	C 347	INSTR PANEL LH-DASH LT SW	AMP MNL	2	560900	560898
C 283	LH CONSOLE -LOW DOCKING SW.	EATON	10	-----	562763	C 348	INSTR PANEL CENT-RACOR MODULE	MOLEX	6	562070	562067
C 284						C 349					
C 285	ENTRANCE DOOR -SOL. DOOR	PED PO	2	-----	562076	C 350	RH CONSOLE-THERMOMETER	AMP MNL	3	561667	561550
C 286	RH SW PANEL-A/C & HEAT	EATON	10	-----	562763	C 351					
C 287	ENGINE COMPT-LTS SW	PED WP	2	561566	561690	C 352	RH CONSOLE-DRV TEMP SENSOR	BURNDY	4	-----	561104
C 288	RH SW PANEL-FRESH AIR	EATON	10	-----	562763	C 353	INSTR PANEL RH-DRV FAN RHEOST	AMP MNL	6	561552	561515
C 289						C 354	INSTR PANEL RH-DRV TEMP CTR	AMP MNL	6	561552	561515
C 290	LUGGAGE COMPT -DOOR LOCK	AMP MNL	4	561551	561668	C 355	INSTR PANEL RH-FR TEMP CTR	AMP MNL	3	561667	561550
C 291	LUGGAGE COMPT -DOOR LOCK	AMP MNL	4	561551	561668	C 356					
C 292	FR SERVICE CMPT-LEVEL LOW		2		641385	C 357	INSTR PANEL RH-WATER TEMP GA	AMP MNL	3	561667	561550
C 293	FR SERVICE CMPT-LEVEL LOW		2		641385	C 358	INSTR PANEL RH-FUEL LEVEL GA	AMP MNL	3	561667	561550
C 294	FR SERVICE CMPT-LEVEL LOW		2		641385	C 359					
C 295	FR SERVICE CMPT-LEVEL LOW		2		641385	C 360	INSTR PANEL RH-B/U MONITOR	AMP MNL	2	561248	561247
C 296	FR SERVICE CMPT-LEVEL LOW		2		641385	C 361	FR ROOF-WIPER MOTOR	AMP FF	6	-----	561186
C 297	INSTRUMENT PANEL RH -LTS	AMP MNL	2	560900	560898	C 362					
C 298						C 363					
C 299						C 364					
C 300						C 365					
C 301						C 366	RH DASH PANEL-GRN & RED LEDS	AMP MNL	3	560908	562006
C 302						C 367					
C 303						C 368					
C 304						C 369					
C 305						C 370					
C 306						C 371					
C 307						C 372	FR ROOF-DEST. SIGN SPEED SW	MOLEX	4	561477	561476
C 308	LH CONSOLE SW-RHEOSTAT	TC	2	561030	560997	C 373	FR ROOF-NO SMOKING LT	AMP MNL	2	561248	561247
C 309	DDEC ENGINE-ECM POWER CON.	PED MP	5	-----	562345	C 374	LH SWITCH PANEL	AMP MNL	6	561552	561515
C 310	LH CONSOLE SW-LUG. DOOR LOCK	EATON	10	-----	562763	C 375					
C 311						C 376	LH SWITCH PANEL	AMP CPC	37	561714	562005
C 312						C 377	LH SW PANEL-STOP ENG.OVERRIDE	EATON	10	-----	562763
C 313						C 378					
C 314						C 379					
C 315	LH CONSOLE SW-LH STORE	EATON	10	-----	562763	C 380	LH CONSOLE-DDR CONNECTOR	DEUTSCH	6	562360	-----

CONNECTORS CODE

NO	LOCATION	TYPE	CAVITY	#PIN HOUSING	#SOCKET HOUSING	NO	LOCATION	TYPE	CAVITY	#PIN HOUSING	#SOCKET HOUSING
C 381	INST. PANEL CENTER-ANTI-THEFT LED	AMP MNL	2	561248	561247	C 446					
C 382						C 447					
C 383						C 448					
C 384						C 449					
C 385						C 450					
C 386						C 451					
C 387						C 452					
C 388						C 453					
C 389						C 454					
C 390						C 455					
C 391						C 456	WORLD TRANSM.-RETARDER ACCUM.	PED MP	2	-----	562427
C 392						C 457	WORLD TRANSM.-MAIN CONNECTOR	DEUTSCH	31	562572	562536
C 393						C 458	WORLD TRANSM.-TURBINE SP.SENS	PED MP	2	-----	562426
C 394						C 459	WORLD TRANSM.-ENGINE SP.SENS.	PED MP	2	-----	562426
C 395						C 460	WORLD TRANSM.-SPEED SENSOR	ITT	2	-----	562541
C 396						C 461	WORLD TRANSM.-RETARDER TEMP.	PED MP	2	561566	561590
C 397	ENGINE COMPT. CRADLE ACC.	DEUTSCH	40	562281	562284	C 462	WORLD TRANSM.-RETARD SOL."K"	PED MP	2	-----	562426
C 398						C 463	WORLD TRANSM.-SENSOR CONN.	DEUTSCH	16	562570	562571
C 399	ENGINE COMPT. - EXITING SIGNAL ALTERN.	PED WP	2	561566	561690	C 464	RR JCT BOX-DDL CONN W.T.	DEUTSCH	6	-----	562360
C 400	ENGINE COMPT. BLOCK HEATER	PED MP	3	561781	561782	C 465	LH CONSOLE-SHIFTER SELECTOR	PED	20	-----	562825
C 401						C 466	FR SERVICE CPT.-RESIS. MOD.	PED WP	3	-----	562428
C 402						C 467	FR SERVICE CPT.-RESIS. MOD.	PED WP	3	-----	562428
C 403						C 468					
C 404						C 469					
C 405						C 470	FR LH UPPER WHELL CPT-SILENT 1000	AMP MNL	2	561248	561247
C 406	FR JCT BOX COMPT.-ABS	AMP MNL	2	560900	560898	C 471	FR LH UPPER WHELL CPT-SILENT 1000	AMP MNL	2	561248	561247
C 407	ENGINE COMPT. -SIGNAL	PED WP	6	561606	561607	C 472	FR LH UPPER WHELL CPT-SILENT 1000	PED WP	2	561566	561690
C 408	ENGINE COMPT. -SIGNAL	PED WP	6	561606	561607	C 473	FR LH UPPER WHELL CPT-SILENT 1000	AMP MNL	3	561667	561550
C 409	ENGINE CPT -LOW COOL. LEVEL	PED MP	2	-----	562350	C 474	DRIVER'S.-TEMP. SENSOR	AMP MNL	2	561247	561248
C 410	FR JCT BOX-DIODE CONNECTOR	AMP MNL	15	561987	561986	C 475	RR JCT BOX-SPEED SIGN CONNECTOR	AMP MNL	2	561248	561247
C 411	FR JCT BOX-DIODE CONNECTOR	AMP MNL	15	561987	561986	C 475M	RR JCT BOX-SPEED SIGN MANUAL TR.	MOLEX	6	562070	562069
C 412	LH SW PANEL-MASTER SWITCH	EATON	10	-----	562763	C 475W	RR JCT BOX-SPEED SIGN WORLD TR.	MOLEX	6	562070	562069
C 413	ENG CPT-A/C HI UNLOAD PRS SW	PED WP	2	561566	561690	C 476					
C 414	RR JCT BOX	AMP MNL	9 - 12			C 477					
C 415	ENGINE CRADLE-FAN SIGNAL	PED WP	3	561781	561782	C 478					
C 416	ENGINE CRADLE-FAN SIGNAL	PED P-C	3	562237	-----	C 479	HVAC MODULE (NOT USED)	-----	-	-----	-----
C 417	FRONT JCT BOX-DIODES	AMP MNL	15	561987	561986	C 480	UNDER DASH RH-DR'S FAN SPEED CTR MOD	PED	4	561889	561890
C 418	INSTR. PANEL LH-HTR WINDSH.SW	EATON	10	-----	562763	C 481	UNDER DASH RH-DR'S FAN SPEED CTR MOD	PED	3	561781	561782
C 419	FR JCT BOX-RETARDER OR JACOB	AMP MNL	3	561667	561550	C 482					
C 420	ENGINE COMPT. WEBASTO WATER HTR	TC	2	561597	-----	C 483	FR SERVICE CPT. -SEAT ELECTRICAL SEAT	PED PC	2	-----	562237
C 421	ENGINE COMPT. WEBASTO WATER HTR	TC	1	561073	-----	C 484	UNDER DASH LH-FOOT DAMPER MOTOR	PED PC	2	-----	562076
C 422	ENGINE COMPT. WEBASTO WATER HTR	TC	2	561597	-----	C 485	UNDER DASH LH-DASH & DEFROST DAMP.M.	AMP MNL	3	561667	561550
C 423						C 486					
C 424	UNDER INSTRUMENT PANEL CENTER	AMP MNL	3	561667	561550	C 487					
C 425	FR JCT BOX-DIODES	AMP MNL	15	561987	561986	C 488					
C 426	ENGINE COMPT. CLUTCH CTR FAN	PED WP	3	561781	561782	C 489					
C 427						C 490					
C 428						C 491					
C 429	FR JCT BOX COMPT.	AMP MNL	6	561552	561515	C 492					
C 430	LH CONSOLE-TIMER	AMP FF	8	561188	562363	C 493					
C 431	LH CONSOLE-PRE HEAT.	TAB AMP	1	561540	561539	C 494					
C 432	ENGINE CPT.-PROX. SW. DOOR AJAR	DEUTSCH	4	562479	562477	C 495					
C 433	FR SERVICE CPT. KNEEL. PRESS. SW	PED WP	2	561566	561690	C 496					
C 434	FRONT JCT. BOX-DIODES	AMP MNL	15	561987	561986	C 497					
C 435	FR SERVICE CPT.(RH) KNEEL. PIEZO	AMP MNL	2	560900	560898	C 498					
C 436	RH HAT RACK-WCL CENTER ROOF ACC	AMP CPC	16	561639	561640	C 499					
C 437						C 500	FR LH UPPER WHELL CPT -PRODRIVER	MOLEX	6	562070	562069
C 438	EVAP. COMPT.-COND.RELAY	AMP MNL	2	561248	561247	C 501	FR LH UPPER WHELL CPT -PRODRIVER MOD	PED MP	7	562433	-----
C 439	EVAP. COMPT.-COND.RELAY	AMP MNL	2	561248	561247	C 502	LH CONSOLE-PRE HEATER SW.	EATON	10	-----	562763
C 440	EVAP. COMPT.-EVAP.RELAY	DEUTSCH	4	562479	562477	C 503					
C 441						C 504	LH CONSOLE WEBASTO TIMER	AMP	8	-----	562852
C 442						C 505	LH CONSOLE ESPAR TIMER	AMP	12	-----	562681
C 443						C 506	LH CONSOLE-LEVEL LOW SW.	EATON	10	-----	562763
C 444						C 508	RR JCT BOX-FAN CLUTCH RETARDER	AMP MNL	6	561552	561515
C 445						C 509	FR LH UPPER WHELL CPT -DATA LOGGER	PED MP	16	-----	562530

CONNECTORS CODE

NO	LOCATION	TYPE	CAVITY	#PIN HOUSING	#SOCKET HOUSING	NO	LOCATION	TYPE	CAVITY	#PIN HOUSING	#SOCKET HOUSING
C 510	FR LH UPPER WHELL CPT -DATA LOGGER	DEUTSCH	9	562531	-----	C 575					
C 511	FR LH UPPER WHELL CPT -DATA LOGGER	PED MP	4	562532	-----	C 576					
C 512	FR LH UPPER WHELL CPT -DATA LOGGER	PED MP	10	562533	-----	C 577					
C 513	FR LH UPPER WHELL CPT -DATA LOGGER	AMP MNL	3	561667	561550	C 578					
C 514	FR LH UPPER WHELL CPT -DATA LOGGER	PED MP	6	562433	562417	C 579					
C 515						C 580					
C 516						C 581					
C 517						C 582	FRONT SERVICE CMPT. - WINDOWS AJAR	PED WP	2	561566	561690
C 518						C 583	L.H. DASH PANEL - MASTER KEY	DEUTSCH	2	562486	562485
C 519						C 584	FRONT SERVICE CMPT. - AIR HORH	HUMPHREY	3	-----	641385
C 520						C 585					
C 521						C 586					
C 522	FR JCT BOX-DAYTIME LTS MODULE	BOSCH	5	-----	561183	C 587					
C 523	FR JCT BOX-FUSE BLOCK	PED	8	562647	562646	C 588					
C 524	FR JCT BOX-FUSE BLOCK	PED	8	562647	562646	C 589	UNDER DASH - L.H. MIRROR	AMP MNL	9	561670	561669
C 525	FR JCT BOX-FUSE BLOCK	PED	8	562647	562646	C 590	UNDER DASH - R.H. MIRROR	AMP MNL	9	561670	561669
C 526	FR JCT BOX-FUSE BLOCK	PED	8	562647	562646	C 591	L.H.CONSOLE - MIRROR L.H.	EURAMTEC	8	-----	562799
C 527	FR JCT BOX-FUSE BLOCK	PED	8	562647	562646	C 592	L.H.CONSOLE - MIRROR R.H.	EURAMTEC	8	-----	562799
C 528						C 593					
C 529	FR JCT BOX-12V OUTLET	AMP MNL	2	561247	561248	C 594	FRONT ROOF - DRIVERS LIGHT	LEEKRAFT		-----	562803
C 530	RR JCT BOX-FUSE BLOCK	PED	8	562647	562646	C 595					
C 531	RR JCT BOX-FUSE BLOCK	PED	8	562647	562646	C 596					
C 532	RR JCT BOX-FUSE BLOCK	PED	8	562647	562646	C 597	L.H. DASH PANEL - DISPLAY SET SW.	MOLEX	5	-----	562812
C 533						C 598	L.H. DASH PANEL - DISPLAY SET SW.	MOLEX	5	-----	562812
C 534						C 599					
C 535	RR JCT BOX-FIRE MODULE DETECT.	AMP MNL	3	561667	561550	C 600	ENGINE CPT.-A/C LOW PRESS SW. UNLOAD	PED	2	562348	562471
C 536	UNDER DASH RH-DRIVER'S HTR TEMP. CTR	AMP MNL	6	561552	561515	C 601					
C 537	BATT. CPT.-A/C PRESS. SIGN. RLY	AMP MNL	2	561248	561247	C 602					
C 538	FR SERVICE CPT.-OUTSIDE TEMP. SENSOR	AMP MNL	2	561248	561247	C 603					
C 539	HVAC DASH MODULE OUTPUT CON	MOLEX	24		562780	C 604					
C 540	HVAC DASH MODULE INPUT CON	MOLEX	22		562781	C 605					
C 541						C 606					
C 542						C 607	FRONT SERVICE CMPT. RPM SIGNAL	PED WP	2	561566	561690
C 543	RR JCT BOX-PARK. BRAKE STOP LTS RESIS.	PED WP	2	561566	561690	L 608	FRONT SERVICE CMPT. SPEED SIGNAL	PED WP	2	561566	561690
C 544						LX	CLUSTER	JAE	22	-----	562766
C 545						RY	CLUSTER	JAE	30	-----	562767
C 546	LH DASH PANEL-ACCESSORIES	AMP CPC	37	561645	561646	X	CLUSTER	JAE	22	-----	562764
C 547	RH DASH PANEL-ACCESSORIES	AMP CPC	37	561645	561646						
C 548	LH DASH PANEL-T.T. LT. TEST SW.	EATON	10	-----	562763						
C 549											
C 550	EVAPORATOR COMPARTIMENT	ITT	2	561813	562159						
C 551	RR JCT BOX - A/C PANEL	PED	2	561566	561690						
C 552											
C 553											
C 554											
C 555											
C 556											
C 557											
C 558											
C 559											
C 560											
C 561											
C 562											
C 563											
C 564											
C 565											
C 566											
C 567											
C 568											
C 569											
C 570	UNDER DASH PANEL TTLT MODULE	MOLEX	6		562464						
C 571	UNDER DASH PANEL TTLT MODULE	MOLEX	20		562778						
C 572	UNDER DASH PANEL TTLT MODULE	MOLEX	18		562779						
C 573	UNDER DASH PANEL TTLT MODULE	MOLEX	8		562465						
C 574											

CONNECTORS CODE

NO	LOCATION	TYPE	CAVITY	#PIN	#SOCKET	NO	LOCATION	TYPE	CAVITY	#PIN	#SOCKET
				HOUSING	HOUSING					HOUSING	HOUSING
C X1	FR LH UPPER WHELL CPT-ABS	AMP	18		562792	C 58	RR JCT BOX - A/C PANEL	DEUTSCH	24	562280	562283
C X2	FR LH UPPER WHELL CPT-ABS	AMP	6		562793	C 59	RR JCT BOX - A/C PANEL	AMP CPC	14	561585	561583
C X3	FR LH UPPER WHELL CPT-ABS	AMP	9		562794	C 60	RR JCT BOX COMPT.-LT	AMP MNL	2	561248	561247
C X4	FR LH UPPER WHELL CPT-ABS	AMP	15		562795	C 61	LUGGAGE COMPARTMENT LTS	AMP MNL	2	561248	561247
C S	RR JCT BOX ECU WORLD TR.	PED	32		562817	C 62	LUGGAGE COMPARTMENT LTS	AMP MNL	2	561248	561247
C T	RR JCT BOX ECU WORLD TR.	PED	32		562824	C 63	LUGGAGE COMPARTMENT LTS	AMP MNL	2	561248	561247
C V	RR JCT BOX ECU WORLD TR.	PED	32		562823	C 64	LUGGAGE COMPARTMENT LTS	AMP MNL	2	561248	561247
CV I2	RR JCT BOX-WORLD TRANS. SHIFT & RET.	AMP CPC	9	561636	561637	C 65	LUGGAGE COMPARTMENT LTS	AMP MNL	2	561248	561247
C Y	CLUSTER	JAE	30		562765	C 66	LUGGAGE COMPARTMENT LTS	AMP MNL	2	561248	561247
C 1	FR JCT BOX COMPARTMENT	AMP CPC	14	561585	561584	C 67	LUGGAGE COMPARTMENT LTS	AMP MNL	2	561248	561247
C 2	FR JCT BOX COMPARTMENT	AMP CPC	16	561639	561640	C 68	LUGGAGE COMPARTMENT LTS	AMP MNL	2	561248	561247
C 3	FR JCT BOX COMPARTMENT	AMP CPC	24	561641	561643	C 69	RR AXLE ACC-INSIDE PVC END	PED WP	6	561568	561578
C 4	FR JCT BOX COMPARTMENT	AMP CPC	37	561644	561646	C 70	LH CONSOLE	AMP CPC	24	561642	561643
C 5	FR SERVICE COMPT.-UNDERNEATH	AMP CPC	37	561644	561646	C 71	FR JCT BOX COMPARTMENT	AMP CPC	37	561645	561646
C 6	FR SERVICE COMPT.-UNDERNEATH	AMP CPC	16	561639	561640	C 72	FR JCT BOX COMPARTMENT	AMP CPC	24	561642	561643
C 8	FR SERVICE COMPT.-UNDERNEATH	AMP CPC	24	561641	561643	C 74	FR JCT BOX COMPARTMENT	AMP CPC	37	561645	561646
C 9	FR SERVICE COMPT.-UNDERNEATH	AMP CPC	24	561641	561643	C 75	LUGG. COMPT. - DOOR LOCK	AMP MNL	2	561551	561668
C 10						C 76	LUGGAGE COMPT.-AIR RET.SENS.	AMP MNL	2	561248	561247
C 11	FR SERVICE COMPARTMENT	AMP CPC	37	561644	561646	C 77	LUGGAGE COMPT.-DOOR LOCK		4	561551	561668
C 12	FR SERVICE COMPARTMENT	AMP CPC	16	561639	561640	C 78	LUGGAGE COMPT.-LTS - COND. CPT	AMP MNL	2	561248	561247
C 13	LH CONSOLE-CTR MIRROR	AMP MNL	6	561552	561515	C 79	LUGGAGE COMPT.-LTS - EVAP. CPT.	AMP MNL	2	561248	561247
C 14	UNDER DASH-LH MIRROR	AMP MNL	9	561661	561662	C 80	LUGGAGE COMPT.-AIR RET.SENS.	AMP MNL	2	561248	561247
C 15	RR JCT BOX	AMP CPC	24	561641	561643	C 81	LUGGAGE COMPT.-DOOR LOCK	AMP MNL	2	561551	561668
C 16	LH CONSOLE SW-CRUISE ON OFF	EATON	10	-----	562763	C 82	LUGGAGE COMPT.-DOOR LOCK	AMP MNL	2	561551	561668
C 17	LH CONSOLE SW-CRUISE RESUME	EATON	10	-----	562763	C 83	LUGGAGE COMPT.-DOOR LOCK	AMP MNL	2	561551	561668
C 18	LH CONSOLE SW-CRUISE SET	EATON	10	-----	562763	C 84	LUGGAGE COMPT.-DOOR LOCK	AMP MNL	2	561551	561668
C 19	LH CONSOLE DECEL SW	EATON	10	-----	562763	C 85	LUGGAGE COMPT.-DOOR LOCK	AMP MNL	2	561551	561668
C 20	RR JCT BOX	AMP CPC	37	561644	561646	C 86	LUGGAGE COMPT.-DOOR LOCK	AMP MNL	2	561551	561668
C 21	RR JCT BOX	AMP CPC	24	561641	561643	C 87	RR END ROOF	AMP CPC	9	561636	561637
C 22						C 88					
C 23						C 89	RR END ROOF-B/U NONITOR	AMP CPC	4	561582	561581
C 24						C 90	RR JCT BOX	AMP CPC	15	561987	561986
C 25						C 91	RR JCT BOX	AMP CPC	37	561714	561713
C 26						C 92	FR LH UPPER WHELL CPT-ABS	AMP CPC	9	561635	561637
C 27						C 93					
C 28						C 94					
C 29						C 95					
C 30						C 96	FR AXLE ACCESSORIES	AMP CPC	14	561585	561585
C 31						C 97	RR AXLE ACC-INSIDE PVC END	PED WP	6	561568	561578
C 32	DDEC ENGINE-ECM	PED	30	-----	561600	C 98	FR SERVICE COMPT-EL.FT.PEDAL	PED WP	3	561782	561781
C 33						C 99	FR SERVICE COMPT LTS	AMP MNL	2	561248	561247
C 34						C 100					
C 35	RR JCT BOX	AMP CPC	24	561642	561643	C 101	FR SERVICE COMPT-ELEC. HORNS	PED WP	2	561566	561690
C 36						C 102	FR SERV & SIDE CPT-FLASH. LH	GROTE	2	-----	562155
C 37						C 103	FR SERV & SIDE CPT-MARKERS	GROTE	2	-----	562155
C 38						C 104	FR SERV & SIDE CPT-FLASH. RH	GROTE	2	-----	562155
C 39						C 105	FR SERVICE COMPT-LIQ.S.VALVE	PED WP	2	561566	561690
C 40						C 106	FR SERVICE COMPT-WATER VALVE	PED WP	2	561566	561690
C 41						C 107	EVAPORATOR COMPT-DAMPER	PED WP	2	561566	561690
C 42						C 108					
C 43						C 109					
C 44						C 110					
C 45	FR. JCT BOX COMPARTMENT	AMP CPC	24	561642	561643	C 111	EVAPORATOR COMPT-DAMPER	DEUTSCH	2	562486	562485
C 46						C 112	EVAPORATOR COMPT-SPEED MOT CTRL	DEUTSCH	5	-----	562566
C 47	FR SERVICE COMPARTMENT	AMP CPC	16	561694	561695	C 113	BATT. & RR J.B.CPT.MARKER LT	GROTE	2	-----	562155
C 48	FR. SERV. COMPT.-PRESS SW. PARK BRAKE	DEUTSCH	4	562479	562477	C 114	RR J. BOX CPT DOOR DIR LT RH	GROTE	2	-----	562155
C 49	BATTERIE COMPT.-LT	AMP MNL	2	561248	561247	C 115					
C 50						C 116	ENGINE COMPT. LTS	PED WP	1	561605	561577
C 51						C 117					
C 52	RR JCT BOX	AMP CPC	12	561735	561734	C 118					
C 53						C 119	ENGINE CPT RR DOOR RH LO LAMP	PED WP	6	561606	561607
C 54						C 120	ENGINE CPT RR DOOR LH LO LAMP	PED WP	6	561606	561607
C 55	RH SWITCH PANEL	AMP CPC	9	561636	561637	C 121	BATTERIE CPT. DOOR DIR LT RH	GROTE	2	-----	562155
C 56						C 122	ENGINE CPT-CAMERA DOOR VALVE	PED WP	2	561566	561690
C 57						C 123					

CONNECTORS CODE

NO	LOCATION	TYPE	CAVITY	#PIN HOUSING	#SOCKET HOUSING	NO	LOCATION	TYPE	CAVITY	#PIN HOUSING	#SOCKET HOUSING
C 124	ENGINE CPT-ETHER SW	PED WP	2	561566	561690	C 187	FR JCT BOX-RPM RESISTOR CON.	AMP MNL	6	561552	561515
C 125	ENGINE CPT-B/U ALARM	PED WP	2	561566	561690	C 188					
C 126						C 189	ENGINE CPT RR DOOR B/U LT	PED WP	2	561566	561690
C 127	ENGINE CPT-FUEL FILTER	PED WP	2	561566	561690	C 190	ENGINE CPT RR DOOR TAIL/STOP LT	AMP SUPER S	3		562601
C 128	ENGINE CPT-A/C COMPR.CLUTCH	ITT SS	2	561813	561812	C 191	ENGINE CPT RR DOOR TAIL/STOP LT	AMP SUPER S	3		562601
C 129	ENGINE CPT-PRE-HEAT WATER	AMP FF	6	561672	561186	C 192	ENGINE CPT RR DOOR RH DIR. LT	PED WP	2	561566	561690
C 130	ENGINE CPT-UNLOADER	ITT SS	2	561813	561812	C 193					
C 131	ENGINE CPT-UNLOADER	ITT SS	2	561813	561812	C 194					
C 132	ENGINE CPT-A/C LO PRESS SW	PED WP	2	561566	561690	C 195					
C 133	ENGINE CPT-A/C HI PRESS SW	PED WP	2	561566	561690	C 196					
C 134	FR JCT BOX-LUGGAGE DIODE CON.	AMP MNL	15	561987	561986	C 197					
C 135	FR JCT BOX-LUGGAGE DIODE CON.	AMP MNL	15	561987	561986	C 198	ENGINE CPT RR DOOR LICENCE LT	PED WP	2	562348	562471
C 136	RR JCT BOX-A/C PANEL DIODE CON.	AMP MNL	15	561987	561986	C 199	ENGINE CPT RR DOOR LICENCE LT	PED WP	2	562348	562471
C 137	RR JCT BOX-TRANSMITTER	AMP MNL	2	560900	560898	C 200					
C 138	RR JCT BOX-CONTROL MODULE	AMP HDP	15	-----	562012	C 201	AUX. UNIT CONTROL	PED WP	4	561610	561611
C 139	RR JCT BOX-LOGIC MODULE	AMP HDP	15	562011	-----	C 202	AUX. UNIT CONTROL	PED WP	3	561781	561782
C 140	HVAC DASH MODULE THERMOMETER	MOLEX	4	562782	-----	C 203	AUX. UNIT CONTROL	PED WP	2	561566	561690
C 141	INSTRUMENT PANEL LH UNLOAD TAG	AMP	2	561248	561247	C 204	AUX. LIQUID SOL.VALVE	PED WP	2	561566	561690
C 142						C 205					
C 143						C 206					
C 144						C 207					
C 145	RR JCT BOX CPT-RR SIDE LTS	AMP MNL	9	561670	561669	C 208					
C 146	ENGINE CPT-MODULATOR VALVE	AMPHENOL	2	-----	560412	C 209					
C 147	BATT & RR J.B.CPT-DOCK.LTS	PED WP	2	561566	561690	C 210					
C 148						C 211	FR ROOF-STORE LH	AMP MNL	2	560900	560898
C 149	CONDENSER CPT-FAN MOTOR	ORDNANCE	3	562555	562001	C 212	FR ROOF-STORE RH	AMP MNL	2	560900	560898
C 150	ENGINE CPT. - FUEL FILTER	PED WP	1	561605	561577	C 213					
C 151	EVAPORATOR CPT-THERMOSTAT	ITT	2	561813	562159	C 214					
C 152	CONDENSER CPT-FUEL GAUGE	PED WP	4	561610	561611	C 215					
C 153	EVAPORATOR CPT-AIR AMB. SENS	AMP MNL	2	561248	561247	C 216					
C 154	EVAPORATOR CPT-FRESH AIR SENS	ITT SS	2	561813	561812	C 217					
C 155	EVAPORATOR CPT-WATER VALVE	PED WP	4	561610	561611	C 218					
C 156	EVAPOR. CPT-BYPASS WATER VAL.	PED WP	2	561566	561690	C 219					
C 157	EVAPORATOR CPT-WATER PUMP	PED WP	2	561566	561690	C 220	RR.JCT.BOX-FUEL PRIME PUMP	TC	1	561070	561073
C 158	ENGINE CPT-A/C LO TEMP.	PED WP	2	561566	561690	C 221	BATTERY CMPT. FIRE DETECTOR	DEUTSCH	2	562486	562485
C 159	ENGINE CPT-A/C HI TEMP.	PED WP	2	561566	561690	C 222	ENGINE CMPT. FIRE DETECTOR	DEUTSCH	2	562486	562485
C 160	FR AXLE-ABS RH SENSOR	WABCO	2	641132	-----	C 223	ENGINE CMPT. FIRE DETECTOR	DEUTSCH	2	562486	562485
C 161	FR AXLE-ABS RH VALVE	WABCO	3	-----	641098	C 224					
C 162	FR AXLE-ABS LH VALVE	WABCO	3	-----	641098	C 225					
C 163	FR AXLE-ABS LH SENSOR	WABCO	2	641132	-----	C 226					
C 164	RR AXLE-ABS LH SENSOR	DEUTSCH	2	562486	562485	C 227					
C 165	RR AXLE-ABS LH VALVE	WABCO	3	-----	641098	C 228					
C 166	RR AXLE-ABS RH VALVE	WABCO	3	-----	641098	C 229					
C 167	RR AXLE-ABS RH SENSOR	DEUTSCH	2	562486	562485	C 230	ENG.CPT.-FUEL PRIME PUMP FEED	DEUTSCH	2	562486	562485
C 168	RR AXLE-ABS OPT ATC	PED WP	2	561566	561690	C 231	ENG.CPT.-FUEL PRIME PUMP SW.	PED WP	2	561566	561690
C 169	RR JCT BOX-SPEED SW	AMP HDP	15	-----	562012	C 232	ENG.CPT.-FUEL PRIME PUMP	PED WP	2	561566	561690
C 170	FR JCT BOX-FLASHER UNIT	TC	2	-----	561940	C 233					
C 171	LH CONSOLE	AMP CPC	24	561642	561643	C 234					
C 172	FR SERV. COMPT.- LEVEL LOW	AMP CPC	9	561635	561637	C 235					
C 173	LAV.POTABLE-WATER TANK HEAT.	AMP MNL	2	560900	560898	C 236					
C 174	UNDER DASH RH-HTR MODULE	AMP MNL	9	561670	561669	C 237					
C 175	UNDER DASH RH-HTR MODULE	AMP MNL	9	561670	561669	C 238	RR JCT BOX-DIODE CONNECTOR	AMP MNL	9	561670	561669
C 176	UNDER DASH RH-WIPER PULSE	AMP FF	6	-----	561186	C 239	RR I.D. LTS	PED WP	2	561566	561690
C 177	UNDER DASH RH-WIPER MOTOR	AMP FF	6	-----	561186	C 240	LUGG. CPT.-CO-PILOT SEAT HEATER	AMP MNL	2	560900	560898
C 178	UNDER DASH RH-LH FAN	TC	2	561030	560997	C 241	HEADLAMPS HI BEAM	HELLA	2		562623
C 179	UNDER DASH RH-RH FAN	TC	2	561030	560997	C 242	HEADLAMPS LO BEAM	HELLA	2		562623
C 181	RR JCT BOX-DIODE CONNECTOR	AMP MNL	15	561987	561986	C 243	FR SERVICE CPT-HEADLAMPS	DEUTSCH	3		561071
C 180	RR JCT BOX-DIODE CONNECTOR	AMP MNL	15	561987	561986	C 244	FR SERVICE CPT-LH FOG LAMP	DEUTSCH	2	561813	561812
C 182						C 245	FR SERVICE CPT-RH FOG LAMP	DEUTSCH	2	561813	561812
C 183						C 246	FR SERVICE CPT-MARK & DIR LT	CONXALL	5	563091	563090
C 184						C 247	HEADLAMPS MARK & DIR LTS	AMP SUPER S	3		562601
C 185						C 248	FR JCT BOX-WIPER PULSE GEN	AMP FF	6	-----	561108
C 186	RR JCT BOX CPT.-SPEED SIGN.TR	PED WP	2	561566	561690	C 249					
C 186M	RR JCT BOX CPT.-SPD SIGN. M.TR	PED WP	2	561566	561690	C 250					
C 186W	RR JCT BOX CPT.-SPD SIGN. WT	PED WP	2	561566	561690	C 251	LH SW PANEL-FAST IDLE	EATON	10	-----	562763

CONNECTORS CODE

NO	LOCATION	TYPE	CAVITY	#PIN HOUSING	#SOCKET HOUSING	NO	LOCATION	TYPE	CAVITY	#PIN HOUSING	#SOCKET HOUSING
C 252						C 316					
C 253	LH SW PANEL-ETHER	EATON	10	-----	562763	C 317	LH CONSOLE SW-RH STORE	EATON	10	-----	562763
C 254	INST. PANEL RH-ENTR.DOOR SW.	TORRIX	5	-----	562110	C 318	LH CONSOLE SW-DRV WINDOW LIFT	EATON	10	-----	562763
C 255	LH SW PANEL-JACOB	EATON	10	-----	562763	C 319					
C 256						C 320	RH SW PANEL-DRIVER'S LTS	EATON	10	-----	562763
C 257						C 321					
C 258	LH SW PANEL-MULTI FUNC. SW	AMP FF	8	561188	-----	C 322	LH CONSOLE DRV WIND LIFT MOT	PED PO	2	-----	561848
C 259	LH SW PANEL-MULTI FUNC. SW	AMP FF	6	-----	561108	C 323	LH CONSOLE CRUISE CTR SW PAN.	AMP CPC	9	561636	561637
C 260						C 324					
C 261						C 325	LH CONSOLE SW-KNEELING	EATON	8	-----	562763
C 262	UNDER DASH RH-KEYLESS MODULE	AMP MUL	22	-----	562675	C 326	LH CONSOLE SW-SPARE	EATON	8	-----	562763
C 263	UNDER DASH RH- KEYLESS MODULE	AMP MUL	26	-----	562676	C 327	ENGINE CONTROL	DEUTSCH	6	562583	562581
C 264	ENTRANCE DOOR-KEYPAD	AMP CPC	9	561536	561637	C 328					
C 265	RH SW PANEL -DRIVER'S DOOR SW.	EATON	10	-----	562763	C 329	ENGINE TACHO SIGNAL	PED WP	3	561781	561789
C 266	ENTRANCE DOOR-KEYLESS	AMP CPC	14	561585		C 330					
C 267	UNDER DASH RH	AMP CPC	24	561642	561643	C 331					
C 268						C 332					
C 269	UNDER DASH FLAT MIRROR	CONXALL	5	563091	563090	C 333					
C 270	LH MIRROR POST	MOLEX	6	562070	562069	C 334					
C 271	RH MIRROR POST	MOLEX	6	562070	562069	C 335					
C 272	LH MIRROR	SPARTAN	6	-----	990158	C 336					
C 273	RH MIRROR	SPARTAN	6	-----	990158	C 337	INSTR PANEL LH-UP WIPER SW	EATON	8	-----	562763
C 274						C 338	INSTR PANEL LH-UP DEFROST SW	EATON	8	-----	562763
C 275						C 339	INSTR PANEL LH-UP WASHER SW	EATON	8	-----	562763
C 276	UNDER DASH RH -3 WAY LTS	EATON	10	-----	562763	C 340	FR JCT. BOX FIRE PIEZO ALARM	AMP MNL	2	560900	560898
C 277	LH CONSOLE -DOCK. & CORN. SW.	EATON	10	-----	562763	C 341	INSTR PANEL LH-HEAT MIRROR SW	EATON	8	-----	562763
C 278	LH CONSOLE -BACK-UP CANCEL SW.	EATON	10	-----	562763	C 342	ENGINE RR START SW	DEUTSCH	2	562586	562585
C 279	FR SERVICE CPT- STEERING ZF	DEUTSCH	2		562485	C 343	INSTR PANEL LH-HEADLAMP SW	EATON	8	-----	562763
C 280	UNDER DASH RH -3 WAY LTS	EATON	10	-----	562763	C 344	INSTR PANEL LH-HAZARD LT SW	EATON	8	-----	562763
C 281	LH CONSOLE -LEVEL LOW	AMP MNL	4	560851	560852	C 345	INSTR PANEL LH-FOG LT SW	EATON	8	-----	562763
C 282	RH SW PANEL -MONITOR OPER. SW.	EATON	10	-----	562763	C 346	INSTR PANEL LH-SWITCH LTS	EATON	2	-----	561837
C 282	FR SERVICE CPT- STEERING GEAR BOX ZF	VOLVO	2		562928	C 347	INSTR PANEL LH-DASH LT SW	AMP MNL	2	560900	560898
C 283	LH CONSOLE -LOW DOCKING SW.	EATON	10	-----	562763	C 348	INSTR PANEL CENT-RACOR MODULE	MOLEX	6	562070	562067
C 284						C 349					
C 285	ENTRANCE DOOR -SOL. DOOR	PED PO	2	-----	562076	C 350	RH CONSOLE-THERMOMETER	AMP MNL	3	561667	561550
C 286	RH SW PANEL-A/C & HEAT	EATON	10	-----	562763	C 351					
C 287	ENGINE COMPT-LTS SW	PED WP	2	561566	561690	C 352	RH CONSOLE-DRV TEMP SENSOR	BURNDY	4	-----	561104
C 288	RH SW PANEL-FRESH AIR	EATON	10	-----	562763	C 353	INSTR PANEL RH-DRV FAN RHEOST	AMP MNL	6	561552	561515
C 289						C 354	INSTR PANEL RH-DRV TEMP CTR	AMP MNL	6	561552	561515
C 290	LUGGAGE COMPT -DOOR LOCK	AMP MNL	4	561551	561668	C 355	INSTR PANEL RH-FR TEMP CTR	AMP MNL	3	561667	561550
C 291	LUGGAGE COMPT -DOOR LOCK	AMP MNL	4	561551	561668	C 356					
C 292	FR SERVICE CMPT-LEVEL LOW		2		641385	C 357	INSTR PANEL RH-WATER TEMP GA	AMP MNL	3	561667	561550
C 293	FR SERVICE CMPT-LEVEL LOW		2		641385	C 358	INSTR PANEL RH-FUEL LEVEL GA	AMP MNL	3	561667	561550
C 294	FR SERVICE CMPT-LEVEL LOW		2		641385	C 359					
C 295	FR SERVICE CMPT-LEVEL LOW		2		641385	C 360	INSTR PANEL RH-B/U MONITOR	AMP MNL	2	561248	561247
C 296	FR SERVICE CMPT-LEVEL LOW		2		641385	C 361	FR ROOF-WIPER MOTOR	AMP FF	6	-----	561186
C 297	INSTRUMENT PANEL RH -LTS	AMP MNL	2	560900	560898	C 362					
C 298						C 363					
C 299						C 364					
C 300						C 365					
C 301						C 366	RH DASH PANEL-GRN & RED LEDS	AMP MNL	3	560908	562006
C 302						C 367					
C 303						C 368					
C 304						C 369					
C 305						C 370					
C 306						C 371					
C 307						C 372	FR ROOF-DEST. SIGN SPEED SW	MOLEX	4	561477	561476
C 308	LH CONSOLE SW-RHEOSTAT	TC	2	561030	560997	C 373	FR ROOF-NO SMOKING LT	AMP MNL	2	561248	561247
C 309	DDEC ENGINE-ECM POWER CON.	PED MP	5	-----	562345	C 374	LH SWITCH PANEL	AMP MNL	6	561552	561515
C 310	LH CONSOLE SW-LUG. DOOR LOCK	EATON	10	-----	562763	C 375					
C 311						C 376	LH SWITCH PANEL	AMP CPC	37	561714	562005
C 312						C 377	LH SW PANEL-STOP ENG.OVERRIDE	EATON	10	-----	562763
C 313						C 378					
C 314						C 379					
C 315	LH CONSOLE SW-LH STORE	EATON	10	-----	562763	C 380	LH CONSOLE-DDR CONNECTOR	DEUTSCH	6	562360	-----

CONNECTORS CODE

NO	LOCATION	TYPE	CAVITY	#PIN HOUSING	#SOCKET HOUSING	NO	LOCATION	TYPE	CAVITY	#PIN HOUSING	#SOCKET HOUSING
C 381	INST. PANEL CENTER-ANTI-THEFT LED	AMP MNL	2	561248	561247	C 446					
C 382						C 447					
C 383						C 448					
C 384						C 449					
C 385						C 450					
C 386						C 451					
C 387						C 452					
C 388						C 453					
C 389						C 454					
C 390						C 455					
C 391						C 456	WORLD TRANSM.-RETARDER ACCUM.	PED MP	2	-----	562427
C 392						C 457	WORLD TRANSM.-MAIN CONNECTOR	DEUTSCH	31	562572	562536
C 393						C 458	WORLD TRANSM.-TURBINE SP.SENS	PED MP	2	-----	562426
C 394						C 459	WORLD TRANSM.-ENGINE SP.SENS.	PED MP	2	-----	562426
C 395						C 460	WORLD TRANSM.-SPEED SENSOR	ITT	2	-----	562541
C 396						C 461	WORLD TRANSM.-RETARDER TEMP.	PED MP	2	561566	561590
C 397	ENGINE COMPT. CRADLE ACC.	DEUTSCH	40	562281	562284	C 462	WORLD TRANSM.-RETARD SOL."K"	PED MP	2	-----	562426
C 398						C 463	WORLD TRANSM.-SENSOR CONN.	DEUTSCH	16	562570	562571
C 399	ENGINE COMPT. - EXITING SIGNAL ALTERN.	PED WP	2	561566	561690	C 464	RR JCT BOX-DDL CONN W.T.	DEUTSCH	6	-----	562360
C 400	ENGINE COMPT. BLOCK HEATER	PED MP	3	561781	561782	C 465	LH CONSOLE-SHIFTER SELECTOR	PED	20	-----	562825
C 401						C 466	FR SERVICE CPT.-RESIS. MOD.	PED WP	3	-----	562428
C 402						C 467	FR SERVICE CPT.-RESIS. MOD.	PED WP	3	-----	562428
C 403						C 468					
C 404						C 469					
C 405						C 470	FR LH UPPER WHELL CPT-SILENT 1000	AMP MNL	2	561248	561247
C 406	FR JCT BOX COMPT.-ABS	AMP MNL	2	560900	560898	C 471	FR LH UPPER WHELL CPT-SILENT 1000	AMP MNL	2	561248	561247
C 407	ENGINE COMPT. -SIGNAL	PED WP	6	561606	561607	C 472	FR LH UPPER WHELL CPT-SILENT 1000	PED WP	2	561566	561690
C 408	ENGINE COMPT. -SIGNAL	PED WP	6	561606	561607	C 473	FR LH UPPER WHELL CPT-SILENT 1000	AMP MNL	3	561667	561550
C 409	ENGINE CPT -LOW COOL. LEVEL	PED MP	2	-----	562350	C 474	DRIVER'S.-TEMP. SENSOR	AMP MNL	2	561247	561248
C 410	FR JCT BOX-DIODE CONNECTOR	AMP MNL	15	561987	561986	C 475	RR JCT BOX-SPEED SIGN CONNECTOR	AMP MNL	2	561248	561247
C 411	FR JCT BOX-DIODE CONNECTOR	AMP MNL	15	561987	561986	C 475M	RR JCT BOX-SPEED SIGN MANUAL TR.	MOLEX	6	562070	562069
C 412	LH SW PANEL-MASTER SWITCH	EATON	10	-----	562763	C 475W	RR JCT BOX-SPEED SIGN WORLD TR.	MOLEX	6	562070	562069
C 413	ENG CPT-A/C HI UNLOAD PRS SW	PED WP	2	561566	561690	C 476					
C 414	RR JCT BOX	AMP MNL	9 - 12			C 477					
C 415	ENGINE CRADLE-FAN SIGNAL	PED WP	3	561781	561782	C 478					
C 416	ENGINE CRADLE-FAN SIGNAL	PED P-C	3	562237	-----	C 479	HVAC MODULE (NOT USED)	-----	-	-----	-----
C 417	FRONT JCT BOX-DIODES	AMP MNL	15	561987	561986	C 480	UNDER DASH RH-DR'S FAN SPEED CTR MOD	PED	4	561889	561890
C 418	INSTR. PANEL LH-HTR WINDSH.SW	EATON	10	-----	562763	C 481	UNDER DASH RH-DR'S FAN SPEED CTR MOD	PED	3	561781	561782
C 419	FR JCT BOX-RETARDER OR JACOB	AMP MNL	3	561667	561550	C 482					
C 420	ENGINE COMPT. WEBASTO WATER HTR	TC	2	561597	-----	C 483	FR SERVICE CPT. -SEAT ELECTRICAL SEAT	PED PC	2	-----	562237
C 421	ENGINE COMPT. WEBASTO WATER HTR	TC	1	561073	-----	C 484	UNDER DASH LH-FOOT DAMPER MOTOR	PED PC	2	-----	562076
C 422	ENGINE COMPT. WEBASTO WATER HTR	TC	2	561597	-----	C 485	UNDER DASH LH-DASH & DEFROST DAMP.M.	AMP MNL	3	561667	561550
C 423						C 486					
C 424	UNDER INSTRUMENT PANEL CENTER	AMP MNL	3	561667	561550	C 487					
C 425	FR JCT BOX-DIODES	AMP MNL	15	561987	561986	C 488					
C 426	ENGINE COMPT. CLUTCH CTR FAN	PED WP	3	561781	561782	C 489					
C 427						C 490					
C 428						C 491					
C 429	FR JCT BOX COMPT.	AMP MNL	6	561552	561515	C 492					
C 430	LH CONSOLE-TIMER	AMP FF	8	561188	562363	C 493					
C 431	LH CONSOLE-PRE HEAT.	TAB AMP	1	561540	561539	C 494					
C 432	ENGINE CPT.-PROX. SW. DOOR AJAR	DEUTSCH	4	562479	562477	C 495					
C 433	FR SERVICE CPT. KNEEL. PRESS. SW	PED WP	2	561566	561690	C 496					
C 434	FRONT JCT. BOX-DIODES	AMP MNL	15	561987	561986	C 497					
C 435	FR SERVICE CPT.(RH) KNEEL. PIEZO	AMP MNL	2	560900	560898	C 498					
C 436	RH HAT RACK-WCL CENTER ROOF ACC	AMP CPC	16	561639	561640	C 499					
C 437						C 500	FR LH UPPER WHELL CPT -PRODRIVER	MOLEX	6	562070	562069
C 438	EVAP. COMPT.-COND.RELAY	AMP MNL	2	561248	561247	C 501	FR LH UPPER WHELL CPT -PRODRIVER MOD	PED MP	7	562433	-----
C 439	EVAP. COMPT.-COND.RELAY	AMP MNL	2	561248	561247	C 502	LH CONSOLE-PRE HEATER SW.	EATON	10	-----	562763
C 440	EVAP. COMPT.-EVAP.RELAY	DEUTSCH	4	562479	562477	C 503					
C 441						C 504	LH CONSOLE WEBASTO TIMER	AMP	8	-----	562852
C 442						C 505	LH CONSOLE ESPAR TIMER	AMP	12	-----	562681
C 443						C 506	LH CONSOLE-LEVEL LOW SW.	EATON	10	-----	562763
C 444						C 508	RR JCT BOX-FAN CLUTCH RETARDER	AMP MNL	6	561552	561515
C 445						C 509	FR LH UPPER WHELL CPT -DATA LOGGER	PED MP	16	-----	562530

CONNECTORS CODE

NO	LOCATION	TYPE	CAVITY	#PIN HOUSING	#SOCKET HOUSING	NO	LOCATION	TYPE	CAVITY	#PIN HOUSING	#SOCKET HOUSING
C 510	FR LH UPPER WHELL CPT -DATA LOGGER	DEUTSCH	9	562531	-----	C 575					
C 511	FR LH UPPER WHELL CPT -DATA LOGGER	PED MP	4	562532	-----	C 576					
C 512	FR LH UPPER WHELL CPT -DATA LOGGER	PED MP	10	562533	-----	C 577					
C 513	FR LH UPPER WHELL CPT -DATA LOGGER	AMP MNL	3	561667	561550	C 578					
C 514	FR LH UPPER WHELL CPT -DATA LOGGER	PED MP	6	562433	562417	C 579					
C 515						C 580					
C 516						C 581					
C 517						C 582	FRONT SERVICE CMPT. - WINDOWS AJAR	PED WP	2	561566	561690
C 518						C 583	L.H. DASH PANEL - MASTER KEY	DEUTSCH	2	562486	562485
C 519						C 584	FRONT SERVICE CMPT. - AIR HORH	HUMPHREY	3	-----	641385
C 520						C 585					
C 521						C 586					
C 522	FR JCT BOX-DAYTIME LTS MODULE	BOSCH	5	-----	561183	C 587					
C 523	FR JCT BOX-FUSE BLOCK	PED	8	562647	562646	C 588					
C 524	FR JCT BOX-FUSE BLOCK	PED	8	562647	562646	C 589	FR SERVICE ELECT MIRROR	CONXALL	5	563089	563088
C 525	FR JCT BOX-FUSE BLOCK	PED	8	562647	562646	C 590	UNDER DASH ELECT MIRROR	CONXALL	8	563089	563088
C 526	FR JCT BOX-FUSE BLOCK	PED	8	562647	562646	C 591	L.H.CONSOLE - MIRROR L.H.	EURAMTEC	8	-----	562799
C 527	FR JCT BOX-FUSE BLOCK	PED	8	562647	562646	C 592	L.H.CONSOLE - MIRROR R.H.	EURAMTEC	8	-----	562799
C 528						C 593					
C 529	FR JCT BOX-12V OUTLET	AMP MNL	2	561247	561248	C 594	FRONT ROOF - DRIVERS LIGHT	LEEKRAFT		-----	562803
C 530	RR JCT BOX-FUSE BLOCK	PED	8	562647	562646	C 595					
C 531	RR JCT BOX-FUSE BLOCK	PED	8	562647	562646	C 596					
C 532	RR JCT BOX-FUSE BLOCK	PED	8	562647	562646	C 597	L.H. DASH PANEL - DISPLAY SET SW.	MOLEX	5	-----	562812
C 533						C 598	L.H. DASH PANEL - DISPLAY SET SW.	MOLEX	5	-----	562812
C 534						C 599					
C 535	RR JCT BOX-FIRE MODULE DETECT.	AMP MNL	3	561667	561550	C 600	ENGINE CPT.-A/C LOW PRESS SW. UNLOAD	PED	2	562348	562471
C 536	UNDER DASH RH-DRIVER'S HTR TEMP. CTR	AMP MNL	6	561552	561515	C 601					
C 537	BATT. CPT.-A/C PRESS. SIGN. RLY	AMP MNL	2	561248	561247	C 602					
C 538	FR SERVICE CPT.-OUTSIDE TEMP. SENSOR	AMP MNL	2	561248	561247	C 603					
C 539	HVAC DASH MODULE OUTPUT CON	MOLEX	24		562780	C 604					
C 540	HVAC DASH MODULE INPUT CON	MOLEX	22		562781	C 605					
C 541						C 606					
C 542						C 607	FRONT SERVICE CMPT. RPM SIGNAL	PED WP	2	561566	561690
C 543						L 608	FRONT SERVICE CMPT. SPEED SIGNAL	PED WP	2	561566	561690
C 544						LX	CLUSTER	JAE	22	-----	562766
C 545						RY	CLUSTER	JAE	30	-----	562767
C 546	LH DASH PANEL-ACCESSORIES	AMP CPC	37	561645	561646	X	CLUSTER	JAE	22	-----	562764
C 547	RH DASH PANEL-ACCESSORIES	AMP CPC	37	561645	561646						
C 548	LH DASH PANEL-T.T. LT. TEST SW.	EATON	10	-----	562763						
C 549											
C 550	EVAPORATOR COMPARTIMENT	ITT	2	561813	562159						
C 551	RR JCT BOX - A/C PANEL	PED	2	561566	561690						
C 552											
C 553											
C 554											
C 555											
C 556											
C 557											
C 558											
C 559											
C 560											
C 561											
C 562											
C 563											
C 564											
C 565											
C 566											
C 567											
C 568											
C 569											
C 570	UNDER DASH PANEL TTLT MODULE	MOLEX	6		562464						
C 571	UNDER DASH PANEL TTLT MODULE	MOLEX	20		562778						
C 572	UNDER DASH PANEL TTLT MODULE	MOLEX	18		562779						
C 573	UNDER DASH PANEL TTLT MODULE	MOLEX	8		562465						
C 574											

CONNECTORS CODE

NO	LOCATION	TYPE	CAVITY	#PIN	#SOCKET	NO	LOCATION	TYPE	CAVITY	#PIN	#SOCKET
				HOUSING	HOUSING					HOUSING	HOUSING
C X1	FR LH UPPER WHELL CPT-ABS	AMP	15		563200	C 60	RR JCT BOX COMPT.-LT	AMP MNL	2	561248	561247
C X2	FR LH UPPER WHELL CPT-ABS	AMP	18		563201	C 61	LUGGAGE COMPARTMENT LTS	AMP MNL	2	561248	561247
C S	RR JCT BOX ECU WORLD TR.	PED	32		562817	C 62	LUGGAGE COMPARTMENT LTS	AMP MNL	2	561248	561247
C T	RR JCT BOX ECU WORLD TR.	PED	32		562824	C 63	LUGGAGE COMPARTMENT LTS	AMP MNL	2	561248	561247
C V	RR JCT BOX ECU WORLD TR.	PED	32		562823	C 64	LUGGAGE COMPARTMENT LTS	AMP MNL	2	561248	561247
CV I2	RR JCT BOX-WORLD TRANS. SHIFT & RET.	AMP CPC	9	561636	561637	C 65	LUGGAGE COMPARTMENT LTS	AMP MNL	2	561248	561247
C Y	CLUSTER	JAE	30		562765	C 66	LUGGAGE COMPARTMENT LTS	AMP MNL	2	561248	561247
C 1	FR JCT BOX COMPARTMENT	AMP CPC	14	561585	561584	C 67	LUGGAGE COMPARTMENT LTS	AMP MNL	2	561248	561247
C 2	FR JCT BOX COMPARTMENT	AMP CPC	16	561639	561640	C 68	LUGGAGE COMPARTMENT LTS	AMP MNL	2	561248	561247
C 3	FR JCT BOX COMPARTMENT	AMP CPC	24	561641	561643	C 69	RR AXLE ACC-INSIDE PVC END	PED WP	6	561568	561578
C 4	FR JCT BOX COMPARTMENT	AMP CPC	37	561644	561646	C 70	LH CONSOLE	AMP CPC	24	561642	561643
C 5	FR SERVICE COMPT.-UNDERNEATH	AMP CPC	37	561644	561646	C 71	FR JCT BOX COMPARTMENT	AMP CPC	37	561645	561646
C 6	FR SERVICE COMPT.-UNDERNEATH	AMP CPC	16	561639	561640	C 72	FR JCT BOX COMPARTMENT	AMP CPC	24	561642	561643
C 8	FR SERVICE COMPT.-UNDERNEATH	AMP CPC	24	561641	561643	C 74	FR JCT BOX COMPARTMENT	AMP CPC	37	561645	561646
C 9	FR SERVICE COMPT.-UNDERNEATH	AMP CPC	24	561641	561643	C 75	LUGG. COMPT. - DOOR LOCK	AMP MNL	2	561551	561668
C 10						C 76	LUGGAGE COMPT.-AIR RET.SENS.	AMP MNL	2	561248	561247
C 11	FR SERVICE COMPARTMENT	AMP CPC	37	561644	561646	C 77	LUGGAGE COMPT.-DOOR LOCK		4	561551	561668
C 12	FR SERVICE COMPARTMENT	AMP CPC	16	561639	561640	C 78	LUGGAGE COMPT.-LTS - COND. CPT	AMP MNL	2	561248	561247
C 13	LH CONSOLE-CTR MIRROR	AMP MNL	6	561552	561515	C 79	LUGGAGE COMPT.-LTS - EVAP. CPT.	AMP MNL	2	561248	561247
C 14	UNDER DASH-LH MIRROR	AMP MNL	9	561661	561662	C 80	LUGGAGE COMPT.-AIR RET.SENS.	AMP MNL	2	561248	561247
C 15	RR JCT BOX	AMP CPC	24	561641	561643	C 80A	EVAPORATOR COMPT.-AIR RET.SENS.	AMP MNL	2	561248	561247
C 16	LH CONSOLE SW-CRUISE ON OFF	EATON	10	-----	562763	C 81	LUGGAGE COMPT.-DOOR LOCK	AMP MNL	2	561551	561668
C 17	LH CONSOLE SW-CRUISE RESUME	EATON	10	-----	562763	C 82	LUGGAGE COMPT.-DOOR LOCK	AMP MNL	2	561551	561668
C 18	LH CONSOLE SW-CRUISE SET	EATON	10	-----	562763	C 83	LUGGAGE COMPT.-DOOR LOCK	AMP MNL	2	561551	561668
C 19	LH CONSOLE DECEL SW	EATON	10	-----	562763	C 84	LUGGAGE COMPT.-DOOR LOCK	AMP MNL	2	561551	561668
C 20	RR JCT BOX	AMP CPC	37	561644	561646	C 85	LUGGAGE COMPT.-DOOR LOCK	AMP MNL	2	561551	561668
C 21	RR JCT BOX	AMP CPC	24	561641	561643	C 86	LUGGAGE COMPT.-DOOR LOCK	AMP MNL	2	561551	561668
C 22						C 87	RR END ROOF	AMP CPC	9	561636	561637
C 23						C 88					
C 24						C 89	RR END ROOF-B/U NONITOR	AMP CPC	4	561582	561581
C 25						C 90	RR JCT BOX	AMP CPC	15	561987	561986
C 26						C 91	RR JCT BOX	AMP CPC	37	561714	561713
C 27						C 92	FR LH UPPER WHELL CPT-ABS	AMP CPC	9	561635	561637
C 28						C 93					
C 29						C 94					
C 30						C 95					
C 31						C 96	FR AXLE ACCESSORIES	AMP CPC	14	561585	561585
C 32	DDEC ENGINE-ECM	PED	30	-----	561600	C 97	RR AXLE ACC-INSIDE PVC END	PED WP	6	561568	561578
C 33						C 98	FR SERVICE COMPT-EL.FT.PEDAL	PED WP	3	561782	561781
C 34						C 99	FR SERVICE COMPT LTS	AMP MNL	2	561248	561247
C 35	RR JCT BOX	AMP CPC	24	561642	561643	C 100					
C 36						C 101	FR SERVICE COMPT-ELEC. HORNS	PED WP	2	561566	561690
C 37						C 102	FR SERV & SIDE CPT-FLASH. LH	GROTE	2	-----	562155
C 38						C 103	FR SERV & SIDE CPT-MARKERS	GROTE	2	-----	562155
C 39						C 104	FR SERV & SIDE CPT-FLASH. RH	GROTE	2	-----	562155
C 40						C 105	FR SERVICE COMPT-LIQ.S.VALVE	PED WP	2	561566	561690
C 41						C 106	FR SERVICE COMPT-WATER VALVE	PED WP	2	561566	561690
C 42						C 107	EVAPORATOR COMPT-DAMPER	PED WP	2	561566	561690
C 43						C 108					
C 44						C 109					
C 45	FR. JCT BOX COMPARTMENT	AMP CPC	24	561642	561643	C 110					
C 46						C 111	EVAPORATOR COMPT-DAMPER	DEUTSCH	2	562486	562485
C 47	FR SERVICE COMPARTMENT	AMP CPC	16	561694	561695	C 112	EVAPORATOR COMPT-SPEED MOT CTRL	DEUTSCH	5	-----	562566
C 48	FR. SERV. COMPT.-PRESS SW. PARK BRAKE	DEUTSCH	4	562479	562477	C 113	BATT. & RR J.B.CPT.MARKER LT	GROTE	2	-----	562155
C 49	BATTERIE COMPT.-LT	AMP MNL	2	561248	561247	C 114	RR J. BOX CPT DOOR DIR LT LH	GROTE	2	-----	562155
C 50						C 115					
C 51						C 116	ENGINE COMPT. LTS	PED WP	1	561605	561577
C 52	RR JCT BOX	AMP CPC	12	561735	561734	C 117					
C 53						C 118					
C 54						C 119	ENGINE CPT RR DOOR RH LO LAMP	PED WP	6	561606	561607
C 55	RH SWITCH PANEL	AMP CPC	9	561636	561637	C 120	ENGINE CPT RR DOOR LH LO LAMP	PED WP	6	561606	561607
C 56						C 121	BATTERIE CPT. DOOR DIR LT RH	GROTE	2	-----	562155
C 57						C 122	ENGINE CPT-CAMERA DOOR VALVE	PED WP	2	561566	561690
C 58	RR JCT BOX - A/C PANEL	DEUTSCH	24	562280	562283	C 123					
C 59	RR JCT BOX - A/C PANEL	AMP CPC	14	561585	561583	C 124	ENGINE CPT-ETHER SW	PED WP	2	561566	561690

CONNECTORS CODE

NO	LOCATION	TYPE	CAVITY	#PIN HOUSING	#SOCKET HOUSING	NO	LOCATION	TYPE	CAVITY	#PIN HOUSING	#SOCKET HOUSING
C 253	LH SW PANEL-ETHER	EATON	10	-----	562763	C 317	LH CONSOLE SW-RH STORE	EATON	10	-----	562763
C 254	INST. PANEL RH-ENTR.DOOR SW.	TORRIX	5	-----	562110	C 318	LH CONSOLE SW-DRV WINDOW LIFT	EATON	10	-----	562763
C 255	LH SW PANEL-JACOB	EATON	10	-----	562763	C 319					
C 256						C 320	RH SW PANEL-DRIVER'S LTS	EATON	10	-----	562763
C 257						C 321					
C 258	LH SW PANEL-MULTI FUNC. SW	AMP FF	8	561188	-----	C 322	LH CONSOLE DRV WIND LIFT MOT	PED PO	2	-----	561848
C 259	LH SW PANEL-MULTI FUNC. SW	AMP FF	6	-----	561108	C 323	LH CONSOLE CRUISE CTR SW PAN.	AMP CPC	9	561636	561637
C 260						C 324					
C 261						C 325	LH CONSOLE SW-KNEELING	EATON	8	-----	562763
C 262	UNDER DASH RH-KEYLESS MODULE	AMP MUL	22	-----	562675	C 326	LH CONSOLE SW-SPARE	EATON	8	-----	562763
C 263	UNDER DASH RH- KEYLESS MODULE	AMP MUL	26	-----	562676	C 327	ENGINE CONTROL	DEUTSCH	6	562583	562581
C 264	ENTRANCE DOOR-KEYPAD	AMP CPC	9	561536	561637	C 328					
C 265	RH SW PANEL -DRIVER'S DOOR SW.	EATON	10	-----	562763	C 329	ENGINE TACHO SIGNAL	PED WP	3	561781	561789
C 266	ENTRANCE DOOR-KEYLESS	AMP CPC	14	561585		C 330					
C 267	UNDER DASH RH	AMP CPC	24	561642	561643	C 331					
C 268						C 332					
C 269	UNDER DASH FLAT MIRROR	CONXALL	5	563091	563090	C 333					
C 270	LH MIRROR POST	MOLEX	6	562070	562069	C 334					
C 271	RH MIRROR POST	MOLEX	6	562070	562069	C 335					
C 272	LH MIRROR	SPARTAN	6	-----	990158	C 336					
C 273	RH MIRROR	SPARTAN	6	-----	990158	C 337	INSTR PANEL LH-UP WIPER SW	EATON	8	-----	562763
C 274						C 338	INSTR PANEL LH-UP DEFROST SW	EATON	8	-----	562763
C 275						C 339	INSTR PANEL LH-UP WASHER SW	EATON	8	-----	562763
C 276	UNDER DASH RH -3 WAY LTS	EATON	10	-----	562763	C 340	FR JCT. BOX FIRE PIEZO ALARM	AMP MNL	2	560900	560898
C 277	LH CONSOLE -DOCK. & CORN. SW.	EATON	10	-----	562763	C 341	INSTR PANEL LH-HEAT MIRROR SW	EATON	8	-----	562763
C 278	LH CONSOLE -BACK-UP CANCEL SW.	EATON	10	-----	562763	C 342	ENGINE RR START SW	DEUTSCH	2	562586	562585
C 279	FR SERVICE CPT- STEERING ZF	DEUTSCH	2	562485		C 343	INSTR PANEL LH-HEADLAMP SW	EATON	8	-----	562763
C 280	UNDER DASH RH -3 WAY LTS	EATON	10	-----	562763	C 344	INSTR PANEL LH-HAZARD LT SW	EATON	8	-----	562763
C 281	LH CONSOLE -LEVEL LOW	AMP MNL	4	560851	560852	C 345	INSTR PANEL LH-FOG LT SW	EATON	8	-----	562763
C 282	RH SW PANEL -MONITOR OPER. SW.	EATON	10	-----	562763	C 346	INSTR PANEL LH-SWITCH LTS	EATON	2	-----	561837
C 282	FR SERVICE CPT- STEERING GEAR BOX ZF	VOLVO	2	562928		C 347	INSTR PANEL LH-DASH LT SW	AMP MNL	2	560900	560898
C 283	LH CONSOLE -LOW DOCKING SW.	EATON	10	-----	562763	C 348	INSTR PANEL CENT-RACOR MODULE	MOLEX	6	562070	562067
C 284						C 349					
C 285	ENTRANCE DOOR -SOL. DOOR	PED PO	2	-----	562076	C 350	RH CONSOLE-THERMOMETER	AMP MNL	3	561667	561550
C 286	RH SW PANEL-A/C & HEAT	EATON	10	-----	562763	C 351					
C 287	ENGINE COMPT-LTS SW	PED WP	2	561566	561690	C 352	RH CONSOLE-DRV TEMP SENSOR	BURNDY	4	-----	561104
C 288	RH SW PANEL-FRESH AIR	EATON	10	-----	562763	C 353	INSTR PANEL RH-DRV FAN RHEOST	AMP MNL	6	561552	561515
C 289						C 354	INSTR PANEL RH-DRV TEMP CTR	AMP MNL	6	561552	561515
C 290	LUGGAGE COMPT -DOOR LOCK	AMP MNL	4	561551	561668	C 355	INSTR PANEL RH-FR TEMP CTR	AMP MNL	3	561667	561550
C 291	LUGGAGE COMPT -DOOR LOCK	AMP MNL	4	561551	561668	C 356					
C 292	FR SERVICE CMPT-LEVEL LOCK		2	641385		C 357	INSTR PANEL RH-WATER TEMP GA	AMP MNL	3	561667	561550
C 293	FR SERVICE CMPT-LEVEL LOW		2	641385		C 358	INSTR PANEL RH-FUEL LEVEL GA	AMP MNL	3	561667	561550
C 294	FR SERVICE CMPT-LEVEL LOW		2	641385		C 359					
C 295	FR SERVICE CMPT-LEVEL LOW		2	641385		C 360	INSTR PANEL RH-B/U MONITOR	AMP MNL	2	561248	561247
C 296	FR SERVICE CMPT-LEVEL LOW		2	641385		C 361	FR ROOF-WIPER MOTOR	AMP FF	6	-----	561186
C 297	INSTRUMENT PANEL RH -LTS	AMP MNL	2	560900	560898	C 362					
C 298						C 363					
C 299						C 364					
C 300						C 365					
C 301						C 366	RH DASH PANEL-GRN & RED LEDS	AMP MNL	3	560908	562006
C 302						C 367					
C 303						C 368					
C 304						C 369					
C 305						C 370					
C 306						C 371					
C 307						C 372	FR ROOF-DEST. SIGN SPEED SW	MOLEX	4	561477	561476
C 308	LH CONSOLE SW-RHEOSTAT	TC	2	561030	560997	C 373	FR ROOF-NO SMOKING LT	AMP MNL	2	561248	561247
C 309	DDEC ENGINE-ECM POWER CON.	PED MP	5	-----	562345	C 374	LH SWITCH PANEL	AMP MNL	6	561552	561515
C 310	LH CONSOLE SW-LUG. DOOR LOCK	EATON	10	-----	562763	C 375					
C 311						C 376	LH SWITCH PANEL	AMP CPC	37	561714	562005
C 312						C 377	LH SW PANEL-STOP ENG.OVERRIDE	EATON	10	-----	562763
C 313						C 378					
C 314						C 379					
C 315	LH CONSOLE SW-LH STORE	EATON	10	-----	562763	C 380	LH CONSOLE-DDR CONNECTOR	DEUTSCH	6	562360	-----
C 316						C 381	INST. PANEL CENTER-ANTI-THEFT LED	AMP MNL	2	561248	561247

CONNECTORS CODE

NO	LOCATION	TYPE	CAVITY	#PIN HOUSING	#SOCKET HOUSING	NO	LOCATION	TYPE	CAVITY	#PIN HOUSING	#SOCKET HOUSING
C 382						C 447					
C 383						C 448					
C 384						C 449					
C 385						C 450					
C 386						C 451					
C 387						C 452					
C 388						C 453					
C 389						C 454					
C 390						C 455					
C 391						C 456	WORLD TRANSM.-RETARDER ACCUM.	PED MP	2	-----	562427
C 392						C 457	WORLD TRANSM.-MAIN CONNECTOR	DEUTSCH	31	562572	562536
C 393						C 458	WORLD TRANSM.-TURBINE SP.SENS	PED MP	2	-----	562426
C 394						C 459	WORLD TRANSM.-ENGINE SP.SENS.	PED MP	2	-----	562426
C 395						C 460	WORLD TRANSM.-SPEED SENSOR	ITT	2	-----	562541
C 396						C 461	WORLD TRANSM.-RETARDER TEMP.	PED MP	2	561566	561590
C 397	ENGINE COMPT. CRADLE ACC.	DEUTSCH	40	562281	562284	C 462	WORLD TRANSM.-RETARD SOL."K"	PED MP	2	-----	562426
C 398						C 463	WORLD TRANSM.-SENSOR CONN.	DEUTSCH	16	562570	562571
C 399	ENGINE COMPT. - EXITING SIGNAL ALTERN.	PED WP	2	561566	561690	C 464	RR JCT BOX-DDL CONN W.T.	DEUTSCH	6	-----	562360
C 400	ENGINE COMPT. BLOCK HEATER	PED MP	3	561781	561782	C 465	LH CONSOLE-SHIFTER SELECTOR	PED	20	-----	562825
C 401						C 466	FR SERVICE CPT.-RESIS. MOD.	PED WP	3	-----	562428
C 402						C 467	FR SERVICE CPT.-RESIS. MOD.	PED WP	3	-----	562428
C 403						C 468					
C 404						C 469					
C 405						C 470	FR LH UPPER WHELL CPT-SILENT 1000	AMP MNL	2	561248	561247
C 406	FR JCT BOX COMPT.-ABS	AMP MNL	2	560900	560898	C 471	FR LH UPPER WHELL CPT-SILENT 1000	AMP MNL	2	561248	561247
C 407	ENGINE COMPT. -SIGNAL	PED WP	6	561606	561607	C 472	FR LH UPPER WHELL CPT-SILENT 1000	PED WP	2	561566	561690
C 408	ENGINE COMPT. -SIGNAL	PED WP	6	561606	561607	C 473	FR LH UPPER WHELL CPT-SILENT 1000	AMP MNL	3	561667	561550
C 409	ENGINE CPT -LOW COOL. LEVEL	PED MP	2	-----	562350	C 474	DRIVER'S.-TEMP. SENSOR	AMP MNL	2	561247	561248
C 410	FR JCT BOX-DIODE CONNECTOR	AMP MNL	15	561987	561986	C 475	RR JCT BOX-SPEED SIGN CONNECTOR	AMP MNL	2	561248	561247
C 411	FR JCT BOX-DIODE CONNECTOR	AMP MNL	15	561987	561986	C 475M	RR JCT BOX-SPEED SIGN MANUAL TR.	MOLEX	6	562070	562069
C 412	LH SW PANEL-MASTER SWITCH	EATON	10	-----	562763	C 475WV	RR JCT BOX-SPEED SIGN WORLD TR.	MOLEX	6	562070	562069
C 413	ENG CPT-A/C HI UNLOAD PRS SW	PED WP	2	561566	561690	C 476					
C 414	RR JCT BOX	AMP MNL	9 - 12			C 477					
C 415	ENGINE CRADLE-FAN SIGNAL	PED WP	3	561781	561782	C 478					
C 416	ENGINE CRADLE-FAN SIGNAL	PED P-C	3	562237	-----	C 479	HVAC MODULE (NOT USED)	-----	-	-----	-----
C 417	FRONT JCT BOX-DIODES	AMP MNL	15	561987	561986	C 480	UNDER DASH RH-DR'S FAN SPEED CTR MOD	PED	4	561889	561890
C 418	INSTR. PANEL LH-HTR WINDSH.SW	EATON	10	-----	562763	C 481	UNDER DASH RH-DR'S FAN SPEED CTR MOD	PED	3	561781	561782
C 419	FR JCT BOX-RETARDER OR JACOB	AMP MNL	3	561667	561550	C 482					
C 420	ENGINE COMPT. WEBASTO WATER HTR	TC	2	561597	-----	C 483	FR SERVICE CPT. -SEAT ELECTRICAL SEAT	PED PC	2	-----	562237
C 421	ENGINE COMPT. WEBASTO WATER HTR	TC	1	561073	-----	C 484	UNDER DASH LH-FOOT DAMPER MOTOR	PED PC	2	-----	562076
C 422	ENGINE COMPT. WEBASTO WATER HTR	TC	2	561597	-----	C 485	UNDER DASH LH-DASH & DEFROST DAMP.M.	AMP MNL	3	561667	561550
C 423						C 486					
C 424	UNDER INSTRUMENT PANEL CENTER	AMP MNL	3	561667	561550	C 487					
C 425	FR JCT BOX-DIODES	AMP MNL	15	561987	561986	C 488					
C 426	ENGINE COMPT. CLUTCH CTR FAN	PED WP	3	561781	561782	C 489					
C 427						C 490					
C 428						C 491					
C 429	FR JCT BOX COMPT.	AMP MNL	6	561552	561515	C 492					
C 430	LH CONSOLE-TIMER	AMP FF	8	561188	562363	C 493					
C 431	LH CONSOLE-PRE HEAT.	TAB AMP	1	561540	561539	C 494					
C 432	ENGINE CPT.-PROX. SW. DOOR AJAR	DEUTSCH	4	562479	562477	C 495					
C 433	FR SERVICE CPT. KNEEL. PRESS. SW	PED WP	2	561566	561690	C 496					
C 434	FRONT JCT. BOX-DIODES	AMP MNL	15	561987	561986	C 497					
C 435	FR SERVICE CPT.(RH) KNEEL. PIEZO	AMP MNL	2	560900	560898	C 498					
C 436	RH HAT RACK-WCL CENTER ROOF ACC	AMP CPC	16	561639	561640	C 499					
C 437						C 500	FR LH UPPER WHELL CPT -PRODRIVER	MOLEX	6	562070	562069
C 438	EVAP. COMPT.-COND.RELAY	AMP MNL	2	561248	561247	C 501	FR LH UPPER WHELL CPT -PRODRIVER MOD	PED MP	7	562433	-----
C 439	EVAP. COMPT.-COND.RELAY	AMP MNL	2	561248	561247	C 502	LH CONSOLE-PRE HEATER SW.	EATON	10	-----	562763
C 440	EVAP. COMPT.-EVAP.RELAY	DEUTSCH	4	562479	562477	C 503					
C 441						C 504	LH CONSOLE WEBASTO TIMER	AMP	8	-----	562852
C 442						C 505	LH CONSOLE ESPAR TIMER	AMP	12	-----	562681
C 443						C 506	LH CONSOLE-LEVEL LOW SW.	EATON	10	-----	562763
C 444						C 508	RR JCT BOX-FAN CLUTCH RETARDER	AMP MNL	6	561552	561515
C 445						C 509	FR LH UPPER WHELL CPT -DATA LOGGER	PED MP	16	-----	562530
C 446						C 510	FR LH UPPER WHELL CPT -DATA LOGGER	DEUTSCH	9	562531	-----

CONNECTORS CODE

NO	LOCATION	TYPE	CAVITY	#PIN HOUSING	#SOCKET HOUSING	NO	LOCATION	TYPE	CAVITY	#PIN HOUSING	#SOCKET HOUSING
C 511	FR LH UPPER WHELL CPT -DATA LOGGER	PED MP	4	562532	-----	C 576					
C 512	FR LH UPPER WHELL CPT -DATA LOGGER	PED MP	10	562533	-----	C 577					
C 513	FR LH UPPER WHELL CPT -DATA LOGGER	AMP MNL	3	561667	561550	C 578					
C 514	FR LH UPPER WHELL CPT -DATA LOGGER	PED MP	6	562433	562417	C 579					
C 515						C 580					
C 516						C 581					
C 517						C 582	FRONT SERVICE CMPT. - WINDOWS AJAR	PED WP	2	561566	561690
C 518						C 583	L.H. DASH PANEL - MASTER KEY	DEUTSCH	2	562486	562485
C 519						C 584	FRONT SERVICE CMPT. - AIR HORH	HUMPHREY	3	-----	641385
C 520						C 585					
C 521						C 586					
C 522	FR JCT BOX-DAYTIME LTS MODULE	BOSCH	5	-----	561183	C 587					
C 523	FR JCT BOX-FUSE BLOCK	PED	8	562647	562646	C 588					
C 524	FR JCT BOX-FUSE BLOCK	PED	8	562647	562646	C 589	FR SERVICE ELECT MIRROR	CONXALL	5	563089	563088
C 525	FR JCT BOX-FUSE BLOCK	PED	8	562647	562646	C 590	UNDER DASH ELECT MIRROR	CONXALL	8	563089	563088
C 526	FR JCT BOX-FUSE BLOCK	PED	8	562647	562646	C 591	L.H.CONSOLE - MIRROR L.H.	EURAMTEC	8	-----	562799
C 527	FR JCT BOX-FUSE BLOCK	PED	8	562647	562646	C 592	L.H.CONSOLE - MIRROR R.H.	EURAMTEC	8	-----	562799
C 528						C 593					
C 529	FR JCT BOX-12V OUTLET	AMP MNL	2	561247	561248	C 594	FRONT ROOF - DRIVERS LIGHT	LEEKRAFT		-----	562803
C 530	RR JCT BOX-FUSE BLOCK	PED	8	562647	562646	C 595					
C 531	RR JCT BOX-FUSE BLOCK	PED	8	562647	562646	C 596					
C 532	RR JCT BOX-FUSE BLOCK	PED	8	562647	562646	C 597	L.H. DASH PANEL - DISPLAY SET SW.	MOLEX	5	-----	562812
C 533						C 598	L.H. DASH PANEL - DISPLAY SET SW.	MOLEX	5	-----	562812
C 534						C 599					
C 535	RR JCT BOX-FIRE MODULE DETECT.	AMP MNL	3	561667	561550	C 600	ENGINE CPT.-A/C LOW PRESS SW. UNLOAD	PED	2	562348	562471
C 536	UNDER DASH RH-DRIVER'S HTR TEMP. CTR	AMP MNL	6	561552	561515	C 601					
C 537	BATT. CPT.-A/C PRESS. SIGN. RLY	AMP MNL	2	561248	561247	C 602					
C 538	FR SERVICE CPT.-OUTSIDE TEMP. SENSOR	AMP MNL	2	561248	561247	C 603					
C 539	HVAC DASH MODULE OUTPUT CON	MOLEX	24		562780	C 604					
C 540	HVAC DASH MODULE INPUT CON	MOLEX	22		562781	C 605					
C 541						C 606					
C 542						C 607	FRONT SERVICE CMPT. RPM SIGNAL	PED WP	2	561566	561690
C 543						L 608	FRONT SERVICE CMPT. SPEED SIGNAL	PED WP	2	561566	561690
C 544						LX	CLUSTER	JAE	22	-----	562766
C 545						RY	CLUSTER	JAE	30	-----	562767
C 546	LH DASH PANEL-ACCESSORIES	AMP CPC	37	561645	561646	X	CLUSTER	JAE	22	-----	562764
C 547	RH DASH PANEL-ACCESSORIES	AMP CPC	37	561645	561646						
C 548	LH DASH PANEL-T.T. LT. TEST SW.	EATON	10	-----	562763						
C 549											
C 550	EVAPORATOR COMPARTIMENT	ITT	2	561813	562159						
C 551	RR JCT BOX - A/C PANEL	PED	2	561566	561690						
C 552											
C 553											
C 554											
C 555											
C 556											
C 557											
C 558											
C 559											
C 560											
C 561											
C 562											
C 563											
C 564											
C 565											
C 566											
C 567											
C 568											
C 569											
C 570	UNDER DASH PANEL TTLT MODULE	MOLEX	6		562464						
C 571	UNDER DASH PANEL TTLT MODULE	MOLEX	20		562778						
C 572	UNDER DASH PANEL TTLT MODULE	MOLEX	18		562779						
C 573	UNDER DASH PANEL TTLT MODULE	MOLEX	8		562465						
C 574											
C 575											

CONNECTORS CODE

NO	LOCATION	TYPE	CAVITY	#PIN HOUSING	#SOCKET HOUSING	NO	LOCATION	TYPE	CAVITY	#PIN HOUSING	#SOCKET HOUSING
C X1	FR LH UPPER WHELL CPT-ABS	AMP	15		563200	C 60	RR JCT BOX COMPT.-LT	AMP MNL	2	561248	561247
C X2	FR LH UPPER WHELL CPT-ABS	AMP	18		563201	C 61	LUGGAGE COMPARTMENT LTS	AMP MNL	2	561248	561247
C S	RR JCT BOX ECU WORLD TR.	PED	32		562817	C 62	LUGGAGE COMPARTMENT LTS	AMP MNL	2	561248	561247
C T	RR JCT BOX ECU WORLD TR.	PED	32		562824	C 63	LUGGAGE COMPARTMENT LTS	AMP MNL	2	561248	561247
C V	RR JCT BOX ECU WORLD TR.	PED	32		562823	C 64	LUGGAGE COMPARTMENT LTS	AMP MNL	2	561248	561247
CV I2	RR JCT BOX-WORLD TRANS. SHIFT & RET.	AMP CPC	9	561636	561637	C 65	LUGGAGE COMPARTMENT LTS	AMP MNL	2	561248	561247
C Y	CLUSTER	JAE	30		562765	C 66	LUGGAGE COMPARTMENT LTS	AMP MNL	2	561248	561247
C 1	FR JCT BOX COMPARTMENT	AMP CPC	14	561585	561584	C 67	LUGGAGE COMPARTMENT LTS	AMP MNL	2	561248	561247
C 2	FR JCT BOX COMPARTMENT	AMP CPC	16	561639	561640	C 68	LUGGAGE COMPARTMENT LTS	AMP MNL	2	561248	561247
C 3	FR JCT BOX COMPARTMENT	AMP CPC	24	561641	561643	C 69	RR AXLE ACC-INSIDE PVC END	PED WP	6	561568	561578
C 4	FR JCT BOX COMPARTMENT	AMP CPC	37	561644	561646	C 70	LH CONSOLE	AMP CPC	24	561642	561643
C 5	FR SERVICE COMPT.-UNDERNEATH	AMP CPC	37	561644	561646	C 71	FR JCT BOX COMPARTMENT	AMP CPC	37	561645	561646
C 6	FR SERVICE COMPT.-UNDERNEATH	AMP CPC	16	561639	561640	C 72	FR JCT BOX COMPARTMENT	AMP CPC	24	561642	561643
C 8	FR SERVICE COMPT.-UNDERNEATH	AMP CPC	24	561641	561643	C 74	FR JCT BOX COMPARTMENT	AMP CPC	37	561645	561646
C 9	FR SERVICE COMPT.-UNDERNEATH	AMP CPC	24	561641	561643	C 75	LUGG. COMPT. - DOOR LOCK	AMP MNL	2	561551	561668
C 10						C 76	LUGGAGE COMPT.-AIR RET.SENS.	AMP MNL	2	561248	561247
C 11	FR SERVICE COMPARTMENT	AMP CPC	37	561644	561646	C 77	LUGGAGE COMPT.-DOOR LOCK		4	561551	561668
C 12	FR SERVICE COMPARTMENT	AMP CPC	16	561639	561640	C 78	LUGGAGE COMPT.-LTS - COND. CPT	AMP MNL	2	561248	561247
C 13	LH CONSOLE-CTR MIRROR	AMP MNL	6	561552	561515	C 79	LUGGAGE COMPT.-LTS - EVAP. CPT.	AMP MNL	2	561248	561247
C 14	UNDER DASH-LH MIRROR	AMP MNL	9	561661	561662	C 80	LUGGAGE COMPT.-AIR RET.SENS.	AMP MNL	2	561248	561247
C 15	RR JCT BOX	AMP CPC	24	561641	561643	C 80A	EVAPORATOR COMPT.-AIR RET.SENS.	AMP MNL	2	561248	561247
C 16	LH CONSOLE SW-CRUISE ON OFF	EATON	10	-----	562763	C 81	LUGGAGE COMPT.-DOOR LOCK	AMP MNL	2	561551	561668
C 17	LH CONSOLE SW-CRUISE RESUME	EATON	10	-----	562763	C 82	LUGGAGE COMPT.-DOOR LOCK	AMP MNL	2	561551	561668
C 18	LH CONSOLE SW-CRUISE SET	EATON	10	-----	562763	C 83	LUGGAGE COMPT.-DOOR LOCK	AMP MNL	2	561551	561668
C 19	LH CONSOLE DECEL SW	EATON	10	-----	562763	C 84	LUGGAGE COMPT.-DOOR LOCK	AMP MNL	2	561551	561668
C 20	RR JCT BOX	AMP CPC	37	561644	561646	C 85	LUGGAGE COMPT.-DOOR LOCK	AMP MNL	2	561551	561668
C 21	RR JCT BOX	AMP CPC	24	561641	561643	C 86	LUGGAGE COMPT.-DOOR LOCK	AMP MNL	2	561551	561668
C 22						C 87	RR END ROOF	AMP CPC	9	561636	561637
C 23						C 88					
C 24						C 89	RR END ROOF-B/U NONITOR	AMP CPC	4	561582	561581
C 25						C 90	RR JCT BOX	AMP CPC	15	561987	561986
C 26						C 91	RR JCT BOX	AMP CPC	37	561714	561713
C 27						C 92	FR LH UPPER WHELL CPT-ABS	AMP CPC	9	561635	561637
C 28						C 93					
C 29						C 94					
C 30						C 95					
C 31						C 96	FR AXLE ACCESSORIES	AMP CPC	14	561585	561585
C 32	DDEC ENGINE-ECM	PED	30	-----	561600	C 97	RR AXLE ACC-INSIDE PVC END	PED WP	6	561568	561578
C 33						C 98	FR SERVICE COMPT-EL.FT.PEDAL	PED WP	3	561782	561781
C 34						C 99	FR SERVICE COMPT LTS	AMP MNL	2	561248	561247
C 35	RR JCT BOX	AMP CPC	24	561642	561643	C 100					
C 36						C 101	FR SERVICE COMPT-ELEC. HORNS	PED WP	2	561566	561690
C 37						C 102	FR SERV & SIDE CPT-FLASH. LH	GROTE	2	-----	562155
C 38						C 103	FR SERV & SIDE CPT-MARKERS	GROTE	2	-----	562155
C 39						C 104	FR SERV & SIDE CPT-FLASH. RH	GROTE	2	-----	562155
C 40						C 105	FR SERVICE COMPT-LIQ.S.VALVE	PED WP	2	561566	561690
C 41						C 106	FR SERVICE COMPT-WATER VALVE	PED WP	2	561566	561690
C 42						C 107	EVAPORATOR COMPT-DAMPER	PED WP	2	561566	561690
C 43						C 108					
C 44						C 109					
C 45	FR. JCT BOX COMPARTMENT	AMP CPC	24	561642	561643	C 110					
C 46						C 111	EVAPORATOR COMPT-DAMPER	DEUTSCH	2	562486	562485
C 47	FR SERVICE COMPARTMENT	AMP CPC	16	561694	561695	C 112	EVAPORATOR COMPT-SPEED MOT CTRL	DEUTSCH	5	-----	562566
C 48	FR. SERV. COMPT.-PRESS SW. PARK BRAKE	DEUTSCH	4	562479	562477	C 113	BATT. & RR J.B.CPT.MARKER LT	GROTE	2	-----	562155
C 49	BATTERIE COMPT.-LT	AMP MNL	2	561248	561247	C 114	RR J. BOX CPT DOOR DIR LT LH	GROTE	2	-----	562155
C 50						C 115					
C 51						C 116	ENGINE COMPT. LTS	PED WP	1	561605	561577
C 52	RR JCT BOX	AMP CPC	12	561735	561734	C 117					
C 53						C 118					
C 54						C 119	ENGINE CPT RR DOOR RH LO LAMP	PED WP	6	561606	561607
C 55	RH SWITCH PANEL	AMP CPC	9	561636	561637	C 120	ENGINE CPT RR DOOR LH LO LAMP	PED WP	6	561606	561607
C 56						C 121	BATTERIE CPT. DOOR DIR LT RH	GROTE	2	-----	562155
C 57						C 122	ENGINE CPT-CAMERA DOOR VALVE	PED WP	2	561566	561690
C 58	RR JCT BOX - A/C PANEL	DEUTSCH	24	562280	562283	C 123					
C 59	RR JCT BOX - A/C PANEL	AMP CPC	14	561585	561583	C 124	ENGINE CPT-ETHER SW	PED WP	2	561566	561690

CONNECTORS CODE

NO	LOCATION	TYPE	CAVITY	#PIN HOUSING	#SOCKET HOUSING	NO	LOCATION	TYPE	CAVITY	#PIN HOUSING	#SOCKET HOUSING
C 253	LH SW PANEL-ETHER	EATON	10	-----	562763	C 317	LH CONSOLE SW-RH STORE	EATON	10	-----	562763
C 254	INST. PANEL RH-ENTR.DOOR SW.	TORRIX	5	-----	562110	C 318	LH CONSOLE SW-DRV WINDOW LIFT	EATON	10	-----	562763
C 255	LH SW PANEL-JACOB	EATON	10	-----	562763	C 319					
C 256						C 320	RH SW PANEL-DRIVER'S LTS	EATON	10	-----	562763
C 257						C 321					
C 258	LH SW PANEL-MULTI FUNC. SW	AMP FF	8	561188	-----	C 322	LH CONSOLE DRV WIND LIFT MOT	PED PO	2	-----	561848
C 259	LH SW PANEL-MULTI FUNC. SW	AMP FF	6	-----	561108	C 323	LH CONSOLE CRUISE CTR SW PAN.	AMP CPC	9	561636	561637
C 260						C 324					
C 261						C 325	LH CONSOLE SW-KNEELING	EATON	8	-----	562763
C 262	UNDER DASH RH-KEYLESS MODULE	AMP MUL	22	-----	562675	C 326	LH CONSOLE SW-SPARE	EATON	8	-----	562763
C 263	UNDER DASH RH- KEYLESS MODULE	AMP MUL	26	-----	562676	C 327	ENGINE CONTROL	DEUTSCH	6	562583	562581
C 264	ENTRANCE DOOR-KEYPAD	AMP CPC	9	561536	561637	C 328					
C 265	RH SW PANEL -DRIVER'S DOOR SW.	EATON	10	-----	562763	C 329	ENGINE TACHO SIGNAL	PED WP	3	561781	561789
C 266	ENTRANCE DOOR-KEYLESS	AMP CPC	14	561585		C 330					
C 267	UNDER DASH RH	AMP CPC	24	561642	561643	C 331					
C 268						C 332					
C 269	UNDER DASH FLAT MIRROR	CONXALL	5	563091	563090	C 333					
C 270	LH MIRROR POST	MOLEX	6	562070	562069	C 334					
C 271	RH MIRROR POST	MOLEX	6	562070	562069	C 335					
C 272	LH MIRROR	SPARTAN	6	-----	990158	C 336					
C 273	RH MIRROR	SPARTAN	6	-----	990158	C 337	INSTR PANEL LH-UP WIPER SW	EATON	8	-----	562763
C 274						C 338	INSTR PANEL LH-UP DEFROST SW	EATON	8	-----	562763
C 275						C 339	INSTR PANEL LH-UP WASHER SW	EATON	8	-----	562763
C 276	UNDER DASH RH -3 WAY LTS	EATON	10	-----	562763	C 340	FR JCT. BOX FIRE PIEZO ALARM	AMP MNL	2	560900	560898
C 277	LH CONSOLE -DOCK. & CORN. SW.	EATON	10	-----	562763	C 341	INSTR PANEL LH-HEAT MIRROR SW	EATON	8	-----	562763
C 278	LH CONSOLE -BACK-UP CANCEL SW.	EATON	10	-----	562763	C 342	ENGINE RR START SW	DEUTSCH	2	562586	562585
C 279	FR SERVICE CPT- STEERING ZF	DEUTSCH	2	562485		C 343	INSTR PANEL LH-HEADLAMP SW	EATON	8	-----	562763
C 280	UNDER DASH RH -3 WAY LTS	EATON	10	-----	562763	C 344	INSTR PANEL LH-HAZARD LT SW	EATON	8	-----	562763
C 281	LH CONSOLE -LEVEL LOW	AMP MNL	4	560851	560852	C 345	INSTR PANEL LH-FOG LT SW	EATON	8	-----	562763
C 282	RH SW PANEL -MONITOR OPER. SW.	EATON	10	-----	562763	C 346	INSTR PANEL LH-SWITCH LTS	EATON	2	-----	561837
C 282	FR SERVICE CPT- STEERING GEAR BOX ZF	VOLVO	2	562928		C 347	INSTR PANEL LH-DASH LT SW	AMP MNL	2	560900	560898
C 283	LH CONSOLE -LOW DOCKING SW.	EATON	10	-----	562763	C 348	INSTR PANEL CENT-RACOR MODULE	MOLEX	6	562070	562067
C 284						C 349					
C 285	ENTRANCE DOOR -SOL. DOOR	PED PO	2	-----	562076	C 350	RH CONSOLE-THERMOMETER	AMP MNL	3	561667	561550
C 286	RH SW PANEL-A/C & HEAT	EATON	10	-----	562763	C 351					
C 287	ENGINE COMPT-LTS SW	PED WP	2	561566	561690	C 352	RH CONSOLE-DRV TEMP SENSOR	BURNDY	4	-----	561104
C 288	RH SW PANEL-FRESH AIR	EATON	10	-----	562763	C 353	INSTR PANEL RH-DRV FAN RHEOST	AMP MNL	6	561552	561515
C 289						C 354	INSTR PANEL RH-DRV TEMP CTR	AMP MNL	6	561552	561515
C 290	LUGGAGE COMPT -DOOR LOCK	AMP MNL	4	561551	561668	C 355	INSTR PANEL RH-FR TEMP CTR	AMP MNL	3	561667	561550
C 291	LUGGAGE COMPT -DOOR LOCK	AMP MNL	4	561551	561668	C 356					
C 292	FR SERVICE CMPT-LEVEL LOCK		2	641385		C 357	INSTR PANEL RH-WATER TEMP GA	AMP MNL	3	561667	561550
C 293	FR SERVICE CMPT-LEVEL LOW		2	641385		C 358	INSTR PANEL RH-FUEL LEVEL GA	AMP MNL	3	561667	561550
C 294	FR SERVICE CMPT-LEVEL LOW		2	641385		C 359					
C 295	FR SERVICE CMPT-LEVEL LOW		2	641385		C 360	INSTR PANEL RH-B/U MONITOR	AMP MNL	2	561248	561247
C 296	FR SERVICE CMPT-LEVEL LOW		2	641385		C 361	FR ROOF-WIPER MOTOR	AMP FF	6	-----	561186
C 297	INSTRUMENT PANEL RH -LTS	AMP MNL	2	560900	560898	C 362					
C 298						C 363					
C 299						C 364					
C 300						C 365					
C 301						C 366	RH DASH PANEL-GRN & RED LEDS	AMP MNL	3	560908	562006
C 302						C 367					
C 303						C 368					
C 304						C 369					
C 305						C 370					
C 306						C 371					
C 307						C 372	FR ROOF-DEST. SIGN SPEED SW	MOLEX	4	561477	561476
C 308	LH CONSOLE SW-RHEOSTAT	TC	2	561030	560997	C 373	FR ROOF-NO SMOKING LT	AMP MNL	2	561248	561247
C 309	DDEC ENGINE-ECM POWER CON.	PED MP	5	-----	562345	C 374	LH SWITCH PANEL	AMP MNL	6	561552	561515
C 310	LH CONSOLE SW-LUG. DOOR LOCK	EATON	10	-----	562763	C 375					
C 311						C 376	LH SWITCH PANEL	AMP CPC	37	561714	562005
C 312						C 377	LH SW PANEL-STOP ENG.OVERRIDE	EATON	10	-----	562763
C 313						C 378					
C 314						C 379					
C 315	LH CONSOLE SW-LH STORE	EATON	10	-----	562763	C 380	LH CONSOLE-DDR CONNECTOR	DEUTSCH	6	562360	-----
C 316						C 381	INST. PANEL CENTER-ANTI-THEFT LED	AMP MNL	2	561248	561247

CONNECTORS CODE

NO	LOCATION	TYPE	CAVITY	#PIN HOUSING	#SOCKET HOUSING	NO	LOCATION	TYPE	CAVITY	#PIN HOUSING	#SOCKET HOUSING
C 382						C 447					
C 383						C 448					
C 384						C 449					
C 385						C 450					
C 386						C 451					
C 387						C 452					
C 388						C 453					
C 389						C 454					
C 390						C 455					
C 391						C 456	WORLD TRANSM.-RETARDER ACCUM.	PED MP	2	-----	562427
C 392						C 457	WORLD TRANSM.-MAIN CONNECTOR	DEUTSCH	31	562572	562536
C 393						C 458	WORLD TRANSM.-TURBINE SP.SENS	PED MP	2	-----	562426
C 394						C 459	WORLD TRANSM.-ENGINE SP.SENS.	PED MP	2	-----	562426
C 395						C 460	WORLD TRANSM.-SPEED SENSOR	ITT	2	-----	562541
C 396						C 461	WORLD TRANSM.-RETARDER TEMP.	PED MP	2	561566	561590
C 397	ENGINE COMPT. CRADLE ACC.	DEUTSCH	40	562281	562284	C 462	WORLD TRANSM.-RETARD SOL."K"	PED MP	2	-----	562426
C 398						C 463	WORLD TRANSM.-SENSOR CONN.	DEUTSCH	16	562570	562571
C 399	ENGINE COMPT. - EXITING SIGNAL ALTERN.	PED WP	2	561566	561690	C 464	RR JCT BOX-DDL CONN W.T.	DEUTSCH	6	-----	562360
C 400	ENGINE COMPT. BLOCK HEATER	PED MP	3	561781	561782	C 465	LH CONSOLE-SHIFTER SELECTOR	PED	20	-----	562825
C 401						C 466	FR SERVICE CPT.-RESIS. MOD.	PED WP	3	-----	562428
C 402	RR DRIVE AXLE-AIR DRYER	PED MP	2	-----	562251	C 467	FR SERVICE CPT.-RESIS. MOD.	PED WP	3	-----	562428
C 403						C 468					
C 404						C 469					
C 405						C 470	FR LH UPPER WHELL CPT-SILENT 1000	AMP MNL	2	561248	561247
C 406	FR JCT BOX COMPT.-ABS	AMP MNL	2	560900	560898	C 471	FR LH UPPER WHELL CPT-SILENT 1000	AMP MNL	2	561248	561247
C 407	ENGINE COMPT. -SIGNAL	PED WP	6	561606	561607	C 472	FR LH UPPER WHELL CPT-SILENT 1000	PED WP	2	561566	561690
C 408	ENGINE COMPT. -SIGNAL	PED WP	6	561606	561607	C 473	FR LH UPPER WHELL CPT-SILENT 1000	AMP MNL	3	561667	561550
C 409	ENGINE CPT -LOW COOL. LEVEL	PED MP	2	-----	562350	C 474	DRIVER'S.-TEMP. SENSOR	AMP MNL	2	561247	561248
C 410	FR JCT BOX-DIODE CONNECTOR	AMP MNL	15	561987	561986	C 475	RR JCT BOX-SPEED SIGN CONNECTOR	AMP MNL	2	561248	561247
C 411	FR JCT BOX-DIODE CONNECTOR	AMP MNL	15	561987	561986	C 475M	RR JCT BOX-SPEED SIGN MANUAL TR.	MOLEX	6	562070	562069
C 412	LH SW PANEL-MASTER SWITCH	EATON	10	-----	562763	C 475WV	RR JCT BOX-SPEED SIGN WORLD TR.	MOLEX	6	562070	562069
C 413	ENG CPT-A/C HI UNLOAD PRS SW	PED WP	2	561566	561690	C 476					
C 414	RR JCT BOX	AMP MNL	9 - 12			C 477					
C 415	ENGINE CRADLE-FAN SIGNAL	PED WP	3	561781	561782	C 478					
C 416	ENGINE CRADLE-FAN SIGNAL	PED P-C	3	562237	-----	C 479	HVAC MODULE (NOT USED)	-----	-	-----	-----
C 417	FRONT JCT BOX-DIODES	AMP MNL	15	561987	561986	C 480	UNDER DASH RH-DR'S FAN SPEED CTR MOD	PED	4	561889	561890
C 418	INSTR. PANEL LH-HTR WINDSH.SW	EATON	10	-----	562763	C 481	UNDER DASH RH-DR'S FAN SPEED CTR MOD	PED	3	561781	561782
C 419	FR JCT BOX-RETARDER OR JACOB	AMP MNL	3	561667	561550	C 482					
C 420	ENGINE COMPT. WEBASTO WATER HTR	TC	2	561597	-----	C 483	FR SERVICE CPT. -SEAT ELECTRICAL SEAT	PED PC	2	-----	562237
C 421	ENGINE COMPT. WEBASTO WATER HTR	TC	1	561073	-----	C 484	UNDER DASH LH-FOOT DAMPER MOTOR	PED PC	2	-----	562076
C 422	ENGINE COMPT. WEBASTO WATER HTR	TC	2	561597	-----	C 485	UNDER DASH LH-DASH & DEFROST DAMP.M.	AMP MNL	3	561667	561550
C 423						C 486					
C 424	UNDER INSTRUMENT PANEL CENTER	AMP MNL	3	561667	561550	C 487					
C 425	FR JCT BOX-DIODES	AMP MNL	15	561987	561986	C 488					
C 426	ENGINE COMPT. CLUTCH CTR FAN	PED WP	3	561781	561782	C 489					
C 427						C 490					
C 428						C 491					
C 429	FR JCT BOX COMPT.	AMP MNL	6	561552	561515	C 492					
C 430	LH CONSOLE-TIMER	AMP FF	8	561188	562363	C 493					
C 431	LH CONSOLE-PRE HEAT.	TAB AMP	1	561540	561539	C 494					
C 432	ENGINE CPT.-PROX. SW. DOOR AJAR	DEUTSCH	4	562479	562477	C 495					
C 433	FR SERVICE CPT. KNEEL. PRESS. SW	PED WP	2	561566	561690	C 496					
C 434	FRONT JCT. BOX-DIODES	AMP MNL	15	561987	561986	C 497					
C 435	FR SERVICE CPT.(RH) KNEEL. PIEZO	AMP MNL	2	560900	560898	C 498					
C 436	RH HAT RACK-WCL CENTER ROOF ACC	AMP CPC	16	561639	561640	C 499					
C 437						C 500	FR LH UPPER WHELL CPT -PRODRIVER	MOLEX	6	562070	562069
C 438	EVAP. COMPT.-COND.RELAY	AMP MNL	2	561248	561247	C 501	FR LH UPPER WHELL CPT -PRODRIVER MOD	PED MP	7	562433	-----
C 439	EVAP. COMPT.-COND.RELAY	AMP MNL	2	561248	561247	C 502	LH CONSOLE-PRE HEATER SW.	EATON	10	-----	562763
C 440	EVAP. COMPT.-EVAP.RELAY	DEUTSCH	4	562479	562477	C 503					
C 441						C 504	LH CONSOLE WEBASTO TIMER	AMP	8	-----	562852
C 442						C 505	LH CONSOLE ESPAR TIMER	AMP	12	-----	562681
C 443						C 506	LH CONSOLE-LEVEL LOW SW.	EATON	10	-----	562763
C 444						C 508	RR JCT BOX-FAN CLUTCH RETARDER	AMP MNL	6	561552	561515
C 445						C 509	FR LH UPPER WHELL CPT -DATA LOGGER	PED MP	16	-----	562530
C 446						C 510	FR LH UPPER WHELL CPT -DATA LOGGER	DEUTSCH	9	562531	-----

CONNECTORS CODE

NO	LOCATION	TYPE	CAVITY	#PIN HOUSING	#SOCKET HOUSING	NO	LOCATION	TYPE	CAVITY	#PIN HOUSING	#SOCKET HOUSING
C 511	FR LH UPPER WHELL CPT -DATA LOGGER	PED MP	4	562532	-----	C 576					
C 512	FR LH UPPER WHELL CPT -DATA LOGGER	PED MP	10	562533	-----	C 577					
C 513	FR LH UPPER WHELL CPT -DATA LOGGER	AMP MNL	3	561667	561550	C 578					
C 514	FR LH UPPER WHELL CPT -DATA LOGGER	PED MP	6	562433	562417	C 579					
C 515						C 580					
C 516						C 581	LH DASH PANEL - ELECTRICAL HORN	PED MP	2		562777
C 517						C 582	FRONT SERVICE CMPT. - WINDOWS AJAR	PED WP	2	561566	561690
C 518						C 583	L.H. DASH PANEL - MASTER KEY	DEUTSCH	2	562486	562485
C 519						C 584	FRONT SERVICE CMPT. - AIR HORH	HUMPHREY	3	-----	641385
C 520						C 585					
C 521						C 586					
C 522	FR JCT BOX-DAYTIME LTS MODULE	BOSCH	5	-----	561183	C 587					
C 523	FR JCT BOX-FUSE BLOCK	PED	8	562647	562646	C 588					
C 524	FR JCT BOX-FUSE BLOCK	PED	8	562647	562646	C 589	FR SERVICE ELECT MIRROR	CONXALL	5	563089	563088
C 525	FR JCT BOX-FUSE BLOCK	PED	8	562647	562646	C 590	UNDER DASH ELECT MIRROR	CONXALL	8	563089	563088
C 526	FR JCT BOX-FUSE BLOCK	PED	8	562647	562646	C 591	L.H.CONSOLE - MIRROR L.H.	EURAMTEC	8	-----	562799
C 527	FR JCT BOX-FUSE BLOCK	PED	8	562647	562646	C 592	L.H.CONSOLE - MIRROR R.H.	EURAMTEC	8	-----	562799
C 528						C 593					
C 529	FR JCT BOX-12V OUTLET	AMP MNL	2	561247	561248	C 594	FRONT ROOF - DRIVERS LIGHT	LEEKRAFT		-----	562803
C 530	RR JCT BOX-FUSE BLOCK	PED	8	562647	562646	C 595					
C 531	RR JCT BOX-FUSE BLOCK	PED	8	562647	562646	C 596					
C 532	RR JCT BOX-FUSE BLOCK	PED	8	562647	562646	C 597	L.H. DASH PANEL - DISPLAY SET SW.	MOLEX	5	-----	562812
C 533						C 598	L.H. DASH PANEL - DISPLAY SET SW.	MOLEX	5	-----	562812
C 534						C 599	DASH CENTALER MODULE - MAGN. SENSOR	AMP MNL	2	561248	561247
C 535	RR JCT BOX-FIRE MODULE DETECT.	AMP MNL	3	561667	561550	C 600	ENGINE CPT.-A/C LOW PRESS SW. UNLOAD	PED	2	562348	562471
C 536	UNDER DASH RH-DRIVER'S HTR TEMP. CTR	AMP MNL	6	561552	561515	C 601					
C 537	BATT. CPT.-A/C PRESS. SIGN. RLY	AMP MNL	2	561248	561247	C 602					
C 538	FR SERVICE CPT.-OUTSIDE TEMP. SENSOR	AMP MNL	2	561248	561247	C 603					
C 539	HVAC DASH MODULE OUTPUT CON	MOLEX	24		562780	C 604					
C 540	HVAC DASH MODULE INPUT CON	MOLEX	22		562781	C 605					
C 541						C 606					
C 542						C 607	FRONT SERVICE CMPT. RPM SIGNAL	PED WP	2	561566	561690
C 543						L 608	FRONT SERVICE CMPT. SPEED SIGNAL	PED WP	2	561566	561690
C 544							CLUSTER	JAE	22	-----	562766
C 545							CLUSTER	JAE	30	-----	562767
C 546	LH DASH PANEL-ACCESSORIES	AMP CPC	37	561645	561646		CLUSTER	JAE	22	-----	562764
C 547	RH DASH PANEL-ACCESSORIES	AMP CPC	37	561645	561646						
C 548	LH DASH PANEL-T.T. LT. TEST SW.	EATON	10	-----	562763						
C 549											
C 550	EVAPORATOR COMPARTIMENT	ITT	2	561813	562159						
C 551	RR JCT BOX - A/C PANEL	PED	2	561566	561690						
C 552											
C 553											
C 554											
C 555											
C 556											
C 557											
C 558											
C 559											
C 560											
C 561											
C 562											
C 563											
C 564											
C 565											
C 566											
C 567											
C 568											
C 569											
C 570	UNDER DASH PANEL TTLT MODULE	MOLEX	6		562464						
C 571	UNDER DASH PANEL TTLT MODULE	MOLEX	20		562778						
C 572	UNDER DASH PANEL TTLT MODULE	MOLEX	18		562779						
C 573	UNDER DASH PANEL TTLT MODULE	MOLEX	8		562465						
C 574											
C 575											

DIODES NUMBER CODE

No.	PAGE	AMP	#PREV.	LOCATION	FUNCTION	No.	PAGE	AMP	#PREV.	LOCATION	FUNCTION
D 1						D 60	15.2	3A	561740	RJB A/C JCT PANEL	A/C COMPR.CLUTCH SUPPRESSOR
D 2						D 61					
D 3						D 62	15.2	3A	561740	RJB A/C JCT PANEL	WATER PUMP FEED
D 4	9.2	3A	561740	FR JCT BOX	WARNING HAZARD-RH	D 63					
D 5	9.2	3A	561740	FR JCT BOX	WARNING HAZARD-LH	D 64					
D 6						D 65	15.2	3A	561740	RJB A/C JCT PANEL	WATER PUMP - PRE-HEAT FEED
D 7						D 66	15.2	3A	561740	RJB A/C JCT PANEL	WATER VALVE - HEAT SW. FEED
D 8						D 67	9.2	3A	561740	UNDER DASH	AUDIBLE FLASHER RLY - RH
D 9						D 68	9.2	3A	561740	UNDER DASH	AUDIBLE FLASHER RLY - LH
D 10						D 69					
D 11						D 70					
D 12						D 71					
D 13						D 72					
D 14						D 73					
D 15						D 74					
D 16						D 75	4.1	3A	560931	BAT CPT	STARTER-SUPPRESSOR COIL RLY
D 17	9.2	3A	561740	FR JCT BOX	WARNING HAZARD-LH	D 76					
D 18	9.2	3A	561740	FR JCT BOX	WARNING HAZARD-RH	D 77					
D 19	9.1	3A	561740	FR JCT BOX	DAYTIME RUN LTS-PARK BRK CALL SW.	D 78	14.1	3A	561740	LH CONSOLE	PRE-HEAT WATER HEATER SW.
D 20	9.1	3A	561740	FR JCT BOX	DAYTIME RUN LTS-HEAD LT SW	D 79	14.1	3A	561740	LH CONSOLE	PRE-HEAT WATER HEATER SW.
D 21						D 80					
D 22	18.1	3A	561740	FR SERVICE CPT	LEVEL LOW	D 81					
D 23	18.1	3A	561740	FR SERVICE CPT	LEVEL LOW	D 82					
D 25	11.1	3A	561740	FR JCT BOX	LUGGAGE DOOR AJAR T.T.LT.	D 83	8.1	3A	561740	RR JCT BOX	FAN CLUTCH W/RETARDER
D 26	11.1	3A	561740	FR JCT BOX	LUGGAGE DOOR AJAR T.T.LT.	D 84	15.2	3A	561740	RJB A/C JCT PANEL	WATER VALVE
D 27	11.1	3A	561740	FR JCT BOX	LUGGAGE DOOR AJAR T.T.LT.	D 85	15.2	3A	561740	RJB A/C JCT PANEL	WATER PUMP
D 28	11.1	3A	561740	FR JCT BOX	LUGGAGE DOOR AJAR T.T.LT.						
D 29	11.1	3A	561740	FR JCT BOX	LUGGAGE DOOR AJAR T.T.LT.						
D 30	11.1	3A	561740	FR JCT BOX	LUGGAGE DOOR AJAR T.T.LT.						
D 31											
D 32											
D 33											
D 34											
D 35											
D 36											
D 37											
D 38											
D 39	9.2	3A	561740	FR JCT BOX	CORNERING LT -LH						
D 40	9.2	3A	561740	FR JCT BOX	FR DOCKING LT LH -HI						
D 41	9.2	3A	561740	FR JCT BOX	FR DOCKING LT RH -HI						
D 42	9.2	3A	561740	FR JCT BOX	CORNERING LT -RH						
D 43	10.1	3A	561740	WIPER MOTOR	LOWER WIPER MOTOR SUPPRESSOR						
D 44	10.1	3A	561740	WIPER MOTOR	LOWER WIPER MOTOR SUPPRESSOR						
D 45	10.1	3A	561740	WIPER MOTOR	UPPER WIPER MOTOR SUPPRESSOR						
D 46											
D 47											
D 48											
D 49											
D 50											
D 51	11.2	3A	561740	FR JCT BOX	ENTRANCE DOOR -STEP LTS						
D 52											
D 53	9.3	3A	561740	FR JCT BOX	CORNERING LT -GROUND						
D 54	20.1	3A	561740	RR JCT BOX	BACK-UP MONITOR						
D 55											
D 56	9.2	12A	560863	FR JCT BOX	FR DOCKING LT LH -LOW						
D 57	9.2	12A	560863	FR JCT BOX	FR DOCKING LT RH -LOW						
D 58											
D 59	15.2	3A	561740	RJB A/C JCT PANEL	A/C & HEAT WATER VALVE						

DIODES NUMBER CODE

No.	PAGE	AMP	#PREV.	LOCATION	FUNCTION	No.	PAGE	AMP	#PREV.	LOCATION	FUNCTION
D1						D60	15.2	3A	561740	RJB A/C JCT PANEL	A/C COMPR.CLUTCH SUPPRESSOR
D2						D61					
D3	1.1	3A	561740	BATT. CPT	24 V. DISC, SWICH RELAY	D62	15.2	3A	561740	RJB A/C JCT PANEL	WATER PUMP FEED
D4	9.2	3A	561740	FR JCT BOX	WARNING HAZARD-RH	D63					
D5	9.2	3A	561740	FR JCT BOX	WARNING HAZARD-LH	D64					
D6						D65	15.2	3A	561740	RJB A/C JCT PANEL	WATER PUMP - PRE-HEAT FEED
D7						D66	15.2	3A	561740	RJB A/C JCT PANEL	WATER VALVE - HEAT SW. FEED
D8						D67	9.2	3A	561740	UNDER DASH	AUDIBLE FLASHER RLY - RH
D9						D68	9.2	3A	561740	UNDER DASH	AUDIBLE FLASHER RLY - LH
D10						D69					
D11						D70					
D12						D71					
D13						D72					
D14						D73					
D15						D74					
D16						D75	4.1	3A	560931	BAT CPT	STARTER-SUPPRESSOR COIL RLY
D17	9.2	3A	561740	FR JCT BOX	WARNING HAZARD-LH	D76					
D18	9.2	3A	561740	FR JCT BOX	WARNING HAZARD-RH	D77					
D19	9.1	3A	561740	FR JCT BOX	DAYTIME RUN LTS-PARK BRK CALL SW.	D78	14.1	3A	561740	LH CONSOLE	PRE-HEAT WATER HEATER SW.
D20	9.1	3A	561740	FR JCT BOX	DAYTIME RUN LTS-HEAD LT SW	D79	14.1	3A	561740	LH CONSOLE	PRE-HEAT WATER HEATER SW.
D21						D80					
D22	18.1	3A	561740	FR SERVICE CPT	LEVEL LOW	D81					
D23	18.1	3A	561740	FR SERVICE CPT	LEVEL LOW	D82					
D25	11.1	3A	561740	FR JCT BOX	LUGGAGE DOOR AJAR T.T.LT.	D83	8.1	3A	561740	RR JCT BOX	FAN CLUTCH W/RETARDER
D26	11.1	3A	561740	FR JCT BOX	LUGGAGE DOOR AJAR T.T.LT.	D84	15.2	3A	561740	RJB A/C JCT PANEL	WATER VALVE
D27	11.1	3A	561740	FR JCT BOX	LUGGAGE DOOR AJAR T.T.LT.	D85	15.2	3A	561740	RJB A/C JCT PANEL	WATER PUMP
D28	11.1	3A	561740	FR JCT BOX	LUGGAGE DOOR AJAR T.T.LT.	DA1	4.2	3A	561740	RR JCT BOX	ALTERNATOR BOSCH
D29	11.1	3A	561740	FR JCT BOX	LUGGAGE DOOR AJAR T.T.LT.	D A2	4.2	3A	561740	RR JCT BOX	ALTERNATOR BOSCH
D30	11.1	3A	561740	FR JCT BOX	LUGGAGE DOOR AJAR T.T.LT.	DF1	8.1	3A	561740	RR JCT BOX	FAN CLUTCH - SUPRESSOR
D31						DF2	8.1	3A	561740	RR JCT BOX	FAN CLUTCH - SUPRESSOR
D32											
D33											
D34											
D35											
D36											
D37											
D38											
D39	9.2	3A	561740	FR JCT BOX	CORNERING LT -LH						
D40	9.2	3A	561740	FR JCT BOX	FR DOCKING LT LH -HI						
D41	9.2	3A	561740	FR JCT BOX	FR DOCKING LT RH -HI						
D42	9.2	3A	561740	FR JCT BOX	CORNERING LT -RH						
D43	10.1	3A	561740	WIPER MOTOR	LOWER WIPER MOTOR SUPPRESSOR						
D44	10.1	3A	561740	WIPER MOTOR	LOWER WIPER MOTOR SUPPRESSOR						
D45	10.1	3A	561740	WIPER MOTOR	UPPER WIPER MOTOR SUPPRESSOR						
D46											
D47											
D48											
D49											
D50											
D51	11.2	3A	561740	FR JCT BOX	ENTRANCE DOOR -STEP LTS						
D52											
D53	9.3	3A	561740	FR JCT BOX	CORNERING LT -GROUND						
D54	20.1	3A	561740	RR JCT BOX	BACK-UP MONITOR						
D55											
D56	9.2	12A	560863	FR JCT BOX	FR DOCKING LT LH -LOW						
D57	9.2	12A	560863	FR JCT BOX	FR DOCKING LT RH -LOW						
D58											
D59	15.2	3A	561740	RJB A/C JCT PANEL	A/C & HEAT WATER VALVE						

DIODES NUMBER CODE

No.	PAGE	AMP	#PREV.	LOCATION	FUNCTION	No.	PAGE	AMP	#PREV.	LOCATION	FUNCTION
D 1						D 60	15.2	3A	561740	RJB A/C JCT PANEL	A/C COMPR.CLUTCH SUPPRESSOR
D 2						D 61					
D 3	1.1	3A	561740	BATT. CPT	24 V. DISC, SWICH RELAY	D 62	15.2	3A	561740	RJB A/C JCT PANEL	WATER PUMP FEED
D 4	9.2	3A	561740	FR JCT BOX	WARNING HAZARD-RH	D 63					
D 5	9.2	3A	561740	FR JCT BOX	WARNING HAZARD-LH	D 64					
D 6	12.2	3A	561740	KEYLESS-PANEL	ENTRANCE DOOR LOCK	D 65	15.2	3A	561740	RJB A/C JCT PANEL	WATER PUMP - PRE-HEAT FEED
D 7	12.2	3A	561740	KEYLESS-PANEL	LUGGAGE DOOR LOCK	D 66	15.2	3A	561740	RJB A/C JCT PANEL	WATER VALVE - HEAT SW. FEED
D 8						D 67	9.2	3A	561740	UNDER DASH	AUDIBLE FLASHER RLY - RH
D 9						D 68	9.2	3A	561740	UNDER DASH	AUDIBLE FLASHER RLY - LH
D 10						D 69					
D 11						D 70					
D 12						D 71					
D 13						D 72					
D 14						D 73					
D 15						D 74					
D 16						D 75	4.1	3A	560931	BAT CPT	STARTER-SUPPRESSOR COIL RLY
D 17	9.2	3A	561740	FR JCT BOX	WARNING HAZARD-LH	D 76					
D 18	9.2	3A	561740	FR JCT BOX	WARNING HAZARD-RH	D 77					
D 19	9.1	3A	561740	FR JCT BOX	DAYTIME RUN LTS-PARK BRK CALL SW.	D 78	14.1	3A	561740	LH CONSOLE	PRE-HEAT WATER HEATER SW.
D 20	9.1	3A	561740	FR JCT BOX	DAYTIME RUN LTS-HEAD LT SW	D 79	14.1	3A	561740	LH CONSOLE	PRE-HEAT WATER HEATER SW.
D 21						D 80					
D 22	18.1	3A	561740	FR SERVICE CPT	LEVEL LOW	D 81					
D 23	18.1	3A	561740	FR SERVICE CPT	LEVEL LOW	D 82					
D 25	11.1	3A	561740	FR JCT BOX	LUGGAGE DOOR AJAR T.T.LT.	D 83	8.1	3A	561740	RR JCT BOX	FAN CLUTCH W/RETARDER
D 26	11.1	3A	561740	FR JCT BOX	LUGGAGE DOOR AJAR T.T.LT.	D 84	15.2	3A	561740	RJB A/C JCT PANEL	WATER VALVE
D 27	11.1	3A	561740	FR JCT BOX	LUGGAGE DOOR AJAR T.T.LT.	D 85	15.2	3A	561740	RJB A/C JCT PANEL	WATER PUMP
D 28	11.1	3A	561740	FR JCT BOX	LUGGAGE DOOR AJAR T.T.LT.	DA1	4.2	3A	561740	RR JCT BOX	ALTERNATOR BOSCH
D 29	11.1	3A	561740	FR JCT BOX	LUGGAGE DOOR AJAR T.T.LT.	D A2	4.2	3A	561740	RR JCT BOX	ALTERNATOR BOSCH
D 30	11.1	3A	561740	FR JCT BOX	LUGGAGE DOOR AJAR T.T.LT.	DF1	8.1	3A	561740	RR JCT BOX	FAN CLUTCH - SUPRESSOR
D 31						DF2	8.1	3A	561740	RR JCT BOX	FAN CLUTCH - SUPRESSOR
D 32											
D 33											
D 34											
D 35											
D 36											
D 37											
D 38											
D 39	9.2	3A	561740	FR JCT BOX	CORNERING LT -LH						
D 40	9.2	3A	561740	FR JCT BOX	FR DOCKING LT LH -HI						
D 41	9.2	3A	561740	FR JCT BOX	FR DOCKING LT RH -HI						
D 42	9.2	3A	561740	FR JCT BOX	CORNERING LT -RH						
D 43	10.1	3A	561740	WIPER MOTOR	LOWER WIPER MOTOR SUPPRESSOR						
D 44	10.1	3A	561740	WIPER MOTOR	LOWER WIPER MOTOR SUPPRESSOR						
D 45	10.1	3A	561740	WIPER MOTOR	UPPER WIPER MOTOR SUPPRESSOR						
D 46											
D 47											
D 48											
D 49											
D 50											
D 51	11.2	3A	561740	FR JCT BOX	ENTRANCE DOOR -STEP LTS						
D 52											
D 53	9.3	3A	561740	FR JCT BOX	CORNERING LT -GROUND						
D 54	20.1	3A	561740	RR JCT BOX	BACK-UP MONITOR						
D 55											
D 56	9.2	12A	560863	FR JCT BOX	FR DOCKING LT LH -LOW						
D 57	9.2	12A	560863	FR JCT BOX	FR DOCKING LT RH -LOW						
D 58											
D 59	15.2	3A	561740	RJB A/C JCT PANEL	A/C & HEAT WATER VALVE						

DIODES NUMBER CODE

No.	PAGE	AMP	#PREV.	LOCATION	FUNCTION	No.	PAGE	AMP	#PREV.	LOCATION	FUNCTION
D 1						D 60	15.2	3A	561740	RJB A/C JCT PANEL	A/C COMPR.CLUTCH SUPPRESSOR
D 2						D 61					
D 3	1.1	3A	561740	BATT. CPT	24 V. DISC, SWICH RELAY	D 62	15.2	3A	561740	RJB A/C JCT PANEL	WATER PUMP FEED
D 4	9.2	3A	561740	FR JCT BOX	WARNING HAZARD-RH	D 63					
D 5	9.2	3A	561740	FR JCT BOX	WARNING HAZARD-LH	D 64					
D 6	12.2	3A	561740	KEYLESS-PANEL	ENTRANCE DOOR LOCK	D 65	15.2	3A	561740	RJB A/C JCT PANEL	WATER PUMP - PRE-HEAT FEED
D 7	12.2	3A	561740	KEYLESS-PANEL	LUGGAGE DOOR LOCK	D 66	15.2	3A	561740	RJB A/C JCT PANEL	WATER VALVE - HEAT SW. FEED
D 8	9.1	3A	561740	FR JCT BOX	HI/LO BEAMS	D 67	9.2	3A	561740	UNDER DASH	AUDIBLE FLASHER RLY - RH
D 9						D 68	9.2	3A	561740	UNDER DASH	AUDIBLE FLASHER RLY - LH
D 10						D 69					
D 11						D 70					
D 12						D 71					
D 13						D 72					
D 14						D 73					
D 15						D 74					
D 16						D 75	4.1	3A	560931	BAT CPT	STARTER-SUPPRESSOR COIL RLY
D 17	9.2	3A	561740	FR JCT BOX	WARNING HAZARD-LH	D 76					
D 18	9.2	3A	561740	FR JCT BOX	WARNING HAZARD-RH	D 77					
D 19	9.1	3A	561740	FR JCT BOX	DAYTIME RUN LTS-PARK BRK CALL SW.	D 78	14.1	3A	561740	LH CONSOLE	PRE-HEAT WATER HEATER SW.
D 20	9.1	3A	561740	FR JCT BOX	DAYTIME RUN LTS-HEAD LT SW	D 79	14.1	3A	561740	LH CONSOLE	PRE-HEAT WATER HEATER SW.
D 21						D 80					
D 22	18.1	3A	561740	FR SERVICE CPT	LEVEL LOW	D 81					
D 23	18.1	3A	561740	FR SERVICE CPT	LEVEL LOW	D 82					
D 25	11.1	3A	561740	FR JCT BOX	LUGGAGE DOOR AJAR T.T.LT.	D 83	8.1	3A	561740	RR JCT BOX	FAN CLUTCH W/RETARDER
D 26	11.1	3A	561740	FR JCT BOX	LUGGAGE DOOR AJAR T.T.LT.	D 84	15.2	3A	561740	RJB A/C JCT PANEL	WATER VALVE
D 27	11.1	3A	561740	FR JCT BOX	LUGGAGE DOOR AJAR T.T.LT.	D 85	15.2	3A	561740	RJB A/C JCT PANEL	WATER PUMP
D 28	11.1	3A	561740	FR JCT BOX	LUGGAGE DOOR AJAR T.T.LT.	DA1	4.2	3A	561740	RR JCT BOX	ALTERNATOR BOSCH
D 29	11.1	3A	561740	FR JCT BOX	LUGGAGE DOOR AJAR T.T.LT.	D A2	4.2	3A	561740	RR JCT BOX	ALTERNATOR BOSCH
D 30	11.1	3A	561740	FR JCT BOX	LUGGAGE DOOR AJAR T.T.LT.	DF1	8.1	3A	561740	RR JCT BOX	FAN CLUTCH - SUPRESSOR
D 31						DF2	8.1	3A	561740	RR JCT BOX	FAN CLUTCH - SUPRESSOR
D 32											
D 33											
D 34											
D 35											
D 36											
D 37											
D 38											
D 39	9.2	3A	561740	FR JCT BOX	CORNERING LT -LH						
D 40	9.2	3A	561740	FR JCT BOX	FR DOCKING LT LH -HI						
D 41	9.2	3A	561740	FR JCT BOX	FR DOCKING LT RH -HI						
D 42	9.2	3A	561740	FR JCT BOX	CORNERING LT -RH						
D 43	10.1	3A	561740	WIPER MOTOR	LOWER WIPER MOTOR SUPPRESSOR						
D 44	10.1	3A	561740	WIPER MOTOR	LOWER WIPER MOTOR SUPPRESSOR						
D 45	10.1	3A	561740	WIPER MOTOR	UPPER WIPER MOTOR SUPPRESSOR						
D 46	9.3	3A	561740	RR JCT BOX	PARK BRAKE STOP LIGHT						
D 47											
D 48											
D 49											
D 50											
D 51	11.2	3A	561740	FR JCT BOX	ENTRANCE DOOR -STEP LTS						
D 52											
D 53	9.3	3A	561740	FR JCT BOX	CORNERING LT -GROUND						
D 54	20.1	3A	561740	RR JCT BOX	BACK-UP MONITOR						
D 55											
D 56	9.2	12A	560863	FR JCT BOX	FR DOCKING LT LH -LOW						
D 57	9.2	12A	560863	FR JCT BOX	FR DOCKING LT RH -LOW						
D 58											
D 59	15.2	3A	561740	RJB A/C JCT PANEL	A/C & HEAT WATER VALVE						

RELAYS NUMBER CODE

No.	PAGE	COIL V	#PREV.	LOCATION	FUNCTION	No.	PAGE	COIL V	#PREV.	LOCATION	FUNCTION
RF1	8.1	24V	561707	RR JCT BOX	FAN CLUTCH W/RET. SPEED 1	R 62					
RF2	8.1	24V	561707	RR JCT BOX	FAN CLUTCH W/RET. SPEED 2	R 63					
RF3	8.1	24V	560772	RR JCT BOX	TIME DELAY	R 64	11.2	12V	562092	FR JCT BOX	ENTRANCE DOOR LTS
R 1	1.1	24V	561991	FR JCT BOX	ENGINE RUN (24) FR	R 65	9.2	24V	561707	FR JCT BOX	CORNERING LTS CONTROL
R 2	2.1	24V	561991	BATT. CPT.	ENGINE RUN (12) FR & RR	R 66	9.2	24V	561707	FR JCT BOX	LOW DOCKING LTS -FR CORNERING
R 3						R 67	9.3	24V	561707	RR JCT BOX	LOW DOCKING LTS
R 4	4.1	24V	561005	BATT. CPT.	STARTING MOTOR	R 68					
R 5	5.1	24V	561707	FR JCT BOX	CRUISE CTR. STOP SIGN.	R 69	12.1	12V	562092	RR JCT BOX	LUGGAGE DOOR LOCK
R 6	9.3	24V	561707	RR JCT BOX	STOP LTS-PARKING BRAKE	R 70	12.1	12V	562092	RR JCT BOX	LUGGAGE DOOR UNLOCK
R 7	5.1	24V	561707	FR JCT BOX	FAST IDLE	R 71	12.1	24V	561707	RR JCT BOX	LUGGAGE DOOR UNLOCK T.T. LT.
R 8	6.1	24V	561707	RR JCT BOX	12V IGNITION WT	R 72					
R 9	9.3	24V	561707	RR JCT BOX	BACK-UP LTS	R 73					
R 10						R 74	12.1	12V	562092	RR JCT BOX	LUGGAGE DOOR LOCK
R 11	5.1	24V	561707	RR JCT BOX	12V IGNITION DDEC3	R 75	12.1	12V	562092	RR JCT BOX	LUGGAGE DOOR UNLOCK
R 12	7.1	12V	562092	FR JCT BOX	ELECTRICAL HORNS	R 76					
R 13	9.3	24V	561707	FR JCT BOX	FOG LTS	R 77					
R 14	9.1	24V	561707	FR JCT BOX	BLINKER	R 78	1.1	12V	562092	FR JCT BOX	MASTER SWITCH
R 15	9.1	24V	561707	FR JCT BOX	FR MARKER LTS	R 79					
R 16	9.1	24V	561707	FR JCT BOX	IDENT. & CLEARANCE LTS	R 80	11.1	24V	561707	RR JCT BOX	ENGINE COMPARTMENT LTS
R 17	9.1	24V	561707	RR JCT BOX	TAIL,LICENCE,MARKER-RR LTS	R 81					
R 18	9.1	24V	561707	FR JCT BOX	D R L-PARK BRK CUT-IN	R 82	21.1	24V	561707	FR JCT BOX	RETARDER WT
R 19	9.1	24V	561707	FR JCT BOX	HEADLAMPS (HI)	R 83					
R 20	9.1	24V	561707	FR JCT BOX	HEADLAMPS (LO)	R 84	8.1	24V	561707	RR JCT BOX	FAN CLUTCH-FIRST SPEED
R 21	9.2	24V	561707	FR JCT BOX	L.H. DIRECTIONNAL LT	R 85	8.1	24V	561707	RR JCT BOX	FAN CLUTCH-SECOND SPEED
R 22						R 86					
R 23	9.2	24V	561707	FR JCT BOX	R.H. DIRECTIONNAL LT	R 87	21.1	24V	561707	RR JCT BOX	ENGINE BRAKE REQUEST WT
R 24	9.2	24V	561707	FR JCT BOX	R.H. CORNERING LT	R 88					
R 25	9.2	24V	561707	FR JCT BOX	L.H. CORNERING LT	R 89	13.1	24V	561707	FR JCT BOX	HEATING WINDSHIELD
R 26	9.3	24V	561707	RR JCT BOX	STOP LTS	R 90	13.1	24V	561707	FR JCT BOX	HEATING WINDSHIELD
R 27						R 91	13.1	24V	561707	FR JCT BOX	HEATING WINDSHIELD
R 28	11.2	24V	561707	FR JCT BOX	DASH LTS RHEOSTAT	R 92	13.1	24V	561707	FR JCT BOX	HEATING WINDSHIELD
R 29						R 93	14.1	24V	561707	RR JCT BOX	PRE-HEAT WATER HEATER (WEBASTO)
R 30						R 94					
R 31						R 95					
R 32						R 96					
R 33	15.1	12V	562092	FR JCT BOX	BLOWER CUT-IN RLY	R 97					
R 34	15.1	24V	561707	RJB A/C JCT PANEL	A/C LOGIC PANEL	R 98					
R 35	15.1	24V	561707	RJB A/C JCT PANEL	WATER PUMP	R 99	8.1	24V	561707	RR JCT BOX	RADIATOR FAN CLUTCH
R 36	15.1	24V	561707	RJB A/C JCT PANEL	A/C COMPRESSOR CLUTCH	R 100	4.1	12V	561538	RR JCT BOX	GENERATOR SIGNAL
R 37						R 101					
R 38						R 102	12.1	12V	562092	UNDER DASH RH	DRIVER'S DOOR UNLOCK
R 39	15.2	24V	561005	BATT. CPT.	CONDENSER FAN MOTOR	R 103					
R 40	15.2	24V	561014	BATT. CPT.	CONDENSER SPEED CTR HI	R 104	4.1	24V	561707	UNDER DASH RH	ANTI-THEFT
R 41	15.2	24V	561005	BATT. CPT.	CONDENSER SPEED CTR HI	R 105	12.1	12V	562092	UNDER DASH RH	DRIVER'S & LUGGAGE DOOR LOCK
R 42						R 106	11.2	24V	562341	UNDER DASH RH	TIME DELAY RLY DRIVER'S LTS
R 43						R 2010	14.2	24V	561230	WEBASTO PRE-HEAT	WEBASTO
R 44						V IMN	6.1	12V	562092	RR JCT BOX	VIM WORLD TR.-NEUTRAL SIGNAL
R 45						V IMR	6.1	12V	562092	RR JCT BOX	VIM WORLD TR.-B/U SIGNAL
R 46	20.1	24V	561707	FR JCT BOX	CAMERA DOOR	V IM1	6.1	12V	562092	RR JCT BOX	VIM WORLD TR.-OUTPUT 1
R 47						V IM2	6.1	12V	562092	RR JCT BOX	VIM WORLD TR.-OUTPUT 2 ENG. BRK DISABLE
R 48						V IM3	6.1	12V	562092	RR JCT BOX	VIM WORLD TR.-OUTPUT 3 SPD SW. 5MPH NO NC
R 49	22.1	24V	561707	FR JCT BOX	ABS - SERVICE BRK RLY	V IM4	6.1	12V	562092	RR JCT BOX	VIM WORLD TR.-OUTPUT 4 RETARD. ON SIGNAL
R 50											
R 51	11.2	24V	561707	FR JCT BOX	DRIVER'S LTS						
R 52	22.1	24V	561707	FR JCT BOX	W.TR. RETARDER SIGNAL						
R 53	1.1	24V	561991	RR JCT BOX	ENGINE RUN (24) RR						
R 54	1.1	24V	561991	BATT. CPT.	12V CUT OUT RLY RR						
R 55	1.1	24V	561991	BATT. CPT.	12V CUT OUT RLY FR						
R 56											
R 57	9.1	24V	561707	FR JCT BOX	DAY'S BLINKER						
R 58											
R 59	9.3	24V	561707	RR JCT BOX	DOCKING LTS						
R 60											
R 61	9.3	24V	561707	RR JCT BOX	STOP LTS-JACOB & RET. SIGNAL						

RELAYS NUMBER CODE

No. PAGE COIL V #PREV. LOCATION FUNCTION

No. PAGE COIL V #PREV. LOCATION FUNCTION

RELAYS NUMBER CODE

No. PAGE COIL V #PREV. LOCATION FUNCTION

No. PAGE COIL V #PREV. LOCATION FUNCTION

RELAYS NUMBER CODE

No.	PAGE	COIL V	#PREV.	LOCATION	FUNCTION	No.	PAGE	COIL V	#PREV.	LOCATION	FUNCTION
RF1	8.1	24V	561707	RR JCT BOX	FAN CLUTCH W/RET. SPEED 1	R 61	9.3	24V	561707	RR JCT BOX	STOP LTS-JACOB & RET. SIGNAL
RF2	8.1	24V	561707	RR JCT BOX	FAN CLUTCH W/RET. SPEED 2	R 62					
RF3	8.1	24V	560772	RR JCT BOX	TIME DELAY	R 63					
R 1	1.1	24V	561991	FR JCT BOX	ENGINE RUN (24) FR	R 64	11.2	12V	562092	FR JCT BOX	ENTRANCE DOOR LTS
R 2	2.1	24V	561991	BATT. CPT.	ENGINE RUN (12) FR & RR	R 65	9.2	24V	561707	FR JCT BOX	CORNERING LTS CONTROL
R 3						R 66	9.2	24V	561707	FR JCT BOX	LOW DOCKING LTS -FR CORNERING
R 4	4.1	24V	561005	BATT. CPT.	STARTING MOTOR	R 67	9.3	24V	561707	RR JCT BOX	LOW DOCKING LTS
R 5	5.1	24V	561707	FR JCT BOX	CRUISE CTR. STOP SIGN.	R 68					
R 6	9.3	24V	561707	RR JCT BOX	STOP LTS-PARKING BRAKE	R 69	12.1	12V	562092	RR JCT BOX	LUGGAGE DOOR LOCK
R 7	5.1	24V	561707	FR JCT BOX	FAST IDLE	R 70	12.1	12V	562092	RR JCT BOX	LUGGAGE DOOR UNLOCK
R 8						R 71	12.1	24V	561707	RR JCT BOX	LUGGAGE DOOR UNLOCK T.T. LT.
R 9	9.3	24V	561707	RR JCT BOX	BACK-UP LTS	R 72					
R 10						R 73					
R 11						R 74	12.1	12V	562092	RR JCT BOX	LUGGAGE DOOR LOCK
R 12	7.1	12V	562092	FR JCT BOX	ELECTRICAL HORNS	R 75	12.1	12V	562092	RR JCT BOX	LUGGAGE DOOR UNLOCK
R 13	9.3	24V	561707	FR JCT BOX	FOG LTS	R 76					
R 14	9.1	24V	561707	FR JCT BOX	BLINKER	R 77					
R 15	9.1	24V	561707	FR JCT BOX	FR MARKER LTS	R 78	1.1	24V	561707	FR JCT BOX	MASTER SWITCH WITH ALT. BOSCH
R 16	9.1	24V	561707	FR JCT BOX	IDENT. & CLEARANCE LTS	R 78	1.1	12V	562092	FR JCT BOX	MASTER SWITCH WITH ALT. BOSCH
R 17	9.1	24V	561707	RR JCT BOX	TAIL,LICENCE,MARKER-RR LTS	R 79					
R 18	9.1	24V	561707	FR JCT BOX	D R L-PARK BRK CUT-IN	R 80	11.1	24V	561707	RR JCT BOX	ENGINE COMPARTMENT LTS
R 19	9.1	24V	561707	FR JCT BOX	HEADLAMPS (HI)	R 81					
R 20	9.1	24V	561707	FR JCT BOX	HEADLAMPS (LO)	R 82	21.1	24V	561707	FR JCT BOX	RETARDER WT
R 21	9.2	24V	561707	FR JCT BOX	L.H. DIRECTIONNAL LT	R 83					
R 22						R 84	8.1	24V	561707	RR JCT BOX	FAN CLUTCH-FIRST SPEED
R 23	9.2	24V	561707	FR JCT BOX	R.H. DIRECTIONNAL LT	R 85	8.1	24V	561707	RR JCT BOX	FAN CLUTCH-SECOND SPEED
R 24	9.2	24V	561707	FR JCT BOX	R.H. CORNERING LT	R 86					
R 25	9.2	24V	561707	FR JCT BOX	L.H. CORNERING LT	R 87	21.1	24V	561707	RR JCT BOX	ENGINE BRAKE REQUEST WT
R 26	9.3	24V	561707	RR JCT BOX	STOP LTS	R 88					
R 27						R 89	13.1	24V	561707	FR JCT BOX	HEATING WINDSHIELD
R 28	11.2	24V	561707	FR JCT BOX	DASH LTS RHEOSTAT	R 90	13.1	24V	561707	FR JCT BOX	HEATING WINDSHIELD
R 29						R 91	13.1	24V	561707	FR JCT BOX	HEATING WINDSHIELD
R 30						R 92	13.1	24V	561707	FR JCT BOX	HEATING WINDSHIELD
R 31						R 93	14.1	24V	561707	RR JCT BOX	PRE-HEAT WATER HEATER (WEBASTO)
R 32						R 94					
R 33	15.1	12V	562092	FR JCT BOX	BLOWER CUT-IN RLY	R 95					
R 33	9.1	24V	561707	FR JCT BOX	DAYTIME RUNNING LIGHT	R 96					
R 34	15.1	24V	561707	RJB A/C JCT PANEL	A/C CONTROL	R 97					
R 35	15.1	24V	561707	RJB A/C JCT PANEL	WATER PUMP	R 98					
R 36	15.1	24V	561707	RJB A/C JCT PANEL	A/C COMPRESSOR CLUTCH	R 99	8.1	24V	561707	RR JCT BOX	RADIATOR FAN CLUTCH
R 37						R 100	4.1	12V	561538	RR JCT BOX	GENERATOR SIGNAL
R 38	15.1	24V	561707	RJB A/C JCT PANEL	A/C LIQ. SOL. VALVE	R 101					
R 39	15.2	24V	561005	BATT. CPT.	CONDENSER FAN MOTOR	R 102	12.1	12V	562092	UNDER DASH RH	DRIVER'S DOOR UNLOCK
R 40	15.2	24V	561014	BATT. CPT.	CONDENSER SPEED CTR HI	R 103					
R 41	15.2	24V	561005	BATT. CPT.	CONDENSER SPEED CTR HI	R 104	4.1	24V	561707	UNDER DASH RH	ANTI-THEFT
R 42						R 105	12.1	12V	562092	UNDER DASH RH	DRIVER'S & LUGGAGE DOOR LOCK
R 43						R 106	11.2	24V	562341	UNDER DASH RH	TIME DELAY RLY DRIVER'S LTS
R 44						R 2010	14.2	24V	561230	WEBASTO PRE-HEAT	WEBASTO
R 45						V IMN	6.1	12V	562092	RR JCT BOX	VIM WORLD TR.-NEUTRAL SIGNAL
R 46	20.1	12V	562092	FR JCT BOX	CAMERA DOOR	V IMR	6.1	12V	562092	RR JCT BOX	VIM WORLD TR.-B/U SIGNAL
R 47						V IM1	6.1	12V	562092	RR JCT BOX	VIM WORLD TR.-OUTPUT 1
R 48						V IM2	6.1	12V	562092	RR JCT BOX	VIM WORLD TR.-OUTPUT 2 ENG. BRK DISABLE
R 49	22.1	24V	561707	FR JCT BOX	ABS - SERVICE BRK RLY	V IM3	6.1	12V	562092	RR JCT BOX	VIM WORLD TR.-OUTPUT 3 SPD SW. 5MPH NO NC
R 50						V IM4	6.1	12V	562092	RR JCT BOX	VIM WORLD TR.-OUTPUT 4 RETARD. ON SIGNAL
R 51	11.2	24V	561707	FR JCT BOX	DRIVER'S LTS	R A1	4.2	24V	561707	RR JCT BOX	EXCITING RELAY ALT. #1
R 52	22.1	24V	561707	FR JCT BOX	W.TR. RETARDER SIGNAL	R A2	4.2	24V	561707	RR JCT BOX	EXCITING RELAY ALT. #2
R 53	1.1	24V	561991	RR JCT BOX	ENGINE RUN (24) RR	R A3	4.2	24V	561707	RR JCT BOX	RUN RELAY ALT. #1 OR ALT. #2
R 54	1.1	24V	561991	BATT. CPT.	12V CUT OUT RLY RR	R A4	4.2	24V	561707	RR JCT BOX	RUN RELAY ALT.#1 AND ALT. #2
R 55	1.1	24V	561991	BATT. CPT.	12V CUT OUT RLY FR						
R 56											
R 57	9.1	24V	561707	FR JCT BOX	DAY'S BLINKER						
R 58											
R 59	9.3	24V	561707	RR JCT BOX	DOCKING LTS						
R 60											

RELAYS NUMBER CODE

No. PAGE COIL V #PREV. LOCATION FUNCTION

No. PAGE COIL V #PREV. LOCATION FUNCTION

RELAYS NUMBER CODE

No.	PAGE	COIL V	#PREV.	LOCATION	FUNCTION	No.	PAGE	COIL V	#PREV.	LOCATION	FUNCTION
RF1	8.1	24V	561707	RR JCT BOX	FAN CLUTCH W/RET. SPEED 1	R 61	9.3	24V	561707	RR JCT BOX	STOP LTS-JACOB & RET. SIGNAL
RF2	8.1	24V	561707	RR JCT BOX	FAN CLUTCH W/RET. SPEED 2	R 62					
RF3	8.1	24V	560772	RR JCT BOX	TIME DELAY	R 63					
R 1	1.1	24V	561991	FR JCT BOX	ENGINE RUN (24) FR	R 64	11.2	12V	562092	FR JCT BOX	ENTRANCE DOOR LTS
R 2	2.1	24V	561991	BATT. CPT.	ENGINE RUN (12) FR & RR	R 65	9.2	24V	561707	FR JCT BOX	CORNERING LTS CONTROL
R 3						R 66	9.2	24V	561707	FR JCT BOX	LOW DOCKING LTS -FR CORNERING
R 4	4.1	24V	561005	BATT. CPT.	STARTING MOTOR	R 67	9.3	24V	561707	RR JCT BOX	LOW DOCKING LTS
R 5	5.1	24V	561707	FR JCT BOX	CRUISE CTR. STOP SIGN.	R 68					
R 6	9.3	24V	561707	RR JCT BOX	STOP LTS-PARKING BRAKE	R 69	12.1	12V	562092	RR JCT BOX	LUGGAGE DOOR LOCK
R 7	5.1	24V	561707	FR JCT BOX	FAST IDLE	R 70	12.1	12V	562092	RR JCT BOX	LUGGAGE DOOR UNLOCK
R 8						R 71	12.1	24V	561707	RR JCT BOX	LUGGAGE DOOR UNLOCK T.T. LT.
R 9	9.3	24V	561707	RR JCT BOX	BACK-UP LTS	R 72					
R 10						R 73					
R 11						R 74	12.1	12V	562092	RR JCT BOX	LUGGAGE DOOR LOCK
R 12	7.1	12V	562092	FR JCT BOX	ELECTRICAL HORNS	R 75	12.1	12V	562092	RR JCT BOX	LUGGAGE DOOR UNLOCK
R 13	9.3	24V	561707	FR JCT BOX	FOG LTS	R 76					
R 14	9.1	24V	561707	FR JCT BOX	BLINKER	R 77					
R 15	9.1	24V	561707	FR JCT BOX	FR MARKER LTS	R 78	1.1	24V	561707	FR JCT BOX	MASTER SWITCH WITH ALT. BOSCH
R 16	9.1	24V	561707	FR JCT BOX	IDENT. & CLEARANCE LTS	R 78	1.1	12V	562092	FR JCT BOX	MASTER SWITCH WITH ALT. BOSCH
R 17	9.1	24V	561707	RR JCT BOX	TAIL,LICENCE,MARKER-RR LTS	R 79					
R 18	9.1	24V	561707	FR JCT BOX	D R L-PARK BRK CUT-IN	R 80	11.1	24V	561707	RR JCT BOX	ENGINE COMPARTMENT LTS
R 19	9.1	24V	561707	FR JCT BOX	HEADLAMPS (HI)	R 81					
R 20	9.1	24V	561707	FR JCT BOX	HEADLAMPS (LO)	R 82	21.1	24V	561707	FR JCT BOX	RETARDER WT
R 21	9.2	24V	561707	FR JCT BOX	L.H. DIRECTIONNAL LT	R 83					
R 22						R 84	8.1	24V	561707	RR JCT BOX	FAN CLUTCH-FIRST SPEED
R 23	9.2	24V	561707	FR JCT BOX	R.H. DIRECTIONNAL LT	R 85	8.1	24V	561707	RR JCT BOX	FAN CLUTCH-SECOND SPEED
R 24	9.2	24V	561707	FR JCT BOX	R.H. CORNERING LT	R 86					
R 25	9.2	24V	561707	FR JCT BOX	L.H. CORNERING LT	R 87	21.1	24V	561707	RR JCT BOX	ENGINE BRAKE REQUEST WT
R 26	9.3	24V	561707	RR JCT BOX	STOP LTS	R 88					
R 27						R 89	13.1	24V	561707	FR JCT BOX	HEATING WINDSHIELD
R 28	11.2	24V	561707	FR JCT BOX	DASH LTS RHEOSTAT	R 90	13.1	24V	561707	FR JCT BOX	HEATING WINDSHIELD
R 29						R 91	13.1	24V	561707	FR JCT BOX	HEATING WINDSHIELD
R 30						R 92	13.1	24V	561707	FR JCT BOX	HEATING WINDSHIELD
R 31						R 93	14.1	24V	561707	RR JCT BOX	PRE-HEAT WATER HEATER (WEBASTO)
R 32						R 94					
R 33	15.1	12V	562092	FR JCT BOX	BLOWER CUT-IN RLY	R 95					
R 33	9.1	24V	561707	FR JCT BOX	DAYTIME RUNNING LIGHT	R 96					
R 34	15.1	24V	561707	RJB A/C JCT PANEL	A/C CONTROL	R 97					
R 35	15.1	24V	561707	RJB A/C JCT PANEL	WATER PUMP	R 98					
R 36	15.1	24V	561707	RJB A/C JCT PANEL	A/C COMPRESSOR CLUTCH	R 99	8.1	24V	561707	RR JCT BOX	RADIATOR FAN CLUTCH
R 37						R 100	4.1	12V	561538	RR JCT BOX	GENERATOR SIGNAL
R 38	15.1	24V	561707	RJB A/C JCT PANEL	A/C LIQ. SOL. VALVE	R 101					
R 39	15.2	24V	561005	BATT. CPT.	CONDENSER FAN MOTOR	R 102	12.1	12V	562092	UNDER DASH RH	DRIVER'S DOOR UNLOCK
R 40	15.2	24V	561014	BATT. CPT.	CONDENSER SPEED CTR HI	R 103					
R 41	15.2	24V	561005	BATT. CPT.	CONDENSER SPEED CTR HI	R 104	4.1	24V	561707	UNDER DASH RH	ANTI-THEFT
R 42						R 105	12.1	12V	562092	UNDER DASH RH	DRIVER'S & LUGGAGE DOOR LOCK
R 43						R 106	11.2	24V	562341	UNDER DASH RH	TIME DELAY RLY DRIVER'S LTS
R 44						R 2010	14.2	24V	561230	WEBASTO PRE-HEAT	WEBASTO
R 45						V IMN	6.1	12V	562092	RR JCT BOX	VIM WORLD TR.-NEUTRAL SIGNAL
R 46	20.1	12V	562092	FR JCT BOX	CAMERA DOOR	V IMR	6.1	12V	562092	RR JCT BOX	VIM WORLD TR.-B/U SIGNAL
R 47						V IM1	6.1	12V	562092	RR JCT BOX	VIM WORLD TR.-OUTPUT 1
R 48						V IM2	6.1	12V	562092	RR JCT BOX	VIM WORLD TR.-OUTPUT 2 ENG. BRK DISABLE
R 49	22.1	24V	561707	FR JCT BOX	ABS - SERVICE BRK RLY	V IM3	6.1	12V	562092	RR JCT BOX	VIM WORLD TR.-OUTPUT 3 SPD SW. 5MPH NO NC
R 50						V IM4	6.1	12V	562092	RR JCT BOX	VIM WORLD TR.-OUTPUT 4 RETARD. ON SIGNAL
R 51	11.2	24V	561707	FR JCT BOX	DRIVER'S LTS	R A1	4.2	24V	561707	RR JCT BOX	EXCITING RELAY ALT. #1
R 52	22.1	24V	561707	FR JCT BOX	ABS SYSTEM	R A2	4.2	24V	561707	RR JCT BOX	EXCITING RELAY ALT. #2
R 53	1.1	24V	561991	RR JCT BOX	ENGINE RUN (24) RR	R A3	4.2	24V	561707	RR JCT BOX	RUN RELAY ALT. #1 OR ALT. #2
R 54	1.1	24V	561991	BATT. CPT.	12V CUT OUT RLY RR	R A4	4.2	24V	561707	RR JCT BOX	RUN RELAY ALT.#1 AND ALT. #2
R 55	1.1	24V	561991	BATT. CPT.	12V CUT OUT RLY FR						
R 56											
R 57	9.1	24V	561707	FR JCT BOX	DAY'S BLINKER						
R 58											
R 59	9.3	24V	561707	RR JCT BOX	DOCKING LTS						
R 60											

RELAYS NUMBER CODE

No. PAGE COIL V #PREV. LOCATION FUNCTION

No. PAGE COIL V #PREV. LOCATION FUNCTION

RELAYS NUMBER CODE

No. PAGE COIL V #PREV. LOCATION FUNCTION

No. PAGE COIL V #PREV. LOCATION FUNCTION

RELAYS NUMBER CODE

No. PAGE COIL V #PREV. LOCATION FUNCTION

No. PAGE COIL V #PREV. LOCATION FUNCTION

RELAYS NUMBER CODE

No. PAGE COIL V #PREV. LOCATION FUNCTION

No. PAGE COIL V #PREV. LOCATION FUNCTION

RELAYS NUMBER CODE

No. PAGE COIL V #PREV. LOCATION FUNCTION

No. PAGE COIL V #PREV. LOCATION FUNCTION

RELAYS NUMBER CODE

No. PAGE COIL V #PREV. LOCATION FUNCTION

No. PAGE COIL V #PREV. LOCATION FUNCTION

RESISTORS NUMBER CODE

No.	PAGE	OHM(S)	#PREV.	LOCATION	FUNCTION
RS 1	5.1	11 K	561898	FR JCT BOX	FAST IDLE DDEC CONTROL
RS 2	5.1	3.6 K	561897	FR JCT BOX	FAST IDLE DDEC CONTROL
RS 3	9.3	1 (2)	561537	FR JCT BOX	FOG LT - RH
RS 4	9.3	1 (2)	561537	FR JCT BOX	FOG LT - LH
RS 5	9.2	1 (2)	061976	FR JCT BOX	CORNERING LT - LH
RS 6					
RS 7	9.3	.82 (2)	060806	RR JCT BOX	PARKING BRAKE STOP LTS
RS 8	9.2	1 (2)	061976	FR JCT BOX	CORNERING LT - RH
RS 9	9.3	1 (2)	061976	RR JCT BOX	DOCKING LT - RH
RS 10	9.3	1 (2)	061976	RR JCT BOX	DOCKING LT - LH
RS 11					
RS 12					
RS 13					
RS 14					
RS 15	9.2	1 (3)	062925	FR JCT BOX	LO DOCKING LT - FRONT
RS 16	9.3	1 (3)	062925	RR JCT BOX	LO DOCKING LT - REAR
RS 17	7.1	220	562498	FR JCT BOX	FIRE ALARM
RS 18	8.1	75 K	064208	RR JCT BOX	FAN CLUTCH W/RETARDER
RS 19					
RS 20	17.1	1 K	562470	RR JCT BOX	WORLD TR. SPEED TO DDEC III
RS 21					
RS 22	13.1	1K	562470	DASH	DIVIDER VOLTAGE FOR LED
RS 23					
RS 24	9.1	1K	562470	DASH	DIVIDER VOLTAGE FOR LED
RS 25	9.3	1K	562470	DASH	DIVIDER VOLTAGE FOR LED
RS 26	10.1	1K	562470	DASH	DIVIDER VOLTAGE FOR LED
RS 27					
RS 28	14.1	1K	562470	DASH	DIVIDER VOLTAGE FOR LED

RESISTORS NUMBER CODE

No.	PAGE	OHM(S)	#PREV.	LOCATION	FUNCTION
RS 1	5.1	11 K	561898	FR JCT BOX	FAST IDLE DDEC CONTROL
RS 2	5.1	3.6 K	561897	FR JCT BOX	FAST IDLE DDEC CONTROL
RS 3	9.3	1 (2)	561537	FR JCT BOX	FOG LT - RH
RS 4	9.3	1 (2)	561537	FR JCT BOX	FOG LT - LH
RS 5	9.2	1 (2)	061976	FR JCT BOX	CORNERING LT - LH
RS 6					
RS 7	9.3	.82 (2)	060806	RR JCT BOX	PARKING BRAKE STOP LTS
RS 8	9.2	1 (2)	061976	FR JCT BOX	CORNERING LT - RH
RS 9	9.3	1 (2)	061976	RR JCT BOX	DOCKING LT - RH
RS 10	9.3	1 (2)	061976	RR JCT BOX	DOCKING LT - LH
RS 11					
RS 12					
RS 13					
RS 14					
RS 15	9.2	1 (3)	062925	FR JCT BOX	LO DOCKING LT - FRONT
RS 16	9.3	1 (3)	062925	RR JCT BOX	LO DOCKING LT - REAR
RS 17	7.1	220	562498	FR JCT BOX	FIRE ALARM
RS 18	8.1	75 K	064208	RR JCT BOX	FAN CLUTCH W/RETARDER
RS 19					
RS 20	17.1	1 K	562470	RR JCT BOX	WORLD TR. SPEED TO DDEC III
RS 21					
RS 22	13.1	1K	562470	DASH	DIVIDER VOLTAGE FOR LED
RS 23					
RS 24	9.1	1K	562470	DASH	DIVIDER VOLTAGE FOR LED
RS 25	9.3	1K	562470	DASH	DIVIDER VOLTAGE FOR LED
RS 26	10.1	1K	562470	DASH	DIVIDER VOLTAGE FOR LED
RS 27					
RS 28	14.1	1K	562470	DASH	DIVIDER VOLTAGE FOR LED
RS 36	15.1	10	064907	BATT. COMPT.	CURRENT LIMITER FOR RELAY
RS 37	15.1	5	064907	BATT. COMPT.	CURRENT LIMITER FOR RELAY

RESISTORS NUMBER CODE

No.	PAGE	OHM(S)	#PREV.	LOCATION	FUNCTION
RS 1	5.1	11 K	561898	FR JCT BOX	FAST IDLE DDEC CONTROL
RS 2	5.1	3.6 K	561897	FR JCT BOX	FAST IDLE DDEC CONTROL
RS 3	9.3	1 (2)	561537	FR JCT BOX	FOG LT - RH
RS 4	9.3	1 (2)	561537	FR JCT BOX	FOG LT - LH
RS 5	9.2	1 (2)	061976	FR JCT BOX	CORNERING LT - LH
RS 6					
RS 7	9.3	.82 (2)	060806	RR JCT BOX	PARKING BRAKE STOP LTS
RS 8	9.2	1 (2)	061976	FR JCT BOX	CORNERING LT - RH
RS 9	9.3	1 (2)	061976	RR JCT BOX	DOCKING LT - RH
RS 10	9.3	1 (2)	061976	RR JCT BOX	DOCKING LT - LH
RS 11					
RS 12					
RS 13					
RS 14	21.1	1K	562470	FR. SERV. CPT.	ABS
RS 15	9.2	1 (3)	062925	FR JCT BOX	LO DOCKING LT - FRONT
RS 16	9.3	1 (3)	062925	RR JCT BOX	LO DOCKING LT - REAR
RS 17	7.1	220	562498	FR JCT BOX	FIRE ALARM
RS 18	8.1	75 K	064208	RR JCT BOX	FAN CLUTCH W/RETARDER
RS 19					
RS 20	17.1	1 K	562470	RR JCT BOX	WORLD TR. SPEED TO DDEC III
RS 21					
RS 22	13.1	1K	562470	DASH	DIVIDER VOLTAGE FOR LED
RS 23					
RS 24	9.1	1K	562470	DASH	DIVIDER VOLTAGE FOR LED
RS 25	9.3	1K	562470	DASH	DIVIDER VOLTAGE FOR LED
RS 26	10.1	1K	562470	DASH	DIVIDER VOLTAGE FOR LED
RS 27					
RS 28	14.1	1K	562470	DASH	DIVIDER VOLTAGE FOR LED
RS 36	15.1	10	064907	BATT. COMPT.	CURRENT LIMITER FOR RELAY
RS 37	15.1	5	064907	BATT. COMPT.	CURRENT LIMITER FOR RELAY

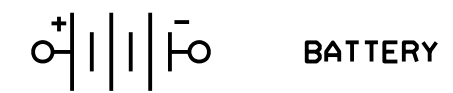
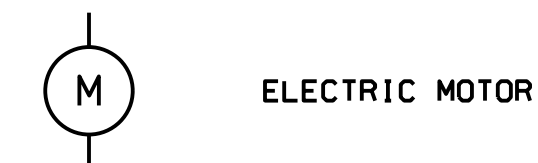
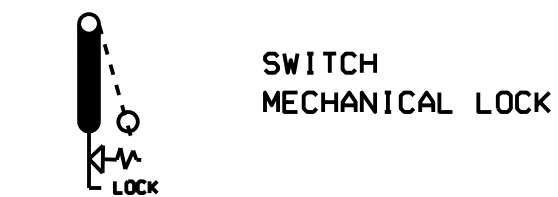
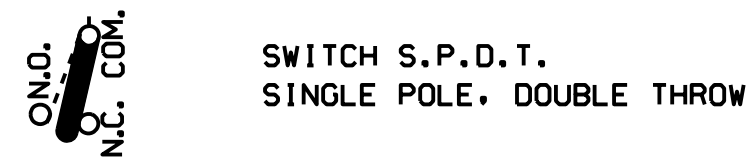
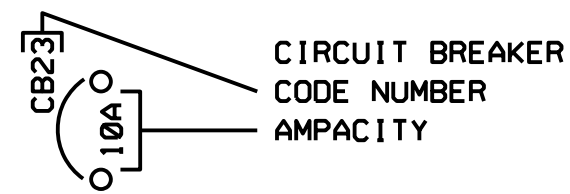
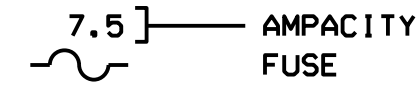
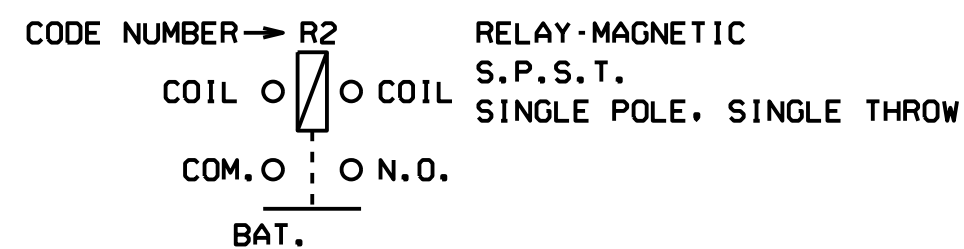
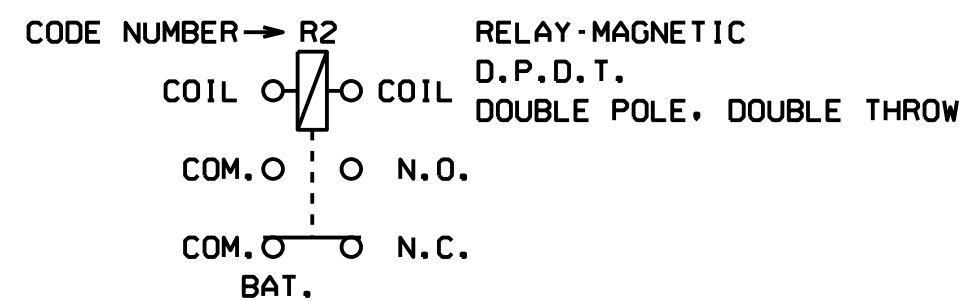
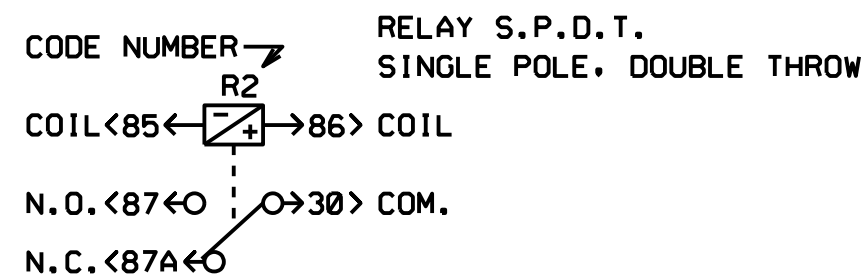
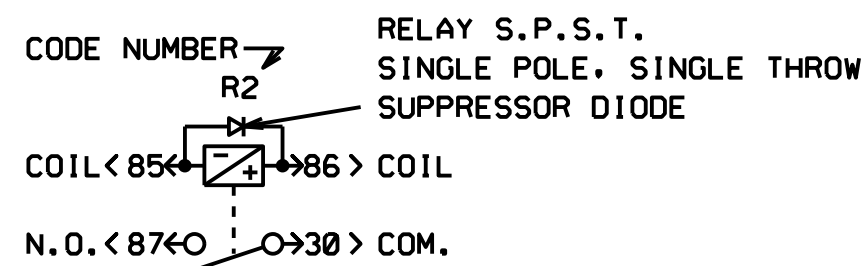
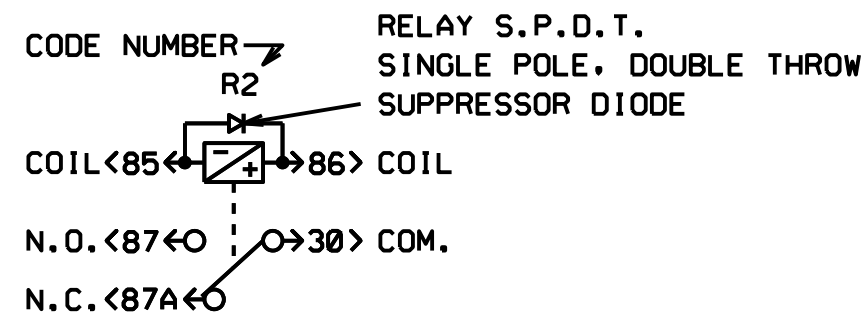
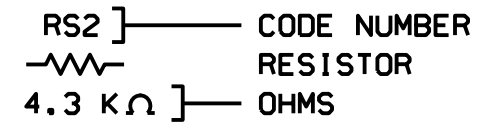
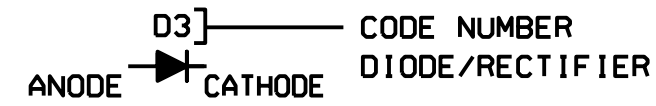
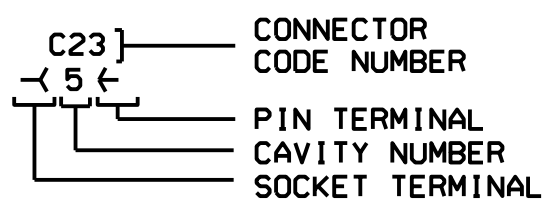
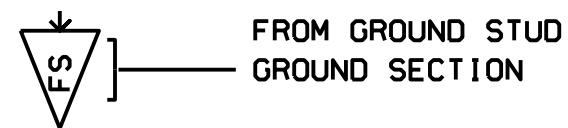
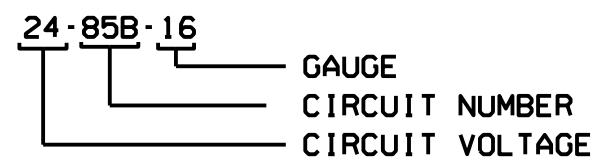
RESISTORS NUMBER CODE

No.	PAGE	OHM(S)	#PREV.	LOCATION	FUNCTION
RS 1	5.1	11 K	561898	FR JCT BOX	FAST IDLE DDEC CONTROL
RS 2	5.1	3.6 K	561897	FR JCT BOX	FAST IDLE DDEC CONTROL
RS 3	9.3	1 (2)	561537	FR JCT BOX	FOG LT - RH
RS 4	9.3	1 (2)	561537	FR JCT BOX	FOG LT - LH
RS 5	9.2	1 (2)	061976	FR JCT BOX	CORNERING LT - LH
RS 6					
RS 7	9.3	.82 (2)	060806	RR JCT BOX	PARKING BRAKE STOP LTS
RS 8	9.2	1 (2)	061976	FR JCT BOX	CORNERING LT - RH
RS 9	9.3	1 (2)	061976	RR JCT BOX	DOCKING LT - RH
RS 10	9.3	1 (2)	061976	RR JCT BOX	DOCKING LT - LH
RS 11					
RS 12					
RS 13					
RS 14	21.1	1K	562470	FR. SERV. CPT.	ABS
RS 15	9.2	1 (3)	062925	FR JCT BOX	LO DOCKING LT - FRONT
RS 16	9.3	1 (3)	062925	RR JCT BOX	LO DOCKING LT - REAR
RS 17	7.1	220	562498	FR JCT BOX	FIRE ALARM
RS 18	8.1	75 K	064208	RR JCT BOX	FAN CLUTCH W/RETARDER
RS 19	15.3	30K	065613	EVAP. CPT.	TIME DELAY RELAY EVAP. FAN
RS 20	17.1	1 K	562470	RR JCT BOX	WORLD TR. SPEED TO DDEC III
RS 21					
RS 22	13.1	1K	562470	DASH	DIVIDER VOLTAGE FOR LED
RS 23					
RS 24	9.1	1K	562470	DASH	DIVIDER VOLTAGE FOR LED
RS 25	9.3	1K	562470	DASH	DIVIDER VOLTAGE FOR LED
RS 26	10.1	1K	562470	DASH	DIVIDER VOLTAGE FOR LED
RS 27					
RS 28	14.1	1K	562470	DASH	DIVIDER VOLTAGE FOR LED
RS 36	15.1	10	064907	BATT. COMPT.	CURRENT LIMITER FOR RELAY
RS 37	15.1	5	064907	BATT. COMPT.	CURRENT LIMITER FOR RELAY

RESISTORS NUMBER CODE

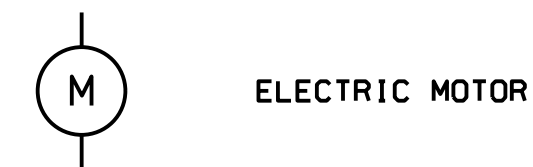
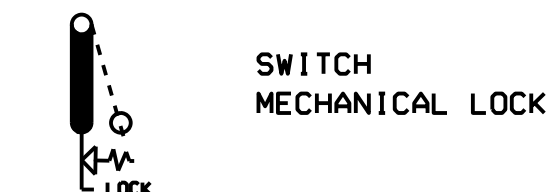
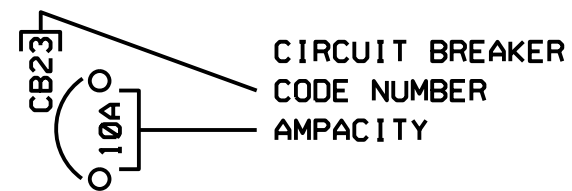
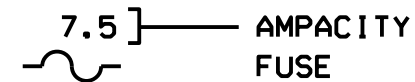
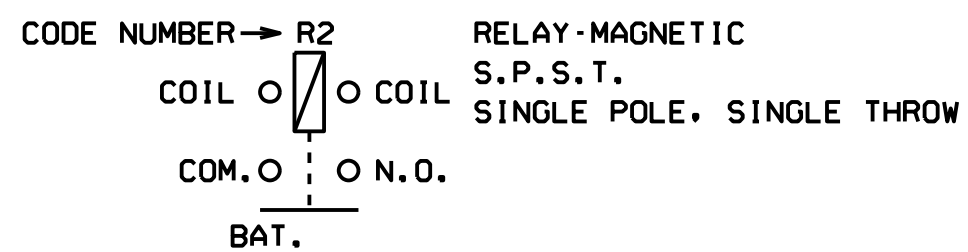
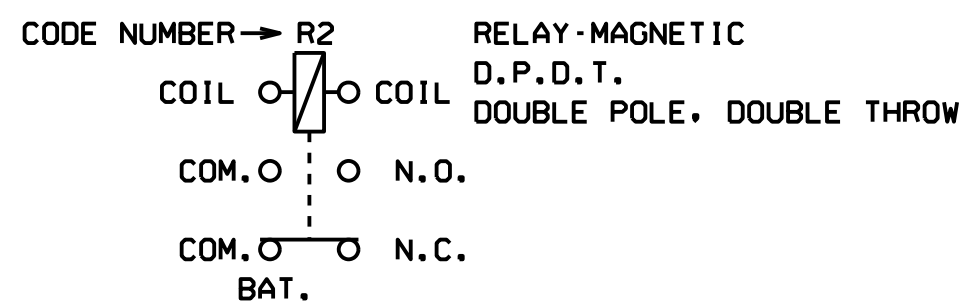
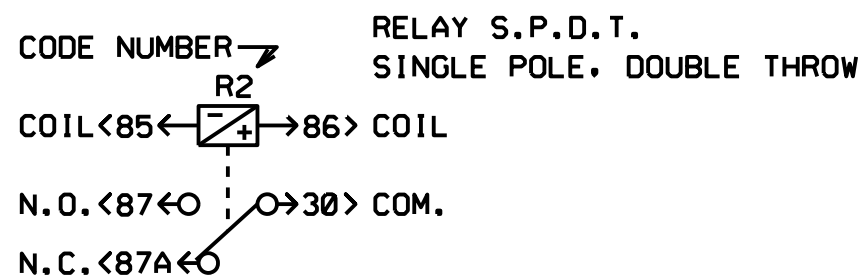
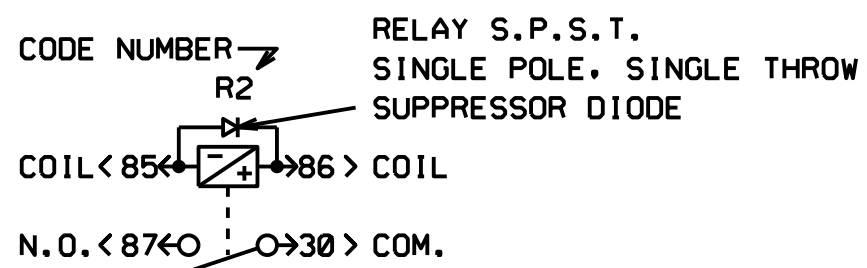
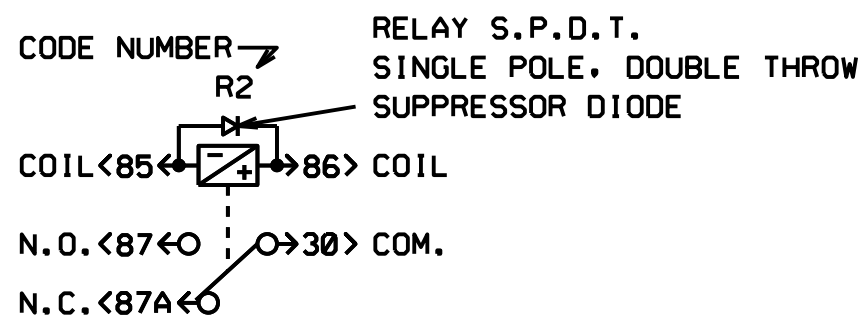
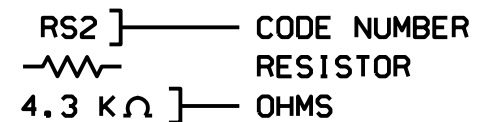
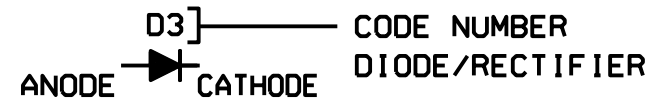
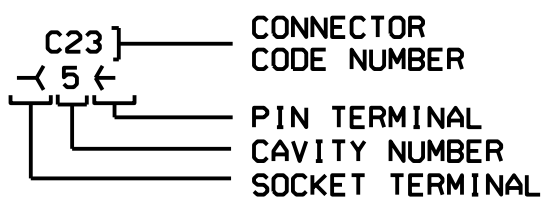
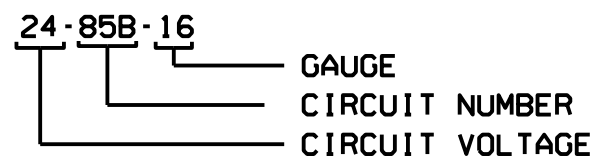
No.	PAGE	OHM(S)	#PREV.	LOCATION	FUNCTION
RS 1	5.1	11 K	561898	FR JCT BOX	FAST IDLE DDEC CONTROL
RS 2	5.1	3.6 K	561897	FR JCT BOX	FAST IDLE DDEC CONTROL
RS 3	9.3	1 (2)	561537	FR JCT BOX	FOG LT - RH
RS 4	9.3	1 (2)	561537	FR JCT BOX	FOG LT - LH
RS 5	9.2	1 (2)	061976	FR JCT BOX	CORNERING LT - LH
RS 6					
RS 7	9.3	.82 (2)	060806	RR JCT BOX	PARKING BRAKE STOP LTS
RS 8	9.2	1 (2)	061976	FR JCT BOX	CORNERING LT - RH
RS 9	9.3	1 (2)	061976	RR JCT BOX	DOCKING LT - RH
RS 10	9.3	1 (2)	061976	RR JCT BOX	DOCKING LT - LH
RS 11					
RS 12					
RS 13					
RS 14					
RS 15	9.2	1 (3)	062925	FR JCT BOX	LO DOCKING LT - FRONT
RS 16	9.3	1 (3)	062925	RR JCT BOX	LO DOCKING LT - REAR
RS 17	7.1	220	562498	FR JCT BOX	FIRE ALARM
RS 18	8.1	75 K	064208	RR JCT BOX	FAN CLUTCH W/RETARDER
RS 19	15.3	30K	065613	EVAP. CPT.	TIME DELAY RELAY EVAP. FAN
RS 20	17.1	1 K	562470	RR JCT BOX	WORLD TR. SPEED TO DDEC III
RS 21					
RS 22	13.1	1K	562470	DASH	DIVIDER VOLTAGE FOR LED
RS 23					
RS 24	9.1	1K	562470	DASH	DIVIDER VOLTAGE FOR LED
RS 25	9.3	1K	562470	DASH	DIVIDER VOLTAGE FOR LED
RS 26	10.1	1K	562470	DASH	DIVIDER VOLTAGE FOR LED
RS 27					
RS 28	14.1	1K	562470	DASH	DIVIDER VOLTAGE FOR LED
RS 36	15.1	10	064907	BATT. COMPT.	CURRENT LIMITER FOR RELAY
RS 37	15.1	5	064907	BATT. COMPT.	CURRENT LIMITER FOR RELAY
RS 38	22.1	620	563205	FR. SERV. COMPT	ABS
RS 39	22.1	620	563205	FR. SERV. COMPT	TRAILER ABS

WIRING DIAGRAM KEYS



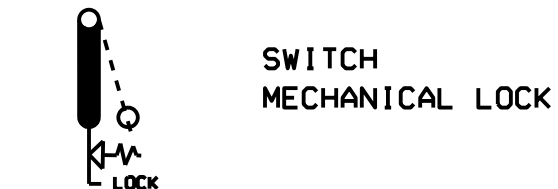
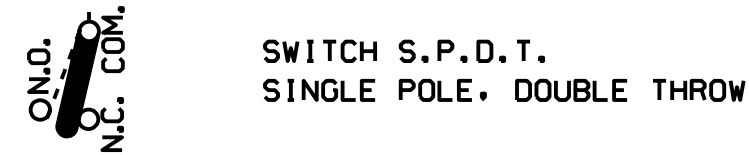
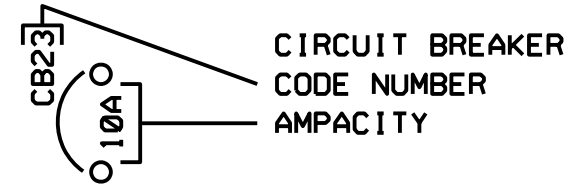
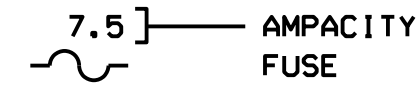
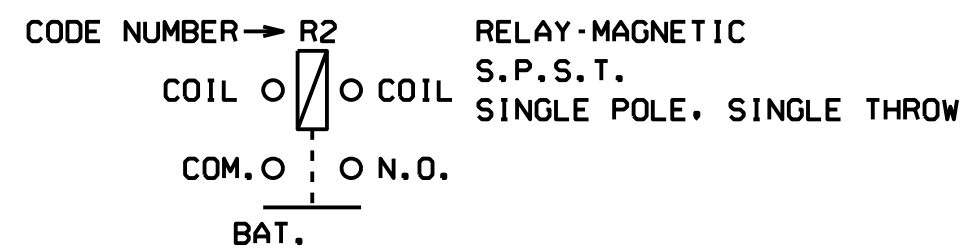
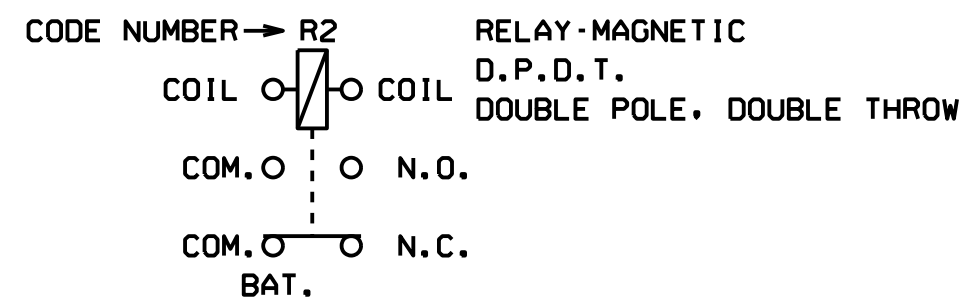
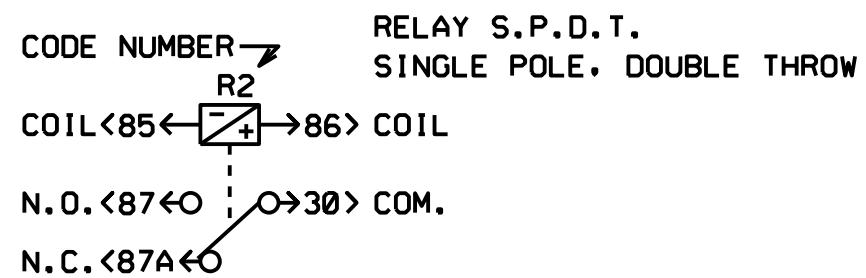
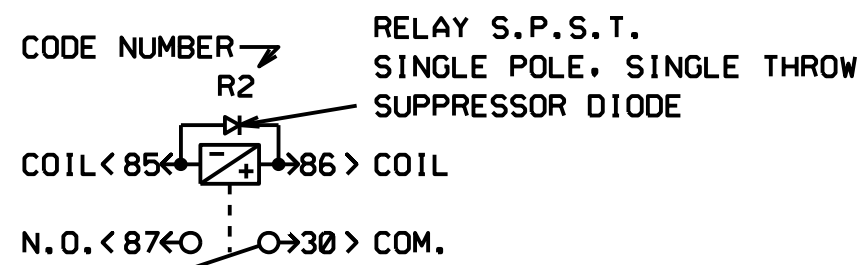
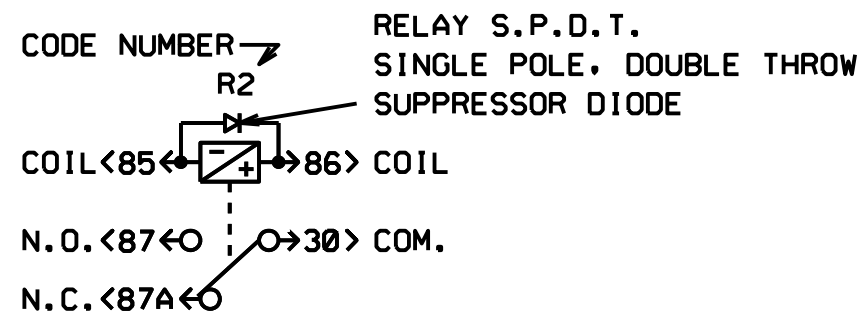
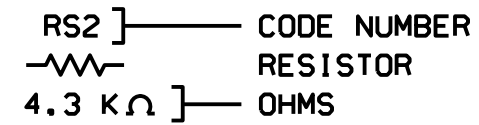
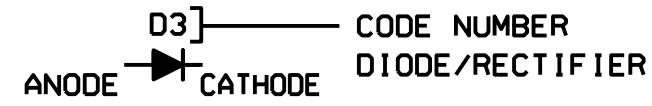
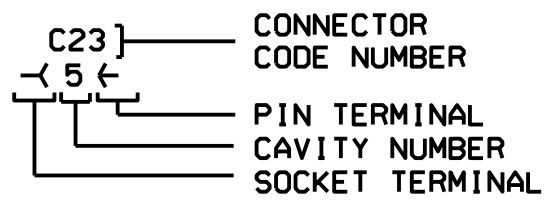
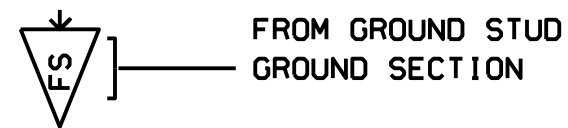
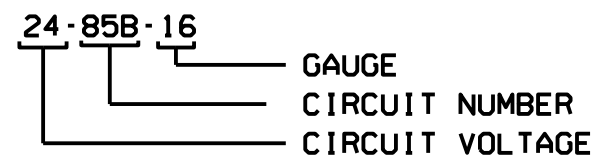
- | | |
|-----|--------|
| BLK | BLACK |
| YEL | YELLOW |
| RED | RED |
| WH | WHITE |
| GRY | GREY |
| ORA | ORANGE |
| BLU | BLUE |
| GRN | GREEN |
| BRN | BROWN |
| PUR | PURPLE |
| PK | PINK |

WIRING DIAGRAM KEYS



- BLK BLACK
- YEL YELLOW
- RED RED
- WH WHITE
- GRY GREY
- ORA ORANGE
- BLU BLUE
- GRN GREEN
- BRN BROWN
- PUR PURPLE
- PK PINK

WIRING DIAGRAM KEYS



BLK	BLACK
YEL	YELLOW
RED	RED
WH	WHITE
GRY	GREY
ORA	ORANGE
BLU	BLUE
GRN	GREEN
BRN	BROWN
PUR	PURPLE
PK	PINK

FUSES CODE

No.	PAGE	AMP.	#PREV.	LOCATION	FUNCTION
F 1	6.1	10A	562407	RR. JCT. BOX	WORLD TRANSMISSION 12V BATTERY
F 2	6.1	10A	562407	RR. JCT. BOX	WORLD TRANSMISSION 12V IGNITION
F 3	7.2	20A	562605	FR. JCT. BOX	ELECTRICAL HORNS
F 4	7.2	5A	562259	FR. JCT. BOX	FIRE ALARM
F 5	8.1	10A	562407	RR. JCT. BOX	AIR DRYER
F 6	5.1	5A	562602	FR. JCT. BOX	CRUISE DECEL SW.
F 7	8.1	5A	562602	FR. JCT. BOX	PARKING BRAKE PRESSURE SW.
F 8	9.2	10A	562407	FR. JCT. BOX	CORNERING LTS
F 9	9.3	15A	562604	RR. JCT. BOX	DOCKING LTS
F 10	9.3	15A	562604	FR. JCT. BOX	FOG LTS
F 11	11.1	5A	562259	FR. JCT. BOX	FRONT SERVICE CPT LTS
F 12					
F 13					
F 14	11.2	15A	562602	FR. JCT. BOX	DRIVER'S LTS
F 15					
F 16					
F 17					
F 18					
F 19					
F 20					
F 21	14.2	10A	560061	RR. JCT. BOX	FUEL PRIME PUMP
F 22	19.1	10A	562407	FR. JCT. BOX	POWER 12V OUTLET
F 23	19.1	15A	562604	FR. JCT. BOX	DRIVER'S WINDOW LIFTER
F 24	19.1	15A	562407	FR. JCT. BOX	CIGAR LIGHTER
F 25	19.1	3A	562599	FR. JCT. BOX	SUN VISOR
F 26	14.1	5A	562259	FR. JCT. BOX	WATER HTR TIMER
F 27					
F 28					
F 29					
F 30					
F 31					
F 32					
F 33					
F 34					
F 35					
F 36					
F 37					
F 38					
F 39					
F 40	13.1	20A	562605	FR. JCT. BOX	HEATED WINDSHIELD LH
F 41	13.1	20A	562605	FR. JCT. BOX	HEATED WINDSHIELD RH
F 42					
F 43					
F 44					
F 45					
F 46	16.1	7.5A	562602	FR. JCT. BOX	MIRROR ADJUST & HEATED 24V SPARTAN
F 47	16.2 16.3	7.5A	562602	FR. JCT. BOX	MIRROR ADJUST & HEATED 12V RAMCO
F 48					
F 49	14.1	20A	562605	RR. JCT. BOX	PRE-HEAT WATER HEATER
F 50	14.1	20A	562605	RR. JCT. BOX	PRE-HEAT WATER HEATER WEBASTO
F 51					
F 52					
F 53	20.1	3A	560893	RR. JCT. BOX	BACK-UP MONITOR DOOR SOLENOID
F 54					
F 55	20.1	7.5A	562602	RR. JCT. BOX	BACK-UP MONITOR CAMERA HEATER
F 56	20.1	7.5A	562602	RR. JCT. BOX	BACK-UP MONITOR CAMERA
F 57	4.1	1A	560893	RR. JCT. BOX	GENERATOR RUN RELAY

FUSES CODE

No.	PAGE	AMP.	#PREV.	LOCATION	FUNCTION
-----	------	------	--------	----------	----------

FUSES CODE

No.	PAGE	AMP.	#PREV.	LOCATION	FUNCTION	No	PAGE	AMP.	#PREV	LOCATION	FUNCTION
F 1	6.1	10A	562407	RR. JCT. BOX	WORLD TRANSMISSION 12V BATTERY						
F 2	6.1	10A	562407	RR. JCT. BOX	WORLD TRANSMISSION 12V IGNITION						
F 3	7.2	20A	562605	FR. JCT. BOX	ELECTRICAL HORNS						
F 4	7.2	5A	562259	FR. JCT. BOX	FIRE ALARM						
F 5	8.1	10A	562407	RR. JCT. BOX	AIR DRYER						
F 6	5.1	5A	562602	FR. JCT. BOX	CRUISE DECEL SW.						
F 7	8.1	5A	562602	FR. JCT. BOX	PARKING BRAKE PRESSURE SW.						
F 8	9.2	10A	562407	FR. JCT. BOX	CORNERING LTS						
F 9	9.3	15A	562604	RR. JCT. BOX	DOCKING LTS						
F 10	9.3	15A	562604	FR. JCT. BOX	FOG LTS						
F 11	11.1	5A	562259	FR. JCT. BOX	FRONT SERVICE CPT LTS						
F 12											
F 13											
F 14	11.2	15A	562602	FR. JCT. BOX	DRIVER'S LTS						
F 15											
F 16											
F 17											
F 18											
F 19											
F 20											
F 21	14.2	10A	560061	RR. JCT. BOX	FUEL PRIME PUMP						
F 22	19.1	10A	562407	FR. JCT. BOX	POWER 12V OUTLET						
F 23	19.1	15A	562604	FR. JCT. BOX	DRIVER'S WINDOW LIFTER						
F 24	19.1	15A	562407	FR. JCT. BOX	CIGAR LIGHTER						
F 25	19.1	3A	562599	FR. JCT. BOX	SUN VISOR						
F 26	14.1	5A	562259	FR. JCT. BOX	WATER HTR TIMER						
F 27											
F 28											
F 29	15.3	15A	562604	FR. JCT. BOX	AUX. A/C UNIT						
F 30											
F 31											
F 32											
F 33											
F 34											
F 35											
F 36											
F 37											
F 38											
F 39											
F 40	13.1	20A	562605	FR. JCT. BOX	HEATED WINDSCHIELD LH						
F 41	13.1	20A	562605	FR. JCT. BOX	HEATED WINDSCHIELD RH						
F 42											
F 43											
F 44											
F 45											
F 46	16.1	7.5A	562602	FR. JCT. BOX	MIRROR ADJUST & HEATED 24V SPARTAN						
F 47	16.2 16.3	7.5A	562602	FR. JCT. BOX	MIRROR ADJUST & HEATED 12V RAMCO						
F 48											
F 49	14.1	20A	562605	RR. JCT. BOX	PRE-HEAT WATER HEATER						
F 50	14.1	20A	562605	RR. JCT. BOX	PRE-HEAT WATER HEATER WEBASTO						
F 51											
F 52											
F 53	20.1	3A	560893	RR. JCT. BOX	BACK-UP MONITOR DOOR SOLENOID						
F 54											
F 55	20.1	7.5A	562602	RR. JCT. BOX	BACK-UP MONITOR CAMERA HEATER						
F 56	20.1	7.5A	562602	RR. JCT. BOX	BACK-UP MONITOR CAMERA						
F 57	4.1	1A	560893	RR. JCT. BOX	GENERATOR RUN RELAY						

FUSES CODE

No.	PAGE	AMP.	#PREV.	LOCATION	FUNCTION	No	PAGE	AMP.	#PREV	LOCATION	FUNCTION
F 1	6.1	10A	562407	RR. JCT. BOX	WORLD TRANSMISSION 12V BATTERY						
F 2	6.1	10A	562407	RR. JCT. BOX	WORLD TRANSMISSION 12V IGNITION						
F 3	7.2	20A	562605	FR. JCT. BOX	ELECTRICAL HORNS						
F 4	7.2	5A	562259	FR. JCT. BOX	FIRE ALARM						
F 5	8.1	10A	562407	RR. JCT. BOX	AIR DRYER						
F 6	5.1	5A	562602	FR. JCT. BOX	CRUISE DECEL SW.						
F 7	8.1	5A	562602	FR. JCT. BOX	PARKING BRAKE PRESSURE SW.						
F 8	9.2	10A	562407	FR. JCT. BOX	CORNERING LTS						
F 9	9.3	15A	562604	RR. JCT. BOX	DOCKING LTS						
F 10	9.3	15A	562604	FR. JCT. BOX	FOG LTS						
F 11	11.1	5A	562259	FR. JCT. BOX	FRONT SERVICE CPT LTS						
F 12											
F 13											
F 14	11.2	7.5A	562602	FR. JCT. BOX	DRIVER'S LTS						
F 15											
F 16											
F 17											
F 18											
F 19											
F 20											
F 21	14.2	10A	560061	RR. JCT. BOX	FUEL PRIME PUMP						
F 22	19.1	10A	562407	FR. JCT. BOX	POWER 12V OUTLET						
F 23	19.1	15A	562604	FR. JCT. BOX	DRIVER'S WINDOW LIFTER						
F 24	19.1	15A	562407	FR. JCT. BOX	CIGAR LIGHTER						
F 25	19.1	3 A	562599	FR. JCT. BOX	SUN VISOR						
F 26	14.1	7.5A	562259	FR. JCT. BOX	WATER HTR TIMER						
F 27											
F 28											
F 29	15.3	15A	562604	FR. JCT BOX	AUX. A/C UNIT						
F 30											
F 31											
F 32											
F 33											
F 34											
F 35											
F 36											
F 37											
F 38											
F 39											
F 40	13.1	20A	562605	FR. JCT. BOX	HEATED WINDSCHIELD LH						
F 41	13.1	20A	562605	FR. JCT. BOX	HEATED WINDSCHIELD RH						
F 42											
F 43	1.2	3A	562599	BATT.CPT	12V SIGNAL TO BATT. MONITOR						
F 44	1.2	3A	562599	BATT.CPT	24V SIGNAL TO BATT. MONITOR						
F 45											
F 46	16.1	7.5A	562602	FR. JCT. BOX	MIRROR ADJUST & HEATED 24V SPARTAN						
F 47	16.2 16.3	7.5A	562602	FR. JCT. BOX	MIRROR ADJUST & HEATED 12V RAMCO						
F 48											
F 49	14.1	20A	562605	RR. JCT. BOX	PRE-HEAT WATER HEATER						
F 50	14.1	20A	562605	RR. JCT. BOX	PRE-HEAT WATER HEATER WEBASTO						
F 51											
F 52											
F 53	20.1	3A	560893	RR. JCT. BOX	BACK-UP MONITOR DOOR SOLENOID						
F 54											
F 55	20.1	7.5A	562602	RR. JCT. BOX	BACK-UP MONITOR CAMERA HEATER						
F 56	20.1	7.5A	562602	RR. JCT. BOX	BACK-UP MONITOR CAMERA						
F 57	4.1	1A	560893	RR. JCT. BOX	GENERATOR RUN RELAY						

FUSES CODE

No.	PAGE	AMP.	#PREV.	LOCATION	FUNCTION	No	PAGE	AMP.	#PREV	LOCATION	FUNCTION
F 1	6.1	10A	562407	RR. JCT. BOX	WORLD TRANSMISSION 12V BATTERY						
F 2	6.1	10A	562407	RR. JCT. BOX	WORLD TRANSMISSION 12V IGNITION						
F 3	7.2	20A	562605	FR. JCT. BOX	ELECTRICAL HORNS						
F 4	7.2	5A	562259	FR. JCT. BOX	FIRE ALARM						
F 5	8.1	10A	562407	RR. JCT. BOX	AIR DRYER						
F 6	5.1	5A	562602	FR. JCT. BOX	CRUISE DECEL SW.						
F 7	8.1	5A	562602	FR. JCT. BOX	PARKING BRAKE PRESSURE SW.						
F 8	9.2	10A	562407	FR. JCT. BOX	CORNERING LTS						
F 9	9.3	15A	562604	RR. JCT. BOX	DOCKING LTS						
F 10	9.3	15A	562604	FR. JCT. BOX	FOG LTS						
F 11	11.1	5A	562259	FR. JCT. BOX	FRONT SERVICE CPT LTS						
F 12	17.1	3A	560893	FR. JCT. BOX	STEERING CONTROL						
F 13											
F 14	11.2	15A	562602	FR. JCT. BOX	DRIVER'S LTS						
F 15											
F 16											
F 17											
F 18											
F 19											
F 20											
F 21	14.2	10A	560061	RR. JCT. BOX	FUEL PRIME PUMP						
F 22	19.1	10A	562407	FR. JCT. BOX	POWER 12V OUTLET						
F 23	19.1	15A	562604	FR. JCT. BOX	DRIVER'S WINDOW LIFTER						
F 24	19.1	15A	562407	FR. JCT. BOX	CIGAR LIGHTER						
F 25	19.1	3 A	562599	FR. JCT. BOX	SUN VISOR						
F 26	14.1	7.5A	562259	FR. JCT. BOX	WATER HTR TIMER						
F 27											
F 28											
F 29	15.3	15A	562604	FR. JCT BOX	AUX. A/C UNIT						
F 30											
F 31											
F 32											
F 33											
F 34											
F 35											
F 36											
F 37											
F 38											
F 39											
F 40	13.1	20A	562605	FR. JCT. BOX	HEATED WINDSCHIELD LH						
F 41	13.1	20A	562605	FR. JCT. BOX	HEATED WINDSCHIELD RH						
F 42											
F 43	1.2	3A	562599	BATT.CPT	12V SIGNAL TO BATT. MONITOR						
F 44	1.2	3A	562599	BATT.CPT	24V SIGNAL TO BATT. MONITOR						
F 45											
F 46	16.1	7.5A	562602	FR. JCT. BOX	MIRROR ADJUST & HEATED 24V SPARTAN						
F 47	16.2 16.3	7.5A	562602	FR. JCT. BOX	MIRROR ADJUST & HEATED 12V RAMCO						
F 48											
F 49	14.1	20A	562605	RR. JCT. BOX	PRE-HEAT WATER HEATER						
F 50	14.1	20A	562605	RR. JCT. BOX	PRE-HEAT WATER HEATER WEBASTO						
F 51											
F 52											
F 53	20.1	3A	560893	RR. JCT. BOX	BACK-UP MONITOR DOOR SOLENOID						
F 54											
F 55	20.1	7.5A	562602	RR. JCT. BOX	BACK-UP MONITOR CAMERA HEATER						
F 56	20.1	7.5A	562602	RR. JCT. BOX	BACK-UP MONITOR CAMERA						
F 57	4.1	1A	560893	RR. JCT. BOX	GENERATOR RUN RELAY						

FUSES CODE

No.	PAGE	AMP.	#PREV.	LOCATION	FUNCTION	No	PAGE	AMP.	#PREV	LOCATION	FUNCTION
F 1	6.1	10A	562407	RR. JCT. BOX	WORLD TRANSMISSION 12V BATTERY						
F 2	6.1	10A	562407	RR. JCT. BOX	WORLD TRANSMISSION 12V IGNITION						
F 3	7.2	20A	562605	FR. JCT. BOX	ELECTRICAL HORNS						
F 4	7.2	5A	562259	FR. JCT. BOX	FIRE ALARM						
F 5											
F 6	5.1	5A	562602	FR. JCT. BOX	CRUISE DECEL SW.						
F 7	8.1	5A	562602	FR. JCT. BOX	PARKING BRAKE PRESSURE SW.						
F 8	9.2	10A	562407	FR. JCT. BOX	CORNERING LTS						
F 9	9.3	15A	562604	RR. JCT. BOX	DOCKING LTS						
F 10	9.3	15A	562604	FR. JCT. BOX	FOG LTS						
F 11	11.1	5A	562259	FR. JCT. BOX	FRONT SERVICE CPT LTS						
F 12	17.1	3A	560893	FR. JCT. BOX	STEERING CONTROL						
F 13											
F 14	11.2	15A	562602	FR. JCT. BOX	DRIVER'S LTS						
F 15											
F 16											
F 17											
F 18											
F 19											
F 20											
F 21	14.2	10A	560061	RR. JCT. BOX	FUEL PRIME PUMP						
F 22	19.1	10A	562407	FR. JCT. BOX	POWER 12V OUTLET						
F 23	19.1	15A	562604	FR. JCT. BOX	DRIVER'S WINDOW LIFTER						
F 24	19.1	15A	562407	FR. JCT. BOX	CIGAR LIGHTER						
F 25	19.1	3 A	562599	FR. JCT. BOX	SUN VISOR						
F 26	14.1	7.5A	562259	FR. JCT. BOX	WATER HTR TIMER						
F 27											
F 28											
F 29	15.3	15A	562604	FR. JCT BOX	AUX. A/C UNIT						
F 30											
F 31											
F 32											
F 33											
F 34											
F 35											
F 36											
F 37											
F 38											
F 39											
F 40	13.1	20A	562605	FR. JCT. BOX	HEATED WINDSCHIELD LH						
F 41	13.1	20A	562605	FR. JCT. BOX	HEATED WINDSCHIELD RH						
F 42											
F 43	1.2	3A	562599	BATT.CPT	12V SIGNAL TO BATT. MONITOR						
F 44	1.2	3A	562599	BATT.CPT	24V SIGNAL TO BATT. MONITOR						
F 45											
F 46	16.1	7.5A	562602	FR. JCT. BOX	MIRROR ADJUST & HEATED 24V SPARTAN						
F 47	16.2 16.3	7.5A	562602	FR. JCT. BOX	MIRROR ADJUST & HEATED 12V RAMCO						
F 48											
F 49	14.1	20A	562605	RR. JCT. BOX	PRE-HEAT WATER HEATER						
F 50	14.1	20A	562605	RR. JCT. BOX	PRE-HEAT WATER HEATER WEBASTO						
F 51											
F 52											
F 53	20.1	3A	560893	RR. JCT. BOX	BACK-UP MONITOR DOOR SOLENOID						
F 54											
F 55	20.1	7.5A	562602	RR. JCT. BOX	BACK-UP MONITOR CAMERA HEATER						
F 56	20.1	7.5A	562602	RR. JCT. BOX	BACK-UP MONITOR CAMERA						
F 57	4.1	1A	560893	RR. JCT. BOX	GENERATOR RUN RELAY						

FUSES CODE

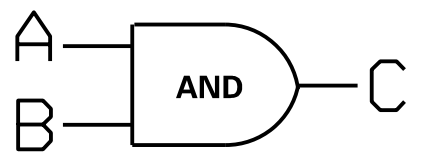
No.	PAGE	AMP.	#PREV.	LOCATION	FUNCTION	No	PAGE	AMP.	#PREV	LOCATION	FUNCTION
F 1	6.1	10A	562407	RR. JCT. BOX	WORLD TRANSMISSION 12V BATTERY						
F 2	6.1	10A	562407	RR. JCT. BOX	WORLD TRANSMISSION 12V IGNITION						
F 3	7.2	20A	562605	FR. JCT. BOX	ELECTRICAL HORNS						
F 4	7.2	5A	562259	FR. JCT. BOX	FIRE ALARM						
F 5											
F 6	5.1	5A	562602	FR. JCT. BOX	CRUISE DECEL SW.						
F 7	8.1	5A	562602	FR. JCT. BOX	PARKING BRAKE PRESSURE SW.						
F 8	9.2	10A	562407	FR. JCT. BOX	CORNERING LTS						
F 9	9.3	15A	562604	RR. JCT. BOX	DOCKING LTS						
F 10	9.3	15A	562604	FR. JCT. BOX	FOG LTS						
F 11	11.1	5A	562259	FR. JCT. BOX	FRONT SERVICE CPT LTS						
F 12	17.1	3A	560893	FR. JCT. BOX	STEERING CONTROL						
F 13											
F 14	11.2	15A	562602	FR. JCT. BOX	DRIVER'S LTS						
F 15											
F 16											
F 17											
F 18											
F 19											
F 20											
F 21	14.2	10A	560061	RR. JCT. BOX	FUEL PRIME PUMP						
F 22	19.1	10A	562407	FR. JCT. BOX	POWER 12V OUTLET						
F 23	19.1	15A	562604	FR. JCT. BOX	DRIVER'S WINDOW LIFTER						
F 24	19.1	15A	562407	FR. JCT. BOX	CIGAR LIGHTER						
F 25	19.1	3 A	562599	FR. JCT. BOX	SUN VISOR						
F 26	14.1	7.5A	562259	FR. JCT. BOX	WATER HTR TIMER						
F 27											
F 28											
F 29	15.3	15A	562604	FR. JCT BOX	AUX. A/C UNIT						
F 30											
F 31											
F 32											
F 33											
F 34											
F 35											
F 36											
F 37											
F 38											
F 39											
F 40											
F 41											
F 42											
F 43	1.2	3A	562599	BATT.CPT	12V SIGNAL TO BATT. MONITOR						
F 44	1.2	3A	562599	BATT.CPT	24V SIGNAL TO BATT. MONITOR						
F 45											
F 46	16.1	7.5A	562602	FR. JCT. BOX	MIRROR ADJUST & HEATED 24V SPARTAN						
F 47	16.2 16.3	7.5A	562602	FR. JCT. BOX	MIRROR ADJUST & HEATED 12V RAMCO						
F 48											
F 49											
F 50											
F 51											
F 52											
F 53	20.1	3A	560893	RR. JCT. BOX	BACK-UP MONITOR DOOR SOLENOID						
F 54											
F 55	20.1	7.5A	562602	RR. JCT. BOX	BACK-UP MONITOR CAMERA HEATER						
F 56	20.1	7.5A	562602	RR. JCT. BOX	BACK-UP MONITOR CAMERA						
F 57	4.1	1A	560893	RR. JCT. BOX	GENERATOR RUN RELAY						

FUSES CODE

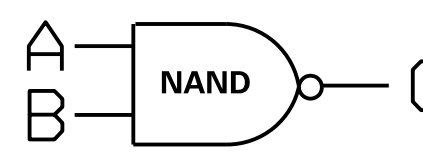
No.	PAGE	AMP.	#PREV.	LOCATION	FUNCTION	No	PAGE	AMP.	#PREV	LOCATION	FUNCTION
F 1	6.1	10A	562407	RR. JCT. BOX	WORLD TRANSMISSION 12V BATTERY						
F 2	6.1	10A	562407	RR. JCT. BOX	WORLD TRANSMISSION 12V IGNITION						
F 3	7.2	20A	562605	FR. JCT. BOX	ELECTRICAL HORNS						
F 4	7.2	5A	562259	FR. JCT. BOX	FIRE ALARM						
F 5	8.1	7.5A	562259	RR. JCT. BOX	AIR DRYER						
F 6	5.1	5A	562602	FR. JCT. BOX	CRUISE DECEL SW.						
F 7	8.1	5A	562602	FR. JCT. BOX	PARKING BRAKE PRESSURE SW.						
F 8	9.2	10A	562407	FR. JCT. BOX	CORNERING LTS						
F 9	9.3	15A	562604	RR. JCT. BOX	DOCKING LTS						
F 10	9.3	15A	562604	FR. JCT. BOX	FOG LTS						
F 11	11.1	5A	562259	FR. JCT. BOX	FRONT SERVICE CPT LTS						
F 12	17.1	3A	560893	FR. JCT. BOX	STEERING CONTROL						
F 13											
F 14	11.2	15A	562602	FR. JCT. BOX	DRIVER'S LTS						
F 15											
F 16											
F 17											
F 18											
F 19											
F 20											
F 21	14.2	10A	560061	RR. JCT. BOX	FUEL PRIME PUMP						
F 22	19.1	10A	562407	FR. JCT. BOX	POWER 12V OUTLET						
F 23	19.1	15A	562604	FR. JCT. BOX	DRIVER'S WINDOW LIFTER						
F 24	19.1	15A	562407	FR. JCT. BOX	CIGAR LIGHTER						
F 25	19.1	3 A	562599	FR. JCT. BOX	SUN VISOR						
F 26	14.1	7.5A	562259	FR. JCT. BOX	WATER HTR TIMER						
F 27											
F 28											
F 29	15.3	15A	562604	FR. JCT BOX	AUX. A/C UNIT						
F 30											
F 31											
F 32											
F 33											
F 34											
F 35											
F 36											
F 37											
F 38											
F 39											
F 40											
F 41											
F 42											
F 43	1.2	3A	562599	BATT.CPT	12V SIGNAL TO BATT. MONITOR						
F 44	1.2	3A	562599	BATT.CPT	24V SIGNAL TO BATT. MONITOR						
F 45											
F 46	16.1	7.5A	562602	FR. JCT. BOX	MIRROR ADJUST & HEATED 24V SPARTAN						
F 47	16.2 16.3	7.5A	562602	FR. JCT. BOX	MIRROR ADJUST & HEATED 12V RAMCO						
F 48											
F 49											
F 50											
F 51											
F 52											
F 53	20.1	3A	560893	RR. JCT. BOX	BACK-UP MONITOR DOOR SOLENOID						
F 54											
F 55	20.1	7.5A	562602	RR. JCT. BOX	BACK-UP MONITOR CAMERA HEATER						
F 56	20.1	7.5A	562602	RR. JCT. BOX	BACK-UP MONITOR CAMERA						
F 57	4.1	1A	560893	RR. JCT. BOX	GENERATOR RUN RELAY						

LOGIC GATE

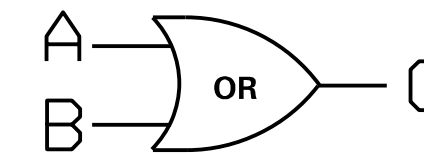
TRUTH TABLE

AND GATE		
		
INPUT		OUT
A	B	C
0	0	0
0	1	0
1	0	0
1	1	1

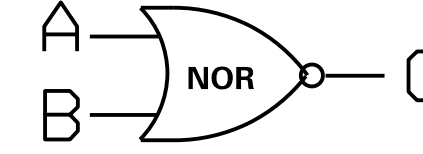
• OUTPUT IS 1 WHEN ALL INPUT IS 1

NAND GATE		
		
INPUT		OUT
A	B	C
0	0	1
0	1	1
1	0	1
1	1	0

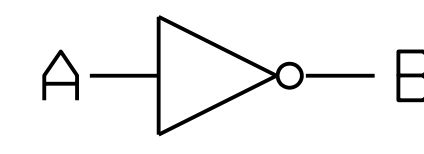
• OUTPUT IS 0 WHEN ALL INPUT IS 0

OR GATE		
		
INPUT		OUT
A	B	C
0	0	0
0	1	1
1	0	1
1	1	1


• OUTPUT IS 1 WHEN EITHER INPUT IS 1


NOR GATE		
		
INPUT		OUT
A	B	C
0	0	1
0	1	0
1	0	0
1	1	0

• OUTPUT IS 1 WHEN NONE INPUT IS 1

NOT GATE		
		
INPUT	A	OUT
B		
	0	1
	1	0

• OUTPUT IS REVERSE OF INPUT

ON-DELAY	
	
XX SECOND AFTER A=1 THAN B=1	

OFF-DELAY	
	
XX SECOND AFTER A=0 THAN B=0	

INPUT OR OUTPUT LEVEL

LEVEL 1 = 12 VOLTS OR 24 VOLTS

LEVEL 0 = 0 VOLT (TO GROUND)

LOGIC GATE

TRUTH TABLE

AND GATE		
INPUT		OUT
A	B	C
0	0	0
0	1	0
1	0	0
1	1	1

• OUTPUT IS 1 WHEN ALL INPUT IS 1

NAND GATE		
INPUT		OUT
A	B	C
0	0	1
0	1	1
1	0	1
1	1	0

• OUTPUT IS 0 WHEN ALL INPUT IS 0

OR GATE		
INPUT		OUT
A	B	C
0	0	0
0	1	1
1	0	1
1	1	1

• OUTPUT IS 1 WHEN EITHER INPUT IS 1

NOR GATE		
INPUT		OUT
A	B	C
0	0	1
0	1	0
1	0	0
1	1	0

• OUTPUT IS 1 WHEN NONE INPUT IS 1

NOT GATE		
INPUT	OUT	
A	B	
0	1	
1	0	

• OUTPUT IS REVERSE OF INPUT

ON-DELAY	
XX SECOND AFTER A=1 THAN B=1	

OFF-DELAY	
XX SECOND AFTER A=0 THAN B=0	

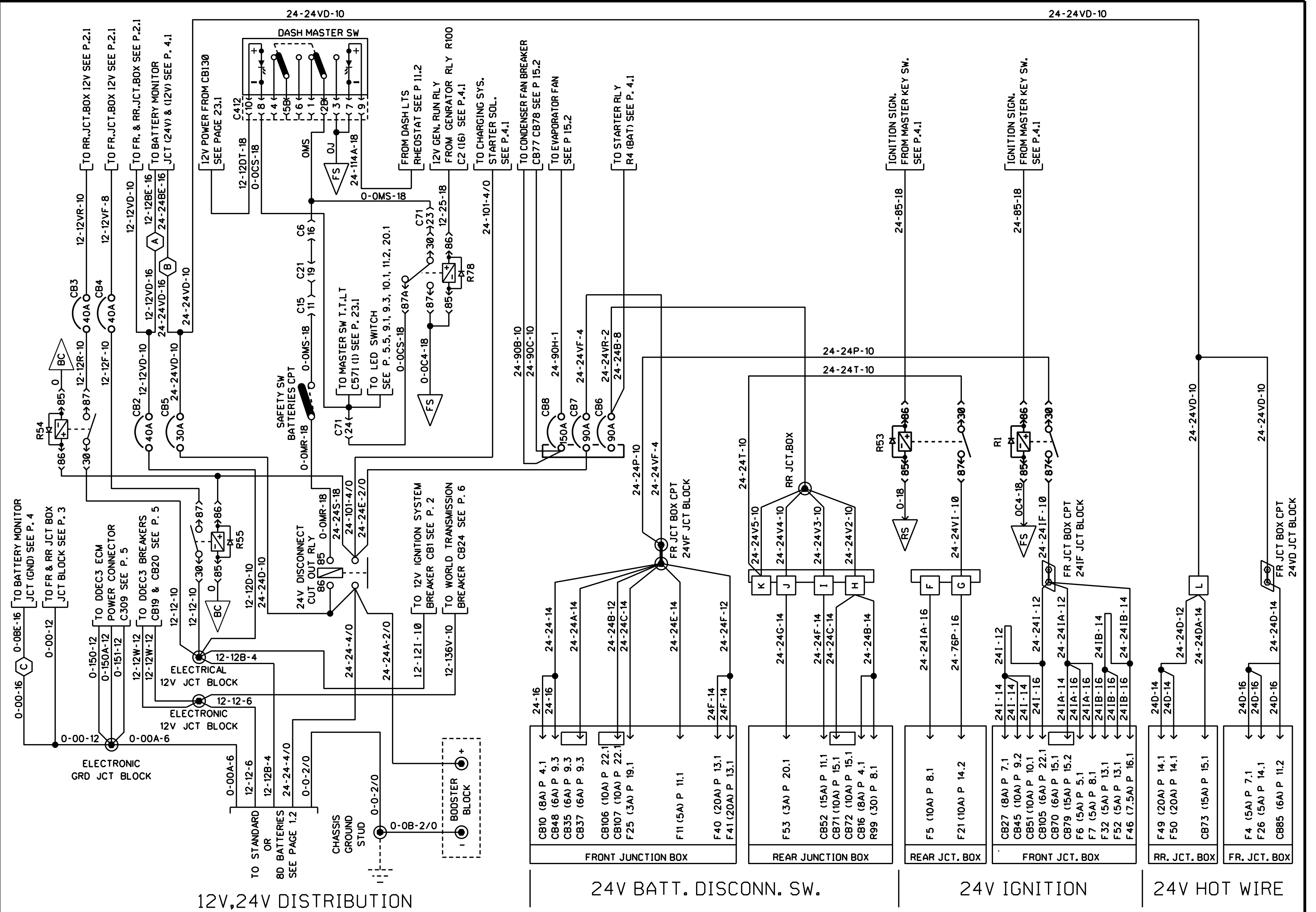
POSITIVE INPUT	
INPUT CONNECTED WITH SIGNAL 12 VOLTS OR 24 VOLTS WHEN ACTIVATING	

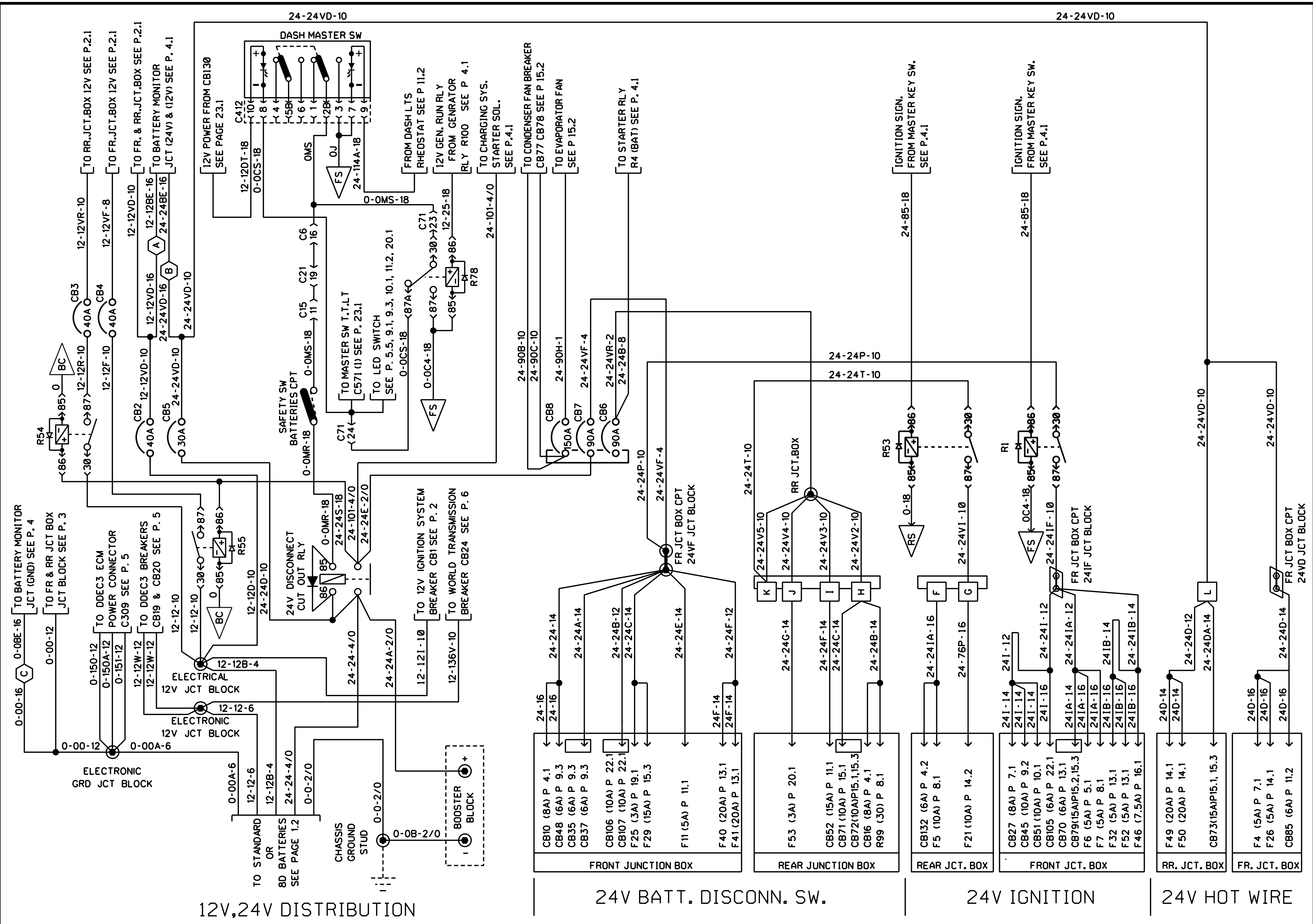
SINKING INPUT	
INPUT CONNECTED WITH SIGNAL GROUND WHEN ACTIVATING	

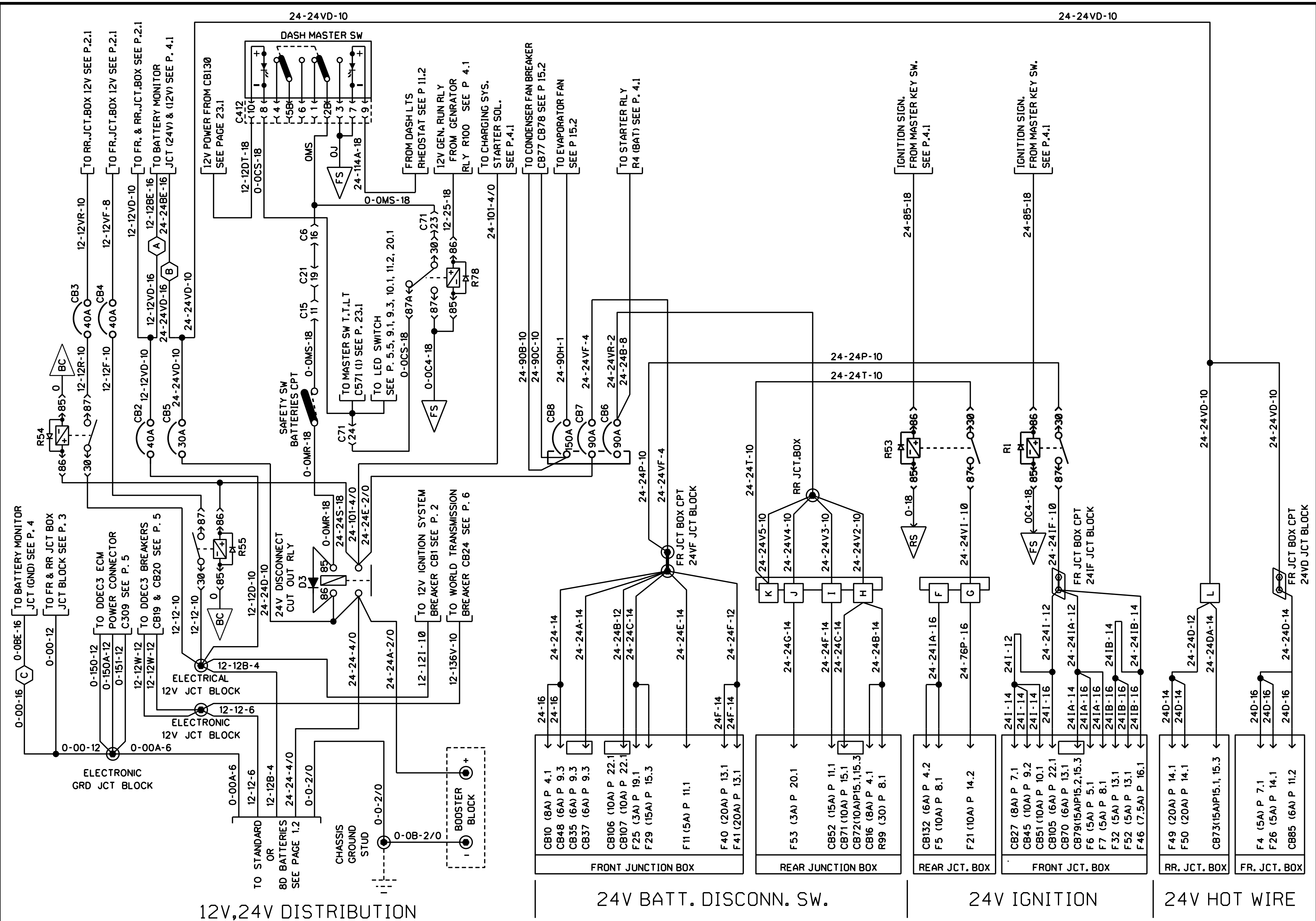
INPUT OR OUTPUT LEVEL

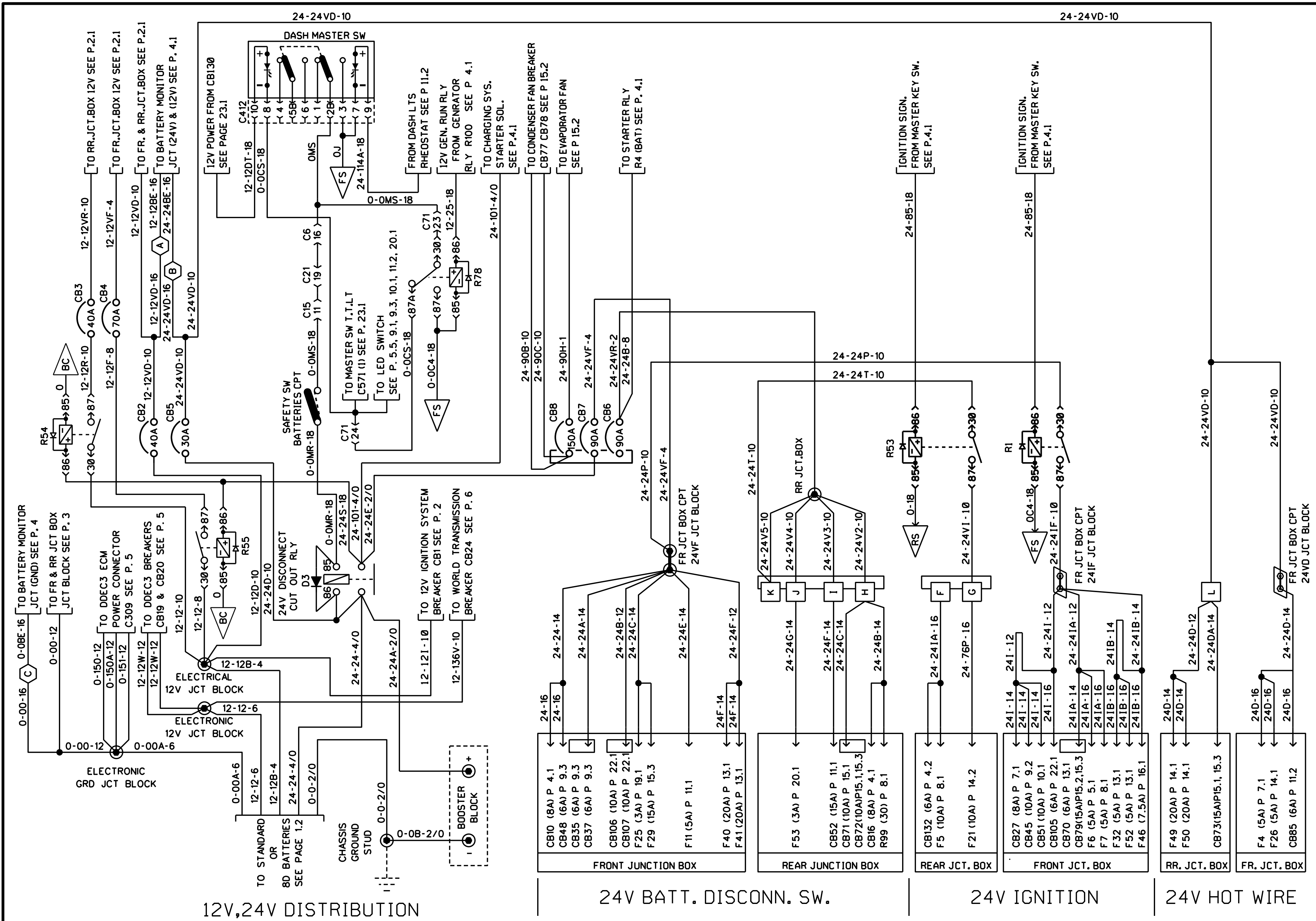
LEVEL 1 = 12 VOLTS OR 24 VOLTS

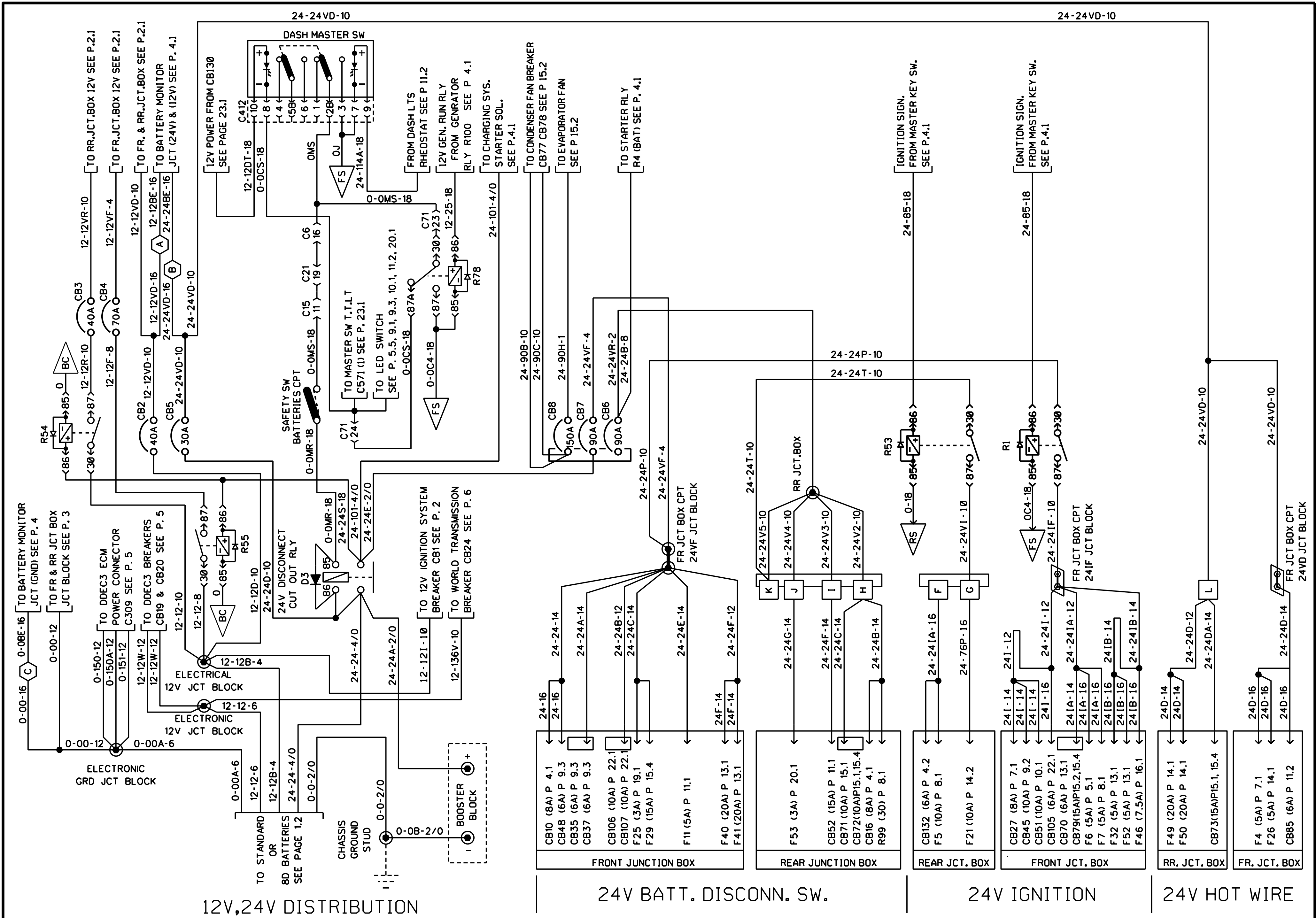
LEVEL 0 = 0 VOLT (TO GROUND)

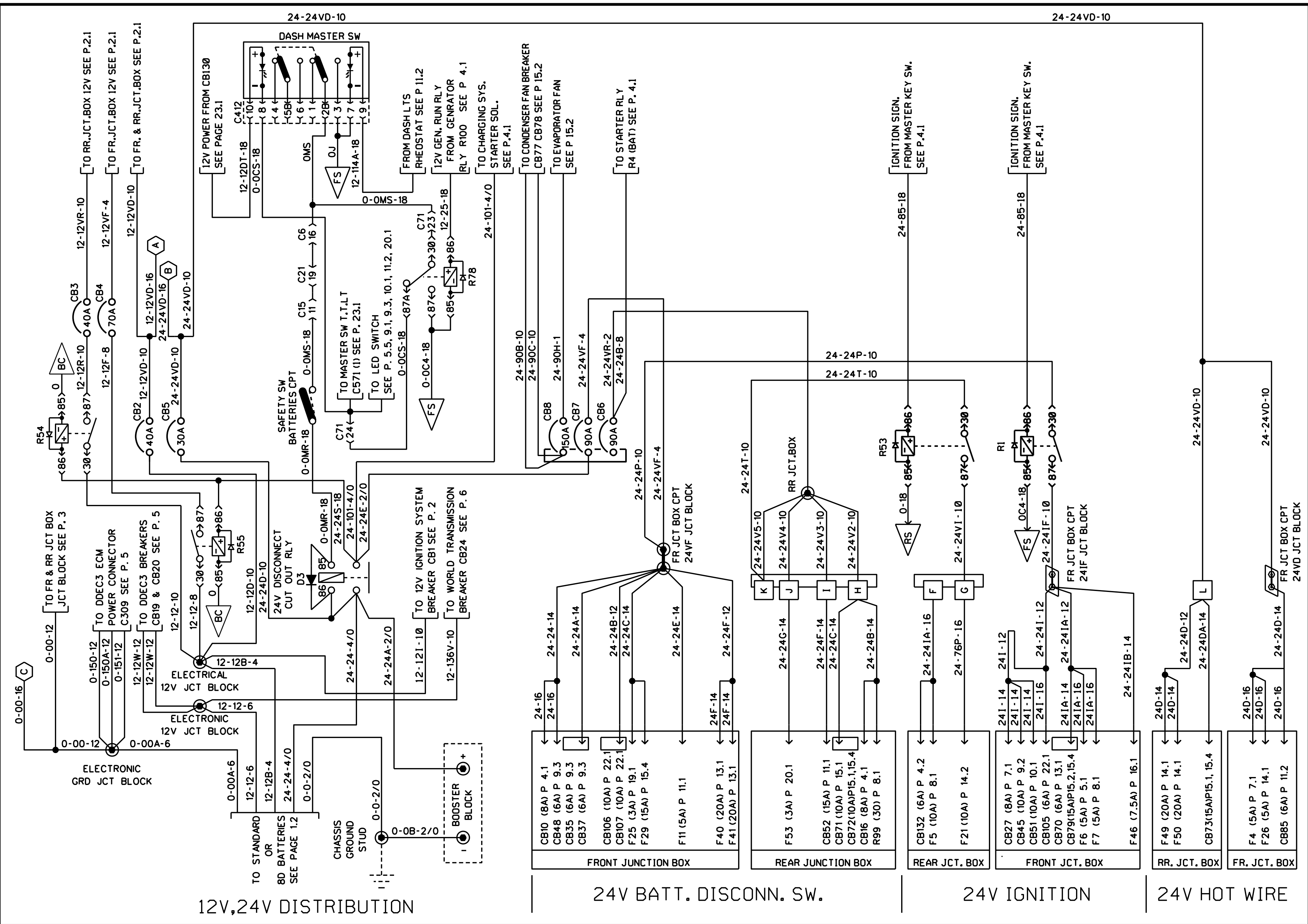


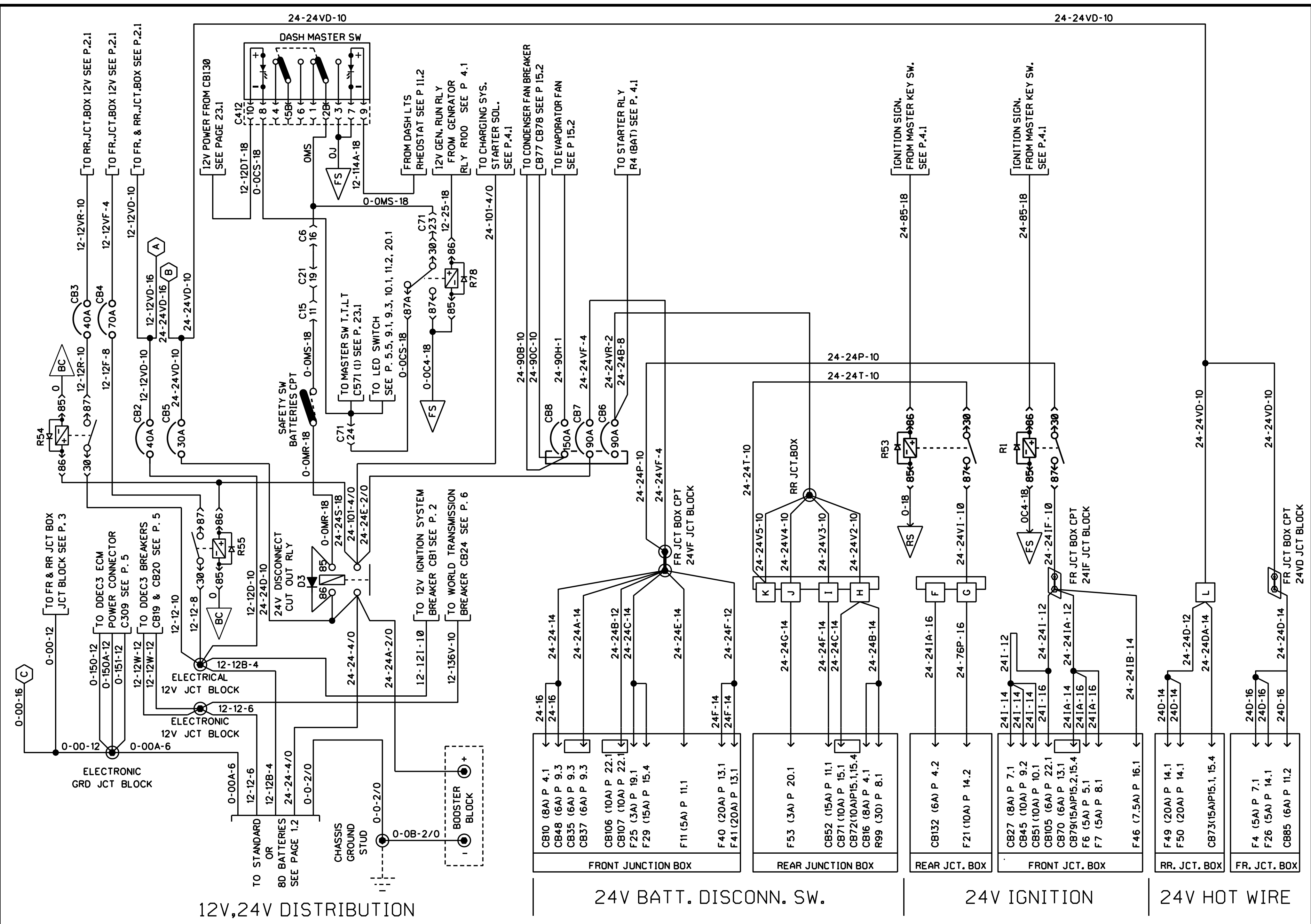


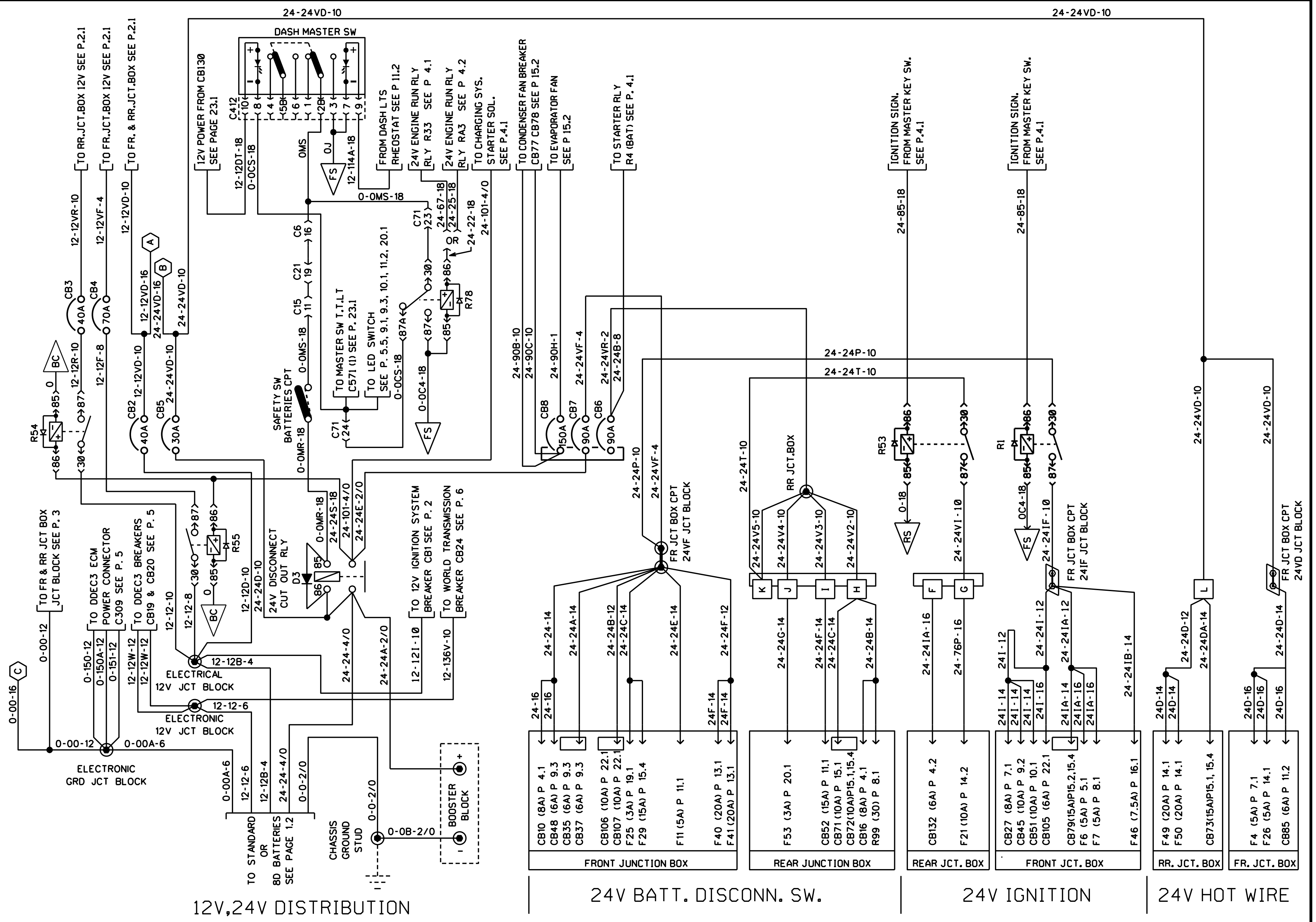


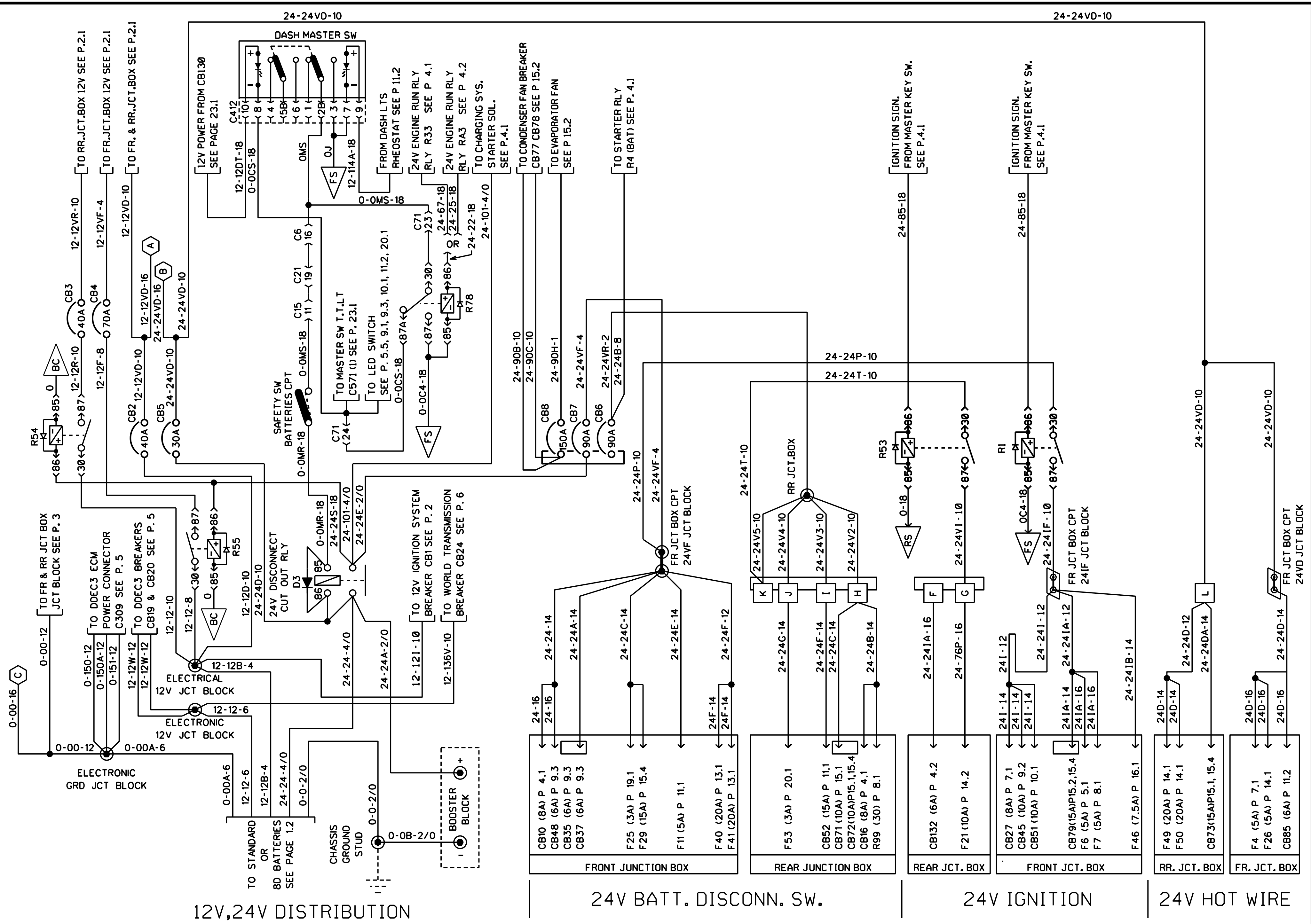


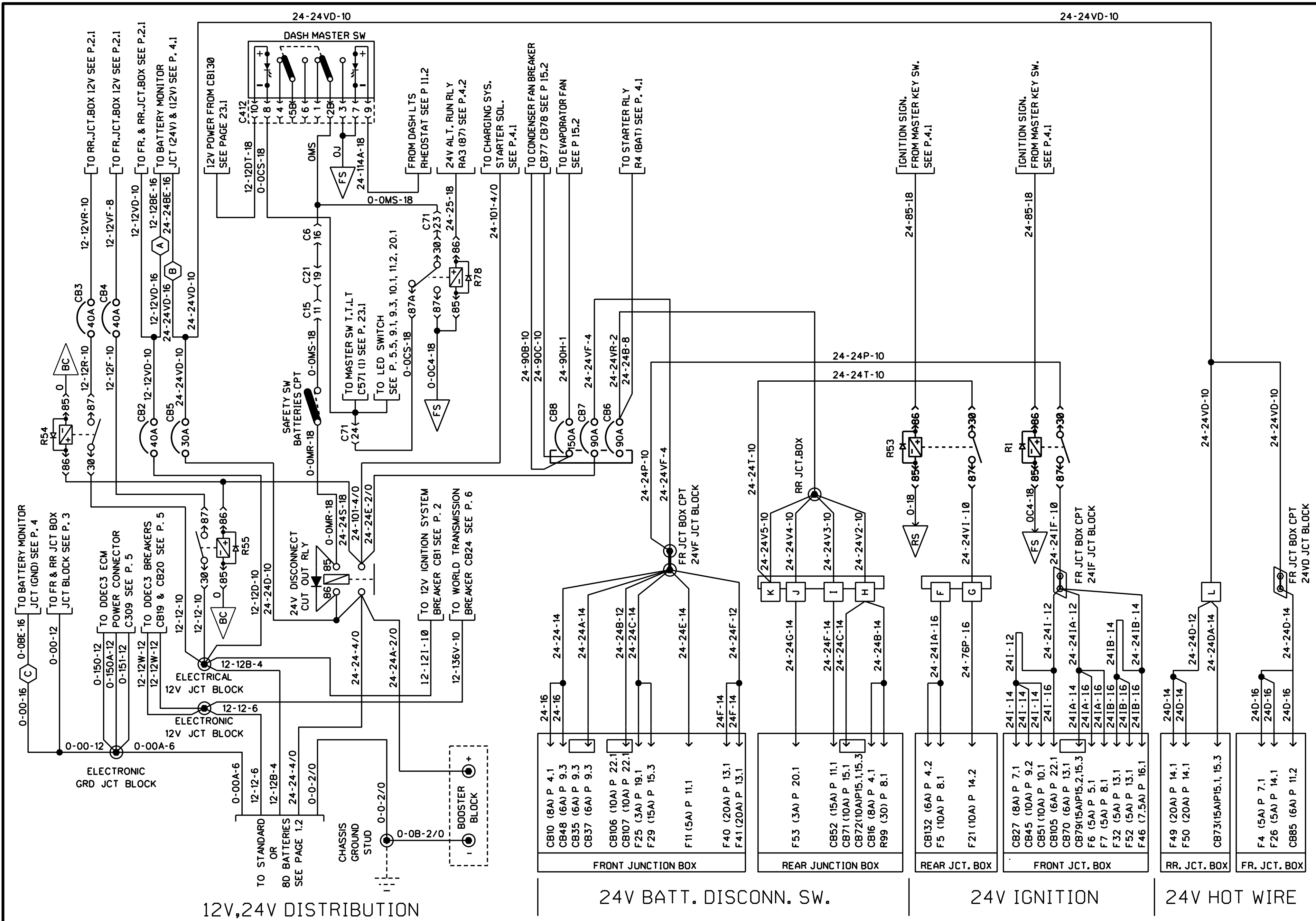


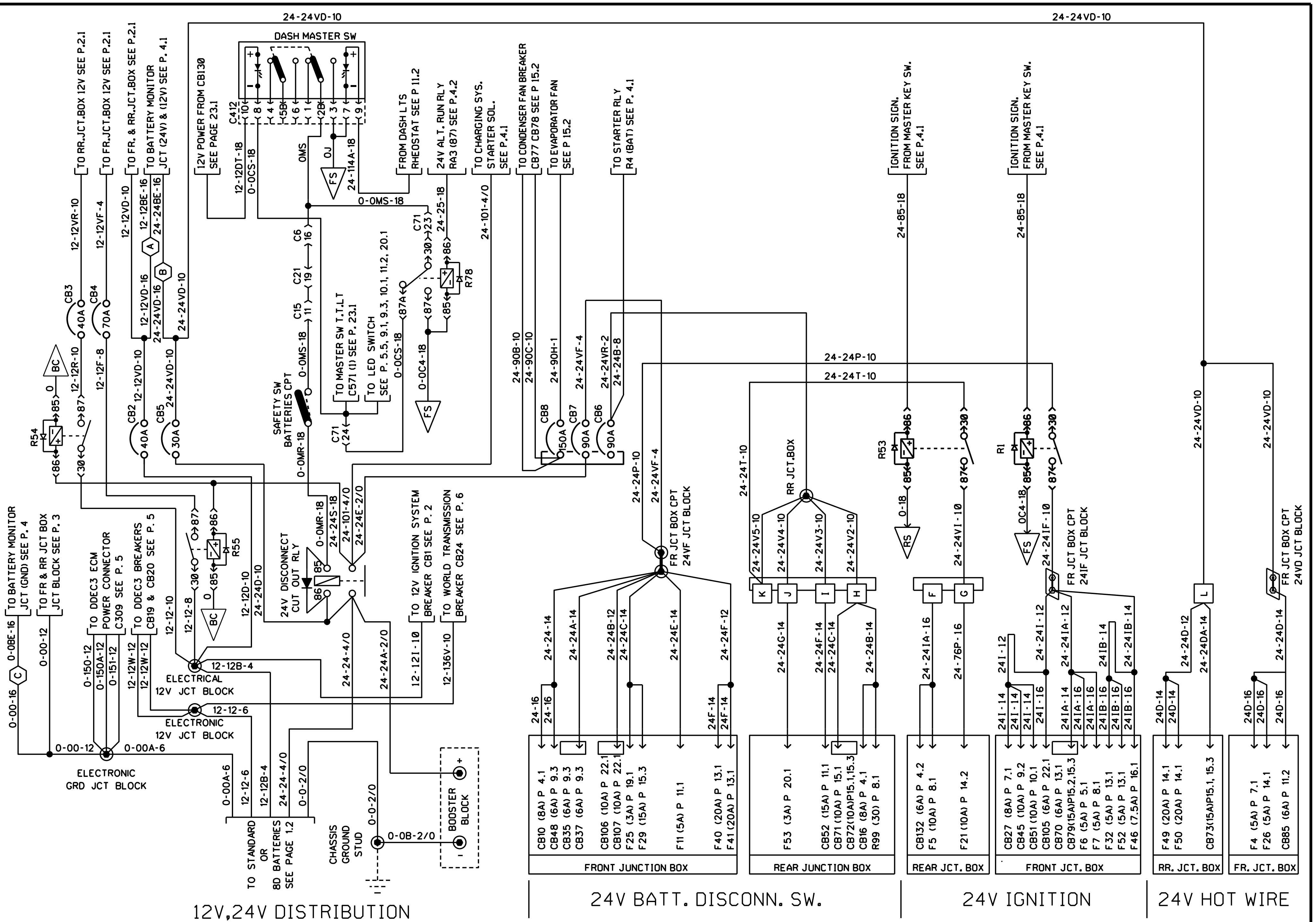


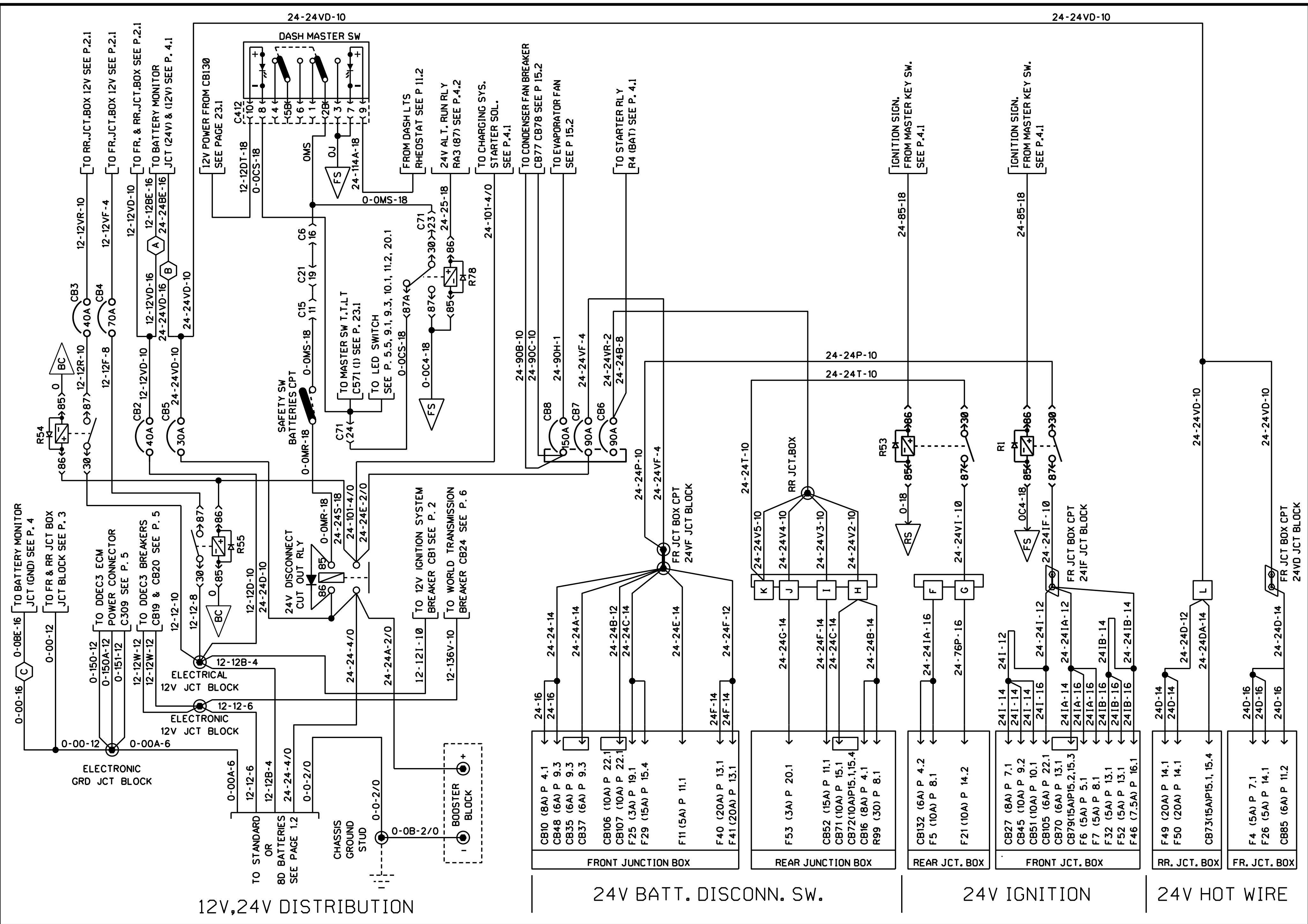


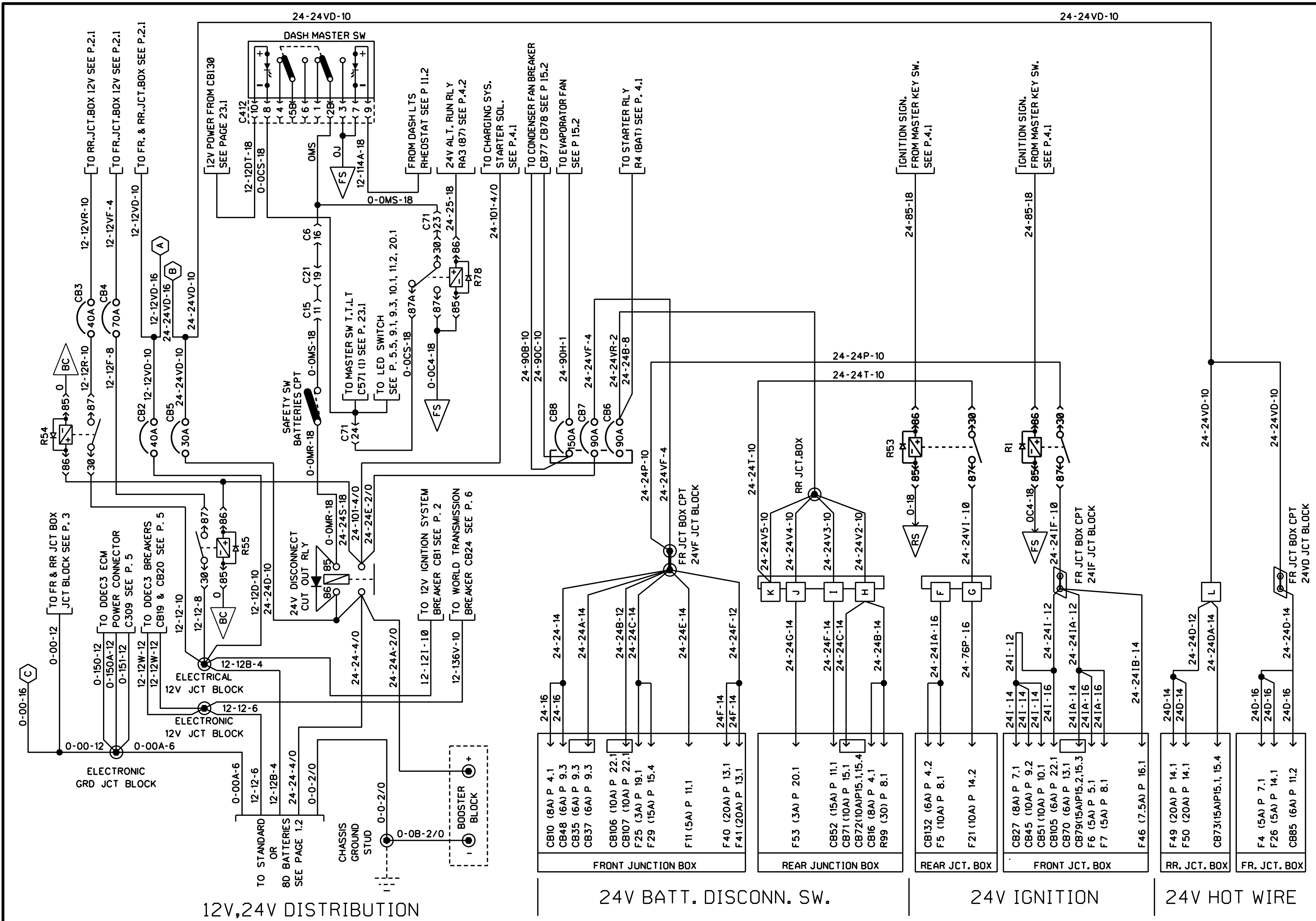


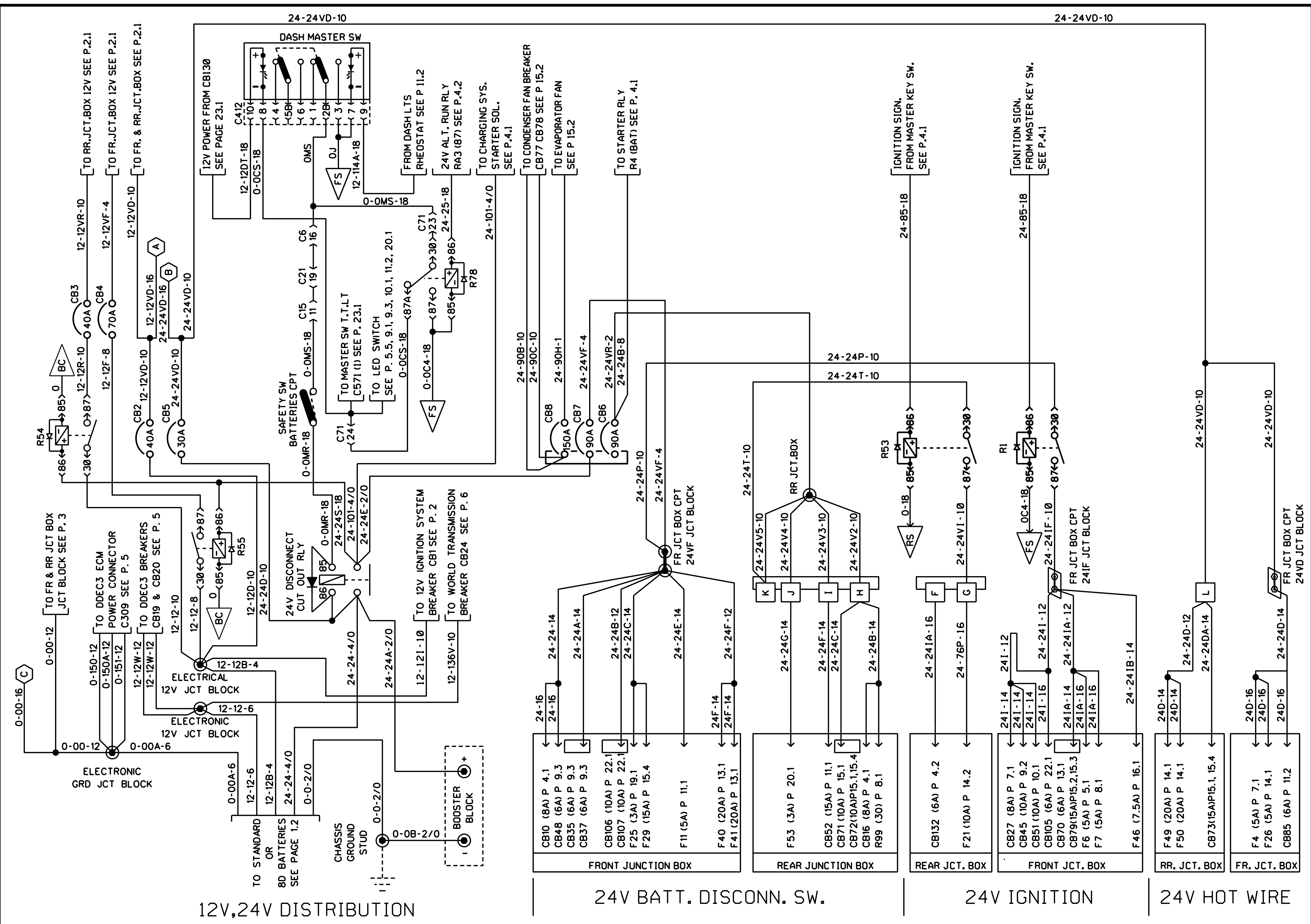


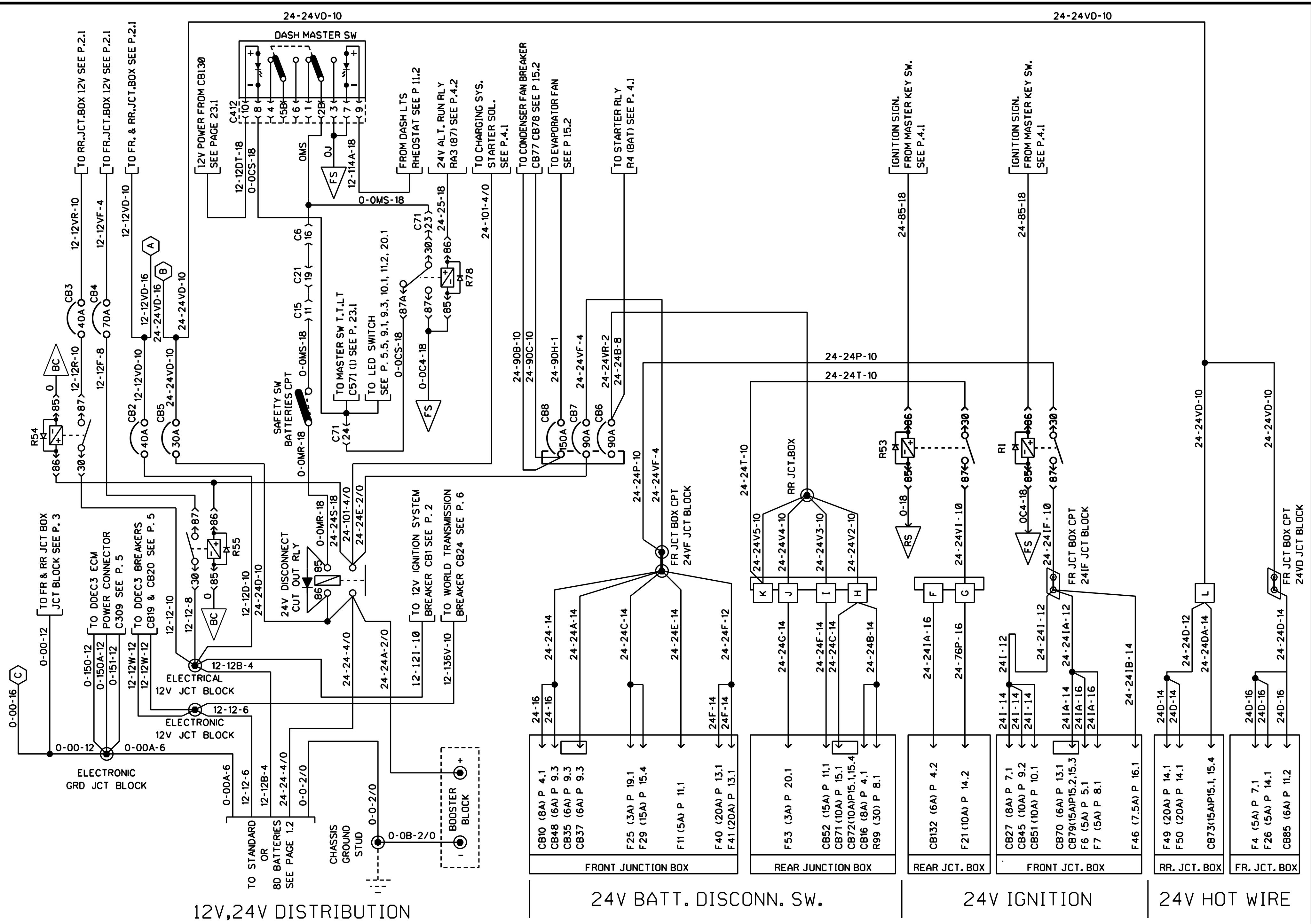


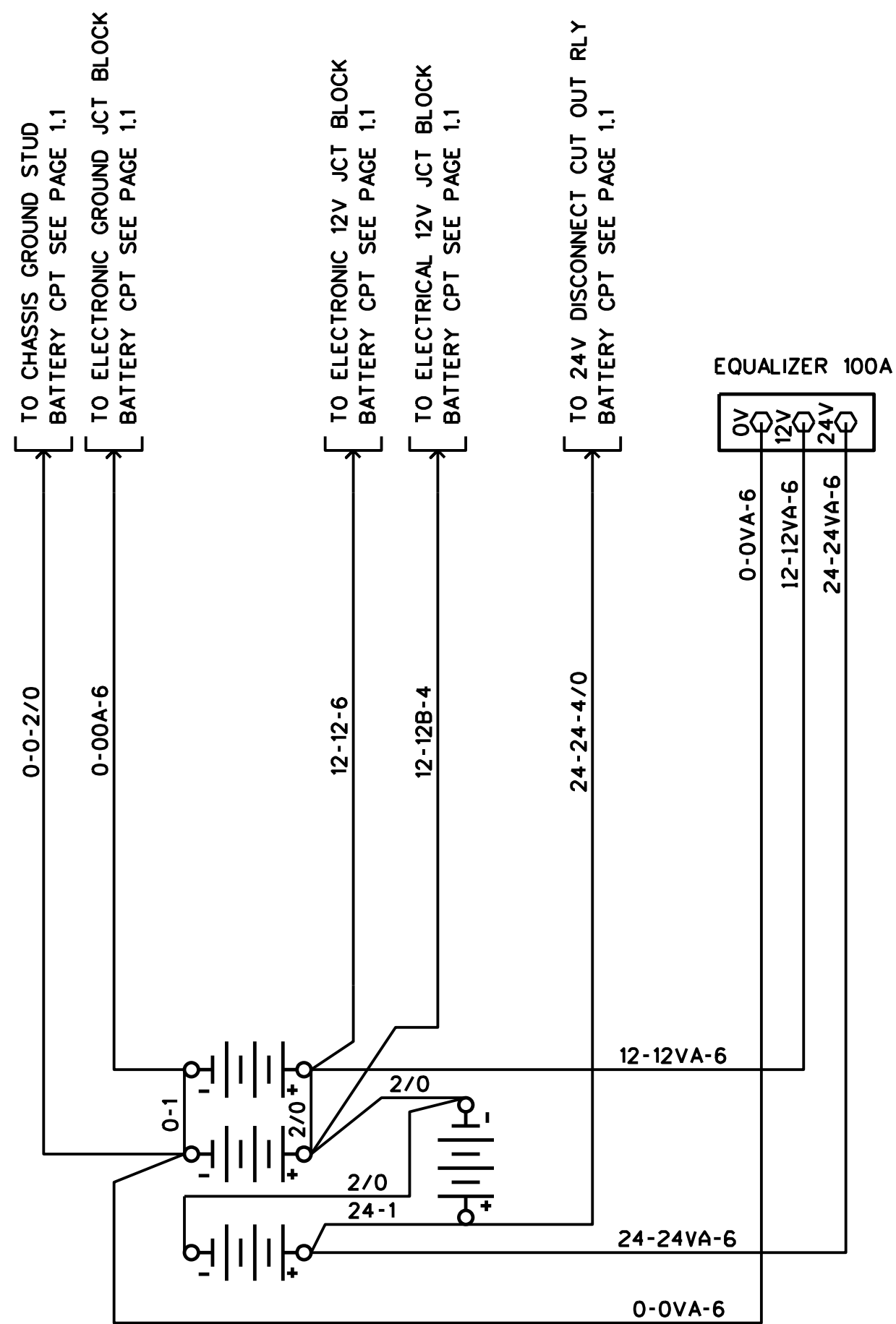




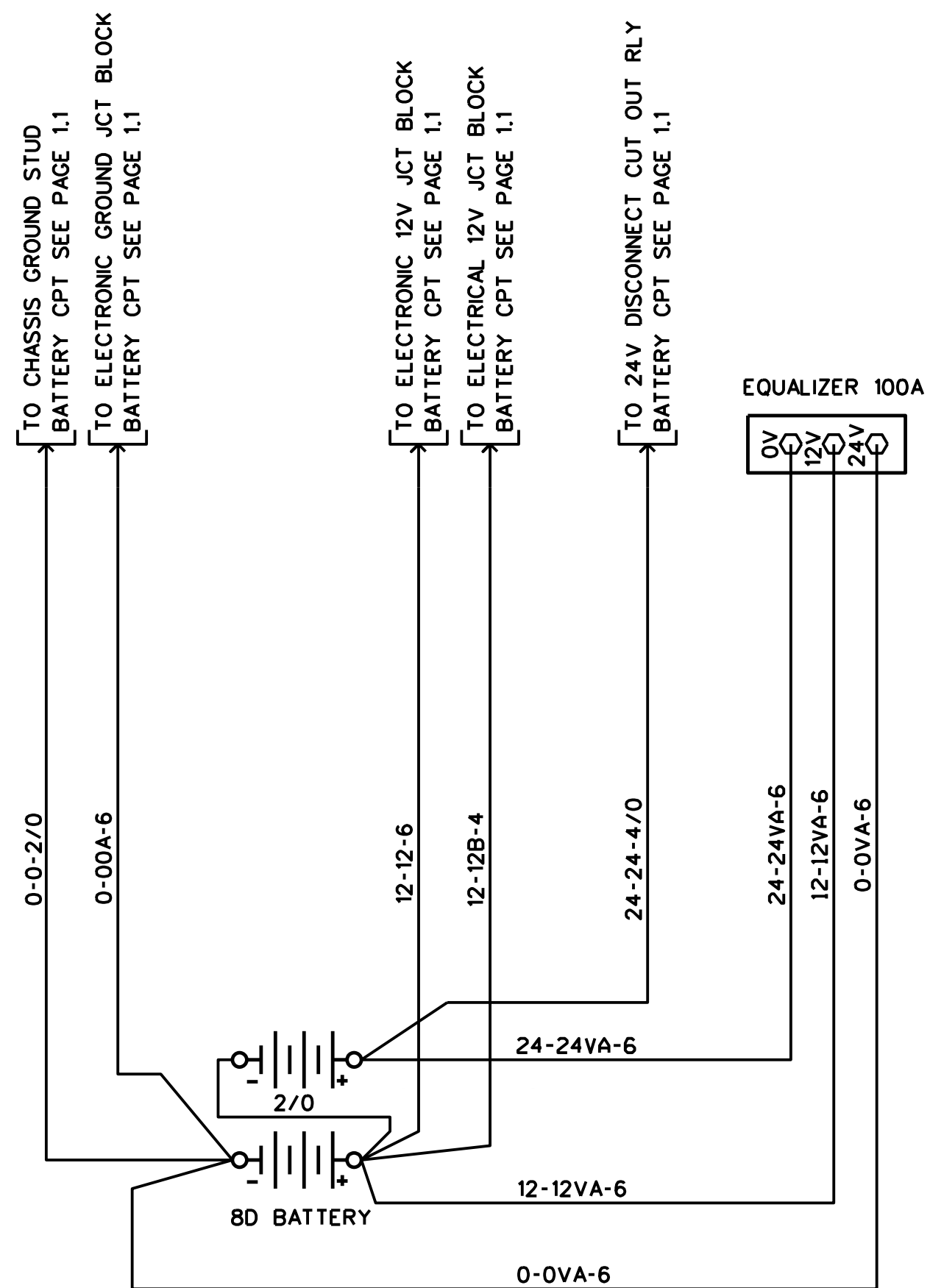




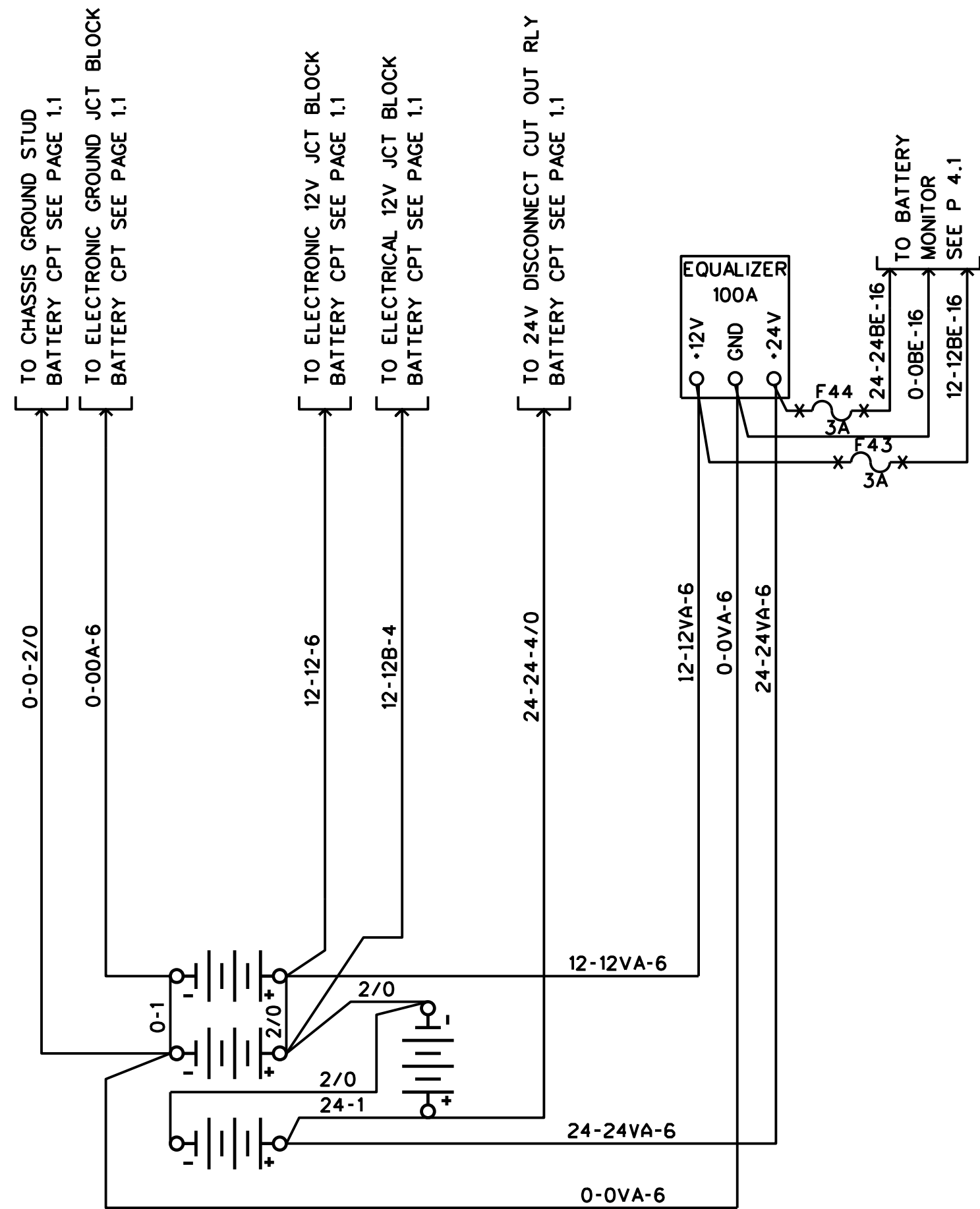




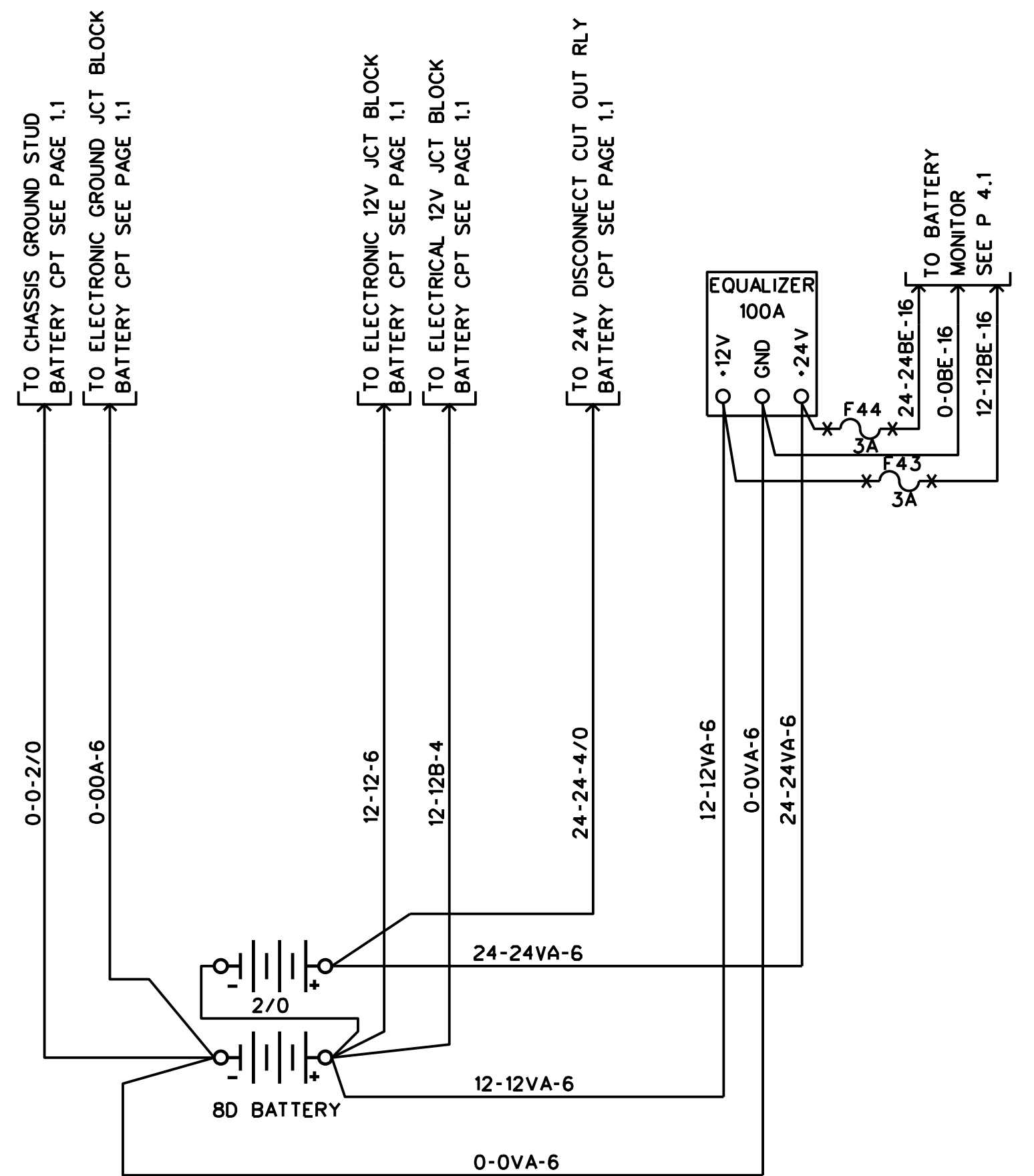
STANDARD BATTERIES



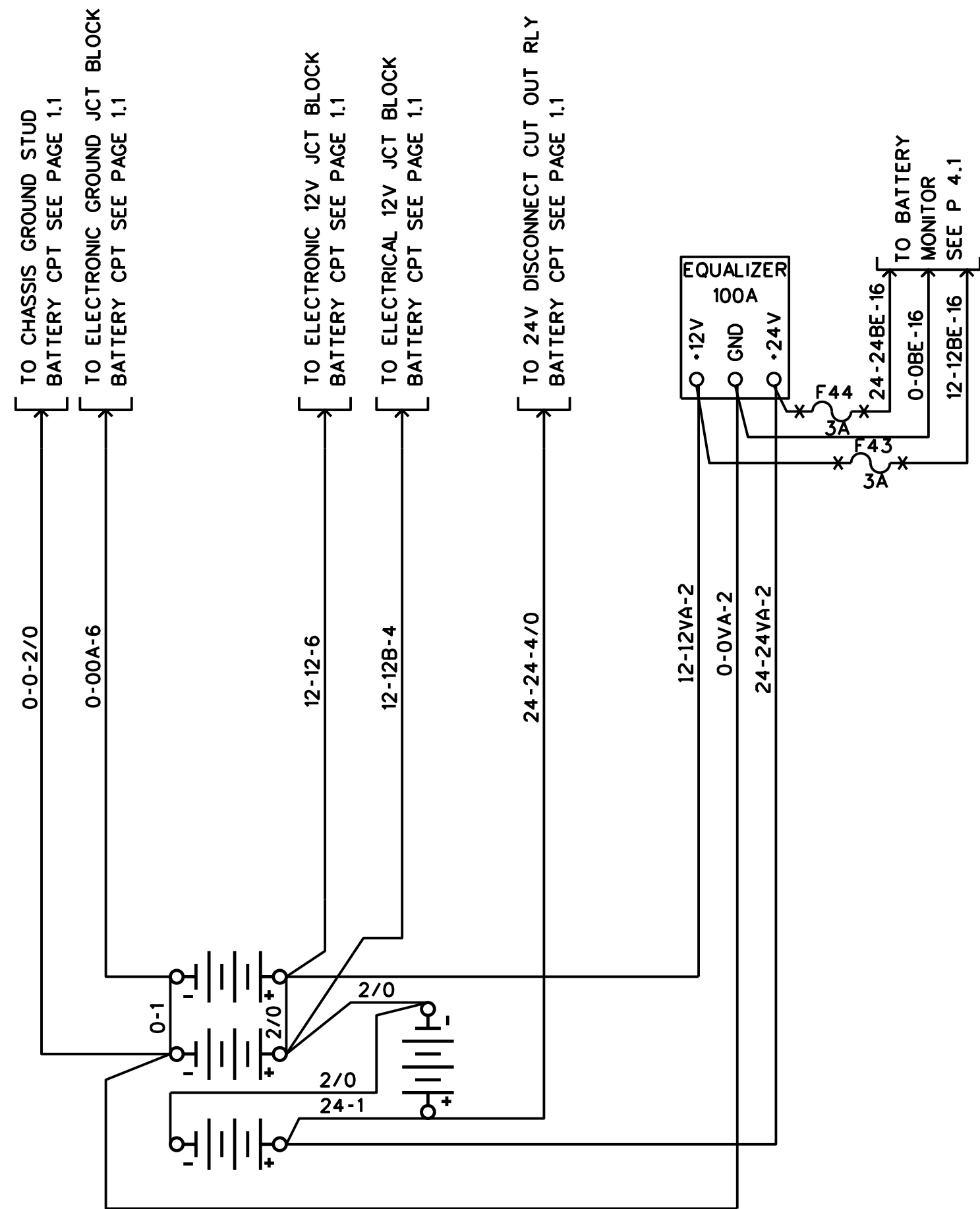
8D BATTERIES



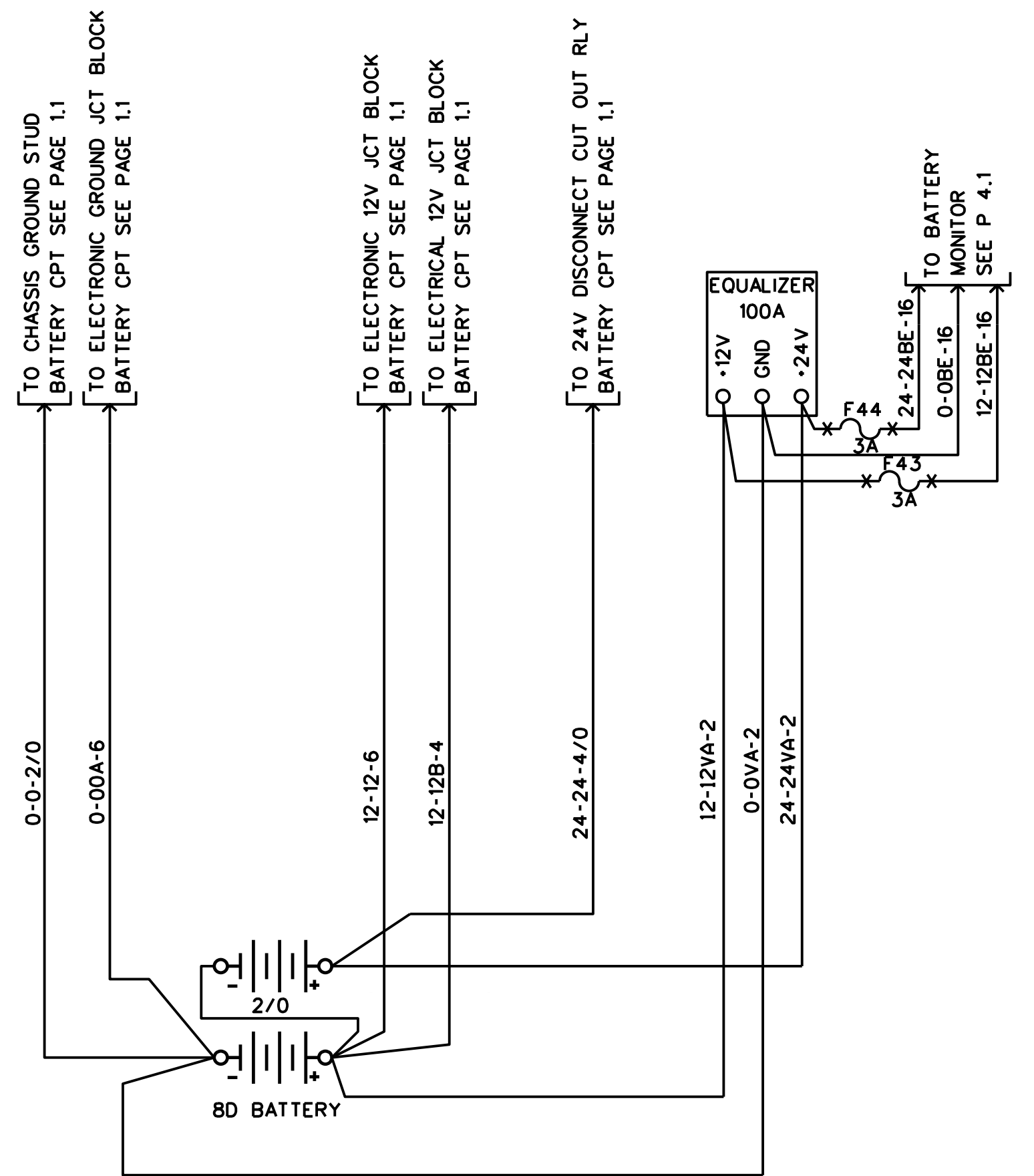
STANDARD BATTERIES



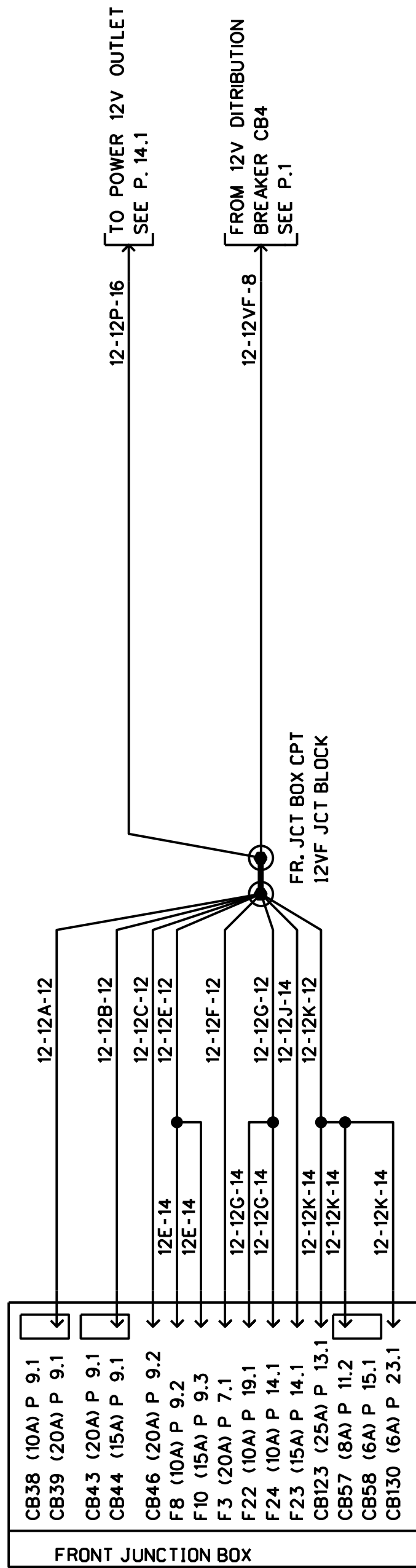
8D BATTERIES



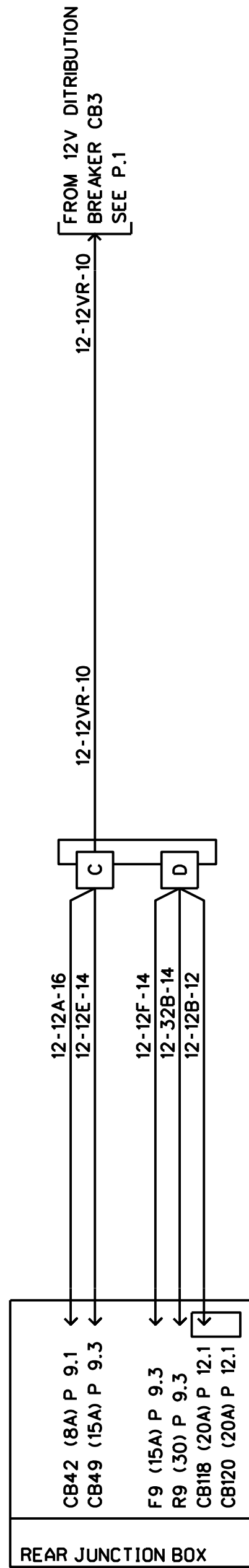
STANDARD BATTERIES



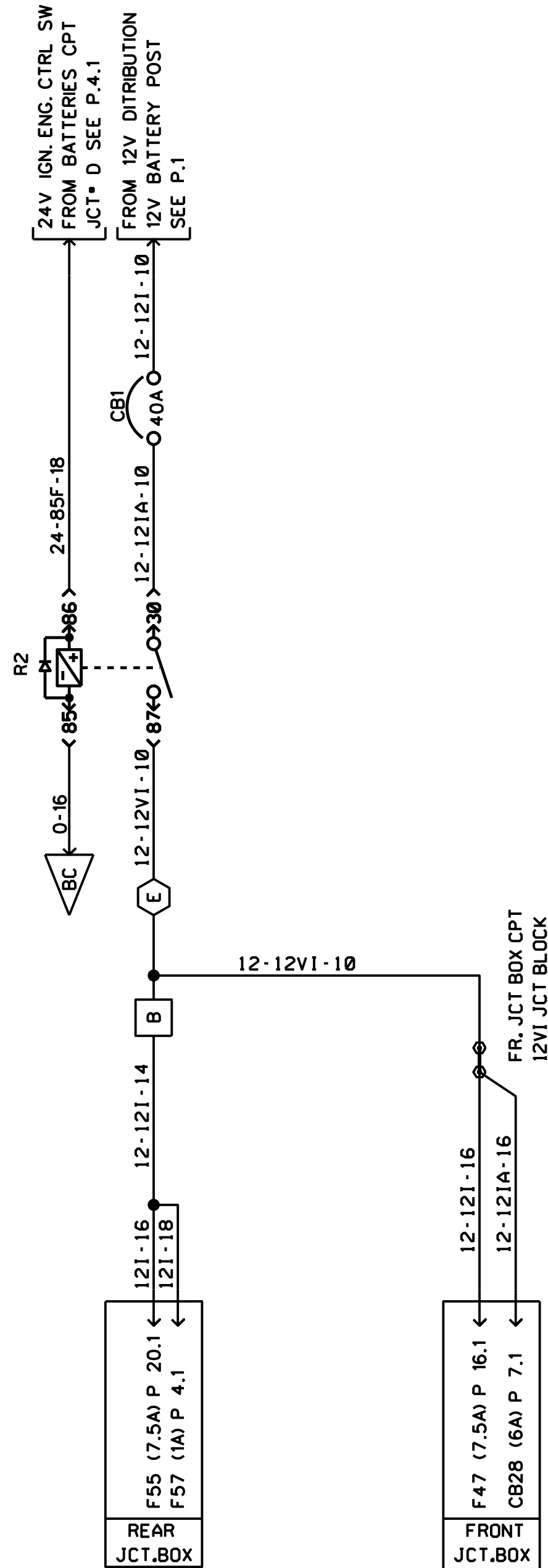
8D BATTERIES



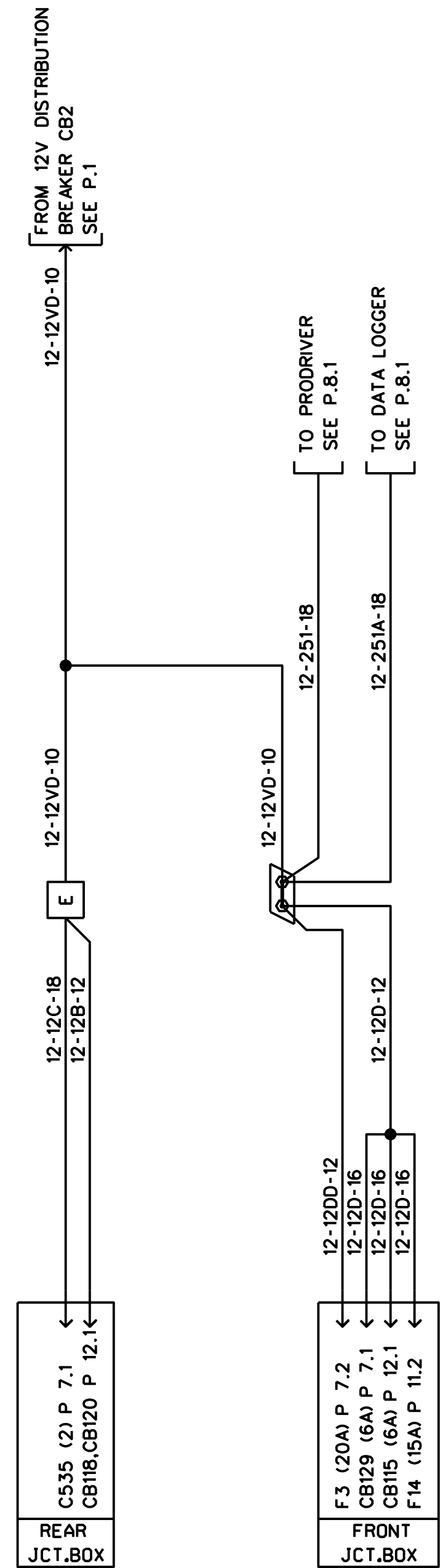
12V BATT. DISCONN. SW.

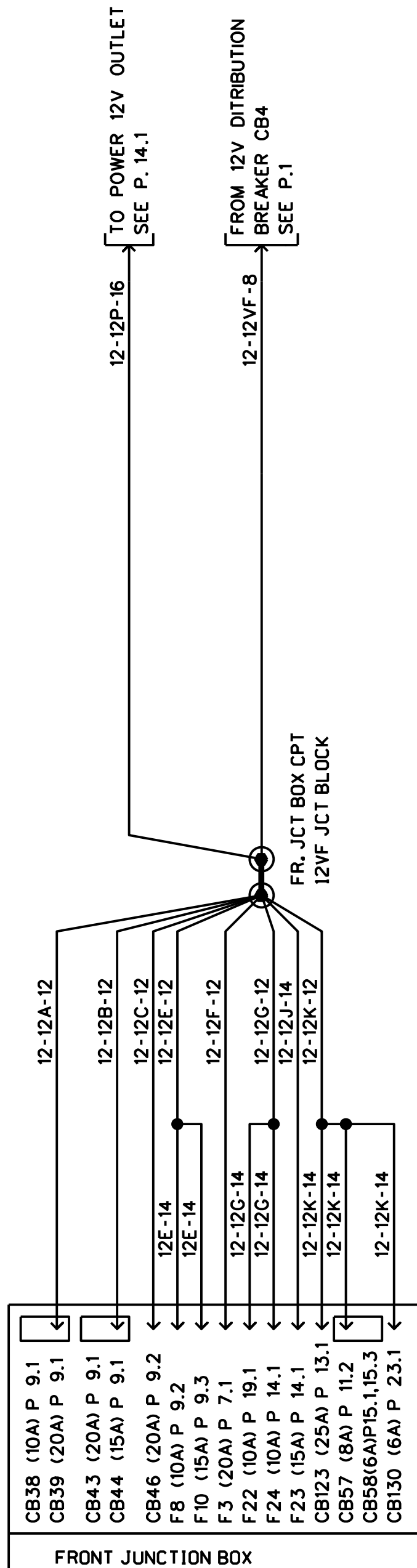


12V IGNITION

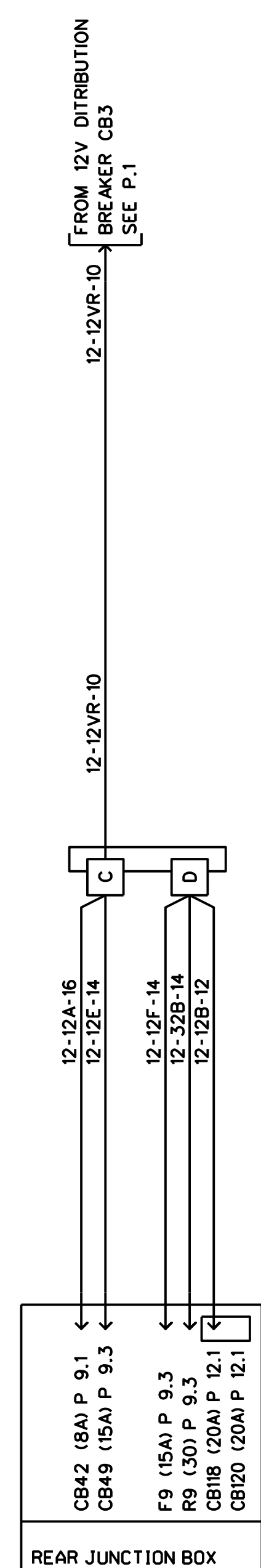


12V HOT WIRE

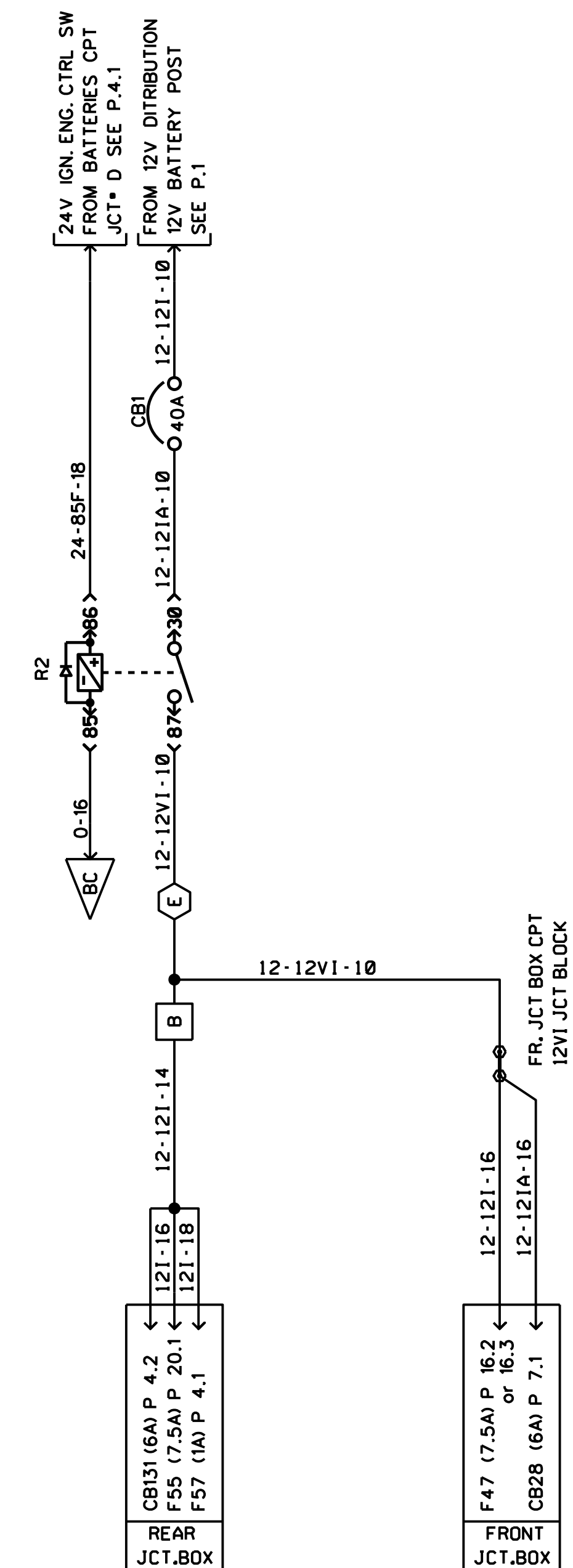




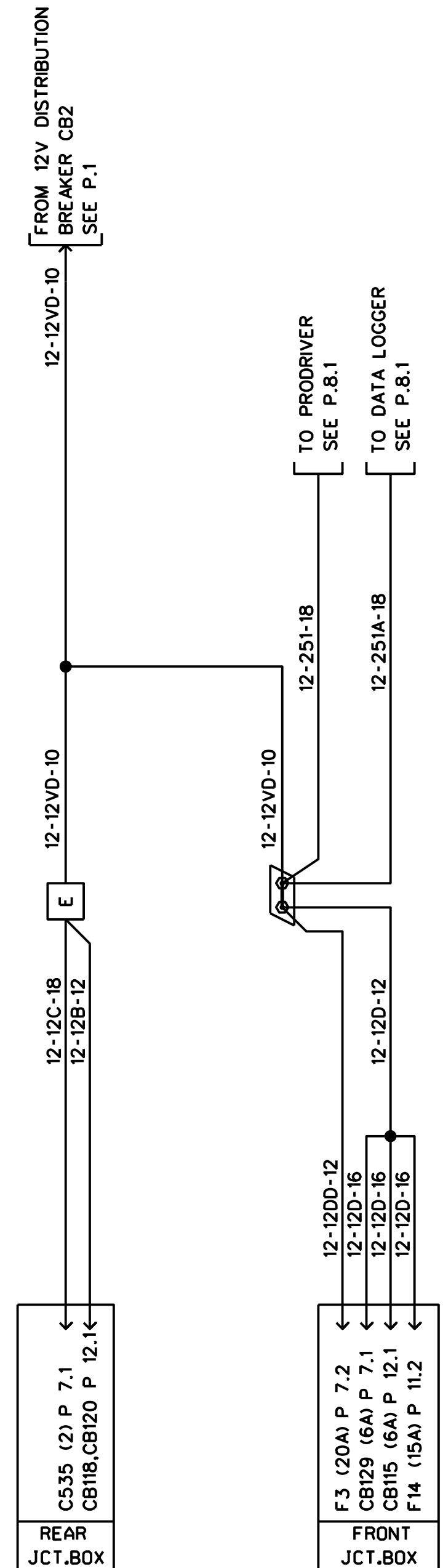
12V BATT. DISCONN. SW.

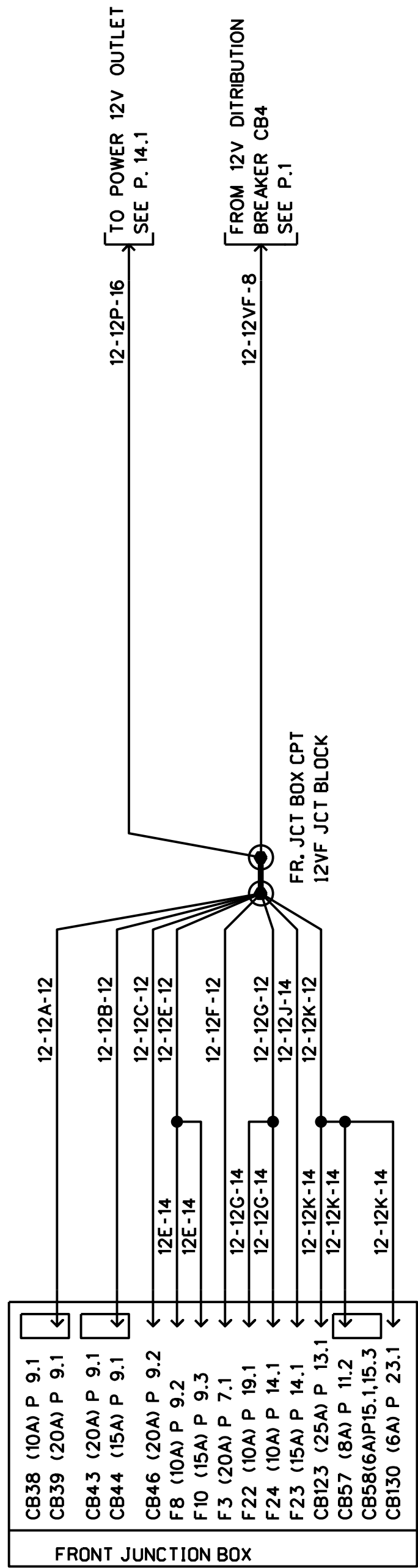


12V IGNITION

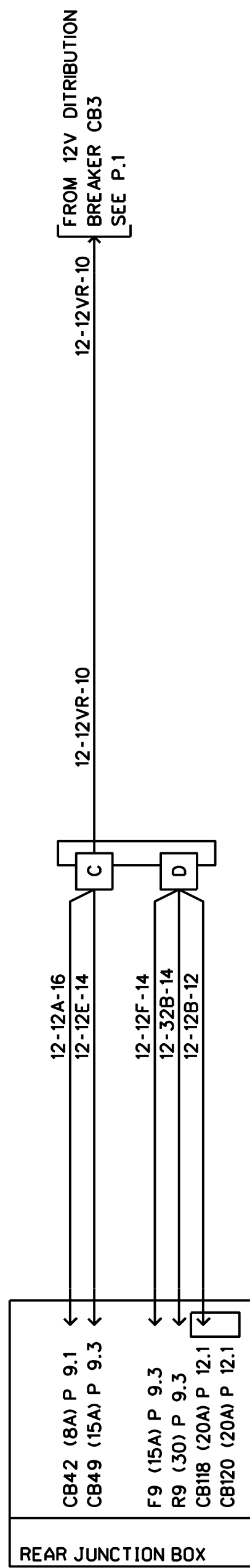


12V HOT WIRE

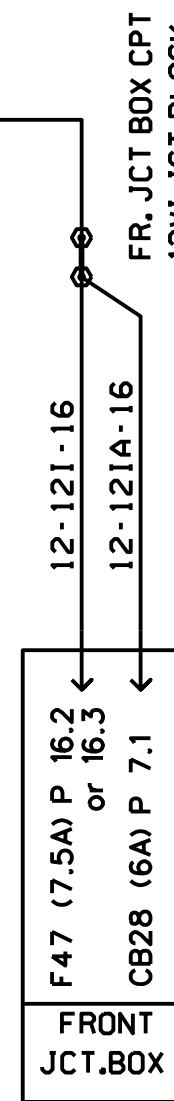




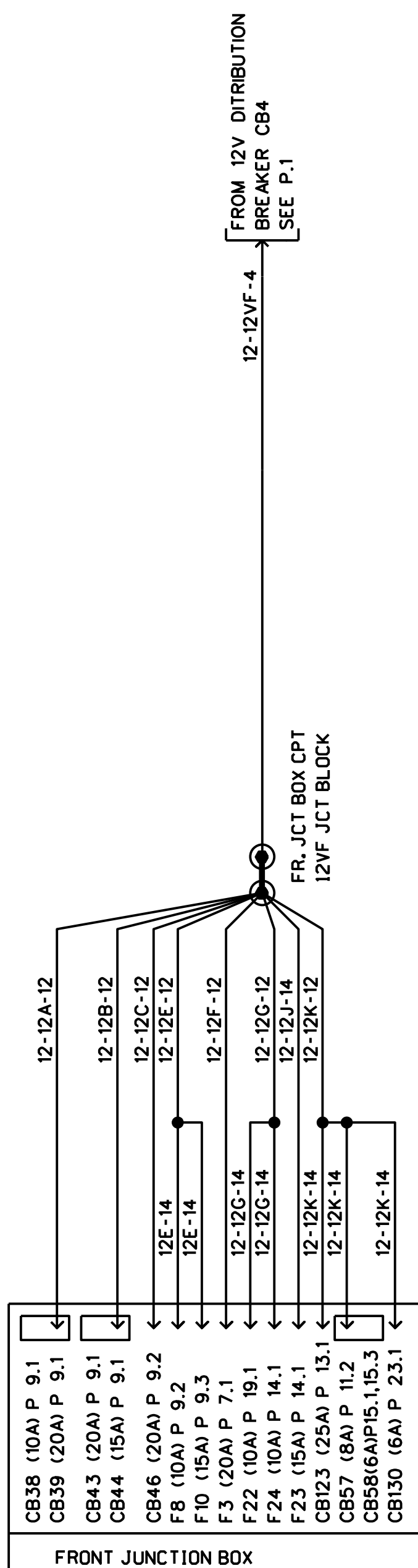
12V BATT. DISCONN. SW.



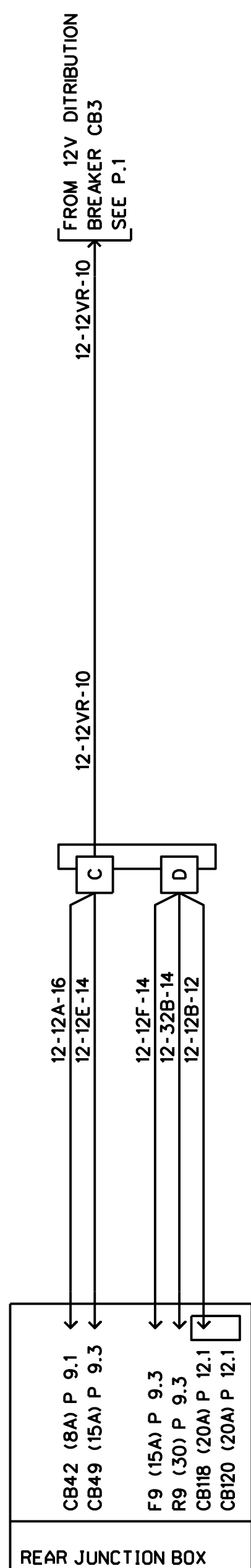
12V IGNITION



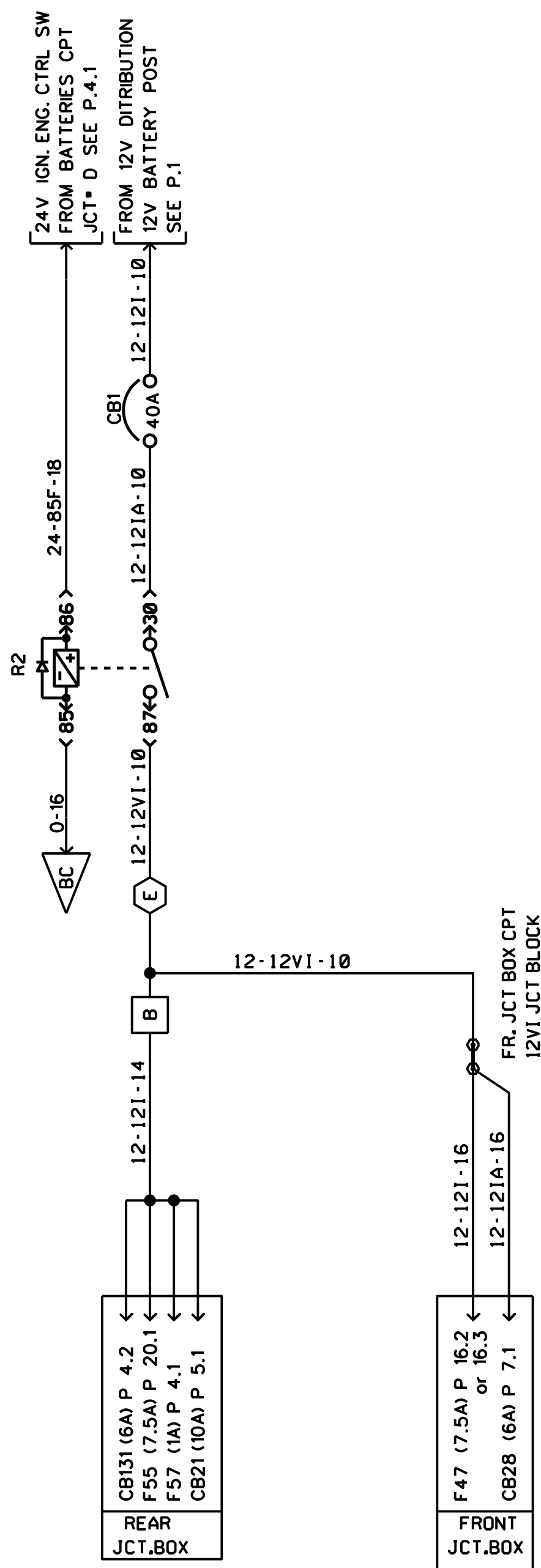
12V HOT WIRE



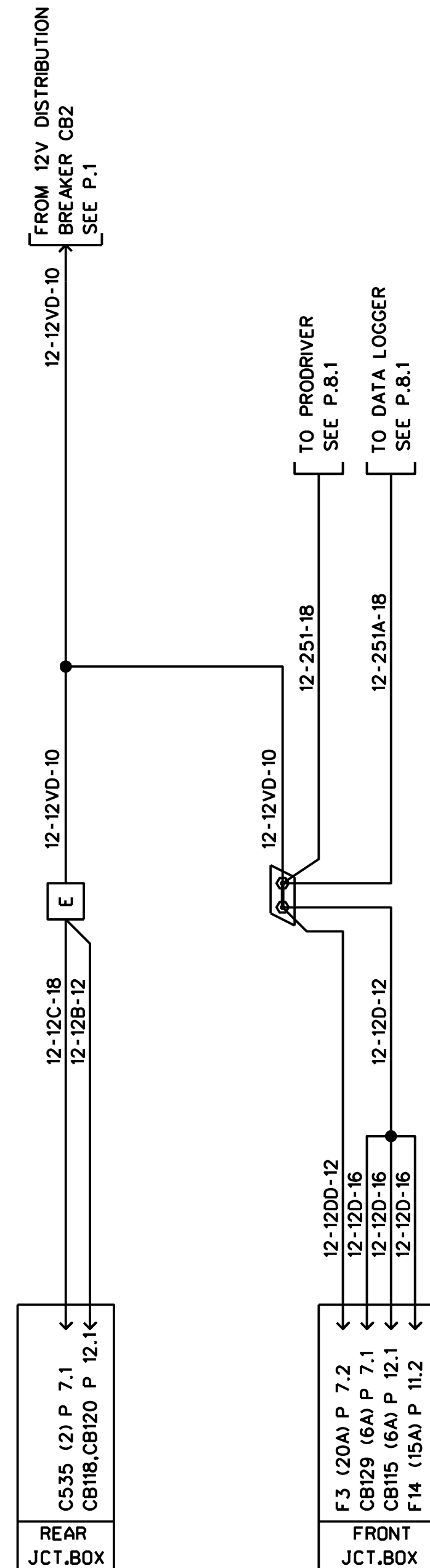
12V BATT. DISCONN. SW.

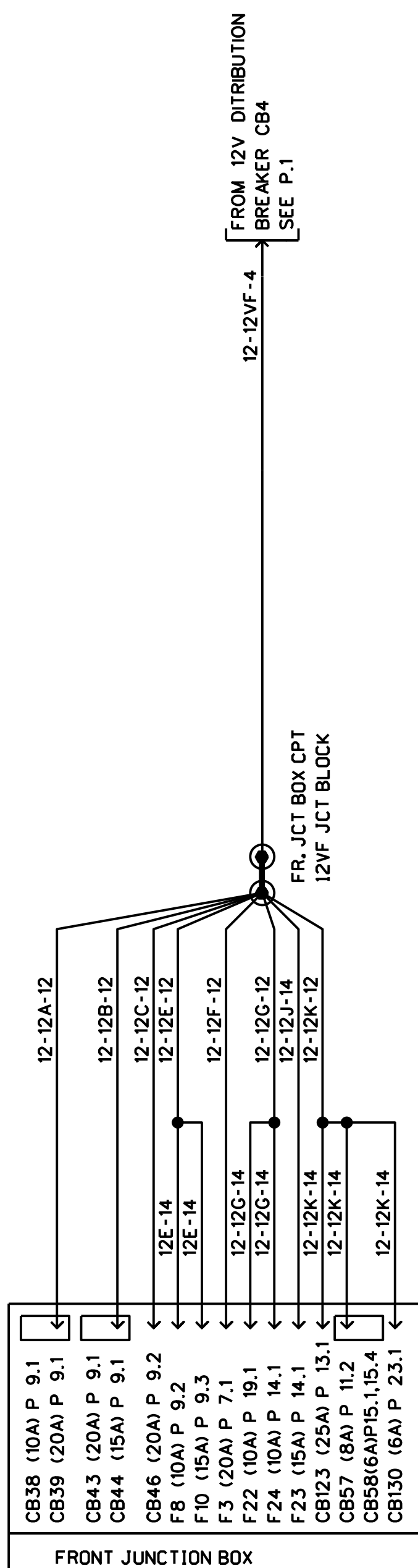


12V IGNITION

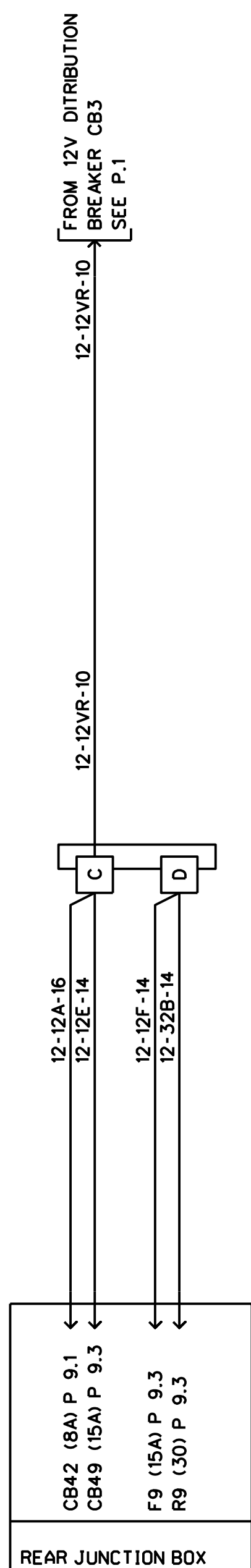


12V HOT WIRE

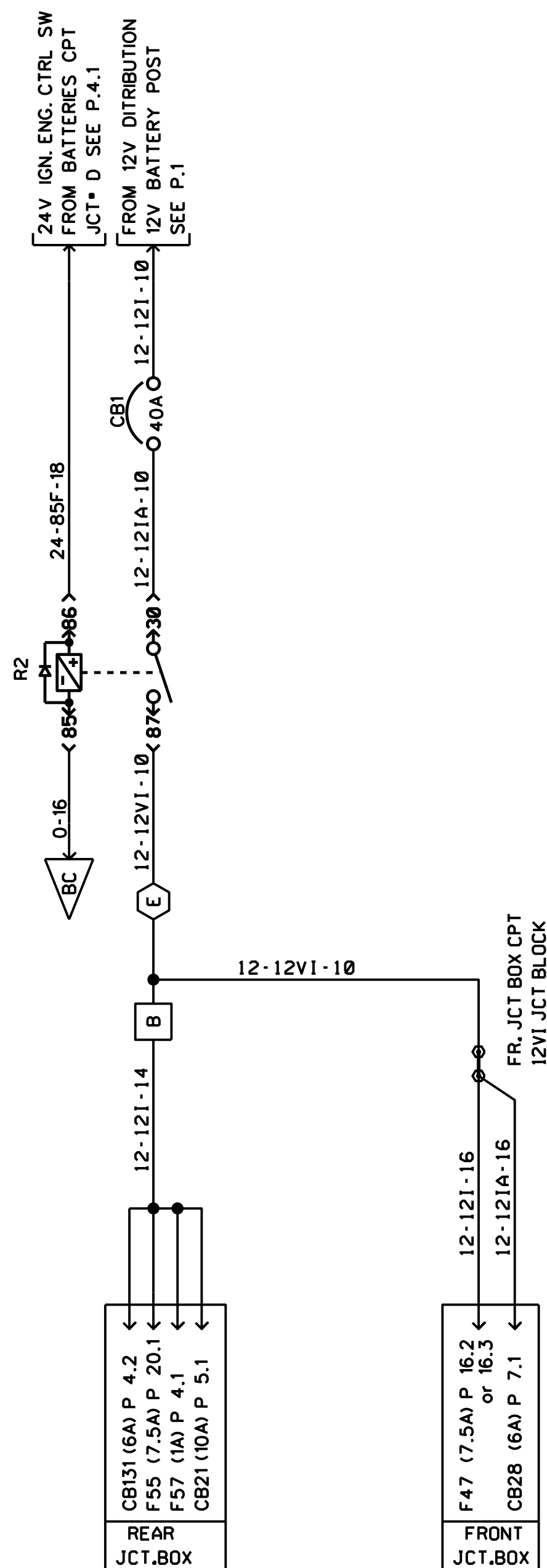




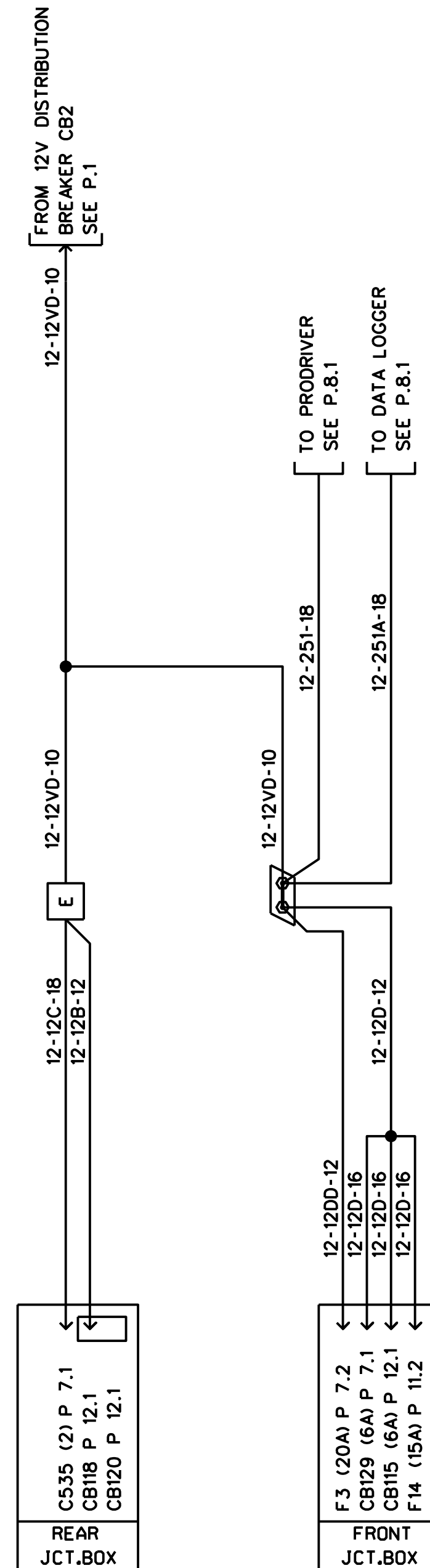
12V BATT. DISCONN. SW.



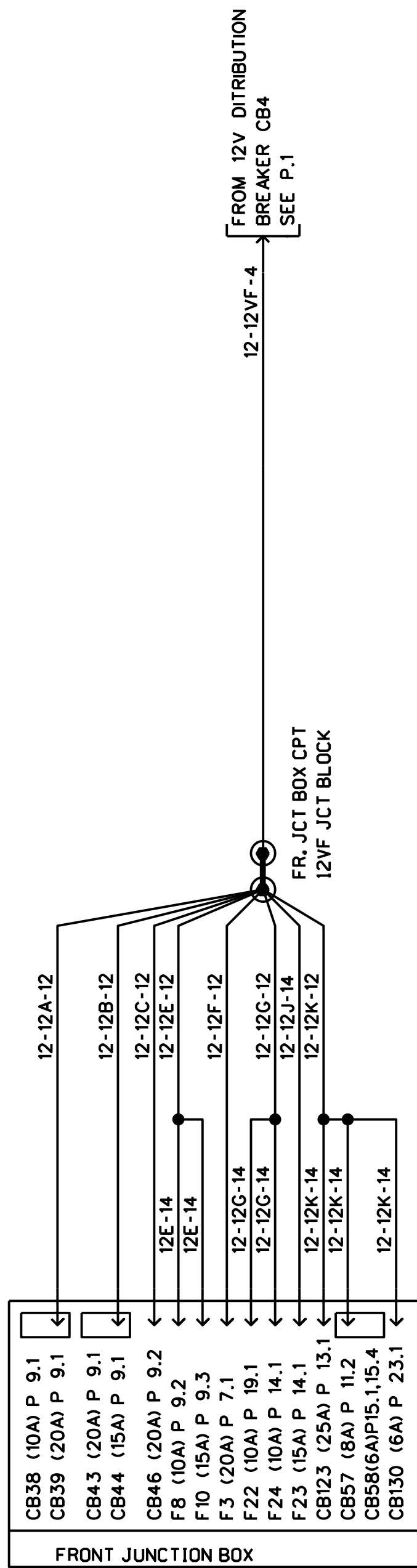
REAR JUNCTION BOX



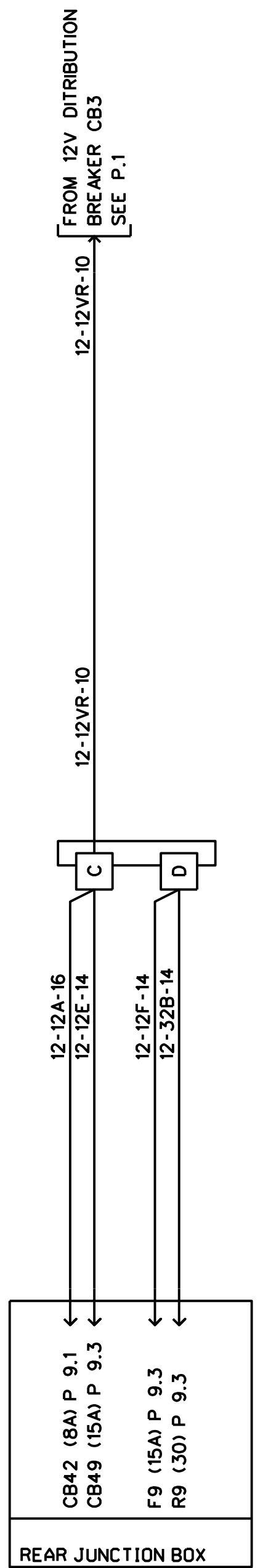
12V IGNITION



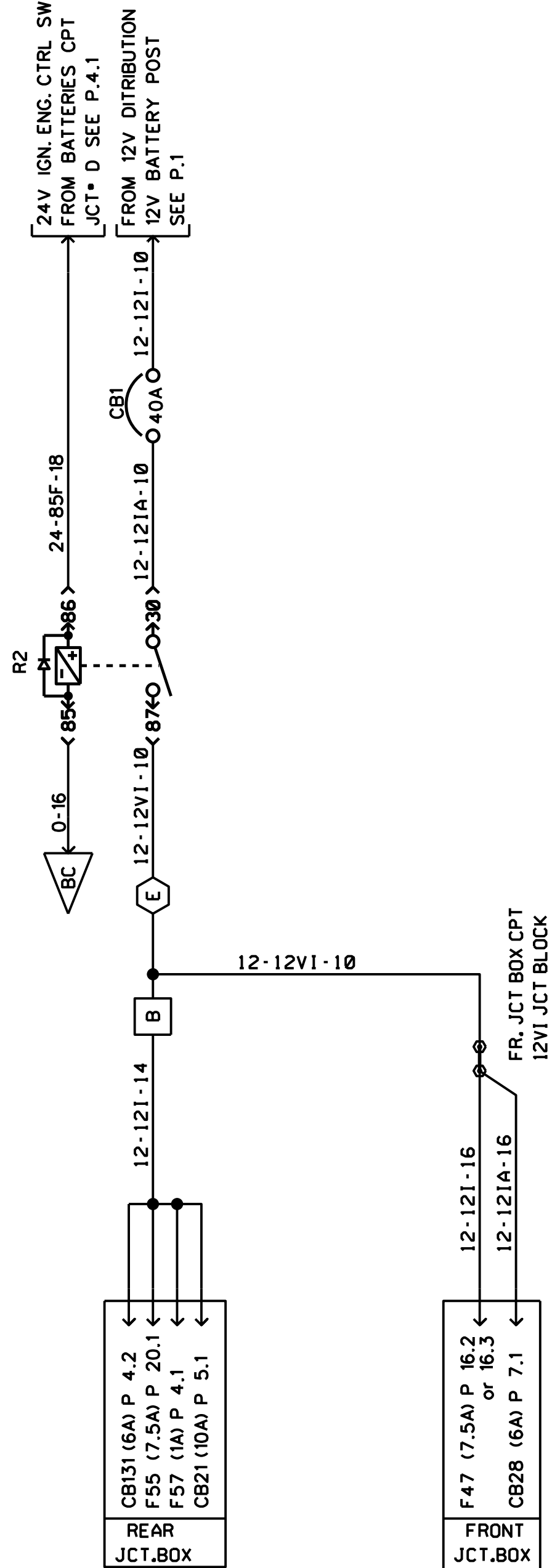
12V HOT WIRE



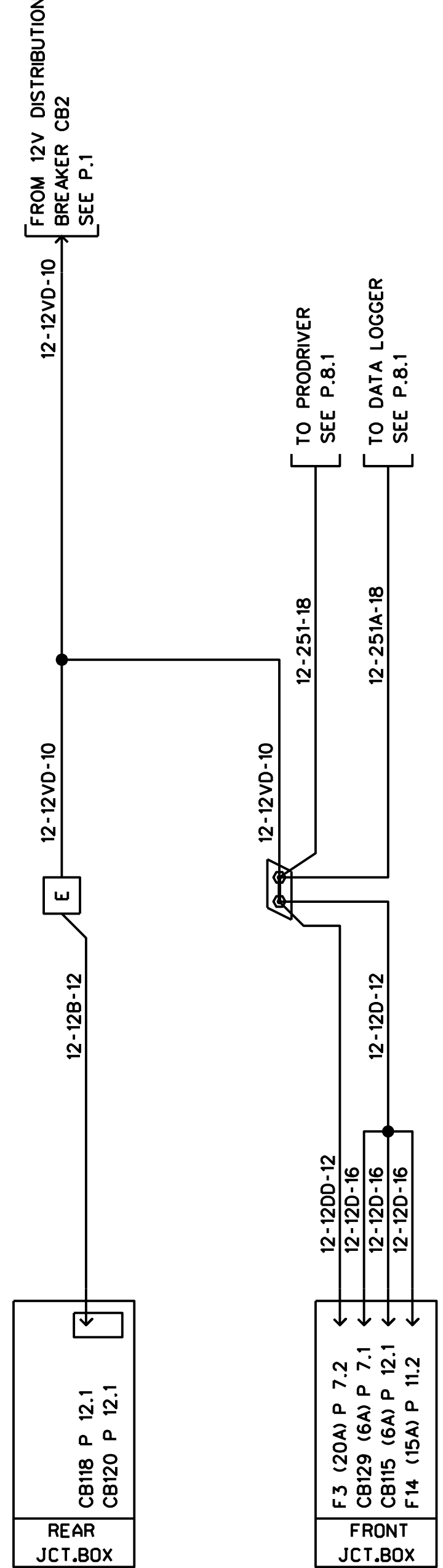
12V BATT. DISCONN. SW.



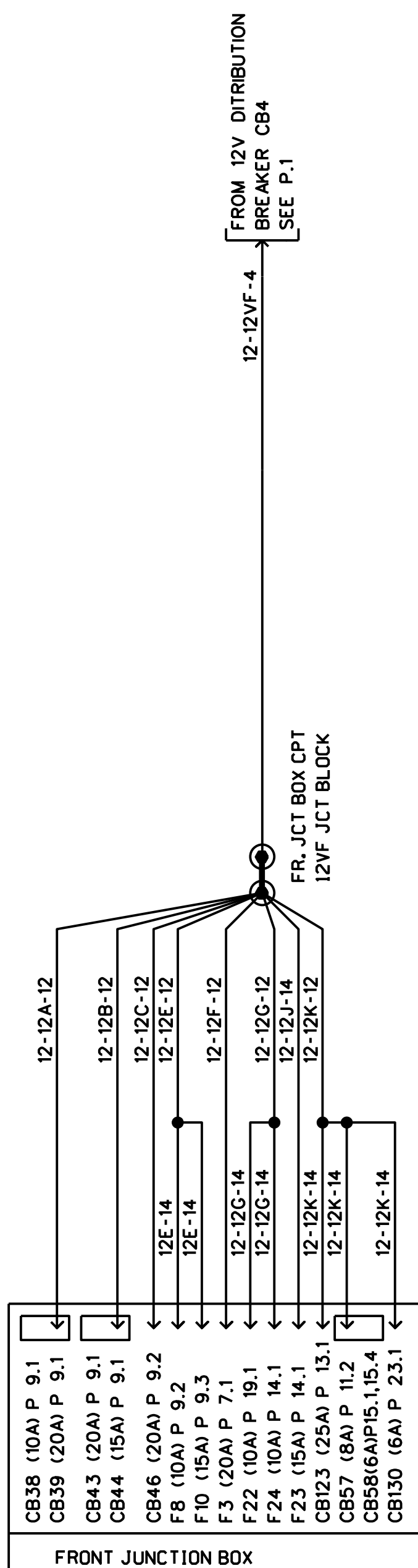
REAR JUNCTION BOX



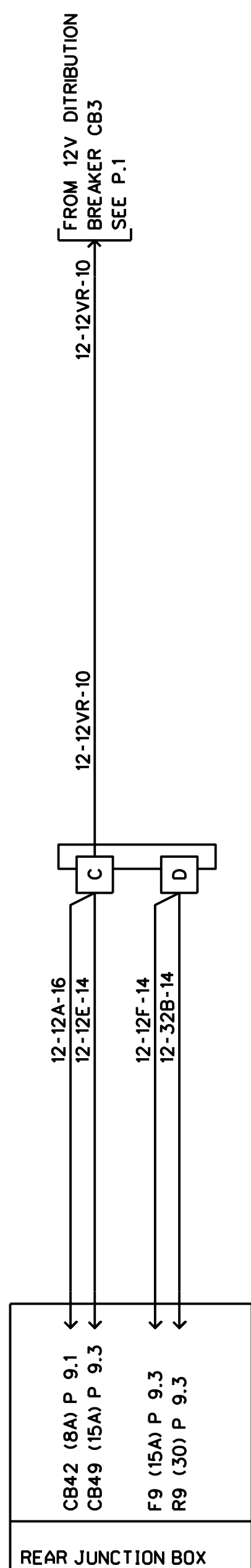
12V IGNITION



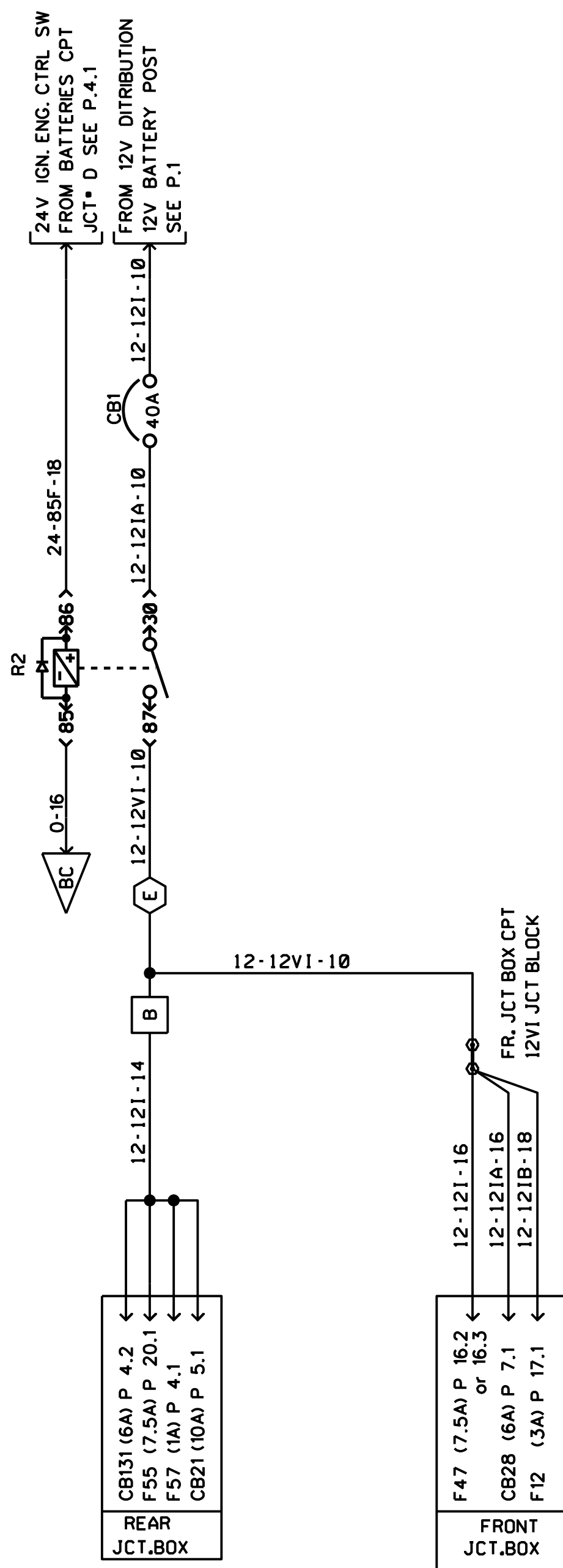
12V HOT WIRE



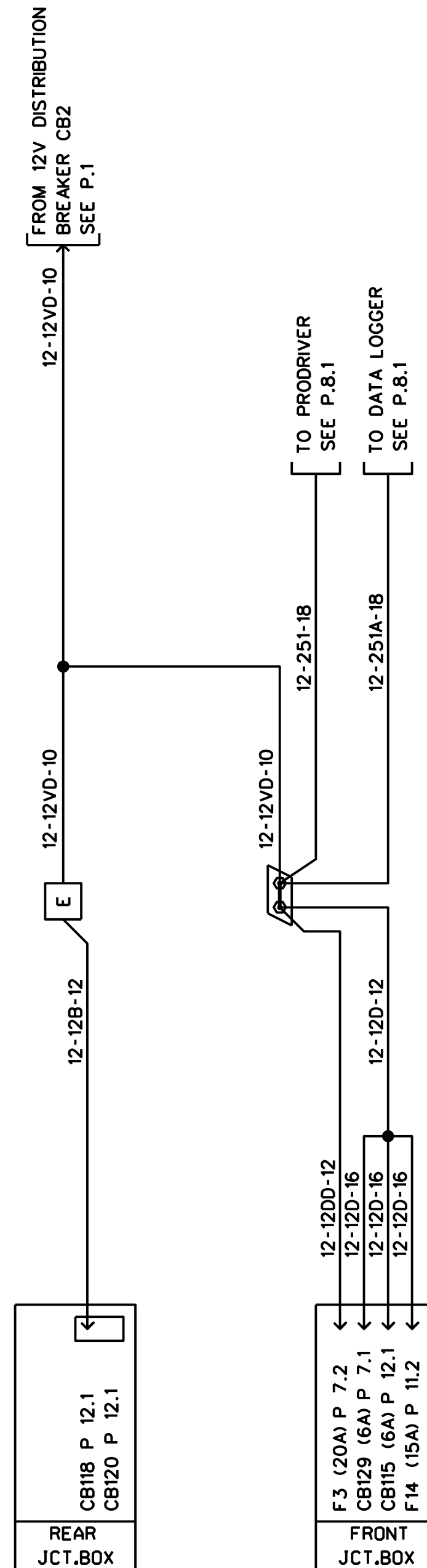
12V BATT. DISCONN. SW.



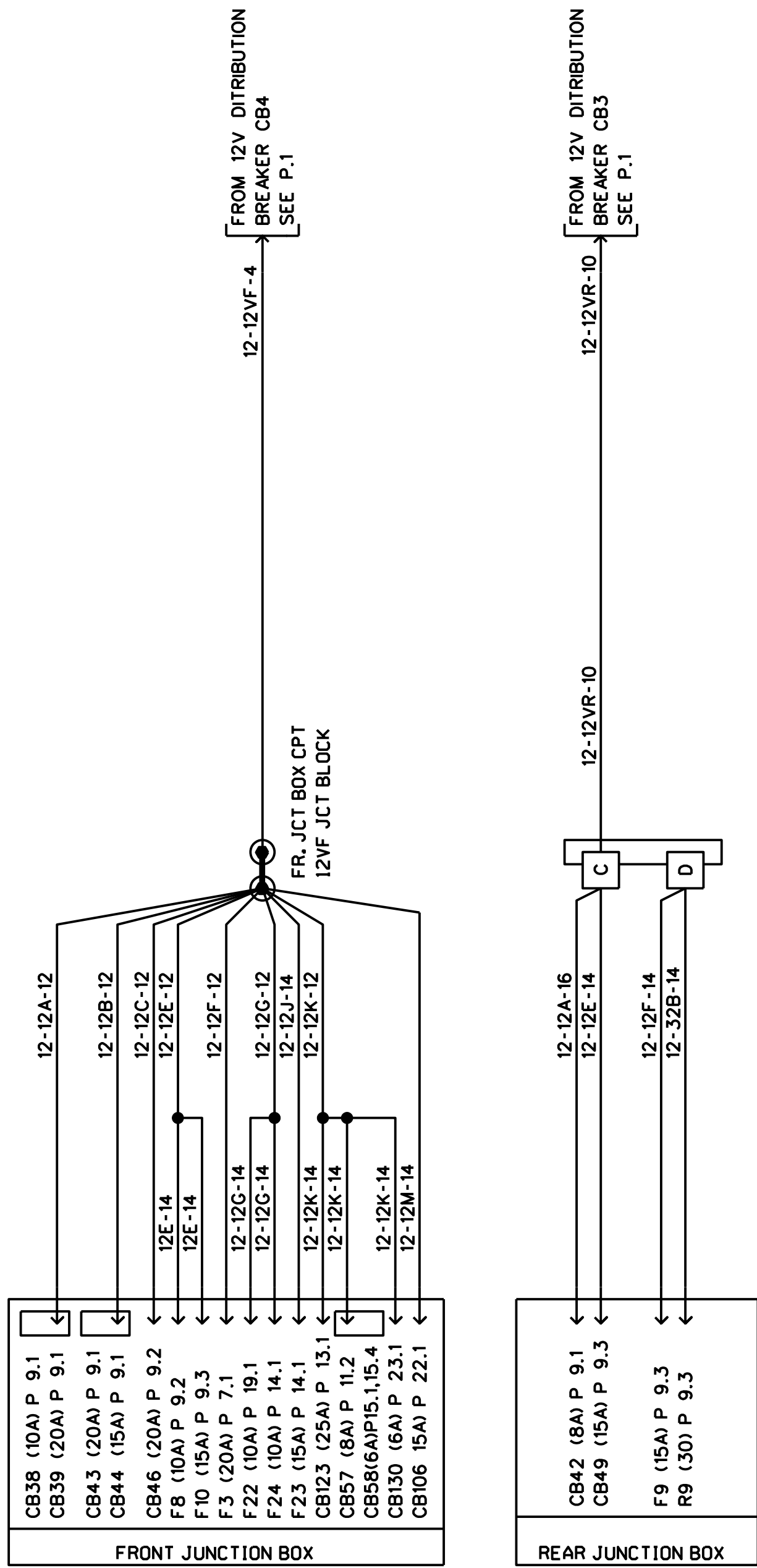
12V IGNITION



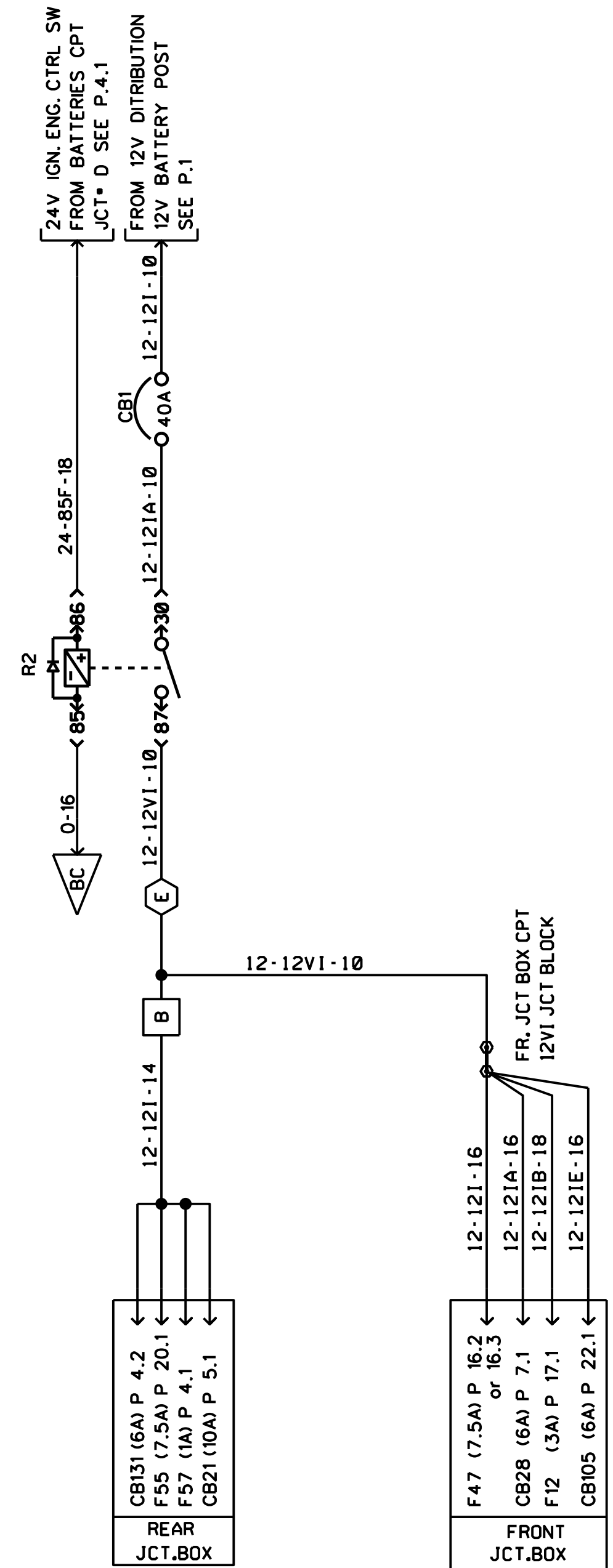
12V HOT WIRE



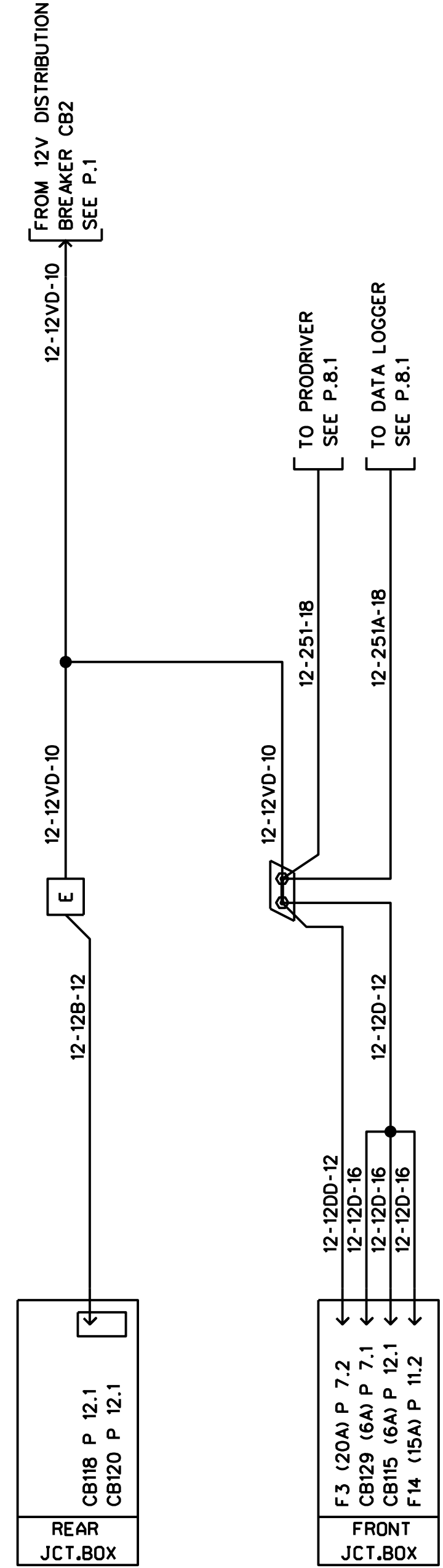
12V BATT. DISCONN. SW.

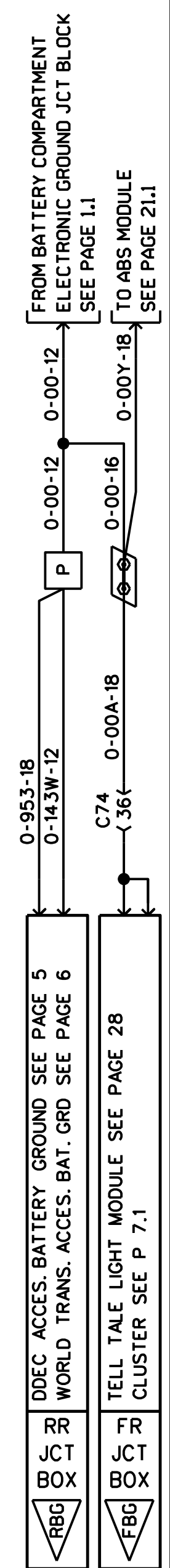
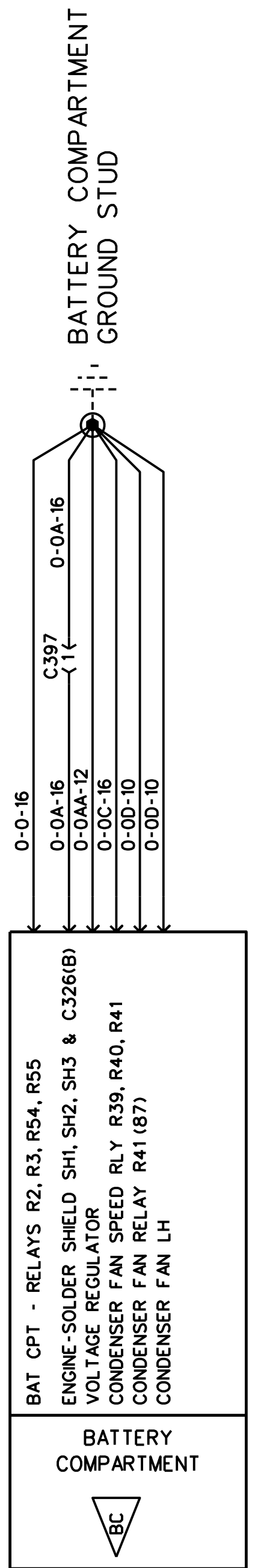
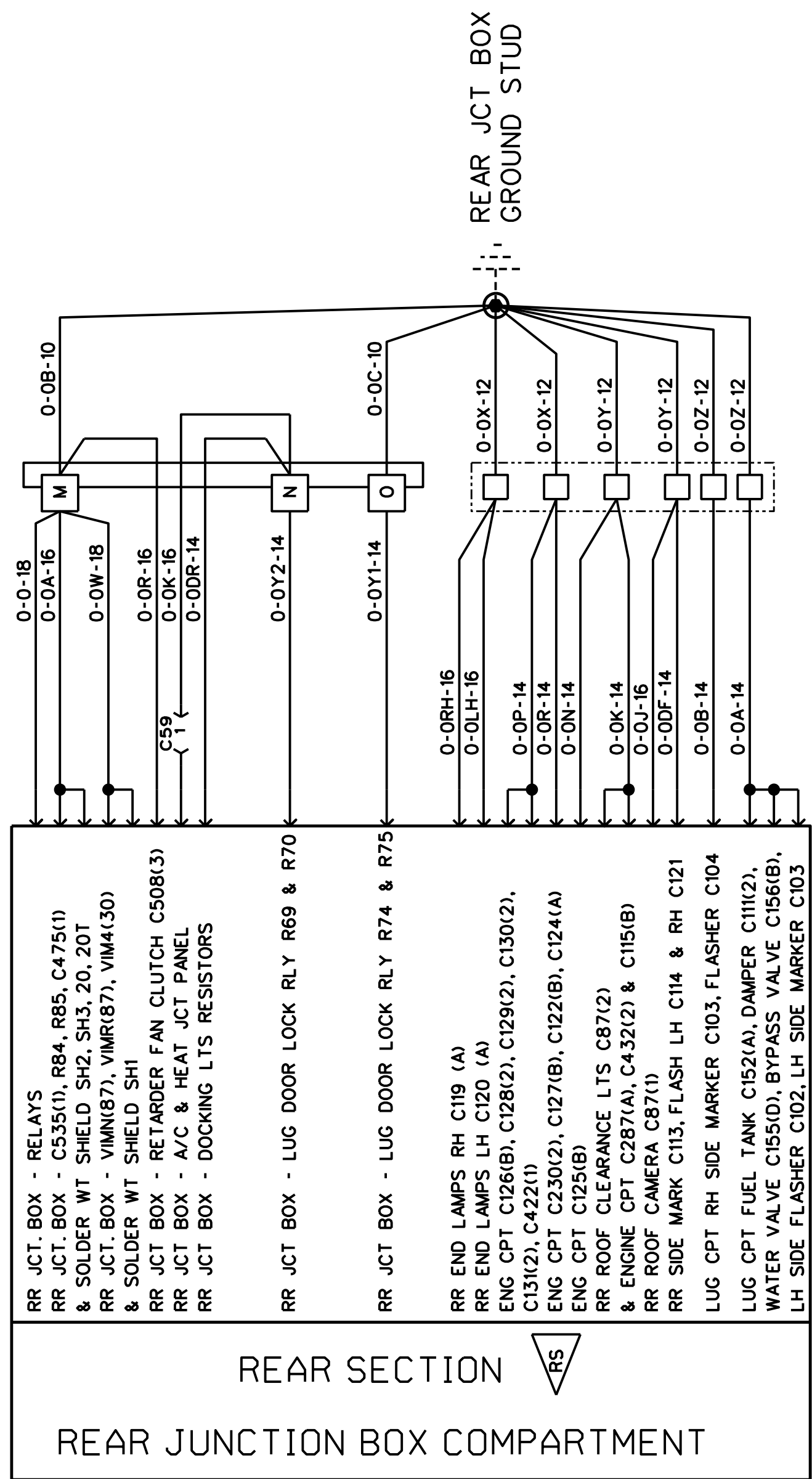
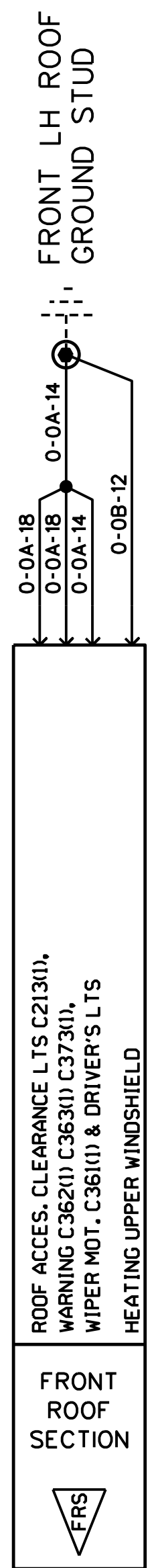
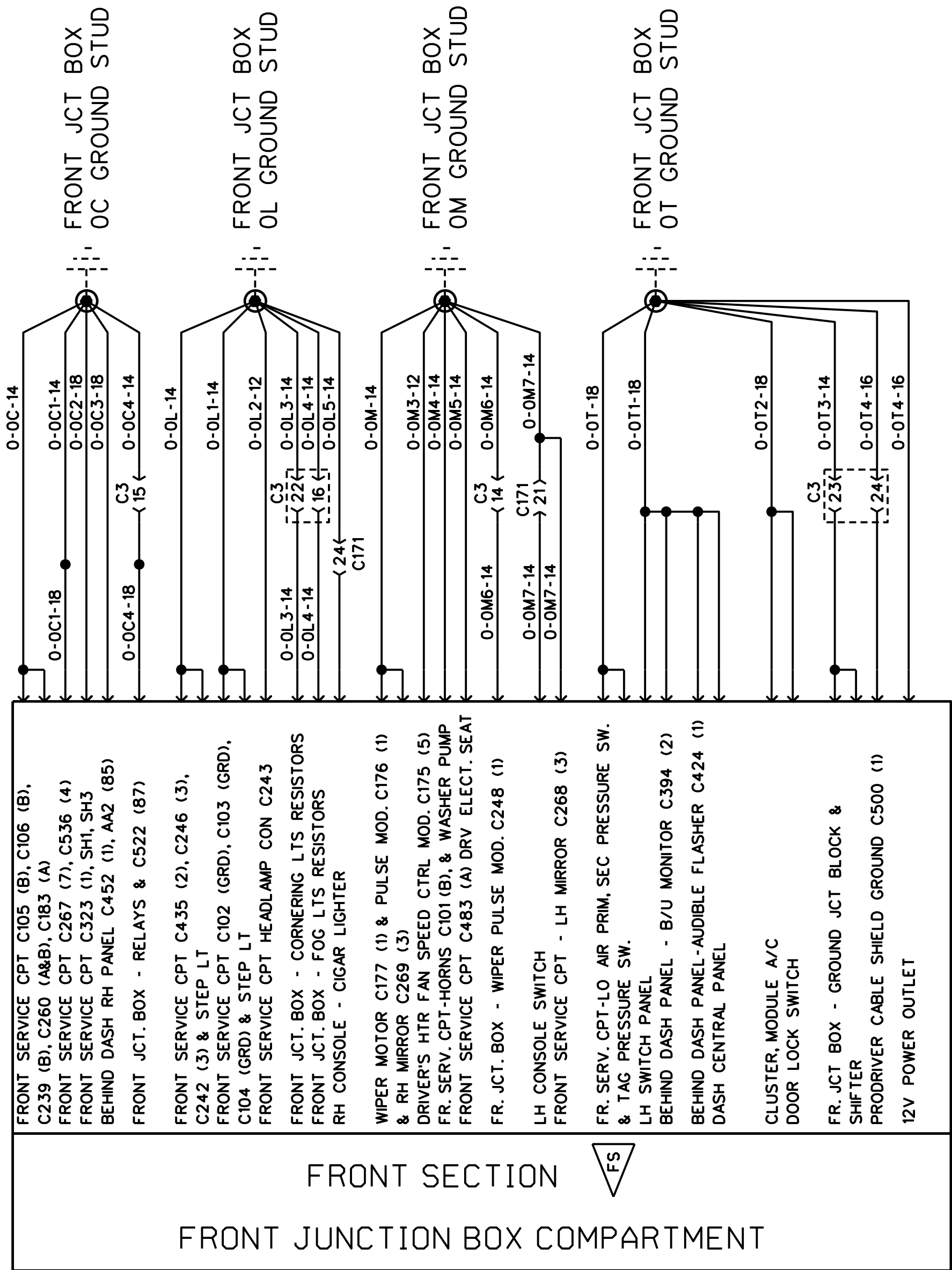


12V IGNITION



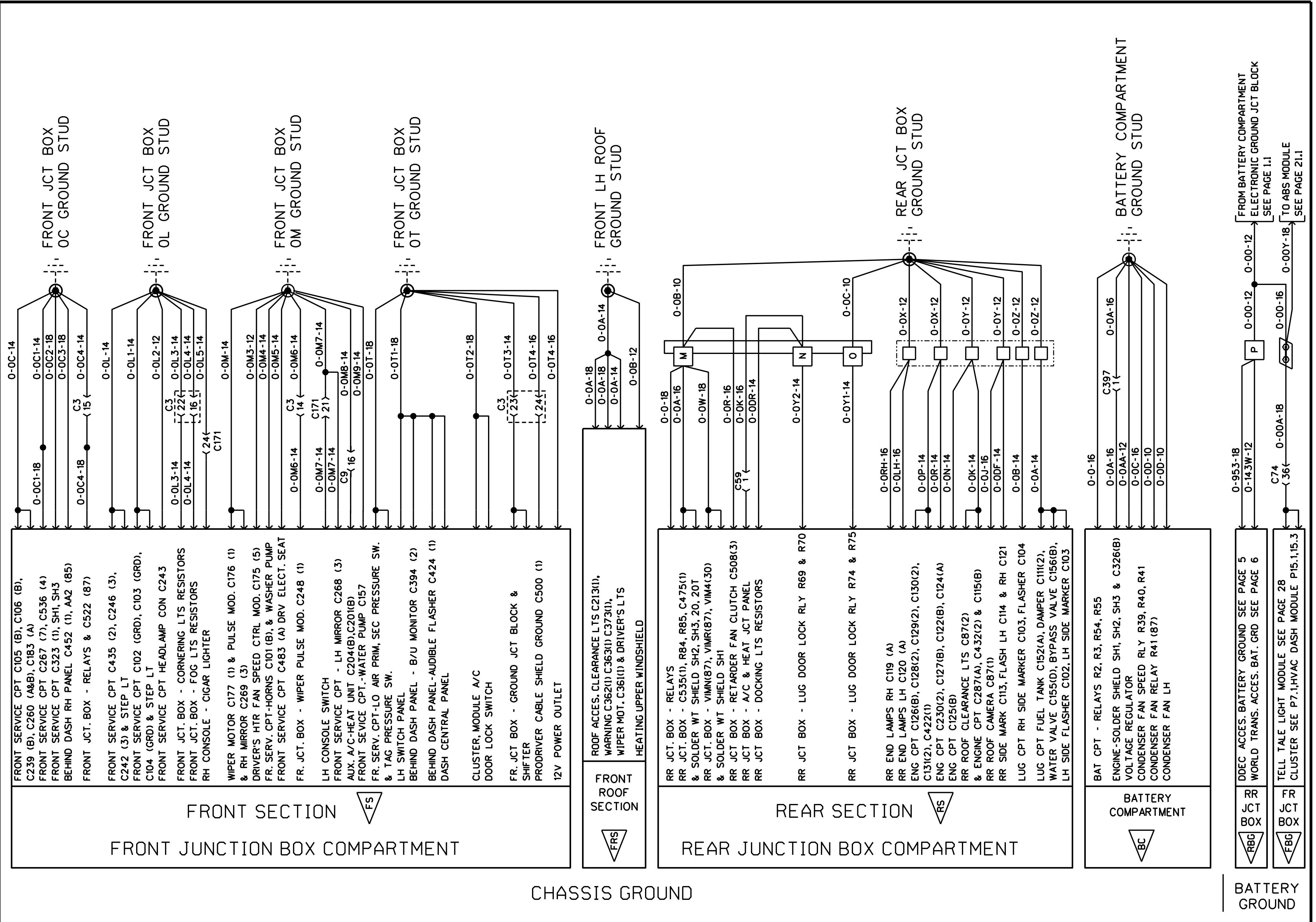
12V HOT WIRE

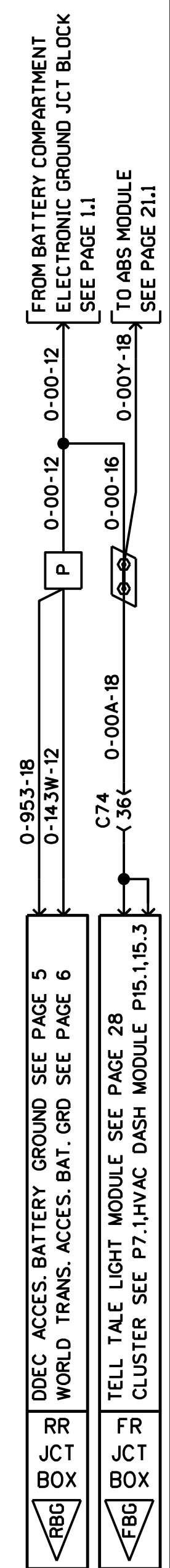
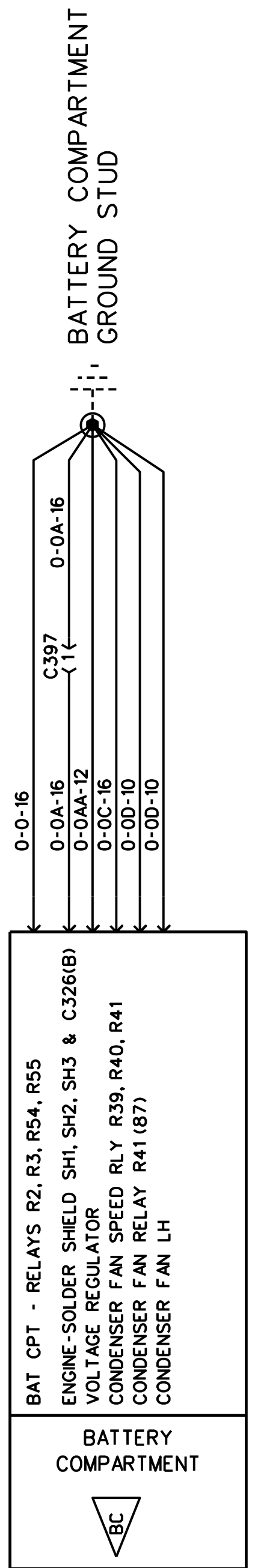
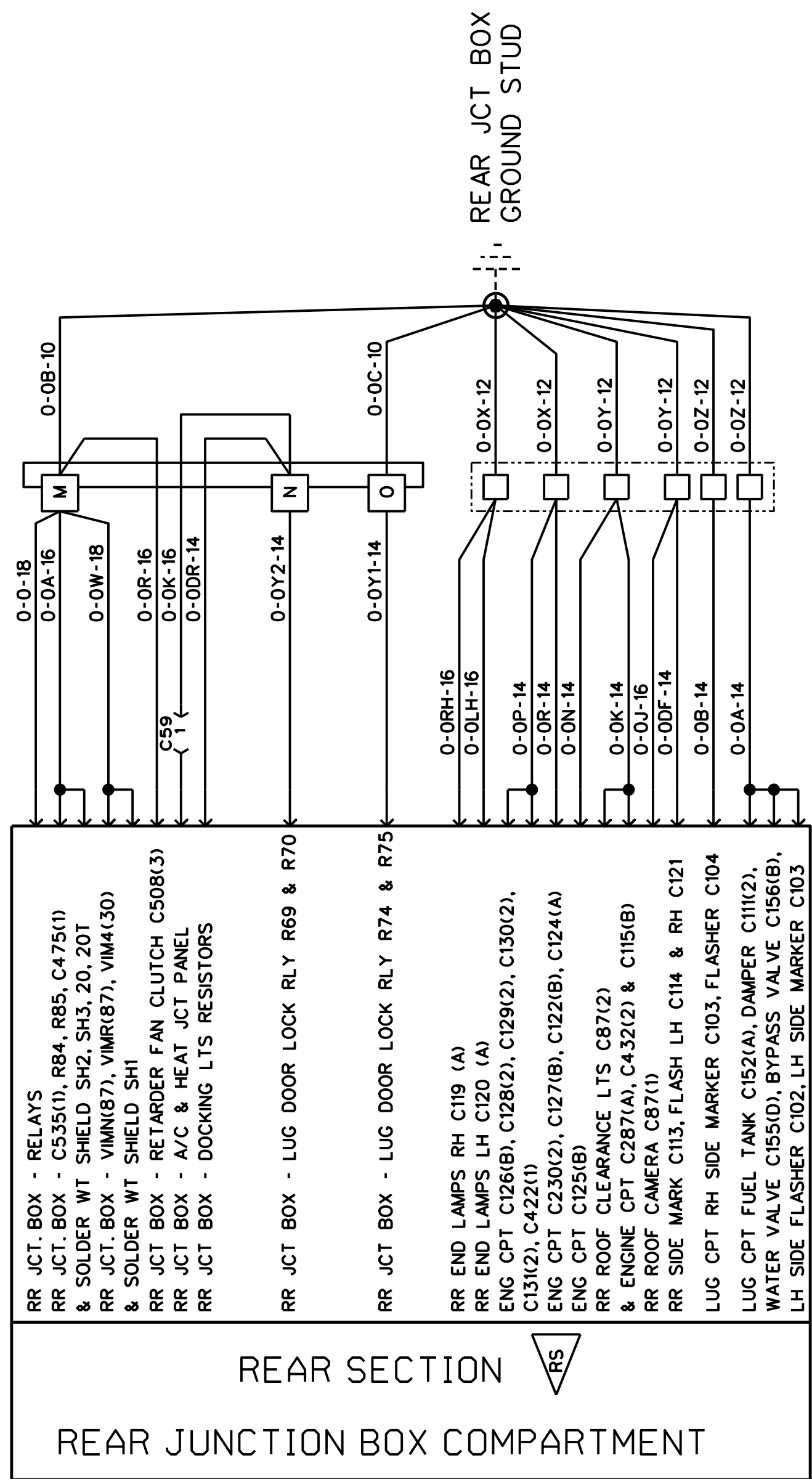
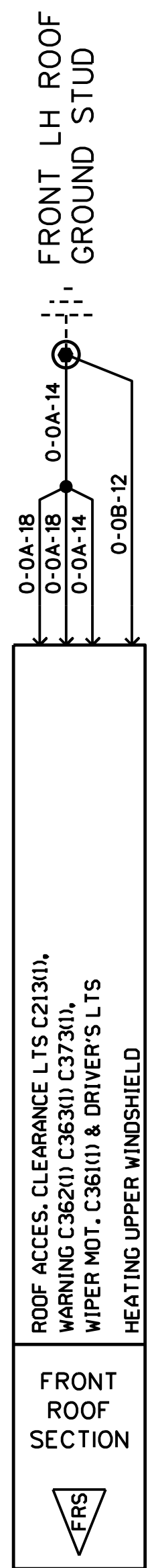
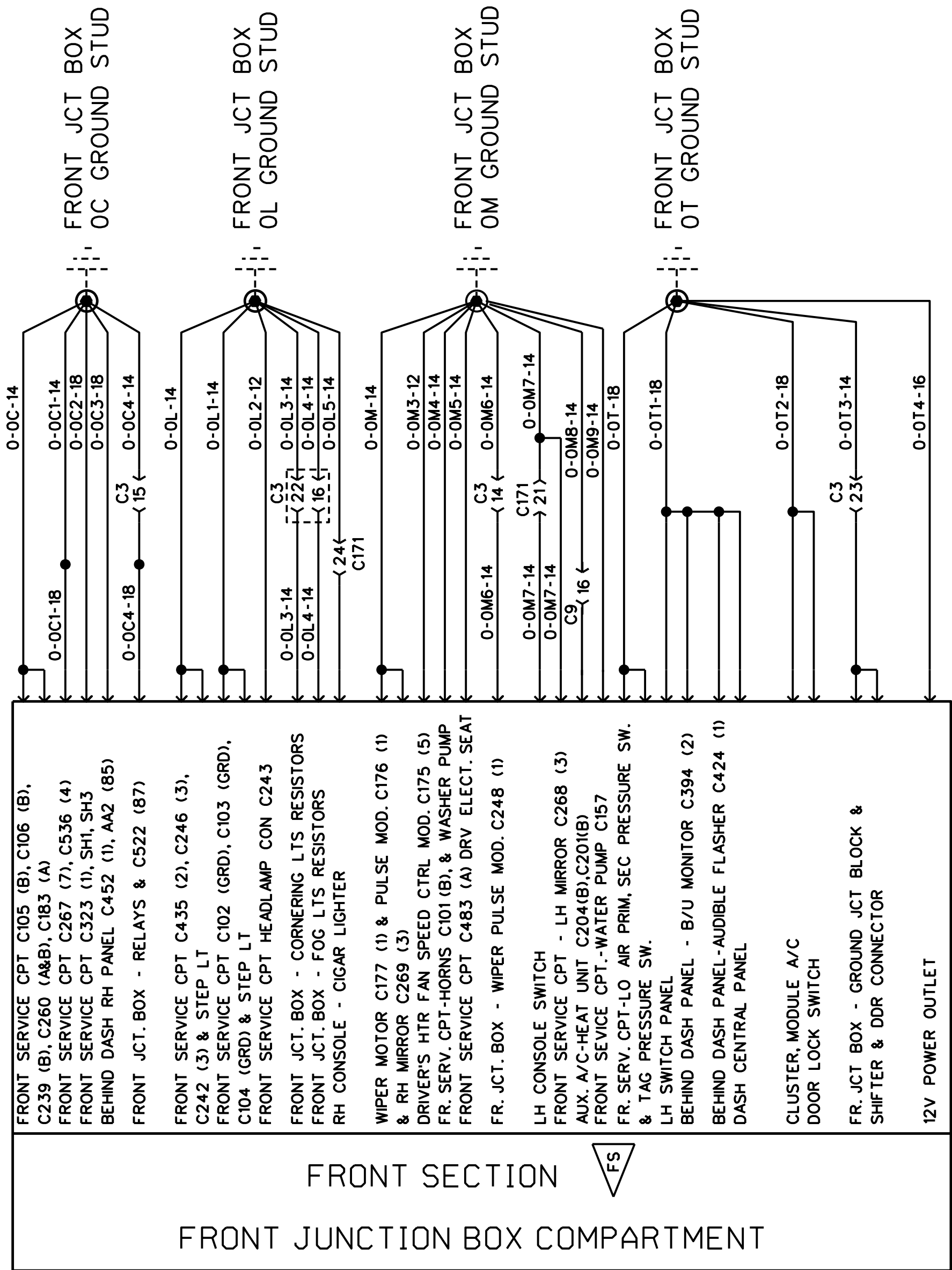




CHASSIS GROUND

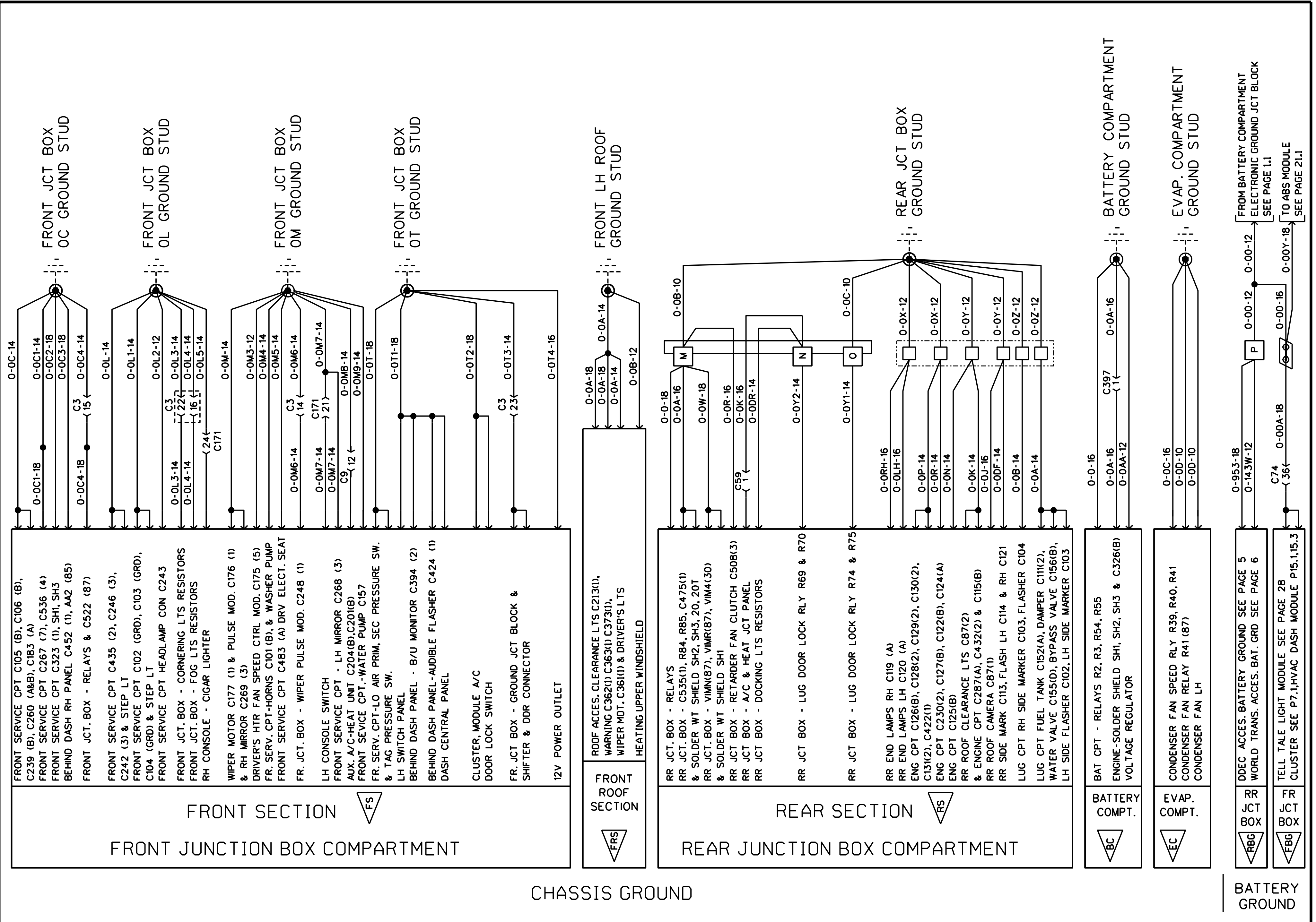
BATTERY GROUND

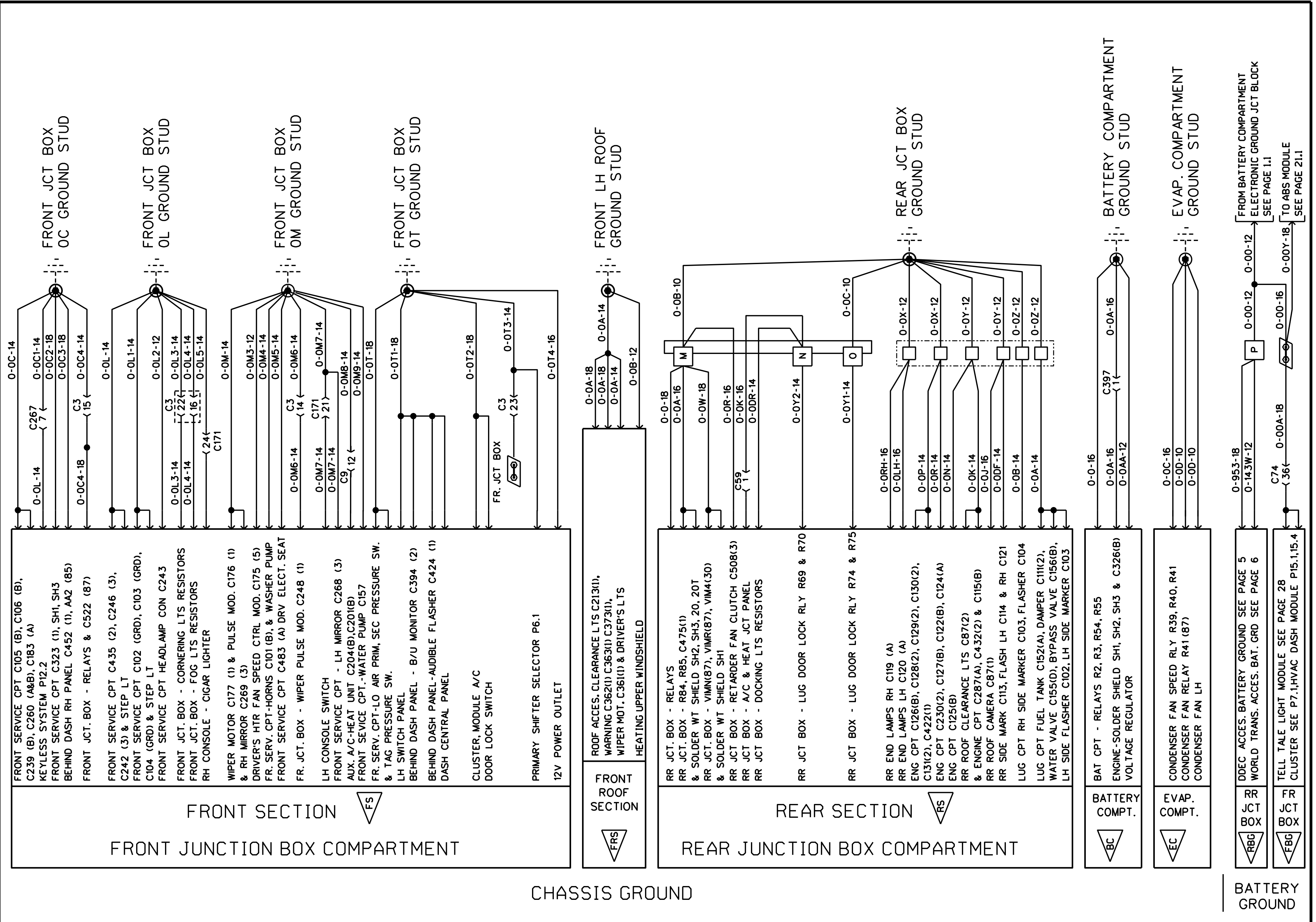


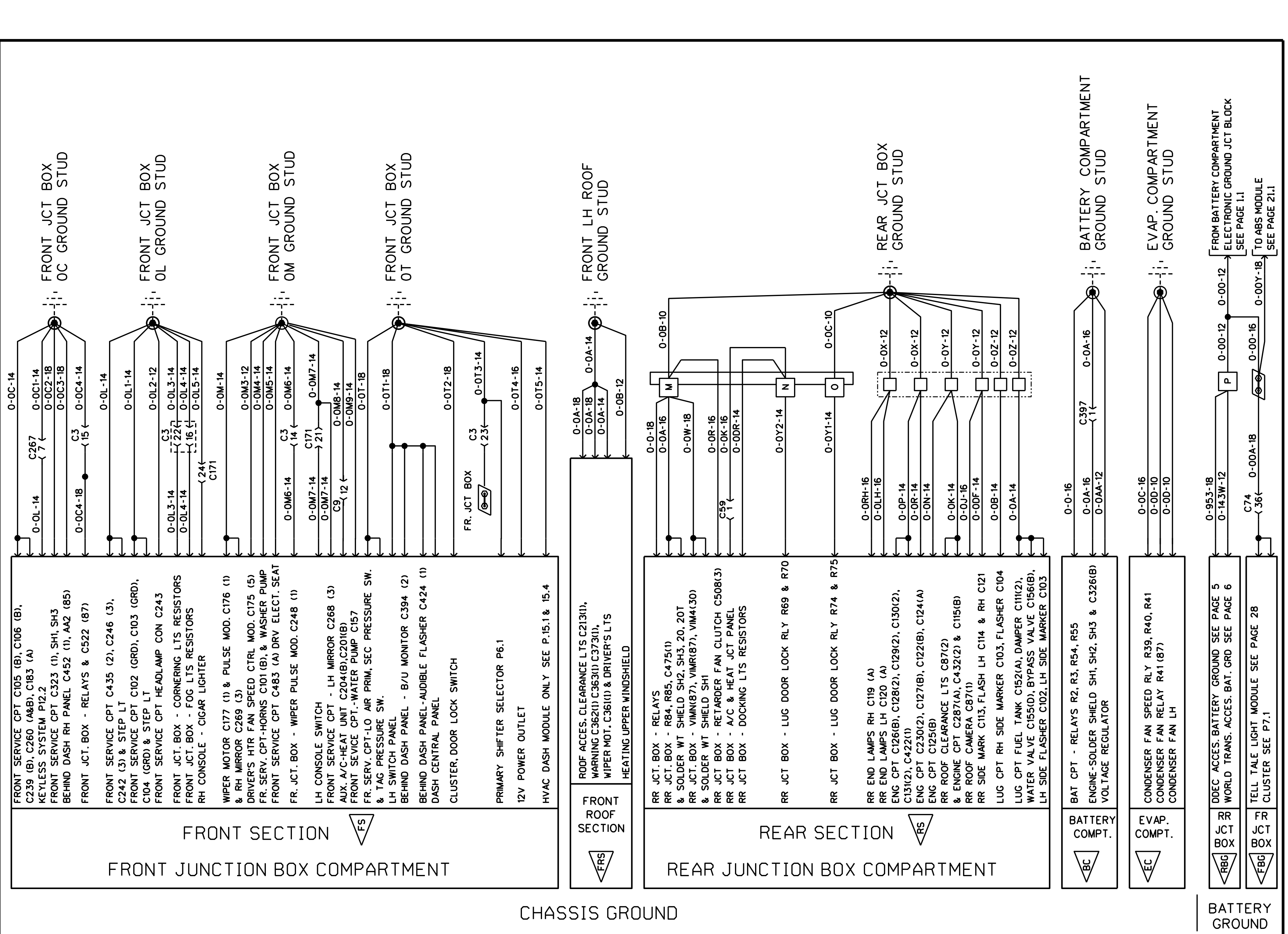


CHASSIS GROUND

BATTERY GROUND

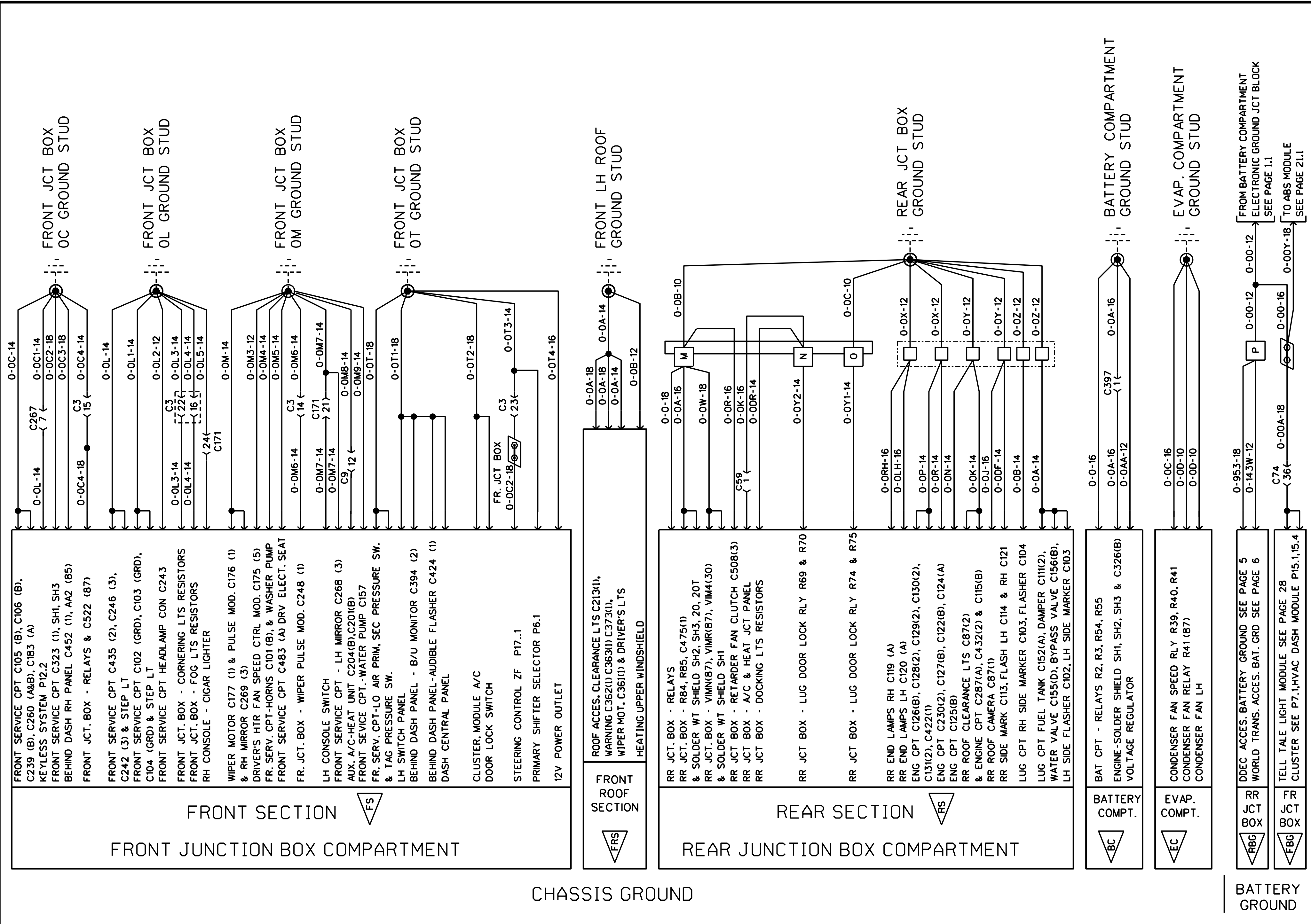


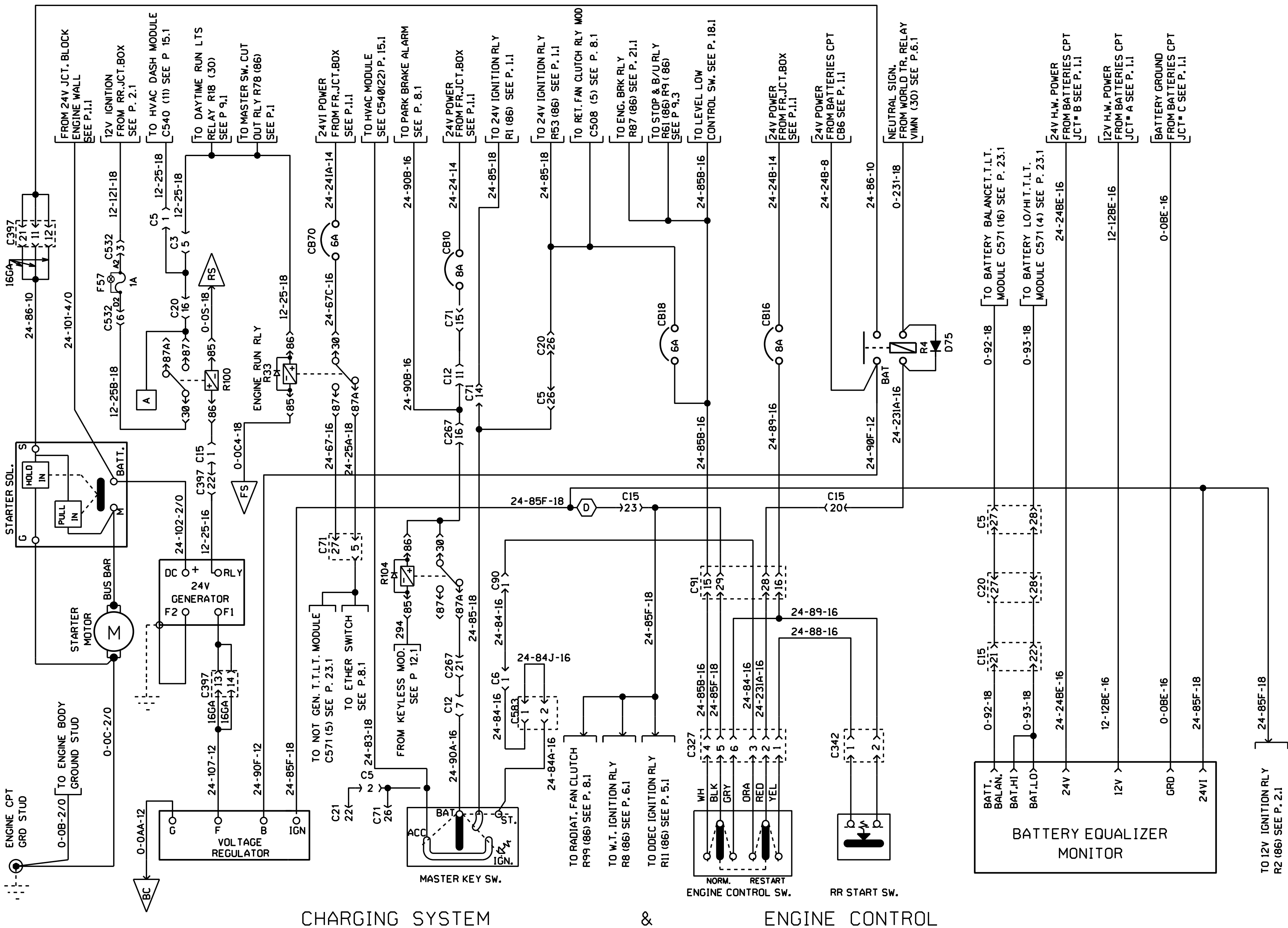


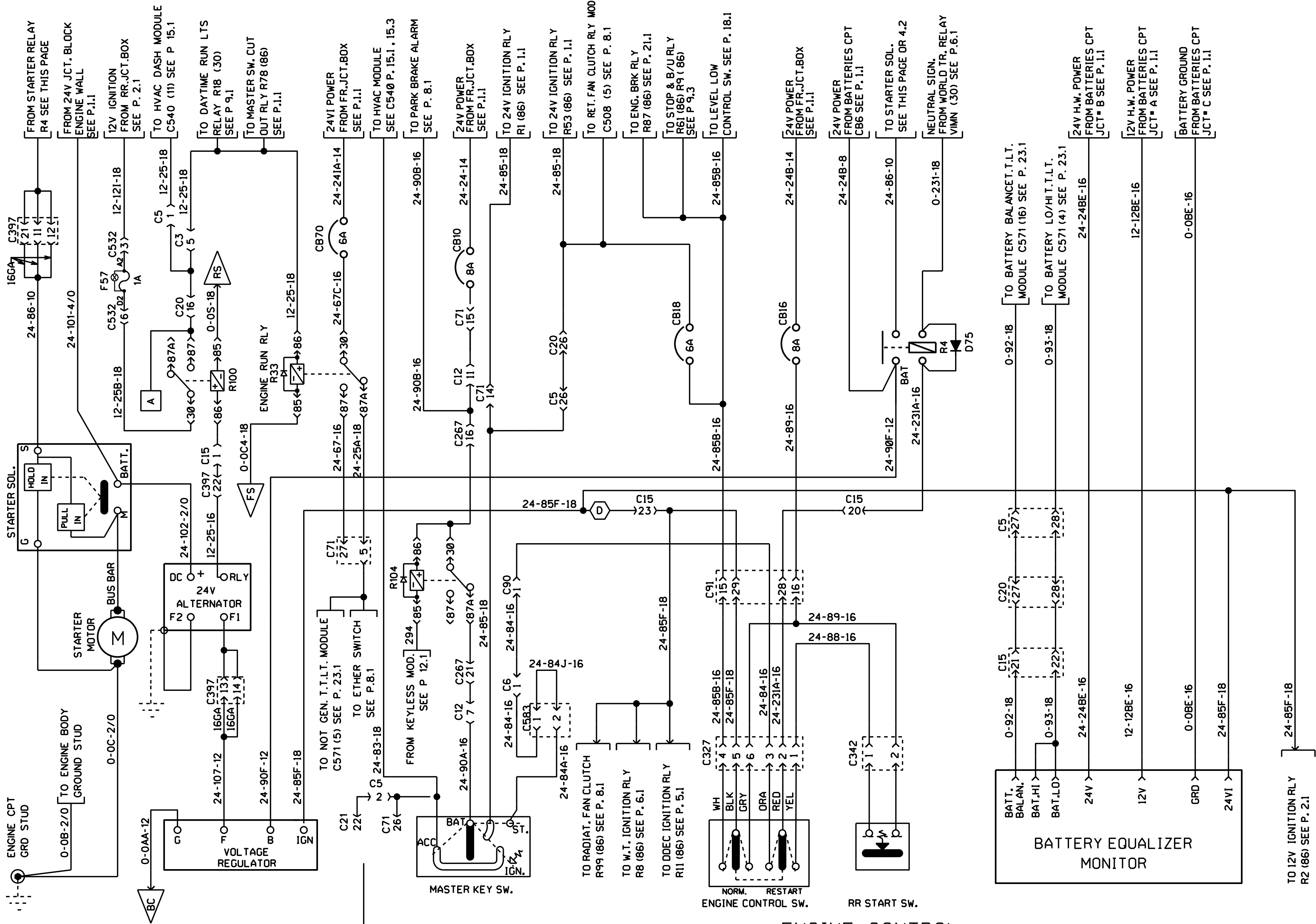


CHASSIS GROUND

BATTERY GROUND

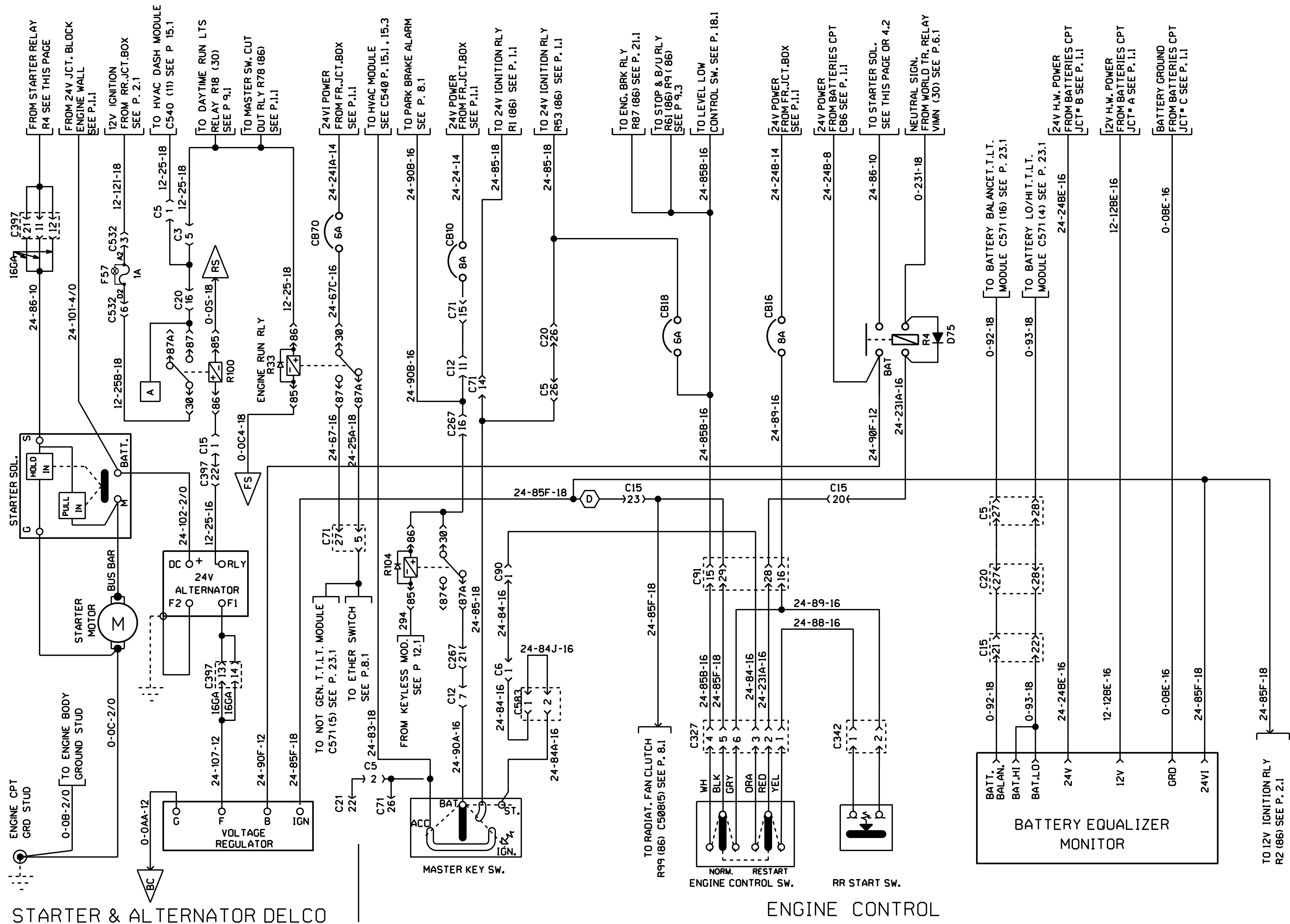


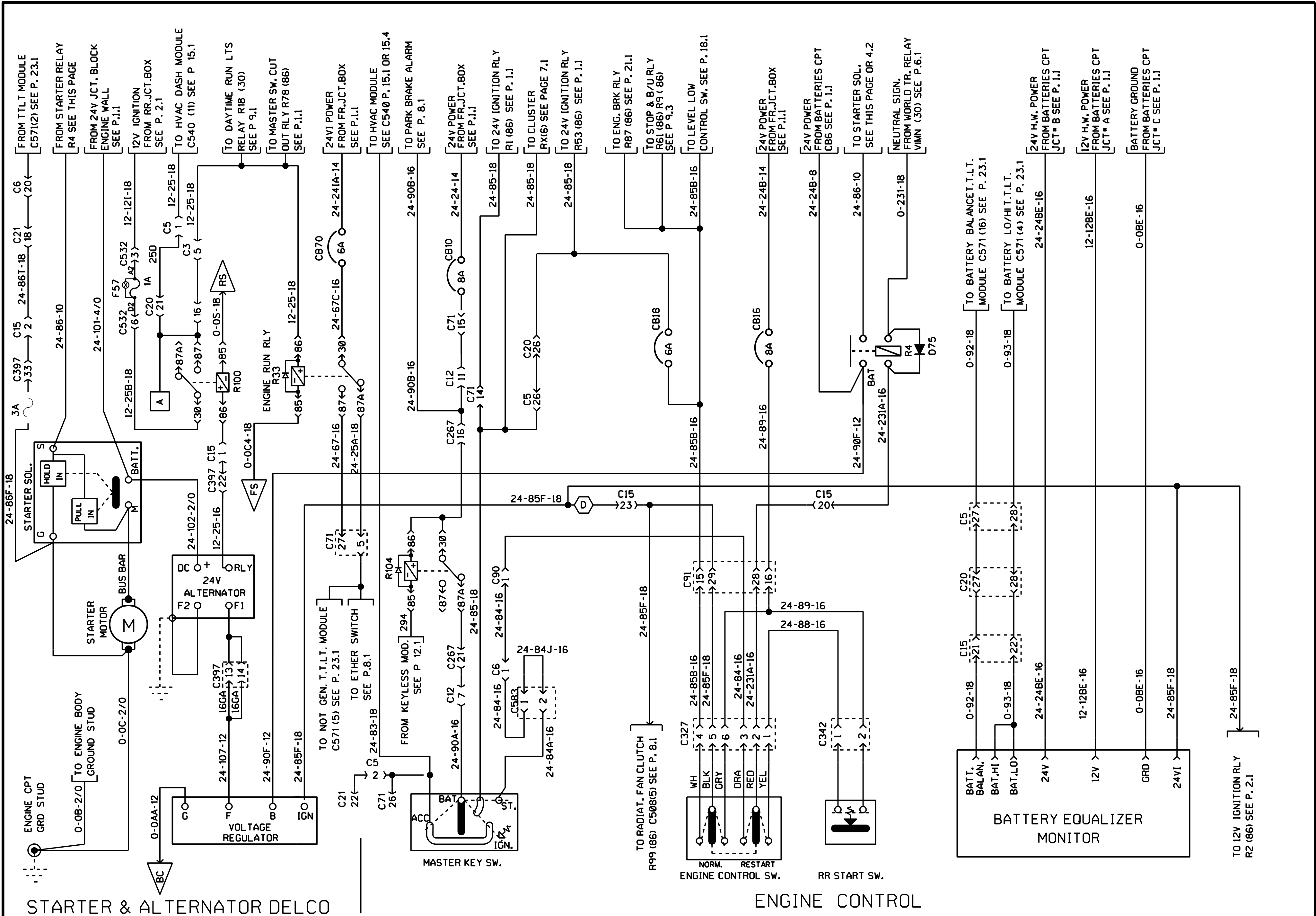


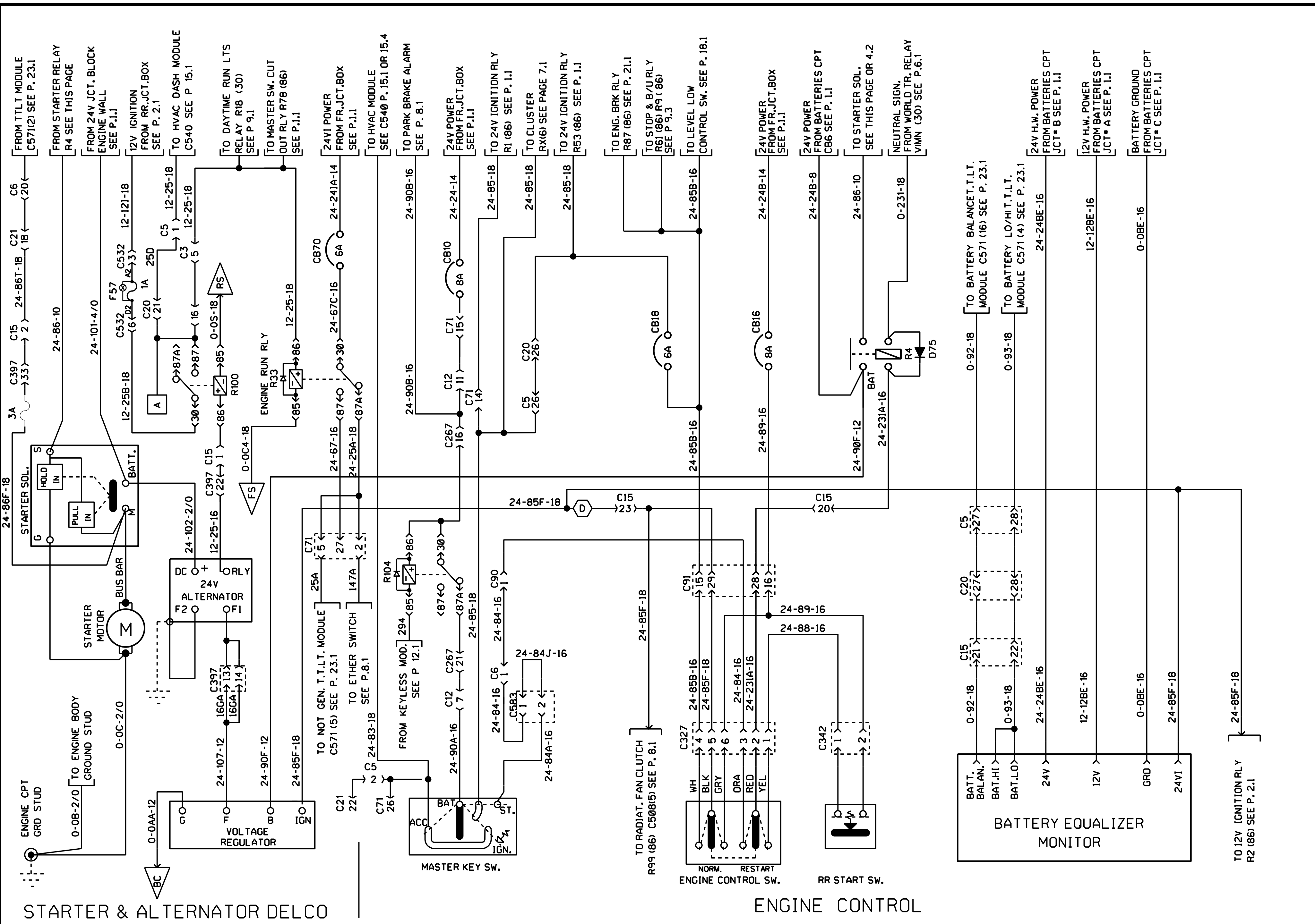


STARTER & ALTERNATOR DELCO

ENGINE CONTROL

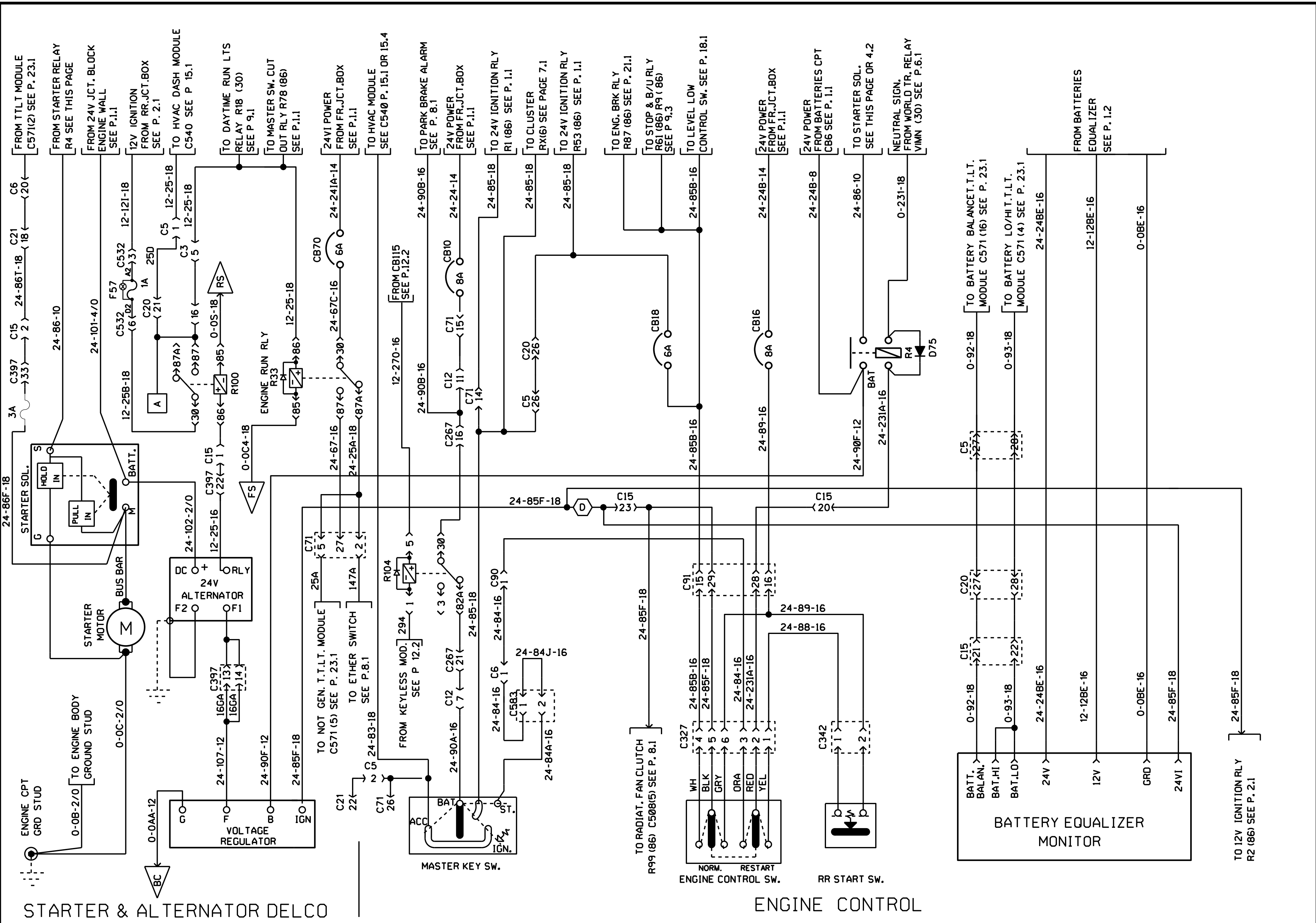


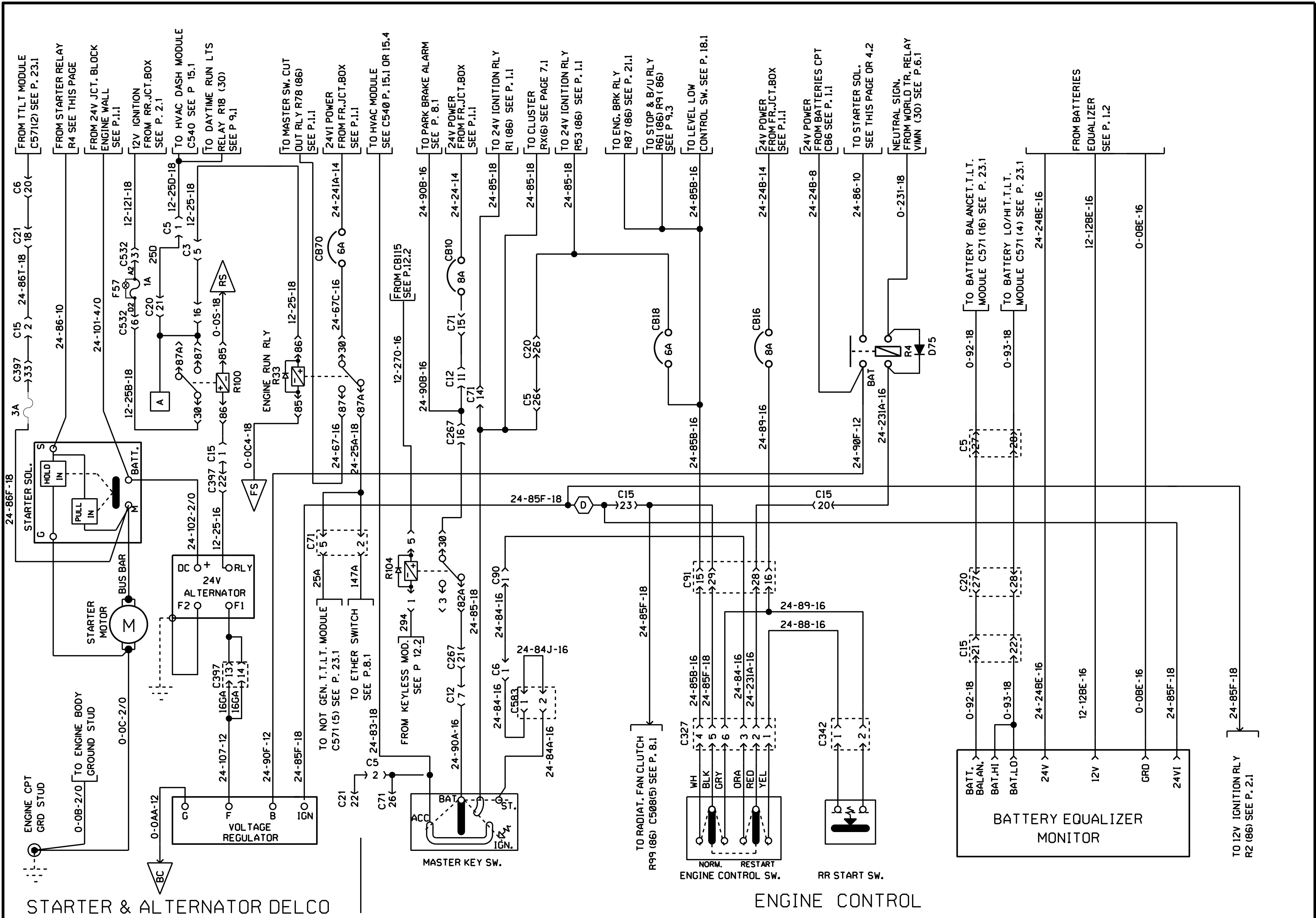


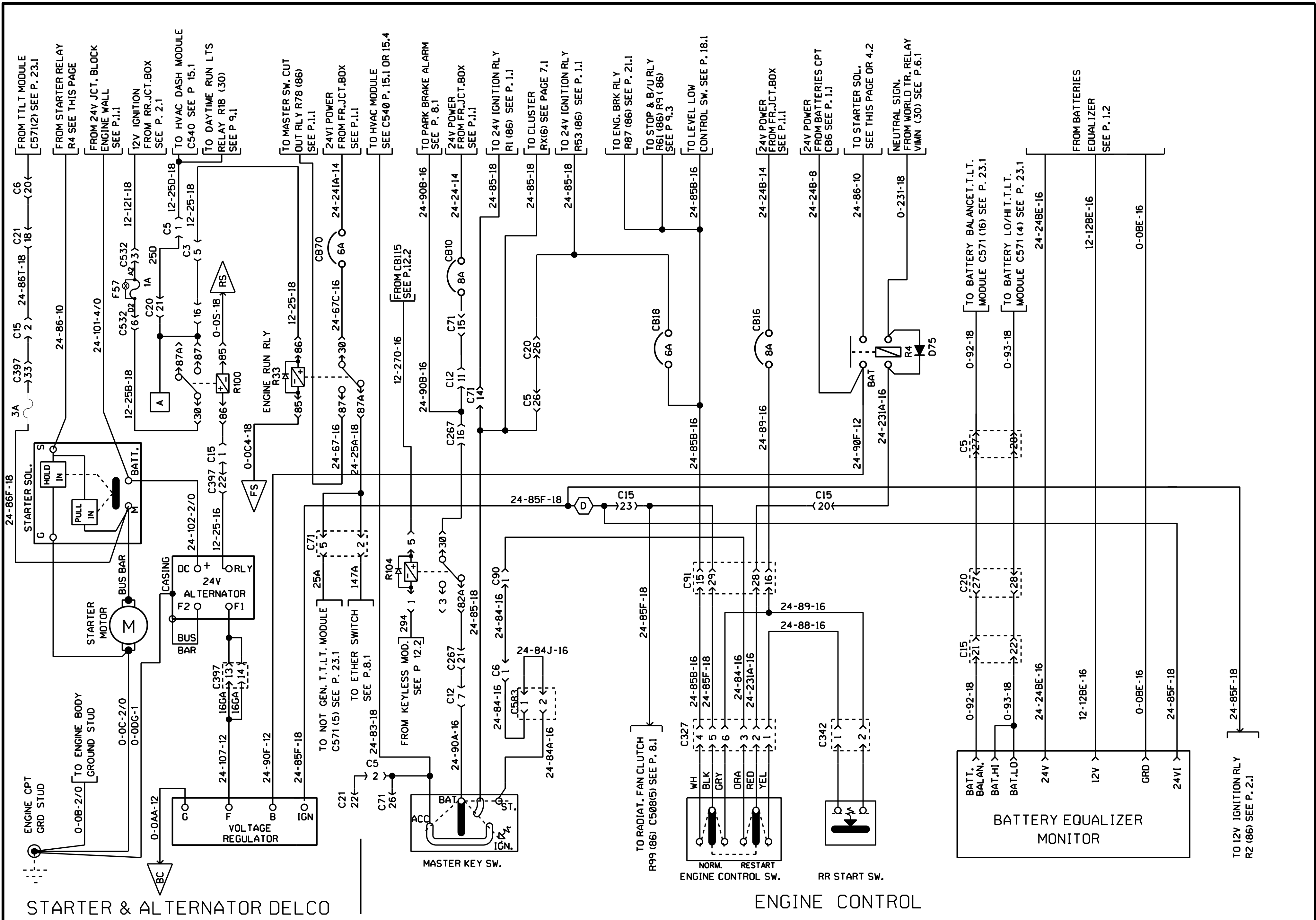


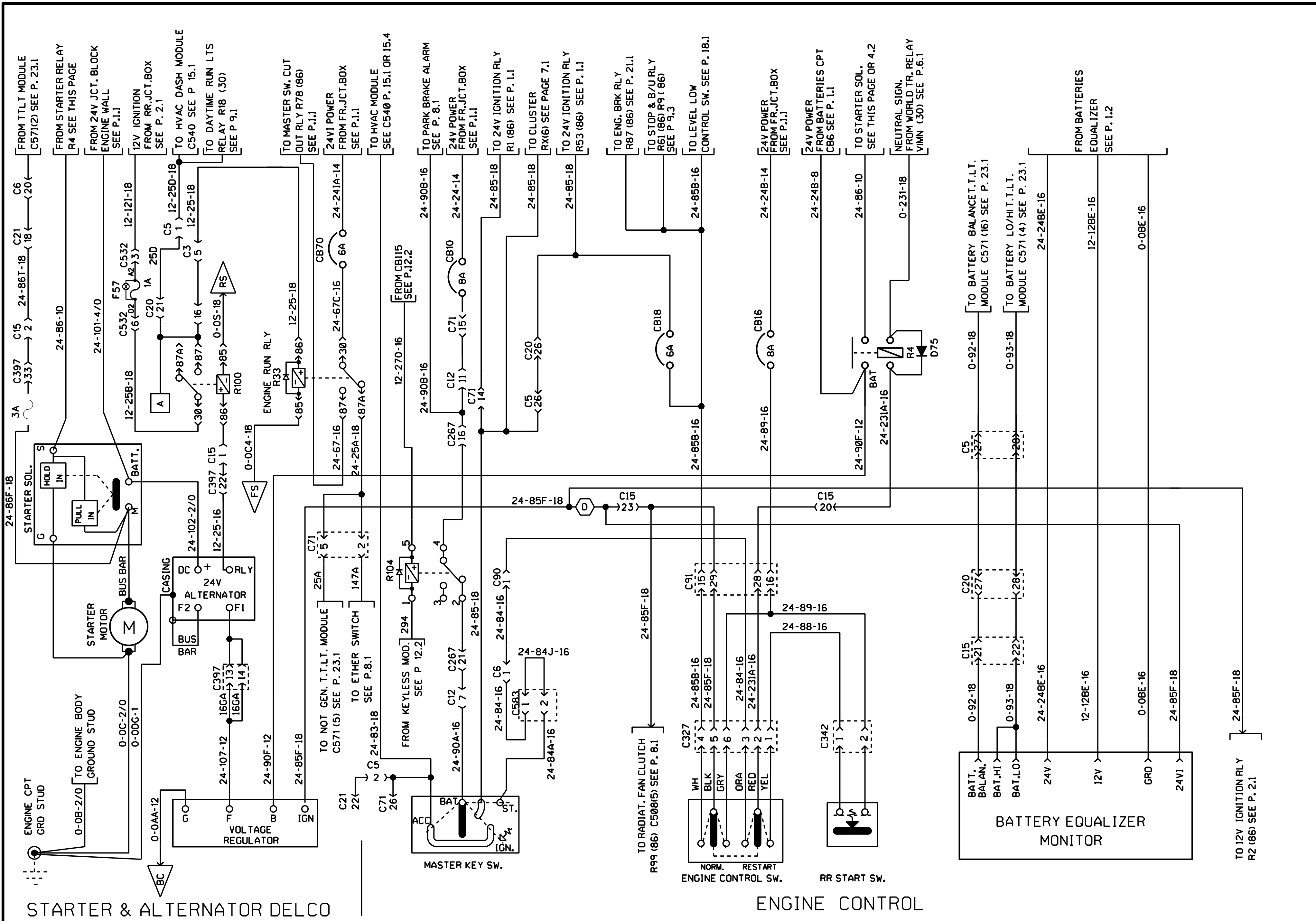
STARTER & ALTERNATOR DELCO

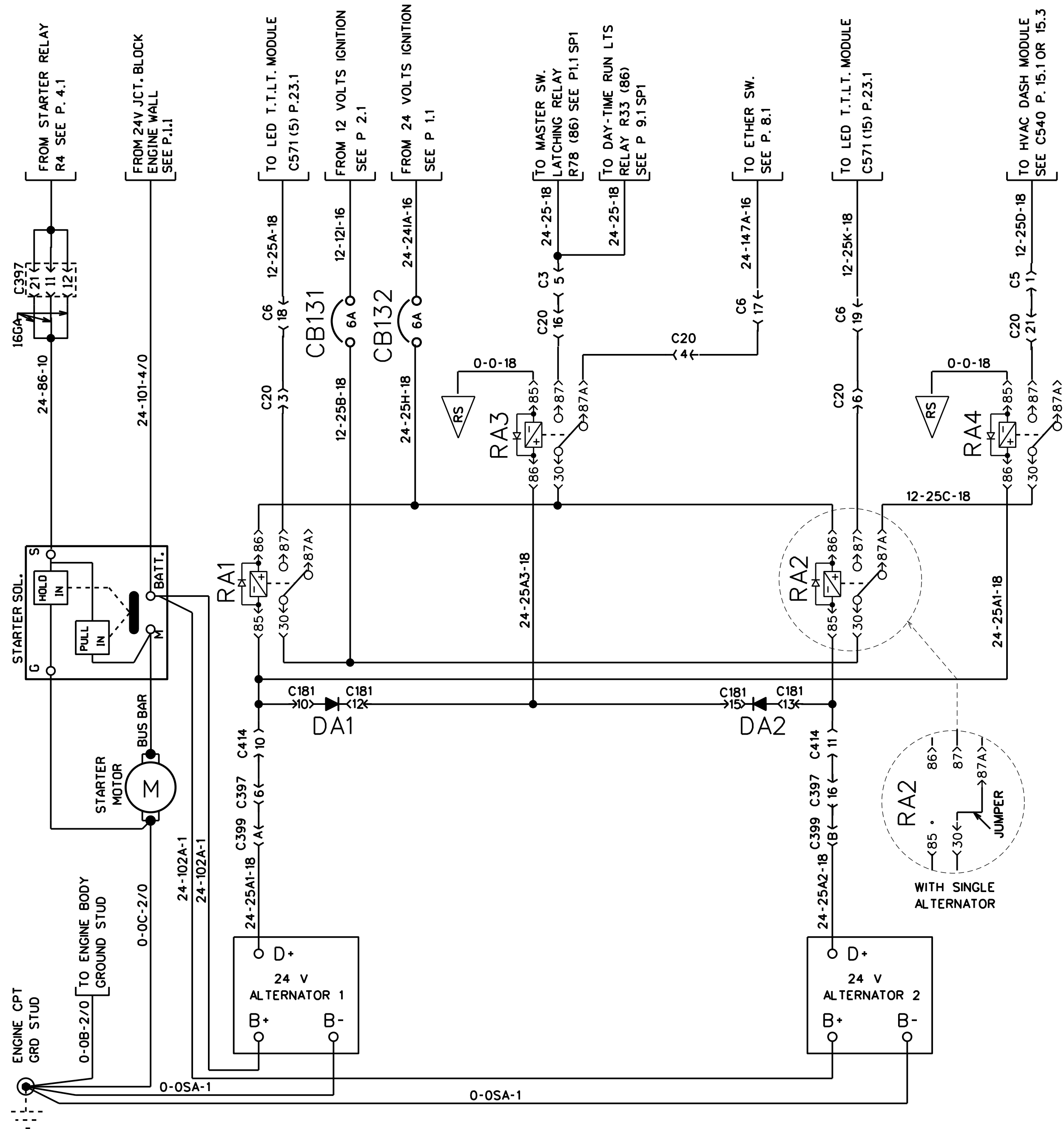
ENGINE CONTROL



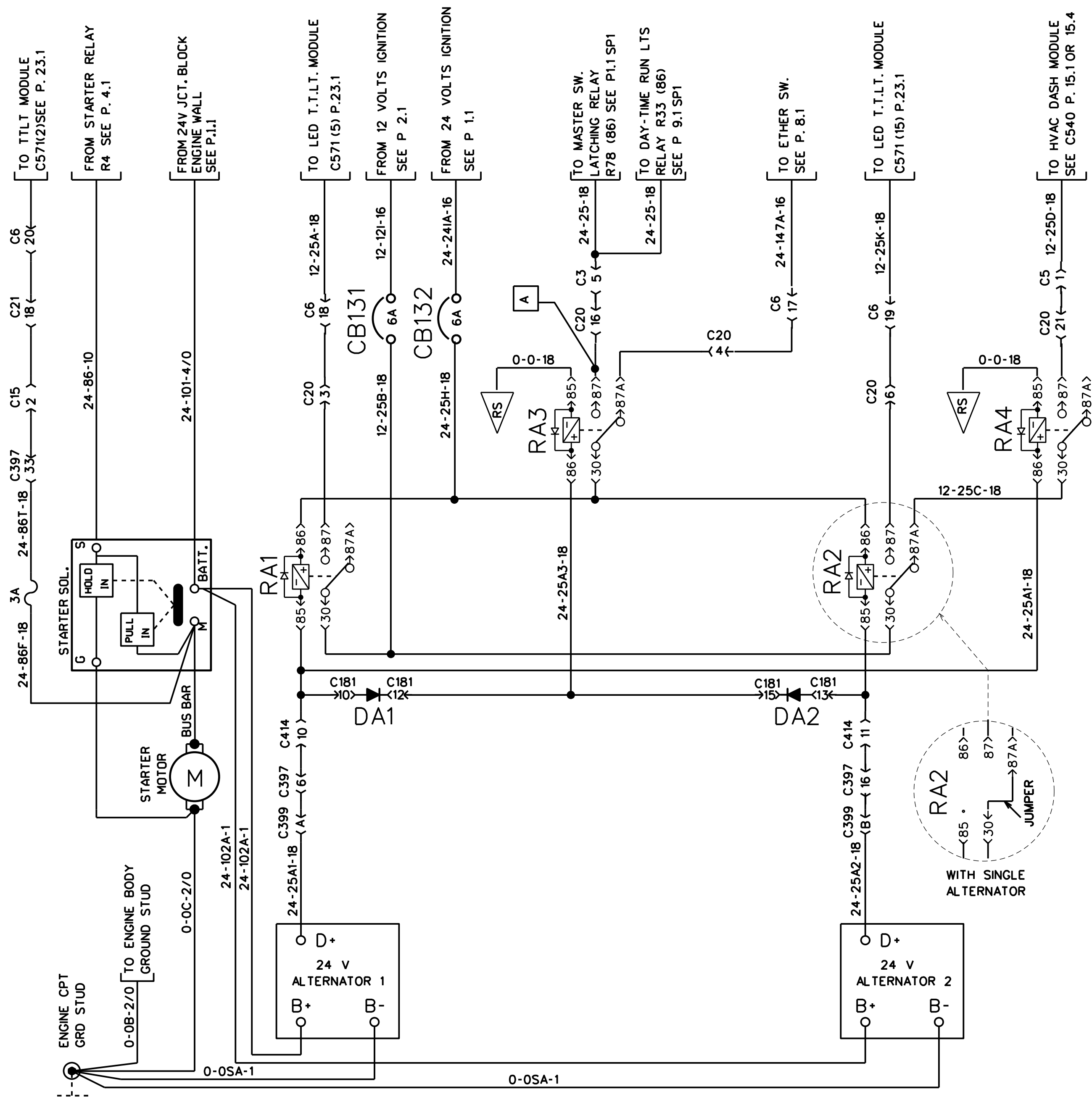




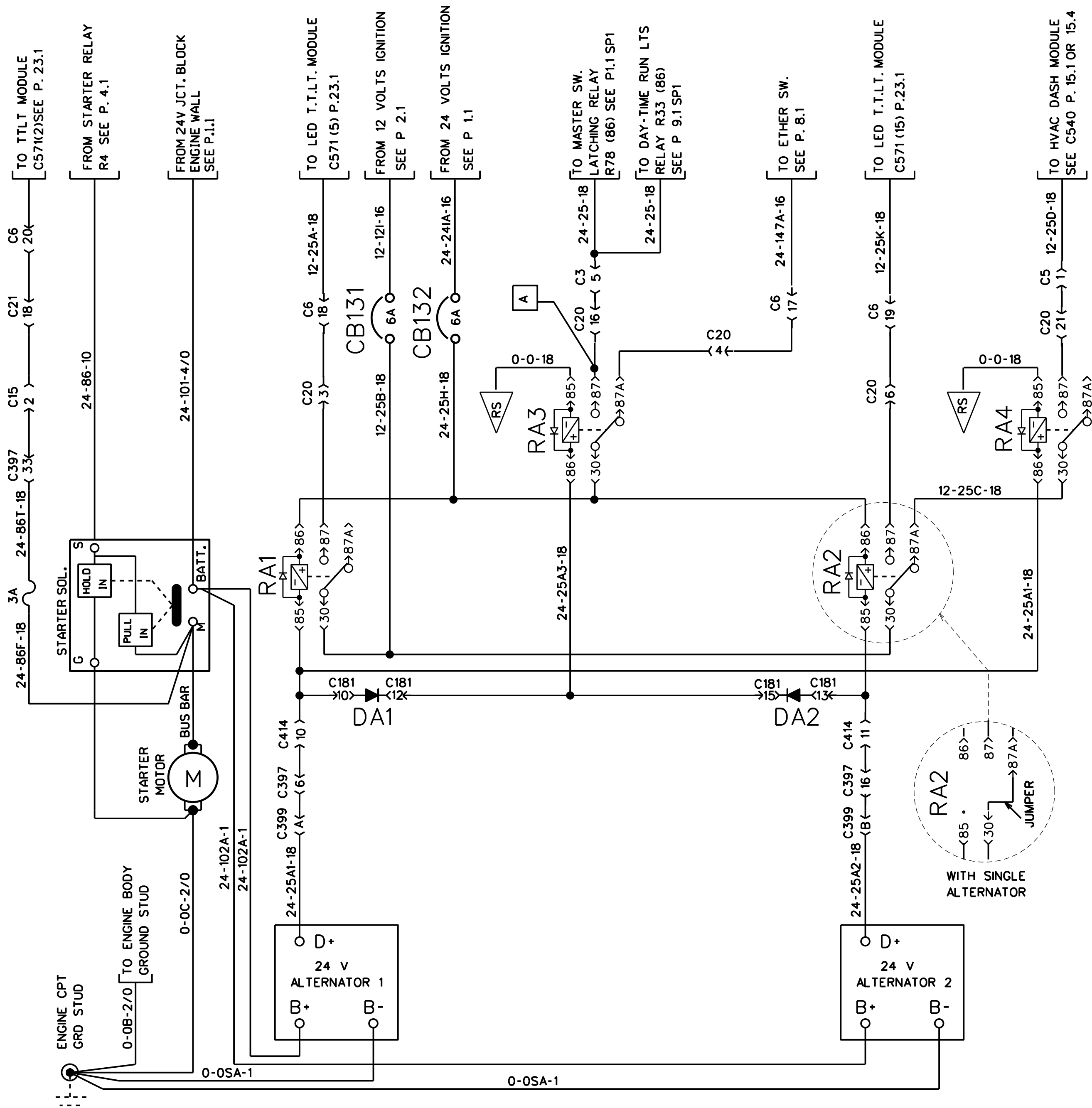




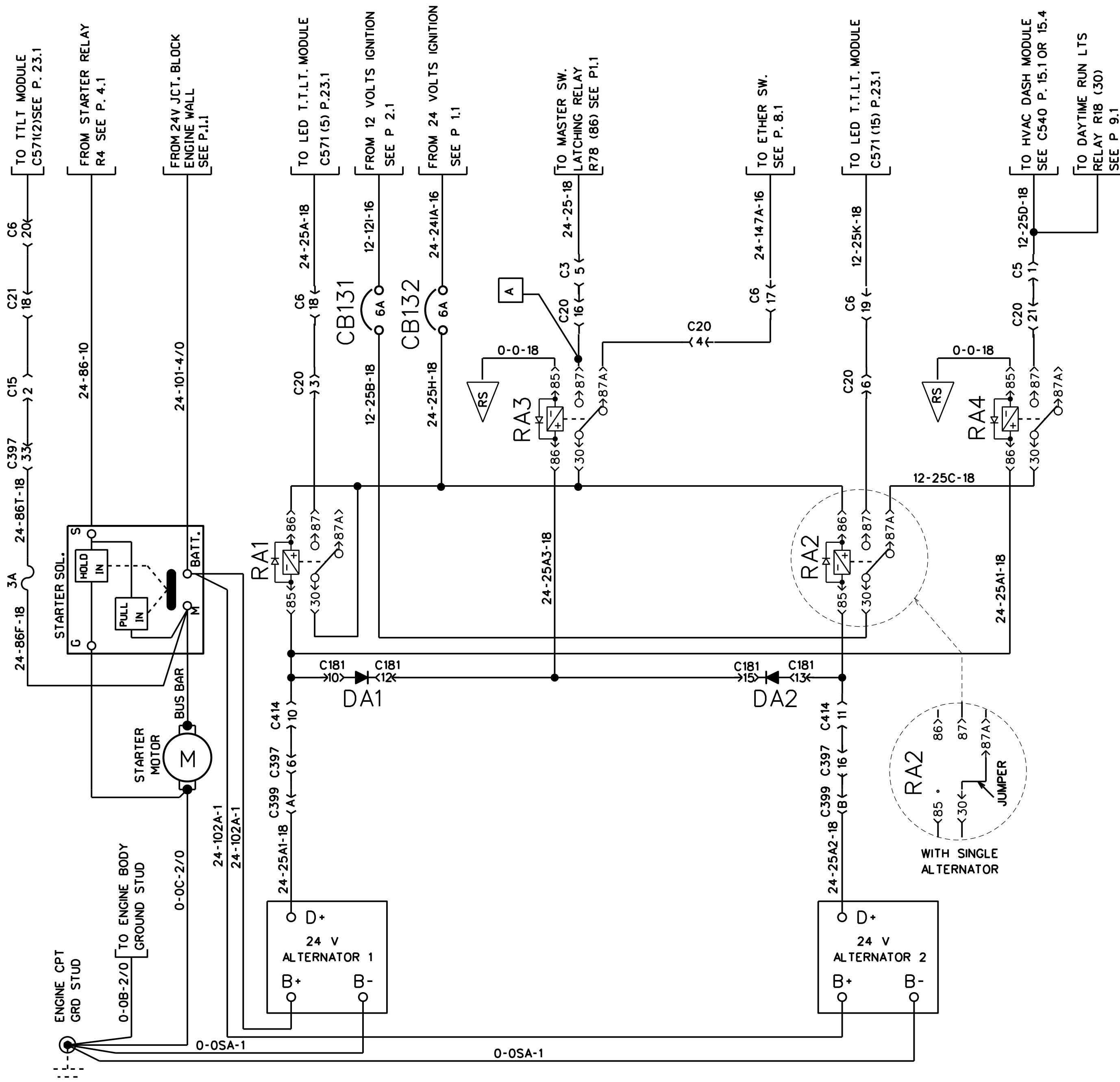
STARTER & ALTERNATOR BOSCH



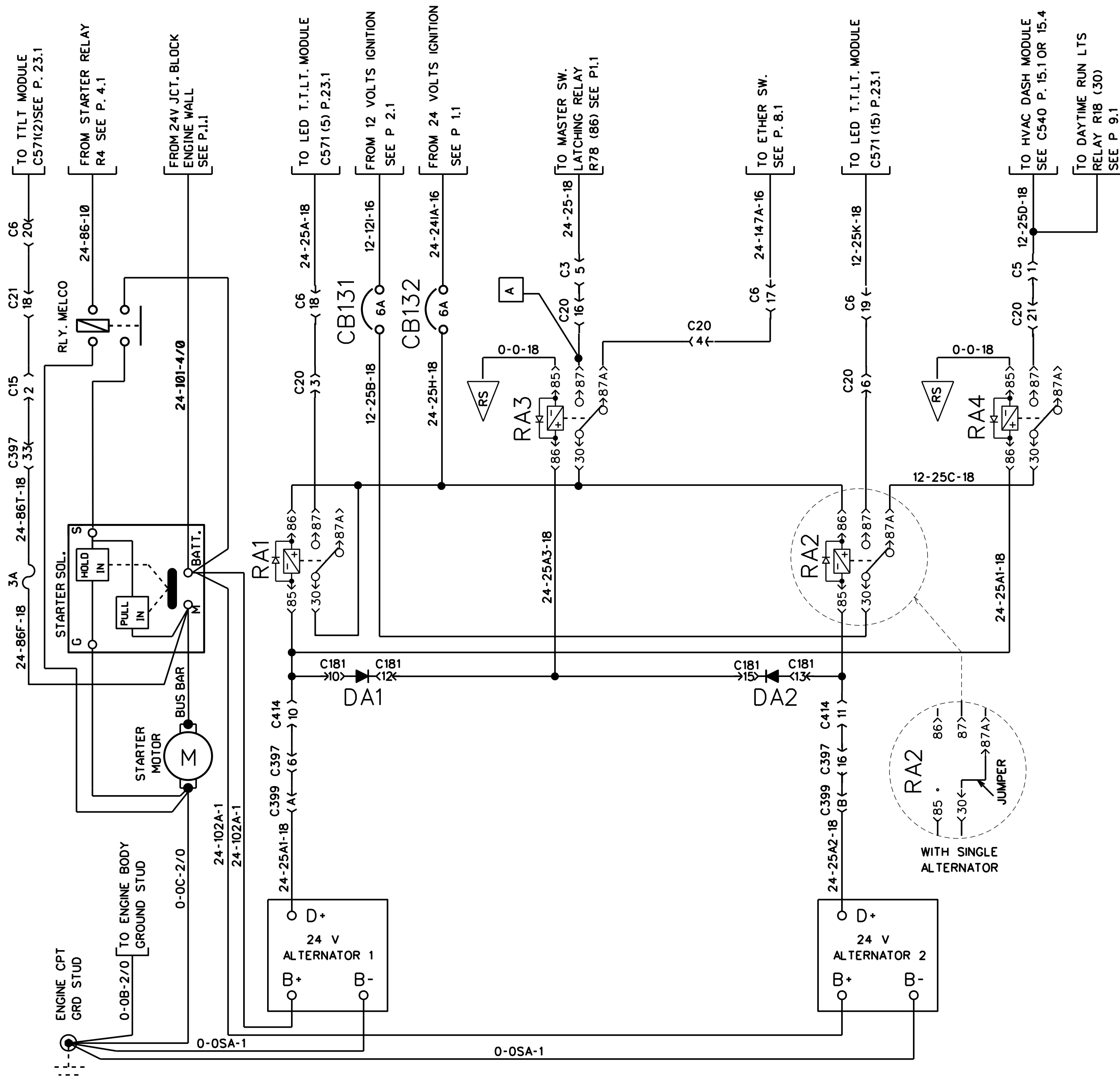
STARTER & ALTERNATOR BOSCH



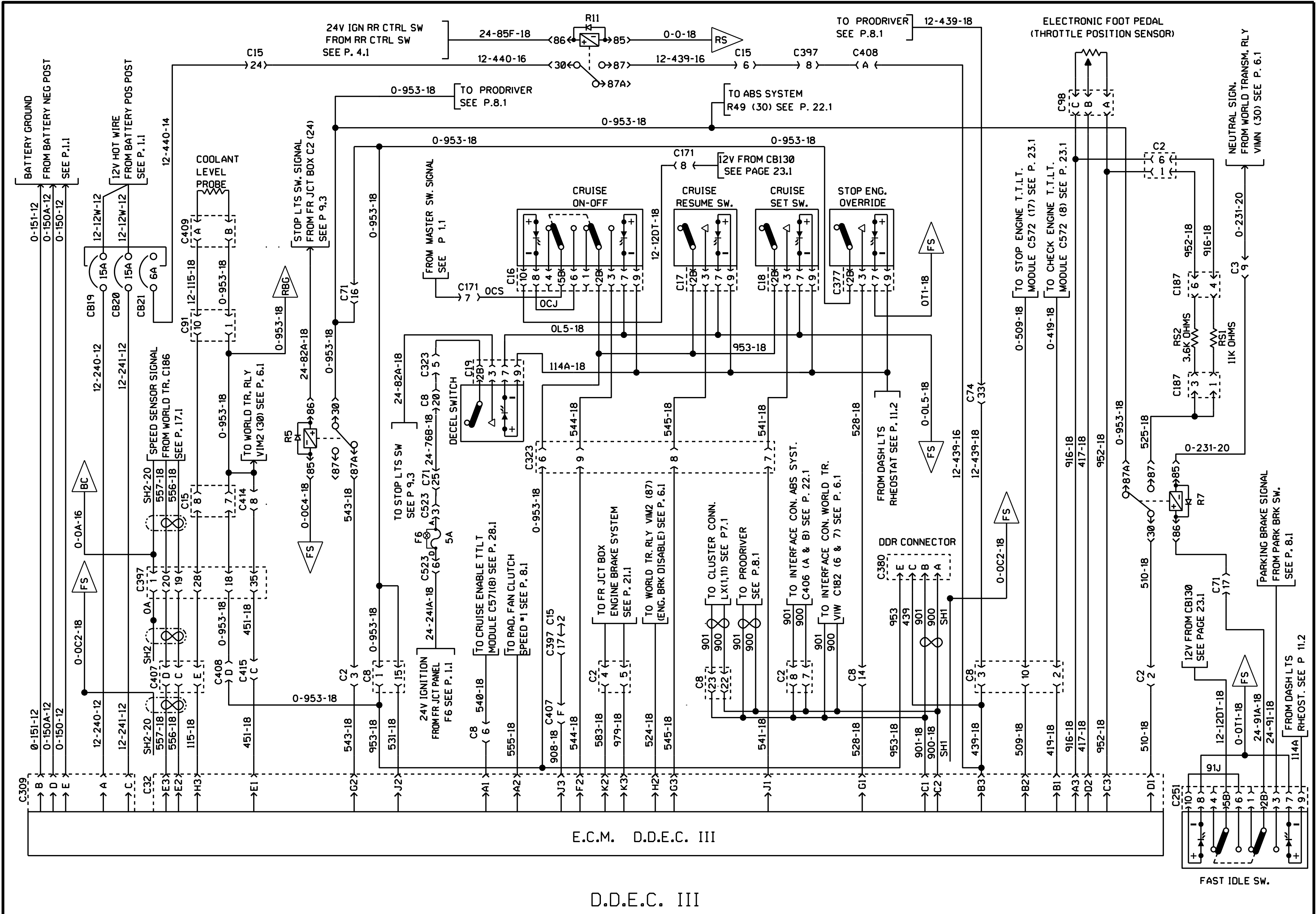
STARTER & ALTERNATOR BOSCH



STARTER & ALTERNATOR BOSCH

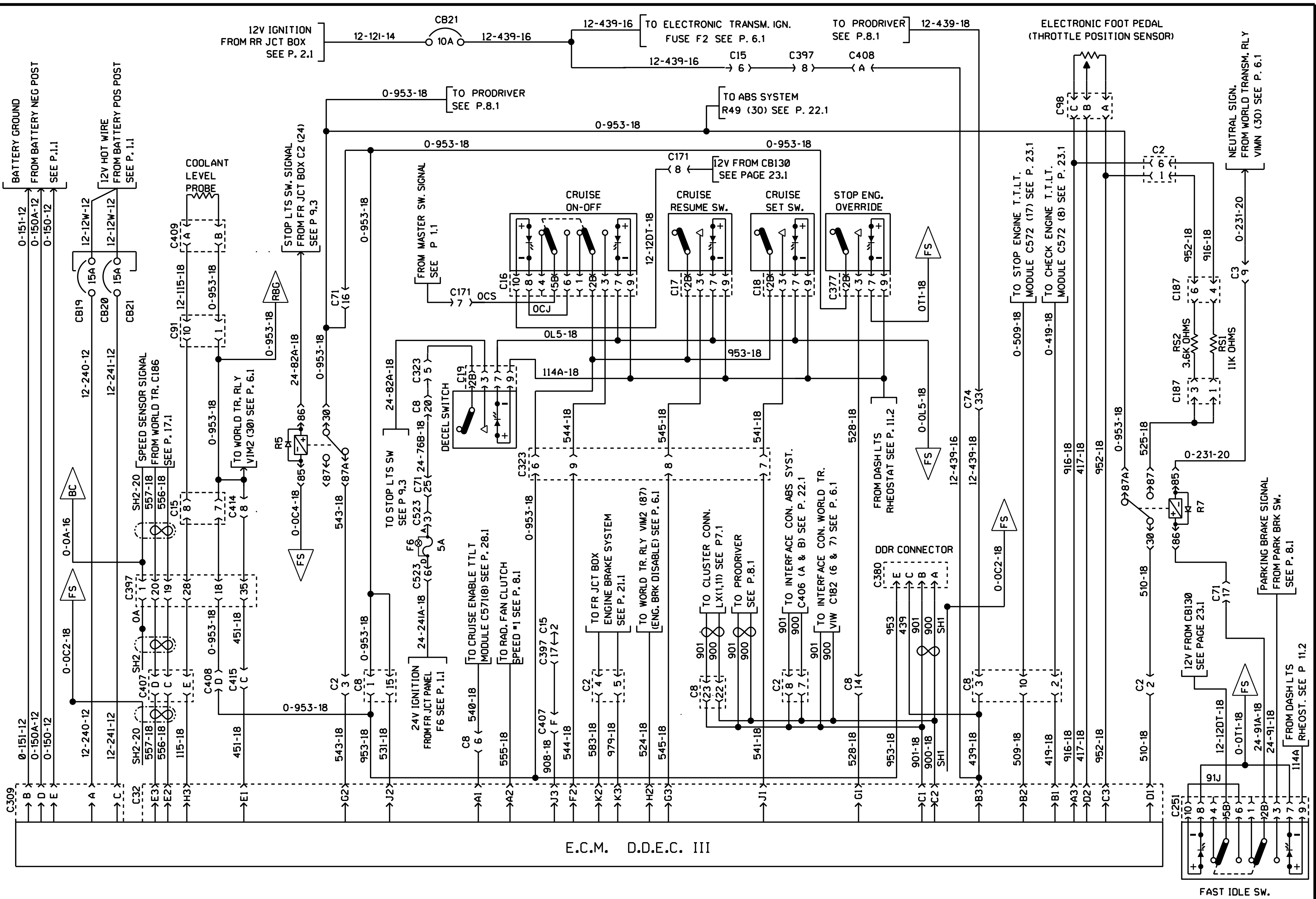


STARTER & ALTERNATOR BOSCH



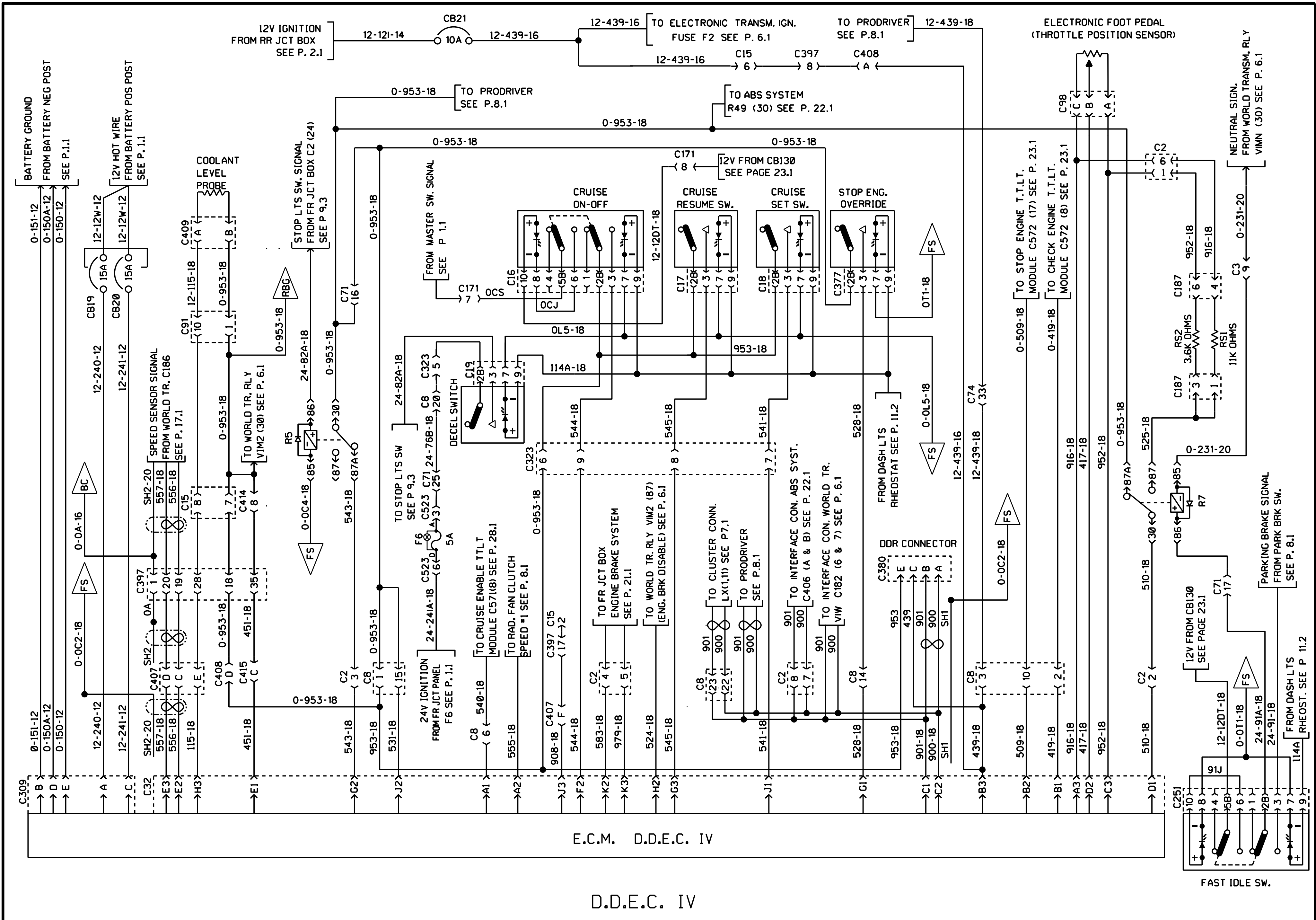
E.C.M. D.D.E.C. III

D.D.E.C. III



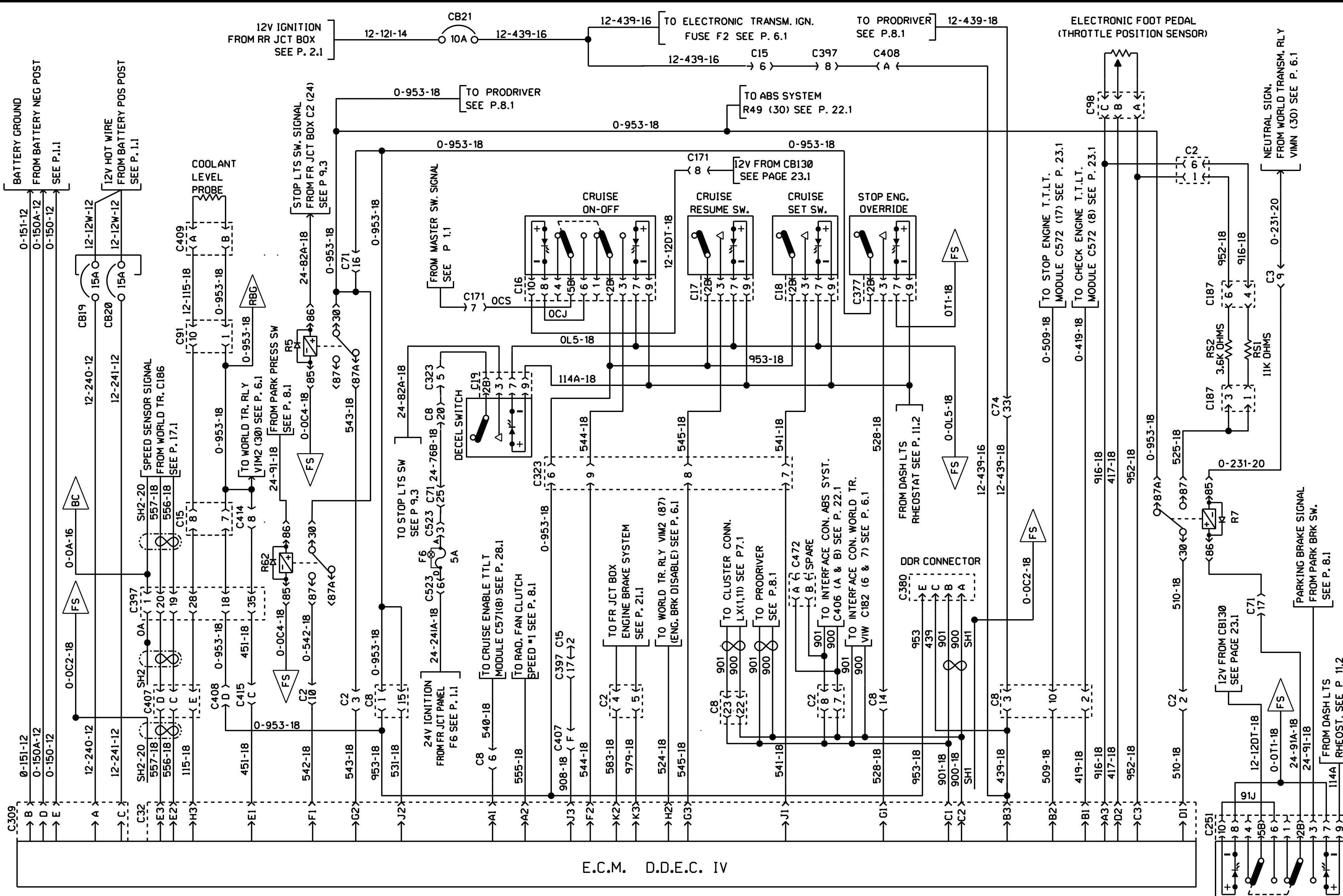
E.C.M. D.D.E.C. III

D.D.E.C. III



E.C.M. D.D.E.C. IV

D.D.E.C. IV



E.C.M. D.D.E.C. IV

D.D.E.C. IV

WORLD TRANSMISSION E.C.U.

PREVOST

WIRING DIAGRAM

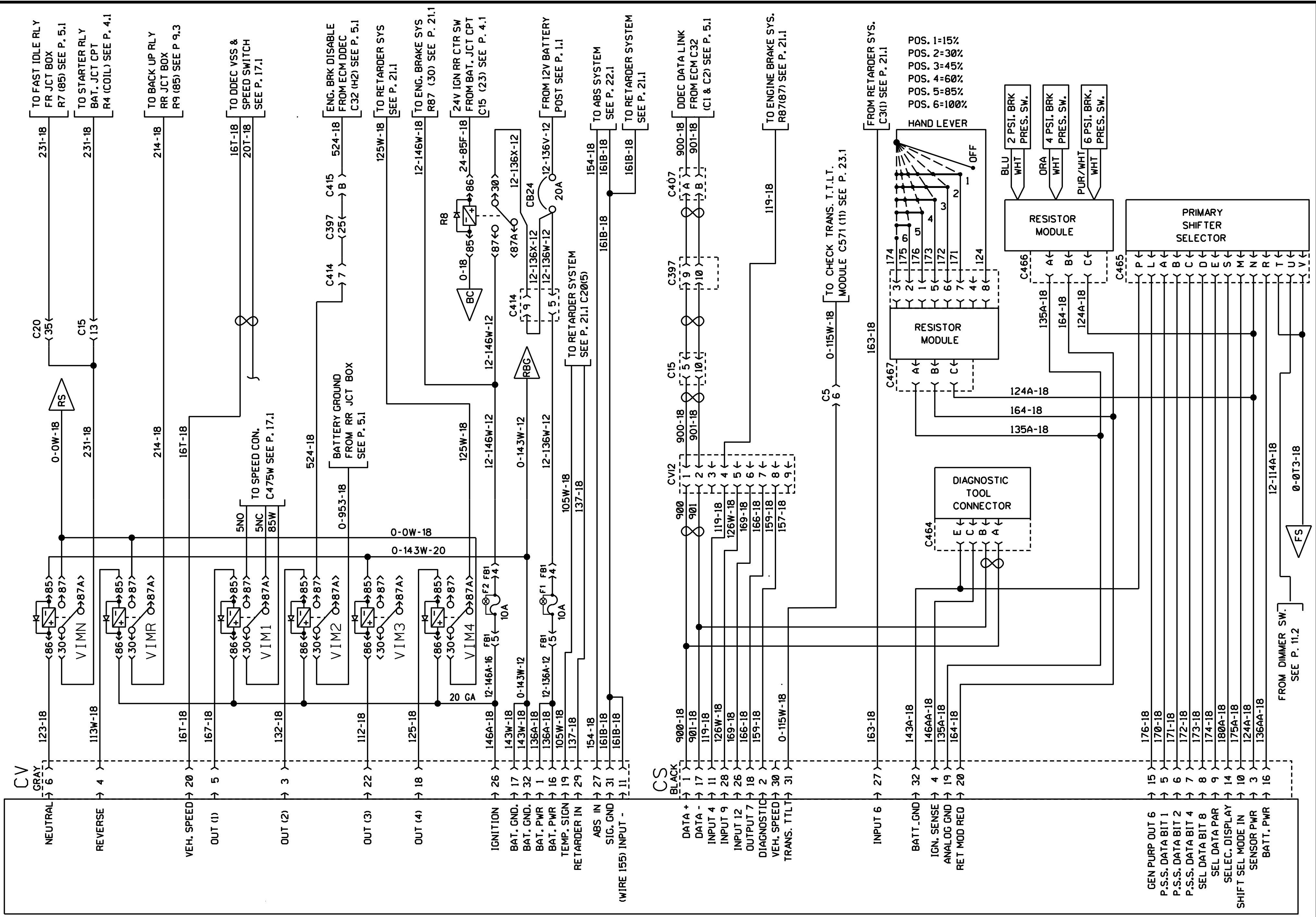
NO:

0060912

PAGE:

6.1

REVISION
00



WORLD TRANSMISSION E.C.U.

WIRING DIAGRAM

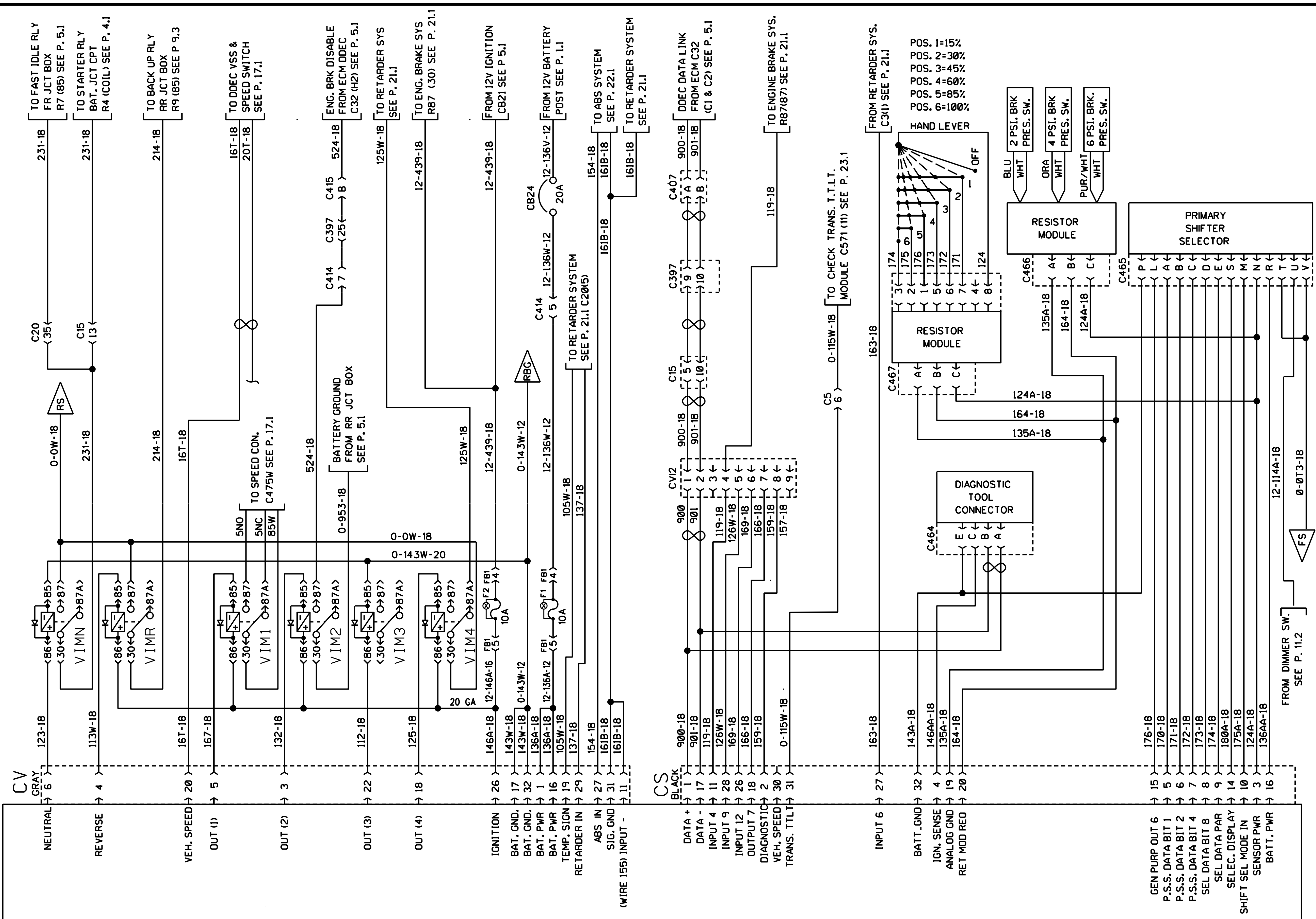
NO:

0060912

PAGE:

6.1

REVISION
02



WORLD TRANSMISSION E.C.U.

PREVOST

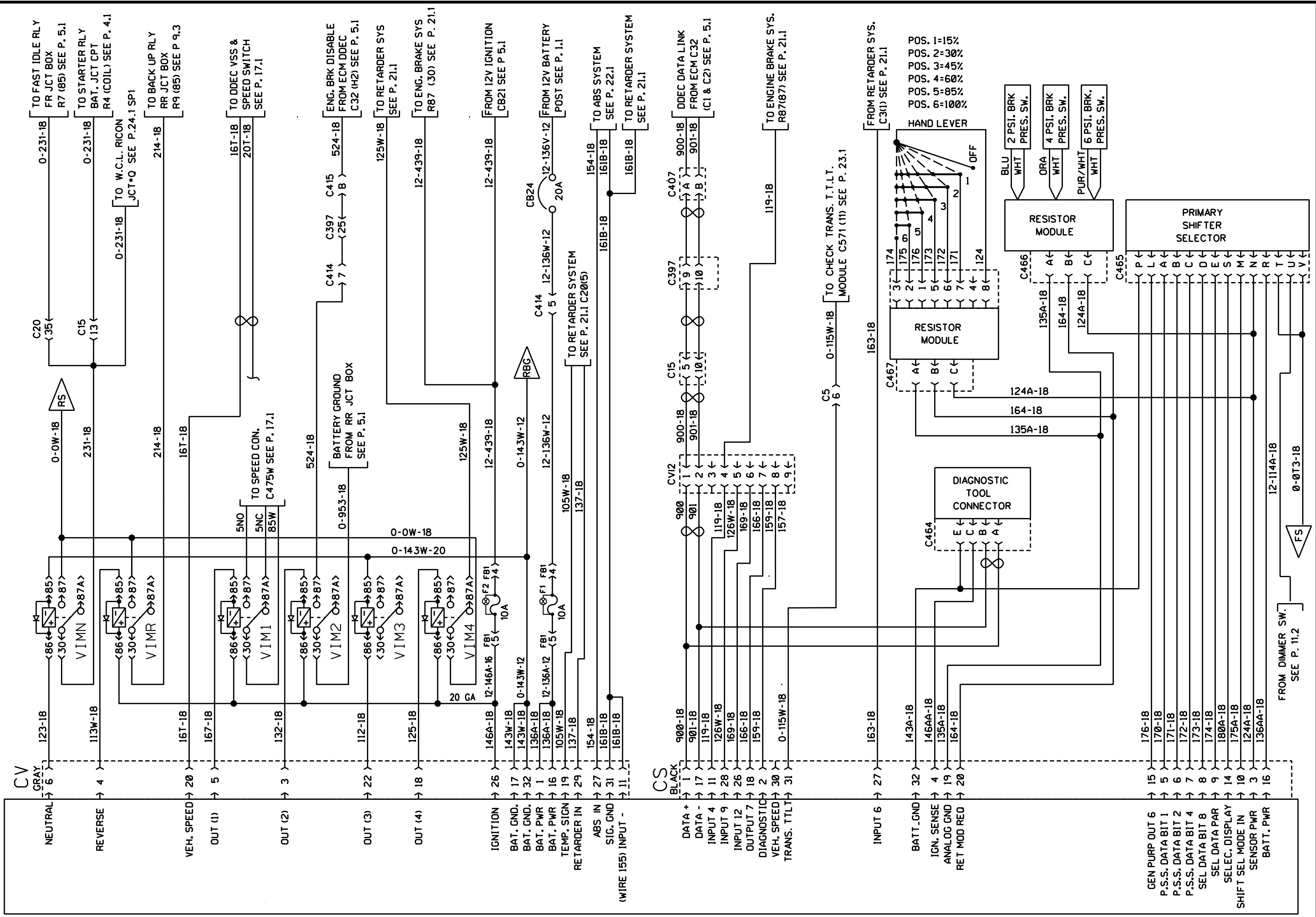
WIRING DIAGRAM

NO:

0060912

PAGE: **6.1 SP1**

REVISION
00

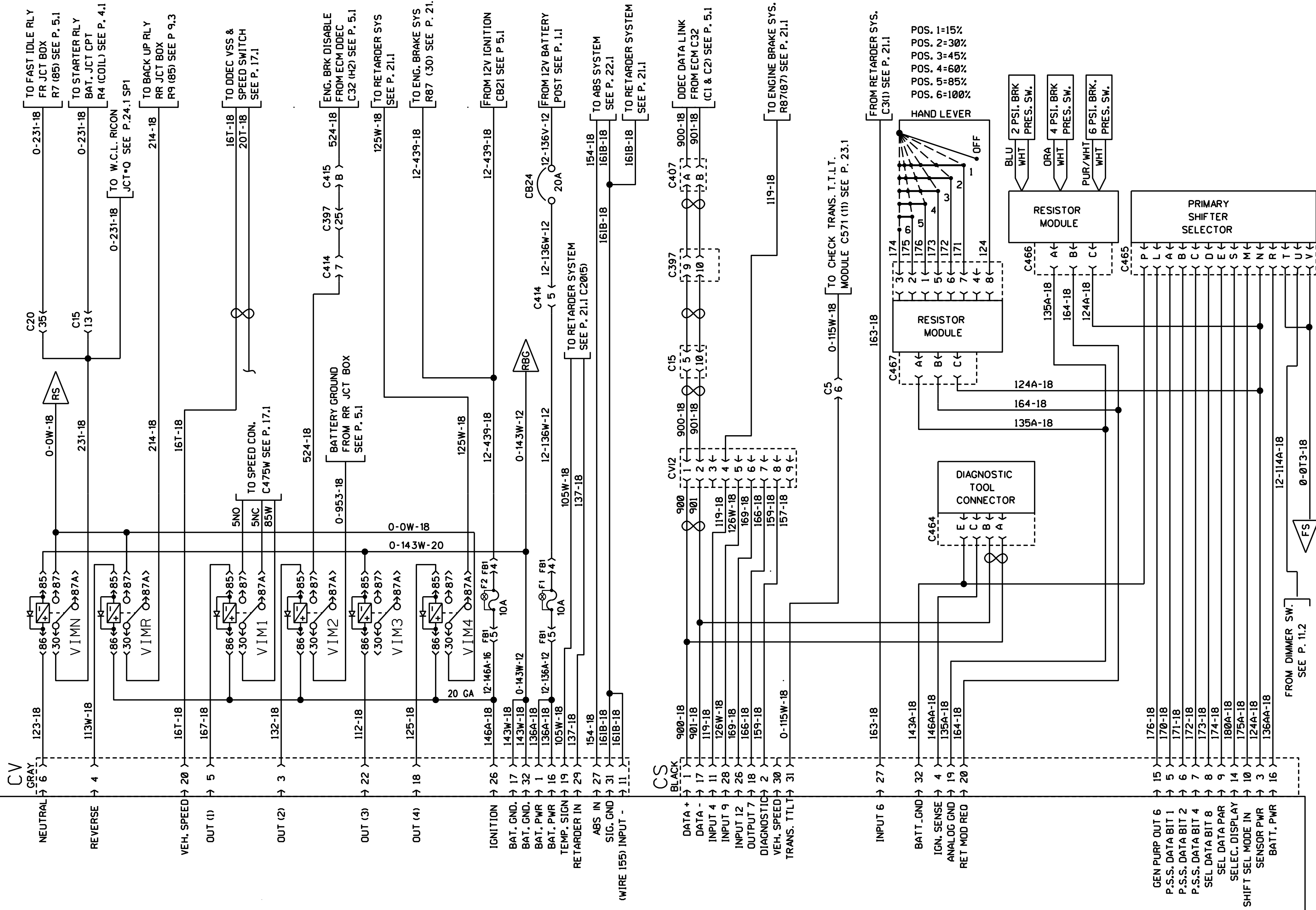


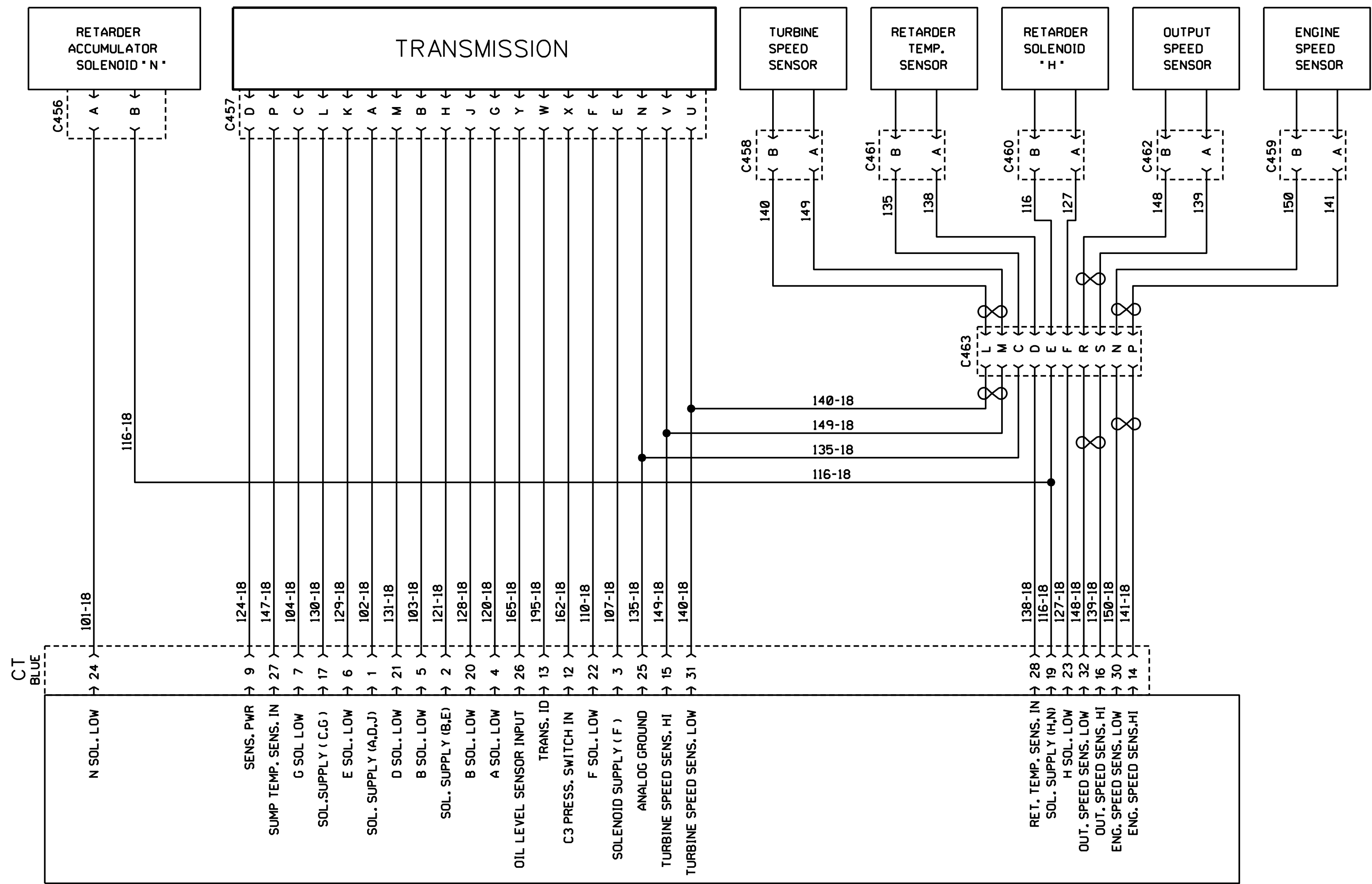
FROM DIMMER SW.
SEE P. 11.2

0-0T3-18

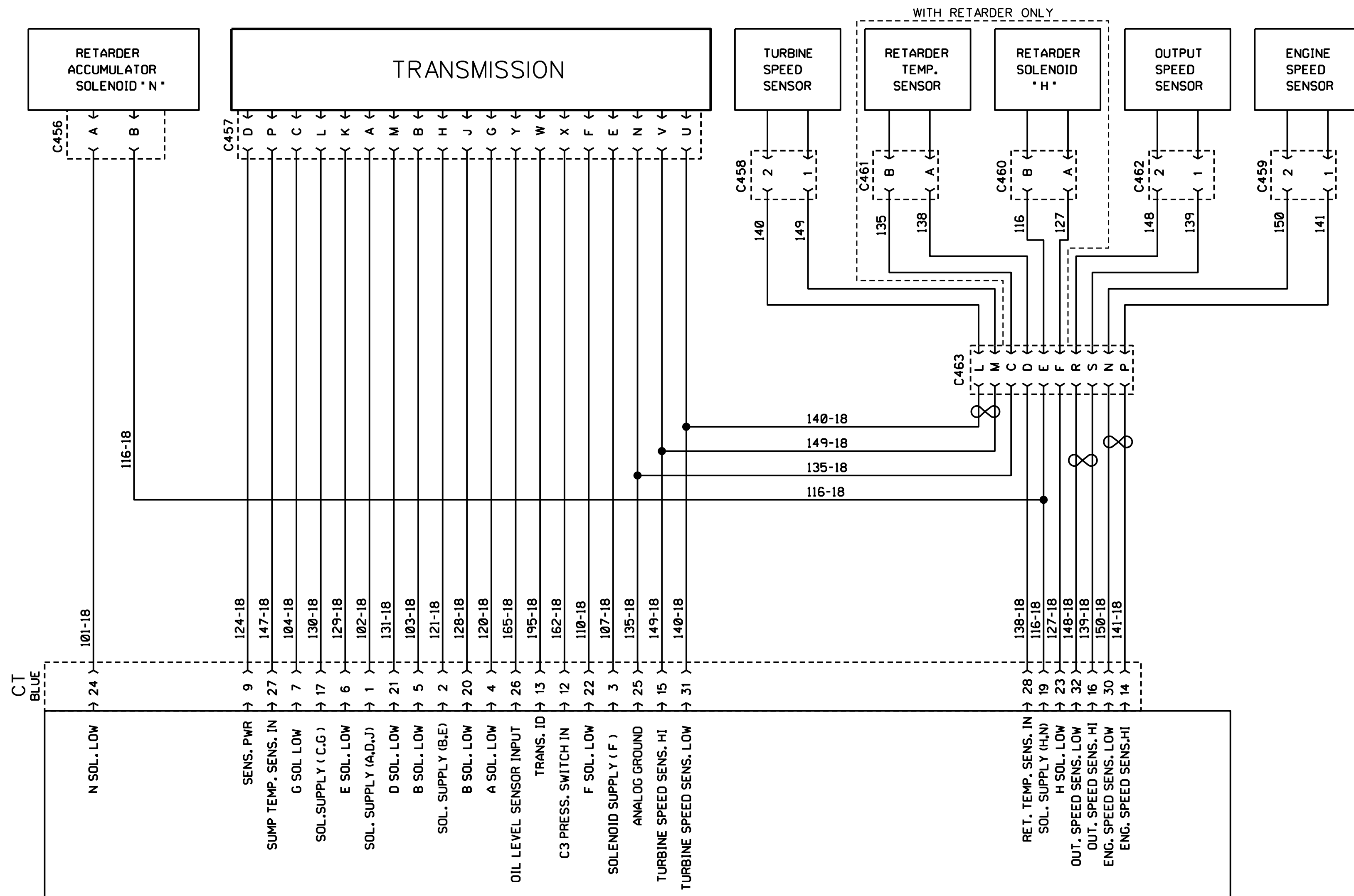
FS

WORLD TRANSMISSION E.C.U. AVEC W.C.L.

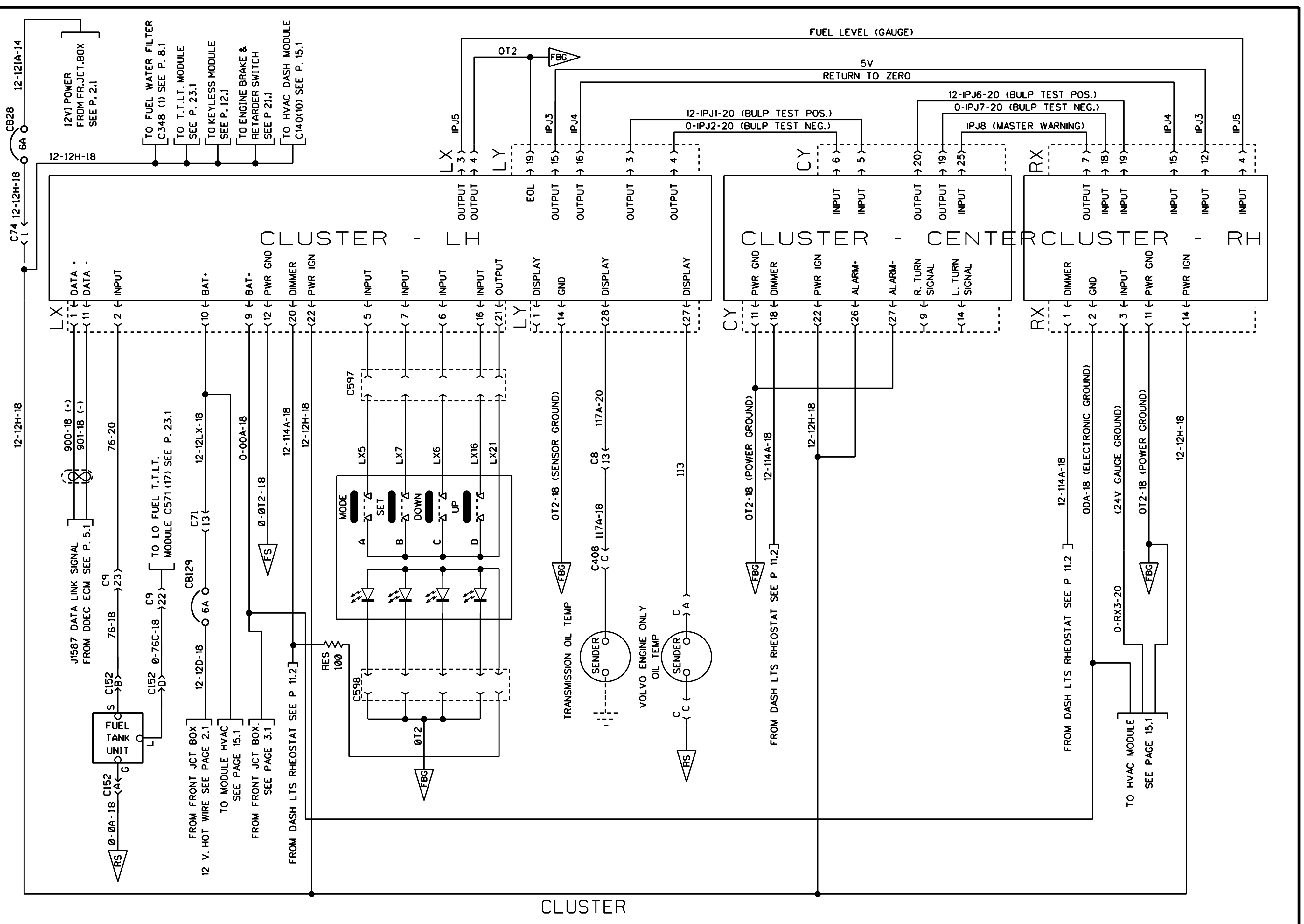


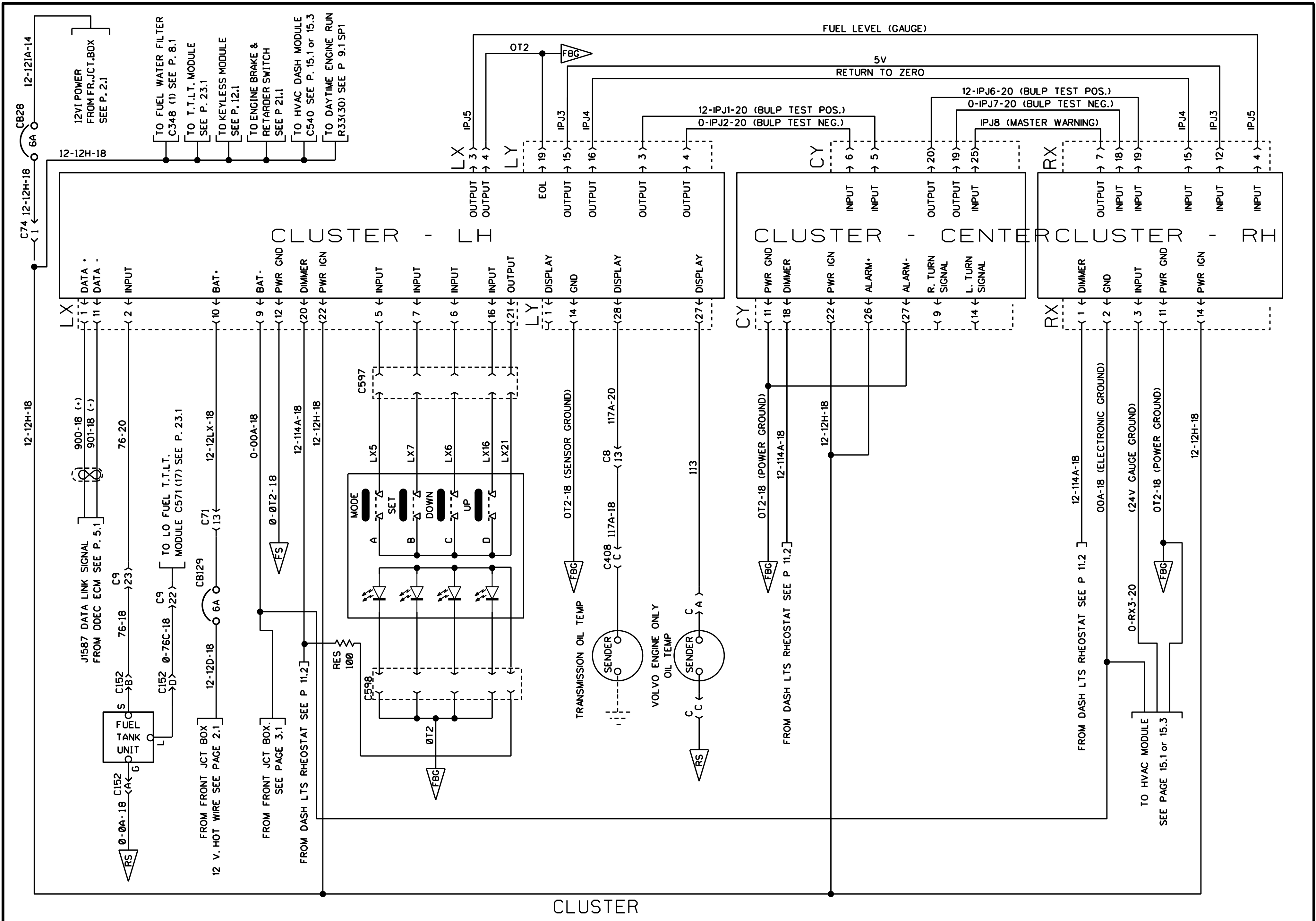


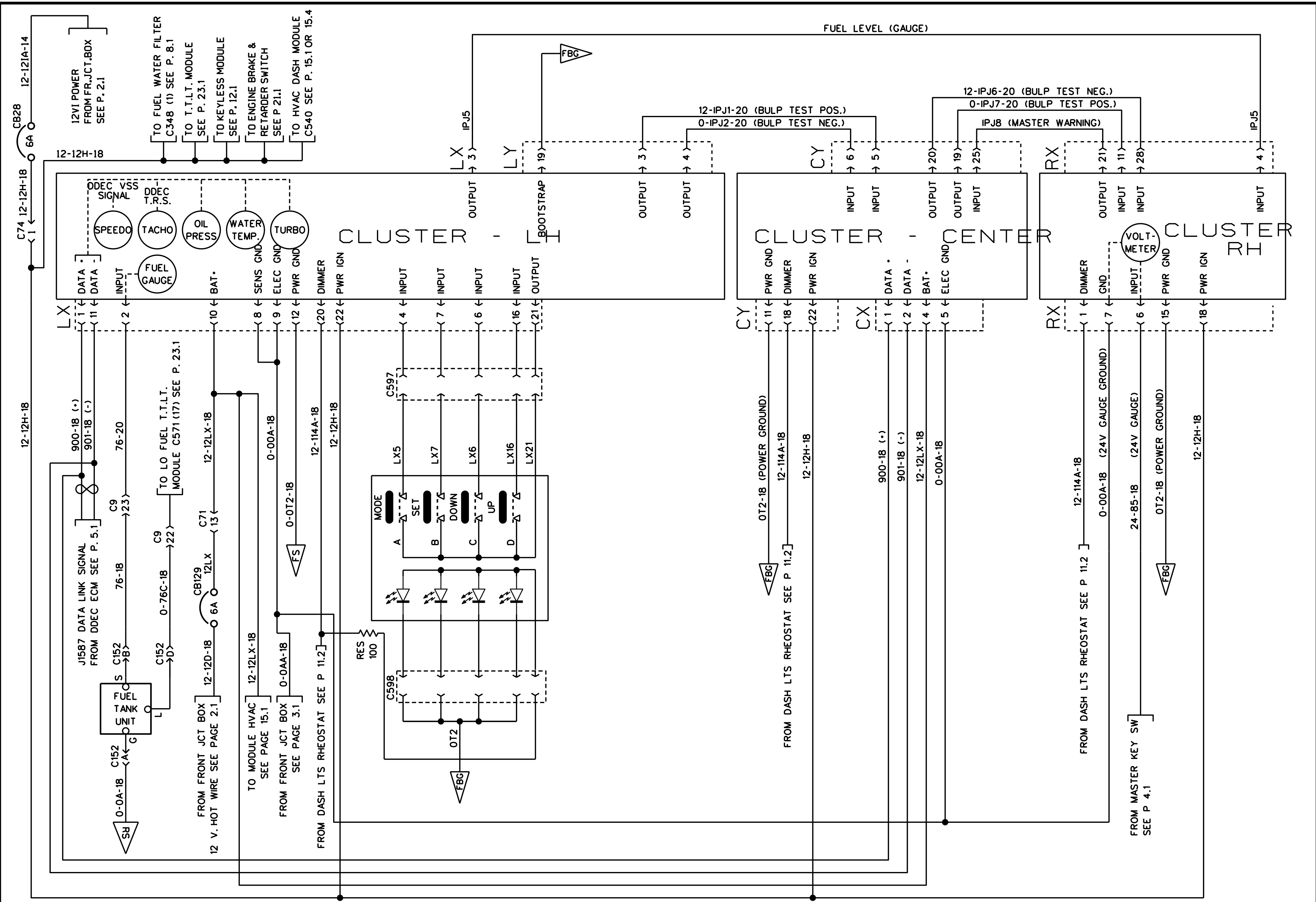
WORLD TRANSMISSION E.C.U. (SUITE)

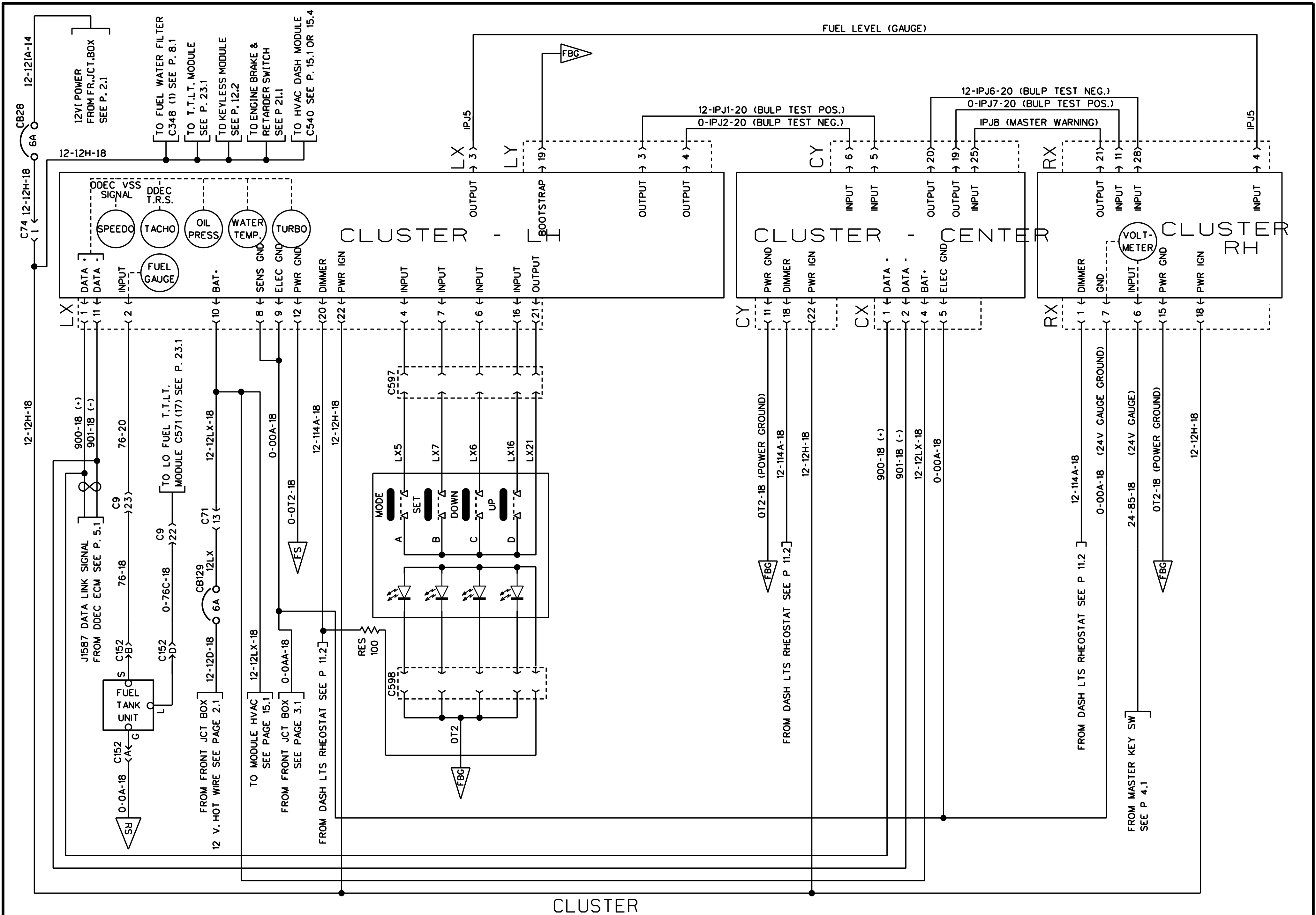


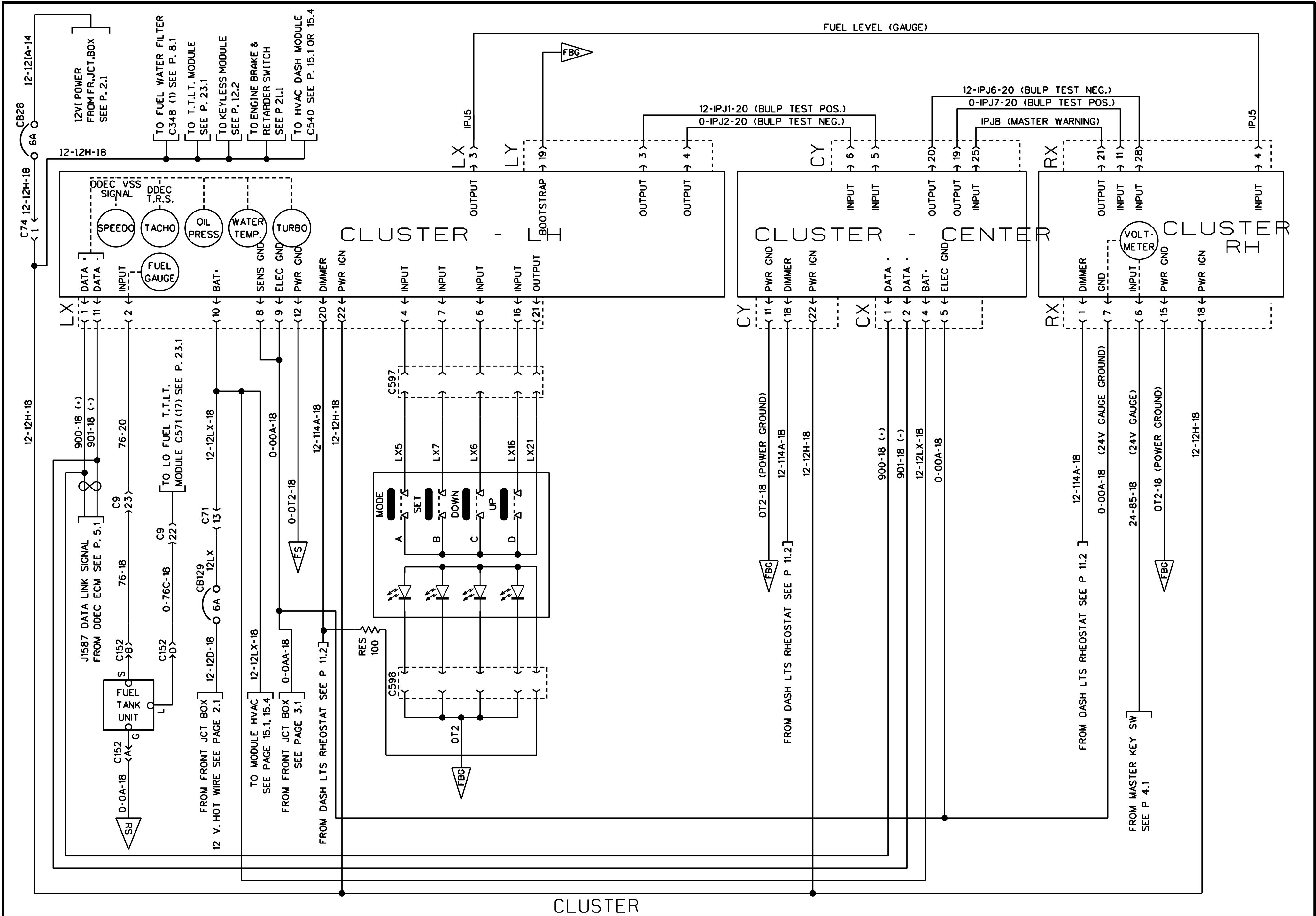
WORLD TRANSMISSION E.C.U. (SUITE)

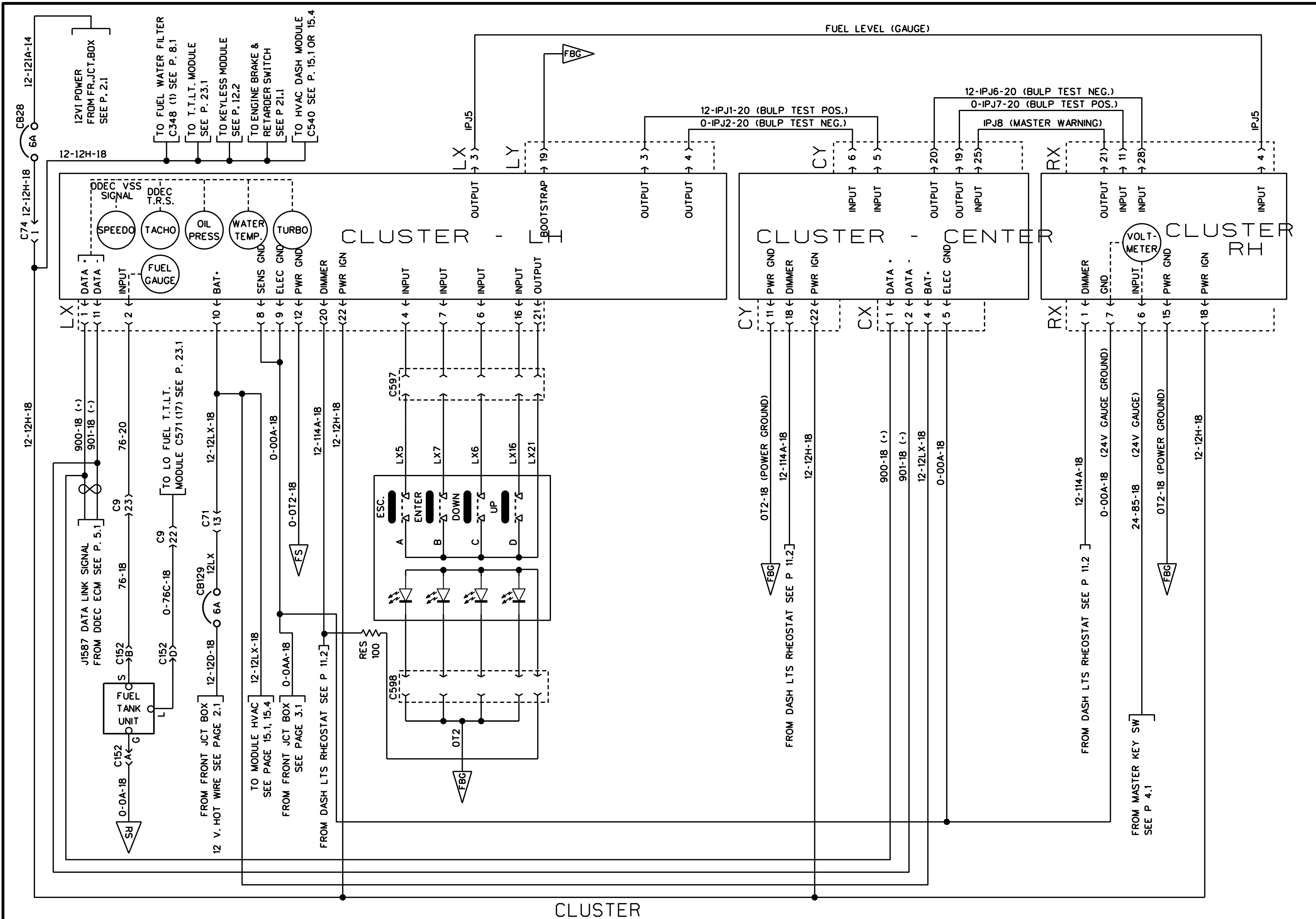


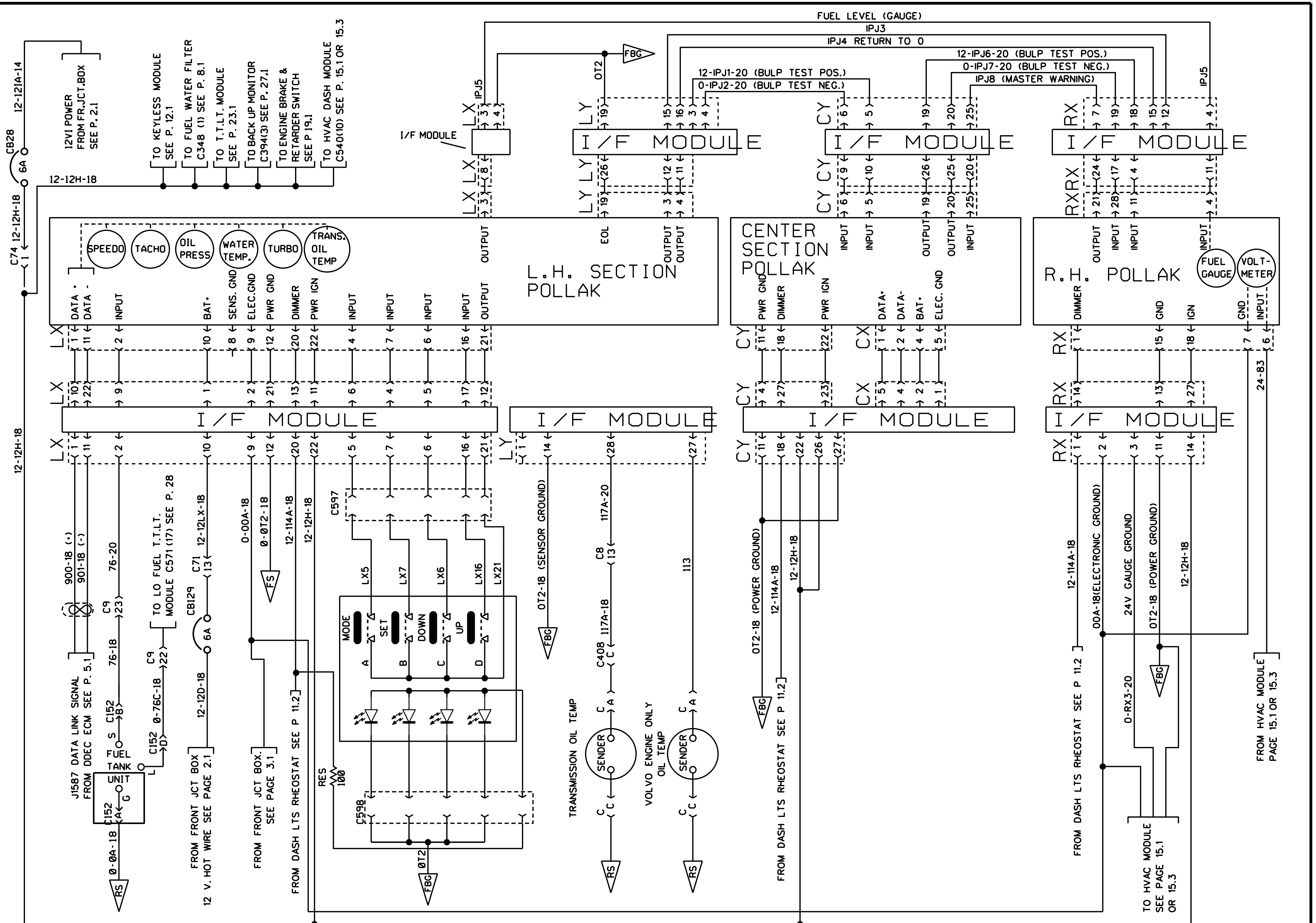




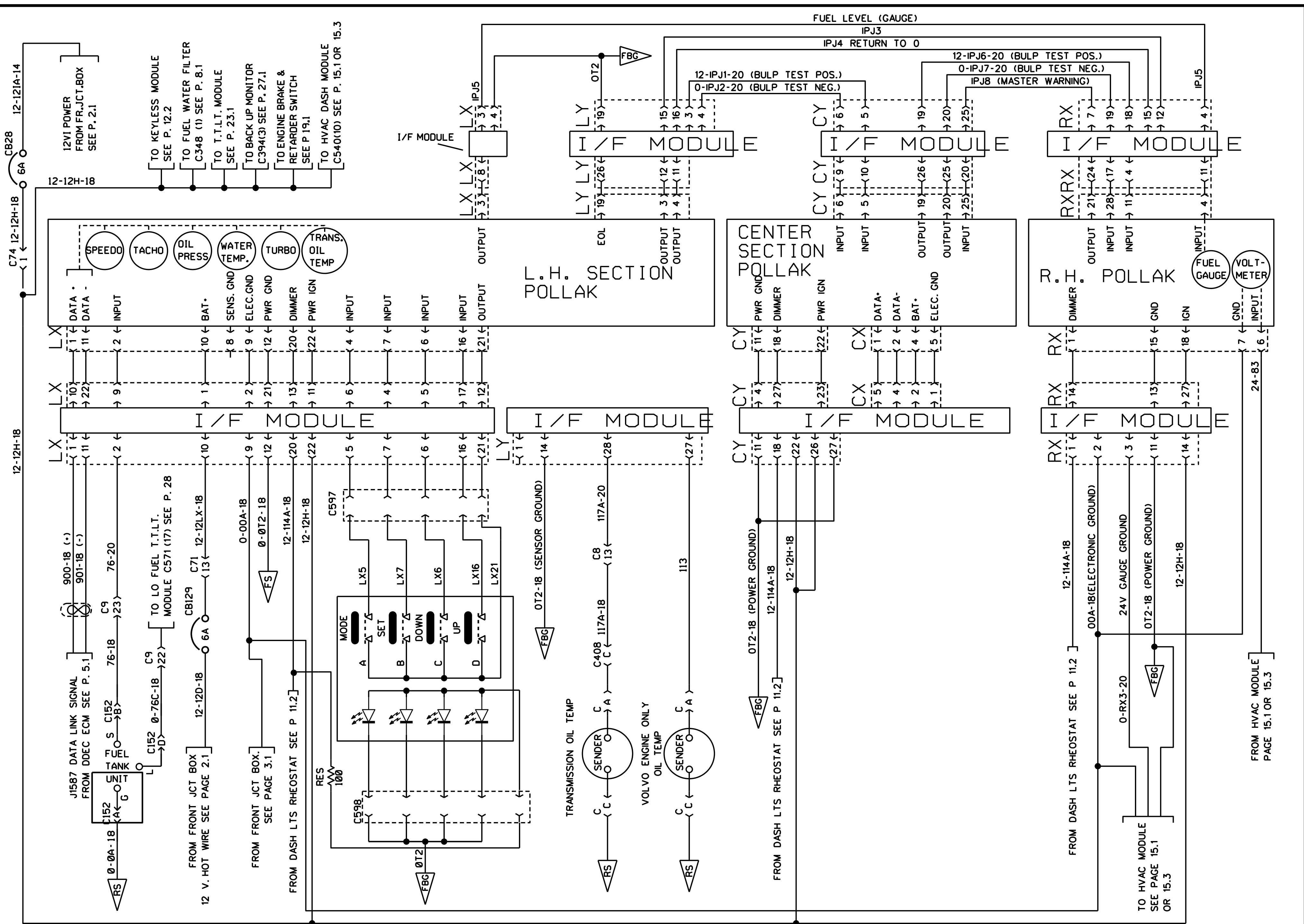




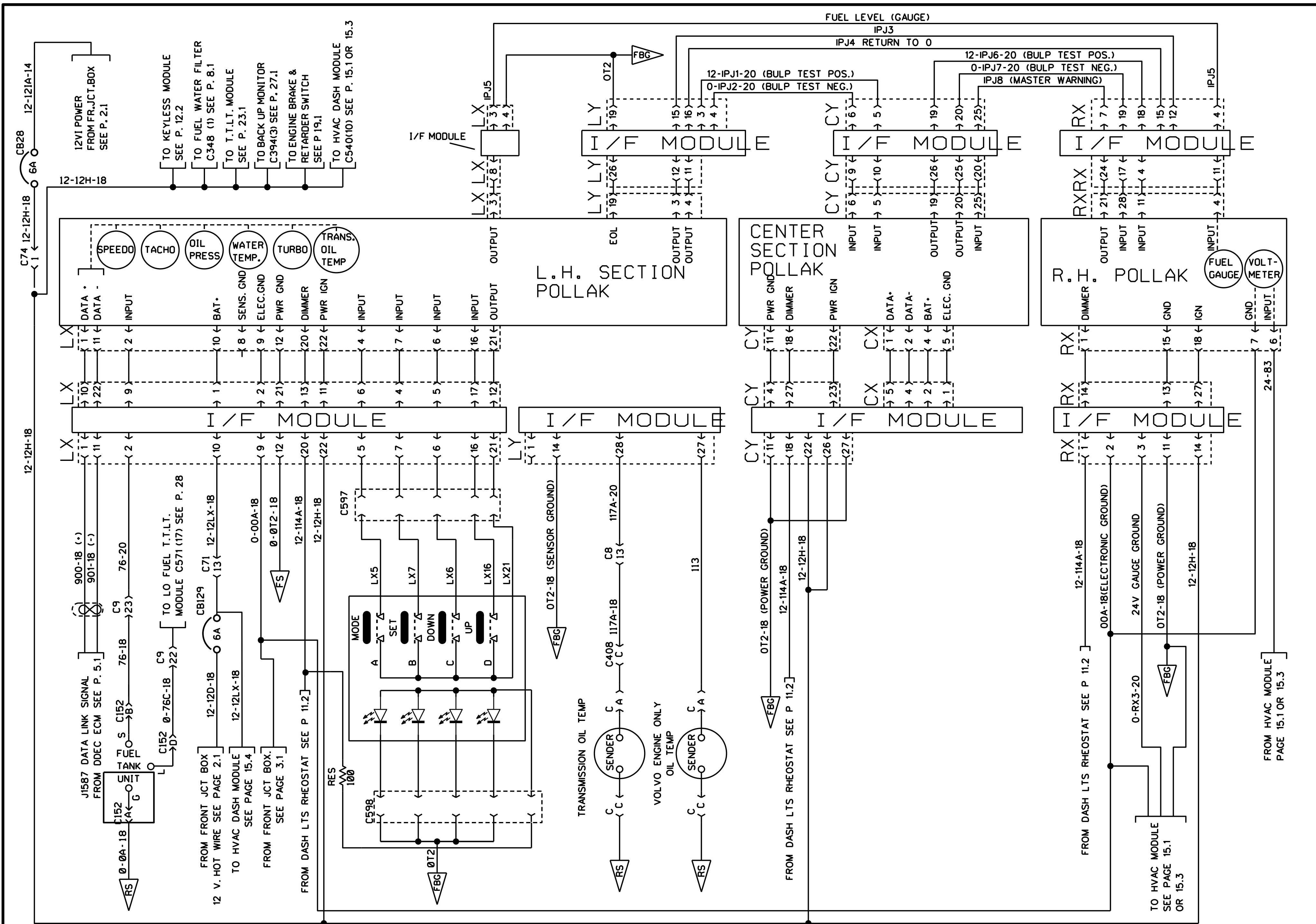




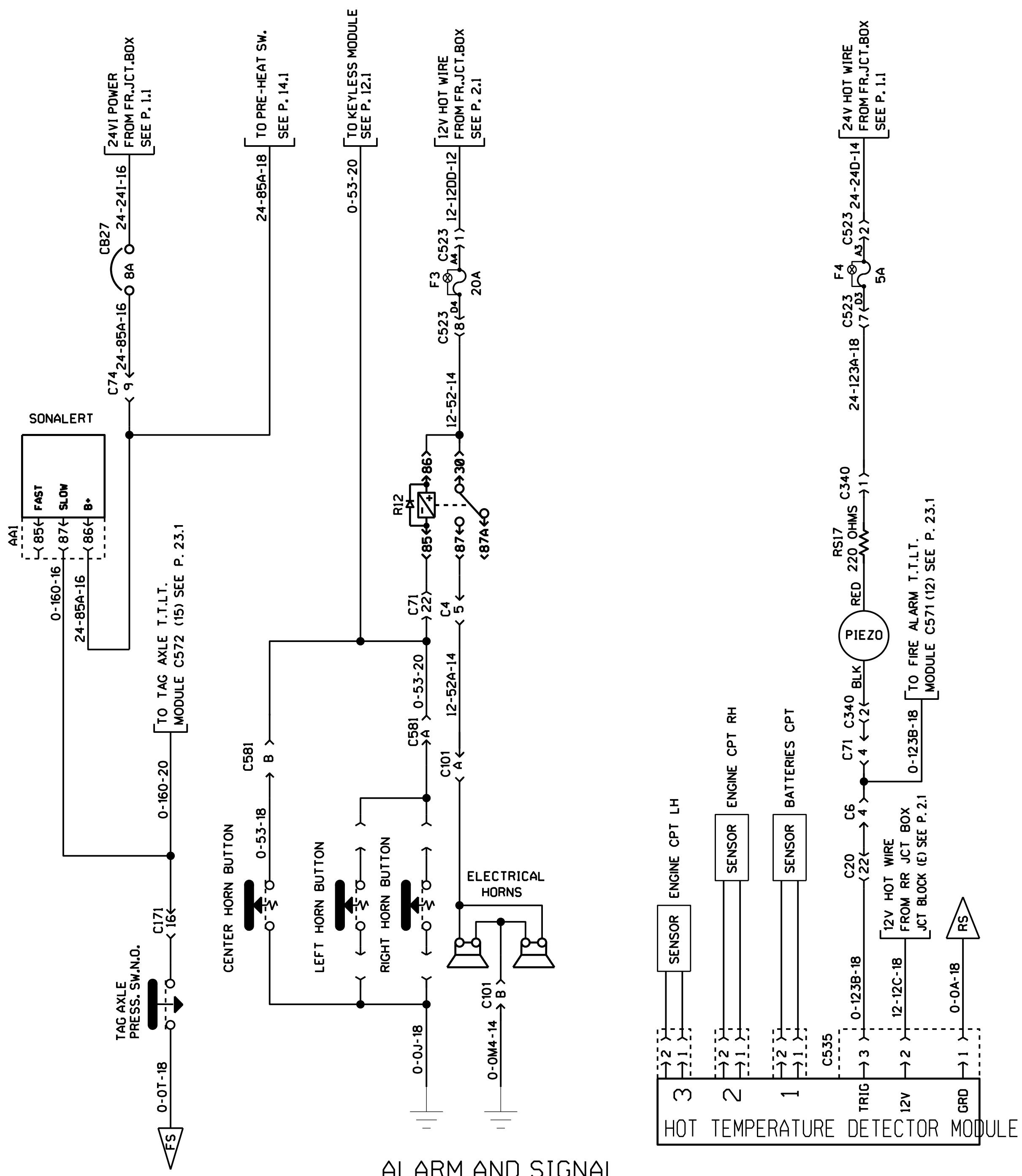
RETROFIT DIXSON TO POLLAK CLUSTER



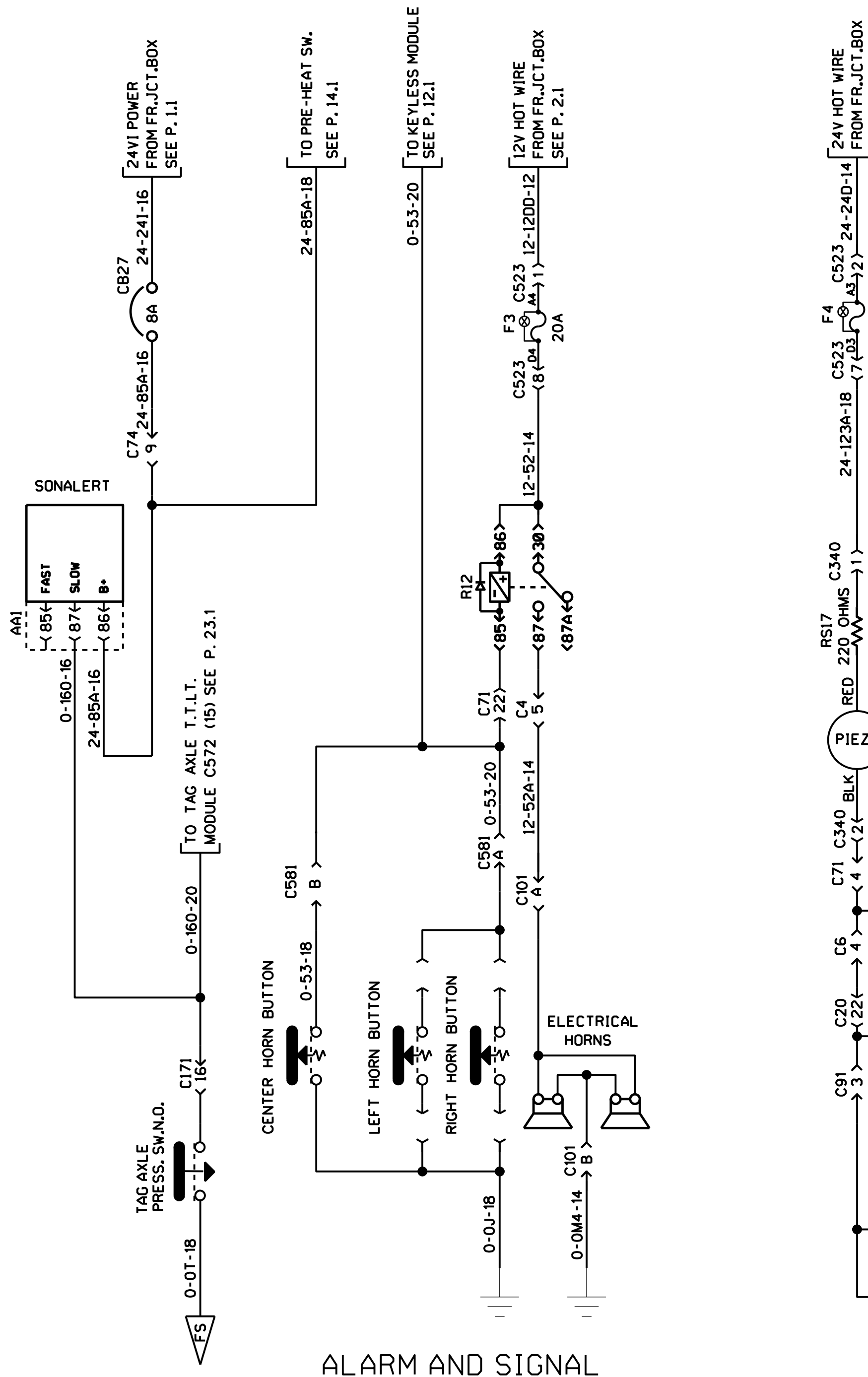
RETROFIT DIXSON TO POLLAK CLUSTER



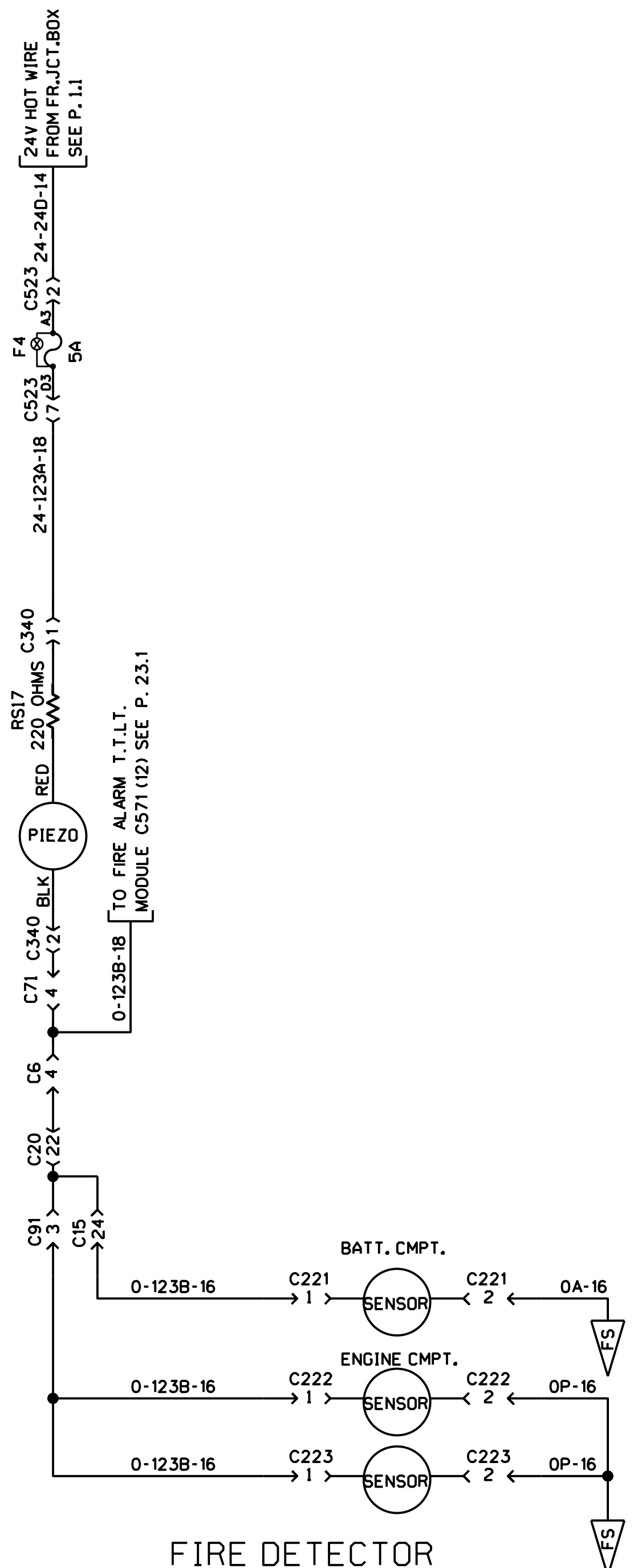
RETROFIT DIXSON TO POLLAK CLUSTER



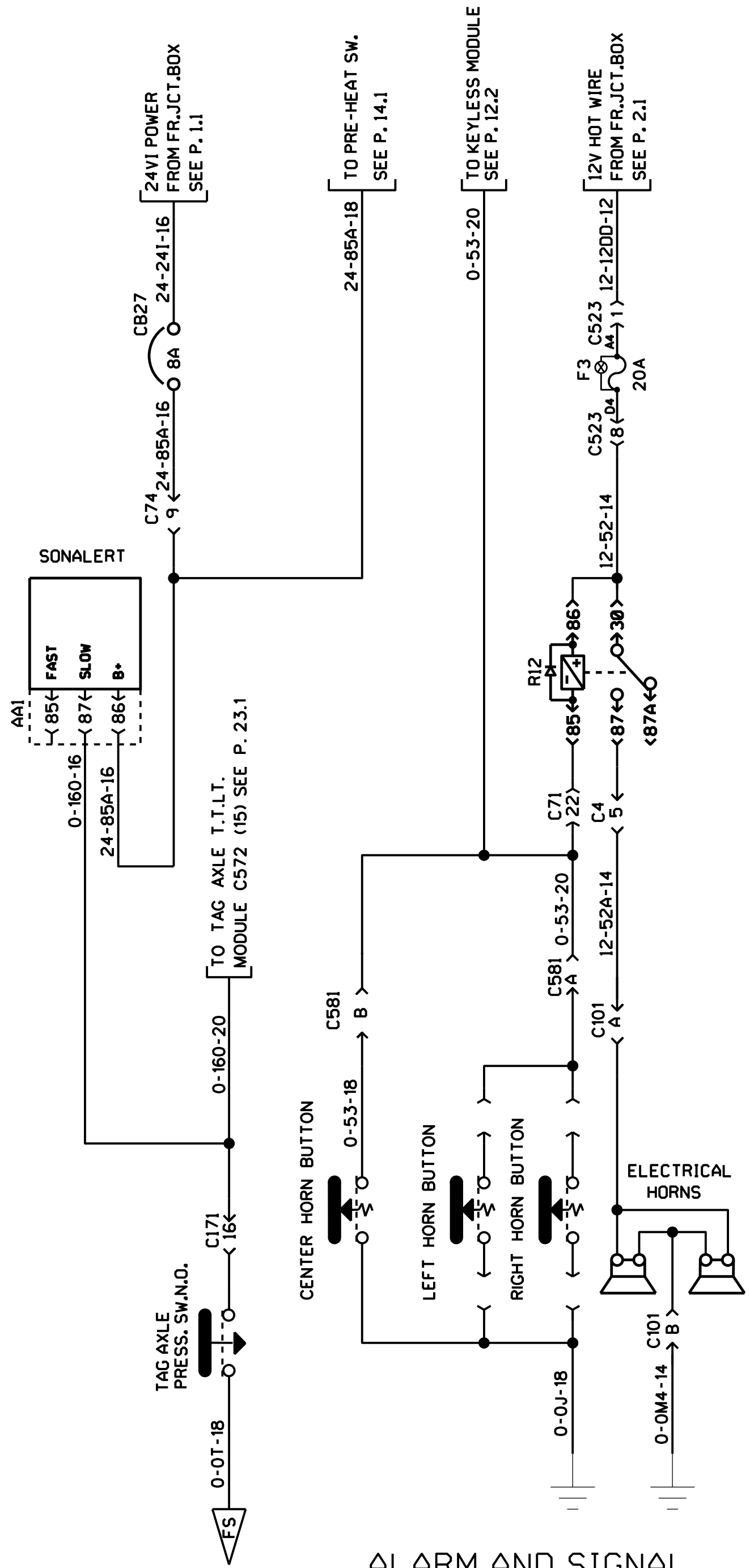
ALARM AND SIGNAL



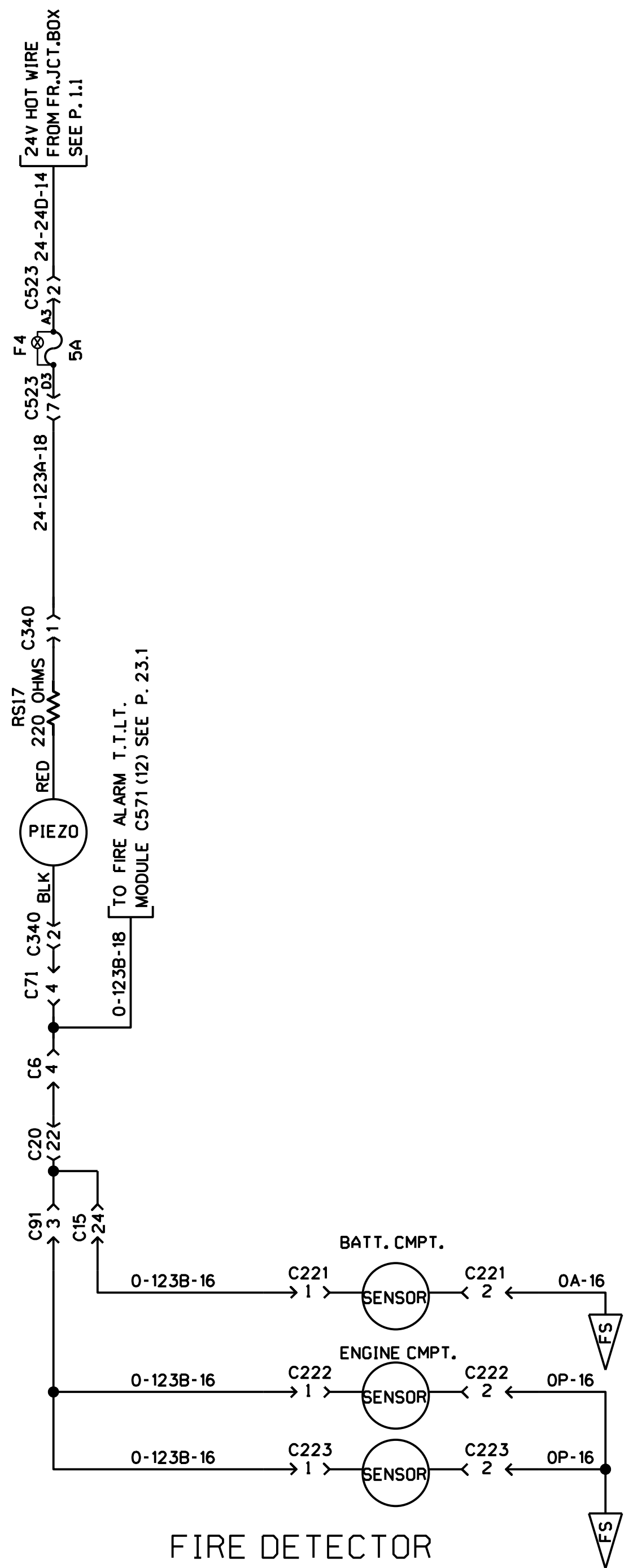
ALARM AND SIGNAL



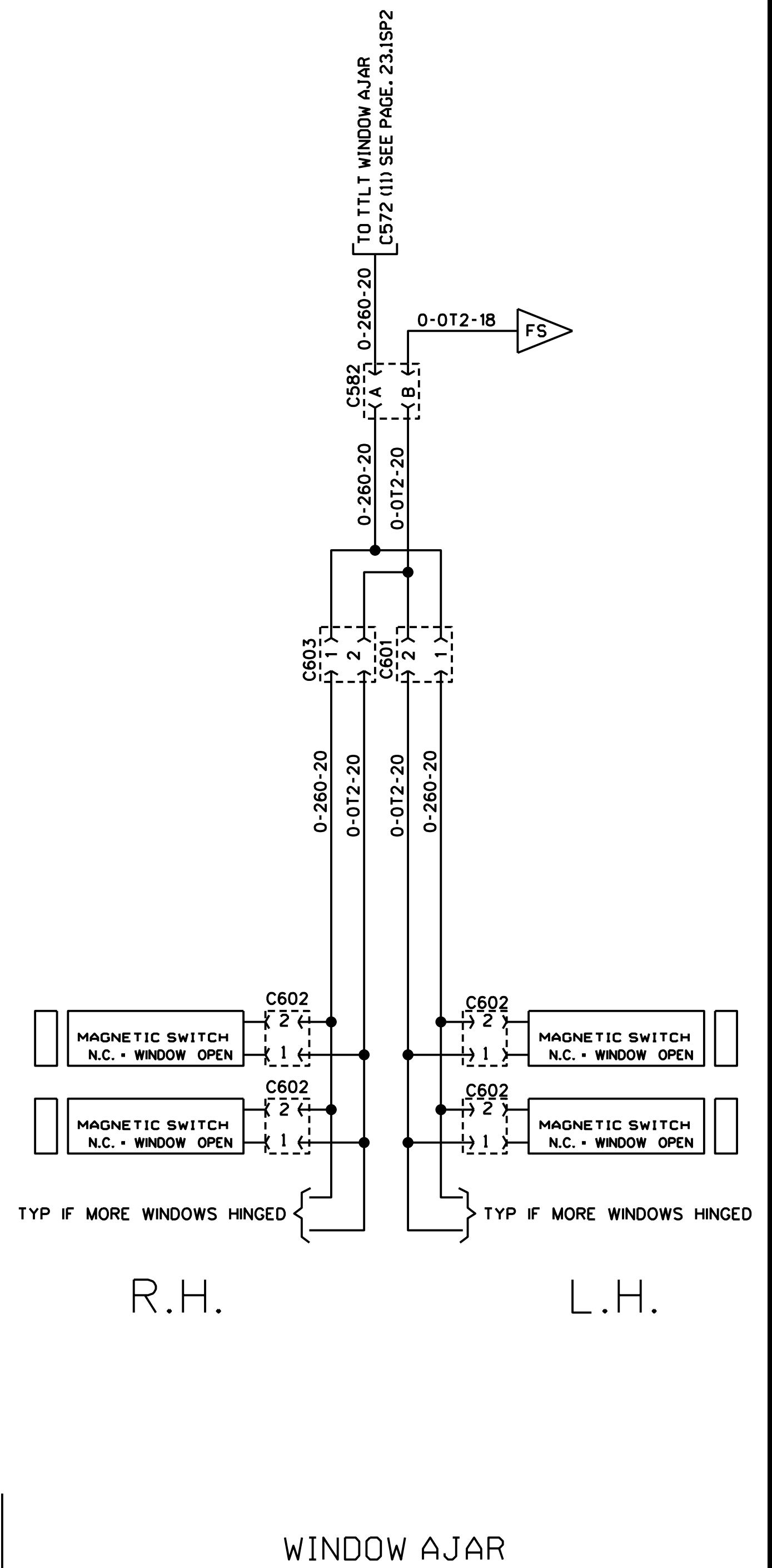
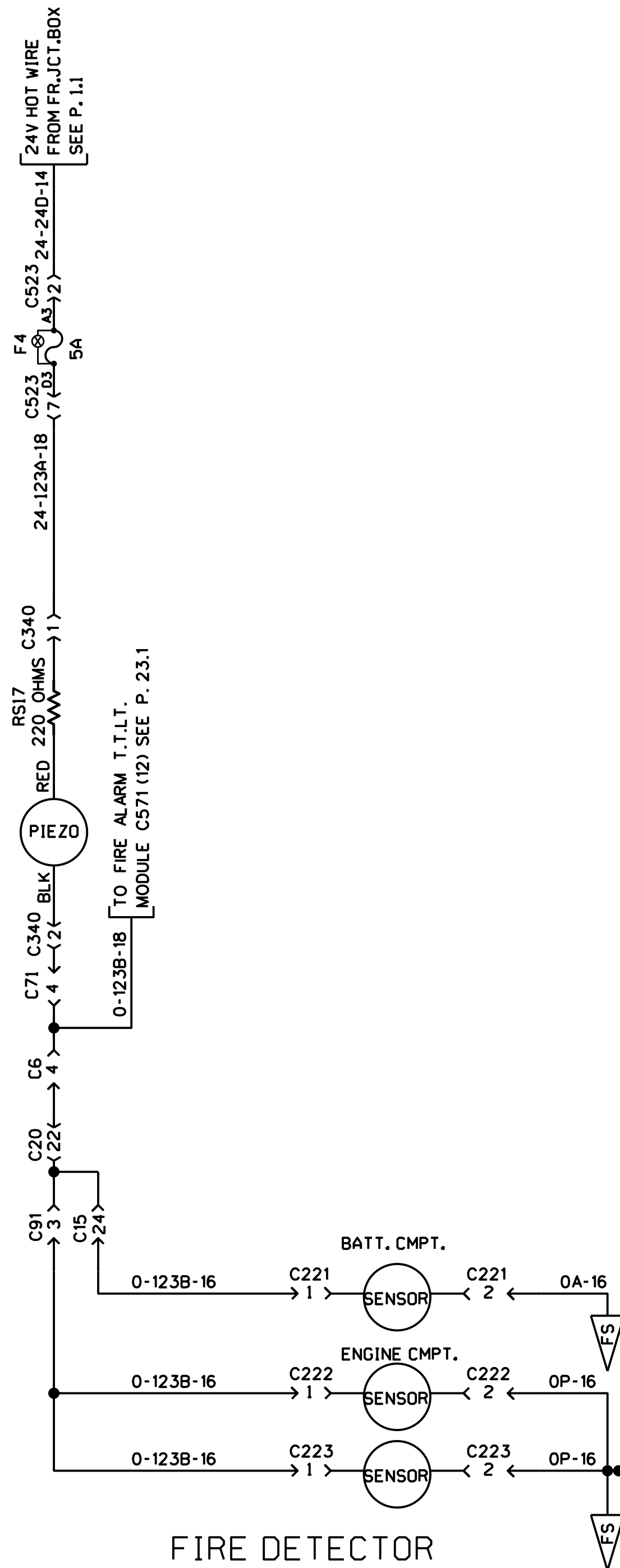
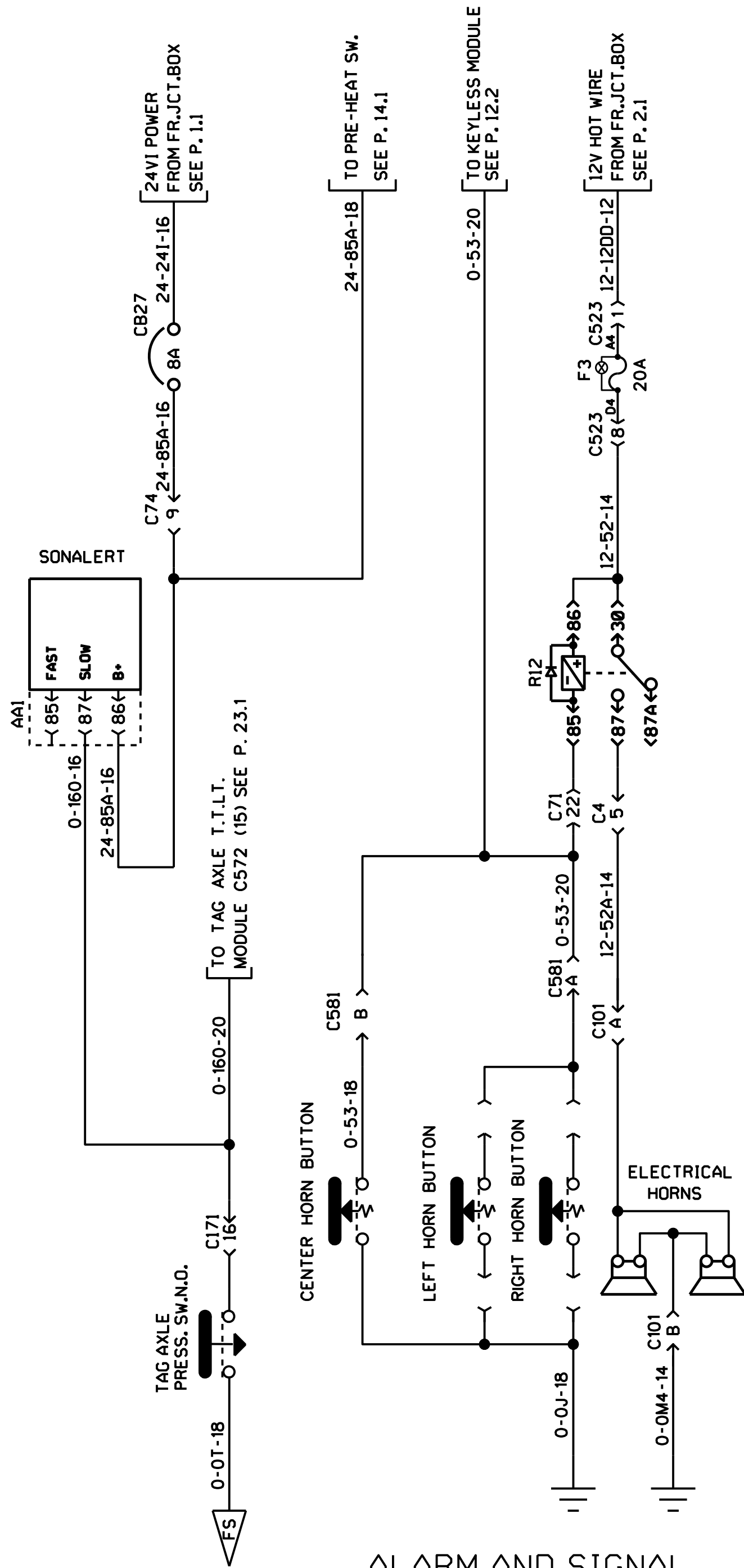
FIRE DETECTOR

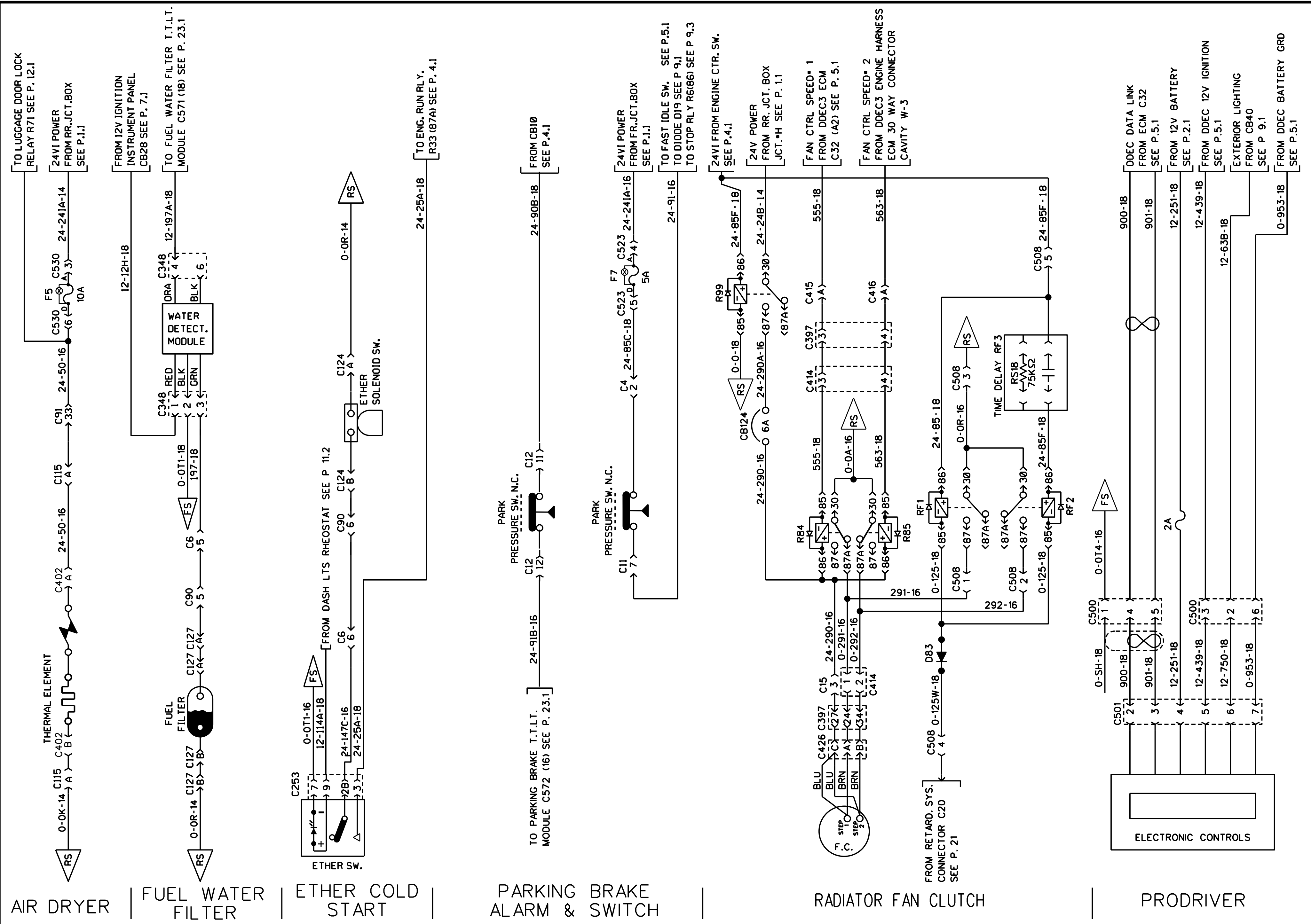


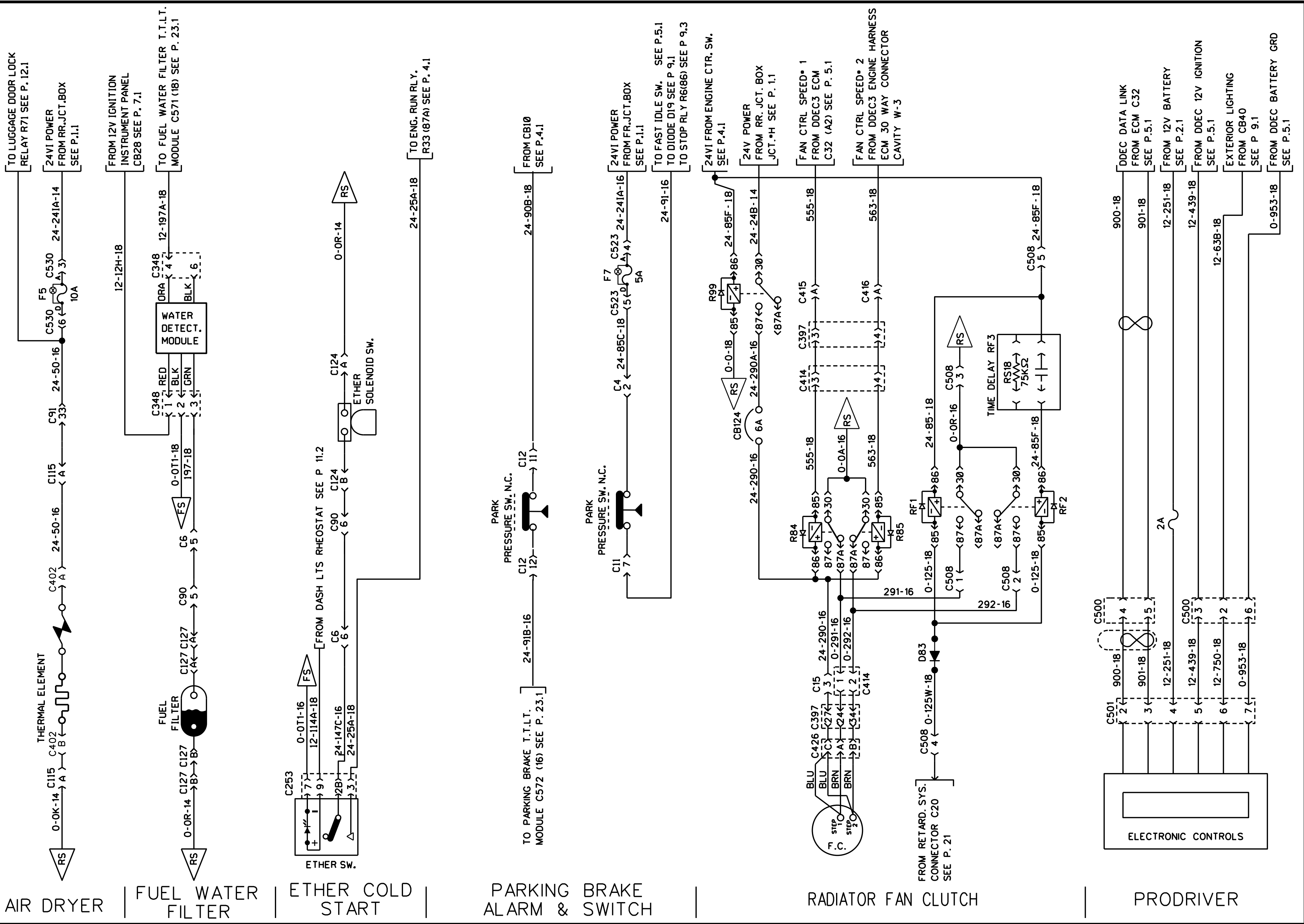
ALARM AND SIGNAL

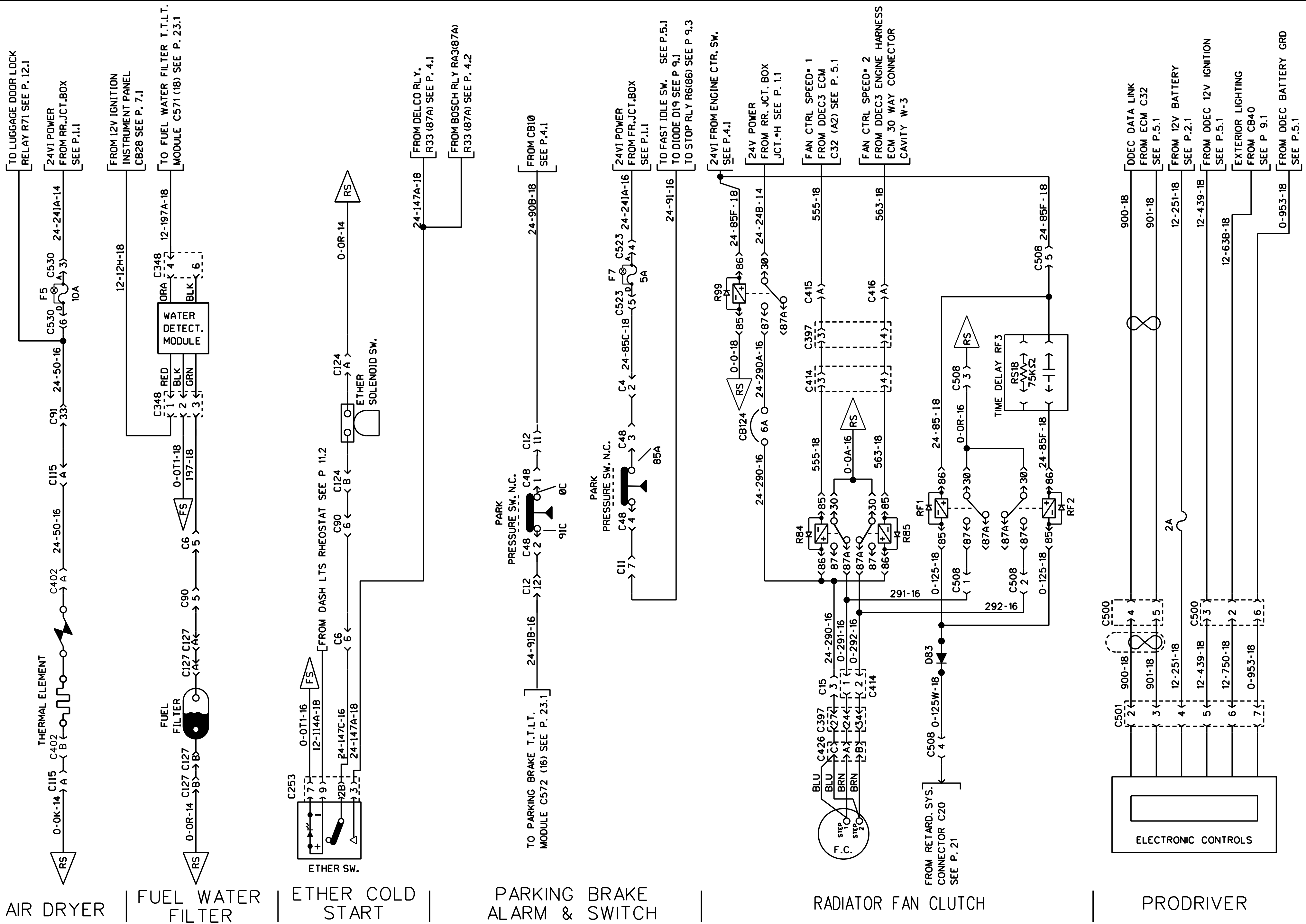


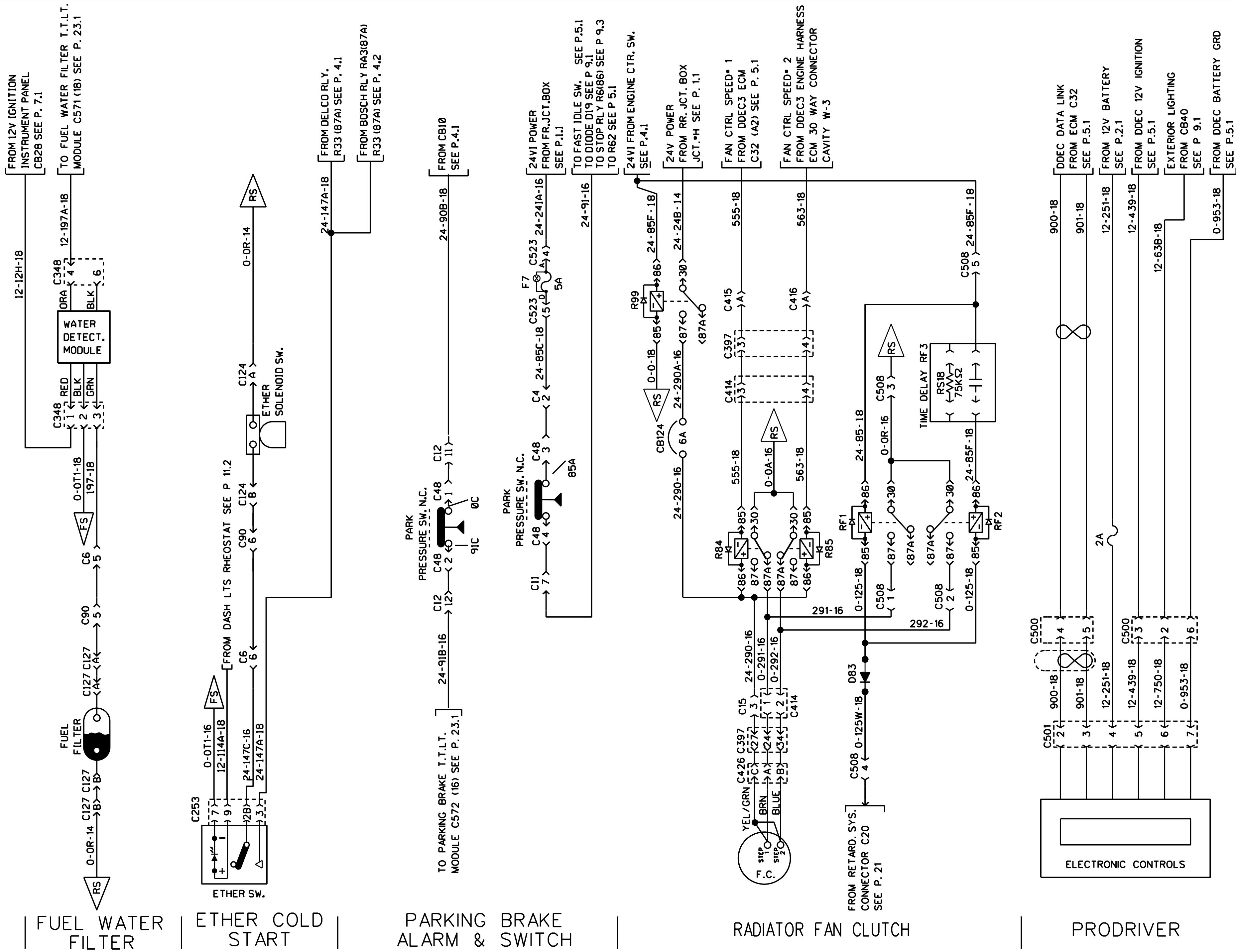
FIRE DETECTOR

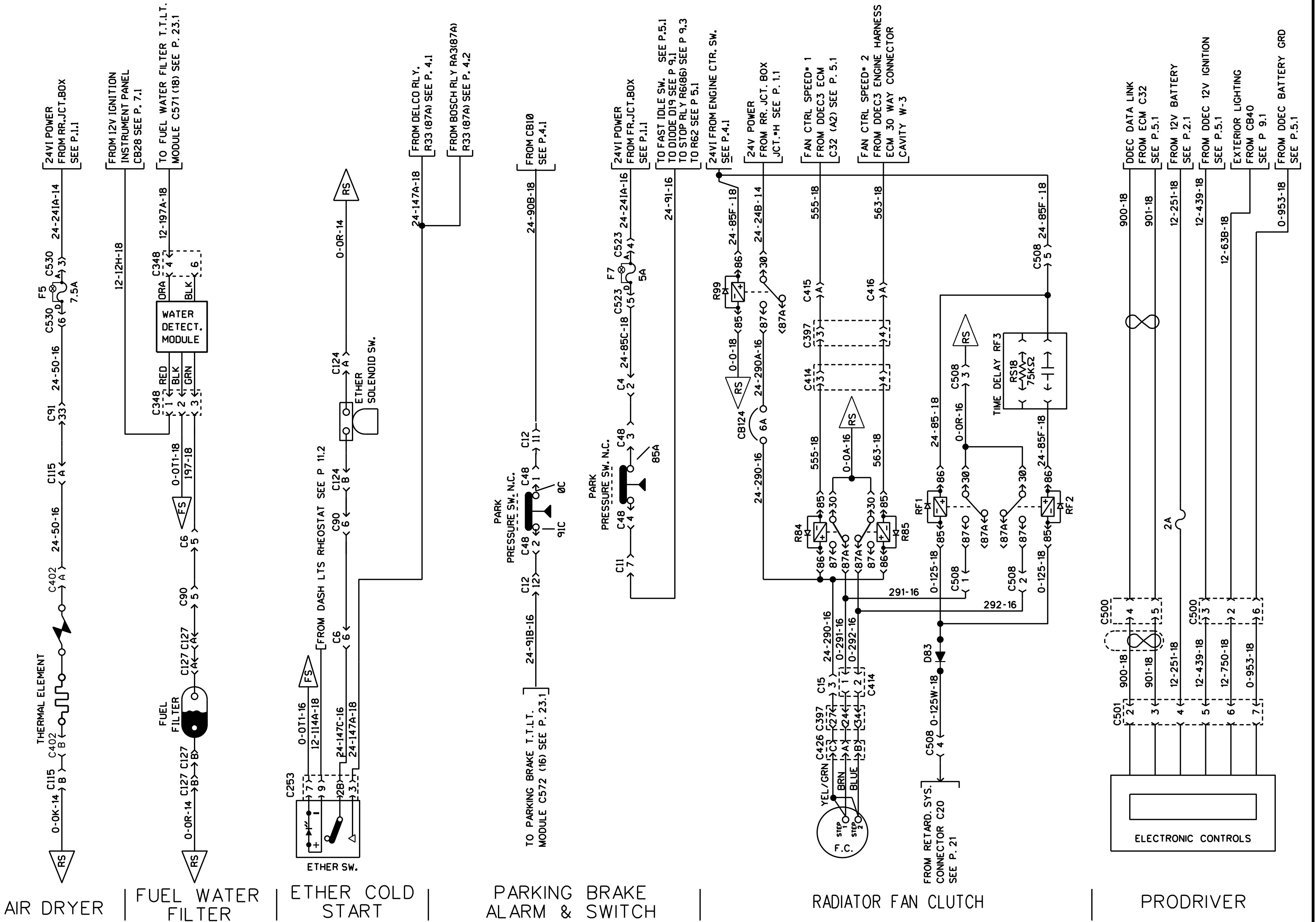


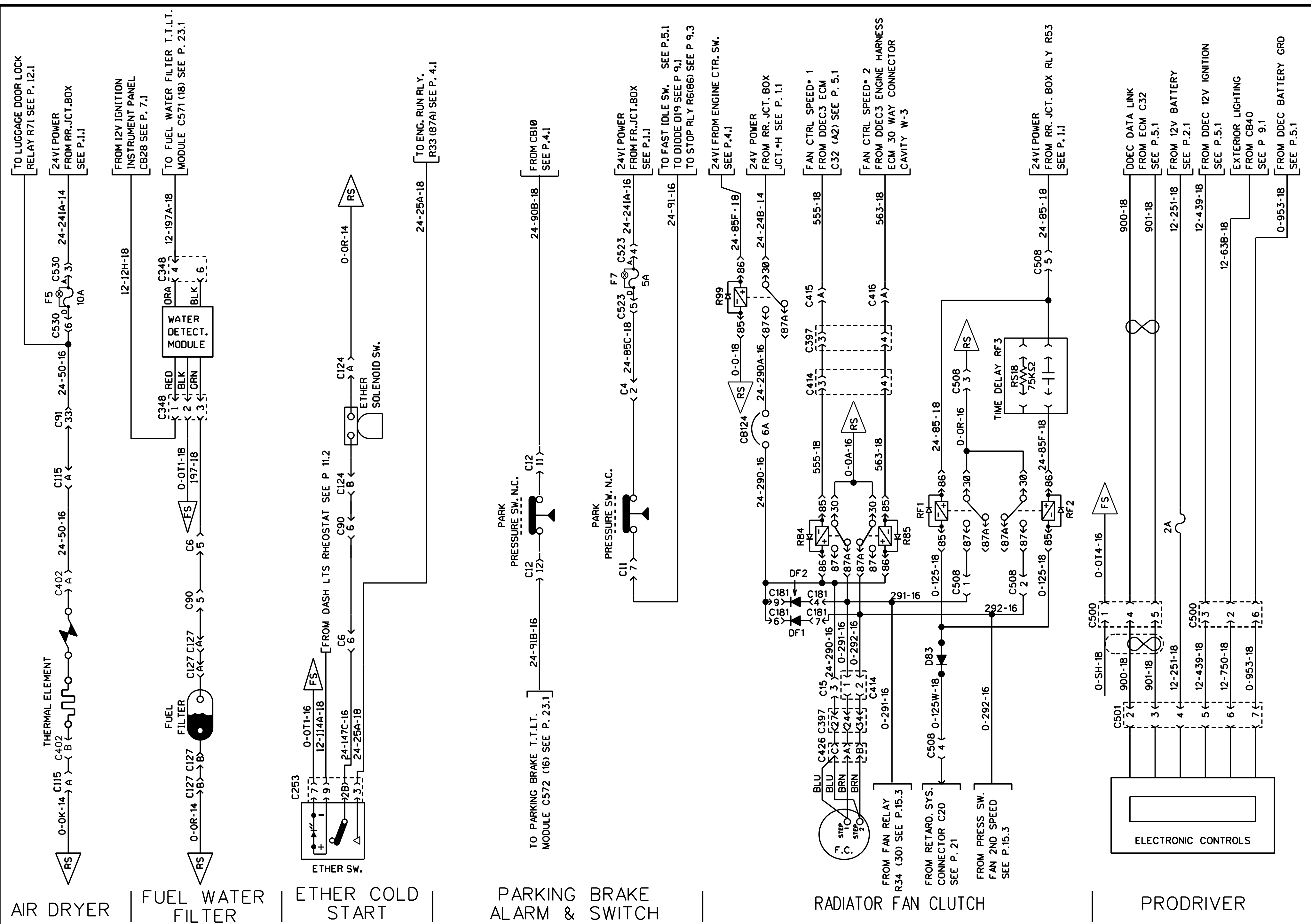


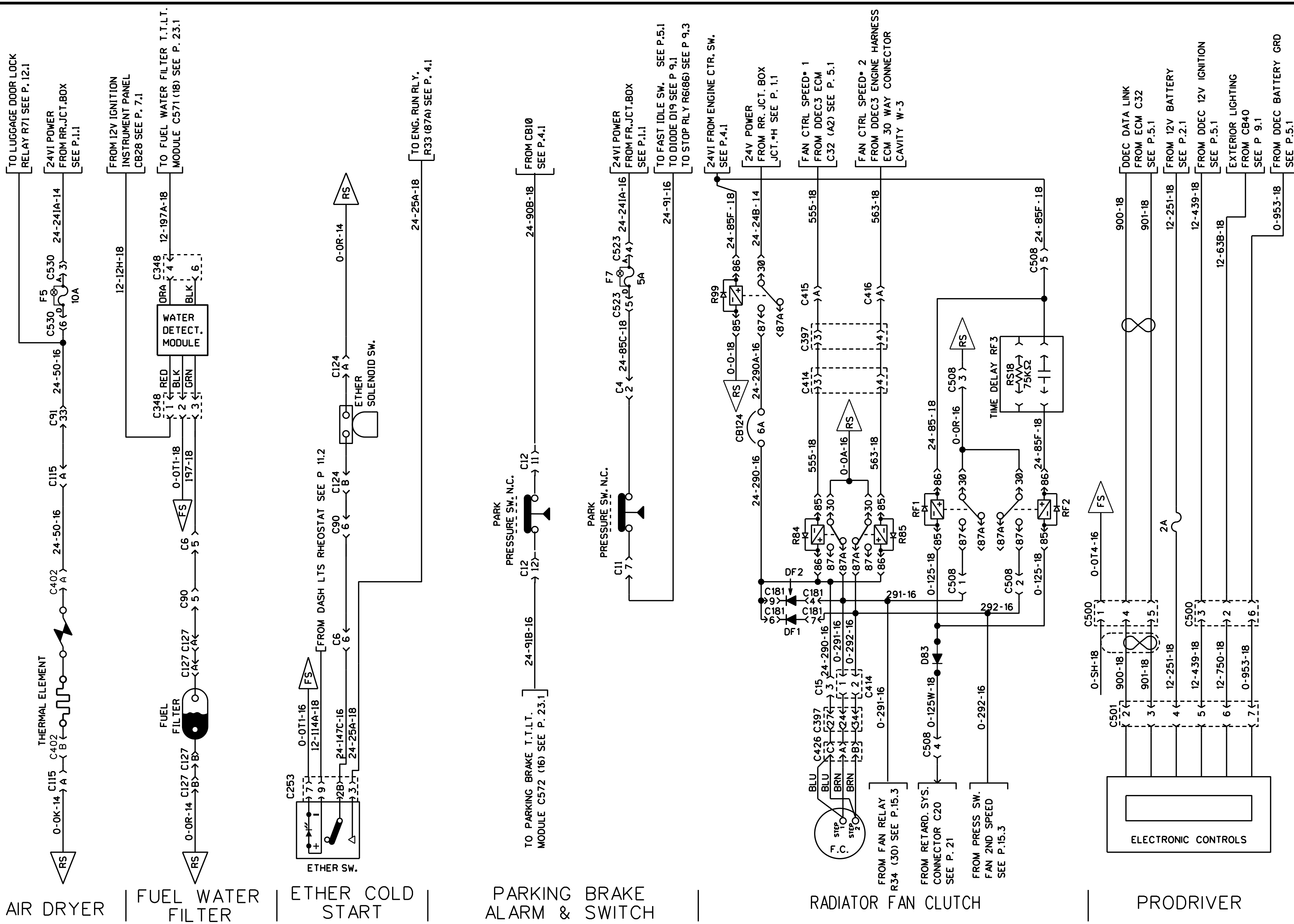


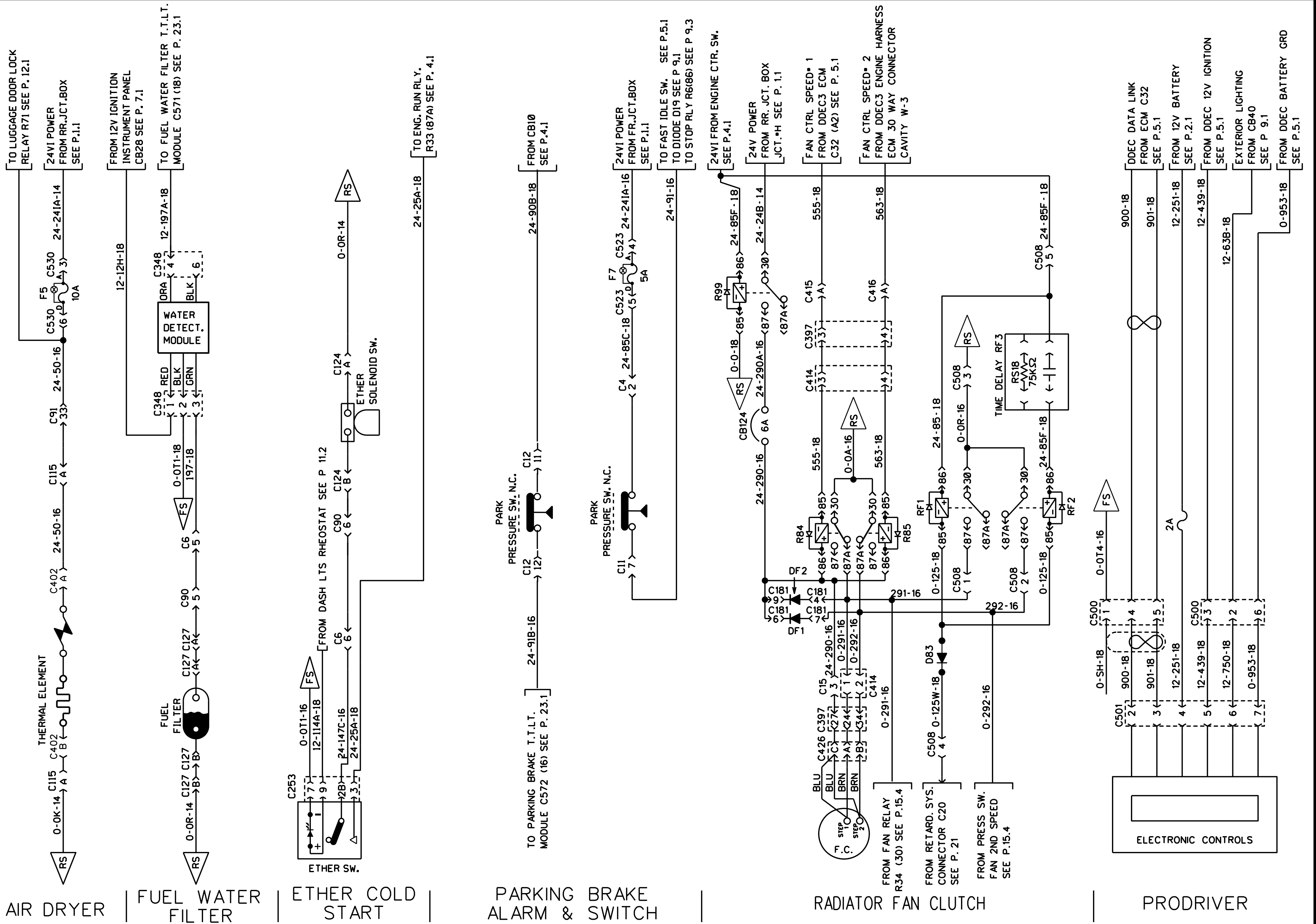


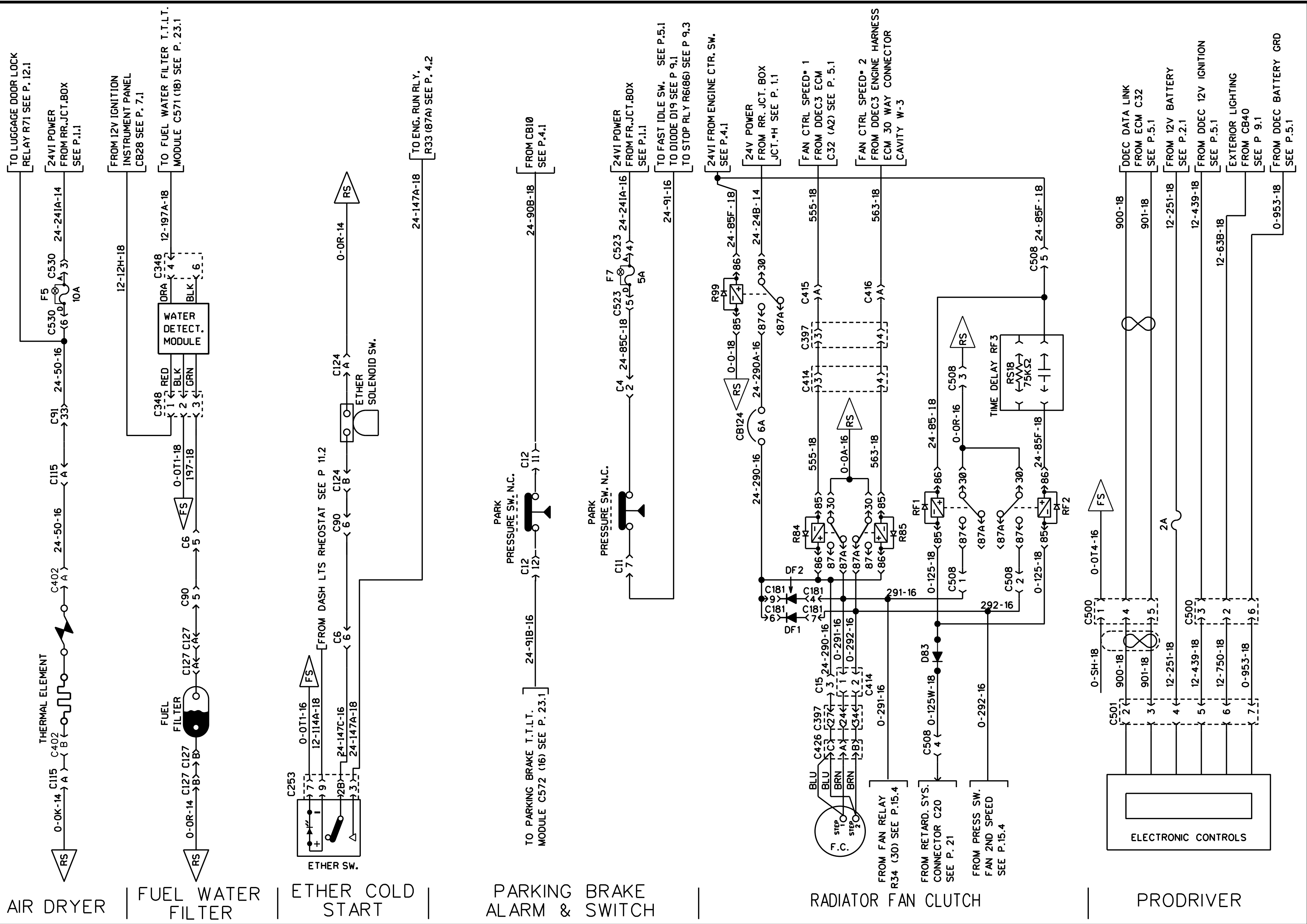


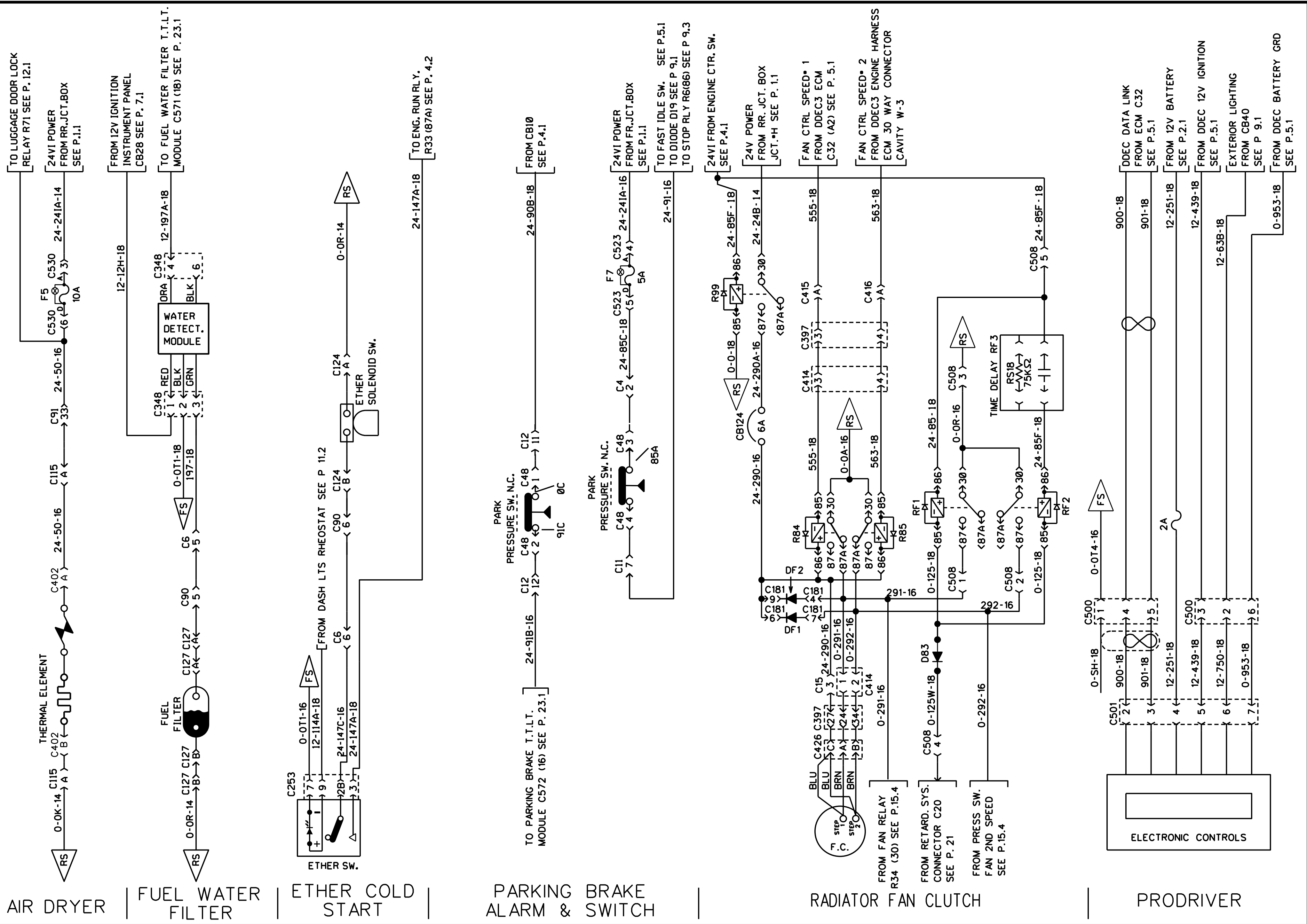


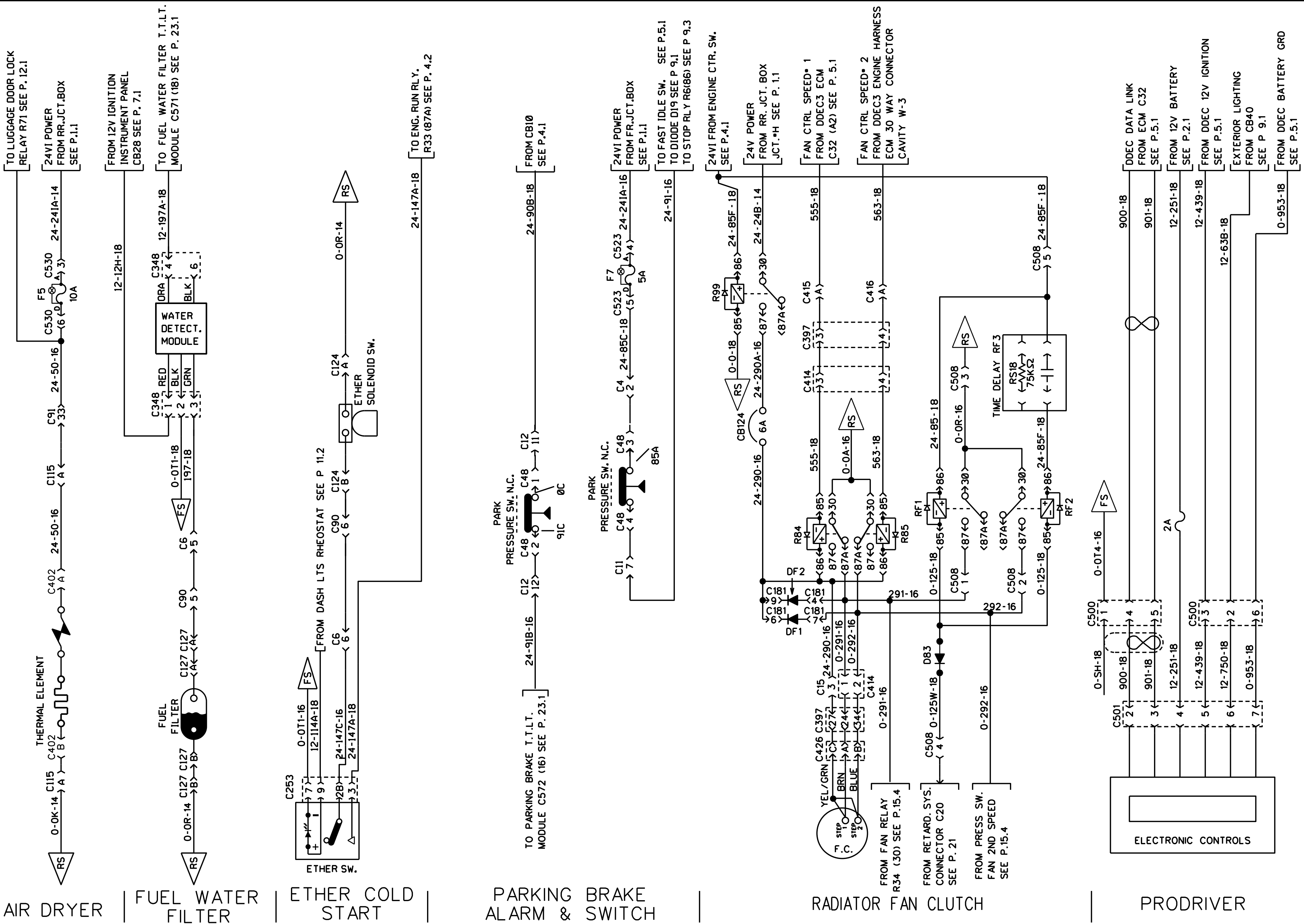


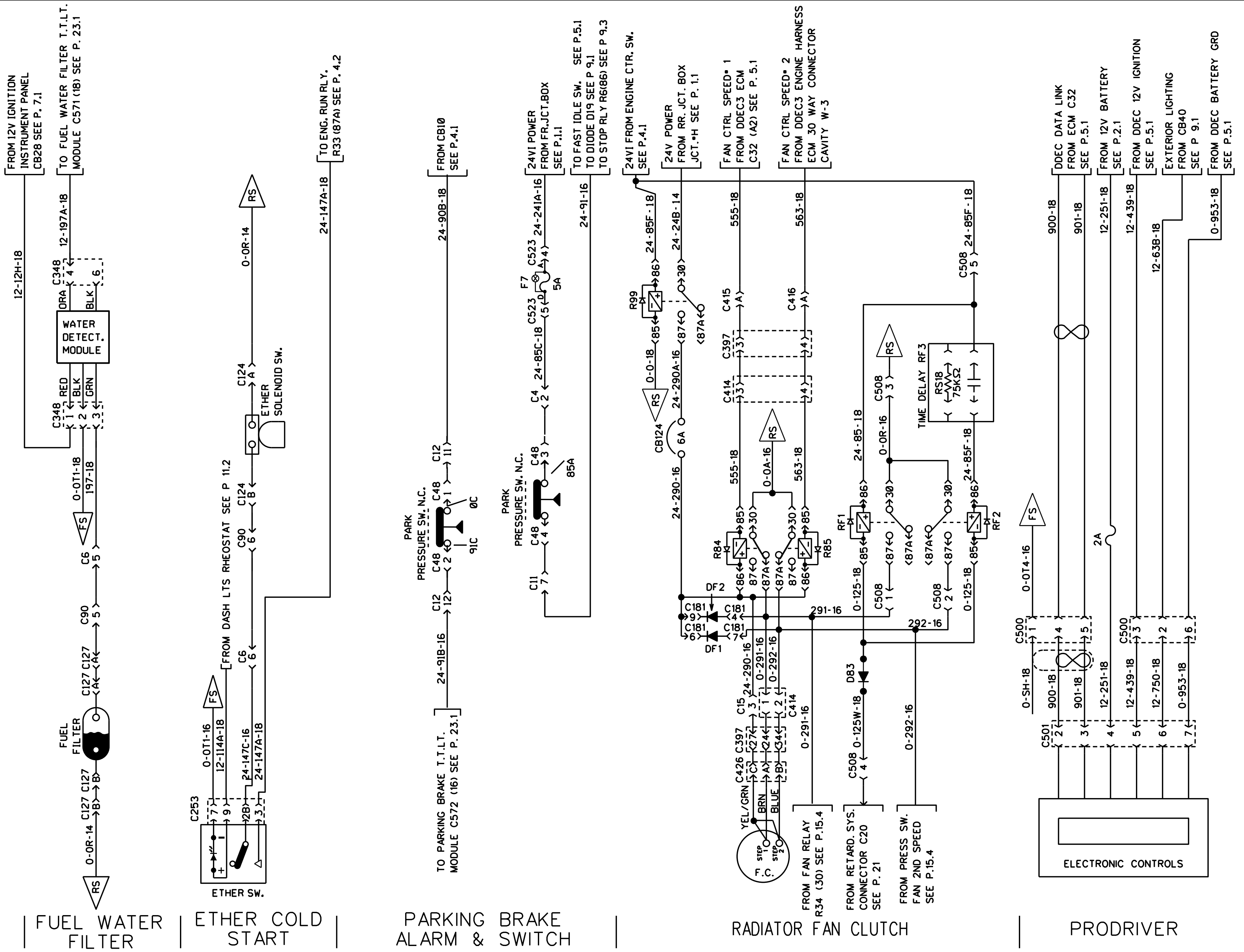


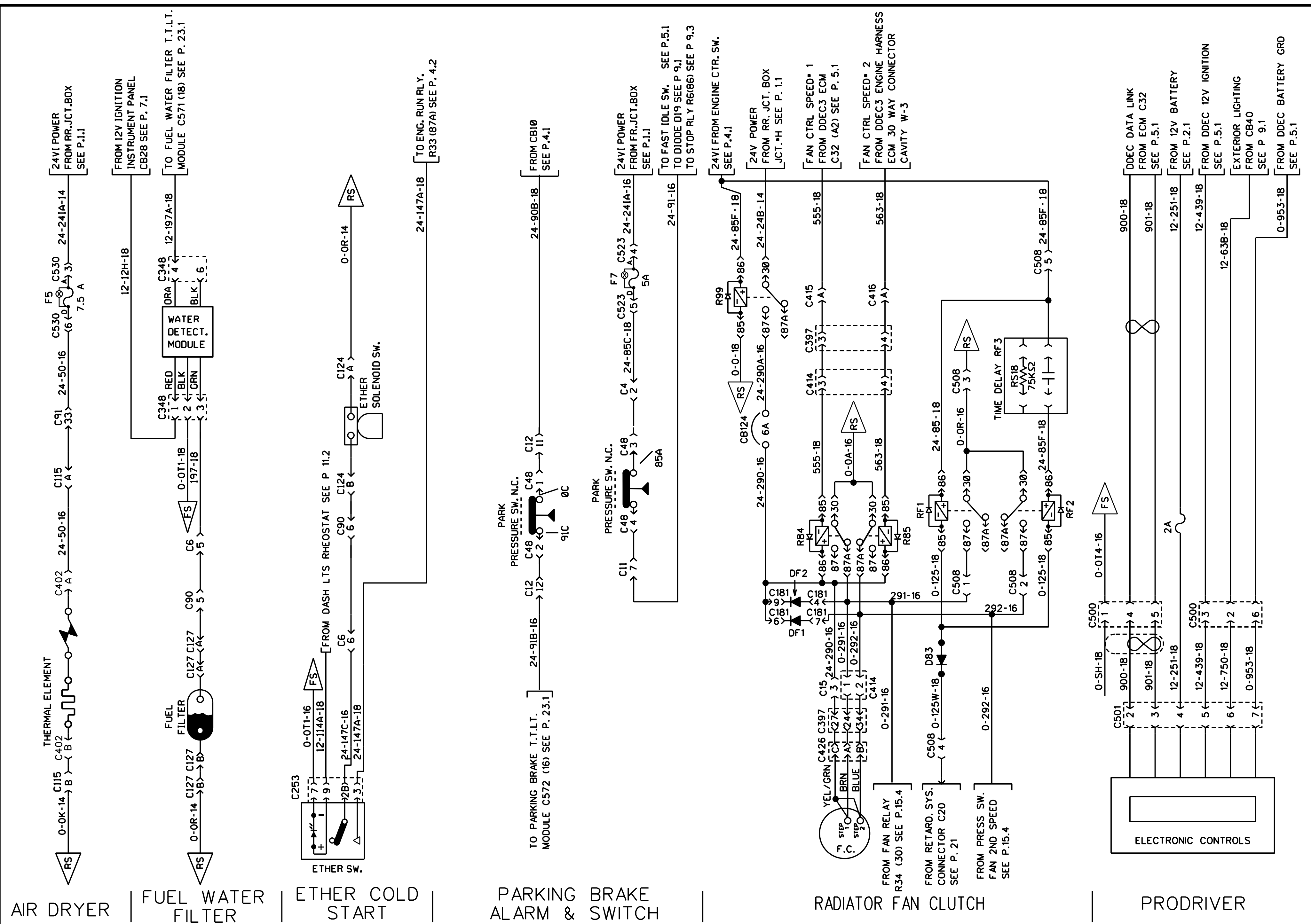


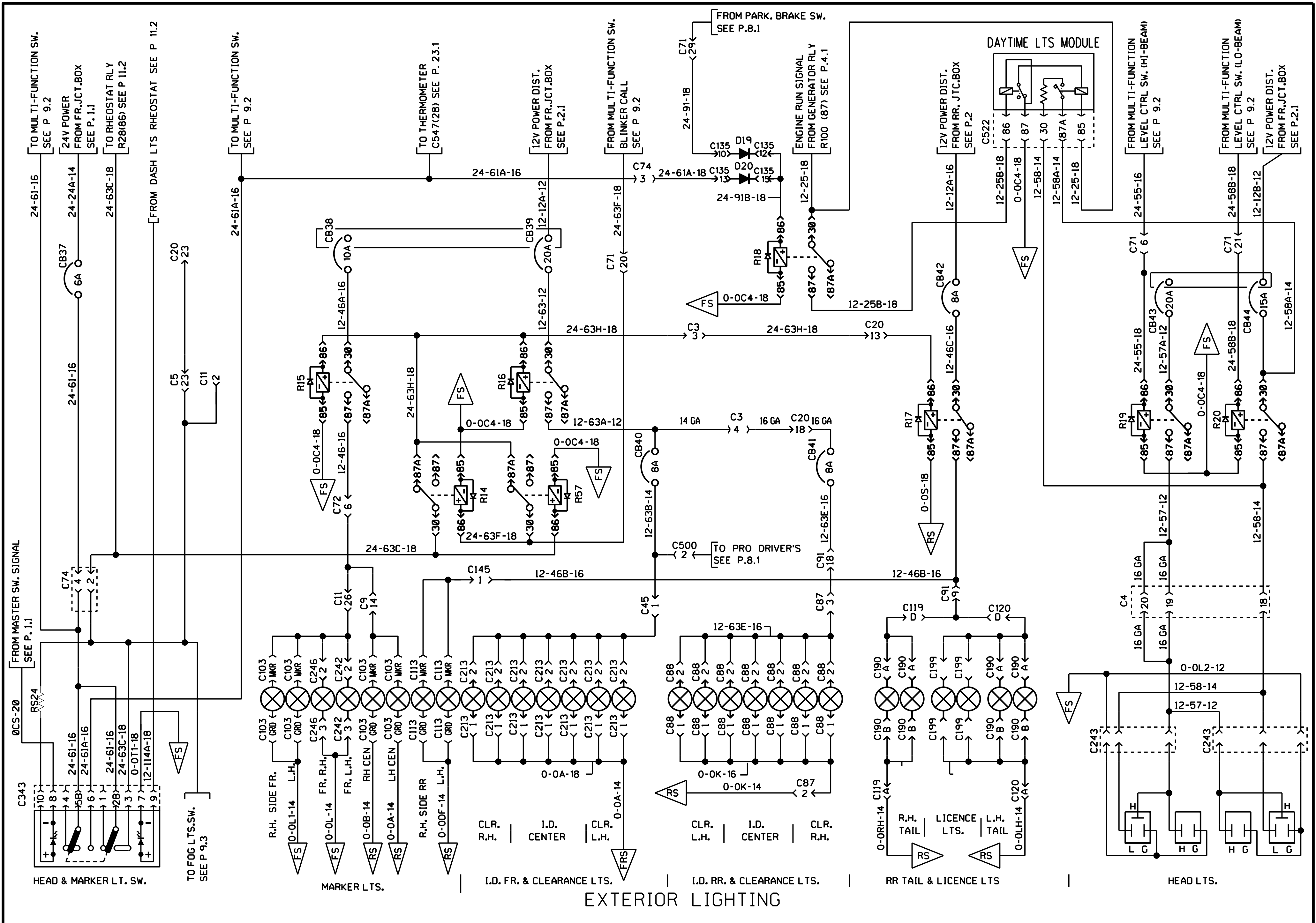


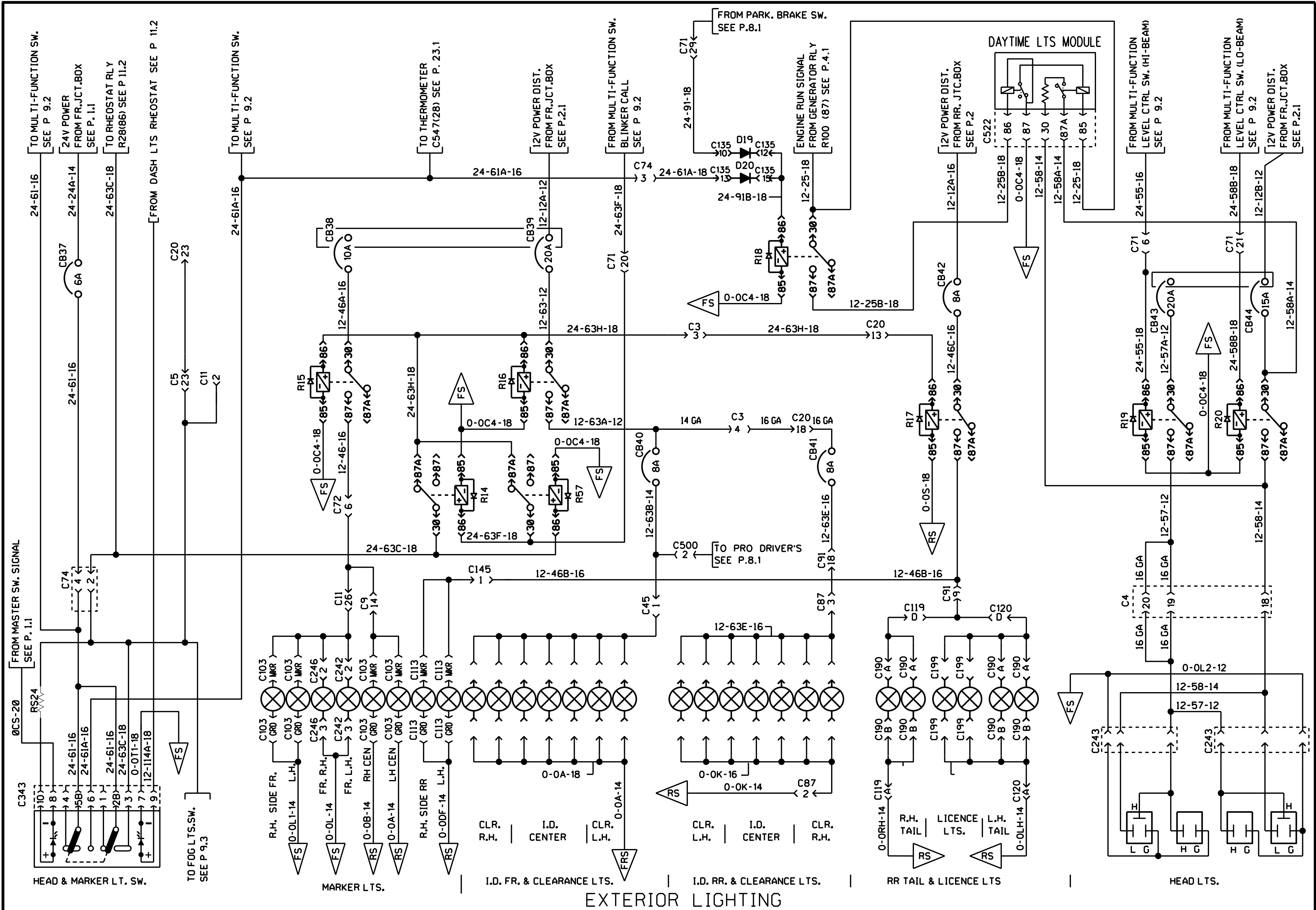


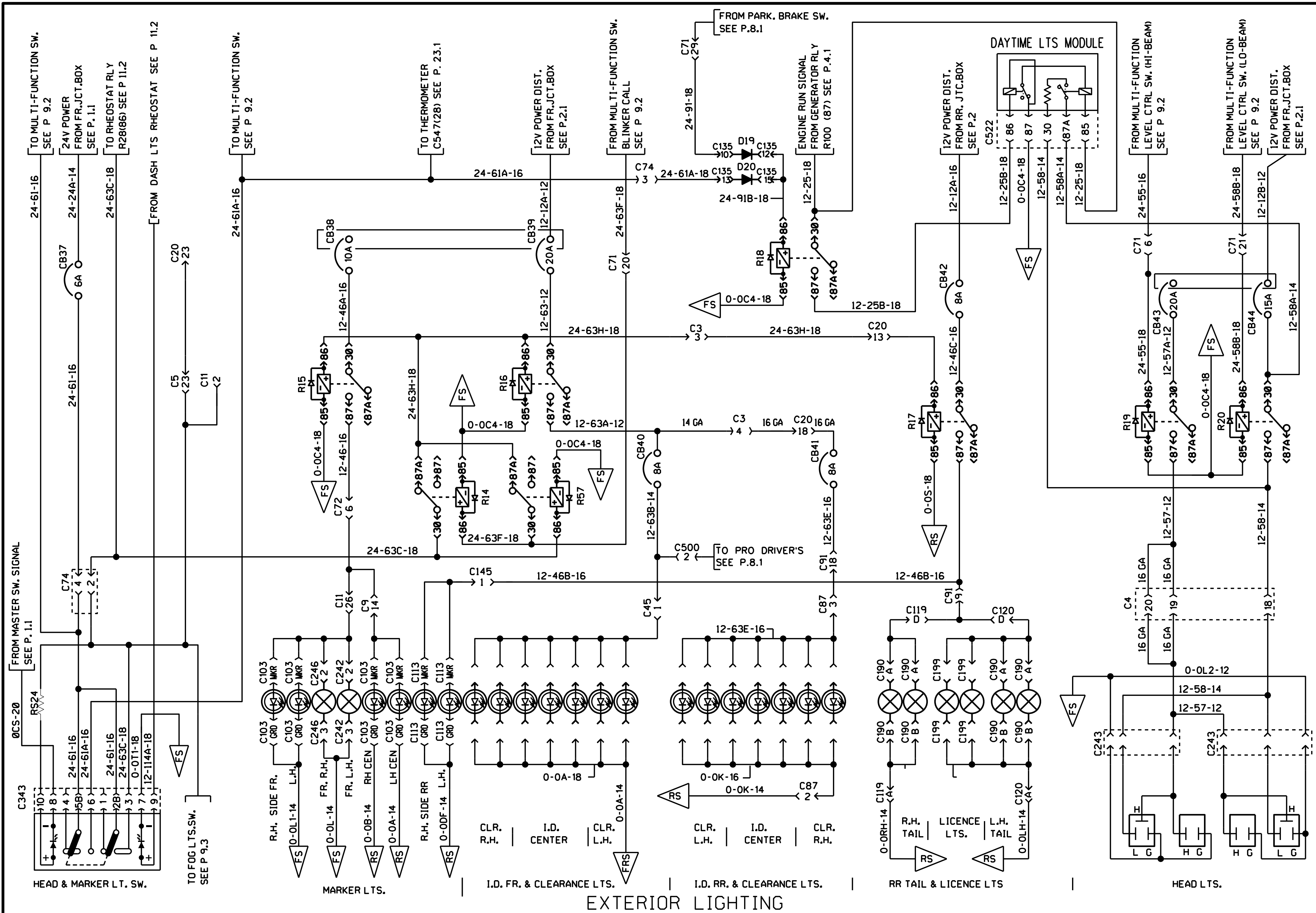


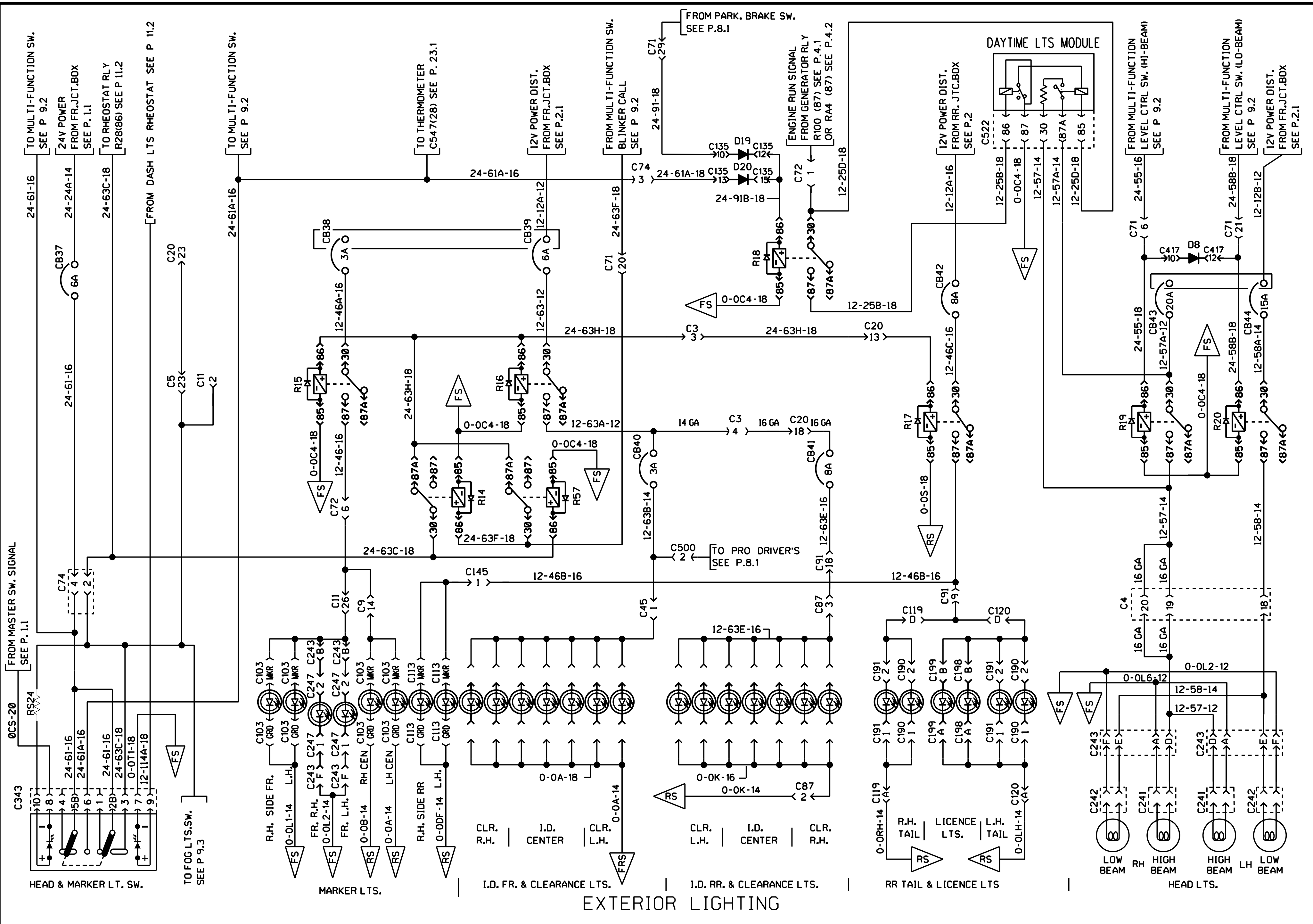


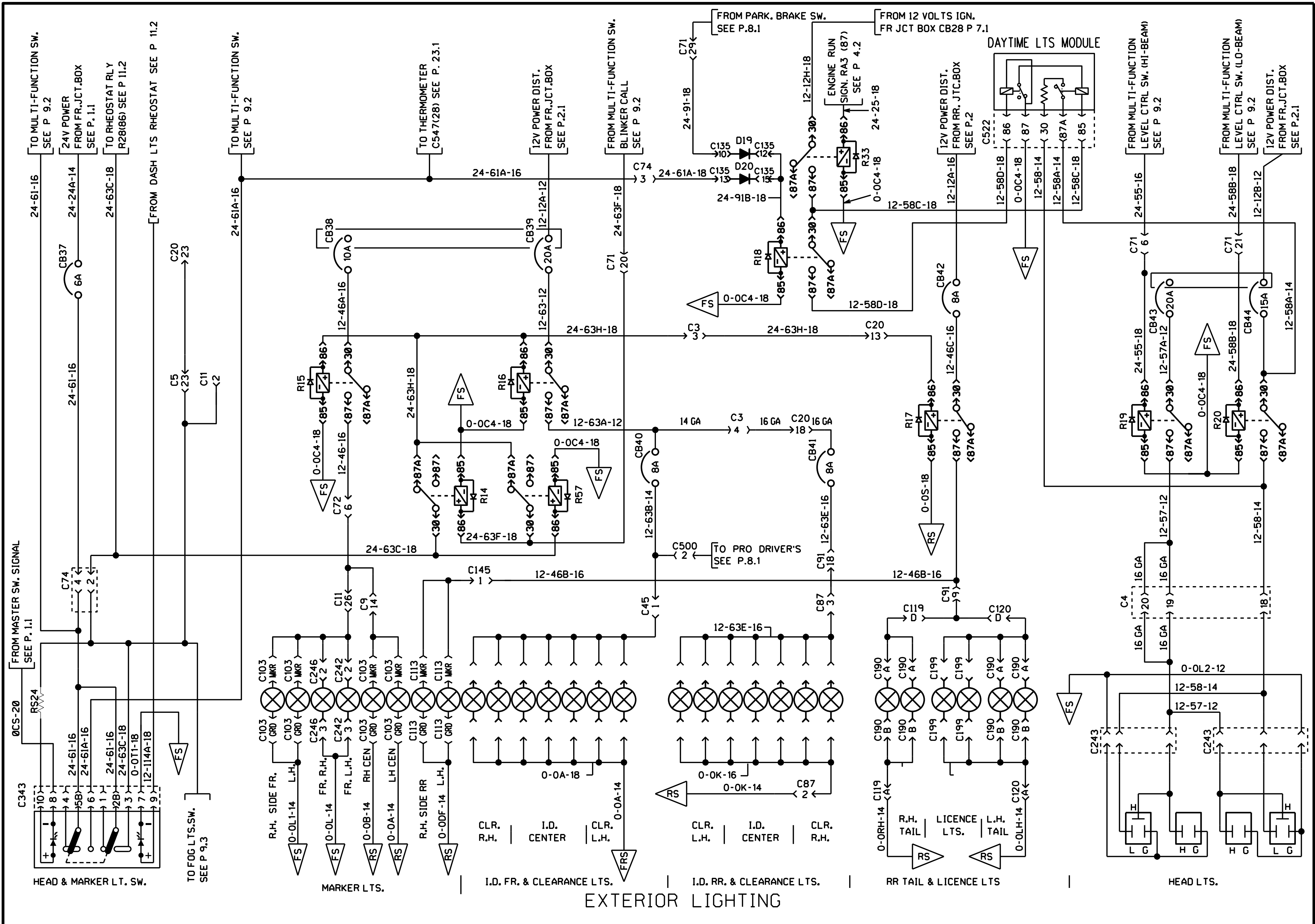


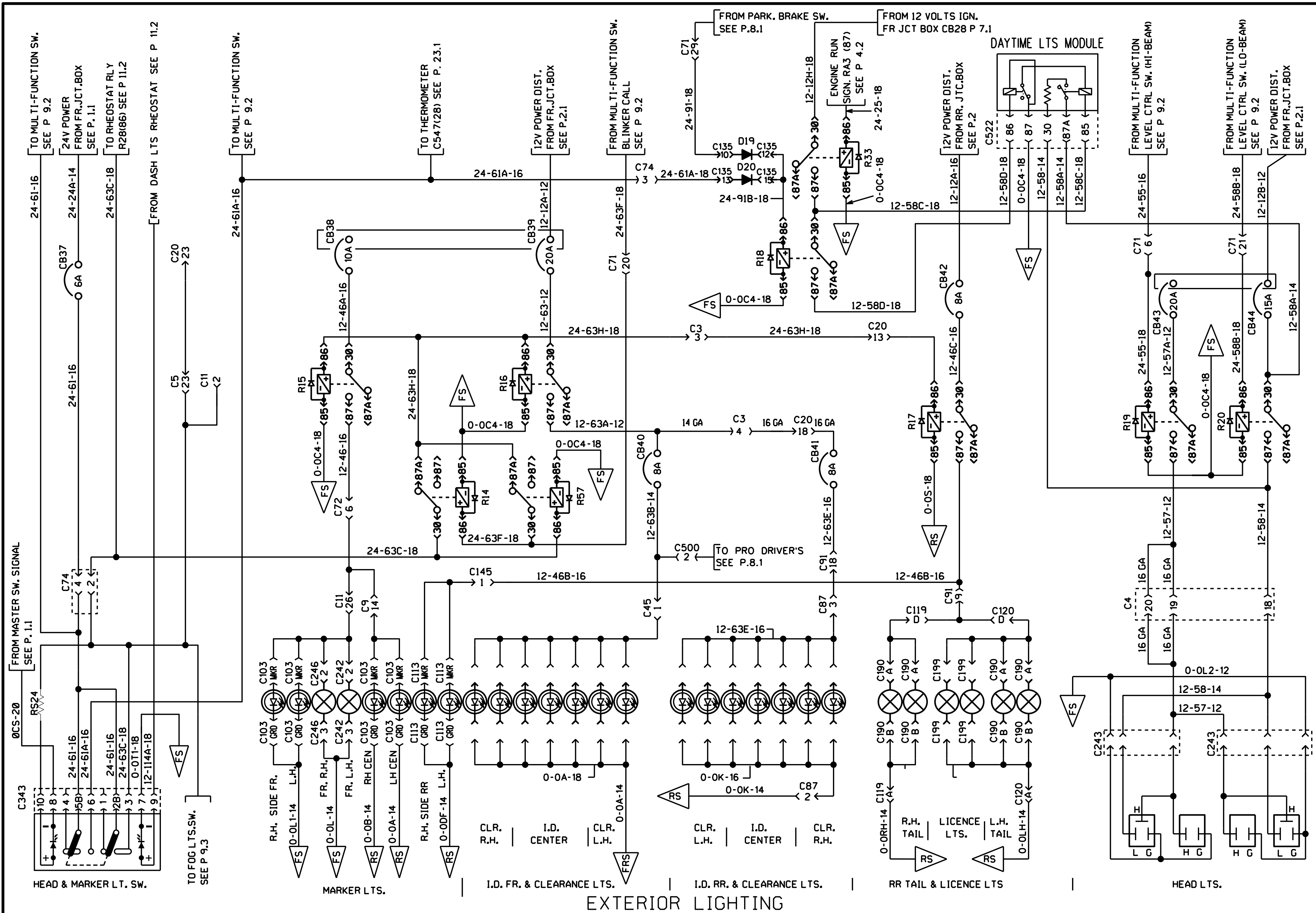


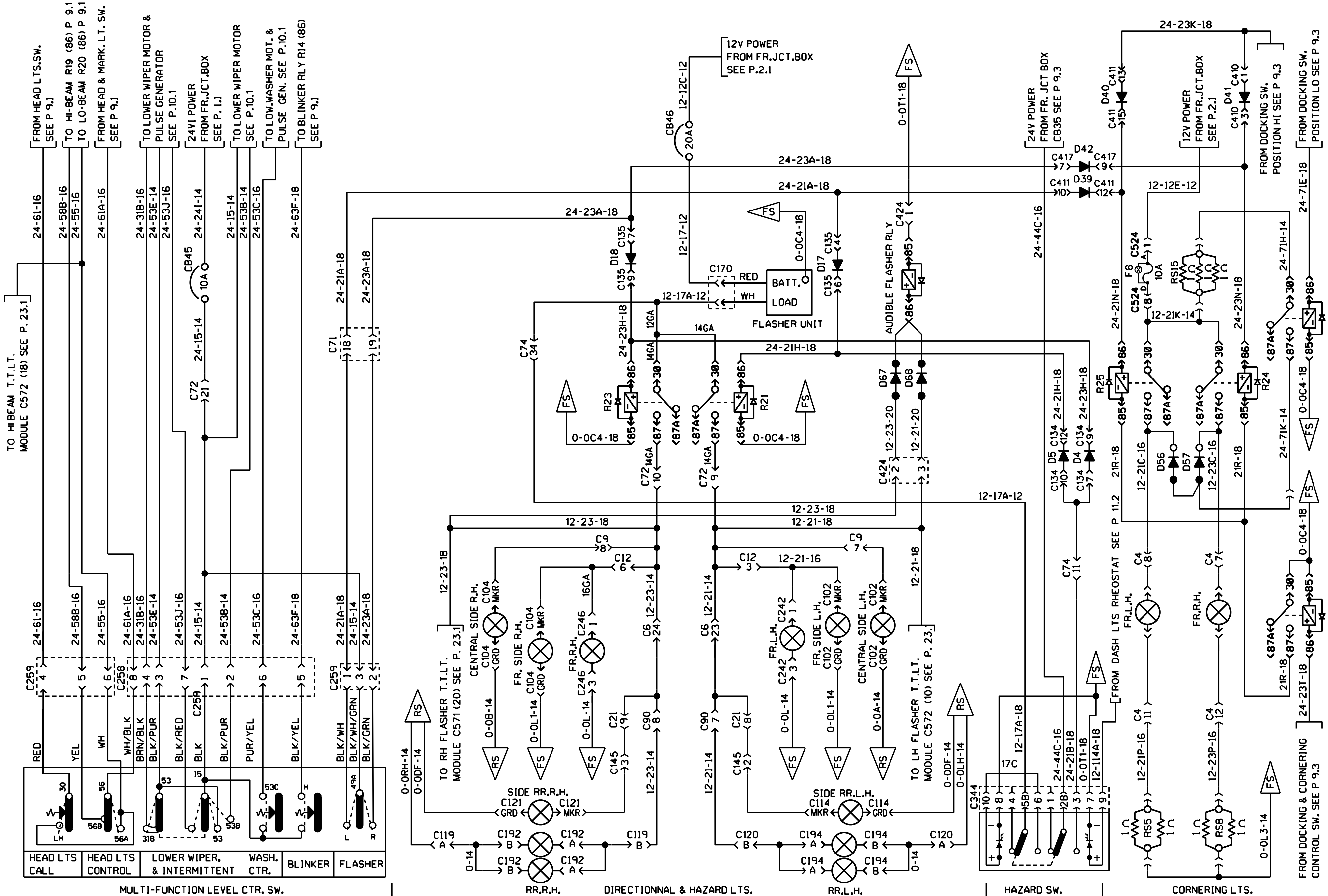




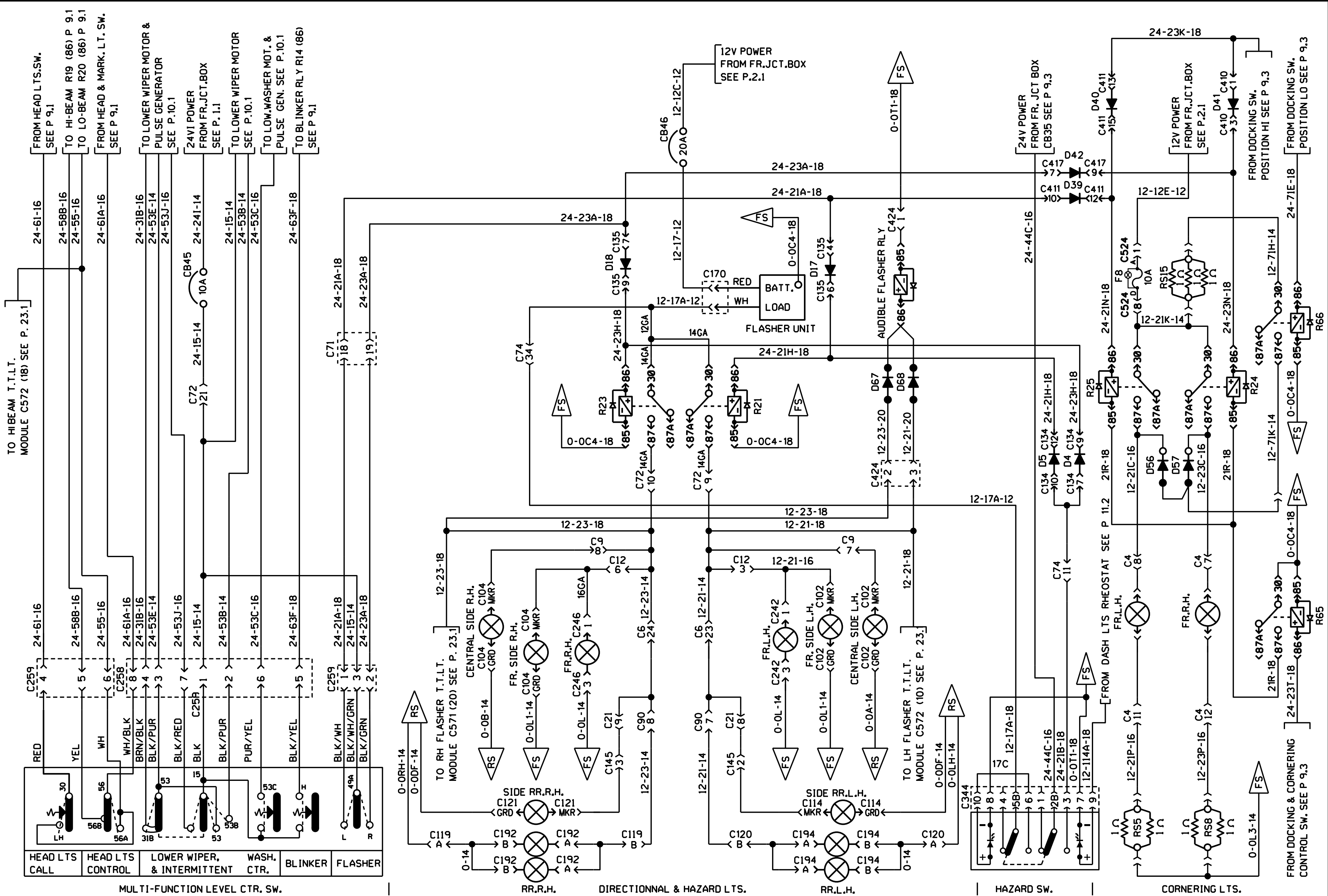




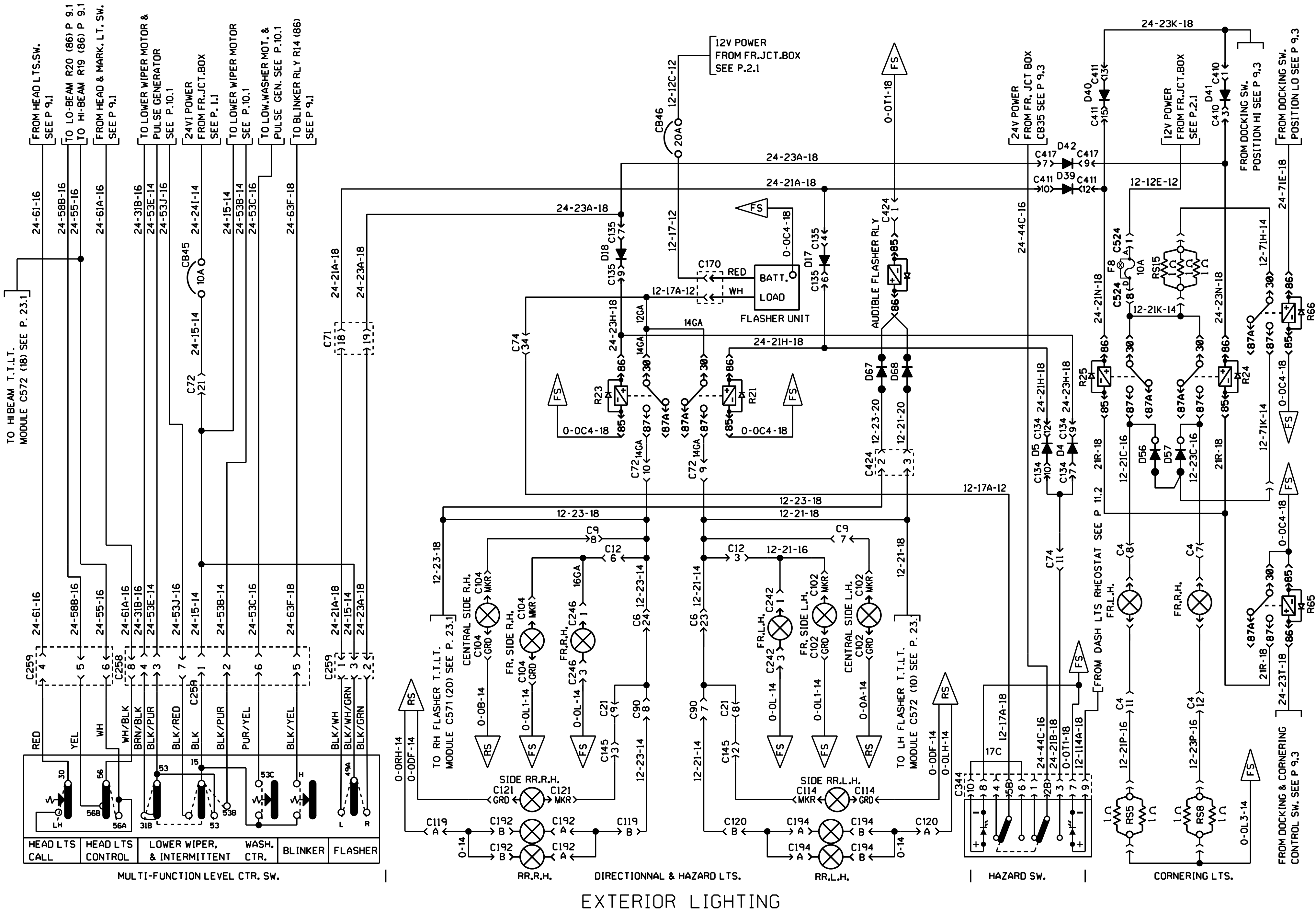


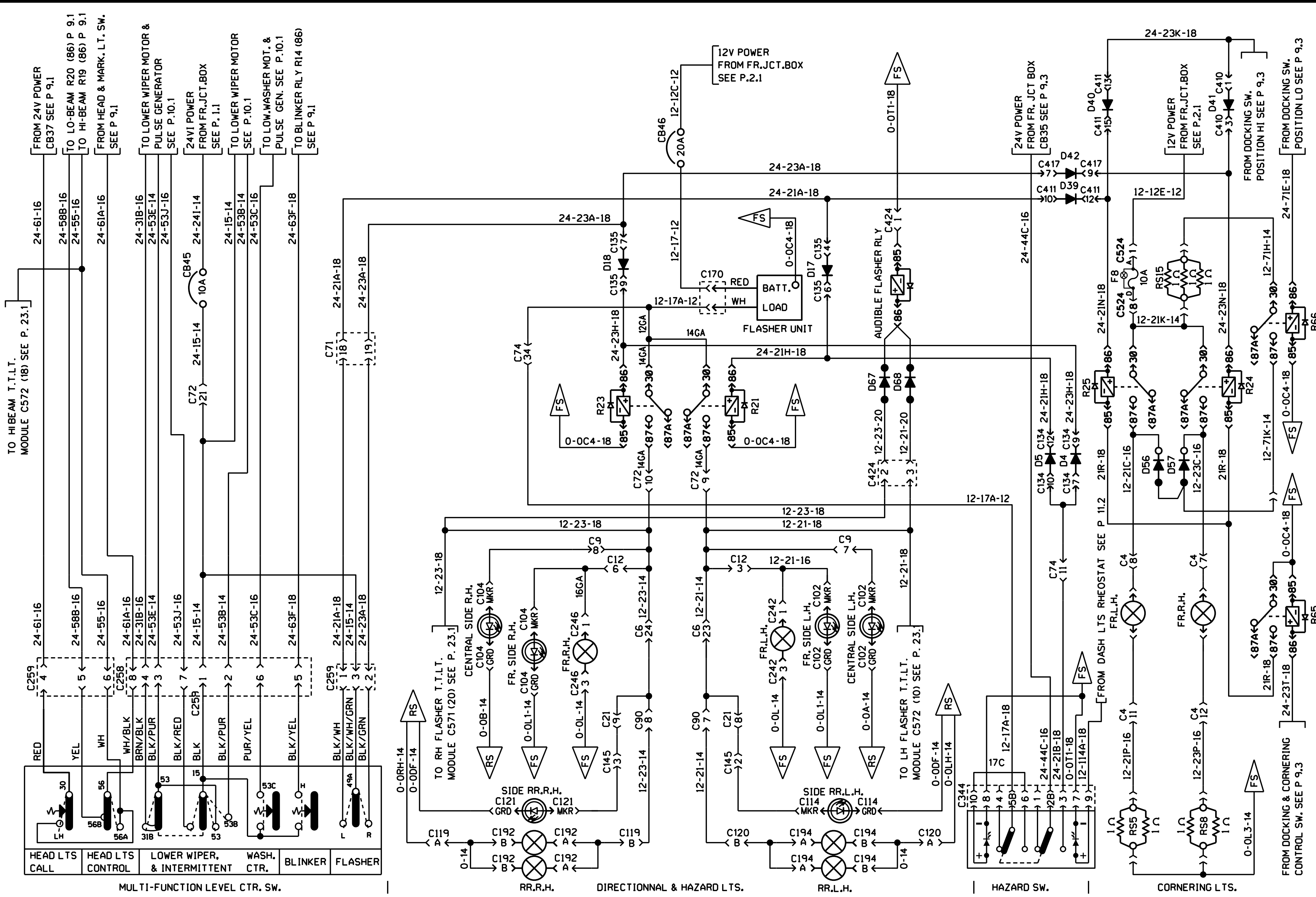


EXTERIOR LIGHTING



EXTERIOR LIGHTING



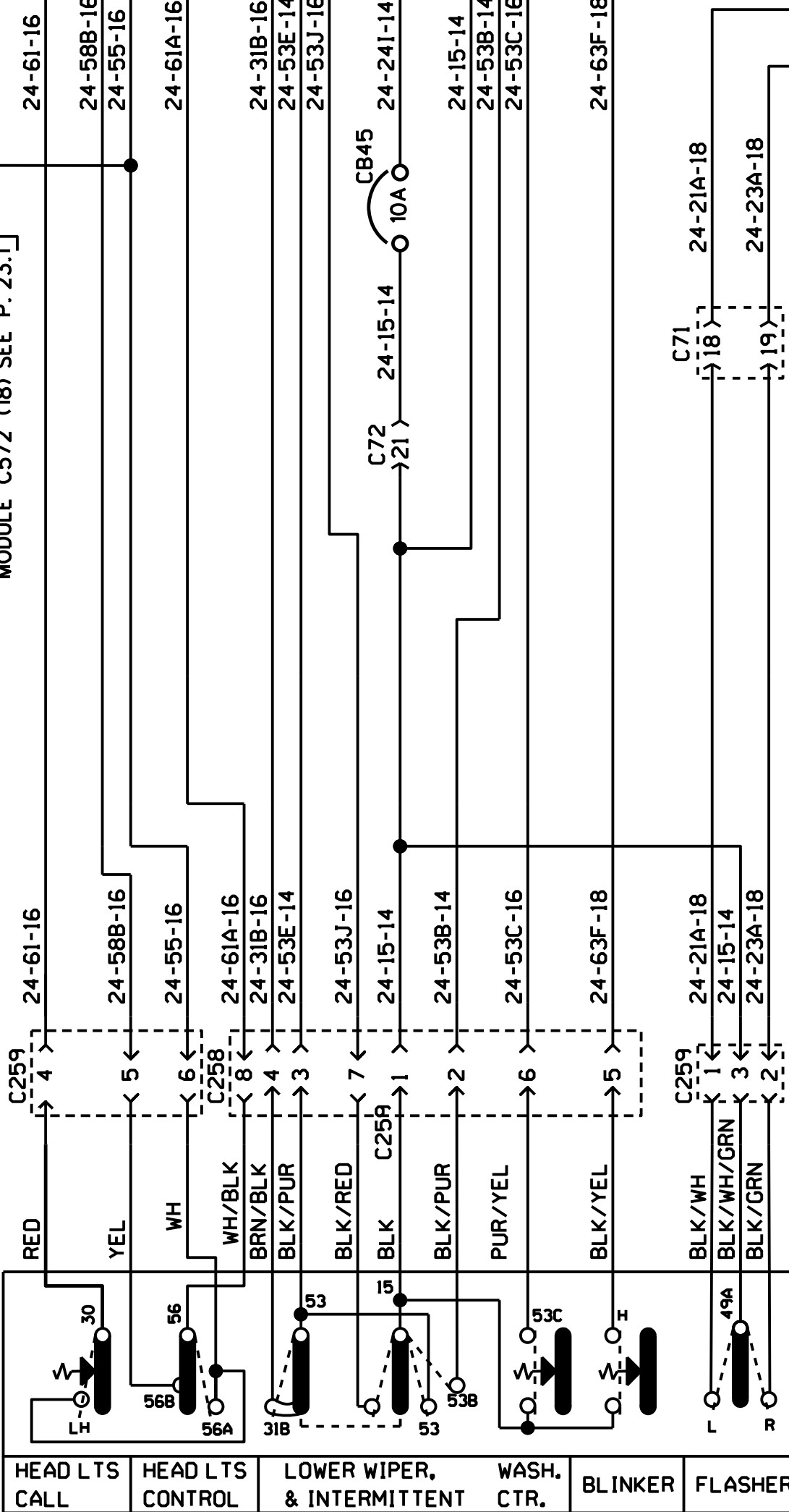


EXTERIOR LIGHTING

TO HI-BEAM T.T.L.T. MODULE C572 (18) SEE P. 23.1

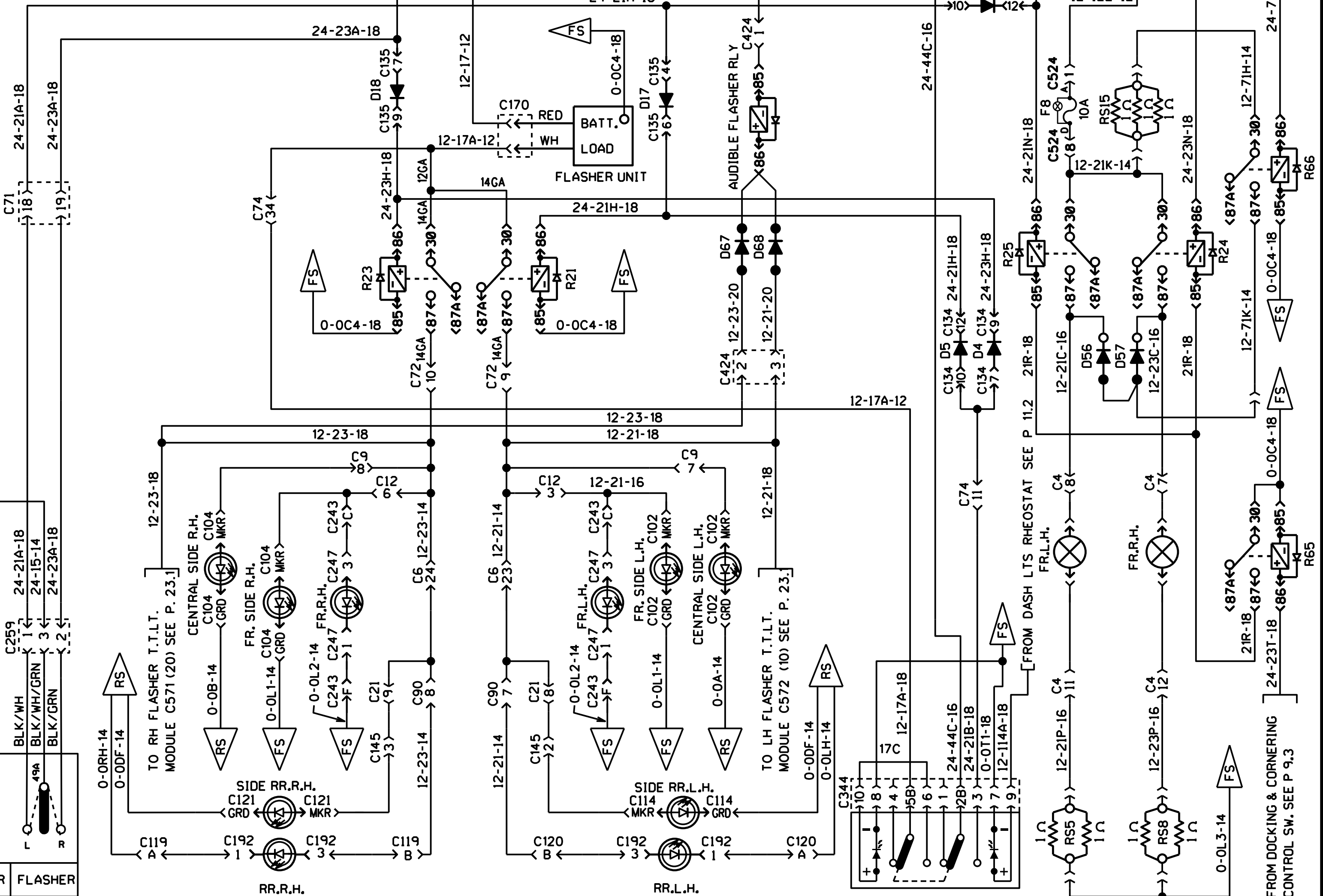
FROM 24V POWER CB37 SEE P. 9.1
TO LO-BEAM R20 (86) P. 9.1
TO HI-BEAM R19 (86) P. 9.1
FROM HEAD & MARK. L.T. SW. SEE P. 9.1

TO LOWER WIPER MOTOR & PULSE GENERATOR SEE P. 10.1
24V1 POWER FROM FR. JCT. BOX SEE P. 1.1
TO LOWER WIPER MOTOR SEE P. 10.1
TO LOW WASHER MOT. & PULSE GEN. SEE P. 10.1
TO BLINKER RLY R14 (86) SEE P. 9.1



MULTI-FUNCTION LEVEL CTR. SW.

12V POWER FROM FR. JCT. BOX SEE P. 2.1

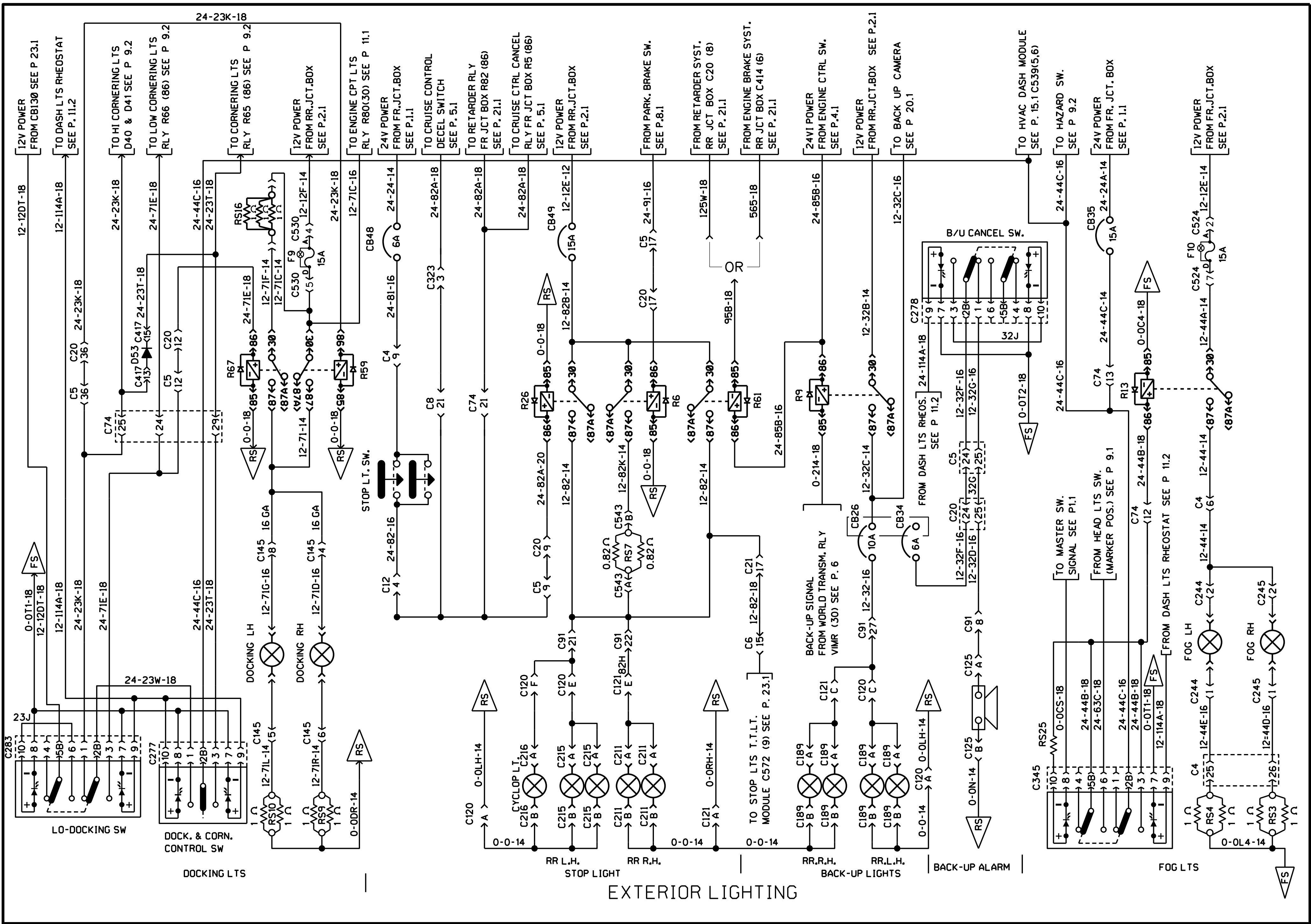


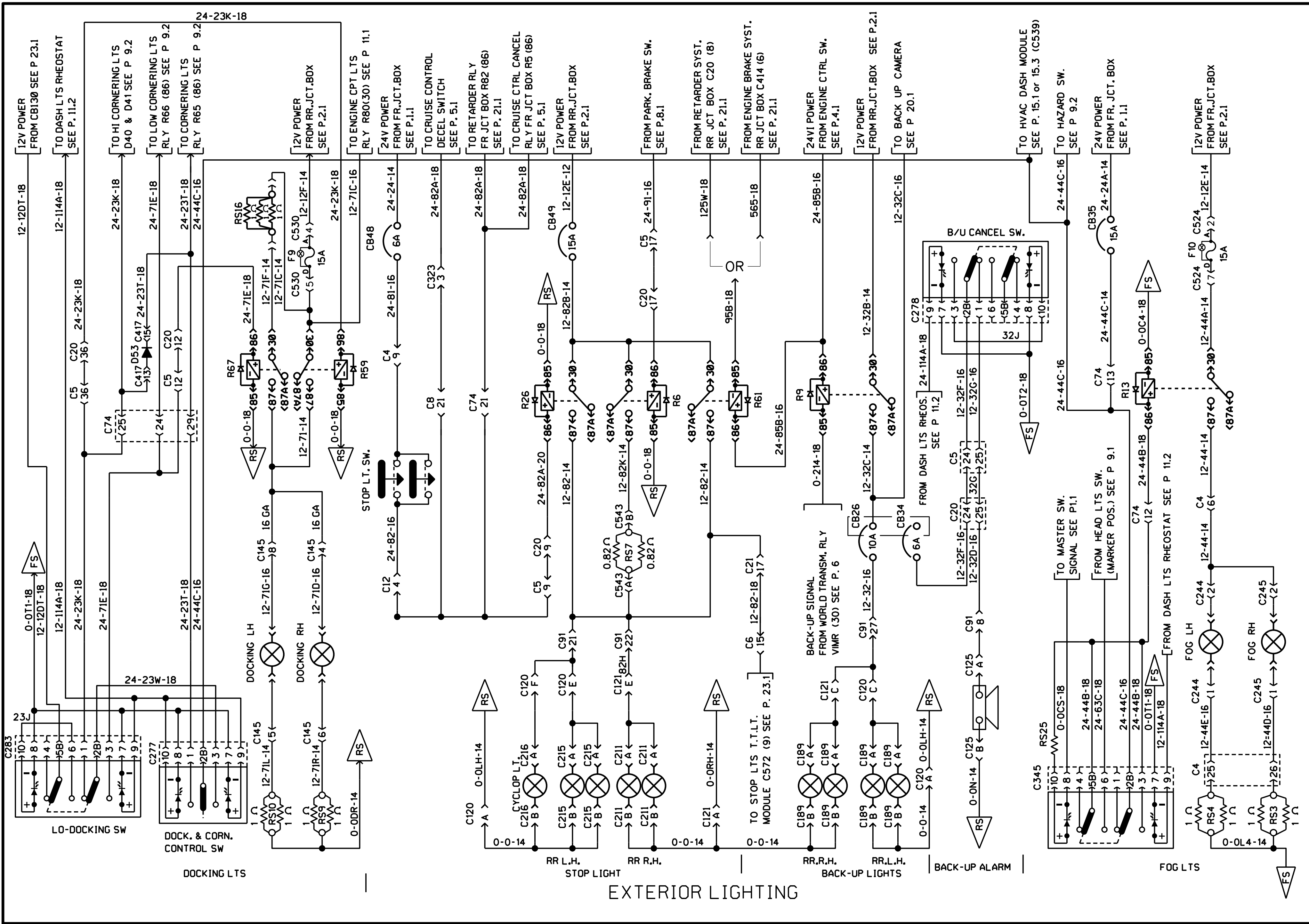
DIRECTIONAL & HAZARD L.T.S.

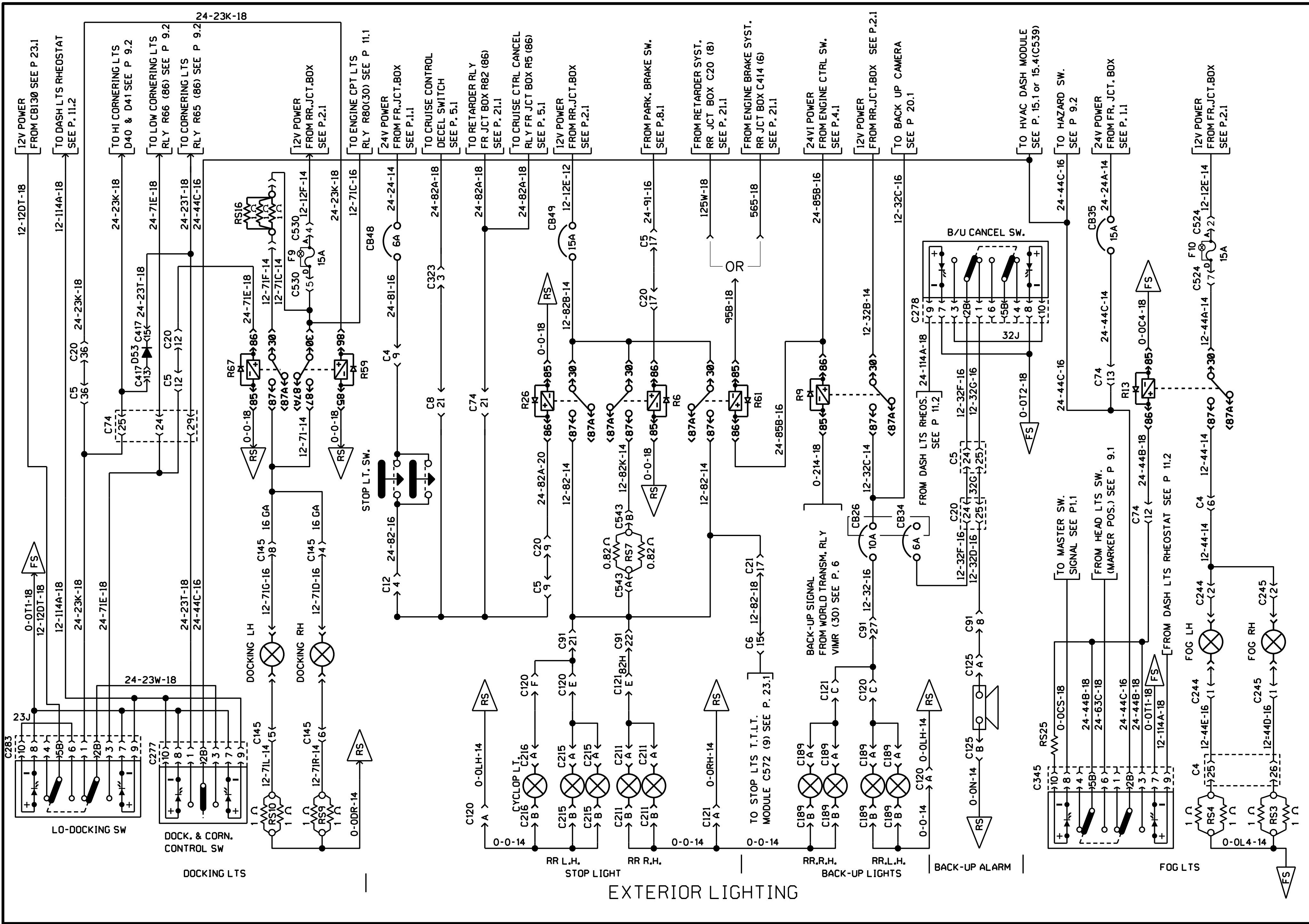
HAZARD SW.

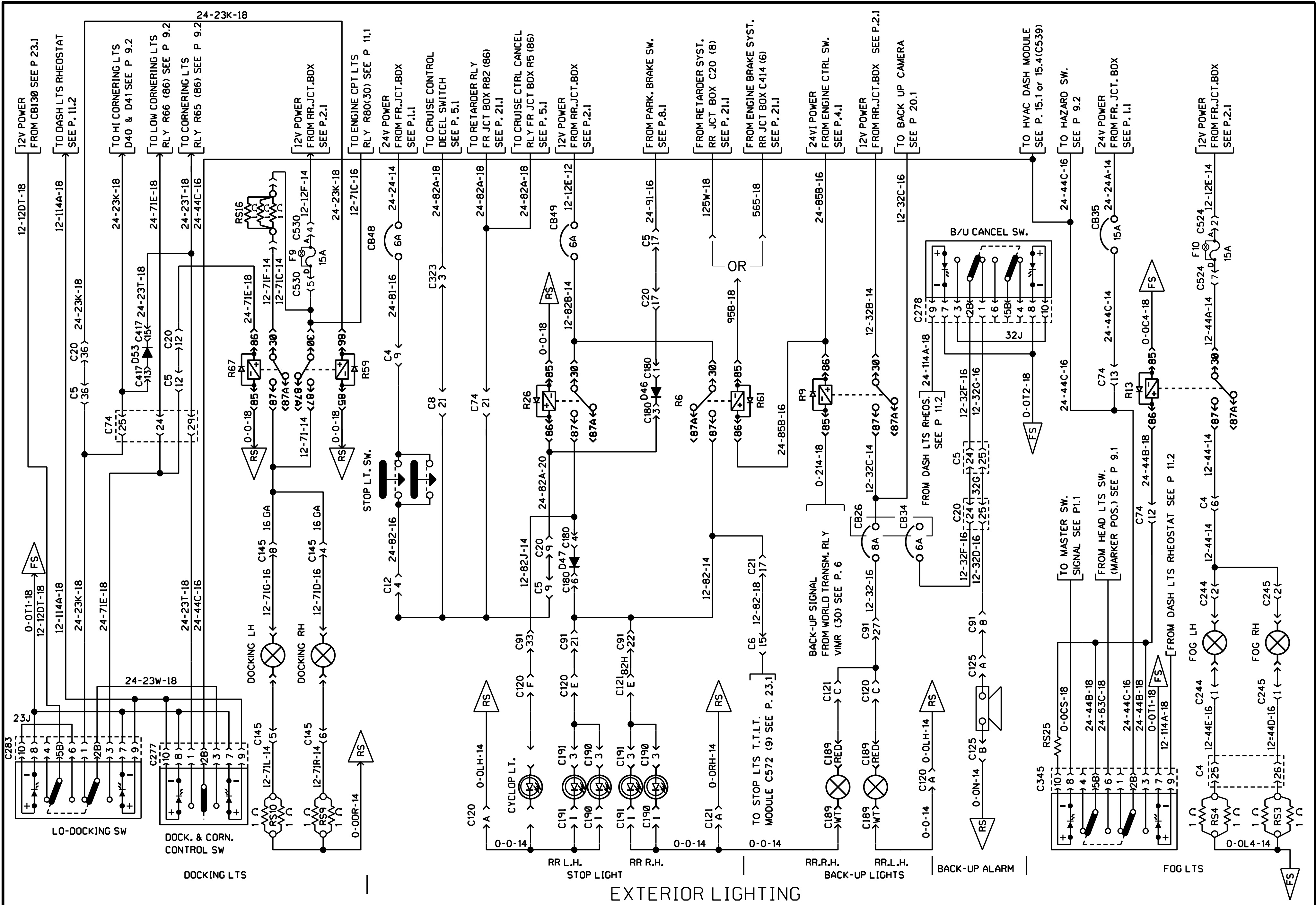
CORNERING L.T.S.

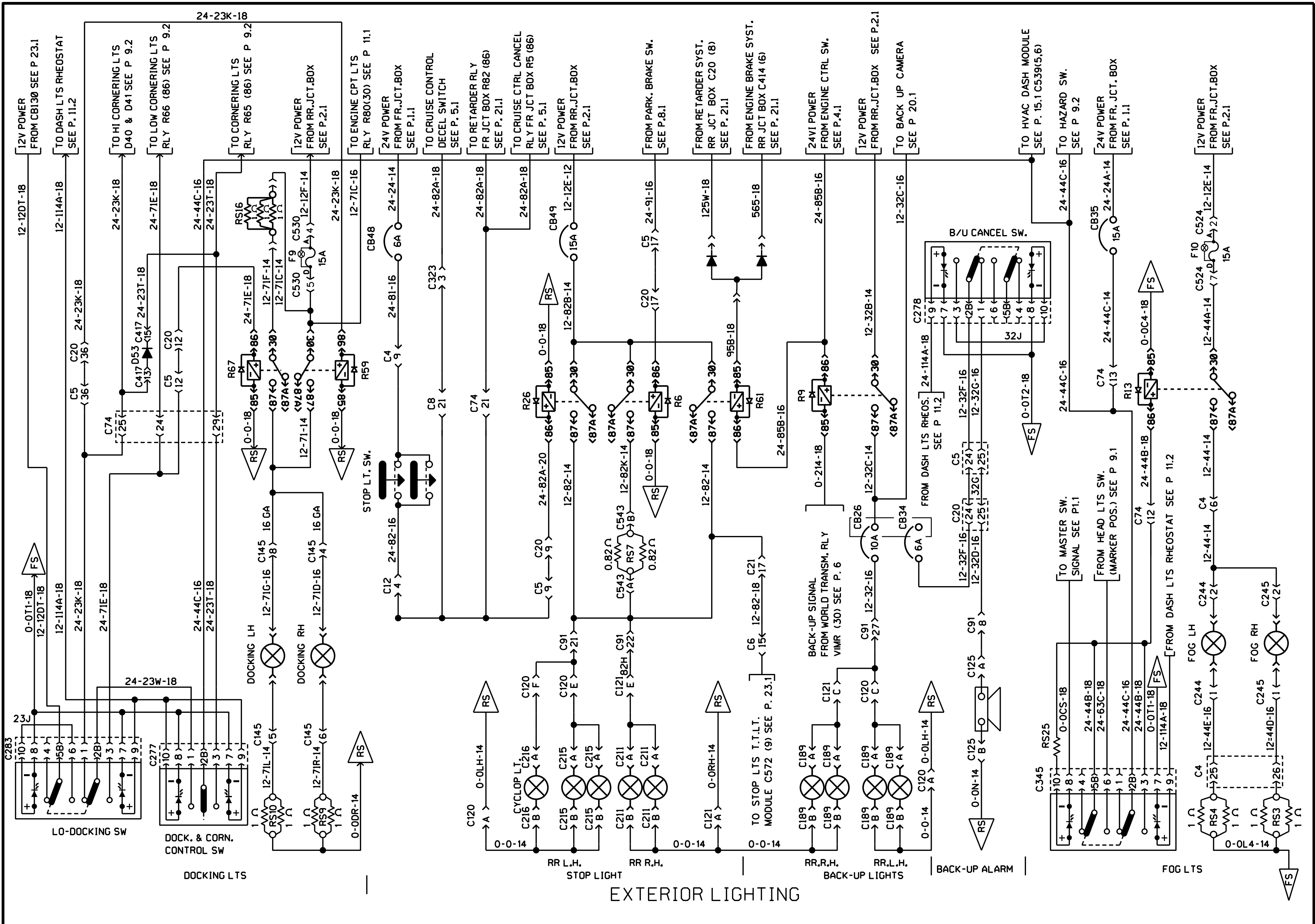
EXTERIOR LIGHTING

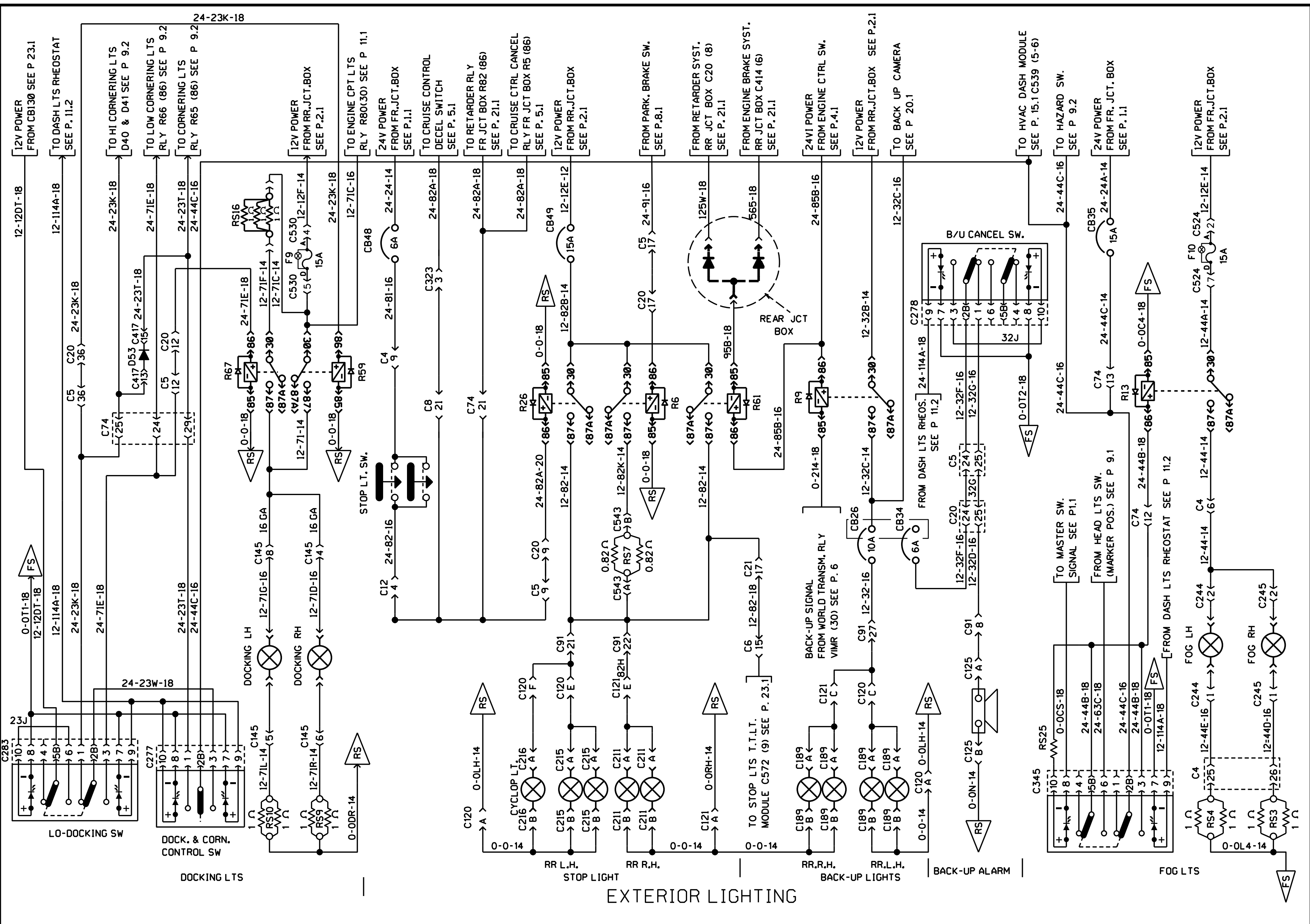


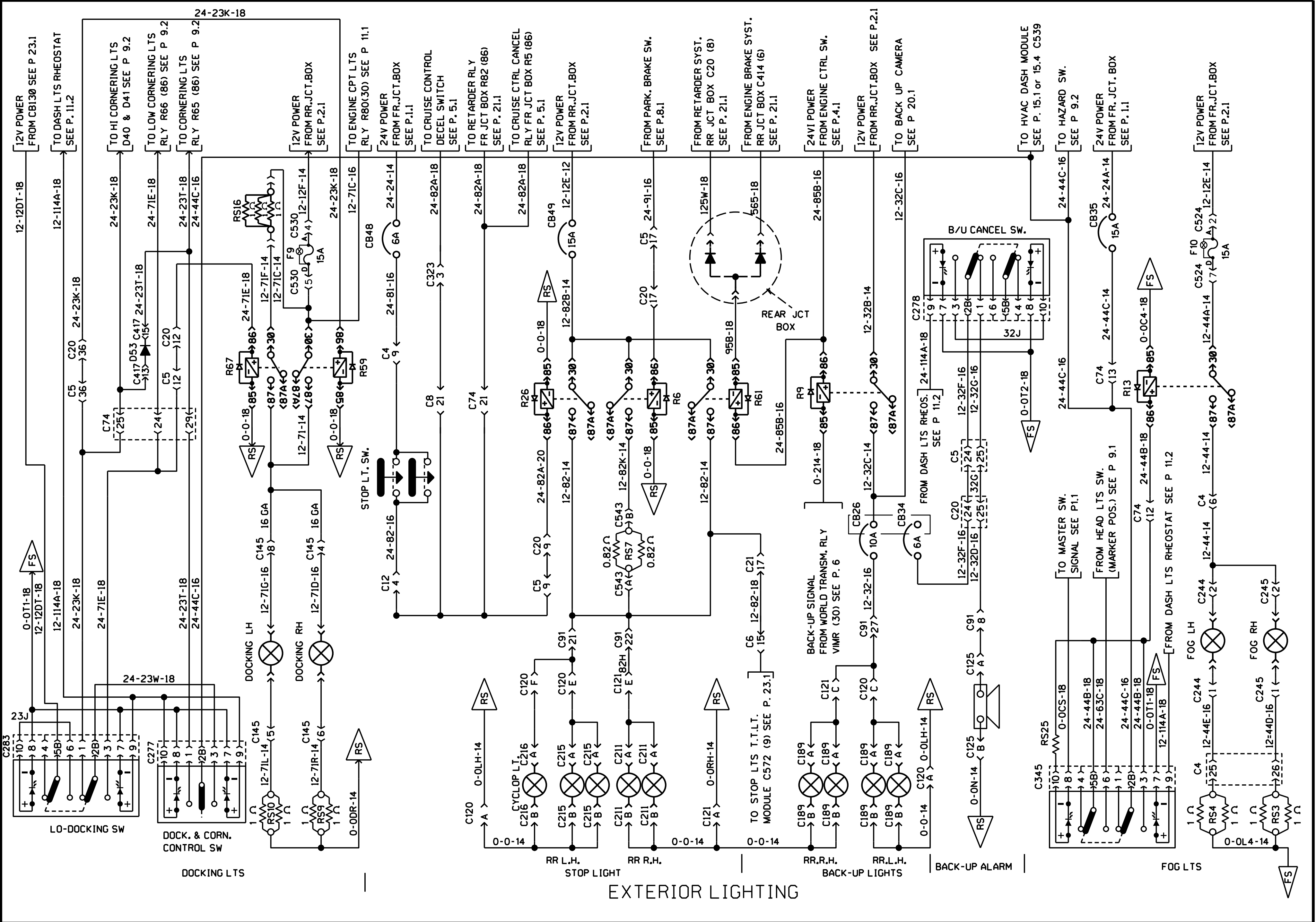


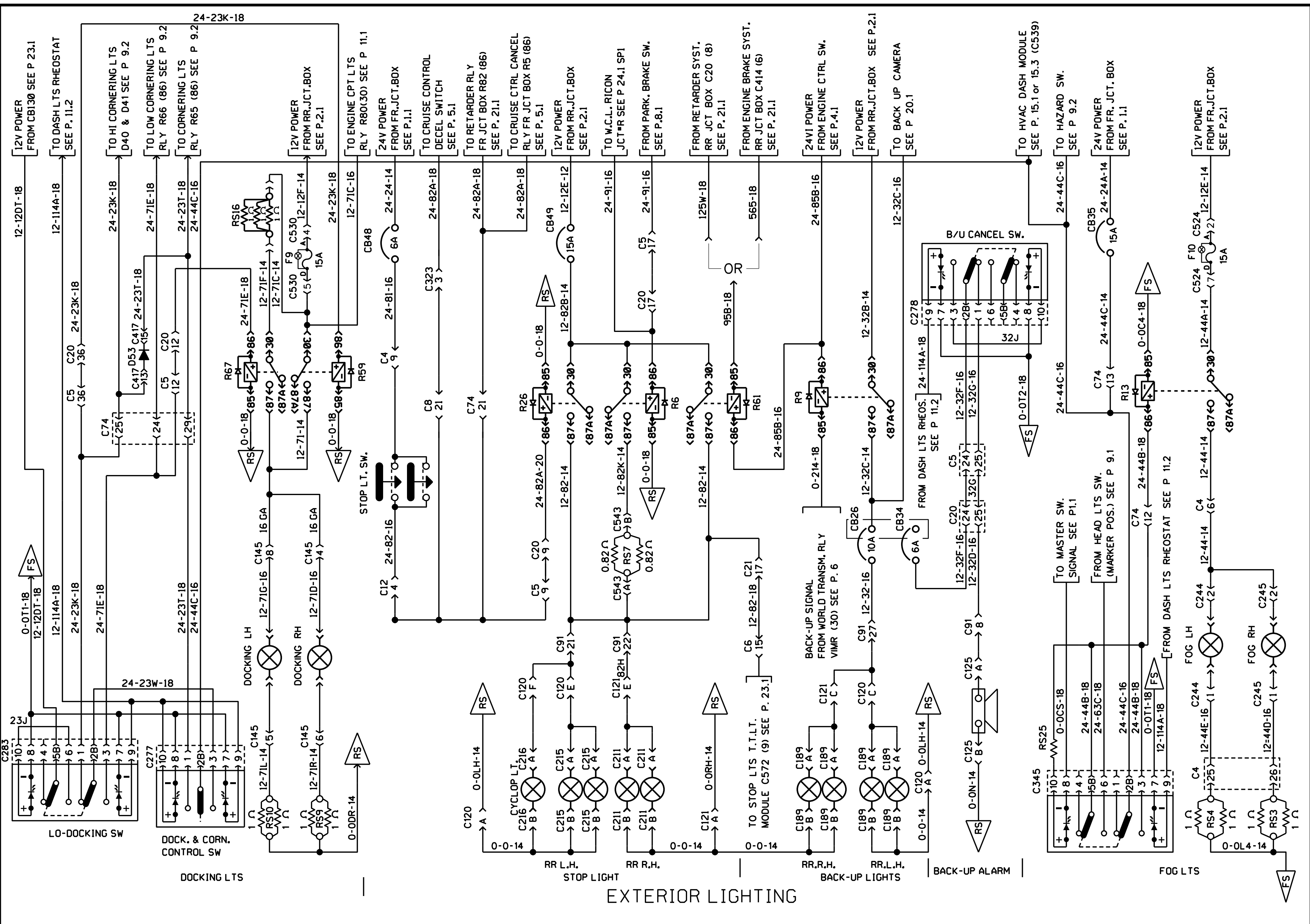


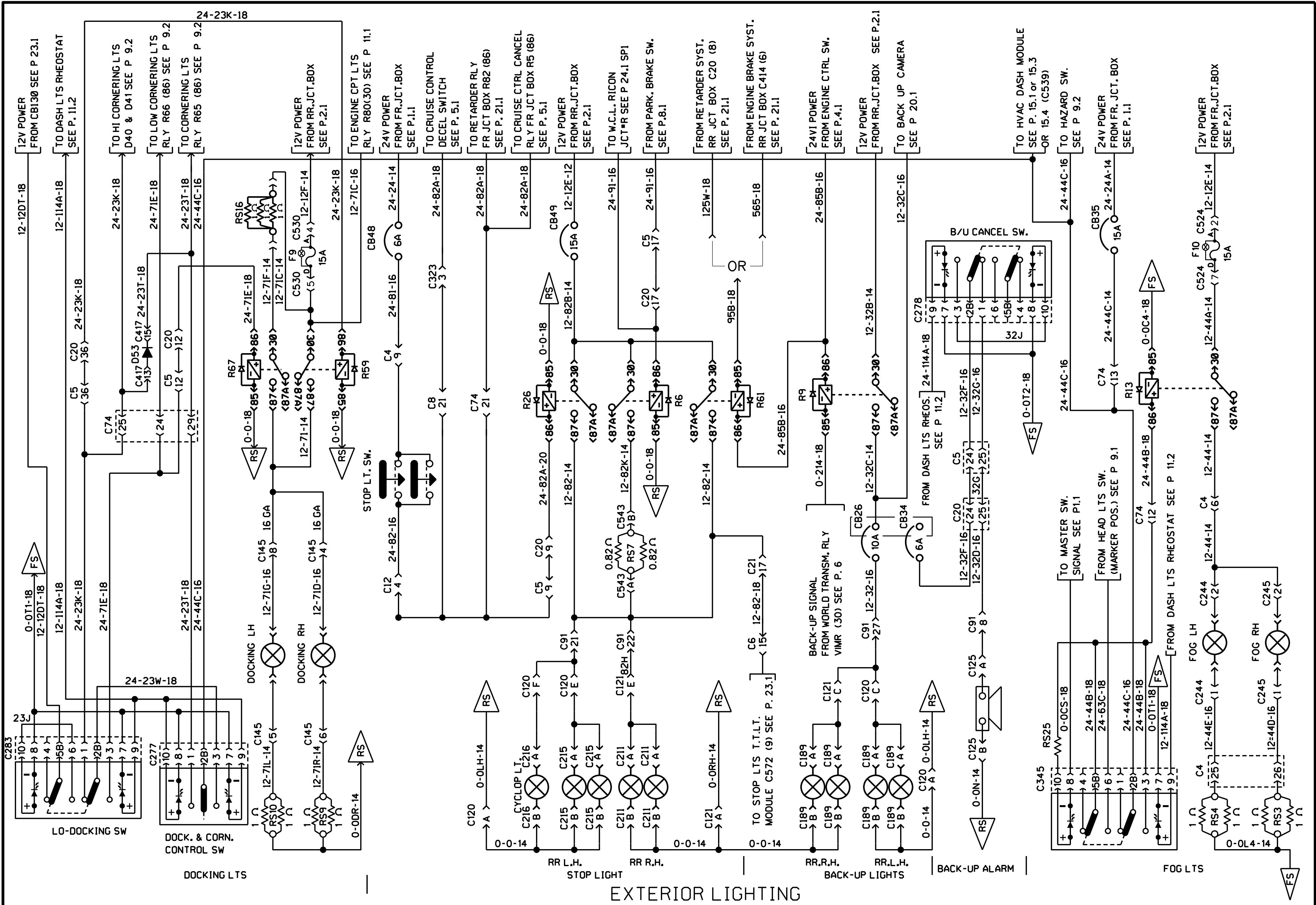


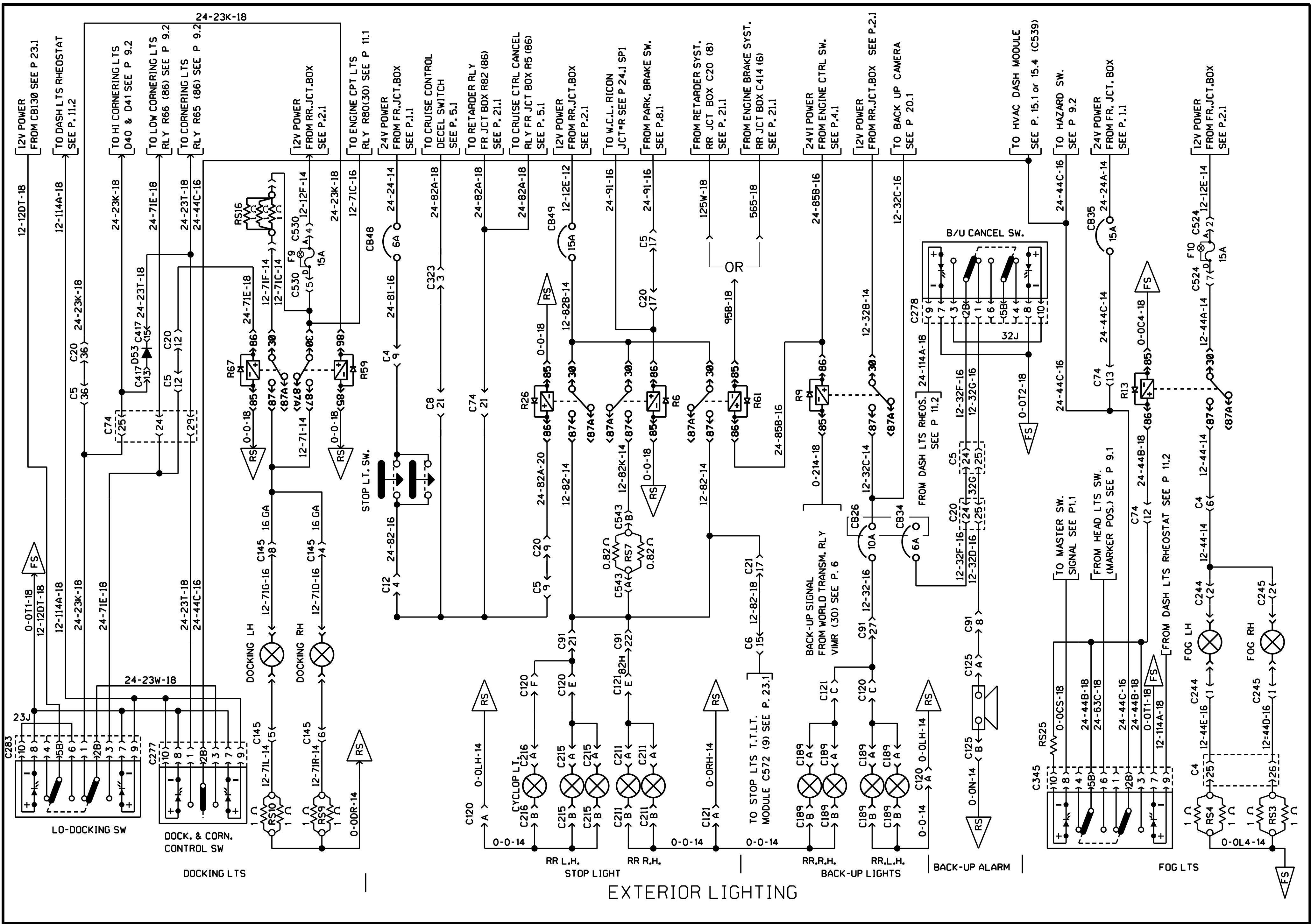


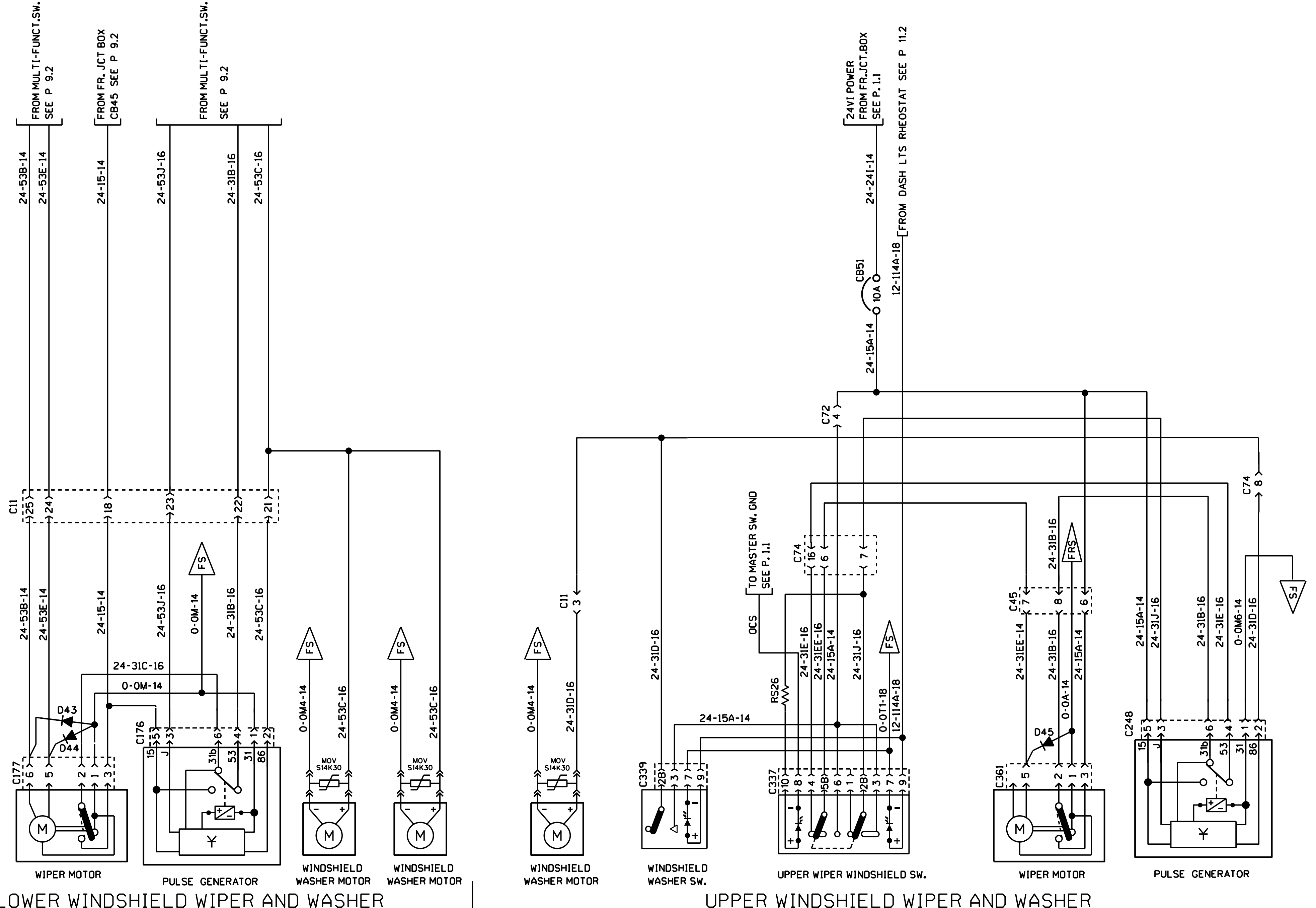






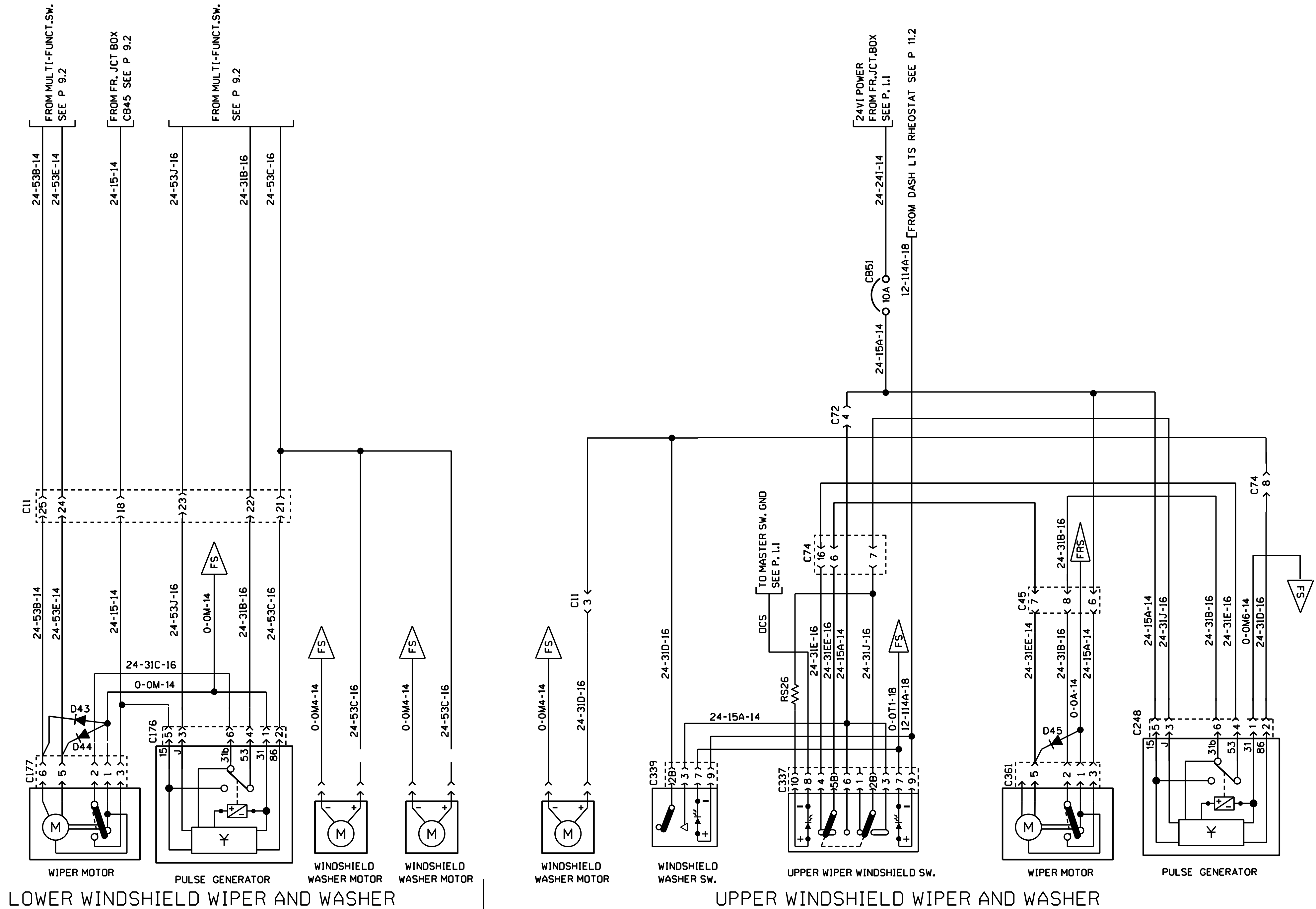


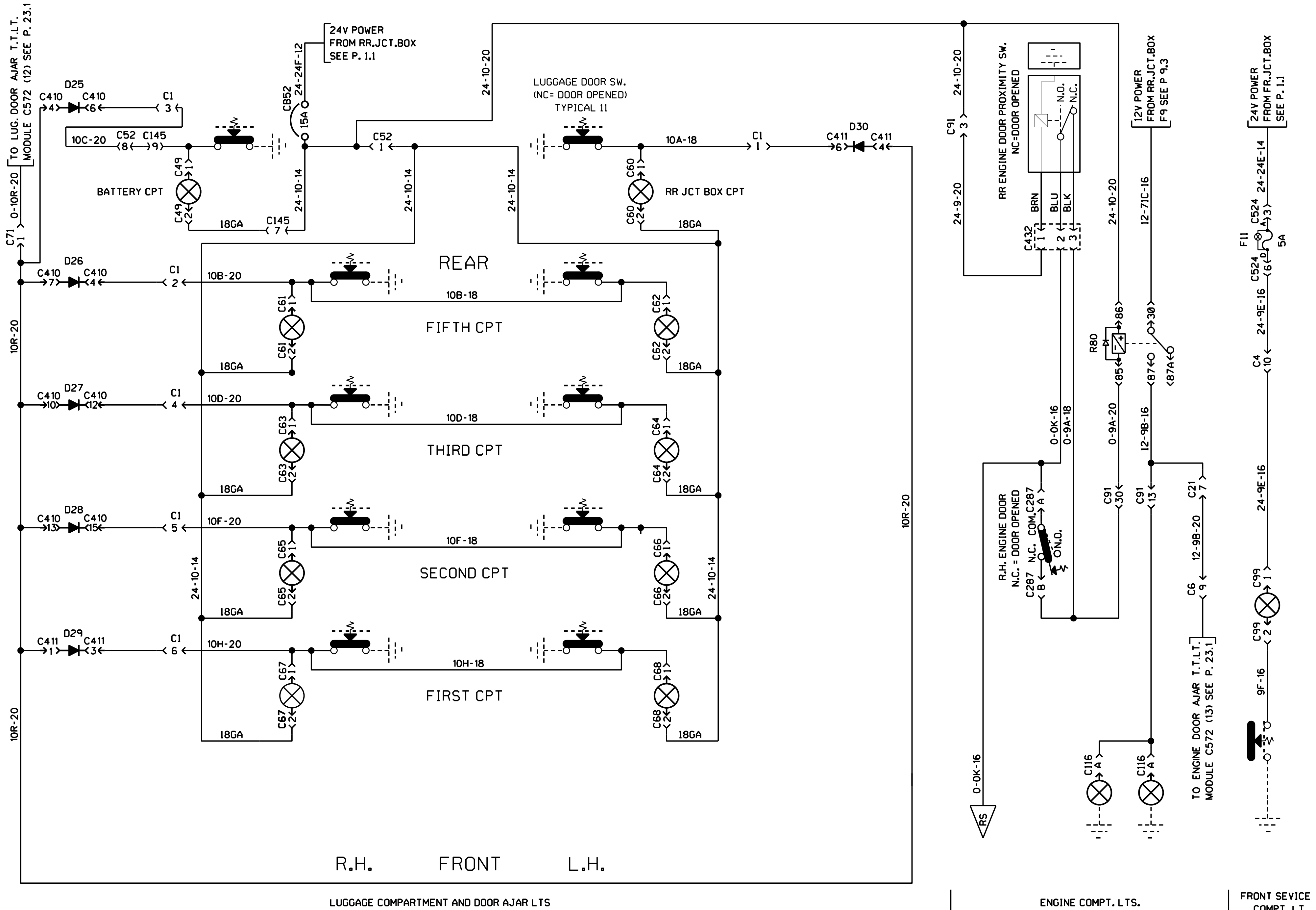




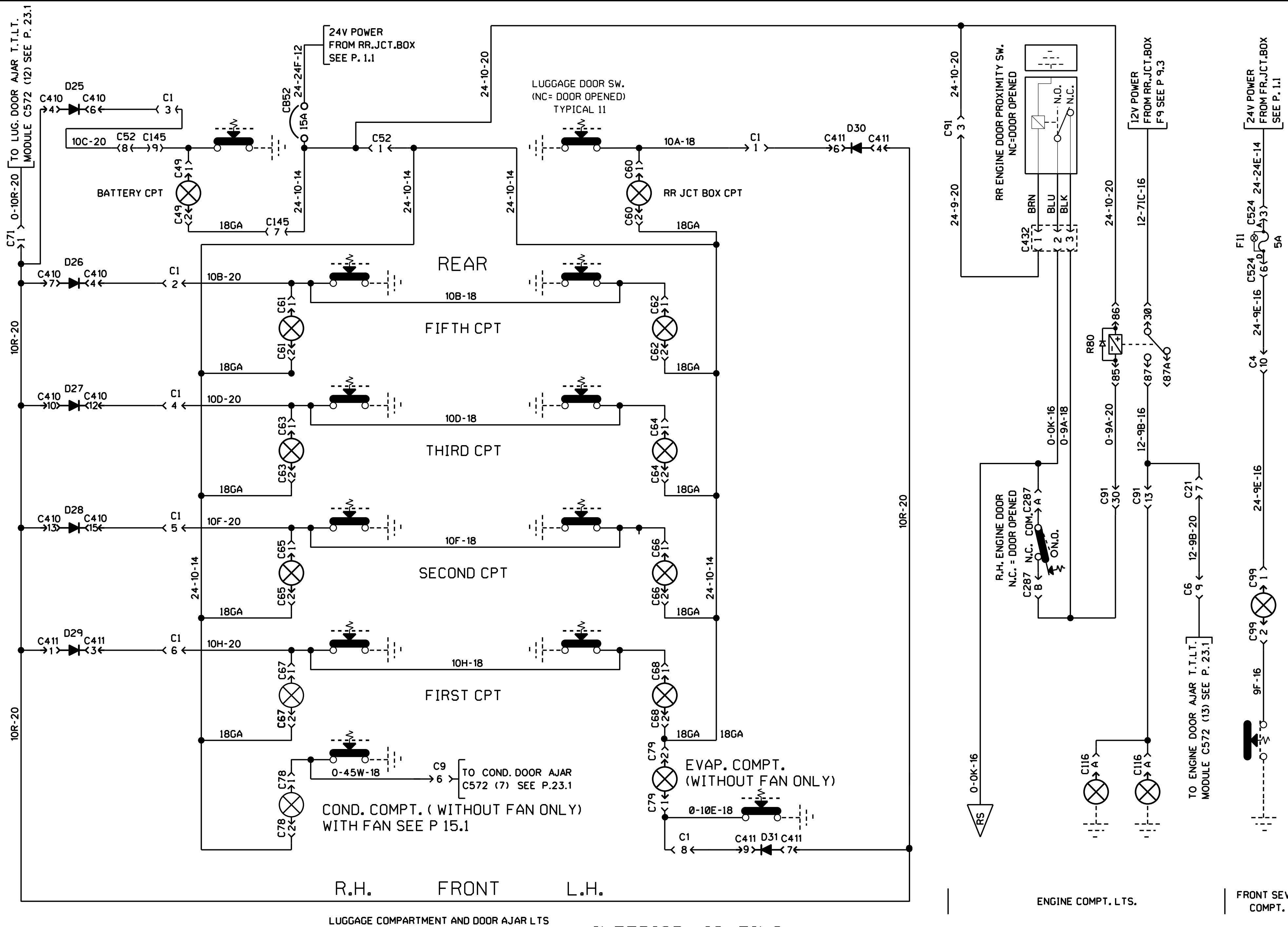
LOWER WINDSHIELD WIPER AND WASHER

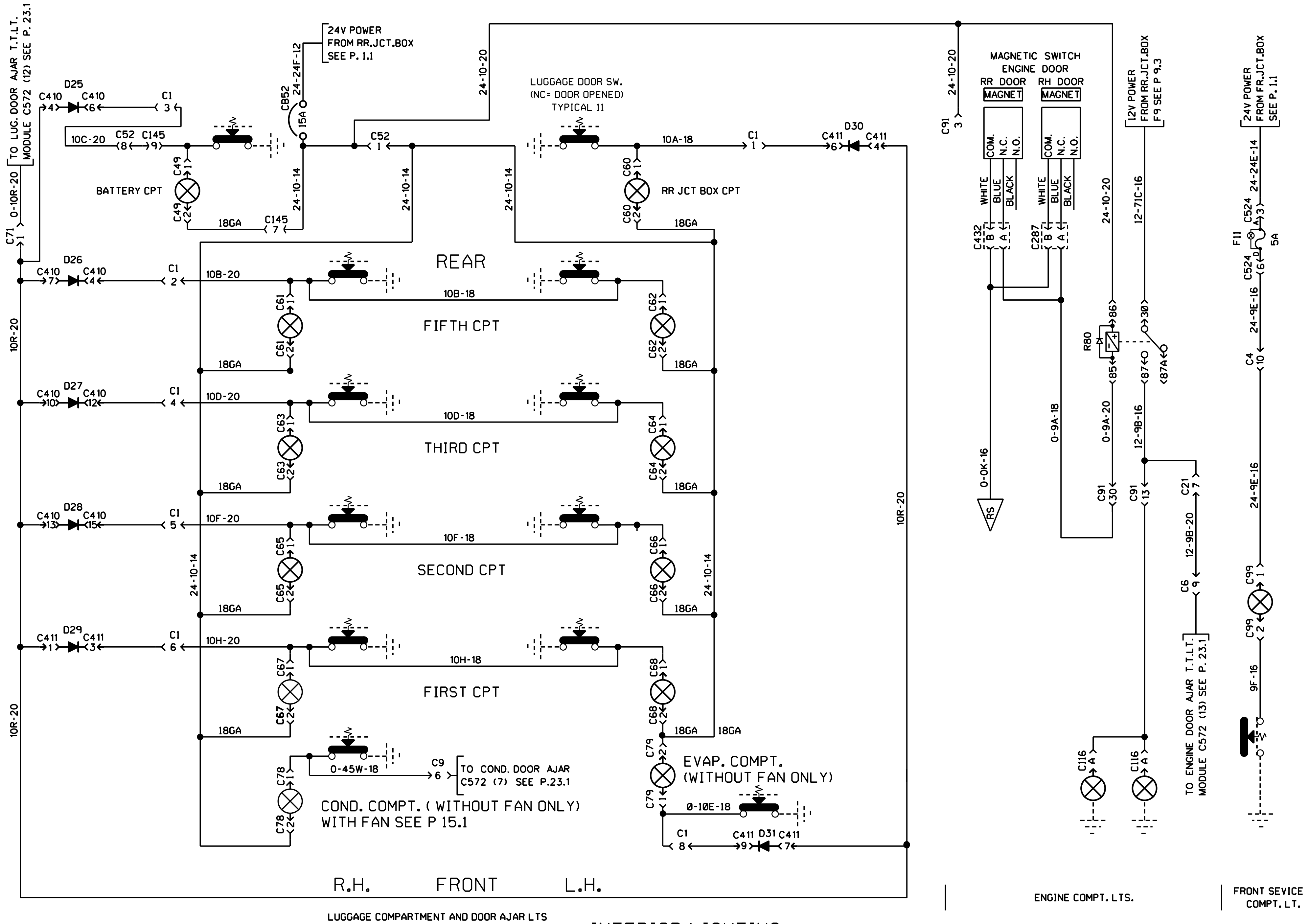
UPPER WINDSHIELD WIPER AND WASHER

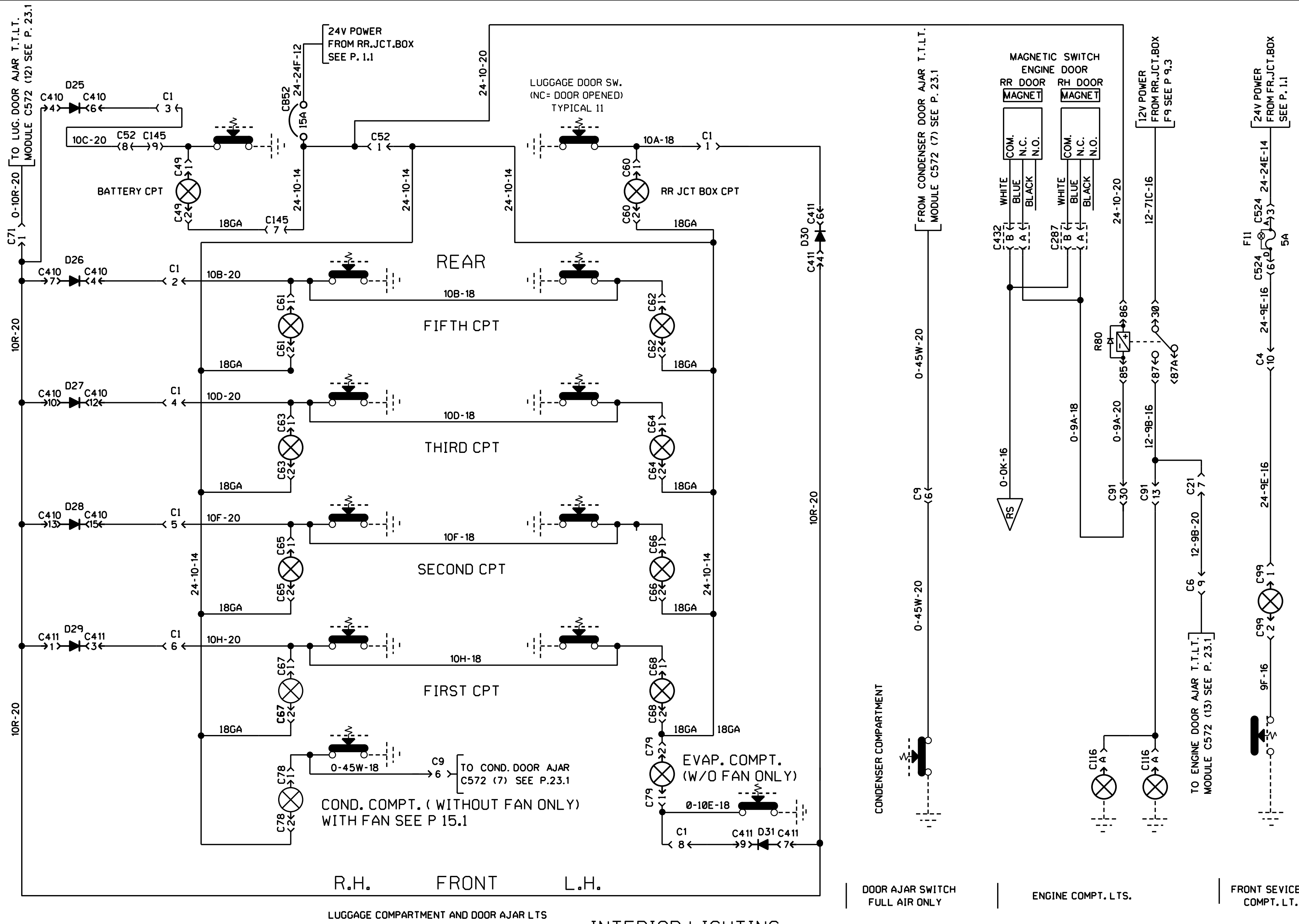


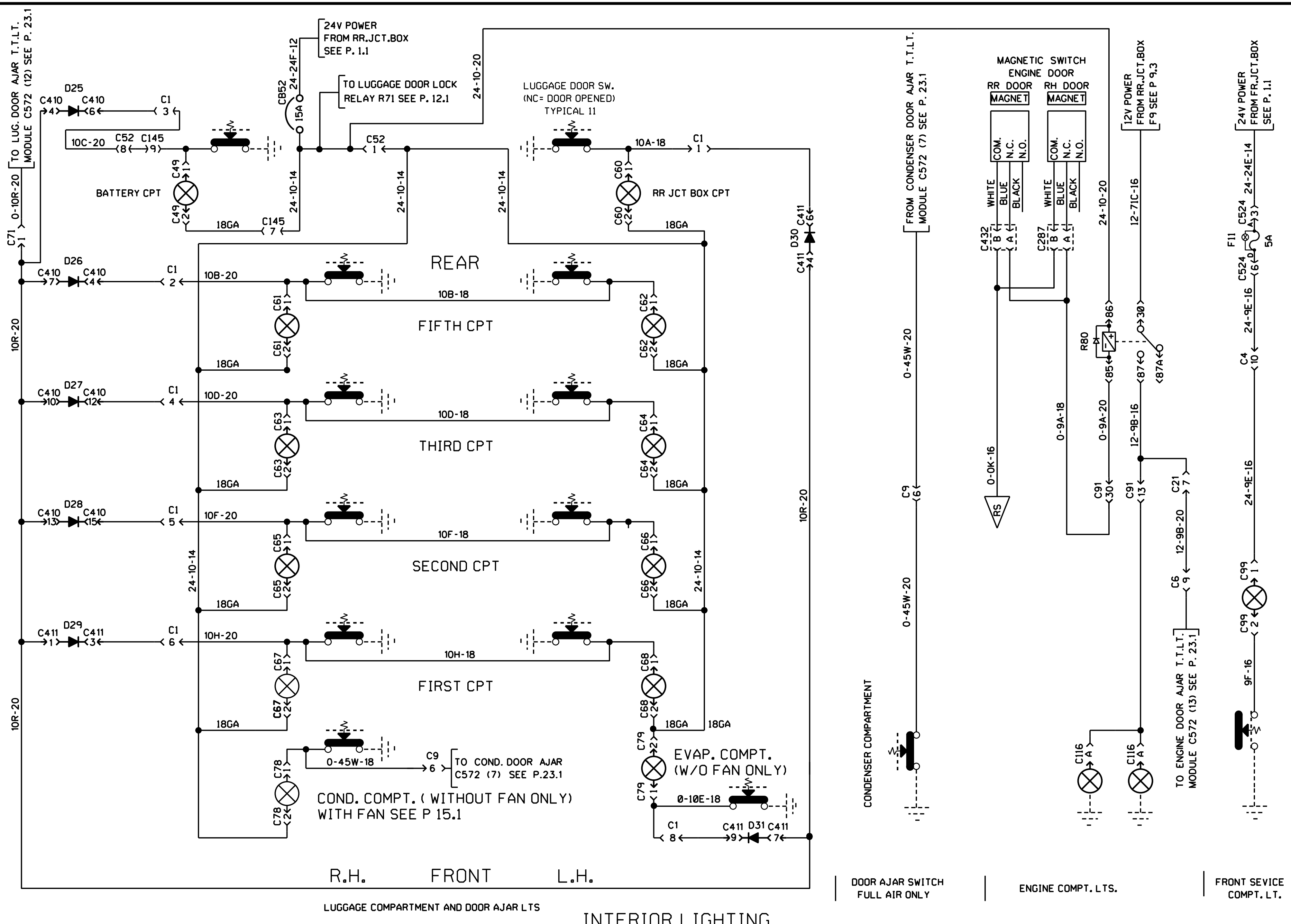


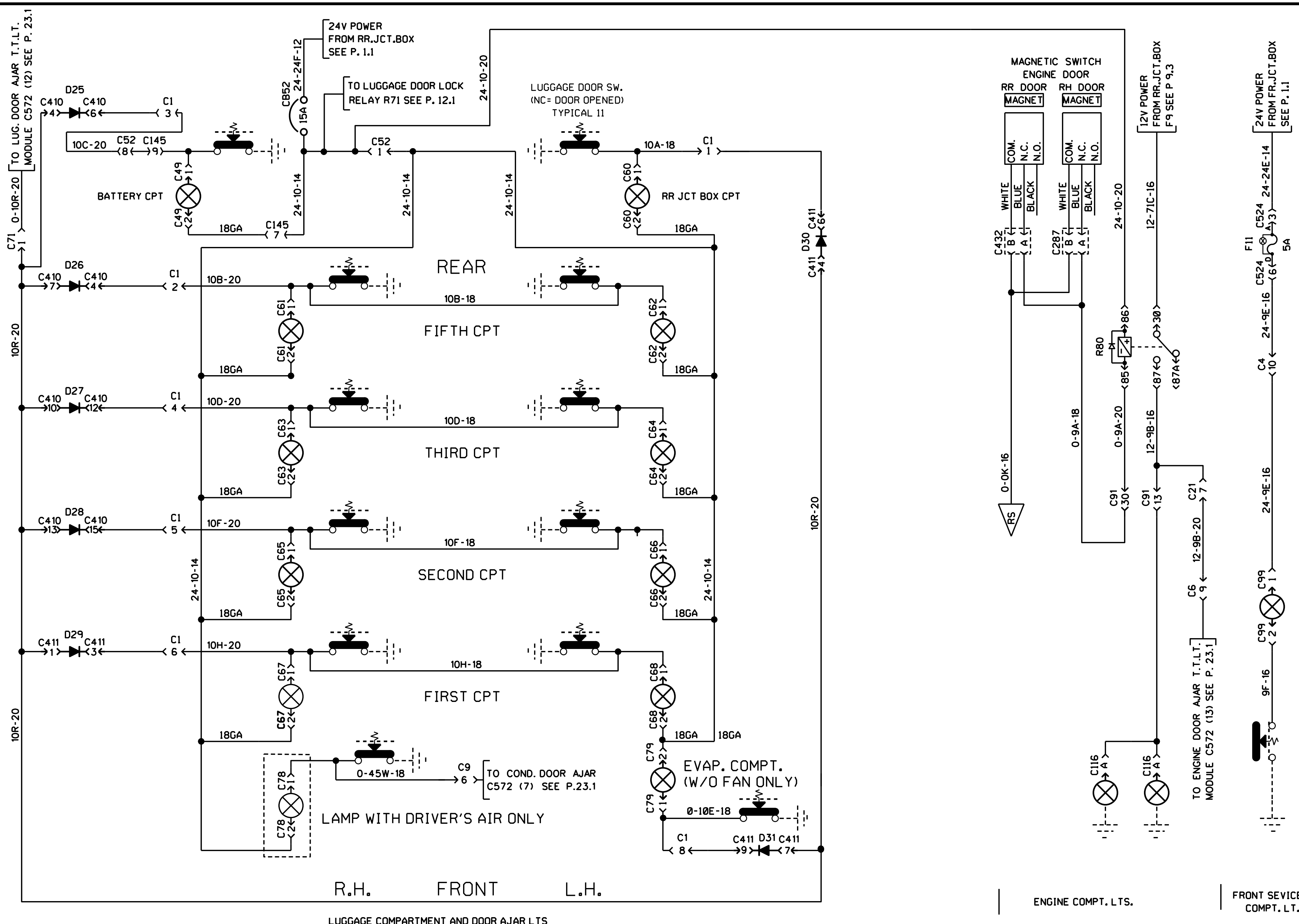
INTERIOR LIGHTING

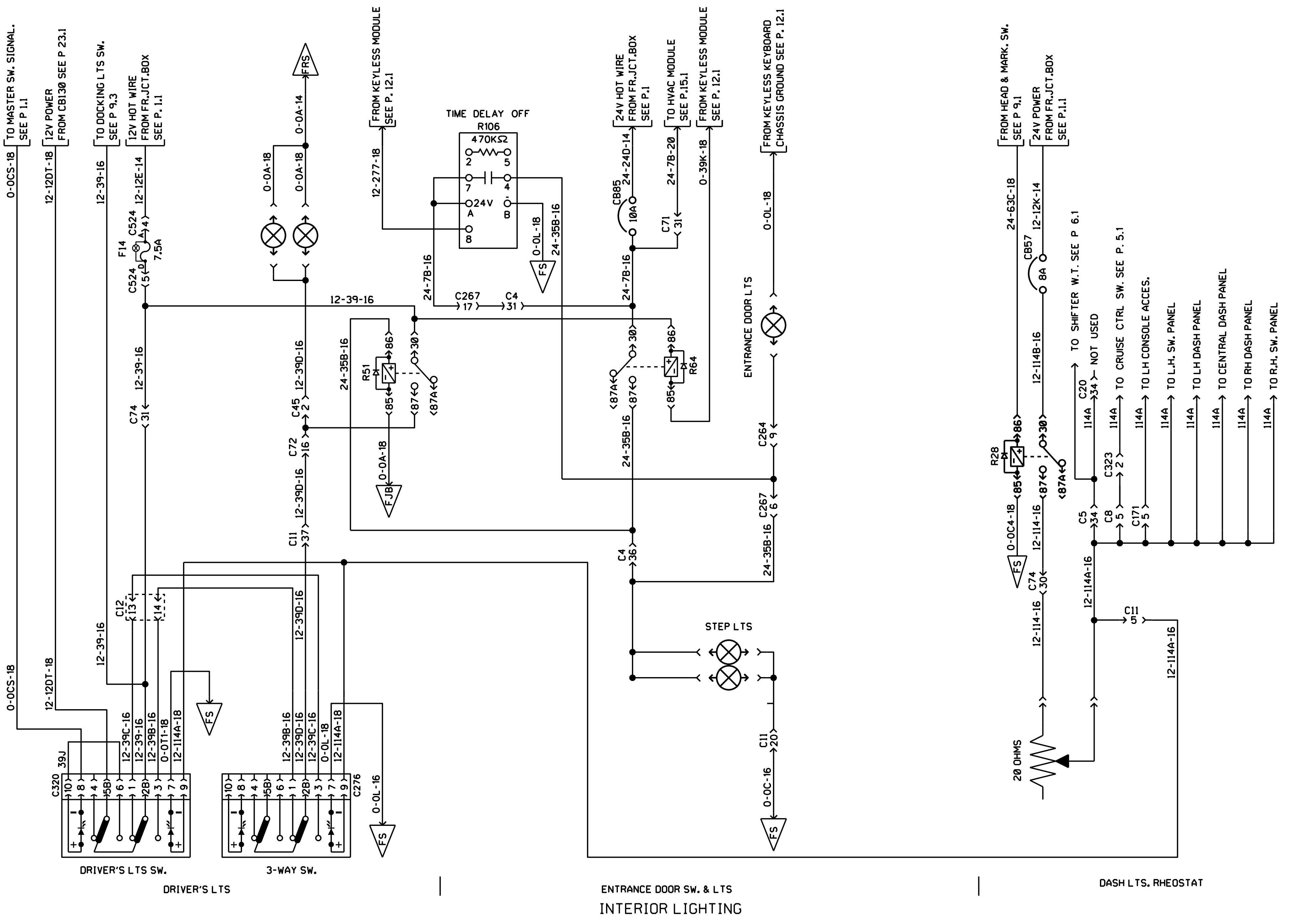


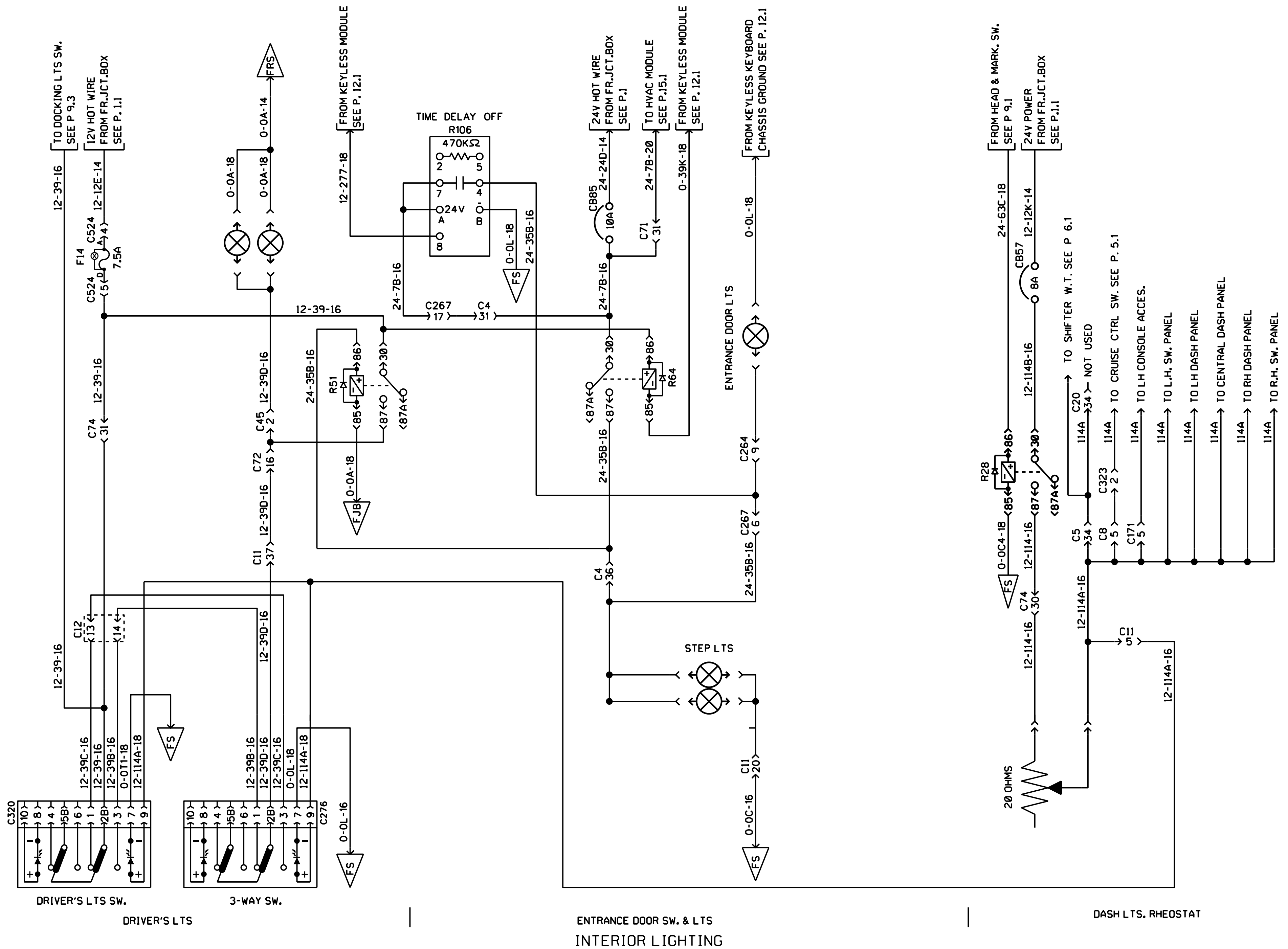


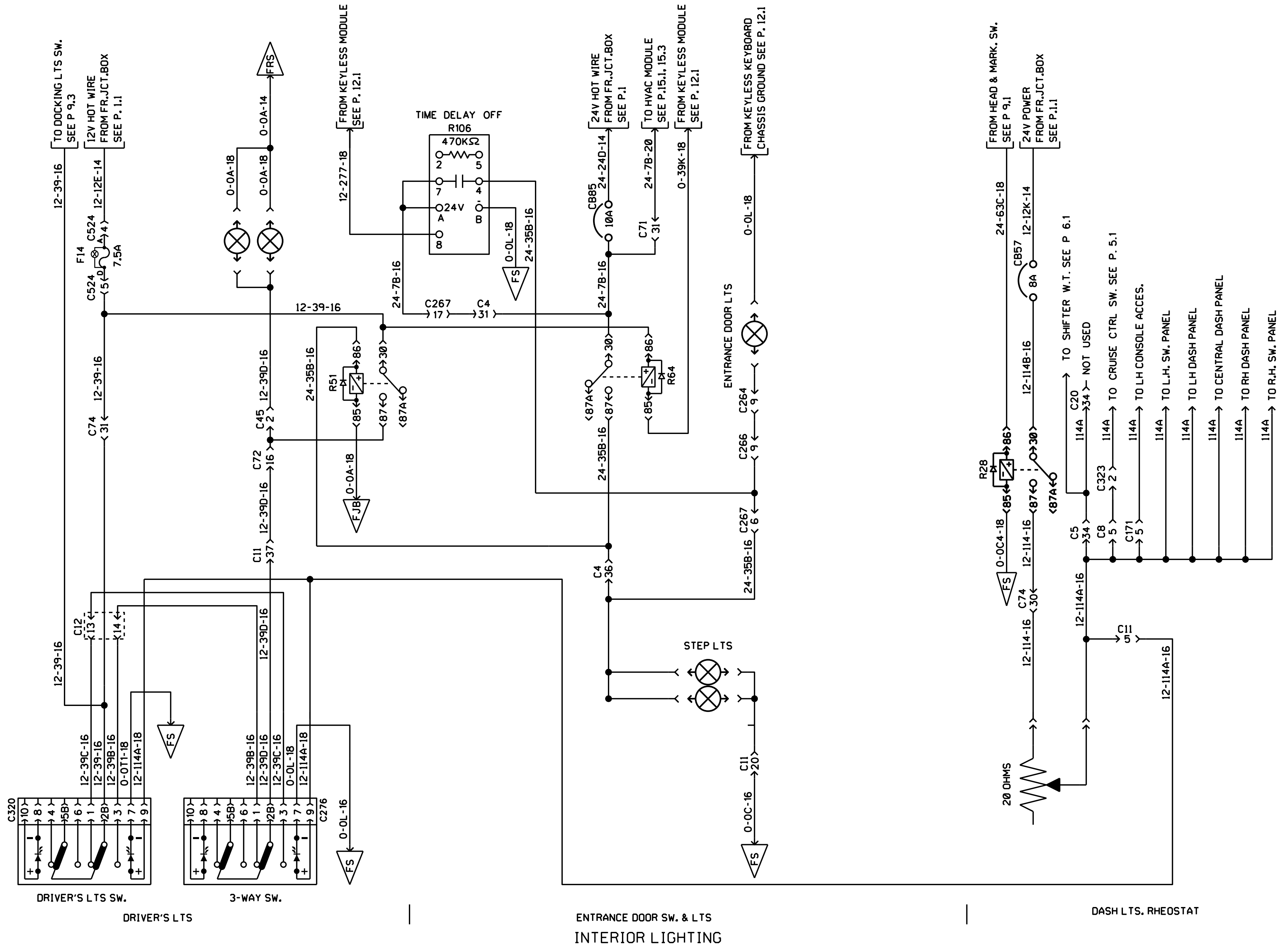


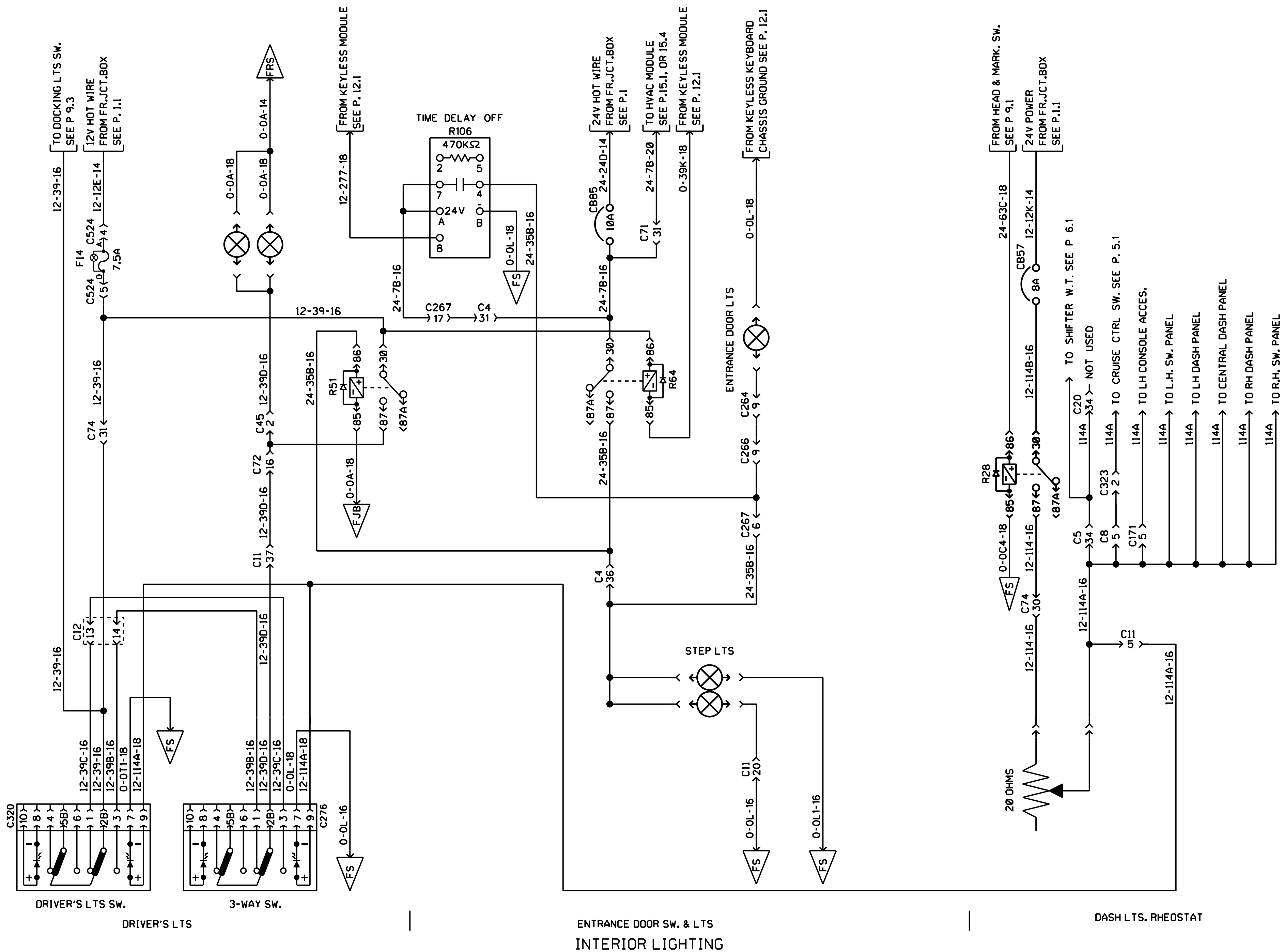


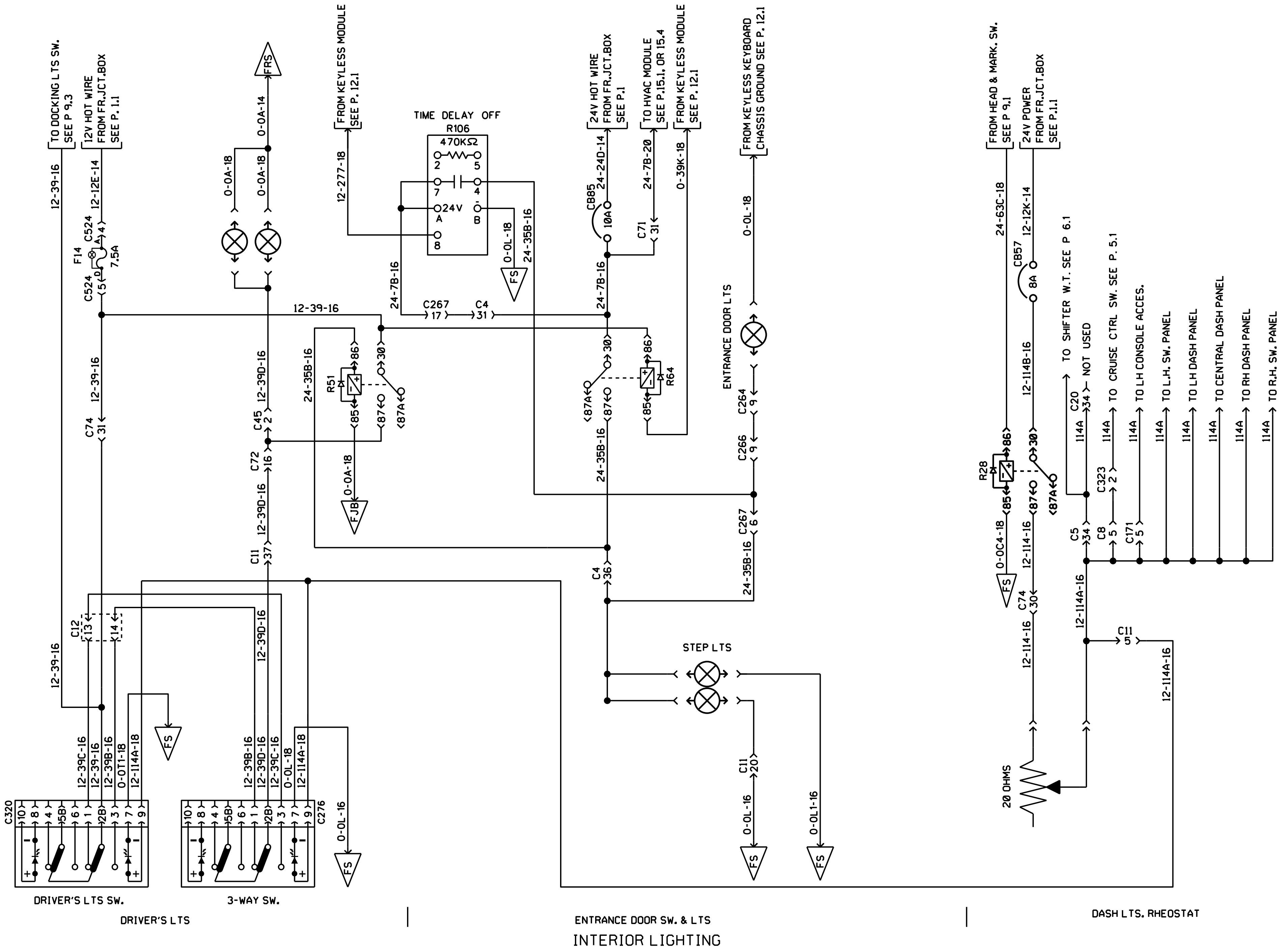


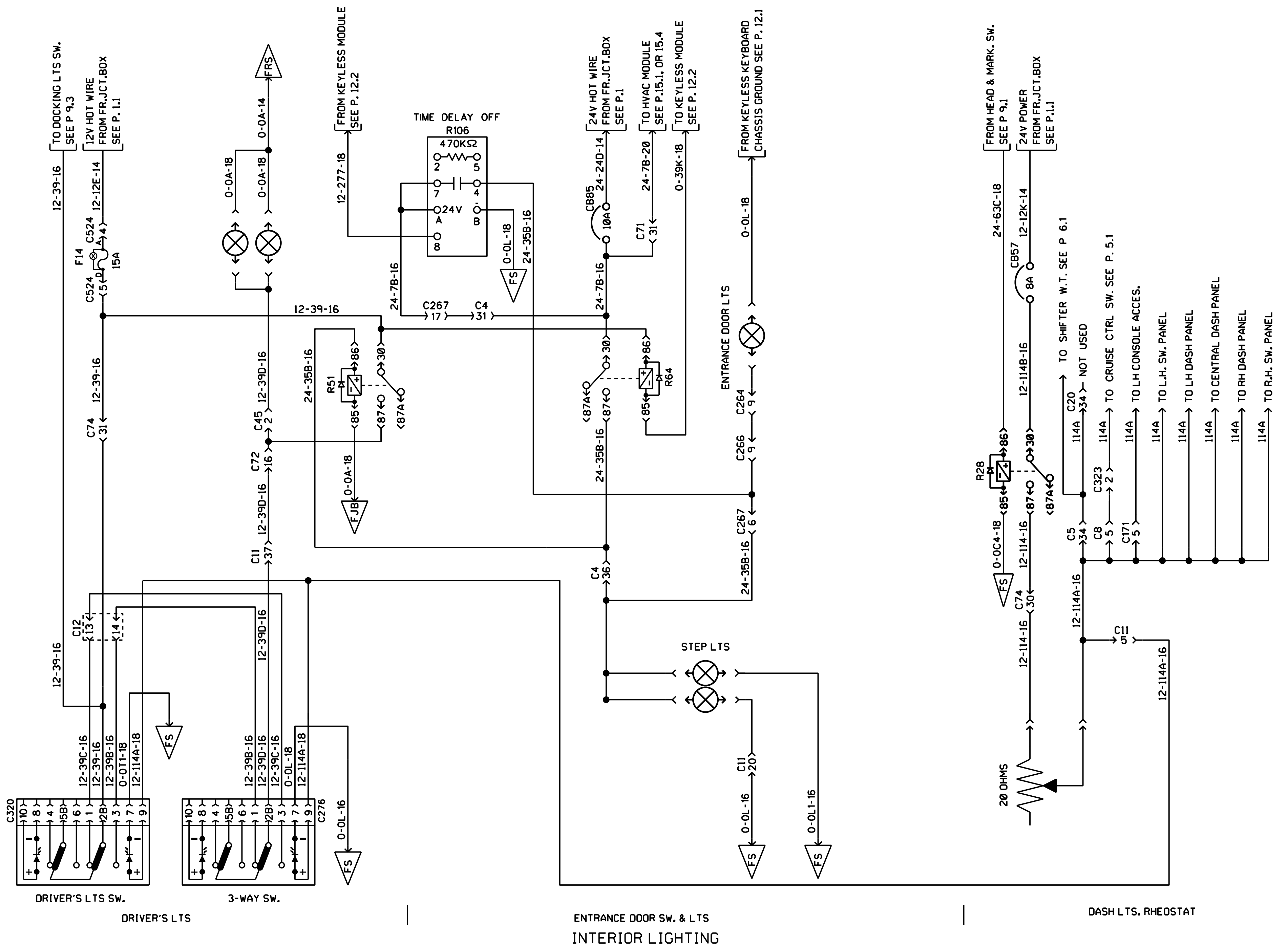


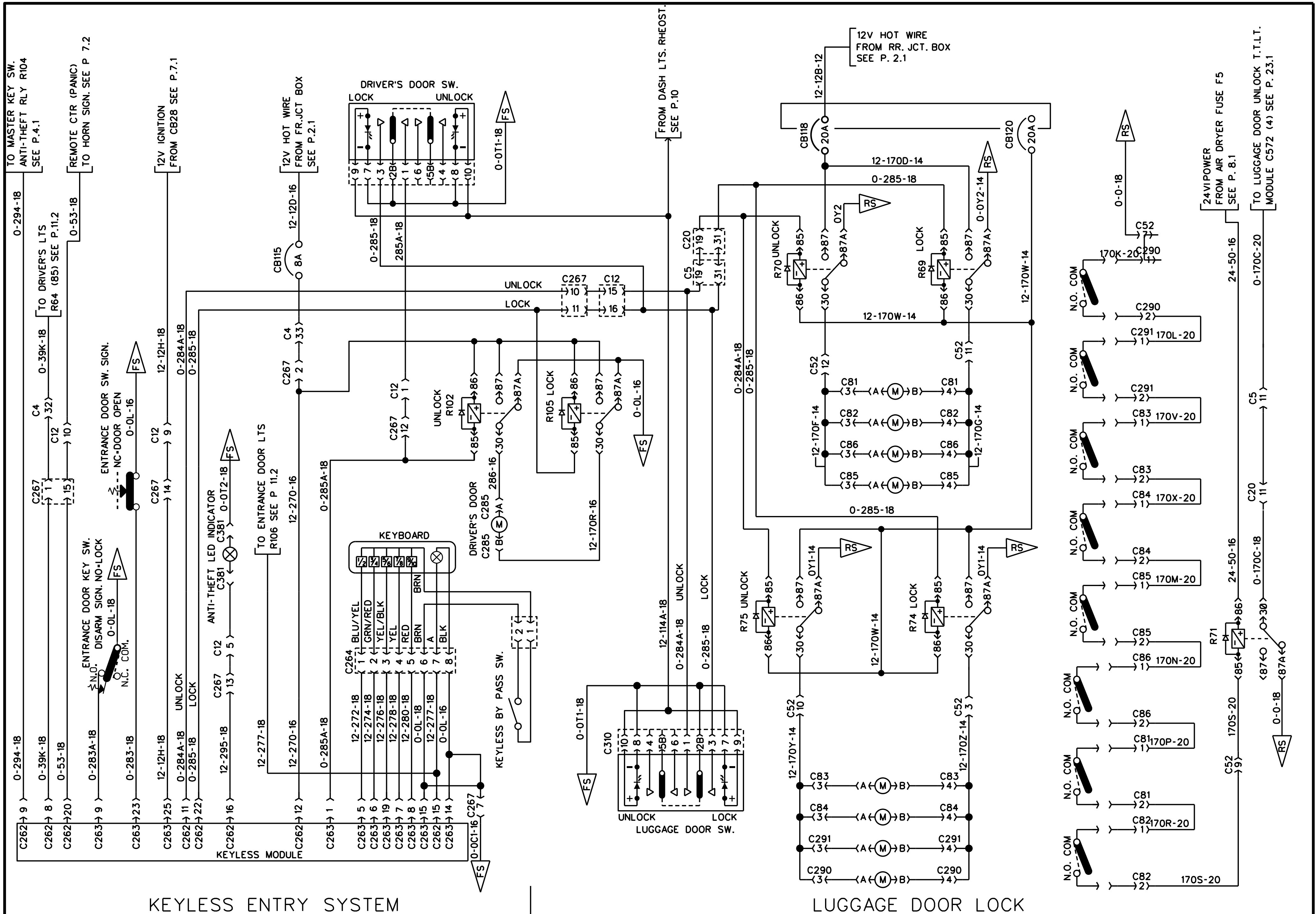






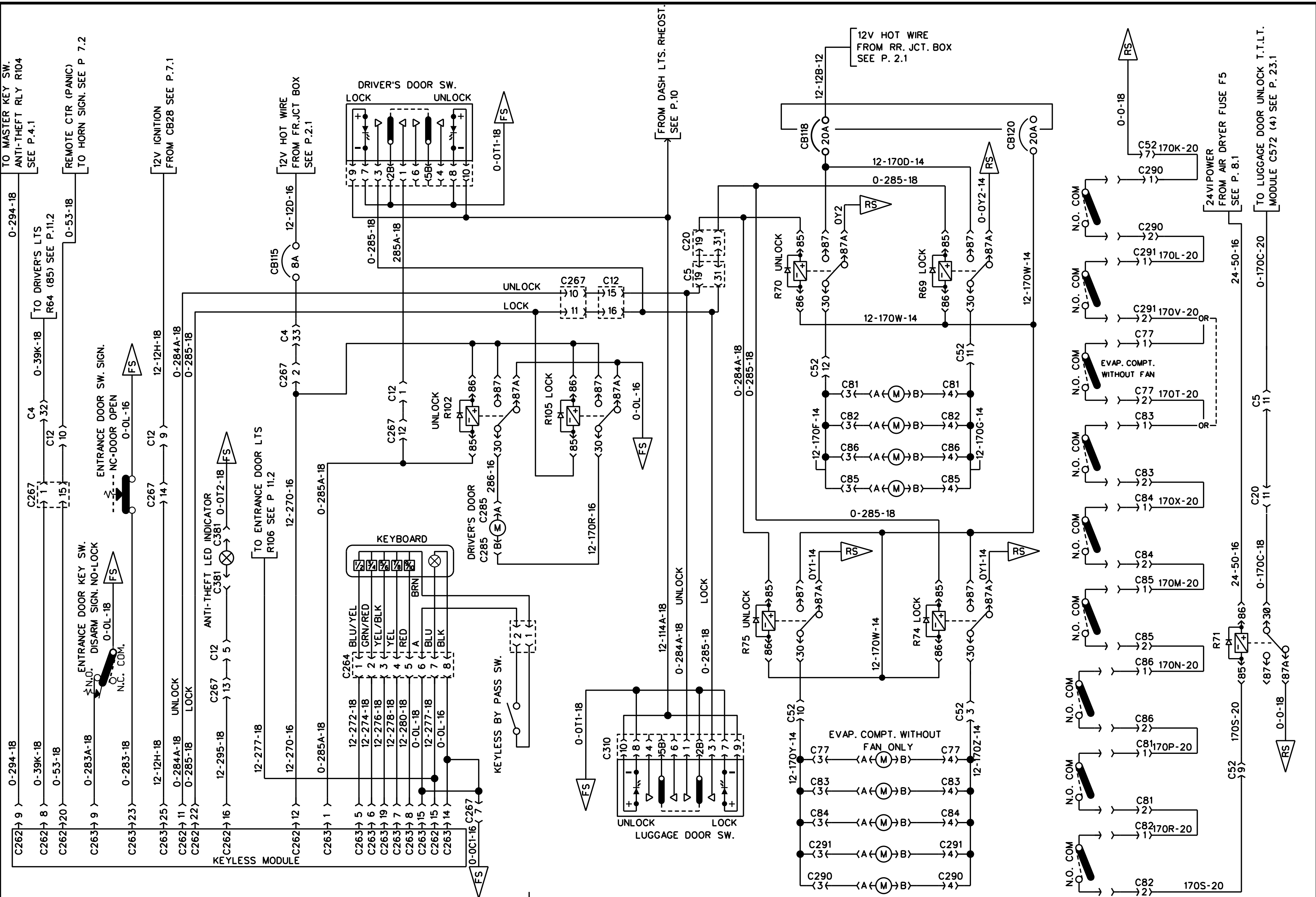






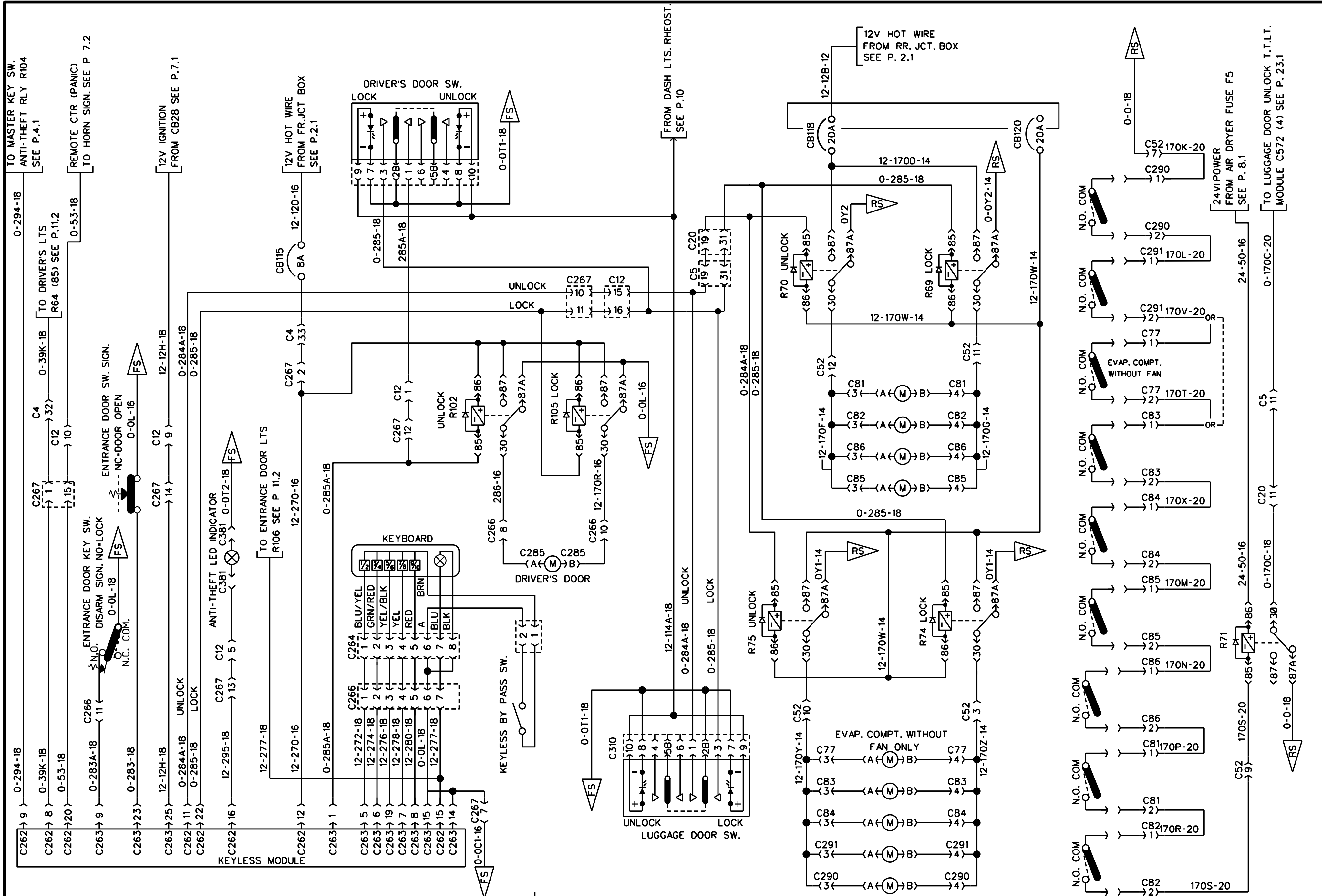
KEYLESS ENTRY SYSTEM

LUGGAGE DOOR LOCK



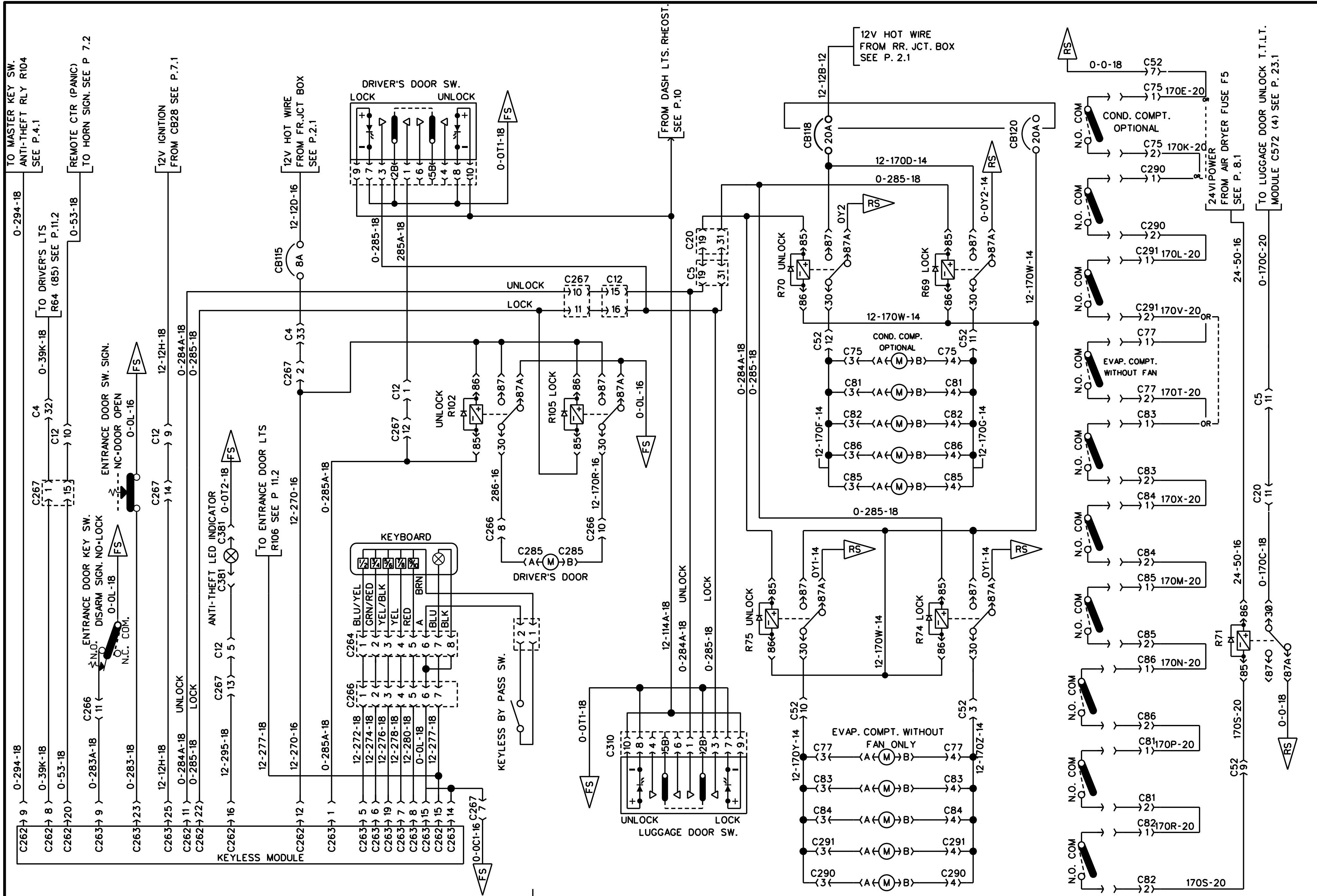
KEYLESS ENTRY SYSTEM

LUGGAGE DOOR LOCK



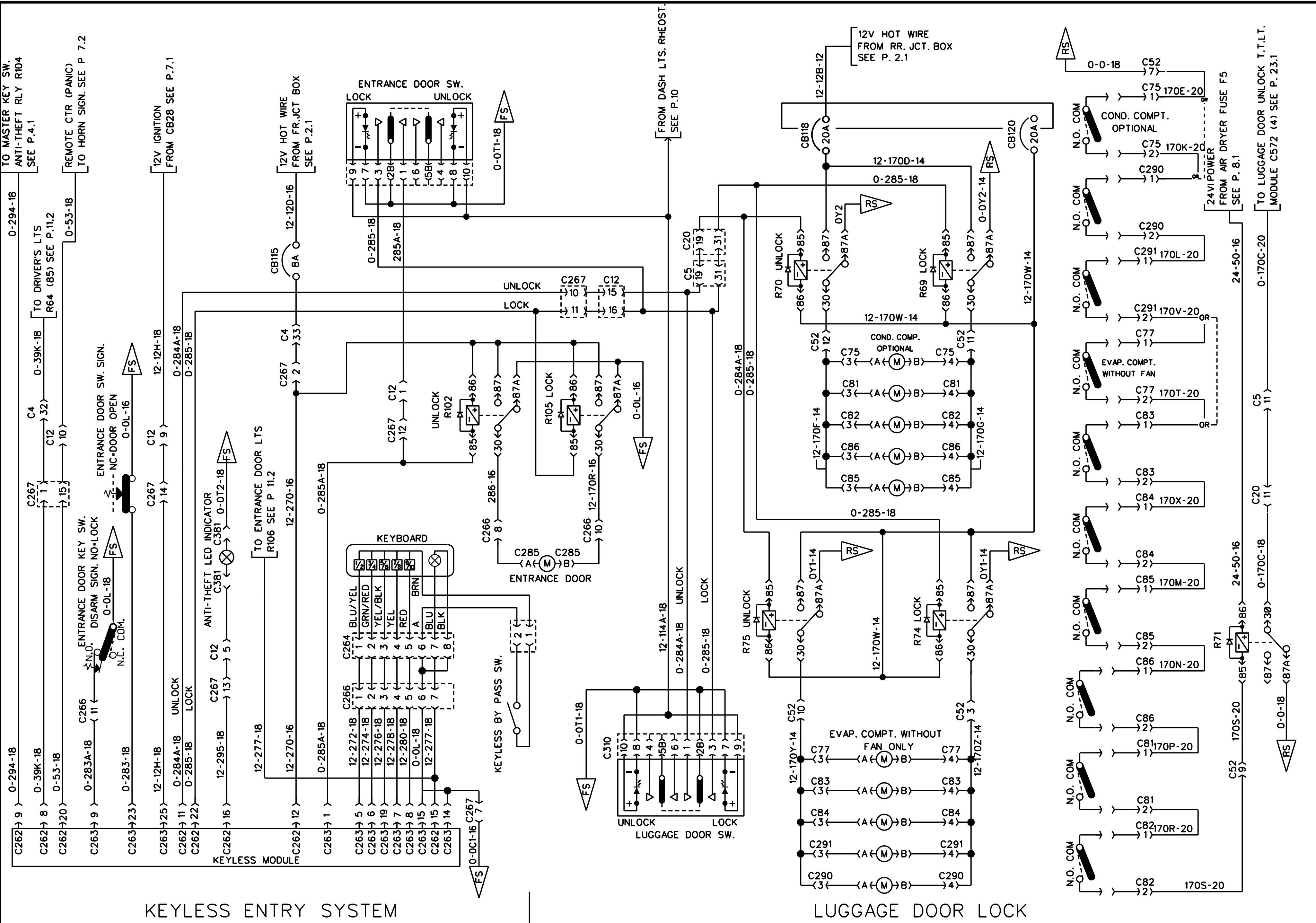
KEYLESS ENTRY SYSTEM

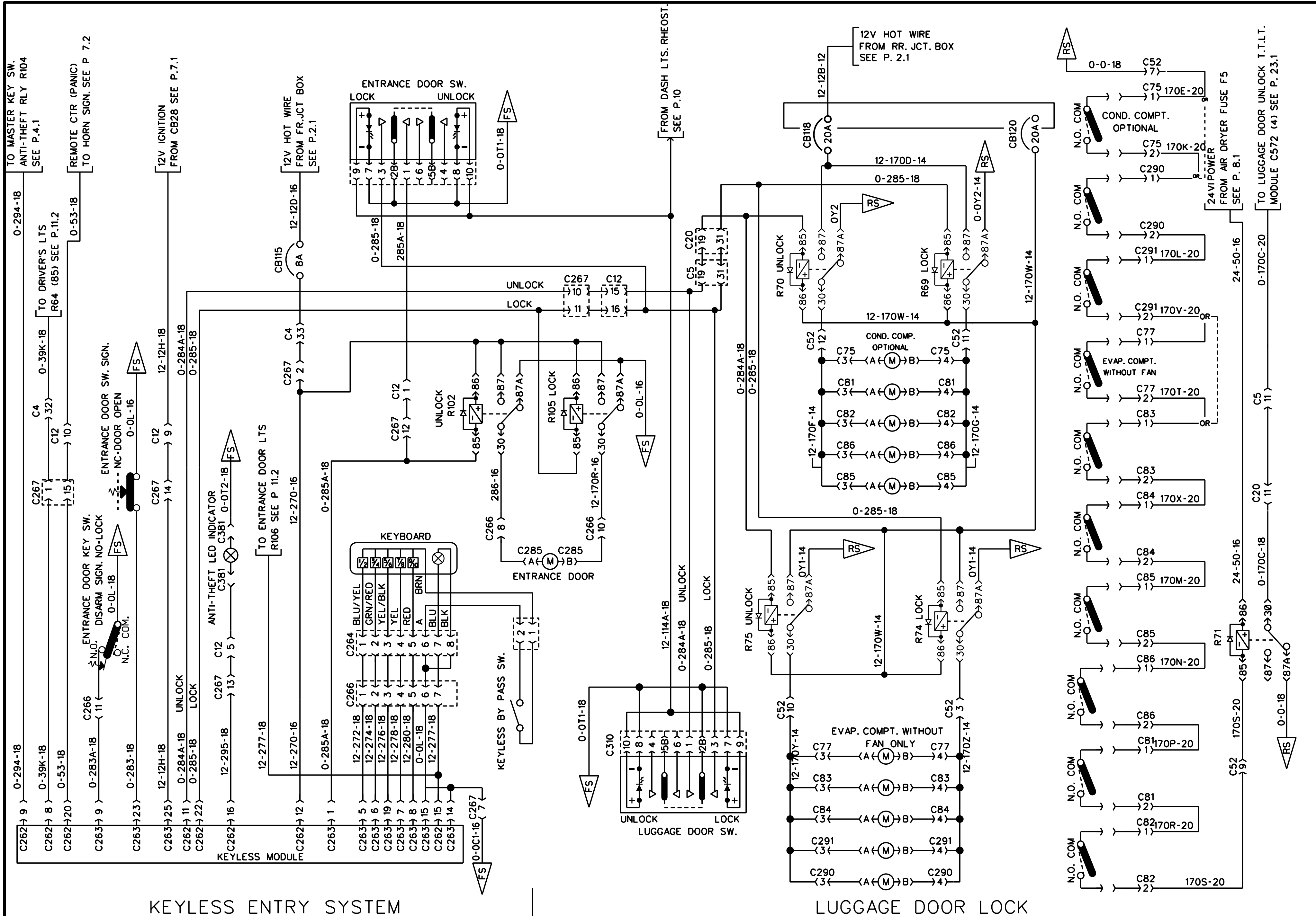
LUGGAGE DOOR LOCK



KEYLESS ENTRY SYSTEM

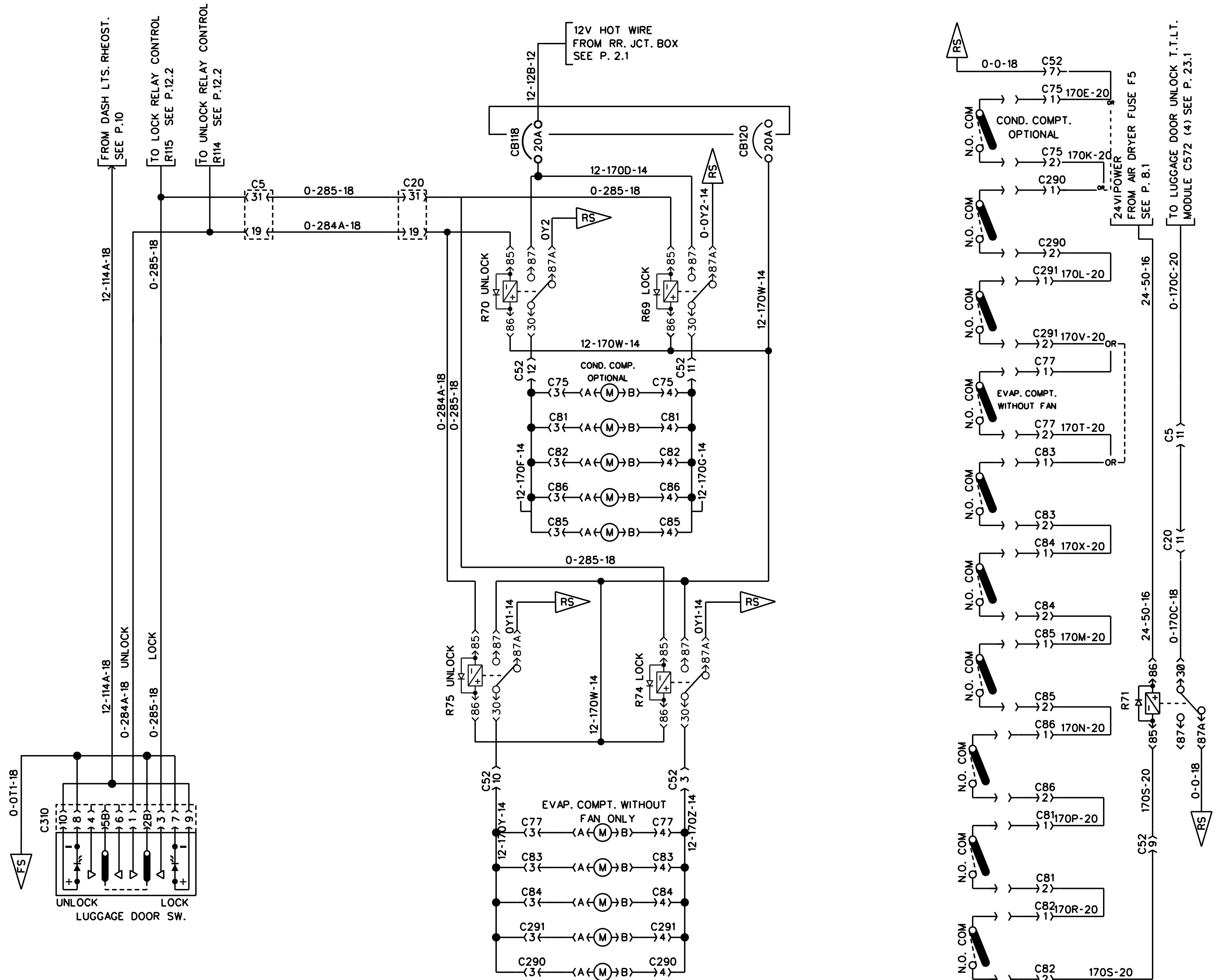
LUGGAGE DOOR LOCK



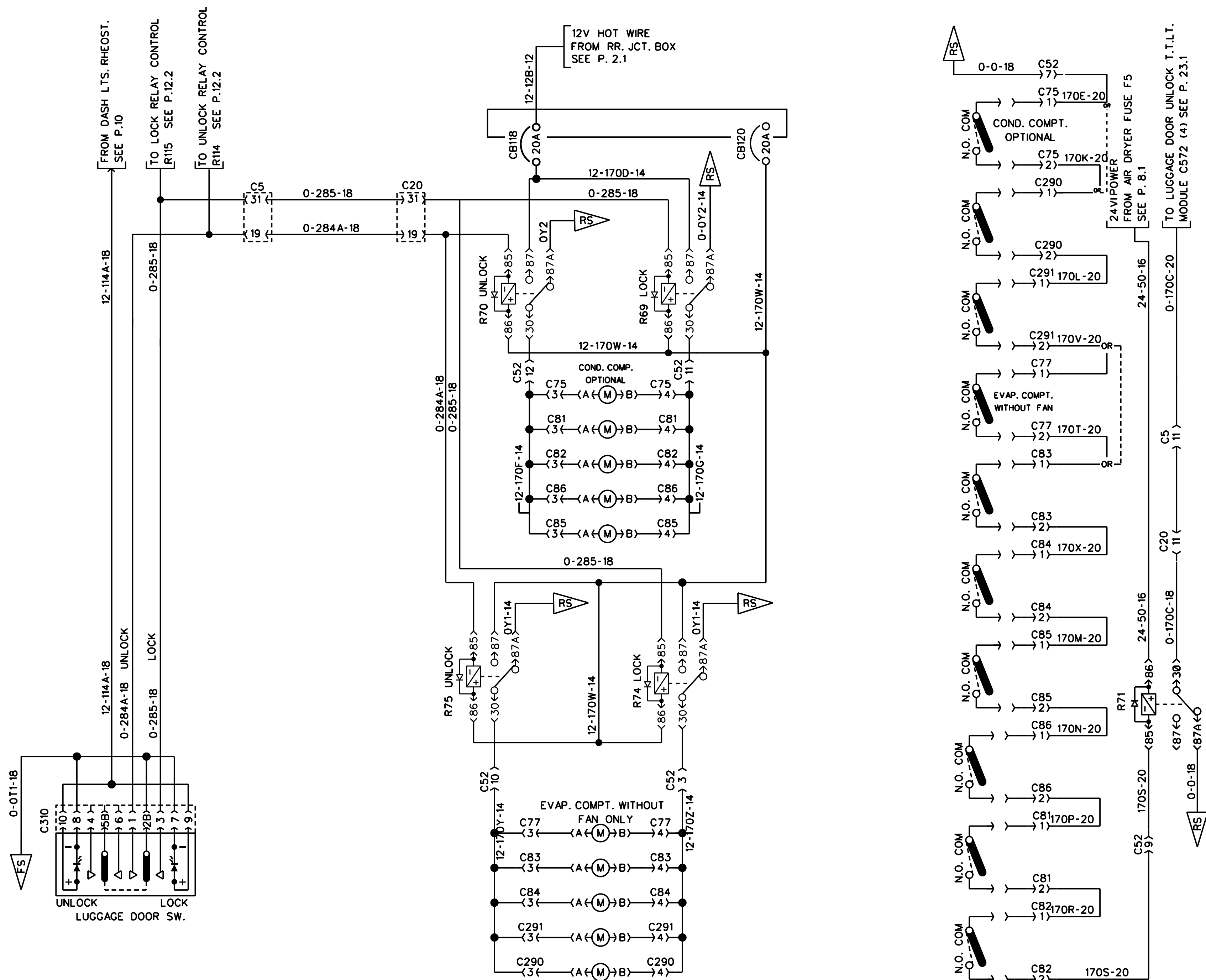


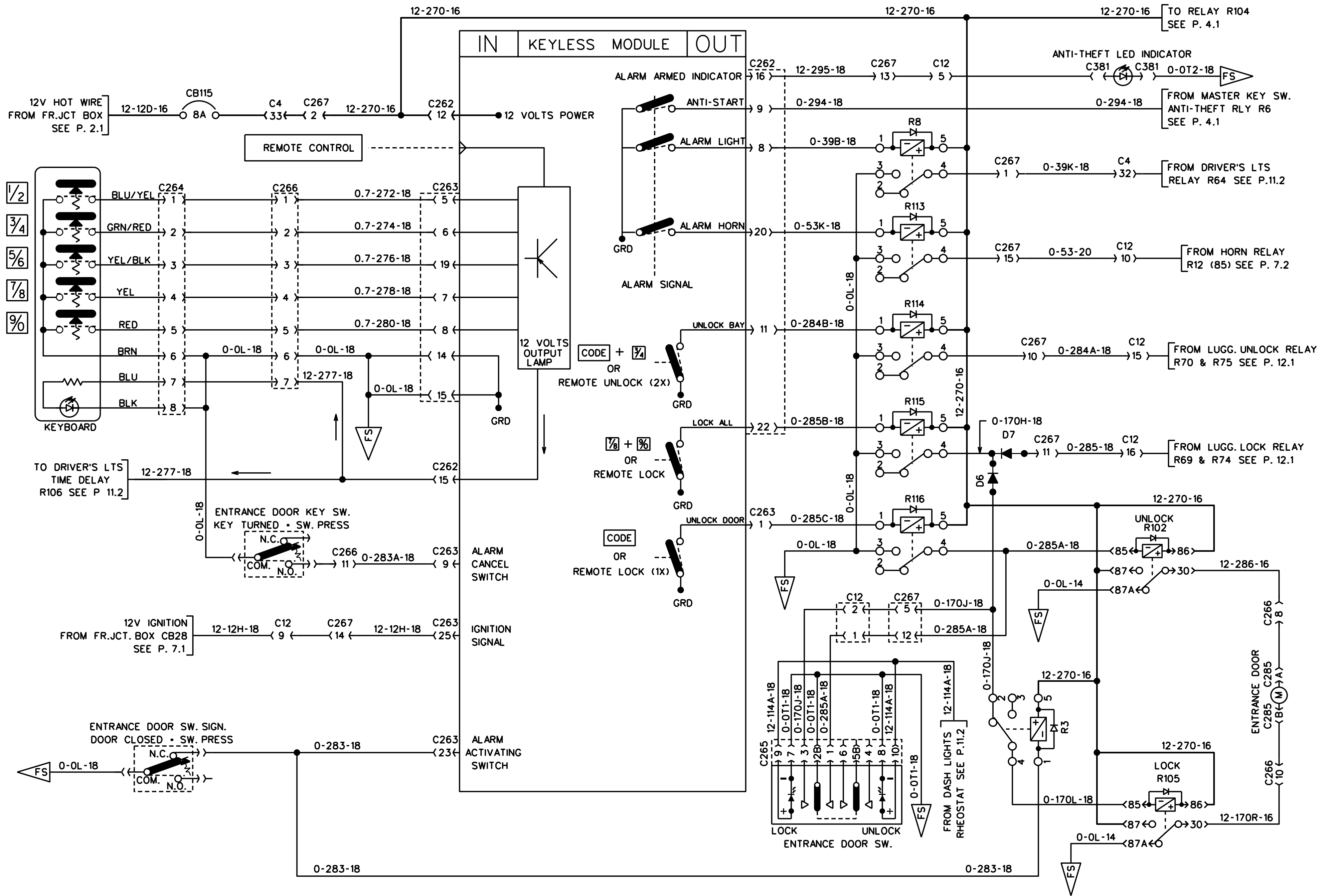
KEYLESS ENTRY SYSTEM

LUGGAGE DOOR LOCK

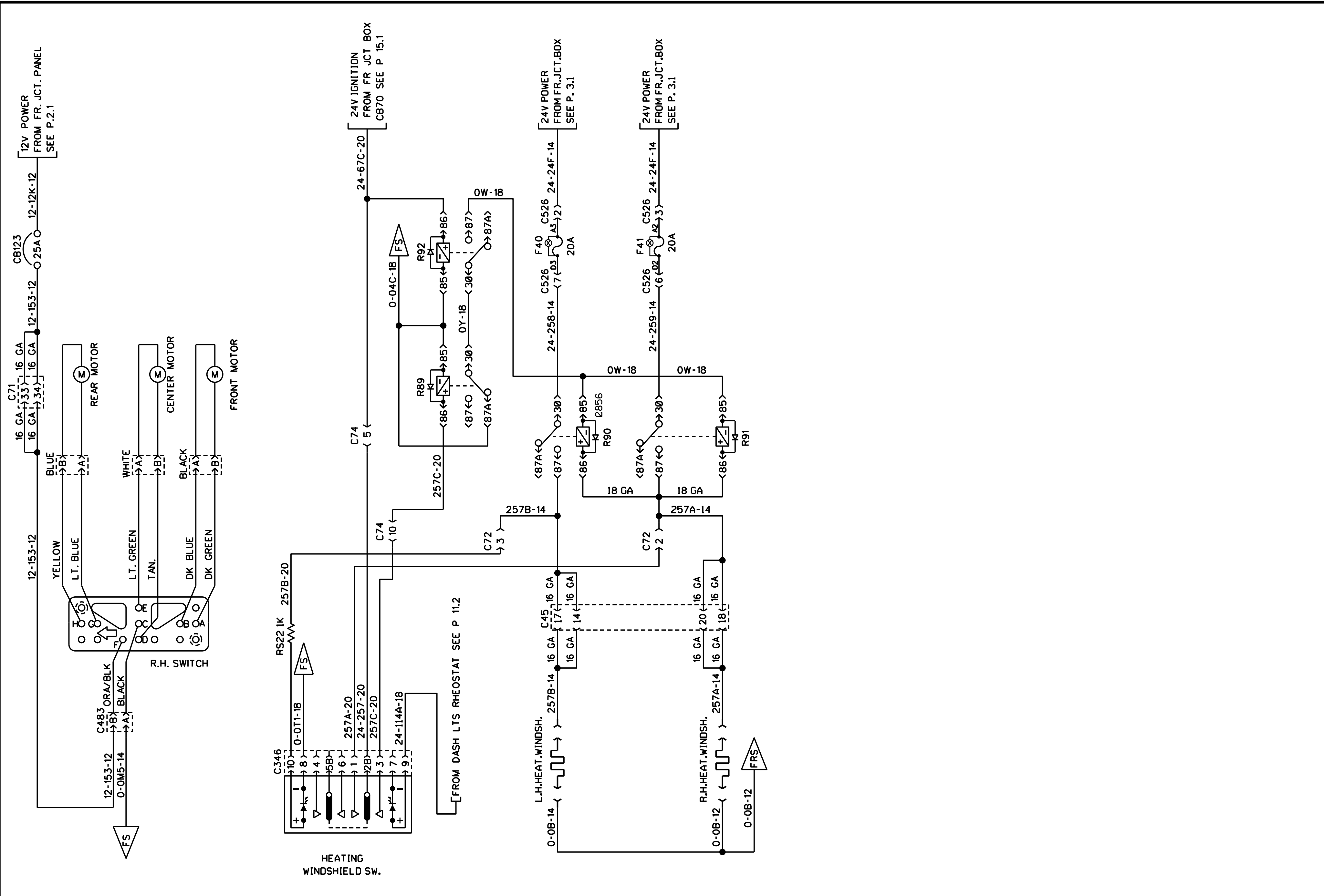


LUGGAGE DOOR LOCK



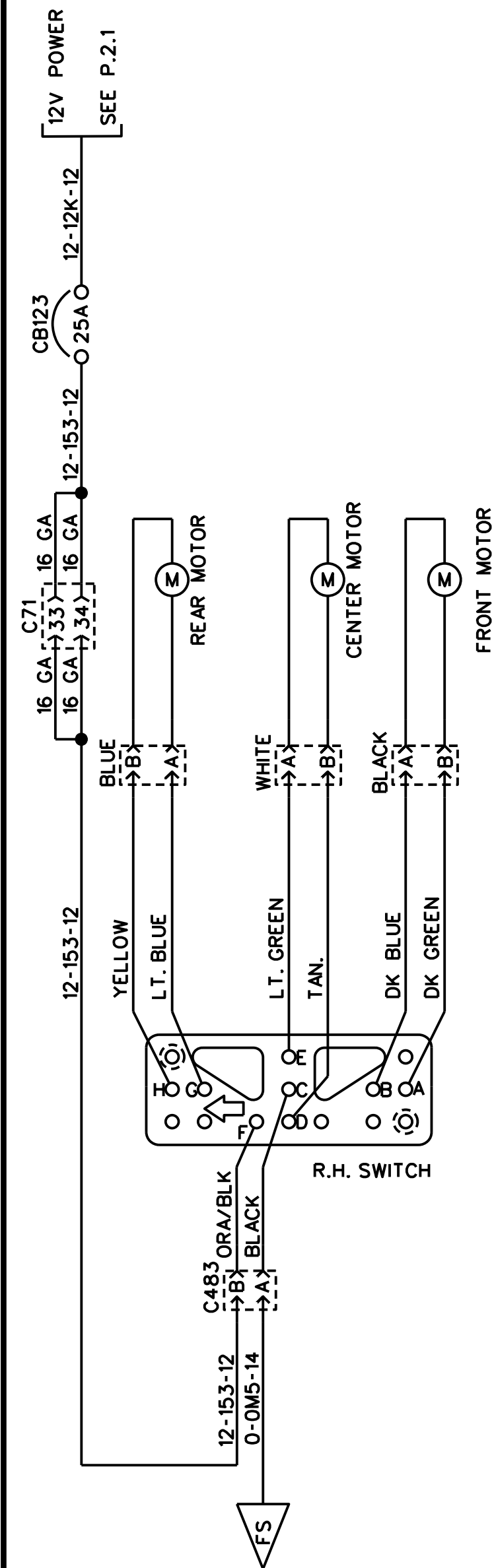


KEYLESS ENTRY SYSTEM

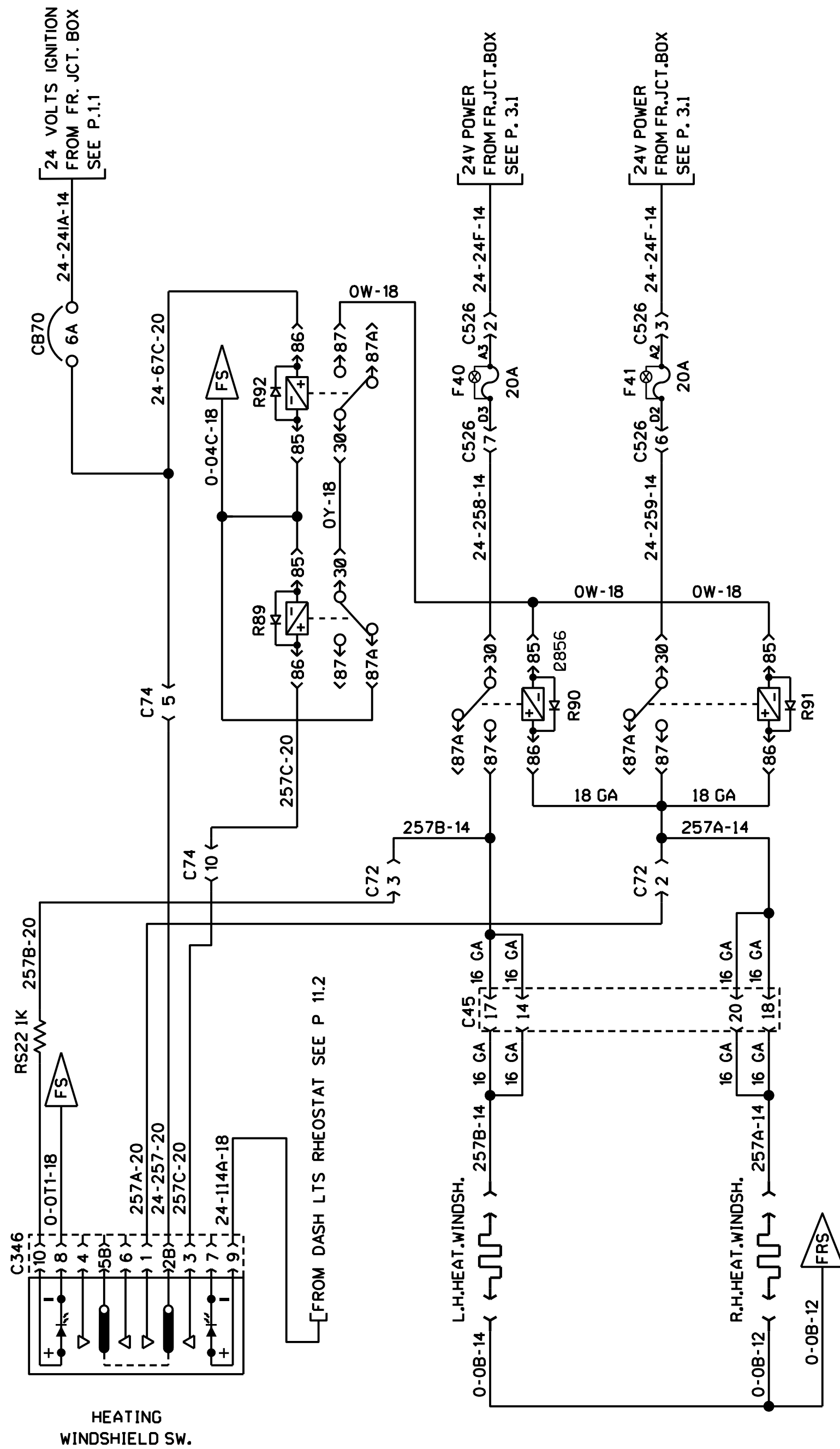


DRIVER'S SEAT ELECT. ADJ. |

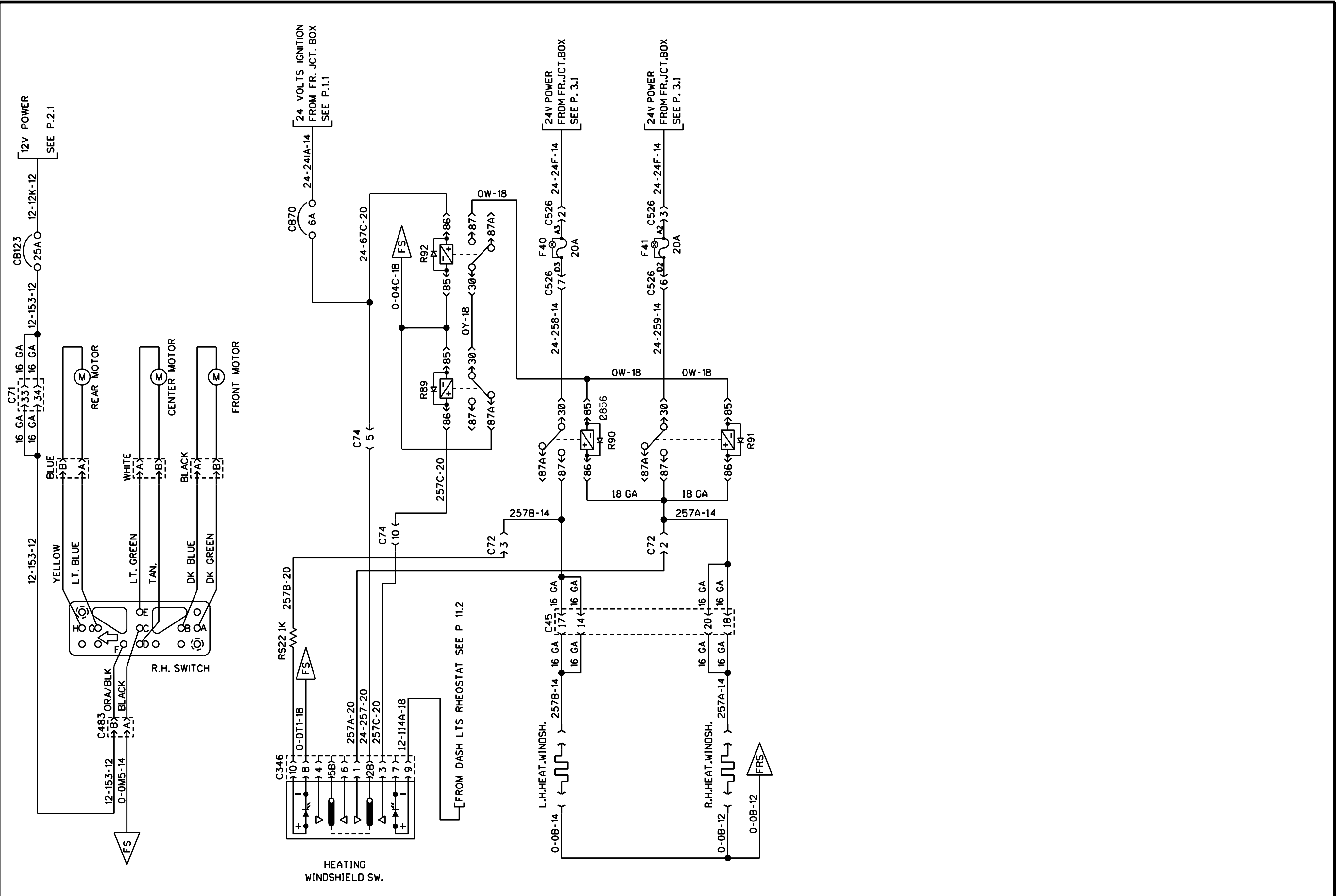
HEATED WINDSHIELD



DRIVER'S SEAT ELECT. ADJ. |

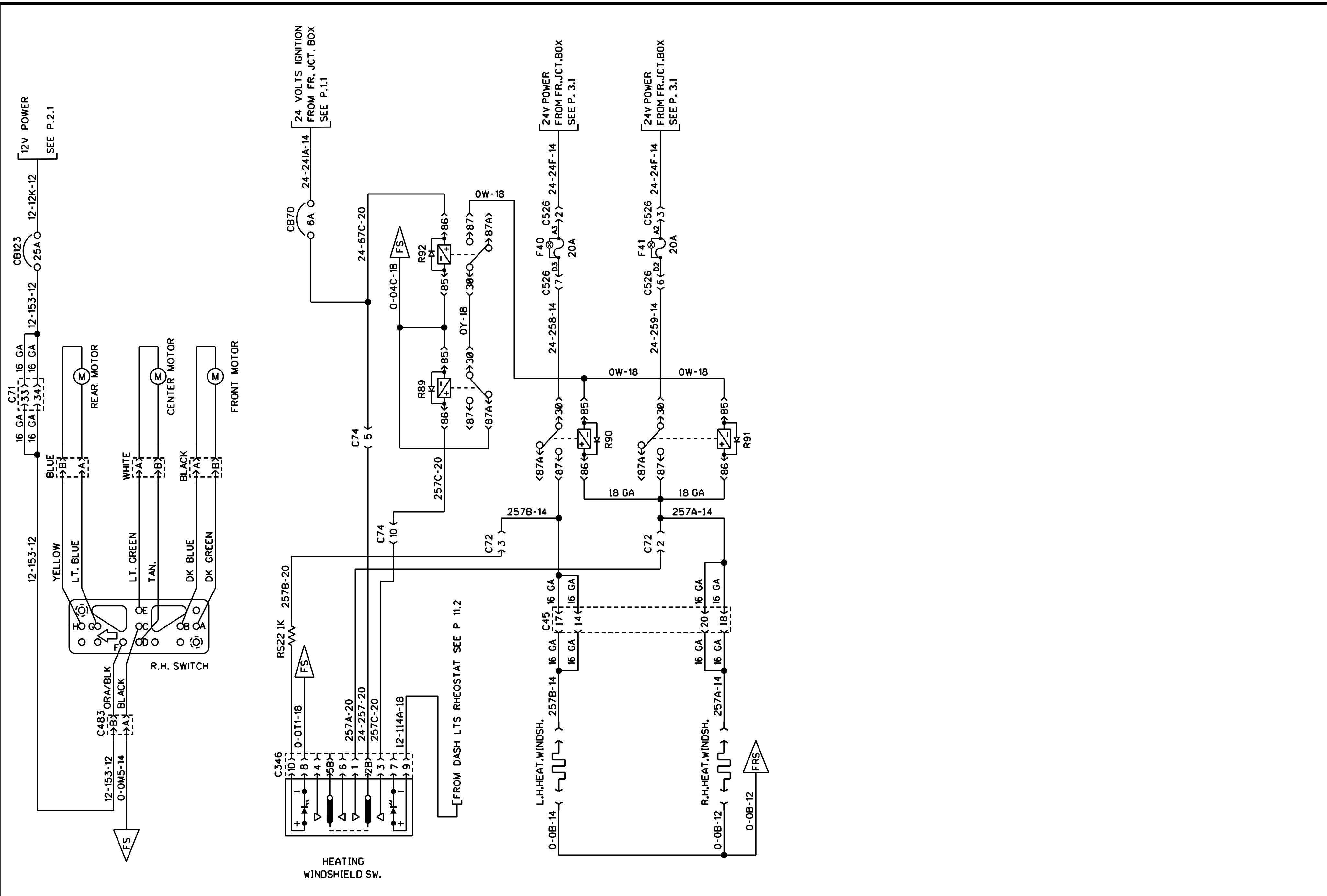


HEATED WINDSHIELD



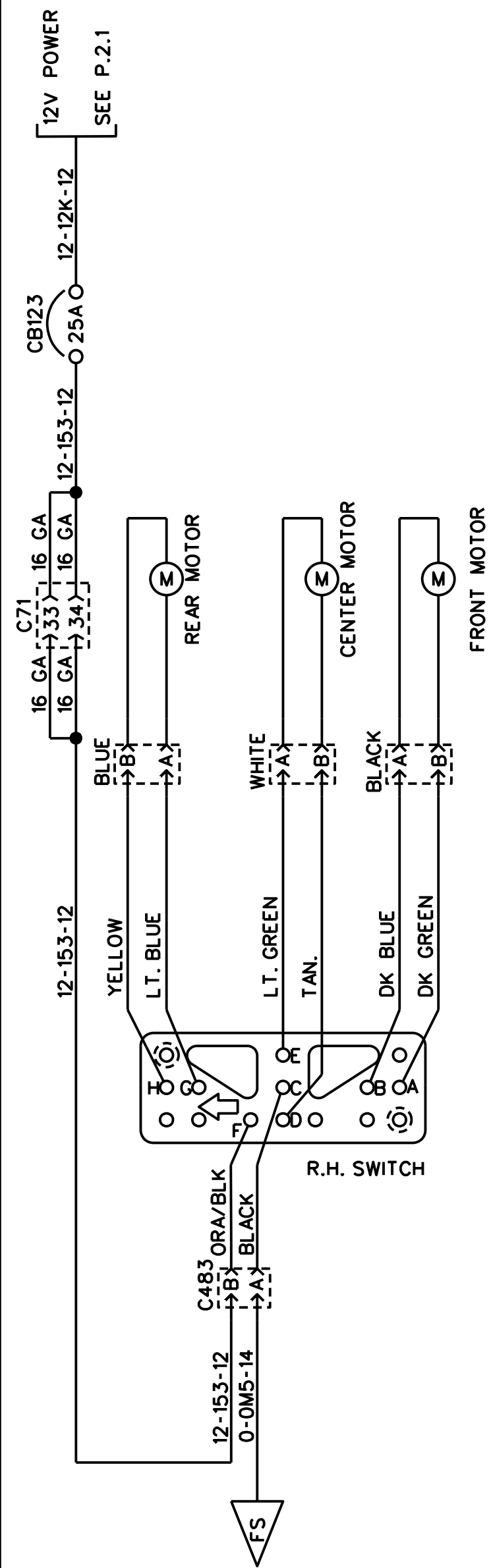
DRIVER'S SEAT ELECT. ADJ. |

HEATED WINDSHIELD

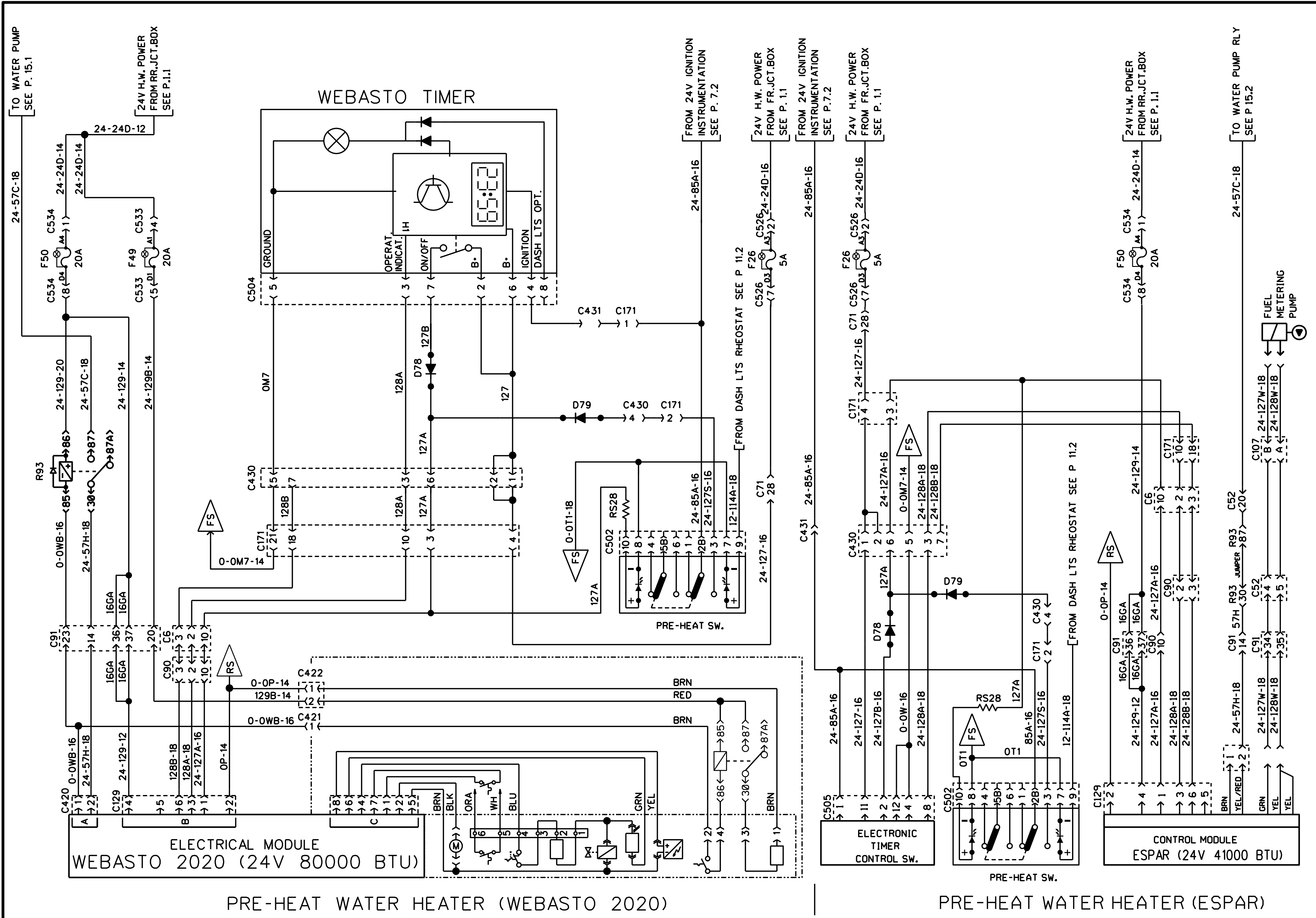


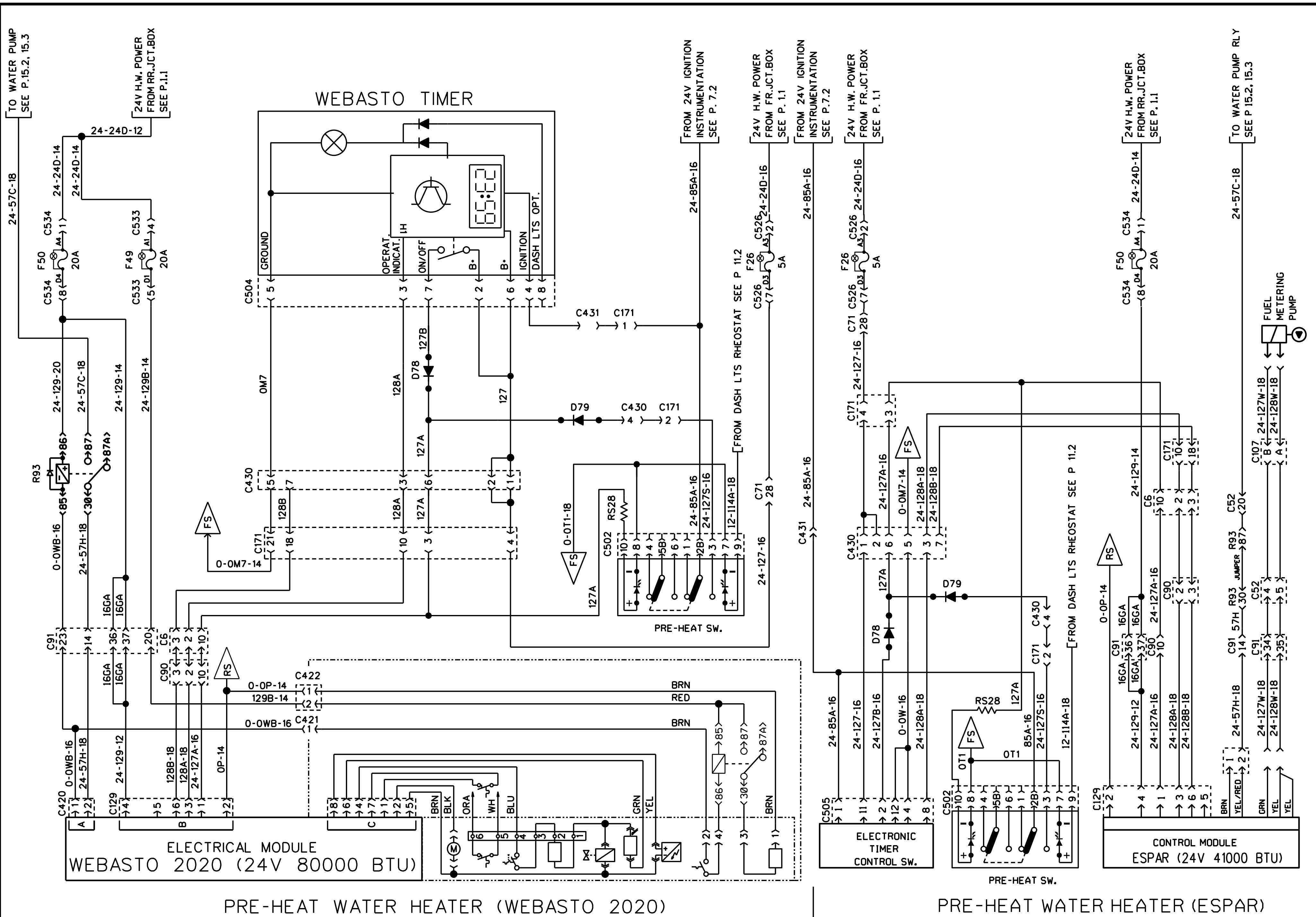
DRIVER'S SEAT ELECT. ADJ. |

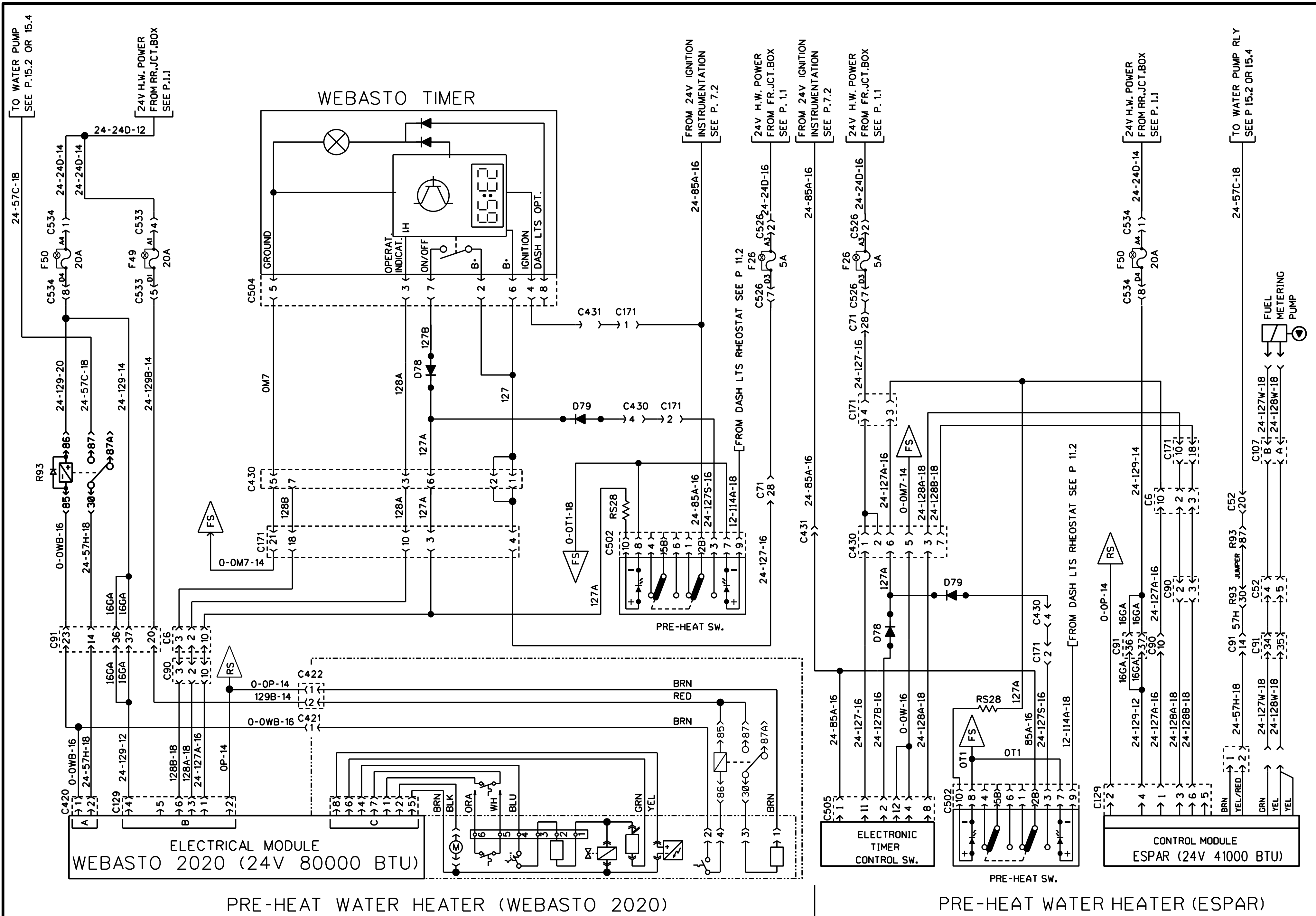
HEATED WINDSHIELD

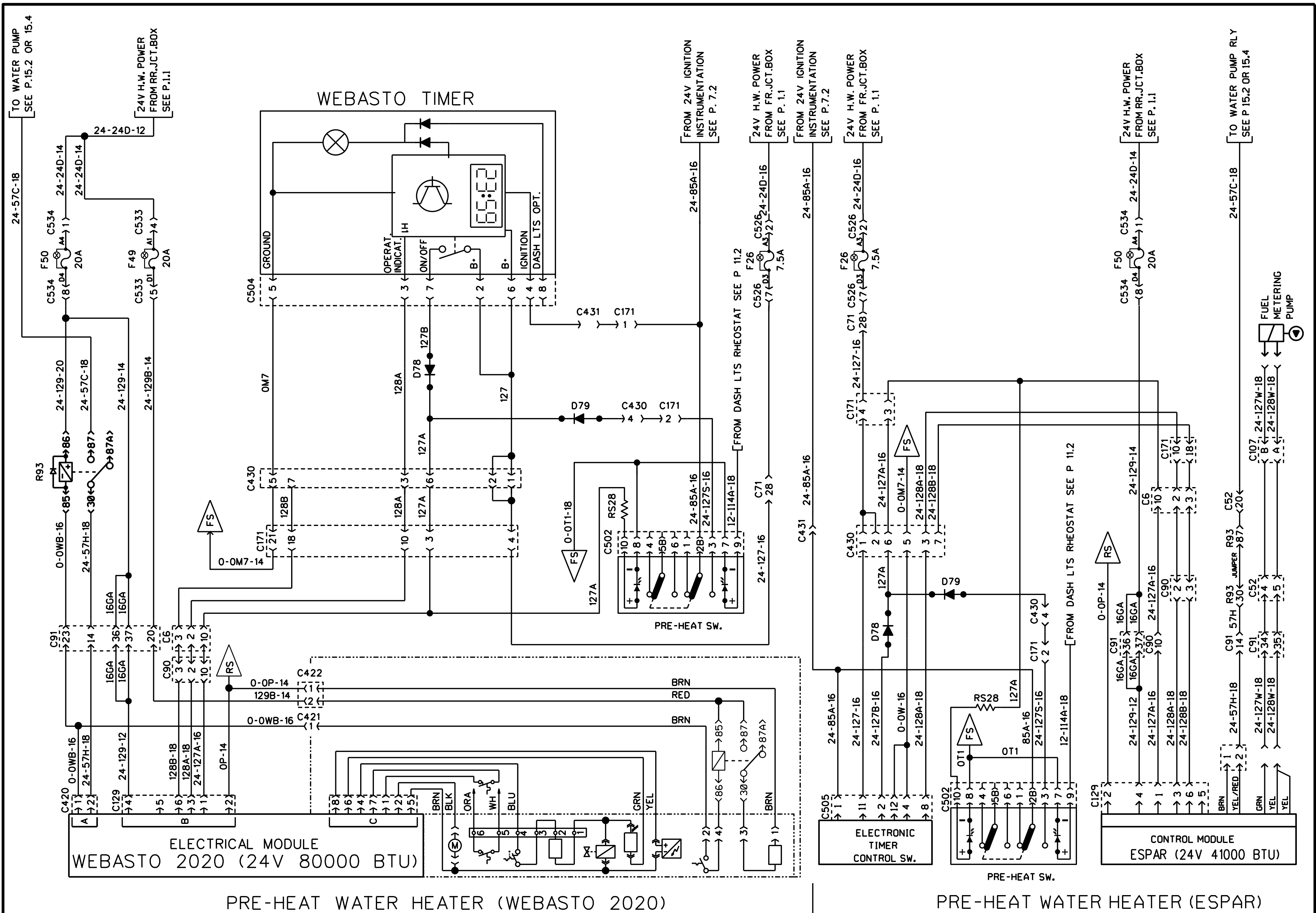


DRIVER'S SEAT ELECT. ADJ. |

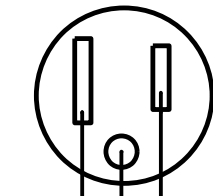






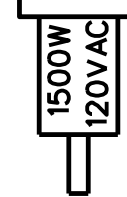


110V PLUG
RR ENGINE DOOR



C400
A }
B }
C }

BLK
GRN
BLK



ENGINE BLOCK
HEATER

FROM 24V IGNITION
FROM RR-JCT.BOX
JCT G SEE P.1.1

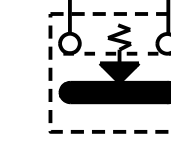
24-76P-16

F21
10A

C220

C230

C232



C231

RED



0-OR-14

C230

BLK C231



C231

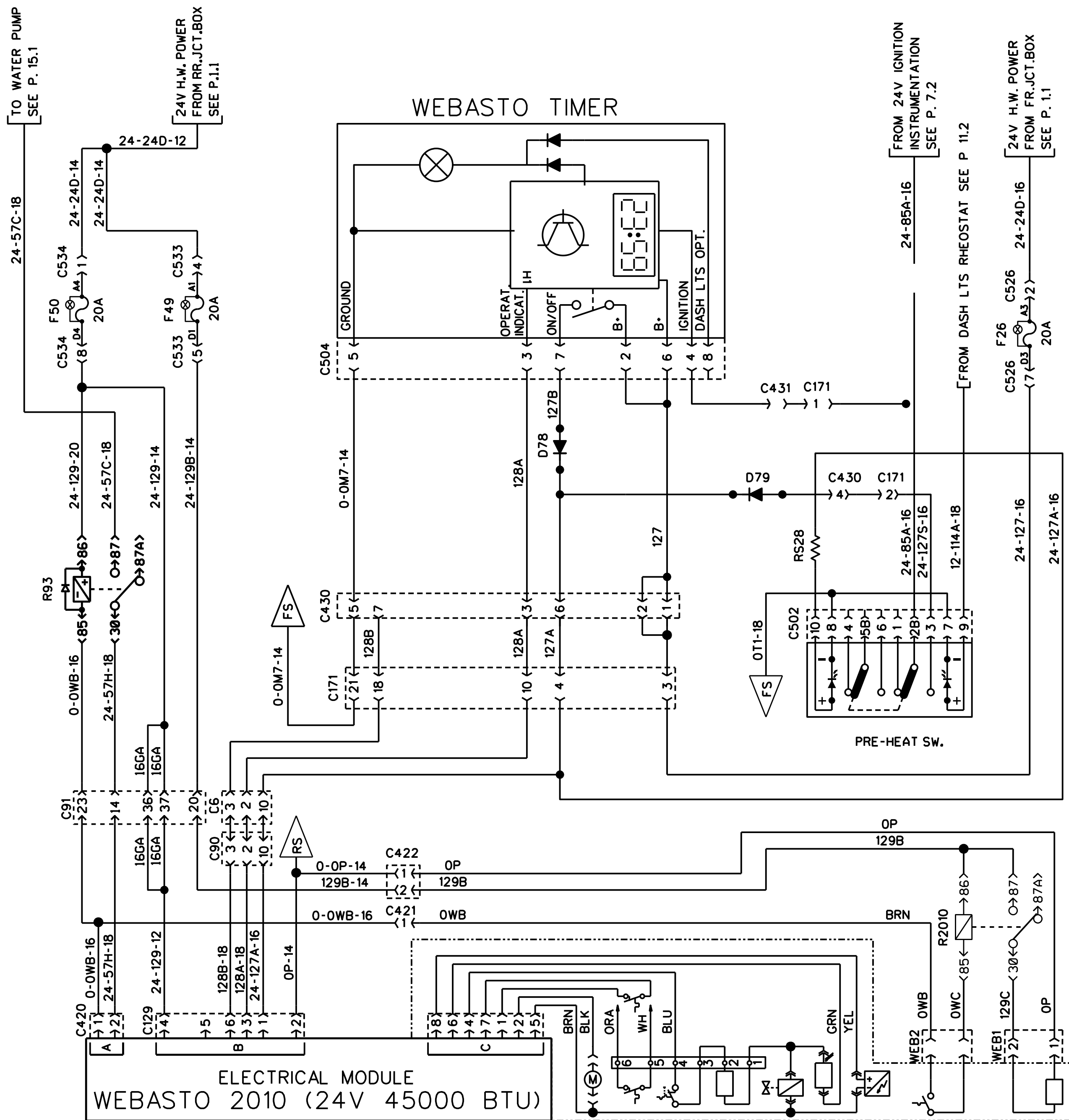
RED

24-76M-16

C232

BLK C231

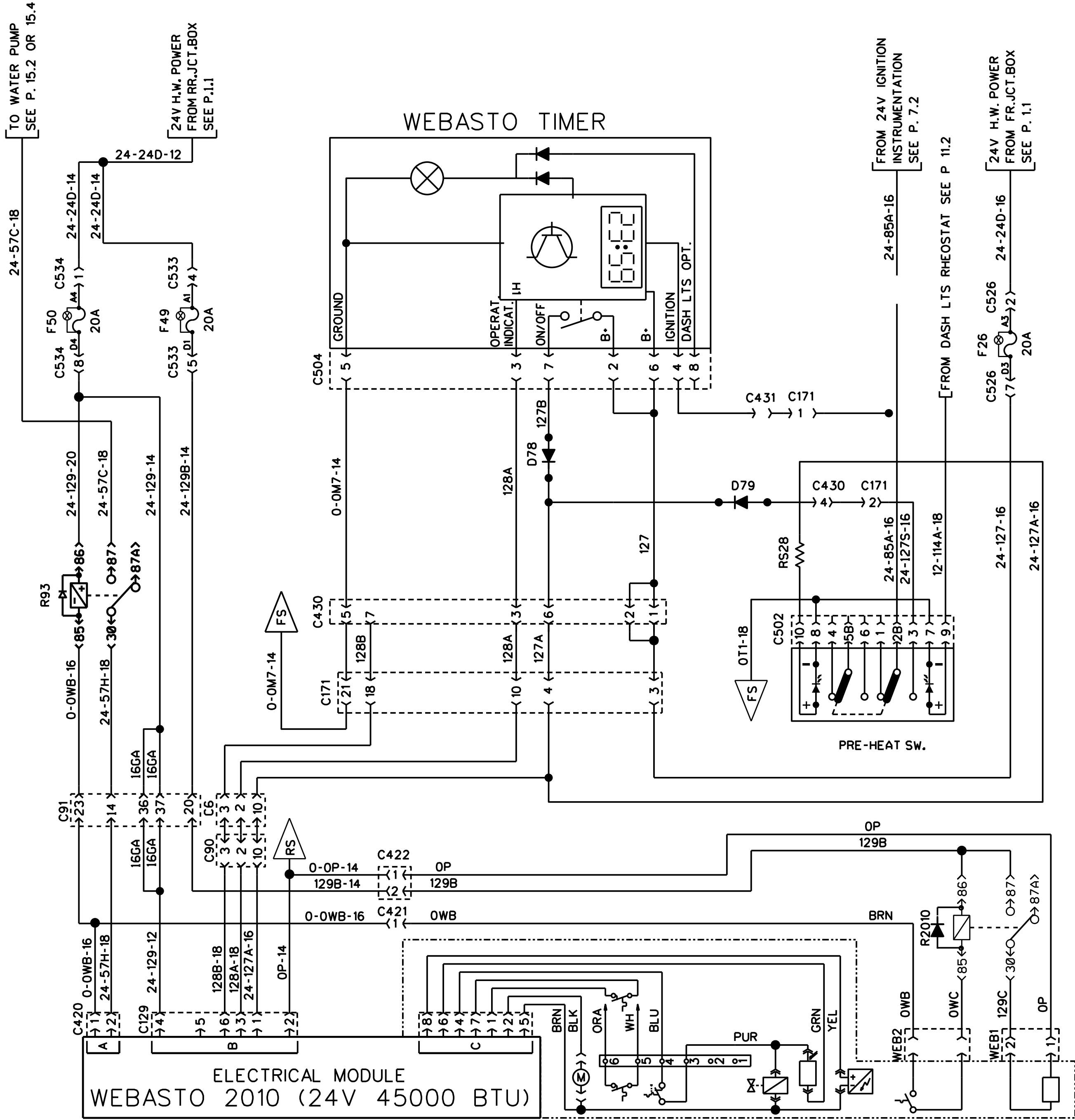
FUEL PRIME PUMP



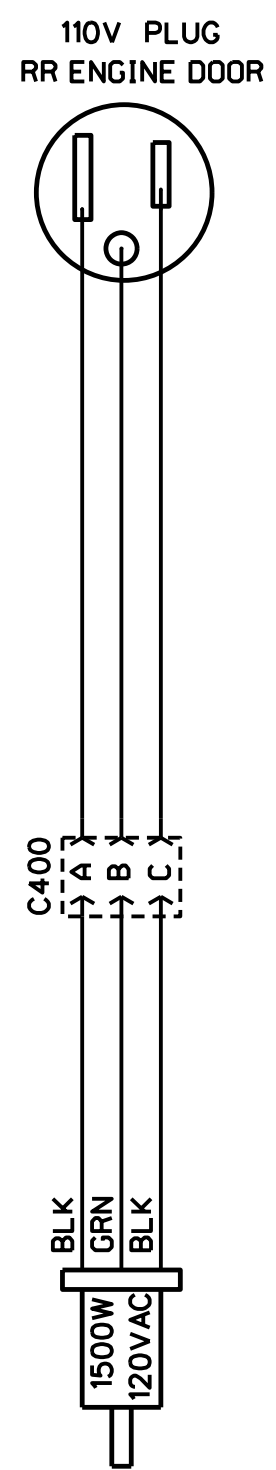
PRE-HEAT WATER HEATER (WEBASTO 2010)

ENGINE BLOCK HEATER

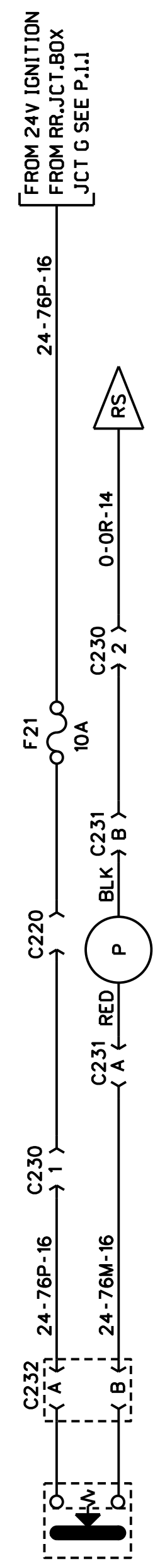
FUEL PRIME PUMP



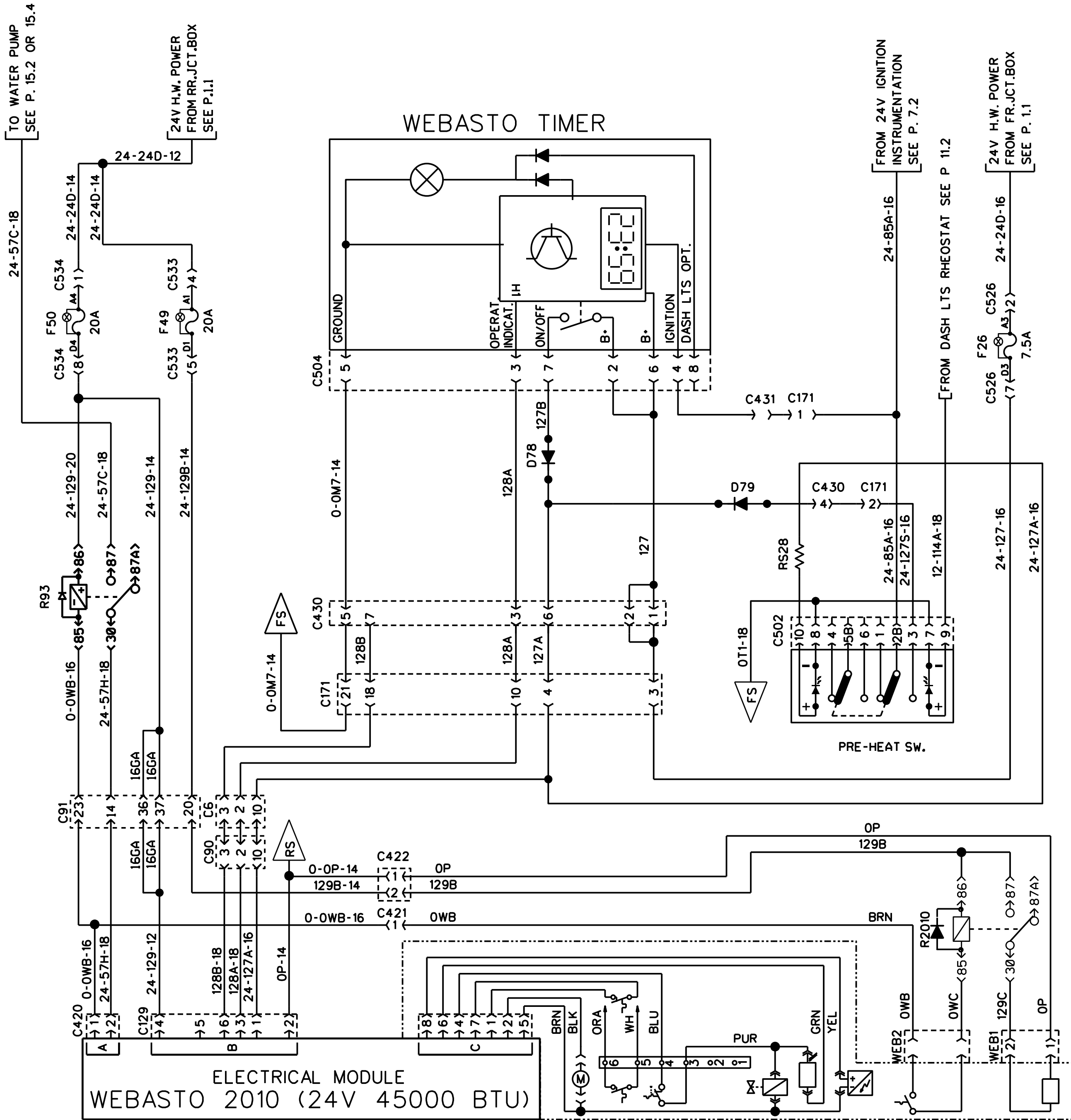
PRE-HEAT WATER HEATER (WEBASTO 2010)



ENGINE BLOCK HEATER



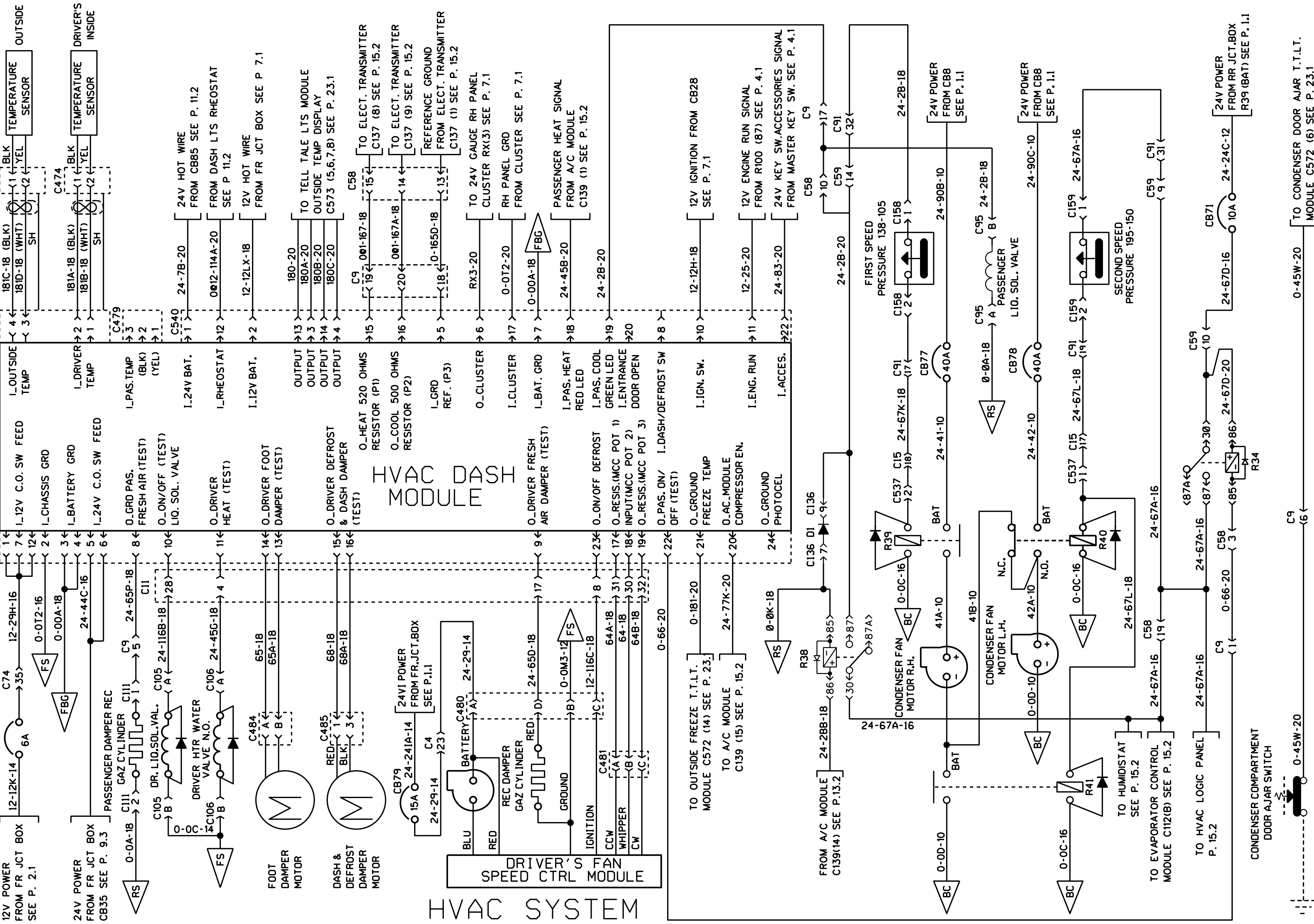
FUEL PRIME PUMP

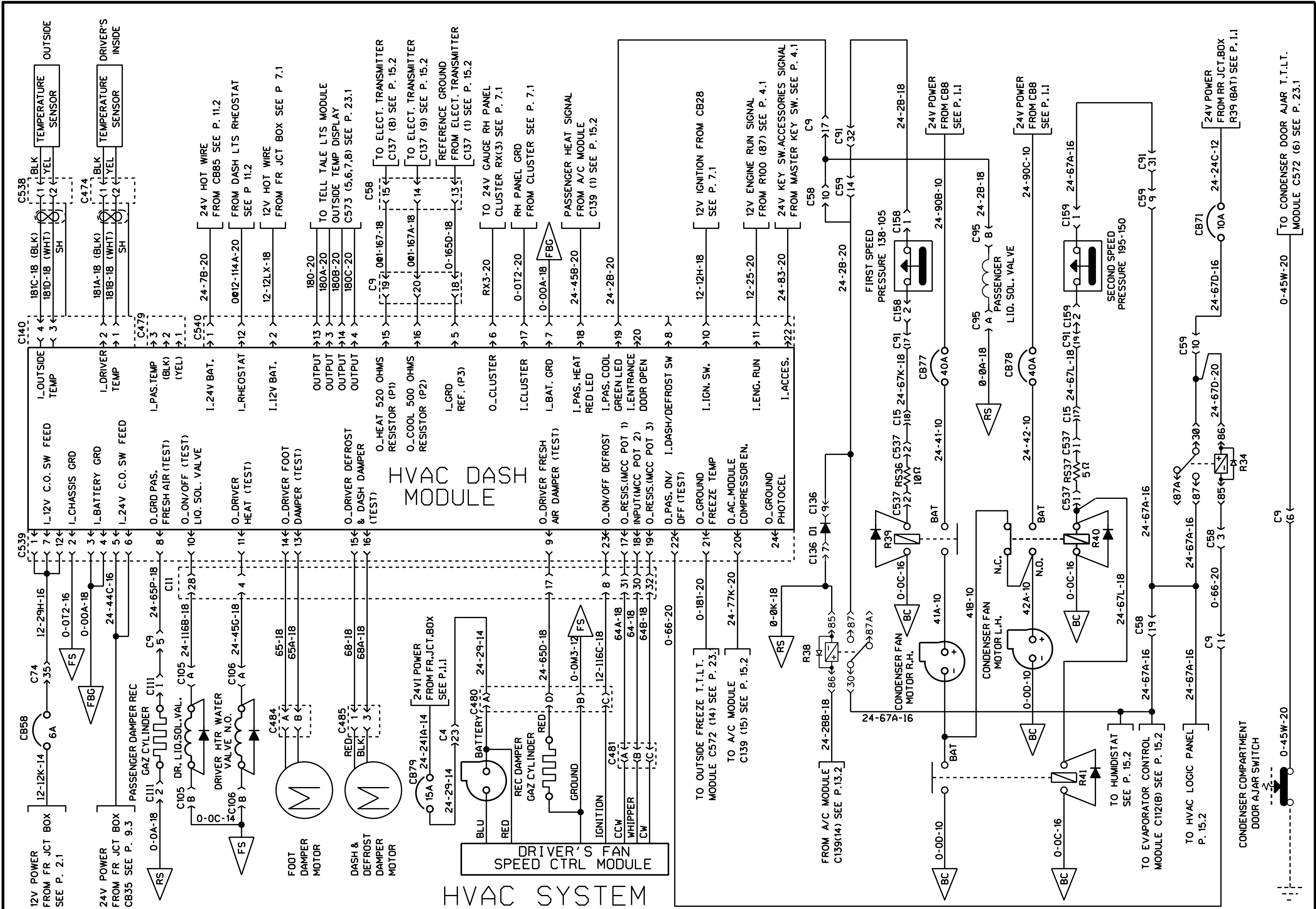


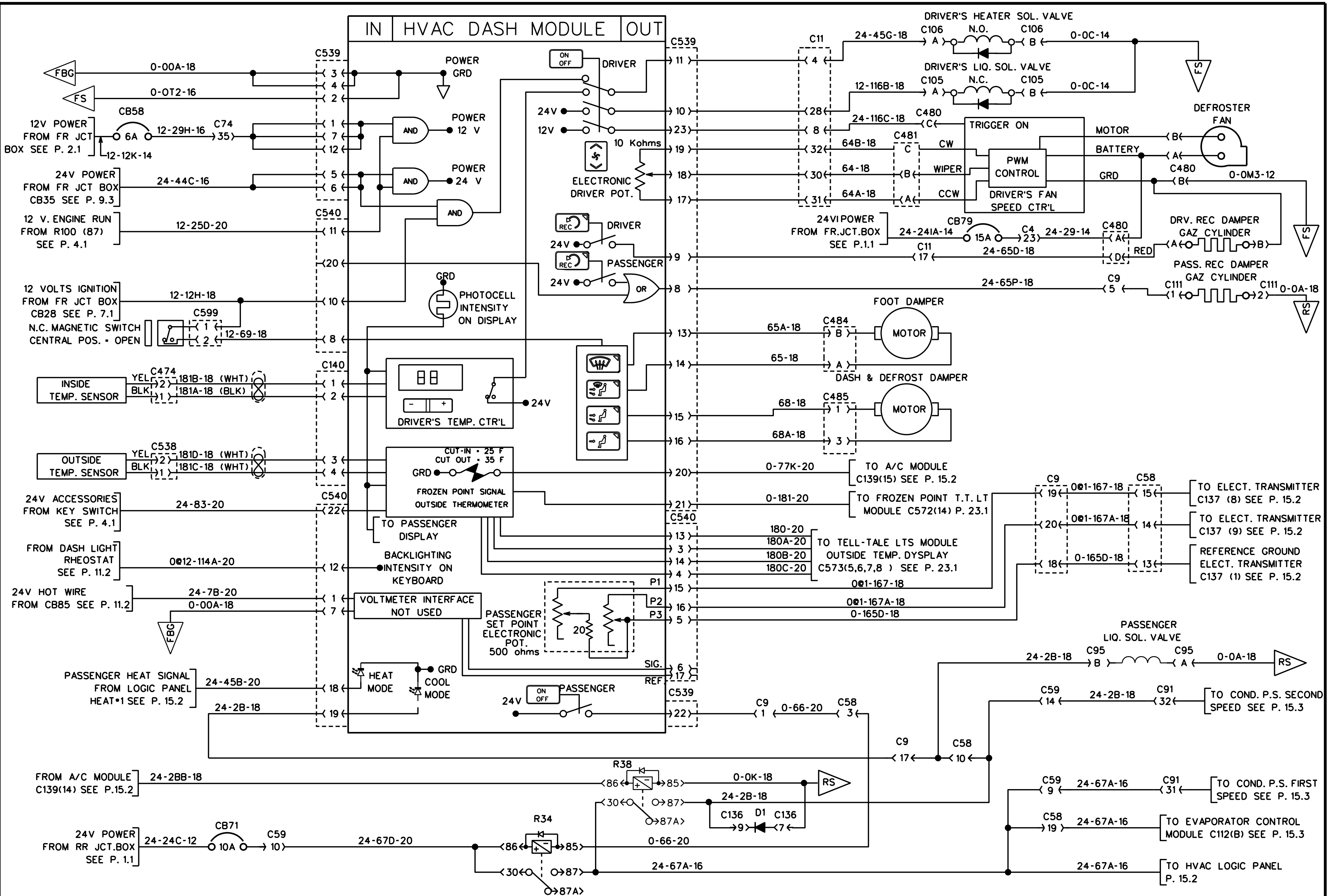
PRE-HEAT WATER HEATER (WEBASTO 2010)

ENGINE BLOCK HEATER

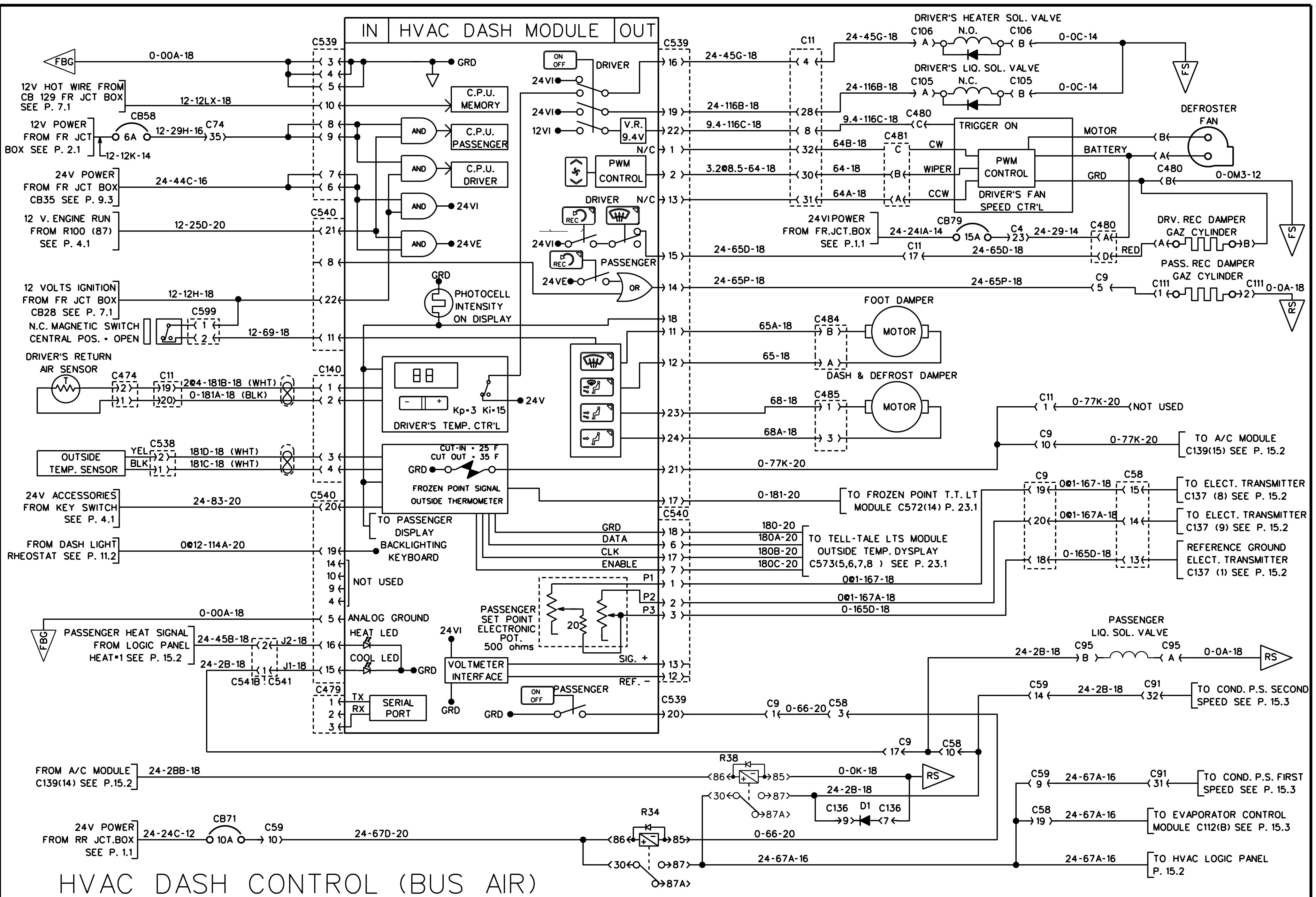
FUEL PRIME PUMP



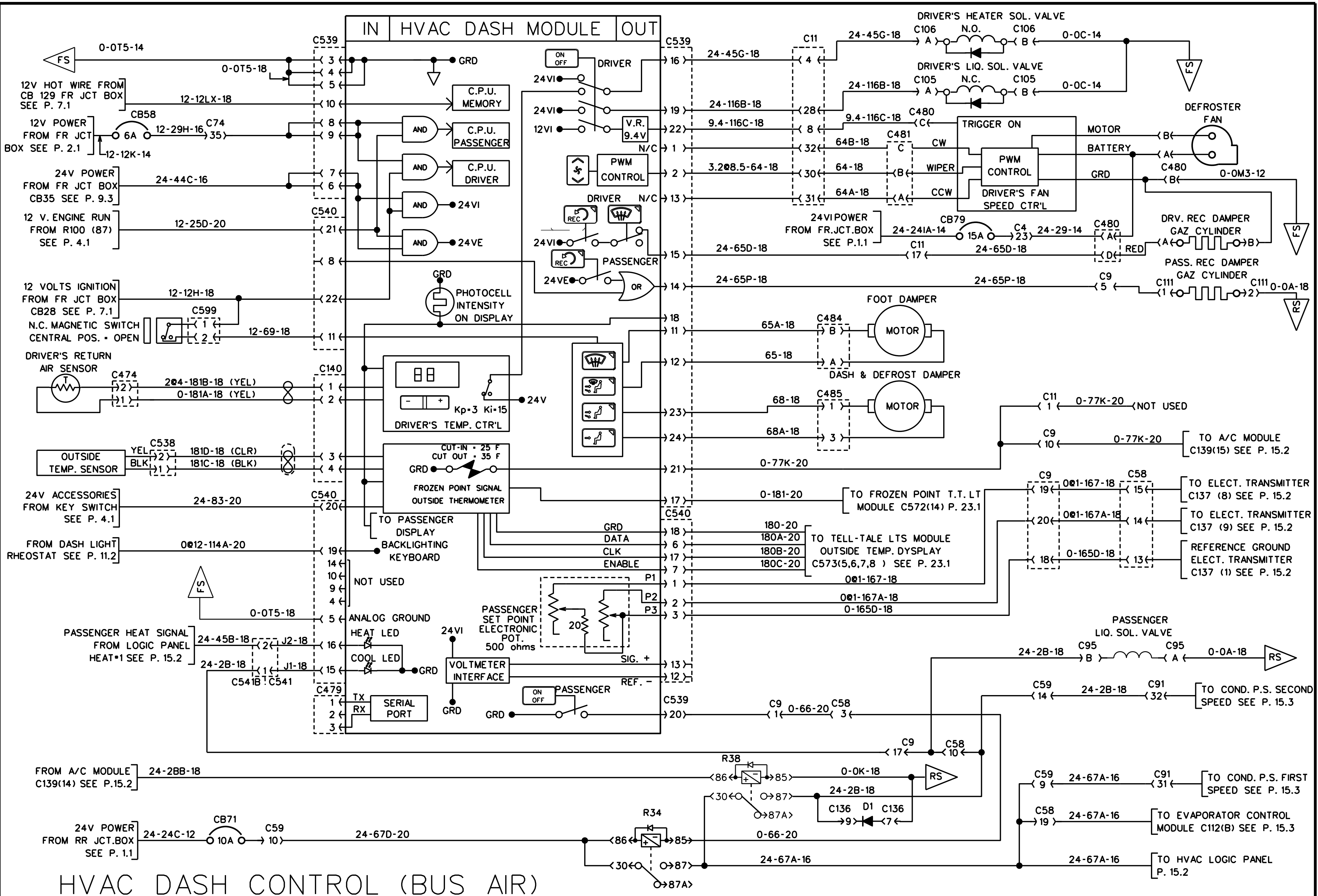




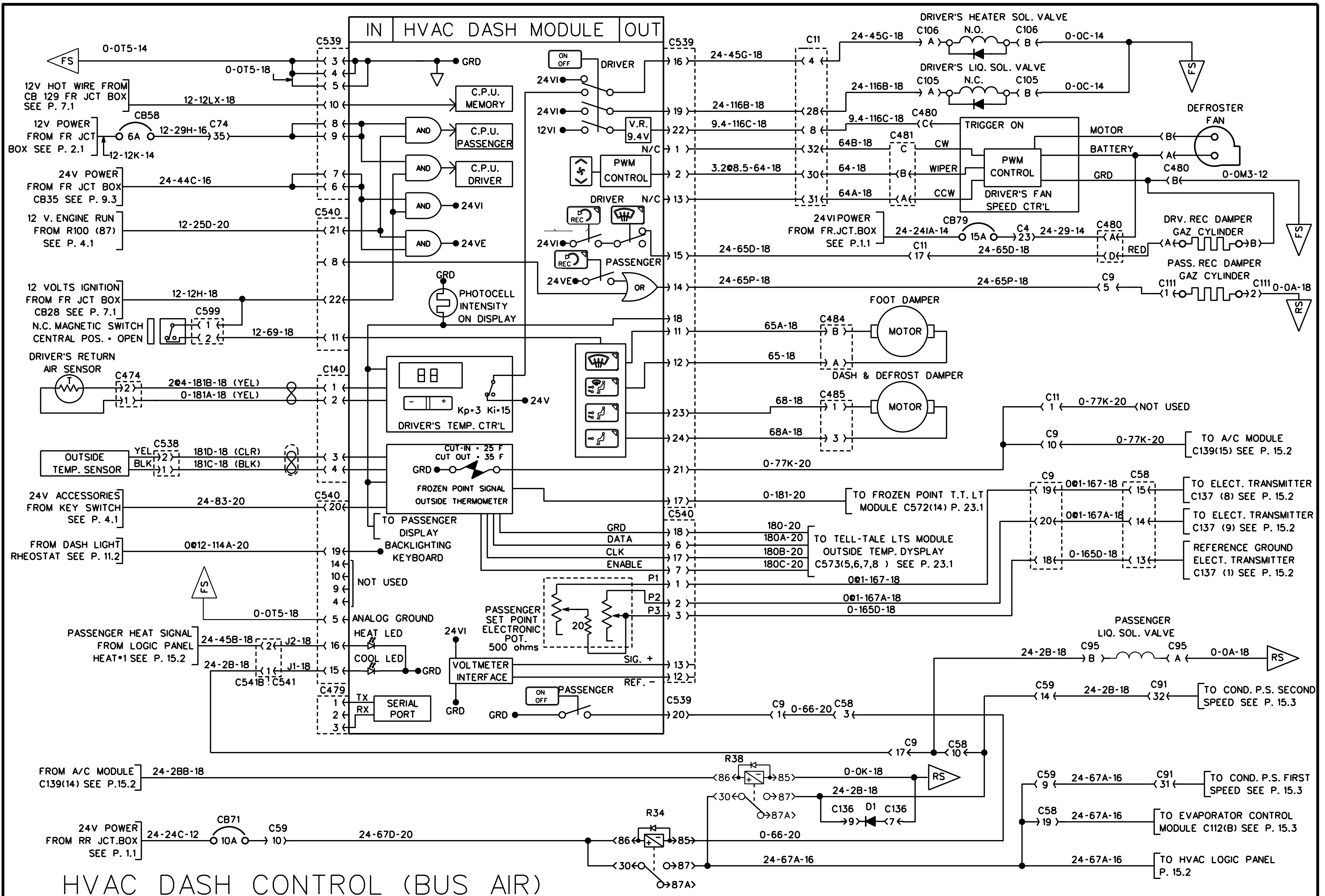
HVAC DASH CONTROL (FULL AIR)



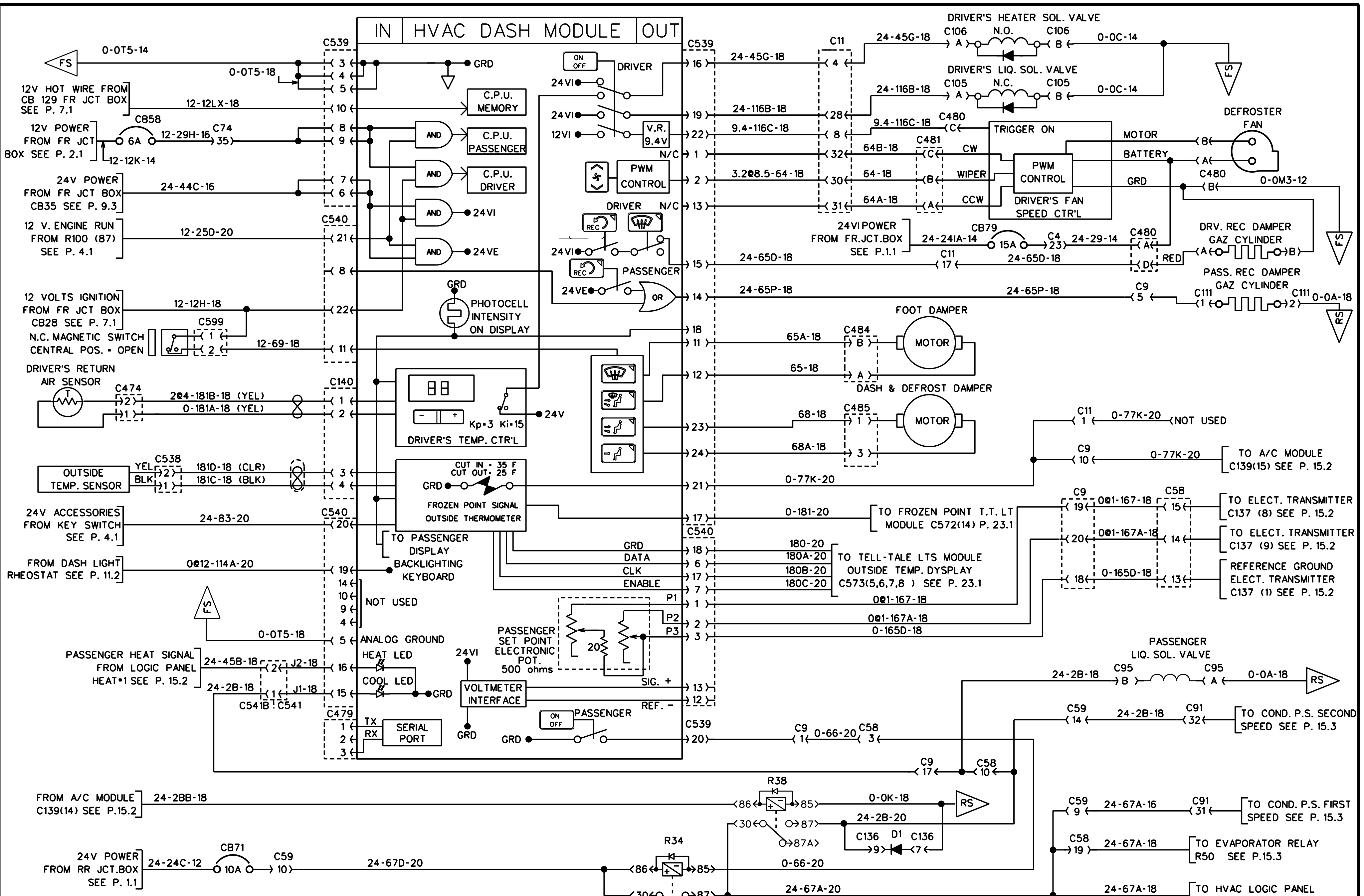
HVAC DASH CONTROL (BUS AIR)



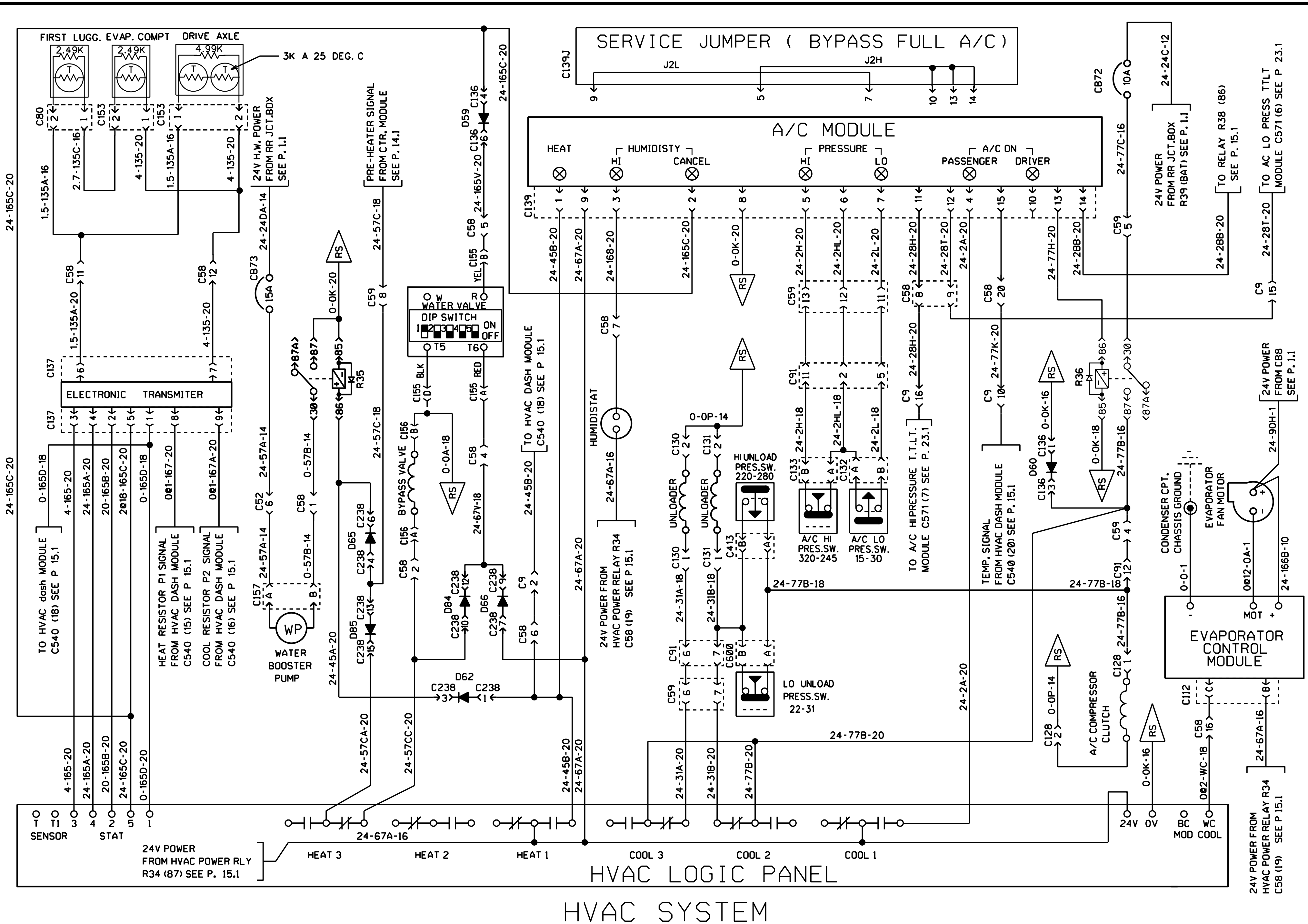
HVAC DASH CONTROL (BUS AIR)

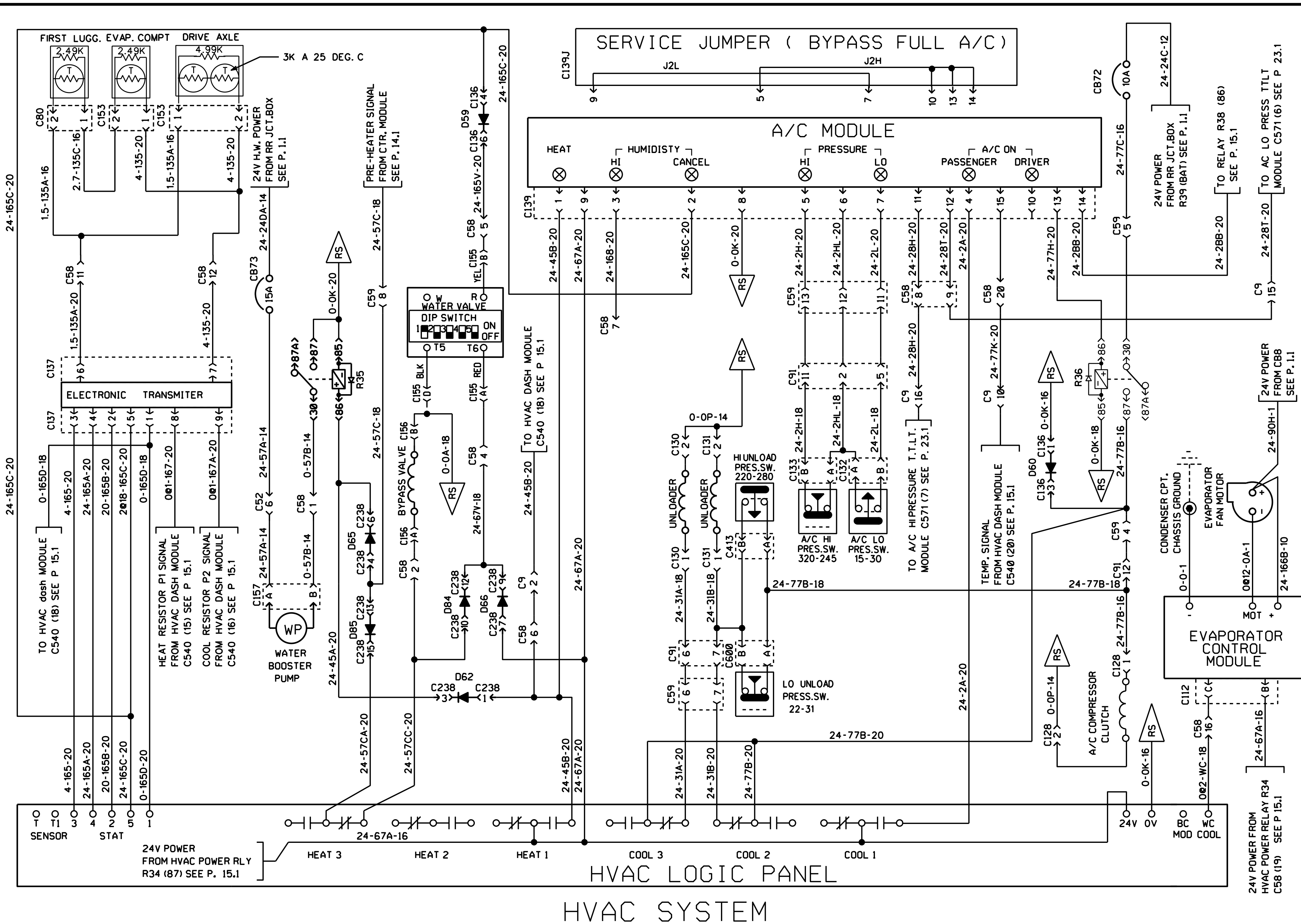


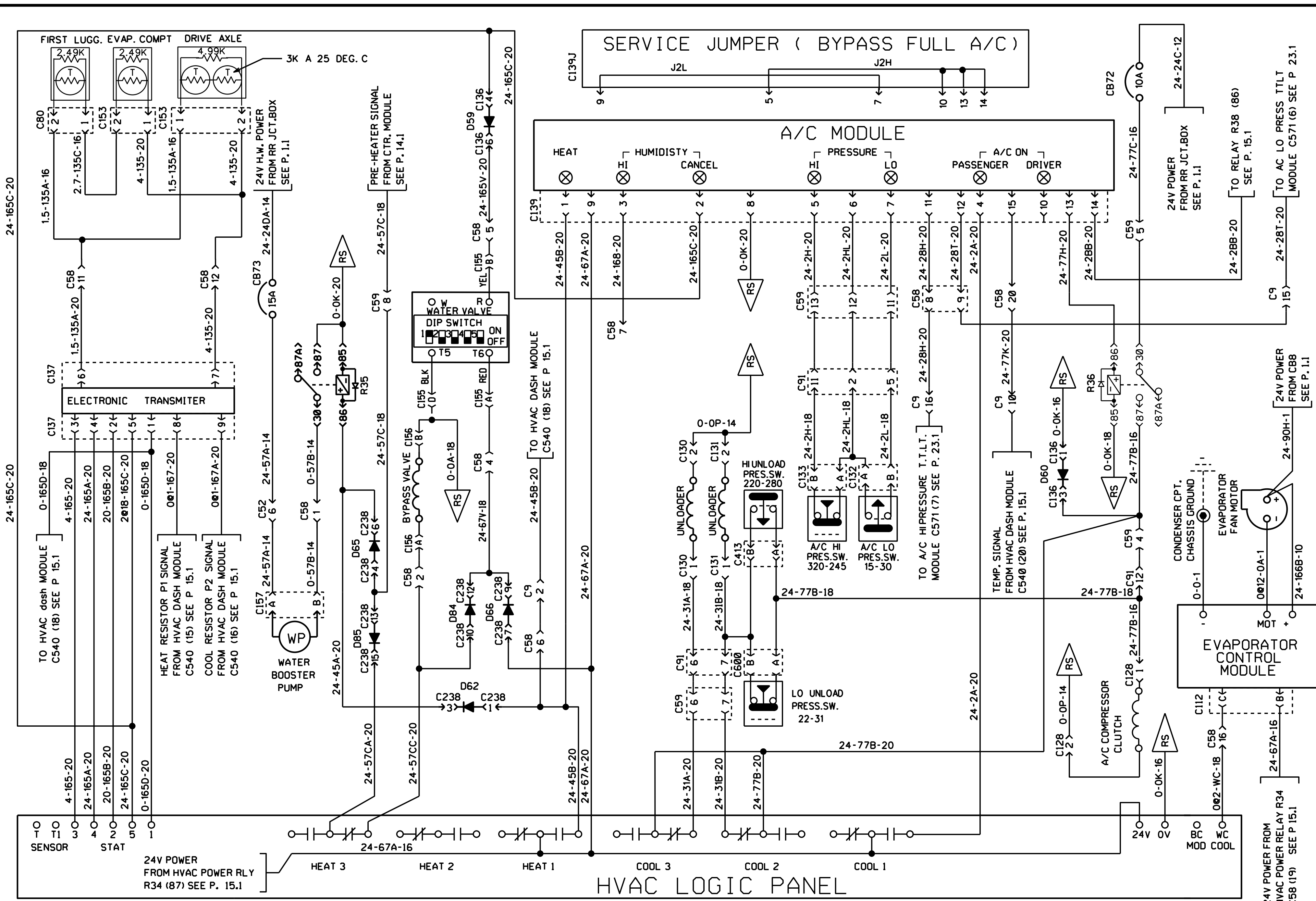
HVAC DASH CONTROL (BUS AIR)

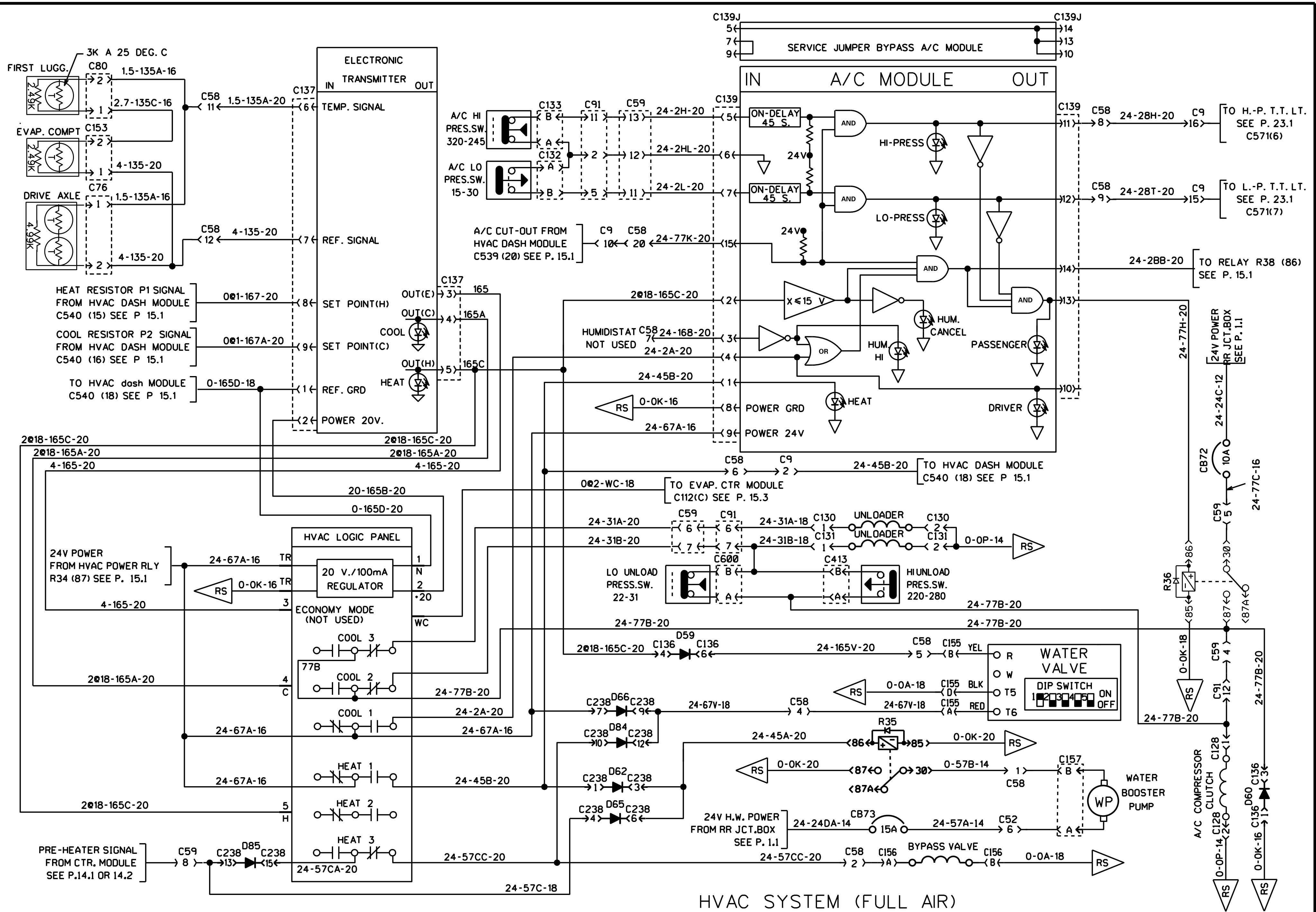


HVAC DASH CONTROL (FULL AIR)

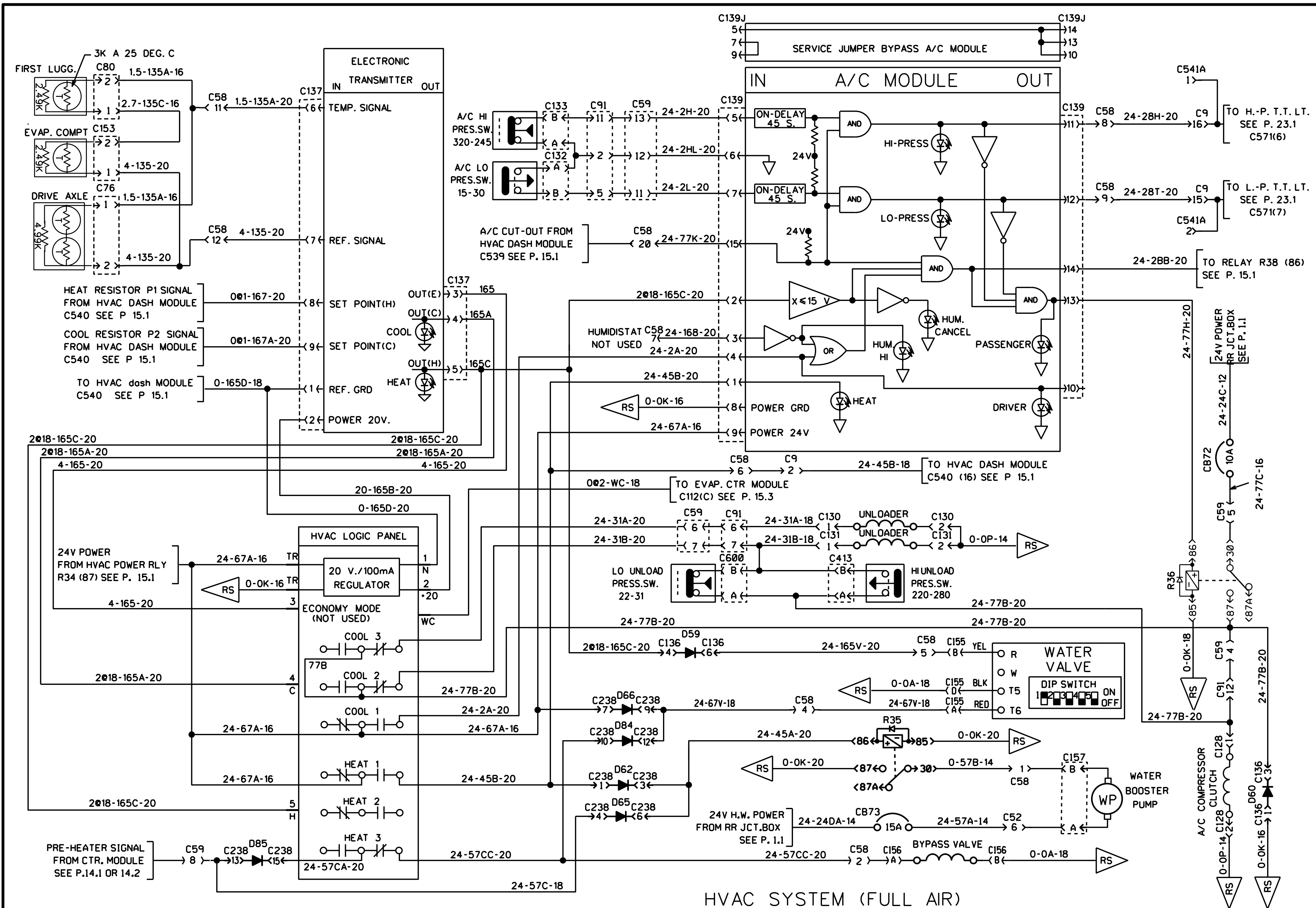




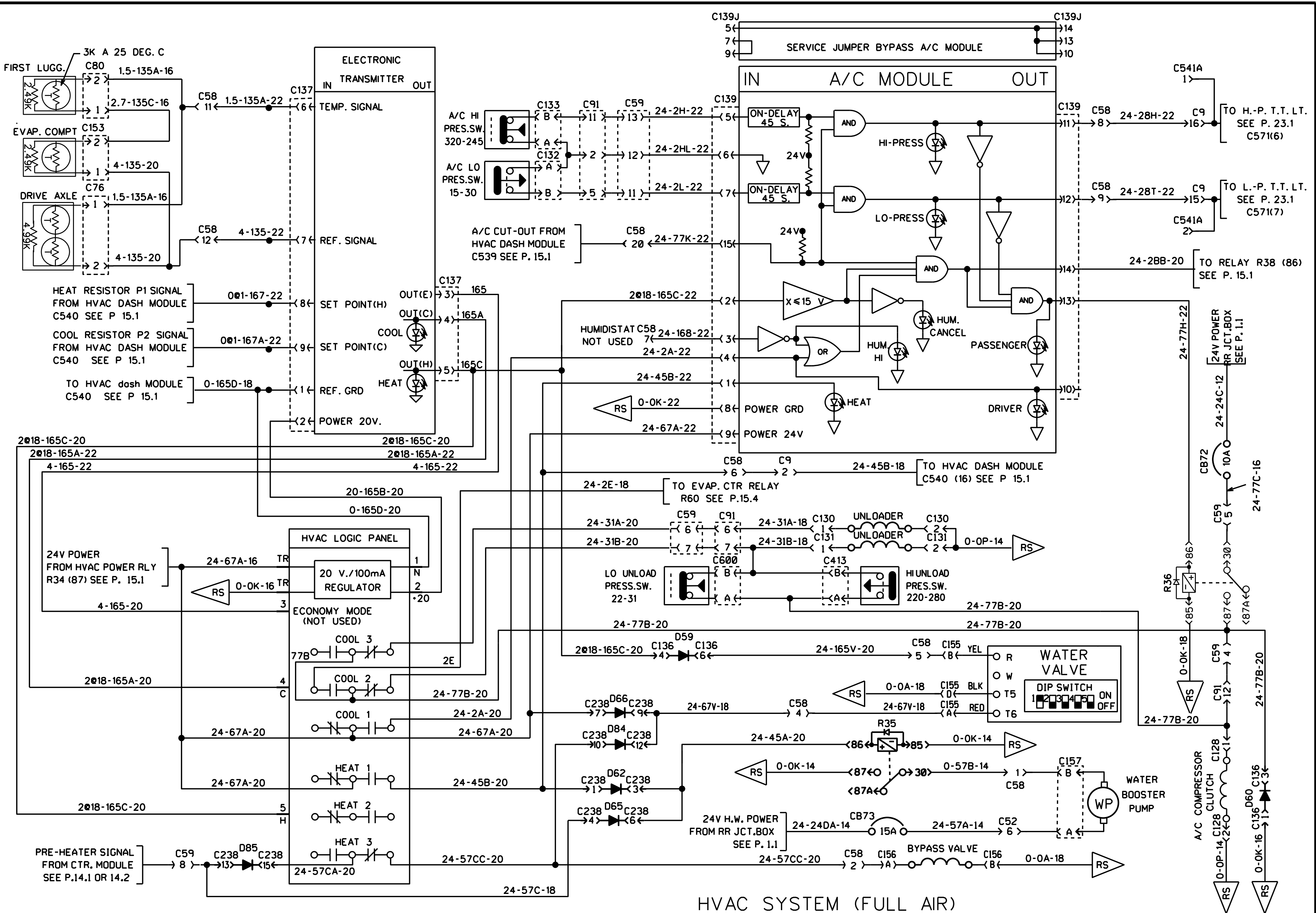


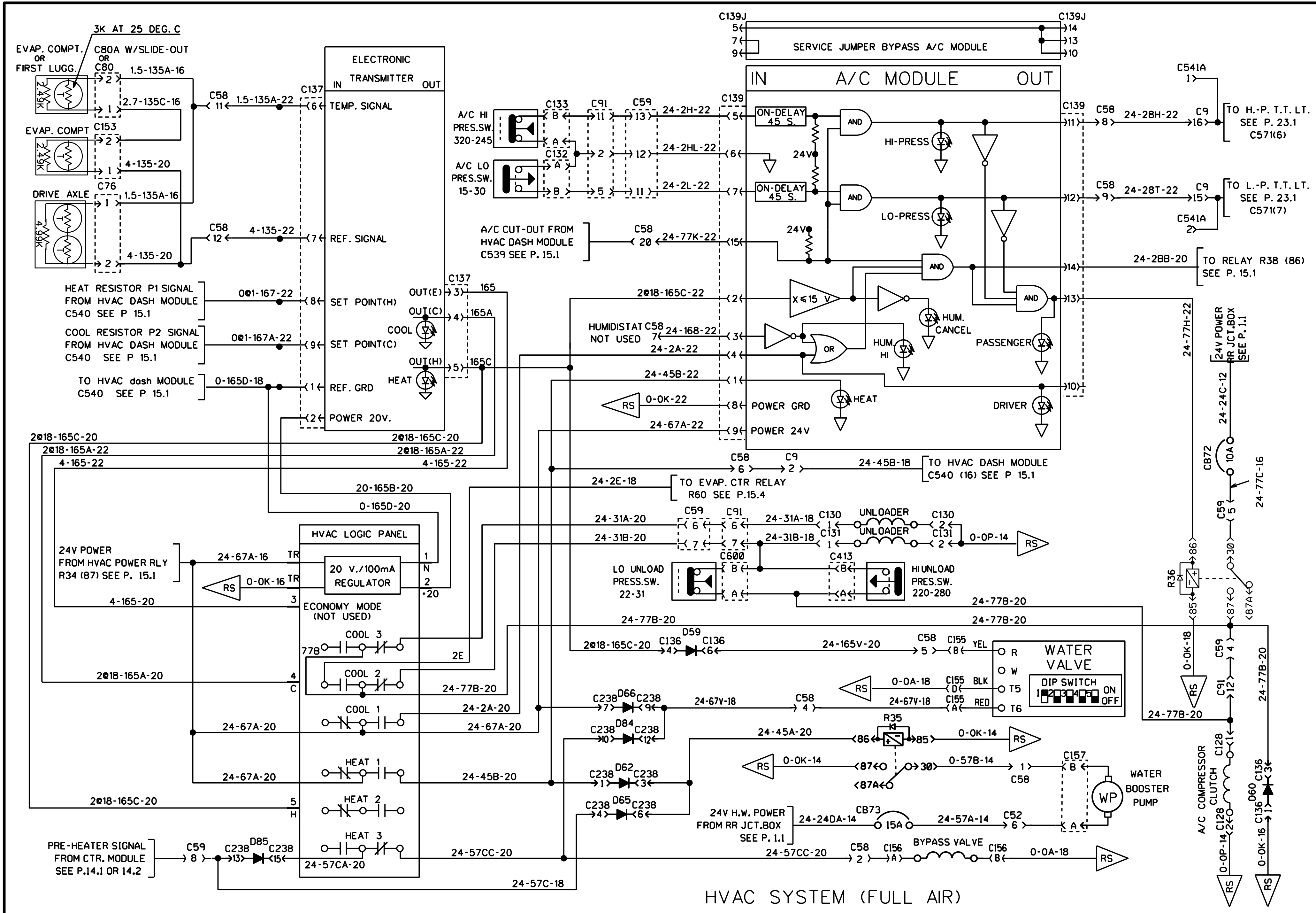


HVAC SYSTEM (FULL AIR)



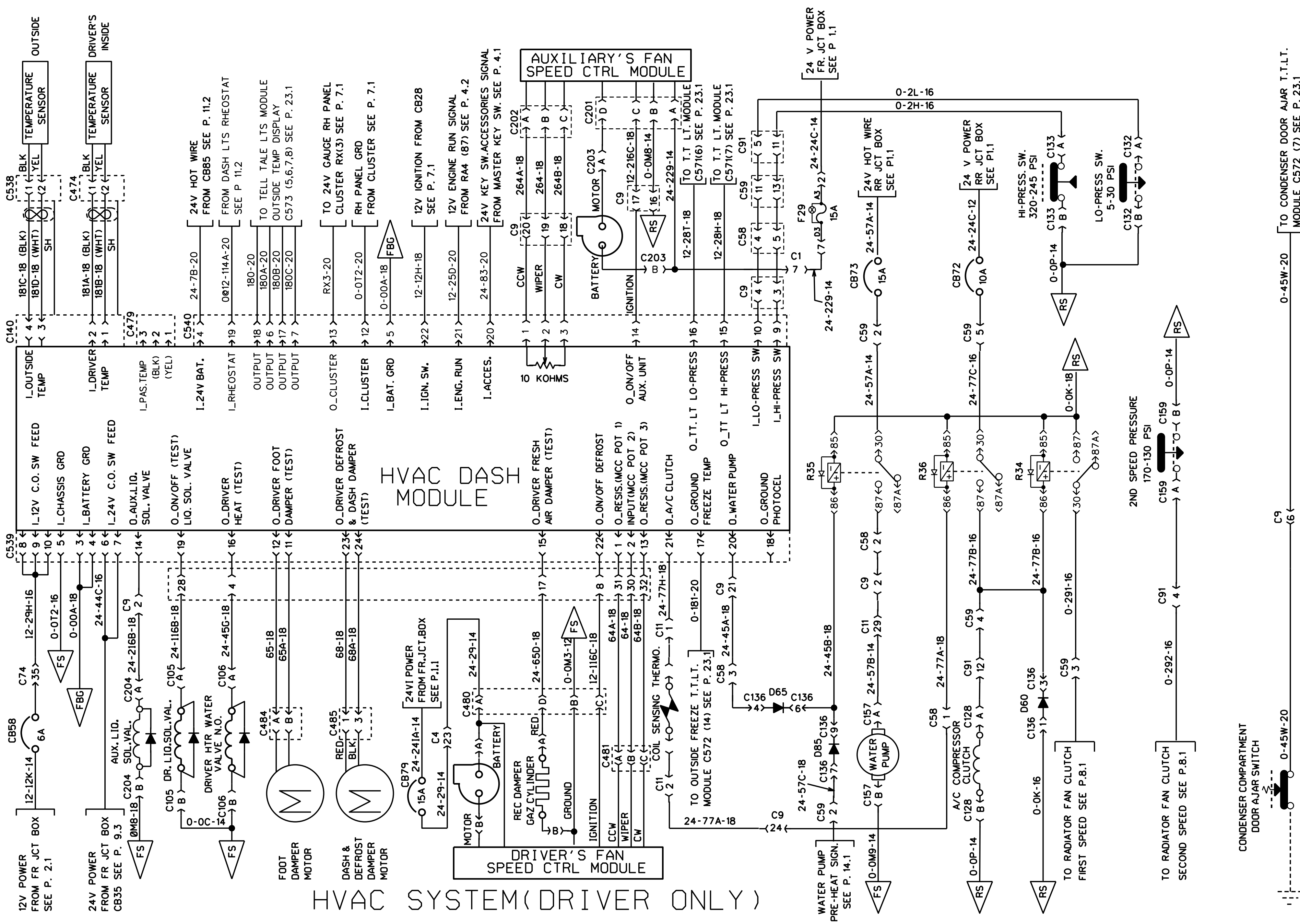
HVAC SYSTEM (FULL AIR)





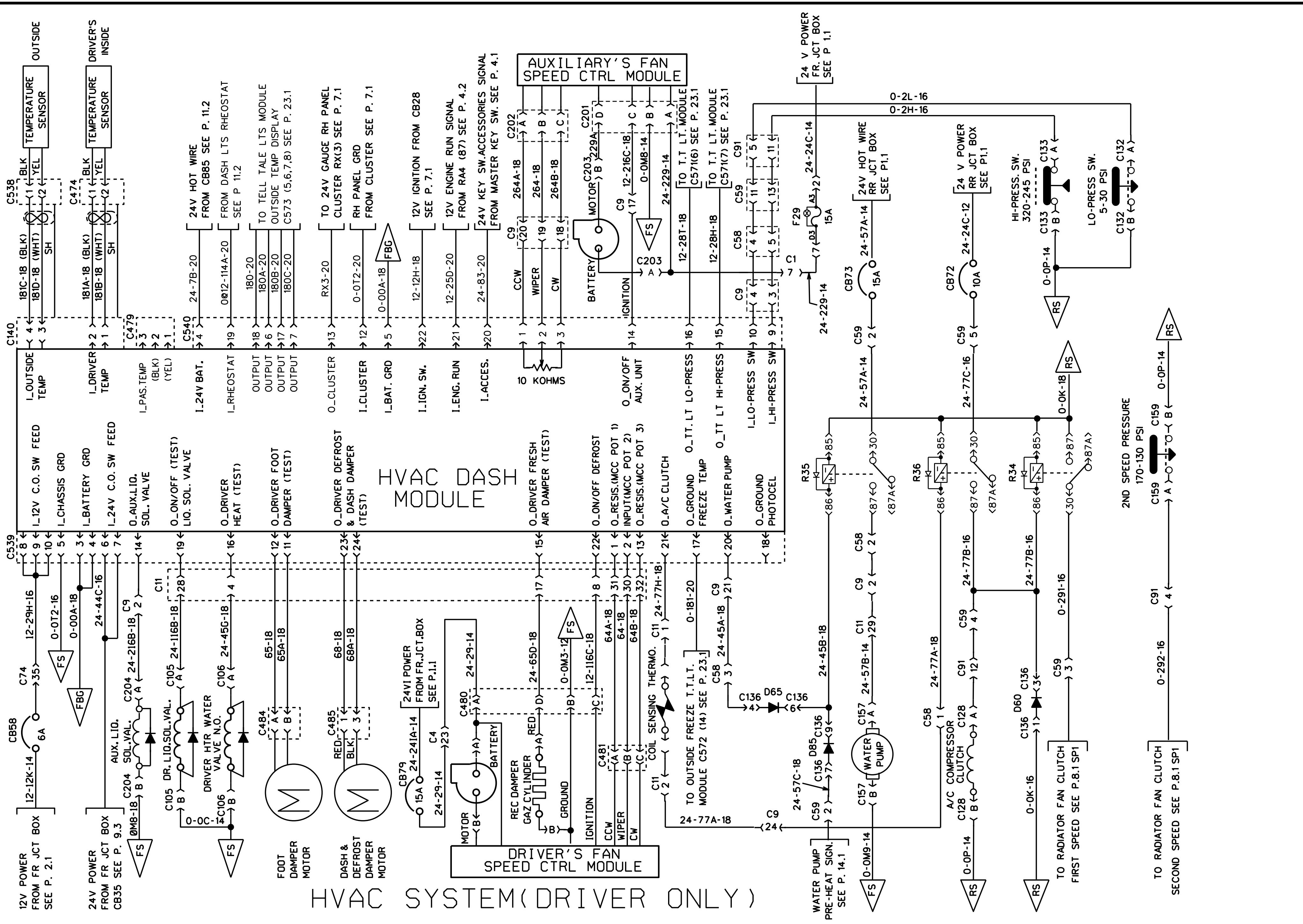
HVAC SYSTEM (FULL AIR)

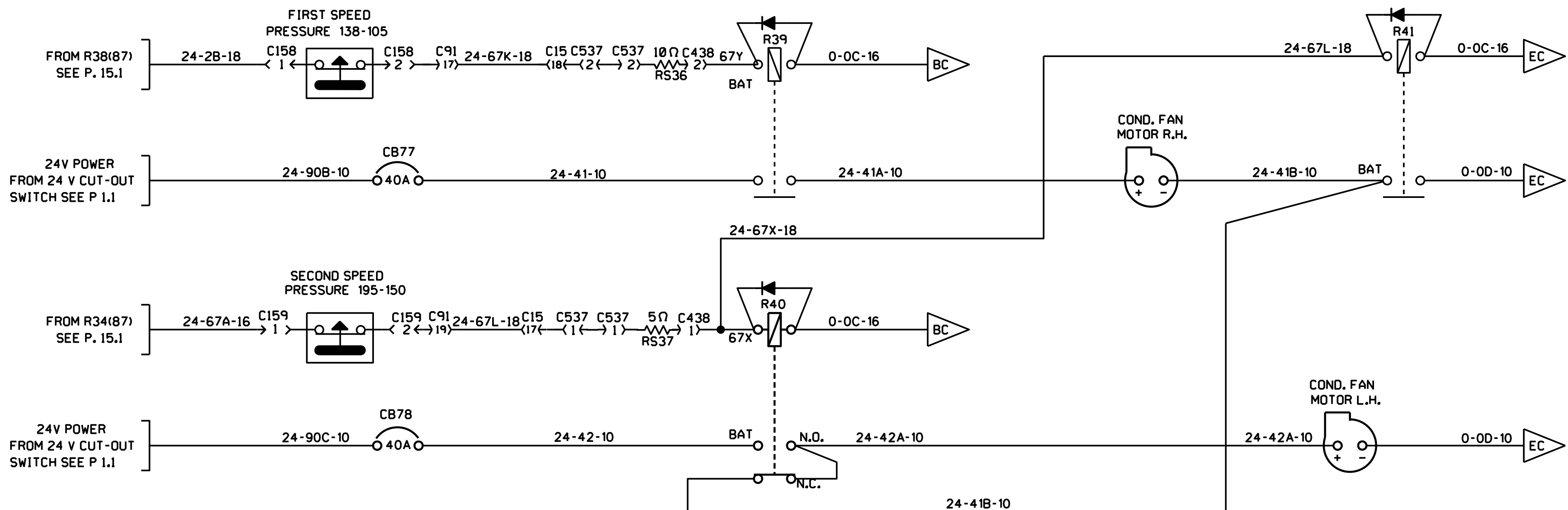
HVAC SYSTEM(DRIVER ONLY)



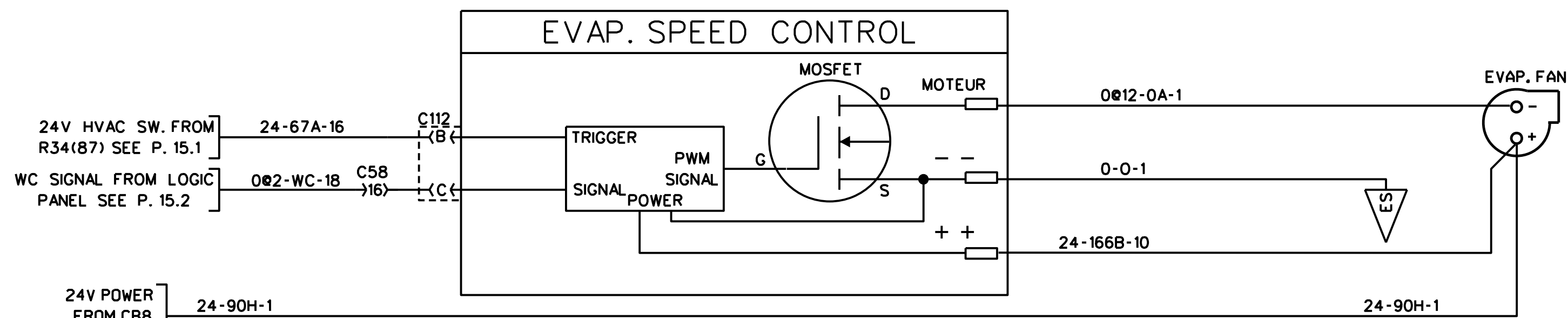
CONDENSER COMPARTMENT DOOR AJAR SWITCH

TO CONDENSER DOOR AJAR T.T.L.T. MODULE C572 (7) SEE P. 23.1

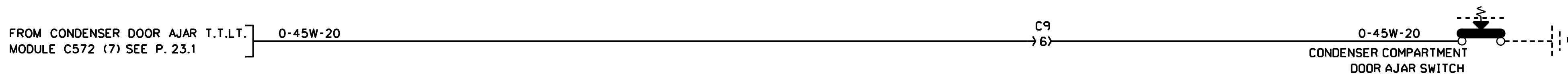




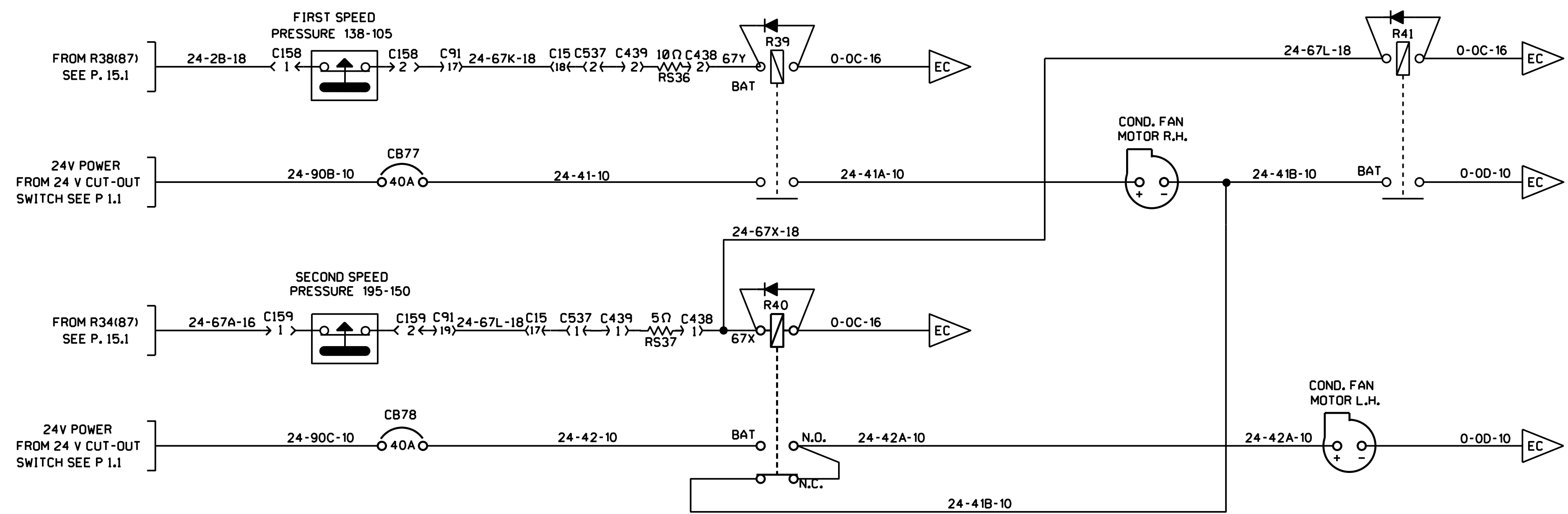
CONDENSER FAN



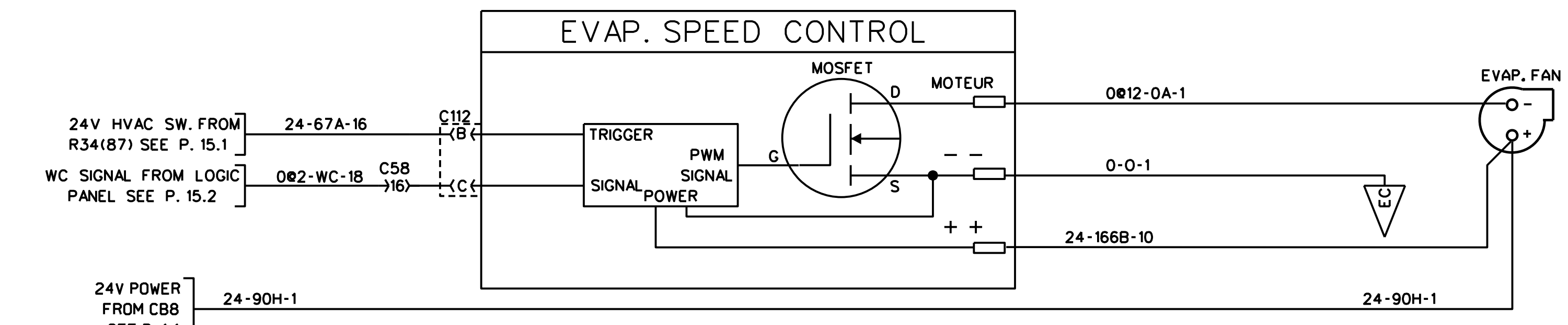
EVAPORATOR FAN



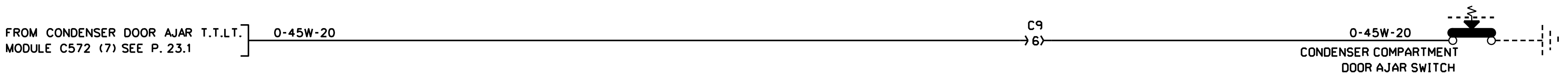
CONDENSER COMPT. DOOR AJAR (FULL AIR)



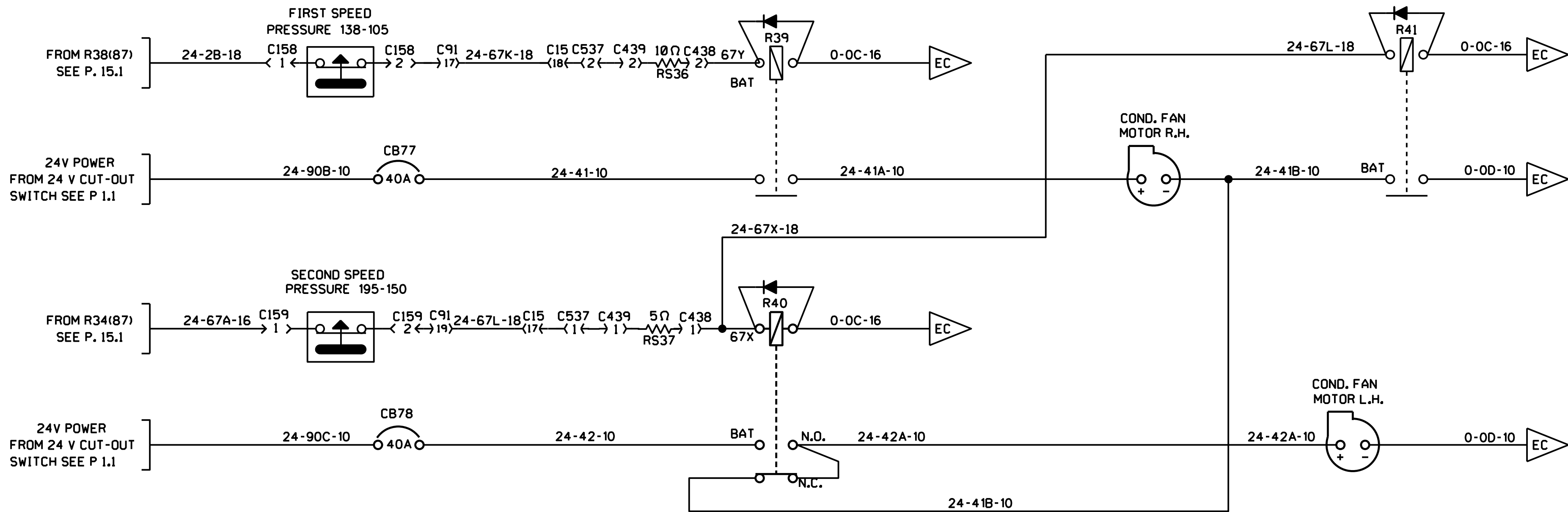
CONDENSER FAN



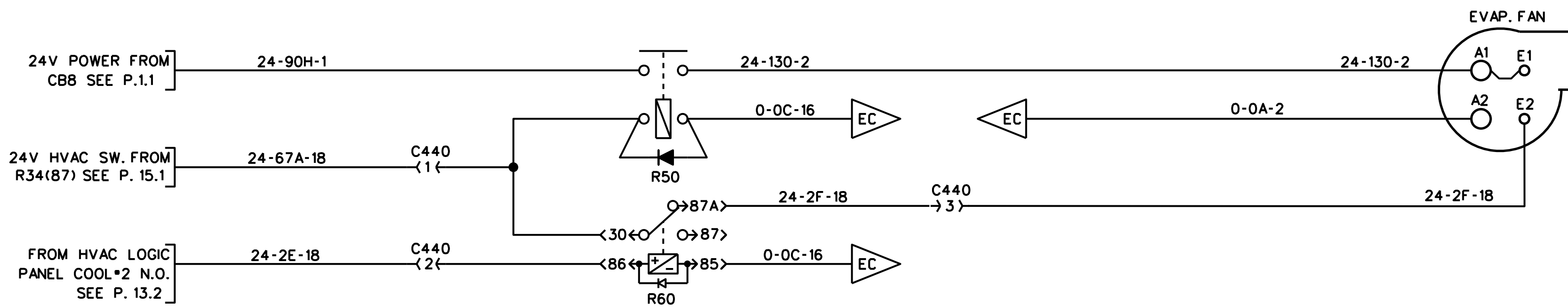
EVAPORATOR FAN



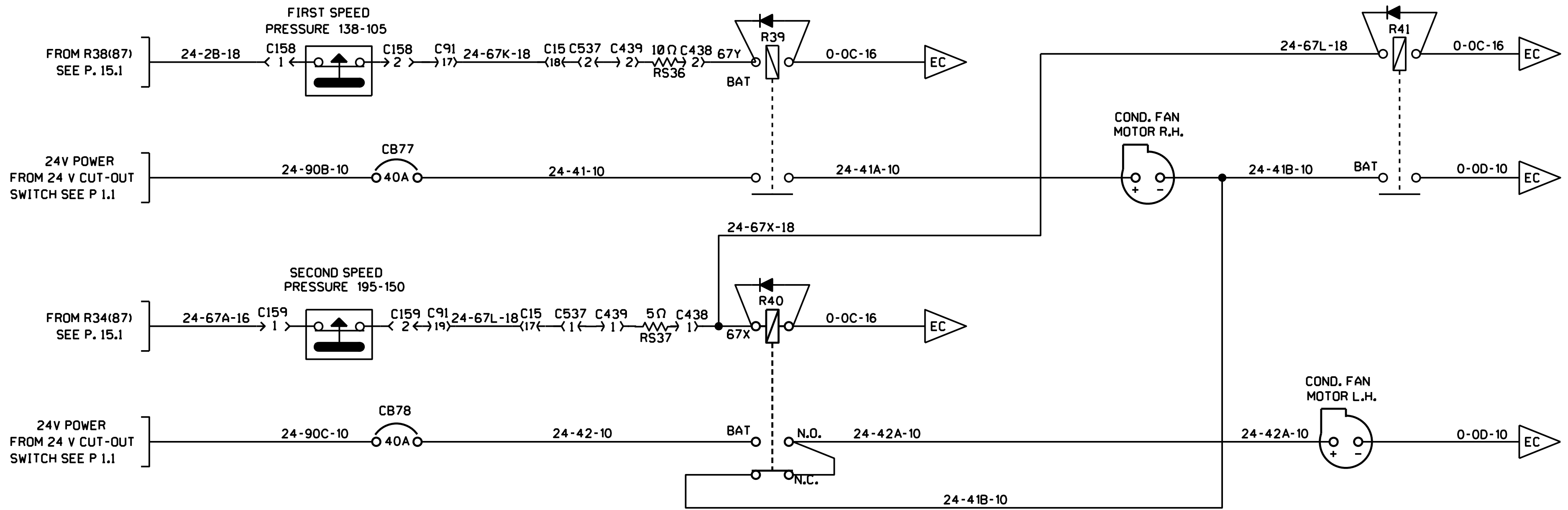
CONDENSER COMPT. DOOR AJAR (FULL AIR)



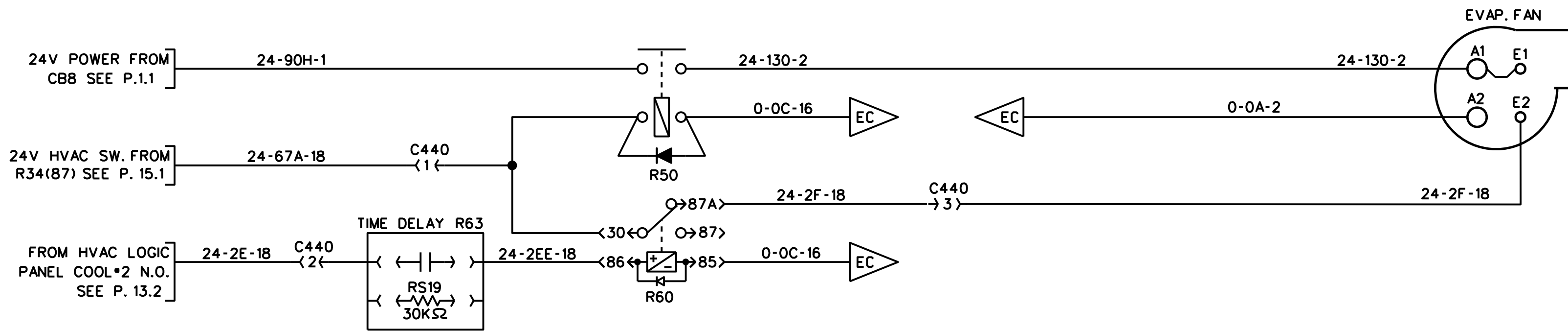
CONDENSER FAN (2 SPEED)



EVAPORATOR FAN (2 SPEED)

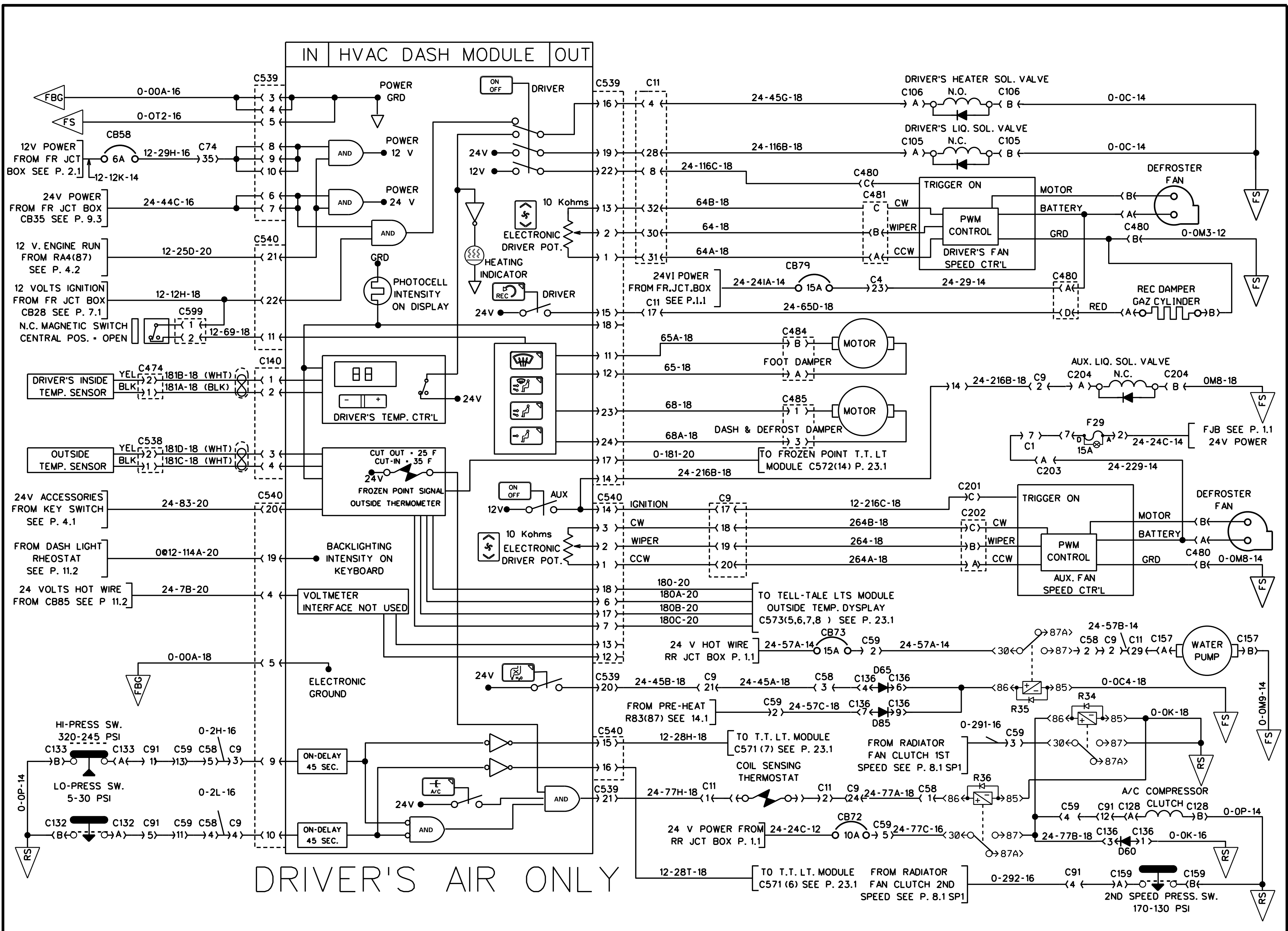


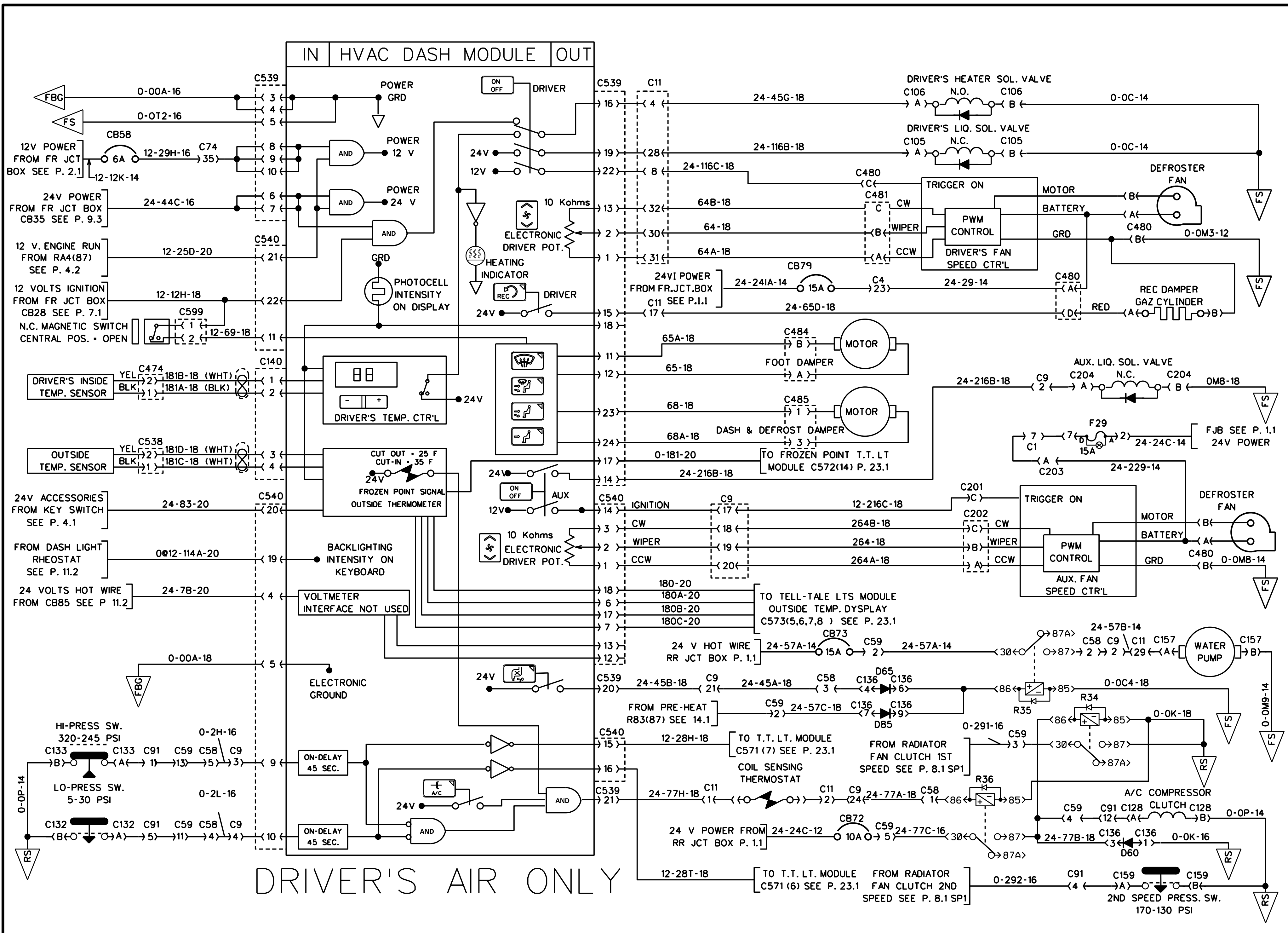
CONDENSER FAN (2 SPEED)



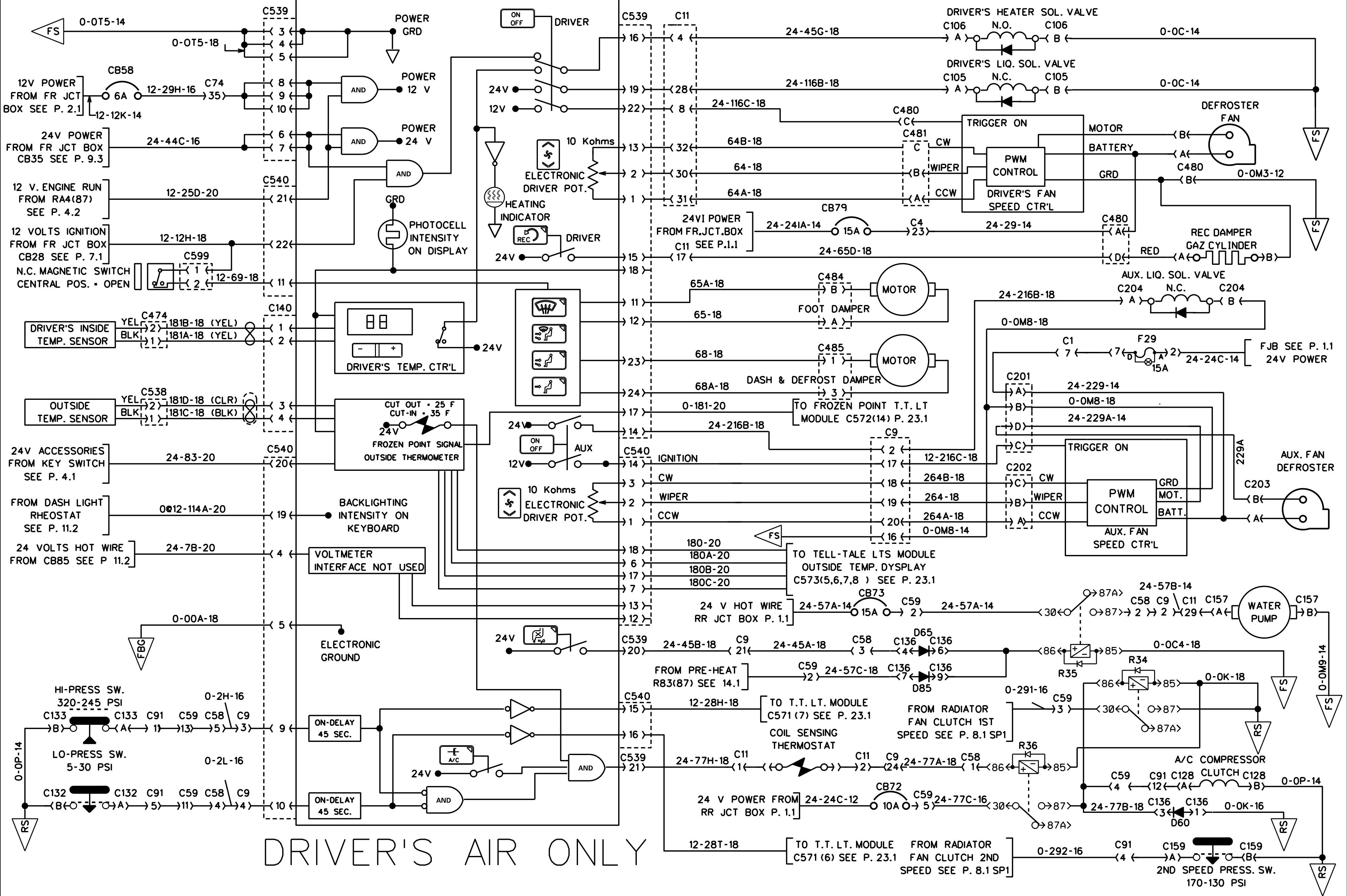
NOTE:
 A1 & E1 : (INTERNAL JUMPER)
 E2 : 24 VOLTS = LOW SPEED
 E2 : OPEN = HI SPEED

EVAPORATOR FAN (2 SPEED)

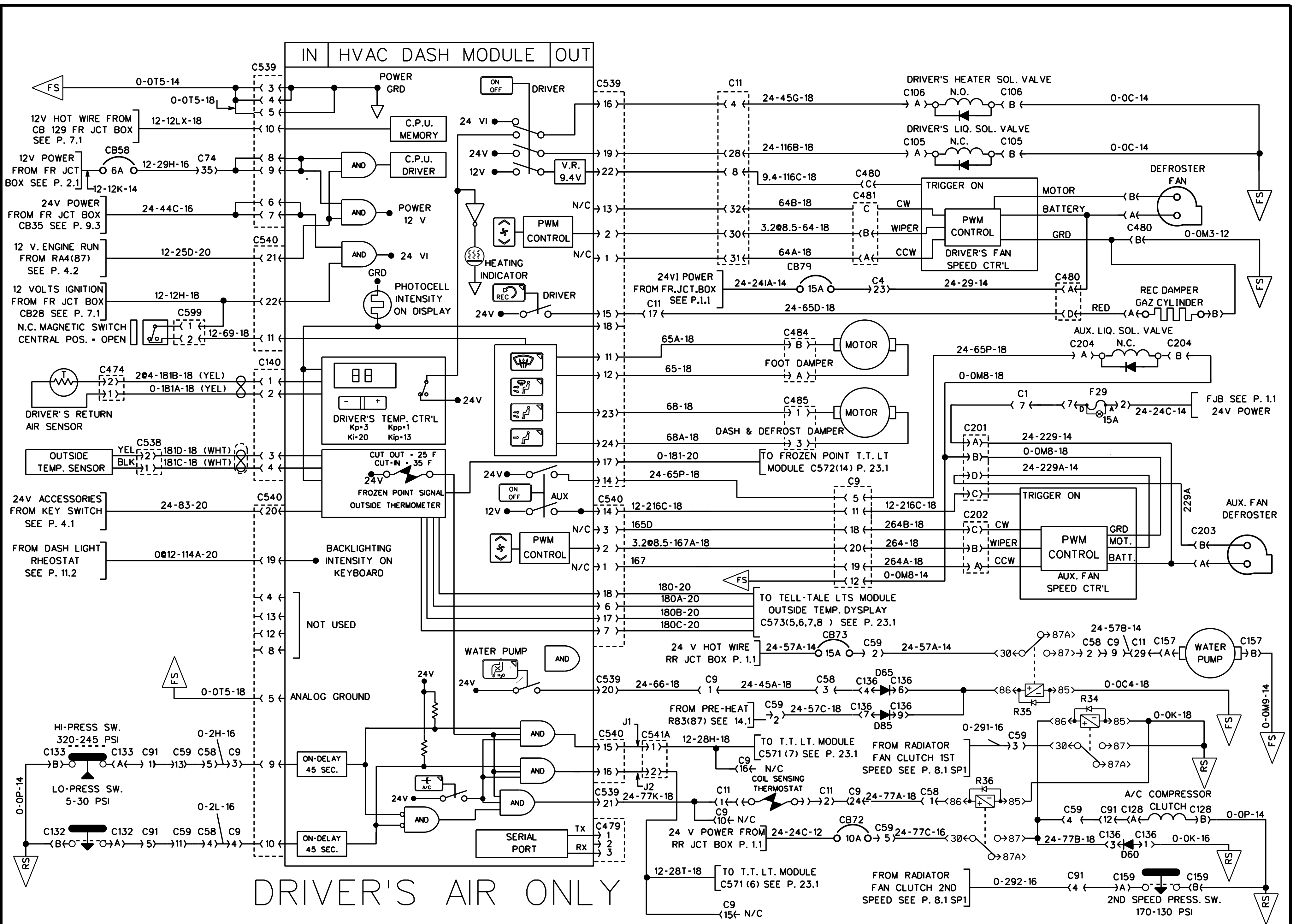




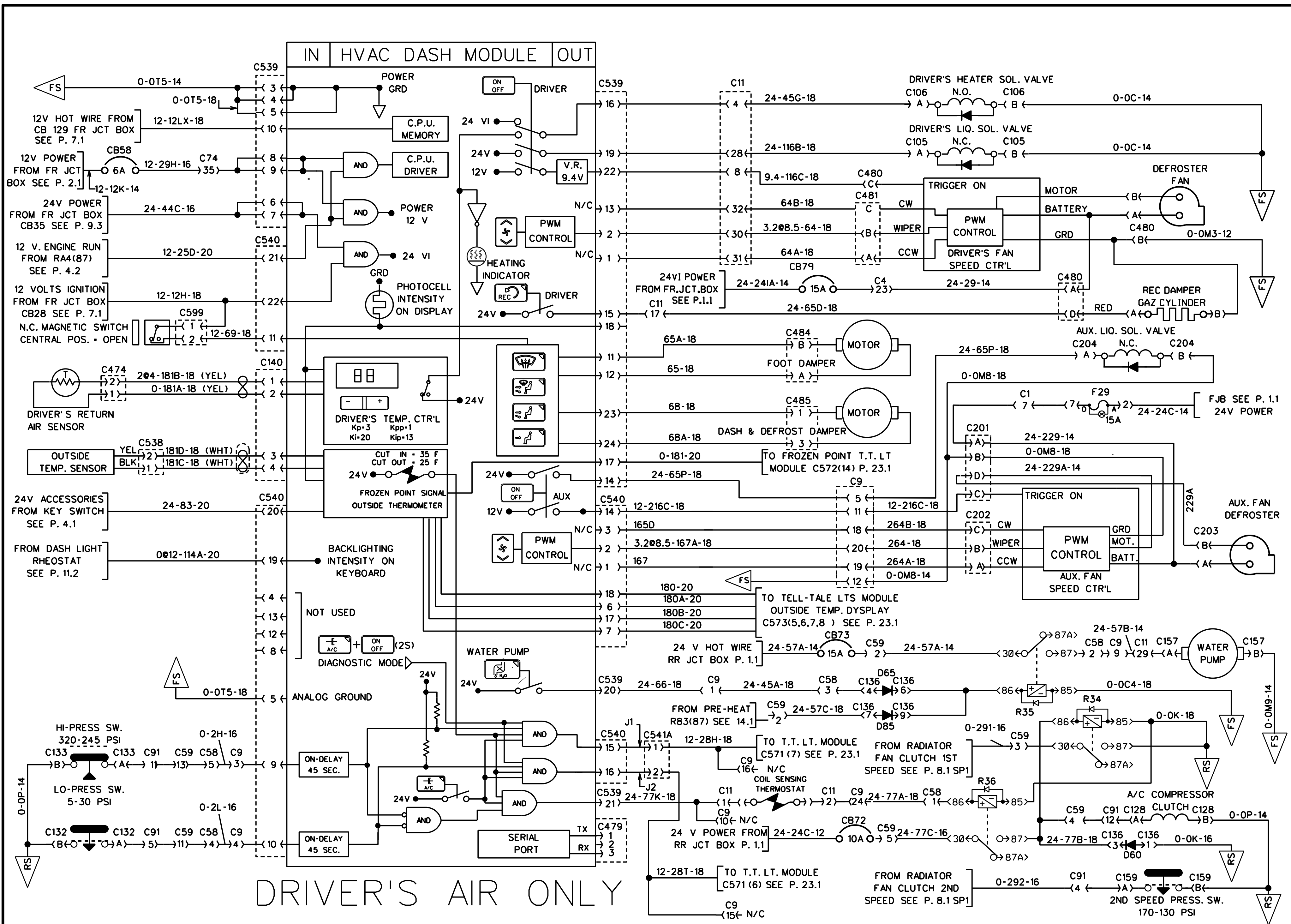
IN HVAC DASH MODULE OUT



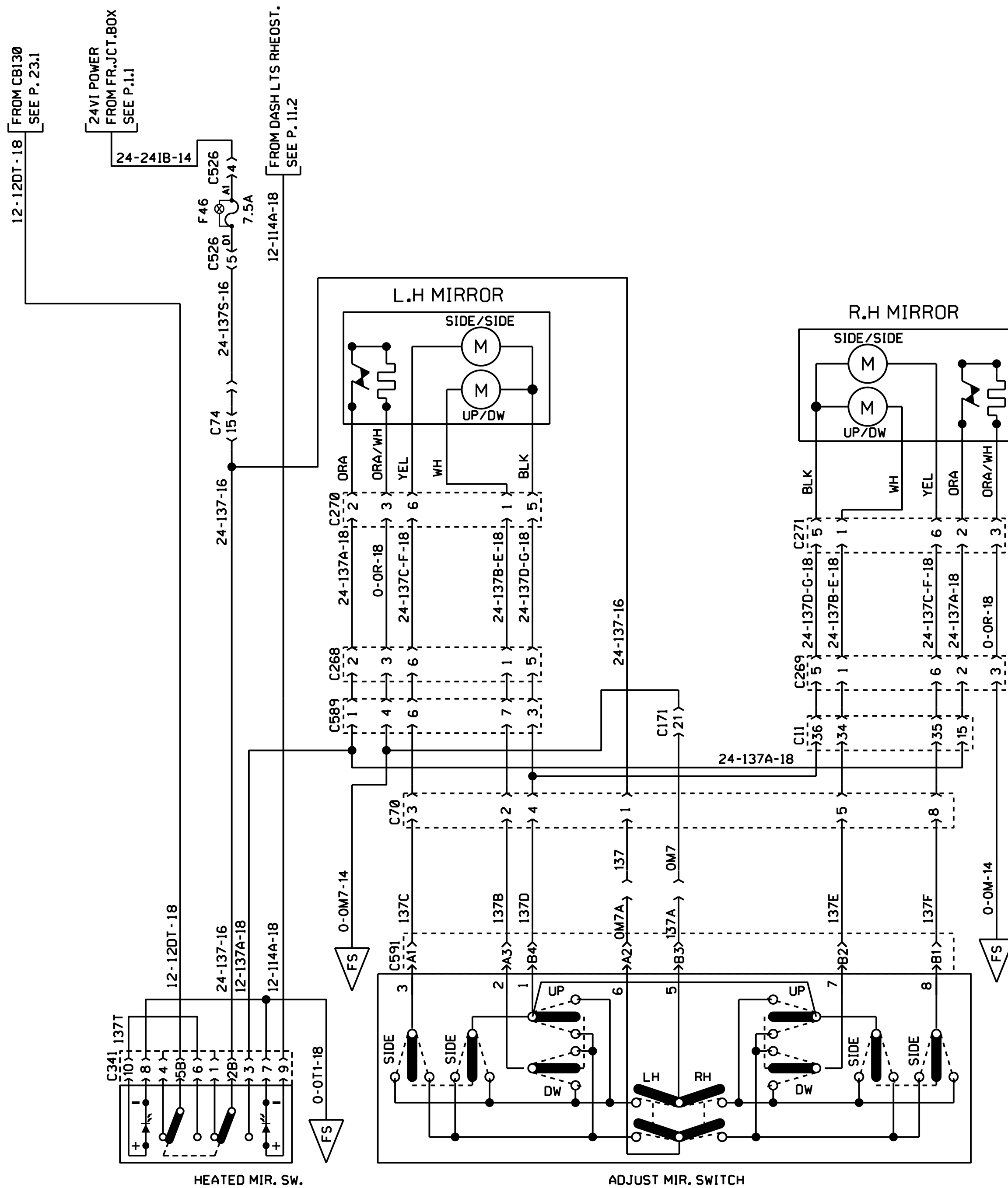
DRIVER'S AIR ONLY



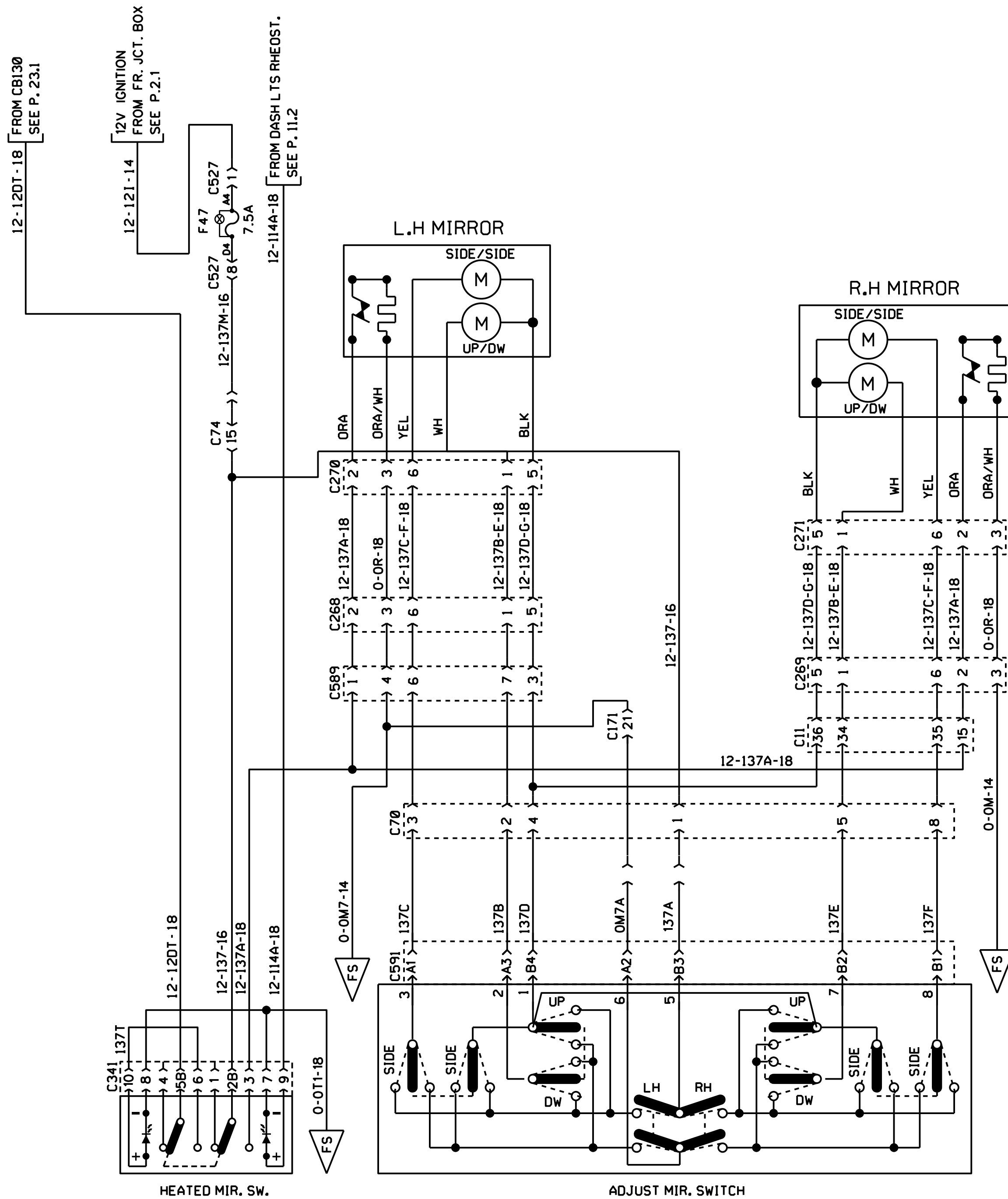
DRIVER'S AIR ONLY



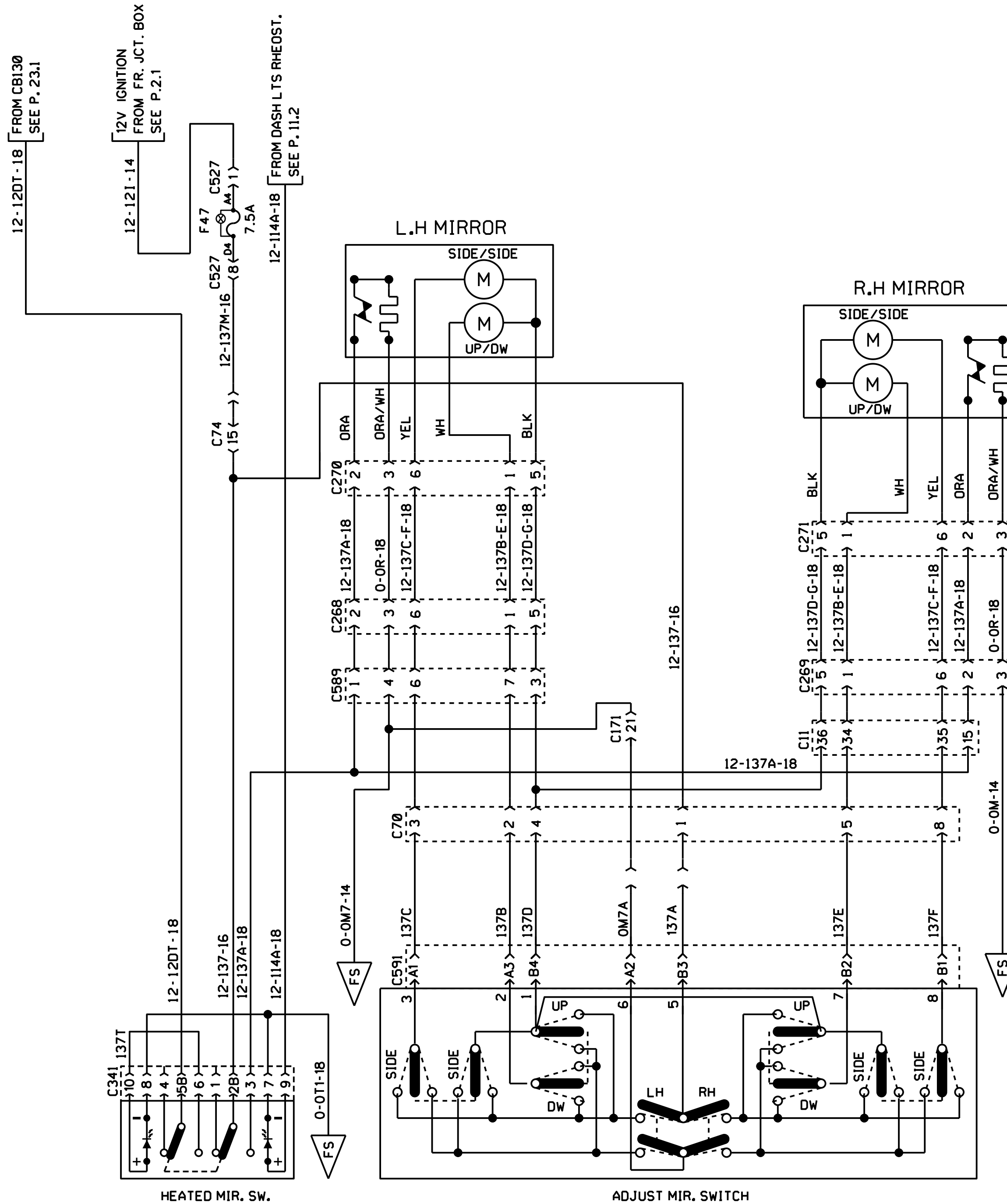
DRIVER'S AIR ONLY



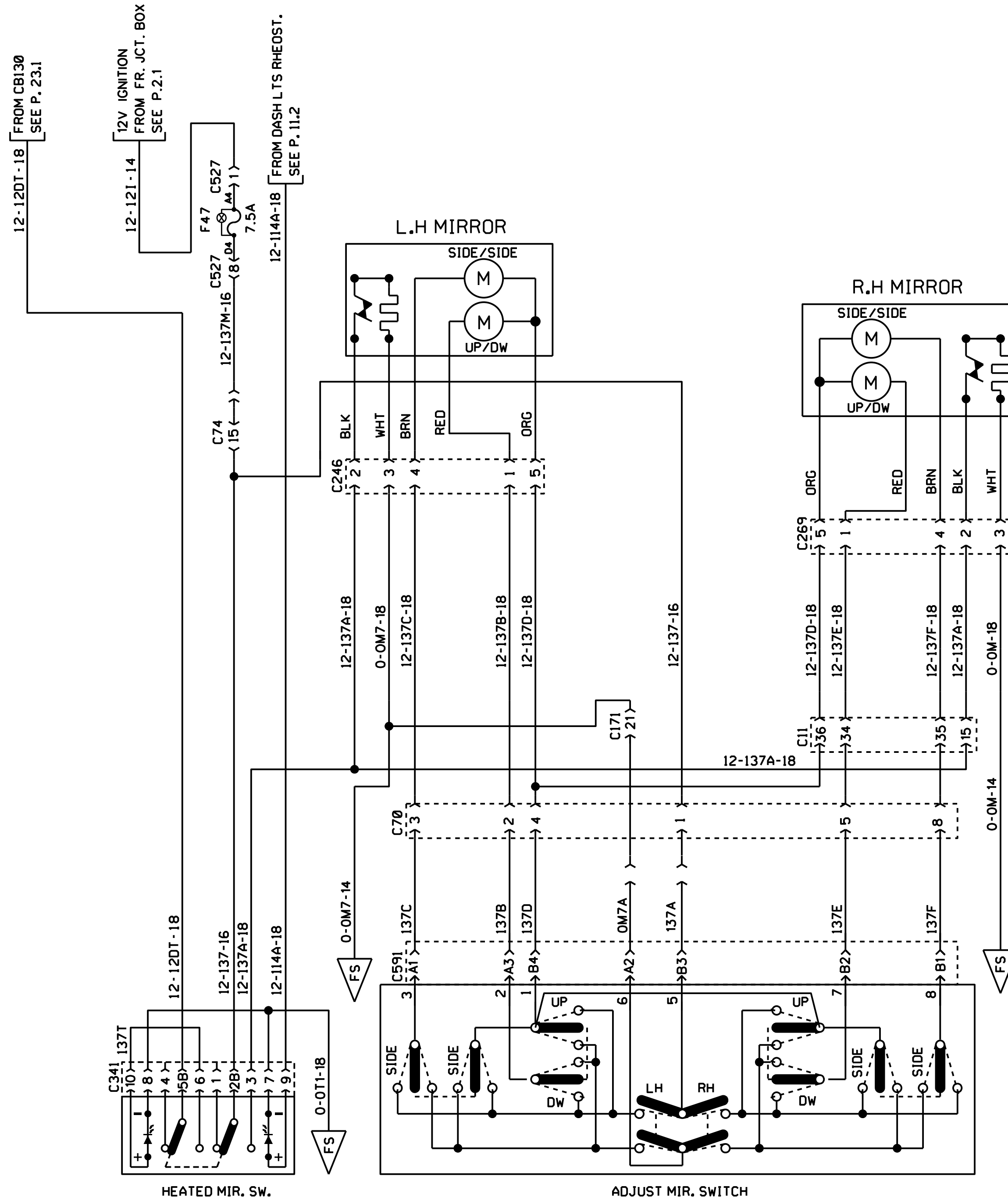
REAR VIEW MIRROR SPARTAN - 1 ADJUSTMENT SW. & 1 HEATED SW.



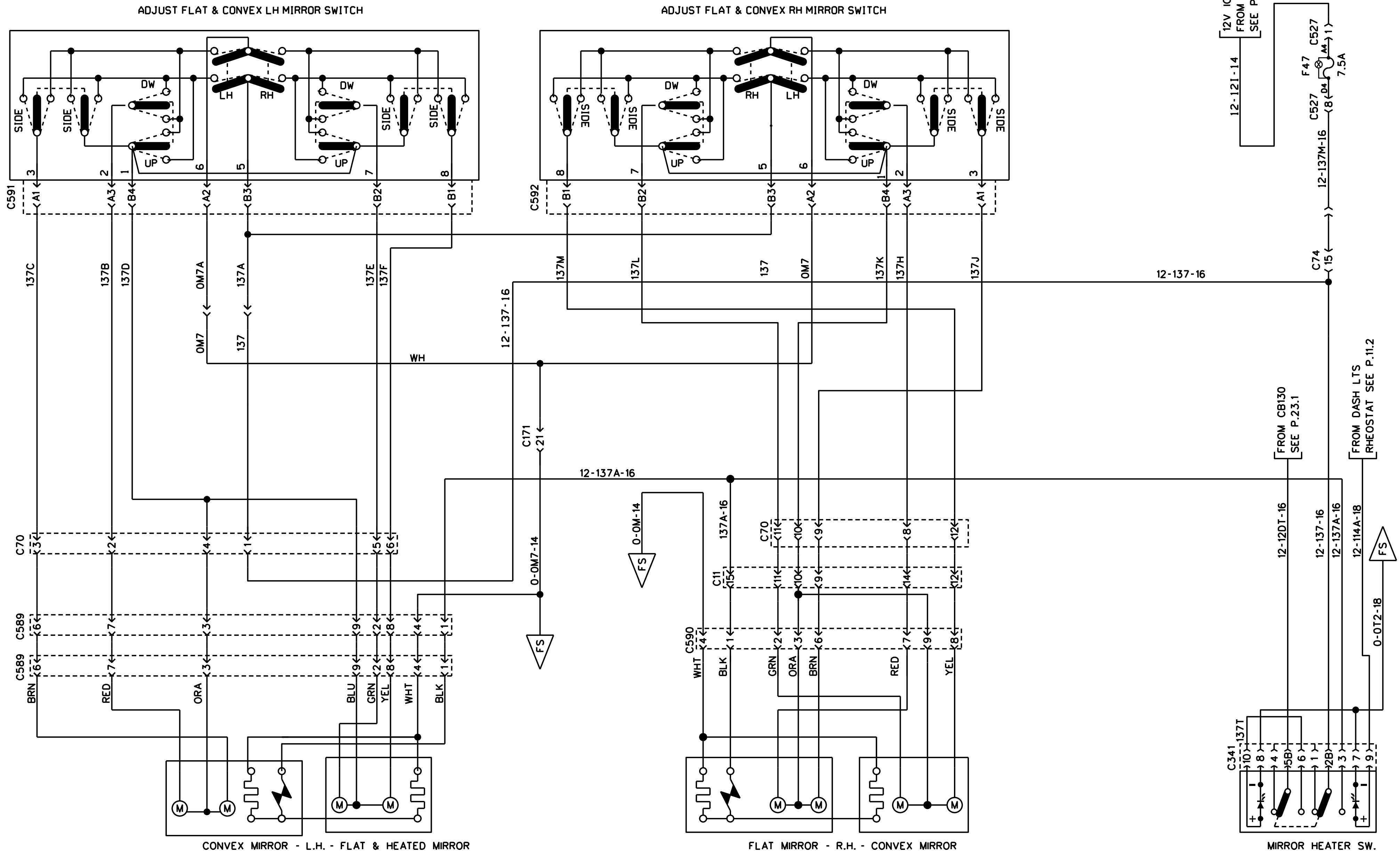
REAR VIEW MIRROR RAMCO FLAT - 1 ADJUSTMENT SW. & 1 HEATED SW.



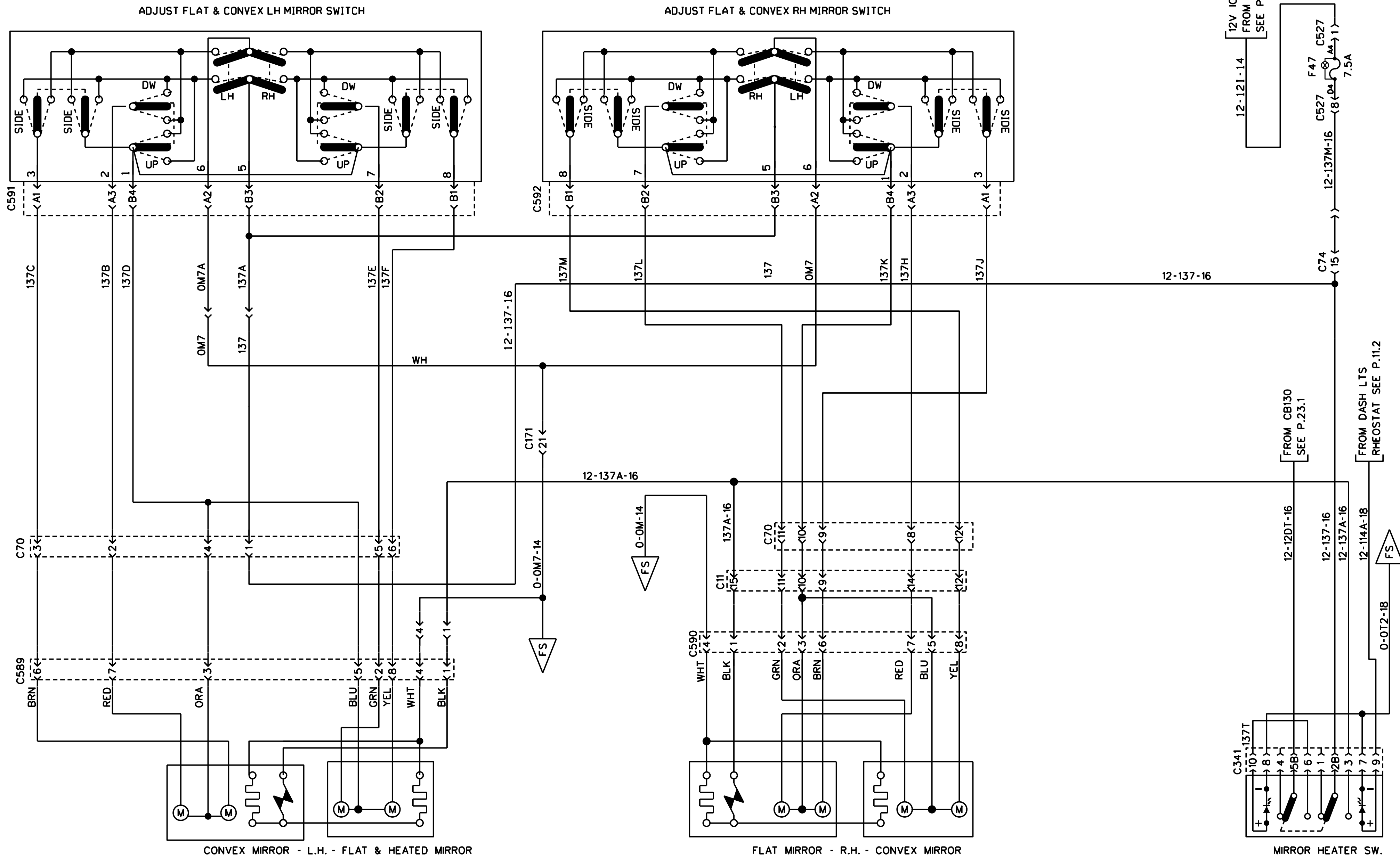
REAR VIEW MIRROR RAMCO FLAT - 1 ADJUSTMENT SW. & 1 HEATED SW.



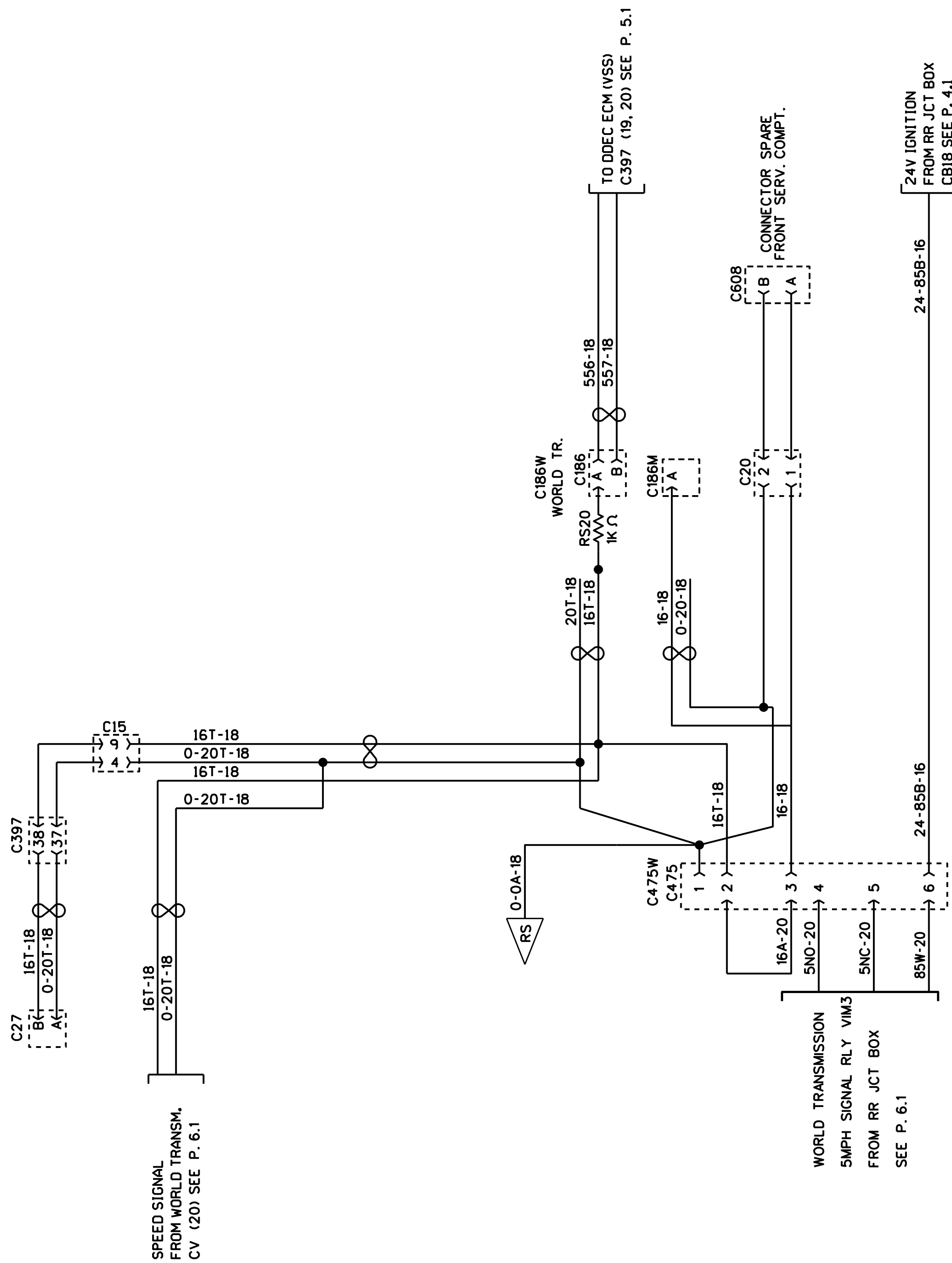
REAR VIEW MIRROR RAMCO FLAT - 1 ADJUSTMENT SW. & 1 HEATED SW.



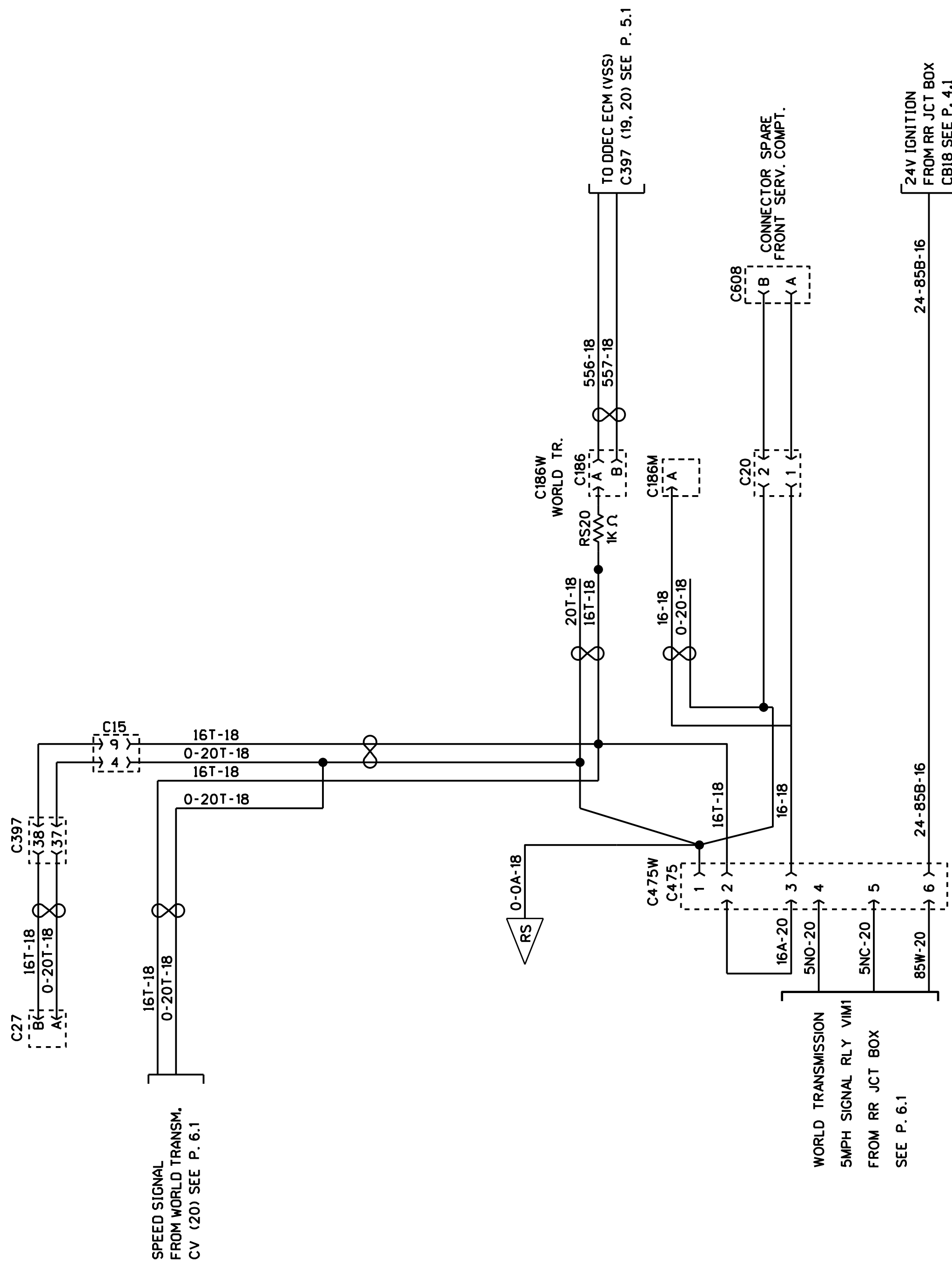
REAR VIEW MIRROR RAMCO FLAT & CONVEX - 2 ADJUSTMENT SW. & 1 HEATED SW.

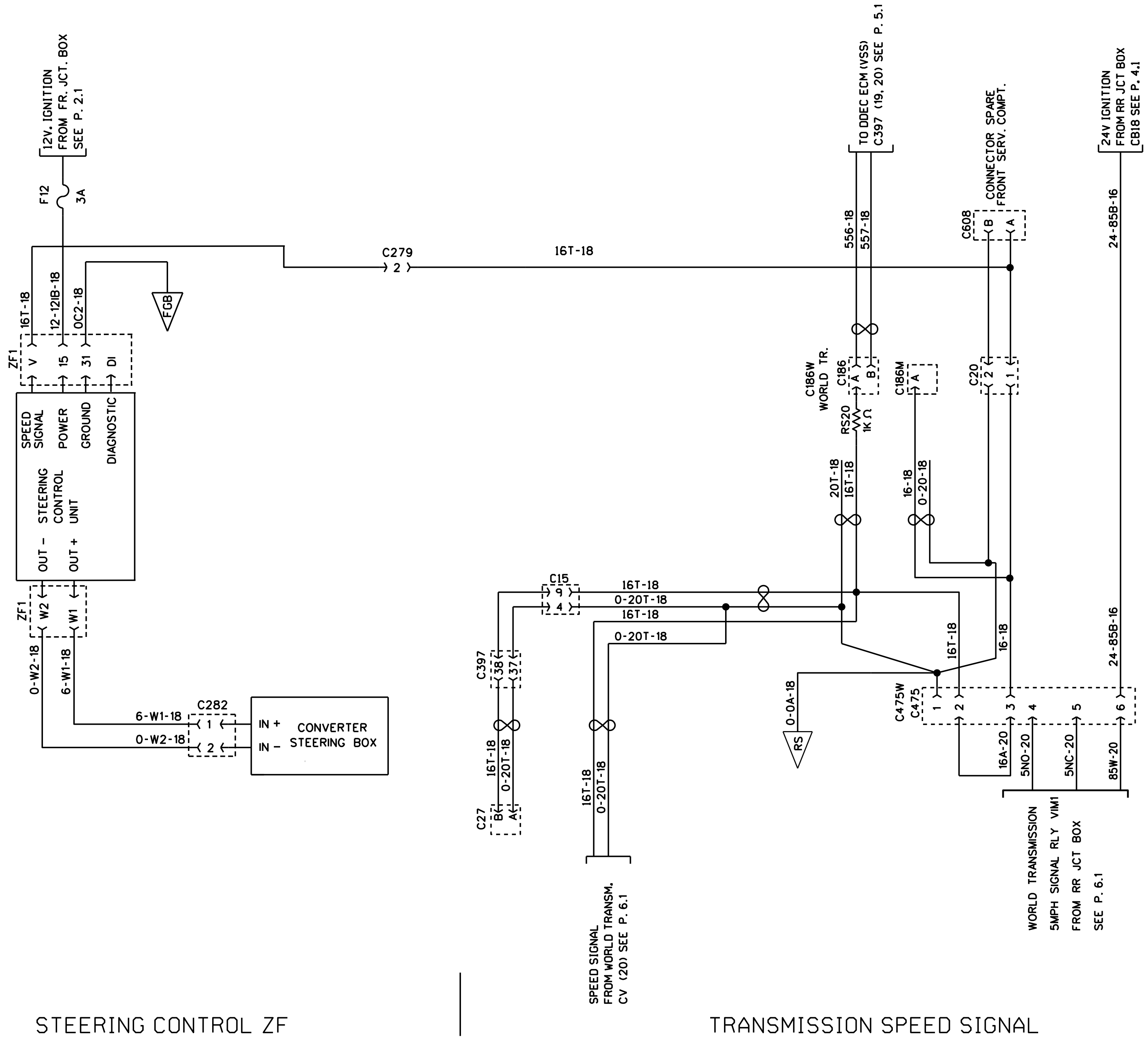


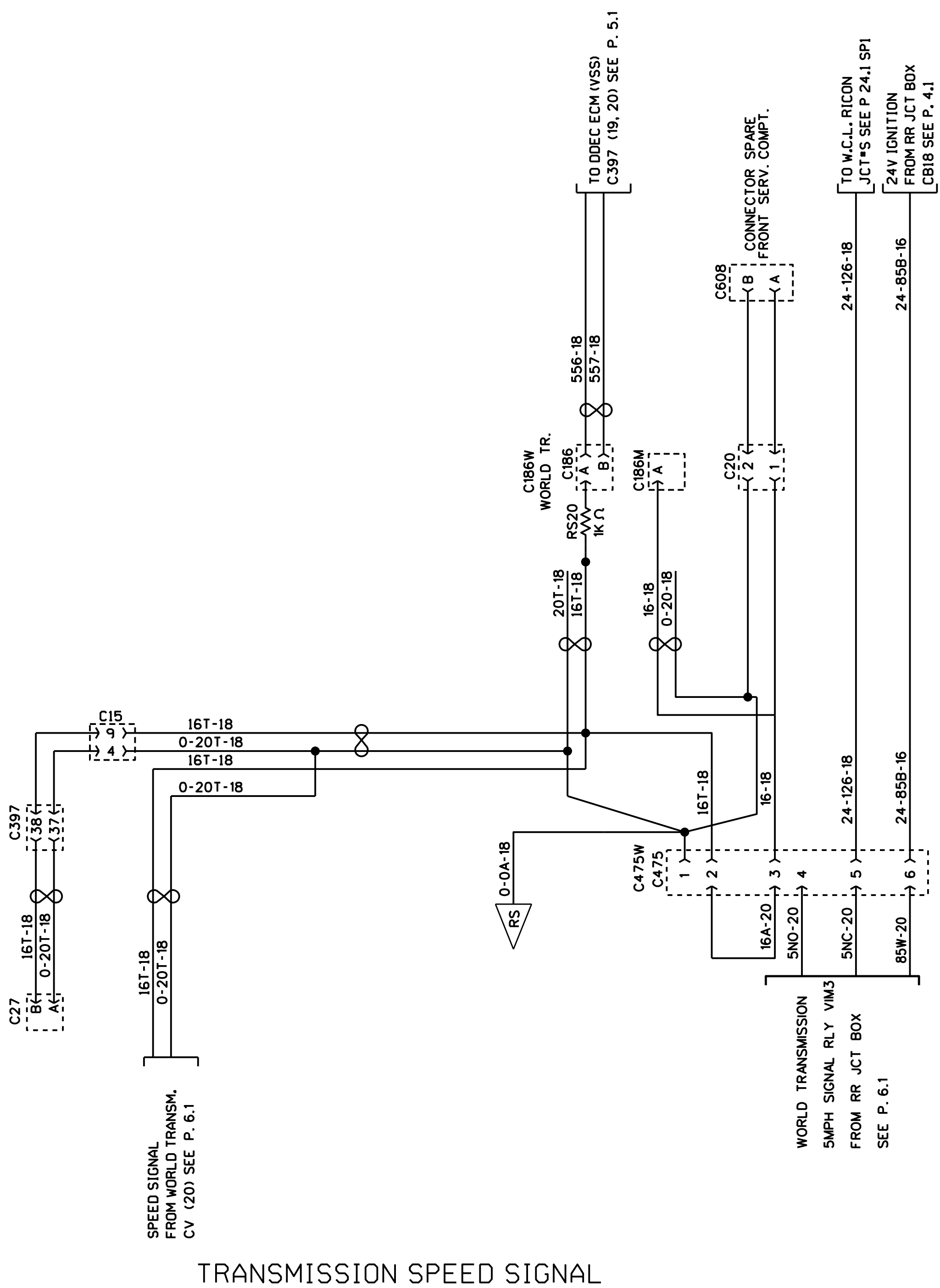
REAR VIEW MIRROR RAMCO FLAT & CONVEX - 2 ADJUSTMENT SW. & 1 HEATED SW.



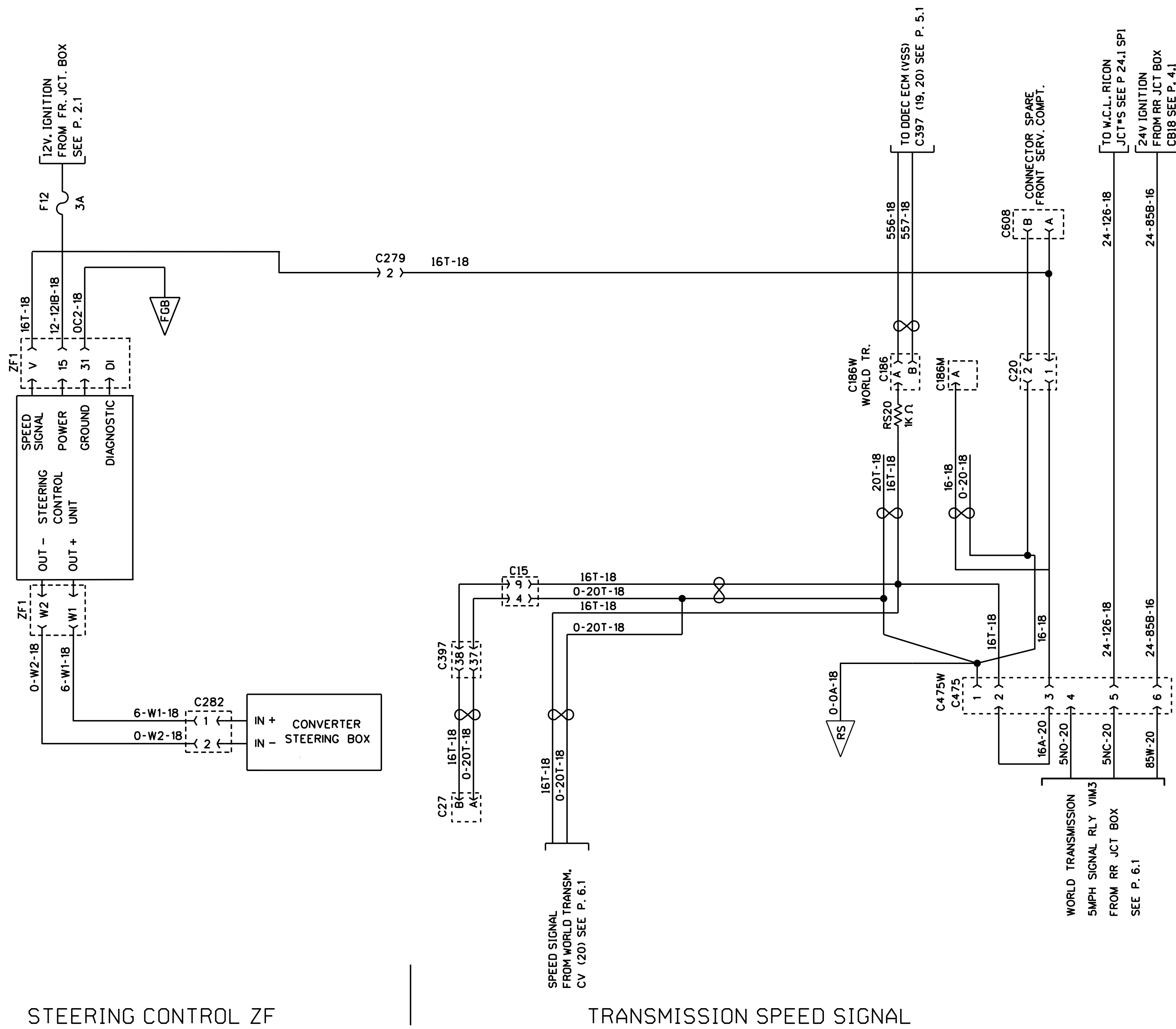
TRANSMISSION SPEED SIGNAL





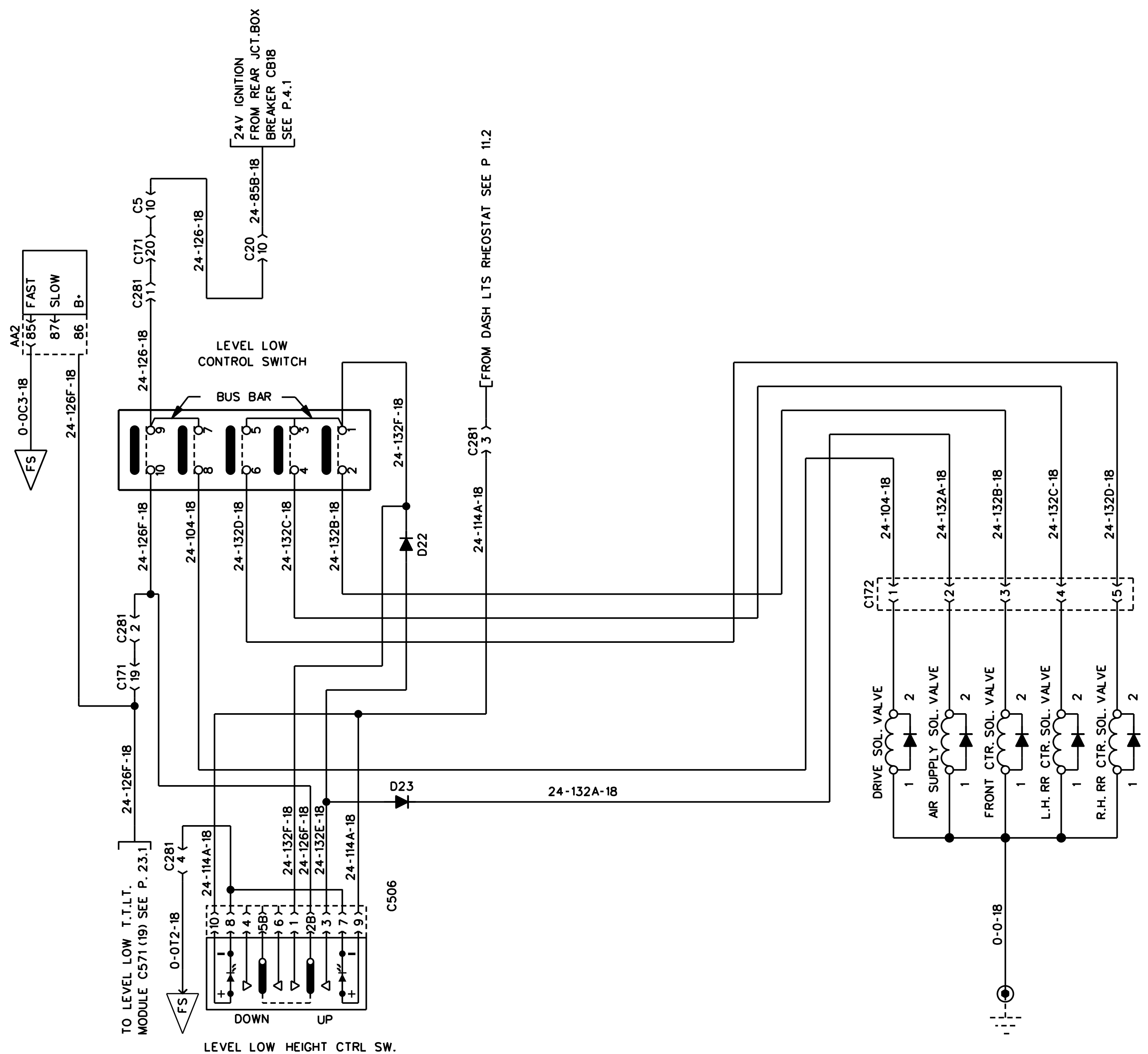


TRANSMISSION SPEED SIGNAL

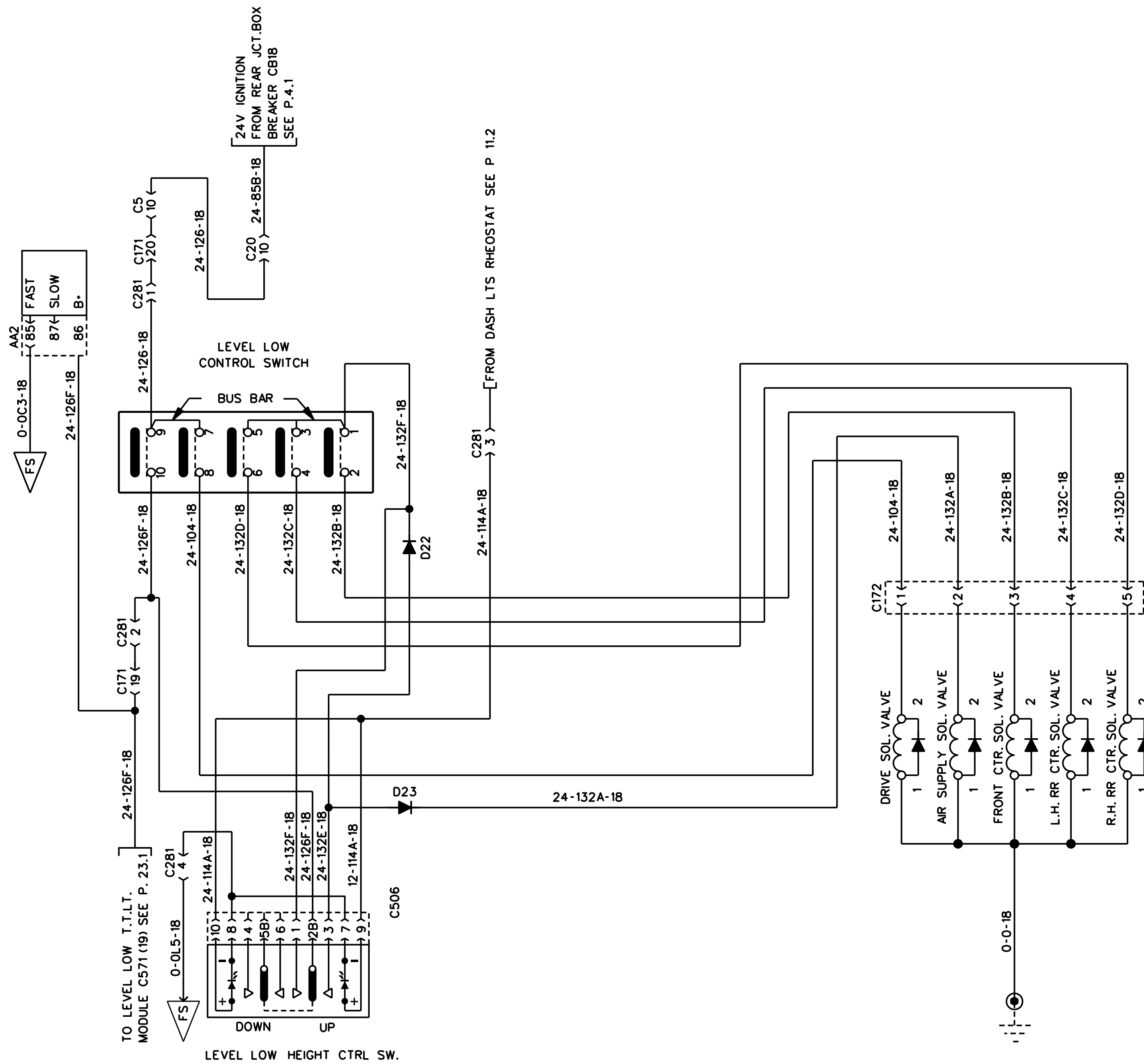


STEERING CONTROL ZF

TRANSMISSION SPEED SIGNAL

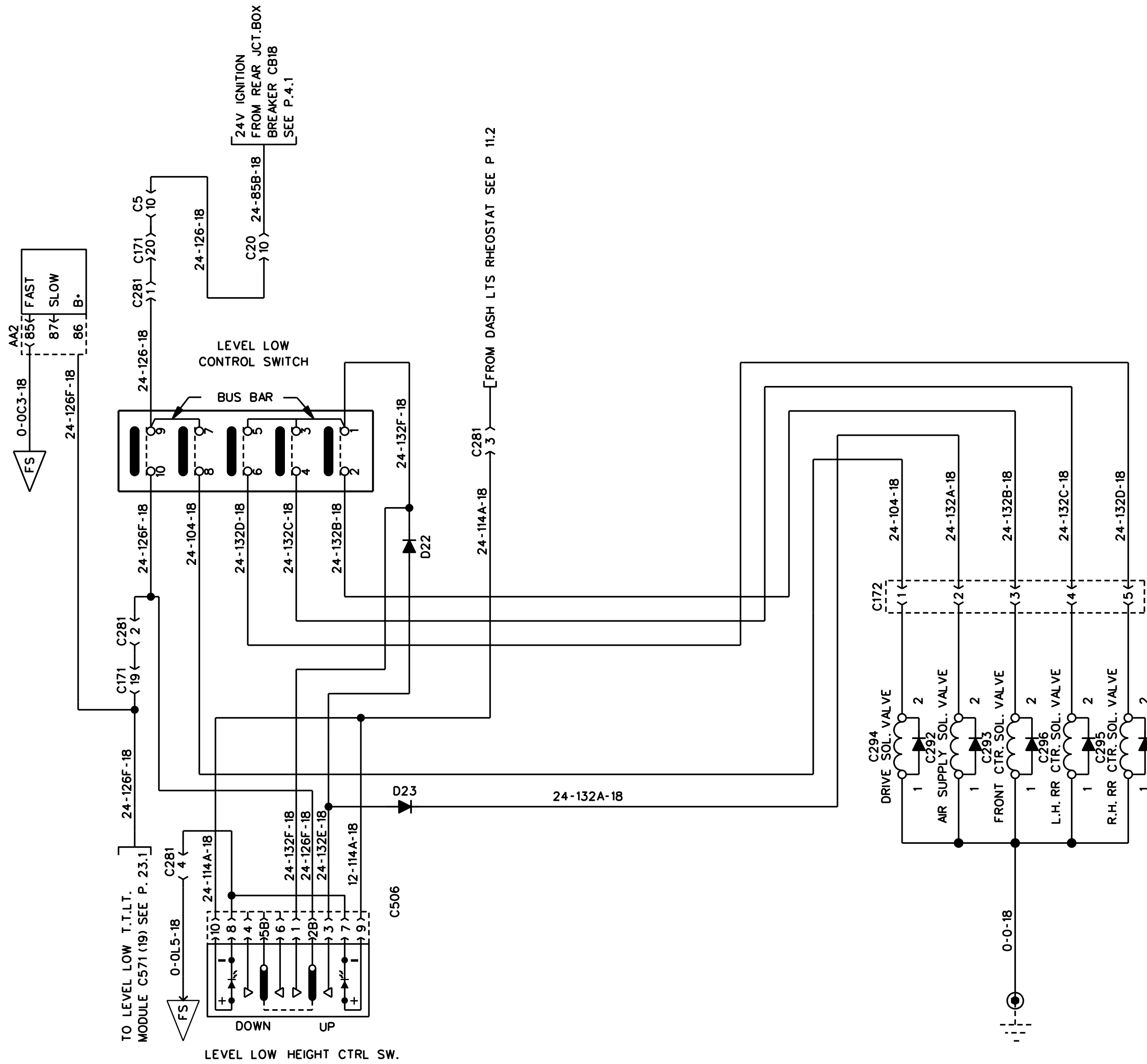


LEVEL - LOW CONTROL SWITCH			
DRIVE POSITION	FRONT	LEFT REAR	RIGHT REAR



LEVEL - LOW CONTROL SWITCH			
DRIVE POSITION	FRONT	LEFT REAR	RIGHT REAR

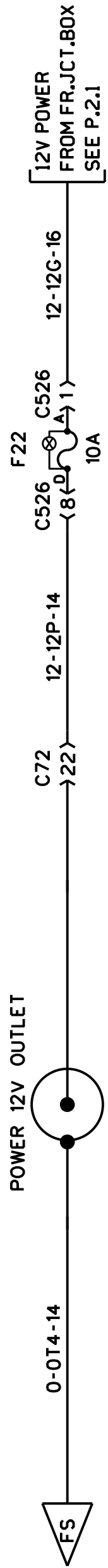
LEVEL - LOW SYSTEM



LEVEL - LOW CONTROL SWITCH			
DRIVE POSITION	FRONT	LEFT REAR	RIGHT REAR

LEVEL - LOW SYSTEM

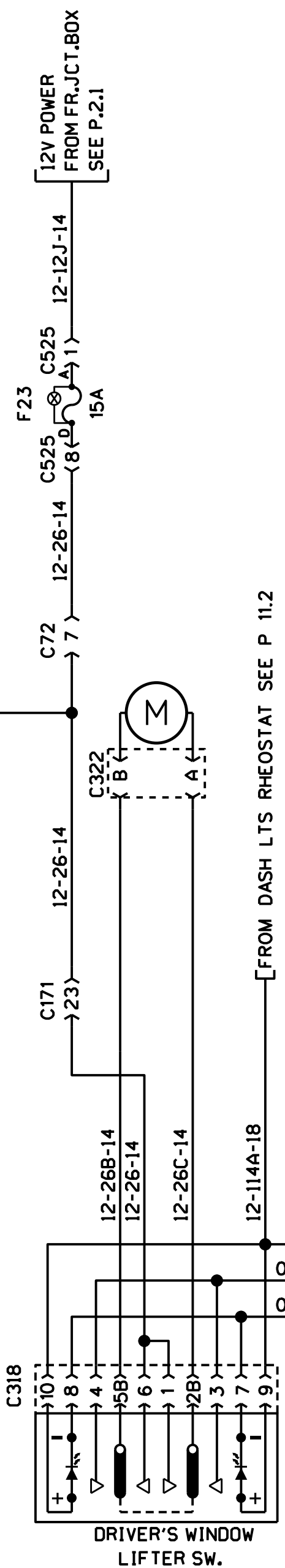
(CENTRAL MODULE)
(R.H. DRAWER)



POWER 12V OUTLET

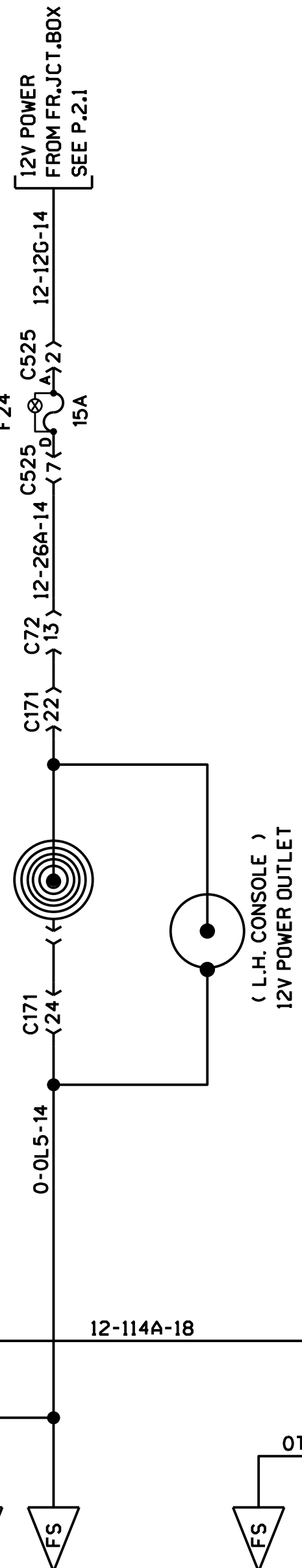
TO BACK UP MONITOR
OPERATING SW. SEE P. 20

12-26-14



DRIVER'S WINDOW LIFTER

(L.H. CONSOLE)
CIGAR LIGHTER



CIGAR LIGHTER

24V POWER
FROM FR. JCT. BOX
SEE P.1.1

F25

C526 (6) A.3

C525 (3) A.3

24-72-18

C72 (8)

24-72-18

24-72C-18

C211 (1) RED

24-72D-18

C212 (2) BLK

24-72A-18

C45 (10)

24-72B-18

C72 (17)

24-72-18

C72 (18)

24-72-18

24-72-18

24-72-18

24-72-18

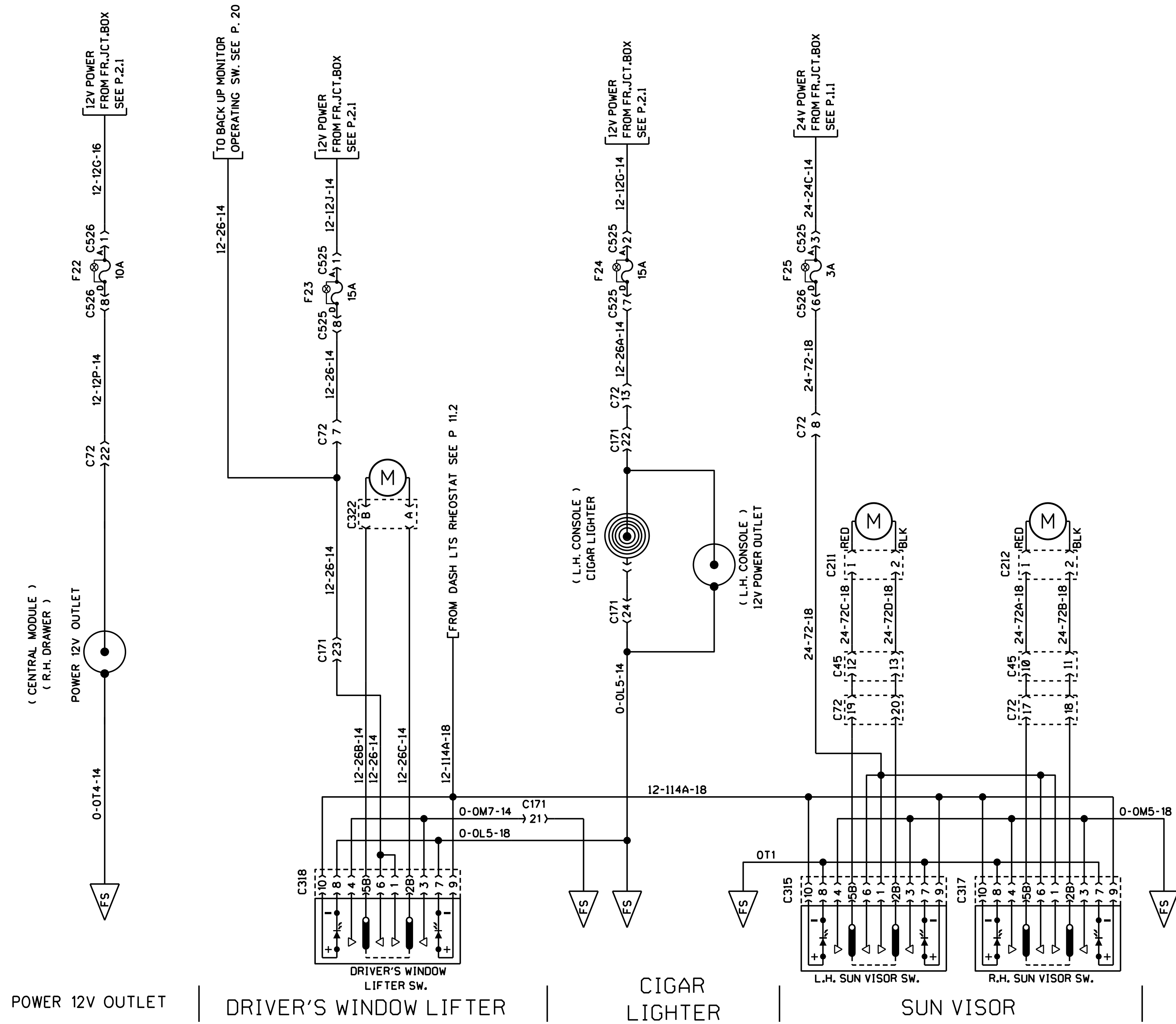
24-72-18

24-72-18

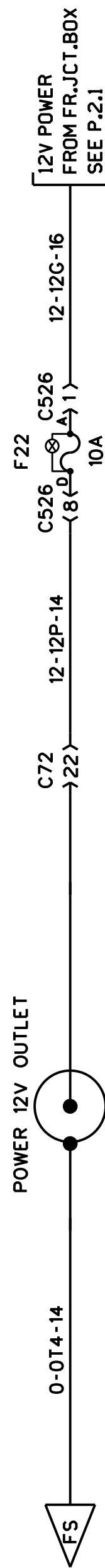
24-72-18

24-72-18

SUN VISOR



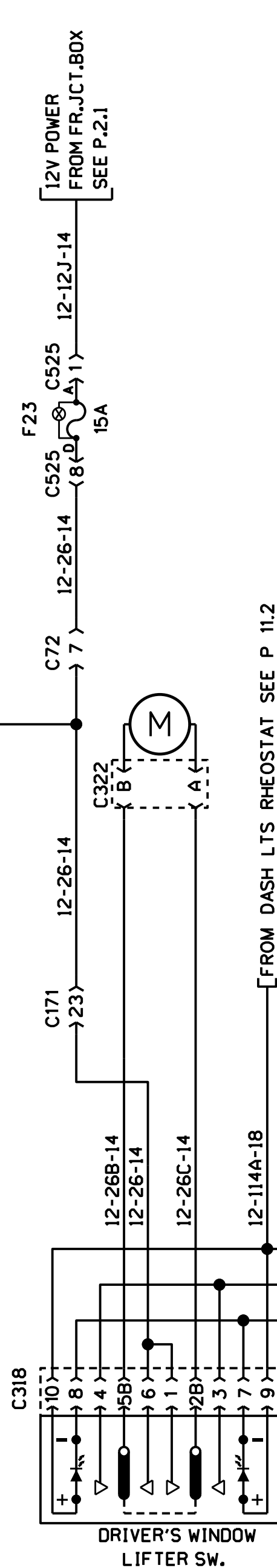
(CENTRAL MODULE)
(R.H. DRAWER)



POWER 12V OUTLET

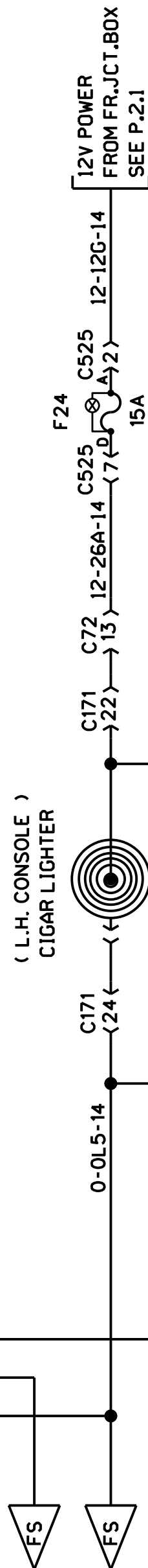
TO BACK UP MONITOR
OPERATING SW. SEE P. 20

12-26-14

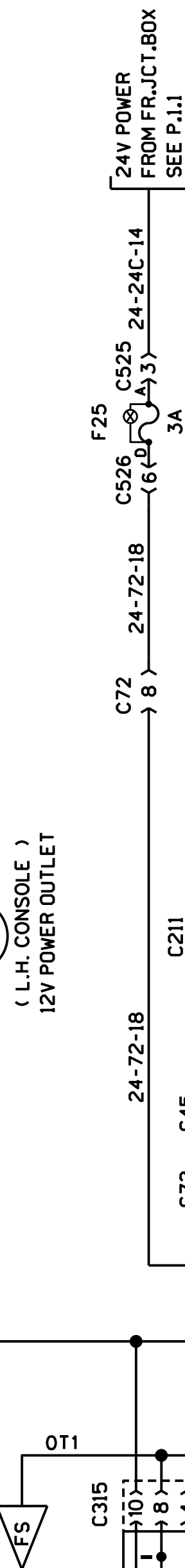


DRIVER'S WINDOW LIFTER

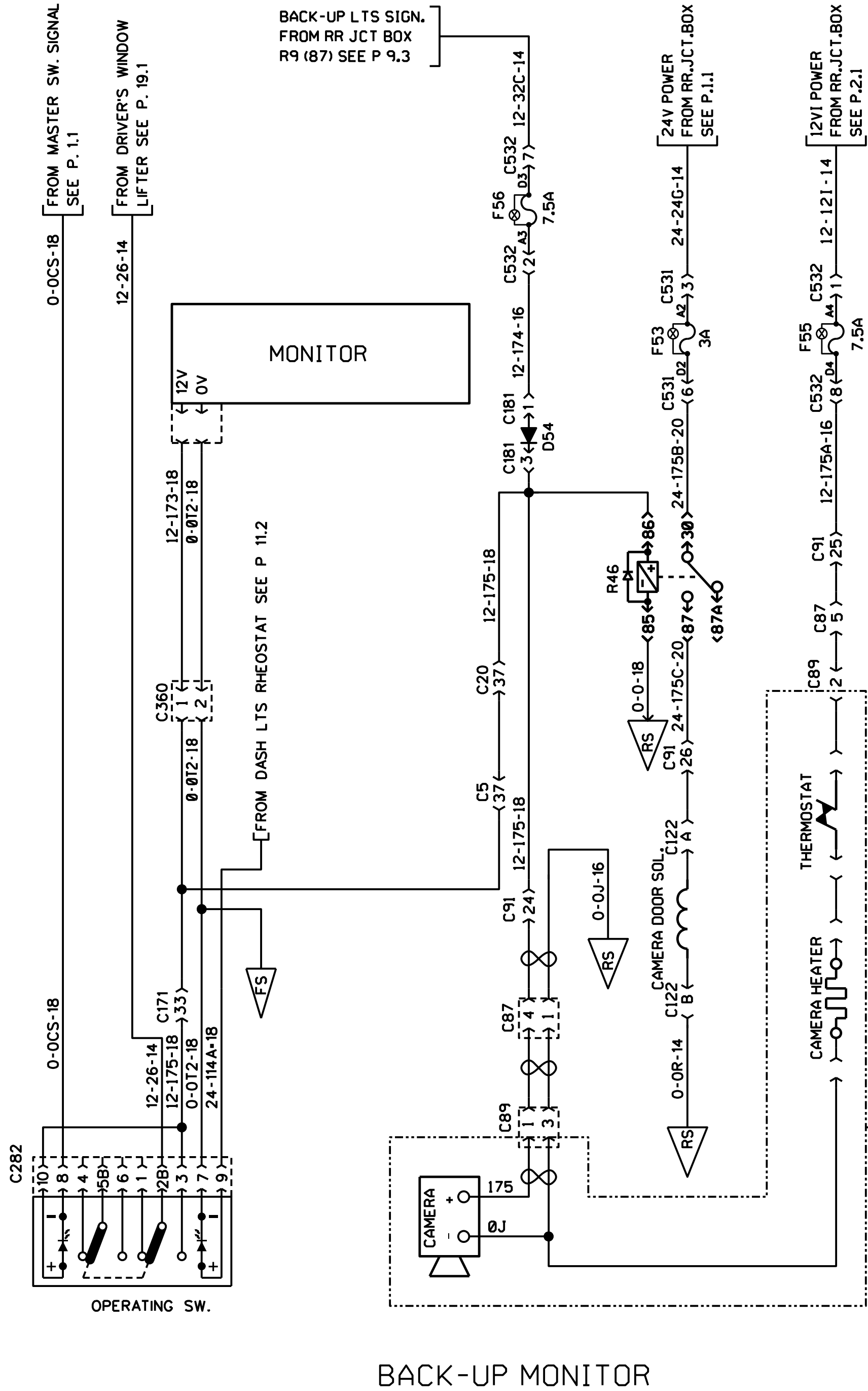
[FROM DASH LTS RHEOSTAT SEE P 11.2



CIGAR LIGHTER

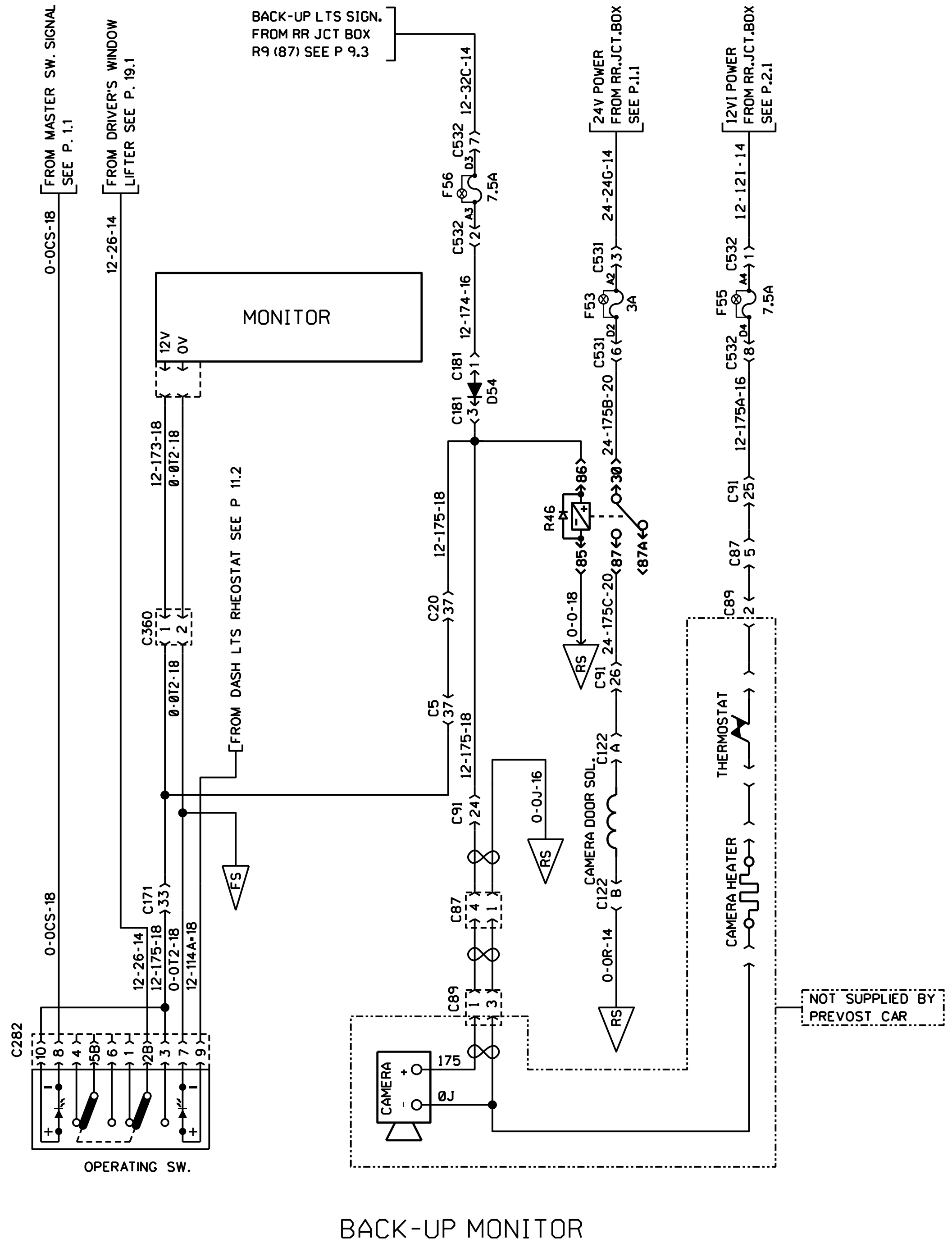


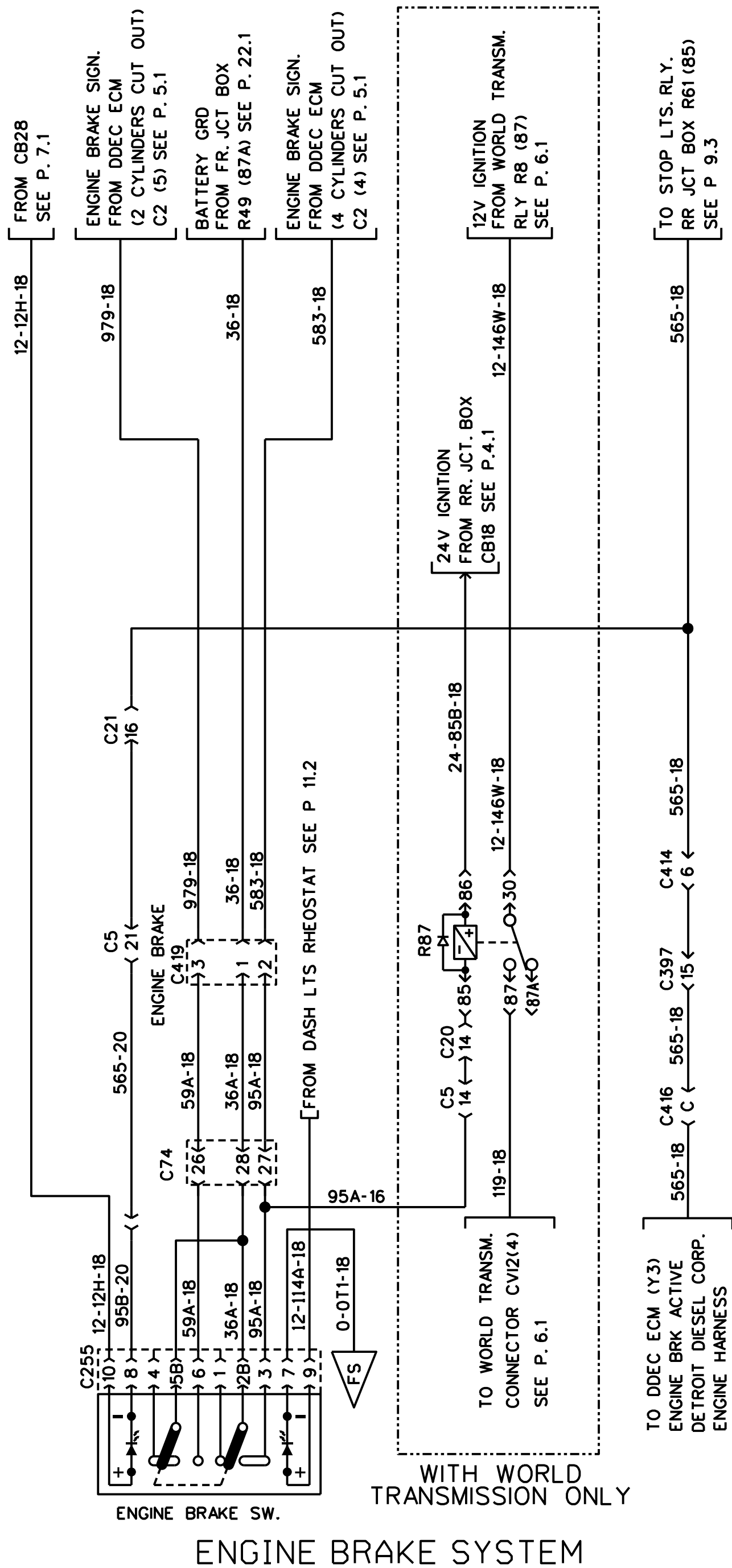
SUN VISOR



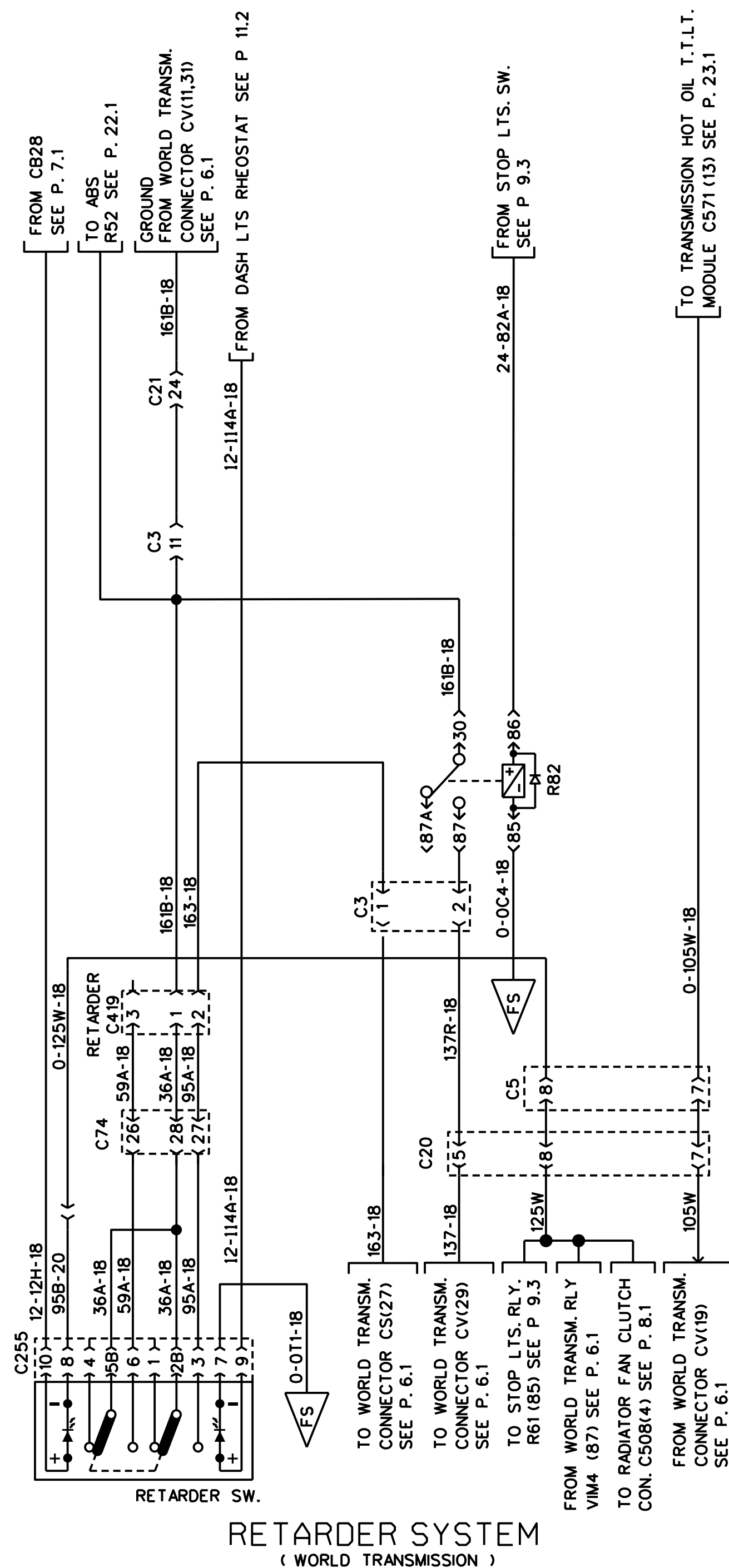
BACK-UP MONITOR

NOT SUPPLIED BY
PREVOST CAR

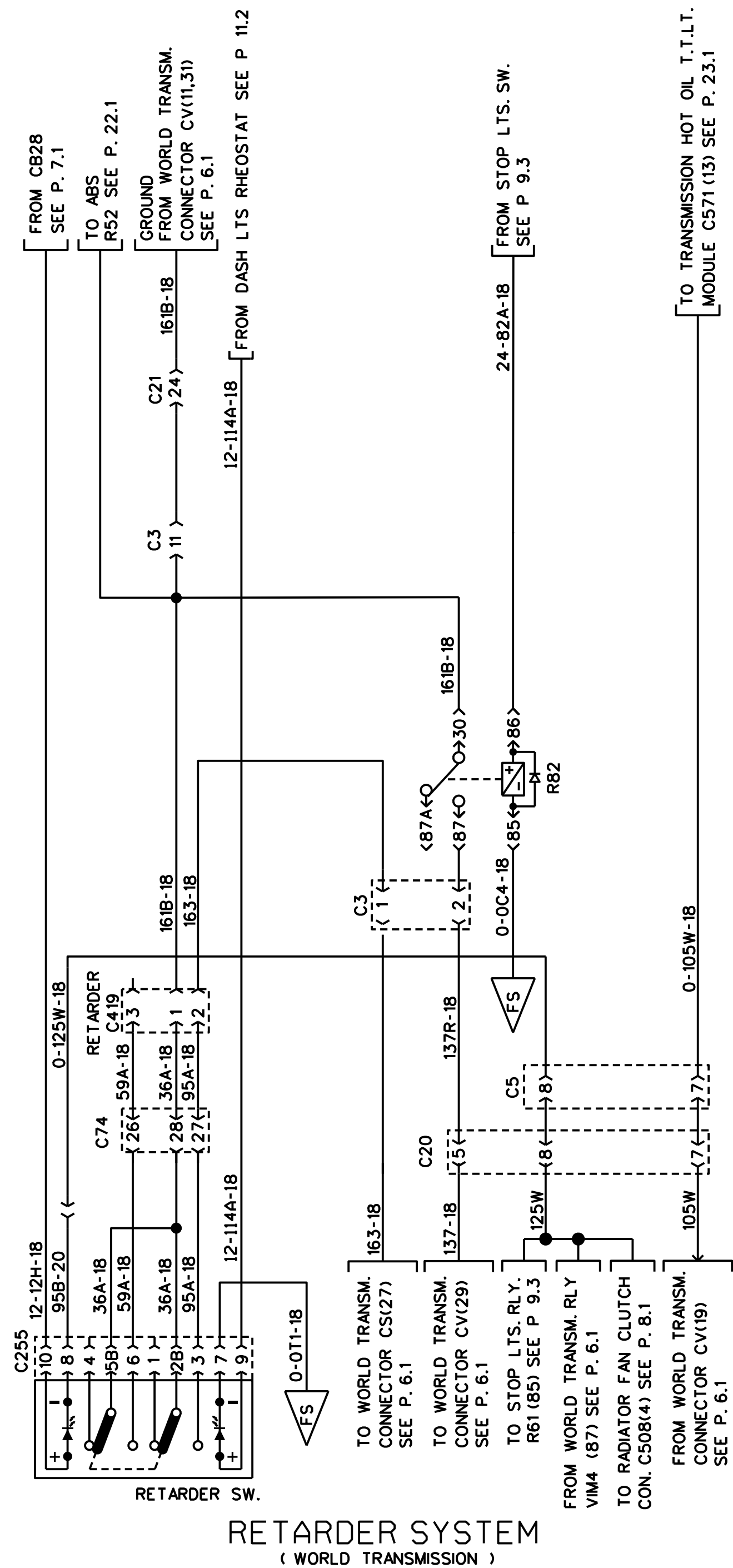
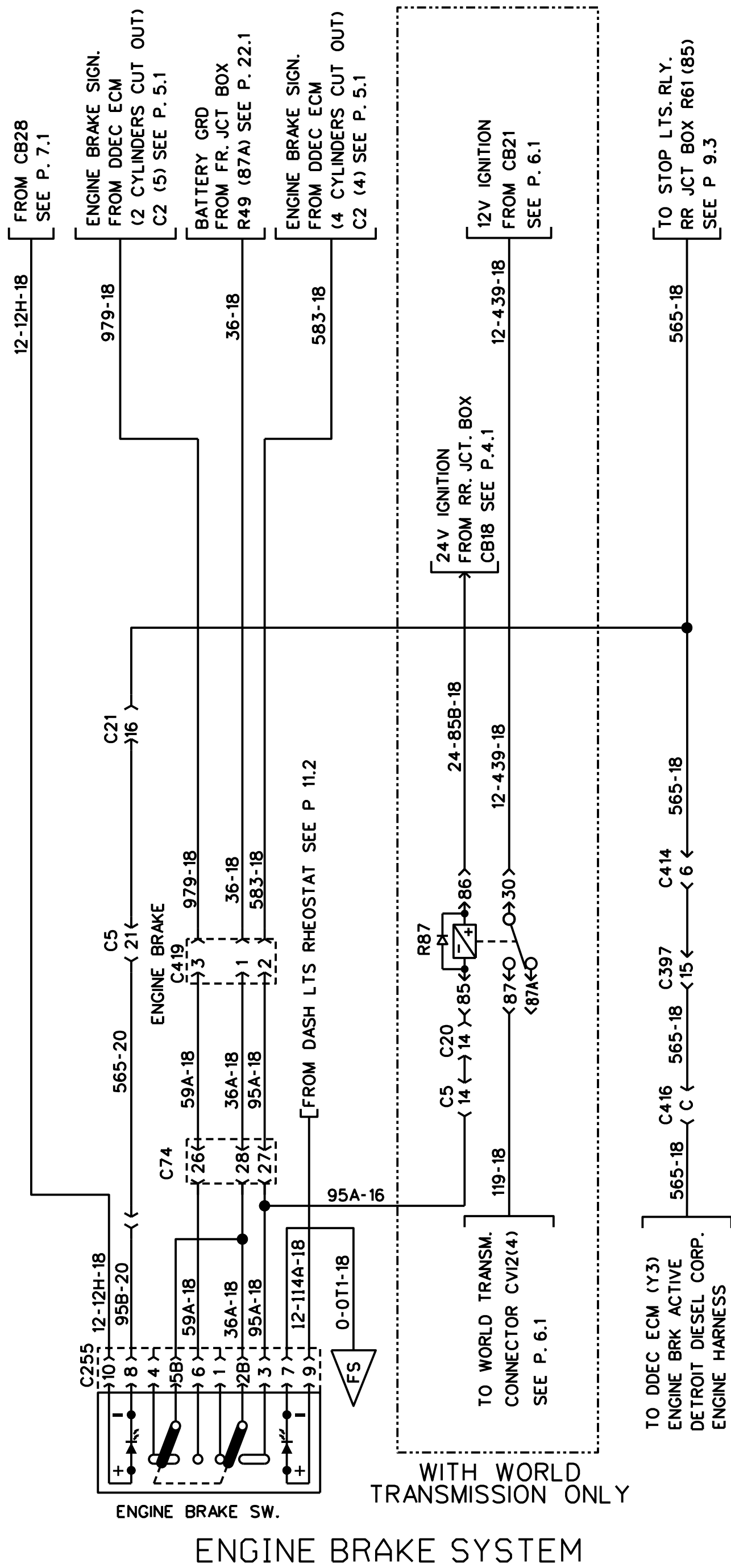


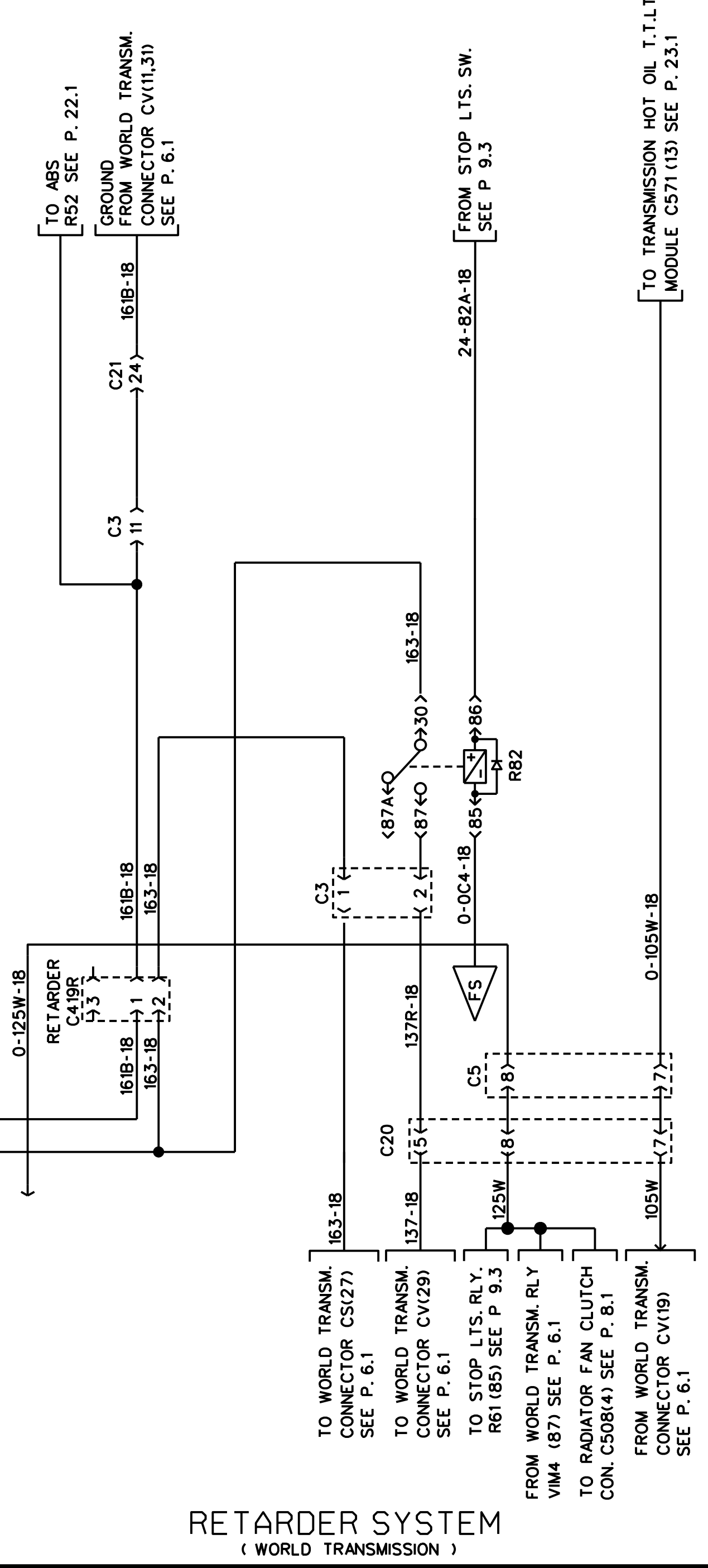
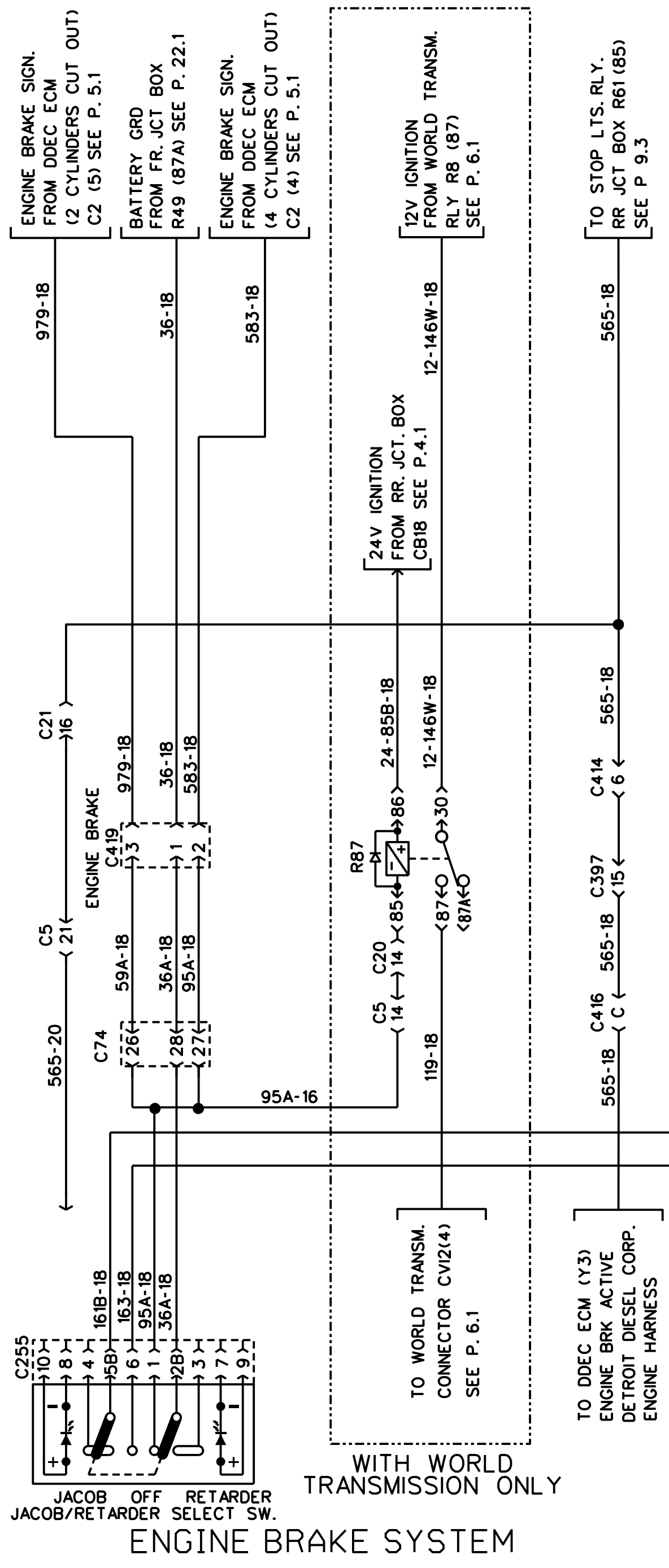


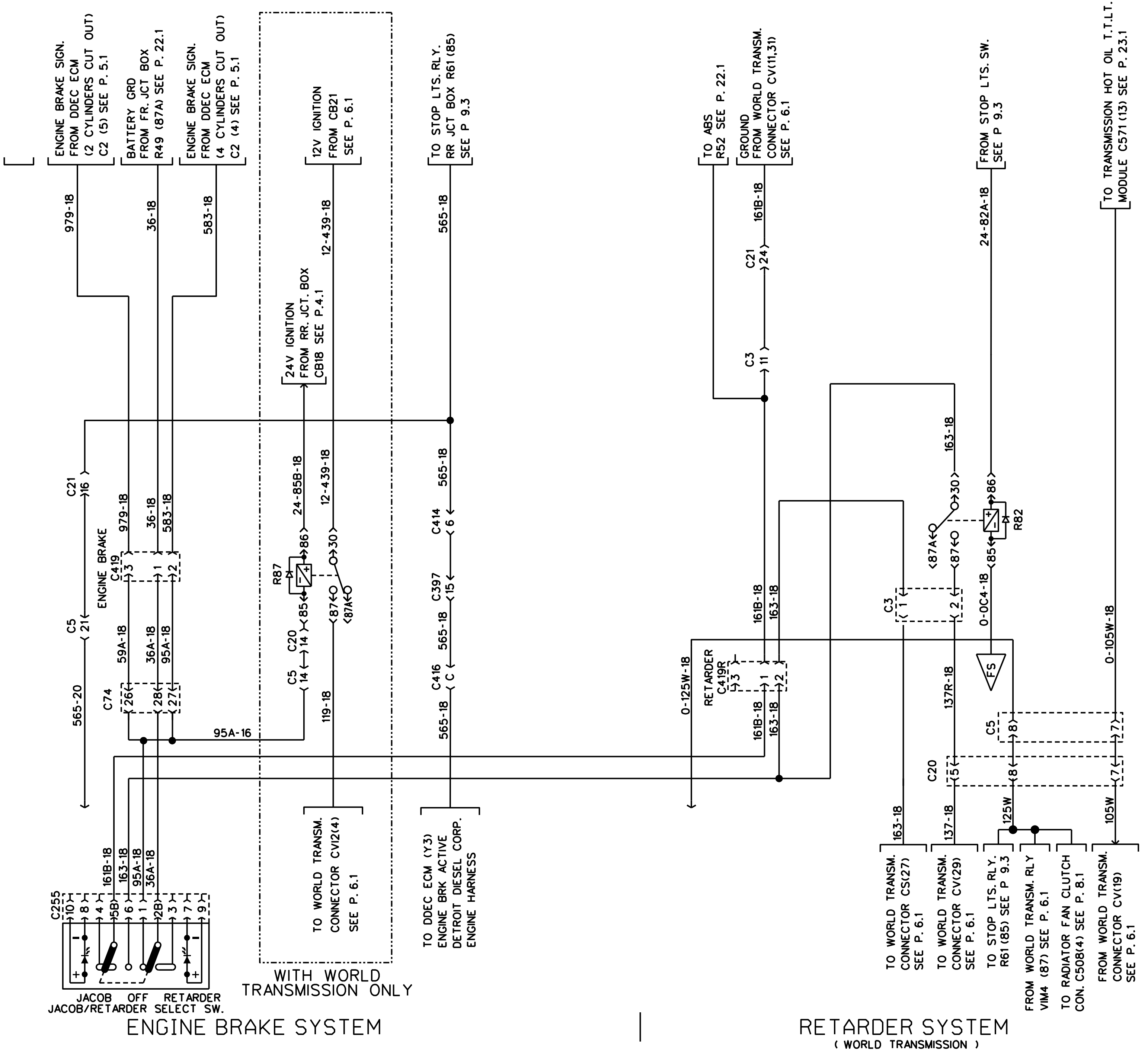
ENGINE BRAKE SYSTEM

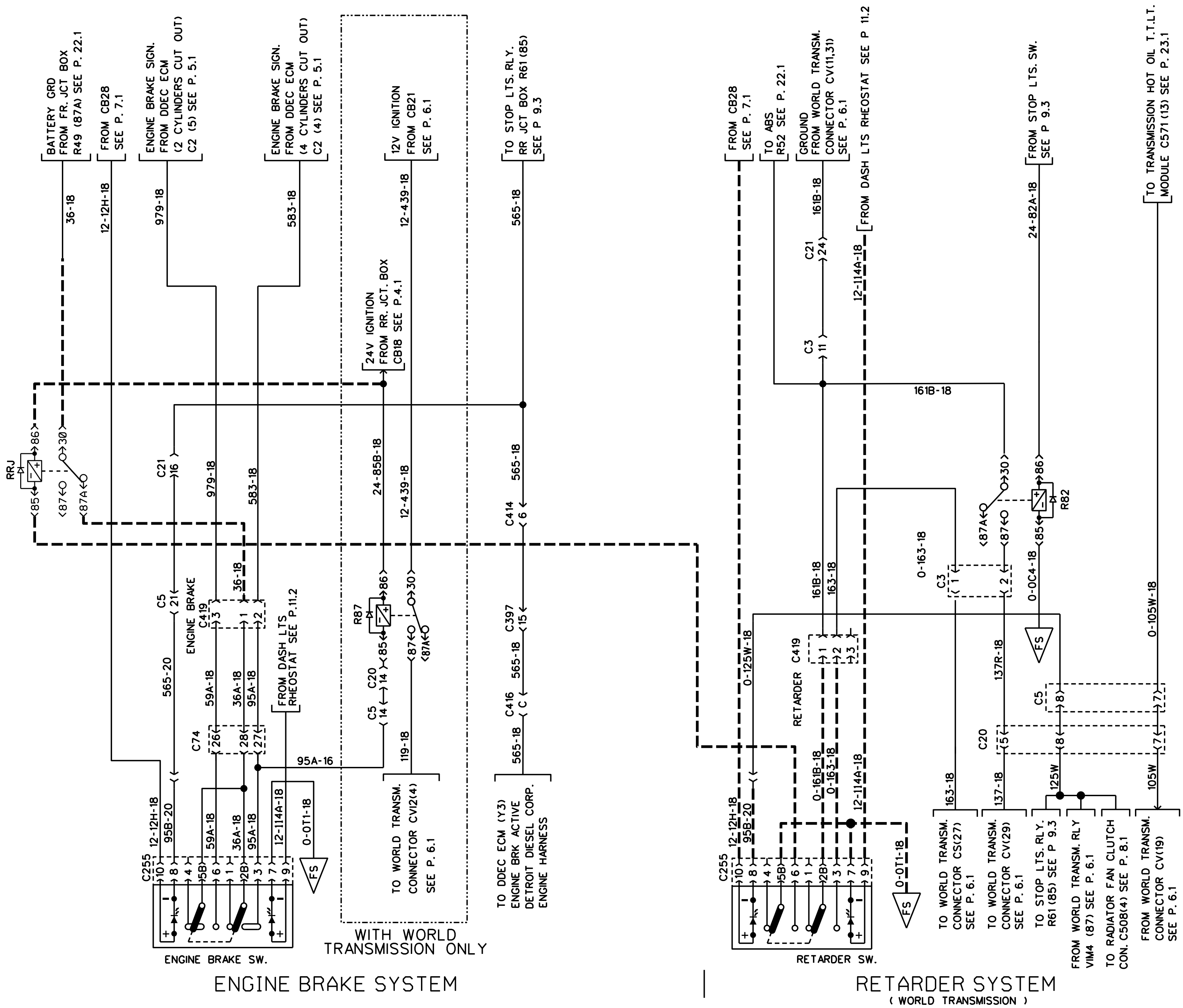


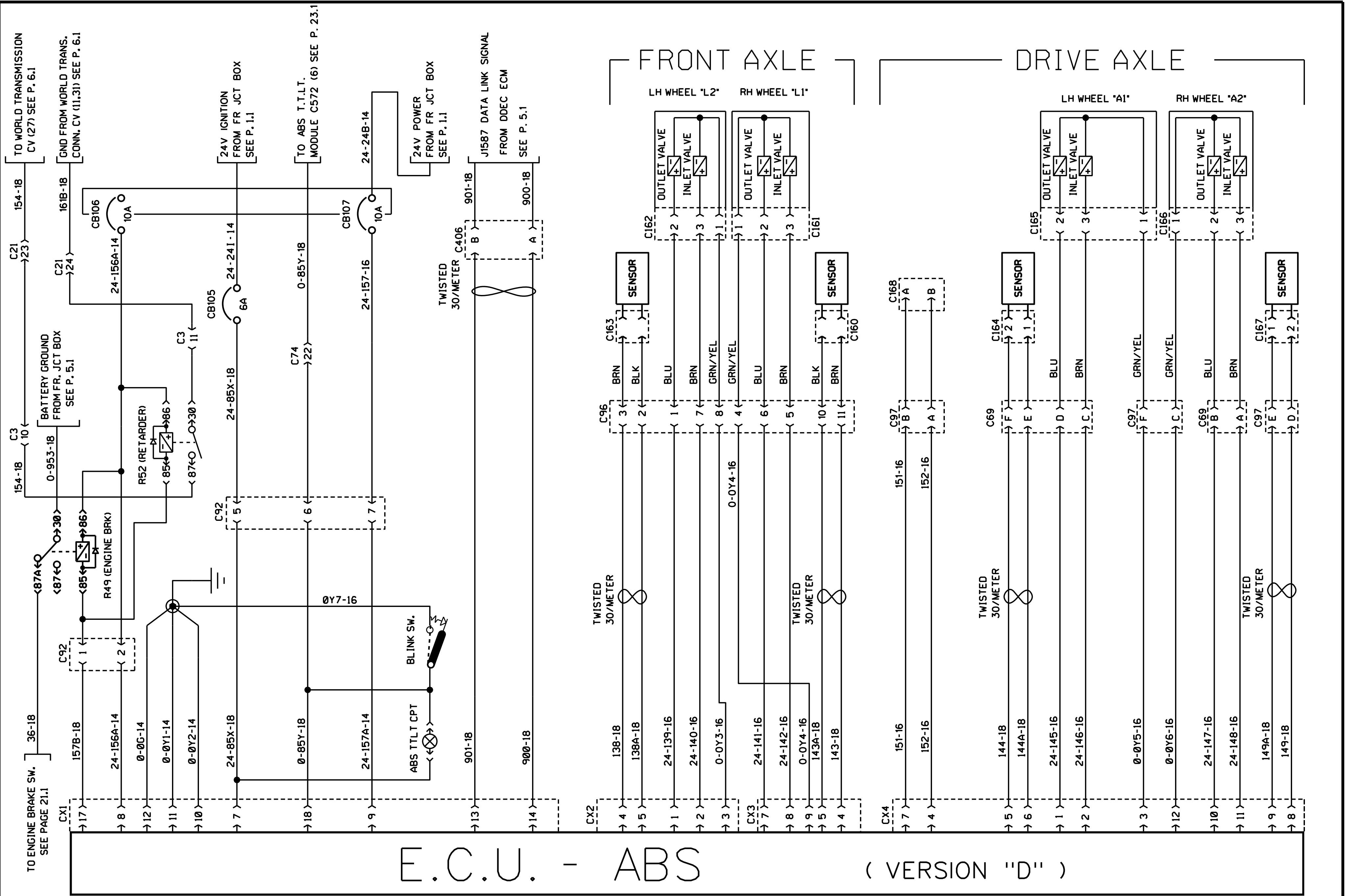
RETARDER SYSTEM (WORLD TRANSMISSION)

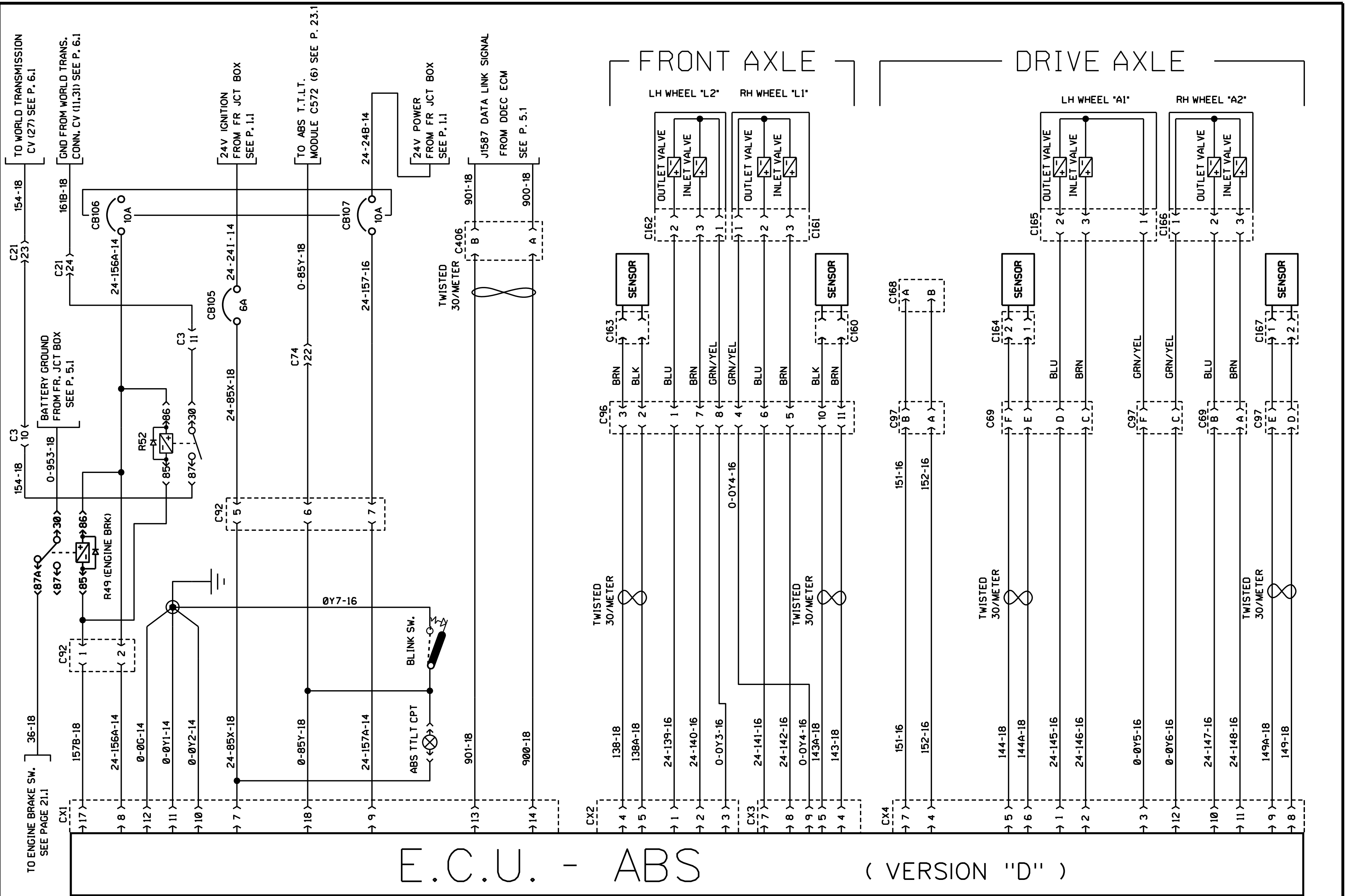


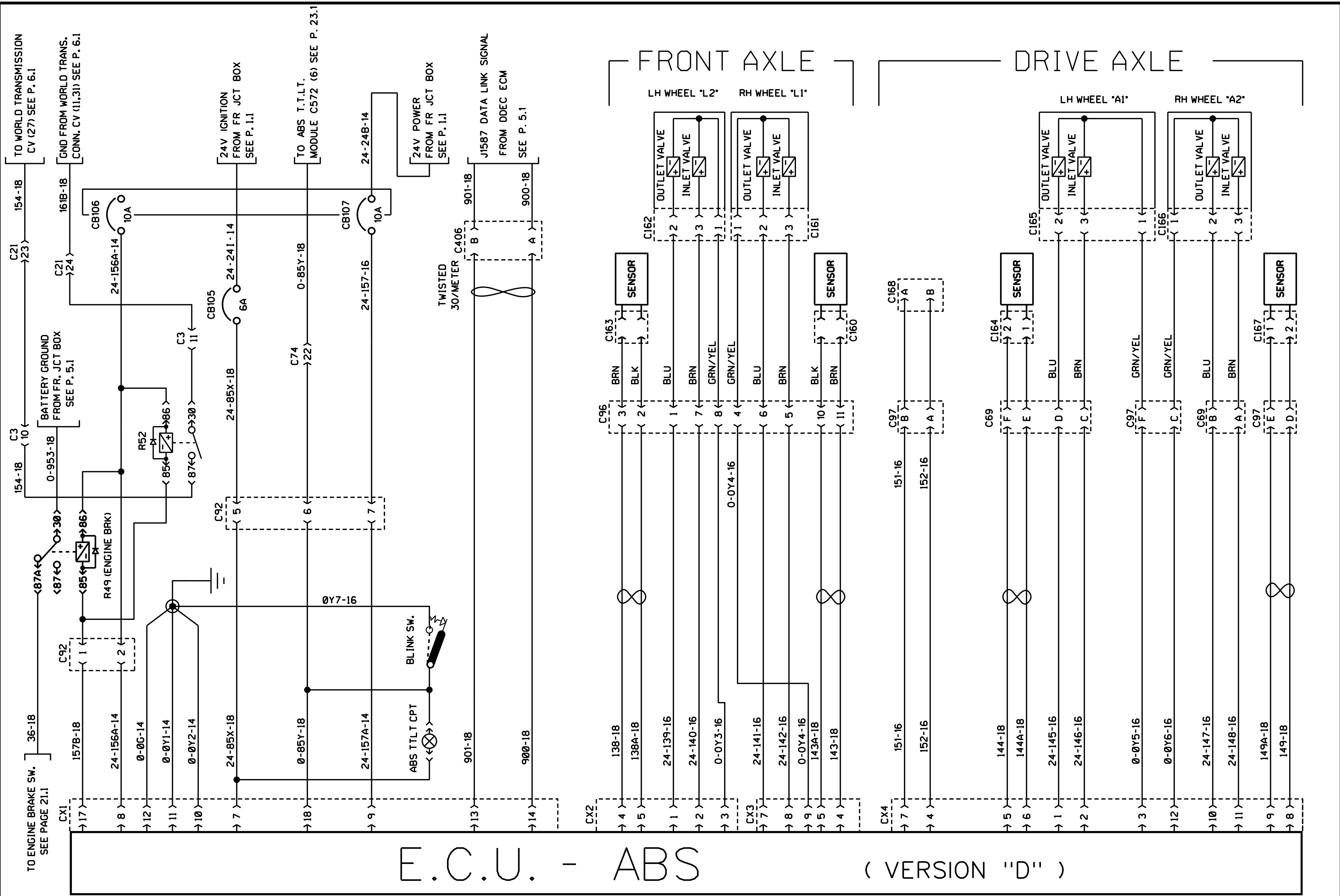


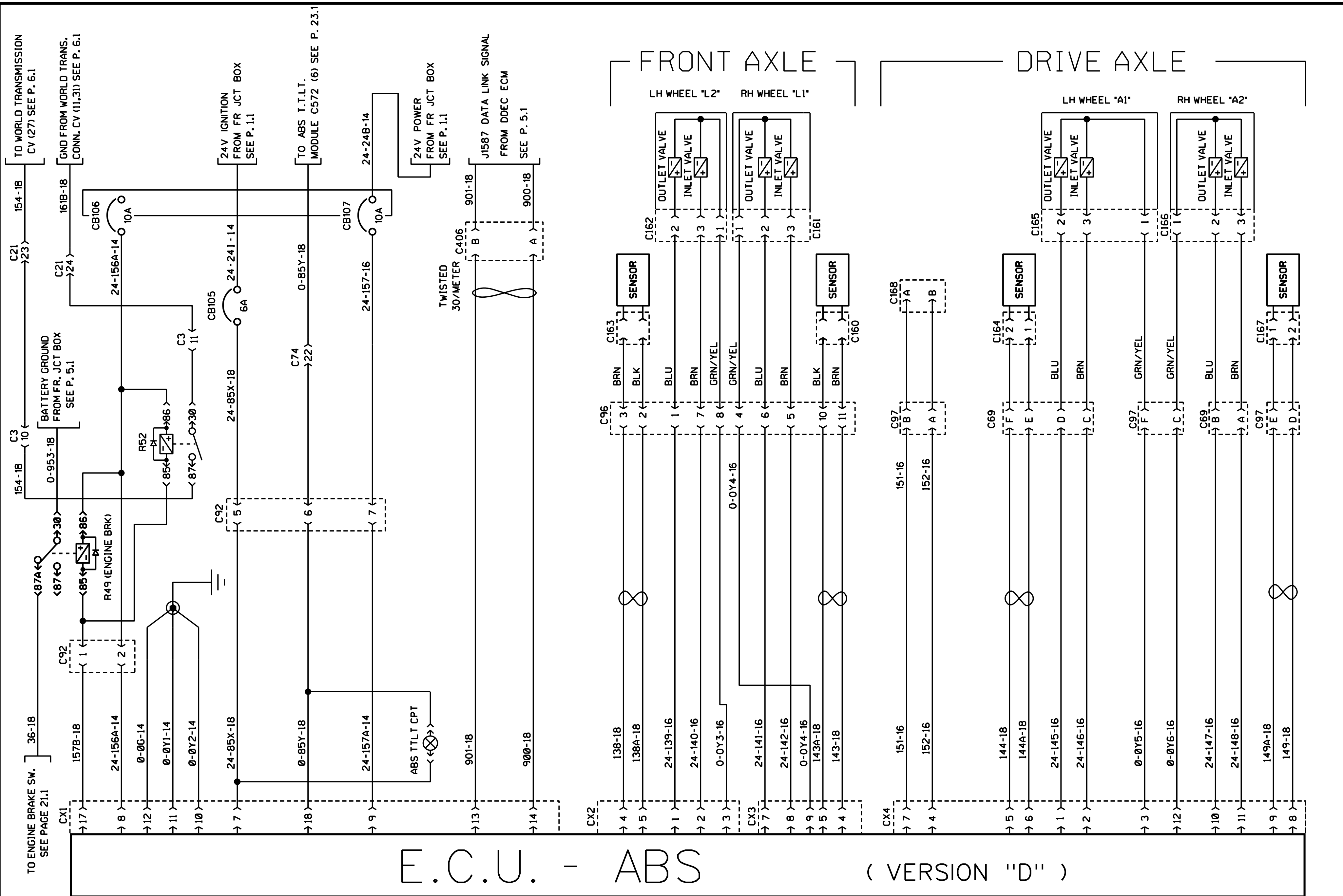


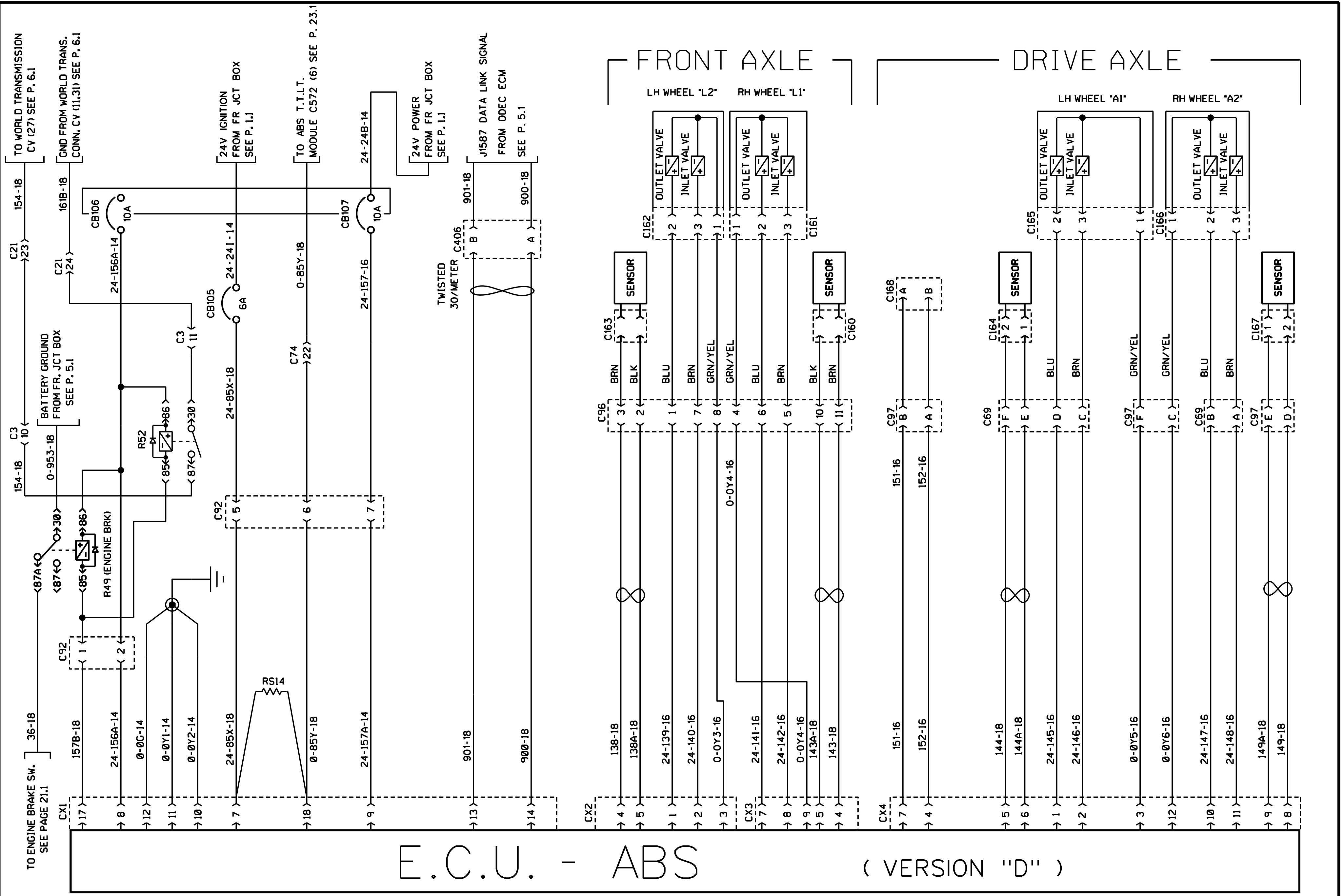


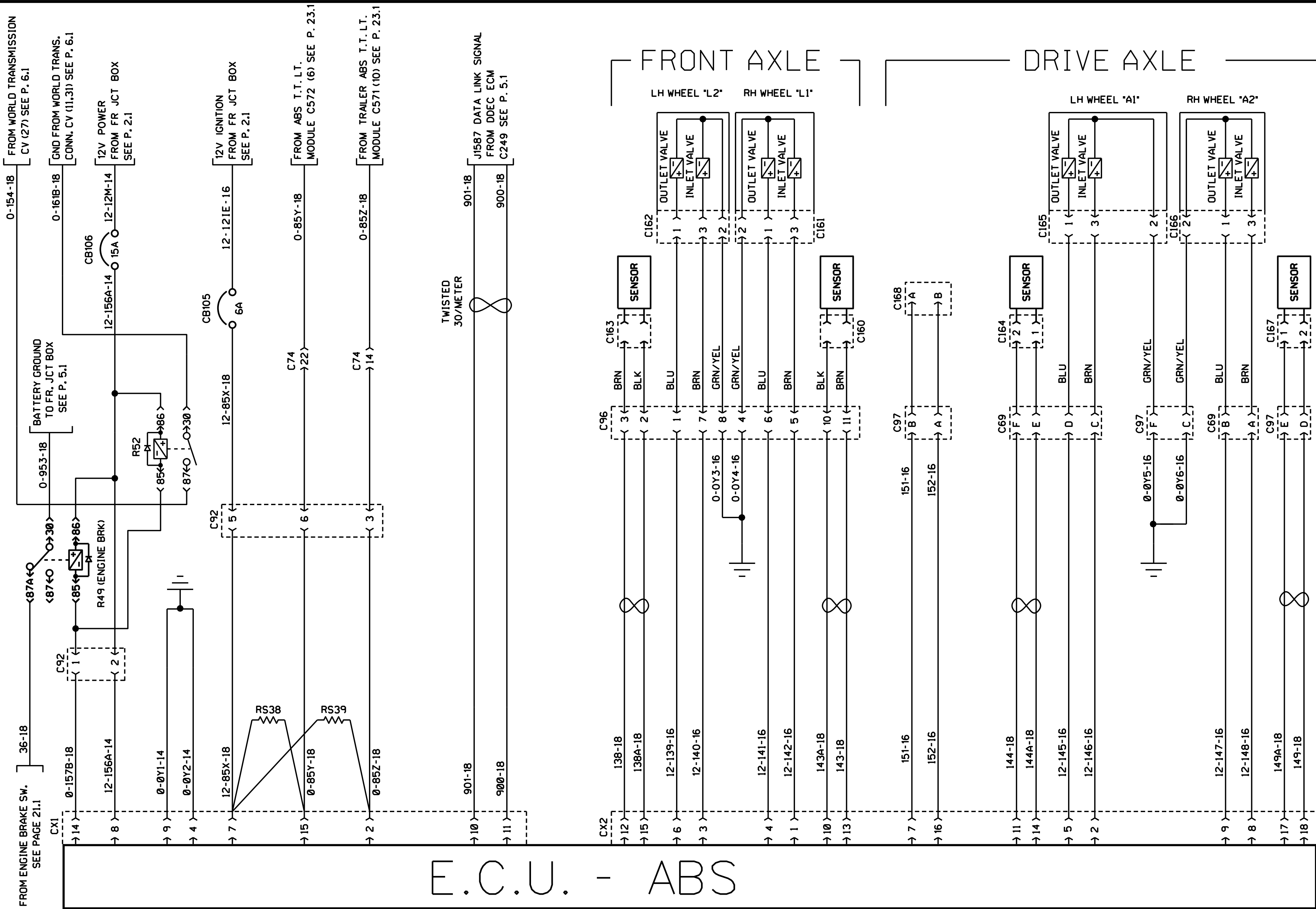




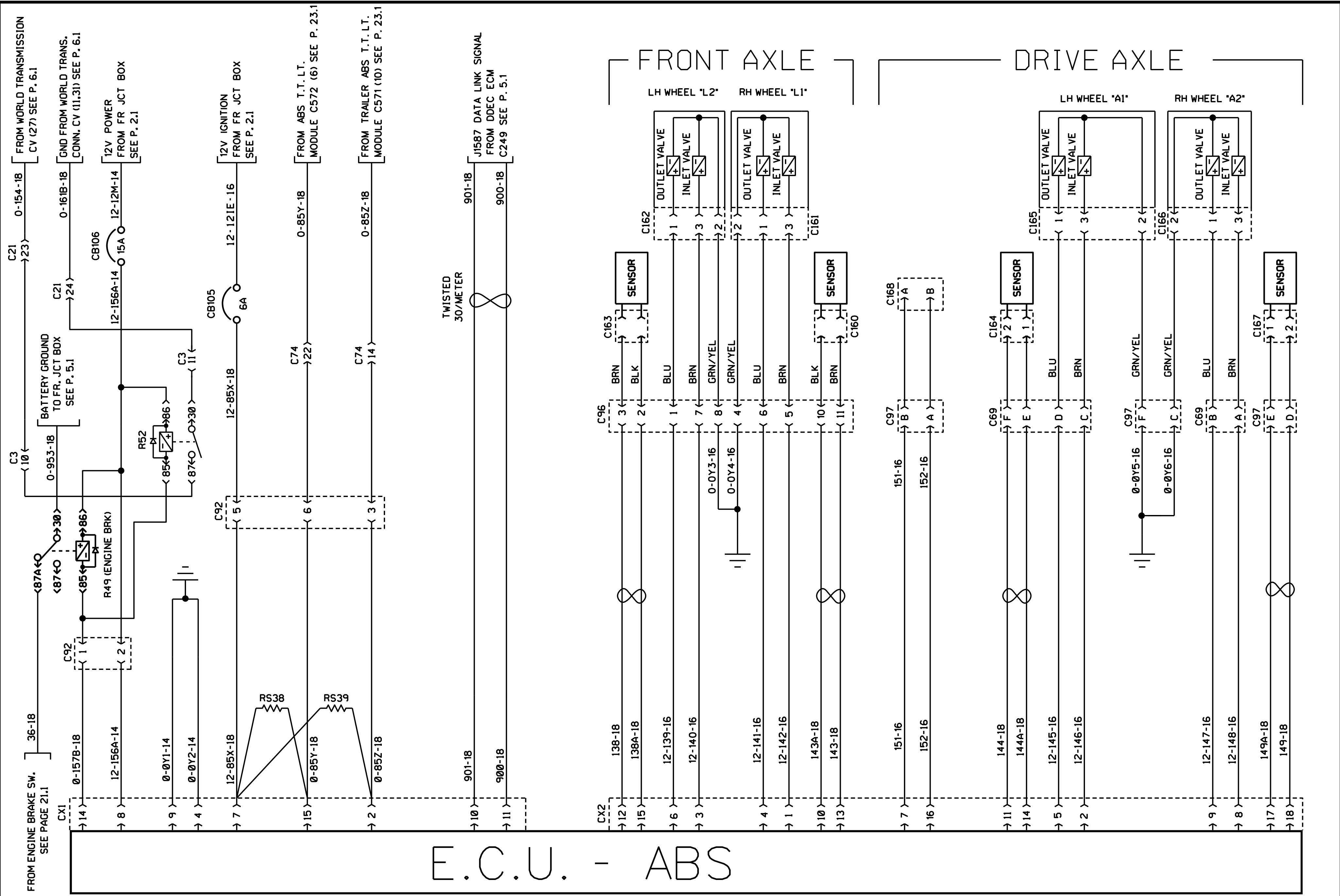




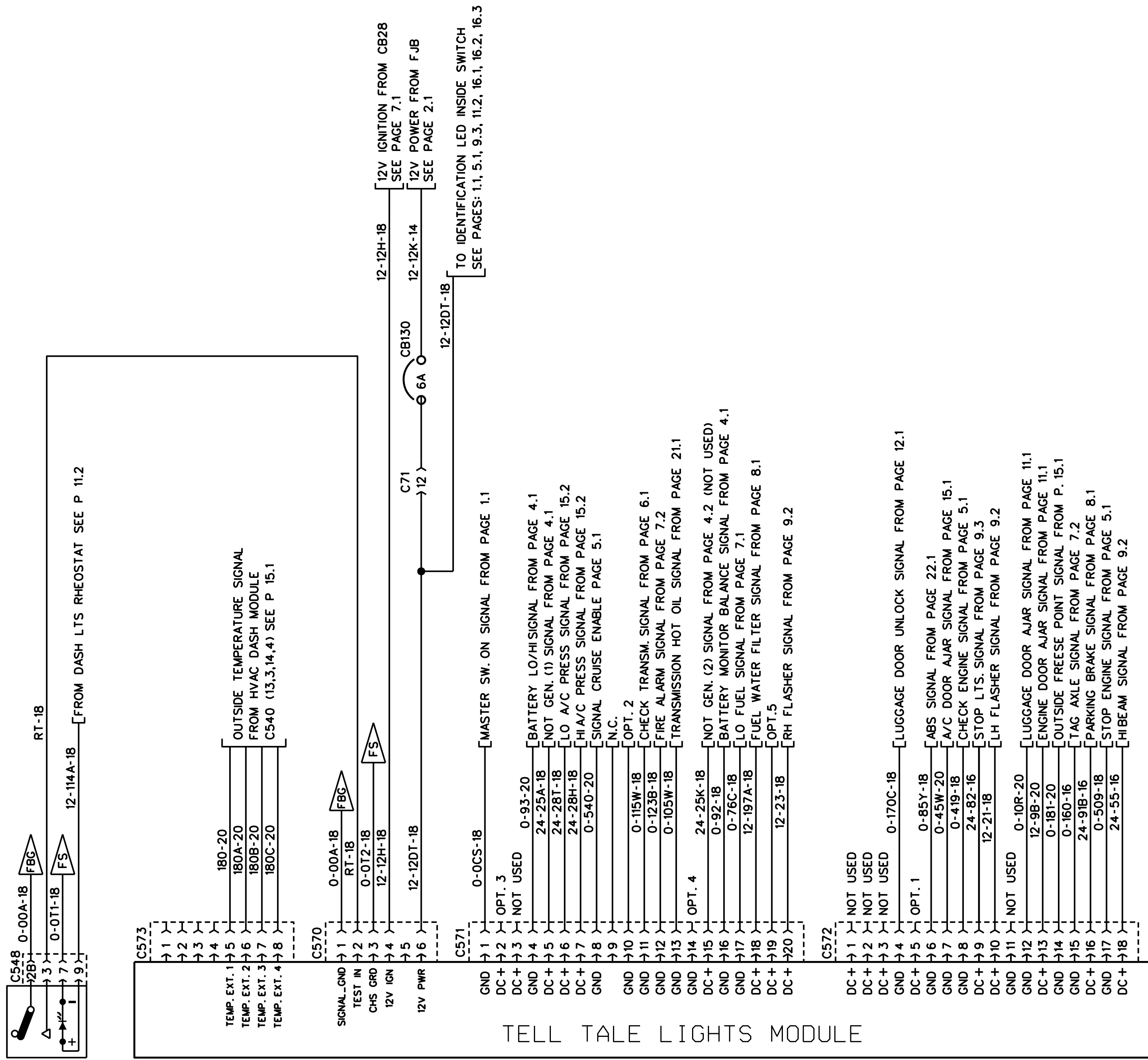




E.C.U. - ABS



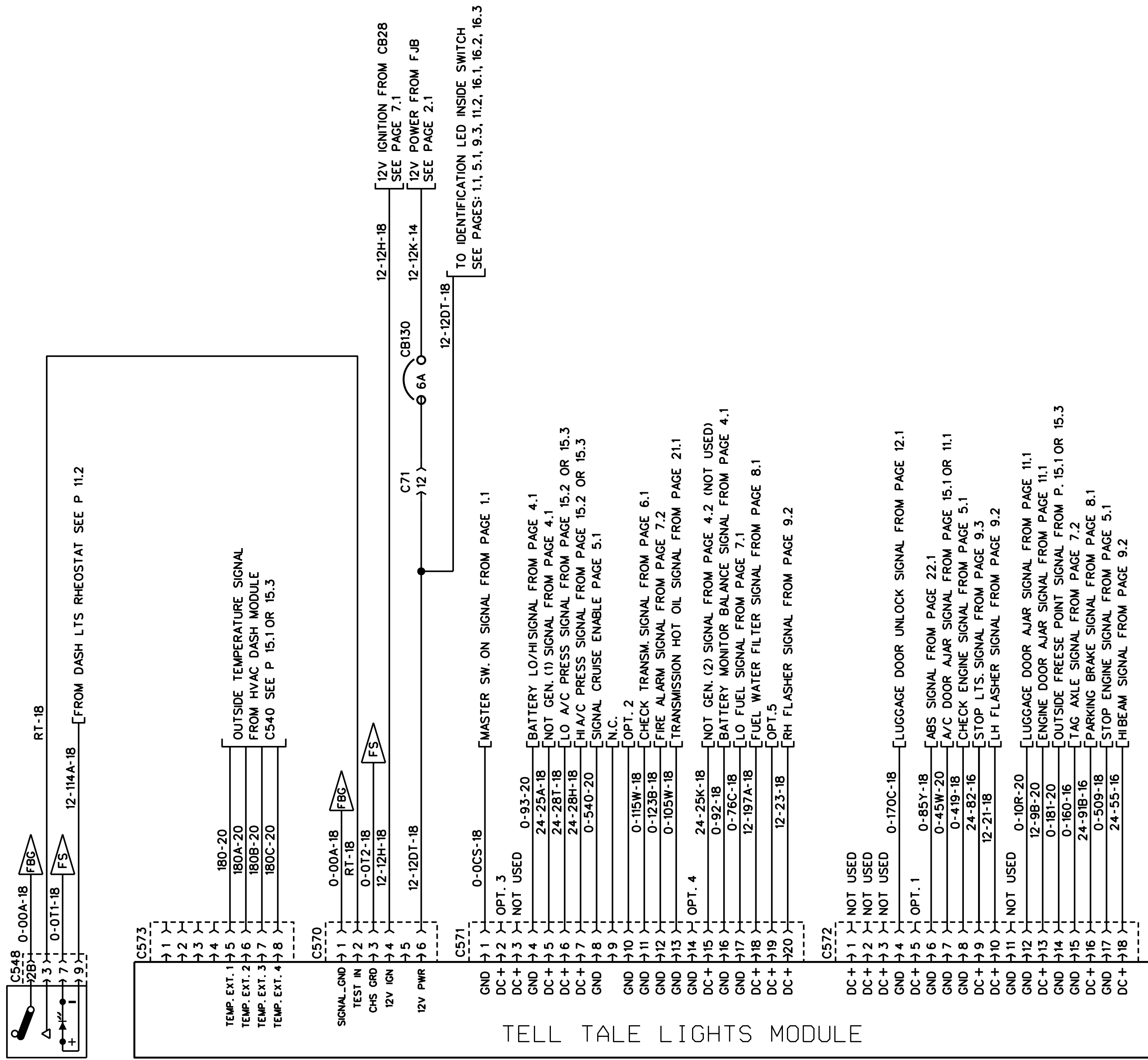
REMOTE TEST SW.



TELL TALE LIGHT MODULES

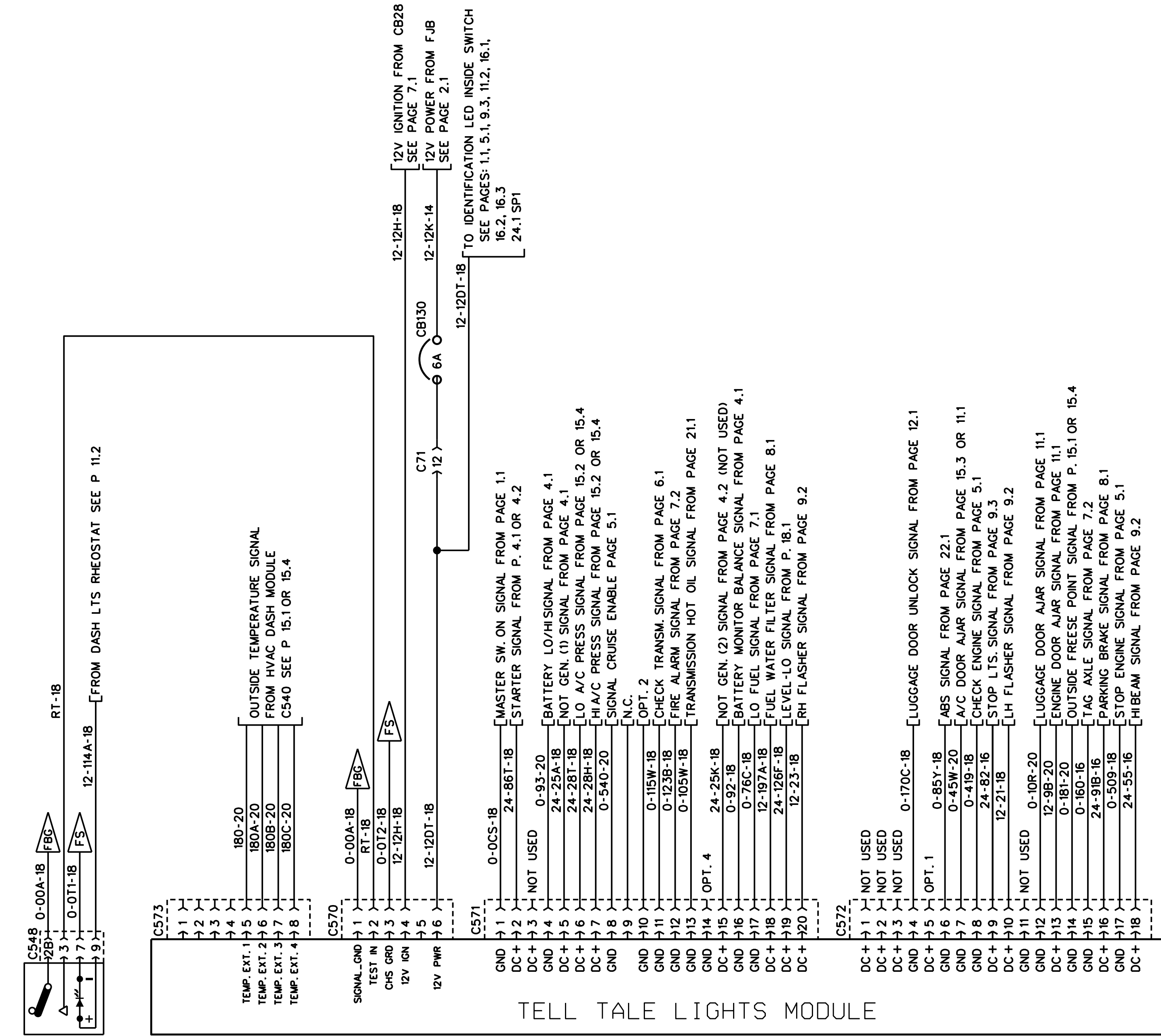
TELL TALE LIGHTS MODULE

REMOTE TEST SW.



TELL TALE LIGHT MODULES

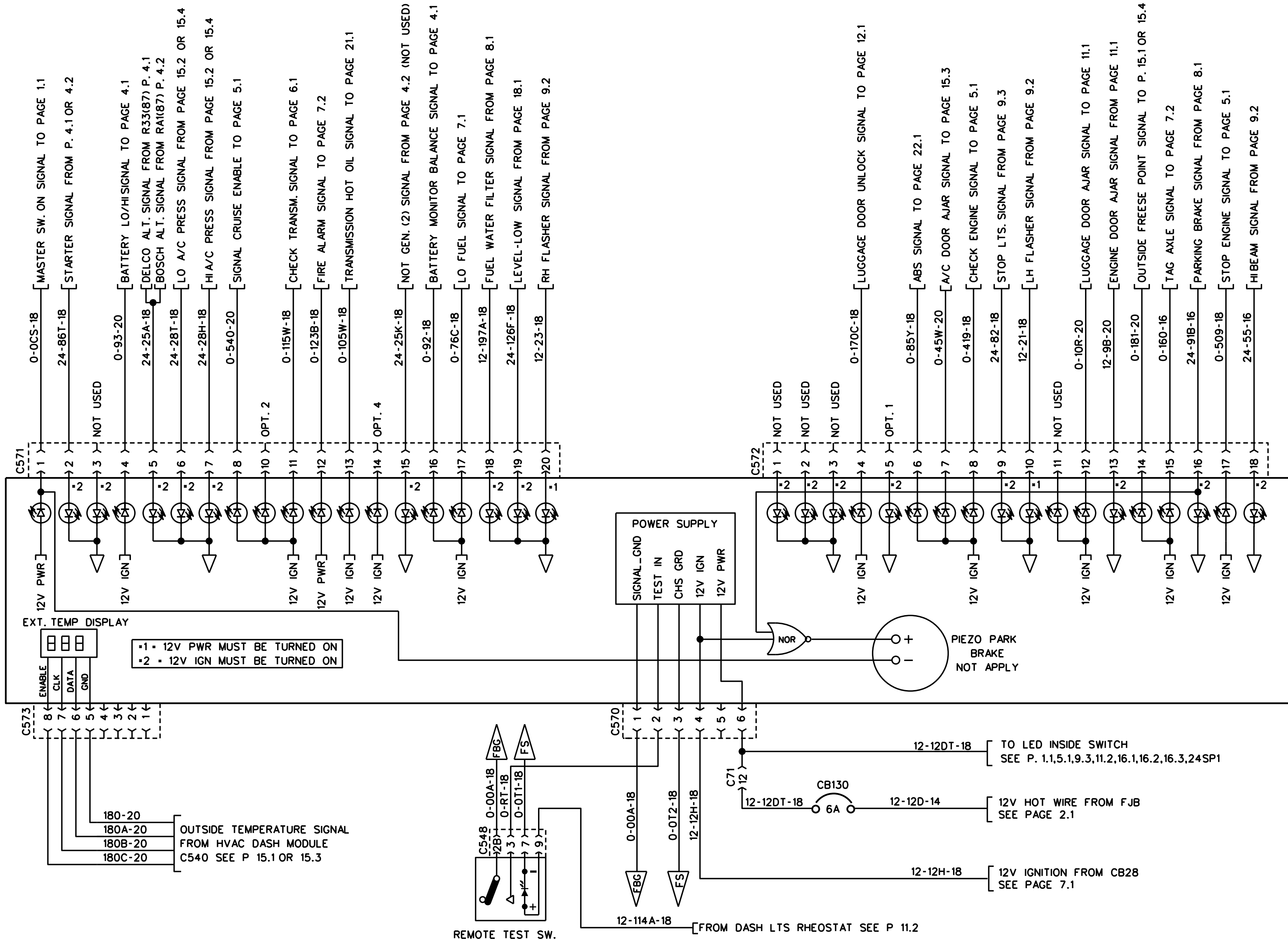
TELL TALE LIGHTS MODULE



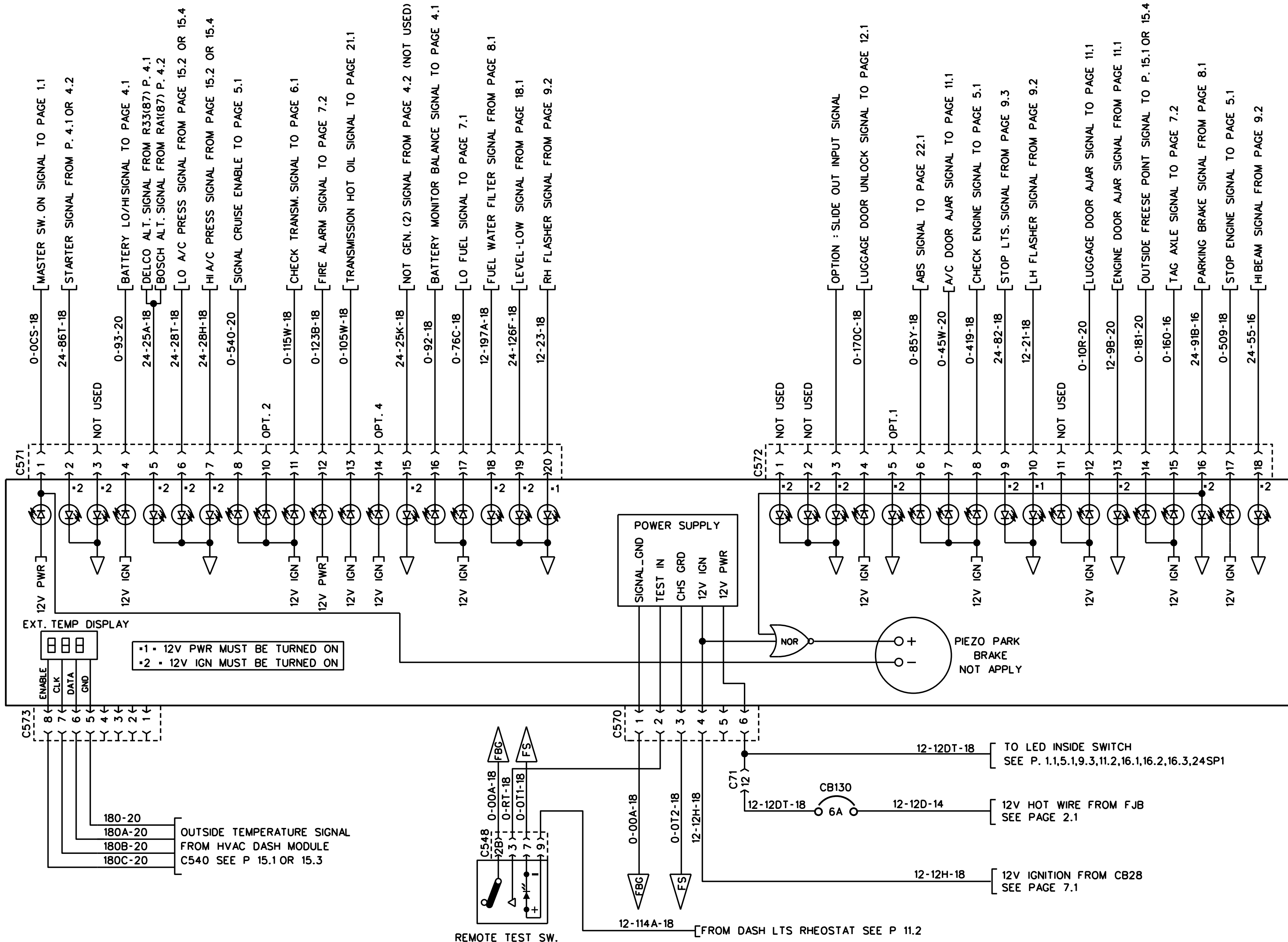
REMOTE TEST SW.

TELL TALE LIGHT MODULES

TELL TALE LIGHTS MODULE



TELL TALE LIGHTS MODULE

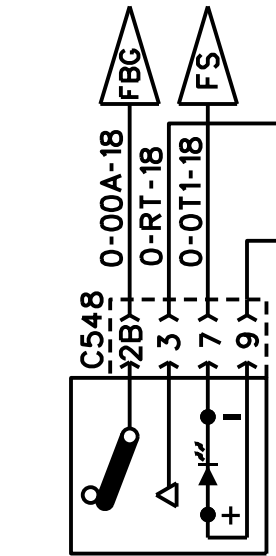


•1 - 12V PWR MUST BE TURNED ON
 •2 - 12V IGN MUST BE TURNED ON

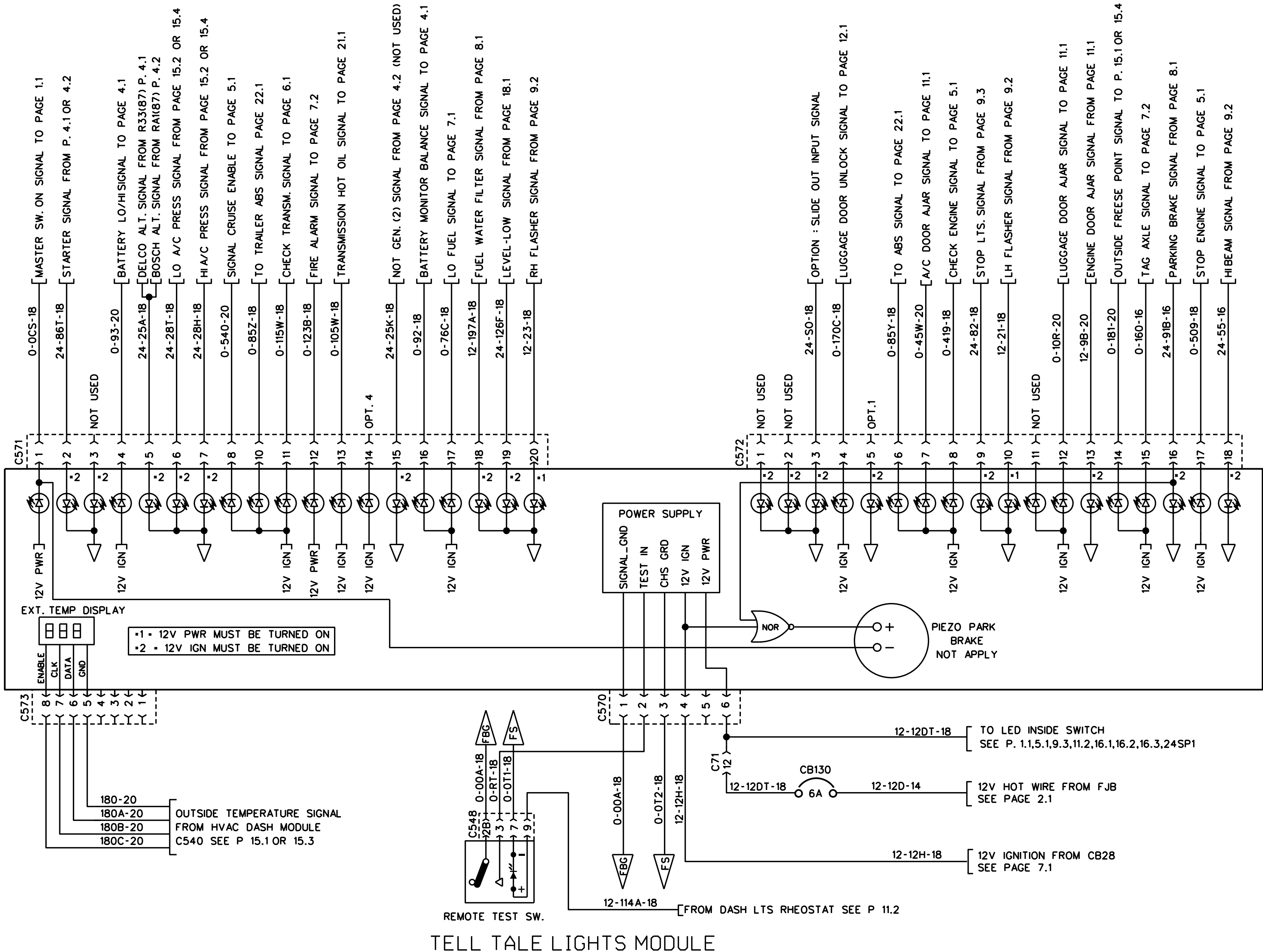
EXT. TEMP DISPLAY

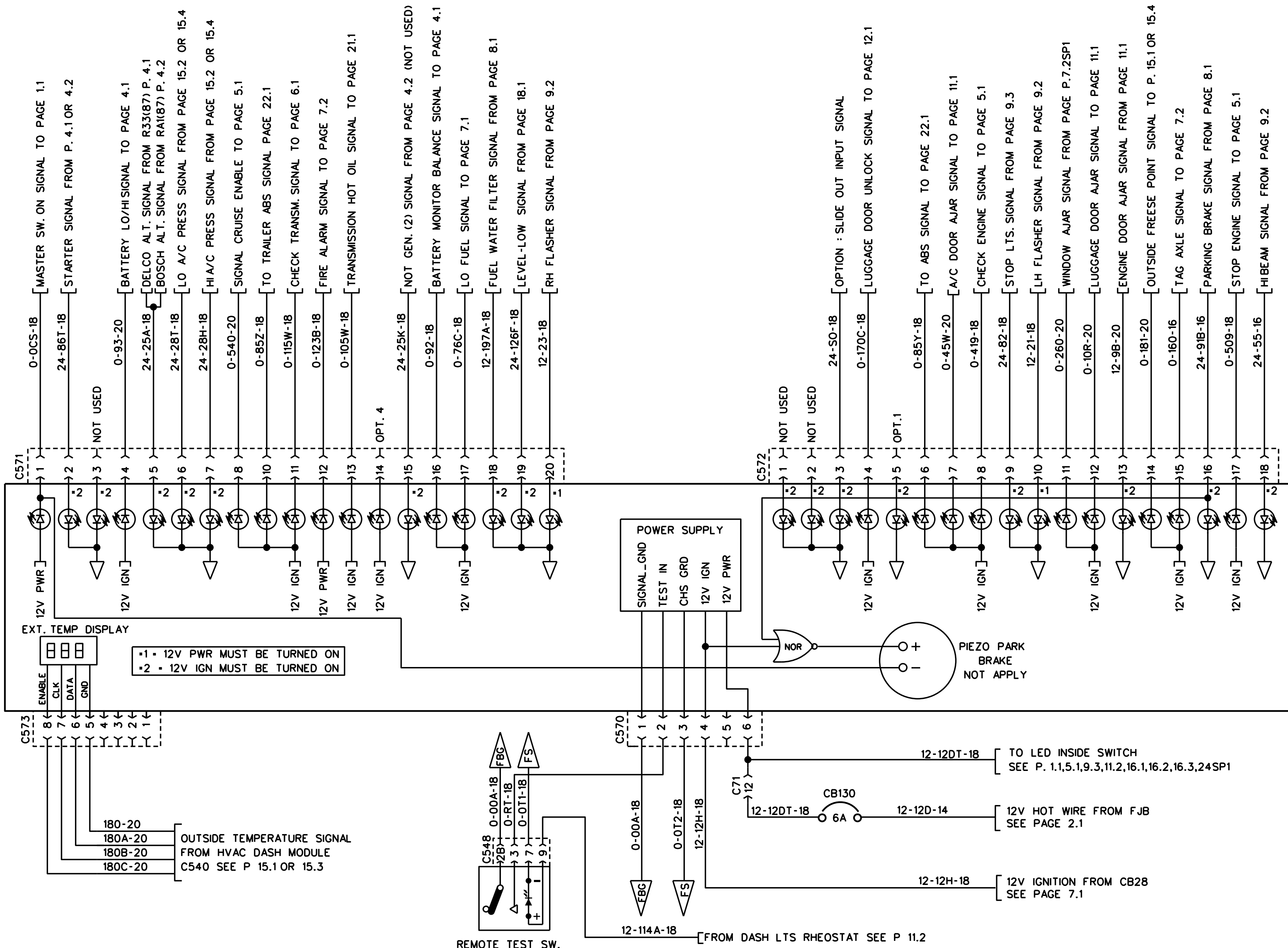
ENABLE
 CLK
 DATA
 GND

180-20
 180A-20
 180B-20
 180C-20
 OUTSIDE TEMPERATURE SIGNAL
 FROM HVAC DASH MODULE
 C540 SEE P 15.1 OR 15.3



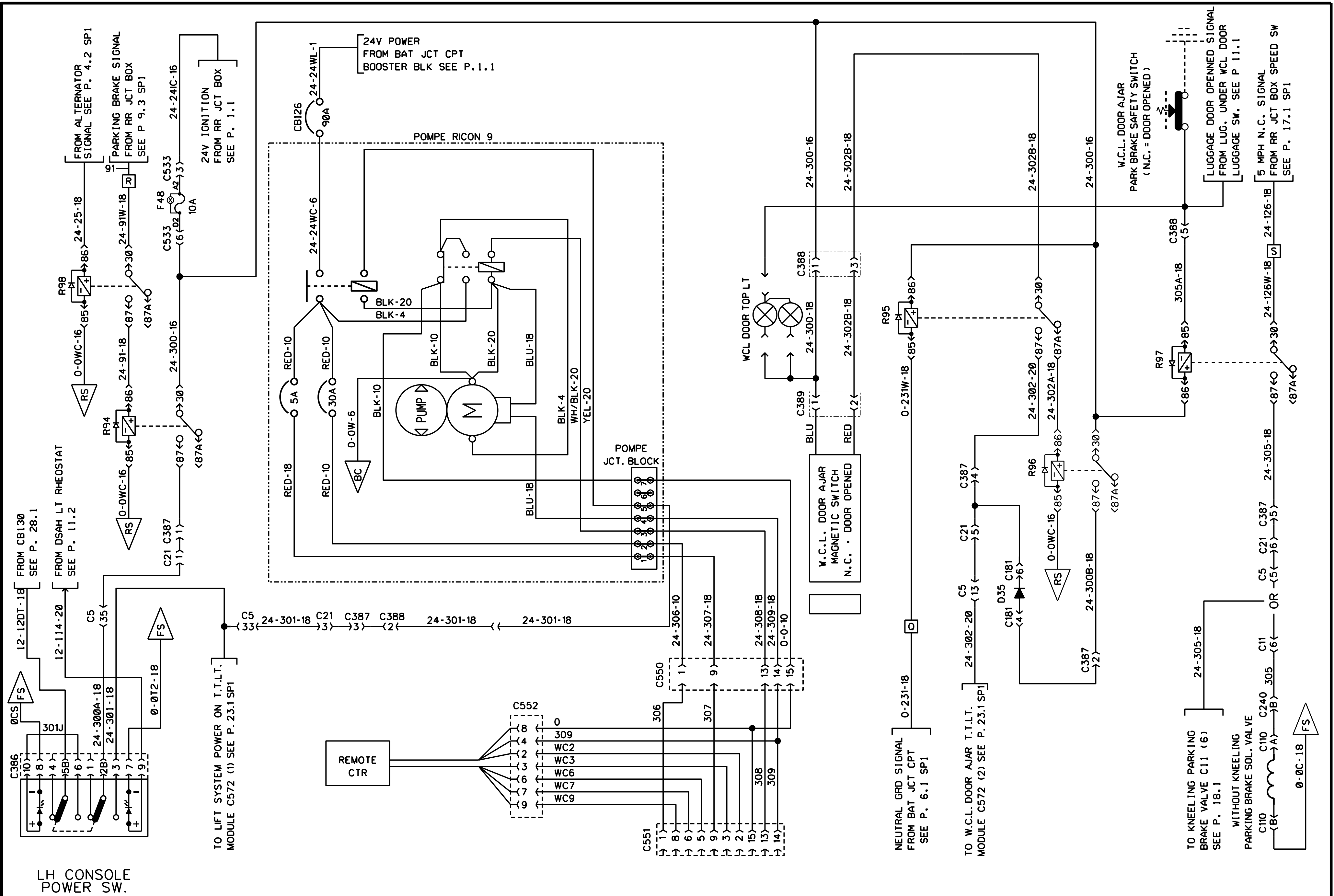
TELL TALE LIGHTS MODULE



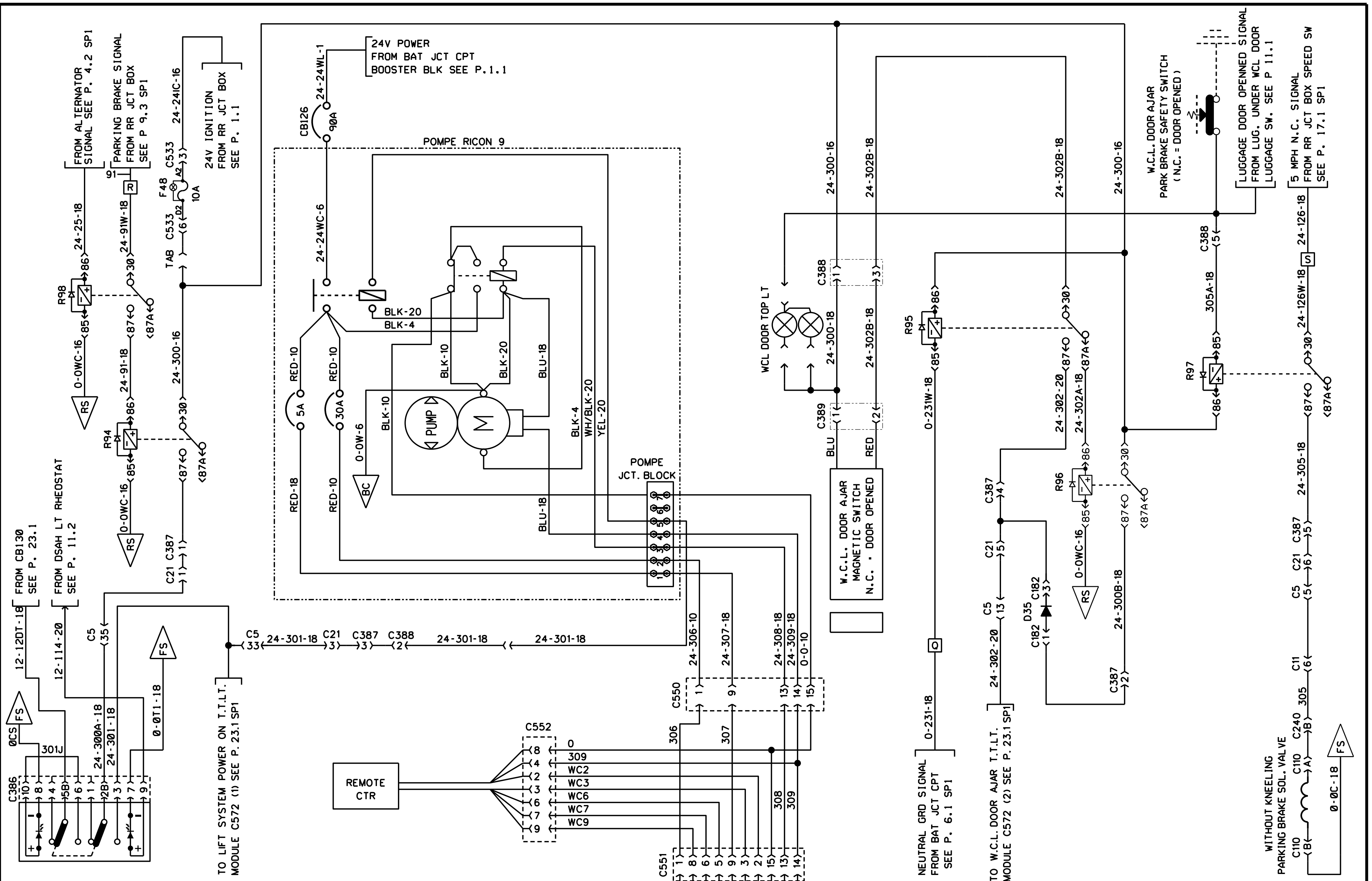


TELL TALE LIGHTS MODULE

WINDOW AJAR SPECIAL



W.C.L. SYSTEM RICON 9



W.C.L. SYSTEM RICON 9