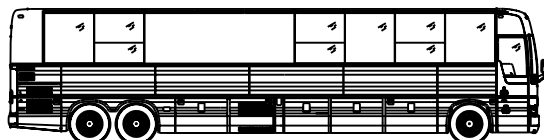
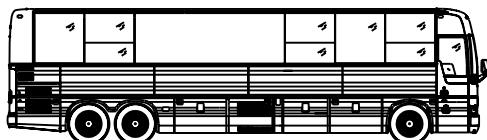


WIRING DIAGRAM LE MIRAGE BUS SHELL XL2

PREVOST



REFERENCE: STANDARD - MODEL

NO: 0060921

EFF. W/ OC# 97058 PRIOR TO / OC#

DR. MARTIN LAFLAMME DATE: 99-06-21

EFF. W/ VEH.# W6451, Y6856, 6924, 6991
7003, 7018, 7026, 7046... PRIOR TO / VEH.#

CK. SYLVAIN DESBIENS APPR. ROLAND LAPOINTE

REV.	DATE	DESCRIPTION	PAGE	BY	CK.	APPR.
01	17/08/99	CLUSTER POLLAK OC *99003	C, 4.1, 7.1	PG	R	R
02	20/10/99	UPDATE	ALL	PG	R	R
03	3/12/99	DOOR AIR LOCK CYLINDER OC*99132 & UPDATE	A,C,E,G,I,K,2.1,4.1 5.1,7.1,7.2,8.1,9.1, 11.2,12.1,12.2,20.1 M,B,15.3,1.2 .	JR	R	R
04	17/04/00	NEW FIRE DETECTOR OC*99091 EFF.: Y-7230 WATER PROTECTION FRONT JCT BOX OC*99107 EFF. Y-7265 NEW HVAC DASH CONTROL OC*00016 EFF.: Y-7268 UPDATE	7.2 C,G,15.2 B,M,1.2,7.1,9.3,23.1	JR JR JR	R R R	R R R
05	11/05/00	SOLDERING REMOVED ON 136A WIRES OC*99083 EFF. Y-7311	C, 6.1	MLAF	R	R
06	12/06/00	NEW SENSOR HARNESS FOR WTEC TRANSMISSION OC*00019 EFF. : 1-7352	C, 6.2,10.1	JR	R	R
07	05/07/00	ELECTRICAL SYSTEM IMPROVMENT (F32 & F62 ADDED) OC*00075 EFF: 1-7412 NEW 62R RELAY ON KEYLESS PANEL CONTROL OC*00053 EFF: 1-7412	C,E1,E2,E3,F,G3,I,L 2.1,4.1,5.1,8.1,11.2 12.1,12.2,14.1,17.1 18.1,19.1	SD	SD	R
08	05/09/00	BATTERY MONITOR FUSE ADDED OC*00064 EFF: 1-7462 NEW DELPHI THERMISTOR FOR DRIVER TEMP. OC*00091 EFF: 1-7494 UPDATE	C,1.2 C 15.3,22.1	SD	SD	R

WIRING DIAGRAM LE MIRAGE BUS SHELL XL2 0060921 P2

REV.	DATE	DESCRIPTION	PAGE	BY	CK.	APPR.
09	10/10/00	ISOLATED GROUND OT5 FOR HVAC DASH MODULE OC*00126 EFF: 1-7464	E,3.1,15.1,15.2	E.L.	S.D.	<i>R</i>
10	17/11/00	ADD 12 VD IN DDR CONNECTOR OC*2000119 EFF: 1-7532	C,E,F,2.1,5.1,6.1,7.1	S.D.	S.D.	<i>R</i>
11	04/12/00	NEW HVAC DASH CONTROL HEAT DRIVER'S ONLY OC*2000093 EFF: 1-7548	C,7.1,15.1	E.L.	S.D.	<i>R</i>
12	11/04/01	BLINK CODE SWITCH REMOVE & NEW ABS ECU OC*2001009 EFF: 1-7649 UPDATE	E, 3.1, 22.1 8.1, 17.1SP1	S.G. E.L.	S.D. S.D.	<i>R</i> <i>R</i>
13	19/07/01	ABS SERVICE LAMP REMOVED AND REPLACED BY RESISTOR O.C.*2001026 EFF: 2-7739	J, 22.1	S.G.	S.D.	<i>R</i>
14	27/08/01	NEW MIRROR CONNECTOR CONXALL O.C.*2001082 EFF: 2-7764 OPTION WATER HEATER DELETED O.C.*2000018 EFF: 2-7765	A, C, D, E, F, G, I, L 1.1, 7.2, 11.2, 15.3	SG, ML	S.D.	<i>R</i>
15	22/10/01	NEW AIR DRYER O.C.*2000199 EFF: 2-7800	A, C, G, L, 1.1, 8.1	S.G.	S.D.	<i>R</i>
16	01/11/01	ENTRANCE DOOR LOCK SOL. VALVE RELOCATED OC*2001019 EFF: 2-7800	C, E, 7.2, 20.1	E.L.	S.D.	<i>R</i>
17	12/12/01	NEW SYSTEM ABS 12 VOLTS OC*2001163 EFF: 2-7833 UPDATE	C, E, F, G, I, J, 1.1 2.1, 22.1, 23.1 7.1	S.G.	E.L.	<i>R</i>
18	08/01/02	CYCLOP LTS NEW FEEDING OC*2001181 EFF: 2-7843 UPDATE	C, 9.3 22.1	MLAF S.G.	S.D. S.D.	<i>R</i>
19	22/03/02	CYCLOP LTS UPDATE WITH R80 SAME OC*2001181 EFF: 2-7843 PASS.WATER VALVE WITH C155 (Berkert) OC*2001185 EFF: 2-7882 DELCO ALT. CABLE SUPPORT OC*2002008 EFF: 2-7891 TWIN BOSCH ALT. OPTION ENTERTAINER ONLY OC*2001168 EFF: 2-7908	C, i, 9.3 G, 15.3 4.2 4.1,4.3,23.1	E.L. E.L. E.L. E.L.	S.D.	<i>R</i>
20	08/07/02	UPDATE PAGE 10.1, DISCARD REV.06 (MOV HAS NEVER BE USED) PARKING BRAKE PRESSURE SWITCH FOR TTLT MODULE - O.C.*2002079 EFF:3-7958 BACK TO WABCO ELECTRICAL AIR DRYER - O.C.*2002057 EFF:3-7993	10.1 8.1 E, 8.1	E.L.	E.L.	<i>R</i>
21	19/07/02	WORLD TRANSMISSION SHROUDED CONNECTORS - O.C.*2002049 EFF.: 3-7985 UPDATE PAGE	C E	E.L.	S.D.	<i>R</i>
22	04/12/02	BIGGER VANNER/BATTERIE CABLES OC*2002114 EFF: 3-8147 NEW UPPER DEFROST FAN WE ONLY OC*2002060 EFF: 3-8131	B, 1.2 C, E, F, G, I, J, 1.1,4.3,15.4	S.D. S.D.	S.D. S.D.	<i>R</i> <i>R</i>
23	07/01/03	NEW STARTER MELCO OC*2002053 EFF: 3-8121	4.2	S.G.	E.L.	<i>R</i>
24	23/04/03	SPEED SW. ADD FOR DIFFERENTIEL LOCK (SPECIAL REQUEST)	17.1SP1	MLAF		

WIRING DIAGRAM LE MIRAGE BUS SHELL XL2 0060921 P3

REV.	DATE	DESCRIPTION	PAGE	BY	CK.	APPR.
25	27/09/06	OPTION A/C ON ROOF (WE ONLY) EFF.: 6-8638	4, 3SP1, 15.5, 15.6, 15.7	S.L.	S.D.	M.J.H.

WIRING DIAGRAM INDEX

A A/C & HEAT – DRIVER'S AIR Page: 15.1 A/C & HEAT – FULL AIR Page: 15.2 AIR DRYER Page: 8.1 ALARM & SIGNAL Page: 7.2 ABS Page: 22.1 ARRANGEMENT - CABLE Page: B ARRANGEMENT - HARNESS Page: C ARRANGEMENT - SPARE WIRE Page: D	D DASH INSTRUMENT Page: 7.1 DDEC IV Page: 5.1 DISCONNECT SWITCH 12V, 24V Page: 1.1 DISTRIB. 24V DISC., IGN & HOT WIRE Page: 1.1 DISTRIB. 12V DISC., IGN & HOT WIRE Page: 2.1 DRIVER'S SEAT ADJUST Page: 13.1	LUGGAGE DOOR LOCK Page: 12.1 M MIRROR-REAR VIEW Page: 16.1 P PARKING BRAKE SWITCH & ALARM Page: 8.1 POWER 12V OUTLET Page: 13.1 R RETARDER - WORLD TRANSM. Page: 21.1
B BACK-UP ALARM Page: 9.3 BATTERY STANDARD Page: 1.2	E ENGINE BLOCK HEATER Page: 20.1 ENGINE BRAKE SYSTEM Page: 21.1 ENGINE CONTROL Page: 4.1 ENTRANCE DOOR LOCK Page: 12.1 ETHER COLD START Page: 8.1 EXTERIOR LIGHTING Page: 9.1	S SPEED SIGNAL Page: 17.1 SPEEDOMETER Page: 7.1 STEERING CONTROL Page: 17.1 SUN VISOR Page: 19.1
C CENTER DOOR-AIR LOCK Page: 20.1 CHARGING SYSTEM Page: 4.2 CIGAR LIGHTER & 12V OUTLET Page: 13.1 CLUSTER Page: 7.1 CODE - CIRCUIT NUMBER Page: E CODE - CIRCUIT BREAKER Page: F CODE - CONNECTOR Page: G CODE - DIODE Page: H CODE - FUSE Page: L CODE - RELAY Page: I CODE - RESISTOR Page: J CODE – TRUTH TABLE Page: M CODE - WIRING KEY Page: K CRUISE CONTROL - DDEC Page: 5.1	F FAN-CLUTCH RADIATOR Page: 8.1 FAST IDLE - DDEC Page: 5.1 FIRE DETECTOR Page: 7.2 FUEL WATER FILTER Page: 8.1 FUEL PRIME PUMP Page: 19.1	T TACHOMETER Page: 7.1 TRANSMISSION – WTEC 3 Page: 6.1 TELL TALE LIGHT MODULES Page: 23.1
	G GROUND SYSTEM Page: 3.1	W WATER HEATER PRE-HEAT Page: 14.1 WINDOW AJAR Page: 20.1 WINDOW LIFTER Page: 19.1 WIPER & WASHER Page: 10.1
	H HORN Page: 7.2	
	I INTERIOR LIGHTING Page: 11.1	
	K KEYLESS ENTRY SYSTEM Page: 12.1	
	L LEVEL – LOW SYSTEM Page: 18.1	

WIRING DIAGRAM INDEX

A A/C & HEAT – DRIVER'S AIR Page: 15.1 A/C & HEAT – FULL AIR Page: 15.2 AIR DRYER Page: 8.1 ALARM & SIGNAL Page: 7.2 ABS Page: 22.1 ARRANGEMENT - CABLE Page: B ARRANGEMENT - HARNESS Page: C ARRANGEMENT - SPARE WIRE Page: D	D DASH INSTRUMENT Page: 7.1 DDEC IV Page: 5.1 DISCONNECT SWITCH 12V, 24V Page: 1.1 DISTRIB. 24V DISC., IGN & HOT WIRE Page: 1.1 DISTRIB. 12V DISC., IGN & HOT WIRE Page: 2.1 DRIVER'S SEAT ADJUST Page: 13.1	LUGGAGE DOOR LOCK Page: 12.1 M MIRROR-REAR VIEW Page: 16.1 P PARKING BRAKE SWITCH & ALARM Page: 8.1 POWER 12V OUTLET Page: 13.1 R RETARDER - WORLD TRANSM. Page: 21.1
B BACK-UP ALARM Page: 9.3 BATTERY STANDARD Page: 1.2	E ENGINE BLOCK HEATER Page: 20.1 ENGINE BRAKE SYSTEM Page: 21.1 ENGINE CONTROL Page: 4.1 ENTRANCE DOOR LOCK Page: 12.1 ETHER COLD START Page: 8.1 EXTERIOR LIGHTING Page: 9.1	S SPEED SIGNAL Page: 17.1 SPEEDOMETER Page: 7.1 STEERING CONTROL Page: 17.1 SUN VISOR Page: 19.1
C CENTER DOOR-AIR LOCK Page: 20.1 CHARGING SYSTEM Page: 4.2 CIGAR LIGHTER & 12V OUTLET Page: 13.1 CLUSTER Page: 7.1 CODE - CIRCUIT NUMBER Page: E CODE - CIRCUIT BREAKER Page: F CODE - CONNECTOR Page: G CODE - DIODE Page: H CODE - FUSE Page: L CODE - RELAY Page: I CODE - RESISTOR Page: J CODE – TRUTH TABLE Page: M CODE - WIRING KEY Page: K CRUISE CONTROL - DDEC Page: 5.1	F FAN-CLUTCH RADIATOR Page: 8.1 FAST IDLE - DDEC Page: 5.1 FIRE DETECTOR Page: 7.2 FUEL WATER FILTER Page: 8.1 FUEL PRIME PUMP Page: 19.1	T TACHOMETER Page: 7.1 TRANSMISSION – WTEC 3 Page: 6.1 TELL TALE LIGHT MODULES Page: 23.1
	G GROUND SYSTEM Page: 3.1	W WATER HEATER PRE-HEAT Page: 14.1 WINDOW AJAR Page: 20.1 WINDOW LIFTER Page: 19.1 WIPER & WASHER Page: 10.1
	H HORN Page: 7.2	
	I INTERIOR LIGHTING Page: 11.1	
	K KEYLESS ENTRY SYSTEM Page: 12.1	
	L LEVEL – LOW SYSTEM Page: 18.1	

WIRING DIAGRAM INDEX

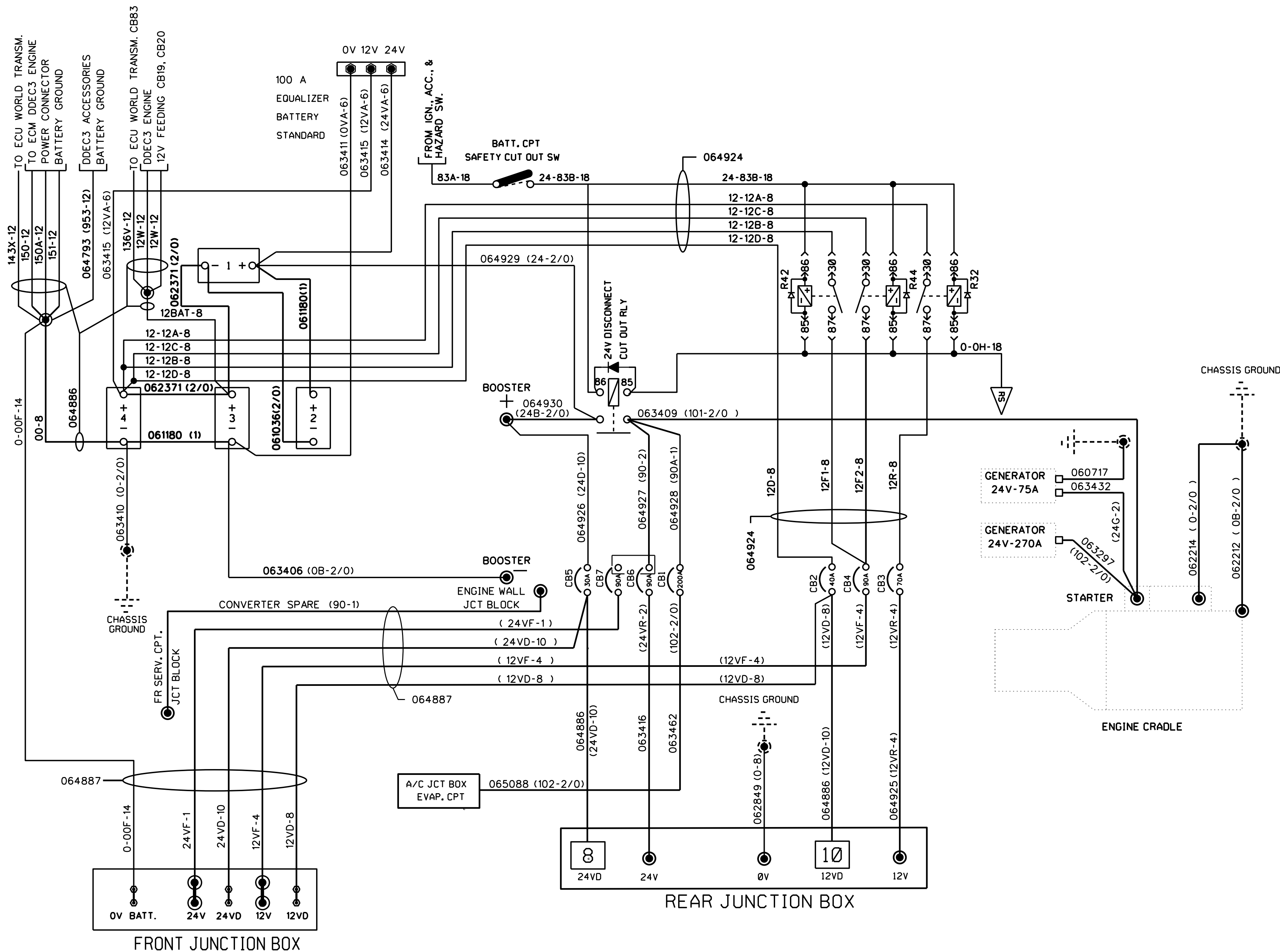
A A/C & HEAT – DRIVER'S AIR Page: 15.1 A/C & HEAT – FULL AIR Page: 15.2 AIR DRYER Page: 8.1 ALARM & SIGNAL Page: 7.2 ABS Page: 22.1 ARRANGEMENT - CABLE Page: B ARRANGEMENT - HARNESS Page: C ARRANGEMENT - SPARE WIRE Page: D	D DASH INSTRUMENT Page: 7.1 DDEC IV Page: 5.1 DISCONNECT SWITCH 12V, 24V Page: 1.1 DISTRIB. 24V DISC., IGN & HOT WIRE Page: 1.1 DISTRIB. 12V DISC., IGN & HOT WIRE Page: 2.1 DRIVER'S SEAT ADJUST Page: 13.1	L LEVEL – LOW SYSTEM Page: 18.1 LUGGAGE DOOR LOCK Page: 12.1
B BACK-UP ALARM Page: 9.3 BATTERY STANDARD Page: 1.2	E ENGINE BLOCK HEATER Page: 20.1 ENGINE BRAKE SYSTEM Page: 21.1 ENGINE CONTROL Page: 4.1 ENTRANCE DOOR ELCTRICAL LOCK Page: 12.1 ENTRANCE DOOR AIR LOCK Page: 20.1 ETHER COLD START Page: 8.1 EXTERIOR LIGHTING Page: 9.1	M MIRROR-REAR VIEW Page: 16.1 P PARKING BRAKE SWITCH & ALARM Page: 8.1 POWER 12V OUTLET Page: 13.1
C CENTER DOOR-AIR LOCK Page: 20.1 CHARGING SYSTEM Page: 4.2 CIGAR LIGHTER & 12V OUTLET Page: 13.1 CLUSTER Page: 7.1 CODE - CIRCUIT NUMBER Page: E CODE - CIRCUIT BREAKER Page: F CODE - CONNECTOR Page: G CODE - DIODE Page: H CODE - FUSE Page: L CODE - RELAY Page: I CODE - RESISTOR Page: J CODE – TRUTH TABLE Page: M CODE - WIRING KEY Page: K CRUISE CONTROL - DDEC Page: 5.1	F FAN-CLUTCH RADIATOR Page: 8.1 FAST IDLE - DDEC Page: 5.1 FIRE DETECTOR Page: 7.2 FUEL WATER FILTER Page: 8.1 FUEL PRIME PUMP Page: 19.1	R RETARDER - WORLD TRANSM. Page: 21.1 S SPEED SIGNAL Page: 17.1 SPEEDOMETER Page: 7.1 STEERING CONTROL Page: 17.1 SUN VISOR Page: 19.1
	G GROUND SYSTEM Page: 3.1	T TACHOMETER Page: 7.1 TRANSMISSION – WTEC 3 Page: 6.1 TELL TALE LIGHT MODULES Page: 23.1
	H HORN Page: 7.2	W WATER HEATER PRE-HEAT Page: 14.1 WINDOW AJAR Page: 20.1 WINDOW LIFTER Page: 19.1 WIPER & WASHER Page: 10.1
	I INTERIOR LIGHTING Page: 11.1	
	K KEYLESS ENTRY SYSTEM Page: 12.1	

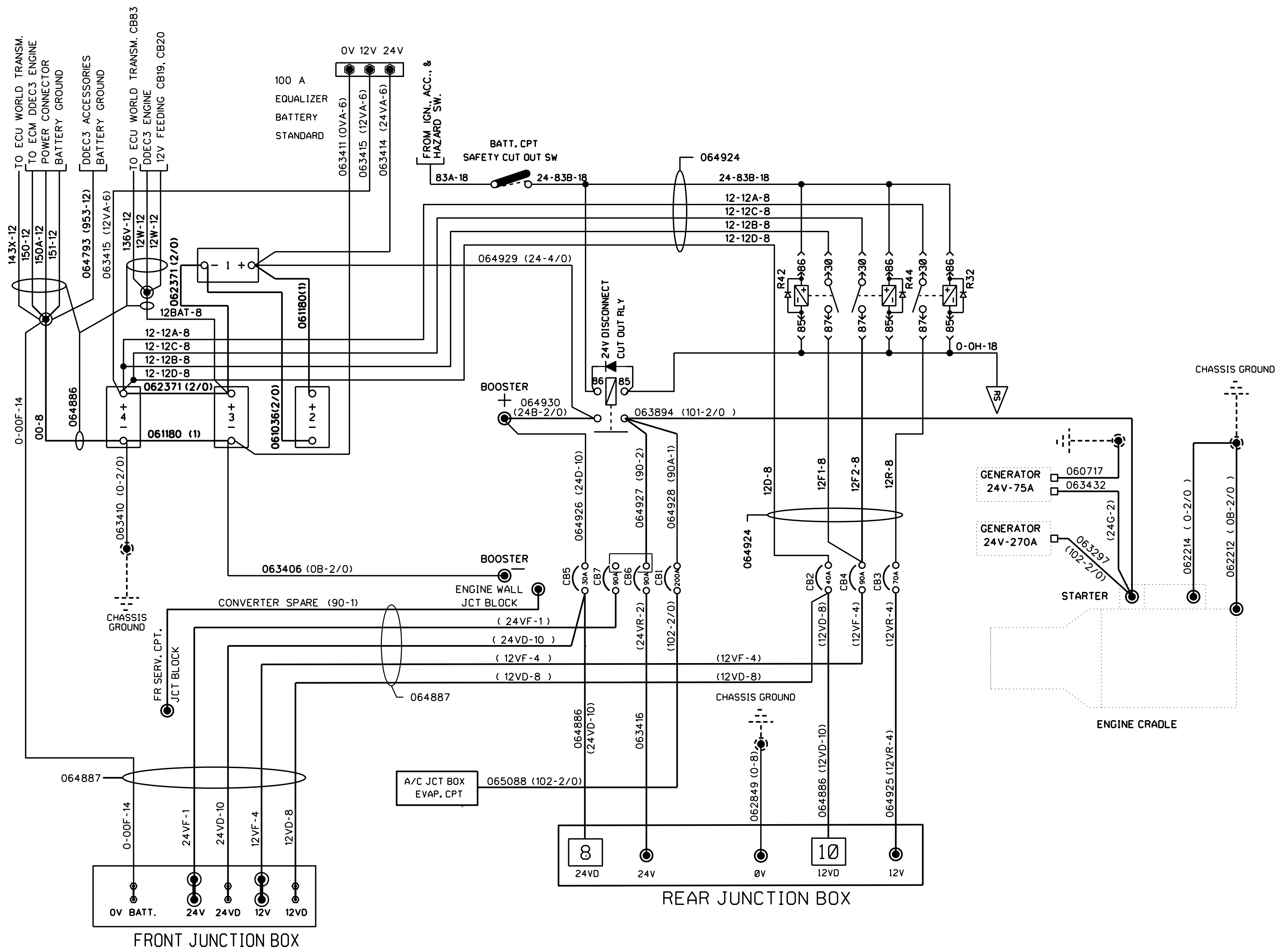
WIRING DIAGRAM INDEX

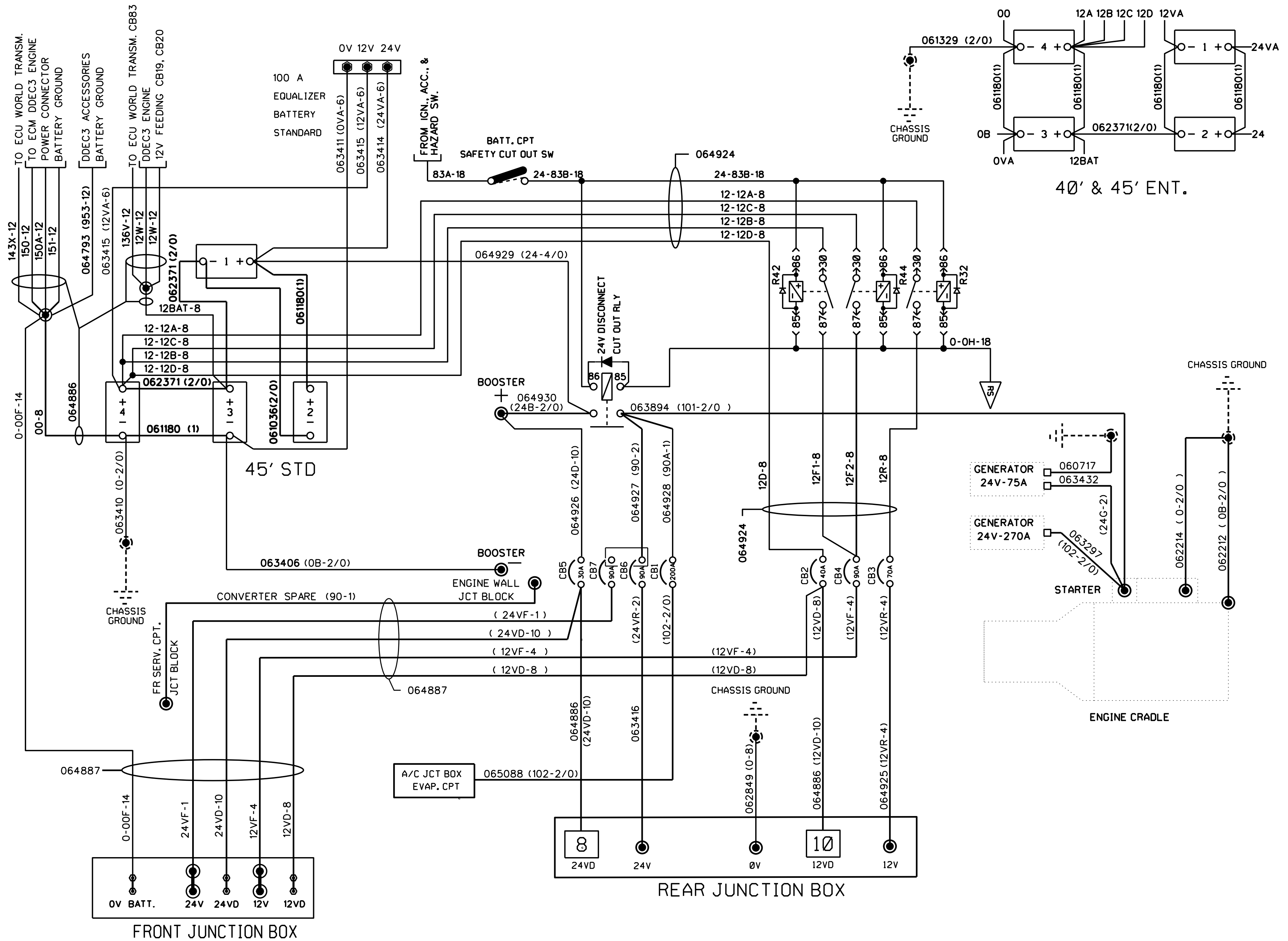
A A/C & HEAT – DRIVER'S AIR Page: 15.1 A/C & HEAT – FULL AIR Page: 15.2 AIR DRYER Page: 8.1 ALARM & SIGNAL Page: 7.2 ABS Page: 22.1 ARRANGEMENT - CABLE Page: B ARRANGEMENT - HARNESS Page: C ARRANGEMENT - SPARE WIRE Page: D	D DASH INSTRUMENT Page: 7.1 DDEC IV Page: 5.1 DISCONNECT SWITCH 12V, 24V Page: 1.1 DISTRIB. 24V DISC., IGN & HOT WIRE Page: 1.1 DISTRIB. 12V DISC., IGN & HOT WIRE Page: 2.1 DRIVER'S SEAT ADJUST Page: 13.1	L LEVEL – LOW SYSTEM Page: 18.1 LUGGAGE DOOR LOCK Page: 12.1
B BACK-UP ALARM Page: 9.3 BATTERY STANDARD Page: 1.2	E ENGINE BLOCK HEATER Page: 20.1 ENGINE BRAKE SYSTEM Page: 21.1 ENGINE CONTROL Page: 4.1 ENTRANCE DOOR ELCTRICAL LOCK Page: 12.1 ENTRANCE DOOR AIR LOCK Page: 20.1 ETHER COLD START Page: 8.1 EXTERIOR LIGHTING Page: 9.1	M MIRROR-REAR VIEW Page: 16.1 P PARKING BRAKE SWITCH & ALARM Page: 8.1 POWER 12V OUTLET Page: 13.1
C CENTER DOOR-AIR LOCK Page: 20.1 CHARGING SYSTEM Page: 4.2 CIGAR LIGHTER & 12V OUTLET Page: 13.1 CLUSTER Page: 7.1 CODE - CIRCUIT NUMBER Page: E CODE - CIRCUIT BREAKER Page: F CODE - CONNECTOR Page: G CODE - DIODE Page: H CODE - FUSE Page: L CODE - RELAY Page: I CODE - RESISTOR Page: J CODE – TRUTH TABLE Page: M CODE - WIRING KEY Page: K CRUISE CONTROL - DDEC Page: 5.1	F FAN-CLUTCH RADIATOR Page: 8.1 FAST IDLE - DDEC Page: 5.1 FIRE DETECTOR Page: 7.2 FUEL WATER FILTER Page: 8.1 FUEL PRIME PUMP Page: 19.1	R RETARDER - WORLD TRANSM. Page: 21.1 S SPEED SIGNAL Page: 17.1 SPEEDOMETER Page: 7.1 STEERING CONTROL Page: 17.1 SUN VISOR Page: 19.1
	G GROUND SYSTEM Page: 3.1 H HORN Page: 7.2	T TACHOMETER Page: 7.1 TRANSMISSION – WTEC 3 Page: 6.1 TELL TALE LIGHT MODULES Page: 23.1
	I INTERIOR LIGHTING Page: 11.1 K KEYLESS ENTRY SYSTEM Page: 12.1	W WINDOW AJAR Page: 20.1 WINDOW LIFTER Page: 19.1 WIPER & WASHER Page: 10.1

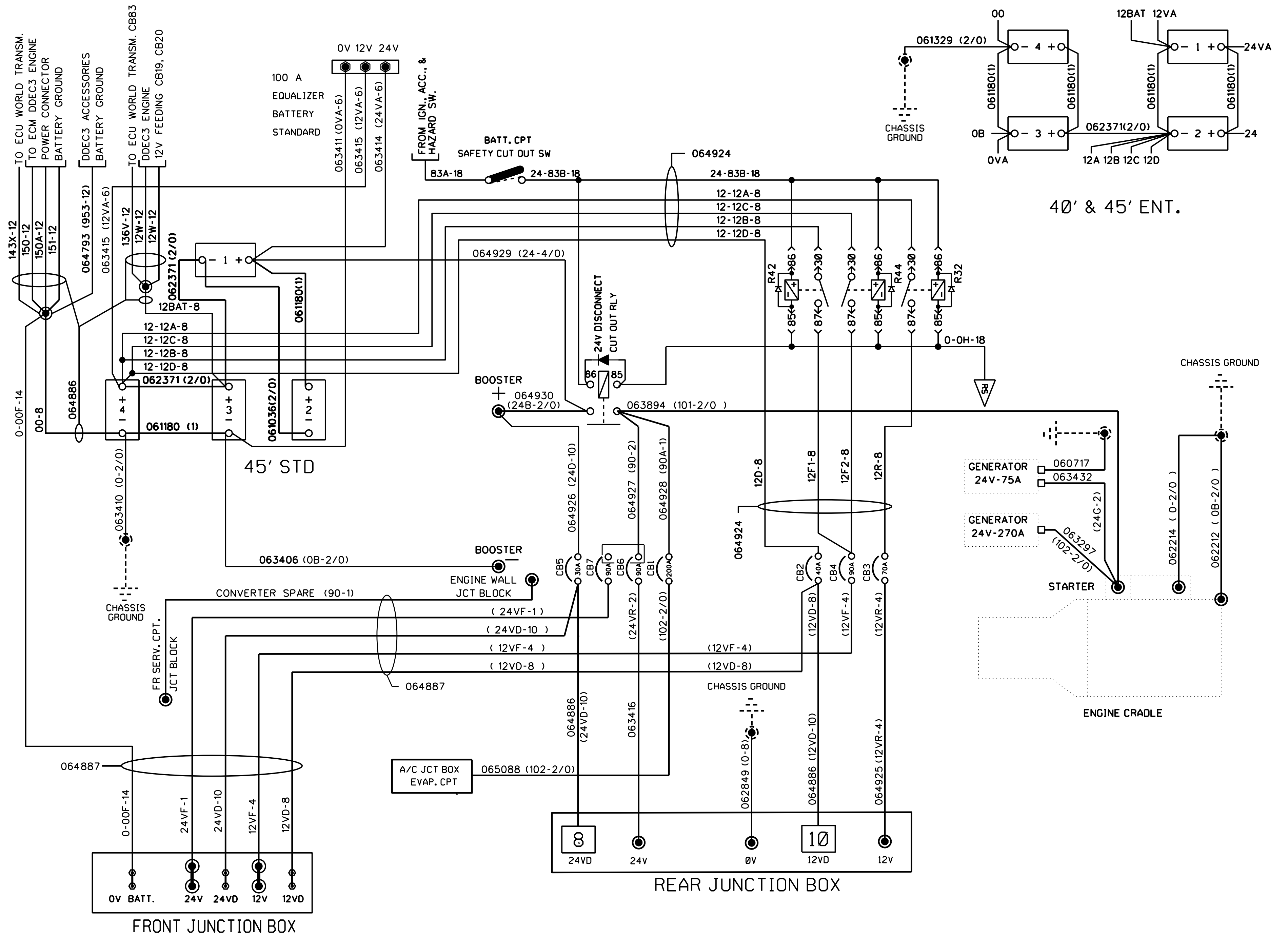
WIRING DIAGRAM INDEX

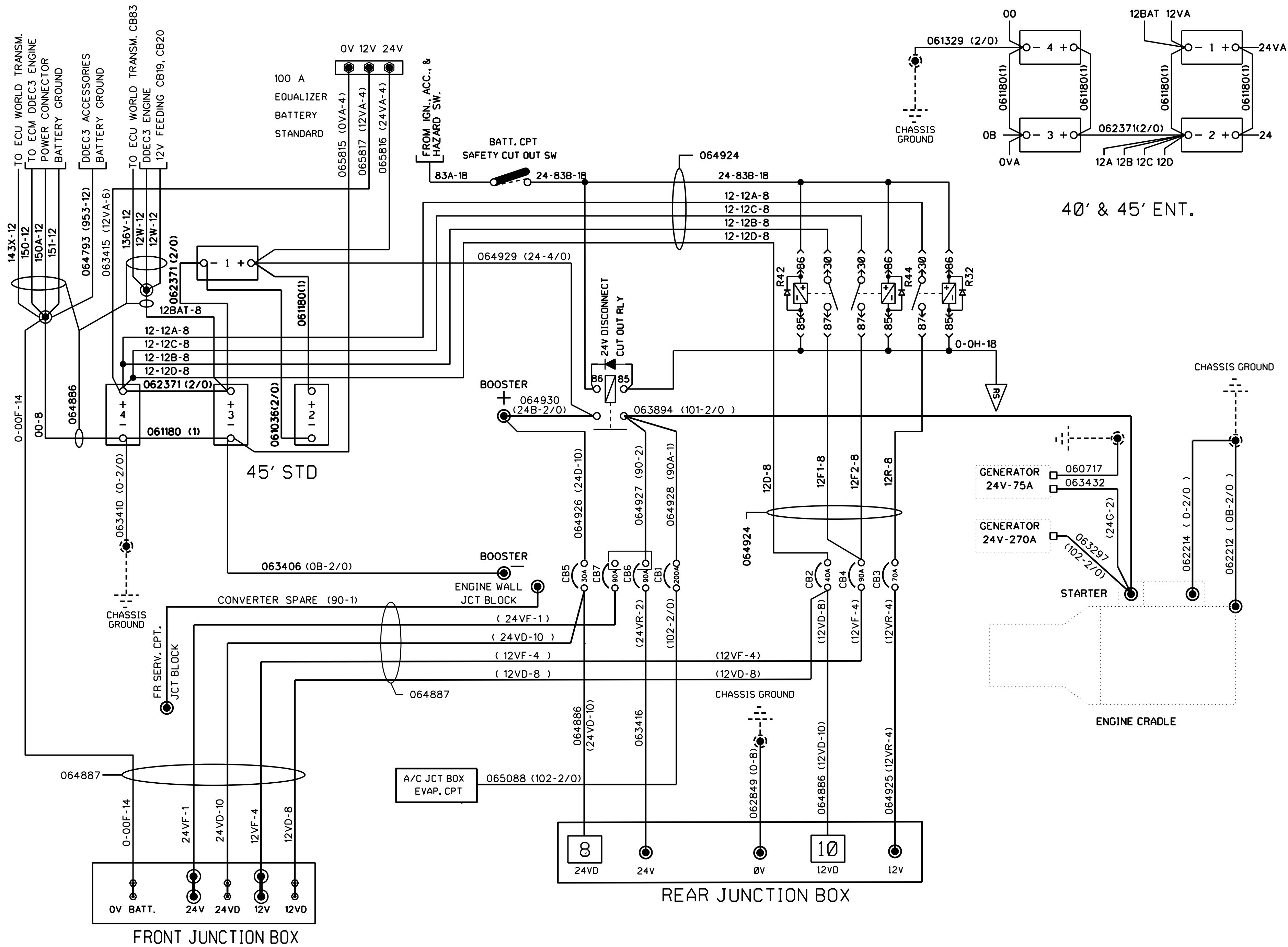
A A/C & HEAT – DRIVER'S AIR Page: 15.1 A/C & HEAT – FULL AIR Page: 15.2 ALARM & SIGNAL Page: 7.2 ABS Page: 22.1 ARRANGEMENT - CABLE Page: B ARRANGEMENT - HARNESS Page: C ARRANGEMENT - SPARE WIRE Page: D ARRANGEMENT - SPARE WIRE Page: D	D DASH INSTRUMENT Page: 7.1 DDEC IV Page: 5.1 DISCONNECT SWITCH 12V, 24V Page: 1.1 DISTRIB. 24V DISC., IGN & HOT WIRE Page: 1.1 DISTRIB. 12V DISC., IGN & HOT WIRE Page: 2.1 DRIVER'S SEAT ADJUST Page: 13.1	L LEVEL – LOW SYSTEM Page: 18.1 LUGGAGE DOOR LOCK Page: 12.1
B BACK-UP ALARM Page: 9.3 BATTERY STANDARD Page: 1.2	E ENGINE BLOCK HEATER Page: 20.1 ENGINE BRAKE SYSTEM Page: 21.1 ENGINE CONTROL Page: 4.1 ENTRANCE DOOR ELCTRICAL LOCK Page: 12.1 ENTRANCE DOOR AIR LOCK Page: 20.1 ETHER COLD START Page: 8.1 EXTERIOR LIGHTING Page: 9.1	M MIRROR-REAR VIEW Page: 16.1 P PARKING BRAKE SWITCH & ALARM Page: 8.1 POWER 12V OUTLET Page: 13.1
C CENTER DOOR-AIR LOCK Page: 20.1 CHARGING SYSTEM Page: 4.2 CIGAR LIGHTER & 12V OUTLET Page: 13.1 CLUSTER Page: 7.1 CODE - CIRCUIT NUMBER Page: E CODE - CIRCUIT BREAKER Page: F CODE - CONNECTOR Page: G CODE - DIODE Page: H CODE - FUSE Page: L CODE - RELAY Page: I CODE - RESISTOR Page: J CODE – TRUTH TABLE Page: M CODE - WIRING KEY Page: K CRUISE CONTROL - DDEC Page: 5.1	F FAN-CLUTCH RADIATOR Page: 8.1 FAST IDLE - DDEC Page: 5.1 FIRE DETECTOR Page: 7.2 FUEL WATER FILTER Page: 8.1 FUEL PRIME PUMP Page: 19.1	R RETARDER - WORLD TRANSM. Page: 21.1 S SPEED SIGNAL Page: 17.1 SPEEDOMETER Page: 7.1 STEERING CONTROL Page: 17.1 SUN VISOR Page: 19.1
	G GROUND SYSTEM Page: 3.1 H HORN Page: 7.2	T TACHOMETER Page: 7.1 TRANSMISSION – WTEC 3 Page: 6.1 TELL TALE LIGHT MODULES Page: 23.1
	I INTERIOR LIGHTING Page: 11.1 K KEYLESS ENTRY SYSTEM Page: 12.1	W WINDOW AJAR Page: 20.1 WINDOW LIFTER Page: 19.1 WIPER & WASHER Page: 10.1

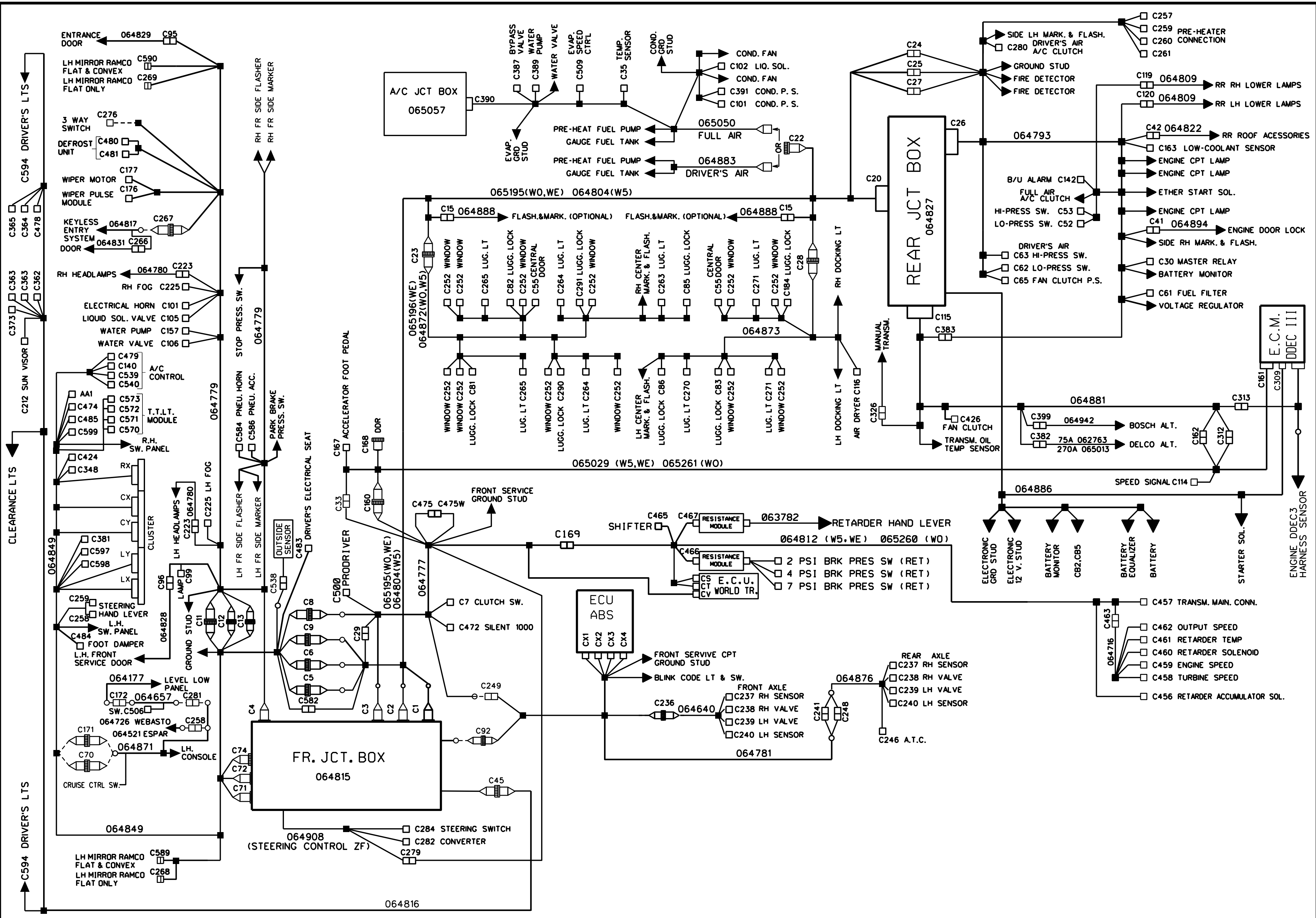


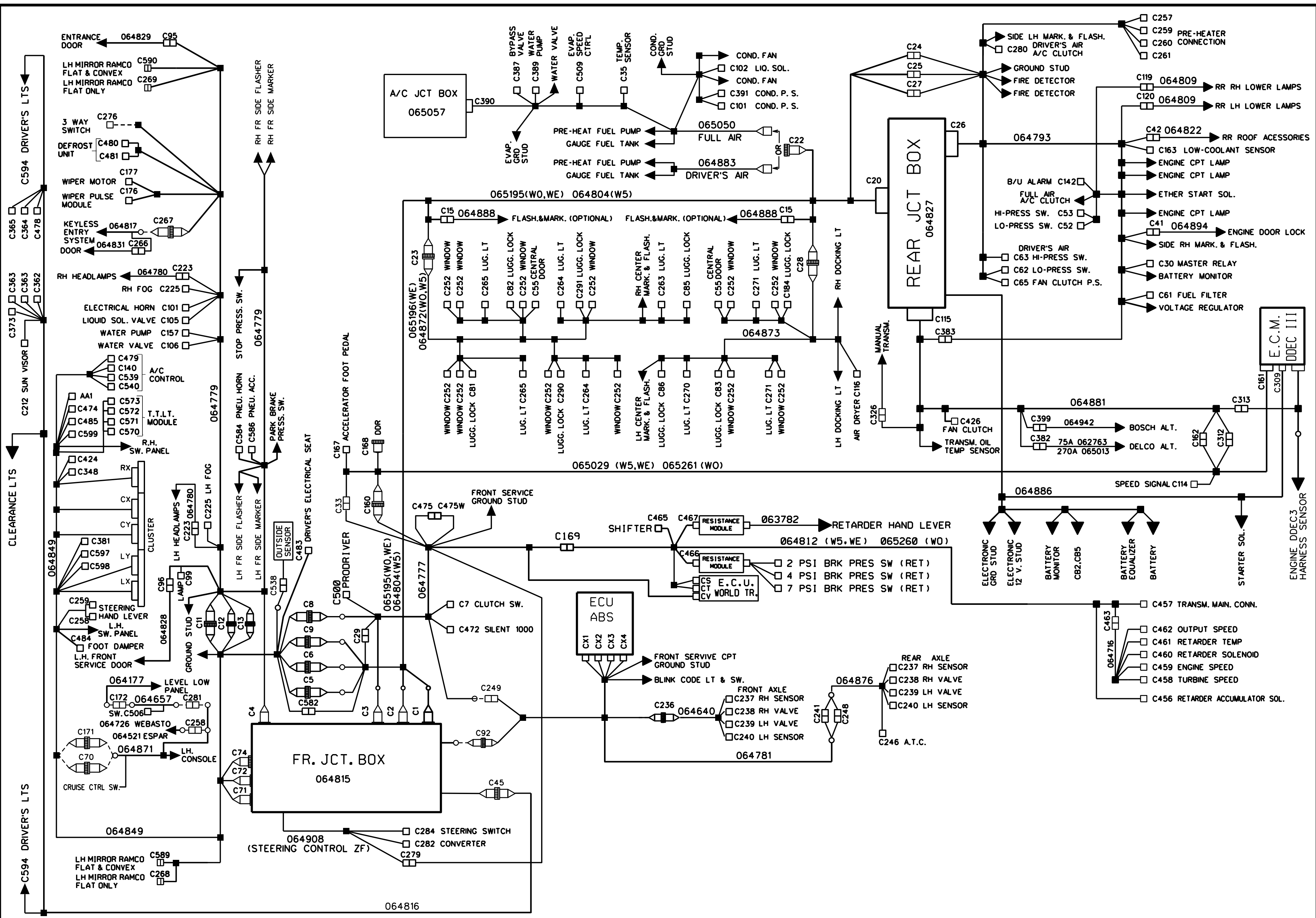


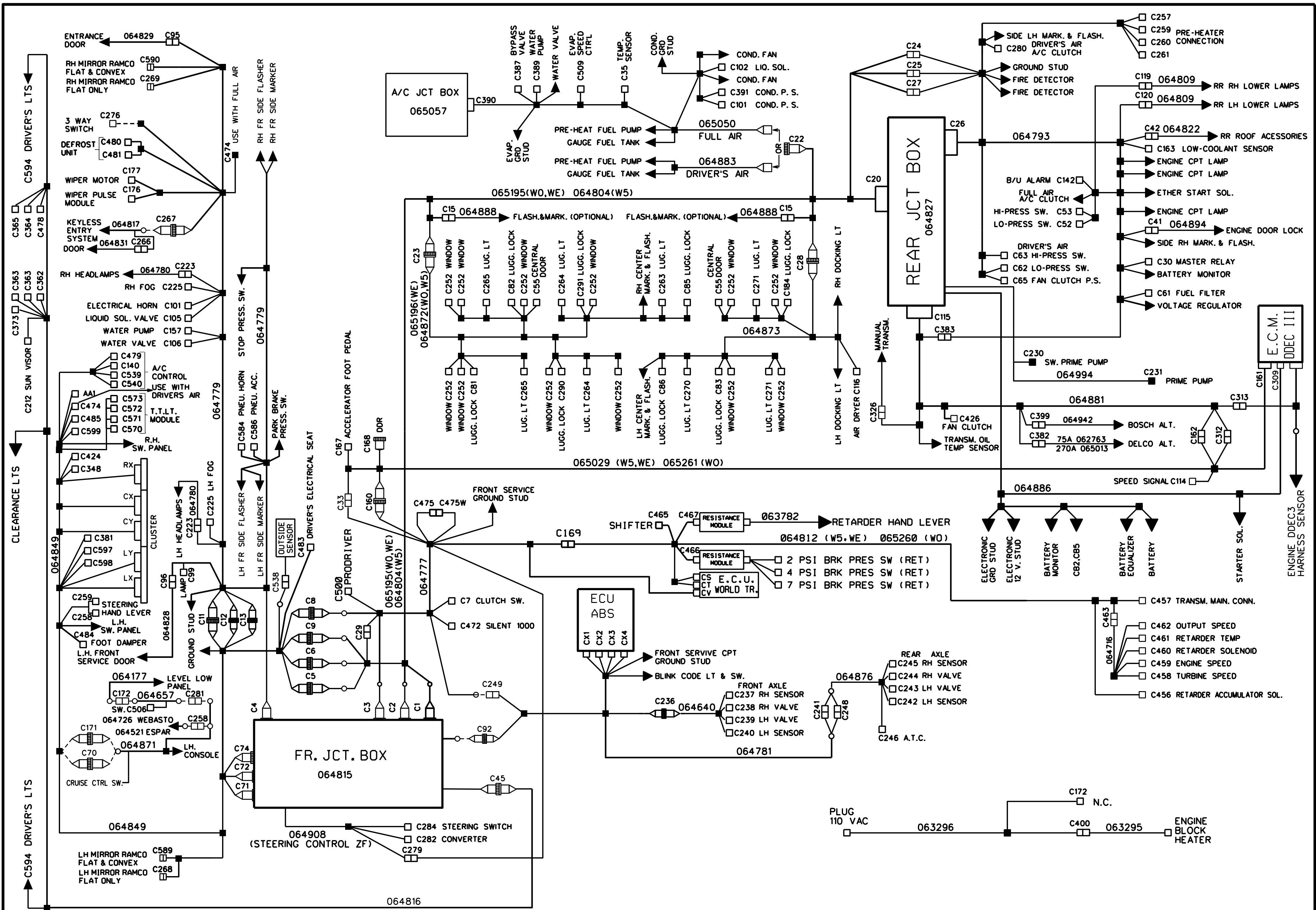


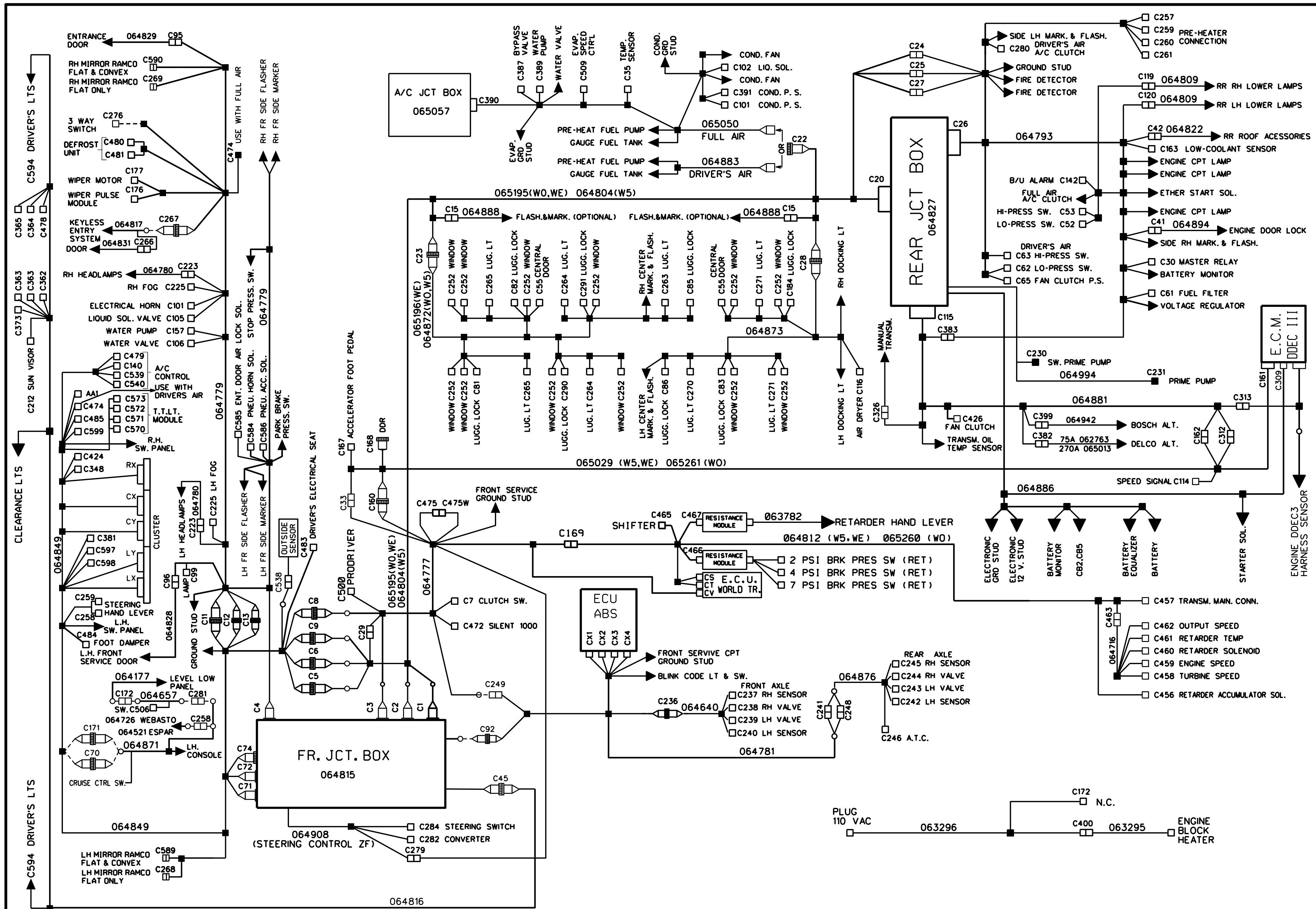


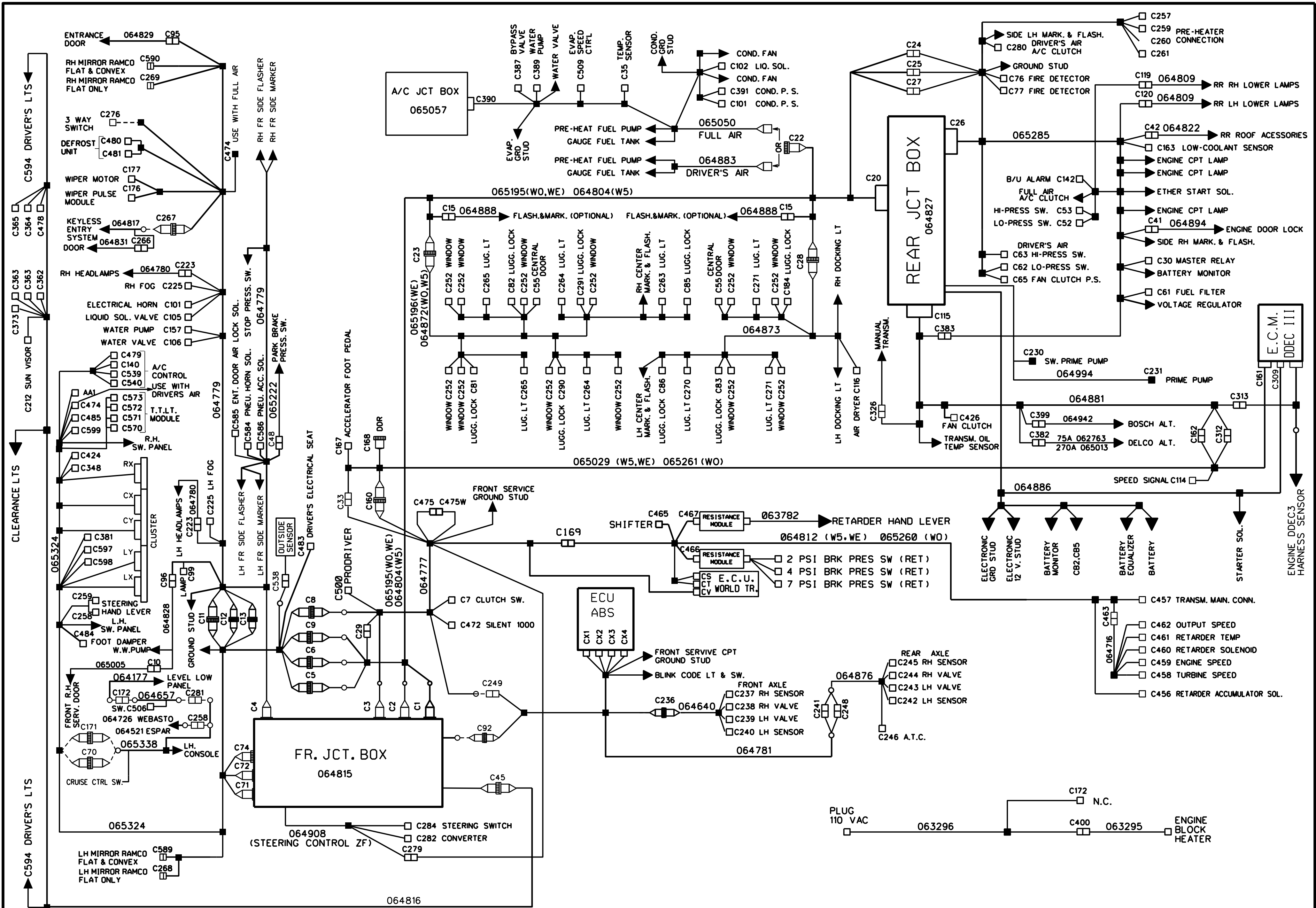


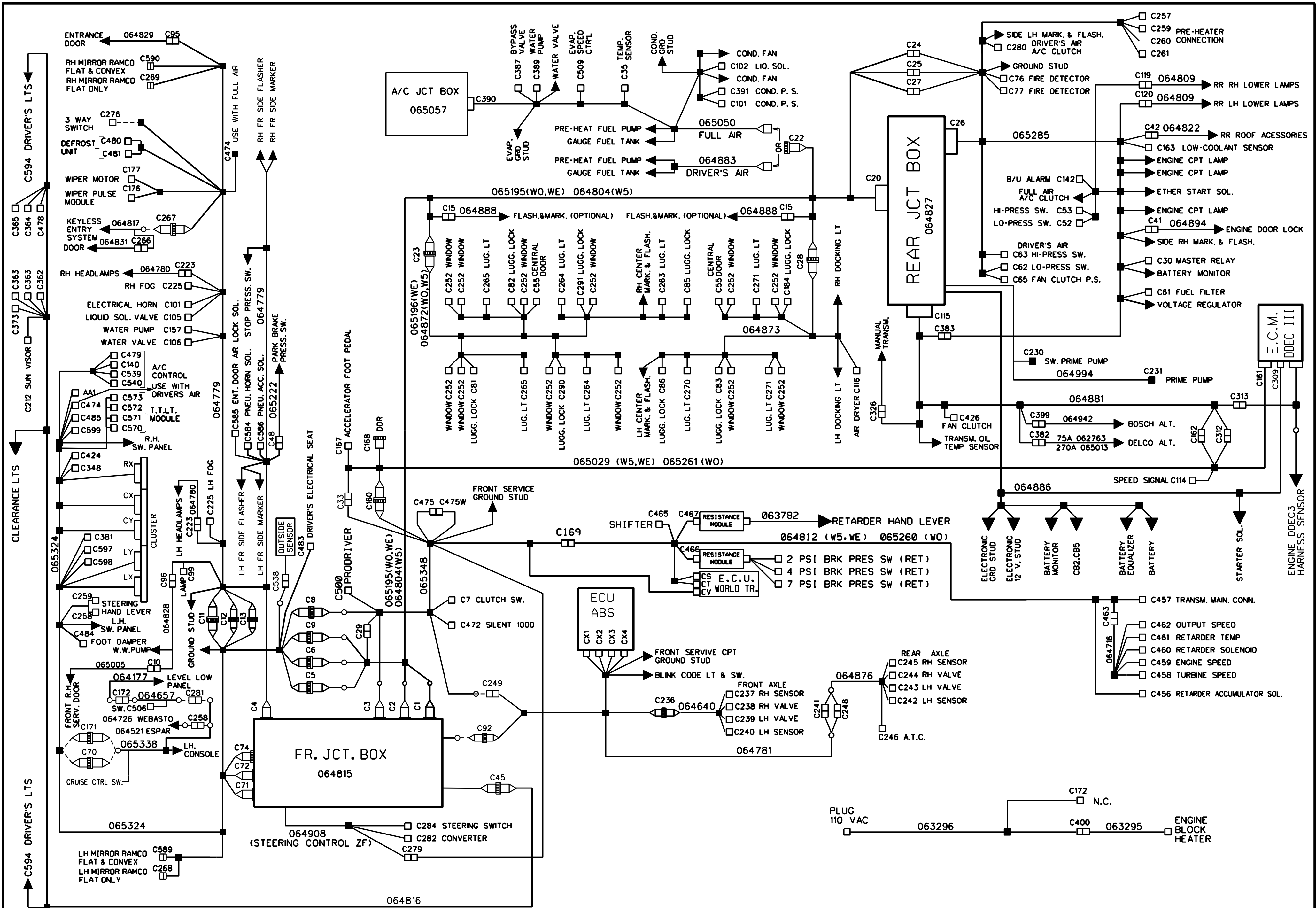


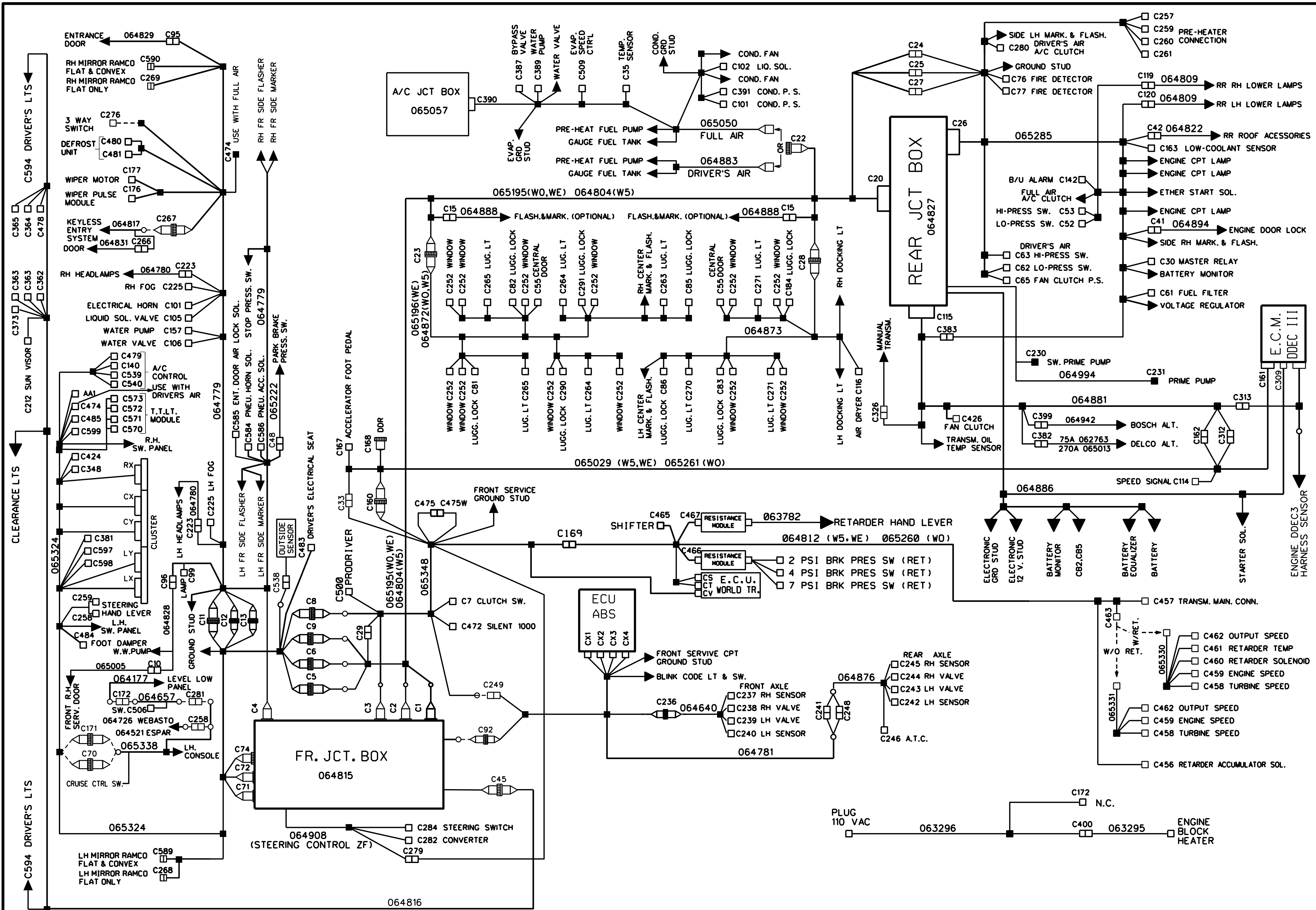


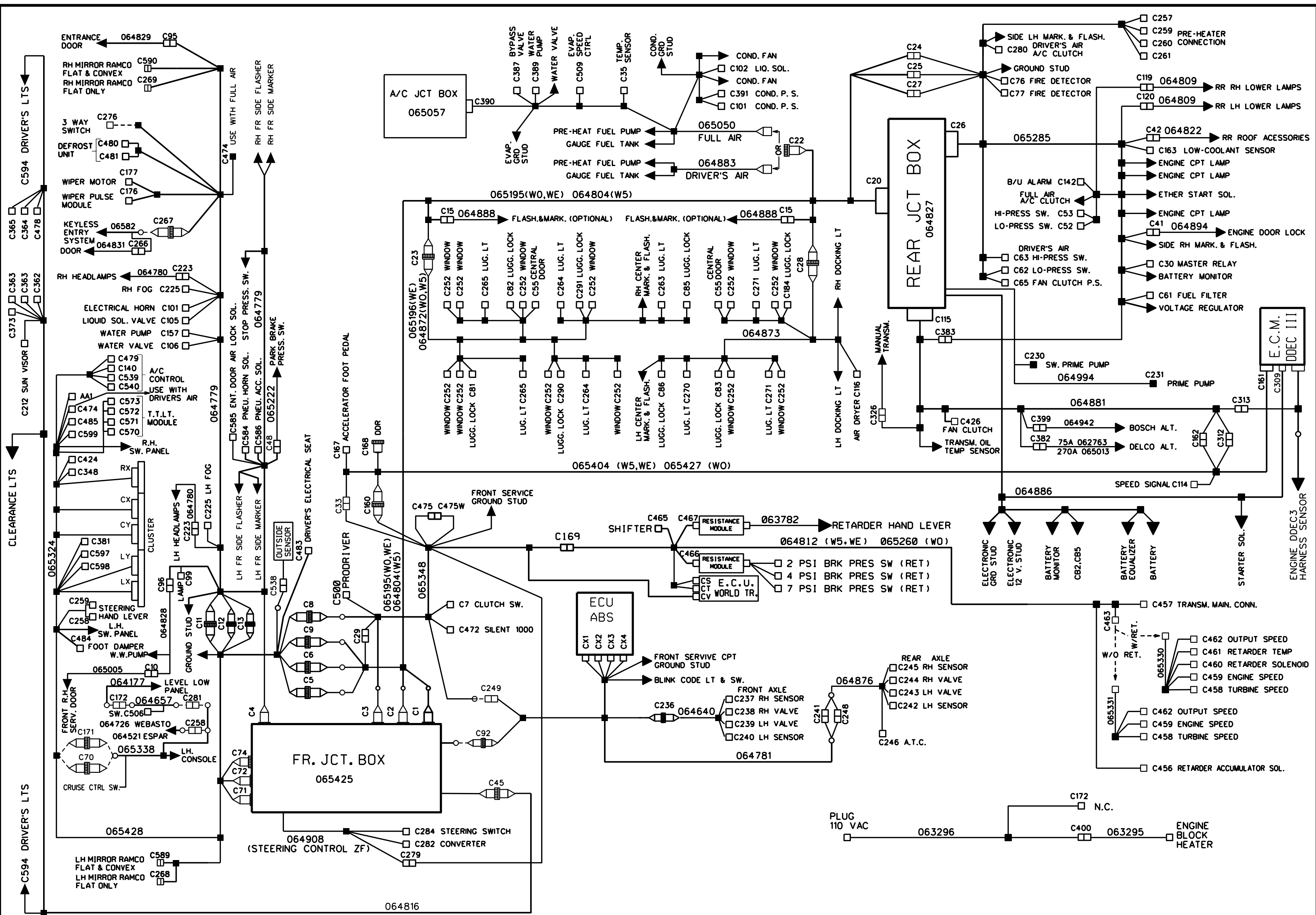


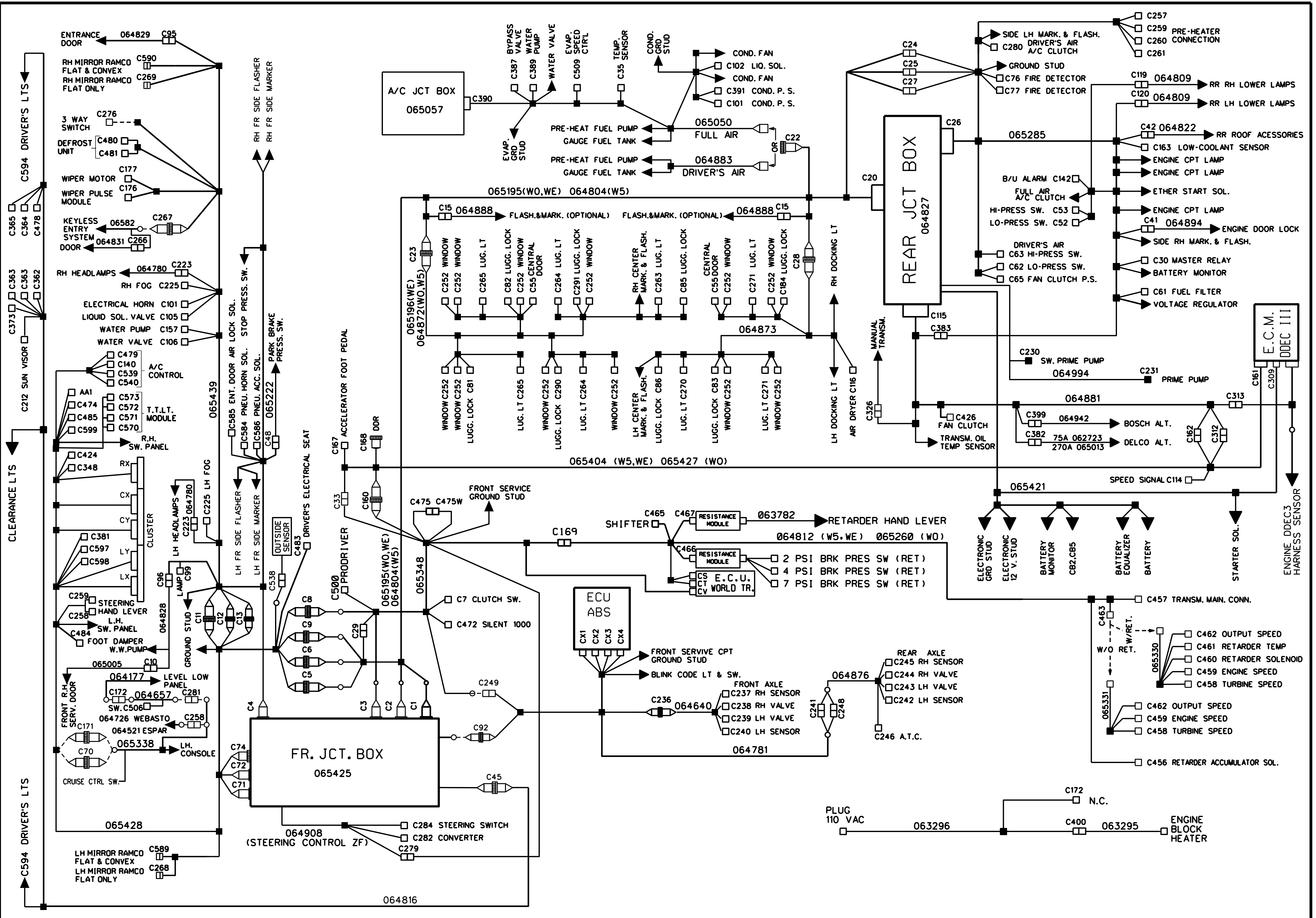


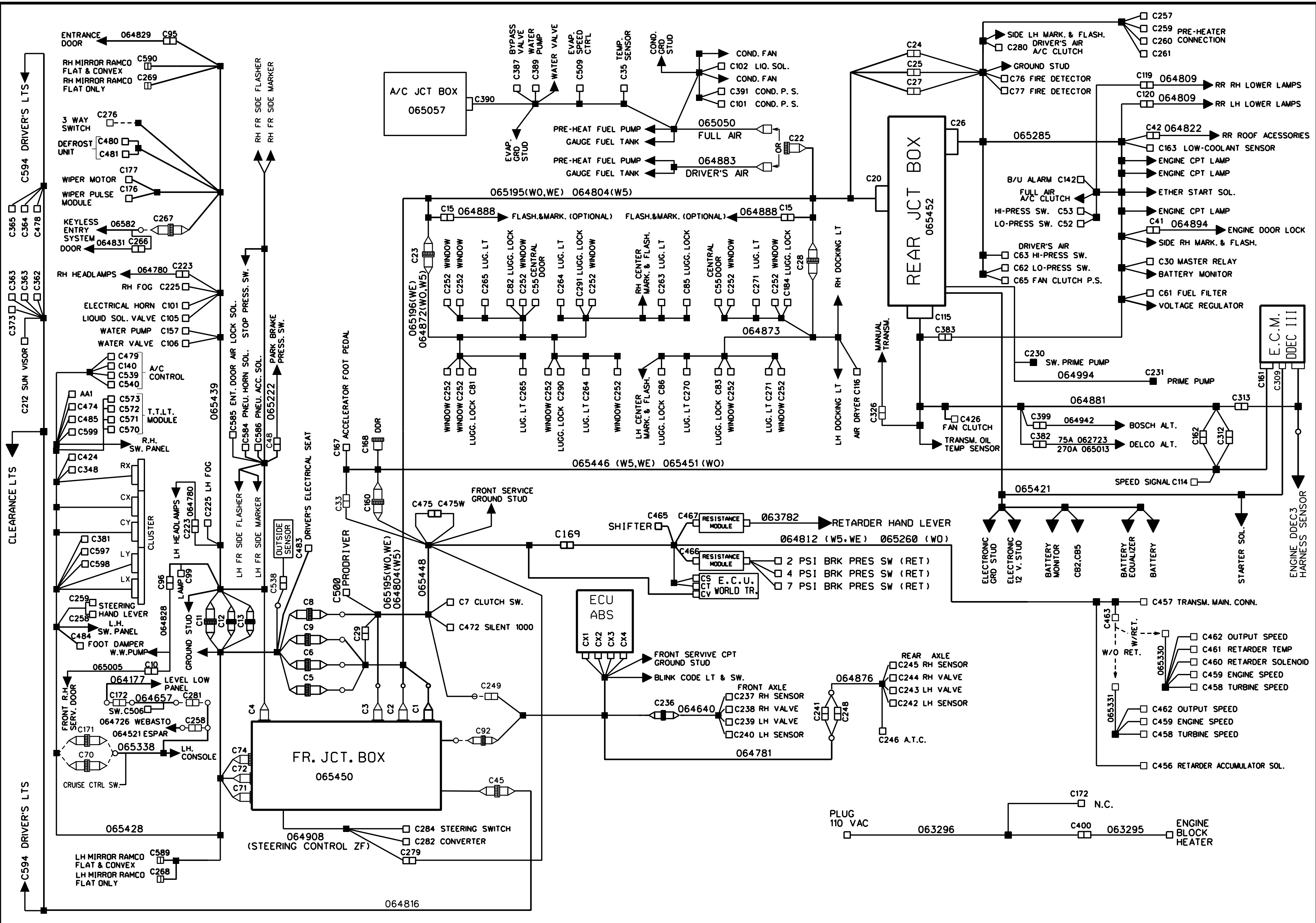


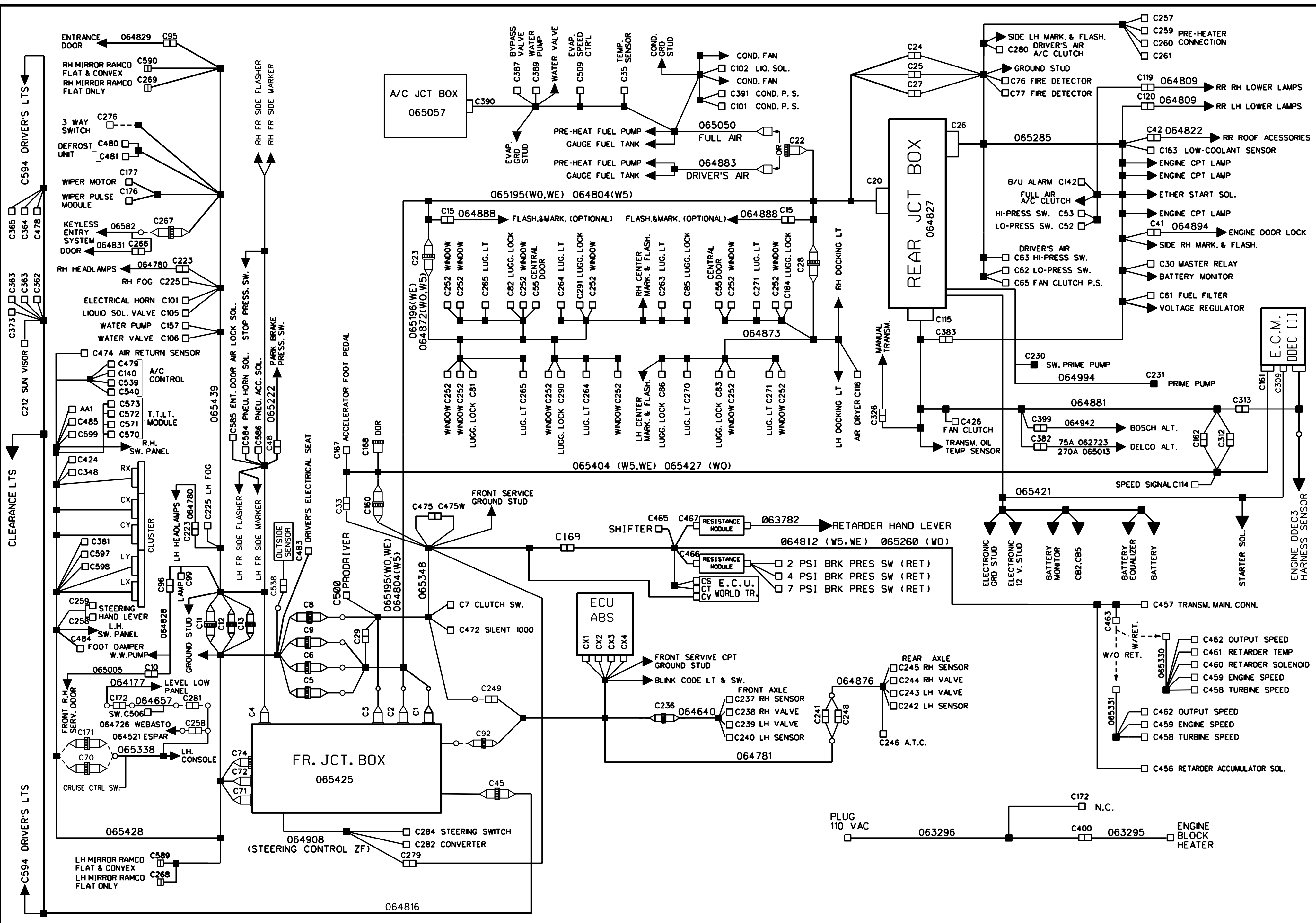


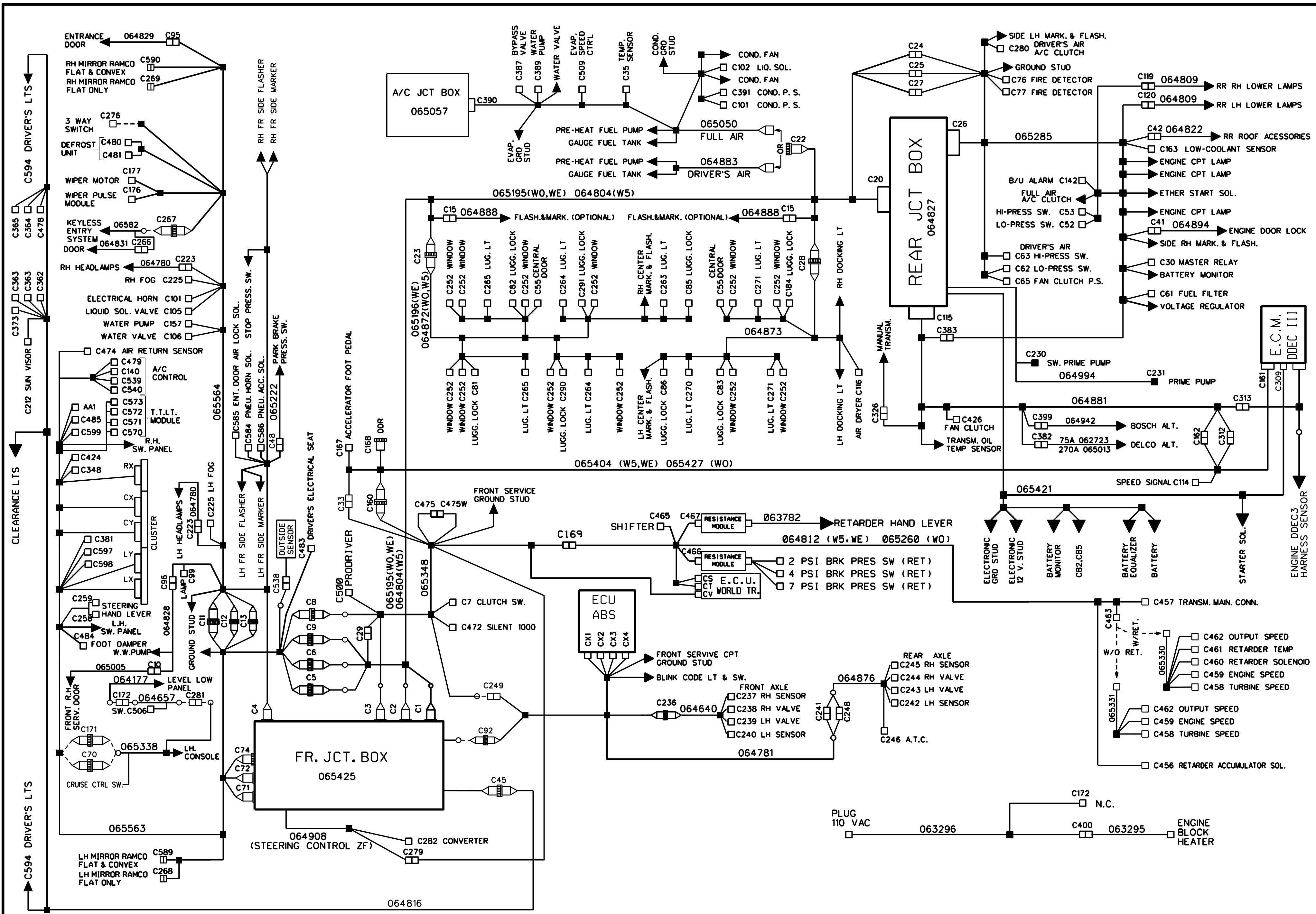


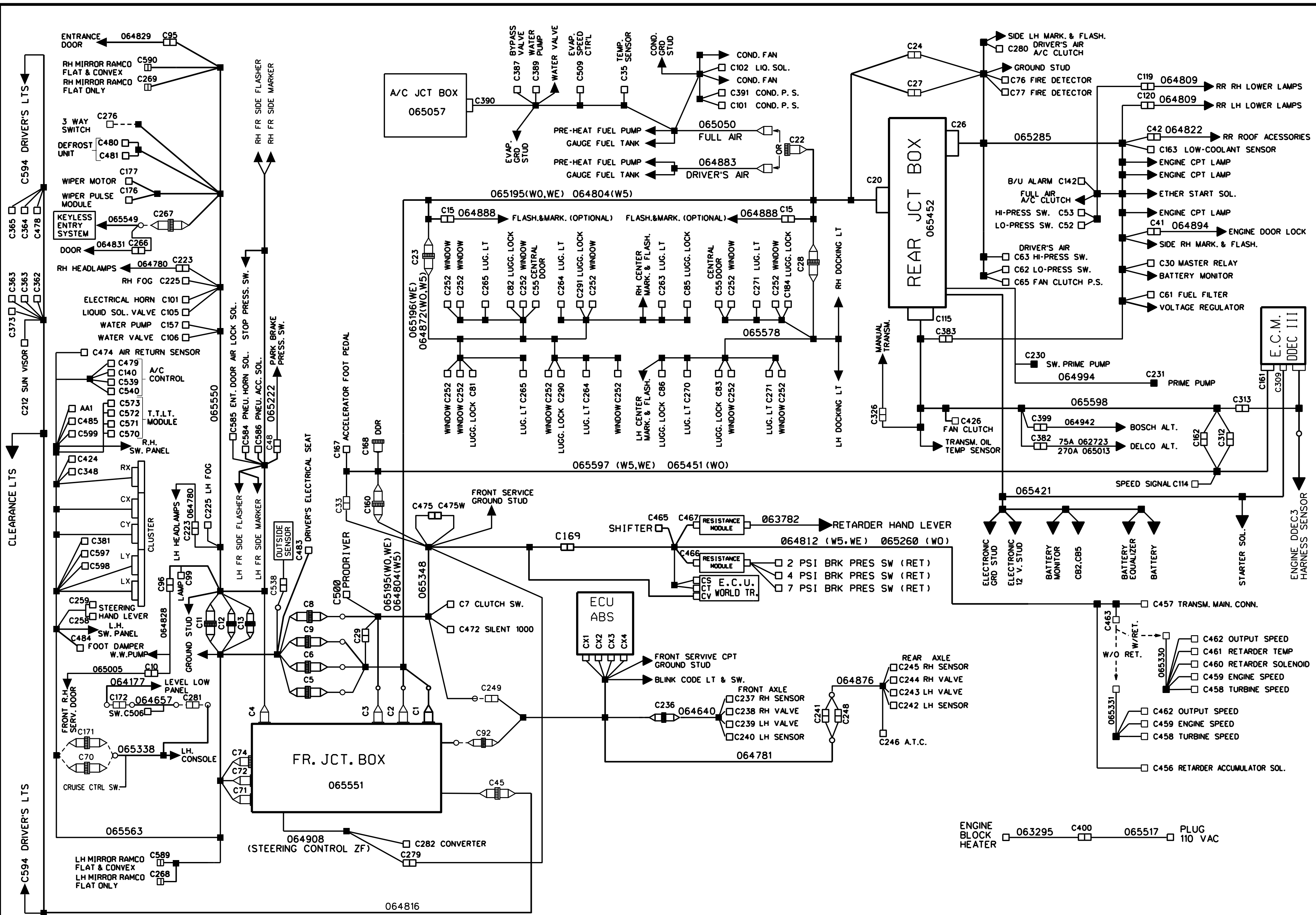


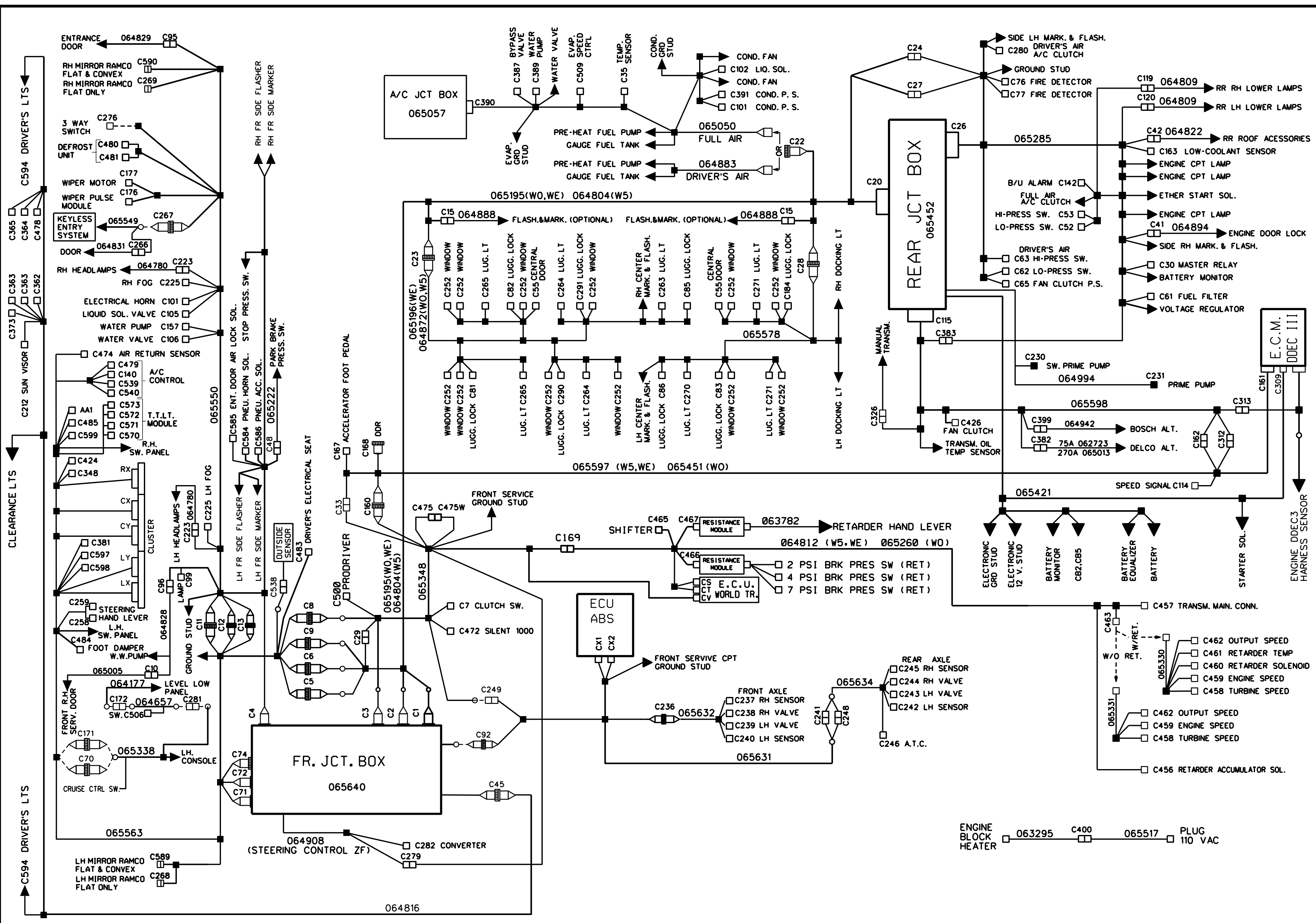


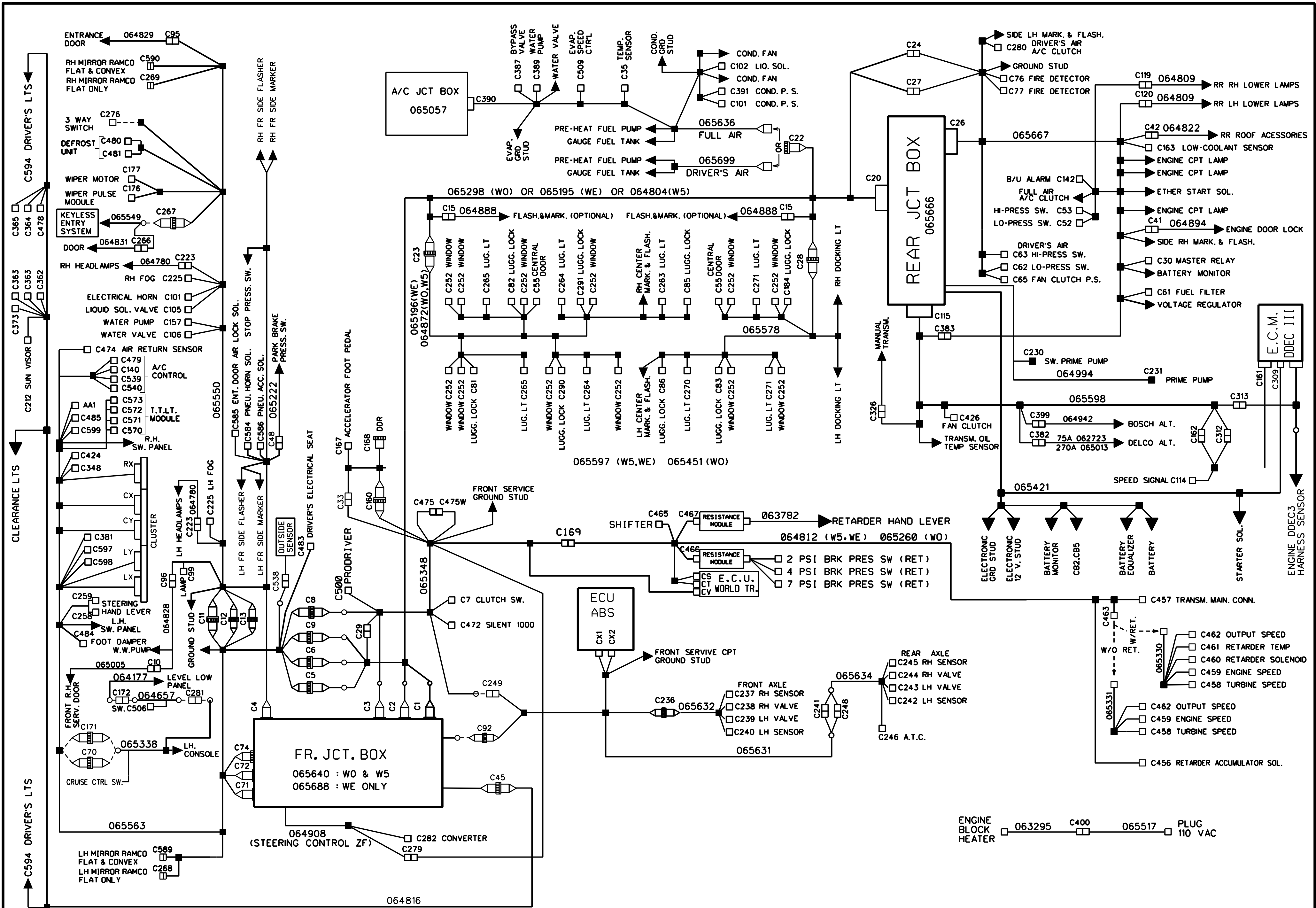


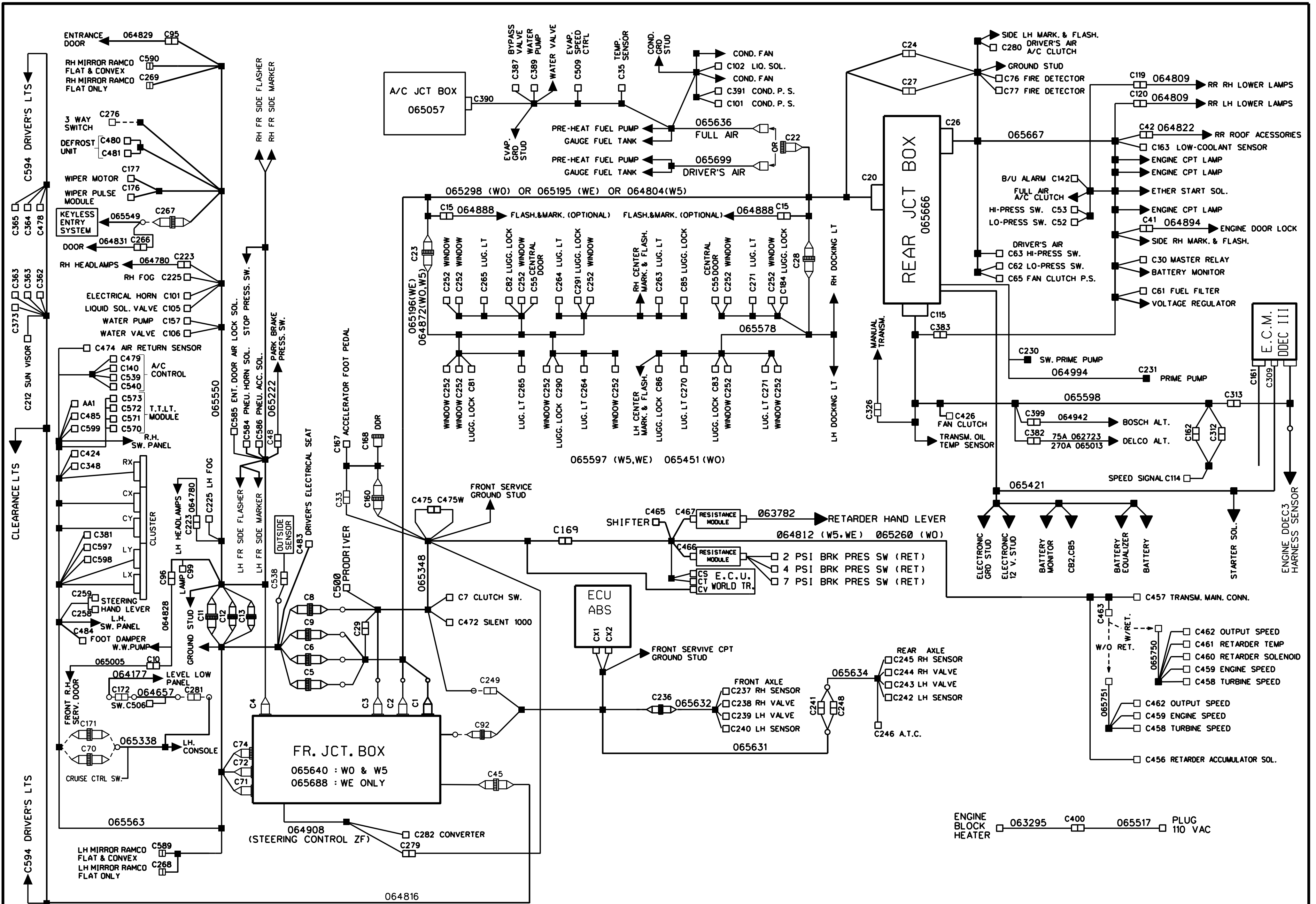


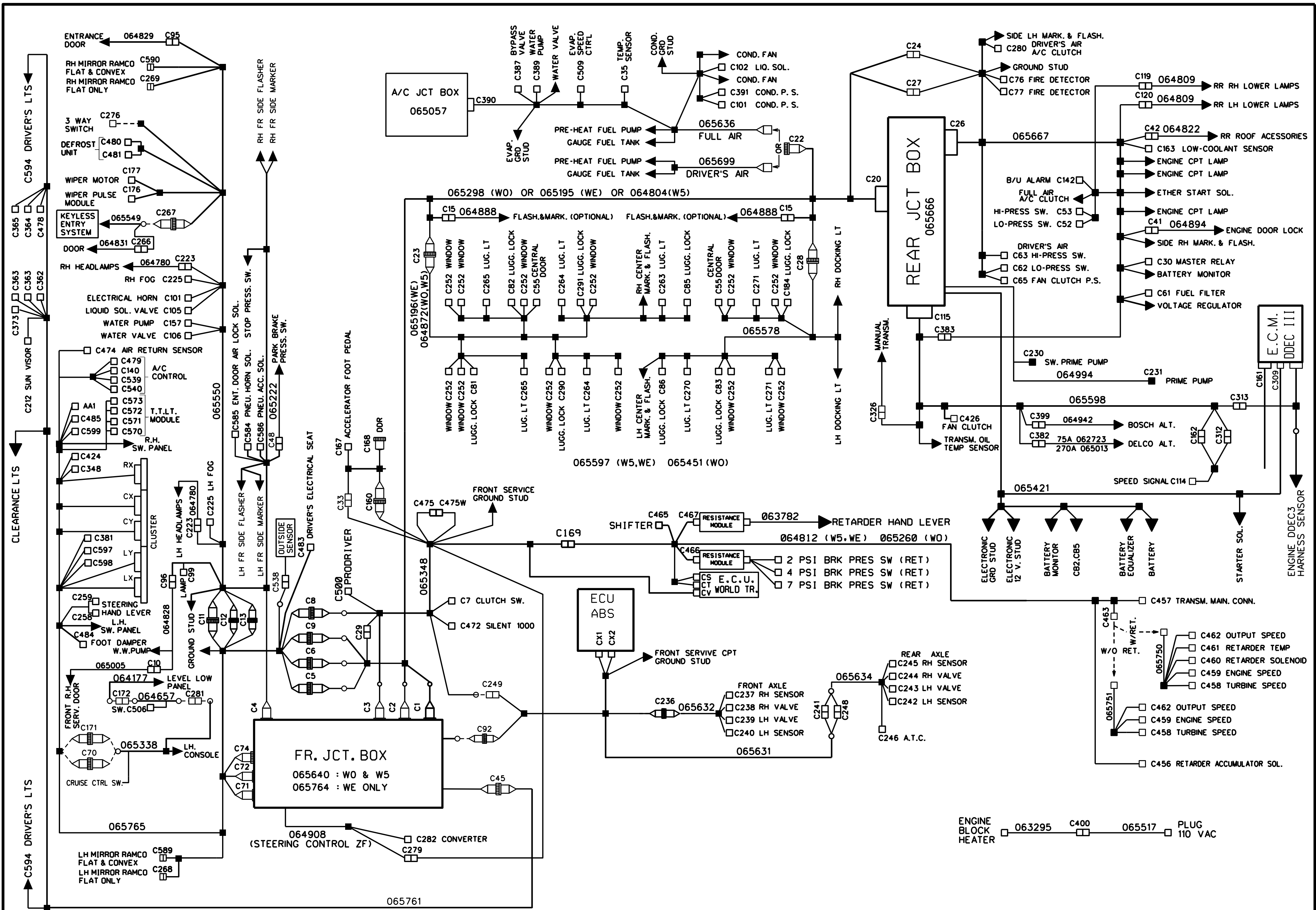


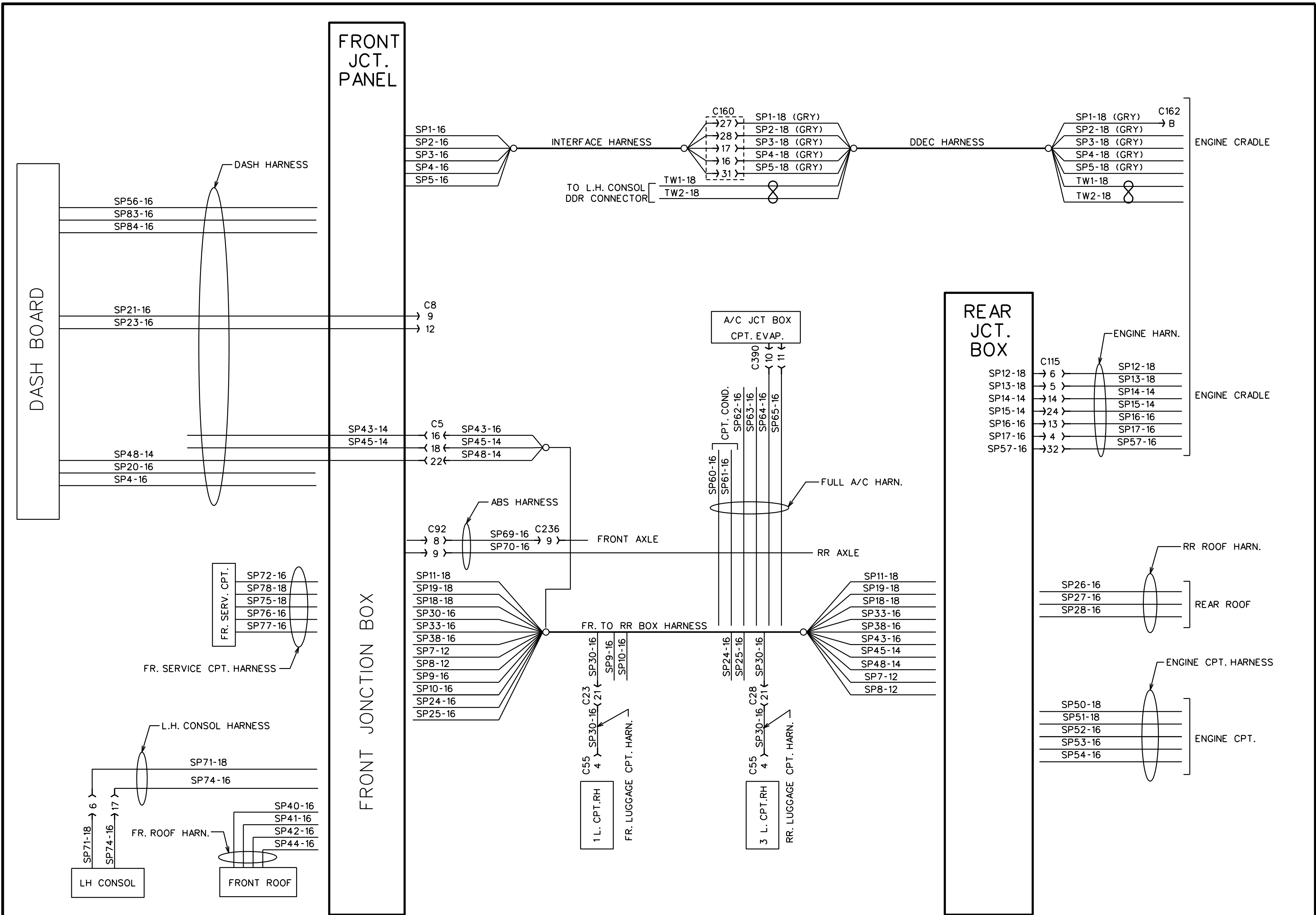


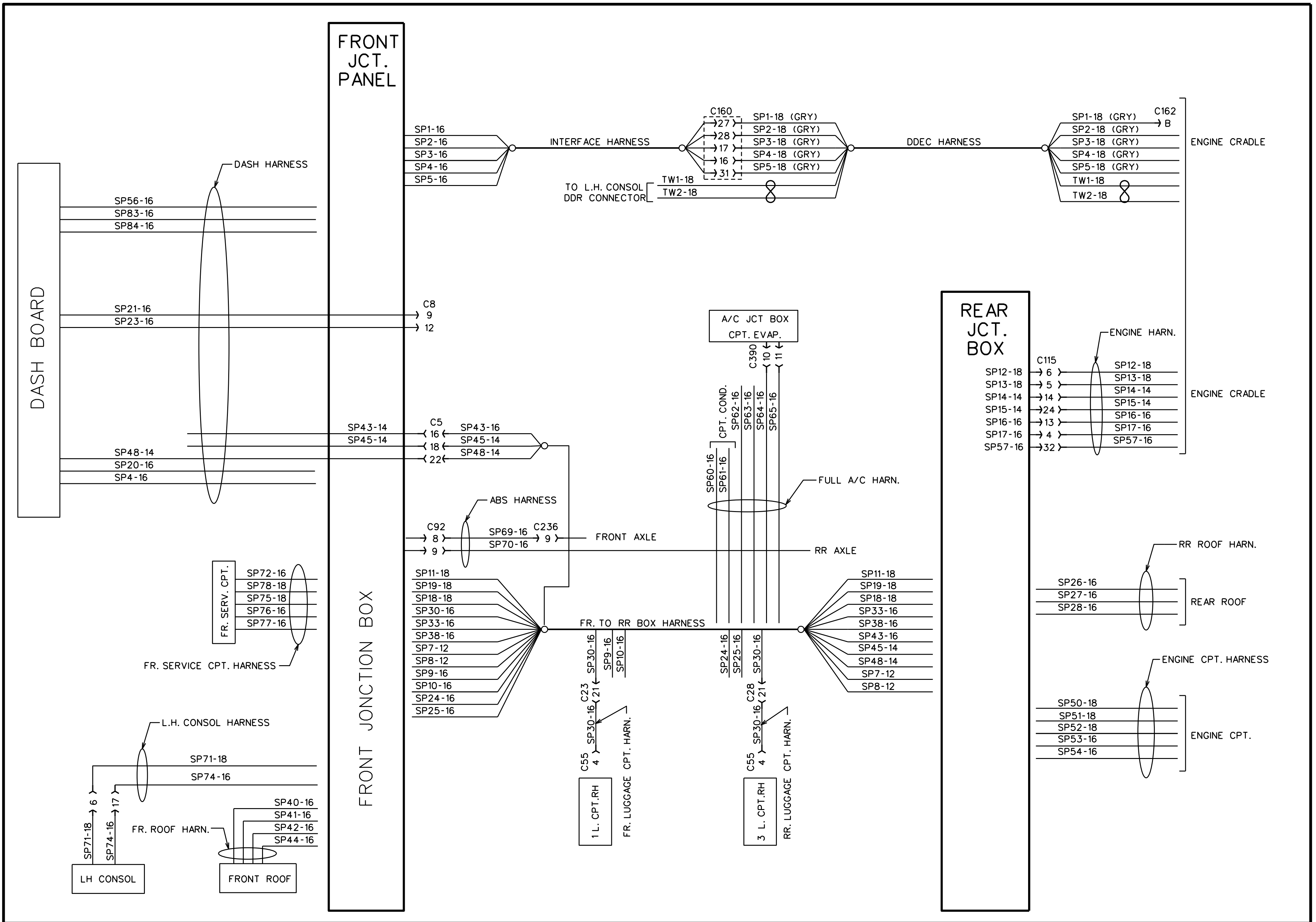


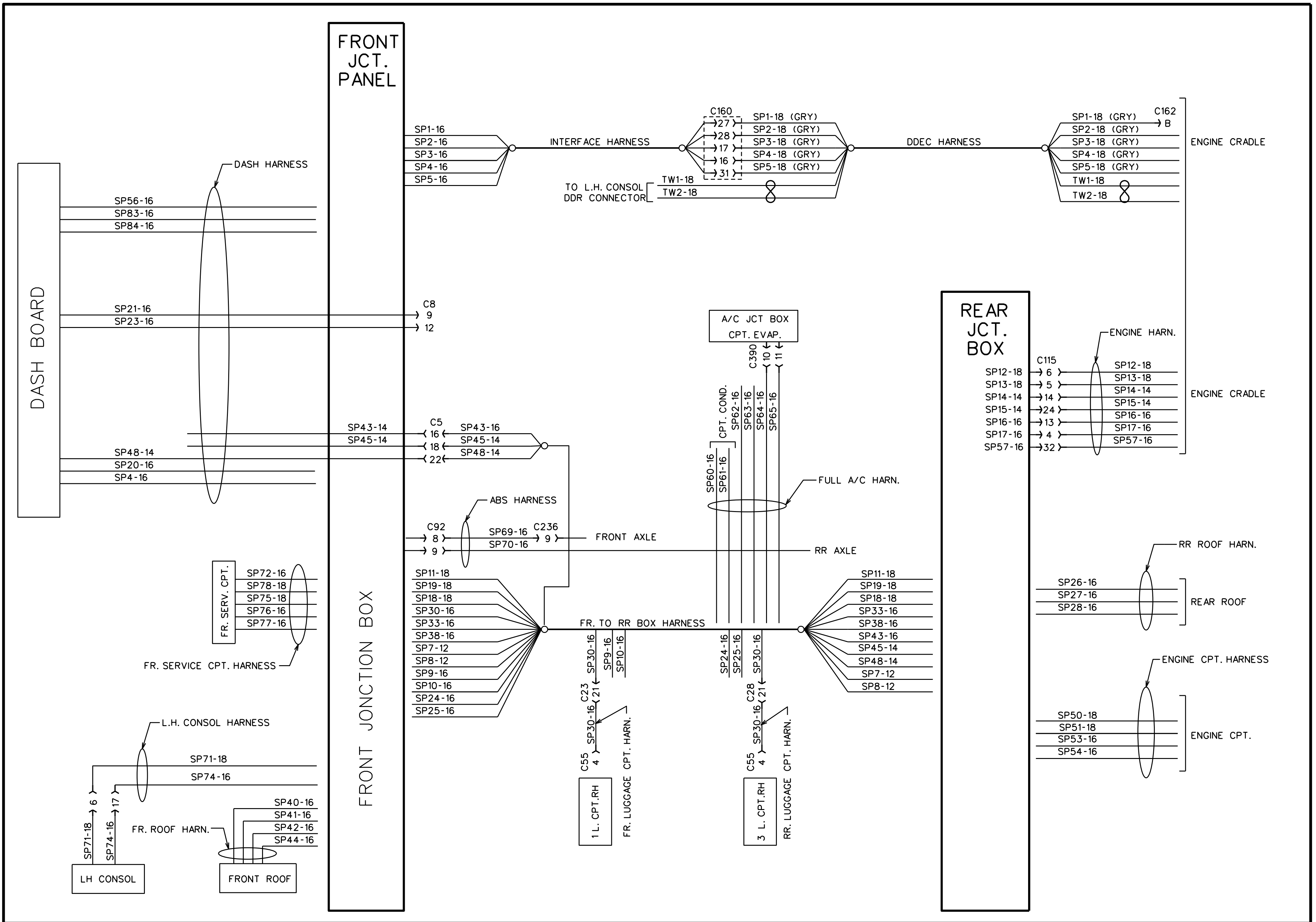












CIRCUIT NUMBER CODE

NO.	DESCRIPTION	NO.	DESCRIPTION	NO.	DESCRIPTION	NO.	DESCRIPTION
IPJ1	CLUSTER - BULB TEST POS	SP62	SPARE WIRE	0T2	WINDOW AWNING	12E	RR JCT BOX 12V DISC SW
IPJ2	CLUSTER - BULB TEST NEG.	SP63	SPARE WIRE	0T3	ALTERNATOR MODULE	12F	FR JCT PANEL 12V DISC SW
IPJ3	CLUSTER - SV SIGNAL	SP69	SPARE WIRE	0T4	12V OUTLET - CTR MODULE	12G	FR JCT PANEL 12V DISC SW
IPJ4	CLUSTER - RETURN TO ZERO	SP70	SPARE WIRE	0W	FJB - TRANSM. RLY GRD	12H	12V DASH ACCESS.
IPJ5	CLUSTER - FUEL LEVEL GAUGE	SP71	SPARE WIRE	0W	TRANSM ACC. - FR.SERV. CPT	12I	RR JCT BOX 12V IGNITION
IPJ6	CLUSTER - BULB TEST POS.	SP72	SPARE WIRE	0WA	PRE-HEAT WATER HEATER	12I	FR JCT PANEL 12V IGNITION
IPJ7	CLUSTER - BULB TEST NEG.	SP74	SPARE WIRE	0Y1	ASB SYSTEM-GRD	12IA	FR JCT PANEL 12V IGNITION
IPJ8	CLUSTER - MASTER WARNING	SP83	SPARE WIRE	0Y2	ASB SYSTEM-GRD	12IA	RR JCT PANEL 12V IGNITION
LX5	CLUSTER - COMPUTER MODE	SP84	SPARE WIRE	0Y3	ASB SYSTEM-GRD	12IF	FR JCT PANEL 12V IGNITION
LX6	CLUSTER - COMPUTER DOWN	SP114	SPARE WIRE	0Y4	ASB SYSTEM-GRD	12J	FR JCT PANEL 12V DISC.SW.
LX7	CLUSTER - COMPUTER SET	SP115	SPARE WIRE	0Y5	ASB SYSTEM-GRD	12K	FR JCT PANEL 12V DISC.SW.
LX16	CLUSTER - COMPUTER UP	SP116	SPARE WIRE	0Y6	ASB SYSTEM-GRD	12LX	12V HOTWIRE CLUST. & MOD A/B
LX21	CLUSTER - COMPUTER COM.	SP117	SPARE WIRE	0Y7	ASB SYSTEM-GRD	12LX	CLUSTER 12V HOT WIRE
RT	T.T.L.T. MODULE - TEST SW.	TW1	SPR. W. TWISTER 50T/M WITH TW2	00	ASB SYSTEM-GRD	12P	12V POWER OUTLET
SP1	SPARE WIRE	TW2	SPR. W. TWISTER 50T/M WITH TW1	00A	BATTERY GRD-DASH ACC.	12T	RR JCT BOX 12V DISC SW
SP2	SPARE WIRE	0	A/C EVAP. CPT GRD	2A	A/C & HEAT SYSTEM	12VD	12V HOT WIRE
SP3	SPARE WIRE	0	JUMPER - CLUTCH SIGN.	2B	A/C & HEAT SYSTEM	12VI	RR JCT PANEL 12V IGNITION
SP4	SPARE WIRE	0	RJB - INSIDE GRD	2D	A/C & HEAT SYSTEM	12W	12V HOT WIRE DDEC III FEED
SP5	SPARE WIRE	0A	FR. ROOF ACC. GRD	2E	A/C & HEAT SYSTEM	15	EXT. LTS-MULTI FUNC LEVEL
SP6	SPARE WIRE	0B	A/C - CONDENSER GRD	2H	A/C & HEAT SYS-LO-PRESS SW.	15	WIPER & WASHER SYSTEM
SP7	SPARE WIRE	0B	ENG. CPT ACC. GRD	2L	A/C & HEAT SYS-HI-PRESS SW.	16	SPEEDOMETER (+)
SP8	SPARE WIRE	0BE	OV BATTERY MONITOR	3A	A/C & HEAT SYSTEM-EVAPORATOR	16T	SPEED SW SIGNAL IN (+)
SP9	SPARE WIRE	0C	R.J.B. - GRB	5N0	SPEED SIGNAL HIGHER 5MPH	17	EXTERIOR LTS-FLASHER UNIT
SP10	SPARE WIRE	0C	F.R. SERV. CPT-ACCESSOIRIES	5NC	SPEED SIGNAL LOWER 5MPH	17A	EXTERIOR LTS-FLASHER UNIT
SP11	SPARE WIRE	0C1	ENTRANCE DOOR KEYLESS	6	EXTERIOR LTS-DOCKING	17C	JUMPER LTS SW. - HAZARD
SP12	SPARE WIRE	0C4	F.J.B. GRD	6A	EXTERIOR LTS-CORNERING	20	SPEEDOMETER SIGNAL (-)
SP13	SPARE WIRE	0CJ	CRUISE SW. JUMPER	6B1	EXTERIOR LTS-CORNERING RH	20T	SPEED SW SIGNAL IN (-)
SP14	SPARE WIRE	0D	A/C JCT BOX - COND FAN GRD	6C1	EXTERIOR LTS-CORNERING RH	21	EXTERIOR LTS-DIRECT. LH
SP15	SPARE WIRE	0F	SILENT 1000	6D	EXTERIOR LTS-DOCKING	21A	EXTERIOR LTS-LH
SP16	SPARE WIRE	0G	ABS GRD CX1	9	INTERIOR LTS-ENGINE CPT	21A	EXTERIOR LTS-CORNERING-LH
SP17	SPARE WIRE	0H	ENG. CPT. - ACC. GRD	9	INTERIOR LTS-RR JCT BOX	21B	EXTERIOR LTS-DIRECT. LH
SP18	SPARE WIRE	0L	ENG.CPT -CLEAR.LTS RR ROOF	9F	INTERIOR LTS - FR-SERV. CPT	21BB	EXTERIOR LTS-DIRECT. LH
SP19	SPARE WIRE	0L	R.J.B. - GRD	10	A/C & HEAT SYSTEM -LO PRES.	21H	EXTERIOR LTS-HAZARD SIGNAL
SP21	SPARE WIRE	0L	FR - SIDE MARK. & FLASH GRD	10	INTERIOR LTS-LUGGAGE CPT	21M	AUX. LTS - DIRECTIONAL LH
SP23	SPARE WIRE	0L1	ENG.CPT-SIDE MARK. & FL. GRD	10	INTERIOR LTS-FR SERV. CPT	21P	CORN. LTS - DIRECT. SIGN. LH
SP24	SPARE WIRE	0L2	HEAD LTS	10A	INTERIOR LTS-LUGGAGE CPT	23	EXTERIOR LTS-DIRECT. RH
SP25	SPARE WIRE	0L3	FR.SERV.DR. & ENT.DOOR GRD ACC.	10B	INTERIOR LTS-LUGGAGE CPT	23A	EXTERIOR LTS-DIRECT. RH
SP30	SPARE WIRE	0L4	FOG LTS RESISTOR GRD	10C	INTERIOR LTS-LUGGAGE CPT	23A	EXTERIOR LTS - CORNER. LTS
SP33	SPARE WIRE	0L5	LH CONSOL - ACC. GRD	10D	INTERIOR LTS-LUGGAGE CPT	23BB	EXTERIOR LTS - DIRECT. RH
SP38	SPARE WIRE	0LV	WINDSHIELD WASHER LEVEL	10E	INTERIOR LTS-LUGGAGE CPT	23C	EXTERIOR LTS-CORNERING RH
SP40	SPARE WIRE	0M	WIPER 2 MIRROR MOTOR	10R	CENTER DOOR T.T.L.T.	23H	EXTERIOR LTS-HAZARD SIGNAL
SP41	SPARE WIRE	0M3	DEFROST GRD	12A	FR JCT PANEL 12V DISC SW	23M	AUX LTS - DIRECTIONAL RH
SP42	SPARE WIRE	0M4	HORN & DR'S WINDOW LIFTER	12B	FR JCT PANEL 12V DISC SW	23P	CORN. LTS - DIRECT SIGN RH
SP43	SPARE WIRE	0M5	SUN VISOR MOTOR	12BAT	12V HOT-WIRE ACC - JCT BLK	24	FR JCT PANEL 24V DISC. SW.
SP45	SPARE WIRE	0M7	DR'S WIND.LIFT. & RH MIR. SW	12BE	12V BATTERY MONITOR	24A	RR JCT PANEL 24V DISC. SW
SP48	SPARE WIRE	0M7A	LH MIRROR SW.	12C	FR JCT PANEL 12V DISC SW	24A	FR JCT PANEL 24V DISC. SW
SP56	SPARE WIRE	0P	ENG.CDT - PRE-HEATER	12C	RR JCT BOX 12V DISC SW	24B	FR JCT PANEL 24V DISC. SW
SP57	SPARE WIRE	0T	SPEED SW. CONNECTOR	12D	FR JCT PANEL 12V HOT WIRE	24BE	BATTERY MONITOR
SP60	SPARE WIRE	0T1	DASH ACC.	12DD	FR JCT PANEL 12V HOT WIRE	24C	FR JCT PANEL 24V DISC SW
SP61	SPARE WIRE	0T2	CLUSTER ACC.	12DT	T.T. LT MODULE	24D	FR JCT BOX 24V HOT WIRE

CIRCUIT NUMBER CODE

NO.	DESCRIPTION	NO.	DESCRIPTION	NO.	DESCRIPTION	NO.	DESCRIPTION
24F	RR JCT PANEL 24V DISC SW	45B	A/C & HEAT SYS.-WATER PUMP	72D	SUN VISOR LH	110	WORLD TR.-LOCKUP SOL. LO
24I	FR JCT PANEL 24V IGNITION	45C	A/C & HEAT SYS.-WATER VALV	76	FUEL TANK GAUGE	112	WORLD TR.-SPARE OUTPUT (+)
24I	RR JCT PANEL 24V IGNITION	45D	A/C & HEAT SYS.-WATER VALV	76C	LOW FUEL T.T.LT	112	WORLD TR.-SPARE OUTPUT (+)
24IA	FR JCT PANEL 24V IGNITION	45E	A/C & HEAT SYS.-WATER PUMP	76L	LOW FUEL T.T.LT	113W	WORLD TR.-REVERSE WARNING
24IB	FR JCT PANEL 24V IGNITION	45G	A/C & HEAT SYS.-DR'S HTR	77A	A/C & HEAT SYS. - THERMOST.	114	WORLD TR.-SPARE OUTPUT (-)
24IF	FR JCT PANEL 24V IGNITION	45J	A/C & HEAT SYS.-WATER PUMP	77B	A/C SYS. - LIQ. SOL. VALVE	114	INTERIOR LT-DASH LT RHEOS.
24P	FR JCT PANEL 24V DISC SW	46	EXTERIOR LTS-MARKER	77C	A/C & HEAT SYS.-COMPRESSOR	114A	INTERIOR LT-DASH LT RHEOS.
24R	24V RR JCT BLK TO STARTER	46A	EXTERIOR LTS-AUX LTS RESIS.	77H	A/C SYS.-LIQ. SOL. VALVE	114B	INT. LT-DASH LT RHEOST.FEED
24T	RR JCT PANEL 24V DISC SW	46C	EXTERIOR LTS-MARKER	77H	A/C & HEAT SYS.-THERMOSTAT	115	DDEC III-COOLANT LEVEL
24VD	24V HOT WIRE FEED	46D	EXTERIOR LTS-AUX LTS RESIS.	81	EXTERIOR LTS-STOP SW	115W	WORLD TR.-DO NOT SHIFT SIGN
25A	TT.LT. MODULE - LED	50	AIR DRYER	82	EXTERIOR LTS-STOP SIGNAL	116	WORLD TR.-LO SIGNAL SOL. HI
25B	EXT. LTS-DAYTIME RUN LTS	52	ALARM & SIGNAL-ELEC.HORN	82A	EXTERIOR LTS-STOP SIGNAL	116B	A/C & HEAT SYSTEM-DR'S HTR
25D	GENERATOR SKTN. ON - HVAC	52A	ALARM & SIGNAL-ELEC.HORN	82B	EXTERIOR LTS-STOP LTS	116C	A/C SYS.-TRIG. DEFROST
26	DR'S & ENT. WINDOW LIFTER	53	ALARM & SIGNAL-ELEC.HORN	82L	EXT. LTS-STOP LTS & CYCLOP	117A	ALARME & SIGN.-TR. OIL TEMP
26A	CIGAR LIGHT. & POW.OUTLET LH	53B	WIPER & WASHER SYSTEM	82R	EXTERIOR LTS-STOP LTS	119	WORLD TRANSM-ENGINE BRAKE
26B	DRIVER'S WINDOW LIFTER	53C	WIPER & WASHER SYSTEM	83	ENG. CTR-MAST. KEY SW ACC.	120	WORLD TRANSM-SOL. C1
26C	DRIVER'S WINDOW LIFTER	53E	WIPER & WASHER SYSTEM	84	ENG. CTR-MAST KEY SW START	121	WORLD TRANSM-SOL.GRD 2
26D	ENT. DOOR WINDOW LIFTER	53J	WIPER & WASHER SYSTEM	84A	ENG. CTR-MAST KEY SW START	123	WORLD TR.-NEUTRAL START
26E	ENT. DOOR WINDOW LIFTER	55	EXTERIOR LTS-HI BEAM	84J	ENG. CTR-MAST KEY SW START	123A	ALARM & SIGNAL-FIRE DETECT.
28H	T.T.LT MODULE - HI A/C PRES.	57	EXTERIOR LTS-HI BEAM	85	24V IGNITION SIGNAL	123B	ALARM & SIGNAL-FIRE DETECT.
28T	T.T.LT MODULE - LO A/C PRES.	57A	EXTERIOR LTS-HI BEAM	85A	24V IGN DASH INSTRUMENT.	124	WORLD TR.-THROTTLE (HI)
29	A/C & HEAT SYS.-DR'S HTR	57B	A/C & HEAT SYS.-WATER PUMP	85C	24V IGNITION - FEED	124A	WORLD TRANSM-SENSOR PWR
29H	HVAC DASH MODILE	57C	PRE-HEAT WATER HEATER	85W	WORLD TRANSM. - 24V IGN.	125	WORLD TR-RETARDER INDICAT.
31B	WIPER & WASHER SYSTEM	57C	A/C & HEAT SYS.-WATER PUMP	85X	ABS-24V IGN	125W	WORLD TR-RETARDER INDICAT.
31C	WIPER & WASHER SYSTEM	57E	A/C & HEAT SYS.-WATER VALV	85Y	ABS-WARNING LT	126	WORLD TR.-LUBE PRESS SW.
32	EXTERIOR LTS-BACK-UP	57W	PRE-HEAT WATER HEATER	86	ENG. CTR-STARTER SOL SIGN	126	24VIGN-LEV.LOW & WORLD TR.
32B	EXTERIOR LTS-BACK-UP	58	EXTERIOR LTS-LO BEAM	86A	ENG. CTR-STARTER SOL SIGN	126F	LEVEL LOW SYSTEM
32F	BACK-UP CANCEL SW.	58A	EXTERIOR LTS-LO BEAM	87B	ENGINE CTR-24V IGNITION	126H	SPEED SIGN 5NC - NOT USED
32G	BACK-UP ALARM	58B	EXTERIOR LTS-LO BEAM	88	ENGINE CTR-RR START SIGNAL	126W	WORLD TRANSM-NOT USED
32J	BACK-UP SW. - JUMPER	59A	ENGINE BRAKE SYSTEM	89	ENGINE CTR-RR START SIGNAL	127	24HW DR'S LT PREHEAT & HVAC
35B	DRIVER'S LTS - KEYLESS SIGN	61	EXTERIOR LTS-24V FEED SW	90	CONVERTER - CABLE SPARG	127A	PRE-HEAT WATER HEATER
36	ENGINE BRAKE SYSTEM	61A	EXTERIOR LTS-HEAD SIGNAL	90A	ENG. CTR-MAST KEY SW FEED	127W	PRE-HEAT WATER HEATER
36A	ENGINE BRAKE SYSTEM & RET.	63	EXTERIOR LTS-CLEAR. FEED	90B	A/C & H. SYS.-COND FAN MOT	128	WORLD TRANSM-SOL. C2
39	INTERIOR LTS-DRIVER'S LTS	63B	EXTERIOR LTS-CLEARANCE	90B	ENG. CTR-MAST KEY SW FEED	128A	PRE-HEAT WATER HEATER
39B	INTERIOR LTS-DRIVER'S LTS	63C	EXT. LTS-MARKER SIGNAL	91	PARKING BRAKE SW SIGNAL	128B	PRE-HEAT WATER HEATER
39C	INTERIOR LTS-DRIVER'S LTS	63F	EXT. LTS-MARKER BLINKER	91A	DDEC III-FAST IDLE SIGNAL	128W	PRE-HEAT WATER HEATER
39D	INTERIOR LTS - FRIVER' LTS	64	DRIVER'S FAN SPEED CTR	91C	PARKING BRAKE - T.T.LT	129	WORLD TRANSM-SOL. C5
39K	DR'S LTS - KEYLESS SIGN.	64A	DRIVER'S FAN SPEED CTR	91J	FAST IDLE - JUMPER SW.	129	PRE-HEAT WATER HEATER
41	A/C SYS.-COND FAN MOTOR	64B	DRIVER'S FAN SPEED CTR	92	BATT. EQUAL.-CHECK BALANCE	129B	PRE-HEAT WATER HEATER
41A	A/C SYS.-COND FAN MOTOR	65	FOOT DAMPER MOTOR	93	BATT. EQUALIZ.-CHECK LO/HI	130	WORLD TRANSM-SOL. GRD 3
41B	A/C SYS.-COND FAN MOTOR	65A	FOOT DAMPER MOTOR	95A	ENG. BRAKE & RETARDER SYS.	131	WORLD TRANSM-SOL.C4
42A	A/C SYS.-COND FAN MOTOR	65D	DRIVER'S REC. DAMPER	95B	ENG. BRAKE & RETARDER SYS.	132	WORLD TRANSM-ENGINE BRAKE
43	A/C & HEAT SYS. - FAN SPEED	66	A/C PASSENGER - ON/OFF	97	TACHOMETER SIGN.-NOT USED	132A	LEVEL LOW SYSTEM
44	EXTERIOR LTS-FOG	67A	A/C & HEAT SYSTEM	101	WORLD TR.- LO SIGN SOL.LO	132B	LEVEL LOW SYSTEM
44A	EXTERIOR LTS-FOG	68	DASH & DEFROST DAMPER MOT	102	WORLD TRANSM.-SOL. SUPPLY	132C	LEVEL LOW SYSTEM
44B	EXTERIOR LTS-FOG	68A	DASH & DEFROST DAMPER MOT	103	WORLD TRANSM.- B.SOL.LO	132D	LEVEL LOW SYSTEM
44C	EXT. LTS-FOG,HVAC & HAZ. SW	72	SUN VISOR - FEED	104	LEVEL-LOW SYS- DR'S SOL.	132E	LEVEL LOW SYSTEM
44D	EXTERIOR LTS - FOG	72A	SUN VISOR RH	104	WORLD TR. -SOL. FORWARD	132F	LEVEL LOW SYSTEM
44E	EXTERNAL LTS - FOG	72B	SUN VISOR RH	105W	WORLD TR-SOL.-RET.OIL TT.LT	135	WORLD TRANSM-RET.TEMP.
45A	A/C & HEAT SYSTEM FULL AIR	72C	SUN VISOR LH	107	WORLD TR.-LOCKUP SOL. HI	135A	WORLD TR.-RES MODULE RET.

CIRCUIT NUMBER CODE

NO.	DESCRIPTION	NO.	DESCRIPTION	NO.	DESCRIPTION	NO.	DESCRIPTION
135B	A/C & HEAT SYS.-AIR SENSOR	149	WORLD TR.-TURBINE SPEED HI	174	WORLD TRANSM-SHIFTER	505	DDEC-TACHOMETER DRIVE
135C	A/C & HEAT SYS.-AIR SENSOR	149	ABS SYSTEM-SENSOR	175A	WORLD TRANSM-SHIFTER	509	DDEC-STOP ENGINE LIGHT
136A	WORLD TRANSM-12V BATTERY	149A	ABS SYSTEM	176	WORLD TRANSM-SHIFTER	510	DDEC-FAST IDLE SIGNAL
136AA	WORLD TRANSM-SHIFTER PWR	150	WORLD TR.-ENGINE SPEED LO	180	WORLD TRANSM-SHIFTER	524	DDEC-ENGINE BRAKEDISABLE
136V	WORLD TRANSM-12V BATTERY	150	DDEC III-ECM BATTERY GRD	180	OUTSIDE TEMP. DISPLAY	525	DDEC-FAST IDLE SIGNAL
136W	WORLD TRANSM-12V BATTERY	150A	DDEC III-ECM BATTERY GRD	180A	OUTSIDE TEMP. DISPLAY	528	DDEC-STOP ENG. OVERRIDE
137	WORLD TRANSM-RETARDER	151	DDEC III-ECM BATTERY GRD	180A	WORLD TRANSM-SHIFTER	531	DDEC-CRUISE CLUTCH CUT OUT
137	RR VIEW MIRROR	151	ABS SYSTEM-SPARE	180B	OUTSIDE TEMP. DISPLAY	540	DDEC-CRUISE ENABLE T.T.LT
137A	RR VIEW MIRROR	152	ABS SYSTEM-SPARE	180C	OUTSIDE TEMP. DISPLAY	541	DDEC-CRUISE SET SW
137B	RR VIEW MIRROR	153	ELECTRICAL DRIVER'S SEAT	181	FROZEN POINT T.T.LT	543	DDEC-CRUISE STOP SW CUT IN
137C	RR VIEW MIRROR	154	WORLD TRANSM-ABS INPUT (-)	181A	THERMOMETER INSIDE SENSOR	544	DDEC-CRUISE ON/OFF SW
137D	RR VIEW MIRROR	156A	ABS SYSTEM-FEED	181B	THERMOMETER INSIDE SENSOR	545	DDEC-CRUISE RESUME SW
137D	RR VIEW MIRROR	157	ABS SYSTEM-FEED	181C	THERMOMET. OUTSIDE SENSOR	555	DDEC-FAN CLUTCH SPEED#1
137E	RR VIEW MIRROR	157A	ABS SYSTEM-FEED	181D	THERMOMET. OUTSIDE SENSOR	556	DDEC-VEHICULE SPEED (+)
137F	RR VIEW MIRROR	157B	ABS SYSTEM	195	WORLD TRANSM-TRANS ID	557	DDEC-VEHICULE SPEED (-)
137H	RR VIEW MIRROR	159	WORLD TRANSM-DIAGNOSTIC	197	FUEL WATER FILTER	563	DDEC-FAN CLUTCH SPEED#2
137J	RR VIEW MIRROR	160	ALARM & SIGN.-TAG PRESS SW	197A	FUEL WATER FILTER	564	DDEC-DIGITAL OUTPUT
137K	RR VIEW MIRROR	161B	WORLD TRANSM-SIGNALGRD	201	WORLD TRANSM-SPARE	565	DDEC-ENGINE BRAKE ACTIVE
137L	RR VIEW MIRROR	162	WORLD TRANSM-PRESS. SW C3	202	WORLD TRANSM-SPARE	583	DDEC-ENGINE BRAKE 4 CYL.
137M	RR VIEW MIRROR FEED	163	WORLD TR.-RETARDER ENABLE	203	WORLD TRANSM-SPARE	900	DDEC-DATA LINK (+)
137R	WORLD TRANSM-RETARDER	164	WORLD TR.-RET. ACTUAT. SIGN	204	WORLD TRANSM-SPARE	901	DDEC-DATA LINK (-)
137T	MIRROR HEAT SW-JUMPER	165	WORLD TR.-OIL LEVEL SIGNAL	214	WORLD TR.-BACK-UP SIGNAL	908	DDEC-HYDRAU. PWM#1 OUTPUT
138	WORLD TR.-RETARDER TEMP	166B	A/C & HEAT SYS.-EVAP. MOD.	231	WORLD TR.-NEUTRAL SIGN GRD	916	DDEC-SENSOR SUPPLY (5VDC)
138	ABS SYSTEM-SENSOR	167	WORLD TR.-SPEED 5N0, 5NC	240	DDEC III-ECM 12V FEEDING	952	DDEC-SENSOR RETURN
138A	ABS SYSTEM-SENSOR	169	WORLD TRANSM-INPUT 12	241	DDEC III-ECM 12V FEEDING	953	DDEC-BATTERY GRD
139	ABS SYSTEM-VALVE	170	WORLD TRANSM-SHIFTER	260	WINDOW AJAR-T.T.LT	979	DDEC-ENGINE BRAKE 2 CYL.
139	WORLD TR.-OUTPUT SPEED HI	170C	LUGGAGE DOOR LOCK-T.T.LT	270	KEYLESS MODULE-FEED	2123	FLASHER SIGNAL LTS
140	WORLD TR.-OUTPUT SPEED LO	170D	LUGGAGE DOOR LOCK-FEED	270A	ENTRANCE DOOR AIR LOCK		
140	ABS SYSTEM-VALVE	170E	LUG. DOOR LOCK-UNLOCK SIGN	272	KEYLESS SYSTEM-KEYBOARD		
141	ABS SYSTEM-VALVE	170F	LUGGAGE DOOR LOCK-FEED	274	KEYLESS SYSTEM-KEYBOARD		
141	WORLD TR.-ENGINE SPEED HI	170G	LUGGAGE DOOR LOCK-FEED	276	KEYLESS SYSTEM-KEYBOARD		
142	ABS SYSTEM-VALVE	170H	LUGGAGE DOOR-LOCK SIGN	277	KEYLESS SYS-DR'V LTS SIGN		
143	ABS SYSTEM-SENSOR	170K	LUGGAGE DOOR-LOCK SIGN	278	KEYLESS SYSTEM-KEYBOARD		
143A	ABS SYSTEM-SENSOR	170LA	LUGG DOOR LOCK-T.T.LT WE	280	KEYLESS SYSTEM-KEYBOARD		
143A	WORLD TRANS-BATTERY GRD	170LB	LUGG DOOR LOCK-T.T.LT WE	283	KEYLESS SYSTEM-ANTI-THEFT		
143W	WORLD TRANSM-BATTERY GRD	170L	LUGG DOOR LOCK-SIGN T.T.LT	283A	KEYLESS SYS-ENT. DOOR SIGN		
143X	WORLD TRANSM-BATTERY GRD	170M	LUGG DOOR LOCK-SIGN T.T.LT	285	KEY. SYS-UNLOCK ENT. DOOR		
144	ABS SYSTEM-SENSOR	170N	LUGG DOOR LOCK-SIGN T.T.LT	286	LUGG DOOR LOCK-ENT. DOOR		
144A	ABS SYSTEM-SENSOR	170P	LUGG DOOR LOCK-SIGN T.T.LT	286A	KEYLESS SYS-CENTER DOOR		
145	ABS SYSTEM-VALVE	170R	LUGG DOOR LOCK-ENTR. DOOR	290	FAN CLUTCH RADIATOR-FEED		
146	ABS SYSTEM-VALVE	170S	LUGG DOOR LOCK-SIGN T.T.LT	290A	FAN CLUTCH RADIATOR-FEED		
146A	WORLD TRANSM-12V IGNITION	170T	LUGG DOOR LOCK-SIGN T.T.LT	291	FAN CLUTCH RADIATOR SPD 1		
146AA	WORLD TRANSM-DIAGN.CONN.	170V	LUGG DOOR LOCK-SIGN T.T.LT	292	FAN CLUTCH RADIATOR SPD 2		
147	WORLD TRANSM-OIL TEMP	170W	LUGGAGE DOOR LOCK-FEED	292A	FAN CLUTCH RADIATOR SPD 2		
147	ABS SYSTEM-VALVE	170X	LUGG DOOR LOCK-SIGN T.T.LT	294	KEYLESS SYSTEM-ANTI-THEFT		
147A	ETHER COLD START	170Y	LUGGAGE DOOR LOCK-FEED	295	KEYLESS SYS-LED INDICATOR		
147A	DAYTIME LST-ALT. SIGNAL	170Z	LUGGAGE DOOR LOCK	417	DDEC-LIMIT SPEED GOVERNOR		
147C	ETHER COLD START	171	WORLD TRANSM-SHIFTER	419	DDEC -CHEK ENGINE LIGHT		
148	ABS SYSTEM-VALVE	172	WORLD TRANSM-SHIFTER	439	DDEC-12V IGNITION		
148	WORLD TR.-OUTPUT SPEED LO	173	WORLD TRANSM-SHIFTER	451	DDEC-A/C FAN CLUTCH		

CIRCUIT NUMBER CODE

NO.	DESCRIPTION	NO.	DESCRIPTION	NO.	DESCRIPTION	NO.	DESCRIPTION
IPJ1	CLUSTER - BULB TEST POS	SP62	SPARE WIRE	0T2	WINDOW AWNING	12E	RR JCT BOX 12V DISC SW
IPJ2	CLUSTER - BULB TEST NEG.	SP63	SPARE WIRE	0T3	ALTERNATOR MODULE	12F	FR JCT PANEL 12V DISC SW
IPJ3	CLUSTER - SV SIGNAL	SP69	SPARE WIRE	0T4	12V OUTLET - CTR MODULE	12G	FR JCT PANEL 12V DISC SW
IPJ4	CLUSTER - RETURN TO ZERO	SP70	SPARE WIRE	0W	FJB - TRANSM. RLY GRD	12H	12V DASH ACCESS.
IPJ5	CLUSTER - FUEL LEVEL GAUGE	SP71	SPARE WIRE	0W	TRANSM ACC. - FR.SERV. CPT	12I	RR JCT BOX 12V IGNITION
IPJ6	CLUSTER - BULB TEST POS.	SP72	SPARE WIRE	0WA	PRE-HEAT WATER HEATER	12I	FR JCT PANEL 12V IGNITION
IPJ7	CLUSTER - BULB TEST NEG.	SP74	SPARE WIRE	0Y1	ASB SYSTEM-GRD	12IA	FR JCT PANEL 12V IGNITION
IPJ8	CLUSTER - MASTER WARNING	SP83	SPARE WIRE	0Y2	ASB SYSTEM-GRD	12IA	RR JCT PANEL 12V IGNITION
LX5	CLUSTER - COMPUTER MODE	SP84	SPARE WIRE	0Y3	ASB SYSTEM-GRD	12IF	FR JCT PANEL 12V IGNITION
LX6	CLUSTER - COMPUTER DOWN	SP114	SPARE WIRE	0Y4	ASB SYSTEM-GRD	12J	FR JCT PANEL 12V DISC.SW.
LX7	CLUSTER - COMPUTER SET	SP115	SPARE WIRE	0Y5	ASB SYSTEM-GRD	12K	FR JCT PANEL 12V DISC.SW.
LX16	CLUSTER - COMPUTER UP	SP116	SPARE WIRE	0Y6	ASB SYSTEM-GRD	12LX	12V HOTWIRE CLUST. & MOD A/D
LX21	CLUSTER - COMPUTER COM.	SP117	SPARE WIRE	0Y7	ASB SYSTEM-GRD	12LX	CLUSTER 12V HOT WIRE
RT	T.T.L.T. MODULE - TEST SW.	TW1	SPR. W. TWISTER 50T/M WITH TW2	00	ASB SYSTEM-GRD	12P	12V POWER OUTLET
SP1	SPARE WIRE	TW2	SPR. W. TWISTER 50T/M WITH TW1	00A	BATTERY GRD-DASH ACC.	12T	RR JCT BOX 12V DISC SW
SP2	SPARE WIRE	0	A/C EVAP. CPT GRD	2A	A/C & HEAT SYSTEM	12VD	12V HOT WIRE
SP3	SPARE WIRE	0	JUMPER - CLUTCH SIGN.	2B	A/C & HEAT SYSTEM	12VI	RR JCT PANEL 12V IGNITION
SP4	SPARE WIRE	0	RJB - INSIDE GRD	2D	A/C & HEAT SYSTEM	12W	12V HOT WIRE DDEC III FEED
SP5	SPARE WIRE	0A	FR. ROOF ACC. GRD	2E	A/C & HEAT SYSTEM	15	EXT. LTS-MULTI FUNC LEVEL
SP6	SPARE WIRE	0B	A/C - CONDENSER GRD	2H	A/C & HEAT SYS-LO-PRESS SW.	15	WIPER & WASHER SYSTEM
SP7	SPARE WIRE	0B	ENG. CPT ACC. GRD	2L	A/C & HEAT SYS-HI-PRESS SW.	16	SPEEDOMETER (+)
SP8	SPARE WIRE	0BE	OV BATTERY MONITOR	3A	A/C & HEAT SYSTEM-EVAPORATOR	16T	SPEED SW SIGNAL IN (+)
SP9	SPARE WIRE	0C	R.J.B. - GRB	5N0	SPEED SIGNAL HIGHER 5MPH	17	EXTERIOR LTS-FLASHER UNIT
SP10	SPARE WIRE	0C	F.R. SERV. CPT-ACCESSOIRIES	5NC	SPEED SIGNAL LOWER 5MPH	17A	EXTERIOR LTS-FLASHER UNIT
SP11	SPARE WIRE	0C1	ENTRANCE DOOR KEYLESS	6	EXTERIOR LTS-DOCKING	17C	JUMPER LTS SW. - HAZARD
SP12	SPARE WIRE	0C4	F.J.B. GRD	6A	EXTERIOR LTS-CORNERING	20	SPEEDOMETER SIGNAL (-)
SP13	SPARE WIRE	0CJ	CRUISE SW. JUMPER	6B1	EXTERIOR LTS-CORNERING RH	20T	SPEED SW SIGNAL IN (-)
SP14	SPARE WIRE	0D	A/C JCT BOX - COND FAN GRD	6C1	EXTERIOR LTS-CORNERING RH	21	EXTERIOR LTS-DIRECT. LH
SP15	SPARE WIRE	0F	SILENT 1000	6D	EXTERIOR LTS-DOCKING	21A	EXTERIOR LTS-LH
SP16	SPARE WIRE	0G	ABS GRD CX1	9	INTERIOR LTS-ENGINE CPT	21A	EXTERIOR LTS-CORNERING-LH
SP17	SPARE WIRE	0H	ENG. CPT. - ACC. GRD	9	INTERIOR LTS-RR JCT BOX	21B	EXTERIOR LTS-DIRECT. LH
SP18	SPARE WIRE	0L	ENG.CPT -CLEAR.LTS RR ROOF	9F	INTERIOR LTS - FR-SERV. CPT	21BB	EXTERIOR LTS-DIRECT. LH
SP19	SPARE WIRE	0L	R.J.B. - GRD	10	A/C & HEAT SYSTEM -LO PRES.	21H	EXTERIOR LTS-HAZARD SIGNAL
SP21	SPARE WIRE	0L	FR - SIDE MARK. & FLASH GRD	10	INTERIOR LTS-LUGGAGE CPT	21M	AUX. LTS - DIRECTIONAL LH
SP23	SPARE WIRE	0L1	ENG.CPT-SIDE MARK. & FL. GRD	10	INTERIOR LTS-FR SERV. CPT	21P	CORN. LTS - DIRECT. SIGN. LH
SP24	SPARE WIRE	0L2	HEAD LTS	10A	INTERIOR LTS-LUGGAGE CPT	23	EXTERIOR LTS-DIRECT. RH
SP25	SPARE WIRE	0L3	FR.SERV.DR. & ENT.DOOR GRD ACC.	10B	INTERIOR LTS-LUGGAGE CPT	23A	EXTERIOR LTS-DIRECT. RH
SP30	SPARE WIRE	0L4	FOG LTS RESISTOR GRD	10C	INTERIOR LTS-LUGGAGE CPT	23A	EXTERIOR LTS - CORNER. LTS
SP33	SPARE WIRE	0L5	LH CONSOL - ACC. GRD	10D	INTERIOR LTS-LUGGAGE CPT	23BB	EXTERIOR LTS - DIRECT. RH
SP38	SPARE WIRE	0LV	WINDSHIELD WASHER LEVEL	10E	INTERIOR LTS-LUGGAGE CPT	23C	EXTERIOR LTS-CORNERING RH
SP40	SPARE WIRE	0M	WIPER 2 MIRROR MOTOR	10R	CENTER DOOR T.T.L.T.	23H	EXTERIOR LTS-HAZARD SIGNAL
SP41	SPARE WIRE	0M3	DEFROST GRD	12A	FR JCT PANEL 12V DISC SW	23M	AUX LTS - DIRECTIONAL RH
SP42	SPARE WIRE	0M4	HORN & DR'S WINDOW LIFTER	12B	FR JCT PANEL 12V DISC SW	23P	CORN. LTS - DIRECT SIGN RH
SP43	SPARE WIRE	0M5	SUN VISOR MOTOR	12BAT	12V HOT-WIRE ACC - JCT BLK	24	FR JCT PANEL 24V DISC. SW.
SP45	SPARE WIRE	0M7	DR'S WIND.LIFT. & RH MIR. SW	12BE	12V BATTERY MONITOR	24A	RR JCT PANEL 24V DISC. SW
SP48	SPARE WIRE	0M7A	LH MIRROR SW.	12C	FR JCT PANEL 12V DISC SW	24A	FR JCT PANEL 24V DISC. SW
SP56	SPARE WIRE	0P	ENG.CDT - PRE-HEATER	12C	RR JCT BOX 12V DISC SW	24B	FR JCT PANEL 24V DISC. SW
SP57	SPARE WIRE	0T	SPEED SW. CONNECTOR	12D	FR JCT PANEL 12V HOT WIRE	24BE	BATTERY MONITOR
SP60	SPARE WIRE	0T1	DASH ACC.	12DD	FR JCT PANEL 12V HOT WIRE	24C	FR JCT PANEL 24V DISC SW
SP61	SPARE WIRE	0T2	CLUSTER ACC.	12DT	T.T. LT MODULE	24D	FR JCT BOX 24V HOT WIRE

CIRCUIT NUMBER CODE

NO.	DESCRIPTION	NO.	DESCRIPTION	NO.	DESCRIPTION	NO.	DESCRIPTION
24F	RR JCT PANEL 24V DISC SW	45B	A/C & HEAT SYS.-WATER PUMP	72D	SUN VISOR LH	108	
24I	FR JCT PANEL 24V IGNITION	45C	A/C & HEAT SYS.-WATER VALV	76	FUEL TANK GAUGE	110	WORLD TR.-LOCKUP SOL. LO
24I	RR JCT PANEL 24V IGNITION	45D	A/C & HEAT SYS.-WATER VALV	76C	LOW FUEL T.T.LT	112	WORLD TR.-SPARE OUTPUT (+)
24IA	FR JCT PANEL 24V IGNITION	45E	A/C & HEAT SYS.-WATER PUMP	76L	LOW FUEL T.T.LT	112	WORLD TR.-SPARE OUTPUT (+)
24IB	FR JCT PANEL 24V IGNITION	45G	A/C & HEAT SYS.-DR'S HTR	77A	A/C & HEAT SYS. - THERMOST.	113W	WORLD TR.-REVERSE WARNING
24IF	FR JCT PANEL 24V IGNITION	45J	A/C & HEAT SYS.-WATER PUMP	77B	A/C SYS. - LIQ. SOL. VALVE	114	WORLD TR.-SPARE OUTPUT (-)
24P	FR JCT PANEL 24V DISC SW	46	EXTERIOR LTS-MARKER	77C	A/C & HEAT SYS.-COMPRESSOR	114	INTERIOR LT-DASH LT RHEOS.
24R	24V RR JCT BLK TO STARTER	46A	EXTERIOR LTS-AUX LTS RESIS.	77H	A/C SYS.-LIQ. SOL. VALVE	114A	INTERIOR LT-DASH LT RHEOS.
24T	RR JCT PANEL 24V DISC SW	46C	EXTERIOR LTS-MARKER	77H	A/C & HEAT SYS.-THERMOSTAT	114B	INT. LT-DASH LT RHEOST.FEED
24VD	24V HOT WIRE FEED	46D	EXTERIOR LTS-AUX LTS RESIS.	81	EXTERIOR LTS-STOP SW	115	DDEC III-COOLANT LEVEL
25A	TT.LT. MODULE - LED	50	AIR DRYER	82	EXTERIOR LTS-STOP SIGNAL	115W	WORLD TR.-DO NOT SHIFT SIGN
25B	EXT. LTS-DAYTIME RUN LTS	52	ALARM & SIGNAL-ELEC.HORN	82A	EXTERIOR LTS-STOP SIGNAL	116	WORLD TR.-LO SIGNAL SOL. HI
25D	GENERATOR SKTN. ON - HVAC	52A	ALARM & SIGNAL-ELEC.HORN	82B	EXTERIOR LTS-STOP LTS	116B	A/C & HEAT SYSTEM-DR'S HTR
26	DR'S & ENT. WINDOW LIFTER	53	ALARM & SIGNAL-ELEC.HORN	82L	EXT. LTS-STOP LTS & CYCLOP	116C	A/C SYS.-TRIG. DEFROST
26A	CIGAR LIGHT. & POW.OUTLET LH	53B	WIPER & WASHER SYSTEM	82R	EXTERIOR LTS-STOP LTS	117A	ALARME & SIGN.-TR. OIL TEMP
26B	DRIVER'S WINDOW LIFTER	53C	WIPER & WASHER SYSTEM	83	ENG. CTR-MAST. KEY SW ACC.	119	WORLD TRANSM-ENGINE BRAKE
26C	DRIVER'S WINDOW LIFTER	53E	WIPER & WASHER SYSTEM	84	ENG. CTR-MAST KEY SW START	120	WORLD TRANSM-SOL. C1
26D	ENT. DOOR WINDOW LIFTER	53J	WIPER & WASHER SYSTEM	84A	ENG. CTR-MAST KEY SW START	121	WORLD TRANSM-SOL.GRD 2
26E	ENT. DOOR WINDOW LIFTER	55	EXTERIOR LTS-HI BEAM	84J	ENG. CTR-MAST KEY SW START	123	WORLD TR.-NEUTRAL START
28H	T.T.LT MODULE - HI A/C PRES.	57	EXTERIOR LTS-HI BEAM	85	24V IGNITION SIGNAL	123A	ALARM & SIGNAL-FIRE DETECT.
28T	T.T.LT MODULE - LO A/C PRES.	57A	EXTERIOR LTS-HI BEAM	85A	24V IGN DASH INSTRUMENT.	123B	ALARM & SIGNAL-FIRE DETECT.
29	A/C & HEAT SYS.-DR'S HTR	57B	A/C & HEAT SYS.-WATER PUMP	85C	24V IGNITION - FEED	124	WORLD TR.-THROTTLE (HI)
29H	HVAC DASH MODILE	57C	PRE-HEAT WATER HEATER	85W	WORLD TRANSM. - 24V IGN.	124A	WORLD TRANSM-SENSOR PWR
31B	WIPER & WASHER SYSTEM	57C	A/C & HEAT SYS.-WATER PUMP	85X	ABS-24V IGN	125	WORLD TR-RETARDER INDICAT.
31C	WIPER & WASHER SYSTEM	57E	A/C & HEAT SYS.-WATER VALV	85Y	ABS-WARNING LT	125W	WORLD TR-RETARDER INDICAT.
32	EXTERIOR LTS-BACK-UP	57W	PRE-HEAT WATER HEATER	86	ENG. CTR-STARTER SOL SIGN	126	WORLD TR.-LUBE PRESS SW.
32B	EXTERIOR LTS-BACK-UP	58	EXTERIOR LTS-LO BEAM	86A	ENG. CTR-STARTER SOL SIGN	126	24VIGN-LEV.LOW & WORLD TR.
32F	BACK-UP CANCEL SW.	58A	EXTERIOR LTS-LO BEAM	87B	ENGINE CTR-24V IGNITION	126F	LEVEL LOW SYSTEM
32G	BACK-UP ALARM	58B	EXTERIOR LTS-LO BEAM	88	ENGINE CTR-RR START SIGNAL	126H	SPEED SIGN 5NC - NOT USED
32J	BACK-UP SW. - JUMPER	59A	ENGINE BRAKE SYSTEM	89	ENGINE CTR-RR START SIGNAL	126W	WORLD TRANSM-NOT USED
35B	DRIVER'S LTS - KEYLESS SIGN	61	EXTERIOR LTS-24V FEED SW	90	CONVERTER - CABLE SPARG	127	24HW DR'S LT PREHEAT & HVAC
36	ENGINE BRAKE SYSTEM	61A	EXTERIOR LTS-HEAD SIGNAL	90A	ENG. CTR-MAST KEY SW FEED	127A	PRE-HEAT WATER HEATER
36A	ENGINE BRAKE SYSTEM & RET.	63	EXTERIOR LTS-CLEAR. FEED	90B	A/C & H. SYS.-COND FAN MOT	127W	PRE-HEAT WATER HEATER
39	INTERIOR LTS-DRIVER'S LTS	63B	EXTERIOR LTS-CLEARANCE	90B	ENG. CTR-MAST KEY SW FEED	128	WORLD TRANSM-SOL. C2
39B	INTERIOR LTS-DRIVER'S LTS	63C	EXT. LTS-MARKER SIGNAL	91	PARKING BRAKE SW SIGNAL	128A	PRE-HEAT WATER HEATER
39C	INTERIOR LTS-DRIVER'S LTS	63F	EXT. LTS-MARKER BLINKER	91A	DDEC III-FAST IDLE SIGNAL	128B	PRE-HEAT WATER HEATER
39D	INTERIOR LTS - FRIVER' LTS	64	DRIVER'S FAN SPEED CTR	91C	PARKING BRAKE - T.T.LT	128W	PRE-HEAT WATER HEATER
39K	DR'S LTS - KEYLESS SIGN.	64A	DRIVER'S FAN SPEED CTR	91J	FAST IDLE - JUMPER SW.	129	WORLD TRANSM-SOL. C5
41	A/C SYS.-COND FAN MOTOR	64B	DRIVER'S FAN SPEED CTR	92	BATT. EQUAL.-CHECK BALANCE	129	PRE-HEAT WATER HEATER
41A	A/C SYS.-COND FAN MOTOR	65	FOOT DAMPER MOTOR	93	BATT. EQUALIZ.-CHECK LO/HI	129B	PRE-HEAT WATER HEATER
41B	A/C SYS.-COND FAN MOTOR	65A	FOOT DAMPER MOTOR	95A	ENG. BRAKE & RETARDER SYS.	130	WORLD TRANSM-SOL. GRD 3
42A	A/C SYS.-COND FAN MOTOR	65D	DRIVER'S REC. DAMPER	95B	ENG. BRAKE & RETARDER SYS.	131	WORLD TRANSM-SOL.C4
43	A/C & HEAT SYS. - FAN SPEED	66	A/C PASSENGER - ON/OFF	97	TACHOMETER SIGN.-NOT USED	132	WORLD TRANSM-ENGINE BRAKE
44	EXTERIOR LTS-FOG	67A	A/C & HEAT SYSTEM	101	WORLD TR.- LO SIGN SOL.LO	132A	LEVEL LOW SYSTEM
44A	EXTERIOR LTS-FOG	68	DASH & DEFROST DAMPER MOT	102	WORLD TRANSM.-SOL. SUPPLY	132B	LEVEL LOW SYSTEM
44B	EXTERIOR LTS-FOG	68A	DASH & DEFROST DAMPER MOT	103	WORLD TRANSM.- B.SOL.LO	132C	LEVEL LOW SYSTEM
44C	EXT. LTS-FOG,HVAC & HAZ. SW	72	SUN VISOR - FEED	104	LEVEL-LOW SYS- DR'S SOL.	132D	LEVEL LOW SYSTEM
44D	EXTERIOR LTS - FOG	72A	SUN VISOR RH	104	WORLD TR. -SOL. FORWARD	132E	LEVEL LOW SYSTEM
44E	EXTERNAL LTS - FOG	72B	SUN VISOR RH	105W	WORLD TR-SOL.-RET.OIL TT.LT	132F	LEVEL LOW SYSTEM
45A	A/C & HEAT SYSTEM FULL AIR	72C	SUN VISOR LH	107	WORLD TR.-LOCKUP SOL. HI	135	WORLD TRANSM-RET.TEMP.
					WORLD TR.-LOCKUP SOL.		

CIRCUIT NUMBER CODE

NO.	DESCRIPTION	NO.	DESCRIPTION	NO.	DESCRIPTION	NO.	DESCRIPTION
135A	WORLD TR.-RES MODULE RET.	148	WORLD TR.-OUTPUT SPEED LO	173	WORLD TRANSM-SHIFTER	451	DDEC-A/C FAN CLUTCH
135B	A/C & HEAT SYS.-AIR SENSOR	149	WORLD TR.-TURBINE SPEED HI	174	WORLD TRANSM-SHIFTER	505	DDEC-TACHOMETER DRIVE
135C	A/C & HEAT SYS.-AIR SENSOR	149	ABS SYSTEM-SENSOR	175A	WORLD TRANSM-SHIFTER	509	DDEC-STOP ENGINE LIGHT
136A	WORLD TRANSM-12V BATTERY	149A	ABS SYSTEM	176	WORLD TRANSM-SHIFTER	510	DDEC-FAST IDLE SIGNAL
136AA	WORLD TRANSM-SHIFTER PWR	150	WORLD TR.-ENGINE SPEED LO	180	WORLD TRANSM-SHIFTER	524	DDEC-ENGINE BRAKEDISABLE
136V	WORLD TRANSM-12V BATTERY	150	DDEC III-ECM BATTERY GRD	180	OUTSIDE TEMP. DISPLAY	525	DDEC-FAST IDLE SIGNAL
136W	WORLD TRANSM-12V BATTERY	150A	DDEC III-ECM BATTERY GRD	180A	OUTSIDE TEMP. DISPLAY	528	DDEC-STOP ENG. OVERRIDE
137	WORLD TRANSM-RETARDER	151	DDEC III-ECM BATTERY GRD	180A	WORLD TRANSM-SHIFTER	531	DDEC-CRUISE CLUTCH CUT OUT
137	RR VIEW MIRROR	151	ABS SYSTEM-SPARE	180B	OUTSIDE TEMP. DISPLAY	540	DDEC-CRUISE ENABLE T.T.LT
137A	RR VIEW MIRROR	152	ABS SYSTEM-SPARE	180C	OUTSIDE TEMP. DISPLAY	541	DDEC-CRUISE SET SW
137B	RR VIEW MIRROR	153	ELECTRICAL DRIVER'S SEAT	181	FROZEN POINT T.T.LT	543	DDEC-CRUISE STOP SW CUT IN
137C	RR VIEW MIRROR	154	WORLD TRANSM-ABS INPUT (-)	181A	THERMOMETER INSIDE SENSOR	544	DDEC-CRUISE ON/OFF SW
137D	RR VIEW MIRROR	156A	ABS SYSTEM-FEED	181B	THERMOMETER INSIDE SENSOR	545	DDEC-CRUISE RESUME SW
137D	RR VIEW MIRROR	157	ABS SYSTEM-FEED	181C	THERMOMET. OUTSIDE SENSOR	555	DDEC-FAN CLUTCH SPEED#1
137E	RR VIEW MIRROR	157A	ABS SYSTEM-FEED	181D	THERMOMET. OUTSIDE SENSOR	556	DDEC-VEHICULE SPEED (+)
137F	RR VIEW MIRROR	157B	ABS SYSTEM	195	WORLD TRANSM-TRANS ID	557	DDEC-VEHICULE SPEED (-)
137H	RR VIEW MIRROR	159	WORLD TRANSM-DIAGNOSTIC	197	FUEL WATER FILTER	563	DDEC-FAN CLUTCH SPEED#2
137J	RR VIEW MIRROR	160	ALARM & SIGN.-TAG PRESS SW	197A	FUEL WATER FILTER	564	DDEC-DIGTAL OUTPUT
137K	RR VIEW MIRROR	161B	WORLD TRANSM-SIGNALGRD	201	WORLD TRANSM-SPARE	565	DDEC-ENGINE BRAKE ACTIVE
137L	RR VIEW MIRROR	162	WORLD TRANSM-PRESS. SW C3	202	WORLD TRANSM-SPARE	583	DDEC-ENGINE BRAKE 4 CYL.
137M	RR VIEW MIRROR FEED	163	WORLD TR.-RETARDER ENABLE	203	WORLD TRANSM-SPARE	900	DDEC-DATA LINK (+)
137R	WORLD TRANSM-RETARDER	164	WORLD TR.-RET. ACTUAT. SIGN	204	WORLD TRANSM-SPARE	901	DDEC-DATA LINK (-)
137T	MIRROR HEAT SW-JUMPER	165	WORLD TR.-OIL LEVEL SIGNAL	214	WORLD TR.-BACK-UP SIGNAL	908	DDEC-HYDRAU. PWM#1 OUTPUT
138	WORLD TR.-RETARDER TEMP	166B	A/C & HEAT SYS.-EVAP. MOD.	231	WORLD TR.-NEUTRAL SIGN GRD	916	DDEC-SENSOR SUPPLY (5VDC)
138	ABS SYSTEM-SENSOR	167	WORLD TR.-SPEED 5N0, 5NC	240	DDEC III-ECM 12V FEEDING	952	DDEC-SENSOR RETURN
138A	ABS SYSTEM-SENSOR	169	WORLD TRANSM-INPUT 12	241	DDEC III-ECM 12V FEEDING	953	DDEC-BATTERY GRD
139	ABS SYSTEM-VALVE	170	WORLD TRANSM-SHIFTER	260	WINDOW AJAR-T.T.LT	979	DDEC-ENGINE BRAKE 2 CYL.
139	WORLD TR.-OUTPUT SPEED HI	170C	LUGGAGE DOOR LOCK-T.T.LT	270	KEYLESS MODULE-FEED	2123	FLASHER SIGNAL LTS
140	WORLD TR.-OUTPUT SPEED LO	170D	LUGGAGE DOOR LOCK-FEED	270A	ENTRANCE DOOR AIR LOCK		
140	ABS SYSTEM-VALVE	170E	LUG. DOOR LOCK-UNLOCK SIGN	272	KEYLESS SYSTEM-KEYBOARD		
141	ABS SYSTEM-VALVE	170F	LUGGAGE DOOR LOCK-FEED	274	KEYLESS SYSTEM-KEYBOARD		
141	WORLD TR.-ENGINE SPEED HI	170G	LUGGAGE DOOR LOCK-FEED	276	KEYLESS SYSTEM-KEYBOARD		
142	ABS SYSTEM-VALVE	170H	LUGGAGE DOOR-LOCK SIGN	277	KEYLESS SYS-DR'V LTS SIGN		
143	ABS SYSTEM-SENSOR	170K	LUGGAGE DOOR-LOCK SIGN	278	KEYLESS SYSTEM-KEYBOARD		
143A	ABS SYSTEM-SENSOR	170LA	LUGG DOOR LOCK-T.T.LT WE	280	KEYLESS SYSTEM-KEYBOARD		
143A	WORLD TRANS-BATERY GRD	170LB	LUGG DOOR LOCK-T.T.LT WE	283	KEYLESS SYSTEM-ANTI-THEFT		
143W	WORLD TRANSM-BATTERY GRD	170L	LUGG DOOR LOCK-SIGN T.T.LT	283A	KEYLESS SYS-ENT. DOOR SIGN		
143X	WORLD TRANSM-BATTERY GRD	170M	LUGG DOOR LOCK-SIGN T.T.LT	285	KEY. SYS-UNLOCK ENT. DOOR		
144	ABS SYSTEM-SENSOR	170N	LUGG DOOR LOCK-SIGN T.T.LT	286	LUGG DOOR LOCK-ENT. DOOR		
144A	ABS SYSTEM-SENSOR	170P	LUGG DOOR LOCK-SIGN T.T.LT	286A	KEYLESS SYS-CENTER DOOR		
145	ABS SYSTEM-VALVE	170R	LUGG DOOR LOCK-ENTR. DOOR	290	FAN CLUTCH RADIATOR-FEED		
146	ABS SYSTEM-VALVE	170S	LUGG DOOR LOCK-SIGN T.T.LT	290A	FAN CLUTCH RADIATOR-FEED		
146A	WORLD TRANSM-12V IGNITION	170T	LUGG DOOR LOCK-SIGN T.T.LT	291	FAN CLUTCH RADIATOR SPD 1		
146AA	WORLD TRANSM-DIAGN.CONN.	170V	LUGG DOOR LOCK-SIGN T.T.LT	292	FAN CLUTCH RADIATOR SPD 2		
147	WORLD TRANSM-OIL TEMP	170W	LUGGAGE DOOR LOCK-FEED	292A	FAN CLUTCH RADIATOR SPD 2		
147	ABS SYSTEM-VALVE	170X	LUGG DOOR LOCK-SIGN T.T.LT	294	KEYLESS SYSTEM-ANTI-THEFT		
147A	ETHER COLD START	170Y	LUGGAGE DOOR LOCK-FEED	295	KEYLESS SYS-LED INDICATOR		
147A	DAYTIME LST-ALT.SIGNAL	170Z	LUGGAGE DOOR LOCK	417	DDEC-LIMIT SPEED GOVERNOR		
147C	ETHER COLD START	171	WORLD TRANSM-SHIFTER	419	DDEC -CHEK ENGINE LIGHT		
148	ABS SYSTEM-VALVE	172	WORLD TRANSM-SHIFTER	439	DDEC-12V IGNITION		

CIRCUIT NUMBER CODE

NO.	DESCRIPTION	NO.	DESCRIPTION	NO.	DESCRIPTION	NO.	DESCRIPTION
IPJ1	CLUSTER - BULB TEST POS	SP62	SPARE WIRE	0T2	WINDOW AWNING	12E	RR JCT BOX 12V DISC SW
IPJ2	CLUSTER - BULB TEST NEG.	SP63	SPARE WIRE	0T3	ALTERNATOR MODULE	12F	FR JCT PANEL 12V DISC SW
IPJ3	CLUSTER - SV SIGNAL	SP69	SPARE WIRE	0T4	12V OUTLET - CTR MODULE	12G	FR JCT PANEL 12V DISC SW
IPJ4	CLUSTER - RETURN TO ZERO	SP70	SPARE WIRE	0W	FJB - TRANSM. RLY GRD	12H	12V DASH ACCESS.
IPJ5	CLUSTER - FUEL LEVEL GAUGE	SP71	SPARE WIRE	0W	TRANSM ACC. - FR.SERV. CPT	12I	RR JCT BOX 12V IGNITION
IPJ6	CLUSTER - BULB TEST POS.	SP72	SPARE WIRE	0WA	PRE-HEAT WATER HEATER	12I	FR JCT PANEL 12V IGNITION
IPJ7	CLUSTER - BULB TEST NEG.	SP74	SPARE WIRE	0Y1	ASB SYSTEM-GRD	12IA	FR JCT PANEL 12V IGNITION
IPJ8	CLUSTER - MASTER WARNING	SP83	SPARE WIRE	0Y2	ASB SYSTEM-GRD	12IA	RR JCT PANEL 12V IGNITION
LX5	CLUSTER - COMPUTER MODE	SP84	SPARE WIRE	0Y3	ASB SYSTEM-GRD	12IF	FR JCT PANEL 12V IGNITION
LX6	CLUSTER - COMPUTER DOWN	SP114	SPARE WIRE	0Y4	ASB SYSTEM-GRD	12J	FR JCT PANEL 12V DISC.SW.
LX7	CLUSTER - COMPUTER SET	SP115	SPARE WIRE	0Y5	ASB SYSTEM-GRD	12K	FR JCT PANEL 12V DISC.SW.
LX16	CLUSTER - COMPUTER UP	SP116	SPARE WIRE	0Y6	ASB SYSTEM-GRD	12LX	12V HOTWIRE CLUST. & MOD A/B
LX21	CLUSTER - COMPUTER COM.	SP117	SPARE WIRE	0Y7	ASB SYSTEM-GRD	12LX	CLUSTER 12V HOT WIRE
RT	T.T.L.T. MODULE - TEST SW.	TW1	SPR. W. TWISTER 50T/M WITH TW2	00	ASB SYSTEM-GRD	12P	12V POWER OUTLET
SP1	SPARE WIRE	TW2	SPR. W. TWISTER 50T/M WITH TW1	00A	BATTERY GRD-DASH ACC.	12T	RR JCT BOX 12V DISC SW
SP2	SPARE WIRE	0	A/C EVAP. CPT GRD	2A	A/C & HEAT SYSTEM	12VD	12V HOT WIRE
SP3	SPARE WIRE	0	JUMPER - CLUTCH SIGN.	2B	A/C & HEAT SYSTEM	12VI	RR JCT PANEL 12V IGNITION
SP4	SPARE WIRE	0	RJB - INSIDE GRD	2D	A/C & HEAT SYSTEM	12W	12V HOT WIRE DDEC III FEED
SP5	SPARE WIRE	0A	FR. ROOF ACC. GRD	2E	A/C & HEAT SYSTEM	15	EXT. LTS-MULTI FUNC LEVEL
SP6	SPARE WIRE	0B	A/C - CONDENSER GRD	2H	A/C & HEAT SYS-LO-PRESS SW.	15	WIPER & WASHER SYSTEM
SP7	SPARE WIRE	0B	ENG. CPT ACC. GRD	2L	A/C & HEAT SYS-HI-PRESS SW.	16	SPEEDOMETER (+)
SP8	SPARE WIRE	0BE	OV BATTERY MONITOR	3A	A/C & HEAT SYSTEM-EVAPORATOR	16T	SPEED SW SIGNAL IN (+)
SP9	SPARE WIRE	0C	R.J.B. - GRB	5N0	SPEED SIGNAL HIGHER 5MPH	17	EXTERIOR LTS-FLASHER UNIT
SP10	SPARE WIRE	0C	F.R. SERV. CPT-ACCESSOIRIES	5NC	SPEED SIGNAL LOWER 5MPH	17A	EXTERIOR LTS-FLASHER UNIT
SP11	SPARE WIRE	0C1	ENTRANCE DOOR KEYLESS	6	EXTERIOR LTS-DOCKING	17C	JUMPER LTS SW. - HAZARD
SP12	SPARE WIRE	0C4	F.J.B. GRD	6A	EXTERIOR LTS-CORNERING	20	SPEEDOMETER SIGNAL (-)
SP13	SPARE WIRE	0CJ	CRUISE SW. JUMPER	6B1	EXTERIOR LTS-CORNERING RH	20T	SPEED SW SIGNAL IN (-)
SP14	SPARE WIRE	0D	A/C JCT BOX - COND FAN GRD	6C1	EXTERIOR LTS-CORNERING RH	21	EXTERIOR LTS-DIRECT. LH
SP15	SPARE WIRE	0F	SILENT 1000	6D	EXTERIOR LTS-DOCKING	21A	EXTERIOR LTS-LH
SP16	SPARE WIRE	0G	ABS GRD CX1	9	INTERIOR LTS-ENGINE CPT	21A	EXTERIOR LTS-CORNERING-LH
SP17	SPARE WIRE	0H	ENG. CPT. - ACC. GRD	9	INTERIOR LTS-RR JCT BOX	21B	EXTERIOR LTS-DIRECT. LH
SP18	SPARE WIRE	0L	ENG.CPT -CLEAR.LTS RR ROOF	9F	INTERIOR LTS - FR-SERV. CPT	21BB	EXTERIOR LTS-DIRECT. LH
SP19	SPARE WIRE	0L	R.J.B. - GRD	10	A/C & HEAT SYSTEM -LO PRES.	21H	EXTERIOR LTS-HAZARD SIGNAL
SP21	SPARE WIRE	0L	FR - SIDE MARK. & FLASH GRD	10	INTERIOR LTS-LUGGAGE CPT	21M	AUX. LTS - DIRECTIONAL LH
SP23	SPARE WIRE	0L1	ENG.CPT-SIDE MARK. & FL. GRD	10	INTERIOR LTS-FR SERV. CPT	21P	CORN. LTS - DIRECT. SIGN. LH
SP24	SPARE WIRE	0L2	HEAD LTS	10A	INTERIOR LTS-LUGGAGE CPT	23	EXTERIOR LTS-DIRECT. RH
SP25	SPARE WIRE	0L3	FR.SERV.DR. & ENT.DOOR GRD ACC.	10B	INTERIOR LTS-LUGGAGE CPT	23A	EXTERIOR LTS-DIRECT. RH
SP30	SPARE WIRE	0L4	FOG LTS RESISTOR GRD	10C	INTERIOR LTS-LUGGAGE CPT	23A	EXTERIOR LTS - CORNER. LTS
SP33	SPARE WIRE	0L5	LH CONSOL - ACC. GRD	10D	INTERIOR LTS-LUGGAGE CPT	23BB	EXTERIOR LTS - DIRECT. RH
SP38	SPARE WIRE	0LV	WINDSHIELD WASHER LEVEL	10E	INTERIOR LTS-LUGGAGE CPT	23C	EXTERIOR LTS-CORNERING RH
SP40	SPARE WIRE	0M	WIPER 2 MIRROR MOTOR	10R	CENTER DOOR T.T.L.T.	23H	EXTERIOR LTS-HAZARD SIGNAL
SP41	SPARE WIRE	0M3	DEFROST GRD	12A	FR JCT PANEL 12V DISC SW	23M	AUX LTS - DIRECTIONAL RH
SP42	SPARE WIRE	0M4	HORN & DR'S WINDOW LIFTER	12B	FR JCT PANEL 12V DISC SW	23P	CORN. LTS - DIRECT SIGN RH
SP43	SPARE WIRE	0M5	SUN VISOR MOTOR	12BAT	12V HOT-WIRE ACC - JCT BLK	24	FR JCT PANEL 24V DISC. SW.
SP45	SPARE WIRE	0M7	DR'S WIND.LIFT. & RH MIR. SW	12BE	12V BATTERY MONITOR	24A	RR JCT PANEL 24V DISC. SW
SP48	SPARE WIRE	0M7A	LH MIRROR SW.	12C	FR JCT PANEL 12V DISC SW	24A	FR JCT PANEL 24V DISC. SW
SP56	SPARE WIRE	0P	ENG.CDT - PRE-HEATER	12C	RR JCT BOX 12V DISC SW	24B	FR JCT PANEL 24V DISC. SW
SP57	SPARE WIRE	0T	SPEED SW. CONNECTOR	12D	FR JCT PANEL 12V HOT WIRE	24BE	BATTERY MONITOR
SP60	SPARE WIRE	0T1	DASH ACC.	12DD	FR JCT PANEL 12V HOT WIRE	24C	FR JCT PANEL 24V DISC SW
SP61	SPARE WIRE	0T2	CLUSTER ACC.	12DT	T.T. LT MODULE	24D	FR JCT BOX 24V HOT WIRE

CIRCUIT NUMBER CODE

NO.	DESCRIPTION	NO.	DESCRIPTION	NO.	DESCRIPTION	NO.	DESCRIPTION
24F	RR JCT PANEL 24V DISC SW	45B	A/C & HEAT SYS.-WATER PUMP	72A	SUN VISOR RH	104	WORLD TR. -SOL. FORWARD
24I	FR JCT PANEL 24V IGNITION	45C	A/C & HEAT SYS.-WATER VALV	72B	SUN VISOR RH	105W	WORLD TR.-SOL.-RET.OIL TT.LT
24I	RR JCT PANEL 24V IGNITION	45D	A/C & HEAT SYS.-WATER VALV	72C	SUN VISOR LH	107	WORLD TR.-LOCKUP SOL. HI
24IA	FR JCT PANEL 24V IGNITION	45E	A/C & HEAT SYS.-WATER PUMP	72D	SUN VISOR LH	108	WORLD TR.-LOCKUP SOL.
24IB	FR JCT PANEL 24V IGNITION	45G	A/C & HEAT SYS.-DR'S HTR	76	FUEL TANK GAUGE	110	WORLD TR.-LOCKUP SOL. LO
24IF	FR JCT PANEL 24V IGNITION	45J	A/C & HEAT SYS.-WATER PUMP	76C	LOW FUEL T.T.LT	112	WORLD TR.-SPARE OUTPUT (+)
24P	FR JCT PANEL 24V DISC SW	46	EXTERIOR LTS-MARKER	76L	LOW FUEL T.T.LT	112	WORLD TR.-SPARE OUTPUT (+)
24R	24V RR JCT BLK TO STARTER	46A	EXTERIOR LTS-AUX LTS RESIS.	77A	A/C & HEAT SYS. - THERMOST.	113W	WORLD TR.-REVERSE WARNING
24T	RR JCT PANEL 24V DISC SW	46C	EXTERIOR LTS-MARKER	77B	A/C SYS. - LIQ. SOL. VALVE	114	WORLD TR.-SPARE OUTPUT (-)
24VD	24V HOT WIRE FEED	46D	EXTERIOR LTS-AUX LTS RESIS.	77C	A/C & HEAT SYS.-COMPRESSOR	114	INTERIOR LT-DASH LT RHEOS.
25A	TT.LT. MODULE - LED	48A	ENTRANCE DOOR AIR LOCK	77H	A/C SYS.-LIQ. SOL. VALVE	114A	INTERIOR LT-DASH LT RHEOS.
25B	EXT. LTS-DAYTIME RUN LTS	48B	ENTRANCE DOOR AIR LOCK	77H	A/C & HEAT SYS.-THERMOSTAT	114B	INT. LT-DASH LT RHEOST.FEED
25D	GENERATOR SKTN. ON - HVAC	48C	ENTRANCE DOOR AIR LOCK	81	EXTERIOR LTS-STOP SW	115	DDEC III-COOLANT LEVEL
26	DR'S & ENT. WINDOW LIFTER	50	AIR DRYER	82	EXTERIOR LTS-STOP SIGNAL	115W	WORLD TR.-DO NOT SHIFT SIGN
26A	CIGAR LIGHT. & POW.OUTLET LH	52	ALARM & SIGNAL-ELEC.HORN	82A	EXTERIOR LTS-STOP SIGNAL	116	WORLD TR.-LO SIGNAL SOL. HI
26B	DRIVER'S WINDOW LIFTER	52A	ALARM & SIGNAL-ELEC.HORN	82B	EXTERIOR LTS-STOP LTS	116B	A/C & HEAT SYSTEM-DR'S HTR
26C	DRIVER'S WINDOW LIFTER	53	ALARM & SIGNAL-ELEC.HORN	82L	EXT. LTS-STOP LTS & CYCLOP	116C	A/C SYS.-TRIG. DEFROST
26D	ENT. DOOR WINDOW LIFTER	53B	WIPER & WASHER SYSTEM	82R	EXTERIOR LTS-STOP LTS	117A	ALARME & SIGN.-TR. OIL TEMP
26E	ENT. DOOR WINDOW LIFTER	53C	WIPER & WASHER SYSTEM	83	ENG. CTR-MAST. KEY SW ACC.	119	WORLD TRANSM-ENGINE BRAKE
28H	T.T.LT MODULE - HI A/C PRES.	53E	WIPER & WASHER SYSTEM	84	ENG. CTR-MAST KEY SW START	120	WORLD TRANSM-SOL. CI
28T	T.T.LT MODULE - LO A/C PRES.	53J	WIPER & WASHER SYSTEM	84A	ENG. CTR-MAST KEY SW START	121	WORLD TRANSM-SOL.GRD 2
29	A/C & HEAT SYS.-DR'S HTR	55	EXTERIOR LTS-HI BEAM	84J	ENG. CTR-MAST KEY SW START	123	WORLD TR.-NEUTRAL START
29H	HVAC DASH MODILE	57	EXTERIOR LTS-HI BEAM	85	24V IGNITION SIGNAL	123A	ALARM & SIGNAL-FIRE DETECT.
31B	WIPER & WASHER SYSTEM	57A	EXTERIOR LTS-HI BEAM	85A	24V IGN DASH INSTRUMENT.	123B	ALARM & SIGNAL-FIRE DETECT.
31C	WIPER & WASHER SYSTEM	57B	A/C & HEAT SYS.-WATER PUMP	85C	24V IGNITION - FEED	124	WORLD TR.-THROTTLE (HI)
32	EXTERIOR LTS-BACK-UP	57C	PRE-HEAT WATER HEATER	85W	WORLD TRANSM. - 24V IGN.	124A	WORLD TRANSM-SENSOR PWR
32B	EXTERIOR LTS-BACK-UP	57C	A/C & HEAT SYS.-WATER PUMP	85X	ABS-24V IGN	125	WORLD TR-RETARDER INDICAT.
32F	BACK-UP CANCEL SW.	57E	A/C & HEAT SYS.-WATER VALV	85Y	ABS-WARNING LT	125W	WORLD TR-RETARDER INDICAT.
32G	BACK-UP ALARM	57W	PRE-HEAT WATER HEATER	86	ENG. CTR-STARTER SOL SIGN	126	WORLD TR.-LUBE PRESS SW.
32J	BACK-UP SW. - JUMPER	58	EXTERIOR LTS-LO BEAM	86A	ENG. CTR-STARTER SOL SIGN	126	24VIGN-LEV.LOW & WORLD TR.
35B	DRIVER'S LTS - KEYLESS SIGN	58A	EXTERIOR LTS-LO BEAM	87B	ENGINE CTR-24V IGNITION	126F	LEVEL LOW SYSTEM
36	ENGINE BRAKE SYSTEM	58B	EXTERIOR LTS-LO BEAM	88	ENGINE CTR-RR START SIGNAL	126H	SPEED SIGN 5NC - NOT USED
36A	ENGINE BRAKE SYSTEM & RET.	59A	ENGINE BRAKE SYSTEM	89	ENGINE CTR-RR START SIGNAL	126W	WORLD TRANSM-NOT USED
39	INTERIOR LTS-DRIVER'S LTS	61	EXTERIOR LTS-24V FEED SW	90	CONVERTER - CABLE SPARG	127	24HW DR'S LT PREHEAT & HVAC
39B	INTERIOR LTS-DRIVER'S LTS	61A	EXTERIOR LTS-HEAD SIGNAL	90A	ENG. CTR-MAST KEY SW FEED	127A	PRE-HEAT WATER HEATER
39C	INTERIOR LTS-DRIVER'S LTS	63	EXTERIOR LTS-CLEAR. FEED	90B	A/C & H. SYS.-COND FAN MOT	127W	PRE-HEAT WATER HEATER
39D	INTERIOR LTS - FRIVER' LTS	63B	EXTERIOR LTS-CLEARANCE	90B	ENG. CTR-MAST KEY SW FEED	128	WORLD TRANSM-SOL. C2
39K	DR'S LTS - KEYLESS SIGN.	63C	EXT. LTS-MARKER SIGNAL	91	PARKING BRAKE SW SIGNAL	128A	PRE-HEAT WATER HEATER
41	A/C SYS.-COND FAN MOTOR	63F	EXT. LTS-MARKER BLINKER	91A	DDEC III-FAST IDLE SIGNAL	128B	PRE-HEAT WATER HEATER
41A	A/C SYS.-COND FAN MOTOR	64	DRIVER'S FAN SPEED CTR	91C	PARKING BRAKE - T.T.LT	128W	PRE-HEAT WATER HEATER
41B	A/C SYS.-COND FAN MOTOR	64A	DRIVER'S FAN SPEED CTR	91J	FAST IDLE - JUMPER SW.	129	WORLD TRANSM-SOL. C5
42A	A/C SYS.-COND FAN MOTOR	64B	DRIVER'S FAN SPEED CTR	92	BATT. EQUAL.-CHECK BALANCE	129	PRE-HEAT WATER HEATER
43	A/C & HEAT SYS. - FAN SPEED	65	FOOT DAMPER MOTOR	93	BATT. EQUALIZ.-CHECK LO/HI	129B	PRE-HEAT WATER HEATER
44	EXTERIOR LTS-FOG	65A	FOOT DAMPER MOTOR	95A	ENG. BRAKE & RETARDER SYS.	130	WORLD TRANSM-SOL. GRD 3
44A	EXTERIOR LTS-FOG	65D	DRIVER'S REC. DAMPER	95B	ENG. BRAKE & RETARDER SYS.	131	WORLD TRANSM-SOL.C4
44B	EXTERIOR LTS-FOG	66	A/C PASSENGER - ON/OFF	97	TACHOMETER SIGN.-NOT USED	132	WORLD TRANSM-ENGINE BRAKE
44C	EXT. LTS-FOG,HVAC & HAZ. SW	67A	A/C & HEAT SYSTEM	101	WORLD TR.- LO SIGN SOL.LO	132A	LEVEL LOW SYSTEM
44D	EXTERIOR LTS - FOG	68	DASH & DEFROST DAMPER MOT	102	WORLD TRANSM.-SOL. SUPPLY	132B	LEVEL LOW SYSTEM
44E	EXTERNAL LTS - FOG	68A	DASH & DEFROST DAMPER MOT	103	WORLD TRANSM.- B.SOL.LO	132C	LEVEL LOW SYSTEM
45A	A/C & HEAT SYSTEM FULL AIR	72	SUN VISOR - FEED	104	LEVEL-LOW SYS- DR'S SOL.	132D	LEVEL LOW SYSTEM

CIRCUIT NUMBER CODE

NO.	DESCRIPTION	NO.	DESCRIPTION	NO.	DESCRIPTION	NO.	DESCRIPTION
132E	LEVEL LOW SYSTEM	147A	DAYTIME LST-ALT.SIGNAL	170Z	LUGGAGE DOOR LOCK	417	DDEC-LIMIT SPEED GOVERNOR
132F	LEVEL LOW SYSTEM	147C	ETHER COLD START	171	WORLD TRANSM-SHIFTER	419	DDEC -CHEK ENGINE LIGHT
135	WORLD TRANSM-RET.TEMP.	148	ABS SYSTEM-VALVE	172	WORLD TRANSM-SHIFTER	439	DDEC-12V IGNITION
135A	WORLD TR.-RES MODULE RET.	148	WORLD TR.-OUTPUT SPEED LO	173	WORLD TRANSM-SHIFTER	451	DDEC-A/C FAN CLUTCH
135B	A/C & HEAT SYS.-AIR SENSOR	149	WORLD TR.-TURBINE SPEED HI	174	WORLD TRANSM-SHIFTER	505	DDEC-TACHOMETER DRIVE
135C	A/C & HEAT SYS.-AIR SENSOR	149	ABS SYSTEM-SENSOR	175A	WORLD TRANSM-SHIFTER	509	DDEC-STOP ENGINE LIGHT
136A	WORLD TRANSM-12V BATTERY	149A	ABS SYSTEM	176	WORLD TRANSM-SHIFTER	510	DDEC-FAST IDLE SIGNAL
136AA	WORLD TRANSM-SHIFTER PWR	150	WORLD TR.-ENGINE SPEED LO	180	WORLD TRANSM-SHIFTER	524	DDEC-ENGINE BRAKEDISABLE
136V	WORLD TRANSM-12V BATTERY	150	DDEC III-ECM BATTERY GRD	180	OUTSIDE TEMP. DISPLAY	525	DDEC-FAST IDLE SIGNAL
136W	WORLD TRANSM-12V BATTERY	150A	DDEC III-ECM BATTERY GRD	180A	OUTSIDE TEMP. DISPLAY	528	DDEC-STOP ENG. OVERRIDE
137	WORLD TRANSM-RETARDER	151	DDEC III-ECM BATTERY GRD	180A	WORLD TRANSM-SHIFTER	531	DDEC-CRUISE CLUTCH CUT OUT
137	RR VIEW MIRROR	151	ABS SYSTEM-SPARE	180B	OUTSIDE TEMP. DISPLAY	540	DDEC-CRUISE ENABLE T.T.LT
137A	RR VIEW MIRROR	152	ABS SYSTEM-SPARE	180C	OUTSIDE TEMP. DISPLAY	541	DDEC-CRUISE SET SW
137B	RR VIEW MIRROR	153	ELECTRICAL DRIVER'S SEAT	181	FROZEN POINT T.T.LT	543	DDEC-CRUISE STOP SW CUT IN
137C	RR VIEW MIRROR	154	WORLD TRANSM-ABS INPUT (-)	181A	THERMOMETER INSIDE SENSOR	544	DDEC-CRUISE ON/OFF SW
137D	RR VIEW MIRROR	156A	ABS SYSTEM-FEED	181B	THERMOMETER INSIDE SENSOR	545	DDEC-CRUISE RESUME SW
137D	RR VIEW MIRROR	157	ABS SYSTEM-FEED	181C	THERMOMET. OUTSIDE SENSOR	555	DDEC-FAN CLUTCH SPEED#1
137E	RR VIEW MIRROR	157A	ABS SYSTEM-FEED	181D	THERMOMET. OUTSIDE SENSOR	556	DDEC-VEHICULE SPEED (+)
137F	RR VIEW MIRROR	157B	ABS SYSTEM	195	WORLD TRANSM-TRANS ID	557	DDEC-VEHICULE SPEED (-)
137H	RR VIEW MIRROR	159	WORLD TRANSM-DIAGNOSTIC	197	FUEL WATER FILTER	563	DDEC-FAN CLUTCH SPEED#2
137J	RR VIEW MIRROR	160	ALARM & SIGN.-TAG PRESS SW	197A	FUEL WATER FILTER	564	DDEC-DIGITAL OUTPUT
137K	RR VIEW MIRROR	161B	WORLD TRANSM-SIGNALGRD	201	WORLD TRANSM-SPARE	565	DDEC-ENGINE BRAKE ACTIVE
137L	RR VIEW MIRROR	162	WORLD TRANSM-PRESS. SW C3	202	WORLD TRANSM-SPARE	583	DDEC-ENGINE BRAKE 4 CYL.
137M	RR VIEW MIRROR FEED	163	WORLD TR.-RETARDER ENABLE	203	WORLD TRANSM-SPARE	900	DDEC-DATA LINK (+)
137R	WORLD TRANSM-RETARDER	164	WORLD TR.-RET. ACTUAT. SIGN	204	WORLD TRANSM-SPARE	901	DDEC-DATA LINK (-)
137T	MIRROR HEAT SW-JUMPER	165	WORLD TR.-OIL LEVEL SIGNAL	214	WORLD TR.-BACK-UP SIGNAL	908	DDEC-HYDRAU. PWM#1 OUTPUT
138	WORLD TR.-RETARDER TEMP	166B	A/C & HEAT SYS.-EVAP. MOD.	231	WORLD TR.-NEUTRAL SIGN GRD	916	DDEC-SENSOR SUPPLY (5VDC)
138	ABS SYSTEM-SENSOR	167	WORLD TR.-SPEED 5N0, 5NC	240	DDEC III-ECM 12V FEEDING	952	DDEC-SENSOR RETURN
138A	ABS SYSTEM-SENSOR	169	WORLD TRANSM-INPUT 12	241	DDEC III-ECM 12V FEEDING	953	DDEC-BATTERY GRD
139	ABS SYSTEM-VALVE	170	WORLD TRANSM-SHIFTER	260	WINDOW AJAR-T.T.LT	979	DDEC-ENGINE BRAKE 2 CYL.
139	WORLD TR.-OUTPUT SPEED HI	170C	LUGGAGE DOOR LOCK-T.T.LT	270	KEYLESS MODULE-FEED	2123	FLASHER SIGNAL LTS
140	WORLD TR.-OUTPUT SPEED LO	170D	LUGGAGE DOOR LOCK-FEED	270A	ENTRANCE DOOR AIR LOCK		
140	ABS SYSTEM-VALVE	170E	LUG. DOOR LOCK-UNLOCK SIGN	272	KEYLESS SYSTEM-KEYBOARD		
141	ABS SYSTEM-VALVE	170F	LUGGAGE DOOR LOCK-FEED	274	KEYLESS SYSTEM-KEYBOARD		
141	WORLD TR.-ENGINE SPEED HI	170G	LUGGAGE DOOR LOCK-FEED	276	KEYLESS SYSTEM-KEYBOARD		
142	ABS SYSTEM-VALVE	170H	LUGGAGE DOOR-LOCK SIGN	277	KEYLESS SYS-DR'V LTS SIGN		
143	ABS SYSTEM-SENSOR	170K	LUGGAGE DOOR-LOCK SIGN	278	KEYLESS SYSTEM-KEYBOARD		
143A	ABS SYSTEM-SENSOR	170LA	LUGG DOOR LOCK-T.T.LT WE	280	KEYLESS SYSTEM-KEYBOARD		
143A	WORLD TRANS-BATERY GRD	170LB	LUGG DOOR LOCK-T.T.LT WE	283	KEYLESS SYSTEM-ANTI-THEFT		
143W	WORLD TRANSM-BATTERY GRD	170L	LUGG DOOR LOCK-SIGN T.T.LT	283A	KEYLESS SYS-ENT. DOOR SIGN		
143X	WORLD TRANSM-BATTERY GRD	170M	LUGG DOOR LOCK-SIGN T.T.LT	285	KEY. SYS-UNLOCK ENT. DOOR		
144	ABS SYSTEM-SENSOR	170N	LUGG DOOR LOCK-SIGN T.T.LT	286	LUGG DOOR LOCK-ENT. DOOR		
144A	ABS SYSTEM-SENSOR	170P	LUGG DOOR LOCK-SIGN T.T.LT	286A	KEYLESS SYS-CENTER DOOR		
145	ABS SYSTEM-VALUE	170R	LUGG DOOR LOCK-ENTR. DOOR	290	FAN CLUTCH RADIATOR-FEED		
146	ABS SYSTEM-VALUE	170S	LUGG DOOR LOCK-SIGN T.T.LT	290A	FAN CLUTCH RADIATOR-FEED		
146A	WORLD TRANSM-12V IGNITION	170T	LUGG DOOR LOCK-SIGN T.T.LT	291	FAN CLUTCH RADIATOR SPD 1		
146AA	WORLD TRANSM-DIAGN.CONN.	170V	LUGG DOOR LOCK-SIGN T.T.LT	292	FAN CLUTCH RADIATOR SPD 2		
147	WORLD TRANSM-OIL TEMP	170W	LUGGAGE DOOR LOCK-FEED	292A	FAN CLUTCH RADIATOR SPD 2		
147	ABS SYSTEM-VALVE	170X	LUGG DOOR LOCK-SIGN T.T.LT	294	KEYLESS SYSTEM-ANTI-THEFT		
147A	ETHER COLD START	170Y	LUGGAGE DOOR LOCK-FEED	295	KEYLESS SYS-LED INDICATOR		

CIRCUIT NUMBER CODE

NO.	DESCRIPTION	NO.	DESCRIPTION	NO.	DESCRIPTION	NO.	DESCRIPTION
IPJ1	CLUSTER - BULB TEST POS	SP62	SPARE WIRE	0T2	WINDOW AWNING	12E	RR JCT BOX 12V DISC SW
IPJ2	CLUSTER - BULB TEST NEG.	SP63	SPARE WIRE	0T3	ALTERNATOR MODULE	12F	FR JCT PANEL 12V DISC SW
IPJ3	CLUSTER - SV SIGNAL	SP69	SPARE WIRE	0T4	12V OUTLET - CTR MODULE	12G	FR JCT PANEL 12V DISC SW
IPJ4	CLUSTER - RETURN TO ZERO	SP70	SPARE WIRE	0W	FJB - TRANSM. RLY GRD	12H	12V DASH ACCESS.
IPJ5	CLUSTER - FUEL LEVEL GAUGE	SP71	SPARE WIRE	0W	TRANSM ACC. - FR.SERV. CPT	12I	RR JCT BOX 12V IGNITION
IPJ6	CLUSTER - BULB TEST POS.	SP72	SPARE WIRE	0WA	PRE-HEAT WATER HEATER	12I	FR JCT PANEL 12V IGNITION
IPJ7	CLUSTER - BULB TEST NEG.	SP74	SPARE WIRE	0Y1	ASB SYSTEM-GRD	12IA	FR JCT PANEL 12V IGNITION
IPJ8	CLUSTER - MASTER WARNING	SP83	SPARE WIRE	0Y2	ASB SYSTEM-GRD	12IA	RR JCT PANEL 12V IGNITION
LX5	CLUSTER - COMPUTER MODE	SP84	SPARE WIRE	0Y3	ASB SYSTEM-GRD	12IF	FR JCT PANEL 12V IGNITION
LX6	CLUSTER - COMPUTER DOWN	SP114	SPARE WIRE	0Y4	ASB SYSTEM-GRD	12J	FR JCT PANEL 12V DISC.SW.
LX7	CLUSTER - COMPUTER SET	SP115	SPARE WIRE	0Y5	ASB SYSTEM-GRD	12JA	FR JCT PANEL 12V DISC.SW.
LX16	CLUSTER - COMPUTER UP	SP116	SPARE WIRE	0Y6	ASB SYSTEM-GRD	12K	FR JCT PANEL 12V DISC.SW.
LX21	CLUSTER - COMPUTER COM.	SP117	SPARE WIRE	0Y7	ASB SYSTEM-GRD	12LX	12V HOTWIRE CLUST. & MOD A/C
RT	T.T.L.T. MODULE - TEST SW.	TW1	SPR. W. TWISTER 50T/M WITH TW2	00	ASB SYSTEM-GRD	12LX	CLUSTER 12V HOT WIRE
SP1	SPARE WIRE	TW2	SPR. W. TWISTER 50T/M WITH TW1	00A	BATTERY GRD-DASH ACC.	12P	12V POWER OUTLET
SP2	SPARE WIRE	0	A/C EVAP. CPT GRD	2A	A/C & HEAT SYSTEM	12T	RR JCT BOX 12V DISC SW
SP3	SPARE WIRE	0	JUMPER - CLUTCH SIGN.	2B	A/C & HEAT SYSTM	12VD	12V HOT WIRE
SP4	SPARE WIRE	0	RJB - INSIDE GRD	2D	A/C & HEAT SYSTEM	12VI	RR JCT PANEL 12V IGNITION
SP5	SPARE WIRE	0A	FR. ROOF ACC. GRD	2E	A/C & HEAT SYSTEM	12W	12V HOT WIRE DDEC III FEED
SP6	SPARE WIRE	0B	A/C - CONDENSER GRD	2H	A/C & HEAT SYS-LO-PRESS SW.	15	EXT. LTS-MULTI FUNC LEVEL
SP7	SPARE WIRE	0B	ENG. CPT ACC. GRD	2L	A/C & HEAT SYS-HI-PRESS SW.	15	WIPER & WASHER SYSTEM
SP8	SPARE WIRE	0BE	OV BATTERY MONITOR	3A	A/C & HEAT SYSTEM-EVAPORATOR	16	SPEEDOMETER (+)
SP9	SPARE WIRE	0C	R.J.B. - GRB	5N0	SPEED SIGNAL HIGHER 5MPH	16T	SPEED SW SIGNAL IN (+)
SP10	SPARE WIRE	0C	F.R. SERV. CPT-ACCESSOIRIES	5NC	SPEED SIGNAL LOWER 5MPH	17	EXTERIOR LTS-FLASHER UNIT
SP11	SPARE WIRE	0C1	ENTRANCE DOOR KEYLESS	6	EXTERIOR LTS-DOCKING	17A	EXTERIOR LTS-FLASHER UNIT
SP12	SPARE WIRE	0C4	F.J.B. GRD	6A	EXTERIOR LTS-CORNERING	17C	JUMPER LTS SW. - HAZARD
SP13	SPARE WIRE	0CJ	CRUISE SW. JUMPER	6B1	EXTERIOR LTS-CORNERING RH	20	SPEEDOMETER SIGNAL (-)
SP14	SPARE WIRE	0D	A/C JCT BOX - COND FAN GRD	6C1	EXTERIOR LTS-CORNERING RH	20T	SPEED SW SIGNAL IN (-)
SP15	SPARE WIRE	0F	SILENT 1000	6D	EXTERIOR LTS-DOCKING	21	EXTERIOR LTS-DIRECT. LH
SP16	SPARE WIRE	0G	ABS GRD CX1	9	INTERIOR LTS-ENGINE CPT	21A	EXTERIOR LTS-LH
SP17	SPARE WIRE	0H	ENG. CPT. - ACC. GRD	9	INTERIOR LTS-RR JCT BOX	21A	EXTERIOR LTS-CORNERING-LH
SP18	SPARE WIRE	0L	ENG.CPT -CLEAR.LTS RR ROOF	9F	INTERIOR LTS - FR-SERV. CPT	21B	EXTERIOR LTS-DIRECT. LH
SP19	SPARE WIRE	0L	R.J.B. - GRD	10	A/C & HEAT SYSTEM -LO PRES.	21BB	EXTERIOR LTS-DIRECT. LH
SP21	SPARE WIRE	0L	FR - SIDE MARK. & FLASH GRD	10	INTERIOR LTS-LUGGAGE CPT	21H	EXTERIOR LTS-HAZARD SIGNAL
SP23	SPARE WIRE	0L1	ENG.CPT-SIDE MARK. & FL. GRD	10	INTERIOR LTS-FR SERV. CPT	21M	AUX. LTS - DIRECTIONAL LH
SP24	SPARE WIRE	0L2	HEAD LTS	10A	INTERIOR LTS-LUGGAGE CPT	21P	CORN. LTS - DIRECT. SIGN. LH
SP25	SPARE WIRE	0L3	FR.SERV.DR. & ENT.DOOR GRD ACC.	10B	INTERIOR LTS-LUGGAGE CPT	23	EXTERIOR LTS-DIRECT. RH
SP30	SPARE WIRE	0L4	FOG LTS RESISTOR GRD	10C	INTERIOR LTS-LUGGAGE CPT	23A	EXTERIOR LTS-DIRECT. RH
SP33	SPARE WIRE	0L5	LH CONSOL - ACC. GRD	10D	INTERIOR LTS-LUGGAGE CPT	23A	EXTERIOR LTS - CORNER. LTS
SP38	SPARE WIRE	0LV	WINDSHIELD WASHER LEVEL	10E	INTERIOR LTS-LUGGAGE CPT	23BB	EXTERIOR LTS - DIRECT. RH
SP40	SPARE WIRE	0M	WIPER 2 MIRROR MOTOR	10R	CENTER DOOR T.T.L.T.	23C	EXTERIOR LTS-CORNERING RH
SP41	SPARE WIRE	0M3	DEFROST GRD	12A	FR JCT PANEL 12V DISC SW	23H	EXTERIOR LTS-HAZARD SIGNAL
SP42	SPARE WIRE	0M4	HORN & DR'S WINDOW LIFTER	12B	FR JCT PANEL 12V DISC SW	23M	AUX LTS - DIRECTIONAL RH
SP43	SPARE WIRE	0M5	SUN VISOR MOTOR	12BAT	12V HOT-WIRE ACC - JCT BLK	23P	CORN. LTS - DIRECT SIGN RH
SP45	SPARE WIRE	0M7	DR'S WIND.LIFT. & RH MIR. SW	12BE	12V BATTERY MONITOR	24	FR JCT PANEL 24V DISC. SW.
SP48	SPARE WIRE	0M7A	LH MIRROR SW.	12C	FR JCT PANEL 12V DISC SW	24A	RR JCT PANEL 24V DISC. SW
SP56	SPARE WIRE	0P	ENG.CDT - PRE-HEATER	12C	RR JCT BOX 12V DISC SW	24A	FR JCT PANEL 24V DISC. SW
SP57	SPARE WIRE	0T	SPEED SW. CONNECTOR	12D	FR JCT PANEL 12V HOT WIRE	24B	FR JCT PANEL 24V DISC. SW
SP60	SPARE WIRE	0T1	DASH ACC.	12DD	FR JCT PANEL 12V HOT WIRE	24BE	BATTERY MONITOR
SP61	SPARE WIRE	0T2	CLUSTER ACC.	12DT	T.T. LT MODULE	24C	FR JCT PANEL 24V DISC SW

CIRCUIT NUMBER CODE

NO.	DESCRIPTION	NO.	DESCRIPTION	NO.	DESCRIPTION	NO.	DESCRIPTION
24D	FR JCT BOX 24V HOT WIRE	44E	EXTERNAL LTS - FOG	68	DASH & DEFROST DAMPER MOT	102	WORLD TRANSM.-SOL. SUPPLY
24F	RR JCT PANEL 24V DISC SW	45A	A/C & HEAT SYSTEM FULL AIR	68A	DASH & DEFROST DAMPER MOT	103	WORLD TRANSM.- B.SOL.LO
24I	FR JCT PANEL 24V IGNITION	45B	A/C & HEAT SYS.-WATER PUMP	72	SUN VISOR - FEED	104	LEVEL-LOW SYS- DR'S SOL.
24I	RR JCT PANEL 24V IGNITION	45C	A/C & HEAT SYS.-WATER VALV	72A	SUN VISOR RH	104	WORLD TR. -SOL. FORWARD
24IA	FR JCT PANEL 24V IGNITION	45D	A/C & HEAT SYS.-WATER VALV	72B	SUN VISOR RH	105W	WORLD TR.-SOL.-RET.OIL TT.LT
24IB	FR JCT PANEL 24V IGNITION	45E	A/C & HEAT SYS.-WATER PUMP	72C	SUN VISOR LH	107	WORLD TR.-LOCKUP SOL. HI
24IF	FR JCT PANEL 24V IGNITION	45G	A/C & HEAT SYS.-DR'S HTR	72D	SUN VISOR LH	108	WORLD TR.-LOCKUP SOL.
24P	FR JCT PANEL 24V DISC SW	45J	A/C & HEAT SYS.-WATER PUMP	76	FUEL TANK GAUGE	110	WORLD TR.-LOCKUP SOL. LO
24R	24V RR JCT BLK TO STARTER	46	EXTERIOR LTS-MARKER	76C	LOW FUEL T.T.LT	112	WORLD TR.-SPARE OUTPUT (+)
24T	RR JCT PANEL 24V DISC SW	46A	EXTERIOR LTS-AUX LTS RESIS.	76L	LOW FUEL T.T.LT	112	WORLD TR.-SPARE OUTPUT (+)
24VD	24V HOT WIRE FEED	46C	EXTERIOR LTS-MARKER	77A	A/C & HEAT SYS. - THERMOST.	113W	WORLD TR.-REVERSE WARNING
25A	TT.LT. MODULE - LED	46D	EXTERIOR LTS-AUX LTS RESIS.	77B	A/C SYS. - LIQ. SOL. VALVE	114	WORLD TR.-SPARE OUTPUT (-)
25B	EXT. LTS-DAYTIME RUN LTS	48A	ENTRANCE DOOR AIR LOCK	77C	A/C & HEAT SYS.-COMPRESSOR	114	INTERIOR LT-DASH LT RHEOS.
25D	GENERATOR SKTN. ON - HVAC	48B	ENTRANCE DOOR AIR LOCK	77H	A/C SYS.-LIQ. SOL. VALVE	114A	INTERIOR LT-DASH LT RHEOS.
26	DR'S & ENT. WINDOW LIFTER	48C	ENTRANCE DOOR AIR LOCK	77H	A/C & HEAT SYS.-THERMOSTAT	114B	INT. LT-DASH LT RHEOST.FEED
26A	CIGAR LIGHT. & POW.OUTLET LH	50	AIR DRYER	81	EXTERIOR LTS-STOP SW	115	DDEC III-COOLANT LEVEL
26B	DRIVER'S WINDOW LIFTER	52	ALARM & SIGNAL-ELEC.HORN	82	EXTERIOR LTS-STOP SIGNAL	115W	WORLD TR.-DO NOT SHIFT SIGN
26C	DRIVER'S WINDOW LIFTER	52A	ALARM & SIGNAL-ELEC.HORN	82A	EXTERIOR LTS-STOP SIGNAL	116	WORLD TR.-LO SIGNAL SOL. HI
26D	ENT. DOOR WINDOW LIFTER	53	ALARM & SIGNAL-ELEC.HORN	82B	EXTERIOR LTS-STOP LTS	116B	A/C & HEAT SYSTEM-DR'S HTR
26E	ENT. DOOR WINDOW LIFTER	53B	WIPER & WASHER SYSTEM	82L	EXT. LTS-STOP LTS & CYCLOP	116C	A/C SYS.-TRIG. DEFROST
26F	ENT. DOOR WINDOW LIFTER	53C	WIPER & WASHER SYSTEM	82R	EXTERIOR LTS-STOP LTS	117A	ALARME & SIGN.-TR. OIL TEMP
28H	T.T.LT MODULE - HI A/C PRES.	53E	WIPER & WASHER SYSTEM	83	ENG. CTR-MAST. KEY SW ACC.	119	WORLD TRANSM-ENGINE BRAKE
28T	T.T.LT MODULE - LO A/C PRES.	53J	WIPER & WASHER SYSTEM	84	ENG. CTR-MAST KEY SW START	120	WORLD TRANSM-SOL. C1
29	A/C & HEAT SYS.-DR'S HTR	53K	KEYLESS SYSTEM	84A	ENG. CTR-MAST KEY SW START	121	WORLD TRANSM-SOL.GRD 2
29H	HVAC DASH MODILE	55	EXTERIOR LTS-HI BEAM	84J	ENG. CTR-MAST KEY SW START	123	WORLD TR.-NEUTRAL START
31B	WIPER & WASHER SYSTEM	57	EXTERIOR LTS-HI BEAM	85	24V IGNITION SIGNAL	123A	ALARM & SIGNAL-FIRE DETECT.
31C	WIPER & WASHER SYSTEM	57A	EXTERIOR LTS-HI BEAM	85A	24V IGN DASH INSTRUMENT.	123B	ALARM & SIGNAL-FIRE DETECT.
32	EXTERIOR LTS-BACK-UP	57B	A/C & HEAT SYS.-WATER PUMP	85C	24V IGNITION - FEED	124	WORLD TR.-THROTTLE (HI)
32B	EXTERIOR LTS-BACK-UP	57C	PRE-HEAT WATER HEATER	85W	WORLD TRANSM. - 24V IGN.	124A	WORLD TRANSM-SENSOR PWR
32F	BACK-UP CANCEL SW.	57C	A/C & HEAT SYS.-WATER PUMP	85X	ABS-24V IGN	125	WORLD TR-RETARDER INDICAT.
32G	BACK-UP ALARM	57E	A/C & HEAT SYS.-WATER VALV	85Y	ABS-WARNING LT	125W	WORLD TR-RETARDER INDICAT.
32J	BACK-UP SW. - JUMPER	57W	PRE-HEAT WATER HEATER	86	ENG. CTR-STARTER SOL SIGN	126	WORLD TR.-LUBE PRESS SW.
35B	DRIVER'S LTS - KEYLESS SIGN	58	EXTERIOR LTS-LO BEAM	86A	ENG. CTR-STARTER SOL SIGN	126	24VIGN-LEV.LOW & WORLD TR.
36	ENGINE BRAKE SYSTEM	58A	EXTERIOR LTS-LO BEAM	87B	ENGINE CTR-24V IGNITION	126F	LEVEL LOW SYSTEM
36A	ENGINE BRAKE SYSTEM & RET.	58B	EXTERIOR LTS-LO BEAM	88	ENGINE CTR-RR START SIGNAL	126H	SPEED SIGN 5NC - NOT USED
39	INTERIOR LTS-DRIVER'S LTS	59A	ENGINE BRAKE SYSTEM	89	ENGINE CTR-RR START SIGNAL	126W	WORLD TRANSM-NOT USED
39B	INTERIOR LTS-DRIVER'S LTS	61	EXTERIOR LTS-24V FEED SW	90	CONVERTER - CABLE SPARG	127	24HW DR'S LT PREHEAT & HVAC
39C	INTERIOR LTS-DRIVER'S LTS	61A	EXTERIOR LTS-HEAD SIGNAL	90A	ENG. CTR-MAST KEY SW FEED	127A	PRE-HEAT WATER HEATER
39D	INTERIOR LTS - FRIVER' LTS	63	EXTERIOR LTS-CLEAR. FEED	90B	A/C & H. SYS.-COND FAN MOT	127W	PRE-HEAT WATER HEATER
39K	DR'S LTS - KEYLESS SIGN.	63B	EXTERIOR LTS-CLEARANCE	90B	ENG. CTR-MAST KEY SW FEED	128	WORLD TRANSM-SOL. C2
41	A/C SYS.-COND FAN MOTOR	63C	EXT. LTS-MARKER SIGNAL	91	PARKING BRAKE SW SIGNAL	128A	PRE-HEAT WATER HEATER
41A	A/C SYS.-COND FAN MOTOR	63F	EXT. LTS-MARKER BLINKER	91A	DDEC III-FAST IDLE SIGNAL	128B	PRE-HEAT WATER HEATER
41B	A/C SYS.-COND FAN MOTOR	64	DRIVER'S FAN SPEED CTR	91C	PARKING BRAKE - T.T.LT	128W	PRE-HEAT WATER HEATER
42A	A/C SYS.-COND FAN MOTOR	64A	DRIVER'S FAN SPEED CTR	91J	FAST IDLE - JUMPER SW.	129	WORLD TRANSM-SOL. C5
43	A/C & HEAT SYS. - FAN SPEED	64B	DRIVER'S FAN SPEED CTR	92	BATT. EQUAL.-CHECK BALANCE	129	PRE-HEAT WATER HEATER
44	EXTERIOR LTS-FOG	65	FOOT DAMPER MOTOR	93	BATT. EQUALIZ.-CHECK LO/HI	129B	PRE-HEAT WATER HEATER
44A	EXTERIOR LTS-FOG	65A	FOOT DAMPER MOTOR	95A	ENG. BRAKE & RETARDER SYS.	130	WORLD TRANSM-SOL. GRD 3
44B	EXTERIOR LTS-FOG	65D	DRIVER'S REC. DAMPER	95B	ENG. BRAKE & RETARDER SYS.	131	WORLD TRANSM-SOL.C4
44C	EXT. LTS-FOG,HVAC & HAZ. SW	66	A/C PASSENGER - ON/OFF	97	TACHOMETER SIGN.-NOT USED	132	WORLD TRANSM-ENGINE BRAKE
44D	EXTERIOR LTS - FOG	67A	A/C & HEAT SYSTEM	101	WORLD TR...- LO SIGN SOL.LO	132A	LEVEL LOW SYSTEM

CIRCUIT NUMBER CODE

NO.	DESCRIPTION	NO.	DESCRIPTION	NO.	DESCRIPTION	NO.	DESCRIPTION
132B	LEVEL LOW SYSTEM	147	WORLD TRASM-OIL TEMP	170W	LUGGAGE DOOR LOCK-FEED	290A	FAN CLUTCH RADIATOR-FEED
132C	LEVEL LOW SYSTEM	147	ABS SYSTEM-VALVE	170X	LUGG DOOR LOCK-SIGN T.T.LT	291	FAN CLUTCH RADIATOR SPD 1
132D	LEVEL LOW SYSTEM	147A	ETHER COLD START	170Y	LUGGAGE DOOR LOCK-FEED	292	FAN CLUTCH RADIATOR SPD 2
132E	LEVEL LOW SYSTEM	147A	DAYTIME LST-ALT.SIGNAL	170Z	LUGGAGE DOOR LOCK	292A	FAN CLUTCH RADIATOR SPD 2
132F	LEVEL LOW SYSTEM	147C	ETHER COLD START	171	WORLD TRASM-SHIFTER	294	KEYLESS SYSTEM-ANTI-THEFT
135	WORLD TRASM-RET.TEMP.	148	ABS SYSTEM-VALVE	172	WORLD TRASM-SHIFTER	295	KEYLESS SYS-LED INDICATOR
135A	WORLD TR.-RES MODULE RET.	148	WORLD TR.-OUTPUT SPEED LO	173	WORLD TRASM-SHIFTER	417	DDEC-LIMIT SPEED GOVERNOR
135B	A/C & HEAT SYS.-AIR SENSOR	149	WORLD TR.-TURBINE SPEED HI	174	WORLD TRASM-SHIFTER	419	DDEC -CHEK ENGINE LIGHT
135C	A/C & HEAT SYS.-AIR SENSOR	149	ABS SYSTEM-SENSOR	175A	WORLD TRASM-SHIFTER	439	DDEC-12V IGNITION
136A	WORLD TRASM-12V BATTERY	149A	ABS SYSTEM	176	WORLD TRASM-SHIFTER	451	DDEC-A/C FAN CLUTCH
136AA	WORLD TRASM-SHIFTER PWR	150	WORLD TR.-ENGINE SPEED LO	180	WORLD TRASM-SHIFTER	505	DDEC-TACHOMETER DRIVE
136V	WORLD TRASM-12V BATTERY	150	DDEC III-ECM BATTERY GRD	180	OUTSIDE TEMP. DISPLAY	509	DDEC-STOP ENGINE LIGHT
136W	WORLD TRASM-12V BATTERY	150A	DDEC III-ECM BATTERY GRD	180A	OUTSIDE TEMP. DISPLAY	510	DDEC-FAST IDLE SIGNAL
137	WORLD TRASM-RETARDER	151	DDEC III-ECM BATTERY GRD	180A	WORLD TRASM-SHIFTER	524	DDEC-ENGINE BRAKEDISABLE
137	RR VIEW MIRROR	151	ABS SYSTEM-SPARE	180B	OUTSIDE TEMP. DISPLAY	525	DDEC-FAST IDLE SIGNAL
137A	RR VIEW MIRROR	152	ABS SYSTEM-SPARE	180C	OUTSIDE TEMP. DISPLAY	528	DDEC-STOP ENG. OVERRIDE
137B	RR VIEW MIRROR	153	ELECTRICAL DRIVER'S SEAT	181	FROZEN POINT T.T.LT	531	DDEC-CRUISE CLUTCH CUT OUT
137C	RR VIEW MIRROR	154	WORLD TRASM-ABS INPUT (-)	181A	THERMOMETER INSIDE SENSOR	540	DDEC-CRUISE ENABLE T.T.LT
137D	RR VIEW MIRROR	156A	ABS SYSTEM-FEED	181B	THERMOMETER INSIDE SENSOR	541	DDEC-CRUISE SET SW
137D	RR VIEW MIRROR	157	ABS SYSTEM-FEED	181C	THERMOMET. OUTSIDE SENSOR	542	INPUT PARK BRAKE INTERLOCK
137E	RR VIEW MIRROR	157A	ABS SYSTEM-FEED	181D	THERMOMET. OUTSIDE SENSOR	543	DDEC-CRUISE STOP SW CUT IN
137F	RR VIEW MIRROR	157B	ABS SYSTEM	195	WORLD TRASM-TRANS ID	544	DDEC-CRUISE ON/OFF SW
137H	RR VIEW MIRROR	159	WORLD TRASM-DIAGNOSTIC	197	FUEL WATER FILTER	545	DDEC-CRUISE RESUME SW
137J	RR VIEW MIRROR	160	ALARM & SIGN.-TAG PRESS SW	197A	FUEL WATER FILTER	555	DDEC-FAN CLUTCH SPEED#1
137K	RR VIEW MIRROR	161B	WORLD TRASM-SIGNALGRD	201	WORLD TRASM-SPARE	556	DDEC-VEHICULE SPEED (+)
137L	RR VIEW MIRROR	162	WORLD TRASM-PRESS. SW C3	202	WORLD TRASM-SPARE	557	DDEC-VEHICULE SPEED (-)
137M	RR VIEW MIRROR FEED	163	WORLD TR.-RETARDER ENABLE	203	WORLD TRASM-SPARE	563	DDEC-FAN CLUTCH SPEED#2
137R	WORLD TRASM-RETARDER	164	WORLD TR.-RET. ACTUAT. SIGN	204	WORLD TRASM-SPARE	564	DDEC-DIGITAL OUTPUT
137T	MIRROR HEAT SW-JUMPER	165	WORLD TR.-OIL LEVEL SIGNAL	214	WORLD TR.-BACK-UP SIGNAL	565	DDEC-ENGINE BRAKE ACTIVE
138	WORLD TR.-RETARDER TEMP	166B	A/C & HEAT SYS.-EVAP. MOD.	231	WORLD TR.-NEUTRAL SIGN GRD	583	DDEC-ENGINE BRAKE 4 CYL.
138	ABS SYSTEM-SENSOR	167	WORLD TR.-SPEED 5N0, 5NC	240	DDEC III-ECM 12V FEEDING	900	DDEC-DATA LINK (+)
138A	ABS SYSTEM-SENSOR	169	WORLD TRASM-INPUT 12	241	DDEC III-ECM 12V FEEDING	901	DDEC-DATA LINK (-)
139	ABS SYSTEM-VALVE	170	WORLD TRASM-SHIFTER	260	WINDOW AJAR-T.T.LT	908	DDEC-HYDRAU. PWM#1 OUTPUT
139	WORLD TR.-OUTPUT SPEED HI	170C	LUGGAGE DOOR LOCK-T.T.LT	270	KEYLESS MODULE-FEED	916	DDEC-SENSOR SUPPLY (5VDC)
140	WORLD TR.-OUTPUT SPEED LO	170D	LUGGAGE DOOR LOCK-FEED	270A	ENTRANCE DOOR AIR LOCK	952	DDEC-SENSOR RETURN
140	ABS SYSTEM-VALVE	170E	LUG. DOOR LOCK-UNLOCK SIGN	272	KEYLESS SYSTEM-KEYBOARD	953	DDEC-BATTERY GRD
141	ABS SYSTEM-VALVE	170F	LUGGAGE DOOR LOCK-FEED	274	KEYLESS SYSTEM-KEYBOARD	979	DDEC-ENGINE BRAKE 2 CYL.
141	WORLD TR.-ENGINE SPEED HI	170G	LUGGAGE DOOR LOCK-FEED	276	KEYLESS SYSTEM-KEYBOARD	2123	FLASHER SIGNAL LTS
142	ABS SYSTEM-VALVE	170H	LUGGAGE DOOR-LOCK SIGN	277	KEYLESS SYS-DR'V LTS SIGN		
143	ABS SYSTEM-SENSOR	170K	LUGGAGE DOOR-LOCK SIGN	278	KEYLESS SYSTEM-KEYBOARD		
143A	ABS SYSTEM-SENSOR	170LA	LUGG DOOR LOCK-T.T.LT WE	280	KEYLESS SYSTEM-KEYBOARD		
143A	WORLD TRANS-BATERY GRD	170LB	LUGG DOOR LOCK-T.T.LT WE	283	KEYLESS SYSTEM-ANTI-THEFT		
143W	WORLD TRASM-BATTERY GRD	170L	LUGG DOOR LOCK-SIGN T.T.LT	283A	KEYLESS SYS-ENT. DOOR SIGN		
143X	WORLD TRASM-BATTERY GRD	170M	LUGG DOOR LOCK-SIGN T.T.LT	284A	KEYLESS SYSTEM		
144	ABS SYSTEM-SENSOR	170N	LUGG DOOR LOCK-SIGN T.T.LT	285	KEY. SYS-UNLOCK ENT. DOOR		
144A	ABS SYSTEM-SENSOR	170P	LUGG DOOR LOCK-SIGN T.T.LT	285B	KEYLESS SYSTEM		
145	ABS SYSTEM-VALUE	170R	LUGG DOOR LOCK-ENTR. DOOR	285C	KEYLESS SYSTEM		
146	ABS SYSTEM-VALUE	170S	LUGG DOOR LOCK-SIGN T.T.LT	286	LUGG DOOR LOCK-ENT. DOOR		
146A	WORLD TRASM-12V IGNITION	170T	LUGG DOOR LOCK-SIGN T.T.LT	286A	KEYLESS SYS-CENTER DOOR		
146AA	WORLD TRASM-DIAGN.CONN.	170V	LUGG DOOR LOCK-SIGN T.T.LT	290	FAN CLUTCH RADIATOR-FEED		

CIRCUIT NUMBER CODE

NO.	DESCRIPTION	NO.	DESCRIPTION	NO.	DESCRIPTION	NO.	DESCRIPTION
IPJ1	CLUSTER - BULB TEST POS	SP62	SPARE WIRE	0T2	WINDOW AWNING	12DT	T.T. LT MODULE
IPJ2	CLUSTER - BULB TEST NEG.	SP63	SPARE WIRE	0T3	ALTERNATOR MODULE	12E	RR JCT BOX 12V DISC SW
IPJ3	CLUSTER - SV SIGNAL	SP69	SPARE WIRE	0T4	12V OUTLET - CTR MODULE	12F	FR JCT PANEL 12V DISC SW
IPJ4	CLUSTER - RETURN TO ZERO	SP70	SPARE WIRE	0T5	FS-HVAC DASH MODULE. GND	12G	FR JCT PANEL 12V DISC SW
IPJ5	CLUSTER - FUEL LEVEL GAUGE	SP71	SPARE WIRE	0W	FJB - TRANSM. RLY GRD	12H	12V DASH ACCESS.
IPJ6	CLUSTER - BULB TEST POS.	SP72	SPARE WIRE	0W	TRANSM ACC. - FR.SERV. CPT	12I	RR JCT BOX 12V IGNITION
IPJ7	CLUSTER - BULB TEST NEG.	SP74	SPARE WIRE	0WA	PRE-HEAT WATER HEATER	12I	FR JCT PANEL 12V IGNITION
IPJ8	CLUSTER - MASTER WARNING	SP83	SPARE WIRE	0Y1	ASB SYSTEM-GRD	12IA	FR JCT PANEL 12V IGNITION
LX5	CLUSTER - COMPUTER MODE	SP84	SPARE WIRE	0Y2	ASB SYSTEM-GRD	12IA	RR JCT PANEL 12V IGNITION
LX6	CLUSTER - COMPUTER DOWN	SP114	SPARE WIRE	0Y3	ASB SYSTEM-GRD	12IF	FR JCT PANEL 12V IGNITION
LX7	CLUSTER - COMPUTER SET	SP115	SPARE WIRE	0Y4	ASB SYSTEM-GRD	12J	FR JCT PANEL 12V DISC.SW.
LX16	CLUSTER - COMPUTER UP	SP116	SPARE WIRE	0Y5	ASB SYSTEM-GRD	12JA	FR JCT PANEL 12V DISC.SW.
LX21	CLUSTER - COMPUTER COM.	SP117	SPARE WIRE	0Y6	ASB SYSTEM-GRD	12K	FR JCT PANEL 12V DISC.SW.
RT	T.T.L.T. MODULE - TEST SW.	TW1	SPR. W. TWISTER 50T/M WITH TW2	0Y7	ASB SYSTEM-GRD	12LX	12V HOTWIRE CLUST. & MOD A/D
SP1	SPARE WIRE	TW2	SPR. W. TWISTER 50T/M WITH TW1	00	ASB SYSTEM-GRD	12LX	CLUSTER 12V HOT WIRE
SP2	SPARE WIRE	0	A/C EVAP. CPT GRD	00A	BATTERY GRD-DASH ACC.	12P	12V POWER OUTLET
SP3	SPARE WIRE	0	JUMPER - CLUTCH SIGN.	2A	A/C & HEAT SYSTEM	12T	RR JCT BOX 12V DISC SW
SP4	SPARE WIRE	0	RJB - INSIDE GRD	2B	A/C & HEAT SYSTEM	12VD	12V HOT WIRE
SP5	SPARE WIRE	0A	FR. ROOF ACC. GRD	2D	A/C & HEAT SYSTEM	12VI	RR JCT PANEL 12V IGNITION
SP6	SPARE WIRE	0B	A/C - CONDENSER GRD	2E	A/C & HEAT SYSTEM	12W	12V HOT WIRE DDEC III FEED
SP7	SPARE WIRE	0B	ENG. CPT ACC. GRD	2H	A/C & HEAT SYS-LO-PRESS SW.	15	EXT. LTS-MULTI FUNC LEVEL
SP8	SPARE WIRE	0BE	OV BATTERY MONITOR	2L	A/C & HEAT SYS-HI-PRESS SW.	15	WIPER & WASHER SYSTEM
SP9	SPARE WIRE	0C	R.J.B. - GRB	3A	A/C & HEAT SYSTEM-EVAPORATOR	16	SPEEDOMETER (+)
SP10	SPARE WIRE	0C	F.R. SERV. CPT-ACCESSOIRIES	5N0	SPEED SIGNAL HIGHER 5MPH	16T	SPEED SW SIGNAL IN (+)
SP11	SPARE WIRE	0C1	ENTRANCE DOOR KEYLESS	5NC	SPEED SIGNAL LOWER 5MPH	17	EXTERIOR LTS-FLASHER UNIT
SP12	SPARE WIRE	0C4	F.J.B. GRD	6	EXTERIOR LTS-DOCKING	17A	EXTERIOR LTS-FLASHER UNIT
SP13	SPARE WIRE	0CJ	CRUISE SW. JUMPER	6A	EXTERIOR LTS-CORNERING	17C	JUMPER LTS SW. - HAZARD
SP14	SPARE WIRE	0D	A/C JCT BOX - COND FAN GRD	6B1	EXTERIOR LTS-CORNERING RH	20	SPEEDOMETER SIGNAL (-)
SP15	SPARE WIRE	0F	SILENT 1000	6C1	EXTERIOR LTS-CORNERING RH	20T	SPEED SW SIGNAL IN (-)
SP16	SPARE WIRE	0G	ABS GRD CX1	6D	EXTERIOR LTS-DOCKING	21	EXTERIOR LTS-DIRECT. LH
SP17	SPARE WIRE	0H	ENG. CPT. - ACC. GRD	9	INTERIOR LTS-ENGINE CPT	21A	EXTERIOR LTS-LH
SP18	SPARE WIRE	0L	ENG.CPT -CLEAR.LTS RR ROOF	9	INTERIOR LTS-RR JCT BOX	21A	EXTERIOR LTS-CORNERING-LH
SP19	SPARE WIRE	0L	R.J.B. - GRD	9F	INTERIOR LTS - FR-SERV. CPT	21B	EXTERIOR LTS-DIRECT. LH
SP21	SPARE WIRE	0L	FR - SIDE MARK. & FLASH GRD	10	A/C & HEAT SYSTEM -LO PRES.	21BB	EXTERIOR LTS-DIRECT. LH
SP23	SPARE WIRE	0L1	ENG.CPT-SIDE MARK. & FL. GRD	10	INTERIOR LTS-LUGGAGE CPT	21H	EXTERIOR LTS-HAZARD SIGNAL
SP24	SPARE WIRE	0L2	HEAD LTS	10	INTERIOR LTS-FR SERV. CPT	21M	AUX. LTS - DIRECTIONAL LH
SP25	SPARE WIRE	0L3	FR.SERV.DR. & ENT.DOOR GRD ACC.	10A	INTERIOR LTS-LUGGAGE CPT	21P	CORN. LTS - DIRECT. SIGN. LH
SP30	SPARE WIRE	0L4	FOG LTS RESISTOR GRD	10B	INTERIOR LTS-LUGGAGE CPT	23	EXTERIOR LTS-DIRECT. RH
SP33	SPARE WIRE	0L5	LH CONSOL - ACC. GRD	10C	INTERIOR LTS-LUGGAGE CPT	23A	EXTERIOR LTS-DIRECT. RH
SP38	SPARE WIRE	0LV	WINDSHIELD WASHER LEVEL	10D	INTERIOR LTS-LUGGAGE CPT	23A	EXTERIOR LTS - CORNER. LTS
SP40	SPARE WIRE	0M	WIPER 2 MIRROR MOTOR	10E	INTERIOR LTS-LUGGAGE CPT	23BB	EXTERIOR LTS - DIRECT. RH
SP41	SPARE WIRE	0M3	DEFROST GRD	10R	CENTER DOOR T.T.L.T.	23C	EXTERIOR LTS-CORNERING RH
SP42	SPARE WIRE	0M4	HORN & DR'S WINDOW LIFTER	12A	FR JCT PANEL 12V DISC SW	23H	EXTERIOR LTS-HAZARD SIGNAL
SP43	SPARE WIRE	0M5	SUN VISOR MOTOR	12B	FR JCT PANEL 12V DISC SW	23M	AUX LTS - DIRECTIONAL RH
SP45	SPARE WIRE	0M7	DR'S WIND.LIFT. & RH MIR. SW	12BAT	12V HOT-WIRE ACC - JCT BLK	23P	CORN. LTS - DIRECT SIGN RH
SP48	SPARE WIRE	0M7A	LH MIRROR SW.	12BE	12V BATTERY MONITOR	24	FR JCT PANEL 24V DISC. SW.
SP56	SPARE WIRE	0P	ENG.CDT - PRE-HEATER	12C	FR JCT PANEL 12V DISC SW	24A	RR JCT PANEL 24V DISC. SW
SP57	SPARE WIRE	0T	SPEED SW. CONNECTOR	12C	RR JCT BOX 12V DISC SW	24A	FR JCT PANEL 24V DISC. SW
SP60	SPARE WIRE	0T1	DASH ACC.	12D	FR JCT PANEL 12V HOT WIRE	24B	FR JCT PANEL 24V DISC. SW
SP61	SPARE WIRE	0T2	CLUSTER ACC.	12DD	FR JCT PANEL 12V HOT WIRE	24BE	BATTERY MONITOR

CIRCUIT NUMBER CODE

NO.	DESCRIPTION	NO.	DESCRIPTION	NO.	DESCRIPTION	NO.	DESCRIPTION
24C	FR JCT PANEL 24V DISC SW	44D	EXTERIOR LTS - FOG	67A	A/C & HEAT SYSTEM	101	WORLD TR.- LO SIGN SOL.LO
24D	FR JCT BOX 24V HOT WIRE	44E	EXTERNAL LTS - FOG	68	DASH & DEFROST DAMPER MOT	102	WORLD TRANSM.-SOL. SUPPLY
24F	RR JCT PANEL 24V DISC SW	45A	A/C & HEAT SYSTEM FULL AIR	68A	DASH & DEFROST DAMPER MOT	103	WORLD TRANSM.- B.SOL.LO
24I	FR JCT PANEL 24V IGNITION	45B	A/C & HEAT SYS.-WATER PUMP	72	SUN VISOR - FEED	104	LEVEL-LOW SYS- DR'S SOL.
24I	RR JCT PANEL 24V IGNITION	45C	A/C & HEAT SYS.-WATER VALV	72A	SUN VISOR RH	104	WORLD TR. -SOL. FORWARD
24IA	FR JCT PANEL 24V IGNITION	45D	A/C & HEAT SYS.-WATER VALV	72B	SUN VISOR RH	105W	WORLD TR-SOL.-RET.OIL TT.LT
24IB	FR JCT PANEL 24V IGNITION	45E	A/C & HEAT SYS.-WATER PUMP	72C	SUN VISOR LH	107	WORLD TR.-LOCKUP SOL. HI
24IF	FR JCT PANEL 24V IGNITION	45G	A/C & HEAT SYS.-DR'S HTR	72D	SUN VISOR LH	108	WORLD TR.-LOCKUP SOL.
24P	FR JCT PANEL 24V DISC SW	45J	A/C & HEAT SYS.-WATER PUMP	76	FUEL TANK GAUGE	110	WORLD TR.-LOCKUP SOL. LO
24R	24V RR JCT BLK TO STARTER	46	EXTERIOR LTS-MARKER	76C	LOW FUEL T.T.LT	112	WORLD TR.-SPARE OUTPUT (+)
24T	RR JCT PANEL 24V DISC SW	46A	EXTERIOR LTS-AUX LTS RESIS.	76L	LOW FUEL T.T.LT	112	WORLD TR.-SPARE OUTPUT (+)
24VD	24V HOT WIRE FEED	46C	EXTERIOR LTS-MARKER	77A	A/C & HEAT SYS. - THERMOST.	113W	WORLD TR.-REVERSE WARNING
25A	TT.LT. MODULE - LED	46D	EXTERIOR LTS-AUX LTS RESIS.	77B	A/C SYS. - LIQ. SOL. VALVE	114	WORLD TR.-SPARE OUTPUT (-)
25B	EXT. LTS-DAYTIME RUN LTS	48A	ENTRANCE DOOR AIR LOCK	77C	A/C & HEAT SYS.-COMPRESSOR	114	INTERIOR LT-DASH LT RHEOS.
25D	GENERATOR SKTN. ON - HVAC	48B	ENTRANCE DOOR AIR LOCK	77H	A/C SYS.-LIQ. SOL. VALVE	114A	INTERIOR LT-DASH LT RHEOS.
26	DR'S & ENT. WINDOW LIFTER	48C	ENTRANCE DOOR AIR LOCK	77H	A/C & HEAT SYS.-THEMOSTAT	114B	INT. LT-DASH LT RHEOST.FEED
26A	CIGAR LIGHT. & POW.OUTLET LH	50	AIR DRYER	81	EXTERIOR LTS-STOP SW	115	DDEC III-COOLANT LEVEL
26B	DRIVER'S WINDOW LIFTER	52	ALARM & SIGNAL-ELEC.HORN	82	EXTERIOR LTS-STOP SIGNAL	115W	WORLD TR.-DO NOT SHIFT SIGN
26C	DRIVER'S WINDOW LIFTER	52A	ALARM & SIGNAL-ELEC.HORN	82A	EXTERIOR LTS-STOP SIGNAL	116	WORLD TR.-LO SIGNAL SOL. HI
26D	ENT. DOOR WINDOW LIFTER	53	ALARM & SIGNAL-ELEC.HORN	82B	EXTERIOR LTS-STOP LTS	116B	A/C & HEAT SYSTEM-DR'S HTR
26E	ENT. DOOR WINDOW LIFTER	53B	WIPER & WASHER SYSTEM	82L	EXT. LTS-STOP LTS & CYCLOP	116C	A/C SYS.-TRIG. DEFROST
26F	ENT. DOOR WINDOW LIFTER	53C	WIPER & WASHER SYSTEM	82R	EXTERIOR LTS-STOP LTS	117A	ALARME & SIGN.-TR. OIL TEMP
28H	T.T.LT MODULE - HI A/C PRES.	53E	WIPER & WASHER SYSTEM	83	ENG. CTR-MAST. KEY SW ACC.	119	WORLD TRANSM-ENGINE BRAKE
28T	T.T.LT MODULE - LO A/C PRES.	53J	WIPER & WASHER SYSTEM	84	ENG. CTR-MAST KEY SW START	120	WORLD TRANSM-SOL. CI
29	A/C & HEAT SYS.-DR'S HTR	53K	KEYLESS SYSTEM	84A	ENG. CTR-MAST KEY SW START	121	WORLD TRANSM-SOL.GRD 2
29H	HVAC DASH MODILE	55	EXTERIOR LTS-HI BEAM	84J	ENG. CTR-MAST KEY SW START	123	WORLD TR.-NEUTRAL START
31B	WIPER & WASHER SYSTEM	57	EXTERIOR LTS-HI BEAM	85	24V IGNITION SIGNAL	123A	ALARM & SIGNAL-FIRE DETECT.
31C	WIPER & WASHER SYSTEM	57A	EXTERIOR LTS-HI BEAM	85A	24V IGN DASH INSTRUMENT.	123B	ALARM & SIGNAL-FIRE DETECT.
32	EXTERIOR LTS-BACK-UP	57B	A/C & HEAT SYS.-WATER PUMP	85C	24V IGNITION - FEED	124	WORLD TR.-THROTTLE (HI)
32B	EXTERIOR LTS-BACK-UP	57C	PRE-HEAT WATER HEATER	85W	WORLD TRANSM. - 24V IGN.	124A	WORLD TRANSM-SENSOR PWR
32F	BACK-UP CANCEL SW.	57C	A/C & HEAT SYS.-WATER PUMP	85X	ABS-24V IGN	125	WORLD TR-RETARDER INDICAT.
32G	BACK-UP ALARM	57E	A/C & HEAT SYS.-WATER VALV	85Y	ABS-WARNING LT	125W	WORLD TR-RETARDER INDICAT.
32J	BACK-UP SW. - JUMPER	57W	PRE-HEAT WATER HEATER	86	ENG. CTR-STARTER SOL SIGN	126	WORLD TR.-LUBE PRESS SW.
35B	DRIVER'S LTS - KEYLESS SIGN	58	EXTERIOR LTS-LO BEAM	86A	ENG. CTR-STARTER SOL SIGN	126	24VIGN-LEV.LOW & WORLD TR.
36	ENGINE BRAKE SYSTEM	58A	EXTERIOR LTS-LO BEAM	87B	ENGINE CTR-24V IGNITION	126F	LEVEL LOW SYSTEM
36A	ENGINE BRAKE SYSTEM & RET.	58B	EXTERIOR LTS-LO BEAM	88	ENGINE CTR-RR START SIGNAL	126H	SPEED SIGN 5NC - NOT USED
39	INTERIOR LTS-DRIVER'S LTS	59A	ENGINE BRAKE SYSTEM	89	ENGINE CTR-RR START SIGNAL	126W	WORLD TRANSM-NOT USED
39B	INTERIOR LTS-DRIVER'S LTS	61	EXTERIOR LTS-24V FEED SW	90	CONVERTER - CABLE SPARG	127	24HW DR'S LT PREHEAT & HVAC
39C	INTERIOR LTS-DRIVER'S LTS	61A	EXTERIOR LTS-HEAD SIGNAL	90A	ENG. CTR-MAST KEY SW FEED	127A	PRE-HEAT WATER HEATER
39D	INTERIOR LTS - FRIVER' LTS	63	EXTERIOR LTS-CLEAR. FEED	90B	A/C & H. SYS.-COND FAN MOT	127W	PRE-HEAT WATER HEATER
39K	DR'S LTS - KEYLESS SIGN.	63B	EXTERIOR LTS-CLEARANCE	90B	ENG. CTR-MAST KEY SW FEED	128	WORLD TRANSM-SOL. C2
41	A/C SYS.-COND FAN MOTOR	63C	EXT. LTS-MARKER SIGNAL	91	PARKING BRAKE SW SIGNAL	128A	PRE-HEAT WATER HEATER
41A	A/C SYS.-COND FAN MOTOR	63F	EXT. LTS-MARKER BLINKER	91A	DDEC III-FAST IDLE SIGNAL	128B	PRE-HEAT WATER HEATER
41B	A/C SYS.-COND FAN MOTOR	64	DRIVER'S FAN SPEED CTR	91C	PARKING BRAKE - T.T.LT	128W	PRE-HEAT WATER HEATER
42A	A/C SYS.-COND FAN MOTOR	64A	DRIVER'S FAN SPEED CTR	91J	FAST IDLE - JUMPER SW.	129	WORLD TRANSM-SOL. C5
43	A/C & HEAT SYS. - FAN SPEED	64B	DRIVER'S FAN SPEED CTR	92	BATT. EQUAL.-CHECK BALANCE	129	PRE-HEAT WATER HEATER
44	EXTERIOR LTS-FOG	65	FOOT DAMPER MOTOR	93	BATT. EQUALIZ.-CHECK LO/HI	129B	PRE-HEAT WATER HEATER
44A	EXTERIOR LTS-FOG	65A	FOOT DAMPER MOTOR	95A	ENG. BRAKE & RETARDER SYS.	130	WORLD TRANSM-SOL. GRD 3
44B	EXTERIOR LTS-FOG	65D	DRIVER'S REC. DAMPER	95B	ENG. BRAKE & RETARDER SYS.	131	WORLD TRANSM-SOL.C4
44C	EXT. LTS-FOG,HVAC & HAZ. SW	66	A/C PASSENGER - ON/OFF	97	TACHOMETER SIGN.-NOT USED	132	WORLD TRANSM-ENGINE BRAKE

CIRCUIT NUMBER CODE

NO.	DESCRIPTION	NO.	DESCRIPTION	NO.	DESCRIPTION	NO.	DESCRIPTION
132A	LEVEL LOW SYSTEM	146AA	WORLD TRANSM-DIAGN.CONN.	170V	LUGG DOOR LOCK-SIGN T.T.LT	290	FAN CLUTCH RADIATOR-FEED
132B	LEVEL LOW SYSTEM	147	WORLD TRANSM-OIL TEMP	170W	LUGGAGE DOOR LOCK-FEED	290A	FAN CLUTCH RADIATOR-FEED
132C	LEVEL LOW SYSTEM	147	ABS SYSTEM-VALVE	170X	LUGG DOOR LOCK-SIGN T.T.LT	291	FAN CLUTCH RADIATOR SPD 1
132D	LEVEL LOW SYSTEM	147A	ETHER COLD START	170Y	LUGGAGE DOOR LOCK-FEED	292	FAN CLUTCH RADIATOR SPD 2
132E	LEVEL LOW SYSTEM	147A	DAYTIME LST-ALT.SIGNAL	170Z	LUGGAGE DOOR LOCK	292A	FAN CLUTCH RADIATOR SPD 2
132F	LEVEL LOW SYSTEM	147C	ETHER COLD START	171	WORLD TRANSM-SHIFTER	294	KEYLESS SYSTEM-ANTI-THEFT
135	WORLD TRANSM-RET.TEMP.	148	ABS SYSTEM-VALVE	172	WORLD TRANSM-SHIFTER	295	KEYLESS SYS-LED INDICATOR
135A	WORLD TR.-RES MODULE RET.	148	WORLD TR.-OUTPUT SPEED LO	173	WORLD TRANSM-SHIFTER	417	DDEC-LIMIT SPEED GOVERNOR
135B	A/C & HEAT SYS.-AIR SENSOR	149	WORLD TR.-TURBINE SPEED HI	174	WORLD TRANSM-SHIFTER	419	DDEC -CHEK ENGINE LIGHT
135C	A/C & HEAT SYS.-AIR SENSOR	149	ABS SYSTEM-SENSOR	175A	WORLD TRANSM-SHIFTER	439	DDEC-12V IGNITION
136A	WORLD TRANSM-12V BATTERY	149A	ABS SYSTEM	176	WORLD TRANSM-SHIFTER	451	DDEC-A/C FAN CLUTCH
136AA	WORLD TRANSM-SHIFTER PWR	150	WORLD TR.-ENGINE SPEED LO	180	WORLD TRANSM-SHIFTER	505	DDEC-TACHOMETER DRIVE
136V	WORLD TRANSM-12V BATTERY	150	DDEC III-ECM BATTERY GRD	180	OUTSIDE TEMP. DISPLAY	509	DDEC-STOP ENGINE LIGHT
136W	WORLD TRANSM-12V BATTERY	150A	DDEC III-ECM BATTERY GRD	180A	OUTSIDE TEMP. DISPLAY	510	DDEC-FAST IDLE SIGNAL
137	WORLD TRANSM-RETARDER	151	DDEC III-ECM BATTERY GRD	180A	WORLD TRANSM-SHIFTER	524	DDEC-ENGINE BRAKEDISABLE
137	RR VIEW MIRROR	151	ABS SYSTEM-SPARE	180B	OUTSIDE TEMP. DISPLAY	525	DDEC-FAST IDLE SIGNAL
137A	RR VIEW MIRROR	152	ABS SYSTEM-SPARE	180C	OUTSIDE TEMP. DISPLAY	528	DDEC-STOP ENG. OVERRIDE
137B	RR VIEW MIRROR	153	ELECTRICAL DRIVER'S SEAT	181	FROZEN POINT T.T.LT	531	DDEC-CRUISE CLUTCH CUT OUT
137C	RR VIEW MIRROR	154	WORLD TRANSM-ABS INPUT (-)	181A	THERMOMETER INSIDE SENSOR	540	DDEC-CRUISE ENABLE T.T.LT
137D	RR VIEW MIRROR	156A	ABS SYSTEM-FEED	181B	THERMOMETER INSIDE SENSOR	541	DDEC-CRUISE SET SW
137D	RR VIEW MIRROR	157	ABS SYSTEM-FEED	181C	THERMOMET. OUTSIDE SENSOR	542	INPUT PARK BRAKE INTERLOCK
137E	RR VIEW MIRROR	157A	ABS SYSTEM-FEED	181D	THERMOMET. OUTSIDE SENSOR	543	DDEC-CRUISE STOP SW CUT IN
137F	RR VIEW MIRROR	157B	ABS SYSTEM	195	WORLD TRANSM-TRANS ID	544	DDEC-CRUISE ON/OFF SW
137H	RR VIEW MIRROR	159	WORLD TRANSM-DIAGNOSTIC	197	FUEL WATER FILTER	545	DDEC-CRUISE RESUME SW
137J	RR VIEW MIRROR	160	ALARM & SIGN.-TAG PRESS SW	197A	FUEL WATER FILTER	555	DDEC-FAN CLUTCH SPEED#1
137K	RR VIEW MIRROR	161B	WORLD TRANSM-SIGNALGRD	201	WORLD TRANSM-SPARE	556	DDEC-VEHICULE SPEED (+)
137L	RR VIEW MIRROR	162	WORLD TRANSM-PRESS. SW C3	202	WORLD TRANSM-SPARE	557	DDEC-VEHICULE SPEED (-)
137M	RR VIEW MIRROR FEED	163	WORLD TR.-RETARDER ENABLE	203	WORLD TRANSM-SPARE	563	DDEC-FAN CLUTCH SPEED#2
137R	WORLD TRANSM-RETARDER	164	WORLD TR.-RET. ACTUAT. SIGN	204	WORLD TRANSM-SPARE	564	DDEC-DIGITAL OUTPUT
137T	MIRROR HEAT SW-JUMPER	165	WORLD TR.-OIL LEVEL SIGNAL	214	WORLD TR.-BACK-UP SIGNAL	565	DDEC-ENGINE BRAKE ACTIVE
138	WORLD TR.-RETARDER TEMP	166B	A/C & HEAT SYS.-EVAP. MOD.	231	WORLD TR.-NEUTRAL SIGN GRD	583	DDEC-ENGINE BRAKE 4 CYL.
138	ABS SYSTEM-SENSOR	167	WORLD TR.-SPEED 5N0, 5NC	240	DDEC III-ECM 12V FEEDING	900	DDEC-DATA LINK (+)
138A	ABS SYSTEM-SENSOR	169	WORLD TRANSM-INPUT 12	241	DDEC III-ECM 12V FEEDING	901	DDEC-DATA LINK (-)
139	ABS SYSTEM-VALVE	170	WORLD TRANSM-SHIFTER	260	WINDOW AJAR-T.T.LT	908	DDEC-HYDRAU. PWM#1 OUTPUT
139	WORLD TR.-OUTPUT SPEED HI	170C	LUGGAGE DOOR LOCK-T.T.LT	270	KEYLESS MODULE-FEED	916	DDEC-SENSOR SUPPLY (5VDC)
140	WORLD TR.-OUTPUT SPEED LO	170D	LUGGAGE DOOR LOCK-FEED	270A	ENTRANCE DOOR AIR LOCK	952	DDEC-SENSOR RETURN
140	ABS SYSTEM-VALVE	170E	LUG. DOOR LOCK-UNLOCK SIGN	272	KEYLESS SYSTEM-KEYBOARD	953	DDEC-BATTERY GRD
141	ABS SYSTEM-VALVE	170F	LUGGAGE DOOR LOCK-FEED	274	KEYLESS SYSTEM-KEYBOARD	979	DDEC-ENGINE BRAKE 2 CYL.
141	WORLD TR.-ENGINE SPEED HI	170G	LUGGAGE DOOR LOCK-FEED	276	KEYLESS SYSTEM-KEYBOARD	2123	FLASHER SIGNAL LTS
142	ABS SYSTEM-VALVE	170H	LUGGAGE DOOR-LOCK SIGN	277	KEYLESS SYS-DR'V LTS SIGN		
143	ABS SYSTEM-SENSOR	170K	LUGGAGE DOOR-LOCK SIGN	278	KEYLESS SYSTEM-KEYBOARD		
143A	ABS SYSTEM-SENSOR	170LA	LUGG DOOR LOCK-T.T.LT WE	280	KEYLESS SYSTEM-KEYBOARD		
143A	WORLD TRANS-BATTERY GRD	170LB	LUGG DOOR LOCK-T.T.LT WE	283	KEYLESS SYSTEM-ANTI-THEFT		
143W	WORLD TRANSM-BATTERY GRD	170L	LUGG DOOR LOCK-SIGN T.T.LT	283A	KEYLESS SYS-ENT. DOOR SIGN		
143X	WORLD TRANSM-BATTERY GRD	170M	LUGG DOOR LOCK-SIGN T.T.LT	284A	KEYLESS SYSTEM		
144	ABS SYSTEM-SENSOR	170N	LUGG DOOR LOCK-SIGN T.T.LT	285	KEY. SYS-UNLOCK ENT. DOOR		
144A	ABS SYSTEM-SENSOR	170P	LUGG DOOR LOCK-SIGN T.T.LT	285B	KEYLESS SYSTEM		
145	ABS SYSTEM-VALVE	170R	LUGG DOOR LOCK-ENTR. DOOR	285C	KEYLESS SYSTEM		
146	ABS SYSTEM-VALVE	170S	LUGG DOOR LOCK-SIGN T.T.LT	286	LUGG DOOR LOCK-ENT. DOOR		
146A	WORLD TRANSM-12V IGNITION	170T	LUGG DOOR LOCK-SIGN T.T.LT	286A	KEYLESS SYS-CENTER DOOR		

CIRCUIT NUMBER CODE

NO.	DESCRIPTION	NO.	DESCRIPTION	NO.	DESCRIPTION	NO.	DESCRIPTION
IPJ1	CLUSTER - BULB TEST POS	SP62	SPARE WIRE	0T2	WINDOW AWNING	12DDR	RR JCT BOX 12V HOT WIRE DDR CON
IPJ2	CLUSTER - BULB TEST NEG.	SP63	SPARE WIRE	0T3	ALTERNATOR MODULE	12DT	T.T. LT MODULE
IPJ3	CLUSTER - SV SIGNAL	SP69	SPARE WIRE	0T4	12V OUTLET - CTR MODULE	12E	RR JCT BOX 12V DISC SW
IPJ4	CLUSTER - RETURN TO ZERO	SP70	SPARE WIRE	0T5	FS-HVAC DASH MODULE. GND	12F	FR JCT PANEL 12V DISC SW
IPJ5	CLUSTER - FUEL LEVEL GAUGE	SP71	SPARE WIRE	0W	FJB - TRANSM. RLY GRD	12G	FR JCT PANEL 12V DISC SW
IPJ6	CLUSTER - BULB TEST POS.	SP72	SPARE WIRE	0W	TRANSM ACC. - FR.SERV. CPT	12H	12V DASH ACCESS.
IPJ7	CLUSTER - BULB TEST NEG.	SP74	SPARE WIRE	0WA	PRE-HEAT WATER HEATER	12I	RR JCT BOX 12V IGNITION
IPJ8	CLUSTER - MASTER WARNING	SP83	SPARE WIRE	0Y1	ASB SYSTEM-GRD	12I	FR JCT PANEL 12V IGNITION
LX5	CLUSTER - COMPUTER MODE	SP84	SPARE WIRE	0Y2	ASB SYSTEM-GRD	12IA	FR JCT PANEL 12V IGNITION
LX6	CLUSTER - COMPUTER DOWN	SP114	SPARE WIRE	0Y3	ASB SYSTEM-GRD	12IA	RR JCT PANEL 12V IGNITION
LX7	CLUSTER - COMPUTER SET	SP115	SPARE WIRE	0Y4	ASB SYSTEM-GRD	12IF	FR JCT PANEL 12V IGNITION
LX16	CLUSTER - COMPUTER UP	SP116	SPARE WIRE	0Y5	ASB SYSTEM-GRD	12J	FR JCT PANEL 12V DISC.SW.
LX21	CLUSTER - COMPUTER COM.	SP117	SPARE WIRE	0Y6	ASB SYSTEM-GRD	12JA	FR JCT PANEL 12V DISC.SW.
RT	T.T.L.T. MODULE - TEST SW.	TW1	SPR. W. TWISTER 50T/M WITH TW2	0Y7	ASB SYSTEM-GRD	12K	FR JCT PANEL 12V DISC.SW.
SP1	SPARE WIRE	TW2	SPR. W. TWISTER 50T/M WITH TW1	00	ASB SYSTEM-GRD	12LX	12V HOTWIRE CLUST. & MOD A/C
SP2	SPARE WIRE	0	A/C EVAP. CPT GRD	00A	BATTERY GRD-DASH ACC.	12LX	CLUSTER 12V HOT WIRE
SP3	SPARE WIRE	0	JUMPER - CLUTCH SIGN.	2A	A/C & HEAT SYSTM	12P	12V POWER OUTLET
SP4	SPARE WIRE	0	RJB - INSIDE GRD	2B	A/C & HEAT SYSTEM	12T	RR JCT BOX 12V DISC SW
SP5	SPARE WIRE	0A	FR. ROOF ACC. GRD	2D	A/C & HEAT SYSTEM	12VD	12V HOT WIRE
SP6	SPARE WIRE	0B	A/C - CONDENSER GRD	2E	A/C & HEAT SYSTEM	12VI	RR JCT PANEL 12V IGNITION
SP7	SPARE WIRE	0B	ENG. CPT ACC. GRD	2H	A/C & HEAT SYS-LO-PRESS SW.	12W	12V HOT WIRE DDEC III FEED
SP8	SPARE WIRE	0BE	OV BATTERY MONITOR	2L	A/C & HEAT SYS-HI-PRESS SW.	15	EXT. LTS-MULTI FUNC LEVEL
SP9	SPARE WIRE	0C	R.J.B. - GRB	3A	A/C & HEAT SYSTEM-EVAPORATOR	15	WIPER & WASHER SYSTEM
SP10	SPARE WIRE	0C	F.R. SERV. CPT-ACCESSOIRIES	5N0	SPEED SIGNAL HIGHER 5MPH	16	SPEEDOMETER (+)
SP11	SPARE WIRE	0C1	ENTRANCE DOOR KEYLESS	5NC	SPEED SIGNAL LOWER 5MPH	16T	SPEED SW SIGNAL IN (+)
SP12	SPARE WIRE	0C4	F.J.B. GRD	6	EXTERIOR LTS-DOCKING	17	EXTERIOR LTS-FLASHER UNIT
SP13	SPARE WIRE	0CJ	CRUISE SW. JUMPER	6A	EXTERIOR LTS-CORNERING	17A	EXTERIOR LTS-FLASHER UNIT
SP14	SPARE WIRE	0D	A/C JCT BOX - COND FAN GRD	6B1	EXTERIOR LTS-CORNERING RH	17C	JUMPER LTS SW. - HAZARD
SP15	SPARE WIRE	0F	SILENT 1000	6C1	EXTERIOR LTS-CORNERING RH	20	SPEEDOMETER SIGNAL (-)
SP16	SPARE WIRE	0G	ABS GRD CX1	6D	EXTERIOR LTS-DOCKING	20T	SPEED SW SIGNAL IN (-)
SP17	SPARE WIRE	0H	ENG. CPT. - ACC. GRD	9	INTERIOR LTS-ENGINE CPT	21	EXTERIOR LTS-DIRECT. LH
SP18	SPARE WIRE	0L	ENG.CPT -CLEAR.LTS RR ROOF	9	INTERIOR LTS-RR JCT BOX	21A	EXTERIOR LTS-LH
SP19	SPARE WIRE	0L	R.J.B. - GRD	9F	INTERIOR LTS - FR-SERV. CPT	21A	EXTERIOR LTS-CORNERING-LH
SP21	SPARE WIRE	0L	FR - SIDE MARK. & FLASH GRD	10	A/C & HEAT SYSTEM -LO PRES.	21B	EXTERIOR LTS-DIRECT. LH
SP23	SPARE WIRE	0L1	ENG.CPT-SIDE MARK. & FL. GRD	10	INTERIOR LTS-LUGGAGE CPT	21BB	EXTERIOR LTS-DIRECT. LH
SP24	SPARE WIRE	0L2	HEAD LTS	10	INTERIOR LTS-FR SERV. CPT	21H	EXTERIOR LTS-HAZARD SIGNAL
SP25	SPARE WIRE	0L3	FR.SERV.DR. & ENT.DOOR GRD ACC.	10A	INTERIOR LTS-LUGGAGE CPT	21M	AUX. LTS - DIRECTIONAL LH
SP30	SPARE WIRE	0L4	FOG LTS RESISTOR GRD	10B	INTERIOR LTS-LUGGAGE CPT	21P	CORN. LTS - DIRECT. SIGN. LH
SP33	SPARE WIRE	0L5	LH CONSOL - ACC. GRD	10C	INTERIOR LTS-LUGGAGE CPT	23	EXTERIOR LTS-DIRECT. RH
SP38	SPARE WIRE	0LV	WINDSHIELD WASHER LEVEL	10D	INTERIOR LTS-LUGGAGE CPT	23A	EXTERIOR LTS-DIRECT. RH
SP40	SPARE WIRE	0M	WIPER 2 MIRROR MOTOR	10E	INTERIOR LTS-LUGGAGE CPT	23A	EXTERIOR LTS - CORNER. LTS
SP41	SPARE WIRE	0M3	DEFROST GRD	10R	CENTER DOOR T.T.L.T.	23BB	EXTERIOR LTS - DIRECT. RH
SP42	SPARE WIRE	0M4	HORN & DR'S WINDOW LIFTER	12A	FR JCT PANEL 12V DISC SW	23C	EXTERIOR LTS-CORNERING RH
SP43	SPARE WIRE	0M5	SUN VISOR MOTOR	12B	FR JCT PANEL 12V DISC SW	23H	EXTERIOR LTS-HAZARD SIGNAL
SP45	SPARE WIRE	0M7	DR'S WIND.LIFT. & RH MIR. SW	12BAT	12V HOT-WIRE ACC - JCT BLK	23M	AUX LTS - DIRECTIONAL RH
SP48	SPARE WIRE	0M7A	LH MIRROR SW.	12BE	12V BATTERY MONITOR	23P	CORN. LTS - DIRECT SIGN RH
SP56	SPARE WIRE	0P	ENG.CDT - PRE-HEATER	12C	FR JCT PANEL 12V DISC SW	24	FR JCT PANEL 24V DISC. SW.
SP57	SPARE WIRE	0T	SPEED SW. CONNECTOR	12C	RR JCT BOX 12V DISC SW	24A	RR JCT PANEL 24V DISC. SW
SP60	SPARE WIRE	0T1	DASH ACC.	12D	FR JCT PANEL 12V HOT WIRE	24A	FR JCT PANEL 24V DISC. SW
SP61	SPARE WIRE	0T2	CLUSTER ACC.	12DD	FR JCT PANEL 12V HOT WIRE	24B	FR JCT PANEL 24V DISC. SW

CIRCUIT NUMBER CODE

NO.	DESCRIPTION	NO.	DESCRIPTION	NO.	DESCRIPTION	NO.	DESCRIPTION
24BE	BATTERY MONITOR	44C	EXT. LTS-FOG,HVAC & HAZ. SW	66	A/C PASSENGER - ON/OFF	97	TACHOMETER SIGN.-NOT USED
24C	FR JCT PANEL 24V DISC SW	44D	EXTERIOR LTS - FOG	67A	A/C & HEAT SYSTEM	101	WORLD TR.- LO SIGN SOL.LO
24D	FR JCT BOX 24V HOT WIRE	44E	EXTERNAL LTS - FOG	68	DASH & DEFROST DAMPER MOT	102	WORLD TRANSM.-SOL. SUPPLY
24F	RR JCT PANEL 24V DISC SW	45A	A/C & HEAT SYSTEM FULL AIR	68A	DASH & DEFROST DAMPER MOT	103	WORLD TRANSM.- B.SOL.LO
24I	FR JCT PANEL 24V IGNITION	45B	A/C & HEAT SYS.-WATER PUMP	72	SUN VISOR - FEED	104	LEVEL-LOW SYS- DR'S SOL.
24I	RR JCT PANEL 24V IGNITION	45C	A/C & HEAT SYS.-WATER VALV	72A	SUN VISOR RH	104	WORLD TR. -SOL. FORWARD
24IA	FR JCT PANEL 24V IGNITION	45D	A/C & HEAT SYS.-WATER VALV	72B	SUN VISOR RH	105W	WORLD TR.-SOL.-RET.OIL TT.LT
24IB	FR JCT PANEL 24V IGNITION	45E	A/C & HEAT SYS.-WATER PUMP	72C	SUN VISOR LH	107	WORLD TR.-LOCKUP SOL. HI
24IF	FR JCT PANEL 24V IGNITION	45G	A/C & HEAT SYS.-DR'S HTR	72D	SUN VISOR LH	108	WORLD TR.-LOCKUP SOL.
24P	FR JCT PANEL 24V DISC SW	45J	A/C & HEAT SYS.-WATER PUMP	76	FUEL TANK GAUGE	110	WORLD TR.-LOCKUP SOL. LO
24R	24V RR JCT BLK TO STARTER	46	EXTERIOR LTS-MARKER	76C	LOW FUEL T.T.LT	112	WORLD TR.-SPARE OUTPUT (+)
24T	RR JCT PANEL 24V DISC SW	46A	EXTERIOR LTS-AUX LTS RESIS.	76L	LOW FUEL T.T.LT	112	WORLD TR.-SPARE OUTPUT (+)
24VD	24V HOT WIRE FEED	46C	EXTERIOR LTS-MARKER	77A	A/C & HEAT SYS. - THERMOST.	113W	WORLD TR.-REVERSE WARNING
25A	TT.LT. MODULE - LED	46D	EXTERIOR LTS-AUX LTS RESIS.	77B	A/C SYS. - LIQ. SOL. VALVE	114	WORLD TR.-SPARE OUTPUT (-)
25B	EXT. LTS-DAYTIME RUN LTS	48A	ENTRANCE DOOR AIR LOCK	77C	A/C & HEAT SYS.-COMPRESSOR	114	INTERIOR LT-DASH LT RHEOS.
25D	GENERATOR SKTN. ON - HVAC	48B	ENTRANCE DOOR AIR LOCK	77H	A/C SYS.-LIQ. SOL. VALVE	114A	INTERIOR LT-DASH LT RHEOS.
26	DR'S & ENT. WINDOW LIFTER	48C	ENTRANCE DOOR AIR LOCK	77H	A/C & HEAT SYS.-THERMOSTAT	114B	INT. LT-DASH LT RHEOST.FEED
26A	CIGAR LIGHT. & POW.OUTLET LH	50	AIR DRYER	81	EXTERIOR LTS-STOP SW	115	DDEC III-COOLANT LEVEL
26B	DRIVER'S WINDOW LIFTER	52	ALARM & SIGNAL-ELEC.HORN	82	EXTERIOR LTS-STOP SIGNAL	115W	WORLD TR.-DO NOT SHIFT SIGN
26C	DRIVER'S WINDOW LIFTER	52A	ALARM & SIGNAL-ELEC.HORN	82A	EXTERIOR LTS-STOP SIGNAL	116	WORLD TR.-LO SIGNAL SOL. HI
26D	ENT. DOOR WINDOW LIFTER	53	ALARM & SIGNAL-ELEC.HORN	82B	EXTERIOR LTS-STOP LTS	116B	A/C & HEAT SYSTEM-DR'S HTR
26E	ENT. DOOR WINDOW LIFTER	53B	WIPER & WASHER SYSTEM	82L	EXT. LTS-STOP LTS & CYCLOP	116C	A/C SYS.-TRIG. DEFROST
26F	ENT. DOOR WINDOW LIFTER	53C	WIPER & WASHER SYSTEM	82R	EXTERIOR LTS-STOP LTS	117A	ALARME & SIGN.-TR. OIL TEMP
28H	T.T.LT MODULE - HI A/C PRES.	53E	WIPER & WASHER SYSTEM	83	ENG. CTR-MAST. KEY SW ACC.	119	WORLD TRANSM-ENGINE BRAKE
28T	T.T.LT MODULE - LO A/C PRES.	53J	WIPER & WASHER SYSTEM	84	ENG. CTR-MAST KEY SW START	120	WORLD TRANSM-SOL. C1
29	A/C & HEAT SYS.-DR'S HTR	53K	KEYLESS SYSTEM	84A	ENG. CTR-MAST KEY SW START	121	WORLD TRANSM-SOL.GRD 2
29H	HVAC DASH MODILE	55	EXTERIOR LTS-HI BEAM	84J	ENG. CTR-MAST KEY SW START	123	WORLD TR.-NEUTRAL START
31B	WIPER & WASHER SYSTEM	57	EXTERIOR LTS-HI BEAM	85	24V IGNITION SIGNAL	123A	ALARM & SIGNAL-FIRE DETECT.
31C	WIPER & WASHER SYSTEM	57A	EXTERIOR LTS-HI BEAM	85A	24V IGN DASH INSTRUMENT.	123B	ALARM & SIGNAL-FIRE DETECT.
32	EXTERIOR LTS-BACK-UP	57B	A/C & HEAT SYS.-WATER PUMP	85C	24V IGNITION - FEED	124	WORLD TR.-THROTTLE (HI)
32B	EXTERIOR LTS-BACK-UP	57C	PRE-HEAT WATER HEATER	85W	WORLD TRANSM. - 24V IGN.	124A	WORLD TRANSM-SENSOR PWR
32F	BACK-UP CANCEL SW.	57C	A/C & HEAT SYS.-WATER PUMP	85X	ABS-24V IGN	125	WORLD TR-RETARDER INDICAT.
32G	BACK-UP ALARM	57E	A/C & HEAT SYS.-WATER VALV	85Y	ABS-WARNING LT	125W	WORLD TR-RETARDER INDICAT.
32J	BACK-UP SW. - JUMPER	57W	PRE-HEAT WATER HEATER	86	ENG. CTR-STARTER SOL SIGN	126	WORLD TR.-LUBE PRESS SW.
35B	DRIVER'S LTS - KEYLESS SIGN	58	EXTERIOR LTS-LO BEAM	86A	ENG. CTR-STARTER SOL SIGN	126	24VIGN-LEV.LOW & WORLD TR.
36	ENGINE BRAKE SYSTEM	58A	EXTERIOR LTS-LO BEAM	87B	ENGINE CTR-24V IGNITION	126F	LEVEL LOW SYSTEM
36A	ENGINE BRAKE SYSTEM & RET.	58B	EXTERIOR LTS-LO BEAM	88	ENGINE CTR-RR START SIGNAL	126H	SPEED SIGN 5NC - NOT USED
39	INTERIOR LTS-DRIVER'S LTS	59A	ENGINE BRAKE SYSTEM	89	ENGINE CTR-RR START SIGNAL	126W	WORLD TRANSM-NOT USED
39B	INTERIOR LTS-DRIVER'S LTS	61	EXTERIOR LTS-24V FEED SW	90	CONVERTER - CABLE SPARG	127	24HW DR'S LT PREHEAT & HVAC
39C	INTERIOR LTS-DRIVER'S LTS	61A	EXTERIOR LTS-HEAD SIGNAL	90A	ENG. CTR-MAST KEY SW FEED	127A	PRE-HEAT WATER HEATER
39D	INTERIOR LTS - FRIVER' LTS	63	EXTERIOR LTS-CLEAR. FEED	90B	A/C & H. SYS.-COND FAN MOT	127W	PRE-HEAT WATER HEATER
39K	DR'S LTS - KEYLESS SIGN.	63B	EXTERIOR LTS-CLEARANCE	90B	ENG. CTR-MAST KEY SW FEED	128	WORLD TRANSM-SOL. C2
41	A/C SYS.-COND FAN MOTOR	63C	EXT. LTS-MARKER SIGNAL	91	PARKING BRAKE SW SIGNAL	128A	PRE-HEAT WATER HEATER
41A	A/C SYS.-COND FAN MOTOR	63F	EXT. LTS-MARKER BLINKER	91A	DDEC III-FAST IDLE SIGNAL	128B	PRE-HEAT WATER HEATER
41B	A/C SYS.-COND FAN MOTOR	64	DRIVER'S FAN SPEED CTR	91C	PARKING BRAKE - T.T.LT	128W	PRE-HEAT WATER HEATER
42A	A/C SYS.-COND FAN MOTOR	64A	DRIVER'S FAN SPEED CTR	91J	FAST IDLE - JUMPER SW.	129	WORLD TRANSM-SOL. C5
43	A/C & HEAT SYS. - FAN SPEED	64B	DRIVER'S FAN SPEED CTR	92	BATT. EQUAL.-CHECK BALANCE	129	PRE-HEAT WATER HEATER
44	EXTERIOR LTS-FOG	65	FOOT DAMPER MOTOR	93	BATT. EQUALIZ.-CHECK LO/HI	129B	PRE-HEAT WATER HEATER
44A	EXTERIOR LTS-FOG	65A	FOOT DAMPER MOTOR	95A	ENG. BRAKE & RETARDER SYS.	130	WORLD TRANSM-SOL. GRD 3
44B	EXTERIOR LTS-FOG	65D	DRIVER'S REC. DAMPER	95B	ENG. BRAKE & RETARDER SYS.	131	WORLD TRANSM-SOL.C4

CIRCUIT NUMBER CODE

NO.	DESCRIPTION	NO.	DESCRIPTION	NO.	DESCRIPTION	NO.	DESCRIPTION
132	WORLD TRANSM-ENGINE BRAKE	146A	WORLD TRANSM-12V IGNITION	170T	LUGG DOOR LOCK-SIGN T.T.LT	286A	KEYLESS SYS-CENTER DOOR
132A	LEVEL LOW SYSTEM	146AA	WORLD TRANSM-DIAGN.CONN.	170V	LUGG DOOR LOCK-SIGN T.T.LT	290	FAN CLUTCH RADIATOR-FEED
132B	LEVEL LOW SYSTEM	147	WORLD TRANSM-OIL TEMP	170W	LUGGAGE DOOR LOCK-FEED	290A	FAN CLUTCH RADIATOR-FEED
132C	LEVEL LOW SYSTEM	147	ABS SYSTEM-VALVE	170X	LUGG DOOR LOCK-SIGN T.T.LT	291	FAN CLUTCH RADIATOR SPD 1
132D	LEVEL LOW SYSTEM	147A	ETHER COLD START	170Y	LUGGAGE DOOR LOCK-FEED	292	FAN CLUTCH RADIATOR SPD 2
132E	LEVEL LOW SYSTEM	147A	DAYTIME LST-ALT.SIGNAL	170Z	LUGGAGE DOOR LOCK	292A	FAN CLUTCH RADIATOR SPD 2
132F	LEVEL LOW SYSTEM	147C	ETHER COLD START	171	WORLD TRANSM-SHIFTER	294	KEYLESS SYSTEM-ANTI-THEFT
135	WORLD TRANSM-RET.TEMP.	148	ABS SYSTEM-VALVE	172	WORLD TRANSM-SHIFTER	295	KEYLESS SYS-LED INDICATOR
135A	WORLD TR.-RES MODULE RET.	148	WORLD TR.-OUTPUT SPEED LO	173	WORLD TRANSM-SHIFTER	417	DDEC-LIMIT SPEED GOVERNOR
135B	A/C & HEAT SYS.-AIR SENSOR	149	WORLD TR.-TURBINE SPEED HI	174	WORLD TRANSM-SHIFTER	419	DDEC -CHEK ENGINE LIGHT
135C	A/C & HEAT SYS.-AIR SENSOR	149	ABS SYSTEM-SENSOR	175A	WORLD TRANSM-SHIFTER	439	DDEC-12V IGNITION
136A	WORLD TRANSM-12V BATTERY	149A	ABS SYSTEM	176	WORLD TRANSM-SHIFTER	451	DDEC-A/C FAN CLUTCH
136AA	WORLD TRANSM-SHIFTER PWR	150	WORLD TR.-ENGINE SPEED LO	180	WORLD TRANSM-SHIFTER	505	DDEC-TACHOMETER DRIVE
136V	WORLD TRANSM-12V BATTERY	150	DDEC III-ECM BATTERY GRD	180	OUTSIDE TEMP. DISPLAY	509	DDEC-STOP ENGINE LIGHT
136W	WORLD TRANSM-12V BATTERY	150A	DDEC III-ECM BATTERY GRD	180A	OUTSIDE TEMP. DISPLAY	510	DDEC-FAST IDLE SIGNAL
137	WORLD TRANSM-RETARDER	151	DDEC III-ECM BATTERY GRD	180A	WORLD TRANSM-SHIFTER	524	DDEC-ENGINE BRAKEDISABLE
137	RR VIEW MIRROR	151	ABS SYSTEM-SPARE	180B	OUTSIDE TEMP. DISPLAY	525	DDEC-FAST IDLE SIGNAL
137A	RR VIEW MIRROR	152	ABS SYSTEM-SPARE	180C	OUTSIDE TEMP. DISPLAY	528	DDEC-STOP ENG. OVERRIDE
137B	RR VIEW MIRROR	153	ELECTRICAL DRIVER'S SEAT	181	FROZEN POINT T.T.LT	531	DDEC-CRUISE CLUTCH CUT OUT
137C	RR VIEW MIRROR	154	WORLD TRANSM-ABS INPUT (-)	181A	THERMOMETER INSIDE SENSOR	540	DDEC-CRUISE ENABLE T.T.LT
137D	RR VIEW MIRROR	156A	ABS SYSTEM-FEED	181B	THERMOMETER INSIDE SENSOR	541	DDEC-CRUISE SET SW
137D	RR VIEW MIRROR	157	ABS SYSTEM-FEED	181C	THERMOMET. OUTSIDE SENSOR	542	INPUT PARK BRAKE INTERLOCK
137E	RR VIEW MIRROR	157A	ABS SYSTEM-FEED	181D	THERMOMET. OUTSIDE SENSOR	543	DDEC-CRUISE STOP SW CUT IN
137F	RR VIEW MIRROR	157B	ABS SYSTEM	195	WORLD TRANSM-TRANS ID	544	DDEC-CRUISE ON/OFF SW
137H	RR VIEW MIRROR	159	WORLD TRANSM-DIAGNOSTIC	197	FUEL WATER FILTER	545	DDEC-CRUISE RESUME SW
137J	RR VIEW MIRROR	160	ALARM & SIGN.-TAG PRESS SW	197A	FUEL WATER FILTER	555	DDEC-FAN CLUTCH SPEED#1
137K	RR VIEW MIRROR	161B	WORLD TRANSM-SIGNALGRD	201	WORLD TRANSM-SPARE	556	DDEC-VEHICULE SPEED (+)
137L	RR VIEW MIRROR	162	WORLD TRANSM-PRESS. SW C3	202	WORLD TRANSM-SPARE	557	DDEC-VEHICULE SPEED (-)
137M	RR VIEW MIRROR FEED	163	WORLD TR.-RETARDER ENABLE	203	WORLD TRANSM-SPARE	563	DDEC-FAN CLUTCH SPEED#2
137R	WORLD TRANSM-RETARDER	164	WORLD TR.-RET. ACTUAT. SIGN	204	WORLD TRANSM-SPARE	564	DDEC-DIGTAL OUTPUT
137T	MIRROR HEAT SW-JUMPER	165	WORLD TR.-OIL LEVEL SIGNAL	214	WORLD TR.-BACK-UP SIGNAL	565	DDEC-ENGINE BRAKE ACTIVE
138	WORLD TR.-RETARDER TEMP	166B	A/C & HEAT SYS.-EVAP. MOD.	231	WORLD TR.-NEUTRAL SIGN GRD	583	DDEC-ENGINE BRAKE 4 CYL.
138	ABS SYSTEM-SENSOR	167	WORLD TR.-SPEED 5N0, 5NC	240	DDEC III-ECM 12V FEEDING	900	DDEC-DATA LINK (+)
138A	ABS SYSTEM-SENSOR	169	WORLD TRANSM-INPUT 12	241	DDEC III-ECM 12V FEEDING	901	DDEC-DATA LINK (-)
139	ABS SYSTEM-VALVE	170	WORLD TRANSM-SHIFTER	260	WINDOW AJAR-T.T.LT	908	DDEC-HYDRAU. PWM#1 OUTPUT
139	WORLD TR.-OUTPUT SPEED HI	170C	LUGGAGE DOOR LOCK-T.T.LT	270	KEYLESS MODULE-FEED	916	DDEC-SENSOR SUPPLY (5VDC)
140	WORLD TR.-OUTPUT SPEED LO	170D	LUGGAGE DOOR LOCK-FEED	270A	ENTRANCE DOOR AIR LOCK	952	DDEC-SENSOR RETURN
140	ABS SYSTEM-VALVE	170E	LUG. DOOR LOCK-UNLOCK SIGN	272	KEYLESS SYSTEM-KEYBOARD	953	DDEC-BATTERY GRD
141	ABS SYSTEM-VALVE	170F	LUGGAGE DOOR LOCK-FEED	274	KEYLESS SYSTEM-KEYBOARD	979	DDEC-ENGINE BRAKE 2 CYL.
141	WORLD TR.-ENGINE SPEED HI	170G	LUGGAGE DOOR LOCK-FEED	276	KEYLESS SYSTEM-KEYBOARD	2123	FLASHER SIGNAL LTS
142	ABS SYSTEM-VALVE	170H	LUGGAGE DOOR-LOCK SIGN	277	KEYLESS SYS-DR'V LTS SIGN		
143	ABS SYSTEM-SENSOR	170K	LUGGAGE DOOR-LOCK SIGN	278	KEYLESS SYSTEM-KEYBOARD		
143A	ABS SYSTEM-SENSOR	170LA	LUGG DOOR LOCK-T.T.LT WE	280	KEYLESS SYSTEM-KEYBOARD		
143A	WORLD TRANS-BATERY GRD	170LB	LUGG DOOR LOCK-T.T.LT WE	283	KEYLESS SYSTEM-ANTI-THEFT		
143W	WORLD TRANSM-BATTERY GRD	170L	LUGG DOOR LOCK-SIGN T.T.LT	283A	KEYLESS SYS-ENT. DOOR SIGN		
143X	WORLD TRANSM-BATTERY GRD	170M	LUGG DOOR LOCK-SIGN T.T.LT	284A	KEYLESS SYSTEM		
144	ABS SYSTEM-SENSOR	170N	LUGG DOOR LOCK-SIGN T.T.LT	285	KEY. SYS-UNLOCK ENT. DOOR		
144A	ABS SYSTEM-SENSOR	170P	LUGG DOOR LOCK-SIGN T.T.LT	285B	KEYLESS SYSTEM		
145	ABS SYSTEM-VALUE	170R	LUGG DOOR LOCK-ENTR. DOOR	285C	KEYLESS SYSTEM		
146	ABS SYSTEM-VALUE	170S	LUGG DOOR LOCK-SIGN T.T.LT	286	LUGG DOOR LOCK-ENT. DOOR		

CIRCUIT NUMBER CODE

NO.	DESCRIPTION	NO.	DESCRIPTION	NO.	DESCRIPTION	NO.	DESCRIPTION
IPJ1	CLUSTER - BULB TEST POS	SP62	SPARE WIRE	0T2	WINDOW AWNING	12DDR	RR JCT BOX 12V HOT WIRE DDR CON
IPJ2	CLUSTER - BULB TEST NEG.	SP63	SPARE WIRE	0T3	ALTERNATOR MODULE	12DT	T.T. LT MODULE
IPJ3	CLUSTER - SV SIGNAL	SP69	SPARE WIRE	0T4	12V OUTLET - CTR MODULE	12E	RR JCT BOX 12V DISC SW
IPJ4	CLUSTER - RETURN TO ZERO	SP70	SPARE WIRE	0T5	FS-HVAC DASH MODULE. GND	12F	FR JCT PANEL 12V DISC SW
IPJ5	CLUSTER - FUEL LEVEL GAUGE	SP71	SPARE WIRE	0W	FJB - TRANSM. RLY GRD	12G	FR JCT PANEL 12V DISC SW
IPJ6	CLUSTER - BULB TEST POS.	SP72	SPARE WIRE	0W	TRANSM ACC. - FR.SERV. CPT	12H	12V DASH ACCESS.
IPJ7	CLUSTER - BULB TEST NEG.	SP74	SPARE WIRE	0WA	PRE-HEAT WATER HEATER	12I	RR JCT BOX 12V IGNITION
IPJ8	CLUSTER - MASTER WARNING	SP83	SPARE WIRE	0Y1	ASB SYSTEM-GRD	12I	FR JCT PANEL 12V IGNITION
LX5	CLUSTER - COMPUTER MODE	SP84	SPARE WIRE	0Y2	ASB SYSTEM-GRD	12IA	FR JCT PANEL 12V IGNITION
LX6	CLUSTER - COMPUTER DOWN	SP114	SPARE WIRE	0Y3	ASB SYSTEM-GRD	12IA	RR JCT PANEL 12V IGNITION
LX7	CLUSTER - COMPUTER SET	SP115	SPARE WIRE	0Y4	ASB SYSTEM-GRD	12IF	FR JCT PANEL 12V IGNITION
LX16	CLUSTER - COMPUTER UP	SP116	SPARE WIRE	0Y5	ASB SYSTEM-GRD	12J	FR JCT PANEL 12V DISC.SW.
LX21	CLUSTER - COMPUTER COM.	SP117	SPARE WIRE	0Y6	ASB SYSTEM-GRD	12JA	FR JCT PANEL 12V DISC.SW.
RT	T.T.L.T. MODULE - TEST SW.	TW1	SPR. W. TWISTER 50T/M WITH TW2	00	ASB SYSTEM-GRD	12K	FR JCT PANEL 12V DISC.SW.
SP1	SPARE WIRE	TW2	SPR. W. TWISTER 50T/M WITH TW1	00A	BATTERY GRD-DASH ACC.	12LX	12V HOTWIRE CLUST. & MOD A/C
SP2	SPARE WIRE	0	A/C EVAP. CPT GRD	2A	A/C & HEAT SYSTEM	12LX	CLUSTER 12V HOT WIRE
SP3	SPARE WIRE	0	JUMPER - CLUTCH SIGN.	2B	A/C & HEAT SYSTEM	12P	12V POWER OUTLET
SP4	SPARE WIRE	0	RJB - INSIDE GRD	2D	A/C & HEAT SYSTEM	12T	RR JCT BOX 12V DISC SW
SP5	SPARE WIRE	0A	FR. ROOF ACC. GRD	2E	A/C & HEAT SYSTEM	12VD	12V HOT WIRE
SP6	SPARE WIRE	0B	A/C - CONDENSER GRD	2H	A/C & HEAT SYS-LO-PRESS SW.	12VI	RR JCT PANEL 12V IGNITION
SP7	SPARE WIRE	0B	ENG. CPT ACC. GRD	2L	A/C & HEAT SYS-HI-PRESS SW.	12W	12V HOT WIRE DDEC III FEED
SP8	SPARE WIRE	0BE	OV BATTERY MONITOR	3A	A/C & HEAT SYSTEM-EVAPORATOR	15	EXT. LTS-MULTI FUNC LEVEL
SP9	SPARE WIRE	0C	R.J.B. - GRB	5N0	SPEED SIGNAL HIGHER 5MPH	15	WIPER & WASHER SYSTEM
SP10	SPARE WIRE	0C	F.R. SERV. CPT-ACCESSOIRIES	5NC	SPEED SIGNAL LOWER 5MPH	16	SPEEDOMETER (+)
SP11	SPARE WIRE	0C1	ENTRANCE DOOR KEYLESS	6	EXTERIOR LTS-DOCKING	16T	SPEED SW SIGNAL IN (+)
SP12	SPARE WIRE	0C4	F.J.B. GRD	6A	EXTERIOR LTS-CORNERING	17	EXTERIOR LTS-FLASHER UNIT
SP13	SPARE WIRE	0CJ	CRUISE SW. JUMPER	6B1	EXTERIOR LTS-CORNERING RH	17A	EXTERIOR LTS-FLASHER UNIT
SP14	SPARE WIRE	0D	A/C JCT BOX - COND FAN GRD	6C1	EXTERIOR LTS-CORNERING RH	17C	JUMPER LTS SW. - HAZARD
SP15	SPARE WIRE	0F	SILENT 1000	6D	EXTERIOR LTS-DOCKING	20	SPEEDOMETER SIGNAL (-)
SP16	SPARE WIRE	0G	ABS GRD CX1	9	INTERIOR LTS-ENGINE CPT	20T	SPEED SW SIGNAL IN (-)
SP17	SPARE WIRE	0H	ENG. CPT. - ACC. GRD	9	INTERIOR LTS-RR JCT BOX	21	EXTERIOR LTS-DIRECT. LH
SP18	SPARE WIRE	0L	ENG.CPT -CLEAR.LTS RR ROOF	9F	INTERIOR LTS - FR-SERV. CPT	21A	EXTERIOR LTS-LH
SP19	SPARE WIRE	0L	R.J.B. - GRD	10	A/C & HEAT SYSTEM -LO PRES.	21A	EXTERIOR LTS-CORNERING-LH
SP21	SPARE WIRE	0L	FR - SIDE MARK. & FLASH GRD	10	INTERIOR LTS-LUGGAGE CPT	21B	EXTERIOR LTS-DIRECT. LH
SP23	SPARE WIRE	0L1	ENG.CPT-SIDE MARK. & FL. GRD	10	INTERIOR LTS-FR SERV. CPT	21BB	EXTERIOR LTS-DIRECT. LH
SP24	SPARE WIRE	0L2	HEAD LTS	10A	INTERIOR LTS-LUGGAGE CPT	21H	EXTERIOR LTS-HAZARD SIGNAL
SP25	SPARE WIRE	0L3	FR.SERV.DR. & ENT.DOOR GRD ACC.	10B	INTERIOR LTS-LUGGAGE CPT	21M	AUX. LTS - DIRECTIONAL LH
SP30	SPARE WIRE	0L4	FOG LTS RESISTOR GRD	10C	INTERIOR LTS-LUGGAGE CPT	21P	CORN. LTS - DIRECT. SIGN. LH
SP33	SPARE WIRE	0L5	LH CONSOL - ACC. GRD	10D	INTERIOR LTS-LUGGAGE CPT	23	EXTERIOR LTS-DIRECT. RH
SP38	SPARE WIRE	0LV	WINDSHIELD WASHER LEVEL	10E	INTERIOR LTS-LUGGAGE CPT	23A	EXTERIOR LTS-DIRECT. RH
SP40	SPARE WIRE	0M	WIPER 2 MIRROR MOTOR	10R	CENTER DOOR T.T.L.T.	23A	EXTERIOR LTS - CORNER. LTS
SP41	SPARE WIRE	0M3	DEFROST GRD	12A	FR JCT PANEL 12V DISC SW	23BB	EXTERIOR LTS - DIRECT. RH
SP42	SPARE WIRE	0M4	HORN & DR'S WINDOW LIFTER	12B	FR JCT PANEL 12V DISC SW	23C	EXTERIOR LTS-CORNERING RH
SP43	SPARE WIRE	0M5	SUN VISOR MOTOR	12BAT	12V HOT-WIRE ACC - JCT BLK	23H	EXTERIOR LTS-HAZARD SIGNAL
SP45	SPARE WIRE	0M7	DR'S WIND.LIFT. & RH MIR. SW	12BE	12V BATTERY MONITOR	23M	AUX LTS - DIRECTIONAL RH
SP48	SPARE WIRE	0M7A	LH MIRROR SW.	12C	FR JCT PANEL 12V DISC SW	23P	CORN. LTS - DIRECT SIGN RH
SP56	SPARE WIRE	0P	ENG.CDT - PRE-HEATER	12C	RR JCT BOX 12V DISC SW	24	FR JCT PANEL 24V DISC. SW.
SP57	SPARE WIRE	0T	SPEED SW. CONNECTOR	12D	FR JCT PANEL 12V HOT WIRE	24A	RR JCT PANEL 24V DISC. SW
SP60	SPARE WIRE	0T1	DASH ACC.	12DD	FR JCT PANEL 12V HOT WIRE	24A	FR JCT PANEL 24V DISC. SW
SP61	SPARE WIRE	0T2	CLUSTER ACC.			24B	FR JCT PANEL 24V DISC. SW

CIRCUIT NUMBER CODE

NO.	DESCRIPTION	NO.	DESCRIPTION	NO.	DESCRIPTION	NO.	DESCRIPTION
24BE	BATTERY MONITOR	44C	EXT. LTS-FOG,HVAC & HAZ. SW	66	A/C PASSENGER - ON/OFF	97	TACHOMETER SIGN.-NOT USED
24C	FR JCT PANEL 24V DISC SW	44D	EXTERIOR LTS - FOG	67A	A/C & HEAT SYSTEM	101	WORLD TR.- LO SIGN SOL.LO
24D	FR JCT BOX 24V HOT WIRE	44E	EXTERNAL LTS - FOG	68	DASH & DEFROST DAMPER MOT	102	WORLD TRANSM.-SOL. SUPPLY
24F	RR JCT PANEL 24V DISC SW	45A	A/C & HEAT SYSTEM FULL AIR	68A	DASH & DEFROST DAMPER MOT	103	WORLD TRANSM.- B.SOL.LO
24I	FR JCT PANEL 24V IGNITION	45B	A/C & HEAT SYS.-WATER PUMP	72	SUN VISOR - FEED	104	LEVEL-LOW SYS- DR'S SOL.
24I	RR JCT PANEL 24V IGNITION	45C	A/C & HEAT SYS.-WATER VALV	72A	SUN VISOR RH	104	WORLD TR. -SOL. FORWARD
24IA	FR JCT PANEL 24V IGNITION	45D	A/C & HEAT SYS.-WATER VALV	72B	SUN VISOR RH	105W	WORLD TR.-SOL.-RET.OIL TT.LT
24IB	FR JCT PANEL 24V IGNITION	45E	A/C & HEAT SYS.-WATER PUMP	72C	SUN VISOR LH	107	WORLD TR.-LOCKUP SOL. HI
24IF	FR JCT PANEL 24V IGNITION	45G	A/C & HEAT SYS.-DR'S HTR	72D	SUN VISOR LH	108	WORLD TR.-LOCKUP SOL.
24P	FR JCT PANEL 24V DISC SW	45J	A/C & HEAT SYS.-WATER PUMP	76	FUEL TANK GAUGE	110	WORLD TR.-LOCKUP SOL. LO
24R	24V RR JCT BLK TO STARTER	46	EXTERIOR LTS-MARKER	76C	LOW FUEL T.T.LT	112	WORLD TR.-SPARE OUTPUT (+)
24T	RR JCT PANEL 24V DISC SW	46A	EXTERIOR LTS-AUX LTS RESIS.	76L	LOW FUEL T.T.LT	112	WORLD TR.-SPARE OUTPUT (+)
24VD	24V HOT WIRE FEED	46C	EXTERIOR LTS-MARKER	77A	A/C & HEAT SYS. - THERMOST.	113W	WORLD TR.-REVERSE WARNING
25A	TT.LT. MODULE - LED	46D	EXTERIOR LTS-AUX LTS RESIS.	77B	A/C SYS. - LIQ. SOL. VALVE	114	WORLD TR.-SPARE OUTPUT (-)
25B	EXT. LTS-DAYTIME RUN LTS	48A	ENTRANCE DOOR AIR LOCK	77C	A/C & HEAT SYS.-COMPRESSOR	114	INTERIOR LT-DASH LT RHEOS.
25D	GENERATOR SKTN. ON - HVAC	48B	ENTRANCE DOOR AIR LOCK	77H	A/C SYS.-LIQ. SOL. VALVE	114A	INTERIOR LT-DASH LT RHEOS.
26	DR'S & ENT. WINDOW LIFTER	48C	ENTRANCE DOOR AIR LOCK	77H	A/C & HEAT SYS.-THERMOSTAT	114B	INT. LT-DASH LT RHEOST.FEED
26A	CIGAR LIGHT. & POW.OUTLET LH	50	AIR DRYER	81	EXTERIOR LTS-STOP SW	115	DDEC III-COOLANT LEVEL
26B	DRIVER'S WINDOW LIFTER	52	ALARM & SIGNAL-ELEC.HORN	82	EXTERIOR LTS-STOP SIGNAL	115W	WORLD TR.-DO NOT SHIFT SIGN
26C	DRIVER'S WINDOW LIFTER	52A	ALARM & SIGNAL-ELEC.HORN	82A	EXTERIOR LTS-STOP SIGNAL	116	WORLD TR.-LO SIGNAL SOL. HI
26D	ENT. DOOR WINDOW LIFTER	53	ALARM & SIGNAL-ELEC.HORN	82B	EXTERIOR LTS-STOP LTS	116B	A/C & HEAT SYSTEM-DR'S HTR
26E	ENT. DOOR WINDOW LIFTER	53B	WIPER & WASHER SYSTEM	82L	EXT. LTS-STOP LTS & CYCLOP	116C	A/C SYS.-TRIG. DEFROST
26F	ENT. DOOR WINDOW LIFTER	53C	WIPER & WASHER SYSTEM	82R	EXTERIOR LTS-STOP LTS	117A	ALARME & SIGN.-TR. OIL TEMP
28H	T.T.LT MODULE - HI A/C PRES.	53E	WIPER & WASHER SYSTEM	83	ENG. CTR-MAST. KEY SW ACC.	119	WORLD TRANSM-ENGINE BRAKE
28T	T.T.LT MODULE - LO A/C PRES.	53J	WIPER & WASHER SYSTEM	84	ENG. CTR-MAST KEY SW START	120	WORLD TRANSM-SOL. C1
29	A/C & HEAT SYS.-DR'S HTR	53K	KEYLESS SYSTEM	84A	ENG. CTR-MAST KEY SW START	121	WORLD TRANSM-SOL.GRD 2
29H	HVAC DASH MODILE	55	EXTERIOR LTS-HI BEAM	84J	ENG. CTR-MAST KEY SW START	123	WORLD TR.-NEUTRAL START
31B	WIPER & WASHER SYSTEM	57	EXTERIOR LTS-HI BEAM	85	24V IGNITION SIGNAL	123A	ALARM & SIGNAL-FIRE DETECT.
31C	WIPER & WASHER SYSTEM	57A	EXTERIOR LTS-HI BEAM	85A	24V IGN DASH INSTRUMENT.	123B	ALARM & SIGNAL-FIRE DETECT.
32	EXTERIOR LTS-BACK-UP	57B	A/C & HEAT SYS.-WATER PUMP	85C	24V IGNITION - FEED	124	WORLD TR.-THROTTLE (HI)
32B	EXTERIOR LTS-BACK-UP	57C	PRE-HEAT WATER HEATER	85W	WORLD TRANSM. - 24V IGN.	124A	WORLD TRANSM-SENSOR PWR
32F	BACK-UP CANCEL SW.	57C	A/C & HEAT SYS.-WATER PUMP	85X	ABS-24V IGN	125	WORLD TR-RETARDER INDICAT.
32G	BACK-UP ALARM	57E	A/C & HEAT SYS.-WATER VALV	85Y	ABS-WARNING LT	125W	WORLD TR-RETARDER INDICAT.
32J	BACK-UP SW. - JUMPER	57W	PRE-HEAT WATER HEATER	86	ENG. CTR-STARTER SOL SIGN	126	WORLD TR.-LUBE PRESS SW.
35B	DRIVER'S LTS - KEYLESS SIGN	58	EXTERIOR LTS-LO BEAM	86A	ENG. CTR-STARTER SOL SIGN	126	24VIGN-LEV.LOW & WORLD TR.
36	ENGINE BRAKE SYSTEM	58A	EXTERIOR LTS-LO BEAM	87B	ENGINE CTR-24V IGNITION	126F	LEVEL LOW SYSTEM
36A	ENGINE BRAKE SYSTEM & RET.	58B	EXTERIOR LTS-LO BEAM	88	ENGINE CTR-RR START SIGNAL	126H	SPEED SIGN 5NC - NOT USED
39	INTERIOR LTS-DRIVER'S LTS	59A	ENGINE BRAKE SYSTEM	89	ENGINE CTR-RR START SIGNAL	126W	WORLD TRANSM-NOT USED
39B	INTERIOR LTS-DRIVER'S LTS	61	EXTERIOR LTS-24V FEED SW	90	CONVERTER - CABLE SPARG	127	24HW DR'S LT PREHEAT & HVAC
39C	INTERIOR LTS-DRIVER'S LTS	61A	EXTERIOR LTS-HEAD SIGNAL	90A	ENG. CTR-MAST KEY SW FEED	127A	PRE-HEAT WATER HEATER
39D	INTERIOR LTS - FRIVER' LTS	63	EXTERIOR LTS-CLEAR. FEED	90B	A/C & H. SYS.-COND FAN MOT	127W	PRE-HEAT WATER HEATER
39K	DR'S LTS - KEYLESS SIGN.	63B	EXTERIOR LTS-CLEARANCE	90B	ENG. CTR-MAST KEY SW FEED	128	WORLD TRANSM-SOL. C2
41	A/C SYS.-COND FAN MOTOR	63C	EXT. LTS-MARKER SIGNAL	91	PARKING BRAKE SW SIGNAL	128A	PRE-HEAT WATER HEATER
41A	A/C SYS.-COND FAN MOTOR	63F	EXT. LTS-MARKER BLINKER	91A	DDEC III-FAST IDLE SIGNAL	128B	PRE-HEAT WATER HEATER
41B	A/C SYS.-COND FAN MOTOR	64	DRIVER'S FAN SPEED CTR	91C	PARKING BRAKE - T.T.LT	128W	PRE-HEAT WATER HEATER
42A	A/C SYS.-COND FAN MOTOR	64A	DRIVER'S FAN SPEED CTR	91J	FAST IDLE - JUMPER SW.	129	WORLD TRANSM-SOL. C5
43	A/C & HEAT SYS. - FAN SPEED	64B	DRIVER'S FAN SPEED CTR	92	BATT. EQUAL.-CHECK BALANCE	129	PRE-HEAT WATER HEATER
44	EXTERIOR LTS-FOG	65	FOOT DAMPER MOTOR	93	BATT. EQUALIZ.-CHECK LO/HI	129B	PRE-HEAT WATER HEATER
44A	EXTERIOR LTS-FOG	65A	FOOT DAMPER MOTOR	95A	ENG. BRAKE & RETARDER SYS.	130	WORLD TRANSM-SOL. GRD 3
44B	EXTERIOR LTS-FOG	65D	DRIVER'S REC. DAMPER	95B	ENG. BRAKE & RETARDER SYS.	131	WORLD TRANSM-SOL.C4

CIRCUIT NUMBER CODE

NO.	DESCRIPTION	NO.	DESCRIPTION	NO.	DESCRIPTION	NO.	DESCRIPTION
132	WORLD TRANSM-ENGINE BRAKE	146A	WORLD TRANSM-12V IGNITION	170T	LUGG DOOR LOCK-SIGN T.T.LT	286A	KEYLESS SYS-CENTER DOOR
132A	LEVEL LOW SYSTEM	146AA	WORLD TRANSM-DIAGN.CONN.	170V	LUGG DOOR LOCK-SIGN T.T.LT	290	FAN CLUTCH RADIATOR-FEED
132B	LEVEL LOW SYSTEM	147	WORLD TRANSM-OIL TEMP	170W	LUGGAGE DOOR LOCK-FEED	290A	FAN CLUTCH RADIATOR-FEED
132C	LEVEL LOW SYSTEM	147	ABS SYSTEM-VALVE	170X	LUGG DOOR LOCK-SIGN T.T.LT	291	FAN CLUTCH RADIATOR SPD 1
132D	LEVEL LOW SYSTEM	147A	ETHER COLD START	170Y	LUGGAGE DOOR LOCK-FEED	292	FAN CLUTCH RADIATOR SPD 2
132E	LEVEL LOW SYSTEM	147A	DAYTIME LST-ALT.SIGNAL	170Z	LUGGAGE DOOR LOCK	292A	FAN CLUTCH RADIATOR SPD 2
132F	LEVEL LOW SYSTEM	147C	ETHER COLD START	171	WORLD TRANSM-SHIFTER	294	KEYLESS SYSTEM-ANTI-THEFT
135	WORLD TRANSM-RET.TEMP.	148	ABS SYSTEM-VALVE	172	WORLD TRANSM-SHIFTER	295	KEYLESS SYS-LED INDICATOR
135A	WORLD TR.-RES MODULE RET.	148	WORLD TR.-OUTPUT SPEED LO	173	WORLD TRANSM-SHIFTER	417	DDEC-LIMIT SPEED GOVERNOR
135B	A/C & HEAT SYS.-AIR SENSOR	149	WORLD TR.-TURBINE SPEED HI	174	WORLD TRANSM-SHIFTER	419	DDEC -CHEK ENGINE LIGHT
135C	A/C & HEAT SYS.-AIR SENSOR	149	ABS SYSTEM-SENSOR	175A	WORLD TRANSM-SHIFTER	439	DDEC-12V IGNITION
136A	WORLD TRANSM-12V BATTERY	149A	ABS SYSTEM	176	WORLD TRANSM-SHIFTER	451	DDEC-A/C FAN CLUTCH
136AA	WORLD TRANSM-SHIFTER PWR	150	WORLD TR.-ENGINE SPEED LO	180	WORLD TRANSM-SHIFTER	505	DDEC-TACHOMETER DRIVE
136V	WORLD TRANSM-12V BATTERY	150	DDEC III-ECM BATTERY GRD	180	OUTSIDE TEMP. DISPLAY	509	DDEC-STOP ENGINE LIGHT
136W	WORLD TRANSM-12V BATTERY	150A	DDEC III-ECM BATTERY GRD	180A	OUTSIDE TEMP. DISPLAY	510	DDEC-FAST IDLE SIGNAL
137	WORLD TRANSM-RETARDER	151	DDEC III-ECM BATTERY GRD	180A	WORLD TRANSM-SHIFTER	524	DDEC-ENGINE BRAKEDISABLE
137	RR VIEW MIRROR	151	ABS SYSTEM-SPARE	180B	OUTSIDE TEMP. DISPLAY	525	DDEC-FAST IDLE SIGNAL
137A	RR VIEW MIRROR	152	ABS SYSTEM-SPARE	180C	OUTSIDE TEMP. DISPLAY	528	DDEC-STOP ENG. OVERRIDE
137B	RR VIEW MIRROR	153	ELECTRICAL DRIVER'S SEAT	181	FROZEN POINT T.T.LT	531	DDEC-CRUISE CLUTCH CUT OUT
137C	RR VIEW MIRROR	154	WORLD TRANSM-ABS INPUT (-)	181A	THERMOMETER INSIDE SENSOR	540	DDEC-CRUISE ENABLE T.T.LT
137D	RR VIEW MIRROR	156A	ABS SYSTEM-FEED	181B	THERMOMETER INSIDE SENSOR	541	DDEC-CRUISE SET SW
137D	RR VIEW MIRROR	157	ABS SYSTEM-FEED	181C	THERMOMET. OUTSIDE SENSOR	542	INPUT PARK BRAKE INTERLOCK
137E	RR VIEW MIRROR	157A	ABS SYSTEM-FEED	181D	THERMOMET. OUTSIDE SENSOR	543	DDEC-CRUISE STOP SW CUT IN
137F	RR VIEW MIRROR	157B	ABS SYSTEM	195	WORLD TRANSM-TRANS ID	544	DDEC-CRUISE ON/OFF SW
137H	RR VIEW MIRROR	159	WORLD TRANSM-DIAGNOSTIC	197	FUEL WATER FILTER	545	DDEC-CRUISE RESUME SW
137J	RR VIEW MIRROR	160	ALARM & SIGN.-TAG PRESS SW	197A	FUEL WATER FILTER	555	DDEC-FAN CLUTCH SPEED#1
137K	RR VIEW MIRROR	161B	WORLD TRANSM-SIGNALGRD	201	WORLD TRANSM-SPARE	556	DDEC-VEHICULE SPEED (+)
137L	RR VIEW MIRROR	162	WORLD TRANSM-PRESS. SW C3	202	WORLD TRANSM-SPARE	557	DDEC-VEHICULE SPEED (-)
137M	RR VIEW MIRROR FEED	163	WORLD TR.-RETARDER ENABLE	203	WORLD TRANSM-SPARE	563	DDEC-FAN CLUTCH SPEED#2
137R	WORLD TRANSM-RETARDER	164	WORLD TR.-RET. ACTUAT. SIGN	204	WORLD TRANSM-SPARE	564	DDEC-DIGTAL OUTPUT
137T	MIRROR HEAT SW-JUMPER	165	WORLD TR.-OIL LEVEL SIGNAL	214	WORLD TR.-BACK-UP SIGNAL	565	DDEC-ENGINE BRAKE ACTIVE
138	WORLD TR.-RETARDER TEMP	166B	A/C & HEAT SYS.-EVAP. MOD.	231	WORLD TR.-NEUTRAL SIGN GRD	583	DDEC-ENGINE BRAKE 4 CYL.
138	ABS SYSTEM-SENSOR	167	WORLD TR.-SPEED 5N0, 5NC	240	DDEC III-ECM 12V FEEDING	900	DDEC-DATA LINK (+)
138A	ABS SYSTEM-SENSOR	169	WORLD TRANSM-INPUT 12	241	DDEC III-ECM 12V FEEDING	901	DDEC-DATA LINK (-)
139	ABS SYSTEM-VALVE	170	WORLD TRANSM-SHIFTER	260	WINDOW AJAR-T.T.LT	908	DDEC-HYDRAU. PWM#1 OUTPUT
139	WORLD TR.-OUTPUT SPEED HI	170C	LUGGAGE DOOR LOCK-T.T.LT	270	KEYLESS MODULE-FEED	916	DDEC-SENSOR SUPPLY (5VDC)
140	WORLD TR.-OUTPUT SPEED LO	170D	LUGGAGE DOOR LOCK-FEED	270A	ENTRANCE DOOR AIR LOCK	952	DDEC-SENSOR RETURN
140	ABS SYSTEM-VALVE	170E	LUG. DOOR LOCK-UNLOCK SIGN	272	KEYLESS SYSTEM-KEYBOARD	953	DDEC-BATTERY GRD
141	ABS SYSTEM-VALVE	170F	LUGGAGE DOOR LOCK-FEED	274	KEYLESS SYSTEM-KEYBOARD	979	DDEC-ENGINE BRAKE 2 CYL.
141	WORLD TR.-ENGINE SPEED HI	170G	LUGGAGE DOOR LOCK-FEED	276	KEYLESS SYSTEM-KEYBOARD	2123	FLASHER SIGNAL LTS
142	ABS SYSTEM-VALVE	170H	LUGGAGE DOOR-LOCK SIGN	277	KEYLESS SYS-DR'V LTS SIGN		
143	ABS SYSTEM-SENSOR	170K	LUGGAGE DOOR-LOCK SIGN	278	KEYLESS SYSTEM-KEYBOARD		
143A	ABS SYSTEM-SENSOR	170LA	LUGG DOOR LOCK-T.T.LT WE	280	KEYLESS SYSTEM-KEYBOARD		
143A	WORLD TRANS-BATERY GRD	170LB	LUGG DOOR LOCK-T.T.LT WE	283	KEYLESS SYSTEM-ANTI-THEFT		
143W	WORLD TRANSM-BATTERY GRD	170L	LUGG DOOR LOCK-SIGN T.T.LT	283A	KEYLESS SYS-ENT. DOOR SIGN		
143X	WORLD TRANSM-BATTERY GRD	170M	LUGG DOOR LOCK-SIGN T.T.LT	284A	KEYLESS SYSTEM		
144	ABS SYSTEM-SENSOR	170N	LUGG DOOR LOCK-SIGN T.T.LT	285	KEY. SYS-UNLOCK ENT. DOOR		
144A	ABS SYSTEM-SENSOR	170P	LUGG DOOR LOCK-SIGN T.T.LT	285B	KEYLESS SYSTEM		
145	ABS SYSTEM-VALUE	170R	LUGG DOOR LOCK-ENTR. DOOR	285C	KEYLESS SYSTEM		
146	ABS SYSTEM-VALUE	170S	LUGG DOOR LOCK-SIGN T.T.LT	286	LUGG DOOR LOCK-ENT. DOOR		

CIRCUIT NUMBER CODE

NO.	DESCRIPTION	NO.	DESCRIPTION	NO.	DESCRIPTION	NO.	DESCRIPTION
IPJ1	CLUSTER - BULB TEST POS	SP62	SPARE WIRE	0T3	ALTERNATOR MODULE	12F	FR JCT PANEL 12V DISC SW
IPJ2	CLUSTER - BULB TEST NEG.	SP63	SPARE WIRE	0T4	12V OUTLET - CTR MODULE	12G	FR JCT PANEL 12V DISC SW
IPJ3	CLUSTER - SV SIGNAL	SP69	SPARE WIRE	0T5	FS-HVAC DASH MODULE. GND	12H	12V DASH ACCESS.
IPJ4	CLUSTER - RETURN TO ZERO	SP70	SPARE WIRE	0W	FJB - TRANSM. RLY GRD	12I	RR JCT BOX 12V IGNITION
IPJ5	CLUSTER - FUEL LEVEL GAUGE	SP71	SPARE WIRE	0W	TRANSM ACC. - FR.SERV. CPT	12I	FR JCT PANEL 12V IGNITION
IPJ6	CLUSTER - BULB TEST POS.	SP72	SPARE WIRE	0Y1	ASB SYSTEM-GRD	12IA	FR JCT PANEL 12V IGNITION
IPJ7	CLUSTER - BULB TEST NEG.	SP74	SPARE WIRE	0Y2	ASB SYSTEM-GRD	12IA	RR JCT PANEL 12V IGNITION
IPJ8	CLUSTER - MASTER WARNING	SP83	SPARE WIRE	0Y3	ASB SYSTEM-GRD	12IF	FR JCT PANEL 12V IGNITION
LX5	CLUSTER - COMPUTER MODE	SP84	SPARE WIRE	0Y4	ASB SYSTEM-GRD	12J	FR JCT PANEL 12V DISC.SW.
LX6	CLUSTER - COMPUTER DOWN	SP114	SPARE WIRE	0Y5	ASB SYSTEM-GRD	12JA	FR JCT PANEL 12V DISC.SW.
LX7	CLUSTER - COMPUTER SET	SP115	SPARE WIRE	0Y6	ASB SYSTEM-GRD	12K	FR JCT PANEL 12V DISC.SW.
LX16	CLUSTER - COMPUTER UP	SP116	SPARE WIRE	00	ASB SYSTEM-GRD	12LX	12V HOTWIRE CLUST. & MOD A/D
LX21	CLUSTER - COMPUTER COM.	SP117	SPARE WIRE	00A	BATTERY GRD-DASH ACC.	12LX	CLUSTER 12V HOT WIRE
RT	T.T.L.T. MODULE - TEST SW.	TW1	SPR. W. TWISTER 50T/M WITH TW2	2A	A/C & HEAT SYSTEM	12P	12V POWER OUTLET
SP1	SPARE WIRE	TW2	SPR. W. TWISTER 50T/M WITH TW1	2B	A/C & HEAT SYSTEM	12T	RR JCT BOX 12V DISC SW
SP2	SPARE WIRE	0	A/C EVAP. CPT GRD	2D	A/C & HEAT SYSTEM	12VD	12V HOT WIRE
SP3	SPARE WIRE	0	JUMPER - CLUTCH SIGN.	2E	A/C & HEAT SYSTEM	12VI	RR JCT PANEL 12V IGNITION
SP4	SPARE WIRE	0	RJB - INSIDE GRD	2H	A/C & HEAT SYS-LO-PRESS SW.	12W	12V HOT WIRE DDEC III FEED
SP5	SPARE WIRE	0A	FR. ROOF ACC. GRD	2L	A/C & HEAT SYS-HI-PRESS SW.	15	EXT. LTS-MULTI FUNC LEVEL
SP6	SPARE WIRE	0B	A/C - CONDENSER GRD	3A	A/C & HEAT SYSTEM-EVAPORATOR	15	WIPER & WASHER SYSTEM
SP7	SPARE WIRE	0B	ENG. CPT ACC. GRD	5N0	SPEED SIGNAL HIGHER 5MPH	16	SPEEDOMETER (+)
SP8	SPARE WIRE	0BE	OV BATTERY MONITOR	5NC	SPEED SIGNAL LOWER 5MPH	16T	SPEED SW SIGNAL IN (+)
SP9	SPARE WIRE	0C	R.J.B. - GRB	6	EXTERIOR LTS-DOCKING	17	EXTERIOR LTS-FLASHER UNIT
SP10	SPARE WIRE	0C	F.R. SERV. CPT-ACCESSOIRIES	6A	EXTERIOR LTS-CORNERING	17A	EXTERIOR LTS-FLASHER UNIT
SP11	SPARE WIRE	0C1	ENTRANCE DOOR KEYLESS	6B1	EXTERIOR LTS-CORNERING RH	17C	JUMPER LTS SW. - HAZARD
SP12	SPARE WIRE	0C4	F.J.B. GRD	6C1	EXTERIOR LTS-CORNERING RH	20	SPEEDOMETER SIGNAL (-)
SP13	SPARE WIRE	0CJ	CRUISE SW. JUMPER	6D	EXTERIOR LTS-DOCKING	20T	SPEED SW SIGNAL IN (-)
SP14	SPARE WIRE	0D	A/C JCT BOX - COND FAN GRD	9	INTERIOR LTS-ENGINE CPT	21	EXTERIOR LTS-DIRECT. LH
SP15	SPARE WIRE	0F	SILENT 1000	9	INTERIOR LTS-RR JCT BOX	21A	EXTERIOR LTS-LH
SP16	SPARE WIRE	0G	ABS GRD CX1	9F	INTERIOR LTS - FR-SERV. CPT	21A	EXTERIOR LTS-CORNERING-LH
SP17	SPARE WIRE	0H	ENG. CPT. - ACC. GRD	10	A/C & HEAT SYSTEM -LO PRES.	21B	EXTERIOR LTS-DIRECT. LH
SP18	SPARE WIRE	0L	ENG.CPT -CLEAR.LTS RR ROOF	10	INTERIOR LTS-LUGGAGE CPT	21BB	EXTERIOR LTS-DIRECT. LH
SP19	SPARE WIRE	0L	R.J.B. - GRD	10	INTERIOR LTS-FR SERV. CPT	21H	EXTERIOR LTS-HAZARD SIGNAL
SP21	SPARE WIRE	0L	FR - SIDE MARK. & FLASH GRD	10A	INTERIOR LTS-LUGGAGE CPT	21M	AUX. LTS - DIRECTIONAL LH
SP23	SPARE WIRE	0L1	ENG.CPT-SIDE MARK. & FL. GRD	10B	INTERIOR LTS-LUGGAGE CPT	21P	CORN. LTS - DIRECT. SIGN. LH
SP24	SPARE WIRE	0L2	HEAD LTS	10C	INTERIOR LTS-LUGGAGE CPT	23	EXTERIOR LTS-DIRECT. RH
SP25	SPARE WIRE	0L3	FR.SERV.DR. & ENT.DOOR GRD ACC.	10D	INTERIOR LTS-LUGGAGE CPT	23A	EXTERIOR LTS-DIRECT. RH
SP30	SPARE WIRE	0L4	FOG LTS RESISTOR GRD	10E	INTERIOR LTS-LUGGAGE CPT	23A	EXTERIOR LTS - CORNER. LTS
SP33	SPARE WIRE	0L5	LH CONSOL - ACC. GRD	10R	CENTER DOOR T.T.L.T.	23BB	EXTERIOR LTS - DIRECT. RH
SP38	SPARE WIRE	0LV	WINDSHIELD WASHER LEVEL	12A	FR JCT PANEL 12V DISC SW	23C	EXTERIOR LTS-CORNERING RH
SP40	SPARE WIRE	0M	WIPER 2 MIRROR MOTOR	12B	FR JCT PANEL 12V DISC SW	23H	EXTERIOR LTS-HAZARD SIGNAL
SP41	SPARE WIRE	0M3	DEFROST GRD	12BAT	12V HOT-WIRE ACC - JCT BLK	23M	AUX LTS - DIRECTIONAL RH
SP42	SPARE WIRE	0M4	HORN & DR'S WINDOW LIFTER	12BE	12V BATTERY MONITOR	23P	CORN. LTS - DIRECT SIGN RH
SP43	SPARE WIRE	0M5	SUN VISOR MOTOR	12C	FR JCT PANEL 12V DISC SW	24	FR JCT PANEL 24V DISC. SW.
SP45	SPARE WIRE	0M7	DR'S WIND.LIFT. & RH MIR. SW	12C	RR JCT BOX 12V DISC SW	24A	RR JCT PANEL 24V DISC. SW
SP48	SPARE WIRE	0M7A	LH MIRROR SW.	12D	FR JCT PANEL 12V HOT WIRE	24A	FR JCT PANEL 24V DISC. SW
SP56	SPARE WIRE	0T	SPEED SW. CONNECTOR	12DD	FR JCT PANEL 12V HOT WIRE	24B	FR JCT PANEL 24V DISC. SW
SP57	SPARE WIRE	0T1	DASH ACC.	12DDR	RR JCT BOX 12V HOT WIRE DDR CON	24BE	BATTERY MONITOR
SP60	SPARE WIRE	0T2	CLUSTER ACC.	12DT	T.T. LT MODULE	24C	FR JCT PANEL 24V DISC SW
SP61	SPARE WIRE	0T2	WINDOW AWNING	12E	RR JCT BOX 12V DISC SW	24D	FR JCT BOX 24V HOT WIRE

CIRCUIT NUMBER CODE

NO.	DESCRIPTION	NO.	DESCRIPTION	NO.	DESCRIPTION	NO.	DESCRIPTION
24F	RR JCT PANEL 24V DISC SW	45A	A/C & HEAT SYSTEM FULL AIR	72A	SUN VISOR RH	104	WORLD TR. -SOL. FORWARD
24I	FR JCT PANEL 24V IGNITION	45B	A/C & HEAT SYS.-WATER PUMP	72B	SUN VISOR RH	105W	WORLD TR.-SOL.-RET.OIL TT.LT
24I	RR JCT PANEL 24V IGNITION	45C	A/C & HEAT SYS.-WATER VALV	72C	SUN VISOR LH	107	WORLD TR.-LOCKUP SOL. HI
24IA	FR JCT PANEL 24V IGNITION	45D	A/C & HEAT SYS.-WATER VALV	72D	SUN VISOR LH	108	WORLD TR.-LOCKUP SOL.
24IB	FR JCT PANEL 24V IGNITION	45E	A/C & HEAT SYS.-WATER PUMP	76	FUEL TANK GAUGE	110	WORLD TR.-LOCKUP SOL. LO
24IF	FR JCT PANEL 24V IGNITION	45G	A/C & HEAT SYS.-DR'S HTR	76C	LOW FUEL T.T.LT	112	WORLD TR.-SPARE OUTPUT (+)
24P	FR JCT PANEL 24V DISC SW	45J	A/C & HEAT SYS.-WATER PUMP	76L	LOW FUEL T.T.LT	112	WORLD TR.-SPARE OUTPUT (+)
24R	24V RR JCT BLK TO STARTER	46	EXTERIOR LTS-MARKER	77A	A/C & HEAT SYS. - THERMOST.	113W	WORLD TR.-REVERSE WARNING
24T	RR JCT PANEL 24V DISC SW	46A	EXTERIOR LTS-AUX LTS RESIS.	77B	A/C SYS. - LIQ. SOL. VALVE	114	WORLD TR.-SPARE OUTPUT (-)
24VD	24V HOT WIRE FEED	46C	EXTERIOR LTS-MARKER	77C	A/C & HEAT SYS.-COMPRESSOR	114	INTERIOR LT-DASH LT RHEOS.
25A	TT.LT. MODULE - LED	46D	EXTERIOR LTS-AUX LTS RESIS.	77H	A/C SYS.-LIQ. SOL. VALVE	114A	INTERIOR LT-DASH LT RHEOS.
25B	EXT. LTS-DAYTIME RUN LTS	48A	ENTRANCE DOOR AIR LOCK	77H	A/C & HEAT SYS.-THEMOSTAT	114B	INT. LT-DASH LT RHEOST.FEED
25D	GENERATOR SKTN. ON - HVAC	48B	ENTRANCE DOOR AIR LOCK	81	EXTERIOR LTS-STOP SW	115	DDEC III-COOLANT LEVEL
26	DR'S & ENT. WINDOW LIFTER	48C	ENTRANCE DOOR AIR LOCK	82	EXTERIOR LTS-STOP SIGNAL	115W	WORLD TR.-DO NOT SHIFT SIGN
26A	CIGAR LIGHT. & POW.OUTLET LH	50	AIR DRYER	82A	EXTERIOR LTS-STOP SIGNAL	116	WORLD TR.-LO SIGNAL SOL. HI
26B	DRIVER'S WINDOW LIFTER	52	ALARM & SIGNAL-ELEC.HORN	82B	EXTERIOR LTS-STOP LTS	116B	A/C & HEAT SYSTEM-DR'S HTR
26C	DRIVER'S WINDOW LIFTER	52A	ALARM & SIGNAL-ELEC.HORN	82L	EXT. LTS-STOP LTS & CYCLOP	116C	A/C SYS.-TRIG. DEFROST
26D	ENT. DOOR WINDOW LIFTER	53	ALARM & SIGNAL-ELEC.HORN	82R	EXTERIOR LTS-STOP LTS	117A	ALARME & SIGN.-TR. OIL TEMP
26E	ENT. DOOR WINDOW LIFTER	53B	WIPER & WASHER SYSTEM	83	ENG. CTR-MAST. KEY SW ACC.	119	WORLD TRANSM-ENGINE BRAKE
26F	ENT. DOOR WINDOW LIFTER	53C	WIPER & WASHER SYSTEM	84	ENG. CTR-MAST KEY SW START	120	WORLD TRANSM-SOL. C1
28H	T.T.LT MODULE - HI A/C PRES.	53E	WIPER & WASHER SYSTEM	84A	ENG. CTR-MAST KEY SW START	121	WORLD TRANSM-SOL.GRD 2
28T	T.T.LT MODULE - LO A/C PRES.	53J	WIPER & WASHER SYSTEM	84J	ENG. CTR-MAST KEY SW START	123	WORLD TR.-NEUTRAL START
29	A/C & HEAT SYS.-DR'S HTR	53K	KEYLESS SYSTEM	85	24V IGNITION SIGNAL	123A	ALARM & SIGNAL-FIRE DETECT.
29H	HVAC DASH MODILE	55	EXTERIOR LTS-HI BEAM	85A	24V IGN DASH INSTRUMENT.	123B	ALARM & SIGNAL-FIRE DETECT.
31B	WIPER & WASHER SYSTEM	57	EXTERIOR LTS-HI BEAM	85C	24V IGNITION - FEED	124	WORLD TR.-THROTTLE (HI)
31C	WIPER & WASHER SYSTEM	57A	EXTERIOR LTS-HI BEAM	85W	WORLD TRANSM. - 24V IGN.	124A	WORLD TRANSM-SENSOR PWR
32	EXTERIOR LTS-BACK-UP	57B	A/C & HEAT SYS.-WATER PUMP	85X	ABS-24V IGN	125	WORLD TR-RETARDER INDICAT.
32B	EXTERIOR LTS-BACK-UP	57C	A/C & HEAT SYS.-WATER PUMP	85Y	ABS-WARNING LT	125W	WORLD TR-RETARDER INDICAT.
32F	BACK-UP CANCEL SW.	57E	A/C & HEAT SYS.-WATER VALV	86	ENG. CTR-STARTER SOL SIGN	126	WORLD TR.-LUBE PRESS SW.
32G	BACK-UP ALARM	58	EXTERIOR LTS-LO BEAM	86A	ENG. CTR-STARTER SOL SIGN	126	24VIGN-LEV.LOW & WORLD TR.
32J	BACK-UP SW. - JUMPER	58A	EXTERIOR LTS-LO BEAM	87B	ENGINE CTR-24V IGNITION	126F	LEVEL LOW SYSTEM
35B	DRIVER'S LTS - KEYLESS SIGN	58B	EXTERIOR LTS-LO BEAM	88	ENGINE CTR-RR START SIGNAL	126H	SPEED SIGN 5NC - NOT USED
36	ENGINE BRAKE SYSTEM	59A	ENGINE BRAKE SYSTEM	89	ENGINE CTR-RR START SIGNAL	126W	WORLD TRANSM-NOT USED
36A	ENGINE BRAKE SYSTEM & RET.	61	EXTERIOR LTS-24V FEED SW	90	CONVERTER - CABLE SPARG	127	24HW DR'S LT PREHEAT & HVAC
39	INTERIOR LTS-DRIVER'S LTS	61A	EXTERIOR LTS-HEAD SIGNAL	90A	ENG. CTR-MAST KEY SW FEED	128	WORLD TRANSM-SOL. C2
39B	INTERIOR LTS-DRIVER'S LTS	63	EXTERIOR LTS-CLEAR. FEED	90B	A/C & H. SYS.-COND FAN MOT	129	WORLD TRANSM-SOL. C5
39C	INTERIOR LTS-DRIVER'S LTS	63B	EXTERIOR LTS-CLEARANCE	90B	ENG. CTR-MAST KEY SW FEED	130	WORLD TRANSM-SOL. GRD 3
39D	INTERIOR LTS - FRIVER' LTS	63C	EXT. LTS-MARKER SIGNAL	91	PARKING BRAKE SW SIGNAL	131	WORLD TRANSM-SOL.C4
39K	DR'S LTS - KEYLESS SIGN.	63F	EXT. LTS-MARKER BLINKER	91A	DDEC III-FAST IDLE SIGNAL	132	WORLD TRANSM-ENGINE BRAKE
41	A/C SYS.-COND FAN MOTOR	64	DRIVER'S FAN SPEED CTR	91C	PARKING BRAKE - T.T.LT	132A	LEVEL LOW SYSTEM
41A	A/C SYS.-COND FAN MOTOR	64A	DRIVER'S FAN SPEED CTR	91J	FAST IDLE - JUMPER SW.	132B	LEVEL LOW SYSTEM
41B	A/C SYS.-COND FAN MOTOR	64B	DRIVER'S FAN SPEED CTR	92	BATT. EQUAL.-CHECK BALANCE	132C	LEVEL LOW SYSTEM
42A	A/C SYS.-COND FAN MOTOR	65	FOOT DAMPER MOTOR	93	BATT. EQUALIZ.-CHECK LO/HI	132D	LEVEL LOW SYSTEM
43	A/C & HEAT SYS. - FAN SPEED	65A	FOOT DAMPER MOTOR	95A	ENG. BRAKE & RETARDER SYS.	132E	LEVEL LOW SYSTEM
44	EXTERIOR LTS-FOG	65D	DRIVER'S REC. DAMPER	95B	ENG. BRAKE & RETARDER SYS.	132F	LEVEL LOW SYSTEM
44A	EXTERIOR LTS-FOG	66	A/C PASSENGER - ON/OFF	97	TACHOMETER SIGN.-NOT USED	135	WORLD TRANSM-RET.TEMP.
44B	EXTERIOR LTS-FOG	67A	A/C & HEAT SYSTEM	101	WORLD TR.- LO SIGN SOL.LO	135A	WORLD TR.-RES MODULE RET.
44C	EXT. LTS-FOG,HVAC & HAZ. SW	68	DASH & DEFROST DAMPER MOT	102	WORLD TRANSM.-SOL. SUPPLY	135B	A/C & HEAT SYS.-AIR SENSOR
44D	EXTERIOR LTS - FOG	68A	DASH & DEFROST DAMPER MOT	103	WORLD TRANSM.- B.SOL.LO	135C	A/C & HEAT SYS.-AIR SENSOR
44E	EXTERNAL LTS - FOG	72	SUN VISOR - FEED	104	LEVEL-LOW SYS- DR'S SOL.	136A	WORLD TRANSM-12V BATTERY

CIRCUIT NUMBER CODE

NO.	DESCRIPTION	NO.	DESCRIPTION	NO.	DESCRIPTION	NO.	DESCRIPTION
136AA	WORLD TRASM-SHIFTER PWR	150	WORLD TR.-ENGINE SPEED LO	180	WORLD TRASM-SHIFTER	505	DDEC-TACHOMETER DRIVE
136V	WORLD TRASM-12V BATTERY	150	DDEC III-ECM BATTERY GRD	180	OUTSIDE TEMP. DISPLAY	509	DDEC-STOP ENGINE LIGHT
136W	WORLD TRASM-12V BATTERY	150A	DDEC III-ECM BATTERY GRD	180A	OUTSIDE TEMP. DISPLAY	510	DDEC-FAST IDLE SIGNAL
137	WORLD TRASM-RETARDER	151	DDEC III-ECM BATTERY GRD	180A	WORLD TRASM-SHIFTER	524	DDEC-ENGINE BRAKEDISABLE
137	RR VIEW MIRROR	151	ABS SYSTEM-SPARE	180B	OUTSIDE TEMP. DISPLAY	525	DDEC-FAST IDLE SIGNAL
137A	RR VIEW MIRROR	152	ABS SYSTEM-SPARE	180C	OUTSIDE TEMP. DISPLAY	528	DDEC-STOP ENG. OVERRIDE
137B	RR VIEW MIRROR	153	ELECTRICAL DRIVER'S SEAT	181	FROZEN POINT T.T.LT	531	DDEC-CRUISE CLUTCH CUT OUT
137C	RR VIEW MIRROR	154	WORLD TRASM-ABS INPUT (-)	181A	THERMOMETER INSIDE SENSOR	540	DDEC-CRUISE ENABLE T.T.LT
137D	RR VIEW MIRROR	156A	ABS SYSTEM-FEED	181B	THERMOMETER INSIDE SENSOR	541	DDEC-CRUISE SET SW
137D	RR VIEW MIRROR	157	ABS SYSTEM-FEED	181C	THERMOMET. OUTSIDE SENSOR	542	INPUT PARK BRAKE INTERLOCK
137E	RR VIEW MIRROR	157A	ABS SYSTEM-FEED	181D	THERMOMET. OUTSIDE SENSOR	543	DDEC-CRUISE STOP SW CUT IN
137F	RR VIEW MIRROR	157B	ABS SYSTEM	195	WORLD TRASM-TRANS ID	544	DDEC-CRUISE ON/OFF SW
137H	RR VIEW MIRROR	159	WORLD TRASM-DIAGNOSTIC	197	FUEL WATER FILTER	545	DDEC-CRUISE RESUME SW
137J	RR VIEW MIRROR	160	ALARM & SIGN.-TAG PRESS SW	197A	FUEL WATER FILTER	555	DDEC-FAN CLUTCH SPEED#1
137K	RR VIEW MIRROR	161B	WORLD TRASM-SIGNALGRD	201	WORLD TRASM-SPARE	556	DDEC-VEHICULE SPEED (+)
137L	RR VIEW MIRROR	162	WORLD TRASM-PRESS. SW C3	202	WORLD TRASM-SPARE	557	DDEC-VEHICULE SPEED (-)
137M	RR VIEW MIRROR FEED	163	WORLD TR.-RETARDER ENABLE	203	WORLD TRASM-SPARE	563	DDEC-FAN CLUTCH SPEED#2
137R	WORLD TRASM-RETARDER	164	WORLD TR.-RET. ACTUAT. SIGN	204	WORLD TRASM-SPARE	564	DDEC-DIGTAL OUTPUT
137T	MIRROR HEAT SW-JUMPER	165	WORLD TR.-OIL LEVEL SIGNAL	214	WORLD TR.-BACK-UP SIGNAL	565	DDEC-ENGINE BRAKE ACTIVE
138	WORLD TR.-RETARDER TEMP	166B	A/C & HEAT SYS.-EVAP. MOD.	231	WORLD TR.-NEUTRAL SIGN GRD	583	DDEC-ENGINE BRAKE 4 CYL.
138	ABS SYSTEM-SENSOR	167	WORLD TR.-SPEED 5N0, 5NC	240	DDEC III-ECM 12V FEEDING	900	DDEC-DATA LINK (+)
138A	ABS SYSTEM-SENSOR	169	WORLD TRASM-INPUT 12	241	DDEC III-ECM 12V FEEDING	901	DDEC-DATA LINK (-)
139	ABS SYSTEM-VALVE	170	WORLD TRASM-SHIFTER	260	WINDOW AJAR-T.T.LT	908	DDEC-HYDRAU. PWM#1 OUTPUT
139	WORLD TR.-OUTPUT SPEED HI	170C	LUGGAGE DOOR LOCK-T.T.LT	270	KEYLESS MODULE-FEED	916	DDEC-SENSOR SUPPLY (5VDC)
140	WORLD TR.-OUTPUT SPEED LO	170D	LUGGAGE DOOR LOCK-FEED	270A	ENTRANCE DOOR AIR LOCK	952	DDEC-SENSOR RETURN
140	ABS SYSTEM-VALVE	170E	LUG. DOOR LOCK-UNLOCK SIGN	272	KEYLESS SYSTEM-KEYBOARD	953	DDEC-BATTERY GRD
141	ABS SYSTEM-VALVE	170F	LUGGAGE DOOR LOCK-FEED	274	KEYLESS SYSTEM-KEYBOARD	979	DDEC-ENGINE BRAKE 2 CYL.
141	WORLD TR.-ENGINE SPEED HI	170G	LUGGAGE DOOR LOCK-FEED	276	KEYLESS SYSTEM-KEYBOARD	2123	FLASHER SIGNAL LTS
142	ABS SYSTEM-VALVE	170H	LUGGAGE DOOR-LOCK SIGN	277	KEYLESS SYS-DR'V LTS SIGN		
143	ABS SYSTEM-SENSOR	170K	LUGGAGE DOOR-LOCK SIGN	278	KEYLESS SYSTEM-KEYBOARD		
143A	ABS SYSTEM-SENSOR	170LA	LUGG DOOR LOCK-T.T.LT WE	280	KEYLESS SYSTEM-KEYBOARD		
143A	WORLD TRANS-BATERY GRD	170LB	LUGG DOOR LOCK-T.T.LT WE	283	KEYLESS SYSTEM-ANTI-THEFT		
143W	WORLD TRASM-BATTERY GRD	170L	LUGG DOOR LOCK-SIGN T.T.LT	283A	KEYLESS SYS-ENT. DOOR SIGN		
143X	WORLD TRASM-BATTERY GRD	170M	LUGG DOOR LOCK-SIGN T.T.LT	284A	KEYLESS SYSTEM		
144	ABS SYSTEM-SENSOR	170N	LUGG DOOR LOCK-SIGN T.T.LT	285	KEY. SYS-UNLOCK ENT. DOOR		
144A	ABS SYSTEM-SENSOR	170P	LUGG DOOR LOCK-SIGN T.T.LT	285B	KEYLESS SYSTEM		
145	ABS SYSTEM-VALUE	170R	LUGG DOOR LOCK-ENTR. DOOR	285C	KEYLESS SYSTEM		
146	ABS SYSTEM-VALUE	170S	LUGG DOOR LOCK-SIGN T.T.LT	286	LUGG DOOR LOCK-ENT. DOOR		
146A	WORLD TRASM-12V IGNITION	170T	LUGG DOOR LOCK-SIGN T.T.LT	286A	KEYLESS SYS-CENTER DOOR		
146AA	WORLD TRASM-DIAGN.CONN.	170V	LUGG DOOR LOCK-SIGN T.T.LT	290	FAN CLUTCH RADIATOR-FEED		
147	WORLD TRASM-OIL TEMP	170W	LUGGAGE DOOR LOCK-FEED	290A	FAN CLUTCH RADIATOR-FEED		
147	ABS SYSTEM-VALVE	170X	LUGG DOOR LOCK-SIGN T.T.LT	291	FAN CLUTCH RADIATOR SPD 1		
147A	ETHER COLD START	170Y	LUGGAGE DOOR LOCK-FEED	292	FAN CLUTCH RADIATOR SPD 2		
147A	DAYTIME LST-ALT.SIGNAL	170Z	LUGGAGE DOOR LOCK	292A	FAN CLUTCH RADIATOR SPD 2		
147C	ETHER COLD START	171	WORLD TRASM-SHIFTER	294	KEYLESS SYSTEM-ANTI-THEFT		
148	ABS SYSTEM-VALVE	172	WORLD TRASM-SHIFTER	295	KEYLESS SYS-LED INDICATOR		
148	WORLD TR.-OUTPUT SPEED LO	173	WORLD TRASM-SHIFTER	417	DDEC-LIMIT SPEED GOVERNOR		
149	WORLD TR.-TURBINE SPEED HI	174	WORLD TRASM-SHIFTER	419	DDEC -CHEK ENGINE LIGHT		
149	ABS SYSTEM-SENSOR	175A	WORLD TRASM-SHIFTER	439	DDEC-12V IGNITION		
149A	ABS SYSTEM	176	WORLD TRASM-SHIFTER	451	DDEC-A/C FAN CLUTCH		

CIRCUIT NUMBER CODE

NO.	DESCRIPTION	NO.	DESCRIPTION	NO.	DESCRIPTION	NO.	DESCRIPTION
IPJ1	CLUSTER - BULB TEST POS	SP62	SPARE WIRE	0T3	ALTERNATOR MODULE	12F	FR JCT PANEL 12V DISC SW
IPJ2	CLUSTER - BULB TEST NEG.	SP63	SPARE WIRE	0T4	12V OUTLET - CTR MODULE	12G	FR JCT PANEL 12V DISC SW
IPJ3	CLUSTER - SV SIGNAL	SP69	SPARE WIRE	0T5	FS-HVAC DASH MODULE. GND	12H	12V DASH ACCESS.
IPJ4	CLUSTER - RETURN TO ZERO	SP70	SPARE WIRE	0W	FJB - TRANSM. RLY GRD	12I	RR JCT BOX 12V IGNITION
IPJ5	CLUSTER - FUEL LEVEL GAUGE	SP71	SPARE WIRE	0W	TRANSM ACC. - FR.SERV. CPT	12I	FR JCT PANEL 12V IGNITION
IPJ6	CLUSTER - BULB TEST POS.	SP72	SPARE WIRE	0Y1	ASB SYSTEM-GRD	12IA	FR JCT PANEL 12V IGNITION
IPJ7	CLUSTER - BULB TEST NEG.	SP74	SPARE WIRE	0Y2	ASB SYSTEM-GRD	12IA	RR JCT PANEL 12V IGNITION
IPJ8	CLUSTER - MASTER WARNING	SP83	SPARE WIRE	0Y3	ASB SYSTEM-GRD	12IF	FR JCT PANEL 12V IGNITION
LX5	CLUSTER - COMPUTER MODE	SP84	SPARE WIRE	0Y4	ASB SYSTEM-GRD	12J	FR JCT PANEL 12V DISC.SW.
LX6	CLUSTER - COMPUTER DOWN	SP114	SPARE WIRE	0Y5	ASB SYSTEM-GRD	12JA	FR JCT PANEL 12V DISC.SW.
LX7	CLUSTER - COMPUTER SET	SP115	SPARE WIRE	0Y6	ASB SYSTEM-GRD	12K	FR JCT PANEL 12V DISC.SW.
LX16	CLUSTER - COMPUTER UP	SP116	SPARE WIRE	00	ASB SYSTEM-GRD	12LX	12V HOTWIRE CLUST. & MOD A/D
LX21	CLUSTER - COMPUTER COM.	SP117	SPARE WIRE	00A	BATTERY GRD-DASH ACC.	12LX	CLUSTER 12V HOT WIRE
RT	T.T.L.T. MODULE - TEST SW.	TW1	SPR. W. TWISTER 50T/M WITH TW2	2A	A/C & HEAT SYSTEM	12P	12V POWER OUTLET
SP1	SPARE WIRE	TW2	SPR. W. TWISTER 50T/M WITH TW1	2B	A/C & HEAT SYSTEM	12T	RR JCT BOX 12V DISC SW
SP2	SPARE WIRE	0	A/C EVAP. CPT GRD	2D	A/C & HEAT SYSTEM	12VD	12V HOT WIRE
SP3	SPARE WIRE	0	JUMPER - CLUTCH SIGN.	2E	A/C & HEAT SYSTEM	12VI	RR JCT PANEL 12V IGNITION
SP4	SPARE WIRE	0	RJB - INSIDE GRD	2H	A/C & HEAT SYS-LO-PRESS SW.	12W	12V HOT WIRE DDEC III FEED
SP5	SPARE WIRE	0A	FR. ROOF ACC. GRD	2L	A/C & HEAT SYS-HI-PRESS SW.	15	EXT. LTS-MULTI FUNC LEVEL
SP6	SPARE WIRE	0B	A/C - CONDENSER GRD	3A	A/C & HEAT SYSTEM-EVAPORATOR	15	WIPER & WASHER SYSTEM
SP7	SPARE WIRE	0B	ENG. CPT ACC. GRD	5N0	SPEED SIGNAL HIGHER 5MPH	16	SPEEDOMETER (+)
SP8	SPARE WIRE	0BE	OV BATTERY MONITOR	5NC	SPEED SIGNAL LOWER 5MPH	16T	SPEED SW SIGNAL IN (+)
SP9	SPARE WIRE	0C	R.J.B. - GRB	6	EXTERIOR LTS-DOCKING	17	EXTERIOR LTS-FLASHER UNIT
SP10	SPARE WIRE	0C	F.R. SERV. CPT-ACCESSOIRIES	6A	EXTERIOR LTS-CORNERING	17A	EXTERIOR LTS-FLASHER UNIT
SP11	SPARE WIRE	0C1	ENTRANCE DOOR KEYLESS	6B1	EXTERIOR LTS-CORNERING RH	17C	JUMPER LTS SW. - HAZARD
SP12	SPARE WIRE	0C4	F.J.B. GRD	6C1	EXTERIOR LTS-CORNERING RH	20	SPEEDOMETER SIGNAL (-)
SP13	SPARE WIRE	0CJ	CRUISE SW. JUMPER	6D	EXTERIOR LTS-DOCKING	20T	SPEED SW SIGNAL IN (-)
SP14	SPARE WIRE	0D	A/C JCT BOX - COND FAN GRD	9	INTERIOR LTS-ENGINE CPT	21	EXTERIOR LTS-DIRECT. LH
SP15	SPARE WIRE	0F	SILENT 1000	9	INTERIOR LTS-RR JCT BOX	21A	EXTERIOR LTS-LH
SP16	SPARE WIRE	0G	ABS GRD CX1	9F	INTERIOR LTS - FR-SERV. CPT	21A	EXTERIOR LTS-CORNERING-LH
SP17	SPARE WIRE	0H	ENG. CPT. - ACC. GRD	10	A/C & HEAT SYSTEM -LO PRES.	21B	EXTERIOR LTS-DIRECT. LH
SP18	SPARE WIRE	0L	ENG.CPT -CLEAR.LTS RR ROOF	10	INTERIOR LTS-LUGGAGE CPT	21BB	EXTERIOR LTS-DIRECT. LH
SP19	SPARE WIRE	0L	R.J.B. - GRD	10	INTERIOR LTS-FR SERV. CPT	21H	EXTERIOR LTS-HAZARD SIGNAL
SP21	SPARE WIRE	0L	FR - SIDE MARK. & FLASH GRD	10A	INTERIOR LTS-LUGGAGE CPT	21M	AUX. LTS - DIRECTIONAL LH
SP23	SPARE WIRE	0L1	ENG.CPT-SIDE MARK. & FL. GRD	10B	INTERIOR LTS-LUGGAGE CPT	21P	CORN. LTS - DIRECT. SIGN. LH
SP24	SPARE WIRE	0L2	HEAD LTS	10C	INTERIOR LTS-LUGGAGE CPT	23	EXTERIOR LTS-DIRECT. RH
SP25	SPARE WIRE	0L3	FR.SERV.DR. & ENT.DOOR GRD ACC.	10D	INTERIOR LTS-LUGGAGE CPT	23A	EXTERIOR LTS-DIRECT. RH
SP30	SPARE WIRE	0L4	FOG LTS RESISTOR GRD	10E	INTERIOR LTS-LUGGAGE CPT	23A	EXTERIOR LTS - CORNER. LTS
SP33	SPARE WIRE	0L5	LH CONSOL - ACC. GRD	10R	CENTER DOOR T.T.L.T.	23BB	EXTERIOR LTS - DIRECT. RH
SP38	SPARE WIRE	0LV	WINDSHIELD WASHER LEVEL	12A	FR JCT PANEL 12V DISC SW	23C	EXTERIOR LTS-CORNERING RH
SP40	SPARE WIRE	0M	WIPER 2 MIRROR MOTOR	12B	FR JCT PANEL 12V DISC SW	23H	EXTERIOR LTS-HAZARD SIGNAL
SP41	SPARE WIRE	0M3	DEFROST GRD	12BAT	12V HOT-WIRE ACC - JCT BLK	23M	AUX LTS - DIRECTIONAL RH
SP42	SPARE WIRE	0M4	HORN & DR'S WINDOW LIFTER	12BE	12V BATTERY MONITOR	23P	CORN. LTS - DIRECT SIGN RH
SP43	SPARE WIRE	0M5	SUN VISOR MOTOR	12C	FR JCT PANEL 12V DISC SW	24	FR JCT PANEL 24V DISC. SW.
SP45	SPARE WIRE	0M7	DR'S WIND.LIFT. & RH MIR. SW	12C	RR JCT BOX 12V DISC SW	24A	RR JCT PANEL 24V DISC. SW
SP48	SPARE WIRE	0M7A	LH MIRROR SW.	12D	FR JCT PANEL 12V HOT WIRE	24A	FR JCT PANEL 24V DISC. SW
SP56	SPARE WIRE	0T	SPEED SW. CONNECTOR	12DD	FR JCT PANEL 12V HOT WIRE	24B	FR JCT PANEL 24V DISC. SW
SP57	SPARE WIRE	0T1	DASH ACC.	12DDR	RR JCT BOX 12V HOT WIRE DDR CON	24BE	BATTERY MONITOR
SP60	SPARE WIRE	0T2	CLUSTER ACC.	12DT	T.T. LT MODULE	24C	FR JCT PANEL 24V DISC SW
SP61	SPARE WIRE	0T2	WINDOW AWNING	12E	RR JCT BOX 12V DISC SW	24D	FR JCT BOX 24V HOT WIRE

CIRCUIT NUMBER CODE

NO.	DESCRIPTION	NO.	DESCRIPTION	NO.	DESCRIPTION	NO.	DESCRIPTION
24F	RR JCT PANEL 24V DISC SW	45A	A/C & HEAT SYSTEM FULL AIR	72B	SUN VISOR RH	105W	WORLD TR.-SOL.-RET.OIL TT.LT
24I	FR JCT PANEL 24V IGNITION	45B	A/C & HEAT SYS.-WATER PUMP	72C	SUN VISOR LH	107	WORLD TR.-LOCKUP SOL. HI
24I	RR JCT PANEL 24V IGNITION	45C	A/C & HEAT SYS.-WATER VALV	72D	SUN VISOR LH	108	WORLD TR.-LOCKUP SOL.
24IA	FR JCT PANEL 24V IGNITION	45D	A/C & HEAT SYS.-WATER VALV	76	FUEL TANK GAUGE	110	WORLD TR.-LOCKUP SOL. LO
24IB	FR JCT PANEL 24V IGNITION	45E	A/C & HEAT SYS.-WATER PUMP	76C	LOW FUEL T.T.LT	112	WORLD TR.-SPARE OUTPUT (+)
24IF	FR JCT PANEL 24V IGNITION	45G	A/C & HEAT SYS.-DR'S HTR	76L	LOW FUEL T.T.LT	112	WORLD TR.-SPARE OUTPUT (+)
24P	FR JCT PANEL 24V DISC SW	45J	A/C & HEAT SYS.-WATER PUMP	77A	A/C & HEAT SYS. - THERMOST.	113W	WORLD TR.-REVERSE WARNING
24R	24V RR JCT BLK TO STARTER	46	EXTERIOR LTS-MARKER	77B	A/C SYS. - LIQ. SOL. VALVE	114	WORLD TR.-SPARE OUTPUT (-)
24T	RR JCT PANEL 24V DISC SW	46A	EXTERIOR LTS-AUX LTS RESIS.	77C	A/C & HEAT SYS.-COMPRESSOR	114	INTERIOR LT-DASH LT RHEOS.
24VD	24V HOT WIRE FEED	46C	EXTERIOR LTS-MARKER	77H	A/C SYS.-LIQ. SOL. VALVE	114A	INTERIOR LT-DASH LT RHEOS.
25A	TT.LT. MODULE - LED	46D	EXTERIOR LTS-AUX LTS RESIS.	77H	A/C & HEAT SYS.-THERMOSTAT	114B	INT. LT-DASH LT RHEOST.FEED
25B	EXT. LTS-DAYTIME RUN LTS	48A	ENTRANCE DOOR AIR LOCK	81	EXTERIOR LTS-STOP SW	115	DDEC III-COOLANT LEVEL
25D	GENERATOR SKTN. ON - HVAC	48B	ENTRANCE DOOR AIR LOCK	82	EXTERIOR LTS-STOP SIGNAL	115W	WORLD TR.-DO NOT SHIFT SIGN
26	DR'S & ENT. WINDOW LIFTER	48C	ENTRANCE DOOR AIR LOCK	82A	EXTERIOR LTS-STOP SIGNAL	116	WORLD TR.-LO SIGNAL SOL. HI
26A	CIGAR LIGHT. & POW.OUTLET LH	52	ALARM & SIGNAL-ELEC.HORN	82B	EXTERIOR LTS-STOP LTS	116B	A/C & HEAT SYSTEM-DR'S HTR
26B	DRIVER'S WINDOW LIFTER	52A	ALARM & SIGNAL-ELEC.HORN	82L	EXT. LTS-STOP LTS & CYCLOP	116C	A/C SYS.-TRIG. DEFROST
26C	DRIVER'S WINDOW LIFTER	53	ALARM & SIGNAL-ELEC.HORN	82R	EXTERIOR LTS-STOP LTS	119	WORLD TRANSM-ENGINE BRAKE
26D	ENT. DOOR WINDOW LIFTER	53B	WIPER & WASHER SYSTEM	83	ENG. CTR-MAST. KEY SW ACC.	120	WORLD TRANSM-SOL. C1
26E	ENT. DOOR WINDOW LIFTER	53C	WIPER & WASHER SYSTEM	84	ENG. CTR-MAST KEY SW START	121	WORLD TRANSM-SOL.GRD 2
26F	ENT. DOOR WINDOW LIFTER	53E	WIPER & WASHER SYSTEM	84A	ENG. CTR-MAST KEY SW START	123	WORLD TR.-NEUTRAL START
28H	T.T.LT MODULE - HI A/C PRES.	53J	WIPER & WASHER SYSTEM	84J	ENG. CTR-MAST KEY SW START	123A	ALARM & SIGNAL-FIRE DETECT.
28T	T.T.LT MODULE - LO A/C PRES.	53K	KEYLESS SYSTEM	85	24V IGNITION SIGNAL	123B	ALARM & SIGNAL-FIRE DETECT.
29	A/C & HEAT SYS.-DR'S HTR	55	EXTERIOR LTS-HI BEAM	85A	24V IGN DASH INSTRUMENT.	124	WORLD TR.-THROTTLE (HI)
29H	HVAC DASH MODILE	57	EXTERIOR LTS-HI BEAM	85C	24V IGNITION - FEED	124A	WORLD TRANSM-SENSOR PWR
31B	WIPER & WASHER SYSTEM	57A	EXTERIOR LTS-HI BEAM	85W	WORLD TRANSM. - 24V IGN.	125	WORLD TR-RETARDER INDICAT.
31C	WIPER & WASHER SYSTEM	57B	A/C & HEAT SYS.-WATER PUMP	85X	ABS-24V IGN	125W	WORLD TR-RETARDER INDICAT.
32	EXTERIOR LTS-BACK-UP	57C	A/C & HEAT SYS.-WATER PUMP	85Y	ABS-WARNING LT	126	WORLD TR.-LUBE PRESS SW.
32B	EXTERIOR LTS-BACK-UP	57E	A/C & HEAT SYS.-WATER VALV	86	ENG. CTR-STARTER SOL SIGN	126	24VIGN-LEV.LOW & WORLD TR.
32F	BACK-UP CANCEL SW.	58	EXTERIOR LTS-LO BEAM	86A	ENG. CTR-STARTER SOL SIGN	126F	LEVEL LOW SYSTEM
32G	BACK-UP ALARM	58A	EXTERIOR LTS-LO BEAM	87B	ENGINE CTR-24V IGNITION	126H	SPEED SIGN 5NC - NOT USED
32J	BACK-UP SW. - JUMPER	58B	EXTERIOR LTS-LO BEAM	88	ENGINE CTR-RR START SIGNAL	126W	WORLD TRANSM-NOT USED
35B	DRIVER'S LTS - KEYLESS SIGN	59A	ENGINE BRAKE SYSTEM	89	ENGINE CTR-RR START SIGNAL	127	24HW DR'S LT PREHEAT & HVAC
36	ENGINE BRAKE SYSTEM	61	EXTERIOR LTS-24V FEED SW	90	CONVERTER - CABLE SPARG	128	WORLD TRANSM-SOL. C2
36A	ENGINE BRAKE SYSTEM & RET.	61A	EXTERIOR LTS-HEAD SIGNAL	90A	ENG. CTR-MAST KEY SW FEED	129	WORLD TRANSM-SOL. C5
39	INTERIOR LTS-DRIVER'S LTS	63	EXTERIOR LTS-CLEAR. FEED	90B	A/C & H. SYS.-COND FAN MOT	130	WORLD TRANSM-SOL. GRD 3
39B	INTERIOR LTS-DRIVER'S LTS	63B	EXTERIOR LTS-CLEARANCE	90B	ENG. CTR-MAST KEY SW FEED	131	WORLD TRANSM-SOL.C4
39C	INTERIOR LTS-DRIVER'S LTS	63C	EXT. LTS-MARKER SIGNAL	91	PARKING BRAKE SW SIGNAL	132	WORLD TRANSM-ENGINE BRAKE
39D	INTERIOR LTS - FRIVER' LTS	63F	EXT. LTS-MARKER BLINKER	91A	DDEC III-FAST IDLE SIGNAL	132A	LEVEL LOW SYSTEM
39K	DR'S LTS - KEYLESS SIGN.	64	DRIVER'S FAN SPEED CTR	91C	PARKING BRAKE - T.T.LT	132B	LEVEL LOW SYSTEM
41	A/C SYS.-COND FAN MOTOR	64A	DRIVER'S FAN SPEED CTR	91J	FAST IDLE - JUMPER SW.	132C	LEVEL LOW SYSTEM
41A	A/C SYS.-COND FAN MOTOR	64B	DRIVER'S FAN SPEED CTR	92	BATT. EQUAL.-CHECK BALANCE	132D	LEVEL LOW SYSTEM
41B	A/C SYS.-COND FAN MOTOR	65	FOOT DAMPER MOTOR	93	BATT. EQUALIZ.-CHECK LO/HI	132E	LEVEL LOW SYSTEM
42A	A/C SYS.-COND FAN MOTOR	65A	FOOT DAMPER MOTOR	95A	ENG. BRAKE & RETARDER SYS.	132F	LEVEL LOW SYSTEM
43	A/C & HEAT SYS. - FAN SPEED	65D	DRIVER'S REC. DAMPER	95B	ENG. BRAKE & RETARDER SYS.	135	WORLD TRANSM-RET.TEMP.
44	EXTERIOR LTS-FOG	66	A/C PASSENGER - ON/OFF	97	TACHOMETER SIGN.-NOT USED	135A	WORLD TR.-RES MODULE RET.
44A	EXTERIOR LTS-FOG	67A	A/C & HEAT SYSTEM	101	WORLD TR.- LO SIGN SOL.LO	135B	A/C & HEAT SYS.-AIR SENSOR
44B	EXTERIOR LTS-FOG	68	DASH & DEFROST DAMPER MOT	102	WORLD TRANSM.-SOL. SUPPLY	135C	A/C & HEAT SYS.-AIR SENSOR
44C	EXT. LTS-FOG,HVAC & HAZ. SW	68A	DASH & DEFROST DAMPER MOT	103	WORLD TRANSM.- B.SOL.LO	136A	WORLD TRANSM-12V BATTERY
44D	EXTERIOR LTS - FOG	72	SUN VISOR - FEED	104	LEVEL-LOW SYS- DR'S SOL.	136AA	WORLD TRANSM-SHIFTER PWR
44E	EXTERNAL LTS - FOG	72A	SUN VISOR RH	104	WORLD TR. -SOL. FORWARD	136V	WORLD TRANSM-12V BATTERY

CIRCUIT NUMBER CODE

NO.	DESCRIPTION	NO.	DESCRIPTION	NO.	DESCRIPTION	NO.	DESCRIPTION
136W	WORLD TRANSM-12V BATTERY	150A	DDEC III-ECM BATTERY GRD	180A	OUTSIDE TEMP. DISPLAY	510	DDEC-FAST IDLE SIGNAL
137	WORLD TRANSM-RETARDER	151	DDEC III-ECM BATTERY GRD	180A	WORLD TRANSM-SHIFTER	524	DDEC-ENGINE BRAKEDISABLE
137	RR VIEW MIRROR	151	ABS SYSTEM-SPARE	180B	OUTSIDE TEMP. DISPLAY	525	DDEC-FAST IDLE SIGNAL
137A	RR VIEW MIRROR	152	ABS SYSTEM-SPARE	180C	OUTSIDE TEMP. DISPLAY	528	DDEC-STOP ENG. OVERRIDE
137B	RR VIEW MIRROR	153	ELECTRICAL DRIVER'S SEAT	181	FROZEN POINT T.T.LT	531	DDEC-CRUISE CLUTCH CUT OUT
137C	RR VIEW MIRROR	154	WORLD TRANSM-ABS INPUT (-)	181A	THERMOMETER INSIDE SENSOR	540	DDEC-CRUISE ENABLE T.T.LT
137D	RR VIEW MIRROR	156A	ABS SYSTEM-FEED	181B	THERMOMETER INSIDE SENSOR	541	DDEC-CRUISE SET SW
137D	RR VIEW MIRROR	157	ABS SYSTEM-FEED	181C	THERMOMET. OUTSIDE SENSOR	542	INPUT PARK BRAKE INTERLOCK
137E	RR VIEW MIRROR	157A	ABS SYSTEM-FEED	181D	THERMOMET. OUTSIDE SENSOR	543	DDEC-CRUISE STOP SW CUT IN
137F	RR VIEW MIRROR	157B	ABS SYSTEM	195	WORLD TRANSM-TRANS ID	544	DDEC-CRUISE ON/OFF SW
137H	RR VIEW MIRROR	159	WORLD TRANSM-DIAGNOSTIC	197	FUEL WATER FILTER	545	DDEC-CRUISE RESUME SW
137J	RR VIEW MIRROR	160	ALARM & SIGN.-TAG PRESS SW	197A	FUEL WATER FILTER	555	DDEC-FAN CLUTCH SPEED#1
137K	RR VIEW MIRROR	161B	WORLD TRANSM-SIGNALGRD	201	WORLD TRANSM-SPARE	556	DDEC-VEHICULE SPEED (+)
137L	RR VIEW MIRROR	162	WORLD TRANSM-PRESS. SW C3	202	WORLD TRANSM-SPARE	557	DDEC-VEHICULE SPEED (-)
137M	RR VIEW MIRROR FEED	163	WORLD TR.-RETARDER ENABLE	203	WORLD TRANSM-SPARE	563	DDEC-FAN CLUTCH SPEED#2
137R	WORLD TRANSM-RETARDER	164	WORLD TR.-RET. ACTUAT. SIGN	204	WORLD TRANSM-SPARE	564	DDEC-DIGITAL OUTPUT
137T	MIRROR HEAT SW-JUMPER	165	WORLD TR.-OIL LEVEL SIGNAL	214	WORLD TR.-BACK-UP SIGNAL	565	DDEC-ENGINE BRAKE ACTIVE
138	WORLD TR.-RETARDER TEMP	166B	A/C & HEAT SYS.-EVAP. MOD.	231	WORLD TR.-NEUTRAL SIGN GRD	583	DDEC-ENGINE BRAKE 4 CYL.
138	ABS SYSTEM-SENSOR	167	WORLD TR.-SPEED 5N0, 5NC	240	DDEC III-ECM 12V FEEDING	900	DDEC-DATA LINK (+)
138A	ABS SYSTEM-SENSOR	169	WORLD TRANSM-INPUT 12	241	DDEC III-ECM 12V FEEDING	901	DDEC-DATA LINK (-)
139	ABS SYSTEM-VALVE	170	WORLD TRANSM-SHIFTER	260	WINDOW AJAR-T.T.LT	908	DDEC-HYDRAU. PWM#1 OUTPUT
139	WORLD TR.-OUTPUT SPEED HI	170C	LUGGAGE DOOR LOCK-T.T.LT	270	KEYLESS MODULE-FEED	916	DDEC-SENSOR SUPPLY (5VDC)
140	WORLD TR.-OUTPUT SPEED LO	170D	LUGGAGE DOOR LOCK-FEED	270A	ENTRANCE DOOR AIR LOCK	952	DDEC-SENSOR RETURN
140	ABS SYSTEM-VALVE	170E	LUG. DOOR LOCK-UNLOCK SIGN	272	KEYLESS SYSTEM-KEYBOARD	953	DDEC-BATTERY GRD
141	ABS SYSTEM-VALVE	170F	LUGGAGE DOOR LOCK-FEED	274	KEYLESS SYSTEM-KEYBOARD	979	DDEC-ENGINE BRAKE 2 CYL.
141	WORLD TR.-ENGINE SPEED HI	170G	LUGGAGE DOOR LOCK-FEED	276	KEYLESS SYSTEM-KEYBOARD	2123	FLASHER SIGNAL LTS
142	ABS SYSTEM-VALVE	170H	LUGGAGE DOOR-LOCK SIGN	277	KEYLESS SYS-DR'V LTS SIGN		
143	ABS SYSTEM-SENSOR	170K	LUGGAGE DOOR-LOCK SIGN	278	KEYLESS SYSTEM-KEYBOARD		
143A	ABS SYSTEM-SENSOR	170LA	LUGG DOOR LOCK-T.T.LT WE	280	KEYLESS SYSTEM-KEYBOARD		
143A	WORLD TRANS-BATERY GRD	170LB	LUGG DOOR LOCK-T.T.LT WE	283	KEYLESS SYSTEM-ANTI-THEFT		
143W	WORLD TRANSM-BATTERY GRD	170L	LUGG DOOR LOCK-SIGN T.T.LT	283A	KEYLESS SYS-ENT. DOOR SIGN		
143X	WORLD TRANSM-BATTERY GRD	170M	LUGG DOOR LOCK-SIGN T.T.LT	284A	KEYLESS SYSTEM		
144	ABS SYSTEM-SENSOR	170N	LUGG DOOR LOCK-SIGN T.T.LT	285	KEY. SYS-UNLOCK ENT. DOOR		
144A	ABS SYSTEM-SENSOR	170P	LUGG DOOR LOCK-SIGN T.T.LT	285B	KEYLESS SYSTEM		
145	ABS SYSTEM-VALUE	170R	LUGG DOOR LOCK-ENTR. DOOR	285C	KEYLESS SYSTEM		
146	ABS SYSTEM-VALUE	170S	LUGG DOOR LOCK-SIGN T.T.LT	286	LUGG DOOR LOCK-ENT. DOOR		
146A	WORLD TRANSM-12V IGNITION	170T	LUGG DOOR LOCK-SIGN T.T.LT	286A	KEYLESS SYS-CENTER DOOR		
146AA	WORLD TRANSM-DIAGN.CONN.	170V	LUGG DOOR LOCK-SIGN T.T.LT	290	FAN CLUTCH RADIATOR-FEED		
147	WORLD TRANSM-OIL TEMP	170W	LUGGAGE DOOR LOCK-FEED	290A	FAN CLUTCH RADIATOR-FEED		
147	ABS SYSTEM-VALVE	170X	LUGG DOOR LOCK-SIGN T.T.LT	291	FAN CLUTCH RADIATOR SPD 1		
147A	ETHER COLD START	170Y	LUGGAGE DOOR LOCK-FEED	292	FAN CLUTCH RADIATOR SPD 2		
147A	DAYTIME LST-ALT.SIGNAL	170Z	LUGGAGE DOOR LOCK	292A	FAN CLUTCH RADIATOR SPD 2		
147C	ETHER COLD START	171	WORLD TRANSM-SHIFTER	294	KEYLESS SYSTEM-ANTI-THEFT		
148	ABS SYSTEM-VALVE	172	WORLD TRANSM-SHIFTER	295	KEYLESS SYS-LED INDICATOR		
148	WORLD TR.-OUTPUT SPEED LO	173	WORLD TRANSM-SHIFTER	417	DDEC-LIMIT SPEED GOVERNOR		
149	WORLD TR.-TURBINE SPEED HI	174	WORLD TRANSM-SHIFTER	419	DDEC -CHEK ENGINE LIGHT		
149	ABS SYSTEM-SENSOR	175A	WORLD TRANSM-SHIFTER	439	DDEC-12V IGNITION		
149A	ABS SYSTEM	176	WORLD TRANSM-SHIFTER	451	DDEC-A/C FAN CLUTCH		
150	WORLD TR.-ENGINE SPEED LO	180	WORLD TRANSM-SHIFTER	505	DDEC-TACHOMETER DRIVE		
150	DDEC III-ECM BATTERY GRD	180	OUTSIDE TEMP. DISPLAY	509	DDEC-STOP ENGINE LIGHT		

CIRCUIT NUMBER CODE

NO.	DESCRIPTION	NO.	DESCRIPTION	NO.	DESCRIPTION	NO.	DESCRIPTION
IPJ1	CLUSTER - BULB TEST POS	SP62	SPARE WIRE	0T3	ALTERNATOR MODULE	12G	FR JCT PANEL 12V DISC SW
IPJ2	CLUSTER - BULB TEST NEG.	SP63	SPARE WIRE	0T4	12V OUTLET - CTR MODULE	12H	12V DASH ACCESS.
IPJ3	CLUSTER - SV SIGNAL	SP69	SPARE WIRE	0T5	FS-HVAC DASH MODULE. GND	12I	RR JCT BOX 12V IGNITION
IPJ4	CLUSTER - RETURN TO ZERO	SP70	SPARE WIRE	0W	FJB - TRANSM. RLY GRD	12I	FR JCT PANEL 12V IGNITION
IPJ5	CLUSTER - FUEL LEVEL GAUGE	SP71	SPARE WIRE	0W	TRANSM ACC. - FR.SERV. CPT	12IA	FR JCT PANEL 12V IGNITION
IPJ6	CLUSTER - BULB TEST POS.	SP72	SPARE WIRE	0Y1	ASB SYSTEM-GRD	12IA	RR JCT PANEL 12V IGNITION
IPJ7	CLUSTER - BULB TEST NEG.	SP74	SPARE WIRE	0Y2	ASB SYSTEM-GRD	12IE	ABS-FR JCT PANEL 12V IGN.
IPJ8	CLUSTER - MASTER WARNING	SP83	SPARE WIRE	0Y3	ASB SYSTEM-GRD	12IF	FR JCT PANEL 12V IGNITION
LX5	CLUSTER - COMPUTER MODE	SP84	SPARE WIRE	0Y4	ASB SYSTEM-GRD	12J	FR JCT PANEL 12V DISC.SW.
LX6	CLUSTER - COMPUTER DOWN	SP114	SPARE WIRE	0Y5	ASB SYSTEM-GRD	12JA	FR JCT PANEL 12V DISC.SW.
LX7	CLUSTER - COMPUTER SET	SP115	SPARE WIRE	0Y6	ASB SYSTEM-GRD	12K	FR JCT PANEL 12V DISC.SW.
LX16	CLUSTER - COMPUTER UP	SP116	SPARE WIRE	00A	BATTERY GRD-DASH ACC.	12LX	12V HOTWIRE CLUST.& MOD A/C
LX21	CLUSTER - COMPUTER COM.	SP117	SPARE WIRE	2A	A/C & HEAT SYSTEM	12LX	CLUSTER 12V HOT WIRE
RT	T.T.L.T. MODULE - TEST SW.	TW1	SPR. W. TWISTER 50T/M WITH TW2	2B	A/C & HEAT SYSTEM	12M	ABS-FR JCT PANEL 12V DISC.SW.
SP1	SPARE WIRE	TW2	SPR. W. TWISTER 50T/M WITH TW1	2D	A/C & HEAT SYSTEM	12P	12V POWER OUTLET
SP2	SPARE WIRE	0	A/C EVAP. CPT GRD	2E	A/C & HEAT SYSTEM	12T	RR JCT BOX 12V DISC SW
SP3	SPARE WIRE	0	JUMPER - CLUTCH SIGN.	2H	A/C & HEAT SYS-LO-PRESS SW.	12VD	12V HOT WIRE
SP4	SPARE WIRE	0	RJB - INSIDE GRD	2L	A/C & HEAT SYS-HI-PRESS SW.	12VI	RR JCT PANEL 12V IGNITION
SP5	SPARE WIRE	0A	FR. ROOF ACC. GRD	3A	A/C & HEAT SYSTEM-EVAPORATOR	12W	12V HOT WIRE DDEC III FEED
SP6	SPARE WIRE	0B	A/C - CONDENSER GRD	5N0	SPEED SIGNAL HIGHER 5MPH	15	EXT. LTS-MULTI FUNC LEVEL
SP7	SPARE WIRE	0B	ENG. CPT ACC. GRD	5NC	SPEED SIGNAL LOWER 5MPH	15	WIPER & WASHER SYSTEM
SP8	SPARE WIRE	0BE	OV BATTERY MONITOR	6	EXTERIOR LTS-DOCKING	16	SPEEDOMETER (+)
SP9	SPARE WIRE	0C	R.J.B. - GRB	6A	EXTERIOR LTS-CORNERING	16T	SPEED SW SIGNAL IN (+)
SP10	SPARE WIRE	0C	F.R. SERV. CPT-ACCESSOIRIES	6B1	EXTERIOR LTS-CORNERING RH	17	EXTERIOR LTS-FLASHER UNIT
SP11	SPARE WIRE	0C1	ENTRANCE DOOR KEYLESS	6C1	EXTERIOR LTS-CORNERING RH	17A	EXTERIOR LTS-FLASHER UNIT
SP12	SPARE WIRE	0C4	F.J.B. GRD	6D	EXTERIOR LTS-DOCKING	17C	JUMPER LTS SW. - HAZARD
SP13	SPARE WIRE	0CJ	CRUISE SW. JUMPER	9	INTERIOR LTS-ENGINE CPT	20	SPEEDOMETER SIGNAL (-)
SP14	SPARE WIRE	0D	A/C JCT BOX - COND FAN GRD	9	INTERIOR LTS-RR JCT BOX	20T	SPEED SW SIGNAL IN (-)
SP15	SPARE WIRE	0F	SILENT 1000	9F	INTERIOR LTS - FR-SERV. CPT	21	EXTERIOR LTS-DIRECT. LH
SP16	SPARE WIRE	0G	ABS GRD CX1	10	A/C & HEAT SYSTEM -LO PRES.	21A	EXTERIOR LTS-LH
SP17	SPARE WIRE	0H	ENG. CPT. - ACC. GRD	10	INTERIOR LTS-LUGGAGE CPT	21A	EXTERIOR LTS-CORNERING-LH
SP18	SPARE WIRE	0L	ENG.CPT -CLEAR.LTS RR ROOF	10	INTERIOR LTS-FR SERV. CPT	21B	EXTERIOR LTS-DIRECT. LH
SP19	SPARE WIRE	0L	R.J.B. - GRD	10A	INTERIOR LTS-LUGGAGE CPT	21BB	EXTERIOR LTS-DIRECT. LH
SP21	SPARE WIRE	0L	FR - SIDE MARK. & FLASH GRD	10B	INTERIOR LTS-LUGGAGE CPT	21H	EXTERIOR LTS-HAZARD SIGNAL
SP23	SPARE WIRE	0L1	ENG.CPT-SIDE MARK. & FL. GRD	10C	INTERIOR LTS-LUGGAGE CPT	21M	AUX. LTS - DIRECTIONAL LH
SP24	SPARE WIRE	0L2	HEAD LTS	10D	INTERIOR LTS-LUGGAGE CPT	21P	CORN. LTS - DIRECT. SIGN. LH
SP25	SPARE WIRE	0L3	FR.SERV.DR. & ENT.DOOR GRD ACC.	10E	INTERIOR LTS-LUGGAGE CPT	23	EXTERIOR LTS-DIRECT. RH
SP30	SPARE WIRE	0L4	FOG LTS RESISTOR GRD	10R	CENTER DOOR T.T.L.T.	23A	EXTERIOR LTS-DIRECT. RH
SP33	SPARE WIRE	0L5	LH CONSOL - ACC. GRD	12A	FR JCT PANEL 12V DISC SW	23A	EXTERIOR LTS - CORNER. LTS
SP38	SPARE WIRE	0LV	WINDSHIELD WASHER LEVEL	12B	FR JCT PANEL 12V DISC SW	23BB	EXTERIOR LTS - DIRECT. RH
SP40	SPARE WIRE	0M	WIPER 2 MIRROR MOTOR	12BAT	12V HOT-WIRE ACC - JCT BLK	23C	EXTERIOR LTS-CORNERING RH
SP41	SPARE WIRE	0M3	DEFROST GRD	12BE	12V BATTERY MONITOR	23H	EXTERIOR LTS-HAZARD SIGNAL
SP42	SPARE WIRE	0M4	HORN & DR'S WINDOW LIFTER	12C	FR JCT PANEL 12V DISC SW	23M	AUX LTS - DIRECTIONAL RH
SP43	SPARE WIRE	0M5	SUN VISOR MOTOR	12C	RR JCT BOX 12V DISC SW	23P	CORN. LTS - DIRECT SIGN RH
SP45	SPARE WIRE	0M7	DR'S WIND.LIFT. & RH MIR. SW	12D	FR JCT PANEL 12V HOT WIRE	24	FR JCT PANEL 24V DISC. SW.
SP48	SPARE WIRE	0M7A	LH MIRROR SW.	12DD	FR JCT PANEL 12V HOT WIRE	24A	RR JCT PANEL 24V DISC. SW
SP56	SPARE WIRE	0T	SPEED SW. CONNECTOR	12DDR	RR JCT BOX 12V HOT WIRE DDR CON	24A	FR JCT PANEL 24V DISC. SW
SP57	SPARE WIRE	0T1	DASH ACC.	12DT	T.T. LT MODULE	24BE	BATTERY MONITOR
SP60	SPARE WIRE	0T2	CLUSTER ACC.	12E	RR JCT BOX 12V DISC SW	24C	FR JCT PANEL 24V DISC SW
SP61	SPARE WIRE	0T2	WINDOW AWNING	12F	FR JCT PANEL 12V DISC SW	24D	FR JCT BOX 24V HOT WIRE

CIRCUIT NUMBER CODE

NO.	DESCRIPTION	NO.	DESCRIPTION	NO.	DESCRIPTION	NO.	DESCRIPTION
24F	RR JCT PANEL 24V DISC SW	45A	A/C & HEAT SYSTEM FULL AIR	72B	SUN VISOR RH	104	WORLD TR. -SOL. FORWARD
24I	FR JCT PANEL 24V IGNITION	45B	A/C & HEAT SYS.-WATER PUMP	72C	SUN VISOR LH	105W	WORLD TR.-SOL.-RET.OIL TT.LT
24I	RR JCT PANEL 24V IGNITION	45C	A/C & HEAT SYS.-WATER VALV	72D	SUN VISOR LH	107	WORLD TR.-LOCKUP SOL. HI
24IA	FR JCT PANEL 24V IGNITION	45D	A/C & HEAT SYS.-WATER VALV	76	FUEL TANK GAUGE	108	WORLD TR.-LOCKUP SOL.
24IB	FR JCT PANEL 24V IGNITION	45E	A/C & HEAT SYS.-WATER PUMP	76C	LOW FUEL T.T.LT	110	WORLD TR.-LOCKUP SOL. LO
24IF	FR JCT PANEL 24V IGNITION	45G	A/C & HEAT SYS.-DR'S HTR	76L	LOW FUEL T.T.LT	112	WORLD TR.-SPARE OUTPUT (+)
24P	FR JCT PANEL 24V DISC SW	45J	A/C & HEAT SYS.-WATER PUMP	77A	A/C & HEAT SYS. - THERMOST.	112	WORLD TR.-SPARE OUTPUT (+)
24R	24V RR JCT BLK TO STARTER	46	EXTERIOR LTS-MARKER	77B	A/C SYS. - LIQ. SOL. VALVE	113W	WORLD TR.-REVERSE WARNING
24T	RR JCT PANEL 24V DISC SW	46A	EXTERIOR LTS-AUX LTS RESIS.	77C	A/C & HEAT SYS.-COMPRESSOR	114	WORLD TR.-SPARE OUTPUT (-)
24VD	24V HOT WIRE FEED	46C	EXTERIOR LTS-MARKER	77H	A/C SYS.-LIQ. SOL. VALVE	114	INTERIOR LT-DASH LT RHEOS.
25A	TT.LT. MODULE - LED	46D	EXTERIOR LTS-AUX LTS RESIS.	77H	A/C & HEAT SYS.-THERMOSTAT	114A	INTERIOR LT-DASH LT RHEOS.
25B	EXT. LTS-DAYTIME RUN LTS	48A	ENTRANCE DOOR AIR LOCK	81	EXTERIOR LTS-STOP SW	114B	INT. LT-DASH LT RHEOST.FEED
25D	GENERATOR SKTN. ON - HVAC	48B	ENTRANCE DOOR AIR LOCK	82	EXTERIOR LTS-STOP SIGNAL	115	DDEC III-COOLANT LEVEL
26	DR'S & ENT. WINDOW LIFTER	48C	ENTRANCE DOOR AIR LOCK	82A	EXTERIOR LTS-STOP SIGNAL	115W	WORLD TR.-DO NOT SHIFT SIGN
26A	CIGAR LIGHT. & POW.OUTLET LH	52	ALARM & SIGNAL-ELEC.HORN	82B	EXTERIOR LTS-STOP LTS	116	WORLD TR.-LO SIGNAL SOL. HI
26B	DRIVER'S WINDOW LIFTER	52A	ALARM & SIGNAL-ELEC.HORN	82L	EXT. LTS-STOP LTS & CYCLOP	116B	A/C & HEAT SYSTEM-DR'S HTR
26C	DRIVER'S WINDOW LIFTER	53	ALARM & SIGNAL-ELEC.HORN	82R	EXTERIOR LTS-STOP LTS	116C	A/C SYS.-TRIG. DEFROST
26D	ENT. DOOR WINDOW LIFTER	53B	WIPER & WASHER SYSTEM	83	ENG. CTR-MAST. KEY SW ACC.	119	WORLD TRANSM-ENGINE BRAKE
26E	ENT. DOOR WINDOW LIFTER	53C	WIPER & WASHER SYSTEM	84	ENG. CTR-MAST KEY SW START	120	WORLD TRANSM-SOL. C1
26F	ENT. DOOR WINDOW LIFTER	53E	WIPER & WASHER SYSTEM	84A	ENG. CTR-MAST KEY SW START	121	WORLD TRANSM-SOL.GRD 2
28H	T.T.LT MODULE - HI A/C PRES.	53J	WIPER & WASHER SYSTEM	84J	ENG. CTR-MAST KEY SW START	123	WORLD TR.-NEUTRAL START
28T	T.T.LT MODULE - LO A/C PRES.	53K	KEYLESS SYSTEM	85	24V IGNITION SIGNAL	123A	ALARM & SIGNAL-FIRE DETECT.
29	A/C & HEAT SYS.-DR'S HTR	55	EXTERIOR LTS-HI BEAM	85A	24V IGN DASH INSTRUMENT.	123B	ALARM & SIGNAL-FIRE DETECT.
29H	HVAC DASH MODILE	57	EXTERIOR LTS-HI BEAM	85C	24V IGNITION - FEED	124	WORLD TR.-THROTTLE (HI)
31B	WIPER & WASHER SYSTEM	57A	EXTERIOR LTS-HI BEAM	85W	WORLD TRANSM. - 24V IGN.	124A	WORLD TRANSM-SENSOR PWR
31C	WIPER & WASHER SYSTEM	57B	A/C & HEAT SYS.-WATER PUMP	85X	ABS-12V IGN	125	WORLD TR-RETARDER INDICAT.
32	EXTERIOR LTS-BACK-UP	57C	A/C & HEAT SYS.-WATER PUMP	85Y	ABS-12V IGN	125W	WORLD TR-RETARDER INDICAT.
32B	EXTERIOR LTS-BACK-UP	57E	A/C & HEAT SYS.-WATER VALV	85Z	ABS-12V IGN	126	WORLD TR.-LUBE PRESS SW.
32F	BACK-UP CANCEL SW.	58	EXTERIOR LTS-LO BEAM	86	ENG. CTR-STARTER SOL SIGN	126	24VIGN-LEV.LOW & WORLD TR.
32G	BACK-UP ALARM	58A	EXTERIOR LTS-LO BEAM	86A	ENG. CTR-STARTER SOL SIGN	126F	LEVEL LOW SYSTEM
32J	BACK-UP SW. - JUMPER	58B	EXTERIOR LTS-LO BEAM	87B	ENGINE CTR-24V IGNITION	126H	SPEED SIGN 5NC - NOT USED
35B	DRIVER'S LTS - KEYLESS SIGN	59A	ENGINE BRAKE SYSTEM	88	ENGINE CTR-RR START SIGNAL	126W	WORLD TRANSM-NOT USED
36	ENGINE BRAKE SYSTEM	61	EXTERIOR LTS-24V FEED SW	89	ENGINE CTR-RR START SIGNAL	127	24HW DR'S LT PREHEAT & HVAC
36A	ENGINE BRAKE SYSTEM & RET.	61A	EXTERIOR LTS-HEAD SIGNAL	90	CONVERTER - CABLE SPARG	128	WORLD TRANSM-SOL. C2
39	INTERIOR LTS-DRIVER'S LTS	63	EXTERIOR LTS-CLEAR. FEED	90A	ENG. CTR-MAST KEY SW FEED	129	WORLD TRANSM-SOL. C5
39B	INTERIOR LTS-DRIVER'S LTS	63B	EXTERIOR LTS-CLEARANCE	90B	A/C & H. SYS.-COND FAN MOT	130	WORLD TRANSM-SOL. GRD 3
39C	INTERIOR LTS-DRIVER'S LTS	63C	EXT. LTS-MARKER SIGNAL	90B	ENG. CTR-MAST KEY SW FEED	131	WORLD TRANSM-SOL.C4
39D	INTERIOR LTS - FRIVER' LTS	63F	EXT. LTS-MARKER BLINKER	91	PARKING BRAKE SW SIGNAL	132	WORLD TRANSM-ENGINE BRAKE
39K	DR'S LTS - KEYLESS SIGN.	64	DRIVER'S FAN SPEED CTR	91A	DDEC III-FAST IDLE SIGNAL	132A	LEVEL LOW SYSTEM
41	A/C SYS.-COND FAN MOTOR	64A	DRIVER'S FAN SPEED CTR	91C	PARKING BRAKE - T.T.LT	132B	LEVEL LOW SYSTEM
41A	A/C SYS.-COND FAN MOTOR	64B	DRIVER'S FAN SPEED CTR	91J	FAST IDLE - JUMPER SW.	132C	LEVEL LOW SYSTEM
41B	A/C SYS.-COND FAN MOTOR	65	FOOT DAMPER MOTOR	92	BATT. EQUAL.-CHECK BALANCE	132D	LEVEL LOW SYSTEM
42A	A/C SYS.-COND FAN MOTOR	65A	FOOT DAMPER MOTOR	93	BATT. EQUALIZ.-CHECK LO/HI	132E	LEVEL LOW SYSTEM
43	A/C & HEAT SYS. - FAN SPEED	65D	DRIVER'S REC. DAMPER	95A	ENG. BRAKE & RETARDER SYS.	132F	LEVEL LOW SYSTEM
44	EXTERIOR LTS-FOG	66	A/C PASSENGER - ON/OFF	95B	ENG. BRAKE & RETARDER SYS.	135	WORLD TRANSM-RET.TEMP.
44A	EXTERIOR LTS-FOG	67A	A/C & HEAT SYSTEM	97	TACHOMETER SIGN.-NOT USED	135A	WORLD TR.-RES MODULE RET.
44B	EXTERIOR LTS-FOG	68	DASH & DEFROST DAMPER MOT	101	WORLD TR.- LO SIGN SOL.LO	135B	A/C & HEAT SYS.-AIR SENSOR
44C	EXT. LTS-FOG,HVAC & HAZ. SW	68A	DASH & DEFROST DAMPER MOT	102	WORLD TRANSM.-SOL. SUPPLY	135C	A/C & HEAT SYS.-AIR SENSOR
44D	EXTERIOR LTS - FOG	72	SUN VISOR - FEED	103	WORLD TRANSM.- B.SOL.LO	136A	WORLD TRANSM-12V BATTERY
44E	EXTERNAL LTS - FOG	72A	SUN VISOR RH	104	LEVEL-LOW SYS- DR'S SOL.	136AA	WORLD TRANSM-SHIFTER PWR

CIRCUIT NUMBER CODE

NO.	DESCRIPTION	NO.	DESCRIPTION	NO.	DESCRIPTION	NO.	DESCRIPTION
136V	WORLD TRANSM-12V BATTERY	150	DDEC III-ECM BATTERY GRD	180A	WORLD TRANSM-SHIFTER	524	DDEC-ENGINE BRAKEDISABLE
136W	WORLD TRANSM-12V BATTERY	150A	DDEC III-ECM BATTERY GRD	180B	OUTSIDE TEMP. DISPLAY	525	DDEC-FAST IDLE SIGNAL
137	WORLD TRANSM-RETARDER	151	DDEC III-ECM BATTERY GRD	180C	OUTSIDE TEMP. DISPLAY	528	DDEC-STOP ENG. OVERRIDE
137	RR VIEW MIRROR	151	ABS SYSTEM-SPARE	181	FROZEN POINT T.T.LT	531	DDEC-CRUISE CLUTCH CUT OUT
137A	RR VIEW MIRROR	152	ABS SYSTEM-SPARE	181A	THERMOMETER INSIDE SENSOR	540	DDEC-CRUISE ENABLE T.T.LT
137B	RR VIEW MIRROR	153	ELECTRICAL DRIVER'S SEAT	181B	THERMOMETER INSIDE SENSOR	541	DDEC-CRUISE SET SW
137C	RR VIEW MIRROR	154	WORLD TRANSM-ABS INPUT (-)	181C	THERMOMET. OUTSIDE SENSOR	542	INPUT PARK BRAKE INTERLOCK
137D	RR VIEW MIRROR	156A	ABS SYSTEM-FEED	181D	THERMOMET. OUTSIDE SENSOR	543	DDEC-CRUISE STOP SW CUT IN
137D	RR VIEW MIRROR	157B	ABS SYSTEM	195	WORLD TRANSM-TRANS ID	544	DDEC-CRUISE ON/OFF SW
137E	RR VIEW MIRROR	159	WORLD TRANSM-DIAGNOSTIC	197	FUEL WATER FILTER	545	DDEC-CRUISE RESUME SW
137F	RR VIEW MIRROR	160	ALARM & SIGN.-TAG PRESS SW	197A	FUEL WATER FILTER	555	DDEC-FAN CLUTCH SPEED#1
137H	RR VIEW MIRROR	161B	WORLD TRANSM-SIGNALGRD	201	WORLD TRANSM-SPARE	556	DDEC-VEHICLE SPEED (+)
137J	RR VIEW MIRROR	162	WORLD TRANSM-PRESS. SW C3	202	WORLD TRANSM-SPARE	557	DDEC-VEHICLE SPEED (-)
137K	RR VIEW MIRROR	163	WORLD TR.-RETARDER ENABLE	203	WORLD TRANSM-SPARE	563	DDEC-FAN CLUTCH SPEED#2
137L	RR VIEW MIRROR	164	WORLD TR.-RET. ACTUAT. SIGN	204	WORLD TRANSM-SPARE	564	DDEC-DIGITAL OUTPUT
137M	RR VIEW MIRROR FEED	165	WORLD TR.-OIL LEVEL SIGNAL	214	WORLD TR.-BACK-UP SIGNAL	565	DDEC-ENGINE BRAKE ACTIVE
137R	WORLD TRANSM-RETARDER	166B	A/C & HEAT SYS.-EVAP. MOD.	231	WORLD TR.-NEUTRAL SIGN GRD	583	DDEC-ENGINE BRAKE 4 CYL.
137T	MIRROR HEAT SW-JUMPER	167	WORLD TR.-SPEED 5N0, 5NC	240	DDEC III-ECM 12V FEEDING	900	DDEC-DATA LINK (+)
138	WORLD TR.-RETARDER TEMP	169	WORLD TRANSM-INPUT 12	241	DDEC III-ECM 12V FEEDING	901	DDEC-DATA LINK (-)
138	ABS SYSTEM-SENSOR	170	WORLD TRANSM-SHIFTER	260	WINDOW AJAR-T.T.LT	908	DDEC-HYDRAU. PWM#1 OUTPUT
138A	ABS SYSTEM-SENSOR	170C	LUGGAGE DOOR LOCK-T.T.LT	270	KEYLESS MODULE-FEED	916	DDEC-SENSOR SUPPLY (5VDC)
139	ABS SYSTEM-VALVE	170D	LUGGAGE DOOR LOCK-FEED	270A	ENTRANCE DOOR AIR LOCK	952	DDEC-SENSOR RETURN
139	WORLD TR.-OUTPUT SPEED HI	170E	LUG. DOOR LOCK-UNLOCK SIGN	272	KEYLESS SYSTEM-KEYBOARD	953	DDEC-BATTERY GRD
140	WORLD TR.-OUTPUT SPEED LO	170F	LUGGAGE DOOR LOCK-FEED	274	KEYLESS SYSTEM-KEYBOARD	979	DDEC-ENGINE BRAKE 2 CYL.
140	ABS SYSTEM-VALVE	170G	LUGGAGE DOOR LOCK-FEED	276	KEYLESS SYSTEM-KEYBOARD	2123	FLASHER SIGNAL LTS
141	ABS SYSTEM-VALVE	170H	LUGGAGE DOOR-LOCK SIGN	277	KEYLESS SYS-DR'V LTS SIGN		
141	WORLD TR.-ENGINE SPEED HI	170K	LUGGAGE DOOR-LOCK SIGN	278	KEYLESS SYSTEM-KEYBOARD		
142	ABS SYSTEM-VALVE	170LA	LUGG DOOR LOCK-T.T.LT WE	280	KEYLESS SYSTEM-KEYBOARD		
143	ABS SYSTEM-SENSOR	170LB	LUGG DOOR LOCK-T.T.LT WE	283	KEYLESS SYSTEM-ANTI-THEFT		
143A	ABS SYSTEM-SENSOR	170L	LUGG DOOR LOCK-SIGN T.T.LT	283A	KEYLESS SYS-ENT. DOOR SIGN		
143A	WORLD TRANS-BATTERY GRD	170M	LUGG DOOR LOCK-SIGN T.T.LT	284A	KEYLESS SYSTEM		
143W	WORLD TRANSM-BATTERY GRD	170N	LUGG DOOR LOCK-SIGN T.T.LT	285	KEY. SYS-UNLOCK ENT. DOOR		
143X	WORLD TRANSM-BATTERY GRD	170P	LUGG DOOR LOCK-SIGN T.T.LT	285B	KEYLESS SYSTEM		
144	ABS SYSTEM-SENSOR	170R	LUGG DOOR LOCK-ENTR. DOOR	285C	KEYLESS SYSTEM		
144A	ABS SYSTEM-SENSOR	170S	LUGG DOOR LOCK-SIGN T.T.LT	286	LUGG DOOR LOCK-ENT. DOOR		
145	ABS SYSTEM-VALVE	170T	LUGG DOOR LOCK-SIGN T.T.LT	286A	KEYLESS SYS-CENTER DOOR		
146	ABS SYSTEM-VALVE	170V	LUGG DOOR LOCK-SIGN T.T.LT	290	FAN CLUTCH RADIATOR-FEED		
146A	WORLD TRANSM-12V IGNITION	170W	LUGGAGE DOOR LOCK-FEED	290A	FAN CLUTCH RADIATOR-FEED		
146AA	WORLD TRANSM-DIAGN.CONN.	170X	LUGG DOOR LOCK-SIGN T.T.LT	291	FAN CLUTCH RADIATOR SPD 1		
147	WORLD TRANSM-OIL TEMP	170Y	LUGGAGE DOOR LOCK-FEED	292	FAN CLUTCH RADIATOR SPD 2		
147	ABS SYSTEM-VALVE	170Z	LUGGAGE DOOR LOCK	292A	FAN CLUTCH RADIATOR SPD 2		
147A	ETHER COLD START	171	WORLD TRANSM-SHIFTER	294	KEYLESS SYSTEM-ANTI-THEFT		
147A	DAYTIME LST-ALT.SIGNAL	172	WORLD TRANSM-SHIFTER	295	KEYLESS SYS-LED INDICATOR		
147C	ETHER COLD START	173	WORLD TRANSM-SHIFTER	417	DDEC-LIMIT SPEED GOVERNOR		
148	ABS SYSTEM-VALVE	174	WORLD TRANSM-SHIFTER	419	DDEC -CHEK ENGINE LIGHT		
148	WORLD TR.-OUTPUT SPEED LO	175A	WORLD TRANSM-SHIFTER	439	DDEC-12V IGNITION		
149	WORLD TR.-TURBINE SPEED HI	176	WORLD TRANSM-SHIFTER	451	DDEC-A/C FAN CLUTCH		
149	ABS SYSTEM-SENSOR	180	WORLD TRANSM-SHIFTER	505	DDEC-TACHOMETER DRIVE		
149A	ABS SYSTEM	180	OUTSIDE TEMP. DISPLAY	509	DDEC-STOP ENGINE LIGHT		
150	WORLD TR.-ENGINE SPEED LO	180A	OUTSIDE TEMP. DISPLAY	510	DDEC-FAST IDLE SIGNAL		

CIRCUIT NUMBER CODE

NO. DESCRIPTION

NO. DESCRIPTION

NO. DESCRIPTION

NO. DESCRIPTION

CIRCUIT NUMBER CODE

NO.	DESCRIPTION	NO.	DESCRIPTION	NO.	DESCRIPTION	NO.	DESCRIPTION
IPJ1	CLUSTER - BULB TEST POS	SP62	SPARE WIRE	0T2	WINDOW AWNING	12F	FR JCT PANEL 12V DISC SW
IPJ2	CLUSTER - BULB TEST NEG.	SP63	SPARE WIRE	0T3	ALTERNATOR MODULE	12G	FR JCT PANEL 12V DISC SW
IPJ3	CLUSTER - SV SIGNAL	SP69	SPARE WIRE	0T4	12V OUTLET - CTR MODULE	12H	12V DASH ACCESS.
IPJ4	CLUSTER - RETURN TO ZERO	SP70	SPARE WIRE	0T5	FS-HVAC DASH MODULE. GND	12I	RR JCT BOX 12V IGNITION
IPJ5	CLUSTER - FUEL LEVEL GAUGE	SP71	SPARE WIRE	0W	FJB - TRANSM. RLY GRD	12I	FR JCT PANEL 12V IGNITION
IPJ6	CLUSTER - BULB TEST POS.	SP72	SPARE WIRE	0W	TRANSM ACC. - FR.SERV. CPT	12IA	FR JCT PANEL 12V IGNITION
IPJ7	CLUSTER - BULB TEST NEG.	SP74	SPARE WIRE	0Y1	ASB SYSTEM-GRD	12IA	RR JCT PANEL 12V IGNITION
IPJ8	CLUSTER - MASTER WARNING	SP83	SPARE WIRE	0Y2	ASB SYSTEM-GRD	12IE	ABS-FR JCT PANEL 12V IGN.
LX5	CLUSTER - COMPUTER MODE	SP84	SPARE WIRE	0Y3	ASB SYSTEM-GRD	12IF	FR JCT PANEL 12V IGNITION
LX6	CLUSTER - COMPUTER DOWN	SP114	SPARE WIRE	0Y4	ASB SYSTEM-GRD	12J	FR JCT PANEL 12V DISC.SW.
LX7	CLUSTER - COMPUTER SET	SP115	SPARE WIRE	0Y5	ASB SYSTEM-GRD	12JA	FR JCT PANEL 12V DISC.SW.
LX16	CLUSTER - COMPUTER UP	SP116	SPARE WIRE	0Y6	ASB SYSTEM-GRD	12K	FR JCT PANEL 12V DISC.SW.
LX21	CLUSTER - COMPUTER COM.	SP117	SPARE WIRE	00A	BATTERY GRD-DASH ACC.	12LX	12V HOTWIRE CLUST.& MOD A/C
RT	T.T.L.T. MODULE - TEST SW.	TW1	SPR. W. TWISTER 50T/M WITH TW2	2A	A/C & HEAT SYSTEM	12LX	CLUSTER 12V HOT WIRE
SP1	SPARE WIRE	TW2	SPR. W. TWISTER 50T/M WITH TW1	2B	A/C & HEAT SYSTEM	12M	ABS-FR JCT PANEL 12V DISC.SW.
SP2	SPARE WIRE	0	A/C EVAP. CPT GRD	2D	A/C & HEAT SYSTEM	12P	12V POWER OUTLET
SP3	SPARE WIRE	0	JUMPER - CLUTCH SIGN.	2E	A/C & HEAT SYSTEM	12T	RR JCT BOX 12V DISC SW
SP4	SPARE WIRE	0	RJB - INSIDE GRD	2H	A/C & HEAT SYS-LO-PRESS SW.	12VD	12V HOT WIRE
SP5	SPARE WIRE	0A	FR. ROOF ACC. GRD	2L	A/C & HEAT SYS-HI-PRESS SW.	12VI	RR JCT PANEL 12V IGNITION
SP6	SPARE WIRE	0B	A/C - CONDENSER GRD	3A	A/C & HEAT SYSTEM-EVAPORATOR	12W	12V HOT WIRE DDEC III FEED
SP7	SPARE WIRE	0B	ENG. CPT ACC. GRD	5N0	SPEED SIGNAL HIGHER 5MPH	15	EXT. LTS-MULTI FUNC LEVEL
SP8	SPARE WIRE	0BE	OV BATTERY MONITOR	5NC	SPEED SIGNAL LOWER 5MPH	15	WIPER & WASHER SYSTEM
SP9	SPARE WIRE	0C	R.J.B. - GRB	6	EXTERIOR LTS-DOCKING	16	SPEEDOMETER (+)
SP10	SPARE WIRE	0C	F.R. SERV. CPT-ACCESSOIRES	6A	EXTERIOR LTS-CORNERING	16T	SPEED SW SIGNAL IN (+)
SP11	SPARE WIRE	0C1	ENTRANCE DOOR KEYLESS	6B1	EXTERIOR LTS-CORNERING RH	17	EXTERIOR LTS-FLASHER UNIT
SP12	SPARE WIRE	0C4	F.J.B. GRD	6C1	EXTERIOR LTS-CORNERING RH	17A	EXTERIOR LTS-FLASHER UNIT
SP13	SPARE WIRE	0CJ	CRUISE SW. JUMPER	6D	EXTERIOR LTS-DOCKING	17C	JUMPER LTS SW. - HAZARD
SP14	SPARE WIRE	0D	A/C JCT BOX - COND FAN GRD	9	INTERIOR LTS-ENGINE CPT	20	SPEEDOMETER SIGNAL (-)
SP15	SPARE WIRE	0F	SILENT 1000	9	INTERIOR LTS-RR JCT BOX	20T	SPEED SW SIGNAL IN (-)
SP16	SPARE WIRE	0G	ABS GRD CX1	9F	INTERIOR LTS - FR-SERV. CPT	21	EXTERIOR LTS-DIRECT. LH
SP17	SPARE WIRE	0H	ENG. CPT. - ACC. GRD	10	A/C & HEAT SYSTEM -LO PRES.	21A	EXTERIOR LTS-LH
SP18	SPARE WIRE	0L	ENG.CPT -CLEAR.LTS RR ROOF	10	INTERIOR LTS-LUGGAGE CPT	21A	EXTERIOR LTS-CORNERING-LH
SP19	SPARE WIRE	0L	R.J.B. - GRD	10	INTERIOR LTS-FR SERV. CPT	21B	EXTERIOR LTS-DIRECT. LH
SP21	SPARE WIRE	0L	FR - SIDE MARK. & FLASH GRD	10A	INTERIOR LTS-LUGGAGE CPT	21BB	EXTERIOR LTS-DIRECT. LH
SP23	SPARE WIRE	0L1	ENG.CPT-SIDE MARK. & FL. GRD	10B	INTERIOR LTS-LUGGAGE CPT	21H	EXTERIOR LTS-HAZARD SIGNAL
SP24	SPARE WIRE	0L2	HEAD LTS	10C	INTERIOR LTS-LUGGAGE CPT	21M	AUX. LTS - DIRECTIONAL LH
SP25	SPARE WIRE	0L3	FR.SERV.DR. & ENT.DOOR GRD ACC.	10D	INTERIOR LTS-LUGGAGE CPT	21P	CORN. LTS - DIRECT. SIGN. LH
SP30	SPARE WIRE	0L4	FOG LTS RESISTOR GRD	10E	INTERIOR LTS-LUGGAGE CPT	23	EXTERIOR LTS-DIRECT. RH
SP33	SPARE WIRE	0L5	LH CONSOL - ACC. GRD	10R	CENTER DOOR T.T.L.T.	23A	EXTERIOR LTS-DIRECT. RH
SP38	SPARE WIRE	0L5	AIR DRYER GRD	12A	FR JCT PANEL 12V DISC SW	23A	EXTERIOR LTS - CORNER. LTS
SP40	SPARE WIRE	0LV	WINDSHIELD WASHER LEVEL	12B	FR JCT PANEL 12V DISC SW	23BB	EXTERIOR LTS - DIRECT. RH
SP41	SPARE WIRE	0M	WIPER 2 MIRROR MOTOR	12BAT	12V HOT-WIRE ACC - JCT BLK	23C	EXTERIOR LTS-CORNERING RH
SP42	SPARE WIRE	0M3	DEFROST GRD	12BE	12V BATTERY MONITOR	23H	EXTERIOR LTS-HAZARD SIGNAL
SP43	SPARE WIRE	0M4	HORN & DR'S WINDOW LIFTER	12C	FR JCT PANEL 12V DISC SW	23M	AUX LTS - DIRECTIONAL RH
SP45	SPARE WIRE	0M5	SUN VISOR MOTOR	12C	RR JCT BOX 12V DISC SW	23P	CORN. LTS - DIRECT SIGN RH
SP48	SPARE WIRE	0M7	DR'S WIND.LIFT. & RH MIR. SW	12D	FR JCT PANEL 12V HOT WIRE	24	FR JCT PANEL 24V DISC. SW.
SP56	SPARE WIRE	0M7A	LH MIRROR SW.	12DD	FR JCT PANEL 12V HOT WIRE	24A	RR JCT PANEL 24V DISC. SW
SP57	SPARE WIRE	0T	SPEED SW. CONNECTOR	12DDR	RR JCT BOX 12V HOT WIRE DDR CON	24A	FR JCT PANEL 24V DISC. SW
SP60	SPARE WIRE	0T1	DASH ACC.	12DT	T.T. LT MODULE	24BE	BATTERY MONITOR
SP61	SPARE WIRE	0T2	CLUSTER ACC.	12E	RR JCT BOX 12V DISC SW	24C	FR JCT PANEL 24V DISC SW

CIRCUIT NUMBER CODE

NO.	DESCRIPTION	NO.	DESCRIPTION	NO.	DESCRIPTION	NO.	DESCRIPTION
24D	FR JCT BOX 24V HOT WIRE	44E	EXTERNAL LTS - FOG	72	SUN VISOR - FEED	103	WORLD TRANSM.- B.SOL.LO
24F	RR JCT PANEL 24V DISC SW	45A	A/C & HEAT SYSTEM FULL AIR	72A	SUN VISOR RH	104	LEVEL-LOW SYS- DR'S SOL.
24I	FR JCT PANEL 24V IGNITION	45B	A/C & HEAT SYS.-WATER PUMP	72B	SUN VISOR RH	104	WORLD TR. -SOL. FORWARD
24I	RR JCT PANEL 24V IGNITION	45C	A/C & HEAT SYS.-WATER VALV	72C	SUN VISOR LH	105W	WORLD TR.-SOL.-RET.OIL TT.LT
24IA	FR JCT PANEL 24V IGNITION	45D	A/C & HEAT SYS.-WATER VALV	72D	SUN VISOR LH	107	WORLD TR.-LOCKUP SOL. HI
24IB	FR JCT PANEL 24V IGNITION	45E	A/C & HEAT SYS.-WATER PUMP	76	FUEL TANK GAUGE	108	WORLD TR.-LOCKUP SOL.
24IF	FR JCT PANEL 24V IGNITION	45G	A/C & HEAT SYS.-DR'S HTR	76C	LOW FUEL T.T.LT	110	WORLD TR.-LOCKUP SOL. LO
24P	FR JCT PANEL 24V DISC SW	45J	A/C & HEAT SYS.-WATER PUMP	76L	LOW FUEL T.T.LT	112	WORLD TR.-SPARE OUTPUT (+)
24R	24V RR JCT BLK TO STARTER	46	EXTERIOR LTS-MARKER	77A	A/C & HEAT SYS. - THERMOST.	112	WORLD TR.-SPARE OUTPUT (+)
24T	RR JCT PANEL 24V DISC SW	46A	EXTERIOR LTS-AUX LTS RESIS.	77B	A/C SYS. - LIQ. SOL. VALVE	113W	WORLD TR.-REVERSE WARNING
24VD	24V HOT WIRE FEED	46C	EXTERIOR LTS-MARKER	77C	A/C & HEAT SYS.-COMPRESSOR	114	WORLD TR.-SPARE OUTPUT (-)
25A	TT.LT. MODULE - LED	46D	EXTERIOR LTS-AUX LTS RESIS.	77H	A/C SYS.-LIQ. SOL. VALVE	114	INTERIOR LT-DASH LT RHEOS.
25B	EXT. LTS-DAYTIME RUN LTS	48A	ENTRANCE DOOR AIR LOCK	77H	A/C & HEAT SYS.-THEMOSTAT	114A	INTERIOR LT-DASH LT RHEOS.
25D	GENERATOR SKTN. ON - HVAC	48B	ENTRANCE DOOR AIR LOCK	81	EXTERIOR LTS-STOP SW	114B	INT. LT-DASH LT RHEOST.FEED
26	DR'S & ENT. WINDOW LIFTER	48C	ENTRANCE DOOR AIR LOCK	82	EXTERIOR LTS-STOP SIGNAL	115	DDEC III-COOLANT LEVEL
26A	CIGAR LIGHT. & POW.OUTLET LH	50	AIR DRYER	82A	EXTERIOR LTS-STOP SIGNAL	115W	WORLD TR.-DO NOT SHIFT SIGN
26B	DRIVER'S WINDOW LIFTER	52	ALARM & SIGNAL-ELEC.HORN	82B	EXTERIOR LTS-STOP LTS	116	WORLD TR.-LO SIGNAL SOL. HI
26C	DRIVER'S WINDOW LIFTER	52A	ALARM & SIGNAL-ELEC.HORN	82L	EXT. LTS-STOP LTS & CYCLOP	116B	A/C & HEAT SYSTEM-DR'S HTR
26D	ENT. DOOR WINDOW LIFTER	53	ALARM & SIGNAL-ELEC.HORN	82R	EXTERIOR LTS-STOP LTS	116C	A/C SYS.-TRIG. DEFROST
26E	ENT. DOOR WINDOW LIFTER	53B	WIPER & WASHER SYSTEM	83	ENG. CTR-MAST. KEY SW ACC.	119	WORLD TRANSM-ENGINE BRAKE
26F	ENT. DOOR WINDOW LIFTER	53C	WIPER & WASHER SYSTEM	84	ENG. CTR-MAST KEY SW START	120	WORLD TRANSM-SOL. C1
28H	T.T.LT MODULE - HI A/C PRES.	53E	WIPER & WASHER SYSTEM	84A	ENG. CTR-MAST KEY SW START	121	WORLD TRANSM-SOL.GRD 2
28T	T.T.LT MODULE - LO A/C PRES.	53J	WIPER & WASHER SYSTEM	84J	ENG. CTR-MAST KEY SW START	123	WORLD TR.-NEUTRAL START
29	A/C & HEAT SYS.-DR'S HTR	53K	KEYLESS SYSTEM	85	24V IGNITION SIGNAL	123A	ALARM & SIGNAL-FIRE DETECT.
29H	HVAC DASH MODILE	55	EXTERIOR LTS-HI BEAM	85A	24V IGN DASH INSTRUMENT.	123B	ALARM & SIGNAL-FIRE DETECT.
31B	WIPER & WASHER SYSTEM	57	EXTERIOR LTS-HI BEAM	85C	24V IGNITION - FEED	124	WORLD TR.-THROTTLE (HI)
31C	WIPER & WASHER SYSTEM	57A	EXTERIOR LTS-HI BEAM	85W	WORLD TRANSM. - 24V IGN.	124A	WORLD TRANSM-SENSOR PWR
32	EXTERIOR LTS-BACK-UP	57B	A/C & HEAT SYS.-WATER PUMP	85X	ABS-12V IGN	125	WORLD TR-RETARDER INDICAT.
32B	EXTERIOR LTS-BACK-UP	57C	A/C & HEAT SYS.-WATER PUMP	85Y	ABS-12V IGN	125W	WORLD TR-RETARDER INDICAT.
32F	BACK-UP CANCEL SW.	57E	A/C & HEAT SYS.-WATER VALV	85Z	ABS-12V IGN	126	WORLD TR.-LUBE PRESS SW.
32G	BACK-UP ALARM	58	EXTERIOR LTS-LO BEAM	86	ENG. CTR-STARTER SOL SIGN	126	24VIGN-LEV.LOW & WORLD TR.
32J	BACK-UP SW. - JUMPER	58A	EXTERIOR LTS-LO BEAM	86A	ENG. CTR-STARTER SOL SIGN	126F	LEVEL LOW SYSTEM
35B	DRIVER'S LTS - KEYLESS SIGN	58B	EXTERIOR LTS-LO BEAM	87B	ENGINE CTR-24V IGNITION	126H	SPEED SIGN 5NC - NOT USED
36	ENGINE BRAKE SYSTEM	59A	ENGINE BRAKE SYSTEM	88	ENGINE CTR-RR START SIGNAL	126W	WORLD TRANSM-NOT USED
36A	ENGINE BRAKE SYSTEM & RET.	61	EXTERIOR LTS-24V FEED SW	89	ENGINE CTR-RR START SIGNAL	127	24HW DR'S LT PREHEAT & HVAC
39	INTERIOR LTS-DRIVER'S LTS	61A	EXTERIOR LTS-HEAD SIGNAL	90	CONVERTER - CABLE SPARG	128	WORLD TRANSM-SOL. C2
39B	INTERIOR LTS-DRIVER'S LTS	63	EXTERIOR LTS-CLEAR. FEED	90A	ENG. CTR-MAST KEY SW FEED	129	WORLD TRANSM-SOL. C5
39C	INTERIOR LTS-DRIVER'S LTS	63B	EXTERIOR LTS-CLEARANCE	90B	A/C & H. SYS.-COND FAN MOT	130	WORLD TRANSM-SOL. GRD 3
39D	INTERIOR LTS - FRIVER' LTS	63C	EXT. LTS-MARKER SIGNAL	90B	ENG. CTR-MAST KEY SW FEED	131	WORLD TRANSM-SOL.C4
39K	DR'S LTS - KEYLESS SIGN.	63F	EXT. LTS-MARKER BLINKER	91	PARKING BRAKE SW SIGNAL	132	WORLD TRANSM-ENGINE BRAKE
41	A/C SYS.-COND FAN MOTOR	64	DRIVER'S FAN SPEED CTR	91A	DDEC III-FAST IDLE SIGNAL	132A	LEVEL LOW SYSTEM
41A	A/C SYS.-COND FAN MOTOR	64A	DRIVER'S FAN SPEED CTR	91C	PARKING BRAKE - T.T.LT	132B	LEVEL LOW SYSTEM
41B	A/C SYS.-COND FAN MOTOR	64B	DRIVER'S FAN SPEED CTR	91J	FAST IDLE - JUMPER SW.	132C	LEVEL LOW SYSTEM
42	A/C SYS.-COND FAN MOTOR	65	FOOT DAMPER MOTOR	92	BATT. EQUAL.-CHECK BALANCE	132D	LEVEL LOW SYSTEM
43A	A/C & HEAT SYS. - FAN SPEED	65A	FOOT DAMPER MOTOR	93	BATT. EQUALIZ.-CHECK LO/HI	132E	LEVEL LOW SYSTEM
44	EXTERIOR LTS-FOG	65D	DRIVER'S REC. DAMPER	95A	ENG. BRAKE & RETARDER SYS.	132F	LEVEL LOW SYSTEM
44A	EXTERIOR LTS-FOG	66	A/C PASSENGER - ON/OFF	95B	ENG. BRAKE & RETARDER SYS.	135	WORLD TRANSM-RET.TEMP.
44B	EXTERIOR LTS-FOG	67A	A/C & HEAT SYSTEM	97	TACHOMETER SIGN.-NOT USED	135A	WORLD TR.-RES MODULE RET.
44C	EXT. LTS-FOG,HVAC & HAZ. SW	68	DASH & DEFROST DAMPER MOT	101	WORLD TR.- LO SIGN SOL.LO	135B	A/C & HEAT SYS.-AIR SENSOR
44D	EXTERIOR LTS - FOG	68A	DASH & DEFROST DAMPER MOT	102	WORLD TRANSM.-SOL. SUPPLY	135C	A/C & HEAT SYS.-AIR SENSOR

CIRCUIT NUMBER CODE

NO.	DESCRIPTION	NO.	DESCRIPTION	NO.	DESCRIPTION	NO.	DESCRIPTION
136A	WORLD TRANSM-12V BATTERY	149A	ABS SYSTEM	180	OUTSIDE TEMP. DISPLAY	509	DDEC-STOP ENGINE LIGHT
136AA	WORLD TRANSM-SHIFTER PWR	150	WORLD TR.-ENGINE SPEED LO	180A	OUTSIDE TEMP. DISPLAY	510	DDEC-FAST IDLE SIGNAL
136V	WORLD TRANSM-12V BATTERY	150	DDEC III-ECM BATTERY GRD	180A	WORLD TRANSM-SHIFTER	524	DDEC-ENGINE BRAKEDISABLE
136W	WORLD TRANSM-12V BATTERY	150A	DDEC III-ECM BATTERY GRD	180B	OUTSIDE TEMP. DISPLAY	525	DDEC-FAST IDLE SIGNAL
137	WORLD TRANSM-RETARDER	151	DDEC III-ECM BATTERY GRD	180C	OUTSIDE TEMP. DISPLAY	528	DDEC-STOP ENG. OVERRIDE
137	RR VIEW MIRROR	151	ABS SYSTEM-SPARE	181	FROZEN POINT T.T.LT	531	DDEC-CRUISE CLUTCH CUT OUT
137A	RR VIEW MIRROR	152	ABS SYSTEM-SPARE	181A	THERMOMETER INSIDE SENSOR	540	DDEC-CRUISE ENABLE T.T.LT
137B	RR VIEW MIRROR	153	ELECTRICAL DRIVER'S SEAT	181B	THERMOMETER INSIDE SENSOR	541	DDEC-CRUISE SET SW
137C	RR VIEW MIRROR	154	WORLD TRANSM-ABS INPUT (-)	181C	THERMOMET. OUTSIDE SENSOR	542	INPUT PARK BRAKE INTERLOCK
137D	RR VIEW MIRROR	156A	ABS SYSTEM-FEED	181D	THERMOMET. OUTSIDE SENSOR	543	DDEC-CRUISE STOP SW CUT IN
137D	RR VIEW MIRROR	157B	ABS SYSTEM	195	WORLD TRANSM-TRANS ID	544	DDEC-CRUISE ON/OFF SW
137E	RR VIEW MIRROR	159	WORLD TRANSM-DIAGNOSTIC	197	FUEL WATER FILTER	545	DDEC-CRUISE RESUME SW
137F	RR VIEW MIRROR	160	ALARM & SIGN.-TAG PRESS SW	197A	FUEL WATER FILTER	555	DDEC-FAN CLUTCH SPEED#1
137H	RR VIEW MIRROR	161B	WORLD TRANSM-SIGNALGRD	201	WORLD TRANSM-SPARE	556	DDEC-VEHICULE SPEED (+)
137J	RR VIEW MIRROR	162	WORLD TRANSM-PRESS. SW C3	202	WORLD TRANSM-SPARE	557	DDEC-VEHICULE SPEED (-)
137K	RR VIEW MIRROR	163	WORLD TR.-RETARDER ENABLE	203	WORLD TRANSM-SPARE	563	DDEC-FAN CLUTCH SPEED#2
137L	RR VIEW MIRROR	164	WORLD TR.-RET. ACTUAT. SIGN	204	WORLD TRANSM-SPARE	564	DDEC-DIGTAL OUTPUT
137M	RR VIEW MIRROR FEED	165	WORLD TR.-OIL LEVEL SIGNAL	214	WORLD TR.-BACK-UP SIGNAL	565	DDEC-ENGINE BRAKE ACTIVE
137R	WORLD TRANSM-RETARDER	166B	A/C & HEAT SYS.-EVAP. MOD.	231	WORLD TR.-NEUTRAL SIGN GRD	583	DDEC-ENGINE BRAKE 4 CYL.
137T	MIRROR HEAT SW-JUMPER	167	WORLD TR.-SPEED 5N0, 5NC	240	DDEC III-ECM 12V FEEDING	900	DDEC-DATA LINK (+)
138	WORLD TR.-RETARDER TEMP	169	WORLD TRANSM-INPUT 12	241	DDEC III-ECM 12V FEEDING	901	DDEC-DATA LINK (-)
138	ABS SYSTEM-SENSOR	170	WORLD TRANSM-SHIFTER	260	WINDOW AJAR-T.T.LT	908	DDEC-HYDRAU. PWM#1 OUTPUT
138A	ABS SYSTEM-SENSOR	170C	LUGGAGE DOOR LOCK-T.T.LT	270	KEYLESS MODULE-FEED	916	DDEC-SENSOR SUPPLY (5VDC)
139	ABS SYSTEM-VALVE	170D	LUGGAGE DOOR LOCK-FEED	270A	ENTRANCE DOOR AIR LOCK	952	DDEC-SENSOR RETURN
139	WORLD TR.-OUTPUT SPEED HI	170E	LUG. DOOR LOCK-UNLOCK SIGN	272	KEYLESS SYSTEM-KEYBOARD	953	DDEC-BATTERY GRD
140	WORLD TR.-OUTPUT SPEED LO	170F	LUGGAGE DOOR LOCK-FEED	274	KEYLESS SYSTEM-KEYBOARD	979	DDEC-ENGINE BRAKE 2 CYL.
140	ABS SYSTEM-VALVE	170G	LUGGAGE DOOR LOCK-FEED	276	KEYLESS SYSTEM-KEYBOARD	2123	FLASHER SIGNAL LTS
141	ABS SYSTEM-VALVE	170H	LUGGAGE DOOR-LOCK SIGN	277	KEYLESS SYS-DR'V LTS SIGN		
141	WORLD TR.-ENGINE SPEED HI	170K	LUGGAGE DOOR-LOCK SIGN	278	KEYLESS SYSTEM-KEYBOARD		
142	ABS SYSTEM-VALVE	170LA	LUGG DOOR LOCK-T.T.LT WE	280	KEYLESS SYSTEM-KEYBOARD		
143	ABS SYSTEM-SENSOR	170LB	LUGG DOOR LOCK-T.T.LT WE	283	KEYLESS SYSTEM-ANTI-THEFT		
143A	ABS SYSTEM-SENSOR	170L	LUGG DOOR LOCK-SIGN T.T.LT	283A	KEYLESS SYS-ENT. DOOR SIGN		
143A	WORLD TRANS-BATTERY GRD	170M	LUGG DOOR LOCK-SIGN T.T.LT	284A	KEYLESS SYSTEM		
143W	WORLD TRANSM-BATTERY GRD	170N	LUGG DOOR LOCK-SIGN T.T.LT	285	KEY. SYS-UNLOCK ENT. DOOR		
143X	WORLD TRANSM-BATTERY GRD	170P	LUGG DOOR LOCK-SIGN T.T.LT	285B	KEYLESS SYSTEM		
144	ABS SYSTEM-SENSOR	170R	LUGG DOOR LOCK-ENTR. DOOR	285C	KEYLESS SYSTEM		
144A	ABS SYSTEM-SENSOR	170S	LUGG DOOR LOCK-SIGN T.T.LT	286	LUGG DOOR LOCK-ENT. DOOR		
145	ABS SYSTEM-VALUE	170T	LUGG DOOR LOCK-SIGN T.T.LT	286A	KEYLESS SYS-CENTER DOOR		
146	ABS SYSTEM-VALUE	170V	LUGG DOOR LOCK-SIGN T.T.LT	290	FAN CLUTCH RADIATOR-FEED		
146A	WORLD TRANSM-12V IGNITION	170W	LUGGAGE DOOR LOCK-FEED	290A	FAN CLUTCH RADIATOR-FEED		
146AA	WORLD TRANSM-DIAGN.CONN.	170X	LUGG DOOR LOCK-SIGN T.T.LT	291	FAN CLUTCH RADIATOR SPD 1		
147	WORLD TRANSM-OIL TEMP	170Y	LUGGAGE DOOR LOCK-FEED	292	FAN CLUTCH RADIATOR SPD 2		
147	ABS SYSTEM-VALVE	170Z	LUGGAGE DOOR LOCK	292A	FAN CLUTCH RADIATOR SPD 2		
147A	ETHER COLD START	171	WORLD TRANSM-SHIFTER	294	KEYLESS SYSTEM-ANTI-THEFT		
147A	DAYTIME LST-ALT.SIGNAL	172	WORLD TRANSM-SHIFTER	295	KEYLESS SYS-LED INDICATOR		
147C	ETHER COLD START	173	WORLD TRANSM-SHIFTER	417	DDEC-LIMIT SPEED GOVERNOR		
148	ABS SYSTEM-VALVE	174	WORLD TRANSM-SHIFTER	419	DDEC -CHEK ENGINE LIGHT		
148	WORLD TR.-OUTPUT SPEED LO	175A	WORLD TRANSM-SHIFTER	439	DDEC-12V IGNITION		
149	WORLD TR.-TURBINE SPEED HI	176	WORLD TRANSM-SHIFTER	451	DDEC-A/C FAN CLUTCH		
149	ABS SYSTEM-SENSOR	180	WORLD TRANSM-SHIFTER	505	DDEC-TACHOMETER DRIVE		

CIRCUIT NUMBER CODE

NO. DESCRIPTION

NO. DESCRIPTION

NO. DESCRIPTION

NO. DESCRIPTION

CIRCUIT NUMBER CODE

NO.	DESCRIPTION	NO.	DESCRIPTION	NO.	DESCRIPTION	NO.	DESCRIPTION
IPJ1	CLUSTER - BULB TEST POS	SP62	SPARE WIRE	0T2	WINDOW AWNING	12F	FR JCT PANEL 12V DISC SW
IPJ2	CLUSTER - BULB TEST NEG.	SP63	SPARE WIRE	0T3	ALTERNATOR MODULE	12G	FR JCT PANEL 12V DISC SW
IPJ3	CLUSTER - SV SIGNAL	SP69	SPARE WIRE	0T4	12V OUTLET - CTR MODULE	12H	12V DASH ACCESS.
IPJ4	CLUSTER - RETURN TO ZERO	SP70	SPARE WIRE	0T5	FS-HVAC DASH MODULE. GND	12I	RR JCT BOX 12V IGNITION
IPJ5	CLUSTER - FUEL LEVEL GAUGE	SP71	SPARE WIRE	0W	FJB - TRANSM. RLY GRD	12I	FR JCT PANEL 12V IGNITION
IPJ6	CLUSTER - BULB TEST POS.	SP72	SPARE WIRE	0W	TRANSM ACC. - FR.SERV. CPT	12IA	FR JCT PANEL 12V IGNITION
IPJ7	CLUSTER - BULB TEST NEG.	SP74	SPARE WIRE	0Y1	ASB SYSTEM-GRD	12IA	RR JCT PANEL 12V IGNITION
IPJ8	CLUSTER - MASTER WARNING	SP83	SPARE WIRE	0Y2	ASB SYSTEM-GRD	12IE	ABS-FR JCT PANEL 12V IGN.
LX5	CLUSTER - COMPUTER MODE	SP84	SPARE WIRE	0Y3	ASB SYSTEM-GRD	12IF	FR JCT PANEL 12V IGNITION
LX6	CLUSTER - COMPUTER DOWN	SP114	SPARE WIRE	0Y4	ASB SYSTEM-GRD	12J	FR JCT PANEL 12V DISC.SW.
LX7	CLUSTER - COMPUTER SET	SP115	SPARE WIRE	0Y5	ASB SYSTEM-GRD	12JA	FR JCT PANEL 12V DISC.SW.
LX16	CLUSTER - COMPUTER UP	SP116	SPARE WIRE	0Y6	ASB SYSTEM-GRD	12K	FR JCT PANEL 12V DISC.SW.
LX21	CLUSTER - COMPUTER COM.	SP117	SPARE WIRE	00A	BATTERY GRD-DASH ACC.	12LX	12V HOTWIRE CLUST.& MOD A/C
RT	T.T.L.T. MODULE - TEST SW.	TW1	SPR. W. TWISTER 50T/M WITH TW2	2A	A/C & HEAT SYSTEM	12LX	CLUSTER 12V HOT WIRE
SP1	SPARE WIRE	TW2	SPR. W. TWISTER 50T/M WITH TW1	2B	A/C & HEAT SYSTEM	12M	ABS-FR JCT PANEL 12V DISC.SW.
SP2	SPARE WIRE	0	A/C EVAP. CPT GRD	2D	A/C & HEAT SYSTEM	12P	12V POWER OUTLET
SP3	SPARE WIRE	0	JUMPER - CLUTCH SIGN.	2E	A/C & HEAT SYSTEM	12T	RR JCT BOX 12V DISC SW
SP4	SPARE WIRE	0	RJB - INSIDE GRD	2H	A/C & HEAT SYS-LO-PRESS SW.	12VD	12V HOT WIRE
SP5	SPARE WIRE	0A	FR. ROOF ACC. GRD	2L	A/C & HEAT SYS-HI-PRESS SW.	12VI	RR JCT PANEL 12V IGNITION
SP6	SPARE WIRE	0B	A/C - CONDENSER GRD	3A	A/C & HEAT SYSTEM-EVAPORATOR	12W	12V HOT WIRE DDEC III FEED
SP7	SPARE WIRE	0B	ENG. CPT ACC. GRD	5N0	SPEED SIGNAL HIGHER 5MPH	15	EXT. LTS-MULTI FUNC LEVEL
SP8	SPARE WIRE	0BE	OV BATTERY MONITOR	5NC	SPEED SIGNAL LOWER 5MPH	15	WIPER & WASHER SYSTEM
SP9	SPARE WIRE	0C	R.J.B. - GRB	6	EXTERIOR LTS-DOCKING	16	SPEEDOMETER (+)
SP10	SPARE WIRE	0C	F.R. SERV. CPT-ACCESSOIRIES	6A	EXTERIOR LTS-CORNERING	16T	SPEED SW SIGNAL IN (+)
SP11	SPARE WIRE	0C1	ENTRANCE DOOR KEYLESS	6B1	EXTERIOR LTS-CORNERING RH	17	EXTERIOR LTS-FLASHER UNIT
SP12	SPARE WIRE	0C4	F.J.B. GRD	6C1	EXTERIOR LTS-CORNERING RH	17A	EXTERIOR LTS-FLASHER UNIT
SP13	SPARE WIRE	0CJ	CRUISE SW. JUMPER	6D	EXTERIOR LTS-DOCKING	17C	JUMPER LTS SW. - HAZARD
SP14	SPARE WIRE	0D	A/C JCT BOX - COND FAN GRD	9	INTERIOR LTS-ENGINE CPT	20	SPEEDOMETER SIGNAL (-)
SP15	SPARE WIRE	0F	SILENT 1000	9	INTERIOR LTS-RR JCT BOX	20T	SPEED SW SIGNAL IN (-)
SP16	SPARE WIRE	0G	ABS GRD CX1	9F	INTERIOR LTS - FR-SERV. CPT	21	EXTERIOR LTS-DIRECT. LH
SP17	SPARE WIRE	0H	ENG. CPT. - ACC. GRD	10	A/C & HEAT SYSTEM -LO PRES.	21A	EXTERIOR LTS-LH
SP18	SPARE WIRE	0L	ENG.CPT -CLEAR.LTS RR ROOF	10	INTERIOR LTS-LUGGAGE CPT	21A	EXTERIOR LTS-CORNERING-LH
SP19	SPARE WIRE	0L	R.J.B. - GRD	10	INTERIOR LTS-FR SERV. CPT	21B	EXTERIOR LTS-DIRECT. LH
SP21	SPARE WIRE	0L	FR - SIDE MARK. & FLASH GRD	10A	INTERIOR LTS-LUGGAGE CPT	21BB	EXTERIOR LTS-DIRECT. LH
SP23	SPARE WIRE	0L1	ENG.CPT-SIDE MARK. & FL. GRD	10B	INTERIOR LTS-LUGGAGE CPT	21H	EXTERIOR LTS-HAZARD SIGNAL
SP24	SPARE WIRE	0L2	HEAD LTS	10C	INTERIOR LTS-LUGGAGE CPT	21M	AUX. LTS - DIRECTIONAL LH
SP25	SPARE WIRE	0L3	FR.SERV.DR. & ENT.DOOR GRD ACC.	10D	INTERIOR LTS-LUGGAGE CPT	21P	CORN. LTS - DIRECT. SIGN. LH
SP30	SPARE WIRE	0L4	FOG LTS RESISTOR GRD	10E	INTERIOR LTS-LUGGAGE CPT	23	EXTERIOR LTS-DIRECT. RH
SP33	SPARE WIRE	0L5	LH CONSOL - ACC. GRD	10R	CENTER DOOR T.T.L.T.	23A	EXTERIOR LTS-DIRECT. RH
SP38	SPARE WIRE	0L5	AIR DRYER GRD	12A	FR JCT PANEL 12V DISC SW	23A	EXTERIOR LTS - CORNER. LTS
SP40	SPARE WIRE	0LV	WINDSHIELD WASHER LEVEL	12B	FR JCT PANEL 12V DISC SW	23BB	EXTERIOR LTS - DIRECT. RH
SP41	SPARE WIRE	0M	WIPER 2 MIRROR MOTOR	12BAT	12V HOT-WIRE ACC - JCT BLK	23C	EXTERIOR LTS-CORNERING RH
SP42	SPARE WIRE	0M3	DEFROST GRD	12BE	12V BATTERY MONITOR	23H	EXTERIOR LTS-HAZARD SIGNAL
SP43	SPARE WIRE	0M4	HORN & DR'S WINDOW LIFTER	12C	FR JCT PANEL 12V DISC SW	23M	AUX LTS - DIRECTIONAL RH
SP45	SPARE WIRE	0M5	SUN VISOR MOTOR	12C	RR JCT BOX 12V DISC SW	23P	CORN. LTS - DIRECT SIGN RH
SP48	SPARE WIRE	0M7	DR'S WIND.LIFT. & RH MIR. SW	12D	FR JCT PANEL 12V HOT WIRE	24	FR JCT PANEL 24V DISC. SW.
SP56	SPARE WIRE	0M7A	LH MIRROR SW.	12DD	FR JCT PANEL 12V HOT WIRE	24A	RR JCT PANEL 24V DISC. SW
SP57	SPARE WIRE	0T	SPEED SW. CONNECTOR	12DDR	RR JCT BOX 12V HOT WIRE DDR CON	24A	FR JCT PANEL 24V DISC. SW
SP60	SPARE WIRE	0T1	DASH ACC.	12DT	T.T. LT MODULE	24BE	BATTERY MONITOR
SP61	SPARE WIRE	0T2	CLUSTER ACC.	12E	RR JCT BOX 12V DISC SW	24C	FR JCT PANEL 24V DISC SW

CIRCUIT NUMBER CODE

NO.	DESCRIPTION	NO.	DESCRIPTION	NO.	DESCRIPTION	NO.	DESCRIPTION
24D	FR JCT BOX 24V HOT WIRE	44B	EXTERIOR LTS-FOG	67A	A/C & HEAT SYSTEM	97	TACHOMETER SIGN.-NOT USED
24F	RR JCT PANEL 24V DISC SW	44C	EXT. LTS-FOG,HVAC & HAZ. SW	68	DASH & DEFROST DAMPER MOT	101	WORLD TR.- LO SIGN SOL.LO
24I	FR JCT PANEL 24V IGNITION	44D	EXTERIOR LTS - FOG	68A	DASH & DEFROST DAMPER MOT	102	WORLD TRANSM.-SOL. SUPPLY
24I	RR JCT PANEL 24V IGNITION	44E	EXTERNAL LTS - FOG	72	SUN VISOR - FEED	103	WORLD TRANSM.- B.SOL.LO
24IA	FR JCT PANEL 24V IGNITION	45A	A/C & HEAT SYSTEM FULL AIR	72A	SUN VISOR RH	104	LEVEL-LOW SYS- DR'S SOL.
24IB	FR JCT PANEL 24V IGNITION	45B	A/C & HEAT SYS.-WATER PUMP	72B	SUN VISOR RH	104	WORLD TR. -SOL. FORWARD
24IF	FR JCT PANEL 24V IGNITION	45C	A/C & HEAT SYS.-WATER VALV	72C	SUN VISOR LH	105W	WORLD TR.-SOL.-RET.OIL TT.LT
24P	FR JCT PANEL 24V DISC SW	45D	A/C & HEAT SYS.-WATER VALV	72D	SUN VISOR LH	107	WORLD TR.-LOCKUP SOL. HI
24R	24V RR JCT BLK TO STARTER	45E	A/C & HEAT SYS.-WATER PUMP	76	FUEL TANK GAUGE	108	WORLD TR.-LOCKUP SOL.
24T	RR JCT PANEL 24V DISC SW	45G	A/C & HEAT SYS.-DR'S HTR	76C	LOW FUEL T.T.LT	110	WORLD TR.-LOCKUP SOL. LO
24VD	24V HOT WIRE FEED	45J	A/C & HEAT SYS.-WATER PUMP	76L	LOW FUEL T.T.LT	112	WORLD TR.-SPARE OUTPUT (+)
25A	TT.LT. MODULE - LED	46	EXTERIOR LTS-MARKER	77A	A/C & HEAT SYS. - THERMOST.	112	WORLD TR.-SPARE OUTPUT (+)
25A1	BOSCH ALTERNATOR - WE ONLY	46A	EXTERIOR LTS-AUX LTS RESIS.	77B	A/C SYS. - LIQ. SOL. VALVE	113W	WORLD TR.-REVERSE WARNING
25A2	BOSCH ALTERNATOR - WE ONLY	46C	EXTERIOR LTS-MARKER	77C	A/C & HEAT SYS.-COMPRESSOR	114	WORLD TR.-SPARE OUTPUT (-)
25B	EXT. LTS-DAYTIME RUN LTS	46D	EXTERIOR LTS-AUX LTS RESIS.	77H	A/C SYS.-LIQ. SOL. VALVE	114	INTERIOR LT-DASH LT RHEOS.
25D	GENERATOR SKTN. ON - HVAC	48A	ENTRANCE DOOR AIR LOCK	77H	A/C & HEAT SYS.-THEMOSTAT	114A	INTERIOR LT-DASH LT RHEOS.
25L	GENERATOR SIGNAL TO RLY R88	48B	ENTRANCE DOOR AIR LOCK	81	EXTERIOR LTS-STOP SW	114B	INT. LT-DASH LT RHEOST.FEED
26	DR'S & ENT. WINDOW LIFTER	48C	ENTRANCE DOOR AIR LOCK	82	EXTERIOR LTS-STOP SIGNAL	115	DDEC III-COOLANT LEVEL
26A	CIGAR LIGHT. & POW.OUTLET LH	50	AIR DRYER	82A	EXTERIOR LTS-STOP SIGNAL	115W	WORLD TR.-DO NOT SHIFT SIGN
26B	DRIVER'S WINDOW LIFTER	52	ALARM & SIGNAL-ELEC.HORN	82B	EXTERIOR LTS-STOP LTS	116	WORLD TR.-LO SIGNAL SOL. HI
26C	DRIVER'S WINDOW LIFTER	52A	ALARM & SIGNAL-ELEC.HORN	82L	EXT. LTS-STOP LTS & CYCLOP	116B	A/C & HEAT SYSTEM-DR'S HTR
26D	ENT. DOOR WINDOW LIFTER	53	ALARM & SIGNAL-ELEC.HORN	82R	EXTERIOR LTS-STOP LTS	116C	A/C SYS.-TRIG. DEFROST
26E	ENT. DOOR WINDOW LIFTER	53B	WIPER & WASHER SYSTEM	83	ENG. CTR-MAST. KEY SW ACC.	119	WORLD TRANSM-ENGINE BRAKE
26F	ENT. DOOR WINDOW LIFTER	53C	WIPER & WASHER SYSTEM	84	ENG. CTR-MAST KEY SW START	120	WORLD TRANSM-SOL. C1
28H	T.T.LT MODULE - HI A/C PRES.	53E	WIPER & WASHER SYSTEM	84A	ENG. CTR-MAST KEY SW START	121	WORLD TRANSM-SOL.GRD 2
28T	T.T.LT MODULE - LO A/C PRES.	53J	WIPER & WASHER SYSTEM	84J	ENG. CTR-MAST KEY SW START	123	WORLD TR.-NEUTRAL START
29	A/C & HEAT SYS.-DR'S HTR	53K	KEYLESS SYSTEM	85	24V IGNITION SIGNAL	123A	ALARM & SIGNAL-FIRE DETECT.
29H	HVAC DASH MODILE	55	EXTERIOR LTS-HI BEAM	85A	24V IGN DASH INSTRUMENT.	123B	ALARM & SIGNAL-FIRE DETECT.
31B	WIPER & WASHER SYSTEM	57	EXTERIOR LTS-HI BEAM	85C	24V IGNITION - FEED	124	WORLD TR.-THROTTLE (HI)
31C	WIPER & WASHER SYSTEM	57A	EXTERIOR LTS-HI BEAM	85W	WORLD TRANSM. - 24V IGN.	124A	WORLD TRANSM-SENSOR PWR
32	EXTERIOR LTS-BACK-UP	57B	A/C & HEAT SYS.-WATER PUMP	85X	ABS-12V IGN	125	WORLD TR-RETARDER INDICAT.
32B	EXTERIOR LTS-BACK-UP	57C	A/C & HEAT SYS.-WATER PUMP	85Y	ABS-12V IGN	125W	WORLD TR-RETARDER INDICAT.
32F	BACK-UP CANCEL SW.	57E	A/C & HEAT SYS.-WATER VALV	85Z	ABS-12V IGN	126	WORLD TR.-LUBE PRESS SW.
32G	BACK-UP ALARM	58	EXTERIOR LTS-LO BEAM	86	ENG. CTR-STARTER SOL SIGN	126	24VIGN-LEV.LOW & WORLD TR.
32J	BACK-UP SW. - JUMPER	58A	EXTERIOR LTS-LO BEAM	86A	ENG. CTR-STARTER SOL SIGN	126F	LEVEL LOW SYSTEM
35B	DRIVER'S LTS - KEYLESS SIGN	58B	EXTERIOR LTS-LO BEAM	87B	ENGINE CTR-24V IGNITION	126H	SPEED SIGN 5NC - NOT USED
36	ENGINE BRAKE SYSTEM	59A	ENGINE BRAKE SYSTEM	88	ENGINE CTR-RR START SIGNAL	126W	WORLD TRANSM-NOT USED
36A	ENGINE BRAKE SYSTEM & RET.	61	EXTERIOR LTS-24V FEED SW	89	ENGINE CTR-RR START SIGNAL	127	24HW DR'S LT PREHEAT & HVAC
39	INTERIOR LTS-DRIVER'S LTS	61A	EXTERIOR LTS-HEAD SIGNAL	90	CONVERTER - CABLE SPARG	128	WORLD TRANSM-SOL. C2
39B	INTERIOR LTS-DRIVER'S LTS	63	EXTERIOR LTS-CLEAR. FEED	90A	ENG. CTR-MAST KEY SW FEED	129	WORLD TRANSM-SOL. C5
39C	INTERIOR LTS-DRIVER'S LTS	63B	EXTERIOR LTS-CLEARANCE	90B	A/C & H. SYS.-COND FAN MOT	130	WORLD TRANSM-SOL. GRD 3
39D	INTERIOR LTS - FRIVER' LTS	63C	EXT. LTS-MARKER SIGNAL	90B	ENG. CTR-MAST KEY SW FEED	131	WORLD TRANSM-SOL.C4
39K	DR'S LTS - KEYLESS SIGN.	63F	EXT. LTS-MARKER BLINKER	91	PARKING BRAKE SW SIGNAL	132	WORLD TRANSM-ENGINE BRAKE
41	A/C SYS.-COND FAN MOTOR	64	DRIVER'S FAN SPEED CTR	91A	DDEC III-FAST IDLE SIGNAL	132A	LEVEL LOW SYSTEM
41A	A/C SYS.-COND FAN MOTOR	64A	DRIVER'S FAN SPEED CTR	91C	PARKING BRAKE - T.T.LT	132B	LEVEL LOW SYSTEM
41B	A/C SYS.-COND FAN MOTOR	64B	DRIVER'S FAN SPEED CTR	91J	FAST IDLE - JUMPER SW.	132C	LEVEL LOW SYSTEM
42A	A/C SYS.-COND FAN MOTOR	65	FOOT DAMPER MOTOR	92	BATT. EQUAL.-CHECK BALANCE	132D	LEVEL LOW SYSTEM
43	A/C & HEAT SYS. - FAN SPEED	65A	FOOT DAMPER MOTOR	93	BATT. EQUALIZ.-CHECK LO/HI	132E	LEVEL LOW SYSTEM
44	EXTERIOR LTS-FOG	65D	DRIVER'S REC. DAMPER	95A	ENG. BRAKE & RETARDER SYS.	132F	LEVEL LOW SYSTEM
44A	EXTERIOR LTS-FOG	66	A/C PASSENGER - ON/OFF	95B	ENG. BRAKE & RETARDER SYS.	135	WORLD TRANSM-RET.TEMP.

CIRCUIT NUMBER CODE

NO.	DESCRIPTION	NO.	DESCRIPTION	NO.	DESCRIPTION	NO.	DESCRIPTION
135A	WORLD TR.-RES MODULE RET.	148	WORLD TR.-OUTPUT SPEED LO	175A	WORLD TRANSM-SHIFTER	439	DDEC-12V IGNITION
135B	A/C & HEAT SYS.-AIR SENSOR	149	WORLD TR.-TURBINE SPEED HI	176	WORLD TRANSM-SHIFTER	451	DDEC-A/C FAN CLUTCH
135C	A/C & HEAT SYS.-AIR SENSOR	149	ABS SYSTEM-SENSOR	180	WORLD TRANSM-SHIFTER	505	DDEC-TACHOMETER DRIVE
136A	WORLD TRANSM-12V BATTERY	149A	ABS SYSTEM	180	OUTSIDE TEMP. DISPLAY	509	DDEC-STOP ENGINE LIGHT
136AA	WORLD TRANSM-SHIFTER PWR	150	WORLD TR.-ENGINE SPEED LO	180A	OUTSIDE TEMP. DISPLAY	510	DDEC-FAST IDLE SIGNAL
136V	WORLD TRANSM-12V BATTERY	150	DDEC III-ECM BATTERY GRD	180A	WORLD TRANSM-SHIFTER	524	DDEC-ENGINE BRAKEDISABLE
136W	WORLD TRANSM-12V BATTERY	150A	DDEC III-ECM BATTERY GRD	180B	OUTSIDE TEMP. DISPLAY	525	DDEC-FAST IDLE SIGNAL
137	WORLD TRANSM-RETARDER	151	DDEC III-ECM BATTERY GRD	180C	OUTSIDE TEMP. DISPLAY	528	DDEC-STOP ENG. OVERRIDE
137	RR VIEW MIRROR	151	ABS SYSTEM-SPARE	181	FROZEN POINT T.T.LT	531	DDEC-CRUISE CLUTCH CUT OUT
137A	RR VIEW MIRROR	152	ABS SYSTEM-SPARE	181A	THERMOMETER INSIDE SENSOR	540	DDEC-CRUISE ENABLE T.T.LT
137B	RR VIEW MIRROR	153	ELECTRICAL DRIVER'S SEAT	181B	THERMOMETER INSIDE SENSOR	541	DDEC-CRUISE SET SW
137C	RR VIEW MIRROR	154	WORLD TRANSM-ABS INPUT (-)	181C	THERMOMET. OUTSIDE SENSOR	542	INPUT PARK BRAKE INTERLOCK
137D	RR VIEW MIRROR	156A	ABS SYSTEM-FEED	181D	THERMOMET. OUTSIDE SENSOR	543	DDEC-CRUISE STOP SW CUT IN
137D	RR VIEW MIRROR	157B	ABS SYSTEM	195	WORLD TRANSM-TRANS ID	544	DDEC-CRUISE ON/OFF SW
137E	RR VIEW MIRROR	159	WORLD TRANSM-DIAGNOSTIC	197	FUEL WATER FILTER	545	DDEC-CRUISE RESUME SW
137F	RR VIEW MIRROR	160	ALARM & SIGN.-TAG PRESS SW	197A	FUEL WATER FILTER	555	DDEC-FAN CLUTCH SPEED#1
137H	RR VIEW MIRROR	161B	WORLD TRANSM-SIGNALGRD	201	WORLD TRANSM-SPARE	556	DDEC-VEHICULE SPEED (+)
137J	RR VIEW MIRROR	162	WORLD TRANSM-PRESS. SW C3	202	WORLD TRANSM-SPARE	557	DDEC-VEHICULE SPEED (-)
137K	RR VIEW MIRROR	163	WORLD TR.-RETARDER ENABLE	203	WORLD TRANSM-SPARE	563	DDEC-FAN CLUTCH SPEED#2
137L	RR VIEW MIRROR	164	WORLD TR.-RET. ACTUAT. SIGN	204	WORLD TRANSM-SPARE	564	DDEC-DIGITAL OUTPUT
137M	RR VIEW MIRROR FEED	165	WORLD TR.-OIL LEVEL SIGNAL	214	WORLD TR.-BACK-UP SIGNAL	565	DDEC-ENGINE BRAKE ACTIVE
137R	WORLD TRANSM-RETARDER	166B	A/C & HEAT SYS.-EVAP. MOD.	231	WORLD TR.-NEUTRAL SIGN GRD	583	DDEC-ENGINE BRAKE 4 CYL.
137T	MIRROR HEAT SW-JUMPER	167	WORLD TR.-SPEED 5N0, 5NC	240	DDEC III-ECM 12V FEEDING	900	DDEC-DATA LINK (+)
138	WORLD TR.-RETARDER TEMP	169	WORLD TRANSM-INPUT 12	241	DDEC III-ECM 12V FEEDING	901	DDEC-DATA LINK (-)
138	ABS SYSTEM-SENSOR	170	WORLD TRANSM-SHIFTER	260	WINDOW AJAR-T.T.LT	908	DDEC-HYDRAU. PWM#1 OUTPUT
138A	ABS SYSTEM-SENSOR	170C	LUGGAGE DOOR LOCK-T.T.LT	270	KEYLESS MODULE-FEED	916	DDEC-SENSOR SUPPLY (5VDC)
139	ABS SYSTEM-VALVE	170D	LUGGAGE DOOR LOCK-FEED	270A	ENTRANCE DOOR AIR LOCK	952	DDEC-SENSOR RETURN
139	WORLD TR.-OUTPUT SPEED HI	170E	LUG. DOOR LOCK-UNLOCK SIGN	272	KEYLESS SYSTEM-KEYBOARD	953	DDEC-BATTERY GRD
140	WORLD TR.-OUTPUT SPEED LO	170F	LUGGAGE DOOR LOCK-FEED	274	KEYLESS SYSTEM-KEYBOARD	979	DDEC-ENGINE BRAKE 2 CYL.
140	ABS SYSTEM-VALVE	170G	LUGGAGE DOOR LOCK-FEED	276	KEYLESS SYSTEM-KEYBOARD	2123	FLASHER SIGNAL LTS
141	ABS SYSTEM-VALVE	170H	LUGGAGE DOOR-LOCK SIGN	277	KEYLESS SYS-DR'V LTS SIGN		
141	WORLD TR.-ENGINE SPEED HI	170K	LUGGAGE DOOR-LOCK SIGN	278	KEYLESS SYSTEM-KEYBOARD		
142	ABS SYSTEM-VALVE	170LA	LUGG DOOR LOCK-T.T.LT WE	280	KEYLESS SYSTEM-KEYBOARD		
143	ABS SYSTEM-SENSOR	170LB	LUGG DOOR LOCK-T.T.LT WE	283	KEYLESS SYSTEM-ANTI-THEFT		
143A	ABS SYSTEM-SENSOR	170L	LUGG DOOR LOCK-SIGN T.T.LT	283A	KEYLESS SYS-ENT. DOOR SIGN		
143A	WORLD TRANS-BATERY GRD	170M	LUGG DOOR LOCK-SIGN T.T.LT	284A	KEYLESS SYSTEM		
143W	WORLD TRANSM-BATTERY GRD	170N	LUGG DOOR LOCK-SIGN T.T.LT	285	KEY. SYS-UNLOCK ENT. DOOR		
143X	WORLD TRANSM-BATTERY GRD	170P	LUGG DOOR LOCK-SIGN T.T.LT	285B	KEYLESS SYSTEM		
144	ABS SYSTEM-SENSOR	170R	LUGG DOOR LOCK-ENTR. DOOR	285C	KEYLESS SYSTEM		
144A	ABS SYSTEM-SENSOR	170S	LUGG DOOR LOCK-SIGN T.T.LT	286	LUGG DOOR LOCK-ENT. DOOR		
145	ABS SYSTEM-VALUE	170T	LUGG DOOR LOCK-SIGN T.T.LT	286A	KEYLESS SYS-CENTER DOOR		
146	ABS SYSTEM-VALUE	170V	LUGG DOOR LOCK-SIGN T.T.LT	290	FAN CLUTCH RADIATOR-FEED		
146A	WORLD TRANSM-12V IGNITION	170W	LUGGAGE DOOR LOCK-FEED	290A	FAN CLUTCH RADIATOR-FEED		
146AA	WORLD TRANSM-DIAGN.CONN.	170X	LUGG DOOR LOCK-SIGN T.T.LT	291	FAN CLUTCH RADIATOR SPD 1		
147	WORLD TRANSM-OIL TEMP	170Y	LUGGAGE DOOR LOCK-FEED	292	FAN CLUTCH RADIATOR SPD 2		
147	ABS SYSTEM-VALVE	170Z	LUGGAGE DOOR LOCK	292A	FAN CLUTCH RADIATOR SPD 2		
147A	ETHER COLD START	171	WORLD TRANSM-SHIFTER	294	KEYLESS SYSTEM-ANTI-THEFT		
147A	DAYTIME LST-ALT.SIGNAL	172	WORLD TRANSM-SHIFTER	295	KEYLESS SYS-LED INDICATOR		
147C	ETHER COLD START	173	WORLD TRANSM-SHIFTER	417	DDEC-LIMIT SPEED GOVERNOR		
148	ABS SYSTEM-VALVE	174	WORLD TRANSM-SHIFTER	419	DDEC -CHEK ENGINE LIGHT		

CIRCUIT NUMBER CODE

NO. DESCRIPTION

NO. DESCRIPTION

NO. DESCRIPTION

NO. DESCRIPTION

CIRCUIT NUMBER CODE

NO.	DESCRIPTION	NO.	DESCRIPTION	NO.	DESCRIPTION	NO.	DESCRIPTION
IPJ1	CLUSTER - BULB TEST POS	SP62	SPARE WIRE	0T2	CLUSTER ACC.	12E	RR JCT BOX 12V DISC SW
IPJ2	CLUSTER - BULB TEST NEG.	SP63	SPARE WIRE	0T2	WINDOW AWNING	12F	FR JCT PANEL 12V DISC SW
IPJ3	CLUSTER - SV SIGNAL	SP69	SPARE WIRE	0T3	ALTERNATOR MODULE	12G	FR JCT PANEL 12V DISC SW
IPJ4	CLUSTER - RETURN TO ZERO	SP70	SPARE WIRE	0T4	12V OUTLET - CTR MODULE	12H	12V DASH ACCESS.
IPJ5	CLUSTER - FUEL LEVEL GAUGE	SP71	SPARE WIRE	0T5	FS-HVAC DASH MODULE. GND	12I	RR JCT BOX 12V IGNITION
IPJ6	CLUSTER - BULB TEST POS.	SP72	SPARE WIRE	0W	FJB - TRANSM. RLY GRD	12I	FR JCT PANEL 12V IGNITION
IPJ7	CLUSTER - BULB TEST NEG.	SP74	SPARE WIRE	0W	TRANSM ACC. - FR.SERV. CPT	12IA	FR JCT PANEL 12V IGNITION
IPJ8	CLUSTER - MASTER WARNING	SP83	SPARE WIRE	0Y1	ASB SYSTEM-GRD	12IA	RR JCT PANEL 12V IGNITION
LX5	CLUSTER - COMPUTER MODE	SP84	SPARE WIRE	0Y2	ASB SYSTEM-GRD	12IE	ABS-FR JCT PANEL 12V IGN.
LX6	CLUSTER - COMPUTER DOWN	SP114	SPARE WIRE	0Y3	ASB SYSTEM-GRD	12IF	FR JCT PANEL 12V IGNITION
LX7	CLUSTER - COMPUTER SET	SP115	SPARE WIRE	0Y4	ASB SYSTEM-GRD	12J	FR JCT PANEL 12V DISC.SW.
LX16	CLUSTER - COMPUTER UP	SP116	SPARE WIRE	0Y5	ASB SYSTEM-GRD	12JA	FR JCT PANEL 12V DISC.SW.
LX21	CLUSTER - COMPUTER COM.	SP117	SPARE WIRE	0Y6	ASB SYSTEM-GRD	12K	FR JCT PANEL 12V DISC.SW.
RT	T.T.L.T. MODULE - TEST SW.	TW1	SPR. W. TWISTER 50T/M WITH TW2	00A	BATTERY GRD-DASH ACC.	12LX	12V HOTWIRE CLUST.& MOD A/C
SP1	SPARE WIRE	TW2	SPR. W. TWISTER 50T/M WITH TW1	2A	A/C & HEAT SYSTEM	12LX	CLUSTER 12V HOT WIRE
SP2	SPARE WIRE	0	A/C EVAP. CPT GRD	2B	A/C & HEAT SYSTEM	12M	ABS-FR JCT PANEL 12V DISC.SW.
SP3	SPARE WIRE	0	JUMPER - CLUTCH SIGN.	2D	A/C & HEAT SYSTEM	12P	12V POWER OUTLET
SP4	SPARE WIRE	0	RJB - INSIDE GRD	2E	A/C & HEAT SYSTEM	12T	RR JCT BOX 12V DISC SW
SP5	SPARE WIRE	0A	FR. ROOF ACC. GRD	2H	A/C & HEAT SYS-LO-PRESS SW.	12VD	12V HOT WIRE
SP6	SPARE WIRE	0B	A/C - CONDENSER GRD	2L	A/C & HEAT SYS-HI-PRESS SW.	12VI	RR JCT PANEL 12V IGNITION
SP7	SPARE WIRE	0B	ENG. CPT ACC. GRD	3A	A/C & HEAT SYSTEM-EVAPORATOR	12W	12V HOT WIRE DDEC III FEED
SP8	SPARE WIRE	0BE	OV BATTERY MONITOR	5N0	SPEED SIGNAL HIGHER 5MPH	15	EXT. LTS-MULTI FUNC LEVEL
SP9	SPARE WIRE	0C	R.J.B. - GRB	5NC	SPEED SIGNAL LOWER 5MPH	15	WIPER & WASHER SYSTEM
SP10	SPARE WIRE	0C	F.R. SERV. CPT-ACCESSOIRIES	6	EXTERIOR LTS-DOCKING	16	SPEEDOMETER (+)
SP11	SPARE WIRE	0C1	ENTRANCE DOOR KEYLESS	6A	EXTERIOR LTS-CORNERING	16T	SPEED SW SIGNAL IN (+)
SP12	SPARE WIRE	0C4	F.J.B. GRD	6B1	EXTERIOR LTS-CORNERING RH	17	EXTERIOR LTS-FLASHER UNIT
SP13	SPARE WIRE	0CJ	CRUISE SW. JUMPER	6C1	EXTERIOR LTS-CORNERING RH	17A	EXTERIOR LTS-FLASHER UNIT
SP14	SPARE WIRE	0D	A/C JCT BOX - COND FAN GRD	6D	EXTERIOR LTS-DOCKING	17C	JUMPER LTS SW. - HAZARD
SP15	SPARE WIRE	0F	SILENT 1000	9	INTERIOR LTS-ENGINE CPT	18	UPPER FAN DEFROST
SP16	SPARE WIRE	0G	ABS GRD CX1	9	INTERIOR LTS-RR JCT BOX	19	UPPER FAN DEFROST
SP17	SPARE WIRE	0H	ENG. CPT. - ACC. GRD	9F	INTERIOR LTS - FR-SERV. CPT	20	SPEEDOMETER SIGNAL (-)
SP18	SPARE WIRE	0L	ENG.CPT -CLEAR.LTS RR ROOF	10	A/C & HEAT SYSTEM -LO PRES.	20T	SPEED SW SIGNAL IN (-)
SP19	SPARE WIRE	0L	R.J.B. - GRD	10	INTERIOR LTS-LUGGAGE CPT	21	EXTERIOR LTS-DIRECT. LH
SP21	SPARE WIRE	0L	FR - SIDE MARK. & FLASH GRD	10	INTERIOR LTS-FR SERV. CPT	21A	EXTERIOR LTS-LH
SP23	SPARE WIRE	0L1	ENG.CPT-SIDE MARK. & FL. GRD	10A	INTERIOR LTS-LUGGAGE CPT	21A	EXTERIOR LTS-CORNERING-LH
SP24	SPARE WIRE	0L2	HEAD LTS	10B	INTERIOR LTS-LUGGAGE CPT	21B	EXTERIOR LTS-DIRECT. LH
SP25	SPARE WIRE	0L3	FR.SERV.DR. & ENT.DOOR GRD ACC.	10C	INTERIOR LTS-LUGGAGE CPT	21BB	EXTERIOR LTS-DIRECT. LH
SP30	SPARE WIRE	0L4	FOG LTS RESISTOR GRD	10D	INTERIOR LTS-LUGGAGE CPT	21H	EXTERIOR LTS-HAZARD SIGNAL
SP33	SPARE WIRE	0L5	LH CONSOL - ACC. GRD	10E	INTERIOR LTS-LUGGAGE CPT	21M	AUX. LTS - DIRECTIONAL LH
SP38	SPARE WIRE	0L5	AIR DRYER GRD	10R	CENTER DOOR T.T.L.T.	21P	CORN. LTS - DIRECT. SIGN. LH
SP40	SPARE WIRE	0LV	WINDSHIELD WASHER LEVEL	12A	FR JCT PANEL 12V DISC SW	23	EXTERIOR LTS-DIRECT. RH
SP41	SPARE WIRE	0M	WIPER 2 MIRROR MOTOR	12B	FR JCT PANEL 12V DISC SW	23A	EXTERIOR LTS-DIRECT. RH
SP42	SPARE WIRE	0M3	DEFROST GRD	12BAT	12V HOT-WIRE ACC - JCT BLK	23A	EXTERIOR LTS - CORNER. LTS
SP43	SPARE WIRE	0M4	HORN & DR'S WINDOW LIFTER	12BE	12V BATTERY MONITOR	23BB	EXTERIOR LTS - DIRECT. RH
SP45	SPARE WIRE	0M5	SUN VISOR MOTOR	12C	FR JCT PANEL 12V DISC SW	23C	EXTERIOR LTS-CORNERING RH
SP48	SPARE WIRE	0M6	UPPER FAN DEFROST	12C	RR JCT BOX 12V DISC SW	23H	EXTERIOR LTS-HAZARD SIGNAL
SP56	SPARE WIRE	0M7	DR'S WIND.LIFT. & RH MIR. SW	12D	FR JCT PANEL 12V HOT WIRE	23M	AUX LTS - DIRECTIONAL RH
SP57	SPARE WIRE	0M7A	LH MIRROR SW.	12DD	FR JCT PANEL 12V HOT WIRE	23P	CORN. LTS - DIRECT SIGN RH
SP60	SPARE WIRE	0T	SPEED SW. CONNECTOR	12DDR	RR JCT BOX 12V HOT WIRE DDR CON	24	FR JCT PANEL 24V DISC. SW.
SP61	SPARE WIRE	0T1	DASH ACC.	12DT	T.T. LT MODULE	24A	RR JCT PANEL 24V DISC. SW

CIRCUIT NUMBER CODE

NO.	DESCRIPTION	NO.	DESCRIPTION	NO.	DESCRIPTION	NO.	DESCRIPTION
24A	FR JCT PANEL 24V DISC. SW	43	A/C & HEAT SYS. - FAN SPEED	65A	FOOT DAMPER MOTOR	93	BATT. EQUALIZ.-CHECK LO/HI
24BE	BATTERY MONITOR	44	EXTERIOR LTS-FOG	65D	DRIVER'S REC. DAMPER	95A	ENG. BRAKE & RETARDER SYS.
24C	FR JCT PANEL 24V DISC SW	44A	EXTERIOR LTS-FOG	66	A/C PASSENGER - ON/OFF	95B	ENG. BRAKE & RETARDER SYS.
24D	FR JCT BOX 24V HOT WIRE	44B	EXTERIOR LTS-FOG	67A	A/C & HEAT SYSTEM	97	TACHOMETER SIGN.-NOT USED
24F	RR JCT PANEL 24V DISC SW	44C	EXT. LTS-FOG,HVAC & HAZ. SW	68	DASH & DEFROST DAMPER MOT	101	WORLD TR.- LO SIGN SOL.LO
24I	FR JCT PANEL 24V IGNITION	44D	EXTERIOR LTS - FOG	68A	DASH & DEFROST DAMPER MOT	102	WORLD TRANSM.-SOL. SUPPLY
24I	RR JCT PANEL 24V IGNITION	44E	EXTERNAL LTS - FOG	72	SUN VISOR - FEED	103	WORLD TRANSM.- B.SOL.LO
24IA	FR JCT PANEL 24V IGNITION	45A	A/C & HEAT SYSTEM FULL AIR	72A	SUN VISOR RH	104	LEVEL-LOW SYS- DR'S SOL.
24IB	FR JCT PANEL 24V IGNITION	45B	A/C & HEAT SYS.-WATER PUMP	72B	SUN VISOR RH	104	WORLD TR. -SOL. FORWARD
24IF	FR JCT PANEL 24V IGNITION	45C	A/C & HEAT SYS.-WATER VALV	72C	SUN VISOR LH	105W	WORLD TR-SOL.-RET.OIL TT.LT
24P	FR JCT PANEL 24V DISC SW	45D	A/C & HEAT SYS.-WATER VALV	72D	SUN VISOR LH	107	WORLD TR.-LOCKUP SOL. HI
24R	24V RR JCT BLK TO STARTER	45E	A/C & HEAT SYS.-WATER PUMP	76	FUEL TANK GAUGE	108	WORLD TR.-LOCKUP SOL.
24T	RR JCT PANEL 24V DISC SW	45G	A/C & HEAT SYS.-DR'S HTR	76C	LOW FUEL T.T.LT	110	WORLD TR.-LOCKUP SOL. LO
24VD	24V HOT WIRE FEED	45J	A/C & HEAT SYS.-WATER PUMP	76L	LOW FUEL T.T.LT	112	WORLD TR.-SPARE OUTPUT (+)
25A	TT.LT. MODULE - LED	46	EXTERIOR LTS-MARKER	77A	A/C & HEAT SYS. - THERMOST.	112	WORLD TR.-SPARE OUTPUT (+)
25A1	BOSCH ALTERNATOR - WE ONLY	46A	EXTERIOR LTS-AUX LTS RESIS.	77B	A/C SYS. - LIQ. SOL. VALVE	113W	WORLD TR.-REVERSE WARNING
25A2	BOSCH ALTERNATOR - WE ONLY	46C	EXTERIOR LTS-MARKER	77C	A/C & HEAT SYS.-COMPRESSOR	114	WORLD TR.-SPARE OUTPUT (-)
25B	EXT. LTS-DAYTIME RUN LTS	46D	EXTERIOR LTS-AUX LTS RESIS.	77H	A/C SYS.-LIQ. SOL. VALVE	114	INTERIOR LT-DASH LT RHEOS.
25D	GENERATOR SKTN. ON - HVAC	48A	ENTRANCE DOOR AIR LOCK	77H	A/C & HEAT SYS.-THERMOSTAT	114A	INTERIOR LT-DASH LT RHEOS.
25L	GENERATOR SIGNAL TO RLY R88	48B	ENTRANCE DOOR AIR LOCK	81	EXTERIOR LTS-STOP SW	114B	INT. LT-DASH LT RHEOST.FEED
26	DR'S & ENT. WINDOW LIFTER	48C	ENTRANCE DOOR AIR LOCK	82	EXTERIOR LTS-STOP SIGNAL	115	DDEC III-COOLANT LEVEL
26A	CIGAR LIGHT. & POW.OUTLET LH	50	AIR DRYER	82A	EXTERIOR LTS-STOP SIGNAL	115W	WORLD TR.-DO NOT SHIFT SIGN
26B	DRIVER'S WINDOW LIFTER	52	ALARM & SIGNAL-ELEC.HORN	82B	EXTERIOR LTS-STOP LTS	116	WORLD TR.-LO SIGNAL SOL. HI
26C	DRIVER'S WINDOW LIFTER	52A	ALARM & SIGNAL-ELEC.HORN	82L	EXT. LTS-STOP LTS & CYCLOP	116B	A/C & HEAT SYSTEM-DR'S HTR
26D	ENT. DOOR WINDOW LIFTER	53	ALARM & SIGNAL-ELEC.HORN	82R	EXTERIOR LTS-STOP LTS	116C	A/C SYS.-TRIG. DEFROST
26E	ENT. DOOR WINDOW LIFTER	53B	WIPER & WASHER SYSTEM	83	ENG. CTR-MAST. KEY SW ACC.	119	WORLD TRANSM-ENGINE BRAKE
26F	ENT. DOOR WINDOW LIFTER	53C	WIPER & WASHER SYSTEM	84	ENG. CTR-MAST KEY SW START	120	WORLD TRANSM-SOL. C1
28H	T.T.LT MODULE - HI A/C PRES.	53E	WIPER & WASHER SYSTEM	84A	ENG. CTR-MAST KEY SW START	121	WORLD TRANSM-SOL.GRD 2
28T	T.T.LT MODULE - LO A/C PRES.	53J	WIPER & WASHER SYSTEM	84J	ENG. CTR-MAST KEY SW START	123	WORLD TR.-NEUTRAL START
29	A/C & HEAT SYS.-DR'S HTR	53K	KEYLESS SYSTEM	85	24V IGNITION SIGNAL	123A	ALARM & SIGNAL-FIRE DETECT.
29H	HVAC DASH MODILE	55	EXTERIOR LTS-HI BEAM	85A	24V IGN DASH INSTRUMENT.	123B	ALARM & SIGNAL-FIRE DETECT.
31B	WIPER & WASHER SYSTEM	57	EXTERIOR LTS-HI BEAM	85C	24V IGNITION - FEED	124	WORLD TR.-THROTTLE (HI)
31C	WIPER & WASHER SYSTEM	57A	EXTERIOR LTS-HI BEAM	85W	WORLD TRANSM. - 24V IGN.	124A	WORLD TRANSM-SENSOR PWR
32	EXTERIOR LTS-BACK-UP	57B	A/C & HEAT SYS.-WATER PUMP	85X	ABS-12V IGN	125	WORLD TR-RETARDER INDICAT.
32B	EXTERIOR LTS-BACK-UP	57C	A/C & HEAT SYS.-WATER PUMP	85Y	ABS-12V IGN	125W	WORLD TR-RETARDER INDICAT.
32F	BACK-UP CANCEL SW.	57E	A/C & HEAT SYS.-WATER VALV	85Z	ABS-12V IGN	126	WORLD TR.-LUBE PRESS SW.
32G	BACK-UP ALARM	58	EXTERIOR LTS-LO BEAM	86	ENG. CTR-STARTER SOL SIGN	126	24VIGN-LEV.LOW & WORLD TR.
32J	BACK-UP SW. - JUMPER	58A	EXTERIOR LTS-LO BEAM	86A	ENG. CTR-STARTER SOL SIGN	126F	LEVEL LOW SYSTEM
35B	DRIVER'S LTS - KEYLESS SIGN	58B	EXTERIOR LTS-LO BEAM	87B	ENGINE CTR-24V IGNITION	126H	SPEED SIGN 5NC - NOT USED
36	ENGINE BRAKE SYSTEM	59A	ENGINE BRAKE SYSTEM	88	ENGINE CTR-RR START SIGNAL	126W	WORLD TRANSM-NOT USED
36A	ENGINE BRAKE SYSTEM & RET.	61	EXTERIOR LTS-24V FEED SW	89	ENGINE CTR-RR START SIGNAL	127	24HW DR'S LT PREHEAT & HVAC
39	INTERIOR LTS-DRIVER'S LTS	61A	EXTERIOR LTS-HEAD SIGNAL	90	CONVERTER - CABLE SPARG	128	WORLD TRANSM-SOL. C2
39B	INTERIOR LTS-DRIVER'S LTS	63	EXTERIOR LTS-CLEAR. FEED	90A	ENG. CTR-MAST KEY SW FEED	129	WORLD TRANSM-SOL. C5
39C	INTERIOR LTS-DRIVER'S LTS	63B	EXTERIOR LTS-CLEARANCE	90B	A/C & H. SYS.-COND FAN MOT	130	WORLD TRANSM-SOL. GRD 3
39D	INTERIOR LTS - FRIVER' LTS	63C	EXT. LTS-MARKER SIGNAL	90B	ENG. CTR-MAST KEY SW FEED	131	WORLD TRANSM-SOL.C4
39K	DR'S LTS - KEYLESS SIGN.	63F	EXT. LTS-MARKER BLINKER	91	PARKING BRAKE SW SIGNAL	132	WORLD TRANSM-ENGINE BRAKE
41	A/C SYS.-COND FAN MOTOR	64	DRIVER'S FAN SPEED CTR	91A	DDEC III-FAST IDLE SIGNAL	132A	LEVEL LOW SYSTEM
41A	A/C SYS.-COND FAN MOTOR	64A	DRIVER'S FAN SPEED CTR	91C	PARKING BRAKE - T.T.LT	132B	LEVEL LOW SYSTEM
41B	A/C SYS.-COND FAN MOTOR	64B	DRIVER'S FAN SPEED CTR	91J	FAST IDLE - JUMPER SW.	132C	LEVEL LOW SYSTEM
42A	A/C SYS.-COND FAN MOTOR	65	FOOT DAMPER MOTOR	92	BATT. EQUAL.-CHECK BALANCE	132D	LEVEL LOW SYSTEM

CIRCUIT NUMBER CODE

NO.	DESCRIPTION	NO.	DESCRIPTION	NO.	DESCRIPTION	NO.	DESCRIPTION
132E	LEVEL LOW SYSTEM	147A	DAYTIME LST-ALT.SIGNAL	172	WORLD TRANSM-SHIFTER	295	KEYLESS SYS-LED INDICATOR
132F	LEVEL LOW SYSTEM	147C	ETHER COLD START	173	WORLD TRANSM-SHIFTER	417	DDEC-LIMIT SPEED GOVERNOR
135	WORLD TRANSM-RET.TEMP.	148	ABS SYSTEM-VALVE	174	WORLD TRANSM-SHIFTER	419	DDEC -CHEK ENGINE LIGHT
135A	WORLD TR.-RES MODULE RET.	148	WORLD TR.-OUTPUT SPEED LO	175A	WORLD TRANSM-SHIFTER	439	DDEC-12V IGNITION
135B	A/C & HEAT SYS.-AIR SENSOR	149	WORLD TR.-TURBINE SPEED HI	176	WORLD TRANSM-SHIFTER	451	DDEC-A/C FAN CLUTCH
135C	A/C & HEAT SYS.-AIR SENSOR	149	ABS SYSTEM-SENSOR	180	WORLD TRANSM-SHIFTER	505	DDEC-TACHOMETER DRIVE
136A	WORLD TRANSM-12V BATTERY	149A	ABS SYSTEM	180	OUTSIDE TEMP. DISPLAY	509	DDEC-STOP ENGINE LIGHT
136AA	WORLD TRANSM-SHIFTER PWR	150	WORLD TR.-ENGINE SPEED LO	180A	OUTSIDE TEMP. DISPLAY	510	DDEC-FAST IDLE SIGNAL
136V	WORLD TRANSM-12V BATTERY	150	DDEC III-ECM BATTERY GRD	180A	WORLD TRANSM-SHIFTER	524	DDEC-ENGINE BRAKEDISABLE
136W	WORLD TRANSM-12V BATTERY	150A	DDEC III-ECM BATTERY GRD	180B	OUTSIDE TEMP. DISPLAY	525	DDEC-FAST IDLE SIGNAL
137	WORLD TRANSM-RETARDER	151	DDEC III-ECM BATTERY GRD	180C	OUTSIDE TEMP. DISPLAY	528	DDEC-STOP ENG. OVERRIDE
137	RR VIEW MIRROR	151	ABS SYSTEM-SPARE	181	FROZEN POINT T.T.LT	531	DDEC-CRUISE CLUTCH CUT OUT
137A	RR VIEW MIRROR	152	ABS SYSTEM-SPARE	181A	THERMOMETER INSIDE SENSOR	540	DDEC-CRUISE ENABLE T.T.LT
137B	RR VIEW MIRROR	153	ELECTRICAL DRIVER'S SEAT	181B	THERMOMETER INSIDE SENSOR	541	DDEC-CRUISE SET SW
137C	RR VIEW MIRROR	154	WORLD TRANSM-ABS INPUT (-)	181C	THERMOMET. OUTSIDE SENSOR	542	INPUT PARK BRAKE INTERLOCK
137D	RR VIEW MIRROR	156A	ABS SYSTEM-FEED	181D	THERMOMET. OUTSIDE SENSOR	543	DDEC-CRUISE STOP SW CUT IN
137D	RR VIEW MIRROR	157B	ABS SYSTEM	195	WORLD TRANSM-TRANS ID	544	DDEC-CRUISE ON/OFF SW
137E	RR VIEW MIRROR	159	WORLD TRANSM-DIAGNOSTIC	197	FUEL WATER FILTER	545	DDEC-CRUISE RESUME SW
137F	RR VIEW MIRROR	160	ALARM & SIGN.-TAG PRESS SW	197A	FUEL WATER FILTER	555	DDEC-FAN CLUTCH SPEED#1
137H	RR VIEW MIRROR	161B	WORLD TRANSM-SIGNALGRD	201	WORLD TRANSM-SPARE	556	DDEC-VEHICLE SPEED (+)
137J	RR VIEW MIRROR	162	WORLD TRANSM-PRESS. SW C3	202	WORLD TRANSM-SPARE	557	DDEC-VEHICLE SPEED (-)
137K	RR VIEW MIRROR	163	WORLD TR.-RETARDER ENABLE	203	WORLD TRANSM-SPARE	563	DDEC-FAN CLUTCH SPEED#2
137L	RR VIEW MIRROR	164	WORLD TR.-RET. ACTUAT. SIGN	204	WORLD TRANSM-SPARE	564	DDEC-DIGTAL OUTPUT
137M	RR VIEW MIRROR FEED	165	WORLD TR.-OIL LEVEL SIGNAL	214	WORLD TR.-BACK-UP SIGNAL	565	DDEC-ENGINE BRAKE ACTIVE
137R	WORLD TRANSM-RETARDER	166B	A/C & HEAT SYS.-EVAP. MOD.	231	WORLD TR.-NEUTRAL SIGN GRD	583	DDEC-ENGINE BRAKE 4 CYL.
137T	MIRROR HEAT SW-JUMPER	167	WORLD TR.-SPEED 5N0, 5NC	240	DDEC III-ECM 12V FEEDING	900	DDEC-DATA LINK (+)
138	WORLD TR.-RETARDER TEMP	169	WORLD TRANSM-INPUT 12	241	DDEC III-ECM 12V FEEDING	901	DDEC-DATA LINK (-)
138	ABS SYSTEM-SENSOR	170	WORLD TRANSM-SHIFTER	260	WINDOW AJAR-T.T.LT	908	DDEC-HYDRAU. PWM#1 OUTPUT
138A	ABS SYSTEM-SENSOR	170C	LUGGAGE DOOR LOCK-T.T.LT	270	KEYLESS MODULE-FEED	916	DDEC-SENSOR SUPPLY (5VDC)
139	ABS SYSTEM-VALVE	170D	LUGGAGE DOOR LOCK-FEED	270A	ENTRANCE DOOR AIR LOCK	952	DDEC-SENSOR RETURN
139	WORLD TR.-OUTPUT SPEED HI	170E	LUG. DOOR LOCK-UNLOCK SIGN	272	KEYLESS SYSTEM-KEYBOARD	953	DDEC-BATTERY GRD
140	WORLD TR.-OUTPUT SPEED LO	170F	LUGGAGE DOOR LOCK-FEED	274	KEYLESS SYSTEM-KEYBOARD	979	DDEC-ENGINE BRAKE 2 CYL.
140	ABS SYSTEM-VALVE	170G	LUGGAGE DOOR LOCK-FEED	276	KEYLESS SYSTEM-KEYBOARD	2123	FLASHER SIGNAL LTS
141	ABS SYSTEM-VALVE	170H	LUGGAGE DOOR-LOCK SIGN	277	KEYLESS SYS-DR'V LTS SIGN		
141	WORLD TR.-ENGINE SPEED HI	170K	LUGGAGE DOOR-LOCK SIGN	278	KEYLESS SYSTEM-KEYBOARD		
142	ABS SYSTEM-VALVE	170LA	LUGG DOOR LOCK-T.T.LT WE	280	KEYLESS SYSTEM-KEYBOARD		
143	ABS SYSTEM-SENSOR	170LB	LUGG DOOR LOCK-T.T.LT WE	283	KEYLESS SYSTEM-ANTI-THEFT		
143A	ABS SYSTEM-SENSOR	170L	LUGG DOOR LOCK-SIGN T.T.LT	283A	KEYLESS SYS-ENT. DOOR SIGN		
143A	WORLD TRANS-BATERY GRD	170M	LUGG DOOR LOCK-SIGN T.T.LT	284A	KEYLESS SYSTEM		
143W	WORLD TRANSM-BATTERY GRD	170N	LUGG DOOR LOCK-SIGN T.T.LT	285	KEY. SYS-UNLOCK ENT. DOOR		
143X	WORLD TRANSM-BATTERY GRD	170P	LUGG DOOR LOCK-SIGN T.T.LT	285B	KEYLESS SYSTEM		
144	ABS SYSTEM-SENSOR	170R	LUGG DOOR LOCK-ENTR. DOOR	285C	KEYLESS SYSTEM		
144A	ABS SYSTEM-SENSOR	170S	LUGG DOOR LOCK-SIGN T.T.LT	286	LUGG DOOR LOCK-ENT. DOOR		
145	ABS SYSTEM-VALUE	170T	LUGG DOOR LOCK-SIGN T.T.LT	286A	KEYLESS SYS-CENTER DOOR		
146	ABS SYSTEM-VALUE	170V	LUGG DOOR LOCK-SIGN T.T.LT	290	FAN CLUTCH RADIATOR-FEED		
146A	WORLD TRANSM-12V IGNITION	170W	LUGGAGE DOOR LOCK-FEED	290A	FAN CLUTCH RADIATOR-FEED		
146AA	WORLD TRANSM-DIAGN.CONN.	170X	LUGG DOOR LOCK-SIGN T.T.LT	291	FAN CLUTCH RADIATOR SPD 1		
147	WORLD TRANSM-OIL TEMP	170Y	LUGGAGE DOOR LOCK-FEED	292	FAN CLUTCH RADIATOR SPD 2		
147	ABS SYSTEM-VALVE	170Z	LUGGAGE DOOR LOCK	292A	FAN CLUTCH RADIATOR SPD 2		
147A	ETHER COLD START	171	WORLD TRANSM-SHIFTER	294	KEYLESS SYSTEM-ANTI-THEFT		

CIRCUIT NUMBER CODE

NO. DESCRIPTION

NO. DESCRIPTION

NO. DESCRIPTION

NO. DESCRIPTION

CIRCUIT BREAKERS CODE

No.	PAGE	AMP.	#PREV.	LOCATION	FUNCTION	No.	PAGE	AMP.	#PREV.	LOCATION	FUNCTION
CB 1	1.1	200A	560838	ENGINE CPT	A/C FULL AIR	CB 59					
CB 2	1.1	40A	870093	ENGINE CPT	12V HOT WIRE RR JCT BOX	CB 60					
CB 3	1.1	70A	562687	ENGINE CPT	12V FEDD RR JCT BOX	CB 61					
CB 4	1.1	90A	562683	ENGINE CPT	12V FEDD FR JCT BOX	CB 62					
CB 5	1.1	30A	870690	ENGINE CPT	24V HOT WIRE RR JCT BOX	CB 63					
CB 6	1.1	90A	562683	ENGINE CPT	24V FEED RR JCT BOX	CB 64					
CB 7	1.1	90A	562683	ENGINE CPT	24V FEED FR JCT BOX	CB 65					
CB 8	15.3	40A	562686	A/C JCT BOX	CONDENSER FAN MOTOR L.H.	CB 66					
CB 9	15.3	120A	562688	A/C JCT BOX	EVAPORATOR FAN MOTOR	CB 67					
CB 10	4.1	8A	561791	FR JCT BOX	MASTER SWITCH	CB 68					
CB 11	15.3	40A	562686	A/C JCT BOX	CONDENSER FAN MOTOR R.H.	CB 69					
CB 12						CB 70					
CB 13						CB 71					
CB 14						CB 72	15.1,15.2	10A	561792	RR JCT BOX	A/C COMPRESSOR CLUTCH
CB 15						CB 73	15.1,15.3	15A	561793	FR JCT BOX	WATER PUMP
CB 16	4.1	8A	561791	RR JCT BOX	ENGINE-RR CTR & START SW	CB 74					
CB 17						CB 75					
CB 18	4.1	6A	561791	RR JCT BOX	ENGINE-FR CTR SW	CB 76					
CB 19	5.1	15A	561793	RR JCT BOX	DDEC III E.C.M. POWER	CB 77					
CB 20	5.1	15A	561793	RR JCT BOX	DDEC III E.C.M. POWER	CB 78					
CB 21	5.1	10A	561790	RR JCT BOX	DDEC III 12V IGNITION	CB 79	15.1,15.2	15A	561792	FR JCT BOX	DRIVER'S DEFROSTER FAN
CB 22						CB 80					
CB 23						CB 81					
CB 24						CB 82					
CB 25						CB 83	6.1	20A	561794	RR JCT BOX	WORLD TRANSMISSION VIM POWER
CB 26	9.3	10A	561792	RR JCT BOX	BACK-UP LTS & ALARM	CB 84					
CB 27	7.2	8A	561791	FR JCT BOX	24V IGN DASH ACCESSORIES	CB 85					
CB 28	7.1	6A	561790	FR JCT BOX	12V IGN. DASH ACCESSORIES	CB 86					
CB 29						CB 87					
CB 30						CB 88					
CB 31						CB 89					
CB 32						CB 90					
CB 33						CB 91					
CB 34						CB 92	17.1	6A	561790	FR JCT BOX	DECEL SW & LEVEL-LOW
CB 35	9.3	6A	561790	FR JCT BOX	FOG, HAZARD SW & A/C MODULE	CB 105	22.1	6A	561790	FR JCT BOX	ABS E . C . U .
CB 36						CB 106	22.1	10A	561792	FR SERV JCT BOX	ABS E . C . U .
CB 37	9.1	8A	561791	FR JCT BOX	HEAD & MULTI-FUNC. SW	CB 107	22.1	10A	561792	FR SERV JCT BOX	ABS E . C . U .
CB 38						CB 115	12.1	8A	561791	FR JCT BOX	KEYLESS ENTRY SYSTEM
CB 39						CB 118	12.1	20A	561794	RR JCT BOX	LUGGAGE DOOR LOCK MOTOR
CB 40	9.1	10A	561791	FR JCT BOX	MARKER CLEARANCE & ID. LTS	CB 120	12.1	20A	561794	RR JCT BOX	LUGGAGE DOOR LOCK MOTOR
CB 41						CB 123	13.1	25A	561795	FR JCT BOX	ELECTRIC DRIVER'S SEAT
CB 42	9.1	10A	561792	RR JCT BOX	RR TAIL & LICENCE LTS	CB 124	8.1	6A	561790	RR JCT BOX	FAN CLUTCH RADIATOR
CB 43	9.1	20A	561794	FR JCT BOX	HEADLAMP (HI)	CB 125	9.2	20A	561794	FR JCT BOX	DIRECTIONAL LTS LH
CB 44	9.1	15A	561793	FR JCT BOX	HEADLAMP (LO)	CB 126	9.2	20A	561794	FR JCT BOX	DIRECTIONAL LTS RH
CB 45	9.2	10A	561792	FR JCT BOX	MULTI-FUNC. SW (WIPER CTR)	CB 129	7.1	6A	561790	FR JCT BOX	CLUSTER
CB 46						CB 130	23.1	6A	561790	FR JCT BOX	TT LT MODULE
CB 47						CB 132	14.1	15A	561793	RR JCT BOX	WATER HEATER WEBASTO
CB 48	9.3	6A	561790	FR JCT BOX	STOP SW	CB 138	14.1	15A	561793	RR JCT BOX	WATER HEATER
CB 49	9.3	15A	561793	RR JCT BOX	LH STOP LTS	CB 141	4.2	20A	561790	RR JCT BOX	ALT DELCO 24V-270A
CB 50						CB 142	2.1	15A	561790	RR JCT BOX	12V IGNITION FR. & RR. JCT. BOX
CB 51	9.3	15A	561793	RR JCT BOX	RH STOP LTS & TRAILER SIGN.						
CB 52	11.1	15A	561793	FR JCT BOX	LUGGAGE LTS						
CB 53											
CB 54											
CB 55											
CB 56											
CB 57	11.2	8A	561791	FR JCT BOX	DASH LTS RHEOSTAT						
CB 58	15.1,15.2	6A	561790	FR JCT BOX	HVAC DASH MODULE						

CIRCUIT BREAKERS CODE

No.	PAGE	AMP.	#PREV.	LOCATION	FUNCTION	No.	PAGE	AMP.	#PREV.	LOCATION	FUNCTION
CB 1	1.1	200A	560838	ENGINE CPT	A/C FULL AIR	CB 59					
CB 2	1.1	40A	870093	ENGINE CPT	12V HOT WIRE RR JCT BOX	CB 60					
CB 3	1.1	70A	562687	ENGINE CPT	12V FEDD RR JCT BOX	CB 61					
CB 4	1.1	90A	562683	ENGINE CPT	12V FEDD FR JCT BOX	CB 62					
CB 5	1.1	30A	870690	ENGINE CPT	24V HOT WIRE RR JCT BOX	CB 63					
CB 6	1.1	90A	562683	ENGINE CPT	24V FEED RR JCT BOX	CB 64					
CB 7	1.1	90A	562683	ENGINE CPT	24V FEED FR JCT BOX	CB 65					
CB 8	15.3	40A	562686	A/C JCT BOX	CONDENSER FAN MOTOR L.H.	CB 66					
CB 9	15.3	120A	562688	A/C JCT BOX	EVAPORATOR FAN MOTOR	CB 67					
CB 10	4.1	8A	561791	FR JCT BOX	MASTER SWITCH	CB 68					
CB 11	15.3	40A	562686	A/C JCT BOX	CONDENSER FAN MOTOR R.H.	CB 69					
CB 12						CB 70					
CB 13						CB 71					
CB 14						CB 72	15.1,15.2	10A	561792	RR JCT BOX	A/C COMPRESSOR CLUTCH
CB 15						CB 73	15.1,15.3	15A	561793	FR JCT BOX	WATER PUMP
CB 16	4.1	8A	561791	RR JCT BOX	ENGINE-RR CTR & START SW	CB 74					
CB 17						CB 75					
CB 18	4.1	6A	561791	RR JCT BOX	ENGINE-FR CTR SW	CB 76					
CB 19	5.1	15A	561793	RR JCT BOX	DDEC III E.C.M. POWER	CB 77					
CB 20	5.1	15A	561793	RR JCT BOX	DDEC III E.C.M. POWER	CB 78					
CB 21	5.1	10A	561790	RR JCT BOX	DDEC III 12V IGNITION	CB 79	15.1,15.2	15A	561792	FR JCT BOX	DRIVER'S DEFROSTER FAN
CB 22						CB 80					
CB 23						CB 81					
CB 24						CB 82					
CB 25						CB 83	6.1	20A	561794	RR JCT BOX	WORLD TRANSMISSION VIM POWER
CB 26	9.3	10A	561792	RR JCT BOX	BACK-UP LTS & ALARM	CB 84					
CB 27	7.2	8A	561791	FR JCT BOX	24V IGN DASH ACCESSORIES	CB 85					
CB 28	7.1	6A	561790	FR JCT BOX	12V IGN. DASH ACCESSORIES	CB 86					
CB 29						CB 87					
CB 30						CB 88					
CB 31						CB 89					
CB 32						CB 90					
CB 33						CB 91					
CB 34						CB 92	17.1	6A	561790	FR JCT BOX	DECEL SW & LEVEL-LOW
CB 35	9.3	6A	561790	FR JCT BOX	FOG, HAZARD SW & A/C MODULE	CB 105	22.1	6A	561790	FR JCT BOX	ABS E . C . U .
CB 36						CB 106	22.1	10A	561792	FR SERV JCT BOX	ABS E . C . U .
CB 37	9.1	8A	561791	FR JCT BOX	HEAD & MULTI-FUNC. SW	CB 107	22.1	10A	561792	FR SERV JCT BOX	ABS E . C . U .
CB 38						CB 115	12.2	8A	561791	FR JCT BOX	KEYLESS ENTRY SYSTEM
CB 39						CB 118	12.1	20A	561794	RR JCT BOX	LUGGAGE DOOR LOCK MOTOR
CB 40	9.1	10A	561791	FR JCT BOX	MARKER CLEARANCE & ID. LTS	CB 120	12.1	20A	561794	RR JCT BOX	LUGGAGE DOOR LOCK MOTOR
CB 41						CB 123	13.1	25A	561795	FR JCT BOX	ELECTRIC DRIVER'S SEAT
CB 42	9.1	10A	561792	RR JCT BOX	RR TAIL & LICENCE LTS	CB 124	8.1	6A	561790	RR JCT BOX	FAN CLUTCH RADIATOR
CB 43	9.1	20A	561794	FR JCT BOX	HEADLAMP (HI)	CB 125	9.2	20A	561794	FR JCT BOX	DIRECTIONAL LTS LH
CB 44	9.1	15A	561793	FR JCT BOX	HEADLAMP (LO)	CB 126	9.2	20A	561794	FR JCT BOX	DIRECTIONAL LTS RH
CB 45	9.2	10A	561792	FR JCT BOX	MULTI-FUNC. SW (WIPER CTR)	CB 129	7.1	6A	561790	FR JCT BOX	CLUSTER
CB 46						CB 130	23.1	6A	561790	FR JCT BOX	TT LT MODULE
CB 47						CB 132	14.1	15A	561793	RR JCT BOX	WATER HEATER WEBASTO
CB 48	9.3	6A	561790	FR JCT BOX	STOP SW	CB 138	14.1	15A	561793	RR JCT BOX	WATER HEATER
CB 49	9.3	15A	561793	RR JCT BOX	LH STOP LTS	CB 141	4.2	20A	561790	RR JCT BOX	ALT DELCO 24V-270A
CB 50						CB 142	2.1	15A	561790	RR JCT BOX	12V IGNITION FR. & RR. JCT. BOX
CB 51	9.3	15A	561793	RR JCT BOX	RH STOP LTS & TRAILER SIGN.						
CB 52	11.1	15A	561793	FR JCT BOX	LUGGAGE LTS						
CB 53											
CB 54											
CB 55											
CB 56											
CB 57	11.2	8A	561791	FR JCT BOX	DASH LTS RHEOSTAT						
CB 58	15.1,15.2	6A	561790	FR JCT BOX	HVAC DASH MODULE						

CIRCUIT BREAKERS CODE

No.	PAGE	AMP.	#PREV.	LOCATION	FUNCTION	No.	PAGE	AMP.	#PREV.	LOCATION	FUNCTION
CB 1	1.1	200A	560838	ENGINE CPT	A/C FULL AIR	CB 59					
CB 2	1.1	40A	870093	ENGINE CPT	12V HOT WIRE RR JCT BOX	CB 60					
CB 3	1.1	70A	562687	ENGINE CPT	12V FEDD RR JCT BOX	CB 61					
CB 4	1.1	90A	562683	ENGINE CPT	12V FEDD FR JCT BOX	CB 62					
CB 5	1.1	30A	870690	ENGINE CPT	24V HOT WIRE RR JCT BOX	CB 63					
CB 6	1.1	90A	562683	ENGINE CPT	24V FEED RR JCT BOX	CB 64					
CB 7	1.1	90A	562683	ENGINE CPT	24V FEED FR JCT BOX	CB 65					
CB 8	15.3	40A	562686	A/C JCT BOX	CONDENSER FAN MOTOR L.H.	CB 66					
CB 9	15.3	120A	562688	A/C JCT BOX	EVAPORATOR FAN MOTOR	CB 67					
CB 10	4.1	8A	561791	FR JCT BOX	MASTER SWITCH	CB 68					
CB 11	15.3	40A	562686	A/C JCT BOX	CONDENSER FAN MOTOR R.H.	CB 69					
CB 12						CB 70					
CB 13	6.1	3A	561797	RR JCT BOX	12V HOT WIRE DDR CONNECTOR	CB 71					
CB 14						CB 72	15.1,15.2	10A	561792	RR JCT BOX	A/C COMPRESSOR CLUTCH
CB 15						CB 73	15.1,15.3	15A	561793	FR JCT BOX	WATER PUMP
CB 16	4.1	8A	561791	RR JCT BOX	ENGINE-RR CTR & START SW	CB 74					
CB 17						CB 75					
CB 18	4.1	6A	561791	RR JCT BOX	ENGINE-FR CTR SW	CB 76					
CB 19	5.1	15A	561793	RR JCT BOX	DDEC III E.C.M. POWER	CB 77					
CB 20	5.1	15A	561793	RR JCT BOX	DDEC III E.C.M. POWER	CB 78					
CB 21	5.1	10A	561790	RR JCT BOX	DDEC III 12V IGNITION	CB 79	15.1,15.2	15A	561792	FR JCT BOX	DRIVER'S DEFROSTER FAN
CB 22						CB 80					
CB 23						CB 81					
CB 24						CB 82					
CB 25						CB 83	6.1	20A	561794	RR JCT BOX	WORLD TRANSMISSION VIM POWER
CB 26	9.3	10A	561792	RR JCT BOX	BACK-UP LTS & ALARM	CB 84					
CB 27	7.2	8A	561791	FR JCT BOX	24V IGN DASH ACCESSORIES	CB 85					
CB 28	7.1	6A	561790	FR JCT BOX	12V IGN. DASH ACCESSORIES	CB 86					
CB 29						CB 87					
CB 30						CB 88					
CB 31						CB 89					
CB 32						CB 90					
CB 33						CB 91					
CB 34						CB 92	17.1	6A	561790	FR JCT BOX	DECEL SW & LEVEL-LOW
CB 35	9.3	6A	561790	FR JCT BOX	FOG, HAZARD SW & A/C MODULE	CB 105	22.1	6A	561790	FR JCT BOX	ABS E . C . U .
CB 36						CB 106	22.1	10A	561792	FR SERV JCT BOX	ABS E . C . U .
CB 37	9.1	8A	561791	FR JCT BOX	HEAD & MULTI-FUNC. SW	CB 107	22.1	10A	561792	FR SERV JCT BOX	ABS E . C . U .
CB 38						CB 115	12.2	8A	561791	FR JCT BOX	KEYLESS ENTRY SYSTEM
CB 39						CB 118	12.1	20A	561794	RR JCT BOX	LUGGAGE DOOR LOCK MOTOR
CB 40	9.1	10A	561791	FR JCT BOX	MARKER CLEARANCE & ID. LTS	CB 120	12.1	20A	561794	RR JCT BOX	LUGGAGE DOOR LOCK MOTOR
CB 41						CB 123	13.1	25A	561795	FR JCT BOX	ELECTRIC DRIVER'S SEAT
CB 42	9.1	10A	561792	RR JCT BOX	RR TAIL & LICENCE LTS	CB 124	8.1	6A	561790	RR JCT BOX	FAN CLUTCH RADIATOR
CB 43	9.1	20A	561794	FR JCT BOX	HEADLAMP (HI)	CB 125	9.2	20A	561794	FR JCT BOX	DIRECTIONAL LTS LH
CB 44	9.1	15A	561793	FR JCT BOX	HEADLAMP (LO)	CB 126	9.2	20A	561794	FR JCT BOX	DIRECTIONAL LTS RH
CB 45	9.2	10A	561792	FR JCT BOX	MULTI-FUNC. SW (WIPER CTR)	CB 129	7.1	6A	561790	FR JCT BOX	CLUSTER
CB 46						CB 130	23.1	6A	561790	FR JCT BOX	TT LT MODULE
CB 47						CB 132	14.1	15A	561793	RR JCT BOX	WATER HEATER WEBASTO
CB 48	9.3	6A	561790	FR JCT BOX	STOP SW	CB 138	14.1	15A	561793	RR JCT BOX	WATER HEATER
CB 49	9.3	15A	561793	RR JCT BOX	LH STOP LTS	CB 141	4.2	20A	561790	RR JCT BOX	ALT DELCO 24V-270A
CB 50						CB 142	2.1	15A	561790	RR JCT BOX	12V IGNITION FR. & RR. JCT. BOX
CB 51	9.3	15A	561793	RR JCT BOX	RH STOP LTS & TRAILER SIGN.						
CB 52	11.1	15A	561793	FR JCT BOX	LUGGAGE LTS						
CB 53											
CB 54											
CB 55											
CB 56											
CB 57	11.2	8A	561791	FR JCT BOX	DASH LTS RHEOSTAT						
CB 58	15.1,15.2	6A	561790	FR JCT BOX	HVAC DASH MODULE						

CIRCUIT BREAKERS CODE

No.	PAGE	AMP.	#PREV.	LOCATION	FUNCTION	No.	PAGE	AMP.	#PREV.	LOCATION	FUNCTION
CB 1	1.1	200A	560838	ENGINE CPT	A/C FULL AIR	CB 59					
CB 2	1.1	40A	870093	ENGINE CPT	12V HOT WIRE RR JCT BOX	CB 60					
CB 3	1.1	70A	562687	ENGINE CPT	12V FEDD RR JCT BOX	CB 61					
CB 4	1.1	90A	562683	ENGINE CPT	12V FEDD FR JCT BOX	CB 62					
CB 5	1.1	30A	870690	ENGINE CPT	24V HOT WIRE RR JCT BOX	CB 63					
CB 6	1.1	90A	562683	ENGINE CPT	24V FEED RR JCT BOX	CB 64					
CB 7	1.1	90A	562683	ENGINE CPT	24V FEED FR JCT BOX	CB 65					
CB 8	15.3	40A	562686	A/C JCT BOX	CONDENSER FAN MOTOR L.H.	CB 66					
CB 9	15.3	120A	562688	A/C JCT BOX	EVAPORATOR FAN MOTOR	CB 67					
CB 10	4.1	8A	561791	FR JCT BOX	MASTER SWITCH	CB 68					
CB 11	15.3	40A	562686	A/C JCT BOX	CONDENSER FAN MOTOR R.H.	CB 69					
CB 12						CB 70					
CB 13	6.1	3A	561797	RR JCT BOX	12V HOT WIRE DDR CONNECTOR	CB 71					
CB 14						CB 72	15.1,15.2	10A	561792	RR JCT BOX	A/C COMPRESSOR CLUTCH
CB 15						CB 73	15.1,15.3	15A	561793	FR JCT BOX	WATER PUMP
CB 16	4.1	8A	561791	RR JCT BOX	ENGINE-RR CTR & START SW	CB 74					
CB 17						CB 75					
CB 18	4.1	6A	561791	RR JCT BOX	ENGINE-FR CTR SW	CB 76					
CB 19	5.1	15A	561793	RR JCT BOX	DDEC III E.C.M. POWER	CB 77					
CB 20	5.1	15A	561793	RR JCT BOX	DDEC III E.C.M. POWER	CB 78					
CB 21	5.1	10A	561790	RR JCT BOX	DDEC III 12V IGNITION	CB 79	15.1,15.2	15A	561792	FR JCT BOX	DRIVER'S DEFROSTER FAN
CB 22						CB 80					
CB 23						CB 81					
CB 24						CB 82					
CB 25						CB 83	6.1	20A	561794	RR JCT BOX	WORLD TRANSMISSION VIM POWER
CB 26	9.3	10A	561792	RR JCT BOX	BACK-UP LTS & ALARM	CB 84					
CB 27	7.2	8A	561791	FR JCT BOX	24V IGN DASH ACCESSORIES	CB 85					
CB 28	7.1	6A	561790	FR JCT BOX	12V IGN. DASH ACCESSORIES	CB 86					
CB 29						CB 87					
CB 30						CB 88					
CB 31						CB 89					
CB 32						CB 90					
CB 33						CB 91					
CB 34						CB 92	17.1	6A	561790	FR JCT BOX	DECEL SW & LEVEL-LOW
CB 35	9.3	6A	561790	FR JCT BOX	FOG, HAZARD SW & A/C MODULE	CB 105	22.1	6A	561790	FR JCT BOX	ABS E . C . U .
CB 36						CB 106	22.1	10A	561792	FR SERV JCT BOX	ABS E . C . U .
CB 37	9.1	8A	561791	FR JCT BOX	HEAD & MULTI-FUNC. SW	CB 107	22.1	10A	561792	FR SERV JCT BOX	ABS E . C . U .
CB 38						CB 115	12.2	8A	561791	FR JCT BOX	KEYLESS ENTRY SYSTEM
CB 39						CB 118	12.1	20A	561794	RR JCT BOX	LUGGAGE DOOR LOCK MOTOR
CB 40	9.1	10A	561791	FR JCT BOX	MARKER CLEARANCE & ID. LTS	CB 120	12.1	20A	561794	RR JCT BOX	LUGGAGE DOOR LOCK MOTOR
CB 41						CB 123	13.1	25A	561795	FR JCT BOX	ELECTRIC DRIVER'S SEAT
CB 42	9.1	10A	561792	RR JCT BOX	RR TAIL & LICENCE LTS	CB 124	8.1	6A	561790	RR JCT BOX	FAN CLUTCH RADIATOR
CB 43	9.1	20A	561794	FR JCT BOX	HEADLAMP (HI)	CB 125	9.2	20A	561794	FR JCT BOX	DIRECTIONAL LTS LH
CB 44	9.1	15A	561793	FR JCT BOX	HEADLAMP (LO)	CB 126	9.2	20A	561794	FR JCT BOX	DIRECTIONAL LTS RH
CB 45	9.2	10A	561792	FR JCT BOX	MULTI-FUNC. SW (WIPER CTR)	CB 129	7.1	6A	561790	FR JCT BOX	CLUSTER
CB 46						CB 130	23.1	6A	561790	FR JCT BOX	TT LT MODULE
CB 47						CB 132					
CB 48	9.3	6A	561790	FR JCT BOX	STOP SW	CB 138					
CB 49	9.3	15A	561793	RR JCT BOX	LH STOP LTS	CB 141	4.2	20A	561790	RR JCT BOX	ALT DELCO 24V-270A
CB 50						CB 142	2.1	15A	561790	RR JCT BOX	12V IGNITION FR. & RR. JCT. BOX
CB 51	9.3	15A	561793	RR JCT BOX	RH STOP LTS & TRAILER SIGN.						
CB 52	11.1	15A	561793	FR JCT BOX	LUGGAGE LTS						
CB 53											
CB 54											
CB 55											
CB 56											
CB 57	11.2	8A	561791	FR JCT BOX	DASH LTS RHEOSTAT						
CB 58	15.1,15.2	6A	561790	FR JCT BOX	HVAC DASH MODULE						

CIRCUIT BREAKERS CODE

No.	PAGE	AMP.	#PREV.	LOCATION	FUNCTION	No.	PAGE	AMP.	#PREV.	LOCATION	FUNCTION
CB 1	1.1	200A	560838	ENGINE CPT	A/C FULL AIR	CB 59					
CB 2	1.1	40A	870093	ENGINE CPT	12V HOT WIRE RR JCT BOX	CB 60					
CB 3	1.1	70A	562687	ENGINE CPT	12V FEDD RR JCT BOX	CB 61					
CB 4	1.1	90A	562683	ENGINE CPT	12V FEDD FR JCT BOX	CB 62					
CB 5	1.1	30A	870690	ENGINE CPT	24V HOT WIRE RR JCT BOX	CB 63					
CB 6	1.1	90A	562683	ENGINE CPT	24V FEED RR JCT BOX	CB 64					
CB 7	1.1	90A	562683	ENGINE CPT	24V FEED FR JCT BOX	CB 65					
CB 8	15.3	40A	562686	A/C JCT BOX	CONDENSER FAN MOTOR L.H.	CB 66					
CB 9	15.3	120A	562688	A/C JCT BOX	EVAPORATOR FAN MOTOR	CB 67					
CB 10	4.1	8A	561791	FR JCT BOX	MASTER SWITCH	CB 68					
CB 11	15.3	40A	562686	A/C JCT BOX	CONDENSER FAN MOTOR R.H.	CB 69					
CB 12						CB 70					
CB 13	6.1	3A	561797	RR JCT BOX	12V HOT WIRE DDR CONNECTOR	CB 71					
CB 14						CB 72	15.1,15.2	10A	561792	RR JCT BOX	A/C COMPRESSOR CLUTCH
CB 15						CB 73	15.1,15.3	15A	561793	FR JCT BOX	WATER PUMP
CB 16	4.1	8A	561791	RR JCT BOX	ENGINE-RR CTR & START SW	CB 74					
CB 17						CB 75					
CB 18	4.1	6A	561791	RR JCT BOX	ENGINE-FR CTR SW	CB 76					
CB 19	5.1	15A	561793	RR JCT BOX	DDEC III E.C.M. POWER	CB 77					
CB 20	5.1	15A	561793	RR JCT BOX	DDEC III E.C.M. POWER	CB 78					
CB 21	5.1	10A	561790	RR JCT BOX	DDEC III 12V IGNITION	CB 79	15.1,15.2	15A	561792	FR JCT BOX	DRIVER'S DEFROSTER FAN
CB 22						CB 80					
CB 23						CB 81					
CB 24						CB 82					
CB 25						CB 83	6.1	20A	561794	RR JCT BOX	WORLD TRANSMISSION VIM POWER
CB 26	9.3	10A	561792	RR JCT BOX	BACK-UP LTS & ALARM	CB 84					
CB 27	7.2	8A	561791	FR JCT BOX	24V IGN DASH ACCESSORIES	CB 85					
CB 28	7.1	6A	561790	FR JCT BOX	12V IGN. DASH ACCESSORIES	CB 86					
CB 29						CB 87					
CB 30						CB 88					
CB 31						CB 89					
CB 32						CB 90					
CB 33						CB 91					
CB 34						CB 92	17.1	6A	561790	FR JCT BOX	DECEL SW & LEVEL-LOW
CB 35	9.3	6A	561790	FR JCT BOX	FOG, HAZARD SW & A/C MODULE	CB 105	22.1	6A	561790	FR JCT BOX	ABS E . C . U .
CB 36						CB 106	22.1	15A	561793	FR JCT BOX	ABS E . C . U .
CB 37	9.1	8A	561791	FR JCT BOX	HEAD & MULTI-FUNC. SW	CB 107					
CB 38						CB 115	12.2	8A	561791	FR JCT BOX	KEYLESS ENTRY SYSTEM
CB 39						CB 118	12.1	20A	561794	RR JCT BOX	LUGGAGE DOOR LOCK MOTOR
CB 40	9.1	10A	561791	FR JCT BOX	MARKER CLEARANCE & ID. LTS	CB 120	12.1	20A	561794	RR JCT BOX	LUGGAGE DOOR LOCK MOTOR
CB 41						CB 123	13.1	25A	561795	FR JCT BOX	ELECTRIC DRIVER'S SEAT
CB 42	9.1	10A	561792	RR JCT BOX	RR TAIL & LICENCE LTS	CB 124	8.1	6A	561790	RR JCT BOX	FAN CLUTCH RADIATOR
CB 43	9.1	20A	561794	FR JCT BOX	HEADLAMP (HI)	CB 125	9.2	20A	561794	FR JCT BOX	DIRECTIONAL LTS LH
CB 44	9.1	15A	561793	FR JCT BOX	HEADLAMP (LO)	CB 126	9.2	20A	561794	FR JCT BOX	DIRECTIONAL LTS RH
CB 45	9.2	10A	561792	FR JCT BOX	MULTI-FUNC. SW (WIPER CTR)	CB 129	7.1	6A	561790	FR JCT BOX	CLUSTER
CB 46						CB 130	23.1	6A	561790	FR JCT BOX	TT LT MODULE
CB 47						CB 132					
CB 48	9.3	6A	561790	FR JCT BOX	STOP SW	CB 138					
CB 49	9.3	15A	561793	RR JCT BOX	LH STOP LTS	CB 141	4.2	20A	561790	RR JCT BOX	ALT DELCO 24V-270A
CB 50						CB 142	2.1	15A	561790	RR JCT BOX	12V IGNITION FR. & RR. JCT. BOX
CB 51	9.3	15A	561793	RR JCT BOX	RH STOP LTS & TRAILER SIGN.						
CB 52	11.1	15A	561793	FR JCT BOX	LUGGAGE LTS						
CB 53											
CB 54											
CB 55											
CB 56											
CB 57	11.2	8A	561791	FR JCT BOX	DASH LTS RHEOSTAT						
CB 58	15.1,15.2	6A	561790	FR JCT BOX	HVAC DASH MODULE						

CIRCUIT BREAKERS CODE

No.	PAGE	AMP.	#PREV.	LOCATION	FUNCTION	No.	PAGE	AMP.	#PREV.	LOCATION	FUNCTION
CB 1	1.1	200A	560838	ENGINE CPT	A/C FULL AIR	CB 59					
CB 2	1.1	40A	870093	ENGINE CPT	12V HOT WIRE RR JCT BOX	CB 60					
CB 3	1.1	70A	562687	ENGINE CPT	12V FEDD RR JCT BOX	CB 61					
CB 4	1.1	90A	562683	ENGINE CPT	12V FEDD FR JCT BOX	CB 62					
CB 5	1.1	30A	870690	ENGINE CPT	24V HOT WIRE RR JCT BOX	CB 63					
CB 6	1.1	90A	562683	ENGINE CPT	24V FEED RR JCT BOX	CB 64					
CB 7	1.1	90A	562683	ENGINE CPT	24V FEED FR JCT BOX	CB 65					
CB 8	15.3	40A	562686	A/C JCT BOX	CONDENSER FAN MOTOR L.H.	CB 66					
CB 9	15.3	120A	562688	A/C JCT BOX	EVAPORATOR FAN MOTOR	CB 67					
CB 10	4.1	8A	561791	FR JCT BOX	MASTER SWITCH	CB 68					
CB 11	15.3	40A	562686	A/C JCT BOX	CONDENSER FAN MOTOR R.H.	CB 69					
CB 12						CB 70					
CB 13	6.1	3A	561797	RR JCT BOX	12V HOT WIRE DDR CONNECTOR	CB 71					
CB 14	15.4	25A	561795	FR JCT BOX	UPPER FAN DEFROST	CB 72	15.1,15.2	10A	561792	RR JCT BOX	A/C COMPRESSOR CLUTCH
CB 15						CB 73	15.1,15.3	15A	561793	FR JCT BOX	WATER PUMP
CB 16	4.1	8A	561791	RR JCT BOX	ENGINE-RR CTR & START SW	CB 74					
CB 17						CB 75					
CB 18	4.1	6A	561791	RR JCT BOX	ENGINE-FR CTR SW	CB 76					
CB 19	5.1	15A	561793	RR JCT BOX	DDEC III E.C.M. POWER	CB 77					
CB 20	5.1	15A	561793	RR JCT BOX	DDEC III E.C.M. POWER	CB 78					
CB 21	5.1	10A	561790	RR JCT BOX	DDEC III 12V IGNITION	CB 79	15.1,15.2	15A	561792	FR JCT BOX	DRIVER'S DEFROSTER FAN
CB 22						CB 80					
CB 23						CB 81					
CB 24						CB 82					
CB 25						CB 83	6.1	20A	561794	RR JCT BOX	WORLD TRANSMISSION VIM POWER
CB 26	9.3	10A	561792	RR JCT BOX	BACK-UP LTS & ALARM	CB 84					
CB 27	7.2	8A	561791	FR JCT BOX	24V IGN DASH ACCESSORIES	CB 85					
CB 28	7.1	6A	561790	FR JCT BOX	12V IGN. DASH ACCESSORIES	CB 86					
CB 29						CB 87					
CB 30						CB 88					
CB 31						CB 89					
CB 32						CB 90					
CB 33						CB 91					
CB 34						CB 92	17.1	6A	561790	FR JCT BOX	DECEL SW & LEVEL-LOW
CB 35	9.3	6A	561790	FR JCT BOX	FOG, HAZARD SW & A/C MODULE	CB 105	22.1	6A	561790	FR JCT BOX	ABS E . C . U .
CB 36						CB 106	22.1	15A	561793	FR JCT BOX	ABS E . C . U .
CB 37	9.1	8A	561791	FR JCT BOX	HEAD & MULTI-FUNC. SW	CB 107					
CB 38						CB 115	12.2	8A	561791	FR JCT BOX	KEYLESS ENTRY SYSTEM
CB 39						CB 118	12.1	20A	561794	RR JCT BOX	LUGGAGE DOOR LOCK MOTOR
CB 40	9.1	10A	561791	FR JCT BOX	MARKER CLEARANCE & ID. LTS	CB 120	12.1	20A	561794	RR JCT BOX	LUGGAGE DOOR LOCK MOTOR
CB 41						CB 123	13.1	25A	561795	FR JCT BOX	ELECTRIC DRIVER'S SEAT
CB 42	9.1	10A	561792	RR JCT BOX	RR TAIL & LICENCE LTS	CB 124	8.1	6A	561790	RR JCT BOX	FAN CLUTCH RADIATOR
CB 43	9.1	20A	561794	FR JCT BOX	HEADLAMP (HI)	CB 125	9.2	20A	561794	FR JCT BOX	DIRECTIONAL LTS LH
CB 44	9.1	15A	561793	FR JCT BOX	HEADLAMP (LO)	CB 126	9.2	20A	561794	FR JCT BOX	DIRECTIONAL LTS RH
CB 45	9.2	10A	561792	FR JCT BOX	MULTI-FUNC. SW (WIPER CTR)	CB 129	7.1	6A	561790	FR JCT BOX	CLUSTER
CB 46						CB 130	23.1	6A	561790	FR JCT BOX	TT LT MODULE
CB 47						CB 132					
CB 48	9.3	6A	561790	FR JCT BOX	STOP SW	CB 138					
CB 49	9.3	15A	561793	RR JCT BOX	LH STOP LTS	CB 141	4.2	20A	561790	RR JCT BOX	ALT DELCO 24V-270A
CB 50						CB 142	2.1	15A	561790	RR JCT BOX	12V IGNITION FR. & RR. JCT. BOX
CB 51	9.3	15A	561793	RR JCT BOX	RH STOP LTS & TRAILER SIGN.						
CB 52	11.1	15A	561793	FR JCT BOX	LUGGAGE LTS						
CB 53											
CB 54											
CB 55											
CB 56											
CB 57	11.2	8A	561791	FR JCT BOX	DASH LTS RHEOSTAT						
CB 58	15.1,15.2	6A	561790	FR JCT BOX	HVAC DASH MODULE						

CONNECTORS CODE

NO	LOCATION	TYPE	CAVITY	#PIN	#SOCKET	NO	LOCATION	TYPE	CAVITY	#PIN	#SOCKET
				HOUSING	HOUSING					HOUSING	HOUSING
AA 1	UNDER DASH PANEL-TAG AXLE SONALERT	BOSCH	5	-----	561183	C 65	ENGINE CPT - PRESS SW FAN CLUTCH	PED WP	2	561566	561690
C 1	FR JCT BOX COMPARTMENT	AMP CPC	14	561585	561584	C 66					
C 2	FR JCT BOX COMPARTIMENT	AMP CPC	16	561639	561640	C 67					
C 3	FR JCT BOX COMPARTIMENT	AMP CPC	37	561644	561646	C 68					
C 4	FR JCT BOX COMPARTIMENT	AMP CPC	24	561641	561643	C 69					
C 5	FR SERVICE COMPT. - UNDERNEATH	AMP CPC	37	561645	561646	C 70	LH CONSOLE	AMP CPC	16	561639	561640
C 6	FR SERVICE COMPT. - UNDERNEATH	AMP CPC	16	561639	561640	C 71	FR JCT BOX COMPT.	AMP CPC	37	561645	561646
C 7	FR SERVICE COMPT - CLUTCH SW	ITT SS	3	561080	561111	C 72	FR JCT BOX COMPT.	AMP CPC	24	561642	561643
C 8	FR SERVICE COMPT. - UNDERNEATH	AMP CPC	24	561642	561643	C 73					
C 9	FR SERVICE COMPT. - UNDERNEATH	AMP CPC	24	561642	561643	C 74	FR JCT BOX COMPT.	AMP CPC	37	561645	561646
C 10	FR SERVICE DOOR ACCESS.	DEUTSCH	5	562565	562566	C 75					
C 11	FR SERV. CPT ACCESS	AMP CPC	37	561645	561646	C 76					
C 12	FR SERV. CPT ACCESS	AMP CPC	16	561639	561640	C 77					
C 13						C 78					
C 14						C 79					
C 15	LUGGAGE CPT (184)-MARK. SUPPL.	DEUTSCH	4	562479	562477	C 80					
C 16	LH CONSOLE SW-CRUISE ON/OFF	NGR	12	-----	562763	C 81	LUGGAGE COMPT - DOOR LOCK	AMP MNL	4	560851	560852
C 17	LH CONSOLE SW-CRUISE RESUME	NGR	12		562763	C 82	LUGGAGE COMPT - DOOR LOCK	AMP MNL	4	560851	560852
C 18	LH CONSOLE SW-CRUISE SET	NGR	12		562763	C 83	LUGGAGE COMPT - DOOR LOCK	AMP MNL	4	560851	560852
C 19	LH CONSOLE SW-DECEL SW	NGR	12		562763	C 84	LUGGAGE COMPT - DOOR LOCK	AMP MNL	4	560851	560852
C 20	RR JCT BOX	DEUTSCH	70	562282	562285	C 85	LUGGAGE COMPT - DOOR LOCK	AMP MNL	4	560851	560852
C 21	ENGINE COMPT - LOCK DOOR MOT.	PED WP	2		562076	C 86	LUGGAGE COMPT - DOOR LOCK	AMP MNL	4	560851	560852
C 22	LUGGAGE COMPT (A) - A/C & FUEL TANK	AMP CPC	16	561639	561640	C 87					
C 23	LUGGAGE COMPT (1) - LUGG. ACCESS.	AMP CPC	24	561642	561643	C 88					
C 24	ENGINE COMPT. - INTERF RJB	PED WP	6	561606	561607	C 89					
C 25	ENGINE COMPT. - INTERF RJB	PED WP	6	561606	561607	C 90					
C 26	ENGINE COMPT. ACCESS	DEUTSCH	40	562281	562284	C 91					
C 27	ENGINE COMPT. - INTERF. RJB	DEUTSCH	6	562583	562581	C 92	FR JCT BOX COMPT - ABS	AMP CPC	9	561635	561637
C 28	LUGGAGE COMPT(4) - LUGG. ACCESS	AMP CPC	24	561642	561643	C 93					
C 29	FR SERVICE COMPT - E.C.U. FEED	PED WP	3	561781	561782	C 94					
C 30	ENGINE COMPT - MASTER SW. SIGN.	DEUTSCH	2	562486	562485	C 95	ENTRANCE DOOR ACCESS	DEUTSCH	6	562583	562581
C 31						C 96	FR SERVICE DOOR ACCESS	AMP MNL	9	561670	561669
C 32						C 97	FR SERVICE DOOR - WATER TANK	PED MP	20		562426
C 33	ENGINE DDEC II - SPEED SIGN SPARE	PED WP	2	561566	561690	C 98					
C 34						C 99	FR SERVICE CPT. LTS	AMP MNL	2	561248	561247
C 35	A/C COMPT - AIR RETURN SENSOR	AMP MNL	2	561248	561247	C 100					
C 36						C 101	FR SERVICE COMPT. ELEC. HORNS	PED WP	2	561566	561690
C 37						C 101	CONDENSER COMPT - A/C PRES. SW 1SP	PED WP	2	561566	561690
C 38						C 102	CONDENS. COMPT - LIQU. SOL. VAL. PRES.	PED WP	2	561566	561690
C 39						C 103					
C 40						C 104					
C 41	ENGINE COMPT - RH DOOR LOCK	DEUTSCH	4	562479	562477	C 105	UNDER DASH RH - DRV LIO SOL VL	PED WP	2	561566	561690
C 42	ENGINE COMPT - RR CAP LIGHTING	DEUTSCH	6	562583	562581	C 106	UNDER DASH RH - DRV WTR VALVE	PED WP	2	561566	561690
C 43	FR JCT BOX - ALT. MODULE	AMP MNL	12	561735	561734	C 107					
C 44	ENGINE COMPT - LIGHTS	PED WP	1	561605	561577	C 108					
C 45	FR JCT BOX COMPT - ROOF ACCESS	AMP CPC	24	561642	561643	C 109					
C 46						C 110					
C 47						C 111					
C 48	FR SERV. CPT. PRESS SW PARK BRAKE	DEUTSCH	4	562479	562477	C 112					
C 49						C 113					
C 50						C 114	ENGINE DDEC - SPEED SIGNAL (SPARG)	PED WP	2	561566	561690
C 51						C 115	RR JCT BOX - ENGINE ACCESS	DEUTSCH	40	562281	562284
C 52	ENGINE COMPT - COMPRESSOR	PED WP	2	561566	561690	C 116	DRIVE AXLE COMPT - AIR DRYER	PED MP	2		562251
C 53	ENGINE COMPT - COMPRESSOR	PED WP	2	561566	561690	C 117					
C 54						C 118	ENGINE COMPT - LICENCE	DOM. AUT	2	930210	
C 55	CENTRAL DOOR LOCK	DEUTSCH	4	562479	562477	C 119	ENGINE COMPT - RH LOWER LAMP	PED WP	6	561606	561607
C 56						C 120	ENGINE COMPT - LH LOWER LAMP	PED WP	6	561606	561607
C 57						C 121					
C 58						C 122					
C 59						C 123					
C 60						C 124					
C 61	ENGINE COMPT - FUEL FILTER	PED WP	2	561566	561690	C 125					
C 62	ENGINE COMPT - COMPRESSOR STD	PED WP	2	561566	561690	C 126					
C 63	ENGINE COMPT - COMPRESSOR STD	PED WP	2	561566	561690	C 127					
C 64						C 128					

CONNECTORS CODE

NO	LOCATION	TYPE	CAVITY	#PIN	#SOCKET	NO	LOCATION	TYPE	CAVITY	#PIN	#SOCKET
				HOUSING	HOUSING					HOUSING	HOUSING
C 129						C 194					
C 130						C 195					
C 131						C 196					
C 132						C 197					
C 133						C 198					
C 134	FR JCT BOX – DIODE CONN.	AMP MNL	15	561987	561986	C 199					
C 135	FR JCT BOX – DIODE CONN.	AMP MNL	15	561987	561986	C 200					
C 136	FR JCT BOX – DIODE CONN.	AMP MNL	15	561987	561986	C 201					
C 137						C 202					
C 138						C 203					
C 139						C 204					
C 140	HVAC DASH MODULE THERMOMETER	MOLEX	4		562782	C 205					
C 141	RR DASH PANEL – LTS CONN. (SPARE)	AMP MNL	2	561248	561247	C 206					
C 142	ENGINE COMPT. B/U ALARM	PED WP	2	561566	561690	C 207					
C 143						C 208					
C 144						C 209					
C 145						C 210					
C 146						C 211	FR ROOF – SUN VISOR LH	AMP MNL	2	560900	560898
C 147						C 212	FR ROOF – SUN VISOR RH	AMP MNL	2	560900	560898
C 148						C 213					
C 149						C 214					
C 150						C 215					
C 151						C 216					
C 152						C 217					
C 153						C 218					
C 154						C 219					
C 155						C 220					
C 156						C 221					
C 157	FR SERV. CPT – WATER PUMP DR'S	PED WP	3	561781	561782	C 222					
C 158						C 223	HEAD LIGHTS - FLASHER	DEUTSCH	5	562565	562566
C 159						C 224	HEAD LIGHTS	PED MP	3		562099
C 160	FR SERVICE CPT - INTERFACE	AMP CPC	37	561644	561646	C 225	FOG LIGHTS	DEUTSCH	3	562902	562901
C 161	ENGINE DDEC - ECM	PED MP	30		561600	C 226	FLASHER – (FR)	PED	3	562137	
C 162	ENGINE DDEC - ACCESSORIES	PED WP	4	561610	561611	C 227					
C 163	ENGINE CPT - COOLANT PROBE	PED MP	2		562350	C 228					
C 164						C 229					
C 165						C 230					
C 166						C 231					
C 167	FR SERVICE CPT - EL. FOOT PEDAL	PED WP	3	561781	561782	C 232					
C 168	FR SERVICE CPT - DDR	DEUTSCH	6	562360		C 233					
C 169	FR SERVICE CPT - WORLD TR. INTERFACE	AMP CPC	16	561639	561640	C 234					
C 170	FR JCT BOX FLASHER UNIT	PED	2		561940	C 235					
C 171	LH CONSOLE	AMP CPC	24	561642	561643	C 236	FR SERVICE CPT CENTER - ABS	AMP CPC	14	561636	561637
C 172	FR SERVICE COMPT - LEVEL LOW	AMP CPC	9	561637		C 237	FR AXLE CPT - ABS RH SENSOR	WABCO	2	641132	
C 173						C 238	FR AXLE CPT - ABS RH VALVE	WABCO	3	641098	
C 174						C 239	FR AXLE CPT - ABS LH VALVE	WABCO	3	641098	
C 175						C 240	FR AXLE CPT - ABS LH SENSOR	WABCO	2	641132	
C 176	UNDER DASH RH – WIPER PULSE	AMP FF	6		561186	C 241	LAST LUGGAGE COMPT - ABS	PED WP	6	561606	561607
C 177	UNDER DASH RH – WIPER MOTOR	AMP FF	6		561186	C 242	DRIVE AXLE CPT - ABS LH SENSOR	WABCO	2	641132	
C 178						C 243	DRIVE AXLE CPT - ABS LH VALVE	WABCO	3	641098	
C 179						C 244	DRIVE AXLE CPT - ABS RH VALVE	WABCO	3	641098	
C 180						C 245	DRIVE AXLE CPT - ABS RH SENSOR	WABCO	2	641132	
C 181						C 246	DRIVE AXLE CPT - ABS SPARE	PED WP	2	561566	561690
C 182						C 247					
C 183						C 248	LAST LUGGAGE CPT - ABS	PED WP	6	561606	561607
C 184						C 249	FR SERVICE CPT - ABS/DDEC	PED WP	2	561566	561690
C 185						C 250					
C 186						C 251	LH SW PANEL – FAST IDLE	EATON	12		562763
C 187	FR SERVICE JCT BOX - RESISTORS	AMP MNL	6	561552	561515	C 252	LUGGAGE COMPT. – WINDOW AJAR	MOLEX	4	561477	561476
C 188						C 253	LH SWITCH PANEL - ETHER	EATON	12		562763
C 189						C 254					
C 190						C 255	LH SWITCH PANEL – ENGINE BRAKE	EATON	12		562763
C 191						C 256					
C 192						C 257	ENGINE COMPT - WATER HEATER	AMP FF	6		561186
C 193						C 258	LH CONSOLE – HEATER TIMER	AMP FF	8	561188	562363

CONNECTORS CODE

NO	LOCATION	TYPE	CAVITY	#PIN	#SOCKET	NO	LOCATION	TYPE	CAVITY	#PIN	#SOCKET
				HOUSING	HOUSING					HOUSING	HOUSING
C 258	LH SWITCH PANEL – MULTI FUNC. SW	AMP FF	8	561188		C 322	UNDER DASH RH - KEYLESS MODULE	AMP COM	22		562675
C 259	ENGINE COMPT. – WATER HEATER	PED	2	562644	561597	C 323	DRIVER'S WINDOW MOTOR	PED	2		561848
C 259	LH SWITCH PANEL – MULTI FUNC. SW	AMP FF	6		561186	C 324					
C 260	ENGINE COMPT - WATER HEATER	AMP FF	2	562473	562474	C 325					
C 261	ENGINE COMPT - WATER HEATER	PED	2	562644	561597	C 326	ENGINE MANUEL TRANSM. (SPARC)	PED WP	4	561610	561611
C 262						C 327					
C 263	LUGGAGE COMPT. LTS COMPT #3	AMP MNL	2	561248	561247	C 328					
C 264	LUGGAGE COMPT. LTS COMPT #2	AMP MNL	2	561248	561247	C 329					
C 265	LUGGAGE COMPT. LTS COMPT #1	AMP MNL	2	561248	561247	C 330					
C 266	ENTRANCE DOOR KEYLESS	AMP CPC	14	561585	561583	C 331					
C 267	UNDER DASH RH – KEYLESS PANEL	AMP CPC	24	561642	561643	C 332					
C 268	FR MIRROR RH	SW. CRAF	5	562921		C 333					
C 269	FR MIRROR LH	SW. CRAF	5	562921		C 334					
C 270	LUGGAGE COMPT LTS - 3 LH	AMP MNL	2	561248	561247	C 335					
C 271	LUGGAGE COMPT LTS - 4	AMP MNL	2	561248	561247	C 336					
C 272						C 337					
C 273						C 338					
C 274						C 339					
C 275						C 340	FR JCT BOX – FIRE PIEZO ALARM	AMP MNL	2	560900	560898
C 276	UNDER DASH RH – 3 WAY LTS DR'S	EATON	12		562763	C 341	LH SWITCH PANEL – HEAT MIRROR SW.	EATON	12		562763
C 277	LH SWITCH PANEL DOCK & CORN. SW.	EATON	12		562763	C 342					
C 278	LH SWITCH PANEL – BU CANCEL	EATON	12		562763	C 343	LH SWITCH PANEL – HEAT LAMP SW.	EATON	12		562763
C 279	FR SERVICE COMPT LH – STEERING ZF	DEUTSCH	2		562485	C 344	LH SWITCH PANEL – HAZAR LT SW.	EATON	12		562763
C 280	ENGINE COMPT - COMPRESSOR STD	PED WP	2	561566	561690	C 345	LH SWITCH PANEL – FOG LT SW.	EATON	12		562763
C 281	LH CONSOLE – LEVEL LOW	AMP MNL	4	560851	560852	C 346					
C 282	FR SERVICE COMPT – STEERING ZF	VOLVO	2		562928	C 347					
C 283	LH CONSOLE STEERING ZF	AMP MNL	2	561248	561247	C 348	INSTR. PANEL CENT. – RACOR MODULE	MOLEX	6	562070	562069
C 284	LH CONSOLE SW - STEERING ZF	EATON	12		562763	C 349					
C 285						C 350					
C 286						C 351					
C 287						C 352					
C 288						C 353					
C 289						C 354					
C 290	LUGGAGE CPT - DOOR LOCK	AMP MNL	4	560851	560852	C 355					
C 291	LUGGAGE CPT - DOOR LOCK	AMP MNL	4	560851	560852	C 356					
C 292						C 357					
C 293						C 358					
C 294						C 359	RH SWITCH PANEL – ENT. DOOR WIND. SW.	EATON	12		562763
C 295						C 360	ENTRANCE WINDOW MOTOR	PED	2		561848
C 296						C 361					
C 297						C 362					
C 298						C 363					
C 299						C 364					
C 300						C 365					
C 301						C 366					
C 302						C 367					
C 303	RR JCT BOX - DIODES	AMP MNL	15	561987	561986	C 368					
C 304						C 369					
C 305						C 370					
C 306						C 371					
C 307						C 372					
C 308						C 373					
C 309	ENGINE DDEC - ECM POWER	PED MP	5		562345	C 374					
C 310	LH CONSOLE SW – LUG. DOOR LOCK	EATON	12		562763	C 375					
C 311						C 376					
C 312	ENGINE DDEC III - ACCESSORIES	PED WP	3	561781	561782	C 377	LH SWITCH PANEL – STOP ENGINE OVERRIDE	EATON	12		562763
C 313	ENGINE DDEC III - INPUT	PED MP	3	562398		C 378					
C 314						C 379					
C 315	LH SWITCH PANEL – RH SUN VISOR SW.	EATON	12		562763	C 380					
C 316						C 381	UNDER DASH PANEL – ANTI THIELED	AMP MNL	2	561248	561247
C 317	LH SWITCH PANEL – LH SUN VISOR SW.	EATON	12		562763	C 382	ENGINE GENERATOR (1)	PED WP	1	561605	561577
C 318	LH CONSOLE SW – DR'S WINDOW SW.	EATON	12		562763	C 383	ENGINE COMPT – VOLTAGE REGULATOR	PED WP	1	561605	561577
C 319						C 384					
C 320	RT SWITCH PANEL – DRIVER'S LTS SW.	EATON	12		562763	C 385					
C 321	UNDER DASH RH - KEYLESS MODULE	AMP COM	26		562676	C 386					

CONNECTORS CODE

NO	LOCATION	TYPE	CAVITY	#PIN	#SOCKET	NO	LOCATION	TYPE	CAVITY	#PIN	#SOCKET
				HOUSING	HOUSING					HOUSING	HOUSING
C 387	ENGINE COMPT. - BY-PASS VALVE	PED WP	2	561566	561690	C 452					
C 388						C 453					
C 389	ENGINE COMPT. - WATER PUMP	PED WP	2	561566	561690	C 454					
C 390	ENGINE COMPT. - A/C JCT. BOX	DEUTSCH	24	562280	562283	C 455					
C 391	CONDENSER COMPT. A/C PRESS SW 2 SP	PED WP	2	561566	561690	C 456	WORLD TRANS. - RETARDER ACCUM.	PED MP	2		562427
C 392						C 457	WORLD TRANS. - MAIN CONNECTOR	AMP FF	31	562562	562563
C 393						C 458	WORLD TRANS. - TURBINE SP. SENS.	PED MP	2		562426
C 394						C 459	WORLD TRANS. - ENGINE SP. SENS.	PED MP	2		562426
C 395						C 460	WORLD TRANS. - SPEED SENSOR	ITT	2		562541
C 396						C 461	WORLD TRANS. - RETARDER TEMP.	PED MP	2		562856
C 397						C 462	WORLD TRANS. - RETARDER SOL. "K"	PED MP	2		562426
C 398						C 463	WORLD TRANS. - SENSOR CONN.	DEUTSCH	16	562570	562571
C 399	ENGINE GENERATOR (2)	PED WP	2	561566	561690	C 464	RR JCT BOX - DDL CONN	DEUTSCH	6		565360
C 400	ENGINE COMPT. - BLOCK HEATER	PED WP	3	561781	561782	C 465	LH CONSOLE - SHIFTER SELECTOR	PED	20		562825
C 401						C 466	FR SERVICE CPT - RESIS. MOD.	PED WP	3		562428
C 402						C 467	FR SERVICE CPT - RESIS. MOD.	PED WP	3		562428
C 403						C 468					
C 404						C 469					
C 405						C 470					
C 406						C 471					
C 407						C 472	FR SERVICE CPT - SILENT 100C	PED WP	2	561566	561690
C 408						C 473					
C 409						C 474	DRIVER'S TEMP SENSOR	AMP MNL	2	561248	561247
C 410						C 475	FR SERVICE CPT - SPEED SIGN. CONNECT.	DEUTSCH	6	562583	562581
C 411						C 475W	FR SERVICE CPT - SPEED SIGN. W. TR.	DEUTSCH	6	562583	562581
C 412						C 476					
C 413						C 477					
C 414						C 478					
C 415						C 479					
C 416						C 480	UNDER DASH RH - DR'S FAN SPEED CTR	PED WP	4	561889	561890
C 417						C 481	UNDER DASH RH - DR'S FAN SPEED CTR	PED WP	3	561781	561782
C 418						C 482					
C 419						C 483	FR SERVICE CPT - ELECTRICAL SEAT	PED	2	562237	
C 420						C 484	UNDER DASH LH - FOOT DAMPER MOTOR	PED	2		562076
C 421						C 485	UNDER DASH LH - DASH & DEFR. DAMP. M.	AMP MNL	3	561667	561558
C 422						C 486					
C 423						C 487					
C 424	WSTR. PANEL RR - AUDIBLE FLASHER	AMP MNL	3	561667	561550	C 488					
C 425						C 489					
C 426	ENGINE S60 RAD. FAN CLUTCH	PED WP	3	561781	561782	C 490					
C 427						C 491					
C 428	RH SW PANEL - DASH LTS RHEOSTAT	AMP MNL	3	561667	561550	C 492					
C 429						C 493					
C 430						C 494					
C 431						C 495					
C 432						C 496					
C 433						C 497					
C 434						C 498					
C 435						C 499					
C 436						C 500	FR JCT PANEL - PRODRIVER	MOLEX	6	562070	562069
C 437						C 501					
C 438						C 502					
C 439						C 503					
C 440						C 504					
C 441						C 505					
C 442						C 506	LH CONSOLE - LEVEL LOW SW.	EATON	12		562763
C 443						C 507					
C 444						C 508	RR JCT BOX - FAN CLUTCH RETARDER	AMP MNL	6	561552	561515
C 445						C 509					
C 446						C 510					
C 447						C 511					
C 448						C 512					
C 449						C 513					
C 450						C 514					
C 451						C 515					

CONNECTORS CODE

NO	LOCATION	TYPE	CAVITY	#PIN	#SOCKET	NO	LOCATION	TYPE	CAVITY	#PIN	#SOCKET
				HOUSING	HOUSING					HOUSING	HOUSING
C 516						C 581	LH DASH PANEL – ELECTRICAL HORN	PED MP	2		562777
C 517						C 582					
C 518						C 583	LH DASH PANEL – MASTER KEY SW.	DEUTSCH	2	562486	562485
C 519						C 584	FR. SERVICE COMPT – HORN PNEU. VALVE	PNEUMAC	3		562848
C 520						C 585					
C 521						C 586	FR SERVICE COMPT – ACC. PNEU.VALVE	PNEUMAC	3		562848
C 522	FR JCT BOX – DAYTIME LTS MODULE	BOSCH	5		561183	C 587					
C 523						C 588					
C 524	FR JCT BOX – FUSE BLOCK	PED	8	562647	562646	C 589	FR. MIRROR LH	SW CRAFT	8	562919	562920
C 525	FR JCT BOX – FUSE BLOCK	PED	8	562647	562646	C 590	FR. MIRROR RH	SW CRAFT	8	562919	562920
C 526	FR JCT BOX – FUSE BLOCK	PED	8	562647	562646	C 591	LH CONSOLE – LH MIRROR SW.	EURAMT.	8		562749
C 527	FR JCT BOX – FUSE BLOCK	PED	8	562647	562646	C 592	LH CONSOLE – RH MIRROR SW.	EURAMT.	8		562749
C 528						C 593					
C 529						C 594	FRONT ROOF – DRIVER'S LTS	LEEKRAFT	2	-----	562803
C 530						C 595					
C 531						C 596					
C 532						C 597	LH DASH PANEL – DISPLAY SET SW.	MOLEX	5		562905
C 533						C 598	LH DASH PANEL – DISPLAY SET SW.	MOLEX	5		562905
C 534						C 599	UND. DASH – MAGN. SW CTR POS. DR'S AIR	AMP MNL	2	561248	561247
C 535						C 600					
C 536						C 601					
C 537	A/C JCT BOX RESISTOR SIGN. RLY	AMP MNL	2	561248	561247	C 602					
C 538	FR SERV. CPT RH – OUTSIDE TEMP. SENS	AMP MNL	2	561248	561247	C 603					
C 539	HVAC DASH MODULE OUTPUT CONN.	MOLEY	24		562780	C 604					
C 540	HVAC DASH MODULE INPUT CONN.	MOLEY	22		562781	C 605					
C 541						C 606					
C 542						C 607	FR SERVICE COMPT – RPM SIGNAL (SPARE)	PED WP	2	561566	561690
C 543						C 608	FR SERV. COMPT – SPEED SIGNAL (SPARE)	PED WP	2	561566	561690
C 544						CS	FR SERVICE CPT - ECU WOLRD TR.	PED MP	32		562817
C 545						CT	FR SERVICE CPT - ECU WORLD TR.	PED MP	32		562824
C 546						CV	FR SERVICE CPT - ECU WORLD TR.	PED MP	32		562823
C 547						CX 1	FR SERVICE CPT - ECU ABS	AMP JN	18	562792	562792
C 548	LH DASH PANEL – T.T.LT TEST SW.	EATON	12		562763	CX 2	FR SERVICE CPT - ECU ABS	AMP JN	15	562795	562795
C 549						CX 3	FR SERVICE CPT - ECU ABS	AMP JN	9	562794	562794
C 550						CX 4	FR SERVICE CPT - ECU ABS	AMP JN	6	562793	562793
C 551						CY	CLUSTER	JAE	30		562765
C 552						LX	CLUSTER	JAE	22		562766
C 553						LY	CLUSTER	JAE	30		562767
C 554						RX	CLUSTER	JAE	22		562764
C 555											
C 556											
C 557											
C 558											
C 559											
C 560											
C 561											
C 562											
C 563											
C 564											
C 565											
C 566											
C 567											
C 568											
C 569											
C 570	UNDER DASH PANEL – T.T.LT MODULE	MOLEX	6		562464						
C 571	UNDER DASH PANEL – T.T.LT MODULE	MOLEX	20		562778						
C 572	UNDER DASH PANEL – T.T.LT MODULE	MOLEX	18		562779						
C 573	UNDER DASH PANEL – T.T.LT MODULE	MOLEX	8		562465						
C 574											
C 575											
C 576											
C 577											
C 578											
C 579											
C 580											

CONNECTORS CODE

NO	LOCATION	TYPE	CAVITY	#PIN	#SOCKET	NO	LOCATION	TYPE	CAVITY	#PIN	#SOCKET
				HOUSING	HOUSING					HOUSING	HOUSING
AA 1	UNDER DASH PANEL-TAG AXLE SONALERT	BOSCH	5	-----	561183	C 65	ENGINE CPT - PRESS SW FAN CLUTCH	PED WP	2	561566	561690
C 1	FR JCT BOX COMPARTMENT	AMP CPC	14	561585	561584	C 66					
C 2	FR JCT BOX COMPARTIMENT	AMP CPC	16	561639	561640	C 67					
C 3	FR JCT BOX COMPARTIMENT	AMP CPC	37	561644	561646	C 68					
C 4	FR JCT BOX COMPARTIMENT	AMP CPC	24	561641	561643	C 69					
C 5	FR SERVICE COMPT. - UNDERNEATH	AMP CPC	37	561645	561646	C 70	LH CONSOLE	AMP CPC	16	561639	561640
C 6	FR SERVICE COMPT. - UNDERNEATH	AMP CPC	16	561639	561640	C 71	FR JCT BOX COMPT.	AMP CPC	37	561645	561646
C 7	FR SERVICE COMPT - CLUTCH SW	ITT SS	3	561080	561111	C 72	FR JCT BOX COMPT.	AMP CPC	24	561642	561643
C 8	FR SERVICE COMPT. - UNDERNEATH	AMP CPC	24	561642	561643	C 73					
C 9	FR SERVICE COMPT. - UNDERNEATH	AMP CPC	24	561642	561643	C 74	FR JCT BOX COMPT.	AMP CPC	37	561645	561646
C 10	FR SERVICE DOOR ACCESS.	DEUTSCH	5	562565	562566	C 75					
C 11	FR SERV. CPT ACCESS	AMP CPC	37	561645	561646	C 76	ENGINE CMPT. FIRE DETECTOR	DEUTSCH	2	562486	562485
C 12	FR SERV. CPT ACCESS	AMP CPC	16	561639	561640	C 77	ENGINE CMPT. FIRE DETECTOR	DEUTSCH	2	562486	562485
C 13						C 78					
C 14						C 79					
C 15	LUGGAGE CPT (184)-MARK. SUPPL.	DEUTSCH	4	562479	562477	C 80					
C 16	LH CONSOLE SW-CRUISE ON/OFF	NGR	12	-----	562763	C 81	LUGGAGE COMPT - DOOR LOCK	AMP MNL	4	560851	560852
C 17	LH CONSOLE SW-CRUISE RESUME	NGR	12		562763	C 82	LUGGAGE COMPT - DOOR LOCK	AMP MNL	4	560851	560852
C 18	LH CONSOLE SW-CRUISE SET	NGR	12		562763	C 83	LUGGAGE COMPT - DOOR LOCK	AMP MNL	4	560851	560852
C 19	LH CONSOLE SW-DECEL SW	NGR	12		562763	C 84	LUGGAGE COMPT - DOOR LOCK	AMP MNL	4	560851	560852
C 20	RR JCT BOX	DEUTSCH	70	562282	562285	C 85	LUGGAGE COMPT - DOOR LOCK	AMP MNL	4	560851	560852
C 21	ENGINE COMPT - LOCK DOOR MOT.	PED WP	2		562076	C 86	LUGGAGE COMPT - DOOR LOCK	AMP MNL	4	560851	560852
C 22	LUGGAGE COMPT (A) - A/C & FUEL TANK	AMP CPC	16	561639	561640	C 87					
C 23	LUGGAGE COMPT (1) - LUGG. ACCESS.	AMP CPC	24	561642	561643	C 88					
C 24	ENGINE COMPT. - INTERF RJB	PED WP	6	561606	561607	C 89					
C 25	ENGINE COMPT. - INTERF RJB	PED WP	6	561606	561607	C 90					
C 26	ENGINE COMPT. ACCESS	DEUTSCH	40	562281	562284	C 91					
C 27	ENGINE COMPT. - INTERF. RJB	DEUTSCH	6	562583	562581	C 92	FR JCT BOX COMPT - ABS	AMP CPC	9	561635	561637
C 28	LUGGAGE COMPT(4) - LUGG. ACCESS	AMP CPC	24	561642	561643	C 93					
C 29	FR SERVICE COMPT - E.C.U. FEED	PED WP	3	561781	561782	C 94					
C 30	ENGINE COMPT - MASTER SW. SIGN.	DEUTSCH	2	562486	562485	C 95	ENTRANCE DOOR ACCESS	DEUTSCH	6	562583	562581
C 31						C 96	FR SERVICE DOOR ACCESS	AMP MNL	9	561670	561669
C 32						C 97	FR SERVICE DOOR - WATER TANK	PED MP	20		562426
C 33	ENGINE DDEC II - SPEED SIGN SPARE	PED WP	2	561566	561690	C 98					
C 34						C 99	FR SERVICE CPT. LTS	AMP MNL	2	561248	561247
C 35	A/C COMPT - AIR RETURN SENSOR	AMP MNL	2	561248	561247	C 100					
C 36						C 101	FR SERVICE COMPT. ELEC. HORNS	PED WP	2	561566	561690
C 37						C 101	CONDENSER COMPT - A/C PRES. SW 1SP	PED WP	2	561566	561690
C 38						C 102	CONDENS. COMPT - LIQU. SOL. VAL. PRES.	PED WP	2	561566	561690
C 39						C 103					
C 40						C 104					
C 41	ENGINE COMPT - RH DOOR LOCK	DEUTSCH	4	562479	562477	C 105	UNDER DASH RH - DRV LIO SOL VL	PED WP	2	561566	561690
C 42	ENGINE COMPT - RR CAP LIGHTING	DEUTSCH	6	562583	562581	C 106	UNDER DASH RH - DRV WTR VALVE	PED WP	2	561566	561690
C 43	FR JCT BOX - ALT. MODULE	AMP MNL	12	561735	561734	C 107					
C 44	ENGINE COMPT - LIGHTS	PED WP	1	561605	561577	C 108					
C 45	FR JCT BOX COMPT - ROOF ACCESS	AMP CPC	24	561642	561643	C 109					
C 46						C 110					
C 47						C 111					
C 48	FR SERV. CPT. PRESS SW PARK BRAKE	DEUTSCH	4	562479	562477	C 112					
C 49						C 113					
C 50						C 114	ENGINE DDEC - SPEED SIGNAL (SPARG)	PED WP	2	561566	561690
C 51						C 115	RR JCT BOX - ENGINE ACCESS	DEUTSCH	40	562281	562284
C 52	ENGINE COMPT - COMPRESSOR	PED WP	2	561566	561690	C 116	DRIVE AXLE COMPT - AIR DRYER	PED MP	2		562251
C 53	ENGINE COMPT - COMPRESSOR	PED WP	2	561566	561690	C 117					
C 54						C 118	ENGINE COMPT - LICENCE	DOM. AUT	2	930210	
C 55	CENTRAL DOOR LOCK	DEUTSCH	4	562479	562477	C 119	ENGINE COMPT - RH LOWER LAMP	PED WP	6	561606	561607
C 56						C 120	ENGINE COMPT - LH LOWER LAMP	PED WP	6	561606	561607
C 57						C 121					
C 58						C 122					
C 59						C 123					
C 60						C 124					
C 61	ENGINE COMPT - FUEL FILTER	PED WP	2	561566	561690	C 125					
C 62	ENGINE COMPT - COMPRESSOR STD	PED WP	2	561566	561690	C 126					
C 63	ENGINE COMPT - COMPRESSOR STD	PED WP	2	561566	561690	C 127					
C 64						C 128					

CONNECTORS CODE

NO	LOCATION	TYPE	CAVITY	#PIN	#SOCKET	NO	LOCATION	TYPE	CAVITY	#PIN	#SOCKET
				HOUSING	HOUSING					HOUSING	HOUSING
C 129						C 194					
C 130						C 195					
C 131						C 196					
C 132						C 197					
C 133						C 198					
C 134	FR JCT BOX – DIODE CONN.	AMP MNL	15	561987	561986	C 199					
C 135	FR JCT BOX – DIODE CONN.	AMP MNL	15	561987	561986	C 200					
C 136	FR JCT BOX – DIODE CONN.	AMP MNL	15	561987	561986	C 201					
C 137						C 202					
C 138						C 203					
C 139						C 204					
C 140	HVAC DASH MODULE THERMOMETER	MOLEX	4		562782	C 205					
C 141	RR DASH PANEL – LTS CONN. (SPARE)	AMP MNL	2	561248	561247	C 206					
C 142	ENGINE COMPT. B/U ALARM	PED WP	2	561566	561690	C 207					
C 143						C 208					
C 144						C 209					
C 145						C 210					
C 146						C 211	FR ROOF – SUN VISOR LH	AMP MNL	2	560900	560898
C 147						C 212	FR ROOF – SUN VISOR RH	AMP MNL	2	560900	560898
C 148						C 213					
C 149						C 214					
C 150						C 215					
C 151						C 216					
C 152						C 217					
C 153						C 218					
C 154						C 219					
C 155						C 220					
C 156						C 221					
C 157	FR SERV. CPT – WATER PUMP DR'S	PED WP	3	561781	561782	C 222					
C 158						C 223	HEAD LIGHTS - FLASHER	DEUTSCH	5	562565	562566
C 159						C 224	HEAD LIGHTS	PED MP	3		562099
C 160	FR SERVICE CPT - INTERFACE	AMP CPC	37	561644	561646	C 225	FOG LIGHTS	DEUTSCH	3	562902	562901
C 161	ENGINE DDEC - ECM	PED MP	30		561600	C 226	FLASHER – (FR)	PED	3	562137	
C 162	ENGINE DDEC - ACCESSORIES	PED WP	4	561610	561611	C 227					
C 163	ENGINE CPT - COOLANT PROBE	PED MP	2		562350	C 228					
C 164						C 229					
C 165						C 230					
C 166						C 231					
C 167	FR SERVICE CPT - EL. FOOT PEDAL	PED WP	3	561781	561782	C 232					
C 168	FR SERVICE CPT - DDR	DEUTSCH	6	562360		C 233					
C 169	FR SERVICE CPT - WORLD TR. INTERFACE	AMP CPC	16	561639	561640	C 234					
C 170	FR JCT BOX FLASHER UNIT	PED	2		561940	C 235					
C 171	LH CONSOLE	AMP CPC	24	561642	561643	C 236	FR SERVICE CPT CENTER - ABS	AMP CPC	14	561636	561637
C 172	FR SERVICE COMPT - LEVEL LOW	AMP CPC	9	561637		C 237	FR AXLE CPT - ABS RH SENSOR	WABCO	2	641132	
C 173						C 238	FR AXLE CPT - ABS RH VALVE	WABCO	3	641098	
C 174						C 239	FR AXLE CPT - ABS LH VALVE	WABCO	3	641098	
C 175						C 240	FR AXLE CPT - ABS LH SENSOR	WABCO	2	641132	
C 176	UNDER DASH RH – WIPER PULSE	AMP FF	6		561186	C 241	LAST LUGGAGE COMPT - ABS	PED WP	6	561606	561607
C 177	UNDER DASH RH – WIPER MOTOR	AMP FF	6		561186	C 242	DRIVE AXLE CPT - ABS LH SENSOR	WABCO	2	641132	
C 178						C 243	DRIVE AXLE CPT - ABS LH VALVE	WABCO	3	641098	
C 179						C 244	DRIVE AXLE CPT - ABS RH VALVE	WABCO	3	641098	
C 180						C 245	DRIVE AXLE CPT - ABS RH SENSOR	WABCO	2	641132	
C 181						C 246	DRIVE AXLE CPT - ABS SPARE	PED WP	2	561566	561690
C 182						C 247					
C 183						C 248	LAST LUGGAGE CPT - ABS	PED WP	6	561606	561607
C 184						C 249	FR SERVICE CPT - ABS/DDEC	PED WP	2	561566	561690
C 185						C 250					
C 186						C 251	LH SW PANEL – FAST IDLE	EATON	12		562763
C 187	FR SERVICE JCT BOX - RESISTORS	AMP MNL	6	561552	561515	C 252	LUGGAGE COMPT. – WINDOW AJAR	MOLEX	4	561477	561476
C 188						C 253	LH SWITCH PANEL - ETHER	EATON	12		562763
C 189						C 254					
C 190						C 255	LH SWITCH PANEL – ENGINE BRAKE	EATON	12		562763
C 191						C 256					
C 192						C 257	ENGINE COMPT - WATER HEATER	AMP FF	6		561186
C 193						C 258	LH CONSOLE – HEATER TIMER	AMP FF	8	561188	562363

CONNECTORS CODE

NO	LOCATION	TYPE	CAVITY	#PIN	#SOCKET	NO	LOCATION	TYPE	CAVITY	#PIN	#SOCKET
				HOUSING	HOUSING					HOUSING	HOUSING
C 258	LH SWITCH PANEL – MULTI FUNC. SW	AMP FF	8	561188		C 322	UNDER DASH RH - KEYLESS MODULE	AMP COM	22		562675
C 259	ENGINE COMPT. – WATER HEATER	PED	2	562644	561597	C 323	DRIVER'S WINDOW MOTOR	PED	2		561848
C 259	LH SWITCH PANEL – MULTI FUNC. SW	AMP FF	6		561186	C 324					
C 260	ENGINE COMPT - WATER HEATER	AMP FF	2	562473	562474	C 325					
C 261	ENGINE COMPT - WATER HEATER	PED	2	562644	561597	C 326	ENGINE MANUEL TRANSM. (SPARC)	PED WP	4	561610	561611
C 262						C 327					
C 263	LUGGAGE COMPT. LTS COMPT #3	AMP MNL	2	561248	561247	C 328					
C 264	LUGGAGE COMPT. LTS COMPT #2	AMP MNL	2	561248	561247	C 329					
C 265	LUGGAGE COMPT. LTS COMPT #1	AMP MNL	2	561248	561247	C 330					
C 266	ENTRANCE DOOR KEYLESS	AMP CPC	14	561585	561583	C 331					
C 267	UNDER DASH RH – KEYLESS PANEL	AMP CPC	24	561642	561643	C 332					
C 268	FR MIRROR RH	SW. CRAF	5	562921		C 333					
C 269	FR MIRROR LH	SW. CRAF	5	562921		C 334					
C 270	LUGGAGE COMPT LTS - 3 LH	AMP MNL	2	561248	561247	C 335					
C 271	LUGGAGE COMPT LTS - 4	AMP MNL	2	561248	561247	C 336					
C 272						C 337					
C 273						C 338					
C 274						C 339					
C 275						C 340	FR JCT BOX – FIRE PIEZO ALARM	AMP MNL	2	560900	560898
C 276	UNDER DASH RH – 3 WAY LTS DR'S	EATON	12		562763	C 341	LH SWITCH PANEL – HEAT MIRROR SW.	EATON	12		562763
C 277	LH SWITCH PANEL DOCK & CORN. SW.	EATON	12		562763	C 342					
C 278	LH SWITCH PANEL – BU CANCEL	EATON	12		562763	C 343	LH SWITCH PANEL – HEAT LAMP SW.	EATON	12		562763
C 279	FR SERVICE COMPT LH – STEERING ZF	DEUTSCH	2		562485	C 344	LH SWITCH PANEL – HAZAR LT SW.	EATON	12		562763
C 280	ENGINE COMPT - COMPRESSOR STD	PED WP	2	561566	561690	C 345	LH SWITCH PANEL – FOG LT SW.	EATON	12		562763
C 281	LH CONSOLE – LEVEL LOW	AMP MNL	4	560851	560852	C 346					
C 282	FR SERVICE COMPT – STEERING ZF	VOLVO	2		562928	C 347					
C 283	LH CONSOLE STEERING ZF	AMP MNL	2	561248	561247	C 348	INSTR. PANEL CENT. – RACOR MODULE	MOLEX	6	562070	562069
C 284	LH CONSOLE SW - STEERING ZF	EATON	12		562763	C 349					
C 285						C 350					
C 286						C 351					
C 287						C 352					
C 288						C 353					
C 289						C 354					
C 290	LUGGAGE CPT - DOOR LOCK	AMP MNL	4	560851	560852	C 355					
C 291	LUGGAGE CPT - DOOR LOCK	AMP MNL	4	560851	560852	C 356					
C 292						C 357					
C 293						C 358					
C 294						C 359	RH SWITCH PANEL – ENT. DOOR WIND. SW.	EATON	12		562763
C 295						C 360	ENTRANCE WINDOW MOTOR	PED	2		561848
C 296						C 361					
C 297						C 362					
C 298						C 363					
C 299						C 364					
C 300						C 365					
C 301						C 366					
C 302						C 367					
C 303	RR JCT BOX - DIODES	AMP MNL	15	561987	561986	C 368					
C 304						C 369					
C 305						C 370					
C 306						C 371					
C 307						C 372					
C 308						C 373					
C 309	ENGINE DDEC - ECM POWER	PED MP	5		562345	C 374					
C 310	LH CONSOLE SW – LUG. DOOR LOCK	EATON	12		562763	C 375					
C 311						C 376					
C 312	ENGINE DDEC III - ACCESSORIES	PED WP	3	561781	561782	C 377	LH SWITCH PANEL – STOP ENGINE OVERRIDE	EATON	12		562763
C 313	ENGINE DDEC III - INPUT	PED MP	3	562398		C 378					
C 314						C 379					
C 315	LH SWITCH PANEL – LH SUN VISOR SW.	EATON	12		562763	C 380					
C 316						C 381	UNDER DASH PANEL – ANTI THILED	AMP MNL	2	561248	561247
C 317	LH SWITCH PANEL – RH SUN VISOR SW.	EATON	12		562763	C 382	ENGINE GENERATOR (1)	PED WP	1	561605	561577
C 318	LH CONSOLE SW – DR'S WINDOW SW.	EATON	12		562763	C 383	ENGINE COMPT – VOLTAGE REGULATOR	PED WP	1	561605	561577
C 319						C 384					
C 320	RT SWITCH PANEL – DRIVER'S LTS SW.	EATON	12		562763	C 385					
C 321	UNDER DASH RH - KEYLESS MODULE	AMP COM	26		562676	C 386					

CONNECTORS CODE

NO	LOCATION	TYPE	CAVITY	#PIN	#SOCKET	NO	LOCATION	TYPE	CAVITY	#PIN	#SOCKET
				HOUSING	HOUSING					HOUSING	HOUSING
C 387	ENGINE COMPT. - BY-PASS VALVE	PED WP	2	561566	561690	C 452					
C 388						C 453					
C 389	ENGINE COMPT. - WATER PUMP	PED WP	2	561566	561690	C 454					
C 390	ENGINE COMPT. - A/C JCT. BOX	DEUTSCH	24	562280	562283	C 455					
C 391	CONDENSER COMPT. A/C PRESS SW 2 SP	PED WP	2	561566	561690	C 456	WORLD TRANS. - RETARDER ACCUM.	PED MP	2		562427
C 392						C 457	WORLD TRANS. - MAIN CONNECTOR	AMP FF	31	562562	562563
C 393						C 458	WORLD TRANS. - TURBINE SP. SENS.	PED MP	2		562426
C 394						C 459	WORLD TRANS. - ENGINE SP. SENS.	PED MP	2		562426
C 395						C 460	WORLD TRANS. - SPEED SENSOR	ITT	2		562541
C 396						C 461	WORLD TRANS. - RETARDER TEMP.	PED MP	2		562856
C 397						C 462	WORLD TRANS. - RETARDER SOL. "K"	PED MP	2		562426
C 398						C 463	WORLD TRANS. - SENSOR CONN.	DEUTSCH	16	562570	562571
C 399	ENGINE GENERATOR (2)	PED WP	2	561566	561690	C 464	RR JCT BOX - DDL CONN	DEUTSCH	6		565360
C 400	ENGINE COMPT. - BLOCK HEATER	PED WP	3	561781	561782	C 465	LH CONSOLE - SHIFTER SELECTOR	PED	20		562825
C 401						C 466	FR SERVICE CPT - RESIS. MOD.	PED WP	3		562428
C 402						C 467	FR SERVICE CPT - RESIS. MOD.	PED WP	3		562428
C 403						C 468					
C 404						C 469					
C 405						C 470					
C 406						C 471					
C 407						C 472	FR SERVICE CPT - SILENT 100C	PED WP	2	561566	561690
C 408						C 473					
C 409						C 474	DRIVER'S TEMP SENSOR	AMP MNL	2	561248	561247
C 410						C 475	FR SERVICE CPT - SPEED SIGN. CONNECT.	DEUTSCH	6	562583	562581
C 411						C 475W	FR SERVICE CPT - SPEED SIGN. W. TR.	DEUTSCH	6	562583	562581
C 412						C 476					
C 413						C 477					
C 414						C 478					
C 415						C 479					
C 416						C 480	UNDER DASH RH - DR'S FAN SPEED CTR	PED WP	4	561889	561890
C 417						C 481	UNDER DASH RH - DR'S FAN SPEED CTR	PED WP	3	561781	561782
C 418						C 482					
C 419						C 483	FR SERVICE CPT - ELECTRICAL SEAT	PED	2	562237	
C 420						C 484	UNDER DASH LH - FOOT DAMPER MOTOR	PED	2		562076
C 421						C 485	UNDER DASH LH - DASH & DEFR. DAMP. M.	AMP MNL	3	561667	561558
C 422						C 486					
C 423						C 487					
C 424	WSTR. PANEL RR - AUDIBLE FLASHER	AMP MNL	3	561667	561550	C 488					
C 425						C 489					
C 426	ENGINE S60 RAD. FAN CLUTCH	PED WP	3	561781	561782	C 490					
C 427						C 491					
C 428	RH SW PANEL - DASH LTS RHEOSTAT	AMP MNL	3	561667	561550	C 492					
C 429						C 493					
C 430						C 494					
C 431						C 495					
C 432						C 496					
C 433						C 497					
C 434						C 498					
C 435						C 499					
C 436						C 500	FR JCT PANEL - PRODRIVER	MOLEX	6	562070	562069
C 437						C 501					
C 438						C 502					
C 439						C 503					
C 440						C 504					
C 441						C 505					
C 442						C 506	LH CONSOLE - LEVEL LOW SW.	EATON	12		562763
C 443						C 507					
C 444						C 508	RR JCT BOX - FAN CLUTCH RETARDER	AMP MNL	6	561552	561515
C 445						C 509					
C 446						C 510					
C 447						C 511					
C 448						C 512					
C 449						C 513					
C 450						C 514					
C 451						C 515					

CONNECTORS CODE

NO	LOCATION	TYPE	CAVITY	#PIN	#SOCKET	NO	LOCATION	TYPE	CAVITY	#PIN	#SOCKET
				HOUSING	HOUSING					HOUSING	HOUSING
C 516						C 581	LH DASH PANEL – ELECTRICAL HORN	PED MP	2		562777
C 517						C 582					
C 518						C 583	LH DASH PANEL – MASTER KEY SW.	DEUTSCH	2	562486	562485
C 519						C 584	FR. SERVICE COMPT – HORN PNEU. VALVE	PNEUMAC	3		562848
C 520						C 585					
C 521						C 586	FR SERVICE COMPT – ACC. PNEU.VALVE	PNEUMAC	3		562848
C 522	FR JCT BOX – DAYTIME LTS MODULE	BOSCH	5		561183	C 587					
C 523						C 588					
C 524	FR JCT BOX – FUSE BLOCK	PED	8	562647	562646	C 589	FR. MIRROR LH	SW CRAFT	8	562919	562920
C 525	FR JCT BOX – FUSE BLOCK	PED	8	562647	562646	C 590	FR. MIRROR RH	SW CRAFT	8	562919	562920
C 526	FR JCT BOX – FUSE BLOCK	PED	8	562647	562646	C 591	LH CONSOLE – LH MIRROR SW.	EURAMT.	8		562749
C 527	FR JCT BOX – FUSE BLOCK	PED	8	562647	562646	C 592	LH CONSOLE – RH MIRROR SW.	EURAMT.	8		562749
C 528						C 593					
C 529						C 594	FRONT ROOF – DRIVER'S LTS	LEEKRAFT	2	-----	562803
C 530						C 595					
C 531						C 596					
C 532						C 597	LH DASH PANEL – DISPLAY SET SW.	MOLEX	5		562905
C 533						C 598	LH DASH PANEL – DISPLAY SET SW.	MOLEX	5		562905
C 534						C 599	UND. DASH – MAGN. SW CTR POS. DR'S AIR	AMP MNL	2	561248	561247
C 535						C 600					
C 536						C 601					
C 537	A/C JCT BOX RESISTOR SIGN. RLY	AMP MNL	2	561248	561247	C 602					
C 538	FR SERV. CPT RH – OUTSIDE TEMP. SENS	AMP MNL	2	561248	561247	C 603					
C 539	HVAC DASH MODULE OUTPUT CONN.	MOLEY	24		562780	C 604					
C 540	HVAC DASH MODULE INPUT CONN.	MOLEY	22		562781	C 605					
C 541						C 606					
C 542						C 607	FR SERVICE COMPT – RPM SIGNAL (SPARE)	PED WP	2	561566	561690
C 543						C 608	FR SERV. COMPT – SPEED SIGNAL (SPARE)	PED WP	2	561566	561690
C 544						CS	FR SERVICE CPT - ECU WOLRD TR.	PED MP	32		562817
C 545						CT	FR SERVICE CPT - ECU WORLD TR.	PED MP	32		562824
C 546						CV	FR SERVICE CPT - ECU WORLD TR.	PED MP	32		562823
C 547						CX 1	FR SERVICE CPT - ECU ABS	AMP JN	18	562792	562792
C 548	LH DASH PANEL – T.T.LT TEST SW.	EATON	12		562763	CX 2	FR SERVICE CPT - ECU ABS	AMP JN	15	562795	562795
C 549						CX 3	FR SERVICE CPT - ECU ABS	AMP JN	9	562794	562794
C 550						CX 4	FR SERVICE CPT - ECU ABS	AMP JN	6	562793	562793
C 551						CY	CLUSTER	JAE	30		562765
C 552						LX	CLUSTER	JAE	22		562766
C 553						LY	CLUSTER	JAE	30		562767
C 554						RX	CLUSTER	JAE	22		562764
C 555											
C 556											
C 557											
C 558											
C 559											
C 560											
C 561											
C 562											
C 563											
C 564											
C 565											
C 566											
C 567											
C 568											
C 569											
C 570	UNDER DASH PANEL – T.T.LT MODULE	MOLEX	6		562464						
C 571	UNDER DASH PANEL – T.T.LT MODULE	MOLEX	20		562778						
C 572	UNDER DASH PANEL – T.T.LT MODULE	MOLEX	18		562779						
C 573	UNDER DASH PANEL – T.T.LT MODULE	MOLEX	8		562465						
C 574											
C 575											
C 576											
C 577											
C 578											
C 579											
C 580											

CONNECTORS CODE

NO	LOCATION	TYPE	CAVITY	#PIN	#SOCKET	NO	LOCATION	TYPE	CAVITY	#PIN	#SOCKET
				HOUSING	HOUSING					HOUSING	HOUSING
AA 1	UNDER DASH PANEL-TAG AXLE SONALERT	BOSCH	5	-----	561183	C 65	ENGINE CPT - PRESS SW FAN CLUTCH	PED WP	2	561566	561690
C 1	FR JCT BOX COMPARTMENT	AMP CPC	14	561585	561584	C 66					
C 2	FR JCT BOX COMPARTIMENT	AMP CPC	16	561639	561640	C 67					
C 3	FR JCT BOX COMPARTIMENT	AMP CPC	37	561644	561646	C 68					
C 4	FR JCT BOX COMPARTIMENT	AMP CPC	24	561641	561643	C 69					
C 5	FR SERVICE COMPT. - UNDERNEATH	AMP CPC	37	561645	561646	C 70	LH CONSOLE	AMP CPC	16	561639	561640
C 6	FR SERVICE COMPT. - UNDERNEATH	AMP CPC	16	561639	561640	C 71	FR JCT BOX COMPT.	AMP CPC	37	561645	561646
C 7	FR SERVICE COMPT - CLUTCH SW	ITT SS	3	561080	561111	C 72	FR JCT BOX COMPT.	AMP CPC	24	561642	561643
C 8	FR SERVICE COMPT. - UNDERNEATH	AMP CPC	24	561642	561643	C 73					
C 9	FR SERVICE COMPT. - UNDERNEATH	AMP CPC	24	561642	561643	C 74	FR JCT BOX COMPT.	AMP CPC	37	561645	561646
C 10	FR SERVICE DOOR ACCESS.	DEUTSCH	5	562565	562566	C 75					
C 11	FR SERV. CPT ACCESS	AMP CPC	37	561645	561646	C 76	ENGINE CMPT. FIRE DETECTOR	DEUTSCH	2	562486	562485
C 12	FR SERV. CPT ACCESS	AMP CPC	16	561639	561640	C 77	ENGINE CMPT. FIRE DETECTOR	DEUTSCH	2	562486	562485
C 13						C 78					
C 14						C 79					
C 15	LUGGAGE CPT (184)-MARK. SUPPL.	DEUTSCH	4	562479	562477	C 80					
C 16	LH CONSOLE SW-CRUISE ON/OFF	NGR	12	-----	562763	C 81	LUGGAGE COMPT - DOOR LOCK	AMP MNL	4	560851	560852
C 17	LH CONSOLE SW-CRUISE RESUME	NGR	12		562763	C 82	LUGGAGE COMPT - DOOR LOCK	AMP MNL	4	560851	560852
C 18	LH CONSOLE SW-CRUISE SET	NGR	12		562763	C 83	LUGGAGE COMPT - DOOR LOCK	AMP MNL	4	560851	560852
C 19	LH CONSOLE SW-DECEL SW	NGR	12		562763	C 84	LUGGAGE COMPT - DOOR LOCK	AMP MNL	4	560851	560852
C 20	RR JCT BOX	DEUTSCH	70	562282	562285	C 85	LUGGAGE COMPT - DOOR LOCK	AMP MNL	4	560851	560852
C 21	ENGINE COMPT - LOCK DOOR MOT.	PED WP	2		562076	C 86	LUGGAGE COMPT - DOOR LOCK	AMP MNL	4	560851	560852
C 22	LUGGAGE COMPT (A) - A/C & FUEL TANK	AMP CPC	16	561639	561640	C 87					
C 23	LUGGAGE COMPT (1) - LUGG. ACCESS.	AMP CPC	24	561642	561643	C 88					
C 24	ENGINE COMPT. - INTERF RJB	PED WP	6	561606	561607	C 89					
C 25	ENGINE COMPT. - INTERF RJB	PED WP	6	561606	561607	C 90					
C 26	ENGINE COMPT. ACCESS	DEUTSCH	40	562281	562284	C 91					
C 27	ENGINE COMPT. - INTERF. RJB	DEUTSCH	6	562583	562581	C 92	FR JCT BOX COMPT - ABS	AMP CPC	9	561635	561637
C 28	LUGGAGE COMPT(4) - LUGG. ACCESS	AMP CPC	24	561642	561643	C 93					
C 29	FR SERVICE COMPT - E.C.U. FEED	PED WP	3	561781	561782	C 94					
C 30	ENGINE COMPT - MASTER SW. SIGN.	DEUTSCH	2	562486	562485	C 95	ENTRANCE DOOR ACCESS	DEUTSCH	6	562583	562581
C 31						C 96	FR SERVICE DOOR ACCESS	AMP MNL	9	561670	561669
C 32						C 97	FR SERVICE DOOR - WATER TANK	PED MP	20		562426
C 33	ENGINE DDEC II - SPEED SIGN SPARE	PED WP	2	561566	561690	C 98					
C 34						C 99	FR SERVICE CPT. LTS	AMP MNL	2	561248	561247
C 35	A/C COMPT - AIR RETURN SENSOR	AMP MNL	2	561248	561247	C 100					
C 36						C 101	FR SERVICE COMPT. ELEC. HORNS	PED WP	2	561566	561690
C 37						C 101	CONDENSER COMPT - A/C PRES. SW 1SP	PED WP	2	561566	561690
C 38						C 102	CONDENS. COMPT - LIQU. SOL. VAL. PRES.	PED WP	2	561566	561690
C 39						C 103					
C 40						C 104					
C 41	ENGINE COMPT - RH DOOR LOCK	DEUTSCH	4	562479	562477	C 105	UNDER DASH RH - DRV LIO SOL VL	PED WP	2	561566	561690
C 42	ENGINE COMPT - RR CAP LIGHTING	DEUTSCH	6	562583	562581	C 106	UNDER DASH RH - DRV WTR VALVE	PED WP	2	561566	561690
C 43	FR JCT BOX - ALT. MODULE	AMP MNL	12	561735	561734	C 107					
C 44	ENGINE COMPT - LIGHTS	PED WP	1	561605	561577	C 108					
C 45	FR JCT BOX COMPT - ROOF ACCESS	AMP CPC	24	561642	561643	C 109					
C 46						C 110					
C 47						C 111					
C 48	FR SERV. CPT. PRESS SW PARK BRAKE	DEUTSCH	4	562479	562477	C 112					
C 49						C 113					
C 50						C 114	ENGINE DDEC - SPEED SIGNAL (SPARG)	PED WP	2	561566	561690
C 51						C 115	RR JCT BOX - ENGINE ACCESS	DEUTSCH	40	562281	562284
C 52	ENGINE COMPT - COMPRESSOR	PED WP	2	561566	561690	C 116	DRIVE AXLE COMPT - AIR DRYER	PED MP	2		562251
C 53	ENGINE COMPT - COMPRESSOR	PED WP	2	561566	561690	C 117					
C 54						C 118	ENGINE COMPT - LICENCE	DOM. AUT	2	930210	
C 55	CENTRAL DOOR LOCK	DEUTSCH	4	562479	562477	C 119	ENGINE COMPT - RH LOWER LAMP	PED WP	6	561606	561607
C 56						C 120	ENGINE COMPT - LH LOWER LAMP	PED WP	6	561606	561607
C 57						C 121					
C 58						C 122					
C 59						C 123					
C 60						C 124					
C 61	ENGINE COMPT - FUEL FILTER	PED WP	2	561566	561690	C 125					
C 62	ENGINE COMPT - COMPRESSOR STD	PED WP	2	561566	561690	C 126					
C 63	ENGINE COMPT - COMPRESSOR STD	PED WP	2	561566	561690	C 127					
C 64						C 128					

CONNECTORS CODE

NO	LOCATION	TYPE	CAVITY	#PIN	#SOCKET	NO	LOCATION	TYPE	CAVITY	#PIN	#SOCKET
				HOUSING	HOUSING					HOUSING	HOUSING
C 129						C 194					
C 130						C 195					
C 131						C 196					
C 132						C 197					
C 133						C 198					
C 134	FR JCT BOX – DIODE CONN.	AMP MNL	15	561987	561986	C 199					
C 135	FR JCT BOX – DIODE CONN.	AMP MNL	15	561987	561986	C 200					
C 136	FR JCT BOX – DIODE CONN.	AMP MNL	15	561987	561986	C 201					
C 137						C 202					
C 138						C 203					
C 139						C 204					
C 140	HVAC DASH MODULE THERMOMETER	MOLEX	4		562782	C 205					
C 141	RR DASH PANEL – LTS CONN. (SPARE)	AMP MNL	2	561248	561247	C 206					
C 142	ENGINE COMPT. B/U ALARM	PED WP	2	561566	561690	C 207					
C 143						C 208					
C 144						C 209					
C 145						C 210					
C 146						C 211	FR ROOF – SUN VISOR LH	AMP MNL	2	560900	560898
C 147						C 212	FR ROOF – SUN VISOR RH	AMP MNL	2	560900	560898
C 148						C 213					
C 149						C 214					
C 150						C 215					
C 151						C 216					
C 152						C 217					
C 153						C 218					
C 154						C 219					
C 155						C 220					
C 156						C 221					
C 157	FR SERV. CPT – WATER PUMP DR'S	PED WP	3	561781	561782	C 222					
C 158						C 223	HEAD LIGHTS - FLASHER	DEUTSCH	5	562565	562566
C 159						C 224	HEAD LIGHTS	PED MP	3		562099
C 160	FR SERVICE CPT - INTERFACE	AMP CPC	37	561644	561646	C 225	FOG LIGHTS	DEUTSCH	3	562902	562901
C 161	ENGINE DDEC - ECM	PED MP	30		561600	C 226	FLASHER – (FR)	PED	3	562137	
C 162	ENGINE DDEC - ACCESSORIES	PED WP	4	561610	561611	C 227					
C 163	ENGINE CPT - COOLANT PROBE	PED MP	2		562350	C 228					
C 164						C 229					
C 165						C 230					
C 166						C 231					
C 167	FR SERVICE CPT - EL. FOOT PEDAL	PED WP	3	561781	561782	C 232					
C 168	FR SERVICE CPT - DDR	DEUTSCH	6	562360		C 233					
C 169	FR SERVICE CPT - WORLD TR. INTERFACE	AMP CPC	16	561639	561640	C 234					
C 170	FR JCT BOX FLASHER UNIT	PED	2		561940	C 235					
C 171	LH CONSOLE	AMP CPC	24	561642	561643	C 236	FR SERVICE CPT CENTER - ABS	AMP CPC	14	561636	561637
C 172	FR SERVICE COMPT - LEVEL LOW	AMP CPC	9	561637		C 237	FR AXLE CPT - ABS RH SENSOR	WABCO	2	641132	
C 173						C 238	FR AXLE CPT - ABS RH VALVE	WABCO	3	641098	
C 174						C 239	FR AXLE CPT - ABS LH VALVE	WABCO	3	641098	
C 175						C 240	FR AXLE CPT - ABS LH SENSOR	WABCO	2	641132	
C 176	UNDER DASH RH – WIPER PULSE	AMP FF	6		561186	C 241	LAST LUGGAGE COMPT - ABS	PED WP	6	561606	561607
C 177	UNDER DASH RH – WIPER MOTOR	AMP FF	6		561186	C 242	DRIVE AXLE CPT - ABS LH SENSOR	WABCO	2	641132	
C 178						C 243	DRIVE AXLE CPT - ABS LH VALVE	WABCO	3	641098	
C 179						C 244	DRIVE AXLE CPT - ABS RH VALVE	WABCO	3	641098	
C 180						C 245	DRIVE AXLE CPT - ABS RH SENSOR	WABCO	2	641132	
C 181						C 246	DRIVE AXLE CPT - ABS SPARE	PED WP	2	561566	561690
C 182						C 247					
C 183						C 248	LAST LUGGAGE CPT - ABS	PED WP	6	561606	561607
C 184						C 249	FR SERVICE CPT - ABS/DDEC	PED WP	2	561566	561690
C 185						C 250					
C 186						C 251	LH SW PANEL – FAST IDLE	EATON	12		562763
C 187	FR SERVICE JCT BOX - RESISTORS	AMP MNL	6	561552	561515	C 252	LUGGAGE COMPT. – WINDOW AJAR	MOLEX	4	561477	561476
C 188						C 253	LH SWITCH PANEL - ETHER	EATON	12		562763
C 189						C 254					
C 190						C 255	LH SWITCH PANEL – ENGINE BRAKE	EATON	12		562763
C 191						C 256					
C 192						C 257	ENGINE COMPT - WATER HEATER	AMP FF	6		561186
C 193						C 258	LH CONSOLE – HEATER TIMER	AMP FF	8	561188	562363

CONNECTORS CODE

NO	LOCATION	TYPE	CAVITY	#PIN	#SOCKET	NO	LOCATION	TYPE	CAVITY	#PIN	#SOCKET
				HOUSING	HOUSING					HOUSING	HOUSING
C 258	LH SWITCH PANEL – MULTI FUNC. SW	AMP FF	8	561188		C 322	UNDER DASH RH - KEYLESS MODULE	AMP COM	22		562675
C 259	ENGINE COMPT. – WATER HEATER	PED	2	562644	561597	C 323	DRIVER'S WINDOW MOTOR	PED	2		561848
C 259	LH SWITCH PANEL – MULTI FUNC. SW	AMP FF	6		561186	C 324					
C 260	ENGINE COMPT - WATER HEATER	AMP FF	2	562473	562474	C 325					
C 261	ENGINE COMPT - WATER HEATER	PED	2	562644	561597	C 326	ENGINE MANUEL TRANSM. (SPARC)	PED WP	4	561610	561611
C 262						C 327					
C 263	LUGGAGE COMPT. LTS COMPT #3	AMP MNL	2	561248	561247	C 328					
C 264	LUGGAGE COMPT. LTS COMPT #2	AMP MNL	2	561248	561247	C 329					
C 265	LUGGAGE COMPT. LTS COMPT #1	AMP MNL	2	561248	561247	C 330					
C 266	ENTRANCE DOOR KEYLESS	AMP CPC	14	561585	561583	C 331					
C 267	UNDER DASH RH – KEYLESS PANEL	AMP CPC	24	561642	561643	C 332					
C 268	FR MIRROR RH	SW. CRAF	5	562921		C 333					
C 269	FR MIRROR LH	SW. CRAF	5	562921		C 334					
C 270	LUGGAGE COMPT LTS - 3 LH	AMP MNL	2	561248	561247	C 335					
C 271	LUGGAGE COMPT LTS - 4	AMP MNL	2	561248	561247	C 336					
C 272						C 337					
C 273						C 338					
C 274						C 339					
C 275						C 340	FR JCT BOX – FIRE PIEZO ALARM	AMP MNL	2	560900	560898
C 276	UNDER DASH RH – 3 WAY LTS DR'S	EATON	12		562763	C 341	LH SWITCH PANEL – HEAT MIRROR SW.	EATON	12		562763
C 277	LH SWITCH PANEL DOCK & CORN. SW.	EATON	12		562763	C 342					
C 278	LH SWITCH PANEL – BU CANCEL	EATON	12		562763	C 343	LH SWITCH PANEL – HEAT LAMP SW.	EATON	12		562763
C 279	FR SERVICE COMPT LH – STEERING ZF	DEUTSCH	2		562485	C 344	LH SWITCH PANEL – HAZAR LT SW.	EATON	12		562763
C 280	ENGINE COMPT - COMPRESSOR STD	PED WP	2	561566	561690	C 345	LH SWITCH PANEL – FOG LT SW.	EATON	12		562763
C 281	LH CONSOLE – LEVEL LOW	AMP MNL	4	560851	560852	C 346					
C 282	FR SERVICE COMPT – STEERING ZF	VOLVO	2		562928	C 347					
C 283	LH CONSOLE STEERING ZF	AMP MNL	2	561248	561247	C 348	INSTR. PANEL CENT. – RACOR MODULE	MOLEX	6	562070	562069
C 284	LH CONSOLE SW - STEERING ZF	EATON	12		562763	C 349					
C 285						C 350					
C 286						C 351					
C 287						C 352					
C 288						C 353					
C 289						C 354					
C 290	LUGGAGE CPT - DOOR LOCK	AMP MNL	4	560851	560852	C 355					
C 291	LUGGAGE CPT - DOOR LOCK	AMP MNL	4	560851	560852	C 356					
C 292						C 357					
C 293						C 358					
C 294						C 359	RH SWITCH PANEL – ENT. DOOR WIND. SW.	EATON	12		562763
C 295						C 360	ENTRANCE WINDOW MOTOR	PED	2		561848
C 296						C 361					
C 297						C 362					
C 298						C 363					
C 299						C 364					
C 300						C 365					
C 301						C 366					
C 302						C 367					
C 303	RR JCT BOX - DIODES	AMP MNL	15	561987	561986	C 368					
C 304						C 369					
C 305						C 370					
C 306						C 371					
C 307						C 372					
C 308						C 373					
C 309	ENGINE DDEC - ECM POWER	PED MP	5		562345	C 374					
C 310	LH CONSOLE SW – LUG. DOOR LOCK	EATON	12		562763	C 375					
C 311						C 376					
C 312	ENGINE DDEC III - ACCESSORIES	PED WP	3	561781	561782	C 377	LH SWITCH PANEL – STOP ENGINE OVERRIDE	EATON	12		562763
C 313	ENGINE DDEC III - INPUT	PED MP	3	562398		C 378					
C 314						C 379					
C 315	LH SWITCH PANEL – LH SUN VISOR SW.	EATON	12		562763	C 380					
C 316						C 381	UNDER DASH PANEL – ANTI THILED	AMP MNL	2	561248	561247
C 317	LH SWITCH PANEL – RH SUN VISOR SW.	EATON	12		562763	C 382	ENGINE GENERATOR (1)	PED WP	1	561605	561577
C 318	LH CONSOLE SW – DR'S WINDOW SW.	EATON	12		562763	C 383	ENGINE COMPT – VOLTAGE REGULATOR	PED WP	1	561605	561577
C 319						C 384					
C 320	RT SWITCH PANEL – DRIVER'S LTS SW.	EATON	12		562763	C 385					
C 321	UNDER DASH RH - KEYLESS MODULE	AMP COM	26		562676	C 386					

CONNECTORS CODE

NO	LOCATION	TYPE	CAVITY	#PIN	#SOCKET	NO	LOCATION	TYPE	CAVITY	#PIN	#SOCKET
				HOUSING	HOUSING					HOUSING	HOUSING
C 387	ENGINE COMPT. - BY-PASS VALVE	PED WP	2	561566	561690	C 452					
C 388						C 453					
C 389	ENGINE COMPT. - WATER PUMP	PED WP	2	561566	561690	C 454					
C 390	ENGINE COMPT. - A/C JCT. BOX	DEUTSCH	24	562280	562283	C 455					
C 391	CONDENSER COMPT. A/C PRESS SW 2 SP	PED WP	2	561566	561690	C 456	WORLD TRANS. - RETARDER ACCUM.	PED MP	2		562427
C 392						C 457	WORLD TRANS. - MAIN CONNECTOR	AMP FF	31	562562	562563
C 393						C 458	WORLD TRANS. - TURBINE SP. SENS.	PED MP	2		562426
C 394						C 459	WORLD TRANS. - ENGINE SP. SENS.	PED MP	2		562426
C 395						C 460	WORLD TRANS. - SPEED SENSOR	ITT	2		562541
C 396						C 461	WORLD TRANS. - RETARDER TEMP.	PED MP	2		562856
C 397						C 462	WORLD TRANS. - RETARDER SOL. "K"	PED MP	2		562426
C 398						C 463	WORLD TRANS. - SENSOR CONN.	DEUTSCH	16	562570	562571
C 399	ENGINE GENERATOR (2)	PED WP	2	561566	561690	C 464	RR JCT BOX - DDL CONN	DEUTSCH	6		565360
C 400	ENGINE COMPT. - BLOCK HEATER	PED WP	3	561781	561782	C 465	LH CONSOLE - SHIFTER SELECTOR	PED	20		562825
C 401						C 466	FR SERVICE CPT - RESIS. MOD.	PED WP	3		562428
C 402						C 467	FR SERVICE CPT - RESIS. MOD.	PED WP	3		562428
C 403						C 468					
C 404						C 469					
C 405						C 470					
C 406						C 471					
C 407						C 472	FR SERVICE CPT - SILENT 100C	PED WP	2	561566	561690
C 408						C 473					
C 409						C 474	DRIVER'S TEMP SENSOR	AMP MNL	2	561248	561247
C 410						C 475	FR SERVICE CPT - SPEED SIGN. CONNECT.	DEUTSCH	6	562583	562581
C 411						C 475W	FR SERVICE CPT - SPEED SIGN. W. TR.	DEUTSCH	6	562583	562581
C 412						C 476					
C 413						C 477					
C 414						C 478					
C 415						C 479					
C 416						C 480	UNDER DASH RH - DR'S FAN SPEED CTR	PED WP	4	561889	561890
C 417						C 481	UNDER DASH RH - DR'S FAN SPEED CTR	PED WP	3	561781	561782
C 418						C 482					
C 419						C 483	FR SERVICE CPT - ELECTRICAL SEAT	PED	2	562237	
C 420						C 484	UNDER DASH LH - FOOT DAMPER MOTOR	PED	2		562076
C 421						C 485	UNDER DASH LH - DASH & DEFR. DAMP. M.	AMP MNL	3	561667	561558
C 422						C 486					
C 423						C 487					
C 424	WSTR. PANEL RR - AUDIBLE FLASHER	AMP MNL	3	561667	561550	C 488					
C 425						C 489					
C 426	ENGINE S60 RAD. FAN CLUTCH	PED WP	3	561781	561782	C 490					
C 427						C 491					
C 428	RH SW PANEL - DASH LTS RHEOSTAT	AMP MNL	3	561667	561550	C 492					
C 429						C 493					
C 430						C 494					
C 431						C 495					
C 432						C 496					
C 433						C 497					
C 434						C 498					
C 435						C 499					
C 436						C 500	FR JCT PANEL - PRODRIVER	MOLEX	6	562070	562069
C 437						C 501					
C 438						C 502					
C 439						C 503					
C 440						C 504					
C 441						C 505					
C 442						C 506	LH CONSOLE - LEVEL LOW SW.	EATON	12		562763
C 443						C 507					
C 444						C 508	RR JCT BOX - FAN CLUTCH RETARDER	AMP MNL	6	561552	561515
C 445						C 509					
C 446						C 510					
C 447						C 511					
C 448						C 512					
C 449						C 513					
C 450						C 514					
C 451						C 515					

CONNECTORS CODE

NO	LOCATION	TYPE	CAVITY	#PIN	#SOCKET	NO	LOCATION	TYPE	CAVITY	#PIN	#SOCKET
				HOUSING	HOUSING					HOUSING	HOUSING
C 516						C 581	LH DASH PANEL – ELECTRICAL HORN	PED MP	2		562777
C 517						C 582					
C 518						C 583	LH DASH PANEL – MASTER KEY SW.	DEUTSCH	2	562486	562485
C 519						C 584	FR. SERVICE COMPT – HORN PNEU. VALVE	PNEUMAC	3		562848
C 520						C 585	FR. SERV. COMPT – ENT. DOOR LOCK VALVE	PNEUMAC	2		641385
C 521						C 586	FR SERVICE COMPT – ACC. PNEU.VALVE	PNEUMAC	3		562848
C 522	FR JCT BOX – DAYTIME LTS MODULE	BOSCH	5		561183	C 587					
C 523						C 588					
C 524	FR JCT BOX – FUSE BLOCK	PED	8	562647	562646	C 589	FR. MIRROR LH	SW CRAFT	8	562919	562920
C 525	FR JCT BOX – FUSE BLOCK	PED	8	562647	562646	C 590	FR. MIRROR RH	SW CRAFT	8	562919	562920
C 526	FR JCT BOX – FUSE BLOCK	PED	8	562647	562646	C 591	LH CONSOLE – LH MIRROR SW.	EURAMT.	8		562749
C 527	FR JCT BOX – FUSE BLOCK	PED	8	562647	562646	C 592	LH CONSOLE – RH MIRROR SW.	EURAMT.	8		562749
C 528						C 593					
C 529						C 594	FRONT ROOF – DRIVER'S LTS	LEEKRAFT	2	-----	562803
C 530						C 595					
C 531						C 596					
C 532						C 597	LH DASH PANEL – DISPLAY SET SW.	MOLEX	5		562905
C 533						C 598	LH DASH PANEL – DISPLAY SET SW.	MOLEX	5		562905
C 534						C 599	UND. DASH – MAGN. SW CTR POS. DR'S AIR	AMP MNL	2	561248	561247
C 535						C 600					
C 536						C 601					
C 537	A/C JCT BOX RESISTOR SIGN. RLY	AMP MNL	2	561248	561247	C 602					
C 538	FR SERV. CPT RH – OUTSIDE TEMP. SENS	AMP MNL	2	561248	561247	C 603					
C 539	HVAC DASH MODULE OUTPUT CONN.	MOLEY	24		562780	C 604					
C 540	HVAC DASH MODULE INPUT CONN.	MOLEY	22		562781	C 605					
C 541						C 606					
C 542						C 607	FR SERVICE COMPT – RPM SIGNAL (SPARE)	PED WP	2	561566	561690
C 543						C 608	FR SERV. COMPT – SPEED SIGNAL (SPARE)	PED WP	2	561566	561690
C 544						CS	FR SERVICE CPT - ECU WOLRD TR.	PED MP	32		562817
C 545						CT	FR SERVICE CPT - ECU WORLD TR.	PED MP	32		562824
C 546						CV	FR SERVICE CPT - ECU WORLD TR.	PED MP	32		562823
C 547						CX 1	FR SERVICE CPT - ECU ABS	AMP JN	18	562792	562792
C 548	LH DASH PANEL – T.T.LT TEST SW.	EATON	12		562763	CX 2	FR SERVICE CPT - ECU ABS	AMP JN	15	562795	562795
C 549						CX 3	FR SERVICE CPT - ECU ABS	AMP JN	9	562794	562794
C 550						CX 4	FR SERVICE CPT - ECU ABS	AMP JN	6	562793	562793
C 551						CY	CLUSTER	JAE	30		562765
C 552						LX	CLUSTER	JAE	22		562766
C 553						LY	CLUSTER	JAE	30		562767
C 554						RX	CLUSTER	JAE	22		562764
C 555											
C 556											
C 557											
C 558											
C 559											
C 560											
C 561											
C 562											
C 563											
C 564											
C 565											
C 566											
C 567											
C 568											
C 569											
C 570	UNDER DASH PANEL – T.T.LT MODULE	MOLEX	6		562464						
C 571	UNDER DASH PANEL – T.T.LT MODULE	MOLEX	20		562778						
C 572	UNDER DASH PANEL – T.T.LT MODULE	MOLEX	18		562779						
C 573	UNDER DASH PANEL – T.T.LT MODULE	MOLEX	8		562465						
C 574											
C 575											
C 576											
C 577											
C 578											
C 579											
C 580											

CONNECTORS CODE

NO	LOCATION	TYPE	CAVITY	#PIN	#SOCKET	NO	LOCATION	TYPE	CAVITY	#PIN	#SOCKET
				HOUSING	HOUSING					HOUSING	HOUSING
AA 1	UNDER DASH PANEL-TAG AXLE SONALERT	BOSCH	5	-----	561183	C 65	ENGINE CPT - PRESS SW FAN CLUTCH	PED WP	2	561566	561690
C 1	FR JCT BOX COMPARTIMENT	AMP CPC	14	561585	561584	C 66					
C 2	FR JCT BOX COMPARTIMENT	AMP CPC	16	561639	561640	C 67					
C 3	FR JCT BOX COMPARTIMENT	AMP CPC	37	561644	561646	C 68					
C 4	FR JCT BOX COMPARTIMENT	AMP CPC	24	561641	561643	C 69					
C 5	FR SERVICE COMPT. - UNDERNEATH	AMP CPC	37	561645	561646	C 70	LH CONSOLE	AMP CPC	16	561639	561640
C 6	FR SERVICE COMPT. - UNDERNEATH	AMP CPC	16	561639	561640	C 71	FR JCT BOX COMPT.	AMP CPC	37	561645	561646
C 7	FR SERVICE COMPT - CLUTCH SW	ITT SS	3	561080	561111	C 72	FR JCT BOX COMPT.	AMP CPC	24	561642	561643
C 8	FR SERVICE COMPT. - UNDERNEATH	AMP CPC	24	561642	561643	C 73					
C 9	FR SERVICE COMPT. - UNDERNEATH	AMP CPC	24	561642	561643	C 74	FR JCT BOX COMPT.	AMP CPC	37	561645	561646
C 10	FR SERVICE DOOR ACCESS.	DEUTSCH	5	562565	562566	C 75					
C 11	FR SERV. CPT ACCESS	AMP CPC	37	561645	561646	C 76	ENGINE CMPT. FIRE DETECTOR	DEUTSCH	2	562486	562485
C 12	FR SERV. CPT ACCESS	AMP CPC	16	561639	561640	C 77	ENGINE CMPT. FIRE DETECTOR	DEUTSCH	2	562486	562485
C 13	FR SERV. CPT ACCESS	AMP CPC	9	561635	561637	C 78					
C 14						C 79					
C 15	LUGGAGE CPT (184)-MARK. SUPPL.	DEUTSCH	4	562479	562477	C 80					
C 16	LH CONSOLE SW-CRUISE ON/OFF	EATON	12	-----	562763	C 81	LUGGAGE COMPT - DOOR LOCK	AMP MNL	4	560851	560852
C 17	LH CONSOLE SW-CRUISE RESUME	EATON	12		562763	C 82	LUGGAGE COMPT - DOOR LOCK	AMP MNL	4	560851	560852
C 18	LH CONSOLE SW-CRUISE SET	EATON	12		562763	C 83	LUGGAGE COMPT - DOOR LOCK	AMP MNL	4	560851	560852
C 19	LH CONSOLE SW-DECEL SW	EATON	12		562763	C 84	LUGGAGE COMPT - DOOR LOCK	AMP MNL	4	560851	560852
C 20	RR JCT BOX	DEUTSCH	70	562282	562285	C 85	LUGGAGE COMPT - DOOR LOCK	AMP MNL	4	560851	560852
C 21	ENGINE COMPT - LOCK DOOR MOT.	PED WP	2		562076	C 86	LUGGAGE COMPT - DOOR LOCK	AMP MNL	4	560851	560852
C 22	LUGGAGE COMPT (A) - A/C & FUEL TANK	AMP CPC	16	561639	561640	C 87					
C 23	LUGGAGE COMPT (1) - LUGG. ACCESS.	AMP CPC	24	561642	561643	C 88					
C 24	ENGINE COMPT. - INTERF RJB	PED WP	6	561606	561607	C 89					
C 25	ENGINE COMPT. - INTERF RJB	PED WP	6	561606	561607	C 90					
C 26	ENGINE COMPT. ACCESS	DEUTSCH	40	562281	562284	C 91					
C 27	ENGINE COMPT. - INTERF. RJB	DEUTSCH	6	562583	562581	C 92	FR JCT BOX COMPT - ABS	AMP CPC	9	561635	561637
C 28	LUGGAGE COMPT(4) - LUGG. ACCESS	AMP CPC	24	561642	561643	C 93					
C 29	FR SERVICE COMPT - E.C.U. FEED	PED WP	3	561781	561782	C 94					
C 30	ENGINE COMPT - MASTER SW. SIGN.	DEUTSCH	2	562486	562485	C 95	ENTRANCE DOOR ACCESS	DEUTSCH	6	562583	562581
C 31						C 96	FR SERVICE DOOR ACCESS	AMP MNL	9	561670	561669
C 32						C 97	FR SERVICE DOOR - WATER TANK	PED MP	20		562426
C 33	ENGINE DDEC II - SPEED SIGN SPARE	PED WP	2	561566	561690	C 98					
C 34						C 99	FR SERVICE CPT. LTS	AMP MNL	2	561248	561247
C 35	A/C COMPT - AIR RETURN SENSOR	AMP MNL	2	561248	561247	C 100					
C 36						C 101	FR SERVICE COMPT. ELEC. HORNS	PED WP	2	561566	561690
C 37						C 101	CONDENSER COMPT - A/C PRES. SW 1SP	PED WP	2	561566	561690
C 38						C 102	CONDENS. COMPT - LIQU. SOL. VAL. PRES.	PED WP	2	561566	561690
C 39						C 103					
C 40						C 104					
C 41	ENGINE COMPT - RH DOOR LOCK	DEUTSCH	4	562479	562477	C 105	UNDER DASH RH - DRV LIO SOL VL	PED WP	2	561566	561690
C 42	ENGINE COMPT - RR CAP LIGHTING	DEUTSCH	6	562583	562581	C 106	UNDER DASH RH - DRV WTR VALVE	PED WP	2	561566	561690
C 43	FR JCT BOX - ALT. MODULE	AMP MNL	12	561735	561734	C 107					
C 44	ENGINE COMPT - LIGHTS	PED WP	1	561605	561577	C 108					
C 45	FR JCT BOX COMPT - ROOF ACCESS	AMP CPC	24	561642	561643	C 109					
C 46						C 110					
C 47						C 111					
C 48	FR SERV. CPT. PRESS SW PARK BRAKE	DEUTSCH	4	562479	562477	C 112					
C 49						C 113					
C 50						C 114	ENGINE DDEC - SPEED SIGNAL (SPARG)	PED WP	2	561566	561690
C 51						C 115	RR JCT BOX - ENGINE ACCESS	DEUTSCH	40	562281	562284
C 52	ENGINE COMPT - COMPRESSOR	PED WP	2	561566	561690	C 116	DRIVE AXLE COMPT - AIR DRYER	PED MP	2		562251
C 53	ENGINE COMPT - COMPRESSOR	PED WP	2	561566	561690	C 117					
C 54						C 118	ENGINE COMPT - LICENCE	DOM. AUT	2	930210	
C 55	CENTRAL DOOR LOCK	DEUTSCH	4	562479	562477	C 119	ENGINE COMPT - RH LOWER LAMP	PED WP	6	561606	561607
C 56						C 120	ENGINE COMPT - LH LOWER LAMP	PED WP	6	561606	561607
C 57						C 121					
C 58						C 122					
C 59						C 123					
C 60						C 124					
C 61	ENGINE COMPT - FUEL FILTER	PED WP	2	561566	561690	C 125					
C 62	ENGINE COMPT - COMPRESSOR STD	PED WP	2	561566	561690	C 126					
C 63	ENGINE COMPT - COMPRESSOR STD	PED WP	2	561566	561690	C 127					
C 64						C 128					

CONNECTORS CODE

NO	LOCATION	TYPE	CAVITY	#PIN	#SOCKET	NO	LOCATION	TYPE	CAVITY	#PIN	#SOCKET
				HOUSING	HOUSING					HOUSING	HOUSING
C 129						C 194					
C 130						C 195					
C 131						C 196					
C 132						C 197					
C 133						C 198					
C 134	FR JCT BOX – DIODE CONN.	AMP MNL	15	561987	561986	C 199					
C 135	FR JCT BOX – DIODE CONN.	AMP MNL	15	561987	561986	C 200					
C 136	FR JCT BOX – DIODE CONN.	AMP MNL	15	561987	561986	C 201					
C 137						C 202					
C 138						C 203					
C 139						C 204					
C 140	HVAC DASH MODULE THERMOMETER	MOLEX	4		562782	C 205					
C 141	RR DASH PANEL – LTS CONN. (SPARE)	AMP MNL	2	561248	561247	C 206					
C 142	ENGINE COMPT. B/U ALARM	PED WP	2	561566	561690	C 207					
C 143						C 208					
C 144						C 209					
C 145						C 210					
C 146						C 211	FR ROOF – SUN VISOR LH	AMP MNL	2	560900	560898
C 147						C 212	FR ROOF – SUN VISOR RH	AMP MNL	2	560900	560898
C 148						C 213					
C 149						C 214					
C 150						C 215					
C 151						C 216					
C 152						C 217					
C 153						C 218					
C 154						C 219					
C 155						C 220					
C 156						C 221					
C 157	FR SERV. CPT – WATER PUMP DR'S	PED WP	3	561781	561782	C 222					
C 158						C 223	HEAD LIGHTS - FLASHER	DEUTSCH	5	562565	562566
C 159						C 224	HEAD LIGHTS	PED MP	3		562099
C 160	FR SERVICE CPT - INTERFACE	AMP CPC	37	561644	561646	C 225	FOG LIGHTS	DEUTSCH	3	562902	562901
C 161	ENGINE DDEC - ECM	PED MP	30		561600	C 226	FLASHER – (FR)	PED	3	562137	
C 162	ENGINE DDEC - ACCESSORIES	PED WP	4	561610	561611	C 227					
C 163	ENGINE CPT - COOLANT PROBE	PED MP	2		562350	C 228					
C 164						C 229					
C 165						C 230					
C 166						C 231					
C 167	FR SERVICE CPT - EL. FOOT PEDAL	PED WP	3	561781	561782	C 232					
C 168	FR SERVICE CPT - DDR	DEUTSCH	6	562360		C 233					
C 169	FR SERVICE CPT - WORLD TR. INTERFACE	AMP CPC	16	561639	561640	C 234					
C 170	FR JCT BOX FLASHER UNIT	PED	2		561940	C 235					
C 171	LH CONSOLE	AMP CPC	24	561642	561643	C 236	FR SERVICE CPT CENTER - ABS	AMP CPC	14	561636	561637
C 172	FR SERVICE COMPT - LEVEL LOW	AMP CPC	9	561637		C 237	FR AXLE CPT - ABS RH SENSOR	WABCO	2	641132	
C 173						C 238	FR AXLE CPT - ABS RH VALVE	WABCO	3	641098	
C 174						C 239	FR AXLE CPT - ABS LH VALVE	WABCO	3	641098	
C 175						C 240	FR AXLE CPT - ABS LH SENSOR	WABCO	2	641132	
C 176	UNDER DASH RH – WIPER PULSE	AMP FF	6		561186	C 241	LAST LUGGAGE COMPT - ABS	PED WP	6	561606	561607
C 177	UNDER DASH RH – WIPER MOTOR	AMP FF	6		561186	C 242	DRIVE AXLE CPT - ABS LH SENSOR	WABCO	2	641132	
C 178						C 243	DRIVE AXLE CPT - ABS LH VALVE	WABCO	3	641098	
C 179						C 244	DRIVE AXLE CPT - ABS RH VALVE	WABCO	3	641098	
C 180						C 245	DRIVE AXLE CPT - ABS RH SENSOR	WABCO	2	641132	
C 181						C 246	DRIVE AXLE CPT - ABS SPARE	PED WP	2	561566	561690
C 182						C 247					
C 183						C 248	LAST LUGGAGE CPT - ABS	PED WP	6	561606	561607
C 184						C 249	FR SERVICE CPT - ABS/DDEC	PED WP	2	561566	561690
C 185						C 250					
C 186						C 251	LH SW PANEL – FAST IDLE	EATON	12		562763
C 187	FR SERVICE JCT BOX - RESISTORS	AMP MNL	6	561552	561515	C 252	LUGGAGE COMPT. – WINDOW AJAR	MOLEX	4	561477	561476
C 188						C 253	LH SWITCH PANEL - ETHER	EATON	12		562763
C 189						C 254					
C 190						C 255	LH SWITCH PANEL – ENGINE BRAKE	EATON	12		562763
C 191						C 256					
C 192						C 257	ENGINE COMPT - WATER HEATER	AMP FF	6		561186
C 193						C 258	LH CONSOLE – HEATER TIMER	AMP FF	8	561188	562363

CONNECTORS CODE

NO	LOCATION	TYPE	CAVITY	#PIN	#SOCKET	NO	LOCATION	TYPE	CAVITY	#PIN	#SOCKET
				HOUSING	HOUSING					HOUSING	HOUSING
C 258	LH SWITCH PANEL – MULTI FUNC. SW	AMP FF	8	561188		C 322	UNDER DASH RH - KEYLESS MODULE	AMP COM	22		562675
C 259	ENGINE COMPT. – WATER HEATER	PED	2	562644	561597	C 323	DRIVER'S WINDOW MOTOR	PED	2		561848
C 259	LH SWITCH PANEL – MULTI FUNC. SW	AMP FF	6		561186	C 324					
C 260	ENGINE COMPT - WATER HEATER	AMP FF	2	562473	562474	C 325					
C 261	ENGINE COMPT - WATER HEATER	PED	2	562644	561597	C 326	ENGINE MANUEL TRANSM. (SPARC)	PED WP	4	561610	561611
C 262						C 327					
C 263	LUGGAGE COMPT. LTS COMPT #3	AMP MNL	2	561248	561247	C 328					
C 264	LUGGAGE COMPT. LTS COMPT #2	AMP MNL	2	561248	561247	C 329					
C 265	LUGGAGE COMPT. LTS COMPT #1	AMP MNL	2	561248	561247	C 330					
C 266	ENTRANCE DOOR KEYLESS	AMP CPC	14	561585	561583	C 331					
C 267	UNDER DASH RH – KEYLESS PANEL	AMP CPC	24	561642	561643	C 332					
C 268	FR MIRROR RH	SW. CRAF	5	562921		C 333					
C 269	FR MIRROR LH	SW. CRAF	5	562921		C 334					
C 270	LUGGAGE COMPT LTS - 3 LH	AMP MNL	2	561248	561247	C 335					
C 271	LUGGAGE COMPT LTS - 4	AMP MNL	2	561248	561247	C 336					
C 272						C 337					
C 273						C 338					
C 274						C 339					
C 275						C 340	FR JCT BOX – FIRE PIEZO ALARM	AMP MNL	2	560900	560898
C 276	UNDER DASH RH – 3 WAY LTS DR'S	EATON	12		562763	C 341	LH SWITCH PANEL – HEAT MIRROR SW.	EATON	12		562763
C 277	LH SWITCH PANEL DOCK & CORN. SW.	EATON	12		562763	C 342					
C 278	LH SWITCH PANEL – BU CANCEL	EATON	12		562763	C 343	LH SWITCH PANEL – HEAD LAMP SW.	EATON	12		562763
C 279	FR SERVICE COMPT LH – STEERING ZF	DEUTSCH	2		562485	C 344	LH SWITCH PANEL – HAZARD LT SW.	EATON	12		562763
C 280	ENGINE COMPT - COMPRESSOR STD	PED WP	2	561566	561690	C 345	LH SWITCH PANEL – FOG LT SW.	EATON	12		562763
C 281	LH CONSOLE – LEVEL LOW	AMP MNL	4	560851	560852	C 346					
C 282	FR SERVICE COMPT – STEERING ZF	VOLVO	2		562928	C 347					
C 283						C 348	INSTR. PANEL CENT. – RACOR MODULE	MOLEX	6	562070	562069
C 284						C 349					
C 285						C 350					
C 286						C 351					
C 287						C 352					
C 288						C 353					
C 289						C 354					
C 290	LUGGAGE CPT - DOOR LOCK	AMP MNL	4	560851	560852	C 355					
C 291	LUGGAGE CPT - DOOR LOCK	AMP MNL	4	560851	560852	C 356					
C 292						C 357					
C 293						C 358					
C 294						C 359	RH SWITCH PANEL – ENT. DOOR WIND. SW.	EATON	12		562763
C 295						C 360	ENTRANCE WINDOW MOTOR	PED	2		561848
C 296						C 361					
C 297						C 362					
C 298						C 363					
C 299						C 364					
C 300						C 365					
C 301						C 366					
C 302						C 367					
C 303	RR JCT BOX - DIODES	AMP MNL	15	561987	561986	C 368					
C 304						C 369					
C 305						C 370					
C 306						C 371					
C 307						C 372					
C 308						C 373					
C 309	ENGINE DDEC - ECM POWER	PED MP	5		562345	C 374					
C 310	LH CONSOLE SW – LUG. DOOR LOCK	EATON	12		562763	C 375					
C 311						C 376					
C 312	ENGINE DDEC III - ACCESSORIES	PED WP	3	561781	561782	C 377	LH SWITCH PANEL – STOP ENGINE OVERRIDE	EATON	12		562763
C 313	ENGINE DDEC III - INPUT	PED MP	3	562398		C 378					
C 314						C 379					
C 315	LH SWITCH PANEL – LH SUN VISOR SW.	EATON	12		562763	C 380					
C 316						C 381	UNDER DASH PANEL – ANTI THIELED	AMP MNL	2	561248	561247
C 317	LH SWITCH PANEL – RH SUN VISOR SW.	EATON	12		562763	C 382	ENGINE GENERATOR (1)	PED WP	1	561605	561577
C 318	LH CONSOLE SW – DR'S WINDOW SW.	EATON	12		562763	C 383	ENGINE COMPT – VOLTAGE REGULATOR	PED WP	1	561605	561577
C 319						C 384					
C 320	RT SWITCH PANEL – DRIVER'S LTS SW.	EATON	12		562763	C 385					
C 321	UNDER DASH RH - KEYLESS MODULE	AMP COM	26		562676	C 386					

CONNECTORS CODE

NO	LOCATION	TYPE	CAVITY	#PIN	#SOCKET	NO	LOCATION	TYPE	CAVITY	#PIN	#SOCKET
				HOUSING	HOUSING					HOUSING	HOUSING
C 387	ENGINE COMPT. - BY-PASS VALVE	PED WP	2	561566	561690	C 452					
C 388						C 453					
C 389	ENGINE COMPT. - WATER PUMP	PED WP	2	561566	561690	C 454					
C 390	ENGINE COMPT. - A/C JCT. BOX	DEUTSCH	24	562280	562283	C 455					
C 391	CONDENSER COMPT. A/C PRESS SW 2 SP	PED WP	2	561566	561690	C 456	WORLD TRANS. - RETARDER ACCUM.	PED MP	2		562427
C 392						C 457	WORLD TRANS. - MAIN CONNECTOR	DEUTSCH	31	562572	562536
C 393						C 458	WORLD TRANS. - TURBINE SP. SENS.	PED MP	2		562426
C 394						C 459	WORLD TRANS. - ENGINE SP. SENS.	PED MP	2		562426
C 395						C 460	WORLD TRANS. - SPEED SENSOR	ITT	2		562541
C 396						C 461	WORLD TRANS. - RETARDER TEMP.	PED MP	2		562856
C 397						C 462	WORLD TRANS. - RETARDER SOL. "K"	PED MP	2		562426
C 398						C 463	WORLD TRANS. - SENSOR CONN.	DEUTSCH	16	562570	562571
C 399	ENGINE GENERATOR (2)	PED WP	2	561566	561690	C 464	RR JCT BOX - DDL CONN	DEUTSCH	6		565360
C 400	ENGINE COMPT. - BLOCK HEATER	PED WP	3	561781	561782	C 465	LH CONSOLE - SHIFTER SELECTOR	PED	20		562825
C 401						C 466	FR SERVICE CPT - RESIS. MOD.	PED WP	3		562428
C 402						C 467	FR SERVICE CPT - RESIS. MOD.	PED WP	3		562428
C 403						C 468	FR SERVICE CPT - RET. HAND LEVER	AMP FF	8	561188	562363
C 404						C 469	FR SERVICE CPT - RET. HAND LEVER	AMP FF	8	561188	562363
C 405						C 470					
C 406						C 471					
C 407						C 472	FR SERVICE CPT - SILENT 1000	PED WP	2	561566	561690
C 408						C 473					
C 409						C 474	DRIVER'S TEMP SENSOR	AMP MNL	2	561248	561247
C 410						C 475	FR SERVICE CPT - SPEED SIGN. CONNECT.	DEUTSCH	6	562583	562581
C 411						C 475W	FR SERVICE CPT - SPEED SIGN. W. TR.	DEUTSCH	6	562583	562581
C 412						C 476					
C 413						C 477					
C 414						C 478					
C 415						C 479	UNDER DASH - HVAC DASH MODULE	MOLEX	3		562783
C 416						C 480	UNDER DASH RH - DR'S FAN SPEED CTR	PED WP	4	561889	561890
C 417						C 481	UNDER DASH RH - DR'S FAN SPEED CTR	PED WP	3	561781	561782
C 418						C 482					
C 419						C 483	FR SERVICE CPT - ELECTRICAL SEAT	PED	2	562237	
C 420						C 484	UNDER DASH LH - FOOT DAMPER MOTOR	PED	2		562076
C 421						C 485	UNDER DASH LH - DASH & DEFR. DAMP. M.	AMP MNL	3	561667	561558
C 422						C 486					
C 423						C 487					
C 424	UNDER DASH- AUDIBLE FLASHER	AMP MNL	3	561667	561550	C 488					
C 425						C 489					
C 426	ENGINE S60 RAD. FAN CLUTCH	PED WP	3	561781	561782	C 490					
C 427						C 491					
C 428	RH SW PANEL - DASH LTS RHEOSTAT	AMP MNL	3	561667	561550	C 492					
C 429						C 493					
C 430						C 494					
C 431						C 495					
C 432						C 496					
C 433						C 497					
C 434						C 498					
C 435						C 499					
C 436						C 500	FR JCT PANEL - PRODRIVER	MOLEX	6	562070	562069
C 437						C 501					
C 438						C 502					
C 439						C 503					
C 440						C 504					
C 441						C 505					
C 442						C 506	LH CONSOLE - LEVEL LOW SW.	EATON	12		562763
C 443						C 507					
C 444						C 508	RR JCT BOX - FAN CLUTCH RETARDER	AMP MNL	6	561552	561515
C 445						C 509					
C 446						C 510					
C 447						C 511					
C 448						C 512					
C 449						C 513					
C 450						C 514					
C 451						C 515					

CONNECTORS CODE

NO	LOCATION	TYPE	CAVITY	#PIN	#SOCKET	NO	LOCATION	TYPE	CAVITY	#PIN	#SOCKET
				HOUSING	HOUSING					HOUSING	HOUSING
C 516						C 581	LH DASH PANEL – ELECTRICAL HORN	PED MP	2		562777
C 517						C 582					
C 518						C 583	LH DASH PANEL – MASTER KEY SW.	DEUTSCH	2	562486	562485
C 519						C 584	FR. SERVICE COMPT – HORN PNEU. VALVE	PNEUMAC	3		562848
C 520						C 585	FR. SERV. COMPT – ENT. DOOR LOCK VALVE	PNEUMAC	2		641385
C 521						C 586	FR SERVICE COMPT – ACC. PNEU.VALVE	PNEUMAC	3		562848
C 522	FR JCT BOX – DAYTIME LTS MODULE	BOSCH	5		561183	C 587					
C 523						C 588					
C 524	FR JCT BOX – FUSE BLOCK	PED	8	562647	562646	C 589	FR. MIRROR LH	SW CRAFT	8	562919	562920
C 525	FR JCT BOX – FUSE BLOCK	PED	8	562647	562646	C 590	FR. MIRROR RH	SW CRAFT	8	562919	562920
C 526	FR JCT BOX – FUSE BLOCK	PED	8	562647	562646	C 591	LH CONSOLE – LH MIRROR SW.	EURAMT.	8		562749
C 527	FR JCT BOX – FUSE BLOCK	PED	8	562647	562646	C 592	LH CONSOLE – RH MIRROR SW.	EURAMT.	8		562749
C 528						C 593					
C 529						C 594	FRONT ROOF – DRIVER'S LTS	LEEKRAFT	2	-----	562803
C 530						C 595					
C 531						C 596					
C 532						C 597	LH DASH PANEL – DISPLAY SET SW.	MOLEX	5		562905
C 533						C 598	LH DASH PANEL – DISPLAY SET SW.	MOLEX	5		562905
C 534						C 599	UND. DASH – MAGN. SW CTR POS. DR'S AIR	AMP MNL	2	561248	561247
C 535						C 600					
C 536						C 601					
C 537	A/C JCT BOX RESISTOR SIGN. RLY	AMP MNL	2	561248	561247	C 602					
C 538	FR SERV. CPT RH – OUTSIDE TEMP. SENS	AMP MNL	2	561248	561247	C 603					
C 539	HVAC DASH MODULE OUTPUT CONN.	MOLEY	24		562780	C 604					
C 540	HVAC DASH MODULE INPUT CONN.	MOLEY	22		562781	C 605					
C 541						C 606					
C 542						C 607	FR SERVICE COMPT – RPM SIGNAL (SPARE)	PED WP	2	561566	561690
C 543						C 608	FR SERV. COMPT – SPEED SIGNAL (SPARE)	PED WP	2	561566	561690
C 544						CS	FR SERVICE CPT - ECU WOLRD TR.	PED MP	32		562817
C 545						CT	FR SERVICE CPT - ECU WORLD TR.	PED MP	32		562824
C 546						CV	FR SERVICE CPT - ECU WORLD TR.	PED MP	32		562823
C 547						CX	CLUSTER	JAE	5		562957
C 548	LH DASH PANEL – T.T.LT TEST SW.	EATON	12		562763	CX 1	FR SERVICE CPT - ECU ABS	AMP JN	18	562792	562792
C 549						CX 2	FR SERVICE CPT - ECU ABS	AMP JN	15	562795	562795
C 550						CX 3	FR SERVICE CPT - ECU ABS	AMP JN	9	562794	562794
C 551						CX 4	FR SERVICE CPT - ECU ABS	AMP JN	6	562793	562793
C 552						CY	CLUSTER	JAE	30		562765
C 553						LX	CLUSTER	JAE	22		562766
C 554						LY	CLUSTER	JAE	30		562767
C 555						RX	CLUSTER	JAE	30		562767
C 556											
C 557											
C 558											
C 559											
C 560											
C 561											
C 562											
C 563											
C 564											
C 565											
C 566											
C 567											
C 568											
C 569											
C 570	UNDER DASH PANEL – T.T.LT MODULE	MOLEX	6		562464						
C 571	UNDER DASH PANEL – T.T.LT MODULE	MOLEX	20		562778						
C 572	UNDER DASH PANEL – T.T.LT MODULE	MOLEX	18		562779						
C 573	UNDER DASH PANEL – T.T.LT MODULE	MOLEX	8		562465						
C 574											
C 575											
C 576											
C 577											
C 578											
C 579											
C 580											

CONNECTORS CODE

NO	LOCATION	TYPE	CAVITY	#PIN	#SOCKET	NO	LOCATION	TYPE	CAVITY	#PIN	#SOCKET
				HOUSING	HOUSING					HOUSING	HOUSING
AA 1	UNDER DASH PANEL-TAG AXLE SONALERT	BOSCH	5	-----	561183	C 65	ENGINE CPT - PRESS SW FAN CLUTCH	PED WP	2	561566	561690
C 1	FR JCT BOX COMPARTIMENT	AMP CPC	14	561585	561584	C 66					
C 2	FR JCT BOX COMPARTIMENT	AMP CPC	16	561639	561640	C 67					
C 3	FR JCT BOX COMPARTIMENT	AMP CPC	37	561644	561646	C 68					
C 4	FR JCT BOX COMPARTIMENT	AMP CPC	24	561641	561643	C 69					
C 5	FR SERVICE COMPT. - UNDERNEATH	AMP CPC	37	561645	561646	C 70	LH CONSOLE	AMP CPC	16	561639	561640
C 6	FR SERVICE COMPT. - UNDERNEATH	AMP CPC	16	561639	561640	C 71	FR JCT BOX COMPT.	AMP CPC	37	561645	561646
C 7	FR SERVICE COMPT - CLUTCH SW	ITT SS	3	561080	561111	C 72	FR JCT BOX COMPT.	AMP CPC	24	561642	561643
C 8	FR SERVICE COMPT. - UNDERNEATH	AMP CPC	24	561642	561643	C 73					
C 9	FR SERVICE COMPT. - UNDERNEATH	AMP CPC	24	561642	561643	C 74	FR JCT BOX COMPT.	AMP CPC	37	561645	561646
C 10	FR SERVICE DOOR ACCESS.	DEUTSCH	5	562565	562566	C 75					
C 11	FR SERV. CPT ACCESS	AMP CPC	37	561645	561646	C 76	ENGINE CMPT. FIRE DETECTOR	DEUTSCH	2	562486	562485
C 12	FR SERV. CPT ACCESS	AMP CPC	16	561639	561640	C 77	ENGINE CMPT. FIRE DETECTOR	DEUTSCH	2	562486	562485
C 13	FR SERV. CPT ACCESS	AMP CPC	9	561635	561637	C 78					
C 14						C 79					
C 15	LUGGAGE CPT (184)-MARK. SUPPL.	DEUTSCH	4	562479	562477	C 80					
C 16	LH CONSOLE SW-CRUISE ON/OFF	EATON	12	-----	562763	C 81	LUGGAGE COMPT - DOOR LOCK	AMP MNL	4	560851	560852
C 17	LH CONSOLE SW-CRUISE RESUME	EATON	12		562763	C 82	LUGGAGE COMPT - DOOR LOCK	AMP MNL	4	560851	560852
C 18	LH CONSOLE SW-CRUISE SET	EATON	12		562763	C 83	LUGGAGE COMPT - DOOR LOCK	AMP MNL	4	560851	560852
C 19	LH CONSOLE SW-DECEL SW	EATON	12		562763	C 84	LUGGAGE COMPT - DOOR LOCK	AMP MNL	4	560851	560852
C 20	RR JCT BOX	DEUTSCH	70	562282	562285	C 85	LUGGAGE COMPT - DOOR LOCK	AMP MNL	4	560851	560852
C 21	ENGINE COMPT - LOCK DOOR MOT.	PED WP	2		562076	C 86	LUGGAGE COMPT - DOOR LOCK	AMP MNL	4	560851	560852
C 22	LUGGAGE COMPT (A) - A/C & FUEL TANK	AMP CPC	16	561639	561640	C 87					
C 23	LUGGAGE COMPT (1) - LUGG. ACCESS.	AMP CPC	24	561642	561643	C 88					
C 24	ENGINE COMPT. - INTERF RJB	PED WP	6	561606	561607	C 89					
C 25	ENGINE COMPT. - INTERF RJB	PED WP	6	561606	561607	C 90					
C 26	ENGINE COMPT. ACCESS	DEUTSCH	40	562281	562284	C 91					
C 27	ENGINE COMPT. - INTERF. RJB	DEUTSCH	6	562583	562581	C 92	FR JCT BOX COMPT - ABS	AMP CPC	9	561635	561637
C 28	LUGGAGE COMPT(4) - LUGG. ACCESS	AMP CPC	24	561642	561643	C 93					
C 29	FR SERVICE COMPT - E.C.U. FEED	PED WP	3	561781	561782	C 94					
C 30	ENGINE COMPT - MASTER SW. SIGN.	DEUTSCH	2	562486	562485	C 95	ENTRANCE DOOR ACCESS	DEUTSCH	6	562583	562581
C 31						C 96	FR SERVICE DOOR ACCESS	AMP MNL	9	561670	561669
C 32						C 97	FR SERVICE DOOR - WATER TANK	PED MP	20		562426
C 33	ENGINE DDEC II - SPEED SIGN SPARE	PED WP	2	561566	561690	C 98					
C 34						C 99	FR SERVICE CPT. LTS	AMP MNL	2	561248	561247
C 35	A/C COMPT - AIR RETURN SENSOR	AMP MNL	2	561248	561247	C 100					
C 36						C 101	FR SERVICE COMPT. ELEC. HORNS	PED WP	2	561566	561690
C 37						C 101	CONDENSER COMPT - A/C PRES. SW 1SP	PED WP	2	561566	561690
C 38						C 102	CONDENS. COMPT - LIQU. SOL. VAL. PRES.	PED WP	2	561566	561690
C 39						C 103					
C 40						C 104					
C 41	ENGINE COMPT - RH DOOR LOCK	DEUTSCH	4	562479	562477	C 105	UNDER DASH RH - DRV LIO SOL VL	PED WP	2	561566	561690
C 42	ENGINE COMPT - RR CAP LIGHTING	DEUTSCH	6	562583	562581	C 106	UNDER DASH RH - DRV WTR VALVE	PED WP	2	561566	561690
C 43	FR JCT BOX - ALT. MODULE	AMP MNL	12	561735	561734	C 107					
C 44	ENGINE COMPT - LIGHTS	PED WP	1	561605	561577	C 108					
C 45	FR JCT BOX COMPT - ROOF ACCESS	AMP CPC	24	561642	561643	C 109					
C 46						C 110					
C 47						C 111					
C 48	FR SERV. CPT. PRESS SW PARK BRAKE	DEUTSCH	4	562479	562477	C 112					
C 49						C 113					
C 50						C 114	ENGINE DDEC - SPEED SIGNAL (SPARG)	PED WP	2	561566	561690
C 51						C 115	RR JCT BOX - ENGINE ACCESS	DEUTSCH	40	562281	562284
C 52	ENGINE COMPT - COMPRESSOR	PED WP	2	561566	561690	C 116	DRIVE AXLE COMPT - AIR DRYER	PED MP	2		562251
C 53	ENGINE COMPT - COMPRESSOR	PED WP	2	561566	561690	C 117					
C 54						C 118	ENGINE COMPT - LICENCE	DOM. AUT	2	930210	
C 55	CENTRAL DOOR LOCK	DEUTSCH	4	562479	562477	C 119	ENGINE COMPT - RH LOWER LAMP	PED WP	6	561606	561607
C 56						C 120	ENGINE COMPT - LH LOWER LAMP	PED WP	6	561606	561607
C 57						C 121					
C 58						C 122					
C 59						C 123					
C 60						C 124					
C 61	ENGINE COMPT - FUEL FILTER	PED WP	2	561566	561690	C 125					
C 62	ENGINE COMPT - COMPRESSOR STD	PED WP	2	561566	561690	C 126					
C 63	ENGINE COMPT - COMPRESSOR STD	PED WP	2	561566	561690	C 127					
C 64						C 128					

CONNECTORS CODE

NO	LOCATION	TYPE	CAVITY	#PIN	#SOCKET	NO	LOCATION	TYPE	CAVITY	#PIN	#SOCKET
				HOUSING	HOUSING					HOUSING	HOUSING
C 129						C 194					
C 130						C 195					
C 131						C 196					
C 132						C 197					
C 133						C 198					
C 134	FR JCT BOX – DIODE CONN.	AMP MNL	15	561987	561986	C 199					
C 135	FR JCT BOX – DIODE CONN.	AMP MNL	15	561987	561986	C 200					
C 136	FR JCT BOX – DIODE CONN.	AMP MNL	15	561987	561986	C 201					
C 137						C 202					
C 138						C 203					
C 139						C 204					
C 140	HVAC DASH MODULE THERMOMETER	MOLEX	4		562782	C 205					
C 141	RR DASH PANEL – LTS CONN. (SPARE)	AMP MNL	2	561248	561247	C 206					
C 142	ENGINE COMPT. B/U ALARM	PED WP	2	561566	561690	C 207					
C 143						C 208					
C 144						C 209					
C 145						C 210					
C 146						C 211	FR ROOF – SUN VISOR LH	AMP MNL	2	560900	560898
C 147						C 212	FR ROOF – SUN VISOR RH	AMP MNL	2	560900	560898
C 148						C 213					
C 149						C 214					
C 150						C 215					
C 151						C 216					
C 152						C 217					
C 153						C 218					
C 154						C 219					
C 155						C 220					
C 156						C 221					
C 157	FR SERV. CPT – WATER PUMP DR'S	PED WP	3	561781	561782	C 222					
C 158						C 223	HEAD LIGHTS - FLASHER	DEUTSCH	5	562565	562566
C 159						C 224	HEAD LIGHTS	PED MP	3		562099
C 160	FR SERVICE CPT - INTERFACE	AMP CPC	37	561644	561646	C 225	FOG LIGHTS	DEUTSCH	3	562902	562901
C 161	ENGINE DDEC - ECM	PED MP	30		561600	C 226	FLASHER – (FR)	PED	3	562137	
C 162	ENGINE DDEC - ACCESSORIES	PED WP	4	561610	561611	C 227					
C 163	ENGINE CPT - COOLANT PROBE	PED MP	2		562350	C 228					
C 164						C 229					
C 165						C 230					
C 166						C 231					
C 167	FR SERVICE CPT - EL. FOOT PEDAL	PED WP	3	561781	561782	C 232					
C 168	FR SERVICE CPT - DDR	DEUTSCH	6	562360		C 233					
C 169	FR SERVICE CPT - WORLD TR. INTERFACE	AMP CPC	16	561639	561640	C 234					
C 170	FR JCT BOX FLASHER UNIT	PED	2		561940	C 235					
C 171	LH CONSOLE	AMP CPC	24	561642	561643	C 236	FR SERVICE CPT CENTER - ABS	AMP CPC	14	561636	561637
C 172	FR SERVICE COMPT - LEVEL LOW	AMP CPC	9	561637		C 237	FR AXLE CPT - ABS RH SENSOR	WABCO	2	641132	
C 173						C 238	FR AXLE CPT - ABS RH VALVE	WABCO	3	641098	
C 174						C 239	FR AXLE CPT - ABS LH VALVE	WABCO	3	641098	
C 175						C 240	FR AXLE CPT - ABS LH SENSOR	WABCO	2	641132	
C 176	UNDER DASH RH – WIPER PULSE	AMP FF	6		561186	C 241	LAST LUGGAGE COMPT - ABS	PED WP	6	561606	561607
C 177	UNDER DASH RH – WIPER MOTOR	AMP FF	6		561186	C 242	DRIVE AXLE CPT - ABS LH SENSOR	WABCO	2	641132	
C 178						C 243	DRIVE AXLE CPT - ABS LH VALVE	WABCO	3	641098	
C 179						C 244	DRIVE AXLE CPT - ABS RH VALVE	WABCO	3	641098	
C 180						C 245	DRIVE AXLE CPT - ABS RH SENSOR	WABCO	2	641132	
C 181						C 246	DRIVE AXLE CPT - ABS SPARE	PED WP	2	561566	561690
C 182						C 247					
C 183						C 248	LAST LUGGAGE CPT - ABS	PED WP	6	561606	561607
C 184						C 249	FR SERVICE CPT - ABS/DDEC	PED WP	2	561566	561690
C 185						C 250					
C 186						C 251	LH SW PANEL – FAST IDLE	EATON	12		562763
C 187	FR SERVICE JCT BOX - RESISTORS	AMP MNL	6	561552	561515	C 252	LUGGAGE COMPT. – WINDOW AJAR	MOLEX	4	561477	561476
C 188						C 253	LH SWITCH PANEL - ETHER	EATON	12		562763
C 189						C 254					
C 190						C 255	LH SWITCH PANEL – ENGINE BRAKE	EATON	12		562763
C 191						C 256					
C 192						C 257	ENGINE COMPT - WATER HEATER	AMP FF	6		561186
C 193						C 258	LH CONSOLE – HEATER TIMER	AMP FF	8	561188	562363

CONNECTORS CODE

NO	LOCATION	TYPE	CAVITY	#PIN	#SOCKET	NO	LOCATION	TYPE	CAVITY	#PIN	#SOCKET
				HOUSING	HOUSING					HOUSING	HOUSING
C 258	LH SWITCH PANEL – MULTI FUNC. SW	AMP FF	8	561188		C 322	UNDER DASH RH - KEYLESS MODULE	AMP COM	22		562675
C 259	ENGINE COMPT. – WATER HEATER	PED	2	562644	561597	C 323	DRIVER'S WINDOW MOTOR	PED	2		561848
C 259	LH SWITCH PANEL – MULTI FUNC. SW	AMP FF	6		561186	C 324					
C 260	ENGINE COMPT - WATER HEATER	AMP FF	2	562473	562474	C 325					
C 261	ENGINE COMPT - WATER HEATER	PED	2	562644	561597	C 326	ENGINE MANUEL TRANSM. (SPARC)	PED WP	4	561610	561611
C 262						C 327					
C 263	LUGGAGE COMPT. LTS COMPT #3	AMP MNL	2	561248	561247	C 328					
C 264	LUGGAGE COMPT. LTS COMPT #2	AMP MNL	2	561248	561247	C 329					
C 265	LUGGAGE COMPT. LTS COMPT #1	AMP MNL	2	561248	561247	C 330					
C 266	ENTRANCE DOOR KEYLESS	AMP CPC	14	561585	561583	C 331					
C 267	UNDER DASH RH – KEYLESS PANEL	AMP CPC	24	561642	561643	C 332					
C 268	FR MIRROR RH	SW. CRAF	5	562921		C 333					
C 269	FR MIRROR LH	SW. CRAF	5	562921		C 334					
C 270	LUGGAGE COMPT LTS - 3 LH	AMP MNL	2	561248	561247	C 335					
C 271	LUGGAGE COMPT LTS - 4	AMP MNL	2	561248	561247	C 336					
C 272						C 337					
C 273						C 338					
C 274						C 339					
C 275						C 340	FR JCT BOX – FIRE PIEZO ALARM	AMP MNL	2	560900	560898
C 276	UNDER DASH RH – 3 WAY LTS DR'S	EATON	12		562763	C 341	LH SWITCH PANEL – HEAT MIRROR SW.	EATON	12		562763
C 277	LH SWITCH PANEL DOCK & CORN. SW.	EATON	12		562763	C 342					
C 278	LH SWITCH PANEL – BU CANCEL	EATON	12		562763	C 343	LH SWITCH PANEL – HEAD LAMP SW.	EATON	12		562763
C 279	FR SERVICE COMPT LH – STEERING ZF	DEUTSCH	2		562485	C 344	LH SWITCH PANEL – HAZARD LT SW.	EATON	12		562763
C 280	ENGINE COMPT - COMPRESSOR STD	PED WP	2	561566	561690	C 345	LH SWITCH PANEL – FOG LT SW.	EATON	12		562763
C 281	LH CONSOLE – LEVEL LOW	AMP MNL	4	560851	560852	C 346					
C 282	FR SERVICE COMPT – STEERING ZF	VOLVO	2		562928	C 347					
C 283						C 348	INSTR. PANEL CENT. – RACOR MODULE	MOLEX	6	562070	562069
C 284						C 349					
C 285						C 350					
C 286						C 351					
C 287						C 352					
C 288						C 353					
C 289						C 354					
C 290	LUGGAGE CPT - DOOR LOCK	AMP MNL	4	560851	560852	C 355					
C 291	LUGGAGE CPT - DOOR LOCK	AMP MNL	4	560851	560852	C 356					
C 292	FR SERVICE CPT LEVEL LOW	PNEUMAC	2		641385	C 357					
C 293	FR SERVICE CPT LEVEL LOW	PNEUMAC	2		641385	C 358					
C 294	FR SERVICE CPT LEVEL LOW	PNEUMAC	2		641385	C 359	RH SWITCH PANEL – ENT. DOOR WIND. SW.	EATON	12		562763
C 295	FR SERVICE CPT LEVEL LOW	PNEUMAC	2		641385	C 360	ENTRANCE WINDOW MOTOR	PED	2		561848
C 296	FR SERVICE CPT LEVEL LOW	PNEUMAC	2		641385	C 361					
C 297						C 362					
C 298						C 363					
C 299						C 364					
C 300						C 365					
C 301						C 366					
C 302						C 367					
C 303	RR JCT BOX - DIODES	AMP MNL	15	561987	561986	C 368					
C 304						C 369					
C 305						C 370					
C 306						C 371					
C 307						C 372					
C 308						C 373					
C 309	ENGINE DDEC - ECM POWER	PED MP	5		562345	C 374					
C 310	LH CONSOLE SW – LUG. DOOR LOCK	EATON	12		562763	C 375					
C 311						C 376					
C 312	ENGINE DDEC III - ACCESSORIES	PED WP	3	561781	561782	C 377	LH SWITCH PANEL – STOP ENGINE OVERRIDE	EATON	12		562763
C 313	ENGINE DDEC III - INPUT	PED MP	3	562398		C 378					
C 314						C 379					
C 315	LH SWITCH PANEL – LH SUN VISOR SW.	EATON	12		562763	C 380					
C 316						C 381	UNDER DASH PANEL – ANTI THILED	AMP MNL	2	561248	561247
C 317	LH SWITCH PANEL – RH SUN VISOR SW.	EATON	12		562763	C 382	ENGINE GENERATOR (1)	PED WP	1	561605	561577
C 318	LH CONSOLE SW – DR'S WINDOW SW.	EATON	12		562763	C 383	ENGINE COMPT – VOLTAGE REGULATOR	PED WP	1	561605	561577
C 319						C 384					
C 320	RT SWITCH PANEL – DRIVER'S LTS SW.	EATON	12		562763	C 385					
C 321	UNDER DASH RH - KEYLESS MODULE	AMP COM	26		562676	C 386					

CONNECTORS CODE

NO	LOCATION	TYPE	CAVITY	#PIN	#SOCKET	NO	LOCATION	TYPE	CAVITY	#PIN	#SOCKET
				HOUSING	HOUSING					HOUSING	HOUSING
C 387	ENGINE COMPT. - BY-PASS VALVE	PED WP	2	561566	561690	C 452					
C 388						C 453					
C 389	ENGINE COMPT. - WATER PUMP	PED WP	2	561566	561690	C 454					
C 390	ENGINE COMPT. - A/C JCT. BOX	DEUTSCH	24	562280	562283	C 455					
C 391	CONDENSER COMPT. A/C PRESS SW 2 SP	PED WP	2	561566	561690	C 456	WORLD TRANS. - RETARDER ACCUM.	PED MP	2		562427
C 392						C 457	WORLD TRANS. - MAIN CONNECTOR	DEUTSCH	31	562572	562536
C 393						C 458	WORLD TRANS. - TURBINE SP. SENS.	PED MP	2		562426
C 394						C 459	WORLD TRANS. - ENGINE SP. SENS.	PED MP	2		562426
C 395						C 460	WORLD TRANS. - SPEED SENSOR	ITT	2		562541
C 396						C 461	WORLD TRANS. - RETARDER TEMP.	PED MP	2		562856
C 397						C 462	WORLD TRANS. - RETARDER SOL. "K"	PED MP	2		562426
C 398						C 463	WORLD TRANS. - SENSOR CONN.	DEUTSCH	16	562570	562571
C 399	ENGINE GENERATOR (2)	PED WP	2	561566	561690	C 464	RR JCT BOX - DDL CONN	DEUTSCH	6		565360
C 400	ENGINE COMPT. - BLOCK HEATER	PED WP	3	561781	561782	C 465	LH CONSOLE - SHIFTER SELECTOR	PED	20		562825
C 401						C 466	FR SERVICE CPT - RESIS. MOD.	PED WP	3		562428
C 402						C 467	FR SERVICE CPT - RESIS. MOD.	PED WP	3		562428
C 403						C 468	FR SERVICE CPT - RET. HAND LEVER	AMP FF	8	561188	562363
C 404						C 469	FR SERVICE CPT - RET. HAND LEVER	AMP FF	8	561188	562363
C 405						C 470					
C 406						C 471					
C 407						C 472	FR SERVICE CPT - SILENT 1000	PED WP	2	561566	561690
C 408						C 473					
C 409						C 474	DRIVER'S TEMP SENSOR	AMP MNL	2	561248	561247
C 410						C 475	FR SERVICE CPT - SPEED SIGN. CONNECT.	DEUTSCH	6	562583	562581
C 411						C 475W	FR SERVICE CPT - SPEED SIGN. W. TR.	DEUTSCH	6	562583	562581
C 412						C 476					
C 413						C 477					
C 414						C 478					
C 415						C 479	UNDER DASH - HVAC DASH MODULE	MOLEX	3		562783
C 416						C 480	UNDER DASH RH - DR'S FAN SPEED CTR	PED WP	4	561889	561890
C 417						C 481	UNDER DASH RH - DR'S FAN SPEED CTR	PED WP	3	561781	561782
C 418						C 482					
C 419						C 483	FR SERVICE CPT - ELECTRICAL SEAT	PED	2	562237	
C 420						C 484	UNDER DASH LH - FOOT DAMPER MOTOR	PED	2		562076
C 421						C 485	UNDER DASH LH - DASH & DEFR. DAMP. M.	AMP MNL	3	561667	561558
C 422						C 486					
C 423						C 487					
C 424	UNDER DASH- AUDIBLE FLASHER	AMP MNL	3	561667	561550	C 488					
C 425						C 489					
C 426	ENGINE S60 RAD. FAN CLUTCH	PED WP	3	561781	561782	C 490					
C 427						C 491					
C 428	RH SW PANEL - DASH LTS RHEOSTAT	AMP MNL	3	561667	561550	C 492					
C 429						C 493					
C 430						C 494					
C 431						C 495					
C 432						C 496					
C 433						C 497					
C 434						C 498					
C 435						C 499					
C 436						C 500	FR JCT PANEL - PRODRIVER	MOLEX	6	562070	562069
C 437						C 501					
C 438						C 502					
C 439						C 503					
C 440						C 504					
C 441						C 505					
C 442						C 506	LH CONSOLE - LEVEL LOW SW.	EATON	12		562763
C 443						C 507					
C 444						C 508	RR JCT BOX - FAN CLUTCH RETARDER	AMP MNL	6	561552	561515
C 445						C 509					
C 446						C 510					
C 447						C 511					
C 448						C 512					
C 449						C 513					
C 450						C 514					
C 451						C 515					

CONNECTORS CODE

NO	LOCATION	TYPE	CAVITY	#PIN	#SOCKET	NO	LOCATION	TYPE	CAVITY	#PIN	#SOCKET
				HOUSING	HOUSING					HOUSING	HOUSING
C 516						C 581	LH DASH PANEL – ELECTRICAL HORN	PED MP	2		562777
C 517						C 582					
C 518						C 583	LH DASH PANEL – MASTER KEY SW.	DEUTSCH	2	562486	562485
C 519						C 584	FR. SERVICE COMPT – HORN PNEU. VALVE	PNEUMAC	3		562848
C 520						C 585	FR. SERV. COMPT – ENT. DOOR LOCK VALVE	PNEUMAC	2		641385
C 521						C 586	FR SERVICE COMPT – ACC. PNEU.VALVE	PNEUMAC	3		562848
C 522	FR JCT BOX – DAYTIME LTS MODULE	BOSCH	5		561183	C 587					
C 523						C 588					
C 524	FR JCT BOX – FUSE BLOCK	PED	8	562647	562646	C 589	FR. MIRROR LH	SW CRAFT	8	562919	562920
C 525	FR JCT BOX – FUSE BLOCK	PED	8	562647	562646	C 590	FR. MIRROR RH	SW CRAFT	8	562919	562920
C 526	FR JCT BOX – FUSE BLOCK	PED	8	562647	562646	C 591	LH CONSOLE – LH MIRROR SW.	EURAMT.	8		562749
C 527	FR JCT BOX – FUSE BLOCK	PED	8	562647	562646	C 592	LH CONSOLE – RH MIRROR SW.	EURAMT.	8		562749
C 528						C 593					
C 529						C 594	FRONT ROOF – DRIVER'S LTS	LEEKRAFT	2	-----	562803
C 530						C 595					
C 531						C 596					
C 532						C 597	LH DASH PANEL – DISPLAY SET SW.	MOLEX	5		562905
C 533						C 598	LH DASH PANEL – DISPLAY SET SW.	MOLEX	5		562905
C 534						C 599	UND. DASH – MAGN. SW CTR POS. DR'S AIR	AMP MNL	2	561248	561247
C 535						C 600					
C 536						C 601					
C 537	A/C JCT BOX RESISTOR SIGN. RLY	AMP MNL	2	561248	561247	C 602					
C 538	FR SERV. CPT RH – OUTSIDE TEMP. SENS	AMP MNL	2	561248	561247	C 603					
C 539	HVAC DASH MODULE OUTPUT CONN.	MOLEY	24		562780	C 604					
C 540	HVAC DASH MODULE INPUT CONN.	MOLEY	22		562781	C 605					
C 541						C 606					
C 542						C 607	FR SERVICE COMPT – RPM SIGNAL (SPARE)	PED WP	2	561566	561690
C 543						C 608	FR SERV. COMPT – SPEED SIGNAL (SPARE)	PED WP	2	561566	561690
C 544						CS	FR SERVICE CPT - ECU WOLRD TR.	PED MP	32		562817
C 545						CT	FR SERVICE CPT - ECU WORLD TR.	PED MP	32		562824
C 546						CV	FR SERVICE CPT - ECU WORLD TR.	PED MP	32		562823
C 547						CX	CLUSTER	JAE	5		562957
C 548	LH DASH PANEL – T.T.LT TEST SW.	EATON	12		562763	CX 1	FR SERVICE CPT - ECU ABS	AMP JN	18	562792	562792
C 549						CX 2	FR SERVICE CPT - ECU ABS	AMP JN	15	562795	562795
C 550						CX 3	FR SERVICE CPT - ECU ABS	AMP JN	9	562794	562794
C 551						CX 4	FR SERVICE CPT - ECU ABS	AMP JN	6	562793	562793
C 552						CY	CLUSTER	JAE	30		562765
C 553						LX	CLUSTER	JAE	22		562766
C 554						LY	CLUSTER	JAE	30		562767
C 555						RX	CLUSTER	JAE	30		562767
C 556											
C 557											
C 558											
C 559											
C 560											
C 561											
C 562											
C 563											
C 564											
C 565											
C 566											
C 567											
C 568											
C 569											
C 570	UNDER DASH PANEL – T.T.LT MODULE	MOLEX	6		562464						
C 571	UNDER DASH PANEL – T.T.LT MODULE	MOLEX	20		562778						
C 572	UNDER DASH PANEL – T.T.LT MODULE	MOLEX	18		562779						
C 573	UNDER DASH PANEL – T.T.LT MODULE	MOLEX	8		562465						
C 574											
C 575											
C 576											
C 577											
C 578											
C 579											
C 580											

CONNECTORS CODE

NO	LOCATION	TYPE	CAVITY	#PIN	#SOCKET	NO	LOCATION	TYPE	CAVITY	#PIN	#SOCKET
				HOUSING	HOUSING					HOUSING	HOUSING
AA 1	UNDER DASH PANEL-TAG AXLE SONALERT	BOSCH	5	-----	561183	C 65	ENGINE CPT - PRESS SW FAN CLUTCH	PED WP	2	561566	561690
C 1	FR JCT BOX COMPARTMENT	AMP CPC	14	561585	561584	C 66					
C 2	FR JCT BOX COMPARTIMENT	AMP CPC	16	561639	561640	C 67					
C 3	FR JCT BOX COMPARTIMENT	AMP CPC	37	561644	561646	C 68					
C 4	FR JCT BOX COMPARTIMENT	AMP CPC	24	561641	561643	C 69					
C 5	FR SERVICE COMPT. - UNDERNEATH	AMP CPC	37	561645	561646	C 70	LH CONSOLE	AMP CPC	16	561639	561640
C 6	FR SERVICE COMPT. - UNDERNEATH	AMP CPC	16	561639	561640	C 71	FR JCT BOX COMPT.	AMP CPC	37	561645	561646
C 7	FR SERVICE COMPT - CLUTCH SW	ITT SS	3	561080	561111	C 72	FR JCT BOX COMPT.	AMP CPC	24	561642	561643
C 8	FR SERVICE COMPT. - UNDERNEATH	AMP CPC	24	561642	561643	C 73					
C 9	FR SERVICE COMPT. - UNDERNEATH	AMP CPC	24	561642	561643	C 74	FR JCT BOX COMPT.	AMP CPC	37	561645	561646
C 10	FR SERVICE DOOR ACCESS.	DEUTSCH	5	562565	562566	C 75					
C 11	FR SERV. CPT ACCESS	AMP CPC	37	561645	561646	C 76	ENGINE CMPT. FIRE DETECTOR	DEUTSCH	2	562486	562485
C 12	FR SERV. CPT ACCESS	AMP CPC	16	561639	561640	C 77	ENGINE CMPT. FIRE DETECTOR	DEUTSCH	2	562486	562485
C 13	FR SERV. CPT ACCESS	AMP CPC	9	561635	561637	C 78					
C 14						C 79					
C 15	LUGGAGE CPT (184)-MARK. SUPPL.	DEUTSCH	4	562479	562477	C 80					
C 16	LH CONSOLE SW-CRUISE ON/OFF	EATON	12	-----	562763	C 81	LUGGAGE COMPT - DOOR LOCK	AMP MNL	4	560851	560852
C 17	LH CONSOLE SW-CRUISE RESUME	EATON	12		562763	C 82	LUGGAGE COMPT - DOOR LOCK	AMP MNL	4	560851	560852
C 18	LH CONSOLE SW-CRUISE SET	EATON	12		562763	C 83	LUGGAGE COMPT - DOOR LOCK	AMP MNL	4	560851	560852
C 19	LH CONSOLE SW-DECEL SW	EATON	12		562763	C 84	LUGGAGE COMPT - DOOR LOCK	AMP MNL	4	560851	560852
C 20	RR JCT BOX	DEUTSCH	70	562282	562285	C 85	LUGGAGE COMPT - DOOR LOCK	AMP MNL	4	560851	560852
C 21	ENGINE COMPT - LOCK DOOR MOT.	PED WP	2		562076	C 86	LUGGAGE COMPT - DOOR LOCK	AMP MNL	4	560851	560852
C 22	LUGGAGE COMPT (A) - A/C & FUEL TANK	AMP CPC	16	561639	561640	C 87					
C 23	LUGGAGE COMPT (1) - LUGG. ACCESS.	AMP CPC	24	561642	561643	C 88					
C 24	ENGINE COMPT. - INTERF RJB	PED WP	6	561606	561607	C 89					
C 25						C 90					
C 26	ENGINE COMPT. ACCESS	DEUTSCH	40	562281	562284	C 91					
C 27	ENGINE COMPT. - INTERF. RJB	DEUTSCH	6	562583	562581	C 92	FR JCT BOX COMPT - ABS	AMP CPC	9	561635	561637
C 28	LUGGAGE COMPT(4) - LUGG. ACCESS	AMP CPC	24	561642	561643	C 93					
C 29	FR SERVICE COMPT - E.C.U. FEED	PED WP	3	561781	561782	C 94					
C 30	ENGINE COMPT - MASTER SW. SIGN.	DEUTSCH	2	562486	562485	C 95	ENTRANCE DOOR ACCESS	DEUTSCH	6	562583	562581
C 31						C 96	FR SERVICE DOOR ACCESS	AMP MNL	9	561670	561669
C 32						C 97	FR SERVICE DOOR - WATER TANK	PED MP	20		562426
C 33	ENGINE DDEC II - SPEED SIGN SPARE	PED WP	2	561566	561690	C 98					
C 34						C 99	FR SERVICE CPT. LTS	AMP MNL	2	561248	561247
C 35	A/C COMPT - AIR RETURN SENSOR	AMP MNL	2	561248	561247	C 100					
C 36						C 101	FR SERVICE COMPT. ELEC. HORNS	PED WP	2	561566	561690
C 37						C 101	CONDENSER COMPT - A/C PRES. SW 1SP	PED WP	2	561566	561690
C 38						C 102	CONDENS. COMPT - LIQU. SOL. VAL. PRES.	PED WP	2	561566	561690
C 39						C 103					
C 40						C 104					
C 41	ENGINE COMPT - RH DOOR LOCK	DEUTSCH	4	562479	562477	C 105	UNDER DASH RH - DRV LIO SOL VL	PED WP	2	561566	561690
C 42	ENGINE COMPT - RR CAP LIGHTING	DEUTSCH	6	562583	562581	C 106	UNDER DASH RH - DRV WTR VALVE	PED WP	2	561566	561690
C 43	FR JCT BOX - ALT. MODULE	AMP MNL	12	561735	561734	C 107					
C 44	ENGINE COMPT - LIGHTS	PED WP	1	561605	561577	C 108					
C 45	FR JCT BOX COMPT - ROOF ACCESS	AMP CPC	24	561642	561643	C 109					
C 46						C 110					
C 47						C 111					
C 48	FR SERV. CPT. PRESS SW PARK BRAKE	DEUTSCH	4	562479	562477	C 112					
C 49						C 113					
C 50						C 114	ENGINE DDEC - SPEED SIGNAL (SPARG)	PED WP	2	561566	561690
C 51						C 115	RR JCT BOX - ENGINE ACCESS	DEUTSCH	40	562281	562284
C 52	ENGINE COMPT - COMPRESSOR	PED WP	2	561566	561690	C 116	DRIVE AXLE COMPT - AIR DRYER	PED MP	2		562251
C 53	ENGINE COMPT - COMPRESSOR	PED WP	2	561566	561690	C 117					
C 54						C 118	ENGINE COMPT - LICENCE	DOM. AUT	2	930210	
C 55	CENTRAL DOOR LOCK	DEUTSCH	4	562479	562477	C 119	ENGINE COMPT - RH LOWER LAMP	PED WP	6	561606	561607
C 56						C 120	ENGINE COMPT - LH LOWER LAMP	PED WP	6	561606	561607
C 57						C 121					
C 58						C 122					
C 59						C 123					
C 60						C 124					
C 61	ENGINE COMPT - FUEL FILTER	PED WP	2	561566	561690	C 125					
C 62	ENGINE COMPT - COMPRESSOR STD	PED WP	2	561566	561690	C 126					
C 63	ENGINE COMPT - COMPRESSOR STD	PED WP	2	561566	561690	C 127					
C 64						C 128					

CONNECTORS CODE

NO	LOCATION	TYPE	CAVITY	#PIN	#SOCKET	NO	LOCATION	TYPE	CAVITY	#PIN	#SOCKET
				HOUSING	HOUSING					HOUSING	HOUSING
C 129						C 194					
C 130						C 195					
C 131						C 196					
C 132						C 197					
C 133						C 198					
C 134	FR JCT BOX – DIODE CONN.	AMP MNL	15	561987	561986	C 199					
C 135	FR JCT BOX – DIODE CONN.	AMP MNL	15	561987	561986	C 200					
C 136	FR JCT BOX – DIODE CONN.	AMP MNL	15	561987	561986	C 201					
C 137						C 202					
C 138						C 203					
C 139						C 204					
C 140	HVAC DASH MODULE THERMOMETER	MOLEX	4		562782	C 205					
C 141	RR DASH PANEL – LTS CONN. (SPARE)	AMP MNL	2	561248	561247	C 206					
C 142	ENGINE COMPT. B/U ALARM	PED WP	2	561566	561690	C 207					
C 143						C 208					
C 144						C 209					
C 145						C 210					
C 146						C 211	FR ROOF – SUN VISOR LH	AMP MNL	2	560900	560898
C 147						C 212	FR ROOF – SUN VISOR RH	AMP MNL	2	560900	560898
C 148						C 213					
C 149						C 214					
C 150						C 215					
C 151						C 216					
C 152						C 217					
C 153						C 218					
C 154						C 219					
C 155						C 220					
C 156						C 221					
C 157	FR SERV. CPT – WATER PUMP DR'S	PED WP	3	561781	561782	C 222					
C 158						C 223	HEAD LIGHTS - FLASHER	DEUTSCH	5	562565	562566
C 159						C 224	HEAD LIGHTS	PED MP	3		562099
C 160	FR SERVICE CPT - INTERFACE	AMP CPC	37	561644	561646	C 225	FOG LIGHTS	DEUTSCH	3	562902	562901
C 161	ENGINE DDEC - ECM	PED MP	30		561600	C 226	FLASHER – (FR)	PED	3	562137	
C 162	ENGINE DDEC - ACCESSORIES	PED WP	4	561610	561611	C 227					
C 163	ENGINE CPT - COOLANT PROBE	PED MP	2		562350	C 228					
C 164						C 229					
C 165						C 230					
C 166						C 231					
C 167	FR SERVICE CPT - EL. FOOT PEDAL	PED WP	3	561781	561782	C 232					
C 168	FR SERVICE CPT - DDR	DEUTSCH	6	562360		C 233					
C 169	FR SERVICE CPT - WORLD TR. INTERFACE	AMP CPC	16	561639	561640	C 234					
C 170	FR JCT BOX FLASHER UNIT	PED	2		561940	C 235					
C 171	LH CONSOLE	AMP CPC	24	561642	561643	C 236	FR SERVICE CPT CENTER - ABS	AMP CPC	14	561636	561637
C 172	FR SERVICE COMPT - LEVEL LOW	AMP CPC	9	561637		C 237	FR AXLE CPT - ABS RH SENSOR	WABCO	2	641132	
C 173						C 238	FR AXLE CPT - ABS RH VALVE	WABCO	3	641098	
C 174						C 239	FR AXLE CPT - ABS LH VALVE	WABCO	3	641098	
C 175						C 240	FR AXLE CPT - ABS LH SENSOR	WABCO	2	641132	
C 176	UNDER DASH RH – WIPER PULSE	AMP FF	6		561186	C 241	LAST LUGGAGE COMPT - ABS	PED WP	6	561606	561607
C 177	UNDER DASH RH – WIPER MOTOR	AMP FF	6		561186	C 242	DRIVE AXLE CPT - ABS LH SENSOR	WABCO	2	641132	
C 178						C 243	DRIVE AXLE CPT - ABS LH VALVE	WABCO	3	641098	
C 179						C 244	DRIVE AXLE CPT - ABS RH VALVE	WABCO	3	641098	
C 180						C 245	DRIVE AXLE CPT - ABS RH SENSOR	WABCO	2	641132	
C 181						C 246	DRIVE AXLE CPT - ABS SPARE	PED WP	2	561566	561690
C 182						C 247					
C 183						C 248	LAST LUGGAGE CPT - ABS	PED WP	6	561606	561607
C 184						C 249	FR SERVICE CPT - ABS/DDEC	PED WP	2	561566	561690
C 185						C 250					
C 186						C 251	LH SW PANEL – FAST IDLE	EATON	12		562763
C 187	FR SERVICE JCT BOX - RESISTORS	AMP MNL	6	561552	561515	C 252	LUGGAGE COMPT. – WINDOW AJAR	MOLEX	4	561477	561476
C 188						C 253	LH SWITCH PANEL - ETHER	EATON	12		562763
C 189						C 254					
C 190						C 255	LH SWITCH PANEL – ENGINE BRAKE	EATON	12		562763
C 191						C 256					
C 192						C 257					
C 193						C 258					

CONNECTORS CODE

NO	LOCATION	TYPE	CAVITY	#PIN	#SOCKET	NO	LOCATION	TYPE	CAVITY	#PIN	#SOCKET
				HOUSING	HOUSING					HOUSING	HOUSING
C 258	LH SWITCH PANEL – MULTI FUNC. SW	AMP FF	8	561188		C 322	UNDER DASH RH - KEYLESS MODULE	AMP COM	22		562675
C 259						C 323	DRIVER'S WINDOW MOTOR	PED	2		561848
C 259	LH SWITCH PANEL – MULTI FUNC. SW	AMP FF	6		561186	C 324					
C 260						C 325					
C 261						C 326	ENGINE MANUEL TRANSM. (SPARC)	PED WP	4	561610	561611
C 262						C 327					
C 263	LUGGAGE COMPT. LTS COMPT #3	AMP MNL	2	561248	561247	C 328					
C 264	LUGGAGE COMPT. LTS COMPT #2	AMP MNL	2	561248	561247	C 329					
C 265	LUGGAGE COMPT. LTS COMPT #1	AMP MNL	2	561248	561247	C 330					
C 266	ENTRANCE DOOR KEYLESS	AMP CPC	14	561585	561583	C 331					
C 267	UNDER DASH RH – KEYLESS PANEL	AMP CPC	24	561642	561643	C 332					
C 268	FR MIRROR RH	CONXALL	5	563091	563090	C 333					
C 269	FR MIRROR LH	CONXALL	5	563091	563090	C 334					
C 270	LUGGAGE COMPT LTS - 3 LH	AMP MNL	2	561248	561247	C 335					
C 271	LUGGAGE COMPT LTS - 4	AMP MNL	2	561248	561247	C 336					
C 272						C 337					
C 273						C 338					
C 274						C 339					
C 275						C 340	FR JCT BOX – FIRE PIEZO ALARM	AMP MNL	2	560900	560898
C 276	UNDER DASH RH – 3 WAY LTS DR'S	EATON	12		562763	C 341	LH SWITCH PANEL – HEAT MIRROR SW.	EATON	12		562763
C 277	LH SWITCH PANEL DOCK & CORN. SW.	EATON	12		562763	C 342					
C 278	LH SWITCH PANEL – B/U CANCEL	EATON	12		562763	C 343	LH SWITCH PANEL – HEAD LAMP SW.	EATON	12		562763
C 279	FR SERVICE COMPT LH – STEERING ZF	DEUTSCH	2		562485	C 344	LH SWITCH PANEL – HAZARD LT SW.	EATON	12		562763
C 280	ENGINE COMPT - COMPRESSOR STD	PED WP	2	561566	561690	C 345	LH SWITCH PANEL – FOG LT SW.	EATON	12		562763
C 281	LH CONSOLE – LEVEL LOW	AMP MNL	4	560851	560852	C 346					
C 282	FR SERVICE COMPT – STEERING ZF	VOLVO	2		562928	C 347					
C 283						C 348	INSTR. PANEL CENT. – RACOR MODULE	MOLEX	6	562070	562069
C 284						C 349					
C 285						C 350					
C 286						C 351					
C 287						C 352					
C 288						C 353					
C 289						C 354					
C 290	LUGGAGE CPT - DOOR LOCK	AMP MNL	4	560851	560852	C 355					
C 291	LUGGAGE CPT - DOOR LOCK	AMP MNL	4	560851	560852	C 356					
C 292	FR SERVICE CPT LEVEL LOW	PNEUMAC	2		641385	C 357					
C 293	FR SERVICE CPT LEVEL LOW	PNEUMAC	2		641385	C 358					
C 294	FR SERVICE CPT LEVEL LOW	PNEUMAC	2		641385	C 359	RH SWITCH PANEL – ENT. DOOR WIND. SW.	EATON	12		562763
C 295	FR SERVICE CPT LEVEL LOW	PNEUMAC	2		641385	C 360	ENTRANCE WINDOW MOTOR	PED	2		561848
C 296	FR SERVICE CPT LEVEL LOW	PNEUMAC	2		641385	C 361					
C 297						C 362					
C 298						C 363					
C 299						C 364					
C 300						C 365					
C 301						C 366					
C 302						C 367					
C 303	RR JCT BOX - DIODES	AMP MNL	15	561987	561986	C 368					
C 304						C 369					
C 305						C 370					
C 306						C 371					
C 307						C 372					
C 308						C 373					
C 309	ENGINE DDEC - ECM POWER	PED MP	5		562345	C 374					
C 310	LH CONSOLE SW – LUG. DOOR LOCK	EATON	12		562763	C 375					
C 311						C 376					
C 312	ENGINE DDEC III - ACCESSORIES	PED WP	3	561781	561782	C 377	LH SWITCH PANEL – STOP ENGINE OVERRIDE	EATON	12		562763
C 313	ENGINE DDEC III - INPUT	PED MP	3	562398		C 378					
C 314						C 379					
C 315	LH SWITCH PANEL – LH SUN VISOR SW.	EATON	12		562763	C 380					
C 316						C 381	UNDER DASH PANEL – ANTI THIELED	AMP MNL	2	561248	561247
C 317	LH SWITCH PANEL – RH SUN VISOR SW.	EATON	12		562763	C 382	ENGINE GENERATOR (1)	PED WP	1	561605	561577
C 318	LH CONSOLE SW – DR'S WINDOW SW.	EATON	12		562763	C 383	ENGINE COMPT – VOLTAGE REGULATOR	PED WP	1	561605	561577
C 319						C 384					
C 320	RT SWITCH PANEL – DRIVER'S LTS SW.	EATON	12		562763	C 385					
C 321	UNDER DASH RH - KEYLESS MODULE	AMP COM	26		562676	C 386					

CONNECTORS CODE

NO	LOCATION	TYPE	CAVITY	#PIN	#SOCKET	NO	LOCATION	TYPE	CAVITY	#PIN	#SOCKET
				HOUSING	HOUSING					HOUSING	HOUSING
C 387	ENGINE COMPT. - BY-PASS VALVE	PED WP	2	561566	561690	C 452					
C 388						C 453					
C 389	ENGINE COMPT. - WATER PUMP	PED WP	2	561566	561690	C 454					
C 390	ENGINE COMPT. - A/C JCT. BOX	DEUTSCH	24	562280	562283	C 455					
C 391	CONDENSER COMPT. A/C PRESS SW 2 SP	PED WP	2	561566	561690	C 456	WORLD TRANS. - RETARDER ACCUM.	PED MP	2		562427
C 392						C 457	WORLD TRANS. - MAIN CONNECTOR	DEUTSCH	31	562572	562536
C 393						C 458	WORLD TRANS. - TURBINE SP. SENS.	PED MP	2		562426
C 394						C 459	WORLD TRANS. - ENGINE SP. SENS.	PED MP	2		562426
C 395						C 460	WORLD TRANS. - SPEED SENSOR	ITT	2		562541
C 396						C 461	WORLD TRANS. - RETARDER TEMP.	PED MP	2		562856
C 397						C 462	WORLD TRANS. - RETARDER SOL. "K"	PED MP	2		562426
C 398						C 463	WORLD TRANS. - SENSOR CONN.	DEUTSCH	16	562570	562571
C 399	ENGINE GENERATOR (2)	PED WP	2	561566	561690	C 464	RR JCT BOX - DDL CONN	DEUTSCH	6		565360
C 400	ENGINE COMPT. - BLOCK HEATER	PED WP	3	561781	561782	C 465	LH CONSOLE - SHIFTER SELECTOR	PED	20		562825
C 401						C 466	FR SERVICE CPT - RESIS. MOD.	PED WP	3		562428
C 402						C 467	FR SERVICE CPT - RESIS. MOD.	PED WP	3		562428
C 403						C 468	FR SERVICE CPT - RET. HAND LEVER	AMP FF	8	561188	562363
C 404						C 469	FR SERVICE CPT - RET. HAND LEVER	AMP FF	8	561188	562363
C 405						C 470					
C 406						C 471					
C 407						C 472	FR SERVICE CPT - SILENT 1000	PED WP	2	561566	561690
C 408						C 473					
C 409						C 474	DRIVER'S TEMP SENSOR	AMP MNL	2	561248	561247
C 410						C 475	FR SERVICE CPT - SPEED SIGN. CONNECT.	DEUTSCH	6	562583	562581
C 411						C 475W	FR SERVICE CPT - SPEED SIGN. W. TR.	DEUTSCH	6	562583	562581
C 412						C 476					
C 413						C 477					
C 414						C 478					
C 415						C 479	UNDER DASH - HVAC DASH MODULE	MOLEX	3		562783
C 416						C 480	UNDER DASH RH - DR'S FAN SPEED CTR	PED WP	4	561889	561890
C 417						C 481	UNDER DASH RH - DR'S FAN SPEED CTR	PED WP	3	561781	561782
C 418						C 482					
C 419						C 483	FR SERVICE CPT - ELECTRICAL SEAT	PED	2	562237	
C 420						C 484	UNDER DASH LH - FOOT DAMPER MOTOR	PED	2		562076
C 421						C 485	UNDER DASH LH - DASH & DEFR. DAMP. M.	AMP MNL	3	561667	561558
C 422						C 486					
C 423						C 487					
C 424	UNDER DASH- AUDIBLE FLASHER	AMP MNL	3	561667	561550	C 488					
C 425						C 489					
C 426	ENGINE S60 RAD. FAN CLUTCH	PED WP	3	561781	561782	C 490					
C 427						C 491					
C 428	RH SW PANEL - DASH LTS RHEOSTAT	AMP MNL	3	561667	561550	C 492					
C 429						C 493					
C 430						C 494					
C 431						C 495					
C 432						C 496					
C 433						C 497					
C 434						C 498					
C 435						C 499					
C 436						C 500	FR JCT PANEL - PRODRIVER	MOLEX	6	562070	562069
C 437						C 501					
C 438						C 502					
C 439						C 503					
C 440						C 504					
C 441						C 505					
C 442						C 506	LH CONSOLE - LEVEL LOW SW.	EATON	12		562763
C 443						C 507					
C 444						C 508	RR JCT BOX - FAN CLUTCH RETARDER	AMP MNL	6	561552	561515
C 445						C 509					
C 446						C 510					
C 447						C 511					
C 448						C 512					
C 449						C 513					
C 450						C 514					
C 451						C 515					

CONNECTORS CODE

NO	LOCATION	TYPE	CAVITY	#PIN	#SOCKET	NO	LOCATION	TYPE	CAVITY	#PIN	#SOCKET
				HOUSING	HOUSING					HOUSING	HOUSING
C 516						C 581	LH DASH PANEL – ELECTRICAL HORN	PED MP	2		562777
C 517						C 582					
C 518						C 583	LH DASH PANEL – MASTER KEY SW.	DEUTSCH	2	562486	562485
C 519						C 584	FR. SERVICE COMPT – HORN PNEU. VALVE	PNEUMAC	3		562848
C 520						C 585	FR. SERV. COMPT – ENT. DOOR LOCK VALVE	PNEUMAC	2		641385
C 521						C 586	FR SERVICE COMPT – ACC. PNEU.VALVE	PNEUMAC	3		562848
C 522	FR JCT BOX – DAYTIME LTS MODULE	BOSCH	5		561183	C 587					
C 523						C 588					
C 524	FR JCT BOX – FUSE BLOCK	PED	8	562647	562646	C 589	FR. MIRROR LH	CONXALL	8	563163	563088
C 525	FR JCT BOX – FUSE BLOCK	PED	8	562647	562646	C 590	FR. MIRROR RH	CONXALL	8	563163	563088
C 526	FR JCT BOX – FUSE BLOCK	PED	8	562647	562646	C 591	LH CONSOLE – LH MIRROR SW.	EURAMT.	8		562749
C 527	FR JCT BOX – FUSE BLOCK	PED	8	562647	562646	C 592	LH CONSOLE – RH MIRROR SW.	EURAMT.	8		562749
C 528						C 593					
C 529						C 594	FRONT ROOF – DRIVER'S LTS	LEEKRAFT	2	-----	562803
C 530						C 595					
C 531						C 596					
C 532						C 597	LH DASH PANEL – DISPLAY SET SW.	MOLEX	5		562905
C 533						C 598	LH DASH PANEL – DISPLAY SET SW.	MOLEX	5		562905
C 534						C 599	UND. DASH – MAGN. SW CTR POS. DR'S AIR	AMP MNL	2	561248	561247
C 535						C 600					
C 536						C 601					
C 537	A/C JCT BOX RESISTOR SIGN. RLY	AMP MNL	2	561248	561247	C 602					
C 538	FR SERV. CPT RH – OUTSIDE TEMP. SENS	AMP MNL	2	561248	561247	C 603					
C 539	HVAC DASH MODULE OUTPUT CONN.	MOLEY	24		562780	C 604					
C 540	HVAC DASH MODULE INPUT CONN.	MOLEY	22		562781	C 605					
C 541						C 606					
C 542						C 607	FR SERVICE COMPT – RPM SIGNAL (SPARE)	PED WP	2	561566	561690
C 543						C 608	FR SERV. COMPT – SPEED SIGNAL (SPARE)	PED WP	2	561566	561690
C 544						CS	FR SERVICE CPT - ECU WOLRD TR.	PED MP	32		562817
C 545						CT	FR SERVICE CPT - ECU WORLD TR.	PED MP	32		562824
C 546						CV	FR SERVICE CPT - ECU WORLD TR.	PED MP	32		562823
C 547						CX	CLUSTER	JAE	5		562957
C 548	LH DASH PANEL – T.T.LT TEST SW.	EATON	12		562763	CX 1	FR SERVICE CPT - ECU ABS	AMP JN	18	562792	562792
C 549						CX 2	FR SERVICE CPT - ECU ABS	AMP JN	15	562795	562795
C 550						CX 3	FR SERVICE CPT - ECU ABS	AMP JN	9	562794	562794
C 551						CX 4	FR SERVICE CPT - ECU ABS	AMP JN	6	562793	562793
C 552						CY	CLUSTER	JAE	30		562765
C 553						LX	CLUSTER	JAE	22		562766
C 554						LY	CLUSTER	JAE	30		562767
C 555						RX	CLUSTER	JAE	30		562767
C 556											
C 557											
C 558											
C 559											
C 560											
C 561											
C 562											
C 563											
C 564											
C 565											
C 566											
C 567											
C 568											
C 569											
C 570	UNDER DASH PANEL – T.T.LT MODULE	MOLEX	6		562464						
C 571	UNDER DASH PANEL – T.T.LT MODULE	MOLEX	20		562778						
C 572	UNDER DASH PANEL – T.T.LT MODULE	MOLEX	18		562779						
C 573	UNDER DASH PANEL – T.T.LT MODULE	MOLEX	8		562465						
C 574											
C 575											
C 576											
C 577											
C 578											
C 579											
C 580											

CONNECTORS CODE

NO	LOCATION	TYPE	CAVITY	#PIN	#SOCKET	NO	LOCATION	TYPE	CAVITY	#PIN	#SOCKET
				HOUSING	HOUSING					HOUSING	HOUSING
AA 1	UNDER DASH PANEL-TAG AXLE SONALERT	BOSCH	5	-----	561183	C 65	ENGINE CPT - PRESS SW FAN CLUTCH	PED WP	2	561566	561690
C 1	FR JCT BOX COMPARTMENT	AMP CPC	14	561585	561584	C 66					
C 2	FR JCT BOX COMPARTIMENT	AMP CPC	16	561639	561640	C 67					
C 3	FR JCT BOX COMPARTIMENT	AMP CPC	37	561644	561646	C 68					
C 4	FR JCT BOX COMPARTIMENT	AMP CPC	24	561641	561643	C 69					
C 5	FR SERVICE COMPT. - UNDERNEATH	AMP CPC	37	561645	561646	C 70	LH CONSOLE	AMP CPC	16	561639	561640
C 6	FR SERVICE COMPT. - UNDERNEATH	AMP CPC	16	561639	561640	C 71	FR JCT BOX COMPT.	AMP CPC	37	561645	561646
C 7	FR SERVICE COMPT - CLUTCH SW	ITT SS	3	561080	561111	C 72	FR JCT BOX COMPT.	AMP CPC	24	561642	561643
C 8	FR SERVICE COMPT. - UNDERNEATH	AMP CPC	24	561642	561643	C 73					
C 9	FR SERVICE COMPT. - UNDERNEATH	AMP CPC	24	561642	561643	C 74	FR JCT BOX COMPT.	AMP CPC	37	561645	561646
C 10	FR SERVICE DOOR ACCESS.	DEUTSCH	5	562565	562566	C 75					
C 11	FR SERV. CPT ACCESS	AMP CPC	37	561645	561646	C 76	ENGINE CMPT. FIRE DETECTOR	DEUTSCH	2	562486	562485
C 12	FR SERV. CPT ACCESS	AMP CPC	16	561639	561640	C 77	ENGINE CMPT. FIRE DETECTOR	DEUTSCH	2	562486	562485
C 13	FR SERV. CPT ACCESS	AMP CPC	9	561635	561637	C 78					
C 14						C 79					
C 15	LUGGAGE CPT (184)-MARK. SUPPL.	DEUTSCH	4	562479	562477	C 80					
C 16	LH CONSOLE SW-CRUISE ON/OFF	EATON	12	-----	562763	C 81	LUGGAGE COMPT - DOOR LOCK	AMP MNL	4	560851	560852
C 17	LH CONSOLE SW-CRUISE RESUME	EATON	12		562763	C 82	LUGGAGE COMPT - DOOR LOCK	AMP MNL	4	560851	560852
C 18	LH CONSOLE SW-CRUISE SET	EATON	12		562763	C 83	LUGGAGE COMPT - DOOR LOCK	AMP MNL	4	560851	560852
C 19	LH CONSOLE SW-DECEL SW	EATON	12		562763	C 84	LUGGAGE COMPT - DOOR LOCK	AMP MNL	4	560851	560852
C 20	RR JCT BOX	DEUTSCH	70	562282	562285	C 85	LUGGAGE COMPT - DOOR LOCK	AMP MNL	4	560851	560852
C 21	ENGINE COMPT - LOCK DOOR MOT.	PED WP	2		562076	C 86	LUGGAGE COMPT - DOOR LOCK	AMP MNL	4	560851	560852
C 22	LUGGAGE COMPT (A) - A/C & FUEL TANK	AMP CPC	16	561639	561640	C 87					
C 23	LUGGAGE COMPT (1) - LUGG. ACCESS.	AMP CPC	24	561642	561643	C 88					
C 24	ENGINE COMPT. - INTERF RJB	PED WP	6	561606	561607	C 89					
C 25						C 90					
C 26	ENGINE COMPT. ACCESS	DEUTSCH	40	562281	562284	C 91					
C 27	ENGINE COMPT. - INTERF. RJB	DEUTSCH	6	562583	562581	C 92	FR JCT BOX COMPT - ABS	AMP CPC	9	561635	561637
C 28	LUGGAGE COMPT(4) - LUGG. ACCESS	AMP CPC	24	561642	561643	C 93					
C 29	FR SERVICE COMPT - E.C.U. FEED	PED WP	3	561781	561782	C 94					
C 30	ENGINE COMPT - MASTER SW. SIGN.	DEUTSCH	2	562486	562485	C 95	ENTRANCE DOOR ACCESS	DEUTSCH	6	562583	562581
C 31						C 96	FR SERVICE DOOR ACCESS	AMP MNL	9	561670	561669
C 32						C 97	FR SERVICE DOOR - WATER TANK	PED MP	20		562426
C 33	ENGINE DDEC II - SPEED SIGN SPARE	PED WP	2	561566	561690	C 98					
C 34						C 99	FR SERVICE CPT. LTS	AMP MNL	2	561248	561247
C 35	A/C COMPT - AIR RETURN SENSOR	AMP MNL	2	561248	561247	C 100					
C 36						C 101	FR SERVICE COMPT. ELEC. HORNS	PED WP	2	561566	561690
C 37						C 101	CONDENSER COMPT - A/C PRES. SW 1SP	PED WP	2	561566	561690
C 38						C 102	CONDENS. COMPT - LIQU. SOL. VAL. PRES.	PED WP	2	561566	561690
C 39						C 103					
C 40						C 104					
C 41	ENGINE COMPT - RH DOOR LOCK	DEUTSCH	4	562479	562477	C 105	UNDER DASH RH - DRV LIO SOL VL	PED WP	2	561566	561690
C 42	ENGINE COMPT - RR CAP LIGHTING	DEUTSCH	6	562583	562581	C 106	UNDER DASH RH - DRV WTR VALVE	PED WP	2	561566	561690
C 43	FR JCT BOX - ALT. MODULE	AMP MNL	12	561735	561734	C 107					
C 44	ENGINE COMPT - LIGHTS	PED WP	1	561605	561577	C 108					
C 45	FR JCT BOX COMPT - ROOF ACCESS	AMP CPC	24	561642	561643	C 109					
C 46						C 110					
C 47						C 111					
C 48	FR SERV. CPT. PRESS SW PARK BRAKE	DEUTSCH	4	562479	562477	C 112					
C 49						C 113					
C 50						C 114	ENGINE DDEC - SPEED SIGNAL (SPARG)	PED WP	2	561566	561690
C 51						C 115	RR JCT BOX - ENGINE ACCESS	DEUTSCH	40	562281	562284
C 52	ENGINE COMPT - COMPRESSOR	PED WP	2	561566	561690	C 116					
C 53	ENGINE COMPT - COMPRESSOR	PED WP	2	561566	561690	C 117					
C 54						C 118	ENGINE COMPT - LICENCE	DOM. AUT	2	930210	
C 55	CENTRAL DOOR LOCK	DEUTSCH	4	562479	562477	C 119	ENGINE COMPT - RH LOWER LAMP	PED WP	6	561606	561607
C 56						C 120	ENGINE COMPT - LH LOWER LAMP	PED WP	6	561606	561607
C 57						C 121					
C 58						C 122					
C 59						C 123					
C 60						C 124					
C 61	ENGINE COMPT - FUEL FILTER	PED WP	2	561566	561690	C 125					
C 62	ENGINE COMPT - COMPRESSOR STD	PED WP	2	561566	561690	C 126					
C 63	ENGINE COMPT - COMPRESSOR STD	PED WP	2	561566	561690	C 127					
C 64											

CONNECTORS CODE

NO	LOCATION	TYPE	CAVITY	#PIN	#SOCKET	NO	LOCATION	TYPE	CAVITY	#PIN	#SOCKET
				HOUSING	HOUSING					HOUSING	HOUSING
C 128						C 193					
C 129						C 194					
C 130						C 195					
C 131						C 196					
C 132						C 197					
C 133						C 198					
C 134	FR JCT BOX – DIODE CONN.	AMP MNL	15	561987	561986	C 199					
C 135	FR JCT BOX – DIODE CONN.	AMP MNL	15	561987	561986	C 200					
C 136	FR JCT BOX – DIODE CONN.	AMP MNL	15	561987	561986	C 201					
C 137						C 202					
C 138						C 203					
C 139						C 204					
C 140	HVAC DASH MODULE THERMOMETER	MOLEX	4		562782	C 205					
C 141	RR DASH PANEL – LTS CONN. (SPARE)	AMP MNL	2	561248	561247	C 206					
C 142	ENGINE COMPT. B/U ALARM	PED WP	2	561566	561690	C 207					
C 143						C 208					
C 144						C 209					
C 145						C 210					
C 146						C 211	FR ROOF – SUN VISOR LH	AMP MNL	2	560900	560898
C 147						C 212	FR ROOF – SUN VISOR RH	AMP MNL	2	560900	560898
C 148						C 213					
C 149						C 214					
C 150						C 215					
C 151						C 216					
C 152						C 217					
C 153						C 218					
C 154						C 219					
C 155						C 220					
C 156						C 221					
C 157	FR SERV. CPT – WATER PUMP DR'S	PED WP	3	561781	561782	C 222					
C 158						C 223	HEAD LIGHTS - FLASHER	DEUTSCH	5	562565	562566
C 159						C 224	HEAD LIGHTS	PED MP	3		562099
C 160	FR SERVICE CPT - INTERFACE	AMP CPC	37	561644	561646	C 225	FOG LIGHTS	DEUTSCH	3	562902	562901
C 161	ENGINE DDEC - ECM	PED MP	30		561600	C 226	FLASHER – (FR)	PED	3	562137	
C 162	ENGINE DDEC - ACCESSORIES	PED WP	4	561610	561611	C 227					
C 163	ENGINE CPT - COOLANT PROBE	PED MP	2		562350	C 228					
C 164						C 229					
C 165						C 230					
C 166						C 231					
C 167	FR SERVICE CPT - EL. FOOT PEDAL	PED WP	3	561781	561782	C 232					
C 168	FR SERVICE CPT - DDR	DEUTSCH	6	562360		C 233					
C 169	FR SERVICE CPT - WORLD TR. INTERFACE	AMP CPC	16	561639	561640	C 234					
C 170	FR JCT BOX FLASHER UNIT	PED	2		561940	C 235					
C 171	LH CONSOLE	AMP CPC	24	561642	561643	C 236	FR SERVICE CPT CENTER - ABS	AMP CPC	14	561636	561637
C 172	FR SERVICE COMPT - LEVEL LOW	AMP CPC	9	561637		C 237	FR AXLE CPT - ABS RH SENSOR	WABCO	2	641132	
C 173						C 238	FR AXLE CPT - ABS RH VALVE	WABCO	3	641098	
C 174						C 239	FR AXLE CPT - ABS LH VALVE	WABCO	3	641098	
C 175						C 240	FR AXLE CPT - ABS LH SENSOR	WABCO	2	641132	
C 176	UNDER DASH RH – WIPER PULSE	AMP FF	6		561186	C 241	LAST LUGGAGE COMPT - ABS	PED WP	6	561606	561607
C 177	UNDER DASH RH – WIPER MOTOR	AMP FF	6		561186	C 242	DRIVE AXLE CPT - ABS LH SENSOR	WABCO	2	641132	
C 178						C 243	DRIVE AXLE CPT - ABS LH VALVE	WABCO	3	641098	
C 179						C 244	DRIVE AXLE CPT - ABS RH VALVE	WABCO	3	641098	
C 180						C 245	DRIVE AXLE CPT - ABS RH SENSOR	WABCO	2	641132	
C 181						C 246	DRIVE AXLE CPT - ABS SPARE	PED WP	2	561566	561690
C 182						C 247					
C 183						C 248	LAST LUGGAGE CPT - ABS	PED WP	6	561606	561607
C 184						C 249	FR SERVICE CPT - ABS/DDEC	PED WP	2	561566	561690
C 185						C 250					
C 186						C 251	LH SW PANEL – FAST IDLE	EATON	12		562763
C 187	FR SERVICE JCT BOX - RESISTORS	AMP MNL	6	561552	561515	C 252	LUGGAGE COMPT. – WINDOW AJAR	MOLEX	4	561477	561476
C 188						C 253	LH SWITCH PANEL - ETHER	EATON	12		562763
C 189						C 254					
C 190						C 255	LH SWITCH PANEL – ENGINE BRAKE	EATON	12		562763
C 191						C 256					
C 192						C 257					

CONNECTORS CODE

NO	LOCATION	TYPE	CAVITY	#PIN	#SOCKET	NO	LOCATION	TYPE	CAVITY	#PIN	#SOCKET
				HOUSING	HOUSING					HOUSING	HOUSING
C 258	LH SWITCH PANEL – MULTI FUNC. SW	AMP FF	8	561188		C 321	UNDER DASH RH - KEYLESS MODULE	AMP COM	26		562676
C 259	LH SWITCH PANEL – MULTI FUNC. SW	AMP FF	6		561186	C 322	UNDER DASH RH - KEYLESS MODULE	AMP COM	22		562675
C 260						C 323	DRIVER'S WINDOW MOTOR	PED	2		561848
C 261						C 324					
C 262						C 325					
C 263	LUGGAGE COMPT. LTS COMPT #3	AMP MNL	2	561248	561247	C 326	ENGINE MANUEL TRANSM. (SPARC)	PED WP	4	561610	561611
C 264	LUGGAGE COMPT. LTS COMPT #2	AMP MNL	2	561248	561247	C 327					
C 265	LUGGAGE COMPT. LTS COMPT #1	AMP MNL	2	561248	561247	C 328					
C 266	ENTRANCE DOOR KEYLESS	AMP CPC	14	561585	561583	C 329					
C 267	UNDER DASH RH – KEYLESS PANEL	AMP CPC	24	561642	561643	C 330					
C 268	FR MIRROR RH	CONXALL	5	563091	563090	C 331					
C 269	FR MIRROR LH	CONXALL	5	563091	563090	C 332					
C 270	LUGGAGE COMPT LTS - 3 LH	AMP MNL	2	561248	561247	C 333					
C 271	LUGGAGE COMPT LTS - 4	AMP MNL	2	561248	561247	C 334					
C 272						C 335					
C 273						C 336					
C 274						C 337					
C 275						C 338					
C 276	UNDER DASH RH – 3 WAY LTS DR'S	EATON	12		562763	C 339					
C 277	LH SWITCH PANEL DOCK & CORN. SW.	EATON	12		562763	C 340	FR JCT BOX – FIRE PIEZO ALARM	AMP MNL	2	560900	560898
C 278	LH SWITCH PANEL – B/U CANCEL	EATON	12		562763	C 341	LH SWITCH PANEL – HEAT MIRROR SW.	EATON	12		562763
C 279	FR SERVICE COMPT LH – STEERING ZF	DEUTSCH	2		562485	C 342					
C 280	ENGINE COMPT - COMPRESSOR STD	PED WP	2	561566	561690	C 343	LH SWITCH PANEL – HEAD LAMP SW.	EATON	12		562763
C 281	LH CONSOLE – LEVEL LOW	AMP MNL	4	560851	560852	C 344	LH SWITCH PANEL – HAZARD LT SW.	EATON	12		562763
C 282	FR SERVICE COMPT – STEERING ZF	VOLVO	2		562928	C 345	LH SWITCH PANEL – FOG LT SW.	EATON	12		562763
C 283						C 346					
C 284						C 347					
C 285						C 348	INSTR. PANEL CENT. – RACOR MODULE	MOLEX	6	562070	562069
C 286						C 349					
C 287						C 350					
C 288						C 351					
C 289						C 352					
C 290	LUGGAGE CPT - DOOR LOCK	AMP MNL	4	560851	560852	C 353					
C 291	LUGGAGE CPT - DOOR LOCK	AMP MNL	4	560851	560852	C 354					
C 292	FR SERVICE CPT LEVEL LOW	PNEUMAC	2		641385	C 355					
C 293	FR SERVICE CPT LEVEL LOW	PNEUMAC	2		641385	C 356					
C 294	FR SERVICE CPT LEVEL LOW	PNEUMAC	2		641385	C 357					
C 295	FR SERVICE CPT LEVEL LOW	PNEUMAC	2		641385	C 358					
C 296	FR SERVICE CPT LEVEL LOW	PNEUMAC	2		641385	C 359	RH SWITCH PANEL – ENT. DOOR WIND. SW.	EATON	12		562763
C 297						C 360	ENTRANCE WINDOW MOTOR	PED	2		561848
C 298						C 361					
C 299						C 362					
C 300						C 363					
C 301						C 364					
C 302						C 365					
C 303	RR JCT BOX - DIODES	AMP MNL	15	561987	561986	C 366					
C 304						C 367					
C 305						C 368					
C 306						C 369					
C 307						C 370					
C 308						C 371					
C 309	ENGINE DDEC - ECM POWER	PED MP	5		562345	C 372					
C 310	LH CONSOLE SW – LUG. DOOR LOCK	EATON	12		562763	C 373					
C 311						C 374					
C 312	ENGINE DDEC III - ACCESSORIES	PED WP	3	561781	561782	C 375					
C 313	ENGINE DDEC III - INPUT	PED MP	3	562398		C 376					
C 314						C 377	LH SWITCH PANEL – STOP ENGINE OVERRIDE	EATON	12		562763
C 315	LH SWITCH PANEL – LH SUN VISOR SW.	EATON	12		562763	C 378					
C 316						C 379					
C 317	LH SWITCH PANEL – RH SUN VISOR SW.	EATON	12		562763	C 380					
C 318	LH CONSOLE SW – DR'S WINDOW SW.	EATON	12		562763	C 381	UNDER DASH PANEL – ANTI THIELED	AMP MNL	2	561248	561247
C 319						C 382	ENGINE GENERATOR (1)	PED WP	1	561605	561577
C 320	RT SWITCH PANEL – DRIVER'S LTS SW.	EATON	12		562763	C 383	ENGINE COMPT – VOLTAGE REGULATOR	PED WP	1	561605	561577
						C 384					
						C 385					

CONNECTORS CODE

NO	LOCATION	TYPE	CAVITY	#PIN	#SOCKET	NO	LOCATION	TYPE	CAVITY	#PIN	#SOCKET
				HOUSING	HOUSING					HOUSING	HOUSING
C 386						C 451					
C 387	ENGINE COMPT. - BY-PASS VALVE	PED WP	2	561566	561690	C 452					
C 388						C 453					
C 389	ENGINE COMPT. - WATER PUMP	PED WP	2	561566	561690	C 454					
C 390	ENGINE COMPT. - A/C JCT. BOX	DEUTSCH	24	562280	562283	C 455					
C 391	CONDENSER COMPT. A/C PRESS SW 2 SP	PED WP	2	561566	561690	C 456	WORLD TRANS. - RETARDER ACCUM.	PED MP	2		562427
C 392						C 457	WORLD TRANS. - MAIN CONNECTOR	DEUTSCH	31	562572	562536
C 393						C 458	WORLD TRANS. - TURBINE SP. SENS.	PED MP	2		562426
C 394						C 459	WORLD TRANS. - ENGINE SP. SENS.	PED MP	2		562426
C 395						C 460	WORLD TRANS. - SPEED SENSOR	ITT	2		562541
C 396						C 461	WORLD TRANS. - RETARDER TEMP.	PED MP	2		562856
C 397						C 462	WORLD TRANS. - RETARDER SOL. "K"	PED MP	2		562426
C 398						C 463	WORLD TRANS. - SENSOR CONN.	DEUTSCH	16	562570	562571
C 399	ENGINE GENERATOR (2)	PED WP	2	561566	561690	C 464	RR JCT BOX - DDL CONN	DEUTSCH	6		565360
C 400	ENGINE COMPT. - BLOCK HEATER	PED WP	3	561781	561782	C 465	LH CONSOLE - SHIFTER SELECTOR	PED	20		562825
C 401						C 466	FR SERVICE CPT - RESIS. MOD.	PED WP	3		562428
C 402						C 467	FR SERVICE CPT - RESIS. MOD.	PED WP	3		562428
C 403						C 468	FR SERVICE CPT - RET. HAND LEVER	AMP FF	8	561188	562363
C 404						C 469	FR SERVICE CPT - RET. HAND LEVER	AMP FF	8	561188	562363
C 405						C 470					
C 406						C 471					
C 407						C 472	FR SERVICE CPT - SILENT 1000	PED WP	2	561566	561690
C 408						C 473					
C 409						C 474	DRIVER'S TEMP SENSOR	AMP MNL	2	561248	561247
C 410						C 475	FR SERVICE CPT - SPEED SIGN. CONNECT.	DEUTSCH	6	562583	562581
C 411						C 475W	FR SERVICE CPT - SPEED SIGN. W. TR.	DEUTSCH	6	562583	562581
C 412						C 476					
C 413						C 477					
C 414						C 478					
C 415						C 479	UNDER DASH - HVAC DASH MODULE	MOLEX	3		562783
C 416						C 480	UNDER DASH RH - DR'S FAN SPEED CTR	PED WP	4	561889	561890
C 417						C 481	UNDER DASH RH - DR'S FAN SPEED CTR	PED WP	3	561781	561782
C 418						C 482					
C 419						C 483	FR SERVICE CPT - ELECTRICAL SEAT	PED	2	562237	
C 420						C 484	UNDER DASH LH - FOOT DAMPER MOTOR	PED	2		562076
C 421						C 485	UNDER DASH LH - DASH & DEFR. DAMP. M.	AMP MNL	3	561667	561558
C 422						C 486					
C 423						C 487					
C 424	UNDER DASH- AUDIBLE FLASHER	AMP MNL	3	561667	561550	C 488					
C 425						C 489					
C 426	ENGINE S60 RAD. FAN CLUTCH	PED WP	3	561781	561782	C 490					
C 427						C 491					
C 428	RH SW PANEL - DASH LTS RHEOSTAT	AMP MNL	3	561667	561550	C 492					
C 429						C 493					
C 430						C 494					
C 431						C 495					
C 432						C 496					
C 433						C 497					
C 434						C 498					
C 435						C 499					
C 436						C 500	FR JCT PANEL - PRODRIVER	MOLEX	6	562070	562069
C 437						C 501					
C 438						C 502					
C 439						C 503					
C 440						C 504					
C 441						C 505					
C 442						C 506	LH CONSOLE - LEVEL LOW SW.	EATON	12		562763
C 443						C 507					
C 444						C 508	RR JCT BOX - FAN CLUTCH RETARDER	AMP MNL	6	561552	561515
C 445						C 509					
C 446						C 510					
C 447						C 511					
C 448						C 512					
C 449						C 513					
C 450						C 514					

CONNECTORS CODE

NO	LOCATION	TYPE	CAVITY	#PIN	#SOCKET	NO	LOCATION	TYPE	CAVITY	#PIN	#SOCKET
				HOUSING	HOUSING					HOUSING	HOUSING
C 515						C 580					
C 516						C 581	LH DASH PANEL – ELECTRICAL HORN	PED MP	2		562777
C 517						C 582					
C 518						C 583	LH DASH PANEL – MASTER KEY SW.	DEUTSCH	2	562486	562485
C 519						C 584	FR. SERVICE COMPT – HORN PNEU. VALVE	PNEUMAC	3		562848
C 520						C 585	FR. SERV. COMPT – ENT. DOOR LOCK VALVE	PNEUMAC	2		641385
C 521						C 586	FR SERVICE COMPT – ACC. PNEU.VALVE	PNEUMAC	3		562848
C 522	FR JCT BOX – DAYTIME LTS MODULE	BOSCH	5		561183	C 587					
C 523						C 588					
C 524	FR JCT BOX – FUSE BLOCK	PED	8	562647	562646	C 589	FR. MIRROR LH	CONXALL	8	563163	563088
C 525	FR JCT BOX – FUSE BLOCK	PED	8	562647	562646	C 590	FR. MIRROR RH	CONXALL	8	563163	563088
C 526	FR JCT BOX – FUSE BLOCK	PED	8	562647	562646	C 591	LH CONSOLE – LH MIRROR SW.	EURAMT.	8		562749
C 527	FR JCT BOX – FUSE BLOCK	PED	8	562647	562646	C 592	LH CONSOLE – RH MIRROR SW.	EURAMT.	8		562749
C 528						C 593					
C 529						C 594	FRONT ROOF – DRIVER'S LTS	LEEKRAFT	2	-----	562803
C 530						C 595					
C 531						C 596					
C 532						C 597	LH DASH PANEL – DISPLAY SET SW.	MOLEX	5		562905
C 533						C 598	LH DASH PANEL – DISPLAY SET SW.	MOLEX	5		562905
C 534						C 599	UND. DASH – MAGN. SW CTR POS. DR'S AIR	AMP MNL	2	561248	561247
C 535						C 600					
C 536						C 601					
C 537	A/C JCT BOX RESISTOR SIGN. RLY	AMP MNL	2	561248	561247	C 602					
C 538	FR SERV. CPT RH – OUTSIDE TEMP. SENS	AMP MNL	2	561248	561247	C 603					
C 539	HVAC DASH MODULE OUTPUT CONN.	MOLEY	24		562780	C 604					
C 540	HVAC DASH MODULE INPUT CONN.	MOLEY	22		562781	C 605					
C 541						C 606					
C 542						C 607	FR SERVICE COMPT – RPM SIGNAL (SPARE)	PED WP	2	561566	561690
C 543						C 608	FR SERV. COMPT – SPEED SIGNAL (SPARE)	PED WP	2	561566	561690
C 544						CS	FR SERVICE CPT - ECU WOLRD TR.	PED MP	32		562817
C 545						CT	FR SERVICE CPT - ECU WORLD TR.	PED MP	32		562824
C 546						CV	FR SERVICE CPT - ECU WORLD TR.	PED MP	32		562823
C 547						CX	CLUSTER	JAE	5		562957
C 548	LH DASH PANEL – T.T.LT TEST SW.	EATON	12		562763	CX 1	FR SERVICE CPT - ECU ABS	AMP JN	18	562792	562792
C 549						CX 2	FR SERVICE CPT - ECU ABS	AMP JN	15	562795	562795
C 550						CX 3	FR SERVICE CPT - ECU ABS	AMP JN	9	562794	562794
C 551						CX 4	FR SERVICE CPT - ECU ABS	AMP JN	6	562793	562793
C 552						CY	CLUSTER	JAE	30		562765
C 553						LX	CLUSTER	JAE	22		562766
C 554						LY	CLUSTER	JAE	30		562767
C 555						RX	CLUSTER	JAE	30		562767
C 556											
C 557											
C 558											
C 559											
C 560											
C 561											
C 562											
C 563											
C 564											
C 565											
C 566											
C 567											
C 568											
C 569											
C 570	UNDER DASH PANEL – T.T.LT MODULE	MOLEX	6		562464						
C 571	UNDER DASH PANEL – T.T.LT MODULE	MOLEX	20		562778						
C 572	UNDER DASH PANEL – T.T.LT MODULE	MOLEX	18		562779						
C 573	UNDER DASH PANEL – T.T.LT MODULE	MOLEX	8		562465						
C 574											
C 575											
C 576											
C 577											
C 578											
C 579											

CONNECTORS CODE

NO	LOCATION	TYPE	CAVITY	#PIN	#SOCKET	NO	LOCATION	TYPE	CAVITY	#PIN	#SOCKET
				HOUSING	HOUSING					HOUSING	HOUSING
AA 1	UNDER DASH PANEL-TAG AXLE SONALERT	BOSCH	5	-----	561183	C 65	ENGINE CPT - PRESS SW FAN CLUTCH	PED WP	2	561566	561690
C 1	FR JCT BOX COMPARTMENT	AMP CPC	14	561585	561584	C 66					
C 2	FR JCT BOX COMPARTIMENT	AMP CPC	16	561639	561640	C 67					
C 3	FR JCT BOX COMPARTIMENT	AMP CPC	37	561644	561646	C 68					
C 4	FR JCT BOX COMPARTIMENT	AMP CPC	24	561641	561643	C 69					
C 5	FR SERVICE COMPT. - UNDERNEATH	AMP CPC	37	561645	561646	C 70	LH CONSOLE	AMP CPC	16	561639	561640
C 6	FR SERVICE COMPT. - UNDERNEATH	AMP CPC	16	561639	561640	C 71	FR JCT BOX COMPT.	AMP CPC	37	561645	561646
C 7	FR SERVICE COMPT - CLUTCH SW	ITT SS	3	561080	561111	C 72	FR JCT BOX COMPT.	AMP CPC	24	561642	561643
C 8	FR SERVICE COMPT. - UNDERNEATH	AMP CPC	24	561642	561643	C 73					
C 9	FR SERVICE COMPT. - UNDERNEATH	AMP CPC	24	561642	561643	C 74	FR JCT BOX COMPT.	AMP CPC	37	561645	561646
C 10	FR SERVICE DOOR ACCESS.	DEUTSCH	5	562565	562566	C 75					
C 11	FR SERV. CPT ACCESS	AMP CPC	37	561645	561646	C 76	ENGINE CMPT. FIRE DETECTOR	DEUTSCH	2	562486	562485
C 12	FR SERV. CPT ACCESS	AMP CPC	16	561639	561640	C 77	ENGINE CMPT. FIRE DETECTOR	DEUTSCH	2	562486	562485
C 13	FR SERV. CPT ACCESS	AMP CPC	9	561635	561637	C 78					
C 14						C 79					
C 15	LUGGAGE CPT (184)-MARK. SUPPL.	DEUTSCH	4	562479	562477	C 80					
C 16	LH CONSOLE SW-CRUISE ON/OFF	EATON	12	-----	562763	C 81	LUGGAGE COMPT - DOOR LOCK	AMP MNL	4	560851	560852
C 17	LH CONSOLE SW-CRUISE RESUME	EATON	12		562763	C 82	LUGGAGE COMPT - DOOR LOCK	AMP MNL	4	560851	560852
C 18	LH CONSOLE SW-CRUISE SET	EATON	12		562763	C 83	LUGGAGE COMPT - DOOR LOCK	AMP MNL	4	560851	560852
C 19	LH CONSOLE SW-DECEL SW	EATON	12		562763	C 84	LUGGAGE COMPT - DOOR LOCK	AMP MNL	4	560851	560852
C 20	RR JCT BOX	DEUTSCH	70	562282	562285	C 85	LUGGAGE COMPT - DOOR LOCK	AMP MNL	4	560851	560852
C 21	ENGINE COMPT - LOCK DOOR MOT.	PED WP	2		562076	C 86	LUGGAGE COMPT - DOOR LOCK	AMP MNL	4	560851	560852
C 22	LUGGAGE COMPT (A) - A/C & FUEL TANK	AMP CPC	16	561639	561640	C 87					
C 23	LUGGAGE COMPT (1) - LUGG. ACCESS.	AMP CPC	24	561642	561643	C 88					
C 24	ENGINE COMPT. - INTERF RJB	PED WP	6	561606	561607	C 89					
C 25						C 90					
C 26	ENGINE COMPT. ACCESS	DEUTSCH	40	562281	562284	C 91					
C 27	ENGINE COMPT. - INTERF. RJB	DEUTSCH	6	562583	562581	C 92	FR JCT BOX COMPT - ABS	AMP CPC	9	561635	561637
C 28	LUGGAGE COMPT(4) - LUGG. ACCESS	AMP CPC	24	561642	561643	C 93					
C 29	FR SERVICE COMPT - E.C.U. FEED	PED WP	3	561781	561782	C 94					
C 30	ENGINE COMPT - MASTER SW. SIGN.	DEUTSCH	2	562486	562485	C 95	ENTRANCE DOOR ACCESS	DEUTSCH	6	562583	562581
C 31						C 96	FR SERVICE DOOR ACCESS	AMP MNL	9	561670	561669
C 32						C 97	FR SERVICE DOOR - WATER TANK	PED MP	20		562426
C 33	ENGINE DDEC II - SPEED SIGN SPARE	PED WP	2	561566	561690	C 98					
C 34						C 99	FR SERVICE CPT. LTS	AMP MNL	2	561248	561247
C 35	A/C COMPT - AIR RETURN SENSOR	AMP MNL	2	561248	561247	C 100					
C 36						C 101	FR SERVICE COMPT. ELEC. HORNS	PED WP	2	561566	561690
C 37						C 101	CONDENSER COMPT - A/C PRES. SW 1SP	PED WP	2	561566	561690
C 38						C 102	CONDENS. COMPT - LIQU. SOL. VAL. PRES.	PED WP	2	561566	561690
C 39						C 103					
C 40						C 104					
C 41	ENGINE COMPT - RH DOOR LOCK	DEUTSCH	4	562479	562477	C 105	UNDER DASH RH - DRV LIO SOL VL	PED WP	2	561566	561690
C 42	ENGINE COMPT - RR CAP LIGHTING	DEUTSCH	6	562583	562581	C 106	UNDER DASH RH - DRV WTR VALVE	PED WP	2	561566	561690
C 43	FR JCT BOX - ALT. MODULE	AMP MNL	12	561735	561734	C 107					
C 44	ENGINE COMPT - LIGHTS	PED WP	1	561605	561577	C 108					
C 45	FR JCT BOX COMPT - ROOF ACCESS	AMP CPC	24	561642	561643	C 109					
C 46						C 110					
C 47						C 111					
C 48	FR SERV. CPT. PRESS SW PARK BRAKE	DEUTSCH	4	562479	562477	C 112					
C 49						C 113					
C 50						C 114	ENGINE DDEC - SPEED SIGNAL (SPARG)	PED WP	2	561566	561690
C 51						C 115	RR JCT BOX - ENGINE ACCESS	DEUTSCH	40	562281	562284
C 52	ENGINE COMPT - COMPRESSOR	PED WP	2	561566	561690	C 116					
C 53	ENGINE COMPT - COMPRESSOR	PED WP	2	561566	561690	C 117					
C 54						C 118	ENGINE COMPT - LICENCE	DOM. AUT	2	930210	
C 55	CENTRAL DOOR LOCK	DEUTSCH	4	562479	562477	C 119	ENGINE COMPT - RH LOWER LAMP	PED WP	6	561606	561607
C 56						C 120	ENGINE COMPT - LH LOWER LAMP	PED WP	6	561606	561607
C 57						C 121					
C 58						C 122					
C 59						C 123					
C 60						C 124					
C 61	ENGINE COMPT - FUEL FILTER	PED WP	2	561566	561690	C 125					
C 62	ENGINE COMPT - COMPRESSOR STD	PED WP	2	561566	561690	C 126					
C 63	ENGINE COMPT - COMPRESSOR STD	PED WP	2	561566	561690	C 127					
C 64											

CONNECTORS CODE

NO	LOCATION	TYPE	CAVITY	#PIN	#SOCKET	NO	LOCATION	TYPE	CAVITY	#PIN	#SOCKET
				HOUSING	HOUSING					HOUSING	HOUSING
C 128						C 193					
C 129						C 194					
C 130						C 195					
C 131						C 196					
C 132						C 197					
C 133						C 198					
C 134	FR JCT BOX – DIODE CONN.	AMP MNL	15	561987	561986	C 199					
C 135	FR JCT BOX – DIODE CONN.	AMP MNL	15	561987	561986	C 200					
C 136	FR JCT BOX – DIODE CONN.	AMP MNL	15	561987	561986	C 201					
C 137						C 202					
C 138						C 203					
C 139						C 204					
C 140	HVAC DASH MODULE THERMOMETER	MOLEX	4		562782	C 205					
C 141	RR DASH PANEL – LTS CONN. (SPARE)	AMP MNL	2	561248	561247	C 206					
C 142	ENGINE COMPT. B/U ALARM	PED WP	2	561566	561690	C 207					
C 143						C 208					
C 144						C 209					
C 145						C 210					
C 146						C 211	FR ROOF – SUN VISOR LH	AMP MNL	2	560900	560898
C 147						C 212	FR ROOF – SUN VISOR RH	AMP MNL	2	560900	560898
C 148						C 213					
C 149						C 214					
C 150						C 215					
C 151						C 216					
C 152						C 217					
C 153						C 218					
C 154						C 219					
C 155						C 220					
C 156						C 221					
C 157	FR SERV. CPT – WATER PUMP DR'S	PED WP	3	561781	561782	C 222					
C 158						C 223	HEAD LIGHTS - FLASHER	DEUTSCH	5	562565	562566
C 159						C 224	HEAD LIGHTS	PED MP	3		562099
C 160	FR SERVICE CPT - INTERFACE	AMP CPC	37	561644	561646	C 225	FOG LIGHTS	DEUTSCH	3	562902	562901
C 161	ENGINE DDEC - ECM	PED MP	30		561600	C 226	FLASHER – (FR)	PED	3	562137	
C 162	ENGINE DDEC - ACCESSORIES	PED WP	4	561610	561611	C 227					
C 163	ENGINE CPT - COOLANT PROBE	PED MP	2		562350	C 228					
C 164						C 229					
C 165						C 230					
C 166						C 231					
C 167	FR SERVICE CPT - EL. FOOT PEDAL	PED WP	3	561781	561782	C 232					
C 168	FR SERVICE CPT - DDR	DEUTSCH	6	562360		C 233					
C 169	FR SERVICE CPT - WORLD TR. INTERFACE	AMP CPC	16	561639	561640	C 234					
C 170	FR JCT BOX FLASHER UNIT	PED	2		561940	C 235					
C 171	LH CONSOLE	AMP CPC	24	561642	561643	C 236	FR SERVICE CPT CENTER - ABS	AMP CPC	14	561636	561637
C 172	FR SERVICE COMPT - LEVEL LOW	AMP CPC	9	561637		C 237	FR AXLE CPT - ABS RH SENSOR	WABCO	2	641132	
C 173						C 238	FR AXLE CPT - ABS RH VALVE	WABCO	3	641098	
C 174						C 239	FR AXLE CPT - ABS LH VALVE	WABCO	3	641098	
C 175						C 240	FR AXLE CPT - ABS LH SENSOR	WABCO	2	641132	
C 176	UNDER DASH RH – WIPER PULSE	AMP FF	6		561186	C 241	LAST LUGGAGE COMPT - ABS	PED WP	6	561606	561607
C 177	UNDER DASH RH – WIPER MOTOR	AMP FF	6		561186	C 242	DRIVE AXLE CPT - ABS LH SENSOR	WABCO	2	641132	
C 178						C 243	DRIVE AXLE CPT - ABS LH VALVE	WABCO	3	641098	
C 179						C 244	DRIVE AXLE CPT - ABS RH VALVE	WABCO	3	641098	
C 180						C 245	DRIVE AXLE CPT - ABS RH SENSOR	WABCO	2	641132	
C 181						C 246	DRIVE AXLE CPT - ABS SPARE	PED WP	2	561566	561690
C 182						C 247					
C 183						C 248	LAST LUGGAGE CPT - ABS	PED WP	6	561606	561607
C 184						C 249	FR SERVICE CPT - ABS/DDEC	PED WP	2	561566	561690
C 185						C 250					
C 186						C 251	LH SW PANEL – FAST IDLE	EATON	12		562763
C 187	FR SERVICE JCT BOX - RESISTORS	AMP MNL	6	561552	561515	C 252	LUGGAGE COMPT. – WINDOW AJAR	MOLEX	4	561477	561476
C 188						C 253	LH SWITCH PANEL - ETHER	EATON	12		562763
C 189						C 254					
C 190						C 255	LH SWITCH PANEL – ENGINE BRAKE	EATON	12		562763
C 191						C 256					
C 192						C 257					

CONNECTORS CODE

NO	LOCATION	TYPE	CAVITY	#PIN	#SOCKET	NO	LOCATION	TYPE	CAVITY	#PIN	#SOCKET
				HOUSING	HOUSING					HOUSING	HOUSING
C 258	LH SWITCH PANEL – MULTI FUNC. SW	AMP FF	8	561188		C 321	UNDER DASH RH - KEYLESS MODULE	AMP COM	26		562676
C 259	LH SWITCH PANEL – MULTI FUNC. SW	AMP FF	6		561186	C 322	UNDER DASH RH - KEYLESS MODULE	AMP COM	22		562675
C 260						C 323	DRIVER'S WINDOW MOTOR	PED	2		561848
C 261						C 324					
C 262						C 325					
C 263	LUGGAGE COMPT. LTS COMPT #3	AMP MNL	2	561248	561247	C 326	ENGINE MANUEL TRANSM. (SPARC)	PED WP	4	561610	561611
C 264	LUGGAGE COMPT. LTS COMPT #2	AMP MNL	2	561248	561247	C 327					
C 265	LUGGAGE COMPT. LTS COMPT #1	AMP MNL	2	561248	561247	C 328					
C 266	ENTRANCE DOOR KEYLESS	AMP CPC	14	561585	561583	C 329					
C 267	UNDER DASH RH – KEYLESS PANEL	AMP CPC	24	561642	561643	C 330					
C 268	FR MIRROR RH	CONXALL	5	563091	563090	C 331					
C 269	FR MIRROR LH	CONXALL	5	563091	563090	C 332					
C 270	LUGGAGE COMPT LTS - 3 LH	AMP MNL	2	561248	561247	C 333					
C 271	LUGGAGE COMPT LTS - 4	AMP MNL	2	561248	561247	C 334					
C 272						C 335					
C 273						C 336					
C 274						C 337					
C 275						C 338					
C 276	UNDER DASH RH – 3 WAY LTS DR'S	EATON	12		562763	C 339					
C 277	LH SWITCH PANEL DOCK & CORN. SW.	EATON	12		562763	C 340	FR JCT BOX – FIRE PIEZO ALARM	AMP MNL	2	560900	560898
C 278	LH SWITCH PANEL – B/U CANCEL	EATON	12		562763	C 341	LH SWITCH PANEL – HEAT MIRROR SW.	EATON	12		562763
C 279	FR SERVICE COMPT LH – STEERING ZF	DEUTSCH	2		562485	C 342					
C 280	ENGINE COMPT - COMPRESSOR STD	PED WP	2	561566	561690	C 343	LH SWITCH PANEL – HEAD LAMP SW.	EATON	12		562763
C 281	LH CONSOLE – LEVEL LOW	AMP MNL	4	560851	560852	C 344	LH SWITCH PANEL – HAZARD LT SW.	EATON	12		562763
C 282	FR SERVICE COMPT – STEERING ZF	VOLVO	2		562928	C 345	LH SWITCH PANEL – FOG LT SW.	EATON	12		562763
C 283						C 346					
C 284						C 347					
C 285						C 348	INSTR. PANEL CENT. – RACOR MODULE	MOLEX	6	562070	562069
C 286						C 349					
C 287						C 350					
C 288						C 351					
C 289						C 352					
C 290	LUGGAGE CPT - DOOR LOCK	AMP MNL	4	560851	560852	C 353					
C 291	LUGGAGE CPT - DOOR LOCK	AMP MNL	4	560851	560852	C 354					
C 292	FR SERVICE CPT LEVEL LOW	PNEUMAC	2		641385	C 355					
C 293	FR SERVICE CPT LEVEL LOW	PNEUMAC	2		641385	C 356					
C 294	FR SERVICE CPT LEVEL LOW	PNEUMAC	2		641385	C 357					
C 295	FR SERVICE CPT LEVEL LOW	PNEUMAC	2		641385	C 358					
C 296	FR SERVICE CPT LEVEL LOW	PNEUMAC	2		641385	C 359	RH SWITCH PANEL – ENT. DOOR WIND. SW.	EATON	12		562763
C 297						C 360	ENTRANCE WINDOW MOTOR	PED	2		561848
C 298						C 361					
C 299						C 362					
C 300						C 363					
C 301						C 364					
C 302						C 365					
C 303	RR JCT BOX - DIODES	AMP MNL	15	561987	561986	C 366					
C 304						C 367					
C 305						C 368					
C 306						C 369					
C 307						C 370					
C 308						C 371					
C 309	ENGINE DDEC - ECM POWER	PED MP	5		562345	C 372					
C 310	LH CONSOLE SW – LUG. DOOR LOCK	EATON	12		562763	C 373					
C 311						C 374					
C 312	ENGINE DDEC III - ACCESSORIES	PED WP	3	561781	561782	C 375					
C 313	ENGINE DDEC III - INPUT	PED MP	3	562398		C 376					
C 314						C 377	LH SWITCH PANEL – STOP ENGINE OVERRIDE	EATON	12		562763
C 315	LH SWITCH PANEL – LH SUN VISOR SW.	EATON	12		562763	C 378					
C 316						C 379					
C 317	LH SWITCH PANEL – RH SUN VISOR SW.	EATON	12		562763	C 380					
C 318	LH CONSOLE SW – DR'S WINDOW SW.	EATON	12		562763	C 381	UNDER DASH PANEL – ANTI THIELED	AMP MNL	2	561248	561247
C 319						C 382	ENGINE GENERATOR (1)	PED WP	1	561605	561577
C 320	RT SWITCH PANEL – DRIVER'S LTS SW.	EATON	12		562763	C 383	ENGINE COMPT – VOLTAGE REGULATOR	PED WP	1	561605	561577
						C 384					
						C 385					

CONNECTORS CODE

NO	LOCATION	TYPE	CAVITY	#PIN	#SOCKET	NO	LOCATION	TYPE	CAVITY	#PIN	#SOCKET
				HOUSING	HOUSING					HOUSING	HOUSING
C 386						C 451					
C 387	ENGINE COMPT. - BY-PASS VALVE	PED WP	2	561566	561690	C 452					
C 388						C 453					
C 389	ENGINE COMPT. - WATER PUMP	PED WP	2	561566	561690	C 454					
C 390	ENGINE COMPT. - A/C JCT. BOX	DEUTSCH	24	562280	562283	C 455					
C 391	CONDENSER COMPT. A/C PRESS SW 2 SP	PED WP	2	561566	561690	C 456	WORLD TRANS. - RETARDER ACCUM.	PED MP	2		562427
C 392						C 457	WORLD TRANS. - MAIN CONNECTOR	DEUTSCH	31	562572	562536
C 393						C 458	WORLD TRANS. - TURBINE SP. SENS.	PED MP	2		562426
C 394						C 459	WORLD TRANS. - ENGINE SP. SENS.	PED MP	2		562426
C 395						C 460	WORLD TRANS. - SPEED SENSOR	ITT	2		562541
C 396						C 461	WORLD TRANS. - RETARDER TEMP.	PED MP	2		562856
C 397						C 462	WORLD TRANS. - RETARDER SOL. "K"	PED MP	2		562426
C 398						C 463	WORLD TRANS. - SENSOR CONN.	DEUTSCH	16	562570	562571
C 399	ENGINE GENERATOR (2)	PED WP	2	561566	561690	C 464	RR JCT BOX - DDL CONN	DEUTSCH	6		565360
C 400	ENGINE COMPT. - BLOCK HEATER	PED WP	3	561781	561782	C 465	LH CONSOLE - SHIFTER SELECTOR	PED	20		562825
C 401						C 466	FR SERVICE CPT - RESIS. MOD.	PED WP	3		562428
C 402						C 467	FR SERVICE CPT - RESIS. MOD.	PED WP	3		562428
C 403						C 468	FR SERVICE CPT - RET. HAND LEVER	AMP FF	8	561188	562363
C 404						C 469	FR SERVICE CPT - RET. HAND LEVER	AMP FF	8	561188	562363
C 405						C 470					
C 406						C 471					
C 407						C 472	FR SERVICE CPT - SILENT 1000	PED WP	2	561566	561690
C 408						C 473					
C 409						C 474	DRIVER'S TEMP SENSOR	AMP MNL	2	561248	561247
C 410						C 475	FR SERVICE CPT - SPEED SIGN. CONNECT.	DEUTSCH	6	562583	562581
C 411						C 475W	FR SERVICE CPT - SPEED SIGN. W. TR.	DEUTSCH	6	562583	562581
C 412						C 476					
C 413						C 477					
C 414						C 478					
C 415						C 479	UNDER DASH - HVAC DASH MODULE	MOLEX	3		562783
C 416						C 480	UNDER DASH RH - DR'S FAN SPEED CTR	PED WP	4	561889	561890
C 417						C 481	UNDER DASH RH - DR'S FAN SPEED CTR	PED WP	3	561781	561782
C 418						C 482					
C 419						C 483	FR SERVICE CPT - ELECTRICAL SEAT	PED	2	562237	
C 420						C 484	UNDER DASH LH - FOOT DAMPER MOTOR	PED	2		562076
C 421						C 485	UNDER DASH LH - DASH & DEFR. DAMP. M.	AMP MNL	3	561667	561558
C 422						C 486					
C 423						C 487					
C 424	UNDER DASH- AUDIBLE FLASHER	AMP MNL	3	561667	561550	C 488					
C 425						C 489					
C 426	ENGINE S60 RAD. FAN CLUTCH	PED WP	3	561781	561782	C 490					
C 427						C 491					
C 428	RH SW PANEL - DASH LTS RHEOSTAT	AMP MNL	3	561667	561550	C 492					
C 429						C 493					
C 430						C 494					
C 431						C 495					
C 432						C 496					
C 433						C 497					
C 434						C 498					
C 435						C 499					
C 436						C 500	FR JCT PANEL - PRODRIVER	MOLEX	6	562070	562069
C 437						C 501					
C 438						C 502					
C 439						C 503					
C 440						C 504					
C 441						C 505					
C 442						C 506	LH CONSOLE - LEVEL LOW SW.	EATON	12		562763
C 443						C 507					
C 444						C 508	RR JCT BOX - FAN CLUTCH RETARDER	AMP MNL	6	561552	561515
C 445						C 509					
C 446						C 510					
C 447						C 511					
C 448						C 512					
C 449						C 513					
C 450						C 514					

CONNECTORS CODE

NO	LOCATION	TYPE	CAVITY	#PIN	#SOCKET	NO	LOCATION	TYPE	CAVITY	#PIN	#SOCKET
				HOUSING	HOUSING					HOUSING	HOUSING
C 515						C 580					
C 516						C 581	LH DASH PANEL – ELECTRICAL HORN	PED MP	2		562777
C 517						C 582					
C 518						C 583	LH DASH PANEL – MASTER KEY SW.	DEUTSCH	2	562486	562485
C 519						C 584	FR. SERVICE COMPT – HORN PNEU. VALVE	PNEUMAC	3		562848
C 520						C 585	RH CONSOLE – ENT. DOOR LOCK VALVE	PNEUTECH	2		563147
C 521						C 586	FR SERVICE COMPT – ACC. PNEU.VALVE	PNEUMAC	3		562848
C 522	FR JCT BOX – DAYTIME LTS MODULE	BOSCH	5		561183	C 587					
C 523						C 588					
C 524	FR JCT BOX – FUSE BLOCK	PED	8	562647	562646	C 589	FR. MIRROR LH	CONXALL	8	563163	563088
C 525	FR JCT BOX – FUSE BLOCK	PED	8	562647	562646	C 590	FR. MIRROR RH	CONXALL	8	563163	563088
C 526	FR JCT BOX – FUSE BLOCK	PED	8	562647	562646	C 591	LH CONSOLE – LH MIRROR SW.	EURAMT.	8		562749
C 527	FR JCT BOX – FUSE BLOCK	PED	8	562647	562646	C 592	LH CONSOLE – RH MIRROR SW.	EURAMT.	8		562749
C 528						C 593					
C 529						C 594	FRONT ROOF – DRIVER'S LTS	LEEKRAFT	2	-----	562803
C 530						C 595					
C 531						C 596					
C 532						C 597	LH DASH PANEL – DISPLAY SET SW.	MOLEX	5		562905
C 533						C 598	LH DASH PANEL – DISPLAY SET SW.	MOLEX	5		562905
C 534						C 599	UND. DASH – MAGN. SW CTR POS. DR'S AIR	AMP MNL	2	561248	561247
C 535						C 600					
C 536						C 601					
C 537	A/C JCT BOX RESISTOR SIGN. RLY	AMP MNL	2	561248	561247	C 602					
C 538	FR SERV. CPT RH – OUTSIDE TEMP. SENS	AMP MNL	2	561248	561247	C 603					
C 539	HVAC DASH MODULE OUTPUT CONN.	MOLEY	24		562780	C 604					
C 540	HVAC DASH MODULE INPUT CONN.	MOLEY	22		562781	C 605					
C 541						C 606					
C 542						C 607	FR SERVICE COMPT – RPM SIGNAL (SPARE)	PED WP	2	561566	561690
C 543						C 608	FR SERV. COMPT – SPEED SIGNAL (SPARE)	PED WP	2	561566	561690
C 544						CS	FR SERVICE CPT - ECU WOLRD TR.	PED MP	32		562817
C 545						CT	FR SERVICE CPT - ECU WORLD TR.	PED MP	32		562824
C 546						CV	FR SERVICE CPT - ECU WORLD TR.	PED MP	32		562823
C 547						CX	CLUSTER	JAE	5		562957
C 548	LH DASH PANEL – T.T.LT TEST SW.	EATON	12		562763	CX 1	FR SERVICE CPT - ECU ABS	AMP JN	18	562792	562792
C 549						CX 2	FR SERVICE CPT - ECU ABS	AMP JN	15	562795	562795
C 550						CX 3	FR SERVICE CPT - ECU ABS	AMP JN	9	562794	562794
C 551						CX 4	FR SERVICE CPT - ECU ABS	AMP JN	6	562793	562793
C 552						CY	CLUSTER	JAE	30		562765
C 553						LX	CLUSTER	JAE	22		562766
C 554						LY	CLUSTER	JAE	30		562767
C 555						RX	CLUSTER	JAE	30		562767
C 556											
C 557											
C 558											
C 559											
C 560											
C 561											
C 562											
C 563											
C 564											
C 565											
C 566											
C 567											
C 568											
C 569											
C 570	UNDER DASH PANEL – T.T.LT MODULE	MOLEX	6		562464						
C 571	UNDER DASH PANEL – T.T.LT MODULE	MOLEX	20		562778						
C 572	UNDER DASH PANEL – T.T.LT MODULE	MOLEX	18		562779						
C 573	UNDER DASH PANEL – T.T.LT MODULE	MOLEX	8		562465						
C 574											
C 575											
C 576											
C 577											
C 578											
C 579											

CONNECTORS CODE

NO	LOCATION	TYPE	CAVITY	#PIN	#SOCKET	NO	LOCATION	TYPE	CAVITY	#PIN	#SOCKET
				HOUSING	HOUSING					HOUSING	HOUSING
AA 1	UNDER DASH PANEL-TAG AXLE SONALERT	BOSCH	5	-----	561183	C 65	ENGINE CPT - PRESS SW FAN CLUTCH	PED WP	2	561566	561690
C 1	FR JCT BOX COMPARTMENT	AMP CPC	14	561585	561584	C 66					
C 2	FR JCT BOX COMPARTIMENT	AMP CPC	16	561639	561640	C 67					
C 3	FR JCT BOX COMPARTIMENT	AMP CPC	37	561644	561646	C 68					
C 4	FR JCT BOX COMPARTIMENT	AMP CPC	24	561641	561643	C 69					
C 5	FR SERVICE COMPT. - UNDERNEATH	AMP CPC	37	561645	561646	C 70	LH CONSOLE	AMP CPC	16	561639	561640
C 6	FR SERVICE COMPT. - UNDERNEATH	AMP CPC	16	561639	561640	C 71	FR JCT BOX COMPT.	AMP CPC	37	561645	561646
C 7	FR SERVICE COMPT - CLUTCH SW	ITT SS	3	561080	561111	C 72	FR JCT BOX COMPT.	AMP CPC	24	561642	561643
C 8	FR SERVICE COMPT. - UNDERNEATH	AMP CPC	24	561642	561643	C 73					
C 9	FR SERVICE COMPT. - UNDERNEATH	AMP CPC	24	561642	561643	C 74	FR JCT BOX COMPT.	AMP CPC	37	561645	561646
C 10	FR SERVICE DOOR ACCESS.	DEUTSCH	5	562565	562566	C 75					
C 11	FR SERV. CPT ACCESS	AMP CPC	37	561645	561646	C 76	ENGINE CMPT. FIRE DETECTOR	DEUTSCH	2	562486	562485
C 12	FR SERV. CPT ACCESS	AMP CPC	16	561639	561640	C 77	ENGINE CMPT. FIRE DETECTOR	DEUTSCH	2	562486	562485
C 13	FR SERV. CPT ACCESS	AMP CPC	9	561635	561637	C 78					
C 14						C 79					
C 15	LUGGAGE CPT (184)-MARK. SUPPL.	DEUTSCH	4	562479	562477	C 80					
C 16	LH CONSOLE SW-CRUISE ON/OFF	EATON	12	-----	562763	C 81	LUGGAGE COMPT - DOOR LOCK	AMP MNL	4	560851	560852
C 17	LH CONSOLE SW-CRUISE RESUME	EATON	12		562763	C 82	LUGGAGE COMPT - DOOR LOCK	AMP MNL	4	560851	560852
C 18	LH CONSOLE SW-CRUISE SET	EATON	12		562763	C 83	LUGGAGE COMPT - DOOR LOCK	AMP MNL	4	560851	560852
C 19	LH CONSOLE SW-DECEL SW	EATON	12		562763	C 84	LUGGAGE COMPT - DOOR LOCK	AMP MNL	4	560851	560852
C 20	RR JCT BOX	DEUTSCH	70	562282	562285	C 85	LUGGAGE COMPT - DOOR LOCK	AMP MNL	4	560851	560852
C 21	ENGINE COMPT - LOCK DOOR MOT.	PED WP	2		562076	C 86	LUGGAGE COMPT - DOOR LOCK	AMP MNL	4	560851	560852
C 22	LUGGAGE COMPT (A) - A/C & FUEL TANK	AMP CPC	16	561639	561640	C 87					
C 23	LUGGAGE COMPT (1) - LUGG. ACCESS.	AMP CPC	24	561642	561643	C 88					
C 24	ENGINE COMPT. - INTERF RJB	PED WP	6	561606	561607	C 89					
C 25						C 90					
C 26	ENGINE COMPT. ACCESS	DEUTSCH	40	562281	562284	C 91					
C 27	ENGINE COMPT. - INTERF. RJB	DEUTSCH	6	562583	562581	C 92	FR JCT BOX COMPT - ABS	AMP CPC	9	561635	561637
C 28	LUGGAGE COMPT(4) - LUGG. ACCESS	AMP CPC	24	561642	561643	C 93					
C 29	FR SERVICE COMPT - E.C.U. FEED	PED WP	3	561781	561782	C 94					
C 30	ENGINE COMPT - MASTER SW. SIGN.	DEUTSCH	2	562486	562485	C 95	ENTRANCE DOOR ACCESS	DEUTSCH	6	562583	562581
C 31						C 96	FR SERVICE DOOR ACCESS	AMP MNL	9	561670	561669
C 32						C 97	FR SERVICE DOOR - WATER TANK	PED MP	20		562426
C 33	ENGINE DDEC II - SPEED SIGN SPARE	PED WP	2	561566	561690	C 98					
C 34						C 99	FR SERVICE CPT. LTS	AMP MNL	2	561248	561247
C 35	A/C COMPT - AIR RETURN SENSOR	AMP MNL	2	561248	561247	C 100					
C 36						C 101	FR SERVICE COMPT. ELEC. HORNS	PED WP	2	561566	561690
C 37						C 101	CONDENSER COMPT - A/C PRES. SW 1SP	PED WP	2	561566	561690
C 38						C 102	CONDENS. COMPT - LIQU. SOL. VAL. PRES.	PED WP	2	561566	561690
C 39						C 103					
C 40						C 104					
C 41	ENGINE COMPT - RH DOOR LOCK	DEUTSCH	4	562479	562477	C 105	UNDER DASH RH - DRV LIO SOL VL	PED WP	2	561566	561690
C 42	ENGINE COMPT - RR CAP LIGHTING	DEUTSCH	6	562583	562581	C 106	UNDER DASH RH - DRV WTR VALVE	PED WP	2	561566	561690
C 43	FR JCT BOX - ALT. MODULE	AMP MNL	12	561735	561734	C 107					
C 44	ENGINE COMPT - LIGHTS	PED WP	1	561605	561577	C 108					
C 45	FR JCT BOX COMPT - ROOF ACCESS	AMP CPC	24	561642	561643	C 109					
C 46						C 110					
C 47						C 111					
C 48	FR SERV. CPT. PRESS SW PARK BRAKE	DEUTSCH	4	562479	562477	C 112					
C 49						C 113					
C 50						C 114	ENGINE DDEC - SPEED SIGNAL (SPARG)	PED WP	2	561566	561690
C 51						C 115	RR JCT BOX - ENGINE ACCESS	DEUTSCH	40	562281	562284
C 52	ENGINE COMPT - COMPRESSOR	PED WP	2	561566	561690	C 116					
C 53	ENGINE COMPT - COMPRESSOR	PED WP	2	561566	561690	C 117					
C 54						C 118	ENGINE COMPT - LICENCE	DOM. AUT	2	930210	
C 55	CENTRAL DOOR LOCK	DEUTSCH	4	562479	562477	C 119	ENGINE COMPT - RH LOWER LAMP	PED WP	6	561606	561607
C 56						C 120	ENGINE COMPT - LH LOWER LAMP	PED WP	6	561606	561607
C 57						C 121					
C 58						C 122					
C 59						C 123					
C 60						C 124					
C 61	ENGINE COMPT - FUEL FILTER	PED WP	2	561566	561690	C 125					
C 62	ENGINE COMPT - COMPRESSOR STD	PED WP	2	561566	561690	C 126					
C 63	ENGINE COMPT - COMPRESSOR STD	PED WP	2	561566	561690	C 127					
C 64											

CONNECTORS CODE

NO	LOCATION	TYPE	CAVITY	#PIN	#SOCKET	NO	LOCATION	TYPE	CAVITY	#PIN	#SOCKET
				HOUSING	HOUSING					HOUSING	HOUSING
C 128						C 193					
C 129						C 194					
C 130						C 195					
C 131						C 196					
C 132						C 197					
C 133						C 198					
C 134	FR JCT BOX – DIODE CONN.	AMP MNL	15	561987	561986	C 199					
C 135	FR JCT BOX – DIODE CONN.	AMP MNL	15	561987	561986	C 200					
C 136	FR JCT BOX – DIODE CONN.	AMP MNL	15	561987	561986	C 201					
C 137						C 202					
C 138						C 203					
C 139						C 204					
C 140	HVAC DASH MODULE THERMOMETER	MOLEX	4		562782	C 205					
C 141	RR DASH PANEL – LTS CONN. (SPARE)	AMP MNL	2	561248	561247	C 206					
C 142	ENGINE COMPT. B/U ALARM	PED WP	2	561566	561690	C 207					
C 143						C 208					
C 144						C 209					
C 145						C 210					
C 146						C 211	FR ROOF – SUN VISOR LH	AMP MNL	2	560900	560898
C 147						C 212	FR ROOF – SUN VISOR RH	AMP MNL	2	560900	560898
C 148						C 213					
C 149						C 214					
C 150						C 215					
C 151						C 216					
C 152						C 217					
C 153						C 218					
C 154						C 219					
C 155						C 220					
C 156						C 221					
C 157	FR SERV. CPT – WATER PUMP DR'S	PED WP	3	561781	561782	C 222					
C 158						C 223	HEAD LIGHTS - FLASHER	DEUTSCH	5	562565	562566
C 159						C 224	HEAD LIGHTS	PED MP	3		562099
C 160	FR SERVICE CPT - INTERFACE	AMP CPC	37	561644	561646	C 225	FOG LIGHTS	DEUTSCH	3	562902	562901
C 161	ENGINE DDEC - ECM	PED MP	30		561600	C 226	FLASHER – (FR)	PED	3	562137	
C 162	ENGINE DDEC - ACCESSORIES	PED WP	4	561610	561611	C 227					
C 163	ENGINE CPT - COOLANT PROBE	PED MP	2		562350	C 228					
C 164						C 229					
C 165						C 230					
C 166						C 231					
C 167	FR SERVICE CPT - EL. FOOT PEDAL	PED WP	3	561781	561782	C 232					
C 168	FR SERVICE CPT - DDR	DEUTSCH	6	562360		C 233					
C 169	FR SERVICE CPT - WORLD TR. INTERFACE	AMP CPC	16	561639	561640	C 234					
C 170	FR JCT BOX FLASHER UNIT	PED	2		561940	C 235					
C 171	LH CONSOLE	AMP CPC	24	561642	561643	C 236	FR SERVICE CPT CENTER - ABS	AMP CPC	14	561636	561637
C 172	FR SERVICE COMPT - LEVEL LOW	AMP CPC	9	561637		C 237	FR AXLE CPT - ABS RH SENSOR	WABCO	2	641132	
C 173						C 238	FR AXLE CPT - ABS RH VALVE	WABCO	3	641098	
C 174						C 239	FR AXLE CPT - ABS LH VALVE	WABCO	3	641098	
C 175						C 240	FR AXLE CPT - ABS LH SENSOR	WABCO	2	641132	
C 176	UNDER DASH RH – WIPER PULSE	AMP FF	6		561186	C 241	LAST LUGGAGE COMPT - ABS	PED WP	6	561606	561607
C 177	UNDER DASH RH – WIPER MOTOR	AMP FF	6		561186	C 242	DRIVE AXLE CPT - ABS LH SENSOR	WABCO	2	641132	
C 178						C 243	DRIVE AXLE CPT - ABS LH VALVE	WABCO	3	641098	
C 179						C 244	DRIVE AXLE CPT - ABS RH VALVE	WABCO	3	641098	
C 180						C 245	DRIVE AXLE CPT - ABS RH SENSOR	WABCO	2	641132	
C 181						C 246	DRIVE AXLE CPT - ABS SPARE	PED WP	2	561566	561690
C 182						C 247					
C 183						C 248	LAST LUGGAGE CPT - ABS	PED WP	6	561606	561607
C 184						C 249	FR SERVICE CPT - ABS/DDEC	PED WP	2	561566	561690
C 185						C 250					
C 186						C 251	LH SW PANEL – FAST IDLE	EATON	12		562763
C 187	FR SERVICE JCT BOX - RESISTORS	AMP MNL	6	561552	561515	C 252	LUGGAGE COMPT. – WINDOW AJAR	MOLEX	4	561477	561476
C 188						C 253	LH SWITCH PANEL - ETHER	EATON	12		562763
C 189						C 254					
C 190						C 255	LH SWITCH PANEL – ENGINE BRAKE	EATON	12		562763
C 191						C 256					
C 192						C 257					

CONNECTORS CODE

NO	LOCATION	TYPE	CAVITY	#PIN	#SOCKET	NO	LOCATION	TYPE	CAVITY	#PIN	#SOCKET
				HOUSING	HOUSING					HOUSING	HOUSING
C 258	LH SWITCH PANEL – MULTI FUNC. SW	AMP FF	8	561188		C 321	UNDER DASH RH - KEYLESS MODULE	AMP COM	26		562676
C 259	LH SWITCH PANEL – MULTI FUNC. SW	AMP FF	6		561186	C 322	UNDER DASH RH - KEYLESS MODULE	AMP COM	22		562675
C 260						C 323	DRIVER'S WINDOW MOTOR	PED	2		561848
C 261						C 324					
C 262						C 325					
C 263	LUGGAGE COMPT. LTS COMPT #3	AMP MNL	2	561248	561247	C 326	ENGINE MANUEL TRANSM. (SPARC)	PED WP	4	561610	561611
C 264	LUGGAGE COMPT. LTS COMPT #2	AMP MNL	2	561248	561247	C 327					
C 265	LUGGAGE COMPT. LTS COMPT #1	AMP MNL	2	561248	561247	C 328					
C 266	ENTRANCE DOOR KEYLESS	AMP CPC	14	561585	561583	C 329					
C 267	UNDER DASH RH – KEYLESS PANEL	AMP CPC	24	561642	561643	C 330					
C 268	FR MIRROR RH	CONXALL	5	563091	563090	C 331					
C 269	FR MIRROR LH	CONXALL	5	563091	563090	C 332					
C 270	LUGGAGE COMPT LTS - 3 LH	AMP MNL	2	561248	561247	C 333					
C 271	LUGGAGE COMPT LTS - 4	AMP MNL	2	561248	561247	C 334					
C 272						C 335					
C 273						C 336					
C 274						C 337					
C 275						C 338					
C 276	UNDER DASH RH – 3 WAY LTS DR'S	EATON	12		562763	C 339					
C 277	LH SWITCH PANEL DOCK & CORN. SW.	EATON	12		562763	C 340	FR JCT BOX – FIRE PIEZO ALARM	AMP MNL	2	560900	560898
C 278	LH SWITCH PANEL – B/U CANCEL	EATON	12		562763	C 341	LH SWITCH PANEL – HEAT MIRROR SW.	EATON	12		562763
C 279	FR SERVICE COMPT LH – STEERING ZF	DEUTSCH	2		562485	C 342					
C 280	ENGINE COMPT - COMPRESSOR STD	PED WP	2	561566	561690	C 343	LH SWITCH PANEL – HEAD LAMP SW.	EATON	12		562763
C 281	LH CONSOLE – LEVEL LOW	AMP MNL	4	560851	560852	C 344	LH SWITCH PANEL – HAZARD LT SW.	EATON	12		562763
C 282	FR SERVICE COMPT – STEERING ZF	VOLVO	2		562928	C 345	LH SWITCH PANEL – FOG LT SW.	EATON	12		562763
C 283						C 346					
C 284						C 347					
C 285						C 348	INSTR. PANEL CENT. – RACOR MODULE	MOLEX	6	562070	562069
C 286						C 349					
C 287						C 350					
C 288						C 351					
C 289						C 352					
C 290	LUGGAGE CPT - DOOR LOCK	AMP MNL	4	560851	560852	C 353					
C 291	LUGGAGE CPT - DOOR LOCK	AMP MNL	4	560851	560852	C 354					
C 292	FR SERVICE CPT LEVEL LOW	PNEUMAC	2		641385	C 355					
C 293	FR SERVICE CPT LEVEL LOW	PNEUMAC	2		641385	C 356					
C 294	FR SERVICE CPT LEVEL LOW	PNEUMAC	2		641385	C 357					
C 295	FR SERVICE CPT LEVEL LOW	PNEUMAC	2		641385	C 358					
C 296	FR SERVICE CPT LEVEL LOW	PNEUMAC	2		641385	C 359	RH SWITCH PANEL – ENT. DOOR WIND. SW.	EATON	12		562763
C 297						C 360	ENTRANCE WINDOW MOTOR	PED	2		561848
C 298						C 361					
C 299						C 362					
C 300						C 363					
C 301						C 364					
C 302						C 365					
C 303	RR JCT BOX - DIODES	AMP MNL	15	561987	561986	C 366					
C 304						C 367					
C 305						C 368					
C 306						C 369					
C 307						C 370					
C 308						C 371					
C 309	ENGINE DDEC - ECM POWER	PED MP	5		562345	C 372					
C 310	LH CONSOLE SW – LUG. DOOR LOCK	EATON	12		562763	C 373					
C 311						C 374					
C 312	ENGINE DDEC III - ACCESSORIES	PED WP	3	561781	561782	C 375					
C 313	ENGINE DDEC III - INPUT	PED MP	3	562398		C 376					
C 314						C 377	LH SWITCH PANEL – STOP ENGINE OVERRIDE	EATON	12		562763
C 315	LH SWITCH PANEL – LH SUN VISOR SW.	EATON	12		562763	C 378					
C 316						C 379					
C 317	LH SWITCH PANEL – RH SUN VISOR SW.	EATON	12		562763	C 380					
C 318	LH CONSOLE SW – DR'S WINDOW SW.	EATON	12		562763	C 381	UNDER DASH PANEL – ANTI THIELED	AMP MNL	2	561248	561247
C 319						C 382	ENGINE GENERATOR (1)	PED WP	1	561605	561577
C 320	RT SWITCH PANEL – DRIVER'S LTS SW.	EATON	12		562763	C 383	ENGINE COMPT – VOLTAGE REGULATOR	PED WP	1	561605	561577
						C 384					
						C 385					

CONNECTORS CODE

NO	LOCATION	TYPE	CAVITY	#PIN	#SOCKET	NO	LOCATION	TYPE	CAVITY	#PIN	#SOCKET
				HOUSING	HOUSING					HOUSING	HOUSING
C 386						C 451					
C 387	ENGINE COMPT. - BY-PASS VALVE	PED WP	2	561566	561690	C 452					
C 388						C 453					
C 389	ENGINE COMPT. - WATER PUMP	PED WP	2	561566	561690	C 454					
C 390	ENGINE COMPT. - A/C JCT. BOX	DEUTSCH	24	562280	562283	C 455					
C 391	CONDENSER COMPT. A/C PRESS SW 2 SP	PED WP	2	561566	561690	C 456	WORLD TRANS. - RETARDER ACCUM.	PED MP	2		562427
C 392						C 457	WORLD TRANS. - MAIN CONNECTOR	DEUTSCH	31	562572	562536
C 393						C 458	WORLD TRANS. - TURBINE SP. SENS.	PED MP	2		562426
C 394						C 459	WORLD TRANS. - ENGINE SP. SENS.	PED MP	2		562426
C 395						C 460	WORLD TRANS. - SPEED SENSOR	ITT	2		562541
C 396						C 461	WORLD TRANS. - RETARDER TEMP.	PED MP	2		562856
C 397						C 462	WORLD TRANS. - RETARDER SOL. "K"	PED MP	2		562426
C 398						C 463	WORLD TRANS. - SENSOR CONN.	DEUTSCH	16	562570	562571
C 399	ENGINE GENERATOR (2)	PED WP	2	561566	561690	C 464	RR JCT BOX - DDL CONN	DEUTSCH	6		565360
C 400	ENGINE COMPT. - BLOCK HEATER	PED WP	3	561781	561782	C 465	LH CONSOLE - SHIFTER SELECTOR	PED	20		562825
C 401						C 466	FR SERVICE CPT - RESIS. MOD.	PED WP	3		562428
C 402						C 467	FR SERVICE CPT - RESIS. MOD.	PED WP	3		562428
C 403						C 468	FR SERVICE CPT - RET. HAND LEVER	AMP FF	8	561188	562363
C 404						C 469	FR SERVICE CPT - RET. HAND LEVER	AMP FF	8	561188	562363
C 405						C 470					
C 406						C 471					
C 407						C 472	FR SERVICE CPT - SILENT 1000	PED WP	2	561566	561690
C 408						C 473					
C 409						C 474	DRIVER'S TEMP SENSOR	AMP MNL	2	561248	561247
C 410						C 475	FR SERVICE CPT - SPEED SIGN. CONNECT.	DEUTSCH	6	562583	562581
C 411						C 475W	FR SERVICE CPT - SPEED SIGN. W. TR.	DEUTSCH	6	562583	562581
C 412						C 476					
C 413						C 477					
C 414						C 478					
C 415						C 479	UNDER DASH - HVAC DASH MODULE	MOLEX	3		562783
C 416						C 480	UNDER DASH RH - DR'S FAN SPEED CTR	PED WP	4	561889	561890
C 417						C 481	UNDER DASH RH - DR'S FAN SPEED CTR	PED WP	3	561781	561782
C 418						C 482					
C 419						C 483	FR SERVICE CPT - ELECTRICAL SEAT	PED	2	562237	
C 420						C 484	UNDER DASH LH - FOOT DAMPER MOTOR	PED	2		562076
C 421						C 485	UNDER DASH LH - DASH & DEFR. DAMP. M.	AMP MNL	3	561667	561558
C 422						C 486					
C 423						C 487					
C 424	UNDER DASH- AUDIBLE FLASHER	AMP MNL	3	561667	561550	C 488					
C 425						C 489					
C 426	ENGINE S60 RAD. FAN CLUTCH	PED WP	3	561781	561782	C 490					
C 427						C 491					
C 428	RH SW PANEL - DASH LTS RHEOSTAT	AMP MNL	3	561667	561550	C 492					
C 429						C 493					
C 430						C 494					
C 431						C 495					
C 432						C 496					
C 433						C 497					
C 434						C 498					
C 435						C 499					
C 436						C 500	FR JCT PANEL - PRODRIVER	MOLEX	6	562070	562069
C 437						C 501					
C 438						C 502					
C 439						C 503					
C 440						C 504					
C 441						C 505					
C 442						C 506	LH CONSOLE - LEVEL LOW SW.	EATON	12		562763
C 443						C 507					
C 444						C 508	RR JCT BOX - FAN CLUTCH RETARDER	AMP MNL	6	561552	561515
C 445						C 509					
C 446						C 510					
C 447						C 511					
C 448						C 512					
C 449						C 513					
C 450						C 514					

CONNECTORS CODE

NO	LOCATION	TYPE	CAVITY	#PIN	#SOCKET	NO	LOCATION	TYPE	CAVITY	#PIN	#SOCKET
				HOUSING	HOUSING					HOUSING	HOUSING
C 515						C 580					
C 516						C 581	LH DASH PANEL – ELECTRICAL HORN	PED MP	2		562777
C 517						C 582					
C 518						C 583	LH DASH PANEL – MASTER KEY SW.	DEUTSCH	2	562486	562485
C 519						C 584	FR. SERVICE COMPT – HORN PNEU. VALVE	PNEUMAC	3		562848
C 520						C 585	RH CONSOLE – ENT. DOOR LOCK VALVE	PNEUTECH	2		563147
C 521						C 586	FR SERVICE COMPT – ACC. PNEU.VALVE	PNEUMAC	3		562848
C 522	FR JCT BOX – DAYTIME LTS MODULE	BOSCH	5		561183	C 587					
C 523						C 588					
C 524	FR JCT BOX – FUSE BLOCK	PED	8	562647	562646	C 589	FR. MIRROR LH	CONXALL	8	563163	563088
C 525	FR JCT BOX – FUSE BLOCK	PED	8	562647	562646	C 590	FR. MIRROR RH	CONXALL	8	563163	563088
C 526	FR JCT BOX – FUSE BLOCK	PED	8	562647	562646	C 591	LH CONSOLE – LH MIRROR SW.	EURAMT.	8		562749
C 527	FR JCT BOX – FUSE BLOCK	PED	8	562647	562646	C 592	LH CONSOLE – RH MIRROR SW.	EURAMT.	8		562749
C 528						C 593					
C 529						C 594	FRONT ROOF – DRIVER'S LTS	LEEKRAFT	2	-----	562803
C 530						C 595					
C 531						C 596					
C 532						C 597	LH DASH PANEL – DISPLAY SET SW.	MOLEX	5		562905
C 533						C 598	LH DASH PANEL – DISPLAY SET SW.	MOLEX	5		562905
C 534						C 599	UND. DASH – MAGN. SW CTR POS. DR'S AIR	AMP MNL	2	561248	561247
C 535						C 600					
C 536						C 601					
C 537	A/C JCT BOX RESISTOR SIGN. RLY	AMP MNL	2	561248	561247	C 602					
C 538	FR SERV. CPT RH – OUTSIDE TEMP. SENS	AMP MNL	2	561248	561247	C 603					
C 539	HVAC DASH MODULE OUTPUT CONN.	MOLEY	24		562780	C 604					
C 540	HVAC DASH MODULE INPUT CONN.	MOLEY	22		562781	C 605					
C 541						C 606					
C 542						C 607	FR SERVICE COMPT – RPM SIGNAL (SPARE)	PED WP	2	561566	561690
C 543						C 608	FR SERV. COMPT – SPEED SIGNAL (SPARE)	PED WP	2	561566	561690
C 544						CS	FR SERVICE CPT - ECU WOLRD TR.	PED MP	32		562817
C 545						CT	FR SERVICE CPT - ECU WORLD TR.	PED MP	32		562824
C 546						CV	FR SERVICE CPT - ECU WORLD TR.	PED MP	32		562823
C 547						CX	CLUSTER	JAE	5		562957
C 548	LH DASH PANEL – T.T.LT TEST SW.	EATON	12		562763	CX 1	FR SERVICE CPT - ECU ABS	AMP JN	15		563200
C 549						CX 2	FR SERVICE CPT - ECU ABS	AMP JN	18		563201
C 550						CY	CLUSTER	JAE	30		562765
C 551						LX	CLUSTER	JAE	22		562766
C 552						LY	CLUSTER	JAE	30		562767
C 553						RX	CLUSTER	JAE	30		562767
C 554											
C 555											
C 556											
C 557											
C 558											
C 559											
C 560											
C 561											
C 562											
C 563											
C 564											
C 565											
C 566											
C 567											
C 568											
C 569											
C 570	UNDER DASH PANEL – T.T.LT MODULE	MOLEX	6		562464						
C 571	UNDER DASH PANEL – T.T.LT MODULE	MOLEX	20		562778						
C 572	UNDER DASH PANEL – T.T.LT MODULE	MOLEX	18		562779						
C 573	UNDER DASH PANEL – T.T.LT MODULE	MOLEX	8		562465						
C 574											
C 575											
C 576											
C 577											
C 578											
C 579											

CONNECTORS CODE

NO	LOCATION	TYPE	CAVITY	#PIN	#SOCKET	NO	LOCATION	TYPE	CAVITY	#PIN	#SOCKET
				HOUSING	HOUSING					HOUSING	HOUSING
AA 1	UNDER DASH PANEL-TAG AXLE SONALERT	BOSCH	5	-----	561183	C 65	ENGINE CPT - PRESS SW FAN CLUTCH	PED WP	2	561566	561690
C 1	FR JCT BOX COMPARTMENT	AMP CPC	14	561585	561584	C 66					
C 2	FR JCT BOX COMPARTIMENT	AMP CPC	16	561639	561640	C 67					
C 3	FR JCT BOX COMPARTIMENT	AMP CPC	37	561644	561646	C 68					
C 4	FR JCT BOX COMPARTIMENT	AMP CPC	24	561641	561643	C 69					
C 5	FR SERVICE COMPT. - UNDERNEATH	AMP CPC	37	561645	561646	C 70	LH CONSOLE	AMP CPC	16	561639	561640
C 6	FR SERVICE COMPT. - UNDERNEATH	AMP CPC	16	561639	561640	C 71	FR JCT BOX COMPT.	AMP CPC	37	561645	561646
C 7	FR SERVICE COMPT - CLUTCH SW	ITT SS	3	561080	561111	C 72	FR JCT BOX COMPT.	AMP CPC	24	561642	561643
C 8	FR SERVICE COMPT. - UNDERNEATH	AMP CPC	24	561642	561643	C 73					
C 9	FR SERVICE COMPT. - UNDERNEATH	AMP CPC	24	561642	561643	C 74	FR JCT BOX COMPT.	AMP CPC	37	561645	561646
C 10	FR SERVICE DOOR ACCESS.	DEUTSCH	5	562565	562566	C 75					
C 11	FR SERV. CPT ACCESS	AMP CPC	37	561645	561646	C 76	ENGINE CMPT. FIRE DETECTOR	DEUTSCH	2	562486	562485
C 12	FR SERV. CPT ACCESS	AMP CPC	16	561639	561640	C 77	ENGINE CMPT. FIRE DETECTOR	DEUTSCH	2	562486	562485
C 13	FR SERV. CPT ACCESS	AMP CPC	9	561635	561637	C 78					
C 14						C 79					
C 15	LUGGAGE CPT (184)-MARK. SUPPL.	DEUTSCH	4	562479	562477	C 80					
C 16	LH CONSOLE SW-CRUISE ON/OFF	EATON	12	-----	562763	C 81	LUGGAGE COMPT - DOOR LOCK	AMP MNL	4	560851	560852
C 17	LH CONSOLE SW-CRUISE RESUME	EATON	12		562763	C 82	LUGGAGE COMPT - DOOR LOCK	AMP MNL	4	560851	560852
C 18	LH CONSOLE SW-CRUISE SET	EATON	12		562763	C 83	LUGGAGE COMPT - DOOR LOCK	AMP MNL	4	560851	560852
C 19	LH CONSOLE SW-DECEL SW	EATON	12		562763	C 84	LUGGAGE COMPT - DOOR LOCK	AMP MNL	4	560851	560852
C 20	RR JCT BOX	DEUTSCH	70	562282	562285	C 85	LUGGAGE COMPT - DOOR LOCK	AMP MNL	4	560851	560852
C 21	ENGINE COMPT - LOCK DOOR MOT.	PED WP	2		562076	C 86	LUGGAGE COMPT - DOOR LOCK	AMP MNL	4	560851	560852
C 22	LUGGAGE COMPT (A) - A/C & FUEL TANK	AMP CPC	16	561639	561640	C 87					
C 23	LUGGAGE COMPT (1) - LUGG. ACCESS.	AMP CPC	24	561642	561643	C 88					
C 24	ENGINE COMPT. - INTERF RJB	PED WP	6	561606	561607	C 89					
C 25						C 90					
C 26	ENGINE COMPT. ACCESS	DEUTSCH	40	562281	562284	C 91					
C 27	ENGINE COMPT. - INTERF. RJB	DEUTSCH	6	562583	562581	C 92	FR JCT BOX COMPT - ABS	AMP CPC	9	561635	561637
C 28	LUGGAGE COMPT(4) - LUGG. ACCESS	AMP CPC	24	561642	561643	C 93					
C 29	FR SERVICE COMPT - E.C.U. FEED	PED WP	3	561781	561782	C 94					
C 30	ENGINE COMPT - MASTER SW. SIGN.	DEUTSCH	2	562486	562485	C 95	ENTRANCE DOOR ACCESS	DEUTSCH	6	562583	562581
C 31						C 96	FR SERVICE DOOR ACCESS	AMP MNL	9	561670	561669
C 32						C 97	FR SERVICE DOOR - WATER TANK	PED MP	20		562426
C 33	ENGINE DDEC II - SPEED SIGN SPARE	PED WP	2	561566	561690	C 98					
C 34						C 99	FR SERVICE CPT. LTS	AMP MNL	2	561248	561247
C 35	A/C COMPT - AIR RETURN SENSOR	AMP MNL	2	561248	561247	C 100					
C 36						C 101	FR SERVICE COMPT. ELEC. HORNS	PED WP	2	561566	561690
C 37						C 101	CONDENSER COMPT - A/C PRES. SW 1SP	PED WP	2	561566	561690
C 38						C 102	CONDENS. COMPT - LIQU. SOL. VAL. PRES.	PED WP	2	561566	561690
C 39						C 103					
C 40						C 104					
C 41	ENGINE COMPT - RH DOOR LOCK	DEUTSCH	4	562479	562477	C 105	UNDER DASH RH - DRV LIO SOL VL	PED WP	2	561566	561690
C 42	ENGINE COMPT - RR CAP LIGHTING	DEUTSCH	6	562583	562581	C 106	UNDER DASH RH - DRV WTR VALVE	PED WP	2	561566	561690
C 43	FR JCT BOX - ALT. MODULE	AMP MNL	12	561735	561734	C 107					
C 44	ENGINE COMPT - LIGHTS	PED WP	1	561605	561577	C 108					
C 45	FR JCT BOX COMPT - ROOF ACCESS	AMP CPC	24	561642	561643	C 109					
C 46						C 110					
C 47						C 111					
C 48	FR SERV. CPT. PRESS SW PARK BRAKE	DEUTSCH	4	562479	562477	C 112					
C 49						C 113					
C 50						C 114	ENGINE DDEC - SPEED SIGNAL (SPARG)	PED WP	2	561566	561690
C 51						C 115	RR JCT BOX - ENGINE ACCESS	DEUTSCH	40	562281	562284
C 52	ENGINE COMPT - COMPRESSOR	PED WP	2	561566	561690	C 116					
C 53	ENGINE COMPT - COMPRESSOR	PED WP	2	561566	561690	C 117					
C 54						C 118	ENGINE COMPT - LICENCE	DOM. AUT	2	930210	
C 55	CENTRAL DOOR LOCK	DEUTSCH	4	562479	562477	C 119	ENGINE COMPT - RH LOWER LAMP	PED WP	6	561606	561607
C 56						C 120	ENGINE COMPT - LH LOWER LAMP	PED WP	6	561606	561607
C 57						C 121					
C 58						C 122					
C 59						C 123					
C 60						C 124					
C 61	ENGINE COMPT - FUEL FILTER	PED WP	2	561566	561690	C 125					
C 62	ENGINE COMPT - COMPRESSOR STD	PED WP	2	561566	561690	C 126					
C 63	ENGINE COMPT - COMPRESSOR STD	PED WP	2	561566	561690	C 127					
C 64											

CONNECTORS CODE

NO	LOCATION	TYPE	CAVITY	#PIN	#SOCKET	NO	LOCATION	TYPE	CAVITY	#PIN	#SOCKET
				HOUSING	HOUSING					HOUSING	HOUSING
C 128						C 193					
C 129						C 194					
C 130						C 195					
C 131						C 196					
C 132						C 197					
C 133						C 198					
C 134	FR JCT BOX – DIODE CONN.	AMP MNL	15	561987	561986	C 199					
C 135	FR JCT BOX – DIODE CONN.	AMP MNL	15	561987	561986	C 200					
C 136	FR JCT BOX – DIODE CONN.	AMP MNL	15	561987	561986	C 201					
C 137						C 202					
C 138						C 203					
C 139						C 204					
C 140	HVAC DASH MODULE THERMOMETER	MOLEX	4		562782	C 205					
C 141	RR DASH PANEL – LTS CONN. (SPARE)	AMP MNL	2	561248	561247	C 206					
C 142	ENGINE COMPT. B/U ALARM	PED WP	2	561566	561690	C 207					
C 143						C 208					
C 144						C 209					
C 145						C 210					
C 146						C 211	FR ROOF – SUN VISOR LH	AMP MNL	2	560900	560898
C 147						C 212	FR ROOF – SUN VISOR RH	AMP MNL	2	560900	560898
C 148						C 213					
C 149						C 214					
C 150						C 215					
C 151						C 216					
C 152						C 217					
C 153						C 218					
C 154						C 219					
C 155	EVAPORATOR CPT – WATER VALVE	BURKERT	3		563204	C 220					
C 156						C 221					
C 157	FR SERV. CPT – WATER PUMP DR'S	PED WP	3	561781	561782	C 222					
C 158						C 223	HEAD LIGHTS - FLASHER	DEUTSCH	5	562565	562566
C 159						C 224	HEAD LIGHTS	PED MP	3		562099
C 160	FR SERVICE CPT - INTERFACE	AMP CPC	37	561644	561646	C 225	FOG LIGHTS	DEUTSCH	3	562902	562901
C 161	ENGINE DDEC - ECM	PED MP	30		561600	C 226	FLASHER – (FR)	PED	3	562137	
C 162	ENGINE DDEC - ACCESSORIES	PED WP	4	561610	561611	C 227					
C 163	ENGINE CPT - COOLANT PROBE	PED MP	2		562350	C 228					
C 164						C 229					
C 165						C 230					
C 166						C 231					
C 167	FR SERVICE CPT - EL. FOOT PEDAL	PED WP	3	561781	561782	C 232					
C 168	FR SERVICE CPT - DDR	DEUTSCH	6	562360		C 233					
C 169	FR SERVICE CPT - WORLD TR. INTERFACE	AMP CPC	16	561639	561640	C 234					
C 170	FR JCT BOX FLASHER UNIT	PED	2		561940	C 235					
C 171	LH CONSOLE	AMP CPC	24	561642	561643	C 236	FR SERVICE CPT CENTER - ABS	AMP CPC	14	561636	561637
C 172	FR SERVICE COMPT - LEVEL LOW	AMP CPC	9	561637		C 237	FR AXLE CPT - ABS RH SENSOR	WABCO	2	641132	
C 173						C 238	FR AXLE CPT - ABS RH VALVE	WABCO	3	641098	
C 174						C 239	FR AXLE CPT - ABS LH VALVE	WABCO	3	641098	
C 175						C 240	FR AXLE CPT - ABS LH SENSOR	WABCO	2	641132	
C 176	UNDER DASH RH – WIPER PULSE	AMP FF	6		561186	C 241	LAST LUGGAGE COMPT - ABS	PED WP	6	561606	561607
C 177	UNDER DASH RH – WIPER MOTOR	AMP FF	6		561186	C 242	DRIVE AXLE CPT - ABS LH SENSOR	WABCO	2	641132	
C 178						C 243	DRIVE AXLE CPT - ABS LH VALVE	WABCO	3	641098	
C 179						C 244	DRIVE AXLE CPT - ABS RH VALVE	WABCO	3	641098	
C 180						C 245	DRIVE AXLE CPT - ABS RH SENSOR	WABCO	2	641132	
C 181						C 246	DRIVE AXLE CPT - ABS SPARE	PED WP	2	561566	561690
C 182						C 247					
C 183						C 248	LAST LUGGAGE CPT - ABS	PED WP	6	561606	561607
C 184						C 249	FR SERVICE CPT - ABS/DDEC	PED WP	2	561566	561690
C 185						C 250					
C 186						C 251	LH SW PANEL – FAST IDLE	EATON	12		562763
C 187	FR SERVICE JCT BOX - RESISTORS	AMP MNL	6	561552	561515	C 252	LUGGAGE COMPT. – WINDOW AJAR	MOLEX	4	561477	561476
C 188						C 253	LH SWITCH PANEL - ETHER	EATON	12		562763
C 189						C 254					
C 190						C 255	LH SWITCH PANEL – ENGINE BRAKE	EATON	12		562763
C 191						C 256					
C 192						C 257					

CONNECTORS CODE

NO	LOCATION	TYPE	CAVITY	#PIN	#SOCKET	NO	LOCATION	TYPE	CAVITY	#PIN	#SOCKET
				HOUSING	HOUSING					HOUSING	HOUSING
C 258	LH SWITCH PANEL – MULTI FUNC. SW	AMP FF	8	561188		C 321	UNDER DASH RH - KEYLESS MODULE	AMP COM	26		562676
C 259	LH SWITCH PANEL – MULTI FUNC. SW	AMP FF	6		561186	C 322	UNDER DASH RH - KEYLESS MODULE	AMP COM	22		562675
C 260						C 323	DRIVER'S WINDOW MOTOR	PED	2		561848
C 261						C 324					
C 262						C 325					
C 263	LUGGAGE COMPT. LTS COMPT #3	AMP MNL	2	561248	561247	C 326	ENGINE MANUEL TRANSM. (SPARC)	PED WP	4	561610	561611
C 264	LUGGAGE COMPT. LTS COMPT #2	AMP MNL	2	561248	561247	C 327					
C 265	LUGGAGE COMPT. LTS COMPT #1	AMP MNL	2	561248	561247	C 328					
C 266	ENTRANCE DOOR KEYLESS	AMP CPC	14	561585	561583	C 329					
C 267	UNDER DASH RH – KEYLESS PANEL	AMP CPC	24	561642	561643	C 330					
C 268	FR MIRROR RH	CONXALL	5	563091	563090	C 331					
C 269	FR MIRROR LH	CONXALL	5	563091	563090	C 332					
C 270	LUGGAGE COMPT LTS - 3 LH	AMP MNL	2	561248	561247	C 333					
C 271	LUGGAGE COMPT LTS - 4	AMP MNL	2	561248	561247	C 334					
C 272						C 335					
C 273						C 336					
C 274						C 337					
C 275						C 338					
C 276	UNDER DASH RH – 3 WAY LTS DR'S	EATON	12		562763	C 339					
C 277	LH SWITCH PANEL DOCK & CORN. SW.	EATON	12		562763	C 340	FR JCT BOX – FIRE PIEZO ALARM	AMP MNL	2	560900	560898
C 278	LH SWITCH PANEL – B/U CANCEL	EATON	12		562763	C 341	LH SWITCH PANEL – HEAT MIRROR SW.	EATON	12		562763
C 279	FR SERVICE COMPT LH – STEERING ZF	DEUTSCH	2		562485	C 342					
C 280	ENGINE COMPT - COMPRESSOR STD	PED WP	2	561566	561690	C 343	LH SWITCH PANEL – HEAD LAMP SW.	EATON	12		562763
C 281	LH CONSOLE – LEVEL LOW	AMP MNL	4	560851	560852	C 344	LH SWITCH PANEL – HAZARD LT SW.	EATON	12		562763
C 282	FR SERVICE COMPT – STEERING ZF	VOLVO	2		562928	C 345	LH SWITCH PANEL – FOG LT SW.	EATON	12		562763
C 283						C 346					
C 284						C 347					
C 285						C 348	INSTR. PANEL CENT. – RACOR MODULE	MOLEX	6	562070	562069
C 286						C 349					
C 287						C 350					
C 288						C 351					
C 289						C 352					
C 290	LUGGAGE CPT - DOOR LOCK	AMP MNL	4	560851	560852	C 353					
C 291	LUGGAGE CPT - DOOR LOCK	AMP MNL	4	560851	560852	C 354					
C 292	FR SERVICE CPT LEVEL LOW	PNEUMAC	2		641385	C 355					
C 293	FR SERVICE CPT LEVEL LOW	PNEUMAC	2		641385	C 356					
C 294	FR SERVICE CPT LEVEL LOW	PNEUMAC	2		641385	C 357					
C 295	FR SERVICE CPT LEVEL LOW	PNEUMAC	2		641385	C 358					
C 296	FR SERVICE CPT LEVEL LOW	PNEUMAC	2		641385	C 359	RH SWITCH PANEL – ENT. DOOR WIND. SW.	EATON	12		562763
C 297						C 360	ENTRANCE WINDOW MOTOR	PED	2		561848
C 298						C 361					
C 299						C 362					
C 300						C 363					
C 301						C 364					
C 302						C 365					
C 303	RR JCT BOX - DIODES	AMP MNL	15	561987	561986	C 366					
C 304						C 367					
C 305						C 368					
C 306						C 369					
C 307						C 370					
C 308						C 371					
C 309	ENGINE DDEC - ECM POWER	PED MP	5		562345	C 372					
C 310	LH CONSOLE SW – LUG. DOOR LOCK	EATON	12		562763	C 373					
C 311						C 374					
C 312	ENGINE DDEC III - ACCESSORIES	PED WP	3	561781	561782	C 375					
C 313	ENGINE DDEC III - INPUT	PED MP	3	562398		C 376					
C 314						C 377	LH SWITCH PANEL – STOP ENGINE OVERRIDE	EATON	12		562763
C 315	LH SWITCH PANEL – LH SUN VISOR SW.	EATON	12		562763	C 378					
C 316						C 379					
C 317	LH SWITCH PANEL – RH SUN VISOR SW.	EATON	12		562763	C 380					
C 318	LH CONSOLE SW – DR'S WINDOW SW.	EATON	12		562763	C 381	UNDER DASH PANEL – ANTI THIELED	AMP MNL	2	561248	561247
C 319						C 382	ENGINE GENERATOR (1)	PED WP	1	561605	561577
C 320	RT SWITCH PANEL – DRIVER'S LTS SW.	EATON	12		562763	C 383	ENGINE COMPT – VOLTAGE REGULATOR	PED WP	1	561605	561577
						C 384					
						C 385					

CONNECTORS CODE

NO	LOCATION	TYPE	CAVITY	#PIN	#SOCKET	NO	LOCATION	TYPE	CAVITY	#PIN	#SOCKET
				HOUSING	HOUSING					HOUSING	HOUSING
C 386						C 451					
C 387	ENGINE COMPT. - BY-PASS VALVE	PED WP	2	561566	561690	C 452					
C 388						C 453					
C 389	ENGINE COMPT. - WATER PUMP	PED WP	2	561566	561690	C 454					
C 390	ENGINE COMPT. - A/C JCT. BOX	DEUTSCH	24	562280	562283	C 455					
C 391	CONDENSER COMPT. A/C PRESS SW 2 SP	PED WP	2	561566	561690	C 456	WORLD TRANS. - RETARDER ACCUM.	PED MP	2		562427
C 392						C 457	WORLD TRANS. - MAIN CONNECTOR	DEUTSCH	31	562572	562536
C 393						C 458	WORLD TRANS. - TURBINE SP. SENS.	PED MP	2		562426
C 394						C 459	WORLD TRANS. - ENGINE SP. SENS.	PED MP	2		562426
C 395						C 460	WORLD TRANS. - SPEED SENSOR	ITT	2		562541
C 396						C 461	WORLD TRANS. - RETARDER TEMP.	PED MP	2		562856
C 397						C 462	WORLD TRANS. - RETARDER SOL. "K"	PED MP	2		562426
C 398						C 463	WORLD TRANS. - SENSOR CONN.	DEUTSCH	16	562570	562571
C 399	ENGINE GENERATOR (2)	PED WP	2	561566	561690	C 464	RR JCT BOX - DDL CONN	DEUTSCH	6		565360
C 400	ENGINE COMPT. - BLOCK HEATER	PED WP	3	561781	561782	C 465	LH CONSOLE - SHIFTER SELECTOR	PED	20		562825
C 401						C 466	FR SERVICE CPT - RESIS. MOD.	PED WP	3		562428
C 402						C 467	FR SERVICE CPT - RESIS. MOD.	PED WP	3		562428
C 403						C 468	FR SERVICE CPT - RET. HAND LEVER	AMP FF	8	561188	562363
C 404						C 469	FR SERVICE CPT - RET. HAND LEVER	AMP FF	8	561188	562363
C 405						C 470					
C 406						C 471					
C 407						C 472	FR SERVICE CPT - SILENT 1000	PED WP	2	561566	561690
C 408						C 473					
C 409						C 474	DRIVER'S TEMP SENSOR	AMP MNL	2	561248	561247
C 410						C 475	FR SERVICE CPT - SPEED SIGN. CONNECT.	DEUTSCH	6	562583	562581
C 411						C 475W	FR SERVICE CPT - SPEED SIGN. W. TR.	DEUTSCH	6	562583	562581
C 412						C 476					
C 413						C 477					
C 414						C 478					
C 415						C 479	UNDER DASH - HVAC DASH MODULE	MOLEX	3		562783
C 416						C 480	UNDER DASH RH - DR'S FAN SPEED CTR	PED WP	4	561889	561890
C 417						C 481	UNDER DASH RH - DR'S FAN SPEED CTR	PED WP	3	561781	561782
C 418						C 482					
C 419						C 483	FR SERVICE CPT - ELECTRICAL SEAT	PED	2	562237	
C 420						C 484	UNDER DASH LH - FOOT DAMPER MOTOR	PED	2		562076
C 421						C 485	UNDER DASH LH - DASH & DEFR. DAMP. M.	AMP MNL	3	561667	561558
C 422						C 486					
C 423						C 487					
C 424	UNDER DASH- AUDIBLE FLASHER	AMP MNL	3	561667	561550	C 488					
C 425						C 489					
C 426	ENGINE S60 RAD. FAN CLUTCH	PED WP	3	561781	561782	C 490					
C 427						C 491					
C 428	RH SW PANEL - DASH LTS RHEOSTAT	AMP MNL	3	561667	561550	C 492					
C 429						C 493					
C 430						C 494					
C 431						C 495					
C 432						C 496					
C 433						C 497					
C 434						C 498					
C 435						C 499					
C 436						C 500	FR JCT PANEL - PRODRIVER	MOLEX	6	562070	562069
C 437						C 501					
C 438						C 502					
C 439						C 503					
C 440						C 504					
C 441						C 505					
C 442						C 506	LH CONSOLE - LEVEL LOW SW.	EATON	12		562763
C 443						C 507					
C 444						C 508	RR JCT BOX - FAN CLUTCH RETARDER	AMP MNL	6	561552	561515
C 445						C 509					
C 446						C 510					
C 447						C 511					
C 448						C 512					
C 449						C 513					
C 450						C 514					

CONNECTORS CODE

NO	LOCATION	TYPE	CAVITY	#PIN	#SOCKET	NO	LOCATION	TYPE	CAVITY	#PIN	#SOCKET
				HOUSING	HOUSING					HOUSING	HOUSING
C 515						C 580					
C 516						C 581	LH DASH PANEL – ELECTRICAL HORN	PED MP	2		562777
C 517						C 582					
C 518						C 583	LH DASH PANEL – MASTER KEY SW.	DEUTSCH	2	562486	562485
C 519						C 584	FR. SERVICE COMPT – HORN PNEU. VALVE	PNEUMAC	3		562848
C 520						C 585	RH CONSOLE – ENT. DOOR LOCK VALVE	PNEUTECH	2		563147
C 521						C 586	FR SERVICE COMPT – ACC. PNEU.VALVE	PNEUMAC	3		562848
C 522	FR JCT BOX – DAYTIME LTS MODULE	BOSCH	5		561183	C 587					
C 523						C 588					
C 524	FR JCT BOX – FUSE BLOCK	PED	8	562647	562646	C 589	FR. MIRROR LH	CONXALL	8	563163	563088
C 525	FR JCT BOX – FUSE BLOCK	PED	8	562647	562646	C 590	FR. MIRROR RH	CONXALL	8	563163	563088
C 526	FR JCT BOX – FUSE BLOCK	PED	8	562647	562646	C 591	LH CONSOLE – LH MIRROR SW.	EURAMT.	8		562749
C 527	FR JCT BOX – FUSE BLOCK	PED	8	562647	562646	C 592	LH CONSOLE – RH MIRROR SW.	EURAMT.	8		562749
C 528						C 593					
C 529						C 594	FRONT ROOF – DRIVER'S LTS	LEEKRAFT	2	-----	562803
C 530						C 595					
C 531						C 596					
C 532						C 597	LH DASH PANEL – DISPLAY SET SW.	MOLEX	5		562905
C 533						C 598	LH DASH PANEL – DISPLAY SET SW.	MOLEX	5		562905
C 534						C 599	UND. DASH – MAGN. SW CTR POS. DR'S AIR	AMP MNL	2	561248	561247
C 535						C 600					
C 536						C 601					
C 537	A/C JCT BOX RESISTOR SIGN. RLY	AMP MNL	2	561248	561247	C 602					
C 538	FR SERV. CPT RH – OUTSIDE TEMP. SENS	AMP MNL	2	561248	561247	C 603					
C 539	HVAC DASH MODULE OUTPUT CONN.	MOLEY	24		562780	C 604					
C 540	HVAC DASH MODULE INPUT CONN.	MOLEY	22		562781	C 605					
C 541						C 606					
C 542						C 607	FR SERVICE COMPT – RPM SIGNAL (SPARE)	PED WP	2	561566	561690
C 543						C 608	FR SERV. COMPT – SPEED SIGNAL (SPARE)	PED WP	2	561566	561690
C 544						CS	FR SERVICE CPT - ECU WOLRD TR.	PED MP	32		562817
C 545						CT	FR SERVICE CPT - ECU WORLD TR.	PED MP	32		562824
C 546						CV	FR SERVICE CPT - ECU WORLD TR.	PED MP	32		562823
C 547						CX	CLUSTER	JAE	5		562957
C 548	LH DASH PANEL – T.T.LT TEST SW.	EATON	12		562763	CX 1	FR SERVICE CPT - ECU ABS	AMP JN	15		563200
C 549						CX 2	FR SERVICE CPT - ECU ABS	AMP JN	18		563201
C 550						CY	CLUSTER	JAE	30		562765
C 551						LX	CLUSTER	JAE	22		562766
C 552						LY	CLUSTER	JAE	30		562767
C 553						RX	CLUSTER	JAE	30		562767
C 554											
C 555											
C 556											
C 557											
C 558											
C 559											
C 560											
C 561											
C 562											
C 563											
C 564											
C 565											
C 566											
C 567											
C 568											
C 569											
C 570	UNDER DASH PANEL – T.T.LT MODULE	MOLEX	6		562464						
C 571	UNDER DASH PANEL – T.T.LT MODULE	MOLEX	20		562778						
C 572	UNDER DASH PANEL – T.T.LT MODULE	MOLEX	18		562779						
C 573	UNDER DASH PANEL – T.T.LT MODULE	MOLEX	8		562465						
C 574											
C 575											
C 576											
C 577											
C 578											
C 579											

CONNECTORS CODE

NO	LOCATION	TYPE	CAVITY	#PIN	#SOCKET	NO	LOCATION	TYPE	CAVITY	#PIN	#SOCKET
				HOUSING	HOUSING					HOUSING	HOUSING
AA 1	UNDER DASH PANEL-TAG AXLE SONALERT	BOSCH	5	-----	561183	C 65	ENGINE CPT - PRESS SW FAN CLUTCH	PED WP	2	561566	561690
C 1	FR JCT BOX COMPARTMENT	AMP CPC	14	561585	561584	C 66					
C 2	FR JCT BOX COMPARTIMENT	AMP CPC	16	561638	561640	C 67					
C 3	FR JCT BOX COMPARTIMENT	AMP CPC	37	561644	561646	C 68					
C 4	FR JCT BOX COMPARTIMENT	AMP CPC	24	561641	561643	C 69					
C 5	FR SERVICE COMPT. - UNDERNEATH	AMP CPC	37	561645	561646	C 70	LH CONSOLE	AMP CPC	16	561639	561640
C 6	FR SERVICE COMPT. - UNDERNEATH	AMP CPC	16	561639	561640	C 71	FR JCT BOX COMPT.	AMP CPC	37	561645	561646
C 7	FR SERVICE COMPT - CLUTCH SW	ITT SS	3	561080	561111	C 72	FR JCT BOX COMPT.	AMP CPC	24	561642	561643
C 8	FR SERVICE COMPT. - UNDERNEATH	AMP CPC	24	561642	561643	C 73					
C 9	FR SERVICE COMPT. - UNDERNEATH	AMP CPC	24	561642	561643	C 74	FR JCT BOX COMPT.	AMP CPC	37	561645	561646
C 10	FR SERVICE DOOR ACCESS.	DEUTSCH	5	562565	562566	C 75					
C 11	FR SERV. CPT ACCESS	AMP CPC	37	561645	561646	C 76	ENGINE CMPT. FIRE DETECTOR	DEUTSCH	2	562486	562485
C 12	FR SERV. CPT ACCESS	AMP CPC	16	561639	561640	C 77	ENGINE CMPT. FIRE DETECTOR	DEUTSCH	2	562486	562485
C 13	FR SERV. CPT ACCESS	AMP CPC	9	561635	561637	C 78					
C 14						C 79					
C 15	LUGGAGE CPT (184)-MARK. SUPPL.	DEUTSCH	4	562479	562477	C 80					
C 16	LH CONSOLE SW-CRUISE ON/OFF	EATON	12	-----	562763	C 81	LUGGAGE COMPT - DOOR LOCK	AMP MNL	4	560851	560852
C 17	LH CONSOLE SW-CRUISE RESUME	EATON	12		562763	C 82	LUGGAGE COMPT - DOOR LOCK	AMP MNL	4	560851	560852
C 18	LH CONSOLE SW-CRUISE SET	EATON	12		562763	C 83	LUGGAGE COMPT - DOOR LOCK	AMP MNL	4	560851	560852
C 19	LH CONSOLE SW-DECEL SW	EATON	12		562763	C 84	LUGGAGE COMPT - DOOR LOCK	AMP MNL	4	560851	560852
C 20	RR JCT BOX	DEUTSCH	70	562282	562285	C 85	LUGGAGE COMPT - DOOR LOCK	AMP MNL	4	560851	560852
C 21	ENGINE COMPT - LOCK DOOR MOT.	PED WP	2		562076	C 86	LUGGAGE COMPT - DOOR LOCK	AMP MNL	4	560851	560852
C 22	LUGGAGE COMPT (A) - A/C & FUEL TANK	AMP CPC	16	561639	561640	C 87					
C 23	LUGGAGE COMPT (1) - LUGG. ACCESS.	AMP CPC	24	561642	561643	C 88					
C 24	ENGINE COMPT. - INTERF RJB	PED WP	6	561606	561607	C 89					
C 25						C 90					
C 26	ENGINE COMPT. ACCESS	DEUTSCH	40	562281	562284	C 91					
C 27	ENGINE COMPT. - INTERF. RJB	DEUTSCH	6	562583	562581	C 92	FR JCT BOX COMPT - ABS	AMP CPC	9	561635	561637
C 28	LUGGAGE COMPT(4) - LUGG. ACCESS	AMP CPC	24	561642	561643	C 93					
C 29	FR SERVICE COMPT - E.C.U. FEED	PED WP	3	561781	561782	C 94					
C 30	ENGINE COMPT - MASTER SW. SIGN.	DEUTSCH	2	562486	562485	C 95	ENTRANCE DOOR ACCESS	DEUTSCH	6	562583	562581
C 31						C 96	FR SERVICE DOOR ACCESS	AMP MNL	9	561670	561669
C 32						C 97	FR SERVICE DOOR - WATER TANK	PED MP	20		562426
C 33	ENGINE DDEC II - SPEED SIGN SPARE	PED WP	2	561566	561690	C 98					
C 34						C 99	FR SERVICE CPT. LTS	AMP MNL	2	561248	561247
C 35	A/C COMPT - AIR RETURN SENSOR	AMP MNL	2	561248	561247	C 100					
C 36						C 101	FR SERVICE COMPT. ELEC. HORNS	PED WP	2	561566	561690
C 37						C 101	CONDENSER COMPT - A/C PRES. SW 1SP	PED WP	2	561566	561690
C 38						C 102	CONDENS. COMPT - LIQU. SOL. VAL. PRES.	PED WP	2	561566	561690
C 39						C 103					
C 40						C 104					
C 41	ENGINE COMPT - RH DOOR LOCK	DEUTSCH	4	562479	562477	C 105	UNDER DASH RH - DRV LIO SOL VL	PED WP	2	561566	561690
C 42	ENGINE COMPT - RR CAP LIGHTING	DEUTSCH	6	562583	562581	C 106	UNDER DASH RH - DRV WTR VALVE	PED WP	2	561566	561690
C 43	FR JCT BOX - ALT. MODULE	AMP MNL	12	561735	561734	C 107					
C 44	ENGINE COMPT - LIGHTS	PED WP	1	561605	561577	C 108					
C 45	FR JCT BOX COMPT - ROOF ACCESS	AMP CPC	24	561642	561643	C 109					
C 46						C 110					
C 47						C 111					
C 48	FR SERV. CPT. PRESS SW PARK BRAKE	DEUTSCH	4	562479	562477	C 112					
C 49						C 113					
C 50						C 114	ENGINE DDEC - SPEED SIGNAL (SPARG)	PED WP	2	561566	561690
C 51						C 115	RR JCT BOX - ENGINE ACCESS	DEUTSCH	40	562281	562284
C 52	ENGINE COMPT - COMPRESSOR	PED WP	2	561566	561690	C 116					
C 53	ENGINE COMPT - COMPRESSOR	PED WP	2	561566	561690	C 117					
C 54	FRONT ROOF - FAN UPPER DEFROST	AMP MNL	6	561552	561515	C 118	ENGINE COMPT - LICENCE	DOM. AUT	2	930210	
C 55	CENTRAL DOOR LOCK	DEUTSCH	4	562479	562477	C 119	ENGINE COMPT - RH LOWER LAMP	PED WP	6	561606	561607
C 56						C 120	ENGINE COMPT - LH LOWER LAMP	PED WP	6	561606	561607
C 57						C 121					
C 58						C 122					
C 59						C 123					
C 60						C 124					
C 61	ENGINE COMPT - FUEL FILTER	PED WP	2	561566	561690	C 125					
C 62	ENGINE COMPT - COMPRESSOR STD	PED WP	2	561566	561690	C 126					
C 63	ENGINE COMPT - COMPRESSOR STD	PED WP	2	561566	561690	C 127					
C 64											

CONNECTORS CODE

NO	LOCATION	TYPE	CAVITY	#PIN	#SOCKET	NO	LOCATION	TYPE	CAVITY	#PIN	#SOCKET
				HOUSING	HOUSING					HOUSING	HOUSING
C 128						C 193					
C 129						C 194					
C 130						C 195					
C 131						C 196					
C 132						C 197					
C 133						C 198					
C 134	FR JCT BOX – DIODE CONN.	AMP MNL	15	561987	561986	C 199					
C 135	FR JCT BOX – DIODE CONN.	AMP MNL	15	561987	561986	C 200					
C 136	FR JCT BOX – DIODE CONN.	AMP MNL	15	561987	561986	C 201					
C 137						C 202					
C 138						C 203					
C 139						C 204					
C 140	HVAC DASH MODULE THERMOMETER	MOLEX	4		562782	C 205					
C 141	RR DASH PANEL – LTS CONN. (SPARE)	AMP MNL	2	561248	561247	C 206					
C 142	ENGINE COMPT. B/U ALARM	PED WP	2	561566	561690	C 207					
C 143						C 208					
C 144						C 209					
C 145						C 210					
C 146						C 211	FR ROOF – SUN VISOR LH	AMP MNL	2	560900	560898
C 147						C 212	FR ROOF – SUN VISOR RH	AMP MNL	2	560900	560898
C 148						C 213					
C 149						C 214					
C 150						C 215					
C 151						C 216					
C 152						C 217					
C 153						C 218					
C 154						C 219					
C 155	EVAPORATOR CPT – WATER VALVE	BURKERT	3		563204	C 220					
C 156						C 221					
C 157	FR SERV. CPT – WATER PUMP DR'S	PED WP	3	561781	561782	C 222					
C 158						C 223	HEAD LIGHTS - FLASHER	DEUTSCH	5	562565	562566
C 159						C 224	HEAD LIGHTS	PED MP	3		562099
C 160	FR SERVICE CPT - INTERFACE	AMP CPC	37	561644	561646	C 225	FOG LIGHTS	DEUTSCH	3	562902	562901
C 161	ENGINE DDEC - ECM	PED MP	30		561600	C 226	FLASHER – (FR)	PED	3	562137	
C 162	ENGINE DDEC - ACCESSORIES	PED WP	4	561610	561611	C 227					
C 163	ENGINE CPT - COOLANT PROBE	PED MP	2		562350	C 228					
C 164						C 229					
C 165						C 230					
C 166						C 231					
C 167	FR SERVICE CPT - EL. FOOT PEDAL	PED WP	3	561781	561782	C 232					
C 168	FR SERVICE CPT - DDR	DEUTSCH	6	562360		C 233					
C 169	FR SERVICE CPT - WORLD TR. INTERFACE	AMP CPC	16	561639	561640	C 234					
C 170	FR JCT BOX FLASHER UNIT	PED	2		561940	C 235					
C 171	LH CONSOLE	AMP CPC	24	561642	561643	C 236	FR SERVICE CPT CENTER - ABS	AMP CPC	14	561636	561637
C 172	FR SERVICE COMPT - LEVEL LOW	AMP CPC	9	561637		C 237	FR AXLE CPT - ABS RH SENSOR	WABCO	2	641132	
C 173						C 238	FR AXLE CPT - ABS RH VALVE	WABCO	3	641098	
C 174						C 239	FR AXLE CPT - ABS LH VALVE	WABCO	3	641098	
C 175						C 240	FR AXLE CPT - ABS LH SENSOR	WABCO	2	641132	
C 176	UNDER DASH RH – WIPER PULSE	AMP FF	6		561186	C 241	LAST LUGGAGE COMPT - ABS	PED WP	6	561606	561607
C 177	UNDER DASH RH – WIPER MOTOR	AMP FF	6		561186	C 242	DRIVE AXLE CPT - ABS LH SENSOR	WABCO	2	641132	
C 178						C 243	DRIVE AXLE CPT - ABS LH VALVE	WABCO	3	641098	
C 179						C 244	DRIVE AXLE CPT - ABS RH VALVE	WABCO	3	641098	
C 180						C 245	DRIVE AXLE CPT - ABS RH SENSOR	WABCO	2	641132	
C 181						C 246	DRIVE AXLE CPT - ABS SPARE	PED WP	2	561566	561690
C 182						C 247					
C 183						C 248	LAST LUGGAGE CPT - ABS	PED WP	6	561606	561607
C 184						C 249	FR SERVICE CPT - ABS/DDEC	PED WP	2	561566	561690
C 185						C 250					
C 186						C 251	LH SW PANEL – FAST IDLE	EATON	12		562763
C 187	FR SERVICE JCT BOX - RESISTORS	AMP MNL	6	561552	561515	C 252	LUGGAGE COMPT. – WINDOW AJAR	MOLEX	4	561477	561476
C 188						C 253	LH SWITCH PANEL - ETHER	EATON	12		562763
C 189						C 254					
C 190						C 255	LH SWITCH PANEL – ENGINE BRAKE	EATON	12		562763
C 191						C 256					
C 192						C 257					

CONNECTORS CODE

NO	LOCATION	TYPE	CAVITY	#PIN	#SOCKET	NO	LOCATION	TYPE	CAVITY	#PIN	#SOCKET
				HOUSING	HOUSING					HOUSING	HOUSING
C 258						C 321	UNDER DASH RH - KEYLESS MODULE	AMP COM	26		562676
C 258	LH SWITCH PANEL - MULTI FUNC. SW	AMP FF	8	561188		C 322	UNDER DASH RH - KEYLESS MODULE	AMP COM	22		562675
C 259						C 323	DRIVER'S WINDOW MOTOR	PED	2		561848
C 259	LH SWITCH PANEL - MULTI FUNC. SW	AMP FF	6		561186	C 324	LH SWITCH PANEL - UPPER FAN DEFROST	EATON	12		562763
C 260						C 325					
C 261						C 326	ENGINE MANUEL TRANS. (SPARC)	PED WP	4	561610	561611
C 262						C 327					
C 263	LUGGAGE COMPT. LTS COMPT #3	AMP MNL	2	561248	561247	C 328					
C 264	LUGGAGE COMPT. LTS COMPT #2	AMP MNL	2	561248	561247	C 329					
C 265	LUGGAGE COMPT. LTS COMPT #1	AMP MNL	2	561248	561247	C 330					
C 266	ENTRANCE DOOR KEYLESS	AMP CPC	14	561585	561583	C 331					
C 267	UNDER DASH RH - KEYLESS PANEL	AMP CPC	24	561642	561643	C 332					
C 268	FR MIRROR RH	CONXALL	5	563091	563090	C 333					
C 269	FR MIRROR LH	CONXALL	5	563091	563090	C 334					
C 270	LUGGAGE COMPT LTS - 3 LH	AMP MNL	2	561248	561247	C 335					
C 271	LUGGAGE COMPT LTS - 4	AMP MNL	2	561248	561247	C 336					
C 272						C 337					
C 273						C 338					
C 274						C 339					
C 275						C 340	FR JCT BOX - FIRE PIEZO ALARM	AMP MNL	2	560900	560898
C 276	UNDER DASH RH - 3 WAY LTS DR'S	EATON	12		562763	C 341	LH SWITCH PANEL - HEAT MIRROR SW.	EATON	12		562763
C 277	LH SWITCH PANEL DOCK & CORN. SW.	EATON	12		562763	C 342					
C 278	LH SWITCH PANEL - B/U CANCEL	EATON	12		562763	C 343	LH SWITCH PANEL - HEAD LAMP SW.	EATON	12		562763
C 279	FR SERVICE COMPT LH - STEERING ZF	DEUTSCH	2		562485	C 344	LH SWITCH PANEL - HAZARD LT SW.	EATON	12		562763
C 280	ENGINE COMPT - COMPRESSOR STD	PED WP	2	561566	561690	C 345	LH SWITCH PANEL - FOG LT SW.	EATON	12		562763
C 281	LH CONSOLE - LEVEL LOW	AMP MNL	4	560851	560852	C 346					
C 282	FR SERVICE COMPT - STEERING ZF	VOLVO	2		562928	C 347					
C 283						C 348	INSTR. PANEL CENT. - RACOR MODULE	MOLEX	6	562070	562069
C 284						C 349					
C 285						C 350					
C 286						C 351					
C 287						C 352					
C 288						C 353					
C 289						C 354					
C 290	LUGGAGE CPT - DOOR LOCK	AMP MNL	4	560851	560852	C 355					
C 291	LUGGAGE CPT - DOOR LOCK	AMP MNL	4	560851	560852	C 356					
C 292	FR SERVICE CPT LEVEL LOW	PNEUMAC	2		641385	C 357					
C 293	FR SERVICE CPT LEVEL LOW	PNEUMAC	2		641385	C 358					
C 294	FR SERVICE CPT LEVEL LOW	PNEUMAC	2		641385	C 359	RH SWITCH PANEL - ENT. DOOR WIND. SW.	EATON	12		562763
C 295	FR SERVICE CPT LEVEL LOW	PNEUMAC	2		641385	C 360	ENTRANCE WINDOW MOTOR	PED	2		561848
C 296	FR SERVICE CPT LEVEL LOW	PNEUMAC	2		641385	C 361					
C 297						C 362					
C 298						C 363					
C 299						C 364					
C 300						C 365					
C 301						C 366					
C 302						C 367					
C 303	RR JCT BOX - DIODES	AMP MNL	15	561987	561986	C 368					
C 304						C 369					
C 305						C 370					
C 306						C 371					
C 307						C 372					
C 308						C 373					
C 309	ENGINE DDEC - ECM POWER	PED MP	5		562345	C 374					
C 310	LH CONSOLE SW - LUG. DOOR LOCK	EATON	12		562763	C 375					
C 311						C 376					
C 312	ENGINE DDEC III - ACCESSORIES	PED WP	3	561781	561782	C 377	LH SWITCH PANEL - STOP ENGINE OVERRIDE	EATON	12		562763
C 313	ENGINE DDEC III - INPUT	PED MP	3	562398		C 378					
C 314						C 379					
C 315	LH SWITCH PANEL - LH SUN VISOR SW.	EATON	12		562763	C 380					
C 316						C 381	UNDER DASH PANEL - ANTI THILED	AMP MNL	2	561248	561247
C 317	LH SWITCH PANEL - RH SUN VISOR SW.	EATON	12		562763	C 382	ENGINE GENERATOR (1)	PED WP	1	561605	561577
C 318	LH CONSOLE SW - DR'S WINDOW SW.	EATON	12		562763	C 383	ENGINE COMPT - VOLTAGE REGULATOR	PED WP	1	561605	561577
C 319						C 384					
C 320	RT SWITCH PANEL - DRIVER'S LTS SW.	EATON	12		562763	C 385					

CONNECTORS CODE

NO	LOCATION	TYPE	CAVITY	#PIN	#SOCKET	NO	LOCATION	TYPE	CAVITY	#PIN	#SOCKET
				HOUSING	HOUSING					HOUSING	HOUSING
C 386						C 451					
C 387	ENGINE COMPT. - BY-PASS VALVE	PED WP	2	561566	561690	C 452					
C 388						C 453					
C 389	ENGINE COMPT. - WATER PUMP	PED WP	2	561566	561690	C 454					
C 390	ENGINE COMPT. - A/C JCT. BOX	DEUTSCH	24	562280	562283	C 455					
C 391	CONDENSER COMPT. A/C PRESS SW 2 SP	PED WP	2	561566	561690	C 456	WORLD TRANS. - RETARDER ACCUM.	PED MP	2		562427
C 392						C 457	WORLD TRANS. - MAIN CONNECTOR	DEUTSCH	31	562572	562536
C 393						C 458	WORLD TRANS. - TURBINE SP. SENS.	PED MP	2		562426
C 394						C 459	WORLD TRANS. - ENGINE SP. SENS.	PED MP	2		562426
C 395						C 460	WORLD TRANS. - SPEED SENSOR	ITT	2		562541
C 396						C 461	WORLD TRANS. - RETARDER TEMP.	PED MP	2		562856
C 397						C 462	WORLD TRANS. - RETARDER SOL. "K"	PED MP	2		562426
C 398						C 463	WORLD TRANS. - SENSOR CONN.	DEUTSCH	16	562570	562571
C 399	ENGINE GENERATOR (2)	PED WP	2	561566	561690	C 464	RR JCT BOX - DDL CONN	DEUTSCH	6		565360
C 400	ENGINE COMPT. - BLOCK HEATER	PED WP	3	561781	561782	C 465	LH CONSOLE - SHIFTER SELECTOR	PED	20		562825
C 401						C 466	FR SERVICE CPT - RESIS. MOD.	PED WP	3		562428
C 402						C 467	FR SERVICE CPT - RESIS. MOD.	PED WP	3		562428
C 403						C 468	FR SERVICE CPT - RET. HAND LEVER	AMP FF	8	561188	562363
C 404						C 469	FR SERVICE CPT - RET. HAND LEVER	AMP FF	8	561188	562363
C 405						C 470					
C 406						C 471					
C 407						C 472	FR SERVICE CPT - SILENT 1000	PED WP	2	561566	561690
C 408						C 473					
C 409						C 474	DRIVER'S TEMP SENSOR	AMP MNL	2	561248	561247
C 410						C 475	FR SERVICE CPT - SPEED SIGN. CONNECT.	DEUTSCH	6	562583	562581
C 411						C 475W	FR SERVICE CPT - SPEED SIGN. W. TR.	DEUTSCH	6	562583	562581
C 412						C 476					
C 413						C 477					
C 414						C 478					
C 415						C 479	UNDER DASH - HVAC DASH MODULE	MOLEX	3		562783
C 416						C 480	UNDER DASH RH - DR'S FAN SPEED CTR	PED WP	4	561889	561890
C 417						C 481	UNDER DASH RH - DR'S FAN SPEED CTR	PED WP	3	561781	561782
C 418						C 482					
C 419						C 483	FR SERVICE CPT - ELECTRICAL SEAT	PED	2	562237	
C 420						C 484	UNDER DASH LH - FOOT DAMPER MOTOR	PED	2		562076
C 421						C 485	UNDER DASH LH - DASH & DEFR. DAMP. M.	AMP MNL	3	561667	561558
C 422						C 486					
C 423						C 487					
C 424	UNDER DASH- AUDIBLE FLASHER	AMP MNL	3	561667	561550	C 488					
C 425						C 489					
C 426	ENGINE S60 RAD. FAN CLUTCH	PED WP	3	561781	561782	C 490					
C 427						C 491					
C 428	RH SW PANEL - DASH LTS RHEOSTAT	AMP MNL	3	561667	561550	C 492					
C 429						C 493					
C 430						C 494					
C 431						C 495					
C 432						C 496					
C 433						C 497					
C 434						C 498					
C 435						C 499					
C 436						C 500	FR JCT PANEL - PRODRIVER	MOLEX	6	562070	562069
C 437						C 501					
C 438						C 502					
C 439						C 503					
C 440						C 504					
C 441						C 505					
C 442						C 506	LH CONSOLE - LEVEL LOW SW.	EATON	12		562763
C 443						C 507					
C 444						C 508	RR JCT BOX - FAN CLUTCH RETARDER	AMP MNL	6	561552	561515
C 445						C 509					
C 446						C 510					
C 447						C 511					
C 448						C 512					
C 449						C 513					
C 450						C 514					

CONNECTORS CODE

NO	LOCATION	TYPE	CAVITY	#PIN	#SOCKET	NO	LOCATION	TYPE	CAVITY	#PIN	#SOCKET
				HOUSING	HOUSING					HOUSING	HOUSING
C 515						C 580					
C 516						C 581	LH DASH PANEL – ELECTRICAL HORN	PED MP	2		562777
C 517						C 582					
C 518						C 583	LH DASH PANEL – MASTER KEY SW.	DEUTSCH	2	562486	562485
C 519						C 584	FR. SERVICE COMPT – HORN PNEU. VALVE	PNEUMAC	3		562848
C 520						C 585	RH CONSOLE – ENT. DOOR LOCK VALVE	PNEUTECH	2		563147
C 521						C 586	FR SERVICE COMPT – ACC. PNEU.VALVE	PNEUMAC	3		562848
C 522	FR JCT BOX – DAYTIME LTS MODULE	BOSCH	5		561183	C 587					
C 523						C 588					
C 524	FR JCT BOX – FUSE BLOCK	PED	8	562647	562646	C 589	FR. MIRROR LH	CONXALL	8	563163	563088
C 525	FR JCT BOX – FUSE BLOCK	PED	8	562647	562646	C 590	FR. MIRROR RH	CONXALL	8	563163	563088
C 526	FR JCT BOX – FUSE BLOCK	PED	8	562647	562646	C 591	LH CONSOLE – LH MIRROR SW.	EURAMT.	8		562749
C 527	FR JCT BOX – FUSE BLOCK	PED	8	562647	562646	C 592	LH CONSOLE – RH MIRROR SW.	EURAMT.	8		562749
C 528						C 593					
C 529						C 594	FRONT ROOF – DRIVER'S LTS	LEEKRAFT	2	-----	562803
C 530						C 595					
C 531						C 596					
C 532						C 597	LH DASH PANEL – DISPLAY SET SW.	MOLEX	5		562905
C 533						C 598	LH DASH PANEL – DISPLAY SET SW.	MOLEX	5		562905
C 534						C 599	UND. DASH – MAGN. SW CTR POS. DR'S AIR	AMP MNL	2	561248	561247
C 535						C 600					
C 536						C 601					
C 537	A/C JCT BOX RESISTOR SIGN. RLY	AMP MNL	2	561248	561247	C 602					
C 538	FR SERV. CPT RH – OUTSIDE TEMP. SENS	AMP MNL	2	561248	561247	C 603					
C 539	HVAC DASH MODULE OUTPUT CONN.	MOLEY	24		562780	C 604					
C 540	HVAC DASH MODULE INPUT CONN.	MOLEY	22		562781	C 605					
C 541						C 606					
C 542						C 607	FR SERVICE COMPT – RPM SIGNAL (SPARE)	PED WP	2	561566	561690
C 543						C 608	FR SERV. COMPT – SPEED SIGNAL (SPARE)	PED WP	2	561566	561690
C 544						CS	FR SERVICE CPT - ECU WOLRD TR.	PED MP	32		562817
C 545						CT	FR SERVICE CPT - ECU WORLD TR.	PED MP	32		562824
C 546						CV	FR SERVICE CPT - ECU WORLD TR.	PED MP	32		562823
C 547						CX	CLUSTER	JAE	5		562957
C 548	LH DASH PANEL – T.T.LT TEST SW.	EATON	12		562763	CX 1	FR SERVICE CPT - ECU ABS	AMP JN	15		563200
C 549						CX 2	FR SERVICE CPT - ECU ABS	AMP JN	18		563201
C 550						CY	CLUSTER	JAE	30		562765
C 551						LX	CLUSTER	JAE	22		562766
C 552						LY	CLUSTER	JAE	30		562767
C 553						RX	CLUSTER	JAE	30		562767
C 554											
C 555											
C 556											
C 557											
C 558											
C 559											
C 560											
C 561											
C 562											
C 563											
C 564											
C 565											
C 566											
C 567											
C 568											
C 569											
C 570	UNDER DASH PANEL – T.T.LT MODULE	MOLEX	6		562464						
C 571	UNDER DASH PANEL – T.T.LT MODULE	MOLEX	20		562778						
C 572	UNDER DASH PANEL – T.T.LT MODULE	MOLEX	18		562779						
C 573	UNDER DASH PANEL – T.T.LT MODULE	MOLEX	8		562465						
C 574											
C 575											
C 576											
C 577											
C 578											
C 579											

DIODES NUMBER CODE

No.	PAGE	AMP	#PREV.	LOCATION	FUNCTION	No.	PAGE	AMP	#PREV.	LOCATION	FUNCTION
D 1	20.1	3A	561740	FR JCT BOX	CENTER DOOR LOCK SIGNAL	D 58					
D 2	15.1	3A	063849	FR JCT BOX	WATER PUMP RRE-HEAT SIGN	D 59					
D 3	15.1	3A	063849	FR JCT BOX	WATER PUMP	D 60	15.1,15.2	3A	561740	RR JCT BOX	A/C COMPR. CLUTCH
D 4	9.2	3A	561740	FR JCT BOX	WARNING HAZARD -RH	D 61					
D 5	9.2	3A	561740	FR JCT BOX	WARNING HAZARD -LH	D 62					
D 6	12.1	3A	561740	KEYLESS MODULE PANEL	ENTRANCE DOOR LOCK	D 63					
D 7	12.1	3A	561740	KEYLESS MODULE PANEL	LUCKAGE DOOR LOCK	D 64					
D 8						D 65					
D 9						D 66					
D 10						D 67					
D 11						D 68					
D 12						D 69					
D 13						D 70					
D 14						D 71					
D 15						D 72					
D 16	9.1	3A	561740	FR JCT BOX	DAYTIME RUNNING LTS	D 73					
D 17	9.2	3A	561740	FR JCT BOX	TURN SIGNAL LT-LH	D 74					
D 18	9.2	3A	561740	FR JCT BOX	TURN SIGNAL LT-RH	D 75					
D 19	9.1	3A	561740	FR JCT BOX	DAYTIME RUNNING LTS	D 76					
D 20	9.1	3A	561740	FR JCT BOX	DAYTIME RUNNING LTS	D 77					
D 21	9.2	3A	561740	UNDER DASH	AUDIBLE FLASHER RLY LH	D 78					
D 22	9.2	3A	561740	UNDER DASH	AUDIBLE FLASHER RLY RH	D 79					
D 23						D 80					
D 24	8.1	3A	561740	RR JCT BOX	FAN CLUTCH RADIATOR	D 81					
D 25	8.1	3A	561740	RR JCT BOX	FAN CLUTCH RADIATOR	D 82					
D 26	18.1	3A	560931	FR SERVICE CPT.	LEVEL LOW SYSTEM	D 83	8.1	3A	561740	RR JCT BOX	RAD. FAN CLUTCH W. A/C OR RETARDER
D 27	18.1	3A	560931	FR SERVICE CPT.	LEVEL LOW SYSTEM						
D 27	9.3	3A	561740	RR JCT BOX	AUX LTS-TAIL						
D 28	9.3	3A	561740	RR JCT BOX	AUX LTS-STOP						
D 29											
D 30	4.1	3A	561740	FR JCT BOX	MASTER KEY SW. CUT-OFF						
D 31	4.1	3A	561740	FR JCT BOX	MASTER KEY SW. CUT-OFF						
D 32	9.2	3A	561740	FR JCT BOX	HAZARD MASTER RLY CUT OUT						
D 33											
D 34	15.3	3A	561740	FR JCT BOX	A/C WATER VALVE						
D 35	15.3	3A	561740	FR JCT BOX	A/C WATER VALVE						
D 36	15.2	3A	561740	EVAP. CPT.	BY-PASS VALVE						
D 37											
D 38											
D 39											
D 40											
D 41											
D 42											
D 43											
D 44											
D 45											
D 46											
D 47											
D 48											
D 49											
D 50											
D 51											
D 52											
D 53											
D 54											
D 55											
D 56											
D 57											

DIODES NUMBER CODE

No.	PAGE	AMP	#PREV.	LOCATION	FUNCTION	No.	PAGE	AMP	#PREV.	LOCATION	FUNCTION
D 1	20.1	3A	561740	FR JCT BOX	CENTER DOOR LOCK SIGNAL	D 58					
D 2	15.1	3A	063849	FR JCT BOX	WATER PUMP RRE-HEAT SIGN	D 59					
D 3	15.1	3A	063849	FR JCT BOX	WATER PUMP	D 60	15.1,15.2	3A	561740	RR JCT BOX	A/C COMPR. CLUTCH
D 4	9.2	3A	561740	FR JCT BOX	WARNING HAZARD -RH	D 61					
D 5	9.2	3A	561740	FR JCT BOX	WARNING HAZARD -LH	D 62					
D 6	12.1	3A	561740	KEYLESS MODULE PANEL	ENTRANCE DOOR LOCK	D 63					
D 7	12.1	3A	561740	KEYLESS MODULE PANEL	LUCKAGE DOOR LOCK	D 64					
D 8	12.1	3A	561740	KEYLESS MODULE PANEL	LUCKAGE DOOR LOCK	D 65					
D 9						D 66					
D 10						D 67					
D 11						D 68					
D 12						D 69					
D 13						D 70					
D 14						D 71					
D 15						D 72					
D 16	9.1	3A	561740	FR JCT BOX	DAYTIME RUNNING LTS	D 73					
D 17	9.2	3A	561740	FR JCT BOX	TURN SIGNAL LT-LH	D 74					
D 18	9.2	3A	561740	FR JCT BOX	TURN SIGNAL LT-RH	D 75					
D 19	9.1	3A	561740	FR JCT BOX	DAYTIME RUNNING LTS	D 76					
D 20	9.1	3A	561740	FR JCT BOX	DAYTIME RUNNING LTS	D 77					
D 21	9.2	3A	561740	UNDER DASH	AUDIBLE FLASHER RLY LH	D 78					
D 22	9.2	3A	561740	UNDER DASH	AUDIBLE FLASHER RLY RH	D 79					
D 23						D 80					
D 24	8.1	3A	561740	RR JCT BOX	FAN CLUTCH RADIATOR	D 81					
D 25	8.1	3A	561740	RR JCT BOX	FAN CLUTCH RADIATOR	D 82					
D 26	18.1	3A	560931	FR SERVICE CPT.	LEVEL LOW SYSTEM	D 83	8.1	3A	561740	RR JCT BOX	RAD. FAN CLUTCH W. A/C OR RETARDER
D 27	18.1	3A	560931	FR SERVICE CPT.	LEVEL LOW SYSTEM						
D 27	9.3	3A	561740	RR JCT BOX	AUX LTS-TAIL						
D 28	9.3	3A	561740	RR JCT BOX	AUX LTS-STOP						
D 29											
D 30	4.1	3A	561740	FR JCT BOX	MASTER KEY SW. CUT-OFF						
D 31	4.1	3A	561740	FR JCT BOX	MASTER KEY SW. CUT-OFF						
D 32	9.2	3A	561740	FR JCT BOX	HAZARD MASTER RLY CUT OUT						
D 33											
D 34	15.3	3A	561740	FR JCT BOX	A/C WATER VALVE						
D 35	15.3	3A	561740	FR JCT BOX	A/C WATER VALVE						
D 36	15.2	3A	561740	EVAP. CPT.	BY-PASS VALVE						
D 37											
D 38											
D 39											
D 40											
D 41											
D 42											
D 43											
D 44											
D 45											
D 46											
D 47											
D 48											
D 49											
D 50											
D 51											
D 52											
D 53											
D 54											
D 55											
D 56											
D 57											

RELAYS NUMBER CODE

No.	PAGE	COIL V	#PREV.	LOCATION	FUNCTION	No.	PAGE	COIL V	#PREV.	LOCATION	FUNCTION
R 1	1.1	24V	561991	FR JCT BOX	IGNITION (24) FR	R 63					
R 2	12.1	12V	562092	UNDER DASH R.H.	UNLOCK ENTRANCE DOOR	R 64					
R 3	12.1	12V	562092	UNDER DASH R.H.	ENTRANCE DOOR OPEN SIGNAL	R 65					
R 4	4.1	24V	561005	RR JCT BOX	STARTING MOTOR	R 66	11.2	24V	562341	UNDER DASH R.H.	DRIVER'S LIGHT TIME DELAY
R 5	5.1	24V	561707	FR JCT BOX	CRUISE CTR BRAKE CUT-OFF	R 67					
R 6	4.1	24V	561707	UNDER DASH R.H.	ANTI-THIEF STARTING	R 68					
R 7	5.1	24V	561707	FR JCT BOX	DDEC FAST IDLE SIGNAL	R 69	12.1	12V	562092	RR JCT BOX	LUGG DOOR LOCK
R 8	11.2	24V	561707	UNDER DASH R.H.	DRIVER'S LIGHT SIGNAL FROM KEYLESS	R 70	12.1	12V	562092	RR JCT BOX	LUGG DOOR UNLOCK
R 9	9.3	24V	561707	RR JCT BOX	BACK-UP LTS	R 71	12.1	24V	561707	FR JCT BOX	LUGG DOOR UNLOCK TT LT
R 10	12.1	12V	562092	UNDER DASH R.H.	LOCK ENTRANCE DOOR	R 72					
R 11						R 73					
R 12	7.2	12V	562092	FR JCT BOX	ELECTRICAL HORNS	R 74	12.1	12V	562092	RR JCT BOX	LUGG DOOR LOCK
R 13	9.3	24V	561707	FR JCT BOX	FOG LTS-12V	R 75	12.1	12V	562092	RR JCT BOX	LUGG DOOR UNLOCK
R 14	9.1	24V	561707	FR JCT BOX	BLINKER	R 76	9.3	24V	561707	RR JCT BOX	STOP LTS-ENGINE BRK & RETARDER SYST.
R 15						R 77	9.2	12V	562092	UNDER DASH	AUDIBLE FLASHER RLY
R 16	9.1	24V	561707	FR JCT BOX	FRONT CLEARANCE LIGHT	R 78	8.1	24V	561707	RR JCT BOX	DDEC FAN CONTROL SPEED#1
R 17	9.1	24V	561707	RR JCT BOX	TAIL LICENCE. RR LTS	R 79	8.1	24V	561707	RR JCT BOX	DDEC FAN CONTROL SPEED#2
R 18	9.1	24V	561707	FR JCT BOX	DAYTIME RUN LTS-CUT-OUT	R 80					
R 19	9.1	24V	561707	FR JCT BOX	HI-BEAM	R 81					
R 20	9.1	24V	561707	FR JCT BOX	LO-BEAM	R 82	21.1	24V	561707	FR JCT BOX	RETARDER SYSTEM
R 21	9.2	24V	561707	FR JCT BOX	LH DIRECTIONNAL LTS	R 83	14.1	24V	561707	RR JCT BOX	WATER HEATER- WEBASTO
R 22						R 84	15.2	24V	561707	RR JCT BOX	HVAC ON-OFF SIGNAL (FULL AIR)
R 23	9.2	24V	561707	FR JCT BOX	RH DIRECTIONNAL LTS	R 85					
R 24	9.2	24V	561707	FR JCT BOX	RH CORNERING	R 86	15.2	24V	561707	RR JCT BOX	HVAC MODE COOL/HEAT
R 25	9.2	24V	561707	FR JCT BOX	LH CORNERING	R 87	21.1	24V	561707	FR JCT BOX	ENGINE BRAKE SYS. -W/T CTR
R 26	9.3	24V	561707	RR JCT BOX	STOP LTS	R 88	4.1	12V	561538	FR JCT BOX	LATCHING 24V CUT OUT SW.
R 27						R 89	15.3	24V	561707	FR JCT BOX	WATER PUMP RELAY
R 28	11.2	24V	561707	FR JCT BOX	DASH LTS RHEOSTAT	R 90					
R 29	15.3	24V	561005	A/C JCT BOX	CONDENSER FAN	R 91					
R 30						R 92					
R 31	15.3	24V	561707	FR JCT BOX	WATER VALVE & BYPASS (FULL AIR)	R 93					
R 32	1.1	24V	561991	POWER JCT BOX	12 V. CUT-OUT REAR	R 94	9.3	24V	561707	RR JCT BOX	AUX READ LAMP-LH
R 33						R 95	9.3	24V	561707	RR JCT BOX	AUX READ LAMP-RH
R 34	15.1	24V	561707	RR JCT BOX	A/C RAD. FAN CLUTCH (DRIVER'S AIR)	R 96					
R 35	15.1	24V	561707	FR JCT BOX	WATER PUMP (DRIVER'S AIR)	R 97					
R 36	15.1	24V	561707	RR JCT BOX	WATER PUMP (FULL AIR)	R 98					
R 37						R 99	8.1	24V	561707	RR JCT BOX	RADIATOR FAN CLUTCH
R 38						R F 1	8.1	24V	561707	RR JCT BOX	FAN CLUTCH SP#1 OPT. RETARDER
R 39						R F 2	8.1	24V	561707	RR JCT BOX	FAN CLUTCH SP#2 OPT. RETARDER
R 40	15.3	24V	561005	A/C JCT BOX	CONDENSER FAN	R F 3	8.1	24V	560772	RR JCT BOX	TIME DELAY FAN CLUTCH
R 41	15.3	24V	561005	A/C JCT BOX	CONDENSER FAN	R F 4	8.1	24V	561707	RR JCT BOX	FAN CLUTCH SP2- STD A/C NO RET
R 42	1.1	24V	561991	POWER JCT BOX	12 V. CUT-OUT FRONT	V IM1	6.1	12V	562092	FR JCT BOX	VIM WORLD TR.-OUTPUT 1 SPEED INTERLOCK
R 43						V IM2	6.1	12V	562092	FR JCT BOX	VIM WORLD TR.-OUTPUT 2 ENG. BRK DISABLE
R 44	1.1	24V	561991	POWER JCT BOX	12 V. CUT-OUT FRONT	V IM3	6.1	12V	562092	FR JCT BOX	VIM WORLD TR.-OUTPUT 3
R 45						V IM4	6.1	12V	562092	FR JCT BOX	VIM WORLD TR.-OUTPUT 4 RETARD. ON SIGNAL
R 46						V IMN	6.1	12V	562092	FR JCT BOX	VIM WORLD TR.-NEUTRAL SIGNAL
R 47						V IMR	6.1	12V	562092	FR JCT BOX	VIM WORLD TR.-B/U SIGNAL
R 48											
R 49	22.1	24V	561707	FR JCT BOX	ABS - ENGINE BRAKE						
R 50											
R 51	11.2	24V	561707	FR JCT BOX	DRIVER'S LTS KEYLERSS ALARM						
R 52	22.1	24V	561707	FR JCT BOX	ABS - RETARDER						
R 53	1.1	24V	561991	RR JCT BOX	IGNITION 24V RR						
R 54	2.1	24V	561707	RR JCT BOX	IGNITION 12V RR						
R 55											
R 56											
R 57											
R 58											
R 59											
R 60											
R 61											
R 62											

RELAYS NUMBER CODE

No. PAGE COIL V #PREV. LOCATION FUNCTION

No. PAGE COIL V #PREV. LOCATION FUNCTION

RELAYS NUMBER CODE

No.	PAGE	COIL V	#PREV.	LOCATION	FUNCTION	No.	PAGE	COIL V	#PREV.	LOCATION	FUNCTION
R1	1.1	24V	561991	FR JCT BOX	IGNITION (24) FR	R63					
R2	12.1	12V	562092	UNDER DASH R.H.	UNLOCK ENTRANCE DOOR	R64					
R3	12.1	12V	562092	UNDER DASH R.H.	ENTRANCE DOOR OPEN SIGNAL	R65					
R4	4.1	24V	561005	RR JCT BOX	STARTING MOTOR	R66	11.2	24V	562341	UNDER DASH R.H.	DRIVER'S LIGHT TIME DELAY
R5	5.1	24V	561707	FR JCT BOX	CRUISE CTR BRAKE CUT-OFF	R67					
R6	4.1	24V	561707	UNDER DASH R.H.	ANTI-THIEF STARTING	R68					
R7	5.1	24V	561707	FR JCT BOX	DDEC FAST IDLE SIGNAL	R69	12.1	12V	562092	RR JCT BOX	LUGG DOOR LOCK
R8	11.2	24V	561707	UNDER DASH R.H.	DRIVER'S LIGHT SIGNAL FROM KEYLESS	R70	12.1	12V	562092	RR JCT BOX	LUGG DOOR UNLOCK
R9	9.3	24V	561707	RR JCT BOX	BACK-UP LTS	R71	12.1	24V	561707	FR JCT BOX	LUGG DOOR UNLOCK TT LT
R10	12.1	12V	562092	UNDER DASH R.H.	LOCK ENTRANCE DOOR	R72					
R11						R73					
R12	7.2	12V	562092	FR JCT BOX	ELECTRICAL HORNS	R74	12.1	12V	562092	RR JCT BOX	LUGG DOOR LOCK
R13	9.3	24V	561707	FR JCT BOX	FOG LTS-12V	R75	12.1	12V	562092	RR JCT BOX	LUGG DOOR UNLOCK
R14	9.1	24V	561707	FR JCT BOX	BLINKER	R76	9.3	24V	561707	RR JCT BOX	STOP LTS-ENGINE BRK & RETARDER SYST.
R15						R77	9.2	12V	562092	UNDER DASH	AUDIBLE FLASHER RLY
R16	9.1	24V	561707	FR JCT BOX	FRONT CLEARANCE LIGHT	R78	8.1	24V	561707	RR JCT BOX	DDEC FAN CONTROL SPEED#1
R17	9.1	24V	561707	RR JCT BOX	TAIL.LICENCE. RR LTS	R79	8.1	24V	561707	RR JCT BOX	DDEC FAN CONTROL SPEED#2
R18	9.1	24V	561707	FR JCT BOX	DAYTIME RUN LTS-CUT-OUT	R80					
R19	9.1	24V	561707	FR JCT BOX	HI-BEAM	R81					
R20	9.1	24V	561707	FR JCT BOX	LO-BEAM	R82	21.1	24V	561707	FR JCT BOX	RETARDER SYSTEM
R21	9.2	24V	561707	FR JCT BOX	LH DIRECTIONNAL LTS	R83	14.1	24V	561707	RR JCT BOX	WATER HEATER- WEBASTO
R22						R84	15.2	24V	561707	RR JCT BOX	HVAC ON-OFF SIGNAL (FULL AIR)
R23	9.2	24V	561707	FR JCT BOX	RH DIRECTIONNAL LTS	R85					
R24	9.2	24V	561707	FR JCT BOX	RH CORNERING	R86	15.2	24V	561707	RR JCT BOX	HVAC MODE COOL/HEAT
R25	9.2	24V	561707	FR JCT BOX	LH CORNERING	R87	21.1	24V	561707	FR JCT BOX	ENGINE BRAKE SYS. -W/T CTR
R26	9.3	24V	561707	RR JCT BOX	STOP LTS	R88	4.1	12V	561538	FR JCT BOX	LATCHING 24V CUT OUT SW.
R27						R89	15.3	24V	561707	FR JCT BOX	WATER PUMP RELAY
R28	11.2	24V	561707	FR JCT BOX	DASH LTS RHEOSTAT	R90					
R29	15.3	24V	561005	A/C JCT BOX	CONDENSER FAN	R91					
R30						R92					
R31	15.3	24V	561707	FR JCT BOX	WATER VALVE & BYPASS (FULL AIR)	R93					
R32	1.1	24V	561991	POWER JCT BOX	12 V. CUT-OUT REAR	R94	9.3	24V	561707	RR JCT BOX	AUX READ LAMP-LH
R33						R95	9.3	24V	561707	RR JCT BOX	AUX READ LAMP-RH
R34	15.1	24V	561707	RR JCT BOX	A/C RAD. FAN CLUTCH (DRIVER'S AIR)	R96					
R35	15.1	24V	561707	FR JCT BOX	WATER PUMP (DRIVER'S AIR)	R97					
R36	15.1	24V	561707	FR JCT BOX	WATER PUMP (FULL AIR)	R98					
R37						R 99	8.1	24V	561707	RR JCT BOX	RADIATOR FAN CLUTCH
R38						R107					
R39						RF1	8.1	24V	561707	RR JCT BOX	FAN CLUTCH SP#1 OPT. RETARDER
R40	15.3	24V	561005	A/C JCT BOX	CONDENSER FAN	RF2	8.1	24V	561707	RR JCT BOX	FAN CLUTCH SP#2 OPT. RETARDER
R41	15.3	24V	561005	A/C JCT BOX	CONDENSER FAN	RF3	8.1	24V	560772	RR JCT BOX	TIME DELAY FAN CLUTCH
R42	1.1	24V	561991	POWER JCT BOX	12 V. CUT-OUT FRONT	RF4	8.1	24V	561707	RR JCT BOX	FAN CLUTCH SP2- STD A/C NO RET
R43						V IM1	6.1	12V	562092	FR JCT BOX	VIM WORLD TR.-OUTPUT 1 SPEED INTERLOCK
R44	1.1	24V	561991	POWER JCT BOX	12 V. CUT-OUT FRONT	V IM2	6.1	12V	562092	FR JCT BOX	VIM WORLD TR.-OUTPUT 2 ENG. BRK DISABLE
R45						V IM3	6.1	12V	562092	FR JCT BOX	VIM WORLD TR.-OUTPUT 3
R46						V IM4	6.1	12V	562092	FR JCT BOX	VIM WORLD TR.-OUTPUT 4 RETARD. ON SIGNAL
R47						V IMN	6.1	12V	562092	FR JCT BOX	VIM WORLD TR.-NEUTRAL SIGNAL
R48						V IMR	6.1	12V	562092	FR JCT BOX	VIM WORLD TR.-B/U SIGNAL
R49	22.1	24V	561707	FR JCT BOX	ABS - ENGINE BRAKE						
R50											
R51	11.2	24V	561707	FR JCT BOX	DRIVER'S LTS KEYLERSS ALARM						
R52	22.1	24V	561707	FR JCT BOX	ABS - RETARDER						
R53	1.1	24V	561991	RR JCT BOX	IGNITION 24V RR						
R54	2.1	24V	561707	RR JCT BOX	IGNITION 12V RR						
R55											
R56											
R57											
R58											
R59											
R60											
R61											
R62											

RELAYS NUMBER CODE

No. PAGE COIL V #PREV. LOCATION FUNCTION

No. PAGE COIL V #PREV. LOCATION FUNCTION

RELAYS NUMBER CODE

No.	PAGE	COIL V	#PREV.	LOCATION	FUNCTION	No.	PAGE	COIL V	#PREV.	LOCATION	FUNCTION
R 1	1.1	24V	561991	FR JCT BOX	IGNITION (24) FR	R 63					
R 2	12.1	12V	562092	UNDER DASH R.H.	UNLOCK ENTRANCE DOOR	R 64					
R 3	12.1	12V	562092	UNDER DASH R.H.	ENTRANCE DOOR OPEN SIGNAL	R 65					
R 4	4.1	24V	561005	RR JCT BOX	STARTING MOTOR	R 66	11.2	24V	562341	UNDER DASH R.H.	DRIVER'S LIGHT TIME DELAY
R 5	5.1	24V	561707	FR JCT BOX	CRUISE CTR BRAKE CUT-OFF	R 67					
R 6	4.1	24V	561707	UNDER DASH R.H.	ANTI-THIEF STARTING	R 68					
R 7	5.1	24V	561707	FR JCT BOX	DDEC FAST IDLE SIGNAL	R 69	12.1	12V	562092	RR JCT BOX	LUGG DOOR LOCK
R 8	11.2	24V	561707	UNDER DASH R.H.	DRIVER'S LIGHT SIGNAL FROM KEYLESS	R 70	12.1	12V	562092	RR JCT BOX	LUGG DOOR UNLOCK
R 9	9.3	24V	561707	RR JCT BOX	BACK-UP LTS	R 71	12.1	24V	561707	FR JCT BOX	LUGG DOOR UNLOCK TT LT
R 10	12.1	12V	562092	UNDER DASH R.H.	LOCK ENTRANCE DOOR	R 72					
R 11						R 73					
R 12	7.2	12V	562092	FR JCT BOX	ELECTRICAL HORNS	R 74	12.1	12V	562092	RR JCT BOX	LUGG DOOR LOCK
R 13	9.3	24V	561707	FR JCT BOX	FOG LTS-12V	R 75	12.1	12V	562092	RR JCT BOX	LUGG DOOR UNLOCK
R 14	9.1	24V	561707	FR JCT BOX	BLINKER	R 76	9.3	24V	561707	RR JCT BOX	STOP LTS-ENGINE BRK & RETARDER SYST.
R 15						R 77	9.2	12V	562092	UNDER DASH	AUDIBLE FLASHER RLY
R 16	9.1	24V	561707	FR JCT BOX	FRONT CLEARANCE LIGHT	R 78	8.1	24V	561707	RR JCT BOX	DDEC FAN CONTROL SPEED#1
R 17	9.1	24V	561707	RR JCT BOX	TAIL LICENCE. RR LTS	R 79	8.1	24V	561707	RR JCT BOX	DDEC FAN CONTROL SPEED#2
R 18	9.1	24V	561707	FR JCT BOX	DAYTIME RUN LTS-CUT-OUT	R 80					
R 19	9.1	24V	561707	FR JCT BOX	HI-BEAM	R 81					
R 20	9.1	24V	561707	FR JCT BOX	LO-BEAM	R 82	21.1	24V	561707	FR JCT BOX	RETARDER SYSTEM
R 21	9.2	24V	561707	FR JCT BOX	LH DIRECTIONNAL LTS	R 83	14.1	24V	561707	RR JCT BOX	WATER HEATER- WEBASTO
R 22						R 84	15.2	24V	561707	RR JCT BOX	HVAC ON-OFF SIGNAL (FULL AIR)
R 23	9.2	24V	561707	FR JCT BOX	RH DIRECTIONNAL LTS	R 85					
R 24	9.2	24V	561707	FR JCT BOX	RH CORNERING	R 86	15.2	24V	561707	RR JCT BOX	HVAC MODE COOL/HEAT
R 25	9.2	24V	561707	FR JCT BOX	LH CORNERING	R 87	21.1	24V	561707	FR JCT BOX	ENGINE BRAKE PRESELECT #1
R 26	9.3	24V	561707	RR JCT BOX	STOP LTS	R 88	4.1	12V	561538	FR JCT BOX	LATCHING 24V CUT OUT SW.
R 27						R 89	15.3	24V	561707	FR JCT BOX	WATER PUMP RELAY
R 28	11.2	24V	561707	FR JCT BOX	DASH LTS RHEOSTAT	R 90					
R 29	15.3	24V	561005	A/C JCT BOX	CONDENSER FAN	R 91					
R 30						R 92					
R 31	15.3	24V	561707	FR JCT BOX	WATER VALVE & BYPASS (FULL AIR)	R 93					
R 32	1.1	24V	561991	POWER JCT BOX	12 V. CUT-OUT REAR	R 94	9.3	24V	561707	RR JCT BOX	AUX READ LAMP-LH
R 33						R 95	9.3	24V	561707	RR JCT BOX	AUX READ LAMP-RH
R 34	15.1	24V	561707	RR JCT BOX	A/C RAD. FAN CLUTCH (DRIVER'S AIR)	R 96					
R 35	15.1	24V	561707	FR JCT BOX	WATER PUMP (DRIVER'S AIR)	R 97					
R 36	15.3	24V	561707	FR JCT BOX	WATER PUMP (FULL AIR)	R 98					
R 37	15.1	24V	561707	RR JCT BOX	A/C COMPR. CLUTCH (DRIVER'S AIR)	R 99	8.1	24V	561707	RR JCT BOX	RADIATOR FAN CLUTCH
R 38						R 107	21.1	24V	561707	FR JCT BOX	ENGINE BRAKE PRESELECT #2
R 39						R 108	20.1	24V	561707	FR JCT BOX	ENTRANCE DOOR AIR LOCK
R 40	15.3	24V	561005	A/C JCT BOX	CONDENSER FAN	R F1	8.1	24V	561707	RR JCT BOX	FAN CLUTCH SP#1 OPT. RETARDER
R 41	15.3	24V	561005	A/C JCT BOX	CONDENSER FAN	R F2	8.1	24V	561707	RR JCT BOX	FAN CLUTCH SP#2 OPT. RETARDER
R 42	1.1	24V	561991	POWER JCT BOX	12 V. CUT-OUT FRONT	R F3	8.1	24V	560772	RR JCT BOX	TIME DELAY FAN CLUTCH
R 43						R F4	8.1	24V	561707	RR JCT BOX	FAN CLUTCH SP2- STD A/C NO RET
R 44	1.1	24V	561991	POWER JCT BOX	12 V. CUT-OUT FRONT	V IM1	6.1	12V	562092	FR JCT BOX	VIM WORLD TR.-OUTPUT 1 SPEED INTERLOCK
R 45						V IM2	6.1	12V	562092	FR JCT BOX	VIM WORLD TR.-OUTPUT 2 ENG. BRK DISABLE
R 46						V IM3	6.1	12V	562092	FR JCT BOX	VIM WORLD TR.-OUTPUT 3
R 47						V IM4	6.1	12V	562092	FR JCT BOX	VIM WORLD TR.-OUTPUT 4 RETARD. ON SIGNAL
R 48						V IMN	6.1	12V	562092	FR JCT BOX	VIM WORLD TR.-NEUTRAL SIGNAL
R 49	22.1	24V	561707	FR JCT BOX	ABS - ENGINE BRAKE	V IMR	6.1	12V	562092	FR JCT BOX	VIM WORLD TR.-B/U SIGNAL
R 50											
R 51	11.2	24V	561707	FR JCT BOX	DRIVER'S LTS KEYLERSS ALARM						
R 52	22.1	24V	561707	FR JCT BOX	ABS - RETARDER						
R 53	1.1	24V	561991	RR JCT BOX	IGNITION 24V RR						
R 54	2.1	24V	561707	RR JCT BOX	IGNITION 12V RR						
R 55											
R 56											
R 57											
R 58											
R 59											
R 60											
R 61											
R 62											

RELAYS NUMBER CODE

No. PAGE COIL V #PREV. LOCATION FUNCTION

No. PAGE COIL V #PREV. LOCATION FUNCTION

RELAYS NUMBER CODE

No.	PAGE	COIL V	#PREV.	LOCATION	FUNCTION	No.	PAGE	COIL V	#PREV.	LOCATION	FUNCTION
R 1	1.1	24V	561991	FR JCT BOX	IGNITION (24) FR	R 63					
R 2	12.1	12V	562092	UNDER DASH R.H.	UNLOCK ENTRANCE DOOR	R 64					
R 3	12.1	12V	563054	UNDER DASH R.H.	ENTRANCE DOOR OPEN SIGNAL	R 65					
R 4	4.1	24V	561005	RR JCT BOX	STARTING MOTOR	R 66	11.2	24V	562341	UNDER DASH R.H.	DRIVER'S LIGHT TIME DELAY
R 5	5.1	24V	561707	FR JCT BOX	CRUISE CTR BRAKE CUT-OFF	R 67					
R 6						R 68					
R 7	5.1	24V	561707	FR JCT BOX	DDEC FAST IDLE SIGNAL	R 69	12.1	12V	562092	RR JCT BOX	LUGG DOOR LOCK
R 8	11.2	12V	563054	UNDER DASH R.H.	DRIVER'S LIGHT SIGNAL FROM KEYLESS	R 70	12.1	12V	562092	RR JCT BOX	LUGG DOOR UNLOCK
R 9	9.3	24V	561707	RR JCT BOX	BACK-UP LTS	R 71	12.1	24V	561707	FR JCT BOX	LUGG DOOR UNLOCK TT LT
R 10	12.1	12V	562092	UNDER DASH R.H.	LOCK ENTRANCE DOOR	R 72					
R 11						R 73					
R 12	7.2	12V	562092	FR JCT BOX	ELECTRICAL HORNS	R 74	12.1	12V	562092	RR JCT BOX	LUGG DOOR LOCK
R 13	9.3	24V	561707	FR JCT BOX	FOG LTS-12V	R 75	12.1	12V	562092	RR JCT BOX	LUGG DOOR UNLOCK
R 14	9.1	24V	561707	FR JCT BOX	BLINKER	R 76	9.3	24V	561707	RR JCT BOX	STOP LTS-ENGINE BRK & RETARDER SYST.
R 15						R 77	9.2	12V	562092	UNDER DASH	AUDIBLE FLASHER RLY
R 16	9.1	24V	561707	FR JCT BOX	FRONT CLEARANCE LIGHT	R 78	8.1	24V	561707	RR JCT BOX	DDEC FAN CONTROL SPEED#1
R 17	9.1	24V	561707	RR JCT BOX	TAIL.LICENCE. RR LTS	R 79	8.1	24V	561707	RR JCT BOX	DDEC FAN CONTROL SPEED#2
R 18	9.1	24V	561707	FR JCT BOX	DAYTIME RUN LTS-CUT-OUT	R 80					
R 19	9.1	24V	561707	FR JCT BOX	HI-BEAM	R 81					
R 20	9.1	24V	561707	FR JCT BOX	LO-BEAM	R 82	21.1	24V	561707	FR JCT BOX	RETARDER SYSTEM
R 21	9.2	24V	561707	FR JCT BOX	LH DIRECTIONNAL LTS	R 83	14.1	24V	561707	RR JCT BOX	WATER HEATER- WEBASTO
R 22						R 84	15.2	24V	561707	RR JCT BOX	HVAC ON-OFF SIGNAL (FULL AIR)
R 23	9.2	24V	561707	FR JCT BOX	RH DIRECTIONNAL LTS	R 85					
R 24	9.2	24V	561707	FR JCT BOX	RH CORNERING	R 86	15.2	24V	561707	RR JCT BOX	HVAC MODE COOL/HEAT
R 25	9.2	24V	561707	FR JCT BOX	LH CORNERING	R 87	21.1	24V	561707	FR JCT BOX	ENGINE BRAKE PRESELECT #1
R 26	9.3	24V	561707	RR JCT BOX	STOP LTS	R 88	4.1	12V	561538	FR JCT BOX	LATCHING 24V CUT OUT SW.
R 27						R 89	15.3	24V	561707	FR JCT BOX	WATER PUMP RELAY
R 28	11.2	24V	561707	FR JCT BOX	DASH LTS RHEOSTAT	R 90					
R 29	15.3	24V	561005	A/C JCT BOX	CONDENSER FAN	R 91					
R 30						R 92					
R 31	15.3	24V	561707	FR JCT BOX	WATER VALVE & BYPASS (FULL AIR)	R 93					
R 32	1.1	24V	561991	POWER JCT BOX	12 V. CUT-OUT REAR	R 94	9.3	24V	561707	RR JCT BOX	AUX READ LAMP-LH
R 33						R 95	9.3	24V	561707	RR JCT BOX	AUX READ LAMP-RH
R 34	15.1	24V	561707	RR JCT BOX	A/C RAD. FAN CLUTCH (DRIVER'S AIR)	R 96					
R 35	15.1	24V	561707	FR JCT BOX	WATER PUMP (DRIVER'S AIR)	R 97					
R 36	15.1	24V	561707	RR JCT BOX	WATER PUMP (FULL AIR)	R 98					
R 37						R 99	8.1	24V	561707	RR JCT BOX	RADIATOR FAN CLUTCH
R 38						R 104	4.1	12V	561707	UNDER DASH R.H.	KEYLESS SYSTEM
R 39						R 107	21.1	24V	561707	FR JCT BOX	ENGINE BRAKE PRESELECT #2
R 40	15.3	24V	561005	A/C JCT BOX	CONDENSER FAN	R 108	20.1	24V	561707	FR JCT BOX	ENTRANCE DOOR AIR LOCK
R 41	15.3	24V	561005	A/C JCT BOX	CONDENSER FAN	R 113	12.2	12V	563054	UNDER DASH R.H.	KEYLESS SYSTEM
R 42	1.1	24V	561991	POWER JCT BOX	12 V. CUT-OUT FRONT	R 114	12.2	12V	563054	UNDER DASH R.H.	KEYLESS SYSTEM
R 43						R 115	12.2	12V	563054	UNDER DASH R.H.	KEYLESS SYSTEM
R 44	1.1	24V	561991	POWER JCT BOX	12 V. CUT-OUT FRONT	R 116	12.2	12V	563054	UNDER DASH R.H.	KEYLESS SYSTEM
R 45						R F1	8.1	24V	561707	RR JCT BOX	FAN CLUTCH SP#1 OPT. RETARDER
R 46						R F2	8.1	24V	561707	RR JCT BOX	FAN CLUTCH SP#2 OPT. RETARDER
R 47						R F3	8.1	24V	560772	RR JCT BOX	TIME DELAY FAN CLUTCH
R 48						R F4	8.1	24V	561707	RR JCT BOX	FAN CLUTCH SP2- STD A/C NO RET
R 49	22.1	24V	561707	FR JCT BOX	ABS - ENGINE BRAKE	V IM1	6.1	12V	562092	FR JCT BOX	VIM WORLD TR.-OUTPUT 1 SPEED INTERLOCK
R 50						V IM2	6.1	12V	562092	FR JCT BOX	VIM WORLD TR.-OUTPUT 2 ENG. BRK DISABLE
R 51	11.2	24V	561707	FR JCT BOX	DRIVER'S LTS KEYLERSS ALARM	V IM3	6.1	12V	562092	FR JCT BOX	VIM WORLD TR.-OUTPUT 3
R 52	22.1	24V	561707	FR JCT BOX	ABS - RETARDER	V IM4	6.1	12V	562092	FR JCT BOX	VIM WORLD TR.-OUTPUT 4 RETARD. ON SIGNAL
R 53	1.1	24V	561991	RR JCT BOX	IGNITION 24V RR	V IMN	6.1	12V	562092	FR JCT BOX	VIM WORLD TR.-NEUTRAL SIGNAL
R 54	2.1	24V	561707	RR JCT BOX	IGNITION 12V RR	V IMR	6.1	12V	562092	FR JCT BOX	VIM WORLD TR.-B/U SIGNAL
R 55											
R 56											
R 57											
R 58											
R 59											
R 60											
R 61											
R 62	5.1	24V	561707	FR JCT BOX	DDEC PARK BRAKE S SIGNAL						

RELAYS NUMBER CODE

No. PAGE COIL V #PREV. LOCATION FUNCTION

No. PAGE COIL V #PREV. LOCATION FUNCTION

RELAYS NUMBER CODE

No.	PAGE	COIL V	#PREV.	LOCATION	FUNCTION	No.	PAGE	COIL V	#PREV.	LOCATION	FUNCTION
R 1	1.1	24V	561991	FR JCT BOX	IGNITION (24) FR	R 63					
R 2	12.1	12V	562092	UNDER DASH R.H.	UNLOCK ENTRANCE DOOR	R 64					
R 3	12.1	12V	563054	UNDER DASH R.H.	ENTRANCE DOOR OPEN SIGNAL	R 65					
R 4	4.1	24V	561005	RR JCT BOX	STARTING MOTOR	R 66	11.2	24V	562341	UNDER DASH R.H.	DRIVER'S LIGHT TIME DELAY
R 5	5.1	24V	561707	FR JCT BOX	CRUISE CTR BRAKE CUT-OFF	R 67					
R 6						R 68					
R 7	5.1	24V	561707	FR JCT BOX	DDEC FAST IDLE SIGNAL	R 69	12.1	12V	562092	RR JCT BOX	LUGG DOOR LOCK
R 8	11.2	12V	563054	UNDER DASH R.H.	DRIVER'S LIGHT SIGNAL FROM KEYLESS	R 70	12.1	12V	562092	RR JCT BOX	LUGG DOOR UNLOCK
R 9	9.3	24V	561707	RR JCT BOX	BACK-UP LTS	R 71	12.1	24V	561707	FR JCT BOX	LUGG DOOR UNLOCK TT LT
R 10	12.1	12V	562092	UNDER DASH R.H.	LOCK ENTRANCE DOOR	R 72					
R 11						R 73					
R 12	7.2	12V	562092	FR JCT BOX	ELECTRICAL HORNS	R 74	12.1	12V	562092	RR JCT BOX	LUGG DOOR LOCK
R 13	9.3	24V	561707	FR JCT BOX	FOG LTS-12V	R 75	12.1	12V	562092	RR JCT BOX	LUGG DOOR UNLOCK
R 14	9.1	24V	561707	FR JCT BOX	BLINKER	R 76	9.3	24V	561707	RR JCT BOX	STOP LTS-ENGINE BRK & RETARDER SYST.
R 15						R 77	9.2	12V	562092	UNDER DASH	AUDIBLE FLASHER RLY
R 16	9.1	24V	561707	FR JCT BOX	FRONT CLEARANCE LIGHT	R 78	8.1	24V	561707	RR JCT BOX	DDEC FAN CONTROL SPEED#1
R 17	9.1	24V	561707	RR JCT BOX	TAIL.LICENCE. RR LTS	R 79	8.1	24V	561707	RR JCT BOX	DDEC FAN CONTROL SPEED#2
R 18	9.1	24V	561707	FR JCT BOX	DAYTIME RUN LTS-CUT-OUT	R 80					
R 19	9.1	24V	561707	FR JCT BOX	HI-BEAM	R 81					
R 20	9.1	24V	561707	FR JCT BOX	LO-BEAM	R 82	21.1	24V	561707	FR JCT BOX	RETARDER SYSTEM
R 21	9.2	24V	561707	FR JCT BOX	LH DIRECTIONNAL LTS	R 83					
R 22						R 84	15.2	24V	561707	RR JCT BOX	HVAC ON-OFF SIGNAL (FULL AIR)
R 23	9.2	24V	561707	FR JCT BOX	RH DIRECTIONNAL LTS	R 85					
R 24	9.2	24V	561707	FR JCT BOX	RH CORNERING	R 86	15.2	24V	561707	RR JCT BOX	HVAC MODE COOL/HEAT
R 25	9.2	24V	561707	FR JCT BOX	LH CORNERING	R 87	21.1	24V	561707	FR JCT BOX	ENGINE BRAKE PRESELECT #1
R 26	9.3	24V	561707	RR JCT BOX	STOP LTS	R 88	4.1	12V	561538	FR JCT BOX	LATCHING 24V CUT OUT SW.
R 27						R 89	15.3	24V	561707	FR JCT BOX	WATER PUMP RELAY
R 28	11.2	24V	561707	FR JCT BOX	DASH LTS RHEOSTAT	R 90					
R 29	15.3	24V	561005	A/C JCT BOX	CONDENSER FAN	R 91					
R 30						R 92					
R 31	15.3	24V	561707	FR JCT BOX	WATER VALVE & BYPASS (FULL AIR)	R 93					
R 32	1.1	24V	561991	POWER JCT BOX	12 V. CUT-OUT REAR	R 94	9.3	24V	561707	RR JCT BOX	AUX READ LAMP-LH
R 33						R 95	9.3	24V	561707	RR JCT BOX	AUX READ LAMP-RH
R 34	15.1	24V	561707	RR JCT BOX	A/C RAD. FAN CLUTCH (DRIVER'S AIR)	R 96					
R 35	15.1	24V	561707	FR JCT BOX	WATER PUMP (DRIVER'S AIR)	R 97					
R 36	15.1	24V	561707	RR JCT BOX	WATER PUMP (FULL AIR)	R 98					
R 37						R 99	8.1	24V	561707	RR JCT BOX	RADIATOR FAN CLUTCH
R 38						R 104	4.1	12V	561707	UNDER DASH R.H.	KEYLESS SYSTEM
R 39						R 107	21.1	24V	561707	FR JCT BOX	ENGINE BRAKE PRESELECT #2
R 40	15.3	24V	561005	A/C JCT BOX	CONDENSER FAN	R 108	20.1	24V	561707	FR JCT BOX	ENTRANCE DOOR AIR LOCK
R 41	15.3	24V	561005	A/C JCT BOX	CONDENSER FAN	R 113	12.2	12V	563054	UNDER DASH R.H.	KEYLESS SYSTEM
R 42	1.1	24V	561991	POWER JCT BOX	12 V. CUT-OUT FRONT	R 114	12.2	12V	563054	UNDER DASH R.H.	KEYLESS SYSTEM
R 43						R 115	12.2	12V	563054	UNDER DASH R.H.	KEYLESS SYSTEM
R 44	1.1	24V	561991	POWER JCT BOX	12 V. CUT-OUT FRONT	R 116	12.2	12V	563054	UNDER DASH R.H.	KEYLESS SYSTEM
R 45						R F1	8.1	24V	561707	RR JCT BOX	FAN CLUTCH SP#1 OPT. RETARDER
R 46						R F2	8.1	24V	561707	RR JCT BOX	FAN CLUTCH SP#2 OPT. RETARDER
R 47						R F3	8.1	24V	560772	RR JCT BOX	TIME DELAY FAN CLUTCH
R 48						R F4	8.1	24V	561707	RR JCT BOX	FAN CLUTCH SP2- STD A/C NO RET
R 49	22.1	24V	561707	FR JCT BOX	ABS - ENGINE BRAKE	V IM1	6.1	12V	562092	FR JCT BOX	VIM WORLD TR.-OUTPUT 1 SPEED INTERLOCK
R 50						V IM2	6.1	12V	562092	FR JCT BOX	VIM WORLD TR.-OUTPUT 2 ENG. BRK DISABLE
R 51	11.2	24V	561707	FR JCT BOX	DRIVER'S LTS KEYLERSS ALARM	V IM3	6.1	12V	562092	FR JCT BOX	VIM WORLD TR.-OUTPUT 3
R 52	22.1	24V	561707	FR JCT BOX	ABS - RETARDER	V IM4	6.1	12V	562092	FR JCT BOX	VIM WORLD TR.-OUTPUT 4 RETARD. ON SIGNAL
R 53	1.1	24V	561991	RR JCT BOX	IGNITION 24V RR	V IMN	6.1	12V	562092	FR JCT BOX	VIM WORLD TR.-NEUTRAL SIGNAL
R 54	2.1	24V	561707	RR JCT BOX	IGNITION 12V RR	V IMR	6.1	12V	562092	FR JCT BOX	VIM WORLD TR.-B/U SIGNAL
R 55											
R 56											
R 57											
R 58											
R 59											
R 60											
R 61											
R 62	5.1	24V	561707	FR JCT BOX	DDEC PARK BRAKE S SIGNAL						

RELAYS NUMBER CODE

No. PAGE COIL V #PREV. LOCATION FUNCTION

No. PAGE COIL V #PREV. LOCATION FUNCTION

RELAYS NUMBER CODE

No.	PAGE	COIL V	#PREV.	LOCATION	FUNCTION	No.	PAGE	COIL V	#PREV.	LOCATION	FUNCTION
R 1	1.1	24V	561991	FR JCT BOX	IGNITION (24) FR	R 63					
R 2	12.1	12V	562092	UNDER DASH R.H.	UNLOCK ENTRANCE DOOR	R 64					
R 3	12.1	12V	563054	UNDER DASH R.H.	ENTRANCE DOOR OPEN SIGNAL	R 65					
R 4	4.1	24V	561005	RR JCT BOX	STARTING MOTOR	R 66	11.2	24V	562341	UNDER DASH R.H.	DRIVER'S LIGHT TIME DELAY
R 5	5.1	24V	561707	FR JCT BOX	CRUISE CTR BRAKE CUT-OFF	R 67					
R 6						R 68					
R 7	5.1	24V	561707	FR JCT BOX	DDEC FAST IDLE SIGNAL	R 69	12.1	12V	562092	RR JCT BOX	LUGG DOOR LOCK
R 8	11.2	12V	563054	UNDER DASH R.H.	DRIVER'S LIGHT SIGNAL FROM KEYLESS	R 70	12.1	12V	562092	RR JCT BOX	LUGG DOOR UNLOCK
R 9	9.3	24V	561707	RR JCT BOX	BACK-UP LTS	R 71	12.1	24V	561707	FR JCT BOX	LUGG DOOR UNLOCK TT LT
R 10	12.1	12V	562092	UNDER DASH R.H.	LOCK ENTRANCE DOOR	R 72					
R 11						R 73					
R 12	7.2	12V	562092	FR JCT BOX	ELECTRICAL HORNS	R 74	12.1	12V	562092	RR JCT BOX	LUGG DOOR LOCK
R 13	9.3	24V	561707	FR JCT BOX	FOG LTS-12V	R 75	12.1	12V	562092	RR JCT BOX	LUGG DOOR UNLOCK
R 14	9.1	24V	561707	FR JCT BOX	BLINKER	R 76	9.3	24V	561707	RR JCT BOX	STOP LTS-ENGINE BRK & RETARDER SYST.
R 15						R 77	9.2	12V	562092	UNDER DASH	AUDIBLE FLASHER RLY
R 16	9.1	24V	561707	FR JCT BOX	FRONT CLEARANCE LIGHT	R 78	8.1	24V	561707	RR JCT BOX	DDEC FAN CONTROL SPEED#1
R 17	9.1	24V	561707	RR JCT BOX	TAIL LICENCE. RR LTS	R 79	8.1	24V	561707	RR JCT BOX	DDEC FAN CONTROL SPEED#2
R 18	9.1	24V	561707	FR JCT BOX	DAYTIME RUN LTS-CUT-OUT	R 80					
R 19	9.1	24V	561707	FR JCT BOX	HI-BEAM	R 81					
R 20	9.1	24V	561707	FR JCT BOX	LO-BEAM	R 82	21.1	24V	561707	FR JCT BOX	RETARDER SYSTEM
R 21	9.2	24V	561707	FR JCT BOX	LH DIRECTIONAL LTS	R 83					
R 22						R 84	15.2	24V	561707	RR JCT BOX	HVAC ON-OFF SIGNAL (FULL AIR)
R 23	9.2	24V	561707	FR JCT BOX	RH DIRECTIONAL LTS	R 85					
R 24	9.2	24V	561707	FR JCT BOX	RH CORNERING	R 86	15.2	24V	561707	RR JCT BOX	HVAC MODE COOL/HEAT
R 25	9.2	24V	561707	FR JCT BOX	LH CORNERING	R 87	21.1	24V	561707	FR JCT BOX	ENGINE BRAKE PRESELECT #1
R 26	9.3	24V	561707	RR JCT BOX	STOP LTS	R 88	4.1	12V	561538	FR JCT BOX	LATCHING 24V CUT OUT SW.
R 27						R 89	15.3	24V	561707	FR JCT BOX	WATER PUMP RELAY
R 28	11.2	24V	561707	FR JCT BOX	DASH LTS RHEOSTAT	R 90					
R 29	15.3	24V	561005	A/C JCT BOX	CONDENSER FAN	R 91					
R 30						R 92					
R 31	15.3	24V	561707	FR JCT BOX	WATER VALVE & BYPASS (FULL AIR)	R 93					
R 32	1.1	24V	561991	POWER JCT BOX	12 V. CUT-OUT REAR	R 94	9.3	24V	561707	RR JCT BOX	AUX READ LAMP-LH
R 33						R 95	9.3	24V	561707	RR JCT BOX	AUX READ LAMP-RH
R 34	15.1	24V	561707	RR JCT BOX	A/C RAD. FAN CLUTCH (DRIVER'S AIR)	R 96					
R 35	15.1	24V	561707	FR JCT BOX	WATER PUMP (DRIVER'S AIR)	R 97					
R 36	15.1	24V	561707	RR JCT BOX	A/C COMPR. CLUTCH (DRIVER'S AIR)	R 98					
R 37						R 99	8.1	24V	561707	RR JCT BOX	RADIATOR FAN CLUTCH
R 38						R 104	4.1	12V	561707	UNDER DASH R.H.	KEYLESS SYSTEM
R 39						R 107	21.1	24V	561707	FR JCT BOX	ENGINE BRAKE PRESELECT #2
R 40	15.3	24V	561005	A/C JCT BOX	CONDENSER FAN	R 108	20.1	24V	561707	FR JCT BOX	ENTRANCE DOOR AIR LOCK
R 41	15.3	24V	561005	A/C JCT BOX	CONDENSER FAN	R 113	12.2	12V	563054	UNDER DASH R.H.	KEYLESS SYSTEM
R 42	1.1	24V	561991	POWER JCT BOX	12 V. CUT-OUT FRONT	R 114	12.2	12V	563054	UNDER DASH R.H.	KEYLESS SYSTEM
R 43						R 115	12.2	12V	563054	UNDER DASH R.H.	KEYLESS SYSTEM
R 44	1.1	24V	561991	POWER JCT BOX	12 V. CUT-OUT FRONT	R 116	12.2	12V	563054	UNDER DASH R.H.	KEYLESS SYSTEM
R 45						R F1	8.1	24V	561707	RR JCT BOX	FAN CLUTCH SP#1 OPT. RETARDER
R 46						R F2	8.1	24V	561707	RR JCT BOX	FAN CLUTCH SP#2 OPT. RETARDER
R 47						R F3	8.1	24V	560772	RR JCT BOX	TIME DELAY FAN CLUTCH
R 48						R F4	8.1	24V	561707	RR JCT BOX	FAN CLUTCH SP2- STD A/C NO RET
R 49	22.1	12V	562092	FR JCT BOX	12V ABS - ENGINE BRAKE	V IM1	6.1	12V	562092	FR JCT BOX	VIM WORLD TR.-OUTPUT 1 SPEED INTERLOCK
R 50						V IM2	6.1	12V	562092	FR JCT BOX	VIM WORLD TR.-OUTPUT 2 ENG. BRK DISABLE
R 51	11.2	24V	561707	FR JCT BOX	DRIVER'S LTS KEYLERSS ALARM	V IM3	6.1	12V	562092	FR JCT BOX	VIM WORLD TR.-OUTPUT 3
R 52	22.1	12V	562092	FR JCT BOX	12V ABS - RETARDER	V IM4	6.1	12V	562092	FR JCT BOX	VIM WORLD TR.-OUTPUT 4 RETARD. ON SIGNAL
R 53	1.1	24V	561991	RR JCT BOX	IGNITION 24V RR	V IMN	6.1	12V	562092	FR JCT BOX	VIM WORLD TR.-NEUTRAL SIGNAL
R 54	2.1	24V	561707	RR JCT BOX	IGNITION 12V RR	V IMR	6.1	12V	562092	FR JCT BOX	VIM WORLD TR.-B/U SIGNAL
R 55											
R 56											
R 57											
R 58											
R 59											
R 60											
R 61											
R 62	5.1	24V	561707	FR JCT BOX	DDEC PARK BRAKE S SIGNAL						

RELAYS NUMBER CODE

No. PAGE COIL V #PREV. LOCATION FUNCTION

No. PAGE COIL V #PREV. LOCATION FUNCTION

RELAYS NUMBER CODE

No.	PAGE	COIL V	#PREV.	LOCATION	FUNCTION	No.	PAGE	COIL V	#PREV.	LOCATION	FUNCTION
R 1	1.1	24V	561991	FR JCT BOX	IGNITION (24) FR	R 63					
R 2	12.1	12V	562092	UNDER DASH R.H.	UNLOCK ENTRANCE DOOR	R 64					
R 3	12.1	12V	563054	UNDER DASH R.H.	ENTRANCE DOOR OPEN SIGNAL	R 65					
R 4	4.1	24V	561005	RR JCT BOX	STARTING MOTOR	R 66	11.2	24V	562341	UNDER DASH R.H.	DRIVER'S LIGHT TIME DELAY
R 5	5.1	24V	561707	FR JCT BOX	CRUISE CTR BRAKE CUT-OFF	R 67					
R 6						R 68					
R 7	5.1	24V	561707	FR JCT BOX	DDEC FAST IDLE SIGNAL	R 69	12.1	12V	562092	RR JCT BOX	LUGG DOOR LOCK
R 8	11.2	12V	563054	UNDER DASH R.H.	DRIVER'S LIGHT SIGNAL FROM KEYLESS	R 70	12.1	12V	562092	RR JCT BOX	LUGG DOOR UNLOCK
R 9	9.3	24V	561707	RR JCT BOX	BACK-UP LTS	R 71	12.1	24V	561707	FR JCT BOX	LUGG DOOR UNLOCK TT LT
R 10	12.1	12V	562092	UNDER DASH R.H.	LOCK ENTRANCE DOOR	R 72					
R 11						R 73					
R 12	7.2	12V	562092	FR JCT BOX	ELECTRICAL HORNS	R 74	12.1	12V	562092	RR JCT BOX	LUGG DOOR LOCK
R 13	9.3	24V	561707	FR JCT BOX	FOG LTS-12V	R 75	12.1	12V	562092	RR JCT BOX	LUGG DOOR UNLOCK
R 14	9.1	24V	561707	FR JCT BOX	BLINKER	R 76	9.3	24V	561707	RR JCT BOX	STOP LTS-ENGINE BRK & RETARDER SYST.
R 15						R 77	9.2	12V	562092	UNDER DASH	AUDIBLE FLASHER RLY
R 16	9.1	24V	561707	FR JCT BOX	FRONT CLEARANCE LIGHT	R 78	8.1	24V	561707	RR JCT BOX	DDEC FAN CONTROL SPEED#1
R 17	9.1	24V	561707	RR JCT BOX	TAILLIGENCE. RR LTS	R 79	8.1	24V	561707	RR JCT BOX	DDEC FAN CONTROL SPEED#2
R 18	9.1	24V	561707	FR JCT BOX	DAYTIME RUN LTS-CUT-OUT	R 80	9.3	24V	561707	RR JCT BOX	CYCLOP LTS WITH BRAKE
R 19	9.1	24V	561707	FR JCT BOX	HI-BEAM	R 81					
R 20	9.1	24V	561707	FR JCT BOX	LO-BEAM	R 82	21.1	24V	561707	FR JCT BOX	RETARDER SYSTEM
R 21	9.2	24V	561707	FR JCT BOX	LH DIRECTIONNAL LTS	R 83					
R 22						R 84	15.2	24V	561707	RR JCT BOX	HVAC ON-OFF SIGNAL (FULL AIR)
R 23	9.2	24V	561707	FR JCT BOX	RH DIRECTIONNAL LTS	R 85					
R 24	9.2	24V	561707	FR JCT BOX	RH CORNERING	R 86	15.2	24V	561707	RR JCT BOX	HVAC MODE COOL/HEAT
R 25	9.2	24V	561707	FR JCT BOX	LH CORNERING	R 87	21.1	24V	561707	FR JCT BOX	ENGINE BRAKE PRESELECT #1
R 26	9.3	24V	561707	RR JCT BOX	STOP LTS	R 88	4.1	12V or	561538	FR JCT BOX	LATCHING 24V CUT OUT SW. (DELCO ALT.)
R 27						R 88	4.1	24V	561707	FR JCT BOX	LATCHING 24V CUT OUT SW. (TWIN BOSCH)
R 28	11.2	24V	561707	FR JCT BOX	DASH LTS RHEOSTAT	R 89	15.3	24V	561707	FR JCT BOX	WATER PUMP RELAY
R 29	15.3	24V	561005	A/C JCT BOX	CONDENSER FAN	R 90					
R 30						R 91					
R 31	15.3	24V	561707	FR JCT BOX	WATER VALVE & BYPASS (FULL AIR)	R 92					
R 32	1.1	24V	561991	POWER JCT BOX	12 V. CUT-OUT REAR	R 93					
R 33						R 94	9.3	24V	561707	RR JCT BOX	AUX READ LAMP-LH
R 34	15.1	24V	561707	RR JCT BOX	A/C RAD. FAN CLUTCH (DRIVER'S AIR)	R 95	9.3	24V	561707	RR JCT BOX	AUX READ LAMP-RH
R 35	15.1	24V	561707	FR JCT BOX	WATER PUMP (DRIVER'S AIR)	R 96					
R 35	15.3	24V	561707	FR JCT BOX	WATER PUMP (FULL AIR)	R 97					
R 36	15.1	24V	561707	RR JCT BOX	A/C COMPR. CLUTCH (DRIVER'S AIR)	R 98					
R 37						R 99	8.1	24V	561707	RR JCT BOX	RADIATOR FAN CLUTCH
R 38						R 104	4.1	12V	561707	UNDER DASH R.H.	KEYLESS SYSTEM
R 39						R 107	21.1	24V	561707	FR JCT BOX	ENGINE BRAKE PRESELECT #2
R 40	15.3	24V	561005	A/C JCT BOX	CONDENSER FAN	R 108	20.1	24V	561707	FR JCT BOX	ENTRANCE DOOR AIR LOCK
R 41	15.3	24V	561005	A/C JCT BOX	CONDENSER FAN	R 113	12.2	12V	563054	UNDER DASH R.H.	KEYLESS SYSTEM
R 42	1.1	24V	561991	POWER JCT BOX	12 V. CUT-OUT FRONT	R 114	12.2	12V	563054	UNDER DASH R.H.	KEYLESS SYSTEM
R 43						R 115	12.2	12V	563054	UNDER DASH R.H.	KEYLESS SYSTEM
R 44	1.1	24V	561991	POWER JCT BOX	12 V. CUT-OUT FRONT	R 116	12.2	12V	563054	UNDER DASH R.H.	KEYLESS SYSTEM
R 45						R F1	8.1	24V	561707	RR JCT BOX	FAN CLUTCH SP#1 OPT. RETARDER
R 46						R F2	8.1	24V	561707	RR JCT BOX	FAN CLUTCH SP#2 OPT. RETARDER
R 47						R F3	8.1	24V	560772	RR JCT BOX	TIME DELAY FAN CLUTCH
R 48						R F4	8.1	24V	561707	RR JCT BOX	FAN CLUTCH SP2- STD A/C NO RET
R 49	22.1	12V	562092	FR JCT BOX	12V ABS - ENGINE BRAKE	V IM1	6.1	12V	562092	FR JCT BOX	VIM WORLD TR.-OUTPUT 1 SPEED INTERLOCK
R 50						V IM2	6.1	12V	562092	FR JCT BOX	VIM WORLD TR.-OUTPUT 2 ENG. BRK DISABLE
R 51	11.2	24V	561707	FR JCT BOX	DRIVER'S LTS KEYLERSS ALARM	V IM3	6.1	12V	562092	FR JCT BOX	VIM WORLD TR.-OUTPUT 3
R 52	22.1	12V	562092	FR JCT BOX	12V ABS - RETARDER	V IM4	6.1	12V	562092	FR JCT BOX	VIM WORLD TR.-OUTPUT 4 RETARD. ON SIGNAL
R 53	1.1	24V	561991	RR JCT BOX	IGNITION 24V RR	V IMN	6.1	12V	562092	FR JCT BOX	VIM WORLD TR.-NEUTRAL SIGNAL
R 54	2.1	24V	561707	RR JCT BOX	IGNITION 12V RR	V IMR	6.1	12V	562092	FR JCT BOX	VIM WORLD TR.-B/U SIGNAL
R 55											
R 56											
R 57											
R 58											
R 59											
R 60											
R 61											
R 62	5.1	24V	561707	FR JCT BOX	DDEC PARK BRAKE S SIGNAL						

RELAYS NUMBER CODE

No. PAGE COIL V #PREV. LOCATION FUNCTION

No. PAGE COIL V #PREV. LOCATION FUNCTION

RELAYS NUMBER CODE

No.	PAGE	COIL V	#PREV.	LOCATION	FUNCTION	No.	PAGE	COIL V	#PREV.	LOCATION	FUNCTION
R 1	1.1	24V	561991	FR JCT BOX	IGNITION (24) FR	R 63					
R 2	12.1	12V	562092	UNDER DASH R.H.	UNLOCK ENTRANCE DOOR	R 64					
R 3	12.1	12V	563054	UNDER DASH R.H.	ENTRANCE DOOR OPEN SIGNAL	R 65					
R 4	4.1	24V	561005	RR JCT BOX	STARTING MOTOR	R 66	11.2	24V	562341	UNDER DASH R.H.	DRIVER'S LIGHT TIME DELAY
R 5	5.1	24V	561707	FR JCT BOX	CRUISE CTR BRAKE CUT-OFF	R 67					
R 6						R 68					
R 7	5.1	24V	561707	FR JCT BOX	DDEC FAST IDLE SIGNAL	R 69	12.1	12V	562092	RR JCT BOX	LUGG DOOR LOCK
R 8	11.2	12V	563054	UNDER DASH R.H.	DRIVER'S LIGHT SIGNAL FROM KEYLESS	R 70	12.1	12V	562092	RR JCT BOX	LUGG DOOR UNLOCK
R 9	9.3	24V	561707	RR JCT BOX	BACK-UP LTS	R 71	12.1	24V	561707	FR JCT BOX	LUGG DOOR UNLOCK TT LT
R 10	12.1	12V	562092	UNDER DASH R.H.	LOCK ENTRANCE DOOR	R 72					
R 11						R 73					
R 12	7.2	12V	562092	FR JCT BOX	ELECTRICAL HORNS	R 74	12.1	12V	562092	RR JCT BOX	LUGG DOOR LOCK
R 13	9.3	24V	561707	FR JCT BOX	FOG LTS-12V	R 75	12.1	12V	562092	RR JCT BOX	LUGG DOOR UNLOCK
R 14	9.1	24V	561707	FR JCT BOX	BLINKER	R 76	9.3	24V	561707	RR JCT BOX	STOP LTS-ENGINE BRK & RETARDER SYST.
R 15	15.4	24V	561707	FR JCT BOX	UPPER FAN DEFROST	R 77	9.2	12V	562092	UNDER DASH	AUDIBLE FLASHER RLY
R 16	9.1	24V	561707	FR JCT BOX	FRONT CLEARANCE LIGHT	R 78	8.1	24V	561707	RR JCT BOX	DDEC FAN CONTROL SPEED#1
R 17	9.1	24V	561707	RR JCT BOX	TAIL.LICENCE. RR LTS	R 79	8.1	24V	561707	RR JCT BOX	DDEC FAN CONTROL SPEED#2
R 18	9.1	24V	561707	FR JCT BOX	DAYTIME RUN LTS-CUT-OUT	R 80	9.3	24V	561707	RR JCT BOX	CYCLOP LTS WITH BRAKE
R 19	9.1	24V	561707	FR JCT BOX	HI-BEAM	R 81					
R 20	9.1	24V	561707	FR JCT BOX	LO-BEAM	R 82	21.1	24V	561707	FR JCT BOX	RETARDER SYSTEM
R 21	9.2	24V	561707	FR JCT BOX	LH DIRECTIONNAL LTS	R 83					
R 22						R 84	15.2	24V	561707	RR JCT BOX	HVAC ON-OFF SIGNAL (FULL AIR)
R 23	9.2	24V	561707	FR JCT BOX	RH DIRECTIONNAL LTS	R 85					
R 24	9.2	24V	561707	FR JCT BOX	RH CORNERING	R 86	15.2	24V	561707	RR JCT BOX	HVAC MODE COOL/HEAT
R 25	9.2	24V	561707	FR JCT BOX	LH CORNERING	R 87	21.1	24V	561707	FR JCT BOX	ENGINE BRAKE PRESELECT #1
R 26	9.3	24V	561707	RR JCT BOX	STOP LTS	R 88	4.1	12V or	561538	FR JCT BOX	LATCHING 24V CUT OUT SW. (DELCO ALT.)
R 27						R 88	4.1	24V	561707	FR JCT BOX	LATCHING 24V CUT OUT SW. (TWIN BOSCH)
R 28	11.2	24V	561707	FR JCT BOX	DASH LTS RHEOSTAT	R 89	15.3	24V	561707	FR JCT BOX	WATER PUMP RELAY
R 29	15.3	24V	561005	A/C JCT BOX	CONDENSER FAN	R 90					
R 30						R 91					
R 31	15.3	24V	561707	FR JCT BOX	WATER VALVE & BYPASS (FULL AIR)	R 92					
R 32	1.1	24V	561991	POWER JCT BOX	12 V. CUT-OUT REAR	R 93					
R 33						R 94	9.3	24V	561707	RR JCT BOX	AUX READ LAMP-LH
R 34	15.1	24V	561707	RR JCT BOX	A/C RAD. FAN CLUTCH (DRIVER'S AIR)	R 95	9.3	24V	561707	RR JCT BOX	AUX READ LAMP-RH
R 35	15.1	24V	561707	FR JCT BOX	WATER PUMP (DRIVER'S AIR)	R 96					
R 35	15.3	24V	561707	FR JCT BOX	WATER PUMP (FULL AIR)	R 97					
R 36	15.1	24V	561707	RR JCT BOX	A/C COMPR. CLUTCH (DRIVER'S AIR)	R 98					
R 37						R 99	8.1	24V	561707	RR JCT BOX	RADIATOR FAN CLUTCH
R 38						R 104	4.1	12V	561707	UNDER DASH R.H.	KEYLESS SYSTEM
R 39						R 107	21.1	24V	561707	FR JCT BOX	ENGINE BRAKE PRESELECT #2
R 40	15.3	24V	561005	A/C JCT BOX	CONDENSER FAN	R 108	20.1	24V	561707	FR JCT BOX	ENTRANCE DOOR AIR LOCK
R 41	15.3	24V	561005	A/C JCT BOX	CONDENSER FAN	R 113	12.2	12V	563054	UNDER DASH R.H.	KEYLESS SYSTEM
R 42	1.1	24V	561991	POWER JCT BOX	12 V. CUT-OUT FRONT	R 114	12.2	12V	563054	UNDER DASH R.H.	KEYLESS SYSTEM
R 43						R 115	12.2	12V	563054	UNDER DASH R.H.	KEYLESS SYSTEM
R 44	1.1	24V	561991	POWER JCT BOX	12 V. CUT-OUT FRONT	R 116	12.2	12V	563054	UNDER DASH R.H.	KEYLESS SYSTEM
R 45						RF1	8.1	24V	561707	RR JCT BOX	FAN CLUTCH SP#1 OPT. RETARDER
R 46						RF2	8.1	24V	561707	RR JCT BOX	FAN CLUTCH SP#2 OPT. RETARDER
R 47						RF3	8.1	24V	560772	RR JCT BOX	TIME DELAY FAN CLUTCH
R 48						RF4	8.1	24V	561707	RR JCT BOX	FAN CLUTCH SP2- STD A/C NO RET
R 49	22.1	12V	562092	FR JCT BOX	12V ABS - ENGINE BRAKE	V IM1	6.1	12V	562092	FR JCT BOX	VIM WORLD TR.-OUTPUT 1 SPEED INTERLOCK
R 50						V IM2	6.1	12V	562092	FR JCT BOX	VIM WORLD TR.-OUTPUT 2 ENG. BRK DISABLE
R 51	11.2	24V	561707	FR JCT BOX	DRIVER'S LTS KEYLERSS ALARM	V IM3	6.1	12V	562092	FR JCT BOX	VIM WORLD TR.-OUTPUT 3
R 52	22.1	12V	562092	FR JCT BOX	12V ABS - RETARDER	V IM4	6.1	12V	562092	FR JCT BOX	VIM WORLD TR.-OUTPUT 4 RETARD. ON SIGNAL
R 53	1.1	24V	561991	RR JCT BOX	IGNITION 24V RR	V IMN	6.1	12V	562092	FR JCT BOX	VIM WORLD TR.-NEUTRAL SIGNAL
R 54	2.1	24V	561707	RR JCT BOX	IGNITION 12V RR	V IMR	6.1	12V	562092	FR JCT BOX	VIM WORLD TR.-B/U SIGNAL
R 55											
R 56											
R 57											
R 58											
R 59											
R 60											
R 61											
R 62	5.1	24V	561707	FR JCT BOX	DDEC PARK BRAKE S SIGNAL						

RELAYS NUMBER CODE

No. PAGE COIL V #PREV. LOCATION FUNCTION

No. PAGE COIL V #PREV. LOCATION FUNCTION

RESISTORS NUMBER CODE

No.	PAGE	OHM(S)	#PREV.	LOCATION	FUNCTION
RS1	5.1	11K	562307	FR JCT BOX	DDEC III-FAST IDLE
RS2	5.1	3.6K	562306	FR JCT BOX	DDEC III-FAST IDLE
RS3	9.3	1 (2)	561537	FR JCT BOX	FOG LT - RH
RS4	9.3	1 (2)	561537	FR JCT BOX	FOG LT - LH
RS5					
RS6					
RS7					
RS8					
RS9					
RS10					
RS11					
RS12					
RS13					
RS14					
RS15					
RS16					
RS17	7.2	220	562498	UNDER DASH	FIRE ALARM
RS18	8.1	75K	064208	RR JCT BOX	FAN CLUTCH WITH A/C STD & OR RETARDER
RS19	9.3	24	562903	RR JCT BOX	CYCLOPS LTS - TAIL

RESISTORS NUMBER CODE

No.	PAGE	OHM(S)	#PREV.	LOCATION	FUNCTION
RS1	5.1	11K	562307	FR JCT BOX	DDEC III-FAST IDLE
RS2	5.1	3.6K	562306	FR JCT BOX	DDEC III-FAST IDLE
RS3	9.3	1 (2)	561537	FR JCT BOX	FOG LT - RH
RS4	9.3	1 (2)	561537	FR JCT BOX	FOG LT - LH
RS5					
RS6					
RS7					
RS8					
RS9					
RS10					
RS11					
RS12					
RS13					
RS14					
RS15					
RS16					
RS17	7.2	220	562498	UNDER DASH	FIRE ALARM
RS18	8.1	75K	064208	RR JCT BOX	FAN CLUTCH WITH A/C STD & OR RETARDER
RS19	9.3	24	562903	RR JCT BOX	CYCLOPS LTS - TAIL

RESISTORS NUMBER CODE

No.	PAGE	OHM(S)	#PREV.	LOCATION	FUNCTION
RS1	5.1	11K	562307	FR JCT BOX	DDEC III-FAST IDLE
RS2	5.1	3.6K	562306	FR JCT BOX	DDEC III-FAST IDLE
RS3	9.3	1 (2)	561537	FR JCT BOX	FOG LT - RH
RS4	9.3	1 (2)	561537	FR JCT BOX	FOG LT - LH
RS5	22.1	1K	562470	FR. SERV. COMPT.	ABS
RS6					
RS7					
RS8					
RS9					
RS10					
RS11					
RS12					
RS13					
RS14					
RS15					
RS16					
RS17	7.2	220	562498	UNDER DASH	FIRE ALARM
RS18	8.1	75K	064208	RR JCT BOX	FAN CLUTCH WITH A/C STD & OR RETARDER
RS19	9.3	24	562903	RR JCT BOX	CYCLOPS LTS - TAIL

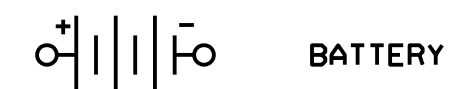
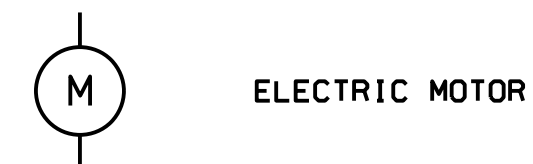
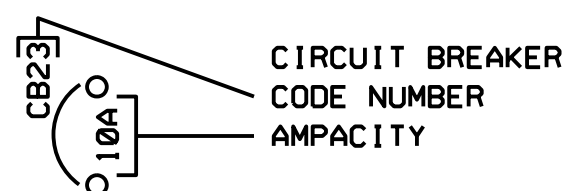
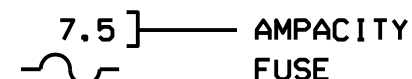
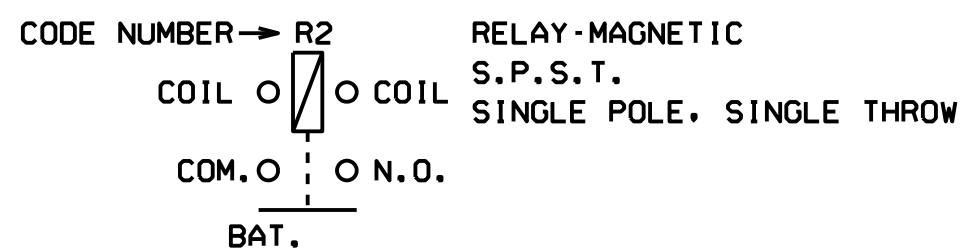
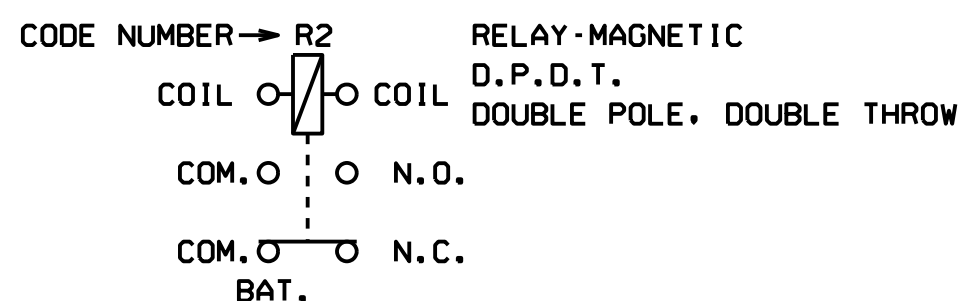
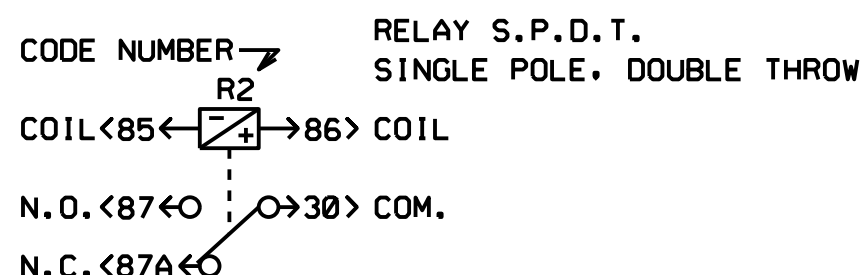
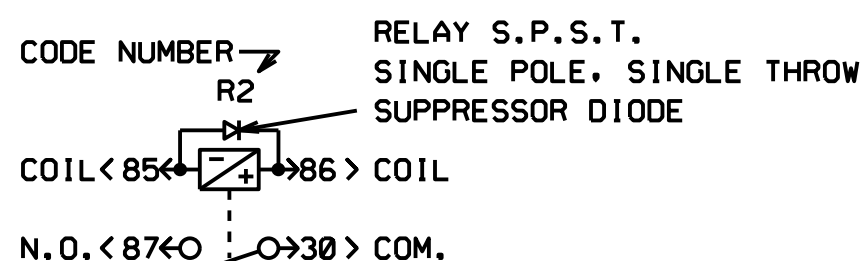
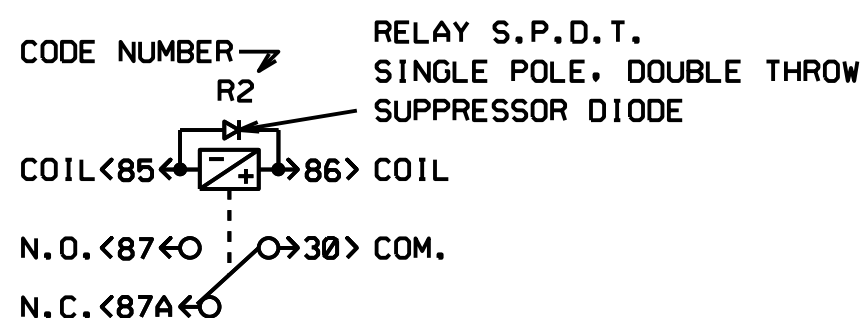
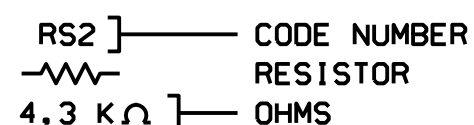
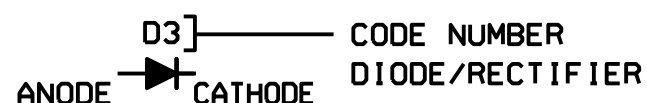
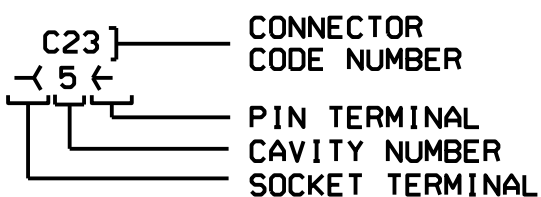
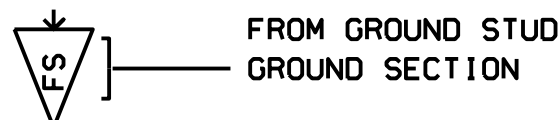
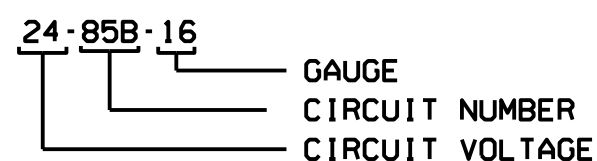
RESISTORS NUMBER CODE

No.	PAGE	OHM(S)	#PREV.	LOCATION	FUNCTION
RS1	5.1	11K	562307	FR JCT BOX	DDEC III-FAST IDLE
RS2	5.1	3.6K	562306	FR JCT BOX	DDEC III-FAST IDLE
RS3	9.3	1 (2)	561537	FR JCT BOX	FOG LT - RH
RS4	9.3	1 (2)	561537	FR JCT BOX	FOG LT - LH
RS5	22.1	620	563205	FR. SERV. COMPT.	ABS
RS6	22.1	620	563205	FR. SERV. COMPT.	TRAILER ABS
RS7					
RS8					
RS9					
RS10					
RS11					
RS12					
RS13					
RS14					
RS15					
RS16					
RS17	7.2	220	562498	UNDER DASH	FIRE ALARM
RS18	8.1	75K	064208	RR JCT BOX	FAN CLUTCH WITH A/C STD & OR RETARDER
RS19	9.3	24	562903	RR JCT BOX	CYCLOPS LTS - TAIL

RESISTORS NUMBER CODE

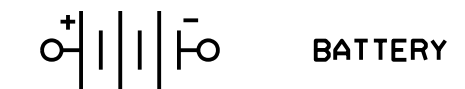
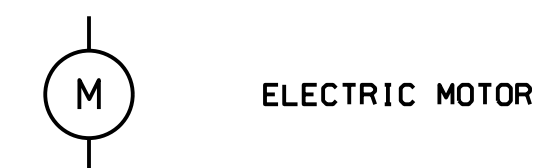
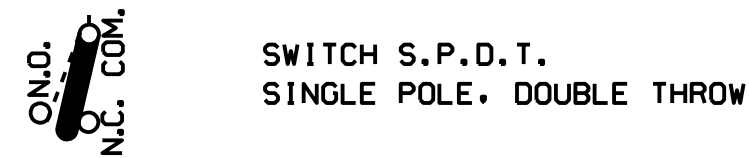
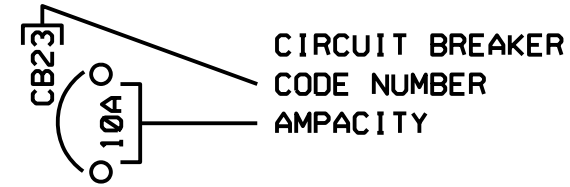
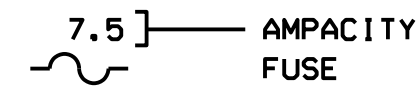
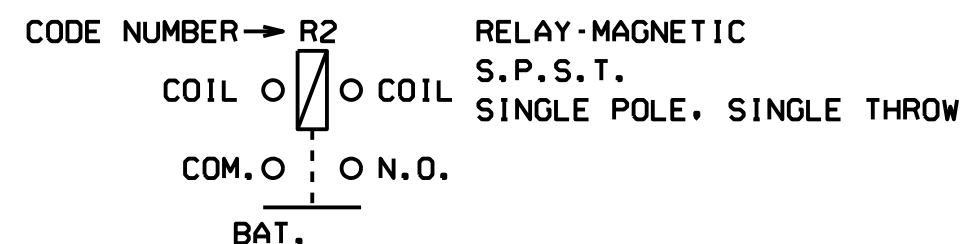
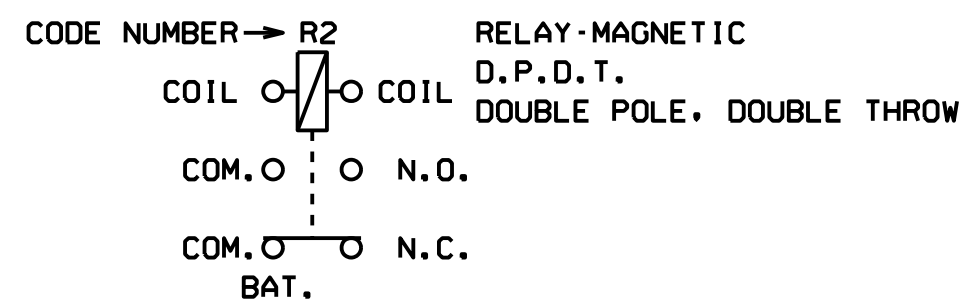
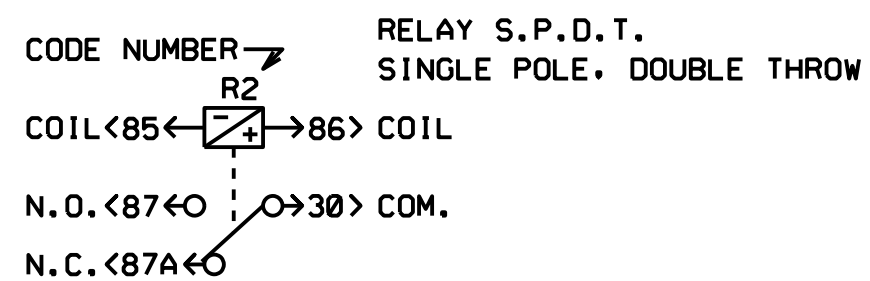
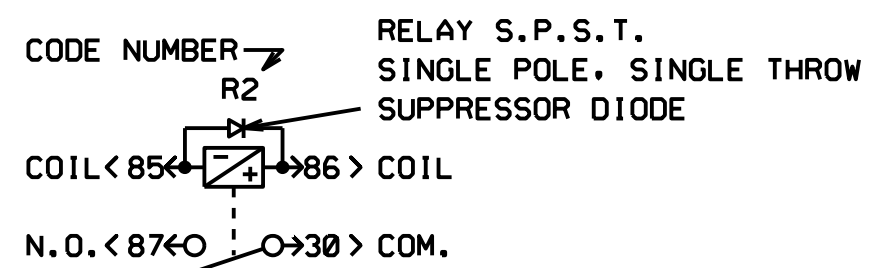
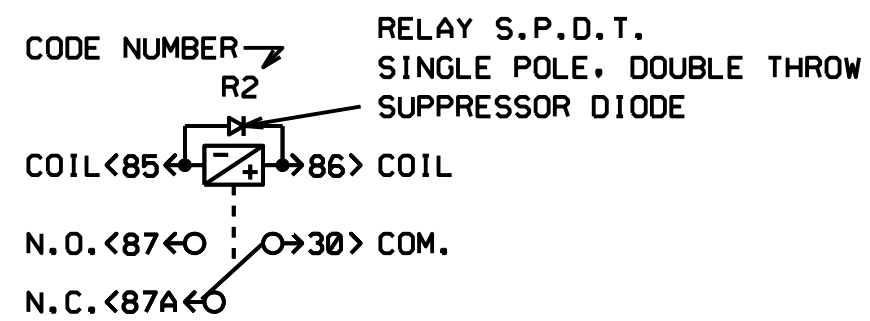
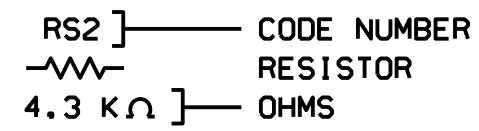
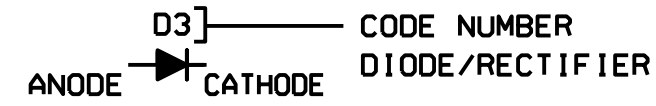
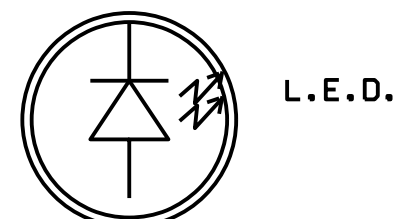
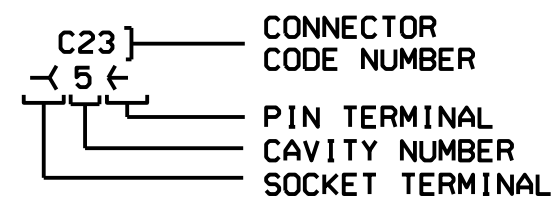
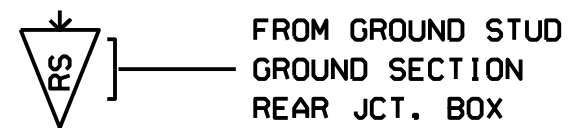
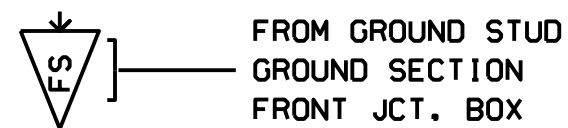
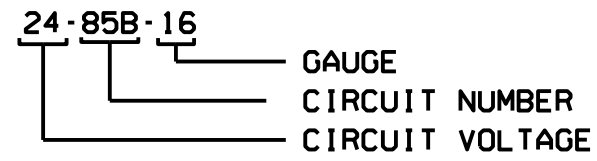
No.	PAGE	OHM(S)	#PREV.	LOCATION	FUNCTION
RS1	5.1	11K	562307	FR JCT BOX	DDEC III-FAST IDLE
RS2	5.1	3.6K	562306	FR JCT BOX	DDEC III-FAST IDLE
RS3	9.3	1 (2)	561537	FR JCT BOX	FOG LT - RH
RS4	9.3	1 (2)	561537	FR JCT BOX	FOG LT - LH
RS5	22.1	620	563205	FR. SERV. COMPT.	ABS
RS6	22.1	620	563205	FR. SERV. COMPT.	TRAILER ABS
RS7					
RS8					
RS9					
RS10					
RS11					
RS12					
RS13					
RS14					
RS15					
RS16					
RS17	7.2	220	562498	UNDER DASH	FIRE ALARM
RS18	8.1	75K	064208	RR JCT BOX	FAN CLUTCH WITH A/C STD & OR RETARDER
RS19	9.3	24	562903	RR JCT BOX	CYCLOPS LTS - TAIL
RS40	15.4	1.5K	562908	UNDER DASH	UPPER FAN DEFROST LED SWITCH

WIRING DIAGRAM KEYS



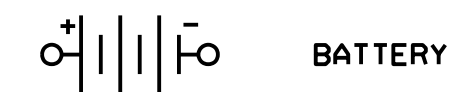
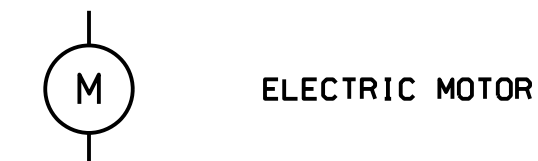
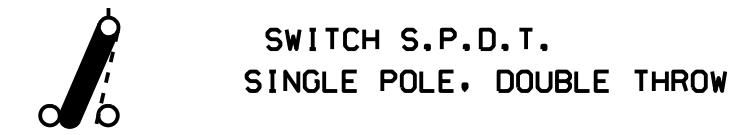
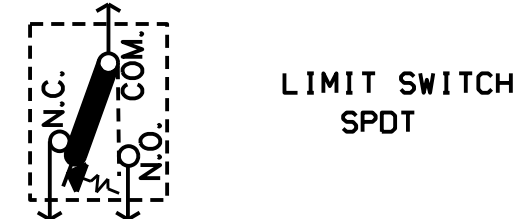
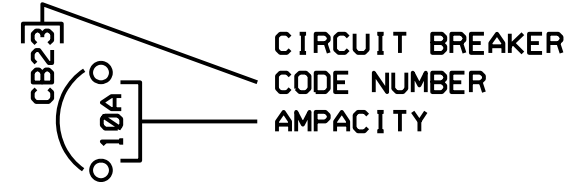
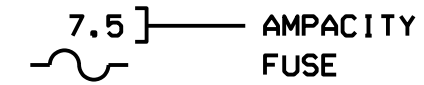
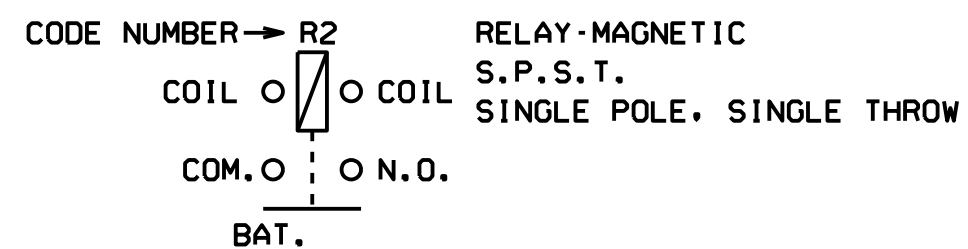
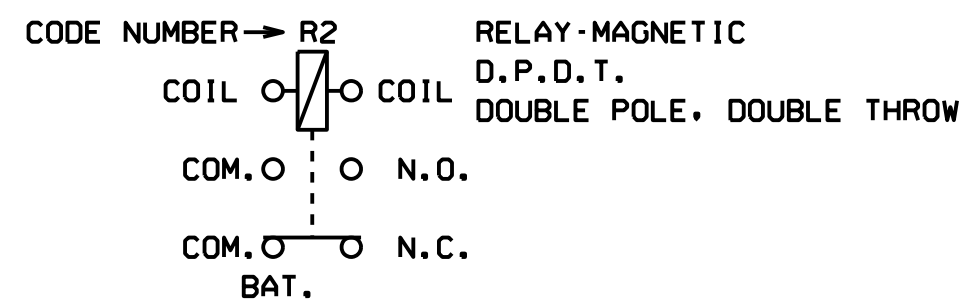
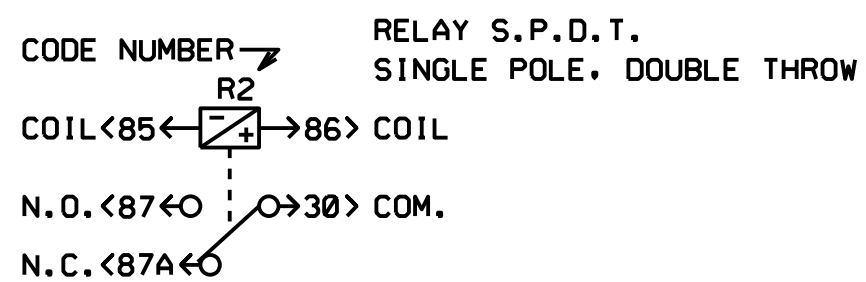
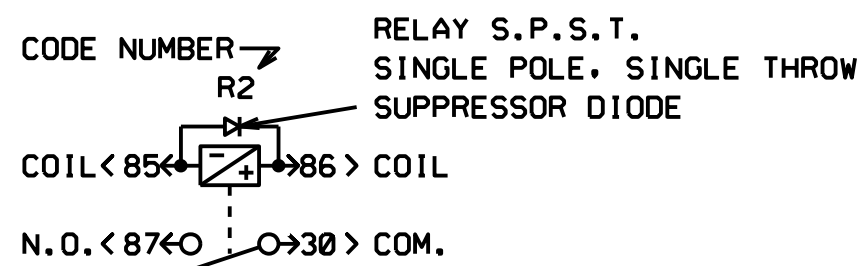
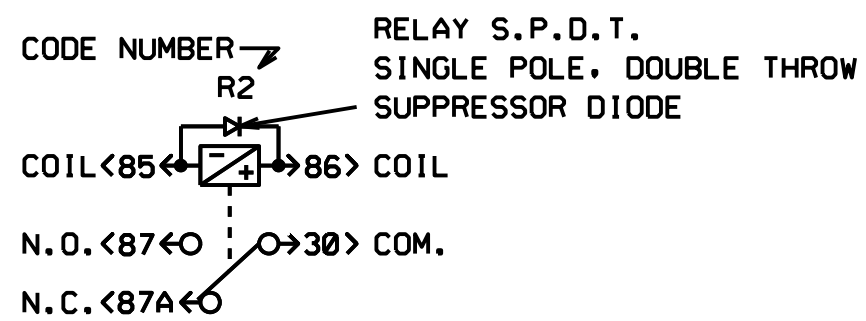
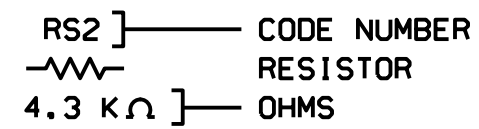
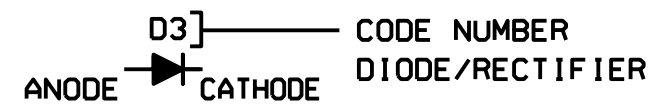
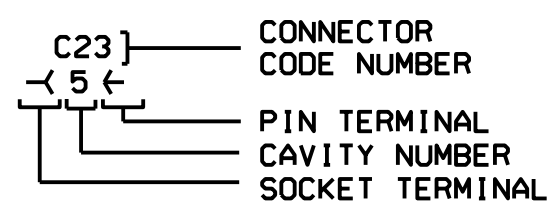
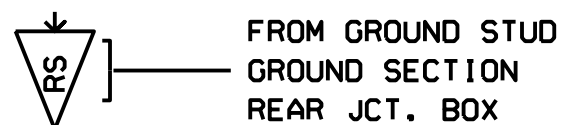
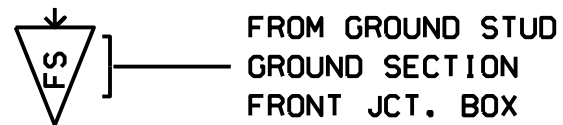
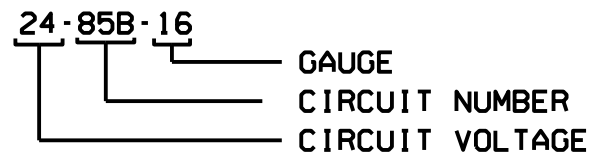
BLK	BLACK
YEL	YELLOW
RED	RED
WH	WHITE
GRY	GREY
ORA	ORANGE
BLU	BLUE
GRN	GREEN
BRN	BROWN
PUR	PURPLE
PK	PINK

WIRING DIAGRAM KEYS



- BLK BLACK
- YEL YELLOW
- RED RED
- WH WHITE
- GRY GREY
- ORA ORANGE
- BLU BLUE
- GRN GREEN
- BRN BROWN
- PUR PURPLE
- PK PINK

WIRING DIAGRAM KEYS



- | | |
|-----|--------|
| BLK | BLACK |
| YEL | YELLOW |
| RED | RED |
| WH | WHITE |
| GRY | GREY |
| ORA | ORANGE |
| BLU | BLUE |
| GRN | GREEN |
| BRN | BROWN |
| PUR | PURPLE |
| PK | PINK |

FUSES CODE

No.	PAGE	AMP.	#PREV.	LOCATION	FUNCTION
F 1	6.1	10A	562407	FR JCT BOX	WORLD TRANSM 12V BATT
F 2	6.1	10A	562407	FR JCT BOX	WORLD TRANSM 12V IGN.
F 3	7.2	20A	562605	FR JCT BOX	ELECTRICAL HORNS
F 4	7.2	5A	562259	FR JCT BOX	FIRE ALARME
F 5	8.1	7.5A	562602	FR JCT BOX	AIR DRYER
F 6	17.1	3A	562599	FR JCT BOX	STEERING CONTROL
F 7	4.2	3A	560893	RH ENG.CPT.	STARTER ON T.T.LT.
F 8	9.2	15A	562604	FR JCT BOX	CORNERING LTS
F 9					
F 10	9.3	15A	562604	FR JCT BOX	FOG LTS
F 11					
F 12					
F 13					
F 14	11.2	15A	562604	FR JCT BOX	DRIVER'S LTS SW.
F 15					
F 16					
F 17					
F 18					
F 19					
F 20					
F 21					
F 22	13.1	10A	562407	FR JCT BOX	POWER OUTLET DASH R.H.
F 23	19.1	15A	562604	FR JCT BOX	DRIVER'S & ENTRANCE WINDOW LIFTER
F 24	13.1	15A	562604	FR JCT BOX	CIGAR LIGHTER & POWER OUTLET L.H. CONSOL
F 25	19.1	3A	562599	FR JCT BOX	SUN VISOR
F 26	14.1	5A	562259	FR JCT BOX	WATER HTR TIMER
F 27					
F 28					
F 29					
F 30					
F 31					
F 32					
F 33					
F 34					
F 35					
F 36					
F 37					
F 38					
F 39					
F 40					
F 41					
F 42					
F 43					
F 44					
F 45					
F 46					
F 47	16.1	7.5A	562602	FR JCT BOX	RR VIEW MIRROR

FUSES CODE

No.	PAGE	AMP.	#PREV.	LOCATION	FUNCTION
F 1	6.1	10A	562407	FR JCT BOX	WORLD TRANSM 12V BATT
F 2	6.1	10A	562407	FR JCT BOX	WORLD TRANSM 12V IGN.
F 3	7.2	20A	562605	FR JCT BOX	ELECTRICAL HORNS
F 4	7.2	5A	562259	FR JCT BOX	FIRE ALARME
F 5	8.1	7.5A	562602	FR JCT BOX	AIR DRYER
F 6	17.1	3A	562599	FR JCT BOX	STEERING CONTROL
F 7	4.2	3A	560893	RH ENG.CPT.	STARTER ON T.T.LT.
F 8	9.2	15A	562604	FR JCT BOX	CORNERING LTS
F 9					
F 10	9.3	15A	562604	FR JCT BOX	FOG LTS
F 11					
F 12					
F 13					
F 14	11.2	15A	562604	FR JCT BOX	DRIVER'S LTS SW.
F 15					
F 16					
F 17					
F 18					
F 19					
F 20					
F 21					
F 22	13.1	10A	562407	FR JCT BOX	POWER OUTLET DASH R.H.
F 23	19.1	15A	562604	FR JCT BOX	DRIVER'S & ENTRANCE WINDOW LIFTER
F 24	13.1	15A	562604	FR JCT BOX	CIGAR LIGHTER & POWER OUTLET L.H. CONSOL
F 25	19.1	3A	562599	FR JCT BOX	SUN VISOR
F 26	14.1	5A	562259	FR JCT BOX	WATER HTR TIMER
F 27					
F 28					
F 29					
F 30					
F 31					
F 32					
F 33					
F 34					
F 35					
F 36					
F 37					
F 38					
F 39					
F 40					
F 41					
F 42					
F 43					
F 44					
F 45					
F 46					
F 47	16.1	7.5A	562602	FR JCT BOX	RR VIEW MIRROR

FUSES CODE

No.	PAGE	AMP.	#PREV.	LOCATION	FUNCTION
F 1	6.1	10A	562407	FR JCT BOX	WORLD TRANSM 12V BATT
F 2	6.1	10A	562407	FR JCT BOX	WORLD TRANSM 12V IGN.
F 3	7.2	20A	562605	FR JCT BOX	ELECTRICAL HORNS
F 4	7.2	5A	562259	FR JCT BOX	FIRE ALARME
F 5	8.1	7.5A	562602	FR JCT BOX	AIR DRYER
F 6	17.1	3A	562599	FR JCT BOX	STEERING CONTROL
F 7	4.2	3A	560893	RH ENG.CPT.	STARTER ON T.T.LT.
F 8	9.2	15A	562604	FR JCT BOX	CORNERING LTS
F 9					
F 10	9.3	15A	562604	FR JCT BOX	FOG LTS
F 11					
F 12					
F 13					
F 14	11.2	15A	562604	FR JCT BOX	DRIVER'S LTS SW.
F 15					
F 16					
F 17					
F 18					
F 19					
F 20					
F 21					
F 22	13.1	10A	562407	FR JCT BOX	POWER OUTLET DASH R.H.
F 23	19.1	15A	562604	FR JCT BOX	DRIVER'S & WINDOW LIFTER
F 24	13.1	15A	562604	FR JCT BOX	CIGAR LIGHTER & POWER OUTLET L.H. CONSOL
F 25	19.1	3A	562599	FR JCT BOX	SUN VISOR
F 26	14.1	7.5A	562602	FR JCT BOX	WATER HTR TIMER
F 27					
F 28					
F 29					
F 30					
F 31					
F 32	19.1	15A	562604	FR JCT BOX	ENTRANCE WINDOW LIFTER
F 33					
F 34					
F 35					
F 36					
F 37					
F 38					
F 39					
F 40					
F 41					
F 42					
F 43	1.2	3A	562599	ENGINE CPT.	12V SIGNAL TO BATT. MONITOR
F 44	1.2	3A	562599	ENGINE CPT.	24V SIGNAL TO BATT. MONITOR
F 45					
F 46					
F 47	16.1	7.5A	562602	FR JCT BOX	RR VIEW MIRROR

FUSES CODE

No.	PAGE	AMP.	#PREV.	LOCATION	FUNCTION
F 1	6.1	10A	562407	FR JCT BOX	WORLD TRANSM 12V BATT
F 2	6.1	10A	562407	FR JCT BOX	WORLD TRANSM 12V IGN.
F 3	7.2	20A	562605	FR JCT BOX	ELECTRICAL HORNS
F 4	7.2	5A	562259	FR JCT BOX	FIRE ALARME
F 5	8.1	7.5A	562602	FR JCT BOX	AIR DRYER
F 6	17.1	3A	562599	FR JCT BOX	STEERING CONTROL
F 7	4.2	3A	560893	RH ENG.CPT.	STARTER ON T.T.LT.
F 8	9.2	15A	562604	FR JCT BOX	CORNERING LTS
F 9					
F 10	9.3	15A	562604	FR JCT BOX	FOG LTS
F 11					
F 12					
F 13					
F 14	11.2	15A	562604	FR JCT BOX	DRIVER'S LTS SW.
F 15					
F 16					
F 17					
F 18					
F 19					
F 20					
F 21					
F 22	13.1	10A	562407	FR JCT BOX	POWER OUTLET DASH R.H.
F 23	19.1	15A	562604	FR JCT BOX	DRIVER'S & WINDOW LIFTER
F 24	13.1	15A	562604	FR JCT BOX	CIGAR LIGHTER & POWER OUTLET L.H. CONSOL
F 25	19.1	3A	562599	FR JCT BOX	SUN VISOR
F 26	11.2	7.5A	562602	FR JCT BOX	DRIVER'S LIGHTS
F 27					
F 28					
F 29					
F 30					
F 31					
F 32	19.1	15A	562604	FR JCT BOX	ENTRANCE WINDOW LIFTER
F 33					
F 34					
F 35					
F 36					
F 37					
F 38					
F 39					
F 40					
F 41					
F 42					
F 43	1.2	3A	562599	ENGINE CPT.	12V SIGNAL TO BATT. MONITOR
F 44	1.2	3A	562599	ENGINE CPT.	24V SIGNAL TO BATT. MONITOR
F 45					
F 46					
F 47	16.1	7.5A	562602	FR JCT BOX	RR VIEW MIRROR

FUSES CODE

No.	PAGE	AMP.	#PREV.	LOCATION	FUNCTION
F 1	6.1	10A	562407	FR JCT BOX	WORLD TRANSM 12V BATT
F 2	6.1	10A	562407	FR JCT BOX	WORLD TRANSM 12V IGN.
F 3	7.2	20A	562605	FR JCT BOX	ELECTRICAL HORNS
F 4	7.2	5A	562259	FR JCT BOX	FIRE ALARME
F 5					
F 6	17.1	3A	562599	FR JCT BOX	STEERING CONTROL
F 7	4.2	3A	560893	RH ENG.CPT.	STARTER ON T.T.LT.
F 8	9.2	15A	562604	FR JCT BOX	CORNERING LTS
F 9					
F 10	9.3	15A	562604	FR JCT BOX	FOG LTS
F 11					
F 12					
F 13					
F 14	11.2	15A	562604	FR JCT BOX	DRIVER'S LTS SW.
F 15					
F 16					
F 17					
F 18					
F 19					
F 20					
F 21					
F 22	13.1	10A	562407	FR JCT BOX	POWER OUTLET DASH R.H.
F 23	19.1	15A	562604	FR JCT BOX	DRIVER'S & WINDOW LIFTER
F 24	13.1	15A	562604	FR JCT BOX	CIGAR LIGHTER & POWER OUTLET L.H. CONSOL
F 25	19.1	3A	562599	FR JCT BOX	SUN VISOR
F 26	11.2	7.5A	562602	FR JCT BOX	DRIVER'S LIGHTS
F 27					
F 28					
F 29					
F 30					
F 31					
F 32	19.1	15A	562604	FR JCT BOX	ENTRANCE WINDOW LIFTER
F 33					
F 34					
F 35					
F 36					
F 37					
F 38					
F 39					
F 40					
F 41					
F 42					
F 43	1.2	3A	562599	ENGINE CPT.	12V SIGNAL TO BATT. MONITOR
F 44	1.2	3A	562599	ENGINE CPT.	24V SIGNAL TO BATT. MONITOR
F 45					
F 46					
F 47	16.1	7.5A	562602	FR JCT BOX	RR VIEW MIRROR

LOGIC GATE

TRUTH TABLE

AND GATE		
INPUT		OUT
A	B	C
0	0	0
0	1	0
1	0	0
1	1	1

• OUTPUT IS 1 WHEN ALL INPUT IS 1

NAND GATE		
INPUT		OUT
A	B	C
0	0	1
0	1	1
1	0	1
1	1	0

• OUTPUT IS 0 WHEN ALL INPUT IS 0

OR GATE		
INPUT		OUT
A	B	C
0	0	0
0	1	1
1	0	1
1	1	1

• OUTPUT IS 1 WHEN EITHER INPUT IS 1

NOR GATE		
INPUT		OUT
A	B	C
0	0	1
0	1	0
1	0	0
1	1	0

• OUTPUT IS 1 WHEN NONE INPUT IS 1

NOT GATE		
INPUT	OUT	
A	B	
0	1	
1	0	

• OUTPUT IS REVERSE OF INPUT

ON-DELAY	
XX SECOND AFTER A=1 THAN B=1	

OFF-DELAY	
XX SECOND AFTER A=0 THAN B=0	

POSITIVE INPUT	
INPUT CONNECTED WITH SIGNAL 12 VOLTS OR 24 VOLTS WHEN ACTIVATING	

NEGATIVE INPUT	
INPUT CONNECTED WITH SIGNAL GROUND WHEN ACTIVATING	

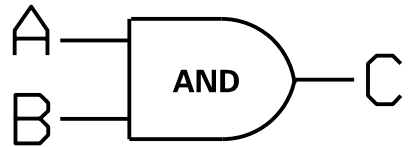
INPUT OR OUTPUT LEVEL

LEVEL 1 = 12 VOLTS OR 24 VOLTS

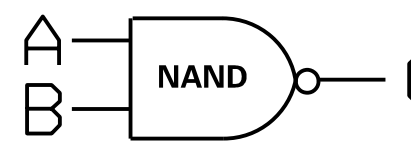
LEVEL 0 = 0 VOLT (TO GROUND)

LOGIC GATE

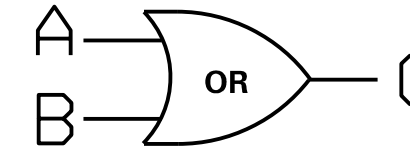
TRUTH TABLE

AND GATE		
		
INPUT		OUT
A	B	C
0	0	0
0	1	0
1	0	0
1	1	1

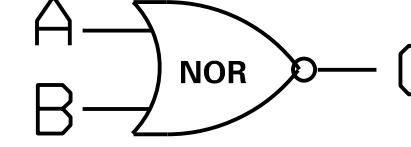
• OUTPUT IS 1 WHEN ALL INPUT IS 1

NAND GATE		
		
INPUT		OUT
A	B	C
0	0	1
0	1	1
1	0	1
1	1	0

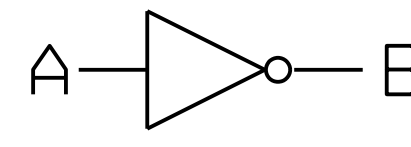
• OUTPUT IS 0 WHEN ALL INPUT IS 0

OR GATE		
		
INPUT		OUT
A	B	C
0	0	0
0	1	1
1	0	1
1	1	1


• OUTPUT IS 1 WHEN EITHER INPUT IS 1


NOR GATE		
		
INPUT		OUT
A	B	C
0	0	1
0	1	0
1	0	0
1	1	0

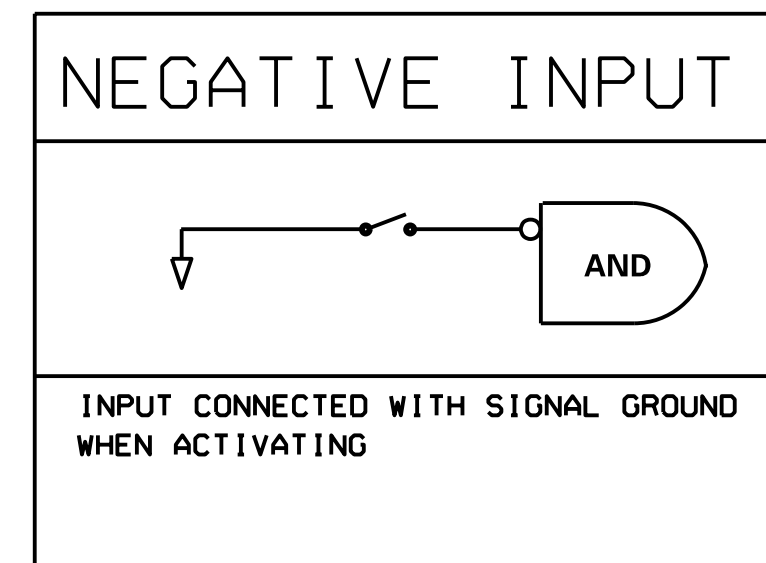
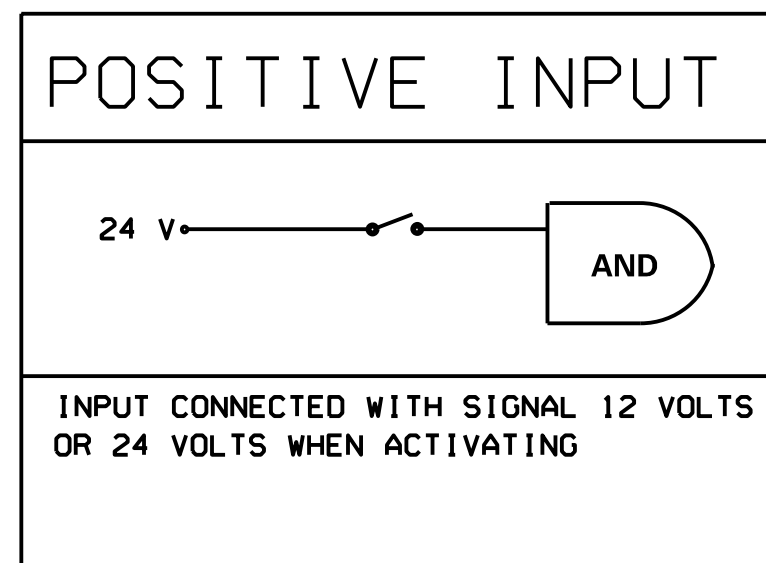
• OUTPUT IS 1 WHEN NONE INPUT IS 1

NOT GATE		
		
INPUT	OUT	
A	B	
0	1	
1	0	

• OUTPUT IS REVERSE OF INPUT

ON-DELAY	
	
XX SECOND AFTER A=1 THAN B=1	

OFF-DELAY	
	
XX SECOND AFTER A=0 THAN B=0	



INPUT OR OUTPUT LEVEL

LEVEL 1 = 12 VOLTS OR 24 VOLTS

LEVEL 0 = 0 VOLT (TO GROUND)

LOGIC GATE

TRUTH TABLE

AND GATE		
INPUT		OUT
A	B	C
0	0	0
0	1	0
1	0	0
1	1	1

• OUTPUT IS 1 WHEN ALL INPUT IS 1

NAND GATE		
INPUT		OUT
A	B	C
0	0	1
0	1	1
1	0	1
1	1	0

• OUTPUT IS 0 WHEN ALL INPUT IS 1

OR GATE		
INPUT		OUT
A	B	C
0	0	0
0	1	1
1	0	1
1	1	1

• OUTPUT IS 1 WHEN EITHER INPUT IS 1

NOR GATE		
INPUT		OUT
A	B	C
0	0	1
0	1	0
1	0	0
1	1	0

• OUTPUT IS 1 WHEN NONE INPUT IS 1

NOT GATE		
INPUT	OUT	
A	B	
0	1	
1	0	

• OUTPUT IS REVERSE OF INPUT

ON-DELAY	
XX SECOND AFTER A=1 THAN B=1	

OFF-DELAY	
XX SECOND AFTER A=0 THAN B=0	

POSITIVE INPUT	
INPUT CONNECTED WITH SIGNAL 12V OR 24V SWITCH CLOSED • LEVEL 1 SWITCH OPENED • LEVEL 0	

NEGATIVE INPUT	
INPUT CONNECTED WITH SIGNAL GROUND SWITCH CLOSED • LEVEL 0 SWITCH OPENED • LEVEL 1	

INPUT OR OUTPUT LEVEL

LEVEL 1 = 12 VOLTS OR 24 VOLTS

LEVEL 0 = 0 VOLT (TO GROUND)

LOGIC GATE

TRUTH TABLE

AND GATE		
INPUT		OUT
A	B	C
0	0	0
0	1	0
1	0	0
1	1	1

• OUTPUT IS 1 WHEN ALL INPUT IS 1

NAND GATE		
INPUT		OUT
A	B	C
0	0	1
0	1	1
1	0	1
1	1	0

• OUTPUT IS 0 WHEN ALL INPUT IS 1

OR GATE		
INPUT		OUT
A	B	C
0	0	0
0	1	1
1	0	1
1	1	1

• OUTPUT IS 1 WHEN AT LEAST INPUT IS 1

NOR GATE		
INPUT		OUT
A	B	C
0	0	1
0	1	0
1	0	0
1	1	0

• OUTPUT IS 1 WHEN NONE INPUT IS 1

NOT GATE		
INPUT	OUT	
A	B	
0	1	
1	0	

• OUTPUT IS REVERSE OF INPUT

ON-DELAY	
XX SECOND AFTER A=1 THAN B=1	

OFF-DELAY	
XX SECOND AFTER A=0 THAN B=0	

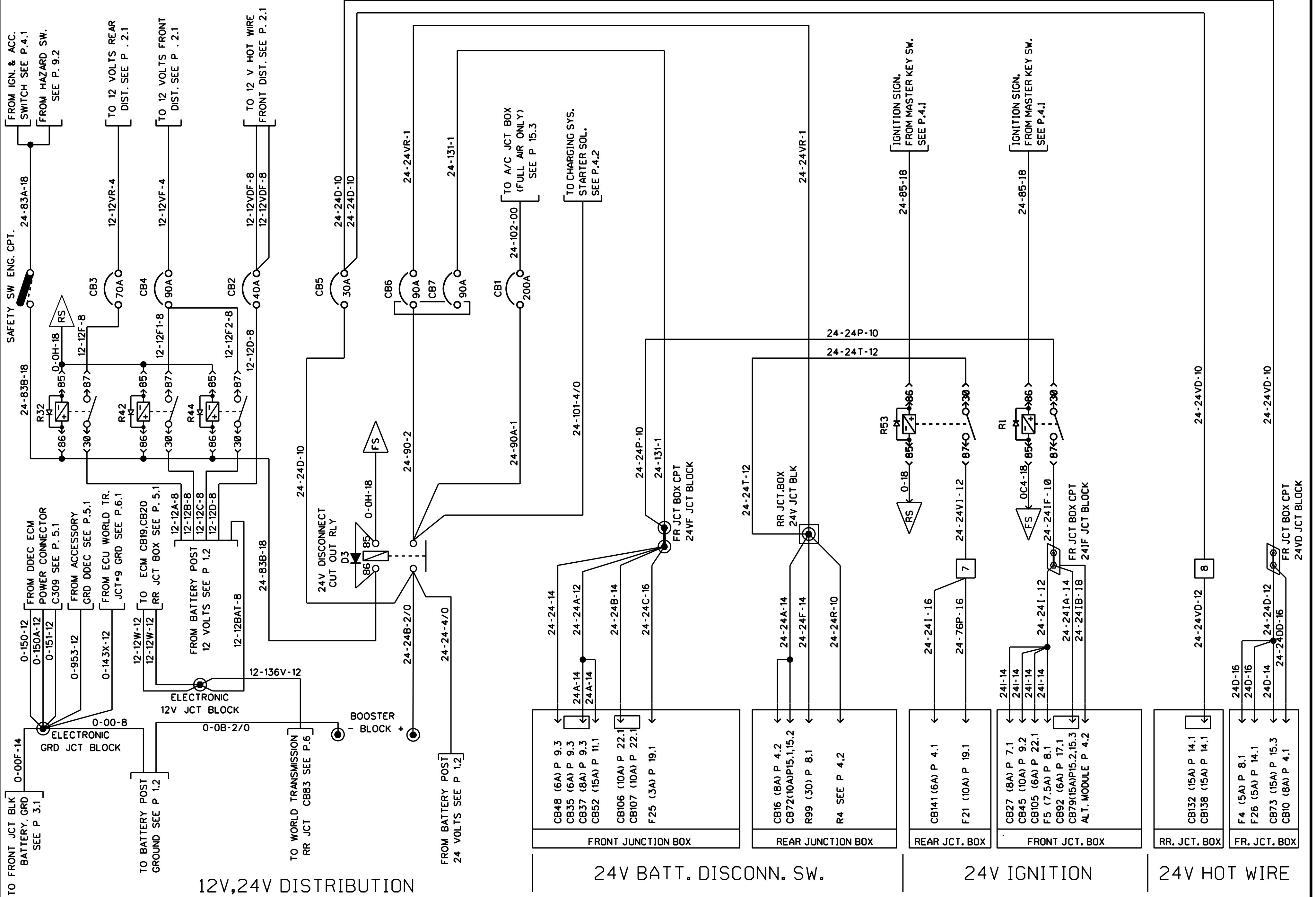
POSITIVE INPUT	
INPUT CONNECTED WITH SIGNAL 12V OR 24V SWITCH CLOSED • LEVEL 1 SWITCH OPENED • LEVEL 0	

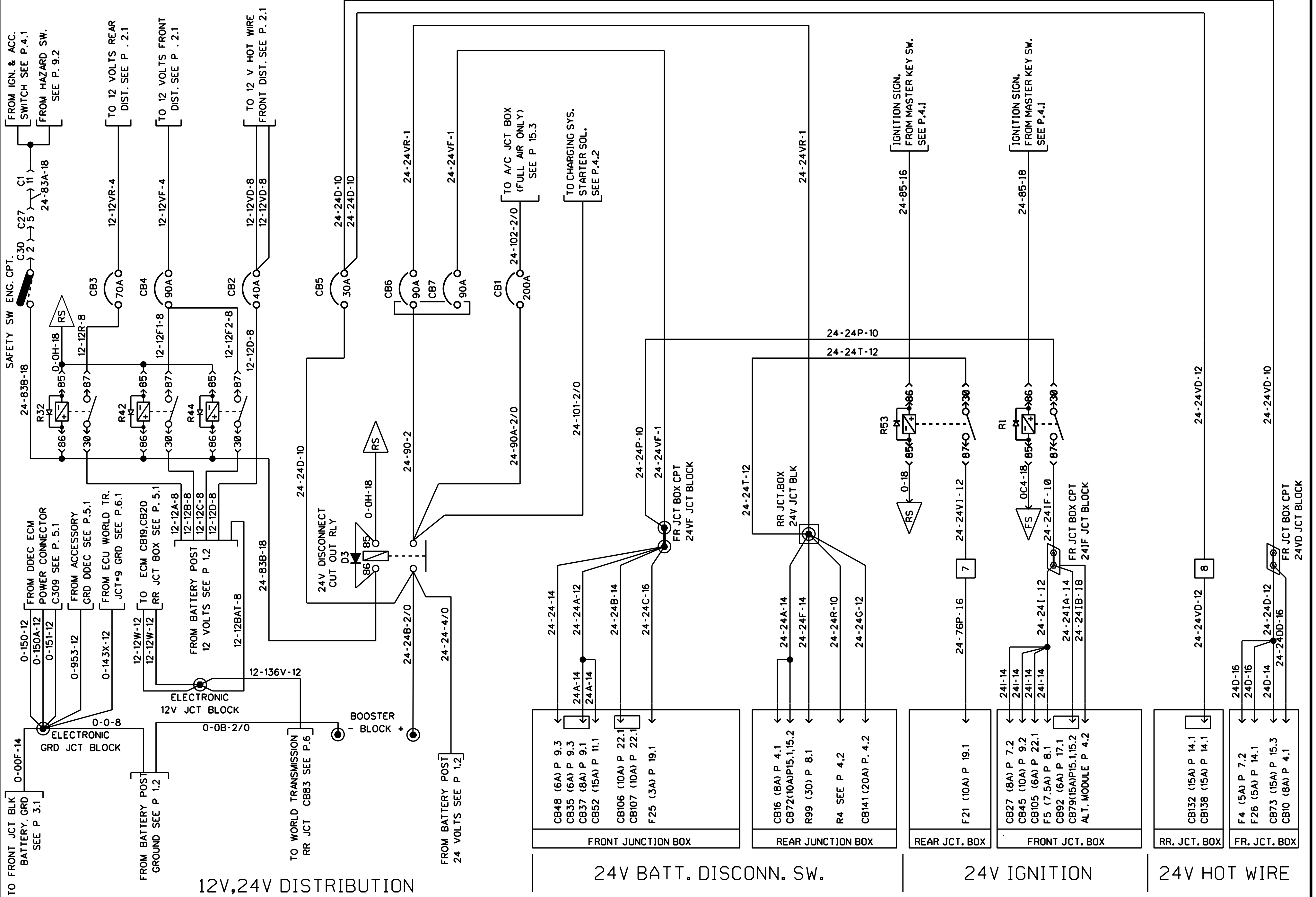
NEGATIVE INPUT	
INPUT CONNECTED WITH SIGNAL GROUND SWITCH CLOSED • LEVEL 0 SWITCH OPENED • LEVEL 1	

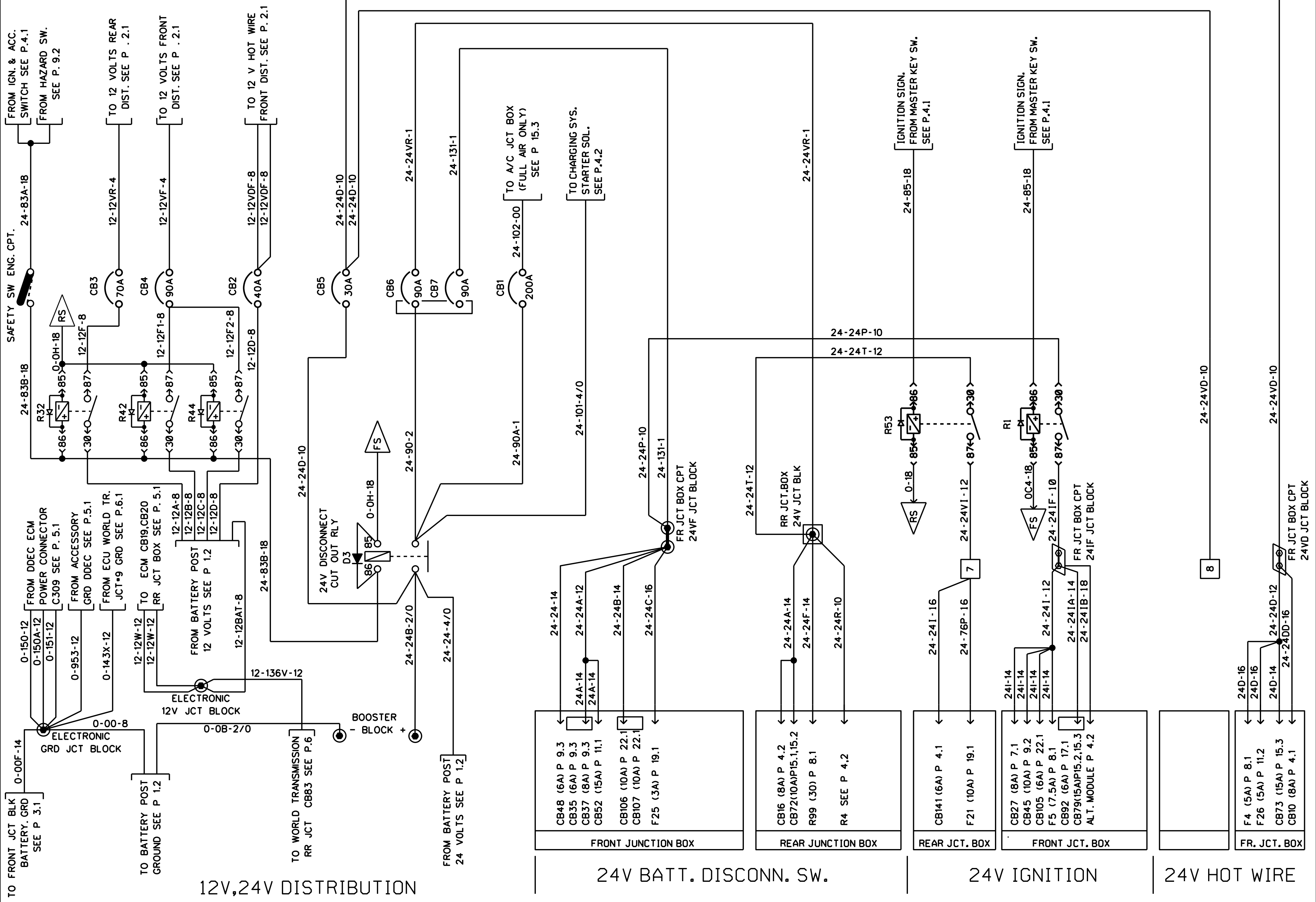
INPUT OR OUTPUT LEVEL

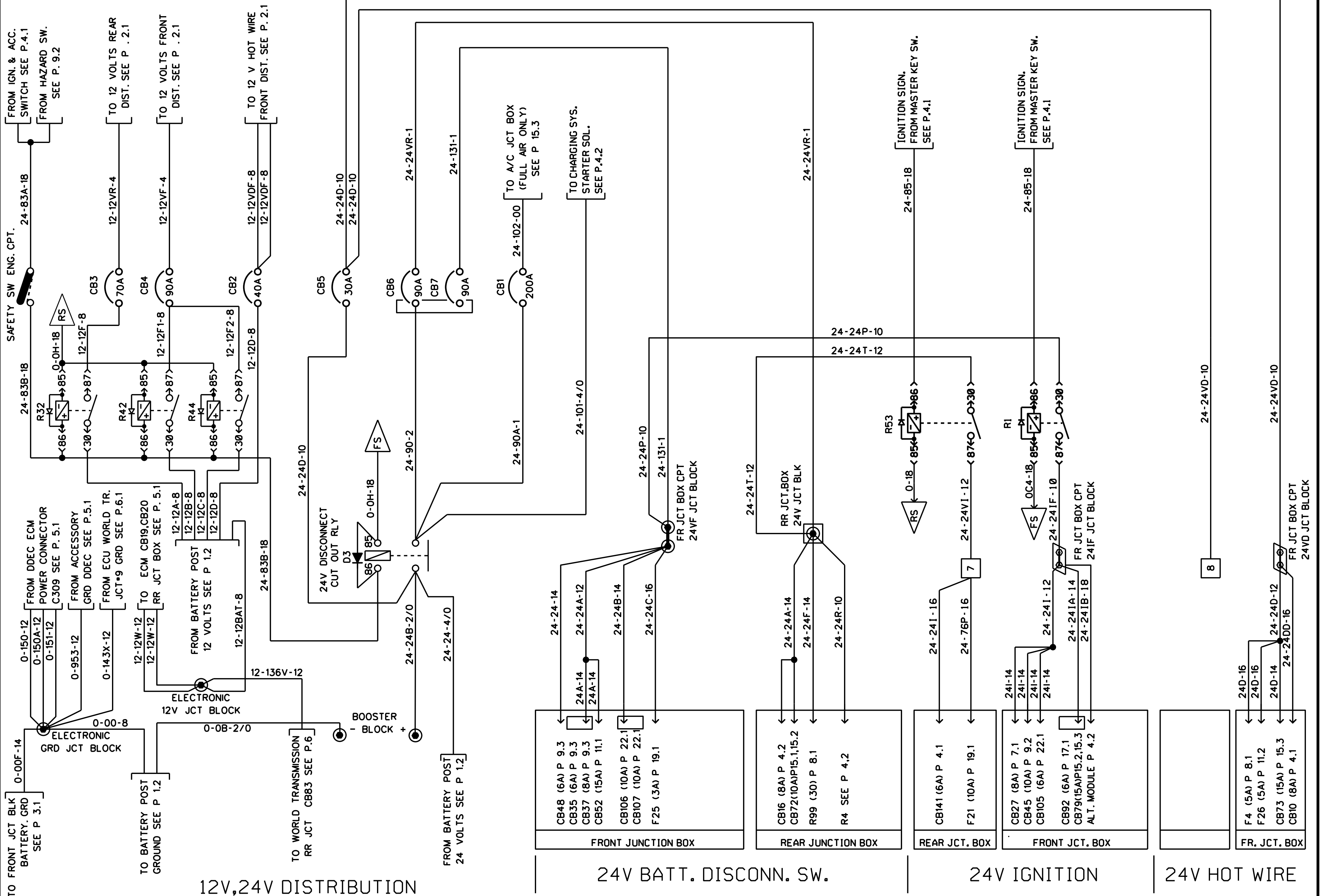
LEVEL 1 = 12 VOLTS OR 24 VOLTS

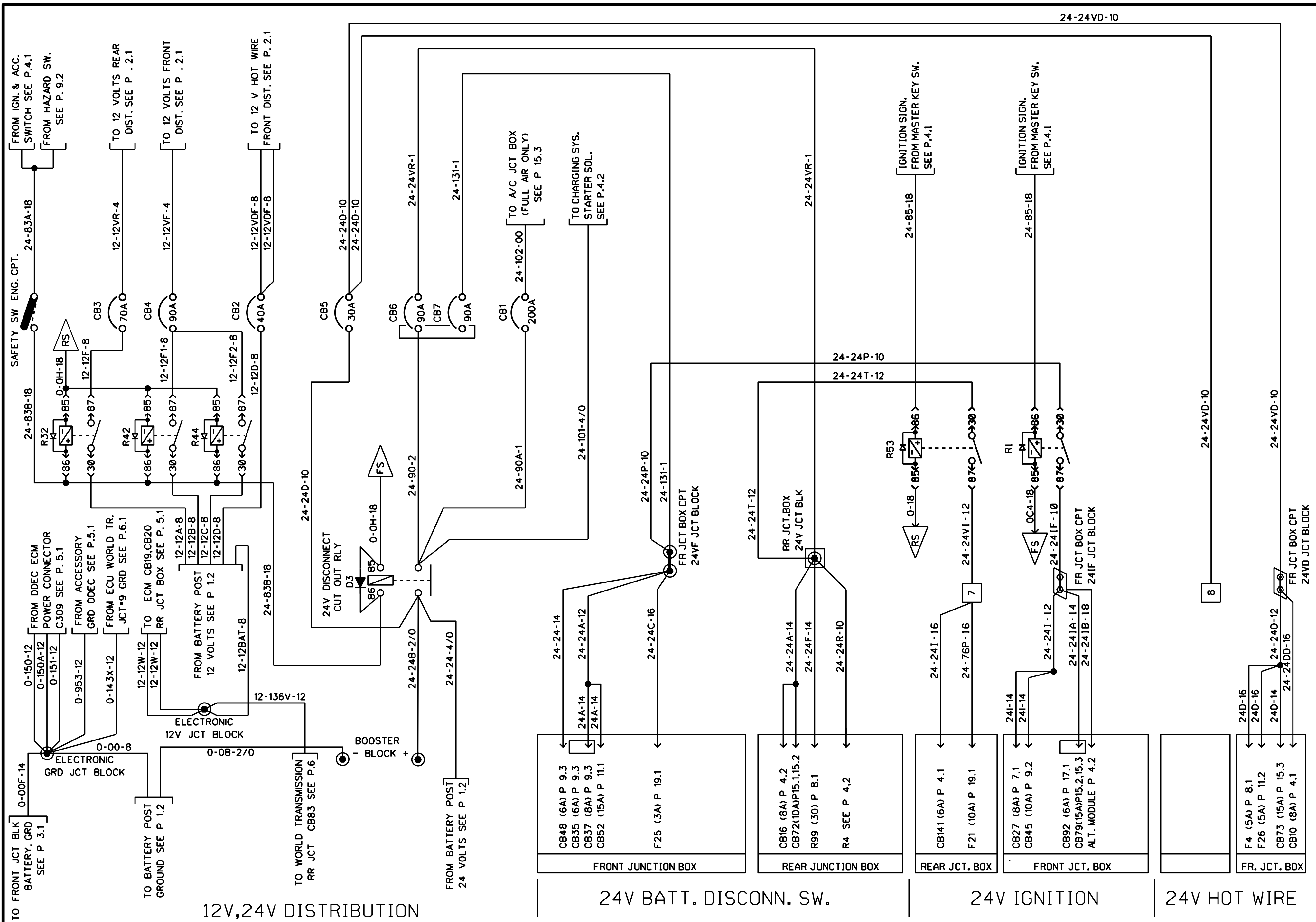
LEVEL 0 = 0 VOLT (TO GROUND)

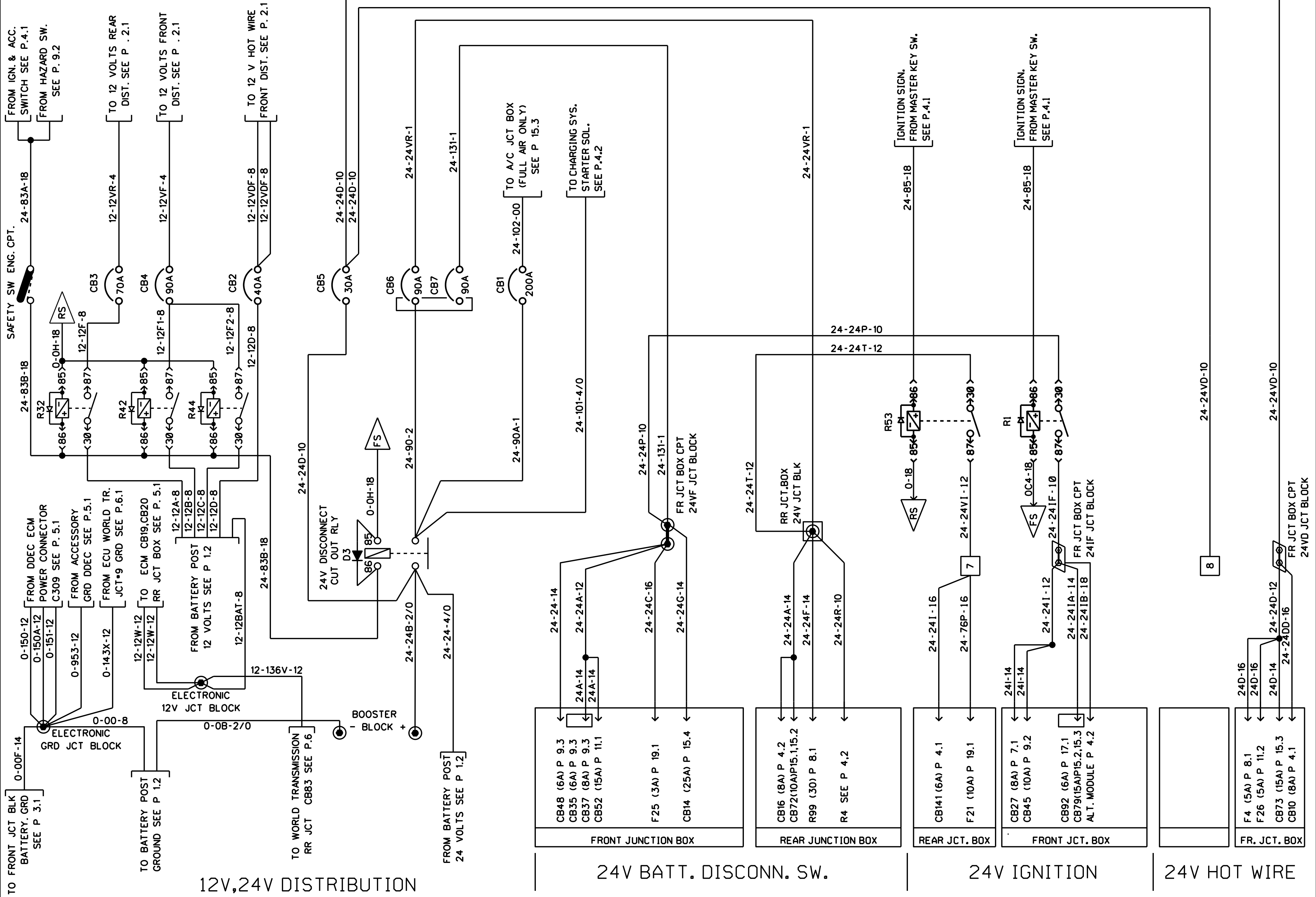


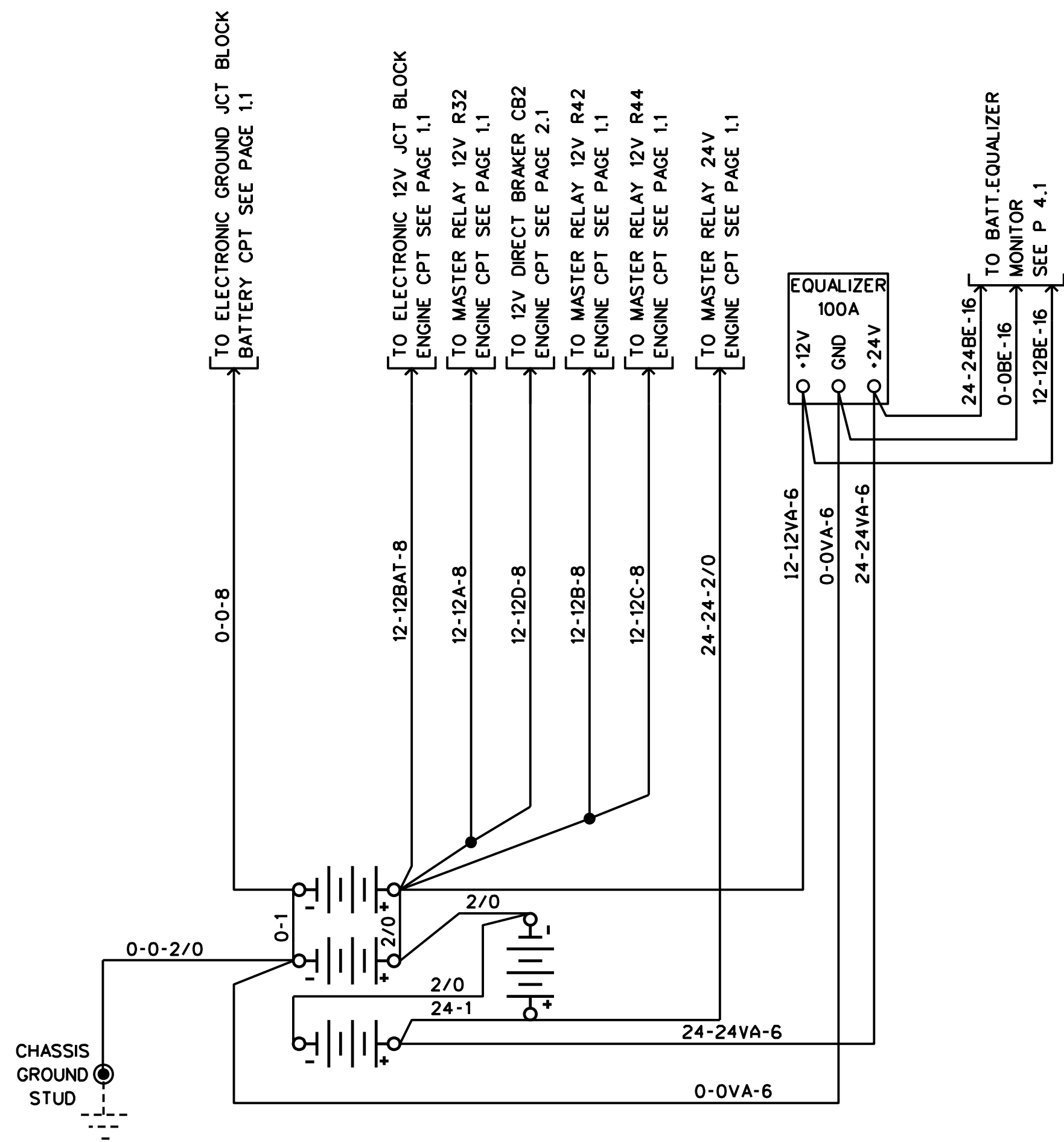




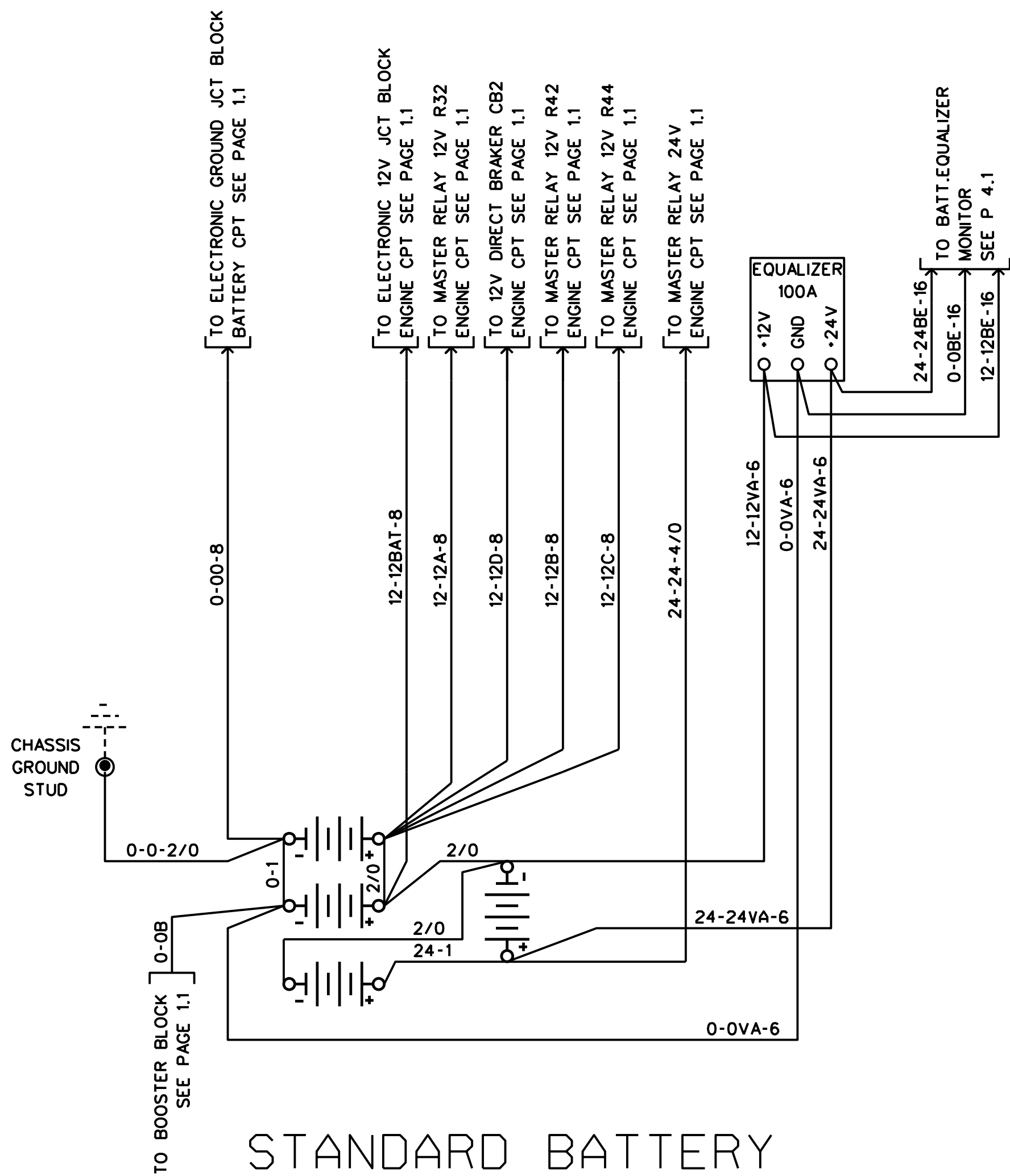


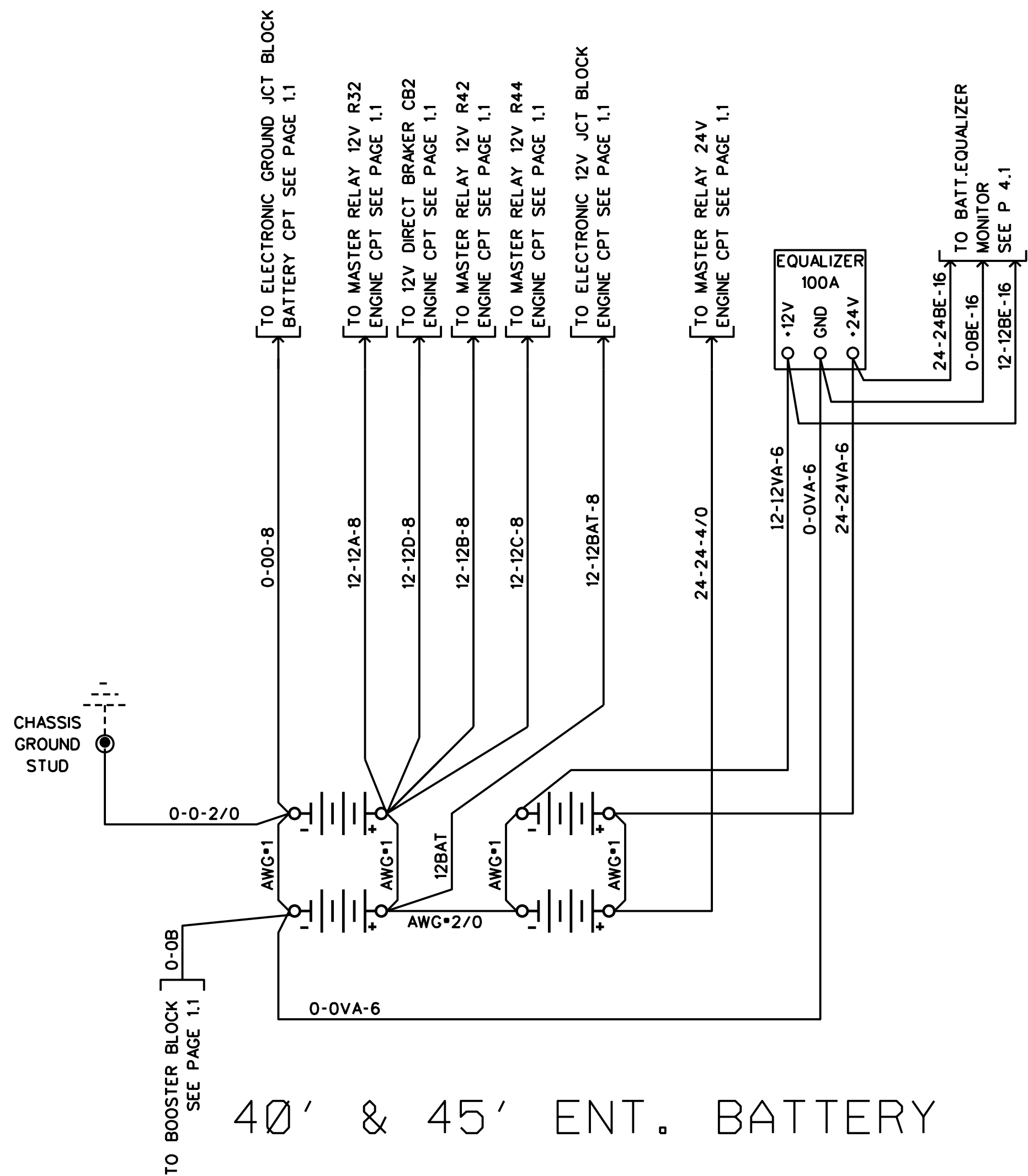
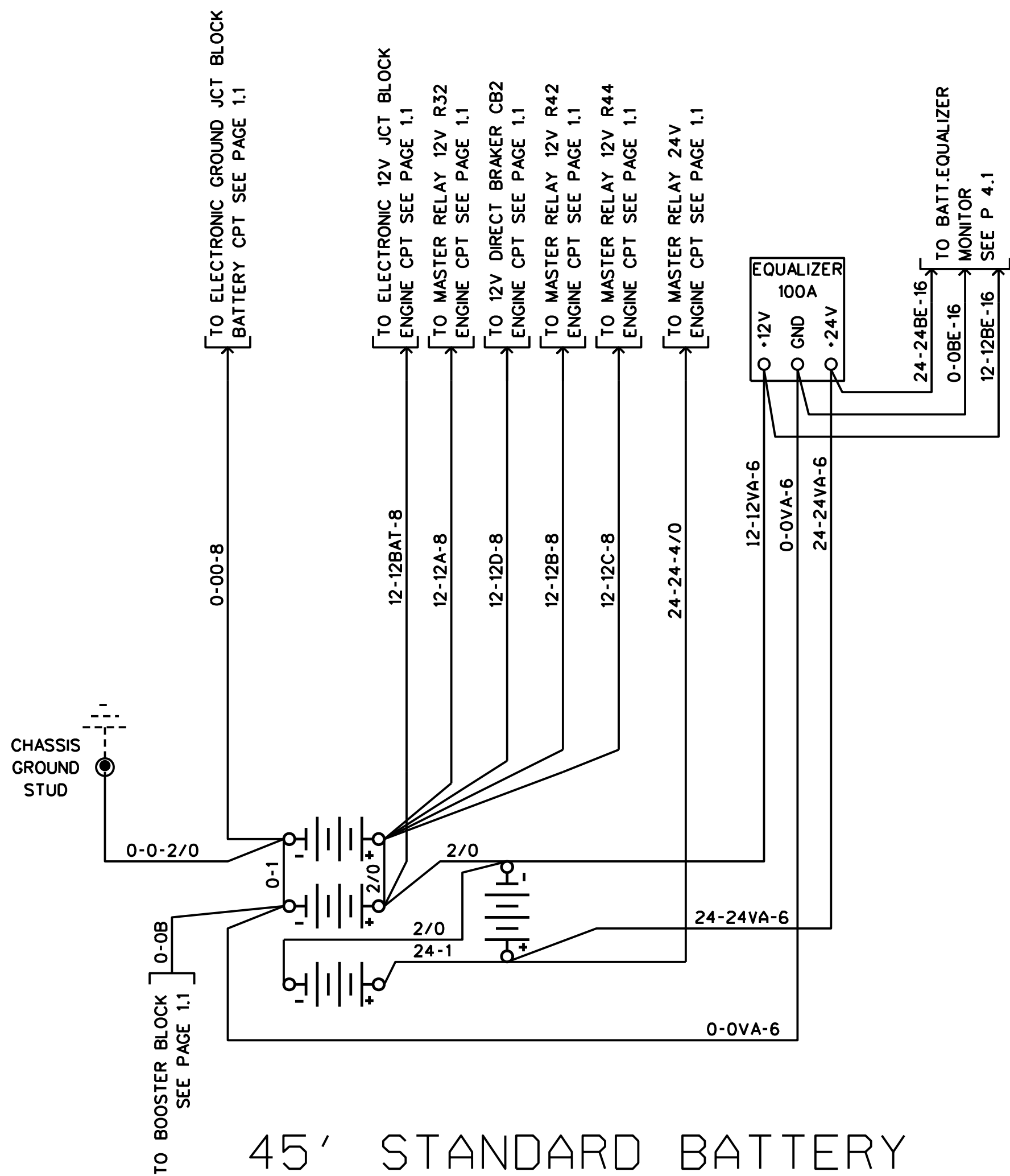


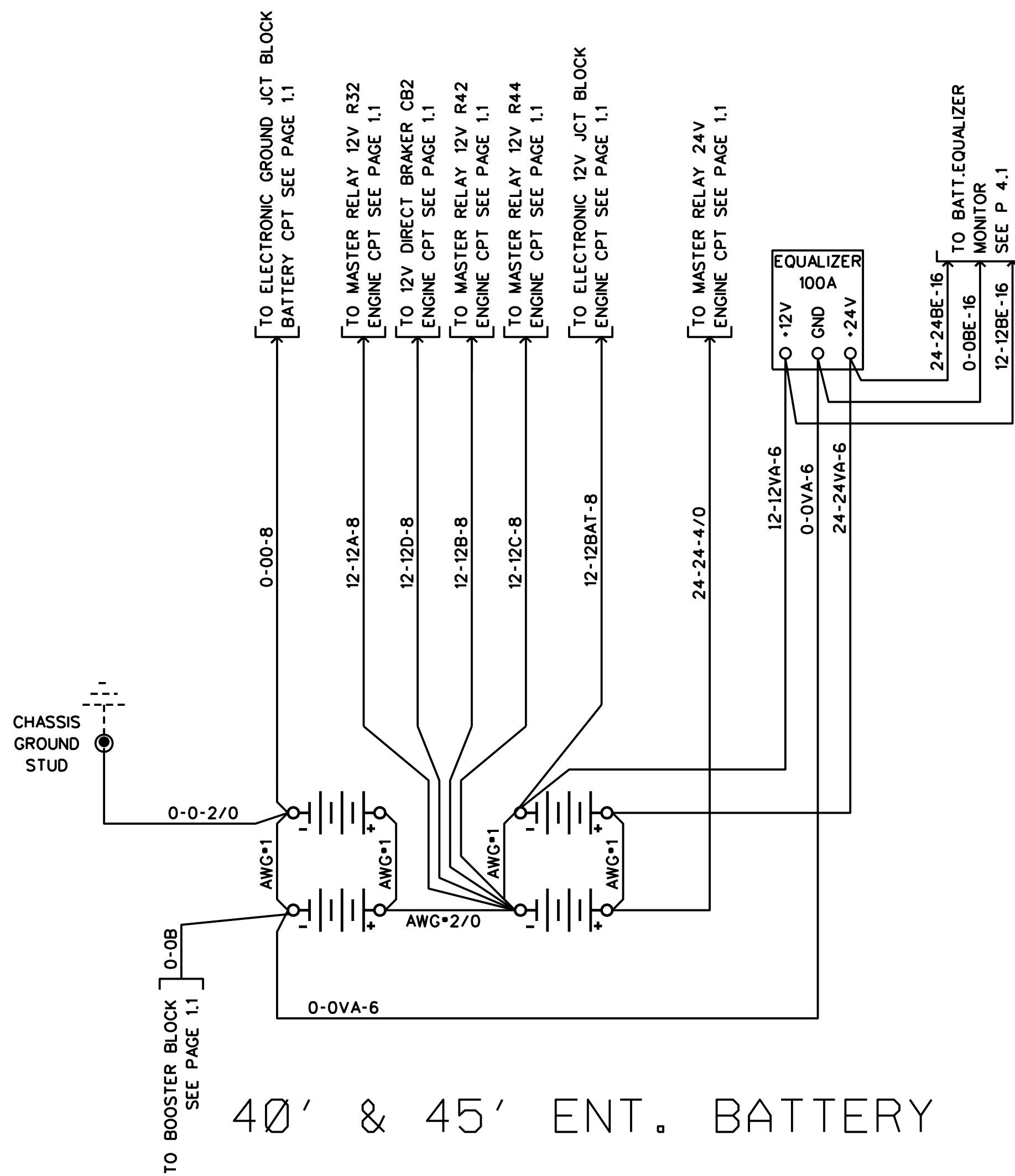
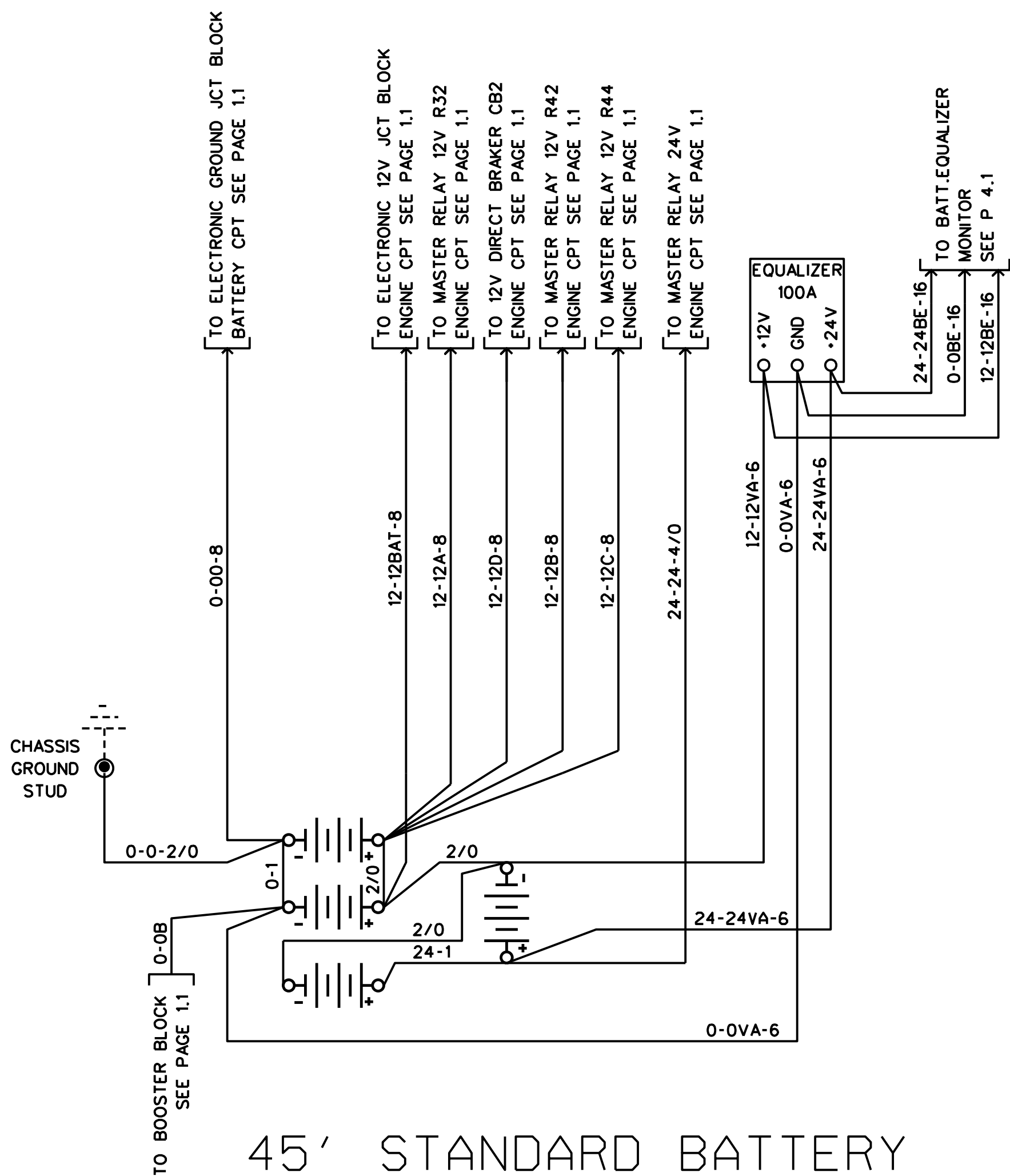


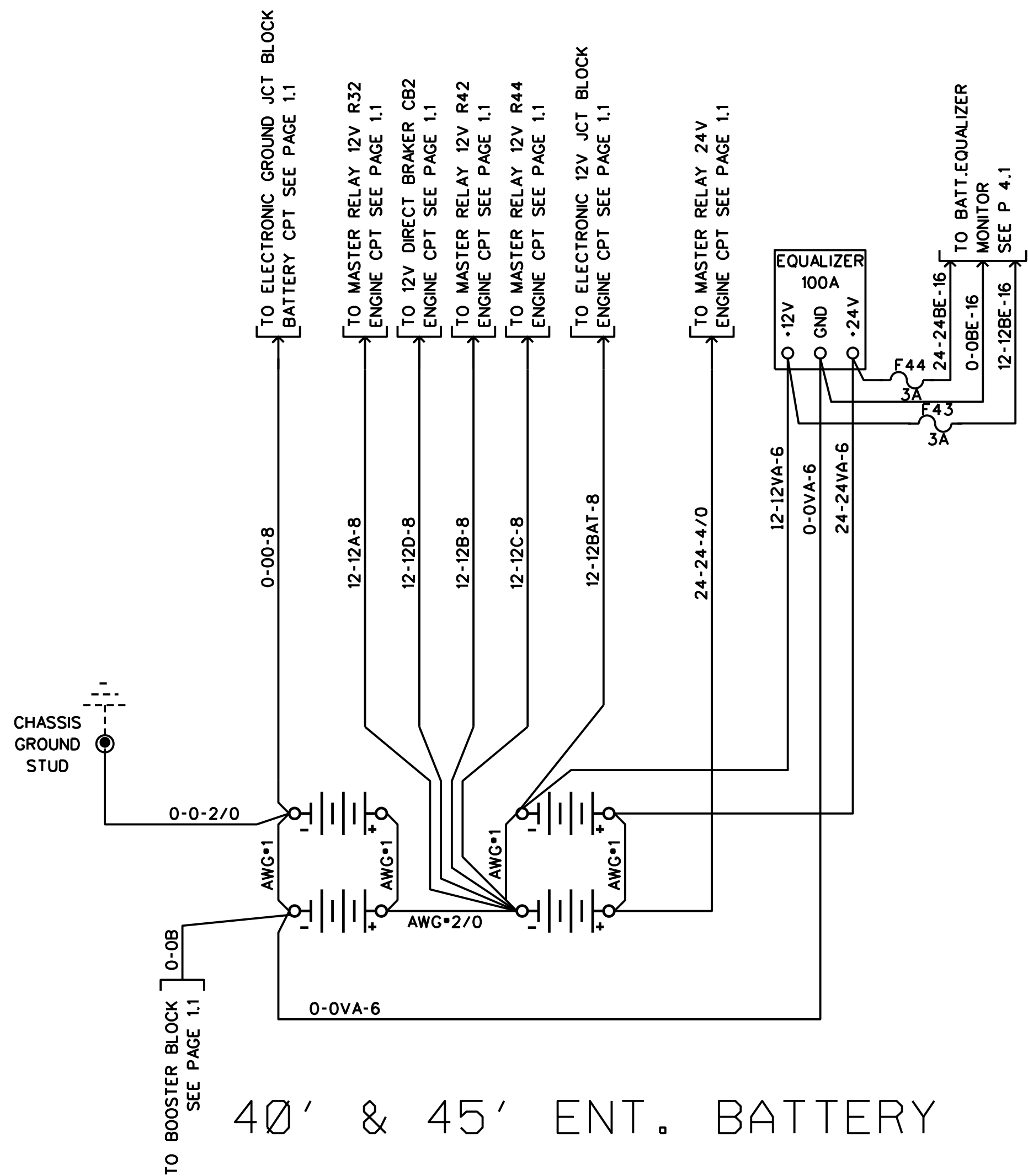
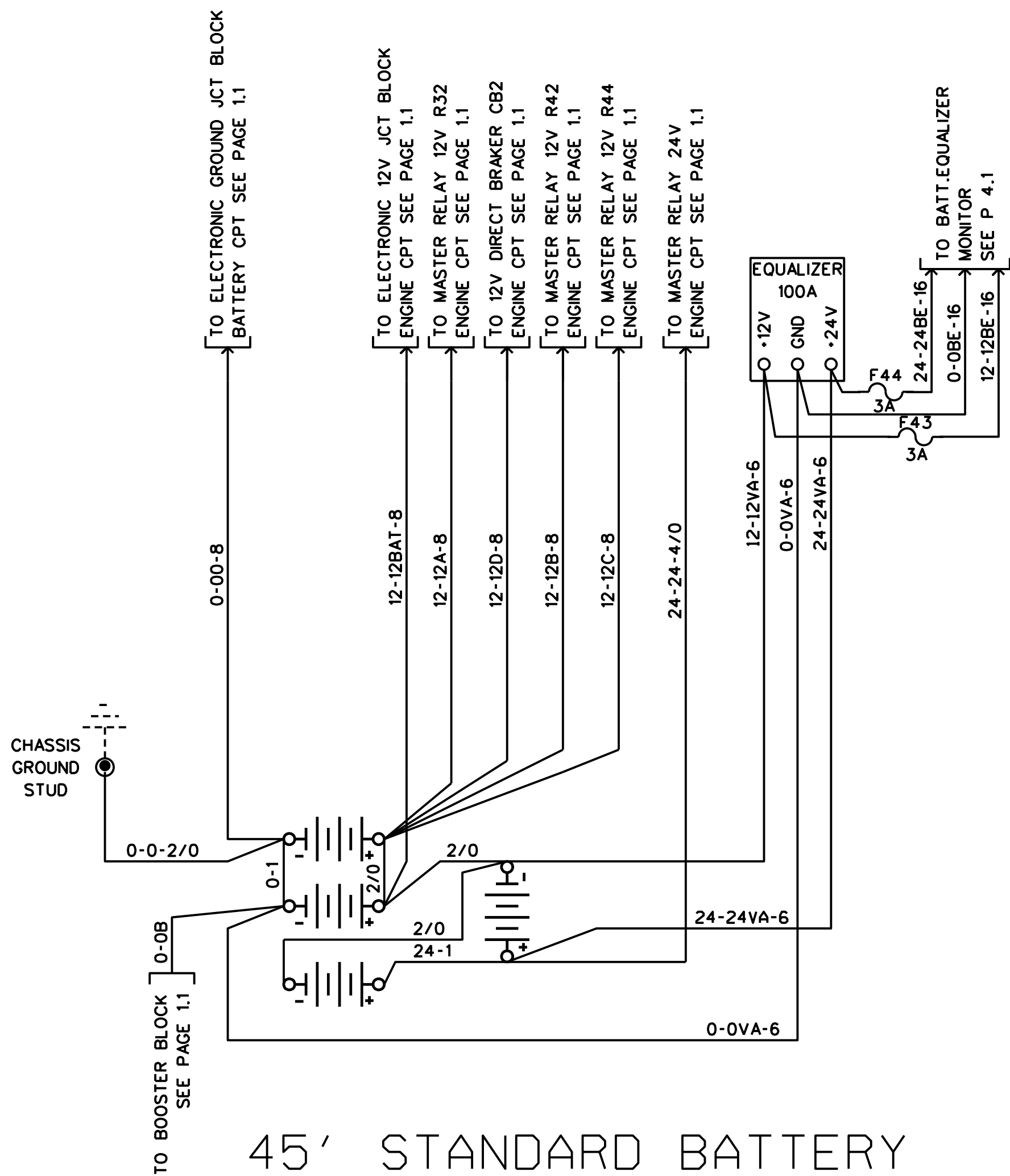


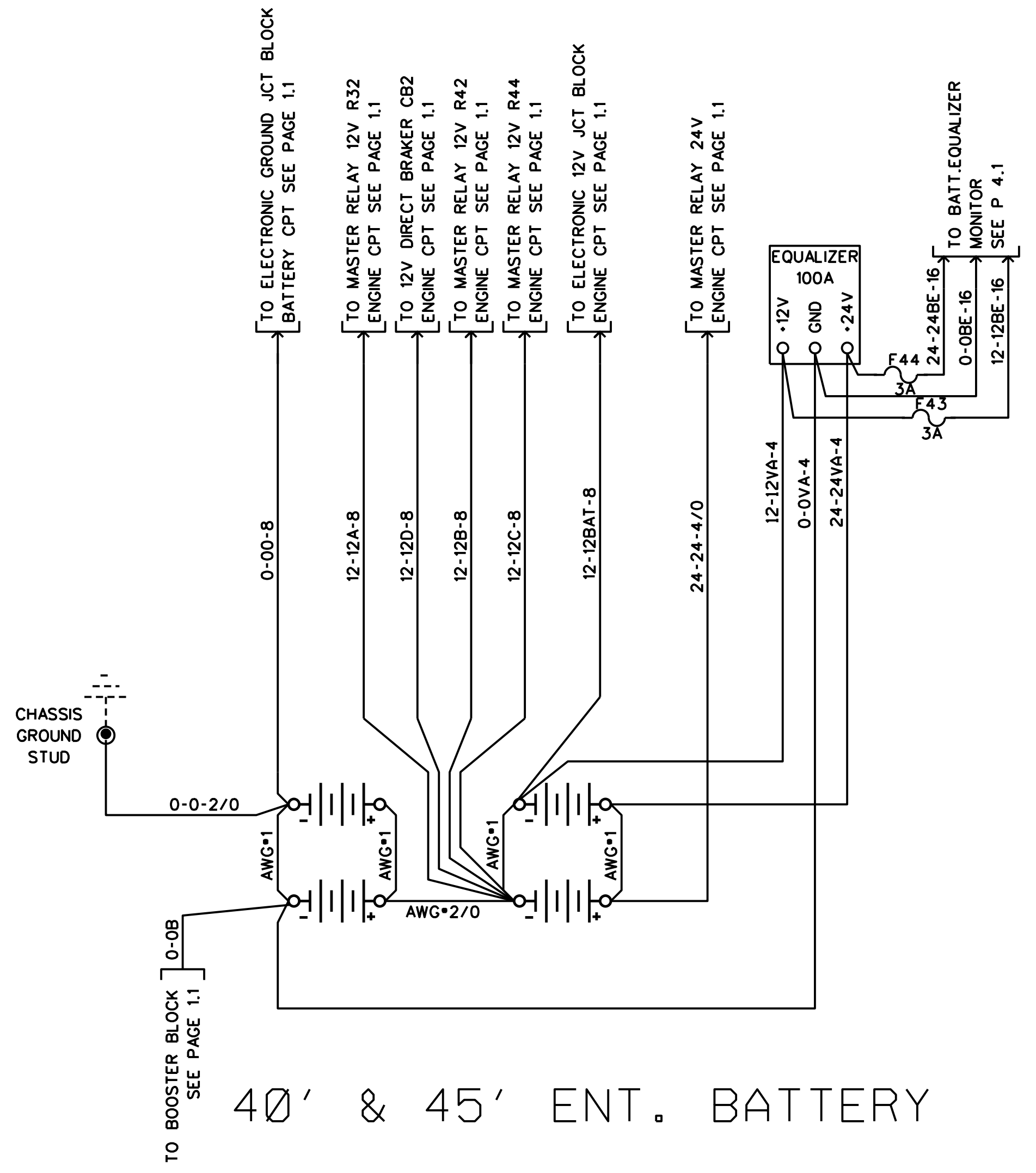
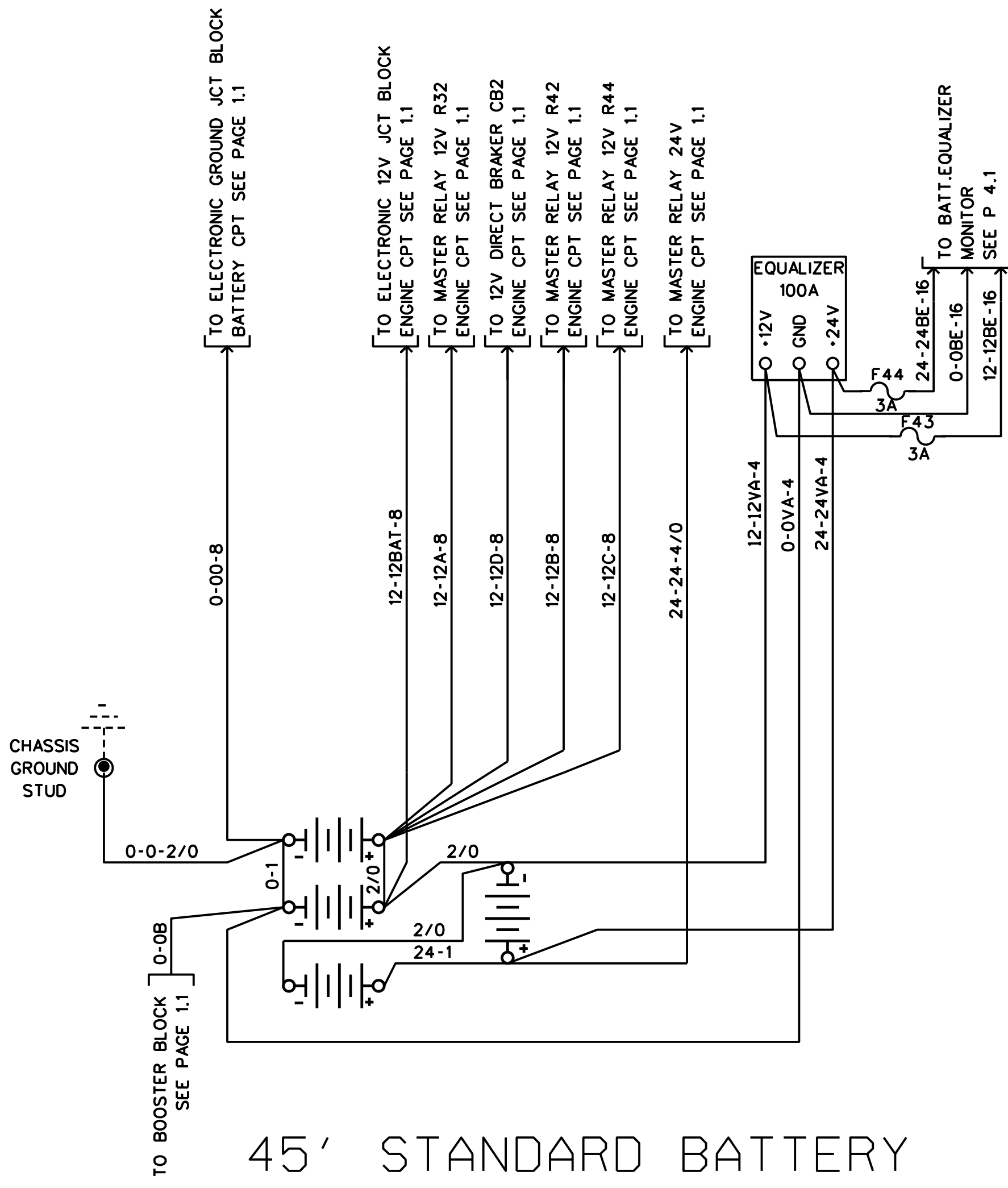
STANDARD BATTERY

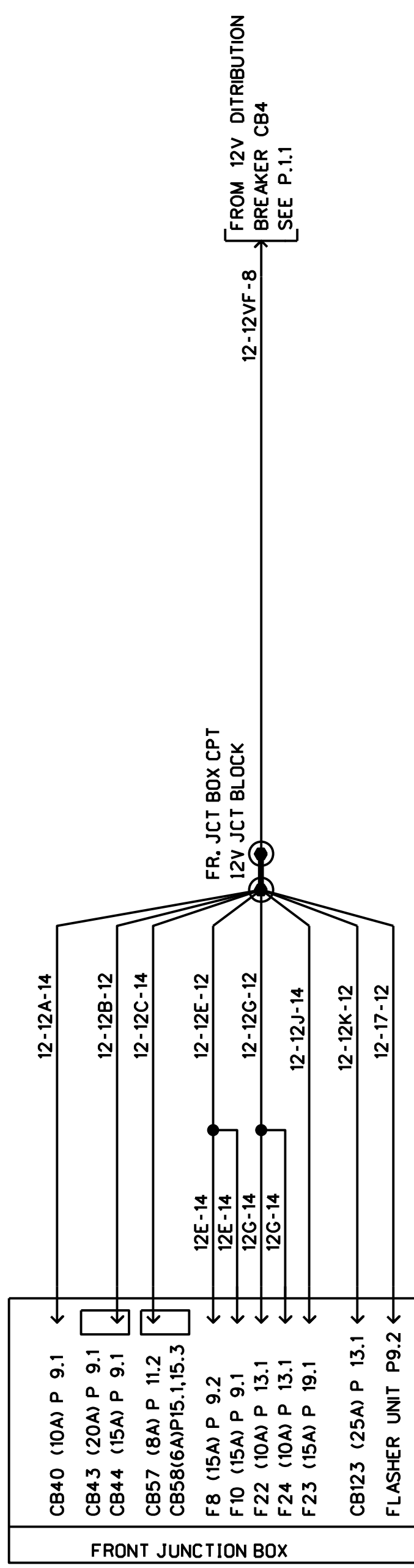




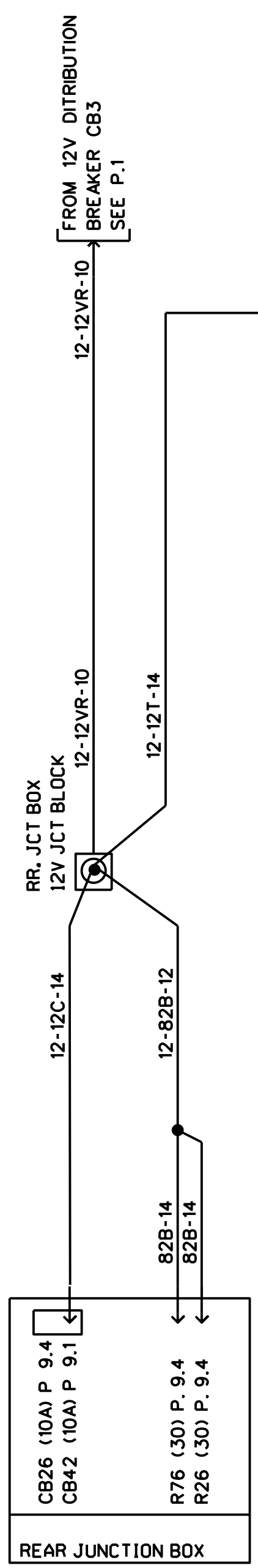




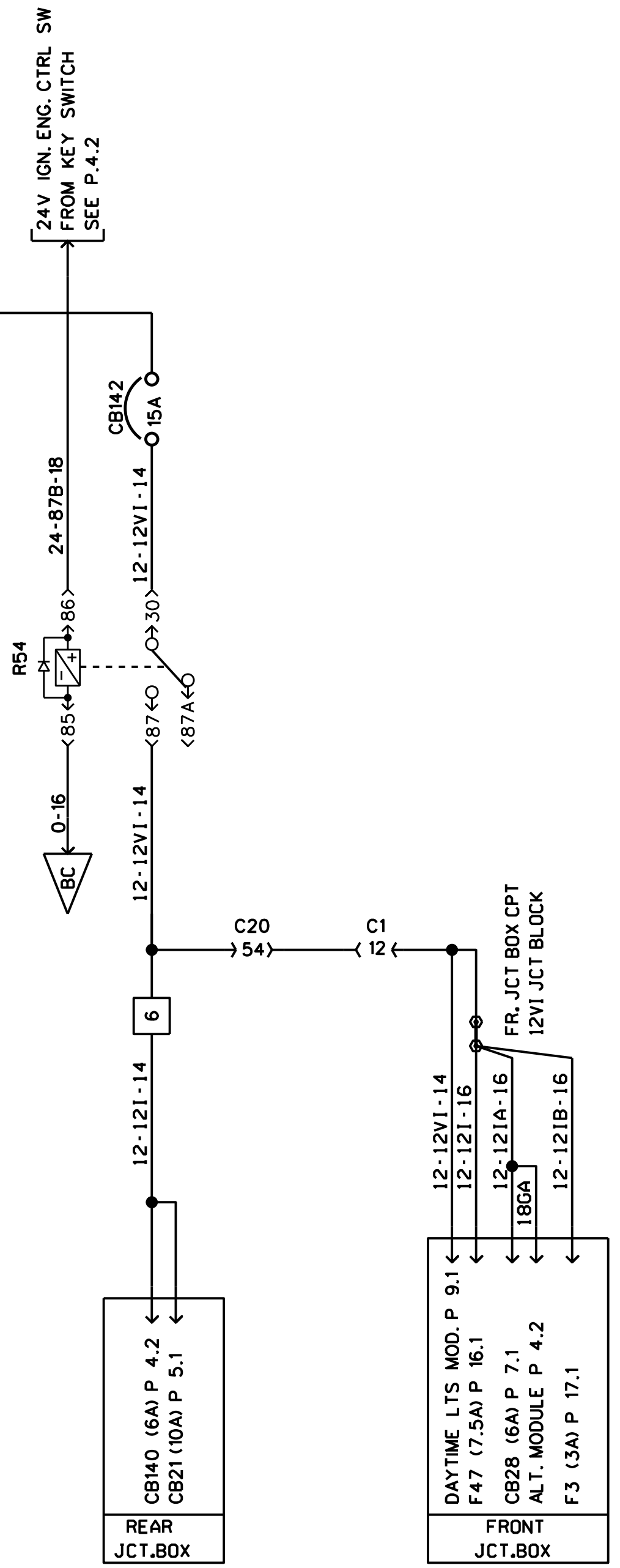




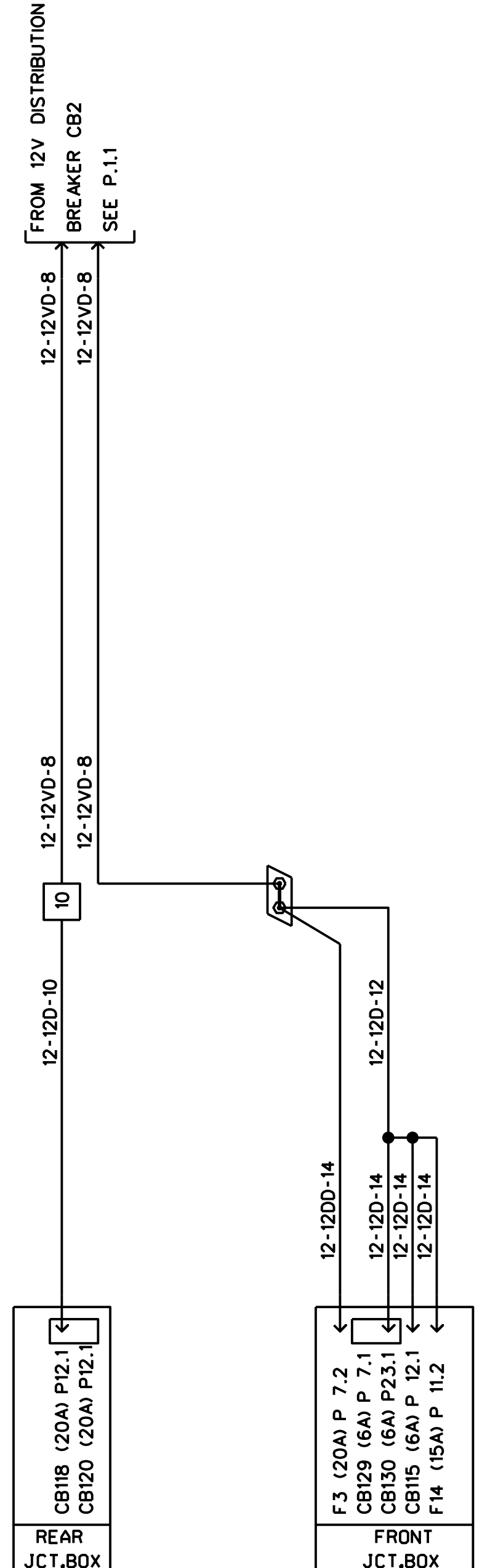
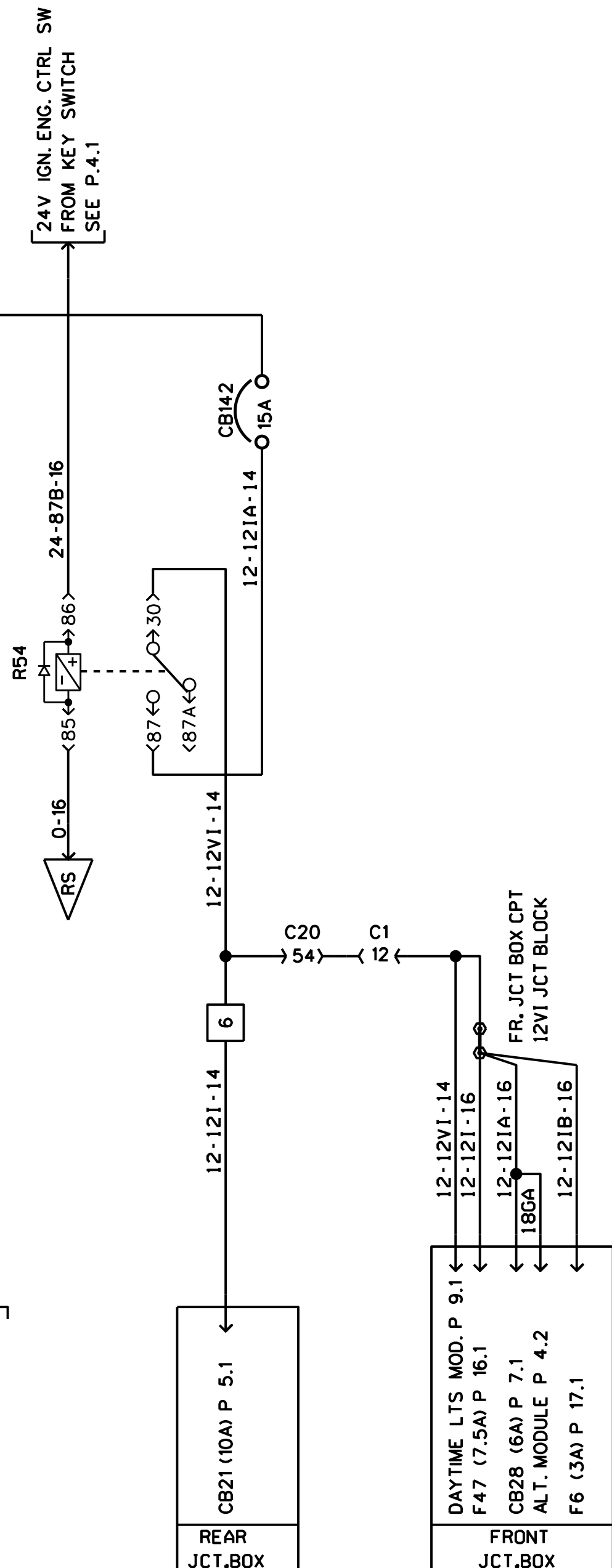
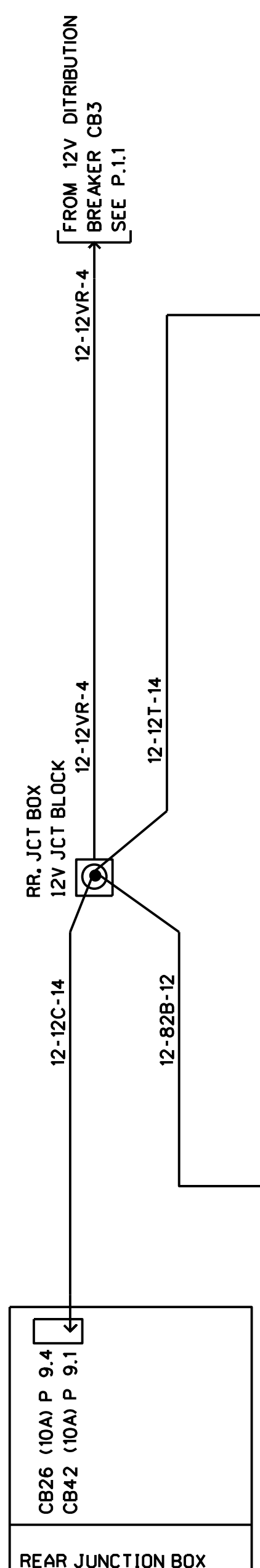
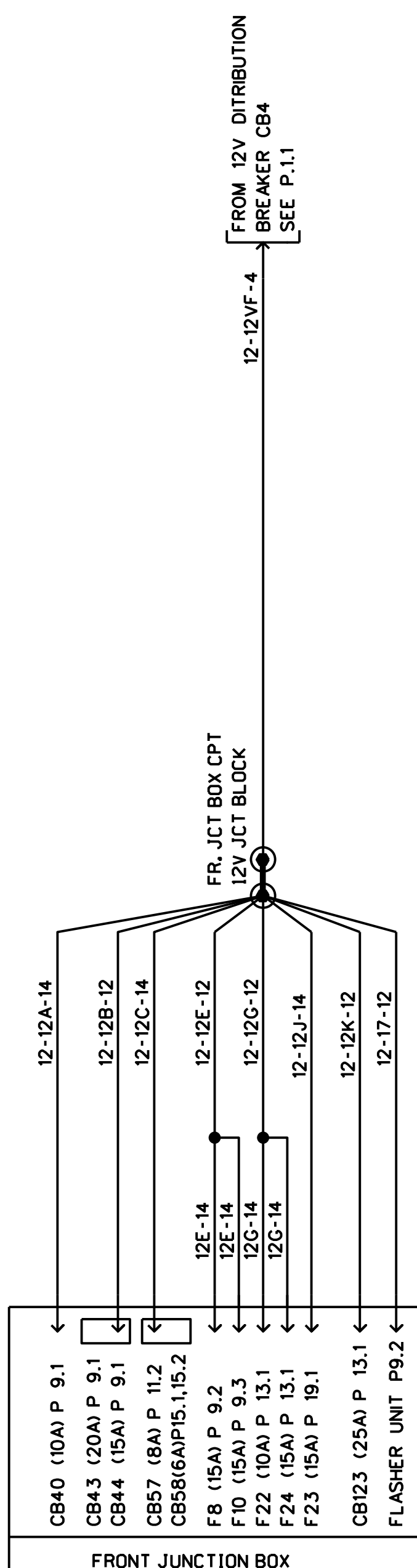
12V BATT. DISCONN. SW.

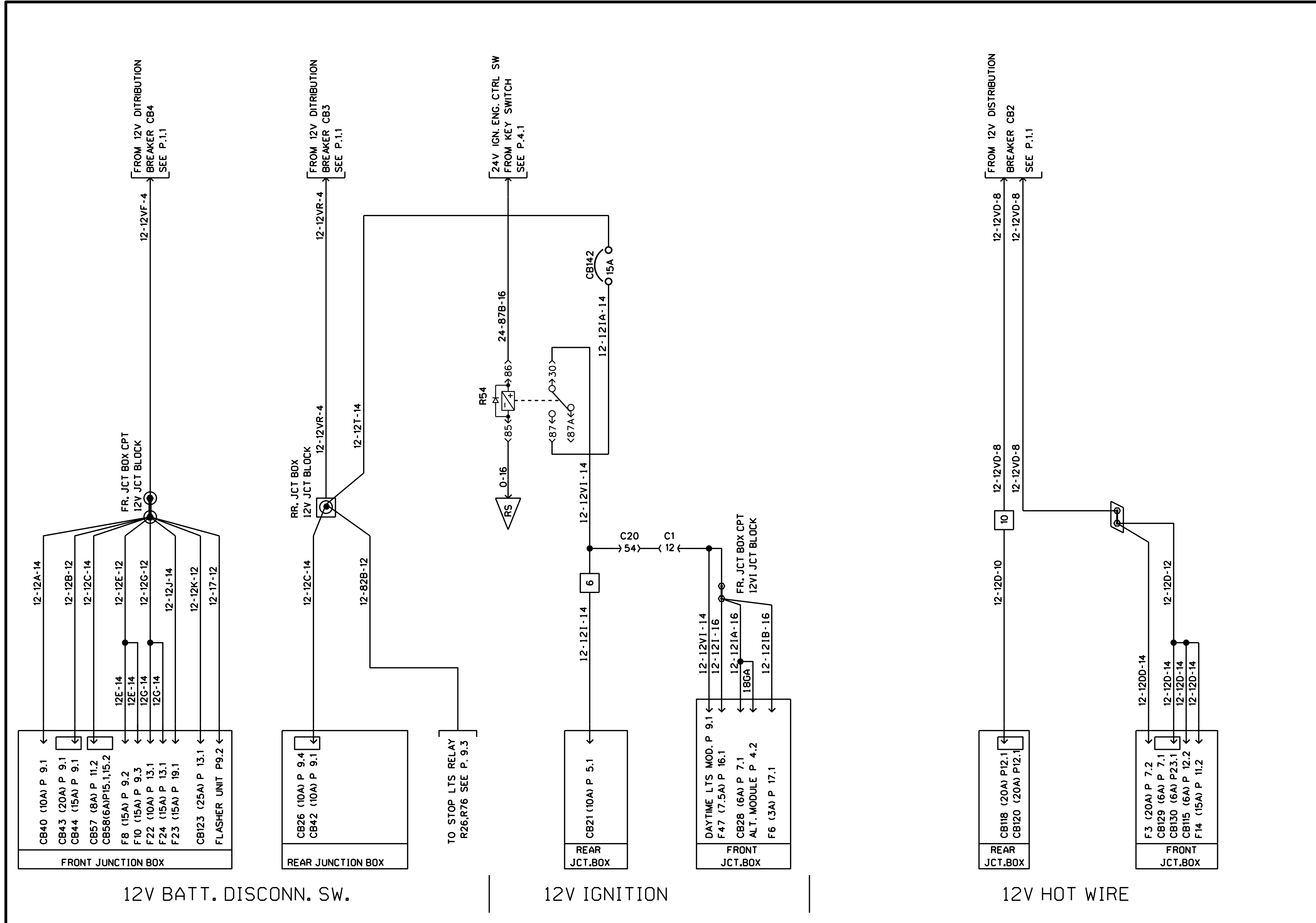


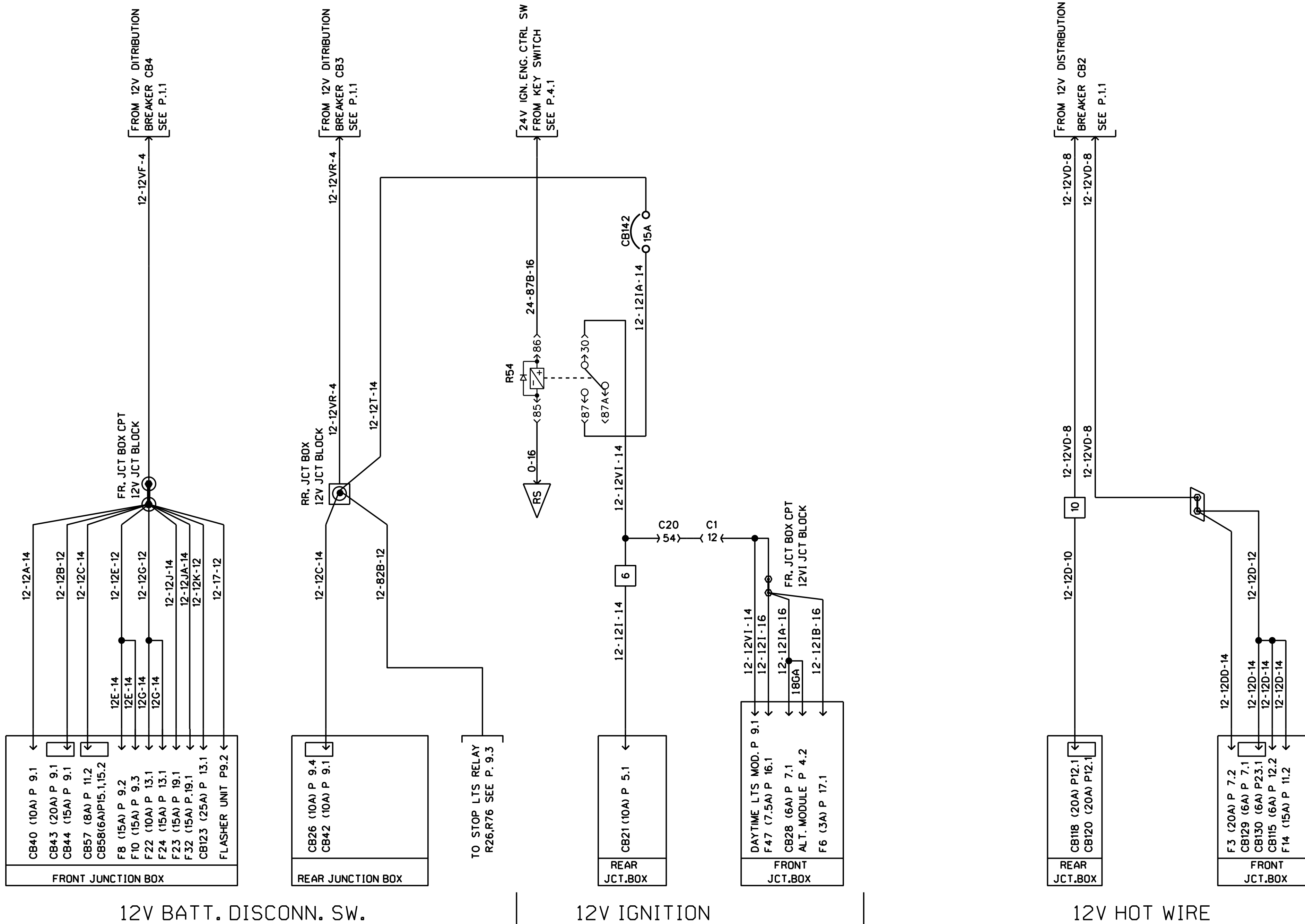
12V IGNITION

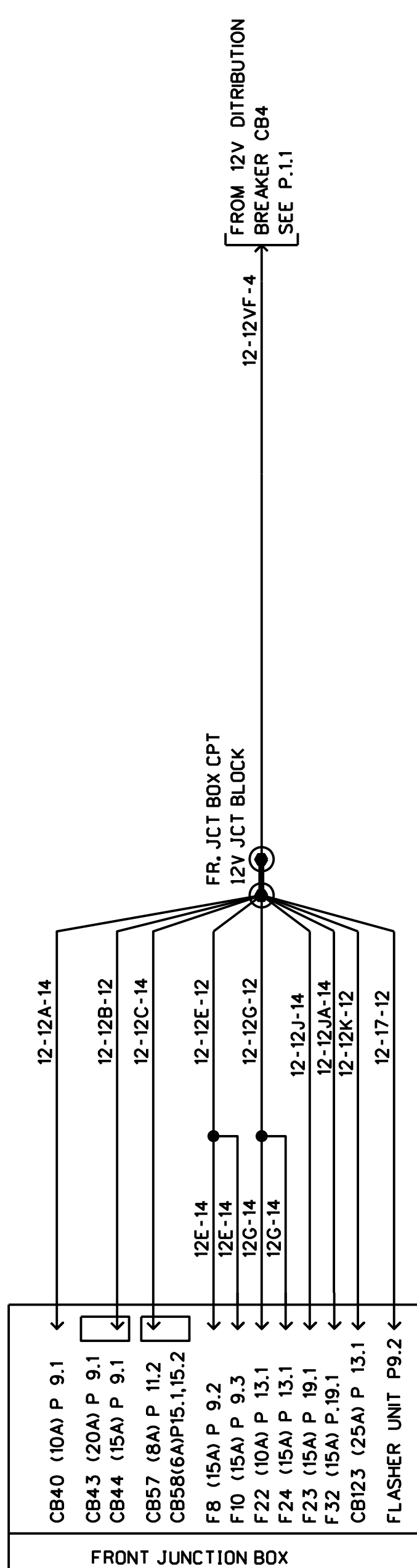


12V HOT WIRE

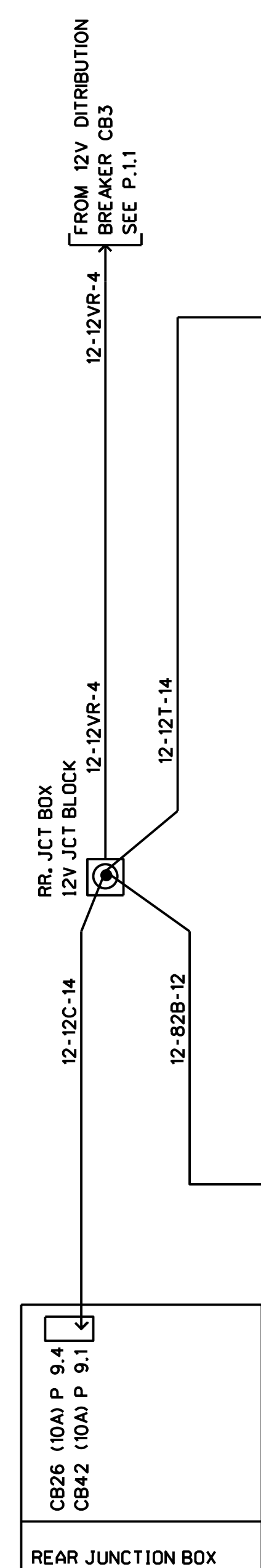




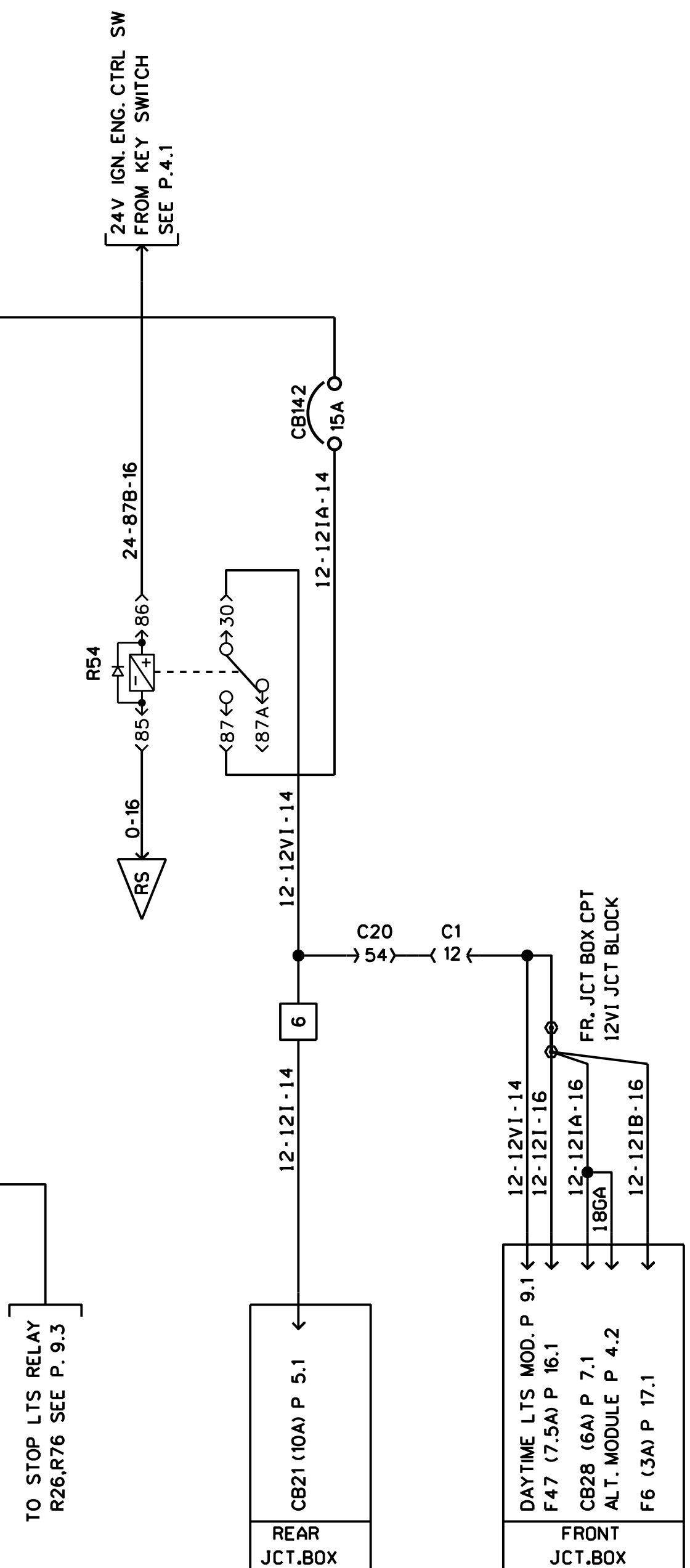




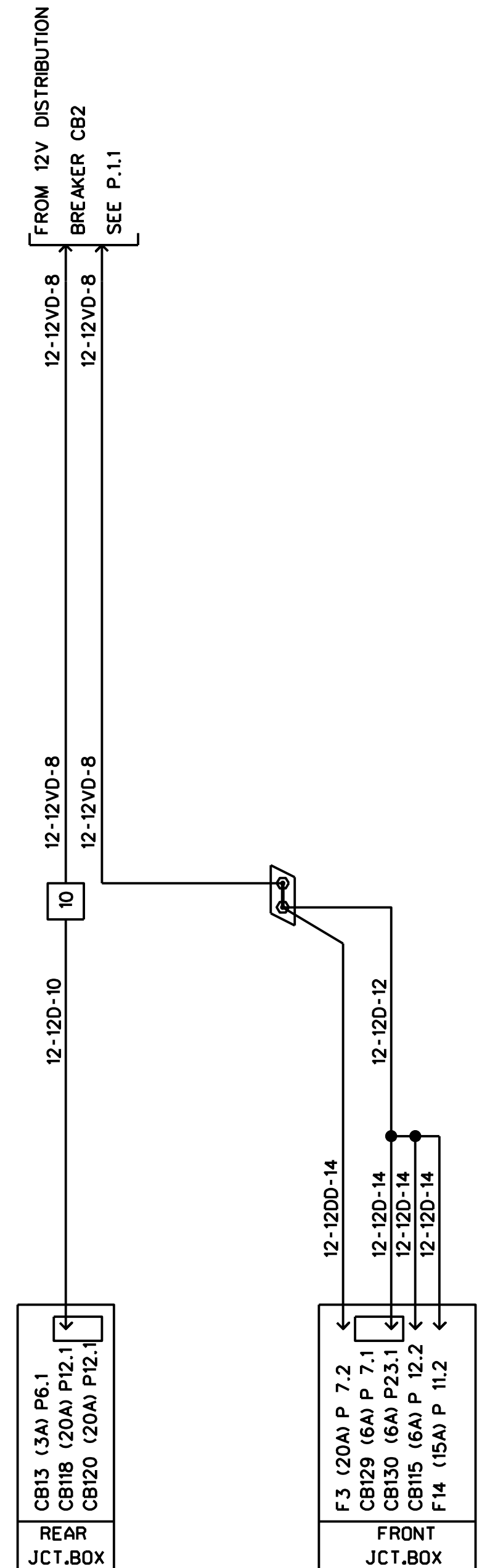
12V BATT. DISCONN. SW.

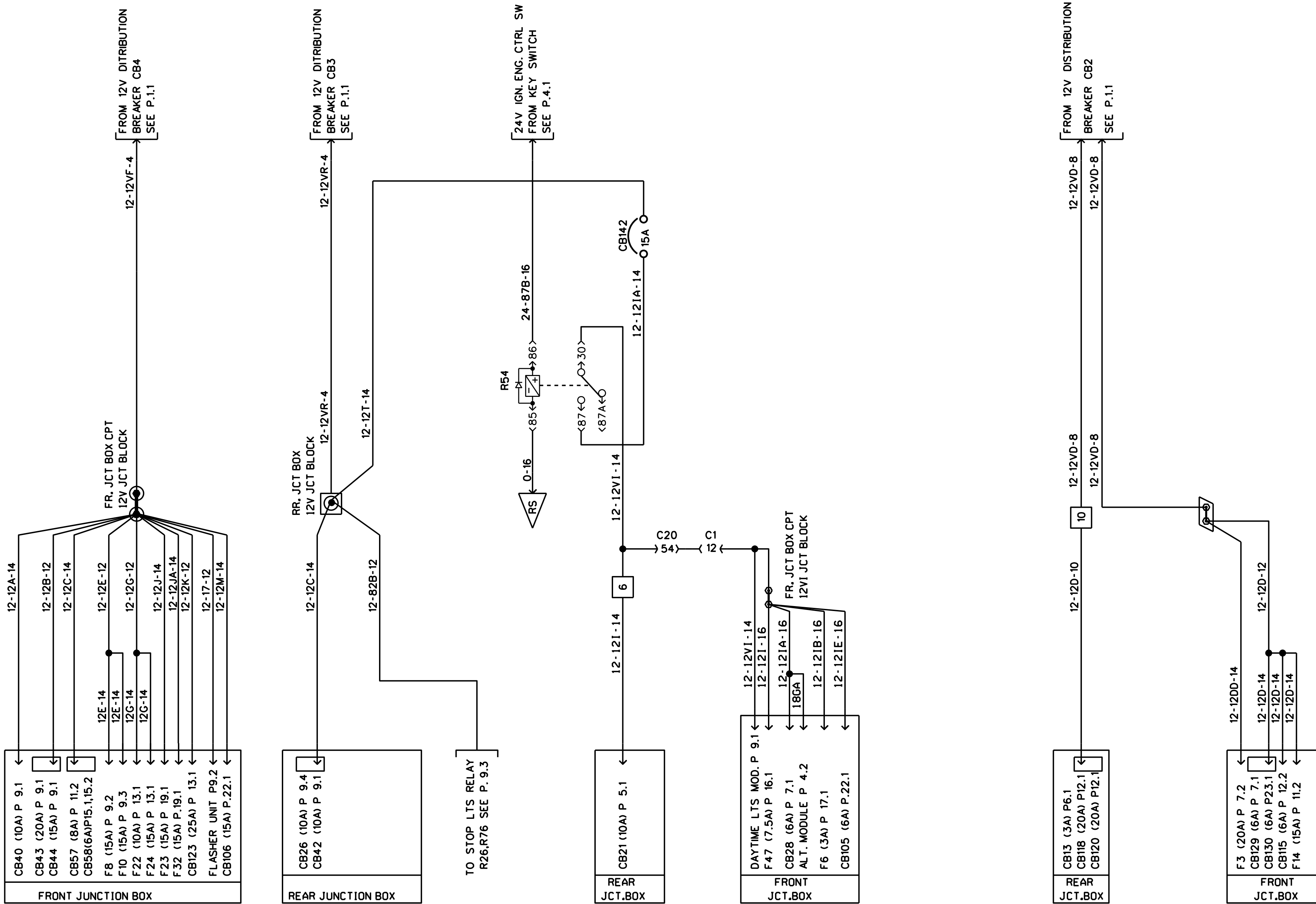


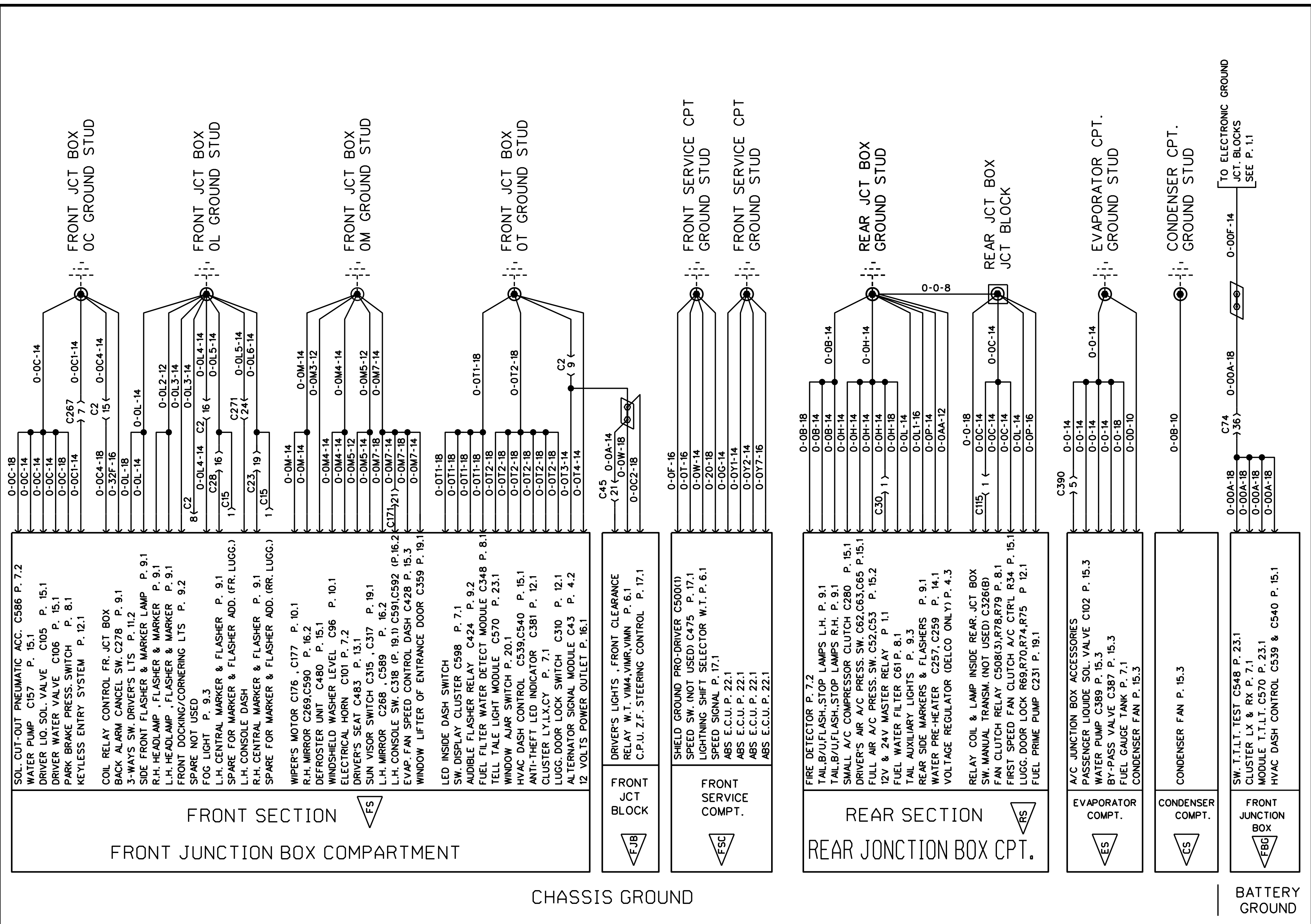
12V IGNITION



12V HOT WIRE







SOL. CUT-OUT PNEUMATIC ACC. C586 P. 7.2
 WATER PUMP C157 P. 15.1
 DRIVER LIQ. SOL. VALVE C105 P. 15.1
 DRIVER WATER VALVE C106 P. 15.1
 PARK BRAKE PRESS. SWITCH P. 8.1
 KEYLESS ENTRY SYSTEM P. 12.1
 COIL RELAY CONTROL FR. JCT BOX
 BACK ALARM CANCEL SW. C278 P. 9.1
 3-WAYS SW. DRIVER'S LTS P. 11.2
 SIDE FRONT FLASHER & MARKER LAMP P. 9.1
 R.H. HEADLAMP, FLASHER & MARKER P. 9.1
 L.H. HEADLAMP, FLASHER & MARKER P. 9.1
 FRONT DOCKING/CORNERING LTS P. 9.2
 SPARE NOT USED
 FOG LIGHT P. 9.3
 L.H. CENTRAL MARKER & FLASHER P. 9.1
 SPARE FOR MARKER & FLASHER ADD. (FR. LUGG.)
 L.H. CONSOLE DASH
 R.H. CENTRAL MARKER & FLASHER P. 9.1
 SPARE FOR MARKER & FLASHER ADD. (RR. LUGG.)
 WIPER'S MOTOR C176, C177 P. 10.1
 R.H. MIRROR C269, C590 P. 16.2
 DEFROSTER UNIT C480 P. 15.1
 WINDSHIELD WASHER LEVEL C96 P. 10.1
 ELECTRICAL HORN C101 P. 7.2
 DRIVER'S SEAT C483 P. 13.1
 SUN VISOR SWITCH C315, C317 P. 19.1
 L.H. MIRROR C268, C589 P. 16.2
 L.H. CONSOLE SW. C318 (P. 19.1) C591, C592 (P. 16.2)
 EVAP. FAN SPEED CONTROL DASH C428 P. 15.3
 WINDOW LIFTER OF ENTRANCE DOOR C359 P. 19.1
 LED INSIDE DASH SWITCH
 SW. DISPLAY CLUSTER C598 P. 7.1
 AUDIBLE FLASHER RELAY C424 P. 9.2
 FUEL FILTER WATER DETECT MODULE C348 P. 8.1
 TELL TALE LIGHT MODULE C570 P. 23.1
 WINDOW AJAR SWITCH P. 20.1
 HVAC DASH CONTROL C539, C540 P. 15.1
 ANTI-THEFT LED INDICATOR C381 P. 12.1
 CLUSTER LY. LX. CY P. 7.1
 LUGG. DOOR LOCK SWITCH C310 P. 12.1
 ALTERNATOR SIGNAL MODULE C43 P. 4.2
 12 VOLTS POWER OUTLET P. 16.1

FRONT SECTION

FRONT JUNCTION BOX COMPARTMENT

DRIVER'S LIGHTS, FRONT CLEARANCE
 RELAY W.T. VIM4, VIMR, VIMN P. 6.1
 C.P.U. Z.F. STEERING CONTROL P. 17.1

FRONT JCT BLOCK

SHIELD GROUND PRO-DRIVER C500(1)
 SPEED SW. (NOT USED) C475 P. 17.1
 LIGHTNING SHIFT SELECTOR W.T. P. 6.1
 SPEED SIGNAL P. 17.1
 ABS E.C.U. P. 22.1
 ABS E.C.U. P. 22.1
 ABS E.C.U. P. 22.1
 ABS E.C.U. P. 22.1

FRONT SERVICE COMPT.

FIRE DETECTOR P. 7.2
 TAIL, B/U, FLASH, STOP LAMPS L.H. P. 9.1
 TAIL, B/U, FLASH, STOP LAMPS R.H. P. 9.1
 SMALL A/C COMPRESSOR CLUTCH C280 P. 15.1
 DRIVER'S AIR A/C PRESS. SW. C62, C63, C65 P. 15.1
 FULL AIR A/C PRESS. SW. C52, C53 P. 15.2
 12V & 24V MASTER RELAY P. 1.1
 FUEL WATER FILTER C61 P. 8.1
 TAIL AUXILIARY LIGHTS P. 9.3
 REAR SIDE MARKERS & FLASHERS P. 9.1
 WATER PRE-HEATER C257, C259 P. 14.1
 VOLTAGE REGULATOR (DELCO ONLY) P. 4.3
 RELAY COIL & LAMP INSIDE REAR. JCT BOX
 SW. MANUAL TRANS. (NOT USED) C326(B)
 FAN CLUTCH RELAY C508(3), R78, R79 P. 8.1
 FIRST SPEED FAN CLUTCH A/C CTRL R34 P. 15.1
 LUGG. DOOR LOCK R69, R70, R74, R75 P. 12.1
 FUEL PRIME PUMP C231 P. 19.1

REAR SECTION

REAR JUNCTION BOX CPT.

A/C JUNCTION BOX ACCESSORIES
 PASSENGER LIQUIDE SOL. VALVE C102 P. 15.3
 WATER PUMP C389 P. 15.3
 BY-PASS VALVE C387 P. 15.3
 FUEL GAUGE TANK P. 7.1
 CONDENSER FAN P. 15.3

EVAPORATOR COMPT.

CONDENSER FAN P. 15.3

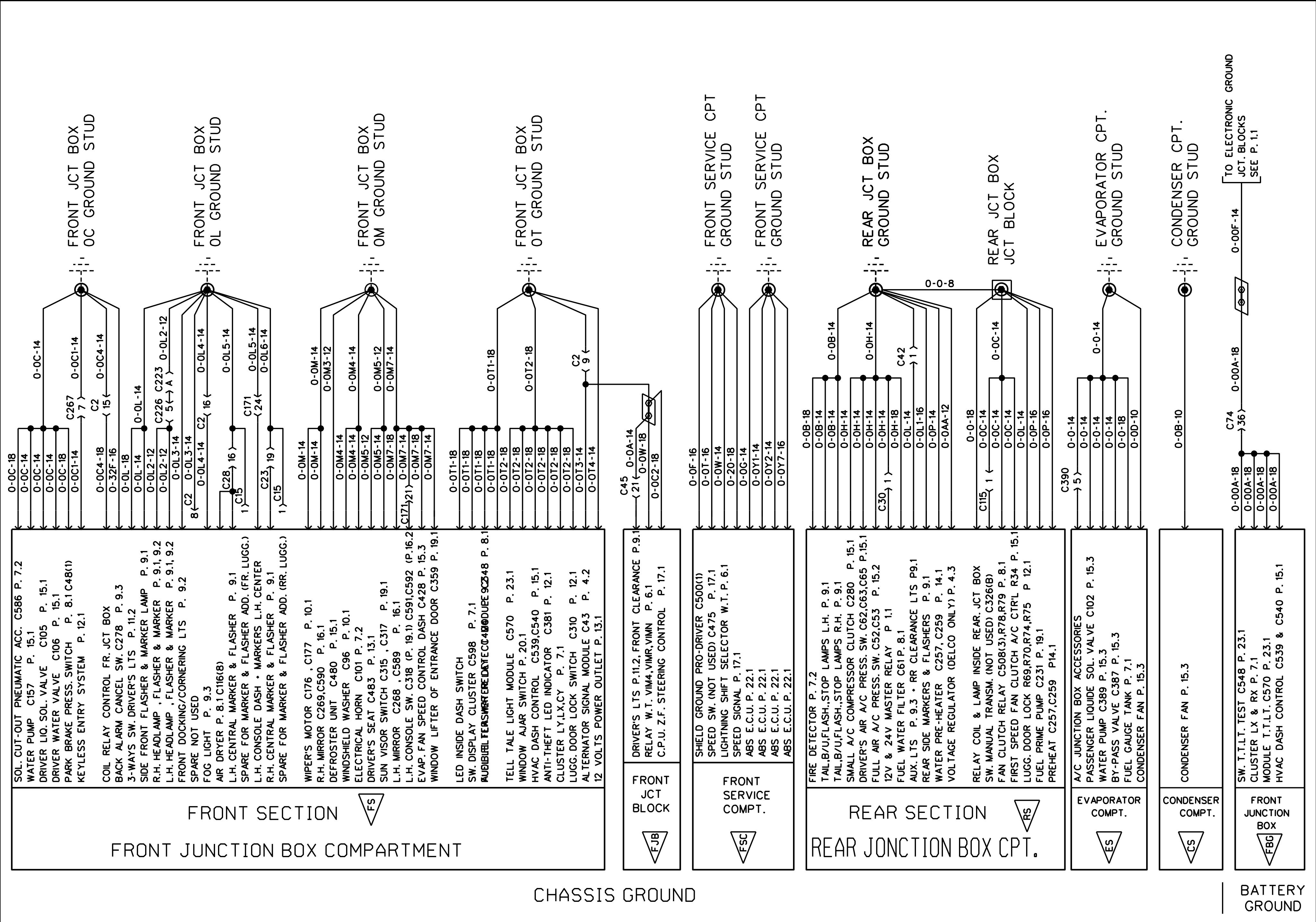
CONDENSER COMPT.

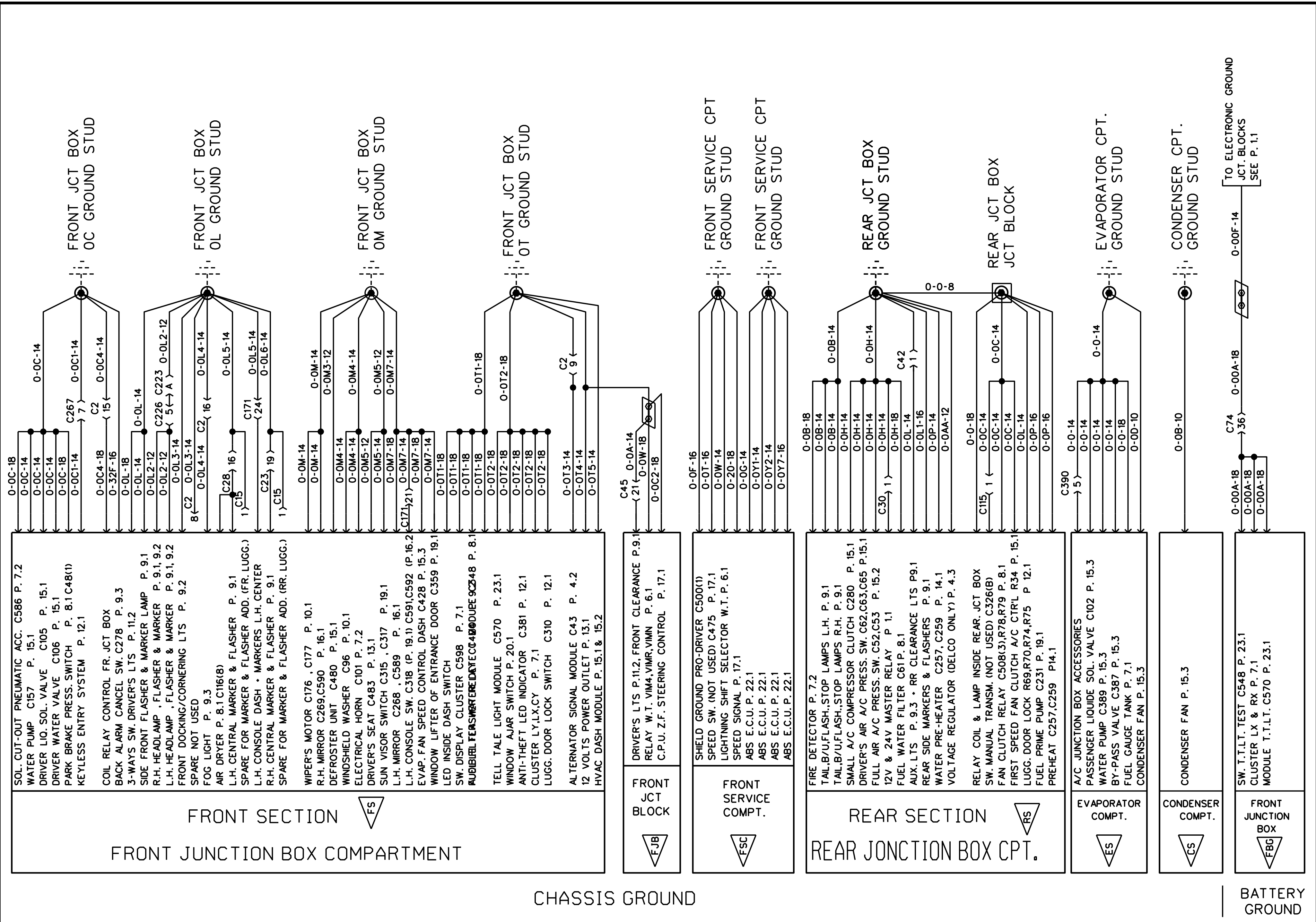
SW. T.T.L.T. TEST C548 P. 23.1
 CLUSTER LX & RX P. 7.1
 MODULE T.T.L.T. C570 P. 23.1
 HVAC DASH CONTROL C539 & C540 P. 15.1

FRONT JUNCTION BOX

CHASSIS GROUND

BATTERY GROUND





TO ELECTRONIC GROUND
JCT. BLOCKS
SEE P. 1.1

0-00F-14

0-00A-18

C74 36

0-00A-18

0-00A-18

0-00A-18

0-00A-18

SOL. CUT-OUT PNEUMATIC ACC. C586 P. 7.2
WATER PUMP C157 P. 15.1
DRIVER LIQ. SOL. VALVE C105 P. 15.1
DRIVER WATER VALVE C106 P. 15.1
PARK BRAKE PRESS. SWITCH P. 8.1 C48(1)
KEYLESS ENTRY SYSTEM P. 12.1
COIL RELAY CONTROL FR. JCT BOX
BACK ALARM CANCEL SW. C278 P. 9.3
3-WAYS SW. DRIVER'S LTS P. 11.2
SIDE FRONT FLASHER & MARKER LAMP P. 9.1
R.H. HEADLAMP, FLASHER & MARKER P. 9.1, 9.2
L.H. HEADLAMP, FLASHER & MARKER P. 9.1, 9.2
FRONT DOCKING/CORNERING LTS P. 9.2
SPARE NOT USED
FOG LIGHT P. 9.3
AIR DRYER P. 8.1 C116(8)
L.H. CENTRAL MARKER & FLASHER P. 9.1
SPARE FOR MARKER & FLASHER ADD. (FR. LUGG.)
L.H. CONSOLE DASH - MARKERS L.H. CENTER
R.H. CENTRAL MARKER & FLASHER P. 9.1
SPARE FOR MARKER & FLASHER ADD. (RR. LUGG.)
WIPER'S MOTOR C176, C177 P. 10.1
R.H. MIRROR C269, C590 P. 16.1
DEFROSTER UNIT C480 P. 15.1
WINDSHIELD WASHER C96 P. 10.1
ELECTRICAL HORN C101 P. 7.2
DRIVER'S SEAT C483 P. 13.1
SUN VISOR SWITCH C315, C317 P. 19.1
L.H. MIRROR C268, C589 P. 16.1
L.H. CONSOLE SW. C318 (P. 19.1) C591, C592 (P. 16.2)
EVAP. FAN SPEED CONTROL DASH C428 P. 15.3
WINDOW LIFTER OF ENTRANCE DOOR C359 P. 19.1
LED INSIDE DASH SWITCH
SW. DISPLAY CLUSTER C598 P. 7.1
AUBUREL REAR WIPER DRIVE MOTOR C404 DUBUE 9C2348 P. 8.1
TELL TALE LIGHT MODULE C570 P. 23.1
WINDOW AJAR SWITCH P. 20.1
ANTI-THEFT LED INDICATOR C381 P. 12.1
CLUSTER LY, LX, CY P. 7.1
LUGG. DOOR LOCK SWITCH C310 P. 12.1
ALTERNATOR SIGNAL MODULE C43 P. 4.2
12 VOLTS POWER OUTLET P. 13.1
HVAC DASH MODULE P. 15.1 & 15.2

FRONT SECTION
FRONT JUNCTION BOX COMPARTMENT

FRONT JCT BLOCK
FRONT SERVICE COMPT.

FRONT SERVICE CPT GROUND STUD
FRONT SERVICE CPT GROUND STUD

REAR SECTION
REAR JUNCTION BOX CPT.

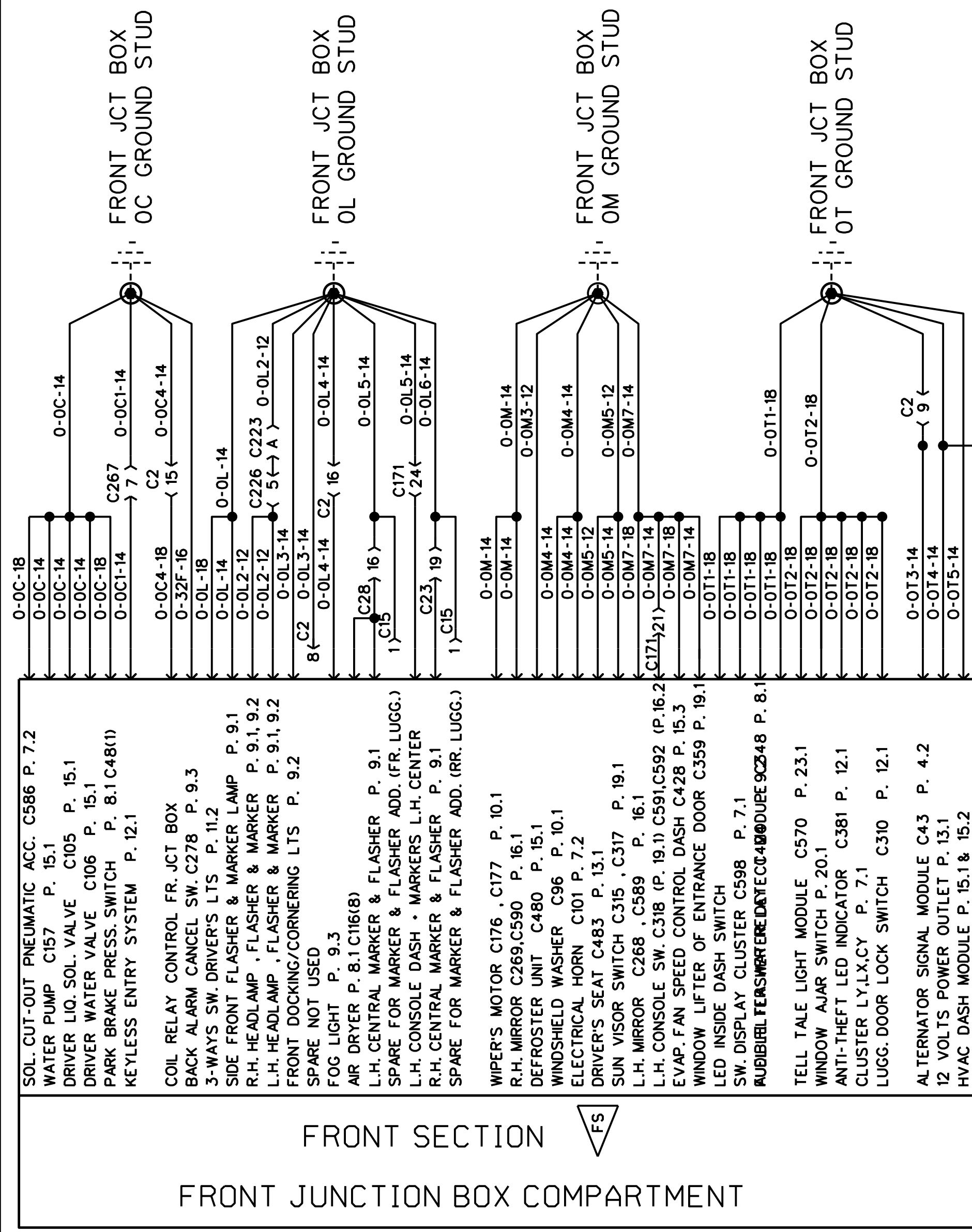
EVAPORATOR COMPT.

CONDENSER COMPT.

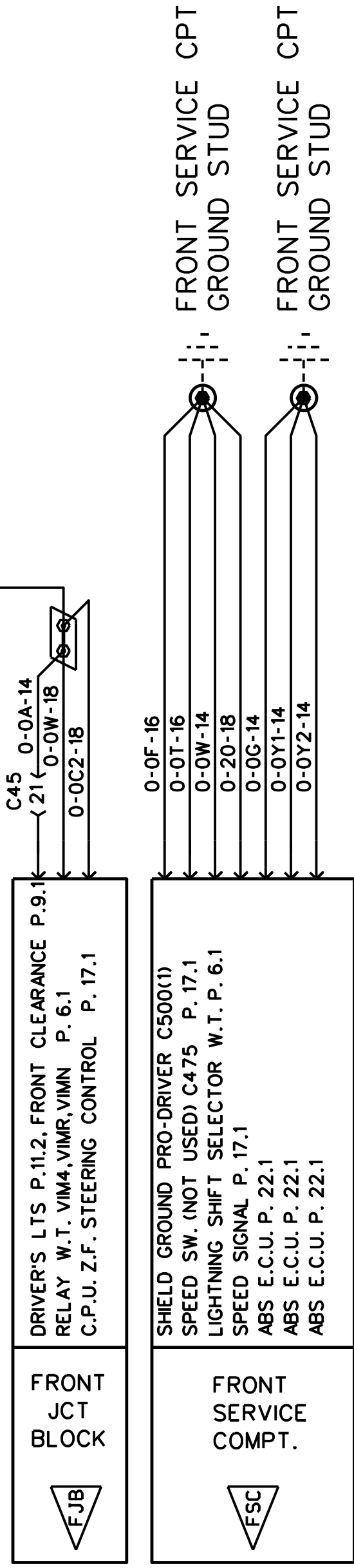
FRONT JUNCTION BOX

CHASSIS GROUND

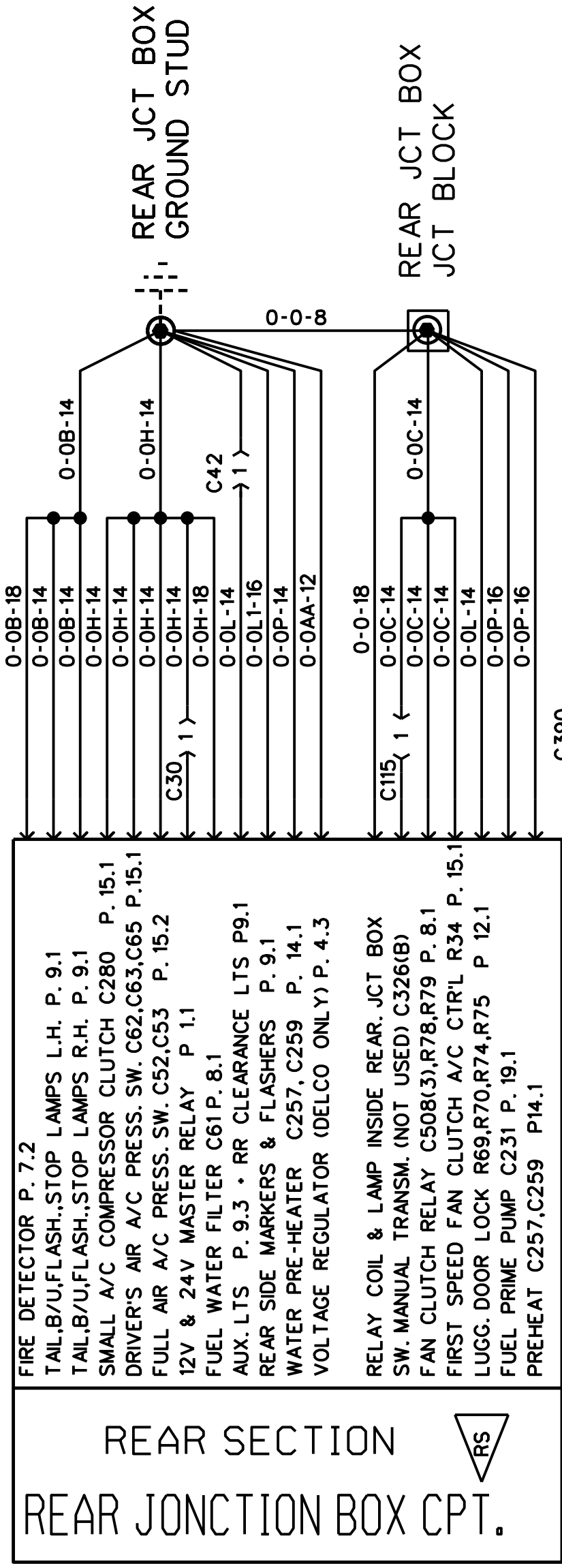
BATTERY GROUND



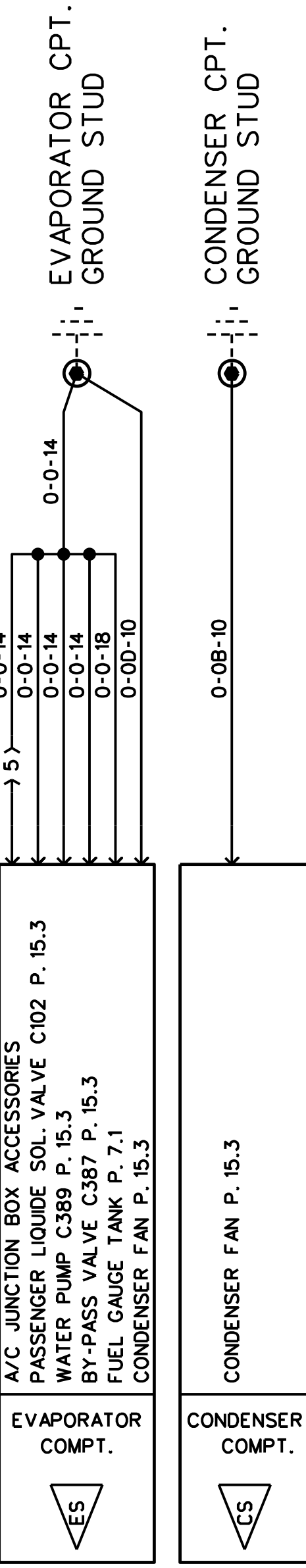
FRONT SECTION
FRONT JUNCTION BOX COMPARTMENT



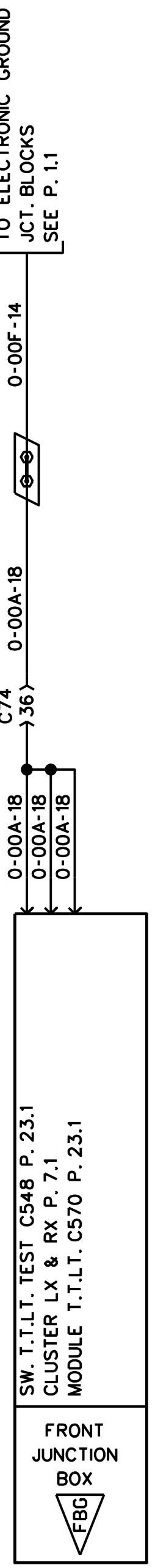
FRONT SERVICE COMPT.



REAR SECTION
REAR JUNCTION BOX CPT.



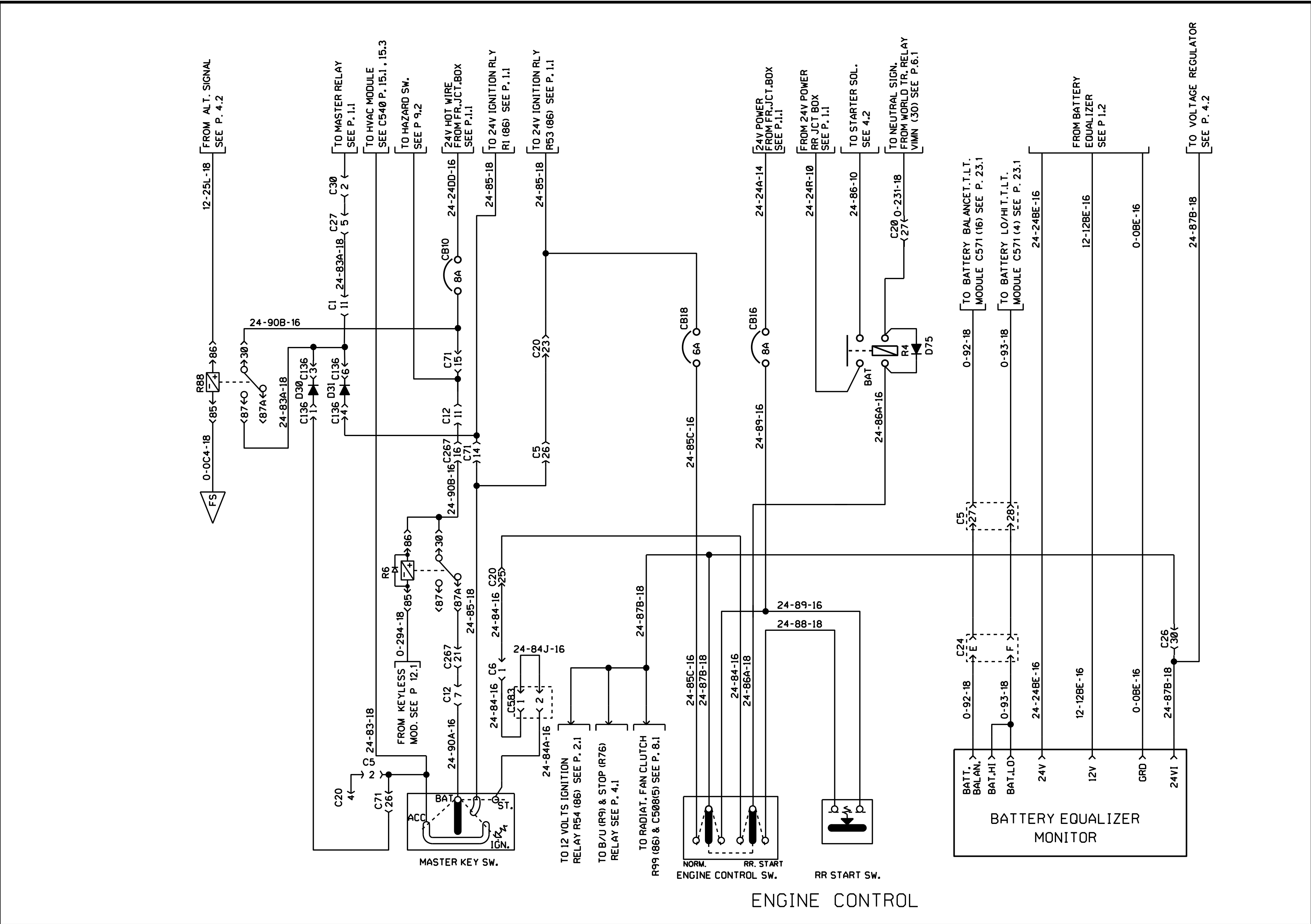
EVAPORATOR COMPT.
CONDENSER COMPT.

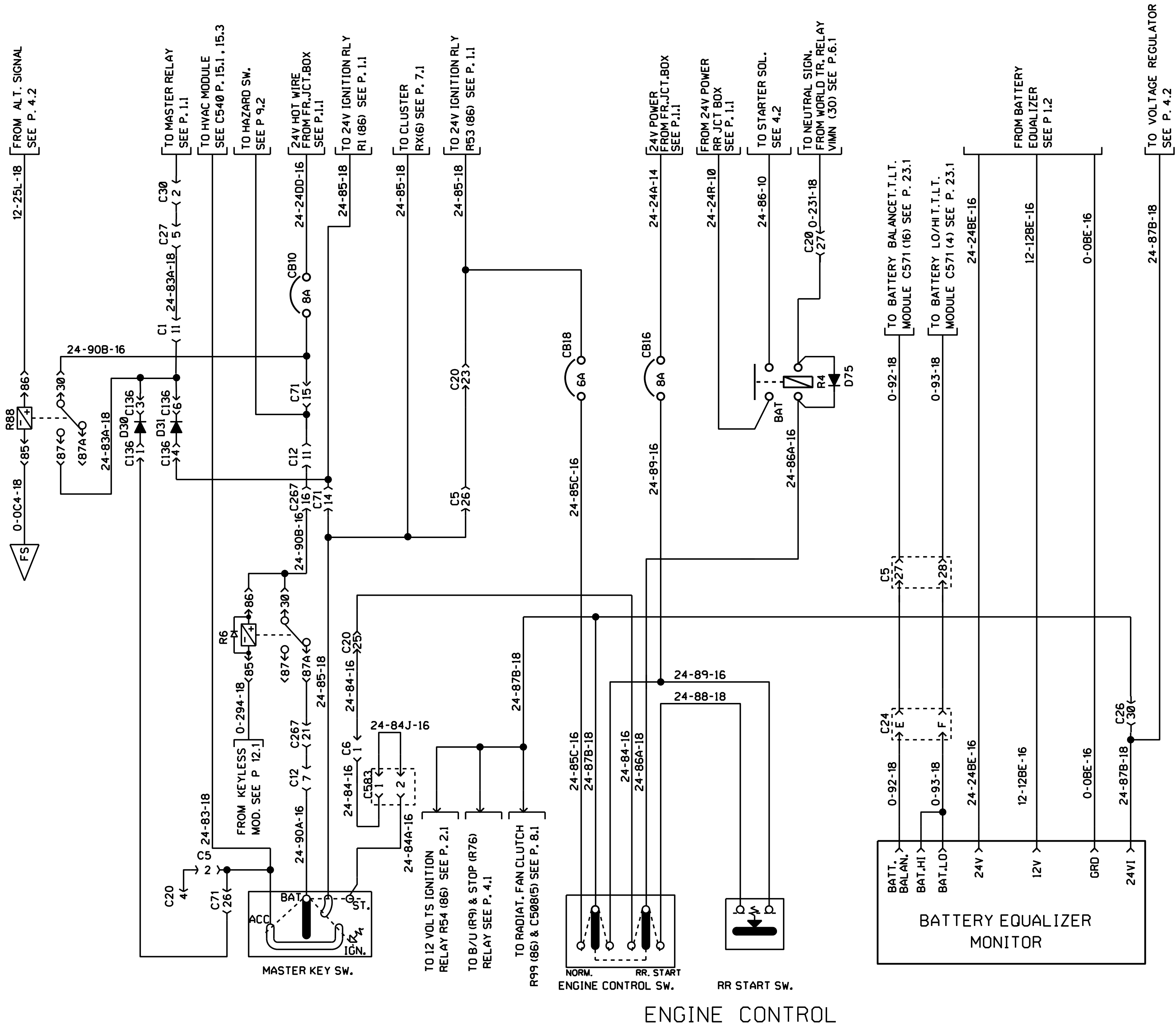


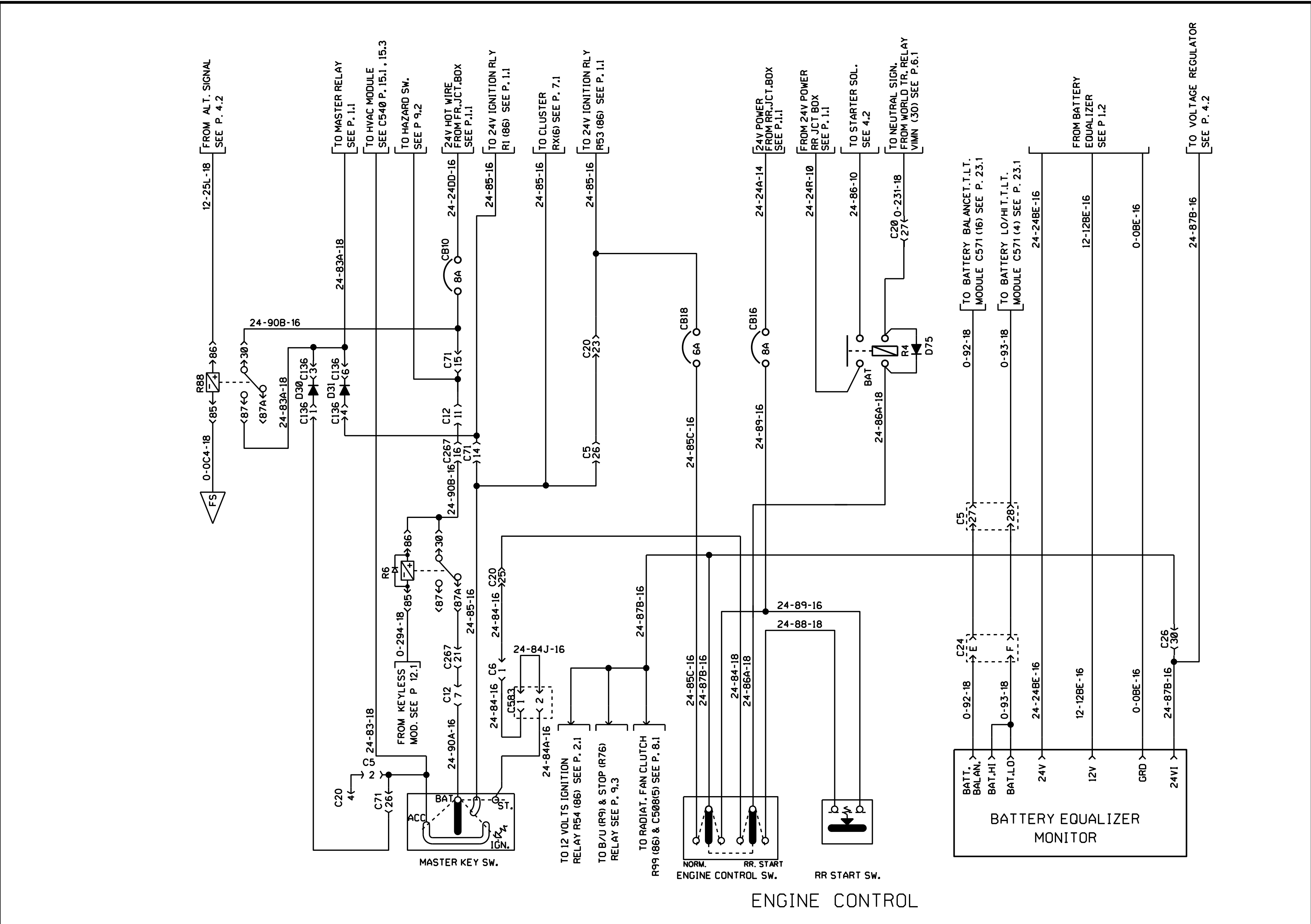
FRONT JUNCTION BOX

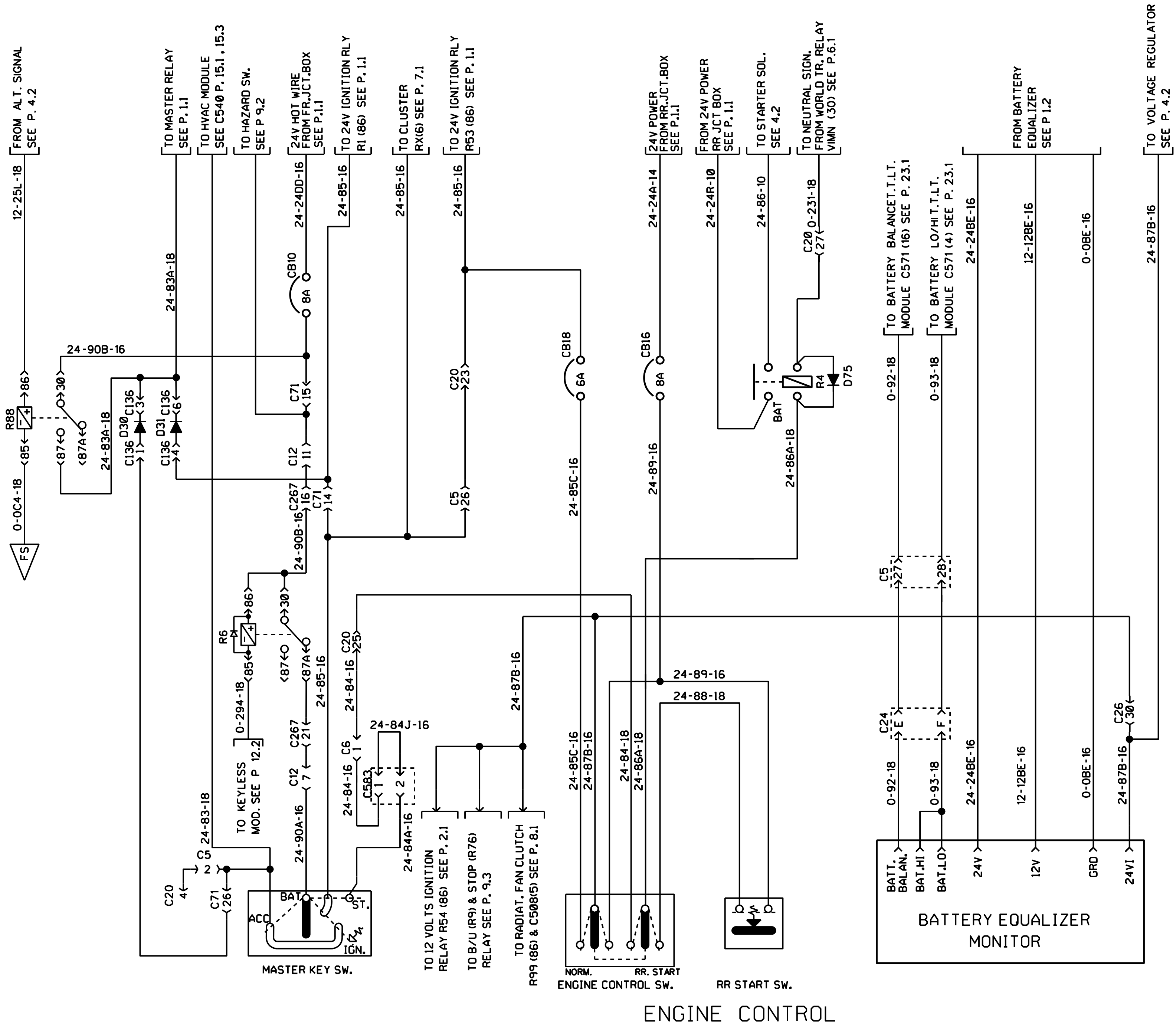
CHASSIS GROUND

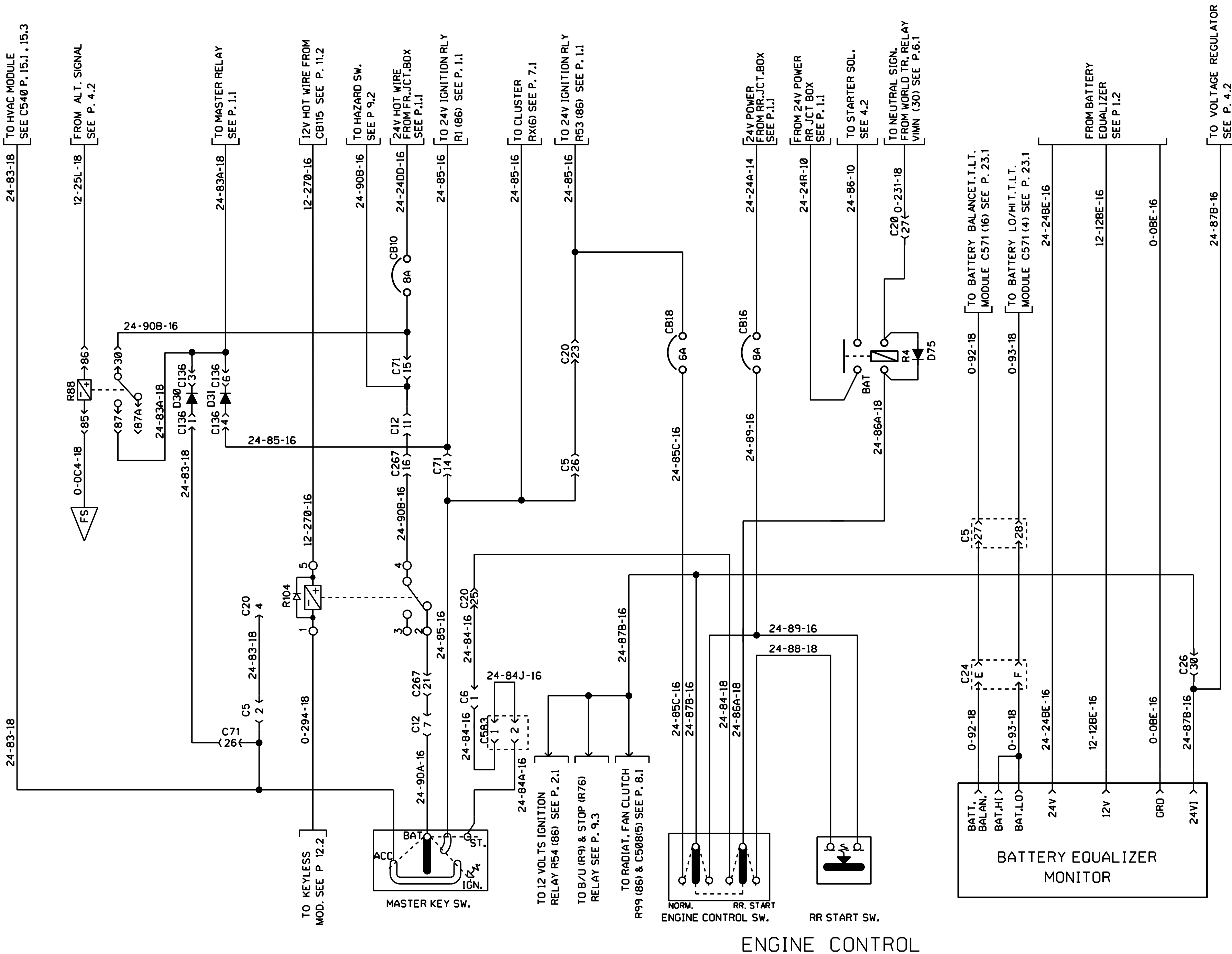
BATTERY GROUND

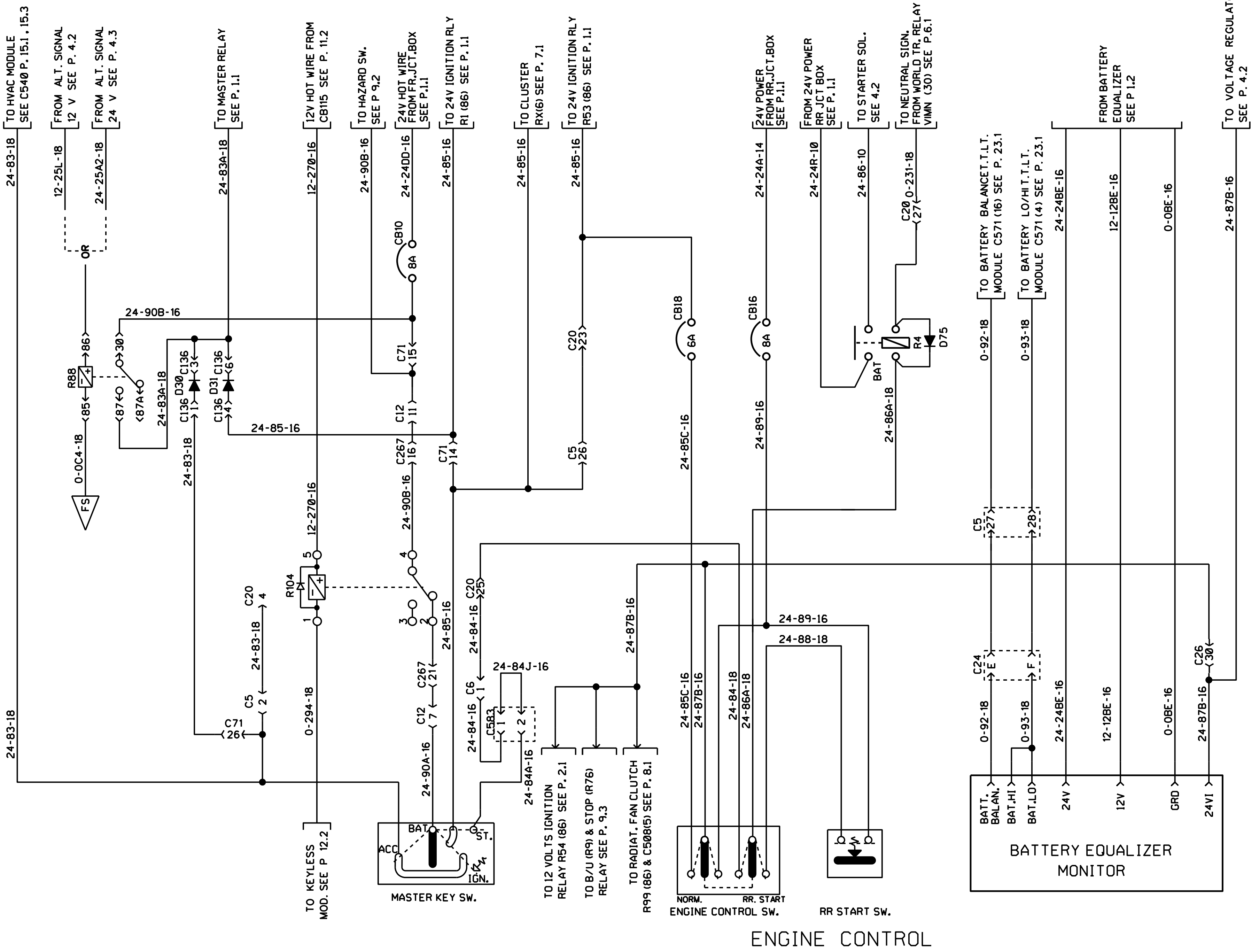


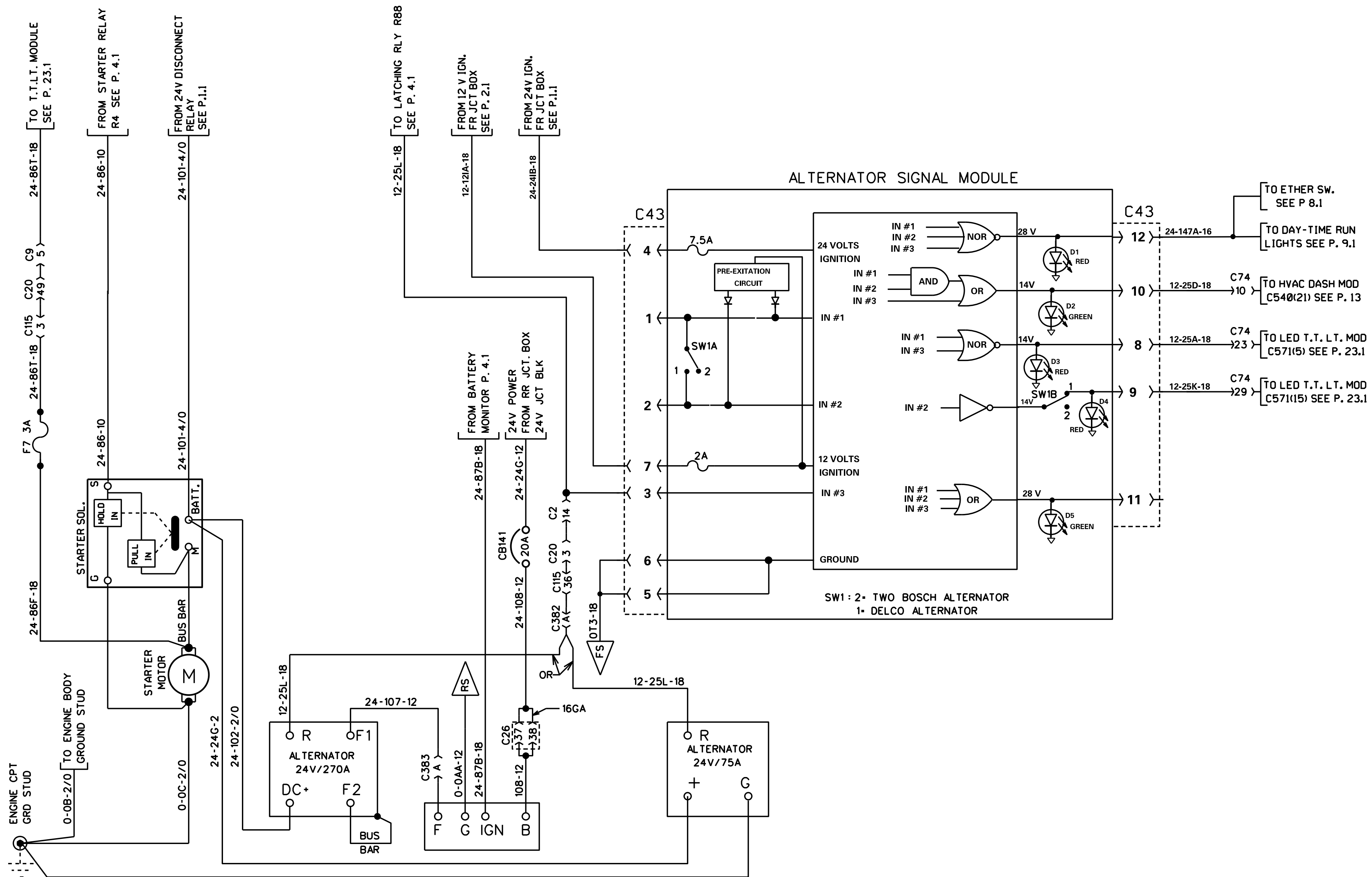






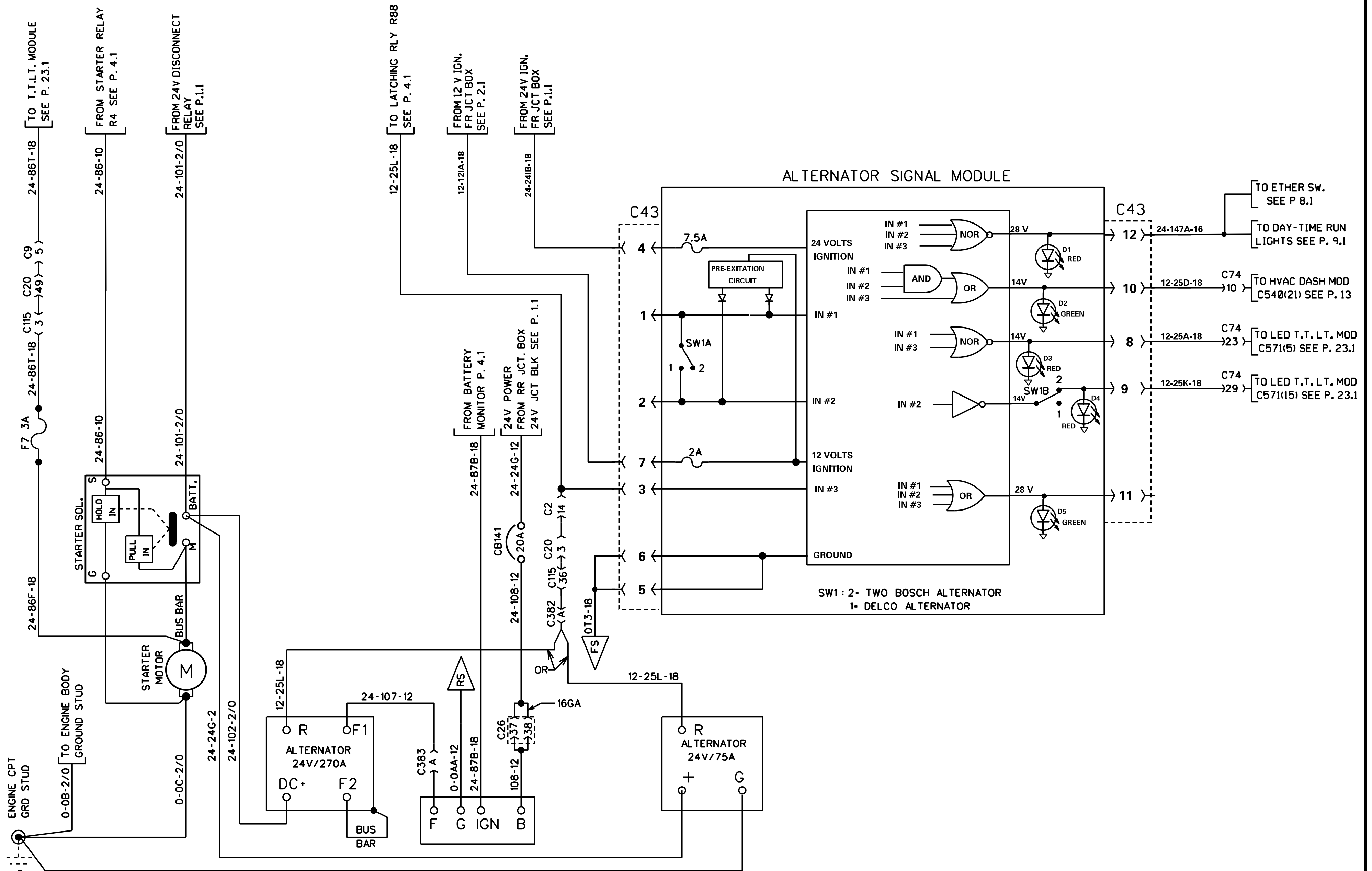






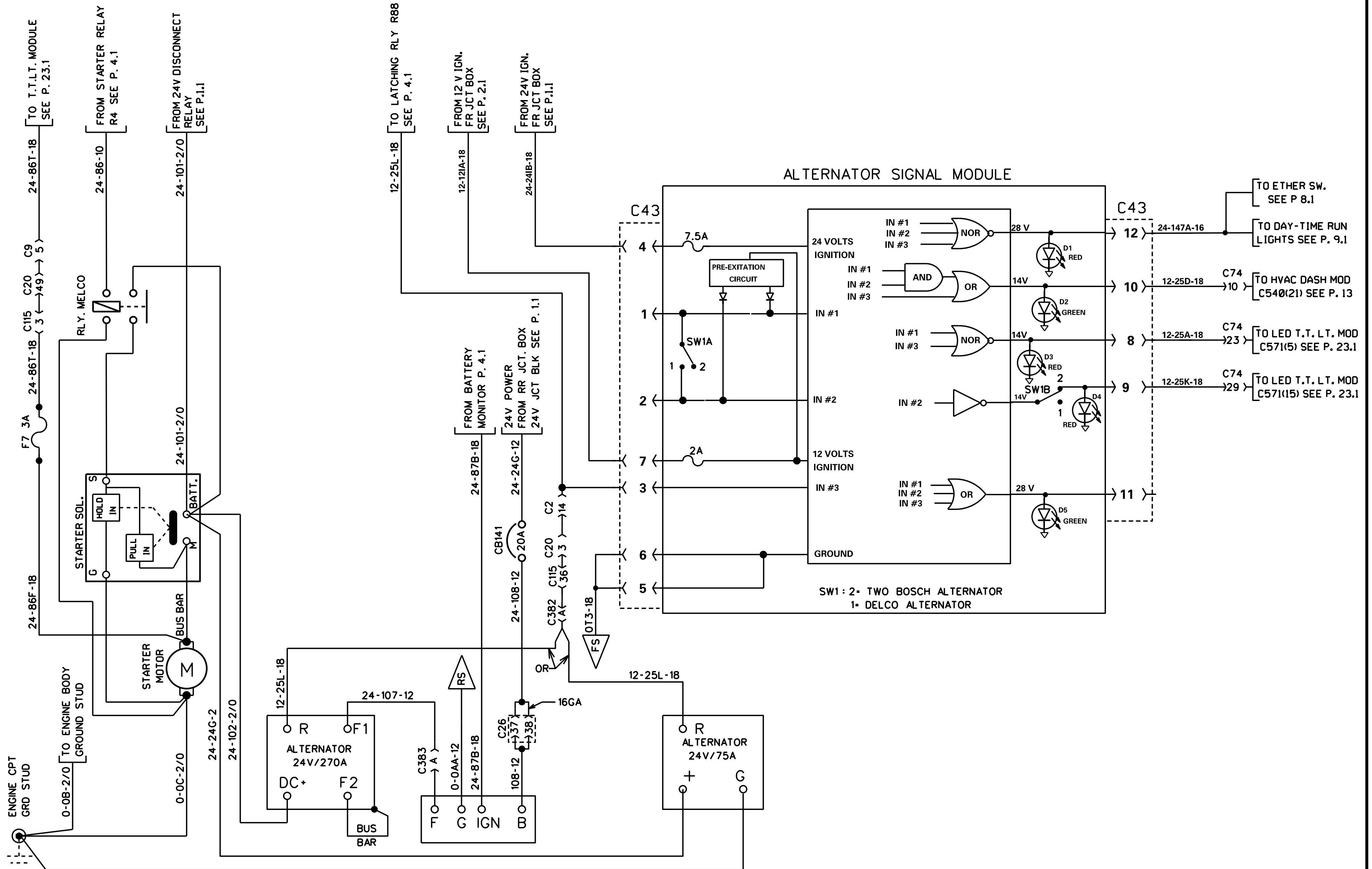
DELCO ALTERNATOR
24V/270A WITH FULL AIR

DELCO ALTERNATOR
24V/75A WITH DRIVER'S AIR



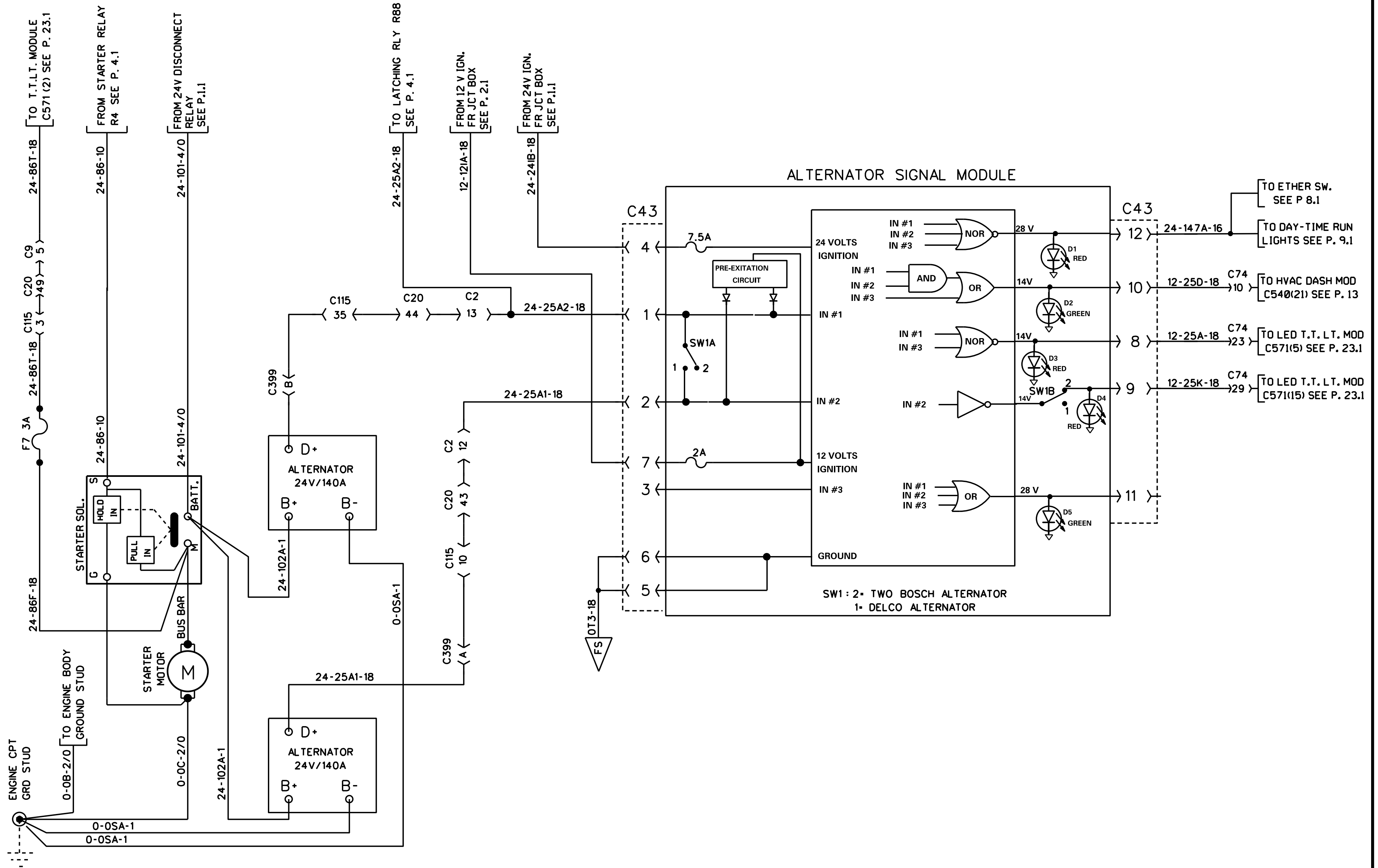
DELCO ALTERNATOR
24V/270A WITH FULL AIR

DELCO ALTERNATOR
24V/75A WITH DRIVER'S AIR



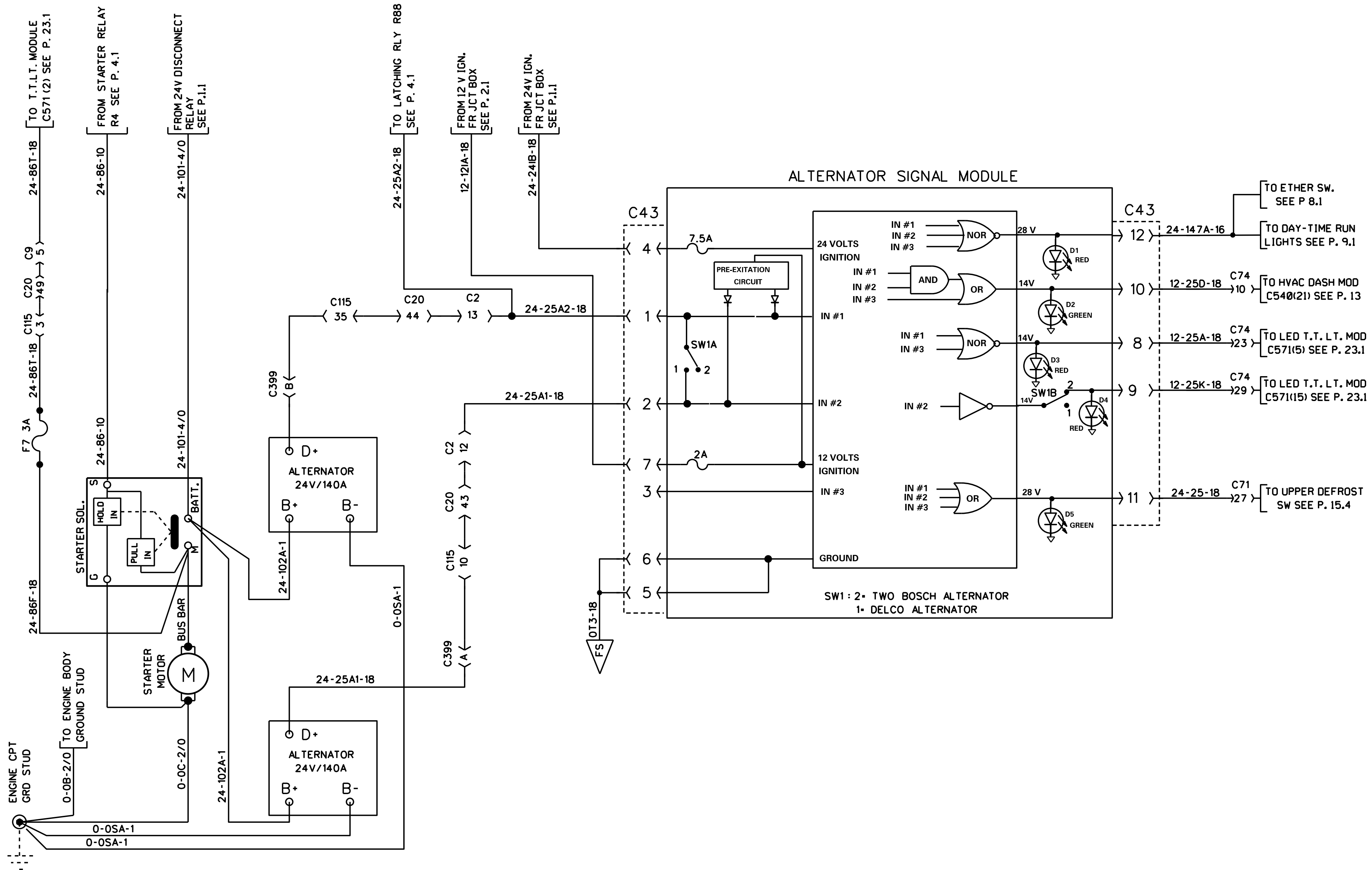
DELCO ALTERNATOR
24V/270A WITH FULL AIR

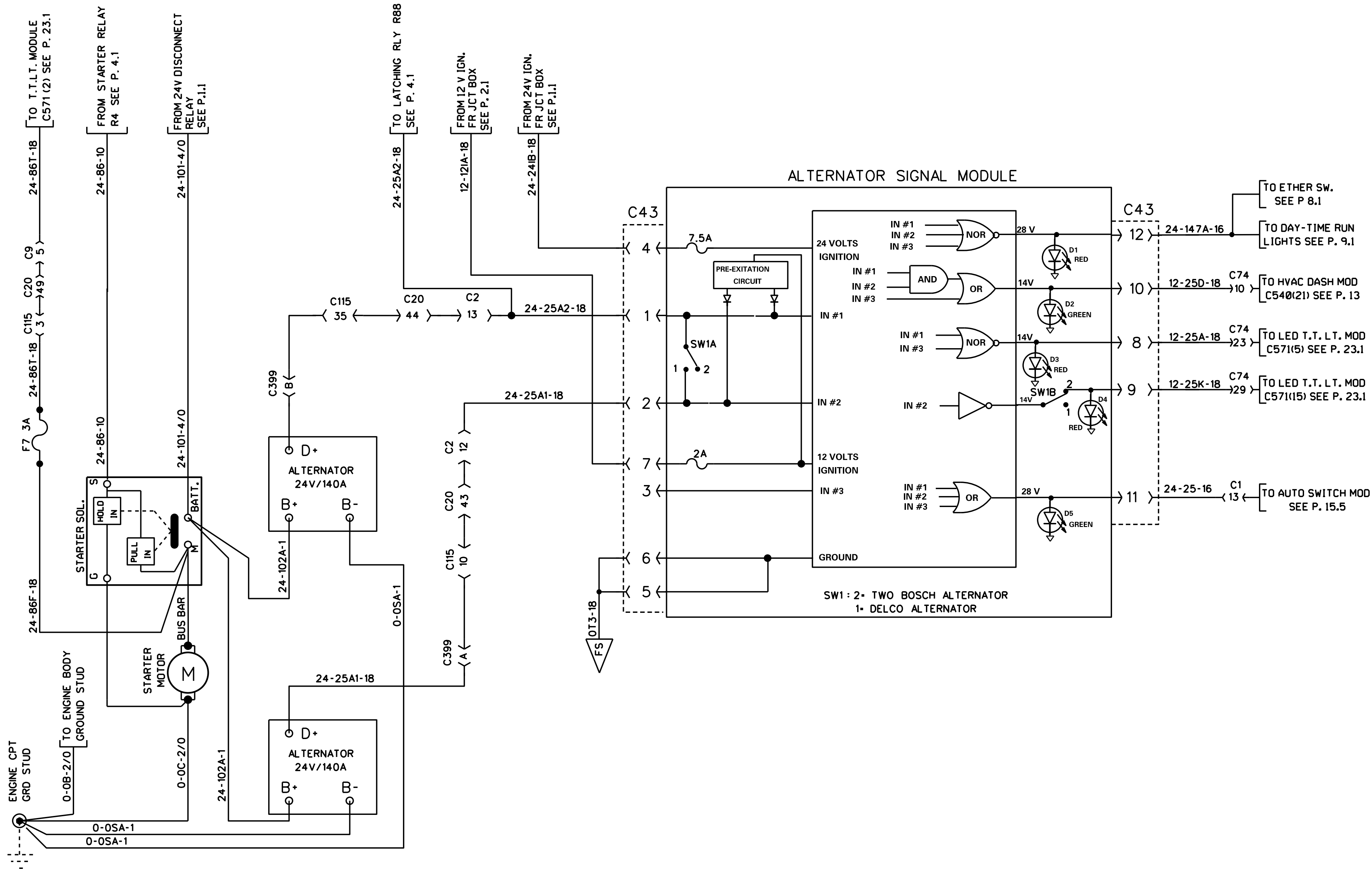
DELCO ALTERNATOR
24V/75A WITH DRIVER'S AIR



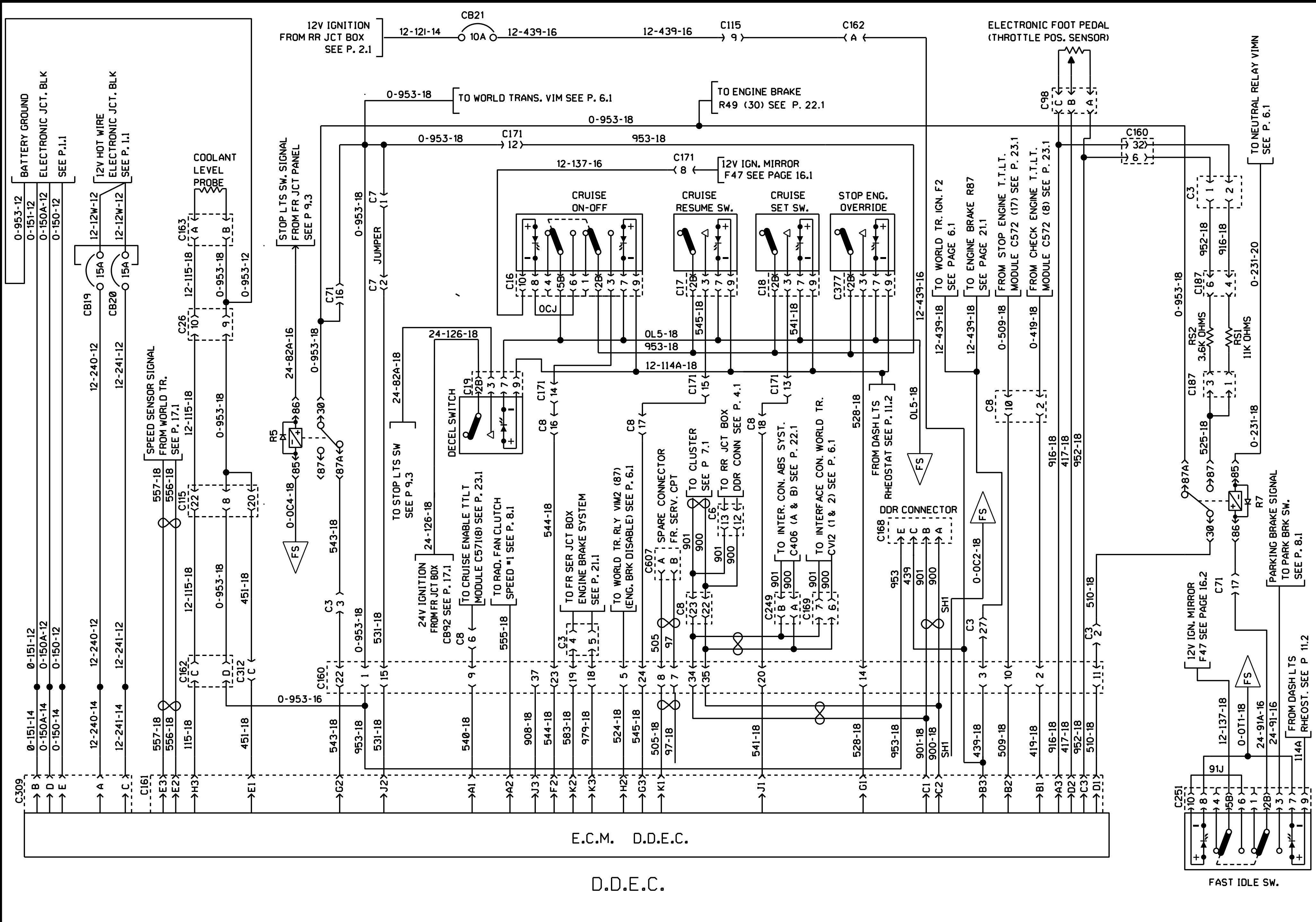
STARTER

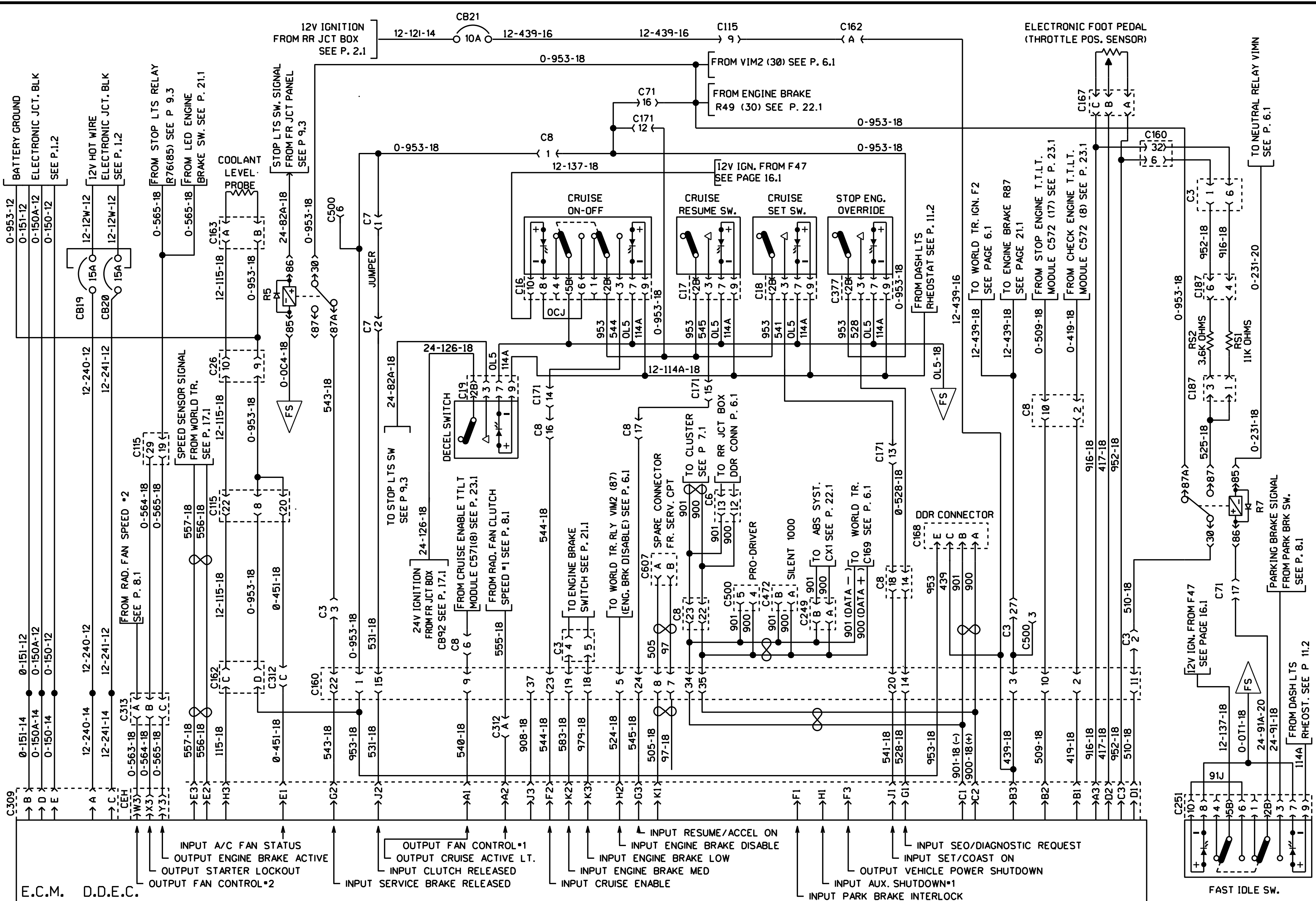
DUAL BOSCH ALTERNATOR - WE ENTERTAINER ONLY

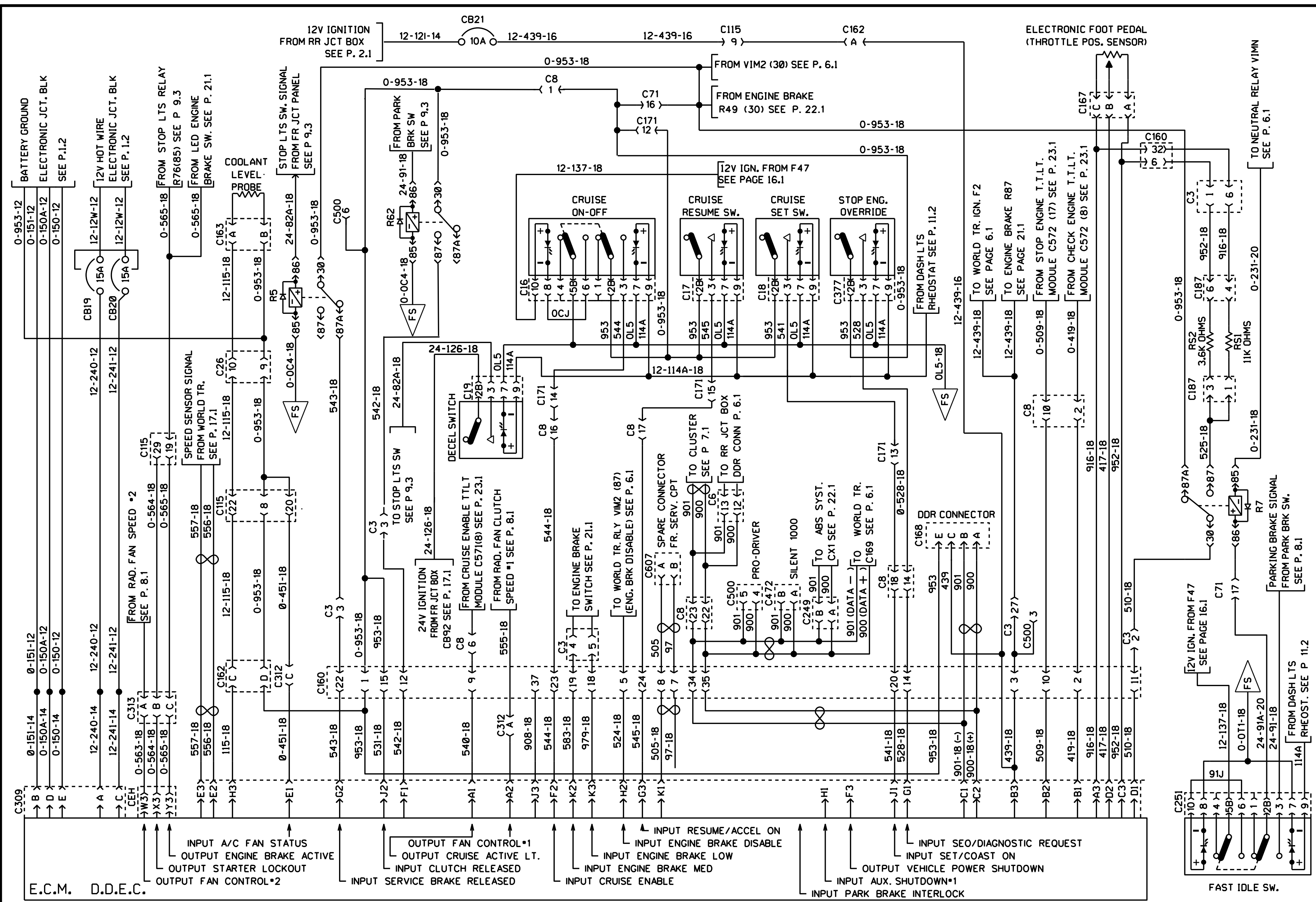




STARTER | DUAL BOSCH ALTERNATOR - WE ENTERTAINER ONLY
(WITH A/C ON THE ROOF)



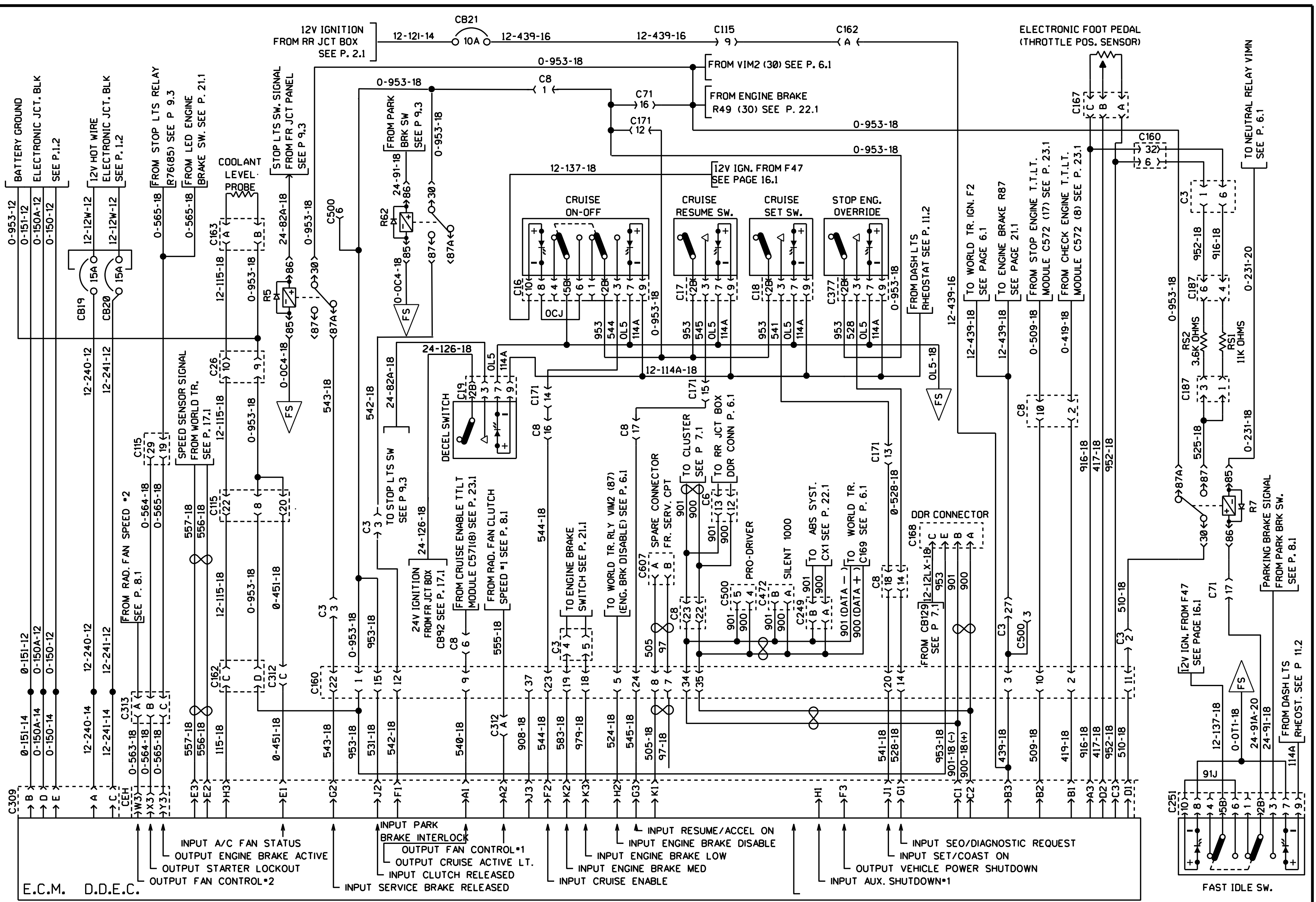




E.C.M. D.D.E.C.

- INPUT A/C FAN STATUS
- OUTPUT ENGINE BRAKE ACTIVE
- OUTPUT STARTER LOCKOUT
- OUTPUT FAN CONTROL*2
- INPUT SERVICE BRAKE RELEASED
- INPUT RESUME/ACCEL ON
- OUTPUT FAN CONTROL*1
- OUTPUT CRUISE ACTIVE LT.
- INPUT ENGINE BRAKE DISABLE
- INPUT ENGINE BRAKE LOW
- INPUT ENGINE BRAKE MED
- INPUT CRUISE ENABLE
- INPUT SE0/DIAGNOSTIC REQUEST
- OUTPUT VEHICLE POWER SHUTDOWN
- INPUT AUX. SHUTDOWN*1
- INPUT PARK BRAKE INTERLOCK

D.D.E.C.



WORLD TRANSMISSION E.C.U.

PREVOST

WIRING DIAGRAM

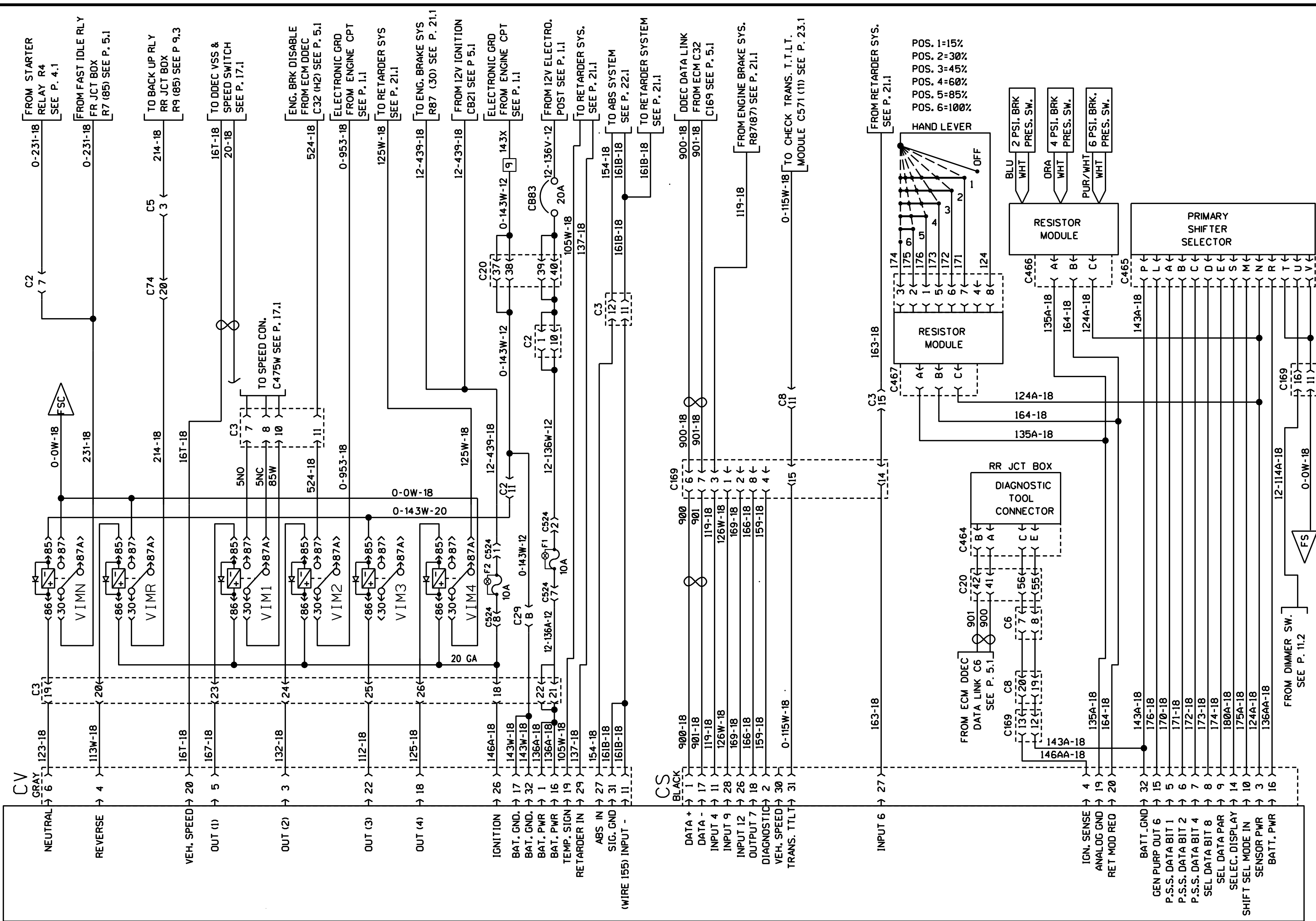
NO:

0060921

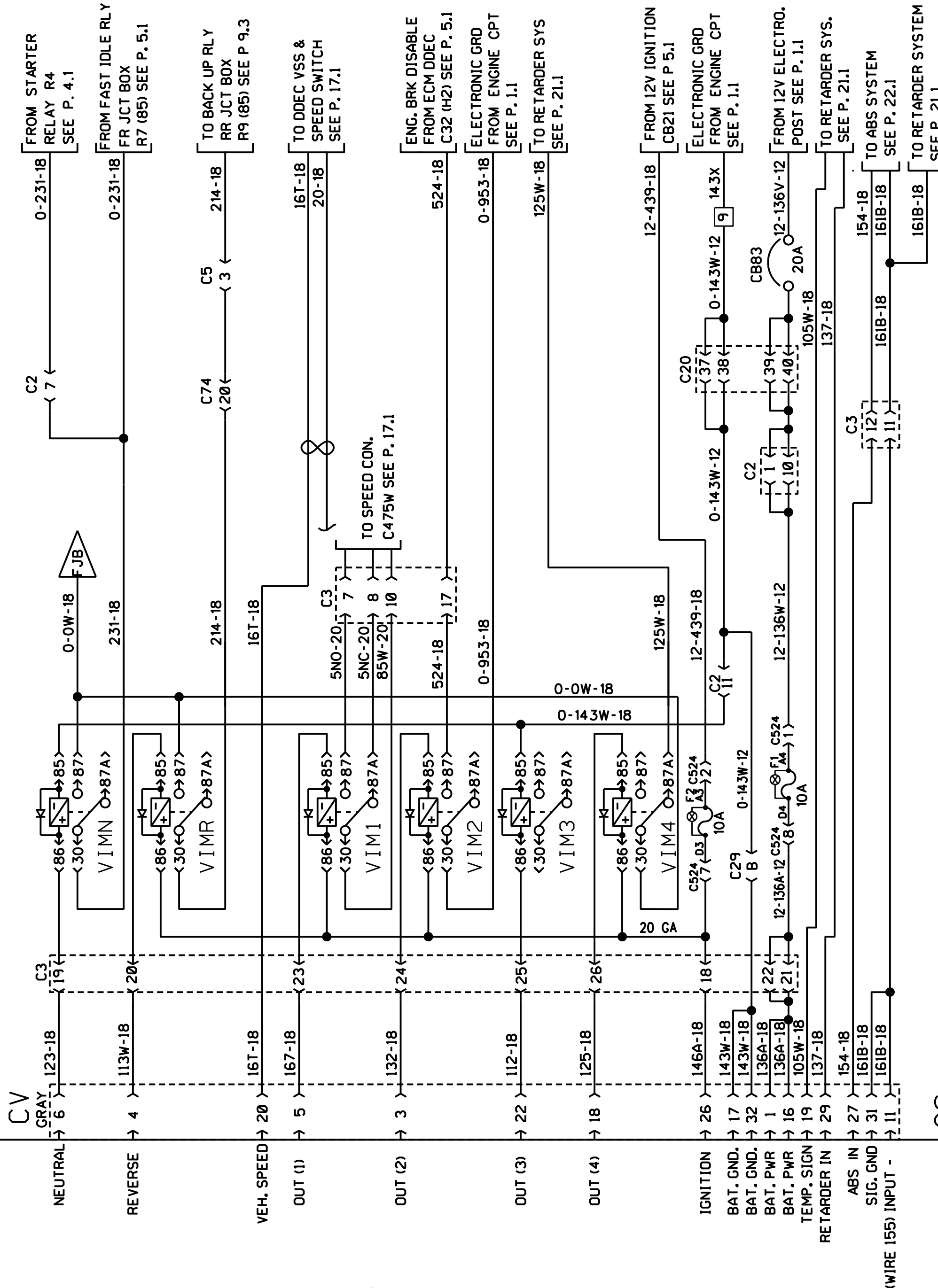
PAGE:

6.1

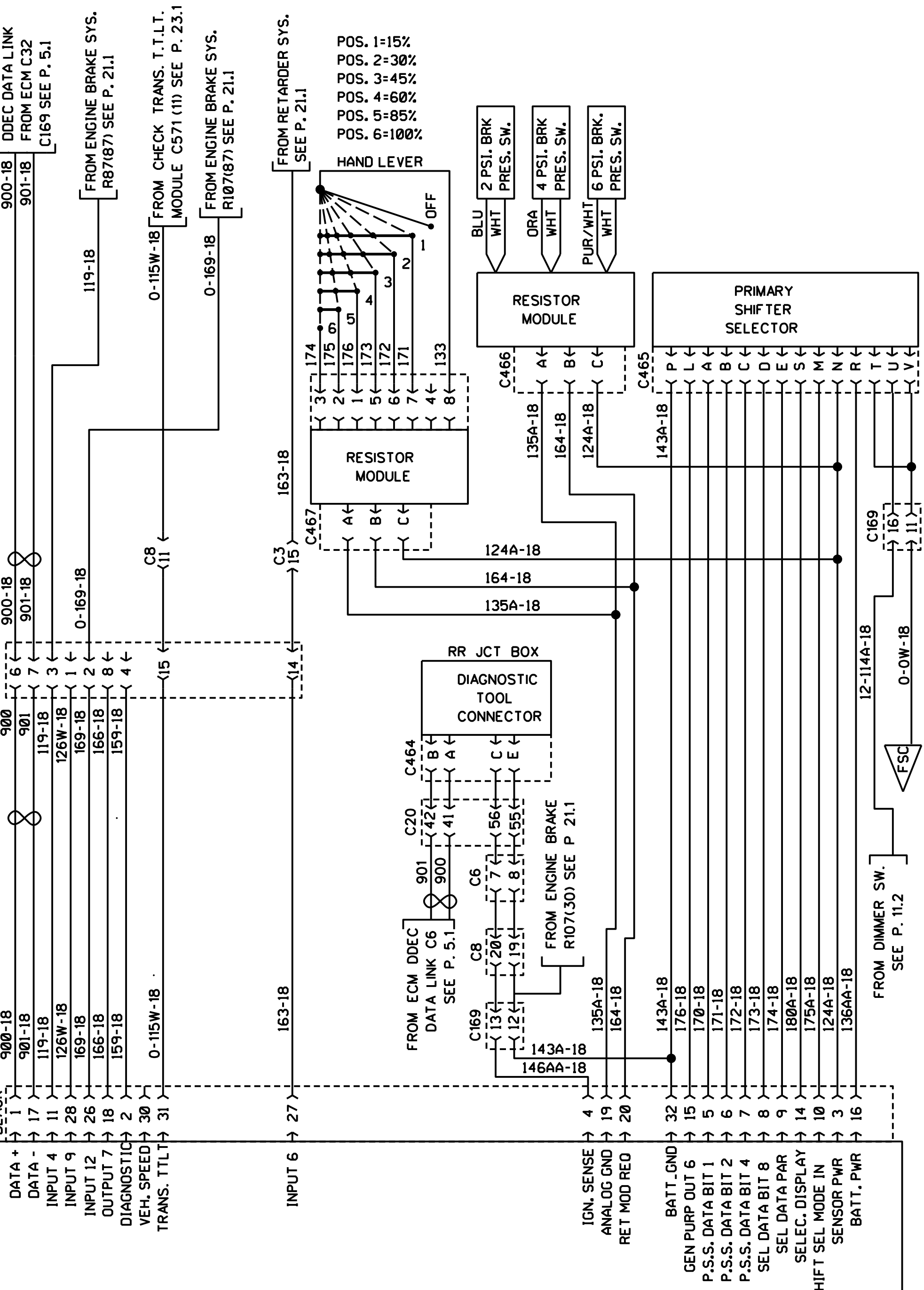
REVISION
00



CV



CS



WORLD TRANSMISSION E.C.U.

PREVOST

WIRING DIAGRAM

NO: **0060921**

PAGE: **6.1**

REVISION
02

WORLD TRANSMISSION E.C.U.

PREVOST

WIRING DIAGRAM

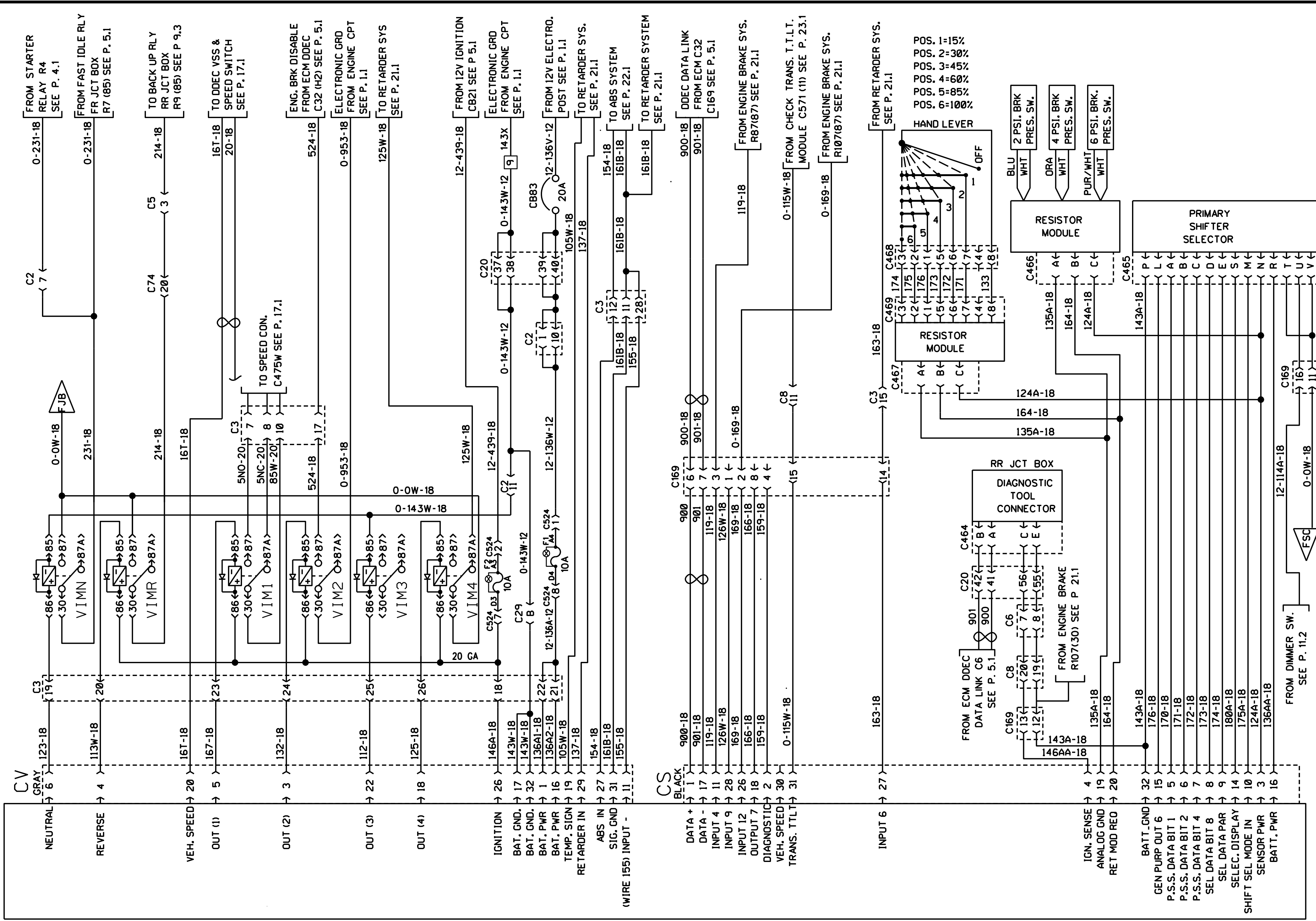
NO:

D060921

PAGE:

6.1

REVISION
05



WORLD TRANSMISSION E.C.U.

PREVOST

WIRING DIAGRAM

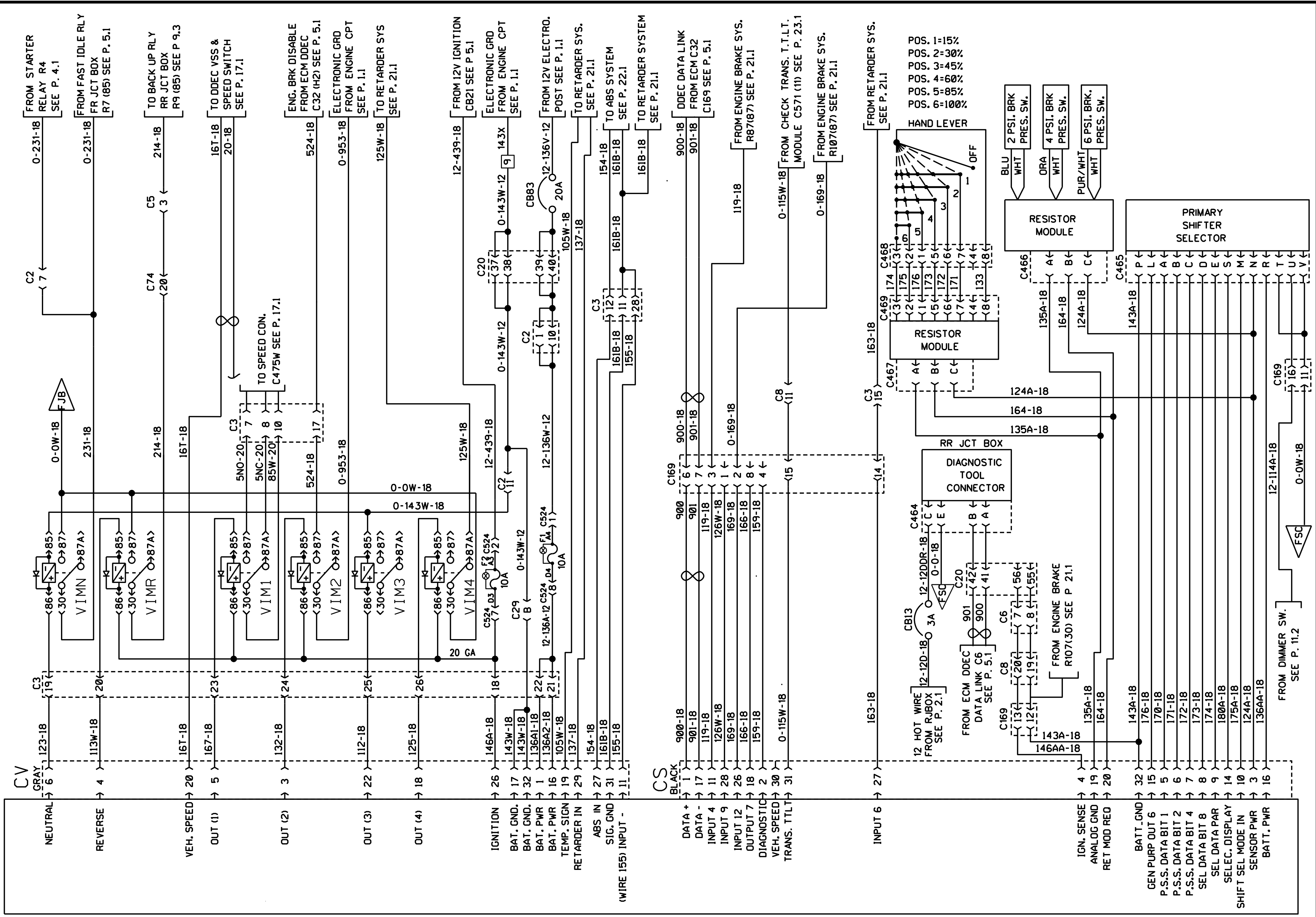
NO:

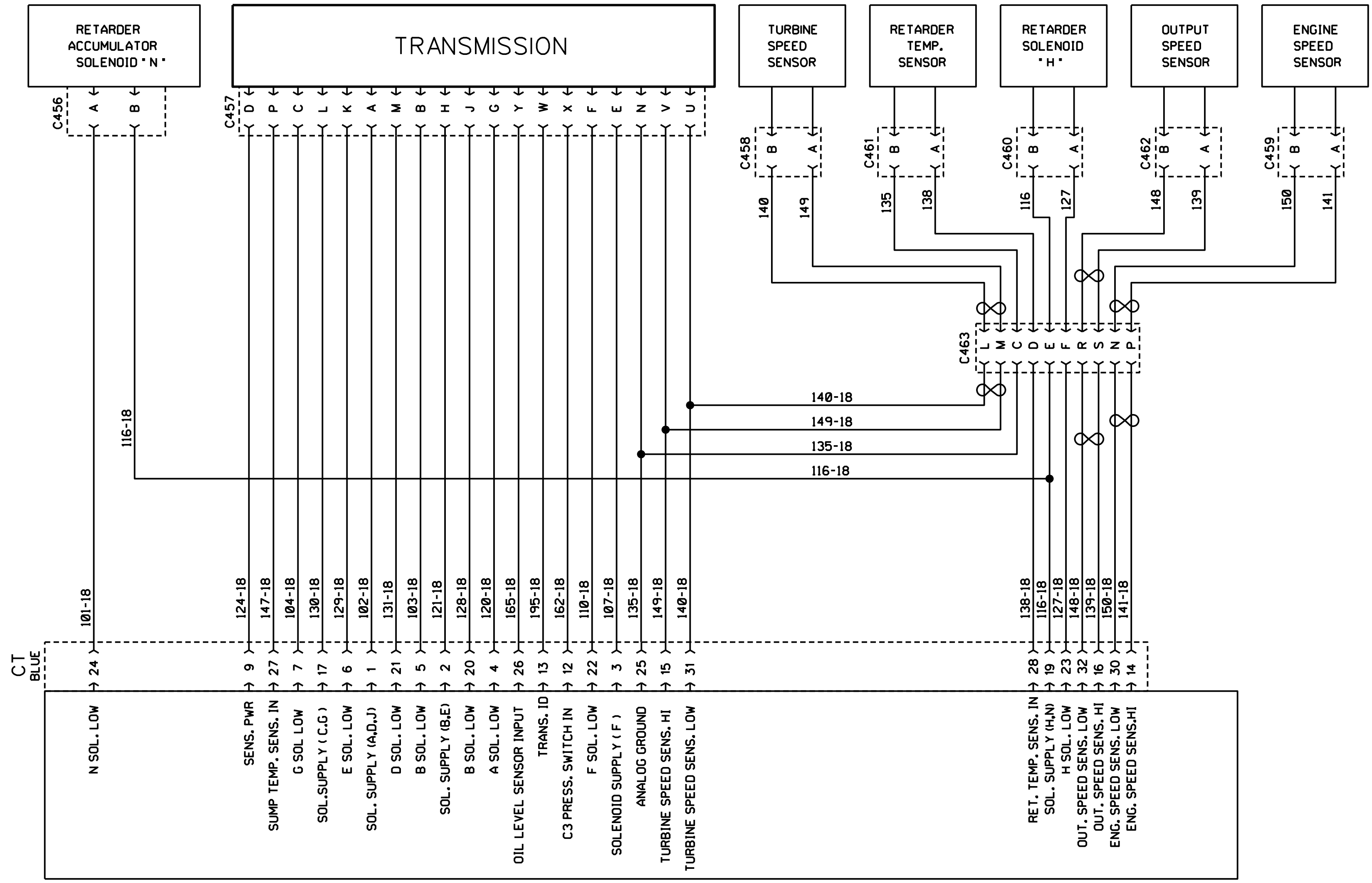
0060921

PAGE:

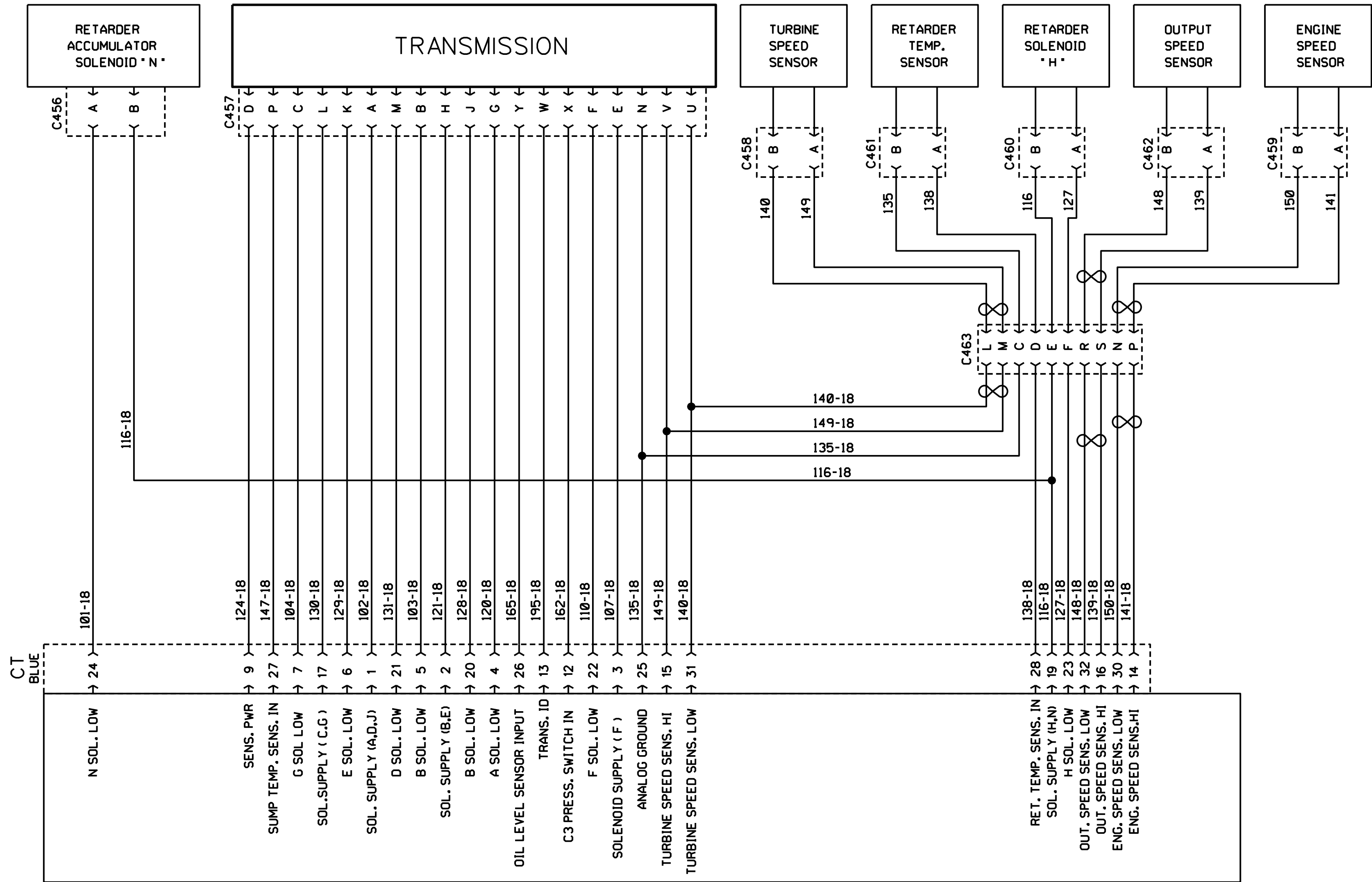
6.1

REVISION
10

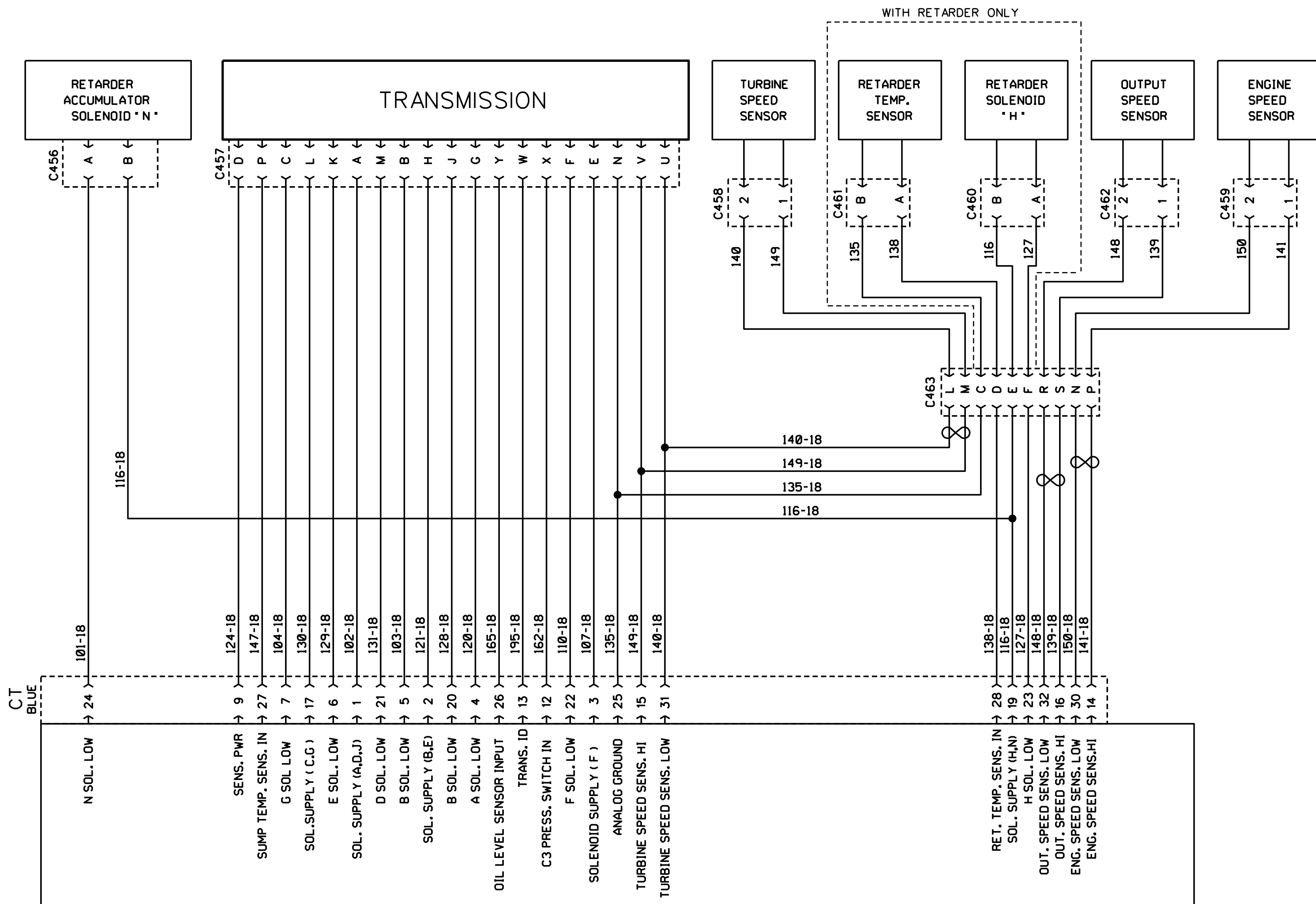




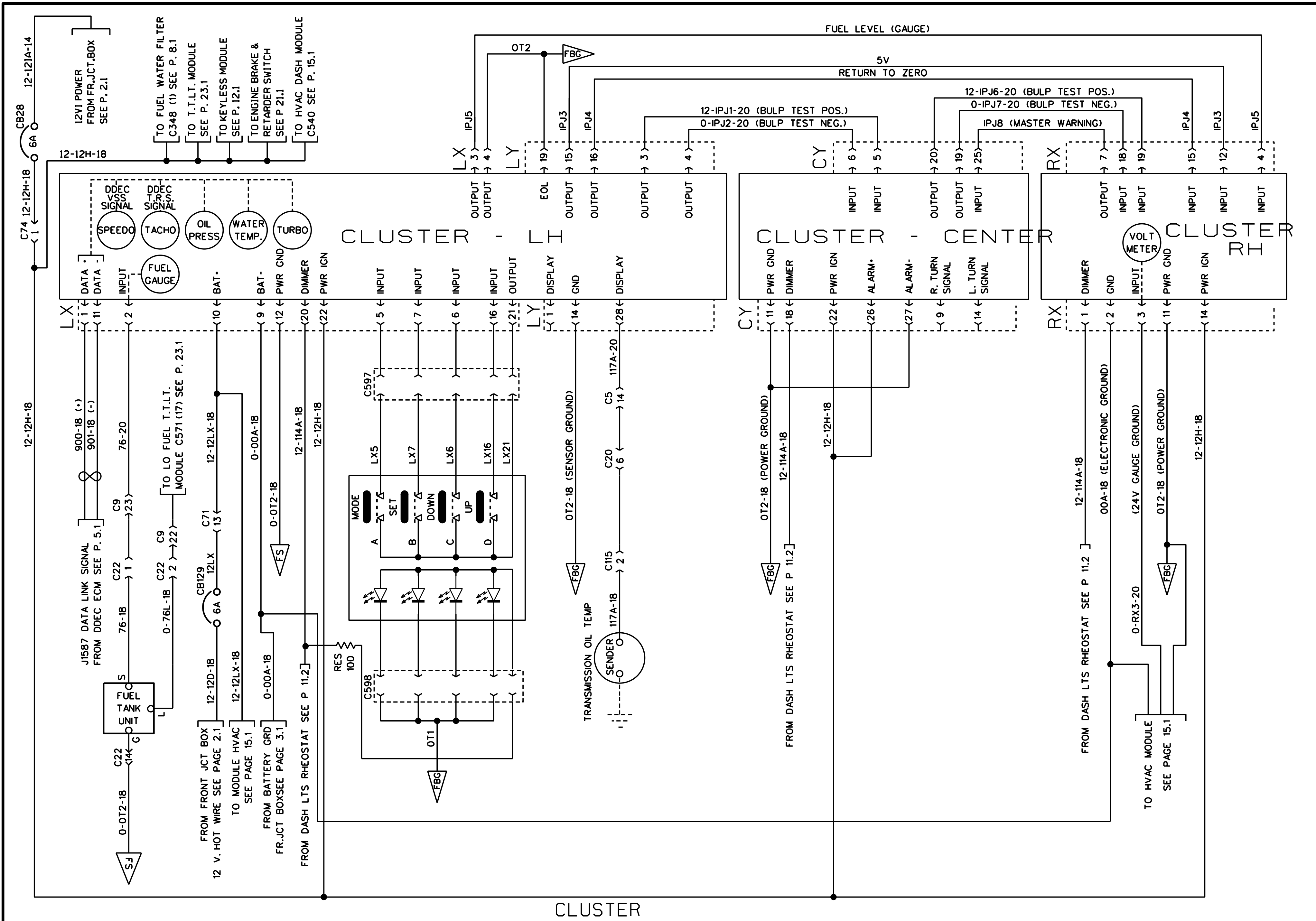
WORLD TRANSMISSION E.C.U. (SUITE)

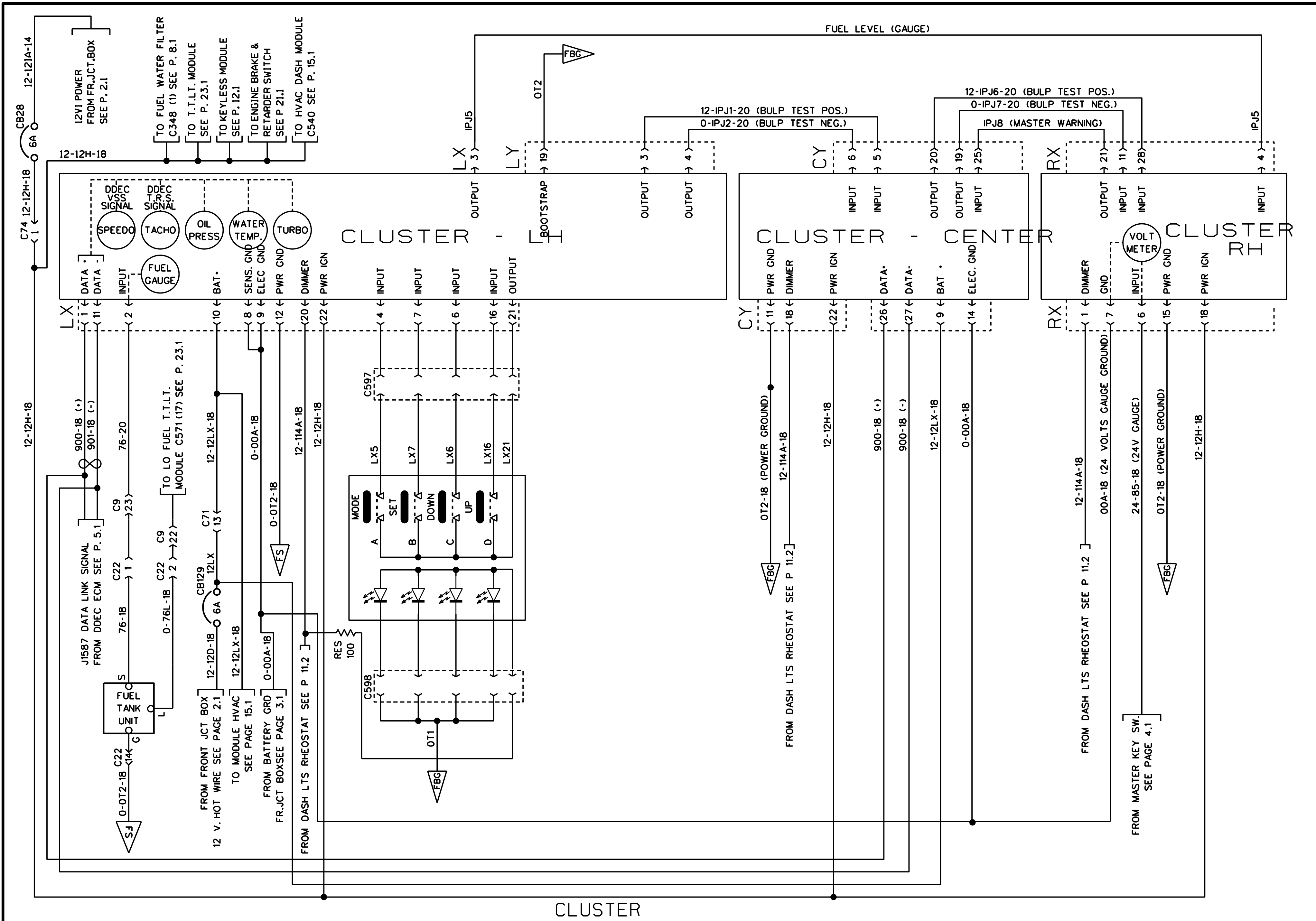


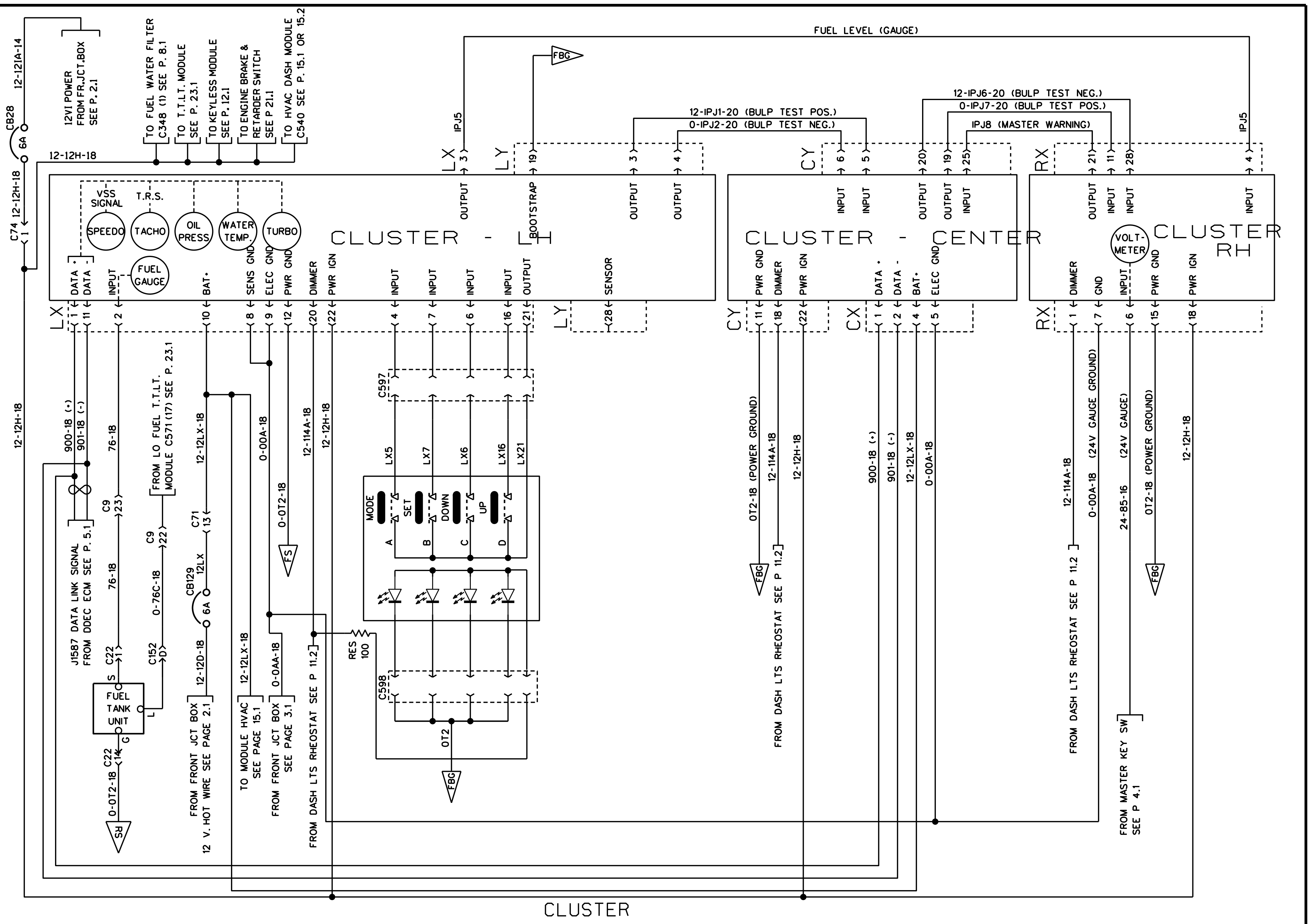
WORLD TRANSMISSION E.C.U. (SUITE)

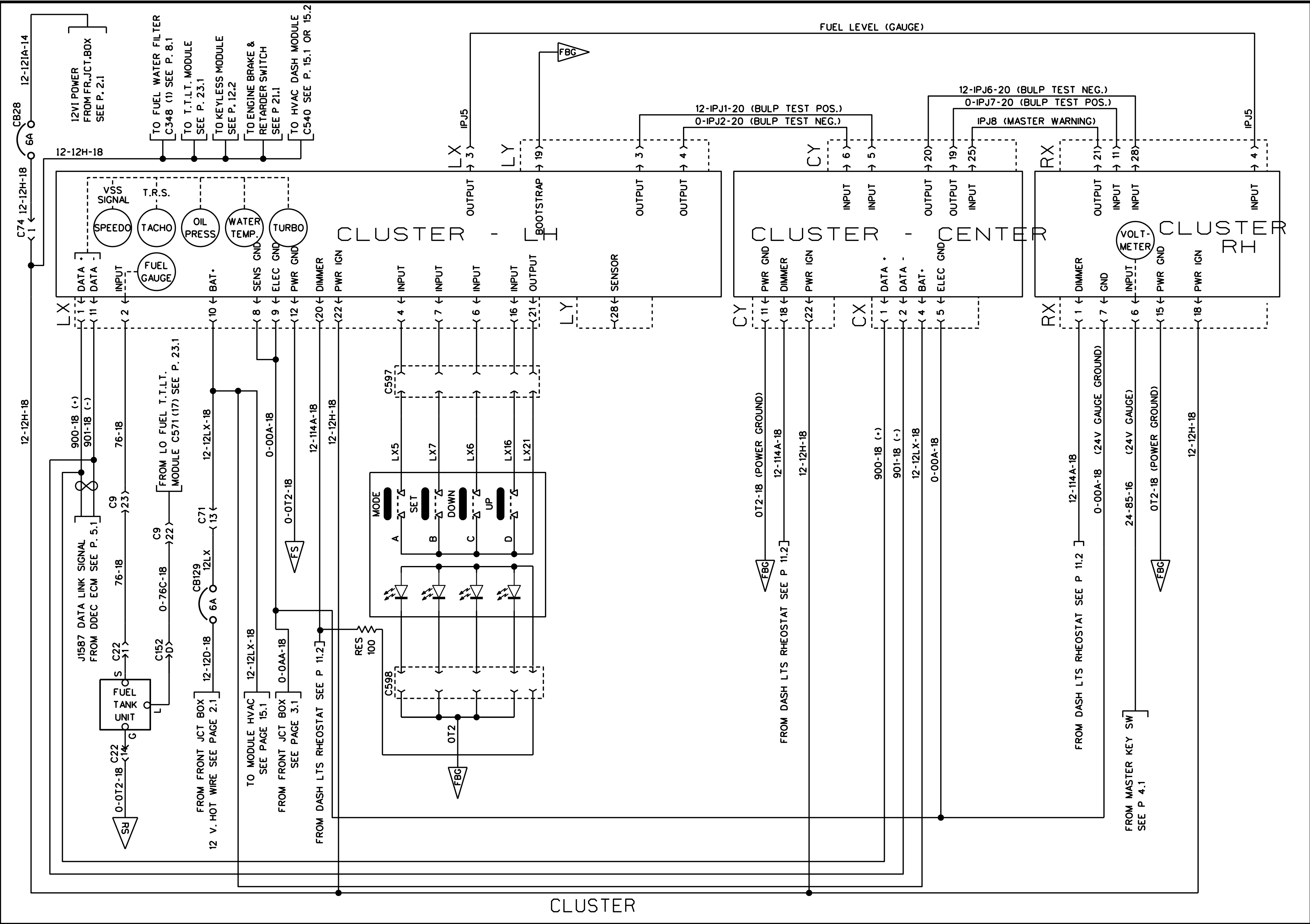


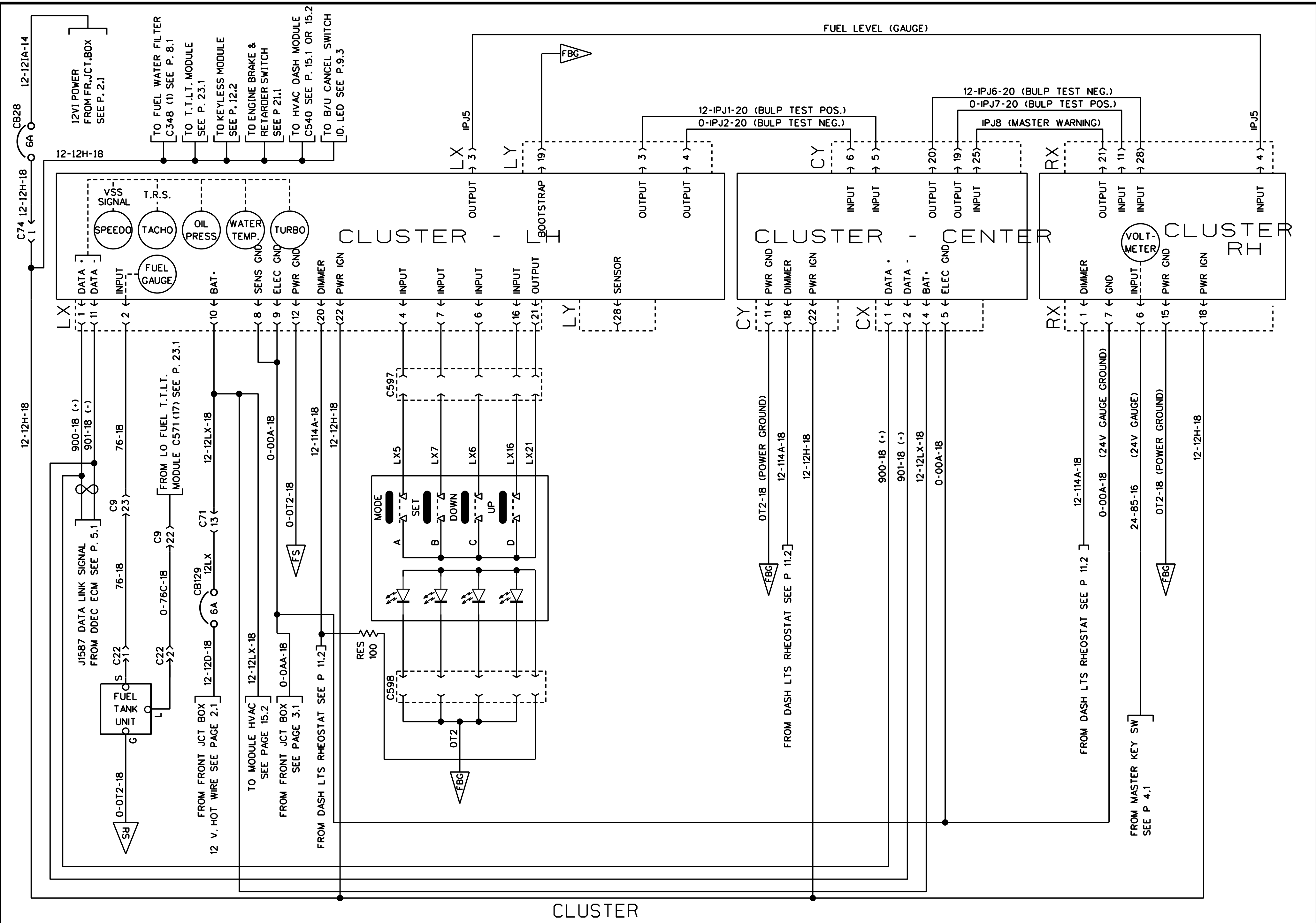
WORLD TRANSMISSION E.C.U. (SUITE)

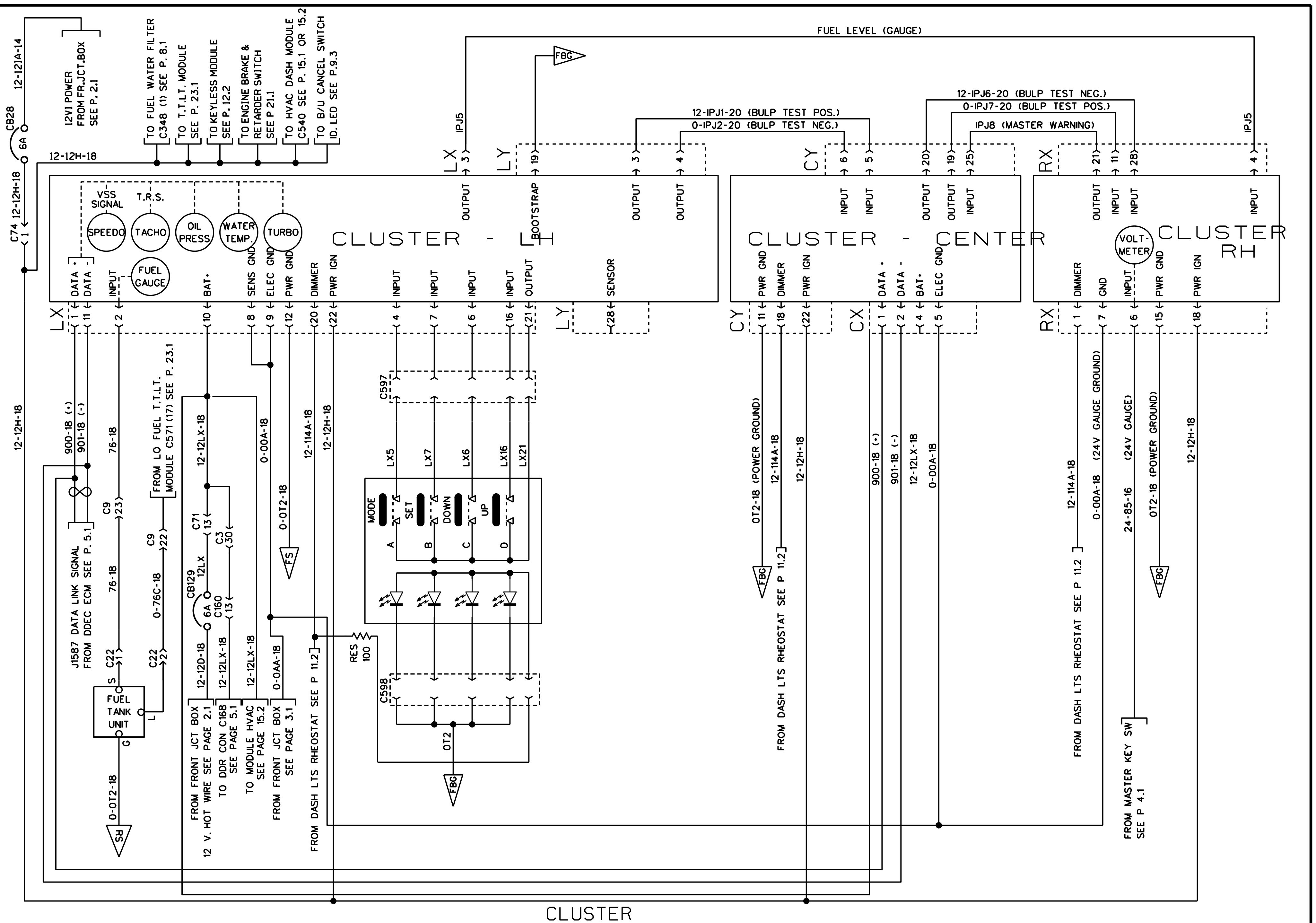


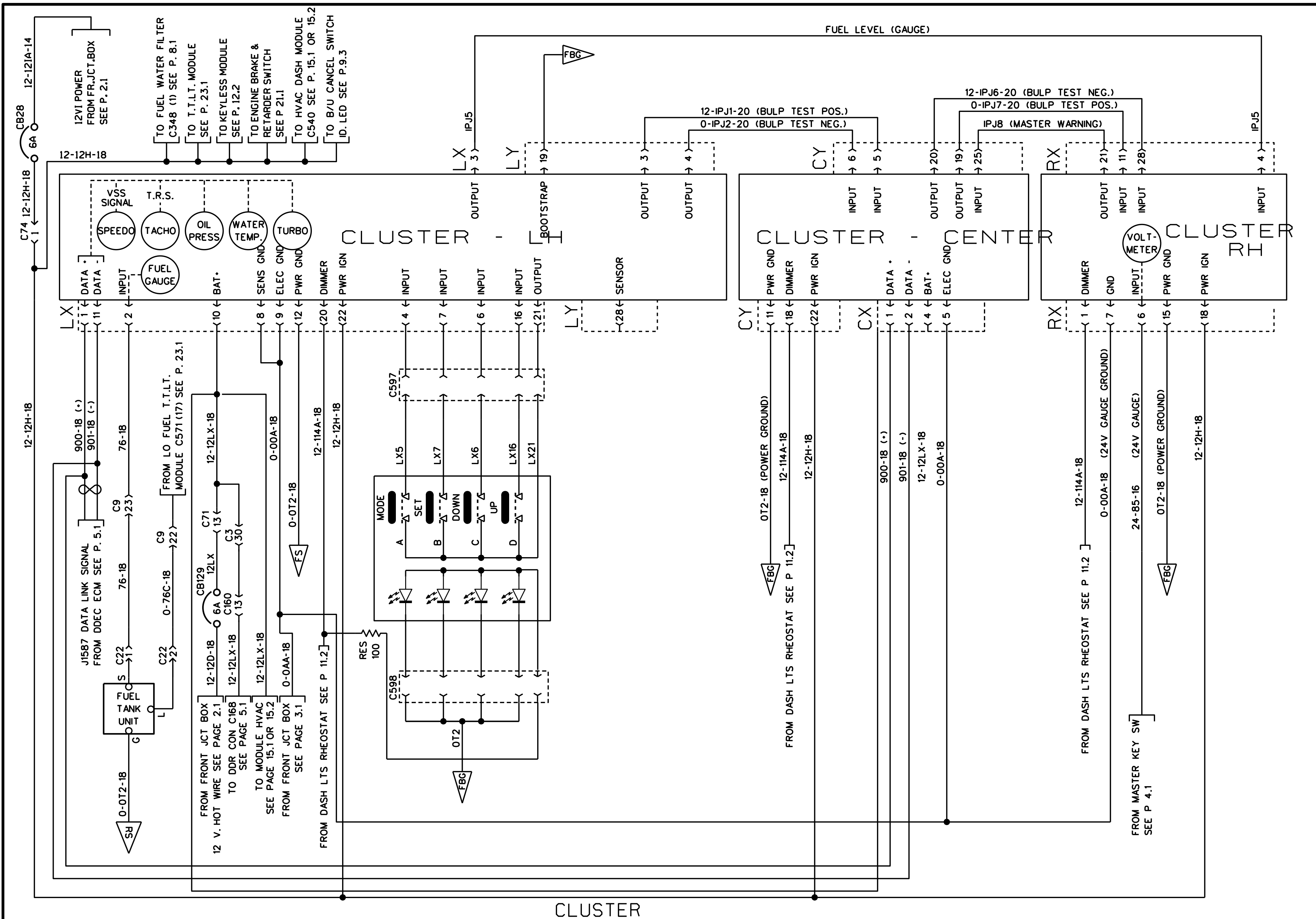


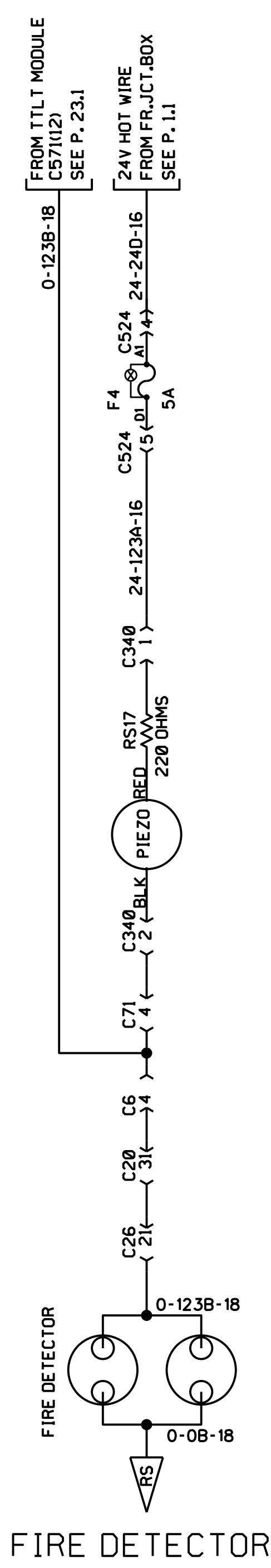
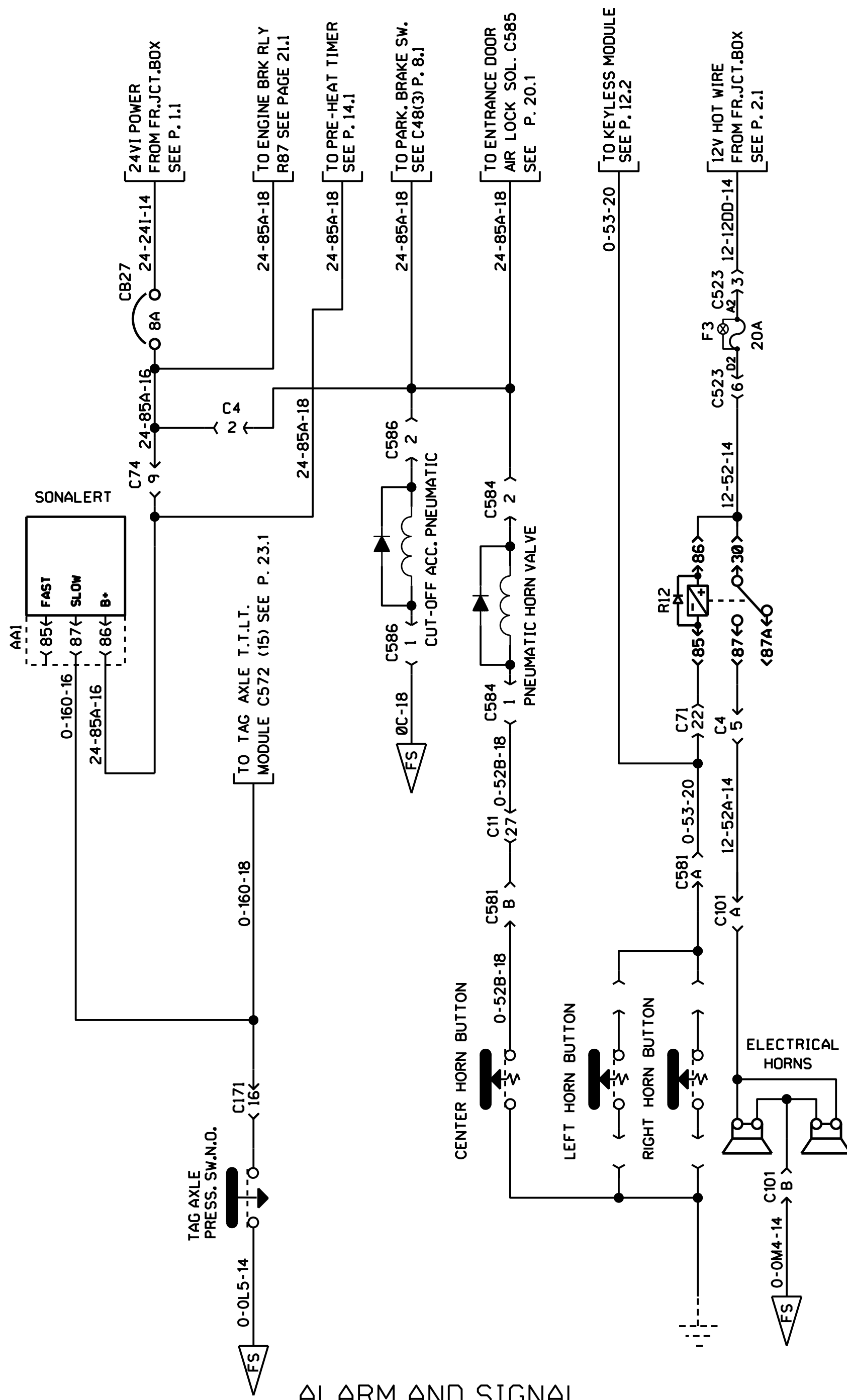


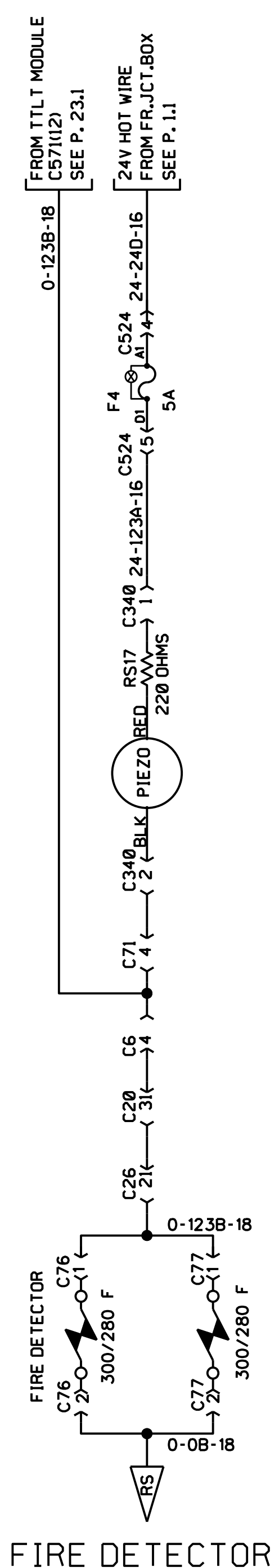
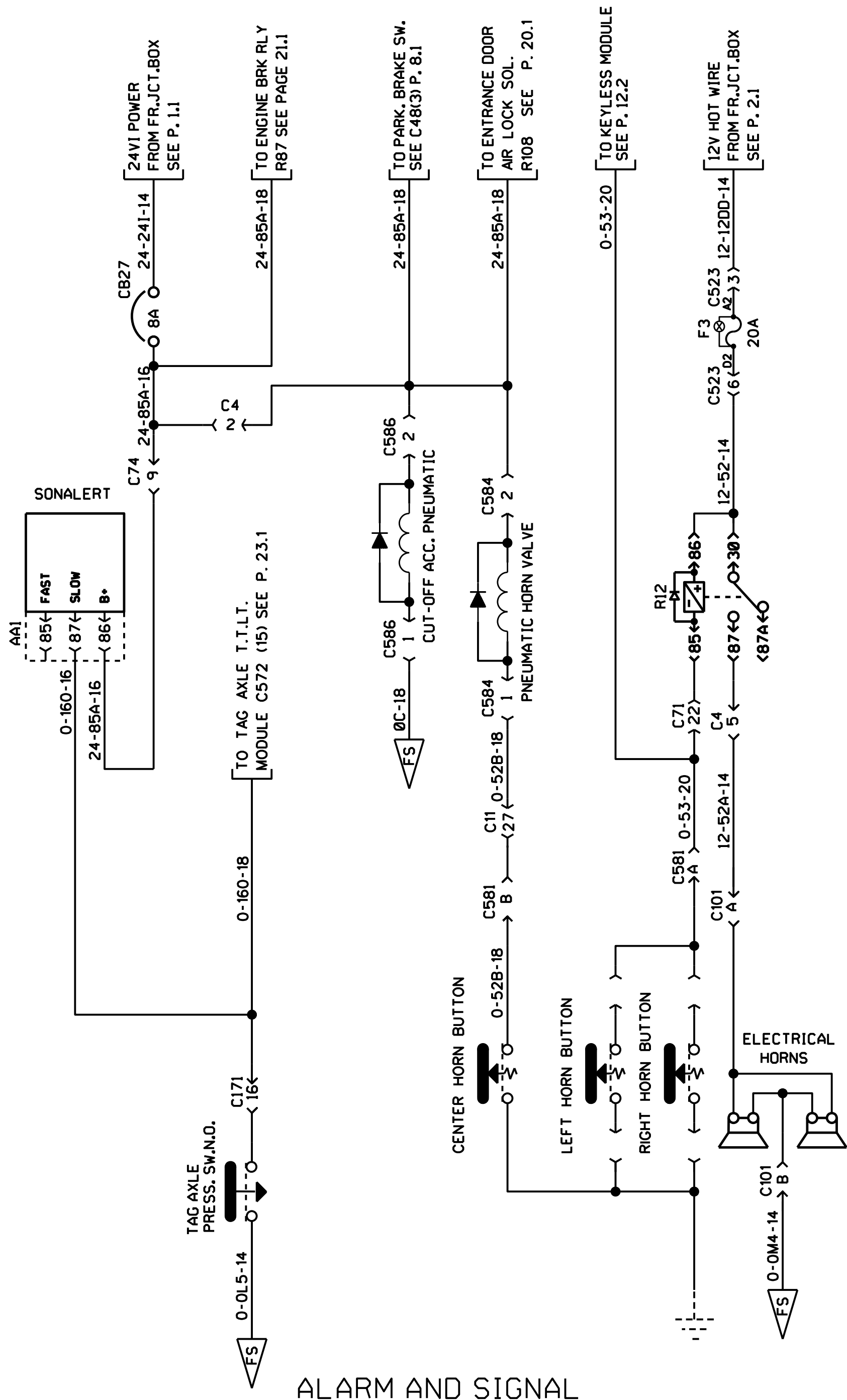


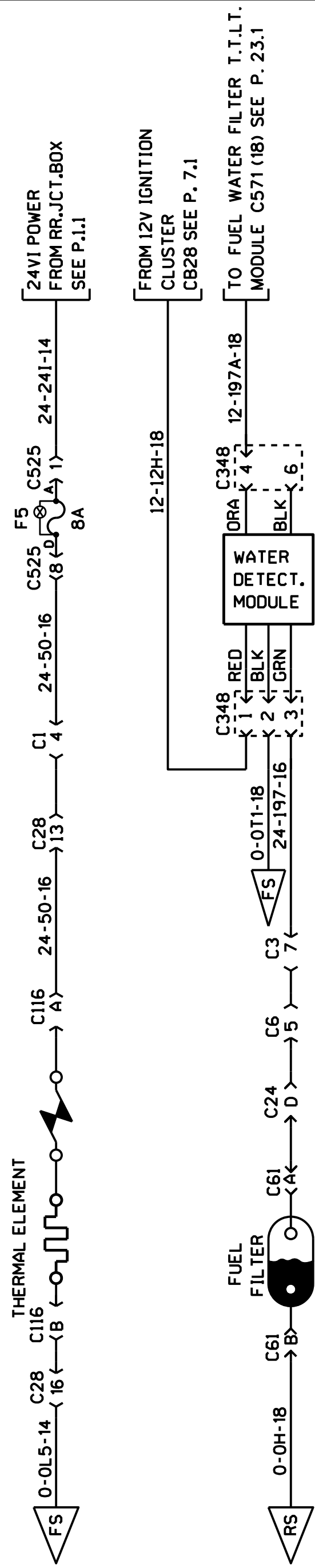












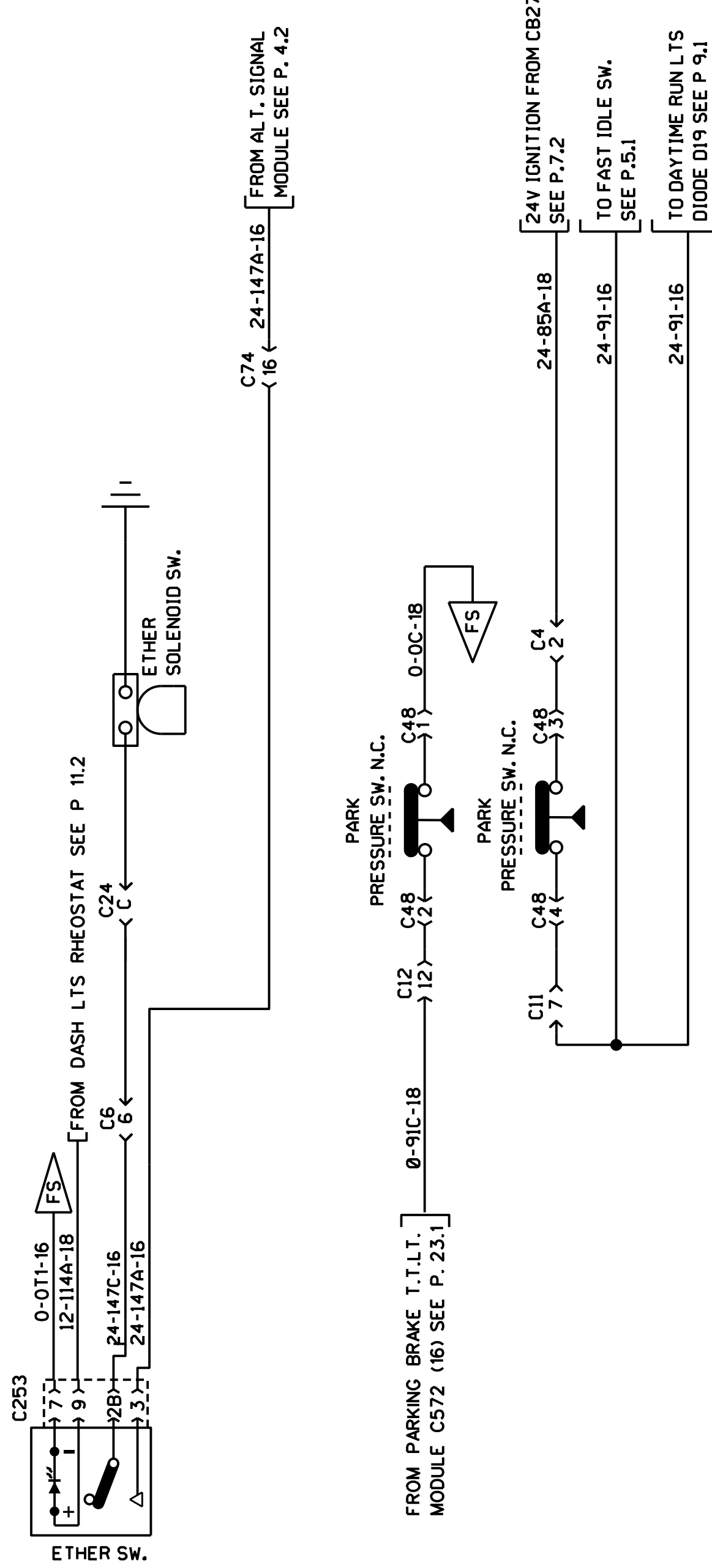
AIR DRYER

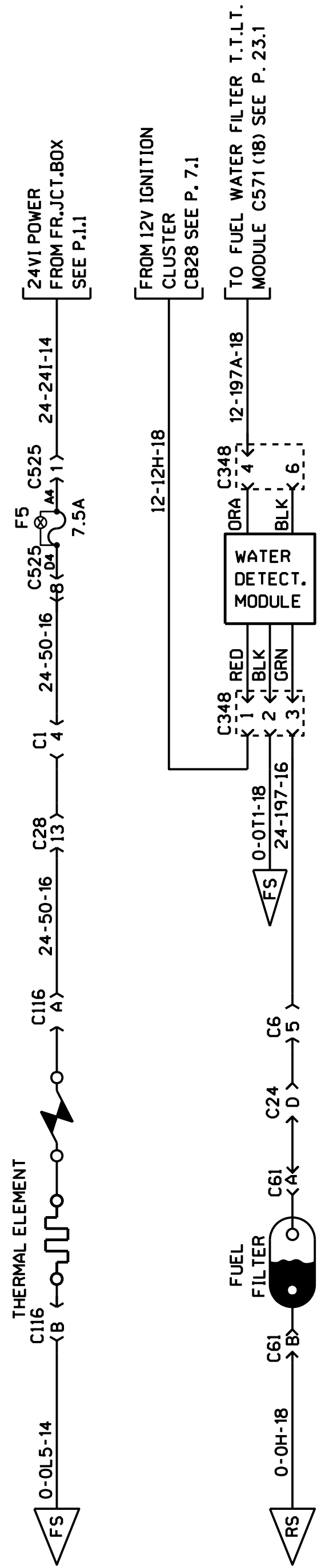
FUEL WATER FILTER

ETHER COLD START

PARKING BRAKE ALARM & SWITCH

RADIATOR FAN CLUTCH

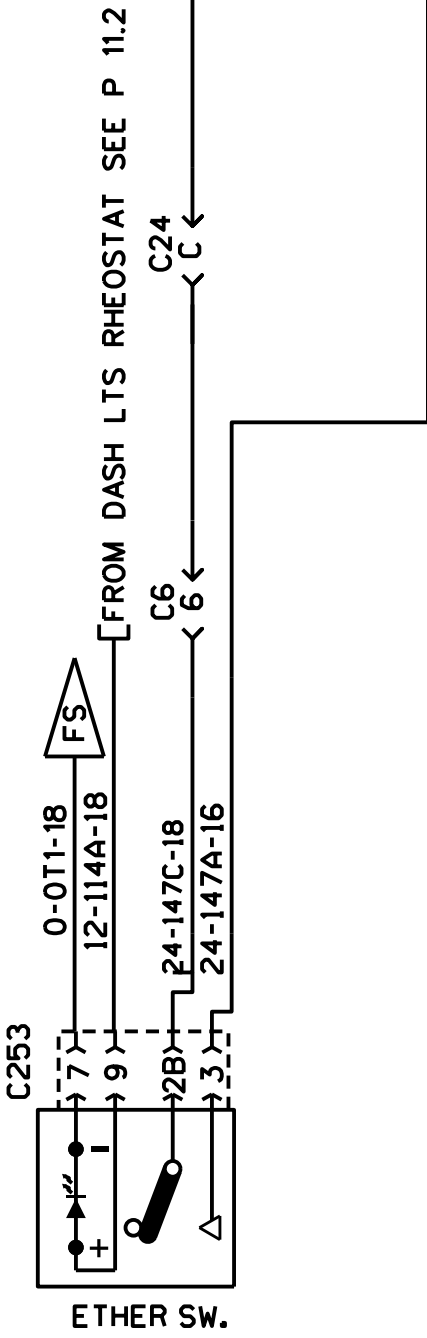




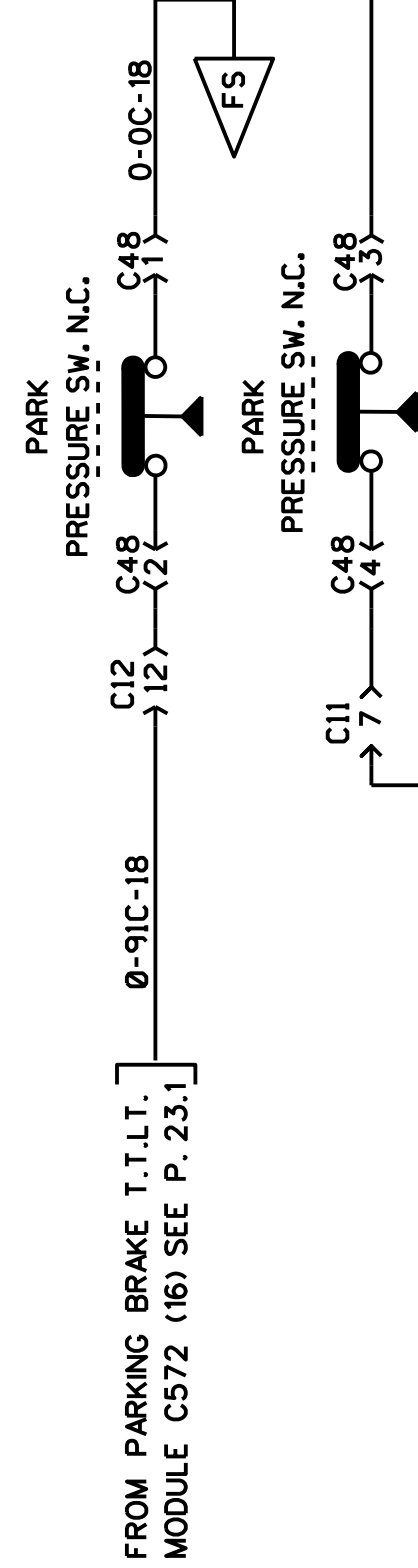
AIR DRYER

FUEL WATER FILTER

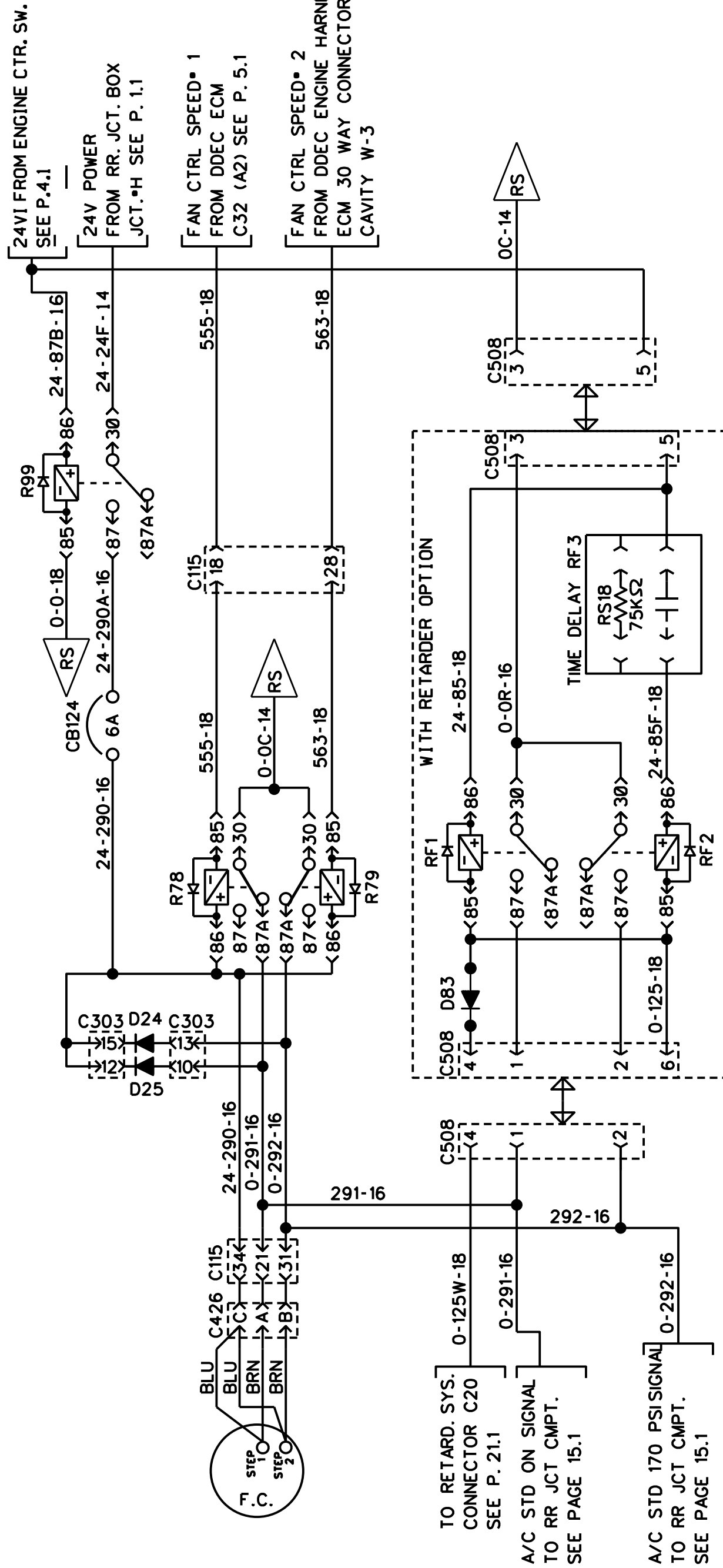
ETHER COLD START

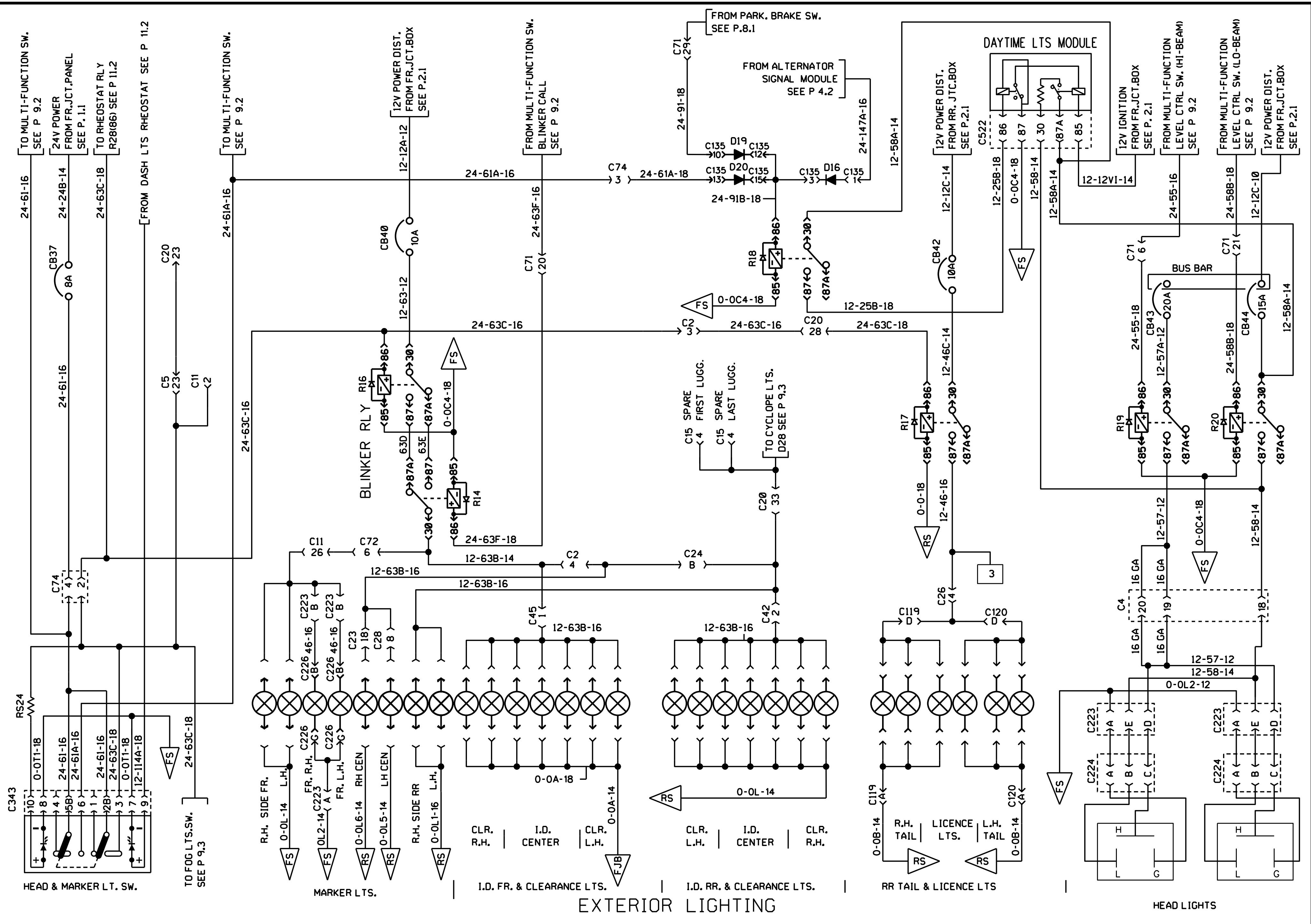


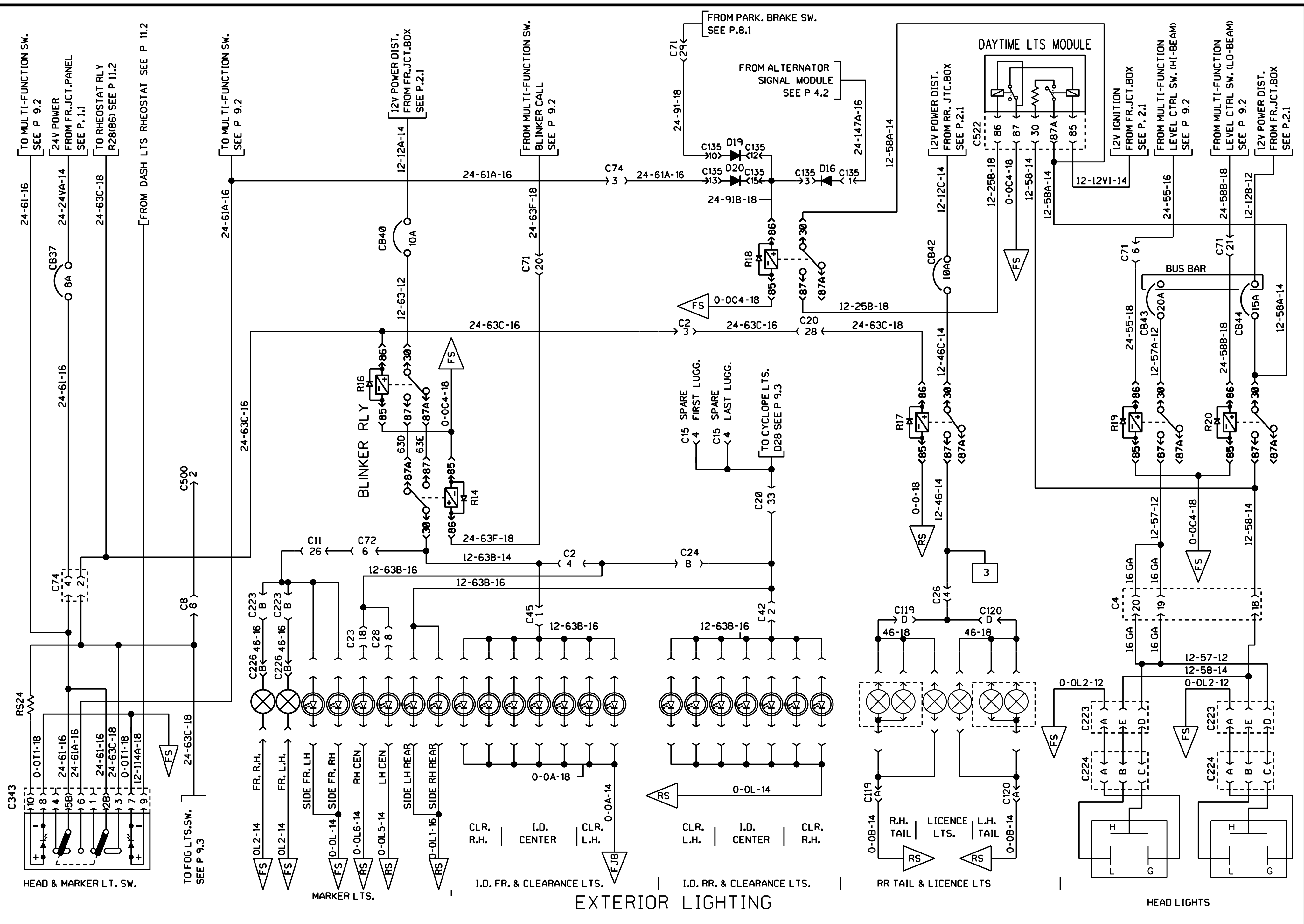
PARKING BRAKE ALARM & SWITCH

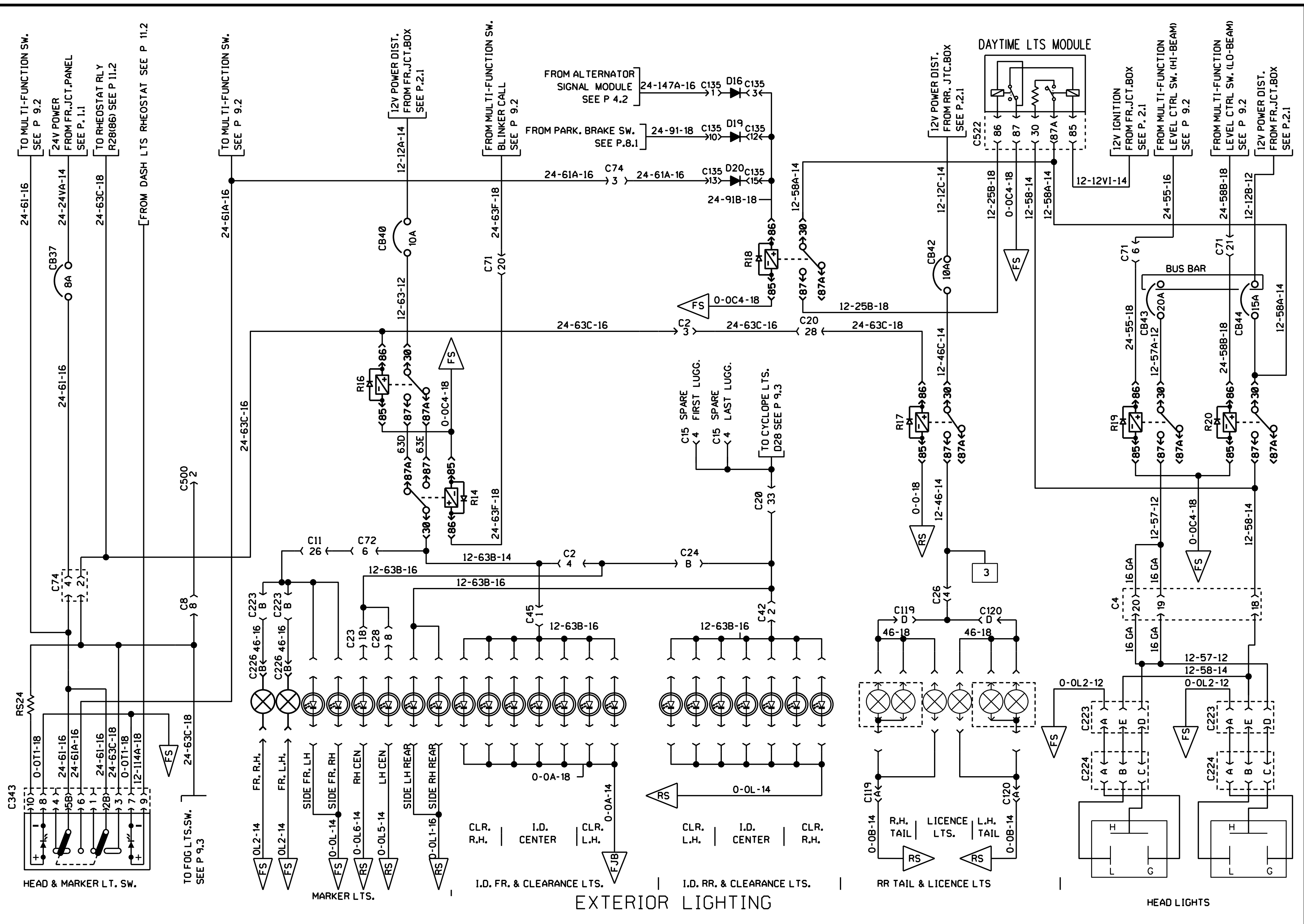


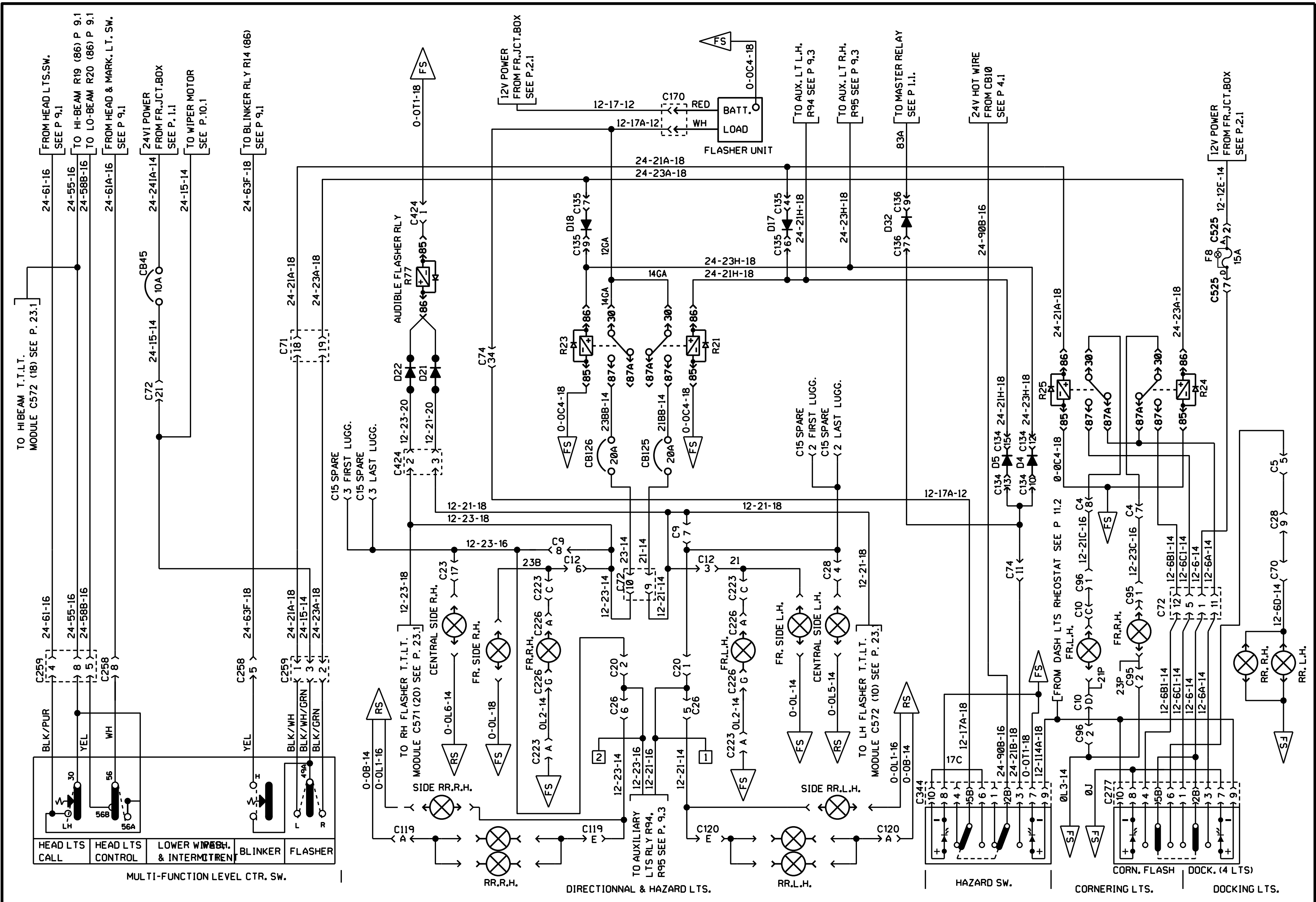
RADIATOR FAN CLUTCH



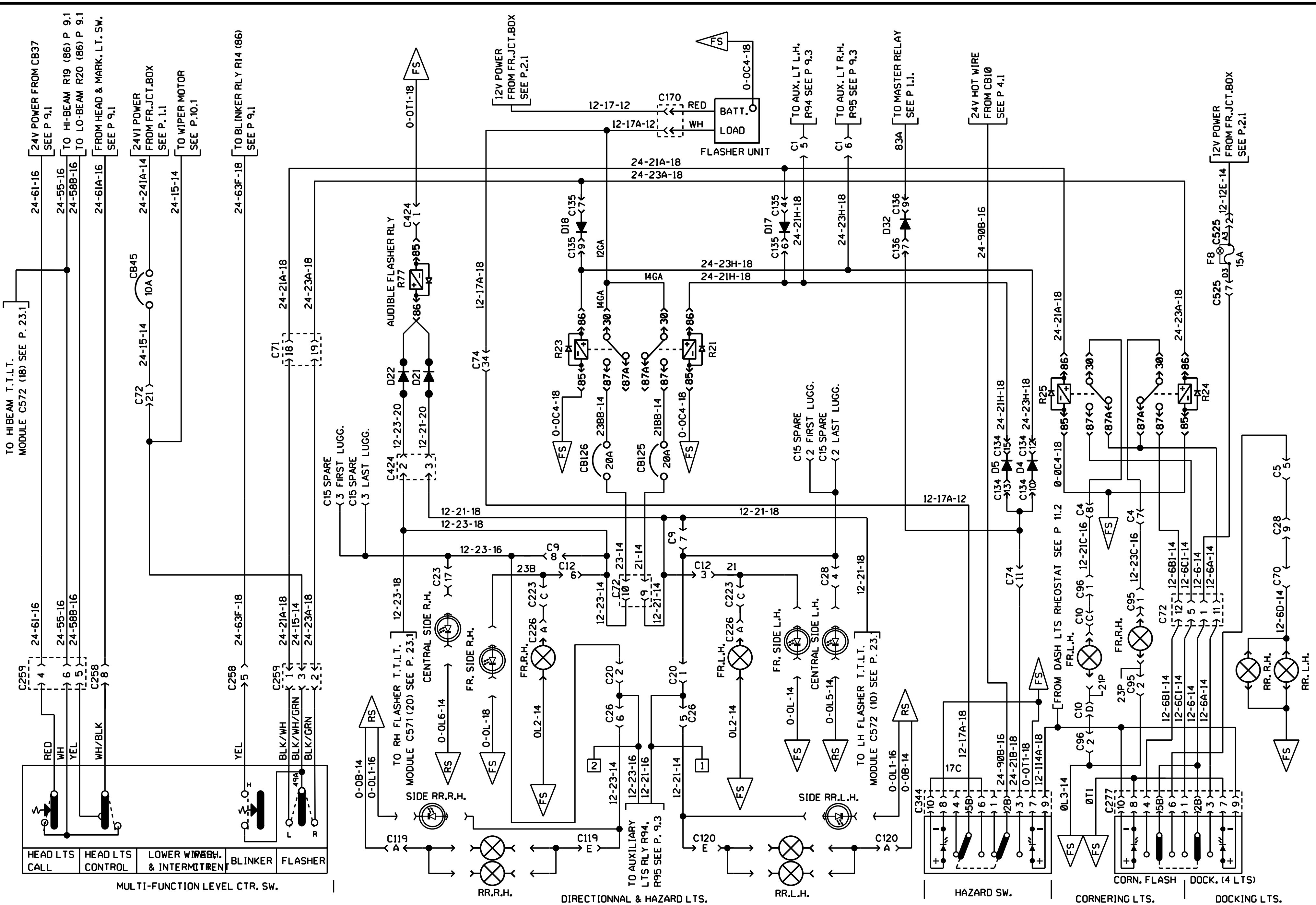




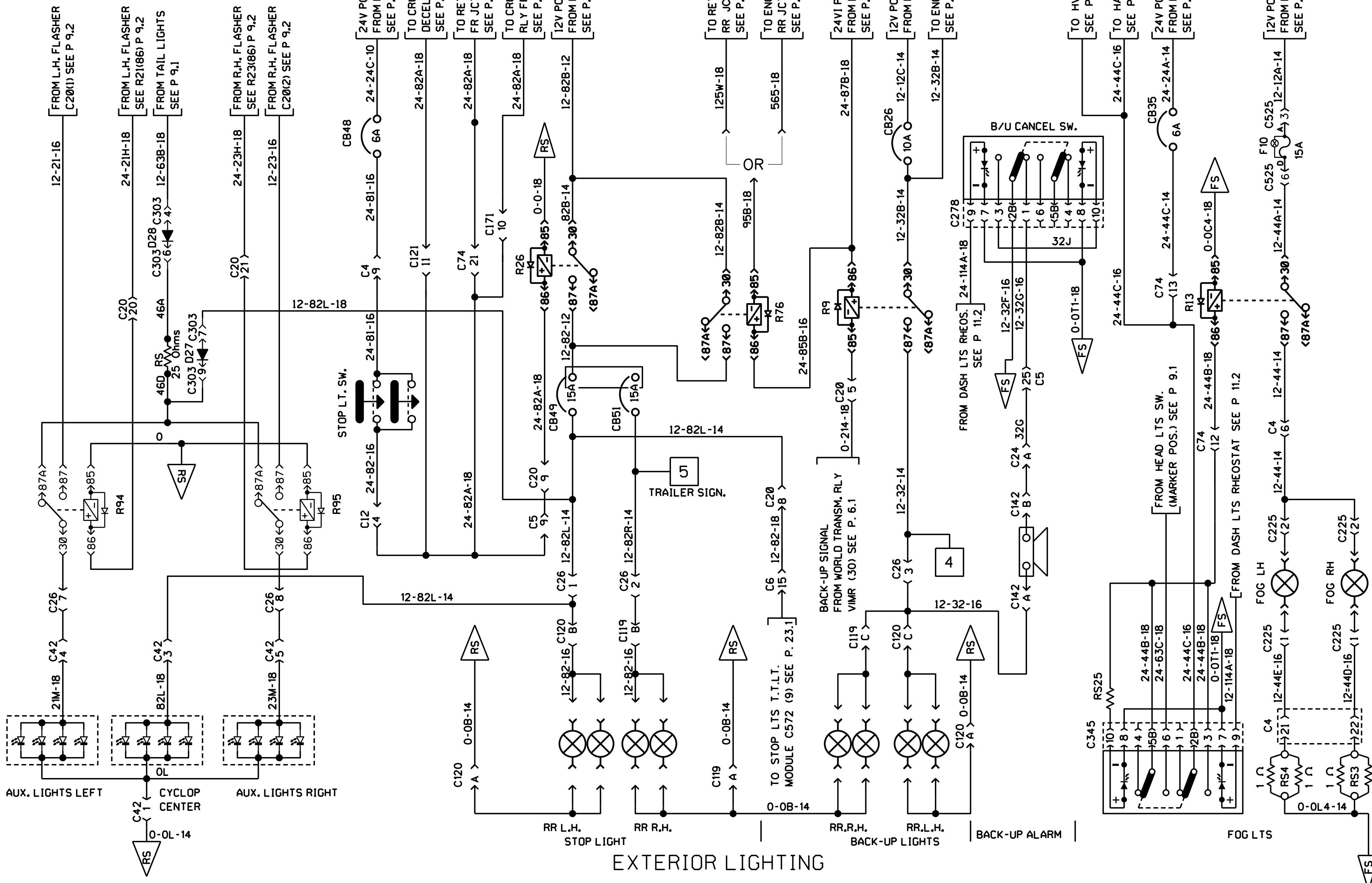


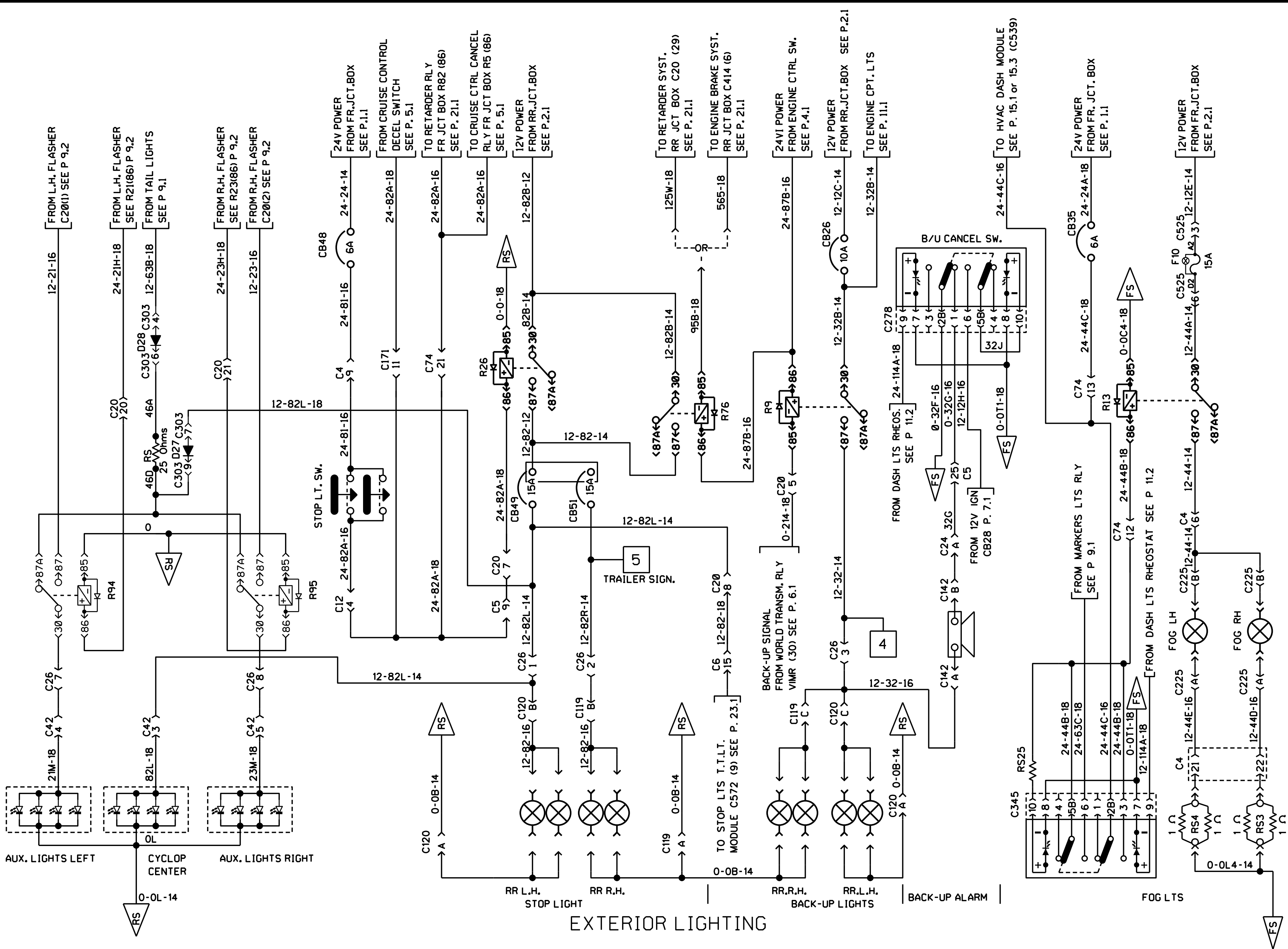


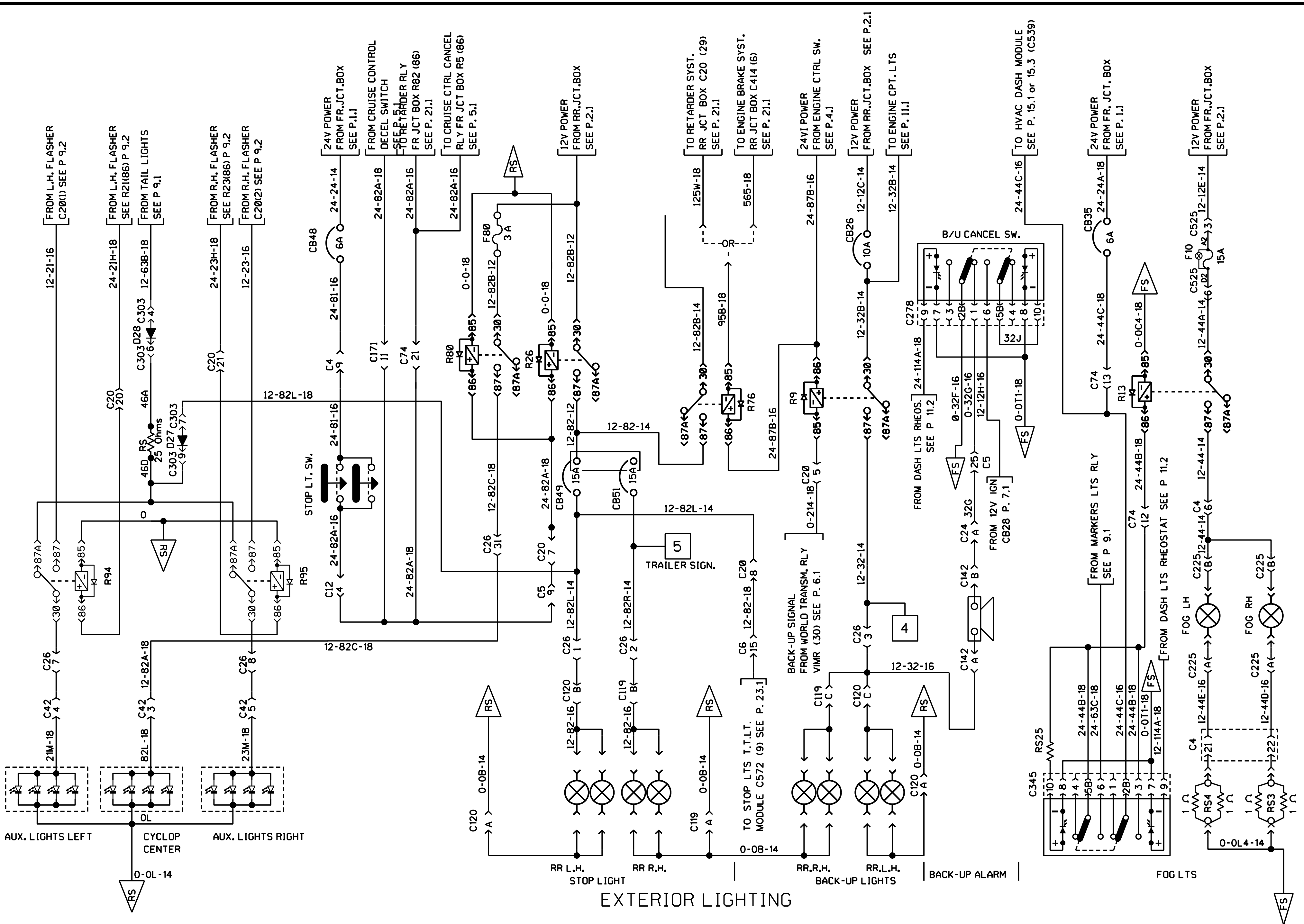
EXTERIOR LIGHTING

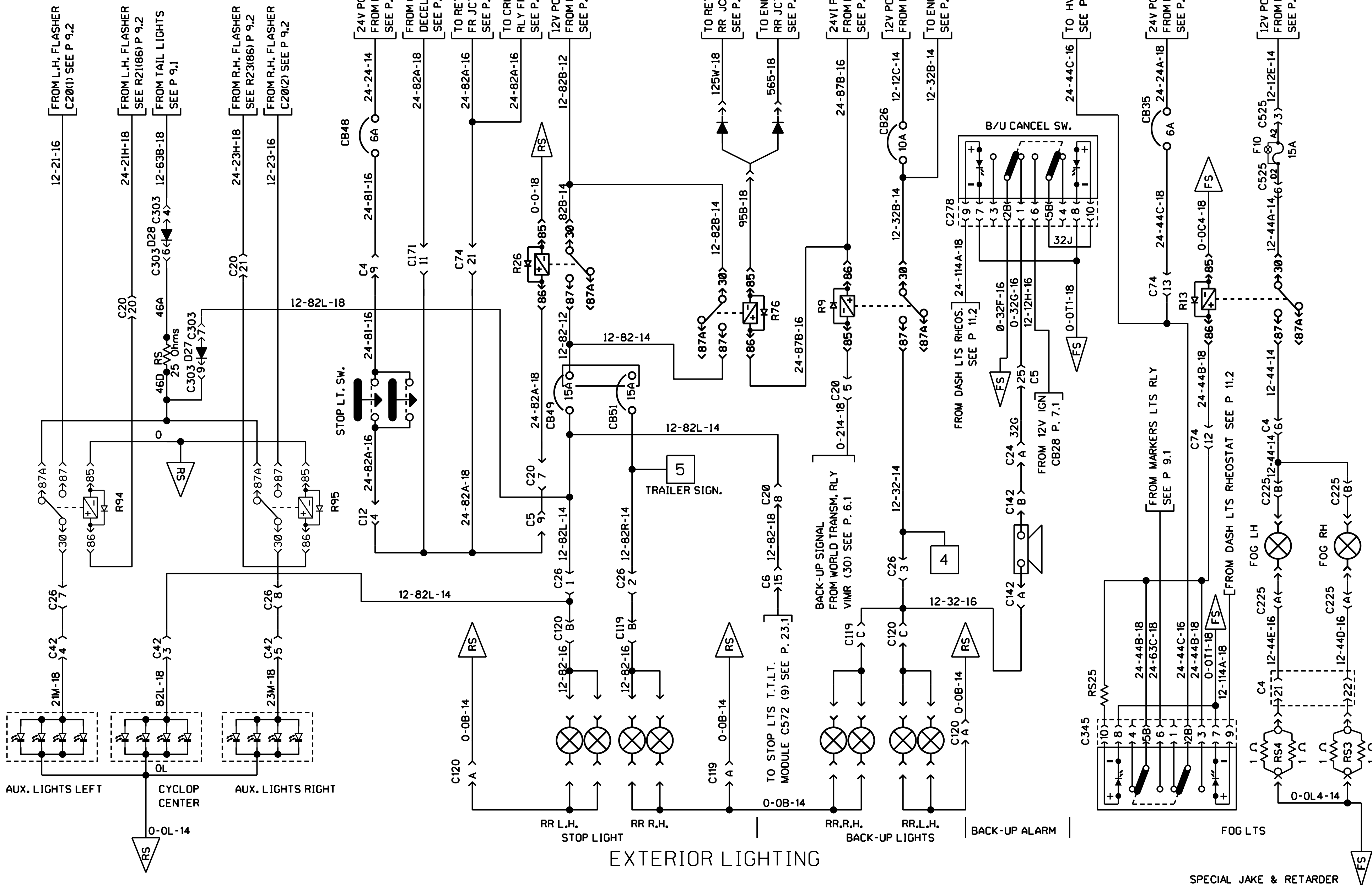


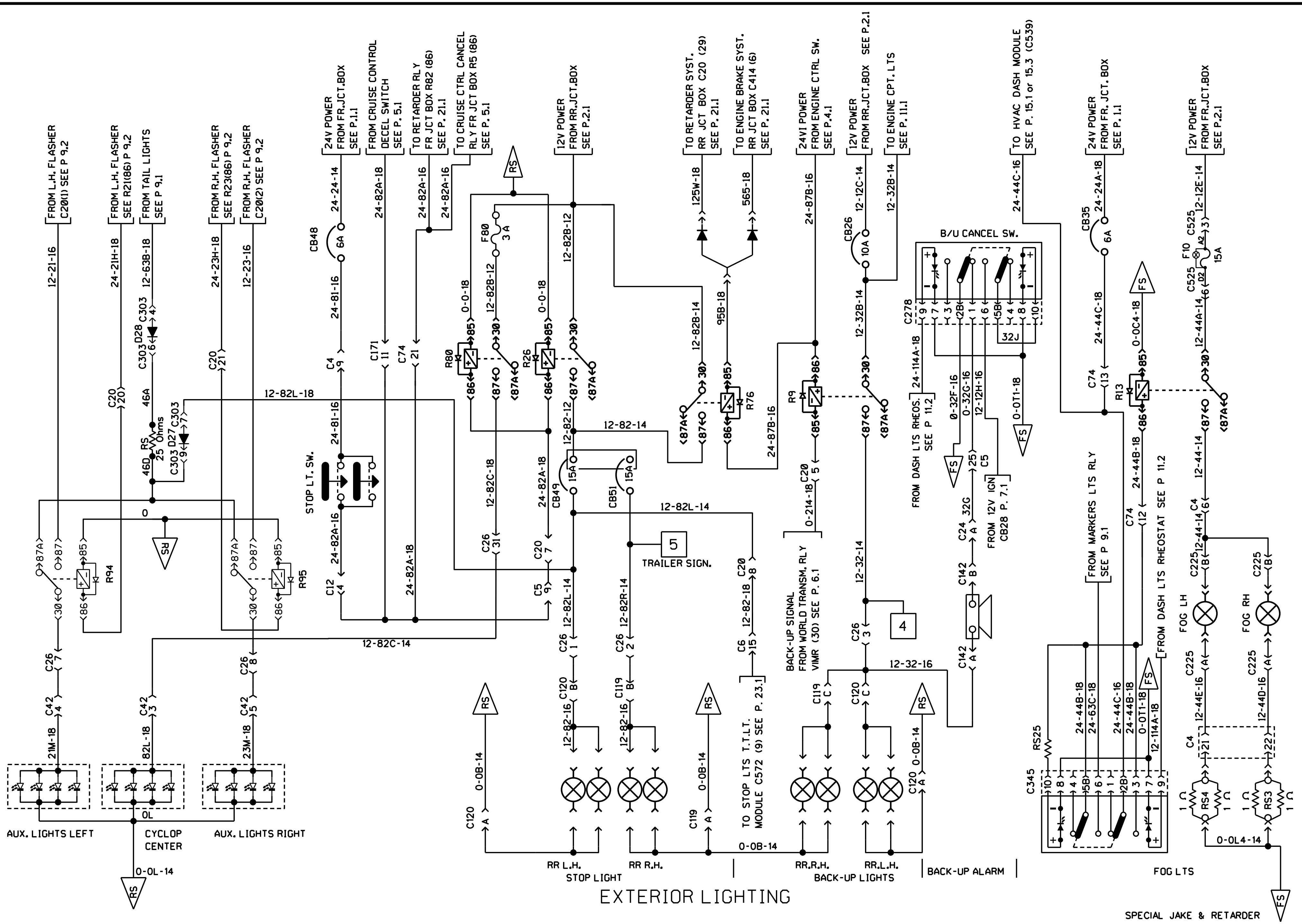
EXTERIOR LIGHTING

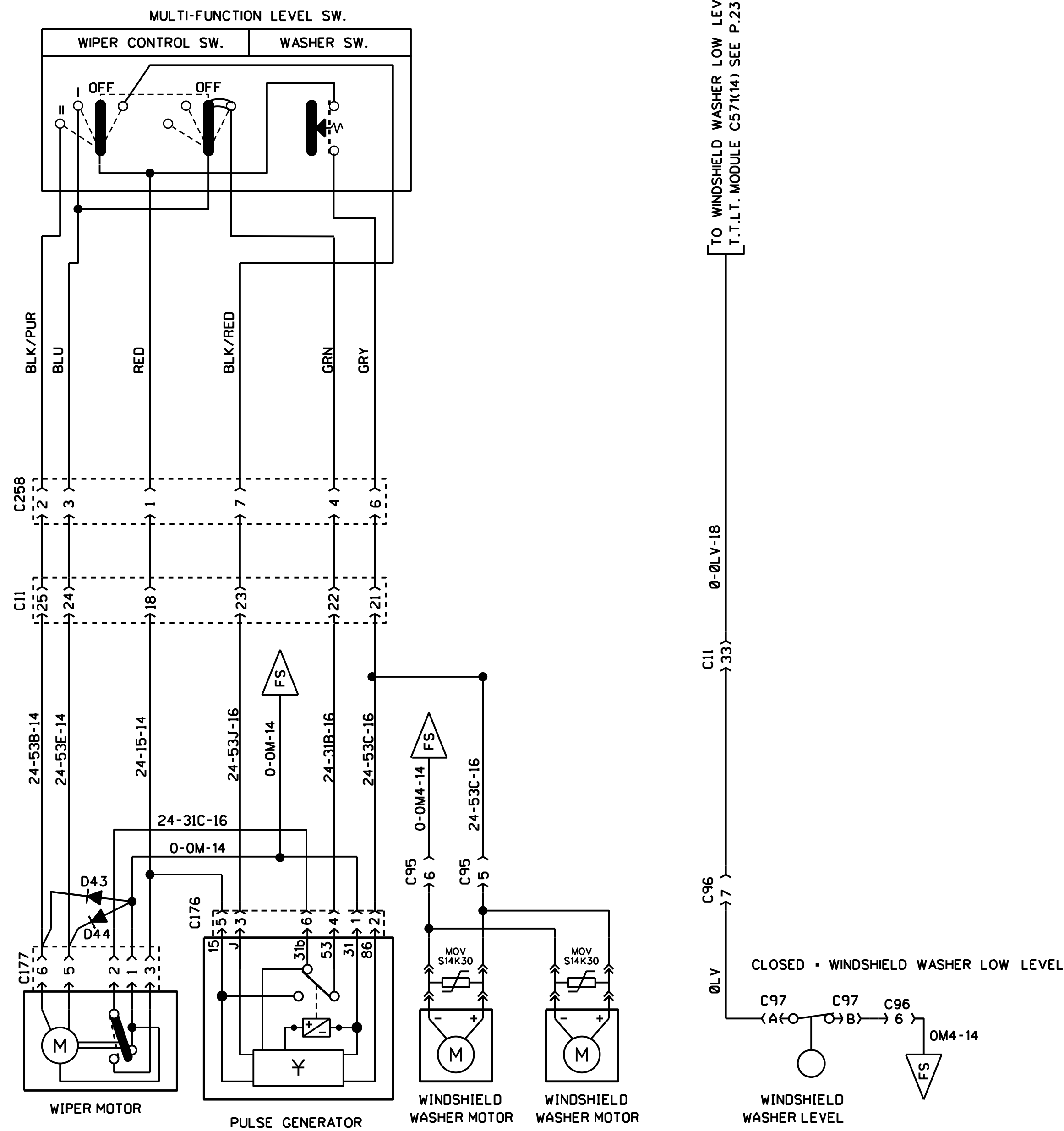


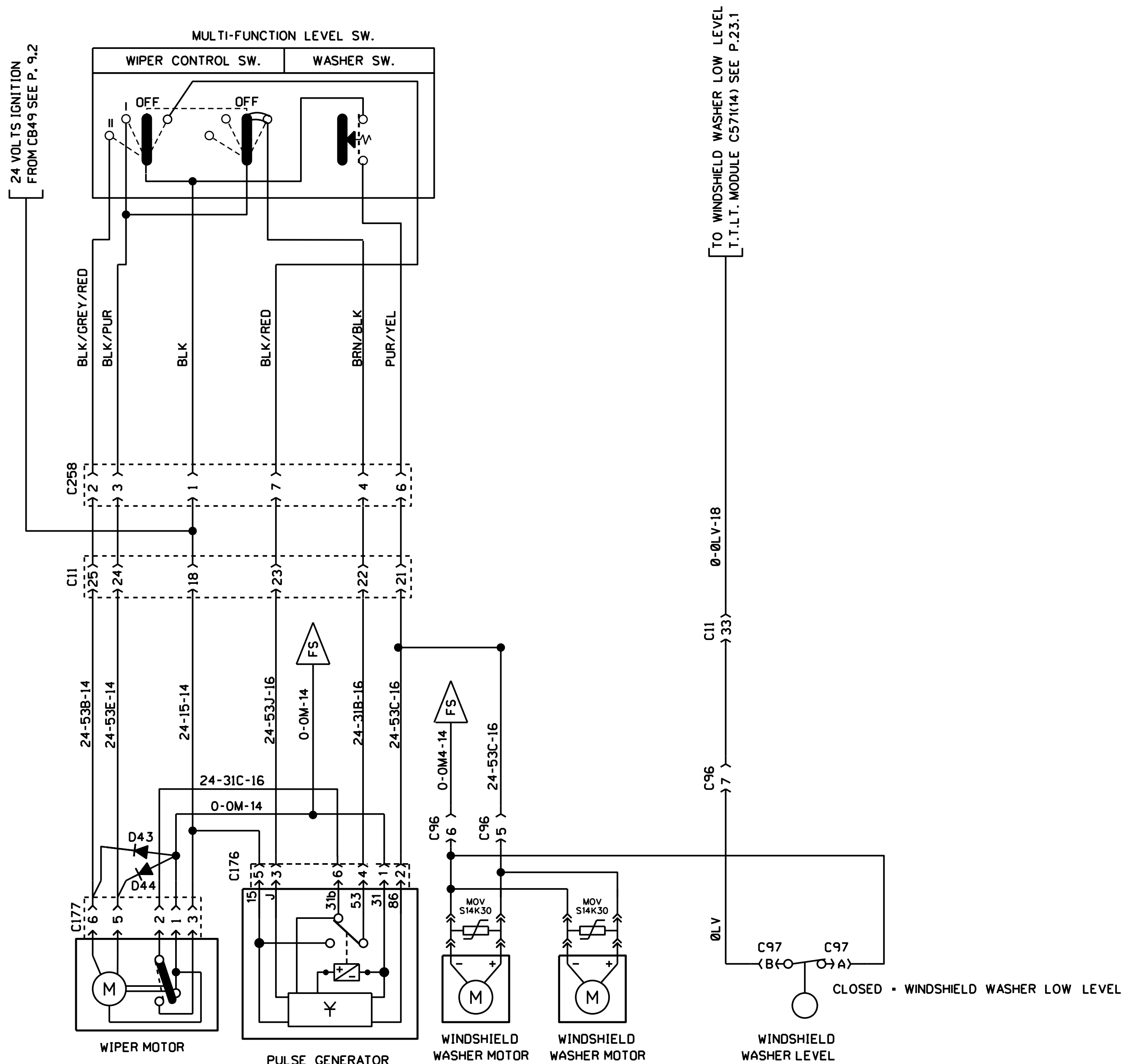




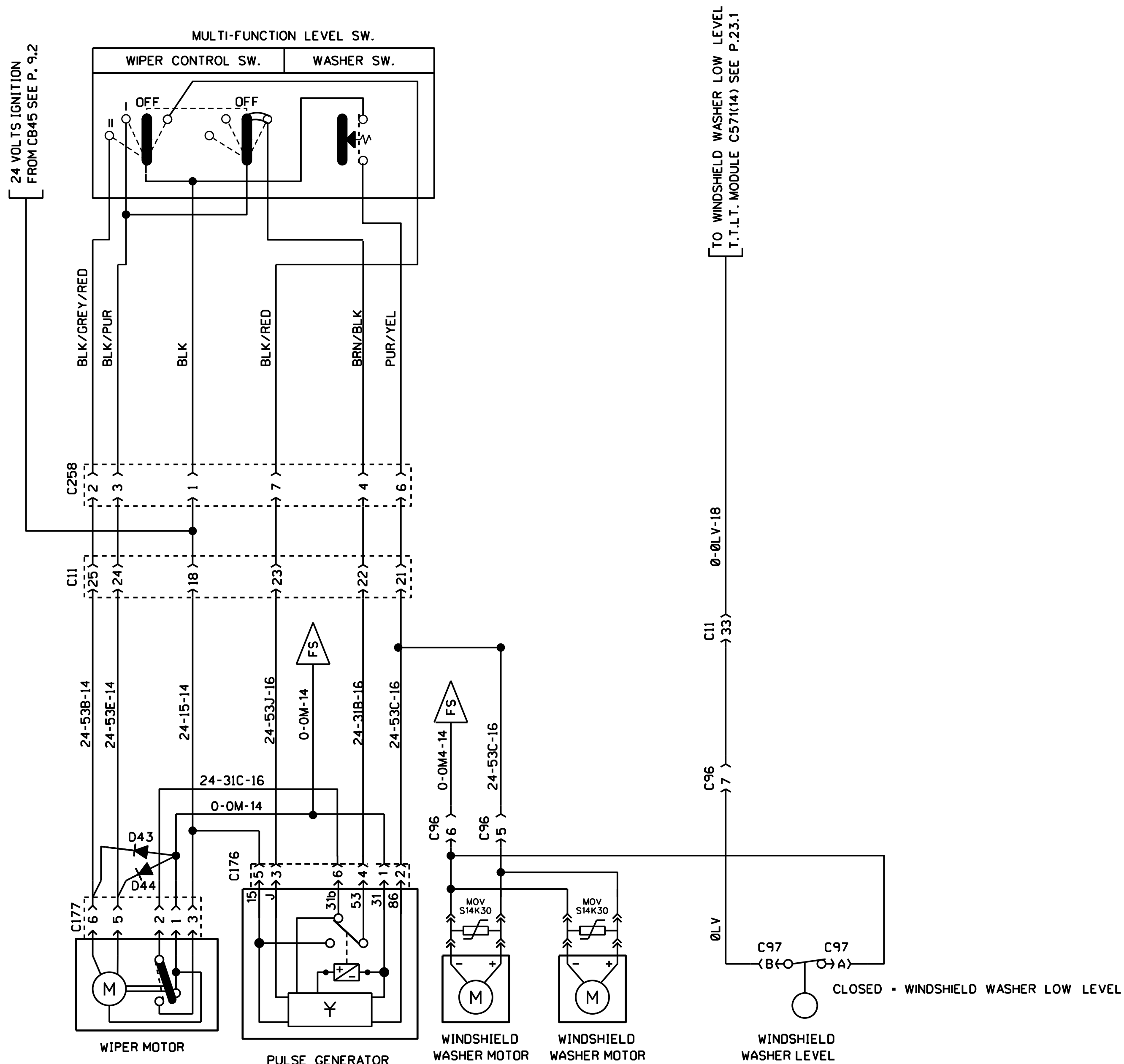




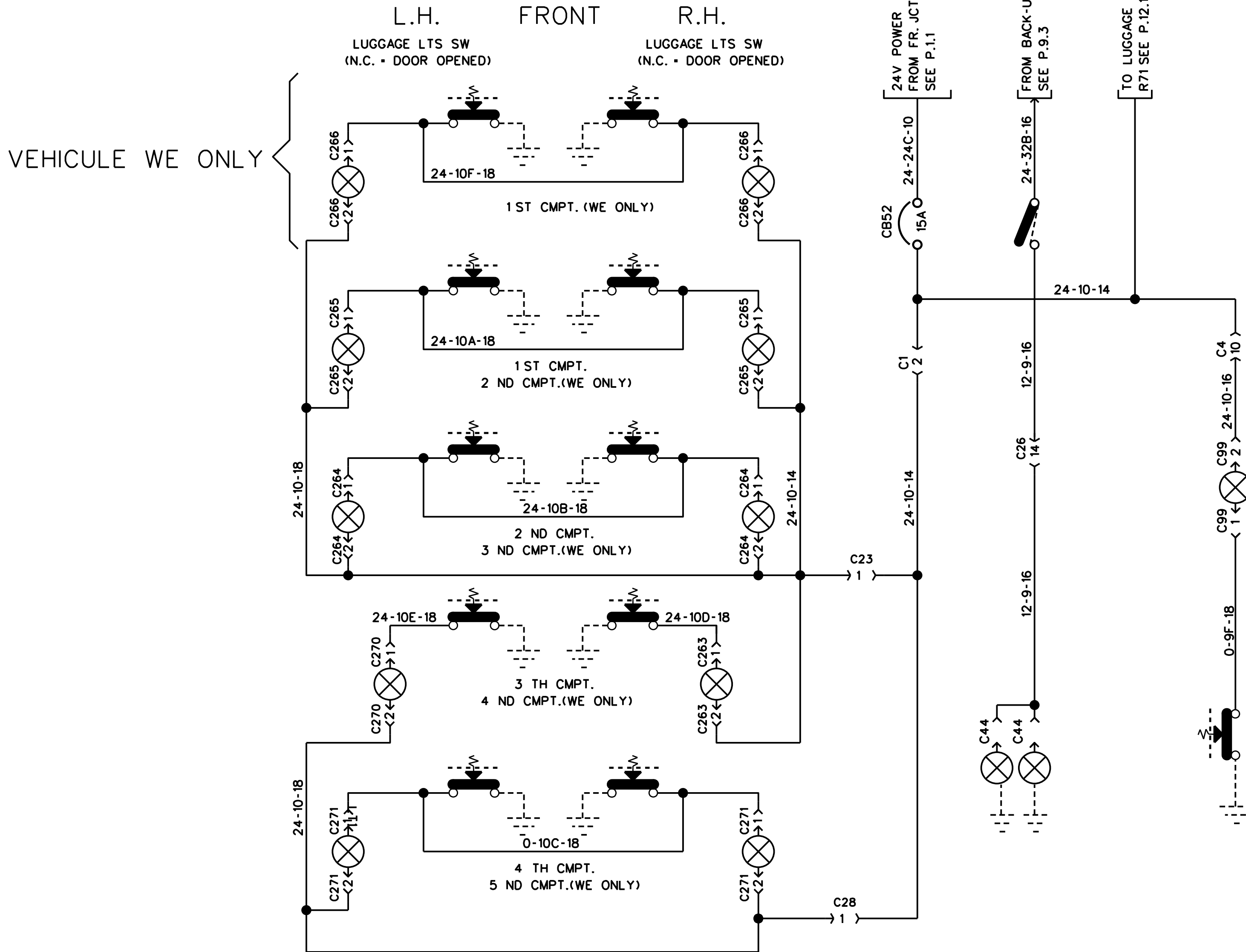




WINDSHIELD WIPER AND WASHER



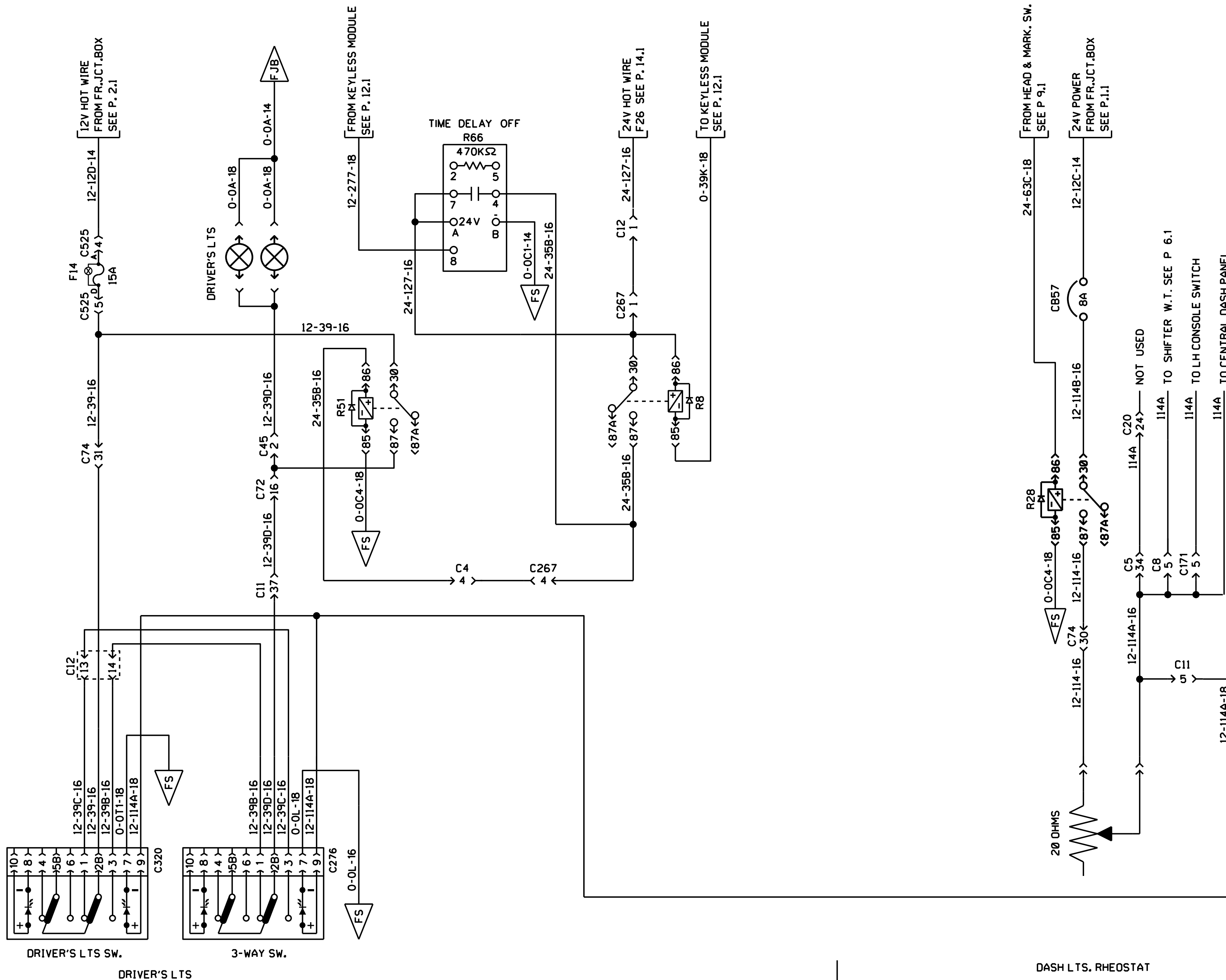
WINDSHIELD WIPER AND WASHER



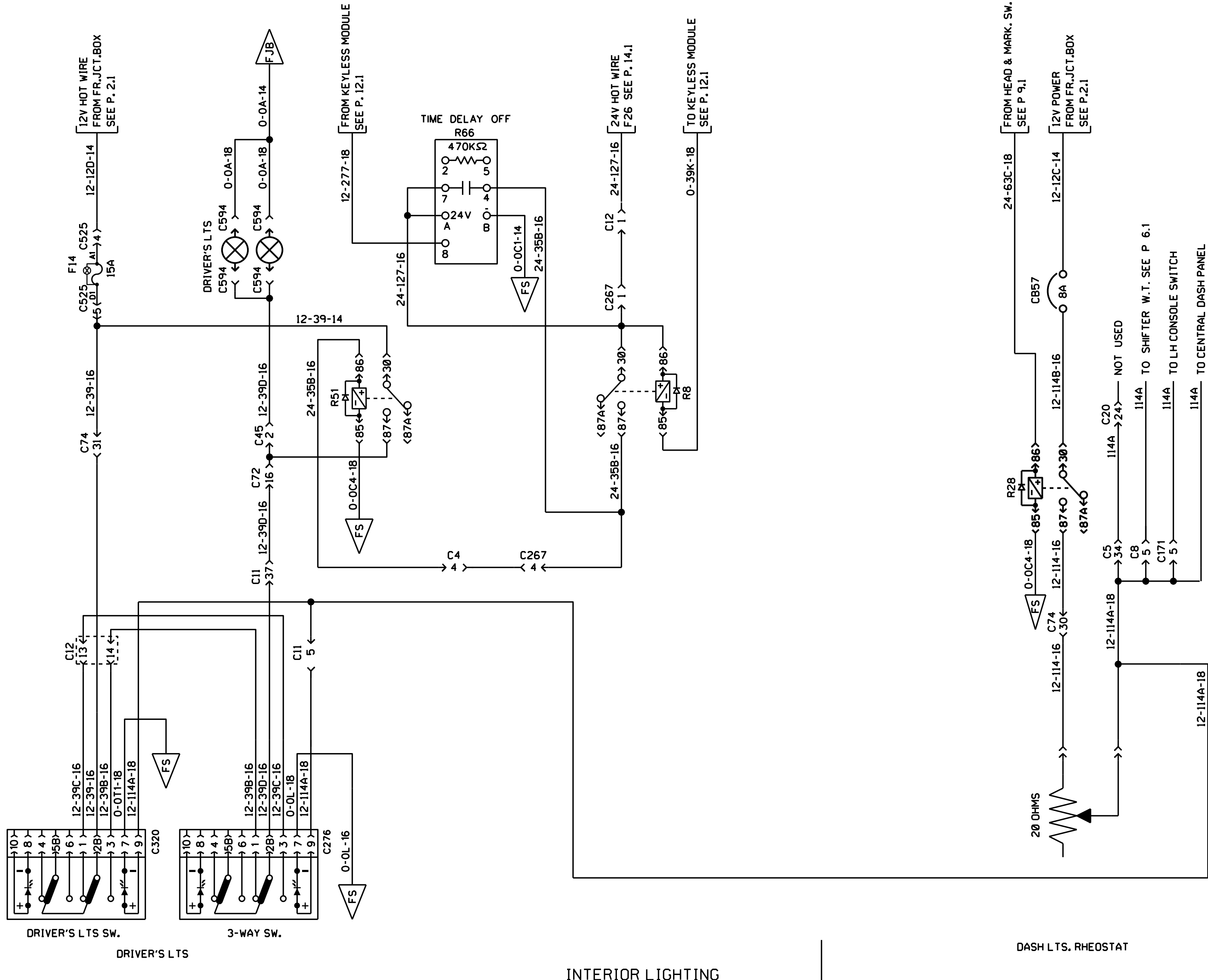
LUGGAGE COMPARTMENT LTS.

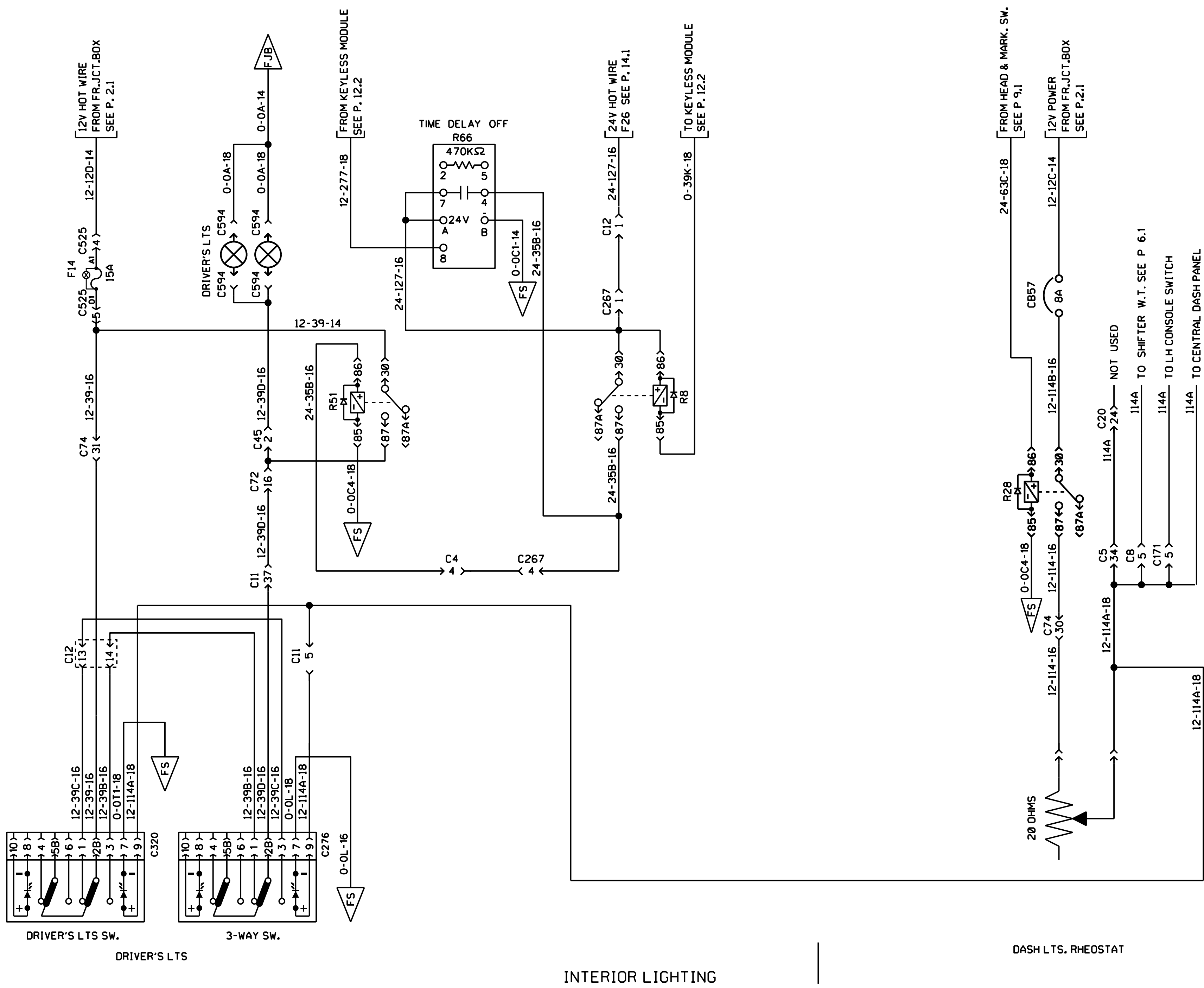
ENGINE COMPT. LTS. | FR. SERV. CPT. LT.

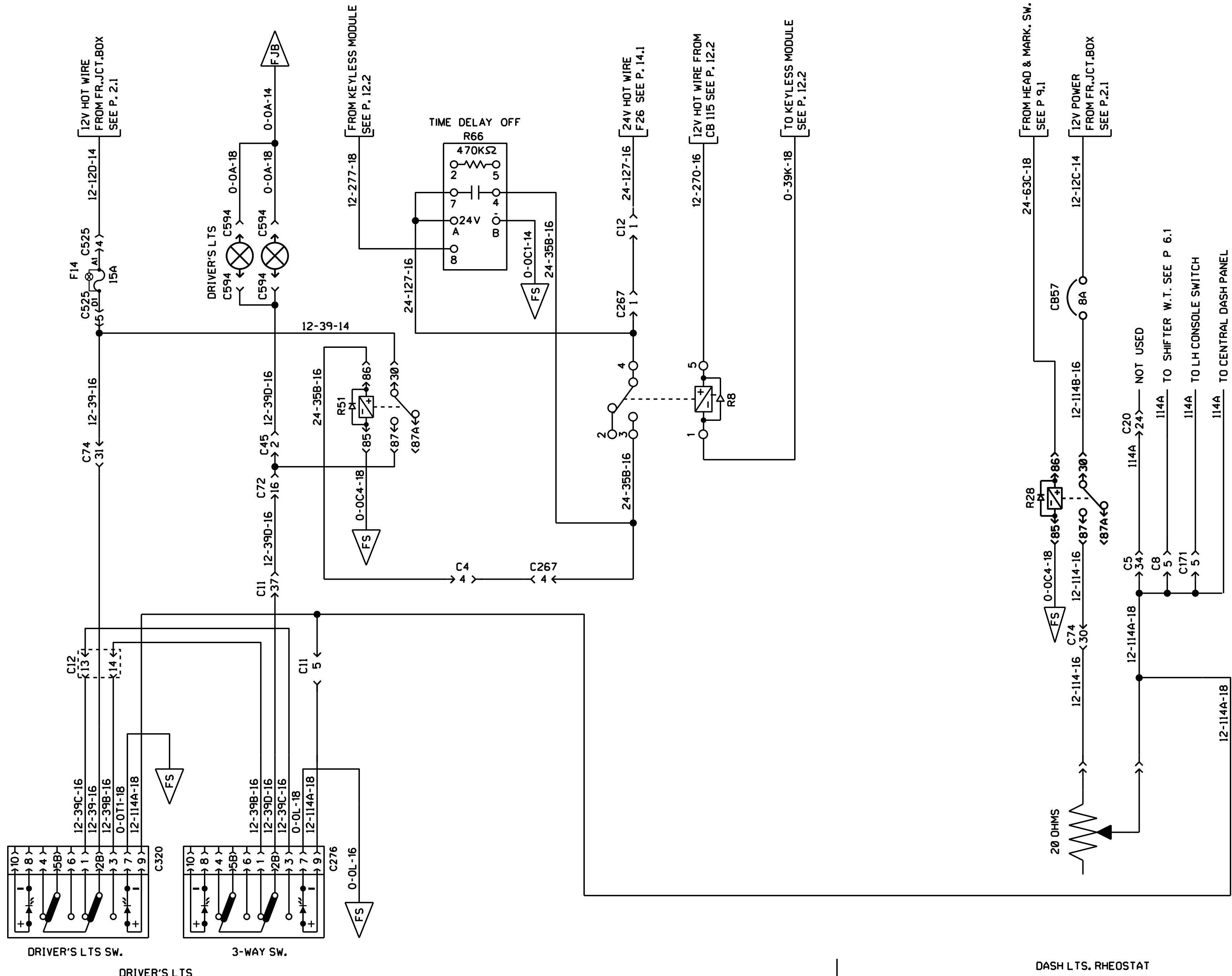
INTERIOR LIGHTING



INTERIOR LIGHTING

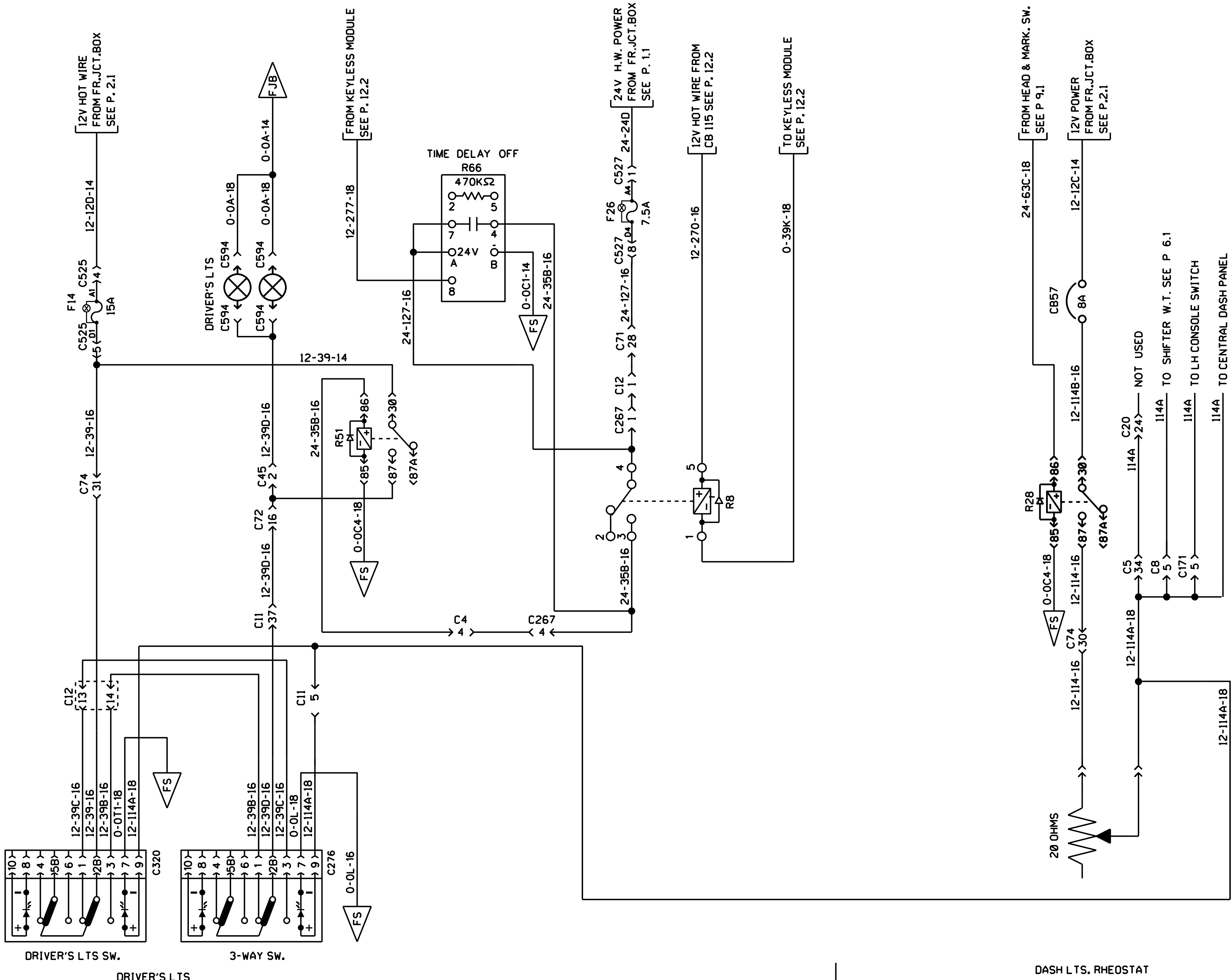




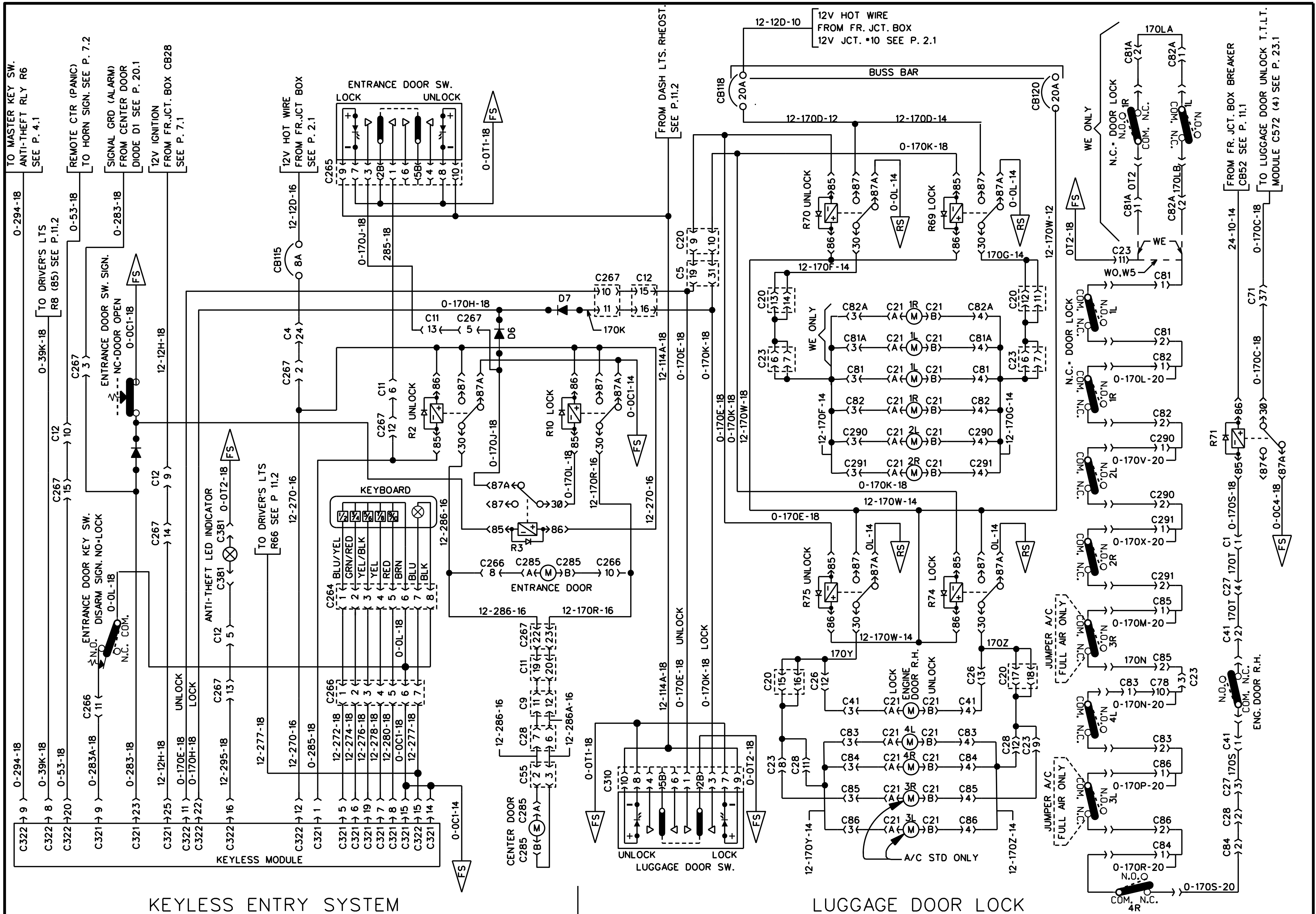


INTERIOR LIGHTING

DASH LTS. RHEOSTAT

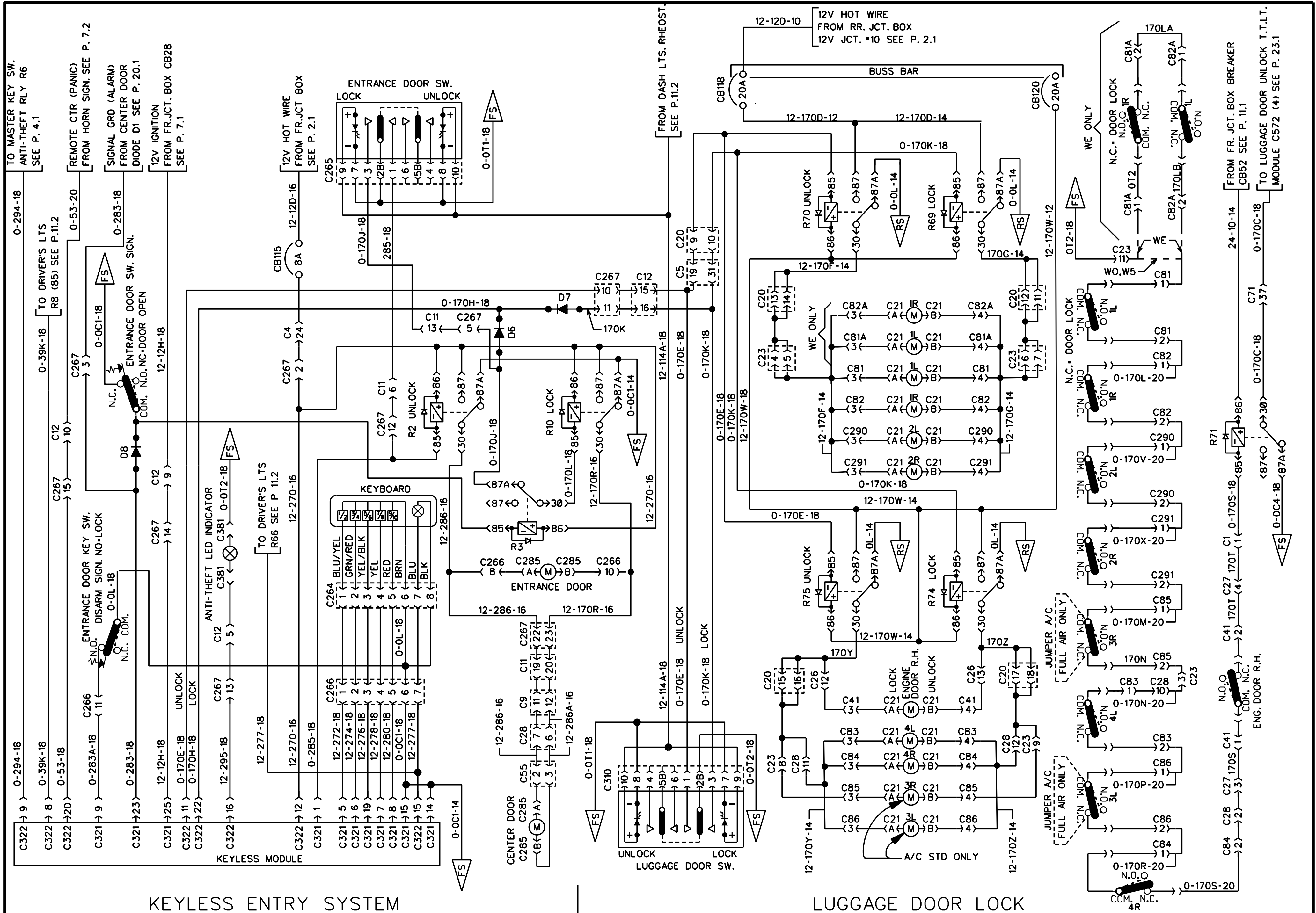


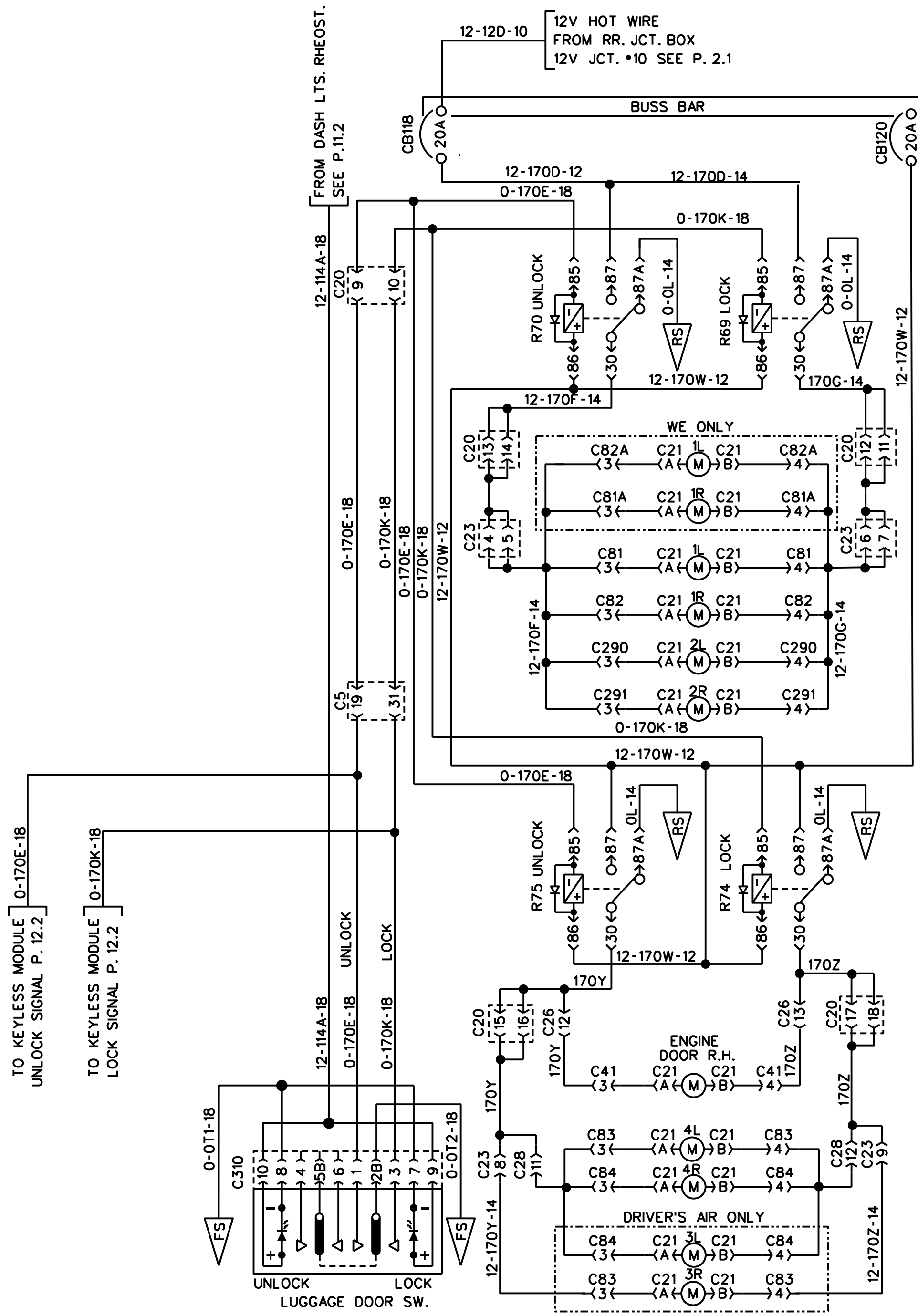
INTERIOR LIGHTING



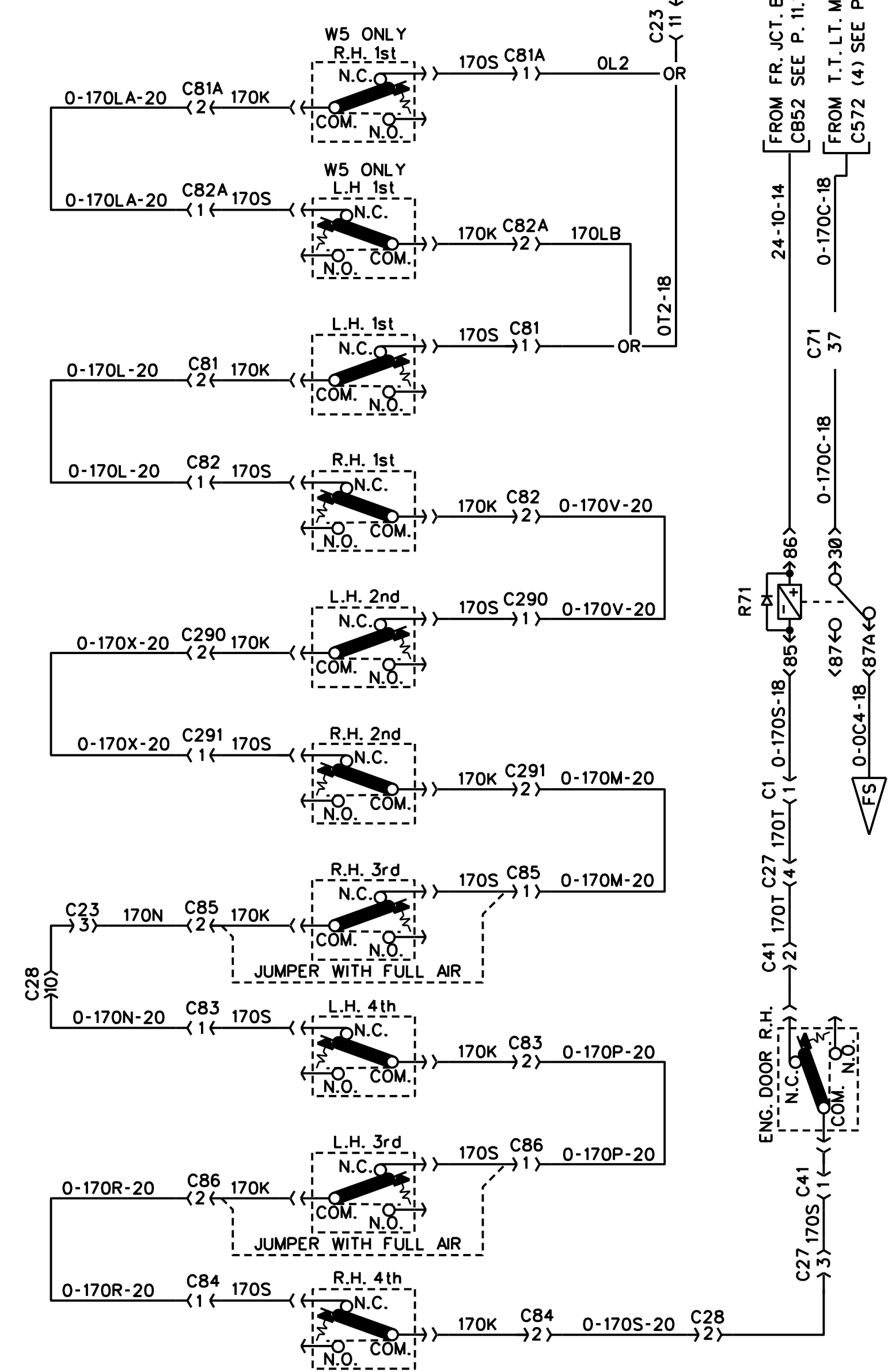
KEYLESS ENTRY SYSTEM

LUGGAGE DOOR LOCK

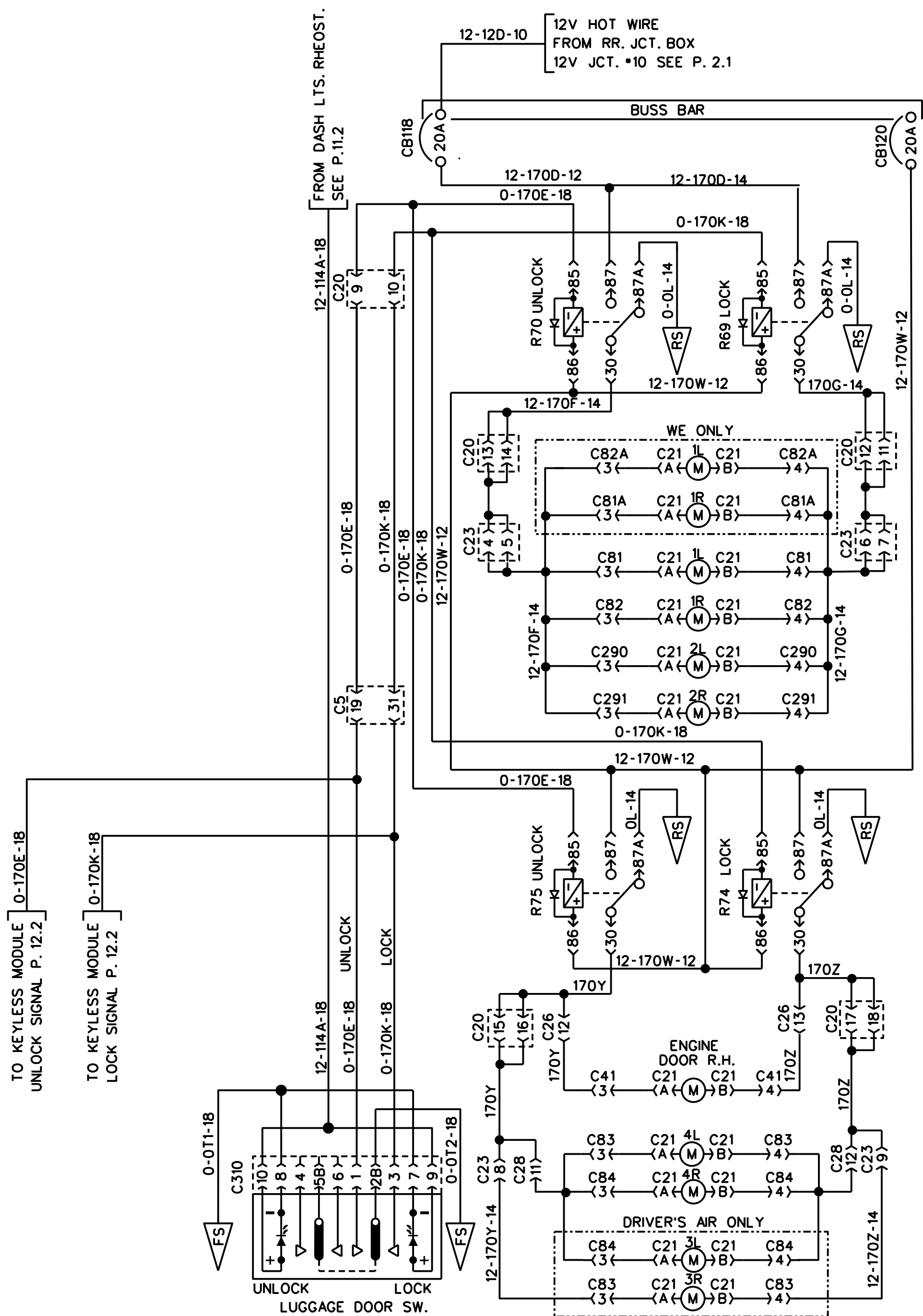




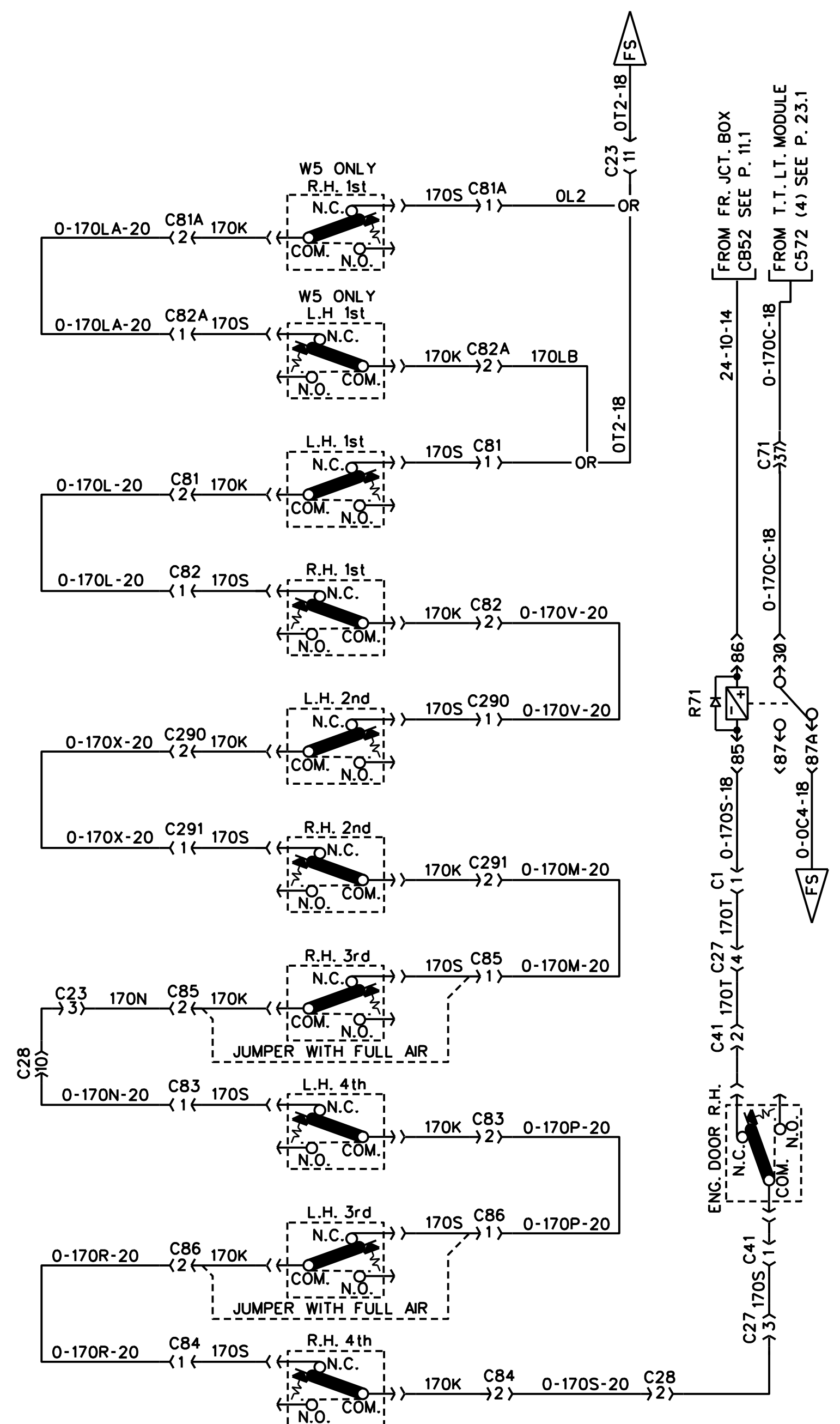
LUGGAGE DOOR LOCK



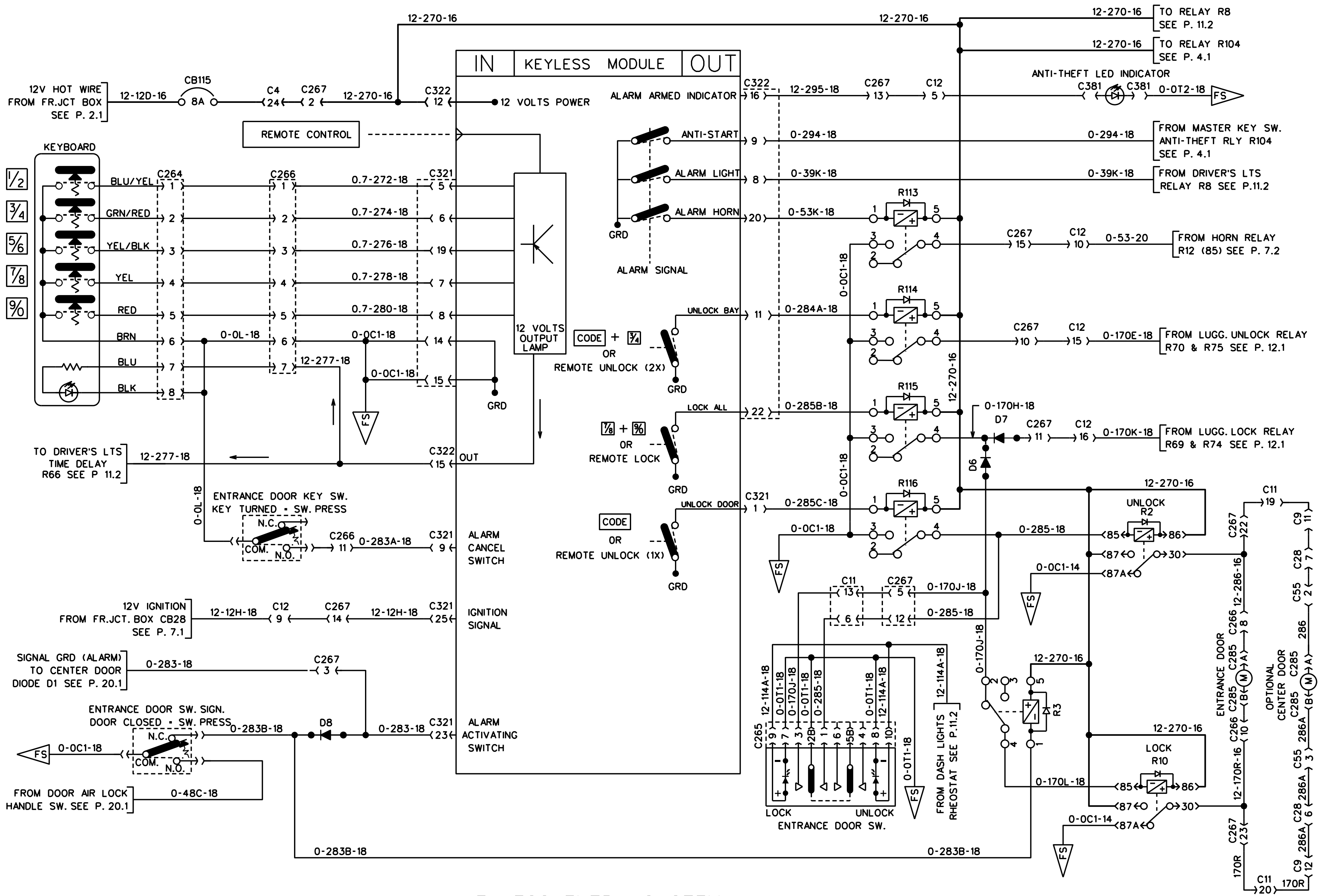
NOTE : DOOR UNLOCK - SW. PRESS



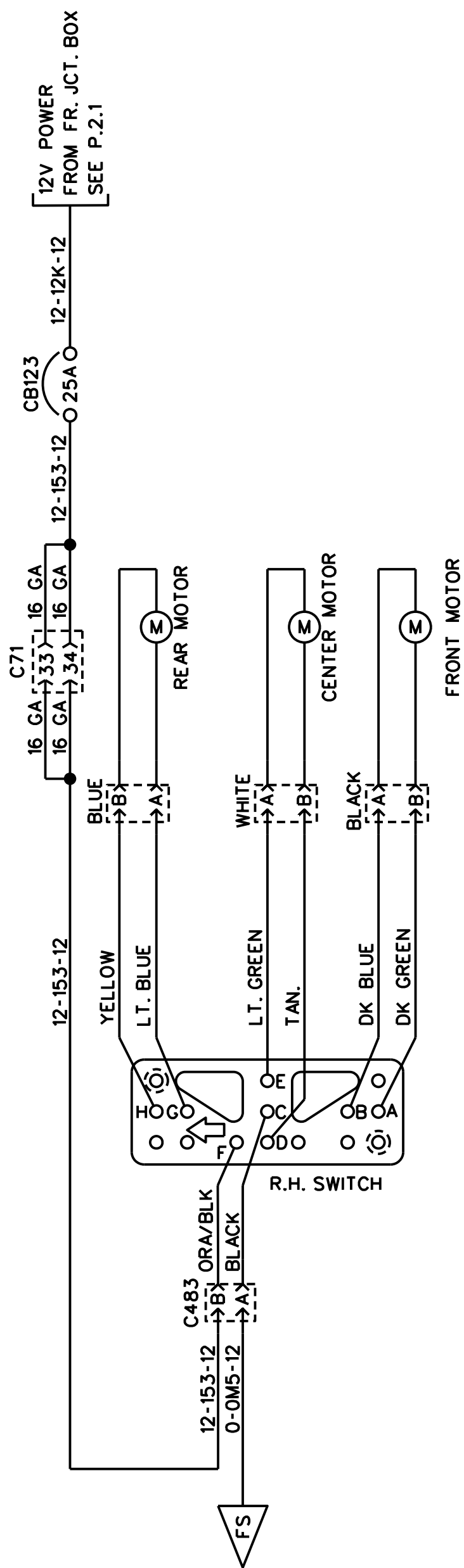
LUGGAGE DOOR LOCK



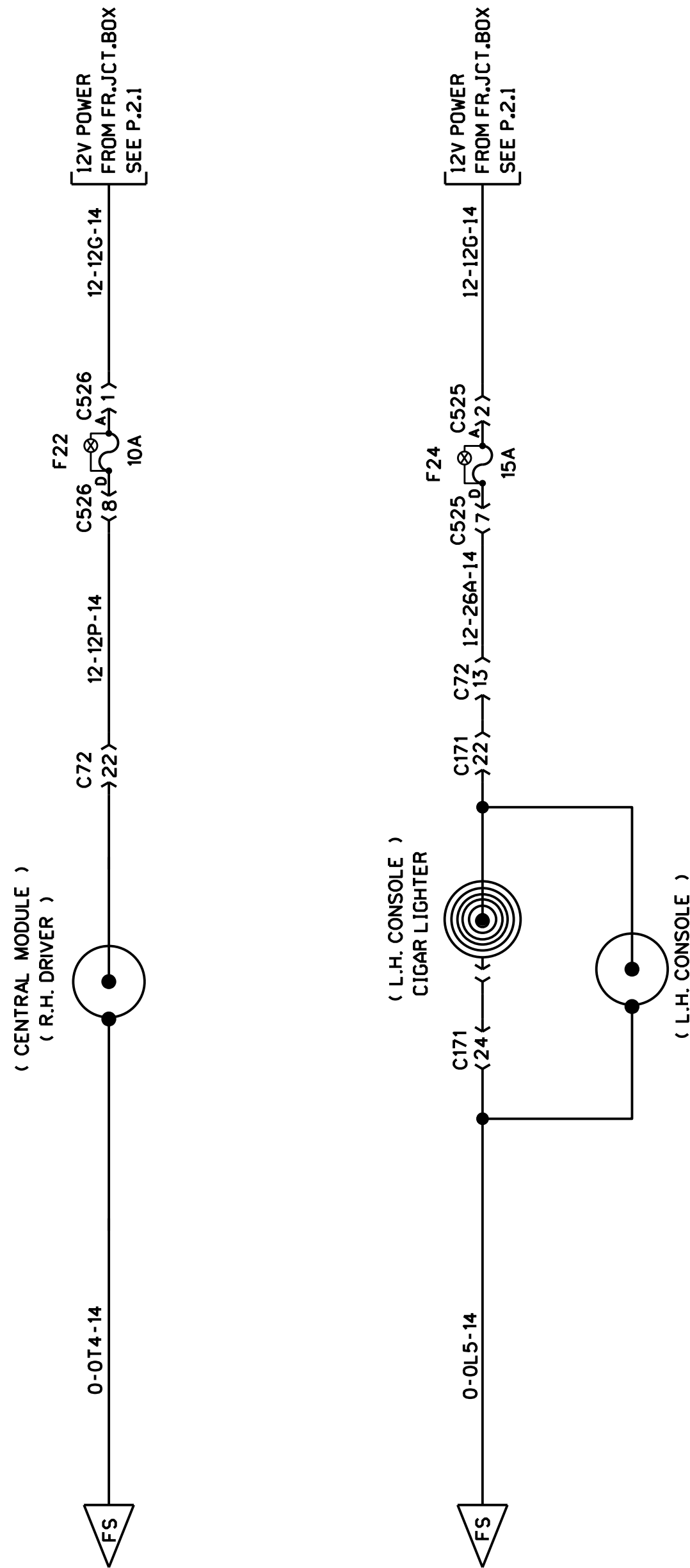
NOTE : DOOR UNLOCK - SW. PRESS



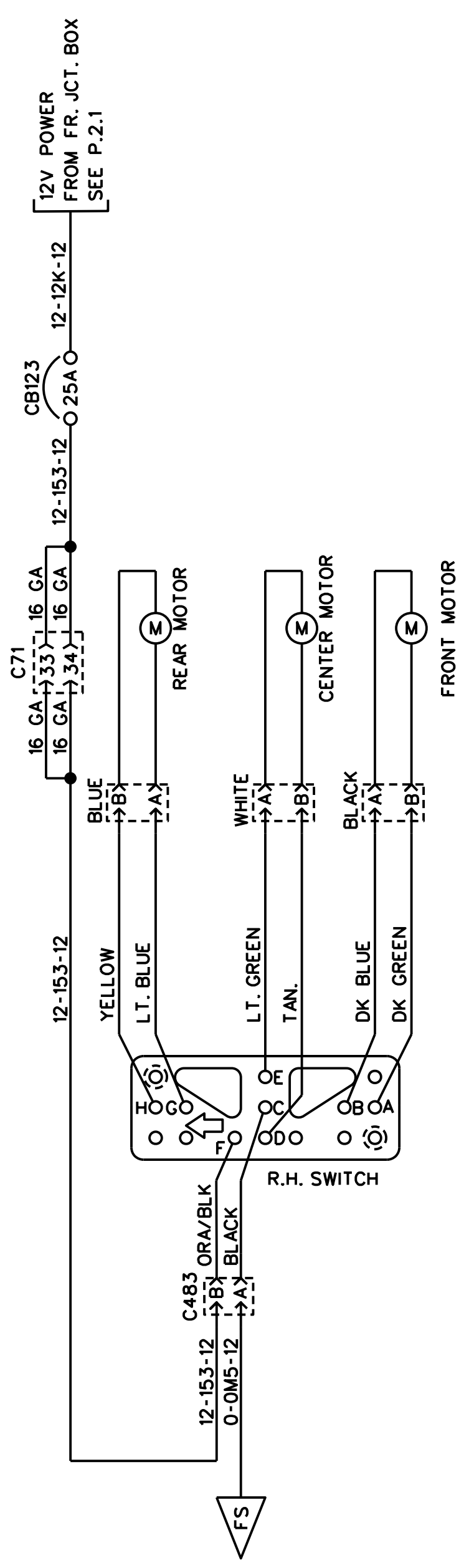
KEYLESS ENTRY SYSTEM



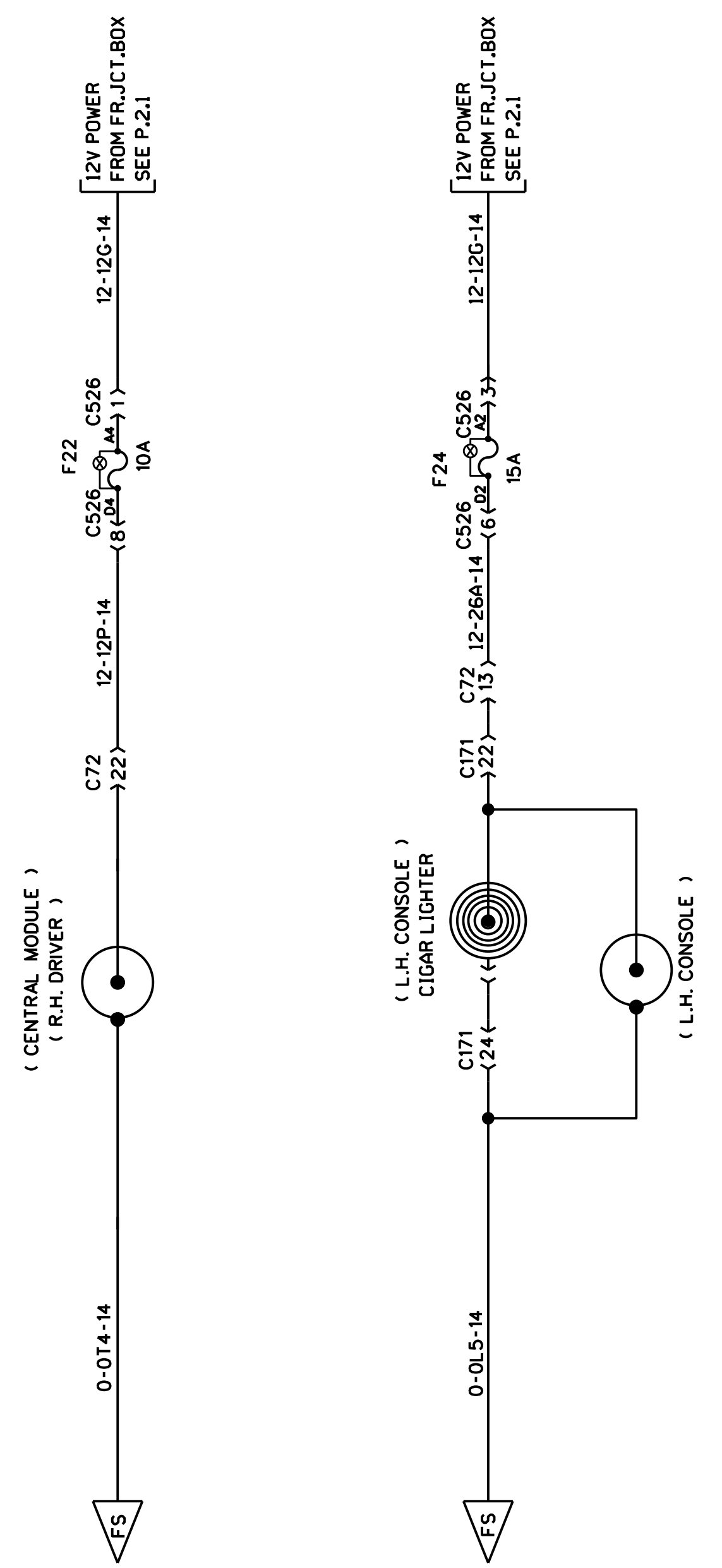
DRIVER'S SEAT ELECT. ADJ.



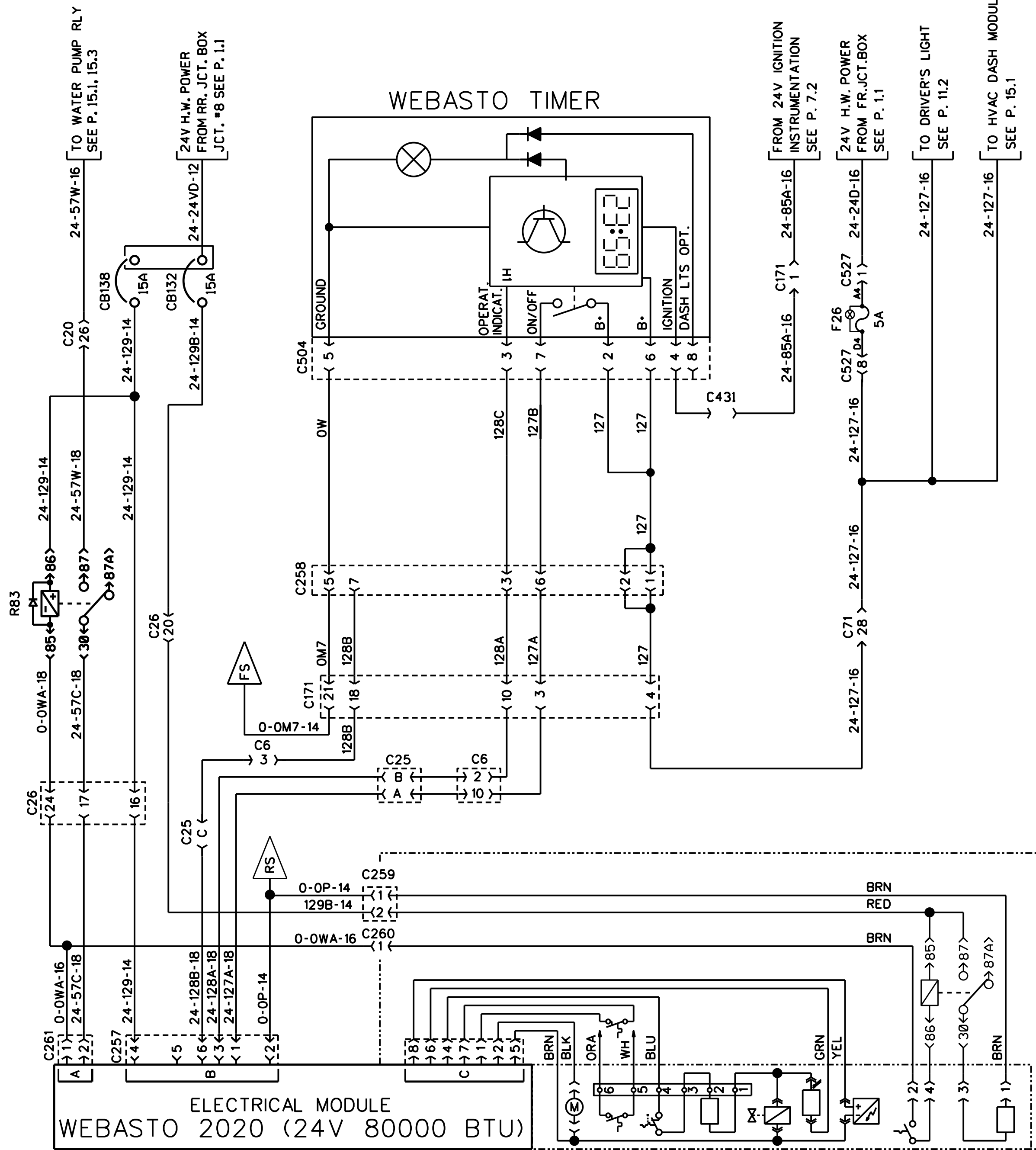
POWER 12 VOLT OUTLET



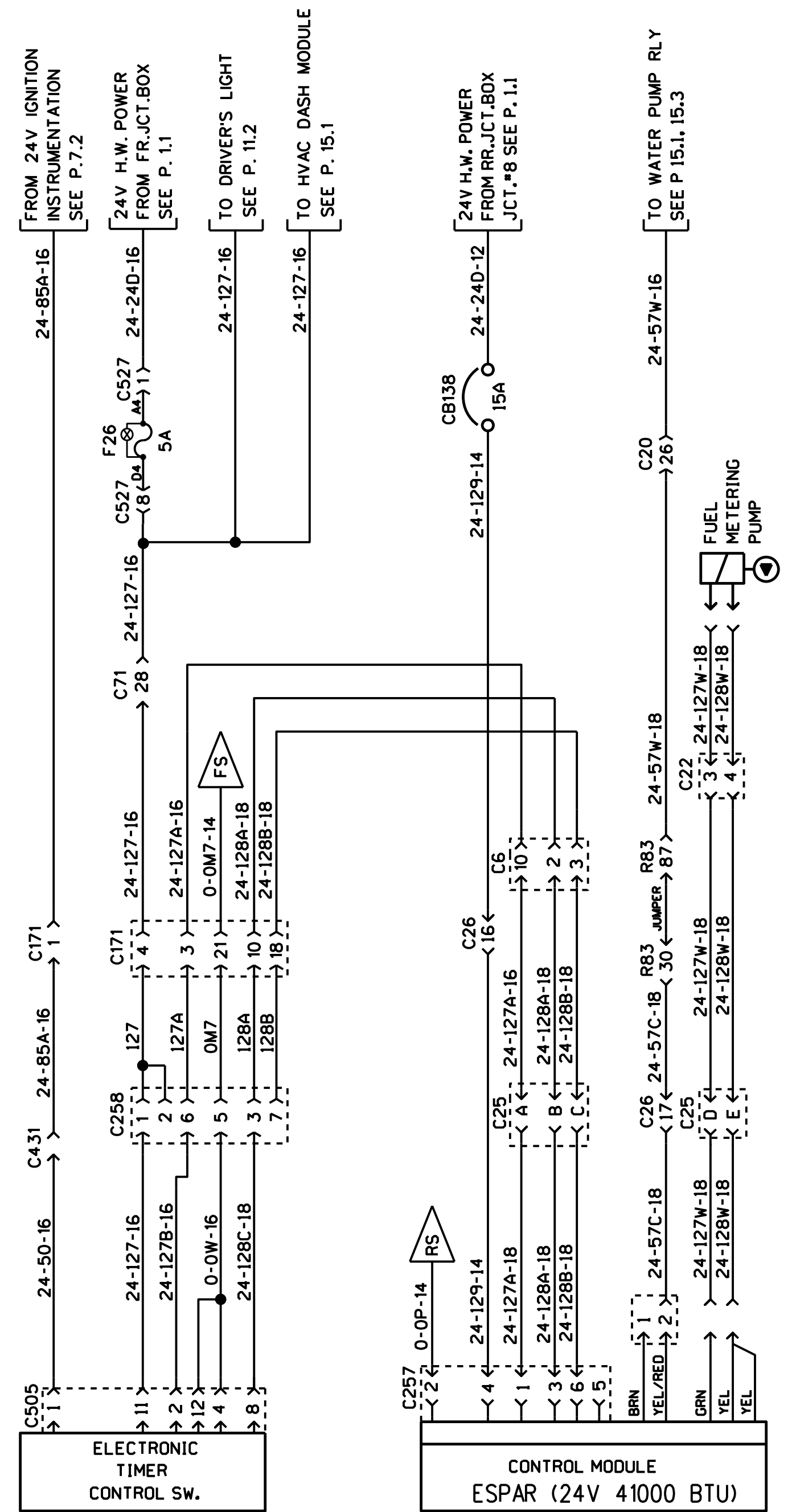
DRIVER'S SEAT ELECT. ADJ.



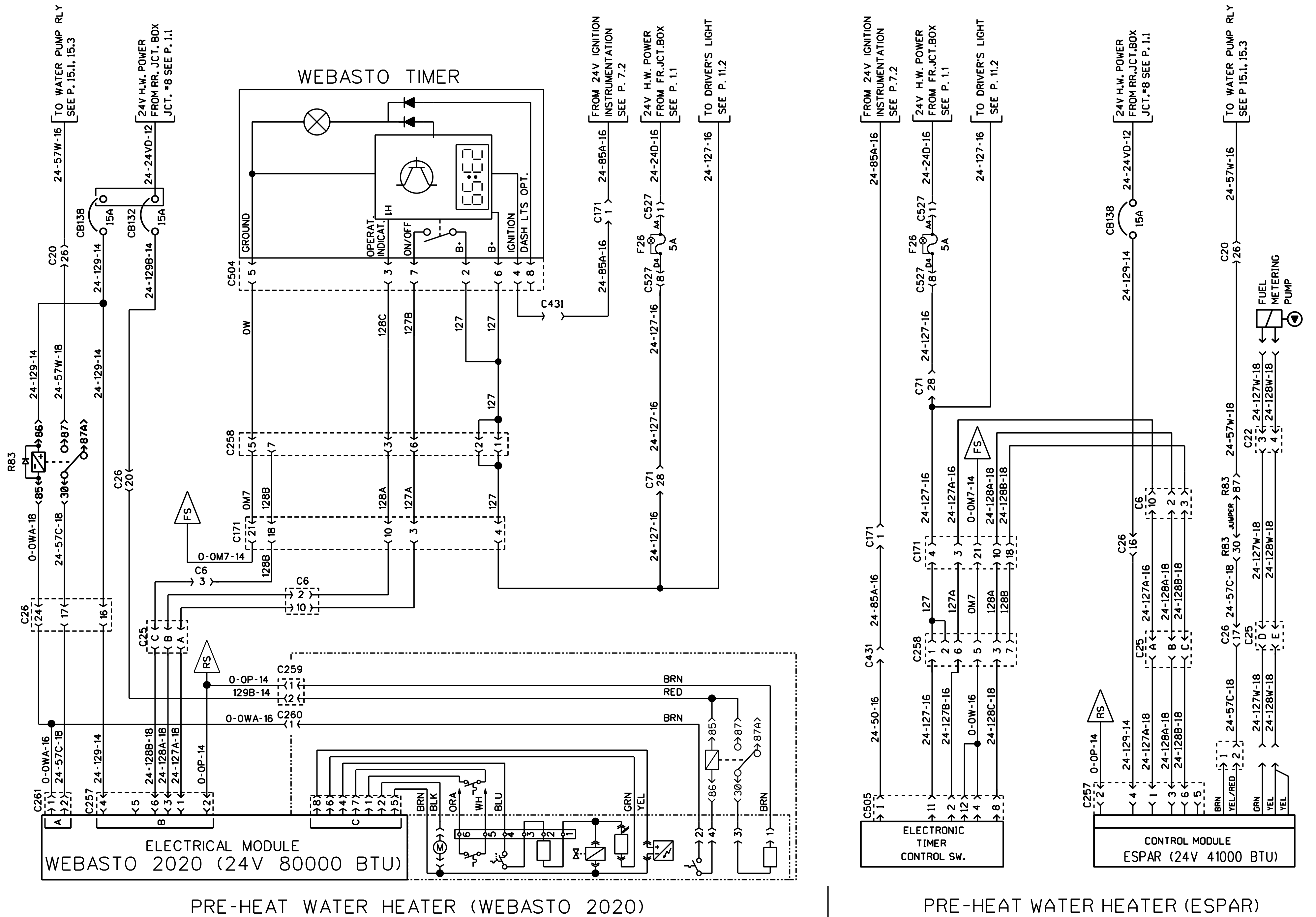
POWER 12 VOLT OUTLET

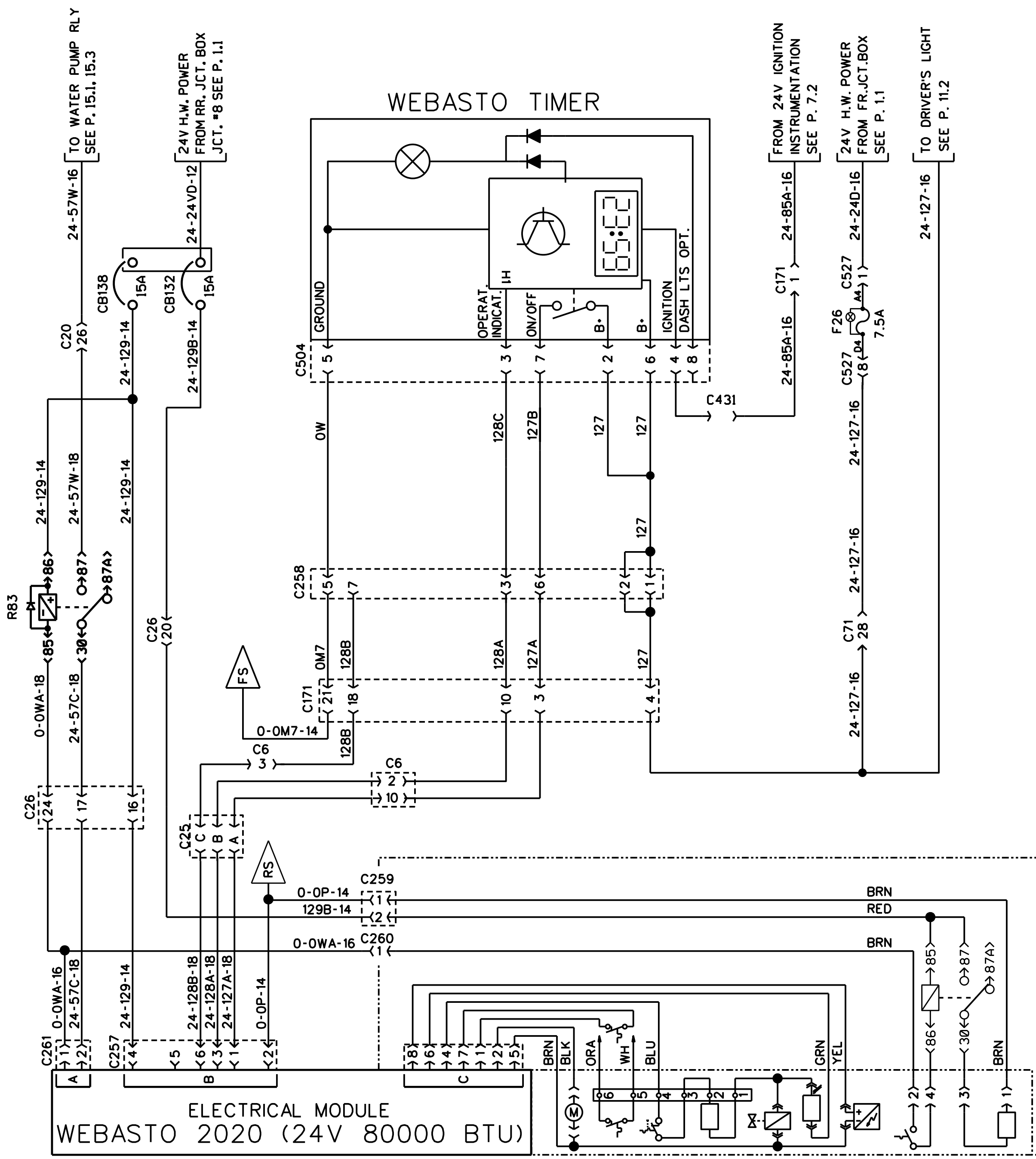


PRE-HEAT WATER HEATER (WEBASTO 2020)

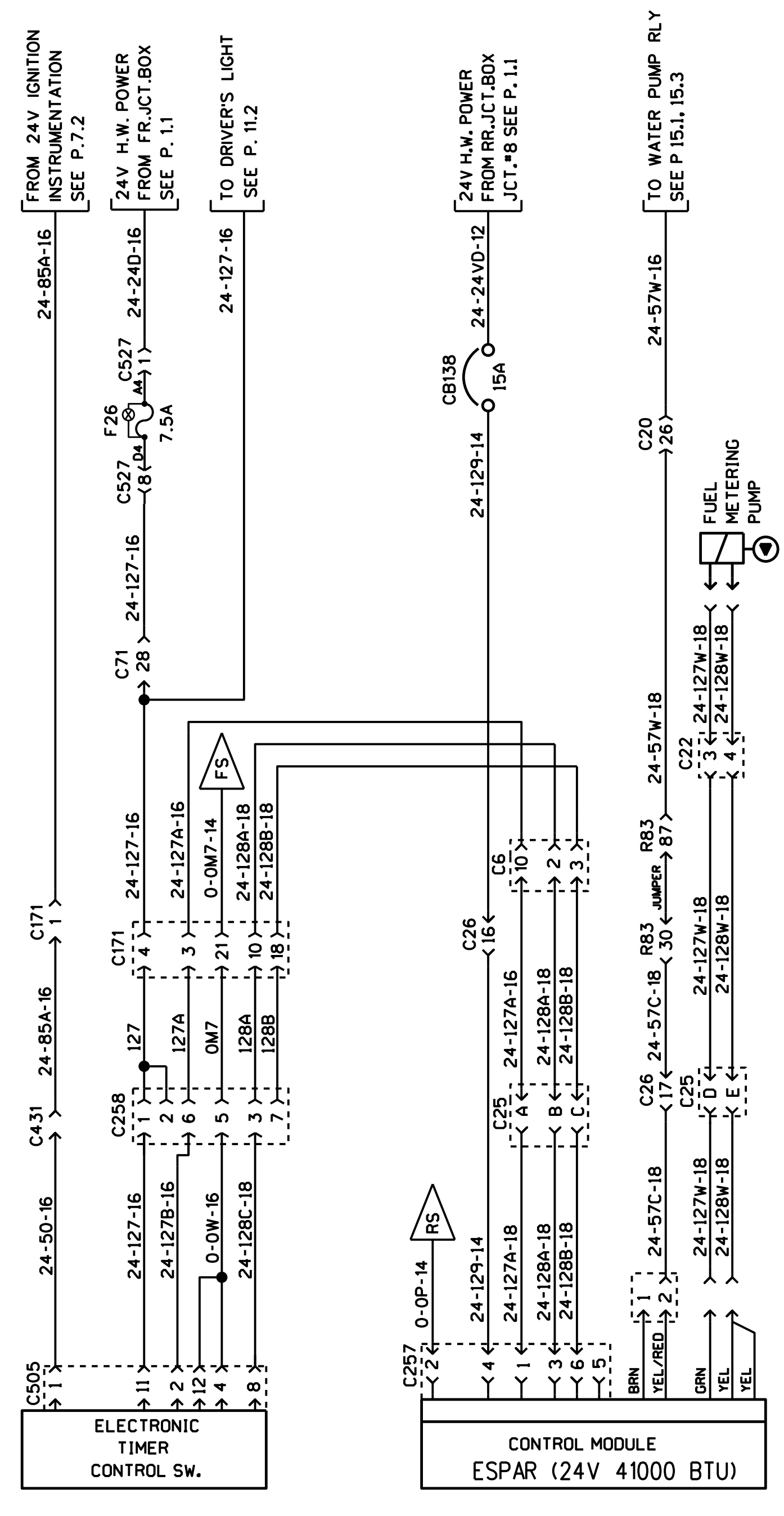


PRE-HEAT WATER HEATER (ESPAR)



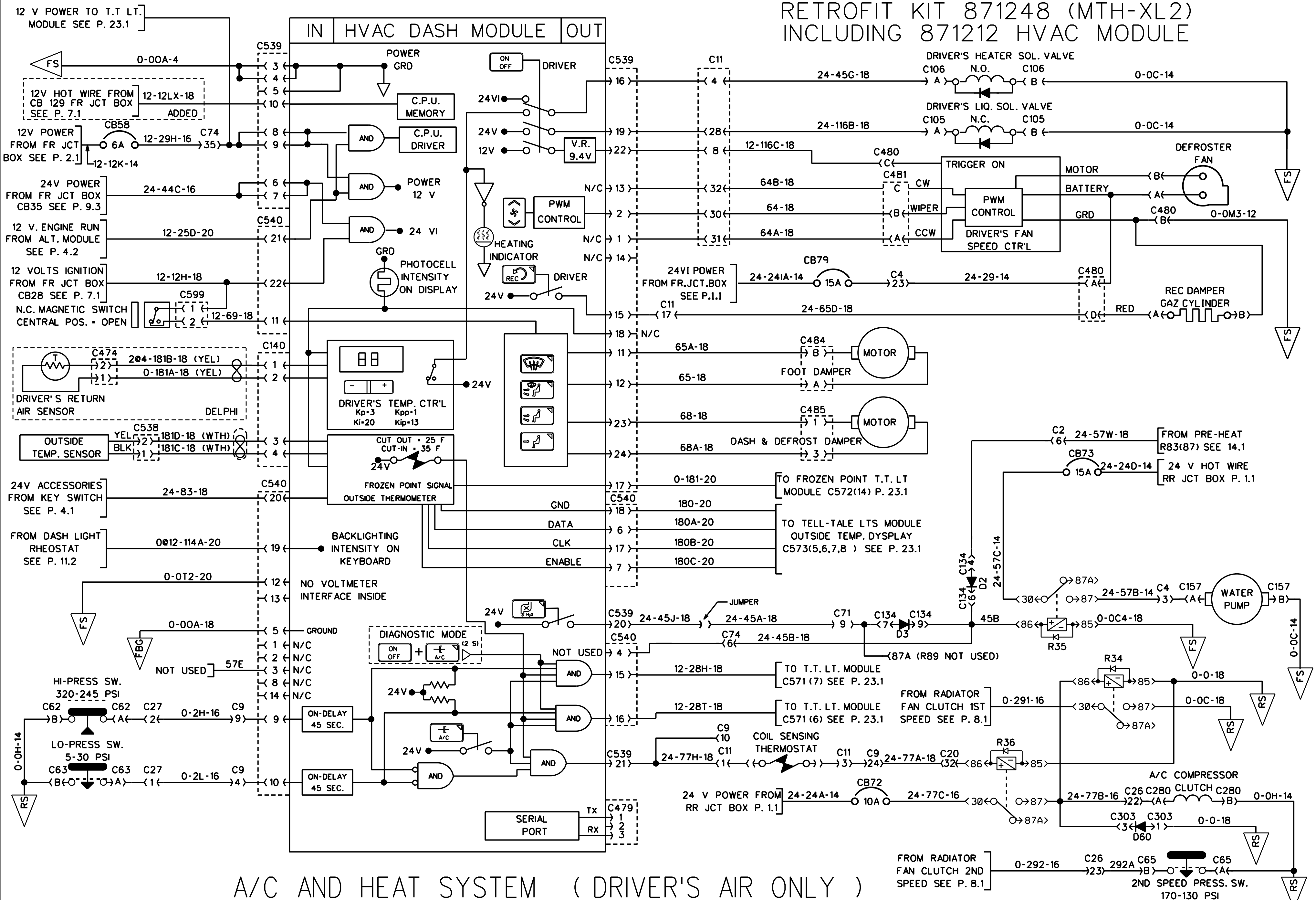


PRE-HEAT WATER HEATER (WEBASTO 2020)

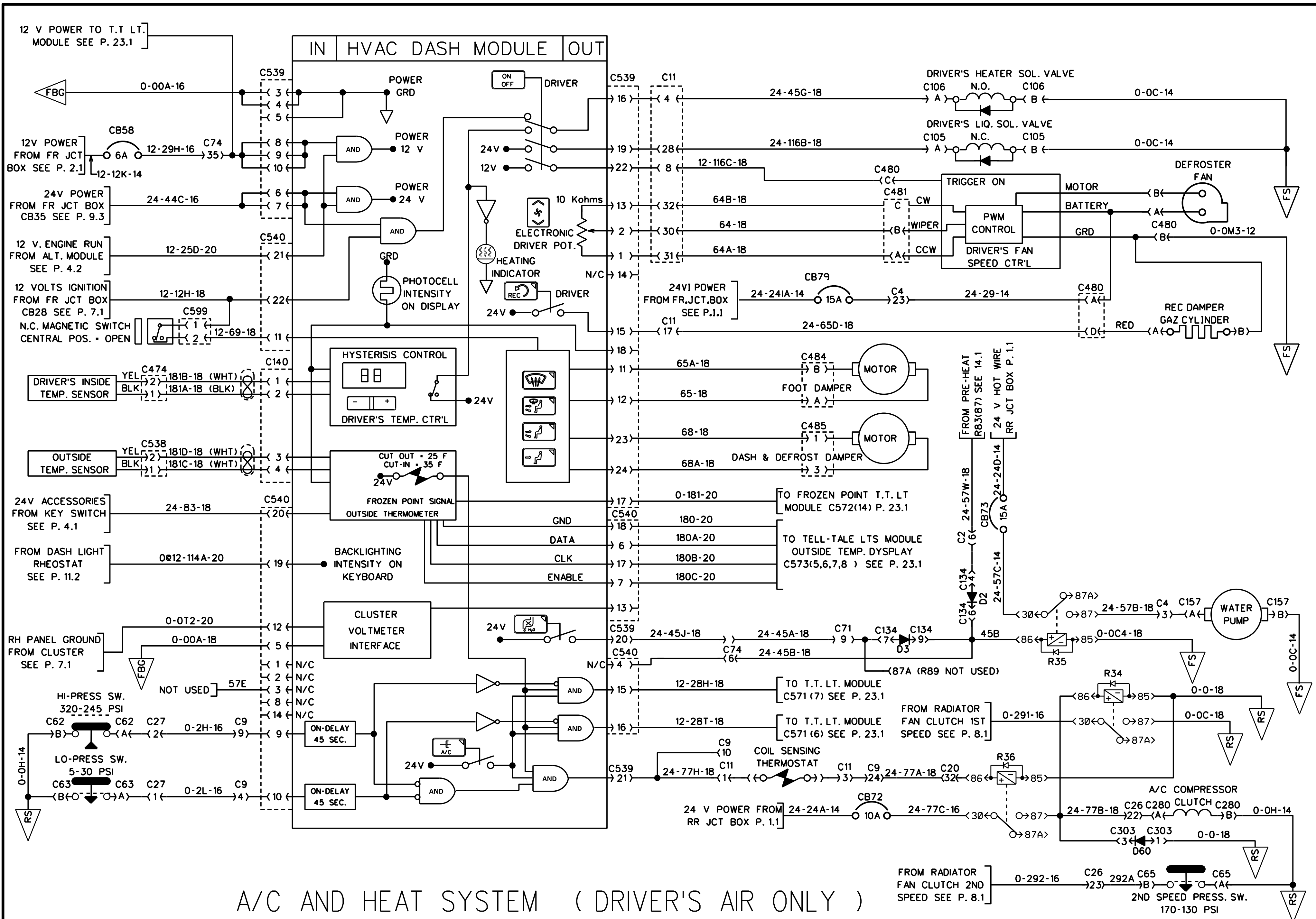


PRE-HEAT WATER HEATER (ESPAR)

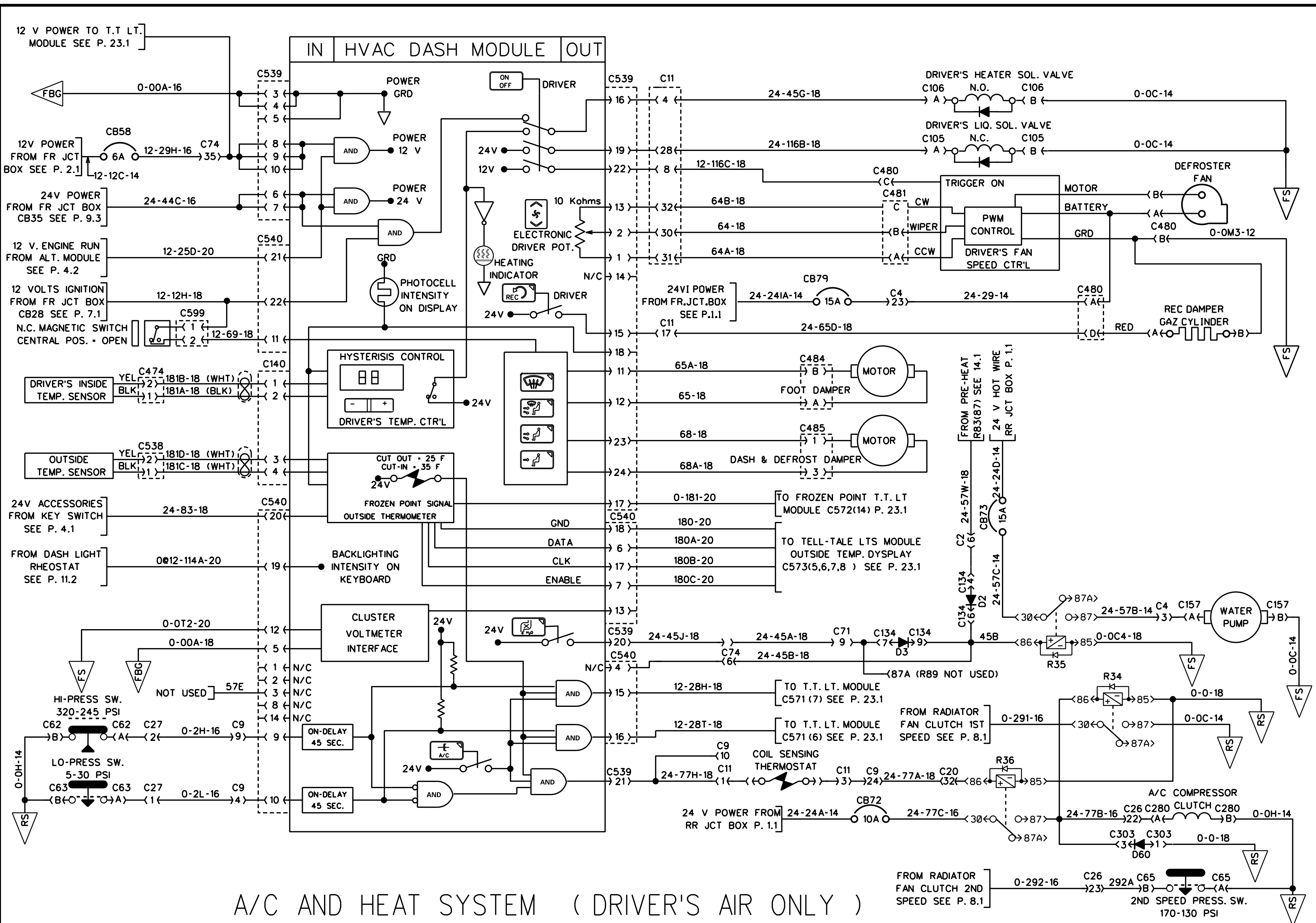
RETROFIT KIT 871248 (MTH-XL2) INCLUDING 871212 HVAC MODULE



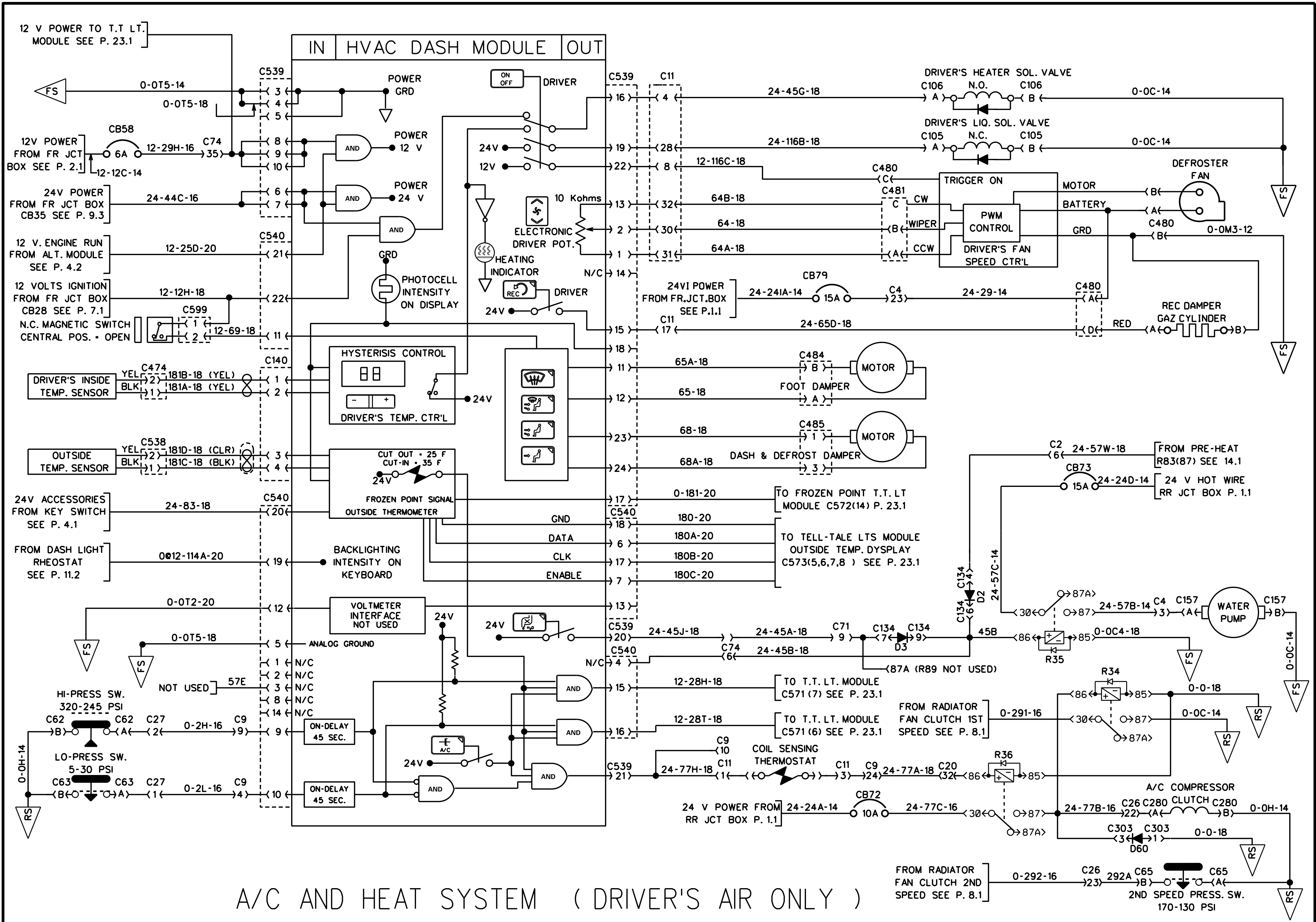
A/C AND HEAT SYSTEM (DRIVER'S AIR ONLY)



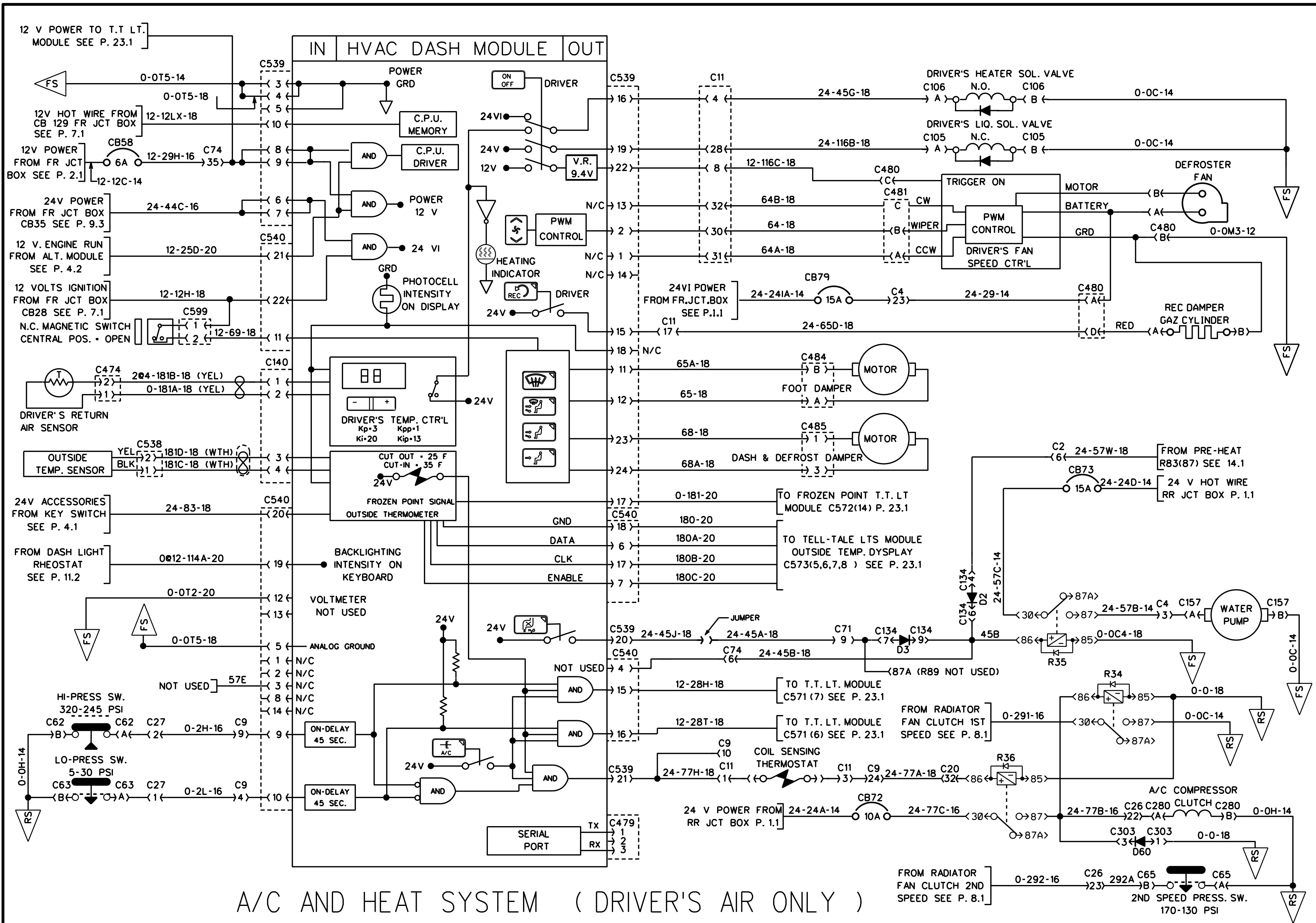
A/C AND HEAT SYSTEM (DRIVER'S AIR ONLY)



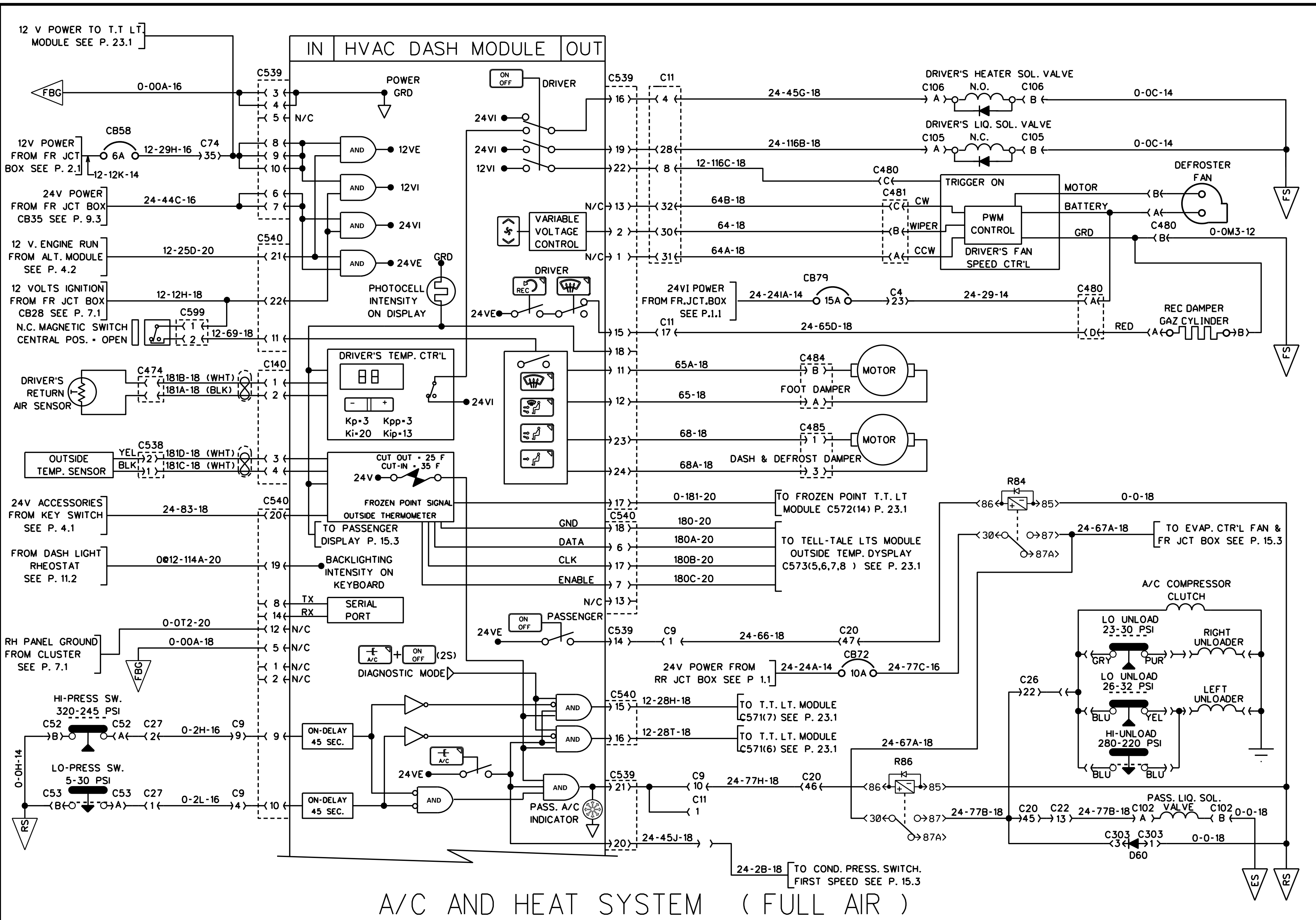
A/C AND HEAT SYSTEM (DRIVER'S AIR ONLY)



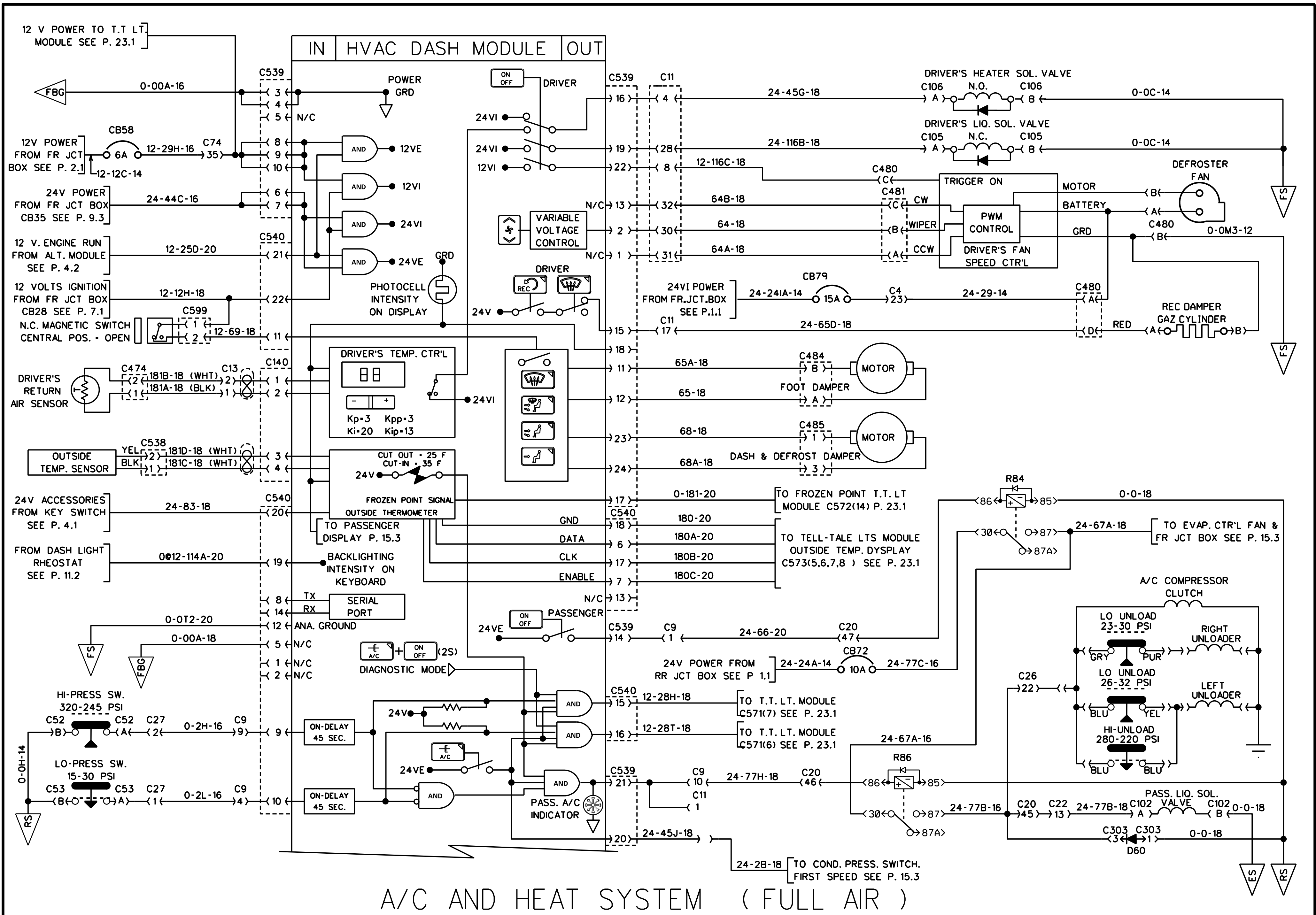
A/C AND HEAT SYSTEM (DRIVER'S AIR ONLY)



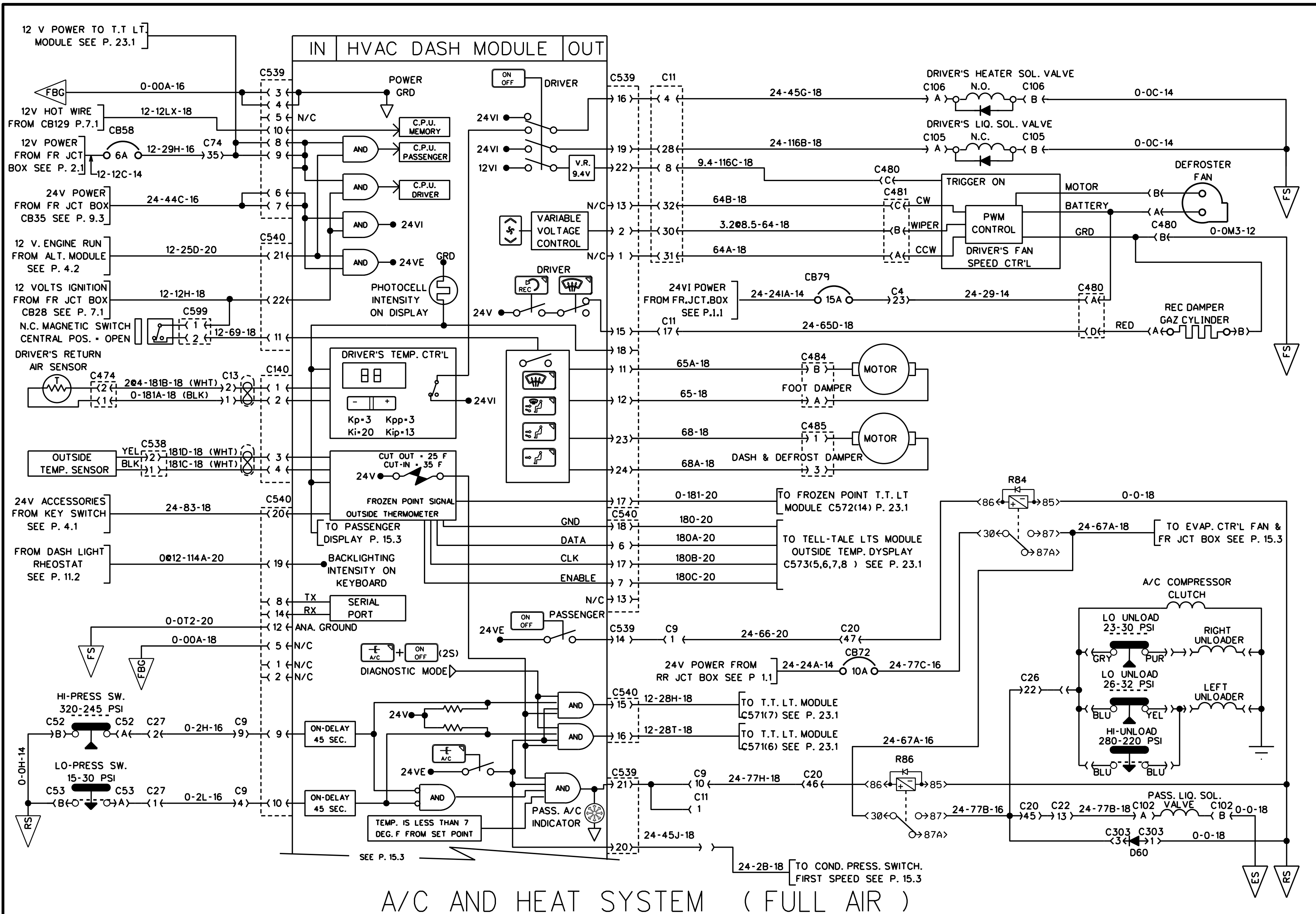
A/C AND HEAT SYSTEM (DRIVER'S AIR ONLY)



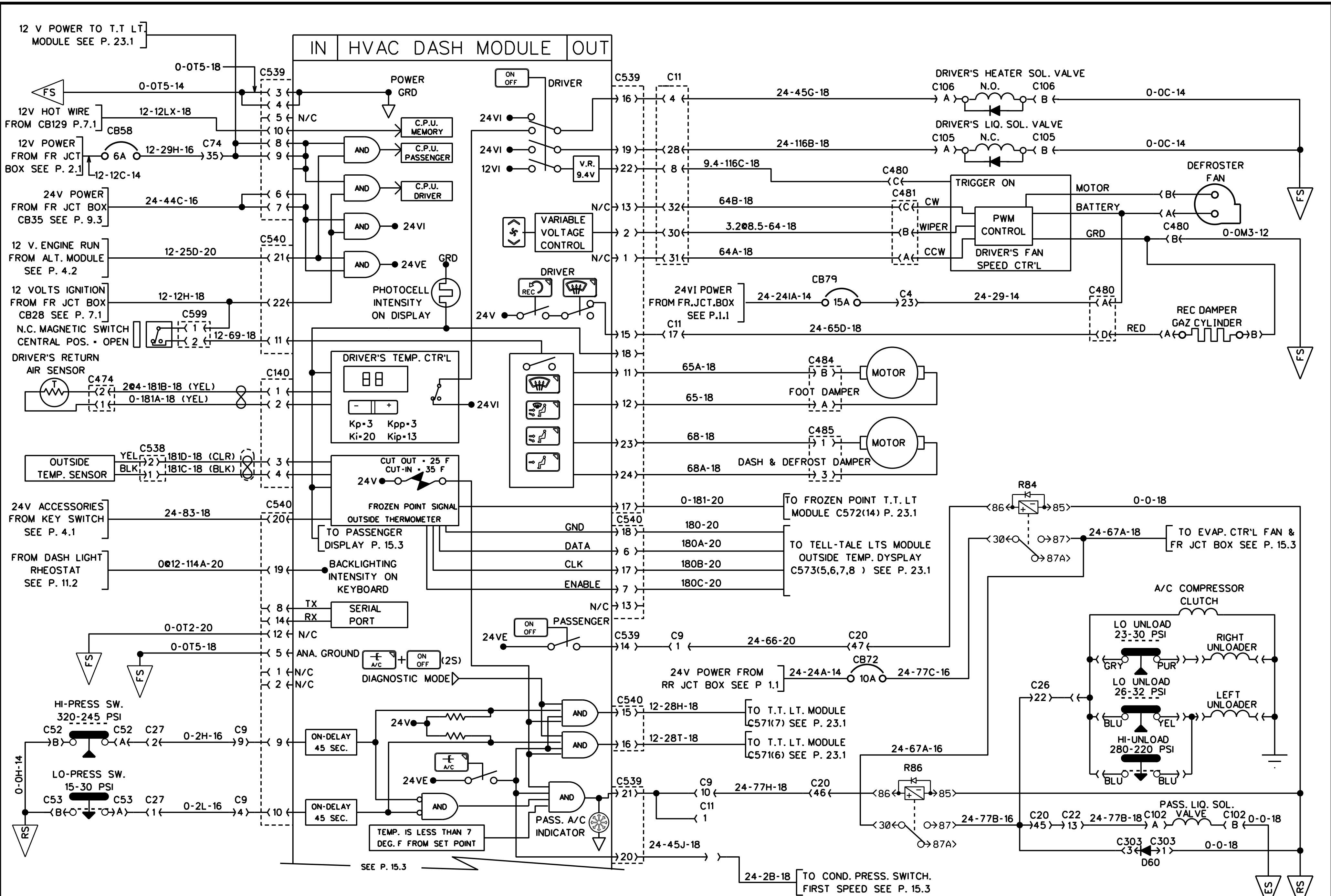
A/C AND HEAT SYSTEM (FULL AIR)



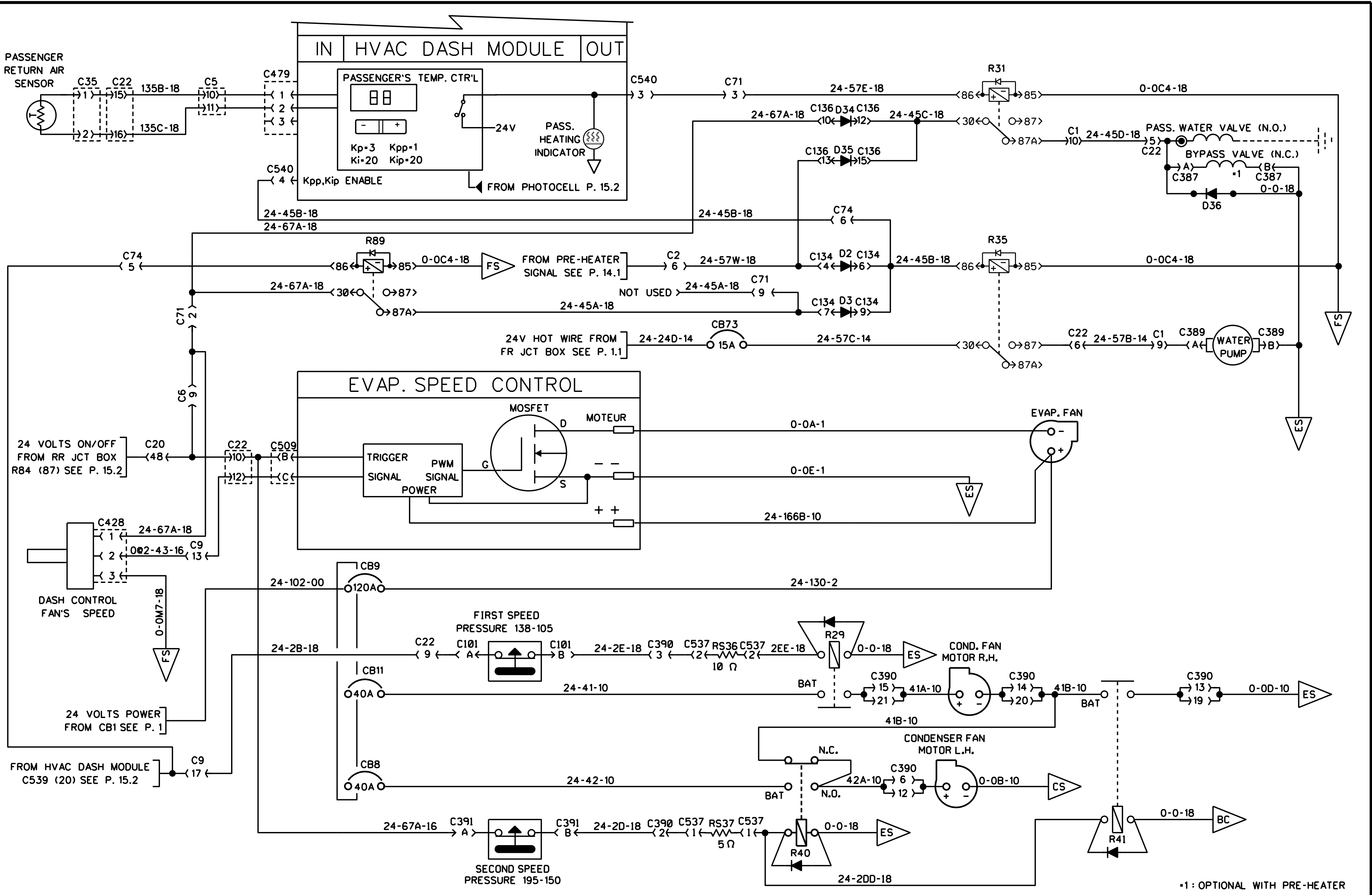
A/C AND HEAT SYSTEM (FULL AIR)



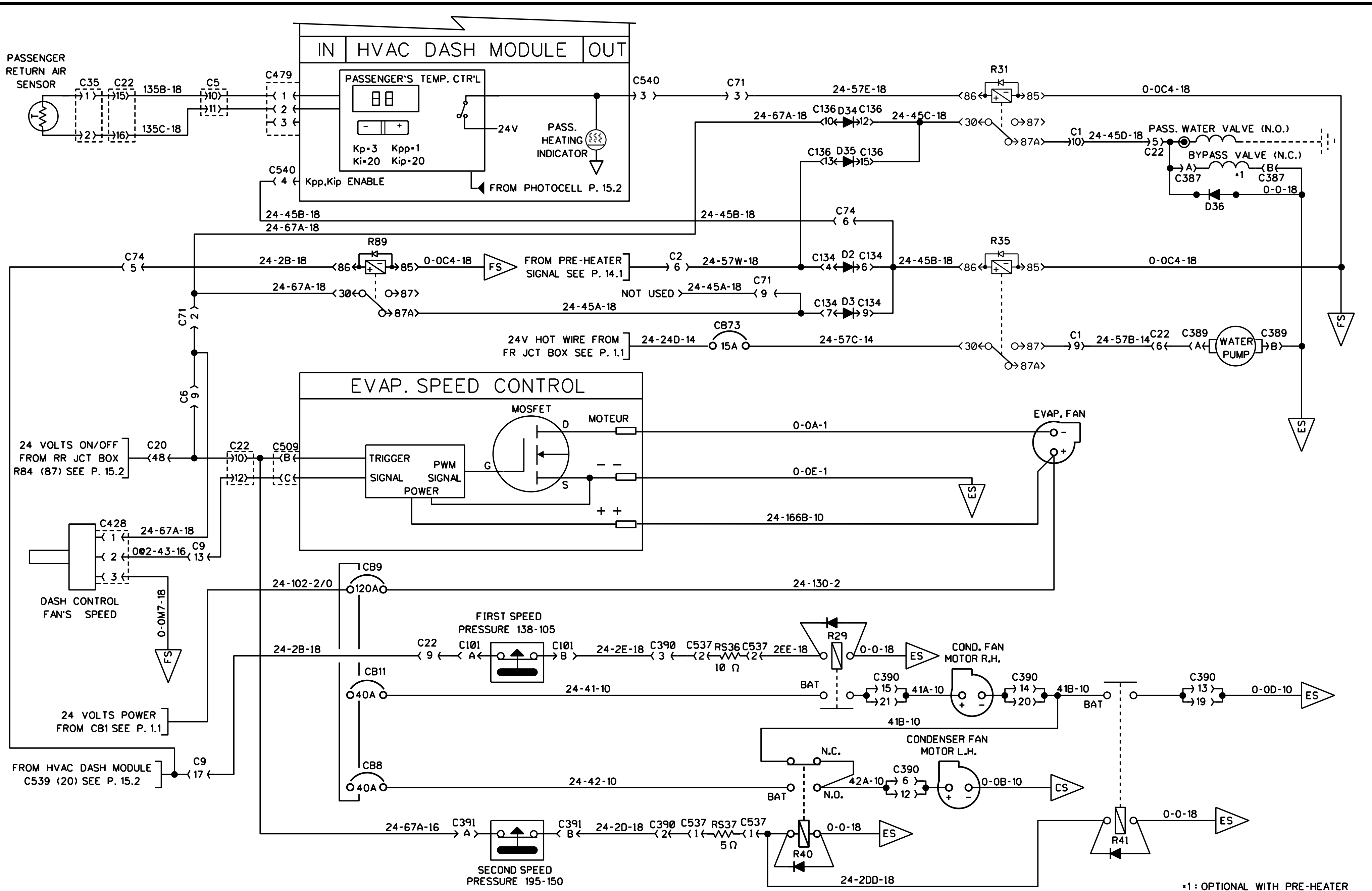
A/C AND HEAT SYSTEM (FULL AIR)



A/C AND HEAT SYSTEM (FULL AIR)

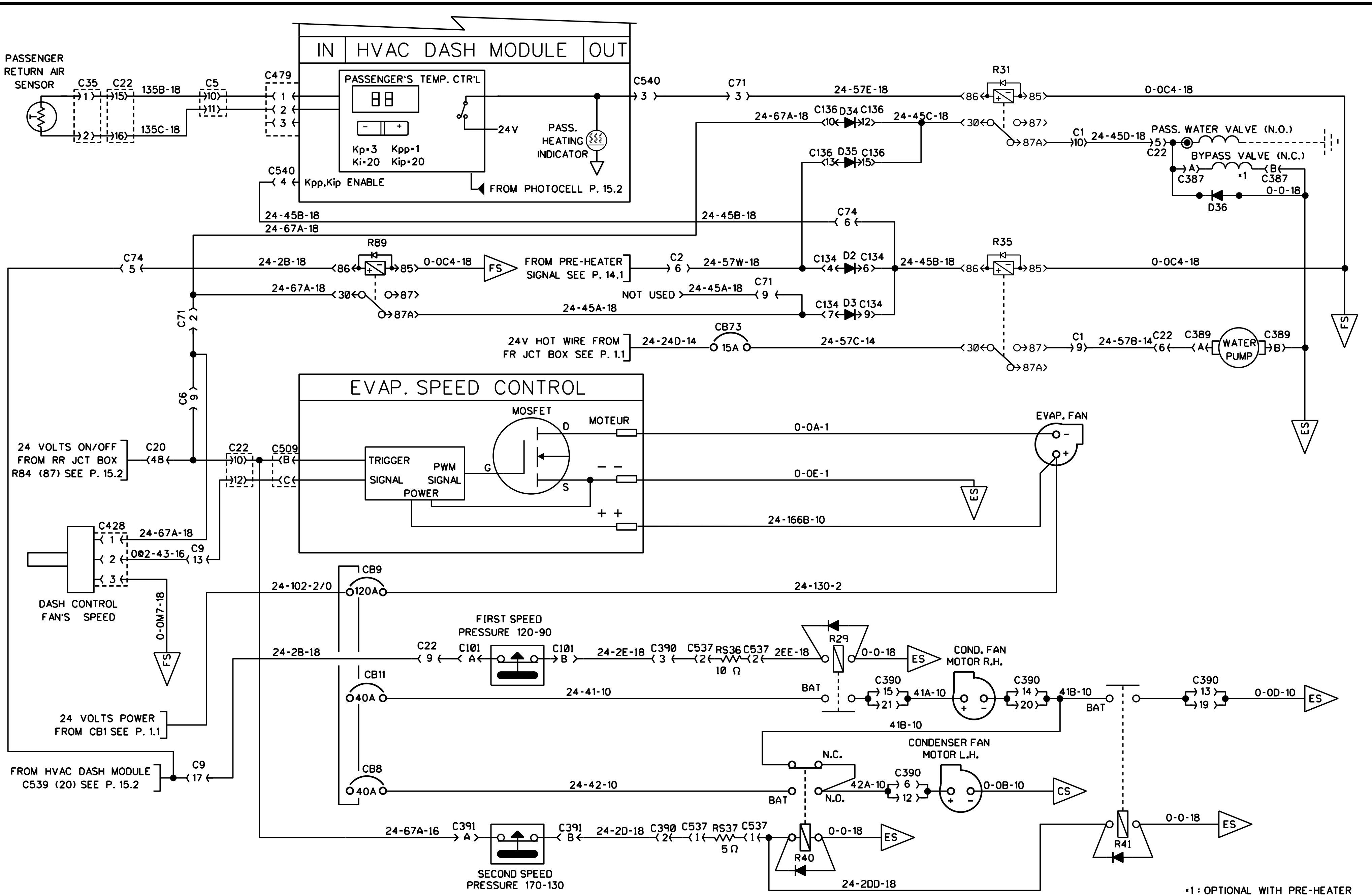


A/C AND HEAT SYSTEM (FULL AIR)



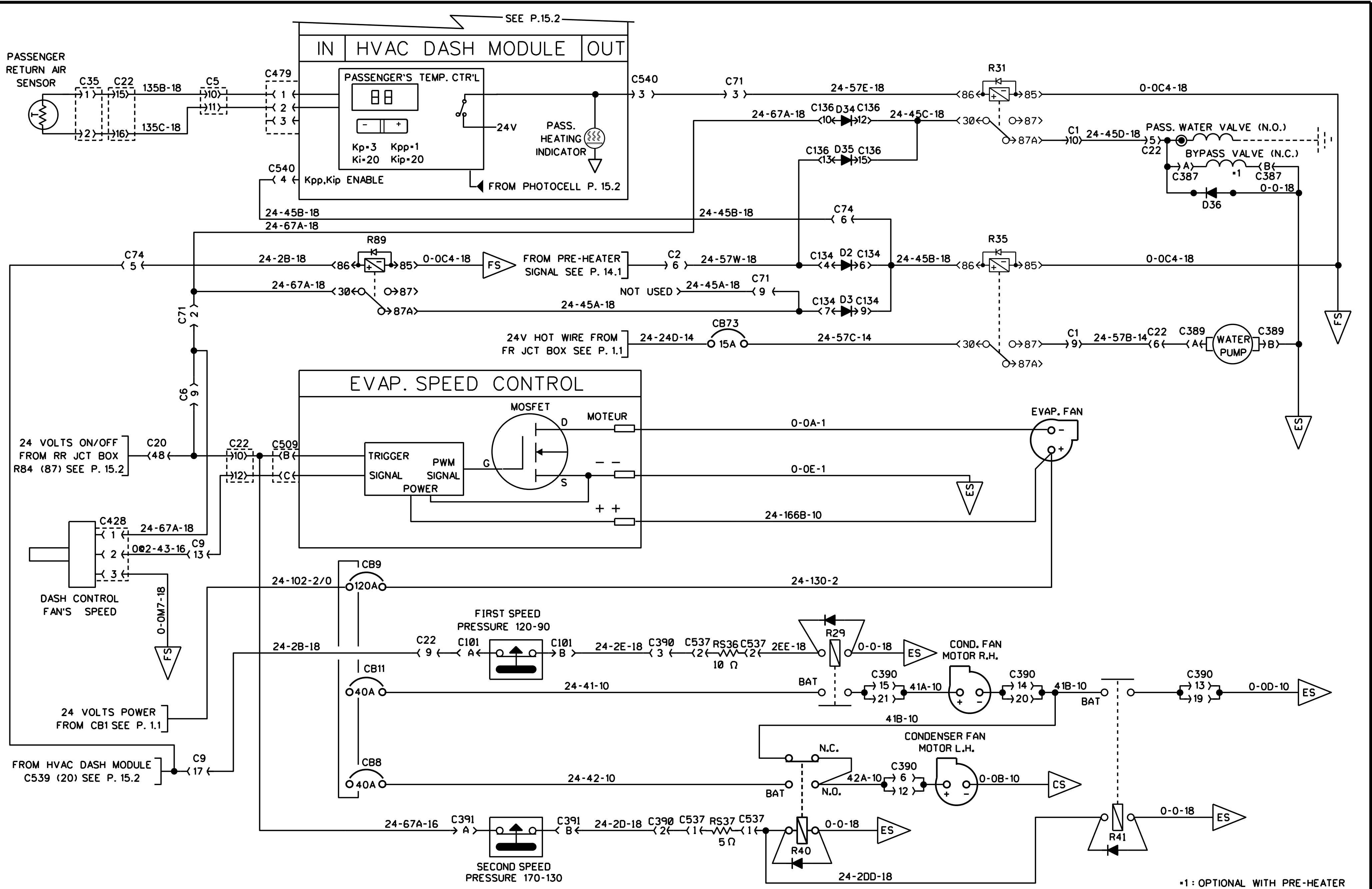
*1: OPTIONAL WITH PRE-HEATER

A/C AND HEAT SYSTEM (FULL AIR)

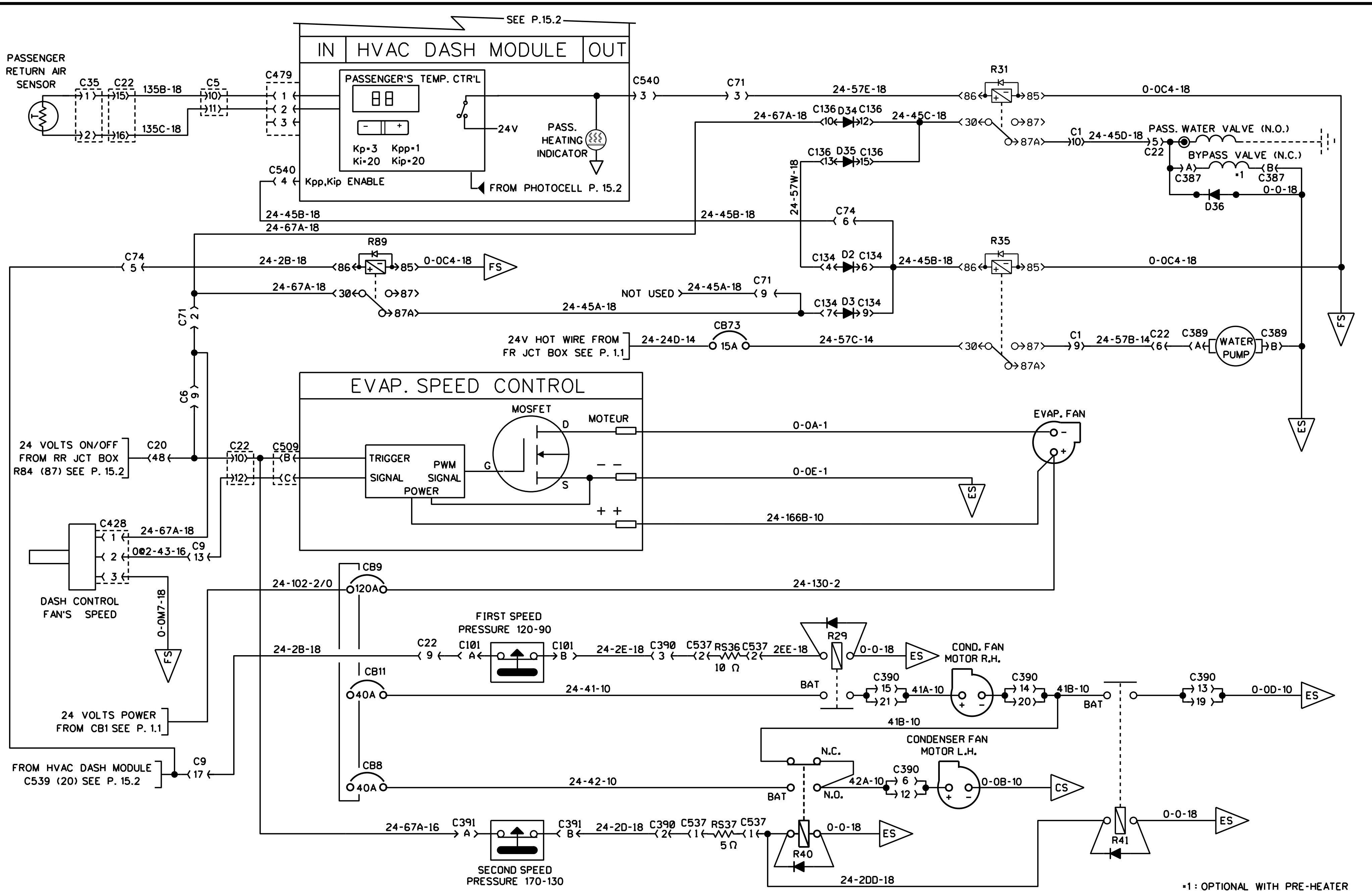


*1: OPTIONAL WITH PRE-HEATER

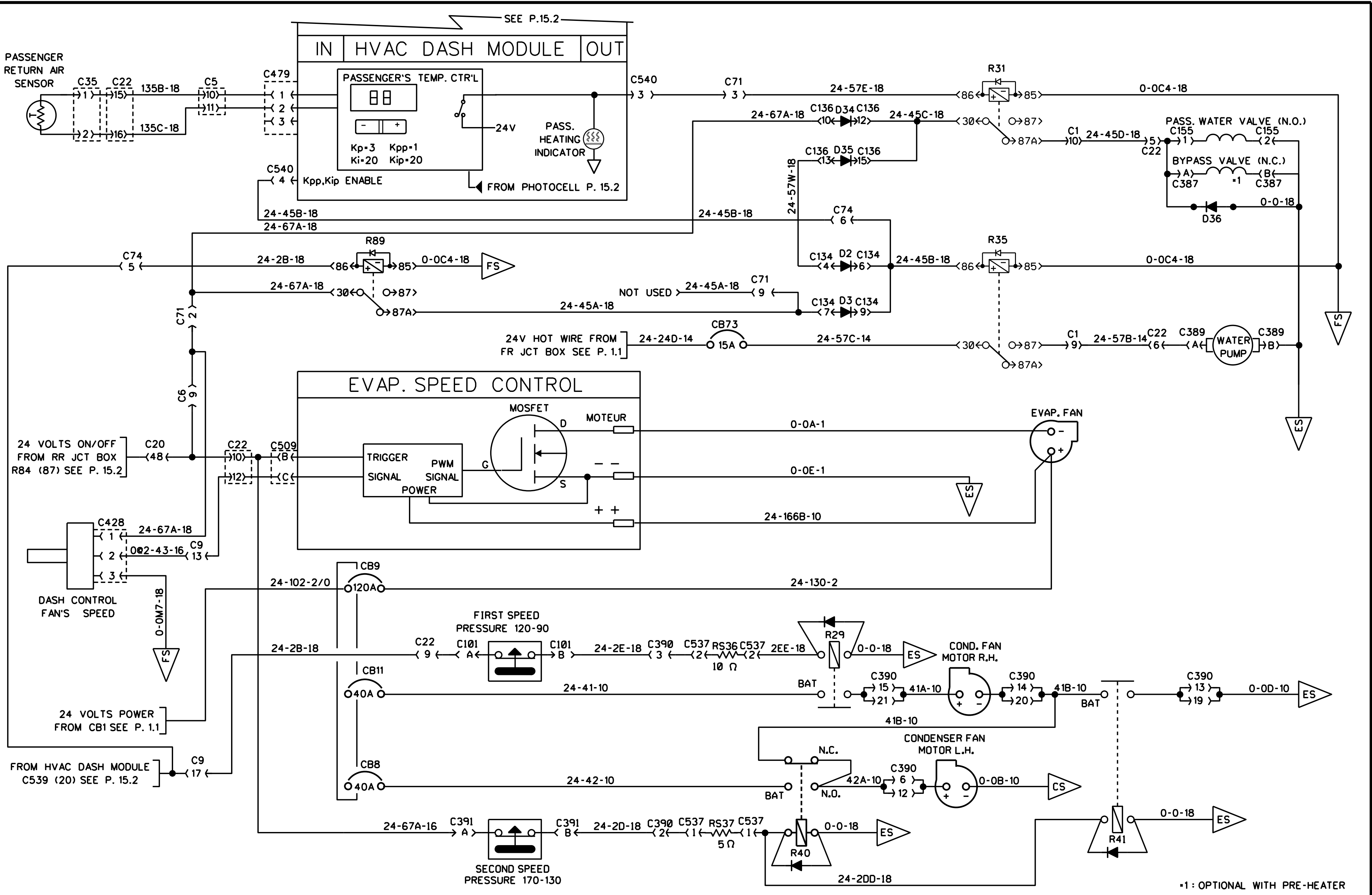
A/C AND HEAT SYSTEM (FULL AIR)



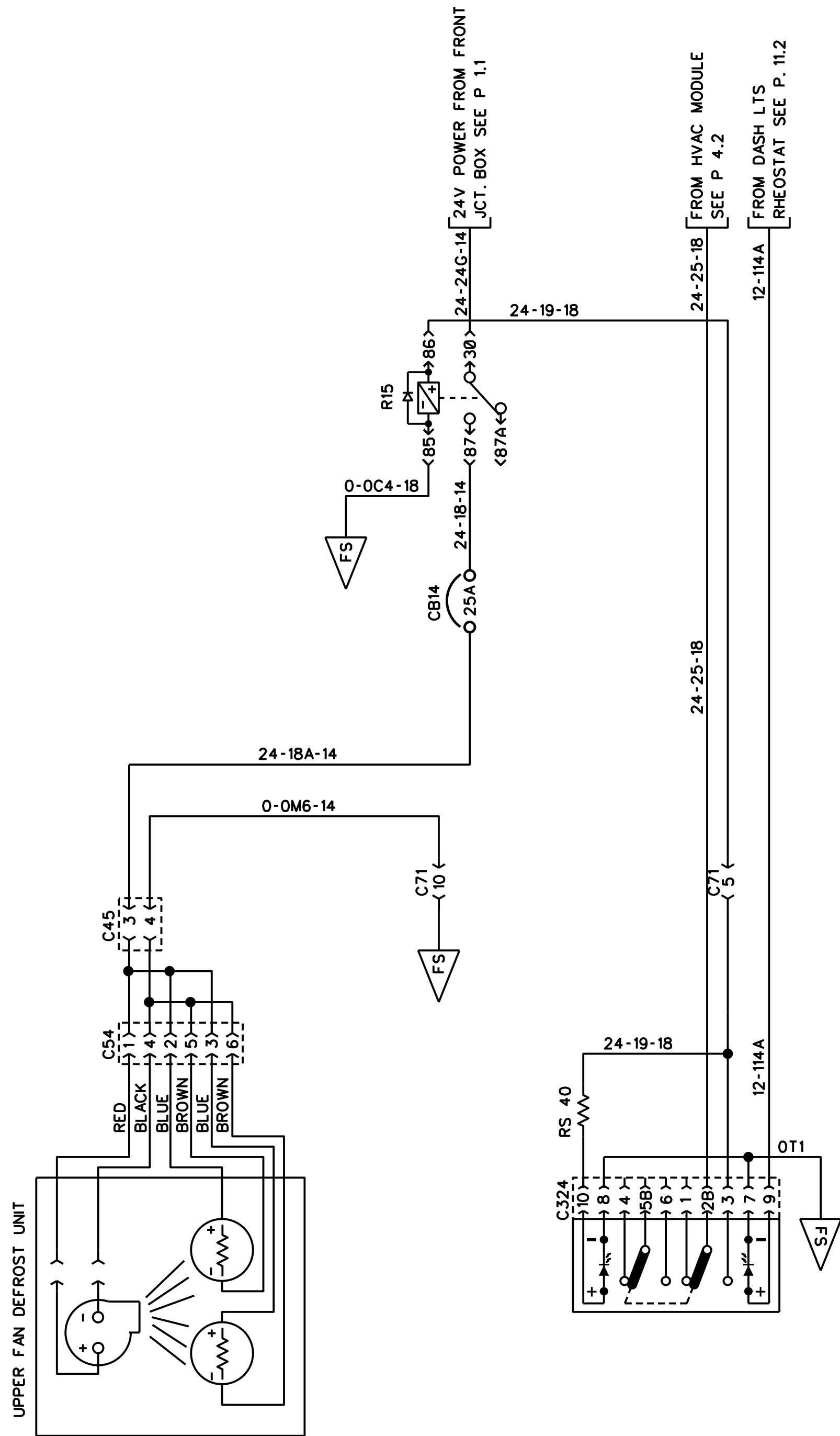
A/C AND HEAT SYSTEM (FULL AIR)



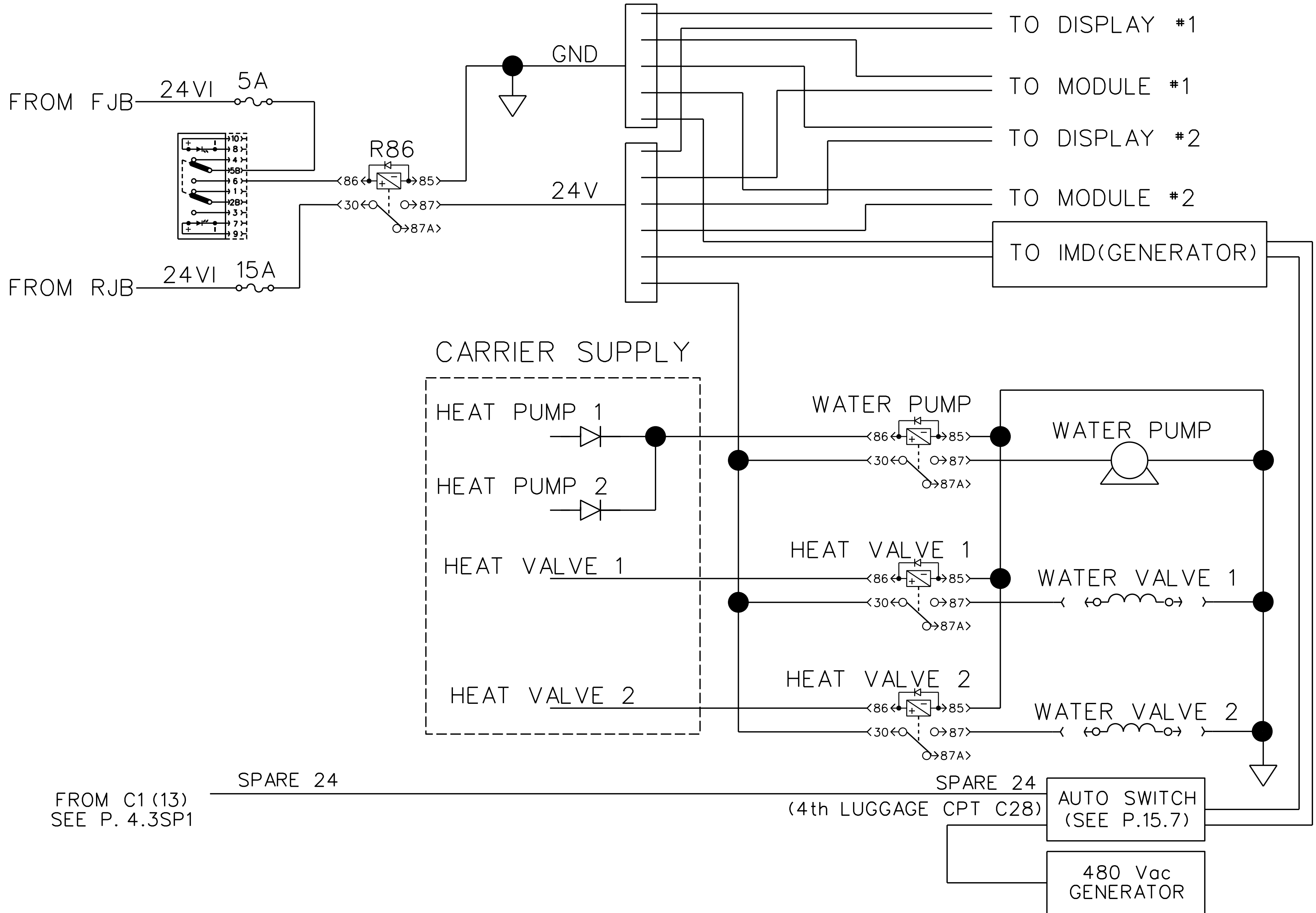
A/C AND HEAT SYSTEM (FULL AIR)

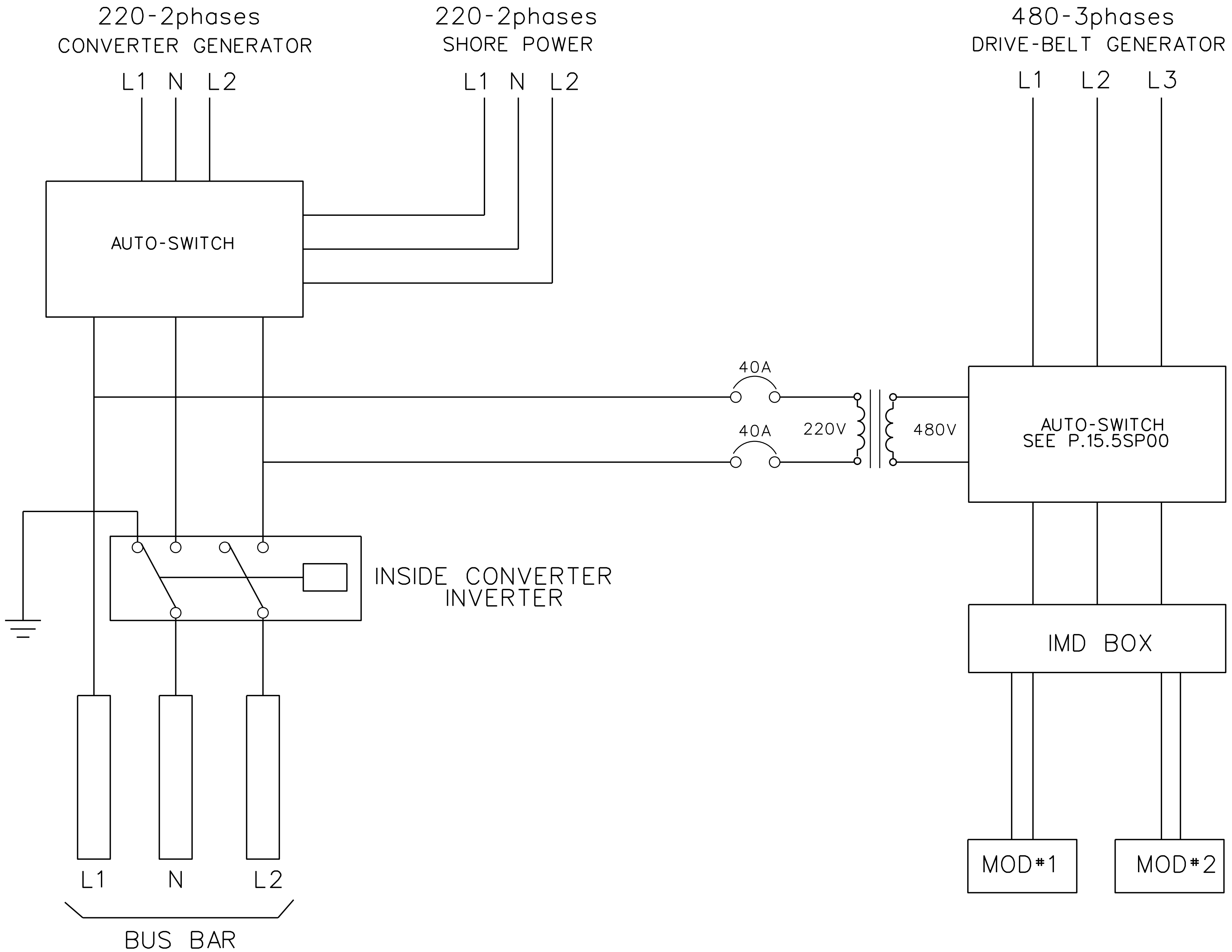


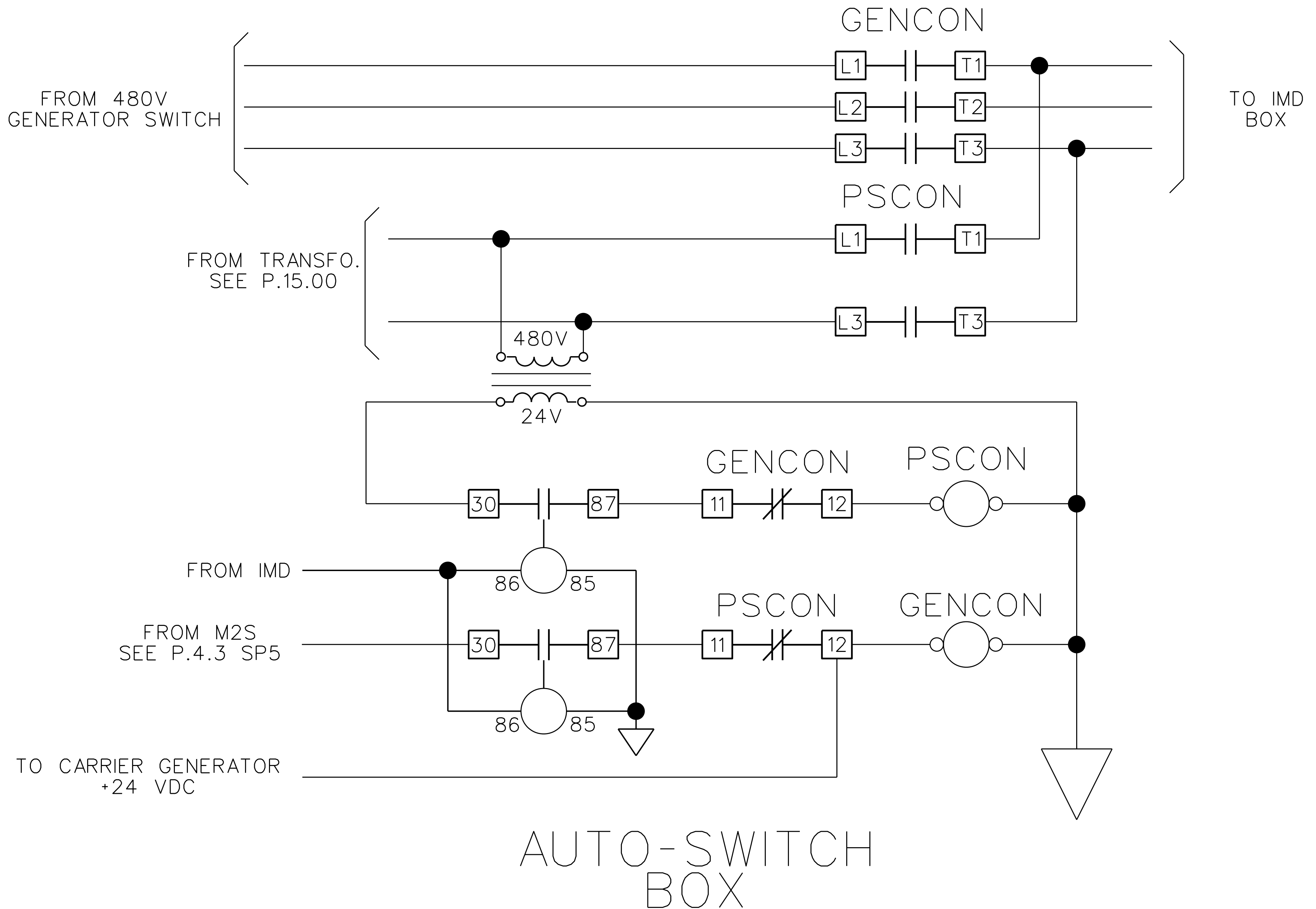
A/C AND HEAT SYSTEM (FULL AIR)

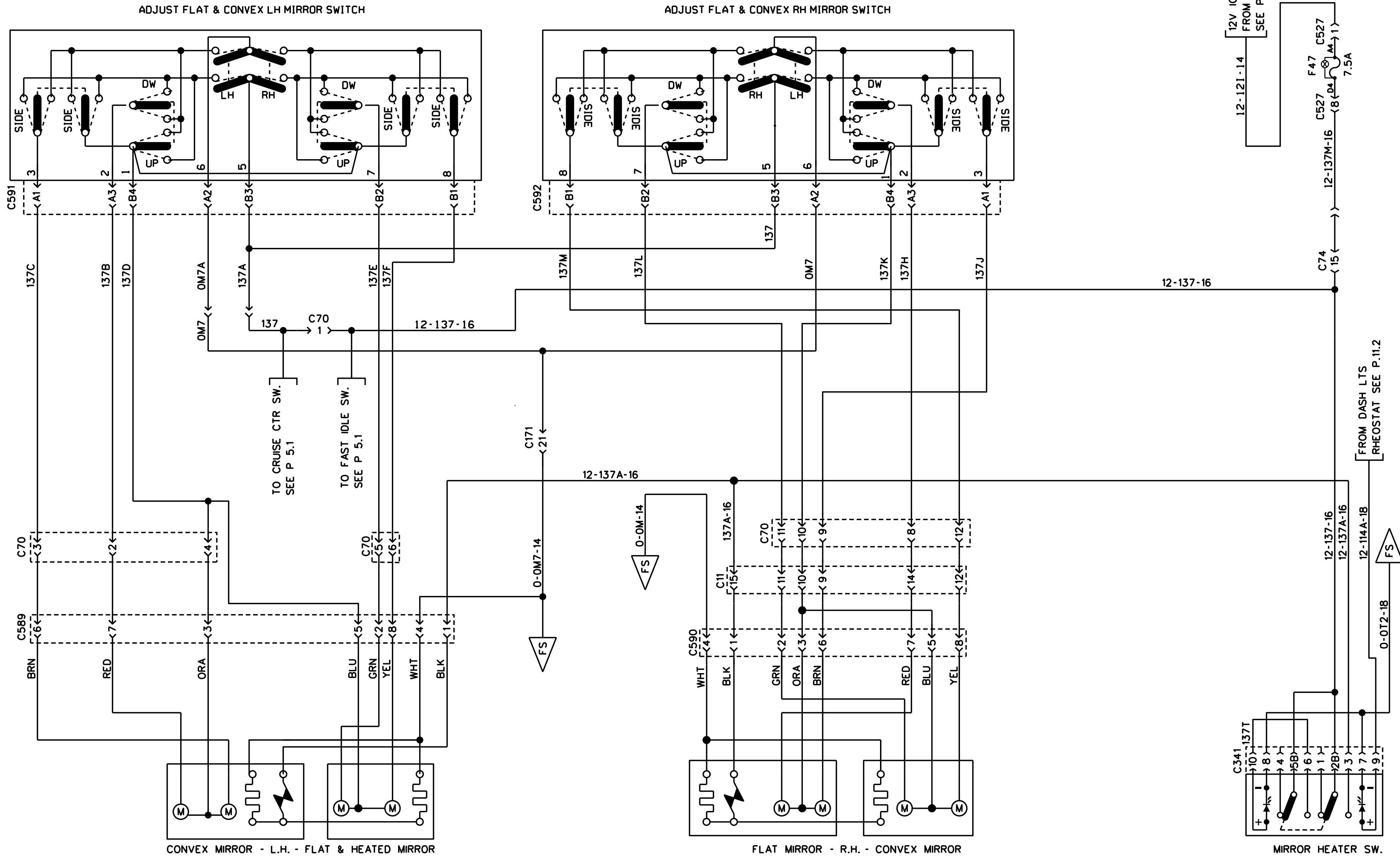


UPPER WINDSHIELD FAN DEFROST

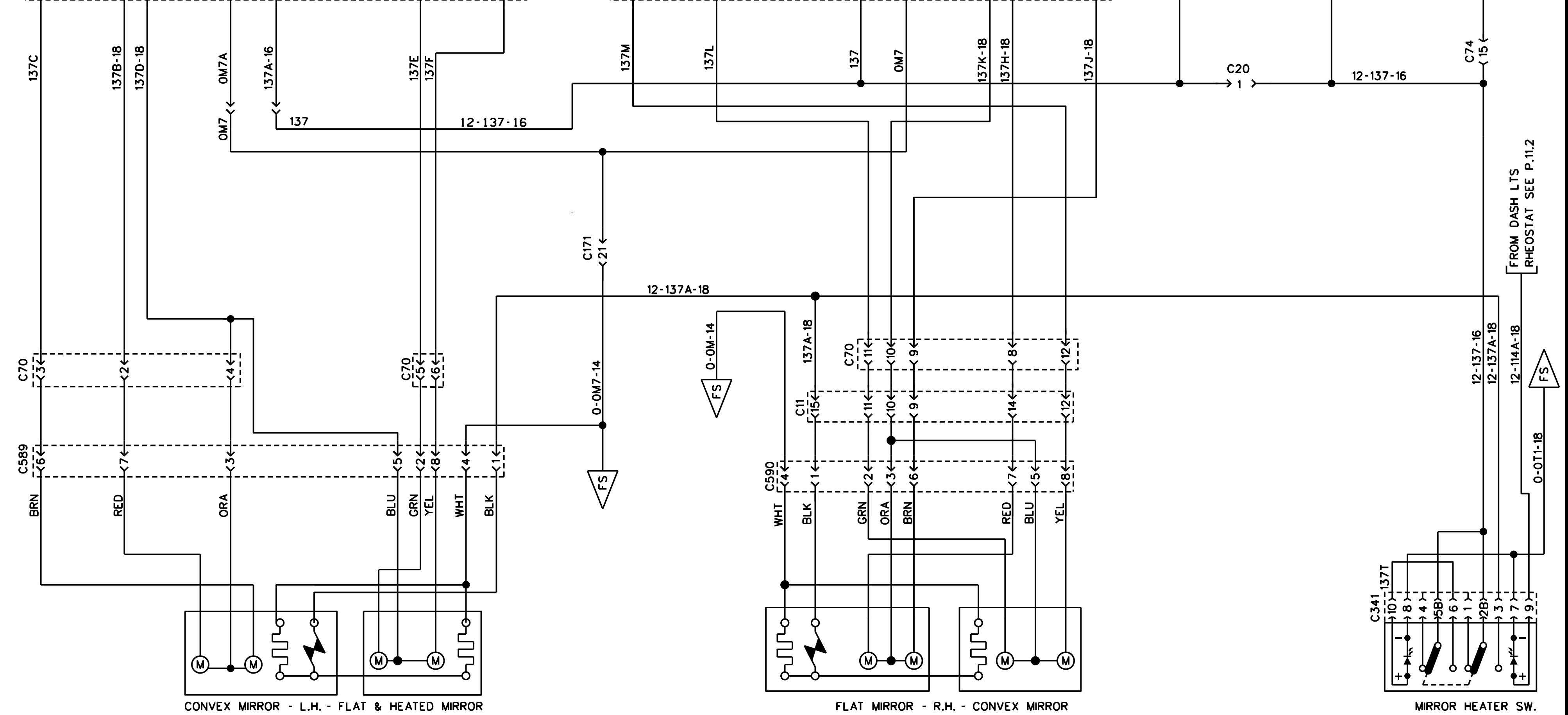
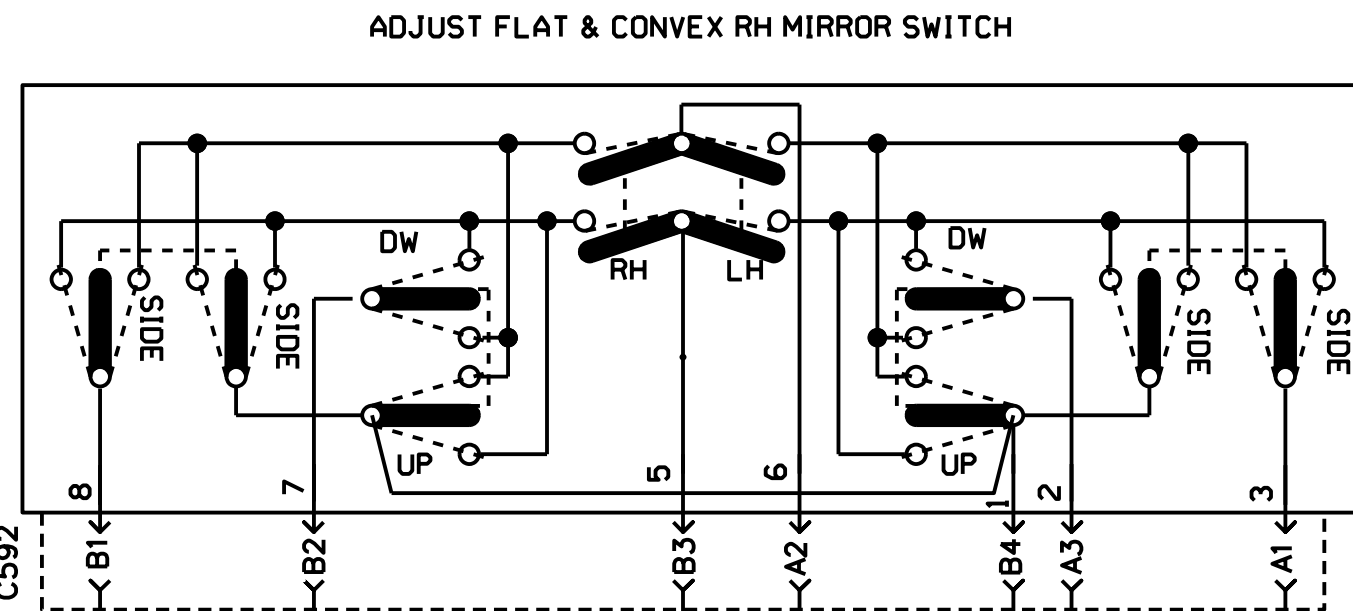
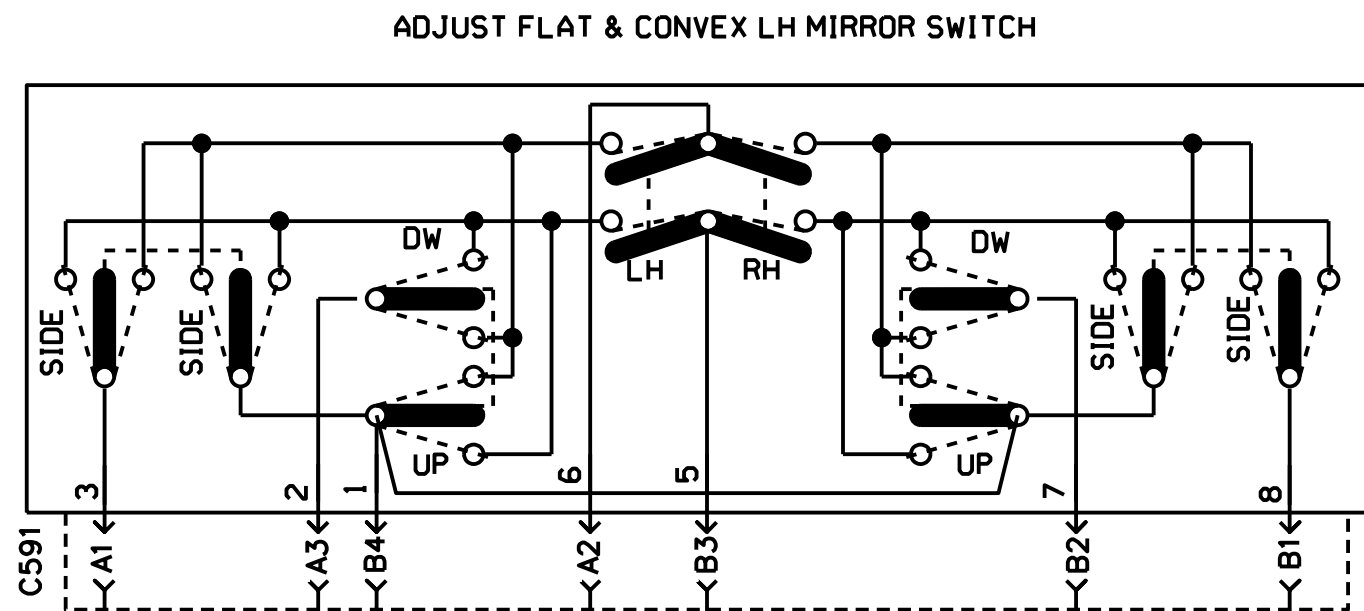








REAR VIEW MIRROR RAMCO FLAT & CONVEX - 2 ADJUSTMENT SW. & 1 HEATED SW.



CONVEX MIRROR - L.H. - FLAT & HEATED MIRROR

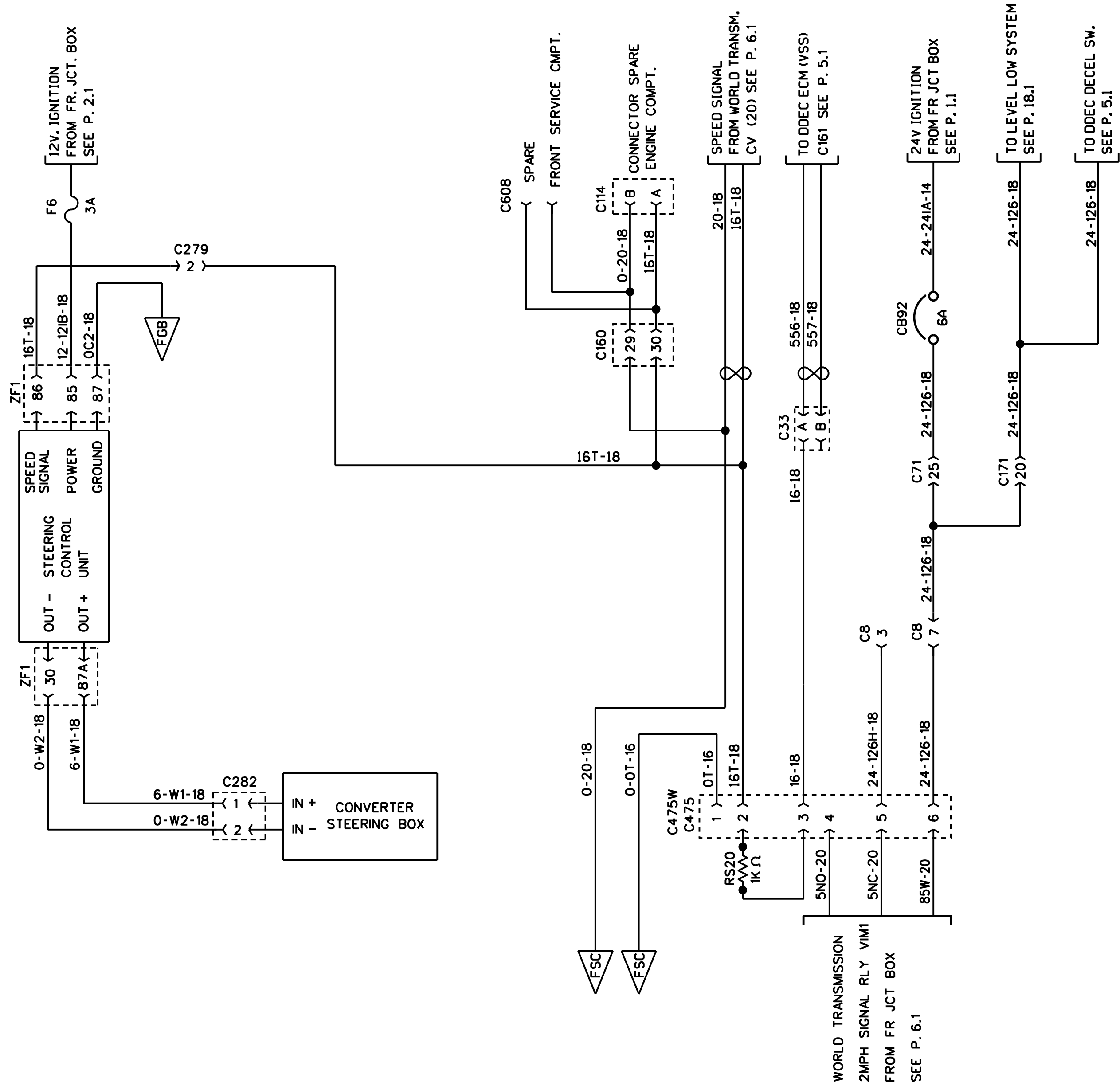
FLAT MIRROR - R.H. - CONVEX MIRROR

MIRROR HEATER SW.

REAR VIEW MIRROR RAMCO FLAT & CONVEX - 2 ADJUSTMENT SW. & 1 HEATED SW.

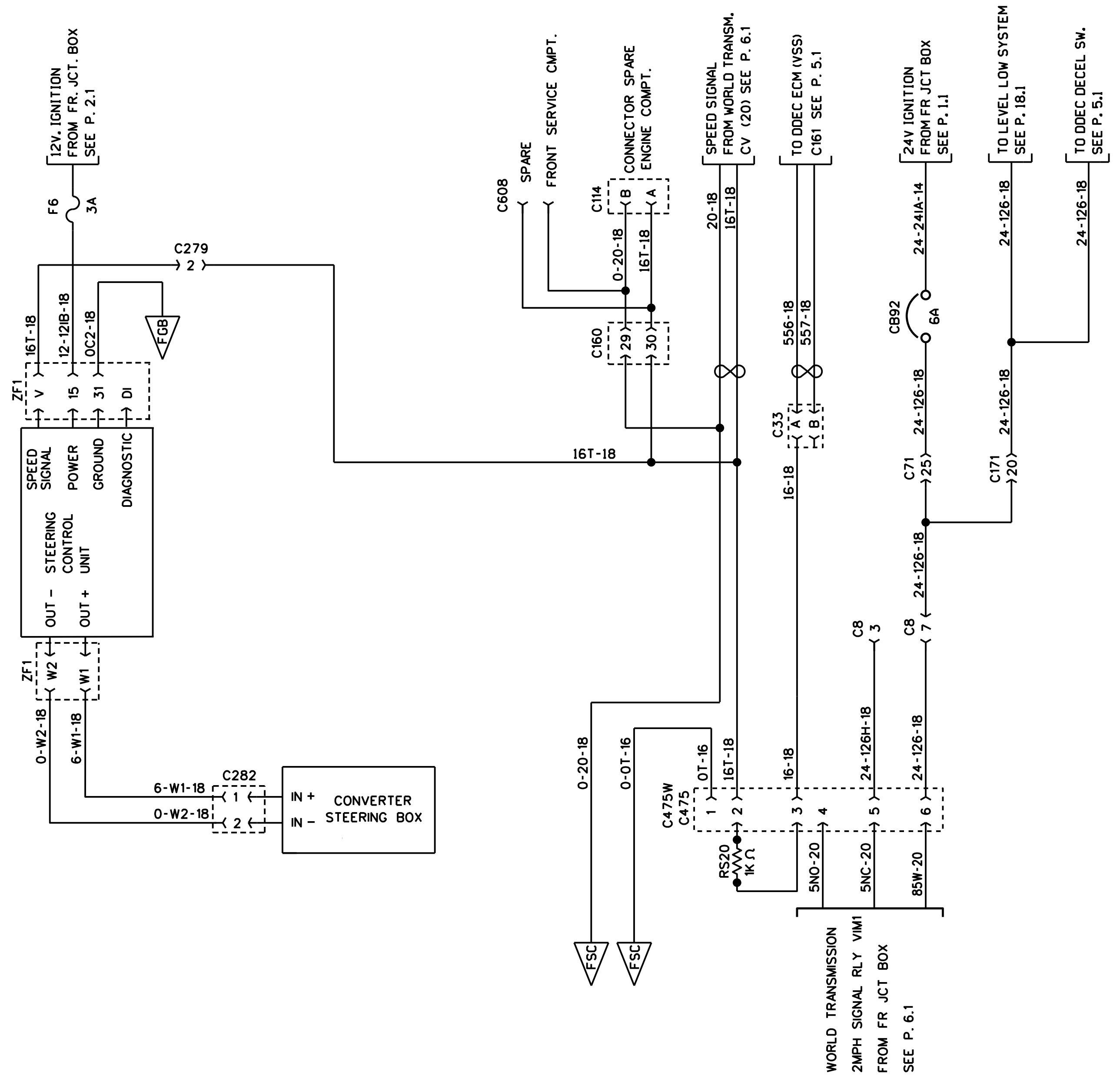
STEERING CONTROL

TRANSMISSION SPEED SIGNAL



STEERING CONTROL

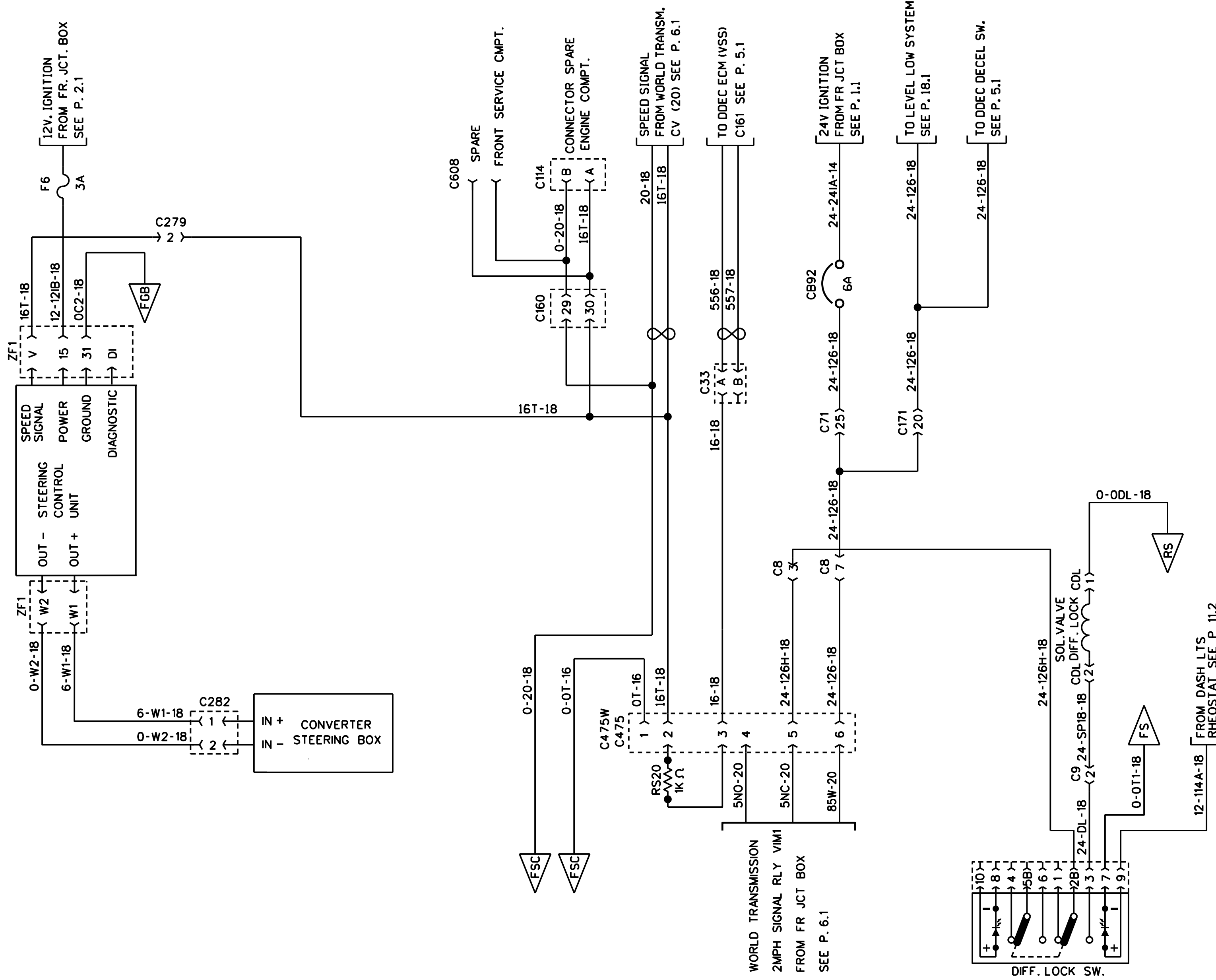
TRANSMISSION SPEED SIGNAL



STEERING CONTROL

TRANSMISSION SPEED SIGNAL

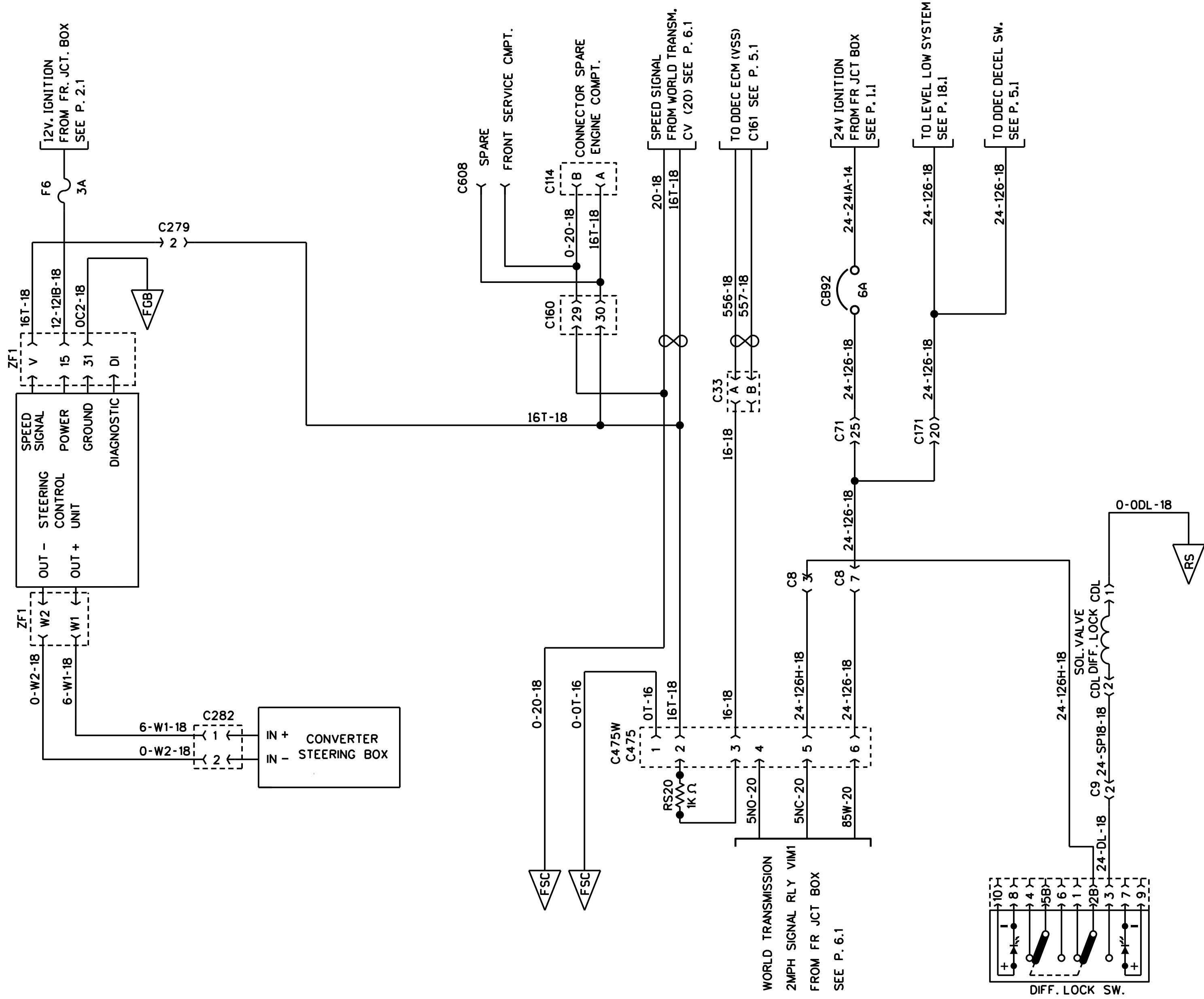
DIFFERENTIAL LOCK

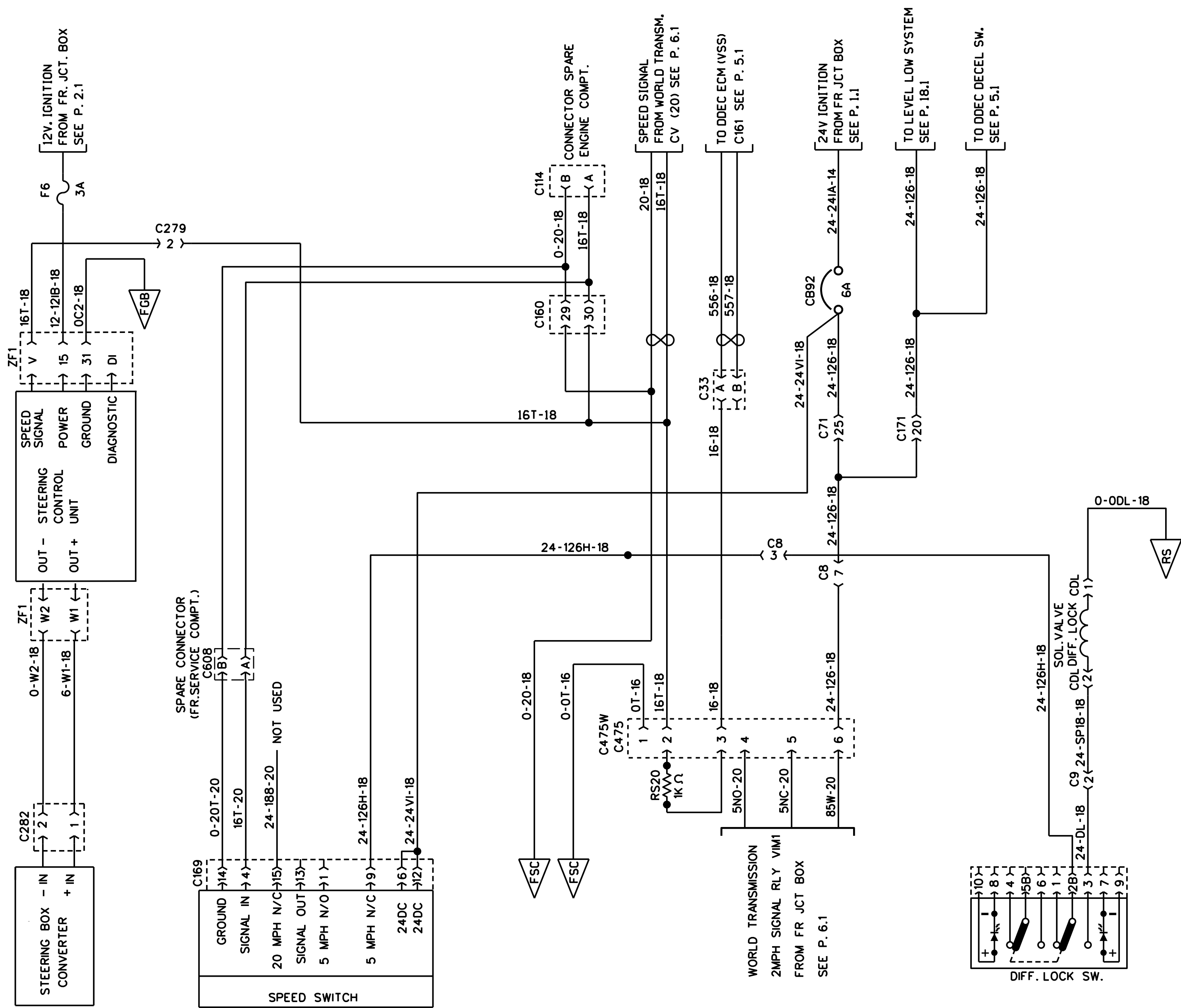


STEERING CONTROL

TRANSMISSION SPEED SIGNAL

DIFFERENTIAL LOCK

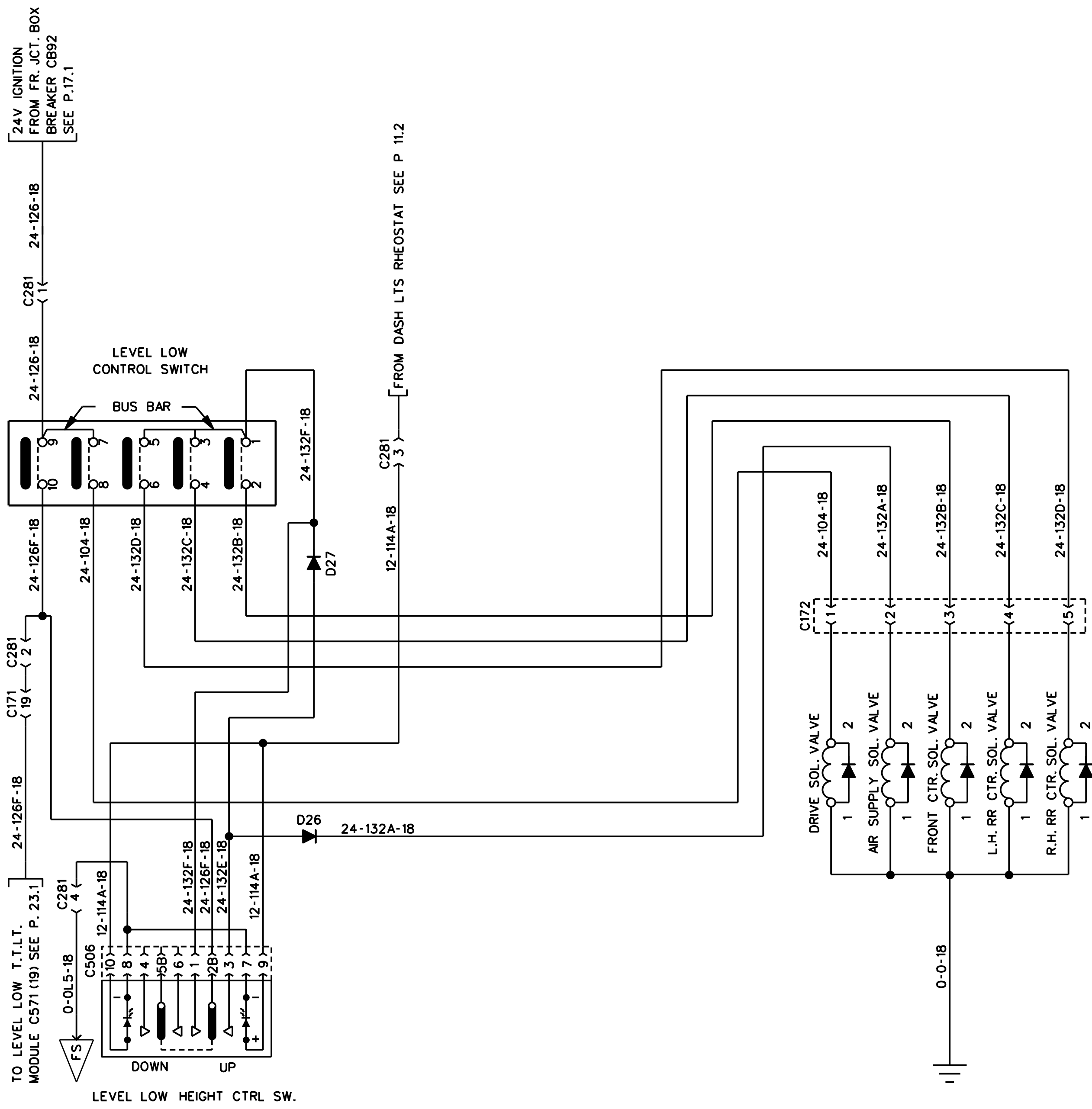




STEERING CONTROL

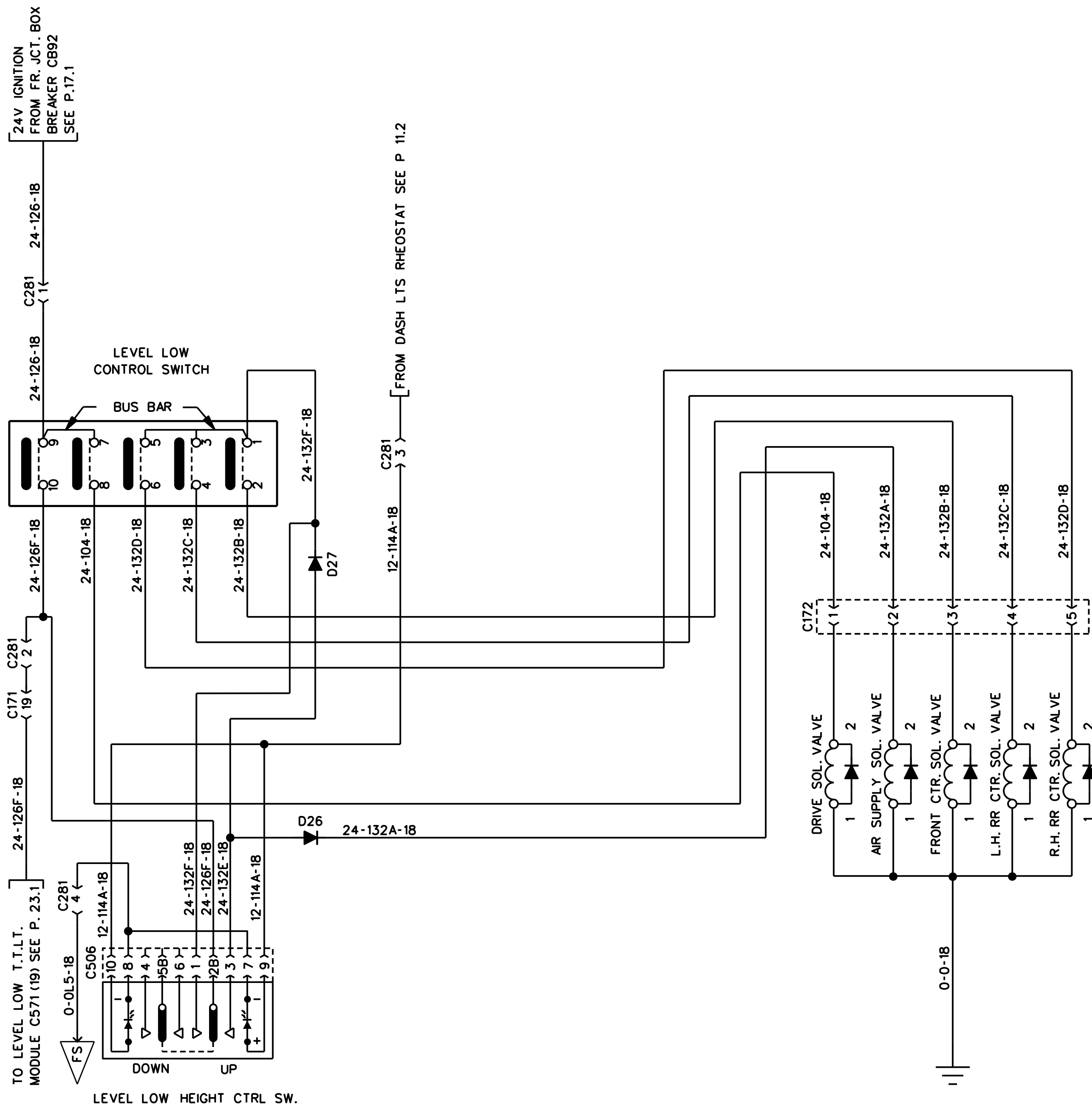
TRANSMISSION SPEED SIGNAL

DIFFERENTIAL LOCK



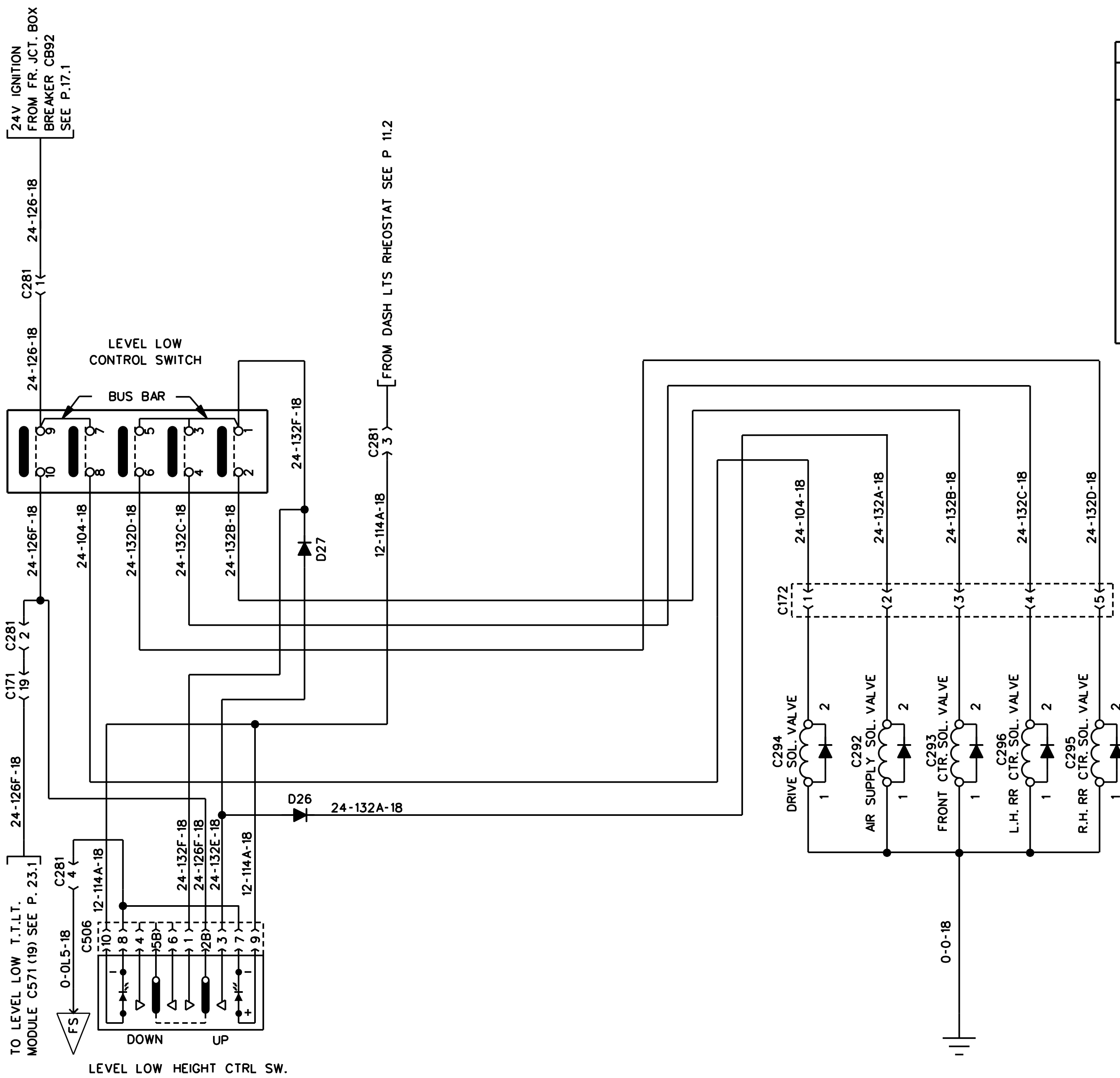
LEVEL - LOW CONTROL SWITCH			
DRIVE POSITION	FRONT	LEFT REAR	RIGHT REAR

LEVEL - LOW SYSTEM



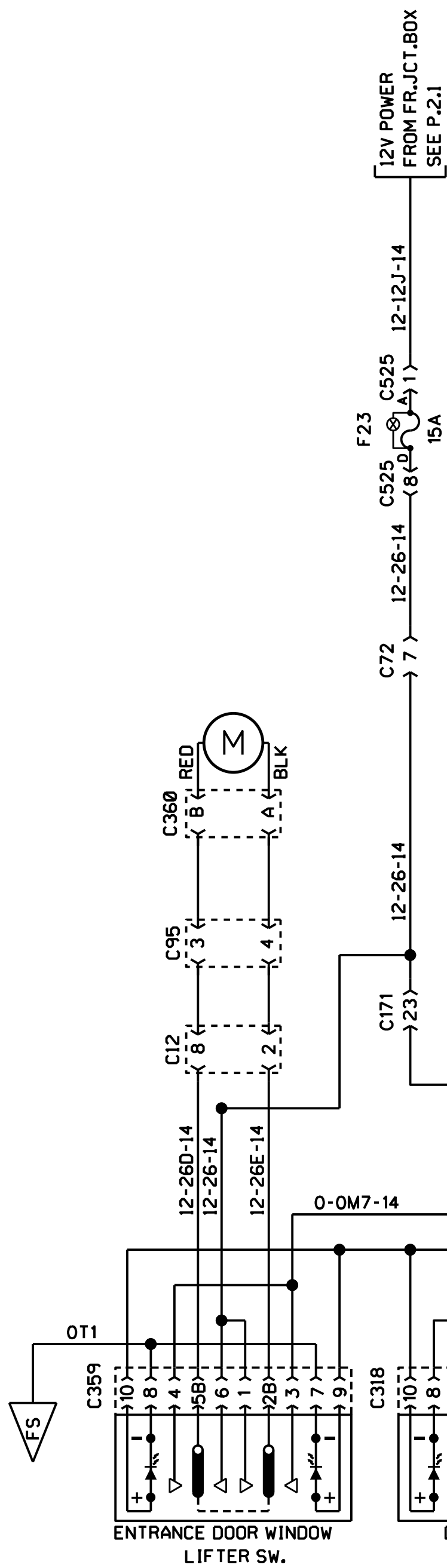
LEVEL - LOW CONTROL SWITCH			
DRIVE POSITION	FRONT	LEFT REAR	RIGHT REAR

LEVEL - LOW SYSTEM

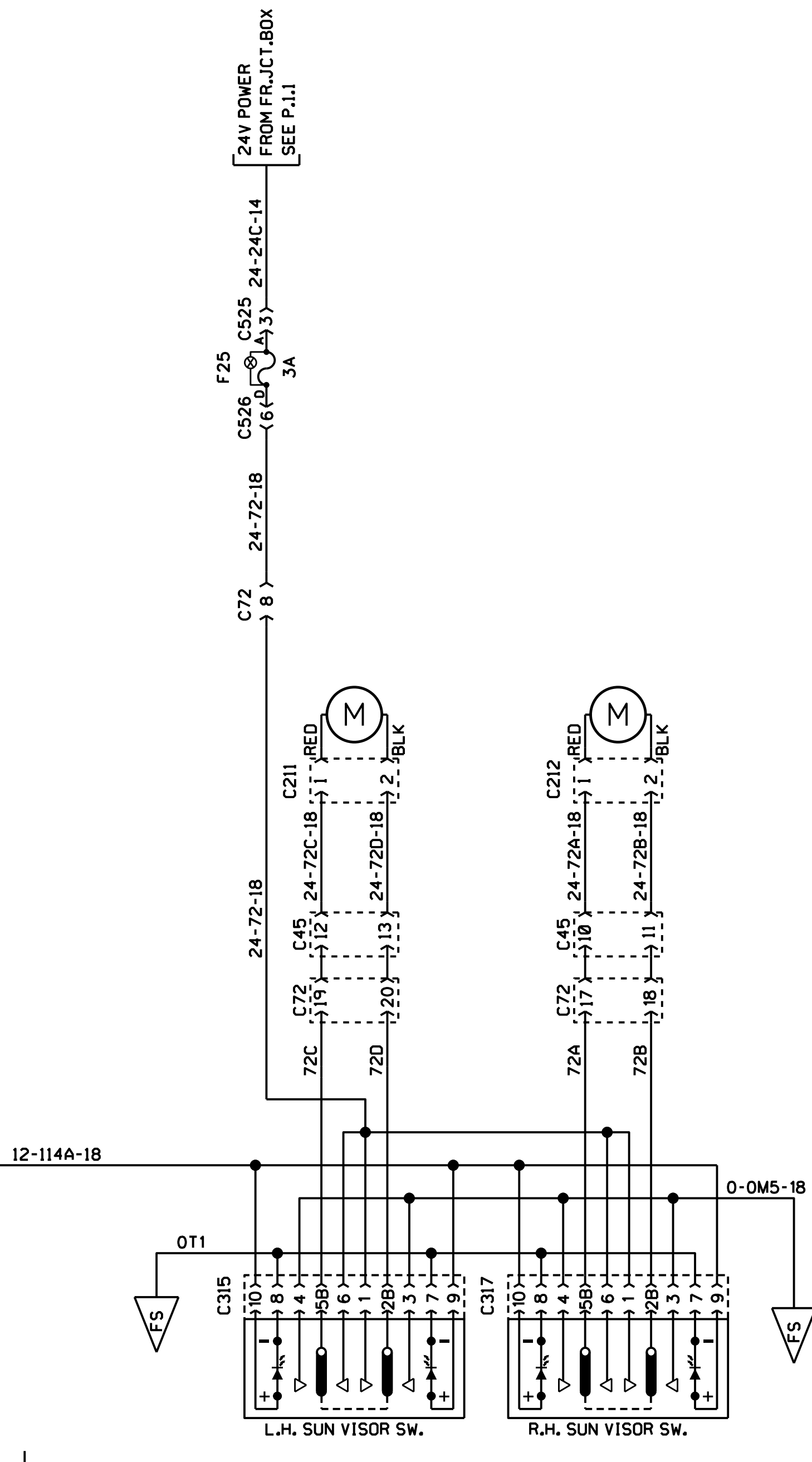


LEVEL - LOW CONTROL SWITCH			
DRIVE POSITION	FRONT	LEFT REAR	RIGHT REAR

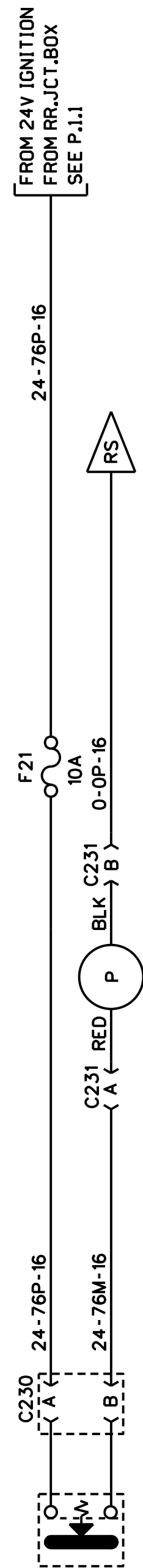
LEVEL - LOW SYSTEM



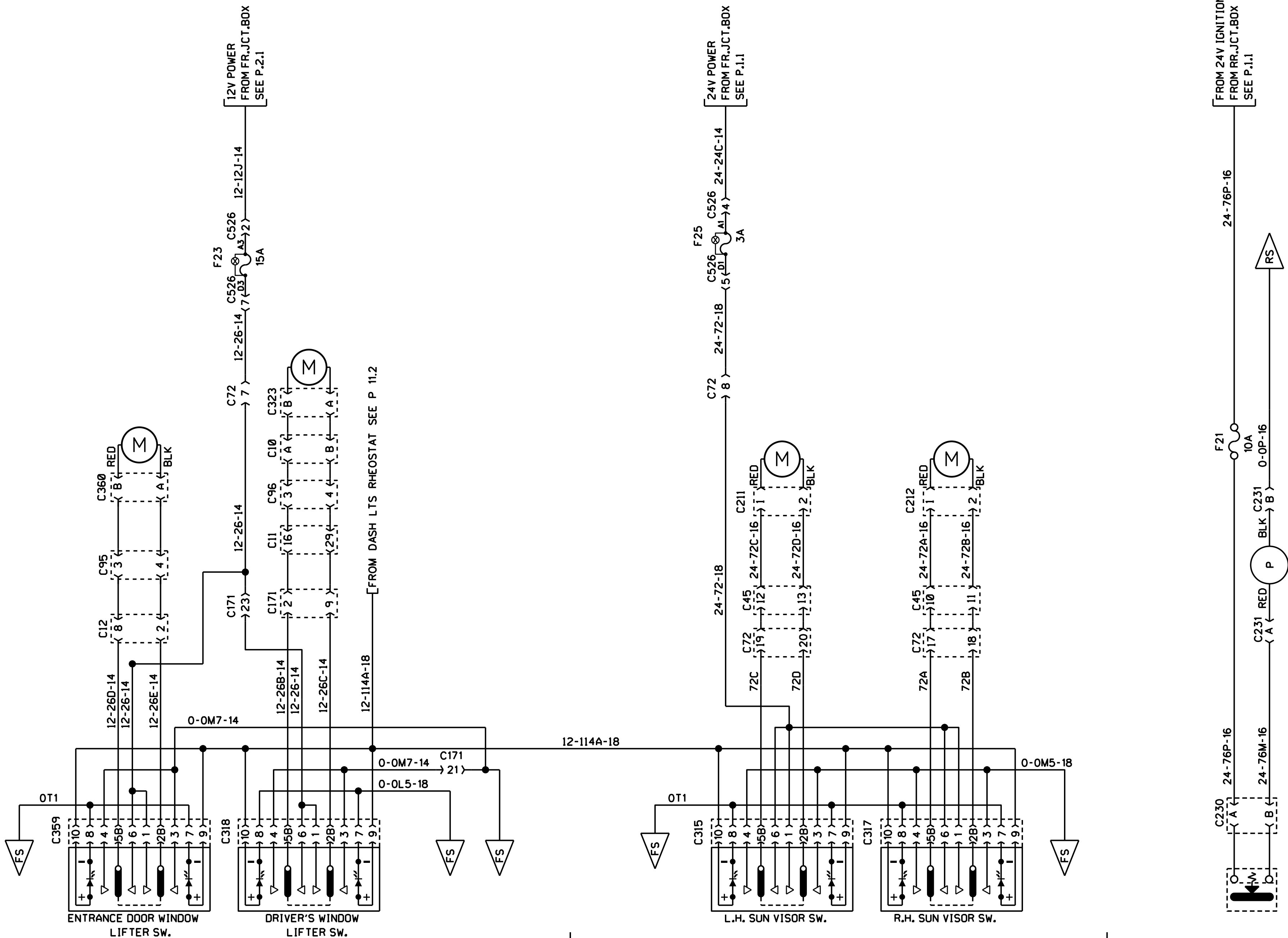
ENTRANCE DOOR AND DRIVER'S WINDOW LIFTER



SUN VISOR



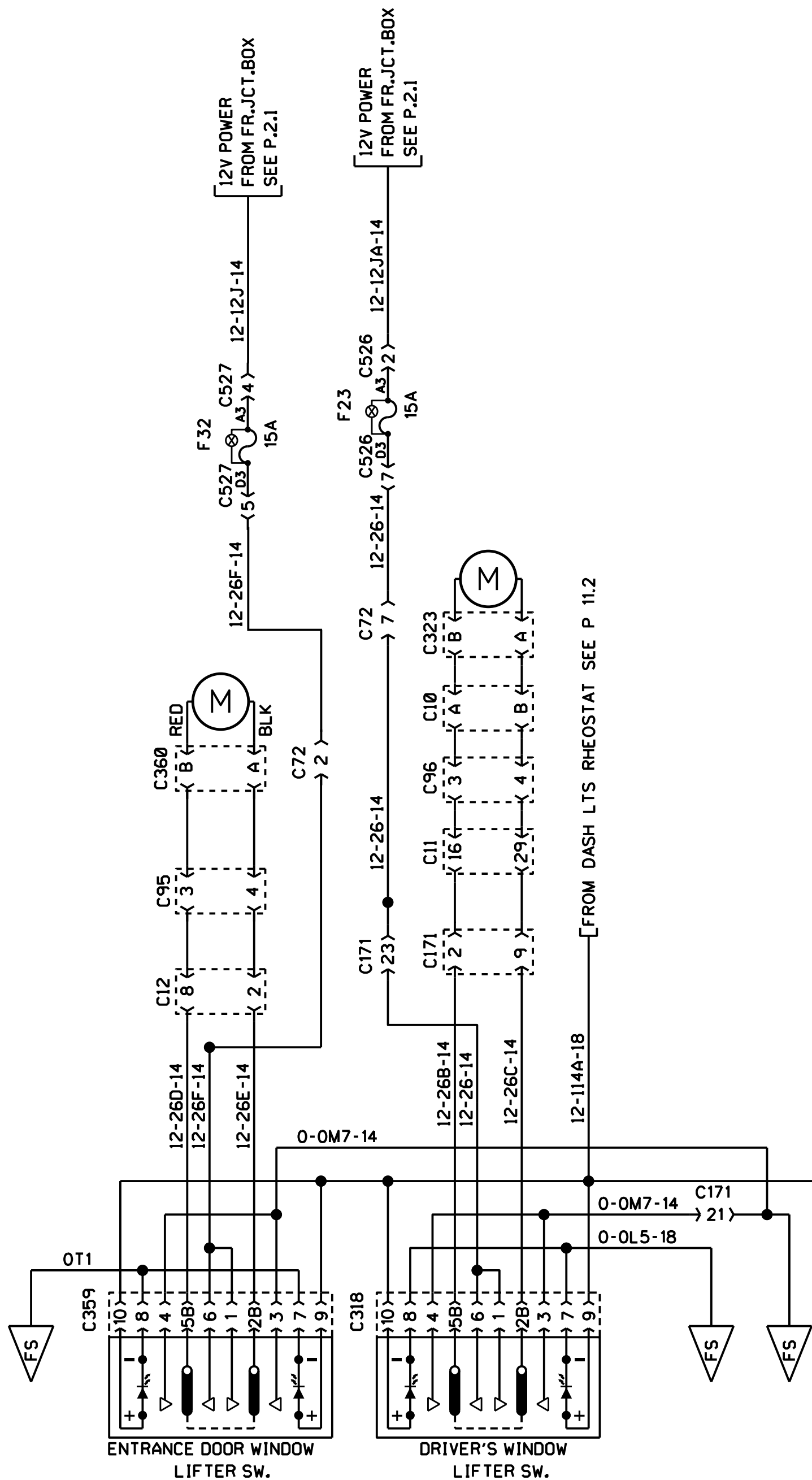
FUEL PRIME PUMP



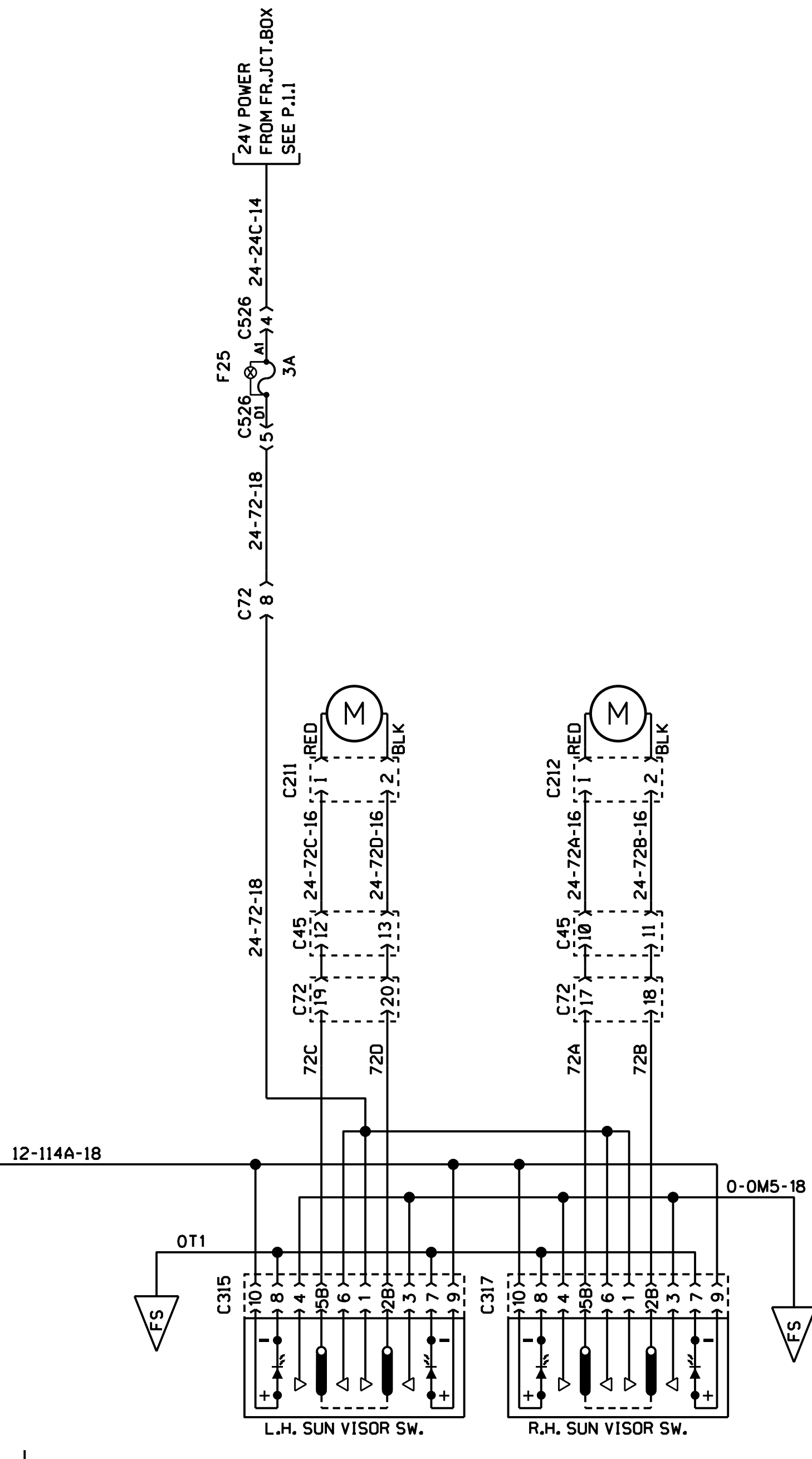
ENTRANCE DOOR AND DRIVER'S WINDOW LIFTER

SUN VISOR

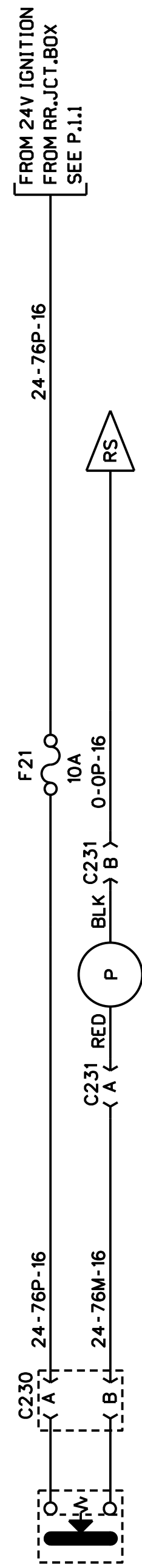
FUEL PRIME PUMP



ENTRANCE DOOR AND DRIVER'S WINDOW LIFTER

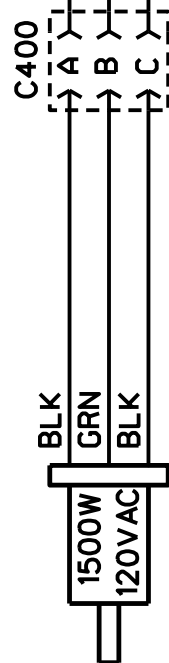
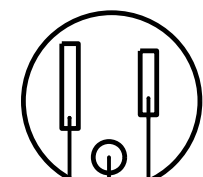


SUN VISOR

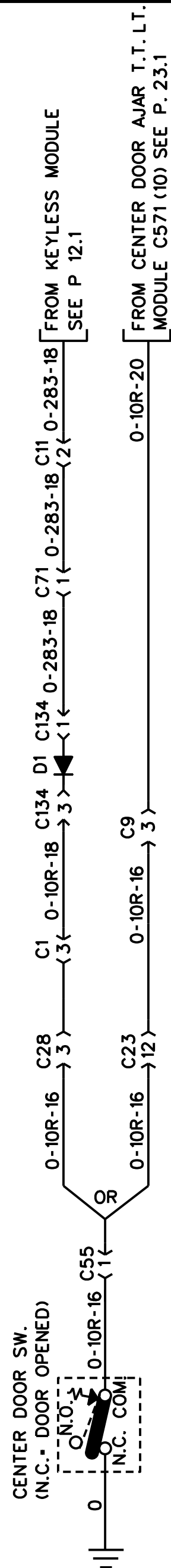


FUEL PRIME PUMP

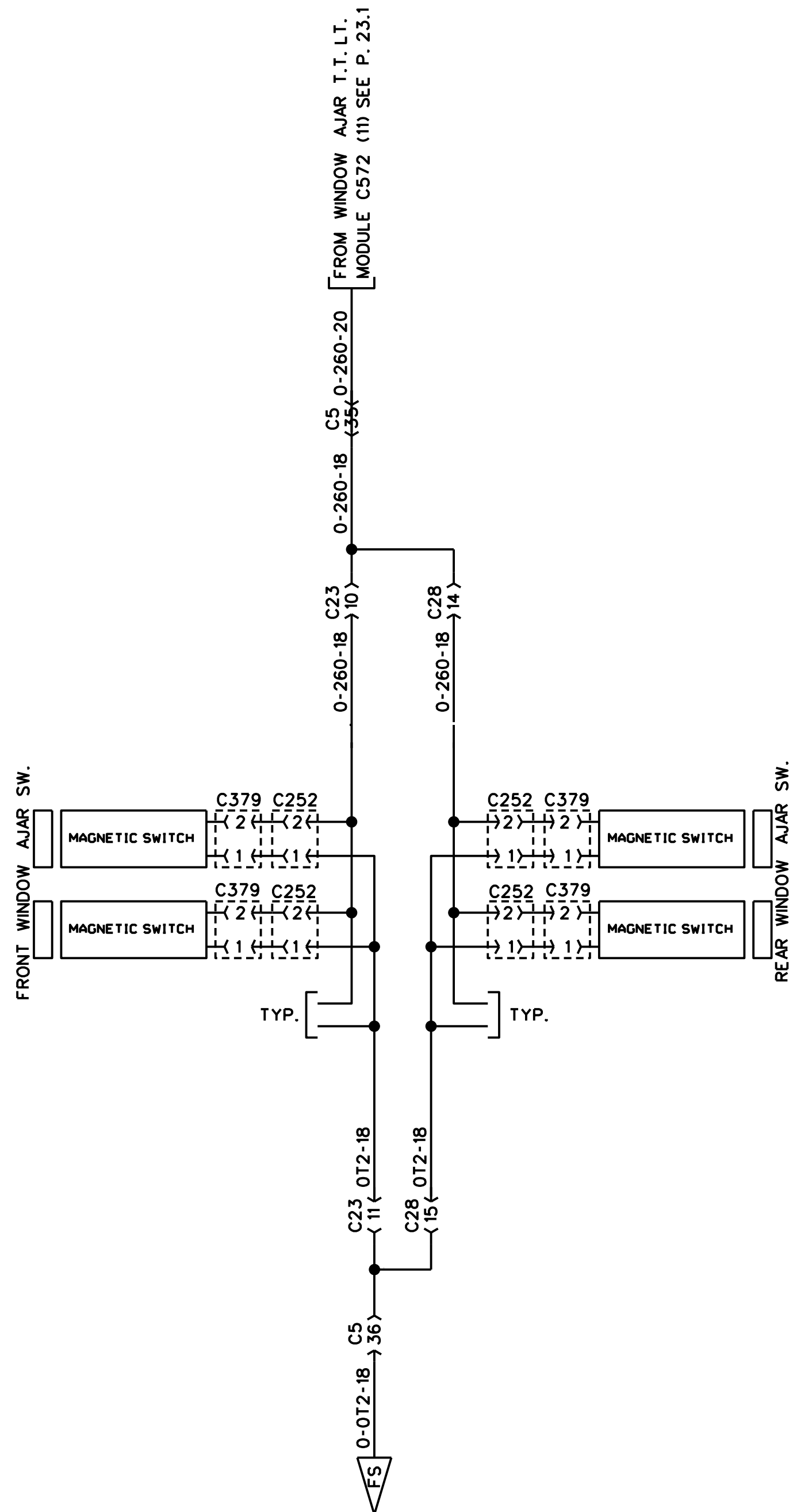
110V PLUG
RR ENGINE DOOR



ENGINE BLOCK HEATER

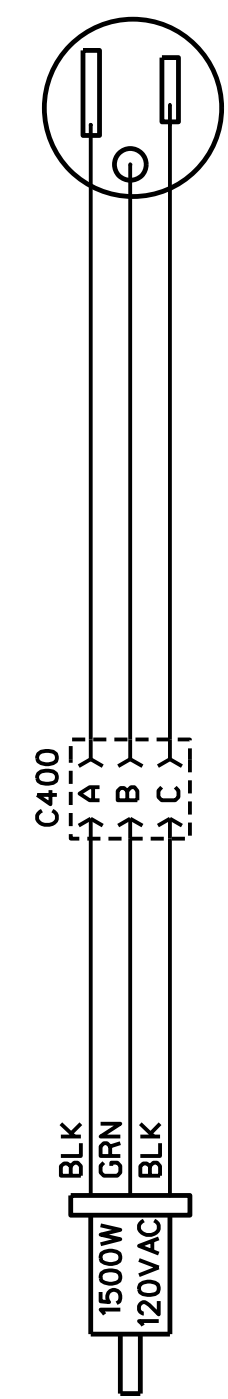


CENTER DOOR
AIR LOCK

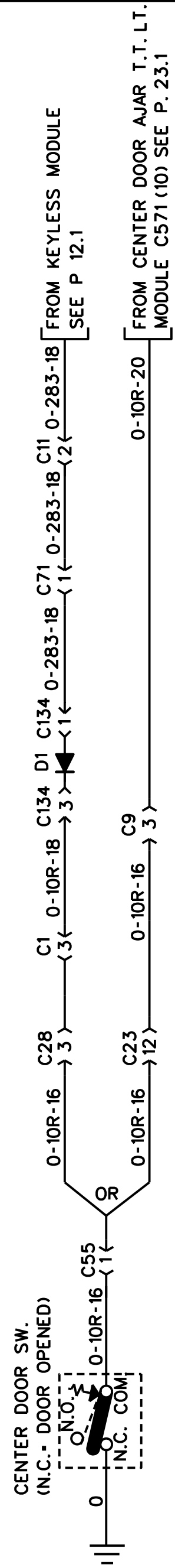


WINDOW AJAR

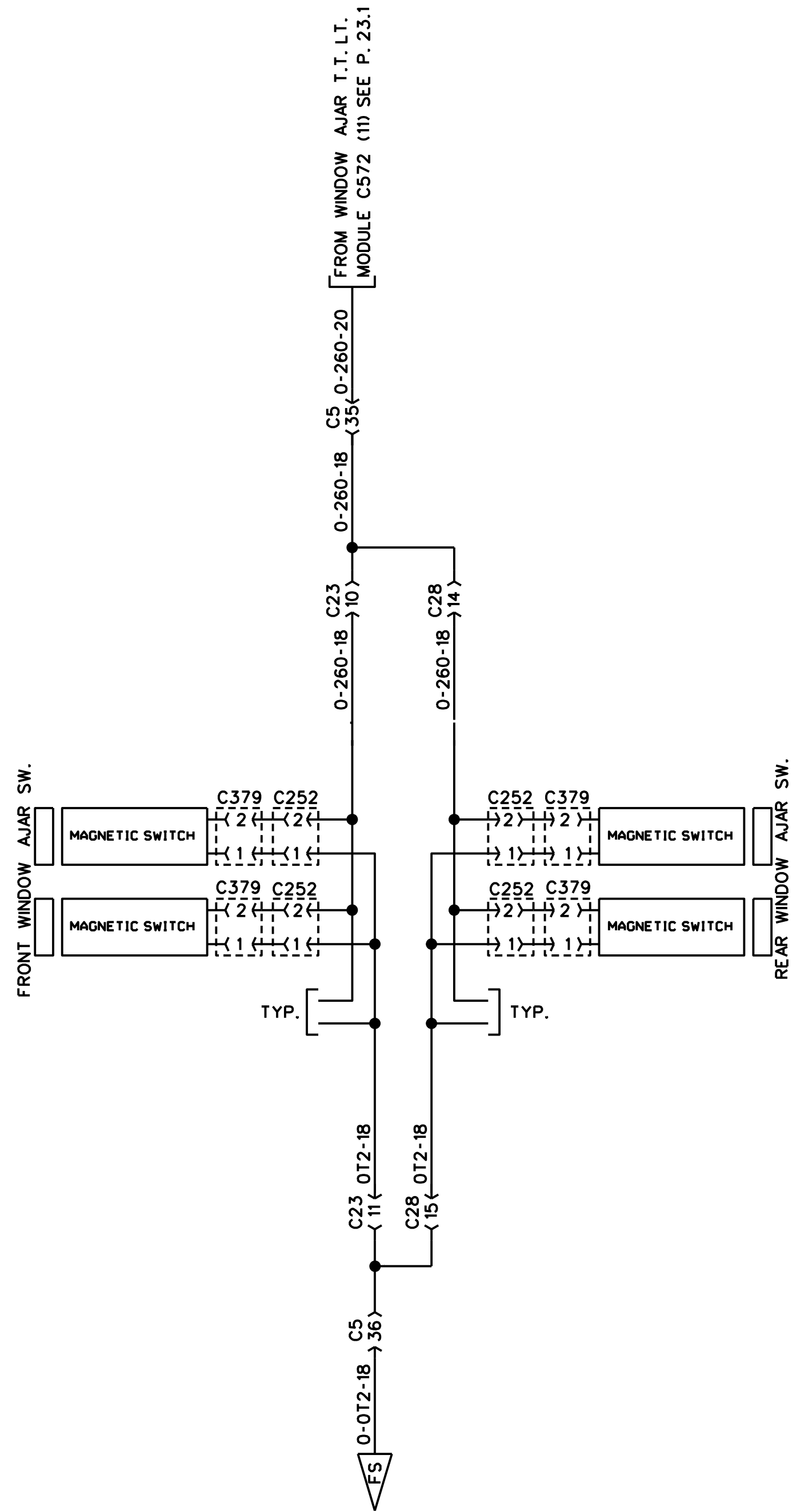
110V PLUG
RR ENGINE DOOR



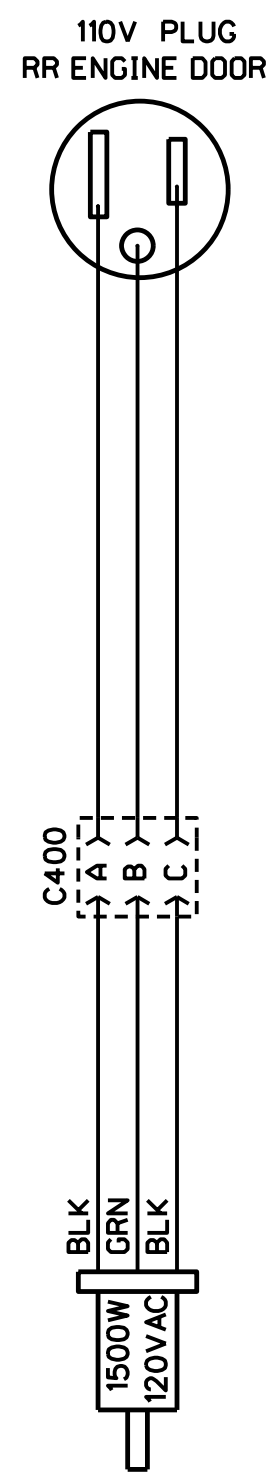
ENGINE BLOCK HEATER



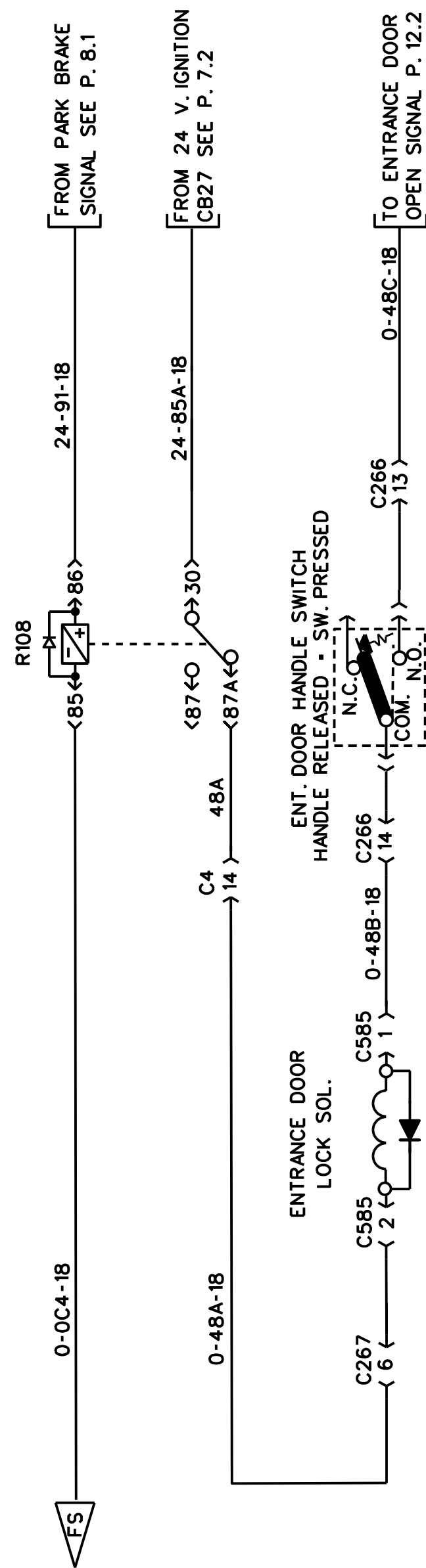
CENTER DOOR
AIR LOCK



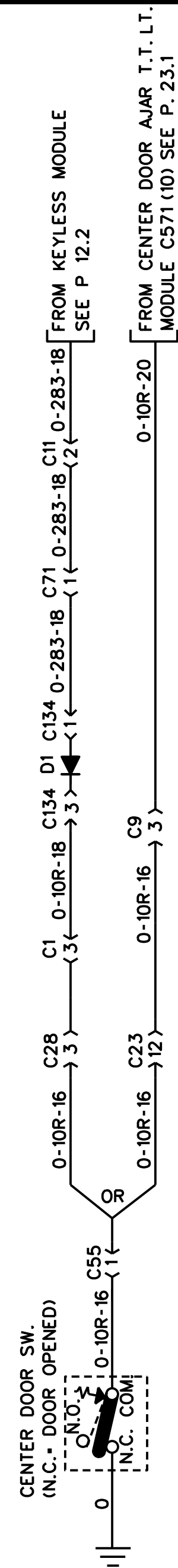
WINDOW AJAR



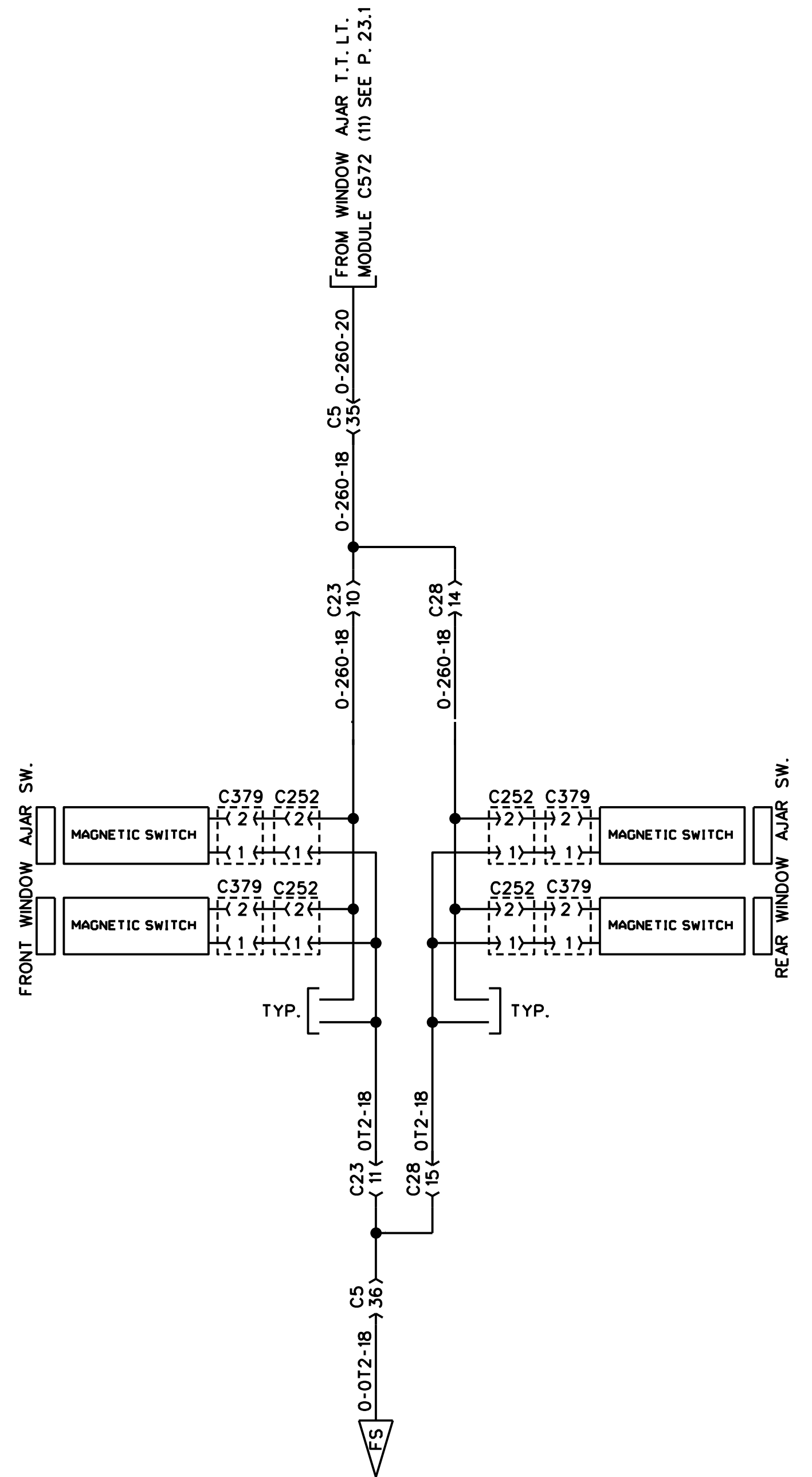
ENGINE BLOCK HEATER



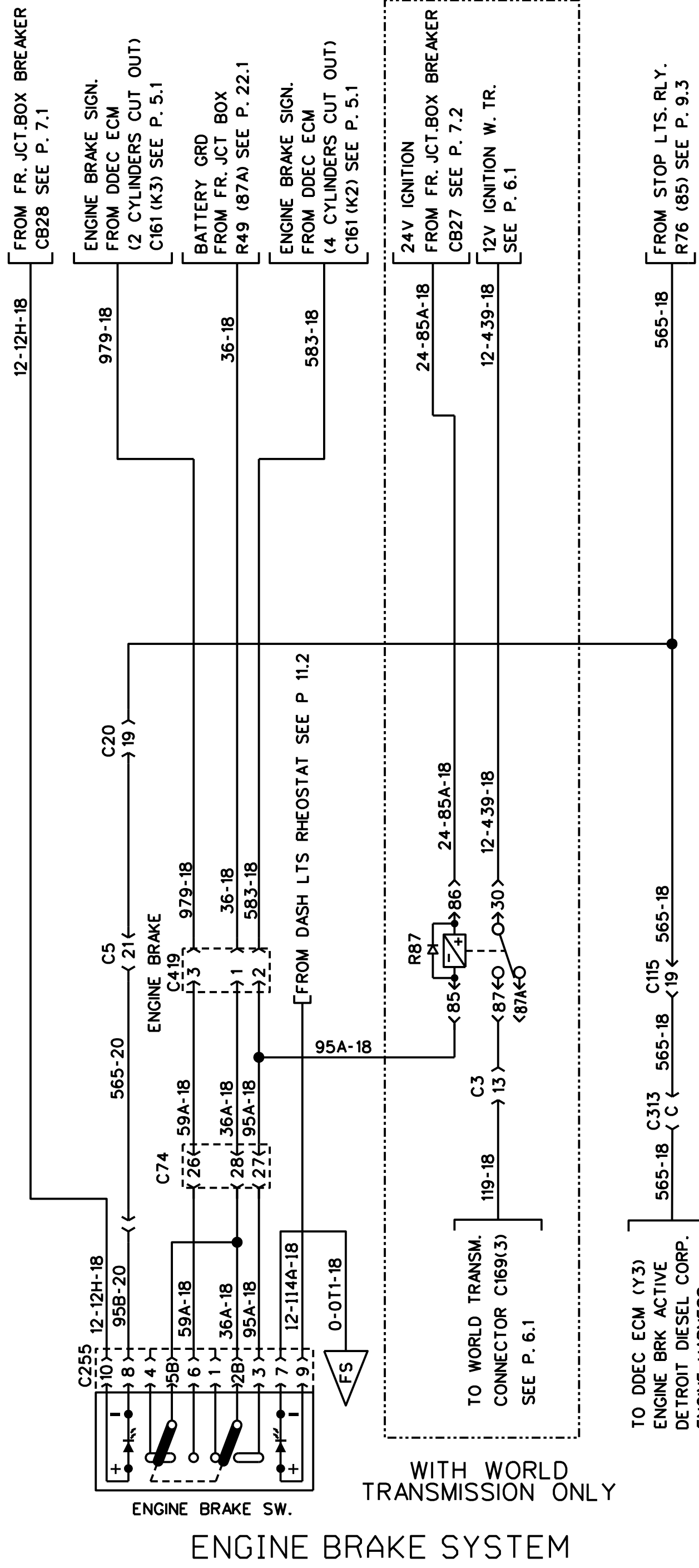
ENTRANCE DOOR AIR LOCK



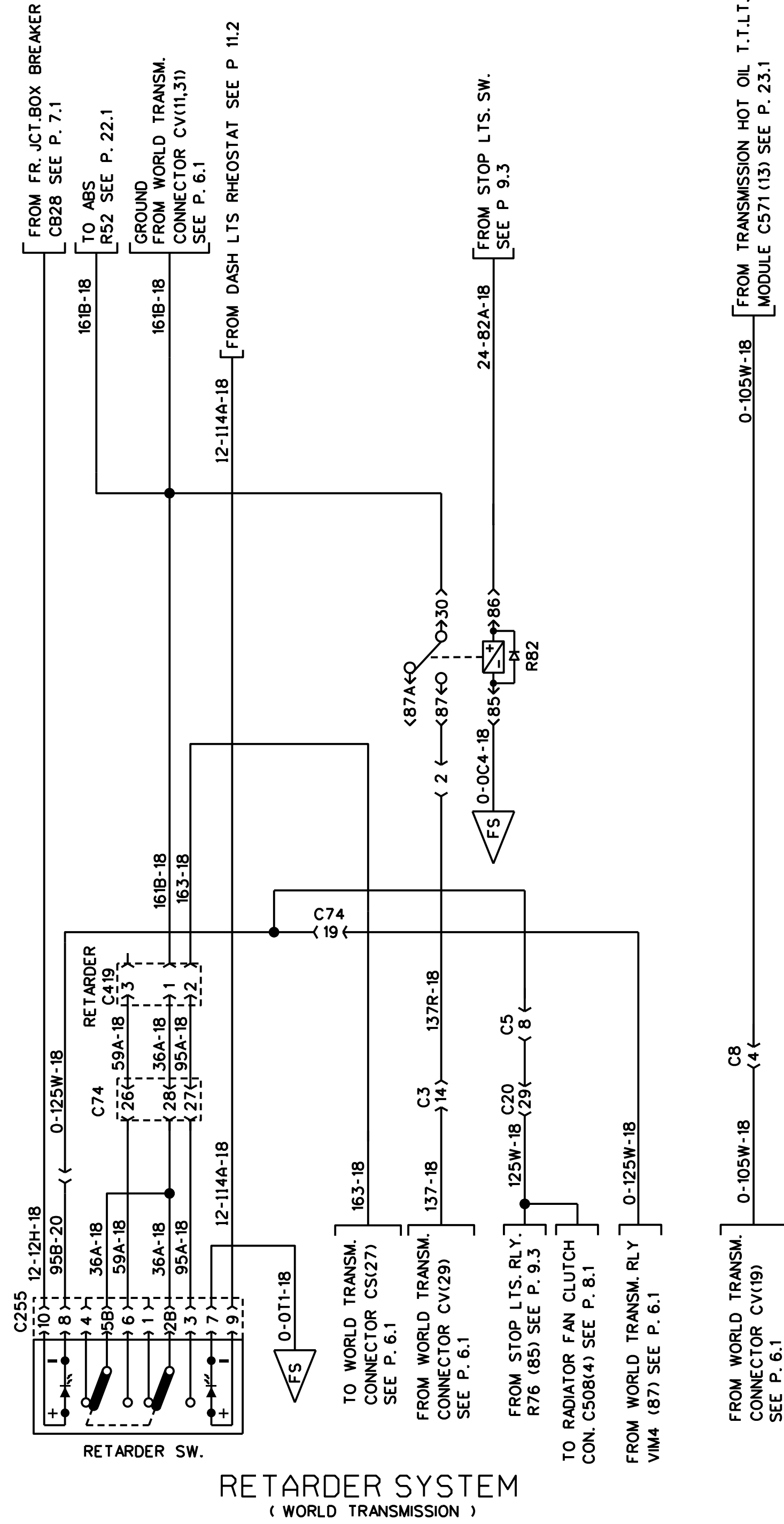
CENTER DOOR AIR LOCK



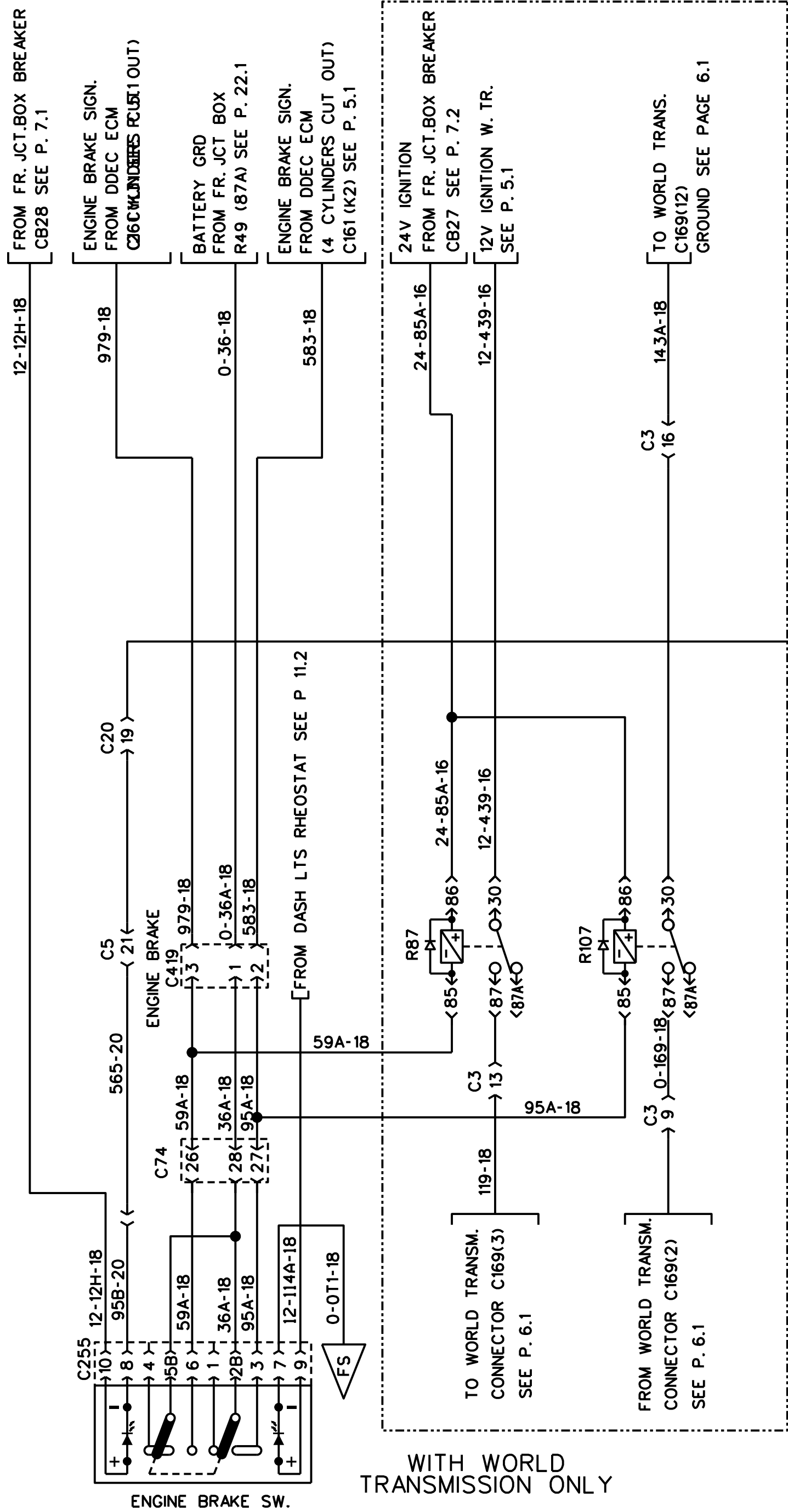
WINDOW AJAR



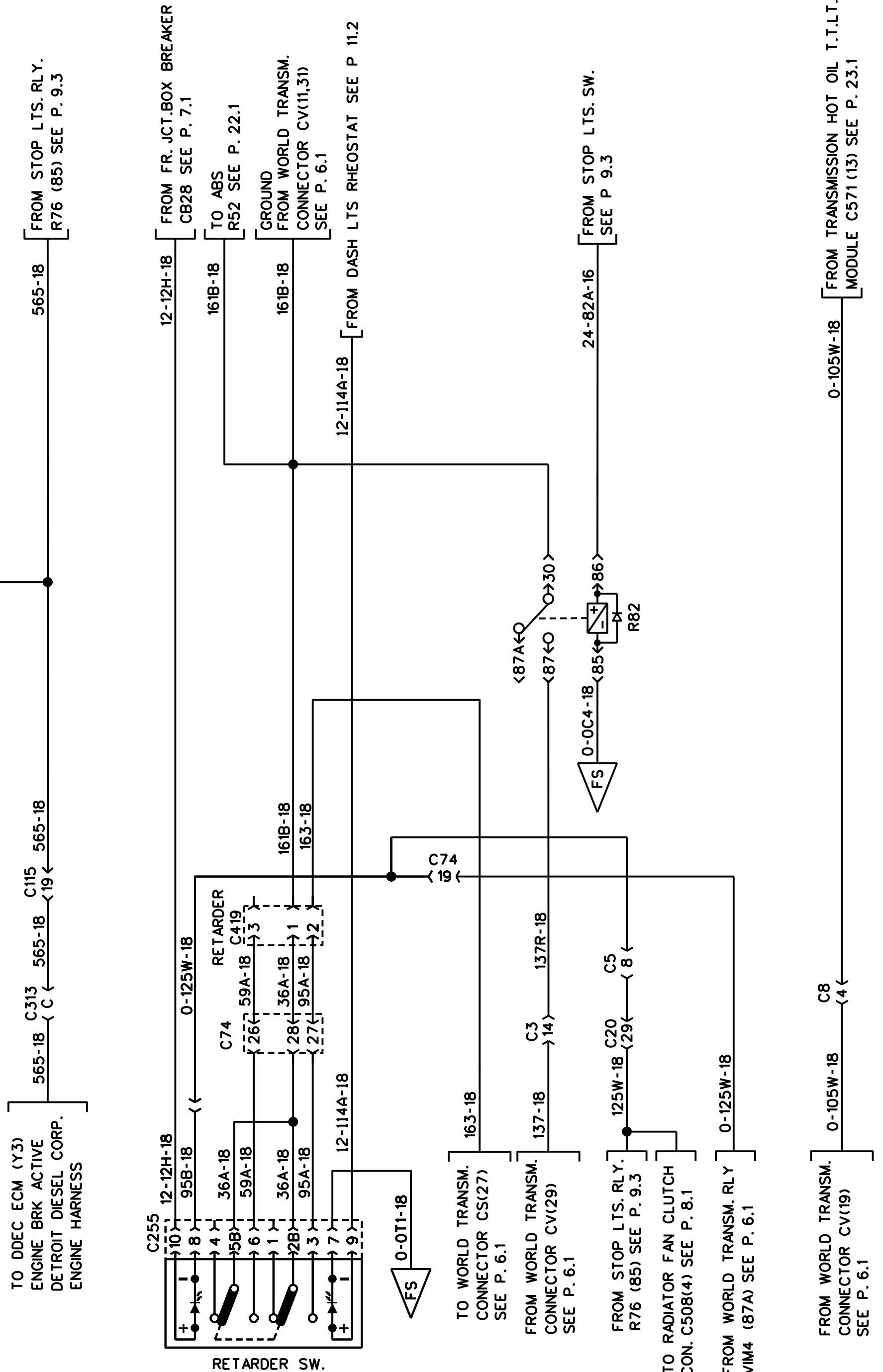
ENGINE BRAKE SYSTEM



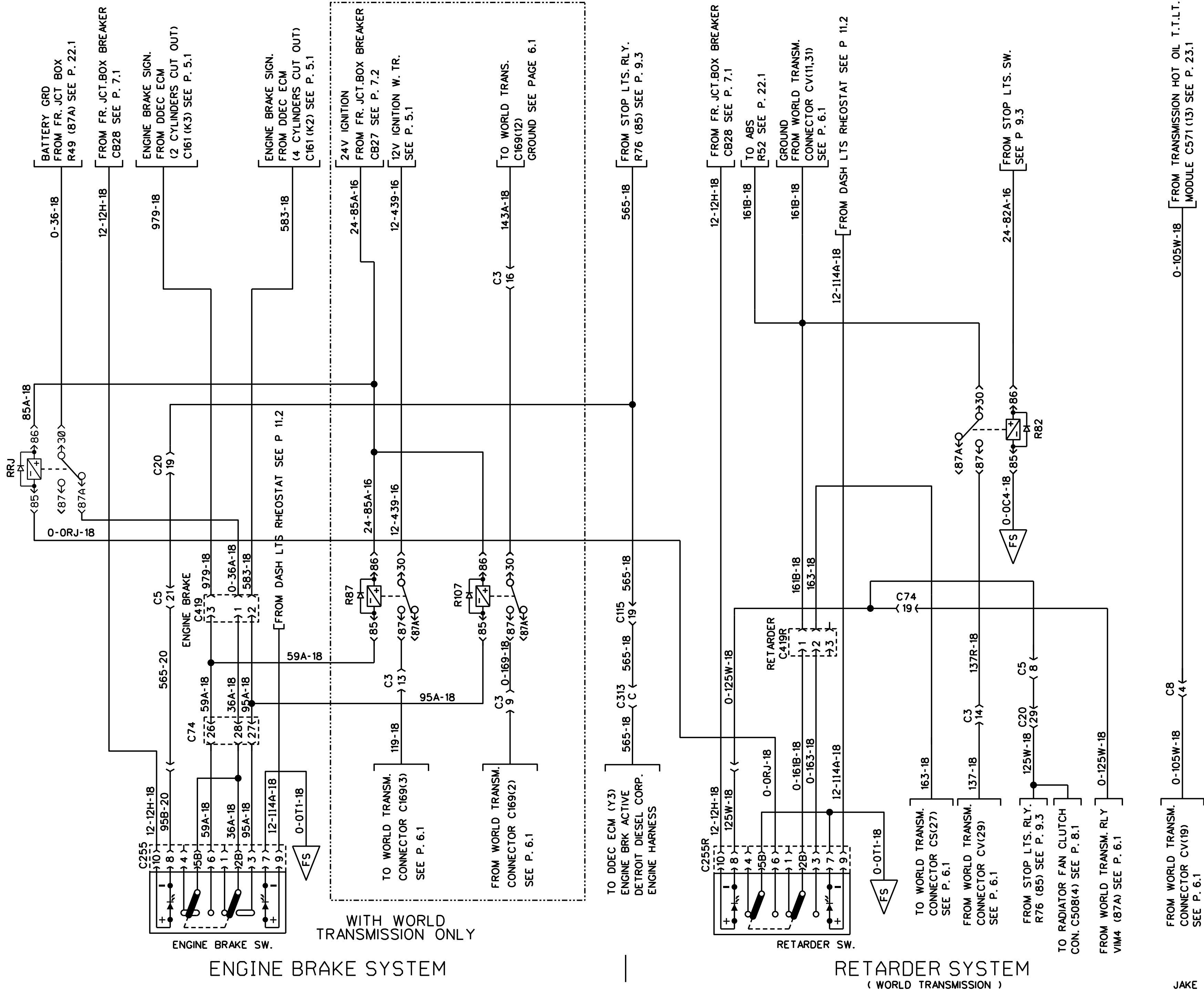
RETARDER SYSTEM (WORLD TRANSMISSION)

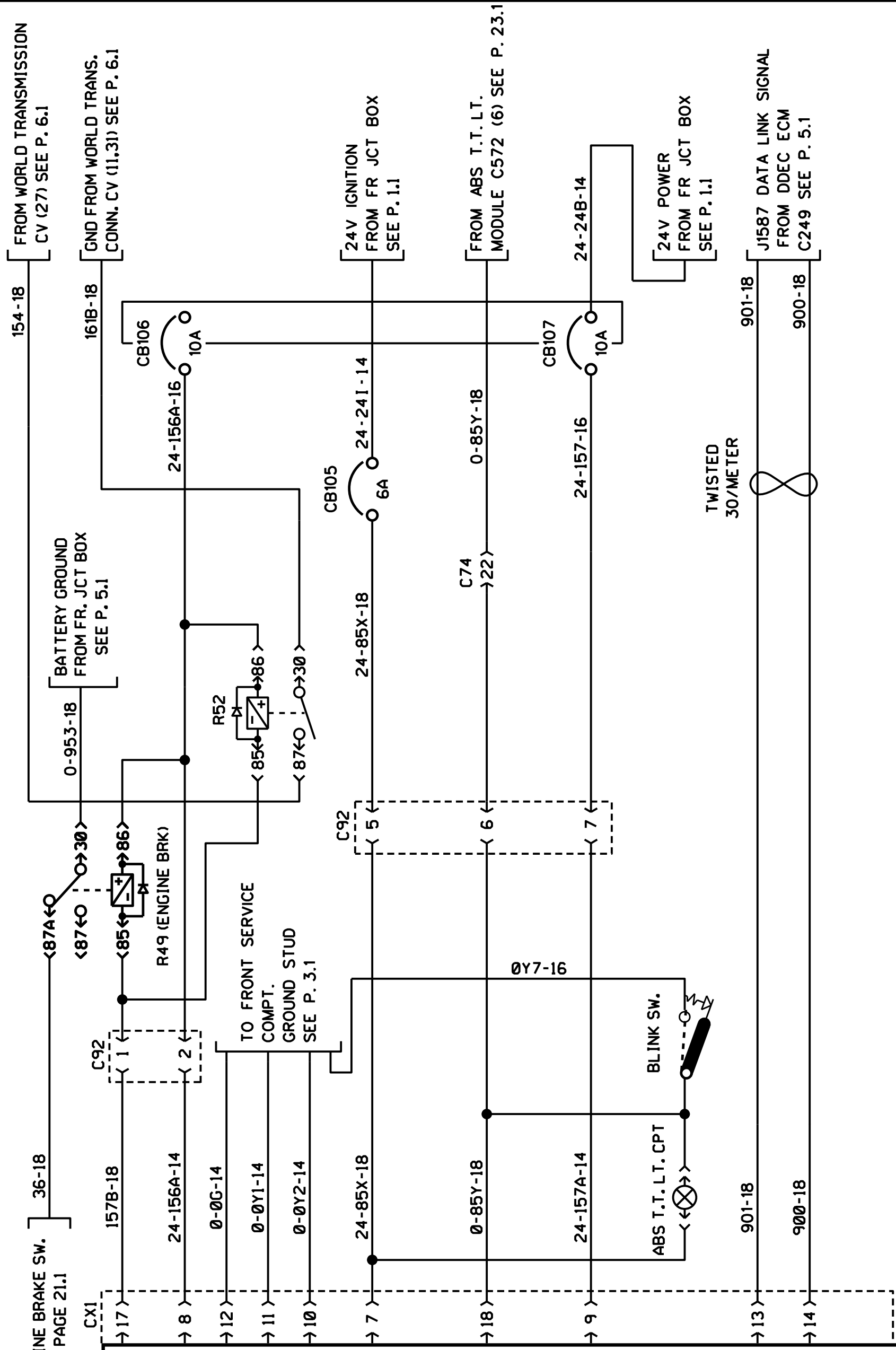


ENGINE BRAKE SYSTEM

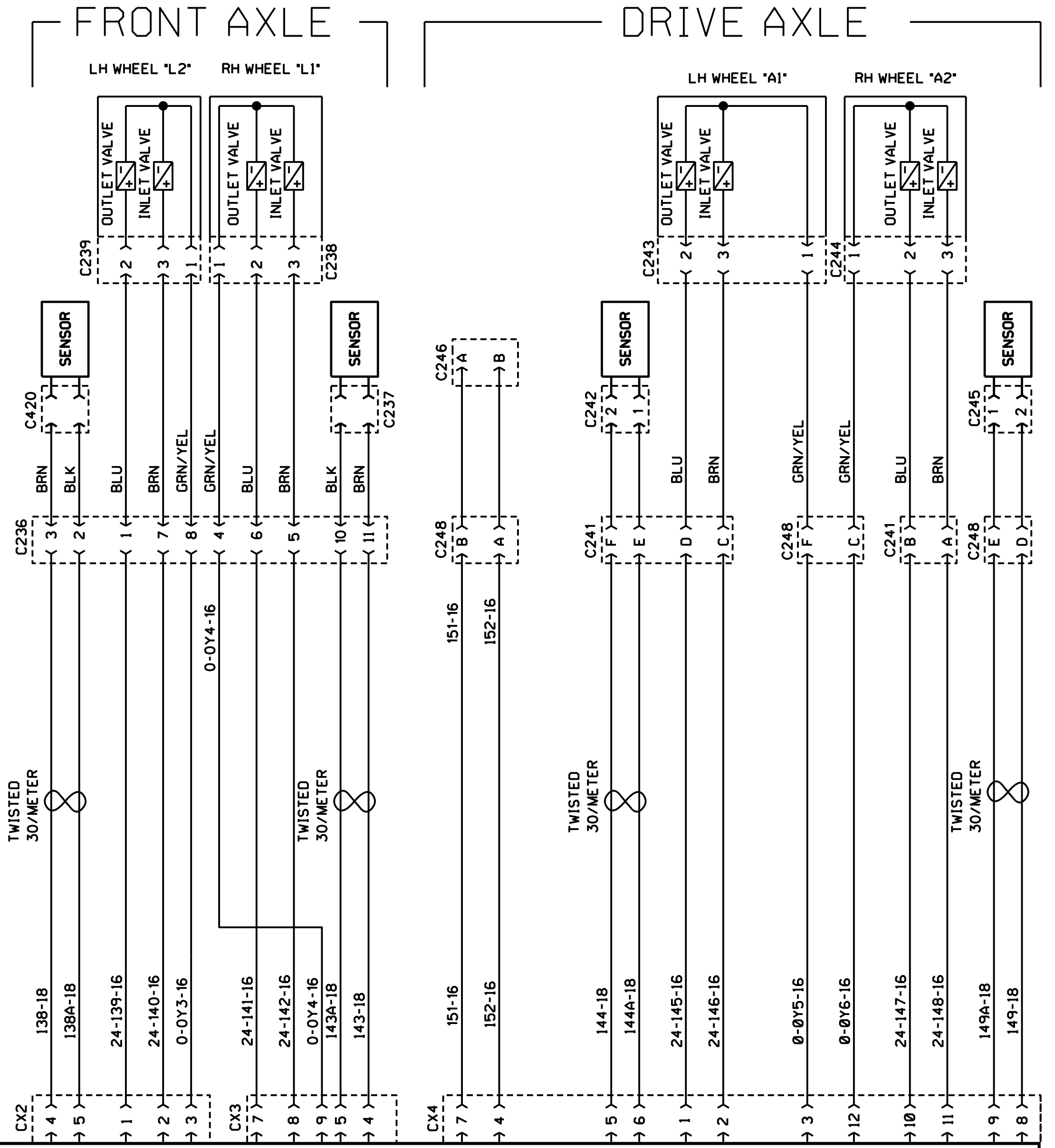


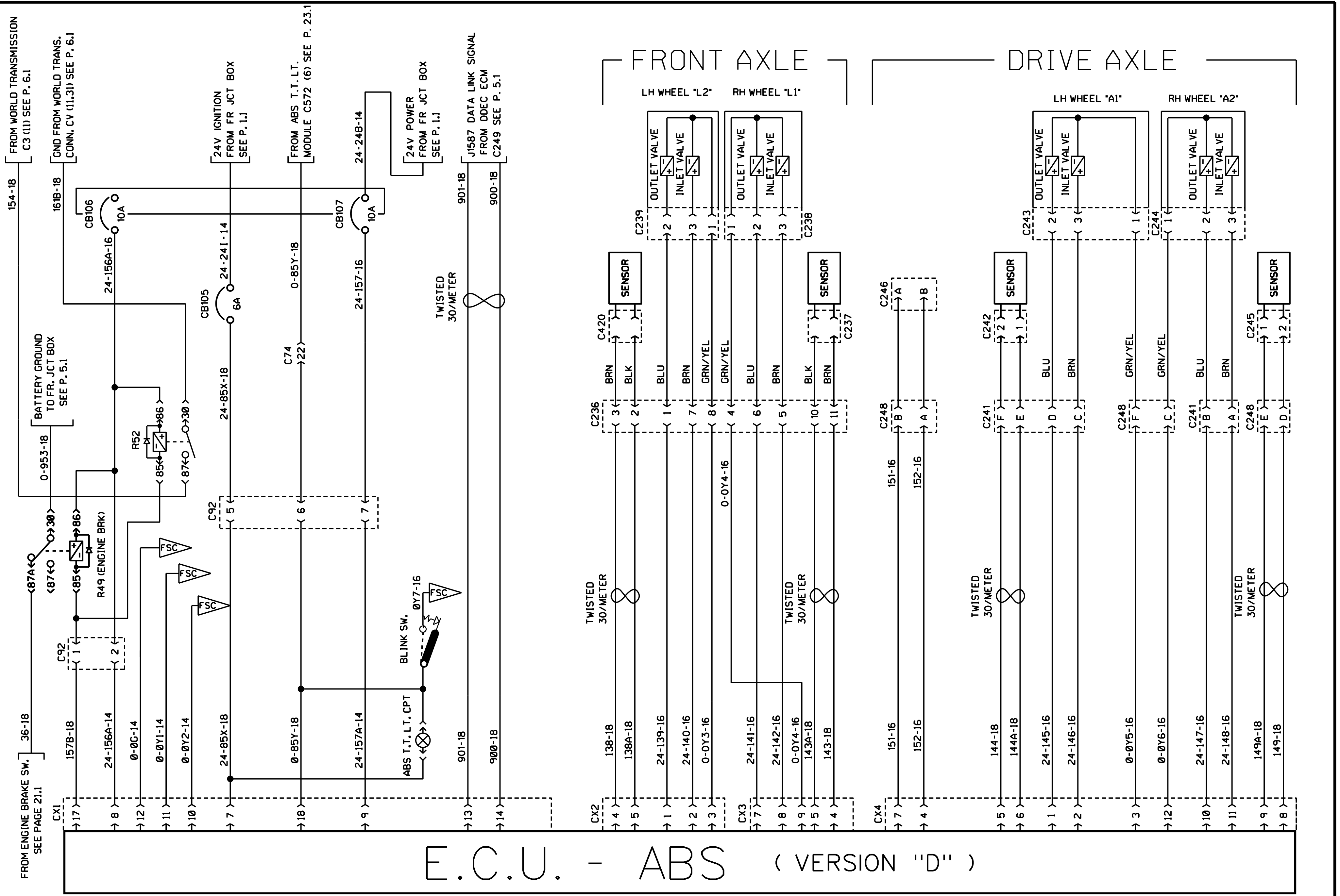
RETARDER SYSTEM
(WORLD TRANSMISSION)

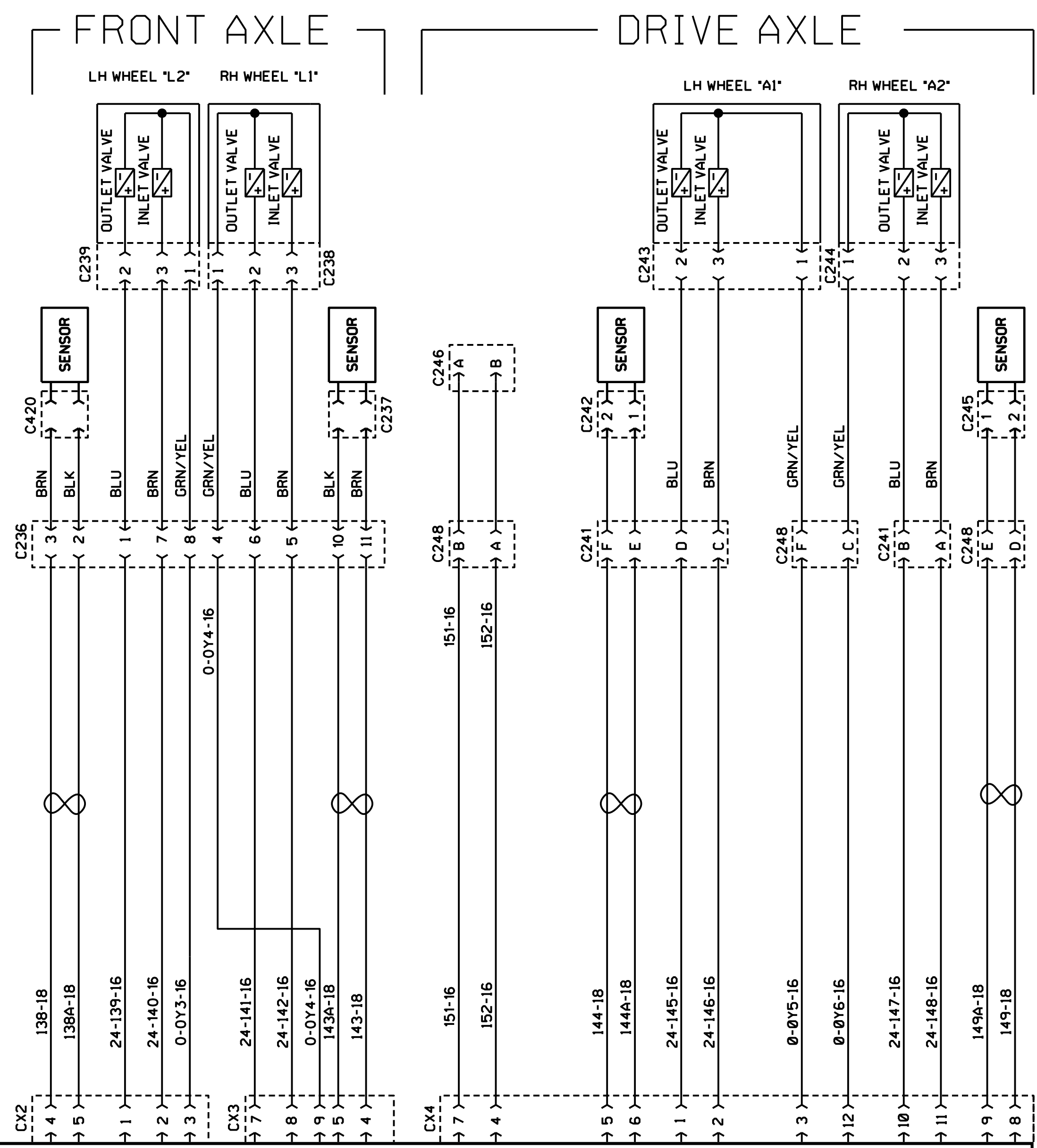
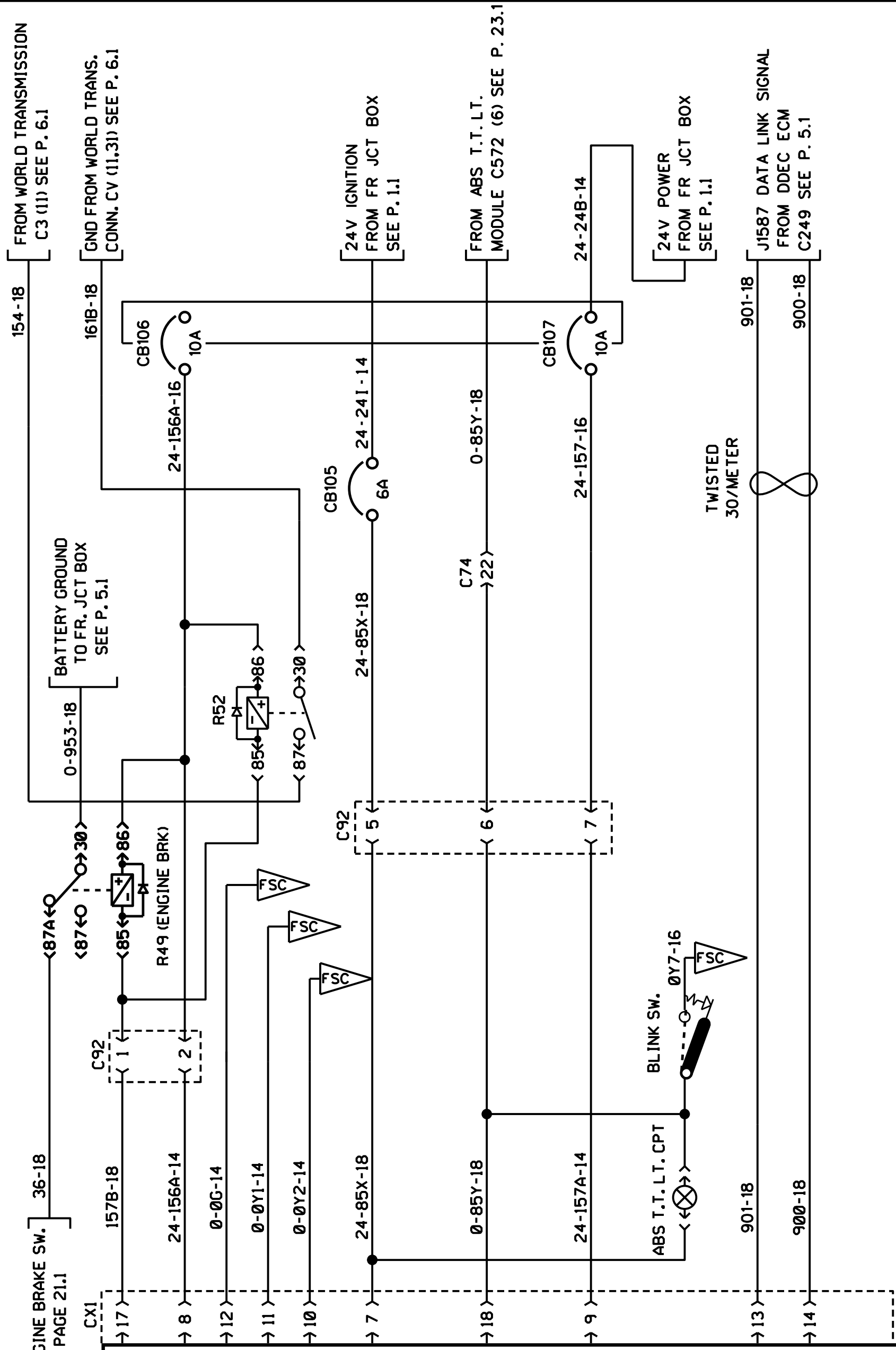




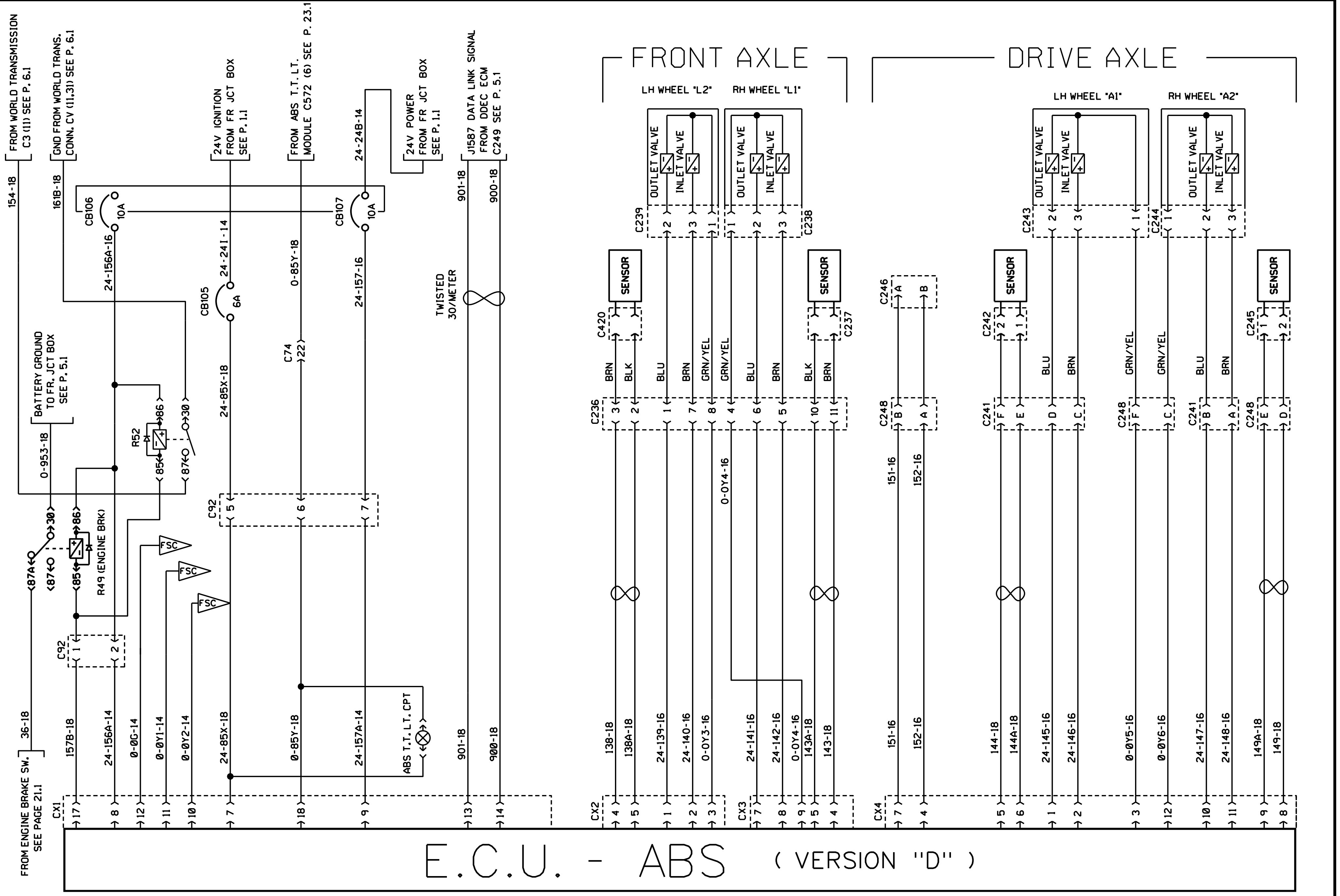
E.C.U. - ABS (VERSION "D")

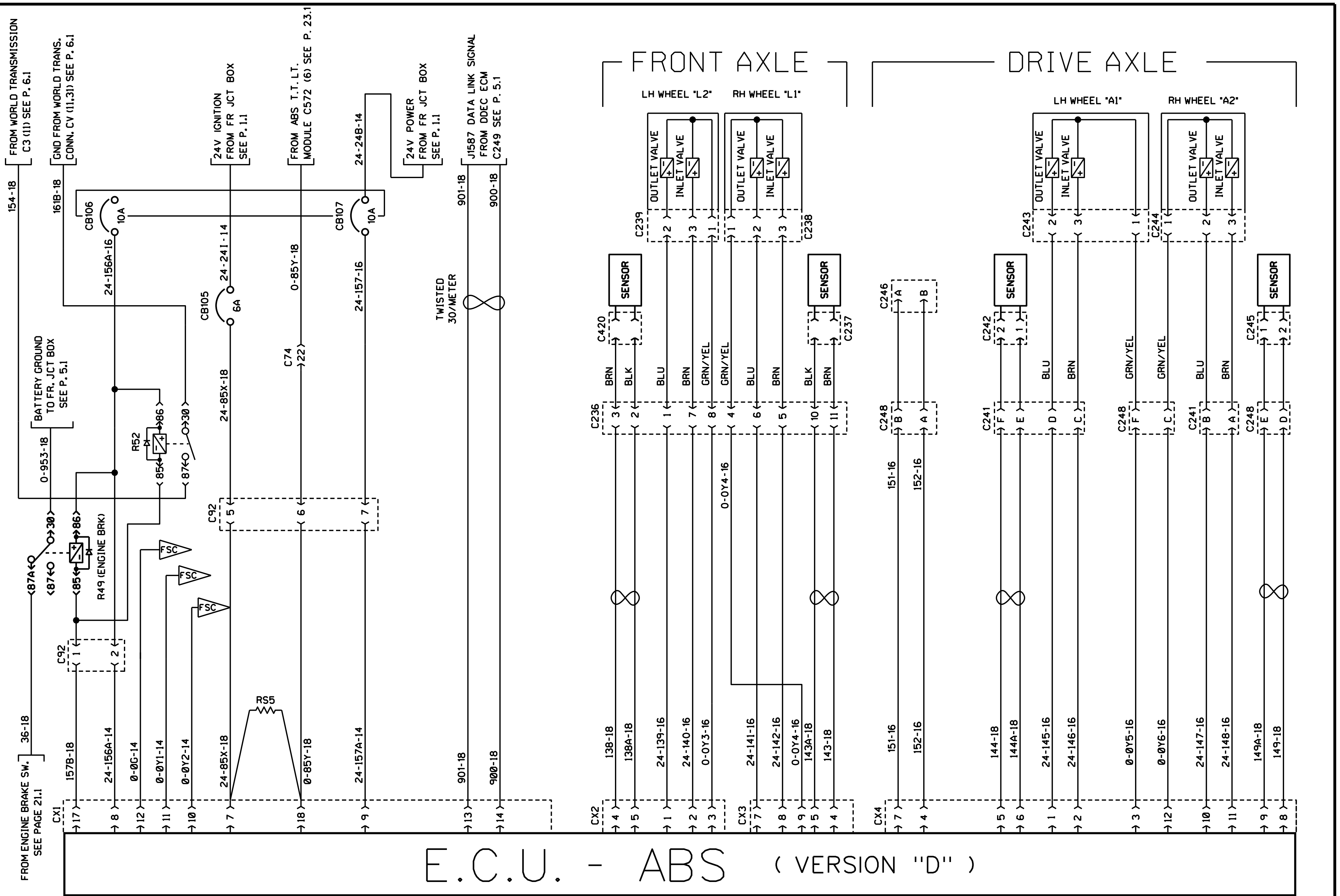


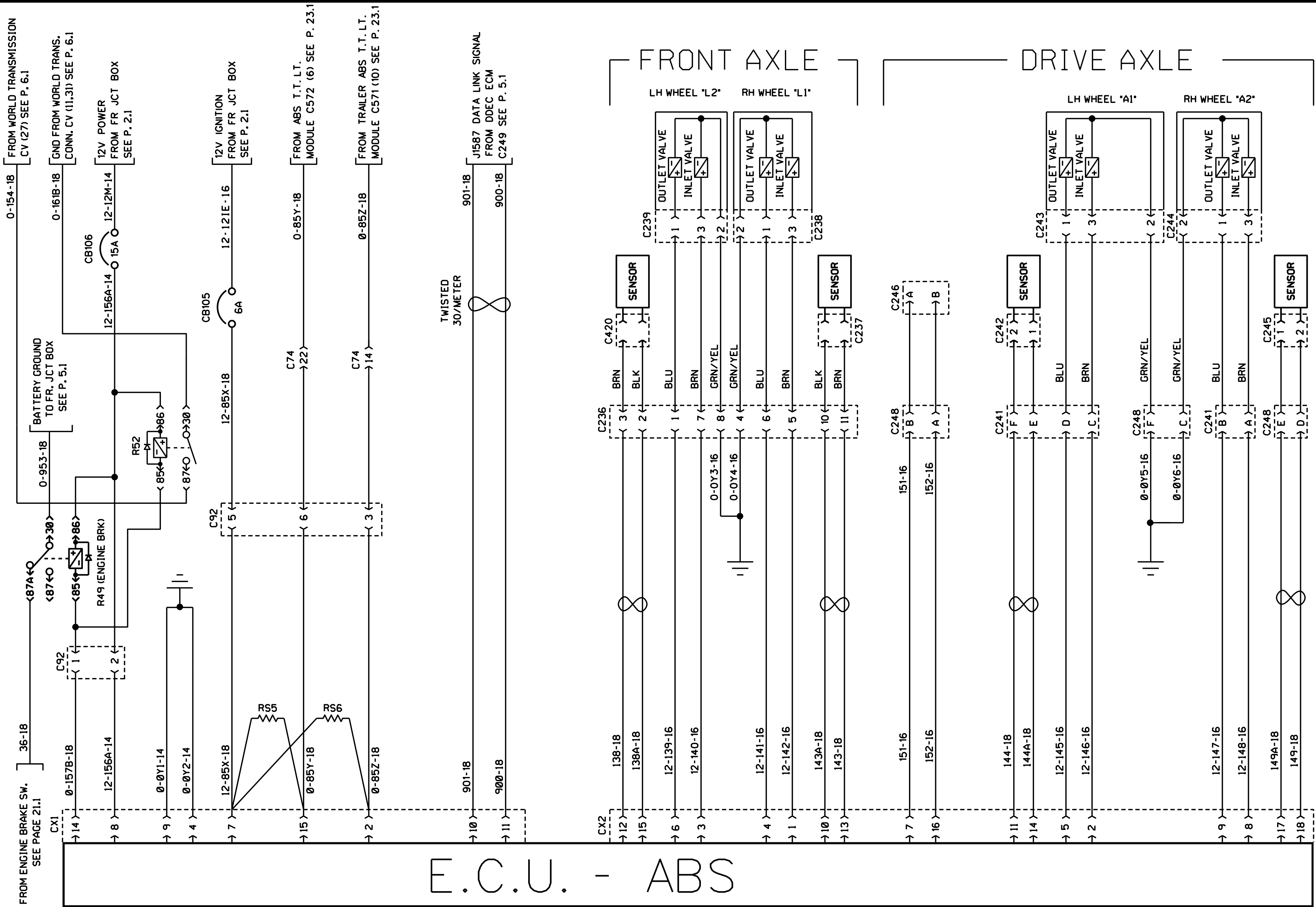


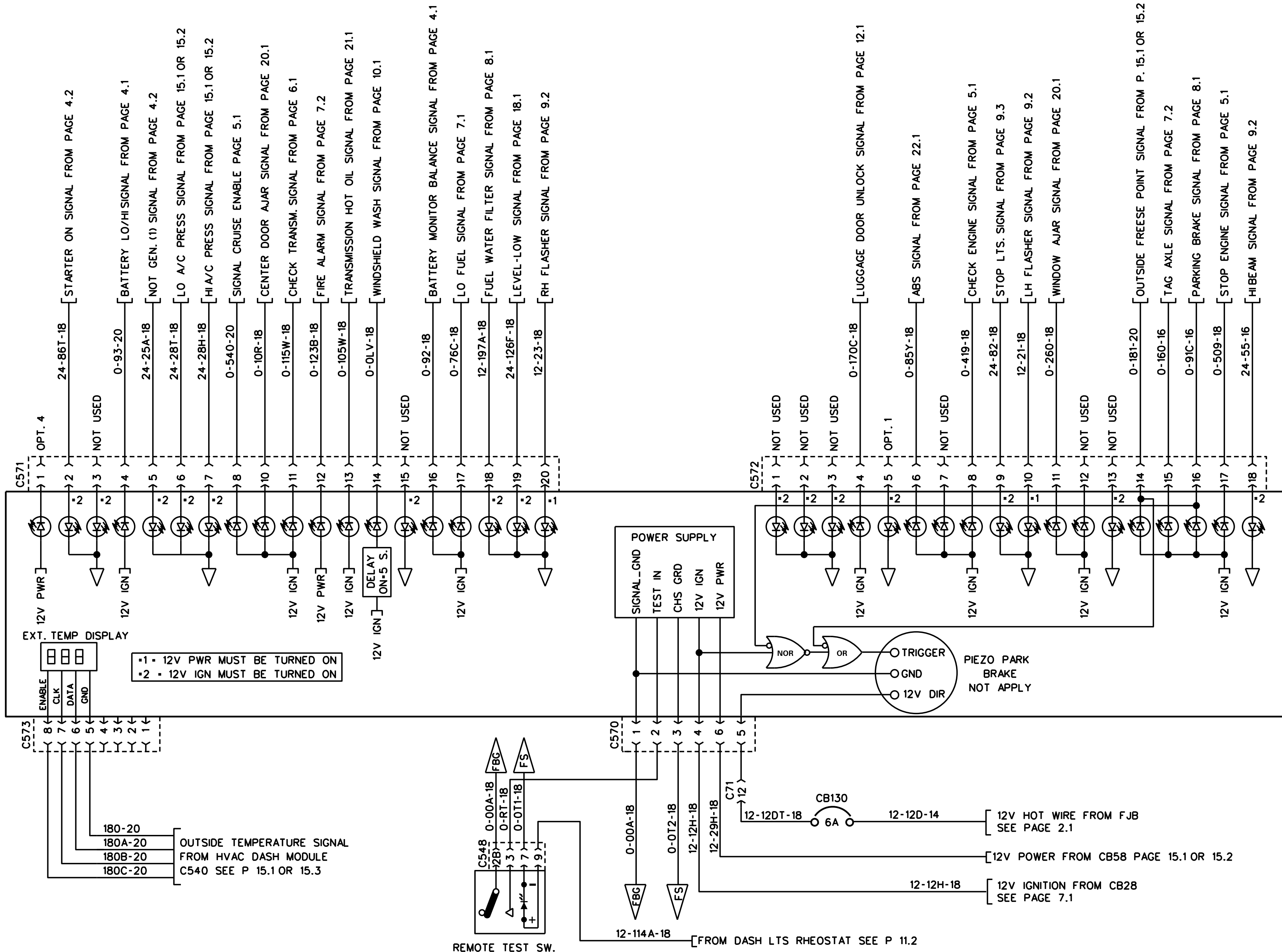


E.C.U. - ABS (VERSION "D")









TELL TALE LIGHTS MODULE

