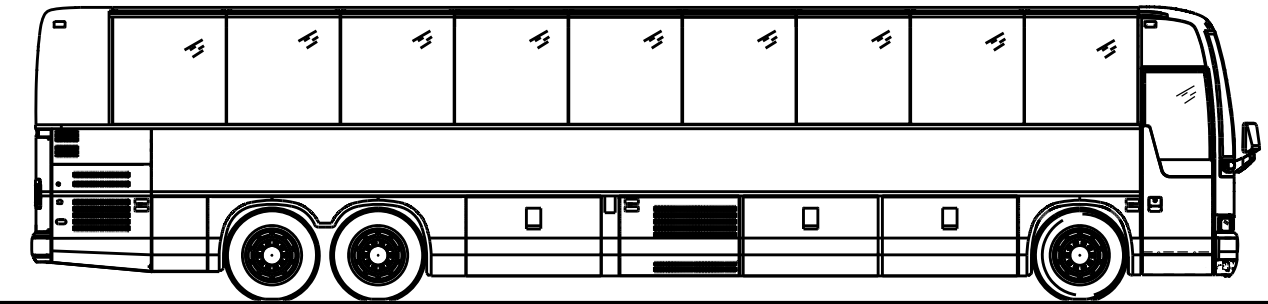


WIRING DIAGRAM

PREVOST

LE MIRAGE BUS XL2 45'



REFERENCE:	STANDARD - MODEL 2000	NO:	D060938
------------	------------------------------	-----	----------------

EFF. W/ OC#	97058	PRIOR TO / OC#		DR.	MARTIN LAFLAMME	DATE:	99-12-15
EFF. W/ VEH.#	Y6951,7031,7047,7117	PRIOR TO / VEH.#		CK.	JEAN RUEL	APPR.	ROLAND LAPOINTE

REV.	DATE	DESCRIPTION	PAGE	BY	CK.	APPR.
01	29/03/00	NEW OPTION DOCKING AND CORNERING ADDED	9.2sp1,9.3sp1,G,I,L,2.1	S.G.	R	R
02	31/03/00	NEW OPTION WATER HEATER PRE-HEAT (PROHEAT) ADDED	14.4	S.G.	R	R
03	17/04/00	NEW FIRE DETECTOR OC*99091 EFF.: Y-7230 WATER PROTECTION FRONT JCT BOX OC*99107 EFF. Y-7265 NEW HVAC DASH CONTROL OC*00016 EFF.: Y-7268 UPDATE	7.2 C1,7.1,15.2 1.1,4.1,4.1SP1,11.5 23.1,28.5	JR	R	R
04	27/04/00	NEW OPTION WHEELCHAIR LIFT SYSTEM ADDED OC*99083 EFF.: Y-7311 PAGES: A, B1, B2, C1, E1, E2, E3, E4, E5, F, G1, G2, G3, G4, G5, G6, H, I, L, 1.1, 3.1, 4.2, 6.1, 7.2, 8.1, 11.1, 11.2, 11.4, 14.1, 14.2, 14.3, 14.4, 14.4SP1, 17.1, 18.1, 26.1, 29.1	← SEE	NH	R	R
05	08/05/00	UPDATE: 12.1, 14.4, 14.4sp1, 14.4sp2, 15.1, 25.1, 27.1, 28.1, 28.2, 28.4	← SEE	S.G.	R	R
06	15/05/00	NEW OPTION TRANS. EATON OC* 00057 EFF. 1-7377 PAGES: A,C1,E2,E4,E5,F,G1,G2,G3,I,J,L,1.1,1.2,2.1,3.1,4.3,5.1,5.2,6.1,6.3,7.1,8.1,9.3,15.2, 17.1,28.5	← SEE	S.D.	R	R
07	06/06/00	NEW OPTION 5-CHANNEL SLIM-LINE SEAT AUDIO SYSTEM EFF. 1-7297	A,C2,28.1,28.6	S.D.	R	R
08	12/06/00	NEW SENSOR HARNESS FOR WTEC TRANSMISSION OC * 00019 EFF: Y-7352 NEW SEALED EXTERIOR ENTRANCE DOOR SWITCH OC * 99144 EFF: Y-7397 NEW OPTION INTERCOM SYSTEM OC * 00096 EFF: Y-7303	C1,4.1,4.3,6.2,6.3, 17.1,24.1 A,E,G,L,2.1,3.2,30.1	J.R. S.G.	R R	R R
09		SEE FOLLOWING PAGE FOR REV 09				

LE MIRAGE BUS XL2 45'

D060938

P.2

REV.	DATE	DESCRIPTION	PAGE	BY	CK.	APPR.
09	01/09/00	OC*00100 EFF.*I-7411 NEW DRIVER'S SPEAKER OC*00106 EFF.*I-7437 NEW VCP REI OC*00064 EFF.*I-7481 NEW FUSE ON BATTERY EQUALIZER MONITOR UPDATE C2,G2,3.1,6.3,14.4SP1,15.3,17.1,22.1,28.6,29.1	C2 C2,G5,28.1,28.3 C1,L,1.2,1.2SP1 ← SEE	S.D.	S.D.	<i>Ø</i>
10	21/09/00	OC*00112 EFF.*I-7437 NEW DVD KARAOKE	E,G,L,28.1,28.3, 28.5,28.7	S.D.	S.D.	<i>Ø</i>
11	02/10/00	UPDATE	5.1	S.G.	S.D.	<i>Ø</i>
12	10/10/00	ISOLATED GROUND OT5 FOR HVAC DASH MODULE OC*00126 EFF: 1-7465	E,3.1,3.2,15.2	E.L.	S.D.	<i>Ø</i>
13	20/11/00	ADD 12 VD IN DDR CONNECTOR OC*2000119 EFF: 1-7525 UPDATE DIGITAL CLOCK	C,F,2.1,5.1,6.1,7.1 13.1	S.D.	S.D.	<i>Ø</i>
14	02/04/01	UPDATE SPEAKER O.C.*2000179 EFF.*1-7671	C1, 28.2	S.G.	S.D.	<i>Ø</i>
15	08/05/01	BLINK CODE SWITCH REMOVED & NEW ABS ECU O.C.*2001009 EFF.*1-7649 LAVATORY DOOR LOCK & LIGHTING O.C.*2000187 EFF.*1-7687 UPDATE PAGE : 1.2, 8.1, 8.1SP1,12.1,15.3,28.4	3.1, 22.1 C1, E, G, 1.1, 2.1 23.1, 26.1, 26.sp1 ← SEE	S.G. S.G. E.L.	S.D. S.D. S.D.	<i>Ø</i> <i>Ø</i> <i>Ø</i>
16	23/05/01	OC*00202 EFF.*I-7681 NEW RICON DOWN	29.1	M.L.	S.D.	<i>Ø</i>
17	06/07/01	UPDATE	26.1, 26.1sp1	S.G.	S.D.	<i>Ø</i>
18	19/07/01	ABS SERVICE LAMP REMOVED AND REPLACED BY RESISTOR O.C.* 2001026 EFF:2-7739	J, 22.1	S.G.	S.D.	<i>Ø</i>
19	24/08/01	NEW WEBASTO 100000 B.T.U. O.C.*2000018 EFF:2-7765 NEW MIRROR CONNECTOR CONXALL O.C.*2001082 EFF:2-7764	1.1, 14.1, 14.4sp2, 23.1 C1, D, E, F, G, I	S.G.	S.D.	<i>Ø</i>
20	06/09/01	UPDATE	14.1	S.G.	S.D.	<i>Ø</i>
21	22/10/01	NEW AIR DRYER O.C. *2000199 EFF. 2-7800 UPDATE	A, C1, G,L,1.1,8.1,8.1sp1 14.4 sp2	S.G.	S.D.	<i>Ø</i>
22	29/10/01	NEW AMPLI REI 3000 O.C. *2001130 EFF. 2-7808	C2,G,28.1,28.3	MLAF	S.D.	<i>Ø</i>

LE MIRAGE BUS XL2 45'

D060938

P.3

REV.	DATE	DESCRIPTION	PAGE	BY	CK.	APPR.
23	01/11/14	THROTTLE INHIBIT W/ WCL O.C.*2001116 EFF. 2-7824 UPDATE	C1,5.1,6.1,29.1,29.1SP1 I, 7.1, 17.1SP1, 18.1		S.D.	<i>R</i>
24	01/12/13	NEW SYSTEM ABS 12 VOLTS O.C.*2001163 EFF: 2-7833	C, E, F, G, I, J, 1.1 2.1, 22.1, 23.1	S.G.	E.L.	<i>R</i>
25	02/01/08	CYCLOP LTS NEW FEEDING O.C.*2001181 EFF: 2-7843	C, 9.3	MLAF	S.D.	<i>R</i>
26	02/03/18	DIODE D55 ADDED NEAR R109 W.C.L. SYSTEMS OPTION O.C.*2001116 EFF: 2-7824 INVERTER 110 VOLTS - O.C.*2001028 EFF: 2-7895 CYCLOP LTS UPDATE PAGES CANCEL PAGE	E,H, 29.1, 29.1SP1 C1,G,15.3 27.1 I, 9.3, 9.3 SP1 9.3SP2	E.L. E.L. MLAF E.L.	E.L.	<i>R</i>
27	02/07/03	UPDATE PAGE 10.1, DISCARD REV. 00 (MOV HAS NEVER BE USED) DASH PANEL- ENTRANCE DOOR SWITCHES - O.C.*2000186 EFF: 3-7927 PARKING BRAKE PRESSURE SWITCH FOR TTLT MODULE- O.C.*2002079 EFF: 3-7958 BACK TO WABCO ELECTRICAL AIR DRYER - O.C.*2002057 EFF: 3-7993 LAVATORY SECOND PUSH BUTTON ADDED - O.C.*2000141 EFF: 3-8021 PAGES UPDATED _____	10.1 J, 24.1 8.1, 8.1SP1 E,G,L,8.1 C1,E,G,26.1, 26.1SP1,26.1SP2 25.1,29.1,29.1SP1	E.L.	E.L.	<i>R</i>
28	02/07/19	WORLD TRANSMISSION SHROUDED CONNECTORS - O.C.*2002049 EFF: 3-7985 UPDATE	C1 7.1	E.L.	S.D.	<i>R</i>
29	02/10/11	NEW LAVATORY TIMER FLUSH PUMP - O.C.*2002112 EFF: 3-8058	C1, E, I, J, 26.1	MLAF	E.L.	<i>R</i>
30	02/10/18	KNEELING ALARM RELOCATED INTO HORN BOX - O.C.*2002041 EFF: 3-8078 CHANGE PARKING BRAKE PRESSURE SWITCH - O.C.*2002079 EFF: 3-8078 NEW TWO SPEED EVAPORATOR MOTOR - O.C.*2002050 EFF: 3-8102	G,18.1 C1, 8.1, 8.1SP1	E.L. E.L. E.L.	E.L. E.L. E.L.	<i>R</i> <i>R</i> <i>R</i>
31	02/11/05	NEW DRIVER'S L.H. REC. DAMPER GAZ CYLINDER - O.C.*2002086 EFF: 3-8109	E,F, G, I, 1.1, 15.2	MLAF	S.D.	<i>R</i>
32	02/12/04	BIGGER VANNER/BATTERIE CABLES - O.C.*2002114 EFF: 3-8147 NEW UPPER DEFROST FAN - O.C.*2002060 EFF: 3-8131	B1,B2,1.2 C1,J,1.1,4.2,15.4	S.D. S.D.	S.D. S.D.	<i>R</i> <i>R</i>
33	03/01/07	NEW STARTER MELCO - O.C.*2002053 EFF: 3-8129	4.2, 4.2SP1	S.G.		

WIRING DIAGRAM INDEX

A A/C & VENTILATION PARCEL RACK Page: 15.1 A/C & HEAT – VENTILATION Page: 15.2 AIR DRYER Page: 8.1 ALARM & SIGNAL Page: 7.2 ABS Page: 22.1 ARRANGEMENT - CABLE Page: B ARRANGEMENT - HARNESS Page: C ARRANGEMENT - SPARE WIRE Page: D	DDEC IV Page: 5.1 DIGITAL CLOCK Page: 13.1 DISCONNECT SWITCH 12V, 24V Page: 1.1 DISTRIBUTION 24 VOLTS Page: 1.1 DISTRIBUTION 12 VOLTS Page: 2.1 DRIVER'S SEAT (WIRING ONLY) Page: 13.1	L LAVATORY Page: 26.1 LOW BUOY Page: 18.1 LUGGAGE DOOR LOCK Page: 12.1 M MIRROR-REAR VIEW Page: 16 P PARKING BRAKE SWITCH & ALARM Page: 8.1 POWER 12V OUTLET Page: 13.1 R RETARDER - WORLD TRANSM. Page: 21.1 S SOUND SYSTEM Page: 28.1 SPEED SIGNAL Page: 17.1 SPEEDOMETER Page: 7.1 STARTER Page: 4.2 STEERING CONTROL Page: 17.1 STEP LIGHTS Page: 24.1 SUN VISOR Page: 19.1	E ENGINE BLOCK HEATER Page: 20.1 ENGINE BRAKE SYSTEM Page: 21.1 ENGINE CONTROL Page: 4.1 ENTRANCE DOOR (SEDAN) Page: 24.1 ETHER COLD START Page: 8.1 EXTERIOR LIGHTING Page: 9
B BACK-UP ALARM Page: 9.3 BACK-UP CAMERA Page: 25.1 BATTERY Page: 1.2	F FAN-CLUTCH RADIATOR Page: 8.1 FAST IDLE - DDEC Page: 5.1 FIRE DETECTOR Page: 7.2 FRONT DESTINATION SIGN Page: 25.1 FUEL WATER FILTER Page: 8.1 FUEL PRIME PUMP Page: 19.1	T TACHOMETER Page: 7.1 TRANSMISSION – WTEC 3 Page: 6.1 TELL TALE LIGHT MODULES Page: 23.1 TV TUNER Page: 28.3 V VIDEO SYSTEM Page: 28.3 W WATER HEATER PRE-HEAT Page: 14.1 WATER TANK HEATER Page: 20.1 WINDOW AJAR Page: 20.1 WINDOW LIFTER Page: 19.1 WIPER & WASHER Page: 10.1 WIRELESS MICROPHONE Page: 28.5 WHEELCHAIR LIFT Page: 29.1	C CAMERA SCENIC VIEW Page: 28.4 CHARGING SYSTEM Page: 4.2 CIGAR LIGHTER & 12V OUTLET Page: 13.1 CLUSTER Page: 7.1 CODE - CIRCUIT NUMBER Page: E CODE - CIRCUIT BREAKER Page: F CODE - CONNECTOR Page: G CODE - DIODE Page: H CODE - FUSE Page: L CODE - RELAY Page: I CODE - RESISTOR Page: J CODE – TRUTH TABLE Page: M CODE - WIRING KEY Page: K CRUISE CONTROL - DDEC Page: 5.1
D DASH INSTRUMENT Page: 7.1	G GROUND SYSTEM Page: 7.2 GALLEY Page: 27.1 H HORN Page: 7.2 HI-BUOY Page: 18.1 HOTESS CHIME Page: 11.4 I INTERIOR LIGHTING Page: 11 K KNEELING SYSTEM Page: 18.1		

WIRING DIAGRAM INDEX

WIRING DIAGRAM INDEX

A A/C & VENTILATION PARCEL RACK Page: 15.1 A/C & HEAT – VENTILATION Page: 15.2 AIR DRYER Page: 8.1 ALARM & SIGNAL Page: 7.2 ABS Page: 22.1 ARRANGEMENT - CABLE Page: B ARRANGEMENT - HARNESS Page: C ARRANGEMENT - SPARE WIRE Page: D	DDEC IV Page: 5.1 DIGITAL CLOCK Page: 13.1 DISCONNECT SWITCH 12V, 24V Page: 1.1 DISTRIBUTION 24 VOLTS Page: 1.1 DISTRIBUTION 12 VOLTS Page: 2.1 DRIVER'S SEAT (WIRING ONLY) Page: 13.1	L LAVATORY Page: 26.1 LOW BUOY Page: 18.1 LUGGAGE DOOR LOCK Page: 12.1 M MIRROR-REAR VIEW Page: 16 P PARKING BRAKE SWITCH & ALARM Page: 8.1 POWER 12V OUTLET Page: 13.1 R RETARDER - WORLD TRANSM. Page: 21.1 S SOUND SYSTEM Page: 28.1 SPEED SIGNAL Page: 17.1 SPEEDOMETER Page: 7.1 STARTER Page: 4.2 STEERING CONTROL Page: 17.1 STEP LIGHTS Page: 24.1 SUN VISOR Page: 19.1	E ENGINE BLOCK HEATER Page: 20.1 ENGINE BRAKE SYSTEM Page: 21.1 ENGINE CONTROL Page: 4.1 ENTRANCE DOOR (SEDAN) Page: 24.1 ETHER COLD START Page: 8.1 EXTERIOR LIGHTING Page: 9	T TACHOMETER Page: 7.1 TRANSMISSION – WTEC 3 Page: 6.1 TELL TALE LIGHT MODULES Page: 23.1 TV TUNER Page: 28.3 V VIDEO SYSTEM Page: 28.3 W WATER HEATER PRE-HEAT Page: 14.1 WATER TANK HEATER Page: 20.1 WINDOW AJAR Page: 20.1 WINDOW LIFTER Page: 19.1 WIPER & WASHER Page: 10.1 WIRELESS MICROPHONE Page: 28.5 WHEELCHAIR LIFT Page: 29.1	
B BACK-UP ALARM Page: 9.3 BACK-UP CAMERA Page: 25.1 BATTERY Page: 1.2 BATTERY CHARGER Page: 11.5	F FAN-CLUTCH RADIATOR Page: 8.1 FAST IDLE - DDEC Page: 5.1 FIRE DETECTOR Page: 7.2 FRONT DESTINATION SIGN Page: 25.1 FUEL WATER FILTER Page: 8.1 FUEL PRIME PUMP Page: 19.1	G GROUND SYSTEM Page: 7.2 GALLEY Page: 27.1 H HORN Page: 7.2 HI-BUOY Page: 18.1 HOTESS CHIME Page: 11.4 I INTERIOR LIGHTING Page: 11	K KNEELING SYSTEM Page: 18.1	C CAMERA SCENIC VIEW Page: 28.4 CHARGING SYSTEM Page: 4.2 CIGAR LIGHTER & 12V OUTLET Page: 13.1 CLUSTER Page: 7.1 CODE - CIRCUIT NUMBER Page: E CODE - CIRCUIT BREAKER Page: F CODE - CONNECTOR Page: G CODE - DIODE Page: H CODE - FUSE Page: L CODE - RELAY Page: I CODE - RESISTOR Page: J CODE – TRUTH TABLE Page: M CODE - WIRING KEY Page: K CRUISE CONTROL - DDEC Page: 5.1	D DASH INSTRUMENT Page: 7.1

WIRING DIAGRAM INDEX

WIRING DIAGRAM INDEX

A A/C & VENTILATION PARCEL RACK Page: 15.1 A/C & HEAT – VENTILATION Page: 15.2 AIR DRYER Page: 8.1 ALARM & SIGNAL Page: 7.2 ABS Page: 22.1 ARRANGEMENT - CABLE Page: B ARRANGEMENT - HARNESS Page: C ARRANGEMENT - SPARE WIRE Page: D	DDEC IV Page: 5 DIGITAL CLOCK Page: 13.1 DISCONNECT SWITCH 12V, 24V Page: 1.1 DISTRIBUTION 24 VOLTS Page: 1.1 DISTRIBUTION 12 VOLTS Page: 2.1 DRIVER'S SEAT (WIRING ONLY) Page: 13.1 E ENGINE BLOCK HEATER Page: 20.1 ENGINE BRAKE SYSTEM Page: 21.1 ENGINE CONTROL Page: 4.1 ENTRANCE DOOR (SEDAN) Page: 24.1 ETHER COLD START Page: 8.1 EXTERIOR LIGHTING Page: 9	L LAVATORY Page: 26.1 LOW BUOY Page: 18.1 LUGGAGE DOOR LOCK Page: 12.1 M MIRROR-REAR VIEW Page: 16 P PARKING BRAKE SWITCH & ALARM Page: 8.1 POWER 12V OUTLET Page: 13.1 R RETARDER - WORLD TRANSM. Page: 21.1 S SEAT AUDIO Page: 28.6 SOUND SYSTEM Page: 28.1 SPEED SIGNAL Page: 17.1 SPEEDOMETER Page: 7.1 STARTER Page: 4.2 STEERING CONTROL Page: 17.1 STEP LIGHTS Page: 24.1 SUN VISOR Page: 19.1 T TACHOMETER Page: 7.1 TRANSMISSION – WTEC 3 Page: 6.1 TELL TALE LIGHT MODULES Page: 23.1 TV TUNER Page: 28.3 V VIDEO SYSTEM Page: 28.3 W WATER HEATER PRE-HEAT Page: 14.1 WATER TANK HEATER Page: 20.1 WINDOW AJAR Page: 20.1 WINDOW LIFTER Page: 19.1 WIPER & WASHER Page: 10.1 WIRELESS MICROPHONE Page: 28.5 WHEELCHAIR LIFT Page: 29.1
B BACK-UP ALARM Page: 9.3 BACK-UP CAMERA Page: 25.1 BATTERY Page: 1.2 BATTERY CHARGER Page: 11.5	F FAN-CLUTCH RADIATOR Page: 8.1 FAST IDLE - DDEC Page: 5.2 FIRE DETECTOR Page: 7.2 FRONT DESTINATION SIGN Page: 25.1 FUEL WATER FILTER Page: 8.1 FUEL PRIME PUMP Page: 19.1 G GROUND SYSTEM Page: 7.2 GALLEY Page: 27.1 H HORN Page: 7.2 HI-BUOY Page: 18.1 HOTESS CHIME Page: 11.4 I INTERIOR LIGHTING Page: 11 K KNEELING SYSTEM Page: 18.1	
C CAMERA SCENIC VIEW Page: 28.4 CHARGING SYSTEM Page: 4.2 CIGAR LIGHTER & 12V OUTLET Page: 13.1 CLUSTER Page: 7.1 CODE - CIRCUIT NUMBER Page: E CODE - CIRCUIT BREAKER Page: F CODE - CONNECTOR Page: G CODE - DIODE Page: H CODE - FUSE Page: L CODE - RELAY Page: I CODE - RESISTOR Page: J CODE – TRUTH TABLE Page: M CODE - WIRING KEY Page: K CRUISE CONTROL - DDEC Page: 5.1		
D DASH INSTRUMENT Page: 7.1		

WIRING DIAGRAM INDEX

WIRING DIAGRAM INDEX

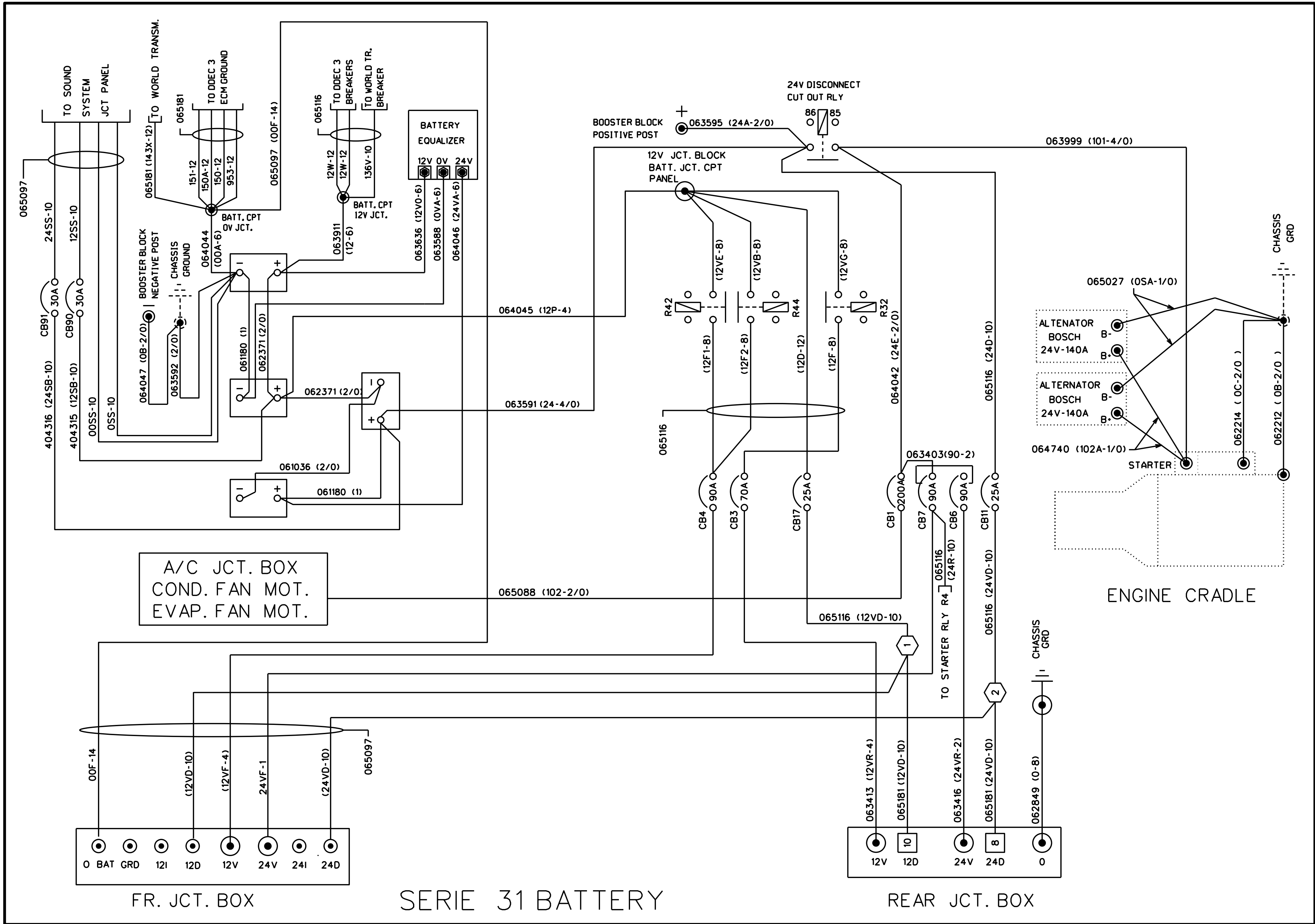
A A/C & VENTILATION PARCEL RACK Page: 15.1 A/C & HEAT – VENTILATION Page: 15.2 AIR DRYER Page: 8.1 ALARM & SIGNAL Page: 7.2 ABS Page: 22.1 ARRANGEMENT - CABLE Page: B ARRANGEMENT - HARNESS Page: C ARRANGEMENT - SPARE WIRE Page: D	DDEC IV Page: 5 DIGITAL CLOCK Page: 13.1 DISCONNECT SWITCH 12V, 24V Page: 1.1 DISTRIBUTION 24 VOLTS Page: 1.1 DISTRIBUTION 12 VOLTS Page: 2.1 DRIVER'S SEAT (WIRING ONLY) Page: 13.1	E ENGINE BLOCK HEATER Page: 20.1 ENGINE BRAKE SYSTEM Page: 21.1 ENGINE CONTROL Page: 4.1 ENTRANCE DOOR (SEDAN) Page: 24.1 ETHER COLD START Page: 8.1 EXTERIOR LIGHTING Page: 9	L LAVATORY Page: 26.1 LOW BUOY Page: 18.1 LUGGAGE DOOR LOCK Page: 12.1 M MIRROR-REAR VIEW Page: 16 P PARKING BRAKE SWITCH & ALARM Page: 8.1 POWER 12V OUTLET Page: 13.1 R RETARDER - WORLD TRANSM. Page: 21.1 S SEAT AUDIO Page: 28.6 SOUND SYSTEM Page: 28.1 SPEED SIGNAL Page: 17.1 SPEEDOMETER Page: 7.1 STARTER Page: 4.2 STEERING CONTROL Page: 17.1 STEP LIGHTS Page: 24.1 SUN VISOR Page: 19.1
B BACK-UP ALARM Page: 9.3 BACK-UP CAMERA Page: 25.1 BATTERY Page: 1.2 BATTERY CHARGER Page: 11.5	F FAN-CLUTCH RADIATOR Page: 8.1 FAST IDLE - DDEC Page: 5.2 FIRE DETECTOR Page: 7.2 FRONT DESTINATION SIGN Page: 25.1 FUEL WATER FILTER Page: 8.1 FUEL PRIME PUMP Page: 19.1	G GROUND SYSTEM Page: 7.2 GALLEY Page: 27.1 H HORN Page: 7.2 HI-BUOY Page: 18.1 HOTESS CHIME Page: 11.4 I INTERIOR LIGHTING Page: 11 INTERCOM Page: 30.1 K KNEELING SYSTEM Page: 18.1	T TACHOMETER Page: 7.1 TRANSMISSION – WTEC 3 Page: 6.1 TELL TALE LIGHT MODULES Page: 23.1 TV TUNER Page: 28.3 V VIDEO SYSTEM Page: 28.3 W WATER HEATER PRE-HEAT Page: 14.1 WATER TANK HEATER Page: 20.1 WINDOW AJAR Page: 20.1 WINDOW LIFTER Page: 19.1 WIPER & WASHER Page: 10.1 WIRELESS MICROPHONE Page: 28.5 WHEELCHAIR LIFT Page: 29.1
C CAMERA SCENIC VIEW Page: 28.4 CHARGING SYSTEM Page: 4.2 CIGAR LIGHTER & 12V OUTLET Page: 13.1 CLUSTER Page: 7.1 CODE - CIRCUIT NUMBER Page: E CODE - CIRCUIT BREAKER Page: F CODE - CONNECTOR Page: G CODE - DIODE Page: H CODE - FUSE Page: L CODE - RELAY Page: I CODE - RESISTOR Page: J CODE – TRUTH TABLE Page: M CODE - WIRING KEY Page: K CRUISE CONTROL - DDEC Page: 5.1	D DASH INSTRUMENT Page: 7.1		

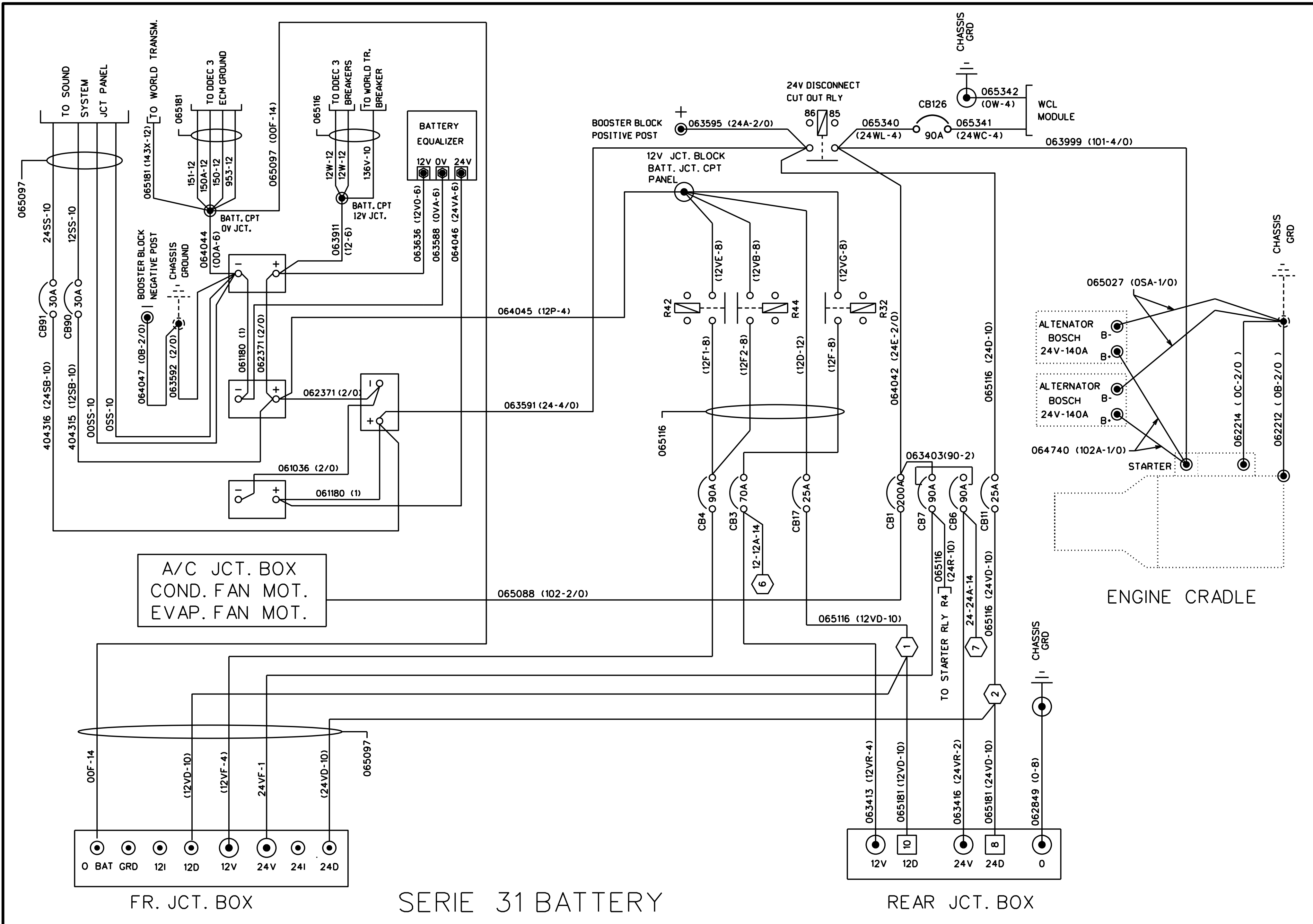
WIRING DIAGRAM INDEX

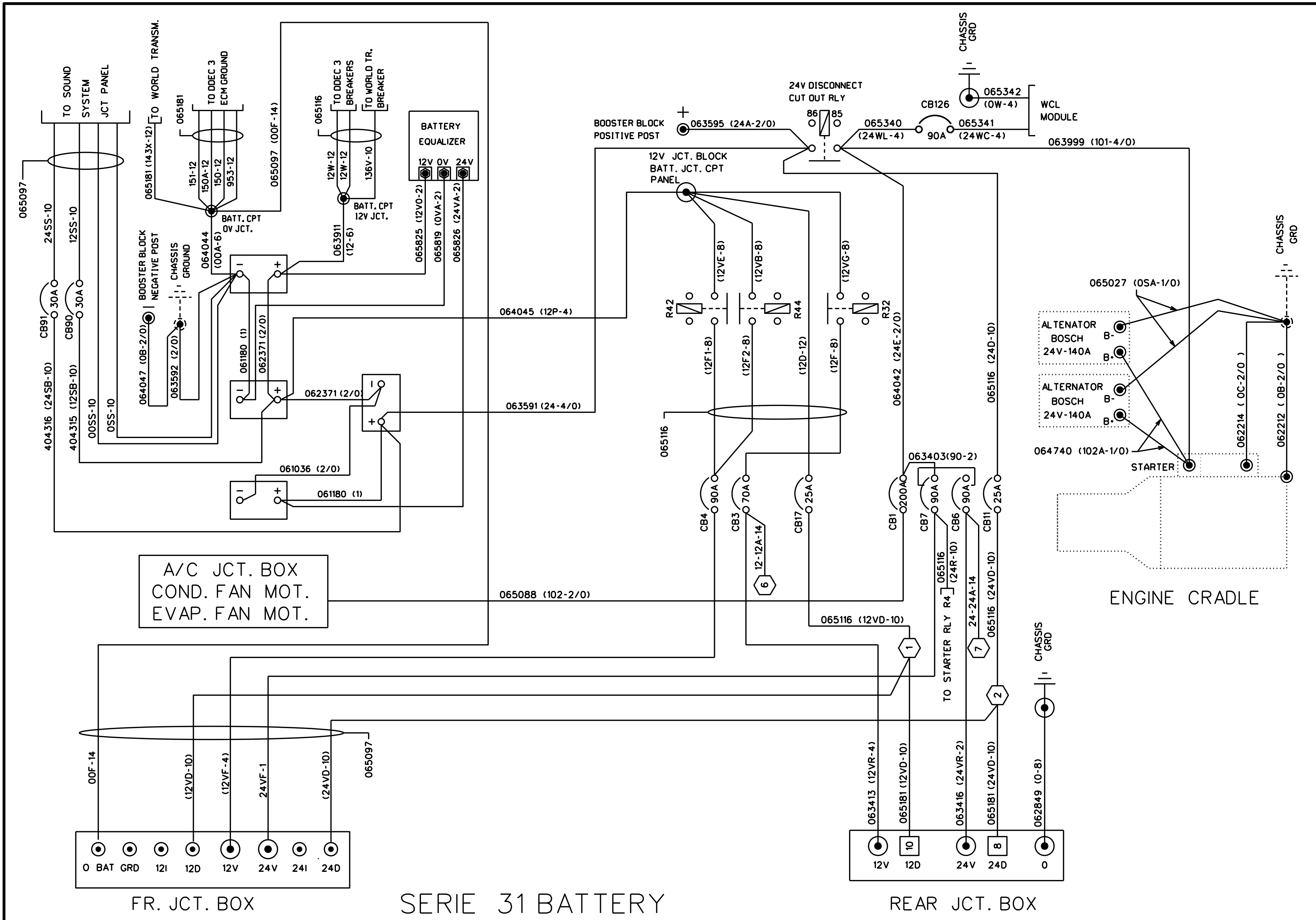
WIRING DIAGRAM INDEX

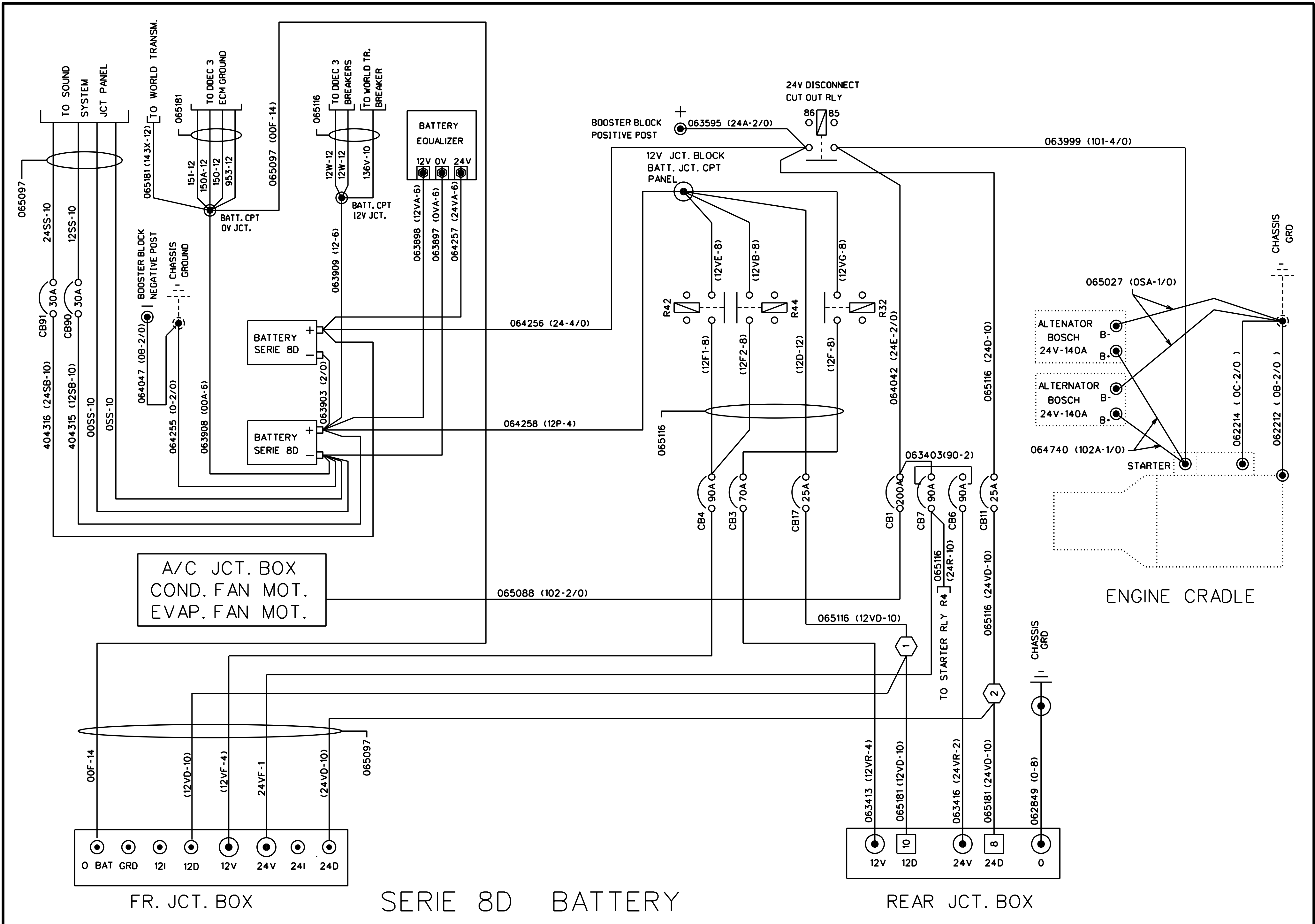
A A/C & VENTILATION PARCEL RACK Page: 15.1 A/C & HEAT – VENTILATION Page: 15.2 ALARM & SIGNAL Page: 7.2 ABS Page: 22.1 ARRANGEMENT - CABLE Page: B ARRANGEMENT - HARNESS Page: C ARRANGEMENT - SPARE WIRE Page: D	DIGITAL CLOCK Page: 13.1 DISCONNECT SWITCH 12V, 24V Page: 1.1 DISTRIBUTION 24 VOLTS Page: 1.1 DISTRIBUTION 12 VOLTS Page: 2.1 DRIVER'S SEAT (WIRING ONLY) Page: 13.1 E ENGINE BLOCK HEATER Page: 20.1 ENGINE BRAKE SYSTEM Page: 21.1 ENGINE CONTROL Page: 4.1 ENTRANCE DOOR (SEDAN) Page: 24.1 ETHER COLD START Page: 8.1 EXTERIOR LIGHTING Page: 9	LOW BUOY Page: 18.1 LUGGAGE DOOR LOCK Page: 12.1 M MIRROR-REAR VIEW Page: 16 P PARKING BRAKE SWITCH & ALARM Page: 8.1 POWER 12V OUTLET Page: 13.1 R RETARDER - WORLD TRANSM. Page: 21.1 S SEAT AUDIO Page: 28.6 SOUND SYSTEM Page: 28.1 SPEED SIGNAL Page: 17.1 SPEEDOMETER Page: 7.1 STARTER Page: 4.2 STEERING CONTROL Page: 17.1 STEP LIGHTS Page: 24.1 SUN VISOR Page: 19.1
B BACK-UP ALARM Page: 9.3 BACK-UP CAMERA Page: 25.1 BATTERY Page: 1.2 BATTERY CHARGER Page: 11.5	F FAN-CLUTCH RADIATOR Page: 8.1 FAST IDLE - DDEC Page: 5.2 FIRE DETECTOR Page: 7.2 FRONT DESTINATION SIGN Page: 25.1 FUEL WATER FILTER Page: 8.1 FUEL PRIME PUMP Page: 19.1	T TACHOMETER Page: 7.1 TRANSMISSION – WTEC 3 Page: 6.1 TELL TALE LIGHT MODULES Page: 23.1 TV TUNER Page: 28.3 V VIDEO SYSTEM Page: 28.3 W WATER HEATER PRE-HEAT Page: 14.1 WATER TANK HEATER Page: 20.1 WINDOW AJAR Page: 20.1 WINDOW LIFTER Page: 19.1 WIPER & WASHER Page: 10.1 WIRELESS MICROPHONE Page: 28.5 WHEELCHAIR LIFT Page: 29.1
C CAMERA SCENIC VIEW Page: 28.4 CHARGING SYSTEM Page: 4.2 CIGAR LIGHTER & 12V OUTLET Page: 13.1 CLUSTER Page: 7.1 CODE - CIRCUIT NUMBER Page: E CODE - CIRCUIT BREAKER Page: F CODE - CONNECTOR Page: G CODE - DIODE Page: H CODE - FUSE Page: L CODE - RELAY Page: I CODE - RESISTOR Page: J CODE – TRUTH TABLE Page: M CODE - WIRING KEY Page: K CRUISE CONTROL - DDEC Page: 5.1	G GROUND SYSTEM Page: 7.2 GALLEY Page: 27.1 H HORN Page: 7.2 HI-BUOY Page: 18.1 HOTESS CHIME Page: 11.4 I INTERIOR LIGHTING Page: 11 INTERCOM Page: 30.1 K KNEELING SYSTEM Page: 18.1 L LAVATORY Page: 26.1	
D DASH INSTRUMENT Page: 7.1 DDEC IV Page: 5		

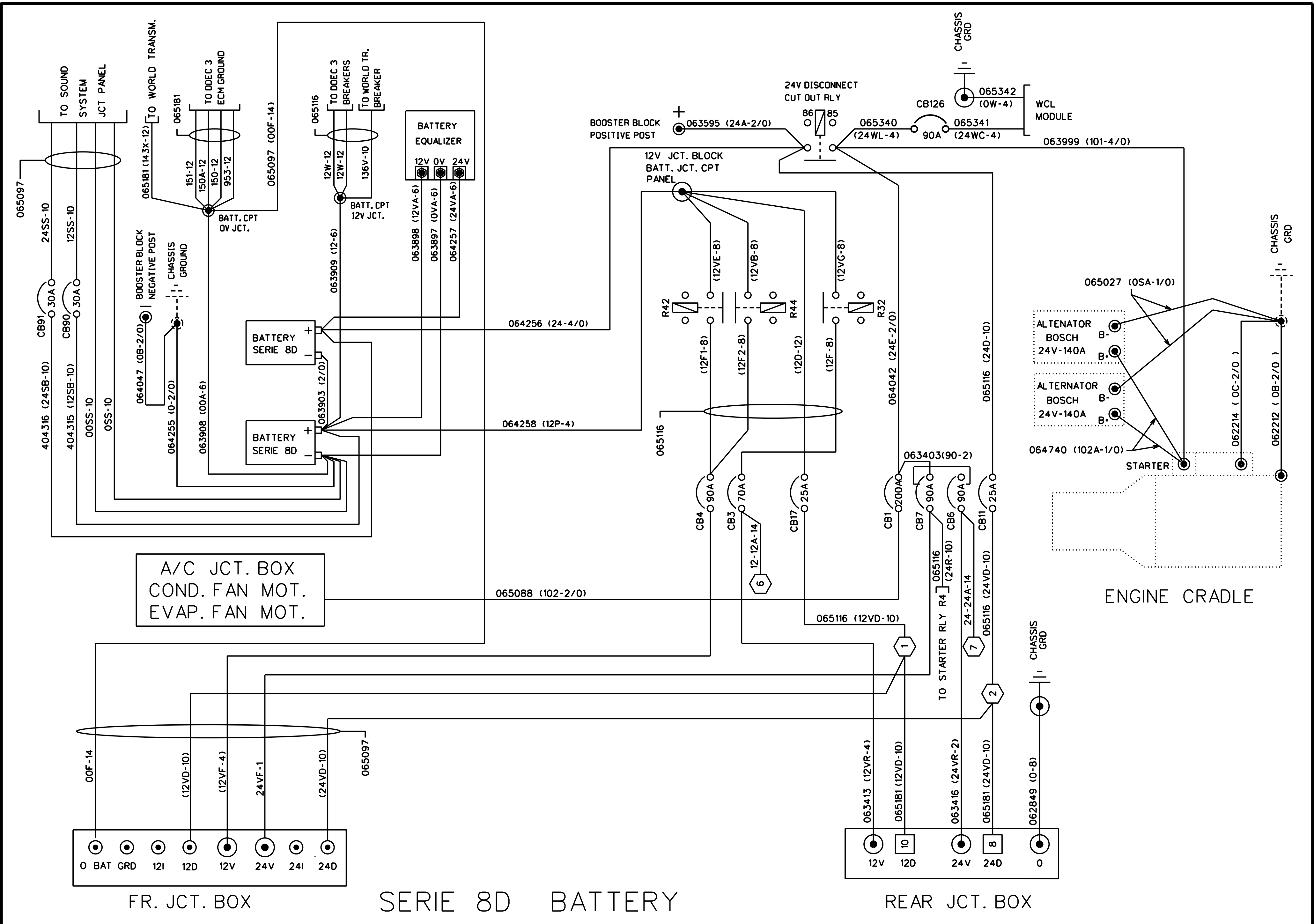
WIRING DIAGRAM INDEX

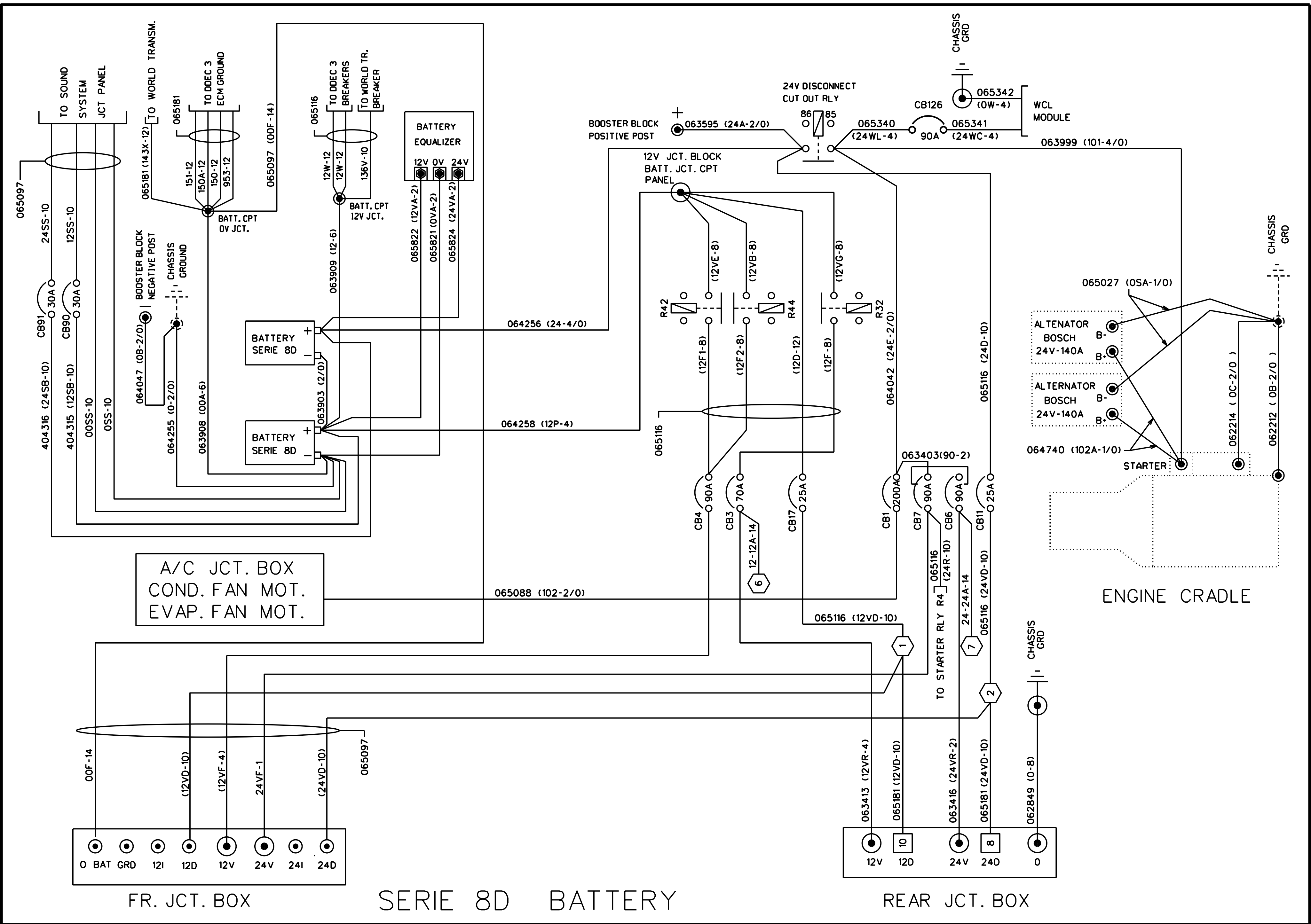


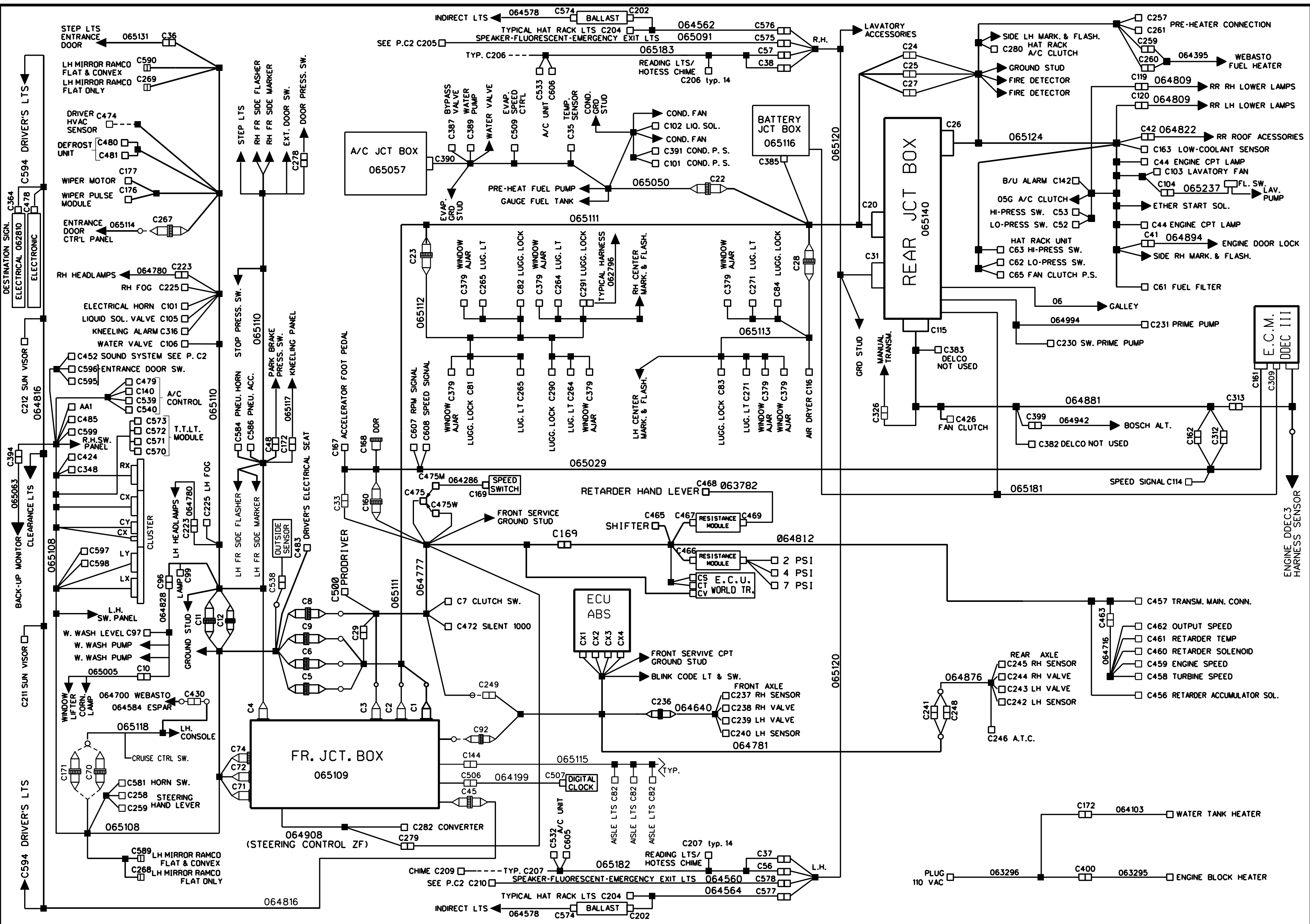


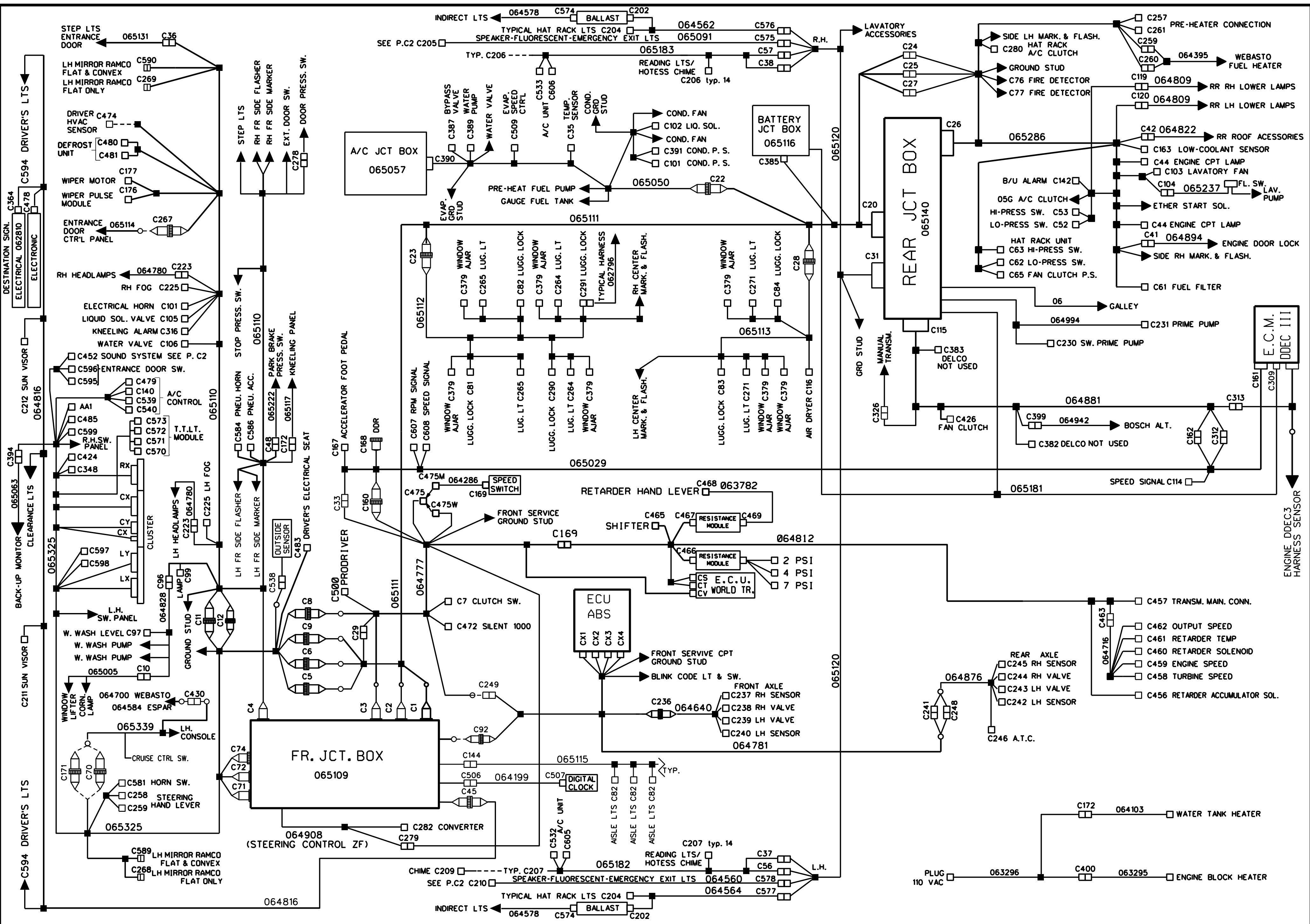


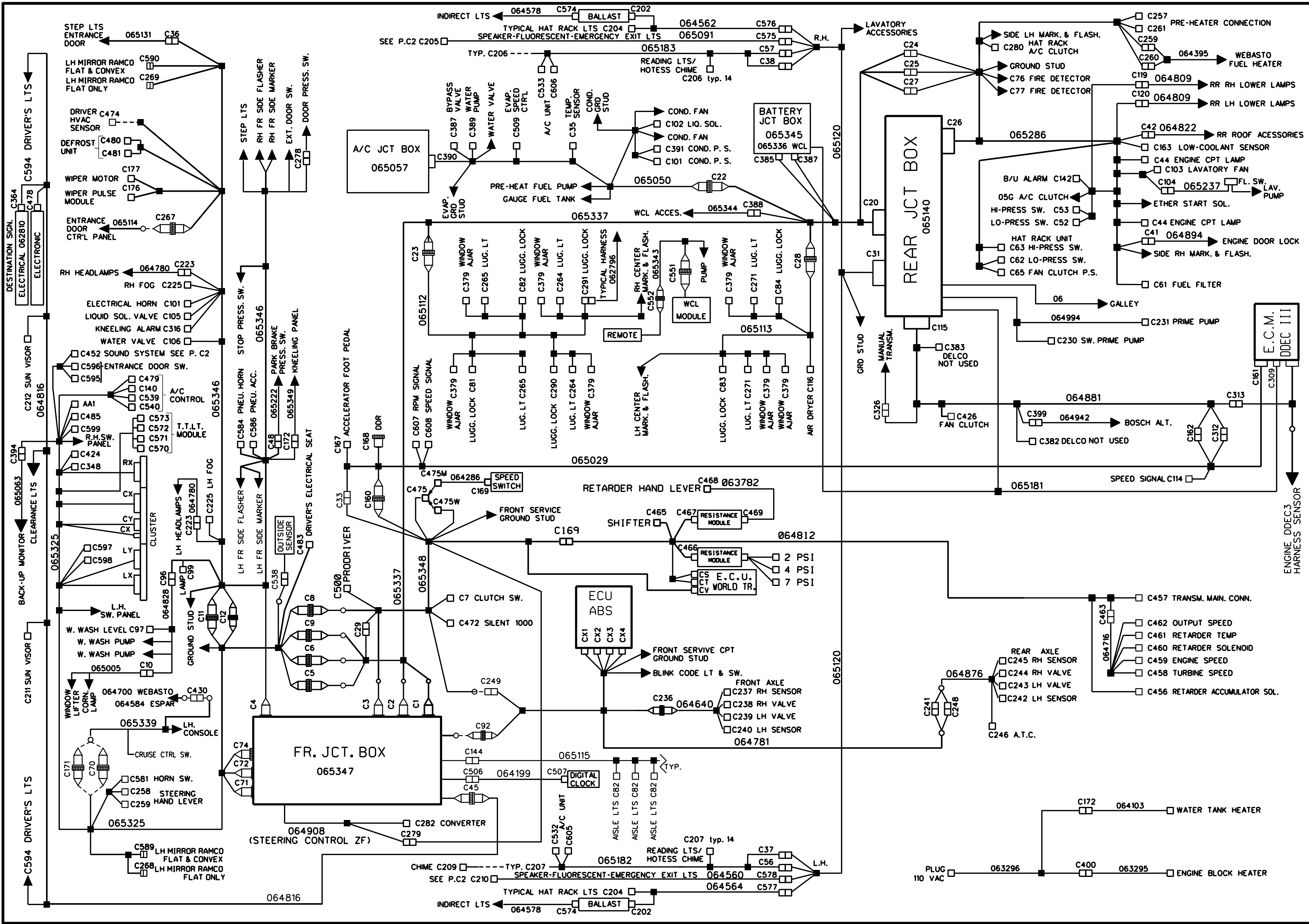


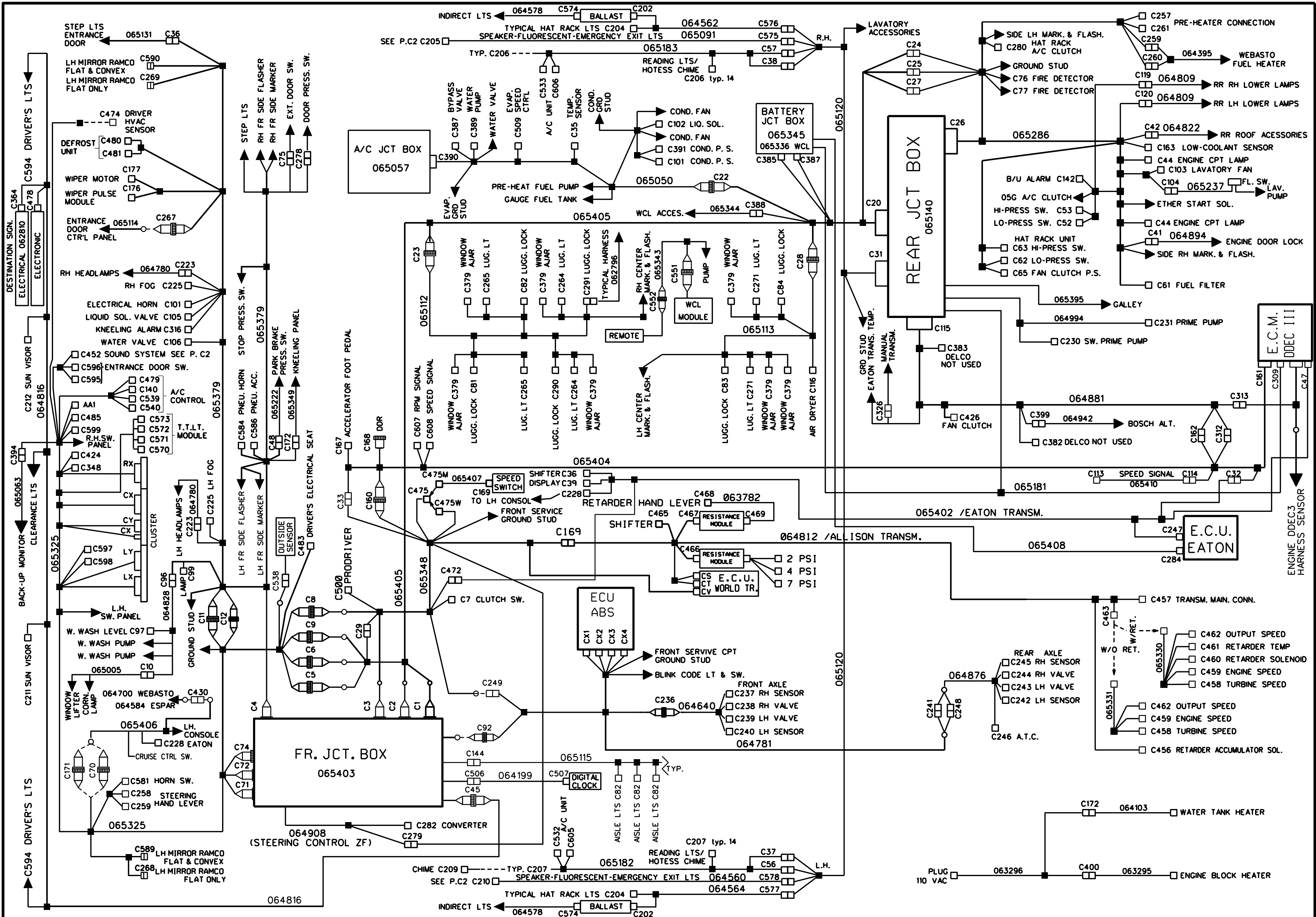


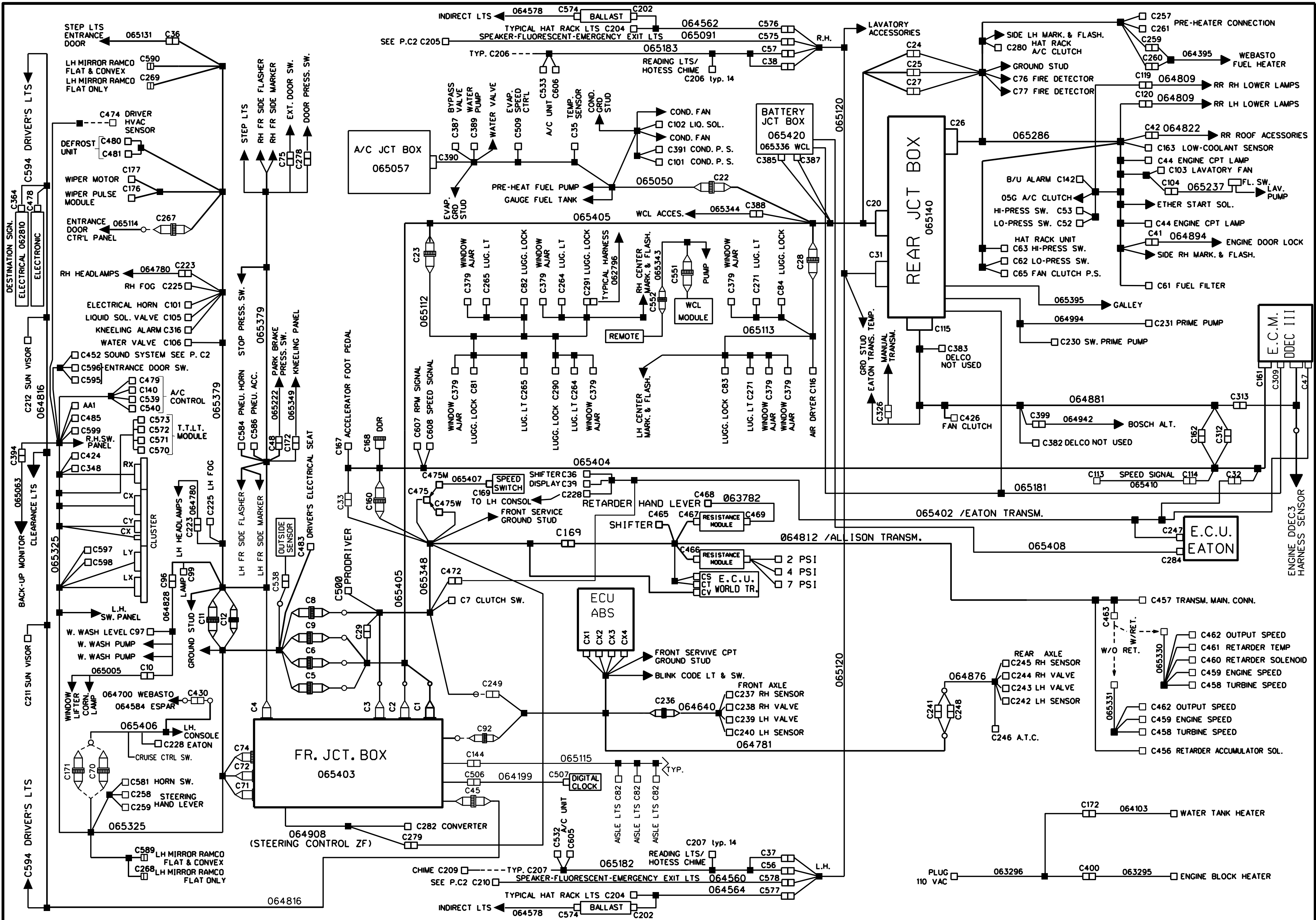


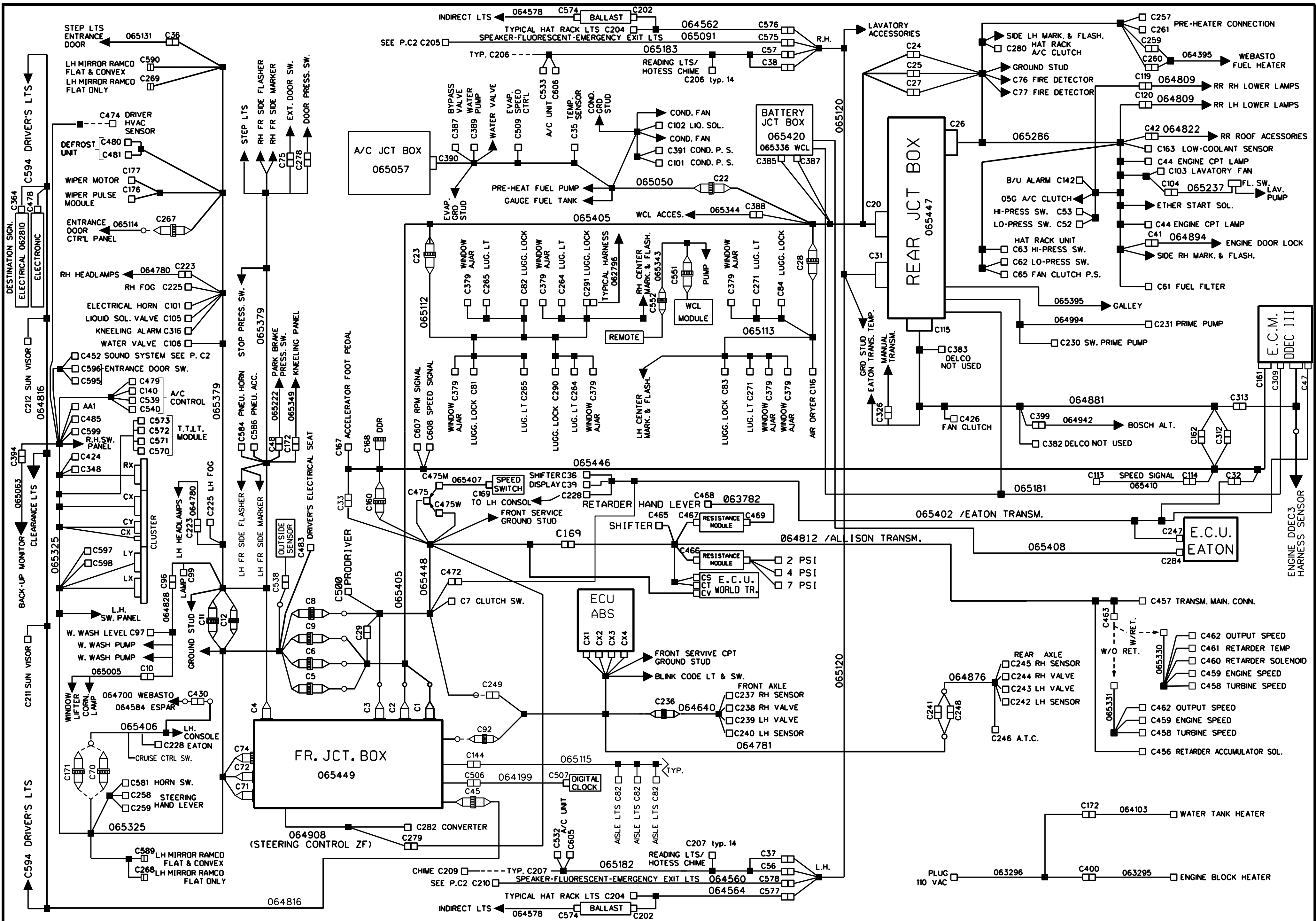


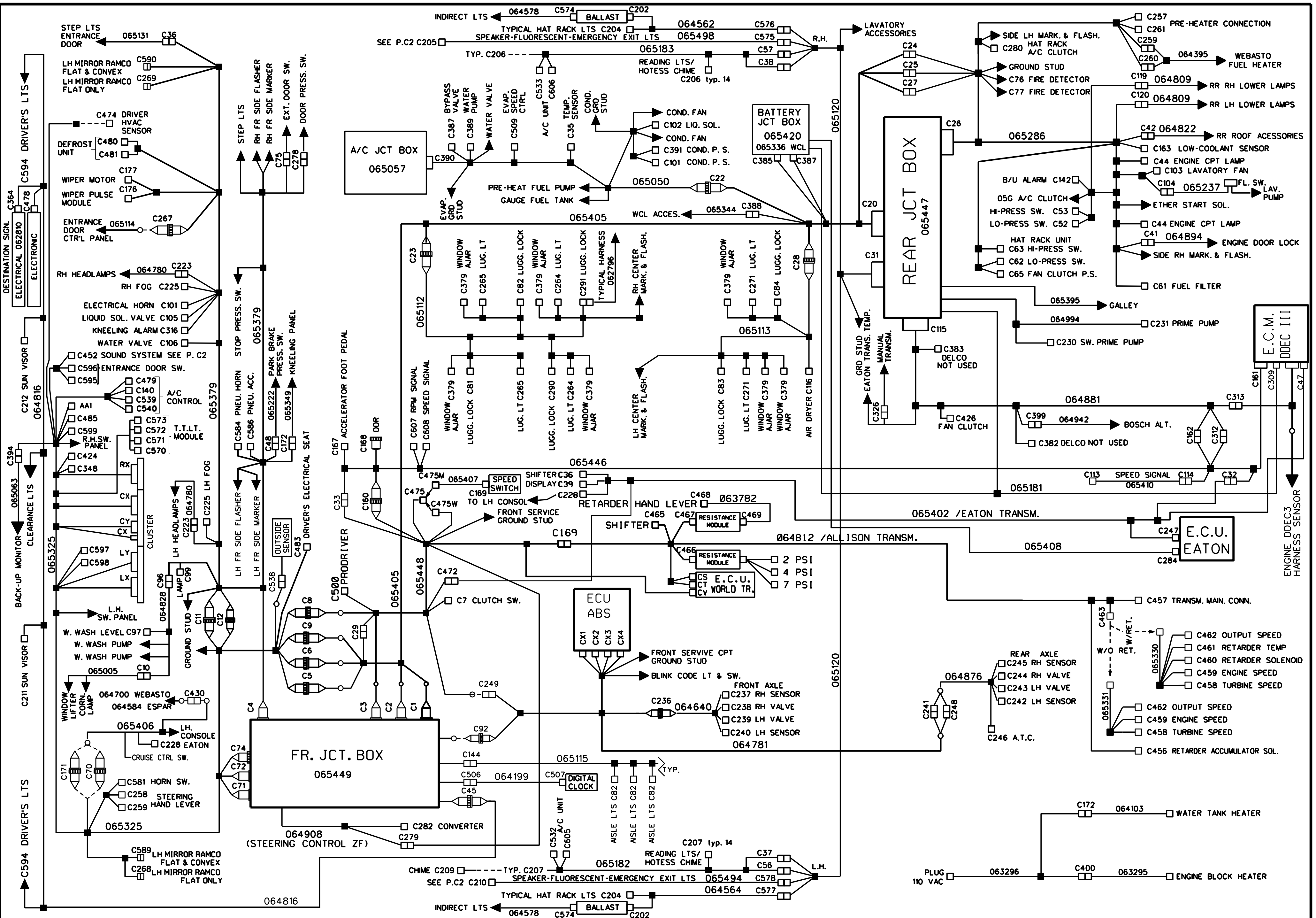


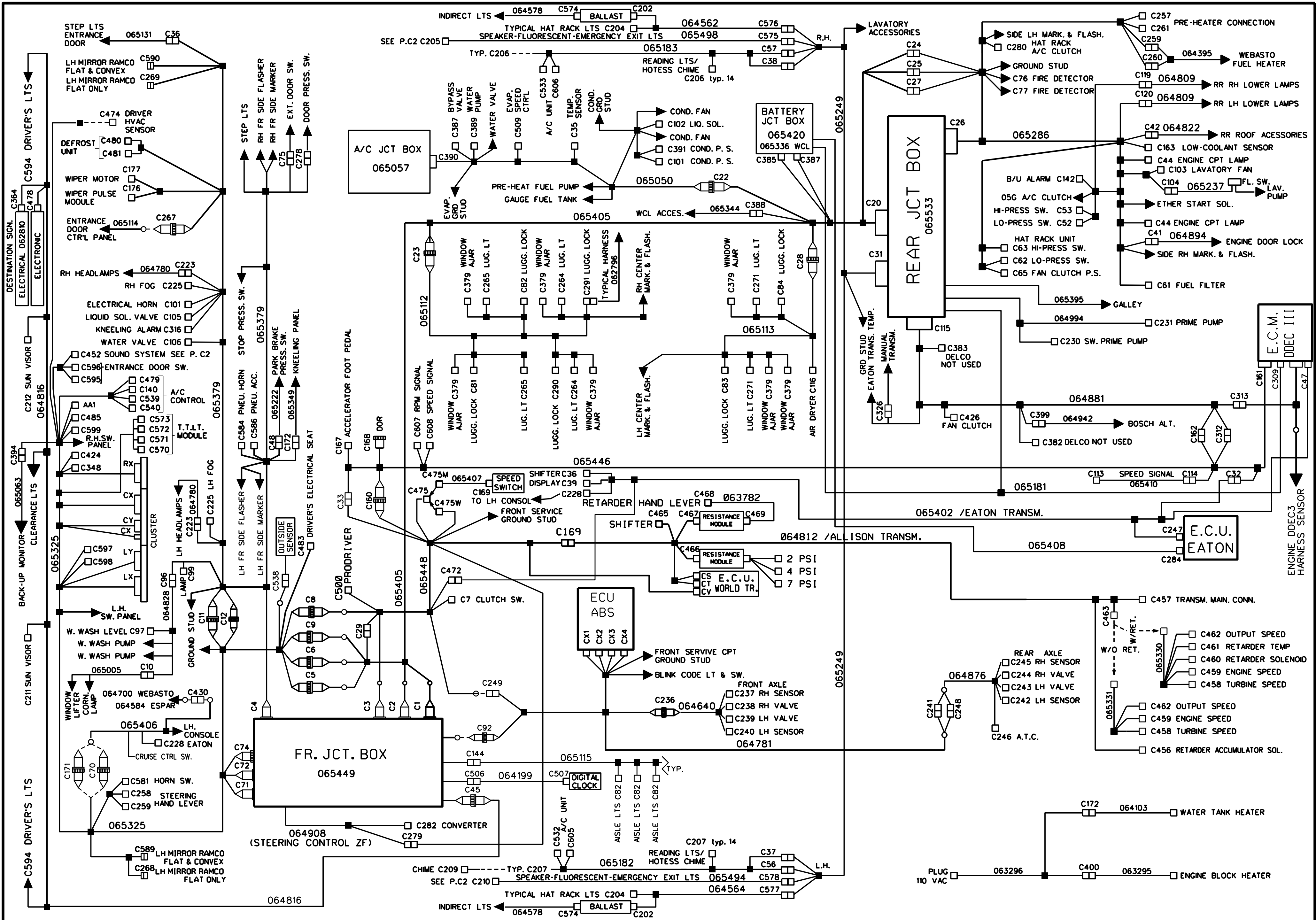


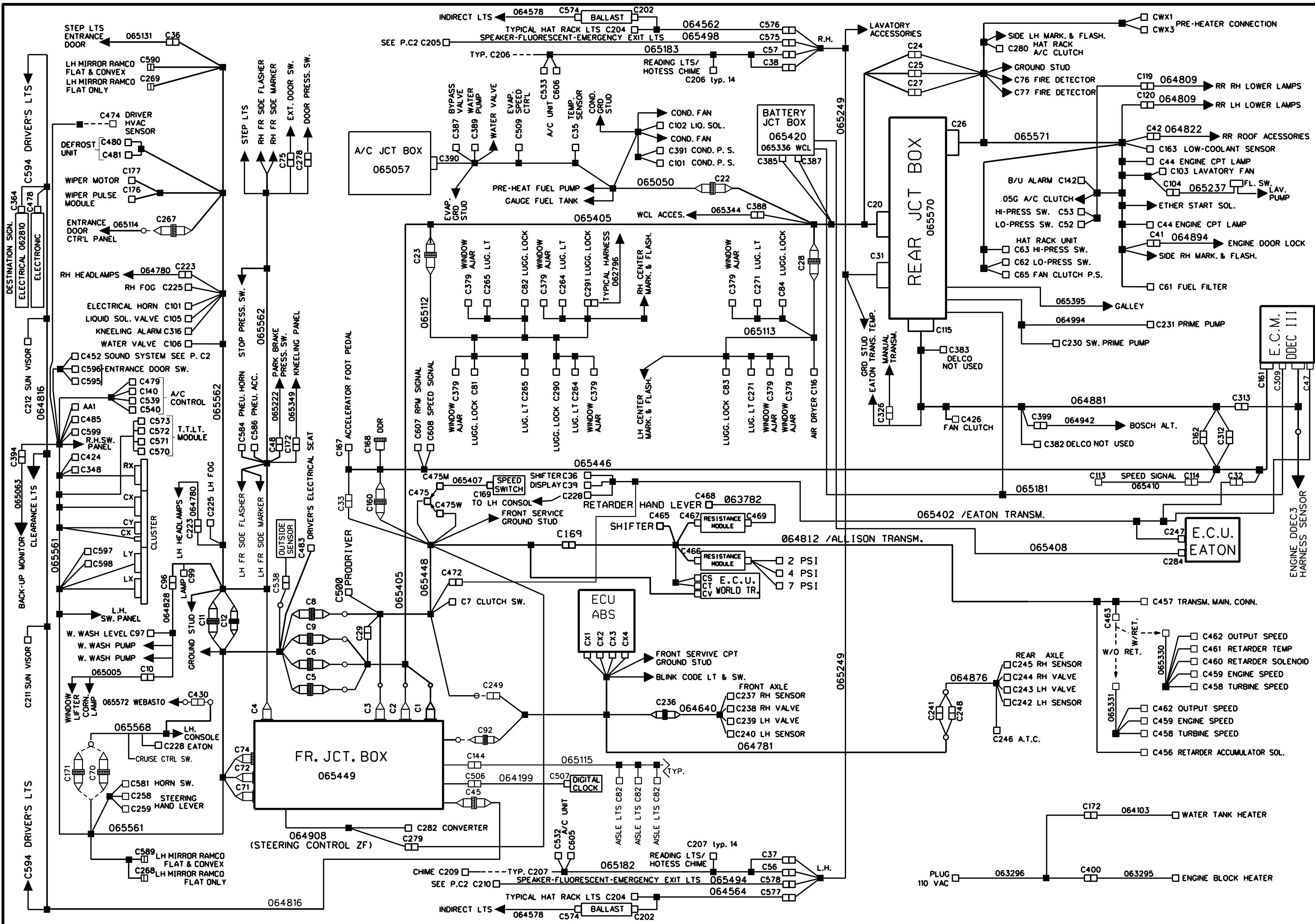


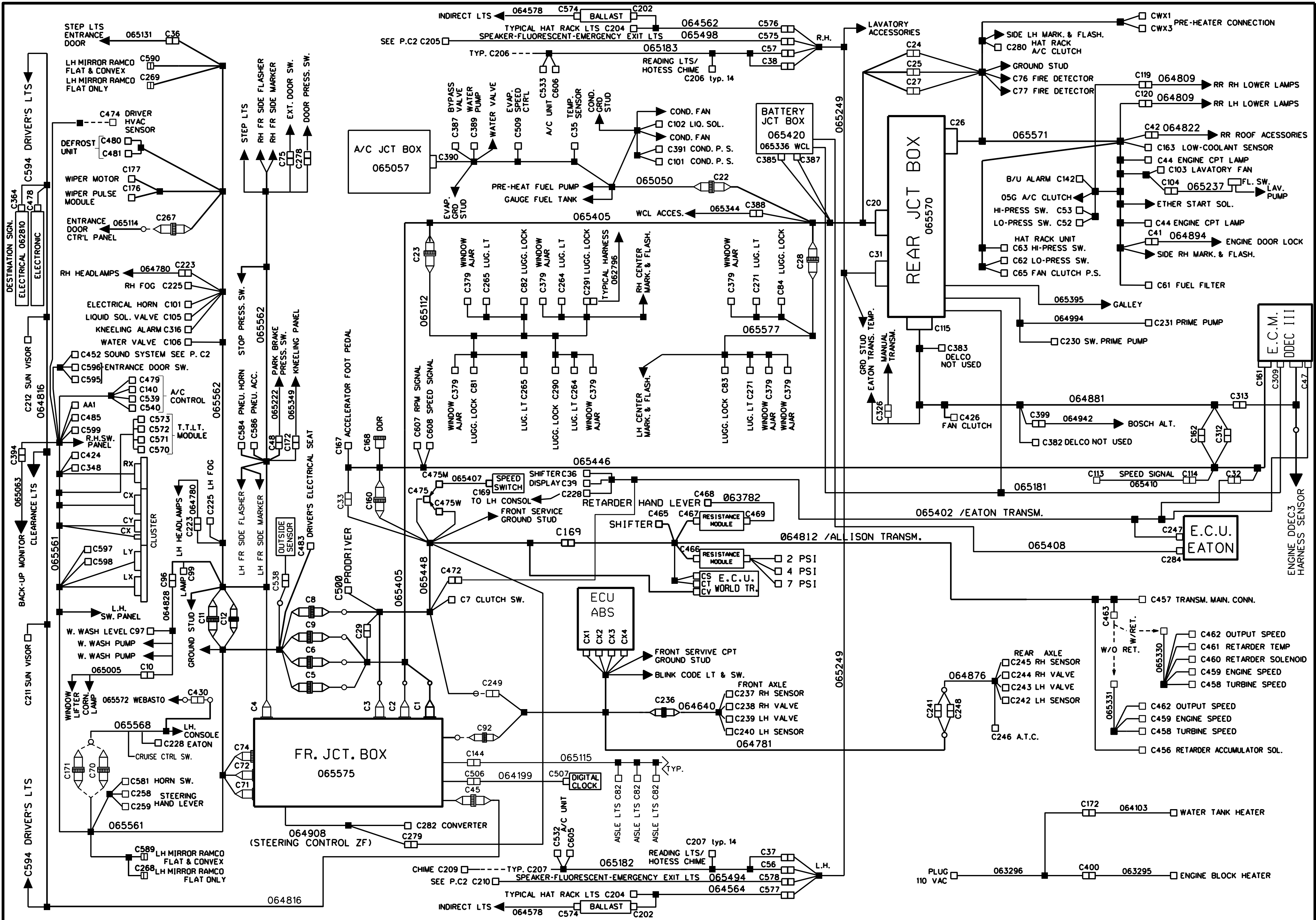


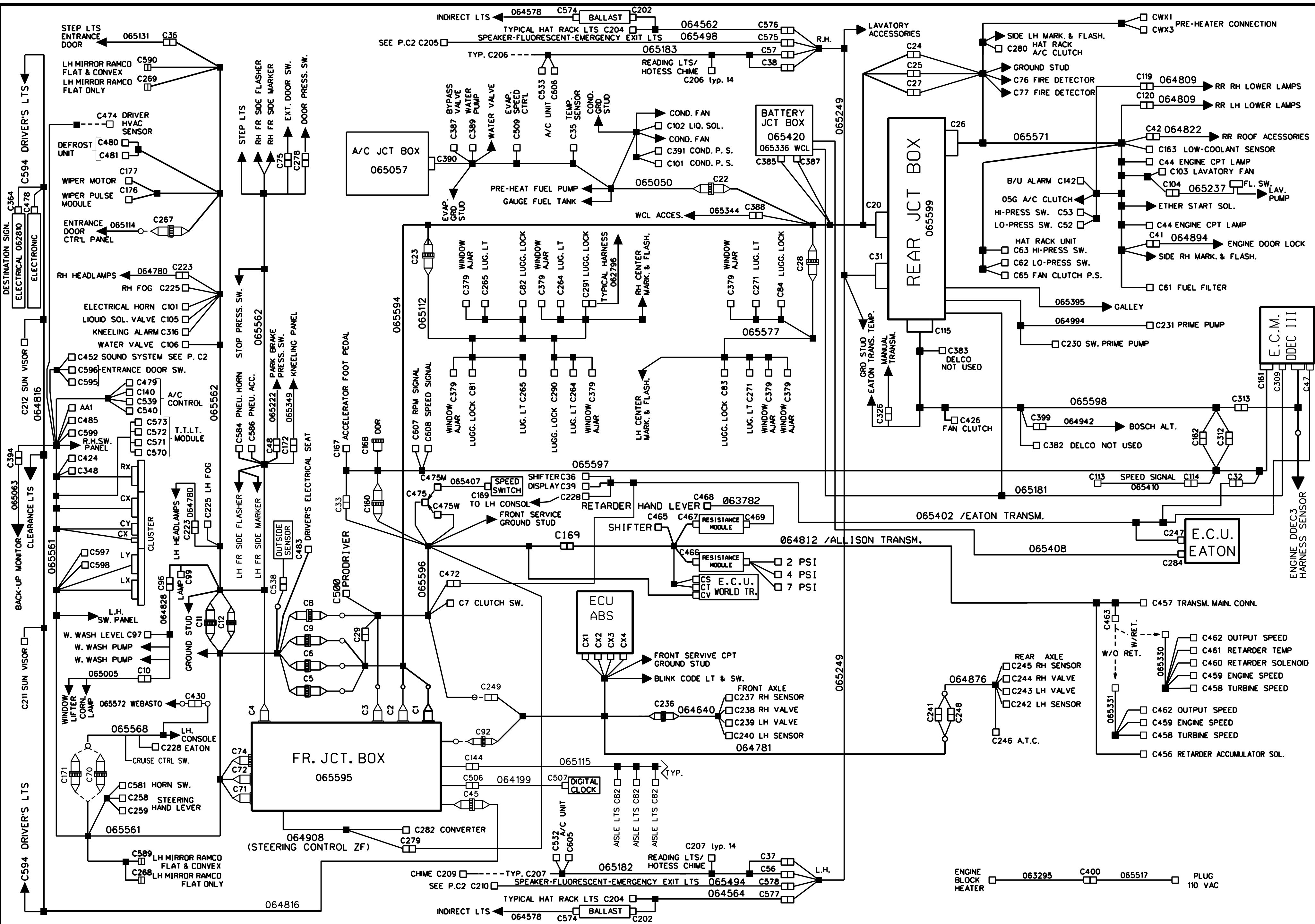


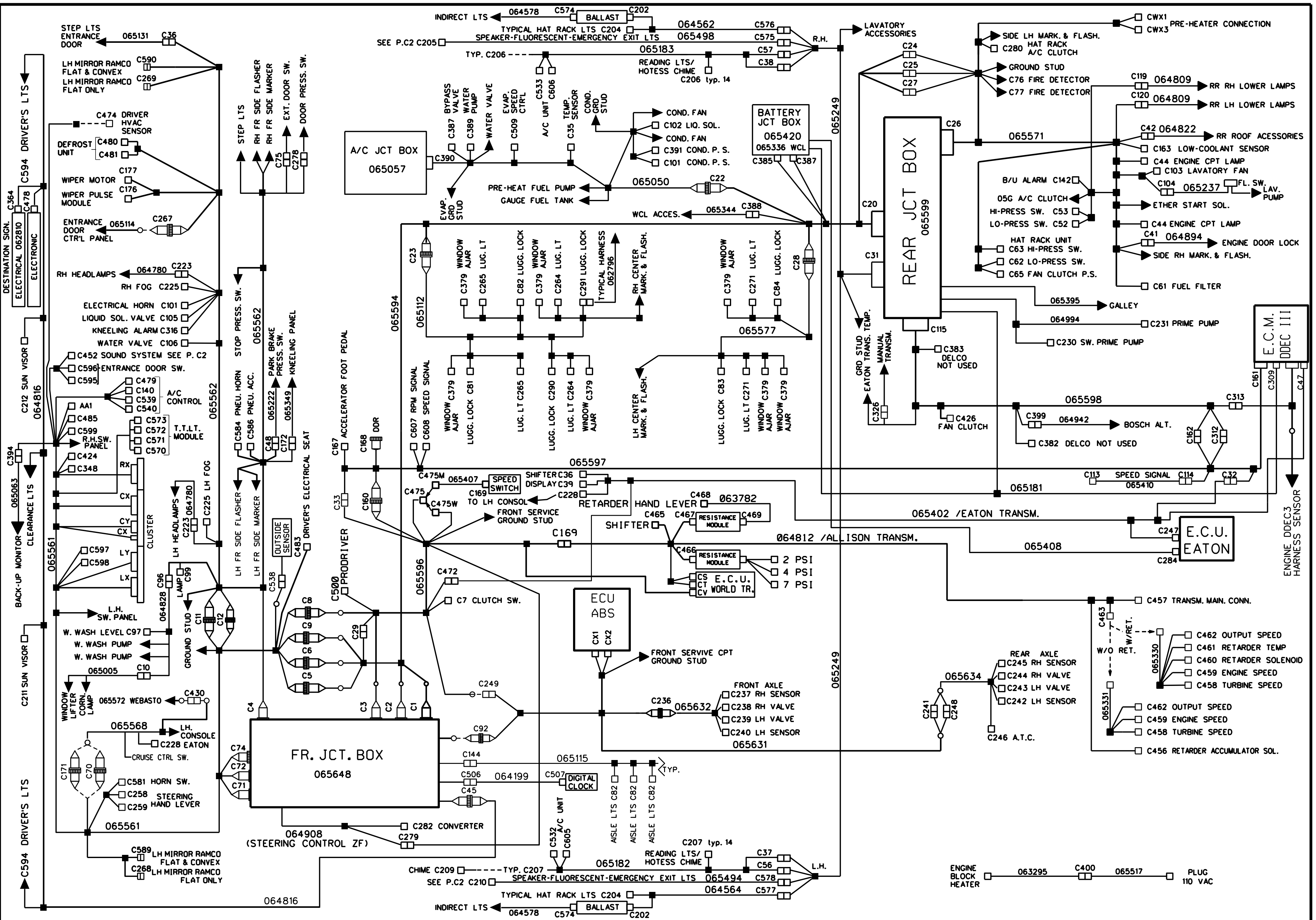


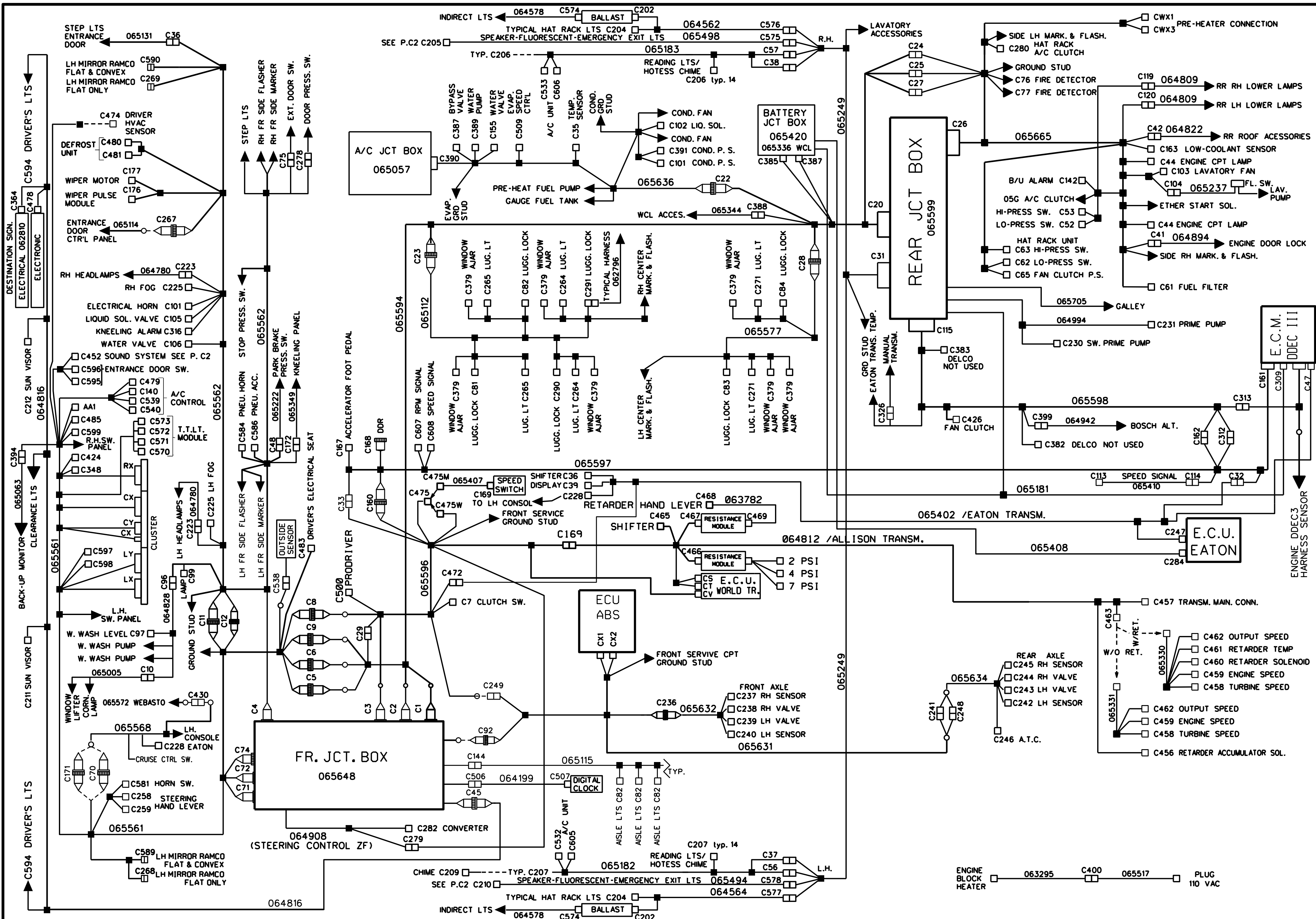


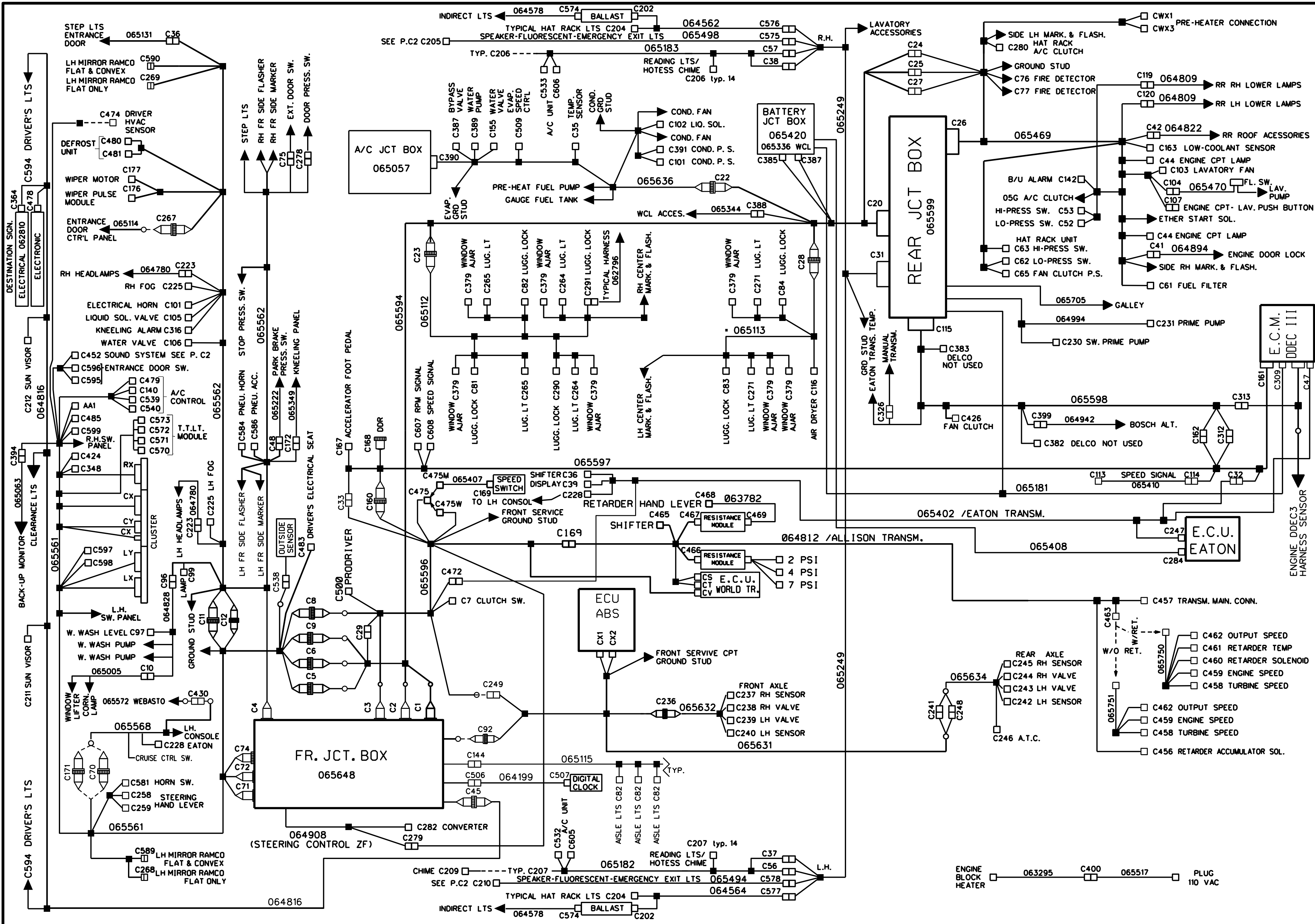


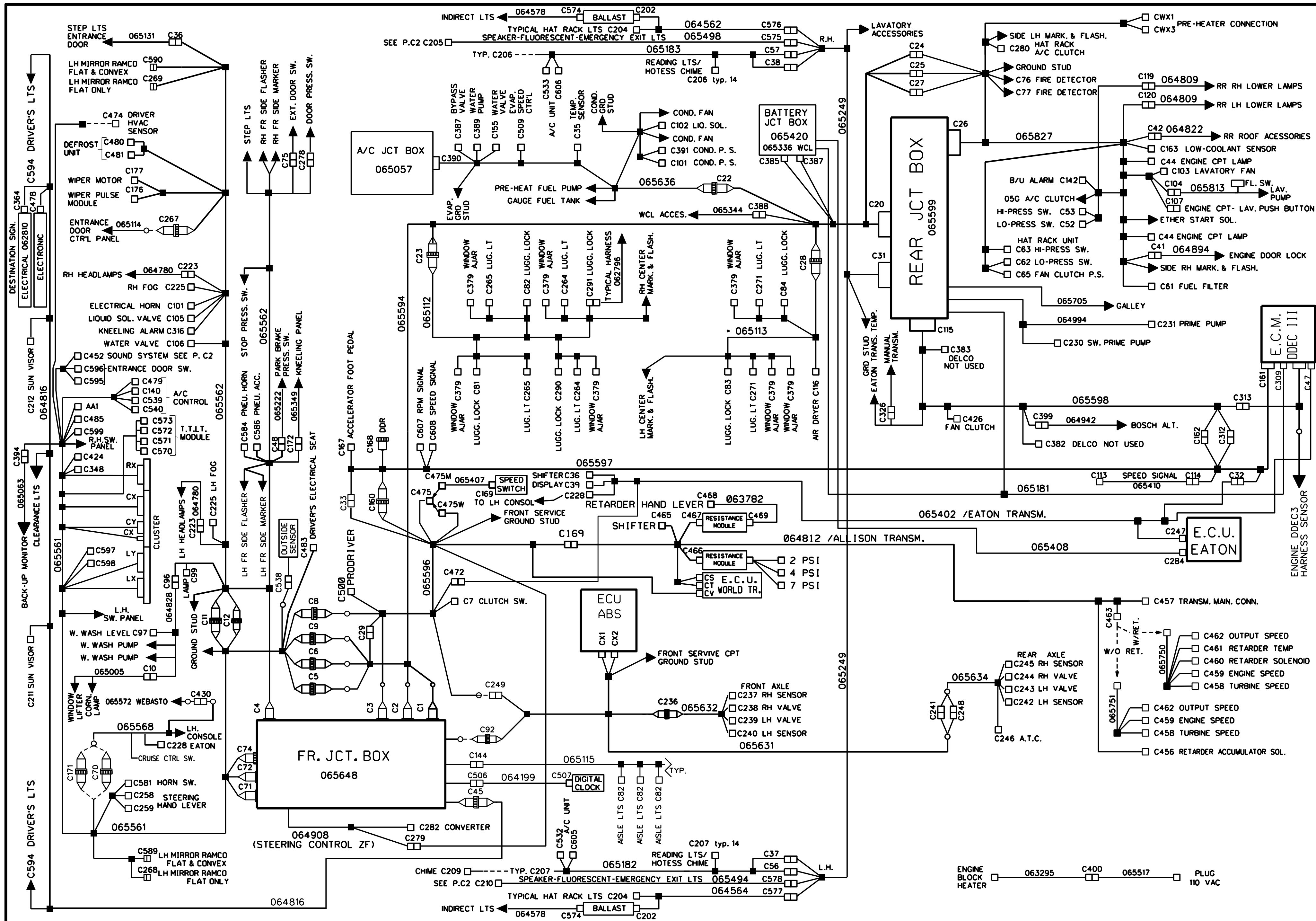


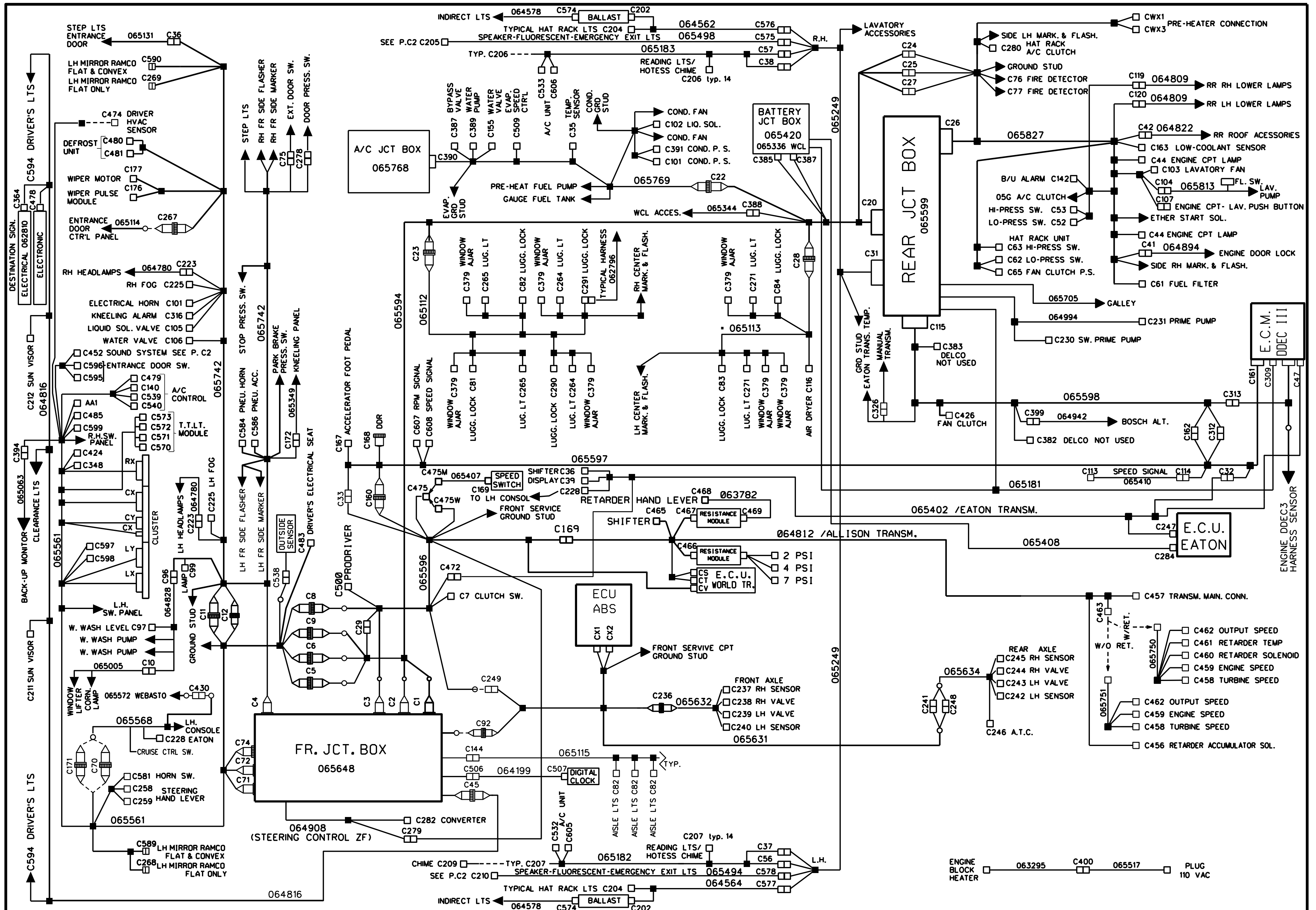


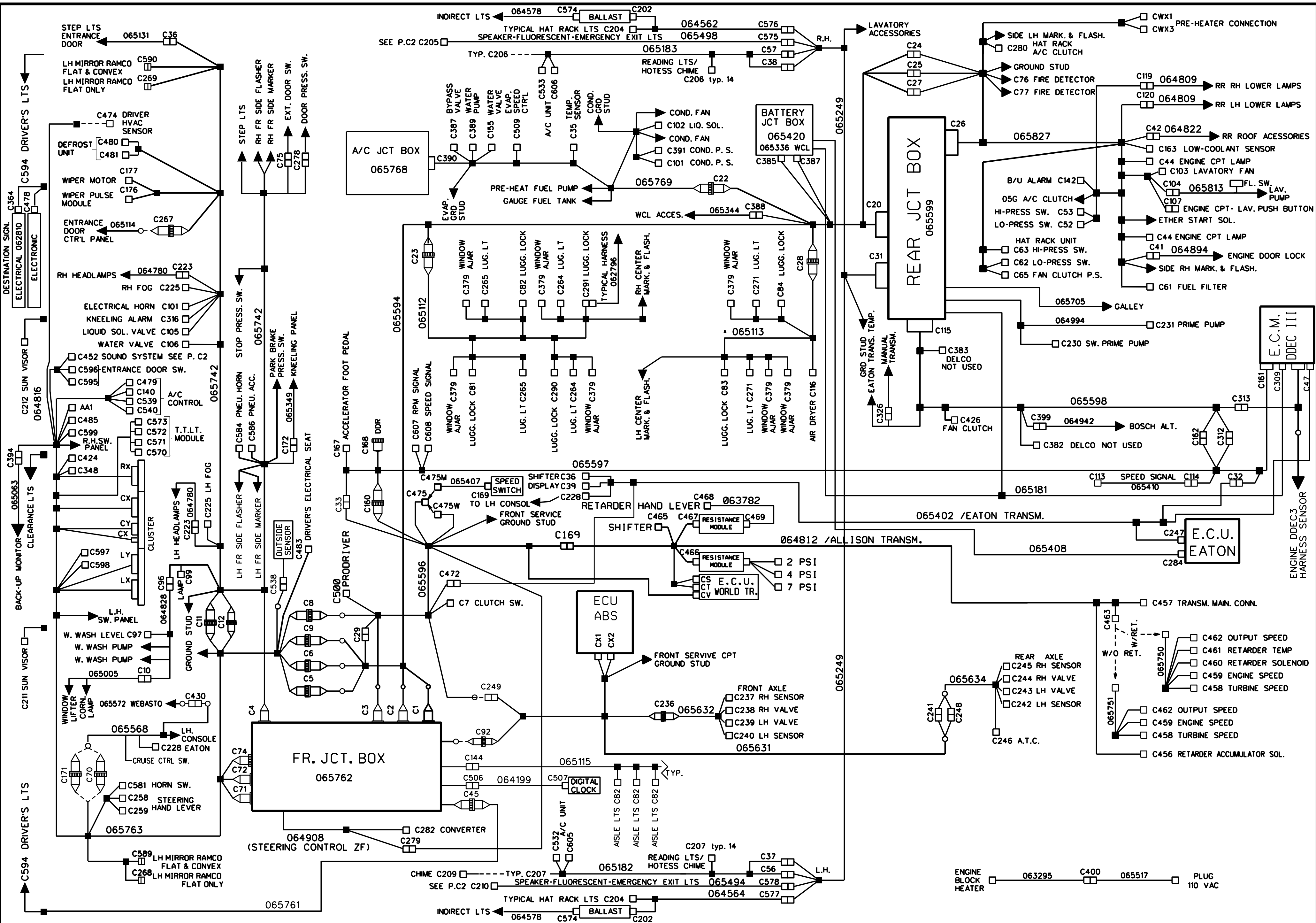


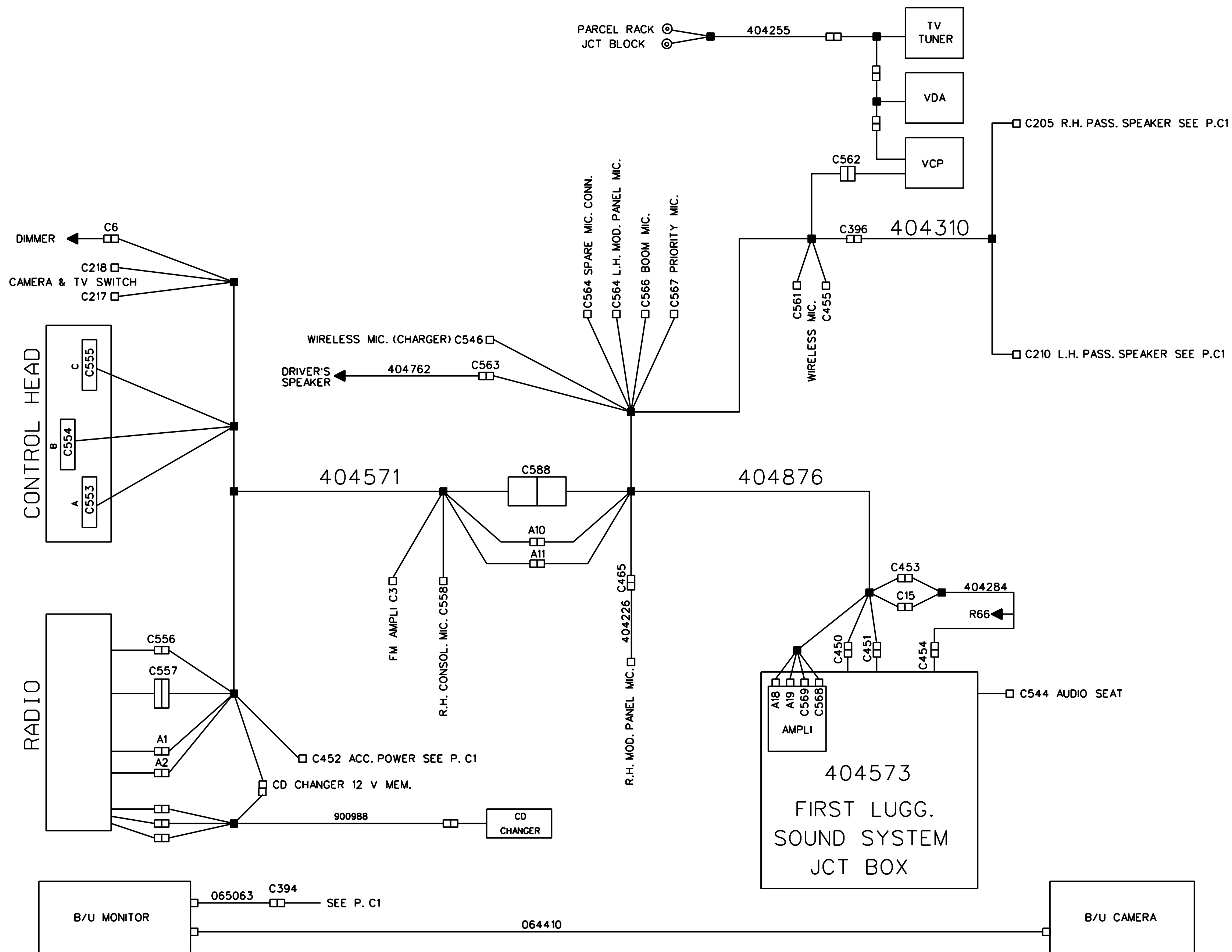




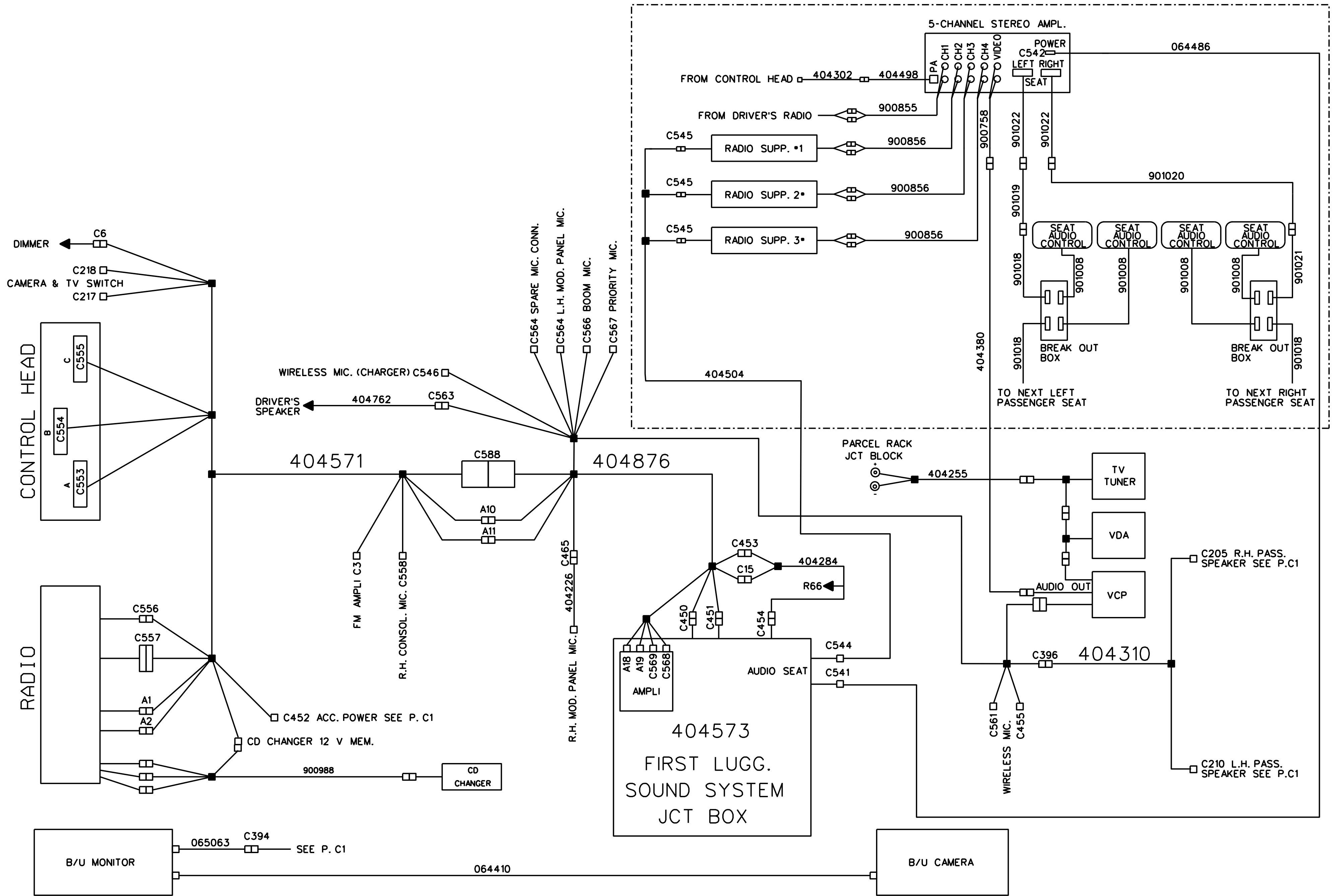




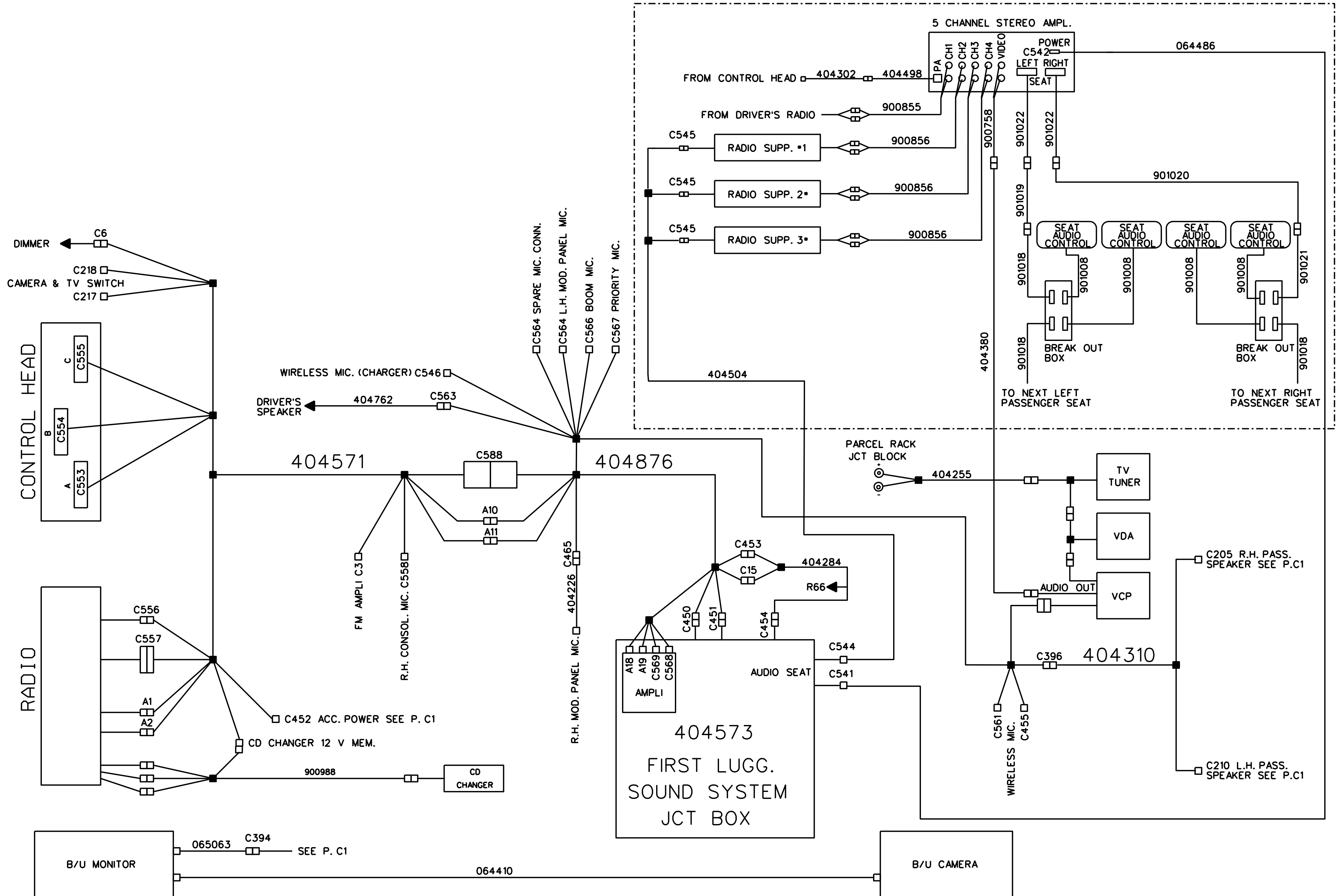




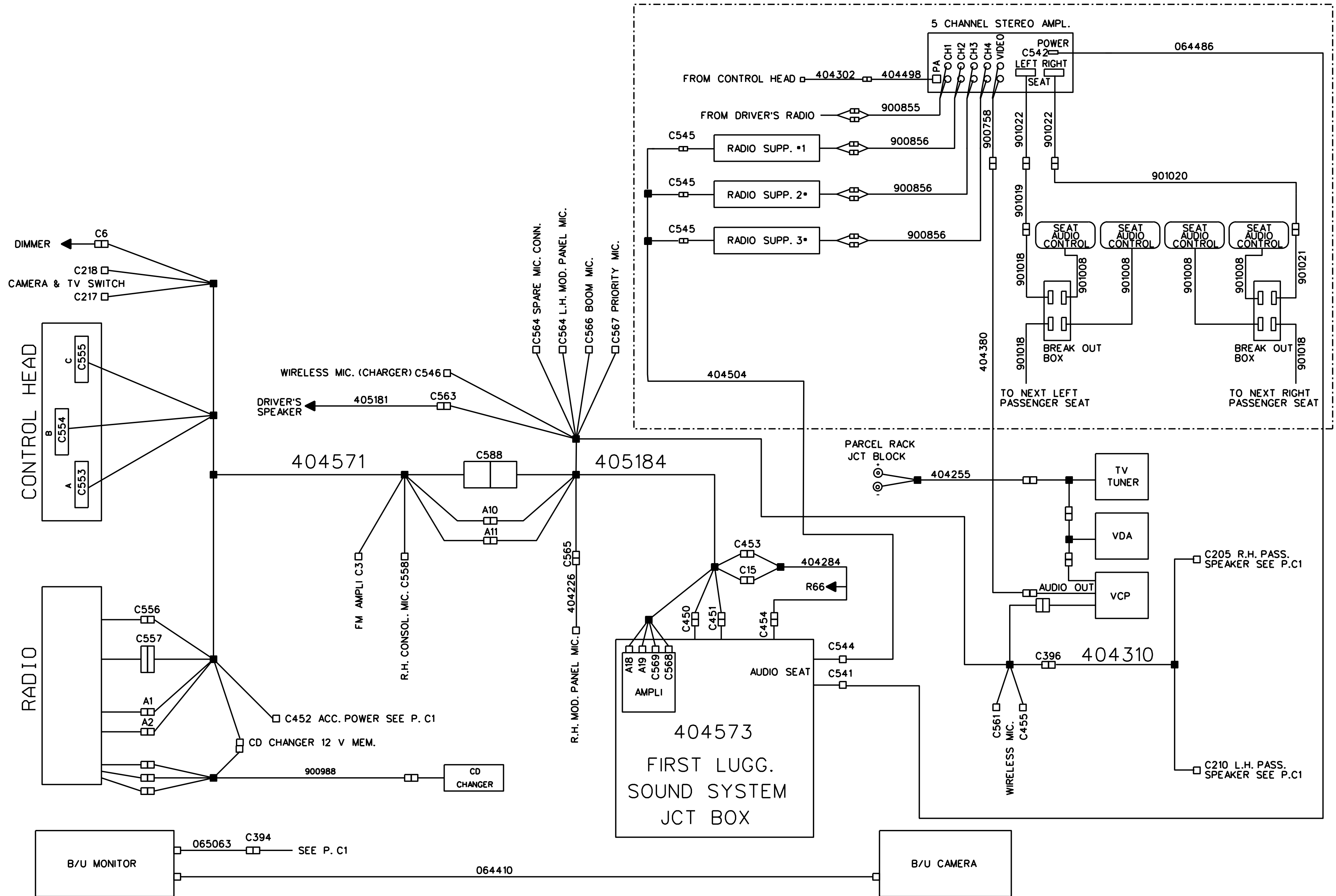
5-CHANNEL SLIM-LINE SEAT AUDIO SYSTEM



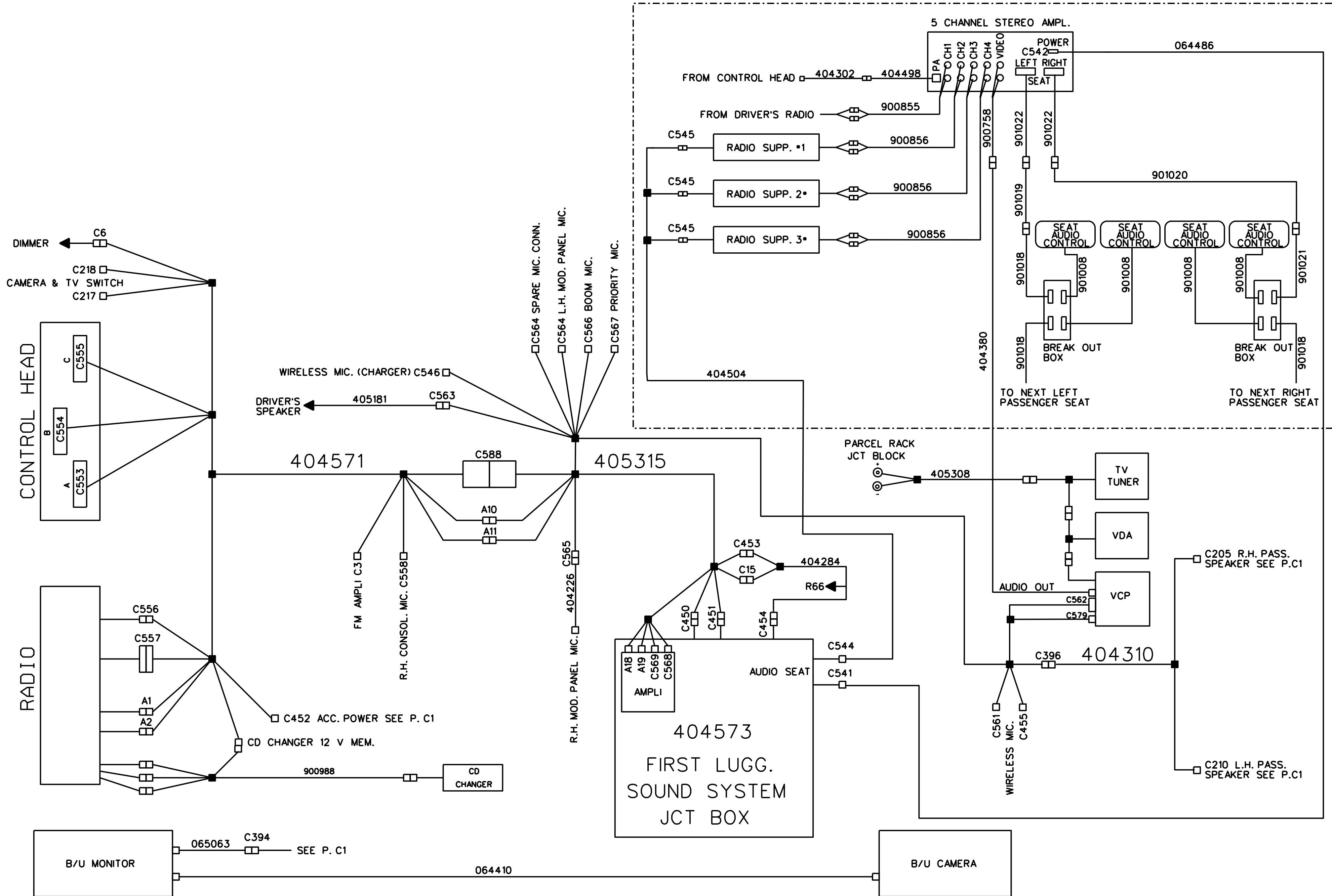
5 CHANNEL SLIM-LINE SEAT AUDIO SYSTEME

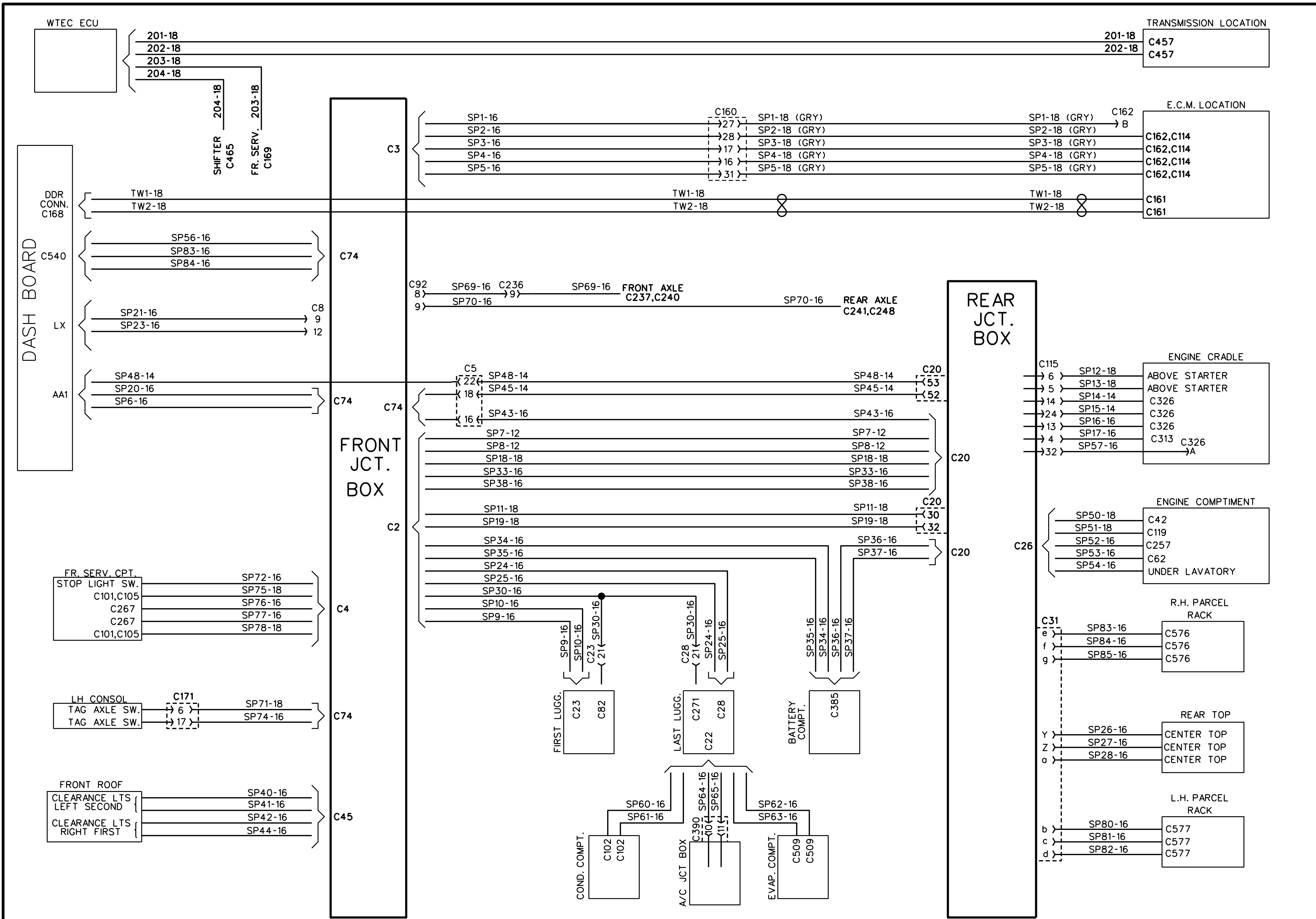


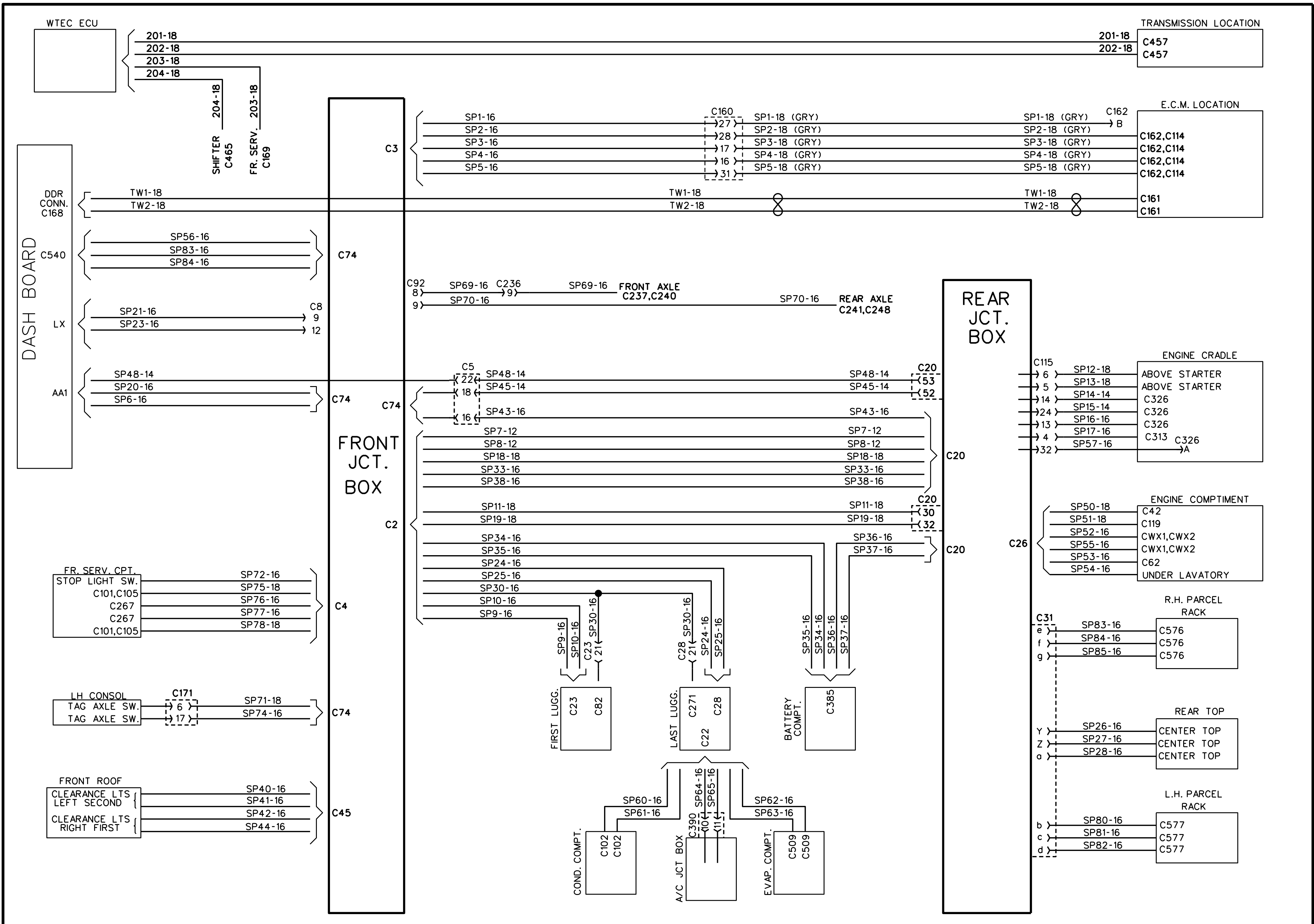
5 CHANNEL SLIM-LINE SEAT AUDIO SYSTEME



5 CHANNEL SLIM-LINE SEAT AUDIO SYSTEME







CIRCUIT NUMBER CODE

NO.	DESCRIPTION	NO.	DESCRIPTION	NO.	DESCRIPTION	NO.	DESCRIPTION
A1	RADIO SYSTEM	C15	AUDIO AMPLI	SP10	SPARE WIRE	SP75	SPARE WIRE
A2	RADIO SYSTEM	D1	PASSENGER SPEAKER	SP11	SPARE WIRE	SP76	SPARE WIRE
A3	AUDIO AMPLI	D2	PASSENGER SPEAKER	SP12	SPARE WIRE	SP77	SPARE WIRE
A8	VIDEO SYSTEM	D3	PASSENGER SPEAKER	SP13	SPARE WIRE	SP78	SPARE WIRE
A9	RADIO SYSTEM	D4	PASSENGER SPEAKER	SP14	SPARE WIRE	SP80	SPARE WIRE
A10	AUDIO AMPLI	D5	PASSENGER SPEAKER	SP15	SPARE WIRE	SP81	SPARE WIRE
A11	AUDIO AMPLI	D6	PASSENGER SPEAKER	SP16	SPARE WIRE	SP82	SPARE WIRE
A12	AUDIO AMPLI	D7	PASSENGER SPEAKER	SP17	SPARE WIRE	SP83	SPARE WIRE
A13	AUDIO AMPLI	D8	PASSENGER SPEAKER	SP18	SPARE WIRE	SP84	SPARE WIRE
A15	AUDIO AMPLI	DR1	DRIVER'S SPEAKER	SP19	SPARE WIRE	SP85	SPARE WIRE
A16	VIDEO SYSTEM	DR2	DRIVER'S SPEAKER	SP20	SPARE WIRE	TW1	TWISTED SPARE
B1	MICROPHONE	DR3	DRIVER'S SPEAKER	SP21	SPARE WIRE	TW2	TWISTED SPARE
B2	MICROPHONE	DR4	DRIVER'S SPEAKER	SP23	SPARE WIRE	W1	STEERING BOX CONVERTER
B3	MICROPHONE	G1	PASSENGER SPEAKER	SP24	SPARE WIRE	W2	STEERING BOX CONVERTER
B4	MICROPHONE	G2	PASSENGER SPEAKER	SP25	SPARE WIRE	Y1A	FLUORESCENT BALLAST
B5	MICROPHONE	G3	PASSENGER SPEAKER	SP26	SPARE WIRE	Y1B	FLUORESCENT BALLAST
B6	MICROPHONE	G4	PASSENGER SPEAKER	SP27	SPARE WIRE	Y2A	FLUORESCENT BALLAST
B7	MICROPHONE	G5	PASSENGER SPEAKER	SP28	SPARE WIRE	Y2B	FLUORESCENT BALLAST
B8	MICROPHONE	G6	PASSENGER SPEAKER	SP30	SPARE WIRE	Y3A	FLUORESCENT BALLAST
B10	MICROPHONE	G7	PASSENGER SPEAKER	SP33	SPARE WIRE	Y3B	FLUORESCENT BALLAST
B11	MICROPHONE	G8	PASSENGER SPEAKER	SP34	SPARE WIRE	Y4A	FLUORESCENT BALLAST
B12	MICROPHONE	IPJ1	CLUSTER - BULB TEST POS	SP35	SPARE WIRE	Y4B	FLUORESCENT BALLAST
B1A	FLUORESCENT BALLAST	IPJ2	CLUSTER - BULB TEST NEG.	SP36	SPARE WIRE	Y5A	FLUORESCENT BALLAST
B1B	FLUORESCENT BALLAST	IPJ5	CLUSTER - FUEL GAUGE	SP37	SPARE WIRE	Y5B	FLUORESCENT BALLAST
B2A	FLUORESCENT BALLAST	IPJ6	CLUSTER - BULB TEST POS.	SP38	SPARE WIRE	Y6A	FLUORESCENT BALLAST
B2B	FLUORESCENT BALLAST	IPJ7	CLUSTER - BULB TEST NEG.	SP40	SPARE WIRE	Y6B	FLUORESCENT BALLAST
B3A	FLUORESCENT BALLAST	IPJ8	CLUSTER - MASTER WARNING	SP41	SPARE WIRE	Y7A	FLUORESCENT BALLAST
B3B	FLUORESCENT BALLAST	L8	WATER TANK HEATER	SP42	SPARE WIRE	Y7B	FLUORESCENT BALLAST
B4A	FLUORESCENT BALLAST	L9	WATER TANK HEATER	SP43	SPARE WIRE	0	BATTERY - MAIN GROUND
B4B	FLUORESCENT BALLAST	LX5	CLUSTER - COMPUTER MODE	SP44	SPARE WIRE	0	EVAP. COMPT. GROUND
B5A	FLUORESCENT BALLAST	LX6	CLUSTER - COMPUTER DOWN	SP45	SPARE WIRE	0	RJB - INSIDE GRD
B5B	FLUORESCENT BALLAST	LX7	CLUSTER - COMPUTER SET	SP48	SPARE WIRE	0A	LAVATORY ACCESSORIES
B6A	FLUORESCENT BALLAST	LX16	CLUSTER - COMPUTER UP	SP50	SPARE WIRE	0A	EVAP. FAN GROUND
B6B	FLUORESCENT BALLAST	LX21	CLUSTER - COMPUTER COM.	SP51	SPARE WIRE	0A	FR. ROOF ACC. GRD
B7A	FLUORESCENT BALLAST	R1A	FLUORESCENT BALLAST	SP52	SPARE WIRE	0B	BOOSTER BLOCK GROUND
B7B	FLUORESCENT BALLAST	R1B	FLUORESCENT BALLAST	SP53	SPARE WIRE	0B	A/C - CONDENSER GRD
B14	RADIO SYSTEM	RT	T.T.L.T. MODULE - TEST SW.	SP54	SPARE WIRE	0B	24V&12V CUT OUT REL.COIL
B15	RADIO SYSTEM	SPK1	PASSENGER SPEAKER	SP56	SPARE WIRE	0BE	OV BATTERY MONITOR
C2	RADIO SYSTEM	SPK2	PASSENGER SPEAKER	SP57	SPARE WIRE	0C	R.J.B. - GRB
C3	CONTROL HEAD ANTENNA	SPK3	PASSENGER SPEAKER	SP60	SPARE WIRE	0C	MOTOR STARTER GROUND
C5	VIDEO SYSTEM	SPK4	PASSENGER SPEAKER	SP61	SPARE WIRE	0C	F.R. SERV. CPT- ACC.
C6	CONTROL HEAD DIMMER	SP1	SPARE WIRE	SP62	SPARE WIRE	0C1	ENTRANCE DOOR SEDAN
C7	RADIO SYSTEM	SP2	SPARE WIRE	SP63	SPARE WIRE	0C2	STEERING CONTROL GROUND
C8	AUDIO AMPLI	SP3	SPARE WIRE	SP64	SPARE WIRE	0C3	SOUND SYSTEM RELAY
C9	VIDEO SYSTEM	SP4	SPARE WIRE	SP65	SPARE WIRE	0C4	F.J.B. GRD
C10	VIDEO SYSTEM	SP5	SPARE WIRE	SP69	SPARE WIRE	0CJ	CRUISE SW. JUMPER
C11	VIDEO SYSTEM	SP6	SPARE WIRE	SP70	SPARE WIRE	0D	FLUORESCENT GRD
C12	VIDEO SYSTEM	SP7	SPARE WIRE	SP71	SPARE WIRE	0D	COND FAN GRD
C13	VIDEO SYSTEM	SP8	SPARE WIRE	SP72	SPARE WIRE	0E	BATT. COMPT. LTS GROUND
C14	VIDEO SYSTEM	SP9	SPARE WIRE	SP74	SPARE WIRE	0E	READING LIGHTS GROUND

CIRCUIT NUMBER CODE

NO.	DESCRIPTION	NO.	DESCRIPTION	NO.	DESCRIPTION	NO.	DESCRIPTION
0F	FLUORESCENT GRD		GROUND	11J	DESTINATION SIGN	15	WIPER & WASHER FEEDING
0F	PRO-DRIVER GROUND	0W	FJB - TRANS. RLY GRD	11P	DESTINATION SIGN	16	SPEEDOMETER (+)
0G	READING LIGHTS GROUND	0W	SHIFT SELECTOR GROUND	12	12V ELECTRONIC TERMINAL	16T	SPEED SW SIGNAL IN (+)
0G	ABS GRD CX1	0WA	PRE-HEAT WATER HEATER	12A	FR JCT PANEL 12V DISC SW	17	EXTERIOR LTS-FLASHER UNIT
0H	ENG. CPT. - ACC. GRD	0Y1	ABS SYSTEM-GRD	12B	FR JCT PANEL 12V DISC SW	17A	EXTERIOR LTS-FLASHER UNIT
0J	PARCEL RACK A/C UNIT	0Y2	ABS SYSTEM-GRD	12BE	12V BATTERY MONITOR	17C	JUMPER LTS SW. - HAZARD
0K	PARCEL RACK A/C UNIT	0Y3	ABS SYSTEM-GRD	12C	FR JCT PANEL 12V DISC SW	20	SPEEDOMETER SIGNAL (-)
0L	ENG. CPT -CLEAR. LTS RR ROOF	0Y4	ABS SYSTEM-GRD	12C	RR JCT BOX 12V DISC SW	21	LEFT DIRECTIONAL LTS
0L	R.J.B. - GRD	0Y5	ABS SYSTEM-GRD	12D	BATT. JCT PANEL 12V HOT WIRE	21A	LEFT DIRECTIONAL LTS SIGN.
0L	FR - SIDE MARK. & FLASH GRD	0Y6	ABS SYSTEM-GRD	12D	FR JCT PANEL 12V HOT WIRE	21B	HAZARD SWITCH SIGNAL
0L1	ENG.CPT-SIDE MARK. & FL. GRD	0Y7	ABS SYSTEM-GRD	12D	RR JCT PANEL 12V HOT WIRE	21BB	LEFT DIRECTIONAL LTS FEEDING
0L2	HEAD LTS GROUND	00A	ELECTRONIC TERMINAL GROUND	12DD	FR JCT PANEL 12V HOT WIRE	21H	EXTERIOR LTS-HAZARD SIGNAL
0L3	FR.SERV.DR. & ENT.DOOR GRD	00A	DASH ELECTRONIC GROUND	12DT	T.T. LT MODULE	21M	AUX. LTS - DIRECTIONAL LH
0L4	FOG LTS RESISTOR GRD	00F	FRONT ELECTRONIC GROUND	12E	FR JCT PANEL 12V DISC SW	23	RIGHT DIRECTIONAL LTS
0L5	LH CONSOL - ACC. GRD	2B	A/C & HEAT SYSTEM	12F	RR JCT PANEL 12V DISC SW	23A	RIGHT DIRECTIONAL LTS SIGN.
0L6	MARKER&FLASH. GROUND	2D	A/C & HEAT SYSTEM	12F1	FR JCT PANEL 12V DISC SW	23BB	RIGHT DIRECTIONAL LTS FEEDING
0L7	AISLE LIGHTS GROUND	2DD	A/C & HEAT SYSTEM	12F2	FR JCT PANEL 12V DISC SW	23H	EXTERIOR LTS-HAZARD SIGNAL
0LV	WINDSHIELD WASHER LEVEL	2E	A/C & HEAT SYSTEM	12G	FR JCT PANEL 12V DISC SW	23K	RIGHT DIRECT. LTS W/KNELLING
0M	WIPER 2 MIRROR MOTOR	2EE	A/C & HEAT SYSTEM	12H	12V IGN. DASH ACCESS.	23M	AUX LTS - DIRECTIONAL RH
0M3	DEFROST GRD	2H	A/C & HEAT SYS-LO-PRESS SW.	12I	RR JCT BOX 12V IGNITION	24	24 VOLTS BATTERY DIST.
0M4	HORN & DR'S WINDOW LIFTER	2L	A/C & HEAT SYS-HI-PRESS SW.	12I	FR JCT PANEL 12V IGNITION	24	24 V. DISC. FRONT DIST.
0M5	SUN VISOR MOTOR	4A	HOTESS CHIME MAIN SWITCH	12IA	FR JCT PANEL 12V IGNITION	24A	24V BOOSTER BLOCK
0M7	DR'S WIND.LIFT. & RH MIR. SW	4C	HOTESS CHIME P. RACK SW.	12IA	RR JCT PANEL 12V IGNITION	24A	FR JCT PANEL 24V DISC. SW
0M7A	LH MIRROR SW.	5	AISLE LTS FEEDING	12IB	FR JCT PANEL 12V IGNITION	24A	RR JCT PANEL 24V DISC. SW
0P	ENG.CDT - PRE-HEATER	5N	EMERGENCY LTS	12IB	STEERING BOX ECU FEEDING	24B	FR JCT PANEL 24V DISC. SW
0R	SOUND SYSTEM RELAY GROUND	5N0	SPEED SIGNAL HIGHER 5MPH	12J	FR JCT PANEL 12V DISC.SW.	24BE	BATTERY MONITOR
0SA	BOSCH ALTERNATOR GROUND	5NC	SPEED SIGNAL LOWER 5MPH	12K	FR JCT PANEL 12V DISC.SW.	24C	FR JCT PANEL 24V DISC SW
0SA	PARCEL RACK LTS SWITCH	6	AISLE LTS	12LX	CLUSTER 12V HOT WIRE	24D	24 V. HOT WIRE FEEDING
0SB	PARCEL RACK LTS SWITCH	7B	ENTRANCE DOOR FEEDING-24V HW	12P	12 VOLTS BATTERY JCT BLOCK	24D	FR JCT BOX 24V HOT WIRE
0SC	PARCEL RACK LTS SWITCH	9	INTERIOR LTS-ENGINE CPT	12R	12 VOLTS MEMORY RADIO	24DD	FR JCT BOX 24V HOT WIRE
0SE	PARCEL RACK LTS SWITCH	9F	INTERIOR LTS - FR-SERV. CPT	12P	12V POWER OUTLET	24E	24 VOLTS POWER DISTRIBUTION
0SF	PARCEL RACK LTS SWITCH	10	INTERIOR LTS-LUGGAGE CPT	12SB	12V SOUND SYSTEM FEEDING	24E	RR JCT PANEL 24V DISC SW
0SG	PARCEL RACK LTS SWITCH	10	INTERIOR LTS-FR SERV. CPT	12SS	12V SOUND SYSTEM FEEDING	24F	RR JCT PANEL 24V DISC SW
0SH	PARCEL RACK LTS SWITCH	10A	INTERIOR LTS-LUGGAGE CPT	12S	12 V RADIO FEEDING	24H	RR JCT PANEL 24V DISC SW
0SJ	PARCEL RACK LTS SWITCH	10A	AUX. COMPRESSOR CLUTCH	12S1	12 V RADIO FEEDING	24I	FR JCT PANEL 24V IGNITION
0SS	SOUND SYSTEM GROUND	10B	INTERIOR LTS-LUGGAGE CPT	12S2	12 V RADIO FEEDING	24IA	FR JCT PANEL 24V IGNITION
00SS	SOUND SYSTEM GROUND	10C	INTERIOR LTS-LUGGAGE CPT	12T	RR JCT BOX 12V DISC SW	24IB	FR JCT PANEL 24V IGNITION
0S2	RADIO GROUND	10E	INTERIOR LTS-BATTERY CPT	12VB	FR JCT PANEL 12V DISC SW	24IF	FR JCT PANEL 24V IGNITION
0S3	VIDEO GROUND	10H	AUX. COMPRESSOR CLUTCH	12VD	12V HOT WIRE DISTRIBUTION	24K	RR JCT PANEL 24V DISC SW
0T	LAVATORY FAN & PUMP	10L	AUX. COMPRESSOR CLUTCH	12VE	FR JCT PANEL 12V DISC SW	24L	RR JCT PANEL 24V DISC SW
0T	SPEED SW. CONNECTOR	10X	AUX. COMPRESSOR CLUTCH	12VF	12 VOLTS FRONT DISTRIBUTIUN	24M	RR JCT PANEL 24V DISC SW
0T1	DASH ACC. GROUND	11	DESTINATION SIGN	12VG	RR JCT PANEL 12V DISC SW	24P	FR JCT PANEL 24V DISC SW
0T2	CLUSTER ACC. GROUND	11A	DESTINATION SIGN	12VI	12V IGNITION DISTRIBUTION	24PV	MICRO-WAVE INVERTER
0T2	WINDOW AWNING	11B	DESTINATION SIGN	12VO	12 VOLTS BATTERY EQUALIZER	24R	24V STARTER RELAY
0T3	ALTERNATOR MODULE	11C	DESTINATION SIGN	12VR	12 VOLTS REAR DISTRIBUTION	24R	SCENIC VIEW SIGNAL ON
0T4	12V OUTLET - CTR MODULE	11D	DESTINATION SIGN	12W	12V HOT WIRE DDEC FEEDING		
0VA	BATTERY EQUALIZER	11E	DESTINATION SIGN	12WA	ENTRANCE DOOR SYSTEM		
		11K	DESTINATION SIGN	14	LAVATORY PUMP		

CIRCUIT NUMBER CODE

NO.	DESCRIPTION	NO.	DESCRIPTION	NO.	DESCRIPTION	NO.	DESCRIPTION
24SB	24V SOUND SYSTEM FEEDING	41	A/C SYS.-COND FAN MOTOR	53E	WIPER & WASHER SYSTEM	76C	LOW FUEL T.T.LT
24SS	24V SOUND SYSTEM FEEDING	41A	A/C SYS.-COND FAN MOTOR	53J	WIPER & WASHER SYSTEM	76M	FUEL PRIME PUMP
24S1	AMPLIFIER FEEDING	41B	A/C SYS.-COND FAN MOTOR	55	EXTERIOR LTS-HI BEAM	76P	FUEL PRIME PUMP FEEDING
24S2	AMPLIFIER FEEDING	42	A/C SYS.-COND FAN MOTOR	57	EXTERIOR LTS-HI BEAM	77B	A/C SYS. - LIQ. SOL. VALVE
24S3	VIDEO FEEDING	42A	A/C SYS.-COND FAN MOTOR	57A	EXTERIOR LTS-HI BEAM	77C	A/C & HEAT SYS.-COMPRESSOR
24S4	VIDEO FEEDING	43	PARCEL RACK A/C	57B	A/C & HEAT SYS.-WATER PUMP	77H	A/C SYS.-LIQ. SOL. VALVE
24T	RR JCT PANEL 24V DISC SW	43A	PARCEL RACK A/C	57C	PRE-HEAT WATER HEATER	81	EXTERIOR LTS-STOP SW
24VA	24 VOLTS BATTERY EQUALIZER	43B	PARCEL RACK A/C	57C	A/C & HEAT SYS.-WATER PUMP	82	EXTERIOR LTS-STOP SIGNAL
24VD	24V HOT WIRE FEED	43C	PARCEL RACK A/C	57E	A/C & HEAT SYS.-WATER VALV	82A	EXTERIOR LTS-STOP SIGNAL
24VF	24 VOLTS FRONT DISTRIBUTION	43D	PARCEL RACK A/C	57W	PRE-HEAT WATER HEATER	82B	EXTERIOR LTS-STOP LTS
24VI	24 VOLTS IGNITION REAR DIST.	43E	PARCEL RACK A/C	58	EXTERIOR LTS-LO BEAM	82L	EXT. LTS-STOP LTS & CYCLOP
24VR	24 VOLTS REAR DISTRIBUTION	43F	PARCEL RACK A/C	58A	EXTERIOR LTS-LO BEAM	82R	EXTERIOR LTS-STOP LTS
24Y	24 VOLTS POWER GALLEY	43G	PARCEL RACK A/C	58B	EXTERIOR LTS-LO BEAM	83	ENG. CTR-MAST. KEY SW ACC.
25	EITHER ALTERNATOR RUN SIGNAL	43M	PARCEL RACK A/C	59A	ENGINE BRAKE SYSTEM	83A	24V&12V CUT RELAY COIL
25A	TT.LT. ALTERNATOR #1	43X	PARCEL RACK A/C	61	EXTERIOR LTS-24V FEED SW	83B	24V&12V CUT RELAY COIL
25A1	BOSCH ALTERNATOR SIGNAL D+	44	EXTERIOR LTS-FOG	61A	EXTERIOR LTS-HEAD SIGNAL	84	ENG. CTR-MAST KEY SW START
25A2	BOSCH ALTERNATOR SIGNAL D+	44A	EXTERIOR LTS-FOG	62	LAVATORY INDICATOR	84A	ENG. CTR-MAST KEY SW START
25B	EXT. LTS-DAYTIME RUN LTS	44B	EXTERIOR LTS-FOG	63	EXTERIOR LTS-CLEAR. FEED	84J	ENG. CTR-MAST KEY SW START
25D	BOTH ALTERNATOR RUN SIGNAL	44C	FOG,LTS & HVAC FEEDING	63B	EXTERIOR LTS-CLEARANCE	85	24V IGNITION SIGNAL
25K	T.T LT. ALTERNATOR #2	44D	EXTERIOR LTS - FOG	63C	EXT. LTS-MARKER SIGNAL	85A	24V IGN DASH INSTRUMENT.
26	DR'S & ENT. WINDOW LIFTER	44E	EXTERNAL LTS - FOG	63D	BLINKER RELAY	85C	24V IGNITION - FEED
26A	CIGAR LIGHT. & POW.OUTLET LH	45A	A/C & HEAT SYSTEM FULL AIR	63E	BLINKER RELAY	85F	RAD. FAN CONTROL W/RETARDER
26B	DRIVER'S WINDOW LIFTER	45B	A/C & HEAT SYS.-WATER PUMP	64	DRIVER'S FAN SPEED CTR	85W	OUT SPEED INTERLOCK - 24V IGN.
26C	DRIVER'S WINDOW LIFTER	45C	A/C & HEAT SYS.-WATER VALV	64A	A/C SPARE	85X	ABS-24V IGN
27	LAVATORY ALARM	45D	A/C & HEAT SYS.-WATER VALV	64B	A/C SPARE	85Y	ABS-WARNING LT
28H	T.T.LT MODULE - HI A/C PRES.	45G	A/C & HEAT SYS.-DR'S HTR	65	FOOT DAMPER MOTOR	86	ENG. CTR-STARTER SOL.
28T	T.T.LT MODULE - LO A/C PRES.	46	EXTERIOR LTS-MARKER	65A	FOOT DAMPER MOTOR	86A	ENG. CTR-STARTER RELAY COIL
29	A/C & HEAT SYS.-DR'S HTR	46A	EXTERIOR LTS-AUX LTS RESIS.	65D	DRIVER'S REC. DAMPER	86F	TELL TALE STARTER ON
29H	HVAC DASH MODILE	46C	EXTERIOR LTS-MARKER	66	A/C PASSENGER - ON/OFF	86T	TELL TALE STARTER ON
30A	GALLEY SWITCH SIGNAL	46D	EXTERIOR LTS-AUX LTS RESIS.	67A	A/C & HEAT SYSTEM	87B	ENGINE CTR-24V IGNITION
30J	GALLEY SWITCH LED	48	ENTRANCE DOOR OPEN SIGNAL	68	DASH & DEFROST DAMPER MOT	88	ENGINE CTR-RR START SIGNAL
31B	WIPER & WASHER SYSTEM	48A	ENTRANCE DOOR OPEN SOL.	68A	DASH & DEFROST DAMPER MOT	89	ENGINE CTR-RR START SIGNAL
32	EXTERIOR LTS-BACK-UP	48B	ENTRANCE DOOR OPEN SIGNAL	69	DAMPER MIX LIMIT SWITCH	90B	ENG. CTR-MAST KEY SW FEED
32B	EXTERIOR LTS-BACK-UP	48C	ENTRANCE DOOR SYSTEM	70	HAT RACK & NIGHT LTS FEEDING	91	PARKING BRAKE SW SIGNAL
35	ENTRANCE STEP LIGHTS	48D	ENTRANCE DOOR SYSTEM	72	SUN VISOR - FEED	91A	DDEC -FAST IDLE SIGNAL
36	ENGINE BRAKE SYSTEM	48W	ENTRANCE DOOR SEDAN	72A	SUN VISOR RH	91B	D.R.L. CANCEL RELAY
36A	ENGINE BRAKE SYSTEM & RET.	49	ENTRANCE DOOR CLOSE SIGNAL	72B	SUN VISOR RH	91C	PARKING BRAKE - T.T.LT
37	LAVATORY LTS FEEDING	49A	ENTRANCE DOOR SYSTEM	72C	SUN VISOR LH	91J	FAST IDLE - JUMPER SW.
38	FLUORESCENT RELAY FEEDING	49B	ENTRANCE DOOR SYSTEM	72D	SUN VISOR LH	92	BATT. EQUAL.-CHECK BALANCE
38A	R.H FLUORESCENT	50	AIR DRYER	74	R.H. READING LAMP FEEDING	93	BATT. EQUALIZ.-CHECK LO/HI
38B	L.H. FLUORESCENT	52	ALARM & SIGNAL-ELEC.HORN	74A	R.H. HOTESS CHIME FEEDING	95A	ENG. BRAKE & RETARDER SYS.
38C	FLUORESCENT FEEDING	52A	ALARM & SIGNAL-ELEC.HORN	74D	READING LAMP SWITCH	95B	ENG. BRAKE & RETARDER SYS.
39	INTERIOR LTS-DRIVER'S LTS	52B	PNEUMATIC HORN	74J	READING LAMP INDICATOR SW.	97	TACHOMETER SIGN.-NOT
39D	INTERIOR LTS - DRIVER' LTS	53	ALARM & SIGNAL-ELEC.HORN	75	L.H. READING LAMP FEEDING		
		53B	WIPER & WASHER SYSTEM	75A	L.H. HOTESS CHIME FEEDING		
		53C	WIPER & WASHER SYSTEM	76	FUEL TANK GAUGE		

CIRCUIT NUMBER CODE

NO.	DESCRIPTION	NO.	DESCRIPTION	NO.	DESCRIPTION	NO.	DESCRIPTION
	USED	126D	KNEELING SYSTEM	137B	RR VIEW MIRROR	151	ATC VALVE
100	INTERIOR LTS RELAY COIL	126F	KNEELING SYSTEM	137C	RR VIEW MIRROR	152	ATC VALVE
100	INDIRECT LTS FEEDING	126G	KNEELING SYSTEM	137D	RR VIEW MIRROR	153	ELECTRICAL DRIVER'S SEAT
100A	INDIRECT LTS RELAY COIL	126H	SPEED SIGN 5NC - 24V	137E	RR VIEW MIRROR	154	WORLD TRANSM-ABS INPUT (-)
100B	INDIRECT LTS FEEDING	126K	KNEELING SYSTEM	137F	RR VIEW MIRROR	156A	ABS SYSTEM-FEED
100C	INDIRECT LTS FEEDING	126L	KNEELING SYSTEM	137H	RR VIEW MIRROR	157	ABS SYSTEM-FEED
101	24 VOLTS POWER STARTER	126P	KNEELING SYSTEM	137J	RR VIEW MIRROR	157A	ABS SYSTEM-FEED
101	WORLD TR.- LO SIGN SOL.LO	126R	KNEELING SYSTEM	137K	RR VIEW MIRROR	157B	ABS SYSTEM
102	24 VOLTS A/C DISTRIBUTION	126S	KNEELING SYSTEM	137L	RR VIEW MIRROR	159	WORLD TRANSM-DIAGNOSTIC
102	WORLD TRANSM.-SOL. SUPPLY	126T	KNEELING SYSTEM	137M	RR VIEW MIRROR FEED	160	ALARM & SIGN.-TAG PRESS SW
102A	BOSCH ALTERNATOR FEEDING	126W	KNEELING SYSTEM	137R	WORLD TRANSM-RETARDER	161B	WORLD TRANSM-SIGNALGRD
103	WORLD TRANSM.- B.SOL.LO	126W	WORLD TRANSM-NOT USED	137T	MIRROR HEAT SW-JUMPER	162	WORLD TRANSM-PRESS. SW C3
103	LOW BUOY SYSTEM	127	WORLD TRANSM. - H SOL.	138	WORLD TR.-RETARDER TEMP	163	WORLD TR.-RETARDER ENABLE
104	WORLD TR. -G SOL.	127	24HOT WIRE PREHEAT	138	ABS SYSTEM-SENSOR	164	WORLD TR.-RET. ACTUAT. SIGN
105W	WORLD TR-SOL.-RET.OIL TT.LT	127A	PRE-HEAT WATER HEATER	138A	ABS SYSTEM-SENSOR	165	WORLD TR.-OIL LEVEL SIGNAL
107	WORLD TR. - SOL. SUPPLY	127B	PRE-HEAT WATER HEATER	139	ABS SYSTEM-VALVE	166	WORLD TRANSM. OUTPUT 7
110	WORLD TR.-F SOL. LO	127S	PRE-HEAT WATER HEATER	139	WORLD TR.-OUTPUT SPEED HI	167	WORLD TR.-OUT SPEED INTERLOCK
112	WORLD TR.-SPARE OUTPUT (+)	127W	PRE-HEAT WATER HEATER	140	WORLD TR.-TURBINE SPEED LO	169	WORLD TRANSM-PRE-SELECT #1
113W	WORLD TR.-REVERSE WARNING	128	WORLD TRANSM-B SOL.	140	ABS SYSTEM-VALVE	170	WORLD TRANSM-SHIFTER
114	INTERIOR LT-DASH LT RHEOS.	128A	PRE-HEAT WATER HEATER	141	ABS SYSTEM-VALVE	170C	LUGGAGE DOOR LOCK-T.T.LT
114A	INTERIOR LT-DASH LT RHEOS.	128B	PRE-HEAT WATER HEATER	141	WORLD TR.-ENGINE SPEED HI	170D	LUGGAGE DOOR LOCK-FEED
114B	INT. LT-DASH LT RHEOST.FEED	128W	PRE-HEAT WATER HEATER	141	ABS SYSTEM-VALVE	170E	LUG. DOOR LOCK-UNLOCK SIGN
115	DDEC -COOLANT LEVEL	129	WORLD TRANSM-E SOL.	142	ABS SYSTEM-VALVE	170F	LUGGAGE DOOR LOCK-FEED
115W	WORLD TR.-DO NOT SHIFT SIGN	129	PRE-HEAT WATER HEATER	143	ABS SYSTEM-SENSOR	170G	LUGGAGE DOOR LOCK-FEED
116	WORLD TR.-SOL. SUPPLY	129B	PRE-HEAT WATER HEATER	143A	ABS SYSTEM-SENSOR	170K	LUGGAGE DOOR-LOCK SIGN
116B	A/C & HEAT SYSTEM-DR'S HTR	130	WORLD TRANSM-SOL. SUPPLY	143A	WORLD TRANS-BATTERY GRD	170L	LUGG DOOR LOCK-SIGN T.T.LT
116C	A/C SYS.-TRIG. DEFROST	130	EVAP. FAN MAIN CABLE	143W	WORLD TRANSM-BATTERY GRD	170N	LUGG DOOR LOCK-SIGN T.T.LT
119	WORLD TRANSM-ENGINE BRAKE	131	WORLD TRANSM-D SOL.	143X	WORLD TRANSM-BATTERY GRD	170R	LUGG DOOR LOCK-SIGN. T.T.LT.
120	WORLD TRANSM-A SOL.	132	WORLD TRANSM-ENGINE BRAKE	144	ABS SYSTEM-SENSOR	170S	LUGG DOOR LOCK-SIGN T.T.LT
121	WORLD TRANSM-SOL.SUPPLY	133	GALLEY HEATING CONTAINER	144A	ABS SYSTEM-SENSOR	170T	LUGG DOOR LOCK-SIGN T.T.LT
123	WORLD TR.-NEUTRAL START	133A	GALLEY HEATING CONTAINER	145	ABS SYSTEM	170V	LUGG DOOR LOCK-SIGN T.T.LT
123A	ALARM & SIGNAL-FIRE DETECT.	133B	GALLEY HEATING CONTAINER	146	ABS SYSTEM	170W	LUGGAGE DOOR LOCK-FEED
123B	ALARM & SIGNAL-FIRE DETECT.	133C	GALLEY HEATING CONTAINER	146A	WORLD TRANSM-12V IGNITION	170X	LUGG DOOR LOCK-SIGN T.T.LT
124	WORLD TR.-SENSOR POWER	134	GALLEY HEATING CONTAINER	146AA	WORLD TRANSM-DIAGN.CONN.	170Y	LUGGAGE DOOR LOCK-FEED
124A	WORLD TRANSM-SENSOR PWR	134A	GALLEY HEATING CONTAINER	147	WORLD TRANSM-OIL TEMP	170Z	LUGGAGE DOOR LOCK
125	LAVATORY FAN	135	GALLEY HEATING CONTAINER	147	ABS SYSTEM-VALVE	171	WORLD TRANSM-SHIFTER
125	WORLD TR-RETARDER INDICAT.	135A	WORLD TR.-RES MODULE RET.	147A	ETHER COLD START	172	WORLD TRANSM-SHIFTER
125W	WORLD TR-RETARDER INDICAT.	135B	A/C & HEAT SYS.-AIR SENSOR	147C	ETHER COLD START	173	WORLD TRANSM-SHIFTER
126	24 V IGN. SPEED SWITCH	135C	A/C & HEAT SYS.-AIR SENSOR	148	ABS SYSTEM-VALVE	174	WORLD TRANSM-SHIFTER
126A	KNEELING SYSTEM	136	MICRO-WAVE OVEN SWITCH	148	WORLD TR.-OUTPUT SPEED LO	175A	WORLD TRANSM-SHIFTER
126AA	KNEELING SYSTEM	136A	GALLEY LAMP	149	WORLD TR.-TURBINE SPEED HI	176	WORLD TRANSM-SHIFTER
126B	HI-BUOY SIGNAL	136A	WORLD TRANSM-12V BATTERY	149	ABS SYSTEM-SENSOR	180	OUTSIDE TEMP. DISPLAY
126C	KNEELING SYSTEM	136AA	WORLD TRANSM-SHIFTER PWR	149A	ABS SYSTEM		
		136V	WORLD TRANSM-12V BATTERY	150	WORLD TR.-ENGINE SPEED LO		
		136W	WORLD TRANSM-12V BATTERY	150	DDEC -ECM BATTERY GRD		
		136X	WORLD TRANSM-12V BATTERY	150A	DDEC -ECM BATTERY GRD		
		137	WORLD TRANSM-RETARDER	151	DDEC -ECM BATTERY GRD		
		137	RR VIEW MIRROR				
		137A	RR VIEW MIRROR				

CIRCUIT NUMBER CODE

NO.	DESCRIPTION	NO.	DESCRIPTION	NO.	DESCRIPTION	NO.	DESCRIPTION
180A	OUTSIDE TEMP. DISPLAY	541	DDEC-CRUISE SET SW				
180A	WORLD TRANSM-SHIFTER	543	DDEC-CRUISE BRAKE PEDAL				
180B	OUTSIDE TEMP. DISPLAY	544	DDEC-CRUISE ON/OFF SW				
180C	OUTSIDE TEMP. DISPLAY	545	DDEC-CRUISE RESUME SW				
181	FROZEN POINT T.T.LT	555	DDEC-FAN CLUTCH SPEED#1				
181A	TEMP. CTR'L INSIDE SENSOR	556	DDEC-VEHICULE SPEED (+)				
181B	TEMP. CTR'L INSIDE SENSOR	557	DDEC-VEHICULE SPEED (-)				
181C	THERMOMET. OUTSIDE SENSOR	563	DDEC-FAN CLUTCH SPEED#2				
181D	THERMOMET. OUTSIDE SENSOR	564	DDEC-DIGTAL OUTPUT				
195	WORLD TRANSM-TRANS ID	565	DDEC-ENGINE BRAKE ACTIVE				
197	FUEL WATER FILTER	583	DDEC-ENGINE BRAKE 4 CYL.				
197A	FUEL WATER FILTER	900	DDEC-DATA LINK (+)				
201	WORLD TRANSM-SPARE	901	DDEC-DATA LINK (-)				
202	WORLD TRANSM-SPARE	908	DDEC-HYDRAU. PWM#1 OUTPUT				
203	WORLD TRANSM-SPARE	916	DDEC-SENSOR SUPPLY (5VDC)				
204	WORLD TRANSM-SPARE	952	DDEC-SENSOR RETURN				
214	WORLD TR.-BACK-UP SIGNAL	953	DDEC-BATTERY GRD				
231	WORLD TR.-NEUTRAL SIGN GRD	979	DDEC-ENGINE BRAKE 2 CYL.				
240	DDEC -ECM 12V FEEDING	2123	FLASHER SIGNAL LTS				
241	DDEC -ECM 12V FEEDING						
253	24 VOLT SIGNAL GALLEY INVERTER						
254	GALLEY REFRIGERATOR						
254A	GALLEY REFRIGERATOR						
254F	GALLEY REFRIGERATOR						
255	GALLEY COFFEEMAKER						
255A	GALLEY COFFEEMAKER						
255B	GALLEY COFFEEMAKER						
260	WINDOW AJAR-T.T.LT						
290	FAN CLUTCH RADIATOR-FEED						
290A	FAN CLUTCH RADIATOR-FEED						
291	FAN CLUTCH RADIATOR SPD 1						
292	FAN CLUTCH RADIATOR SPD 2						
292J	FAN OVERRIDE LTS SWITCH						
301	W.C.L. SYSTEM						
302	W.C.L. SYSTEM						
417	DDEC-LIMIT SPEED GOVERNOR						
419	DDEC -CHEK ENGINE LIGHT						
439	DDEC-12V IGNITION						
451	DDEC-A/C FAN CLUTCH						
505	DDEC-TACHOMETER DRIVE						
509	DDEC-STOP ENGINE LIGHT						
510	DDEC-FAST IDLE SIGNAL						
524	DDEC-ENGINE BRAKEDISABLE						
525	DDEC-FAST IDLE SIGNAL						
528	DDEC-STOP ENG. OVERRIDE						
531	DDEC-CRUISE CLUTCH CUT OUT						
540	DDEC-CRUISE ENABLE T.T.LT						

CIRCUIT NUMBER CODE

NO.	DESCRIPTION	NO.	DESCRIPTION	NO.	DESCRIPTION	NO.	DESCRIPTION
A1	RADIO SYSTEM	C15	AUDIO AMPLI	SP10	SPARE WIRE	SP75	SPARE WIRE
A2	RADIO SYSTEM	D1	PASSENGER SPEAKER	SP11	SPARE WIRE	SP76	SPARE WIRE
A3	AUDIO AMPLI	D2	PASSENGER SPEAKER	SP12	SPARE WIRE	SP77	SPARE WIRE
A8	VIDEO SYSTEM	D3	PASSENGER SPEAKER	SP13	SPARE WIRE	SP78	SPARE WIRE
A9	RADIO SYSTEM	D4	PASSENGER SPEAKER	SP14	SPARE WIRE	SP80	SPARE WIRE
A10	AUDIO AMPLI	D5	PASSENGER SPEAKER	SP15	SPARE WIRE	SP81	SPARE WIRE
A11	AUDIO AMPLI	D6	PASSENGER SPEAKER	SP16	SPARE WIRE	SP82	SPARE WIRE
A12	AUDIO AMPLI	D7	PASSENGER SPEAKER	SP17	SPARE WIRE	SP83	SPARE WIRE
A13	AUDIO AMPLI	D8	PASSENGER SPEAKER	SP18	SPARE WIRE	SP84	SPARE WIRE
A15	AUDIO AMPLI	DR1	DRIVER'S SPEAKER	SP19	SPARE WIRE	SP85	SPARE WIRE
A16	VIDEO SYSTEM	DR2	DRIVER'S SPEAKER	SP20	SPARE WIRE	TW1	TWISTED SPARE
B1	MICROPHONE	DR3	DRIVER'S SPEAKER	SP21	SPARE WIRE	TW2	TWISTED SPARE
B2	MICROPHONE	DR4	DRIVER'S SPEAKER	SP23	SPARE WIRE	W1	STEERING BOX CONVERTER
B3	MICROPHONE	G1	PASSENGER SPEAKER	SP24	SPARE WIRE	W2	STEERING BOX CONVERTER
B4	MICROPHONE	G2	PASSENGER SPEAKER	SP25	SPARE WIRE	Y1A	FLUORESCENT BALLAST
B5	MICROPHONE	G3	PASSENGER SPEAKER	SP26	SPARE WIRE	Y1B	FLUORESCENT BALLAST
B6	MICROPHONE	G4	PASSENGER SPEAKER	SP27	SPARE WIRE	Y2A	FLUORESCENT BALLAST
B7	MICROPHONE	G5	PASSENGER SPEAKER	SP28	SPARE WIRE	Y2B	FLUORESCENT BALLAST
B8	MICROPHONE	G6	PASSENGER SPEAKER	SP30	SPARE WIRE	Y3A	FLUORESCENT BALLAST
B10	MICROPHONE	G7	PASSENGER SPEAKER	SP33	SPARE WIRE	Y3B	FLUORESCENT BALLAST
B11	MICROPHONE	G8	PASSENGER SPEAKER	SP34	SPARE WIRE	Y4A	FLUORESCENT BALLAST
B12	MICROPHONE	IPJ1	CLUSTER - BULB TEST POS	SP35	SPARE WIRE	Y4B	FLUORESCENT BALLAST
B1A	FLUORESCENT BALLAST	IPJ2	CLUSTER - BULB TEST NEG.	SP36	SPARE WIRE	Y5A	FLUORESCENT BALLAST
B1B	FLUORESCENT BALLAST	IPJ5	CLUSTER - FUEL GAUGE	SP37	SPARE WIRE	Y5B	FLUORESCENT BALLAST
B2A	FLUORESCENT BALLAST	IPJ6	CLUSTER - BULB TEST POS.	SP38	SPARE WIRE	Y6A	FLUORESCENT BALLAST
B2B	FLUORESCENT BALLAST	IPJ7	CLUSTER - BULB TEST NEG.	SP40	SPARE WIRE	Y6B	FLUORESCENT BALLAST
B3A	FLUORESCENT BALLAST	IPJ8	CLUSTER - MASTER WARNING	SP41	SPARE WIRE	Y7A	FLUORESCENT BALLAST
B3B	FLUORESCENT BALLAST	L8	WATER TANK HEATER	SP42	SPARE WIRE	Y7B	FLUORESCENT BALLAST
B4A	FLUORESCENT BALLAST	L9	WATER TANK HEATER	SP43	SPARE WIRE	0	BATTERY - MAIN GROUND
B4B	FLUORESCENT BALLAST	LX5	CLUSTER - COMPUTER MODE	SP44	SPARE WIRE	0	EVAP. COMPT. GROUND
B5A	FLUORESCENT BALLAST	LX6	CLUSTER - COMPUTER DOWN	SP45	SPARE WIRE	0	RJB - INSIDE GRD
B5B	FLUORESCENT BALLAST	LX7	CLUSTER - COMPUTER SET	SP48	SPARE WIRE	0	WCL MODULE
B6A	FLUORESCENT BALLAST	LX16	CLUSTER - COMPUTER UP	SP50	SPARE WIRE	0A	LAVATORY ACCESSORIES
B6B	FLUORESCENT BALLAST	LX21	CLUSTER - COMPUTER COM.	SP51	SPARE WIRE	0A	EVAP. FAN GROUND
B7A	FLUORESCENT BALLAST	R1A	FLUORESCENT BALLAST	SP52	SPARE WIRE	0A	FR. ROOF ACC. GRD
B7B	FLUORESCENT BALLAST	R1B	FLUORESCENT BALLAST	SP53	SPARE WIRE	0B	BOOSTER BLOCK GROUND
B14	RADIO SYSTEM	RT	T.T.L.T. MODULE - TEST SW.	SP54	SPARE WIRE	0B	A/C - CONDENSER GRD
B15	RADIO SYSTEM	SPK1	PASSENGER SPEAKER	SP56	SPARE WIRE	0B	24V&12V CUT OUT REL.COIL
C2	RADIO SYSTEM	SPK2	PASSENGER SPEAKER	SP57	SPARE WIRE	0BE	OV BATTERY MONITOR
C3	CONTROL HEAD ANTENNA	SPK3	PASSENGER SPEAKER	SP60	SPARE WIRE	0C	R.J.B. - GRB
C5	VIDEO SYSTEM	SPK4	PASSENGER SPEAKER	SP61	SPARE WIRE	0C	MOTOR STARTER GROUND
C6	CONTROL HEAD DIMMER	SP1	SPARE WIRE	SP62	SPARE WIRE	0C	F.R. SERV. CPT- ACC.
C7	RADIO SYSTEM	SP2	SPARE WIRE	SP63	SPARE WIRE	0C1	ENTRANCE DOOR SEDAN
C8	AUDIO AMPLI	SP3	SPARE WIRE	SP64	SPARE WIRE	0C2	STEERING CONTROL GROUND
C9	VIDEO SYSTEM	SP4	SPARE WIRE	SP65	SPARE WIRE	0C3	SOUND SYSTEM RELAY
C10	VIDEO SYSTEM	SP5	SPARE WIRE	SP69	SPARE WIRE	0C4	F.J.B. GRD
C11	VIDEO SYSTEM	SP6	SPARE WIRE	SP70	SPARE WIRE	0CJ	CRUISE SW. JUMPER
C12	VIDEO SYSTEM	SP7	SPARE WIRE	SP71	SPARE WIRE	0D	FLUORESCENT GRD
C13	VIDEO SYSTEM	SP8	SPARE WIRE	SP72	SPARE WIRE	0D	COND FAN GRD
C14	VIDEO SYSTEM	SP9	SPARE WIRE	SP74	SPARE WIRE	0E	BATT. COMPT. LTS GROUND

CIRCUIT NUMBER CODE

NO.	DESCRIPTION	NO.	DESCRIPTION	NO.	DESCRIPTION	NO.	DESCRIPTION
0E	READING LIGHTS GROUND	0W	SHIFT SELECTOR GROUND	11J	DESTINATION SIGN	14	LAVATORY PUMP
0F	FLUORESCENT GRD	0W	WCL MODULE	11P	DESTINATION SIGN	15	WIPER & WASHER FEEDING
0F	PRO-DRIVER GROUND	0WA	PRE-HEAT WATER HEATER	12	12V ELECTRONIC TERMINAL	16	SPEEDOMETER (+)
0G	READING LIGHTS GROUND	0WA	WCL DOOR AJAR	12A	FR JCT PANEL 12V DISC SW	16T	SPEED SW SIGNAL IN (+)
0G	ABS GRD CX1	0WC	WCL BATTERY CPT. ACCES.	12A	BATT. JCT PANEL 12V DISC SW	17	EXTERIOR LTS-FLASHER UNIT
0H	ENG. CPT. - ACC. GRD	0WL	WCL SIGNAL DOOR AJAR ALARM	12B	FR JCT PANEL 12V DISC SW	17A	EXTERIOR LTS-FLASHER UNIT
0J	PARCEL RACK A/C UNIT	0Y1	ABS SYSTEM-GRD	12BE	12V BATTERY MONITOR	17C	JUMPER LTS SW. - HAZARD
0K	PARCEL RACK A/C UNIT	0Y2	ABS SYSTEM-GRD	12C	FR JCT PANEL 12V DISC SW	20	SPEEDOMETER SIGNAL (-)
0L	ENG.CPT -CLEAR.LTS RR ROOF	0Y3	ABS SYSTEM-GRD	12C	RR JCT BOX 12V DISC SW	21	LEFT DIRECTIONNAL LTS
0L	R.J.B. - GRD	0Y4	ABS SYSTEM-GRD	12D	BATT. JCT PANEL 12V HOT WIRE	21A	LEFT DIRECTIONNAL LTS SIGN.
0L	FR - SIDE MARK. & FLASH GRD	0Y5	ABS SYSTEM-GRD	12D	FR JCT PANEL 12V HOT WIRE	21B	HAZARD SWITCH SIGNAL
0L1	ENG.CPT-SIDE MARK. & FL. GRD	0Y6	ABS SYSTEM-GRD	12D	RR JCT PANEL 12V HOT WIRE	21BB	LEFT DIRECTIONNAL LTS FEED.
0L2	HEAD LTS GROUND	0Y7	ABS SYSTEM-GRD	12DD	FR JCT PANEL 12V HOT WIRE	21H	EXTERIOR LTS-HAZARD SIGNAL
0L3	FR.SERV.DR. & ENT.DOOR GRD	00A	ELECTRONIC TERMINAL GROUND	12DT	T.T. LT MODULE	21M	AUX. LTS - DIRECTIONAL LH
0L4	FOG LTS RESISTOR GRD	00A	DASH ELECTRONIC GROUND	12E	FR JCT PANEL 12V DISC SW	23	RIGHT DIRECTIONNAL LTS
0L5	LH CONSOL - ACC. GRD	00F	FRONT ELECTRONIC GROUND	12F	RR JCT PANEL 12V DISC SW	23A	RIGHT DIRECTIONNAL LTS SIGN.
0L6	MARKER&FLASH. GROUND	2B	A/C & HEAT SYSTEM	12F1	FR JCT PANEL 12V DISC SW	23BB	RIGHT DIRECTIONNAL LTS FEED.
0L7	AISLE LIGHTS GROUND	2D	A/C & HEAT SYSTEM	12F2	FR JCT PANEL 12V DISC SW	23H	EXTERIOR LTS-HAZARD SIGNAL
0L8	DOCKING LTS	2DD	A/C & HEAT SYSTEM	12G	FR JCT PANEL 12V DISC SW	23K	RIGHT DIRECT. LTS W/KNELLING
0LV	WINDSHIELD WASHER LEVEL	2E	A/C & HEAT SYSTEM	12H	12V IGN. DASH ACCESS.	23M	AUX LTS - DIRECTIONAL RH
0M	WIPER 2 MIRROR MOTOR	2EE	A/C & HEAT SYSTEM	12I	RR JCT BOX 12V IGNITION	24	24 VOLTS BATTERY DIST.
0M3	DEFROST GRD	2H	A/C & HEAT SYS-LO-PRESS SW.	12I	FR JCT PANEL 12V IGNITION	24	24 V. DISC. FRONT DIST.
0M4	HORN & DR'S WINDOW LIFTER	2L	A/C & HEAT SYS-HI-PRESS SW.	12IA	FR JCT PANEL 12V IGNITION	24A	BATT. JCT PANEL 24V DISC SW
0M5	SUN VISOR MOTOR	4A	HOTES CHIME MAIN SWITCH	12IA	RR JCT PANEL 12V IGNITION	24A	24V BOOSTER BLOCK
0M7	DR'S WIND.LIFT. & RH MIR. SW	4C	HOTES CHIME P. RACK SW.	12IB	FR JCT PANEL 12V IGNITION	24A	FR JCT PANEL 24V DISC. SW
0M7A	LH MIRROR SW.	5	AISLE LTS FEEDING	12IB	STEERING BOX ECU FEEDING	24A	RR JCT PANEL 24V DISC. SW
0P	ENG.CDT - PRE-HEATER	5N	EMERGENCY LTS	12J	FR JCT PANEL 12V DISC.SW.	24B	FR JCT PANEL 24V DISC. SW
0R	SOUND SYSTEM RELAY GROUND	5N0	SPEED SIGNAL HIGHER 5MPH	12K	FR JCT PANEL 12V DISC.SW.	24BE	BATTERY MONITOR
0SA	BOSCH ALTERNATOR GROUND	5NC	SPEED SIGNAL LOWER 5MPH	12L	CORNRRG LTS FEEDING	24C	FR JCT PANEL 24V DISC SW
0SA	PARCEL RACK LTS SWITCH	6	AISLE LTS	12LX	CLUSTER 12V HOT WIRE	24D	24 V. HOT WIRE FEEDING
0SB	PARCEL RACK LTS SWITCH	7B	ENTRANCE DOOR FEED.-24V HW	12P	12 VOLTS BATTERY JCT BLOCK	24D	FR JCT BOX 24V HOT WIRE
0SC	PARCEL RACK LTS SWITCH	9	INTERIOR LTS-ENGINE CPT	12R	12 VOLTS MEMORY RADIO	24DD	FR JCT BOX 24V HOT WIRE
0SE	PARCEL RACK LTS SWITCH	9F	INTERIOR LTS - FR-SERV. CPT	12P	12V POWER OUTLET	24DS	WIRELSS MICRO FEEDING
0SF	PARCEL RACK LTS SWITCH	10	INTERIOR LTS-LUGGAGE CPT	12SB	12V SOUND SYSTEM FEEDING	24E	24 VOLTS POWER DISTRIBUTION
0SG	PARCEL RACK LTS SWITCH	10	INTERIOR LTS-FR SERV. CPT	12SS	12V SOUND SYSTEM FEEDING	24E	RR JCT PANEL 24V DISC SW
0SH	PARCEL RACK LTS SWITCH	10A	INTERIOR LTS-LUGGAGE CPT	12S	12 V RADIO FEEDING	24F	RR JCT PANEL 24V DISC SW
0SJ	PARCEL RACK LTS SWITCH	10A	AUX. COMPRESSOR CLUTCH	12S1	12 V RADIO FEEDING	24H	RR JCT PANEL 24V DISC SW
0SS	SOUND SYSTEM GROUND	10B	INTERIOR LTS-LUGGAGE CPT	12S2	12 V RADIO FEEDING	24I	FR JCT PANEL 24V IGNITION
0SS	SOUND SYSTEM GROUND	10C	INTERIOR LTS-LUGGAGE CPT	12T	RR JCT BOX 12V DISC SW	24IA	RR JCT PANEL 24V IGNITION
0S2	RADIO GROUND	10E	INTERIOR LTS-BATTERY CPT	12VB	FR JCT PANEL 12V DISC SW	24IA	FR JCT PANEL 24V IGNITION
0S3	VIDEO GROUND	10H	AUX. COMPRESSOR CLUTCH	12VD	12V HOT WIRE DISTRIBUTION	24IB	FR JCT PANEL 24V IGNITION
0T	LAVATORY FAN & PUMP	10L	AUX. COMPRESSOR CLUTCH	12VE	FR JCT PANEL 12V DISC SW	24IF	FR JCT PANEL 24V IGNITION
0T	SPEED SW. CONNECTOR	10X	AUX. COMPRESSOR CLUTCH	12VF	12 VOLTS FRONT DISTRIBUTIUON	24K	RR JCT PANEL 24V DISC SW
0T1	DASH ACC. GROUND	11	DESTINATION SIGN	12VG	RR JCT PANEL 12V DISC SW	24L	RR JCT PANEL 24V DISC SW
0T2	CLUSTER ACC. GROUND	11A	DESTINATION SIGN	12VI	12V IGNITION DISTRIBUTION	24M	RR JCT PANEL 24V DISC SW
0T2	WINDOW AWNING	11B	DESTINATION SIGN	12VO	12 VOLTS BATTERY EQUALIZER	24P	FR JCT PANEL 24V DISC SW
0T3	ALTERNATOR MODULE	11C	DESTINATION SIGN	12VR	12 VOLTS REAR DISTRIBUTION	24PV	MICRO-WAVE INVERTER
0T4	12V OUTLET - CTR MODULE	11D	DESTINATION SIGN	12W	12V HOT WIRE DDEC FEEDING	24R	24V STARTER RELAY
0VA	BATTERY EQUALIZER GROUND	11E	DESTINATION SIGN	12WA	ENTRANCE DOOR SYSTEM	24R	SCENIC VIEW SIGNAL ON
0W	FJB - TRANSM. RLY GRD	11K	DESTINATION SIGN	12WR	WCL DOOR TOP LT	24SB	24V SOUND SYSTEM FEEDING

CIRCUIT NUMBER CODE

NO.	DESCRIPTION	NO.	DESCRIPTION	NO.	DESCRIPTION	NO.	DESCRIPTION
24SS	24V SOUND SYSTEM FEEDING	42A	A/C SYS.-COND FAN MOTOR	57E	A/C & HEAT SYS.-WATER VALV	82L	EXT. LTS-STOP LTS & CYCLOP
24S1	AMPLIFIER FEEDING	43	PARCEL RACK A/C	57W	PRE-HEAT WATER HEATER	82R	EXTERIOR LTS-STOP LTS
24S2	AMPLIFIER FEEDING	43A	PARCEL RACK A/C	58	EXTERIOR LTS-LO BEAM	83	ENG. CTR-MAST. KEY SW ACC.
24S3	VIDEO FEEDING	43B	PARCEL RACK A/C	58A	EXTERIOR LTS-LO BEAM	83A	24V&12V CUT RELAY COIL
24S4	VIDEO FEEDING	43C	PARCEL RACK A/C	58B	EXTERIOR LTS-LO BEAM	83B	24V&12V CUT RELAY COIL
24T	RR JCT PANEL 24V DISC SW	43D	PARCEL RACK A/C	59A	ENGINE BRAKE SYSTEM	84	ENG. CTR-MAST KEY SW START
24VA	24 VOLTS BATTERY EQUALIZER	43E	PARCEL RACK A/C	61	EXTERIOR LTS-24V FEED SW	84A	ENG. CTR-MAST KEY SW START
24VD	24V HOT WIRE FEED	43F	PARCEL RACK A/C	61A	EXTERIOR LTS-HEAD SIGNAL	84J	ENG. CTR-MAST KEY SW START
24VF	24 VOLTS FRONT DISTRIBUTION	43G	PARCEL RACK A/C	62	LAVATORY INDICATOR	85	24V IGNITION SIGNAL
24VI	24 VOLTS IGNITION REAR DIST.	43M	PARCEL RACK A/C	63	EXTERIOR LTS-CLEAR. FEED	85A	24V IGN DASH INSTRUMENT.
24VR	24 VOLTS REAR DISTRIBUTION	43X	PARCEL RACK A/C	63B	EXTERIOR LTS-CLEARANCE	85C	24V IGNITION - FEED
24Y	24 VOLTS POWER GALLEY	44	EXTERIOR LTS-FOG	63C	EXT. LTS-MARKER SIGNAL	85F	RAD. FAN CONTROL W/RETARD
24WC	WCL PUMP FEEDING	44A	EXTERIOR LTS-FOG	63D	BLINKER RELAY	85W	OUT SPEED INTERLOCK-24V IGN
24WL	WCL PUMP FEEDING	44B	EXTERIOR LTS-FOG	63E	BLINKER RELAY	85X	ABS-24V IGN
24WR	WCL POWER ACCES.	44C	FOG,LTS & HVAC FEEDING	63F	EXT. LTS-MARKER BLINKER	85Y	ABS-WARNING LT
25	EITHER ALTERNAT. RUN SIGNAL	44D	EXTERIOR LTS - FOG	64	DRIVER'S FAN SPEED CTR	86	ENG. CTR-STARTER SOL.
25A	TT.LT. ALTERNATOR #1	44E	EXTERNAL LTS - FOG	64A	A/C SPARE	86A	ENG. CTR-STARTER RELAY COIL
25A1	BOSCH ALTERNATOR SIGNAL D+	45A	A/C & HEAT SYSTEM FULL AIR	64B	A/C SPARE	86F	TELL TALE STARTER ON
25A2	BOSCH ALTERNATOR SIGNAL D+	45B	A/C & HEAT SYS.-WATER PUMP	65	FOOT DAMPER MOTOR	86T	TELL TALE STARTER ON
25B	EXT. LTS-DAYTIME RUN LTS	45C	A/C & HEAT SYS.-WATER VALV	65A	FOOT DAMPER MOTOR	87B	ENGINE CTR-24V IGNITION
25D	BOTH ALTERNATOR RUN SIGNAL	45D	A/C & HEAT SYS.-WATER VALV	65D	DRIVER'S REC. DAMPER	88	ENGINE CTR-RR START SIGNAL
25K	T.T LT. ALTERNATOR #2	45G	A/C & HEAT SYS.-DR'S HTR	66	A/C PASSENGER - ON/OFF	89	ENGINE CTR-RR START SIGNAL
26	DR'S & ENT. WINDOW LIFTER	46	EXTERIOR LTS-MARKER	67A	A/C & HEAT SYSTEM	90B	ENG. CTR-MAST KEY SW FEED
26A	CIGAR LIGHT. & POW.OUTLET LH	46A	EXTERIOR LTS-AUX LTS RESIS.	68	DASH & DEFROST DAMPER MOT	91	PARKING BRAKE SW SIGNAL
26B	DRIVER'S WINDOW LIFTER	46C	EXTERIOR LTS-MARKER	68A	DASH & DEFROST DAMPER MOT	91A	DDEC -FAST IDLE SIGNAL
26C	DRIVER'S WINDOW LIFTER	46D	EXTERIOR LTS-AUX LTS RESIS.	69	DAMPER MIX LIMIT SWITCH	91B	D.R.L. CANCEL RELAY
27	LAVATORY ALARM	48	ENTRANCE DOOR OPEN SIGNAL	70	HAT RACK & NIGHT LTS FEEDING	91C	PARKING BRAKE - T.T.LT
28H	T.T.LT MODULE - HI A/C PRES.	48A	ENTRANCE DOOR OPEN SOL.	72	SUN VISOR - FEED	91J	FAST IDLE - JUMPER SW.
28T	T.T.LT MODULE - LO A/C PRES.	48B	ENTRANCE DOOR OPEN SIGNAL	72A	SUN VISOR RH	91W	WCL PARKING BRAKE SIGNAL
29	A/C & HEAT SYS.-DR'S HTR	48C	ENTRANCE DOOR SYSTEM	72B	SUN VISOR RH	92	BATT. EQUAL.-CHECK BALANCE
29H	HVAC DASH MODILE	48D	ENTRANCE DOOR SYSTEM	72C	SUN VISOR LH	93	BATT. EQUALIZ.-CHECK LO/HI
30A	GALLEY SWITCH SIGNAL	48W	ENTRANCE DOOR SEDAN	72D	SUN VISOR LH	95A	ENG. BRAKE & RETARDER SYS.
30J	GALLEY SWITCH LED	49	ENTRANCE DOOR CLOSE SIGNAL	74	R.H. READING LAMP FEEDING	95B	ENG. BRAKE & RETARDER SYS.
31B	WIPER & WASHER SYSTEM	49A	ENTRANCE DOOR SYSTEM	74A	R.H. HOTESS CHIME FEEDING	97	TACHOMETER SIGN.-NOT USED
32	EXTERIOR LTS-BACK-UP	49B	ENTRANCE DOOR SYSTEM	74B	WCL R.H. READING LAMP FEED.	100	INTERIOR LTS RELAY COIL
32B	EXTERIOR LTS-BACK-UP	50	AIR DRYER	74D	READING LAMP SWITCH	100	INDIRECT LTS FEEDING
35	ENTRANCE STEP LIGHTS	52	ALARM & SIGNAL-ELEC.HORN	74J	READING LAMP INDICATOR SW.	100A	INDIRECT LTS RELAY COIL
36	ENGINE BRAKE SYSTEM	52A	ALARM & SIGNAL-ELEC.HORN	75	L.H. READING LAMP FEEDING	100B	INDIRECT LTS FEEDING
36A	ENGINE BRAKE SYSTEM & RET.	52B	PNEUMATIC HORN	75A	L.H. HOTESS CHIME FEEDING	100C	INDIRECT LTS FEEDING
37	LAVATORY LTS FEEDING	53	ALARM & SIGNAL-ELEC.HORN	76	FUEL TANK GAUGE	101	24 VOLTS POWER STARTER
38	FLUORESCENT RELAY FEEDING	53B	WIPER & WASHER SYSTEM	76C	LOW FUEL T.T.LT	101	WORLD TR.- LO SIGN SOL.LO
38A	R.H FLUORESCENT	53C	WIPER & WASHER SYSTEM	76M	FUEL PRIME PUMP	102	24 VOLTS A/C DISTRIBUTION
38B	L.H. FLUORESCENT	53E	WIPER & WASHER SYSTEM	76P	FUEL PRIME PUMP FEEDING	102	WORLD TRANSM.-SOL. SUPPLY
38C	FLUORESCENT FEEDING	53J	WIPER & WASHER SYSTEM	77B	A/C SYS. - LIQ. SOL. VALVE	102A	BOSCH ALTERNATOR FEEDING
39	INTERIOR LTS-DRIVER'S LTS	55	EXTERIOR LTS-HI BEAM	77C	A/C & HEAT SYS.-COMPRESSOR	103	WORLD TRANSM.- B.SOL.LO
39D	INTERIOR LTS - DRIVER' LTS	57	EXTERIOR LTS-HI BEAM	77H	A/C SYS.-LIQ. SOL. VALVE	103	LOW BUOY SYSTEM
41	A/C SYS.-COND FAN MOTOR	57A	EXTERIOR LTS-HI BEAM	81	EXTERIOR LTS-STOP SW	104	WORLD TR. -G SOL.
41A	A/C SYS.-COND FAN MOTOR	57B	A/C & HEAT SYS.-WATER PUMP	82	EXTERIOR LTS-STOP SIGNAL	105W	WORLD TR-SOL.-RET.OIL TT.LT
41B	A/C SYS.-COND FAN MOTOR	57C	PRE-HEAT WATER HEATER	82A	EXTERIOR LTS-STOP SIGNAL	107	WORLD TR. - SOL. SUPPLY
42	A/C SYS.-COND FAN MOTOR	57C	A/C & HEAT SYS.-WATER PUMP	82B	EXTERIOR LTS-STOP LTS	110	WORLD TR.-F SOL. LO

CIRCUIT NUMBER CODE

NO.	DESCRIPTION	NO.	DESCRIPTION	NO.	DESCRIPTION	NO.	DESCRIPTION
112	WORLD TR.-SPARE OUTPUT (+)	129B	PRE-HEAT WATER HEATER	143A	ABS SYSTEM-SENSOR	170R	LUGG DOOR LOCK-SIGN. T.T.LT
113W	WORLD TR.-REVERSE WARNING	130	WORLD TRANSM-SOL. SUPPLY	143A	WORLD TRANS-BATTERY GRD	170S	LUGG DOOR LOCK-SIGN T.T.LT
114	INTERIOR LT-DASH LT RHEOS.	130	EVAP. FAN MAIN CABLE	143W	WORLD TRANSM-BATTERY GRD	170T	LUGG DOOR LOCK-SIGN T.T.LT
114A	INTERIOR LT-DASH LT RHEOS.	131	WORLD TRANSM-D SOL.	143X	WORLD TRANSM-BATTERY GRD	170V	LUGG DOOR LOCK-SIGN T.T.LT
114B	INT. LT-DASH LT RHEOST.FEED	132	WORLD TRANSM-ENGINE BRAKE	144	ABS SYSTEM-SENSOR	170W	LUGGAGE DOOR LOCK-FEED
115	DDEC -COOLANT LEVEL	133	GALLEY HEATING CONTAINER	144A	ABS SYSTEM-SENSOR	170X	LUGG DOOR LOCK-SIGN T.T.LT
115W	WORLD TR.-DO NOT SHIFT SIGN	133A	GALLEY HEATING CONTAINER	145	ABS SYSTEM	170Y	LUGGAGE DOOR LOCK-FEED
116	WORLD TR.-SOL. SUPPLY	133B	GALLEY HEATING CONTAINER	146	ABS SYSTEM	170Z	LUGGAGE DOOR LOCK
116B	A/C & HEAT SYSTEM-DR'S HTR	133C	GALLEY HEATING CONTAINER	146A	WORLD TRANSM-12V IGNITION	171	WORLD TRANSM-SHIFTER
116C	A/C SYS.-TRIG. DEFROST	134	GALLEY HEATING CONTAINER	146AA	WORLD TRANSM-DIAGN.CONN.	172	WORLD TRANSM-SHIFTER
119	WORLD TRANSM-ENGINE BRAKE	134A	GALLEY HEATING CONTAINER	147	WORLD TRANSM-OIL TEMP	173	WORLD TRANSM-SHIFTER
120	WORLD TRANSM-A SOL.	135	GALLEY HEATING CONTAINER	147	ABS SYSTEM-VALVE	174	WORLD TRANSM-SHIFTER
121	WORLD TRANSM-SOL.SUPPLY	135A	WORLD TR.-RES MODULE RET.	147A	ETHER COLD START	175A	WORLD TRANSM-SHIFTER
123	WORLD TR.-NEUTRAL START	135B	A/C & HEAT SYS.-AIR SENSOR	147C	ETHER COLD START	176	WORLD TRANSM-SHIFTER
123A	ALARM & SIGNAL-FIRE DETECT.	135C	A/C & HEAT SYS.-AIR SENSOR	148	ABS SYSTEM-VALVE	180	OUTSIDE TEMP. DISPLAY
123B	ALARM & SIGNAL-FIRE DETECT.	136	MICRO-WAVE OVEN SWITCH	148	WORLD TR.-OUTPUT SPEED LO	180A	OUTSIDE TEMP. DISPLAY
124	WORLD TR.-SENSOR POWER	136A	GALLEY LAMP	149	WORLD TR.-TURBINE SPEED HI	180A	WORLD TRANSM-SHIFTER
124A	WORLD TRANSM-SENSOR PWR	136A	WORLD TRANSM-12V BATTERY	149	ABS SYSTEM-SENSOR	180B	OUTSIDE TEMP. DISPLAY
125	LAVATORY FAN	136A1	WORLD TRANSM-12V BATTERY	149A	ABS SYSTEM	180C	OUTSIDE TEMP. DISPLAY
125	WORLD TR.-RETARDER INDICAT.	136A2	WORLD TRANSM-12V BATTERY	150	WORLD TR.-ENGINE SPEED LO	181	FROZEN POINT T.T.LT
125W	WORLD TR.-RETARDER INDICAT.	136AA	WORLD TRANSM-SHIFTER PWR	150	DDEC -ECM BATTERY GRD	181A	TEMP. CTR'L INSIDE SENSOR
126	24 V IGN. SPEED SWITCH	136V	WORLD TRANSM-12V BATTERY	150A	DDEC -ECM BATTERY GRD	181B	TEMP. CTR'L INSIDE SENSOR
126A	KNEELING SYSTEM	136W	WORLD TRANSM-12V BATTERY	151	DDEC -ECM BATTERY GRD	181C	THERMOMET. OUTSIDE SENSOR
126AA	KNEELING SYSTEM	136X	WORLD TRANSM-12V BATTERY	151	ATC VALVE	181D	THERMOMET. OUTSIDE SENSOR
126B	HI-BUOY SIGNAL	137	WORLD TRANSM-RETARDER	152	ATC VALVE	195	WORLD TRANSM-TRANS ID
126C	KNEELING SYSTEM	137	RR VIEW MIRROR	153	ELECTRICAL DRIVER'S SEAT	197	FUEL WATER FILTER
126D	KNEELING SYSTEM	137A	RR VIEW MIRROR	154	WORLD TRANSM-ABS INPUT (-)	197A	FUEL WATER FILTER
126F	KNEELING SYSTEM	137B	RR VIEW MIRROR	156A	ABS SYSTEM-FEED	201	WORLD TRANSM-SPARE
126G	KNEELING SYSTEM	137C	RR VIEW MIRROR	157	ABS SYSTEM-FEED	202	WORLD TRANSM-SPARE
126H	SPEED SIGN 5NC - 24V	137D	RR VIEW MIRROR	157A	ABS SYSTEM-FEED	203	WORLD TRANSM-SPARE
126K	KNEELING SYSTEM	137E	RR VIEW MIRROR	157B	ABS SYSTEM	204	WORLD TRANSM-SPARE
126L	KNEELING SYSTEM	137F	RR VIEW MIRROR	159	WORLD TRANSM-DIAGNOSTIC	214	WORLD TR.-BACK-UP SIGNAL
126P	KNEELING SYSTEM	137H	RR VIEW MIRROR	160	ALARM & SIGN.-TAG PRESS SW	231	WORLD TR.-NEUTRAL SIGN GRD
126R	KNEELING SYSTEM	137J	RR VIEW MIRROR	161B	WORLD TRANSM-SIGNALGRD	231F	WORLD TR.-NEUTRAL SIGN GRD
126S	KNEELING SYSTEM	137K	RR VIEW MIRROR	162	WORLD TRANSM-PRESS. SW C3	231W	W.TR.-NEUTRAL SIGN GRD WCL
126T	KNEELING SYSTEM	137L	RR VIEW MIRROR	163	WORLD TR.-RETARDER ENABLE	240	DDEC -ECM 12V FEEDING
126W	KNEELING SYSTEM	137M	RR VIEW MIRROR FEED	164	WORLD TR.-RET. ACTUAT. SIGN	241	DDEC -ECM 12V FEEDING
126W	WORLD TRANSM-NOT USED	137R	WORLD TRANSM-RETARDER	165	WORLD TR.-OIL LEVEL SIGNAL	253	24V SIGNAL GALLEY INVERTER
127	WORLD TRANSM. - H SOL.	137T	MIRROR HEAT SW-JUMPER	166	WORLD TRANSM. OUTPUT 7	254	GALLEY REFRIGERATOR
127	24HOT WIRE PREHEAT	138	WORLD TR.-RETARDER TEMP	167	W. TR.-OUT SPEED INTERLOCK	254A	GALLEY REFRIGERATOR
127A	PRE-HEAT WATER HEATER	138	ABS SYSTEM-SENSOR	169	WORLD TRANSM-PRE-SELECT #1	254F	GALLEY REFRIGERATOR
127B	PRE-HEAT WATER HEATER	138A	ABS SYSTEM-SENSOR	170	WORLD TRANSM-SHIFTER	255	GALLEY COFFEEMAKER
127S	PRE-HEAT WATER HEATER	139	ABS SYSTEM-VALVE	170C	LUGGAGE DOOR LOCK-T.T.LT	255A	GALLEY COFFEEMAKER
127W	PRE-HEAT WATER HEATER	139	WORLD TR.-OUTPUT SPEED HI	170D	LUGGAGE DOOR LOCK-FEED	255B	GALLEY COFFEEMAKER
128	WORLD TRANSM-B SOL.	140	WORLD TR.-TURBINE SPEED LO	170E	LUG. DOOR LOCK-UNLOCK SIGN	260	WINDOW AJAR-T.T.LT
128A	PRE-HEAT WATER HEATER	140	ABS SYSTEM-VALVE	170F	LUGGAGE DOOR LOCK-FEED	290	FAN CLUTCH RADIATOR-FEED
128B	PRE-HEAT WATER HEATER	141	ABS SYSTEM-VALVE	170G	LUGGAGE DOOR LOCK-FEED	290A	FAN CLUTCH RADIATOR-FEED
128W	PRE-HEAT WATER HEATER	141	WORLD TR.-ENGINE SPEED HI	170K	LUGGAGE DOOR-LOCK SIGN	291	FAN CLUTCH RADIATOR SPD 1
129	WORLD TRANSM-E SOL.	142	ABS SYSTEM-VALVE	170L	LUGG DOOR LOCK-SIGN T.T.LT	292	FAN CLUTCH RADIATOR SPD 2
129	PRE-HEAT WATER HEATER	143	ABS SYSTEM-SENSOR	170N	LUGG DOOR LOCK-SIGN T.T.LT	292J	FAN OVERRIDE LTS SWITCH

CIRCUIT NUMBER CODE

NO.	DESCRIPTION	NO.	DESCRIPTION	NO.	DESCRIPTION	NO.	DESCRIPTION
300	WCL POWER SYSTEM & ACCESS.						
300A	WCL POWER SYSTEM SW.						
301J	WCL POWER SW. JUMPER LED						
301	WCL SIGNAL POWER SW.						
302	WCL DOOR AJAR TTLT & ALARM						
304	WCL DOOR TOP LT.						
305	WCL PARKING BRAKE SOL. VALVE						
305A	WCL DOOR OPEN SIGNAL						
305B	WCL DOOR TOP LT.						
306	WCL CONTROL SYSTEM						
307	WCL CONTROL SYSTEM						
308	WCL CONTROL SYSTEM						
309	WCL CONTROL SYSTEM						
417	DDEC-LIMIT SPEED GOVERNOR						
419	DDEC -CHEK ENGINE LIGHT						
439	DDEC-12V IGNITION						
451	DDEC-A/C FAN CLUTCH						
505	DDEC-TACHOMETER DRIVE						
509	DDEC-STOP ENGINE LIGHT						
510	DDEC-FAST IDLE SIGNAL						
524	DDEC-ENGINE BRAKEDISABLE						
525	DDEC-FAST IDLE SIGNAL						
528	DDEC-STOP ENG. OVERRIDE						
531	DDEC-CRUISE CLUTCH CUT OUT						
540	DDEC-CRUISE ENABLE T.T.LT						
541	DDEC-CRUISE SET SW						
543	DDEC-CRUISE BRAKE PEDAL						
544	DDEC-CRUISE ON/OFF SW						
545	DDEC-CRUISE RESUME SW						
555	DDEC-FAN CLUTCH SPEED#1						
556	DDEC-VEHICULE SPEED (+)						
557	DDEC-VEHICULE SPEED (-)						
563	DDEC-FAN CLUTCH SPEED#2						
564	DDEC-DIGTAL OUTPUT						
565	DDEC-ENGINE BRAKE ACTIVE						
583	DDEC-ENGINE BRAKE 4 CYL.						
900	DDEC-DATA LINK (+)						
901	DDEC-DATA LINK (-)						
908	DDEC-HYDRAU. PWM#1 OUTPUT						
916	DDEC-SENSOR SUPPLY (5VDC)						
952	DDEC-SENSOR RETURN						
953	DDEC-BATTERY GRD						
979	DDEC-ENGINE BRAKE 2 CYL.						
2123	FLASHER SIGNAL LTS						

CIRCUIT NUMBER CODE

NO.	DESCRIPTION	NO.	DESCRIPTION	NO.	DESCRIPTION	NO.	DESCRIPTION
A1	RADIO SYSTEM	C15	AUDIO AMPLI	SP10	SPARE WIRE	SP75	SPARE WIRE
A2	RADIO SYSTEM	D1	PASSENGER SPEAKER	SP11	SPARE WIRE	SP76	SPARE WIRE
A3	AUDIO AMPLI	D2	PASSENGER SPEAKER	SP12	SPARE WIRE	SP77	SPARE WIRE
A8	VIDEO SYSTEM	D3	PASSENGER SPEAKER	SP13	SPARE WIRE	SP78	SPARE WIRE
A9	RADIO SYSTEM	D4	PASSENGER SPEAKER	SP14	SPARE WIRE	SP80	SPARE WIRE
A10	AUDIO AMPLI	D5	PASSENGER SPEAKER	SP15	SPARE WIRE	SP81	SPARE WIRE
A11	AUDIO AMPLI	D6	PASSENGER SPEAKER	SP16	SPARE WIRE	SP82	SPARE WIRE
A12	AUDIO AMPLI	D7	PASSENGER SPEAKER	SP17	SPARE WIRE	SP83	SPARE WIRE
A13	AUDIO AMPLI	D8	PASSENGER SPEAKER	SP18	SPARE WIRE	SP84	SPARE WIRE
A15	AUDIO AMPLI	DR1	DRIVER'S SPEAKER	SP19	SPARE WIRE	SP85	SPARE WIRE
A16	VIDEO SYSTEM	DR2	DRIVER'S SPEAKER	SP20	SPARE WIRE	TW1	TWISTED SPARE
B1	MICROPHONE	DR3	DRIVER'S SPEAKER	SP21	SPARE WIRE	TW2	TWISTED SPARE
B2	MICROPHONE	DR4	DRIVER'S SPEAKER	SP23	SPARE WIRE	W1	STEERING BOX CONVERTER
B3	MICROPHONE	G1	PASSENGER SPEAKER	SP24	SPARE WIRE	W2	STEERING BOX CONVERTER
B4	MICROPHONE	G2	PASSENGER SPEAKER	SP25	SPARE WIRE	Y1A	FLUORESCENT BALLAST
B5	MICROPHONE	G3	PASSENGER SPEAKER	SP26	SPARE WIRE	Y1B	FLUORESCENT BALLAST
B6	MICROPHONE	G4	PASSENGER SPEAKER	SP27	SPARE WIRE	Y2A	FLUORESCENT BALLAST
B7	MICROPHONE	G5	PASSENGER SPEAKER	SP28	SPARE WIRE	Y2B	FLUORESCENT BALLAST
B8	MICROPHONE	G6	PASSENGER SPEAKER	SP30	SPARE WIRE	Y3A	FLUORESCENT BALLAST
B10	MICROPHONE	G7	PASSENGER SPEAKER	SP33	SPARE WIRE	Y3B	FLUORESCENT BALLAST
B11	MICROPHONE	G8	PASSENGER SPEAKER	SP34	SPARE WIRE	Y4A	FLUORESCENT BALLAST
B12	MICROPHONE	IPJ1	CLUSTER - BULB TEST POS	SP35	SPARE WIRE	Y4B	FLUORESCENT BALLAST
B1A	FLUORESCENT BALLAST	IPJ2	CLUSTER - BULB TEST NEG.	SP36	SPARE WIRE	Y5A	FLUORESCENT BALLAST
B1B	FLUORESCENT BALLAST	IPJ5	CLUSTER - FUEL GAUGE	SP37	SPARE WIRE	Y5B	FLUORESCENT BALLAST
B2A	FLUORESCENT BALLAST	IPJ6	CLUSTER - BULB TEST POS.	SP38	SPARE WIRE	Y6A	FLUORESCENT BALLAST
B2B	FLUORESCENT BALLAST	IPJ7	CLUSTER - BULB TEST NEG.	SP40	SPARE WIRE	Y6B	FLUORESCENT BALLAST
B3A	FLUORESCENT BALLAST	IPJ8	CLUSTER - MASTER WARNING	SP41	SPARE WIRE	Y7A	FLUORESCENT BALLAST
B3B	FLUORESCENT BALLAST	L8	WATER TANK HEATER	SP42	SPARE WIRE	Y7B	FLUORESCENT BALLAST
B4A	FLUORESCENT BALLAST	L9	WATER TANK HEATER	SP43	SPARE WIRE	0	BATTERY - MAIN GROUND
B4B	FLUORESCENT BALLAST	LX5	CLUSTER - COMPUTER MODE	SP44	SPARE WIRE	0	EVAP. COMPT. GROUND
B5A	FLUORESCENT BALLAST	LX6	CLUSTER - COMPUTER DOWN	SP45	SPARE WIRE	0	RJB - INSIDE GRD
B5B	FLUORESCENT BALLAST	LX7	CLUSTER - COMPUTER SET	SP48	SPARE WIRE	0	WCL MODULE
B6A	FLUORESCENT BALLAST	LX16	CLUSTER - COMPUTER UP	SP50	SPARE WIRE	0A	LAVATORY ACCESSORIES
B6B	FLUORESCENT BALLAST	LX21	CLUSTER - COMPUTER COM.	SP51	SPARE WIRE	0A	EVAP. FAN GROUND
B7A	FLUORESCENT BALLAST	R1A	FLUORESCENT BALLAST	SP52	SPARE WIRE	0A	FR. ROOF ACC. GRD
B7B	FLUORESCENT BALLAST	R1B	FLUORESCENT BALLAST	SP53	SPARE WIRE	0B	BOOSTER BLOCK GROUND
B14	RADIO SYSTEM	RT	T.T.L.T. MODULE - TEST SW.	SP54	SPARE WIRE	0B	A/C - CONDENSER GRD
B15	RADIO SYSTEM	SPK1	PASSENGER SPEAKER	SP56	SPARE WIRE	0B	24V&12V CUT OUT REL.COIL
C2	RADIO SYSTEM	SPK2	PASSENGER SPEAKER	SP57	SPARE WIRE	0BE	OV BATTERY MONITOR
C3	CONTROL HEAD ANTENNA	SPK3	PASSENGER SPEAKER	SP60	SPARE WIRE	0C	R.J.B. - GRB
C5	VIDEO SYSTEM	SPK4	PASSENGER SPEAKER	SP61	SPARE WIRE	0C	MOTOR STARTER GROUND
C6	CONTROL HEAD DIMMER	SP1	SPARE WIRE	SP62	SPARE WIRE	0C	F.R. SERV. CPT- ACC.
C7	RADIO SYSTEM	SP2	SPARE WIRE	SP63	SPARE WIRE	0C1	ENTRANCE DOOR SEDAN
C8	AUDIO AMPLI	SP3	SPARE WIRE	SP64	SPARE WIRE	0C2	STEERING CONTROL GROUND
C9	VIDEO SYSTEM	SP4	SPARE WIRE	SP65	SPARE WIRE	0C3	SOUND SYSTEM RELAY
C10	VIDEO SYSTEM	SP5	SPARE WIRE	SP69	SPARE WIRE	0C4	F.J.B. GRD
C11	VIDEO SYSTEM	SP6	SPARE WIRE	SP70	SPARE WIRE	0CJ	CRUISE SW. JUMPER
C12	VIDEO SYSTEM	SP7	SPARE WIRE	SP71	SPARE WIRE	0D	FLUORESCENT GRD
C13	VIDEO SYSTEM	SP8	SPARE WIRE	SP72	SPARE WIRE	0D	COND FAN GRD
C14	VIDEO SYSTEM	SP9	SPARE WIRE	SP74	SPARE WIRE	0E	BATT. COMPT. LTS GROUND

CIRCUIT NUMBER CODE

NO.	DESCRIPTION	NO.	DESCRIPTION	NO.	DESCRIPTION	NO.	DESCRIPTION
0E	READING LIGHTS GROUND	0W	FJB - TRANSM. RLY GRD	11K	DESTINATION SIGN	12VI	12V IGNITION DISTRIBUTION
0F	FLUORESCENT GRD	0W	SHIFT SELECTOR GROUND	11J	DESTINATION SIGN	12VO	12 VOLTS BATTERY EQUALIZER
0F	PRO-DRIVER GROUND	0W	WCL MODULE	11P	DESTINATION SIGN	12VR	12 VOLTS REAR DISTRIBUTION
0G	READING LIGHTS GROUND	0WA	PRE-HEAT WATER HEATER	12	12V ELECTRONIC TERMINAL	12W	12V HOT WIRE DDEC FEEDING
0G	ABS GRD CX1	0WA	WCL DOOR AJAR	12A	FR JCT PANEL 12V DISC SW	12WA	ENTRANCE DOOR SYSTEM
0H	ENG. CPT. - ACC. GRD	0WC	WCL BATTERY CPT. ACCES.	12A	BATT. JCT PANEL 12V DISC SW	12WR	WCL DOOR TOP LT
0IN	INTERCOM SYSTEM	0WL	WCL SIGNAL DOOR AJAR ALARM	12B	FR JCT PANEL 12V DISC SW	14	LAVATORY PUMP
0J	PARCEL RACK A/C UNIT	0Y1	ABS SYSTEM-GRD	12BE	12V BATTERY MONITOR	15	WIPER & WASHER FEEDING
0K	PARCEL RACK A/C UNIT	0Y2	ABS SYSTEM-GRD	12C	FR JCT PANEL 12V DISC SW	16	SPEEDOMETER (+)
0L	ENG.CPT -CLEAR.LTS RR ROOF	0Y3	ABS SYSTEM-GRD	12C	RR JCT BOX 12V DISC SW	16T	SPEED SW SIGNAL IN (+)
0L	R.J.B. - GRD	0Y4	ABS SYSTEM-GRD	12D	BATT. JCT PANEL 12V HOT WIRE	17	EXTERIOR LTS-FLASHER UNIT
0L	FR - SIDE MARK. & FLASH GRD	0Y5	ABS SYSTEM-GRD	12D	FR JCT PANEL 12V HOT WIRE	17A	EXTERIOR LTS-FLASHER UNIT
0L1	ENG.CPT-SIDE MARK. & FL. GRD	0Y6	ABS SYSTEM-GRD	12D	RR JCT PANEL 12V HOT WIRE	17C	JUMPER LTS SW. - HAZARD
0L2	HEAD LTS GROUND	0Y7	ABS SYSTEM-GRD	12DD	FR JCT PANEL 12V HOT WIRE	20	SPEEDOMETER SIGNAL (-)
0L3	FR.SERV.DR. & ENT.DOOR GRD	00A	ELECTRONIC TERMINAL GROUND	12DT	T.T. LT MODULE	21	LEFT DIRECTIONNAL LTS
0L4	FOG LTS RESISTOR GRD	00A	DASH ELECTRONIC GROUND	12E	FR JCT PANEL 12V DISC SW	21A	LEFT DIRECTIONNAL LTS SIGN.
0L5	LH CONSOL - ACC. GRD	00F	FRONT ELECTRONIC GROUND	12F	RR JCT PANEL 12V DISC SW	21B	HAZARD SWITCH SIGNAL
0L6	MARKER&FLASH. GROUND	2B	A/C & HEAT SYSTEM	12F1	FR JCT PANEL 12V DISC SW	21BB	LEFT DIRECTIONNAL LTS FEED.
0L7	aisle LIGHTS GROUND	2D	A/C & HEAT SYSTEM	12F2	FR JCT PANEL 12V DISC SW	21H	EXTERIOR LTS-HAZARD SIGNAL
0L8	DOCKING LTS	2DD	A/C & HEAT SYSTEM	12G	FR JCT PANEL 12V DISC SW	21M	AUX. LTS - DIRECTIONAL LH
0LV	WINDSHIELD WASHER LEVEL	2E	A/C & HEAT SYSTEM	12H	12V IGN. DASH ACCESS.	23	RIGHT DIRECTIONNAL LTS
0M	WIPER 2 MIRROR MOTOR	2EE	A/C & HEAT SYSTEM	12I	RR JCT BOX 12V IGNITION	23A	RIGHT DIRECTIONNAL LTS SIGN.
0M3	DEFROST GRD	2H	A/C & HEAT SYS-LO-PRESS SW.	12I	FR JCT PANEL 12V IGNITION	23BB	RIGHT DIRECTIONNAL LTS FEED.
0M4	HORN & DR'S WINDOW LIFTER	2L	A/C & HEAT SYS-HI-PRESS SW.	12IA	FR JCT PANEL 12V IGNITION	23H	EXTERIOR LTS-HAZARD SIGNAL
0M5	SUN VISOR MOTOR	4A	HOTESS CHIME MAIN SWITCH	12IA	RR JCT PANEL 12V IGNITION	23K	RIGHT DIRECT. LTS W/KNELLING
0M7	DR'S WIND.LIFT. & RH MIR. SW	4C	HOTESS CHIME P. RACK SW.	12IB	FR JCT PANEL 12V IGNITION	23M	AUX LTS - DIRECTIONAL RH
0M7A	LH MIRROR SW.	5	aisle LTS FEEDING	12IB	STEERING BOX ECU FEEDING	24	24 VOLTS BATTERY DIST.
0P	ENG.CDT - PRE-HEATER	5N	EMERGENCY LTS	12IC	FR JCT PANEL 12V IGN EATON	24	24 V. DISC. FRONT DIST.
0R	SOUND SYSTEM RELAY GROUND	5N0	SPEED SIGNAL HIGHER 5MPH	12ID	FR JCT PANEL 12V IGN EATON	24A	BATT. JCT PANEL 24V DISC SW
0SA	BOSCH ALTERNATOR GROUND	5NC	SPEED SIGNAL LOWER 5MPH	12IN	12 VOLTS DISC.SW. INTERCOM	24A	24V BOOSTER BLOCK
0SA	PARCEL RACK LTS SWITCH	6	aisle LTS	12J	FR JCT PANEL 12V DISC.SW.	24A	FR JCT PANEL 24V DISC. SW
0SB	PARCEL RACK LTS SWITCH	7B	ENTRANCE DOOR FEED.-24V HW	12K	FR JCT PANEL 12V DISC.SW.	24A	RR JCT PANEL 24V DISC. SW
0SC	PARCEL RACK LTS SWITCH	9	INTERIOR LTS-ENGINE CPT	12L	CORNRING LTS FEEDING	24B	FR JCT PANEL 24V DISC. SW
0SE	PARCEL RACK LTS SWITCH	9F	INTERIOR LTS - FR-SERV. CPT	12LX	CLUSTER 12V HOT WIRE	24BE	BATTERY MONITOR
0SF	PARCEL RACK LTS SWITCH	10	INTERIOR LTS-LUGGAGE CPT	12P	12 VOLTS BATTERY JCT BLOCK	24C	FR JCT PANEL 24V DISC SW
0SG	PARCEL RACK LTS SWITCH	10	INTERIOR LTS-FR SERV. CPT	12R	12 VOLTS MEMORY RADIO	24D	24 V. HOT WIRE FEEDING
0SH	PARCEL RACK LTS SWITCH	10A	INTERIOR LTS-LUGGAGE CPT	12P	12V POWER OUTLET	24D	FR JCT BOX 24V HOT WIRE
0SJ	PARCEL RACK LTS SWITCH	10A	AUX. COMPRESSOR CLUTCH	12SB	12V SOUND SYSTEM FEEDING	24DD	FR JCT BOX 24V HOT WIRE
0SS	SOUND SYSTEM GROUND	10B	INTERIOR LTS-LUGGAGE CPT	12SS	12V SOUND SYSTEM FEEDING	24DS	WIRELESS MICRO FEEDING
0SS	SOUND SYSTEM GROUND	10C	INTERIOR LTS-LUGGAGE CPT	12S	12 V RADIO FEEDING	24E	24 VOLTS POWER DISTRIBUTION
0S2	RADIO GROUND	10E	INTERIOR LTS-BATTERY CPT	12S1	12 V RADIO FEEDING	24E	RR JCT PANEL 24V DISC SW
0S3	VIDEO GROUND	10H	AUX. COMPRESSOR CLUTCH	12S2	12 V RADIO FEEDING	24F	RR JCT PANEL 24V DISC SW
0T	LAVATORY FAN & PUMP	10L	AUX. COMPRESSOR CLUTCH	12T	RR JCT BOX 12V DISC SW	24H	RR JCT PANEL 24V DISC SW
0T	SPEED SW. CONNECTOR	10X	AUX. COMPRESSOR CLUTCH	12TE	12 V BATT. TRANSM. EATON	24I	FR JCT PANEL 24V IGNITION
0T1	DASH ACC. GROUND	11	DESTINATION SIGN	12TF	12 V BATT. TRANSM. EATON	24IA	RR JCT PANEL 24V IGNITION
0T2	CLUSTER ACC. GROUND	11A	DESTINATION SIGN	12VB	FR JCT PANEL 12V DISC SW	24IA	FR JCT PANEL 24V IGNITION
0T2	WINDOW AWNING	11B	DESTINATION SIGN	12VD	12V HOT WIRE DISTRIBUTION	24IB	FR JCT PANEL 24V IGNITION
0T3	ALTERNATOR MODULE	11C	DESTINATION SIGN	12VE	FR JCT PANEL 12V DISC SW	24IF	FR JCT PANEL 24V IGNITION
0T4	12V OUTLET - CTR MODULE	11D	DESTINATION SIGN	12VF	12 VOLTS FRONT DISTRIBUTIUNON	24K	RR JCT PANEL 24V DISC SW
0VA	BATTERY EQUALIZER GROUND	11E	DESTINATION SIGN	12VG	RR JCT PANEL 12V DISC SW	24L	RR JCT PANEL 24V DISC SW

CIRCUIT NUMBER CODE

NO.	DESCRIPTION	NO.	DESCRIPTION	NO.	DESCRIPTION	NO.	DESCRIPTION
24M	RR JCT PANEL 24V DISC SW	39	INTERIOR LTS-DRIVER'S LTS	55	EXTERIOR LTS-HI BEAM	77C	A/C & HEAT SYS.-COMPRESSOR
24P	FR JCT PANEL 24V DISC SW	39D	INTERIOR LTS - DRIVER' LTS	57	EXTERIOR LTS-HI BEAM	77H	A/C SYS.-LIQ. SOL. VALVE
24PV	MICRO-WAVE INVERTER	41	A/C SYS.-COND FAN MOTOR	57A	EXTERIOR LTS-HI BEAM	81	EXTERIOR LTS-STOP SW
24R	24V STARTER RELAY	41A	A/C SYS.-COND FAN MOTOR	57B	A/C & HEAT SYS.-WATER PUMP	82	EXTERIOR LTS-STOP SIGNAL
24R	SCENIC VIEW SIGNAL ON	41B	A/C SYS.-COND FAN MOTOR	57C	PRE-HEAT WATER HEATER	82A	EXTERIOR LTS-STOP SIGNAL
24SB	24V SOUND SYSTEM FEEDING	42	A/C SYS.-COND FAN MOTOR	57C	A/C & HEAT SYS.-WATER PUMP	82B	EXTERIOR LTS-STOP LTS
24SS	24V SOUND SYSTEM FEEDING	42A	A/C SYS.-COND FAN MOTOR	57E	A/C & HEAT SYS.-WATER VALV	82L	EXT. LTS-STOP LTS & CYCLOP
24S1	AMPLIFIER FEEDING	43	PARCEL RACK A/C	57W	PRE-HEAT WATER HEATER	82R	EXTERIOR LTS-STOP LTS
24S2	AMPLIFIER FEEDING	43A	PARCEL RACK A/C	58	EXTERIOR LTS-LO BEAM	83	ENG. CTR-MAST. KEY SW ACC.
24S3	VIDEO FEEDING	43B	PARCEL RACK A/C	58A	EXTERIOR LTS-LO BEAM	83A	24V&12V CUT RELAY COIL
24S4	VIDEO FEEDING	43C	PARCEL RACK A/C	58B	EXTERIOR LTS-LO BEAM	83B	24V&12V CUT RELAY COIL
24T	RR JCT PANEL 24V DISC SW	43D	PARCEL RACK A/C	59A	ENGINE BRAKE SYSTEM	84	ENG. CTR-MAST KEY SW START
24VA	24 VOLTS BATTERY EQUALIZER	43E	PARCEL RACK A/C	61	EXTERIOR LTS-24V FEED SW	84A	ENG. CTR-MAST KEY SW START
24VD	24V HOT WIRE FEED	43F	PARCEL RACK A/C	61A	EXTERIOR LTS-HEAD SIGNAL	84J	ENG. CTR-MAST KEY SW START
24VF	24 VOLTS FRONT DISTRIBUTION	43G	PARCEL RACK A/C	62	LAVATORY INDICATOR	85	24V IGNITION SIGNAL
24VI	24 VOLTS IGNITION REAR DIST.	43M	PARCEL RACK A/C	63	EXTERIOR LTS-CLEAR. FEED	85A	24V IGN DASH INSTRUMENT.
24VR	24 VOLTS REAR DISTRIBUTION	43X	PARCEL RACK A/C	63B	EXTERIOR LTS-CLEARANCE	85C	24V IGNITION - FEED
24Y	24 VOLTS POWER GALLEY	44	EXTERIOR LTS-FOG	63C	EXT. LTS-MARKER SIGNAL	85F	RAD. FAN CONTROL W/RETARD
24WC	WCL PUMP FEEDING	44A	EXTERIOR LTS-FOG	63D	BLINKER RELAY	85W	OUT SPEED INTERLOCK-24V IGN
24WL	WCL PUMP FEEDING	44B	EXTERIOR LTS-FOG	63E	BLINKER RELAY	85X	ABS-24V IGN
24WR	WCL POWER ACCES.	44C	FOG,LTS & HVAC FEEDING	63F	EXT. LTS-MARKER BLINKER	85Y	ABS-WARNING LT
25	EITHER ALTERNAT. RUN SIGNAL	44D	EXTERIOR LTS - FOG	64	DRIVER'S FAN SPEED CTR	86	ENG. CTR-STARTER SOL.
25A	TT.LT. ALTERNATOR #1	44E	EXTERNAL LTS - FOG	64A	A/C SPARE	86A	ENG. CTR-STARTER RELAY COIL
25A1	BOSCH ALTERNATOR SIGNAL D+	45A	A/C & HEAT SYSTEM FULL AIR	64B	A/C SPARE	86F	TELL TALE STARTER ON
25A2	BOSCH ALTERNATOR SIGNAL D+	45B	A/C & HEAT SYS.-WATER PUMP	65	FOOT DAMPER MOTOR	86T	TELL TALE STARTER ON
25B	EXT. LTS-DAYTIME RUN LTS	45C	A/C & HEAT SYS.-WATER VALV	65A	FOOT DAMPER MOTOR	87B	ENGINE CTR-24V IGNITION
25D	BOTH ALTERNATOR RUN SIGNAL	45D	A/C & HEAT SYS.-WATER VALV	65D	DRIVER'S REC. DAMPER	88	ENGINE CTR-RR START SIGNAL
25K	T.T.LT. ALTERNATOR #2	45G	A/C & HEAT SYS.-DR'S HTR	66	A/C PASSENGER - ON/OFF	89	ENGINE CTR-RR START SIGNAL
26	DR'S & ENT. WINDOW LIFTER	46	EXTERIOR LTS-MARKER	67A	A/C & HEAT SYSTEM	90B	ENG. CTR-MAST KEY SW FEED
26A	CIGAR LIGHT. & POW.OUTLET LH	46A	EXTERIOR LTS-AUX LTS RESIS.	68	DASH & DEFROST DAMPER MOT	91	PARKING BRAKE SW SIGNAL
26B	DRIVER'S WINDOW LIFTER	46C	EXTERIOR LTS-MARKER	68A	DASH & DEFROST DAMPER MOT	91A	DDEC -FAST IDLE SIGNAL
26C	DRIVER'S WINDOW LIFTER	46D	EXTERIOR LTS-AUX LTS RESIS.	69	DAMPER MIX LIMIT SWITCH	91B	D.R.L. CANCEL RELAY
27	LAVATORY ALARM	48	ENTRANCE DOOR OPEN SIGNAL	70	HAT RACK & NIGHT LTS FEEDING	91C	PARKING BRAKE - T.T.LT
28H	T.T.LT MODULE - HI A/C PRES.	48A	ENTRANCE DOOR OPEN SOL.	72	SUN VISOR - FEED	91J	FAST IDLE - JUMPER SW.
28T	T.T.LT MODULE - LO A/C PRES.	48B	ENTRANCE DOOR OPEN SIGNAL	72A	SUN VISOR RH	91W	WCL PARKING BRAKE SIGNAL
29	A/C & HEAT SYS.-DR'S HTR	48C	ENTRANCE DOOR SYSTEM	72B	SUN VISOR RH	92	BATT. EQUAL.-CHECK BALANCE
29H	HVAC DASH MODILE	48D	ENTRANCE DOOR SYSTEM	72C	SUN VISOR LH	93	BATT. EQUALIZ.-CHECK LO/HI
30A	GALLEY SWITCH SIGNAL	48W	ENTRANCE DOOR SEDAN	72D	SUN VISOR LH	95A	ENG. BRAKE & RETARDER SYS.
30J	GALLEY SWITCH LED	49	ENTRANCE DOOR CLOSE SIGNAL	74	R.H. READING LAMP FEEDING	95B	ENG. BRAKE & RETARDER SYS.
31B	WIPER & WASHER SYSTEM	49A	ENTRANCE DOOR SYSTEM	74A	R.H. HOTESS CHIME FEEDING	97	TACHOMETER SIGN.-NOT USED
32	EXTERIOR LTS-BACK-UP	49B	ENTRANCE DOOR SYSTEM	74B	WCL R.H. READING LAMP FEED.	100	INTERIOR LTS RELAY COIL
32B	EXTERIOR LTS-BACK-UP	50	AIR DRYER	74D	READING LAMP SWITCH	100	INDIRECT LTS FEEDING
35	ENTRANCE STEP LIGHTS	52	ALARM & SIGNAL-ELEC.HORN	74J	READING LAMP INDICATOR SW.	100A	INDIRECT LTS RELAY COIL
36	ENGINE BRAKE SYSTEM	52A	ALARM & SIGNAL-ELEC.HORN	75	L.H. READING LAMP FEEDING	100B	INDIRECT LTS FEEDING
36A	ENGINE BRAKE SYSTEM & RET.	52B	PNEUMATIC HORN	75A	L.H. HOTESS CHIME FEEDING	100C	INDIRECT LTS FEEDING
37	LAVATORY LTS FEEDING	53	ALARM & SIGNAL-ELEC.HORN	76	FUEL TANK GAUGE	101	24 VOLTS POWER STARTER
38	FLUORESCENT RELAY FEEDING	53B	WIPER & WASHER SYSTEM	76C	LOW FUEL T.T.LT	101	WORLD TR.- LO SIGN SOL.LO
38A	R.H FLUORESCENT	53C	WIPER & WASHER SYSTEM	76M	FUEL PRIME PUMP	102	24 VOLTS A/C DISTRIBUTION
38B	L.H. FLUORESCENT	53E	WIPER & WASHER SYSTEM	76P	FUEL PRIME PUMP FEEDING	102	WORLD TRANSM.-SOL. SUPPLY
38C	FLUORESCENT FEEDING	53J	WIPER & WASHER SYSTEM	77B	A/C SYS. - LIQ. SOL. VALVE	102A	BOSCH ALTERNATOR FEEDING

CIRCUIT NUMBER CODE

NO.	DESCRIPTION	NO.	DESCRIPTION	NO.	DESCRIPTION	NO.	DESCRIPTION
103	WORLD TRANSM.- B.SOL.LO	127W	PRE-HEAT WATER HEATER	139	WORLD TR.-OUTPUT SPEED HI	170C	LUGGAGE DOOR LOCK-T.T.LT
103	LOW BUOY SYSTEM	128	WORLD TRANSM-B SOL.	140	WORLD TR.-TURBINE SPEED LO	170D	LUGGAGE DOOR LOCK-FEED
104	WORLD TR. -G SOL.	128A	PRE-HEAT WATER HEATER	140	ABS SYSTEM-VALVE	170E	LUG. DOOR LOCK-UNLOCK SIGN
105W	WORLD TR.-SOL.-RET.OIL TT.LT	128B	PRE-HEAT WATER HEATER	141	ABS SYSTEM-VALVE	170F	LUGGAGE DOOR LOCK-FEED
107	WORLD TR. - SOL. SUPPLY	128W	PRE-HEAT WATER HEATER	141	WORLD TR.-ENGINE SPEED HI	170G	LUGGAGE DOOR LOCK-FEED
110	WORLD TR.-F SOL. LO	129	WORLD TRANSM-E SOL.	142	ABS SYSTEM-VALVE	170K	LUGGAGE DOOR-LOCK SIGN
112	WORLD TR.-SPARE OUTPUT (+)	129	PRE-HEAT WATER HEATER	143	ABS SYSTEM-SENSOR	170L	LUGG DOOR LOCK-SIGN T.T.LT
113W	WORLD TR.-REVERSE WARNING	129B	PRE-HEAT WATER HEATER	143A	ABS SYSTEM-SENSOR	170N	LUGG DOOR LOCK-SIGN T.T.LT
114	INTERIOR LT-DASH LT RHEOS.	130	WORLD TRANSM-SOL. SUPPLY	143A	WORLD TRANS-BATTERY GRD	170R	LUGG DOOR LOCK-SIGN. T.T.LT
114A	INTERIOR LT-DASH LT RHEOS.	130	EVAP. FAN MAIN CABLE	143W	WORLD TRANSM-BATTERY GRD	170S	LUGG DOOR LOCK-SIGN T.T.LT
114B	INT. LT-DASH LT RHEOST.FEED	131	WORLD TRANSM-D SOL.	143X	WORLD TRANSM-BATTERY GRD	170T	LUGG DOOR LOCK-SIGN T.T.LT
115	DDEC -COOLANT LEVEL	132	WORLD TRANSM-ENGINE BRAKE	143Y	WORLD/EATON TRANSM.BATT.GRD	170V	LUGG DOOR LOCK-SIGN T.T.LT
115W	WORLD TR.-DO NOT SHIFT SIGN	133	GALLEY HEATING CONTAINER	144	ABS SYSTEM-SENSOR	170W	LUGGAGE DOOR LOCK-FEED
116	WORLD TR.-SOL. SUPPLY	133A	GALLEY HEATING CONTAINER	144A	ABS SYSTEM-SENSOR	170X	LUGG DOOR LOCK-SIGN T.T.LT
116B	A/C & HEAT SYSTEM-DR'S HTR	133B	GALLEY HEATING CONTAINER	145	ABS SYSTEM	170Y	LUGGAGE DOOR LOCK-FEED
116C	A/C SYS.-TRIG. DEFROST	133C	GALLEY HEATING CONTAINER	146	ABS SYSTEM	170Z	LUGGAGE DOOR LOCK
117A	OIL TEMP. EATON TRANSM.	134	GALLEY HEATING CONTAINER	146A	WORLD TRANSM-12V IGNITION	171	WORLD TRANSM-SHIFTER
119	WORLD TRANSM-ENGINE BRAKE	134A	GALLEY HEATING CONTAINER	146AA	WORLD TRANSM-DIAGN.CONN.	172	WORLD TRANSM-SHIFTER
120	WORLD TRANSM-A SOL.	135	GALLEY HEATING CONTAINER	147	WORLD TRANSM-OIL TEMP	173	WORLD TRANSM-SHIFTER
121	WORLD TRANSM-SOL.SUPPLY	135A	WORLD TR.-RES MODULE RET.	147	ABS SYSTEM-VALVE	174	WORLD TRANSM-SHIFTER
123	WORLD TR.-NEUTRAL START	135B	A/C & HEAT SYS.-AIR SENSOR	147A	ETHER COLD START	175A	WORLD TRANSM-SHIFTER
123A	ALARM & SIGNAL-FIRE DETECT.	135C	A/C & HEAT SYS.-AIR SENSOR	147C	ETHER COLD START	176	WORLD TRANSM-SHIFTER
123B	ALARM & SIGNAL-FIRE DETECT.	136	MICRO-WAVE OVEN SWITCH	148	ABS SYSTEM-VALVE	180	OUTSIDE TEMP. DISPLAY
124	WORLD TR.-SENSOR POWER	136A	GALLEY LAMP	148	WORLD TR.-OUTPUT SPEED LO	180A	OUTSIDE TEMP. DISPLAY
124A	WORLD TRANSM-SENSOR PWR	136A	WORLD TRANSM-12V BATTERY	149	WORLD TR.-TURBINE SPEED HI	180A	WORLD TRANSM-SHIFTER
125	LAVATORY FAN	136A1	WORLD TRANSM-12V BATTERY	149	ABS SYSTEM-SENSOR	180B	OUTSIDE TEMP. DISPLAY
125	WORLD TR-RETARDER INDICAT.	136A2	WORLD TRANSM-12V BATTERY	149A	ABS SYSTEM	180C	OUTSIDE TEMP. DISPLAY
125W	WORLD TR-RETARDER INDICAT.	136AA	WORLD TRANSM-SHIFTER PWR	150	WORLD TR.-ENGINE SPEED LO	181	FROZEN POINT T.T.LT
126	24 V IGN. SPEED SWITCH	136V	WORLD TRANSM-12V BATTERY	150	DDEC -ECM BATTERY GRD	181A	TEMP. CTR'L INSIDE SENSOR
126A	KNEELING SYSTEM	136W	WORLD TRANSM-12V BATTERY	150A	DDEC -ECM BATTERY GRD	181B	TEMP. CTR'L INSIDE SENSOR
126AA	KNEELING SYSTEM	136X	WORLD TRANSM-12V BATTERY	151	DDEC -ECM BATTERY GRD	181C	THERMOMET. OUTSIDE SENSOR
126B	HI-BUOY SIGNAL	137	WORLD TRANSM-RETARDER	151	ATC VALVE	181D	THERMOMET. OUTSIDE SENSOR
126C	KNEELING SYSTEM	137	RR VIEW MIRROR	152	ATC VALVE	195	WORLD TRANSM-TRANS ID
126D	KNEELING SYSTEM	137A	RR VIEW MIRROR	153	ELECTRICAL DRIVER'S SEAT	197	FUEL WATER FILTER
126F	KNEELING SYSTEM	137B	RR VIEW MIRROR	154	WORLD TRANSM-ABS INPUT (-)	197A	FUEL WATER FILTER
126G	KNEELING SYSTEM	137C	RR VIEW MIRROR	156A	ABS SYSTEM-FEED	200	EATON TRANSM. GRD
126H	SPEED SIGN 5NC - 24V	137D	RR VIEW MIRROR	157	ABS SYSTEM-FEED	201	WORLD TRANSM-SPARE
126K	KNEELING SYSTEM	137E	RR VIEW MIRROR	157A	ABS SYSTEM-FEED	202	WORLD TRANSM-SPARE
126L	KNEELING SYSTEM	137F	RR VIEW MIRROR	157B	ABS SYSTEM	203	WORLD TRANSM-SPARE
126P	KNEELING SYSTEM	137H	RR VIEW MIRROR	159	WORLD TRANSM-DIAGNOSTIC	204	WORLD TRANSM-SPARE
126R	KNEELING SYSTEM	137J	RR VIEW MIRROR	160	ALARM & SIGN.-TAG PRESS SW	214	WORLD TR.-BACK-UP SIGNAL
126S	KNEELING SYSTEM	137K	RR VIEW MIRROR	161B	WORLD TRANSM-SIGNALGRD	231	WORLD TR.-NEUTRAL SIGN GRD
126T	KNEELING SYSTEM	137L	RR VIEW MIRROR	162	WORLD TRANSM-PRESS. SW C3	231F	WORLD TR.-NEUTRAL SIGN GRD
126W	KNEELING SYSTEM	137M	RR VIEW MIRROR FEED	163	WORLD TR.-RETARDER ENABLE	231W	W.TR.-NEUTRAL SIGN GRD WCL
126W	WORLD TRANSM-NOT USED	137R	WORLD TRANSM-RETARDER	164	WORLD TR.-RETARDER ENABLE	240	DDEC -ECM 12V FEEDING
127	WORLD TRANSM. - H SOL.	137T	MIRROR HEAT SW-JUMPER	165	WORLD TR.-RET. ACTUAT. SIGN	241	DDEC -ECM 12V FEEDING
127	24HOT WIRE PREHEAT	138	WORLD TR.-RETARDER TEMP	166	WORLD TRANSM. OUTPUT 7	253	24V SIGNAL GALLEY INVERTER
127A	PRE-HEAT WATER HEATER	138	ABS SYSTEM-SENSOR	167	W. TR.-OUT SPEED INTERLOCK	254	GALLEY REFRIGERATOR
127B	PRE-HEAT WATER HEATER	138A	ABS SYSTEM-SENSOR	169	WORLD TRANSM-PRE-SELECT #1	254A	GALLEY REFRIGERATOR
127S	PRE-HEAT WATER HEATER	139	ABS SYSTEM-VALVE	170	WORLD TRANSM-SHIFTER	254F	GALLEY REFRIGERATOR

CIRCUIT NUMBER CODE

NO.	DESCRIPTION	NO.	DESCRIPTION	NO.	DESCRIPTION	NO.	DESCRIPTION
255	GALLEY COFFEEMAKER	555	DDEC-FAN CLUTCH SPEED#1				
255A	GALLEY COFFEEMAKER	556	DDEC-VEHICULE SPEED (+)				
255B	GALLEY COFFEEMAKER	557	DDEC-VEHICULE SPEED (-)				
260	WINDOW AJAR-T.T.LT	563	DDEC-FAN CLUTCH SPEED#2				
290	FAN CLUTCH RADIATOR-FEED	564	DDEC-DIGTAL OUTPUT				
290A	FAN CLUTCH RADIATOR-FEED	565	DDEC-ENGINE BRAKE ACTIVE				
291	FAN CLUTCH RADIATOR SPD 1	583	DDEC-ENGINE BRAKE 4 CYL.				
292	FAN CLUTCH RADIATOR SPD 2	900	DDEC-DATA LINK (+)				
292J	FAN OVERRIDE LTS SWITCH	900A	EATON-DATA LINK(+)				
300	WCL POWER SYSTEM & ACCESS.	901	DDEC-DATA LINK (-)				
300A	WCL POWER SYSTEM SW.	901A	EATON-DATA LINK(-)				
301J	WCL POWER SW. JUMPER LED	908	DDEC-HYDRAU. PWM#1 OUTPUT				
301	WCL SIGNAL POWER SW.	916	DDEC-SENSOR SUPPLY (5VDC)				
302	WCL DOOR AJAR TTLT & ALARM	925	J1939(+)				
304	WCL DOOR TOP LT.	926	J1939(-)				
305	WCL PARKING BRAKE SOL. VALVE	927	J1939(SHIELD)				
305A	WCL DOOR OPEN SIGNAL	952	DDEC-SENSOR RETURN				
305B	WCL DOOR TOP LT.	953	DDEC-BATTERY GRD				
306	WCL CONTROL SYSTEM	979	DDEC-ENGINE BRAKE 2 CYL.				
307	WCL CONTROL SYSTEM	2123	FLASHER SIGNAL LTS				
308	WCL CONTROL SYSTEM						
309	WCL CONTROL SYSTEM						
310	EATON TRANSM. START SIGNAL						
311	EATON TR.LH.CONS.GEAR DISPLAY						
312	EATON TR. NEUTRAL SIGNAL						
313	EATON TR.LH.CONS.GEAR DISPLAY						
314	EATON TR.LH.CONS. GRD						
315	EATON TR.ENG.COMP.12V POWER						
316	EATON TR.ENG.COMP. GRD						
317	EATON TR.ENG.COMP.12V POWER						
318	EATON TR.ENG.COMP. GRD						
319	EATON TR.ENG.COMP.12V POWER						
320	EATON TR.ENG.COMP. GRD						
417	DDEC-LIMIT SPEED GOVERNOR						
419	DDEC -CHEK ENGINE LIGHT						
439	DDEC-12V IGNITION						
451	DDEC-A/C FAN CLUTCH						
505	DDEC-TACHOMETER DRIVE						
509	DDEC-STOP ENGINE LIGHT						
510	DDEC-FAST IDLE SIGNAL						
524	DDEC-ENGINE BRAKEDISABLE						
525	DDEC-FAST IDLE SIGNAL						
528	DDEC-STOP ENG. OVERRIDE						
531	DDEC-CRUISE CLUTCH CUT OUT						
540	DDEC-CRUISE ENABLE T.T.LT						
541	DDEC-CRUISE SET SW						
543	DDEC-CRUISE BRAKE PEDAL						
544	DDEC-CRUISE ON/OFF SW						
545	DDEC-CRUISE RESUME SW						

CIRCUIT NUMBER CODE

NO.	DESCRIPTION	NO.	DESCRIPTION	NO.	DESCRIPTION	NO.	DESCRIPTION
A1	RADIO SYSTEM	C15	AUDIO AMPLI	SP10	SPARE WIRE	SP75	SPARE WIRE
A2	RADIO SYSTEM	D1	PASSENGER SPEAKER	SP11	SPARE WIRE	SP76	SPARE WIRE
A3	AUDIO AMPLI	D2	PASSENGER SPEAKER	SP12	SPARE WIRE	SP77	SPARE WIRE
A8	VIDEO SYSTEM	D3	PASSENGER SPEAKER	SP13	SPARE WIRE	SP78	SPARE WIRE
A9	RADIO SYSTEM	D4	PASSENGER SPEAKER	SP14	SPARE WIRE	SP80	SPARE WIRE
A10	AUDIO AMPLI	D5	PASSENGER SPEAKER	SP15	SPARE WIRE	SP81	SPARE WIRE
A11	AUDIO AMPLI	D6	PASSENGER SPEAKER	SP16	SPARE WIRE	SP82	SPARE WIRE
A12	AUDIO AMPLI	D7	PASSENGER SPEAKER	SP17	SPARE WIRE	SP83	SPARE WIRE
A13	AUDIO AMPLI	D8	PASSENGER SPEAKER	SP18	SPARE WIRE	SP84	SPARE WIRE
A15	AUDIO AMPLI	DR1	DRIVER'S SPEAKER	SP19	SPARE WIRE	SP85	SPARE WIRE
A16	VIDEO SYSTEM	DR2	DRIVER'S SPEAKER	SP20	SPARE WIRE	TW1	TWISTED SPARE
B1	MICROPHONE	DR3	DRIVER'S SPEAKER	SP21	SPARE WIRE	TW2	TWISTED SPARE
B2	MICROPHONE	DR4	DRIVER'S SPEAKER	SP23	SPARE WIRE	W1	STEERING BOX CONVERTER
B3	MICROPHONE	G1	PASSENGER SPEAKER	SP24	SPARE WIRE	W2	STEERING BOX CONVERTER
B4	MICROPHONE	G2	PASSENGER SPEAKER	SP25	SPARE WIRE	Y1A	FLUORESCENT BALLAST
B5	MICROPHONE	G3	PASSENGER SPEAKER	SP26	SPARE WIRE	Y1B	FLUORESCENT BALLAST
B6	MICROPHONE	G4	PASSENGER SPEAKER	SP27	SPARE WIRE	Y2A	FLUORESCENT BALLAST
B7	MICROPHONE	G5	PASSENGER SPEAKER	SP28	SPARE WIRE	Y2B	FLUORESCENT BALLAST
B8	MICROPHONE	G6	PASSENGER SPEAKER	SP30	SPARE WIRE	Y3A	FLUORESCENT BALLAST
B10	MICROPHONE	G7	PASSENGER SPEAKER	SP33	SPARE WIRE	Y3B	FLUORESCENT BALLAST
B11	MICROPHONE	G8	PASSENGER SPEAKER	SP34	SPARE WIRE	Y4A	FLUORESCENT BALLAST
B12	MICROPHONE	IPJ1	CLUSTER - BULB TEST POS	SP35	SPARE WIRE	Y4B	FLUORESCENT BALLAST
B1A	FLUORESCENT BALLAST	IPJ2	CLUSTER - BULB TEST NEG.	SP36	SPARE WIRE	Y5A	FLUORESCENT BALLAST
B1B	FLUORESCENT BALLAST	IPJ5	CLUSTER - FUEL GAUGE	SP37	SPARE WIRE	Y5B	FLUORESCENT BALLAST
B2A	FLUORESCENT BALLAST	IPJ6	CLUSTER - BULB TEST POS.	SP38	SPARE WIRE	Y6A	FLUORESCENT BALLAST
B2B	FLUORESCENT BALLAST	IPJ7	CLUSTER - BULB TEST NEG.	SP40	SPARE WIRE	Y6B	FLUORESCENT BALLAST
B3A	FLUORESCENT BALLAST	IPJ8	CLUSTER - MASTER WARNING	SP41	SPARE WIRE	Y7A	FLUORESCENT BALLAST
B3B	FLUORESCENT BALLAST	L8	WATER TANK HEATER	SP42	SPARE WIRE	Y7B	FLUORESCENT BALLAST
B4A	FLUORESCENT BALLAST	L9	WATER TANK HEATER	SP43	SPARE WIRE	0	BATTERY - MAIN GROUND
B4B	FLUORESCENT BALLAST	LX5	CLUSTER - COMPUTER MODE	SP44	SPARE WIRE	0	EVAP. COMPT. GROUND
B5A	FLUORESCENT BALLAST	LX6	CLUSTER - COMPUTER DOWN	SP45	SPARE WIRE	0	RJB - INSIDE GRD
B5B	FLUORESCENT BALLAST	LX7	CLUSTER - COMPUTER SET	SP48	SPARE WIRE	0	WCL MODULE
B6A	FLUORESCENT BALLAST	LX16	CLUSTER - COMPUTER UP	SP50	SPARE WIRE	0A	LAVATORY ACCESSORIES
B6B	FLUORESCENT BALLAST	LX21	CLUSTER - COMPUTER COM.	SP51	SPARE WIRE	0A	EVAP. FAN GROUND
B7A	FLUORESCENT BALLAST	R1A	FLUORESCENT BALLAST	SP52	SPARE WIRE	0A	FR. ROOF ACC. GRD
B7B	FLUORESCENT BALLAST	R1B	FLUORESCENT BALLAST	SP53	SPARE WIRE	0B	BOOSTER BLOCK GROUND
B14	RADIO SYSTEM	RT	T.T.L.T. MODULE - TEST SW.	SP54	SPARE WIRE	0B	A/C - CONDENSER GRD
B15	RADIO SYSTEM	SPK1	PASSENGER SPEAKER	SP56	SPARE WIRE	0B	24V&12V CUT OUT REL.COIL
C2	RADIO SYSTEM	SPK2	PASSENGER SPEAKER	SP57	SPARE WIRE	0BE	OV BATTERY MONITOR
C3	CONTROL HEAD ANTENNA	SPK3	PASSENGER SPEAKER	SP60	SPARE WIRE	0C	R.J.B. - GRB
C5	VIDEO SYSTEM	SPK4	PASSENGER SPEAKER	SP61	SPARE WIRE	0C	MOTOR STARTER GROUND
C6	CONTROL HEAD DIMMER	SP1	SPARE WIRE	SP62	SPARE WIRE	0C	F.R. SERV. CPT- ACC.
C7	RADIO SYSTEM	SP2	SPARE WIRE	SP63	SPARE WIRE	0C1	ENTRANCE DOOR SEDAN
C8	AUDIO AMPLI	SP3	SPARE WIRE	SP64	SPARE WIRE	0C2	STEERING CONTROL GROUND
C9	VIDEO SYSTEM	SP4	SPARE WIRE	SP65	SPARE WIRE	0C3	SOUND SYSTEM RELAY
C10	VIDEO SYSTEM	SP5	SPARE WIRE	SP69	SPARE WIRE	0C4	F.J.B. GRD
C11	VIDEO SYSTEM	SP6	SPARE WIRE	SP70	SPARE WIRE	0CJ	CRUISE SW. JUMPER
C12	VIDEO SYSTEM	SP7	SPARE WIRE	SP71	SPARE WIRE	0D	FLUORESCENT GRD
C13	VIDEO SYSTEM	SP8	SPARE WIRE	SP72	SPARE WIRE	0D	COND FAN GRD
C14	VIDEO SYSTEM	SP9	SPARE WIRE	SP74	SPARE WIRE	0E	BATT. COMPT. LTS GROUND

CIRCUIT NUMBER CODE

NO.	DESCRIPTION	NO.	DESCRIPTION	NO.	DESCRIPTION	NO.	DESCRIPTION
0E	READING LIGHTS GROUND	0T4	12V OUTLET - CTR MODULE	11B	DESTINATION SIGN	12T	RR JCT BOX 12V DISC SW
0F	FLUORESCENT GRD	0VA	BATTERY EQUALIZER GROUND	11C	DESTINATION SIGN	12TE	12 V BATT. TRANSM. EATON
0F	PRO-DRIVER GROUND	0W	FJB - TRANSM. RLY GRD	11D	DESTINATION SIGN	12TF	12 V BATT. TRANSM. EATON
0G	READING LIGHTS GROUND	0W	SHIFT SELECTOR GROUND	11E	DESTINATION SIGN	12VB	FR JCT PANEL 12V DISC SW
0G	ABS GRD CX1	0W	WCL MODULE	11K	DESTINATION SIGN	12VD	12V HOT WIRE DISTRIBUTION
0H	ENG. CPT. - ACC. GRD	0WA	PRE-HEAT WATER HEATER	11J	DESTINATION SIGN	12VE	FR JCT PANEL 12V DISC SW
0IN	INTERCOM SYSTEM	0WA	WCL DOOR AJAR	11P	DESTINATION SIGN	12VF	12 VOLTS FRONT DISTRIBUTIUN
0J	PARCEL RACK A/C UNIT	0WC	WCL BATTERY CPT. ACCES.	12	12V ELECTRONIC TERMINAL	12VG	RR JCT PANEL 12V DISC SW
0K	PARCEL RACK A/C UNIT	0WL	WCL SIGNAL DOOR AJAR ALARM	12A	FR JCT PANEL 12V DISC SW	12VI	12V IGNITION DISTRIBUTION
0L	ENG.CPT -CLEAR.LTS RR ROOF	0Y1	ABS SYSTEM-GRD	12A	BATT. JCT PANEL 12V DISC SW	12VO	12 VOLTS BATTERY EQUALIZER
0L	R.J.B. - GRD	0Y2	ABS SYSTEM-GRD	12B	FR JCT PANEL 12V DISC SW	12VR	12 VOLTS REAR DISTRIBUTION
0L	FR - SIDE MARK. & FLASH GRD	0Y3	ABS SYSTEM-GRD	12BE	12V BATTERY MONITOR	12W	12V HOT WIRE DDEC FEEDING
0L1	ENG.CPT-SIDE MARK. & FL. GRD	0Y4	ABS SYSTEM-GRD	12C	FR JCT PANEL 12V DISC SW	12WA	ENTRANCE DOOR SYSTEM
0L2	HEAD LTS GROUND	0Y5	ABS SYSTEM-GRD	12C	RR JCT BOX 12V DISC SW	12WR	WCL DOOR TOP LT
0L3	FR.SERV.DR. & ENT.DOOR GRD	0Y6	ABS SYSTEM-GRD	12D	BATT. JCT PANEL 12V HOT WIRE	14	LAVATORY PUMP
0L4	FOG LTS RESISTOR GRD	0Y7	ABS SYSTEM-GRD	12D	FR JCT PANEL 12V HOT WIRE	15	WIPER & WASHER FEEDING
0L5	LH CONSOL - ACC. GRD	00A	ELECTRONIC TERMINAL GROUND	12D	RR JCT PANEL 12V HOT WIRE	16	SPEEDOMETER (+)
0L6	MARKER&FLASH. GROUND	00A	DASH ELECTRONIC GROUND	12DD	FR JCT PANEL 12V HOT WIRE	16T	SPEED SW SIGNAL IN (+)
0L7	aisle LIGHTS GROUND	00F	FRONT ELECTRONIC GROUND	12DDR	FR JCT BOX 12V HOT DDR CONN	17	EXTERIOR LTS-FLASHER UNIT
0L8	DOCKING LTS	2B	A/C & HEAT SYSTEM	12DT	T.T. LT MODULE	17A	EXTERIOR LTS-FLASHER UNIT
0LV	WINDSHIELD WASHER LEVEL	2D	A/C & HEAT SYSTEM	12E	FR JCT PANEL 12V DISC SW	17C	JUMPER LTS SW. - HAZARD
0M	WIPER 2 MIRROR MOTOR	2DD	A/C & HEAT SYSTEM	12F	RR JCT PANEL 12V DISC SW	20	SPEEDOMETER SIGNAL (-)
0M3	DEFROST GRD	2E	A/C & HEAT SYSTEM	12F1	FR JCT PANEL 12V DISC SW	21	LEFT DIRECTIONNAL LTS
0M4	HORN & DR'S WINDOW LIFTER	2EE	A/C & HEAT SYSTEM	12F2	FR JCT PANEL 12V DISC SW	21A	LEFT DIRECTIONNAL LTS SIGN.
0M5	SUN VISOR MOTOR	2H	A/C & HEAT SYS-LO-PRESS SW.	12G	FR JCT PANEL 12V DISC SW	21B	HAZARD SWITCH SIGNAL
0M7	DR'S WIND.LIFT. & RH MIR. SW	2L	A/C & HEAT SYS-HI-PRESS SW.	12H	12V IGN. DASH ACCESS.	21BB	LEFT DIRECTIONNAL LTS FEED.
0M7A	LH MIRROR SW.	4A	HOTESS CHIME MAIN SWITCH	12I	RR JCT BOX 12V IGNITION	21H	EXTERIOR LTS-HAZARD SIGNAL
0P	ENG.CDT - PRE-HEATER	4C	HOTESS CHIME P. RACK SW.	12I	FR JCT PANEL 12V IGNITION	21M	AUX. LTS - DIRECTIONAL LH
0R	SOUND SYSTEM RELAY GROUND	5	aisle LTS FEEDING	12IA	FR JCT PANEL 12V IGNITION	23	RIGHT DIRECTIONNAL LTS
0SA	BOSCH ALTERNATOR GROUND	5N	EMERGENCY LTS	12IA	RR JCT PANEL 12V IGNITION	23A	RIGHT DIRECTIONNAL LTS SIGN.
0SA	PARCEL RACK LTS SWITCH	5N0	SPEED SIGNAL HIGHER 5MPH	12IB	FR JCT PANEL 12V IGNITION	23BB	RIGHT DIRECTIONNAL LTS FEED.
0SB	PARCEL RACK LTS SWITCH	5NC	SPEED SIGNAL LOWER 5MPH	12IB	STEERING BOX ECU FEEDING	23H	EXTERIOR LTS-HAZARD SIGNAL
0SC	PARCEL RACK LTS SWITCH	6	aisle LTS	12IC	FR JCT PANEL 12V IGN EATON	23K	RIGHT DIRECT. LTS W/KNELLING
0SE	PARCEL RACK LTS SWITCH	7B	ENTRANCE DOOR FEED.-24V HW	12ID	FR JCT PANEL 12V IGN EATON	23M	AUX LTS - DIRECTIONAL RH
0SF	PARCEL RACK LTS SWITCH	9	INTERIOR LTS-ENGINE CPT	12IN	12 VOLTS DISC.SW. INTERCOM	24	24 VOLTS BATTERY DIST.
0SG	PARCEL RACK LTS SWITCH	9F	INTERIOR LTS - FR-SERV. CPT	12J	FR JCT PANEL 12V DISC.SW.	24A	BATT. JCT PANEL 24V DISC SW
0SH	PARCEL RACK LTS SWITCH	10	INTERIOR LTS-LUGGAGE CPT	12K	FR JCT PANEL 12V DISC.SW.	24A	24V BOOSTER BLOCK
0SJ	PARCEL RACK LTS SWITCH	10	INTERIOR LTS-FR SERV. CPT	12L	CORNRING LTS FEEDING	24A	FR JCT PANEL 24V DISC. SW
0SS	SOUND SYSTEM GROUND	10	INTERIOR LTS-FR SERV. CPT	12LX	CLUSTER 12V HOT WIRE	24A	FR JCT PANEL 24V DISC. SW
00SS	SOUND SYSTEM GROUND	10A	INTERIOR LTS-LUGGAGE CPT	12P	12 VOLTS BATTERY JCT BLOCK	24B	RR JCT PANEL 24V DISC. SW
0S2	RADIO GROUND	10A	AUX. COMPRESSOR CLUTCH	12P	12 VOLTS MEMORY RADIO	24BE	BATTERY MONITOR
0S3	VIDEO GROUND	10B	INTERIOR LTS-LUGGAGE CPT	12P	12V POWER OUTLET	24C	FR JCT PANEL 24V DISC SW
0T	LAVATORY FAN & PUMP	10C	INTERIOR LTS-LUGGAGE CPT	12SB	12V SOUND SYSTEM FEEDING	24D	24 V. HOT WIRE FEEDING
0T	SPEED SW. CONNECTOR	10E	INTERIOR LTS-BATTERY CPT	12SS	12V SOUND SYSTEM FEEDING	24D	FR JCT BOX 24V HOT WIRE
0T1	DASH ACC. GROUND	10H	AUX. COMPRESSOR CLUTCH	12S	12 V RADIO FEEDING	24DD	FR JCT BOX 24V HOT WIRE
0T2	CLUSTER ACC. GROUND	10L	AUX. COMPRESSOR CLUTCH	12S1	12 V RADIO FEEDING		
0T2	WINDOW AWNING	10X	AUX. COMPRESSOR CLUTCH	12S1A	12V DVD KARAOKE FEEDING		
0T3	ALTERNATOR MODULE	11	DESTINATION SIGN	12S2	12 V RADIO FEEDING		
		11A	DESTINATION SIGN	12S2A	12V DVD KARAOKE FEEDING		

CIRCUIT NUMBER CODE

NO.	DESCRIPTION	NO.	DESCRIPTION	NO.	DESCRIPTION	NO.	DESCRIPTION
24DS	WIRELESS MICRO FEEDING	28T	T.T.LT MODULE - LO A/C PRES.	48A	ENTRANCE DOOR OPEN SOL.	70	HAT RACK & NIGHT LTS FEEDING
24E	24 VOLTS POWER DISTRIBUTION	29	A/C & HEAT SYS.-DR'S HTR	48B	ENTRANCE DOOR OPEN SIGNAL	72	SUN VISOR - FEED
24E	RR JCT PANEL 24V DISC SW	29H	HVAC DASH MODILE	48C	ENTRANCE DOOR SYSTEM	72A	SUN VISOR RH
24F	RR JCT PANEL 24V DISC SW	30A	GALLEY SWITCH SIGNAL	48D	ENTRANCE DOOR SYSTEM	72B	SUN VISOR RH
24H	RR JCT PANEL 24V DISC SW	30J	GALLEY SWITCH LED	48W	ENTRANCE DOOR SEDAN	72C	SUN VISOR LH
24I	FR JCT PANEL 24V IGNITION	31B	WIPER & WASHER SYSTEM	49	ENTRANCE DOOR CLOSE SIGNAL	72D	SUN VISOR LH
24IA	RR JCT PANEL 24V IGNITION	32	EXTERIOR LTS-BACK-UP	49A	ENTRANCE DOOR SYSTEM	74	R.H. READING LAMP FEEDING
24IA	FR JCT PANEL 24V IGNITION	32B	EXTERIOR LTS-BACK-UP	49B	ENTRANCE DOOR SYSTEM	74A	R.H. HOTESS CHIME FEEDING
24IB	FR JCT PANEL 24V IGNITION	35	ENTRANCE STEP LIGHTS	50	AIR DRYER	74B	WCL R.H. READING LAMP FEED.
24IF	FR JCT PANEL 24V IGNITION	36	ENGINE BRAKE SYSTEM	52	ALARM & SIGNAL-ELEC.HORN	74D	READING LAMP SWITCH
24K	RR JCT PANEL 24V DISC SW	36A	ENGINE BRAKE SYSTEM & RET.	52A	ALARM & SIGNAL-ELEC.HORN	74J	READING LAMP INDICATOR SW.
24L	RR JCT PANEL 24V DISC SW	37	LAVATORY LTS FEEDING	52B	PNEUMATIC HORN	75	L.H. READING LAMP FEEDING
24M	RR JCT PANEL 24V DISC SW	38	FLUORESCENT RELAY FEEDING	53	ALARM & SIGNAL-ELEC.HORN	75A	L.H. HOTESS CHIME FEEDING
24P	FR JCT PANEL 24V DISC SW	38A	R.H. FLUORESCENT	53B	WIPER & WASHER SYSTEM	76	FUEL TANK GAUGE
24PV	MICRO-WAVE INVERTER	38B	L.H. FLUORESCENT	53C	WIPER & WASHER SYSTEM	76C	LOW FUEL T.T.LT
24R	24V STARTER RELAY	38C	FLUORESCENT FEEDING	53E	WIPER & WASHER SYSTEM	76M	FUEL PRIME PUMP
24R	SCENIC VIEW SIGNAL ON	39	INTERIOR LTS-DRIVER'S LTS	53J	WIPER & WASHER SYSTEM	76P	FUEL PRIME PUMP FEEDING
24SB	24V SOUND SYSTEM FEEDING	39D	INTERIOR LTS - DRIVER' LTS	55	EXTERIOR LTS-HI BEAM	77B	A/C SYS. - LIQ. SOL. VALVE
24SS	24V SOUND SYSTEM FEEDING	41	A/C SYS.-COND FAN MOTOR	57	EXTERIOR LTS-HI BEAM	77C	A/C & HEAT SYS.-COMPRESSOR
24S1	AMPLIFIER FEEDING	41A	A/C SYS.-COND FAN MOTOR	57A	EXTERIOR LTS-HI BEAM	77H	A/C SYS.-LIQ. SOL. VALVE
24S2	AMPLIFIER FEEDING	41B	A/C SYS.-COND FAN MOTOR	57B	A/C & HEAT SYS.-WATER PUMP	81	EXTERIOR LTS-STOP SW
24S3	VIDEO FEEDING	42	A/C SYS.-COND FAN MOTOR	57C	PRE-HEAT WATER HEATER	82	EXTERIOR LTS-STOP SIGNAL
24S4	VIDEO FEEDING	42A	A/C SYS.-COND FAN MOTOR	57C	A/C & HEAT SYS.-WATER PUMP	82A	EXTERIOR LTS-STOP SIGNAL
24T	RR JCT PANEL 24V DISC SW	43	PARCEL RACK A/C	57E	A/C & HEAT SYS.-WATER VALV	82B	EXTERIOR LTS-STOP LTS
24VA	24 VOLTS BATTERY EQUALIZER	43A	PARCEL RACK A/C	57W	PRE-HEAT WATER HEATER	82L	EXT. LTS-STOP LTS & CYCLOP
24VD	24V HOT WIRE FEED	43B	PARCEL RACK A/C	58	EXTERIOR LTS-LO BEAM	82R	EXTERIOR LTS-STOP LTS
24VF	24 VOLTS FRONT DISTRIBUTION	43C	PARCEL RACK A/C	58A	EXTERIOR LTS-LO BEAM	83	ENG. CTR-MAST. KEY SW ACC.
24VI	24 VOLTS IGNITION REAR DIST.	43D	PARCEL RACK A/C	58B	EXTERIOR LTS-LO BEAM	83A	24V&12V CUT RELAY COIL
24VR	24 VOLTS REAR DISTRIBUTION	43E	PARCEL RACK A/C	59A	ENGINE BRAKE SYSTEM	83B	24V&12V CUT RELAY COIL
24Y	24 VOLTS POWER GALLEY	43F	PARCEL RACK A/C	61	EXTERIOR LTS-24V FEED SW	84	ENG. CTR-MAST KEY SW START
24WC	WCL PUMP FEEDING	43G	PARCEL RACK A/C	61A	EXTERIOR LTS-HEAD SIGNAL	84A	ENG. CTR-MAST KEY SW START
24WL	WCL PUMP FEEDING	43M	PARCEL RACK A/C	62	LAVATORY INDICATOR	84J	ENG. CTR-MAST KEY SW START
24WR	WCL POWER ACCES.	43X	PARCEL RACK A/C	63	EXTERIOR LTS-CLEAR. FEED	85	24V IGNITION SIGNAL
25	EITHER ALTERNAT. RUN SIGNAL	44	EXTERIOR LTS-FOG	63B	EXTERIOR LTS-CLEARANCE	85A	24V IGN DASH INSTRUMENT.
25A	TT.LT. ALTERNATOR #1	44A	EXTERIOR LTS-FOG	63C	EXT. LTS-MARKER SIGNAL	85C	24V IGNITION - FEED
25A1	BOSCH ALTERNATOR SIGNAL D+	44B	EXTERIOR LTS-FOG	63D	BLINKER RELAY	85F	RAD. FAN CONTROL W/RETARD
25A2	BOSCH ALTERNATOR SIGNAL D+	44C	FOG,LTS & HVAC FEEDING	63E	BLINKER RELAY	85W	OUT SPEED INTERLOCK-24V IGN.
25B	EXT. LTS-DAYTIME RUN LTS	44D	EXTERIOR LTS - FOG	63F	EXT. LTS-MARKER BLINKER	85X	ABS-24V IGN
25D	BOTH ALTERNATOR RUN SIGNAL	44E	EXTERNAL LTS - FOG	64	DRIVER'S FAN SPEED CTR	85Y	ABS-WARNING LT
25K	T.T.LT. ALTERNATOR #2	45A	A/C & HEAT SYSTEM FULL AIR	64A	A/C SPARE	86	ENG. CTR-STARTER SOL.
26	DR'S & ENT. WINDOW LIFTER	45B	A/C & HEAT SYS.-WATER PUMP	64B	A/C SPARE	86A	ENG. CTR-STARTER RELAY COIL
26A	CIGAR LIGHT. & POW.OUTLET LH	45C	A/C & HEAT SYS.-WATER VALV	65	FOOT DAMPER MOTOR	86F	TELL TALE STARTER ON
26B	DRIVER'S WINDOW LIFTER	45D	A/C & HEAT SYS.-WATER VALV	65A	FOOT DAMPER MOTOR	86T	TELL TALE STARTER ON
26C	DRIVER'S WINDOW LIFTER	45D	A/C & HEAT SYS.-WATER VALV	65D	DRIVER'S REC. DAMPER	87B	ENGINE CTR-24V IGNITION
27	LAVATORY ALARM	45G	A/C & HEAT SYS.-DR'S HTR	66	A/C PASSENGER - ON/OFF	88	ENGINE CTR-RR START SIGNAL
28H	T.T.LT MODULE - HI A/C PRES.	46	EXTERIOR LTS-MARKER	67A	A/C & HEAT SYSTEM	89	ENGINE CTR-RR START SIGNAL
		46A	EXTERIOR LTS-AUX LTS RESIS.	68	DASH & DEFROST DAMPER MOT		
		46C	EXTERIOR LTS-MARKER	68A	DASH & DEFROST DAMPER MOT		
		46D	EXTERIOR LTS-AUX LTS RESIS.	69	DAMPER MIX LIMIT SWITCH		
		48	ENTRANCE DOOR OPEN SIGNAL				

CIRCUIT NUMBER CODE

NO.	DESCRIPTION	NO.	DESCRIPTION	NO.	DESCRIPTION	NO.	DESCRIPTION
90B	ENG. CTR-MAST KEY SW FEED	124A	WORLD TRANSM-SENSOR PWR	136A	GALLEY LAMP	148	ABS SYSTEM-VALVE
91	PARKING BRAKE SW SIGNAL	125	LAVATORY FAN	136A	WORLD TRANSM-12V BATTERY	148	WORLD TR.-OUTPUT SPEED LO
91A	DDEC -FAST IDLE SIGNAL	125	WORLD TR.-RETARDER INDICAT.	136A1	WORLD TRANSM-12V BATTERY	149	WORLD TR.-TURBINE SPEED H
91B	D.R.L. CANCEL RELAY	125W	WORLD TR.-RETARDER INDICAT.	136A2	WORLD TRANSM-12V BATTERY	149	ABS SYSTEM-SENSOR
91C	PARKING BRAKE - T.T.LT	126	24 V IGN. SPEED SWITCH	136AA	WORLD TRANSM-SHIFTER PWR	149A	ABS SYSTEM
91J	FAST IDLE - JUMPER SW.	126	24 V IGN. SPEED SWITCH	136V	WORLD TRANSM-12V BATTERY	150	WORLD TR.-ENGINE SPEED LO
91W	WCL PARKING BRAKE SIGNAL	126A	KNEELING SYSTEM	136W	WORLD TRANSM-12V BATTERY	150	DDEC -ECM BATTERY GRD
92	BATT. EQUAL.-CHECK BALANCE	126AA	KNEELING SYSTEM	136X	WORLD TRANSM-12V BATTERY	150A	DDEC -ECM BATTERY GRD
93	BATT. EQUALIZ.-CHECK LO/HI	126B	HI-BUOY SIGNAL	137	WORLD TRANSM-RETARDER	151	DDEC -ECM BATTERY GRD
95A	ENG. BRAKE & RETARDER SYS.	126C	KNEELING SYSTEM	137	RR VIEW MIRROR	151	ATC VALVE
95B	ENG. BRAKE & RETARDER SYS.	126D	KNEELING SYSTEM	137A	RR VIEW MIRROR	152	ATC VALVE
97	TACHOMETER SIGN.-NOT USED	126F	KNEELING SYSTEM	137B	RR VIEW MIRROR	153	ELECTRICAL DRIVER'S SEAT
100	INTERIOR LTS RELAY COIL	126G	KNEELING SYSTEM	137C	RR VIEW MIRROR	154	WORLD TRANSM-ABS INPUT (-)
100	INDIRECT LTS FEEDING	126H	SPEED SIGN 5NC - 24V	137D	RR VIEW MIRROR	156A	ABS SYSTEM-FEED
100A	INDIRECT LTS RELAY COIL	126K	KNEELING SYSTEM	137E	RR VIEW MIRROR	157	ABS SYSTEM-FEED
100B	INDIRECT LTS FEEDING	126L	KNEELING SYSTEM	137F	RR VIEW MIRROR	157A	ABS SYSTEM-FEED
100C	INDIRECT LTS FEEDING	126P	KNEELING SYSTEM	137H	RR VIEW MIRROR	157B	ABS SYSTEM
101	24 VOLTS POWER STARTER	126R	KNEELING SYSTEM	137J	RR VIEW MIRROR	159	WORLD TRANSM-DIAGNOSTIC
101	WORLD TR.- LO SIGN SOL.LO	126S	KNEELING SYSTEM	137K	RR VIEW MIRROR	160	ALARM & SIGN.-TAG PRESS SW
102	24 VOLTS A/C DISTRIBUTION	126T	KNEELING SYSTEM	137L	RR VIEW MIRROR	161B	WORLD TRANSM-SIGNALGRD
102	WORLD TRANSM.-SOL. SUPPLY	126W	KNEELING SYSTEM	137M	RR VIEW MIRROR FEED	162	WORLD TRANSM-PRESS. SW C3
102A	BOSCH ALTERNATOR FEEDING	126W	WORLD TRANSM-NOT USED	137R	WORLD TRANSM-RETARDER	163	WORLD TR.-RETARDER ENABLE
103	WORLD TRANSM.- B.SOL.LO	127	WORLD TRANSM. - H SOL.	137T	MIRROR HEAT SW-JUMPER	164	WORLD TR.-RET. ACTUAT. SIGN
103	LOW BUOY SYSTEM	127	24HOT WIRE PREHEAT	138	WORLD TR.-RETARDER TEMP	165	WORLD TR.-OIL LEVEL SIGNAL
104	WORLD TR. -G SOL.	127A	PRE-HEAT WATER HEATER	138	ABS SYSTEM-SENSOR	166	WORLD TRANSM. OUTPUT 7
105W	WORLD TR-SOL.-RET.OIL TT.LT	127B	PRE-HEAT WATER HEATER	138A	ABS SYSTEM-SENSOR	167	W. TR.-OUT SPEED INTERLOCK
107	WORLD TR. - SOL. SUPPLY	127S	PRE-HEAT WATER HEATER	139	ABS SYSTEM-VALVE	169	WORLD TRANSM-PRE-SELECT #1
110	WORLD TR.-F SOL. LO	127W	PRE-HEAT WATER HEATER	140	WORLD TR.-TURBINE SPEED LO	170	WORLD TRANSM-SHIFTER
112	WORLD TR.-SPARE OUTPUT (+)	128	WORLD TRANSM-B SOL.	140	ABS SYSTEM-VALVE	170C	LUGGAGE DOOR LOCK-T.T.LT
113W	WORLD TR.-REVERSE WARNING	128A	PRE-HEAT WATER HEATER	141	ABS SYSTEM-VALVE	170D	LUGGAGE DOOR LOCK-FEED
114	INTERIOR LT-DASH LT RHEOS.	128B	PRE-HEAT WATER HEATER	141	WORLD TR.-ENGINE SPEED HI	170E	LUG. DOOR LOCK-UNLOCK SIGN
114A	INTERIOR LT-DASH LT RHEOS.	128W	PRE-HEAT WATER HEATER	142	ABS SYSTEM-VALVE	170F	LUGGAGE DOOR LOCK-FEED
114B	INT. LT-DASH LT RHEOST.FEED	129	WORLD TRANSM-E SOL.	143	ABS SYSTEM-SENSOR	170G	LUGGAGE DOOR LOCK-FEED
115	DDEC -COOLANT LEVEL	129	PRE-HEAT WATER HEATER	143A	ABS SYSTEM-SENSOR	170K	LUGGAGE DOOR-LOCK SIGN
115W	WORLD TR.-DO NOT SHIFT SIGN	129B	PRE-HEAT WATER HEATER	143A	WORLD TRANS-BATTERY GRD	170L	LUGG DOOR LOCK-SIGN T.T.LT
116	WORLD TR.-SOL. SUPPLY	130	WORLD TRANSM-SOL. SUPPLY	143W	WORLD TRANSM-BATTERY GRD	170N	LUGG DOOR LOCK-SIGN T.T.LT
116B	A/C & HEAT SYSTEM-DR'S HTR	130	EVAP. FAN MAIN CABLE	143X	WORLD TRANSM-BATTERY GRD	170R	LUGG DOOR LOCK-SIGN. T.T.LT.
116C	A/C SYS.-TRIG. DEFROST	131	WORLD TRANSM-D SOL.	143Y	WORLD/EATON TRANSM.BATT.GRD	170S	LUGG DOOR LOCK-SIGN T.T.LT
117A	OIL TEMP. EATON TRANSM.	132	WORLD TRANSM-ENGINE BRAKE	144	ABS SYSTEM-SENSOR	170T	LUGG DOOR LOCK-SIGN T.T.LT
119	WORLD TRANSM-ENGINE BRAKE	133	GALLEY HEATING CONTAINER	144A	ABS SYSTEM-SENSOR	170V	LUGG DOOR LOCK-SIGN T.T.LT
120	WORLD TRANSM-A SOL.	133A	GALLEY HEATING CONTAINER	145	ABS SYSTEM	170W	LUGGAGE DOOR LOCK-FEED
121	WORLD TRANSM-SOL.SUPPLY	133B	GALLEY HEATING CONTAINER	146	ABS SYSTEM	170X	LUGG DOOR LOCK-SIGN T.T.LT
123	WORLD TR.-NEUTRAL START	133C	GALLEY HEATING CONTAINER	146A	WORLD TRANSM-12V IGNITION	170Y	LUGGAGE DOOR LOCK-FEED
123A	ALARM & SIGNAL-FIRE DETECT.	134	GALLEY HEATING CONTAINER	146AA	WORLD TRANSM-DIAGN.CONN.	170Z	LUGGAGE DOOR LOCK
123B	ALARM & SIGNAL-FIRE DETECT.	134A	GALLEY HEATING CONTAINER	147	WORLD TRANSM-OIL TEMP	171	WORLD TRANSM-SHIFTER
124	WORLD TR.-SENSOR POWER	135	GALLEY HEATING CONTAINER	147	ABS SYSTEM-VALVE	172	WORLD TRANSM-SHIFTER
		135A	WORLD TR.-RES MODULE RET.	147A	ETHER COLD START	173	WORLD TRANSM-SHIFTER
		135B	A/C & HEAT SYS.-AIR SENSOR	147C	ETHER COLD START	174	WORLD TRANSM-SHIFTER
		135C	A/C & HEAT SYS.-AIR SENSOR				
		136	MICRO-WAVE OVEN SWITCH				

CIRCUIT NUMBER CODE

NO.	DESCRIPTION	NO.	DESCRIPTION	NO.	DESCRIPTION	NO.	DESCRIPTION
175A	WORLD TRANSM-SHIFTER	305A	WCL DOOR OPEN SIGNAL	916	DDEC-SENSOR SUPPLY (5VDC)		
176	WORLD TRANSM-SHIFTER	305B	WCL DOOR TOP LT.	925	J1939(+)		
180	OUTSIDE TEMP. DISPLAY	306	WCL CONTROL SYSTEM	926	J1939(-)		
180A	OUTSIDE TEMP. DISPLAY	307	WCL CONTROL SYSTEM	927	J1939(SHIELD)		
180A	WORLD TRANSM-SHIFTER	308	WCL CONTROL SYSTEM	952	DDEC-SENSOR RETURN		
180B	OUTSIDE TEMP. DISPLAY	309	WCL CONTROL SYSTEM	953	DDEC-BATTERY GRD		
180C	OUTSIDE TEMP. DISPLAY	310	EATON TRANSM. START SIGNAL	979	DDEC-ENGINE BRAKE 2 CYL.		
181	FROZEN POINT T.T.LT			2123	FLASHER SIGNAL LTS		
181A	TEMP. CTR'L INSIDE SENSOR	311	EATON TR.LH.CONS.GEAR DISPLAY				
181B	TEMP. CTR'L INSIDE SENSOR	312	EATON TR. NEUTRAL SIGNAL				
181C	THERMOMET. OUTSIDE SENSOR	313	EATON TR.LH.CONS.GEAR DISPLAY				
181D	THERMOMET. OUTSIDE SENSOR	314	EATON TR.LH.CONS. GRD				
195	WORLD TRANSM-TRANS ID	315	EATON TR.ENG.COMP.12V POWER				
197	FUEL WATER FILTER	316	EATON TR.ENG.COMP. GRD				
197A	FUEL WATER FILTER	317	EATON TR.ENG.COMP.12V POWER				
200	EATON TRANSM. GRD	318	EATON TR.ENG.COMP. GRD				
201	WORLD TRANSM-SPARE	319	EATON TR.ENG.COMP.12V POWER				
202	WORLD TRANSM-SPARE	320	EATON TR.ENG.COMP. GRD				
203	WORLD TRANSM-SPARE	417	DDEC-LIMIT SPEED GOVERNOR				
204	WORLD TRANSM-SPARE	419	DDEC -CHEK ENGINE LIGHT				
214	WORLD TR.-BACK-UP SIGNAL	439	DDEC-12V IGNITION				
231	WORLD TR.-NEUTRAL SIGN GRD	451	DDEC-A/C FAN CLUTCH				
231F	WORLD TR.-NEUTRAL SIGN GRD	505	DDEC-TACHOMETER DRIVE				
231W	W.TR.-NEUTRAL SIGN GRD WCL	509	DDEC-STOP ENGINE LIGHT				
240	DDEC -ECM 12V FEEDING	510	DDEC-FAST IDLE SIGNAL				
241	DDEC -ECM 12V FEEDING	524	DDEC-ENGINE BRAKEDISABLE				
253	24V SIGNAL GALLEY INVERTER	525	DDEC-FAST IDLE SIGNAL				
254	GALLEY REFRIGERATOR	528	DDEC-STOP ENG. OVERRIDE				
254A	GALLEY REFRIGERATOR	531	DDEC-CRUISE CLUTCH CUT OUT				
254F	GALLEY REFRIGERATOR	540	DDEC-CRUISE ENABLE T.T.LT				
255	GALLEY COFFEEMAKER	541	DDEC-CRUISE SET SW				
255A	GALLEY COFFEEMAKER	542	INPUT PARK BRAKE INTERLOCK				
255B	GALLEY COFFEEMAKER	543	DDEC-CRUISE BRAKE PEDAL				
260	WINDOW AJAR-T.T.LT	544	DDEC-CRUISE ON/OFF SW				
290	FAN CLUTCH RADIATOR-FEED	545	DDEC-CRUISE RESUME SW				
290A	FAN CLUTCH RADIATOR-FEED	555	DDEC-FAN CLUTCH SPEED#1				
291	FAN CLUTCH RADIATOR SPD 1	556	DDEC-VEHICULE SPEED (+)				
292	FAN CLUTCH RADIATOR SPD 2	557	DDEC-VEHICULE SPEED (-)				
292J	FAN OVERRIDE LTS SWITCH	563	DDEC-FAN CLUTCH SPEED#2				
300	WCL POWER SYSTEM & ACCESS.	564	DDEC-DIGTAL OUTPUT				
300A	WCL POWER SYSTEM SW.	565	DDEC-ENGINE BRAKE ACTIVE				
301J	WCL POWER SW. JUMPER LED	583	DDEC-ENGINE BRAKE 4 CYL.				
301	WCL SIGNAL POWER SW.	900	DDEC-DATA LINK (+)				
302	WCL DOOR AJAR TTLT & ALARM	900A	EATON-DATA LINK(+)				
304	WCL DOOR TOP LT.	901	DDEC-DATA LINK (-)				
305	WCL PARKING BRAKE SOL. VALVE	901A	EATON-DATA LINK(-)				
		908	DDEC-HYDRAU. PWM#1 OUTPUT				

CIRCUIT NUMBER CODE

NO.	DESCRIPTION	NO.	DESCRIPTION	NO.	DESCRIPTION	NO.	DESCRIPTION
A1	RADIO SYSTEM	C15	AUDIO AMPLI	SP10	SPARE WIRE	SP75	SPARE WIRE
A2	RADIO SYSTEM	D1	PASSENGER SPEAKER	SP11	SPARE WIRE	SP76	SPARE WIRE
A3	AUDIO AMPLI	D2	PASSENGER SPEAKER	SP12	SPARE WIRE	SP77	SPARE WIRE
A8	VIDEO SYSTEM	D3	PASSENGER SPEAKER	SP13	SPARE WIRE	SP78	SPARE WIRE
A9	RADIO SYSTEM	D4	PASSENGER SPEAKER	SP14	SPARE WIRE	SP80	SPARE WIRE
A10	AUDIO AMPLI	D5	PASSENGER SPEAKER	SP15	SPARE WIRE	SP81	SPARE WIRE
A11	AUDIO AMPLI	D6	PASSENGER SPEAKER	SP16	SPARE WIRE	SP82	SPARE WIRE
A12	AUDIO AMPLI	D7	PASSENGER SPEAKER	SP17	SPARE WIRE	SP83	SPARE WIRE
A13	AUDIO AMPLI	D8	PASSENGER SPEAKER	SP18	SPARE WIRE	SP84	SPARE WIRE
A15	AUDIO AMPLI	DR1	DRIVER'S SPEAKER	SP19	SPARE WIRE	SP85	SPARE WIRE
A16	VIDEO SYSTEM	DR2	DRIVER'S SPEAKER	SP20	SPARE WIRE	TW1	TWISTED SPARE
B1	MICROPHONE	DR3	DRIVER'S SPEAKER	SP21	SPARE WIRE	TW2	TWISTED SPARE
B2	MICROPHONE	DR4	DRIVER'S SPEAKER	SP23	SPARE WIRE	W1	STEERING BOX CONVERTER
B3	MICROPHONE	G1	PASSENGER SPEAKER	SP24	SPARE WIRE	W2	STEERING BOX CONVERTER
B4	MICROPHONE	G2	PASSENGER SPEAKER	SP25	SPARE WIRE	Y1A	FLUORESCENT BALLAST
B5	MICROPHONE	G3	PASSENGER SPEAKER	SP26	SPARE WIRE	Y1B	FLUORESCENT BALLAST
B6	MICROPHONE	G4	PASSENGER SPEAKER	SP27	SPARE WIRE	Y2A	FLUORESCENT BALLAST
B7	MICROPHONE	G5	PASSENGER SPEAKER	SP28	SPARE WIRE	Y2B	FLUORESCENT BALLAST
B8	MICROPHONE	G6	PASSENGER SPEAKER	SP30	SPARE WIRE	Y3A	FLUORESCENT BALLAST
B10	MICROPHONE	G7	PASSENGER SPEAKER	SP33	SPARE WIRE	Y3B	FLUORESCENT BALLAST
B11	MICROPHONE	G8	PASSENGER SPEAKER	SP34	SPARE WIRE	Y4A	FLUORESCENT BALLAST
B12	MICROPHONE	IPJ1	CLUSTER - BULB TEST POS	SP35	SPARE WIRE	Y4B	FLUORESCENT BALLAST
B1A	FLUORESCENT BALLAST	IPJ2	CLUSTER - BULB TEST NEG.	SP36	SPARE WIRE	Y5A	FLUORESCENT BALLAST
B1B	FLUORESCENT BALLAST	IPJ5	CLUSTER - FUEL GAUGE	SP37	SPARE WIRE	Y5B	FLUORESCENT BALLAST
B2A	FLUORESCENT BALLAST	IPJ6	CLUSTER - BULB TEST POS.	SP38	SPARE WIRE	Y6A	FLUORESCENT BALLAST
B2B	FLUORESCENT BALLAST	IPJ7	CLUSTER - BULB TEST NEG.	SP40	SPARE WIRE	Y6B	FLUORESCENT BALLAST
B3A	FLUORESCENT BALLAST	IPJ8	CLUSTER - MASTER WARNING	SP41	SPARE WIRE	Y7A	FLUORESCENT BALLAST
B3B	FLUORESCENT BALLAST	L8	WATER TANK HEATER	SP42	SPARE WIRE	Y7B	FLUORESCENT BALLAST
B4A	FLUORESCENT BALLAST	L9	WATER TANK HEATER	SP43	SPARE WIRE	0	BATTERY - MAIN GROUND
B4B	FLUORESCENT BALLAST	LX5	CLUSTER - COMPUTER MODE	SP44	SPARE WIRE	0	EVAP. COMPT. GROUND
B5A	FLUORESCENT BALLAST	LX6	CLUSTER - COMPUTER DOWN	SP45	SPARE WIRE	0	RJB - INSIDE GRD
B5B	FLUORESCENT BALLAST	LX7	CLUSTER - COMPUTER SET	SP48	SPARE WIRE	0	WCL MODULE
B6A	FLUORESCENT BALLAST	LX16	CLUSTER - COMPUTER UP	SP50	SPARE WIRE	0A	LAVATORY ACCESSORIES
B6B	FLUORESCENT BALLAST	LX21	CLUSTER - COMPUTER COM.	SP51	SPARE WIRE	0A	EVAP. FAN GROUND
B7A	FLUORESCENT BALLAST	R1A	FLUORESCENT BALLAST	SP52	SPARE WIRE	0A	FR. ROOF ACC. GRD
B7B	FLUORESCENT BALLAST	R1B	FLUORESCENT BALLAST	SP53	SPARE WIRE	0B	BOOSTER BLOCK GROUND
B14	RADIO SYSTEM	RT	T.T.L.T. MODULE - TEST SW.	SP54	SPARE WIRE	0B	A/C - CONDENSER GRD
B15	RADIO SYSTEM	SPK1	PASSENGER SPEAKER	SP56	SPARE WIRE	0B	24V&12V CUT OUT REL.COIL
C2	RADIO SYSTEM	SPK2	PASSENGER SPEAKER	SP57	SPARE WIRE	0BE	OV BATTERY MONITOR
C3	CONTROL HEAD ANTENNA	SPK3	PASSENGER SPEAKER	SP60	SPARE WIRE	0C	R.J.B. - GRB
C5	VIDEO SYSTEM	SPK4	PASSENGER SPEAKER	SP61	SPARE WIRE	0C	MOTOR STARTER GROUND
C6	CONTROL HEAD DIMMER	SP1	SPARE WIRE	SP62	SPARE WIRE	0C	F.R. SERV. CPT- ACC.
C7	RADIO SYSTEM	SP2	SPARE WIRE	SP63	SPARE WIRE	0C1	ENTRANCE DOOR SEDAN
C8	AUDIO AMPLI	SP3	SPARE WIRE	SP64	SPARE WIRE	0C2	STEERING CONTROL GROUND
C9	VIDEO SYSTEM	SP4	SPARE WIRE	SP65	SPARE WIRE	0C3	SOUND SYSTEM RELAY
C10	VIDEO SYSTEM	SP5	SPARE WIRE	SP69	SPARE WIRE	0C4	F.J.B. GRD
C11	VIDEO SYSTEM	SP6	SPARE WIRE	SP70	SPARE WIRE	0CJ	CRUISE SW. JUMPER
C12	VIDEO SYSTEM	SP7	SPARE WIRE	SP71	SPARE WIRE	0D	FLUORESCENT GRD
C13	VIDEO SYSTEM	SP8	SPARE WIRE	SP72	SPARE WIRE	0D	COND FAN GRD
C14	VIDEO SYSTEM	SP9	SPARE WIRE	SP74	SPARE WIRE	0E	BATT. COMPT. LTS GROUND

CIRCUIT NUMBER CODE

NO.	DESCRIPTION	NO.	DESCRIPTION	NO.	DESCRIPTION	NO.	DESCRIPTION
0E	READING LIGHTS GROUND	0T4	12V OUTLET - CTR MODULE	11B	DESTINATION SIGN	12T	RR JCT BOX 12V DISC SW
0F	FLUORESCENT GRD	0T5	FS.HVAC DASH MODULE. GND	11C	DESTINATION SIGN	12TE	12 V BATT. TRANSM. EATON
0F	PRO-DRIVER GROUND	0VA	BATTERY EQUALIZER GROUND	11D	DESTINATION SIGN	12TF	12 V BATT. TRANSM. EATON
0G	READING LIGHTS GROUND	0W	FJB - TRANSM. RLY GRD	11E	DESTINATION SIGN	12VB	FR JCT PANEL 12V DISC SW
0G	ABS GRD CX1	0W	SHIFT SELECTOR GROUND	11K	DESTINATION SIGN	12VD	12V HOT WIRE DISTRIBUTION
0H	ENG. CPT. - ACC. GRD	0W	WCL MODULE	11J	DESTINATION SIGN	12VE	FR JCT PANEL 12V DISC SW
0IN	INTERCOM SYSTEM	0WA	PRE-HEAT WATER HEATER	11P	DESTINATION SIGN	12VF	12 VOLTS FRONT DISTRIBUTIUN
0J	PARCEL RACK A/C UNIT	0WA	WCL DOOR AJAR	12	12V ELECTRONIC TERMINAL	12VG	RR JCT PANEL 12V DISC SW
0K	PARCEL RACK A/C UNIT	0WC	WCL BATTERY CPT. ACCES.	12A	FR JCT PANEL 12V DISC SW	12VI	12V IGNITION DISTRIBUTION
0L	ENG.CPT -CLEAR.LTS RR ROOF	0WL	WCL SIGNAL DOOR AJAR ALARM	12A	BATT. JCT PANEL 12V DISC SW	12VO	12 VOLTS BATTERY EQUALIZER
0L	R.J.B. - GRD	0Y1	ABS SYSTEM-GRD	12B	FR JCT PANEL 12V DISC SW	12VR	12 VOLTS REAR DISTRIBUTION
0L	FR - SIDE MARK. & FLASH GRD	0Y2	ABS SYSTEM-GRD	12BE	12V BATTERY MONITOR	12W	12V HOT WIRE DDEC FEEDING
0L1	ENG.CPT-SIDE MARK. & FL. GRD	0Y3	ABS SYSTEM-GRD	12C	FR JCT PANEL 12V DISC SW	12WA	ENTRANCE DOOR SYSTEM
0L2	HEAD LTS GROUND	0Y4	ABS SYSTEM-GRD	12C	RR JCT BOX 12V DISC SW	12WB	WCL DOOR TOP LT
0L3	FR.SERV.DR. & ENT.DOOR GRD	0Y5	ABS SYSTEM-GRD	12D	BATT. JCT PANEL 12V HOT WIRE	14	LAVATORY PUMP
0L4	FOG LTS RESISTOR GRD	0Y6	ABS SYSTEM-GRD	12D	FR JCT PANEL 12V HOT WIRE	15	WIPER & WASHER FEEDING
0L5	LH CONSOL - ACC. GRD	0Y7	ABS SYSTEM-GRD	12D	RR JCT PANEL 12V HOT WIRE	16	SPEEDOMETER (+)
0L6	MARKER&FLASH. GROUND	00A	ELECTRONIC TERMINAL GROUND	12DD	FR JCT PANEL 12V HOT WIRE	16T	SPEED SW SIGNAL IN (+)
0L7	AISLE LIGHTS GROUND	00F	FRONT ELECTRONIC GROUND	12DDR	FR JCT BOX 12V HOT DDR CONN	17	EXTERIOR LTS-FLASHER UNIT
0L8	DOCKING LTS	2B	A/C & HEAT SYSTEM	12DT	T.T. LT MODULE	17A	EXTERIOR LTS-FLASHER UNIT
0LV	WINDSHIELD WASHER LEVEL	2D	A/C & HEAT SYSTEM	12E	FR JCT PANEL 12V DISC SW	17C	JUMPER LTS SW. - HAZARD
0M	WIPER 2 MIRROR MOTOR	2DD	A/C & HEAT SYSTEM	12F	RR JCT PANEL 12V DISC SW	20	SPEEDOMETER SIGNAL (-)
0M3	DEFROST GRD	2E	A/C & HEAT SYSTEM	12F1	FR JCT PANEL 12V DISC SW	21	LEFT DIRECTIONNAL LTS
0M4	HORN & DR'S WINDOW LIFTER	2EE	A/C & HEAT SYSTEM	12F2	FR JCT PANEL 12V DISC SW	21A	LEFT DIRECTIONNAL LTS SIGN.
0M5	SUN VISOR MOTOR	2H	A/C & HEAT SYS-LO-PRESS SW.	12G	FR JCT PANEL 12V DISC SW	21B	HAZARD SWITCH SIGNAL
0M7	DR'S WIND.LIFT. & RH MIR. SW	2L	A/C & HEAT SYS-HI-PRESS SW.	12H	12V IGN. DASH ACCESS.	21BB	LEFT DIRECTIONNAL LTS FEED.
0M7A	LH MIRROR SW.	4A	HOTESS CHIME MAIN SWITCH	12I	RR JCT BOX 12V IGNITION	21H	EXTERIOR LTS-HAZARD SIGNAL
0P	ENG.CDT - PRE-HEATER	4C	HOTESS CHIME P. RACK SW.	12I	FR JCT PANEL 12V IGNITION	21M	AUX. LTS - DIRECTIONAL LH
0R	SOUND SYSTEM RELAY GROUND	5	AISLE LTS FEEDING	12IA	FR JCT PANEL 12V IGNITION	23	RIGHT DIRECTIONNAL LTS
0SA	BOSCH ALTERNATOR GROUND	5N	EMERGENCY LTS	12IA	RR JCT PANEL 12V IGNITION	23A	RIGHT DIRECTIONNAL LTS SIGN.
0SA	PARCEL RACK LTS SWITCH	5N0	SPEED SIGNAL HIGHER 5MPH	12IB	FR JCT PANEL 12V IGNITION	23BB	RIGHT DIRECTIONNAL LTS FEED.
0SB	PARCEL RACK LTS SWITCH	5NC	SPEED SIGNAL LOWER 5MPH	12IB	STEERING BOX ECU FEEDING	23H	EXTERIOR LTS-HAZARD SIGNAL
0SC	PARCEL RACK LTS SWITCH	6	AISLE LTS	12IC	FR JCT PANEL 12V IGN EATON	23K	RIGHT DIRECT. LTS W/KNELLING
0SE	PARCEL RACK LTS SWITCH	7B	ENTRANCE DOOR FEED.-24V HW	12ID	FR JCT PANEL 12V IGN EATON	23M	AUX LTS - DIRECTIONAL RH
0SF	PARCEL RACK LTS SWITCH	9	INTERIOR LTS-ENGINE CPT	12IN	12 VOLTS DISC.SW. INTERCOM	24	24 VOLTS BATTERY DIST.
0SG	PARCEL RACK LTS SWITCH	9F	INTERIOR LTS - FR-SERV. CPT	12I	FR JCT PANEL 12V DISC.SW.	24A	BATT. JCT PANEL 24V DISC SW
0SH	PARCEL RACK LTS SWITCH	10	INTERIOR LTS-LUGGAGE CPT	12J	FR JCT PANEL 12V DISC.SW.	24A	24V BOOSTER BLOCK
0SJ	PARCEL RACK LTS SWITCH	10	INTERIOR LTS-FR SERV. CPT	12K	FR JCT PANEL 12V DISC.SW.	24A	FR JCT PANEL 24V DISC. SW
0SS	SOUND SYSTEM GROUND	10	INTERIOR LTS-LUGGAGE CPT	12L	CORNRING LTS FEEDING	24A	FR JCT PANEL 24V DISC. SW
00SS	SOUND SYSTEM GROUND	10A	INTERIOR LTS-LUGGAGE CPT	12LX	CLUSTER 12V HOT WIRE	24B	FR JCT PANEL 24V DISC. SW
0S2	RADIO GROUND	10A	AUX. COMPRESSOR CLUTCH	12P	12 VOLTS BATTERY JCT BLOCK	24BE	BATTERY MONITOR
0S3	VIDEO GROUND	10B	INTERIOR LTS-LUGGAGE CPT	12R	12 VOLTS MEMORY RADIO	24C	FR JCT PANEL 24V DISC SW
0T	LAVATORY FAN & PUMP	10C	INTERIOR LTS-LUGGAGE CPT	12P	12V POWER OUTLET	24D	24 V. HOT WIRE FEEDING
0T	SPEED SW. CONNECTOR	10E	INTERIOR LTS-BATTERY CPT	12SB	12V SOUND SYSTEM FEEDING	24D	FR JCT BOX 24V HOT WIRE
0T1	DASH ACC. GROUND	10H	AUX. COMPRESSOR CLUTCH	12SS	12V SOUND SYSTEM FEEDING	24DD	FR JCT BOX 24V HOT WIRE
0T2	CLUSTER ACC. GROUND	10L	AUX. COMPRESSOR CLUTCH	12S	12 V RADIO FEEDING		
0T2	WINDOW AWNING	10L	AUX. COMPRESSOR CLUTCH	12S1	12 V RADIO FEEDING		
0T3	ALTERNATOR MODULE	10X	AUX. COMPRESSOR CLUTCH	12S1A	12V DVD KARAOKE FEEDING		
		11	DESTINATION SIGN	12S2	12 V RADIO FEEDING		
		11A	DESTINATION SIGN	12S2A	12V DVD KARAOKE FEEDING		

CIRCUIT NUMBER CODE

NO.	DESCRIPTION	NO.	DESCRIPTION	NO.	DESCRIPTION	NO.	DESCRIPTION
24DS	WIRELESS MICRO FEEDING	28T	T.T.LT MODULE - LO A/C PRES.	48A	ENTRANCE DOOR OPEN SOL.	70	HAT RACK & NIGHT LTS FEEDING
24E	24 VOLTS POWER DISTRIBUTION	29	A/C & HEAT SYS.-DR'S HTR	48B	ENTRANCE DOOR OPEN SIGNAL	72	SUN VISOR - FEED
24E	RR JCT PANEL 24V DISC SW	29H	HVAC DASH MODILE	48C	ENTRANCE DOOR SYSTEM	72A	SUN VISOR RH
24F	RR JCT PANEL 24V DISC SW	30A	GALLEY SWITCH SIGNAL	48D	ENTRANCE DOOR SYSTEM	72B	SUN VISOR RH
24H	RR JCT PANEL 24V DISC SW	30J	GALLEY SWITCH LED	48W	ENTRANCE DOOR SEDAN	72C	SUN VISOR LH
24I	FR JCT PANEL 24V IGNITION	31B	WIPER & WASHER SYSTEM	49	ENTRANCE DOOR CLOSE SIGNAL	72D	SUN VISOR LH
24IA	RR JCT PANEL 24V IGNITION	32	EXTERIOR LTS-BACK-UP	49A	ENTRANCE DOOR SYSTEM	74	R.H. READING LAMP FEEDING
24IA	FR JCT PANEL 24V IGNITION	32B	EXTERIOR LTS-BACK-UP	49B	ENTRANCE DOOR SYSTEM	74A	R.H. HOTESS CHIME FEEDING
24IB	FR JCT PANEL 24V IGNITION	35	ENTRANCE STEP LIGHTS	50	AIR DRYER	74B	WCL R.H. READING LAMP FEED.
24IF	FR JCT PANEL 24V IGNITION	36	ENGINE BRAKE SYSTEM	52	ALARM & SIGNAL-ELEC.HORN	74D	READING LAMP SWITCH
24K	RR JCT PANEL 24V DISC SW	36A	ENGINE BRAKE SYSTEM & RET.	52A	ALARM & SIGNAL-ELEC.HORN	74J	READING LAMP INDICATOR SW.
24L	RR JCT PANEL 24V DISC SW	37	LAVATORY LTS FEEDING	52B	PNEUMATIC HORN	75	L.H. READING LAMP FEEDING
24M	RR JCT PANEL 24V DISC SW	38	FLUORESCENT RELAY FEEDING	53	ALARM & SIGNAL-ELEC.HORN	75A	L.H. HOTESS CHIME FEEDING
24P	FR JCT PANEL 24V DISC SW	38A	R.H. FLUORESCENT	53B	WIPER & WASHER SYSTEM	76	FUEL TANK GAUGE
24PV	MICRO-WAVE INVERTER	38B	L.H. FLUORESCENT	53C	WIPER & WASHER SYSTEM	76C	LOW FUEL T.T.LT
24R	24V STARTER RELAY	38C	FLUORESCENT FEEDING	53E	WIPER & WASHER SYSTEM	76M	FUEL PRIME PUMP
24R	SCENIC VIEW SIGNAL ON	39	INTERIOR LTS-DRIVER'S LTS	53J	WIPER & WASHER SYSTEM	76P	FUEL PRIME PUMP FEEDING
24SB	24V SOUND SYSTEM FEEDING	39D	INTERIOR LTS - DRIVER' LTS	55	EXTERIOR LTS-HI BEAM	77B	A/C SYS. - LIQ. SOL. VALVE
24SS	24V SOUND SYSTEM FEEDING	41	A/C SYS.-COND FAN MOTOR	57	EXTERIOR LTS-HI BEAM	77C	A/C & HEAT SYS.-COMPRESSOR
24S1	AMPLIFIER FEEDING	41A	A/C SYS.-COND FAN MOTOR	57A	EXTERIOR LTS-HI BEAM	77H	A/C SYS.-LIQ. SOL. VALVE
24S2	AMPLIFIER FEEDING	41B	A/C SYS.-COND FAN MOTOR	57B	A/C & HEAT SYS.-WATER PUMP	81	EXTERIOR LTS-STOP SW
24S3	VIDEO FEEDING	42	A/C SYS.-COND FAN MOTOR	57C	PRE-HEAT WATER HEATER	82	EXTERIOR LTS-STOP SIGNAL
24S4	VIDEO FEEDING	42A	A/C SYS.-COND FAN MOTOR	57C	A/C & HEAT SYS.-WATER PUMP	82A	EXTERIOR LTS-STOP SIGNAL
24T	RR JCT PANEL 24V DISC SW	43	PARCEL RACK A/C	57E	A/C & HEAT SYS.-WATER VALV	82B	EXTERIOR LTS-STOP LTS
24VA	24 VOLTS BATTERY EQUALIZER	43A	PARCEL RACK A/C	57W	PRE-HEAT WATER HEATER	82L	EXT. LTS-STOP LTS & CYCLOP
24VD	24V HOT WIRE FEED	43B	PARCEL RACK A/C	58	EXTERIOR LTS-LO BEAM	82R	EXTERIOR LTS-STOP LTS
24VF	24 VOLTS FRONT DISTRIBUTION	43C	PARCEL RACK A/C	58A	EXTERIOR LTS-LO BEAM	83	ENG. CTR-MAST. KEY SW ACC.
24VI	24 VOLTS IGNITION REAR DIST.	43D	PARCEL RACK A/C	58B	EXTERIOR LTS-LO BEAM	83A	24V&12V CUT RELAY COIL
24VR	24 VOLTS REAR DISTRIBUTION	43E	PARCEL RACK A/C	59A	ENGINE BRAKE SYSTEM	83B	24V&12V CUT RELAY COIL
24Y	24 VOLTS POWER GALLEY	43F	PARCEL RACK A/C	61	EXTERIOR LTS-24V FEED SW	84	ENG. CTR-MAST KEY SW START
24WC	WCL PUMP FEEDING	43G	PARCEL RACK A/C	61A	EXTERIOR LTS-HEAD SIGNAL	84A	ENG. CTR-MAST KEY SW START
24WL	WCL PUMP FEEDING	43M	PARCEL RACK A/C	62	LAVATORY INDICATOR	84J	ENG. CTR-MAST KEY SW START
24WR	WCL POWER ACCES.	43X	PARCEL RACK A/C	63	EXTERIOR LTS-CLEAR. FEED	85	24V IGNITION SIGNAL
25	EITHER ALTERNAT. RUN SIGNAL	44	EXTERIOR LTS-FOG	63B	EXTERIOR LTS-CLEARANCE	85A	24V IGN DASH INSTRUMENT.
25A	TT.LT. ALTERNATOR #1	44A	EXTERIOR LTS-FOG	63C	EXT. LTS-MARKER SIGNAL	85C	24V IGNITION - FEED
25A1	BOSCH ALTERNATOR SIGNAL D+	44B	EXTERIOR LTS-FOG	63D	BLINKER RELAY	85F	RAD. FAN CONTROL W/RETARD
25A2	BOSCH ALTERNATOR SIGNAL D+	44C	FOG,LTS & HVAC FEEDING	63E	BLINKER RELAY	85W	OUT SPEED INTERLOCK-24V IGN.
25B	EXT. LTS-DAYTIME RUN LTS	44D	EXTERIOR LTS - FOG	63F	EXT. LTS-MARKER BLINKER	85X	ABS-24V IGN
25D	BOTH ALTERNATOR RUN SIGNAL	44E	EXTERNAL LTS - FOG	64	DRIVER'S FAN SPEED CTR	85Y	ABS-WARNING LT
25K	T.T.LT. ALTERNATOR #2	45A	A/C & HEAT SYSTEM FULL AIR	64A	A/C SPARE	86	ENG. CTR-STARTER SOL.
26	DR'S & ENT. WINDOW LIFTER	45B	A/C & HEAT SYS.-WATER PUMP	64B	A/C SPARE	86A	ENG. CTR-STARTER RELAY COIL
26A	CIGAR LIGHT. & POW.OUTLET LH	45C	A/C & HEAT SYS.-WATER VALV	65	FOOT DAMPER MOTOR	86F	TELL TALE STARTER ON
26B	DRIVER'S WINDOW LIFTER	45D	A/C & HEAT SYS.-WATER VALV	65A	FOOT DAMPER MOTOR	86T	TELL TALE STARTER ON
26C	DRIVER'S WINDOW LIFTER	45D	A/C & HEAT SYS.-WATER VALV	65D	DRIVER'S REC. DAMPER	87B	ENGINE CTR-24V IGNITION
27	LAVATORY ALARM	45G	A/C & HEAT SYS.-DR'S HTR	66	A/C PASSENGER - ON/OFF	88	ENGINE CTR-RR START SIGNAL
28H	T.T.LT MODULE - HI A/C PRES.	46	EXTERIOR LTS-MARKER	67A	A/C & HEAT SYSTEM	89	ENGINE CTR-RR START SIGNAL
		46A	EXTERIOR LTS-AUX LTS RESIS.	68	DASH & DEFROST DAMPER MOT		
		46C	EXTERIOR LTS-MARKER	68A	DASH & DEFROST DAMPER MOT		
		46D	EXTERIOR LTS-AUX LTS RESIS.	69	DAMPER MIX LIMIT SWITCH		
		48	ENTRANCE DOOR OPEN SIGNAL				

CIRCUIT NUMBER CODE

NO.	DESCRIPTION	NO.	DESCRIPTION	NO.	DESCRIPTION	NO.	DESCRIPTION
90B	ENG. CTR-MAST KEY SW FEED	124A	WORLD TRANSM-SENSOR PWR	136A	GALLEY LAMP	148	ABS SYSTEM-VALVE
91	PARKING BRAKE SW SIGNAL	125	LAVATORY FAN	136A	WORLD TRANSM-12V BATTERY	148	WORLD TR.-OUTPUT SPEED LO
91A	DDEC -FAST IDLE SIGNAL	125	WORLD TR.-RETARDER INDICAT.	136A1	WORLD TRANSM-12V BATTERY	149	WORLD TR.-TURBINE SPEED H
91B	D.R.L. CANCEL RELAY	125W	WORLD TR.-RETARDER INDICAT.	136A2	WORLD TRANSM-12V BATTERY	149	ABS SYSTEM-SENSOR
91C	PARKING BRAKE - T.T.LT	126	24 V IGN. SPEED SWITCH	136AA	WORLD TRANSM-SHIFTER PWR	149A	ABS SYSTEM
91J	FAST IDLE - JUMPER SW.	126	24 V IGN. SPEED SWITCH	136V	WORLD TRANSM-12V BATTERY	150	WORLD TR.-ENGINE SPEED LO
91W	WCL PARKING BRAKE SIGNAL	126A	KNEELING SYSTEM	136W	WORLD TRANSM-12V BATTERY	150	DDEC -ECM BATTERY GRD
92	BATT. EQUAL.-CHECK BALANCE	126AA	KNEELING SYSTEM	136X	WORLD TRANSM-12V BATTERY	150A	DDEC -ECM BATTERY GRD
93	BATT. EQUALIZ.-CHECK LO/HI	126B	HI-BUOY SIGNAL	137	WORLD TRANSM-RETARDER	151	DDEC -ECM BATTERY GRD
95A	ENG. BRAKE & RETARDER SYS.	126C	KNEELING SYSTEM	137	RR VIEW MIRROR	151	ATC VALVE
95B	ENG. BRAKE & RETARDER SYS.	126D	KNEELING SYSTEM	137A	RR VIEW MIRROR	152	ATC VALVE
97	TACHOMETER SIGN.-NOT USED	126F	KNEELING SYSTEM	137B	RR VIEW MIRROR	153	ELECTRICAL DRIVER'S SEAT
100	INTERIOR LTS RELAY COIL	126G	KNEELING SYSTEM	137C	RR VIEW MIRROR	154	WORLD TRANSM-ABS INPUT (-)
100	INDIRECT LTS FEEDING	126H	SPEED SIGN 5NC - 24V	137D	RR VIEW MIRROR	156A	ABS SYSTEM-FEED
100A	INDIRECT LTS RELAY COIL	126K	KNEELING SYSTEM	137E	RR VIEW MIRROR	157	ABS SYSTEM-FEED
100B	INDIRECT LTS FEEDING	126L	KNEELING SYSTEM	137F	RR VIEW MIRROR	157A	ABS SYSTEM-FEED
100C	INDIRECT LTS FEEDING	126P	KNEELING SYSTEM	137H	RR VIEW MIRROR	157B	ABS SYSTEM
101	24 VOLTS POWER STARTER	126R	KNEELING SYSTEM	137J	RR VIEW MIRROR	159	WORLD TRANSM-DIAGNOSTIC
101	WORLD TR.- LO SIGN SOL.LO	126S	KNEELING SYSTEM	137K	RR VIEW MIRROR	160	ALARM & SIGN.-TAG PRESS SW
102	24 VOLTS A/C DISTRIBUTION	126T	KNEELING SYSTEM	137L	RR VIEW MIRROR	161B	WORLD TRANSM-SIGNALGRD
102	WORLD TRANSM.-SOL. SUPPLY	126W	KNEELING SYSTEM	137M	RR VIEW MIRROR FEED	162	WORLD TRANSM-PRESS. SW C3
102A	BOSCH ALTERNATOR FEEDING	126W	WORLD TRANSM-NOT USED	137R	WORLD TRANSM-RETARDER	163	WORLD TR.-RETARDER ENABLE
103	WORLD TRANSM.- B.SOL.LO	127	WORLD TRANSM. - H SOL.	137T	MIRROR HEAT SW-JUMPER	164	WORLD TR.-RET. ACTUAT. SIGN
103	LOW BUOY SYSTEM	127	24HOT WIRE PREHEAT	138	WORLD TR.-RETARDER TEMP	165	WORLD TR.-OIL LEVEL SIGNAL
104	WORLD TR. -G SOL.	127A	PRE-HEAT WATER HEATER	138	ABS SYSTEM-SENSOR	166	WORLD TRANSM. OUTPUT 7
105W	WORLD TR-SOL.-RET.OIL TT.LT	127B	PRE-HEAT WATER HEATER	138A	ABS SYSTEM-SENSOR	167	W. TR.-OUT SPEED INTERLOCK
107	WORLD TR. - SOL. SUPPLY	127S	PRE-HEAT WATER HEATER	139	ABS SYSTEM-VALVE	169	WORLD TRANSM-PRE-SELECT #1
110	WORLD TR.-F SOL. LO	127W	PRE-HEAT WATER HEATER	139	WORLD TR.-OUTPUT SPEED HI	170	WORLD TRANSM-SHIFTER
112	WORLD TR.-SPARE OUTPUT (+)	128	WORLD TRANSM-B SOL.	140	WORLD TR.-TURBINE SPEED LO	170C	LUGGAGE DOOR LOCK-T.T.LT
113W	WORLD TR.-REVERSE WARNING	128A	PRE-HEAT WATER HEATER	140	ABS SYSTEM-VALVE	170D	LUGGAGE DOOR LOCK-FEED
114	INTERIOR LT-DASH LT RHEOS.	128B	PRE-HEAT WATER HEATER	141	ABS SYSTEM-VALVE	170E	LUG. DOOR LOCK-UNLOCK SIGN
114A	INTERIOR LT-DASH LT RHEOS.	128W	PRE-HEAT WATER HEATER	141	WORLD TR.-ENGINE SPEED HI	170F	LUGGAGE DOOR LOCK-FEED
114B	INT. LT-DASH LT RHEOST.FEED	129	WORLD TRANSM-E SOL.	142	ABS SYSTEM-VALVE	170G	LUGGAGE DOOR LOCK-FEED
115	DDEC -COOLANT LEVEL	129	PRE-HEAT WATER HEATER	143	ABS SYSTEM-SENSOR	170K	LUGGAGE DOOR-LOCK SIGN
115W	WORLD TR.-DO NOT SHIFT SIGN	129B	PRE-HEAT WATER HEATER	143A	ABS SYSTEM-SENSOR	170L	LUGG DOOR LOCK-SIGN T.T.LT
116	WORLD TR.-SOL. SUPPLY	130	WORLD TRANSM-SOL. SUPPLY	143A	WORLD TRANS-BATERY GRD	170N	LUGG DOOR LOCK-SIGN T.T.LT
116B	A/C & HEAT SYSTEM-DR'S HTR	130	EVAP. FAN MAIN CABLE	143W	WORLD TRANSM-BATTERY GRD	170R	LUGG DOOR LOCK-SIGN. T.T.LT.
116C	A/C SYS.-TRIG. DEFROST	131	WORLD TRANSM-D SOL.	143X	WORLD TRANSM-BATTERY GRD	170S	LUGG DOOR LOCK-SIGN T.T.LT
117A	OIL TEMP. EATON TRANSM.	132	WORLD TRANSM-ENGINE BRAKE	143Y	WORLD/EATON TRANSM.BATT.GRD	170T	LUGG DOOR LOCK-SIGN T.T.LT
119	WORLD TRANSM-ENGINE BRAKE	133	GALLEY HEATING CONTAINER	144	ABS SYSTEM-SENSOR	170V	LUGG DOOR LOCK-SIGN T.T.LT
120	WORLD TRANSM-A SOL.	133A	GALLEY HEATING CONTAINER	144A	ABS SYSTEM-SENSOR	170W	LUGGAGE DOOR LOCK-FEED
121	WORLD TRANSM-SOL.SUPPLY	133B	GALLEY HEATING CONTAINER	145	ABS SYSTEM	170X	LUGG DOOR LOCK-SIGN T.T.LT
123	WORLD TR.-NEUTRAL START	133C	GALLEY HEATING CONTAINER	146	ABS SYSTEM	170Y	LUGGAGE DOOR LOCK-FEED
123A	ALARM & SIGNAL-FIRE DETECT.	134	GALLEY HEATING CONTAINER	146A	WORLD TRANSM-12V IGNITION	170Z	LUGGAGE DOOR LOCK
123B	ALARM & SIGNAL-FIRE DETECT.	134A	GALLEY HEATING CONTAINER	146AA	WORLD TRANSM-DIAGN.CONN.	171	WORLD TRANSM-SHIFTER
124	WORLD TR.-SENSOR POWER	135	GALLEY HEATING CONTAINER	147	WORLD TRANSM-OIL TEMP	172	WORLD TRANSM-SHIFTER
		135A	WORLD TR.-RES MODULE RET.	147	ABS SYSTEM-VALVE	173	WORLD TRANSM-SHIFTER
		135B	A/C & HEAT SYS.-AIR SENSOR	147A	ETHER COLD START	174	WORLD TRANSM-SHIFTER
		135C	A/C & HEAT SYS.-AIR SENSOR	147C	ETHER COLD START		
		136	MICRO-WAVE OVEN SWITCH				

CIRCUIT NUMBER CODE

NO.	DESCRIPTION	NO.	DESCRIPTION	NO.	DESCRIPTION	NO.	DESCRIPTION
175A	WORLD TRANSM-SHIFTER	305A	WCL DOOR OPEN SIGNAL	916	DDEC-SENSOR SUPPLY (5VDC)		
176	WORLD TRANSM-SHIFTER	305B	WCL DOOR TOP LT.	925	J1939(+)		
180	OUTSIDE TEMP. DISPLAY	306	WCL CONTROL SYSTEM	926	J1939(-)		
180A	OUTSIDE TEMP. DISPLAY	307	WCL CONTROL SYSTEM	927	J1939(SHIELD)		
180A	WORLD TRANSM-SHIFTER	308	WCL CONTROL SYSTEM	952	DDEC-SENSOR RETURN		
180B	OUTSIDE TEMP. DISPLAY	309	WCL CONTROL SYSTEM	953	DDEC-BATTERY GRD		
180C	OUTSIDE TEMP. DISPLAY	310	EATON TRANSM. START SIGNAL	979	DDEC-ENGINE BRAKE 2 CYL.		
181	FROZEN POINT T.T.LT			2123	FLASHER SIGNAL LTS		
181A	TEMP. CTR'L INSIDE SENSOR	311	EATON TR.LH.CONS.GEAR DISPLAY				
181B	TEMP. CTR'L INSIDE SENSOR	312	EATON TR. NEUTRAL SIGNAL				
181C	THERMOMET. OUTSIDE SENSOR	313	EATON TR.LH.CONS.GEAR DISPLAY				
181D	THERMOMET. OUTSIDE SENSOR	314	EATON TR.LH.CONS. GRD				
195	WORLD TRANSM-TRANS ID	315	EATON TR.ENG.COMP.12V POWER				
197	FUEL WATER FILTER	316	EATON TR.ENG.COMP. GRD				
197A	FUEL WATER FILTER	317	EATON TR.ENG.COMP.12V POWER				
200	EATON TRANSM. GRD	318	EATON TR.ENG.COMP. GRD				
201	WORLD TRANSM-SPARE	319	EATON TR.ENG.COMP.12V POWER				
202	WORLD TRANSM-SPARE	320	EATON TR.ENG.COMP. GRD				
203	WORLD TRANSM-SPARE	417	DDEC-LIMIT SPEED GOVERNOR				
204	WORLD TRANSM-SPARE	419	DDEC -CHEK ENGINE LIGHT				
214	WORLD TR.-BACK-UP SIGNAL	439	DDEC-12V IGNITION				
231	WORLD TR.-NEUTRAL SIGN GRD	451	DDEC-A/C FAN CLUTCH				
231F	WORLD TR.-NEUTRAL SIGN GRD	505	DDEC-TACHOMETER DRIVE				
231W	W.TR.-NEUTRAL SIGN GRD WCL	509	DDEC-STOP ENGINE LIGHT				
240	DDEC -ECM 12V FEEDING	510	DDEC-FAST IDLE SIGNAL				
241	DDEC -ECM 12V FEEDING	524	DDEC-ENGINE BRAKEDISABLE				
253	24V SIGNAL GALLEY INVERTER	525	DDEC-FAST IDLE SIGNAL				
254	GALLEY REFRIGERATOR	528	DDEC-STOP ENG. OVERRIDE				
254A	GALLEY REFRIGERATOR	531	DDEC-CRUISE CLUTCH CUT OUT				
254F	GALLEY REFRIGERATOR	540	DDEC-CRUISE ENABLE T.T.LT				
255	GALLEY COFFEEMAKER	541	DDEC-CRUISE SET SW				
255A	GALLEY COFFEEMAKER	542	INPUT PARK BRAKE INTERLOCK				
255B	GALLEY COFFEEMAKER	543	DDEC-CRUISE BRAKE PEDAL				
260	WINDOW AJAR-T.T.LT	544	DDEC-CRUISE ON/OFF SW				
290	FAN CLUTCH RADIATOR-FEED	545	DDEC-CRUISE RESUME SW				
290A	FAN CLUTCH RADIATOR-FEED	555	DDEC-FAN CLUTCH SPEED#1				
291	FAN CLUTCH RADIATOR SPD 1	556	DDEC-VEHICULE SPEED (+)				
292	FAN CLUTCH RADIATOR SPD 2	557	DDEC-VEHICULE SPEED (-)				
292J	FAN OVERRIDE LTS SWITCH	563	DDEC-FAN CLUTCH SPEED#2				
300	WCL POWER SYSTEM & ACCESS.	564	DDEC-DIGITAL OUTPUT				
300A	WCL POWER SYSTEM SW.	565	DDEC-ENGINE BRAKE ACTIVE				
301J	WCL POWER SW. JUMPER LED	583	DDEC-ENGINE BRAKE 4 CYL.				
301	WCL SIGNAL POWER SW.	900	DDEC-DATA LINK (+)				
302	WCL DOOR AJAR TTLT & ALARM	900A	EATON-DATA LINK(+)				
304	WCL DOOR TOP LT.	901	DDEC-DATA LINK (-)				
305	WCL PARKING BRAKE SOL. VALVE	901A	EATON-DATA LINK(-)				
		908	DDEC-HYDRAU. PWM#1 OUTPUT				

CIRCUIT NUMBER CODE

NO.	DESCRIPTION	NO.	DESCRIPTION	NO.	DESCRIPTION	NO.	DESCRIPTION
A1	RADIO SYSTEM	C15	AUDIO AMPLI	SP10	SPARE WIRE	SP75	SPARE WIRE
A2	RADIO SYSTEM	D1	PASSENGER SPEAKER	SP11	SPARE WIRE	SP76	SPARE WIRE
A3	AUDIO AMPLI	D2	PASSENGER SPEAKER	SP12	SPARE WIRE	SP77	SPARE WIRE
A8	VIDEO SYSTEM	D3	PASSENGER SPEAKER	SP13	SPARE WIRE	SP78	SPARE WIRE
A9	RADIO SYSTEM	D4	PASSENGER SPEAKER	SP14	SPARE WIRE	SP80	SPARE WIRE
A10	AUDIO AMPLI	D5	PASSENGER SPEAKER	SP15	SPARE WIRE	SP81	SPARE WIRE
A11	AUDIO AMPLI	D6	PASSENGER SPEAKER	SP16	SPARE WIRE	SP82	SPARE WIRE
A12	AUDIO AMPLI	D7	PASSENGER SPEAKER	SP17	SPARE WIRE	SP83	SPARE WIRE
A13	AUDIO AMPLI	D8	PASSENGER SPEAKER	SP18	SPARE WIRE	SP84	SPARE WIRE
A15	AUDIO AMPLI	DR1	DRIVER'S SPEAKER	SP19	SPARE WIRE	SP85	SPARE WIRE
A16	VIDEO SYSTEM	DR2	DRIVER'S SPEAKER	SP20	SPARE WIRE	TW1	TWISTED SPARE
B1	MICROPHONE	DR3	DRIVER'S SPEAKER	SP21	SPARE WIRE	TW2	TWISTED SPARE
B2	MICROPHONE	DR4	DRIVER'S SPEAKER	SP23	SPARE WIRE	W1	STEERING BOX CONVERTER
B3	MICROPHONE	G1	PASSENGER SPEAKER	SP24	SPARE WIRE	W2	STEERING BOX CONVERTER
B4	MICROPHONE	G2	PASSENGER SPEAKER	SP25	SPARE WIRE	Y1A	FLUORESCENT BALLAST
B5	MICROPHONE	G3	PASSENGER SPEAKER	SP26	SPARE WIRE	Y1B	FLUORESCENT BALLAST
B6	MICROPHONE	G4	PASSENGER SPEAKER	SP27	SPARE WIRE	Y2A	FLUORESCENT BALLAST
B7	MICROPHONE	G5	PASSENGER SPEAKER	SP28	SPARE WIRE	Y2B	FLUORESCENT BALLAST
B8	MICROPHONE	G6	PASSENGER SPEAKER	SP30	SPARE WIRE	Y3A	FLUORESCENT BALLAST
B10	MICROPHONE	G7	PASSENGER SPEAKER	SP33	SPARE WIRE	Y3B	FLUORESCENT BALLAST
B11	MICROPHONE	G8	PASSENGER SPEAKER	SP34	SPARE WIRE	Y4A	FLUORESCENT BALLAST
B12	MICROPHONE	IPJ1	CLUSTER - BULB TEST POS	SP35	SPARE WIRE	Y4B	FLUORESCENT BALLAST
B1A	FLUORESCENT BALLAST	IPJ2	CLUSTER - BULB TEST NEG.	SP36	SPARE WIRE	Y5A	FLUORESCENT BALLAST
B1B	FLUORESCENT BALLAST	IPJ5	CLUSTER - FUEL GAUGE	SP37	SPARE WIRE	Y5B	FLUORESCENT BALLAST
B2A	FLUORESCENT BALLAST	IPJ6	CLUSTER - BULB TEST POS.	SP38	SPARE WIRE	Y6A	FLUORESCENT BALLAST
B2B	FLUORESCENT BALLAST	IPJ7	CLUSTER - BULB TEST NEG.	SP40	SPARE WIRE	Y6B	FLUORESCENT BALLAST
B3A	FLUORESCENT BALLAST	IPJ8	CLUSTER - MASTER WARNING	SP41	SPARE WIRE	Y7A	FLUORESCENT BALLAST
B3B	FLUORESCENT BALLAST	L8	WATER TANK HEATER	SP42	SPARE WIRE	Y7B	FLUORESCENT BALLAST
B4A	FLUORESCENT BALLAST	L9	WATER TANK HEATER	SP43	SPARE WIRE	0	BATTERY - MAIN GROUND
B4B	FLUORESCENT BALLAST	LX5	CLUSTER - COMPUTER MODE	SP44	SPARE WIRE	0	EVAP. COMPT. GROUND
B5A	FLUORESCENT BALLAST	LX6	CLUSTER - COMPUTER DOWN	SP45	SPARE WIRE	0	RJB - INSIDE GRD
B5B	FLUORESCENT BALLAST	LX7	CLUSTER - COMPUTER SET	SP48	SPARE WIRE	0	WCL MODULE
B6A	FLUORESCENT BALLAST	LX16	CLUSTER - COMPUTER UP	SP50	SPARE WIRE	0A	LAVATORY ACCESSORIES
B6B	FLUORESCENT BALLAST	LX21	CLUSTER - COMPUTER COM.	SP51	SPARE WIRE	0A	EVAP. FAN GROUND
B7A	FLUORESCENT BALLAST	R1A	FLUORESCENT BALLAST	SP52	SPARE WIRE	0A	FR. ROOF ACC. GRD
B7B	FLUORESCENT BALLAST	R1B	FLUORESCENT BALLAST	SP53	SPARE WIRE	0B	BOOSTER BLOCK GROUND
B14	RADIO SYSTEM	RT	T.T.L.T. MODULE - TEST SW.	SP54	SPARE WIRE	0B	A/C - CONDENSER GRD
B15	RADIO SYSTEM	SPK1	PASSENGER SPEAKER	SP56	SPARE WIRE	0B	24V&12V CUT OUT REL.COIL
C2	RADIO SYSTEM	SPK2	PASSENGER SPEAKER	SP57	SPARE WIRE	0BE	OV BATTERY MONITOR
C3	CONTROL HEAD ANTENNA	SPK3	PASSENGER SPEAKER	SP60	SPARE WIRE	0C	R.J.B. - GRB
C5	VIDEO SYSTEM	SPK4	PASSENGER SPEAKER	SP61	SPARE WIRE	0C	MOTOR STARTER GROUND
C6	CONTROL HEAD DIMMER	SP1	SPARE WIRE	SP62	SPARE WIRE	0C	F.R. SERV. CPT- ACC.
C7	RADIO SYSTEM	SP2	SPARE WIRE	SP63	SPARE WIRE	0C1	ENTRANCE DOOR SEDAN
C8	AUDIO AMPLI	SP3	SPARE WIRE	SP64	SPARE WIRE	0C2	STEERING CONTROL GROUND
C9	VIDEO SYSTEM	SP4	SPARE WIRE	SP65	SPARE WIRE	0C3	SOUND SYSTEM RELAY
C10	VIDEO SYSTEM	SP5	SPARE WIRE	SP69	SPARE WIRE	0C4	F.J.B. GRD
C11	VIDEO SYSTEM	SP6	SPARE WIRE	SP70	SPARE WIRE	0CJ	CRUISE SW. JUMPER
C12	VIDEO SYSTEM	SP7	SPARE WIRE	SP71	SPARE WIRE	0D	FLUORESCENT GRD
C13	VIDEO SYSTEM	SP8	SPARE WIRE	SP72	SPARE WIRE	0D	COND FAN GRD
C14	VIDEO SYSTEM	SP9	SPARE WIRE	SP74	SPARE WIRE	0E	BATT. COMPT. LTS GROUND

CIRCUIT NUMBER CODE

NO.	DESCRIPTION	NO.	DESCRIPTION	NO.	DESCRIPTION	NO.	DESCRIPTION
0E	READING LIGHTS GROUND	0T4	12V OUTLET - CTR MODULE	11B	DESTINATION SIGN	12S2A	12V DVD KARAOKE FEEDING
0F	FLUORESCENT GRD	0T5	FS.HVAC DASH MODULE. GND	11C	DESTINATION SIGN	12T	RR JCT BOX 12V DISC SW
0F	PRO-DRIVER GROUND	0VA	BATTERY EQUALIZER GROUND	11D	DESTINATION SIGN	12TE	12 V BATT. TRANSM. EATON
0G	READING LIGHTS GROUND	0W	FJB - TRANSM. RLY GRD	11E	DESTINATION SIGN	12TF	12 V BATT. TRANSM. EATON
0G	ABS GRD CX1	0W	SHIFT SELECTOR GROUND	11K	DESTINATION SIGN	12VB	FR JCT PANEL 12V DISC SW
0H	ENG. CPT. - ACC. GRD	0W	WCL MODULE	11J	DESTINATION SIGN	12VD	12V HOT WIRE DISTRIBUTION
0IN	INTERCOM SYSTEM	0WA	PRE-HEAT WATER HEATER	11P	DESTINATION SIGN	12VE	FR JCT PANEL 12V DISC SW
0J	PARCEL RACK A/C UNIT	0WA	WCL DOOR AJAR	12	12V ELECTRONIC TERMINAL	12VF	12 VOLTS FRONT DISTRIBUTUON
0K	PARCEL RACK A/C UNIT	0WC	WCL BATTERY CPT. ACCES.	12A	FR JCT PANEL 12V DISC SW	12VG	RR JCT PANEL 12V DISC SW
0L	ENG.CPT -CLEAR.LTS RR ROOF	0WL	WCL SIGNAL DOOR AJAR ALARM	12A	BATT. JCT PANEL 12V DISC SW	12VI	12V IGNITION DISTRIBUTION
0L	R.J.B. - GRD	0Y1	ABS SYSTEM-GRD	12B	FR JCT PANEL 12V DISC SW	12VO	12 VOLTS BATTERY EQUALIZER
0L	FR - SIDE MARK. & FLASH GRD	0Y2	ABS SYSTEM-GRD	12BE	12V BATTERY MONITOR	12VR	12 VOLTS REAR DISTRIBUTION
0L1	ENG.CPT-SIDE MARK. & FL. GRD	0Y3	ABS SYSTEM-GRD	12C	FR JCT PANEL 12V DISC SW	12W	12V HOT WIRE DDEC FEEDING
0L2	HEAD LTS GROUND	0Y4	ABS SYSTEM-GRD	12C	RR JCT BOX 12V DISC SW	12WA	ENTRANCE DOOR SYSTEM
0L3	FR.SERV.DR. & ENT.DOOR GRD	0Y5	ABS SYSTEM-GRD	12D	BATT. JCT PANEL 12V HOT WIRE	12WR	WCL DOOR TOP LT
0L4	FOG LTS RESISTOR GRD	0Y6	ABS SYSTEM-GRD	12D	FR JCT PANEL 12V HOT WIRE	14	LAVATORY PUMP
0L5	LH CONSOL - ACC. GRD	00A	ELECTRONIC TERMINAL GROUND	12D	RR JCT PANEL 12V HOT WIRE	15	WIPER & WASHER FEEDING
0L6	MARKER&FLASH. GROUND	00F	FRONT ELECTRONIC GROUND	12DD	FR JCT PANEL 12V HOT WIRE	16	SPEEDOMETER (+)
0L7	AISLE LIGHTS GROUND	2B	A/C & HEAT SYSTEM	12DDR	FR JCT BOX 12V HOT DDR CONN	16T	SPEED SW SIGNAL IN (+)
0L8	DOCKING LTS	2D	A/C & HEAT SYSTEM	12DT	T.T. LT MODULE	17	EXTERIOR LTS-FLASHER UNIT
0LV	WINDSHIELD WASHER LEVEL	2D	A/C & HEAT SYSTEM	12E	FR JCT PANEL 12V DISC SW	17A	EXTERIOR LTS-FLASHER UNIT
0M	WIPER 2 MIRROR MOTOR	2DD	A/C & HEAT SYSTEM	12F	RR JCT PANEL 12V DISC SW	17C	JUMPER LTS SW. - HAZARD
0M3	DEFROST GRD	2E	A/C & HEAT SYSTEM	12F1	FR JCT PANEL 12V DISC SW	20	SPEEDOMETER SIGNAL (-)
0M4	HORN & DR'S WINDOW LIFTER	2EE	A/C & HEAT SYSTEM	12F2	FR JCT PANEL 12V DISC SW	21	LEFT DIRECTIONNAL LTS
0M5	SUN VISOR MOTOR	2H	A/C & HEAT SYS-LO-PRESS SW.	12FL	RR JCT PANEL 12V DISC SW	21A	LEFT DIRECTIONNAL LTS SIGN.
0M7	DR'S WIND.LIFT. & RH MIR. SW	2L	A/C & HEAT SYS-HI-PRESS SW.	12G	FR JCT PANEL 12V DISC SW	21B	HAZARD SWITCH SIGNAL
0M7A	LH MIRROR SW.	4A	HOTESS CHIME MAIN SWITCH	12H	12V IGN. DASH ACCESS.	21BB	LEFT DIRECTIONNAL LTS FEED.
0P	ENG.CDT - PRE-HEATER	4C	HOTESS CHIME P. RACK SW.	12I	RR JCT BOX 12V IGNITION	21H	EXTERIOR LTS-HAZARD SIGNAL
0R	SOUND SYSTEM RELAY GROUND	5	AISLE LTS FEEDING	12I	FR JCT PANEL 12V IGNITION	21M	AUX. LTS - DIRECTIONAL LH
0SA	BOSCH ALTERNATOR GROUND	5N	EMERGENCY LTS	12IA	FR JCT PANEL 12V IGNITION	23	RIGHT DIRECTIONNAL LTS
0SA	PARCEL RACK LTS SWITCH	5N0	SPEED SIGNAL HIGHER 5MPH	12IA	RR JCT PANEL 12V IGNITION	23A	RIGHT DIRECTIONNAL LTS SIGN.
0SB	PARCEL RACK LTS SWITCH	5NC	SPEED SIGNAL LOWER 5MPH	12IB	FR JCT PANEL 12V IGNITION	23BB	RIGHT DIRECTIONNAL LTS FEED.
0SC	PARCEL RACK LTS SWITCH	6	AISLE LTS	12IB	STEERING BOX ECU FEEDING	23H	EXTERIOR LTS-HAZARD SIGNAL
0SE	PARCEL RACK LTS SWITCH	7B	ENTRANCE DOOR FEED.-24V HW	12IC	FR JCT PANEL 12V IGN EATON	23K	RIGHT DIRECT. LTS W/KNELLING
0SF	PARCEL RACK LTS SWITCH	9	INTERIOR LTS-ENGINE CPT	12ID	FR JCT PANEL 12V IGN EATON	23M	AUX LTS - DIRECTIONAL RH
0SG	PARCEL RACK LTS SWITCH	9F	INTERIOR LTS - FR-SERV. CPT	12IN	12 VOLTS DISC.SW. INTERCOM	24	24 VOLTS BATTERY DIST.
0SH	PARCEL RACK LTS SWITCH	10	INTERIOR LTS-LUGGAGE CPT	12J	FR JCT PANEL 12V DISC.SW.	24	24 V. DISC. FRONT DIST.
0SJ	PARCEL RACK LTS SWITCH	10	INTERIOR LTS-FR SERV. CPT	12K	FR JCT PANEL 12V DISC.SW.	24A	BATT. JCT PANEL 24V DISC SW
0SS	SOUND SYSTEM GROUND	10A	INTERIOR LTS-LUGGAGE CPT	12L	CORNRING LTS FEEDING	24A	24V BOOSTER BLOCK
00SS	SOUND SYSTEM GROUND	10A	AUX. COMPRESSOR CLUTCH	12LX	CLUSTER 12V HOT WIRE	24A	FR JCT PANEL 24V DISC. SW
0S2	RADIO GROUND	10B	INTERIOR LTS-LUGGAGE CPT	12P	12 VOLTS BATTERY JCT BLOCK	24A	RR JCT PANEL 24V DISC. SW
0S3	VIDEO GROUND	10C	INTERIOR LTS-LUGGAGE CPT	12R	12 VOLTS MEMORY RADIO	24B	FR JCT PANEL 24V DISC. SW
0T	LAVATORY FAN & PUMP	10E	INTERIOR LTS-BATTERY CPT	12P	12V POWER OUTLET	24BE	BATTERY MONITOR
0T	SPEED SW. CONNECTOR	10H	AUX. COMPRESSOR CLUTCH	12SB	12V SOUND SYSTEM FEEDING	24C	FR JCT PANEL 24V DISC SW
0T1	DASH ACC. GROUND	10L	AUX. COMPRESSOR CLUTCH	12SS	12V SOUND SYSTEM FEEDING	24D	24 V. HOT WIRE FEEDING
0T2	CLUSTER ACC. GROUND	10X	AUX. COMPRESSOR CLUTCH	12S	12 V RADIO FEEDING	24D	FR JCT BOX 24V HOT WIRE
0T2	WINDOW AWNING	11	DESTINATION SIGN	12S1	12 V RADIO FEEDING		
0T3	ALTERNATOR MODULE	11A	DESTINATION SIGN	12S1A	12V DVD KARAOKE FEEDING		
				12S2	12 V RADIO FEEDING		

CIRCUIT NUMBER CODE

NO.	DESCRIPTION	NO.	DESCRIPTION	NO.	DESCRIPTION	NO.	DESCRIPTION
24DD	FR JCT BOX 24V HOT WIRE	28H	T.T.LT MODULE - HI A/C PRES.	48	ENTRANCE DOOR OPEN SIGNAL	69	DAMPER MIX LIMIT SWITCH
24DS	WIRELESS MICRO FEEDING	28T	T.T.LT MODULE - LO A/C PRES.	48A	ENTRANCE DOOR OPEN SOL.	70	HAT RACK & NIGHT LTS FEEDING
24E	24 VOLTS POWER DISTRIBUTION	29	A/C & HEAT SYS.-DR'S HTR	48B	ENTRANCE DOOR OPEN SIGNAL	72	SUN VISOR - FEED
24E	RR JCT PANEL 24V DISC SW	29H	HVAC DASH MODILE	48C	ENTRANCE DOOR SYSTEM	72A	SUN VISOR RH
24F	RR JCT PANEL 24V DISC SW	30A	GALLEY SWITCH SIGNAL	48D	ENTRANCE DOOR SYSTEM	72B	SUN VISOR RH
24H	RR JCT PANEL 24V DISC SW	30J	GALLEY SWITCH LED	48W	ENTRANCE DOOR SEDAN	72C	SUN VISOR LH
24I	FR JCT PANEL 24V IGNITION	31B	WIPER & WASHER SYSTEM	49	ENTRANCE DOOR CLOSE SIGNAL	72D	SUN VISOR LH
24IA	RR JCT PANEL 24V IGNITION	32	EXTERIOR LTS-BACK-UP	49A	ENTRANCE DOOR SYSTEM	74	R.H. READING LAMP FEEDING
24IA	FR JCT PANEL 24V IGNITION	32B	EXTERIOR LTS-BACK-UP	49B	ENTRANCE DOOR SYSTEM	74A	R.H. HOTESS CHIME FEEDING
24IB	FR JCT PANEL 24V IGNITION	35	ENTRANCE STEP LIGHTS	50	AIR DRYER	74B	WCL R.H. READING LAMP FEED.
24IF	FR JCT PANEL 24V IGNITION	36	ENGINE BRAKE SYSTEM	52	ALARM & SIGNAL-ELEC.HORN	74D	READING LAMP SWITCH
24K	RR JCT PANEL 24V DISC SW	36A	ENGINE BRAKE SYSTEM & RET.	52A	ALARM & SIGNAL-ELEC.HORN	74J	READING LAMP INDICATOR SW.
24L	RR JCT PANEL 24V DISC SW	37	LAVATORY LTS FEEDING	52B	PNEUMATIC HORN	75	L.H. READING LAMP FEEDING
24M	RR JCT PANEL 24V DISC SW	38	FLUORESCENT RELAY FEEDING	53	ALARM & SIGNAL-ELEC.HORN	75A	L.H. HOTESS CHIME FEEDING
24P	FR JCT PANEL 24V DISC SW	38A	R.H FLUORESCENT	53B	WIPER & WASHER SYSTEM	76	FUEL TANK GAUGE
24PV	MICRO-WAVE INVERTER	38B	L.H. FLUORESCENT	53C	WIPER & WASHER SYSTEM	76C	LOW FUEL T.T.LT
24R	24V STARTER RELAY	38C	FLUORESCENT FEEDING	53E	WIPER & WASHER SYSTEM	76M	FUEL PRIME PUMP
24R	SCENIC VIEW SIGNAL ON	39	INTERIOR LTS-DRIVER'S LTS	53J	WIPER & WASHER SYSTEM	76P	FUEL PRIME PUMP FEEDING
24SB	24V SOUND SYSTEM FEEDING	39D	INTERIOR LTS - DRIVER' LTS	55	EXTERIOR LTS-HI BEAM	77B	A/C SYS. - LIQ. SOL. VALVE
24SS	24V SOUND SYSTEM FEEDING	41	A/C SYS.-COND FAN MOTOR	57	EXTERIOR LTS-HI BEAM	77C	A/C & HEAT SYS.- COMPRESSOR
24S1	AMPLIFIER FEEDING	41A	A/C SYS.-COND FAN MOTOR	57A	EXTERIOR LTS-HI BEAM	77H	A/C SYS.-LIQ. SOL. VALVE
24S2	AMPLIFIER FEEDING	41B	A/C SYS.-COND FAN MOTOR	57B	A/C & HEAT SYS.-WATER PUMP	81	EXTERIOR LTS-STOP SW
24S3	VIDEO FEEDING	42	A/C SYS.-COND FAN MOTOR	57C	PRE-HEAT WATER HEATER	82	EXTERIOR LTS-STOP SIGNAL
24S4	VIDEO FEEDING	42A	A/C SYS.-COND FAN MOTOR	57C	A/C & HEAT SYS.-WATER PUMP	82A	EXTERIOR LTS-STOP SIGNAL
24T	RR JCT PANEL 24V DISC SW	42A	A/C SYS.-COND FAN MOTOR	57C	A/C & HEAT SYS.-WATER PUMP	82B	EXTERIOR LTS-STOP LTS
24VA	24 VOLTS BATTERY EQUALIZER	43	PARCEL RACK A/C	57E	A/C & HEAT SYS.-WATER VALV	82L	EXT. LTS-STOP LTS & CYCLOP
24VD	24V HOT WIRE FEED	43A	PARCEL RACK A/C	57W	PRE-HEAT WATER HEATER	82R	EXTERIOR LTS-STOP LTS
24VF	24 VOLTS FRONT DISTRIBUTION	43B	PARCEL RACK A/C	58	EXTERIOR LTS-LO BEAM	83	ENG. CTR-MAST. KEY SW ACC.
24VI	24 VOLTS IGNITION REAR DIST.	43C	PARCEL RACK A/C	58A	EXTERIOR LTS-LO BEAM	83A	24V&12V CUT RELAY COIL
24VR	24 VOLTS REAR DISTRIBUTION	43D	PARCEL RACK A/C	58B	EXTERIOR LTS-LO BEAM	83B	24V&12V CUT RELAY COIL
24Y	24 VOLTS POWER GALLEY	43E	PARCEL RACK A/C	59A	ENGINE BRAKE SYSTEM	84	ENG. CTR-MAST KEY SW START
24WC	WCL PUMP FEEDING	43F	PARCEL RACK A/C	61	EXTERIOR LTS-24V FEED SW	84A	ENG. CTR-MAST KEY SW START
24WL	WCL PUMP FEEDING	43G	PARCEL RACK A/C	61A	EXTERIOR LTS-HEAD SIGNAL	84J	ENG. CTR-MAST KEY SW START
24WR	WCL POWER ACCES.	43M	PARCEL RACK A/C	62	LAVATORY INDICATOR	85	24V IGNITION SIGNAL
25	EITHER ALTERNAT. RUN SIGNAL	43X	PARCEL RACK A/C	63	EXTERIOR LTS-CLEAR. FEED	85A	24V IGN DASH INSTRUMENT.
25A	TT.LT. ALTERNATOR #1	44	EXTERIOR LTS-FOG	63B	EXTERIOR LTS-CLEARANCE	85C	24V IGNITION - FEED
25A1	BOSCH ALTERNATOR SIGNAL D+	44A	EXTERIOR LTS-FOG	63C	EXT. LTS-MARKER SIGNAL	85F	RAD. FAN CONTROL W/RETARD
25A2	BOSCH ALTERNATOR SIGNAL D+	44B	EXTERIOR LTS-FOG	63D	BLINKER RELAY	85W	OUT SPEED INTERLOCK-24V IGN.
25B	EXT. LTS-DAYTIME RUN LTS	44C	EXTERIOR LTS-FOG	63E	BLINKER RELAY	85X	ABS-24V IGN
25D	BOTH ALTERNATOR RUN SIGNAL	44D	FOG,LTS & HVAC FEEDING	63F	EXT. LTS-MARKER BLINKER	85Y	ABS-WARNING LT
25K	T.T LT. ALTERNATOR #2	44E	EXTERNAL LTS - FOG	64	DRIVER'S FAN SPEED CTR	86	ENG. CTR-STARTER SOL.
26	DR'S & ENT. WINDOW LIFTER	45A	A/C & HEAT SYSTEM FULL AIR	64A	A/C SPARE	86A	ENG. CTR-STARTER RELAY COIL
26A	CIGAR LIGHT. & POW.OUTLET LH	45B	A/C & HEAT SYS.-WATER PUMP	64B	A/C SPARE	86F	TELL TALE STARTER ON
26B	DRIVER'S WINDOW LIFTER	45C	A/C & HEAT SYS.-WATER VALV	65	FOOT DAMPER MOTOR	86T	TELL TALE STARTER ON
26C	DRIVER'S WINDOW LIFTER	45D	A/C & HEAT SYS.-WATER VALV	65A	FOOT DAMPER MOTOR	87B	ENGINE CTR-24V IGNITION
27	LAVATORY ALARM	45G	A/C & HEAT SYS.-DR'S HTR	65D	DRIVER'S REC. DAMPER	88	ENGINE CTR-RR START SIGNAL
		46	EXTERIOR LTS-MARKER	66	A/C PASSENGER - ON/OFF		
		46A	EXTERIOR LTS-AUX LTS RESIS.	67A	A/C & HEAT SYSTEM		
		46C	EXTERIOR LTS-MARKER	68	DASH & DEFROST DAMPER MOT		
		46D	EXTERIOR LTS-AUX LTS RESIS.	68A	DASH & DEFROST DAMPER MOT		

CIRCUIT NUMBER CODE

NO.	DESCRIPTION	NO.	DESCRIPTION	NO.	DESCRIPTION	NO.	DESCRIPTION
89	ENGINE CTR-RR START SIGNAL	124	WORLD TR.-SENSOR POWER	136	MICRO-WAVE OVEN SWITCH	147C	ETHER COLD START
90B	ENG. CTR-MAST KEY SW FEED	124A	WORLD TRANSM-SENSOR PWR	136A	GALLEY LAMP	148	ABS SYSTEM-VALVE
91	PARKING BRAKE SW SIGNAL	125	LAVATORY FAN	136A	WORLD TRANSM-12V BATTERY	148	WORLD TR.-OUTPUT SPEED LO
91A	DDEC -FAST IDLE SIGNAL	125	WORLD TR-RETARDER INDICAT.	136A1	WORLD TRANSM-12V BATTERY	149	WORLD TR.-TURBINE SPEED H
91B	D.R.L. CANCEL RELAY	125W	WORLD TR-RETARDER INDICAT.	136A2	WORLD TRANSM-12V BATTERY	149	ABS SYSTEM-SENSOR
91C	PARKING BRAKE - T.T.LT	126	24 V IGN. SPEED SWITCH	136AA	WORLD TRANSM-SHIFTER PWR	149A	ABS SYSTEM
91J	FAST IDLE - JUMPER SW.	126	24 V IGN. SPEED SWITCH	136V	WORLD TRANSM-12V BATTERY	150	WORLD TR.-ENGINE SPEED LO
91W	WCL PARKING BRAKE SIGNAL	126A	KNEELING SYSTEM	136W	WORLD TRANSM-12V BATTERY	150	DDEC -ECM BATTERY GRD
92	BATT. EQUAL.-CHECK BALANCE	126AA	KNEELING SYSTEM	136X	WORLD TRANSM-12V BATTERY	150A	DDEC -ECM BATTERY GRD
93	BATT. EQUALIZ.-CHECK LO/HI	126B	HI-BUOY SIGNAL	137	WORLD TRANSM-RETARDER	151	DDEC -ECM BATTERY GRD
95A	ENG. BRAKE & RETARDER SYS.	126C	KNEELING SYSTEM	137	RR VIEW MIRROR	151	ATC VALVE
95B	ENG. BRAKE & RETARDER SYS.	126D	KNEELING SYSTEM	137A	RR VIEW MIRROR	152	ATC VALVE
97	TACHOMETER SIGN.-NOT USED	126F	KNEELING SYSTEM	137B	RR VIEW MIRROR	153	ELECTRICAL DRIVER'S SEAT
100	INTERIOR LTS RELAY COIL	126G	KNEELING SYSTEM	137C	RR VIEW MIRROR	154	WORLD TRANSM-ABS INPUT (-)
100	INDIRECT LTS FEEDING	126H	SPEED SIGN 5NC - 24V	137D	RR VIEW MIRROR	156A	ABS SYSTEM-FEED
100A	INDIRECT LTS RELAY COIL	126K	KNEELING SYSTEM	137E	RR VIEW MIRROR	157	ABS SYSTEM-FEED
100B	INDIRECT LTS FEEDING	126L	KNEELING SYSTEM	137F	RR VIEW MIRROR	157A	ABS SYSTEM-FEED
100C	INDIRECT LTS FEEDING	126P	KNEELING SYSTEM	137H	RR VIEW MIRROR	157B	ABS SYSTEM
101	24 VOLTS POWER STARTER	126R	KNEELING SYSTEM	137J	RR VIEW MIRROR	159	WORLD TRANSM-DIAGNOSTIC
101	WORLD TR.- LO SIGN SOL.LO	126S	KNEELING SYSTEM	137K	RR VIEW MIRROR	160	ALARM & SIGN.-TAG PRESS SW
102	24 VOLTS A/C DISTRIBUTION	126T	KNEELING SYSTEM	137L	RR VIEW MIRROR	161B	WORLD TRANSM-SIGNALGRD
102	WORLD TRANSM.-SOL. SUPPLY	126W	KNEELING SYSTEM	137M	RR VIEW MIRROR FEED	162	WORLD TRANSM-PRESS. SW C
102A	BOSCH ALTERNATOR FEEDING	126W	WORLD TRANSM-NOT USED	137R	WORLD TRANSM-RETARDER	163	WORLD TR.-RETARDER ENABLE
103	WORLD TRANSM.- B.SOL.LO	127	WORLD TRANSM. - H SOL.	137T	MIRROR HEAT SW-JUMPER	164	WORLD TR.-RET. ACTUAT. SIGN
103	LOW BUOY SYSTEM	127	24HOT WIRE PREHEAT	138	WORLD TR.-RETARDER TEMP	165	WORLD TR.-OIL LEVEL SIGNAL
104	WORLD TR. -G SOL.	127A	PRE-HEAT WATER HEATER	138	ABS SYSTEM-SENSOR	166	WORLD TRANSM. OUTPUT 7
105W	WORLD TR-SOL.-RET.OIL TT.LT	127B	PRE-HEAT WATER HEATER	138A	ABS SYSTEM-SENSOR	167	W. TR.-OUT SPEED INTERLOCK
107	WORLD TR. - SOL. SUPPLY	127S	PRE-HEAT WATER HEATER	139	ABS SYSTEM-VALVE	169	WORLD TRANSM-PRE-SELECT #1
110	WORLD TR.-F SOL. LO	127W	PRE-HEAT WATER HEATER	140	WORLD TR.-TURBINE SPEED LO	170	WORLD TRANSM-SHIFTER
112	WORLD TR.-SPARE OUTPUT (+)	128	WORLD TRANSM-B SOL.	140	ABS SYSTEM-VALVE	170C	LUGGAGE DOOR LOCK-T.T.LT
113W	WORLD TR.-REVERSE WARNING	128A	PRE-HEAT WATER HEATER	141	ABS SYSTEM-VALVE	170D	LUGGAGE DOOR LOCK-FEED
114	INTERIOR LT-DASH LT RHEOS.	128B	PRE-HEAT WATER HEATER	141	WORLD TR.-ENGINE SPEED HI	170E	LUG. DOOR LOCK-UNLOCK SIGN
114A	INTERIOR LT-DASH LT RHEOS.	128W	PRE-HEAT WATER HEATER	142	ABS SYSTEM-VALVE	170F	LUGGAGE DOOR LOCK-FEED
114B	INT. LT-DASH LT RHEOST.FEED	129	WORLD TRANSM-E SOL.	143	ABS SYSTEM-SENSOR	170G	LUGGAGE DOOR LOCK-FEED
115	DDEC -COOLANT LEVEL	129	PRE-HEAT WATER HEATER	143A	ABS SYSTEM-SENSOR	170K	LUGGAGE DOOR-LOCK SIGN
115W	WORLD TR.-DO NOT SHIFT SIGN	129B	PRE-HEAT WATER HEATER	143A	WORLD TRANS-BATERY GRD	170L	LUGG DOOR LOCK-SIGN T.T.LT
116	WORLD TR.-SOL. SUPPLY	130	WORLD TRANSM-SOL. SUPPLY	143A	WORLD TRANSM-BATTERY GRD	170N	LUGG DOOR LOCK-SIGN T.T.LT
116B	A/C & HEAT SYSTEM-DR'S HTR	130	EVAP. FAN MAIN CABLE	143W	WORLD TRANSM-BATTERY GRD	170R	LUGG DOOR LOCK-SIGN. T.T.LT.
116C	A/C SYS.-TRIG. DEFROST	131	WORLD TRANSM-D SOL.	143X	WORLD TRANSM-BATTERY GRD	170S	LUGG DOOR LOCK-SIGN T.T.LT
117A	OIL TEMP. EATON TRANSM.	132	WORLD TRANSM-ENGINE BRAKE	143Y	WORLD/EATON TRANSM.BATT.GRD	170T	LUGG DOOR LOCK-SIGN T.T.LT
119A	WORLD TRANSM-ENGINE BRAKE	133	GALLEY HEATING CONTAINER	144	ABS SYSTEM-SENSOR	170V	LUGG DOOR LOCK-SIGN T.T.LT
120	WORLD TRANSM-A SOL.	133A	GALLEY HEATING CONTAINER	144A	ABS SYSTEM-SENSOR	170W	LUGGAGE DOOR LOCK-FEED
121	WORLD TRANSM-SOL.SUPPLY	133B	GALLEY HEATING CONTAINER	145	ABS SYSTEM	170X	LUGG DOOR LOCK-SIGN T.T.LT
123	WORLD TR.-NEUTRAL START	133C	GALLEY HEATING CONTAINER	146	ABS SYSTEM	170Y	LUGGAGE DOOR LOCK-FEED
123A	ALARM & SIGNAL-FIRE DETECT.	134	GALLEY HEATING CONTAINER	146A	WORLD TRANSM-12V IGNITION	170Z	LUGGAGE DOOR LOCK
123B	ALARM & SIGNAL-FIRE DETECT.	134A	GALLEY HEATING CONTAINER	146AA	WORLD TRANSM-DIAGN.CONN.	171	WORLD TRANSM-SHIFTER
		135	GALLEY HEATING CONTAINER	147	WORLD TRANSM-OIL TEMP	172	WORLD TRANSM-SHIFTER
		135A	WORLD TR.-RES MODULE RET.	147	ABS SYSTEM-VALVE	173	WORLD TRANSM-SHIFTER
		135B	A/C & HEAT SYS.-AIR SENSOR	147A	ETHER COLD START		
		135C	A/C & HEAT SYS.-AIR SENSOR				

CIRCUIT NUMBER CODE

NO.	DESCRIPTION	NO.	DESCRIPTION	NO.	DESCRIPTION	NO.	DESCRIPTION
174	WORLD TRANSM-SHIFTER		VALVE		OUTPUT		
175A	WORLD TRANSM-SHIFTER	305A	WCL DOOR OPEN SIGNAL	916	DDEC-SENSOR SUPPLY (5VDC)		
176	WORLD TRANSM-SHIFTER	305B	WCL DOOR TOP LT.	925	J1939(+)		
180	OUTSIDE TEMP. DISPLAY	306	WCL CONTROL SYSTEM	926	J1939(-)		
180A	OUTSIDE TEMP. DISPLAY	307	WCL CONTROL SYSTEM	927	J1939(SHIELD)		
180A	WORLD TRANSM-SHIFTER	308	WCL CONTROL SYSTEM	952	DDEC-SENSOR RETURN		
180B	OUTSIDE TEMP. DISPLAY	309	WCL CONTROL SYSTEM	953	DDEC-BATTERY GRD		
180C	OUTSIDE TEMP. DISPLAY	310	EATON TRANSM. START SIGNAL	979	DDEC-ENGINE BRAKE 2 CYL.		
181	FROZEN POINT T.T.LT	311	EATON TR.LH.CON.S.GEAR DISPLAY	2123	FLASHER SIGNAL LTS		
181A	TEMP. CTR'L INSIDE SENSOR	312	EATON TR. NEUTRAL SIGNAL				
181B	TEMP. CTR'L INSIDE SENSOR	313	EATON TR.LH.CON.S.GEAR DISPLAY				
181C	THERMOMET. OUTSIDE SENSOR	314	EATON TR.LH.CON.S. GRD				
181D	THERMOMET. OUTSIDE SENSOR	315	EATON TR.ENG.COMP.12V POWER				
195	WORLD TRANSM-TRANS ID	316	EATON TR.ENG.COMP. GRD				
197	FUEL WATER FILTER	317	EATON TR.ENG.COMP.12V POWER				
197A	FUEL WATER FILTER	318	EATON TR.ENG.COMP. GRD				
200	EATON TRANSM. GRD	319	EATON TR.ENG.COMP.12V POWER				
201	WORLD TRANSM-SPARE	320	EATON TR.ENG.COMP. GRD				
202	WORLD TRANSM-SPARE	417	DDEC-LIMIT SPEED GOVERNOR				
203	WORLD TRANSM-SPARE	419	DDEC -CHEK ENGINE LIGHT				
204	WORLD TRANSM-SPARE	439	DDEC-12V IGNITION				
214	WORLD TR.-BACK-UP SIGNAL	451	DDEC-A/C FAN CLUTCH				
231	WORLD TR.-NEUTRAL SIGN GRD	505	DDEC-TACHOMETER DRIVE				
231F	WORLD TR.-NEUTRAL SIGN GRD	509	DDEC-STOP ENGINE LIGHT				
231W	W.TR.-NEUTRAL SIGN GRD WCL	510	DDEC-FAST IDLE SIGNAL				
240	DDEC -ECM 12V FEEDING	524	DDEC-ENGINE BRAKEDISABLE				
241	DDEC -ECM 12V FEEDING	525	DDEC-FAST IDLE SIGNAL				
253	24V SIGNAL GALLEY INVERTER	528	DDEC-STOP ENG. OVERRIDE				
254	GALLEY REFRIGERATOR	531	DDEC-CRUISE CLUTCH CUT OUT				
254A	GALLEY REFRIGERATOR	540	DDEC-CRUISE ENABLE T.T.LT				
254F	GALLEY REFRIGERATOR	541	DDEC-CRUISE SET SW				
255	GALLEY COFFEEMAKER	542	INPUT PARK BRAKE INTERLOCK				
255A	GALLEY COFFEEMAKER	543	DDEC-CRUISE BRAKE PEDAL				
255B	GALLEY COFFEEMAKER	544	DDEC-CRUISE ON/OFF SW				
260	WINDOW AJAR-T.T.LT	545	DDEC-CRUISE RESUME SW				
290	FAN CLUTCH RADIATOR-FEED	555	DDEC-FAN CLUTCH SPEED#1				
290A	FAN CLUTCH RADIATOR-FEED	556	DDEC-VEHICULE SPEED (+)				
291	FAN CLUTCH RADIATOR SPD 1	557	DDEC-VEHICULE SPEED (-)				
292	FAN CLUTCH RADIATOR SPD 2	563	DDEC-FAN CLUTCH SPEED#2				
292J	FAN OVERRIDE LTS SWITCH	564	DDEC-DIGTAL OUTPUT				
300	WCL POWER SYSTEM & ACCESS.	565	DDEC-ENGINE BRAKE ACTIVE				
300A	WCL POWER SYSTEM SW.	583	DDEC-ENGINE BRAKE 4 CYL.				
301J	WCL POWER SW. JUMPER LED	900	DDEC-DATA LINK (+)				
301	WCL SIGNAL POWER SW.	900A	EATON-DATA LINK(+)				
302	WCL DOOR AJAR TTLT & ALARM	901	DDEC-DATA LINK (-)				
304	WCL DOOR TOP LT.	901A	EATON-DATA LINK(-)				
305	WCL PARKING BRAKE SOL.	908	DDEC-HYDRAU. PWM#1				

CIRCUIT NUMBER CODE

NO.	DESCRIPTION	NO.	DESCRIPTION	NO.	DESCRIPTION	NO.	DESCRIPTION
A1	RADIO SYSTEM	C15	AUDIO AMPLI	SP10	SPARE WIRE	SP74	SPARE WIRE
A2	RADIO SYSTEM	D1	PASSENGER SPEAKER	SP11	SPARE WIRE	SP75	SPARE WIRE
A3	AUDIO AMPLI	D2	PASSENGER SPEAKER	SP12	SPARE WIRE	SP76	SPARE WIRE
A8	VIDEO SYSTEM	D3	PASSENGER SPEAKER	SP13	SPARE WIRE	SP77	SPARE WIRE
A9	RADIO SYSTEM	D4	PASSENGER SPEAKER	SP14	SPARE WIRE	SP78	SPARE WIRE
A10	AUDIO AMPLI	D5	PASSENGER SPEAKER	SP15	SPARE WIRE	SP80	SPARE WIRE
A11	AUDIO AMPLI	D6	PASSENGER SPEAKER	SP16	SPARE WIRE	SP81	SPARE WIRE
A12	AUDIO AMPLI	D7	PASSENGER SPEAKER	SP17	SPARE WIRE	SP82	SPARE WIRE
A13	AUDIO AMPLI	D8	PASSENGER SPEAKER	SP18	SPARE WIRE	SP83	SPARE WIRE
A15	AUDIO AMPLI	DR1	DRIVER'S SPEAKER	SP19	SPARE WIRE	SP84	SPARE WIRE
A16	VIDEO SYSTEM	DR2	DRIVER'S SPEAKER	SP20	SPARE WIRE	SP85	SPARE WIRE
B1	MICROPHONE	DR3	DRIVER'S SPEAKER	SP21	SPARE WIRE	TW1	TWISTED SPARE
B2	MICROPHONE	DR4	DRIVER'S SPEAKER	SP23	SPARE WIRE	TW2	TWISTED SPARE
B3	MICROPHONE	G1	PASSENGER SPEAKER	SP24	SPARE WIRE	W1	STEERING BOX CONVERTER
B4	MICROPHONE	G2	PASSENGER SPEAKER	SP25	SPARE WIRE	W2	STEERING BOX CONVERTER
B5	MICROPHONE	G3	PASSENGER SPEAKER	SP26	SPARE WIRE	Y1A	FLUORESCENT BALLAST
B6	MICROPHONE	G4	PASSENGER SPEAKER	SP27	SPARE WIRE	Y1B	FLUORESCENT BALLAST
B7	MICROPHONE	G5	PASSENGER SPEAKER	SP28	SPARE WIRE	Y2A	FLUORESCENT BALLAST
B8	MICROPHONE	G6	PASSENGER SPEAKER	SP30	SPARE WIRE	Y2B	FLUORESCENT BALLAST
B10	MICROPHONE	G7	PASSENGER SPEAKER	SP33	SPARE WIRE	Y3A	FLUORESCENT BALLAST
B11	MICROPHONE	G8	PASSENGER SPEAKER	SP34	SPARE WIRE	Y3B	FLUORESCENT BALLAST
B12	MICROPHONE	IPJ1	CLUSTER - BULB TEST POS	SP35	SPARE WIRE	Y4A	FLUORESCENT BALLAST
B1A	FLUORESCENT BALLAST	IPJ2	CLUSTER - BULB TEST NEG.	SP36	SPARE WIRE	Y4B	FLUORESCENT BALLAST
B1B	FLUORESCENT BALLAST	IPJ5	CLUSTER - FUEL GAUGE	SP37	SPARE WIRE	Y5A	FLUORESCENT BALLAST
B2A	FLUORESCENT BALLAST	IPJ6	CLUSTER - BULB TEST POS.	SP38	SPARE WIRE	Y5B	FLUORESCENT BALLAST
B2B	FLUORESCENT BALLAST	IPJ7	CLUSTER - BULB TEST NEG.	SP40	SPARE WIRE	Y6A	FLUORESCENT BALLAST
B3A	FLUORESCENT BALLAST	IPJ8	CLUSTER - MASTER WARNING	SP41	SPARE WIRE	Y6B	FLUORESCENT BALLAST
B3B	FLUORESCENT BALLAST	L8	WATER TANK HEATER	SP42	SPARE WIRE	Y7A	FLUORESCENT BALLAST
B4A	FLUORESCENT BALLAST	L9	WATER TANK HEATER	SP43	SPARE WIRE	Y7B	FLUORESCENT BALLAST
B4B	FLUORESCENT BALLAST	LX5	CLUSTER - COMPUTER MODE	SP44	SPARE WIRE	0	BATTERY - MAIN GROUND
B5A	FLUORESCENT BALLAST	LX6	CLUSTER - COMPUTER DOWN	SP45	SPARE WIRE	0	EVAP. COMPT. GROUND
B5B	FLUORESCENT BALLAST	LX7	CLUSTER - COMPUTER SET	SP48	SPARE WIRE	0	RJB - INSIDE GRD
B6A	FLUORESCENT BALLAST	LX16	CLUSTER - COMPUTER UP	SP50	SPARE WIRE	0	WCL MODULE
B6B	FLUORESCENT BALLAST	LX21	CLUSTER - COMPUTER COM.	SP51	SPARE WIRE	0A	LAVATORY ACCESSORIES
B7A	FLUORESCENT BALLAST	R1A	FLUORESCENT BALLAST	SP52	SPARE WIRE	0A	EVAP. FAN GROUND
B7B	FLUORESCENT BALLAST	R1B	FLUORESCENT BALLAST	SP53	SPARE WIRE	0A	FR. ROOF ACC. GRD
B14	RADIO SYSTEM	RT	T.T.L.T. MODULE - TEST SW.	SP54	SPARE WIRE	0B	BOOSTER BLOCK GROUND
B15	RADIO SYSTEM	SPK1	PASSENGER SPEAKER	SP55	SPARE WIRE	0B	A/C - CONDENSER GRD
C2	RADIO SYSTEM	SPK2	PASSENGER SPEAKER	SP56	SPARE WIRE	0B	24V&12V CUT OUT REL.COIL
C3	CONTROL HEAD ANTENNA	SPK3	PASSENGER SPEAKER	SP57	SPARE WIRE	0BE	OV BATTERY MONITOR
C5	VIDEO SYSTEM	SPK4	PASSENGER SPEAKER	SP60	SPARE WIRE	0C	R.J.B. - GRB
C6	CONTROL HEAD DIMMER	SP1	SPARE WIRE	SP61	SPARE WIRE	0C	MOTOR STARTER GROUND
C7	RADIO SYSTEM	SP2	SPARE WIRE	SP62	SPARE WIRE	0C	F.R. SERV. CPT- ACC.
C8	AUDIO AMPLI	SP3	SPARE WIRE	SP63	SPARE WIRE	0C1	ENTRANCE DOOR SEDAN
C9	VIDEO SYSTEM	SP4	SPARE WIRE	SP64	SPARE WIRE	0C2	STEERING CONTROL GROUND
C10	VIDEO SYSTEM	SP5	SPARE WIRE	SP65	SPARE WIRE	0C3	SOUND SYSTEM RELAY
C11	VIDEO SYSTEM	SP6	SPARE WIRE	SP69	SPARE WIRE	0C4	F.J.B. GRD
C12	VIDEO SYSTEM	SP7	SPARE WIRE	SP70	SPARE WIRE	0CJ	CRUISE SW. JUMPER
C13	VIDEO SYSTEM	SP8	SPARE WIRE	SP71	SPARE WIRE	0D	FLUORESCENT GRD
C14	VIDEO SYSTEM	SP9	SPARE WIRE	SP72	SPARE WIRE	0D	COND FAN GRD

CIRCUIT NUMBER CODE

NO.	DESCRIPTION	NO.	DESCRIPTION	NO.	DESCRIPTION	NO.	DESCRIPTION
0E	BATT. COMPT. LTS GROUND	0T3	ALTERNATOR MODULE	11B	DESTINATION SIGN	12S2A	12V DVD KARAOKE FEEDING
0E	READING LIGHTS GROUND	0T4	12V OUTLET - CTR MODULE	11C	DESTINATION SIGN	12T	RR JCT BOX 12V DISC SW
0F	FLUORESCENT GRD	0T5	FS.HVAC DASH MODULE. GND	11D	DESTINATION SIGN	12TE	12 V BATT. TRANSM. EATON
0F	PRO-DRIVER GROUND	0VA	BATTERY EQUALIZER GROUND	11E	DESTINATION SIGN	12TF	12 V BATT. TRANSM. EATON
0G	READING LIGHTS GROUND	0W	FJB - TRANSM. RLY GRD	11K	DESTINATION SIGN	12VB	FR JCT PANEL 12V DISC SW
0G	ABS GRD CX1	0W	SHIFT SELECTOR GROUND	11J	DESTINATION SIGN	12VD	12V HOT WIRE DISTRIBUTION
0H	ENG. CPT. - ACC. GRD	0W	WCL MODULE	11P	DESTINATION SIGN	12VE	FR JCT PANEL 12V DISC SW
0IN	INTERCOM SYSTEM	0WA	WCL DOOR AJAR	12	12V ELECTRONIC TERMINAL	12VF	12 VOLTS FRONT DISTRIBUTUON
0J	PARCEL RACK A/C UNIT	0WC	WCL BATTERY CPT. ACCES.	12A	FR JCT PANEL 12V DISC SW	12VG	RR JCT PANEL 12V DISC SW
0K	PARCEL RACK A/C UNIT	0WL	WCL SIGNAL DOOR AJAR ALARM	12A	BATT. JCT PANEL 12V DISC SW	12VI	12V IGNITION DISTRIBUTION
0L	ENG.CPT -CLEAR.LTS RR ROOF	0Y1	ABS SYSTEM-GRD	12B	FR JCT PANEL 12V DISC SW	12VO	12 VOLTS BATTERY EQUALIZER
0L	R.J.B. - GRD	0Y2	ABS SYSTEM-GRD	12BE	12V BATTERY MONITOR	12VR	12 VOLTS REAR DISTRIBUTION
0L	FR - SIDE MARK. & FLASH GRD	0Y3	ABS SYSTEM-GRD	12C	FR JCT PANEL 12V DISC SW	12W	12V HOT WIRE DDEC FEEDING
0L1	ENG.CPT-SIDE MARK. & FL. GRD	0Y4	ABS SYSTEM-GRD	12C	RR JCT BOX 12V DISC SW	12WA	ENTRANCE DOOR SYSTEM
0L2	HEAD LTS GROUND	0Y5	ABS SYSTEM-GRD	12D	BATT. JCT PANEL 12V HOT WIRE	12WR	WCL DOOR TOP LT
0L3	FR.SERV.DR. & ENT.DOOR GRD	0Y6	ABS SYSTEM-GRD	12D	FR JCT PANEL 12V HOT WIRE	14	LAVATORY PUMP
0L4	FOG LTS RESISTOR GRD	00A	ELECTRONIC TERMINAL GROUND	12D	RR JCT PANEL 12V HOT WIRE	15	WIPER & WASHER FEEDING
0L5	LH CONSOL - ACC. GRD	00F	FRONT ELECTRONIC GROUND	12DD	FR JCT PANEL 12V HOT WIRE	16	SPEEDOMETER (+)
0L6	MARKER&FLASH. GROUND	2B	A/C & HEAT SYSTEM	12DDR	FR JCT BOX 12V HOT DDR CONN	16T	SPEED SW SIGNAL IN (+)
0L7	AISLE LIGHTS GROUND	2D	A/C & HEAT SYSTEM	12DT	T.T. LT MODULE	17	EXTERIOR LTS-FLASHER UNIT
0L8	DOCKING LTS	2D	A/C & HEAT SYSTEM	12E	FR JCT PANEL 12V DISC SW	17A	EXTERIOR LTS-FLASHER UNIT
0LV	WINDSHIELD WASHER LEVEL	2DD	A/C & HEAT SYSTEM	12F	RR JCT PANEL 12V DISC SW	17C	JUMPER LTS SW. - HAZARD
0M	WIPER 2 MIRROR MOTOR	2E	A/C & HEAT SYSTEM	12F1	FR JCT PANEL 12V DISC SW	20	SPEEDOMETER SIGNAL (-)
0M3	DEFROST GRD	2EE	A/C & HEAT SYSTEM	12F2	FR JCT PANEL 12V DISC SW	21	LEFT DIRECTIONNAL LTS
0M4	HORN & DR'S WINDOW LIFTER	2H	A/C & HEAT SYS-LO-PRESS SW.	12FL	RR JCT PANEL 12V DISC SW	21A	LEFT DIRECTIONNAL LTS SIGN.
0M5	SUN VISOR MOTOR	2L	A/C & HEAT SYS-HI-PRESS SW.	12G	FR JCT PANEL 12V DISC SW	21B	HAZARD SWITCH SIGNAL
0M7	DR'S WIND.LIFT. & RH MIR. SW	4A	HOTESS CHIME MAIN SWITCH	12H	12V IGN. DASH ACCESS.	21BB	LEFT DIRECTIONNAL LTS FEED.
0M7A	LH MIRROR SW.	4C	HOTESS CHIME P. RACK SW.	12I	RR JCT BOX 12V IGNITION	21H	EXTERIOR LTS-HAZARD SIGNAL
0P	ENG.CDT - PRE-HEATER	5	AISLE LTS FEEDING	12I	FR JCT PANEL 12V IGNITION	21M	AUX. LTS - DIRECTIONAL LH
0R	SOUND SYSTEM RELAY GROUND	5N	EMERGENCY LTS	12IA	FR JCT PANEL 12V IGNITION	23	RIGHT DIRECTIONNAL LTS
0SA	BOSCH ALTERNATOR GROUND	5N0	SPEED SIGNAL HIGHER 5MPH	12IA	RR JCT PANEL 12V IGNITION	23A	RIGHT DIRECTIONNAL LTS SIGN.
0SA	PARCEL RACK LTS SWITCH	5NC	SPEED SIGNAL LOWER 5MPH	12IB	FR JCT PANEL 12V IGNITION	23BB	RIGHT DIRECTIONNAL LTS FEED.
0SB	PARCEL RACK LTS SWITCH	6	AISLE LTS	12IB	STEERING BOX ECU FEEDING	23H	EXTERIOR LTS-HAZARD SIGNAL
0SC	PARCEL RACK LTS SWITCH	7B	ENTRANCE DOOR FEED.-24V HW	12IC	FR JCT PANEL 12V IGN EATON	23K	RIGHT DIRECT. LTS W/KNELLING
0SE	PARCEL RACK LTS SWITCH	9	INTERIOR LTS-ENGINE CPT	12ID	FR JCT PANEL 12V IGN EATON	23M	AUX LTS - DIRECTIONAL RH
0SF	PARCEL RACK LTS SWITCH	9F	INTERIOR LTS - FR-SERV. CPT	12IN	12 VOLTS DISC.SW. INTERCOM	24	24 VOLTS BATTERY DIST.
0SG	PARCEL RACK LTS SWITCH	10	INTERIOR LTS-LUGGAGE CPT	12J	FR JCT PANEL 12V DISC.SW.	24	24 V. DISC. FRONT DIST.
0SH	PARCEL RACK LTS SWITCH	10	INTERIOR LTS-FR SERV. CPT	12K	FR JCT PANEL 12V DISC.SW.	24A	BATT. JCT PANEL 24V DISC SW
0SJ	PARCEL RACK LTS SWITCH	10A	INTERIOR LTS-LUGGAGE CPT	12L	CORNRING LTS FEEDING	24A	24V BOOSTER BLOCK
0SS	SOUND SYSTEM GROUND	10A	AUX. COMPRESSOR CLUTCH	12LX	CLUSTER 12V HOT WIRE	24A	FR JCT PANEL 24V DISC. SW
0SS	SOUND SYSTEM GROUND	10B	INTERIOR LTS-LUGGAGE CPT	12P	12 VOLTS BATTERY JCT BLOCK	24A	FR JCT PANEL 24V DISC. SW
0S2	RADIO GROUND	10C	INTERIOR LTS-LUGGAGE CPT	12R	12 VOLTS MEMORY RADIO	24B	FR JCT PANEL 24V DISC. SW
0S3	VIDEO GROUND	10E	INTERIOR LTS-BATTERY CPT	12P	12V POWER OUTLET	24BE	BATTERY MONITOR
0T	LAVATORY FAN & PUMP	10H	AUX. COMPRESSOR CLUTCH	12SB	12V SOUND SYSTEM FEEDING	24C	FR JCT PANEL 24V DISC SW
0T	SPEED SW. CONNECTOR	10L	AUX. COMPRESSOR CLUTCH	12SS	12V SOUND SYSTEM FEEDING	24D	24 V. HOT WIRE FEEDING
0T1	DASH ACC. GROUND	10X	AUX. COMPRESSOR CLUTCH	12S	12 V RADIO FEEDING	24D	FR JCT BOX 24V HOT WIRE
0T2	CLUSTER ACC. GROUND	11	DESTINATION SIGN	12S1	12 V RADIO FEEDING		
0T2	WINDOW AWNING	11A	DESTINATION SIGN	12S1A	12V DVD KARAOKE FEEDING		
				12S2	12 V RADIO FEEDING		

CIRCUIT NUMBER CODE

NO.	DESCRIPTION	NO.	DESCRIPTION	NO.	DESCRIPTION	NO.	DESCRIPTION
24DD	FR JCT BOX 24V HOT WIRE	28H	T.T.LT MODULE - HI A/C PRES.	48	ENTRANCE DOOR OPEN SIGNAL	70	HAT RACK & NIGHT LTS FEEDING
24DS	WIRELESS MICRO FEEDING	28T	T.T.LT MODULE - LO A/C PRES.	48A	ENTRANCE DOOR OPEN SOL.	72	SUN VISOR - FEED
24E	24 VOLTS POWER DISTRIBUTION	29	A/C & HEAT SYS.-DR'S HTR	48B	ENTRANCE DOOR OPEN SIGNAL	72A	SUN VISOR RH
24E	RR JCT PANEL 24V DISC SW	29H	HVAC DASH MODILE	48C	ENTRANCE DOOR SYSTEM	72B	SUN VISOR RH
24F	RR JCT PANEL 24V DISC SW	30A	GALLEY SWITCH SIGNAL	48D	ENTRANCE DOOR SYSTEM	72C	SUN VISOR LH
24H	RR JCT PANEL 24V DISC SW	30J	GALLEY SWITCH LED	48W	ENTRANCE DOOR SEDAN	72D	SUN VISOR LH
24I	FR JCT PANEL 24V IGNITION	31B	WIPER & WASHER SYSTEM	49	ENTRANCE DOOR CLOSE SIGNAL	74	R.H. READING LAMP FEEDING
24IA	RR JCT PANEL 24V IGNITION	32	EXTERIOR LTS-BACK-UP	49A	ENTRANCE DOOR SYSTEM	74A	R.H. HOTESS CHIME FEEDING
24IA	FR JCT PANEL 24V IGNITION	32B	EXTERIOR LTS-BACK-UP	49B	ENTRANCE DOOR SYSTEM	74B	WCL R.H. READING LAMP FEED.
24IB	FR JCT PANEL 24V IGNITION	35	ENTRANCE STEP LIGHTS	50	AIR DRYER	74D	READING LAMP SWITCH
24IF	FR JCT PANEL 24V IGNITION	36	ENGINE BRAKE SYSTEM	52	ALARM & SIGNAL-ELEC.HORN	74J	READING LAMP INDICATOR SW.
24K	RR JCT PANEL 24V DISC SW	36A	ENGINE BRAKE SYSTEM & RET.	52A	ALARM & SIGNAL-ELEC.HORN	75	L.H. READING LAMP FEEDING
24L	RR JCT PANEL 24V DISC SW	37	LAVATORY LTS FEEDING	52B	PNEUMATIC HORN	75A	L.H. HOTESS CHIME FEEDING
24M	RR JCT PANEL 24V DISC SW	38	FLUORESCENT RELAY FEEDING	53	ALARM & SIGNAL-ELEC.HORN	76	FUEL TANK GAUGE
24P	FR JCT PANEL 24V DISC SW	38A	R.H. FLUORESCENT	53B	WIPER & WASHER SYSTEM	76C	LOW FUEL T.T.LT
24PV	MICRO-WAVE INVERTER	38B	L.H. FLUORESCENT	53C	WIPER & WASHER SYSTEM	76M	FUEL PRIME PUMP
24R	24V STARTER RELAY	38C	FLUORESCENT FEEDING	53E	WIPER & WASHER SYSTEM	76P	FUEL PRIME PUMP FEEDING
24R	SCENIC VIEW SIGNAL ON	39	INTERIOR LTS-DRIVER'S LTS	53J	WIPER & WASHER SYSTEM	77B	A/C SYS. - LIQ. SOL. VALVE
24SB	24V SOUND SYSTEM FEEDING	39D	INTERIOR LTS - DRIVER' LTS	55	EXTERIOR LTS-HI BEAM	77C	A/C & HEAT SYS.-COMPRESSOR
24SS	24V SOUND SYSTEM FEEDING	41	A/C SYS.-COND FAN MOTOR	57	EXTERIOR LTS-HI BEAM	77H	A/C SYS.-LIQ. SOL. VALVE
24S1	AMPLIFIER FEEDING	41A	A/C SYS.-COND FAN MOTOR	57A	EXTERIOR LTS-HI BEAM	81	EXTERIOR LTS-STOP SW
24S2	AMPLIFIER FEEDING	41B	A/C SYS.-COND FAN MOTOR	57B	A/C & HEAT SYS.-WATER PUMP	82	EXTERIOR LTS-STOP SIGNAL
24S3	VIDEO FEEDING	42	A/C SYS.-COND FAN MOTOR	57C	A/C & HEAT SYS.-WATER PUMP	82A	EXTERIOR LTS-STOP SIGNAL
24S4	VIDEO FEEDING	42A	A/C SYS.-COND FAN MOTOR	57E	A/C & HEAT SYS.-WATER VALV	82B	EXTERIOR LTS-STOP LTS
24T	RR JCT PANEL 24V DISC SW	43	PARCEL RACK A/C	57W	PRE-HEAT WATER HEATER	82L	EXT. LTS-STOP LTS & CYCLOP
24VA	24 VOLTS BATTERY EQUALIZER	43A	PARCEL RACK A/C	58	EXTERIOR LTS-LO BEAM	82R	EXTERIOR LTS-STOP LTS
24VD	24V HOT WIRE FEED	43B	PARCEL RACK A/C	58A	EXTERIOR LTS-LO BEAM	83	ENG. CTR-MAST. KEY SW ACC.
24VF	24 VOLTS FRONT DISTRIBUTION	43C	PARCEL RACK A/C	58B	EXTERIOR LTS-LO BEAM	83A	24V&12V CUT RELAY COIL
24VI	24 VOLTS IGNITION REAR DIST.	43D	PARCEL RACK A/C	59A	ENGINE BRAKE SYSTEM	83B	24V&12V CUT RELAY COIL
24VR	24 VOLTS REAR DISTRIBUTION	43E	PARCEL RACK A/C	61	EXTERIOR LTS-24V FEED SW	84	ENG. CTR-MAST KEY SW START
24Y	24 VOLTS POWER GALLEY	43F	PARCEL RACK A/C	61A	EXTERIOR LTS-HEAD SIGNAL	84A	ENG. CTR-MAST KEY SW START
24WC	WCL PUMP FEEDING	43G	PARCEL RACK A/C	62	LAVATORY INDICATOR	84J	ENG. CTR-MAST KEY SW START
24WL	WCL PUMP FEEDING	43M	PARCEL RACK A/C	63	EXTERIOR LTS-CLEAR. FEED	85	24V IGNITION SIGNAL
24WR	WCL POWER ACCES.	43X	PARCEL RACK A/C	63B	EXTERIOR LTS-CLEARANCE	85A	24V IGN DASH INSTRUMENT.
25	EITHER ALTERNAT. RUN SIGNAL	44	EXTERIOR LTS-FOG	63C	EXT. LTS-MARKER SIGNAL	85C	24V IGNITION - FEED
25A	TT.LT. ALTERNATOR #1	44A	EXTERIOR LTS-FOG	63D	BLINKER RELAY	85F	RAD. FAN CONTROL W/RETARD
25A1	BOSCH ALTERNATOR SIGNAL D+	44B	EXTERIOR LTS-FOG	63E	BLINKER RELAY	85W	OUT SPEED INTERLOCK-24V IGN.
25A2	BOSCH ALTERNATOR SIGNAL D+	44C	EXTERIOR LTS-FOG	63F	EXT. LTS-MARKER BLINKER	85X	ABS-24V IGN
25B	EXT. LTS-DAYTIME RUN LTS	44D	EXTERIOR LTS - FOG	64	DRIVER'S FAN SPEED CTR	85Y	ABS-WARNING LT
25D	BOTH ALTERNATOR RUN SIGNAL	44E	EXTERNAL LTS - FOG	64A	A/C SPARE	86	ENG. CTR-STARTER SOL.
25K	T.T LT. ALTERNATOR #2	45A	A/C & HEAT SYSTEM FULL AIR	64B	A/C SPARE	86A	ENG. CTR-STARTER RELAY COIL
26	DR'S & ENT. WINDOW LIFTER	45B	A/C & HEAT SYS.-WATER PUMP	65	FOOT DAMPER MOTOR	86F	TELL TALE STARTER ON
26A	CIGAR LIGHT. & POW.OUTLET LH	45C	A/C & HEAT SYS.-WATER VALV	65A	FOOT DAMPER MOTOR	86T	TELL TALE STARTER ON
26B	DRIVER'S WINDOW LIFTER	45D	A/C & HEAT SYS.-WATER VALV	65D	DRIVER'S REC. DAMPER	87B	ENGINE CTR-24V IGNITION
26C	DRIVER'S WINDOW LIFTER	45G	A/C & HEAT SYS.-DR'S HTR	66	A/C PASSENGER - ON/OFF	88	ENGINE CTR-RR START SIGNAL
27	LAVATORY ALARM	46	EXTERIOR LTS-MARKER	67A	A/C & HEAT SYSTEM	89	ENGINE CTR-RR START SIGNAL
		46A	EXTERIOR LTS-AUX LTS RESIS.	68	DASH & DEFROST DAMPER MOT		
		46C	EXTERIOR LTS-MARKER	68A	DASH & DEFROST DAMPER MOT		
		46D	EXTERIOR LTS-AUX LTS RESIS.	69	DAMPER MIX LIMIT SWITCH		

CIRCUIT NUMBER CODE

NO.	DESCRIPTION	NO.	DESCRIPTION	NO.	DESCRIPTION	NO.	DESCRIPTION
90B	ENG. CTR-MAST KEY SW FEED	124A	WORLD TRANSM-SENSOR PWR	136A1	WORLD TRANSM-12V BATTERY	149	WORLD TR.-TURBINE SPEED H
91	PARKING BRAKE SW SIGNAL	125	LAVATORY FAN	136A2	WORLD TRANSM-12V BATTERY	149	ABS SYSTEM-SENSOR
91A	DDEC -FAST IDLE SIGNAL	125	WORLD TR.-RETARDER INDICAT.	136AA	WORLD TRANSM-SHIFTER PWR	149A	ABS SYSTEM
91B	D.R.L. CANCEL RELAY	125W	WORLD TR.-RETARDER INDICAT.	136V	WORLD TRANSM-12V BATTERY	150	WORLD TR.-ENGINE SPEED LO
91C	PARKING BRAKE - T.T.LT	126	24 V IGN. SPEED SWITCH	136W	WORLD TRANSM-12V BATTERY	150	DDEC -ECM BATTERY GRD
91J	FAST IDLE - JUMPER SW.	126	24 V IGN. SPEED SWITCH	136X	WORLD TRANSM-12V BATTERY	150A	DDEC -ECM BATTERY GRD
91W	WCL PARKING BRAKE SIGNAL	126A	KNEELING SYSTEM	137	WORLD TRANSM-RETARDER	151	DDEC -ECM BATTERY GRD
92	BATT. EQUAL.-CHECK BALANCE	126AA	KNEELING SYSTEM	137	RR VIEW MIRROR	151	ATC VALVE
93	BATT. EQUALIZ.-CHECK LO/HI	126B	HI-BUOY SIGNAL	137A	RR VIEW MIRROR	152	ATC VALVE
95A	ENG. BRAKE & RETARDER SYS.	126C	KNEELING SYSTEM	137B	RR VIEW MIRROR	153	ELECTRICAL DRIVER'S SEAT
95B	ENG. BRAKE & RETARDER SYS.	126D	KNEELING SYSTEM	137C	RR VIEW MIRROR	154	WORLD TRANSM-ABS INPUT (-)
97	TACHOMETER SIGN.-NOT USED	126F	KNEELING SYSTEM	137D	RR VIEW MIRROR	156A	ABS SYSTEM-FEED
100	INTERIOR LTS RELAY COIL	126G	KNEELING SYSTEM	137E	RR VIEW MIRROR	157	ABS SYSTEM-FEED
100	INDIRECT LTS FEEDING	126H	SPEED SIGN 5NC - 24V	137F	RR VIEW MIRROR	157A	ABS SYSTEM-FEED
100A	INDIRECT LTS RELAY COIL	126K	KNEELING SYSTEM	137H	RR VIEW MIRROR	157B	ABS SYSTEM
100B	INDIRECT LTS FEEDING	126L	KNEELING SYSTEM	137J	RR VIEW MIRROR	159	WORLD TRANSM-DIAGNOSTIC
100C	INDIRECT LTS FEEDING	126P	KNEELING SYSTEM	137K	RR VIEW MIRROR	160	ALARM & SIGN.-TAG PRESS SW
101	24 VOLTS POWER STARTER	126R	KNEELING SYSTEM	137L	RR VIEW MIRROR	161B	WORLD TRANSM-SIGNALGRD
101	WORLD TR.- LO SIGN SOL.LO	126S	KNEELING SYSTEM	137M	RR VIEW MIRROR FEED	162	WORLD TRANSM-PRESS. SW C3
102	24 VOLTS A/C DISTRIBUTION	126T	KNEELING SYSTEM	137R	WORLD TRANSM-RETARDER MIRROR HEAT SW-JUMPER	163	WORLD TR.-RETARDER ENABLE
102	WORLD TRANSM.-SOL. SUPPLY	126W	KNEELING SYSTEM	137T	WORLD TR.-RETARDER TEMP	164	WORLD TR.-RET. ACTUAT. SIGN
102A	BOSCH ALTERNATOR FEEDING	126W	WORLD TRANSM-NOT USED	138	WORLD TR.-RETARDER TEMP	165	WORLD TR.-OIL LEVEL SIGNAL
103	WORLD TRANSM.- B.SOL.LO	127	WORLD TRANSM. - H SOL.	138	ABS SYSTEM-SENSOR	166	WORLD TRANSM. OUTPUT 7
103	LOW BUOY SYSTEM	127	24HOT WIRE PREHEAT	138A	ABS SYSTEM-SENSOR	167	W. TR.-OUT SPEED INTERLOCK
104	WORLD TR. -G SOL.	127A	PRE-HEAT WATER HEATER	139	ABS SYSTEM-VALVE	169	WORLD TRANSM-PRE-SELECT #1
105W	WORLD TR-SOL.-RET.OIL TT.LT	127B	PRE-HEAT WATER HEATER	139	WORLD TR.-OUTPUT SPEED HI	170	WORLD TRANSM-SHIFTER
107	WORLD TR. - SOL. SUPPLY	127S	PRE-HEAT WATER HEATER	140	WORLD TR.-TURBINE SPEED LO	170C	LUGGAGE DOOR LOCK-T.T.LT
110	WORLD TR.-F SOL. LO	128	WORLD TRANSM-B SOL.	140	ABS SYSTEM-VALVE	170D	LUGGAGE DOOR LOCK-FEED
112	WORLD TR.-SPARE OUTPUT (+)	128A	PRE-HEAT WATER HEATER	141	ABS SYSTEM-VALVE	170E	LUG. DOOR LOCK-UNLOCK SIGN
113W	WORLD TR.-REVERSE WARNING	128B	PRE-HEAT WATER HEATER	141	WORLD TR.-ENGINE SPEED HI	170F	LUGGAGE DOOR LOCK-FEED
114	INTERIOR LT-DASH LT RHEOS.	129	PRE-HEAT WATER HEATER	142	ABS SYSTEM-VALVE	170G	LUGGAGE DOOR LOCK-FEED
114A	INTERIOR LT-DASH LT RHEOS.	129B	PRE-HEAT WATER HEATER	143	ABS SYSTEM-SENSOR	170G	LUGGAGE DOOR LOCK-FEED
114B	INT. LT-DASH LT RHEOST.FEED	130	WORLD TRANSM-SOL. SUPPLY	143A	ABS SYSTEM-SENSOR	170K	LUGGAGE DOOR-LOCK SIGN
115	DDEC -COOLANT LEVEL	130	EVAP. FAN MAIN CABLE	143A	WORLD TRANS-BATERY GRD	170L	LUGG DOOR LOCK-SIGN T.T.LT
115W	WORLD TR.-DO NOT SHIFT SIGN	130	WORLD TRANSM-SOL. SUPPLY	143W	WORLD TRANSM-BATTERY GRD	170N	LUGG DOOR LOCK-SIGN T.T.LT
116	WORLD TR.-SOL. SUPPLY	131	WORLD TRANSM-D SOL.	143X	WORLD TRANSM-BATTERY GRD	170R	LUGG DOOR LOCK-SIGN. T.T.LT.
116B	A/C & HEAT SYSTEM-DR'S HTR	132	WORLD TRANSM-ENGINE BRAKE	143Y	WORLD/EATON TRANSM.BATT.GRD	170S	LUGG DOOR LOCK-SIGN T.T.LT
116C	A/C SYS.-TRIG. DEFROST	133	GALLEY HEATING CONTAINER	144	ABS SYSTEM-SENSOR	170T	LUGG DOOR LOCK-SIGN T.T.LT
117A	OIL TEMP. EATON TRANSM.	133A	GALLEY HEATING CONTAINER	144A	ABS SYSTEM-SENSOR	170V	LUGG DOOR LOCK-SIGN T.T.LT
119	WORLD TRANSM-ENGINE BRAKE	133B	GALLEY HEATING CONTAINER	145	ABS SYSTEM	170W	LUGGAGE DOOR LOCK-FEED
120	WORLD TRANSM-A SOL.	133C	GALLEY HEATING CONTAINER	146	ABS SYSTEM	170X	LUGG DOOR LOCK-SIGN T.T.LT
121	WORLD TRANSM-SOL.SUPPLY	134	GALLEY HEATING CONTAINER	146A	WORLD TRANSM-12V IGNITION	170Y	LUGGAGE DOOR LOCK-FEED
123	WORLD TR.-NEUTRAL START	134A	GALLEY HEATING CONTAINER	146AA	WORLD TRANSM-DIAGN.CONN.	170Z	LUGGAGE DOOR LOCK
123A	ALARM & SIGNAL-FIRE DETECT.	135	GALLEY HEATING CONTAINER	147	WORLD TRANSM-OIL TEMP	171	WORLD TRANSM-SHIFTER
123B	ALARM & SIGNAL-FIRE DETECT.	135A	WORLD TR.-RES MODULE RET.	147	ABS SYSTEM-VALVE	172	WORLD TRANSM-SHIFTER
124	WORLD TR.-SENSOR POWER	135B	A/C & HEAT SYS.-AIR SENSOR	147A	ETHER COLD START	173	WORLD TRANSM-SHIFTER
		135C	A/C & HEAT SYS.-AIR SENSOR	147C	ETHER COLD START	174	WORLD TRANSM-SHIFTER
		136	MICRO-WAVE OVEN SWITCH	148	ABS SYSTEM-VALVE	175A	WORLD TRANSM-SHIFTER
		136A	GALLEY LAMP	148	WORLD TR.-OUTPUT SPEED LO	176	WORLD TRANSM-SHIFTER
		136A	WORLD TRANSM-12V BATTERY				

CIRCUIT NUMBER CODE

NO.	DESCRIPTION	NO.	DESCRIPTION	NO.	DESCRIPTION	NO.	DESCRIPTION
180	OUTSIDE TEMP. DISPLAY	306	WCL CONTROL SYSTEM	926	J1939(-)		
180A	OUTSIDE TEMP. DISPLAY	307	WCL CONTROL SYSTEM	927	J1939(SHIELD)		
180A	WORLD TRANSM-SHIFTER	308	WCL CONTROL SYSTEM	952	DDEC-SENSOR RETURN		
180B	OUTSIDE TEMP. DISPLAY	309	WCL CONTROL SYSTEM	953	DDEC-BATTERY GRD		
180C	OUTSIDE TEMP. DISPLAY	310	EATON TRANSM. START SIGNAL	979	DDEC-ENGINE BRAKE 2 CYL.		
181	FROZEN POINT T.T.LT	311	EATON TR.LH.CONS.GEAR DISPLAY	2123	FLASHER SIGNAL LTS		
181A	TEMP. CTR'L INSIDE SENSOR	312	EATON TR. NEUTRAL SIGNAL				
181B	TEMP. CTR'L INSIDE SENSOR	313	EATON TR.LH.CONS.GEAR DISPLAY				
181C	THERMOMET. OUTSIDE SENSOR	314	EATON TR.LH.CONS. GRD				
181D	THERMOMET. OUTSIDE SENSOR	315	EATON TR.ENG.COMP.12V POWER				
195	WORLD TRANSM-TRANS ID	316	EATON TR.ENG.COMP. GRD				
197	FUEL WATER FILTER	317	EATON TR.ENG.COMP.12V POWER				
197A	FUEL WATER FILTER	318	EATON TR.ENG.COMP. GRD				
200	EATON TRANSM. GRD	319	EATON TR.ENG.COMP.12V POWER				
201	WORLD TRANSM-SPARE	320	EATON TR.ENG.COMP. GRD				
202	WORLD TRANSM-SPARE	417	DDEC-LIMIT SPEED GOVERNOR				
203	WORLD TRANSM-SPARE	419	DDEC -CHEK ENGINE LIGHT				
204	WORLD TRANSM-SPARE	439	DDEC-12V IGNITION				
214	WORLD TR.-BACK-UP SIGNAL	451	DDEC-A/C FAN CLUTCH				
231	WORLD TR.-NEUTRAL SIGN GRD	505	DDEC-TACHOMETER DRIVE				
231F	WORLD TR.-NEUTRAL SIGN GRD	509	DDEC-STOP ENGINE LIGHT				
231W	W.TR.-NEUTRAL SIGN GRD WCL	510	DDEC-FAST IDLE SIGNAL				
240	DDEC -ECM 12V FEEDING	524	DDEC-ENGINE BRAKEDISABLE				
241	DDEC -ECM 12V FEEDING	525	DDEC-FAST IDLE SIGNAL				
253	24V SIGNAL GALLEY INVERTER	528	DDEC-STOP ENG. OVERRIDE				
254	GALLEY REFRIGERATOR	531	DDEC-CRUISE CLUTCH CUT OUT				
254A	GALLEY REFRIGERATOR	540	DDEC-CRUISE ENABLE T.T.LT				
254F	GALLEY REFRIGERATOR	541	DDEC-CRUISE SET SW				
255	GALLEY COFFEEMAKER	542	INPUT PARK BRAKE INTERLOCK				
255A	GALLEY COFFEEMAKER	543	DDEC-CRUISE BRAKE PEDAL				
255B	GALLEY COFFEEMAKER	544	DDEC-CRUISE ON/OFF SW				
260	WINDOW AJAR-T.T.LT	545	DDEC-CRUISE RESUME SW				
290	FAN CLUTCH RADIATOR-FEED	555	DDEC-FAN CLUTCH SPEED#1				
290A	FAN CLUTCH RADIATOR-FEED	556	DDEC-VEHICULE SPEED (+)				
291	FAN CLUTCH RADIATOR SPD 1	557	DDEC-VEHICULE SPEED (-)				
292	FAN CLUTCH RADIATOR SPD 2	563	DDEC-FAN CLUTCH SPEED#2				
292J	FAN OVERRIDE LTS SWITCH	564	DDEC-DIGTAL OUTPUT				
300	WCL POWER SYSTEM & ACCESS.	565	DDEC-ENGINE BRAKE ACTIVE				
300A	WCL POWER SYSTEM SW.	583	DDEC-ENGINE BRAKE 4 CYL.				
301J	WCL POWER SW. JUMPER LED	900	DDEC-DATA LINK (+)				
301	WCL SIGNAL POWER SW.	900A	EATON-DATA LINK(+)				
302	WCL DOOR AJAR TTLT & ALARM	901	DDEC-DATA LINK (-)				
304	WCL DOOR TOP LT.	901A	EATON-DATA LINK(-)				
305	WCL PARKING BRAKE SOL. VALVE	908	DDEC-HYDRAU. PWM#1 OUTPUT				
305A	WCL DOOR OPEN SIGNAL	916	DDEC-SENSOR SUPPLY (5VDC)				
305B	WCL DOOR TOP LT.	925	J1939(+)				

CIRCUIT NUMBER CODE

NO.	DESCRIPTION	NO.	DESCRIPTION	NO.	DESCRIPTION	NO.	DESCRIPTION
A1	RADIO SYSTEM	C15	AUDIO AMPLI	SP10	SPARE WIRE	SP74	SPARE WIRE
A2	RADIO SYSTEM	D1	PASSENGER SPEAKER	SP11	SPARE WIRE	SP75	SPARE WIRE
A3	AUDIO AMPLI	D2	PASSENGER SPEAKER	SP12	SPARE WIRE	SP76	SPARE WIRE
A8	VIDEO SYSTEM	D3	PASSENGER SPEAKER	SP13	SPARE WIRE	SP77	SPARE WIRE
A9	RADIO SYSTEM	D4	PASSENGER SPEAKER	SP14	SPARE WIRE	SP78	SPARE WIRE
A10	AUDIO AMPLI	D5	PASSENGER SPEAKER	SP15	SPARE WIRE	SP80	SPARE WIRE
A11	AUDIO AMPLI	D6	PASSENGER SPEAKER	SP16	SPARE WIRE	SP81	SPARE WIRE
A12	AUDIO AMPLI	D7	PASSENGER SPEAKER	SP17	SPARE WIRE	SP82	SPARE WIRE
A13	AUDIO AMPLI	D8	PASSENGER SPEAKER	SP18	SPARE WIRE	SP83	SPARE WIRE
A15	AUDIO AMPLI	DR1	DRIVER'S SPEAKER	SP19	SPARE WIRE	SP84	SPARE WIRE
A16	VIDEO SYSTEM	DR2	DRIVER'S SPEAKER	SP20	SPARE WIRE	SP85	SPARE WIRE
B1	MICROPHONE	DR3	DRIVER'S SPEAKER	SP21	SPARE WIRE	TW1	TWISTED SPARE
B2	MICROPHONE	DR4	DRIVER'S SPEAKER	SP23	SPARE WIRE	TW2	TWISTED SPARE
B3	MICROPHONE	G1	PASSENGER SPEAKER	SP24	SPARE WIRE	W1	STEERING BOX CONVERTER
B4	MICROPHONE	G2	PASSENGER SPEAKER	SP25	SPARE WIRE	W2	STEERING BOX CONVERTER
B5	MICROPHONE	G3	PASSENGER SPEAKER	SP26	SPARE WIRE	Y1A	FLUORESCENT BALLAST
B6	MICROPHONE	G4	PASSENGER SPEAKER	SP27	SPARE WIRE	Y1B	FLUORESCENT BALLAST
B7	MICROPHONE	G5	PASSENGER SPEAKER	SP28	SPARE WIRE	Y2A	FLUORESCENT BALLAST
B8	MICROPHONE	G6	PASSENGER SPEAKER	SP30	SPARE WIRE	Y2B	FLUORESCENT BALLAST
B10	MICROPHONE	G7	PASSENGER SPEAKER	SP33	SPARE WIRE	Y3A	FLUORESCENT BALLAST
B11	MICROPHONE	G8	PASSENGER SPEAKER	SP34	SPARE WIRE	Y3B	FLUORESCENT BALLAST
B12	MICROPHONE	IPJ1	CLUSTER - BULB TEST POS	SP35	SPARE WIRE	Y4A	FLUORESCENT BALLAST
B1A	FLUORESCENT BALLAST	IPJ2	CLUSTER - BULB TEST NEG.	SP36	SPARE WIRE	Y4B	FLUORESCENT BALLAST
B1B	FLUORESCENT BALLAST	IPJ5	CLUSTER - FUEL GAUGE	SP37	SPARE WIRE	Y5A	FLUORESCENT BALLAST
B2A	FLUORESCENT BALLAST	IPJ6	CLUSTER - BULB TEST POS.	SP38	SPARE WIRE	Y5B	FLUORESCENT BALLAST
B2B	FLUORESCENT BALLAST	IPJ7	CLUSTER - BULB TEST NEG.	SP40	SPARE WIRE	Y6A	FLUORESCENT BALLAST
B3A	FLUORESCENT BALLAST	IPJ8	CLUSTER - MASTER WARNING	SP41	SPARE WIRE	Y6B	FLUORESCENT BALLAST
B3B	FLUORESCENT BALLAST	L8	WATER TANK HEATER	SP42	SPARE WIRE	Y7A	FLUORESCENT BALLAST
B4A	FLUORESCENT BALLAST	L9	WATER TANK HEATER	SP43	SPARE WIRE	Y7B	FLUORESCENT BALLAST
B4B	FLUORESCENT BALLAST	LX5	CLUSTER - COMPUTER MODE	SP44	SPARE WIRE	0	BATTERY - MAIN GROUND
B5A	FLUORESCENT BALLAST	LX6	CLUSTER - COMPUTER DOWN	SP45	SPARE WIRE	0	EVAP. COMPT. GROUND
B5B	FLUORESCENT BALLAST	LX7	CLUSTER - COMPUTER SET	SP48	SPARE WIRE	0	RJB - INSIDE GRD
B6A	FLUORESCENT BALLAST	LX16	CLUSTER - COMPUTER UP	SP50	SPARE WIRE	0	WCL MODULE
B6B	FLUORESCENT BALLAST	LX21	CLUSTER - COMPUTER COM.	SP51	SPARE WIRE	0	INVERTER CUT OFF RELAY
B7A	FLUORESCENT BALLAST	R1A	FLUORESCENT BALLAST	SP52	SPARE WIRE	0A	LAVATORY ACCESSORIES
B7B	FLUORESCENT BALLAST	R1B	FLUORESCENT BALLAST	SP53	SPARE WIRE	0A	EVAP. FAN GROUND
B14	RADIO SYSTEM	RT	T.T.L.T. MODULE - TEST SW.	SP54	SPARE WIRE	0A	FR. ROOF ACC. GRD
B15	RADIO SYSTEM	SPK1	PASSENGER SPEAKER	SP55	SPARE WIRE	0B	BOOSTER BLOCK GROUND
C2	RADIO SYSTEM	SPK2	PASSENGER SPEAKER	SP56	SPARE WIRE	0B	A/C - CONDENSER GRD
C3	CONTROL HEAD ANTENNA	SPK3	PASSENGER SPEAKER	SP57	SPARE WIRE	0B	24V&12V CUT OUT REL.COIL
C5	VIDEO SYSTEM	SPK4	PASSENGER SPEAKER	SP60	SPARE WIRE	0BE	OV BATTERY MONITOR
C6	CONTROL HEAD DIMMER	SP1	SPARE WIRE	SP61	SPARE WIRE	0C	R.J.B. - GRB
C7	RADIO SYSTEM	SP2	SPARE WIRE	SP62	SPARE WIRE	0C	MOTOR STARTER GROUND
C8	AUDIO AMPLI	SP3	SPARE WIRE	SP63	SPARE WIRE	0C	F.R. SERV. CPT- ACC.
C9	VIDEO SYSTEM	SP4	SPARE WIRE	SP64	SPARE WIRE	0C1	ENTRANCE DOOR SEDAN
C10	VIDEO SYSTEM	SP5	SPARE WIRE	SP65	SPARE WIRE	0C2	STEERING CONTROL GROUND
C11	VIDEO SYSTEM	SP6	SPARE WIRE	SP69	SPARE WIRE	0C3	SOUND SYSTEM RELAY
C12	VIDEO SYSTEM	SP7	SPARE WIRE	SP70	SPARE WIRE	0C4	F.J.B. GRD
C13	VIDEO SYSTEM	SP8	SPARE WIRE	SP71	SPARE WIRE	0CJ	CRUISE SW. JUMPER
C14	VIDEO SYSTEM	SP9	SPARE WIRE	SP72	SPARE WIRE	0D	FLUORESCENT GRD

CIRCUIT NUMBER CODE

NO.	DESCRIPTION	NO.	DESCRIPTION	NO.	DESCRIPTION	NO.	DESCRIPTION
0D	COND FAN GRD	0T3	ALTERNATOR MODULE	11C	DESTINATION SIGN	12S2	12 V RADIO FEEDING
0E	BATT. COMPT. LTS GROUND	0T4	12V OUTLET - CTR MODULE	11D	DESTINATION SIGN	12S2A	12V DVD KARAOKE FEEDING
0E	READING LIGHTS GROUND	0T5	FS.HVAC DASH MODULE. GND	11E	DESTINATION SIGN	12T	RR JCT BOX 12V DISC SW
0F	FLUORESCENT GRD	0VA	BATTERY EQUALIZER GROUND	11K	DESTINATION SIGN	12TE	12 V BATT. TRANSM. EATON
0F	PRO-DRIVER GROUND	0W	FJB - TRANSM. RLY GRD	11J	DESTINATION SIGN	12TF	12 V BATT. TRANSM. EATON
0G	READING LIGHTS GROUND	0W	SHIFT SELECTOR GROUND	11P	DESTINATION SIGN	12VB	FR JCT PANEL 12V DISC SW
0H	ENG. CPT. - ACC. GRD	0W	WCL MODULE	12	12V ELECTRONIC TERMINAL	12VD	12V HOT WIRE DISTRIBUTION
0IN	INTERCOM SYSTEM	0WA	WCL DOOR AJAR	12A	FR JCT PANEL 12V DISC SW	12VE	FR JCT PANEL 12V DISC SW
0J	PARCEL RACK A/C UNIT	0WC	WCL BATTERY CPT. ACCES.	12A	BATT. JCT PANEL 12V DISC SW	12VF	12 VOLTS FRONT DISTRIBUTIUN
0K	PARCEL RACK A/C UNIT	0WL	WCL SIGNAL DOOR AJAR ALARM	12B	FR JCT PANEL 12V DISC SW	12VG	RR JCT PANEL 12V DISC SW
0L	ENG.CPT -CLEAR.LTS RR ROOF	0Y1	ABS SYSTEM-GRD	12BE	12V BATTERY MONITOR	12VI	12V IGNITION DISTRIBUTION
0L	R.J.B. - GRD	0Y2	ABS SYSTEM-GRD	12C	FR JCT PANEL 12V DISC SW	12VO	12 VOLTS BATTERY EQUALIZER
0L	FR - SIDE MARK. & FLASH GRD	0Y3	ABS SYSTEM-GRD	12C	RR JCT BOX 12V DISC SW	12VR	12 VOLTS REAR DISTRIBUTION
0L1	ENG.CPT-SIDE MARK. & FL. GRD	0Y4	ABS SYSTEM-GRD	12D	BATT. JCT PANEL 12V HOT WIRE	12W	12V HOT WIRE DDEC FEEDING
0L2	HEAD LTS GROUND	0Y5	ABS SYSTEM-GRD	12D	FR JCT PANEL 12V HOT WIRE	12WA	ENTRANCE DOOR SYSTEM
0L3	FR.SERV.DR. & ENT.DOOR GRD	0Y6	ABS SYSTEM-GRD	12D	RR JCT PANEL 12V HOT WIRE	12WR	WCL DOOR TOP LT
0L4	FOG LTS RESISTOR GRD	00A	ELECTRONIC TERMINAL GROUND	12DD	FR JCT PANEL 12V HOT WIRE	14	LAVATORY PUMP
0L5	LH CONSOL - ACC. GRD	00F	FRONT ELECTRONIC GROUND	12DDR	FR JCT BOX 12V HOT DDR CONN	15	WIPER & WASHER FEEDING
0L6	MARKER&FLASH. GROUND	2B	A/C & HEAT SYSTEM	12DT	T.T. LT MODULE	16	SPEEDOMETER (+)
0L7	AISLE LIGHTS GROUND	2D	A/C & HEAT SYSTEM	12E	FR JCT PANEL 12V DISC SW	16T	SPEED SW SIGNAL IN (+)
0L8	DOCKING LTS	2DD	A/C & HEAT SYSTEM	12F	RR JCT PANEL 12V DISC SW	17	EXTERIOR LTS-FLASHER UNIT
0LV	WINDSHIELD WASHER LEVEL	2E	A/C & HEAT SYSTEM	12F1	FR JCT PANEL 12V DISC SW	17A	EXTERIOR LTS-FLASHER UNIT
0M	WIPER 2 MIRROR MOTOR	2EE	A/C & HEAT SYSTEM	12F2	FR JCT PANEL 12V DISC SW	17C	JUMPER LTS SW. - HAZARD
0M3	DEFROST GRD	2H	A/C & HEAT SYS-HI-PRESS SW.	12FL	RR JCT PANEL 12V DISC SW	20	SPEEDOMETER SIGNAL (-)
0M4	HORN & DR'S WINDOW LIFTER	2L	A/C & HEAT SYS-HI-PRESS SW.	12G	FR JCT PANEL 12V DISC SW	21	LEFT DIRECTIONNAL LTS
0M5	SUN VISOR MOTOR	4A	HOTESS CHIME MAIN SWITCH	12H	12V IGN. DASH ACCESS.	21A	LEFT DIRECTIONNAL LTS SIGN.
0M7	DR'S WIND.LIFT. & RH MIR. SW	4C	HOTESS CHIME P. RACK SW.	12I	RR JCT BOX 12V IGNITION	21B	HAZARD SWITCH SIGNAL
0M7A	LH MIRROR SW.	5	AISLE LTS FEEDING	12I	FR JCT PANEL 12V IGNITION	21BB	LEFT DIRECTIONNAL LTS FEED.
0P	ENG.CDT - PRE-HEATER	5N	EMERGENCY LTS	12IA	FR JCT PANEL 12V IGNITION	21H	EXTERIOR LTS-HAZARD SIGNAL
0R	SOUND SYSTEM RELAY GROUND	5N0	SPEED SIGNAL HIGHER 5MPH	12IA	RR JCT PANEL 12V IGNITION	21M	AUX. LTS - DIRECTIONAL LH
0SA	BOSCH ALTERNATOR GROUND	5NC	SPEED SIGNAL LOWER 5MPH	12IB	FR JCT PANEL 12V IGNITION	23	RIGHT DIRECTIONNAL LTS
0SA	PARCEL RACK LTS SWITCH	6	AISLE LTS	12IB	STEERING BOX ECU FEEDING	23A	RIGHT DIRECTIONNAL LTS SIGN.
0SB	PARCEL RACK LTS SWITCH	7B	ENTRANCE DOOR FEED.-24V HW	12IC	FR JCT PANEL 12V IGN EATON	23BB	RIGHT DIRECTIONNAL LTS FEED.
0SC	PARCEL RACK LTS SWITCH	9	INTERIOR LTS-ENGINE CPT	12ID	FR JCT PANEL 12V IGN EATON	23H	EXTERIOR LTS-HAZARD SIGNAL
0SE	PARCEL RACK LTS SWITCH	9F	INTERIOR LTS - FR-SERV. CPT	12IE	ABS-FR JCT PANEL 12V IGN.	23K	RIGHT DIRECT. LTS W/KNELLING
0SF	PARCEL RACK LTS SWITCH	10	INTERIOR LTS-LUGGAGE CPT	12IN	12 VOLTS DISC.SW. INTERCOM	23M	AUX LTS - DIRECTIONAL RH
0SG	PARCEL RACK LTS SWITCH	10	INTERIOR LTS-FR SERV. CPT	12J	FR JCT PANEL 12V DISC.SW.	24	24 VOLTS BATTERY DIST.
0SH	PARCEL RACK LTS SWITCH	10	INTERIOR LTS-FR SERV. CPT	12K	FR JCT PANEL 12V DISC.SW.	24	24 V. DISC. FRONT DIST.
0SJ	PARCEL RACK LTS SWITCH	10A	INTERIOR LTS-LUGGAGE CPT	12L	CORNRING LTS FEEDING	24A	BATT. JCT PANEL 24V DISC SW
0SS	SOUND SYSTEM GROUND	10A	AUX. COMPRESSOR CLUTCH	12LX	CLUSTER 12V HOT WIRE	24A	24V BOOSTER BLOCK
0SS	SOUND SYSTEM GROUND	10A	INTERIOR LTS-LUGGAGE CPT	12M	ABS-FR JCT PANEL 12V DISC.SW	24A	FR JCT PANEL 24V DISC. SW
0S2	RADIO GROUND	10B	INTERIOR LTS-LUGGAGE CPT	12P	12 VOLTS BATTERY JCT BLOCK	24A	RR JCT PANEL 24V DISC. SW
0S3	VIDEO GROUND	10C	INTERIOR LTS-LUGGAGE CPT	12P	12 VOLTS MEMORY RADIO	24BE	BATTERY MONITOR
0T	LAVATORY FAN & PUMP	10E	INTERIOR LTS-BATTERY CPT	12R	12V POWER OUTLET	24C	FR JCT PANEL 24V DISC SW
0T	SPEED SW. CONNECTOR	10H	AUX. COMPRESSOR CLUTCH	12P	12V SOUND SYSTEM FEEDING	24D	24 V. HOT WIRE FEEDING
0T1	DASH ACC. GROUND	10L	AUX. COMPRESSOR CLUTCH	12SB	12V SOUND SYSTEM FEEDING	24D	FR JCT BOX 24V HOT WIRE
0T2	CLUSTER ACC. GROUND	10X	AUX. COMPRESSOR CLUTCH	12SS	12V SOUND SYSTEM FEEDING		
0T2	WINDOW AWNING	11	DESTINATION SIGN	12S	12 V RADIO FEEDING		
		11A	DESTINATION SIGN	12S1	12 V RADIO FEEDING		
		11B	DESTINATION SIGN	12S1A	12V DVD KARAOKE FEEDING		

CIRCUIT NUMBER CODE

NO.	DESCRIPTION	NO.	DESCRIPTION	NO.	DESCRIPTION	NO.	DESCRIPTION
24DD	FR JCT BOX 24V HOT WIRE	27	LAVATORY ALARM	46D	EXTERIOR LTS-AUX LTS RESIS.	69	MOT DAMPER MIX LIMIT SWITCH
24DS	WIRELESS MICRO FEEDING	28H	T.T.LT MODULE - HI A/C PRES.	48	ENTRANCE DOOR OPEN SIGNAL	70	HAT RACK & NIGHT LTS FEEDING
24E	24 VOLTS POWER DISTRIBUTION	28T	T.T.LT MODULE - LO A/C PRES.	48A	ENTRANCE DOOR OPEN SOL.	72	SUN VISOR - FEED
24E	RR JCT PANEL 24V DISC SW	29	A/C & HEAT SYS.-DR'S HTR	48B	ENTRANCE DOOR OPEN SIGNAL	72A	SUN VISOR RH
24F	RR JCT PANEL 24V DISC SW	29H	HVAC DASH MODILE	48C	ENTRANCE DOOR SYSTEM	72B	SUN VISOR RH
24H	RR JCT PANEL 24V DISC SW	30A	GALLEY SWITCH SIGNAL	48D	ENTRANCE DOOR SYSTEM	72C	SUN VISOR LH
24I	FR JCT PANEL 24V IGNITION	30J	GALLEY SWITCH LED	48W	ENTRANCE DOOR SEDAN	72D	SUN VISOR LH
24IA	RR JCT PANEL 24V IGNITION	31B	WIPER & WASHER SYSTEM	49	ENTRANCE DOOR CLOSE SIGNAL	74	R.H. READING LAMP FEEDING
24IA	FR JCT PANEL 24V IGNITION	32	EXTERIOR LTS-BACK-UP	49A	ENTRANCE DOOR SYSTEM	74A	R.H. HOTESS CHIME FEEDING
24IB	FR JCT PANEL 24V IGNITION	32B	EXTERIOR LTS-BACK-UP	49B	ENTRANCE DOOR SYSTEM	74B	WCL R.H. READING LAMP FEED.
24IF	FR JCT PANEL 24V IGNITION	35	ENTRANCE STEP LIGHTS	50	AIR DRYER	74D	READING LAMP SWITCH
24K	RR JCT PANEL 24V DISC SW	36	ENGINE BRAKE SYSTEM	52	ALARM & SIGNAL-ELEC.HORN	74J	READING LAMP INDICATOR SW.
24L	RR JCT PANEL 24V DISC SW	36A	ENGINE BRAKE SYSTEM & RET.	52A	ALARM & SIGNAL-ELEC.HORN	75	L.H. READING LAMP FEEDING
24M	RR JCT PANEL 24V DISC SW	37	LAVATORY LTS FEEDING	52B	PNEUMATIC HORN	75A	L.H. HOTESS CHIME FEEDING
24P	FR JCT PANEL 24V DISC SW	38	FLUORESCENT RELAY FEEDING	53	ALARM & SIGNAL-ELEC.HORN	76	FUEL TANK GAUGE
24P2	RR BENCH- INVERTER	38A	R.H FLUORESCENT	53B	WIPER & WASHER SYSTEM	76C	LOW FUEL T.T.LT
24PV	RR BENCH- INVERTER	38B	L.H. FLUORESCENT	53C	WIPER & WASHER SYSTEM	76M	FUEL PRIME PUMP
24R	24V STARTER RELAY	38C	FLUORESCENT FEEDING	53E	WIPER & WASHER SYSTEM	76P	FUEL PRIME PUMP FEEDING
24R	SCENIC VIEW SIGNAL ON	39	INTERIOR LTS-DRIVER'S LTS	53J	WIPER & WASHER SYSTEM	77B	A/C SYS. - LIQ. SOL. VALVE
24SB	24V SOUND SYSTEM FEEDING	39D	INTERIOR LTS - DRIVER' LTS	55	EXTERIOR LTS-HI BEAM	77C	A/C & HEAT SYS.- COMPRESSOR
24SS	24V SOUND SYSTEM FEEDING	41	A/C SYS.-COND FAN MOTOR	57	EXTERIOR LTS-HI BEAM	77H	A/C SYS.-LIQ. SOL. VALVE
24S1	AMPLIFIER FEEDING	41A	A/C SYS.-COND FAN MOTOR	57A	EXTERIOR LTS-HI BEAM	81	EXTERIOR LTS-STOP SW
24S2	AMPLIFIER FEEDING	41B	A/C SYS.-COND FAN MOTOR	57B	A/C & HEAT SYS.-WATER PUMP	82	EXTERIOR LTS-STOP SIGNAL
24S3	VIDEO FEEDING	42	A/C SYS.-COND FAN MOTOR	57C	A/C & HEAT SYS.-WATER PUMP	82A	EXTERIOR LTS-STOP SIGNAL
24S4	VIDEO FEEDING	42A	A/C SYS.-COND FAN MOTOR	57E	A/C & HEAT SYS.-WATER VALV	82B	EXTERIOR LTS-STOP LTS
24T	RR JCT PANEL 24V DISC SW	43	PARCEL RACK A/C	57W	PRE-HEAT WATER HEATER	82C	EXTERIOR LTS-STOP LTS
24VA	24 VOLTS BATTERY EQUALIZER	43A	PARCEL RACK A/C	58	EXTERIOR LTS-LO BEAM	82L	EXT. LTS-STOP LTS & CYCLOP
24VD	24V HOT WIRE FEED	43B	PARCEL RACK A/C	58A	EXTERIOR LTS-LO BEAM	82R	EXTERIOR LTS-STOP LTS
24VF	24 VOLTS FRONT DISTRIBUTION	43C	PARCEL RACK A/C	58B	EXTERIOR LTS-LO BEAM	83	EXT. LTS-STOP LTS & CYCLOP
24VI	24 VOLTS IGNITION REAR DIST.	43D	PARCEL RACK A/C	59A	ENGINE BRAKE SYSTEM	83A	EXT. LTS-STOP LTS & CYCLOP
24VR	24 VOLTS REAR DISTRIBUTION	43E	PARCEL RACK A/C	61	EXTERIOR LTS-24V FEED SW	83B	EXT. LTS-STOP LTS & CYCLOP
24Y	24 VOLTS POWER GALLEY	43F	PARCEL RACK A/C	61A	EXTERIOR LTS-HEAD SIGNAL	84	EXT. LTS-STOP LTS & CYCLOP
24WC	WCL PUMP FEEDING	43G	PARCEL RACK A/C	62	LAVATORY INDICATOR	85	EXT. LTS-STOP LTS & CYCLOP
24WL	WCL PUMP FEEDING	43M	PARCEL RACK A/C	63	EXTERIOR LTS-CLEAR. FEED	85A	EXT. LTS-STOP LTS & CYCLOP
24WR	WCL POWER ACCES.	43X	PARCEL RACK A/C	63B	EXTERIOR LTS-CLEARANCE	85C	EXT. LTS-STOP LTS & CYCLOP
25	EITHER ALTERNAT. RUN SIGNAL	44	EXTERIOR LTS-FOG	63C	EXT. LTS-MARKER SIGNAL	85W	EXT. LTS-STOP LTS & CYCLOP
25A	TT.LT. ALTERNATOR #1	44A	EXTERIOR LTS-FOG	63D	BLINKER RELAY	85X	EXT. LTS-STOP LTS & CYCLOP
25A1	BOSCH ALTERNATOR SIGNAL D+	44B	EXTERIOR LTS-FOG	63E	BLINKER RELAY	85Y	EXT. LTS-STOP LTS & CYCLOP
25A2	BOSCH ALTERNATOR SIGNAL D+	44C	FOG,LTS & HVAC FEEDING	63F	EXT. LTS-MARKER BLINKER	86	EXT. LTS-STOP LTS & CYCLOP
25B	EXT. LTS-DAYTIME RUN LTS	44D	EXTERIOR LTS - FOG	64	DRIVER'S FAN SPEED CTR	86A	EXT. LTS-STOP LTS & CYCLOP
25D	BOTH ALTERNATOR RUN SIGNAL	44E	EXTERNAL LTS - FOG	64A	A/C SPARE	86F	EXT. LTS-STOP LTS & CYCLOP
25K	T.T LT. ALTERNATOR #2	45A	A/C & HEAT SYSTEM FULL AIR	64B	A/C SPARE	86T	EXT. LTS-STOP LTS & CYCLOP
26	DR'S & ENT. WINDOW LIFTER	45B	A/C & HEAT SYS.-WATER PUMP	65	FOOT DAMPER MOTOR		
26A	CIGAR LIGHT. & POW.OUTLET LH	45C	A/C & HEAT SYS.-WATER VALV	65A	FOOT DAMPER MOTOR		
26B	DRIVER'S WINDOW LIFTER	45D	A/C & HEAT SYS.-WATER VALV	65D	DRIVER'S REC. DAMPER		
26C	DRIVER'S WINDOW LIFTER	45G	A/C & HEAT SYS.-DR'S HTR	66	A/C PASSENGER - ON/OFF		
		46	EXTERIOR LTS-MARKER	67A	A/C & HEAT SYSTEM		
		46A	EXTERIOR LTS-AUX LTS RESIS.	68	DASH & DEFROST DAMPER MOT		
		46C	EXTERIOR LTS-MARKER	68A	DASH & DEFROST DAMPER		

CIRCUIT NUMBER CODE

NO.	DESCRIPTION	NO.	DESCRIPTION	NO.	DESCRIPTION	NO.	DESCRIPTION
87B	ENGINE CTR-24V IGNITION	123B	ALARM & SIGNAL-FIRE DETECT.	136	MICRO-WAVE OVEN SWITCH	147C	ETHER COLD START
88	ENGINE CTR-RR START SIGNAL	124	WORLD TR.-SENSOR POWER	136A	GALLEY LAMP	148	ABS SYSTEM-VALVE
89	ENGINE CTR-RR START SIGNAL	124A	WORLD TRANSM-SENSOR PWR	136A	WORLD TRANSM-12V BATTERY	148	WORLD TR.-OUTPUT SPEED LO
90B	ENG. CTR-MAST KEY SW FEED	125	LAVATORY FAN	136A1	WORLD TRANSM-12V BATTERY	149	WORLD TR.-TURBINE SPEED H
91	PARKING BRAKE SW SIGNAL	125	WORLD TR-RETARDER INDICAT.	136A2	WORLD TRANSM-12V BATTERY	149	ABS SYSTEM-SENSOR
91A	DDEC -FAST IDLE SIGNAL	125W	WORLD TR-RETARDER INDICAT.	136AA	WORLD TRANSM-SHIFTER PWR	149A	ABS SYSTEM
91B	D.R.L. CANCEL RELAY	126	24 V IGN. SPEED SWITCH	136V	WORLD TRANSM-12V BATTERY	150	WORLD TR.-ENGINE SPEED LO
91C	PARKING BRAKE - T.T.LT	126	24 V IGN. SPEED SWITCH	136W	WORLD TRANSM-12V BATTERY	150	DDEC -ECM BATTERY GRD
91J	FAST IDLE - JUMPER SW.	126A	KNEELING SYSTEM	136X	WORLD TRANSM-12V BATTERY	150A	DDEC -ECM BATTERY GRD
91W	WCL PARKING BRAKE SIGNAL	126AA	KNEELING SYSTEM	137	WORLD TRANSM-RETARDER	151	DDEC -ECM BATTERY GRD
92	BATT. EQUAL.-CHECK BALANCE	126B	HI-BUOY SIGNAL	137	RR VIEW MIRROR	151	ATC VALVE
93	BATT. EQUALIZ.-CHECK LO/HI	126C	KNEELING SYSTEM	137A	RR VIEW MIRROR	152	ATC VALVE
95A	ENG. BRAKE & RETARDER SYS.	126D	KNEELING SYSTEM	137B	RR VIEW MIRROR	153	ELECTRICAL DRIVER'S SEAT
95B	ENG. BRAKE & RETARDER SYS.	126F	KNEELING SYSTEM	137C	RR VIEW MIRROR	154	WORLD TRANSM-ABS INPUT (-)
97	TACHOMETER SIGN.-NOT USED	126G	KNEELING SYSTEM	137D	RR VIEW MIRROR	156A	ABS SYSTEM-FEED
100	INTERIOR LTS RELAY COIL	126H	SPEED SIGN 5NC - 24V	137E	RR VIEW MIRROR	157B	ABS SYSTEM
100	INDIRECT LTS FEEDING	126K	KNEELING SYSTEM	137F	RR VIEW MIRROR	159	WORLD TRANSM-DIAGNOSTIC
100A	INDIRECT LTS RELAY COIL	126L	KNEELING SYSTEM	137H	RR VIEW MIRROR	160	ALARM & SIGN.-TAG PRESS SW
100B	INDIRECT LTS FEEDING	126P	KNEELING SYSTEM	137J	RR VIEW MIRROR	161B	WORLD TRANSM-SIGNALGRD
100C	INDIRECT LTS FEEDING	126R	KNEELING SYSTEM	137K	RR VIEW MIRROR	162	WORLD TRANSM-PRESS. SW C3
101	24 VOLTS POWER STARTER	126S	KNEELING SYSTEM	137L	RR VIEW MIRROR	163	WORLD TR.-RETARDER ENABLE
101	WORLD TR.- LO SIGN SOL.LO	126T	KNEELING SYSTEM	137M	RR VIEW MIRROR FEED	164	WORLD TR.-RET. ACTUAT. SIGN
102	24 VOLTS A/C DISTRIBUTION	126W	KNEELING SYSTEM	137R	WORLD TRANSM-RETARDER	165	WORLD TR.-OIL LEVEL SIGNAL
102	WORLD TRANSM.-SOL. SUPPLY	126W	WORLD TRANSM-NOT USED	137T	MIRROR HEAT SW-JUMPER	166	WORLD TRANSM. OUTPUT 7
102A	BOSCH ALTERNATOR FEEDING	127	WORLD TRANSM. - H SOL.	138	WORLD TR.-RETARDER TEMP	167	W. TR.-OUT SPEED INTERLOCK
103	WORLD TRANSM.- B.SOL.LO	127	24HOT WIRE PREHEAT	138	ABS SYSTEM-SENSOR	169	WORLD TRANSM-PRE-SELECT #1
103	LOW BUOY SYSTEM	127A	PRE-HEAT WATER HEATER	138A	ABS SYSTEM-SENSOR	170	WORLD TRANSM-SHIFTER
104	WORLD TR. -G SOL.	127B	PRE-HEAT WATER HEATER	139	ABS SYSTEM-VALVE	170C	LUGGAGE DOOR LOCK-T.T.LT
105W	WORLD TR-SOL.-RET.OIL TT.LT	127S	PRE-HEAT WATER HEATER	140	WORLD TR.-OUTPUT SPEED HI	170D	LUGGAGE DOOR LOCK-FEED
107	WORLD TR. - SOL. SUPPLY	128	WORLD TRANSM-B SOL.	140	WORLD TR.-TURBINE SPEED LO	170E	LUG. DOOR LOCK-UNLOCK SIGN
110	WORLD TR.-F SOL. LO	128A	PRE-HEAT WATER HEATER	140	ABS SYSTEM-VALVE	170F	LUGGAGE DOOR LOCK-FEED
112	WORLD TR.-SPARE OUTPUT (+)	128B	PRE-HEAT WATER HEATER	141	ABS SYSTEM-VALVE	170G	LUGGAGE DOOR LOCK-FEED
113W	WORLD TR.-REVERSE WARNING	129	WORLD TRANSM-E SOL.	141	WORLD TR.-ENGINE SPEED HI	170K	LUGGAGE DOOR-LOCK SIGN
114	INTERIOR LT-DASH LT RHEOS.	129	PRE-HEAT WATER HEATER	142	ABS SYSTEM-VALVE	170L	LUGG DOOR LOCK-SIGN T.T.LT
114A	INTERIOR LT-DASH LT RHEOS.	129B	PRE-HEAT WATER HEATER	143	ABS SYSTEM-SENSOR	170N	LUGG DOOR LOCK-SIGN T.T.LT
114B	INT. LT-DASH LT RHEOST.FEED	130	WORLD TRANSM-SOL. SUPPLY	143A	ABS SYSTEM-SENSOR	170N	LUGG DOOR LOCK-SIGN T.T.LT
115	DDEC -COOLANT LEVEL	130	EVAP. FAN MAIN CABLE	143A	WORLD TRANS-BATTERY GRD	170R	LUGG DOOR LOCK-SIGN. T.T.LT.
115W	WORLD TR.-DO NOT SHIFT SIGN	131	WORLD TRANSM-D SOL.	143W	WORLD TRANSM-BATTERY GRD	170S	LUGG DOOR LOCK-SIGN T.T.LT
116	WORLD TR.-SOL. SUPPLY	132	WORLD TRANSM-ENGINE BRAKE	143X	WORLD TRANSM-BATTERY GRD	170T	LUGG DOOR LOCK-SIGN T.T.LT
116B	A/C & HEAT SYSTEM-DR'S HTR	133	GALLEY HEATING CONTAINER	143Y	WORLD/EATON TRANSM.BATT.GRD	170V	LUGG DOOR LOCK-SIGN T.T.LT
116C	A/C SYS.-TRIG. DEFROST	133A	GALLEY HEATING CONTAINER	144	ABS SYSTEM-SENSOR	170W	LUGGAGE DOOR LOCK-FEED
117A	OIL TEMP. EATON TRANSM.	133B	GALLEY HEATING CONTAINER	144A	ABS SYSTEM-SENSOR	170X	LUGG DOOR LOCK-SIGN T.T.LT
119	WORLD TRANSM-ENGINE BRAKE	133C	GALLEY HEATING CONTAINER	145	ABS SYSTEM	170Y	LUGGAGE DOOR LOCK-FEED
120	WORLD TRANSM-A SOL.	134	GALLEY HEATING CONTAINER	146	ABS SYSTEM	170Z	LUGGAGE DOOR LOCK
121	WORLD TRANSM-SOL.SUPPLY	134A	GALLEY HEATING CONTAINER	146A	WORLD TRANSM-12V IGNITION	171	WORLD TRANSM-SHIFTER
123	WORLD TR.-NEUTRAL START	135	GALLEY HEATING CONTAINER	146AA	WORLD TRANSM-DIAGN.CONN.	172	WORLD TRANSM-SHIFTER
123A	ALARM & SIGNAL-FIRE DETECT.	135A	WORLD TR.-RES MODULE RET.	147	WORLD TRANSM-OIL TEMP	173	WORLD TRANSM-SHIFTER
		135B	A/C & HEAT SYS.-AIR SENSOR	147	ABS SYSTEM-VALVE	174	WORLD TRANSM-SHIFTER
		135C	A/C & HEAT SYS.-AIR SENSOR	147A	ETHER COLD START	175A	WORLD TRANSM-SHIFTER

CIRCUIT NUMBER CODE

NO.	DESCRIPTION	NO.	DESCRIPTION	NO.	DESCRIPTION	NO.	DESCRIPTION
176	WORLD TRANSM-SHIFTER	305B	WCL DOOR TOP LT.	925	J1939(+)		
180	OUTSIDE TEMP. DISPLAY	306	WCL CONTROL SYSTEM	926	J1939(-)		
180A	OUTSIDE TEMP. DISPLAY	307	WCL CONTROL SYSTEM	927	J1939(SHIELD)		
180A	WORLD TRANSM-SHIFTER	308	WCL CONTROL SYSTEM	952	DDEC-SENSOR RETURN		
180B	OUTSIDE TEMP. DISPLAY	309	WCL CONTROL SYSTEM	953	DDEC-BATTERY GRD		
180C	OUTSIDE TEMP. DISPLAY	310	EATON TRANSM. START SIGNAL	979	DDEC-ENGINE BRAKE 2 CYL.		
181	FROZEN POINT T.T.LT	311	EATON TR.LH.CONS.GEAR DISPLAY	2123	FLASHER SIGNAL LTS		
181A	TEMP. CTR'L INSIDE SENSOR	312	EATON TR. NEUTRAL SIGNAL				
181B	TEMP. CTR'L INSIDE SENSOR	313	EATON TR.LH.CONS.GEAR DISPLAY				
181C	THERMOMET. OUTSIDE SENSOR	314	EATON TR.LH.CONS. GRD				
181D	THERMOMET. OUTSIDE SENSOR	315	EATON TR.ENG.COMP.12V POWER				
195	WORLD TRANSM-TRANS ID	316	EATON TR.ENG.COMP. GRD				
197	FUEL WATER FILTER	317	EATON TR.ENG.COMP.12V POWER				
197A	FUEL WATER FILTER	318	EATON TR.ENG.COMP. GRD				
200	EATON TRANSM. GRD	319	EATON TR.ENG.COMP.12V POWER				
201	WORLD TRANSM-SPARE	320	EATON TR.ENG.COMP. GRD				
202	WORLD TRANSM-SPARE	417	DDEC-LIMIT SPEED GOVERNOR				
203	WORLD TRANSM-SPARE	419	DDEC -CHEK ENGINE LIGHT				
204	WORLD TRANSM-SPARE	439	DDEC-12V IGNITION				
214	WORLD TR.-BACK-UP SIGNAL	451	DDEC-A/C FAN CLUTCH				
231	WORLD TR.-NEUTRAL SIGN GRD	505	DDEC-TACHOMETER DRIVE				
231F	WORLD TR.-NEUTRAL SIGN GRD	509	DDEC-STOP ENGINE LIGHT				
231W	W.TR.-NEUTRAL SIGN GRD WCL	510	DDEC-FAST IDLE SIGNAL				
240	DDEC -ECM 12V FEEDING	524	DDEC-ENGINE BRAKEDISABLE				
241	DDEC -ECM 12V FEEDING	525	DDEC-FAST IDLE SIGNAL				
253	24V SIGNAL GALLEY INVERTER	528	DDEC-STOP ENG. OVERRIDE				
254	GALLEY REFRIGERATOR	531	DDEC-CRUISE CLUTCH CUT OUT				
254A	GALLEY REFRIGERATOR	540	DDEC-CRUISE ENABLE T.T.LT				
254F	GALLEY REFRIGERATOR	541	DDEC-CRUISE SET SW				
255	GALLEY COFFEEMAKER	542	INPUT PARK BRAKE INTERLOCK				
255A	GALLEY COFFEEMAKER	543	DDEC-CRUISE BRAKE PEDAL				
255B	GALLEY COFFEEMAKER	544	DDEC-CRUISE ON/OFF SW				
260	WINDOW AJAR-T.T.LT	545	DDEC-CRUISE RESUME SW				
290	FAN CLUTCH RADIATOR-FEED	555	DDEC-FAN CLUTCH SPEED#1				
290A	FAN CLUTCH RADIATOR-FEED	556	DDEC-VEHICULE SPEED (+)				
291	FAN CLUTCH RADIATOR SPD 1	557	DDEC-VEHICULE SPEED (-)				
292	FAN CLUTCH RADIATOR SPD 2	563	DDEC-FAN CLUTCH SPEED#2				
292J	FAN OVERRIDE LTS SWITCH	564	DDEC-DIGTAL OUTPUT				
300	WCL POWER SYSTEM & ACCESS.	565	DDEC-ENGINE BRAKE ACTIVE				
300A	WCL POWER SYSTEM SW.	583	DDEC-ENGINE BRAKE 4 CYL.				
301J	WCL POWER SW. JUMPER LED	900	DDEC-DATA LINK (+)				
301	WCL SIGNAL POWER SW.	900A	EATON-DATA LINK(+)				
302	WCL DOOR AJAR TTLT & ALARM	901	DDEC-DATA LINK (-)				
304	WCL DOOR TOP LT.	901A	EATON-DATA LINK(-)				
305	WCL PARKING BRAKE SOL. VALVE	908	DDEC-HYDRAU. PWM#1 OUTPUT				
305A	WCL DOOR OPEN SIGNAL	916	DDEC-SENSOR SUPPLY (5VDC)				

CIRCUIT NUMBER CODE

NO.	DESCRIPTION	NO.	DESCRIPTION	NO.	DESCRIPTION	NO.	DESCRIPTION
A1	RADIO SYSTEM	C15	AUDIO AMPLI	SP10	SPARE WIRE	SP74	SPARE WIRE
A2	RADIO SYSTEM	D1	PASSENGER SPEAKER	SP11	SPARE WIRE	SP75	SPARE WIRE
A3	AUDIO AMPLI	D2	PASSENGER SPEAKER	SP12	SPARE WIRE	SP76	SPARE WIRE
A8	VIDEO SYSTEM	D3	PASSENGER SPEAKER	SP13	SPARE WIRE	SP77	SPARE WIRE
A9	RADIO SYSTEM	D4	PASSENGER SPEAKER	SP14	SPARE WIRE	SP78	SPARE WIRE
A10	AUDIO AMPLI	D5	PASSENGER SPEAKER	SP15	SPARE WIRE	SP80	SPARE WIRE
A11	AUDIO AMPLI	D6	PASSENGER SPEAKER	SP16	SPARE WIRE	SP81	SPARE WIRE
A12	AUDIO AMPLI	D7	PASSENGER SPEAKER	SP17	SPARE WIRE	SP82	SPARE WIRE
A13	AUDIO AMPLI	D8	PASSENGER SPEAKER	SP18	SPARE WIRE	SP83	SPARE WIRE
A15	AUDIO AMPLI	DR1	DRIVER'S SPEAKER	SP19	SPARE WIRE	SP84	SPARE WIRE
A16	VIDEO SYSTEM	DR2	DRIVER'S SPEAKER	SP20	SPARE WIRE	SP85	SPARE WIRE
B1	MICROPHONE	DR3	DRIVER'S SPEAKER	SP21	SPARE WIRE	TW1	TWISTED SPARE
B2	MICROPHONE	DR4	DRIVER'S SPEAKER	SP23	SPARE WIRE	TW2	TWISTED SPARE
B3	MICROPHONE	G1	PASSENGER SPEAKER	SP24	SPARE WIRE	W1	STEERING BOX CONVERTER
B4	MICROPHONE	G2	PASSENGER SPEAKER	SP25	SPARE WIRE	W2	STEERING BOX CONVERTER
B5	MICROPHONE	G3	PASSENGER SPEAKER	SP26	SPARE WIRE	Y1A	FLUORESCENT BALLAST
B6	MICROPHONE	G4	PASSENGER SPEAKER	SP27	SPARE WIRE	Y1B	FLUORESCENT BALLAST
B7	MICROPHONE	G5	PASSENGER SPEAKER	SP28	SPARE WIRE	Y2A	FLUORESCENT BALLAST
B8	MICROPHONE	G6	PASSENGER SPEAKER	SP30	SPARE WIRE	Y2B	FLUORESCENT BALLAST
B10	MICROPHONE	G7	PASSENGER SPEAKER	SP33	SPARE WIRE	Y3A	FLUORESCENT BALLAST
B11	MICROPHONE	G8	PASSENGER SPEAKER	SP34	SPARE WIRE	Y3B	FLUORESCENT BALLAST
B12	MICROPHONE	IPJ1	CLUSTER - BULB TEST POS	SP35	SPARE WIRE	Y4A	FLUORESCENT BALLAST
B1A	FLUORESCENT BALLAST	IPJ2	CLUSTER - BULB TEST NEG.	SP36	SPARE WIRE	Y4B	FLUORESCENT BALLAST
B1B	FLUORESCENT BALLAST	IPJ5	CLUSTER - FUEL GAUGE	SP37	SPARE WIRE	Y5A	FLUORESCENT BALLAST
B2A	FLUORESCENT BALLAST	IPJ6	CLUSTER - BULB TEST POS.	SP38	SPARE WIRE	Y5B	FLUORESCENT BALLAST
B2B	FLUORESCENT BALLAST	IPJ7	CLUSTER - BULB TEST NEG.	SP40	SPARE WIRE	Y6A	FLUORESCENT BALLAST
B3A	FLUORESCENT BALLAST	IPJ8	CLUSTER - MASTER WARNING	SP41	SPARE WIRE	Y6B	FLUORESCENT BALLAST
B3B	FLUORESCENT BALLAST	L8	WATER TANK HEATER	SP42	SPARE WIRE	Y7A	FLUORESCENT BALLAST
B4A	FLUORESCENT BALLAST	L9	WATER TANK HEATER	SP43	SPARE WIRE	Y7B	FLUORESCENT BALLAST
B4B	FLUORESCENT BALLAST	LX5	CLUSTER - COMPUTER MODE	SP44	SPARE WIRE	0	BATTERY - MAIN GROUND
B5A	FLUORESCENT BALLAST	LX6	CLUSTER - COMPUTER DOWN	SP45	SPARE WIRE	0	EVAP. COMPT. GROUND
B5B	FLUORESCENT BALLAST	LX7	CLUSTER - COMPUTER SET	SP48	SPARE WIRE	0	RJB - INSIDE GRD
B6A	FLUORESCENT BALLAST	LX16	CLUSTER - COMPUTER UP	SP50	SPARE WIRE	0	WCL MODULE
B6B	FLUORESCENT BALLAST	LX21	CLUSTER - COMPUTER COM.	SP51	SPARE WIRE	0	INVERTER CUT OFF RELAY
B7A	FLUORESCENT BALLAST	R1A	FLUORESCENT BALLAST	SP52	SPARE WIRE	0A	LAVATORY ACCESSORIES
B7B	FLUORESCENT BALLAST	R1B	FLUORESCENT BALLAST	SP53	SPARE WIRE	0A	EVAP. FAN GROUND
B14	RADIO SYSTEM	RT	T.T.L.T. MODULE - TEST SW.	SP54	SPARE WIRE	0A	FR. ROOF ACC. GRD
B15	RADIO SYSTEM	SPK1	PASSENGER SPEAKER	SP55	SPARE WIRE	0B	BOOSTER BLOCK GROUND
C2	RADIO SYSTEM	SPK2	PASSENGER SPEAKER	SP56	SPARE WIRE	0B	A/C - CONDENSER GRD
C3	CONTROL HEAD ANTENNA	SPK3	PASSENGER SPEAKER	SP57	SPARE WIRE	0B	24V&12V CUT OUT REL.COIL
C5	VIDEO SYSTEM	SPK4	PASSENGER SPEAKER	SP60	SPARE WIRE	0BE	OV BATTERY MONITOR
C6	CONTROL HEAD DIMMER	SP1	SPARE WIRE	SP61	SPARE WIRE	0C	R.J.B. - GRB
C7	RADIO SYSTEM	SP2	SPARE WIRE	SP62	SPARE WIRE	0C	MOTOR STARTER GROUND
C8	AUDIO AMPLI	SP3	SPARE WIRE	SP63	SPARE WIRE	0C	F.R. SERV. CPT- ACC.
C9	VIDEO SYSTEM	SP4	SPARE WIRE	SP64	SPARE WIRE	0C1	ENTRANCE DOOR SEDAN
C10	VIDEO SYSTEM	SP5	SPARE WIRE	SP65	SPARE WIRE	0C2	STEERING CONTROL GROUND
C11	VIDEO SYSTEM	SP6	SPARE WIRE	SP69	SPARE WIRE	0C3	SOUND SYSTEM RELAY
C12	VIDEO SYSTEM	SP7	SPARE WIRE	SP70	SPARE WIRE	0C4	F.J.B. GRD
C13	VIDEO SYSTEM	SP8	SPARE WIRE	SP71	SPARE WIRE	0CJ	CRUISE SW. JUMPER
C14	VIDEO SYSTEM	SP9	SPARE WIRE	SP72	SPARE WIRE	0D	FLUORESCENT GRD

CIRCUIT NUMBER CODE

N0.	DESCRIPTION	N0.	DESCRIPTION	N0.	DESCRIPTION	N0.	DESCRIPTION
0D	COND FAN GRD	0T2	WINDOW AWNING	11B	DESTINATION SIGN	12S1A	12V DVD KARAOKE FEEDING
0E	BATT. COMPT. LTS GROUND	0T3	ALTERNATOR MODULE	11C	DESTINATION SIGN	12S2	12 V RADIO FEEDING
0E	READING LIGHTS GROUND	0T4	12V OUTLET - CTR MODULE	11D	DESTINATION SIGN	12S2A	12V DVD KARAOKE FEEDING
0F	FLUORESCENT GRD	0T5	FS.HVAC DASH MODULE. GND	11E	DESTINATION SIGN	12T	RR JCT BOX 12V DISC SW
0F	PRO-DRIVER GROUND	0VA	BATTERY EQUALIZER GROUND	11K	DESTINATION SIGN	12TE	12 V BATT. TRANSM. EATON
0G	READING LIGHTS GROUND	0W	FJB - TRANSM. RLY GRD	11J	DESTINATION SIGN	12TF	12 V BATT. TRANSM. EATON
0H	ENG. CPT. - ACC. GRD	0W	SHIFT SELECTOR GROUND	11P	DESTINATION SIGN	12VB	FR JCT PANEL 12V DISC SW
0IN	INTERCOM SYSTEM	0W	WCL MODULE	12	12V ELECTRONIC TERMINAL	12VD	12V HOT WIRE DISTRIBUTION
0J	PARCEL RACK A/C UNIT	0WA	WCL DOOR AJAR	12A	FR JCT PANEL 12V DISC SW	12VE	FR JCT PANEL 12V DISC SW
0K	PARCEL RACK A/C UNIT	0WC	WCL BATTERY CPT. ACCES.	12A	BATT. JCT PANEL 12V DISC SW	12VF	12 VOLTS FRONT DISTRIBUTIUN
0L	ENG.CPT -CLEAR.LTS RR ROOF	0WL	WCL SIGNAL DOOR AJAR ALARM	12B	FR JCT PANEL 12V DISC SW	12VG	RR JCT PANEL 12V DISC SW
0L	R.J.B. - GRD	0Y1	ABS SYSTEM-GRD	12BE	12V BATTERY MONITOR	12VI	12V IGNITION DISTRIBUTION
0L	FR - SIDE MARK. & FLASH GRD	0Y2	ABS SYSTEM-GRD	12C	FR JCT PANEL 12V DISC SW	12VO	12 VOLTS BATTERY EQUALIZER
0L1	ENG.CPT-SIDE MARK. & FL. GRD	0Y3	ABS SYSTEM-GRD	12C	RR JCT BOX 12V DISC SW	12VR	12 VOLTS REAR DISTRIBUTION
0L2	HEAD LTS GROUND	0Y4	ABS SYSTEM-GRD	12D	BATT. JCT PANEL 12V HOT WIRE	12W	12V HOT WIRE DDEC FEEDING
0L3	FR.SERV.DR. & ENT.DOOR GRD	0Y5	ABS SYSTEM-GRD	12D	FR JCT PANEL 12V HOT WIRE	12WA	ENTRANCE DOOR SYSTEM
0L4	FOG LTS RESISTOR GRD	0Y6	ABS SYSTEM-GRD	12D	RR JCT PANEL 12V HOT WIRE	12WR	WCL DOOR TOP LT
0L5	LH CONSOL - ACC. GRD	00A	ELECTRONIC TERMINAL GROUND	12DD	FR JCT PANEL 12V HOT WIRE	14	LAVATORY PUMP
0L5	W.C.L.DOOR & AIR DRYER GRD	00F	FRONT ELECTRONIC GROUND	12DDR	FR JCT BOX 12V HOT DDR CONN	14A	LAVATORY PUMP- P.BUTTON
0L6	MARKER&FLASH. GROUND	2B	A/C & HEAT SYSTEM	12DT	T.T. LT MODULE	15	WIPER & WASHER FEEDING
0L7	AISLE LIGHTS GROUND	2D	A/C & HEAT SYSTEM	12E	FR JCT PANEL 12V DISC SW	16	SPEEDOMETER (+)
0L8	DOCKING LTS	2DD	A/C & HEAT SYSTEM	12F	RR JCT PANEL 12V DISC SW	16T	SPEED SW SIGNAL IN (+)
0LV	WINDSHIELD WASHER LEVEL	2E	A/C & HEAT SYSTEM	12F1	FR JCT PANEL 12V DISC SW	17	EXTERIOR LTS-FLASHER UNIT
0M	WIPER 2 MIRROR MOTOR	2EE	A/C & HEAT SYSTEM	12F2	FR JCT PANEL 12V DISC SW	17A	EXTERIOR LTS-FLASHER UNIT
0M3	DEFROST GRD	2H	A/C & HEAT SYS-LO-PRESS SW.	12FL	RR JCT PANEL 12V DISC SW	17C	JUMPER LTS SW. - HAZARD
0M4	HORN & DR'S WINDOW LIFTER	2L	A/C & HEAT SYS-HI-PRESS SW.	12G	FR JCT PANEL 12V DISC SW	20	SPEEDOMETER SIGNAL (-)
0M5	SUN VISOR MOTOR	4A	HOTESS CHIME MAIN SWITCH	12H	12V IGN. DASH ACCESS.	21	LEFT DIRECTIONNAL LTS
0M7	DR'S WIND.LIFT. & RH MIR. SW	4C	HOTESS CHIME P. RACK SW.	12I	RR JCT BOX 12V IGNITION	21A	LEFT DIRECTIONNAL LTS SIGN.
0M7A	LH MIRROR SW.	5	AISLE LTS FEEDING	12I	FR JCT PANEL 12V IGNITION	21B	HAZARD SWITCH SIGNAL
0P	ENG.CDT - PRE-HEATER	5N	EMERGENCY LTS	12IA	FR JCT PANEL 12V IGNITION	21BB	LEFT DIRECTIONNAL LTS FEED.
0R	SOUND SYSTEM RELAY GROUND	5N0	SPEED SIGNAL HIGHER 5MPH	12IA	RR JCT PANEL 12V IGNITION	21H	EXTERIOR LTS-HAZARD SIGNAL
0SA	BOSCH ALTERNATOR GROUND	5NC	SPEED SIGNAL LOWER 5MPH	12IB	FR JCT PANEL 12V IGNITION	21M	AUX. LTS - DIRECTIONAL LH
0SA	PARCEL RACK LTS SWITCH	6	AISLE LTS	12IB	STEERING BOX ECU FEEDING	23	RIGHT DIRECTIONNAL LTS
0SB	PARCEL RACK LTS SWITCH	7B	ENTRANCE DOOR FEED.-24V HW	12IC	FR JCT PANEL 12V IGN EATON	23A	RIGHT DIRECTIONNAL LTS SIGN.
0SC	PARCEL RACK LTS SWITCH	9	INTERIOR LTS-ENGINE CPT	12ID	FR JCT PANEL 12V IGN EATON	23BB	RIGHT DIRECTIONNAL LTS FEED.
0SE	PARCEL RACK LTS SWITCH	9F	INTERIOR LTS - FR-SERV. CPT	12IE	ABS-FR JCT PANEL 12V IGN.	23H	EXTERIOR LTS-HAZARD SIGNAL
0SF	PARCEL RACK LTS SWITCH	10	INTERIOR LTS-LUGGAGE CPT	12IN	12 VOLTS DISC.SW. INTERCOM	23K	RIGHT DIRECT. LTS W/KNELLING
0SG	PARCEL RACK LTS SWITCH	10	INTERIOR LTS-FR SERV. CPT	12J	FR JCT PANEL 12V DISC.SW.	23M	AUX LTS - DIRECTIONAL RH
0SH	PARCEL RACK LTS SWITCH	10A	INTERIOR LTS-LUGGAGE CPT	12K	FR JCT PANEL 12V DISC.SW.	24	24 VOLTS BATTERY DIST.
0SJ	PARCEL RACK LTS SWITCH	10A	AUX. COMPRESSOR CLUTCH	12L	CORNRING LTS FEEDING	24	24 V. DISC. FRONT DIST.
0SS	SOUND SYSTEM GROUND	10B	INTERIOR LTS-LUGGAGE CPT	12LX	CLUSTER 12V HOT WIRE	24A	BATT. JCT PANEL 24V DISC SW
0SS	SOUND SYSTEM GROUND	10C	INTERIOR LTS-LUGGAGE CPT	12M	ABS-FR JCT PANEL 12V DISC.SW	24A	24V BOOSTER BLOCK
0S2	RADIO GROUND	10E	INTERIOR LTS-BATTERY CPT	12N	12 VOLTS BATTERY JCT BLOCK	24A	FR JCT PANEL 24V DISC. SW
0S3	VIDEO GROUND	10H	AUX. COMPRESSOR CLUTCH	12P	12 VOLTS MEMORY RADIO	24A	RR JCT PANEL 24V DISC. SW
0T	LAVATORY FAN & PUMP	10L	AUX. COMPRESSOR CLUTCH	12P	12V POWER OUTLET	24BE	BATTERY MONITOR
0T	SPEED SW. CONNECTOR	10X	AUX. COMPRESSOR CLUTCH	12SB	12V SOUND SYSTEM FEEDING	24C	FR JCT PANEL 24V DISC SW
0T1	DASH ACC. GROUND	11	DESTINATION SIGN	12S	12V SOUND SYSTEM FEEDING		
0T2	CLUSTER ACC. GROUND	11A	DESTINATION SIGN	12S1	12 V RADIO FEEDING		

CIRCUIT NUMBER CODE

NO.	DESCRIPTION	NO.	DESCRIPTION	NO.	DESCRIPTION	NO.	DESCRIPTION
24D	24 V. HOT WIRE FEEDING	26B	DRIVER'S WINDOW LIFTER	RESIS.		68	DASH & DEFROST DAMPER MOT
24D	FR JCT BOX 24V HOT WIRE	26C	DRIVER'S WINDOW LIFTER	46C	EXTERIOR LTS-MARKER	68A	DASH & DEFROST DAMPER MOT
24DD	FR JCT BOX 24V HOT WIRE	27	LAVATORY ALARM	46D	EXTERIOR LTS-AUX LTS RESIS.	69	DAMPER MIX LIMIT SWITCH
24DS	WIRELESS MICRO FEEDING	28H	T.T.LT MODULE - HI A/C PRES.	48	ENTRANCE DOOR OPEN SIGNAL	70	HAT RACK & NIGHT LTS FEEDING
24E	24 VOLTS POWER DISTRIBUTION	28T	T.T.LT MODULE - LO A/C PRES.	48A	ENTRANCE DOOR OPEN SOL.	72	SUN VISOR - FEED
24E	RR JCT PANEL 24V DISC SW	29	A/C & HEAT SYS.-DR'S HTR	48B	ENTRANCE DOOR OPEN SIGNAL	72A	SUN VISOR RH
24F	RR JCT PANEL 24V DISC SW	29H	HVAC DASH MODILE	48C	ENTRANCE DOOR SYSTEM	72B	SUN VISOR RH
24H	RR JCT PANEL 24V DISC SW	30A	GALLEY SWITCH SIGNAL	48D	ENTRANCE DOOR SYSTEM	72C	SUN VISOR LH
24I	FR JCT PANEL 24V IGNITION	30J	GALLEY SWITCH LED	48W	ENTRANCE DOOR SEDAN	72D	SUN VISOR LH
24IA	RR JCT PANEL 24V IGNITION	31B	WIPER & WASHER SYSTEM	49	ENTRANCE DOOR CLOSE SIGNAL	74	R.H. READING LAMP FEEDING
24IA	FR JCT PANEL 24V IGNITION	32	EXTERIOR LTS-BACK-UP	49A	ENTRANCE DOOR SYSTEM	74A	R.H. HOTESS CHIME FEEDING
24IB	FR JCT PANEL 24V IGNITION	32B	EXTERIOR LTS-BACK-UP	49B	ENTRANCE DOOR SYSTEM	74B	WCL R.H. READING LAMP FEED.
24IF	FR JCT PANEL 24V IGNITION	35	ENTRANCE STEP LIGHTS	50	AIR DRYER	74D	READING LAMP SWITCH
24K	RR JCT PANEL 24V DISC SW	36	ENGINE BRAKE SYSTEM	52	ALARM & SIGNAL-ELEC.HORN	74J	READING LAMP INDICATOR SW.
24L	RR JCT PANEL 24V DISC SW	36A	ENGINE BRAKE SYSTEM & RET.	52A	ALARM & SIGNAL-ELEC.HORN	75	L.H. READING LAMP FEEDING
24M	RR JCT PANEL 24V DISC SW	37	LAVATORY LTS FEEDING	52B	PNEUMATIC HORN	75A	L.H. HOTESS CHIME FEEDING
24P	FR JCT PANEL 24V DISC SW	38	FLUORESCENT RELAY FEEDING	53	ALARM & SIGNAL-ELEC.HORN	76	FUEL TANK GAUGE
24P2	RR BENCH- INVERTER	38A	R.H FLUORESCENT	53B	WIPER & WASHER SYSTEM	76C	LOW FUEL T.T.LT
24PV	RR BENCH- INVERTER	38B	L.H. FLUORESCENT	53C	WIPER & WASHER SYSTEM	76M	FUEL PRIME PUMP
24R	24V STARTER RELAY	38C	FLUORESCENT FEEDING	53E	WIPER & WASHER SYSTEM	76P	FUEL PRIME PUMP FEEDING
24R	SCENIC VIEW SIGNAL ON	39	INTERIOR LTS-DRIVER'S LTS	53J	WIPER & WASHER SYSTEM	77B	A/C SYS. - LIQ. SOL. VALVE
24SB	24V SOUND SYSTEM FEEDING	39D	INTERIOR LTS - DRIVER' LTS	55	EXTERIOR LTS-HI BEAM	77C	A/C & HEAT SYS.- COMPRESSOR
24SS	24V SOUND SYSTEM FEEDING	41	A/C SYS.-COND FAN MOTOR	57	EXTERIOR LTS-HI BEAM	77H	A/C SYS.-LIQ. SOL. VALVE
24S1	AMPLIFIER FEEDING	41A	A/C SYS.-COND FAN MOTOR	57A	EXTERIOR LTS-HI BEAM	81	EXTERIOR LTS-STOP SW
24S2	AMPLIFIER FEEDING	41B	A/C SYS.-COND FAN MOTOR	57B	A/C & HEAT SYS.-WATER PUMP	82	EXTERIOR LTS-STOP SIGNAL
24S3	VIDEO FEEDING	42	A/C SYS.-COND FAN MOTOR	57C	A/C & HEAT SYS.-WATER PUMP	82A	EXTERIOR LTS-STOP SIGNAL
24S4	VIDEO FEEDING	42A	A/C SYS.-COND FAN MOTOR	57E	A/C & HEAT SYS.-WATER VALV	82B	EXTERIOR LTS-STOP LTS
24T	RR JCT PANEL 24V DISC SW	43	PARCEL RACK A/C	57W	PRE-HEAT WATER HEATER	82C	EXTERIOR LTS-STOP LTS
24VA	24 VOLTS BATTERY EQUALIZER	43A	PARCEL RACK A/C	58	EXTERIOR LTS-LO BEAM	82L	EXT. LTS-STOP LTS & CYCLOP
24VD	24V HOT WIRE FEED	43B	PARCEL RACK A/C	58A	EXTERIOR LTS-LO BEAM	82R	EXTERIOR LTS-STOP LTS
24VF	24 VOLTS FRONT DISTRIBUTION	43C	PARCEL RACK A/C	58B	EXTERIOR LTS-LO BEAM	83	ENG. CTR-MAST. KEY SW ACC.
24VI	24 VOLTS IGNITION REAR DIST.	43D	PARCEL RACK A/C	59A	ENGINE BRAKE SYSTEM	83A	24V&12V CUT RELAY COIL
24VR	24 VOLTS REAR DISTRIBUTION	43E	PARCEL RACK A/C	61	EXTERIOR LTS-24V FEED SW	83B	24V&12V CUT RELAY COIL
24Y	24 VOLTS POWER GALLEY	43F	PARCEL RACK A/C	61A	EXTERIOR LTS-HEAD SIGNAL	84	ENG. CTR-MAST KEY SW START
24WC	WCL PUMP FEEDING	43G	PARCEL RACK A/C	62	LAVATORY INDICATOR	84A	ENG. CTR-MAST KEY SW START
24WL	WCL PUMP FEEDING	43M	PARCEL RACK A/C	63	EXTERIOR LTS-CLEAR. FEED	84J	ENG. CTR-MAST KEY SW START
24WR	WCL POWER ACCES.	43X	PARCEL RACK A/C	63B	EXTERIOR LTS-CLEARANCE	85	24V IGNITION SIGNAL
25	EITHER ALTERNAT. RUN SIGNAL	44	EXTERIOR LTS-FOG	63C	EXT. LTS-MARKER SIGNAL	85A	24V IGN DASH INSTRUMENT.
25A	TT.LT. ALTERNATOR #1	44A	EXTERIOR LTS-FOG	63D	BLINKER RELAY	85C	24V IGNITION - FEED
25A1	BOSCH ALTERNATOR SIGNAL D+	44B	EXTERIOR LTS-FOG	63E	BLINKER RELAY	85F	RAD. FAN CONTROL W/RETARD
25A2	BOSCH ALTERNATOR SIGNAL D+	44C	FOG,LTS & HVAC FEEDING	63F	EXT. LTS-MARKER BLINKER	85W	OUT SPEED INTERLOCK-24V IGN.
25B	EXT. LTS-DAYTIME RUN LTS	44D	EXTERIOR LTS - FOG	64	DRIVER'S FAN SPEED CTR	85X	ABS-24V IGN
25D	BOTH ALTERNATOR RUN SIGNAL	44E	EXTERNAL LTS - FOG	64A	A/C SPARE	85Y	ABS-WARNING LT
25K	T.T LT. ALTERNATOR #2	45A	A/C & HEAT SYSTEM FULL AIR	64B	A/C SPARE	86	ENG. CTR-STARTER SOL.
26	DR'S & ENT. WINDOW LIFTER	45B	A/C & HEAT SYS.-WATER PUMP	65	FOOT DAMPER MOTOR	86A	ENG. CTR-STARTER RELAY COIL
26A	CIGAR LIGHT. & POW.OUTLET LH	45C	A/C & HEAT SYS.-WATER VALV	65A	FOOT DAMPER MOTOR		
		45D	A/C & HEAT SYS.-WATER VALV	65D	DRIVER'S REC. DAMPER		
		45G	A/C & HEAT SYS.-DR'S HTR	66	A/C PASSENGER - ON/OFF		
		46	EXTERIOR LTS-MARKER	67A	A/C & HEAT SYSTEM		
		46A	EXTERIOR LTS-AUX LTS				

CIRCUIT NUMBER CODE

NO.	DESCRIPTION	NO.	DESCRIPTION	NO.	DESCRIPTION	NO.	DESCRIPTION
86F	TELL TALE STARTER ON	123	WORLD TR.-NEUTRAL START	135B	A/C & HEAT SYS.-AIR SENSOR	147	ABS SYSTEM-VALVE
86T	TELL TALE STARTER ON	123A	ALARM & SIGNAL-FIRE DETECT.	135C	A/C & HEAT SYS.-AIR SENSOR	147A	ETHER COLD START
87B	ENGINE CTR-24V IGNITION	123B	ALARM & SIGNAL-FIRE DETECT.	136	MICRO-WAVE OVEN SWITCH	147C	ETHER COLD START
88	ENGINE CTR-RR START SIGNAL	124	WORLD TR.-SENSOR POWER	136A	GALLEY LAMP	148	ABS SYSTEM-VALVE
89	ENGINE CTR-RR START SIGNAL	124A	WORLD TRANSM-SENSOR PWR	136A	WORLD TRANSM-12V BATTERY	148	WORLD TR.-OUTPUT SPEED LO
90B	ENG. CTR-MAST KEY SW FEED	124A	WORLD TRANSM-SENSOR PWR	136A1	WORLD TRANSM-12V BATTERY	149	WORLD TR.-TURBINE SPEED H
91	PARKING BRAKE SW SIGNAL	125	LAVATORY FAN	136A2	WORLD TRANSM-12V BATTERY	149	ABS SYSTEM-SENSOR
91A	DDEC -FAST IDLE SIGNAL	125	WORLD TR.-RETARDER INDICAT.	136AA	WORLD TRANSM-SHIFTER PWR	149A	ABS SYSTEM
91B	D.R.L. CANCEL RELAY	125	WORLD TRANSM-12V BATTERY	136V	WORLD TRANSM-12V BATTERY	150	WORLD TR.-ENGINE SPEED LO
91C	PARKING BRAKE - T.T.LT	125W	WORLD TR.-RETARDER INDICAT.	136W	WORLD TRANSM-12V BATTERY	150	DDEC -ECM BATTERY GRD
91J	FAST IDLE - JUMPER SW.	126	24 V IGN. SPEED SWITCH	136X	WORLD TRANSM-12V BATTERY	150A	DDEC -ECM BATTERY GRD
91W	WCL PARKING BRAKE SIGNAL	126	24 V IGN. SPEED SWITCH	137	WORLD TRANSM-RETARDER	151	DDEC -ECM BATTERY GRD
92	BATT. EQUAL.-CHECK BALANCE	126A	KNEELING SYSTEM	137	RR VIEW MIRROR	151	ATC VALVE
93	BATT. EQUALIZ.-CHECK LO/HI	126AA	KNEELING SYSTEM	137A	RR VIEW MIRROR	152	ATC VALVE
95A	ENG. BRAKE & RETARDER SYS.	126B	HI-BUOY SIGNAL	137A	RR VIEW MIRROR	153	ELECTRICAL DRIVER'S SEAT
95B	ENG. BRAKE & RETARDER SYS.	126C	KNEELING SYSTEM	137B	RR VIEW MIRROR	154	WORLD TRANSM-ABS INPUT (-)
97	TACHOMETER SIGN.-NOT USED	126D	KNEELING SYSTEM	137C	RR VIEW MIRROR	156A	ABS SYSTEM-FEED
100	INTERIOR LTS RELAY COIL	126E	KNEELING SYSTEM	137D	RR VIEW MIRROR	157B	ABS SYSTEM
100	INDIRECT LTS FEEDING	126F	KNEELING SYSTEM	137E	RR VIEW MIRROR	159	WORLD TRANSM-DIAGNOSTIC
100A	INDIRECT LTS RELAY COIL	126G	KNEELING SYSTEM	137E	RR VIEW MIRROR	160	ALARM & SIGN.-TAG PRESS SW
100B	INDIRECT LTS FEEDING	126H	SPEED SIGN 5NC - 24V	137F	RR VIEW MIRROR	161B	WORLD TRANSM-SIGNALGRD
100C	INDIRECT LTS FEEDING	126I	KNEELING SYSTEM	137F	RR VIEW MIRROR	162	WORLD TRANSM-PRESS. SW C
101	24 VOLTS POWER STARTER	126J	KNEELING SYSTEM	137G	RR VIEW MIRROR	163	WORLD TR.-RETARDER ENABLE
101	WORLD TR.- LO SIGN SOL.LO	126K	KNEELING SYSTEM	137H	RR VIEW MIRROR	164	WORLD TR.-RET. ACTUAT. SIGN
102	24 VOLTS A/C DISTRIBUTION	126L	KNEELING SYSTEM	137H	RR VIEW MIRROR	165	WORLD TR.-OIL LEVEL SIGNAL
102	WORLD TRANSM.-SOL. SUPPLY	126M	KNEELING SYSTEM	137J	RR VIEW MIRROR	166	WORLD TRANSM. OUTPUT 7
102A	BOSCH ALTERNATOR FEEDING	126N	KNEELING SYSTEM	137K	RR VIEW MIRROR	167	W. TR.-OUT SPEED INTERLOCK
103	WORLD TRANSM.- B.SOL.LO	126P	KNEELING SYSTEM	137L	RR VIEW MIRROR	169	WORLD TRANSM-PRE-SELECT #1
103	LOW BUOY SYSTEM	126R	KNEELING SYSTEM	137L	RR VIEW MIRROR	170	WORLD TRANSM-SHIFTER
104	WORLD TR. -G SOL.	126S	KNEELING SYSTEM	137M	RR VIEW MIRROR FEED	170C	LUGGAGE DOOR LOCK-T.T.LT
105W	WORLD TR-SOL.-RET.OIL TT.LT	126T	KNEELING SYSTEM	137M	RR VIEW MIRROR FEED	170D	LUGGAGE DOOR LOCK-FEED
107	WORLD TR. - SOL. SUPPLY	126W	KNEELING SYSTEM	137R	WORLD TRANSM-RETARDER	170E	LUG. DOOR LOCK-UNLOCK SIGN
110	WORLD TR.-F SOL. LO	126W	WORLD TRANSM-NOT USED	137T	MIRROR HEAT SW-JUMPER	170F	LUGGAGE DOOR LOCK-FEED
112	WORLD TR.-SPARE OUTPUT (+)	127	WORLD TRANSM.-NOT USED	138	WORLD TR.-RETARDER TEMP	170G	LUGGAGE DOOR LOCK-FEED
113W	WORLD TR.-REVERSE WARNING	127	WORLD TRANSM.- H SOL.	138	WORLD TR.-RETARDER TEMP	170K	LUGGAGE DOOR-LOCK SIGN
114	INTERIOR LT-DASH LT RHEOS.	127	24HOT WIRE PREHEAT	138A	ABS SYSTEM-SENSOR	170L	LUGG DOOR LOCK-SIGN T.T.LT
114A	INTERIOR LT-DASH LT RHEOS.	127A	PRE-HEAT WATER HEATER	139	ABS SYSTEM-SENSOR	170N	LUGG DOOR LOCK-SIGN T.T.LT
114B	INT. LT-DASH LT RHEOST.FEED	127B	PRE-HEAT WATER HEATER	139	ABS SYSTEM-SENSOR	170R	LUGG DOOR LOCK-SIGN. T.T.LT.
115	DDEC -COOLANT LEVEL	127S	PRE-HEAT WATER HEATER	140	ABS SYSTEM-VALVE	170S	LUGG DOOR LOCK-SIGN T.T.LT
115W	WORLD TR.-DO NOT SHIFT SIGN	128	WORLD TRANSM-B SOL.	140	ABS SYSTEM-VALVE	170T	LUGG DOOR LOCK-SIGN T.T.LT
116	WORLD TR.-SOL. SUPPLY	128A	PRE-HEAT WATER HEATER	141	ABS SYSTEM-VALVE	170V	LUGG DOOR LOCK-SIGN T.T.LT
116B	A/C & HEAT SYSTEM-DR'S HTR	128B	PRE-HEAT WATER HEATER	141	WORLD TR.-ENGINE SPEED HI	170W	LUGGAGE DOOR LOCK-FEED
116C	A/C SYS.-TRIG. DEFROST	129	WORLD TRANSM-E SOL.	142	ABS SYSTEM-VALVE	170X	LUGG DOOR LOCK-SIGN T.T.LT
117A	OIL TEMP. EATON TRANSM.	129	PRE-HEAT WATER HEATER	143	ABS SYSTEM-SENSOR	170Y	LUGGAGE DOOR LOCK-FEED
119	WORLD TRANSM-ENGINE BRAKE	129B	PRE-HEAT WATER HEATER	143A	ABS SYSTEM-SENSOR	170Z	LUGGAGE DOOR LOCK
120	WORLD TRANSM-A SOL.	130	WORLD TRANSM-SOL. SUPPLY	143A	WORLD TRANS-BATERY GRD	171	WORLD TRANSM-SHIFTER
121	WORLD TRANSM-SOL.SUPPLY	130	EVAP. FAN MAIN CABLE	143W	WORLD TRANSM-BATTERY GRD	172	WORLD TRANSM-SHIFTER
		131	WORLD TRANSM-D SOL.	143X	WORLD TRANSM-BATTERY GRD	173	WORLD TRANSM-SHIFTER
		132	WORLD TRANSM-ENGINE BRAKE	143Y	WORLD TRANSM-BATTERY GRD		
		133	GALLEY HEATING CONTAINER	144	ABS SYSTEM-SENSOR		
		133A	GALLEY HEATING CONTAINER	144A	ABS SYSTEM-SENSOR		
		133B	GALLEY HEATING CONTAINER	145	ABS SYSTEM		
		133C	GALLEY HEATING CONTAINER	146	ABS SYSTEM		
		134	GALLEY HEATING CONTAINER	146A	WORLD TRANSM-12V IGNITION		
		134A	GALLEY HEATING CONTAINER	146AA	WORLD TRANSM-DIAGN.CONN.		
		135	GALLEY HEATING CONTAINER	147	WORLD TRANSM-OIL TEMP		
		135A	WORLD TR.-RES MODULE RET.				

CIRCUIT NUMBER CODE

NO.	DESCRIPTION	NO.	DESCRIPTION	NO.	DESCRIPTION	NO.	DESCRIPTION
174	WORLD TRANSM-SHIFTER		VALVE		OUTPUT		
175A	WORLD TRANSM-SHIFTER	305A	WCL DOOR OPEN SIGNAL	916	DDEC-SENSOR SUPPLY (5VDC)		
176	WORLD TRANSM-SHIFTER	305B	WCL DOOR TOP LT.	925	J1939(+)		
180	OUTSIDE TEMP. DISPLAY	306	WCL CONTROL SYSTEM	926	J1939(-)		
180A	OUTSIDE TEMP. DISPLAY	307	WCL CONTROL SYSTEM	927	J1939(SHIELD)		
180A	WORLD TRANSM-SHIFTER	308	WCL CONTROL SYSTEM	952	DDEC-SENSOR RETURN		
180B	OUTSIDE TEMP. DISPLAY	309	WCL CONTROL SYSTEM	953	DDEC-BATTERY GRD		
180C	OUTSIDE TEMP. DISPLAY	310	EATON TRANSM. START SIGNAL	979	DDEC-ENGINE BRAKE 2 CYL.		
181	FROZEN POINT T.T.LT	311	EATON TR.LH.CON.S.GEAR DISPLAY	2123	FLASHER SIGNAL LTS		
181A	TEMP. CTR'L INSIDE SENSOR	312	EATON TR. NEUTRAL SIGNAL				
181B	TEMP. CTR'L INSIDE SENSOR	313	EATON TR.LH.CON.S.GEAR DISPLAY				
181C	THERMOMET. OUTSIDE SENSOR	314	EATON TR.LH.CON.S. GRD				
181D	THERMOMET. OUTSIDE SENSOR	315	EATON TR.ENG.COMP.12V POWER				
195	WORLD TRANSM-TRANS ID	316	EATON TR.ENG.COMP. GRD				
197	FUEL WATER FILTER	317	EATON TR.ENG.COMP.12V POWER				
197A	FUEL WATER FILTER	318	EATON TR.ENG.COMP. GRD				
200	EATON TRANSM. GRD	319	EATON TR.ENG.COMP.12V POWER				
201	WORLD TRANSM-SPARE	320	EATON TR.ENG.COMP. GRD				
202	WORLD TRANSM-SPARE	417	DDEC-LIMIT SPEED GOVERNOR				
203	WORLD TRANSM-SPARE	419	DDEC -CHEK ENGINE LIGHT				
204	WORLD TRANSM-SPARE	439	DDEC-12V IGNITION				
214	WORLD TR.-BACK-UP SIGNAL	451	DDEC-A/C FAN CLUTCH				
231	WORLD TR.-NEUTRAL SIGN GRD	505	DDEC-TACHOMETER DRIVE				
231F	WORLD TR.-NEUTRAL SIGN GRD	509	DDEC-STOP ENGINE LIGHT				
231W	W.TR.-NEUTRAL SIGN GRD WCL	510	DDEC-FAST IDLE SIGNAL				
240	DDEC -ECM 12V FEEDING	524	DDEC-ENGINE BRAKEDISABLE				
241	DDEC -ECM 12V FEEDING	525	DDEC-FAST IDLE SIGNAL				
253	24V SIGNAL GALLEY INVERTER	528	DDEC-STOP ENG. OVERRIDE				
254	GALLEY REFRIGERATOR	531	DDEC-CRUISE CLUTCH CUT OUT				
254A	GALLEY REFRIGERATOR	540	DDEC-CRUISE ENABLE T.T.LT				
254F	GALLEY REFRIGERATOR	541	DDEC-CRUISE SET SW				
255	GALLEY COFFEEMAKER	542	INPUT PARK BRAKE INTERLOCK				
255A	GALLEY COFFEEMAKER	543	DDEC-CRUISE BRAKE PEDAL				
255B	GALLEY COFFEEMAKER	544	DDEC-CRUISE ON/OFF SW				
260	WINDOW AJAR-T.T.LT	545	DDEC-CRUISE RESUME SW				
290	FAN CLUTCH RADIATOR-FEED	555	DDEC-FAN CLUTCH SPEED#1				
290A	FAN CLUTCH RADIATOR-FEED	556	DDEC-VEHICULE SPEED (+)				
291	FAN CLUTCH RADIATOR SPD 1	557	DDEC-VEHICULE SPEED (-)				
292	FAN CLUTCH RADIATOR SPD 2	563	DDEC-FAN CLUTCH SPEED#2				
292J	FAN OVERRIDE LTS SWITCH	564	DDEC-DIGTAL OUTPUT				
300	WCL POWER SYSTEM & ACCESS.	565	DDEC-ENGINE BRAKE ACTIVE				
300A	WCL POWER SYSTEM SW.	583	DDEC-ENGINE BRAKE 4 CYL.				
301J	WCL POWER SW. JUMPER LED	900	DDEC-DATA LINK (+)				
301	WCL SIGNAL POWER SW.	900A	EATON-DATA LINK(+)				
302	WCL DOOR AJAR TTLT & ALARM	901	DDEC-DATA LINK (-)				
304	WCL DOOR TOP LT.	901A	EATON-DATA LINK(-)				
305	WCL PARKING BRAKE SOL.	908	DDEC-HYDRAU. PWM#1				

CIRCUIT NUMBER CODE

NO.	DESCRIPTION	NO.	DESCRIPTION	NO.	DESCRIPTION	NO.	DESCRIPTION
A1	RADIO SYSTEM	C15	AUDIO AMPLI	SP10	SPARE WIRE	SP74	SPARE WIRE
A2	RADIO SYSTEM	D1	PASSENGER SPEAKER	SP11	SPARE WIRE	SP75	SPARE WIRE
A3	AUDIO AMPLI	D2	PASSENGER SPEAKER	SP12	SPARE WIRE	SP76	SPARE WIRE
A8	VIDEO SYSTEM	D3	PASSENGER SPEAKER	SP13	SPARE WIRE	SP77	SPARE WIRE
A9	RADIO SYSTEM	D4	PASSENGER SPEAKER	SP14	SPARE WIRE	SP78	SPARE WIRE
A10	AUDIO AMPLI	D5	PASSENGER SPEAKER	SP15	SPARE WIRE	SP80	SPARE WIRE
A11	AUDIO AMPLI	D6	PASSENGER SPEAKER	SP16	SPARE WIRE	SP81	SPARE WIRE
A12	AUDIO AMPLI	D7	PASSENGER SPEAKER	SP17	SPARE WIRE	SP82	SPARE WIRE
A13	AUDIO AMPLI	D8	PASSENGER SPEAKER	SP18	SPARE WIRE	SP83	SPARE WIRE
A15	AUDIO AMPLI	DR1	DRIVER'S SPEAKER	SP19	SPARE WIRE	SP84	SPARE WIRE
A16	VIDEO SYSTEM	DR2	DRIVER'S SPEAKER	SP20	SPARE WIRE	SP85	SPARE WIRE
B1	MICROPHONE	DR3	DRIVER'S SPEAKER	SP21	SPARE WIRE	TW1	TWISTED SPARE
B2	MICROPHONE	DR4	DRIVER'S SPEAKER	SP23	SPARE WIRE	TW2	TWISTED SPARE
B3	MICROPHONE	G1	PASSENGER SPEAKER	SP24	SPARE WIRE	W1	STEERING BOX CONVERTER
B4	MICROPHONE	G2	PASSENGER SPEAKER	SP25	SPARE WIRE	W2	STEERING BOX CONVERTER
B5	MICROPHONE	G3	PASSENGER SPEAKER	SP26	SPARE WIRE	Y1A	FLUORESCENT BALLAST
B6	MICROPHONE	G4	PASSENGER SPEAKER	SP27	SPARE WIRE	Y1B	FLUORESCENT BALLAST
B7	MICROPHONE	G5	PASSENGER SPEAKER	SP28	SPARE WIRE	Y2A	FLUORESCENT BALLAST
B8	MICROPHONE	G6	PASSENGER SPEAKER	SP30	SPARE WIRE	Y2B	FLUORESCENT BALLAST
B10	MICROPHONE	G7	PASSENGER SPEAKER	SP33	SPARE WIRE	Y3A	FLUORESCENT BALLAST
B11	MICROPHONE	G8	PASSENGER SPEAKER	SP34	SPARE WIRE	Y3B	FLUORESCENT BALLAST
B12	MICROPHONE	IPJ1	CLUSTER - BULB TEST POS	SP35	SPARE WIRE	Y4A	FLUORESCENT BALLAST
B1A	FLUORESCENT BALLAST	IPJ2	CLUSTER - BULB TEST NEG.	SP36	SPARE WIRE	Y4B	FLUORESCENT BALLAST
B1B	FLUORESCENT BALLAST	IPJ5	CLUSTER - FUEL GAUGE	SP37	SPARE WIRE	Y5A	FLUORESCENT BALLAST
B2A	FLUORESCENT BALLAST	IPJ6	CLUSTER - BULB TEST POS.	SP38	SPARE WIRE	Y5B	FLUORESCENT BALLAST
B2B	FLUORESCENT BALLAST	IPJ7	CLUSTER - BULB TEST NEG.	SP40	SPARE WIRE	Y6A	FLUORESCENT BALLAST
B3A	FLUORESCENT BALLAST	IPJ8	CLUSTER - MASTER WARNING	SP41	SPARE WIRE	Y6B	FLUORESCENT BALLAST
B3B	FLUORESCENT BALLAST	L8	WATER TANK HEATER	SP42	SPARE WIRE	Y7A	FLUORESCENT BALLAST
B4A	FLUORESCENT BALLAST	L9	WATER TANK HEATER	SP43	SPARE WIRE	Y7B	FLUORESCENT BALLAST
B4B	FLUORESCENT BALLAST	LX5	CLUSTER - COMPUTER MODE	SP44	SPARE WIRE	0	BATTERY - MAIN GROUND
B5A	FLUORESCENT BALLAST	LX6	CLUSTER - COMPUTER DOWN	SP45	SPARE WIRE	0	EVAP. COMPT. GROUND
B5B	FLUORESCENT BALLAST	LX7	CLUSTER - COMPUTER SET	SP48	SPARE WIRE	0	RJB - INSIDE GRD
B6A	FLUORESCENT BALLAST	LX16	CLUSTER - COMPUTER UP	SP50	SPARE WIRE	0	WCL MODULE
B6B	FLUORESCENT BALLAST	LX21	CLUSTER - COMPUTER COM.	SP51	SPARE WIRE	0	INVERTER CUT OFF RELAY
B7A	FLUORESCENT BALLAST	R1A	FLUORESCENT BALLAST	SP52	SPARE WIRE	0A	LAVATORY ACCESSORIES
B7B	FLUORESCENT BALLAST	R1B	FLUORESCENT BALLAST	SP53	SPARE WIRE	0A	EVAP. FAN GROUND
B14	RADIO SYSTEM	RT	T.T.L.T. MODULE - TEST SW.	SP54	SPARE WIRE	0A	FR. ROOF ACC. GRD
B15	RADIO SYSTEM	SPK1	PASSENGER SPEAKER	SP55	SPARE WIRE	0B	BOOSTER BLOCK GROUND
C2	RADIO SYSTEM	SPK2	PASSENGER SPEAKER	SP56	SPARE WIRE	0B	A/C - CONDENSER GRD
C3	CONTROL HEAD ANTENNA	SPK3	PASSENGER SPEAKER	SP57	SPARE WIRE	0B	24V&12V CUT OUT REL.COIL
C5	VIDEO SYSTEM	SPK4	PASSENGER SPEAKER	SP60	SPARE WIRE	0BE	OV BATTERY MONITOR
C6	CONTROL HEAD DIMMER	SP1	SPARE WIRE	SP61	SPARE WIRE	0C	R.J.B. - GRB
C7	RADIO SYSTEM	SP2	SPARE WIRE	SP62	SPARE WIRE	0C	MOTOR STARTER GROUND
C8	AUDIO AMPLI	SP3	SPARE WIRE	SP63	SPARE WIRE	0C	F.R. SERV. CPT- ACC.
C9	VIDEO SYSTEM	SP4	SPARE WIRE	SP64	SPARE WIRE	0C1	ENTRANCE DOOR SEDAN
C10	VIDEO SYSTEM	SP5	SPARE WIRE	SP65	SPARE WIRE	0C2	STEERING CONTROL GROUND
C11	VIDEO SYSTEM	SP6	SPARE WIRE	SP69	SPARE WIRE	0C3	SOUND SYSTEM RELAY
C12	VIDEO SYSTEM	SP7	SPARE WIRE	SP70	SPARE WIRE	0C4	F.J.B. GRD
C13	VIDEO SYSTEM	SP8	SPARE WIRE	SP71	SPARE WIRE	0CJ	CRUISE SW. JUMPER
C14	VIDEO SYSTEM	SP9	SPARE WIRE	SP72	SPARE WIRE	0D	FLUORESCENT GRD

CIRCUIT NUMBER CODE

NO.	DESCRIPTION	NO.	DESCRIPTION	NO.	DESCRIPTION	NO.	DESCRIPTION
0D	COND FAN GRD	0T2	WINDOW AWNING	11B	DESTINATION SIGN	12S1A	12V DVD KARAOKE FEEDING
0E	BATT. COMPT. LTS GROUND	0T3	ALTERNATOR MODULE	11C	DESTINATION SIGN	12S2	12 V RADIO FEEDING
0E	READING LIGHTS GROUND	0T4	12V OUTLET - CTR MODULE	11D	DESTINATION SIGN	12S2A	12V DVD KARAOKE FEEDING
0F	FLUORESCENT GRD	0T5	FS.HVAC DASH MODULE. GND	11E	DESTINATION SIGN	12T	RR JCT BOX 12V DISC SW
0F	PRO-DRIVER GROUND	0VA	BATTERY EQUALIZER GROUND	11K	DESTINATION SIGN	12TE	12 V BATT. TRANSM. EATON
0G	READING LIGHTS GROUND	0W	FJB - TRANSM. RLY GRD	11J	DESTINATION SIGN	12TF	12 V BATT. TRANSM. EATON
0H	ENG. CPT. - ACC. GRD	0W	SHIFT SELECTOR GROUND	11P	DESTINATION SIGN	12VB	FR JCT PANEL 12V DISC SW
0IN	INTERCOM SYSTEM	0W	WCL MODULE	12	12V ELECTRONIC TERMINAL	12VD	12V HOT WIRE DISTRIBUTION
0J	PARCEL RACK A/C UNIT	0WA	WCL DOOR AJAR	12A	FR JCT PANEL 12V DISC SW	12VE	FR JCT PANEL 12V DISC SW
0K	PARCEL RACK A/C UNIT	0WC	WCL BATTERY CPT. ACCES.	12A	BATT. JCT PANEL 12V DISC SW	12VF	12 VOLTS FRONT DISTRIBUTIUN
0L	ENG.CPT -CLEAR.LTS RR ROOF	0WL	WCL SIGNAL DOOR AJAR ALARM	12B	FR JCT PANEL 12V DISC SW	12VG	RR JCT PANEL 12V DISC SW
0L	R.J.B. - GRD	0Y1	ABS SYSTEM-GRD	12BE	12V BATTERY MONITOR	12VI	12V IGNITION DISTRIBUTION
0L	FR - SIDE MARK. & FLASH GRD	0Y2	ABS SYSTEM-GRD	12C	FR JCT PANEL 12V DISC SW	12VO	12 VOLTS BATTERY EQUALIZER
0L1	ENG.CPT-SIDE MARK. & FL. GRD	0Y3	ABS SYSTEM-GRD	12C	RR JCT BOX 12V DISC SW	12VR	12 VOLTS REAR DISTRIBUTION
0L2	HEAD LTS GROUND	0Y4	ABS SYSTEM-GRD	12D	BATT. JCT PANEL 12V HOT WIRE	12W	12V HOT WIRE DDEC FEEDING
0L3	FR.SERV.DR. & ENT.DOOR GRD	0Y5	ABS SYSTEM-GRD	12D	FR JCT PANEL 12V HOT WIRE	12WA	ENTRANCE DOOR SYSTEM
0L4	FOG LTS RESISTOR GRD	0Y6	ABS SYSTEM-GRD	12D	RR JCT PANEL 12V HOT WIRE	12WR	WCL DOOR TOP LT
0L5	LH CONSOL - ACC. GRD	00A	ELECTRONIC TERMINAL GROUND	12DD	FR JCT PANEL 12V HOT WIRE	14	LAVATORY PUMP
0L5	W.C.L.DOOR & AIR DRYER GRD	00F	FRONT ELECTRONIC GROUND	12DDR	FR JCT BOX 12V HOT DDR CONN	14A	LAVATORY PUMP- P.BUTTON
0L6	MARKER&FLASH. GROUND	2B	A/C & HEAT SYSTEM	12DT	T.T. LT MODULE	14P	LAVATORY PUMP
0L7	AISLE LIGHTS GROUND	2D	A/C & HEAT SYSTEM	12E	FR JCT PANEL 12V DISC SW	15	WIPER & WASHER FEEDING
0L8	DOCKING LTS	2DD	A/C & HEAT SYSTEM	12F	RR JCT PANEL 12V DISC SW	16	SPEEDOMETER (+)
0LV	WINDSHIELD WASHER LEVEL	2E	A/C & HEAT SYSTEM	12F1	FR JCT PANEL 12V DISC SW	16T	SPEED SW SIGNAL IN (+)
0M	WIPER 2 MIRROR MOTOR	2EE	A/C & HEAT SYSTEM	12F2	FR JCT PANEL 12V DISC SW	17	EXTERIOR LTS-FLASHER UNIT
0M3	DEFROST GRD	2H	A/C & HEAT SYS-LO-PRESS SW.	12FL	RR JCT PANEL 12V DISC SW	17A	EXTERIOR LTS-FLASHER UNIT
0M4	HORN & DR'S WINDOW LIFTER	2L	A/C & HEAT SYS-HI-PRESS SW.	12G	FR JCT PANEL 12V DISC SW	17C	JUMPER LTS SW. - HAZARD
0M5	SUN VISOR MOTOR	4A	HOTESS CHIME MAIN SWITCH	12H	12V IGN. DASH ACCESS.	20	SPEEDOMETER SIGNAL (-)
0M7	DR'S WIND.LIFT. & RH MIR. SW	4C	HOTESS CHIME P. RACK SW.	12I	RR JCT BOX 12V IGNITION	21	LEFT DIRECTIONNAL LTS
0M7A	LH MIRROR SW.	5	AISLE LTS FEEDING	12I	FR JCT PANEL 12V IGNITION	21A	LEFT DIRECTIONNAL LTS SIGN.
0P	ENG.CDT - PRE-HEATER	5N	EMERGENCY LTS	12IA	FR JCT PANEL 12V IGNITION	21B	HAZARD SWITCH SIGNAL
0R	SOUND SYSTEM RELAY GROUND	5N0	SPEED SIGNAL HIGHER 5MPH	12IA	RR JCT PANEL 12V IGNITION	21BB	LEFT DIRECTIONNAL LTS FEED.
0SA	BOSCH ALTERNATOR GROUND	5NC	SPEED SIGNAL LOWER 5MPH	12IB	FR JCT PANEL 12V IGNITION	21H	EXTERIOR LTS-HAZARD SIGNAL
0SA	PARCEL RACK LTS SWITCH	6	AISLE LTS	12IB	STEERING BOX ECU FEEDING	21M	AUX. LTS - DIRECTIONAL LH
0SB	PARCEL RACK LTS SWITCH	7B	ENTRANCE DOOR FEED.-24V HW	12IC	FR JCT PANEL 12V IGN EATON	23	RIGHT DIRECTIONNAL LTS
0SC	PARCEL RACK LTS SWITCH	9	INTERIOR LTS-ENGINE CPT	12ID	FR JCT PANEL 12V IGN EATON	23A	RIGHT DIRECTIONNAL LTS SIGN.
0SE	PARCEL RACK LTS SWITCH	9F	INTERIOR LTS - FR-SERV. CPT	12IE	ABS-FR JCT PANEL 12V IGN.	23BB	RIGHT DIRECTIONNAL LTS FEED.
0SF	PARCEL RACK LTS SWITCH	10	INTERIOR LTS-LUGGAGE CPT	12IN	12 VOLTS DISC.SW. INTERCOM	23H	EXTERIOR LTS-HAZARD SIGNAL
0SG	PARCEL RACK LTS SWITCH	10	INTERIOR LTS-FR SERV. CPT	12J	FR JCT PANEL 12V DISC.SW.	23K	RIGHT DIRECT. LTS W/KNELLING
0SH	PARCEL RACK LTS SWITCH	10A	INTERIOR LTS-LUGGAGE CPT	12K	FR JCT PANEL 12V DISC.SW.	23M	AUX LTS - DIRECTIONAL RH
0SJ	PARCEL RACK LTS SWITCH	10A	AUX. COMPRESSOR CLUTCH	12L	CORNRING LTS FEEDING	24	24 VOLTS BATTERY DIST.
0SS	SOUND SYSTEM GROUND	10A	INTERIOR LTS-LUGGAGE CPT	12LX	CLUSTER 12V HOT WIRE	24	24 V. DISC. FRONT DIST.
0SS	SOUND SYSTEM GROUND	10B	INTERIOR LTS-LUGGAGE CPT	12M	ABS-FR JCT PANEL 12V DISC.SW	24A	BATT. JCT PANEL 24V DISC SW
0S2	RADIO GROUND	10C	INTERIOR LTS-LUGGAGE CPT	12P	12 VOLTS BATTERY JCT BLOCK	24A	24V BOOSTER BLOCK
0S3	VIDEO GROUND	10E	INTERIOR LTS-BATTERY CPT	12R	12 VOLTS MEMORY RADIO	24A	FR JCT PANEL 24V DISC. SW
0T	LAVATORY FAN & PUMP	10H	AUX. COMPRESSOR CLUTCH	12P	12V POWER OUTLET	24A	RR JCT PANEL 24V DISC. SW
0T	SPEED SW. CONNECTOR	10L	AUX. COMPRESSOR CLUTCH	12SB	12V SOUND SYSTEM FEEDING	24BE	BATTERY MONITOR
0T1	DASH ACC. GROUND	10X	AUX. COMPRESSOR CLUTCH	12SS	12V SOUND SYSTEM FEEDING		
0T2	CLUSTER ACC. GROUND	11	DESTINATION SIGN	12S	12 V RADIO FEEDING		
		11A	DESTINATION SIGN	12S1	12 V RADIO FEEDING		

CIRCUIT NUMBER CODE

NO.	DESCRIPTION	NO.	DESCRIPTION	NO.	DESCRIPTION	NO.	DESCRIPTION
24C	FR JCT PANEL 24V DISC SW	26B	LH DRIVER'S WINDOW LIFTER	46A	EXTERIOR LTS-AUX LTS RESIS.	68	DASH & DEFROST DAMPER MOT
24D	24 V. HOT WIRE FEEDING	26C	DRIVER'S WINDOW LIFTER LAVATORY ALARM	46C	EXTERIOR LTS-MARKER	68A	DASH & DEFROST DAMPER MOT
24D	FR JCT BOX 24V HOT WIRE	27	LAVATORY ALARM	46D	EXTERIOR LTS-AUX LTS RESIS.	69	DAMPER MIX LIMIT SWITCH
24DD	FR JCT BOX 24V HOT WIRE	28H	T.T.LT MODULE - HI A/C PRES.	48	ENTRANCE DOOR OPEN SIGNAL	70	HAT RACK & NIGHT LTS FEEDING
24DS	WIRELSS MICRO FEEDING	28T	T.T.LT MODULE - LO A/C PRES.	48A	ENTRANCE DOOR OPEN SOL.	72	SUN VISOR - FEED
24E	24 VOLTS POWER DISTRIBUTION	29	A/C & HEAT SYS.-DR'S HTR	48B	ENTRANCE DOOR OPEN SIGNAL	72A	SUN VISOR RH
24E	RR JCT PANEL 24V DISC SW	29H	HVAC DASH MODILE	48C	ENTRANCE DOOR SYSTEM	72B	SUN VISOR RH
24F	RR JCT PANEL 24V DISC SW	30A	GALLEY SWITCH SIGNAL	48D	ENTRANCE DOOR SYSTEM	72C	SUN VISOR LH
24H	RR JCT PANEL 24V DISC SW	30J	GALLEY SWITCH LED	48W	ENTRANCE DOOR SEDAN	72D	SUN VISOR LH
24I	FR JCT PANEL 24V IGNITION	31B	WIPER & WASHER SYSTEM	49	ENTRANCE DOOR CLOSE SIGNAL	74	R.H. READING LAMP FEEDING
24IA	RR JCT PANEL 24V IGNITION	32	EXTERIOR LTS-BACK-UP	49A	ENTRANCE DOOR SYSTEM	74A	R.H. HOTESS CHIME FEEDING
24IA	FR JCT PANEL 24V IGNITION	32B	EXTERIOR LTS-BACK-UP	49B	ENTRANCE DOOR SYSTEM	74B	WCL R.H. READING LAMP FEED.
24IB	FR JCT PANEL 24V IGNITION	35	ENTRANCE STEP LIGHTS	50	AIR DRYER	74D	READING LAMP SWITCH
24IF	FR JCT PANEL 24V IGNITION	36	ENGINE BRAKE SYSTEM	52	ALARM & SIGNAL-ELEC.HORN	74J	READING LAMP INDICATOR SW.
24K	RR JCT PANEL 24V DISC SW	36A	ENGINE BRAKE SYSTEM & RET.	52A	ALARM & SIGNAL-ELEC.HORN	75	L.H. READING LAMP FEEDING
24L	RR JCT PANEL 24V DISC SW	37	LAVATORY LTS FEEDING	52B	PNEUMATIC HORN	75A	L.H. HOTESS CHIME FEEDING
24M	RR JCT PANEL 24V DISC SW	38	FLUORESCENT RELAY FEEDING	53	ALARM & SIGNAL-ELEC.HORN	76	FUEL TANK GAUGE
24P	FR JCT PANEL 24V DISC SW	38A	R.H FLUORESCENT	53B	WIPER & WASHER SYSTEM	76C	LOW FUEL T.T.LT
24P2	RR BENCH- INVERTER	38B	L.H. FLUORESCENT	53C	WIPER & WASHER SYSTEM	76M	FUEL PRIME PUMP
24PV	RR BENCH- INVERTER	38C	FLUORESCENT FEEDING	53E	WIPER & WASHER SYSTEM	76P	FUEL PRIME PUMP FEEDING
24R	24V STARTER RELAY	39	INTERIOR LTS-DRIVER'S LTS	53J	WIPER & WASHER SYSTEM	77B	A/C SYS. - LIQ. SOL. VALVE
24R	SCENIC VIEW SIGNAL ON	39D	INTERIOR LTS - DRIVER' LTS	55	EXTERIOR LTS-HI BEAM	77C	A/C & HEAT SYS.-COMPRESSOR
24SB	24V SOUND SYSTEM FEEDING	41	A/C SYS.-COND FAN MOTOR	57	EXTERIOR LTS-HI BEAM	77H	A/C SYS.-LIQ. SOL. VALVE
24SS	24V SOUND SYSTEM FEEDING	41A	A/C SYS.-COND FAN MOTOR	57A	EXTERIOR LTS-HI BEAM	81	EXTERIOR LTS-STOP SW
24S1	AMPLIFIER FEEDING	41B	A/C SYS.-COND FAN MOTOR	57B	A/C & HEAT SYS.-WATER PUMP	82	EXTERIOR LTS-STOP SIGNAL
24S2	AMPLIFIER FEEDING	42	A/C SYS.-COND FAN MOTOR	57C	A/C & HEAT SYS.-WATER PUMP	82A	EXTERIOR LTS-STOP SIGNAL
24S3	VIDEO FEEDING	42A	A/C SYS.-COND FAN MOTOR	57E	A/C & HEAT SYS.-WATER VALV	82B	EXTERIOR LTS-STOP LTS
24S4	VIDEO FEEDING	43	PARCEL RACK A/C	57W	PRE-HEAT WATER HEATER	82C	EXTERIOR LTS-STOP LTS
24T	RR JCT PANEL 24V DISC SW	43A	PARCEL RACK A/C	58	EXTERIOR LTS-LO BEAM	82L	EXT. LTS-STOP LTS & CYCLOP
24VA	24 VOLTS BATTERY EQUALIZER	43B	PARCEL RACK A/C	58A	EXTERIOR LTS-LO BEAM	82R	EXTERIOR LTS-STOP LTS
24VD	24V HOT WIRE FEED	43C	PARCEL RACK A/C	58B	EXTERIOR LTS-LO BEAM	83	ENG. CTR-MAST. KEY SW ACC.
24VF	24 VOLTS FRONT DISTRIBUTION	43D	PARCEL RACK A/C	59A	ENGINE BRAKE SYSTEM	83A	24V&12V CUT RELAY COIL
24VI	24 VOLTS IGNITION REAR DIST.	43E	PARCEL RACK A/C	61	EXTERIOR LTS-24V FEED SW	83B	24V&12V CUT RELAY COIL
24VR	24 VOLTS REAR DISTRIBUTION	43F	PARCEL RACK A/C	61A	EXTERIOR LTS-HEAD SIGNAL	84	ENG. CTR-MAST KEY SW START
24Y	24 VOLTS POWER GALLEY	43G	PARCEL RACK A/C	62	LAVATORY INDICATOR	84A	ENG. CTR-MAST KEY SW START
24WC	WCL PUMP FEEDING	43M	PARCEL RACK A/C	63	EXTERIOR LTS-CLEAR. FEED	84J	ENG. CTR-MAST KEY SW START
24WL	WCL PUMP FEEDING	43X	PARCEL RACK A/C	63B	EXTERIOR LTS-CLEARANCE	85	24V IGNITION SIGNAL
24WR	WCL POWER ACCES.	44	EXTERIOR LTS-FOG	63C	EXT. LTS-MARKER SIGNAL	85A	24V IGN DASH INSTRUMENT.
25	EITHER ALTERNAT. RUN SIGNAL	44A	EXTERIOR LTS-FOG	63D	BLINKER RELAY	85C	24V IGNITION - FEED
25A	TT.LT. ALTERNATOR #1	44B	EXTERIOR LTS-FOG	63E	BLINKER RELAY	85F	RAD. FAN CONTROL W/RETARD
25A1	BOSCH ALTERNATOR SIGNAL D+	44C	FOG,LTS & HVAC FEEDING	63F	EXT. LTS-MARKER BLINKER	85W	OUT SPEED INTERLOCK-24V IGN.
25A2	BOSCH ALTERNATOR SIGNAL D+	44D	EXTERIOR LTS - FOG	64	DRIVER'S FAN SPEED CTR	85X	ABS-24V IGN
25B	EXT. LTS-DAYTIME RUN LTS	44E	EXTERNAL LTS - FOG	64A	A/C SPARE	85Y	ABS-WARNING LT
25D	BOTH ALTERNATOR RUN SIGNAL	45A	A/C & HEAT SYSTEM FULL AIR	64B	A/C SPARE	86	ENG. CTR-STARTER SOL.
25K	T.T LT. ALTERNATOR #2	45B	A/C & HEAT SYS.-WATER PUMP	65	FOOT DAMPER MOTOR	86A	ENG. CTR-STARTER RELAY COIL
26	DR'S & ENT. WINDOW LIFTER	45C	A/C & HEAT SYS.-WATER VALV	65A	FOOT DAMPER MOTOR		
26A	CIGAR LIGHT. & POW.OUTLET	45D	A/C & HEAT SYS.-WATER VALV	65D	DRIVER'S REC. DAMPER		
		45G	A/C & HEAT SYS.-DR'S HTR	66	A/C PASSENGER - ON/OFF		
		46	EXTERIOR LTS-MARKER	67A	A/C & HEAT SYSTEM		

CIRCUIT NUMBER CODE

NO.	DESCRIPTION	NO.	DESCRIPTION	NO.	DESCRIPTION	NO.	DESCRIPTION
86F	TELL TALE STARTER ON	123	WORLD TR.-NEUTRAL START	135B	A/C & HEAT SYS.-AIR SENSOR	147	ABS SYSTEM-VALVE
86T	TELL TALE STARTER ON	123A	ALARM & SIGNAL-FIRE DETECT.	135C	A/C & HEAT SYS.-AIR SENSOR	147A	ETHER COLD START
87B	ENGINE CTR-24V IGNITION	123B	ALARM & SIGNAL-FIRE DETECT.	136	MICRO-WAVE OVEN SWITCH	147C	ETHER COLD START
88	ENGINE CTR-RR START SIGNAL	124	WORLD TR.-SENSOR POWER	136A	GALLEY LAMP	148	ABS SYSTEM-VALVE
89	ENGINE CTR-RR START SIGNAL	124A	WORLD TRANSM-SENSOR PWR	136A	WORLD TRANSM-12V BATTERY	148	WORLD TR.-OUTPUT SPEED LO
90B	ENG. CTR-MAST KEY SW FEED	124A	WORLD TRANSM-SENSOR PWR	136A1	WORLD TRANSM-12V BATTERY	149	WORLD TR.-TURBINE SPEED H
91	PARKING BRAKE SW SIGNAL	125	LAVATORY FAN	136A2	WORLD TRANSM-12V BATTERY	149	ABS SYSTEM-SENSOR
91A	DDEC -FAST IDLE SIGNAL	125	WORLD TR.-RETARDER INDICAT.	136AA	WORLD TRANSM-SHIFTER PWR	149A	ABS SYSTEM
91B	D.R.L. CANCEL RELAY	125	WORLD TR.-RETARDER INDICAT.	136V	WORLD TRANSM-12V BATTERY	150	WORLD TR.-ENGINE SPEED LO
91C	PARKING BRAKE - T.T.LT	125W	WORLD TR.-RETARDER INDICAT.	136W	WORLD TRANSM-12V BATTERY	150	DDEC -ECM BATTERY GRD
91J	FAST IDLE - JUMPER SW.	126	24 V IGN. SPEED SWITCH	136X	WORLD TRANSM-12V BATTERY	150A	DDEC -ECM BATTERY GRD
91W	WCL PARKING BRAKE SIGNAL	126	24 V IGN. SPEED SWITCH	137	WORLD TRANSM-RETARDER	151	DDEC -ECM BATTERY GRD
92	BATT. EQUAL.-CHECK BALANCE	126A	KNEELING SYSTEM	137	RR VIEW MIRROR	151	ATC VALVE
93	BATT. EQUALIZ.-CHECK LO/HI	126AA	KNEELING SYSTEM	137A	RR VIEW MIRROR	152	ATC VALVE
95A	ENG. BRAKE & RETARDER SYS.	126B	HI-BUOY SIGNAL	137A	RR VIEW MIRROR	153	ELECTRICAL DRIVER'S SEAT
95B	ENG. BRAKE & RETARDER SYS.	126C	KNEELING SYSTEM	137B	RR VIEW MIRROR	154	WORLD TRANSM-ABS INPUT (-)
97	TACHOMETER SIGN.-NOT USED	126D	KNEELING SYSTEM	137C	RR VIEW MIRROR	156A	ABS SYSTEM-FEED
100	INTERIOR LTS RELAY COIL	126E	KNEELING SYSTEM	137D	RR VIEW MIRROR	157B	ABS SYSTEM
100	INDIRECT LTS FEEDING	126F	KNEELING SYSTEM	137E	RR VIEW MIRROR	159	WORLD TRANSM-DIAGNOSTIC
100A	INDIRECT LTS RELAY COIL	126G	KNEELING SYSTEM	137E	RR VIEW MIRROR	160	ALARM & SIGN.-TAG PRESS SW
100B	INDIRECT LTS FEEDING	126H	SPEED SIGN 5NC - 24V	137F	RR VIEW MIRROR	161B	WORLD TRANSM-SIGNALGRD
100C	INDIRECT LTS FEEDING	126I	KNEELING SYSTEM	137F	RR VIEW MIRROR	162	WORLD TRANSM-PRESS. SW C
101	24 VOLTS POWER STARTER	126J	KNEELING SYSTEM	137G	RR VIEW MIRROR	163	WORLD TR.-RETARDER ENABLE
101	WORLD TR.- LO SIGN SOL.LO	126K	KNEELING SYSTEM	137H	RR VIEW MIRROR	164	WORLD TR.-RET. ACTUAT. SIGN
102	24 VOLTS A/C DISTRIBUTION	126L	KNEELING SYSTEM	137H	RR VIEW MIRROR	165	WORLD TR.-OIL LEVEL SIGNAL
102	WORLD TRANSM.-SOL. SUPPLY	126M	KNEELING SYSTEM	137J	RR VIEW MIRROR	166	WORLD TRANSM. OUTPUT 7
102A	BOSCH ALTERNATOR FEEDING	126N	KNEELING SYSTEM	137K	RR VIEW MIRROR	167	W. TR.-OUT SPEED INTERLOCK
103	WORLD TRANSM.- B.SOL.LO	126P	KNEELING SYSTEM	137L	RR VIEW MIRROR	169	WORLD TRANSM-PRE-SELECT #1
103	LOW BUOY SYSTEM	126R	KNEELING SYSTEM	137L	RR VIEW MIRROR	170	WORLD TRANSM-SHIFTER
104	WORLD TR. -G SOL.	126S	KNEELING SYSTEM	137M	RR VIEW MIRROR FEED	170C	LUGGAGE DOOR LOCK-T.T.LT
105W	WORLD TR-SOL.-RET.OIL TT.LT	126T	KNEELING SYSTEM	137M	RR VIEW MIRROR FEED	170D	LUGGAGE DOOR LOCK-FEED
107	WORLD TR. - SOL. SUPPLY	126W	KNEELING SYSTEM	137R	WORLD TRANSM-RETARDER	170E	LUG. DOOR LOCK-UNLOCK SIGN
110	WORLD TR.-F SOL. LO	126W	WORLD TRANSM-NOT USED	137T	MIRROR HEAT SW-JUMPER	170F	LUGGAGE DOOR LOCK-FEED
112	WORLD TR.-SPARE OUTPUT (+)	127	WORLD TRANSM.-NOT USED	138	WORLD TR.-RETARDER TEMP	170G	LUGGAGE DOOR LOCK-FEED
113W	WORLD TR.-REVERSE WARNING	127	WORLD TRANSM.-NOT USED	138	WORLD TR.-RETARDER TEMP	170K	LUGGAGE DOOR-LOCK SIGN
114	INTERIOR LT-DASH LT RHEOS.	127	WORLD TRANSM.-NOT USED	138A	ABS SYSTEM-SENSOR	170L	LUGG DOOR LOCK-SIGN T.T.LT
114A	INTERIOR LT-DASH LT RHEOS.	127	WORLD TRANSM.-NOT USED	139	ABS SYSTEM-SENSOR	170N	LUGG DOOR LOCK-SIGN T.T.LT
114B	INT. LT-DASH LT RHEOST.FEED	127	24HOT WIRE PREHEAT	139	ABS SYSTEM-VALVE	170R	LUGG DOOR LOCK-SIGN. T.T.LT.
115	DDEC -COOLANT LEVEL	127A	PRE-HEAT WATER HEATER	139	WORLD TR.-OUTPUT SPEED HI	170S	LUGG DOOR LOCK-SIGN T.T.LT
115W	WORLD TR.-DO NOT SHIFT SIGN	127B	PRE-HEAT WATER HEATER	140	WORLD TR.-TURBINE SPEED LO	170T	LUGG DOOR LOCK-SIGN T.T.LT
116	WORLD TR.-SOL. SUPPLY	127S	PRE-HEAT WATER HEATER	140	ABS SYSTEM-VALVE	170V	LUGG DOOR LOCK-SIGN T.T.LT
116B	A/C & HEAT SYSTEM-DR'S HTR	128	WORLD TRANSM-B SOL.	141	ABS SYSTEM-VALVE	170W	LUGGAGE DOOR LOCK-FEED
116C	A/C SYS.-TRIG. DEFROST	128A	PRE-HEAT WATER HEATER	141	WORLD TR.-ENGINE SPEED HI	170X	LUGG DOOR LOCK-SIGN T.T.LT
117A	OIL TEMP. EATON TRANSM.	128B	PRE-HEAT WATER HEATER	142	ABS SYSTEM-VALVE	170Y	LUGGAGE DOOR LOCK-FEED
119	WORLD TRANSM-ENGINE BRAKE	129	WORLD TRANSM-E SOL.	143	ABS SYSTEM-SENSOR	170Z	LUGGAGE DOOR LOCK
120	WORLD TRANSM-A SOL.	129	PRE-HEAT WATER HEATER	143A	ABS SYSTEM-SENSOR	171	WORLD TRANSM-SHIFTER
121	WORLD TRANSM-SOL.SUPPLY	129B	PRE-HEAT WATER HEATER	143A	WORLD TRANS-BATERY GRD	172	WORLD TRANSM-SHIFTER
		130	WORLD TRANSM-SOL. SUPPLY	143A	WORLD TRANS-BATERY GRD	173	WORLD TRANSM-SHIFTER
		130	EVAP. FAN MAIN CABLE	143W	WORLD TRANSM-BATTERY GRD		
		131	WORLD TRANSM-D SOL.	143X	WORLD TRANSM-BATTERY GRD		
		132	WORLD TRANSM-ENGINE BRAKE	143Y	WORLD TRANSM-BATTERY GRD		
		133	GALLEY HEATING CONTAINER	144	ABS SYSTEM-SENSOR		
		133A	GALLEY HEATING CONTAINER	144A	ABS SYSTEM-SENSOR		
		133B	GALLEY HEATING CONTAINER	145	ABS SYSTEM		
		133C	GALLEY HEATING CONTAINER	146	ABS SYSTEM		
		134	GALLEY HEATING CONTAINER	146A	WORLD TRANSM-12V IGNITION		
		134A	GALLEY HEATING CONTAINER	146AA	WORLD TRANSM-DIAGN.CONN.		
		135	GALLEY HEATING CONTAINER	147	WORLD TRANSM-OIL TEMP		
		135A	WORLD TR.-RES MODULE RET.				

CIRCUIT NUMBER CODE

NO.	DESCRIPTION	NO.	DESCRIPTION	NO.	DESCRIPTION	NO.	DESCRIPTION
174	WORLD TRANSM-SHIFTER		VALVE		OUTPUT		
175A	WORLD TRANSM-SHIFTER	305A	WCL DOOR OPEN SIGNAL	916	DDEC-SENSOR SUPPLY (5VDC)		
176	WORLD TRANSM-SHIFTER	305B	WCL DOOR TOP LT.	925	J1939(+)		
180	OUTSIDE TEMP. DISPLAY	306	WCL CONTROL SYSTEM	926	J1939(-)		
180A	OUTSIDE TEMP. DISPLAY	307	WCL CONTROL SYSTEM	927	J1939(SHIELD)		
180A	WORLD TRANSM-SHIFTER	308	WCL CONTROL SYSTEM	952	DDEC-SENSOR RETURN		
180B	OUTSIDE TEMP. DISPLAY	309	WCL CONTROL SYSTEM	953	DDEC-BATTERY GRD		
180C	OUTSIDE TEMP. DISPLAY	310	EATON TRANSM. START SIGNAL	979	DDEC-ENGINE BRAKE 2 CYL.		
181	FROZEN POINT T.T.LT	311	EATON TR.LH.CONSGEAR DISPLAY	2123	FLASHER SIGNAL LTS		
181A	TEMP. CTR'L INSIDE SENSOR	312	EATON TR. NEUTRAL SIGNAL				
181B	TEMP. CTR'L INSIDE SENSOR	313	EATON TR.LH.CONSGEAR DISPLAY				
181C	THERMOMET. OUTSIDE SENSOR	314	EATON TR.LH.CONSG. GRD				
181D	THERMOMET. OUTSIDE SENSOR	315	EATON TR.ENG.COMP.12V POWER				
195	WORLD TRANSM-TRANS ID	316	EATON TR.ENG.COMP. GRD				
197	FUEL WATER FILTER	317	EATON TR.ENG.COMP.12V POWER				
197A	FUEL WATER FILTER	318	EATON TR.ENG.COMP. GRD				
200	EATON TRANSM. GRD	319	EATON TR.ENG.COMP.12V POWER				
201	WORLD TRANSM-SPARE	320	EATON TR.ENG.COMP. GRD				
202	WORLD TRANSM-SPARE	417	DDEC-LIMIT SPEED GOVERNOR				
203	WORLD TRANSM-SPARE	419	DDEC -CHEK ENGINE LIGHT				
204	WORLD TRANSM-SPARE	439	DDEC-12V IGNITION				
214	WORLD TR.-BACK-UP SIGNAL	451	DDEC-A/C FAN CLUTCH				
231	WORLD TR.-NEUTRAL SIGN GRD	505	DDEC-TACHOMETER DRIVE				
231F	WORLD TR.-NEUTRAL SIGN GRD	509	DDEC-STOP ENGINE LIGHT				
231W	W.TR.-NEUTRAL SIGN GRD WCL	510	DDEC-FAST IDLE SIGNAL				
240	DDEC -ECM 12V FEEDING	524	DDEC-ENGINE BRAKEDISABLE				
241	DDEC -ECM 12V FEEDING	525	DDEC-FAST IDLE SIGNAL				
253	24V SIGNAL GALLEY INVERTER	528	DDEC-STOP ENG. OVERRIDE				
254	GALLEY REFRIGERATOR	531	DDEC-CRUISE CLUTCH CUT OUT				
254A	GALLEY REFRIGERATOR	540	DDEC-CRUISE ENABLE T.T.LT				
254F	GALLEY REFRIGERATOR	541	DDEC-CRUISE SET SW				
255	GALLEY COFFEEMAKER	542	INPUT PARK BRAKE INTERLOCK				
255A	GALLEY COFFEEMAKER	543	DDEC-CRUISE BRAKE PEDAL				
255B	GALLEY COFFEEMAKER	544	DDEC-CRUISE ON/OFF SW				
260	WINDOW AJAR-T.T.LT	545	DDEC-CRUISE RESUME SW				
290	FAN CLUTCH RADIATOR-FEED	555	DDEC-FAN CLUTCH SPEED#1				
290A	FAN CLUTCH RADIATOR-FEED	556	DDEC-VEHICULE SPEED (+)				
291	FAN CLUTCH RADIATOR SPD 1	557	DDEC-VEHICULE SPEED (-)				
292	FAN CLUTCH RADIATOR SPD 2	563	DDEC-FAN CLUTCH SPEED#2				
292J	FAN OVERRIDE LTS SWITCH	564	DDEC-DIGTAL OUTPUT				
300	WCL POWER SYSTEM & ACCESS.	565	DDEC-ENGINE BRAKE ACTIVE				
300A	WCL POWER SYSTEM SW.	583	DDEC-ENGINE BRAKE 4 CYL.				
301J	WCL POWER SW. JUMPER LED	900	DDEC-DATA LINK (+)				
301	WCL SIGNAL POWER SW.	900A	EATON-DATA LINK(+)				
302	WCL DOOR AJAR TTLT & ALARM	901	DDEC-DATA LINK (-)				
304	WCL DOOR TOP LT.	901A	EATON-DATA LINK(-)				
305	WCL PARKING BRAKE SOL.	908	DDEC-HYDRAU. PWM#1				

CIRCUIT NUMBER CODE

NO.	DESCRIPTION	NO.	DESCRIPTION	NO.	DESCRIPTION	NO.	DESCRIPTION
A1	RADIO SYSTEM	C15	AUDIO AMPLI	SP10	SPARE WIRE	SP74	SPARE WIRE
A2	RADIO SYSTEM	D1	PASSENGER SPEAKER	SP11	SPARE WIRE	SP75	SPARE WIRE
A3	AUDIO AMPLI	D2	PASSENGER SPEAKER	SP12	SPARE WIRE	SP76	SPARE WIRE
A8	VIDEO SYSTEM	D3	PASSENGER SPEAKER	SP13	SPARE WIRE	SP77	SPARE WIRE
A9	RADIO SYSTEM	D4	PASSENGER SPEAKER	SP14	SPARE WIRE	SP78	SPARE WIRE
A10	AUDIO AMPLI	D5	PASSENGER SPEAKER	SP15	SPARE WIRE	SP80	SPARE WIRE
A11	AUDIO AMPLI	D6	PASSENGER SPEAKER	SP16	SPARE WIRE	SP81	SPARE WIRE
A12	AUDIO AMPLI	D7	PASSENGER SPEAKER	SP17	SPARE WIRE	SP82	SPARE WIRE
A13	AUDIO AMPLI	D8	PASSENGER SPEAKER	SP18	SPARE WIRE	SP83	SPARE WIRE
A15	AUDIO AMPLI	DR1	DRIVER'S SPEAKER	SP19	SPARE WIRE	SP84	SPARE WIRE
A16	VIDEO SYSTEM	DR2	DRIVER'S SPEAKER	SP20	SPARE WIRE	SP85	SPARE WIRE
B1	MICROPHONE	DR3	DRIVER'S SPEAKER	SP21	SPARE WIRE	TW1	TWISTED SPARE
B2	MICROPHONE	DR4	DRIVER'S SPEAKER	SP23	SPARE WIRE	TW2	TWISTED SPARE
B3	MICROPHONE	G1	PASSENGER SPEAKER	SP24	SPARE WIRE	W1	STEERING BOX CONVERTER
B4	MICROPHONE	G2	PASSENGER SPEAKER	SP25	SPARE WIRE	W2	STEERING BOX CONVERTER
B5	MICROPHONE	G3	PASSENGER SPEAKER	SP26	SPARE WIRE	Y1A	FLUORESCENT BALLAST
B6	MICROPHONE	G4	PASSENGER SPEAKER	SP27	SPARE WIRE	Y1B	FLUORESCENT BALLAST
B7	MICROPHONE	G5	PASSENGER SPEAKER	SP28	SPARE WIRE	Y2A	FLUORESCENT BALLAST
B8	MICROPHONE	G6	PASSENGER SPEAKER	SP30	SPARE WIRE	Y2B	FLUORESCENT BALLAST
B10	MICROPHONE	G7	PASSENGER SPEAKER	SP33	SPARE WIRE	Y3A	FLUORESCENT BALLAST
B11	MICROPHONE	G8	PASSENGER SPEAKER	SP34	SPARE WIRE	Y3B	FLUORESCENT BALLAST
B12	MICROPHONE	IPJ1	CLUSTER - BULB TEST POS	SP35	SPARE WIRE	Y4A	FLUORESCENT BALLAST
B1A	FLUORESCENT BALLAST	IPJ2	CLUSTER - BULB TEST NEG.	SP36	SPARE WIRE	Y4B	FLUORESCENT BALLAST
B1B	FLUORESCENT BALLAST	IPJ5	CLUSTER - FUEL GAUGE	SP37	SPARE WIRE	Y5A	FLUORESCENT BALLAST
B2A	FLUORESCENT BALLAST	IPJ6	CLUSTER - BULB TEST POS.	SP38	SPARE WIRE	Y5B	FLUORESCENT BALLAST
B2B	FLUORESCENT BALLAST	IPJ7	CLUSTER - BULB TEST NEG.	SP40	SPARE WIRE	Y6A	FLUORESCENT BALLAST
B3A	FLUORESCENT BALLAST	IPJ8	CLUSTER - MASTER WARNING	SP41	SPARE WIRE	Y6B	FLUORESCENT BALLAST
B3B	FLUORESCENT BALLAST	L8	WATER TANK HEATER	SP42	SPARE WIRE	Y7A	FLUORESCENT BALLAST
B4A	FLUORESCENT BALLAST	L9	WATER TANK HEATER	SP43	SPARE WIRE	Y7B	FLUORESCENT BALLAST
B4B	FLUORESCENT BALLAST	LX5	CLUSTER - COMPUTER MODE	SP44	SPARE WIRE	0	BATTERY - MAIN GROUND
B5A	FLUORESCENT BALLAST	LX6	CLUSTER - COMPUTER DOWN	SP45	SPARE WIRE	0	EVAP. COMPT. GROUND
B5B	FLUORESCENT BALLAST	LX7	CLUSTER - COMPUTER SET	SP48	SPARE WIRE	0	RJB - INSIDE GRD
B6A	FLUORESCENT BALLAST	LX16	CLUSTER - COMPUTER UP	SP50	SPARE WIRE	0	WCL MODULE
B6B	FLUORESCENT BALLAST	LX21	CLUSTER - COMPUTER COM.	SP51	SPARE WIRE	0	INVERTER CUT OFF RELAY
B7A	FLUORESCENT BALLAST	R1A	FLUORESCENT BALLAST	SP52	SPARE WIRE	0A	LAVATORY ACCESSORIES
B7B	FLUORESCENT BALLAST	R1B	FLUORESCENT BALLAST	SP53	SPARE WIRE	0A	EVAP. FAN GROUND
B14	RADIO SYSTEM	RT	T.T.L.T. MODULE - TEST SW.	SP54	SPARE WIRE	0A	FR. ROOF ACC. GRD
B15	RADIO SYSTEM	SPK1	PASSENGER SPEAKER	SP55	SPARE WIRE	0B	BOOSTER BLOCK GROUND
C2	RADIO SYSTEM	SPK2	PASSENGER SPEAKER	SP56	SPARE WIRE	0B	A/C - CONDENSER GRD
C3	CONTROL HEAD ANTENNA	SPK3	PASSENGER SPEAKER	SP57	SPARE WIRE	0B	24V&12V CUT OUT REL.COIL
C5	VIDEO SYSTEM	SPK4	PASSENGER SPEAKER	SP60	SPARE WIRE	0BE	OV BATTERY MONITOR
C6	CONTROL HEAD DIMMER	SP1	SPARE WIRE	SP61	SPARE WIRE	0C	R.J.B. - GRB
C7	RADIO SYSTEM	SP2	SPARE WIRE	SP62	SPARE WIRE	0C	MOTOR STARTER GROUND
C8	AUDIO AMPLI	SP3	SPARE WIRE	SP63	SPARE WIRE	0C	F.R. SERV. CPT- ACC.
C9	VIDEO SYSTEM	SP4	SPARE WIRE	SP64	SPARE WIRE	0C1	ENTRANCE DOOR SEDAN
C10	VIDEO SYSTEM	SP5	SPARE WIRE	SP65	SPARE WIRE	0C2	STEERING CONTROL GROUND
C11	VIDEO SYSTEM	SP6	SPARE WIRE	SP69	SPARE WIRE	0C3	SOUND SYSTEM RELAY
C12	VIDEO SYSTEM	SP7	SPARE WIRE	SP70	SPARE WIRE	0C4	F.J.B. GRD
C13	VIDEO SYSTEM	SP8	SPARE WIRE	SP71	SPARE WIRE	0CJ	CRUISE SW. JUMPER
C14	VIDEO SYSTEM	SP9	SPARE WIRE	SP72	SPARE WIRE	0D	FLUORESCENT GRD

CIRCUIT NUMBER CODE

NO.	DESCRIPTION	NO.	DESCRIPTION	NO.	DESCRIPTION	NO.	DESCRIPTION
0D	COND FAN GRD	0T2	WINDOW AWNING	11A	DESTINATION SIGN	12S1	12 V RADIO FEEDING
0E	BATT. COMPT. LTS GROUND	0T3	ALTERNATOR MODULE	11B	DESTINATION SIGN	12S1A	12V DVD KARAOKE FEEDING
0E	READING LIGHTS GROUND	0T4	12V OUTLET - CTR MODULE	11C	DESTINATION SIGN	12S2	12 V RADIO FEEDING
0F	FLUORESCENT GRD	0T5	FS.HVAC DASH MODULE. GND	11D	DESTINATION SIGN	12S2A	12V DVD KARAOKE FEEDING
0F	PRO-DRIVER GROUND	0VA	BATTERY EQUALIZER GROUND	11E	DESTINATION SIGN	12T	RR JCT BOX 12V DISC SW
0G	READING LIGHTS GROUND	0W	FJB - TRANSM. RLY GRD	11K	DESTINATION SIGN	12TE	12 V BATT. TRANSM. EATON
0H	ENG. CPT. - ACC. GRD	0W	SHIFT SELECTOR GROUND	11J	DESTINATION SIGN	12TF	12 V BATT. TRANSM. EATON
0IN	INTERCOM SYSTEM	0W	WCL MODULE	11P	DESTINATION SIGN	12VB	FR JCT PANEL 12V DISC SW
0J	PARCEL RACK A/C UNIT	0WA	WCL DOOR AJAR	12	12V ELECTRONIC TERMINAL	12VD	12V HOT WIRE DISTRIBUTION
0K	PARCEL RACK A/C UNIT	0WC	WCL BATTERY CPT. ACCES.	12A	FR JCT PANEL 12V DISC SW	12VE	FR JCT PANEL 12V DISC SW
0L	ENG.CPT -CLEAR.LTS RR ROOF	0WL	WCL SIGNAL DOOR AJAR ALARM	12A	BATT. JCT PANEL 12V DISC SW	12VF	12 VOLTS FRONT DISTRIBUTIUON
0L	R.J.B. - GRD	0Y1	ABS SYSTEM-GRD	12B	FR JCT PANEL 12V DISC SW	12VG	RR JCT PANEL 12V DISC SW
0L	FR - SIDE MARK. & FLASH GRD	0Y2	ABS SYSTEM-GRD	12BE	12V BATTERY MONITOR	12VI	12V IGNITION DISTRIBUTION
0L1	ENG.CPT-SIDE MARK. & FL. GRD	0Y3	ABS SYSTEM-GRD	12C	FR JCT PANEL 12V DISC SW	12VO	12 VOLTS BATTERY EQUALIZER
0L2	HEAD LTS GROUND	0Y4	ABS SYSTEM-GRD	12C	RR JCT BOX 12V DISC SW	12VR	12 VOLTS REAR DISTRIBUTION
0L3	FR.SERV.DR. & ENT.DOOR GRD	0Y5	ABS SYSTEM-GRD	12D	BATT. JCT PANEL 12V HOT WIRE	12W	12V HOT WIRE DDEC FEEDING
0L4	FOG LTS RESISTOR GRD	0Y6	ABS SYSTEM-GRD	12D	FR JCT PANEL 12V HOT WIRE	12WA	ENTRANCE DOOR SYSTEM
0L5	LH CONSOL - ACC. GRD	00A	ELECTRONIC TERMINAL GROUND	12D	RR JCT PANEL 12V HOT WIRE	12WR	WCL DOOR TOP LT
0L5	W.C.L.DOOR & AIR DRYER GRD	00F	FRONT ELECTRONIC GROUND	12DD	FR JCT PANEL 12V HOT WIRE	14	LAVATORY PUMP
0L6	MARKER&FLASH. GROUND	2B	A/C & HEAT SYSTEM	12DDR	FR JCT BOX 12V HOT DDR CONN	14A	LAVATORY PUMP- P.BUTTON
0L7	AISLE LIGHTS GROUND	2D	A/C & HEAT SYSTEM	12DT	T.T. LT MODULE	14P	LAVATORY PUMP
0L8	DOCKING LTS	2DD	A/C & HEAT SYSTEM	12E	FR JCT PANEL 12V DISC SW	15	WIPER & WASHER FEEDING
0LV	WINDSHIELD WASHER LEVEL	2E	A/C & HEAT SYSTEM	12F	RR JCT PANEL 12V DISC SW	16	SPEEDOMETER (+)
0M	WIPER 2 MIRROR MOTOR	2EE	A/C & HEAT SYSTEM	12F1	FR JCT PANEL 12V DISC SW	16T	SPEED SW SIGNAL IN (+)
0M3	DEFROST GRD	2F	A/C & HEAT SYS.-EVAP. SPEED	12F2	FR JCT PANEL 12V DISC SW	17	EXTERIOR LTS-FLASHER UNIT
0M4	HORN & DR'S WINDOW LIFTER	2H	A/C & HEAT SYS-LO-PRESS SW.	12FL	RR JCT PANEL 12V DISC SW	17A	EXTERIOR LTS-FLASHER UNIT
0M5	SUN VISOR MOTOR	2L	A/C & HEAT SYS-HI-PRESS SW.	12G	FR JCT PANEL 12V DISC SW	17C	JUMPER LTS SW. - HAZARD
0M7	DR'S WIND.LIFT. & RH MIR. SW	4A	HOTESS CHIME MAIN SWITCH	12H	12V IGN. DASH ACCESS.	20	SPEEDOMETER SIGNAL (-)
0M7A	LH MIRROR SW.	4C	HOTESS CHIME P. RACK SW.	12I	RR JCT BOX 12V IGNITION	21	LEFT DIRECTIONNAL LTS
0P	ENG.CDT - PRE-HEATER	5	AISLE LTS FEEDING	12I	FR JCT PANEL 12V IGNITION	21A	LEFT DIRECTIONNAL LTS SIGN.
0R	SOUND SYSTEM RELAY GROUND	5N	EMERGENCY LTS	12IA	FR JCT PANEL 12V IGNITION	21B	HAZARD SWITCH SIGNAL
0SA	BOSCH ALTERNATOR GROUND	5N0	SPEED SIGNAL HIGHER 5MPH	12IA	RR JCT PANEL 12V IGNITION	21BB	LEFT DIRECTIONNAL LTS FEED.
0SA	PARCEL RACK LTS SWITCH	5NC	SPEED SIGNAL LOWER 5MPH	12IB	FR JCT PANEL 12V IGNITION	21H	EXTERIOR LTS-HAZARD SIGNAL
0SB	PARCEL RACK LTS SWITCH	6	AISLE LTS	12IB	STEERING BOX ECU FEEDING	21M	AUX. LTS - DIRECTIONAL LH
0SC	PARCEL RACK LTS SWITCH	7B	ENTRANCE DOOR FEED.-24V HW	12IC	FR JCT PANEL 12V IGN EATON	23	RIGHT DIRECTIONNAL LTS
0SE	PARCEL RACK LTS SWITCH	9	INTERIOR LTS-ENGINE CPT	12ID	FR JCT PANEL 12V IGN EATON	23A	RIGHT DIRECTIONNAL LTS SIGN.
0SF	PARCEL RACK LTS SWITCH	9F	INTERIOR LTS - FR-SERV. CPT	12IE	ABS-FR JCT PANEL 12V IGN.	23BB	RIGHT DIRECTIONNAL LTS FEED.
0SG	PARCEL RACK LTS SWITCH	10	INTERIOR LTS-LUGGAGE CPT	12IN	12 VOLTS DISC.SW. INTERCOM	23H	EXTERIOR LTS-HAZARD SIGNAL
0SH	PARCEL RACK LTS SWITCH	10	INTERIOR LTS-FR SERV. CPT	12J	FR JCT PANEL 12V DISC.SW.	23K	RIGHT DIRECT. LTS W/KNELLING
0SJ	PARCEL RACK LTS SWITCH	10A	INTERIOR LTS-LUGGAGE CPT	12K	FR JCT PANEL 12V DISC.SW.	23M	AUX LTS - DIRECTIONAL RH
0SS	SOUND SYSTEM GROUND	10A	AUX. COMPRESSOR CLUTCH	12L	CORNRING LTS FEEDING	24	24 VOLTS BATTERY DIST.
0SS	SOUND SYSTEM GROUND	10A	INTERIOR LTS-LUGGAGE CPT	12LX	CLUSTER 12V HOT WIRE	24	24 V. DISC. FRONT DIST.
0S2	RADIO GROUND	10B	INTERIOR LTS-LUGGAGE CPT	12M	ABS-FR JCT PANEL 12V DISC.SW	24A	BATT. JCT PANEL 24V DISC SW
0S3	VIDEO GROUND	10C	INTERIOR LTS-LUGGAGE CPT	12P	12 VOLTS BATTERY JCT BLOCK	24A	24V BOOSTER BLOCK
0T	LAVATORY FAN & PUMP	10E	INTERIOR LTS-BATTERY CPT	12R	12 VOLTS MEMORY RADIO	24A	FR JCT PANEL 24V DISC. SW
0T	SPEED SW. CONNECTOR	10H	AUX. COMPRESSOR CLUTCH	12P	12V POWER OUTLET	24A	RR JCT PANEL 24V DISC. SW
0T1	DASH ACC. GROUND	10L	AUX. COMPRESSOR CLUTCH	12SB	12V SOUND SYSTEM FEEDING		
0T2	CLUSTER ACC. GROUND	10X	AUX. COMPRESSOR CLUTCH	12SS	12V SOUND SYSTEM FEEDING		
		11	DESTINATION SIGN	12S	12 V RADIO FEEDING		

CIRCUIT NUMBER CODE

NO.	DESCRIPTION	NO.	DESCRIPTION	NO.	DESCRIPTION	NO.	DESCRIPTION
24BE	BATTERY MONITOR	26A	CIGAR LIGHT. & POW.Outlet LH	45H	A/C & HEAT SYS.-EVAP. SPEED	66	A/C PASSENGER - ON/OFF
24C	FR JCT PANEL 24V DISC SW	26B	DRIVER'S WINDOW LIFTER	46	EXTERIOR LTS-MARKER	67A	A/C & HEAT SYSTEM
24D	24 V. HOT WIRE FEEDING	26C	DRIVER'S WINDOW LIFTER	46A	EXTERIOR LTS-AUX LTS RESIS.	68	DASH & DEFROST DAMPER MOT
24D	FR JCT BOX 24V HOT WIRE	27	LAVATORY ALARM	46C	EXTERIOR LTS-MARKER	68A	DASH & DEFROST DAMPER MOT
24DD	FR JCT BOX 24V HOT WIRE	28H	T.T.LT MODULE - HI A/C PRES.	46D	EXTERIOR LTS-AUX LTS RESIS.	69	DAMPER MIX LIMIT SWITCH
24DS	WIRELSS MICRO FEEDING	28T	T.T.LT MODULE - LO A/C PRES.	48	ENTRANCE DOOR OPEN SIGNAL	70	HAT RACK & NIGHT LTS FEEDING
24E	24 VOLTS POWER DISTRIBUTION	29	A/C & HEAT SYS.-DR'S HTR	48A	ENTRANCE DOOR OPEN SOL.	72	SUN VISOR - FEED
24E	RR JCT PANEL 24V DISC SW	29H	HVAC DASH MODILE	48B	ENTRANCE DOOR OPEN SIGNAL	72A	SUN VISOR RH
24F	RR JCT PANEL 24V DISC SW	30A	GALLEY SWITCH SIGNAL	48C	ENTRANCE DOOR SYSTEM	72B	SUN VISOR RH
24H	RR JCT PANEL 24V DISC SW	30J	GALLEY SWITCH LED	48D	ENTRANCE DOOR SYSTEM	72C	SUN VISOR LH
24I	FR JCT PANEL 24V IGNITION	31B	WIPER & WASHER SYSTEM	48W	ENTRANCE DOOR SEDAN	72D	SUN VISOR LH
24IA	RR JCT PANEL 24V IGNITION	32	EXTERIOR LTS-BACK-UP	49	ENTRANCE DOOR CLOSE SIGNAL	74	R.H. READING LAMP FEEDING
24IA	FR JCT PANEL 24V IGNITION	32B	EXTERIOR LTS-BACK-UP	49A	ENTRANCE DOOR SYSTEM	74A	R.H. HOTESS CHIME FEEDING
24IB	FR JCT PANEL 24V IGNITION	35	ENTRANCE STEP LIGHTS	49B	ENTRANCE DOOR SYSTEM	74B	WCL R.H. READING LAMP FEED.
24IF	FR JCT PANEL 24V IGNITION	36	ENGINE BRAKE SYSTEM	50	AIR DRYER	74D	READING LAMP SWITCH
24K	RR JCT PANEL 24V DISC SW	36A	ENGINE BRAKE SYSTEM & RET.	52	ALARM & SIGNAL-ELEC.HORN	74J	READING LAMP INDICATOR SW.
24L	RR JCT PANEL 24V DISC SW	37	LAVATORY LTS FEEDING	52A	ALARM & SIGNAL-ELEC.HORN	75	L.H. READING LAMP FEEDING
24M	RR JCT PANEL 24V DISC SW	38	FLUORESCENT RELAY FEEDING	52B	PNEUMATIC HORN	75A	L.H. HOTESS CHIME FEEDING
24P	FR JCT PANEL 24V DISC SW	38A	R.H FLUORESCENT	53	ALARM & SIGNAL-ELEC.HORN	76	FUEL TANK GAUGE
24P2	RR BENCH- INVERTER	38B	L.H. FLUORESCENT	53B	WIPER & WASHER SYSTEM	76C	LOW FUEL T.T.LT
24PV	RR BENCH- INVERTER	38C	FLUORESCENT FEEDING	53C	WIPER & WASHER SYSTEM	76M	FUEL PRIME PUMP
24R	24V STARTER RELAY	39	INTERIOR LTS-DRIVER'S LTS	53E	WIPER & WASHER SYSTEM	76P	FUEL PRIME PUMP FEEDING
24R	SCENIC VIEW SIGNAL ON	39D	INTERIOR LTS - DRIVER' LTS	53J	WIPER & WASHER SYSTEM	77B	A/C SYS. - LIQ. SOL. VALVE
24SB	24V SOUND SYSTEM FEEDING	41	A/C SYS.-COND FAN MOTOR	55	EXTERIOR LTS-HI BEAM	77C	A/C & HEAT SYS.-COMPRESSOR
24SS	24V SOUND SYSTEM FEEDING	41A	A/C SYS.-COND FAN MOTOR	57	EXTERIOR LTS-HI BEAM	77H	A/C SYS.-LIQ. SOL. VALVE
24S1	AMPLIFIER FEEDING	41B	A/C SYS.-COND FAN MOTOR	57A	EXTERIOR LTS-HI BEAM	81	EXTERIOR LTS-STOP SW
24S2	AMPLIFIER FEEDING	42	A/C SYS.-COND FAN MOTOR	57B	A/C & HEAT SYS.-WATER PUMP	82	EXTERIOR LTS-STOP SIGNAL
24S3	VIDEO FEEDING	42A	A/C SYS.-COND FAN MOTOR	57C	A/C & HEAT SYS.-WATER PUMP	82A	EXTERIOR LTS-STOP SIGNAL
24S4	VIDEO FEEDING	43	PARCEL RACK A/C	57E	A/C & HEAT SYS.-WATER VALV	82B	EXTERIOR LTS-STOP LTS
24T	RR JCT PANEL 24V DISC SW	43A	PARCEL RACK A/C	57W	PRE-HEAT WATER HEATER	82C	EXTERIOR LTS-STOP LTS
24VA	24 VOLTS BATTERY EQUALIZER	43B	PARCEL RACK A/C	58	EXTERIOR LTS-LO BEAM	82L	EXT. LTS-STOP LTS & CYCLOP
24VD	24V HOT WIRE FEED	43C	PARCEL RACK A/C	58A	EXTERIOR LTS-LO BEAM	82R	EXTERIOR LTS-STOP LTS
24VF	24 VOLTS FRONT DISTRIBUTION	43D	PARCEL RACK A/C	58B	EXTERIOR LTS-LO BEAM	83	ENG. CTR-MAST. KEY SW ACC.
24VI	24 VOLTS IGNITION REAR DIST.	43E	PARCEL RACK A/C	59A	ENGINE BRAKE SYSTEM	83A	24V&12V CUT RELAY COIL
24VR	24 VOLTS REAR DISTRIBUTION	43F	PARCEL RACK A/C	61	EXTERIOR LTS-24V FEED SW	83B	24V&12V CUT RELAY COIL
24Y	24 VOLTS POWER GALLEY	43G	PARCEL RACK A/C	61A	EXTERIOR LTS-HEAD SIGNAL	84	ENG. CTR-MAST KEY SW START
24WC	WCL PUMP FEEDING	43M	PARCEL RACK A/C	62	LAVATORY INDICATOR	84A	ENG. CTR-MAST KEY SW START
24WL	WCL PUMP FEEDING	43X	PARCEL RACK A/C	63	EXTERIOR LTS-CLEAR. FEED	84J	ENG. CTR-MAST KEY SW START
24WR	WCL POWER ACCES.	44	EXTERIOR LTS-FOG	63B	EXTERIOR LTS-CLEARANCE	85	24V IGNITION SIGNAL
25	EITHER ALTERNAT. RUN SIGNAL	44A	EXTERIOR LTS-FOG	63C	EXT. LTS-MARKER SIGNAL	85A	24V IGN DASH INSTRUMENT.
25A	TT.LT. ALTERNATOR #1	44B	EXTERIOR LTS-FOG	63D	BLINKER RELAY	85C	24V IGNITION - FEED
25A1	BOSCH ALTERNATOR SIGNAL D+	44C	FOG,LTS & HVAC FEEDING	63E	BLINKER RELAY	85F	RAD. FAN CONTROL W/RETARD
25A2	BOSCH ALTERNATOR SIGNAL D+	44D	EXTERIOR LTS - FOG	63F	EXT. LTS-MARKER BLINKER	85W	OUT SPEED INTERLOCK-24V IGN.
25B	EXT. LTS-DAYTIME RUN LTS	44E	EXTERNAL LTS - FOG	64	DRIVER'S FAN SPEED CTR	85X	ABS-24V IGN
25D	BOTH ALTERNATOR RUN SIGNAL	45A	A/C & HEAT SYSTEM FULL AIR	64A	A/C SPARE	85Y	ABS-WARNING LT
25K	T.T LT. ALTERNATOR #2	45B	A/C & HEAT SYS.-WATER PUMP	64B	A/C SPARE		
26	DR'S & ENT. WINDOW LIFTER	45C	A/C & HEAT SYS.-WATER VALV	65	FOOT DAMPER MOTOR		
		45D	A/C & HEAT SYS.-WATER VALV	65A	FOOT DAMPER MOTOR		
		45G	A/C & HEAT SYS.-DR'S HTR	65D	DRIVER'S REC. DAMPER		

CIRCUIT NUMBER CODE

NO.	DESCRIPTION	NO.	DESCRIPTION	NO.	DESCRIPTION	NO.	DESCRIPTION
86	ENG. CTR-STARTER SOL.	120	WORLD TRANSM-A SOL.	134A	GALLEY HEATING CONTAINER	146A	WORLD TRANSM-12V IGNITION
86A	ENG. CTR-STARTER RELAY COIL	121	WORLD TRANSM-SOL.SUPPLY	135	GALLEY HEATING CONTAINER	146AA	WORLD TRANSM-DIAGN.CONN.
86F	TELL TALE STARTER ON	123	WORLD TR.-NEUTRAL START	135A	WORLD TR.-RES MODULE RET.	147	WORLD TRANSM-OIL TEMP
86T	TELL TALE STARTER ON	123A	ALARM & SIGNAL-FIRE DETECT.	135B	A/C & HEAT SYS.-AIR SENSOR	147	ABS SYSTEM-VALVE
87B	ENGINE CTR-24V IGNITION	123B	ALARM & SIGNAL-FIRE DETECT.	135C	A/C & HEAT SYS.-AIR SENSOR	147A	ETHER COLD START
88	ENGINE CTR-RR START SIGNAL	124	WORLD TR.-SENSOR POWER	136	MICRO-WAVE OVEN SWITCH	147C	ETHER COLD START
89	ENGINE CTR-RR START SIGNAL	124A	WORLD TRANSM-SENSOR PWR	136A	GALLEY LAMP	148	ABS SYSTEM-VALVE
90B	ENG. CTR-MAST KEY SW FEED	125	LAVATORY FAN	136A	WORLD TRANSM-12V BATTERY	148	WORLD TR.-OUTPUT SPEED LO
91	PARKING BRAKE SW SIGNAL	125	WORLD TR-RETARDER INDICAT.	136A1	WORLD TRANSM-12V BATTERY	149	WORLD TR.-TURBINE SPEED H
91A	DDEC -FAST IDLE SIGNAL	125	WORLD TR-RETARDER INDICAT.	136A2	WORLD TRANSM-12V BATTERY	149	ABS SYSTEM-SENSOR
91B	D.R.L. CANCEL RELAY	125W	WORLD TR-RETARDER INDICAT.	136AA	WORLD TRANSM-SHIFTER PWR	149A	ABS SYSTEM
91C	PARKING BRAKE - T.T.LT	126	24 V IGN. SPEED SWITCH	136V	WORLD TRANSM-12V BATTERY	150	WORLD TR.-ENGINE SPEED LO
91J	FAST IDLE - JUMPER SW.	126A	KNEELING SYSTEM	136W	WORLD TRANSM-12V BATTERY	150	DDEC -ECM BATTERY GRD
91W	WCL PARKING BRAKE SIGNAL	126AA	KNEELING SYSTEM	136X	WORLD TRANSM-12V BATTERY	150A	DDEC -ECM BATTERY GRD
92	BATT. EQUAL.-CHECK BALANCE	126B	HI-BUOY SIGNAL	137	WORLD TRANSM-RETARDER	151	DDEC -ECM BATTERY GRD
93	BATT. EQUALIZ.-CHECK LO/HI	126B	HI-BUOY SIGNAL	137	RR VIEW MIRROR	151	ATC VALVE
95A	ENG. BRAKE & RETARDER SYS.	126C	KNEELING SYSTEM	137A	RR VIEW MIRROR	152	ATC VALVE
95B	ENG. BRAKE & RETARDER SYS.	126D	KNEELING SYSTEM	137B	RR VIEW MIRROR	153	ELECTRICAL DRIVER'S SEAT
97	TACHOMETER SIGN.-NOT USED	126F	KNEELING SYSTEM	137C	RR VIEW MIRROR	154	WORLD TRANSM-ABS INPUT (-)
100	INTERIOR LTS RELAY COIL	126G	KNEELING SYSTEM	137D	RR VIEW MIRROR	156A	ABS SYSTEM-FEED
100	INDIRECT LTS FEEDING	126H	SPEED SIGN 5NC - 24V	137E	RR VIEW MIRROR	157B	ABS SYSTEM
100A	INDIRECT LTS RELAY COIL	126K	KNEELING SYSTEM	137F	RR VIEW MIRROR	159	WORLD TRANSM-DIAGNOSTIC
100B	INDIRECT LTS FEEDING	126L	KNEELING SYSTEM	137H	RR VIEW MIRROR	160	ALARM & SIGN.-TAG PRESS SW
100C	INDIRECT LTS FEEDING	126P	KNEELING SYSTEM	137H	RR VIEW MIRROR	161B	WORLD TRANSM-SIGNALGRD
101	24 VOLTS POWER STARTER	126R	KNEELING SYSTEM	137J	RR VIEW MIRROR	162	WORLD TRANSM-PRESS. SW C3
101	WORLD TR.- LO SIGN SOL.LO	126S	KNEELING SYSTEM	137K	RR VIEW MIRROR	163	WORLD TR.-RETARDER ENABLE
102	24 VOLTS A/C DISTRIBUTION	126T	KNEELING SYSTEM	137L	RR VIEW MIRROR	164	WORLD TR.-RET. ACTUAT. SIGN
102	WORLD TRANSM.-SOL. SUPPLY	126W	KNEELING SYSTEM	137M	RR VIEW MIRROR FEED	164	WORLD TR.-RET. ACTUAT. SIGN
102A	BOSCH ALTERNATOR FEEDING	126W	KNEELING SYSTEM	137R	WORLD TRANSM-RETARDER	165	WORLD TR.-OIL LEVEL SIGNAL
103	WORLD TRANSM.- B.SOL.LO	126W	WORLD TRANSM-NOT USED	137T	MIRROR HEAT SW-JUMPER	166	WORLD TRANSM. OUTPUT 7
103	LOW BUOY SYSTEM	127	WORLD TRANSM. - H SOL.	138	WORLD TR.-RETARDER TEMP	167	W. TR.-OUT SPEED INTERLOCK
104	WORLD TR. -G SOL.	127	24HOT WIRE PREHEAT	138	ABS SYSTEM-SENSOR	169	WORLD TRANSM-PRE-SELECT #1
105W	WORLD TR-SOL.-RET.OIL TT.LT	127A	PRE-HEAT WATER HEATER	138A	ABS SYSTEM-SENSOR	170	WORLD TRANSM-SHIFTER
107	WORLD TR. - SOL. SUPPLY	127B	PRE-HEAT WATER HEATER	139	ABS SYSTEM-VALVE	170C	LUGGAGE DOOR LOCK-T.T.LT
110	WORLD TR.-F SOL. LO	127S	PRE-HEAT WATER HEATER	139	WORLD TR.-OUTPUT SPEED HI	170D	LUGGAGE DOOR LOCK-FEED
112	WORLD TR.-SPARE OUTPUT (+)	128	WORLD TRANSM-B SOL.	140	WORLD TR.-TURBINE SPEED LO	170E	LUG. DOOR LOCK-UNLOCK SIGN
113W	WORLD TR.-REVERSE WARNING	128A	PRE-HEAT WATER HEATER	140	ABS SYSTEM-VALVE	170F	LUGGAGE DOOR LOCK-FEED
114	INTERIOR LT-DASH LT RHEOS.	128B	PRE-HEAT WATER HEATER	141	ABS SYSTEM-VALVE	170G	LUGGAGE DOOR LOCK-FEED
114A	INTERIOR LT-DASH LT RHEOS.	129	WORLD TRANSM-E SOL.	141	WORLD TR.-ENGINE SPEED HI	170K	LUGGAGE DOOR-LOCK SIGN
114B	INT. LT-DASH LT RHEOST.FEED	129	PRE-HEAT WATER HEATER	142	ABS SYSTEM-VALVE	170L	LUGG DOOR LOCK-SIGN T.T.LT
115	DDEC -COOLANT LEVEL	129B	PRE-HEAT WATER HEATER	143	ABS SYSTEM-SENSOR	170L	LUGG DOOR LOCK-SIGN T.T.LT
115W	WORLD TR.-DO NOT SHIFT SIGN	130	WORLD TRANSM-SOL. SUPPLY	143A	ABS SYSTEM-SENSOR	170N	LUGG DOOR LOCK-SIGN T.T.LT
116	WORLD TR.-SOL. SUPPLY	130	EVAP. FAN MAIN CABLE	143A	WORLD TRANS-BATTERY GRD	170R	LUGG DOOR LOCK-SIGN. T.T.LT.
116B	A/C & HEAT SYSTEM-DR'S HTR	130A	EVAP. FAN MAIN CABLE	143W	WORLD TRANSM-BATTERY GRD	170S	LUGG DOOR LOCK-SIGN T.T.LT
116C	A/C SYS.-TRIG. DEFROST	131	WORLD TRANSM-D SOL.	143X	WORLD TRANSM-BATTERY GRD	170T	LUGG DOOR LOCK-SIGN T.T.LT
117A	OIL TEMP. EATON TRANSM.	132	WORLD TRANSM-ENGINE BRAKE	143Y	WORLD/EATON TRANSM.BATT.GRD	170V	LUGG DOOR LOCK-SIGN T.T.LT
119	WORLD TRANSM-ENGINE BRAKE	133	GALLEY HEATING CONTAINER	144	ABS SYSTEM-SENSOR	170W	LUGGAGE DOOR LOCK-FEED
		133A	GALLEY HEATING CONTAINER	144A	ABS SYSTEM-SENSOR	170X	LUGG DOOR LOCK-SIGN T.T.LT
		133B	GALLEY HEATING CONTAINER	145	ABS SYSTEM	170Y	LUGGAGE DOOR LOCK-FEED
		133C	GALLEY HEATING CONTAINER	146	ABS SYSTEM	170Z	LUGGAGE DOOR LOCK
		134	GALLEY HEATING CONTAINER				

CIRCUIT NUMBER CODE

NO.	DESCRIPTION	NO.	DESCRIPTION	NO.	DESCRIPTION	NO.	DESCRIPTION
171	WORLD TRANSM-SHIFTER	302	WCL DOOR AJAR TTLT & ALARM	900A	EATON-DATA LINK(+)		
172	WORLD TRANSM-SHIFTER	304	WCL DOOR TOP LT.	901	DDEC-DATA LINK (-)		
173	WORLD TRANSM-SHIFTER	305	WCL PARKING BRAKE SOL. VALVE	901A	EATON-DATA LINK(-)		
174	WORLD TRANSM-SHIFTER	305A	WCL DOOR OPEN SIGNAL	908	DDEC-HYDRAU. PWM#1 OUTPUT		
175A	WORLD TRANSM-SHIFTER	305B	WCL DOOR TOP LT.	916	DDEC-SENSOR SUPPLY (5VDC)		
176	WORLD TRANSM-SHIFTER	306	WCL CONTROL SYSTEM	925	J1939(+)		
180	OUTSIDE TEMP. DISPLAY	307	WCL CONTROL SYSTEM	926	J1939(-)		
180A	OUTSIDE TEMP. DISPLAY	308	WCL CONTROL SYSTEM	927	J1939(SHIELD)		
180A	WORLD TRANSM-SHIFTER	309	WCL CONTROL SYSTEM	952	DDEC-SENSOR RETURN		
180B	OUTSIDE TEMP. DISPLAY	310	EATON TRANSM. START SIGNAL	953	DDEC-BATTERY GRD		
180C	OUTSIDE TEMP. DISPLAY	311	EATON TR.LH.CONS.GEAR DISPLAY	979	DDEC-ENGINE BRAKE 2 CYL.		
181	FROZEN POINT T.T.LT	312	EATON TR. NEUTRAL SIGNAL	2123	FLASHER SIGNAL LTS		
181A	TEMP. CTR'L INSIDE SENSOR	313	EATON TR.LH.CONS.GEAR DISPLAY				
181B	TEMP. CTR'L INSIDE SENSOR	314	EATON TR.LH.CONS. GRD				
181C	THERMOMET. OUTSIDE SENSOR	315	EATON TR.ENG.COMP.12V POWER				
181D	THERMOMET. OUTSIDE SENSOR	316	EATON TR.ENG.COMP. GRD				
195	WORLD TRANSM-TRANS ID	317	EATON TR.ENG.COMP.12V POWER				
197	FUEL WATER FILTER	318	EATON TR.ENG.COMP. GRD				
197A	FUEL WATER FILTER	319	EATON TR.ENG.COMP.12V POWER				
200	EATON TRANSM. GRD	320	EATON TR.ENG.COMP. GRD				
201	WORLD TRANSM-SPARE	417	DDEC-LIMIT SPEED GOVERNOR				
202	WORLD TRANSM-SPARE	419	DDEC -CHEK ENGINE LIGHT				
203	WORLD TRANSM-SPARE	439	DDEC-12V IGNITION				
204	WORLD TRANSM-SPARE	451	DDEC-A/C FAN CLUTCH				
214	WORLD TR.-BACK-UP SIGNAL	505	DDEC-TACHOMETER DRIVE				
231	WORLD TR.-NEUTRAL SIGN GRD	509	DDEC-STOP ENGINE LIGHT				
231F	WORLD TR.-NEUTRAL SIGN GRD	510	DDEC-FAST IDLE SIGNAL				
231W	W.TR.-NEUTRAL SIGN GRD WCL	524	DDEC-ENGINE BRAKEDISABLE				
240	DDEC -ECM 12V FEEDING	525	DDEC-FAST IDLE SIGNAL				
241	DDEC -ECM 12V FEEDING	528	DDEC-STOP ENG. OVERRIDE				
253	24V SIGNAL GALLEY INVERTER	531	DDEC-CRUISE CLUTCH CUT OUT				
254	GALLEY REFRIGERATOR	540	DDEC-CRUISE ENABLE T.T.LT				
254A	GALLEY REFRIGERATOR	541	DDEC-CRUISE SET SW				
254F	GALLEY REFRIGERATOR	542	INPUT PARK BRAKE INTERLOCK				
255	GALLEY COFFEEMAKER	543	DDEC-CRUISE BRAKE PEDAL				
255A	GALLEY COFFEEMAKER	544	DDEC-CRUISE ON/OFF SW				
255B	GALLEY COFFEEMAKER	545	DDEC-CRUISE RESUME SW				
260	WINDOW AJAR-T.T.LT	555	DDEC-FAN CLUTCH SPEED#1				
290	FAN CLUTCH RADIATOR-FEED	556	DDEC-VEHICULE SPEED (+)				
290A	FAN CLUTCH RADIATOR-FEED	557	DDEC-VEHICULE SPEED (-)				
291	FAN CLUTCH RADIATOR SPD 1	563	DDEC-FAN CLUTCH SPEED#2				
292	FAN CLUTCH RADIATOR SPD 2	564	DDEC-DIGTAL OUTPUT				
292J	FAN OVERRIDE LTS SWITCH	565	DDEC-ENGINE BRAKE ACTIVE				
300	WCL POWER SYSTEM & ACCESS.	583	DDEC-ENGINE BRAKE 4 CYL.				
300A	WCL POWER SYSTEM SW.	900	DDEC-DATA LINK (+)				
301J	WCL POWER SW. JUMPER LED						
301	WCL SIGNAL POWER SW.						

CIRCUIT NUMBER CODE

NO.	DESCRIPTION	NO.	DESCRIPTION	NO.	DESCRIPTION	NO.	DESCRIPTION
A1	RADIO SYSTEM	C15	AUDIO AMPLI	SP10	SPARE WIRE	SP74	SPARE WIRE
A2	RADIO SYSTEM	D1	PASSENGER SPEAKER	SP11	SPARE WIRE	SP75	SPARE WIRE
A3	AUDIO AMPLI	D2	PASSENGER SPEAKER	SP12	SPARE WIRE	SP76	SPARE WIRE
A8	VIDEO SYSTEM	D3	PASSENGER SPEAKER	SP13	SPARE WIRE	SP77	SPARE WIRE
A9	RADIO SYSTEM	D4	PASSENGER SPEAKER	SP14	SPARE WIRE	SP78	SPARE WIRE
A10	AUDIO AMPLI	D5	PASSENGER SPEAKER	SP15	SPARE WIRE	SP80	SPARE WIRE
A11	AUDIO AMPLI	D6	PASSENGER SPEAKER	SP16	SPARE WIRE	SP81	SPARE WIRE
A12	AUDIO AMPLI	D7	PASSENGER SPEAKER	SP17	SPARE WIRE	SP82	SPARE WIRE
A13	AUDIO AMPLI	D8	PASSENGER SPEAKER	SP18	SPARE WIRE	SP83	SPARE WIRE
A15	AUDIO AMPLI	DR1	DRIVER'S SPEAKER	SP19	SPARE WIRE	SP84	SPARE WIRE
A16	VIDEO SYSTEM	DR2	DRIVER'S SPEAKER	SP20	SPARE WIRE	SP85	SPARE WIRE
B1	MICROPHONE	DR3	DRIVER'S SPEAKER	SP21	SPARE WIRE	TW1	TWISTED SPARE
B2	MICROPHONE	DR4	DRIVER'S SPEAKER	SP23	SPARE WIRE	TW2	TWISTED SPARE
B3	MICROPHONE	G1	PASSENGER SPEAKER	SP24	SPARE WIRE	W1	STEERING BOX CONVERTER
B4	MICROPHONE	G2	PASSENGER SPEAKER	SP25	SPARE WIRE	W2	STEERING BOX CONVERTER
B5	MICROPHONE	G3	PASSENGER SPEAKER	SP26	SPARE WIRE	Y1A	FLUORESCENT BALLAST
B6	MICROPHONE	G4	PASSENGER SPEAKER	SP27	SPARE WIRE	Y1B	FLUORESCENT BALLAST
B7	MICROPHONE	G5	PASSENGER SPEAKER	SP28	SPARE WIRE	Y2A	FLUORESCENT BALLAST
B8	MICROPHONE	G6	PASSENGER SPEAKER	SP30	SPARE WIRE	Y2B	FLUORESCENT BALLAST
B10	MICROPHONE	G7	PASSENGER SPEAKER	SP33	SPARE WIRE	Y3A	FLUORESCENT BALLAST
B11	MICROPHONE	G8	PASSENGER SPEAKER	SP34	SPARE WIRE	Y3B	FLUORESCENT BALLAST
B12	MICROPHONE	IPJ1	CLUSTER - BULB TEST POS	SP35	SPARE WIRE	Y4A	FLUORESCENT BALLAST
B1A	FLUORESCENT BALLAST	IPJ2	CLUSTER - BULB TEST NEG.	SP36	SPARE WIRE	Y4B	FLUORESCENT BALLAST
B1B	FLUORESCENT BALLAST	IPJ5	CLUSTER - FUEL GAUGE	SP37	SPARE WIRE	Y5A	FLUORESCENT BALLAST
B2A	FLUORESCENT BALLAST	IPJ6	CLUSTER - BULB TEST POS.	SP38	SPARE WIRE	Y5B	FLUORESCENT BALLAST
B2B	FLUORESCENT BALLAST	IPJ7	CLUSTER - BULB TEST NEG.	SP40	SPARE WIRE	Y6A	FLUORESCENT BALLAST
B3A	FLUORESCENT BALLAST	IPJ8	CLUSTER - MASTER WARNING	SP41	SPARE WIRE	Y6B	FLUORESCENT BALLAST
B3B	FLUORESCENT BALLAST	L8	WATER TANK HEATER	SP42	SPARE WIRE	Y7A	FLUORESCENT BALLAST
B4A	FLUORESCENT BALLAST	L9	WATER TANK HEATER	SP43	SPARE WIRE	Y7B	FLUORESCENT BALLAST
B4B	FLUORESCENT BALLAST	LX5	CLUSTER - COMPUTER MODE	SP44	SPARE WIRE	0	BATTERY - MAIN GROUND
B5A	FLUORESCENT BALLAST	LX6	CLUSTER - COMPUTER DOWN	SP45	SPARE WIRE	0	EVAP. COMPT. GROUND
B5B	FLUORESCENT BALLAST	LX7	CLUSTER - COMPUTER SET	SP48	SPARE WIRE	0	RJB - INSIDE GRD
B6A	FLUORESCENT BALLAST	LX16	CLUSTER - COMPUTER UP	SP50	SPARE WIRE	0	WCL MODULE
B6B	FLUORESCENT BALLAST	LX21	CLUSTER - COMPUTER COM.	SP51	SPARE WIRE	0	INVERTER CUT OFF RELAY
B7A	FLUORESCENT BALLAST	R1A	FLUORESCENT BALLAST	SP52	SPARE WIRE	0A	LAVATORY ACCESSORIES
B7B	FLUORESCENT BALLAST	R1B	FLUORESCENT BALLAST	SP53	SPARE WIRE	0A	EVAP. FAN GROUND
B14	RADIO SYSTEM	RT	T.T.L.T. MODULE - TEST SW.	SP54	SPARE WIRE	0A	FR. ROOF ACC. GRD
B15	RADIO SYSTEM	SPK1	PASSENGER SPEAKER	SP55	SPARE WIRE	0B	BOOSTER BLOCK GROUND
C2	RADIO SYSTEM	SPK2	PASSENGER SPEAKER	SP56	SPARE WIRE	0B	A/C - CONDENSER GRD
C3	CONTROL HEAD ANTENNA	SPK3	PASSENGER SPEAKER	SP57	SPARE WIRE	0B	24V&12V CUT OUT REL.COIL
C5	VIDEO SYSTEM	SPK4	PASSENGER SPEAKER	SP60	SPARE WIRE	0BE	OV BATTERY MONITOR
C6	CONTROL HEAD DIMMER	SP1	SPARE WIRE	SP61	SPARE WIRE	0C	R.J.B. - GRB
C7	RADIO SYSTEM	SP2	SPARE WIRE	SP62	SPARE WIRE	0C	MOTOR STARTER GROUND
C8	AUDIO AMPLI	SP3	SPARE WIRE	SP63	SPARE WIRE	0C	F.R. SERV. CPT- ACC.
C9	VIDEO SYSTEM	SP4	SPARE WIRE	SP64	SPARE WIRE	0C1	ENTRANCE DOOR SEDAN
C10	VIDEO SYSTEM	SP5	SPARE WIRE	SP65	SPARE WIRE	0C2	STEERING CONTROL GROUND
C11	VIDEO SYSTEM	SP6	SPARE WIRE	SP69	SPARE WIRE	0C3	SOUND SYSTEM RELAY
C12	VIDEO SYSTEM	SP7	SPARE WIRE	SP70	SPARE WIRE	0C4	F.J.B. GRD
C13	VIDEO SYSTEM	SP8	SPARE WIRE	SP71	SPARE WIRE	0CJ	CRUISE SW. JUMPER
C14	VIDEO SYSTEM	SP9	SPARE WIRE	SP72	SPARE WIRE	0D	FLUORESCENT GRD

CIRCUIT NUMBER CODE

NO.	DESCRIPTION	NO.	DESCRIPTION	NO.	DESCRIPTION	NO.	DESCRIPTION
0D	COND FAN GRD	0T2	CLUSTER ACC. GROUND	11	DESTINATION SIGN	12S	12 V RADIO FEEDING
0E	BATT. COMPT. LTS GROUND	0T2	WINDOW AWNING	11A	DESTINATION SIGN	12S1	12 V RADIO FEEDING
0E	READING LIGHTS GROUND	0T3	ALTERNATOR MODULE	11B	DESTINATION SIGN	12S1A	12V DVD KARAOKE FEEDING
0F	FLUORESCENT GRD	0T4	12V OUTLET - CTR MODULE	11C	DESTINATION SIGN	12S2	12 V RADIO FEEDING
0F	PRO-DRIVER GROUND	0T5	FS.HVAC DASH MODULE. GND	11D	DESTINATION SIGN	12S2A	12V DVD KARAOKE FEEDING
0G	READING LIGHTS GROUND	0VA	BATTERY EQUALIZER GROUND	11E	DESTINATION SIGN	12T	RR JCT BOX 12V DISC SW
0H	ENG. CPT. - ACC. GRD	0W	FJB - TRANSM. RLY GRD	11K	DESTINATION SIGN	12TE	12 V BATT. TRANSM. EATON
0IN	INTERCOM SYSTEM	0W	SHIFT SELECTOR GROUND	11J	DESTINATION SIGN	12TF	12 V BATT. TRANSM. EATON
0J	PARCEL RACK A/C UNIT	0W	WCL MODULE	11P	DESTINATION SIGN	12VB	FR JCT PANEL 12V DISC SW
0K	PARCEL RACK A/C UNIT	0WA	WCL DOOR AJAR	12	12V ELECTRONIC TERMINAL	12VD	12V HOT WIRE DISTRIBUTION
0L	ENG.CPT -CLEAR.LTS RR ROOF	0WC	WCL BATTERY CPT. ACCES.	12A	FR JCT PANEL 12V DISC SW	12VE	FR JCT PANEL 12V DISC SW
0L	R.J.B. - GRD	0WL	WCL SIGNAL DOOR AJAR ALARM	12A	BATT. JCT PANEL 12V DISC SW	12VF	12 VOLTS FRONT DISTRIBUTIION
0L	FR - SIDE MARK. & FLASH GRD	0Y1	ABS SYSTEM-GRD	12B	FR JCT PANEL 12V DISC SW	12VG	RR JCT PANEL 12V DISC SW
0L1	ENG.CPT-SIDE MARK. & FL. GRD	0Y2	ABS SYSTEM-GRD	12BE	12V BATTERY MONITOR	12VI	12V IGNITION DISTRIBUTION
0L2	HEAD LTS GROUND	0Y3	ABS SYSTEM-GRD	12C	FR JCT PANEL 12V DISC SW	12VO	12 VOLTS BATTERY EQUALIZER
0L3	FR.SERV.DR. & ENT.DOOR GRD	0Y4	ABS SYSTEM-GRD	12C	RR JCT BOX 12V DISC SW	12VR	12 VOLTS REAR DISTRIBUTION
0L4	FOG LTS RESISTOR GRD	0Y5	ABS SYSTEM-GRD	12D	BATT. JCT PANEL 12V HOT WIRE	12W	12V HOT WIRE DDEC FEEDING
0L5	LH CONSOL - ACC. GRD	0Y6	ABS SYSTEM-GRD	12D	FR JCT PANEL 12V HOT WIRE	12WA	ENTRANCE DOOR SYSTEM
0L5	W.C.L.DOOR & AIR DRYER GRD	00A	ELECTRONIC TERMINAL GROUND	12D	RR JCT PANEL 12V HOT WIRE	12WR	WCL DOOR TOP LT
0L6	MARKER&FLASH. GROUND	00F	FRONT ELECTRONIC GROUND	12D	FR JCT PANEL 12V HOT WIRE	14	LAVATORY PUMP
0L7	AISLE LIGHTS GROUND	2B	A/C & HEAT SYSTEM	12DD	FR JCT PANEL 12V HOT WIRE	14A	LAVATORY PUMP- P.BUTTON
0L8	DOCKING LTS	2D	A/C & HEAT SYSTEM	12DDR	FR JCT BOX 12V HOT DDR CONN	14P	LAVATORY PUMP
0LV	WINDSHIELD WASHER LEVEL	2DD	A/C & HEAT SYSTEM	12DT	T.T. LT MODULE	15	WIPER & WASHER FEEDING
0M	WIPER 2 MIRROR MOTOR	2E	A/C & HEAT SYSTEM	12E	FR JCT PANEL 12V DISC SW	16	SPEEDOMETER (+)
0M3	DEFROST GRD	2EE	A/C & HEAT SYSTEM	12F	RR JCT PANEL 12V DISC SW	16T	SPEED SW SIGNAL IN (+)
0M4	HORN & DR'S WINDOW LIFTER	2F	A/C & HEAT SYS.-EVAP. SPEED SW.	12F1	FR JCT PANEL 12V DISC SW	17	EXTERIOR LTS-FLASHER UNIT
0M5	SUN VISOR MOTOR	2H	A/C & HEAT SYS-LO-PRESS SW.	12F2	FR JCT PANEL 12V DISC SW	17A	EXTERIOR LTS-FLASHER UNIT
0M6	UPPER FAN DEFROST	2L	A/C & HEAT SYS-HI-PRESS SW.	12FL	RR JCT PANEL 12V DISC SW	17C	JUMPER LTS SW. - HAZARD
0M7	DR'S WIND.LIFT. & RH MIR. SW	4A	HOTESS CHIME MAIN SWITCH	12G	FR JCT PANEL 12V DISC SW	18	UPPER FAN DEFROST
0M7A	LH MIRROR SW.	4C	HOTESS CHIME P. RACK SW.	12H	12V IGN. DASH ACCESS.	19	UPPER FAN DEFROST
0P	ENG.CDT - PRE-HEATER	5	AISLE LTS FEEDING	12I	RR JCT BOX 12V IGNITION	20	SPEEDOMETER SIGNAL (-)
0R	SOUND SYSTEM RELAY GROUND	5N	EMERGENCY LTS	12I	FR JCT PANEL 12V IGNITION	21	LEFT DIRECTIONNAL LTS
0SA	BOSCH ALTERNATOR GROUND	5N0	SPEED SIGNAL HIGHER 5MPH	12IA	RR JCT PANEL 12V IGNITION	21A	LEFT DIRECTIONNAL LTS SIGN.
0SA	PARCEL RACK LTS SWITCH	5N0	SPEED SIGNAL LOWER 5MPH	12IA	FR JCT PANEL 12V IGNITION	21B	HAZARD SWITCH SIGNAL
0SB	PARCEL RACK LTS SWITCH	6	AISLE LTS	12IB	FR JCT PANEL 12V IGNITION	21BB	LEFT DIRECTIONNAL LTS FEED.
0SC	PARCEL RACK LTS SWITCH	7B	ENTRANCE DOOR FEED.-24V HW	12IB	STEERING BOX ECU FEEDING	21H	EXTERIOR LTS-HAZARD SIGNAL
0SE	PARCEL RACK LTS SWITCH	9	INTERIOR LTS-ENGINE CPT	12IC	FR JCT PANEL 12V IGN EATON	21M	AUX. LTS - DIRECTIONAL LH
0SF	PARCEL RACK LTS SWITCH	9F	INTERIOR LTS - FR-SERV. CPT	12ID	FR JCT PANEL 12V IGN EATON	23	RIGHT DIRECTIONNAL LTS
0SG	PARCEL RACK LTS SWITCH	10	INTERIOR LTS-LUGGAGE CPT	12IE	ABS-FR JCT PANEL 12V IGN.	23A	RIGHT DIRECTIONNAL LTS SIGN.
0SH	PARCEL RACK LTS SWITCH	10	INTERIOR LTS-LUGGAGE CPT	12IN	12 VOLTS DISC.SW. INTERCOM	23BB	RIGHT DIRECTIONNAL LTS FEED.
0SJ	PARCEL RACK LTS SWITCH	10A	AUX. COMPRESSOR CLUTCH	12IN	FR JCT PANEL 12V DISC.SW.	23H	EXTERIOR LTS-HAZARD SIGNAL
0SS	SOUND SYSTEM GROUND	10B	INTERIOR LTS-LUGGAGE CPT	12J	FR JCT PANEL 12V DISC.SW.	23K	RIGHT DIRECT. LTS W/KNELLING
0SS	SOUND SYSTEM GROUND	10C	INTERIOR LTS-LUGGAGE CPT	12K	FR JCT PANEL 12V DISC.SW.	23M	AUX LTS - DIRECTIONAL RH
0S2	RADIO GROUND	10E	INTERIOR LTS-BATTERY CPT	12L	CORNRING LTS FEEDING	24	24 VOLTS BATTERY DIST.
0S3	VIDEO GROUND	10H	AUX. COMPRESSOR CLUTCH	12LX	CLUSTER 12V HOT WIRE	24	24 V. DISC. FRONT DIST.
0T	LAVATORY FAN & PUMP	10L	AUX. COMPRESSOR CLUTCH	12M	ABS-FR JCT PANEL 12V DISC.SW	24A	BATT. JCT PANEL 24V DISC SW
0T	SPEED SW. CONNECTOR	10X	AUX. COMPRESSOR CLUTCH	12P	12 VOLTS BATTERY JCT BLOCK		
0T1	DASH ACC. GROUND			12R	12 VOLTS MEMORY RADIO		
				12P	12V POWER OUTLET		
				12SB	12V SOUND SYSTEM FEEDING		
				12SS	12V SOUND SYSTEM FEEDING		

CIRCUIT NUMBER CODE

NO.	DESCRIPTION	NO.	DESCRIPTION	NO.	DESCRIPTION	NO.	DESCRIPTION
24A	24V BOOSTER BLOCK	25B	EXT. LTS-DAYTIME RUN LTS	45B	A/C & HEAT SYS.-WATER PUMP	64B	A/C SPARE
24A	FR JCT PANEL 24V DISC. SW	25D	BOTH ALTERNATOR RUN SIGNAL	45C	A/C & HEAT SYS.-WATER VALV	65	FOOT DAMPER MOTOR
24A	RR JCT PANEL 24V DISC. SW	25K	T.T.LT. ALTERNATOR #2	45D	A/C & HEAT SYS.-WATER VALV	65A	FOOT DAMPER MOTOR
24BE	BATTERY MONITOR	26	DR'S & ENT. WINDOW LIFTER	45G	A/C & HEAT SYS.-DR'S HTR	65D	DRIVER'S REC. DAMPER
24C	FR JCT PANEL 24V DISC SW	26A	CIGAR LIGHT. & POW.OUTLET LH	45H	A/C & HEAT SYS.-EVAP. SPEED	65E	DRIVER'S REC. DAMPER L.H.
24D	24 V. HOT WIRE FEEDING	26B	DRIVER'S WINDOW LIFTER	46	EXTERIOR LTS-MARKER	65F	DRIVER'S REC. DAMPER L.H.
24D	FR JCT BOX 24V HOT WIRE	26C	DRIVER'S WINDOW LIFTER	46A	EXTERIOR LTS-AUX LTS RESIS.	66	A/C PASSENGER - ON/OFF
24DD	FR JCT BOX 24V HOT WIRE	27	LAVATORY ALARM	46C	EXTERIOR LTS-MARKER	67A	A/C & HEAT SYSTEM
24DS	WIRELSS MICRO FEEDING	28H	T.T.LT MODULE - HI A/C PRES.	46D	EXTERIOR LTS-AUX LTS RESIS.	68	DASH & DEFROST DAMPER MOT
24E	24 VOLTS POWER DISTRIBUTION	28T	T.T.LT MODULE - LO A/C PRES.	48	ENTRANCE DOOR OPEN SIGNAL	68A	DASH & DEFROST DAMPER MOT
24E	RR JCT PANEL 24V DISC SW	29	A/C & HEAT SYS.-DR'S HTR	48A	ENTRANCE DOOR OPEN SOL.	69	DAMPER MIX LIMIT SWITCH
24F	RR JCT PANEL 24V DISC SW	29H	HVAC DASH MODILE	48B	ENTRANCE DOOR OPEN SIGNAL	70	HAT RACK & NIGHT LTS FEEDING
24G	FR JCT PANEL 24V DISC SW	30A	GALLEY SWITCH SIGNAL	48C	ENTRANCE DOOR SYSTEM	72	SUN VISOR - FEED
24H	RR JCT PANEL 24V DISC SW	30J	GALLEY SWITCH LED	48D	ENTRANCE DOOR SYSTEM	72A	SUN VISOR RH
24I	FR JCT PANEL 24V IGNITION	31B	WIPER & WASHER SYSTEM	48W	ENTRANCE DOOR SEDAN	72B	SUN VISOR RH
24IA	RR JCT PANEL 24V IGNITION	32	EXTERIOR LTS-BACK-UP	49	ENTRANCE DOOR CLOSE SIGNAL	72C	SUN VISOR LH
24IA	FR JCT PANEL 24V IGNITION	32B	EXTERIOR LTS-BACK-UP	49A	ENTRANCE DOOR SYSTEM	72D	SUN VISOR LH
24IB	FR JCT PANEL 24V IGNITION	35	ENTRANCE STEP LIGHTS	49B	ENTRANCE DOOR SYSTEM	74	R.H. READING LAMP FEEDING
24IF	FR JCT PANEL 24V IGNITION	36	ENGINE BRAKE SYSTEM	50	AIR DRYER	74A	R.H. HOTESS CHIME FEEDING
24K	RR JCT PANEL 24V DISC SW	36A	ENGINE BRAKE SYSTEM & RET.	52	ALARM & SIGNAL-ELEC.HORN	74B	WCL R.H. READING LAMP FEED.
24L	RR JCT PANEL 24V DISC SW	37	LAVATORY LTS FEEDING	52A	ALARM & SIGNAL-ELEC.HORN	74D	READING LAMP SWITCH
24M	RR JCT PANEL 24V DISC SW	38	FLUORESCENT RELAY FEEDING	52B	PNEUMATIC HORN	74J	READING LAMP INDICATOR SW.
24P	FR JCT PANEL 24V DISC SW	38A	R.H FLUORESCENT	53	ALARM & SIGNAL-ELEC.HORN	75	L.H. READING LAMP FEEDING
24P2	RR BENCH- INVERTER	38B	L.H. FLUORESCENT	53B	WIPER & WASHER SYSTEM	75A	L.H. HOTESS CHIME FEEDING
24PV	RR BENCH- INVERTER	38C	FLUORESCENT FEEDING	53C	WIPER & WASHER SYSTEM	76	FUEL TANK GAUGE
24R	24V STARTER RELAY	39	INTERIOR LTS-DRIVER'S LTS	53E	WIPER & WASHER SYSTEM	76C	LOW FUEL T.T.LT
24R	SCENIC VIEW SIGNAL ON	39D	INTERIOR LTS - DRIVER' LTS	53J	WIPER & WASHER SYSTEM	76M	FUEL PRIME PUMP
24SB	24V SOUND SYSTEM FEEDING	41	A/C SYS.-COND FAN MOTOR	55	EXTERIOR LTS-HI BEAM	76P	FUEL PRIME PUMP FEEDING
24SS	24V SOUND SYSTEM FEEDING	41A	A/C SYS.-COND FAN MOTOR	57	EXTERIOR LTS-HI BEAM	77B	A/C SYS. - LIQ. SOL. VALVE
24S1	AMPLIFIER FEEDING	41B	A/C SYS.-COND FAN MOTOR	57A	EXTERIOR LTS-HI BEAM	77C	A/C & HEAT SYS.-COMPRESSOR
24S2	AMPLIFIER FEEDING	42	A/C SYS.-COND FAN MOTOR	57B	A/C & HEAT SYS.-WATER PUMP	77H	A/C SYS.-LIQ. SOL. VALVE
24S3	VIDEO FEEDING	42A	A/C SYS.-COND FAN MOTOR	57C	A/C & HEAT SYS.-WATER PUMP	81	EXTERIOR LTS-STOP SW
24S4	VIDEO FEEDING	43	PARCEL RACK A/C	57E	A/C & HEAT SYS.-WATER VALV	82	EXTERIOR LTS-STOP SIGNAL
24T	RR JCT PANEL 24V DISC SW	43A	PARCEL RACK A/C	57W	PRE-HEAT WATER HEATER	82A	EXTERIOR LTS-STOP SIGNAL
24VA	24 VOLTS BATTERY EQUALIZER	43B	PARCEL RACK A/C	58	EXTERIOR LTS-LO BEAM	82B	EXTERIOR LTS-STOP LTS
24VD	24V HOT WIRE FEED	43C	PARCEL RACK A/C	58A	EXTERIOR LTS-LO BEAM	82C	EXTERIOR LTS-STOP LTS
24VF	24 VOLTS FRONT DISTRIBUTION	43D	PARCEL RACK A/C	58B	EXTERIOR LTS-LO BEAM	82L	EXT. LTS-STOP LTS & CYCLOP
24VI	24 VOLTS IGNITION REAR DIST.	43E	PARCEL RACK A/C	59A	ENGINE BRAKE SYSTEM	82R	EXTERIOR LTS-STOP LTS
24VR	24 VOLTS REAR DISTRIBUTION	43F	PARCEL RACK A/C	61	EXTERIOR LTS-24V FEED SW	83	ENG. CTR-MAST. KEY SW ACC.
24Y	24 VOLTS POWER GALLEY	43G	PARCEL RACK A/C	61A	EXTERIOR LTS-HEAD SIGNAL	83A	24V&12V CUT RELAY COIL
24WC	WCL PUMP FEEDING	43M	PARCEL RACK A/C	62	LAVATORY INDICATOR	83B	24V&12V CUT RELAY COIL
24WL	WCL PUMP FEEDING	43X	PARCEL RACK A/C	63	EXTERIOR LTS-CLEAR. FEED	84	ENG. CTR-MAST KEY SW START
24WR	WCL POWER ACCES.	44	EXTERIOR LTS-FOG	63B	EXTERIOR LTS-CLEARANCE	84A	ENG. CTR-MAST KEY SW START
25	EITHER ALTERNAT. RUN SIGNAL	44A	EXTERIOR LTS-FOG	63C	EXT. LTS-MARKER SIGNAL	84J	ENG. CTR-MAST KEY SW START
25A	TT.LT. ALTERNATOR #1	44B	EXTERIOR LTS-FOG	63D	BLINKER RELAY	85	24V IGNITION SIGNAL
25A1	BOSCH ALTERNATOR SIGNAL D+	44C	FOG,LTS & HVAC FEEDING	63E	BLINKER RELAY	85A	24V IGN DASH INSTRUMENT.
25A2	BOSCH ALTERNATOR SIGNAL D+	44D	EXTERIOR LTS - FOG	63F	EXT. LTS-MARKER BLINKER		
		44E	EXTERNAL LTS - FOG	64	DRIVER'S FAN SPEED CTR		
		45A	A/C & HEAT SYSTEM FULL AIR	64A	A/C SPARE		

CIRCUIT NUMBER CODE

NO.	DESCRIPTION	NO.	DESCRIPTION	NO.	DESCRIPTION	NO.	DESCRIPTION
85C	24V IGNITION - FEED	116	WORLD TR.-SOL. SUPPLY		BRAKE	143Y	WORLD/EATON TRANSM.BATT.GRD
85F	RAD. FAN CONTROL W/RETARD	116B	A/C & HEAT SYSTEM-DR'S HTR	133	GALLEY HEATING CONTAINER	144	ABS SYSTEM-SENSOR
85W	OUT SPEED INTERLOCK-24V IGN.	116C	A/C SYS.-TRIG. DEFROST	133A	GALLEY HEATING CONTAINER	144A	ABS SYSTEM-SENSOR
85X	ABS-24V IGN	117A	OIL TEMP. EATON TRANSM.	133B	GALLEY HEATING CONTAINER	145	ABS SYSTEM
85Y	ABS-WARNING LT	119	WORLD TRANSM-ENGINE BRAKE	133C	GALLEY HEATING CONTAINER	146	ABS SYSTEM
86	ENG. CTR-STARTER SOL.	120	WORLD TRANSM-A SOL.	134	GALLEY HEATING CONTAINER	146A	WORLD TRANSM-12V IGNITION
86A	ENG. CTR-STARTER RELAY COIL	121	WORLD TRANSM-SOL.SUPPLY	134A	GALLEY HEATING CONTAINER	146AA	WORLD TRANSM-DIAGN.CONN.
86F	TELL TALE STARTER ON	123	WORLD TR.-NEUTRAL START	135	GALLEY HEATING CONTAINER	147	WORLD TRANSM-OIL TEMP
86T	TELL TALE STARTER ON	123A	ALARM & SIGNAL-FIRE DETECT.	135A	WORLD TR.-RES MODULE RET.	147	ABS SYSTEM-VALVE
87B	ENGINE CTR-24V IGNITION	123B	ALARM & SIGNAL-FIRE DETECT.	135B	A/C & HEAT SYS.-AIR SENSOR	147A	ETHER COLD START
88	ENGINE CTR-RR START SIGNAL	124	WORLD TR.-SENSOR POWER	135C	A/C & HEAT SYS.-AIR SENSOR	147C	ETHER COLD START
89	ENGINE CTR-RR START SIGNAL	124A	WORLD TRANSM-SENSOR PWR	136	MICRO-WAVE OVEN SWITCH	148	ABS SYSTEM-VALVE
90	DASH MAGNETIC SWITCH	125	LAVATORY FAN	136A	GALLEY LAMP	148	WORLD TR.-OUTPUT SPEED LO
90B	ENG. CTR-MAST KEY SW FEED	125	WORLD TR-RETARDER INDICAT.	136A1	WORLD TRANSM-12V BATTERY	149	WORLD TR.-TURBINE SPEED H
91	PARKING BRAKE SW SIGNAL	125	WORLD TR-RETARDER INDICAT.	136A2	WORLD TRANSM-12V BATTERY	149	ABS SYSTEM-SENSOR
91A	DDEC -FAST IDLE SIGNAL	125W	WORLD TR-RETARDER INDICAT.	136AA	WORLD TRANSM-SHIFTER PWR	149A	ABS SYSTEM
91B	D.R.L. CANCEL RELAY	126	24 V IGN. SPEED SWITCH	136V	WORLD TRANSM-12V BATTERY	150	WORLD TR.-ENGINE SPEED LO
91C	PARKING BRAKE - T.T.LT	126A	KNEELING SYSTEM	136V	WORLD TRANSM-12V BATTERY	150	DDEC -ECM BATTERY GRD
91J	FAST IDLE - JUMPER SW.	126AA	KNEELING SYSTEM	136X	WORLD TRANSM-12V BATTERY	150A	DDEC -ECM BATTERY GRD
91W	WCL PARKING BRAKE SIGNAL	126B	KNEELING SYSTEM	137	WORLD TRANSM-RETARDER	151	DDEC -ECM BATTERY GRD
92	BATT. EQUAL.-CHECK BALANCE	126C	HI-BUOY SIGNAL	137	RR VIEW MIRROR	151	ATC VALVE
93	BATT. EQUALIZ.-CHECK LO/HI	126D	KNEELING SYSTEM	137A	RR VIEW MIRROR	152	ATC VALVE
95A	ENG. BRAKE & RETARDER SYS.	126D	KNEELING SYSTEM	137B	RR VIEW MIRROR	153	ELECTRICAL DRIVER'S SEAT
95B	ENG. BRAKE & RETARDER SYS.	126F	KNEELING SYSTEM	137C	RR VIEW MIRROR	154	WORLD TRANSM-ABS INPUT (-)
100	INTERIOR LTS RELAY COIL	126G	KNEELING SYSTEM	137D	RR VIEW MIRROR	156A	ABS SYSTEM-FEED
100	INDIRECT LTS FEEDING	126H	SPEED SIGN 5NC - 24V	137E	RR VIEW MIRROR	157B	ABS SYSTEM
100A	INDIRECT LTS RELAY COIL	126K	KNEELING SYSTEM	137F	RR VIEW MIRROR	159	WORLD TRANSM-DIAGNOSTIC
100B	INDIRECT LTS FEEDING	126L	KNEELING SYSTEM	137H	RR VIEW MIRROR	160	ALARM & SIGN.-TAG PRESS SW
100C	INDIRECT LTS FEEDING	126P	KNEELING SYSTEM	137I	RR VIEW MIRROR	161B	WORLD TRANSM-SIGNALGRD
101	24 VOLTS POWER STARTER	126R	KNEELING SYSTEM	137J	RR VIEW MIRROR	162	WORLD TRANSM-PRESS. SW C
101	WORLD TR.- LO SIGN SOL.LO	126S	KNEELING SYSTEM	137K	RR VIEW MIRROR	163	WORLD TR.-RETARDER ENABLE
102	24 VOLTS A/C DISTRIBUTION	126T	KNEELING SYSTEM	137L	RR VIEW MIRROR	164	WORLD TR.-RET. ACTUAT. SIGN
102	WORLD TRANSM.-SOL. SUPPLY	126V	KNEELING SYSTEM	137M	RR VIEW MIRROR FEED	165	WORLD TR.-OIL LEVEL SIGNAL
102A	BOSCH ALTERNATOR FEEDING	126W	WORLD TRANSM-NOT USED	137R	WORLD TRANSM-RETARDER	166	WORLD TRANSM. OUTPUT 7
103	WORLD TRANSM.- B.SOL.LO	127	WORLD TRANSM. - H SOL.	137T	MIRROR HEAT SW-JUMPER	167	W. TR.-OUT SPEED INTERLOCK
103	LOW BUOY SYSTEM	127	24HOT WIRE PREHEAT	138	ABS SYSTEM-SENSOR	169	WORLD TRANSM-PRE-SELECT #1
104	WORLD TR. -G SOL.	127A	PRE-HEAT WATER HEATER	138A	ABS SYSTEM-SENSOR	170	WORLD TRANSM-SHIFTER
105W	WORLD TR-SOL.-RET.OIL TT.LT	127B	PRE-HEAT WATER HEATER	139	ABS SYSTEM-VALVE	170C	LUGGAGE DOOR LOCK-T.T.LT
107	WORLD TR. - SOL. SUPPLY	127S	PRE-HEAT WATER HEATER	139	WORLD TR.-OUTPUT SPEED HI	170D	LUGGAGE DOOR LOCK-FEED
110	WORLD TR.-F SOL. LO	128	WORLD TRANSM-B SOL.	140	WORLD TR.-TURBINE SPEED LO	170E	LUG. DOOR LOCK-UNLOCK SIGN
112	WORLD TR.-SPARE OUTPUT (+)	128A	PRE-HEAT WATER HEATER	140	ABS SYSTEM-VALVE	170F	LUGGAGE DOOR LOCK-FEED
113W	WORLD TR.-REVERSE WARNING	128B	PRE-HEAT WATER HEATER	141	ABS SYSTEM-VALVE	170G	LUGGAGE DOOR LOCK-FEED
114	INTERIOR LT-DASH LT RHEOS.	129	WORLD TRANSM-E SOL.	141	WORLD TR.-ENGINE SPEED HI	170K	LUGGAGE DOOR-LOCK SIGN
114A	INTERIOR LT-DASH LT RHEOS.	129	PRE-HEAT WATER HEATER	142	ABS SYSTEM-VALVE	170L	LUGG DOOR LOCK-SIGN T.T.LT
114B	INT. LT-DASH LT RHEOST.FEED	129B	PRE-HEAT WATER HEATER	143	ABS SYSTEM-VALVE	170N	LUGG DOOR LOCK-SIGN T.T.LT
115	DDEC -COOLANT LEVEL	130	WORLD TRANSM-SOL. SUPPLY	143A	ABS SYSTEM-SENSOR	170R	LUGG DOOR LOCK-SIGN. T.T.LT.
115W	WORLD TR.-DO NOT SHIFT SIGN	130	EVAP. FAN MAIN CABLE	143A	ABS SYSTEM-SENSOR	170R	LUGG DOOR LOCK-SIGN. T.T.LT.
		130A	EVAP. FAN MAIN CABLE	143W	WORLD TRANS-BATTERY GRD	170S	LUGG DOOR LOCK-SIGN T.T.LT
		131	WORLD TRANSM-D SOL.	143X	WORLD TRANSM-BATTERY GRD	170T	LUGG DOOR LOCK-SIGN T.T.LT
		132	WORLD TRANSM-ENGINE				

CIRCUIT NUMBER CODE

NO.	DESCRIPTION	NO.	DESCRIPTION	NO.	DESCRIPTION	NO.	DESCRIPTION
170V	LUGG DOOR LOCK-SIGN T.T.LT	300	WCL POWER SYSTEM & ACCESS.	564	DDEC-DIGITAL OUTPUT		
170W	LUGGAGE DOOR LOCK-FEED	300A	WCL POWER SYSTEM SW.	565	DDEC-ENGINE BRAKE ACTIVE		
170X	LUGG DOOR LOCK-SIGN T.T.LT	301J	WCL POWER SW. JUMPER LED	583	DDEC-ENGINE BRAKE 4 CYL.		
170Y	LUGGAGE DOOR LOCK-FEED	301	WCL SIGNAL POWER SW.	900	DDEC-DATA LINK (+)		
170Z	LUGGAGE DOOR LOCK	302	WCL DOOR AJAR TTLT & ALARM	900A	EATON-DATA LINK(+)		
171	WORLD TRANSM-SHIFTER	304	WCL DOOR TOP LT.	901	DDEC-DATA LINK (-)		
172	WORLD TRANSM-SHIFTER	305	WCL PARKING BRAKE SOL. VALVE	901A	EATON-DATA LINK(-)		
173	WORLD TRANSM-SHIFTER	305A	WCL DOOR OPEN SIGNAL	908	DDEC-HYDRAU. PWM#1 OUTPUT		
174	WORLD TRANSM-SHIFTER	305B	WCL DOOR TOP LT.	916	DDEC-SENSOR SUPPLY (5VDC)		
175A	WORLD TRANSM-SHIFTER	306	WCL CONTROL SYSTEM	925	J1939(+)		
176	WORLD TRANSM-SHIFTER	307	WCL CONTROL SYSTEM	926	J1939(-)		
180	OUTSIDE TEMP. DISPLAY	308	WCL CONTROL SYSTEM	927	J1939(SHIELD)		
180A	OUTSIDE TEMP. DISPLAY	309	WCL CONTROL SYSTEM	952	DDEC-SENSOR RETURN		
180A	WORLD TRANSM-SHIFTER	309	WCL CONTROL SYSTEM	953	DDEC-BATTERY GRD		
180B	OUTSIDE TEMP. DISPLAY	310	EATON TRANSM. START SIGNAL	979	DDEC-ENGINE BRAKE 2 CYL.		
180C	OUTSIDE TEMP. DISPLAY	311	EATON TR.LH.CONS.GEAR DISPLAY	2123	FLASHER SIGNAL LTS		
181	FROZEN POINT T.T.LT	312	EATON TR. NEUTRAL SIGNAL				
181A	TEMP. CTR'L INSIDE SENSOR	313	EATON TR.LH.CONS.GEAR DISPLAY				
181B	TEMP. CTR'L INSIDE SENSOR	314	EATON TR.LH.CONS. GRD				
181C	THERMOMET. OUTSIDE SENSOR	315	EATON TR.ENG.COMP.12V POWER				
181D	THERMOMET. OUTSIDE SENSOR	316	EATON TR.ENG.COMP. GRD				
195	WORLD TRANSM-TRANS ID	317	EATON TR.ENG.COMP.12V POWER				
197	FUEL WATER FILTER	318	EATON TR.ENG.COMP. GRD				
197A	FUEL WATER FILTER	319	EATON TR.ENG.COMP.12V POWER				
200	EATON TRANSM. GRD	320	EATON TR.ENG.COMP. GRD				
201	WORLD TRANSM-SPARE	417	DDEC-LIMIT SPEED GOVERNOR				
202	WORLD TRANSM-SPARE	419	DDEC -CHEK ENGINE LIGHT				
203	WORLD TRANSM-SPARE	439	DDEC-12V IGNITION				
204	WORLD TRANSM-SPARE	451	DDEC-A/C FAN CLUTCH				
214	WORLD TR.-BACK-UP SIGNAL	505	DDEC-TACHOMETER DRIVE				
231	WORLD TR.-NEUTRAL SIGN GRD	509	DDEC-STOP ENGINE LIGHT				
231F	WORLD TR.-NEUTRAL SIGN GRD	510	DDEC-FAST IDLE SIGNAL				
231W	W.TR.-NEUTRAL SIGN GRD WCL	524	DDEC-ENGINE BRAKEDISABLE				
240	DDEC -ECM 12V FEEDING	525	DDEC-FAST IDLE SIGNAL				
241	DDEC -ECM 12V FEEDING	528	DDEC-STOP ENG. OVERRIDE				
253	24V SIGNAL GALLEY INVERTER	531	DDEC-CRUISE CLUTCH CUT OUT				
254	GALLEY REFRIGERATOR	540	DDEC-CRUISE ENABLE T.T.LT				
254A	GALLEY REFRIGERATOR	541	DDEC-CRUISE SET SW				
254F	GALLEY REFRIGERATOR	542	INPUT PARK BRAKE INTERLOCK				
255	GALLEY COFFEEMAKER	543	DDEC-CRUISE BRAKE PEDAL				
255A	GALLEY COFFEEMAKER	544	DDEC-CRUISE ON/OFF SW				
255B	GALLEY COFFEEMAKER	545	DDEC-CRUISE RESUME SW				
260	WINDOW AJAR-T.T.LT	555	DDEC-FAN CLUTCH SPEED#1				
290	FAN CLUTCH RADIATOR-FEED	556	DDEC-VEHICULE SPEED (+)				
290A	FAN CLUTCH RADIATOR-FEED	557	DDEC-VEHICULE SPEED (-)				
291	FAN CLUTCH RADIATOR SPD 1	563	DDEC-FAN CLUTCH SPEED#2				
292	FAN CLUTCH RADIATOR SPD 2						
292J	FAN OVERRIDE LTS SWITCH						

CIRCUIT BREAKERS CODE

No.	PAGE	AMP.	#PREV.	LOCATION	FUNCTION	No.	PAGE	AMP.	#PREV.	LOCATION	FUNCTION
CB 1	1.1	200A	560838	BATT. COMPT.	A/C FULL AIR	CB 59					
CB 2	1.1	25A	561795	BATT. COMPT.	12V HOT WIRE	CB 60					
CB 3	1.1	70A	562687	BATT. COMPT.	12V FEDD RR JCT BOX	CB 61					
CB 4	1.1	90A	562683	BATT. COMPT.	12V FEDD FR JCT BOX	CB 62					
CB 5	1.1	25A	561795	BATT. COMPT.	24V HOT WIRE	CB 63					
CB 6	1.1	90A	562683	BATT. COMPT.	24V FEED RR JCT BOX	CB 64					
CB 7	1.1	90A	562683	BATT. COMPT.	24V FEED FR JCT BOX	CB 65					
CB 8	15.3	40A	562686	A/C JCT BOX	CONDENSER FAN MOTOR L.H.	CB 66					
CB 9	15.3	120A	562688	A/C JCT BOX	EVAPORATOR FAN MOTOR	CB 67					
CB 10	4.1	8A	561791	FR JCT BOX	MASTER SWITCH	CB 68					
CB 11	15.3	40A	562686	A/C JCT BOX	CONDENSER FAN MOTOR R.H.	CB 69					
CB 12						CB 70					
CB 13						CB 71					
CB 14						CB 72	15.2	10A	561792	RR JCT BOX	A/C COMPRESSOR CLUTCH
CB 15						CB 73	15.3	15A	561793	FR JCT BOX	WATER PUMP
CB 16	4.1	8A	561791	RR JCT BOX	ENGINE-RR CTR & START SW	CB 74					
CB 17						CB 75	15.1	8A	561791	RR JCT BOX	PARCEL RACK A/C COMPRESSOR
CB 18	4.1	6A	561791	RR JCT BOX	ENGINE-FR CTR SW	CB 76					
CB 19	5.1	15A	561793	RR JCT BOX	DDEC E.C.M. POWER	CB 77					
CB 20	5.1	15A	561793	RR JCT BOX	DDEC E.C.M. POWER	CB 78					
CB 21	5.1	10A	561790	RR JCT BOX	DDEC 12V IGNITION	CB 79	15.2	15A	561792	FR JCT BOX	DRIVER'S DEFROSTER FAN
CB 22						CB 80	24.1	6A	561790	FR JCT BOX	ENTRANCE DOOR
CB 23						CB 81					
CB 24						CB 82					
CB 25						CB 83	6.1	20A	561794	RR JCT BOX	WORLD TRANSMISSION VIM POWER
CB 26	9.3	10A	561792	RR JCT BOX	BACK-UP LTS & ALARM	CB 84					
CB 27	7.2	8A	561791	FR JCT BOX	24V IGN DASH ACCESSORIES	CB 85					
CB 28	7.1	6A	561790	FR JCT BOX	12V IGN. DASH ACCESSORIES	CB 86	26.1	8A	561791	RR JCT BOX	LAVATORY PUMP
CB 29						CB 87					
CB 30						CB 88					
CB 31						CB 89	26.1	8A	561791	RR JCT BOX	LAVATORY LIGHTS
CB 32						CB 90	1.2	30A	870860	BATT. COMPT.	12V SOUND SYSTEM
CB 33						CB 91	1.2	30A	870860	BATT. COMPT.	24V SOUND SYSTEM
CB 34						CB 92	17.1	6A	561790	FR JCT BOX	DECEL SW & KNEELING
CB 35	9.3	6A	561790	FR JCT BOX	FOG & A/C MODULE	CB 95	28.1	10A	561792	S.S. JCT BOX	AUDIO AMPLIFIER
CB 36						CB 96	28.1	10A	561792	S.S. JCT BOX	VIDEO MONITOR
CB 37	9.1	8A	561791	FR JCT BOX	HEAD & MULTI-FUNC. SW	CB 98	28.1	15A	561793	S.S. JCT BOX	RADIO
CB 38						CB 105	22.1	6A	561790	FR JCT BOX	ABS E . C . U .
CB 39						CB 106	22.1	10A	561792	FR SERV JCT BOX	ABS E . C . U .
CB 40	9.1	10A	561791	FR JCT BOX	MARKER CLEARANCE & ID. LTS	CB 107	22.1	10A	561792	FR SERV JCT BOX	ABS E . C . U .
CB 41						CB 109	26.1	8A	561791	RR JCT BOX	LAVATORY FAN
CB 42	9.1	10A	561792	RR JCT BOX	RR TAIL & LICENCE LTS	CB 115					
CB 43	9.1	20A	561794	FR JCT BOX	HEADLAMP (HI)	CB 118	12.1	20A	561794	RR JCT BOX	LUGGAGE DOOR LOCK MOTOR
CB 44	9.1	15A	561793	FR JCT BOX	HEADLAMP (LO)	CB 120	12.1	20A	561794	RR JCT BOX	LUGGAGE DOOR LOCK MOTOR
CB 45	9.2	10A	561792	FR JCT BOX	MULTI-FUNC. SW (WIPER CTR)	CB 124	8.1	6A	561790	RR JCT BOX	FAN CLUTCH RADIATOR
CB 46						CB 125	9.2	20A	561794	FR JCT BOX	DIRECTIONAL LTS LH
CB 47						CB 126	9.2	20A	561794	FR JCT BOX	DIRECTIONAL LTS RH
CB 48	9.3	6A	561790	FR JCT BOX	STOP SW	CB 127	15.1	15A	561793	RR JCT BOX	PARCEL RACK VENTILATION
CB 49	9.3	15A	561793	RR JCT BOX	LH STOP LTS	CB 128	15.1	15A	561793	RR JCT BOX	PARCEL RACK VENTILATION
CB 50						CB 129	7.1	6A	561790	FR JCT BOX	CLUSTER
CB 51	9.3	15A	561793	RR JCT BOX	RH STOP LTS & TRAILER SIGN.	CB 130	23.1	6A	561790	FR JCT BOX	TT LT MODULE
CB 52	11.1	15A	561793	FR JCT BOX	LUGGAGE LTS	CB 132	14.1	15A	561793	RR JCT BOX	WATER HEATER WEBASTO
CB 53						CB 138	14.1	15A	561793	RR JCT BOX	WATER HEATER
CB 54						CB 142	2.1	15A	561790	RR JCT BOX	12V IGNITION FR. & RR. JCT. BOX
CB 55											
CB 56											
CB 57	11.2	8A	561791	FR JCT BOX	DASH LTS RHEOSTAT						
CB 58	15.2	6A	561790	FR JCT BOX	HVAC DASH MODULE						

CIRCUIT BREAKERS CODE

No.	PAGE	AMP.	#PREV.	LOCATION	FUNCTION	No.	PAGE	AMP.	#PREV.	LOCATION	FUNCTION
CB 1	1.1	200A	560838	BATT. COMPT.	A/C FULL AIR	CB 59					
CB 2	1.1	25A	561795	BATT. COMPT.	12V HOT WIRE	CB 60					
CB 3	1.1	70A	562687	BATT. COMPT.	12V FEDD RR JCT BOX	CB 61					
CB 4	1.1	90A	562683	BATT. COMPT.	12V FEDD FR JCT BOX	CB 62					
CB 5	1.1	25A	561795	BATT. COMPT.	24V HOT WIRE	CB 63					
CB 6	1.1	90A	562683	BATT. COMPT.	24V FEED RR JCT BOX	CB 64					
CB 7	1.1	90A	562683	BATT. COMPT.	24V FEED FR JCT BOX	CB 65					
CB 8	15.3	40A	562686	A/C JCT BOX	CONDENSER FAN MOTOR L.H.	CB 66					
CB 9	15.3	120A	562688	A/C JCT BOX	EVAPORATOR FAN MOTOR	CB 67					
CB 10	4.1	8A	561791	FR JCT BOX	MASTER SWITCH	CB 68					
CB 11	15.3	40A	562686	A/C JCT BOX	CONDENSER FAN MOTOR R.H.	CB 69					
CB 12	29.1	90A	562683	BATT. COMPT.	WCL MOTOR PUMP	CB 70					
CB 13						CB 71					
CB 14						CB 72	15.2	10A	561792	RR JCT BOX	A/C COMPRESSOR CLUTCH
CB 15						CB 73	15.3	15A	561793	FR JCT BOX	WATER PUMP
CB 16	4.1	8A	561791	RR JCT BOX	ENGINE-RR CTR & START SW	CB 74					
CB 17						CB 75	15.1	8A	561791	RR JCT BOX	PARCEL RACK A/C COMPRESSOR
CB 18	4.1	6A	561791	RR JCT BOX	ENGINE-FR CTR SW	CB 76					
CB 19	5.1	15A	561793	BATT. COMPT.	DDEC E.C.M. POWER	CB 77					
CB 20	5.1	15A	561793	BATT. COMPT.	DDEC E.C.M. POWER	CB 78					
CB 21	5.1	10A	561790	RR JCT BOX	DDEC 12V IGNITION	CB 79	15.2	15A	561792	FR JCT BOX	DRIVER'S DEFROSTER FAN
CB 22						CB 80	24.1	6A	561790	FR JCT BOX	ENTRANCE DOOR
CB 23						CB 81					
CB 24						CB 82					
CB 25						CB 83	6.1	20A	561794	RR JCT BOX	WORLD TRANSMISSION VIM POWER
CB 26	9.3	10A	561792	RR JCT BOX	BACK-UP LTS & ALARM	CB 84					
CB 27	7.2	8A	561791	FR JCT BOX	24V IGN DASH ACCESSORIES	CB 85					
CB 28	7.1	6A	561790	FR JCT BOX	12V IGN. DASH ACCESSORIES	CB 86	26.1	8A	561791	RR JCT BOX	LAVATORY PUMP
CB 29						CB 87					
CB 30						CB 88					
CB 31						CB 89	26.1	8A	561791	RR JCT BOX	LAVATORY LIGHTS
CB 32						CB 90	1.2	30A	870860	BATT. COMPT.	12V SOUND SYSTEM
CB 33						CB 91	1.2	30A	870860	BATT. COMPT.	24V SOUND SYSTEM
CB 34						CB 92	17.1	6A	561790	FR JCT BOX	DECEL SW & KNEELING
CB 35	9.3	6A	561790	FR JCT BOX	FOG & A/C MODULE	CB 95	28.1	10A	561792	S.S. JCT BOX	AUDIO AMPLIFIER
CB 36						CB 96	28.1	10A	561792	S.S. JCT BOX	VIDEO MONITOR
CB 37	9.1	8A	561791	FR JCT BOX	HEAD & MULTI-FUNC. SW	CB 98	28.1	15A	561793	S.S. JCT BOX	RADIO
CB 38						CB 105	22.1	6A	561790	FR JCT BOX	ABS E . C . U .
CB 39						CB 106	22.1	10A	561792	FR SERV JCT BOX	ABS E . C . U .
CB 40	9.1	10A	561791	FR JCT BOX	MARKER CLEARANCE & ID. LTS	CB 107	22.1	10A	561792	FR SERV JCT BOX	ABS E . C . U .
CB 41						CB 109	26.1	8A	561791	RR JCT BOX	LAVATORY FAN
CB 42	9.1	10A	561792	RR JCT BOX	RR TAIL & LICENCE LTS	CB 115					
CB 43	9.1	20A	561794	FR JCT BOX	HEADLAMP (HI)	CB 118	12.1	20A	561794	RR JCT BOX	LUGGAGE DOOR LOCK MOTOR
CB 44	9.1	15A	561793	FR JCT BOX	HEADLAMP (LO)	CB 120	12.1	20A	561794	RR JCT BOX	LUGGAGE DOOR LOCK MOTOR
CB 45	9.2	10A	561792	FR JCT BOX	MULTI-FUNC. SW (WIPER CTR)	CB 124	8.1	6A	561790	RR JCT BOX	FAN CLUTCH RADIATOR
CB 46	29.1	10A	561792	BATT. COMPT.	WCL SYSTEM POWER	CB 125	9.2	20A	561794	FR JCT BOX	DIRECTIONAL LTS LH
CB 47	29.1	8A	561791	BATT. COMPT.	WCL DOOR TOP LT.	CB 126	9.2	20A	561794	FR JCT BOX	DIRECTIONAL LTS RH
CB 48	9.3	6A	561790	FR JCT BOX	STOP SW	CB 127	15.1	15A	561793	RR JCT BOX	PARCEL RACK VENTILATION
CB 49	9.3	15A	561793	RR JCT BOX	LH STOP LTS	CB 128	15.1	15A	561793	RR JCT BOX	PARCEL RACK VENTILATION
CB 50						CB 129	7.1	6A	561790	FR JCT BOX	CLUSTER
CB 51	9.3	15A	561793	RR JCT BOX	RH STOP LTS & TRAILER SIGN.	CB 130	23.1	6A	561790	FR JCT BOX	TT LT MODULE
CB 52	11.1	15A	561793	FR JCT BOX	LUGGAGE LTS	CB 132	14.1	15A	561793	RR JCT BOX	WATER HEATER WEBASTO
CB 53						CB 138	14.1	15A	561793	RR JCT BOX	WATER HEATER
CB 54						CB 142	2.1	15A	561790	RR JCT BOX	12V IGNITION FR. & RR. JCT. BOX
CB 55											
CB 56											
CB 57	11.2	8A	561791	FR JCT BOX	DASH LTS RHEOSTAT						
CB 58	15.2	6A	561790	FR JCT BOX	HVAC DASH MODULE						

CIRCUIT BREAKERS CODE

No.	PAGE	AMP.	#PREV.	LOCATION	FUNCTION	No.	PAGE	AMP.	#PREV.	LOCATION	FUNCTION
CB 1	1.1	200A	560838	BATT. COMPT.	A/C FULL AIR	CB 59					
CB 2	1.1	25A	561795	BATT. COMPT.	12V HOT WIRE	CB 60					
CB 3	1.1	70A	562687	BATT. COMPT.	12V FEDD RR JCT BOX	CB 61					
CB 4	1.1	90A	562683	BATT. COMPT.	12V FEDD FR JCT BOX	CB 62					
CB 5	1.1	25A	561795	BATT. COMPT.	24V HOT WIRE	CB 63					
CB 6	1.1	90A	562683	BATT. COMPT.	24V FEED RR JCT BOX	CB 64					
CB 7	1.1	90A	562683	BATT. COMPT.	24V FEED FR JCT BOX	CB 65					
CB 8	15.3	40A	562686	A/C JCT BOX	CONDENSER FAN MOTOR L.H.	CB 66					
CB 9	15.3	120A	562688	A/C JCT BOX	EVAPORATOR FAN MOTOR	CB 67					
CB 10	4.1	8A	561791	FR JCT BOX	MASTER SWITCH	CB 68					
CB 11	15.3	40A	562686	A/C JCT BOX	CONDENSER FAN MOTOR R.H.	CB 69					
CB 12	29.1	90A	562683	BATT. COMPT.	WCL MOTOR PUMP	CB 70					
CB 13						CB 71					
CB 14						CB 72	15.2	10A	561792	RR JCT BOX	A/C COMPRESSOR CLUTCH
CB 15						CB 73	15.3	15A	561793	FR JCT BOX	WATER PUMP
CB 16	4.1	8A	561791	RR JCT BOX	ENGINE-RR CTR & START SW	CB 74					
CB 17						CB 75	15.1	8A	561791	RR JCT BOX	PARCEL RACK A/C COMPRESSOR
CB 18	4.1	6A	561791	RR JCT BOX	ENGINE-FR CTR SW	CB 76					
CB 19	5.1	15A	561793	BATT. COMPT.	DDEC E.C.M. POWER	CB 77					
CB 20	5.1	15A	561793	BATT. COMPT.	DDEC E.C.M. POWER	CB 78					
CB 21	5.1	10A	561790	RR JCT BOX	DDEC 12V IGNITION	CB 79	15.2	15A	561792	FR JCT BOX	DRIVER'S DEFROSTER FAN
CB 22						CB 80	24.1	6A	561790	FR JCT BOX	ENTRANCE DOOR
CB 23						CB 81					
CB 24	6.3	30A	870860	BATT. COMPT.	EATON TR. 12V BATT	CB 82					
CB 25						CB 83	6.1	20A	561794	RR JCT BOX	WORLD TRANSMISSION VIM POWER
CB 26	9.3	10A	561792	RR JCT BOX	BACK-UP LTS & ALARM	CB 84					
CB 27	7.2	8A	561791	FR JCT BOX	24V IGN DASH ACCESSORIES	CB 85					
CB 28	7.1	6A	561790	FR JCT BOX	12V IGN. DASH ACCESSORIES	CB 86	26.1	8A	561791	RR JCT BOX	LAVATORY PUMP
CB 29						CB 87					
CB 30						CB 88					
CB 31						CB 89	26.1	8A	561791	RR JCT BOX	LAVATORY LIGHTS
CB 32						CB 90	1.2	30A	870860	BATT. COMPT.	12V SOUND SYSTEM
CB 33						CB 91	1.2	30A	870860	BATT. COMPT.	24V SOUND SYSTEM
CB 34						CB 92	17.1	6A	561790	FR JCT BOX	DECEL SW & KNEELING
CB 35	9.3	6A	561790	FR JCT BOX	FOG & A/C MODULE	CB 95	28.1	10A	561792	S.S. JCT BOX	AUDIO AMPLIFIER
CB 36						CB 96	28.1	10A	561792	S.S. JCT BOX	VIDEO MONITOR
CB 37	9.1	8A	561791	FR JCT BOX	HEAD & MULTI-FUNC. SW	CB 98	28.1	15A	561793	S.S. JCT BOX	RADIO
CB 38						CB 105	22.1	6A	561790	FR JCT BOX	ABS E . C . U.
CB 39						CB 106	22.1	10A	561792	FR SERV JCT BOX	ABS E . C . U .
CB 40	9.1	10A	561791	FR JCT BOX	MARKER CLEARANCE & ID. LTS	CB 107	22.1	10A	561792	FR SERV JCT BOX	ABS E . C . U .
CB 41						CB 109	26.1	8A	561791	RR JCT BOX	LAVATORY FAN
CB 42	9.1	10A	561792	RR JCT BOX	RR TAIL & LICENCE LTS	CB 115					
CB 43	9.1	20A	561794	FR JCT BOX	HEADLAMP (HI)	CB 118	12.1	20A	561794	RR JCT BOX	LUGGAGE DOOR LOCK MOTOR
CB 44	9.1	15A	561793	FR JCT BOX	HEADLAMP (LO)	CB 120	12.1	20A	561794	RR JCT BOX	LUGGAGE DOOR LOCK MOTOR
CB 45	9.2	10A	561792	FR JCT BOX	MULTI-FUNC. SW (WIPER CTR)	CB 124	8.1	6A	561790	RR JCT BOX	FAN CLUTCH RADIATOR
CB 46	29.1	10A	561792	BATT. COMPT.	WCL SYSTEM POWER	CB 125	9.2	20A	561794	FR JCT BOX	DIRECTIONAL LTS LH
CB 47	29.1	8A	561791	BATT. COMPT.	WCL DOOR TOP LT.	CB 126	9.2	20A	561794	FR JCT BOX	DIRECTIONAL LTS RH
CB 48	9.3	6A	561790	FR JCT BOX	STOP SW	CB 127	15.1	15A	561793	RR JCT BOX	PARCEL RACK VENTILATION
CB 49	9.3	15A	561793	RR JCT BOX	LH STOP LTS	CB 128	15.1	15A	561793	RR JCT BOX	PARCEL RACK VENTILATION
CB 50						CB 129	7.1	6A	561790	FR JCT BOX	CLUSTER
CB 51	9.3	15A	561793	RR JCT BOX	RH STOP LTS & TRAILER SIGN.	CB 130	23.1	6A	561790	FR JCT BOX	TT LT MODULE
CB 52	11.1	15A	561793	FR JCT BOX	LUGGAGE LTS	CB 132	14.1	15A	561793	RR JCT BOX	WATER HEATER WEBASTO
CB 53						CB 138	14.1	15A	561793	RR JCT BOX	WATER HEATER
CB 54						CB 142	2.1	15A	561790	RR JCT BOX	12V IGNITION FR. & RR. JCT. BOX
CB 55											
CB 56											
CB 57	11.2	8A	561791	FR JCT BOX	DASH LTS RHEOSTAT						
CB 58	15.2	6A	561790	FR JCT BOX	HVAC DASH MODULE						

CIRCUIT BREAKERS CODE

No.	PAGE	AMP.	#PREV.	LOCATION	FUNCTION	No.	PAGE	AMP.	#PREV.	LOCATION	FUNCTION
CB 1	1.1	200A	560838	BATT. COMPT.	A/C FULL AIR	CB 59					
CB 2	1.1	25A	561795	BATT. COMPT.	12V HOT WIRE	CB 60					
CB 3	1.1	70A	562687	BATT. COMPT.	12V FEDD RR JCT BOX	CB 61					
CB 4	1.1	90A	562683	BATT. COMPT.	12V FEDD FR JCT BOX	CB 62					
CB 5	1.1	25A	561795	BATT. COMPT.	24V HOT WIRE	CB 63					
CB 6	1.1	90A	562683	BATT. COMPT.	24V FEED RR JCT BOX	CB 64					
CB 7	1.1	90A	562683	BATT. COMPT.	24V FEED FR JCT BOX	CB 65					
CB 8	15.3	40A	562686	A/C JCT BOX	CONDENSER FAN MOTOR L.H.	CB 66					
CB 9	15.3	120A	562688	A/C JCT BOX	EVAPORATOR FAN MOTOR	CB 67					
CB 10	4.1	8A	561791	FR JCT BOX	MASTER SWITCH	CB 68					
CB 11	15.3	40A	562686	A/C JCT BOX	CONDENSER FAN MOTOR R.H.	CB 69					
CB 12	29.1	90A	562683	BATT. COMPT.	WCL MOTOR PUMP	CB 70					
CB 13	6.1	3A	561797	RR JCT BOX	12 HOT WIRE DDR CONNECTOR	CB 71					
CB 14						CB 72	15.2	10A	561792	RR JCT BOX	A/C COMPRESSOR CLUTCH
CB 15						CB 73	15.3	15A	561793	FR JCT BOX	WATER PUMP
CB 16	4.1	8A	561791	RR JCT BOX	ENGINE-RR CTR & START SW	CB 74					
CB 17						CB 75	15.1	8A	561791	RR JCT BOX	PARCEL RACK A/C COMPRESSOR
CB 18	4.1	6A	561791	RR JCT BOX	ENGINE-FR CTR SW	CB 76					
CB 19	5.1	15A	561793	BATT. COMPT.	DDEC E.C.M. POWER	CB 77					
CB 20	5.1	15A	561793	BATT. COMPT.	DDEC E.C.M. POWER	CB 78					
CB 21	5.1	10A	561790	RR JCT BOX	DDEC 12V IGNITION	CB 79	15.2	15A	561792	FR JCT BOX	DRIVER'S DEFROSTER FAN
CB 22						CB 80	24.1	6A	561790	FR JCT BOX	ENTRANCE DOOR
CB 23						CB 81					
CB 24	6.3	30A	870860	BATT. COMPT.	EATON TR. 12V BATT	CB 82					
CB 25						CB 83	6.1	20A	561794	RR JCT BOX	WORLD TRANSMISSION VIM POWER
CB 26	9.3	10A	561792	RR JCT BOX	BACK-UP LTS & ALARM	CB 84					
CB 27	7.2	8A	561791	FR JCT BOX	24V IGN DASH ACCESSORIES	CB 85					
CB 28	7.1	6A	561790	FR JCT BOX	12V IGN. DASH ACCESSORIES	CB 86	26.1	8A	561791	RR JCT BOX	LAVATORY PUMP
CB 29						CB 87					
CB 30						CB 88					
CB 31						CB 89	26.1	8A	561791	RR JCT BOX	LAVATORY LIGHTS
CB 32						CB 90	1.2	30A	870860	BATT. COMPT.	12V SOUND SYSTEM
CB 33						CB 91	1.2	30A	870860	BATT. COMPT.	24V SOUND SYSTEM
CB 34						CB 92	17.1	6A	561790	FR JCT BOX	DECEL SW & KNEELING
CB 35	9.3	6A	561790	FR JCT BOX	FOG & A/C MODULE	CB 95	28.1	10A	561792	S.S. JCT BOX	AUDIO AMPLIFIER
CB 36						CB 96	28.1	10A	561792	S.S. JCT BOX	VIDEO MONITOR
CB 37	9.1	8A	561791	FR JCT BOX	HEAD & MULTI-FUNC. SW	CB 98	28.1	15A	561793	S.S. JCT BOX	RADIO
CB 38						CB 105	22.1	6A	561790	FR JCT BOX	ABS E . C . U .
CB 39						CB 106	22.1	10A	561792	FR SERV JCT BOX	ABS E . C . U .
CB 40	9.1	10A	561791	FR JCT BOX	MARKER CLEARANCE & ID. LTS	CB 107	22.1	10A	561792	FR SERV JCT BOX	ABS E . C . U .
CB 41						CB 109	26.1	8A	561791	RR JCT BOX	LAVATORY FAN
CB 42	9.1	10A	561792	RR JCT BOX	RR TAIL & LICENCE LTS	CB 115					
CB 43	9.1	20A	561794	FR JCT BOX	HEADLAMP (HI)	CB 118	12.1	20A	561794	RR JCT BOX	LUGGAGE DOOR LOCK MOTOR
CB 44	9.1	15A	561793	FR JCT BOX	HEADLAMP (LO)	CB 120	12.1	20A	561794	RR JCT BOX	LUGGAGE DOOR LOCK MOTOR
CB 45	9.2	10A	561792	FR JCT BOX	MULTI-FUNC. SW (WIPER CTR)	CB 124	8.1	6A	561790	RR JCT BOX	FAN CLUTCH RADIATOR
CB 46	29.1	10A	561792	BATT. COMPT.	WCL SYSTEM POWER	CB 125	9.2	20A	561794	FR JCT BOX	DIRECTIONAL LTS LH
CB 47	29.1	8A	561791	BATT. COMPT.	WCL DOOR TOP LT.	CB 126	9.2	20A	561794	FR JCT BOX	DIRECTIONAL LTS RH
CB 48	9.3	6A	561790	FR JCT BOX	STOP SW	CB 127	15.1	15A	561793	RR JCT BOX	PARCEL RACK VENTILATION
CB 49	9.3	15A	561793	RR JCT BOX	LH STOP LTS	CB 128	15.1	15A	561793	RR JCT BOX	PARCEL RACK VENTILATION
CB 50						CB 129	7.1	6A	561790	FR JCT BOX	CLUSTER
CB 51	9.3	15A	561793	RR JCT BOX	RH STOP LTS & TRAILER SIGN.	CB 130	23.1	6A	561790	FR JCT BOX	TT LT MODULE
CB 52	11.1	15A	561793	FR JCT BOX	LUGGAGE LTS	CB 132	14.1	15A	561793	RR JCT BOX	WATER HEATER WEBASTO
CB 53						CB 138	14.1	15A	561793	RR JCT BOX	WATER HEATER
CB 54						CB 142	2.1	15A	561790	RR JCT BOX	12V IGNITION FR. & RR. JCT. BOX
CB 55											
CB 56											
CB 57	11.2	8A	561791	FR JCT BOX	DASH LTS RHEOSTAT						
CB 58	15.2	6A	561790	FR JCT BOX	HVAC DASH MODULE						

CIRCUIT BREAKERS CODE

No.	PAGE	AMP.	#PREV.	LOCATION	FUNCTION	No.	PAGE	AMP.	#PREV.	LOCATION	FUNCTION
CB 1	1.1	200A	560838	BATT. COMPT.	A/C FULL AIR	CB 59					
CB 2	1.1	25A	561795	BATT. COMPT.	12V HOT WIRE	CB 60					
CB 3	1.1	70A	562687	BATT. COMPT.	12V FEDD RR JCT BOX	CB 61					
CB 4	1.1	90A	562683	BATT. COMPT.	12V FEDD FR JCT BOX	CB 62					
CB 5	1.1	25A	561795	BATT. COMPT.	24V HOT WIRE	CB 63					
CB 6	1.1	90A	562683	BATT. COMPT.	24V FEED RR JCT BOX	CB 64					
CB 7	1.1	90A	562683	BATT. COMPT.	24V FEED FR JCT BOX	CB 65					
CB 8	15.3	40A	562686	A/C JCT BOX	CONDENSER FAN MOTOR L.H.	CB 66					
CB 9	15.3	120A	562688	A/C JCT BOX	EVAPORATOR FAN MOTOR	CB 67					
CB 10	4.1	8A	561791	FR JCT BOX	MASTER SWITCH	CB 68					
CB 11	15.3	40A	562686	A/C JCT BOX	CONDENSER FAN MOTOR R.H.	CB 69					
CB 12	29.1	90A	562683	BATT. COMPT.	WCL MOTOR PUMP	CB 70					
CB 13	6.1	3A	561797	RR JCT BOX	12 HOT WIRE DDR CONNECTOR	CB 71					
CB 14						CB 72	15.2	10A	561792	RR JCT BOX	A/C COMPRESSOR CLUTCH
CB 15						CB 73	15.3	15A	561793	FR JCT BOX	WATER PUMP
CB 16	4.1	8A	561791	RR JCT BOX	ENGINE-RR CTR & START SW	CB 74					
CB 17						CB 75	15.1	8A	561791	RR JCT BOX	PARCEL RACK A/C COMPRESSOR
CB 18	4.1	6A	561791	RR JCT BOX	ENGINE-FR CTR SW	CB 76					
CB 19	5.1	15A	561793	BATT. COMPT.	DDEC E.C.M. POWER	CB 77					
CB 20	5.1	15A	561793	BATT. COMPT.	DDEC E.C.M. POWER	CB 78					
CB 21	5.1	10A	561790	RR JCT BOX	DDEC 12V IGNITION	CB 79	15.2	15A	561792	FR JCT BOX	DRIVER'S DEFROSTER FAN
CB 22						CB 80	24.1	6A	561790	FR JCT BOX	ENTRANCE DOOR
CB 23						CB 81					
CB 24	6.3	30A	870860	BATT. COMPT.	EATON TR. 12V BATT	CB 82					
CB 25						CB 83	6.1	20A	561794	RR JCT BOX	WORLD TRANSMISSION VIM POWER
CB 26	9.3	10A	561792	RR JCT BOX	BACK-UP LTS & ALARM	CB 84					
CB 27	7.2	8A	561791	FR JCT BOX	24V IGN DASH ACCESSORIES	CB 85					
CB 28	7.1	6A	561790	FR JCT BOX	12V IGN. DASH ACCESSORIES	CB 86	26.1	8A	561791	RR JCT BOX	LAVATORY PUMP
CB 29						CB 87					
CB 30						CB 88					
CB 31						CB 89	26.1	8A	561791	RR JCT BOX	LAVATORY LIGHTS
CB 32						CB 90	1.2	30A	870860	BATT. COMPT.	12V SOUND SYSTEM
CB 33						CB 91	1.2	30A	870860	BATT. COMPT.	24V SOUND SYSTEM
CB 34						CB 92	17.1	6A	561790	FR JCT BOX	DECEL SW & KNEELING
CB 35	9.3	6A	561790	FR JCT BOX	FOG & A/C MODULE	CB 95	28.1	10A	561792	S.S. JCT BOX	AUDIO AMPLIFIER
CB 36						CB 96	28.1	10A	561792	S.S. JCT BOX	VIDEO MONITOR
CB 37	9.1	8A	561791	FR JCT BOX	HEAD & MULTI-FUNC. SW	CB 98	28.1	15A	561793	S.S. JCT BOX	RADIO
CB 38						CB 105	22.1	6A	561790	FR JCT BOX	ABS E . C . U .
CB 39						CB 106	22.1	10A	561792	FR SERV JCT BOX	ABS E . C . U .
CB 40	9.1	10A	561791	FR JCT BOX	MARKER CLEARANCE & ID. LTS	CB 107	22.1	10A	561792	FR SERV JCT BOX	ABS E . C . U .
CB 41						CB 109	26.1	8A	561791	RR JCT BOX	LAVATORY FAN
CB 42	9.1	10A	561792	RR JCT BOX	RR TAIL & LICENCE LTS	CB 115					
CB 43	9.1	20A	561794	FR JCT BOX	HEADLAMP (HI)	CB 118	12.1	20A	561794	RR JCT BOX	LUGGAGE DOOR LOCK MOTOR
CB 44	9.1	15A	561793	FR JCT BOX	HEADLAMP (LO)	CB 120	12.1	20A	561794	RR JCT BOX	LUGGAGE DOOR LOCK MOTOR
CB 45	9.2	10A	561792	FR JCT BOX	MULTI-FUNC. SW (WIPER CTR)	CB 124	8.1	6A	561790	RR JCT BOX	FAN CLUTCH RADIATOR
CB 46	29.1	10A	561792	BATT. COMPT.	WCL SYSTEM POWER	CB 125	9.2	20A	561794	FR JCT BOX	DIRECTIONAL LTS LH
CB 47	29.1	8A	561791	BATT. COMPT.	WCL DOOR TOP LT.	CB 126	9.2	20A	561794	FR JCT BOX	DIRECTIONAL LTS RH
CB 48	9.3	6A	561790	FR JCT BOX	STOP SW	CB 127	15.1	15A	561793	RR JCT BOX	PARCEL RACK VENTILATION
CB 49	9.3	15A	561793	RR JCT BOX	LH STOP LTS	CB 128	15.1	15A	561793	RR JCT BOX	PARCEL RACK VENTILATION
CB 50						CB 129	7.1	6A	561790	FR JCT BOX	CLUSTER
CB 51	9.3	15A	561793	RR JCT BOX	RH STOP LTS & TRAILER SIGN.	CB 130	23.1	6A	561790	FR JCT BOX	TT LT MODULE
CB 52	11.1	15A	561793	FR JCT BOX	LUGGAGE LTS	CB 132	14.1	15A	561793	RR JCT BOX	WATER HEATER
CB 53						CB 138	14.1	20A	561793	RR JCT BOX	WATER HEATER
CB 54						CB 142	2.1	15A	561790	RR JCT BOX	12V IGNITION FR. & RR. JCT. BOX
CB 55											
CB 56											
CB 57	11.2	8A	561791	FR JCT BOX	DASH LTS RHEOSTAT						
CB 58	15.2	6A	561790	FR JCT BOX	HVAC DASH MODULE						

CIRCUIT BREAKERS CODE

No.	PAGE	AMP.	#PREV.	LOCATION	FUNCTION	No.	PAGE	AMP.	#PREV.	LOCATION	FUNCTION
CB 1	1.1	200A	560838	BATT. COMPT.	A/C FULL AIR	CB 59					
CB 2	1.1	25A	561795	BATT. COMPT.	12V HOT WIRE	CB 60					
CB 3	1.1	70A	562687	BATT. COMPT.	12V FEDD RR JCT BOX	CB 61					
CB 4	1.1	90A	562683	BATT. COMPT.	12V FEDD FR JCT BOX	CB 62					
CB 5	1.1	25A	561795	BATT. COMPT.	24V HOT WIRE	CB 63					
CB 6	1.1	90A	562683	BATT. COMPT.	24V FEED RR JCT BOX	CB 64					
CB 7	1.1	90A	562683	BATT. COMPT.	24V FEED FR JCT BOX	CB 65					
CB 8	15.3	40A	562686	A/C JCT BOX	CONDENSER FAN MOTOR L.H.	CB 66					
CB 9	15.3	120A	562688	A/C JCT BOX	EVAPORATOR FAN MOTOR	CB 67					
CB 10	4.1	8A	561791	FR JCT BOX	MASTER SWITCH	CB 68					
CB 11	15.3	40A	562686	A/C JCT BOX	CONDENSER FAN MOTOR R.H.	CB 69					
CB 12	29.1	90A	562683	BATT. COMPT.	WCL MOTOR PUMP	CB 70					
CB 13	6.1	3A	561797	RR JCT BOX	12 HOT WIRE DDR CONNECTOR	CB 71					
CB 14						CB 72	15.2	10A	561792	RR JCT BOX	A/C COMPRESSOR CLUTCH
CB 15						CB 73	15.3	15A	561793	FR JCT BOX	WATER PUMP
CB 16	4.1	8A	561791	RR JCT BOX	ENGINE-RR CTR & START SW	CB 74					
CB 17						CB 75	15.1	8A	561791	RR JCT BOX	PARCEL RACK A/C COMPRESSOR
CB 18	4.1	6A	561791	RR JCT BOX	ENGINE-FR CTR SW	CB 76					
CB 19	5.1	15A	561793	BATT. COMPT.	DDEC E.C.M. POWER	CB 77					
CB 20	5.1	15A	561793	BATT. COMPT.	DDEC E.C.M. POWER	CB 78					
CB 21	5.1	10A	561790	RR JCT BOX	DDEC 12V IGNITION	CB 79	15.2	15A	561792	FR JCT BOX	DRIVER'S DEFROSTER FAN
CB 22						CB 80	24.1	6A	561790	FR JCT BOX	ENTRANCE DOOR
CB 23						CB 81					
CB 24	6.3	30A	870860	BATT. COMPT.	EATON TR. 12V BATT	CB 82					
CB 25						CB 83	6.1	20A	561794	RR JCT BOX	WORLD TRANSMISSION VIM POWER
CB 26	9.3	10A	561792	RR JCT BOX	BACK-UP LTS & ALARM	CB 84					
CB 27	7.2	8A	561791	FR JCT BOX	24V IGN DASH ACCESSORIES	CB 85					
CB 28	7.1	6A	561790	FR JCT BOX	12V IGN. DASH ACCESSORIES	CB 86	26.1	8A	561791	RR JCT BOX	LAVATORY PUMP
CB 29						CB 87					
CB 30						CB 88					
CB 31						CB 89	26.1	8A	561791	RR JCT BOX	LAVATORY LIGHTS
CB 32						CB 90	1.2	30A	870860	BATT. COMPT.	12V SOUND SYSTEM
CB 33						CB 91	1.2	30A	870860	BATT. COMPT.	24V SOUND SYSTEM
CB 34						CB 92	17.1	6A	561790	FR JCT BOX	DECEL SW & KNEELING
CB 35	9.3	6A	561790	FR JCT BOX	FOG & A/C MODULE	CB 95	28.1	10A	561792	S.S. JCT BOX	AUDIO AMPLIFIER
CB 36						CB 96	28.1	10A	561792	S.S. JCT BOX	VIDEO MONITOR
CB 37	9.1	8A	561791	FR JCT BOX	HEAD & MULTI-FUNC. SW	CB 98	28.1	15A	561793	S.S. JCT BOX	RADIO
CB 38						CB 105	22.1	6A	561790	FR JCT BOX	ABS E . C . U .
CB 39						CB 106	22.1	15A	561793	FR JCT BOX	ABS E . C . U .
CB 40	9.1	10A	561791	FR JCT BOX	MARKER CLEARANCE & ID. LTS	CB 107					
CB 41						CB 109	26.1	8A	561791	RR JCT BOX	LAVATORY FAN
CB 42	9.1	10A	561792	RR JCT BOX	RR TAIL & LICENCE LTS	CB 115					
CB 43	9.1	20A	561794	FR JCT BOX	HEADLAMP (HI)	CB 118	12.1	20A	561794	RR JCT BOX	LUGGAGE DOOR LOCK MOTOR
CB 44	9.1	15A	561793	FR JCT BOX	HEADLAMP (LO)	CB 120	12.1	20A	561794	RR JCT BOX	LUGGAGE DOOR LOCK MOTOR
CB 45	9.2	10A	561792	FR JCT BOX	MULTI-FUNC. SW (WIPER CTR)	CB 124	8.1	6A	561790	RR JCT BOX	FAN CLUTCH RADIATOR
CB 46	29.1	10A	561792	BATT. COMPT.	WCL SYSTEM POWER	CB 125	9.2	20A	561794	FR JCT BOX	DIRECTIONAL LTS LH
CB 47	29.1	8A	561791	BATT. COMPT.	WCL DOOR TOP LT.	CB 126	9.2	20A	561794	FR JCT BOX	DIRECTIONAL LTS RH
CB 48	9.3	6A	561790	FR JCT BOX	STOP SW	CB 127	15.1	15A	561793	RR JCT BOX	PARCEL RACK VENTILATION
CB 49	9.3	15A	561793	RR JCT BOX	LH STOP LTS	CB 128	15.1	15A	561793	RR JCT BOX	PARCEL RACK VENTILATION
CB 50						CB 129	7.1	6A	561790	FR JCT BOX	CLUSTER
CB 51	9.3	15A	561793	RR JCT BOX	RH STOP LTS & TRAILER SIGN.	CB 130	23.1	6A	561790	FR JCT BOX	TT LT MODULE
CB 52	11.1	15A	561793	FR JCT BOX	LUGGAGE LTS	CB 132	14.1	15A	561793	RR JCT BOX	WATER HEATER
CB 53						CB 138	14.1	20A	561793	RR JCT BOX	WATER HEATER
CB 54						CB 142	2.1	15A	561790	RR JCT BOX	12V IGNITION FR. & RR. JCT. BOX
CB 55											
CB 56											
CB 57	11.2	8A	561791	FR JCT BOX	DASH LTS RHEOSTAT						
CB 58	15.2	6A	561790	FR JCT BOX	HVAC DASH MODULE						

CIRCUIT BREAKERS CODE

No.	PAGE	AMP.	#PREV.	LOCATION	FUNCTION	No.	PAGE	AMP.	#PREV.	LOCATION	FUNCTION
CB 1	1.1	200A	560838	BATT. COMPT.	A/C FULL AIR	CB 59					
CB 2	1.1	25A	561795	BATT. COMPT.	12V HOT WIRE	CB 60					
CB 3	1.1	70A	562687	BATT. COMPT.	12V FEDD RR JCT BOX	CB 61					
CB 4	1.1	90A	562683	BATT. COMPT.	12V FEDD FR JCT BOX	CB 62					
CB 5	1.1	25A	561795	BATT. COMPT.	24V HOT WIRE	CB 63					
CB 6	1.1	90A	562683	BATT. COMPT.	24V FEED RR JCT BOX	CB 64					
CB 7	1.1	90A	562683	BATT. COMPT.	24V FEED FR JCT BOX	CB 65					
CB 8	15.3	40A	562686	A/C JCT BOX	CONDENSER FAN MOTOR L.H.	CB 66					
CB 9	15.3	120A	562688	A/C JCT BOX	EVAPORATOR FAN MOTOR	CB 67					
CB 10	4.1	8A	561791	FR JCT BOX	MASTER SWITCH	CB 68					
CB 11	15.3	40A	562686	A/C JCT BOX	CONDENSER FAN MOTOR R.H.	CB 69					
CB 12	29.1	90A	562683	BATT. COMPT.	WCL MOTOR PUMP	CB 70					
CB 13	6.1	3A	561797	RR JCT BOX	12 HOT WIRE DDR CONNECTOR	CB 71					
CB 14	15.4	25A	561795	FR JCT BOX	UPPER FAN DEFROST	CB 72	15.2	10A	561792	RR JCT BOX	A/C COMPRESSOR CLUTCH
CB 15						CB 73	15.3	15A	561793	FR JCT BOX	WATER PUMP
CB 16	4.1	8A	561791	RR JCT BOX	ENGINE-RR CTR & START SW	CB 74					
CB 17						CB 75	15.1	8A	561791	RR JCT BOX	PARCEL RACK A/C COMPRESSOR
CB 18	4.1	6A	561791	RR JCT BOX	ENGINE-FR CTR SW	CB 76					
CB 19	5.1	15A	561793	BATT. COMPT.	DDEC E.C.M. POWER	CB 77					
CB 20	5.1	15A	561793	BATT. COMPT.	DDEC E.C.M. POWER	CB 78					
CB 21	5.1	10A	561790	RR JCT BOX	DDEC 12V IGNITION	CB 79	15.2	15A	561792	FR JCT BOX	DRIVER'S DEFROSTER FAN
CB 22						CB 80	24.1	6A	561790	FR JCT BOX	ENTRANCE DOOR
CB 23						CB 81					
CB 24	6.3	30A	870860	BATT. COMPT.	EATON TR. 12V BATT	CB 82					
CB 25						CB 83	6.1	20A	561794	RR JCT BOX	WORLD TRANSMISSION VIM POWER
CB 26	9.3	10A	561792	RR JCT BOX	BACK-UP LTS & ALARM	CB 84					
CB 27	7.2	8A	561791	FR JCT BOX	24V IGN DASH ACCESSORIES	CB 85					
CB 28	7.1	6A	561790	FR JCT BOX	12V IGN. DASH ACCESSORIES	CB 86	26.1	8A	561791	RR JCT BOX	LAVATORY PUMP
CB 29						CB 87					
CB 30						CB 88					
CB 31						CB 89	26.1	8A	561791	RR JCT BOX	LAVATORY LIGHTS
CB 32						CB 90	1.2	30A	870860	BATT. COMPT.	12V SOUND SYSTEM
CB 33						CB 91	1.2	30A	870860	BATT. COMPT.	24V SOUND SYSTEM
CB 34						CB 92	17.1	6A	561790	FR JCT BOX	DECEL SW & KNEELING
CB 35	9.3	6A	561790	FR JCT BOX	FOG & A/C MODULE	CB 93	15.2	6A	561790	FR JCT BOX	DR'S REC. DAMPER CYL. L.H.
CB 36						CB 95	28.1	10A	561792	S.S. JCT BOX	AUDIO AMPLIFIER
CB 37	9.1	8A	561791	FR JCT BOX	HEAD & MULTI-FUNC. SW	CB 96	28.1	10A	561792	S.S. JCT BOX	VIDEO MONITOR
CB 38						CB 98	28.1	15A	561793	S.S. JCT BOX	RADIO
CB 39						CB 105	22.1	6A	561790	FR JCT BOX	ABS E . C . U .
CB 40	9.1	10A	561791	FR JCT BOX	MARKER CLEARANCE & ID. LTS	CB 106	22.1	15A	561793	FR JCT BOX	ABS E . C . U .
CB 41						CB 107					
CB 42	9.1	10A	561792	RR JCT BOX	RR TAIL & LICENCE LTS	CB 109	26.1	8A	561791	RR JCT BOX	LAVATORY FAN
CB 43	9.1	20A	561794	FR JCT BOX	HEADLAMP (HI)	CB 115					
CB 44	9.1	15A	561793	FR JCT BOX	HEADLAMP (LO)	CB 118	12.1	20A	561794	RR JCT BOX	LUGGAGE DOOR LOCK MOTOR
CB 45	9.2	10A	561792	FR JCT BOX	MULTI-FUNC. SW (WIPER CTR)	CB 120	12.1	20A	561794	RR JCT BOX	LUGGAGE DOOR LOCK MOTOR
CB 46	29.1	10A	561792	BATT. COMPT.	WCL SYSTEM POWER	CB 124	8.1	6A	561790	RR JCT BOX	FAN CLUTCH RADIATOR
CB 47	29.1	8A	561791	BATT. COMPT.	WCL DOOR TOP LT.	CB 125	9.2	20A	561794	FR JCT BOX	DIRECTIONAL LTS LH
CB 48	9.3	6A	561790	FR JCT BOX	STOP SW	CB 126	9.2	20A	561794	FR JCT BOX	DIRECTIONAL LTS RH
CB 49	9.3	15A	561793	RR JCT BOX	LH STOP LTS	CB 127	15.1	15A	561793	RR JCT BOX	PARCEL RACK VENTILATION
CB 50						CB 128	15.1	15A	561793	RR JCT BOX	PARCEL RACK VENTILATION
CB 51	9.3	15A	561793	RR JCT BOX	RH STOP LTS & TRAILER SIGN.	CB 129	7.1	6A	561790	FR JCT BOX	CLUSTER
CB 52	11.1	15A	561793	FR JCT BOX	LUGGAGE LTS	CB 130	23.1	6A	561790	FR JCT BOX	TT LT MODULE
CB 53						CB 132	14.1	15A	561793	RR JCT BOX	WATER HEATER
CB 54						CB 138	14.1	20A	561793	RR JCT BOX	WATER HEATER
CB 55						CB 142	2.1	15A	561790	RR JCT BOX	12V IGNITION FR. & RR. JCT. BOX
CB 56											
CB 57	11.2	8A	561791	FR JCT BOX	DASH LTS RHEOSTAT						
CB 58	15.2	6A	561790	FR JCT BOX	HVAC DASH MODULE						

CIRCUIT BREAKERS CODE

No. PAGE AMP. #PREV. LOCATION FUNCTION

No. PAGE AMP. #PREV. LOCATION FUNCTION

CONNECTORS CODE

NO	LOCATION	TYPE	CAVITY	#PIN	#SOCKET	NO	LOCATION	TYPE	CAVITY	#PIN	#SOCKET
				HOUSING	HOUSING					HOUSING	HOUSING
A 1	UNDER DASH – AUDIO SIGNAL	RCA	1	562090	562330	C 58					
A 2	UNDER DASH – AUDIO SIGNAL	RCA	1	562090	562330	C 59					
A 10	UNDER DASH – AUDIO SIGNAL	RCA	1	562090	562330	C 60					
A 11	UNDER DASH – AUDIO SIGNAL	RCA	1	562090	562330	C 61	ENGINE COMPT - FUEL FILTER	PED WP	2	561566	561690
A 18	S. S. PANEL – AUDIO SIGNAL	RCA	1	562090	562330	C 62	ENGINE COMPT – COMPR. AUX. PRESS. SW.	PED WP	2	561566	561690
A 19	S. S. PANEL – AUDIO SIGNAL	RCA	1	562090	562330	C 63	ENGINE COMPT – COMPR. AUX. PRESS. SW.	PED WP	2	561566	561690
AA 1	UNDER DASH PANEL- SONALERT	BOSCH	5	-----	561183	C 64					
C 1	FR JCT BOX COMPARTIMENT	AMP CPC	14	561585	561584	C 65	ENGINE CPT – A/C PRESS SW FAN CLUTCH	PED WP	2	561566	561690
C 2	FR JCT BOX COMPARTIMENT	AMP CPC	16	561639	561640	C 66					
C 3	FR JCT BOX COMPARTIMENT	AMP CPC	37	561644	561646	C 67					
C 4	FR JCT BOX COMPARTIMENT	AMP CPC	24	561641	561643	C 68					
C 5	FR SERVICE COMPT. - UNDERNEATH	AMP CPC	37	561645	561646	C 69					
C 6	FR SERVICE COMPT. - UNDERNEATH	AMP CPC	16	561639	561640	C 70	LH CONSOLE	AMP CPC	16	561639	561640
C 7	FR SERVICE COMPT - CLUTCH SW	ITT SS	3	561080	561111	C 71	FR JCT BOX COMPT.	AMP CPC	37	561645	561646
C 8	FR SERVICE COMPT. - UNDERNEATH	AMP CPC	24	561642	561643	C 72	FR JCT BOX COMPT.	AMP CPC	24	561642	561643
C 9	FR SERVICE COMPT. - UNDERNEATH	AMP CPC	24	561642	561643	C 73					
C 10	FR SERVICE DOOR ACCESS.	DEUTSCH	5	562565	562566	C 74	FR JCT BOX COMPT.	AMP CPC	37	561645	561646
C 11	FR SERV. CPT ACCESS	AMP CPC	37	561645	561646	C 75					
C 12	FR SERV. CPT ACCESS	AMP CPC	16	561639	561640	C 76	ENGINE CMPT. FIRE DETECTOR	DEUTSCH	2	562486	562485
C 13						C 77	ENGINE CMPT. FIRE DETECTOR	DEUTSCH	2	562486	562485
C 14						C 78					
C 15						C 79					
C 16	LH CONSOLE SW-CRUISE ON/OFF	EATON	12	-----	562763	C 80					
C 17	LH CONSOLE SW-CRUISE RESUME	EATON	12		562763	C 81	LUGGAGE COMPT - DOOR LOCK	AMP MNL	4	560851	560852
C 18	LH CONSOLE SW-CRUISE SET	EATON	12		562763	C 82	UNDER SEAT – AISLE LTS	AMP MNL	2	560900	560858
C 19	LH CONSOLE SW-DECEL SW	EATON	12		562763	C 82	LUGGAGE COMPT - DOOR LOCK	AMP MNL	4	560851	560852
C 20	RR JCT BOX	DEUTSCH	70	562282	562285	C 83	LUGGAGE COMPT - DOOR LOCK	AMP MNL	4	560851	560852
C 21	ENGINE COMPT - LOCK DOOR MOT.	PED WP	2		562076	C 84	LUGGAGE COMPT - DOOR LOCK	AMP MNL	4	560851	560852
C 22	LUGGAGE COMPT (A) - A/C & FUEL TANK	AMP CPC	16	561639	561640	C 85					
C 23	LUGGAGE COMPT (1) – LUGG. ACCESS.	AMP CPC	24	561642	561643	C 86					
C 24	ENGINE COMPT. – INTERF RJB	PED WP	6	561606	561607	C 87					
C 25	ENGINE COMPT. – INTERF RJB	PED WP	6	561606	561607	C 88					
C 26	ENGINE COMPT. ACCESS	DEUTSCH	40	562281	562284	C 89					
C 27	ENGINE COMPT. – INTERF. RJB	DEUTSCH	6	562583	562581	C 90					
C 28	LUGGAGE COMPT(4) – LUGG. ACCESS	AMP CPC	24	561642	561643	C 91					
C 29	FR SERVICE COMPT – E.C.U. FEED	PED WP	3	561781	561782	C 92	FR JCT BOX COMPT - ABS	AMP CPC	9	561635	561637
C 30	ENGINE COMPT – MASTER SW. SIGN.	DEUTSCH	2	562486	562485	C 93					
C 31	RR JCT BOX – PARCEL RACK FEEDING	DEUTSCH	31	562572	562536	C 94					
C 32						C 95					
C 33	FR SERV. COMPT. – VSS SIGNAL	PED WP	2	561566	561690	C 96	FR SERVICE DOOR ACCESS	AMP MNL	9	561670	561669
C 34						C 97	FR SERVICE DOOR – WATER TANK	PED MP	2		562426
C 35	A/C COMPT - AIR RETURN SENSOR	AMP MNL	2	561248	561247	C 98					
C 36	UNDER STAIRS – STEP LIGHTS	AMP MNL	2	561248	561247	C 99	FR SERVICE CPT. LTS	AMP MNL	2	561248	561247
C 37	RH PARCEL RACK – EMERGENCY LTS	AMP MNL	2	560900	560898	C 100					
C 38	LH PARCEL RACK - FEEDING	MOLEX	6	562558	562557	C 101	FR SERVICE COMPT. ELEC. HORNS	PED WP	2	561566	561690
C 39	RH PARCEL RACK - FEEDING	MOLEX	6	562558	562557	C 101	CONDENSER COMPT - A/C PRES. SW 1SP	PED WP	2	561566	561690
C 40						C 102	CONDENS. COMPT – LIQU. SOL. VAL. PRES.	PED WP	2	561566	561690
C 41	ENGINE COMPT – RH DOOR LOCK	DEUTSCH	4	562479	562477	C 103	ENGINE COMPT. – LAVATORY FAN	PED WP	2	561566	561690
C 42	ENGINE COMPT – RR CAP LIGHTING	DEUTSCH	6	562583	562581	C 104	ENGINE COMPT. – LAVATORY PUMP	DEUTSCH	2	562486	562485
C 43	FR JCT BOX – ALT. MODULE	AMP MNL	12	561735	561734	C 105	UNDER DASH RH - DRV LIO SOL VL	PED WP	2	561566	561690
C 44	ENGINE COMPT - LIGHTS	PED WP	1	561605	561577	C 106	UNDER DASH RH - DRV WTR VALVE	PED WP	2	561566	561690
C 45	FR JCT BOX COMPT – ROOF ACCESS	AMP CPC	24	561642	561643	C 107					
C 46						C 108					
C 47						C 109					
C 48	FR SERV. CPT. PRESS SW PARK BRAKE	DEUTSCH	4	562479	562477	C 110					
C 49	LAVATORY ROOF – NIGHT LIGHT	AMP MNL	2	560900	560858	C 111					
C 50						C 112					
C 51						C 113					
C 52	ENGINE COMPT - COMPRESSOR	PED WP	2	561566	561690	C 114	ENGINE DDEC - SPEED SIGNAL	PED WP	2	561566	561690
C 53	ENGINE COMPT - COMPRESSOR	PED WP	2	561566	561690	C 115	RR JCT BOX – ENGINE ACCESS	DEUTSCH	40	562281	562284
C 54						C 116	DRIVE AXLE COMPT - AIR DRYER	PED MP	2		562251
C 55	CENTRAL DOOR LOCK	DEUTSCH	4	562479	562477	C 117					
C 56	LH PARCEL RACK - FEEDING	MOLEX	6	562558	562557	C 118	ENGINE COMPT - LICENCE	DOM. AUT	2	930210	
C 57	RH PARCEL RACK - FEEDING	MOLEX	6	562558	562557	C 119	ENGINE COMPT - RH LOWER LAMP	PED WP	6	561606	561607
						C 120	ENGINE COMPT - LH LOWER LAMP	PED WP	6	561606	561607

CONNECTORS CODE

NO	LOCATION	TYPE	CAVITY	#PIN HOUSING	#SOCKET HOUSING	NO	LOCATION	TYPE	CAVITY	#PIN HOUSING	#SOCKET HOUSING
C 121						C 184	FR SERV. COMPT. - KNEELING PROX. SW.	ITT SS	3	561080	561111
C 122						C 185	KNEELING PANEL - DOWN SOL. VALVE	PNEUMAC	3		641385
C 123						C 186					
C 124						C 187	FR SERVICE JCT BOX - RESISTORS	AMP MNL	6	561552	561515
C 125						C 187	KNEELING PANEL- PARK BRAKE INTERLOCK	PNEUMAC	3		641385
C 126						C 188					
C 127						C 189					
C 128						C 190					
C 129						C 191					
C 130						C 192					
C 131						C 193					
C 132						C 194					
C 133						C 195					
C 134	FR JCT BOX - DIODE CONN.	AMP MNL	15	561987	561986	C 196	KNEELING PANEL - UP SOL. VALVE	PNEUMAC	3		641385
C 135	FR JCT BOX - DIODE CONN.	AMP MNL	15	561987	561986	C 197	KNEELING PANEL - CTR SOL. VALVE	PNEUMAC	3		641385
C 136	FR JCT BOX - DIODE CONN.	AMP MNL	15	561987	561986	C 198					
C 137						C 199					
C 138						C 200	PARCEL RACK - FLUORESCENT LTS	AMP MNL	2	561248	561247
C 139						C 201	PARCEL RACK - FLUORESCENT LTS	AMP MNL	2	561248	561247
C 140	HVAC DASH MODULE THERMOMETER	MOLEX	4		562782	C 202	RH PARCEL RACK - INDIRECT LTS	MOLEX	2		562758
C 141	RR DASH PANEL - LTS CONN. (SPARE)	AMP MNL	2	561248	561247	C 203	PARCEL RACK - FLUORESCENT LTS	MOLEX	6		562759
C 142	ENGINE COMPT. B/U ALARM	PED WP	2	561566	561690	C 204	RH PARCEL RACK - RACK LTS	AMP MNL	2	560900	560858
C 143						C 205	RH PARCEL RACK - FEEDING	AMP MNL	9	561661	561662
C 144	FR JCT BOX - AISLE LTS FEEDING	AMP MNL	2	561248	561247	C 206	RH PARCEL RACK - FEEDING	AMP FF	4	562760	562756
C 145						C 207	LH PARCEL RACK - FEEDING	AMP FF	4	562760	562756
C 146						C 208	PARCEL RACK - FLUORESCENT LTS	MOLEX	2		562758
C 147						C 209	LH PARCEL RACK - HOTESS CHIME	AMP MNL	3	561667	561550
C 148						C 210	LH PARCEL RACK - FEEDING	AMP MNL	9	561661	561662
C 149						C 211	FR ROOF - SUN VISOR LH	AMP MNL	2	560900	560898
C 150						C 212	FR ROOF - SUN VISOR RH	AMP MNL	2	560900	560898
C 151						C 213					
C 152						C 214					
C 153						C 215					
C 154						C 216					
C 155						C 217	RH PANEL SW. - SCENIC VIEW CAMERA	EATON	12		562763
C 156						C 218	RH PANEL SW. - LIGHTS SPARE	AMP MNL	2	560900	560898
C 157	FR SERV. CPT - WATER PUMP DR'S	PED WP	3	561781	561782	C 219					
C 158						C 220					
C 159						C 221					
C 160	FR SERVICE CPT - INTERFACE	AMP CPC	37	561644	561646	C 222					
C 161	ENGINE DDEC - ECM	PED MP	30		561600	C 223	HEAD LIGHTS - FLASHER	DEUTSCH	5	562565	562566
C 162	ENGINE DDEC - ACCESSORIES	PED WP	4	561610	561611	C 224	HEAD LIGHTS	PED MP	3		562099
C 163	ENGINE CPT - COOLANT PROBE	PED MP	2		562350	C 225	FOG LIGHTS	DEUTSCH	3	562902	562901
C 164						C 226	FRONT HEADLIGHTS - MARKER & FLASHER	PED	3	562137	
C 165						C 226	BATT. COMPT. - INTERIOR LTS	AMP MNL	2	561248	561247
C 166						C 227					
C 167	FR SERVICE CPT - EL. FOOT PEDAL	PED WP	3	561781	561782	C 228					
C 168	FR SERVICE CPT - DDR	DEUTSCH	6		562360	C 229					
C 169	FR SERVICE CPT - WORLD TR. INTERFACE	AMP CPC	16	561639	561640	C 230	ENGINE COMPT. - FUEL PRIME PUMP SW.	PED WP	2	561566	561690
C 169	FR SERV. COMPT. - SPEED SWITCH	AMP	15	562011	562012	C 231	ENGINE COMPT. - FUEL PRIME PUMP	PED WP	2	561566	561690
C 170	FR JCT BOX FLASHER UNIT	PED	2		561940	C 232					
C 171	LH CONSOLE	AMP CPC	24	561642	561643	C 233					
C 172	FR SERVICE COMPT - KNEELING PANEL	AMP CPC	16	561639	561640	C 234					
C 172	ENGINE COMPT. - WATER TANK HEATER	PED WP	2	561566	561690	C 235					
C 173						C 236	FR SERVICE CPT CENTER - ABS	AMP CPC	14	561636	561637
C 174						C 237	FR AXLE CPT - ABS RH SENSOR	WABCO	2	641132	
C 175						C 238	FR AXLE CPT - ABS RH VALVE	WABCO	3	641098	
C 176	UNDER DASH RH - WIPER PULSE	AMP FF	6		561186	C 239	FR AXLE CPT - ABS LH VALVE	WABCO	3	641098	
C 177	UNDER DASH RH - WIPER MOTOR	AMP FF	6		561186	C 240	FR AXLE CPT - ABS LH SENSOR	WABCO	2	641132	
C 178						C 241	LAST LUGGAGE COMPT - ABS	PED WP	6	561606	561607
C 179						C 242	DRIVE AXLE CPT - ABS LH SENSOR	WABCO	2	641132	
C 180	KNEELING PANEL - DIODE SOCKET	AMP MNL	15	561987	561986	C 243	DRIVE AXLE CPT - ABS LH VALVE	WABCO	3	641098	
C 181						C 244	DRIVE AXLE CPT - ABS RH VALVE	WABCO	3	641098	
C 182						C 245	DRIVE AXLE CPT - ABS RH SENSOR	WABCO	2	641132	
C 183						C 246	DRIVE AXLE CPT - ATC SOL.	PED WP	2	561566	561690

CONNECTORS CODE

NO	LOCATION	TYPE	CAVITY	#PIN	#SOCKET	NO	LOCATION	TYPE	CAVITY	#PIN	#SOCKET
				HOUSING	HOUSING					HOUSING	HOUSING
C 247						C 310	LH CONSOLE SW – LUG. DOOR LOCK	EATON	12		562763
C 248	LAST LUGGAGE CPT - ABS	PED WP	6	561606	561607	C 311	RH SWITCH PANEL – HOTESS CHIME	EATON	12		562763
C 249	FR SERVICE CPT - ABS/DDEC	PED WP	2	561566	561690	C 312	ENGINE DDEC - ACCESSORIES	PED WP	3	561781	561782
C 250						C 312	RH SWITCH PANEL – READING LAMP	EATON	12		562763
C 251	LH SW PANEL – FAST IDLE	EATON	12		562763	C 313	ENGINE DDEC – INTERFACE	PED MP	3	562398	
C 252	LUGGAGE COMPT. – WINDOW AJAR	MOLEX	4	561477	561476	C 313	RH SWITCH PANEL – INTERIOR LTS	EATON	12		562763
C 253	LH SWITCH PANEL - ETHER	EATON	12		562763	C 314	KNEELING PANEL – PRESS SW.	PED WP	2	561566	561690
C 254						C 314	RH SWITCH PANEL – INTERIOR LTS	EATON	12		562763
C 255	LH SWITCH PANEL – ENGINE BRAKE	EATON	12		562763	C 315	LH SWITCH PANEL – LH SUN VISOR SW.	EATON	12		562763
C 256						C 316	RH UNDER DASH – KNEELING BUZZER	AMP MNL	2	560900	560898
C 257	ENGINE COMPT - WATER HEATER	AMP FF	6		561186	C 317	LH SWITCH PANEL – RH SUN VISOR SW.	EATON	12		562763
C 258	LH SWITCH PANEL – MULTI FUNC. SW	AMP FF	8	561188		C 318	LH CONSOLE SW – DR'S WINDOW SW.	EATON	12		562763
C 259	ENGINE COMPT. – WATER HEATER	PED	2	562644	561597	C 319					
C 259	LH SWITCH PANEL – MULTI FUNC. SW	AMP FF	6		561186	C 320	RT SWITCH PANEL – DRIVER'S LTS SW.	EATON	12		562763
C 260	ENGINE COMPT - WATER HEATER	AMP FF	2	562473	562474	C 321	UNDER DASH RH - KEYLESS MODULE	AMP COM	26		562676
C 261	ENGINE COMPT - WATER HEATER	PED	2	562644	561597	C 322	UNDER DASH RH - KEYLESS MODULE	AMP COM	22		562675
C 262						C 323	DRIVER'S WINDOW MOTOR	PED	2		561848
C 263	LUGGAGE COMPT. LTS COMPT #3	AMP MNL	2	561248	561247	C 324					
C 264	LUGGAGE COMPT. LTS COMPT #2	AMP MNL	2	561248	561247	C 325	LH SWITCH PANEL – KNEELING	EATON	12		562763
C 265	LUGGAGE COMPT. LTS COMPT #1	AMP MNL	2	561248	561247	C 326	EATON TRANSMISSION INTERFACE	PED WP	4	561610	561611
C 266	ENTRANCE DOOR KEYLESS	AMP CPC	14	561585	561583	C 327					
C 267	UNDER DASH RH – ENT. DOOR PANEL	AMP CPC	24	561642	561643	C 328	RR ROOF – GALLEY LAMP		2		
C 268	FR MIRROR RH	SW. CRAF	5	562921		C 329					
C 269	FR MIRROR LH	SW. CRAF	5	562921		C 330					
C 270	LUGGAGE COMPT LTS - 3 LH	AMP MNL	2	561248	561247	C 331					
C 271	LUGGAGE COMPT LTS - 4	AMP MNL	2	561248	561247	C 332					
C 272						C 333					
C 273	ENT. DOOR PANEL – DIODE SOCKET	AMP MNL	9	561670	561669	C 334					
C 274						C 335					
C 275	ENT. DOOR PANEL – DIODE SOCKET	AMP MNL	9	561670	561669	C 336					
C 276						C 337					
C 277	RH UNDER DASH – ENT. DOOR REED SW.	AMP MNL	2	560900	560858	C 338					
C 278	RH PASS. AIR DUCT – ENT DOOR PRESS SW.	PED WP	2	561566	561690	C 339	KNEELING PANEL – HI BUOY SOL. VALVE	PNEUMAC	3		641385
C 279	RH UNDER DASH – ENT. DOOR REED SW.	AMP MNL	2	560900	560858	C 340	FR JCT BOX – FIRE PIEZO ALARM	AMP MNL	2	560900	560898
C 279	FR SERVICE COMPT LH – STEERING ZF	DEUTSCH	2		562485	C 341	LH SWITCH PANEL – HEAT MIRROR SW.	EATON	12		562763
C 280	ENGINE COMPT – A/C COMPRESSOR AUX.	PED WP	2	561566	561690	C 342					
C 281						C 343	LH SWITCH PANEL – HEAD LAMP SW.	EATON	12		562763
C 282	FR SERVICE COMPT – STEERING ZF	VOLVO	2		562928	C 344	LH SWITCH PANEL – HAZARD LT SW.	EATON	12		562763
C 283	LH CONSOLE – SPARE SW. LTS	AMP MNL	2	561248	561247	C 345	LH SWITCH PANEL – FOG LT SW.	EATON	12		562763
C 284						C 346					
C 285						C 347					
C 286						C 348	INSTR. PANEL CENT. – RACOR MODULE	MOLEX	6	562070	562069
C 287						C 349					
C 288						C 350					
C 289						C 351					
C 290	LUGGAGE CPT - DOOR LOCK	AMP MNL	4	560851	560852	C 352					
C 291	LUGGAGE CPT - DOOR LOCK	AMP MNL	4	560851	560852	C 353					
C 292						C 354					
C 293						C 355					
C 294						C 356					
C 295						C 357					
C 296						C 358					
C 297						C 359	RH SWITCH PANEL – ENT. DOOR WIND. SW.	EATON	12		562763
C 298						C 360	ENTRANCE WINDOW MOTOR	PED	2		561848
C 299	RH SWITCH PANEL - GALLEY	EATON	12		562763	C 361					
C 300						C 362					
C 301						C 363					
C 302						C 364	FRONT ROOF - ELECTRICAL DEST. SIGN	AMP MNL	3	561667	561550
C 303	RR JCT BOX - DIODES	AMP MNL	15	561987	561986	C 365					
C 304	RR JCT BOX - DIODES	AMP MNL	15	561987	561986	C 366					
C 305						C 367					
C 306						C 368	FRONT ROOF – ELECTRICAL DEST. SIGN	AMP MNL	3	561667	561550
C 307						C 369	FRONT ROOF – ELECTRICAL DEST. SIGN	TORRIX	5	562110	
C 308						C 370	FRONT ROOF – ELECTRICAL DEST. SIGN	AMP MNL	2	560900	560858
C 309	ENGINE DDEC - ECM POWER	PED MP	5		562345	C 371	FRONT ROOF – ELECTRICAL DEST. SIGN	AMP MNL	3	561667	561550

CONNECTORS CODE

NO	LOCATION	TYPE	CAVITY	#PIN	#SOCKET	NO	LOCATION	TYPE	CAVITY	#PIN	#SOCKET
				HOUSING	HOUSING					HOUSING	HOUSING
C 372	FRONT ROOF – ELECTRICAL DEST. SIGN	MOLEX	4	561477	561476	C 437					
C 373						C 438					
C 374						C 439					
C 375						C 440					
C 376						C 441					
C 377	LH SWITCH PANEL – STOP ENGINE OVERRIDE	EATON	12		562763	C 442					
C 378						C 443					
C 379	LUGGAGE COMPT. – WINDOW AJAR SW.	MOLEX	4	561477	561476	C 444					
C 380						C 445					
C 381	UNDER DASH PANEL – ANTI THILED	AMP MNL	2	561248	561247	C 446					
C 382	ENGINE GENERATOR (1)	PED WP	1	561605	561577	C 447					
C 383	ENGINE COMPT – VOLTAGE REGULATOR	PED WP	1	561605	561577	C 448					
C 384						C 449					
C 385	BATT. COMPT. – BJB INTERFACE	AMP MNL	12	561735	561736	C 450	S.S. PANEL - FEEDING	MOLEX	4	562507	562503
C 386	LH SWITCH PANEL – W.C.LIFT	EATON	12		562763	C 451	S.S. PANEL - FEEDING	MOLEX	2	562550	562549
C 387	EVAPORATOR COMPT. - BY-PASS VALVE	PED WP	2	561566	561690	C 452	UNDER DASH – S.S. ACC. SIGNAL	MOLEX	2	562550	562549
C 388						C 453	S. S. PANEL – VCR FEEDING	PED WP	2	561566	561690
C 389	EVAPORATOR COMPT. – WATER PUMP	PED WP	2	561566	561690	C 454	S. S. PANEL – VCR FEEDING	PED WP	2	561566	561690
C 390	EVAPORATOR COMPT. – A/C JCT. BOX	DEUTSCH	24	562280	562283	C 455	PARCEL RACK – WIRELESS MICROPHONE	MOLEX	6		562464
C 391	CONDENSER COMPT. A/C PRESS SW 2 SP	PED WP	2	561566	561690	C 456	WORLD TRANS. - RETARDER ACCUM.	PED MP	2		562427
C 392						C 457	WORLD TRANS. - MAIN CONNECTOR	DEUTSCH	31	562572	562536
C 393						C 458	WORLD TRANS. - TURBINE SP. SENS.	PED MP	2		562426
C 394	UNDER DASH - B/U MONITOR	AMP MNL	4	560851	560852	C 459	WORLD TRANS. - ENGINE SP. SENS.	PED MP	2		562426
C 395	UNDER DASH - B/U MONITOR	CLARION	4		990335	C 460	WORLD TRANS. - SPEED SENSOR	ITT	2		562541
C 396	PARCEL RACK – SPEAKER FEEDING	MOLEX	4	562507	562503	C 461	WORLD TRANS. - RETARDER TEMP.	PED MP	2		562856
C 397						C 462	WORLD TRANS. - RETARDER SOL. "K"	PED MP	2		562426
C 398						C 463	WORLD TRANS. - SENSOR CONN.	DEUTSCH	16	562570	562571
C 399	ENGINE GENERATOR (2)	PED WP	2	561566	561690	C 464	RR JCT BOX – DDL CONN	DEUTSCH	6		565360
C 400	ENGINE COMPT. – BLOCK HEATER	PED WP	3	561781	561782	C 465	LH CONSOLE - SHIFTER SELECTOR	PED	20		562825
C 401						C 466	FR SERVICE CPT - RESIS. MOD.	PED WP	3		562428
C 402						C 467	FR SERVICE CPT - RESIS. MOD.	PED WP	3		562428
C 403	GALLEY – REFRIGERATOR		2			C 468	STEERING COLUMN – RET. HAND LEVER	AMP FF	8	561188	562363
C 404	GALLEY – LAMP SWITCH		2			C 469	FR SERVICE COMPT. – RESIS. MOD.	AMP FF	8	561188	562363
C 405						C 470					
C 406						C 471					
C 407						C 472	FR SERVICE CPT – SILENT 1000	PED WP	2	561566	561690
C 408						C 473					
C 409						C 474	DRIVER'S TEMP SENSOR	AMP MNL	2	561248	561247
C 410						C 475	FR SERVICE CPT - SPEED SIGN. CONNECT.	DEUTSCH	6	562583	562581
C 411						C 475M	FR SERVICE CPT – SPEED SIGN. W. TR.	DEUTSCH	6	562583	562581
C 412						C 475W	FR SERVICE CPT – SPEED SIGN. W. TR.	DEUTSCH	6	562583	562581
C 413						C 476					
C 414						C 477					
C 415						C 478	FRONT ROOF – ELECTRONIC DEST. SIGN	AMP CPC	9	561636	561637
C 416						C 479	UNDER DASH – HVAC DASH MODULE	MOLEX	3		562783
C 417						C 480	UNDER DASH RH – DR'S FAN SPEED CTR	PED WP	4	561889	561890
C 418						C 481	UNDER DASH RH – DR'S FAN SPEED CTR	PED WP	3	561781	561782
C 419	FR JCT BOX – RET/JAKE SELECTION	AMP MNL	3	561667	561550	C 482					
C 420						C 483	FR SERVICE CPT – ELECTRICAL SEAT	PED	2	562237	
C 421	ENGINE COMPT. - WEBASTO	AMP FF	2	562473	562474	C 484	UNDER DASH LH – FOOT DAMPER MOTOR	PED	2		562076
C 422	ENGINE COMPT. - WEBASTO	PED	2	562644	561597	C 485	UNDER DASH LH – DASH & DEFR. DAMP. M.	AMP MNL	3	561667	561558
C 423						C 486					
C 424	UNDER DASH – AUDIBLE FLASHER	AMP MNL	3	561667	561550	C 487					
C 425						C 488					
C 426	ENGINE S60 RAD. FAN CLUTCH	PED WP	3	561781	561782	C 489					
C 427						C 490					
C 428	RH SW PANEL – DASH LTS RHEOSTAT	AMP MNL	3	561667	561550	C 491					
C 429						C 492					
C 430	LH CONSOLE – PRE-HEAT TIMER	AMP FF	8	561188	562363	C 493					
C 431	LH CONSOLE – PRE-HEAT TIMER		1		560488	C 494					
C 432						C 495					
C 433						C 496					
C 434						C 497					
C 435						C 498					
C 436						C 499					

CONNECTORS CODE

NO	LOCATION	TYPE	CAVITY	#PIN	#SOCKET	NO	LOCATION	TYPE	CAVITY	#PIN	#SOCKET
				HOUSING	HOUSING					HOUSING	HOUSING
C 500	FR JCT PANEL - PRODRIVER	MOLEX	6	562070	562069	C 573	UNDER DASH PANEL - T.T.LT MODULE	MOLEX	8		562465
C 501						C 574	PARCEL RACK - INDIRECT LTS BALLAST	MOLEX			562759
C 502	LH DASH PANEL - PRE- HEAT SW.	EATON	12		562763	C 575	RH PARCEL RACK - FFEDING	MOLEX	4	562507	562503
C 503						C 576	RH PARCEL RACK - FFEDING	AMP MNL	3	561667	561550
C 504						C 577	LH PARCEL RACK - FFEDING	AMP MNL	3	561667	561550
C 505						C 578	LH PARCEL RACK - FFEDING	MOLEX	4	562507	562503
C 506	FR JCT BOX - DIGITAL CLOCK	AMP CPC	4	561685	561687	C 579					
C 507	LH HAT RACK - DIGITAL CLOCK	MOLEX	4	561477	561476	C 580	LH DASH PANEL - PARCEL RACK A/C SW.	EATON	12		562763
C 508	RR JCT BOX - FAN CLUTCH RETARDER	AMP MNL	6	561552	561515	C 581	LH DASH PANEL - ELECTRICAL HORN	PED MP	2		562777
C 509	EVAP. COMPT. - NOT USED	DEUTSCH	5		562566	C 582					
C 519A	RH UNDER DASH - ENTRANCE DOOR SOL.	PNEUMAC	3		641385	C 583	LH DASH PANEL - MASTER KEY SW.	DEUTSCH	2	562486	562485
C 519B	RH UNDER DASH - ENTRANCE DOOR SOL.	PNEUMAC	3		641385	C 584	FR. SERVICE COMPT - HORN PNEU. VALVE	PNEUMAC	3		562848
C 520	RH UNDER DASH - ENTRANCE DOOR SOL.	PNEUMAC	3		641385	C 585					
C 521	RH UNDER DASH - ENTRANCE DOOR SOL.	PNEUMAC	3		641385	C 586	FR SERVICE COMPT - ACC. PNEU.VALVE	PNEUMAC	3		562848
C 522	FR JCT BOX - DAYTIME LTS MODULE	BOSCH	5		561183	C 587					
C 523	FR JCT BOX - FUSE BLOCK	PED	8	562647	562646	C 588	FR SERV. COMPT. - S.S. INTERFACE	AMP CPC	37	561645	561646
C 524	FR JCT BOX - FUSE BLOCK	PED	8	562647	562646	C 589	FR. MIRROR LH	SW CRAFT	8	562919	562920
C 525	FR JCT BOX - FUSE BLOCK	PED	8	562647	562646	C 590	FR. MIRROR RH	SW CRAFT	8	562919	562920
C 526	FR JCT BOX - FUSE BLOCK	PED	8	562647	562646	C 591	LH CONSOLE - LH MIRROR SW.	EURAMT.	8		562749
C 527	FR JCT BOX - FUSE BLOCK	PED	8	562647	562646	C 592	LH CONSOLE - RH MIRROR SW.	EURAMT.	8		562749
C 528						C 594	FRONT ROOF - DRIVER'S LTS	LEEKRAFT	2	-----	562803
C 529						C 595	RH DASH PANEL - ENTRANCE DOOR SW.	MOLEX	4	562507	562503
C 530	RR JCT BOX - FUSE BLOCK	PED	8	562647	562646	C 596	RH DASH PANEL - ENTRANCE DOOR SW.	MOLEX	4	562507	562503
C 531	RR JCT BOX - FUSE BLOCK	PED	8	562647	562646	C 597	LH DASH PANEL - DISPLAY SET SW.	AMP	5		562905
C 532	LH PARCEL RACK - A/C LIQ. SOL.	AMP MNL	2	561248	561247	C 598	LH DASH PANEL - DISPLAY SET SW.	AMP	5		562905
C 533	RH PARCEL RACK - A/C LIQ. SOL.	AMP MNL	2	561248	561247	C 599	UND. DASH - MAGN. SW CTR POS. DR'S AIR	AMP MNL	2	561248	561247
C 534						C 605	LH PARCEL RACK - A/C UNIT	AMP MNL	6	561552	561515
C 535						C 606	RH PARCEL RACK - A/C UNIT	AMP MNL	6	561552	561515
C 536						C 607	FR SERVICE COMPT - RPM SIGNAL (SPARE)	PED WP	2	561566	561690
C 537	A/C JCT BOX RESISTOR SIGN. RLY	AMP MNL	2	561248	561247	C 608	FR SERV. COMPT - SPEED SIGNAL (SPARE)	PED WP	2	561566	561690
C 538	FR SERV. CPT RH - OUTSIDE TEMP. SENS	AMP MNL	2	561248	561247	CS	FR SERVICE CPT - ECU WOLRD TR.	PED MP	32		562817
C 539	HVAC DASH MODULE OUTPUT CONN.	MOLEX	24		562780	CT	FR SERVICE CPT - ECU WORLD TR.	PED MP	32		562824
C 540	HVAC DASH MODULE INPUT CONN.	MOLEX	22		562781	CV	FR SERVICE CPT - ECU WORLD TR.	PED MP	32		562823
C 541						CX	CLUSTER	JAE	5		562957
C 542						CX 1	FR SERVICE CPT - ECU ABS	AMP JN	18	562792	562792
C 543						CX 2	FR SERVICE CPT - ECU ABS	AMP JN	15	562795	562795
C 544	S.S. PANEL - AUDIO SEAT	PED WP	3	561781	561782	CX 3	FR SERVICE CPT - ECU ABS	AMP JN	9	562794	562794
C 545						CX 4	FR SERVICE CPT - ECU ABS	AMP JN	6	562793	562793
C 546	FR. JCT BOX - CHARGER WIRELESS MIC.	MOLEX	2		563025	CY	CLUSTER	JAE	30		562765
C 547						LX	CLUSTER	JAE	22		562766
C 548	LH DASH PANEL - T.T.LT TEST SW.	EATON	12		562763	LY	CLUSTER	JAE	30		562767
C 549	LH DASH PANEL - ENGINE FAN OVERRIDE	EATON	12		562763	RX	CLUSTER	JAE	30		562767
C 550						WEB 1	ENGINE COMPT. - WEBASTO	AMP FF	2	562473	562474
C 551						WEB 2	ENGINE COMPT. - WEBASTO	AMP FF	2	562643	
C 552						ZF 1	FR JCT BOX - STEERING E.C.U.	HELLA	9		562929
C 553	UNDER DASH - S.S. CONTROL HEAD	MOLEX	16		562559						
C 554	UNDER DASH - S.S. CONTROL HEAD	MOLEX	16		562559						
C 555	UNDER DASH - S.S. CONTROL HEAD	MOLEX	16		562559						
C 556	UNDER DASH - RADIO FEEDING	MOLEX	2	562550	562549						
C 557	UNDER DASH - RADIO FEEDING	MOLEX	9	562556	562555						
C 558	FR. SERV. COMPT. - MIC. OUTLET	MOLEX	4	562507	562503						
C 559											
C 560											
C 561	LH PARCEL RACK - WIRELESS MIC.	MOLEX	8		562465						
C 562	LH PARCEL RACK - VCR SIGNAL	MOLEX	9	562556	562555						
C 563	FR. SERV. COMPT. - DRIVER SPEAKER	MOLEX	4	562507	562503						
C 564	FR. SERV. COMPT. - MIC. OUTLET	MOLEX	4	562507	562503						
C 565	FR. SERV. COMPT. - MIC. OUTLET	MOLEX	4	562507	562503						
C 566	FR. SERV. COMPT. - MIC. OUTLET	MOLEX	4	562507	562503						
C 567	FR. SERV. COMPT. - MIC. OUTLET	MOLEX	4	562507	562503						
C 568	S.S. PANEL - SPEAKER OUTLET	CINTCH	4	562553							
C 569	S. S. PANEL - AMPLI SIGNAL	MOLEX	9	562556	562555						
C 570	UNDER DASH PANEL - T.T.LT MODULE	MOLEX	6		562464						
C 571	UNDER DASH PANEL - T.T.LT MODULE	MOLEX	20		562778						
C 572	UNDER DASH PANEL - T.T.LT MODULE	MOLEX	18		562779						

CONNECTORS CODE

NO	LOCATION	TYPE	CAVITY	#PIN	#SOCKET	NO	LOCATION	TYPE	CAVITY	#PIN	#SOCKET
				HOUSING	HOUSING					HOUSING	HOUSING
A 1	UNDER DASH – AUDIO SIGNAL	RCA	1	562090	562330	C 58					
A 2	UNDER DASH – AUDIO SIGNAL	RCA	1	562090	562330	C 59					
A 10	UNDER DASH – AUDIO SIGNAL	RCA	1	562090	562330	C 60					
A 11	UNDER DASH – AUDIO SIGNAL	RCA	1	562090	562330	C 61	ENGINE COMPT - FUEL FILTER	PED WP	2	561566	561690
A 18	S. S. PANEL – AUDIO SIGNAL	RCA	1	562090	562330	C 62	ENGINE COMPT – COMPR. AUX. PRESS. SW.	PED WP	2	561566	561690
A 19	S. S. PANEL – AUDIO SIGNAL	RCA	1	562090	562330	C 63	ENGINE COMPT – COMPR. AUX. PRESS. SW.	PED WP	2	561566	561690
AA 1	UNDER DASH PANEL- SONALERT	BOSCH	5	-----	561183	C 64					
C 1	FR JCT BOX COMPARTIMENT	AMP CPC	14	561585	561584	C 65	ENGINE CPT – A/C PRESS SW FAN CLUTCH	PED WP	2	561566	561690
C 2	FR JCT BOX COMPARTIMENT	AMP CPC	16	561639	561640	C 66					
C 3	FR JCT BOX COMPARTIMENT	AMP CPC	37	561644	561646	C 67					
C 4	FR JCT BOX COMPARTIMENT	AMP CPC	24	561641	561643	C 68					
C 5	FR SERVICE COMPT. - UNDERNEATH	AMP CPC	37	561645	561646	C 69					
C 6	FR SERVICE COMPT. - UNDERNEATH	AMP CPC	16	561639	561640	C 70	LH CONSOLE	AMP CPC	16	561639	561640
C 7	FR SERVICE COMPT - CLUTCH SW	ITT SS	3	561080	561111	C 71	FR JCT BOX COMPT.	AMP CPC	37	561645	561646
C 8	FR SERVICE COMPT. - UNDERNEATH	AMP CPC	24	561642	561643	C 72	FR JCT BOX COMPT.	AMP CPC	24	561642	561643
C 9	FR SERVICE COMPT. - UNDERNEATH	AMP CPC	24	561642	561643	C 73					
C 10	FR SERVICE DOOR ACCESS.	DEUTSCH	5	562565	562566	C 74	FR JCT BOX COMPT.	AMP CPC	37	561645	561646
C 11	FR SERV. CPT ACCESS	AMP CPC	37	561645	561646	C 75	SERVICE COMPT. EXT. ENTRANCE DOOR SW.	DEUTSCH	4	562479	562477
C 12	FR SERV. CPT ACCESS	AMP CPC	16	561639	561640	C 76	ENGINE COMPT. FIRE DETECTOR	DEUTSCH	2	562486	562485
C 13	FR JCT BOX COMPARTIMENT	AMP MNL	2	561248	561247	C 77	ENGINE COMPT. FIRE DETECTOR	DEUTSCH	2	562486	562485
C 14	LAST LUGGAGE COMP(4) - DOCKING LTS	AMP MNL	2	561248	561247	C 78					
C 15	UNDER STAIRS – CORNERING LTS	AMP MNL	2	560900	560898	C 79					
C 16	LH CONSOLE SW-CRUISE ON/OFF	EATON	12	-----	562763	C 80					
C 17	LH CONSOLE SW-CRUISE RESUME	EATON	12	562763	562763	C 81	LUGGAGE COMPT - DOOR LOCK	AMP MNL	4	560851	560852
C 18	LH CONSOLE SW-CRUISE SET	EATON	12	562763	562763	C 82	UNDER SEAT – AISLE LTS	AMP MNL	2	560900	560898
C 19	LH CONSOLE SW-DECEL SW	EATON	12	562763	562763	C 82	LUGGAGE COMPT - DOOR LOCK	AMP MNL	4	560851	560852
C 20	RR JCT BOX	DEUTSCH	70	562282	562285	C 83	LUGGAGE COMPT - DOOR LOCK	AMP MNL	4	560851	560852
C 21	ENGINE COMPT - LOCK DOOR MOT.	PED WP	2	562076	562076	C 84	LUGGAGE COMPT - DOOR LOCK	AMP MNL	4	560851	560852
C 22	LUGGAGE COMPT (A) - A/C & FUEL TANK	AMP CPC	16	561639	561640	C 85					
C 23	LUGGAGE COMPT (1) – LUGG. ACCESS.	AMP CPC	24	561642	561643	C 86					
C 24	ENGINE COMPT. – INTERF RJB	PED WP	6	561606	561607	C 87					
C 25	ENGINE COMPT. – INTERF RJB	PED WP	6	561606	561607	C 88					
C 26	ENGINE COMPT. ACCESS	DEUTSCH	40	562281	562284	C 89					
C 27	ENGINE COMPT. – INTERF. RJB	DEUTSCH	6	562583	562581	C 90					
C 28	LUGGAGE COMPT(4) – LUGG. ACCESS	AMP CPC	24	561642	561643	C 91					
C 29	FR SERVICE COMPT – E.C.U. FEED	PED WP	3	561781	561782	C 92	FR JCT BOX COMPT - ABS	AMP CPC	9	561635	561637
C 30	ENGINE COMPT – MASTER SW. SIGN.	DEUTSCH	2	562486	562485	C 93					
C 31	RR JCT BOX – PARCEL RACK FEEDING	DEUTSCH	31	562572	562536	C 94					
C 32						C 95					
C 33	FR SERV. COMPT. – VSS SIGNAL	PED WP	2	561566	561690	C 96	FR SERVICE DOOR ACCESS	AMP MNL	9	561670	561669
C 34						C 97	FR SERVICE DOOR – WATER TANK	PED MP	2		562426
C 35	A/C COMPT - AIR RETURN SENSOR	AMP MNL	2	561248	561247	C 98					
C 36	UNDER STAIRS – STEP LIGHTS	AMP MNL	2	561248	561247	C 99	FR SERVICE CPT. LTS	AMP MNL	2	561248	561247
C 37	RH PARCEL RACK – EMERGENCY LTS	AMP MNL	2	560900	560898	C 100					
C 38	LH PARCEL RACK - FEEDING	MOLEX	6	562558	562557	C 101	FR SERVICE COMPT. ELEC. HORNS	PED WP	2	561566	561690
C 39	RH PARCEL RACK - FEEDING	MOLEX	6	562558	562557	C 101	CONDENSER COMPT - A/C PRES. SW 1SP	PED WP	2	561566	561690
C 40						C 102	CONDENS. COMPT – LIQU. SOL. VAL. PRES.	PED WP	2	561566	561690
C 41	ENGINE COMPT – RH DOOR LOCK	DEUTSCH	4	562479	562477	C 103	ENGINE COMPT. – LAVATORY FAN	PED WP	2	561566	561690
C 42	ENGINE COMPT – RR CAP LIGHTING	DEUTSCH	6	562583	562581	C 104	ENGINE COMPT. – LAVATORY PUMP	DEUTSCH	2	562486	562485
C 43	FR JCT BOX – ALT. MODULE	AMP MNL	12	561735	561734	C 105	UNDER DASH RH - DRV LIO SOL VL	PED WP	2	561566	561690
C 44	ENGINE COMPT - LIGHTS	PED WP	1	561605	561577	C 106	UNDER DASH RH - DRV WTR VALVE	PED WP	2	561566	561690
C 45	FR JCT BOX COMPT – ROOF ACCESS	AMP CPC	24	561642	561643	C 107					
C 46						C 108					
C 47						C 109					
C 48	FR SERV. CPT. PRESS SW PARK BRAKE	DEUTSCH	4	562479	562477	C 110					
C 49	LAVATORY ROOF – NIGHT LIGHT	AMP MNL	2	560900	560898	C 111					
C 50						C 112					
C 51						C 113					
C 52	ENGINE COMPT - COMPRESSOR	PED WP	2	561566	561690	C 114	ENGINE DDEC - SPEED SIGNAL	PED WP	2	561566	561690
C 53	ENGINE COMPT - COMPRESSOR	PED WP	2	561566	561690	C 115	RR JCT BOX – ENGINE ACCESS	DEUTSCH	40	562281	562284
C 54						C 116	DRIVE AXLE COMPT - AIR DRYER	PED MP	2		562251
C 55	CENTRAL DOOR LOCK	DEUTSCH	4	562479	562477	C 117					
C 56	LH PARCEL RACK - FEEDING	MOLEX	6	562558	562557	C 118	ENGINE COMPT - LICENCE	DOM. AUT	2	930210	
C 57	RH PARCEL RACK - FEEDING	MOLEX	6	562558	562557	C 119	ENGINE COMPT - RH LOWER LAMP	PED WP	6	561606	561607
						C 120	ENGINE COMPT - LH LOWER LAMP	PED WP	6	561606	561607

CONNECTORS CODE

NO	LOCATION	TYPE	CAVITY	#PIN	#SOCKET	NO	LOCATION	TYPE	CAVITY	#PIN	#SOCKET
				HOUSING	HOUSING					HOUSING	HOUSING
C 121						C 184	FR SERV. COMPT. - KNEELING PROX. SW.	ITT SS	3	561080	561111
C 122						C 185	KNEELING PANEL - DOWN SOL. VALVE	PNEUMAC	3		641385
C 123						C 186					
C 124						C 187	FR SERVICE JCT BOX - RESISTORS	AMP MNL	6	561552	561515
C 125						C 187	KNEELING PANEL- PARK BRAKE INTERLOCK	PNEUMAC	3		641385
C 126						C 188					
C 127						C 189					
C 128						C 190					
C 129						C 191					
C 130						C 192					
C 131						C 193					
C 132						C 194					
C 133						C 195					
C 134	FR JCT BOX - DIODE CONN.	AMP MNL	15	561987	561986	C 196	KNEELING PANEL - UP SOL. VALVE	PNEUMAC	3		641385
C 135	FR JCT BOX - DIODE CONN.	AMP MNL	15	561987	561986	C 197	KNEELING PANEL - CTR SOL. VALVE	PNEUMAC	3		641385
C 136	FR JCT BOX - DIODE CONN.	AMP MNL	15	561987	561986	C 198					
C 137						C 199					
C 138						C 200	PARCEL RACK - FLUORESCENT LTS	AMP MNL	2	561248	561247
C 139						C 201	PARCEL RACK - FLUORESCENT LTS	AMP MNL	2	561248	561247
C 140	HVAC DASH MODULE THERMOMETER	MOLEX	4		562782	C 202	RH PARCEL RACK - INDIRECT LTS	MOLEX	2		562758
C 141	RR DASH PANEL - LTS CONN. (SPARE)	AMP MNL	2	561248	561247	C 203	PARCEL RACK - FLUORESCENT LTS	MOLEX	6		562759
C 142	ENGINE COMPT. B/U ALARM	PED WP	2	561566	561690	C 204	RH PARCEL RACK - RACK LTS	AMP MNL	2	560900	560858
C 143						C 205	RH PARCEL RACK - FEEDING	AMP MNL	9	561661	561662
C 144	FR JCT BOX - AISLE LTS FEEDING	AMP MNL	2	561248	561247	C 206	RH PARCEL RACK - FEEDING	AMP FF	4	562760	562756
C 145						C 207	LH PARCEL RACK - FEEDING	AMP FF	4	562760	562756
C 146						C 208	PARCEL RACK - FLUORESCENT LTS	MOLEX	2		562758
C 147						C 209	LH PARCEL RACK - HOTESS CHIME	AMP MNL	3	561667	561550
C 148						C 210	LH PARCEL RACK - FEEDING	AMP MNL	9	561661	561662
C 149						C 211	FR ROOF - SUN VISOR LH	AMP MNL	2	560900	560898
C 150						C 212	FR ROOF - SUN VISOR RH	AMP MNL	2	560900	560898
C 151						C 213					
C 152						C 214					
C 153						C 215					
C 154						C 216					
C 155						C 217	RH PANEL SW. - SCENIC VIEW CAMERA	EATON	12		562763
C 156						C 218	RH PANEL SW. - LIGHTS SPARE	AMP MNL	2	560900	560898
C 157	FR SERV. CPT - WATER PUMP DR'S	PED WP	3	561781	561782	C 219					
C 158						C 220					
C 159						C 221					
C 160	FR SERVICE CPT - INTERFACE	AMP CPC	37	561644	561646	C 222					
C 161	ENGINE DDEC - ECM	PED MP	30		561600	C 223	HEAD LIGHTS - FLASHER	DEUTSCH	5	562565	562566
C 162	ENGINE DDEC - ACCESSORIES	PED WP	4	561610	561611	C 224	HEAD LIGHTS	PED MP	3		562099
C 163	ENGINE CPT - COOLANT PROBE	PED MP	2		562350	C 225	FOG LIGHTS	DEUTSCH	3	562902	562901
C 164						C 226	FRONT HEADLIGHTS - MARKER & FLASHER	PED	3	562137	
C 165						C 226	BATT. COMPT. - INTERIOR LTS	AMP MNL	2	561248	561247
C 166						C 227					
C 167	FR SERVICE CPT - EL. FOOT PEDAL	PED WP	3	561781	561782	C 228					
C 168	FR SERVICE CPT - DDR	DEUTSCH	6		562360	C 229	BATT. COMPT. - CHARGER 110V.	PED WP	1	561577	561605
C 169	FR SERVICE CPT - WORLD TR. INTERFACE	AMP CPC	16	561639	561640	C 230	ENGINE COMPT. - FUEL PRIME PUMP SW.	PED WP	2	561566	561690
C 169	FR SERV. COMPT. - SPEED SWITCH	AMP	15	562011	562012	C 231	ENGINE COMPT. - FUEL PRIME PUMP	PED WP	2	561566	561690
C 170	FR JCT BOX FLASHER UNIT	PED	2		561940	C 232					
C 171	LH CONSOLE	AMP CPC	24	561642	561643	C 233					
C 172	FR SERVICE COMPT - KNEELING PANEL	AMP CPC	16	561639	561640	C 234					
C 172	ENGINE COMPT. - WATER TANK HEATER	PED WP	2	561566	561690	C 235					
C 173						C 236	FR SERVICE CPT CENTER - ABS	AMP CPC	14	561636	561637
C 174						C 237	FR AXLE CPT - ABS RH SENSOR	WABCO	2	641132	
C 175						C 238	FR AXLE CPT - ABS RH VALVE	WABCO	3	641098	
C 176	UNDER DASH RH - WIPER PULSE	AMP FF	6		561186	C 239	FR AXLE CPT - ABS LH VALVE	WABCO	3	641098	
C 177	UNDER DASH RH - WIPER MOTOR	AMP FF	6		561186	C 240	FR AXLE CPT - ABS LH SENSOR	WABCO	2	641132	
C 178						C 241	LAST LUGGAGE COMPT - ABS	PED WP	6	561606	561607
C 179						C 242	DRIVE AXLE CPT - ABS LH SENSOR	WABCO	2	641132	
C 180	KNEELING PANEL - DIODE SOCKET	AMP MNL	15	561987	561986	C 243	DRIVE AXLE CPT - ABS LH VALVE	WABCO	3	641098	
C 181						C 244	DRIVE AXLE CPT - ABS RH VALVE	WABCO	3	641098	
C 182						C 245	DRIVE AXLE CPT - ABS RH SENSOR	WABCO	2	641132	
C 183						C 246	DRIVE AXLE CPT - ATC SOL.	PED WP	2	561566	561690

CONNECTORS CODE

NO	LOCATION	TYPE	CAVITY	#PIN	#SOCKET	NO	LOCATION	TYPE	CAVITY	#PIN	#SOCKET
				HOUSING	HOUSING					HOUSING	HOUSING
C 247						C 310	LH CONSOLE SW – LUG. DOOR LOCK	EATON	12		562763
C 248	LAST LUGGAGE CPT - ABS	PED WP	6	561606	561607	C 311	RH SWITCH PANEL – HOTESS CHIME	EATON	12		562763
C 249	FR SERVICE CPT - ABS/DDEC	PED WP	2	561566	561690	C 312	ENGINE DDEC - ACCESSORIES	PED WP	3	561781	561782
C 250						C 312	RH SWITCH PANEL – READING LAMP	EATON	12		562763
C 251	LH SW PANEL – FAST IDLE	EATON	12		562763	C 313	ENGINE DDEC – INTERFACE	PED MP	3	562398	
C 252	LUGGAGE COMPT. – WINDOW AJAR	MOLEX	4	561477	561476	C 313	RH SWITCH PANEL – INTERIOR LTS	EATON	12		562763
C 253	LH SWITCH PANEL - ETHER	EATON	12		562763	C 314	KNEELING PANEL – PRESS SW.	PED WP	2	561566	561690
C 254						C 314	RH SWITCH PANEL – INTERIOR LTS	EATON	12		562763
C 255	LH SWITCH PANEL – ENGINE BRAKE	EATON	12		562763	C 315	LH SWITCH PANEL – LH SUN VISOR SW.	EATON	12		562763
C 256						C 316	RH UNDER DASH – KNEELING BUZZER	AMP MNL	2	560900	560898
C 257	ENGINE COMPT - WATER HEATER	AMP FF	6		561186	C 317	LH SWITCH PANEL – RH SUN VISOR SW.	EATON	12		562763
C 258	LH SWITCH PANEL – MULTI FUNC. SW	AMP FF	8	561188		C 318	LH CONSOLE SW – DR'S WINDOW SW.	EATON	12		562763
C 259	ENGINE COMPT. – WATER HEATER	PED	2	562644	561597	C 319					
C 259	LH SWITCH PANEL – MULTI FUNC. SW	AMP FF	6		561186	C 320	RT SWITCH PANEL – DRIVER'S LTS SW.	EATON	12		562763
C 260	ENGINE COMPT - WATER HEATER	AMP FF	2	562473	562474	C 321	UNDER DASH RH - KEYLESS MODULE	AMP COM	26		562676
C 261	ENGINE COMPT - WATER HEATER	PED	2	562644	561597	C 322	UNDER DASH RH - KEYLESS MODULE	AMP COM	22		562675
C 262						C 323	DRIVER'S WINDOW MOTOR	PED	2		561848
C 263	LUGGAGE COMPT. LTS COMPT #3	AMP MNL	2	561248	561247	C 324					
C 264	LUGGAGE COMPT. LTS COMPT #2	AMP MNL	2	561248	561247	C 325	LH SWITCH PANEL – KNEELING	EATON	12		562763
C 265	LUGGAGE COMPT. LTS COMPT #1	AMP MNL	2	561248	561247	C 326	EATON TRANSMISSION INTERFACE	PED WP	4	561610	561611
C 266	ENTRANCE DOOR KEYLESS	AMP CPC	14	561585	561583	C 327					
C 267	UNDER DASH RH – ENT. DOOR PANEL	AMP CPC	24	561642	561643	C 328	RR ROOF – GALLEY LAMP		2		
C 268	FR MIRROR RH	SW. CRAF	5	562921		C 329					
C 269	FR MIRROR LH	SW. CRAF	5	562921		C 330					
C 270	LUGGAGE COMPT LTS - 3 LH	AMP MNL	2	561248	561247	C 331					
C 271	LUGGAGE COMPT LTS - 4	AMP MNL	2	561248	561247	C 332					
C 272						C 333					
C 273	ENT. DOOR PANEL – DIODE SOCKET	AMP MNL	9	561670	561669	C 334					
C 274						C 335					
C 275	ENT. DOOR PANEL – DIODE SOCKET	AMP MNL	9	561670	561669	C 336					
C 276						C 337					
C 277	RH UNDER DASH – ENT. DOOR REED SW.	AMP MNL	2	560900	560858	C 338					
C 278	RH PASS. AIR DUCT – ENT DOOR PRESS SW.	PED WP	2	561566	561690	C 339	KNEELING PANEL – HI BUOY SOL. VALVE	PNEUMAC	3		641385
C 279	RH UNDER DASH – ENT. DOOR REED SW.	AMP MNL	2	560900	560858	C 340	FR JCT BOX – FIRE PIEZO ALARM	AMP MNL	2	560900	560898
C 279	FR SERVICE COMPT LH – STEERING ZF	DEUTSCH	2		562485	C 341	LH SWITCH PANEL – HEAT MIRROR SW.	EATON	12		562763
C 280	ENGINE COMPT – A/C COMPRESSOR AUX.	PED WP	2	561566	561690	C 342					
C 281						C 343	LH SWITCH PANEL – HEAD LAMP SW.	EATON	12		562763
C 282	FR SERVICE COMPT – STEERING ZF	VOLVO	2		562928	C 344	LH SWITCH PANEL – HAZARD LT SW.	EATON	12		562763
C 283	LH CONSOLE – SPARE SW. LTS	AMP MNL	2	561248	561247	C 345	LH SWITCH PANEL – FOG LT SW.	EATON	12		562763
C 284						C 346					
C 285						C 347					
C 286						C 348	INSTR. PANEL CENT. – RACOR MODULE	MOLEX	6	562070	562069
C 287						C 349					
C 288						C 350					
C 289						C 351					
C 290	LUGGAGE CPT - DOOR LOCK	AMP MNL	4	560851	560852	C 352					
C 291	LUGGAGE CPT - DOOR LOCK	AMP MNL	4	560851	560852	C 353					
C 292						C 354					
C 293						C 355					
C 294						C 356					
C 295						C 357					
C 296						C 358					
C 297						C 359	RH SWITCH PANEL – ENT. DOOR WIND. SW.	EATON	12		562763
C 298						C 360	ENTRANCE WINDOW MOTOR	PED	2		561848
C 299	RH SWITCH PANEL - GALLEY	EATON	12		562763	C 361					
C 300						C 362					
C 301						C 363					
C 302						C 364	FRONT ROOF - ELECTRICAL DEST. SIGN	AMP MNL	3	561667	561550
C 303	RR JCT BOX - DIODES	AMP MNL	15	561987	561986	C 365					
C 304	RR JCT BOX - DIODES	AMP MNL	15	561987	561986	C 366					
C 305						C 367					
C 306						C 368	FRONT ROOF – ELECTRICAL DEST. SIGN	AMP MNL	3	561667	561550
C 307						C 369	FRONT ROOF – ELECTRICAL DEST. SIGN	TORRIX	5	562110	
C 308						C 370	FRONT ROOF – ELECTRICAL DEST. SIGN	AMP MNL	2	560900	560858
C 309	ENGINE DDEC - ECM POWER	PED MP	5		562345	C 371	FRONT ROOF – ELECTRICAL DEST. SIGN	AMP MNL	3	561667	561550

CONNECTORS CODE

NO	LOCATION	TYPE	CAVITY	#PIN	#SOCKET	NO	LOCATION	TYPE	CAVITY	#PIN	#SOCKET
				HOUSING	HOUSING					HOUSING	HOUSING
C 372	FRONT ROOF – ELECTRICAL DEST. SIGN	MOLEX	4	561477	561476	C 437					
C 373						C 438					
C 374						C 439					
C 375						C 440					
C 376						C 441					
C 377	LH SWITCH PANEL – STOP ENGINE OVERRIDE	EATON	12		562763	C 442					
C 378						C 443					
C 379	LUGGAGE COMPT. – WINDOW AJAR SW.	MOLEX	4	561477	561476	C 444					
C 380						C 445					
C 381	UNDER DASH PANEL – ANTI THILED	AMP MNL	2	561248	561247	C 446					
C 382	ENGINE GENERATOR (1)	PED WP	1	561605	561577	C 447					
C 383	ENGINE COMPT – VOLTAGE REGULATOR	PED WP	1	561605	561577	C 448					
C 384						C 449					
C 385	BATT. COMPT. – BJB INTERFACE	AMP MNL	12	561735	561736	C 450	S.S. PANEL - FEEDING	MOLEX	4	562507	562503
C 386	LH SWITCH PANEL – W.C.LIFT	EATON	12		562763	C 451	S.S. PANEL - FEEDING	MOLEX	2	562550	562549
C 387	EVAPORATOR COMPT. - BY-PASS VALVE	PED WP	2	561566	561690	C 452	UNDER DASH – S.S. ACC. SIGNAL	MOLEX	2	562550	562549
C 388						C 453	S. S. PANEL – VCR FEEDING	PED WP	2	561566	561690
C 389	EVAPORATOR COMPT. – WATER PUMP	PED WP	2	561566	561690	C 454	S. S. PANEL – VCR FEEDING	PED WP	2	561566	561690
C 390	EVAPORATOR COMPT. – A/C JCT. BOX	DEUTSCH	24	562280	562283	C 455	PARCEL RACK – WIRELESS MICROPHONE	MOLEX	6		562464
C 391	CONDENSER COMPT. A/C PRESS SW 2 SP	PED WP	2	561566	561690	C 456	WORLD TRANS. - RETARDER ACCUM.	PED MP	2		562427
C 392						C 457	WORLD TRANS. - MAIN CONNECTOR	DEUTSCH	31	562572	562536
C 393						C 458	WORLD TRANS. - TURBINE SP. SENS.	PED MP	2		562426
C 394	UNDER DASH - B/U MONITOR	AMP MNL	4	560851	560852	C 459	WORLD TRANS. - ENGINE SP. SENS.	PED MP	2		562426
C 395	UNDER DASH - B/U MONITOR	CLARION	4		990335	C 460	WORLD TRANS. - SPEED SENSOR	ITT	2		562541
C 396	PARCEL RACK – SPEAKER FEEDING	MOLEX	4	562507	562503	C 461	WORLD TRANS. - RETARDER TEMP.	PED MP	2		562856
C 397						C 462	WORLD TRANS. - RETARDER SOL. "K"	PED MP	2		562426
C 398						C 463	WORLD TRANS. - SENSOR CONN.	DEUTSCH	16	562570	562571
C 399	ENGINE GENERATOR (2)	PED WP	2	561566	561690	C 464	RR JCT BOX – DDL CONN	DEUTSCH	6		565360
C 400	ENGINE COMPT. – BLOCK HEATER	PED WP	3	561781	561782	C 465	LH CONSOLE - SHIFTER SELECTOR	PED	20		562825
C 401						C 466	FR SERVICE CPT - RESIS. MOD.	PED WP	3		562428
C 402						C 467	FR SERVICE CPT - RESIS. MOD.	PED WP	3		562428
C 403	GALLEY – REFRIGERATOR		2			C 468	STEERING COLUMN – RET. HAND LEVER	AMP FF	8	561188	562363
C 404	GALLEY – LAMP SWITCH		2			C 469	FR SERVICE COMPT. – RESIS. MOD.	AMP FF	8	561188	562363
C 405						C 470					
C 406						C 471					
C 407						C 472	FR SERVICE CPT – SILENT 1000	PED WP	2	561566	561690
C 408						C 473					
C 409						C 474	DRIVER'S TEMP SENSOR	AMP MNL	2	561248	561247
C 410						C 475	FR SERVICE CPT - SPEED SIGN. CONNECT.	DEUTSCH	6	562583	562581
C 411						C 475M	FR SERVICE CPT – SPEED SIGN. W. TR.	DEUTSCH	6	562583	562581
C 412						C 475W	FR SERVICE CPT – SPEED SIGN. W. TR.	DEUTSCH	6	562583	562581
C 413						C 476					
C 414						C 477					
C 415						C 478	FRONT ROOF – ELECTRONIC DEST. SIGN	AMP CPC	9	561636	561637
C 416						C 479	UNDER DASH – HVAC DASH MODULE	MOLEX	3		562783
C 417						C 480	UNDER DASH RH – DR'S FAN SPEED CTR	PED WP	4	561889	561890
C 418						C 481	UNDER DASH RH – DR'S FAN SPEED CTR	PED WP	3	561781	561782
C 419	FR JCT BOX – RET/JAKE SELECTION	AMP MNL	3	561667	561550	C 482					
C 420						C 483	FR SERVICE CPT – ELECTRICAL SEAT	PED	2	562237	
C 421	ENGINE COMPT. - WEBASTO	AMP FF	2	562473	562474	C 484	UNDER DASH LH – FOOT DAMPER MOTOR	PED	2		562076
C 422	ENGINE COMPT. - WEBASTO	PED	2	562644	561597	C 485	UNDER DASH LH – DASH & DEFR. DAMP. M.	AMP MNL	3	561667	561558
C 423						C 486					
C 424	UNDER DASH – AUDIBLE FLASHER	AMP MNL	3	561667	561550	C 487					
C 425						C 488					
C 426	ENGINE S60 RAD. FAN CLUTCH	PED WP	3	561781	561782	C 489					
C 427						C 490					
C 428	RH SW PANEL – DASH LTS RHEOSTAT	AMP MNL	3	561667	561550	C 491					
C 429						C 492					
C 430	LH CONSOLE – PRE-HEAT TIMER	AMP FF	8	561188	562363	C 493					
C 431	LH CONSOLE – PRE-HEAT TIMER		1		560488	C 494					
C 432						C 495					
C 433						C 496					
C 434						C 497					
C 435						C 498					
C 436						C 499					

CONNECTORS CODE

NO	LOCATION	TYPE	CAVITY	#PIN	#SOCKET	NO	LOCATION	TYPE	CAVITY	#PIN	#SOCKET
				HOUSING	HOUSING					HOUSING	HOUSING
C 500	FR JCT PANEL - PRODRIVER	MOLEX	6	562070	562069	C 573	UNDER DASH PANEL – T.T.LT MODULE	MOLEX	8		562465
C 501						C 574	PARCEL RACK – INDIRECT LTS BALLAST	MOLEX			562759
C 502	LH DASH PANEL – PRE- HEAT SW.	EATON	12		562763	C 575	RH PARCEL RACK - FFEDING	MOLEX	4	562507	562503
C 503						C 576	RH PARCEL RACK - FFEDING	AMP MNL	3	561667	561550
C 504						C 577	LH PARCEL RACK - FFEDING	AMP MNL	3	561667	561550
C 505						C 578	LH PARCEL RACK - FFEDING	MOLEX	4	562507	562503
C 506	FR JCT BOX – DIGITAL CLOCK	AMP CPC	4	561685	561687	C 579					
C 507	LH HAT RACK – DIGITAL CLOCK	MOLEX	4	561477	561476	C 580	LH DASH PANEL – PARCEL RACK A/C SW.	EATON	12		562763
C 508	RR JCT BOX - FAN CLUTCH RETARDER	AMP MNL	6	561552	561515	C 581	LH DASH PANEL – ELECTRICAL HORN	PED MP	2		562777
C 509	EVAP. COMPT. – NOT USED	DEUTSCH	5		562566	C 582					
C 519A	RH UNDER DASH – ENTRANCE DOOR SOL.	PNEUMAC	3		641385	C 583	LH DASH PANEL – MASTER KEY SW.	DEUTSCH	2	562486	562485
C 519B	RH UNDER DASH – ENTRANCE DOOR SOL.	PNEUMAC	3		641385	C 584	FR. SERVICE COMPT – HORN PNEU. VALVE	PNEUMAC	3		562848
C 520	RH UNDER DASH – ENTRANCE DOOR SOL.	PNEUMAC	3		641385	C 585					
C 521	RH UNDER DASH – ENTRANCE DOOR SOL.	PNEUMAC	3		641385	C 586	FR SERVICE COMPT – ACC. PNEU.VALVE	PNEUMAC	3		562848
C 522	FR JCT BOX – DAYTIME LTS MODULE	BOSCH	5		561183	C 587					
C 523	FR JCT BOX – FUSE BLOCK	PED	8	562647	562646	C 588	FR SERV. COMPT. – S.S. INTERFACE	AMP CPC	37	561645	561646
C 524	FR JCT BOX – FUSE BLOCK	PED	8	562647	562646	C 589	FR. MIRROR LH	SW CRAFT	8	562919	562920
C 525	FR JCT BOX – FUSE BLOCK	PED	8	562647	562646	C 590	FR. MIRROR RH	SW CRAFT	8	562919	562920
C 526	FR JCT BOX – FUSE BLOCK	PED	8	562647	562646	C 591	LH CONSOLE – LH MIRROR SW.	EURAMT.	8		562749
C 527	FR JCT BOX – FUSE BLOCK	PED	8	562647	562646	C 592	LH CONSOLE – RH MIRROR SW.	EURAMT.	8		562749
C 528						C 594	FRONT ROOF – DRIVER'S LTS	LEEKRAFT	2	-----	562803
C 529						C 595	RH DASH PANEL – ENTRANCE DOOR SW.	MOLEX	4	562507	562503
C 530	RR JCT BOX – FUSE BLOCK	PED	8	562647	562646	C 596	RH DASH PANEL – ENTRANCE DOOR SW.	MOLEX	4	562507	562503
C 531	RR JCT BOX – FUSE BLOCK	PED	8	562647	562646	C 597	LH DASH PANEL – DISPLAY SET SW.	AMP	5		562905
C 532	LH PARCEL RACK – A/C LIQ. SOL.	AMP MNL	2	561248	561247	C 598	LH DASH PANEL – DISPLAY SET SW.	AMP	5		562905
C 533	RH PARCEL RACK – A/C LIQ. SOL.	AMP MNL	2	561248	561247	C 599	UND. DASH – MAGN. SW CTR POS. DR'S AIR	AMP MNL	2	561248	561247
C 534						C 605	LH PARCEL RACK – A/C UNIT	AMP MNL	6	561552	561515
C 535						C 606	RH PARCEL RACK – A/C UNIT	AMP MNL	6	561552	561515
C 536						C 607	FR SERVICE COMPT – RPM SIGNAL (SPARE)	PED WP	2	561566	561690
C 537	A/C JCT BOX RESISTOR SIGN. RLY	AMP MNL	2	561248	561247	C 608	FR SERV. COMPT – SPEED SIGNAL (SPARE)	PED WP	2	561566	561690
C 538	FR SERV. CPT RH – OUTSIDE TEMP. SENS	AMP MNL	2	561248	561247	CS	FR SERVICE CPT - ECU WORLDR TR.	PED MP	32		562817
C 539	HVAC DASH MODULE OUTPUT CONN.	MOLEX	24		562780	CT	FR SERVICE CPT - ECU WORLDR TR.	PED MP	32		562824
C 540	HVAC DASH MODULE INPUT CONN.	MOLEX	22		562781	CV	FR SERVICE CPT - ECU WORLDR TR.	PED MP	32		562823
C 541						CX	CLUSTER	JAE	5		562957
C 542						CX 1	FR SERVICE CPT - ECU ABS	AMP JN	18	562792	562792
C 543						CX 2	FR SERVICE CPT - ECU ABS	AMP JN	15	562795	562795
C 544	S.S. PANEL – AUDIO SEAT	PED WP	3	561781	561782	CX 3	FR SERVICE CPT - ECU ABS	AMP JN	9	562794	562794
C 545						CX 4	FR SERVICE CPT - ECU ABS	AMP JN	6	562793	562793
C 546	FR. JCT BOX – CHARGER WIRELESS MIC.	MOLEX	2		563025	CY	CLUSTER	JAE	30		562765
C 547						LX	CLUSTER	JAE	22		562766
C 548	LH DASH PANEL – T.T.LT TEST SW.	EATON	12		562763	LY	CLUSTER	JAE	30		562767
C 549	LH DASH PANEL – ENGINE FAN OVERRIDE	EATON	12		562763	RX	CLUSTER	JAE	30		562767
C 550						WEB 1	ENGINE COMPT. - WEBASTO	AMP FF	2	562473	562474
C 551						WEB 2	ENGINE COMPT. - WEBASTO	AMP FF	2	562643	
C 552						ZF 1	FR JCT BOX – STEERING E.C.U.	HELLA	9		562929
C 553	UNDER DASH – S.S. CONTROL HEAD	MOLEX	16		562559						
C 554	UNDER DASH – S.S. CONTROL HEAD	MOLEX	16		562559						
C 555	UNDER DASH – S.S. CONTROL HEAD	MOLEX	16		562559						
C 556	UNDER DASH – RADIO FEEDING	MOLEX	2	562550	562549						
C 557	UNDER DASH – RADIO FEEDING	MOLEX	9	562556	562555						
C 558	FR. SERV. COMPT. – MIC. OUTLET	MOLEX	4	562507	562503						
C 559											
C 560											
C 561	LH PARCEL RACK – WIRELESS MIC.	MOLEX	8		562465						
C 562	LH PARCEL RACK – VCR SIGNAL	MOLEX	9	562556	562555						
C 563	FR. SERV. COMPT. – DRIVER SPEAKER	MOLEX	4	562507	562503						
C 564	FR. SERV. COMPT. – MIC. OUTLET	MOLEX	4	562507	562503						
C 565	FR. SERV. COMPT. – MIC. OUTLET	MOLEX	4	562507	562503						
C 566	FR. SERV. COMPT. – MIC. OUTLET	MOLEX	4	562507	562503						
C 567	FR. SERV. COMPT. – MIC. OUTLET	MOLEX	4	562507	562503						
C 568	S.S. PANEL – SPEAKER OUTLET	CINTCH	4	562553							
C 569	S. S. PANEL – AMPLI SIGNAL	MOLEX	9	562556	562555						
C 570	UNDER DASH PANEL – T.T.LT MODULE	MOLEX	6		562464						
C 571	UNDER DASH PANEL – T.T.LT MODULE	MOLEX	20		562778						
C 572	UNDER DASH PANEL – T.T.LT MODULE	MOLEX	18		562779						

CONNECTORS CODE

NO	LOCATION	TYPE	CAVITY	#PIN	#SOCKET	NO	LOCATION	TYPE	CAVITY	#PIN	#SOCKET
				HOUSING	HOUSING					HOUSING	HOUSING
A 1	UNDER DASH – AUDIO SIGNAL	RCA	1	562090	562330	C 58					
A 2	UNDER DASH – AUDIO SIGNAL	RCA	1	562090	562330	C 59					
A 10	UNDER DASH – AUDIO SIGNAL	RCA	1	562090	562330	C 60					
A 11	UNDER DASH – AUDIO SIGNAL	RCA	1	562090	562330	C 61	ENGINE COMPT - FUEL FILTER	PED WP	2	561566	561690
A 18	S. S. PANEL – AUDIO SIGNAL	RCA	1	562090	562330	C 62	ENGINE COMPT – COMPR. AUX. PRESS. SW.	PED WP	2	561566	561690
A 19	S. S. PANEL – AUDIO SIGNAL	RCA	1	562090	562330	C 63	ENGINE COMPT – COMPR. AUX. PRESS. SW.	PED WP	2	561566	561690
AA 1	UNDER DASH PANEL- SONALERT	BOSCH	5	-----	561183	C 64					
C 1	FR JCT BOX COMPARTIMENT	AMP CPC	14	561585	561584	C 65	ENGINE CPT – A/C PRESS SW FAN CLUTCH	PED WP	2	561566	561690
C 2	FR JCT BOX COMPARTIMENT	AMP CPC	16	561639	561640	C 66					
C 3	FR JCT BOX COMPARTIMENT	AMP CPC	37	561644	561646	C 67					
C 4	FR JCT BOX COMPARTIMENT	AMP CPC	24	561641	561643	C 68					
C 5	FR SERVICE COMPT. - UNDERNEATH	AMP CPC	37	561645	561646	C 69					
C 6	FR SERVICE COMPT. - UNDERNEATH	AMP CPC	16	561639	561640	C 70	LH CONSOLE	AMP CPC	16	561639	561640
C 7	FR SERVICE COMPT - CLUTCH SW	ITT SS	3	561080	561111	C 71	FR JCT BOX COMPT.	AMP CPC	37	561645	561646
C 8	FR SERVICE COMPT. - UNDERNEATH	AMP CPC	24	561642	561643	C 72	FR JCT BOX COMPT.	AMP CPC	24	561642	561643
C 9	FR SERVICE COMPT. - UNDERNEATH	AMP CPC	24	561642	561643	C 73					
C 10	FR SERVICE DOOR ACCESS.	DEUTSCH	5	562565	562566	C 74	FR JCT BOX COMPT.	AMP CPC	37	561645	561646
C 11	FR SERV. CPT ACCESS	AMP CPC	37	561645	561646	C 75	SERVICE COMPT. EXT. ENTRANCE DOOR SW.	DEUTSCH	4	562479	562477
C 12	FR SERV. CPT ACCESS	AMP CPC	16	561639	561640	C 75	RH PARCEL RACK – READ. LTS FEED. WCL	MOLEX	6	562558	562557
C 13	FR JCT BOX COMPARTIMENT	AMP MNL	2	561248	561247	C 76	ENGINE COMPT. FIRE DETECTOR	DEUTSCH	2	562486	562485
C 14	LAST LUGGAGE COMP(4) - DOCKING LTS	AMP MNL	2	561248	561247	C 77	ENGINE COMPT. FIRE DETECTOR	DEUTSCH	2	562486	562485
C 15	UNDER STAIRS – CORNERING LTS	AMP MNL	2	560900	560898	C 78					
C 16	LH CONSOLE SW-CRUISE ON/OFF	EATON	12	-----	562763	C 79					
C 17	LH CONSOLE SW-CRUISE RESUME	EATON	12	-----	562763	C 80					
C 18	LH CONSOLE SW-CRUISE SET	EATON	12	-----	562763	C 81	LUGGAGE COMPT - DOOR LOCK	AMP MNL	4	560851	560852
C 19	LH CONSOLE SW-DECEL SW	EATON	12	-----	562763	C 82	UNDER SEAT – AISLE LTS	AMP MNL	2	560900	560898
C 20	RR JCT BOX	DEUTSCH	70	562282	562285	C 82	LUGGAGE COMPT - DOOR LOCK	AMP MNL	4	560851	560852
C 21	ENGINE COMPT - LOCK DOOR MOT.	PED WP	2	562076	562076	C 83	LUGGAGE COMPT - DOOR LOCK	AMP MNL	4	560851	560852
C 22	LUGGAGE COMPT (A) - A/C & FUEL TANK	AMP CPC	16	561639	561640	C 84	LUGGAGE COMPT - DOOR LOCK	AMP MNL	4	560851	560852
C 23	LUGGAGE COMPT (1) – LUGG. ACCESS.	AMP CPC	24	561642	561643	C 85					
C 24	ENGINE COMPT. – INTERF RJB	PED WP	6	561606	561607	C 86					
C 25	ENGINE COMPT. – INTERF RJB	PED WP	6	561606	561607	C 87					
C 26	ENGINE COMPT. ACCESS	DEUTSCH	40	562281	562284	C 88					
C 27	ENGINE COMPT. – INTERF. RJB	DEUTSCH	6	562583	562581	C 89					
C 28	LUGGAGE COMPT(4) – LUGG. ACCESS	AMP CPC	24	561642	561643	C 90					
C 29	FR SERVICE COMPT – E.C.U. FEED	PED WP	3	561781	561782	C 91					
C 30	ENGINE COMPT – MASTER SW. SIGN.	DEUTSCH	2	562486	562485	C 92	FR JCT BOX COMPT - ABS	AMP CPC	9	561635	561637
C 31	RR JCT BOX – PARCEL RACK FEEDING	DEUTSCH	31	562572	562536	C 93					
C 32						C 94					
C 33	FR SERV. COMPT. – VSS SIGNAL	PED WP	2	561566	561690	C 95					
C 34						C 96	FR SERVICE DOOR ACCESS	AMP MNL	9	561670	561669
C 35	A/C COMPT - AIR RETURN SENSOR	AMP MNL	2	561248	561247	C 97	FR SERVICE DOOR – WATER TANK	PED MP	2	561670	562426
C 36	UNDER STAIRS – STEP LIGHTS	AMP MNL	2	561248	561247	C 98					
C 36	RH PARCEL RACK – EMERGENCY LTS	AMP MNL	2	560900	560898	C 99	FR SERVICE CPT. LTS	AMP MNL	2	561248	561247
C 37	LH PARCEL RACK - FEEDING	MOLEX	6	562558	562557	C 100					
C 38	RH PARCEL RACK - FEEDING	MOLEX	6	562558	562557	C 101	FR SERVICE COMPT. ELEC. HORNS	PED WP	2	561566	561690
C 39						C 102	CONDENSER COMPT - A/C PRES. SW 1SP	PED WP	2	561566	561690
C 40						C 103	CONDENS. COMPT – LIQU. SOL. VAL. PRES.	PED WP	2	561566	561690
C 41	ENGINE COMPT – RH DOOR LOCK	DEUTSCH	4	562479	562477	C 103	ENGINE COMPT. – LAVATORY FAN	PED WP	2	561566	561690
C 42	ENGINE COMPT – RR CAP LIGHTING	DEUTSCH	6	562583	562581	C 104	ENGINE COMPT. – LAVATORY PUMP	DEUTSCH	2	562486	562485
C 43	FR JCT BOX – ALT. MODULE	AMP MNL	12	561735	561734	C 105	UNDER DASH RH - DRV LIO SOL VL	PED WP	2	561566	561690
C 44	ENGINE COMPT - LIGHTS	PED WP	1	561605	561577	C 106	UNDER DASH RH - DRV WTR VALVE	PED WP	2	561566	561690
C 45	FR JCT BOX COMPT – ROOF ACCESS	AMP CPC	24	561642	561643	C 107					
C 46						C 108					
C 47						C 109					
C 48	FR SERV. CPT. PRESS SW PARK BRAKE	DEUTSCH	4	562479	562477	C 110					
C 49	LAVATORY ROOF – NIGHT LIGHT	AMP MNL	2	560900	560898	C 111					
C 50						C 112					
C 51						C 113					
C 52	ENGINE COMPT - COMPRESSOR	PED WP	2	561566	561690	C 114	ENGINE DDEC - SPEED SIGNAL	PED WP	2	561566	561690
C 53	ENGINE COMPT - COMPRESSOR	PED WP	2	561566	561690	C 115	RR JCT BOX – ENGINE ACCESS	DEUTSCH	40	562281	562284
C 54						C 116	DRIVE AXLE COMPT - AIR DRYER	PED MP	2	562251	562251
C 55	CENTRAL DOOR LOCK	DEUTSCH	4	562479	562477	C 117					
C 56	LH PARCEL RACK - FEEDING	MOLEX	6	562558	562557	C 118	ENGINE COMPT - LICENCE	DOM. AUT	2	930210	
C 57	RH PARCEL RACK - FEEDING	MOLEX	6	562558	562557	C 119	ENGINE COMPT - RH LOWER LAMP	PED WP	6	561606	561607

CONNECTORS CODE

NO	LOCATION	TYPE	CAVITY	#PIN	#SOCKET	NO	LOCATION	TYPE	CAVITY	#PIN	#SOCKET
				HOUSING	HOUSING					HOUSING	HOUSING
C 120	ENGINE COMPT - LH LOWER LAMP	PED WP	6	561606	561607	C 183					
C 121						C 184	FR SERV. COMPT. - KNEELING PROX. SW.	ITT SS	3	561080	561111
C 122						C 185	KNEELING PANEL - DOWN SOL. VALVE	PNEUMAC	3		641385
C 123						C 186					
C 124						C 187	FR SERVICE JCT BOX - RESISTORS	AMP MNL	6	561552	561515
C 125						C 187	KNEELING PANEL- PARK BRAKE INTERLOCK	PNEUMAC	3		641385
C 126						C 188					
C 127						C 189					
C 128						C 190					
C 129						C 191					
C 130						C 192					
C 131						C 193					
C 132						C 194					
C 133						C 195					
C 134	FR JCT BOX - DIODE CONN.	AMP MNL	15	561987	561986	C 196	KNEELING PANEL - UP SOL. VALVE	PNEUMAC	3		641385
C 135	FR JCT BOX - DIODE CONN.	AMP MNL	15	561987	561986	C 197	KNEELING PANEL - CTR SOL. VALVE	PNEUMAC	3		641385
C 136	FR JCT BOX - DIODE CONN.	AMP MNL	15	561987	561986	C 198					
C 137	FR JCT BOX - DIODE CONN.	AMP MNL	15	561987	561986	C 199					
C 138						C 200	PARCEL RACK - FLUORESCENT LTS	AMP MNL	2	561248	561247
C 139						C 201	PARCEL RACK - FLUORESCENT LTS	AMP MNL	2	561248	561247
C 140	HVAC DASH MODULE THERMOMETER	MOLEX	4		562782	C 202	RH PARCEL RACK - INDIRECT LTS	MOLEX	2		562758
C 141	RR DASH PANEL - LTS CONN. (SPARE)	AMP MNL	2	561248	561247	C 203	PARCEL RACK - FLUORESCENT LTS	MOLEX	6		562759
C 142	ENGINE COMPT. B/U ALARM	PED WP	2	561566	561690	C 204	RH PARCEL RACK - RACK LTS	AMP MNL	2	560900	560858
C 143						C 205	RH PARCEL RACK - FEEDING	AMP MNL	9	561661	561662
C 144	FR JCT BOX - AISLE LTS FEEDING	AMP MNL	2	561248	561247	C 206	RH PARCEL RACK - FEEDING	AMP FF	4	562760	562756
C 145						C 207	LH PARCEL RACK - FEEDING	AMP FF	4	562760	562756
C 146						C 208	PARCEL RACK - FLUORESCENT LTS	MOLEX	2		562758
C 147						C 209	LH PARCEL RACK - HOTESS CHIME	AMP MNL	3	561667	561550
C 148						C 210	LH PARCEL RACK - FEEDING	AMP MNL	9	561661	561662
C 149						C 211	FR ROOF - SUN VISOR LH	AMP MNL	2	560900	560898
C 150						C 212	FR ROOF - SUN VISOR RH	AMP MNL	2	560900	560898
C 151						C 213	WCL DOOR UP HING-DOOR READ & HOST. SW	AMP MNL	6	561552	561515
C 152						C 214					
C 153						C 215					
C 154						C 216					
C 155						C 217	RH PANEL SW. - SCENIC VIEW CAMERA	EATON	12		562763
C 156						C 218	RH PANEL SW. - LIGHTS SPARE	AMP MNL	2	560900	560898
C 157	FR SERV. CPT - WATER PUMP DR'S	PED WP	3	561781	561782	C 219					
C 158						C 220					
C 159						C 221					
C 160	FR SERVICE CPT - INTERFACE	AMP CPC	37	561644	561646	C 222					
C 161	ENGINE DDEC - ECM	PED MP	30		561600	C 223	HEAD LIGHTS - FLASHER	DEUTSCH	5	562565	562566
C 162	ENGINE DDEC - ACCESSORIES	PED WP	4	561610	561611	C 224	HEAD LIGHTS	PED MP	3		562099
C 163	ENGINE CPT - COOLANT PROBE	PED MP	2		562350	C 225	FOG LIGHTS	DEUTSCH	3	562902	562901
C 164						C 226	FRONT HEADLIGHTS - MARKER & FLASHER	PED	3	562137	
C 165						C 226	BATT. COMPT. - INTERIOR LTS	AMP MNL	2	561248	561247
C 166						C 227					
C 167	FR SERVICE CPT - EL. FOOT PEDAL	PED WP	3	561781	561782	C 228					
C 168	FR SERVICE CPT - DDR	DEUTSCH	6	562360		C 229	BATT. COMPT. - CHARGER 110V.	PED WP	1	561577	561605
C 169	FR SERVICE CPT - WORLD TR. INTERFACE	AMP CPC	16	561639	561640	C 230	ENGINE COMPT. - FUEL PRIME PUMP SW.	PED WP	2	561566	561690
C 169	FR SERV. COMPT. - SPEED SWITCH	AMP	15	562011	562012	C 231	ENGINE COMPT. - FUEL PRIME PUMP	PED WP	2	561566	561690
C 170	FR JCT BOX FLASHER UNIT	PED	2		561940	C 232					
C 171	LH CONSOLE	AMP CPC	24	561642	561643	C 233					
C 172	FR SERVICE COMPT - KNEELING PANEL	AMP CPC	16	561639	561640	C 234					
C 172	ENGINE COMPT. - WATER TANK HEATER	PED WP	2	561566	561690	C 235					
C 173						C 236	FR SERVICE CPT CENTER - ABS	AMP CPC	14	561636	561637
C 174						C 237	FR AXLE CPT - ABS RH SENSOR	WABCO	2		641132
C 175						C 238	FR AXLE CPT - ABS RH VALVE	WABCO	3		641098
C 176	UNDER DASH RH - WIPER PULSE	AMP FF	6		561186	C 239	FR AXLE CPT - ABS LH VALVE	WABCO	3		641098
C 177	UNDER DASH RH - WIPER MOTOR	AMP FF	6		561186	C 240	FR AXLE CPT - ABS LH SENSOR	WABCO	2		641132
C 178						C 241	LAST LUGGAGE COMPT - ABS	PED WP	6	561606	561607
C 179						C 242	DRIVE AXLE CPT - ABS LH SENSOR	WABCO	2		641132
C 180	KNEELING PANEL - DIODE SOCKET	AMP MNL	15	561987	561986	C 243	DRIVE AXLE CPT - ABS LH VALVE	WABCO	3		641098
C 181						C 244	DRIVE AXLE CPT - ABS RH VALVE	WABCO	3		641098
C 182						C 245	DRIVE AXLE CPT - ABS RH SENSOR	WABCO	2		641132

CONNECTORS CODE

NO	LOCATION	TYPE	CAVITY	#PIN	#SOCKET	NO	LOCATION	TYPE	CAVITY	#PIN	#SOCKET
				HOUSING	HOUSING					HOUSING	HOUSING
C 246	DRIVE AXLE CPT - ATC SOL.	PED WP	2	561566	561690	C 309	ENGINE DDEC - ECM POWER	PED MP	5		562345
C 247						C 310	LH CONSOLE SW - LUG. DOOR LOCK	EATON	12		562763
C 248	LAST LUGGAGE CPT - ABS	PED WP	6	561606	561607	C 311	RH SWITCH PANEL - HOTESS CHIME	EATON	12		562763
C 249	FR SERVICE CPT - ABS/DDEC	PED WP	2	561566	561690	C 312	ENGINE DDEC - ACCESSORIES	PED WP	3	561781	561782
C 250						C 312	RH SWITCH PANEL - READING LAMP	EATON	12		562763
C 251	LH SW PANEL - FAST IDLE	EATON	12		562763	C 313	ENGINE DDEC - INTERFACE	PED MP	3	562398	
C 252	LUGGAGE COMPT. - WINDOW AJAR	MOLEX	4	561477	561476	C 313	RH SWITCH PANEL - INTERIOR LTS	EATON	12		562763
C 253	LH SWITCH PANEL - ETHER	EATON	12		562763	C 314	KNEELING PANEL - PRESS SW.	PED WP	2	561566	561690
C 254						C 314	RH SWITCH PANEL - INTERIOR LTS	EATON	12		562763
C 255	LH SWITCH PANEL - ENGINE BRAKE	EATON	12		562763	C 315	LH SWITCH PANEL - LH SUN VISOR SW.	EATON	12		562763
C 256						C 316	RH UNDER DASH - KNEELING BUZZER	AMP MNL	2	560900	560898
C 257	ENGINE COMPT - WATER HEATER	AMP FF	6		561186	C 317	LH SWITCH PANEL - RH SUN VISOR SW.	EATON	12		562763
C 258	LH SWITCH PANEL - MULTI FUNC. SW	AMP FF	8	561188		C 318	LH CONSOLE SW - DR'S WINDOW SW.	EATON	12		562763
C 259	ENGINE COMPT. - WATER HEATER	PED	2	562644	561597	C 319					
C 259	LH SWITCH PANEL - MULTI FUNC. SW	AMP FF	6		561186	C 320	RT SWITCH PANEL - DRIVER'S LTS SW.	EATON	12		562763
C 260	ENGINE COMPT - WATER HEATER	AMP FF	2	562473	562474	C 321	UNDER DASH RH - KEYLESS MODULE	AMP COM	26		562676
C 261	ENGINE COMPT - WATER HEATER	PED	2	562644	561597	C 322	UNDER DASH RH - KEYLESS MODULE	AMP COM	22		562675
C 262						C 323	DRIVER'S WINDOW MOTOR	PED	2		561848
C 263	LUGGAGE COMPT. LTS COMPT #3	AMP MNL	2	561248	561247	C 324					
C 264	LUGGAGE COMPT. LTS COMPT #2	AMP MNL	2	561248	561247	C 325	LH SWITCH PANEL - KNEELING	EATON	12		562763
C 265	LUGGAGE COMPT. LTS COMPT #1	AMP MNL	2	561248	561247	C 326	EATON TRANSMISSION INTERFACE	PED WP	4	561610	561611
C 266	ENTRANCE DOOR KEYLESS	AMP CPC	14	561585	561583	C 327					
C 267	UNDER DASH RH - ENT. DOOR PANEL	AMP CPC	24	561642	561643	C 328	RR ROOF - GALLEY LAMP		2		
C 268	FR MIRROR RH	SW. CRAF	5	562921		C 329					
C 269	FR MIRROR LH	SW. CRAF	5	562921		C 330					
C 270	LUGGAGE COMPT LTS - 3 LH	AMP MNL	2	561248	561247	C 331					
C 271	LUGGAGE COMPT LTS - 4	AMP MNL	2	561248	561247	C 332					
C 272						C 333					
C 273	ENT. DOOR PANEL - DIODE SOCKET	AMP MNL	9	561670	561669	C 334					
C 274						C 335					
C 275	ENT. DOOR PANEL - DIODE SOCKET	AMP MNL	9	561670	561669	C 336					
C 276						C 337					
C 277	RH UNDER DASH - ENT. DOOR REED SW.	AMP MNL	2	560900	560858	C 338					
C 278	RH PASS. AIR DUCT - ENT DOOR PRESS SW.	PED WP	2	561566	561690	C 339	KNEELING PANEL - HI BUOY SOL. VALVE	PNEUMAC	3		641385
C 279	RH UNDER DASH - ENT. DOOR REED SW.	AMP MNL	2	560900	560858	C 340	FR JCT BOX - FIRE PIEZO ALARM	AMP MNL	2	560900	560898
C 279	FR SERVICE COMPT LH - STEERING ZF	DEUTSCH	2		562485	C 341	LH SWITCH PANEL - HEAT MIRROR SW.	EATON	12		562763
C 280	ENGINE COMPT - A/C COMPRESSOR AUX.	PED WP	2	561566	561690	C 342					
C 281						C 343	LH SWITCH PANEL - HEAD LAMP SW.	EATON	12		562763
C 282	FR SERVICE COMPT - STEERING ZF	VOLVO	2		562928	C 344	LH SWITCH PANEL - HAZARD LT SW.	EATON	12		562763
C 283	LH CONSOLE - SPARE SW. LTS	AMP MNL	2	561248	561247	C 345	LH SWITCH PANEL - FOG LT SW.	EATON	12		562763
C 284						C 346					
C 285						C 347					
C 286						C 348	INSTR. PANEL CENT. - RACOR MODULE	MOLEX	6	562070	562069
C 287						C 349					
C 288						C 350					
C 289						C 351					
C 290	LUGGAGE CPT - DOOR LOCK	AMP MNL	4	560851	560852	C 352					
C 291	LUGGAGE CPT - DOOR LOCK	AMP MNL	4	560851	560852	C 353					
C 292						C 354					
C 293						C 355					
C 294						C 356					
C 295						C 357					
C 296						C 358					
C 297						C 359	RH SWITCH PANEL - ENT. DOOR WIND. SW.	EATON	12		562763
C 298						C 360	ENTRANCE WINDOW MOTOR	PED	2		561848
C 299	RH SWITCH PANEL - GALLEY	EATON	12		562763	C 361					
C 300						C 362					
C 301						C 363					
C 302						C 364	FRONT ROOF - ELECTRICAL DEST. SIGN	AMP MNL	3	561667	561550
C 303	RR JCT BOX - DIODES	AMP MNL	15	561987	561986	C 365					
C 304	RR JCT BOX - DIODES	AMP MNL	15	561987	561986	C 366					
C 305						C 367					
C 306						C 368	FRONT ROOF - ELECTRICAL DEST. SIGN	AMP MNL	3	561667	561550
C 307						C 369	FRONT ROOF - ELECTRICAL DEST. SIGN	TORRIX	5	562110	
C 308						C 370	FRONT ROOF - ELECTRICAL DEST. SIGN	AMP MNL	2	560900	560858

CONNECTORS CODE

NO	LOCATION	TYPE	CAVITY	#PIN	#SOCKET	NO	LOCATION	TYPE	CAVITY	#PIN	#SOCKET
				HOUSING	HOUSING					HOUSING	HOUSING
C 371	FRONT ROOF – ELECTRICAL DEST. SIGN	AMP MNL	3	561667	561550	C 435					
C 372	FRONT ROOF – ELECTRICAL DEST. SIGN	MOLEX	4	561477	561476	C 436					
C 373						C 437					
C 374						C 438					
C 375						C 439					
C 376						C 440					
C 377	LH SWITCH PANEL – STOP ENGINE OVERRIDE	EATON	12		562763	C 441					
C 378						C 442					
C 379	LUGGAGE COMPT. – WINDOW AJAR SW.	MOLEX	4	561477	561476	C 443					
C 380						C 444					
C 381	UNDER DASH PANEL – ANTI THILED	AMP MNL	2	561248	561247	C 445					
C 382	ENGINE GENERATOR (1)	PED WP	1	561605	561577	C 446					
C 383	ENGINE COMPT – VOLTAGE REGULATOR	PED WP	1	561605	561577	C 447					
C 384						C 448					
C 385	BATT. COMPT. – BJB INTERFACE	AMP MNL	12	561735	561736	C 449					
C 386	LH SWITCH PANEL – W.C.LIFT	EATON	12		562763	C 450	S.S. PANEL - FEEDING	MOLEX	4	562507	562503
C 387	EVAPORATOR COMPT. - BY-PASS VALVE	PED WP	2	561566	561690	C 451	S.S. PANEL - FEEDING	MOLEX	2	562550	562549
C 387	BATTERY COMPT. – WCL ACCES.	AMP CPC	16	561639	561640	C 452	UNDER DASH – S.S. ACC. SIGNAL	MOLEX	2	562550	562549
C 388	LUGG. COMPT.(4) – WCL DOOR ACCESS.	AMP MNL	12	561735	561736	C 453	S. S. PANEL – VCR FEEDING	PED WP	2	561566	561690
C 389	EVAPORATOR COMPT. – WATER PUMP	PED WP	2	561566	561690	C 454	S. S. PANEL – VCR FEEDING	PED WP	2	561566	561690
C 390	EVAPORATOR COMPT. – A/C JCT. BOX	DEUTSCH	24	562280	562283	C 455	PARCEL RACK – WIRELESS MICROPHONE	MOLEX	6		562464
C 391	CONDENSER COMPT. A/C PRESS SW 2 SP	PED WP	2	561566	561690	C 456	WORLD TRANS. - RETARDER ACCUM.	PED MP	2		562427
C 392						C 457	WORLD TRANS. - MAIN CONNECTOR	DEUTSCH	31	562572	562536
C 393						C 458	WORLD TRANS. - TURBINE SP. SENS.	PED MP	2		562426
C 394	UNDER DASH - B/U MONITOR	AMP MNL	4	560851	560852	C 459	WORLD TRANS. - ENGINE SP. SENS.	PED MP	2		562426
C 395	UNDER DASH - B/U MONITOR	CLARION	4		990335	C 460	WORLD TRANS. - SPEED SENSOR	ITT	2		562541
C 396	PARCEL RACK – SPEAKER FEEDING	MOLEX	4	562507	562503	C 461	WORLD TRANS. - RETARDER TEMP.	PED MP	2		562856
C 397						C 462	WORLD TRANS. - RETARDER SOL. "K"	PED MP	2		562426
C 398						C 463	WORLD TRANS. - SENSOR CONN.	DEUTSCH	16	562570	562571
C 399	ENGINE GENERATOR (2)	PED WP	2	561566	561690	C 464	RR JCT BOX - DDL CONN	DEUTSCH	6		565360
C 400	ENGINE COMPT. – BLOCK HEATER	PED WP	3	561781	561782	C 465	LH CONSOLE - SHIFTER SELECTOR	PED	20		562825
C 401						C 466	FR SERVICE CPT - RESIS. MOD.	PED WP	3		562428
C 402						C 467	FR SERVICE CPT - RESIS. MOD.	PED WP	3		562428
C 403	GALLEY – REFRIGERATOR		2			C 468	STEERING COLUMN – RET. HAND LEVER	AMP FF	8	561188	562363
C 404	GALLEY – LAMP SWITCH		2			C 469	FR SERVICE COMPT. – RESIS. MOD.	AMP FF	8	561188	562363
C 405						C 470					
C 406						C 471					
C 407						C 472	FR SERVICE CPT – SILENT 1000	PED WP	2	561566	561690
C 408						C 473					
C 409						C 474	DRIVER'S TEMP SENSOR	AMP MNL	2	561248	561247
C 410						C 475	FR SERVICE CPT - SPEED SIGN. CONNECT.	DEUTSCH	6	562583	562581
C 411						C 475M	FR SERVICE CPT – SPEED SIGN. W. TR.	DEUTSCH	6	562583	562581
C 412						C 475W	FR SERVICE CPT – SPEED SIGN. W. TR.	DEUTSCH	6	562583	562581
C 413						C 476					
C 414						C 477					
C 415						C 478	FRONT ROOF – ELECTRONIC DEST. SIGN	AMP CPC	9	561636	561637
C 416						C 479	UNDER DASH – HVAC DASH MODULE	MOLEX	3		562783
C 417						C 480	UNDER DASH RH – DR'S FAN SPEED CTR	PED WP	4	561889	561890
C 418						C 481	UNDER DASH RH – DR'S FAN SPEED CTR	PED WP	3	561781	561782
C 419	FR JCT BOX – RET/JAKE SELECTION	AMP MNL	3	561667	561550	C 482					
C 420						C 483	FR SERVICE CPT – ELECTRICAL SEAT	PED	2	562237	
C 421	ENGINE COMPT. - WEBASTO	AMP FF	2	562473	562474	C 484	UNDER DASH LH – FOOT DAMPER MOTOR	PED	2		562076
C 422	ENGINE COMPT. - WEBASTO	PED	2	562644	561597	C 485	UNDER DASH LH – DASH & DEFR. DAMP. M.	AMP MNL	3	561667	561558
C 423						C 486	WCL ROOF DOOR – DOOR LT.	LEEACRAFT	2	-----	562803
C 424	UNDER DASH – AUDIBLE FLASHER	AMP MNL	3	561667	561550	C 487					
C 425						C 488					
C 426	ENGINE S60 RAD. FAN CLUTCH	PED WP	3	561781	561782	C 489					
C 427						C 490					
C 428	RH SW PANEL – DASH LTS RHEOSTAT	AMP MNL	3	561667	561550	C 491					
C 429						C 492					
C 430	LH CONSOLE – PRE-HEAT TIMER	AMP FF	8	561188	562363	C 493					
C 431	LH CONSOLE – PRE-HEAT TIMER		1		560488	C 494					
C 432						C 495					
C 433						C 496					
C 434						C 497					

CONNECTORS CODE

NO	LOCATION	TYPE	CAVITY	#PIN	#SOCKET	NO	LOCATION	TYPE	CAVITY	#PIN	#SOCKET
				HOUSING	HOUSING					HOUSING	HOUSING
C 498						C 571	UNDER DASH PANEL - T.T.LT MODULE	MOLEX	20		562778
C 499						C 572	UNDER DASH PANEL - T.T.LT MODULE	MOLEX	18		562779
C 500	FR JCT PANEL - PRODRIVER	MOLEX	6	562070	562069	C 573	UNDER DASH PANEL - T.T.LT MODULE	MOLEX	8		562465
C 501						C 574	PARCEL RACK - INDIRECT LTS BALLAST	MOLEX			562759
C 502	LH DASH PANEL - PRE- HEAT SW.	EATON	12		562763	C 575	RH PARCEL RACK - FFEDING	MOLEX	4	562507	562503
C 503	LH CONSOLE-PROHEAT TIMER	PED MP	6	-----	562878	C 576	RH PARCEL RACK - FFEDING	AMP MNL	3	561667	561550
C 504	LH CONSOLE -WEBASTO TIMER	AMP	8	-----	562852	C 577	LH PARCEL RACK - FFEDING	AMP MNL	3	561667	561550
C 505	LH CONSOLE -ESPAR TIMER	AMP	12	-----	562681	C 578	LH PARCEL RACK - FFEDING	MOLEX	4	562507	562503
C 506	FR JCT BOX - DIGITAL CLOCK	AMP CPC	4	561685	561687	C 579					
C 507	LH HAT RACK - DIGITAL CLOCK	MOLEX	4	561477	561476	C 580	LH DASH PANEL - PARCEL RACK A/C SW.	EATON	12		562763
C 508	RR JCT BOX - FAN CLUTCH RETARDER	AMP MNL	6	561552	561515	C 581	LH DASH PANEL - ELECTRICAL HORN	PED MP	2		562777
C 509	EVAP. COMPT. - NOT USED	DEUTSCH	5		562566	C 582					
C 519A	RH UNDER DASH - ENTRANCE DOOR SOL.	PNEUMAC	3		641385	C 583	LH DASH PANEL - MASTER KEY SW.	DEUTSCH	2	562486	562485
C 519B	RH UNDER DASH - ENTRANCE DOOR SOL.	PNEUMAC	3		641385	C 584	FR. SERVICE COMPT - HORN PNEU. VALVE	PNEUMAC	3		562848
C 520	RH UNDER DASH - ENTRANCE DOOR SOL.	PNEUMAC	3		641385	C 585					
C 521	RH UNDER DASH - ENTRANCE DOOR SOL.	PNEUMAC	3		641385	C 586	FR SERVICE COMPT - ACC. PNEU.VALVE	PNEUMAC	3		562848
C 522	FR JCT BOX - DAYTIME LTS MODULE	BOSCH	5		561183	C 587					
C 523	FR JCT BOX - FUSE BLOCK	PED	8	562647	562646	C 588	FR SERV. COMPT. - S.S. INTERFACE	AMP CPC	37	561645	561646
C 524	FR JCT BOX - FUSE BLOCK	PED	8	562647	562646	C 589	FR. MIRROR LH	SW CRAFT	8	562919	562920
C 525	FR JCT BOX - FUSE BLOCK	PED	8	562647	562646	C 590	FR. MIRROR RH	SW CRAFT	8	562919	562920
C 526	FR JCT BOX - FUSE BLOCK	PED	8	562647	562646	C 591	LH CONSOLE - LH MIRROR SW.	EURAMT.	8		562749
C 527	FR JCT BOX - FUSE BLOCK	PED	8	562647	562646	C 592	LH CONSOLE - RH MIRROR SW.	EURAMT.	8		562749
C 528						C 594	FRONT ROOF - DRIVER'S LTS	LEEKRAFT	2	-----	562803
C 529						C 595	RH DASH PANEL - ENTRANCE DOOR SW.	MOLEX	4	562507	562503
C 530	RR JCT BOX - FUSE BLOCK	PED	8	562647	562646	C 596	RH DASH PANEL - ENTRANCE DOOR SW.	MOLEX	4	562507	562503
C 531	RR JCT BOX - FUSE BLOCK	PED	8	562647	562646	C 597	LH DASH PANEL - DISPLAY SET SW.	AMP	5		562905
C 532	LH PARCEL RACK - A/C LIQ. SOL.	AMP MNL	2	561248	561247	C 598	LH DASH PANEL - DISPLAY SET SW.	AMP	5		562905
C 533	RH PARCEL RACK - A/C LIQ. SOL.	AMP MNL	2	561248	561247	C 599	UND. DASH - MAGN. SW CTR POS. DR'S AIR	AMP MNL	2	561248	561247
C 534						C 605	LH PARCEL RACK - A/C UNIT	AMP MNL	6	561552	561515
C 535						C 606	RH PARCEL RACK - A/C UNIT	AMP MNL	6	561552	561515
C 536						C 607	FR SERVICE COMPT - RPM SIGNAL (SPARE)	PED WP	2	561566	561690
C 537	A/C JCT BOX RESISTOR SIGN. RLY	AMP MNL	2	561248	561247	C 608	FR SERV. COMPT - SPEED SIGNAL (SPARE)	PED WP	2	561566	561690
C 538	FR SERV. CPT RH - OUTSIDE TEMP. SENS	AMP MNL	2	561248	561247	C 609					
C 539	HVAC DASH MODULE OUTPUT CONN.	MOLEX	24		562780	C 610					
C 540	HVAC DASH MODULE INPUT CONN.	MOLEX	22		562781	C 611	RH PARCEL RACK READING LTS WCL	MOLEX	6	562558	562557
C 541						C 612	RH PARCEL RACK LUOR. INSTATION LTS WCL	MOLEX	4	562507	562503
C 542						C 613	RH PARCEL RACK INDIRECT LTS WCL	AMP MNL	3	561667	561550
C 543						C 614	RH PARCEL RACK INDIRECT LTS WCL	AMP MNL	3	561667	561550
C 544	S.S. PANEL - AUDIO SEAT	PED WP	3	561781	561782	CS	FR SERVICE CPT - ECU WORLDR TR.	PED MP	32		562817
C 545						CT	FR SERVICE CPT - ECU WORLD TR.	PED MP	32		562824
C 546	FR. JCT BOX - CHARGER WIRELESS MIC.	MOLEX	2		563025	CV	FR SERVICE CPT - ECU WORLD TR.	PED MP	32		562823
C 547						CX	CLUSTER	JAE	5		562957
C 548	LH DASH PANEL - T.T.LT TEST SW.	EATON	12		562763	CX 1	FR SERVICE CPT - ECU ABS	AMP JN	18	562792	562792
C 549	LH DASH PANEL - ENGINE FAN OVERRIDE	EATON	12		562763	CX 2	FR SERVICE CPT - ECU ABS	AMP JN	15	562795	562795
C 550	LAST LUGG. CPT. -WCL MODULE	AMP CPC	16	561694	561695	CX 3	FR SERVICE CPT - ECU ABS	AMP JN	9	562794	562794
C 551	LAST LUGG. CPT. -WCL REMOTE	AMP CPC	9	561636	561637	CX 4	FR SERVICE CPT - ECU ABS	AMP JN	6	562793	562793
C 552						CY	CLUSTER	JAE	30		562765
C 553	UNDER DASH - S.S. CONTROL HEAD	MOLEX	16		562559	LX	CLUSTER	JAE	22		562766
C 554	UNDER DASH - S.S. CONTROL HEAD	MOLEX	16		562559	LY	CLUSTER	JAE	30		562767
C 555	UNDER DASH - S.S. CONTROL HEAD	MOLEX	16		562559	RX	CLUSTER	JAE	30		562767
C 556	UNDER DASH - RADIO FEEDING	MOLEX	2	562550	562549	WEB 1	ENGINE COMPT. - WEBASTO	AMP FF	2	562473	562474
C 557	UNDER DASH - RADIO FEEDING	MOLEX	9	562556	562555	WEB 2	ENGINE COMPT. - WEBASTO	AMP FF	2	562643	
C 558	FR. SERV. COMPT. - MIC. OUTLET	MOLEX	4	562507	562503	ZF 1	FR JCT BOX - STEERING E.C.U.	HELLA	9		562929
C 559											
C 560											
C 561	LH PARCEL RACK - WIRELESS MIC.	MOLEX	8		562465						
C 562	LH PARCEL RACK - VCR SIGNAL	MOLEX	9	562556	562555						
C 563	FR. SERV. COMPT. - DRIVER SPEAKER	MOLEX	4	562507	562503						
C 564	FR. SERV. COMPT. - MIC. OUTLET	MOLEX	4	562507	562503						
C 565	FR. SERV. COMPT. - MIC. OUTLET	MOLEX	4	562507	562503						
C 566	FR. SERV. COMPT. - MIC. OUTLET	MOLEX	4	562507	562503						
C 567	FR. SERV. COMPT. - MIC. OUTLET	MOLEX	4	562507	562503						
C 568	S.S. PANEL - SPEAKER OUTLET	CINTCH	4		562553						
C 569	S. S. PANEL - AMPLI SIGNAL	MOLEX	9	562556	562555						
C 570	UNDER DASH PANEL - T.T.LT MODULE	MOLEX	6		562464						

CONNECTORS CODE

NO	LOCATION	TYPE	CAVITY	#PIN	#SOCKET	NO	LOCATION	TYPE	CAVITY	#PIN	#SOCKET
				HOUSING	HOUSING					HOUSING	HOUSING
A 1	UNDER DASH – AUDIO SIGNAL	RCA	1	562090	562330	C 58					
A 2	UNDER DASH – AUDIO SIGNAL	RCA	1	562090	562330	C 59					
A 10	UNDER DASH – AUDIO SIGNAL	RCA	1	562090	562330	C 60					
A 11	UNDER DASH – AUDIO SIGNAL	RCA	1	562090	562330	C 61	ENGINE COMPT - FUEL FILTER	PED WP	2	561566	561690
A 18	S. S. PANEL – AUDIO SIGNAL	RCA	1	562090	562330	C 62	ENGINE COMPT – COMPR. AUX. PRESS. SW.	PED WP	2	561566	561690
A 19	S. S. PANEL – AUDIO SIGNAL	RCA	1	562090	562330	C 63	ENGINE COMPT – COMPR. AUX. PRESS. SW.	PED WP	2	561566	561690
AA 1	UNDER DASH PANEL- SONALERT	BOSCH	5	-----	561183	C 64					
C 1	FR JCT BOX COMPARTIMENT	AMP CPC	14	561585	561584	C 65	ENGINE CPT – A/C PRESS SW FAN CLUTCH	PED WP	2	561566	561690
C 2	FR JCT BOX COMPARTIMENT	AMP CPC	16	561639	561640	C 66					
C 3	FR JCT BOX COMPARTIMENT	AMP CPC	37	561644	561646	C 67					
C 4	FR JCT BOX COMPARTIMENT	AMP CPC	24	561641	561643	C 68					
C 5	FR SERVICE COMPT. - UNDERNEATH	AMP CPC	37	561645	561646	C 69					
C 6	FR SERVICE COMPT. - UNDERNEATH	AMP CPC	16	561639	561640	C 70	LH CONSOLE	AMP CPC	16	561639	561640
C 7	FR SERVICE COMPT - CLUTCH SW	ITT SS	3	561080	561111	C 71	FR JCT BOX COMPT.	AMP CPC	37	561645	561646
C 8	FR SERVICE COMPT. - UNDERNEATH	AMP CPC	24	561642	561643	C 72	FR JCT BOX COMPT.	AMP CPC	24	561642	561643
C 9	FR SERVICE COMPT. - UNDERNEATH	AMP CPC	24	561642	561643	C 73					
C 10	FR SERVICE DOOR ACCESS.	DEUTSCH	5	562565	562566	C 74	FR JCT BOX COMPT.	AMP CPC	37	561645	561646
C 11	FR SERV. CPT ACCESS	AMP CPC	37	561645	561646	C 75	SERVICE COMPT. EXT. ENTRANCE DOOR SW.	DEUTSCH	4	562479	562477
C 12	FR SERV. CPT ACCESS	AMP CPC	16	561639	561640	C 75	RH PARCEL RACK – READ. LTS FEED. WCL	MOLEX	6	562558	562557
C 13	FR JCT BOX COMPARTIMENT	AMP MNL	2	561248	561247	C 76	ENGINE COMPT. FIRE DETECTOR	DEUTSCH	2	562486	562485
C 14	LAST LUGGAGE COMP(4) - DOCKING LTS	AMP MNL	2	561248	561247	C 77	ENGINE COMPT. FIRE DETECTOR	DEUTSCH	2	562486	562485
C 15	UNDER STAIRS – CORNERING LTS	AMP MNL	2	560900	560898	C 78					
C 16	LH CONSOLE SW-CRUISE ON/OFF	EATON	12	-----	562763	C 79					
C 17	LH CONSOLE SW-CRUISE RESUME	EATON	12	-----	562763	C 80					
C 18	LH CONSOLE SW-CRUISE SET	EATON	12	-----	562763	C 81	LUGGAGE COMPT - DOOR LOCK	AMP MNL	4	560851	560852
C 19	LH CONSOLE SW-DECEL SW	EATON	12	-----	562763	C 82	UNDER SEAT – AISLE LTS	AMP MNL	2	560900	560898
C 20	RR JCT BOX	DEUTSCH	70	562282	562285	C 82	LUGGAGE COMPT - DOOR LOCK	AMP MNL	4	560851	560852
C 21	ENGINE COMPT - LOCK DOOR MOT.	PED WP	2	562076	562076	C 83	LUGGAGE COMPT - DOOR LOCK	AMP MNL	4	560851	560852
C 22	LUGGAGE COMPT (A) - A/C & FUEL TANK	AMP CPC	16	561639	561640	C 84	LUGGAGE COMPT - DOOR LOCK	AMP MNL	4	560851	560852
C 23	LUGGAGE COMPT (1) – LUGG. ACCESS.	AMP CPC	24	561642	561643	C 85					
C 24	ENGINE COMPT. – INTERF RJB	PED WP	6	561606	561607	C 86					
C 25	ENGINE COMPT. – INTERF RJB	PED WP	6	561606	561607	C 87					
C 26	ENGINE COMPT. ACCESS	DEUTSCH	40	562281	562284	C 88					
C 27	ENGINE COMPT. – INTERF. RJB	DEUTSCH	6	562583	562581	C 89					
C 28	LUGGAGE COMPT(4) – LUGG. ACCESS	AMP CPC	24	561642	561643	C 90					
C 29	FR SERVICE COMPT – E.C.U. FEED	PED WP	3	561781	561782	C 91					
C 30	ENGINE COMPT – MASTER SW. SIGN.	DEUTSCH	2	562486	562485	C 92	FR JCT BOX COMPT - ABS	AMP CPC	9	561635	561637
C 31	RR JCT BOX – PARCEL RACK FEEDING	DEUTSCH	31	562572	562536	C 93					
C 32	ENGINE COMPT.-ECM	PED WP	1	561605	561577	C 94					
C 33	FR SERV. COMPT. – VSS SIGNAL	PED WP	2	561566	561690	C 95					
C 34	FR JCT BOX EATON TRANS. J1939	DEUTSCH	3	562877	562884	C 96	FR SERVICE DOOR ACCESS	AMP MNL	9	561670	561669
C 35	A/C COMPT - AIR RETURN SENSOR	AMP MNL	2	561248	561247	C 97	FR SERVICE DOOR – WATER TANK	PED MP	2	561670	562426
C 36	UNDER STAIRS – STEP LIGHTS	AMP MNL	2	561248	561247	C 98					
C 36	RH PARCEL RACK – EMERGENCY LTS	AMP MNL	2	560900	560898	C 99	FR SERVICE CPT. LTS	AMP MNL	2	561248	561247
C 37	LH PARCEL RACK - FEEDING	MOLEX	6	562558	562557	C 100					
C 38	RH PARCEL RACK - FEEDING	MOLEX	6	562558	562557	C 101	FR SERVICE COMPT. ELEC. HORNS	PED WP	2	561566	561690
C 39	ENGINE COMPT. ECM J1939	DEUTSCH	3	562877	562884	C 102	CONDENSER COMPT - A/C PRES. SW 1SP	PED WP	2	561566	561690
C 40	FR JCT BOX EATON TRANS. J1939	DEUTSCH	3	562877	562884	C 103	CONDENS. COMPT – LIQU. SOL. VAL. PRES.	PED WP	2	561566	561690
C 41	ENGINE COMPT – RH DOOR LOCK	DEUTSCH	4	562479	562477	C 104	ENGINE COMPT. – LAVATORY FAN	PED WP	2	561566	561690
C 42	ENGINE COMPT – RR CAP LIGHTING	DEUTSCH	6	562583	562581	C 105	ENGINE COMPT. – LAVATORY PUMP	DEUTSCH	2	562486	562485
C 43	FR JCT BOX – ALT. MODULE	AMP MNL	12	561735	561734	C 105	UNDER DASH RH - DRV LIO SOL VL	PED WP	2	561566	561690
C 44	ENGINE COMPT - LIGHTS	PED WP	1	561605	561577	C 106	UNDER DASH RH - DRV WTR VALVE	PED WP	2	561566	561690
C 45	FR JCT BOX COMPT – ROOF ACCESS	AMP CPC	24	561642	561643	C 107					
C 46	ENGINE COMPT. ECM J1939	DEUTSCH	3	562877	562884	C 108					
C 47	ENGINE DDEC-ECM J1939	PED MP	4	-----	561962	C 109					
C 48	FR SERV. CPT. PRESS SW PARK BRAKE	DEUTSCH	4	562479	562477	C 110					
C 49	LAVATORY ROOF – NIGHT LIGHT	AMP MNL	2	560900	560898	C 111					
C 50						C 112					
C 51						C 113	EATON SPEED SIGNAL	PED P2S	2	-----	562426
C 52	ENGINE COMPT - COMPRESSOR	PED WP	2	561566	561690	C 114	ENGINE DDEC - SPEED SIGNAL	PED WP	2	561566	561690
C 53	ENGINE COMPT - COMPRESSOR	PED WP	2	561566	561690	C 115	RR JCT BOX – ENGINE ACCESS	DEUTSCH	40	562281	562284
C 54						C 116	DRIVE AXLE COMPT - AIR DRYER	PED MP	2	562251	562251
C 55	CENTRAL DOOR LOCK	DEUTSCH	4	562479	562477	C 117					
C 56	LH PARCEL RACK - FEEDING	MOLEX	6	562558	562557	C 118	ENGINE COMPT - LICENCE	DOM. AUT	2	930210	
C 57	RH PARCEL RACK - FEEDING	MOLEX	6	562558	562557	C 119	ENGINE COMPT - RH LOWER LAMP	PED WP	6	561606	561607

CONNECTORS CODE

NO	LOCATION	TYPE	CAVITY	#PIN	#SOCKET	NO	LOCATION	TYPE	CAVITY	#PIN	#SOCKET
				HOUSING	HOUSING					HOUSING	HOUSING
C 120	ENGINE COMPT - LH LOWER LAMP	PED WP	6	561606	561607	C 183					
C 121						C 184	FR SERV. COMPT. - KNEELING PROX. SW.	ITT SS	3	561080	561111
C 122						C 185	KNEELING PANEL - DOWN SOL. VALVE	PNEUMAC	3		641385
C 123						C 186					
C 124						C 187	FR SERVICE JCT BOX - RESISTORS	AMP MNL	6	561552	561515
C 125						C 187	KNEELING PANEL- PARK BRAKE INTERLOCK	PNEUMAC	3		641385
C 126						C 188					
C 127						C 189					
C 128						C 190					
C 129						C 191					
C 130						C 192					
C 131						C 193					
C 132						C 194					
C 133						C 195					
C 134	FR JCT BOX - DIODE CONN.	AMP MNL	15	561987	561986	C 196	KNEELING PANEL - UP SOL. VALVE	PNEUMAC	3		641385
C 135	FR JCT BOX - DIODE CONN.	AMP MNL	15	561987	561986	C 197	KNEELING PANEL - CTR SOL. VALVE	PNEUMAC	3		641385
C 136	FR JCT BOX - DIODE CONN.	AMP MNL	15	561987	561986	C 198					
C 137	FR JCT BOX - DIODE CONN.	AMP MNL	15	561987	561986	C 199					
C 138						C 200	PARCEL RACK - FLUORESCENT LTS	AMP MNL	2	561248	561247
C 139						C 201	PARCEL RACK - FLUORESCENT LTS	AMP MNL	2	561248	561247
C 140	HVAC DASH MODULE THERMOMETER	MOLEX	4		562782	C 202	RH PARCEL RACK - INDIRECT LTS	MOLEX	2		562758
C 141	RR DASH PANEL - LTS CONN. (SPARE)	AMP MNL	2	561248	561247	C 203	PARCEL RACK - FLUORESCENT LTS	MOLEX	6		562759
C 142	ENGINE COMPT. B/U ALARM	PED WP	2	561566	561690	C 204	RH PARCEL RACK - RACK LTS	AMP MNL	2	560900	560858
C 143						C 205	RH PARCEL RACK - FEEDING	AMP MNL	9	561661	561662
C 144	FR JCT BOX - AISLE LTS FEEDING	AMP MNL	2	561248	561247	C 206	RH PARCEL RACK - FEEDING	AMP FF	4	562760	562756
C 145						C 207	LH PARCEL RACK - FEEDING	AMP FF	4	562760	562756
C 146						C 208	PARCEL RACK - FLUORESCENT LTS	MOLEX	2		562758
C 147						C 209	LH PARCEL RACK - HOTESS CHIME	AMP MNL	3	561667	561550
C 148						C 210	LH PARCEL RACK - FEEDING	AMP MNL	9	561661	561662
C 149						C 211	FR ROOF - SUN VISOR LH	AMP MNL	2	560900	560898
C 150						C 212	FR ROOF - SUN VISOR RH	AMP MNL	2	560900	560898
C 151						C 213	WCL DOOR UP HING-DOOR READ & HOST. SW	AMP MNL	6	561552	561515
C 152						C 214					
C 153						C 215					
C 154						C 216					
C 155						C 217	RH PANEL SW. - SCENIC VIEW CAMERA	EATON	12		562763
C 156						C 218	RH PANEL SW. - LIGHTS SPARE	AMP MNL	2	560900	560898
C 157	FR SERV. CPT - WATER PUMP DR'S	PED WP	3	561781	561782	C 219					
C 158						C 220					
C 159						C 221					
C 160	FR SERVICE CPT - INTERFACE	AMP CPC	37	561644	561646	C 222					
C 161	ENGINE DDEC - ECM	PED MP	30		561600	C 223	HEAD LIGHTS - FLASHER	DEUTSCH	5	562565	562566
C 162	ENGINE DDEC - ACCESSORIES	PED WP	4	561610	561611	C 224	HEAD LIGHTS	PED MP	3		562099
C 163	ENGINE CPT - COOLANT PROBE	PED MP	2		562350	C 225	FOG LIGHTS	DEUTSCH	3	562902	562901
C 164						C 226	FRONT HEADLIGHTS - MARKER & FLASHER	PED	3	562137	
C 165						C 226	BATT. COMPT. - INTERIOR LTS	AMP MNL	2	561248	561247
C 166						C 227					
C 167	FR SERVICE CPT - EL. FOOT PEDAL	PED WP	3	561781	561782	C 228	L.H. CONSOLE EATON TRANSM.	AMP MNL	6	561552	561515
C 168	FR SERVICE CPT - DDR	DEUTSCH	6	562360		C 229	BATT. COMPT. - CHARGER 110V.	PED WP	1	561577	561605
C 169	FR SERVICE CPT - WORLD TR. INTERFACE	AMP CPC	16	561639	561640	C 230	ENGINE COMPT. - FUEL PRIME PUMP SW.	PED WP	2	561566	561690
C 169	FR SERV. COMPT. - SPEED SWITCH	AMP	15	562011	562012	C 231	ENGINE COMPT. - FUEL PRIME PUMP	PED WP	2	561566	561690
C 170	FR JCT BOX FLASHER UNIT	PED	2		561940	C 232					
C 171	LH CONSOLE	AMP CPC	24	561642	561643	C 233					
C 172	FR SERVICE COMPT - KNEELING PANEL	AMP CPC	16	561639	561640	C 234					
C 172	ENGINE COMPT. - WATER TANK HEATER	PED WP	2	561566	561690	C 235					
C 173						C 236	FR SERVICE CPT CENTER - ABS	AMP CPC	14	561636	561637
C 174						C 237	FR AXLE CPT - ABS RH SENSOR	WABCO	2	641132	
C 175						C 238	FR AXLE CPT - ABS RH VALVE	WABCO	3	641098	
C 176	UNDER DASH RH - WIPER PULSE	AMP FF	6		561186	C 239	FR AXLE CPT - ABS LH VALVE	WABCO	3	641098	
C 177	UNDER DASH RH - WIPER MOTOR	AMP FF	6		561186	C 240	FR AXLE CPT - ABS LH SENSOR	WABCO	2	641132	
C 178						C 241	LAST LUGGAGE COMPT - ABS	PED WP	6	561606	561607
C 179						C 242	DRIVE AXLE CPT - ABS LH SENSOR	WABCO	2	641132	
C 180	KNEELING PANEL - DIODE SOCKET	AMP MNL	15	561987	561986	C 243	DRIVE AXLE CPT - ABS LH VALVE	WABCO	3	641098	
C 181						C 244	DRIVE AXLE CPT - ABS RH VALVE	WABCO	3	641098	
C 182						C 245	DRIVE AXLE CPT - ABS RH SENSOR	WABCO	2	641132	

CONNECTORS CODE

NO	LOCATION	TYPE	CAVITY	#PIN	#SOCKET	NO	LOCATION	TYPE	CAVITY	#PIN	#SOCKET
				HOUSING	HOUSING					HOUSING	HOUSING
C 246	DRIVE AXLE CPT - ATC SOL.	PED WP	2	561566	561690	C 309	ENGINE DDEC - ECM POWER	PED MP	5		562345
C 247	E.C.U. EATON TRANS.	PED MP	18		562573	C 310	LH CONSOLE SW - LUG. DOOR LOCK	EATON	12		562763
C 248	LAST LUGGAGE CPT - ABS	PED WP	6	561606	561607	C 311	RH SWITCH PANEL - HOTESS CHIME	EATON	12		562763
C 249	FR SERVICE CPT - ABS/DDEC	PED WP	2	561566	561690	C 312	ENGINE DDEC - ACCESSORIES	PED WP	3	561781	561782
C 250						C 312	RH SWITCH PANEL - READING LAMP	EATON	12		562763
C 251	LH SW PANEL - FAST IDLE	EATON	12		562763	C 313	ENGINE DDEC - INTERFACE	PED MP	3	562398	
C 252	LUGGAGE COMPT. - WINDOW AJAR	MOLEX	4	561477	561476	C 313	RH SWITCH PANEL - INTERIOR LTS	EATON	12		562763
C 253	LH SWITCH PANEL - ETHER	EATON	12		562763	C 314	KNEELING PANEL - PRESS SW.	PED WP	2	561566	561690
C 254						C 314	RH SWITCH PANEL - INTERIOR LTS	EATON	12		562763
C 255	LH SWITCH PANEL - ENGINE BRAKE	EATON	12		562763	C 315	LH SWITCH PANEL - LH SUN VISOR SW.	EATON	12		562763
C 256						C 316	RH UNDER DASH - KNEELING BUZZER	AMP MNL	2	560900	560898
C 257	ENGINE COMPT - WATER HEATER	AMP FF	6		561186	C 317	LH SWITCH PANEL - RH SUN VISOR SW.	EATON	12		562763
C 258	LH SWITCH PANEL - MULTI FUNC. SW	AMP FF	8	561188		C 318	LH CONSOLE SW - DR'S WINDOW SW.	EATON	12		562763
C 259	ENGINE COMPT. - WATER HEATER	PED	2	562644	561597	C 319					
C 259	LH SWITCH PANEL - MULTI FUNC. SW	AMP FF	6		561186	C 320	RT SWITCH PANEL - DRIVER'S LTS SW.	EATON	12		562763
C 260	ENGINE COMPT - WATER HEATER	AMP FF	2	562473	562474	C 321	UNDER DASH RH - KEYLESS MODULE	AMP COM	26		562676
C 261	ENGINE COMPT - WATER HEATER	PED	2	562644	561597	C 322	UNDER DASH RH - KEYLESS MODULE	AMP COM	22		562675
C 262						C 323	DRIVER'S WINDOW MOTOR	PED	2		561848
C 263	LUGGAGE COMPT. LTS COMPT #3	AMP MNL	2	561248	561247	C 324					
C 264	LUGGAGE COMPT. LTS COMPT #2	AMP MNL	2	561248	561247	C 325	LH SWITCH PANEL - KNEELING	EATON	12		562763
C 265	LUGGAGE COMPT. LTS COMPT #1	AMP MNL	2	561248	561247	C 326	EATON TRANSMISSION INTERFACE	PED WP	4	561610	561611
C 266	ENTRANCE DOOR KEYLESS	AMP CPC	14	561585	561583	C 327					
C 267	UNDER DASH RH - ENT. DOOR PANEL	AMP CPC	24	561642	561643	C 328	RR ROOF - GALLEY LAMP		2		
C 268	FR MIRROR RH	SW. CRAF	5	562921		C 329					
C 269	FR MIRROR LH	SW. CRAF	5	562921		C 330					
C 270	LUGGAGE COMPT LTS - 3 LH	AMP MNL	2	561248	561247	C 331					
C 271	LUGGAGE COMPT LTS - 4	AMP MNL	2	561248	561247	C 332					
C 272						C 333					
C 273	ENT. DOOR PANEL - DIODE SOCKET	AMP MNL	9	561670	561669	C 334					
C 274						C 335					
C 275	ENT. DOOR PANEL - DIODE SOCKET	AMP MNL	9	561670	561669	C 336					
C 276						C 337					
C 277	RH UNDER DASH - ENT. DOOR REED SW.	AMP MNL	2	560900	560858	C 338					
C 278	RH PASS. AIR DUCT - ENT DOOR PRESS SW.	PED WP	2	561566	561690	C 339	KNEELING PANEL - HI BUOY SOL. VALVE	PNEUMAC	3		641385
C 279	RH UNDER DASH - ENT. DOOR REED SW.	AMP MNL	2	560900	560858	C 340	FR JCT BOX - FIRE PIEZO ALARM	AMP MNL	2	560900	560898
C 279	FR SERVICE COMPT LH - STEERING ZF	DEUTSCH	2		562485	C 341	LH SWITCH PANEL - HEAT MIRROR SW.	EATON	12		562763
C 280	ENGINE COMPT - A/C COMPRESSOR AUX.	PED WP	2	561566	561690	C 342					
C 281						C 343	LH SWITCH PANEL - HEAD LAMP SW.	EATON	12		562763
C 282	FR SERVICE COMPT - STEERING ZF	VOLVO	2		562928	C 344	LH SWITCH PANEL - HAZARD LT SW.	EATON	12		562763
C 283	LH CONSOLE - SPARE SW. LTS	AMP MNL	2	561248	561247	C 345	LH SWITCH PANEL - FOG LT SW.	EATON	12		562763
C 284	E.C.U. EATON TRANS.	PED	2		563052	C 346					
C 285						C 347					
C 286						C 348	INSTR. PANEL CENT. - RACOR MODULE	MOLEX	6	562070	562069
C 287						C 349					
C 288						C 350					
C 289						C 351					
C 290	LUGGAGE CPT - DOOR LOCK	AMP MNL	4	560851	560852	C 352					
C 291	LUGGAGE CPT - DOOR LOCK	AMP MNL	4	560851	560852	C 353					
C 292						C 354					
C 293						C 355					
C 294						C 356					
C 295						C 357					
C 296						C 358					
C 297						C 359	RH SWITCH PANEL - ENT. DOOR WIND. SW.	EATON	12		562763
C 298						C 360	ENTRANCE WINDOW MOTOR	PED	2		561848
C 299	RH SWITCH PANEL - GALLEY	EATON	12		562763	C 361					
C 300						C 362					
C 301						C 363					
C 302						C 364	FRONT ROOF - ELECTRICAL DEST. SIGN	AMP MNL	3	561667	561550
C 303	RR JCT BOX - DIODES	AMP MNL	15	561987	561986	C 365					
C 304	RR JCT BOX - DIODES	AMP MNL	15	561987	561986	C 366					
C 305						C 367					
C 306						C 368	FRONT ROOF - ELECTRICAL DEST. SIGN	AMP MNL	3	561667	561550
C 307						C 369	FRONT ROOF - ELECTRICAL DEST. SIGN	TORRIX	5	562110	
C 308						C 370	FRONT ROOF - ELECTRICAL DEST. SIGN	AMP MNL	2	560900	560858

CONNECTORS CODE

NO	LOCATION	TYPE	CAVITY	#PIN	#SOCKET	NO	LOCATION	TYPE	CAVITY	#PIN	#SOCKET
				HOUSING	HOUSING					HOUSING	HOUSING
C 371	FRONT ROOF – ELECTRICAL DEST. SIGN	AMP MNL	3	561667	561550	C 435					
C 372	FRONT ROOF – ELECTRICAL DEST. SIGN	MOLEX	4	561477	561476	C 436					
C 373						C 437					
C 374						C 438					
C 375						C 439					
C 376						C 440					
C 377	LH SWITCH PANEL – STOP ENGINE OVERRIDE	EATON	12		562763	C 441					
C 378						C 442					
C 379	LUGGAGE COMPT. – WINDOW AJAR SW.	MOLEX	4	561477	561476	C 443					
C 380						C 444					
C 381	UNDER DASH PANEL – ANTI THILED	AMP MNL	2	561248	561247	C 445					
C 382	ENGINE GENERATOR (1)	PED WP	1	561605	561577	C 446					
C 383	ENGINE COMPT – VOLTAGE REGULATOR	PED WP	1	561605	561577	C 447					
C 384						C 448					
C 385	BATT. COMPT. – BJB INTERFACE	AMP MNL	12	561735	561736	C 449					
C 386	LH SWITCH PANEL – W.C.LIFT	EATON	12		562763	C 450	S.S. PANEL - FEEDING	MOLEX	4	562507	562503
C 387	EVAPORATOR COMPT. - BY-PASS VALVE	PED WP	2	561566	561690	C 451	S.S. PANEL - FEEDING	MOLEX	2	562550	562549
C 387	BATTERY COMPT. – WCL ACCES.	AMP CPC	16	561639	561640	C 452	UNDER DASH – S.S. ACC. SIGNAL	MOLEX	2	562550	562549
C 388	LUGG. COMPT.(4) – WCL DOOR ACCESS.	AMP MNL	12	561735	561736	C 453	S. S. PANEL – VCR FEEDING	PED WP	2	561566	561690
C 389	EVAPORATOR COMPT. – WATER PUMP	PED WP	2	561566	561690	C 454	S. S. PANEL – VCR FEEDING	PED WP	2	561566	561690
C 390	EVAPORATOR COMPT. – A/C JCT. BOX	DEUTSCH	24	562280	562283	C 455	PARCEL RACK – WIRELESS MICROPHONE	MOLEX	6		562464
C 391	CONDENSER COMPT. A/C PRESS SW 2 SP	PED WP	2	561566	561690	C 456	WORLD TRANS. - RETARDER ACCUM.	PED MP	2		562427
C 392						C 457	WORLD TRANS. - MAIN CONNECTOR	DEUTSCH	31	562572	562536
C 393						C 458	WORLD TRANS. - TURBINE SP. SENS.	PED MP	2		562426
C 394	UNDER DASH - B/U MONITOR	AMP MNL	4	560851	560852	C 459	WORLD TRANS. - ENGINE SP. SENS.	PED MP	2		562426
C 395	UNDER DASH - B/U MONITOR	CLARION	4		990335	C 460	WORLD TRANS. - SPEED SENSOR	ITT	2		562541
C 396	PARCEL RACK – SPEAKER FEEDING	MOLEX	4	562507	562503	C 461	WORLD TRANS. - RETARDER TEMP.	PED MP	2		562856
C 397						C 462	WORLD TRANS. - RETARDER SOL. "K"	PED MP	2		562426
C 398						C 463	WORLD TRANS. - SENSOR CONN.	DEUTSCH	16	562570	562571
C 399	ENGINE GENERATOR (2)	PED WP	2	561566	561690	C 464	RR JCT BOX - DDL CONN	DEUTSCH	6		565360
C 400	ENGINE COMPT. – BLOCK HEATER	PED WP	3	561781	561782	C 465	LH CONSOLE - SHIFTER SELECTOR	PED	20		562825
C 401						C 466	FR SERVICE CPT - RESIS. MOD.	PED WP	3		562428
C 402						C 467	FR SERVICE CPT - RESIS. MOD.	PED WP	3		562428
C 403	GALLEY – REFRIGERATOR		2			C 468	STEERING COLUMN – RET. HAND LEVER	AMP FF	8	561188	562363
C 404	GALLEY – LAMP SWITCH		2			C 469	FR SERVICE COMPT. – RESIS. MOD.	AMP FF	8	561188	562363
C 405						C 470					
C 406						C 471					
C 407						C 472	FR SERVICE CPT – SILENT 1000 OR EATON	PED WP	2	561566	561690
C 408						C 473					
C 409						C 474	DRIVER'S TEMP SENSOR	AMP MNL	2	561248	561247
C 410						C 475	FR SERVICE CPT - SPEED SIGN. CONNECT.	DEUTSCH	6	562583	562581
C 411						C 475M	FR SERVICE CPT – SPEED SIGN. W. TR.	DEUTSCH	6	562583	562581
C 412						C 475W	FR SERVICE CPT – SPEED SIGN. W. TR.	DEUTSCH	6	562583	562581
C 413						C 476					
C 414						C 477					
C 415						C 478	FRONT ROOF – ELECTRONIC DEST. SIGN	AMP CPC	9	561636	561637
C 416						C 479	UNDER DASH – HVAC DASH MODULE	MOLEX	3		562783
C 417						C 480	UNDER DASH RH – DR'S FAN SPEED CTR	PED WP	4	561889	561890
C 418						C 481	UNDER DASH RH – DR'S FAN SPEED CTR	PED WP	3	561781	561782
C 419	FR JCT BOX – RET/JAKE SELECTION	AMP MNL	3	561667	561550	C 482					
C 420						C 483	FR SERVICE CPT – ELECTRICAL SEAT	PED	2	562237	
C 421	ENGINE COMPT. - WEBASTO	AMP FF	2	562473	562474	C 484	UNDER DASH LH – FOOT DAMPER MOTOR	PED	2		562076
C 422	ENGINE COMPT. - WEBASTO	PED	2	562644	561597	C 485	UNDER DASH LH – DASH & DEFR. DAMP. M.	AMP MNL	3	561667	561558
C 423						C 486	WCL ROOF DOOR – DOOR LT.	LEECCRAFT	2	-----	562803
C 424	UNDER DASH – AUDIBLE FLASHER	AMP MNL	3	561667	561550	C 487					
C 425						C 488					
C 426	ENGINE S60 RAD. FAN CLUTCH	PED WP	3	561781	561782	C 489					
C 427						C 490					
C 428	RH SW PANEL – DASH LTS RHEOSTAT	AMP MNL	3	561667	561550	C 491					
C 429						C 492					
C 430	LH CONSOLE – PRE-HEAT TIMER	AMP FF	8	561188	562363	C 493					
C 431	LH CONSOLE – PRE-HEAT TIMER		1		560488	C 494					
C 432						C 495					
C 433						C 496					
C 434						C 497					

CONNECTORS CODE

NO	LOCATION	TYPE	CAVITY	#PIN	#SOCKET	NO	LOCATION	TYPE	CAVITY	#PIN	#SOCKET
				HOUSING	HOUSING					HOUSING	HOUSING
C 498						C 568	S.S. PANEL – SPEAKER OUTLET	CINTCH	4	562553	
C 499						C 569	S. S. PANEL – AMPLI SIGNAL	MOLEX	9	562556	562555
C 500	FR JCT PANEL - PRODRIVER	MOLEX	6	562070	562069	C 570	UNDER DASH PANEL – T.T.LT MODULE	MOLEX	6		562464
C 501						C 571	UNDER DASH PANEL – T.T.LT MODULE	MOLEX	20		562778
C 502	LH DASH PANEL – PRE- HEAT SW.	EATON	12		562763	C 572	UNDER DASH PANEL – T.T.LT MODULE	MOLEX	18		562779
C 503	LH CONSOLE-PROHEAT TIMER	PED MP	6	-----	562878	C 573	UNDER DASH PANEL – T.T.LT MODULE	MOLEX	8		562465
C 504	LH CONSOLE -WEBASTO TIMER	AMP	8	-----	562852	C 574	PARCEL RACK – INDIRECT LTS BALLAST	MOLEX			562759
C 505	LH CONSOLE -ESPAR TIMER	AMP	12	-----	562681	C 575	RH PARCEL RACK - FFEDING	MOLEX	4	562507	562503
C 506	FR JCT BOX – DIGITAL CLOCK	AMP CPC	4	561685	561687	C 576	RH PARCEL RACK - FFEDING	AMP MNL	3	561667	561550
C 507	LH HAT RACK – DIGITAL CLOCK	MOLEX	4	561477	561476	C 577	LH PARCEL RACK - FFEDING	AMP MNL	3	561667	561550
C 508	RR JCT BOX – FAN CLUTCH RETARDER	AMP MNL	6	561552	561515	C 578	LH PARCEL RACK - FFEDING	MOLEX	4	562507	562503
C 509	EVAP. COMPT. – NOT USED	DEUTSCH	5		562566	C 579					
C 515	FR JCT BOX CPT. - INTERCOM	MOLEX	4	561477	561476	C 580	LH DASH PANEL – PARCEL RACK A/C SW.	EATON	12		562763
C 516	FR JCT BOX CPT. - INTERCOM	MOLEX	6	562070	562069	C 581	LH DASH PANEL – ELECTRICAL HORN	PED MP	2		562777
C 517	LAVATORY WALL - INTERCOM	MOLEX	6	562070	562069	C 582					
C 519A	RH UNDER DASH – ENTRANCE DOOR SOL.	PNEUMAC	3		641385	C 583	LH DASH PANEL – MASTER KEY SW.	DEUTSCH	2	562486	562485
C 519B	RH UNDER DASH – ENTRANCE DOOR SOL.	PNEUMAC	3		641385	C 584	FR. SERVICE COMPT – HORN PNEU. VALVE	PNEUMAC	3		562848
C 520	RH UNDER DASH – ENTRANCE DOOR SOL.	PNEUMAC	3		641385	C 585					
C 521	RH UNDER DASH – ENTRANCE DOOR SOL.	PNEUMAC	3		641385	C 586	FR SERVICE COMPT – ACC. PNEU.VALVE	PNEUMAC	3		562848
C 522	FR JCT BOX – DAYTIME LTS MODULE	BOSCH	5		561183	C 587					
C 523	FR JCT BOX – FUSE BLOCK	PED	8	562647	562646	C 588	FR SERV. COMPT. – S.S. INTERFACE	AMP CPC	37	561645	561646
C 524	FR JCT BOX – FUSE BLOCK	PED	8	562647	562646	C 589	FR. MIRROR LH	SW CRAFT	8	562919	562920
C 525	FR JCT BOX – FUSE BLOCK	PED	8	562647	562646	C 590	FR. MIRROR RH	SW CRAFT	8	562919	562920
C 526	FR JCT BOX – FUSE BLOCK	PED	8	562647	562646	C 591	LH CONSOLE – LH MIRROR SW.	EURAMT.	8		562749
C 527	FR JCT BOX – FUSE BLOCK	PED	8	562647	562646	C 592	LH CONSOLE – RH MIRROR SW.	EURAMT.	8		562749
C 528						C 594	FRONT ROOF – DRIVER'S LTS	LEEKRAFT	2	-----	562803
C 529						C 595	RH DASH PANEL – ENTRANCE DOOR SW.	MOLEX	4	562507	562503
C 530	RR JCT BOX – FUSE BLOCK	PED	8	562647	562646	C 596	RH DASH PANEL – ENTRANCE DOOR SW.	MOLEX	4	562507	562503
C 531	RR JCT BOX – FUSE BLOCK	PED	8	562647	562646	C 597	LH DASH PANEL – DISPLAY SET SW.	AMP	5		562905
C 532	LH PARCEL RACK – A/C LIQ. SOL.	AMP MNL	2	561248	561247	C 598	LH DASH PANEL – DISPLAY SET SW.	AMP	5		562905
C 533	RH PARCEL RACK – A/C LIQ. SOL.	AMP MNL	2	561248	561247	C 599	UND. DASH – MAGN. SW CTR POS. DR'S AIR	AMP MNL	2	561248	561247
C 534						C 605	LH PARCEL RACK – A/C UNIT	AMP MNL	6	561552	561515
C 535						C 606	RH PARCEL RACK – A/C UNIT	AMP MNL	6	561552	561515
C 536						C 607	FR SERVICE COMPT – RPM SIGNAL (SPARE)	PED WP	2	561566	561690
C 537	A/C JCT BOX RESISTOR SIGN. RLY	AMP MNL	2	561248	561247	C 608	FR SERV. COMPT – SPEED SIGNAL (SPARE)	PED WP	2	561566	561690
C 538	FR SERV. CPT RH – OUTSIDE TEMP. SENS	AMP MNL	2	561248	561247	C 609					
C 539	HVAC DASH MODULE OUTPUT CONN.	MOLEX	24		562780	C 610					
C 540	HVAC DASH MODULE INPUT CONN.	MOLEX	22		562781	C 611	RH PARCEL RACK READING LTS WCL	MOLEX	6	562558	562557
C 541						C 612	RH PARCEL RACK LUOR. INSTATION LTS WCL	MOLEX	4	562507	562503
C 542						C 613	RH PARCEL RACK INDIRECT LTS WCL	AMP MNL	3	561667	561550
C 543						C 614	RH PARCEL RACK INDIRECT LTS WCL	AMP MNL	3	561667	561550
C 544	S.S. PANEL – AUDIO SEAT	PED WP	3	561781	561782	CS	FR SERVICE CPT - ECU WOLRD TR.	PED MP	32		562817
C 545						CT	FR SERVICE CPT - ECU WORLD TR.	PED MP	32		562824
C 546	FR. JCT BOX – CHARGER WIRELESS MIC.	MOLEX	2		563025	CV	FR SERVICE CPT - ECU WORLD TR.	PED MP	32		562823
C 547						CX	CLUSTER	JAE	5		562957
C 548	LH DASH PANEL – T.T.LT TEST SW.	EATON	12		562763	CX 1	FR SERVICE CPT - ECU ABS	AMP JN	18	562792	562792
C 549	LH DASH PANEL – ENGINE FAN OVERRIDE	EATON	12		562763	CX 2	FR SERVICE CPT - ECU ABS	AMP JN	15	562795	562795
C 550	LAST LUGG. CPT. -WCL MODULE	AMP CPC	16	561694	561695	CX 3	FR SERVICE CPT - ECU ABS	AMP JN	9	562794	562794
C 551	LAST LUGG. CPT. -WCL REMOTE	AMP CPC	9	561636	561637	CX 4	FR SERVICE CPT - ECU ABS	AMP JN	6	562793	562793
C 552						CY	CLUSTER	JAE	30		562765
C 553	UNDER DASH – S.S. CONTROL HEAD	MOLEX	16		562559	LX	CLUSTER	JAE	22		562766
C 554	UNDER DASH – S.S. CONTROL HEAD	MOLEX	16		562559	LY	CLUSTER	JAE	30		562767
C 555	UNDER DASH – S.S. CONTROL HEAD	MOLEX	16		562559	RX	CLUSTER	JAE	30		562767
C 556	UNDER DASH – RADIO FEEDING	MOLEX	2	562550	562549	WEB 1	ENGINE COMPT. - WEBASTO	AMP FF	2	562473	562474
C 557	UNDER DASH – RADIO FEEDING	MOLEX	9	562556	562555	WEB 2	ENGINE COMPT. - WEBASTO	AMP FF	2	562643	
C 558	FR. SERV. COMPT. – MIC. OUTLET	MOLEX	4	562507	562503	ZF 1	FR JCT BOX – STEERING E.C.U.	HELLA	9		562929
C 559											
C 560											
C 561	LH PARCEL RACK – WIRELESS MIC.	MOLEX	8		562465						
C 562	LH PARCEL RACK – VCR SIGNAL	MOLEX	9	562556	562555						
C 563	FR. SERV. COMPT. – DRIVER SPEAKER	MOLEX	4	562507	562503						
C 564	FR. SERV. COMPT. – MIC. OUTLET	MOLEX	4	562507	562503						
C 565	FR. SERV. COMPT. – MIC. OUTLET	MOLEX	4	562507	562503						
C 566	FR. SERV. COMPT. – MIC. OUTLET	MOLEX	4	562507	562503						
C 567	FR. SERV. COMPT. – MIC. OUTLET	MOLEX	4	562507	562503						

CONNECTORS CODE

NO	LOCATION	TYPE	CAVITY	#PIN	#SOCKET	NO	LOCATION	TYPE	CAVITY	#PIN	#SOCKET
				HOUSING	HOUSING					HOUSING	HOUSING
A 1	UNDER DASH – AUDIO SIGNAL	RCA	1	562090	562330	C 58					
A 2	UNDER DASH – AUDIO SIGNAL	RCA	1	562090	562330	C 59					
A 10	UNDER DASH – AUDIO SIGNAL	RCA	1	562090	562330	C 60					
A 11	UNDER DASH – AUDIO SIGNAL	RCA	1	562090	562330	C 61	ENGINE COMPT - FUEL FILTER	PED WP	2	561566	561690
A 18	S. S. PANEL – AUDIO SIGNAL	RCA	1	562090	562330	C 62	ENGINE COMPT – COMPR. AUX. PRESS. SW.	PED WP	2	561566	561690
A 19	S. S. PANEL – AUDIO SIGNAL	RCA	1	562090	562330	C 63	ENGINE COMPT – COMPR. AUX. PRESS. SW.	PED WP	2	561566	561690
AA 1	UNDER DASH PANEL- SONALERT	BOSCH	5	-----	561183	C 64					
C 1	FR JCT BOX COMPARTIMENT	AMP CPC	14	561585	561584	C 65	ENGINE CPT – A/C PRESS SW FAN CLUTCH	PED WP	2	561566	561690
C 2	FR JCT BOX COMPARTIMENT	AMP CPC	16	561638	561640	C 66					
C 3	FR JCT BOX COMPARTIMENT	AMP CPC	37	561644	561646	C 67					
C 4	FR JCT BOX COMPARTIMENT	AMP CPC	24	561641	561643	C 68					
C 5	FR SERVICE COMPT. - UNDERNEATH	AMP CPC	37	561645	561646	C 69					
C 6	FR SERVICE COMPT. - UNDERNEATH	AMP CPC	16	561639	561640	C 70	LH CONSOLE	AMP CPC	16	561639	561640
C 7	FR SERVICE COMPT - CLUTCH SW	ITT SS	3	561080	561111	C 71	FR JCT BOX COMPT.	AMP CPC	37	561645	561646
C 8	FR SERVICE COMPT. - UNDERNEATH	AMP CPC	24	561642	561643	C 72	FR JCT BOX COMPT.	AMP CPC	24	561642	561643
C 9	FR SERVICE COMPT. - UNDERNEATH	AMP CPC	24	561642	561643	C 73					
C 10	FR SERVICE DOOR ACCESS.	DEUTSCH	5	562565	562566	C 74	FR JCT BOX COMPT.	AMP CPC	37	561645	561646
C 11	FR SERV. CPT ACCESS	AMP CPC	37	561645	561646	C 75	SERVICE COMPT. EXT. ENTRANCE DOOR SW.	DEUTSCH	4	562479	562477
C 12	FR SERV. CPT ACCESS	AMP CPC	16	561639	561640	C 75	RH PARCEL RACK – READ. LTS FEED. WCL	MOLEX	6	562558	562557
C 13	FR JCT BOX COMPARTIMENT	AMP MNL	2	561248	561247	C 76	ENGINE COMPT. FIRE DETECTOR	DEUTSCH	2	562486	562485
C 14	LAST LUGGAGE COMPT(4) - DOCKING LTS	AMP MNL	2	561248	561247	C 77	ENGINE COMPT. FIRE DETECTOR	DEUTSCH	2	562486	562485
C 15	UNDER STAIRS – CORNERING LTS	AMP MNL	2	560900	560898	C 78					
C 16	LH CONSOLE SW-CRUISE ON/OFF	EATON	12	-----	562763	C 79					
C 17	LH CONSOLE SW-CRUISE RESUME	EATON	12		562763	C 80					
C 18	LH CONSOLE SW-CRUISE SET	EATON	12		562763	C 81	LUGGAGE COMPT - DOOR LOCK	AMP MNL	4	560851	560852
C 19	LH CONSOLE SW-DECEL SW	EATON	12		562763	C 82	UNDER SEAT – AISLE LTS	AMP MNL	2	560900	560898
C 20	RR JCT BOX	DEUTSCH	70	562282	562285	C 82	LUGGAGE COMPT - DOOR LOCK	AMP MNL	4	560851	560852
C 21	ENGINE COMPT - LOCK DOOR MOT.	PED WP	2		562076	C 83	LUGGAGE COMPT - DOOR LOCK	AMP MNL	4	560851	560852
C 22	LUGGAGE COMPT (A) - A/C & FUEL TANK	AMP CPC	16	561639	561640	C 84	LUGGAGE COMPT - DOOR LOCK	AMP MNL	4	560851	560852
C 23	LUGGAGE COMPT (1) – LUGG. ACCESS.	AMP CPC	24	561642	561643	C 85					
C 24	ENGINE COMPT. – INTERF RJB	PED WP	6	561606	561607	C 86					
C 25	ENGINE COMPT. – INTERF RJB	PED WP	6	561606	561607	C 87					
C 26	ENGINE COMPT. ACCESS	DEUTSCH	40	562281	562284	C 88					
C 27	ENGINE COMPT. – INTERF. RJB	DEUTSCH	6	562583	562581	C 89					
C 28	LUGGAGE COMPT(4) – LUGG. ACCESS	AMP CPC	24	561642	561643	C 90					
C 29	FR SERVICE COMPT – E.C.U. FEED	PED WP	3	561781	561782	C 91					
C 30	ENGINE COMPT – MASTER SW. SIGN.	DEUTSCH	2	562486	562485	C 92	FR JCT BOX COMPT - ABS	AMP CPC	9	561635	561637
C 31	RR JCT BOX – PARCEL RACK FEEDING	DEUTSCH	31	562572	562536	C 93					
C 32	ENGINE COMPT.-ECM	PED WP	1	561605	561577	C 94					
C 33	FR SERV. COMPT. – VSS SIGNAL	PED WP	2	561566	561690	C 95					
C 34	FR JCT BOX EATON TRANS. J1939	DEUTSCH	3	562877	562884	C 96	FR SERVICE DOOR ACCESS	AMP MNL	9	561670	561669
C 35	A/C COMPT - AIR RETURN SENSOR	AMP MNL	2	561248	561247	C 97	FR SERVICE DOOR – WATER TANK	PED MP	2		562426
C 36	UNDER STAIRS – STEP LIGHTS	AMP MNL	2	561248	561247	C 98					
C 36	RH PARCEL RACK – EMERGENCY LTS	AMP MNL	2	560900	560898	C 99	FR SERVICE CPT. LTS	AMP MNL	2	561248	561247
C 37	LH PARCEL RACK - FEEDING	MOLEX	6	562558	562557	C 100					
C 38	RH PARCEL RACK - FEEDING	MOLEX	6	562558	562557	C 101	FR SERVICE COMPT. ELEC. HORNS	PED WP	2	561566	561690
C 39	ENGINE COMPT. ECM J1939	DEUTSCH	3	562877	562884	C 102	CONDENSER COMPT - A/C PRES. SW 1SP	PED WP	2	561566	561690
C 40	FR JCT BOX EATON TRANS. J1939	DEUTSCH	3	562877	562884	C 103	CONDENS. COMPT – LIQU. SOL. VAL. PRES.	PED WP	2	561566	561690
C 41	ENGINE COMPT – RH DOOR LOCK	DEUTSCH	4	562479	562477	C 103	ENGINE COMPT. – LAVATORY FAN	PED WP	2	561566	561690
C 42	ENGINE COMPT – RR CAP LIGHTING	DEUTSCH	6	562583	562581	C 104	ENGINE COMPT. – LAVATORY PUMP	DEUTSCH	2	562486	562485
C 43	FR JCT BOX – ALT. MODULE	AMP MNL	12	561735	561734	C 105	UNDER DASH RH - DRV LIO SOL VL	PED WP	2	561566	561690
C 44	ENGINE COMPT - LIGHTS	PED WP	1	561605	561577	C 106	UNDER DASH RH - DRV WTR VALVE	PED WP	2	561566	561690
C 45	FR JCT BOX COMPT – ROOF ACCESS	AMP CPC	24	561642	561643	C 107					
C 46	ENGINE COMPT. ECM J1939	DEUTSCH	3	562877	562884	C 108					
C 47	ENGINE DDEC-ECM J1939	PED MP	4	-----	561962	C 109					
C 48	FR SERV. CPT. PRESS SW PARK BRAKE	DEUTSCH	4	562479	562477	C 110					
C 49	LAVATORY ROOF – NIGHT LIGHT	AMP MNL	2	560900	560898	C 111					
C 50						C 112					
C 51						C 113	EATON SPEED SIGNAL	PED P2S	2	-----	562426
C 52	ENGINE COMPT - COMPRESSOR	PED WP	2	561566	561690	C 114	ENGINE DDEC - SPEED SIGNAL	PED WP	2	561566	561690
C 53	ENGINE COMPT - COMPRESSOR	PED WP	2	561566	561690	C 115	RR JCT BOX – ENGINE ACCESS	DEUTSCH	40	562281	562284
C 54						C 116	DRIVE AXLE COMPT - AIR DRYER	PED MP	2		562251
C 55	CENTRAL DOOR LOCK	DEUTSCH	4	562479	562477	C 117					
C 56	LH PARCEL RACK - FEEDING	MOLEX	6	562558	562557	C 118	ENGINE COMPT - LICENCE	DOM. AUT	2	930210	
C 57	RH PARCEL RACK - FEEDING	MOLEX	6	562558	562557	C 119	ENGINE COMPT - RH LOWER LAMP	PED WP	6	561606	561607

CONNECTORS CODE

NO	LOCATION	TYPE	CAVITY	#PIN	#SOCKET	NO	LOCATION	TYPE	CAVITY	#PIN	#SOCKET
				HOUSING	HOUSING					HOUSING	HOUSING
C 120	ENGINE COMPT - LH LOWER LAMP	PED WP	6	561606	561607	C 183					
C 121						C 184	FR SERV. COMPT. - KNEELING PROX. SW.	ITT SS	3	561080	561111
C 122						C 185	KNEELING PANEL - DOWN SOL. VALVE	PNEUMAC	3		641385
C 123						C 186					
C 124						C 187	FR SERVICE JCT BOX - RESISTORS	AMP MNL	6	561552	561515
C 125						C 187	KNEELING PANEL- PARK BRAKE INTERLOCK	PNEUMAC	3		641385
C 126						C 188					
C 127						C 189					
C 128						C 190					
C 129						C 191					
C 130						C 192					
C 131						C 193					
C 132						C 194					
C 133						C 195					
C 134	FR JCT BOX - DIODE CONN.	AMP MNL	15	561987	561986	C 196	KNEELING PANEL - UP SOL. VALVE	PNEUMAC	3		641385
C 135	FR JCT BOX - DIODE CONN.	AMP MNL	15	561987	561986	C 197	KNEELING PANEL - CTR SOL. VALVE	PNEUMAC	3		641385
C 136	FR JCT BOX - DIODE CONN.	AMP MNL	15	561987	561986	C 198					
C 137	FR JCT BOX - DIODE CONN.	AMP MNL	15	561987	561986	C 199					
C 138						C 200	PARCEL RACK - FLUORESCENT LTS	AMP MNL	2	561248	561247
C 139						C 201	PARCEL RACK - FLUORESCENT LTS	AMP MNL	2	561248	561247
C 140	HVAC DASH MODULE THERMOMETER	MOLEX	4		562782	C 202	RH PARCEL RACK - INDIRECT LTS	MOLEX	2		562758
C 141	RR DASH PANEL - LTS CONN. (SPARE)	AMP MNL	2	561248	561247	C 203	PARCEL RACK - FLUORESCENT LTS	MOLEX	6		562759
C 142	ENGINE COMPT. B/U ALARM	PED WP	2	561566	561690	C 204	RH PARCEL RACK - RACK LTS	AMP MNL	2	560900	560858
C 143						C 205	RH PARCEL RACK - FEEDING	AMP MNL	9	561661	561662
C 144	FR JCT BOX - AISLE LTS FEEDING	AMP MNL	2	561248	561247	C 206	RH PARCEL RACK - FEEDING	AMP FF	4	562760	562756
C 145						C 207	LH PARCEL RACK - FEEDING	AMP FF	4	562760	562756
C 146						C 208	PARCEL RACK - FLUORESCENT LTS	MOLEX	2		562758
C 147						C 209	LH PARCEL RACK - HOTESS CHIME	AMP MNL	3	561667	561550
C 148						C 210	LH PARCEL RACK - FEEDING	AMP MNL	9	561661	561662
C 149						C 211	FR ROOF - SUN VISOR LH	AMP MNL	2	560900	560898
C 150						C 212	FR ROOF - SUN VISOR RH	AMP MNL	2	560900	560898
C 151						C 213	WCL DOOR UP HING-DOOR READ & HOST. SW	AMP MNL	6	561552	561515
C 152						C 214					
C 153						C 215					
C 154						C 216					
C 155						C 217	RH PANEL SW. - SCENIC VIEW CAMERA	EATON	12		562763
C 156						C 218	RH PANEL SW. - LIGHTS SPARE	AMP MNL	2	560900	560898
C 157	FR SERV. CPT - WATER PUMP DR'S	PED WP	3	561781	561782	C 219					
C 158						C 220					
C 159						C 221					
C 160	FR SERVICE CPT - INTERFACE	AMP CPC	37	561644	561646	C 222					
C 161	ENGINE DDEC - ECM	PED MP	30		561600	C 223	HEAD LIGHTS - FLASHER	DEUTSCH	5	562565	562566
C 162	ENGINE DDEC - ACCESSORIES	PED WP	4	561610	561611	C 224	HEAD LIGHTS	PED MP	3		562099
C 163	ENGINE CPT - COOLANT PROBE	PED MP	2		562350	C 225	FOG LIGHTS	DEUTSCH	3	562902	562901
C 164						C 226	FRONT HEADLIGHTS - MARKER & FLASHER	PED	3	562137	
C 165						C 226	BATT. COMPT. - INTERIOR LTS	AMP MNL	2	561248	561247
C 166						C 227					
C 167	FR SERVICE CPT - EL. FOOT PEDAL	PED WP	3	561781	561782	C 228	L.H. CONSOLE EATON TRANSM.	AMP MNL	6	561552	561515
C 168	FR SERVICE CPT - DDR	DEUTSCH	6	562360		C 229	BATT. COMPT. - CHARGER 110V.	PED WP	1	561577	561605
C 169	FR SERVICE CPT - WORLD TR. INTERFACE	AMP CPC	16	561639	561640	C 230	ENGINE COMPT. - FUEL PRIME PUMP SW.	PED WP	2	561566	561690
C 169	FR SERV. COMPT. - SPEED SWITCH	AMP	15	562011	562012	C 231	ENGINE COMPT. - FUEL PRIME PUMP	PED WP	2	561566	561690
C 170	FR JCT BOX FLASHER UNIT	PED	2		561940	C 232					
C 171	LH CONSOLE	AMP CPC	24	561642	561643	C 233	FIRST LUGGAGE CPT.	VDO	8		562043
C 172	FR SERVICE COMPT - KNEELING PANEL	AMP CPC	16	561639	561640	C 234	FIRST LUGGAGE CPT.	VDO	8		562044
C 172	ENGINE COMPT. - WATER TANK HEATER	PED WP	2	561566	561690	C 235	FIRST LUGGAGE CPT.	VDO	8		562041
C 173						C 236	FIRST LUGGAGE CPT.	AMP MNL	4	560851	560858
C 174						C 236	FR SERVICE CPT CENTER - ABS	AMP CPC	14	561636	561637
C 175						C 237	FR AXLE CPT - ABS RH SENSOR	WABCO	2	641132	
C 176	UNDER DASH RH - WIPER PULSE	AMP FF	6		561186	C 238	FR AXLE CPT - ABS RH VALVE	WABCO	3	641098	
C 177	UNDER DASH RH - WIPER MOTOR	AMP FF	6		561186	C 239	FR AXLE CPT - ABS LH VALVE	WABCO	3	641098	
C 178						C 240	FR AXLE CPT - ABS LH SENSOR	WABCO	2	641132	
C 179						C 241	LAST LUGGAGE COMPT - ABS	PED WP	6	561606	561607
C 180	KNEELING PANEL - DIODE SOCKET	AMP MNL	15	561987	561986	C 242	DRIVE AXLE CPT - ABS LH SENSOR	WABCO	2	641132	
C 181						C 243	DRIVE AXLE CPT - ABS LH VALVE	WABCO	3	641098	
C 182						C 244	DRIVE AXLE CPT - ABS RH VALVE	WABCO	3	641098	

CONNECTORS CODE

NO	LOCATION	TYPE	CAVITY	#PIN	#SOCKET	NO	LOCATION	TYPE	CAVITY	#PIN	#SOCKET
				HOUSING	HOUSING					HOUSING	HOUSING
C 245	DRIVE AXLE CPT - ABS RH SENSOR	WABCO	2	641132		C 308					
C 246	DRIVE AXLE CPT - ATC SOL.	PED WP	2	561566	561690	C 309	ENGINE DDEC - ECM POWER	PED MP	5		562345
C 247	E.C.U. EATON TRANS.	PED MP	18		562573	C 310	LH CONSOLE SW - LUG. DOOR LOCK	EATON	12		562763
C 248	LAST LUGGAGE CPT - ABS	PED WP	6	561606	561607	C 311	RH SWITCH PANEL - HOTESS CHIME	EATON	12		562763
C 249	FR SERVICE CPT - ABS/DDEC	PED WP	2	561566	561690	C 312	ENGINE DDEC - ACCESSORIES	PED WP	3	561781	561782
C 250						C 312	RH SWITCH PANEL - READING LAMP	EATON	12		562763
C 251	LH SW PANEL - FAST IDLE	EATON	12		562763	C 313	ENGINE DDEC - INTERFACE	PED MP	3	562398	
C 252	LUGGAGE COMPT. - WINDOW AJAR	MOLEX	4	561477	561476	C 313	RH SWITCH PANEL - INTERIOR LTS	EATON	12		562763
C 253	LH SWITCH PANEL - ETHER	EATON	12		562763	C 314	KNEELING PANEL - PRESS SW.	PED WP	2	561566	561690
C 254						C 314	RH SWITCH PANEL - INTERIOR LTS	EATON	12		562763
C 255	LH SWITCH PANEL - ENGINE BRAKE	EATON	12		562763	C 315	LH SWITCH PANEL - LH SUN VISOR SW.	EATON	12		562763
C 256						C 316	RH UNDER DASH - KNEELING BUZZER	AMP MNL	2	560900	560898
C 257	ENGINE COMPT - WATER HEATER	AMP FF	6		561186	C 317	LH SWITCH PANEL - RH SUN VISOR SW.	EATON	12		562763
C 258	LH SWITCH PANEL - MULTI FUNC. SW	AMP FF	8	561188		C 318	LH CONSOLE SW - DR'S WINDOW SW.	EATON	12		562763
C 259	ENGINE COMPT. - WATER HEATER	PED	2	562644	561597	C 319					
C 259	LH SWITCH PANEL - MULTI FUNC. SW	AMP FF	6		561186	C 320	RT SWITCH PANEL - DRIVER'S LTS SW.	EATON	12		562763
C 260	ENGINE COMPT - WATER HEATER	AMP FF	2	562473	562474	C 321	UNDER DASH RH - KEYLESS MODULE	AMP COM	26		562676
C 261	ENGINE COMPT - WATER HEATER	PED	2	562644	561597	C 322	UNDER DASH RH - KEYLESS MODULE	AMP COM	22		562675
C 262						C 323	DRIVER'S WINDOW MOTOR	PED	2		561848
C 263	LUGGAGE COMPT. LTS COMPT #3	AMP MNL	2	561248	561247	C 324					
C 264	LUGGAGE COMPT. LTS COMPT #2	AMP MNL	2	561248	561247	C 325	LH SWITCH PANEL - KNEELING	EATON	12		562763
C 265	LUGGAGE COMPT. LTS COMPT #1	AMP MNL	2	561248	561247	C 326	EATON TRANSMISSION INTERFACE	PED WP	4	561610	561611
C 266	ENTRANCE DOOR KEYLESS	AMP CPC	14	561585	561583	C 327					
C 267	UNDER DASH RH - ENT. DOOR PANEL	AMP CPC	24	561642	561643	C 328	RR ROOF - GALLEY LAMP		2		
C 268	FR MIRROR RH	SW. CRAF	5	562921		C 329					
C 269	FR MIRROR LH	SW. CRAF	5	562921		C 330					
C 270	LUGGAGE COMPT LTS - 3 LH	AMP MNL	2	561248	561247	C 331					
C 271	LUGGAGE COMPT LTS - 4	AMP MNL	2	561248	561247	C 332					
C 272						C 333					
C 273	ENT. DOOR PANEL - DIODE SOCKET	AMP MNL	9	561670	561669	C 334					
C 274						C 335					
C 275	ENT. DOOR PANEL - DIODE SOCKET	AMP MNL	9	561670	561669	C 336					
C 276						C 337					
C 277	RH UNDER DASH - ENT. DOOR REED SW.	AMP MNL	2	560900	560858	C 338					
C 278	RH PASS. AIR DUCT - ENT DOOR PRESS SW.	PED WP	2	561566	561690	C 339	KNEELING PANEL - HI BUOY SOL. VALVE	PNEUMAC	3		641385
C 279	RH UNDER DASH - ENT. DOOR REED SW.	AMP MNL	2	560900	560858	C 340	FR JCT BOX - FIRE PIEZO ALARM	AMP MNL	2	560900	560898
C 279	FR SERVICE COMPT LH - STEERING ZF	DEUTSCH	2		562485	C 341	LH SWITCH PANEL - HEAT MIRROR SW.	EATON	12		562763
C 280	ENGINE COMPT - A/C COMPRESSOR AUX.	PED WP	2	561566	561690	C 342					
C 281						C 343	LH SWITCH PANEL - HEAD LAMP SW.	EATON	12		562763
C 282	FR SERVICE COMPT - STEERING ZF	VOLVO	2		562928	C 344	LH SWITCH PANEL - HAZARD LT SW.	EATON	12		562763
C 283	LH CONSOLE - SPARE SW. LTS	AMP MNL	2	561248	561247	C 345	LH SWITCH PANEL - FOG LT SW.	EATON	12		562763
C 284	E.C.U. EATON TRANS.	PED	2		563052	C 346					
C 285						C 347					
C 286						C 348	INSTR. PANEL CENT. - RACOR MODULE	MOLEX	6	562070	562069
C 287						C 349					
C 288						C 350					
C 289						C 351					
C 290	LUGGAGE CPT - DOOR LOCK	AMP MNL	4	560851	560852	C 352					
C 291	LUGGAGE CPT - DOOR LOCK	AMP MNL	4	560851	560852	C 353					
C 292						C 354					
C 293						C 355					
C 294						C 356					
C 295						C 357					
C 296						C 358					
C 297						C 359	RH SWITCH PANEL - ENT. DOOR WIND. SW.	EATON	12		562763
C 298						C 360	ENTRANCE WINDOW MOTOR	PED	2		561848
C 299	RH SWITCH PANEL - GALLEY	EATON	12		562763	C 361					
C 300						C 362					
C 301						C 363					
C 302						C 364	FRONT ROOF - ELECTRICAL DEST. SIGN	AMP MNL	3	561667	561550
C 303	RR JCT BOX - DIODES	AMP MNL	15	561987	561986	C 365					
C 304	RR JCT BOX - DIODES	AMP MNL	15	561987	561986	C 366					
C 305						C 367					
C 306						C 368	FRONT ROOF - ELECTRICAL DEST. SIGN	AMP MNL	3	561667	561550
C 307						C 369	FRONT ROOF - ELECTRICAL DEST. SIGN	TORRIX	5	562110	

CONNECTORS CODE

NO	LOCATION	TYPE	CAVITY	#PIN	#SOCKET	NO	LOCATION	TYPE	CAVITY	#PIN	#SOCKET
				HOUSING	HOUSING					HOUSING	HOUSING
C 370	FRONT ROOF – ELECTRICAL DEST. SIGN	AMP MNL	2	560900	560858	C 434					
C 371	FRONT ROOF – ELECTRICAL DEST. SIGN	AMP MNL	3	561667	561550	C 435					
C 372	FRONT ROOF – ELECTRICAL DEST. SIGN	MOLEX	4	561477	561476	C 436					
C 373						C 437					
C 374						C 438					
C 375						C 439					
C 376						C 440					
C 377	LH SWITCH PANEL – STOP ENGINE OVERRIDE	EATON	12		562763	C 441					
C 378						C 442					
C 379	LUGGAGE COMPT. – WINDOW AJAR SW.	MOLEX	4	561477	561476	C 443					
C 380						C 444					
C 381	UNDER DASH PANEL – ANTI THILED	AMP MNL	2	561248	561247	C 445					
C 382	ENGINE GENERATOR (1)	PED WP	1	561605	561577	C 446					
C 383	ENGINE COMPT – VOLTAGE REGULATOR	PED WP	1	561605	561577	C 447					
C 384						C 448					
C 385	BATT. COMPT. – BJB INTERFACE	AMP MNL	12	561735	561736	C 449					
C 386	LH SWITCH PANEL – W.C.LIFT	EATON	12		562763	C 450	S.S. PANEL - FEEDING	MOLEX	4	562507	562503
C 387	EVAPORATOR COMPT. - BY-PASS VALVE	PED WP	2	561566	561690	C 451	S.S. PANEL - FEEDING	MOLEX	2	562550	562549
C 387	BATTERY COMPT. – WCL ACCES.	AMP CPC	16	561639	561640	C 452	UNDER DASH – S.S. ACC. SIGNAL	MOLEX	2	562550	562549
C 388	LUGG. COMPT.(4) – WCL DOOR ACCESS.	AMP MNL	12	561735	561736	C 453	S. S. PANEL – VCR FEEDING	PED WP	2	561566	561690
C 389	EVAPORATOR COMPT. – WATER PUMP	PED WP	2	561566	561690	C 454	S. S. PANEL – VCR FEEDING	PED WP	2	561566	561690
C 390	EVAPORATOR COMPT. – A/C JCT. BOX	DEUTSCH	24	562280	562283	C 455	PARCEL RACK – WIRELESS MICROPHONE	MOLEX	6		562464
C 391	CONDENSER COMPT. A/C PRESS SW 2 SP	PED WP	2	561566	561690	C 456	WORLD TRANS. - RETARDER ACCUM.	PED MP	2		562427
C 392						C 457	WORLD TRANS. - MAIN CONNECTOR	DEUTSCH	31	562572	562536
C 393						C 458	WORLD TRANS. - TURBINE SP. SENS.	PED MP	2		562426
C 394	UNDER DASH - B/U MONITOR	AMP MNL	4	560851	560852	C 459	WORLD TRANS. - ENGINE SP. SENS.	PED MP	2		562426
C 395	UNDER DASH - B/U MONITOR	CLARION	4		990335	C 460	WORLD TRANS. - SPEED SENSOR	ITT	2		562541
C 396	PARCEL RACK – SPEAKER FEEDING	MOLEX	4	562507	562503	C 461	WORLD TRANS. - RETARDER TEMP.	PED MP	2		562856
C 397						C 462	WORLD TRANS. - RETARDER SOL. "K"	PED MP	2		562426
C 398						C 463	WORLD TRANS. - SENSOR CONN.	DEUTSCH	16	562570	562571
C 399	ENGINE GENERATOR (2)	PED WP	2	561566	561690	C 464	RR JCT BOX – DDL CONN	DEUTSCH	6		565360
C 400	ENGINE COMPT. – BLOCK HEATER	PED WP	3	561781	561782	C 465	LH CONSOLE - SHIFTER SELECTOR	PED	20		562825
C 401						C 466	FR SERVICE CPT - RESIS. MOD.	PED WP	3		562428
C 402						C 467	FR SERVICE CPT - RESIS. MOD.	PED WP	3		562428
C 403	GALLEY – REFRIGERATOR		2			C 468	STEERING COLUMN – RET. HAND LEVER	AMP FF	8	561188	562363
C 404	GALLEY – LAMP SWITCH		2			C 469	FR SERVICE COMPT. – RESIS. MOD.	AMP FF	8	561188	562363
C 405						C 470					
C 406						C 471					
C 407						C 472	FR SERVICE CPT – SILENT 1000 OR EATON	PED WP	2	561566	561690
C 408						C 473					
C 409						C 474	DRIVER'S TEMP SENSOR	AMP MNL	2	561248	561247
C 410						C 475	FR SERVICE CPT - SPEED SIGN. CONNECT.	DEUTSCH	6	562583	562581
C 411						C 475M	FR SERVICE CPT – SPEED SIGN. W. TR.	DEUTSCH	6	562583	562581
C 412						C 475W	FR SERVICE CPT – SPEED SIGN. W. TR.	DEUTSCH	6	562583	562581
C 413						C 476					
C 414						C 477					
C 415						C 478	FRONT ROOF – ELECTRONIC DEST. SIGN	AMP CPC	9	561636	561637
C 416						C 479	UNDER DASH – HVAC DASH MODULE	MOLEX	3		562783
C 417						C 480	UNDER DASH RH – DR'S FAN SPEED CTR	PED WP	4	561889	561890
C 418						C 481	UNDER DASH RH – DR'S FAN SPEED CTR	PED WP	3	561781	561782
C 419	FR JCT BOX – RET/JAKE SELECTION	AMP MNL	3	561667	561550	C 482					
C 420						C 483	FR SERVICE CPT – ELECTRICAL SEAT	PED	2	562237	
C 421	ENGINE COMPT. - WEBASTO	AMP FF	2	562473	562474	C 484	UNDER DASH LH – FOOT DAMPER MOTOR	PED	2		562076
C 422	ENGINE COMPT. - WEBASTO	PED	2	562644	561597	C 485	UNDER DASH LH – DASH & DEFRR. DAMP. M.	AMP MNL	3	561667	561558
C 423						C 486	WCL ROOF DOOR – DOOR LT.	LEECRAFT	2	-----	562803
C 424	UNDER DASH – AUDIBLE FLASHER	AMP MNL	3	561667	561550	C 487					
C 425						C 488					
C 426	ENGINE S60 RAD. FAN CLUTCH	PED WP	3	561781	561782	C 489					
C 427						C 490					
C 428	RH SW PANEL – DASH LTS RHEOSTAT	AMP MNL	3	561667	561550	C 491					
C 429						C 492					
C 430	LH CONSOLE – PRE-HEAT TIMER	AMP FF	8	561188	562363	C 493					
C 431	LH CONSOLE – PRE-HEAT TIMER		1		560488	C 494					
C 432						C 495					
C 433						C 496					

CONNECTORS CODE

NO	LOCATION	TYPE	CAVITY	#PIN	#SOCKET	NO	LOCATION	TYPE	CAVITY	#PIN	#SOCKET
				HOUSING	HOUSING					HOUSING	HOUSING
C 497						C 567	FR. SERV. COMPT. - MIC. OUTLET	MOLEX	4	562507	562503
C 498						C 568	S.S. PANEL - SPEAKER OUTLET	CINTCH	4	562553	
C 499						C 569	S. S. PANEL - AMPLI SIGNAL	MOLEX	9	562556	562555
C 500	FR JCT PANEL - PRODRIVER	MOLEX	6	562070	562069	C 570	UNDER DASH PANEL - T.T.LT MODULE	MOLEX	6		562464
C 501						C 571	UNDER DASH PANEL - T.T.LT MODULE	MOLEX	20		562778
C 502	LH DASH PANEL - PRE- HEAT SW.	EATON	12		562763	C 572	UNDER DASH PANEL - T.T.LT MODULE	MOLEX	18		562779
C 503	LH CONSOLE-PROHEAT TIMER	PED MP	6	-----	562878	C 573	UNDER DASH PANEL - T.T.LT MODULE	MOLEX	8		562465
C 504	LH CONSOLE -WEBASTO TIMER	AMP	8	-----	562852	C 574	PARCEL RACK - INDIRECT LTS BALLAST	MOLEX			562759
C 505	LH CONSOLE -ESPAR TIMER	AMP	12	-----	562681	C 575	RH PARCEL RACK - FFEDING	MOLEX	4	562507	562503
C 506	FR JCT BOX - DIGITAL CLOCK	AMP CPC	4	561685	561687	C 576	RH PARCEL RACK - FFEDING	AMP MNL	3	561667	561550
C 507	LH HAT RACK - DIGITAL CLOCK	MOLEX	4	561477	561476	C 577	LH PARCEL RACK - FFEDING	AMP MNL	3	561667	561550
C 508	RR JCT BOX - FAN CLUTCH RETARDER	AMP MNL	6	561552	561515	C 578	LH PARCEL RACK - FFEDING	MOLEX	4	562507	562503
C 509	EVAP. COMPT. - NOT USED	DEUTSCH	5		562566	C 579	LH PARCEL RACK-VCR POWER	MOLEX	4		563071
C 515	FR JCT BOX CPT. - INTERCOM	MOLEX	4	561477	561476	C 580	LH DASH PANEL - PARCEL RACK A/C SW.	EATON	12		562763
C 516	FR JCT BOX CPT. - INTERCOM	MOLEX	6	562070	562069	C 581	LH DASH PANEL - ELECTRICAL HORN	PED MP	2		562777
C 517	LAVATORY WALL - INTERCOM	MOLEX	6	562070	562069	C 582					
C 519A	RH UNDER DASH - ENTRANCE DOOR SOL.	PNEUMAC	3		641385	C 583	LH DASH PANEL - MASTER KEY SW.	DEUTSCH	2	562486	562485
C 519B	RH UNDER DASH - ENTRANCE DOOR SOL.	PNEUMAC	3		641385	C 584	FR. SERVICE COMPT - HORN PNEU. VALVE	PNEUMAC	3		562848
C 520	RH UNDER DASH - ENTRANCE DOOR SOL.	PNEUMAC	3		641385	C 585					
C 521	RH UNDER DASH - ENTRANCE DOOR SOL.	PNEUMAC	3		641385	C 586	FR SERVICE COMPT - ACC. PNEU.VALVE	PNEUMAC	3		562848
C 522	FR JCT BOX - DAYTIME LTS MODULE	BOSCH	5		561183	C 587	LH PARCEL RACK DVD UNIT	MOLEX	4	563040	563071
C 523	FR JCT BOX - FUSE BLOCK	PED	8	562647	562646	C 588	FR SERV. COMPT. - S.S. INTERFACE	AMP CPC	37	561645	561646
C 524	FR JCT BOX - FUSE BLOCK	PED	8	562647	562646	C 589	FR. MIRROR LH	SW CRAFT	8	562919	562920
C 525	FR JCT BOX - FUSE BLOCK	PED	8	562647	562646	C 590	FR. MIRROR RH	SW CRAFT	8	562919	562920
C 526	FR JCT BOX - FUSE BLOCK	PED	8	562647	562646	C 591	LH CONSOLE - LH MIRROR SW.	EURAMT.	8		562749
C 527	FR JCT BOX - FUSE BLOCK	PED	8	562647	562646	C 592	LH CONSOLE - RH MIRROR SW.	EURAMT.	8		562749
C 528						C 594	FRONT ROOF - DRIVER'S LTS	LEEKRAFT	2	-----	562803
C 529						C 595	RH DASH PANEL - ENTRANCE DOOR SW.	MOLEX	4	562507	562503
C 530	RR JCT BOX - FUSE BLOCK	PED	8	562647	562646	C 596	RH DASH PANEL - ENTRANCE DOOR SW.	MOLEX	4	562507	562503
C 531	RR JCT BOX - FUSE BLOCK	PED	8	562647	562646	C 597	LH DASH PANEL - DISPLAY SET SW.	AMP	5		562905
C 532	LH PARCEL RACK - A/C LIQ. SOL.	AMP MNL	2	561248	561247	C 598	LH DASH PANEL - DISPLAY SET SW.	AMP	5		562905
C 533	RH PARCEL RACK - A/C LIQ. SOL.	AMP MNL	2	561248	561247	C 599	UND. DASH - MAGN. SW CTR POS. DR'S AIR	AMP MNL	2	561248	561247
C 534						C 604	LH PARCEL RACK DVD VIDEO STABILIZER	SWITCHCRAFT	1	563074	
C 535						C 605	LH PARCEL RACK - A/C UNIT	AMP MNL	6	561552	561515
C 536						C 606	RH PARCEL RACK - A/C UNIT	AMP MNL	6	561552	561515
C 537	A/C JCT BOX RESISTOR SIGN. RLY	AMP MNL	2	561248	561247	C 607	FR SERVICE COMPT - RPM SIGNAL (SPARE)	PED WP	2	561566	561690
C 538	FR SERV. CPT RH - OUTSIDE TEMP. SENS	AMP MNL	2	561248	561247	C 608	FR SERV. COMPT - SPEED SIGNAL (SPARE)	PED WP	2	561566	561690
C 539	HVAC DASH MODULE OUTPUT CONN.	MOLEX	24		562780	C 609					
C 540	HVAC DASH MODULE INPUT CONN.	MOLEX	22		562781	C 610					
C 541						C 611	RH PARCEL RACK READING LTS WCL	MOLEX	6	562558	562557
C 542						C 612	RH PARCEL RACK LUOR. INSTATION LTS WCL	MOLEX	4	562507	562503
C 543						C 613	RH PARCEL RACK INDIRECT LTS WCL	AMP MNL	3	561667	561550
C 544	S.S. PANEL - AUDIO SEAT	PED WP	3	561781	561782	C 614	RH PARCEL RACK INDIRECT LTS WCL	AMP MNL	3	561667	561550
C 545						C 615	LH PARCEL RACK DVD SIGN ALONG ADAPTOR	MOLEX	2	562550	562549
C 546	FR. JCT BOX - CHARGER WIRELESS MIC.	MOLEX	2		563025	CS	FR SERVICE CPT - ECU WOLRD TR.	PED MP	32		562817
C 547						CT	FR SERVICE CPT - ECU WORLD TR.	PED MP	32		562824
C 548	LH DASH PANEL - T.T.LT TEST SW.	EATON	12		562763	CV	FR SERVICE CPT - ECU WORLD TR.	PED MP	32		562823
C 549	LH DASH PANEL - ENGINE FAN OVERRIDE	EATON	12		562763	CX	CLUSTER	JAE	5		562957
C 550	LAST LUGG. CPT. -WCL MODULE	AMP CPC	16	561694	561695	CX 1	FR SERVICE CPT - ECU ABS	AMP JN	18	562792	562792
C 551	LAST LUGG. CPT. -WCL REMOTE	AMP CPC	9	561636	561637	CX 2	FR SERVICE CPT - ECU ABS	AMP JN	15	562795	562795
C 552						CX 3	FR SERVICE CPT - ECU ABS	AMP JN	9	562794	562794
C 553	UNDER DASH - S.S. CONTROL HEAD	MOLEX	16		562559	CX 4	FR SERVICE CPT - ECU ABS	AMP JN	6	562793	562793
C 554	UNDER DASH - S.S. CONTROL HEAD	MOLEX	16		562559	CY	CLUSTER	JAE	30		562765
C 555	UNDER DASH - S.S. CONTROL HEAD	MOLEX	16		562559	LX	CLUSTER	JAE	22		562766
C 556	UNDER DASH - RADIO FEEDING	MOLEX	2	562550	562549	LY	CLUSTER	JAE	30		562767
C 557	UNDER DASH - RADIO FEEDING	MOLEX	9	562556	562555	RX	CLUSTER	JAE	30		562767
C 558	FR. SERV. COMPT. - MIC. OUTLET	MOLEX	4	562507	562503	WEB 1	ENGINE COMPT. - WEBASTO	AMP FF	2	562473	562474
C 559						WEB 2	ENGINE COMPT. - WEBASTO	AMP FF	2	562643	
C 560						ZF 1	FR JCT BOX - STEERING E.C.U.	HELLA	9		562929
C 561	LH PARCEL RACK - WIRELESS MIC.	MOLEX	8		562465						
C 562	LH PARCEL RACK - VCR SIGNAL	MOLEX	12		563070						
C 563	FR. SERV. COMPT. - DRIVER SPEAKER	MOLEX	4	562507	562503						
C 564	FR. SERV. COMPT. - MIC. OUTLET	MOLEX	4	562507	562503						
C 565	FR. SERV. COMPT. - MIC. OUTLET	MOLEX	4	562507	562503						
C 566	FR. SERV. COMPT. - MIC. OUTLET	MOLEX	4	562507	562503						

CONNECTORS CODE

NO	LOCATION	TYPE	CAVITY	#PIN	#SOCKET	NO	LOCATION	TYPE	CAVITY	#PIN	#SOCKET
				HOUSING	HOUSING					HOUSING	HOUSING
A 1	UNDER DASH – AUDIO SIGNAL	RCA	1	562090	562330	C 58					
A 2	UNDER DASH – AUDIO SIGNAL	RCA	1	562090	562330	C 59					
A 10	UNDER DASH – AUDIO SIGNAL	RCA	1	562090	562330	C 60					
A 11	UNDER DASH – AUDIO SIGNAL	RCA	1	562090	562330	C 61	ENGINE COMPT - FUEL FILTER	PED WP	2	561566	561690
A 18	S. S. PANEL – AUDIO SIGNAL	RCA	1	562090	562330	C 62	ENGINE COMPT – COMPR. AUX. PRESS. SW.	PED WP	2	561566	561690
A 19	S. S. PANEL – AUDIO SIGNAL	RCA	1	562090	562330	C 63	ENGINE COMPT – COMPR. AUX. PRESS. SW.	PED WP	2	561566	561690
AA 1	UNDER DASH PANEL- SONALERT	BOSCH	5	-----	561183	C 64					
C 1	FR JCT BOX COMPARTIMENT	AMP CPC	14	561585	561584	C 65	ENGINE CPT – A/C PRESS SW FAN CLUTCH	PED WP	2	561566	561690
C 2	FR JCT BOX COMPARTIMENT	AMP CPC	16	561638	561640	C 66					
C 3	FR JCT BOX COMPARTIMENT	AMP CPC	37	561644	561646	C 67					
C 4	FR JCT BOX COMPARTIMENT	AMP CPC	24	561641	561643	C 68					
C 5	FR SERVICE COMPT. - UNDERNEATH	AMP CPC	37	561645	561646	C 69					
C 6	FR SERVICE COMPT. - UNDERNEATH	AMP CPC	16	561639	561640	C 70	LH CONSOLE	AMP CPC	16	561639	561640
C 7	FR SERVICE COMPT - CLUTCH SW	ITT SS	3	561080	561111	C 71	FR JCT BOX COMPT.	AMP CPC	37	561645	561646
C 8	FR SERVICE COMPT. - UNDERNEATH	AMP CPC	24	561642	561643	C 72	FR JCT BOX COMPT.	AMP CPC	24	561642	561643
C 9	FR SERVICE COMPT. - UNDERNEATH	AMP CPC	24	561642	561643	C 73					
C 10	FR SERVICE DOOR ACCESS.	DEUTSCH	5	562565	562566	C 74	FR JCT BOX COMPT.	AMP CPC	37	561645	561646
C 11	FR SERV. CPT ACCESS	AMP CPC	37	561645	561646	C 75	SERVICE COMPT. EXT. ENTRANCE DOOR SW.	DEUTSCH	4	562479	562477
C 12	FR SERV. CPT ACCESS	AMP CPC	16	561639	561640	C 75	RH PARCEL RACK – READ. LTS FEED. WCL	MOLEX	6	562558	562557
C 13	FR JCT BOX COMPARTIMENT	AMP MNL	2	561248	561247	C 76	ENGINE COMPT. FIRE DETECTOR	DEUTSCH	2	562486	562485
C 14	LAST LUGGAGE COMPT(4) - DOCKING LTS	AMP MNL	2	561248	561247	C 77	ENGINE COMPT. FIRE DETECTOR	DEUTSCH	2	562486	562485
C 15	UNDER STAIRS – CORNERING LTS	AMP MNL	2	560900	560898	C 78					
C 16	LH CONSOLE SW-CRUISE ON/OFF	EATON	12	-----	562763	C 79					
C 17	LH CONSOLE SW-CRUISE RESUME	EATON	12	-----	562763	C 80					
C 18	LH CONSOLE SW-CRUISE SET	EATON	12	-----	562763	C 81	LUGGAGE COMPT - DOOR LOCK	AMP MNL	4	560851	560852
C 19	LH CONSOLE SW-DECEL SW	EATON	12	-----	562763	C 82	UNDER SEAT – AISLE LTS	AMP MNL	2	560900	560898
C 20	RR JCT BOX	DEUTSCH	70	562282	562285	C 82	LUGGAGE COMPT - DOOR LOCK	AMP MNL	4	560851	560852
C 21	ENGINE COMPT - LOCK DOOR MOT.	PED WP	2	562076	562076	C 83	LUGGAGE COMPT - DOOR LOCK	AMP MNL	4	560851	560852
C 22	LUGGAGE COMPT (A) - A/C & FUEL TANK	AMP CPC	16	561639	561640	C 84	LUGGAGE COMPT - DOOR LOCK	AMP MNL	4	560851	560852
C 23	LUGGAGE COMPT (1) – LUGG. ACCESS.	AMP CPC	24	561642	561643	C 85					
C 24	ENGINE COMPT. – INTERF RJB	PED WP	6	561606	561607	C 86					
C 25	ENGINE COMPT. – INTERF RJB	PED WP	6	561606	561607	C 87					
C 26	ENGINE COMPT. ACCESS	DEUTSCH	40	562281	562284	C 88					
C 27	ENGINE COMPT. – INTERF. RJB	DEUTSCH	6	562583	562581	C 89					
C 28	LUGGAGE COMPT(4) – LUGG. ACCESS	AMP CPC	24	561642	561643	C 90					
C 29	FR SERVICE COMPT – E.C.U. FEED	PED WP	3	561781	561782	C 91					
C 30	ENGINE COMPT – MASTER SW. SIGN.	DEUTSCH	2	562486	562485	C 92	FR JCT BOX COMPT - ABS	AMP CPC	9	561635	561637
C 31	RR JCT BOX – PARCEL RACK FEEDING	DEUTSCH	31	562572	562536	C 93					
C 32	ENGINE COMPT.-ECM	PED WP	1	561605	561577	C 94					
C 33	FR SERV. COMPT. – VSS SIGNAL	PED WP	2	561566	561690	C 95					
C 34	FR JCT BOX EATON TRANS. J1939	DEUTSCH	3	562877	562884	C 96	FR SERVICE DOOR ACCESS	AMP MNL	9	561670	561669
C 35	A/C COMPT - AIR RETURN SENSOR	AMP MNL	2	561248	561247	C 97	FR SERVICE DOOR – WATER TANK	PED MP	2		562426
C 36	UNDER STAIRS – STEP LIGHTS	AMP MNL	2	561248	561247	C 98					
C 36	RH PARCEL RACK – EMERGENCY LTS	AMP MNL	2	560900	560898	C 99	FR SERVICE CPT. LTS	AMP MNL	2	561248	561247
C 37	LH PARCEL RACK - FEEDING	MOLEX	6	562558	562557	C 100					
C 38	RH PARCEL RACK - FEEDING	MOLEX	6	562558	562557	C 101	FR SERVICE COMPT. ELEC. HORNS	PED WP	2	561566	561690
C 39	ENGINE COMPT. ECM J1939	DEUTSCH	3	562877	562884	C 102	CONDENSER COMPT - A/C PRES. SW 1SP	PED WP	2	561566	561690
C 40	FR JCT BOX EATON TRANS. J1939	DEUTSCH	3	562877	562884	C 103	CONDENS. COMPT – LIQU. SOL. VAL. PRES.	PED WP	2	561566	561690
C 41	ENGINE COMPT – RH DOOR LOCK	DEUTSCH	4	562479	562477	C 104	ENGINE COMPT. – LAVATORY FAN	PED WP	2	561566	561690
C 42	ENGINE COMPT – RR CAP LIGHTING	DEUTSCH	6	562583	562581	C 105	ENGINE COMPT. – LAVATORY PUMP	DEUTSCH	2	562486	562485
C 43	FR JCT BOX – ALT. MODULE	AMP MNL	12	561735	561734	C 106	UNDER DASH RH - DRV LIO SOL VL	PED WP	2	561566	561690
C 44	ENGINE COMPT - LIGHTS	PED WP	1	561605	561577	C 107	UNDER DASH RH - DRV WTR VALVE	PED WP	2	561566	561690
C 45	FR JCT BOX COMPT – ROOF ACCESS	AMP CPC	24	561642	561643	C 108					
C 46	ENGINE COMPT. ECM J1939	DEUTSCH	3	562877	562884	C 109					
C 47	ENGINE DDEC-ECM J1939	PED MP	4	-----	561962	C 110					
C 48	FR SERV. CPT. PRESS SW PARK BRAKE	DEUTSCH	4	562479	562477	C 111					
C 49	LAVATORY ROOF – NIGHT LIGHT	AMP MNL	2	560900	560898	C 112					
C 50	LAVATORY ROOF - LIGHT	LEECRAFT	2	-----	562803	C 113	EATON SPEED SIGNAL	PED P2S	2	-----	562426
C 51						C 114	ENGINE DDEC - SPEED SIGNAL	PED WP	2	561566	561690
C 52	ENGINE COMPT - COMPRESSOR	PED WP	2	561566	561690	C 115	RR JCT BOX – ENGINE ACCESS	DEUTSCH	40	562281	562284
C 53	ENGINE COMPT - COMPRESSOR	PED WP	2	561566	561690	C 116	DRIVE AXLE COMPT - AIR DRYER	PED MP	2		562251
C 54						C 117					
C 55	CENTRAL DOOR LOCK	DEUTSCH	4	562479	562477	C 118	ENGINE COMPT - LICENCE	DOM. AUT	2	930210	
C 56	LH PARCEL RACK - FEEDING	MOLEX	6	562558	562557	C 119	ENGINE COMPT - RH LOWER LAMP	PED WP	6	561606	561607
C 57	RH PARCEL RACK - FEEDING	MOLEX	6	562558	562557						

CONNECTORS CODE

NO	LOCATION	TYPE	CAVITY	#PIN	#SOCKET	NO	LOCATION	TYPE	CAVITY	#PIN	#SOCKET
				HOUSING	HOUSING					HOUSING	HOUSING
C 120	ENGINE COMPT - LH LOWER LAMP	PED WP	6	561606	561607	C 183					
C 121						C 184	FR SERV. COMPT. - KNEELING PROX. SW.	ITT SS	3	561080	561111
C 122						C 185	KNEELING PANEL - DOWN SOL. VALVE	PNEUMAC	3		641385
C 123						C 186					
C 124						C 187	FR SERVICE JCT BOX - RESISTORS	AMP MNL	6	561552	561515
C 125						C 187	KNEELING PANEL- PARK BRAKE INTERLOCK	PNEUMAC	3		641385
C 126						C 188					
C 127						C 189					
C 128						C 190					
C 129						C 191					
C 130						C 192					
C 131						C 193					
C 132						C 194					
C 133						C 195					
C 134	FR JCT BOX - DIODE CONN.	AMP MNL	15	561987	561986	C 196	KNEELING PANEL - UP SOL. VALVE	PNEUMAC	3		641385
C 135	FR JCT BOX - DIODE CONN.	AMP MNL	15	561987	561986	C 197	KNEELING PANEL - CTR SOL. VALVE	PNEUMAC	3		641385
C 136	FR JCT BOX - DIODE CONN.	AMP MNL	15	561987	561986	C 198					
C 137	FR JCT BOX - DIODE CONN.	AMP MNL	15	561987	561986	C 199					
C 138						C 200	PARCEL RACK - FLUORESCENT LTS	AMP MNL	2	561248	561247
C 139						C 201	PARCEL RACK - FLUORESCENT LTS	AMP MNL	2	561248	561247
C 140	HVAC DASH MODULE THERMOMETER	MOLEX	4		562782	C 202	RH PARCEL RACK - INDIRECT LTS	MOLEX	2		562758
C 141	RR DASH PANEL - LTS CONN. (SPARE)	AMP MNL	2	561248	561247	C 203	PARCEL RACK - FLUORESCENT LTS	MOLEX	6		562759
C 142	ENGINE COMPT. B/U ALARM	PED WP	2	561566	561690	C 204	RH PARCEL RACK - RACK LTS	AMP MNL	2	560900	560858
C 143						C 205	RH PARCEL RACK - FEEDING	AMP MNL	9	561661	561662
C 144	FR JCT BOX - AISLE LTS FEEDING	AMP MNL	2	561248	561247	C 206	RH PARCEL RACK - FEEDING	AMP FF	4	562760	562756
C 145						C 207	LH PARCEL RACK - FEEDING	AMP FF	4	562760	562756
C 146						C 208	PARCEL RACK - FLUORESCENT LTS	MOLEX	2		562758
C 147						C 209	LH PARCEL RACK - HOTESS CHIME	AMP MNL	3	561667	561550
C 148						C 210	LH PARCEL RACK - FEEDING	AMP MNL	9	561661	561662
C 149						C 211	FR ROOF - SUN VISOR LH	AMP MNL	2	560900	560898
C 150						C 212	FR ROOF - SUN VISOR RH	AMP MNL	2	560900	560898
C 151						C 213	WCL DOOR UP HING-DOOR READ & HOST. SW	AMP MNL	6	561552	561515
C 152						C 214					
C 153						C 215					
C 154						C 216					
C 155						C 217	RH PANEL SW. - SCENIC VIEW CAMERA	EATON	12		562763
C 156						C 218	RH PANEL SW. - LIGHTS SPARE	AMP MNL	2	560900	560898
C 157	FR SERV. CPT - WATER PUMP DR'S	PED WP	3	561781	561782	C 219					
C 158						C 220					
C 159						C 221					
C 160	FR SERVICE CPT - INTERFACE	AMP CPC	37	561644	561646	C 222					
C 161	ENGINE DDEC - ECM	PED MP	30		561600	C 223	HEAD LIGHTS - FLASHER	DEUTSCH	5	562565	562566
C 162	ENGINE DDEC - ACCESSORIES	PED WP	4	561610	561611	C 224	HEAD LIGHTS	PED MP	3		562099
C 163	ENGINE CPT - COOLANT PROBE	PED MP	2		562350	C 225	FOG LIGHTS	DEUTSCH	3	562902	562901
C 164						C 226	FRONT HEADLIGHTS - MARKER & FLASHER	PED	3	562137	
C 165						C 226	BATT. COMPT. - INTERIOR LTS	AMP MNL	2	561248	561247
C 166						C 227					
C 167	FR SERVICE CPT - EL. FOOT PEDAL	PED WP	3	561781	561782	C 228	L.H. CONSOLE EATON TRANSM.	AMP MNL	6	561552	561515
C 168	FR SERVICE CPT - DDR	DEUTSCH	6	562360		C 229	BATT. COMPT. - CHARGER 110V.	PED WP	1	561577	561605
C 169	FR SERVICE CPT - WORLD TR. INTERFACE	AMP CPC	16	561639	561640	C 230	ENGINE COMPT. - FUEL PRIME PUMP SW.	PED WP	2	561566	561690
C 169	FR SERV. COMPT. - SPEED SWITCH	AMP	15	562011	562012	C 231	ENGINE COMPT. - FUEL PRIME PUMP	PED WP	2	561566	561690
C 170	FR JCT BOX FLASHER UNIT	PED	2		561940	C 232					
C 171	LH CONSOLE	AMP CPC	24	561642	561643	C 233	FIRST LUGGAGE CPT.	VDO	8		562043
C 172	FR SERVICE COMPT - KNEELING PANEL	AMP CPC	16	561639	561640	C 234	FIRST LUGGAGE CPT.	VDO	8		562044
C 172	ENGINE COMPT. - WATER TANK HEATER	PED WP	2	561566	561690	C 235	FIRST LUGGAGE CPT.	VDO	8		562041
C 173						C 236	FIRST LUGGAGE CPT.	AMP MNL	4	560851	560858
C 174						C 236	FR SERVICE CPT CENTER - ABS	AMP CPC	14	561636	561637
C 175						C 237	FR AXLE CPT - ABS RH SENSOR	WABCO	2	641132	
C 176	UNDER DASH RH - WIPER PULSE	AMP FF	6		561186	C 238	FR AXLE CPT - ABS RH VALVE	WABCO	3	641098	
C 177	UNDER DASH RH - WIPER MOTOR	AMP FF	6		561186	C 239	FR AXLE CPT - ABS LH VALVE	WABCO	3	641098	
C 178						C 240	FR AXLE CPT - ABS LH SENSOR	WABCO	2	641132	
C 179						C 241	LAST LUGGAGE COMPT - ABS	PED WP	6	561606	561607
C 180	KNEELING PANEL - DIODE SOCKET	AMP MNL	15	561987	561986	C 242	DRIVE AXLE CPT - ABS LH SENSOR	WABCO	2	641132	
C 181						C 243	DRIVE AXLE CPT - ABS LH VALVE	WABCO	3	641098	
C 182						C 244	DRIVE AXLE CPT - ABS RH VALVE	WABCO	3	641098	

CONNECTORS CODE

NO	LOCATION	TYPE	CAVITY	#PIN	#SOCKET	NO	LOCATION	TYPE	CAVITY	#PIN	#SOCKET
				HOUSING	HOUSING					HOUSING	HOUSING
C 245	DRIVE AXLE CPT - ABS RH SENSOR	WABCO	2	641132		C 308					
C 246	DRIVE AXLE CPT - ATC SOL.	PED WP	2	561566	561690	C 309	ENGINE DDEC - ECM POWER	PED MP	5		562345
C 247	E.C.U. EATON TRANS.	PED MP	18		562573	C 310	LH CONSOLE SW - LUG. DOOR LOCK	EATON	12		562763
C 248	LAST LUGGAGE CPT - ABS	PED WP	6	561606	561607	C 311	RH SWITCH PANEL - HOTESS CHIME	EATON	12		562763
C 249	FR SERVICE CPT - ABS/DDEC	PED WP	2	561566	561690	C 312	ENGINE DDEC - ACCESSORIES	PED WP	3	561781	561782
C 250						C 312	RH SWITCH PANEL - READING LAMP	EATON	12		562763
C 251	LH SW PANEL - FAST IDLE	EATON	12		562763	C 313	ENGINE DDEC - INTERFACE	PED MP	3	562398	
C 252	LUGGAGE COMPT. - WINDOW AJAR	MOLEX	4	561477	561476	C 313	RH SWITCH PANEL - INTERIOR LTS	EATON	12		562763
C 253	LH SWITCH PANEL - ETHER	EATON	12		562763	C 314	KNEELING PANEL - PRESS SW.	PED WP	2	561566	561690
C 254						C 314	RH SWITCH PANEL - INTERIOR LTS	EATON	12		562763
C 255	LH SWITCH PANEL - ENGINE BRAKE	EATON	12		562763	C 315	LH SWITCH PANEL - LH SUN VISOR SW.	EATON	12		562763
C 256						C 316	RH UNDER DASH - KNEELING BUZZER	AMP MNL	2	560900	560898
C 257	ENGINE COMPT - WATER HEATER	AMP FF	6		561186	C 317	LH SWITCH PANEL - RH SUN VISOR SW.	EATON	12		562763
C 258	LH SWITCH PANEL - MULTI FUNC. SW	AMP FF	8	561188		C 318	LH CONSOLE SW - DR'S WINDOW SW.	EATON	12		562763
C 259	ENGINE COMPT. - WATER HEATER	PED	2	562644	561597	C 319					
C 259	LH SWITCH PANEL - MULTI FUNC. SW	AMP FF	6		561186	C 320	RT SWITCH PANEL - DRIVER'S LTS SW.	EATON	12		562763
C 260	ENGINE COMPT - WATER HEATER	AMP FF	2	562473	562474	C 321	UNDER DASH RH - KEYLESS MODULE	AMP COM	26		562676
C 261	ENGINE COMPT - WATER HEATER	PED	2	562644	561597	C 322	UNDER DASH RH - KEYLESS MODULE	AMP COM	22		562675
C 262						C 323	DRIVER'S WINDOW MOTOR	PED	2		561848
C 263	LUGGAGE COMPT. LTS COMPT #3	AMP MNL	2	561248	561247	C 324					
C 264	LUGGAGE COMPT. LTS COMPT #2	AMP MNL	2	561248	561247	C 325	LH SWITCH PANEL - KNEELING	EATON	12		562763
C 265	LUGGAGE COMPT. LTS COMPT #1	AMP MNL	2	561248	561247	C 326	EATON TRANSMISSION INTERFACE	PED WP	4	561610	561611
C 266	ENTRANCE DOOR KEYLESS	AMP CPC	14	561585	561583	C 327					
C 267	UNDER DASH RH - ENT. DOOR PANEL	AMP CPC	24	561642	561643	C 328	RR ROOF - GALLEY LAMP		2		
C 268	FR MIRROR RH	SW. CRAF	5	562921		C 329					
C 269	FR MIRROR LH	SW. CRAF	5	562921		C 330					
C 270	LUGGAGE COMPT LTS - 3 LH	AMP MNL	2	561248	561247	C 331					
C 271	LUGGAGE COMPT LTS - 4	AMP MNL	2	561248	561247	C 332					
C 272						C 333					
C 273	ENT. DOOR PANEL - DIODE SOCKET	AMP MNL	9	561670	561669	C 334					
C 274						C 335					
C 275	ENT. DOOR PANEL - DIODE SOCKET	AMP MNL	9	561670	561669	C 336					
C 276						C 337					
C 277	RH UNDER DASH - ENT. DOOR REED SW.	AMP MNL	2	560900	560858	C 338					
C 278	RH PASS. AIR DUCT - ENT DOOR PRESS SW.	PED WP	2	561566	561690	C 339	KNEELING PANEL - HI BUOY SOL. VALVE	PNEUMAC	3		641385
C 279	RH UNDER DASH - ENT. DOOR REED SW.	AMP MNL	2	560900	560858	C 340	FR JCT BOX - FIRE PIEZO ALARM	AMP MNL	2	560900	560898
C 279	FR SERVICE COMPT LH - STEERING ZF	DEUTSCH	2		562485	C 341	LH SWITCH PANEL - HEAT MIRROR SW.	EATON	12		562763
C 280	ENGINE COMPT - A/C COMPRESSOR AUX.	PED WP	2	561566	561690	C 342					
C 281						C 343	LH SWITCH PANEL - HEAD LAMP SW.	EATON	12		562763
C 282	FR SERVICE COMPT - STEERING ZF	VOLVO	2		562928	C 344	LH SWITCH PANEL - HAZARD LT SW.	EATON	12		562763
C 283	LH CONSOLE - SPARE SW. LTS	AMP MNL	2	561248	561247	C 345	LH SWITCH PANEL - FOG LT SW.	EATON	12		562763
C 284	E.C.U. EATON TRANS.	PED	2		563052	C 346					
C 285						C 347					
C 286						C 348	INSTR. PANEL CENT. - RACOR MODULE	MOLEX	6	562070	562069
C 287						C 349					
C 288						C 350					
C 289						C 351					
C 290	LUGGAGE CPT - DOOR LOCK	AMP MNL	4	560851	560852	C 352					
C 291	LUGGAGE CPT - DOOR LOCK	AMP MNL	4	560851	560852	C 353					
C 292						C 354					
C 293						C 355					
C 294						C 356					
C 295						C 357					
C 296						C 358					
C 297						C 359	RH SWITCH PANEL - ENT. DOOR WIND. SW.	EATON	12		562763
C 298						C 360	ENTRANCE WINDOW MOTOR	PED	2		561848
C 299	RH SWITCH PANEL - GALLEY	EATON	12		562763	C 361					
C 300						C 362					
C 301						C 363					
C 302						C 364	FRONT ROOF - ELECTRICAL DEST. SIGN	AMP MNL	3	561667	561550
C 303	RR JCT BOX - DIODES	AMP MNL	15	561987	561986	C 365					
C 304	RR JCT BOX - DIODES	AMP MNL	15	561987	561986	C 366					
C 305						C 367					
C 306						C 368	FRONT ROOF - ELECTRICAL DEST. SIGN	AMP MNL	3	561667	561550
C 307						C 369	FRONT ROOF - ELECTRICAL DEST. SIGN	TORRIX	5	562110	

CONNECTORS CODE

NO	LOCATION	TYPE	CAVITY	#PIN	#SOCKET	NO	LOCATION	TYPE	CAVITY	#PIN	#SOCKET
				HOUSING	HOUSING					HOUSING	HOUSING
C 370	FRONT ROOF – ELECTRICAL DEST. SIGN	AMP MNL	2	560900	560858	C 434					
C 371	FRONT ROOF – ELECTRICAL DEST. SIGN	AMP MNL	3	561667	561550	C 435					
C 372	FRONT ROOF – ELECTRICAL DEST. SIGN	MOLEX	4	561477	561476	C 436					
C 373						C 437					
C 374						C 438					
C 375						C 439					
C 376						C 440					
C 377	LH SWITCH PANEL – STOP ENGINE OVERRIDE	EATON	12		562763	C 441					
C 378						C 442					
C 379	LUGGAGE COMPT. – WINDOW AJAR SW.	MOLEX	4	561477	561476	C 443					
C 380						C 444					
C 381	UNDER DASH PANEL – ANTI THILED	AMP MNL	2	561248	561247	C 445					
C 382	ENGINE GENERATOR (1)	PED WP	1	561605	561577	C 446					
C 383	ENGINE COMPT – VOLTAGE REGULATOR	PED WP	1	561605	561577	C 447					
C 384						C 448					
C 385	BATT. COMPT. – BJB INTERFACE	AMP MNL	12	561735	561736	C 449					
C 386	LH SWITCH PANEL – W.C.LIFT	EATON	12		562763	C 450	S.S. PANEL - FEEDING	MOLEX	4	562507	562503
C 387	EVAPORATOR COMPT. - BY-PASS VALVE	PED WP	2	561566	561690	C 451	S.S. PANEL - FEEDING	MOLEX	2	562550	562549
C 387	BATTERY COMPT. – WCL ACCES.	AMP CPC	16	561639	561640	C 452	UNDER DASH – S.S. ACC. SIGNAL	MOLEX	2	562550	562549
C 388	LUGG. COMPT.(4) – WCL DOOR ACCESS.	AMP MNL	12	561735	561736	C 453	S. S. PANEL – VCR FEEDING	PED WP	2	561566	561690
C 389	EVAPORATOR COMPT. – WATER PUMP	PED WP	2	561566	561690	C 454	S. S. PANEL – VCR FEEDING	PED WP	2	561566	561690
C 390	EVAPORATOR COMPT. – A/C JCT. BOX	DEUTSCH	24	562280	562283	C 455	PARCEL RACK – WIRELESS MICROPHONE	MOLEX	6		562464
C 391	CONDENSER COMPT. A/C PRESS SW 2 SP	PED WP	2	561566	561690	C 456	WORLD TRANS. - RETARDER ACCUM.	PED MP	2		562427
C 392						C 457	WORLD TRANS. - MAIN CONNECTOR	DEUTSCH	31	562572	562536
C 393						C 458	WORLD TRANS. - TURBINE SP. SENS.	PED MP	2		562426
C 394	UNDER DASH - B/U MONITOR	AMP MNL	4	560851	560852	C 459	WORLD TRANS. - ENGINE SP. SENS.	PED MP	2		562426
C 395	UNDER DASH - B/U MONITOR	CLARION	4		990335	C 460	WORLD TRANS. - SPEED SENSOR	ITT	2		562541
C 396	PARCEL RACK – SPEAKER FEEDING	MOLEX	4	562507	562503	C 461	WORLD TRANS. - RETARDER TEMP.	PED MP	2		562856
C 397						C 462	WORLD TRANS. - RETARDER SOL. "K"	PED MP	2		562426
C 398						C 463	WORLD TRANS. - SENSOR CONN.	DEUTSCH	16	562570	562571
C 399	ENGINE GENERATOR (2)	PED WP	2	561566	561690	C 464	RR JCT BOX – DDL CONN	DEUTSCH	6		565360
C 400	ENGINE COMPT. – BLOCK HEATER	PED WP	3	561781	561782	C 465	LH CONSOLE - SHIFTER SELECTOR	PED	20		562825
C 401						C 466	FR SERVICE CPT - RESIS. MOD.	PED WP	3		562428
C 402						C 467	FR SERVICE CPT - RESIS. MOD.	PED WP	3		562428
C 403	GALLEY – REFRIGERATOR		2			C 468	STEERING COLUMN – RET. HAND LEVER	AMP FF	8	561188	562363
C 404	GALLEY – LAMP SWITCH		2			C 469	FR SERVICE COMPT. – RESIS. MOD.	AMP FF	8	561188	562363
C 405						C 470					
C 406						C 471					
C 407						C 472	FR SERVICE CPT – SILENT 1000 OR EATON	PED WP	2	561566	561690
C 408						C 473					
C 409						C 474	DRIVER'S TEMP SENSOR	AMP MNL	2	561248	561247
C 410						C 475	FR SERVICE CPT - SPEED SIGN. CONNECT.	DEUTSCH	6	562583	562581
C 411						C 475M	FR SERVICE CPT – SPEED SIGN. W. TR.	DEUTSCH	6	562583	562581
C 412						C 475W	FR SERVICE CPT – SPEED SIGN. W. TR.	DEUTSCH	6	562583	562581
C 413						C 476					
C 414						C 477					
C 415						C 478	FRONT ROOF – ELECTRONIC DEST. SIGN	AMP CPC	9	561636	561637
C 416						C 479	UNDER DASH – HVAC DASH MODULE	MOLEX	3		562783
C 417						C 480	UNDER DASH RH – DR'S FAN SPEED CTR	PED WP	4	561889	561890
C 418						C 481	UNDER DASH RH – DR'S FAN SPEED CTR	PED WP	3	561781	561782
C 419	FR JCT BOX – RET/JAKE SELECTION	AMP MNL	3	561667	561550	C 482					
C 420						C 483	FR SERVICE CPT – ELECTRICAL SEAT	PED	2	562237	
C 421	ENGINE COMPT. - WEBASTO	AMP FF	2	562473	562474	C 484	UNDER DASH LH – FOOT DAMPER MOTOR	PED	2		562076
C 422	ENGINE COMPT. - WEBASTO	PED	2	562644	561597	C 485	UNDER DASH LH – DASH & DEFRR. DAMP. M.	AMP MNL	3	561667	561558
C 423						C 486	WCL ROOF DOOR – DOOR LT.	LEECRAFT	2	-----	562803
C 424	UNDER DASH – AUDIBLE FLASHER	AMP MNL	3	561667	561550	C 487					
C 425						C 488					
C 426	ENGINE S60 RAD. FAN CLUTCH	PED WP	3	561781	561782	C 489					
C 427						C 490					
C 428	RH SW PANEL – DASH LTS RHEOSTAT	AMP MNL	3	561667	561550	C 491					
C 429						C 492					
C 430	LH CONSOLE – PRE-HEAT TIMER	AMP FF	8	561188	562363	C 493					
C 431	LH CONSOLE – PRE-HEAT TIMER		1		560488	C 494					
C 432						C 495					
C 433						C 496					

CONNECTORS CODE

NO	LOCATION	TYPE	CAVITY	#PIN	#SOCKET	NO	LOCATION	TYPE	CAVITY	#PIN	#SOCKET
				HOUSING	HOUSING					HOUSING	HOUSING
C 497						C 567	FR. SERV. COMPT. - MIC. OUTLET	MOLEX	4	562507	562503
C 498						C 568	S.S. PANEL - SPEAKER OUTLET	CINTCH	4	562553	
C 499						C 569	S. S. PANEL - AMPLI SIGNAL	MOLEX	9	562556	562555
C 500	FR JCT PANEL - PRODRIVER	MOLEX	6	562070	562069	C 570	UNDER DASH PANEL - T.T.LT MODULE	MOLEX	6		562464
C 501						C 571	UNDER DASH PANEL - T.T.LT MODULE	MOLEX	20		562778
C 502	LH DASH PANEL - PRE- HEAT SW.	EATON	12		562763	C 572	UNDER DASH PANEL - T.T.LT MODULE	MOLEX	18		562779
C 503	LH CONSOLE-PROHEAT TIMER	PED MP	6	-----	562878	C 573	UNDER DASH PANEL - T.T.LT MODULE	MOLEX	8		562465
C 504	LH CONSOLE -WEBASTO TIMER	AMP	8	-----	562852	C 574	PARCEL RACK - INDIRECT LTS BALLAST	MOLEX			562759
C 505	LH CONSOLE -ESPAR TIMER	AMP	12	-----	562681	C 575	RH PARCEL RACK - FFEDING	MOLEX	4	562507	562503
C 506	FR JCT BOX - DIGITAL CLOCK	AMP CPC	4	561685	561687	C 576	RH PARCEL RACK - FFEDING	AMP MNL	3	561667	561550
C 507	LH HAT RACK - DIGITAL CLOCK	MOLEX	4	561477	561476	C 577	LH PARCEL RACK - FFEDING	AMP MNL	3	561667	561550
C 508	RR JCT BOX - FAN CLUTCH RETARDER	AMP MNL	6	561552	561515	C 578	LH PARCEL RACK - FFEDING	MOLEX	4	562507	562503
C 509	EVAP. COMPT. - NOT USED	DEUTSCH	5		562566	C 579	LH PARCEL RACK-VCR POWER	MOLEX	4		563071
C 515	FR JCT BOX CPT. - INTERCOM	MOLEX	4	561477	561476	C 580	LH DASH PANEL - PARCEL RACK A/C SW.	EATON	12		562763
C 516	FR JCT BOX CPT. - INTERCOM	MOLEX	6	562070	562069	C 581	LH DASH PANEL - ELECTRICAL HORN	PED MP	2		562777
C 517	LAVATORY WALL - INTERCOM	MOLEX	6	562070	562069	C 582					
C 519A	RH UNDER DASH - ENTRANCE DOOR SOL.	PNEUMAC	3		641385	C 583	LH DASH PANEL - MASTER KEY SW.	DEUTSCH	2	562486	562485
C 519B	RH UNDER DASH - ENTRANCE DOOR SOL.	PNEUMAC	3		641385	C 584	FR. SERVICE COMPT - HORN PNEU. VALVE	PNEUMAC	3		562848
C 520	RH UNDER DASH - ENTRANCE DOOR SOL.	PNEUMAC	3		641385	C 585					
C 521	RH UNDER DASH - ENTRANCE DOOR SOL.	PNEUMAC	3		641385	C 586	FR SERVICE COMPT - ACC. PNEU.VALVE	PNEUMAC	3		562848
C 522	FR JCT BOX - DAYTIME LTS MODULE	BOSCH	5		561183	C 587	LH PARCEL RACK DVD UNIT	MOLEX	4	563040	563071
C 523	FR JCT BOX - FUSE BLOCK	PED	8	562647	562646	C 588	FR SERV. COMPT. - S.S. INTERFACE	AMP CPC	37	561645	561646
C 524	FR JCT BOX - FUSE BLOCK	PED	8	562647	562646	C 589	FR. MIRROR LH	SW CRAFT	8	562919	562920
C 525	FR JCT BOX - FUSE BLOCK	PED	8	562647	562646	C 590	FR. MIRROR RH	SW CRAFT	8	562919	562920
C 526	FR JCT BOX - FUSE BLOCK	PED	8	562647	562646	C 591	LH CONSOLE - LH MIRROR SW.	EURAMT.	8		562749
C 527	FR JCT BOX - FUSE BLOCK	PED	8	562647	562646	C 592	LH CONSOLE - RH MIRROR SW.	EURAMT.	8		562749
C 528						C 594	FRONT ROOF - DRIVER'S LTS	LEEKRAFT	2	-----	562803
C 529						C 595	RH DASH PANEL - ENTRANCE DOOR SW.	MOLEX	4	562507	562503
C 530	RR JCT BOX - FUSE BLOCK	PED	8	562647	562646	C 596	RH DASH PANEL - ENTRANCE DOOR SW.	MOLEX	4	562507	562503
C 531	RR JCT BOX - FUSE BLOCK	PED	8	562647	562646	C 597	LH DASH PANEL - DISPLAY SET SW.	AMP	5		562905
C 532	LH PARCEL RACK - A/C LIQ. SOL.	AMP MNL	2	561248	561247	C 598	LH DASH PANEL - DISPLAY SET SW.	AMP	5		562905
C 533	RH PARCEL RACK - A/C LIQ. SOL.	AMP MNL	2	561248	561247	C 599	UND. DASH - MAGN. SW CTR POS. DR'S AIR	AMP MNL	2	561248	561247
C 534						C 604	LH PARCEL RACK DVD VIDEO STABILIZER	SWITCHCRAFT	1	563074	
C 535						C 605	LH PARCEL RACK - A/C UNIT	AMP MNL	6	561552	561515
C 536						C 606	RH PARCEL RACK - A/C UNIT	AMP MNL	6	561552	561515
C 537	A/C JCT BOX RESISTOR SIGN. RLY	AMP MNL	2	561248	561247	C 607	FR SERVICE COMPT - RPM SIGNAL (SPARE)	PED WP	2	561566	561690
C 538	FR SERV. CPT RH - OUTSIDE TEMP. SENS	AMP MNL	2	561248	561247	C 608	FR SERV. COMPT - SPEED SIGNAL (SPARE)	PED WP	2	561566	561690
C 539	HVAC DASH MODULE OUTPUT CONN.	MOLEX	24		562780	C 609					
C 540	HVAC DASH MODULE INPUT CONN.	MOLEX	22		562781	C 610					
C 541						C 611	RH PARCEL RACK READING LTS WCL	MOLEX	6	562558	562557
C 542						C 612	RH PARCEL RACK LUOR. INSTATION LTS WCL	MOLEX	4	562507	562503
C 543						C 613	RH PARCEL RACK INDIRECT LTS WCL	AMP MNL	3	561667	561550
C 544	S.S. PANEL - AUDIO SEAT	PED WP	3	561781	561782	C 614	RH PARCEL RACK INDIRECT LTS WCL	AMP MNL	3	561667	561550
C 545						C 615	LH PARCEL RACK DVD SIGN ALONG ADAPTOR	MOLEX	2	562550	562549
C 546	FR. JCT BOX - CHARGER WIRELESS MIC.	MOLEX	2		563025	CS	FR SERVICE CPT - ECU WOLRD TR.	PED MP	32		562817
C 547						CT	FR SERVICE CPT - ECU WORLD TR.	PED MP	32		562824
C 548	LH DASH PANEL - T.T.LT TEST SW.	EATON	12		562763	CV	FR SERVICE CPT - ECU WORLD TR.	PED MP	32		562823
C 549	LH DASH PANEL - ENGINE FAN OVERRIDE	EATON	12		562763	CX	CLUSTER	JAE	5		562957
C 550	LAST LUGG. CPT. -WCL MODULE	AMP CPC	16	561694	561695	CX 1	FR SERVICE CPT - ECU ABS	AMP JN	18	562792	562792
C 551	LAST LUGG. CPT. -WCL REMOTE	AMP CPC	9	561636	561637	CX 2	FR SERVICE CPT - ECU ABS	AMP JN	15	562795	562795
C 552						CX 3	FR SERVICE CPT - ECU ABS	AMP JN	9	562794	562794
C 553	UNDER DASH - S.S. CONTROL HEAD	MOLEX	16		562559	CX 4	FR SERVICE CPT - ECU ABS	AMP JN	6	562793	562793
C 554	UNDER DASH - S.S. CONTROL HEAD	MOLEX	16		562559	CY	CLUSTER	JAE	30		562765
C 555	UNDER DASH - S.S. CONTROL HEAD	MOLEX	16		562559	LX	CLUSTER	JAE	22		562766
C 556	UNDER DASH - RADIO FEEDING	MOLEX	2	562550	562549	LY	CLUSTER	JAE	30		562767
C 557	UNDER DASH - RADIO FEEDING	MOLEX	9	562556	562555	RX	CLUSTER	JAE	30		562767
C 558	FR. SERV. COMPT. - MIC. OUTLET	MOLEX	4	562507	562503	WEB 1	ENGINE COMPT. - WEBASTO	AMP FF	2	562473	562474
C 559						WEB 2	ENGINE COMPT. - WEBASTO	AMP FF	2	562643	
C 560						ZF 1	FR JCT BOX - STEERING E.C.U.	HELLA	9		562929
C 561	LH PARCEL RACK - WIRELESS MIC.	MOLEX	8		562465						
C 562	LH PARCEL RACK - VCR SIGNAL	MOLEX	12		563070						
C 563	FR. SERV. COMPT. - DRIVER SPEAKER	MOLEX	4	562507	562503						
C 564	FR. SERV. COMPT. - MIC. OUTLET	MOLEX	4	562507	562503						
C 565	FR. SERV. COMPT. - MIC. OUTLET	MOLEX	4	562507	562503						
C 566	FR. SERV. COMPT. - MIC. OUTLET	MOLEX	4	562507	562503						

CONNECTORS CODE

NO	LOCATION	TYPE	CAVITY	#PIN	#SOCKET	NO	LOCATION	TYPE	CAVITY	#PIN	#SOCKET
				HOUSING	HOUSING					HOUSING	HOUSING
A 1	UNDER DASH – AUDIO SIGNAL	RCA	1	562090	562330	C 58					
A 2	UNDER DASH – AUDIO SIGNAL	RCA	1	562090	562330	C 59					
A 10	UNDER DASH – AUDIO SIGNAL	RCA	1	562090	562330	C 60					
A 11	UNDER DASH – AUDIO SIGNAL	RCA	1	562090	562330	C 61	ENGINE COMPT - FUEL FILTER	PED WP	2	561566	561690
A 18	S. S. PANEL – AUDIO SIGNAL	RCA	1	562090	562330	C 62	ENGINE COMPT – COMPR. AUX. PRESS. SW.	PED WP	2	561566	561690
A 19	S. S. PANEL – AUDIO SIGNAL	RCA	1	562090	562330	C 63	ENGINE COMPT – COMPR. AUX. PRESS. SW.	PED WP	2	561566	561690
AA 1	UNDER DASH PANEL- SONALERT	BOSCH	5	-----	561183	C 64					
C 1	FR JCT BOX COMPARTIMENT	AMP CPC	14	561585	561584	C 65	ENGINE CPT – A/C PRESS SW FAN CLUTCH	PED WP	2	561566	561690
C 2	FR JCT BOX COMPARTIMENT	AMP CPC	16	561638	561640	C 66					
C 3	FR JCT BOX COMPARTIMENT	AMP CPC	37	561644	561646	C 67					
C 4	FR JCT BOX COMPARTIMENT	AMP CPC	24	561641	561643	C 68					
C 5	FR SERVICE COMPT. - UNDERNEATH	AMP CPC	37	561645	561646	C 69					
C 6	FR SERVICE COMPT. - UNDERNEATH	AMP CPC	16	561639	561640	C 70	LH CONSOLE	AMP CPC	16	561639	561640
C 7	FR SERVICE COMPT - CLUTCH SW	ITT SS	3	561080	561111	C 71	FR JCT BOX COMPT.	AMP CPC	37	561645	561646
C 8	FR SERVICE COMPT. - UNDERNEATH	AMP CPC	24	561642	561643	C 72	FR JCT BOX COMPT.	AMP CPC	24	561642	561643
C 9	FR SERVICE COMPT. - UNDERNEATH	AMP CPC	24	561642	561643	C 73					
C 10	FR SERVICE DOOR ACCESS.	DEUTSCH	5	562565	562566	C 74	FR JCT BOX COMPT.	AMP CPC	37	561645	561646
C 11	FR SERV. CPT ACCESS	AMP CPC	37	561645	561646	C 75	SERVICE COMPT. EXT. ENTRANCE DOOR SW.	DEUTSCH	4	562479	562477
C 12	FR SERV. CPT ACCESS	AMP CPC	16	561639	561640	C 75	RH PARCEL RACK – READ. LTS FEED. WCL	MOLEX	6	562558	562557
C 13	FR JCT BOX COMPARTIMENT	AMP MNL	2	561248	561247	C 76	ENGINE COMPT. FIRE DETECTOR	DEUTSCH	2	562486	562485
C 14	LAST LUGGAGE COMP(4) - DOCKING LTS	AMP MNL	2	561248	561247	C 77	ENGINE COMPT. FIRE DETECTOR	DEUTSCH	2	562486	562485
C 15	UNDER STAIRS – CORNERING LTS	AMP MNL	2	560900	560898	C 78					
C 16	LH CONSOLE SW-CRUISE ON/OFF	EATON	12	-----	562763	C 79					
C 17	LH CONSOLE SW-CRUISE RESUME	EATON	12		562763	C 80					
C 18	LH CONSOLE SW-CRUISE SET	EATON	12		562763	C 81	LUGGAGE COMPT - DOOR LOCK	AMP MNL	4	560851	560852
C 19	LH CONSOLE SW-DECEL SW	EATON	12		562763	C 82	UNDER SEAT – AISLE LTS	AMP MNL	2	560900	560898
C 20	RR JCT BOX	DEUTSCH	70	562282	562285	C 82	LUGGAGE COMPT - DOOR LOCK	AMP MNL	4	560851	560852
C 21	ENGINE COMPT - LOCK DOOR MOT.	PED WP	2		562076	C 83	LUGGAGE COMPT - DOOR LOCK	AMP MNL	4	560851	560852
C 22	LUGGAGE COMPT (A) - A/C & FUEL TANK	AMP CPC	16	561639	561640	C 84	LUGGAGE COMPT - DOOR LOCK	AMP MNL	4	560851	560852
C 23	LUGGAGE COMPT (1) – LUGG. ACCESS.	AMP CPC	24	561642	561643	C 85					
C 24	ENGINE COMPT. – INTERF RJB	PED WP	6	561606	561607	C 86					
C 25	ENGINE COMPT. – INTERF RJB	PED WP	6	561606	561607	C 87					
C 26	ENGINE COMPT. ACCESS	DEUTSCH	40	562281	562284	C 88					
C 27	ENGINE COMPT. – INTERF. RJB	DEUTSCH	6	562583	562581	C 89					
C 28	LUGGAGE COMPT(4) – LUGG. ACCESS	AMP CPC	24	561642	561643	C 90					
C 29	FR SERVICE COMPT – E.C.U. FEED	PED WP	3	561781	561782	C 91					
C 30	ENGINE COMPT – MASTER SW. SIGN.	DEUTSCH	2	562486	562485	C 92	FR JCT BOX COMPT - ABS	AMP CPC	9	561635	561637
C 31	RR JCT BOX – PARCEL RACK FEEDING	DEUTSCH	31	562572	562536	C 93					
C 32	ENGINE COMPT.-ECM	PED WP	1	561605	561577	C 94					
C 33	FR SERV. COMPT. – VSS SIGNAL	PED WP	2	561566	561690	C 95					
C 34	FR JCT BOX EATON TRANS. J1939	DEUTSCH	3	562877	562884	C 96	FR SERVICE DOOR ACCESS	AMP MNL	9	561670	561669
C 35	A/C COMPT - AIR RETURN SENSOR	AMP MNL	2	561248	561247	C 97	FR SERVICE DOOR – WATER TANK	PED MP	2		562426
C 36	UNDER STAIRS – STEP LIGHTS	AMP MNL	2	561248	561247	C 98					
C 36	RH PARCEL RACK – EMERGENCY LTS	AMP MNL	2	560900	560898	C 99	FR SERVICE CPT. LTS	AMP MNL	2	561248	561247
C 37	LH PARCEL RACK - FEEDING	MOLEX	6	562558	562557	C 100					
C 38	RH PARCEL RACK - FEEDING	MOLEX	6	562558	562557	C 101	FR SERVICE COMPT. ELEC. HORNS	PED WP	2	561566	561690
C 39	ENGINE COMPT. ECM J1939	DEUTSCH	3	562877	562884	C 102	CONDENSER COMPT - A/C PRES. SW 1SP	PED WP	2	561566	561690
C 40	FR JCT BOX EATON TRANS. J1939	DEUTSCH	3	562877	562884	C 103	CONDENS. COMPT – LIQU. SOL. VAL. PRES.	PED WP	2	561566	561690
C 41	ENGINE COMPT – RH DOOR LOCK	DEUTSCH	4	562479	562477	C 104	ENGINE COMPT. – LAVATORY FAN	PED WP	2	561566	561690
C 42	ENGINE COMPT – RR CAP LIGHTING	DEUTSCH	6	562583	562581	C 105	ENGINE COMPT. – LAVATORY PUMP	DEUTSCH	2	562486	562485
C 43	FR JCT BOX – ALT. MODULE	AMP MNL	12	561735	561734	C 105	UNDER DASH RH - DRV LIO SOL VL	PED WP	2	561566	561690
C 44	ENGINE COMPT - LIGHTS	PED WP	1	561605	561577	C 106	UNDER DASH RH - DRV WTR VALVE	PED WP	2	561566	561690
C 45	FR JCT BOX COMPT – ROOF ACCESS	AMP CPC	24	561642	561643	C 107					
C 46	ENGINE COMPT. ECM J1939	DEUTSCH	3	562877	562884	C 108					
C 47	ENGINE DDEC-ECM J1939	PED MP	4	-----	561962	C 109					
C 48	FR SERV. CPT. PRESS SW PARK BRAKE	DEUTSCH	4	562479	562477	C 110					
C 49	LAVATORY ROOF – NIGHT LIGHT	AMP MNL	2	560900	560898	C 111					
C 50	LAVATORY ROOF - LIGHT	LEECRAFT	2	-----	562803	C 112					
C 51						C 113	EATON SPEED SIGNAL	PED P2S	2	-----	562426
C 52	ENGINE COMPT - COMPRESSOR	PED WP	2	561566	561690	C 114	ENGINE DDEC - SPEED SIGNAL	PED WP	2	561566	561690
C 53	ENGINE COMPT - COMPRESSOR	PED WP	2	561566	561690	C 115	RR JCT BOX – ENGINE ACCESS	DEUTSCH	40	562281	562284
C 54						C 116	DRIVE AXLE COMPT - AIR DRYER	PED MP	2		562251
C 55	CENTRAL DOOR LOCK	DEUTSCH	4	562479	562477	C 117					
C 56	LH PARCEL RACK - FEEDING	MOLEX	6	562558	562557	C 118	ENGINE COMPT - LICENCE	DOM. AUT	2	930210	
C 57	RH PARCEL RACK - FEEDING	MOLEX	6	562558	562557	C 119	ENGINE COMPT - RH LOWER LAMP	PED WP	6	561606	561607

CONNECTORS CODE

NO	LOCATION	TYPE	CAVITY	#PIN	#SOCKET	NO	LOCATION	TYPE	CAVITY	#PIN	#SOCKET
				HOUSING	HOUSING					HOUSING	HOUSING
C 120	ENGINE COMPT - LH LOWER LAMP	PED WP	6	561606	561607	C 183					
C 121						C 184	FR SERV. COMPT. - KNEELING PROX. SW.	ITT SS	3	561080	561111
C 122						C 185	KNEELING PANEL - DOWN SOL. VALVE	PNEUMAC	3		641385
C 123						C 186					
C 124						C 187	FR SERVICE JCT BOX - RESISTORS	AMP MNL	6	561552	561515
C 125						C 187	KNEELING PANEL- PARK BRAKE INTERLOCK	PNEUMAC	3		641385
C 126						C 188					
C 127						C 189					
C 128						C 190					
C 129						C 191					
C 130						C 192					
C 131						C 193					
C 132						C 194					
C 133						C 195					
C 134	FR JCT BOX - DIODE CONN.	AMP MNL	15	561987	561986	C 196	KNEELING PANEL - UP SOL. VALVE	PNEUMAC	3		641385
C 135	FR JCT BOX - DIODE CONN.	AMP MNL	15	561987	561986	C 197	KNEELING PANEL - CTR SOL. VALVE	PNEUMAC	3		641385
C 136	FR JCT BOX - DIODE CONN.	AMP MNL	15	561987	561986	C 198					
C 137	FR JCT BOX - DIODE CONN.	AMP MNL	15	561987	561986	C 199					
C 138						C 200	PARCEL RACK - FLUORESCENT LTS	AMP MNL	2	561248	561247
C 139						C 201	PARCEL RACK - FLUORESCENT LTS	AMP MNL	2	561248	561247
C 140	HVAC DASH MODULE THERMOMETER	MOLEX	4		562782	C 202	RH PARCEL RACK - INDIRECT LTS	MOLEX	2		562758
C 141	RR DASH PANEL - LTS CONN. (SPARE)	AMP MNL	2	561248	561247	C 203	PARCEL RACK - FLUORESCENT LTS	MOLEX	6		562759
C 142	ENGINE COMPT. B/U ALARM	PED WP	2	561566	561690	C 204	RH PARCEL RACK - RACK LTS	AMP MNL	2	560900	560858
C 143						C 205	RH PARCEL RACK - FEEDING	AMP MNL	9	561661	561662
C 144	FR JCT BOX - AISLE LTS FEEDING	AMP MNL	2	561248	561247	C 206	RH PARCEL RACK - FEEDING	AMP FF	4	562760	562756
C 145						C 207	LH PARCEL RACK - FEEDING	AMP FF	4	562760	562756
C 146						C 208	PARCEL RACK - FLUORESCENT LTS	MOLEX	2		562758
C 147						C 209	LH PARCEL RACK - HOTESS CHIME	AMP MNL	3	561667	561550
C 148						C 210	LH PARCEL RACK - FEEDING	AMP MNL	9	561661	561662
C 149						C 211	FR ROOF - SUN VISOR LH	AMP MNL	2	560900	560898
C 150						C 212	FR ROOF - SUN VISOR RH	AMP MNL	2	560900	560898
C 151						C 213	WCL DOOR UP HING-DOOR READ & HOST. SW	AMP MNL	6	561552	561515
C 152						C 214					
C 153						C 215					
C 154						C 216					
C 155						C 217	RH PANEL SW. - SCENIC VIEW CAMERA	EATON	12		562763
C 156						C 218	RH PANEL SW. - LIGHTS SPARE	AMP MNL	2	560900	560898
C 157	FR SERV. CPT - WATER PUMP DR'S	PED WP	3	561781	561782	C 219					
C 158						C 220					
C 159						C 221					
C 160	FR SERVICE CPT - INTERFACE	AMP CPC	37	561644	561646	C 222					
C 161	ENGINE DDEC - ECM	PED MP	30		561600	C 223	HEAD LIGHTS - FLASHER	DEUTSCH	5	562565	562566
C 162	ENGINE DDEC - ACCESSORIES	PED WP	4	561610	561611	C 224	HEAD LIGHTS	PED MP	3		562099
C 163	ENGINE CPT - COOLANT PROBE	PED MP	2		562350	C 225	FOG LIGHTS	DEUTSCH	3	562902	562901
C 164						C 226	FRONT HEADLIGHTS - MARKER & FLASHER	PED	3	562137	
C 165						C 226	BATT. COMPT. - INTERIOR LTS	AMP MNL	2	561248	561247
C 166						C 227					
C 167	FR SERVICE CPT - EL. FOOT PEDAL	PED WP	3	561781	561782	C 228	L.H. CONSOLE EATON TRANSM.	AMP MNL	6	561552	561515
C 168	FR SERVICE CPT - DDR	DEUTSCH	6	562360		C 229	BATT. COMPT. - CHARGER 110V.	PED WP	1	561577	561605
C 169	FR SERVICE CPT - WORLD TR. INTERFACE	AMP CPC	16	561639	561640	C 230	ENGINE COMPT. - FUEL PRIME PUMP SW.	PED WP	2	561566	561690
C 169	FR SERV. COMPT. - SPEED SWITCH	AMP	15	562011	562012	C 231	ENGINE COMPT. - FUEL PRIME PUMP	PED WP	2	561566	561690
C 170	FR JCT BOX FLASHER UNIT	PED	2		561940	C 232					
C 171	LH CONSOLE	AMP CPC	24	561642	561643	C 233	FIRST LUGGAGE CPT.	VDO	8		562043
C 172	FR SERVICE COMPT - KNEELING PANEL	AMP CPC	16	561639	561640	C 234	FIRST LUGGAGE CPT.	VDO	8		562044
C 172	ENGINE COMPT. - WATER TANK HEATER	PED WP	2	561566	561690	C 235	FIRST LUGGAGE CPT.	VDO	8		562041
C 173						C 236	FIRST LUGGAGE CPT.	AMP MNL	4	560851	560858
C 174						C 236	FR SERVICE CPT CENTER - ABS	AMP CPC	14	561636	561637
C 175						C 237	FR AXLE CPT - ABS RH SENSOR	WABCO	2	641132	
C 176	UNDER DASH RH - WIPER PULSE	AMP FF	6		561186	C 238	FR AXLE CPT - ABS RH VALVE	WABCO	3	641098	
C 177	UNDER DASH RH - WIPER MOTOR	AMP FF	6		561186	C 239	FR AXLE CPT - ABS LH VALVE	WABCO	3	641098	
C 178						C 240	FR AXLE CPT - ABS LH SENSOR	WABCO	2	641132	
C 179						C 241	LAST LUGGAGE COMPT - ABS	PED WP	6	561606	561607
C 180	KNEELING PANEL - DIODE SOCKET	AMP MNL	15	561987	561986	C 242	DRIVE AXLE CPT - ABS LH SENSOR	WABCO	2	641132	
C 181						C 243	DRIVE AXLE CPT - ABS LH VALVE	WABCO	3	641098	
C 182						C 244	DRIVE AXLE CPT - ABS RH VALVE	WABCO	3	641098	

CONNECTORS CODE

NO	LOCATION	TYPE	CAVITY	#PIN	#SOCKET	NO	LOCATION	TYPE	CAVITY	#PIN	#SOCKET
				HOUSING	HOUSING					HOUSING	HOUSING
C 245	DRIVE AXLE CPT - ABS RH SENSOR	WABCO	2	641132		C 308					
C 246	DRIVE AXLE CPT - ATC SOL.	PED WP	2	561566	561690	C 309	ENGINE DDEC - ECM POWER	PED MP	5		562345
C 247	E.C.U. EATON TRANS.	PED MP	18		562573	C 310	LH CONSOLE SW - LUG. DOOR LOCK	EATON	12		562763
C 248	LAST LUGGAGE CPT - ABS	PED WP	6	561606	561607	C 311	RH SWITCH PANEL - HOTESS CHIME	EATON	12		562763
C 249	FR SERVICE CPT - ABS/DDEC	PED WP	2	561566	561690	C 312	ENGINE DDEC - ACCESSORIES	PED WP	3	561781	561782
C 250						C 312	RH SWITCH PANEL - READING LAMP	EATON	12		562763
C 251	LH SW PANEL - FAST IDLE	EATON	12		562763	C 313	ENGINE DDEC - INTERFACE	PED MP	3	562398	
C 252	LUGGAGE COMPT. - WINDOW AJAR	MOLEX	4	561477	561476	C 313	RH SWITCH PANEL - INTERIOR LTS	EATON	12		562763
C 253	LH SWITCH PANEL - ETHER	EATON	12		562763	C 314	KNEELING PANEL - PRESS SW.	PED WP	2	561566	561690
C 254						C 314	RH SWITCH PANEL - INTERIOR LTS	EATON	12		562763
C 255	LH SWITCH PANEL - ENGINE BRAKE	EATON	12		562763	C 315	LH SWITCH PANEL - LH SUN VISOR SW.	EATON	12		562763
C 256						C 316	RH UNDER DASH - KNEELING BUZZER	AMP MNL	2	560900	560898
C 257						C 317	LH SWITCH PANEL - RH SUN VISOR SW.	EATON	12		562763
C 258	LH SWITCH PANEL - MULTI FUNC. SW	AMP FF	8	561188		C 318	LH CONSOLE SW - DR'S WINDOW SW.	EATON	12		562763
C 259						C 319					
C 259	LH SWITCH PANEL - MULTI FUNC. SW	AMP FF	6		561186	C 320	RT SWITCH PANEL - DRIVER'S LTS SW.	EATON	12		562763
C 260						C 321	UNDER DASH RH - KEYLESS MODULE	AMP COM	26		562676
C 261						C 322	UNDER DASH RH - KEYLESS MODULE	AMP COM	22		562675
C 262						C 323	DRIVER'S WINDOW MOTOR	PED	2		561848
C 263	LUGGAGE COMPT. LTS COMPT #3	AMP MNL	2	561248	561247	C 324					
C 264	LUGGAGE COMPT. LTS COMPT #2	AMP MNL	2	561248	561247	C 325	LH SWITCH PANEL - KNEELING	EATON	12		562763
C 265	LUGGAGE COMPT. LTS COMPT #1	AMP MNL	2	561248	561247	C 326	EATON TRANSMISSION INTERFACE	PED WP	4	561610	561611
C 266	ENTRANCE DOOR KEYLESS	AMP CPC	14	561585	561583	C 327					
C 267	UNDER DASH RH - ENT. DOOR PANEL	AMP CPC	24	561642	561643	C 328	RR ROOF - GALLEY LAMP		2		
C 268	FR MIRROR RH	CONXALL	5	563091	563090	C 329					
C 269	FR MIRROR LH	CONXALL	5	563091	563090	C 330					
C 270	LUGGAGE COMPT LTS - 3 LH	AMP MNL	2	561248	561247	C 331					
C 271	LUGGAGE COMPT LTS - 4	AMP MNL	2	561248	561247	C 332					
C 272						C 333					
C 273	ENT. DOOR PANEL - DIODE SOCKET	AMP MNL	9	561670	561669	C 334					
C 274						C 335					
C 275	ENT. DOOR PANEL - DIODE SOCKET	AMP MNL	9	561670	561669	C 336					
C 276						C 337					
C 277	RH UNDER DASH - ENT. DOOR REED SW.	AMP MNL	2	560900	560858	C 338					
C 278	RH PASS. AIR DUCT - ENT DOOR PRESS SW.	PED WP	2	561566	561690	C 339	KNEELING PANEL - HI BUOY SOL. VALVE	PNEUMAC	3		641385
C 279	RH UNDER DASH - ENT. DOOR REED SW.	AMP MNL	2	560900	560858	C 340	FR JCT BOX - FIRE PIEZO ALARM	AMP MNL	2	560900	560898
C 279	FR SERVICE COMPT LH - STEERING ZF	DEUTSCH	2		562485	C 341	LH SWITCH PANEL - HEAT MIRROR SW.	EATON	12		562763
C 280	ENGINE COMPT - A/C COMPRESSOR AUX.	PED WP	2	561566	561690	C 342					
C 281						C 343	LH SWITCH PANEL - HEAD LAMP SW.	EATON	12		562763
C 282	FR SERVICE COMPT - STEERING ZF	VOLVO	2		562928	C 344	LH SWITCH PANEL - HAZARD LT SW.	EATON	12		562763
C 283	LH CONSOLE - SPARE SW. LTS	AMP MNL	2	561248	561247	C 345	LH SWITCH PANEL - FOG LT SW.	EATON	12		562763
C 284	E.C.U. EATON TRANS.	PED	2		563052	C 346					
C 285						C 347					
C 286						C 348	INSTR. PANEL CENT. - RACOR MODULE	MOLEX	6	562070	562069
C 287						C 349					
C 288						C 350					
C 289						C 351					
C 290	LUGGAGE CPT - DOOR LOCK	AMP MNL	4	560851	560852	C 352					
C 291	LUGGAGE CPT - DOOR LOCK	AMP MNL	4	560851	560852	C 353					
C 292						C 354					
C 293						C 355					
C 294						C 356					
C 295						C 357					
C 296						C 358					
C 297						C 359	RH SWITCH PANEL - ENT. DOOR WIND. SW.	EATON	12		562763
C 298						C 360	ENTRANCE WINDOW MOTOR	PED	2		561848
C 299	RH SWITCH PANEL - GALLEY	EATON	12		562763	C 361					
C 300						C 362					
C 301						C 363					
C 302						C 364	FRONT ROOF - ELECTRICAL DEST. SIGN	AMP MNL	3	561667	561550
C 303	RR JCT BOX - DIODES	AMP MNL	15	561987	561986	C 365					
C 304	RR JCT BOX - DIODES	AMP MNL	15	561987	561986	C 366					
C 305						C 367					
C 306						C 368	FRONT ROOF - ELECTRICAL DEST. SIGN	AMP MNL	3	561667	561550
C 307						C 369	FRONT ROOF - ELECTRICAL DEST. SIGN	TORRIX	5	562110	

CONNECTORS CODE

NO	LOCATION	TYPE	CAVITY	#PIN	#SOCKET	NO	LOCATION	TYPE	CAVITY	#PIN	#SOCKET
				HOUSING	HOUSING					HOUSING	HOUSING
C 370	FRONT ROOF – ELECTRICAL DEST. SIGN	AMP MNL	2	560900	560858	C 434					
C 371	FRONT ROOF – ELECTRICAL DEST. SIGN	AMP MNL	3	561667	561550	C 435					
C 372	FRONT ROOF – ELECTRICAL DEST. SIGN	MOLEX	4	561477	561476	C 436					
C 373						C 437					
C 374						C 438					
C 375						C 439					
C 376						C 440					
C 377	LH SWITCH PANEL – STOP ENGINE OVERRIDE	EATON	12		562763	C 441					
C 378						C 442					
C 379	LUGGAGE COMPT. – WINDOW AJAR SW.	MOLEX	4	561477	561476	C 443					
C 380						C 444					
C 381	UNDER DASH PANEL – ANTI THILED	AMP MNL	2	561248	561247	C 445					
C 382	ENGINE GENERATOR (1)	PED WP	1	561605	561577	C 446					
C 383	ENGINE COMPT – VOLTAGE REGULATOR	PED WP	1	561605	561577	C 447					
C 384						C 448					
C 385	BATT. COMPT. – BJB INTERFACE	AMP MNL	12	561735	561736	C 449					
C 386	LH SWITCH PANEL – W.C.LIFT	EATON	12		562763	C 450	S.S. PANEL - FEEDING	MOLEX	4	562507	562503
C 387	EVAPORATOR COMPT. - BY-PASS VALVE	PED WP	2	561566	561690	C 451	S.S. PANEL - FEEDING	MOLEX	2	562550	562549
C 387	BATTERY COMPT. – WCL ACCES.	AMP CPC	16	561639	561640	C 452	UNDER DASH – S.S. ACC. SIGNAL	MOLEX	2	562550	562549
C 388	LUGG. COMPT.(4) – WCL DOOR ACCESS.	AMP MNL	12	561735	561736	C 453	S. S. PANEL – VCR FEEDING	PED WP	2	561566	561690
C 389	EVAPORATOR COMPT. – WATER PUMP	PED WP	2	561566	561690	C 454	S. S. PANEL – VCR FEEDING	PED WP	2	561566	561690
C 390	EVAPORATOR COMPT. – A/C JCT. BOX	DEUTSCH	24	562280	562283	C 455	PARCEL RACK – WIRELESS MICROPHONE	MOLEX	6		562464
C 391	CONDENSER COMPT. A/C PRESS SW 2 SP	PED WP	2	561566	561690	C 456	WORLD TRANS. - RETARDER ACCUM.	PED MP	2		562427
C 392						C 457	WORLD TRANS. - MAIN CONNECTOR	DEUTSCH	31	562572	562536
C 393						C 458	WORLD TRANS. - TURBINE SP. SENS.	PED MP	2		562426
C 394	UNDER DASH - B/U MONITOR	AMP MNL	4	560851	560852	C 459	WORLD TRANS. - ENGINE SP. SENS.	PED MP	2		562426
C 395	UNDER DASH - B/U MONITOR	CLARION	4		990335	C 460	WORLD TRANS. - SPEED SENSOR	ITT	2		562541
C 396	PARCEL RACK – SPEAKER FEEDING	MOLEX	4	562507	562503	C 461	WORLD TRANS. - RETARDER TEMP.	PED MP	2		562856
C 397						C 462	WORLD TRANS. - RETARDER SOL. "K"	PED MP	2		562426
C 398						C 463	WORLD TRANS. - SENSOR CONN.	DEUTSCH	16	562570	562571
C 399	ENGINE GENERATOR (2)	PED WP	2	561566	561690	C 464	RR JCT BOX – DDL CONN	DEUTSCH	6		565360
C 400	ENGINE COMPT. – BLOCK HEATER	PED WP	3	561781	561782	C 465	LH CONSOLE - SHIFTER SELECTOR	PED	20		562825
C 401						C 466	FR SERVICE CPT - RESIS. MOD.	PED WP	3		562428
C 402						C 467	FR SERVICE CPT - RESIS. MOD.	PED WP	3		562428
C 403	GALLEY – REFRIGERATOR		2			C 468	STEERING COLUMN – RET. HAND LEVER	AMP FF	8	561188	562363
C 404	GALLEY – LAMP SWITCH		2			C 469	FR SERVICE COMPT. – RESIS. MOD.	AMP FF	8	561188	562363
C 405						C 470					
C 406						C 471					
C 407						C 472	FR SERVICE CPT – SILENT 1000 OR EATON	PED WP	2	561566	561690
C 408						C 473					
C 409						C 474	DRIVER'S TEMP SENSOR	AMP MNL	2	561248	561247
C 410						C 475	FR SERVICE CPT - SPEED SIGN. CONNECT.	DEUTSCH	6	562583	562581
C 411						C 475M	FR SERVICE CPT – SPEED SIGN. W. TR.	DEUTSCH	6	562583	562581
C 412						C 475W	FR SERVICE CPT – SPEED SIGN. W. TR.	DEUTSCH	6	562583	562581
C 413						C 476					
C 414						C 477					
C 415						C 478	FRONT ROOF – ELECTRONIC DEST. SIGN	AMP CPC	9	561636	561637
C 416						C 479	UNDER DASH – HVAC DASH MODULE	MOLEX	3		562783
C 417						C 480	UNDER DASH RH – DR'S FAN SPEED CTR	PED WP	4	561889	561890
C 418						C 481	UNDER DASH RH – DR'S FAN SPEED CTR	PED WP	3	561781	561782
C 419	FR JCT BOX – RET/JAKE SELECTION	AMP MNL	3	561667	561550	C 482					
C 420						C 483	FR SERVICE CPT – ELECTRICAL SEAT	PED	2	562237	
C 421	ENGINE COMPT. - WEBASTO	AMP FF	2	562473	562474	C 484	UNDER DASH LH – FOOT DAMPER MOTOR	PED	2		562076
C 422	ENGINE COMPT. - WEBASTO	PED	2	562644	561597	C 485	UNDER DASH LH – DASH & DEFRR. DAMP. M.	AMP MNL	3	561667	561558
C 423						C 486	WCL ROOF DOOR – DOOR LT.	LEECRAFT	2	-----	562803
C 424	UNDER DASH – AUDIBLE FLASHER	AMP MNL	3	561667	561550	C 487					
C 425						C 488					
C 426	ENGINE S60 RAD. FAN CLUTCH	PED WP	3	561781	561782	C 489					
C 427						C 490					
C 428	RH SW PANEL – DASH LTS RHEOSTAT	AMP MNL	3	561667	561550	C 491					
C 429						C 492					
C 430	LH CONSOLE – PRE-HEAT TIMER	AMP FF	8	561188	562363	C 493					
C 431	LH CONSOLE – PRE-HEAT TIMER		1		560488	C 494					
C 432						C 495					
C 433						C 496					

CONNECTORS CODE

NO	LOCATION	TYPE	CAVITY	#PIN	#SOCKET	NO	LOCATION	TYPE	CAVITY	#PIN	#SOCKET
				HOUSING	HOUSING					HOUSING	HOUSING
C 497						C 567	FR. SERV. COMPT. - MIC. OUTLET	MOLEX	4	562507	562503
C 498						C 568	S.S. PANEL - SPEAKER OUTLET	CINTCH	4	562553	
C 499						C 569	S. S. PANEL - AMPLI SIGNAL	MOLEX	9	562556	562555
C 500	FR JCT PANEL - PRODRIVER	MOLEX	6	562070	562069	C 570	UNDER DASH PANEL - T.T.LT MODULE	MOLEX	6		562464
C 501						C 571	UNDER DASH PANEL - T.T.LT MODULE	MOLEX	20		562778
C 502	LH DASH PANEL - PRE- HEAT SW.	EATON	12		562763	C 572	UNDER DASH PANEL - T.T.LT MODULE	MOLEX	18		562779
C 503	LH CONSOLE-PROHEAT TIMER	PED MP	6	-----	562878	C 573	UNDER DASH PANEL - T.T.LT MODULE	MOLEX	8		562465
C 504	LH CONSOLE -WEBASTO TIMER	AMP	8	-----	562852	C 574	PARCEL RACK - INDIRECT LTS BALLAST	MOLEX			562759
C 505	LH CONSOLE -ESPAR TIMER	AMP	12	-----	562681	C 575	RH PARCEL RACK - FFEDING	MOLEX	4	562507	562503
C 506	FR JCT BOX - DIGITAL CLOCK	AMP CPC	4	561685	561687	C 576	RH PARCEL RACK - FFEDING	AMP MNL	3	561667	561550
C 507	LH HAT RACK - DIGITAL CLOCK	MOLEX	4	561477	561476	C 577	LH PARCEL RACK - FFEDING	AMP MNL	3	561667	561550
C 508	RR JCT BOX - FAN CLUTCH RETARDER	AMP MNL	6	561552	561515	C 578	LH PARCEL RACK - FFEDING	MOLEX	4	562507	562503
C 509	EVAP. COMPT. - NOT USED	DEUTSCH	5		562566	C 579	LH PARCEL RACK-VCR POWER	MOLEX	4		563071
C 515	FR JCT BOX CPT. - INTERCOM	MOLEX	4	561477	561476	C 580	LH DASH PANEL - PARCEL RACK A/C SW.	EATON	12		562763
C 516	FR JCT BOX CPT. - INTERCOM	MOLEX	6	562070	562069	C 581	LH DASH PANEL - ELECTRICAL HORN	PED MP	2		562777
C 517	LAVATORY WALL - INTERCOM	MOLEX	6	562070	562069	C 582					
C 519A	RH UNDER DASH - ENTRANCE DOOR SOL.	PNEUMAC	3		641385	C 583	LH DASH PANEL - MASTER KEY SW.	DEUTSCH	2	562486	562485
C 519B	RH UNDER DASH - ENTRANCE DOOR SOL.	PNEUMAC	3		641385	C 584	FR. SERVICE COMPT - HORN PNEU. VALVE	PNEUMAC	3		562848
C 520	RH UNDER DASH - ENTRANCE DOOR SOL.	PNEUMAC	3		641385	C 585					
C 521	RH UNDER DASH - ENTRANCE DOOR SOL.	PNEUMAC	3		641385	C 586	FR SERVICE COMPT - ACC. PNEU.VALVE	PNEUMAC	3		562848
C 522	FR JCT BOX - DAYTIME LTS MODULE	BOSCH	5		561183	C 587	LH PARCEL RACK DVD UNIT	MOLEX	4	563040	563071
C 523	FR JCT BOX - FUSE BLOCK	PED	8	562647	562646	C 588	FR SERV. COMPT. - S.S. INTERFACE	AMP CPC	37	561645	561646
C 524	FR JCT BOX - FUSE BLOCK	PED	8	562647	562646	C 589	FR. MIRROR LH	CONXALL	8	563163	563088
C 525	FR JCT BOX - FUSE BLOCK	PED	8	562647	562646	C 590	FR. MIRROR RH	CONXALL	8	563163	563088
C 526	FR JCT BOX - FUSE BLOCK	PED	8	562647	562646	C 591	LH CONSOLE - LH MIRROR SW.	EURAMT.	8		562749
C 527	FR JCT BOX - FUSE BLOCK	PED	8	562647	562646	C 592	LH CONSOLE - RH MIRROR SW.	EURAMT.	8		562749
C 528						C 594	FRONT ROOF - DRIVER'S LTS	LEEKRAFT	2	-----	562803
C 529						C 595	RH DASH PANEL - ENTRANCE DOOR SW.	MOLEX	4	562507	562503
C 530	RR JCT BOX - FUSE BLOCK	PED	8	562647	562646	C 596	RH DASH PANEL - ENTRANCE DOOR SW.	MOLEX	4	562507	562503
C 531	RR JCT BOX - FUSE BLOCK	PED	8	562647	562646	C 597	LH DASH PANEL - DISPLAY SET SW.	AMP	5		562905
C 532	LH PARCEL RACK - A/C LIQ. SOL.	AMP MNL	2	561248	561247	C 598	LH DASH PANEL - DISPLAY SET SW.	AMP	5		562905
C 533	RH PARCEL RACK - A/C LIQ. SOL.	AMP MNL	2	561248	561247	C 599	UND. DASH - MAGN. SW CTR POS. DR'S AIR	AMP MNL	2	561248	561247
C 534						C 604	LH PARCEL RACK DVD VIDEO STABILIZER	SWITCHCRAFT	1		563074
C 535						C 605	LH PARCEL RACK - A/C UNIT	AMP MNL	6	561552	561515
C 536						C 606	RH PARCEL RACK - A/C UNIT	AMP MNL	6	561552	561515
C 537	A/C JCT BOX RESISTOR SIGN. RLY	AMP MNL	2	561248	561247	C 607	FR SERVICE COMPT - RPM SIGNAL (SPARE)	PED WP	2	561566	561690
C 538	FR SERV. CPT RH - OUTSIDE TEMP. SENS	AMP MNL	2	561248	561247	C 608	FR SERV. COMPT - SPEED SIGNAL (SPARE)	PED WP	2	561566	561690
C 539	HVAC DASH MODULE OUTPUT CONN.	MOLEX	24		562780	C 609					
C 540	HVAC DASH MODULE INPUT CONN.	MOLEX	22		562781	C 610					
C 541						C 611	RH PARCEL RACK READING LTS WCL	MOLEX	6	562558	562557
C 542						C 612	RH PARCEL RACK LUOR. INSTATION LTS WCL	MOLEX	4	562507	562503
C 543						C 613	RH PARCEL RACK INDIRECT LTS WCL	AMP MNL	3	561667	561550
C 544	S.S. PANEL - AUDIO SEAT	PED WP	3	561781	561782	C 614	RH PARCEL RACK INDIRECT LTS WCL	AMP MNL	3	561667	561550
C 545						C 615	LH PARCEL RACK DVD SIGN ALONG ADAPTOR	MOLEX	2	562550	562549
C 546	FR. JCT BOX - CHARGER WIRELESS MIC.	MOLEX	2		563025	CS	FR SERVICE CPT - ECU WOLRD TR.	PED MP	32		562817
C 547						CT	FR SERVICE CPT - ECU WORLD TR.	PED MP	32		562824
C 548	LH DASH PANEL - T.T.LT TEST SW.	EATON	12		562763	CV	FR SERVICE CPT - ECU WORLD TR.	PED MP	32		562823
C 549	LH DASH PANEL - ENGINE FAN OVERRIDE	EATON	12		562763	CX	CLUSTER	JAE	5		562957
C 550	LAST LUGG. CPT. -WCL MODULE	AMP CPC	16	561694	561695	CX 1	FR SERVICE CPT - ECU ABS	AMP JN	18	562792	562792
C 551	LAST LUGG. CPT. -WCL REMOTE	AMP CPC	9	561636	561637	CX 2	FR SERVICE CPT - ECU ABS	AMP JN	15	562795	562795
C 552						CX 3	FR SERVICE CPT - ECU ABS	AMP JN	9	562794	562794
C 553	UNDER DASH - S.S. CONTROL HEAD	MOLEX	16		562559	CX 4	FR SERVICE CPT - ECU ABS	AMP JN	6	562793	562793
C 554	UNDER DASH - S.S. CONTROL HEAD	MOLEX	16		562559	CY	CLUSTER	JAE	30		562765
C 555	UNDER DASH - S.S. CONTROL HEAD	MOLEX	16		562559	CW X1	ENGINE COMPT. - WATER HEATER	AMP	7	563134	563135
C 556	UNDER DASH - RADIO FEEDING	MOLEX	2	562550	562549	CW X3	ENGINE COMPT. - WATER HEATER	AMP	7	563134	563135
C 557	UNDER DASH - RADIO FEEDING	MOLEX	9	562556	562555	LX	CLUSTER	JAE	22		562766
C 558	FR. SERV. COMPT. - MIC. OUTLET	MOLEX	4	562507	562503	LY	CLUSTER	JAE	30		562767
C 559						RX	CLUSTER	JAE	30		562767
C 560						WEB 1	ENGINE COMPT. - WEBASTO	AMP FF	2	562473	562474
C 561	LH PARCEL RACK - WIRELESS MIC.	MOLEX	8		562465	WEB 2	ENGINE COMPT. - WEBASTO	AMP FF	2	562643	
C 562	LH PARCEL RACK - VCR SIGNAL	MOLEX	12		563070	ZF 1	FR JCT BOX - STEERING E.C.U.	HELLA	9		562929
C 563	FR. SERV. COMPT. - DRIVER SPEAKER	MOLEX	4	562507	562503						
C 564	FR. SERV. COMPT. - MIC. OUTLET	MOLEX	4	562507	562503						
C 565	FR. SERV. COMPT. - MIC. OUTLET	MOLEX	4	562507	562503						
C 566	FR. SERV. COMPT. - MIC. OUTLET	MOLEX	4	562507	562503						

CONNECTORS CODE

NO	LOCATION	TYPE	CAVITY	#PIN	#SOCKET	NO	LOCATION	TYPE	CAVITY	#PIN	#SOCKET
				HOUSING	HOUSING					HOUSING	HOUSING
A 1	UNDER DASH – AUDIO SIGNAL	RCA	1	562090	562330	C 58					
A 2	UNDER DASH – AUDIO SIGNAL	RCA	1	562090	562330	C 59					
A 10	UNDER DASH – AUDIO SIGNAL	RCA	1	562090	562330	C 60					
A 11	UNDER DASH – AUDIO SIGNAL	RCA	1	562090	562330	C 61	ENGINE COMPT - FUEL FILTER	PED WP	2	561566	561690
A 18	S. S. PANEL – AUDIO SIGNAL	RCA	1	562090	562330	C 62	ENGINE COMPT – COMPR. AUX. PRESS. SW.	PED WP	2	561566	561690
A 19	S. S. PANEL – AUDIO SIGNAL	RCA	1	562090	562330	C 63	ENGINE COMPT – COMPR. AUX. PRESS. SW.	PED WP	2	561566	561690
AA 1	UNDER DASH PANEL- SONALERT	BOSCH	5	-----	561183	C 64					
C 1	FR JCT BOX COMPARTIMENT	AMP CPC	14	561585	561584	C 65	ENGINE CPT – A/C PRESS SW FAN CLUTCH	PED WP	2	561566	561690
C 2	FR JCT BOX COMPARTIMENT	AMP CPC	16	561638	561640	C 66					
C 3	FR JCT BOX COMPARTIMENT	AMP CPC	37	561644	561646	C 67					
C 4	FR JCT BOX COMPARTIMENT	AMP CPC	24	561641	561643	C 68					
C 5	FR SERVICE COMPT. - UNDERNEATH	AMP CPC	37	561645	561646	C 69					
C 6	FR SERVICE COMPT. - UNDERNEATH	AMP CPC	16	561639	561640	C 70	LH CONSOLE	AMP CPC	16	561639	561640
C 7	FR SERVICE COMPT - CLUTCH SW	ITT SS	3	561080	561111	C 71	FR JCT BOX COMPT.	AMP CPC	37	561645	561646
C 8	FR SERVICE COMPT. - UNDERNEATH	AMP CPC	24	561642	561643	C 72	FR JCT BOX COMPT.	AMP CPC	24	561642	561643
C 9	FR SERVICE COMPT. - UNDERNEATH	AMP CPC	24	561642	561643	C 73					
C 10	FR SERVICE DOOR ACCESS.	DEUTSCH	5	562565	562566	C 74	FR JCT BOX COMPT.	AMP CPC	37	561645	561646
C 11	FR SERV. CPT ACCESS	AMP CPC	37	561645	561646	C 75	SERVICE COMPT. EXT. ENTRANCE DOOR SW.	DEUTSCH	4	562479	562477
C 12	FR SERV. CPT ACCESS	AMP CPC	16	561639	561640	C 75	RH PARCEL RACK – READ. LTS FEED. WCL	MOLEX	6	562558	562557
C 13	FR JCT BOX COMPARTIMENT	AMP MNL	2	561248	561247	C 76	ENGINE COMPT. FIRE DETECTOR	DEUTSCH	2	562486	562485
C 14	LAST LUGGAGE COMP(4) - DOCKING LTS	AMP MNL	2	561248	561247	C 77	ENGINE COMPT. FIRE DETECTOR	DEUTSCH	2	562486	562485
C 15	UNDER STAIRS – CORNERING LTS	AMP MNL	2	560900	560898	C 78					
C 16	LH CONSOLE SW-CRUISE ON/OFF	EATON	12	-----	562763	C 79					
C 17	LH CONSOLE SW-CRUISE RESUME	EATON	12		562763	C 80					
C 18	LH CONSOLE SW-CRUISE SET	EATON	12		562763	C 81	LUGGAGE COMPT - DOOR LOCK	AMP MNL	4	560851	560852
C 19	LH CONSOLE SW-DECEL SW	EATON	12		562763	C 82	UNDER SEAT – AISLE LTS	AMP MNL	2	560900	560898
C 20	RR JCT BOX	DEUTSCH	70	562282	562285	C 82	LUGGAGE COMPT - DOOR LOCK	AMP MNL	4	560851	560852
C 21	ENGINE COMPT - LOCK DOOR MOT.	PED WP	2		562076	C 83	LUGGAGE COMPT - DOOR LOCK	AMP MNL	4	560851	560852
C 22	LUGGAGE COMPT (A) - A/C & FUEL TANK	AMP CPC	16	561639	561640	C 84	LUGGAGE COMPT - DOOR LOCK	AMP MNL	4	560851	560852
C 23	LUGGAGE COMPT (1) – LUGG. ACCESS.	AMP CPC	24	561642	561643	C 85					
C 24	ENGINE COMPT. – INTERF RJB	PED WP	6	561606	561607	C 86					
C 25	ENGINE COMPT. – INTERF RJB	PED WP	6	561606	561607	C 87					
C 26	ENGINE COMPT. ACCESS	DEUTSCH	40	562281	562284	C 88					
C 27	ENGINE COMPT. – INTERF. RJB	DEUTSCH	6	562583	562581	C 89					
C 28	LUGGAGE COMPT(4) – LUGG. ACCESS	AMP CPC	24	561642	561643	C 90					
C 29	FR SERVICE COMPT – E.C.U. FEED	PED WP	3	561781	561782	C 91					
C 30	ENGINE COMPT – MASTER SW. SIGN.	DEUTSCH	2	562486	562485	C 92	FR JCT BOX COMPT - ABS	AMP CPC	9	561635	561637
C 31	RR JCT BOX – PARCEL RACK FEEDING	DEUTSCH	31	562572	562536	C 93					
C 32	ENGINE COMPT.-ECM	PED WP	1	561605	561577	C 94					
C 33	FR SERV. COMPT. – VSS SIGNAL	PED WP	2	561566	561690	C 95					
C 34	FR JCT BOX EATON TRANS. J1939	DEUTSCH	3	562877	562884	C 96	FR SERVICE DOOR ACCESS	AMP MNL	9	561670	561669
C 35	A/C COMPT - AIR RETURN SENSOR	AMP MNL	2	561248	561247	C 97	FR SERVICE DOOR – WATER TANK	PED MP	2		562426
C 36	UNDER STAIRS – STEP LIGHTS	AMP MNL	2	561248	561247	C 98					
C 36	RH PARCEL RACK – EMERGENCY LTS	AMP MNL	2	560900	560898	C 99	FR SERVICE CPT. LTS	AMP MNL	2	561248	561247
C 37	LH PARCEL RACK - FEEDING	MOLEX	6	562558	562557	C 100					
C 38	RH PARCEL RACK - FEEDING	MOLEX	6	562558	562557	C 101	FR SERVICE COMPT. ELEC. HORNS	PED WP	2	561566	561690
C 39	ENGINE COMPT. ECM J1939	DEUTSCH	3	562877	562884	C 102	CONDENSER COMPT - A/C PRES. SW 1SP	PED WP	2	561566	561690
C 40	FR JCT BOX EATON TRANS. J1939	DEUTSCH	3	562877	562884	C 103	CONDENS. COMPT – LIQU. SOL. VAL. PRES.	PED WP	2	561566	561690
C 41	ENGINE COMPT – RH DOOR LOCK	DEUTSCH	4	562479	562477	C 104	ENGINE COMPT. – LAVATORY FAN	PED WP	2	561566	561690
C 42	ENGINE COMPT – RR CAP LIGHTING	DEUTSCH	6	562583	562581	C 105	ENGINE COMPT. – LAVATORY PUMP	DEUTSCH	2	562486	562485
C 43	FR JCT BOX – ALT. MODULE	AMP MNL	12	561735	561734	C 105	UNDER DASH RH - DRV LIO SOL VL	PED WP	2	561566	561690
C 44	ENGINE COMPT - LIGHTS	PED WP	1	561605	561577	C 106	UNDER DASH RH - DRV WTR VALVE	PED WP	2	561566	561690
C 45	FR JCT BOX COMPT – ROOF ACCESS	AMP CPC	24	561642	561643	C 107					
C 46	ENGINE COMPT. ECM J1939	DEUTSCH	3	562877	562884	C 108					
C 47	ENGINE DDEC-ECM J1939	PED MP	4	-----	561962	C 109					
C 48	FR SERV. CPT. PRESS SW PARK BRAKE	DEUTSCH	4	562479	562477	C 110					
C 49	LAVATORY ROOF – NIGHT LIGHT	AMP MNL	2	560900	560898	C 111					
C 50	LAVATORY ROOF - LIGHT	LEECRAFT	2	-----	562803	C 112					
C 51						C 113	EATON SPEED SIGNAL	PED P2S	2	-----	562426
C 52	ENGINE COMPT - COMPRESSOR	PED WP	2	561566	561690	C 114	ENGINE DDEC - SPEED SIGNAL	PED WP	2	561566	561690
C 53	ENGINE COMPT - COMPRESSOR	PED WP	2	561566	561690	C 115	RR JCT BOX – ENGINE ACCESS	DEUTSCH	40	562281	562284
C 54						C 116					
C 55	CENTRAL DOOR LOCK	DEUTSCH	4	562479	562477	C 117					
C 56	LH PARCEL RACK - FEEDING	MOLEX	6	562558	562557	C 118	ENGINE COMPT - LICENCE	DOM. AUT	2	930210	
C 57	RH PARCEL RACK - FEEDING	MOLEX	6	562558	562557	C 119	ENGINE COMPT - RH LOWER LAMP	PED WP	6	561606	561607

CONNECTORS CODE

NO	LOCATION	TYPE	CAVITY	#PIN	#SOCKET	NO	LOCATION	TYPE	CAVITY	#PIN	#SOCKET
				HOUSING	HOUSING					HOUSING	HOUSING
C 120	ENGINE COMPT - LH LOWER LAMP	PED WP	6	561606	561607	C 183					
C 121						C 184	FR SERV. COMPT. - KNEELING PROX. SW.	ITT SS	3	561080	561111
C 122						C 185	KNEELING PANEL - DOWN SOL. VALVE	PNEUMAC	3		641385
C 123						C 186					
C 124						C 187	FR SERVICE JCT BOX - RESISTORS	AMP MNL	6	561552	561515
C 125						C 187	KNEELING PANEL- PARK BRAKE INTERLOCK	PNEUMAC	3		641385
C 126						C 188					
C 127						C 189					
C 128						C 190					
C 129						C 191					
C 130						C 192					
C 131						C 193					
C 132						C 194					
C 133						C 195					
C 134	FR JCT BOX - DIODE CONN.	AMP MNL	15	561987	561986	C 196	KNEELING PANEL - UP SOL. VALVE	PNEUMAC	3		641385
C 135	FR JCT BOX - DIODE CONN.	AMP MNL	15	561987	561986	C 197	KNEELING PANEL - CTR SOL. VALVE	PNEUMAC	3		641385
C 136	FR JCT BOX - DIODE CONN.	AMP MNL	15	561987	561986	C 198					
C 137	FR JCT BOX - DIODE CONN.	AMP MNL	15	561987	561986	C 199					
C 138						C 200	PARCEL RACK - FLUORESCENT LTS	AMP MNL	2	561248	561247
C 139						C 201	PARCEL RACK - FLUORESCENT LTS	AMP MNL	2	561248	561247
C 140	HVAC DASH MODULE THERMOMETER	MOLEX	4		562782	C 202	RH PARCEL RACK - INDIRECT LTS	MOLEX	2		562758
C 141	RR DASH PANEL - LTS CONN. (SPARE)	AMP MNL	2	561248	561247	C 203	PARCEL RACK - FLUORESCENT LTS	MOLEX	6		562759
C 142	ENGINE COMPT. B/U ALARM	PED WP	2	561566	561690	C 204	RH PARCEL RACK - RACK LTS	AMP MNL	2	560900	560858
C 143						C 205	RH PARCEL RACK - FEEDING	AMP MNL	9	561661	561662
C 144	FR JCT BOX - AISLE LTS FEEDING	AMP MNL	2	561248	561247	C 206	RH PARCEL RACK - FEEDING	AMP FF	4	562760	562756
C 145						C 207	LH PARCEL RACK - FEEDING	AMP FF	4	562760	562756
C 146						C 208	PARCEL RACK - FLUORESCENT LTS	MOLEX	2		562758
C 147						C 209	LH PARCEL RACK - HOTESS CHIME	AMP MNL	3	561667	561550
C 148						C 210	LH PARCEL RACK - FEEDING	AMP MNL	9	561661	561662
C 149						C 211	FR ROOF - SUN VISOR LH	AMP MNL	2	560900	560898
C 150						C 212	FR ROOF - SUN VISOR RH	AMP MNL	2	560900	560898
C 151						C 213	WCL DOOR UP HING-DOOR READ & HOST. SW	AMP MNL	6	561552	561515
C 152						C 214					
C 153						C 215					
C 154						C 216					
C 155						C 217	RH PANEL SW. - SCENIC VIEW CAMERA	EATON	12		562763
C 156						C 218	RH PANEL SW. - LIGHTS SPARE	AMP MNL	2	560900	560898
C 157	FR SERV. CPT - WATER PUMP DR'S	PED WP	3	561781	561782	C 219					
C 158						C 220					
C 159						C 221					
C 160	FR SERVICE CPT - INTERFACE	AMP CPC	37	561644	561646	C 222					
C 161	ENGINE DDEC - ECM	PED MP	30		561600	C 223	HEAD LIGHTS - FLASHER	DEUTSCH	5	562565	562566
C 162	ENGINE DDEC - ACCESSORIES	PED WP	4	561610	561611	C 224	HEAD LIGHTS	PED MP	3		562099
C 163	ENGINE CPT - COOLANT PROBE	PED MP	2		562350	C 225	FOG LIGHTS	DEUTSCH	3	562902	562901
C 164						C 226	FRONT HEADLIGHTS - MARKER & FLASHER	PED	3	562137	
C 165						C 226	BATT. COMPT. - INTERIOR LTS	AMP MNL	2	561248	561247
C 166						C 227					
C 167	FR SERVICE CPT - EL. FOOT PEDAL	PED WP	3	561781	561782	C 228	L.H. CONSOLE EATON TRANSM.	AMP MNL	6	561552	561515
C 168	FR SERVICE CPT - DDR	DEUTSCH	6	562360		C 229	BATT. COMPT. - CHARGER 110V.	PED WP	1	561577	561605
C 169	FR SERVICE CPT - WORLD TR. INTERFACE	AMP CPC	16	561639	561640	C 230	ENGINE COMPT. - FUEL PRIME PUMP SW.	PED WP	2	561566	561690
C 169	FR SERV. COMPT. - SPEED SWITCH	AMP	15	562011	562012	C 231	ENGINE COMPT. - FUEL PRIME PUMP	PED WP	2	561566	561690
C 170	FR JCT BOX FLASHER UNIT	PED	2		561940	C 232					
C 171	LH CONSOLE	AMP CPC	24	561642	561643	C 233	FIRST LUGGAGE CPT.	VDO	8		562043
C 172	FR SERVICE COMPT - KNEELING PANEL	AMP CPC	16	561639	561640	C 234	FIRST LUGGAGE CPT.	VDO	8		562044
C 172	ENGINE COMPT. - WATER TANK HEATER	PED WP	2	561566	561690	C 235	FIRST LUGGAGE CPT.	VDO	8		562041
C 173						C 236	FIRST LUGGAGE CPT.	AMP MNL	4	560851	560858
C 174						C 236	FR SERVICE CPT CENTER - ABS	AMP CPC	14	561636	561637
C 175						C 237	FR AXLE CPT - ABS RH SENSOR	WABCO	2	641132	
C 176	UNDER DASH RH - WIPER PULSE	AMP FF	6		561186	C 238	FR AXLE CPT - ABS RH VALVE	WABCO	3	641098	
C 177	UNDER DASH RH - WIPER MOTOR	AMP FF	6		561186	C 239	FR AXLE CPT - ABS LH VALVE	WABCO	3	641098	
C 178						C 240	FR AXLE CPT - ABS LH SENSOR	WABCO	2	641132	
C 179						C 241	LAST LUGGAGE COMPT - ABS	PED WP	6	561606	561607
C 180	KNEELING PANEL - DIODE SOCKET	AMP MNL	15	561987	561986	C 242	DRIVE AXLE CPT - ABS LH SENSOR	WABCO	2	641132	
C 181						C 243	DRIVE AXLE CPT - ABS LH VALVE	WABCO	3	641098	
C 182						C 244	DRIVE AXLE CPT - ABS RH VALVE	WABCO	3	641098	

CONNECTORS CODE

NO	LOCATION	TYPE	CAVITY	#PIN	#SOCKET	NO	LOCATION	TYPE	CAVITY	#PIN	#SOCKET
				HOUSING	HOUSING					HOUSING	HOUSING
C 245	DRIVE AXLE CPT - ABS RH SENSOR	WABCO	2	641132		C 308					
C 246	DRIVE AXLE CPT - ATC SOL.	PED WP	2	561566	561690	C 309	ENGINE DDEC - ECM POWER	PED MP	5		562345
C 247	E.C.U. EATON TRANS.	PED MP	18		562573	C 310	LH CONSOLE SW - LUG. DOOR LOCK	EATON	12		562763
C 248	LAST LUGGAGE CPT - ABS	PED WP	6	561606	561607	C 311	RH SWITCH PANEL - HOTESS CHIME	EATON	12		562763
C 249	FR SERVICE CPT - ABS/DDEC	PED WP	2	561566	561690	C 312	ENGINE DDEC - ACCESSORIES	PED WP	3	561781	561782
C 250						C 312	RH SWITCH PANEL - READING LAMP	EATON	12		562763
C 251	LH SW PANEL - FAST IDLE	EATON	12		562763	C 313	ENGINE DDEC - INTERFACE	PED MP	3	562398	
C 252	LUGGAGE COMPT. - WINDOW AJAR	MOLEX	4	561477	561476	C 313	RH SWITCH PANEL - INTERIOR LTS	EATON	12		562763
C 253	LH SWITCH PANEL - ETHER	EATON	12		562763	C 314	KNEELING PANEL - PRESS SW.	PED WP	2	561566	561690
C 254						C 314	RH SWITCH PANEL - INTERIOR LTS	EATON	12		562763
C 255	LH SWITCH PANEL - ENGINE BRAKE	EATON	12		562763	C 315	LH SWITCH PANEL - LH SUN VISOR SW.	EATON	12		562763
C 256						C 316	RH UNDER DASH - KNEELING BUZZER	AMP MNL	2	560900	560898
C 257						C 317	LH SWITCH PANEL - RH SUN VISOR SW.	EATON	12		562763
C 258	LH SWITCH PANEL - MULTI FUNC. SW	AMP FF	8	561188		C 318	LH CONSOLE SW - DR'S WINDOW SW.	EATON	12		562763
C 259						C 319					
C 259	LH SWITCH PANEL - MULTI FUNC. SW	AMP FF	6		561186	C 320	RT SWITCH PANEL - DRIVER'S LTS SW.	EATON	12		562763
C 260						C 321	UNDER DASH RH - KEYLESS MODULE	AMP COM	26		562676
C 261						C 322	UNDER DASH RH - KEYLESS MODULE	AMP COM	22		562675
C 262						C 323	DRIVER'S WINDOW MOTOR	PED	2		561848
C 263	LUGGAGE COMPT. LTS COMPT #3	AMP MNL	2	561248	561247	C 324					
C 264	LUGGAGE COMPT. LTS COMPT #2	AMP MNL	2	561248	561247	C 325	LH SWITCH PANEL - KNEELING	EATON	12		562763
C 265	LUGGAGE COMPT. LTS COMPT #1	AMP MNL	2	561248	561247	C 326	EATON TRANSMISSION INTERFACE	PED WP	4	561610	561611
C 266	ENTRANCE DOOR KEYLESS	AMP CPC	14	561585	561583	C 327					
C 267	UNDER DASH RH - ENT. DOOR PANEL	AMP CPC	24	561642	561643	C 328	RR ROOF - GALLEY LAMP		2		
C 268	FR MIRROR RH	CONXALL	5	563091	563090	C 329					
C 269	FR MIRROR LH	CONXALL	5	563091	563090	C 330					
C 270	LUGGAGE COMPT LTS - 3 LH	AMP MNL	2	561248	561247	C 331					
C 271	LUGGAGE COMPT LTS - 4	AMP MNL	2	561248	561247	C 332					
C 272						C 333					
C 273	ENT. DOOR PANEL - DIODE SOCKET	AMP MNL	9	561670	561669	C 334					
C 274						C 335					
C 275	ENT. DOOR PANEL - DIODE SOCKET	AMP MNL	9	561670	561669	C 336					
C 276						C 337					
C 277	RH UNDER DASH - ENT. DOOR REED SW.	AMP MNL	2	560900	560858	C 338					
C 278	RH PASS. AIR DUCT - ENT DOOR PRESS SW.	PED WP	2	561566	561690	C 339	KNEELING PANEL - HI BUOY SOL. VALVE	PNEUMAC	3		641385
C 279	RH UNDER DASH - ENT. DOOR REED SW.	AMP MNL	2	560900	560858	C 340	FR JCT BOX - FIRE PIEZO ALARM	AMP MNL	2	560900	560898
C 279	FR SERVICE COMPT LH - STEERING ZF	DEUTSCH	2		562485	C 341	LH SWITCH PANEL - HEAT MIRROR SW.	EATON	12		562763
C 280	ENGINE COMPT - A/C COMPRESSOR AUX.	PED WP	2	561566	561690	C 342					
C 281						C 343	LH SWITCH PANEL - HEAD LAMP SW.	EATON	12		562763
C 282	FR SERVICE COMPT - STEERING ZF	VOLVO	2		562928	C 344	LH SWITCH PANEL - HAZARD LT SW.	EATON	12		562763
C 283	LH CONSOLE - SPARE SW. LTS	AMP MNL	2	561248	561247	C 345	LH SWITCH PANEL - FOG LT SW.	EATON	12		562763
C 284	E.C.U. EATON TRANS.	PED	2		563052	C 346					
C 285						C 347					
C 286						C 348	INSTR. PANEL CENT. - RACOR MODULE	MOLEX	6	562070	562069
C 287						C 349					
C 288						C 350					
C 289						C 351					
C 290	LUGGAGE CPT - DOOR LOCK	AMP MNL	4	560851	560852	C 352					
C 291	LUGGAGE CPT - DOOR LOCK	AMP MNL	4	560851	560852	C 353					
C 292						C 354					
C 293						C 355					
C 294						C 356					
C 295						C 357					
C 296						C 358					
C 297						C 359	RH SWITCH PANEL - ENT. DOOR WIND. SW.	EATON	12		562763
C 298						C 360	ENTRANCE WINDOW MOTOR	PED	2		561848
C 299	RH SWITCH PANEL - GALLEY	EATON	12		562763	C 361					
C 300						C 362					
C 301						C 363					
C 302						C 364	FRONT ROOF - ELECTRICAL DEST. SIGN	AMP MNL	3	561667	561550
C 303	RR JCT BOX - DIODES	AMP MNL	15	561987	561986	C 365					
C 304	RR JCT BOX - DIODES	AMP MNL	15	561987	561986	C 366					
C 305						C 367					
C 306						C 368	FRONT ROOF - ELECTRICAL DEST. SIGN	AMP MNL	3	561667	561550
C 307						C 369	FRONT ROOF - ELECTRICAL DEST. SIGN	TORRIX	5	562110	

CONNECTORS CODE

NO	LOCATION	TYPE	CAVITY	#PIN	#SOCKET	NO	LOCATION	TYPE	CAVITY	#PIN	#SOCKET
				HOUSING	HOUSING					HOUSING	HOUSING
C 370	FRONT ROOF – ELECTRICAL DEST. SIGN	AMP MNL	2	560900	560858	C 434					
C 371	FRONT ROOF – ELECTRICAL DEST. SIGN	AMP MNL	3	561667	561550	C 435					
C 372	FRONT ROOF – ELECTRICAL DEST. SIGN	MOLEX	4	561477	561476	C 436					
C 373						C 437					
C 374						C 438					
C 375						C 439					
C 376						C 440					
C 377	LH SWITCH PANEL – STOP ENGINE OVERRIDE	EATON	12		562763	C 441					
C 378						C 442					
C 379	LUGGAGE COMPT. – WINDOW AJAR SW.	MOLEX	4	561477	561476	C 443					
C 380						C 444					
C 381	UNDER DASH PANEL – ANTI THILED	AMP MNL	2	561248	561247	C 445					
C 382	ENGINE GENERATOR (1)	PED WP	1	561605	561577	C 446					
C 383	ENGINE COMPT – VOLTAGE REGULATOR	PED WP	1	561605	561577	C 447					
C 384						C 448					
C 385	BATT. COMPT. – BJB INTERFACE	AMP MNL	12	561735	561736	C 449					
C 386	LH SWITCH PANEL – W.C.LIFT	EATON	12		562763	C 450	S.S. PANEL - FEEDING	MOLEX	4	562507	562503
C 387	EVAPORATOR COMPT. - BY-PASS VALVE	PED WP	2	561566	561690	C 451	S.S. PANEL - FEEDING	MOLEX	2	562550	562549
C 387	BATTERY COMPT. – WCL ACCES.	AMP CPC	16	561639	561640	C 452	UNDER DASH – S.S. ACC. SIGNAL	MOLEX	2	562550	562549
C 388	LUGG. COMPT.(4) – WCL DOOR ACCESS.	AMP MNL	12	561735	561736	C 453	S. S. PANEL – VCR FEEDING	PED WP	2	561566	561690
C 389	EVAPORATOR COMPT. – WATER PUMP	PED WP	2	561566	561690	C 454	S. S. PANEL – VCR FEEDING	PED WP	2	561566	561690
C 390	EVAPORATOR COMPT. – A/C JCT. BOX	DEUTSCH	24	562280	562283	C 455	PARCEL RACK – WIRELESS MICROPHONE	MOLEX	6		562464
C 391	CONDENSER COMPT. A/C PRESS SW 2 SP	PED WP	2	561566	561690	C 456	WORLD TRANS. - RETARDER ACCUM.	PED MP	2		562427
C 392						C 457	WORLD TRANS. - MAIN CONNECTOR	DEUTSCH	31	562572	562536
C 393						C 458	WORLD TRANS. - TURBINE SP. SENS.	PED MP	2		562426
C 394	UNDER DASH - B/U MONITOR	AMP MNL	4	560851	560852	C 459	WORLD TRANS. - ENGINE SP. SENS.	PED MP	2		562426
C 395	UNDER DASH - B/U MONITOR	CLARION	4		990335	C 460	WORLD TRANS. - SPEED SENSOR	ITT	2		562541
C 396	PARCEL RACK – SPEAKER FEEDING	MOLEX	4	562507	562503	C 461	WORLD TRANS. - RETARDER TEMP.	PED MP	2		562856
C 397						C 462	WORLD TRANS. - RETARDER SOL. "K"	PED MP	2		562426
C 398						C 463	WORLD TRANS. - SENSOR CONN.	DEUTSCH	16	562570	562571
C 399	ENGINE GENERATOR (2)	PED WP	2	561566	561690	C 464	RR JCT BOX – DDL CONN	DEUTSCH	6		565360
C 400	ENGINE COMPT. – BLOCK HEATER	PED WP	3	561781	561782	C 465	LH CONSOLE - SHIFTER SELECTOR	PED	20		562825
C 401						C 466	FR SERVICE CPT - RESIS. MOD.	PED WP	3		562428
C 402						C 467	FR SERVICE CPT - RESIS. MOD.	PED WP	3		562428
C 403	GALLEY – REFRIGERATOR		2			C 468	STEERING COLUMN – RET. HAND LEVER	AMP FF	8	561188	562363
C 404	GALLEY – LAMP SWITCH		2			C 469	FR SERVICE COMPT. – RESIS. MOD.	AMP FF	8	561188	562363
C 405						C 470					
C 406						C 471					
C 407						C 472	FR SERVICE CPT – SILENT 1000 OR EATON	PED WP	2	561566	561690
C 408						C 473					
C 409						C 474	DRIVER'S TEMP SENSOR	AMP MNL	2	561248	561247
C 410						C 475	FR SERVICE CPT - SPEED SIGN. CONNECT.	DEUTSCH	6	562583	562581
C 411						C 475M	FR SERVICE CPT – SPEED SIGN. W. TR.	DEUTSCH	6	562583	562581
C 412						C 475W	FR SERVICE CPT – SPEED SIGN. W. TR.	DEUTSCH	6	562583	562581
C 413						C 476					
C 414						C 477					
C 415						C 478	FRONT ROOF – ELECTRONIC DEST. SIGN	AMP CPC	9	561636	561637
C 416						C 479	UNDER DASH – HVAC DASH MODULE	MOLEX	3		562783
C 417						C 480	UNDER DASH RH – DR'S FAN SPEED CTR	PED WP	4	561889	561890
C 418						C 481	UNDER DASH RH – DR'S FAN SPEED CTR	PED WP	3	561781	561782
C 419	FR JCT BOX – RET/JAKE SELECTION	AMP MNL	3	561667	561550	C 482					
C 420						C 483	FR SERVICE CPT – ELECTRICAL SEAT	PED	2	562237	
C 421	ENGINE COMPT. - WEBASTO	AMP FF	2	562473	562474	C 484	UNDER DASH LH – FOOT DAMPER MOTOR	PED	2		562076
C 422	ENGINE COMPT. - WEBASTO	PED	2	562644	561597	C 485	UNDER DASH LH – DASH & DEFRR. DAMP. M.	AMP MNL	3	561667	561558
C 423						C 486	WCL ROOF DOOR – DOOR LT.	LEECRAFT	2	-----	562803
C 424	UNDER DASH – AUDIBLE FLASHER	AMP MNL	3	561667	561550	C 487					
C 425						C 488					
C 426	ENGINE S60 RAD. FAN CLUTCH	PED WP	3	561781	561782	C 489					
C 427						C 490					
C 428	RH SW PANEL – DASH LTS RHEOSTAT	AMP MNL	3	561667	561550	C 491					
C 429						C 492					
C 430	LH CONSOLE – PRE-HEAT TIMER	AMP FF	8	561188	562363	C 493					
C 431	LH CONSOLE – PRE-HEAT TIMER		1		560488	C 494					
C 432						C 495					
C 433						C 496					

CONNECTORS CODE

NO	LOCATION	TYPE	CAVITY	#PIN	#SOCKET	NO	LOCATION	TYPE	CAVITY	#PIN	#SOCKET
				HOUSING	HOUSING					HOUSING	HOUSING
C 497						C 567	FR. SERV. COMPT. - MIC. OUTLET	MOLEX	4	562507	562503
C 498						C 568	S.S. PANEL - SPEAKER OUTLET	CINTCH	4	562553	
C 499						C 569	S. S. PANEL - AMPLI SIGNAL	MOLEX	9	562556	562555
C 500	FR JCT PANEL - PRODRIVER	MOLEX	6	562070	562069	C 570	UNDER DASH PANEL - T.T.LT MODULE	MOLEX	6		562464
C 501						C 571	UNDER DASH PANEL - T.T.LT MODULE	MOLEX	20		562778
C 502	LH DASH PANEL - PRE- HEAT SW.	EATON	12		562763	C 572	UNDER DASH PANEL - T.T.LT MODULE	MOLEX	18		562779
C 503	LH CONSOLE-PROHEAT TIMER	PED MP	6	-----	562878	C 573	UNDER DASH PANEL - T.T.LT MODULE	MOLEX	8		562465
C 504	LH CONSOLE -WEBASTO TIMER	AMP	8	-----	562852	C 574	PARCEL RACK - INDIRECT LTS BALLAST	MOLEX			562759
C 505	LH CONSOLE -ESPAR TIMER	AMP	12	-----	562681	C 575	RH PARCEL RACK - FFEDING	MOLEX	4	562507	562503
C 506	FR JCT BOX - DIGITAL CLOCK	AMP CPC	4	561685	561687	C 576	RH PARCEL RACK - FFEDING	AMP MNL	3	561667	561550
C 507	LH HAT RACK - DIGITAL CLOCK	MOLEX	4	561477	561476	C 577	LH PARCEL RACK - FFEDING	AMP MNL	3	561667	561550
C 508	RR JCT BOX - FAN CLUTCH RETARDER	AMP MNL	6	561552	561515	C 578	LH PARCEL RACK - FFEDING	MOLEX	4	562507	562503
C 509	EVAP. COMPT. - NOT USED	DEUTSCH	5		562566	C 579	LHPARCEL RACK-VCR POWER	MOLEX	4		563071
C 515	FR JCT BOX CPT. - INTERCOM	MOLEX	4	561477	561476	C 580	LH DASH PANEL - PARCEL RACK A/C SW.	EATON	12		562763
C 516	FR JCT BOX CPT. - INTERCOM	MOLEX	6	562070	562069	C 581	LH DASH PANEL - ELECTRICAL HORN	PED MP	2		562777
C 517	LAVATORY WALL - INTERCOM	MOLEX	6	562070	562069	C 582					
C 519A	RH UNDER DASH - ENTRANCE DOOR SOL.	PNEUMAC	3		641385	C 583	LH DASH PANEL - MASTER KEY SW.	DEUTSCH	2	562486	562485
C 519B	RH UNDER DASH - ENTRANCE DOOR SOL.	PNEUMAC	3		641385	C 584	FR. SERVICE COMPT - HORN PNEU. VALVE	PNEUMAC	3		562848
C 520	RH UNDER DASH - ENTRANCE DOOR SOL.	PNEUMAC	3		641385	C 585					
C 521	RH UNDER DASH - ENTRANCE DOOR SOL.	PNEUMAC	3		641385	C 586	FR SERVICE COMPT - ACC. PNEU.VALVE	PNEUMAC	3		562848
C 522	FR JCT BOX - DAYTIME LTS MODULE	BOSCH	5		561183	C 587	LH PARCEL RACK DVD UNIT	MOLEX	4	563040	563071
C 523	FR JCT BOX - FUSE BLOCK	PED	8	562647	562646	C 588	FR SERV. COMPT. - S.S. INTERFACE	AMP CPC	37	561645	561646
C 524	FR JCT BOX - FUSE BLOCK	PED	8	562647	562646	C 589	FR. MIRROR LH	CONXALL	8	563163	563088
C 525	FR JCT BOX - FUSE BLOCK	PED	8	562647	562646	C 590	FR. MIRROR RH	CONXALL	8	563163	563088
C 526	FR JCT BOX - FUSE BLOCK	PED	8	562647	562646	C 591	LH CONSOLE - LH MIRROR SW.	EURAMT.	8		562749
C 527	FR JCT BOX - FUSE BLOCK	PED	8	562647	562646	C 592	LH CONSOLE - RH MIRROR SW.	EURAMT.	8		562749
C 528						C 594	FRONT ROOF - DRIVER'S LTS	LEEKRAFT	2	-----	562803
C 529						C 595	RH DASH PANEL - ENTRANCE DOOR SW.	MOLEX	4	562507	562503
C 530	RR JCT BOX - FUSE BLOCK	PED	8	562647	562646	C 596	RH DASH PANEL - ENTRANCE DOOR SW.	MOLEX	4	562507	562503
C 531	RR JCT BOX - FUSE BLOCK	PED	8	562647	562646	C 597	LH DASH PANEL - DISPLAY SET SW.	AMP	5		562905
C 532	LH PARCEL RACK - A/C LIQ. SOL.	AMP MNL	2	561248	561247	C 598	LH DASH PANEL - DISPLAY SET SW.	AMP	5		562905
C 533	RH PARCEL RACK - A/C LIQ. SOL.	AMP MNL	2	561248	561247	C 599	UND. DASH - MAGN. SW CTR POS. DR'S AIR	AMP MNL	2	561248	561247
C 534						C 604	LH PARCEL RACK DVD VIDEO STABILIZER	SWITCHCRAFT	1	563074	
C 535						C 605	LH PARCEL RACK - A/C UNIT	AMP MNL	6	561552	561515
C 536						C 606	RH PARCEL RACK - A/C UNIT	AMP MNL	6	561552	561515
C 537	A/C JCT BOX RESISTOR SIGN. RLY	AMP MNL	2	561248	561247	C 607	FR SERVICE COMPT - RPM SIGNAL (SPARE)	PED WP	2	561566	561690
C 538	FR SERV. CPT RH - OUTSIDE TEMP. SENS	AMP MNL	2	561248	561247	C 608	FR SERV. COMPT - SPEED SIGNAL (SPARE)	PED WP	2	561566	561690
C 539	HVAC DASH MODULE OUTPUT CONN.	MOLEX	24		562780	C 609					
C 540	HVAC DASH MODULE INPUT CONN.	MOLEX	22		562781	C 610					
C 541						C 611	RH PARCEL RACK READING LTS WCL	MOLEX	6	562558	562557
C 542						C 612	RH PARCEL RACK LUOR. INSTATION LTS WCL	MOLEX	4	562507	562503
C 543						C 613	RH PARCEL RACK INDIRECT LTS WCL	AMP MNL	3	561667	561550
C 544	S.S. PANEL - AUDIO SEAT	PED WP	3	561781	561782	C 614	RH PARCEL RACK INDIRECT LTS WCL	AMP MNL	3	561667	561550
C 545						C 615	LH PARCEL RACK DVD SIGN ALONG ADAPTOR	MOLEX	2	562550	562549
C 546	FR. JCT BOX - CHARGER WIRELESS MIC.	MOLEX	2		563025	CS	FR SERVICE CPT - ECU WOLRD TR.	PED MP	32		562817
C 547						CT	FR SERVICE CPT - ECU WORLD TR.	PED MP	32		562824
C 548	LH DASH PANEL - T.T.LT TEST SW.	EATON	12		562763	CV	FR SERVICE CPT - ECU WORLD TR.	PED MP	32		562823
C 549	LH DASH PANEL - ENGINE FAN OVERRIDE	EATON	12		562763	CX	CLUSTER	JAE	5		562957
C 550	LAST LUGG. CPT. -WCL MODULE	AMP CPC	16	561694	561695	CX 1	FR SERVICE CPT - ECU ABS	AMP JN	18	562792	562792
C 551	LAST LUGG. CPT. -WCL REMOTE	AMP CPC	9	561636	561637	CX 2	FR SERVICE CPT - ECU ABS	AMP JN	15	562795	562795
C 552						CX 3	FR SERVICE CPT - ECU ABS	AMP JN	9	562794	562794
C 553	UNDER DASH - S.S. CONTROL HEAD	MOLEX	16		562559	CX 4	FR SERVICE CPT - ECU ABS	AMP JN	6	562793	562793
C 554	UNDER DASH - S.S. CONTROL HEAD	MOLEX	16		562559	CY	CLUSTER	JAE	30		562765
C 555	UNDER DASH - S.S. CONTROL HEAD	MOLEX	16		562559	CW X1	ENGINE COMPT. - WATER HEATER	AMP	7	563134	563135
C 556	UNDER DASH - RADIO FEEDING	MOLEX	2	562550	562549	CW X3	ENGINE COMPT. - WATER HEATER	AMP	7	563134	563135
C 557	UNDER DASH - RADIO FEEDING	MOLEX	9	562556	562555	LX	CLUSTER	JAE	22		562766
C 558	FR. SERV. COMPT. - MIC. OUTLET	MOLEX	4	562507	562503	LY	CLUSTER	JAE	30		562767
C 559						RX	CLUSTER	JAE	30		562767
C 560						WEB 1	ENGINE COMPT. - WEBASTO	AMP FF	2	562473	562474
C 561	LH PARCEL RACK - WIRELESS MIC.	MOLEX	8		562465	WEB 2	ENGINE COMPT. - WEBASTO	AMP FF	2	562643	
C 562	LH PARCEL RACK - VCR SIGNAL	MOLEX	12		563070	ZF 1	FR JCT BOX - STEERING E.C.U.	HELLA	9		562929
C 563	FR. SERV. COMPT. - DRIVER SPEAKER	MOLEX	4	562507	562503						
C 564	FR. SERV. COMPT. - MIC. OUTLET	MOLEX	4	562507	562503						
C 565	FR. SERV. COMPT. - MIC. OUTLET	MOLEX	4	562507	562503						
C 566	FR. SERV. COMPT. - MIC. OUTLET	MOLEX	4	562507	562503						

CONNECTORS CODE

NO	LOCATION	TYPE	CAVITY	#PIN	#SOCKET	NO	LOCATION	TYPE	CAVITY	#PIN	#SOCKET
				HOUSING	HOUSING					HOUSING	HOUSING
A 1	UNDER DASH – AUDIO SIGNAL	RCA	1	562090	562330	C 57	RH PARCEL RACK - FEEDING	MOLEX	6	562558	562557
A 2	UNDER DASH – AUDIO SIGNAL	RCA	1	562090	562330	C 58					
A 10	UNDER DASH – AUDIO SIGNAL	RCA	1	562090	562330	C 59					
A 11	UNDER DASH – AUDIO SIGNAL	RCA	1	562090	562330	C 60					
A 18	S. S. PANEL – AUDIO SIGNAL	RCA	1	562090	562330	C 61	ENGINE COMPT - FUEL FILTER	PED WP	2	561566	561690
A 19	S. S. PANEL – AUDIO SIGNAL	RCA	1	562090	562330	C 62	ENGINE COMPT – COMPR. AUX. PRESS. SW.	PED WP	2	561566	561690
AA 1	UNDER DASH PANEL- SONALERT	BOSCH	5	-----	561183	C 63	ENGINE COMPT – COMPR. AUX. PRESS. SW.	PED WP	2	561566	561690
C 1	FR JCT BOX COMPARTIMENT	AMP CPC	14	561585	561584	C 64					
C 2	FR JCT BOX COMPARTIMENT	AMP CPC	16	561638	561640	C 65	ENGINE CPT – A/C PRESS SW FAN CLUTCH	PED WP	2	561566	561690
C 3	FR JCT BOX COMPARTIMENT	AMP CPC	37	561644	561646	C 66					
C 4	FR JCT BOX COMPARTIMENT	AMP CPC	24	561641	561643	C 67					
C 5	FR SERVICE COMPT. - UNDERNEATH	AMP CPC	37	561645	561646	C 68					
C 6	FR SERVICE COMPT. - UNDERNEATH	AMP CPC	16	561639	561640	C 69					
C 7	FR SERVICE COMPT - CLUTCH SW	ITT SS	3	561080	561111	C 70	LH CONSOLE	AMP CPC	16	561639	561640
C 8	FR SERVICE COMPT. - UNDERNEATH	AMP CPC	24	561642	561643	C 71	FR JCT BOX COMPT.	AMP CPC	37	561645	561646
C 9	FR SERVICE COMPT. - UNDERNEATH	AMP CPC	24	561642	561643	C 72	FR JCT BOX COMPT.	AMP CPC	24	561642	561643
C 10	FR SERVICE DOOR ACCESS.	DEUTSCH	5	562565	562566	C 73					
C 11	FR SERV. CPT ACCESS	AMP CPC	37	561645	561646	C 74	FR JCT BOX COMPT.	AMP CPC	37	561645	561646
C 12	FR SERV. CPT ACCESS	AMP CPC	16	561639	561640	C 75	SERVICE COMPT. EXT. ENTRANCE DOOR SW.	AMPSCH	4	562479	562477
C 13	FR JCT BOX COMPARTIMENT	AMP MNL	2	561248	561247	C 75	RH PARCEL RACK – READ. LTS FEED. WCL	MOLEX	6	562558	562557
C 14	LAST LUGGAGE COMP(4) - DOCKING LTS	AMP MNL	2	561248	561247	C 76	ENGINE COMPT. FIRE DETECTOR	DEUTSCH	2	562486	562485
C 15	UNDER STAIRS – CORNERING LTS	AMP MNL	2	560900	560898	C 77	ENGINE COMPT. FIRE DETECTOR	DEUTSCH	2	562486	562485
C 16	LH CONSOLE SW-CRUISE ON/OFF	EATON	12	-----	562763	C 78					
C 17	LH CONSOLE SW-CRUISE RESUME	EATON	12		562763	C 79					
C 18	LH CONSOLE SW-CRUISE SET	EATON	12		562763	C 80					
C 19	LH CONSOLE SW-DECEL SW	EATON	12		562763	C 81	LUGGAGE COMPT - DOOR LOCK	AMP MNL	4	560851	560852
C 20	RR JCT BOX	DEUTSCH	70	562282	562285	C 82	UNDER SEAT – AISLE LTS	AMP MNL	2	560900	560898
C 21	ENGINE COMPT - LOCK DOOR MOT.	PED WP	2		562076	C 82	LUGGAGE COMPT - DOOR LOCK	AMP MNL	4	560851	560852
C 22	LUGGAGE COMPT (A) - A/C & FUEL TANK	AMP CPC	16	561639	561640	C 83	LUGGAGE COMPT - DOOR LOCK	AMP MNL	4	560851	560852
C 23	LUGGAGE COMPT (1) – LUGG. ACCESS.	AMP CPC	24	561642	561643	C 84	LUGGAGE COMPT - DOOR LOCK	AMP MNL	4	560851	560852
C 24	ENGINE COMPT. – INTERF RJB	PED WP	6	561606	561607	C 85					
C 25	ENGINE COMPT. – INTERF RJB	PED WP	6	561606	561607	C 86					
C 26	ENGINE COMPT. ACCESS	DEUTSCH	40	562281	562284	C 87					
C 27	ENGINE COMPT. – INTERF. RJB	DEUTSCH	6	562583	562581	C 88					
C 28	LUGGAGE COMPT(4) – LUGG. ACCESS	AMP CPC	24	561642	561643	C 89					
C 29	FR SERVICE COMPT – E.C.U. FEED	PED WP	3	561781	561782	C 90					
C 30	ENGINE COMPT – MASTER SW. SIGN.	DEUTSCH	2	562486	562485	C 91					
C 31	RR JCT BOX – PARCEL RACK FEEDING	DEUTSCH	31	562572	562536	C 92	FR JCT BOX COMPT - ABS	AMP CPC	9	561635	561637
C 32	ENGINE COMPT.-ECM	PED WP	1	561605	561577	C 93					
C 33	FR SERV. COMPT. – VSS SIGNAL	PED WP	2	561566	561690	C 94					
C 34	FR JCT BOX EATON TRANS. J1939	DEUTSCH	3	562877	562884	C 95					
C 35	A/C COMPT - AIR RETURN SENSOR	AMP MNL	2	561248	561247	C 96	FR SERVICE DOOR ACCESS	AMP MNL	9	561670	561669
C 36	UNDER STAIRS – STEP LIGHTS	AMP MNL	2	561248	561247	C 97	FR SERVICE DOOR – WATER TANK	PED MP	2		562426
C 36	RH PARCEL RACK – EMERGENCY LTS	AMP MNL	2	560900	560898	C 98					
C 37	LH PARCEL RACK - FEEDING	MOLEX	6	562558	562557	C 99	FR SERVICE CPT. LTS	AMP MNL	2	561248	561247
C 38	RH PARCEL RACK - FEEDING	MOLEX	6	562558	562557	C 100					
C 39	ENGINE COMPT. ECM J1939	DEUTSCH	3	562877	562884	C 101	FR SERVICE COMPT. ELEC. HORNS	PED WP	2	561566	561690
C 40	FR JCT BOX EATON TRANS. J1939	DEUTSCH	3	562877	562884	C 101	CONDENSER COMPT - A/C PRES. SW 1SP	PED WP	2	561566	561690
C 41	ENGINE COMPT – RH DOOR LOCK	DEUTSCH	4	562479	562477	C 102	CONDENS. COMPT – LIQU. SOL. VAL. PRES.	PED WP	2	561566	561690
C 42	ENGINE COMPT – RR CAP LIGHTING	DEUTSCH	6	562583	562581	C 103	ENGINE COMPT. – LAVATORY FAN	PED WP	2	561566	561690
C 43	FR JCT BOX – ALT. MODULE	AMP MNL	12	561735	561734	C 104	ENGINE COMPT. – LAVATORY PUMP	DEUTSCH	2	562486	562485
C 44	ENGINE COMPT - LIGHTS	PED WP	1	561605	561577	C 105	UNDER DASH RH - DRV LIO SOL VL	PED WP	2	561566	561690
C 45	FR JCT BOX COMPT – ROOF ACCESS	AMP CPC	24	561642	561643	C 106	UNDER DASH RH - DRV WTR VALVE	PED WP	2	561566	561690
C 46	ENGINE COMPT. ECM J1939	DEUTSCH	3	562877	562884	C 107					
C 47	ENGINE DDEC-ECM J1939	PED MP	4	-----	561962	C 108					
C 48	FR SERV. CPT. PRESS SW PARK BRAKE	DEUTSCH	4	562479	562477	C 109					
C 49	LAVATORY ROOF – NIGHT LIGHT	AMP MNL	2	560900	560898	C 110					
C 50	LAVATORY ROOF - LIGHT	LEECRAFT	2	-----	562803	C 111					
C 50	LH SWITCH PANEL – SAFETY SW.	EATON	12	-----	562763	C 112					
C 51	FR SERV.CPT.PARK. BRAKE SOL. VALVE	PNEUMAC	2	-----	641385	C 113	EATON SPEED SIGNAL	PED P2S	2	-----	562426
C 52	ENGINE COMPT - COMPRESSOR	PED WP	2	561566	561690	C 114	ENGINE DDEC - SPEED SIGNAL	PED WP	2	561566	561690
C 53	ENGINE COMPT - COMPRESSOR	PED WP	2	561566	561690	C 115	RR JCT BOX – ENGINE ACCESS	DEUTSCH	40	562281	562284
C 54						C 116					
C 55	CENTRAL DOOR LOCK	DEUTSCH	4	562479	562477	C 117					
C 56	LH PARCEL RACK - FEEDING	MOLEX	6	562558	562557	C 118	ENGINE COMPT - LICENCE	DOM. AUT	2	930210	

CONNECTORS CODE

NO	LOCATION	TYPE	CAVITY	#PIN	#SOCKET	NO	LOCATION	TYPE	CAVITY	#PIN	#SOCKET
				HOUSING	HOUSING					HOUSING	HOUSING
C 119	ENGINE COMPT - RH LOWER LAMP	PED WP	6	561606	561607	C 182					
C 120	ENGINE COMPT - LH LOWER LAMP	PED WP	6	561606	561607	C 183					
C 121						C 184	FR SERV. COMPT. - KNEELING PROX. SW.	ITT SS	3	561080	561111
C 122						C 185	KNEELING PANEL - DOWN SOL. VALVE	PNEUMAC	3		641385
C 123						C 186					
C 124						C 187	FR SERVICE JCT BOX - RESISTORS	AMP MNL	6	561552	561515
C 125						C 187	KNEELING PANEL - PARK BRAKE INTERLOCK	PNEUMAC	3		641385
C 126						C 188					
C 127						C 189					
C 128						C 190					
C 129						C 191					
C 130						C 192					
C 131						C 193					
C 132						C 194					
C 133						C 195					
C 134	FR JCT BOX - DIODE CONN.	AMP MNL	15	561987	561986	C 196	KNEELING PANEL - UP SOL. VALVE	PNEUMAC	3		641385
C 135	FR JCT BOX - DIODE CONN.	AMP MNL	15	561987	561986	C 197	KNEELING PANEL - CTR SOL. VALVE	PNEUMAC	3		641385
C 136	FR JCT BOX - DIODE CONN.	AMP MNL	15	561987	561986	C 198					
C 137	FR JCT BOX - DIODE CONN.	AMP MNL	15	561987	561986	C 199					
C 138						C 200	PARCEL RACK - FLUORESCENT LTS	AMP MNL	2	561248	561247
C 139						C 201	PARCEL RACK - FLUORESCENT LTS	AMP MNL	2	561248	561247
C 140	HVAC DASH MODULE THERMOMETER	MOLEX	4		562782	C 202	RH PARCEL RACK - INDIRECT LTS	MOLEX	2		562758
C 141	RR DASH PANEL - LTS CONN. (SPARE)	AMP MNL	2	561248	561247	C 203	PARCEL RACK - FLUORESCENT LTS	MOLEX	6		562759
C 142	ENGINE COMPT. B/U ALARM	PED WP	2	561566	561690	C 204	RH PARCEL RACK - RACK LTS	AMP MNL	2	560900	560858
C 143						C 205	RH PARCEL RACK - FEEDING	AMP MNL	9	561661	561662
C 144	FR JCT BOX - AISLE LTS FEEDING	AMP MNL	2	561248	561247	C 206	RH PARCEL RACK - FEEDING	AMP FF	4	562760	562756
C 145						C 207	LH PARCEL RACK - FEEDING	AMP FF	4	562760	562756
C 146						C 208	PARCEL RACK - FLUORESCENT LTS	MOLEX	2		562758
C 147						C 209	LH PARCEL RACK - HOTESS CHIME	AMP MNL	3	561667	561550
C 148						C 210	LH PARCEL RACK - FEEDING	AMP MNL	9	561661	561662
C 149						C 211	FR ROOF - SUN VISOR LH	AMP MNL	2	560900	560898
C 150						C 212	FR ROOF - SUN VISOR RH	AMP MNL	2	560900	560898
C 151						C 213	WCL DOOR UP HING-DOOR READ & HOST. SW	AMP MNL	6	561552	561515
C 152						C 214					
C 153						C 215					
C 154						C 216					
C 155						C 217	RH PANEL SW. - SCENIC VIEW CAMERA	EATON	12		562763
C 156						C 218	RH PANEL SW. - LIGHTS SPARE	AMP MNL	2	560900	560898
C 157	FR SERV. CPT - WATER PUMP DR'S	PED WP	3	561781	561782	C 219					
C 158						C 220					
C 159						C 221					
C 160	FR SERVICE CPT - INTERFACE	AMP CPC	37	561644	561646	C 222					
C 161	ENGINE DDEC - ECM	PED MP	30		561600	C 223	HEAD LIGHTS - FLASHER	DEUTSCH	5	562565	562566
C 162	ENGINE DDEC - ACCESSORIES	PED WP	4	561610	561611	C 224	HEAD LIGHTS	PED MP	3		562099
C 163	ENGINE CPT - COOLANT PROBE	PED MP	2		562350	C 225	FOG LIGHTS	DEUTSCH	3	562902	562901
C 164						C 226	FRONT HEADLIGHTS - MARKER & FLASHER	PED	3	562137	
C 165						C 226	BATT. COMPT. - INTERIOR LTS	AMP MNL	2	561248	561247
C 166						C 227					
C 167	FR SERVICE CPT - EL. FOOT PEDAL	PED WP	3	561781	561782	C 228	L.H. CONSOLE EATON TRANSM.	AMP MNL	6	561552	561515
C 168	FR SERVICE CPT - DDR	DEUTSCH	6	562360		C 229	BATT. COMPT. - CHARGER 110V.	PED WP	1	561577	561605
C 169	FR SERVICE CPT - WORLD TR. INTERFACE	AMP CPC	16	561639	561640	C 230	ENGINE COMPT. - FUEL PRIME PUMP SW.	PED WP	2	561566	561690
C 169	FR SERV. COMPT. - SPEED SWITCH	AMP	15	562011	562012	C 231	ENGINE COMPT. - FUEL PRIME PUMP	PED WP	2	561566	561690
C 170	FR JCT BOX FLASHER UNIT	PED	2		561940	C 232					
C 171	LH CONSOLE	AMP CPC	24	561642	561643	C 233	FIRST LUGGAGE CPT.	VDO	8		562043
C 172	FR SERVICE COMPT - KNEELING PANEL	AMP CPC	16	561639	561640	C 234	FIRST LUGGAGE CPT.	VDO	8		562044
C 172	ENGINE COMPT. - WATER TANK HEATER	PED WP	2	561566	561690	C 235	FIRST LUGGAGE CPT.	VDO	8		562041
C 173						C 236	FIRST LUGGAGE CPT.	AMP MNL	4	560851	560858
C 174						C 236	FR SERVICE CPT CENTER - ABS	AMP CPC	14	561636	561637
C 175						C 237	FR AXLE CPT - ABS RH SENSOR	WABCO	2	641132	
C 176	UNDER DASH RH - WIPER PULSE	AMP FF	6		561186	C 238	FR AXLE CPT - ABS RH VALVE	WABCO	3	641098	
C 177	UNDER DASH RH - WIPER MOTOR	AMP FF	6		561186	C 239	FR AXLE CPT - ABS LH VALVE	WABCO	3	641098	
C 178						C 240	FR AXLE CPT - ABS LH SENSOR	WABCO	2	641132	
C 179						C 241	LAST LUGGAGE COMPT - ABS	PED WP	6	561606	561607
C 180	KNEELING PANEL - DIODE SOCKET	AMP MNL	15	561987	561986	C 242	DRIVE AXLE CPT - ABS LH SENSOR	WABCO	2	641132	
C 181						C 243	DRIVE AXLE CPT - ABS LH VALVE	WABCO	3	641098	

CONNECTORS CODE

NO	LOCATION	TYPE	CAVITY	#PIN	#SOCKET	NO	LOCATION	TYPE	CAVITY	#PIN	#SOCKET
				HOUSING	HOUSING					HOUSING	HOUSING
C 244	DRIVE AXLE CPT - ABS RH VALVE	WABCO	3	641098		C 307					
C 245	DRIVE AXLE CPT - ABS RH SENSOR	WABCO	2	641132		C 308					
C 246	DRIVE AXLE CPT - ATC SOL.	PED WP	2	561566	561690	C 309	ENGINE DDEC - ECM POWER	PED MP	5		562345
C 247	E.C.U. EATON TRANS.	PED MP	18		562573	C 310	LH CONSOLE SW - LUG. DOOR LOCK	EATON	12		562763
C 248	LAST LUGGAGE CPT - ABS	PED WP	6	561606	561607	C 311	RH SWITCH PANEL - HOTESS CHIME	EATON	12		562763
C 249	FR SERVICE CPT - ABS/DDEC	PED WP	2	561566	561690	C 312	ENGINE DDEC - ACCESSORIES	PED WP	3	561781	561782
C 250						C 312	RH SWITCH PANEL - READING LAMP	EATON	12		562763
C 251	LH SW PANEL - FAST IDLE	EATON	12		562763	C 313	ENGINE DDEC - INTERFACE	PED MP	3	562398	
C 252	LUGGAGE COMPT. - WINDOW AJAR	MOLEX	4	561477	561476	C 313	RH SWITCH PANEL - INTERIOR LTS	EATON	12		562763
C 253	LH SWITCH PANEL - ETHER	EATON	12		562763	C 314	KNEELING PANEL - PRESS SW.	PED WP	2	561566	561690
C 254						C 314	RH SWITCH PANEL - INTERIOR LTS	EATON	12		562763
C 255	LH SWITCH PANEL - ENGINE BRAKE	EATON	12		562763	C 315	LH SWITCH PANEL - LH SUN VISOR SW.	EATON	12		562763
C 256						C 316	RH UNDER DASH - KNEELING BUZZER	AMP MNL	2	560900	560898
C 257						C 317	LH SWITCH PANEL - RH SUN VISOR SW.	EATON	12		562763
C 258	LH SWITCH PANEL - MULTI FUNC. SW	AMP FF	8	561188		C 318	LH CONSOLE SW - DR'S WINDOW SW.	EATON	12		562763
C 259						C 319					
C 259	LH SWITCH PANEL - MULTI FUNC. SW	AMP FF	6		561186	C 320	RT SWITCH PANEL - DRIVER'S LTS SW.	EATON	12		562763
C 260						C 321	UNDER DASH RH - KEYLESS MODULE	AMP COM	26		562676
C 261						C 322	UNDER DASH RH - KEYLESS MODULE	AMP COM	22		562675
C 262						C 323	DRIVER'S WINDOW MOTOR	PED	2		561848
C 263	LUGGAGE COMPT. LTS COMPT #3	AMP MNL	2	561248	561247	C 324					
C 264	LUGGAGE COMPT. LTS COMPT #2	AMP MNL	2	561248	561247	C 325	LH SWITCH PANEL - KNEELING	EATON	12		562763
C 265	LUGGAGE COMPT. LTS COMPT #1	AMP MNL	2	561248	561247	C 326	EATON TRANSMISSION INTERFACE	PED WP	4	561610	561611
C 266	ENTRANCE DOOR KEYLESS	AMP CPC	14	561585	561583	C 327					
C 267	UNDER DASH RH - ENT. DOOR PANEL	AMP CPC	24	561642	561643	C 328	RR ROOF - GALLEY LAMP		2		
C 268	FR MIRROR RH	CONXALL	5	563091	563090	C 329					
C 269	FR MIRROR LH	CONXALL	5	563091	563090	C 330					
C 270	LUGGAGE COMPT LTS - 3 LH	AMP MNL	2	561248	561247	C 331					
C 271	LUGGAGE COMPT LTS - 4	AMP MNL	2	561248	561247	C 332					
C 272						C 333					
C 273	ENT. DOOR PANEL - DIODE SOCKET	AMP MNL	9	561670	561669	C 334					
C 274						C 335					
C 275	ENT. DOOR PANEL - DIODE SOCKET	AMP MNL	9	561670	561669	C 336					
C 276						C 337					
C 277	RH UNDER DASH - ENT. DOOR REED SW.	AMP MNL	2	560900	560858	C 338					
C 278	RH PASS. AIR DUCT - ENT DOOR PRESS SW.	PED WP	2	561566	561690	C 339	KNEELING PANEL - HI BUOY SOL. VALVE	PNEUMAC	3		641385
C 279	RH UNDER DASH - ENT. DOOR REED SW.	AMP MNL	2	560900	560858	C 340	FR JCT BOX - FIRE PIEZO ALARM	AMP MNL	2	560900	560898
C 279	FR SERVICE COMPT LH - STEERING ZF	DEUTSCH	2		562485	C 341	LH SWITCH PANEL - HEAT MIRROR SW.	EATON	12		562763
C 280	ENGINE COMPT - A/C COMPRESSOR AUX.	PED WP	2	561566	561690	C 342					
C 281						C 343	LH SWITCH PANEL - HEAD LAMP SW.	EATON	12		562763
C 282	FR SERVICE COMPT - STEERING ZF	VOLVO	2		562928	C 344	LH SWITCH PANEL - HAZARD LT SW.	EATON	12		562763
C 283	LH CONSOLE - SPARE SW. LTS	AMP MNL	2	561248	561247	C 345	LH SWITCH PANEL - FOG LT SW.	EATON	12		562763
C 284	E.C.U. EATON TRANS.	PED	2		563052	C 346					
C 285						C 347					
C 286						C 348	INSTR. PANEL CENT. - RACOR MODULE	MOLEX	6	562070	562069
C 287						C 349					
C 288						C 350					
C 289						C 351					
C 290	LUGGAGE CPT - DOOR LOCK	AMP MNL	4	560851	560852	C 352					
C 291	LUGGAGE CPT - DOOR LOCK	AMP MNL	4	560851	560852	C 353					
C 292						C 354					
C 293						C 355					
C 294						C 356					
C 295						C 357					
C 296						C 358					
C 297						C 359	RH SWITCH PANEL - ENT. DOOR WIND. SW.	EATON	12		562763
C 298						C 360	ENTRANCE WINDOW MOTOR	PED	2		561848
C 299	RH SWITCH PANEL - GALLEY	EATON	12		562763	C 361					
C 300						C 362					
C 301						C 363					
C 302						C 364	FRONT ROOF - ELECTRICAL DEST. SIGN	AMP MNL	3	561667	561550
C 303	RR JCT BOX - DIODES	AMP MNL	15	561987	561986	C 365					
C 304	RR JCT BOX - DIODES	AMP MNL	15	561987	561986	C 366					
C 305						C 367					
C 306						C 368	FRONT ROOF - ELECTRICAL DEST. SIGN	AMP MNL	3	561667	561550

CONNECTORS CODE

NO	LOCATION	TYPE	CAVITY	#PIN	#SOCKET	NO	LOCATION	TYPE	CAVITY	#PIN	#SOCKET
				HOUSING	HOUSING					HOUSING	HOUSING
C 369	FRONT ROOF – ELECTRICAL DEST. SIGN	TORRIX	5	562110		C 433					
C 370	FRONT ROOF – ELECTRICAL DEST. SIGN	AMP MNL	2	560900	560858	C 434					
C 371	FRONT ROOF – ELECTRICAL DEST. SIGN	AMP MNL	3	561667	561550	C 435					
C 372	FRONT ROOF – ELECTRICAL DEST. SIGN	MOLEX	4	561477	561476	C 436					
C 373						C 437					
C 374						C 438					
C 375						C 439					
C 376						C 440					
C 377	LH SWITCH PANEL – STOP ENGINE OVERRIDE	EATON	12		562763	C 441					
C 378						C 442					
C 379	LUGGAGE COMPT. – WINDOW AJAR SW.	MOLEX	4	561477	561476	C 443					
C 380						C 444					
C 381	UNDER DASH PANEL – ANTI THILED	AMP MNL	2	561248	561247	C 445					
C 382	ENGINE GENERATOR (1)	PED WP	1	561605	561577	C 446					
C 383	ENGINE COMPT – VOLTAGE REGULATOR	PED WP	1	561605	561577	C 447					
C 384						C 448					
C 385	BATT. COMPT. – BJB INTERFACE	AMP MNL	12	561735	561736	C 449					
C 386	LH SWITCH PANEL – W.C.LIFT	EATON	12		562763	C 450	S.S. PANEL - FEEDING	MOLEX	4	562507	562503
C 387	EVAPORATOR COMPT. - BY-PASS VALVE	PED WP	2	561566	561690	C 451	S.S. PANEL - FEEDING	MOLEX	2	562550	562549
C 387	BATTERY COMPT. – WCL ACCES.	AMP CPC	16	561639	561640	C 452	UNDER DASH – S.S. ACC. SIGNAL	MOLEX	2	562550	562549
C 388	LUGG. COMPT.(4) – WCL DOOR ACCESS.	AMP MNL	12	561735	561736	C 453	S. S. PANEL – VCR FEEDING	PED WP	2	561566	561690
C 389	EVAPORATOR COMPT. – WATER PUMP	PED WP	2	561566	561690	C 454	S. S. PANEL – VCR FEEDING	PED WP	2	561566	561690
C 390	EVAPORATOR COMPT. – A/C JCT. BOX	DEUTSCH	24	562280	562283	C 455	PARCEL RACK – WIRELESS MICROPHONE	MOLEX	6		562464
C 391	CONDENSER COMPT. A/C PRESS SW 2 SP	PED WP	2	561566	561690	C 456	WORLD TRANS. - RETARDER ACCUM.	PED MP	2		562427
C 392						C 457	WORLD TRANS. - MAIN CONNECTOR	DEUTSCH	31	562572	562536
C 393						C 458	WORLD TRANS. - TURBINE SP. SENS.	PED MP	2		562426
C 394	UNDER DASH - B/U MONITOR	AMP MNL	4	560851	560852	C 459	WORLD TRANS. - ENGINE SP. SENS.	PED MP	2		562426
C 395	UNDER DASH - B/U MONITOR	CLARION	4		990335	C 460	WORLD TRANS. - SPEED SENSOR	ITT	2		562541
C 396	PARCEL RACK – SPEAKER FEEDING	MOLEX	4	562507	562503	C 461	WORLD TRANS. - RETARDER TEMP.	PED MP	2		562856
C 397						C 462	WORLD TRANS. - RETARDER SOL. "K"	PED MP	2		562426
C 398						C 463	WORLD TRANS. - SENSOR CONN.	DEUTSCH	16	562570	562571
C 399	ENGINE GENERATOR (2)	PED WP	2	561566	561690	C 464	RR JCT BOX - DDL CONN	DEUTSCH	6		565360
C 400	ENGINE COMPT. – BLOCK HEATER	PED WP	3	561781	561782	C 465	LH CONSOLE - SHIFTER SELECTOR	PED	20		562825
C 401						C 466	FR SERVICE CPT - RESIS. MOD.	PED WP	3		562428
C 402						C 467	FR SERVICE CPT - RESIS. MOD.	PED WP	3		562428
C 403	GALLEY – REFRIGERATOR		2			C 468	STEERING COLUMN – RET. HAND LEVER	AMP FF	8	561188	562363
C 404	GALLEY – LAMP SWITCH		2			C 469	FR SERVICE COMPT. – RESIS. MOD.	AMP FF	8	561188	562363
C 405	INVERTER SIGNAL	AMP MNL	2	561248	561247	C 470					
C 406						C 471					
C 407						C 472	FR SERVICE CPT – SILENT 1000 OR EATON	PED WP	2	561566	561690
C 408						C 473					
C 409						C 474	DRIVER'S TEMP SENSOR	AMP MNL	2	561248	561247
C 410						C 475	FR SERVICE CPT – SPEED SIGN. CONNECT.	DEUTSCH	6	562583	562581
C 411						C 475M	FR SERVICE CPT – SPEED SIGN. W. TR.	DEUTSCH	6	562583	562581
C 412						C 475W	FR SERVICE CPT – SPEED SIGN. W. TR.	DEUTSCH	6	562583	562581
C 413						C 476					
C 414						C 477					
C 415						C 478	FRONT ROOF – ELECTRONIC DEST. SIGN	AMP CPC	9	561636	561637
C 416						C 479	UNDER DASH – HVAC DASH MODULE	MOLEX	3		562783
C 417						C 480	UNDER DASH RH – DR'S FAN SPEED CTR	PED WP	4	561889	561890
C 418						C 481	UNDER DASH RH – DR'S FAN SPEED CTR	PED WP	3	561781	561782
C 419	FR JCT BOX – RET/JAKE SELECTION	AMP MNL	3	561667	561550	C 482					
C 420						C 483	FR SERVICE CPT – ELECTRICAL SEAT	PED	2	562237	
C 421	ENGINE COMPT. - WEBASTO	AMP FF	2	562473	562474	C 484	UNDER DASH LH – FOOT DAMPER MOTOR	PED	2		562076
C 422	ENGINE COMPT. - WEBASTO	PED	2	562644	561597	C 485	UNDER DASH LH – DASH & DEF. DAMP. M.	AMP MNL	3	561667	561558
C 423						C 486	WCL ROOF DOOR – DOOR LT.	LEECRAFT	2	-----	562803
C 424	UNDER DASH – AUDIBLE FLASHER	AMP MNL	3	561667	561550	C 487	S.S PANEL – AUDIO IN AMPLI	MOLEX	4	-----	563071
C 425						C 488	S.S PANEL – AMPLI SIGNAL	MOLEX	8	-----	562465
C 426	ENGINE S60 RAD. FAN CLUTCH	PED WP	3	561781	561782	C 489	S.S PANEL – SPEAKER OUTLET	MOLEX	6	-----	562464
C 427						C 490					
C 428	RH SW PANEL – DASH LTS RHEOSTAT	AMP MNL	3	561667	561550	C 491					
C 429						C 492					
C 430	LH CONSOLE – PRE-HEAT TIMER	AMP FF	8	561188	562363	C 493					
C 431	LH CONSOLE – PRE-HEAT TIMER		1		560488	C 494					
C 432						C 495					

CONNECTORS CODE

NO	LOCATION	TYPE	CAVITY	#PIN #SOCKET		NO	LOCATION	TYPE	CAVITY	#PIN #SOCKET	
				HOUSING	HOUSING					HOUSING	HOUSING
C 496						C 566	FR. SERV. COMPT. - MIC. OUTLET	MOLEX	4	562507	562503
C 497						C 567	FR. SERV. COMPT. - MIC. OUTLET	MOLEX	4	562507	562503
C 498						C 568	S.S. PANEL - SPEAKER OUTLET	CINTCH	4	562553	
C 499						C 569	S. S. PANEL - AMPLI SIGNAL	MOLEX	9	562556	562555
C 500	FR JCT PANEL - PRODRIVER	MOLEX	6	562070	562069	C 570	UNDER DASH PANEL - T.T.LT MODULE	MOLEX	6		562464
C 501						C 571	UNDER DASH PANEL - T.T.LT MODULE	MOLEX	20		562778
C 502	LH DASH PANEL - PRE- HEAT SW.	EATON	12		562763	C 572	UNDER DASH PANEL - T.T.LT MODULE	MOLEX	18		562779
C 503	LH CONSOLE-PROHEAT TIMER	PED MP	6	-----	562878	C 573	UNDER DASH PANEL - T.T.LT MODULE	MOLEX	8		562465
C 504	LH CONSOLE -WEBASTO TIMER	AMP	8	-----	562852	C 574	PARCEL RACK - INDIRECT LTS BALLAST	MOLEX			562759
C 505	LH CONSOLE -ESPAR TIMER	AMP	12	-----	562681	C 575	RH PARCEL RACK - FFEDING	MOLEX	4	562507	562503
C 506	FR JCT BOX - DIGITAL CLOCK	AMP CPC	4	561685	561687	C 576	RH PARCEL RACK - FFEDING	AMP MNL	3	561667	561550
C 507	LH HAT RACK - DIGITAL CLOCK	MOLEX	4	561477	561476	C 577	LH PARCEL RACK - FFEDING	AMP MNL	3	561667	561550
C 508	RR JCT BOX - FAN CLUTCH RETARDER	AMP MNL	6	561552	561515	C 578	LH PARCEL RACK - FFEDING	MOLEX	4	562507	562503
C 509	EVAP. COMPT. - NOT USED	DEUTSCH	5		562566	C 579	LH PARCEL RACK-VCR POWER	MOLEX	4		563071
C 515	FR JCT BOX CPT. - INTERCOM	MOLEX	4	561477	561476	C 580	LH DASH PANEL - PARCEL RACK A/C SW.	EATON	12		562763
C 516	FR JCT BOX CPT. - INTERCOM	MOLEX	6	562070	562069	C 581	LH DASH PANEL - ELECTRICAL HORN	PED MP	2		562777
C 517	LAVATORY WALL - INTERCOM	MOLEX	6	562070	562069	C 582					
C 519A	RH UNDER DASH - ENTRANCE DOOR SOL.	PNEUMAC	3		641385	C 583	LH DASH PANEL - MASTER KEY SW.	DEUTSCH	2	562486	562485
C 519B	RH UNDER DASH - ENTRANCE DOOR SOL.	PNEUMAC	3		641385	C 584	FR. SERVICE COMPT - HORN PNEU. VALVE	PNEUMAC	3		562848
C 520	RH UNDER DASH - ENTRANCE DOOR SOL.	PNEUMAC	3		641385	C 585					
C 521	RH UNDER DASH - ENTRANCE DOOR SOL.	PNEUMAC	3		641385	C 586	FR SERVICE COMPT - ACC. PNEU.VALVE	PNEUMAC	3		562848
C 522	FR JCT BOX - DAYTIME LTS MODULE	BOSCH	5		561183	C 587	LH PARCEL RACK DVD UNIT	MOLEX	4	563040	563071
C 523	FR JCT BOX - FUSE BLOCK	PED	8	562647	562646	C 588	FR SERV. COMPT. - S.S. INTERFACE	AMP CPC	37	561645	561646
C 524	FR JCT BOX - FUSE BLOCK	PED	8	562647	562646	C 589	FR. MIRROR LH	CONXALL	8	563163	563088
C 525	FR JCT BOX - FUSE BLOCK	PED	8	562647	562646	C 590	FR. MIRROR RH	CONXALL	8	563163	563088
C 526	FR JCT BOX - FUSE BLOCK	PED	8	562647	562646	C 591	LH CONSOLE - LH MIRROR SW.	EURAMT.	8		562749
C 527	FR JCT BOX - FUSE BLOCK	PED	8	562647	562646	C 592	LH CONSOLE - RH MIRROR SW.	EURAMT.	8		562749
C 528						C 594	FRONT ROOF - DRIVER'S LTS	LEEKRAFT	2	-----	562803
C 529						C 595	RH DASH PANEL - ENTRANCE DOOR SW.	MOLEX	4	562507	562503
C 530	RR JCT BOX - FUSE BLOCK	PED	8	562647	562646	C 596	RH DASH PANEL - ENTRANCE DOOR SW.	MOLEX	4	562507	562503
C 531	RR JCT BOX - FUSE BLOCK	PED	8	562647	562646	C 597	LH DASH PANEL - DISPLAY SET SW.	AMP	5		562905
C 532	LH PARCEL RACK - A/C LIQ. SOL.	AMP MNL	2	561248	561247	C 598	LH DASH PANEL - DISPLAY SET SW.	AMP	5		562905
C 533	RH PARCEL RACK - A/C LIQ. SOL.	AMP MNL	2	561248	561247	C 599	UND. DASH - MAGN. SW CTR POS. DR'S AIR	AMP MNL	2	561248	561247
C 534						C 604	LH PARCEL RACK DVD VIDEO STABILIZER	SWITCHCRAFT	1		563074
C 535						C 605	LH PARCEL RACK - A/C UNIT	AMP MNL	6	561552	561515
C 536						C 606	RH PARCEL RACK - A/C UNIT	AMP MNL	6	561552	561515
C 537	A/C JCT BOX RESISTOR SIGN. RLY	AMP MNL	2	561248	561247	C 607	FR SERVICE COMPT - RPM SIGNAL (SPARE)	PED WP	2	561566	561690
C 538	FR SERV. CPT RH - OUTSIDE TEMP. SENS	AMP MNL	2	561248	561247	C 608	FR SERV. COMPT - SPEED SIGNAL (SPARE)	PED WP	2	561566	561690
C 539	HVAC DASH MODULE OUTPUT CONN.	MOLEX	24		562780	C 609					
C 540	HVAC DASH MODULE INPUT CONN.	MOLEX	22		562781	C 610					
C 541						C 611	RH PARCEL RACK READING LTS WCL	MOLEX	6	562558	562557
C 542						C 612	RH PARCEL RACK LUOR. INSTATION LTS WCL	MOLEX	4	562507	562503
C 543						C 613	RH PARCEL RACK INDIRECT LTS WCL	AMP MNL	3	561667	561550
C 544	S.S. PANEL - AUDIO SEAT	PED WP	3	561781	561782	C 614	RH PARCEL RACK INDIRECT LTS WCL	AMP MNL	3	561667	561550
C 545						C 615	LH PARCEL RACK DVD SIGN ALONG ADAPTOR	MOLEX	2	562550	562549
C 546	FR. JCT BOX - CHARGER WIRELESS MIC.	MOLEX	2		563025	CS	FR SERVICE CPT - ECU WOLRD TR.	PED MP	32		562817
C 547						CT	FR SERVICE CPT - ECU WORLD TR.	PED MP	32		562824
C 548	LH DASH PANEL - T.T.LT TEST SW.	EATON	12		562763	CV	FR SERVICE CPT - ECU WORLD TR.	PED MP	32		562823
C 549	LH DASH PANEL - ENGINE FAN OVERRIDE	EATON	12		562763	CX	CLUSTER	JAE	5		562957
C 550	LAST LUGG. CPT. -WCL MODULE	AMP CPC	16	561694	561695	CX 1	FR SERVICE CPT - ECU ABS	AMP JN	18	562792	562792
C 551	LAST LUGG. CPT. -WCL REMOTE	AMP CPC	9	561636	561637	CX 2	FR SERVICE CPT - ECU ABS	AMP JN	15	562795	562795
C 552						CX 3	FR SERVICE CPT - ECU ABS	AMP JN	9	562794	562794
C 553	UNDER DASH - S.S. CONTROL HEAD	MOLEX	16		562559	CX 4	FR SERVICE CPT - ECU ABS	AMP JN	6	562793	562793
C 554	UNDER DASH - S.S. CONTROL HEAD	MOLEX	16		562559	CY	CLUSTER	JAE	30		562765
C 555	UNDER DASH - S.S. CONTROL HEAD	MOLEX	16		562559	CW X1	ENGINE COMPT. - WATER HEATER	AMP	7	563134	563135
C 556	UNDER DASH - RADIO FEEDING	MOLEX	2	562550	562549	CW X3	ENGINE COMPT. - WATER HEATER	AMP	7	563134	563135
C 557	UNDER DASH - RADIO FEEDING	MOLEX	9	562556	562555	LX	CLUSTER	JAE	22		562766
C 558	FR. SERV. COMPT. - MIC. OUTLET	MOLEX	4	562507	562503	LY	CLUSTER	JAE	30		562767
C 559						RX	CLUSTER	JAE	30		562767
C 560						WEB 1	ENGINE COMPT. - WEBASTO	AMP FF	2	562473	562474
C 561	LH PARCEL RACK - WIRELESS MIC.	MOLEX	8		562465	WEB 2	ENGINE COMPT. - WEBASTO	AMP FF	2	562643	
C 562	LH PARCEL RACK - VCR SIGNAL	MOLEX	12		563070	ZF 1	FR JCT BOX - STEERING E.C.U.	HELLA	9		562929
C 563	FR. SERV. COMPT. - DRIVER SPEAKER	MOLEX	4	562507	562503						
C 564	FR. SERV. COMPT. - MIC. OUTLET	MOLEX	4	562507	562503						
C 565	FR. SERV. COMPT. - MIC. OUTLET	MOLEX	4	562507	562503						

CONNECTORS CODE

NO	LOCATION	TYPE	CAVITY	#PIN	#SOCKET	NO	LOCATION	TYPE	CAVITY	#PIN	#SOCKET
				HOUSING	HOUSING					HOUSING	HOUSING
A 1	UNDER DASH – AUDIO SIGNAL	RCA	1	562090	562330	C 57	RH PARCEL RACK - FEEDING	MOLEX	6	562558	562557
A 2	UNDER DASH – AUDIO SIGNAL	RCA	1	562090	562330	C 58					
A 10	UNDER DASH – AUDIO SIGNAL	RCA	1	562090	562330	C 59					
A 11	UNDER DASH – AUDIO SIGNAL	RCA	1	562090	562330	C 60					
A 18	S. S. PANEL – AUDIO SIGNAL	RCA	1	562090	562330	C 61	ENGINE COMPT - FUEL FILTER	PED WP	2	561566	561690
A 19	S. S. PANEL – AUDIO SIGNAL	RCA	1	562090	562330	C 62	ENGINE COMPT – COMPR. AUX. PRESS. SW.	PED WP	2	561566	561690
AA 1	UNDER DASH PANEL- SONALERT	BOSCH	5	-----	561183	C 63	ENGINE COMPT – COMPR. AUX. PRESS. SW.	PED WP	2	561566	561690
C 1	FR JCT BOX COMPARTIMENT	AMP CPC	14	561585	561584	C 64					
C 2	FR JCT BOX COMPARTIMENT	AMP CPC	16	561638	561640	C 65	ENGINE CPT – A/C PRESS SW FAN CLUTCH	PED WP	2	561566	561690
C 3	FR JCT BOX COMPARTIMENT	AMP CPC	37	561644	561646	C 66					
C 4	FR JCT BOX COMPARTIMENT	AMP CPC	24	561641	561643	C 67					
C 5	FR SERVICE COMPT. - UNDERNEATH	AMP CPC	37	561645	561646	C 68					
C 6	FR SERVICE COMPT. - UNDERNEATH	AMP CPC	16	561639	561640	C 69					
C 7	FR SERVICE COMPT - CLUTCH SW	ITT SS	3	561080	561111	C 70	LH CONSOLE	AMP CPC	16	561639	561640
C 8	FR SERVICE COMPT. - UNDERNEATH	AMP CPC	24	561642	561643	C 71	FR JCT BOX COMPT.	AMP CPC	37	561645	561646
C 9	FR SERVICE COMPT. - UNDERNEATH	AMP CPC	24	561642	561643	C 72	FR JCT BOX COMPT.	AMP CPC	24	561642	561643
C 10	FR SERVICE DOOR ACCESS.	DEUTSCH	5	562565	562566	C 73					
C 11	FR SERV. CPT ACCESS	AMP CPC	37	561645	561646	C 74	FR JCT BOX COMPT.	AMP CPC	37	561645	561646
C 12	FR SERV. CPT ACCESS	AMP CPC	16	561639	561640	C 75	SERVICE COMPT. EXT. ENTRANCE DOOR SW.	DEUTSCH	4	562479	562477
C 13	FR JCT BOX COMPARTIMENT	AMP MNL	2	561248	561247	C 75	RH PARCEL RACK – READ. LTS FEED. WCL	MOLEX	6	562558	562557
C 14	LAST LUGGAGE COMP(4) - DOCKING LTS	AMP MNL	2	561248	561247	C 76	ENGINE COMPT. FIRE DETECTOR	DEUTSCH	2	562486	562485
C 15	UNDER STAIRS – CORNERING LTS	AMP MNL	2	560900	560898	C 77	ENGINE COMPT. FIRE DETECTOR	DEUTSCH	2	562486	562485
C 16	LH CONSOLE SW-CRUISE ON/OFF	EATON	12	-----	562763	C 78					
C 17	LH CONSOLE SW-CRUISE RESUME	EATON	12	-----	562763	C 79					
C 18	LH CONSOLE SW-CRUISE SET	EATON	12	-----	562763	C 80					
C 19	LH CONSOLE SW-DECEL SW	EATON	12	-----	562763	C 81	LUGGAGE COMPT - DOOR LOCK	AMP MNL	4	560851	560852
C 20	RR JCT BOX	DEUTSCH	70	562282	562285	C 82	UNDER SEAT – AISLE LTS	AMP MNL	2	560900	560898
C 21	ENGINE COMPT - LOCK DOOR MOT.	PED WP	2	562076	562076	C 82	LUGGAGE COMPT - DOOR LOCK	AMP MNL	4	560851	560852
C 22	LUGGAGE COMPT (A) - A/C & FUEL TANK	AMP CPC	16	561639	561640	C 83	LUGGAGE COMPT - DOOR LOCK	AMP MNL	4	560851	560852
C 23	LUGGAGE COMPT (1) – LUGG. ACCESS.	AMP CPC	24	561642	561643	C 84	LUGGAGE COMPT - DOOR LOCK	AMP MNL	4	560851	560852
C 24	ENGINE COMPT. – INTERF RJB	PED WP	6	561606	561607	C 85					
C 25	ENGINE COMPT. – INTERF RJB	PED WP	6	561606	561607	C 86					
C 26	ENGINE COMPT. ACCESS	DEUTSCH	40	562281	562284	C 87					
C 27	ENGINE COMPT. – INTERF. RJB	DEUTSCH	6	562583	562581	C 88					
C 28	LUGGAGE COMPT(4) – LUGG. ACCESS	AMP CPC	24	561642	561643	C 89					
C 29	FR SERVICE COMPT – E.C.U. FEED	PED WP	3	561781	561782	C 90					
C 30	ENGINE COMPT – MASTER SW. SIGN.	DEUTSCH	2	562486	562485	C 91					
C 31	RR JCT BOX – PARCEL RACK FEEDING	DEUTSCH	31	562572	562536	C 92	FR JCT BOX COMPT - ABS	AMP CPC	9	561635	561637
C 32	ENGINE COMPT.-ECM	PED WP	1	561605	561577	C 93					
C 33	FR SERV. COMPT. – VSS SIGNAL	PED WP	2	561566	561690	C 94					
C 34	FR JCT BOX EATON TRANS. J1939	DEUTSCH	3	562877	562884	C 95					
C 35	A/C COMPT - AIR RETURN SENSOR	AMP MNL	2	561248	561247	C 96	FR SERVICE DOOR ACCESS	AMP MNL	9	561670	561669
C 36	UNDER STAIRS – STEP LIGHTS	AMP MNL	2	561248	561247	C 97	FR SERVICE DOOR – WATER TANK	PED MP	2	562426	562426
C 36	RH PARCEL RACK – EMERGENCY LTS	AMP MNL	2	560900	560898	C 98					
C 37	LH PARCEL RACK - FEEDING	MOLEX	6	562558	562557	C 99	FR SERVICE CPT. LTS	AMP MNL	2	561248	561247
C 38	RH PARCEL RACK - FEEDING	MOLEX	6	562558	562557	C 100					
C 39	ENGINE COMPT. ECM J1939	DEUTSCH	3	562877	562884	C 101	FR SERVICE COMPT. ELEC. HORNS	PED WP	2	561566	561690
C 40	FR JCT BOX EATON TRANS. J1939	DEUTSCH	3	562877	562884	C 101	CONDENSER COMPT - A/C PRES. SW 1SP	PED WP	2	561566	561690
C 41	ENGINE COMPT – RH DOOR LOCK	DEUTSCH	4	562479	562477	C 102	CONDENS. COMPT – LIQU. SOL. VAL. PRES.	PED WP	2	561566	561690
C 42	ENGINE COMPT – RR CAP LIGHTING	DEUTSCH	6	562583	562581	C 103	ENGINE COMPT. – LAVATORY FAN	PED WP	2	561566	561690
C 43	FR JCT BOX – ALT. MODULE	AMP MNL	12	561735	561734	C 104	ENGINE COMPT. – LAVATORY PUMP	DEUTSCH	2	562486	562485
C 44	ENGINE COMPT - LIGHTS	PED WP	1	561605	561577	C 105	UNDER DASH RH - DRV LIO SOL VL	PED WP	2	561566	561690
C 45	FR JCT BOX COMPT – ROOF ACCESS	AMP CPC	24	561642	561643	C 106	UNDER DASH RH - DRV WTR VALVE	PED WP	2	561566	561690
C 46	ENGINE COMPT. ECM J1939	DEUTSCH	3	562877	562884	C 107					
C 47	ENGINE DDEC-ECM J1939	PED MP	4	-----	561962	C 108					
C 48	FR SERV. CPT. PRESS SW PARK BRAKE	DEUTSCH	4	562479	562477	C 109					
C 49	LAVATORY ROOF – NIGHT LIGHT	AMP MNL	2	560900	560898	C 110					
C 50	LAVATORY ROOF - LIGHT	LEECRAFT	2	-----	562803	C 111					
C 50	LH SWITCH PANEL – SAFETY SW.	EATON	12	-----	562763	C 112					
C 51	FR SERV.CPT.PARK. BRAKE SOL. VALVE	PNEUMAC	2	-----	641385	C 113	EATON SPEED SIGNAL	PED P2S	2	-----	562426
C 52	ENGINE COMPT - COMPRESSOR	PED WP	2	561566	561690	C 114	ENGINE DDEC - SPEED SIGNAL	PED WP	2	561566	561690
C 53	ENGINE COMPT - COMPRESSOR	PED WP	2	561566	561690	C 115	RR JCT BOX – ENGINE ACCESS	DEUTSCH	40	562281	562284
C 54						C 116					
C 55	CENTRAL DOOR LOCK	DEUTSCH	4	562479	562477	C 117					
C 56	LH PARCEL RACK - FEEDING	MOLEX	6	562558	562557	C 118	ENGINE COMPT - LICENCE	DOM. AUT	2	930210	

CONNECTORS CODE

NO	LOCATION	TYPE	CAVITY	#PIN	#SOCKET	NO	LOCATION	TYPE	CAVITY	#PIN	#SOCKET
				HOUSING	HOUSING					HOUSING	HOUSING
C 119	ENGINE COMPT - RH LOWER LAMP	PED WP	6	561606	561607	C 182					
C 120	ENGINE COMPT - LH LOWER LAMP	PED WP	6	561606	561607	C 183					
C 121						C 184	FR SERV. COMPT. - KNEELING PROX. SW.	ITT SS	3	561080	561111
C 122						C 185	KNEELING PANEL - DOWN SOL. VALVE	PNEUMAC	3		641385
C 123						C 186					
C 124						C 187	FR SERVICE JCT BOX - RESISTORS	AMP MNL	6	561552	561515
C 125						C 187	KNEELING PANEL - PARK BRAKE INTERLOCK	PNEUMAC	3		641385
C 126						C 188					
C 127						C 189					
C 128						C 190					
C 129						C 191					
C 130						C 192					
C 131						C 193					
C 132						C 194					
C 133						C 195					
C 134	FR JCT BOX - DIODE CONN.	AMP MNL	15	561987	561986	C 196	KNEELING PANEL - UP SOL. VALVE	PNEUMAC	3		641385
C 135	FR JCT BOX - DIODE CONN.	AMP MNL	15	561987	561986	C 197	KNEELING PANEL - CTR SOL. VALVE	PNEUMAC	3		641385
C 136	FR JCT BOX - DIODE CONN.	AMP MNL	15	561987	561986	C 198					
C 137	FR JCT BOX - DIODE CONN.	AMP MNL	15	561987	561986	C 199					
C 138						C 200	PARCEL RACK - FLUORESCENT LTS	AMP MNL	2	561248	561247
C 139						C 201	PARCEL RACK - FLUORESCENT LTS	AMP MNL	2	561248	561247
C 140	HVAC DASH MODULE THERMOMETER	MOLEX	4		562782	C 202	RH PARCEL RACK - INDIRECT LTS	MOLEX	2		562758
C 141	RR DASH PANEL - LTS CONN. (SPARE)	AMP MNL	2	561248	561247	C 203	PARCEL RACK - FLUORESCENT LTS	MOLEX	6		562759
C 142	ENGINE COMPT. B/U ALARM	PED WP	2	561566	561690	C 204	RH PARCEL RACK - RACK LTS	AMP MNL	2	560900	560858
C 143						C 205	RH PARCEL RACK - FEEDING	AMP MNL	9	561661	561662
C 144	FR JCT BOX - AISLE LTS FEEDING	AMP MNL	2	561248	561247	C 206	RH PARCEL RACK - FEEDING	AMP FF	4	562760	562756
C 145						C 207	LH PARCEL RACK - FEEDING	AMP FF	4	562760	562756
C 146						C 208	PARCEL RACK - FLUORESCENT LTS	MOLEX	2		562758
C 147						C 209	LH PARCEL RACK - HOTESS CHIME	AMP MNL	3	561667	561550
C 148						C 210	LH PARCEL RACK - FEEDING	AMP MNL	9	561661	561662
C 149						C 211	FR ROOF - SUN VISOR LH	AMP MNL	2	560900	560898
C 150						C 212	FR ROOF - SUN VISOR RH	AMP MNL	2	560900	560898
C 151						C 213	WCL DOOR UP HING-DOOR READ & HOST. SW	AMP MNL	6	561552	561515
C 152						C 214					
C 153						C 215					
C 154						C 216					
C 155	EVAPORATOR CPT - WATER VALVE	BURKERT	3		563204	C 217	RH PANEL SW. - SCENIC VIEW CAMERA	EATON	12		562763
C 156						C 218	RH PANEL SW. - LIGHTS SPARE	AMP MNL	2	560900	560898
C 157	FR SERV. CPT - WATER PUMP DR'S	PED WP	3	561781	561782	C 219					
C 158						C 220					
C 159						C 221					
C 160	FR SERVICE CPT - INTERFACE	AMP CPC	37	561644	561646	C 222					
C 161	ENGINE DDEC - ECM	PED MP	30		561600	C 223	HEAD LIGHTS - FLASHER	DEUTSCH	5	562565	562566
C 162	ENGINE DDEC - ACCESSORIES	PED WP	4	561610	561611	C 224	HEAD LIGHTS	PED MP	3		562099
C 163	ENGINE CPT - COOLANT PROBE	PED MP	2		562350	C 225	FOG LIGHTS	DEUTSCH	3	562902	562901
C 164						C 226	FRONT HEADLIGHTS - MARKER & FLASHER	PED	3	562137	
C 165						C 226	BATT. COMPT. - INTERIOR LTS	AMP MNL	2	561248	561247
C 166						C 227					
C 167	FR SERVICE CPT - EL. FOOT PEDAL	PED WP	3	561781	561782	C 228	L.H. CONSOLE EATON TRANSM.	AMP MNL	6	561552	561515
C 168	FR SERVICE CPT - DDR	DEUTSCH	6	562360		C 229	BATT. COMPT. - CHARGER 110V.	PED WP	1	561577	561605
C 169	FR SERVICE CPT - WORLD TR. INTERFACE	AMP CPC	16	561639	561640	C 230	ENGINE COMPT. - FUEL PRIME PUMP SW.	PED WP	2	561566	561690
C 169	FR SERV. COMPT. - SPEED SWITCH	AMP	15	562011	562012	C 231	ENGINE COMPT. - FUEL PRIME PUMP	PED WP	2	561566	561690
C 170	FR JCT BOX FLASHER UNIT	PED	2		561940	C 232					
C 171	LH CONSOLE	AMP CPC	24	561642	561643	C 233	FIRST LUGGAGE CPT.	VDO	8		562043
C 172	FR SERVICE COMPT - KNEELING PANEL	AMP CPC	16	561639	561640	C 234	FIRST LUGGAGE CPT.	VDO	8		562044
C 172	ENGINE COMPT. - WATER TANK HEATER	PED WP	2	561566	561690	C 235	FIRST LUGGAGE CPT.	VDO	8		562041
C 173						C 236	FIRST LUGGAGE CPT.	AMP MNL	4	560851	560858
C 174						C 236	FR SERVICE CPT CENTER - ABS	AMP CPC	14	561636	561637
C 175						C 237	FR AXLE CPT - ABS RH SENSOR	WABCO	2	641132	
C 176	UNDER DASH RH - WIPER PULSE	AMP FF	6		561186	C 238	FR AXLE CPT - ABS RH VALVE	WABCO	3	641098	
C 177	UNDER DASH RH - WIPER MOTOR	AMP FF	6		561186	C 239	FR AXLE CPT - ABS LH VALVE	WABCO	3	641098	
C 178						C 240	FR AXLE CPT - ABS LH SENSOR	WABCO	2	641132	
C 179						C 241	LAST LUGGAGE COMPT - ABS	PED WP	6	561606	561607
C 180	KNEELING PANEL - DIODE SOCKET	AMP MNL	15	561987	561986	C 242	DRIVE AXLE CPT - ABS LH SENSOR	WABCO	2	641132	
C 181						C 243	DRIVE AXLE CPT - ABS LH VALVE	WABCO	3	641098	

CONNECTORS CODE

NO	LOCATION	TYPE	CAVITY	#PIN	#SOCKET	NO	LOCATION	TYPE	CAVITY	#PIN	#SOCKET
				HOUSING	HOUSING					HOUSING	HOUSING
C 244	DRIVE AXLE CPT - ABS RH VALVE	WABCO	3	641098		C 307					
C 245	DRIVE AXLE CPT - ABS RH SENSOR	WABCO	2	641132		C 308					
C 246	DRIVE AXLE CPT - ATC SOL.	PED WP	2	561566	561690	C 309	ENGINE DDEC - ECM POWER	PED MP	5		562345
C 247	E.C.U. EATON TRANS.	PED MP	18		562573	C 310	LH CONSOLE SW - LUG. DOOR LOCK	EATON	12		562763
C 248	LAST LUGGAGE CPT - ABS	PED WP	6	561606	561607	C 311	RH SWITCH PANEL - HOTESS CHIME	EATON	12		562763
C 249	FR SERVICE CPT - ABS/DDEC	PED WP	2	561566	561690	C 312	ENGINE DDEC - ACCESSORIES	PED WP	3	561781	561782
C 250						C 312	RH SWITCH PANEL - READING LAMP	EATON	12		562763
C 251	LH SW PANEL - FAST IDLE	EATON	12		562763	C 313	ENGINE DDEC - INTERFACE	PED MP	3	562398	
C 252	LUGGAGE COMPT. - WINDOW AJAR	MOLEX	4	561477	561476	C 313	RH SWITCH PANEL - INTERIOR LTS	EATON	12		562763
C 253	LH SWITCH PANEL - ETHER	EATON	12		562763	C 314	KNEELING PANEL - PRESS SW.	PED WP	2	561566	561690
C 254						C 314	RH SWITCH PANEL - INTERIOR LTS	EATON	12		562763
C 255	LH SWITCH PANEL - ENGINE BRAKE	EATON	12		562763	C 315	LH SWITCH PANEL - LH SUN VISOR SW.	EATON	12		562763
C 256						C 316	RH UNDER DASH - KNEELING BUZZER	AMP MNL	2	560900	560898
C 257						C 317	LH SWITCH PANEL - RH SUN VISOR SW.	EATON	12		562763
C 258	LH SWITCH PANEL - MULTI FUNC. SW	AMP FF	8	561188		C 318	LH CONSOLE SW - DR'S WINDOW SW.	EATON	12		562763
C 259						C 319					
C 260						C 320	RT SWITCH PANEL - DRIVER'S LTS SW.	EATON	12		562763
C 261						C 321	UNDER DASH RH - KEYLESS MODULE	AMP COM	26		562676
C 262						C 322	UNDER DASH RH - KEYLESS MODULE	AMP COM	22		562675
C 263	LUGGAGE COMPT. LTS COMPT #3	AMP MNL	2	561248	561247	C 323	DRIVER'S WINDOW MOTOR	PED	2		561848
C 264	LUGGAGE COMPT. LTS COMPT #2	AMP MNL	2	561248	561247	C 324					
C 265	LUGGAGE COMPT. LTS COMPT #1	AMP MNL	2	561248	561247	C 325	LH SWITCH PANEL - KNEELING	EATON	12		562763
C 266	ENTRANCE DOOR KEYLESS	AMP CPC	14	561585	561583	C 326	EATON TRANSMISSION INTERFACE	PED WP	4	561610	561611
C 267	UNDER DASH RH - ENT. DOOR PANEL	AMP CPC	24	561642	561643	C 327					
C 268	FR MIRROR RH	CONXALL	5	563091	563090	C 328	RR ROOF - GALLEY LAMP		2		
C 269	FR MIRROR LH	CONXALL	5	563091	563090	C 329					
C 270	LUGGAGE COMPT LTS - 3 LH	AMP MNL	2	561248	561247	C 330					
C 271	LUGGAGE COMPT LTS - 4	AMP MNL	2	561248	561247	C 331					
C 272						C 332					
C 273	ENT. DOOR PANEL - DIODE SOCKET	AMP MNL	9	561670	561669	C 333					
C 274						C 334					
C 275	ENT. DOOR PANEL - DIODE SOCKET	AMP MNL	9	561670	561669	C 335					
C 276						C 336					
C 277	RH UNDER DASH - ENT. DOOR REED SW.	AMP MNL	2	560900	560858	C 337					
C 278	RH PASS. AIR DUCT - ENT DOOR PRESS SW.	PED WP	2	561566	561690	C 338					
C 279	RH UNDER DASH - ENT. DOOR REED SW.	AMP MNL	2	560900	560858	C 339	KNEELING PANEL - HI BUOY SOL. VALVE	PNEUMAC	3		641385
C 279	FR SERVICE COMPT LH - STEERING ZF	DEUTSCH	2		562485	C 340	FR JCT BOX - FIRE PIEZO ALARM	AMP MNL	2	560900	560898
C 280	ENGINE COMPT - A/C COMPRESSOR AUX.	PED WP	2	561566	561690	C 341	LH SWITCH PANEL - HEAT MIRROR SW.	EATON	12		562763
C 281						C 342					
C 282	FR SERVICE COMPT - STEERING ZF	VOLVO	2		562928	C 343	LH SWITCH PANEL - HEAD LAMP SW.	EATON	12		562763
C 283	LH CONSOLE - SPARE SW. LTS	AMP MNL	2	561248	561247	C 344	LH SWITCH PANEL - HAZARD LT SW.	EATON	12		562763
C 284	E.C.U. EATON TRANS.	PED	2		563052	C 345	LH SWITCH PANEL - FOG LT SW.	EATON	12		562763
C 285						C 346					
C 286						C 347					
C 287						C 348	INSTR. PANEL CENT. - RACOR MODULE	MOLEX	6	562070	562069
C 288						C 349					
C 289						C 350					
C 290	LUGGAGE CPT - DOOR LOCK	AMP MNL	4	560851	560852	C 351					
C 291	LUGGAGE CPT - DOOR LOCK	AMP MNL	4	560851	560852	C 352					
C 292						C 353					
C 293						C 354					
C 294						C 355					
C 295						C 356					
C 296						C 357					
C 297						C 358					
C 298						C 359	RH SWITCH PANEL - ENT. DOOR WIND. SW.	EATON	12		562763
C 299	RH SWITCH PANEL - GALLEY	EATON	12		562763	C 360	ENTRANCE WINDOW MOTOR	PED	2		561848
C 300						C 361					
C 301						C 362					
C 302						C 363					
C 303	RR JCT BOX - DIODES	AMP MNL	15	561987	561986	C 364	FRONT ROOF - ELECTRICAL DEST. SIGN	AMP MNL	3	561667	561550
C 304	RR JCT BOX - DIODES	AMP MNL	15	561987	561986	C 365					
C 305						C 366					
C 306						C 367					
						C 368	FRONT ROOF - ELECTRICAL DEST. SIGN	AMP MNL	3	561667	561550

CONNECTORS CODE

NO	LOCATION	TYPE	CAVITY	#PIN	#SOCKET	NO	LOCATION	TYPE	CAVITY	#PIN	#SOCKET
				HOUSING	HOUSING					HOUSING	HOUSING
C 369	FRONT ROOF – ELECTRICAL DEST. SIGN	TORRIX	5	562110		C 433					
C 370	FRONT ROOF – ELECTRICAL DEST. SIGN	AMP MNL	2	560900	560858	C 434					
C 371	FRONT ROOF – ELECTRICAL DEST. SIGN	AMP MNL	3	561667	561550	C 435					
C 372	FRONT ROOF – ELECTRICAL DEST. SIGN	MOLEX	4	561477	561476	C 436					
C 373						C 437					
C 374						C 438					
C 375						C 439					
C 376						C 440					
C 377	LH SWITCH PANEL – STOP ENGINE OVERRIDE	EATON	12		562763	C 441					
C 378						C 442					
C 379	LUGGAGE COMPT. – WINDOW AJAR SW.	MOLEX	4	561477	561476	C 443					
C 380						C 444					
C 381	UNDER DASH PANEL – ANTI THILED	AMP MNL	2	561248	561247	C 445					
C 382	ENGINE GENERATOR (1)	PED WP	1	561605	561577	C 446					
C 383	ENGINE COMPT – VOLTAGE REGULATOR	PED WP	1	561605	561577	C 447					
C 384						C 448					
C 385	BATT. COMPT. – BJB INTERFACE	AMP MNL	12	561735	561736	C 449					
C 386	LH SWITCH PANEL – W.C.LIFT	EATON	12		562763	C 450	S.S. PANEL - FEEDING	MOLEX	4	562507	562503
C 387	EVAPORATOR COMPT. - BY-PASS VALVE	PED WP	2	561566	561690	C 451	S.S. PANEL - FEEDING	MOLEX	2	562550	562549
C 387	BATTERY COMPT. – WCL ACCES.	AMP CPC	16	561639	561640	C 452	UNDER DASH – S.S. ACC. SIGNAL	MOLEX	2	562550	562549
C 388	LUGG. COMPT.(4) – WCL DOOR ACCESS.	AMP MNL	12	561735	561736	C 453	S. S. PANEL – VCR FEEDING	PED WP	2	561566	561690
C 389	EVAPORATOR COMPT. – WATER PUMP	PED WP	2	561566	561690	C 454	S. S. PANEL – VCR FEEDING	PED WP	2	561566	561690
C 390	EVAPORATOR COMPT. – A/C JCT. BOX	DEUTSCH	24	562280	562283	C 455	PARCEL RACK – WIRELESS MICROPHONE	MOLEX	6		562464
C 391	CONDENSER COMPT. A/C PRESS SW 2 SP	PED WP	2	561566	561690	C 456	WORLD TRANS. - RETARDER ACCUM.	PED MP	2		562427
C 392						C 457	WORLD TRANS. - MAIN CONNECTOR	DEUTSCH	31	562572	562536
C 393						C 458	WORLD TRANS. - TURBINE SP. SENS.	PED MP	2		562426
C 394	UNDER DASH - B/U MONITOR	AMP MNL	4	560851	560852	C 459	WORLD TRANS. - ENGINE SP. SENS.	PED MP	2		562426
C 395	UNDER DASH - B/U MONITOR	CLARION	4		990335	C 460	WORLD TRANS. - SPEED SENSOR	ITT	2		562541
C 396	PARCEL RACK – SPEAKER FEEDING	MOLEX	4	562507	562503	C 461	WORLD TRANS. - RETARDER TEMP.	PED MP	2		562856
C 397						C 462	WORLD TRANS. - RETARDER SOL. "K"	PED MP	2		562426
C 398						C 463	WORLD TRANS. - SENSOR CONN.	DEUTSCH	16	562570	562571
C 399	ENGINE GENERATOR (2)	PED WP	2	561566	561690	C 464	RR JCT BOX - DDL CONN	DEUTSCH	6		565360
C 400	ENGINE COMPT. – BLOCK HEATER	PED WP	3	561781	561782	C 465	LH CONSOLE - SHIFTER SELECTOR	PED	20		562825
C 401						C 466	FR SERVICE CPT - RESIS. MOD.	PED WP	3		562428
C 402						C 467	FR SERVICE CPT - RESIS. MOD.	PED WP	3		562428
C 403	GALLEY – REFRIGERATOR		2			C 468	STEERING COLUMN – RET. HAND LEVER	AMP FF	8	561188	562363
C 404	GALLEY – LAMP SWITCH		2			C 469	FR SERVICE COMPT. – RESIS. MOD.	AMP FF	8	561188	562363
C 405	INVERTER SIGNAL	AMP MNL	2	561248	561247	C 470					
C 406						C 471					
C 407						C 472	FR SERVICE CPT – SILENT 1000 OR EATON	PED WP	2	561566	561690
C 408						C 473					
C 409						C 474	DRIVER'S TEMP SENSOR	AMP MNL	2	561248	561247
C 410						C 475	FR SERVICE CPT – SPEED SIGN. CONNECT.	DEUTSCH	6	562583	562581
C 411						C 475M	FR SERVICE CPT – SPEED SIGN. W. TR.	DEUTSCH	6	562583	562581
C 412						C 475W	FR SERVICE CPT – SPEED SIGN. W. TR.	DEUTSCH	6	562583	562581
C 413						C 476					
C 414						C 477					
C 415						C 478	FRONT ROOF – ELECTRONIC DEST. SIGN	AMP CPC	9	561636	561637
C 416						C 479	UNDER DASH – HVAC DASH MODULE	MOLEX	3		562783
C 417						C 480	UNDER DASH RH – DR'S FAN SPEED CTR	PED WP	4	561889	561890
C 418						C 481	UNDER DASH RH – DR'S FAN SPEED CTR	PED WP	3	561781	561782
C 419	FR JCT BOX – RET/JAKE SELECTION	AMP MNL	3	561667	561550	C 482					
C 420						C 483	FR SERVICE CPT – ELECTRICAL SEAT	PED	2	562237	
C 421	ENGINE COMPT. - WEBASTO	AMP FF	2	562473	562474	C 484	UNDER DASH LH – FOOT DAMPER MOTOR	PED	2		562076
C 422	ENGINE COMPT. - WEBASTO	PED	2	562644	561597	C 485	UNDER DASH LH – DASH & DEF. DAMP. M.	AMP MNL	3	561667	561558
C 423						C 486	WCL ROOF DOOR – DOOR LT.	LEECRAFT	2	-----	562803
C 424	UNDER DASH – AUDIBLE FLASHER	AMP MNL	3	561667	561550	C 487	S.S PANEL – AUDIO IN AMPLI	MOLEX	4	-----	563071
C 425						C 488	S.S PANEL – AMPLI SIGNAL	MOLEX	8	-----	562465
C 426	ENGINE S60 RAD. FAN CLUTCH	PED WP	3	561781	561782	C 489	S.S PANEL – SPEAKER OUTLET	MOLEX	6	-----	562464
C 427						C 490					
C 428	RH SW PANEL – DASH LTS RHEOSTAT	AMP MNL	3	561667	561550	C 491					
C 429						C 492					
C 430	LH CONSOLE – PRE-HEAT TIMER	AMP FF	8	561188	562363	C 493					
C 431	LH CONSOLE – PRE-HEAT TIMER		1		560488	C 494					
C 432						C 495					

CONNECTORS CODE

NO	LOCATION	TYPE	CAVITY	#PIN	#SOCKET	NO	LOCATION	TYPE	CAVITY	#PIN	#SOCKET
				HOUSING	HOUSING					HOUSING	HOUSING
C 496						C 566	FR. SERV. COMPT. - MIC. OUTLET	MOLEX	4	562507	562503
C 497						C 567	FR. SERV. COMPT. - MIC. OUTLET	MOLEX	4	562507	562503
C 498						C 568	S.S. PANEL - SPEAKER OUTLET	CINTCH	4	562553	
C 499						C 569	S. S. PANEL - AMPLI SIGNAL	MOLEX	9	562556	562555
C 500	FR JCT PANEL - PRODRIVER	MOLEX	6	562070	562069	C 570	UNDER DASH PANEL - T.T.LT MODULE	MOLEX	6		562464
C 501						C 571	UNDER DASH PANEL - T.T.LT MODULE	MOLEX	20		562778
C 502	LH DASH PANEL - PRE- HEAT SW.	EATON	12		562763	C 572	UNDER DASH PANEL - T.T.LT MODULE	MOLEX	18		562779
C 503	LH CONSOLE-PROHEAT TIMER	PED MP	6	-----	562878	C 573	UNDER DASH PANEL - T.T.LT MODULE	MOLEX	8		562465
C 504	LH CONSOLE -WEBASTO TIMER	AMP	8	-----	562852	C 574	PARCEL RACK - INDIRECT LTS BALLAST	MOLEX			562759
C 505	LH CONSOLE -ESPAR TIMER	AMP	12	-----	562681	C 575	RH PARCEL RACK - FFEDING	MOLEX	4	562507	562503
C 506	FR JCT BOX - DIGITAL CLOCK	AMP CPC	4	561685	561687	C 576	RH PARCEL RACK - FFEDING	AMP MNL	3	561667	561550
C 507	LH HAT RACK - DIGITAL CLOCK	MOLEX	4	561477	561476	C 577	LH PARCEL RACK - FFEDING	AMP MNL	3	561667	561550
C 508	RR JCT BOX - FAN CLUTCH RETARDER	AMP MNL	6	561552	561515	C 578	LH PARCEL RACK - FFEDING	MOLEX	4	562507	562503
C 509	EVAP. COMPT. - NOT USED	DEUTSCH	5		562566	C 579	LHPARCEL RACK-VCR POWER	MOLEX	4		563071
C 515	FR JCT BOX CPT. - INTERCOM	MOLEX	4	561477	561476	C 580	LH DASH PANEL - PARCEL RACK A/C SW.	EATON	12		562763
C 516	FR JCT BOX CPT. - INTERCOM	MOLEX	6	562070	562069	C 581	LH DASH PANEL - ELECTRICAL HORN	PED MP	2		562777
C 517	LAVATORY WALL - INTERCOM	MOLEX	6	562070	562069	C 582					
C 519A	RH UNDER DASH - ENTRANCE DOOR SOL.	PNEUMAC	3		641385	C 583	LH DASH PANEL - MASTER KEY SW.	DEUTSCH	2	562486	562485
C 519B	RH UNDER DASH - ENTRANCE DOOR SOL.	PNEUMAC	3		641385	C 584	FR. SERVICE COMPT - HORN PNEU. VALVE	PNEUMAC	3		562848
C 520	RH UNDER DASH - ENTRANCE DOOR SOL.	PNEUMAC	3		641385	C 585					
C 521	RH UNDER DASH - ENTRANCE DOOR SOL.	PNEUMAC	3		641385	C 586	FR SERVICE COMPT - ACC. PNEU.VALVE	PNEUMAC	3		562848
C 522	FR JCT BOX - DAYTIME LTS MODULE	BOSCH	5		561183	C 587	LH PARCEL RACK DVD UNIT	MOLEX	4	563040	563071
C 523	FR JCT BOX - FUSE BLOCK	PED	8	562647	562646	C 588	FR SERV. COMPT. - S.S. INTERFACE	AMP CPC	37	561645	561646
C 524	FR JCT BOX - FUSE BLOCK	PED	8	562647	562646	C 589	FR. MIRROR LH	CONXALL	8	563163	563088
C 525	FR JCT BOX - FUSE BLOCK	PED	8	562647	562646	C 590	FR. MIRROR RH	CONXALL	8	563163	563088
C 526	FR JCT BOX - FUSE BLOCK	PED	8	562647	562646	C 591	LH CONSOLE - LH MIRROR SW.	EURAMT.	8		562749
C 527	FR JCT BOX - FUSE BLOCK	PED	8	562647	562646	C 592	LH CONSOLE - RH MIRROR SW.	EURAMT.	8		562749
C 528						C 594	FRONT ROOF - DRIVER'S LTS	LEEKRAFT	2	-----	562803
C 529						C 595	RH DASH PANEL - ENTRANCE DOOR SW.	MOLEX	4	562507	562503
C 530	RR JCT BOX - FUSE BLOCK	PED	8	562647	562646	C 596	RH DASH PANEL - ENTRANCE DOOR SW.	MOLEX	4	562507	562503
C 531	RR JCT BOX - FUSE BLOCK	PED	8	562647	562646	C 597	LH DASH PANEL - DISPLAY SET SW.	AMP	5		562905
C 532	LH PARCEL RACK - A/C LIQ. SOL.	AMP MNL	2	561248	561247	C 598	LH DASH PANEL - DISPLAY SET SW.	AMP	5		562905
C 533	RH PARCEL RACK - A/C LIQ. SOL.	AMP MNL	2	561248	561247	C 599	UND. DASH - MAGN. SW CTR POS. DR'S AIR	AMP MNL	2	561248	561247
C 534						C 604	LH PARCEL RACK DVD VIDEO STABILIZER	SWITCHCRAFT	1		563074
C 535						C 605	LH PARCEL RACK - A/C UNIT	AMP MNL	6	561552	561515
C 536						C 606	RH PARCEL RACK - A/C UNIT	AMP MNL	6	561552	561515
C 537	A/C JCT BOX RESISTOR SIGN. RLY	AMP MNL	2	561248	561247	C 607	FR SERVICE COMPT - RPM SIGNAL (SPARE)	PED WP	2	561566	561690
C 538	FR SERV. CPT RH - OUTSIDE TEMP. SENS	AMP MNL	2	561248	561247	C 608	FR SERV. COMPT - SPEED SIGNAL (SPARE)	PED WP	2	561566	561690
C 539	HVAC DASH MODULE OUTPUT CONN.	MOLEX	24		562780	C 609					
C 540	HVAC DASH MODULE INPUT CONN.	MOLEX	22		562781	C 610					
C 541						C 611	RH PARCEL RACK READING LTS WCL	MOLEX	6	562558	562557
C 542						C 612	RH PARCEL RACK LUOR. INSTATION LTS WCL	MOLEX	4	562507	562503
C 543						C 613	RH PARCEL RACK INDIRECT LTS WCL	AMP MNL	3	561667	561550
C 544	S.S. PANEL - AUDIO SEAT	PED WP	3	561781	561782	C 614	RH PARCEL RACK INDIRECT LTS WCL	AMP MNL	3	561667	561550
C 545						C 615	LH PARCEL RACK DVD SIGN ALONG ADAPTOR	MOLEX	2	562550	562549
C 546	FR. JCT BOX - CHARGER WIRELESS MIC.	MOLEX	2		563025	CS	FR SERVICE CPT - ECU WOLRD TR.	PED MP	32		562817
C 547						CT	FR SERVICE CPT - ECU WORLD TR.	PED MP	32		562824
C 548	LH DASH PANEL - T.T.LT TEST SW.	EATON	12		562763	CV	FR SERVICE CPT - ECU WORLD TR.	PED MP	32		562823
C 549	LH DASH PANEL - ENGINE FAN OVERRIDE	EATON	12		562763	CX	CLUSTER	JAE	5		562957
C 550	LAST LUGG. CPT. -WCL MODULE	AMP CPC	16	561694	561695	CX 1	FR SERVICE CPT - ECU ABS	AMP JN	15		563200
C 551	LAST LUGG. CPT. -WCL REMOTE	AMP CPC	9	561636	561637	CX 2	FR SERVICE CPT - ECU ABS	AMP JN	18		563201
C 552											
C 553	UNDER DASH - S.S. CONTROL HEAD	MOLEX	16		562559	CY	CLUSTER	JAE	30		562765
C 554	UNDER DASH - S.S. CONTROL HEAD	MOLEX	16		562559	CW X1	ENGINE COMPT. - WATER HEATER	AMP	7	563134	563135
C 555	UNDER DASH - S.S. CONTROL HEAD	MOLEX	16		562559	CW X3	ENGINE COMPT. - WATER HEATER	AMP	7	563134	563135
C 556	UNDER DASH - RADIO FEEDING	MOLEX	2	562550	562549	LX	CLUSTER	JAE	22		562766
C 557	UNDER DASH - RADIO FEEDING	MOLEX	9	562556	562555	LY	CLUSTER	JAE	30		562767
C 558	FR. SERV. COMPT. - MIC. OUTLET	MOLEX	4	562507	562503	RX	CLUSTER	JAE	30		562767
C 559											
C 560						WEB 1	ENGINE COMPT. - WEBASTO	AMP FF	2	562473	562474
C 561	LH PARCEL RACK - WIRELESS MIC.	MOLEX	8		562465	WEB 2	ENGINE COMPT. - WEBASTO	AMP FF	2	562643	
C 562	LH PARCEL RACK - VCR SIGNAL	MOLEX	12		563070	ZF 1	FR JCT BOX - STEERING E.C.U.	HELLA	9		562929
C 563	FR. SERV. COMPT. - DRIVER SPEAKER	MOLEX	4	562507	562503						
C 564	FR. SERV. COMPT. - MIC. OUTLET	MOLEX	4	562507	562503						
C 565	FR. SERV. COMPT. - MIC. OUTLET	MOLEX	4	562507	562503						

CONNECTORS CODE

NO	LOCATION	TYPE	CAVITY	#PIN	#SOCKET	NO	LOCATION	TYPE	CAVITY	#PIN	#SOCKET
				HOUSING	HOUSING					HOUSING	HOUSING
A 1	UNDER DASH – AUDIO SIGNAL	RCA	1	562090	562330	C 57	RH PARCEL RACK - FEEDING	MOLEX	6	562558	562557
A 2	UNDER DASH – AUDIO SIGNAL	RCA	1	562090	562330	C 58					
A 10	UNDER DASH – AUDIO SIGNAL	RCA	1	562090	562330	C 59					
A 11	UNDER DASH – AUDIO SIGNAL	RCA	1	562090	562330	C 60					
A 18	S. S. PANEL – AUDIO SIGNAL	RCA	1	562090	562330	C 61	ENGINE COMPT - FUEL FILTER	PED WP	2	561566	561690
A 19	S. S. PANEL – AUDIO SIGNAL	RCA	1	562090	562330	C 62	ENGINE COMPT – COMPR. AUX. PRESS. SW.	PED WP	2	561566	561690
AA 1	UNDER DASH PANEL- SONALERT	BOSCH	5	-----	561183	C 63	ENGINE COMPT – COMPR. AUX. PRESS. SW.	PED WP	2	561566	561690
C 1	FR JCT BOX COMPARTIMENT	AMP CPC	14	561585	561584	C 64					
C 2	FR JCT BOX COMPARTIMENT	AMP CPC	16	561638	561640	C 65	ENGINE CPT – A/C PRESS SW FAN CLUTCH	PED WP	2	561566	561690
C 3	FR JCT BOX COMPARTIMENT	AMP CPC	37	561644	561646	C 66					
C 4	FR JCT BOX COMPARTIMENT	AMP CPC	24	561641	561643	C 67					
C 5	FR SERVICE COMPT. - UNDERNEATH	AMP CPC	37	561645	561646	C 68					
C 6	FR SERVICE COMPT. - UNDERNEATH	AMP CPC	16	561639	561640	C 69					
C 7	FR SERVICE COMPT - CLUTCH SW	ITT SS	3	561080	561111	C 70	LH CONSOLE	AMP CPC	16	561639	561640
C 8	FR SERVICE COMPT. - UNDERNEATH	AMP CPC	24	561642	561643	C 71	FR JCT BOX COMPT.	AMP CPC	37	561645	561646
C 9	FR SERVICE COMPT. - UNDERNEATH	AMP CPC	24	561642	561643	C 72	FR JCT BOX COMPT.	AMP CPC	24	561642	561643
C 10	FR SERVICE DOOR ACCESS.	DEUTSCH	5	562565	562566	C 73					
C 11	FR SERV. CPT ACCESS	AMP CPC	37	561645	561646	C 74	FR JCT BOX COMPT.	AMP CPC	37	561645	561646
C 12	FR SERV. CPT ACCESS	AMP CPC	16	561639	561640	C 75	SERVICE COMPT. EXT. ENTRANCE DOOR SW.	AMPSCH	4	562479	562477
C 13	FR JCT BOX COMPARTIMENT	AMP MNL	2	561248	561247	C 75	RH PARCEL RACK – READ. LTS FEED. WCL	MOLEX	6	562558	562557
C 14	LAST LUGGAGE COMP(4) - DOCKING LTS	AMP MNL	2	561248	561247	C 76	ENGINE COMPT. FIRE DETECTOR	DEUTSCH	2	562486	562485
C 15	UNDER STAIRS – CORNERING LTS	AMP MNL	2	560900	560898	C 77	ENGINE COMPT. FIRE DETECTOR	DEUTSCH	2	562486	562485
C 16	LH CONSOLE SW-CRUISE ON/OFF	EATON	12	-----	562763	C 78					
C 17	LH CONSOLE SW-CRUISE RESUME	EATON	12	-----	562763	C 79					
C 18	LH CONSOLE SW-CRUISE SET	EATON	12	-----	562763	C 80					
C 19	LH CONSOLE SW-DECEL SW	EATON	12	-----	562763	C 81	LUGGAGE COMPT - DOOR LOCK	AMP MNL	4	560851	560852
C 20	RR JCT BOX	DEUTSCH	70	562282	562285	C 82	UNDER SEAT – AISLE LTS	AMP MNL	2	560900	560898
C 21	ENGINE COMPT - LOCK DOOR MOT.	PED WP	2	562076	562076	C 82	LUGGAGE COMPT - DOOR LOCK	AMP MNL	4	560851	560852
C 22	LUGGAGE COMPT (A) - A/C & FUEL TANK	AMP CPC	16	561639	561640	C 83	LUGGAGE COMPT - DOOR LOCK	AMP MNL	4	560851	560852
C 23	LUGGAGE COMPT (1) – LUGG. ACCESS.	AMP CPC	24	561642	561643	C 84	LUGGAGE COMPT - DOOR LOCK	AMP MNL	4	560851	560852
C 24	ENGINE COMPT. – INTERF RJB	PED WP	6	561606	561607	C 85					
C 25	ENGINE COMPT. – INTERF RJB	PED WP	6	561606	561607	C 86					
C 26	ENGINE COMPT. ACCESS	DEUTSCH	40	562281	562284	C 87					
C 27	ENGINE COMPT. – INTERF. RJB	DEUTSCH	6	562583	562581	C 88					
C 28	LUGGAGE COMPT(4) – LUGG. ACCESS	AMP CPC	24	561642	561643	C 89					
C 29	FR SERVICE COMPT – E.C.U. FEED	PED WP	3	561781	561782	C 90					
C 30	ENGINE COMPT – MASTER SW. SIGN.	DEUTSCH	2	562486	562485	C 91					
C 31	RR JCT BOX – PARCEL RACK FEEDING	DEUTSCH	31	562572	562536	C 92	FR JCT BOX COMPT - ABS	AMP CPC	9	561635	561637
C 32	ENGINE COMPT.-ECM	PED WP	1	561605	561577	C 93					
C 33	FR SERV. COMPT. – VSS SIGNAL	PED WP	2	561566	561690	C 94					
C 34	FR JCT BOX EATON TRANS. J1939	DEUTSCH	3	562877	562884	C 95					
C 35	A/C COMPT - AIR RETURN SENSOR	AMP MNL	2	561248	561247	C 96	FR SERVICE DOOR ACCESS	AMP MNL	9	561670	561669
C 36	UNDER STAIRS – STEP LIGHTS	AMP MNL	2	561248	561247	C 97	FR SERVICE DOOR – WATER TANK	PED MP	2	562426	562426
C 36	RH PARCEL RACK – EMERGENCY LTS	AMP MNL	2	560900	560898	C 98					
C 37	LH PARCEL RACK - FEEDING	MOLEX	6	562558	562557	C 99	FR SERVICE CPT. LTS	AMP MNL	2	561248	561247
C 38	RH PARCEL RACK - FEEDING	MOLEX	6	562558	562557	C 100					
C 39	ENGINE COMPT. ECM J1939	DEUTSCH	3	562877	562884	C 101	FR SERVICE COMPT. ELEC. HORNS	PED WP	2	561566	561690
C 40	FR JCT BOX EATON TRANS. J1939	DEUTSCH	3	562877	562884	C 101	CONDENSER COMPT - A/C PRES. SW 1SP	PED WP	2	561566	561690
C 41	ENGINE COMPT – RH DOOR LOCK	DEUTSCH	4	562479	562477	C 102	CONDENS. COMPT – LIQU. SOL. VAL. PRES.	PED WP	2	561566	561690
C 42	ENGINE COMPT – RR CAP LIGHTING	DEUTSCH	6	562583	562581	C 103	ENGINE COMPT. – LAVATORY FAN	PED WP	2	561566	561690
C 43	FR JCT BOX – ALT. MODULE	AMP MNL	12	561735	561734	C 104	ENGINE COMPT. – LAVATORY PUMP	DEUTSCH	2	562486	562485
C 44	ENGINE COMPT - LIGHTS	PED WP	1	561605	561577	C 105	UNDER DASH RH - DRV LIO SOL VL	PED WP	2	561566	561690
C 45	FR JCT BOX COMPT – ROOF ACCESS	AMP CPC	24	561642	561643	C 106	UNDER DASH RH - DRV WTR VALVE	PED WP	2	561566	561690
C 46	ENGINE COMPT. ECM J1939	DEUTSCH	3	562877	562884	C 107	ENGINE COMPT - LAVATORY PUSH BUTTON	PED WP	2	561566	561690
C 47	ENGINE DDEC-ECM J1939	PED MP	4	-----	561962	C 108					
C 48	FR SERV. CPT. PRESS SW PARK BRAKE	DEUTSCH	4	562479	562477	C 109					
C 49	LAVATORY ROOF – NIGHT LIGHT	AMP MNL	2	560900	560898	C 110					
C 50	LAVATORY ROOF - LIGHT	LEECRAFT	2	-----	562803	C 111					
C 50	LH SWITCH PANEL – SAFETY SW.	EATON	12	-----	562763	C 112					
C 51	FR SERV.CPT.PARK. BRAKE SOL. VALVE	PNEUMAC	2	-----	641385	C 113	EATON SPEED SIGNAL	PED P2S	2	-----	562426
C 52	ENGINE COMPT - COMPRESSOR	PED WP	2	561566	561690	C 114	ENGINE DDEC - SPEED SIGNAL	PED WP	2	561566	561690
C 53	ENGINE COMPT - COMPRESSOR	PED WP	2	561566	561690	C 115	RR JCT BOX – ENGINE ACCESS	DEUTSCH	40	562281	562284
C 54						C 116	DRIVE AXLE COMPT-AIR DRYER	PED MP	2	n/a	562251
C 55	CENTRAL DOOR LOCK	DEUTSCH	4	562479	562477	C 117					
C 56	LH PARCEL RACK - FEEDING	MOLEX	6	562558	562557	C 118	ENGINE COMPT - LICENCE	DOM. AUT	2	930210	

CONNECTORS CODE

NO	LOCATION	TYPE	CAVITY	#PIN	#SOCKET	NO	LOCATION	TYPE	CAVITY	#PIN	#SOCKET
				HOUSING	HOUSING					HOUSING	HOUSING
C 119	ENGINE COMPT - RH LOWER LAMP	PED WP	6	561606	561607	C 182					
C 120	ENGINE COMPT - LH LOWER LAMP	PED WP	6	561606	561607	C 183					
C 121						C 184	FR SERV. COMPT. - KNEELING PROX. SW.	ITT SS	3	561080	561111
C 122						C 185	KNEELING PANEL - DOWN SOL. VALVE	PNEUMAC	3		641385
C 123						C 186					
C 124						C 187	FR SERVICE JCT BOX - RESISTORS	AMP MNL	6	561552	561515
C 125						C 187	KNEELING PANEL - PARK BRAKE INTERLOCK	PNEUMAC	3		641385
C 126						C 188					
C 127						C 189					
C 128						C 190					
C 129						C 191					
C 130						C 192					
C 131						C 193					
C 132						C 194					
C 133						C 195					
C 134	FR JCT BOX - DIODE CONN.	AMP MNL	15	561987	561986	C 196	KNEELING PANEL - UP SOL. VALVE	PNEUMAC	3		641385
C 135	FR JCT BOX - DIODE CONN.	AMP MNL	15	561987	561986	C 197	KNEELING PANEL - CTR SOL. VALVE	PNEUMAC	3		641385
C 136	FR JCT BOX - DIODE CONN.	AMP MNL	15	561987	561986	C 198					
C 137	FR JCT BOX - DIODE CONN.	AMP MNL	15	561987	561986	C 199					
C 138						C 200	PARCEL RACK - FLUORESCENT LTS	AMP MNL	2	561248	561247
C 139						C 201	PARCEL RACK - FLUORESCENT LTS	AMP MNL	2	561248	561247
C 140	HVAC DASH MODULE THERMOMETER	MOLEX	4		562782	C 202	RH PARCEL RACK - INDIRECT LTS	MOLEX	2		562758
C 141	RR DASH PANEL - LTS CONN. (SPARE)	AMP MNL	2	561248	561247	C 203	PARCEL RACK - FLUORESCENT LTS	MOLEX	6		562759
C 142	ENGINE COMPT. B/U ALARM	PED WP	2	561566	561690	C 204	RH PARCEL RACK - RACK LTS	AMP MNL	2	560900	560858
C 143						C 205	RH PARCEL RACK - FEEDING	AMP MNL	9	561661	561662
C 144	FR JCT BOX - AISLE LTS FEEDING	AMP MNL	2	561248	561247	C 206	RH PARCEL RACK - FEEDING	AMP FF	4	562760	562756
C 145						C 207	LH PARCEL RACK - FEEDING	AMP FF	4	562760	562756
C 146						C 208	PARCEL RACK - FLUORESCENT LTS	MOLEX	2		562758
C 147						C 209	LH PARCEL RACK - HOTESS CHIME	AMP MNL	3	561667	561550
C 148						C 210	LH PARCEL RACK - FEEDING	AMP MNL	9	561661	561662
C 149						C 211	FR ROOF - SUN VISOR LH	AMP MNL	2	560900	560898
C 150						C 212	FR ROOF - SUN VISOR RH	AMP MNL	2	560900	560898
C 151						C 213	WCL DOOR UP HING-DOOR READ & HOST. SW	AMP MNL	6	561552	561515
C 152						C 214					
C 153						C 215					
C 154						C 216					
C 155	EVAPORATOR CPT - WATER VALVE	BURKERT	3		563204	C 217	RH PANEL SW. - SCENIC VIEW CAMERA	EATON	12		562763
C 156						C 218	RH PANEL SW. - LIGHTS SPARE	AMP MNL	2	560900	560898
C 157	FR SERV. CPT - WATER PUMP DR'S	PED WP	3	561781	561782	C 219					
C 158						C 220					
C 159						C 221					
C 160	FR SERVICE CPT - INTERFACE	AMP CPC	37	561644	561646	C 222					
C 161	ENGINE DDEC - ECM	PED MP	30		561600	C 223	HEAD LIGHTS - FLASHER	DEUTSCH	5	562565	562566
C 162	ENGINE DDEC - ACCESSORIES	PED WP	4	561610	561611	C 224	HEAD LIGHTS	PED MP	3		562099
C 163	ENGINE CPT - COOLANT PROBE	PED MP	2		562350	C 225	FOG LIGHTS	DEUTSCH	3	562902	562901
C 164						C 226	FRONT HEADLIGHTS - MARKER & FLASHER	PED	3	562137	
C 165						C 226	BATT. COMPT. - INTERIOR LTS	AMP MNL	2	561248	561247
C 166						C 227					
C 167	FR SERVICE CPT - EL. FOOT PEDAL	PED WP	3	561781	561782	C 228	L.H. CONSOLE EATON TRANSM.	AMP MNL	6	561552	561515
C 168	FR SERVICE CPT - DDR	DEUTSCH	6	562360		C 229	BATT. COMPT. - CHARGER 110V.	PED WP	1	561577	561605
C 169	FR SERVICE CPT - WORLD TR. INTERFACE	AMP CPC	16	561639	561640	C 230	ENGINE COMPT. - FUEL PRIME PUMP SW.	PED WP	2	561566	561690
C 169	FR SERV. COMPT. - SPEED SWITCH	AMP	15	562011	562012	C 231	ENGINE COMPT. - FUEL PRIME PUMP	PED WP	2	561566	561690
C 170	FR JCT BOX FLASHER UNIT	PED	2		561940	C 232					
C 171	LH CONSOLE	AMP CPC	24	561642	561643	C 233	FIRST LUGGAGE CPT.	VDO	8		562043
C 172	FR SERVICE COMPT - KNEELING PANEL	AMP CPC	16	561639	561640	C 234	FIRST LUGGAGE CPT.	VDO	8		562044
C 172	ENGINE COMPT. - WATER TANK HEATER	PED WP	2	561566	561690	C 235	FIRST LUGGAGE CPT.	VDO	8		562041
C 173						C 236	FIRST LUGGAGE CPT.	AMP MNL	4	560851	560858
C 174						C 236	FR SERVICE CPT CENTER - ABS	AMP CPC	14	561636	561637
C 175						C 237	FR AXLE CPT - ABS RH SENSOR	WABCO	2	641132	
C 176	UNDER DASH RH - WIPER PULSE	AMP FF	6		561186	C 238	FR AXLE CPT - ABS RH VALVE	WABCO	3	641098	
C 177	UNDER DASH RH - WIPER MOTOR	AMP FF	6		561186	C 239	FR AXLE CPT - ABS LH VALVE	WABCO	3	641098	
C 178						C 240	FR AXLE CPT - ABS LH SENSOR	WABCO	2	641132	
C 179						C 241	LAST LUGGAGE COMPT - ABS	PED WP	6	561606	561607
C 180	KNEELING PANEL - DIODE SOCKET	AMP MNL	15	561987	561986	C 242	DRIVE AXLE CPT - ABS LH SENSOR	WABCO	2	641132	
C 181						C 243	DRIVE AXLE CPT - ABS LH VALVE	WABCO	3	641098	

CONNECTORS CODE

NO	LOCATION	TYPE	CAVITY	#PIN	#SOCKET	NO	LOCATION	TYPE	CAVITY	#PIN	#SOCKET
				HOUSING	HOUSING					HOUSING	HOUSING
C 244	DRIVE AXLE CPT - ABS RH VALVE	WABCO	3	641098		C 307					
C 245	DRIVE AXLE CPT - ABS RH SENSOR	WABCO	2	641132		C 308					
C 246	DRIVE AXLE CPT - ATC SOL.	PED WP	2	561566	561690	C 309	ENGINE DDEC - ECM POWER	PED MP	5		562345
C 247	E.C.U. EATON TRANS.	PED MP	18		562573	C 310	LH CONSOLE SW - LUG. DOOR LOCK	EATON	12		562763
C 248	LAST LUGGAGE CPT - ABS	PED WP	6	561606	561607	C 311	RH SWITCH PANEL - HOTESS CHIME	EATON	12		562763
C 249	FR SERVICE CPT - ABS/DDEC	PED WP	2	561566	561690	C 312	ENGINE DDEC - ACCESSORIES	PED WP	3	561781	561782
C 250						C 312	RH SWITCH PANEL - READING LAMP	EATON	12		562763
C 251	LH SW PANEL - FAST IDLE	EATON	12		562763	C 313	ENGINE DDEC - INTERFACE	PED MP	3	562398	
C 252	LUGGAGE COMPT. - WINDOW AJAR	MOLEX	4	561477	561476	C 313	RH SWITCH PANEL - INTERIOR LTS	EATON	12		562763
C 253	LH SWITCH PANEL - ETHER	EATON	12		562763	C 314	KNEELING PANEL - PRESS SW.	PED WP	2	561566	561690
C 254						C 314	RH SWITCH PANEL - INTERIOR LTS	EATON	12		562763
C 255	LH SWITCH PANEL - ENGINE BRAKE	EATON	12		562763	C 315	LH SWITCH PANEL - LH SUN VISOR SW.	EATON	12		562763
C 256						C 316	RH UNDER DASH - KNEELING BUZZER	AMP MNL	2	560900	560898
C 257						C 317	LH SWITCH PANEL - RH SUN VISOR SW.	EATON	12		562763
C 258	LH SWITCH PANEL - MULTI FUNC. SW	AMP FF	8	561188		C 318	LH CONSOLE SW - DR'S WINDOW SW.	EATON	12		562763
C 259						C 319					
C 260						C 320	RT SWITCH PANEL - DRIVER'S LTS SW.	EATON	12		562763
C 261						C 321	UNDER DASH RH - KEYLESS MODULE	AMP COM	26		562676
C 262						C 322	UNDER DASH RH - KEYLESS MODULE	AMP COM	22		562675
C 263	LUGGAGE COMPT. LTS COMPT #3	AMP MNL	2	561248	561247	C 323	DRIVER'S WINDOW MOTOR	PED	2		561848
C 264	LUGGAGE COMPT. LTS COMPT #2	AMP MNL	2	561248	561247	C 324					
C 265	LUGGAGE COMPT. LTS COMPT #1	AMP MNL	2	561248	561247	C 325	LH SWITCH PANEL - KNEELING	EATON	12		562763
C 266	ENTRANCE DOOR KEYLESS	AMP CPC	14	561585	561583	C 326	EATON TRANSMISSION INTERFACE	PED WP	4	561610	561611
C 267	UNDER DASH RH - ENT. DOOR PANEL	AMP CPC	24	561642	561643	C 327					
C 268	FR MIRROR RH	CONXALL	5	563091	563090	C 328	RR ROOF - GALLEY LAMP		2		
C 269	FR MIRROR LH	CONXALL	5	563091	563090	C 329					
C 270	LUGGAGE COMPT LTS - 3 LH	AMP MNL	2	561248	561247	C 330					
C 271	LUGGAGE COMPT LTS - 4	AMP MNL	2	561248	561247	C 331					
C 272						C 332					
C 273	ENT. DOOR PANEL - DIODE SOCKET	AMP MNL	9	561670	561669	C 333					
C 274						C 334					
C 275	ENT. DOOR PANEL - DIODE SOCKET	AMP MNL	9	561670	561669	C 335					
C 276						C 336					
C 277	RH UNDER DASH - ENT. DOOR REED SW.	AMP MNL	2	560900	560858	C 337					
C 278	RH PASS. AIR DUCT - ENT DOOR PRESS SW.	PED WP	2	561566	561690	C 338					
C 279	RH UNDER DASH - ENT. DOOR REED SW.	AMP MNL	2	560900	560858	C 339	KNEELING PANEL - HI BUOY SOL. VALVE	PNEUMAC	3		641385
C 279	FR SERVICE COMPT LH - STEERING ZF	DEUTSCH	2		562485	C 340	FR JCT BOX - FIRE PIEZO ALARM	AMP MNL	2	560900	560898
C 280	ENGINE COMPT - A/C COMPRESSOR AUX.	PED WP	2	561566	561690	C 341	LH SWITCH PANEL - HEAT MIRROR SW.	EATON	12		562763
C 281						C 342					
C 282	FR SERVICE COMPT - STEERING ZF	VOLVO	2		562928	C 343	LH SWITCH PANEL - HEAD LAMP SW.	EATON	12		562763
C 283	LH CONSOLE - SPARE SW. LTS	AMP MNL	2	561248	561247	C 344	LH SWITCH PANEL - HAZARD LT SW.	EATON	12		562763
C 284	E.C.U. EATON TRANS.	PED	2		563052	C 345	LH SWITCH PANEL - FOG LT SW.	EATON	12		562763
C 285						C 346					
C 286						C 347					
C 287						C 348	INSTR. PANEL CENT. - RACOR MODULE	MOLEX	6	562070	562069
C 288						C 349					
C 289						C 350					
C 290	LUGGAGE CPT - DOOR LOCK	AMP MNL	4	560851	560852	C 351					
C 291	LUGGAGE CPT - DOOR LOCK	AMP MNL	4	560851	560852	C 352					
C 292						C 353					
C 293						C 354					
C 294						C 355					
C 295						C 356					
C 296						C 357					
C 297						C 358					
C 298						C 359	RH SWITCH PANEL - ENT. DOOR WIND. SW.	EATON	12		562763
C 299	RH SWITCH PANEL - GALLEY	EATON	12		562763	C 360	ENTRANCE WINDOW MOTOR	PED	2		561848
C 300						C 361					
C 301						C 362					
C 302						C 363					
C 303	RR JCT BOX - DIODES	AMP MNL	15	561987	561986	C 364	FRONT ROOF - ELECTRICAL DEST. SIGN	AMP MNL	3	561667	561550
C 304	RR JCT BOX - DIODES	AMP MNL	15	561987	561986	C 365					
C 305						C 366					
C 306						C 367					
						C 368	FRONT ROOF - ELECTRICAL DEST. SIGN	AMP MNL	3	561667	561550

CONNECTORS CODE

NO	LOCATION	TYPE	CAVITY	#PIN	#SOCKET	NO	LOCATION	TYPE	CAVITY	#PIN	#SOCKET
				HOUSING	HOUSING					HOUSING	HOUSING
C 369	FRONT ROOF – ELECTRICAL DEST. SIGN	TORRIX	5	562110		C 433					
C 370	FRONT ROOF – ELECTRICAL DEST. SIGN	AMP MNL	2	560900	560858	C 434					
C 371	FRONT ROOF – ELECTRICAL DEST. SIGN	AMP MNL	3	561667	561550	C 435					
C 372	FRONT ROOF – ELECTRICAL DEST. SIGN	MOLEX	4	561477	561476	C 436					
C 373						C 437					
C 374						C 438					
C 375						C 439					
C 376						C 440					
C 377	LH SWITCH PANEL – STOP ENGINE OVERRIDE	EATON	12		562763	C 441					
C 378						C 442					
C 379	LUGGAGE COMPT. – WINDOW AJAR SW.	MOLEX	4	561477	561476	C 443					
C 380						C 444					
C 381	UNDER DASH PANEL – ANTI THILED	AMP MNL	2	561248	561247	C 445					
C 382	ENGINE GENERATOR (1)	PED WP	1	561605	561577	C 446					
C 383	ENGINE COMPT – VOLTAGE REGULATOR	PED WP	1	561605	561577	C 447					
C 384						C 448					
C 385	BATT. COMPT. – BJB INTERFACE	AMP MNL	12	561735	561736	C 449					
C 386	LH SWITCH PANEL – W.C.LIFT	EATON	12		562763	C 450	S.S. PANEL - FEEDING	MOLEX	4	562507	562503
C 387	EVAPORATOR COMPT. - BY-PASS VALVE	PED WP	2	561566	561690	C 451	S.S. PANEL - FEEDING	MOLEX	2	562550	562549
C 387	BATTERY COMPT. – WCL ACCES.	AMP CPC	16	561639	561640	C 452	UNDER DASH – S.S. ACC. SIGNAL	MOLEX	2	562550	562549
C 388	LUGG. COMPT.(4) – WCL DOOR ACCESS.	AMP MNL	12	561735	561736	C 453	S. S. PANEL – VCR FEEDING	PED WP	2	561566	561690
C 389	EVAPORATOR COMPT. – WATER PUMP	PED WP	2	561566	561690	C 454	S. S. PANEL – VCR FEEDING	PED WP	2	561566	561690
C 390	EVAPORATOR COMPT. – A/C JCT. BOX	DEUTSCH	24	562280	562283	C 455	PARCEL RACK – WIRELESS MICROPHONE	MOLEX	6		562464
C 391	CONDENSER COMPT. A/C PRESS SW 2 SP	PED WP	2	561566	561690	C 456	WORLD TRANS. - RETARDER ACCUM.	PED MP	2		562427
C 392						C 457	WORLD TRANS. - MAIN CONNECTOR	DEUTSCH	31	562572	562536
C 393						C 458	WORLD TRANS. - TURBINE SP. SENS.	PED MP	2		562426
C 394	UNDER DASH - B/U MONITOR	AMP MNL	4	560851	560852	C 459	WORLD TRANS. - ENGINE SP. SENS.	PED MP	2		562426
C 395	UNDER DASH - B/U MONITOR	CLARION	4		990335	C 460	WORLD TRANS. - SPEED SENSOR	ITT	2		562541
C 396	PARCEL RACK – SPEAKER FEEDING	MOLEX	4	562507	562503	C 461	WORLD TRANS. - RETARDER TEMP.	PED MP	2		562856
C 397						C 462	WORLD TRANS. - RETARDER SOL. "K"	PED MP	2		562426
C 398						C 463	WORLD TRANS. - SENSOR CONN.	DEUTSCH	16	562570	562571
C 399	ENGINE GENERATOR (2)	PED WP	2	561566	561690	C 464	RR JCT BOX - DDL CONN	DEUTSCH	6		565360
C 400	ENGINE COMPT. – BLOCK HEATER	PED WP	3	561781	561782	C 465	LH CONSOLE - SHIFTER SELECTOR	PED	20		562825
C 401						C 466	FR SERVICE CPT - RESIS. MOD.	PED WP	3		562428
C 402						C 467	FR SERVICE CPT - RESIS. MOD.	PED WP	3		562428
C 403	GALLEY – REFRIGERATOR		2			C 468	STEERING COLUMN – RET. HAND LEVER	AMP FF	8	561188	562363
C 404	GALLEY – LAMP SWITCH		2			C 469	FR SERVICE COMPT. – RESIS. MOD.	AMP FF	8	561188	562363
C 405	INVERTER SIGNAL	AMP MNL	2	561248	561247	C 470					
C 406						C 471					
C 407						C 472	FR SERVICE CPT – SILENT 1000 OR EATON	PED WP	2	561566	561690
C 408						C 473					
C 409						C 474	DRIVER'S TEMP SENSOR	AMP MNL	2	561248	561247
C 410						C 475	FR SERVICE CPT – SPEED SIGN. CONNECT.	DEUTSCH	6	562583	562581
C 411						C 475M	FR SERVICE CPT – SPEED SIGN. W. TR.	DEUTSCH	6	562583	562581
C 412						C 475W	FR SERVICE CPT – SPEED SIGN. W. TR.	DEUTSCH	6	562583	562581
C 413						C 476					
C 414						C 477					
C 415						C 478	FRONT ROOF – ELECTRONIC DEST. SIGN	AMP CPC	9	561636	561637
C 416						C 479	UNDER DASH – HVAC DASH MODULE	MOLEX	3		562783
C 417						C 480	UNDER DASH RH – DR'S FAN SPEED CTR	PED WP	4	561889	561890
C 418						C 481	UNDER DASH RH – DR'S FAN SPEED CTR	PED WP	3	561781	561782
C 419	FR JCT BOX – RET/JAKE SELECTION	AMP MNL	3	561667	561550	C 482					
C 420						C 483	FR SERVICE CPT – ELECTRICAL SEAT	PED	2	562237	
C 421	ENGINE COMPT. - WEBASTO	AMP FF	2	562473	562474	C 484	UNDER DASH LH – FOOT DAMPER MOTOR	PED	2		562076
C 422	ENGINE COMPT. - WEBASTO	PED	2	562644	561597	C 485	UNDER DASH LH – DASH & DEF. DAMP. M.	AMP MNL	3	561667	561558
C 423						C 486	WCL ROOF DOOR – DOOR LT.	LEECRAFT	2	-----	562803
C 424	UNDER DASH – AUDIBLE FLASHER	AMP MNL	3	561667	561550	C 487	S.S PANEL – AUDIO IN AMPLI	MOLEX	4	-----	563071
C 425						C 488	S.S PANEL – AMPLI SIGNAL	MOLEX	8	-----	562465
C 426	ENGINE S60 RAD. FAN CLUTCH	PED WP	3	561781	561782	C 489	S.S PANEL – SPEAKER OUTLET	MOLEX	6	-----	562464
C 427						C 490					
C 428	RH SW PANEL – DASH LTS RHEOSTAT	AMP MNL	3	561667	561550	C 491					
C 429						C 492					
C 430	LH CONSOLE – PRE-HEAT TIMER	AMP FF	8	561188	562363	C 493					
C 431	LH CONSOLE – PRE-HEAT TIMER		1		560488	C 494					
C 432						C 495					

CONNECTORS CODE

NO	LOCATION	TYPE	CAVITY	#PIN	#SOCKET	NO	LOCATION	TYPE	CAVITY	#PIN	#SOCKET
				HOUSING	HOUSING					HOUSING	HOUSING
C 496						C 566	FR. SERV. COMPT. - MIC. OUTLET	MOLEX	4	562507	562503
C 497						C 567	FR. SERV. COMPT. - MIC. OUTLET	MOLEX	4	562507	562503
C 498						C 568	S.S. PANEL - SPEAKER OUTLET	CINTCH	4	562553	
C 499						C 569	S. S. PANEL - AMPLI SIGNAL	MOLEX	9	562556	562555
C 500	FR JCT PANEL - PRODRIVER	MOLEX	6	562070	562069	C 570	UNDER DASH PANEL - T.T.LT MODULE	MOLEX	6		562464
C 501						C 571	UNDER DASH PANEL - T.T.LT MODULE	MOLEX	20		562778
C 502	LH DASH PANEL - PRE- HEAT SW.	EATON	12		562763	C 572	UNDER DASH PANEL - T.T.LT MODULE	MOLEX	18		562779
C 503	LH CONSOLE-PROHEAT TIMER	PED MP	6	-----	562878	C 573	UNDER DASH PANEL - T.T.LT MODULE	MOLEX	8		562465
C 504	LH CONSOLE -WEBASTO TIMER	AMP	8	-----	562852	C 574	PARCEL RACK - INDIRECT LTS BALLAST	MOLEX			562759
C 505	LH CONSOLE -ESPAR TIMER	AMP	12	-----	562681	C 575	RH PARCEL RACK - FFEDING	MOLEX	4	562507	562503
C 506	FR JCT BOX - DIGITAL CLOCK	AMP CPC	4	561685	561687	C 576	RH PARCEL RACK - FFEDING	AMP MNL	3	561667	561550
C 507	LH HAT RACK - DIGITAL CLOCK	MOLEX	4	561477	561476	C 577	LH PARCEL RACK - FFEDING	AMP MNL	3	561667	561550
C 508	RR JCT BOX - FAN CLUTCH RETARDER	AMP MNL	6	561552	561515	C 578	LH PARCEL RACK - FFEDING	MOLEX	4	562507	562503
C 509	EVAP. COMPT. - NOT USED	DEUTSCH	5		562566	C 579	LHPARCEL RACK-VCR POWER	MOLEX	4		563071
C 515	FR JCT BOX CPT. - INTERCOM	MOLEX	4	561477	561476	C 580	LH DASH PANEL - PARCEL RACK A/C SW.	EATON	12		562763
C 516	FR JCT BOX CPT. - INTERCOM	MOLEX	6	562070	562069	C 581	LH DASH PANEL - ELECTRICAL HORN	PED MP	2		562777
C 517	LAVATORY WALL - INTERCOM	MOLEX	6	562070	562069	C 582					
C 519A	RH UNDER DASH - ENTRANCE DOOR SOL.	PNEUMAC	3		641385	C 583	LH DASH PANEL - MASTER KEY SW.	DEUTSCH	2	562486	562485
C 519B	RH UNDER DASH - ENTRANCE DOOR SOL.	PNEUMAC	3		641385	C 584	FR. SERVICE COMPT - HORN PNEU. VALVE	PNEUMAC	3		562848
C 520	RH UNDER DASH - ENTRANCE DOOR SOL.	PNEUMAC	3		641385	C 585					
C 521	RH UNDER DASH - ENTRANCE DOOR SOL.	PNEUMAC	3		641385	C 586	FR SERVICE COMPT - ACC. PNEU.VALVE	PNEUMAC	3		562848
C 522	FR JCT BOX - DAYTIME LTS MODULE	BOSCH	5		561183	C 587	LH PARCEL RACK DVD UNIT	MOLEX	4	563040	563071
C 523	FR JCT BOX - FUSE BLOCK	PED	8	562647	562646	C 588	FR SERV. COMPT. - S.S. INTERFACE	AMP CPC	37	561645	561646
C 524	FR JCT BOX - FUSE BLOCK	PED	8	562647	562646	C 589	FR. MIRROR LH	CONXALL	8	563163	563088
C 525	FR JCT BOX - FUSE BLOCK	PED	8	562647	562646	C 590	FR. MIRROR RH	CONXALL	8	563163	563088
C 526	FR JCT BOX - FUSE BLOCK	PED	8	562647	562646	C 591	LH CONSOLE - LH MIRROR SW.	EURAMT.	8		562749
C 527	FR JCT BOX - FUSE BLOCK	PED	8	562647	562646	C 592	LH CONSOLE - RH MIRROR SW.	EURAMT.	8		562749
C 528						C 594	FRONT ROOF - DRIVER'S LTS	LEEKRAFT	2	-----	562803
C 529						C 595	RH DASH PANEL - ENTRANCE DOOR SW.	MOLEX	4	562507	562503
C 530	RR JCT BOX - FUSE BLOCK	PED	8	562647	562646	C 596	RH DASH PANEL - ENTRANCE DOOR SW.	MOLEX	4	562507	562503
C 531	RR JCT BOX - FUSE BLOCK	PED	8	562647	562646	C 597	LH DASH PANEL - DISPLAY SET SW.	AMP	5		562905
C 532	LH PARCEL RACK - A/C LIQ. SOL.	AMP MNL	2	561248	561247	C 598	LH DASH PANEL - DISPLAY SET SW.	AMP	5		562905
C 533	RH PARCEL RACK - A/C LIQ. SOL.	AMP MNL	2	561248	561247	C 599	UND. DASH - MAGN. SW CTR POS. DR'S AIR	AMP MNL	2	561248	561247
C 534						C 604	LH PARCEL RACK DVD VIDEO STABILIZER	SWITCHCRAFT	1		563074
C 535						C 605	LH PARCEL RACK - A/C UNIT	AMP MNL	6	561552	561515
C 536						C 606	RH PARCEL RACK - A/C UNIT	AMP MNL	6	561552	561515
C 537	A/C JCT BOX RESISTOR SIGN. RLY	AMP MNL	2	561248	561247	C 607	FR SERVICE COMPT - RPM SIGNAL (SPARE)	PED WP	2	561566	561690
C 538	FR SERV. CPT RH - OUTSIDE TEMP. SENS	AMP MNL	2	561248	561247	C 608	FR SERV. COMPT - SPEED SIGNAL (SPARE)	PED WP	2	561566	561690
C 539	HVAC DASH MODULE OUTPUT CONN.	MOLEX	24		562780	C 609					
C 540	HVAC DASH MODULE INPUT CONN.	MOLEX	22		562781	C 610					
C 541						C 611	RH PARCEL RACK READING LTS WCL	MOLEX	6	562558	562557
C 542						C 612	RH PARCEL RACK LUOR. INSTATION LTS WCL	MOLEX	4	562507	562503
C 543						C 613	RH PARCEL RACK INDIRECT LTS WCL	AMP MNL	3	561667	561550
C 544	S.S. PANEL - AUDIO SEAT	PED WP	3	561781	561782	C 614	RH PARCEL RACK INDIRECT LTS WCL	AMP MNL	3	561667	561550
C 545						C 615	LH PARCEL RACK DVD SIGN ALONG ADAPTOR	MOLEX	2	562550	562549
C 546	FR. JCT BOX - CHARGER WIRELESS MIC.	MOLEX	2		563025	CS	FR SERVICE CPT - ECU WOLRD TR.	PED MP	32		562817
C 547						CT	FR SERVICE CPT - ECU WORLD TR.	PED MP	32		562824
C 548	LH DASH PANEL - T.T.LT TEST SW.	EATON	12		562763	CV	FR SERVICE CPT - ECU WORLD TR.	PED MP	32		562823
C 549	LH DASH PANEL - ENGINE FAN OVERRIDE	EATON	12		562763	CX	CLUSTER	JAE	5		562957
C 550	LAST LUGG. CPT. -WCL MODULE	AMP CPC	16	561694	561695	CX 1	FR SERVICE CPT - ECU ABS	AMP JN	15		563200
C 551	LAST LUGG. CPT. -WCL REMOTE	AMP CPC	9	561636	561637	CX 2	FR SERVICE CPT - ECU ABS	AMP JN	18		563201
C 552											
C 553	UNDER DASH - S.S. CONTROL HEAD	MOLEX	16		562559	CY	CLUSTER	JAE	30		562765
C 554	UNDER DASH - S.S. CONTROL HEAD	MOLEX	16		562559	CW X1	ENGINE COMPT. - WATER HEATER	AMP	7	563134	563135
C 555	UNDER DASH - S.S. CONTROL HEAD	MOLEX	16		562559	CW X3	ENGINE COMPT. - WATER HEATER	AMP	7	563134	563135
C 556	UNDER DASH - RADIO FEEDING	MOLEX	2	562550	562549	LX	CLUSTER	JAE	22		562766
C 557	UNDER DASH - RADIO FEEDING	MOLEX	9	562556	562555	LY	CLUSTER	JAE	30		562767
C 558	FR. SERV. COMPT. - MIC. OUTLET	MOLEX	4	562507	562503	RX	CLUSTER	JAE	30		562767
C 559						WEB 1	ENGINE COMPT. - WEBASTO	AMP FF	2	562473	562474
C 560						WEB 2	ENGINE COMPT. - WEBASTO	AMP FF	2	562643	
C 561	LH PARCEL RACK - WIRELESS MIC.	MOLEX	8		562465	ZF 1	FR JCT BOX - STEERING E.C.U.	HELLA	9		562929
C 562	LH PARCEL RACK - VCR SIGNAL	MOLEX	12		563070						
C 563	FR. SERV. COMPT. - DRIVER SPEAKER	MOLEX	4	562507	562503						
C 564	FR. SERV. COMPT. - MIC. OUTLET	MOLEX	4	562507	562503						
C 565	FR. SERV. COMPT. - MIC. OUTLET	MOLEX	4	562507	562503						

CONNECTORS CODE

NO	LOCATION	TYPE	CAVITY	#PIN	#SOCKET	NO	LOCATION	TYPE	CAVITY	#PIN	#SOCKET
				HOUSING	HOUSING					HOUSING	HOUSING
A 1	UNDER DASH – AUDIO SIGNAL	RCA	1	562090	562330	C 57	RH PARCEL RACK - FEEDING	MOLEX	6	562558	562557
A 2	UNDER DASH – AUDIO SIGNAL	RCA	1	562090	562330	C 58					
A 10	UNDER DASH – AUDIO SIGNAL	RCA	1	562090	562330	C 59					
A 11	UNDER DASH – AUDIO SIGNAL	RCA	1	562090	562330	C 60					
A 18	S. S. PANEL – AUDIO SIGNAL	RCA	1	562090	562330	C 61	ENGINE COMPT - FUEL FILTER	PED WP	2	561566	561690
A 19	S. S. PANEL – AUDIO SIGNAL	RCA	1	562090	562330	C 62	ENGINE COMPT – COMPR. AUX. PRESS. SW.	PED WP	2	561566	561690
AA 1	UNDER DASH PANEL- SONALERT	BOSCH	5	-----	561183	C 63	ENGINE COMPT – COMPR. AUX. PRESS. SW.	PED WP	2	561566	561690
C 1	FR JCT BOX COMPARTIMENT	AMP CPC	14	561585	561584	C 64					
C 2	FR JCT BOX COMPARTIMENT	AMP CPC	16	561638	561640	C 65	ENGINE CPT – A/C PRESS SW FAN CLUTCH	PED WP	2	561566	561690
C 3	FR JCT BOX COMPARTIMENT	AMP CPC	37	561644	561646	C 66					
C 4	FR JCT BOX COMPARTIMENT	AMP CPC	24	561641	561643	C 67					
C 5	FR SERVICE COMPT. - UNDERNEATH	AMP CPC	37	561645	561646	C 68					
C 6	FR SERVICE COMPT. - UNDERNEATH	AMP CPC	16	561639	561640	C 69					
C 7	FR SERVICE COMPT - CLUTCH SW	ITT SS	3	561080	561111	C 70	LH CONSOLE	AMP CPC	16	561639	561640
C 8	FR SERVICE COMPT. - UNDERNEATH	AMP CPC	24	561642	561643	C 71	FR JCT BOX COMPT.	AMP CPC	37	561645	561646
C 9	FR SERVICE COMPT. - UNDERNEATH	AMP CPC	24	561642	561643	C 72	FR JCT BOX COMPT.	AMP CPC	24	561642	561643
C 10	FR SERVICE DOOR ACCESS.	DEUTSCH	5	562565	562566	C 73					
C 11	FR SERV. CPT ACCESS	AMP CPC	37	561645	561646	C 74	FR JCT BOX COMPT.	AMP CPC	37	561645	561646
C 12	FR SERV. CPT ACCESS	AMP CPC	16	561639	561640	C 75	SERVICE COMPT. EXT. ENTRANCE DOOR SW.	AMPSCH	4	562479	562477
C 13	FR JCT BOX COMPARTIMENT	AMP MNL	2	561248	561247	C 75	RH PARCEL RACK – READ. LTS FEED. WCL	MOLEX	6	562558	562557
C 14	LAST LUGGAGE COMP(4) - DOCKING LTS	AMP MNL	2	561248	561247	C 76	ENGINE COMPT. FIRE DETECTOR	DEUTSCH	2	562486	562485
C 15	UNDER STAIRS – CORNERING LTS	AMP MNL	2	560900	560898	C 77	ENGINE COMPT. FIRE DETECTOR	DEUTSCH	2	562486	562485
C 16	LH CONSOLE SW-CRUISE ON/OFF	EATON	12	-----	562763	C 78					
C 17	LH CONSOLE SW-CRUISE RESUME	EATON	12	-----	562763	C 79					
C 18	LH CONSOLE SW-CRUISE SET	EATON	12	-----	562763	C 80					
C 19	LH CONSOLE SW-DECEL SW	EATON	12	-----	562763	C 81	LUGGAGE COMPT - DOOR LOCK	AMP MNL	4	560851	560852
C 20	RR JCT BOX	DEUTSCH	70	562282	562285	C 82	UNDER SEAT – AISLE LTS	AMP MNL	2	560900	560898
C 21	ENGINE COMPT - LOCK DOOR MOT.	PED WP	2	562076	562076	C 82	LUGGAGE COMPT - DOOR LOCK	AMP MNL	4	560851	560852
C 22	LUGGAGE COMPT (A) - A/C & FUEL TANK	AMP CPC	16	561639	561640	C 83	LUGGAGE COMPT - DOOR LOCK	AMP MNL	4	560851	560852
C 23	LUGGAGE COMPT (1) – LUGG. ACCESS.	AMP CPC	24	561642	561643	C 84	LUGGAGE COMPT - DOOR LOCK	AMP MNL	4	560851	560852
C 24	ENGINE COMPT. – INTERF RJB	PED WP	6	561606	561607	C 85					
C 25	ENGINE COMPT. – INTERF RJB	PED WP	6	561606	561607	C 86					
C 26	ENGINE COMPT. ACCESS	DEUTSCH	40	562281	562284	C 87					
C 27	ENGINE COMPT. – INTERF. RJB	DEUTSCH	6	562583	562581	C 88	FR SERV. CPT. PRESS SW PARK BRAKE	PED WP	2	561566	561690
C 28	LUGGAGE COMPT(4) – LUGG. ACCESS	AMP CPC	24	561642	561643	C 89					
C 29	FR SERVICE COMPT – E.C.U. FEED	PED WP	3	561781	561782	C 90					
C 30	ENGINE COMPT – MASTER SW. SIGN.	DEUTSCH	2	562486	562485	C 91					
C 31	RR JCT BOX – PARCEL RACK FEEDING	DEUTSCH	31	562572	562536	C 92	FR JCT BOX COMPT - ABS	AMP CPC	9	561635	561637
C 32	ENGINE COMPT.-ECM	PED WP	1	561605	561577	C 93					
C 33	FR SERV. COMPT. – VSS SIGNAL	PED WP	2	561566	561690	C 94					
C 34	FR JCT BOX EATON TRANS. J1939	DEUTSCH	3	562877	562884	C 95					
C 35	A/C COMPT - AIR RETURN SENSOR	AMP MNL	2	561248	561247	C 96	FR SERVICE DOOR ACCESS	AMP MNL	9	561670	561669
C 36	UNDER STAIRS – STEP LIGHTS	AMP MNL	2	561248	561247	C 97	FR SERVICE DOOR – WATER TANK	PED MP	2	562426	562426
C 36	RH PARCEL RACK – EMERGENCY LTS	AMP MNL	2	560900	560898	C 98					
C 37	LH PARCEL RACK - FEEDING	MOLEX	6	562558	562557	C 99	FR SERVICE CPT. LTS	AMP MNL	2	561248	561247
C 38	RH PARCEL RACK - FEEDING	MOLEX	6	562558	562557	C 100					
C 39	ENGINE COMPT. ECM J1939	DEUTSCH	3	562877	562884	C 101	FR SERVICE COMPT. ELEC. HORNS	PED WP	2	561566	561690
C 40	FR JCT BOX EATON TRANS. J1939	DEUTSCH	3	562877	562884	C 101	CONDENSER COMPT - A/C PRES. SW 1SP	PED WP	2	561566	561690
C 41	ENGINE COMPT – RH DOOR LOCK	DEUTSCH	4	562479	562477	C 102	CONDENS. COMPT – LIQU. SOL. VAL. PRES.	PED WP	2	561566	561690
C 42	ENGINE COMPT – RR CAP LIGHTING	DEUTSCH	6	562583	562581	C 103	ENGINE COMPT. – LAVATORY FAN	PED WP	2	561566	561690
C 43	FR JCT BOX – ALT. MODULE	AMP MNL	12	561735	561734	C 104	ENGINE COMPT. – LAVATORY PUMP	DEUTSCH	2	562486	562485
C 44	ENGINE COMPT - LIGHTS	PED WP	1	561605	561577	C 105	UNDER DASH RH - DRV LIO SOL VL	PED WP	2	561566	561690
C 45	FR JCT BOX COMPT – ROOF ACCESS	AMP CPC	24	561642	561643	C 106	UNDER DASH RH - DRV WTR VALVE	PED WP	2	561566	561690
C 46	ENGINE COMPT. ECM J1939	DEUTSCH	3	562877	562884	C 107	ENGINE COMPT- LAVATORY PUSH BUTTON	PED WP	2	561566	561690
C 47	ENGINE DDEC-ECM J1939	PED MP	4	-----	561962	C 108					
C 48	FR SERV. CPT. PRESS SW PARK BRAKE	PED WP	2	561566	561690	C 109					
C 49	LAVATORY ROOF – NIGHT LIGHT	AMP MNL	2	560900	560898	C 110					
C 50	LAVATORY ROOF - LIGHT	LEECRAFT	2	-----	562803	C 111					
C 50	LH SWITCH PANEL – SAFETY SW.	EATON	12	-----	562763	C 112					
C 51	FR SERV.CPT.PARK. BRAKE SOL. VALVE	PNEUMAC	2	-----	641385	C 113	EATON SPEED SIGNAL	PED P2S	2	-----	562426
C 52	ENGINE COMPT - COMPRESSOR	PED WP	2	561566	561690	C 114	ENGINE DDEC - SPEED SIGNAL	PED WP	2	561566	561690
C 53	ENGINE COMPT - COMPRESSOR	PED WP	2	561566	561690	C 115	RR JCT BOX – ENGINE ACCESS	DEUTSCH	40	562281	562284
C 54						C 116	DRIVE AXLE COMPT-AIR DRYER	PED MP	2	n/a	562251
C 55	CENTRAL DOOR LOCK	DEUTSCH	4	562479	562477	C 117					
C 56	LH PARCEL RACK - FEEDING	MOLEX	6	562558	562557	C 118	ENGINE COMPT - LICENCE	DOM. AUT	2	930210	

CONNECTORS CODE

NO	LOCATION	TYPE	CAVITY	#PIN	#SOCKET	NO	LOCATION	TYPE	CAVITY	#PIN	#SOCKET
				HOUSING	HOUSING					HOUSING	HOUSING
C 119	ENGINE COMPT - RH LOWER LAMP	PED WP	6	561606	561607	C 182					
C 120	ENGINE COMPT - LH LOWER LAMP	PED WP	6	561606	561607	C 183					
C 121						C 184	FR SERV. COMPT. - KNEELING PROX. SW.	ITT SS	3	561080	561111
C 122						C 185	KNEELING PANEL - DOWN SOL. VALVE	PNEUMAC	3		641385
C 123						C 186					
C 124						C 187	FR SERVICE JCT BOX - RESISTORS	AMP MNL	6	561552	561515
C 125						C 187	KNEELING PANEL - PARK BRAKE INTERLOCK	PNEUMAC	3		641385
C 126						C 188					
C 127						C 189					
C 128						C 190					
C 129						C 191					
C 130						C 192					
C 131						C 193					
C 132						C 194					
C 133						C 195					
C 134	FR JCT BOX - DIODE CONN.	AMP MNL	15	561987	561986	C 196	KNEELING PANEL - UP SOL. VALVE	PNEUMAC	3		641385
C 135	FR JCT BOX - DIODE CONN.	AMP MNL	15	561987	561986	C 197	KNEELING PANEL - CTR SOL. VALVE	PNEUMAC	3		641385
C 136	FR JCT BOX - DIODE CONN.	AMP MNL	15	561987	561986	C 198					
C 137	FR JCT BOX - DIODE CONN.	AMP MNL	15	561987	561986	C 199					
C 138						C 200	PARCEL RACK - FLUORESCENT LTS	AMP MNL	2	561248	561247
C 139						C 201	PARCEL RACK - FLUORESCENT LTS	AMP MNL	2	561248	561247
C 140	HVAC DASH MODULE THERMOMETER	MOLEX	4		562782	C 202	RH PARCEL RACK - INDIRECT LTS	MOLEX	2		562758
C 141	RR DASH PANEL - LTS CONN. (SPARE)	AMP MNL	2	561248	561247	C 203	PARCEL RACK - FLUORESCENT LTS	MOLEX	6		562759
C 142	ENGINE COMPT. B/U ALARM	PED WP	2	561566	561690	C 204	RH PARCEL RACK - RACK LTS	AMP MNL	2	560900	560858
C 143						C 205	RH PARCEL RACK - FEEDING	AMP MNL	9	561661	561662
C 144	FR JCT BOX - AISLE LTS FEEDING	AMP MNL	2	561248	561247	C 206	RH PARCEL RACK - FEEDING	AMP FF	4	562760	562756
C 145						C 207	LH PARCEL RACK - FEEDING	AMP FF	4	562760	562756
C 146						C 208	PARCEL RACK - FLUORESCENT LTS	MOLEX	2		562758
C 147						C 209	LH PARCEL RACK - HOTESS CHIME	AMP MNL	3	561667	561550
C 148						C 210	LH PARCEL RACK - FEEDING	AMP MNL	9	561661	561662
C 149						C 211	FR ROOF - SUN VISOR LH	AMP MNL	2	560900	560898
C 150						C 212	FR ROOF - SUN VISOR RH	AMP MNL	2	560900	560898
C 151						C 213	WCL DOOR UP HING-DOOR READ & HOST. SW	AMP MNL	6	561552	561515
C 152						C 214					
C 153						C 215					
C 154						C 216					
C 155	EVAPORATOR CPT - WATER VALVE	BURKERT	3		563204	C 217	RH PANEL SW. - SCENIC VIEW CAMERA	EATON	12		562763
C 156						C 218	RH PANEL SW. - LIGHTS SPARE	AMP MNL	2	560900	560898
C 157	FR SERV. CPT - WATER PUMP DR'S	PED WP	3	561781	561782	C 219					
C 158						C 220					
C 159						C 221					
C 160	FR SERVICE CPT - INTERFACE	AMP CPC	37	561644	561646	C 222					
C 161	ENGINE DDEC - ECM	PED MP	30		561600	C 223	HEAD LIGHTS - FLASHER	DEUTSCH	5	562565	562566
C 162	ENGINE DDEC - ACCESSORIES	PED WP	4	561610	561611	C 224	HEAD LIGHTS	PED MP	3		562099
C 163	ENGINE CPT - COOLANT PROBE	PED MP	2		562350	C 225	FOG LIGHTS	DEUTSCH	3	562902	562901
C 164						C 226	FRONT HEADLIGHTS - MARKER & FLASHER	PED	3	562137	
C 165						C 226	BATT. COMPT. - INTERIOR LTS	AMP MNL	2	561248	561247
C 166						C 227					
C 167	FR SERVICE CPT - EL. FOOT PEDAL	PED WP	3	561781	561782	C 228	L.H. CONSOLE EATON TRANSM.	AMP MNL	6	561552	561515
C 168	FR SERVICE CPT - DDR	DEUTSCH	6	562360		C 229	BATT. COMPT. - CHARGER 110V.	PED WP	1	561577	561605
C 169	FR SERVICE CPT - WORLD TR. INTERFACE	AMP CPC	16	561639	561640	C 230	ENGINE COMPT. - FUEL PRIME PUMP SW.	PED WP	2	561566	561690
C 169	FR SERV. COMPT. - SPEED SWITCH	AMP	15	562011	562012	C 231	ENGINE COMPT. - FUEL PRIME PUMP	PED WP	2	561566	561690
C 170	FR JCT BOX FLASHER UNIT	PED	2		561940	C 232					
C 171	LH CONSOLE	AMP CPC	24	561642	561643	C 233	FIRST LUGGAGE CPT.	VDO	8		562043
C 172	FR SERVICE COMPT - KNEELING PANEL	AMP CPC	16	561639	561640	C 234	FIRST LUGGAGE CPT.	VDO	8		562044
C 172	ENGINE COMPT. - WATER TANK HEATER	PED WP	2	561566	561690	C 235	FIRST LUGGAGE CPT.	VDO	8		562041
C 173						C 236	FIRST LUGGAGE CPT.	AMP MNL	4	560851	560858
C 174						C 236	FR SERVICE CPT CENTER - ABS	AMP CPC	14	561636	561637
C 175						C 237	FR AXLE CPT - ABS RH SENSOR	WABCO	2	641132	
C 176	UNDER DASH RH - WIPER PULSE	AMP FF	6		561186	C 238	FR AXLE CPT - ABS RH VALVE	WABCO	3	641098	
C 177	UNDER DASH RH - WIPER MOTOR	AMP FF	6		561186	C 239	FR AXLE CPT - ABS LH VALVE	WABCO	3	641098	
C 178						C 240	FR AXLE CPT - ABS LH SENSOR	WABCO	2	641132	
C 179						C 241	LAST LUGGAGE COMPT - ABS	PED WP	6	561606	561607
C 180	KNEELING PANEL - DIODE SOCKET	AMP MNL	15	561987	561986	C 242	DRIVE AXLE CPT - ABS LH SENSOR	WABCO	2	641132	
C 181						C 243	DRIVE AXLE CPT - ABS LH VALVE	WABCO	3	641098	

CONNECTORS CODE

NO	LOCATION	TYPE	CAVITY	#PIN	#SOCKET	NO	LOCATION	TYPE	CAVITY	#PIN	#SOCKET
				HOUSING	HOUSING					HOUSING	HOUSING
C 244	DRIVE AXLE CPT - ABS RH VALVE	WABCO	3	641098		C 307					
C 245	DRIVE AXLE CPT - ABS RH SENSOR	WABCO	2	641132		C 308					
C 246	DRIVE AXLE CPT - ATC SOL.	PED WP	2	561566	561690	C 309	ENGINE DDEC - ECM POWER	PED MP	5		562345
C 247	E.C.U. EATON TRANS.	PED MP	18		562573	C 310	LH CONSOLE SW - LUG. DOOR LOCK	EATON	12		562763
C 248	LAST LUGGAGE CPT - ABS	PED WP	6	561606	561607	C 311	RH SWITCH PANEL - HOTESS CHIME	EATON	12		562763
C 249	FR SERVICE CPT - ABS/DDEC	PED WP	2	561566	561690	C 312	ENGINE DDEC - ACCESSORIES	PED WP	3	561781	561782
C 250						C 312	RH SWITCH PANEL - READING LAMP	EATON	12		562763
C 251	LH SW PANEL - FAST IDLE	EATON	12		562763	C 313	ENGINE DDEC - INTERFACE	PED MP	3	562398	
C 252	LUGGAGE COMPT. - WINDOW AJAR	MOLEX	4	561477	561476	C 313	RH SWITCH PANEL - INTERIOR LTS	EATON	12		562763
C 253	LH SWITCH PANEL - ETHER	EATON	12		562763	C 314	KNEELING PANEL - PRESS SW.	PED WP	2	561566	561690
C 254						C 314	RH SWITCH PANEL - INTERIOR LTS	EATON	12		562763
C 255	LH SWITCH PANEL - ENGINE BRAKE	EATON	12		562763	C 315	LH SWITCH PANEL - LH SUN VISOR SW.	EATON	12		562763
C 256						C 316	INTO HORN BOX - KNEELING BUZZER	DEUTSCH	2	562486	562485
C 257						C 317	LH SWITCH PANEL - RH SUN VISOR SW.	EATON	12		562763
C 258	LH SWITCH PANEL - MULTI FUNC. SW	AMP FF	8	561188		C 318	LH CONSOLE SW - DR'S WINDOW SW.	EATON	12		562763
C 259						C 319					
C 259	LH SWITCH PANEL - MULTI FUNC. SW	AMP FF	6		561186	C 320	RT SWITCH PANEL - DRIVER'S LTS SW.	EATON	12		562763
C 260						C 321	UNDER DASH RH - KEYLESS MODULE	AMP COM	26		562676
C 261						C 322	UNDER DASH RH - KEYLESS MODULE	AMP COM	22		562675
C 262						C 323	DRIVER'S WINDOW MOTOR	PED	2		561848
C 263	LUGGAGE COMPT. LTS COMPT #3	AMP MNL	2	561248	561247	C 324					
C 264	LUGGAGE COMPT. LTS COMPT #2	AMP MNL	2	561248	561247	C 325	LH SWITCH PANEL - KNEELING	EATON	12		562763
C 265	LUGGAGE COMPT. LTS COMPT #1	AMP MNL	2	561248	561247	C 326	EATON TRANSMISSION INTERFACE	PED WP	4	561610	561611
C 266	ENTRANCE DOOR KEYLESS	AMP CPC	14	561585	561583	C 327					
C 267	UNDER DASH RH - ENT. DOOR PANEL	AMP CPC	24	561642	561643	C 328	RR ROOF - GALLEY LAMP		2		
C 268	FR MIRROR RH	CONXALL	5	563091	563090	C 329					
C 269	FR MIRROR LH	CONXALL	5	563091	563090	C 330					
C 270	LUGGAGE COMPT LTS - 3 LH	AMP MNL	2	561248	561247	C 331					
C 271	LUGGAGE COMPT LTS - 4	AMP MNL	2	561248	561247	C 332					
C 272						C 333					
C 273	ENT. DOOR PANEL - DIODE SOCKET	AMP MNL	9	561670	561669	C 334					
C 274						C 335					
C 275	ENT. DOOR PANEL - DIODE SOCKET	AMP MNL	9	561670	561669	C 336					
C 276						C 337					
C 277	RH UNDER DASH - ENT. DOOR REED SW.	AMP MNL	2	560900	560858	C 338					
C 278	RH PASS. AIR DUCT - ENT DOOR PRESS SW.	PED WP	2	561566	561690	C 339	KNEELING PANEL - HI BUOY SOL. VALVE	PNEUMAC	3		641385
C 279	RH UNDER DASH - ENT. DOOR REED SW.	AMP MNL	2	560900	560858	C 340	FR JCT BOX - FIRE PIEZO ALARM	AMP MNL	2	560900	560898
C 279	FR SERVICE COMPT LH - STEERING ZF	DEUTSCH	2		562485	C 341	LH SWITCH PANEL - HEAT MIRROR SW.	EATON	12		562763
C 280	ENGINE COMPT - A/C COMPRESSOR AUX.	PED WP	2	561566	561690	C 342					
C 281						C 343	LH SWITCH PANEL - HEAD LAMP SW.	EATON	12		562763
C 282	FR SERVICE COMPT - STEERING ZF	VOLVO	2		562928	C 344	LH SWITCH PANEL - HAZARD LT SW.	EATON	12		562763
C 283	LH CONSOLE - SPARE SW. LTS	AMP MNL	2	561248	561247	C 345	LH SWITCH PANEL - FOG LT SW.	EATON	12		562763
C 284	E.C.U. EATON TRANS.	PED	2		563052	C 346					
C 285						C 347					
C 286						C 348	INSTR. PANEL CENT. - RACOR MODULE	MOLEX	6	562070	562069
C 287						C 349					
C 288						C 350					
C 289						C 351					
C 290	LUGGAGE CPT - DOOR LOCK	AMP MNL	4	560851	560852	C 352					
C 291	LUGGAGE CPT - DOOR LOCK	AMP MNL	4	560851	560852	C 353					
C 292						C 354					
C 293						C 355					
C 294						C 356					
C 295						C 357					
C 296						C 358					
C 297						C 359	RH SWITCH PANEL - ENT. DOOR WIND. SW.	EATON	12		562763
C 298						C 360	ENTRANCE WINDOW MOTOR	PED	2		561848
C 299	RH SWITCH PANEL - GALLEY	EATON	12		562763	C 361					
C 300						C 362					
C 301						C 363					
C 302						C 364	FRONT ROOF - ELECTRICAL DEST. SIGN	AMP MNL	3	561667	561550
C 303	RR JCT BOX - DIODES	AMP MNL	15	561987	561986	C 365					
C 304	RR JCT BOX - DIODES	AMP MNL	15	561987	561986	C 366					
C 305						C 367					
C 306						C 368	FRONT ROOF - ELECTRICAL DEST. SIGN	AMP MNL	3	561667	561550

CONNECTORS CODE

NO	LOCATION	TYPE	CAVITY	#PIN	#SOCKET	NO	LOCATION	TYPE	CAVITY	#PIN	#SOCKET
				HOUSING	HOUSING					HOUSING	HOUSING
C 369	FRONT ROOF – ELECTRICAL DEST. SIGN	TORRIX	5	562110		C 433					
C 370	FRONT ROOF – ELECTRICAL DEST. SIGN	AMP MNL	2	560900	560858	C 434					
C 371	FRONT ROOF – ELECTRICAL DEST. SIGN	AMP MNL	3	561667	561550	C 435					
C 372	FRONT ROOF – ELECTRICAL DEST. SIGN	MOLEX	4	561477	561476	C 436					
C 373						C 437					
C 374						C 438					
C 375						C 439					
C 376						C 440					
C 377	LH SWITCH PANEL – STOP ENGINE OVERRIDE	EATON	12		562763	C 441					
C 378						C 442					
C 379	LUGGAGE COMPT. – WINDOW AJAR SW.	MOLEX	4	561477	561476	C 443					
C 380						C 444					
C 381	UNDER DASH PANEL – ANTI THILED	AMP MNL	2	561248	561247	C 445					
C 382	ENGINE GENERATOR (1)	PED WP	1	561605	561577	C 446					
C 383	ENGINE COMPT – VOLTAGE REGULATOR	PED WP	1	561605	561577	C 447					
C 384						C 448					
C 385	BATT. COMPT. – BJB INTERFACE	AMP MNL	12	561735	561736	C 449					
C 386	LH SWITCH PANEL – W.C.LIFT	EATON	12		562763	C 450	S.S. PANEL - FEEDING	MOLEX	4	562507	562503
C 387	EVAPORATOR COMPT. - BY-PASS VALVE	PED WP	2	561566	561690	C 451	S.S. PANEL - FEEDING	MOLEX	2	562550	562549
C 387	BATTERY COMPT. – WCL ACCES.	AMP CPC	16	561639	561640	C 452	UNDER DASH – S.S. ACC. SIGNAL	MOLEX	2	562550	562549
C 388	LUGG. COMPT.(4) – WCL DOOR ACCESS.	AMP MNL	12	561735	561736	C 453	S. S. PANEL – VCR FEEDING	PED WP	2	561566	561690
C 389	EVAPORATOR COMPT. – WATER PUMP	PED WP	2	561566	561690	C 454	S. S. PANEL – VCR FEEDING	PED WP	2	561566	561690
C 390	EVAPORATOR COMPT. – A/C JCT. BOX	DEUTSCH	24	562280	562283	C 455	PARCEL RACK – WIRELESS MICROPHONE	MOLEX	6		562464
C 391	CONDENSER COMPT. A/C PRESS SW 2 SP	PED WP	2	561566	561690	C 456	WORLD TRANS. - RETARDER ACCUM.	PED MP	2		562427
C 392						C 457	WORLD TRANS. - MAIN CONNECTOR	DEUTSCH	31	562572	562536
C 393						C 458	WORLD TRANS. - TURBINE SP. SENS.	PED MP	2		562426
C 394	UNDER DASH - B/U MONITOR	AMP MNL	4	560851	560852	C 459	WORLD TRANS. - ENGINE SP. SENS.	PED MP	2		562426
C 395	UNDER DASH - B/U MONITOR	CLARION	4		990335	C 460	WORLD TRANS. - SPEED SENSOR	ITT	2		562541
C 396	PARCEL RACK – SPEAKER FEEDING	MOLEX	4	562507	562503	C 461	WORLD TRANS. - RETARDER TEMP.	PED MP	2		562856
C 397						C 462	WORLD TRANS. - RETARDER SOL. "K"	PED MP	2		562426
C 398						C 463	WORLD TRANS. - SENSOR CONN.	DEUTSCH	16	562570	562571
C 399	ENGINE GENERATOR (2)	PED WP	2	561566	561690	C 464	RR JCT BOX - DDL CONN	DEUTSCH	6		565360
C 400	ENGINE COMPT. – BLOCK HEATER	PED WP	3	561781	561782	C 465	LH CONSOLE - SHIFTER SELECTOR	PED	20		562825
C 401						C 466	FR SERVICE CPT - RESIS. MOD.	PED WP	3		562428
C 402						C 467	FR SERVICE CPT - RESIS. MOD.	PED WP	3		562428
C 403	GALLEY – REFRIGERATOR		2			C 468	STEERING COLUMN – RET. HAND LEVER	AMP FF	8	561188	562363
C 404	GALLEY – LAMP SWITCH		2			C 469	FR SERVICE COMPT. – RESIS. MOD.	AMP FF	8	561188	562363
C 405	INVERTER SIGNAL	AMP MNL	2	561248	561247	C 470					
C 406						C 471					
C 407						C 472	FR SERVICE CPT – SILENT 1000 OR EATON	PED WP	2	561566	561690
C 408						C 473					
C 409						C 474	DRIVER'S TEMP SENSOR	AMP MNL	2	561248	561247
C 410						C 475	FR SERVICE CPT – SPEED SIGN. CONNECT.	DEUTSCH	6	562583	562581
C 411						C 475M	FR SERVICE CPT – SPEED SIGN. W. TR.	DEUTSCH	6	562583	562581
C 412						C 475W	FR SERVICE CPT – SPEED SIGN. W. TR.	DEUTSCH	6	562583	562581
C 413						C 476					
C 414						C 477					
C 415						C 478	FRONT ROOF – ELECTRONIC DEST. SIGN	AMP CPC	9	561636	561637
C 416						C 479	UNDER DASH – HVAC DASH MODULE	MOLEX	3		562783
C 417						C 480	UNDER DASH RH – DR'S FAN SPEED CTR	PED WP	4	561889	561890
C 418						C 481	UNDER DASH RH – DR'S FAN SPEED CTR	PED WP	3	561781	561782
C 419	FR JCT BOX – RET/JAKE SELECTION	AMP MNL	3	561667	561550	C 482					
C 420						C 483	FR SERVICE CPT – ELECTRICAL SEAT	PED	2	562237	
C 421	ENGINE COMPT. - WEBASTO	AMP FF	2	562473	562474	C 484	UNDER DASH LH – FOOT DAMPER MOTOR	PED	2		562076
C 422	ENGINE COMPT. - WEBASTO	PED	2	562644	561597	C 485	UNDER DASH LH – DASH & DEFR. DAMP. M.	AMP MNL	3	561667	561558
C 423						C 486	WCL ROOF DOOR – DOOR LT.	LEECRAFT	2	-----	562803
C 424	UNDER DASH – AUDIBLE FLASHER	AMP MNL	3	561667	561550	C 487	S.S PANEL – AUDIO IN AMPLI	MOLEX	4	-----	563071
C 425						C 488	S.S PANEL – AMPLI SIGNAL	MOLEX	8	-----	562465
C 426	ENGINE S60 RAD. FAN CLUTCH	PED WP	3	561781	561782	C 489	S.S PANEL – SPEAKER OUTLET	MOLEX	6	-----	562464
C 427						C 490					
C 428	RH SW PANEL – DASH LTS RHEOSTAT	AMP MNL	3	561667	561550	C 491					
C 429						C 492					
C 430	LH CONSOLE – PRE-HEAT TIMER	AMP FF	8	561188	562363	C 493					
C 431	LH CONSOLE – PRE-HEAT TIMER		1		560488	C 494					
C 432						C 495					

CONNECTORS CODE

NO	LOCATION	TYPE	CAVITY	#PIN	#SOCKET	NO	LOCATION	TYPE	CAVITY	#PIN	#SOCKET
				HOUSING	HOUSING					HOUSING	HOUSING
C 496						C 566	FR. SERV. COMPT. - MIC. OUTLET	MOLEX	4	562507	562503
C 497						C 567	FR. SERV. COMPT. - MIC. OUTLET	MOLEX	4	562507	562503
C 498						C 568	S.S. PANEL - SPEAKER OUTLET	CINTCH	4	562553	
C 499						C 569	S. S. PANEL - AMPLI SIGNAL	MOLEX	9	562556	562555
C 500	FR JCT PANEL - PRODRIVER	MOLEX	6	562070	562069	C 570	UNDER DASH PANEL - T.T.LT MODULE	MOLEX	6		562464
C 501						C 571	UNDER DASH PANEL - T.T.LT MODULE	MOLEX	20		562778
C 502	LH DASH PANEL - PRE- HEAT SW.	EATON	12		562763	C 572	UNDER DASH PANEL - T.T.LT MODULE	MOLEX	18		562779
C 503	LH CONSOLE-PROHEAT TIMER	PED MP	6	-----	562878	C 573	UNDER DASH PANEL - T.T.LT MODULE	MOLEX	8		562465
C 504	LH CONSOLE -WEBASTO TIMER	AMP	8	-----	562852	C 574	PARCEL RACK - INDIRECT LTS BALLAST	MOLEX			562759
C 505	LH CONSOLE -ESPAR TIMER	AMP	12	-----	562681	C 575	RH PARCEL RACK - FFEDING	MOLEX	4	562507	562503
C 506	FR JCT BOX - DIGITAL CLOCK	AMP CPC	4	561685	561687	C 576	RH PARCEL RACK - FFEDING	AMP MNL	3	561667	561550
C 507	LH HAT RACK - DIGITAL CLOCK	MOLEX	4	561477	561476	C 577	LH PARCEL RACK - FFEDING	AMP MNL	3	561667	561550
C 508	RR JCT BOX - FAN CLUTCH RETARDER	AMP MNL	6	561552	561515	C 578	LH PARCEL RACK - FFEDING	MOLEX	4	562507	562503
C 509	EVAP. COMPT. - NOT USED	DEUTSCH	5		562566	C 579	LH PARCEL RACK-VCR POWER	MOLEX	4		563071
C 515	FR JCT BOX CPT. - INTERCOM	MOLEX	4	561477	561476	C 580	LH DASH PANEL - PARCEL RACK A/C SW.	EATON	12		562763
C 516	FR JCT BOX CPT. - INTERCOM	MOLEX	6	562070	562069	C 581	LH DASH PANEL - ELECTRICAL HORN	PED MP	2		562777
C 517	LAVATORY WALL - INTERCOM	MOLEX	6	562070	562069	C 582					
C 519A	RH UNDER DASH - ENTRANCE DOOR SOL.	PNEUMAC	3		641385	C 583	LH DASH PANEL - MASTER KEY SW.	DEUTSCH	2	562486	562485
C 519B	RH UNDER DASH - ENTRANCE DOOR SOL.	PNEUMAC	3		641385	C 584	FR. SERVICE COMPT - HORN PNEU. VALVE	PNEUMAC	3		562848
C 520	RH UNDER DASH - ENTRANCE DOOR SOL.	PNEUMAC	3		641385	C 585					
C 521	RH UNDER DASH - ENTRANCE DOOR SOL.	PNEUMAC	3		641385	C 586	FR SERVICE COMPT - ACC. PNEU.VALVE	PNEUMAC	3		562848
C 522	FR JCT BOX - DAYTIME LTS MODULE	BOSCH	5		561183	C 587	LH PARCEL RACK DVD UNIT	MOLEX	4	563040	563071
C 523	FR JCT BOX - FUSE BLOCK	PED	8	562647	562646	C 588	FR SERV. COMPT. - S.S. INTERFACE	AMP CPC	37	561645	561646
C 524	FR JCT BOX - FUSE BLOCK	PED	8	562647	562646	C 589	FR. MIRROR LH	CONXALL	8	563163	563088
C 525	FR JCT BOX - FUSE BLOCK	PED	8	562647	562646	C 590	FR. MIRROR RH	CONXALL	8	563163	563088
C 526	FR JCT BOX - FUSE BLOCK	PED	8	562647	562646	C 591	LH CONSOLE - LH MIRROR SW.	EURAMT.	8		562749
C 527	FR JCT BOX - FUSE BLOCK	PED	8	562647	562646	C 592	LH CONSOLE - RH MIRROR SW.	EURAMT.	8		562749
C 528						C 594	FRONT ROOF - DRIVER'S LTS	LEEKRAFT	2	-----	562803
C 529						C 595	RH DASH PANEL - ENTRANCE DOOR SW.	MOLEX	4	562507	562503
C 530	RR JCT BOX - FUSE BLOCK	PED	8	562647	562646	C 596	RH DASH PANEL - ENTRANCE DOOR SW.	MOLEX	4	562507	562503
C 531	RR JCT BOX - FUSE BLOCK	PED	8	562647	562646	C 597	LH DASH PANEL - DISPLAY SET SW.	AMP	5		562905
C 532	LH PARCEL RACK - A/C LIQ. SOL.	AMP MNL	2	561248	561247	C 598	LH DASH PANEL - DISPLAY SET SW.	AMP	5		562905
C 533	RH PARCEL RACK - A/C LIQ. SOL.	AMP MNL	2	561248	561247	C 599	UND. DASH - MAGN. SW CTR POS. DR'S AIR	AMP MNL	2	561248	561247
C 534						C 604	LH PARCEL RACK DVD VIDEO STABILIZER	SWITCHCRAFT	1		563074
C 535						C 605	LH PARCEL RACK - A/C UNIT	AMP MNL	6	561552	561515
C 536						C 606	RH PARCEL RACK - A/C UNIT	AMP MNL	6	561552	561515
C 537	A/C JCT BOX RESISTOR SIGN. RLY	AMP MNL	2	561248	561247	C 607	FR SERVICE COMPT - RPM SIGNAL (SPARE)	PED WP	2	561566	561690
C 538	FR SERV. CPT RH - OUTSIDE TEMP. SENS	AMP MNL	2	561248	561247	C 608	FR SERV. COMPT - SPEED SIGNAL (SPARE)	PED WP	2	561566	561690
C 539	HVAC DASH MODULE OUTPUT CONN.	MOLEX	24		562780	C 609					
C 540	HVAC DASH MODULE INPUT CONN.	MOLEX	22		562781	C 610					
C 541						C 611	RH PARCEL RACK READING LTS WCL	MOLEX	6	562558	562557
C 542						C 612	RH PARCEL RACK LUOR. INSTATION LTS WCL	MOLEX	4	562507	562503
C 543						C 613	RH PARCEL RACK INDIRECT LTS WCL	AMP MNL	3	561667	561550
C 544	S.S. PANEL - AUDIO SEAT	PED WP	3	561781	561782	C 614	RH PARCEL RACK INDIRECT LTS WCL	AMP MNL	3	561667	561550
C 545						C 615	LH PARCEL RACK DVD SIGN ALONG ADAPTOR	MOLEX	2	562550	562549
C 546	FR. JCT BOX - CHARGER WIRELESS MIC.	MOLEX	2		563025	CS	FR SERVICE CPT - ECU WOLRD TR.	PED MP	32		562817
C 547						CT	FR SERVICE CPT - ECU WORLD TR.	PED MP	32		562824
C 548	LH DASH PANEL - T.T.LT TEST SW.	EATON	12		562763	CV	FR SERVICE CPT - ECU WORLD TR.	PED MP	32		562823
C 549	LH DASH PANEL - ENGINE FAN OVERRIDE	EATON	12		562763	CX	CLUSTER	JAE	5		562957
C 550	LAST LUGG. CPT. -WCL MODULE	AMP CPC	16	561694	561695	CX 1	FR SERVICE CPT - ECU ABS	AMP JN	15		563200
C 551	LAST LUGG. CPT. -WCL REMOTE	AMP CPC	9	561636	561637	CX 2	FR SERVICE CPT - ECU ABS	AMP JN	18		563201
C 552											
C 553	UNDER DASH - S.S. CONTROL HEAD	MOLEX	16		562559	CY	CLUSTER	JAE	30		562765
C 554	UNDER DASH - S.S. CONTROL HEAD	MOLEX	16		562559	CW X1	ENGINE COMPT. - WATER HEATER	AMP	7	563134	563135
C 555	UNDER DASH - S.S. CONTROL HEAD	MOLEX	16		562559	CW X3	ENGINE COMPT. - WATER HEATER	AMP	7	563134	563135
C 556	UNDER DASH - RADIO FEEDING	MOLEX	2	562550	562549	LX	CLUSTER	JAE	22		562766
C 557	UNDER DASH - RADIO FEEDING	MOLEX	9	562556	562555	LY	CLUSTER	JAE	30		562767
C 558	FR. SERV. COMPT. - MIC. OUTLET	MOLEX	4	562507	562503	RX	CLUSTER	JAE	30		562767
C 559											
C 560						WEB 1	ENGINE COMPT. - WEBASTO	AMP FF	2	562473	562474
C 561	LH PARCEL RACK - WIRELESS MIC.	MOLEX	8		562465	WEB 2	ENGINE COMPT. - WEBASTO	AMP FF	2	562643	
C 562	LH PARCEL RACK - VCR SIGNAL	MOLEX	12		563070	ZF 1	FR JCT BOX - STEERING E.C.U.	HELLA	9		562929
C 563	FR. SERV. COMPT. - DRIVER SPEAKER	MOLEX	4	562507	562503						
C 564	FR. SERV. COMPT. - MIC. OUTLET	MOLEX	4	562507	562503						
C 565	FR. SERV. COMPT. - MIC. OUTLET	MOLEX	4	562507	562503						

CONNECTORS CODE

NO	LOCATION	TYPE	CAVITY	#PIN	#SOCKET	NO	LOCATION	TYPE	CAVITY	#PIN	#SOCKET
				HOUSING	HOUSING					HOUSING	HOUSING
A 1	UNDER DASH – AUDIO SIGNAL	RCA	1	562090	562330	C 57	RH PARCEL RACK - FEEDING	MOLEX	6	562558	562557
A 2	UNDER DASH – AUDIO SIGNAL	RCA	1	562090	562330	C 58					
A 10	UNDER DASH – AUDIO SIGNAL	RCA	1	562090	562330	C 59					
A 11	UNDER DASH – AUDIO SIGNAL	RCA	1	562090	562330	C 60					
A 18	S. S. PANEL – AUDIO SIGNAL	RCA	1	562090	562330	C 61	ENGINE COMPT - FUEL FILTER	PED WP	2	561566	561690
A 19	S. S. PANEL – AUDIO SIGNAL	RCA	1	562090	562330	C 62	ENGINE COMPT – COMPR. AUX. PRESS. SW.	PED WP	2	561566	561690
AA 1	UNDER DASH PANEL- SONALERT	BOSCH	5	-----	561183	C 63	ENGINE COMPT – COMPR. AUX. PRESS. SW.	PED WP	2	561566	561690
C 1	FR JCT BOX COMPARTIMENT	AMP CPC	14	561585	561584	C 64					
C 2	FR JCT BOX COMPARTIMENT	AMP CPC	16	561638	561640	C 65	ENGINE CPT – A/C PRESS SW FAN CLUTCH	PED WP	2	561566	561690
C 3	FR JCT BOX COMPARTIMENT	AMP CPC	37	561644	561646	C 66					
C 4	FR JCT BOX COMPARTIMENT	AMP CPC	24	561641	561643	C 67					
C 5	FR SERVICE COMPT. - UNDERNEATH	AMP CPC	37	561645	561646	C 68					
C 6	FR SERVICE COMPT. - UNDERNEATH	AMP CPC	16	561639	561640	C 69					
C 7	FR SERVICE COMPT - CLUTCH SW	ITT SS	3	561080	561111	C 70	LH CONSOLE	AMP CPC	16	561639	561640
C 8	FR SERVICE COMPT. - UNDERNEATH	AMP CPC	24	561642	561643	C 71	FR JCT BOX COMPT.	AMP CPC	37	561645	561646
C 9	FR SERVICE COMPT. - UNDERNEATH	AMP CPC	24	561642	561643	C 72	FR JCT BOX COMPT.	AMP CPC	24	561642	561643
C 10	FR SERVICE DOOR ACCESS.	DEUTSCH	5	562565	562566	C 73					
C 11	FR SERV. CPT ACCESS	AMP CPC	37	561645	561646	C 74	FR JCT BOX COMPT.	AMP CPC	37	561645	561646
C 12	FR SERV. CPT ACCESS	AMP CPC	16	561639	561640	C 75	SERVICE COMPT. EXT. ENTRANCE DOOR SW.	AMPSCH	4	562479	562477
C 13	FR JCT BOX COMPARTIMENT	AMP MNL	2	561248	561247	C 75	RH PARCEL RACK – READ. LTS FEED. WCL	MOLEX	6	562558	562557
C 14	LAST LUGGAGE COMP(4) - DOCKING LTS	AMP MNL	2	561248	561247	C 76	ENGINE COMPT. FIRE DETECTOR	DEUTSCH	2	562486	562485
C 15	UNDER STAIRS – CORNERING LTS	AMP MNL	2	560900	560898	C 77	ENGINE COMPT. FIRE DETECTOR	DEUTSCH	2	562486	562485
C 16	LH CONSOLE SW-CRUISE ON/OFF	EATON	12	-----	562763	C 78					
C 17	LH CONSOLE SW-CRUISE RESUME	EATON	12	-----	562763	C 79					
C 18	LH CONSOLE SW-CRUISE SET	EATON	12	-----	562763	C 80					
C 19	LH CONSOLE SW-DECEL SW	EATON	12	-----	562763	C 81	LUGGAGE COMPT - DOOR LOCK	AMP MNL	4	560851	560852
C 20	RR JCT BOX	DEUTSCH	70	562282	562285	C 82	UNDER SEAT – AISLE LTS	AMP MNL	2	560900	560898
C 21	ENGINE COMPT - LOCK DOOR MOT.	PED WP	2	-----	562076	C 82	LUGGAGE COMPT - DOOR LOCK	AMP MNL	4	560851	560852
C 22	LUGGAGE COMPT (A) - A/C & FUEL TANK	AMP CPC	16	561639	561640	C 83	LUGGAGE COMPT - DOOR LOCK	AMP MNL	4	560851	560852
C 23	LUGGAGE COMPT (1) – LUGG. ACCESS.	AMP CPC	24	561642	561643	C 84	LUGGAGE COMPT - DOOR LOCK	AMP MNL	4	560851	560852
C 24	ENGINE COMPT. – INTERF RJB	PED WP	6	561606	561607	C 85					
C 25	ENGINE COMPT. – INTERF RJB	PED WP	6	561606	561607	C 86					
C 26	ENGINE COMPT. ACCESS	DEUTSCH	40	562281	562284	C 87					
C 27	ENGINE COMPT. – INTERF. RJB	DEUTSCH	6	562583	562581	C 88	FR SERV. CPT. PRESS SW PARK BRAKE	PED WP	2	561566	561690
C 28	LUGGAGE COMPT(4) – LUGG. ACCESS	AMP CPC	24	561642	561643	C 89					
C 29	FR SERVICE COMPT – E.C.U. FEED	PED WP	3	561781	561782	C 90					
C 30	ENGINE COMPT – MASTER SW. SIGN.	DEUTSCH	2	562486	562485	C 91					
C 31	RR JCT BOX – PARCEL RACK FEEDING	DEUTSCH	31	562572	562536	C 92	FR JCT BOX COMPT - ABS	AMP CPC	9	561635	561637
C 32	ENGINE COMPT.-ECM	PED WP	1	561605	561577	C 93					
C 33	FR SERV. COMPT. – VSS SIGNAL	PED WP	2	561566	561690	C 94					
C 34	FR JCT BOX EATON TRANS. J1939	DEUTSCH	3	562877	562884	C 95					
C 35	A/C COMPT - AIR RETURN SENSOR	AMP MNL	2	561248	561247	C 96	FR SERVICE DOOR ACCESS	AMP MNL	9	561670	561669
C 36	UNDER STAIRS – STEP LIGHTS	AMP MNL	2	561248	561247	C 97	FR SERVICE DOOR – WATER TANK	PED MP	2	-----	562426
C 36	RH PARCEL RACK – EMERGENCY LTS	AMP MNL	2	560900	560898	C 98					
C 37	LH PARCEL RACK - FEEDING	MOLEX	6	562558	562557	C 99	FR SERVICE CPT. LTS	AMP MNL	2	561248	561247
C 38	RH PARCEL RACK - FEEDING	MOLEX	6	562558	562557	C 100					
C 39	ENGINE COMPT. ECM J1939	DEUTSCH	3	562877	562884	C 101	FR SERVICE COMPT. ELEC. HORNS	PED WP	2	561566	561690
C 40	FR JCT BOX EATON TRANS. J1939	DEUTSCH	3	562877	562884	C 101	CONDENSER COMPT - A/C PRES. SW 1SP	PED WP	2	561566	561690
C 41	ENGINE COMPT – RH DOOR LOCK	DEUTSCH	4	562479	562477	C 102	CONDENS. COMPT – LIQU. SOL. VAL. PRES.	PED WP	2	561566	561690
C 42	ENGINE COMPT – RR CAP LIGHTING	DEUTSCH	6	562583	562581	C 103	ENGINE COMPT. – LAVATORY FAN	PED WP	2	561566	561690
C 43	FR JCT BOX – ALT. MODULE	AMP MNL	12	561735	561734	C 104	ENGINE COMPT. – LAVATORY PUMP	DEUTSCH	4	562479	562477
C 44	ENGINE COMPT - LIGHTS	PED WP	1	561605	561577	C 105	UNDER DASH RH - DRV LIO SOL VL	PED WP	2	561566	561690
C 45	FR JCT BOX COMPT – ROOF ACCESS	AMP CPC	24	561642	561643	C 106	UNDER DASH RH - DRV WTR VALVE	PED WP	2	561566	561690
C 46	ENGINE COMPT. ECM J1939	DEUTSCH	3	562877	562884	C 107	ENGINE COMPT.-LAVATORY PUSH BUTTON	PED WP	2	561566	561690
C 47	ENGINE DDEC-ECM J1939	PED MP	4	-----	561962	C 108	FR. SERICE COMPT – GAZ CYLINDER L.H.	DEUTSCH	2	562486	562485
C 48	FR SERV. CPT. PRESS SW PARK BRAKE	PED WP	2	561566	561690	C 109					
C 49	LAVATORY ROOF – NIGHT LIGHT	AMP MNL	2	560900	560898	C 110					
C 50	LAVATORY ROOF - LIGHT	LEECRAFT	2	-----	562803	C 111					
C 50	LH SWITCH PANEL – SAFETY SW.	EATON	12	-----	562763	C 112					
C 51	FR SERV.CPT.PARK. BRAKE SOL. VALVE	PNEUMAC	2	-----	641385	C 113	EATON SPEED SIGNAL	PED P2S	2	-----	562426
C 52	ENGINE COMPT - COMPRESSOR	PED WP	2	561566	561690	C 114	ENGINE DDEC - SPEED SIGNAL	PED WP	2	561566	561690
C 53	ENGINE COMPT - COMPRESSOR	PED WP	2	561566	561690	C 115	RR JCT BOX – ENGINE ACCESS	DEUTSCH	40	562281	562284
C 54	FRONT ROOF – UPPER FAN DEFROST	AMP MNL	6	561552	561515	C 116	DRIVE AXLE COMPT-AIR DRYER	PED MP	2	n/a	562251
C 55	CENTRAL DOOR LOCK	DEUTSCH	4	562479	562477	C 117					
C 56	LH PARCEL RACK - FEEDING	MOLEX	6	562558	562557	C 118	ENGINE COMPT - LICENCE	DOM. AUT	2	930210	

CONNECTORS CODE

NO	LOCATION	TYPE	CAVITY	#PIN	#SOCKET	NO	LOCATION	TYPE	CAVITY	#PIN	#SOCKET
				HOUSING	HOUSING					HOUSING	HOUSING
C 119	ENGINE COMPT - RH LOWER LAMP	PED WP	6	561606	561607	C 182					
C 120	ENGINE COMPT - LH LOWER LAMP	PED WP	6	561606	561607	C 183					
C 121						C 184	FR SERV. COMPT. - KNEELING PROX. SW.	ITT SS	3	561080	561111
C 122						C 185	KNEELING PANEL - DOWN SOL. VALVE	PNEUMAC	3		641385
C 123						C 186					
C 124						C 187	FR SERVICE JCT BOX - RESISTORS	AMP MNL	6	561552	561515
C 125						C 187	KNEELING PANEL- PARK BRAKE INTERLOCK	PNEUMAC	3		641385
C 126						C 188					
C 127						C 189					
C 128						C 190					
C 129						C 191					
C 130						C 192					
C 131						C 193					
C 132						C 194					
C 133						C 195					
C 134	FR JCT BOX - DIODE CONN.	AMP MNL	15	561987	561986	C 196	KNEELING PANEL - UP SOL. VALVE	PNEUMAC	3		641385
C 135	FR JCT BOX - DIODE CONN.	AMP MNL	15	561987	561986	C 197	KNEELING PANEL - CTR SOL. VALVE	PNEUMAC	3		641385
C 136	FR JCT BOX - DIODE CONN.	AMP MNL	15	561987	561986	C 198					
C 137	FR JCT BOX - DIODE CONN.	AMP MNL	15	561987	561986	C 199					
C 138						C 200	PARCEL RACK - FLUORESCENT LTS	AMP MNL	2	561248	561247
C 139						C 201	PARCEL RACK - FLUORESCENT LTS	AMP MNL	2	561248	561247
C 140	HVAC DASH MODULE THERMOMETER	MOLEX	4		562782	C 202	RH PARCEL RACK - INDIRECT LTS	MOLEX	2		562758
C 141	RR DASH PANEL - LTS CONN. (SPARE)	AMP MNL	2	561248	561247	C 203	PARCEL RACK - FLUORESCENT LTS	MOLEX	6		562759
C 142	ENGINE COMPT. B/U ALARM	PED WP	2	561566	561690	C 204	RH PARCEL RACK - RACK LTS	AMP MNL	2	560900	560858
C 143						C 205	RH PARCEL RACK - FEEDING	AMP MNL	9	561661	561662
C 144	FR JCT BOX - AISLE LTS FEEDING	AMP MNL	2	561248	561247	C 206	RH PARCEL RACK - FEEDING	AMP FF	4	562760	562756
C 145						C 207	LH PARCEL RACK - FEEDING	AMP FF	4	562760	562756
C 146						C 208	PARCEL RACK - FLUORESCENT LTS	MOLEX	2		562758
C 147						C 209	LH PARCEL RACK - HOTESS CHIME	AMP MNL	3	561667	561550
C 148						C 210	LH PARCEL RACK - FEEDING	AMP MNL	9	561661	561662
C 149						C 211	FR ROOF - SUN VISOR LH	AMP MNL	2	560900	560898
C 150						C 212	FR ROOF - SUN VISOR RH	AMP MNL	2	560900	560898
C 151						C 213	WCL DOOR UP HING-DOOR READ & HOST. SW	AMP MNL	6	561552	561515
C 152						C 214					
C 153						C 215					
C 154						C 216					
C 155	EVAPORATOR CPT - WATER VALVE	BURKERT	3		563204	C 217	RH PANEL SW. - SCENIC VIEW CAMERA	EATON	12		562763
C 156						C 218	RH PANEL SW. - LIGHTS SPARE	AMP MNL	2	560900	560898
C 157	FR SERV. CPT - WATER PUMP DR'S	PED WP	3	561781	561782	C 219					
C 158	ENGINE CPT - DDEC INTERFACE CONNECTOR	DEUTSCH	31	562572	562536	C 220					
C 159	ENGINE CPT - DDE FEED	PED WP	6	561606	561607	C 221					
C 160	FR SERVICE CPT - INTERFACE	AMP CPC	37	561644	561646	C 222					
C 161	ENGINE DDEC - ECM	PED MP	30		561600	C 223	HEAD LIGHTS - FLASHER	DEUTSCH	5	562565	562566
C 162	ENGINE DDEC - ACCESSORIES	PED WP	4	561610	561611	C 224	HEAD LIGHTS	PED MP	3		562099
C 163	ENGINE CPT - COOLANT PROBE	PED MP	2		562350	C 225	FOG LIGHTS	DEUTSCH	3	562902	562901
C 164						C 226	FRONT HEADLIGHTS - MARKER & FLASHER	PED	3	562137	
C 165						C 226	BATT. COMPT. - INTERIOR LTS	AMP MNL	2	561248	561247
C 166						C 227					
C 167	FR SERVICE CPT - EL. FOOT PEDAL	PED WP	3	561781	561782	C 228	L.H. CONSOLE EATON TRANSM.	AMP MNL	6	561552	561515
C 168	FR SERVICE CPT - DDR	DEUTSCH	6	562360		C 229	BATT. COMPT. - CHARGER 110V.	PED WP	1	561577	561605
C 169	FR SERVICE CPT - WORLD TR. INTERFACE	AMP CPC	16	561639	561640	C 230	ENGINE COMPT. - FUEL PRIME PUMP SW.	PED WP	2	561566	561690
C 169	FR SERV. COMPT. - SPEED SWITCH	AMP	15	562011	562012	C 231	ENGINE COMPT. - FUEL PRIME PUMP	PED WP	2	561566	561690
C 170	FR JCT BOX FLASHER UNIT	PED	2		561940	C 232					
C 171	LH CONSOLE	AMP CPC	24	561642	561643	C 233	FIRST LUGGAGE CPT.	VDO	8		562043
C 172	FR SERVICE COMPT - KNEELING PANEL	AMP CPC	16	561639	561640	C 234	FIRST LUGGAGE CPT.	VDO	8		562044
C 172	ENGINE COMPT. - WATER TANK HEATER	PED WP	2	561566	561690	C 235	FIRST LUGGAGE CPT.	VDO	8		562041
C 173						C 236	FIRST LUGGAGE CPT.	AMP MNL	4	560851	560858
C 174						C 236	FR SERVICE CPT CENTER - ABS	AMP CPC	14	561636	561637
C 175						C 237	FR AXLE CPT - ABS RH SENSOR	WABCO	2	641132	
C 176	UNDER DASH RH - WIPER PULSE	AMP FF	6		561186	C 238	FR AXLE CPT - ABS RH VALVE	WABCO	3	641098	
C 177	UNDER DASH RH - WIPER MOTOR	AMP FF	6		561186	C 239	FR AXLE CPT - ABS LH VALVE	WABCO	3	641098	
C 178						C 240	FR AXLE CPT - ABS LH SENSOR	WABCO	2	641132	
C 179						C 241	LAST LUGGAGE COMPT - ABS	PED WP	6	561606	561607
C 180	KNEELING PANEL - DIODE SOCKET	AMP MNL	15	561987	561986	C 242	DRIVE AXLE CPT - ABS LH SENSOR	WABCO	2	641132	
C 181						C 243	DRIVE AXLE CPT - ABS LH VALVE	WABCO	3	641098	

CONNECTORS CODE

NO	LOCATION	TYPE	CAVITY	#PIN	#SOCKET	NO	LOCATION	TYPE	CAVITY	#PIN	#SOCKET
				HOUSING	HOUSING					HOUSING	HOUSING
C 244	DRIVE AXLE CPT - ABS RH VALVE	WABCO	3	641098		C 307					
C 245	DRIVE AXLE CPT - ABS RH SENSOR	WABCO	2	641132		C 308					
C 246	DRIVE AXLE CPT - ATC SOL.	PED WP	2	561566	561690	C 309	ENGINE DDEC - ECM POWER	PED MP	5		562345
C 247	E.C.U. EATON TRANS.	PED MP	18		562573	C 310	LH CONSOLE SW - LUG. DOOR LOCK	EATON	12		562763
C 248	LAST LUGGAGE CPT - ABS	PED WP	6	561606	561607	C 311	RH SWITCH PANEL - HOTESS CHIME	EATON	12		562763
C 249	FR SERVICE CPT - ABS/DDEC	PED WP	2	561566	561690	C 312	ENGINE DDEC - ACCESSORIES	PED WP	3	561781	561782
C 250	LH CONSOLE - LOW BOUY	PED WP	2	561566	561690	C 312	RH SWITCH PANEL - READING LAMP	EATON	12		562763
C 251	LH SW PANEL - FAST IDLE	EATON	12		562763	C 313	ENGINE DDEC - INTERFACE	PED MP	3	562398	
C 252	LUGGAGE COMPT. - WINDOW AJAR	MOLEX	4	561477	561476	C 313	RH SWITCH PANEL - INTERIOR LTS	EATON	12		562763
C 253	LH SWITCH PANEL - ETHER	EATON	12		562763	C 314	KNEELING PANEL - PRESS SW.	PED WP	2	561566	561690
C 254						C 314	RH SWITCH PANEL - INTERIOR LTS	EATON	12		562763
C 255	LH SWITCH PANEL - ENGINE BRAKE	EATON	12		562763	C 315	LH SWITCH PANEL - LH SUN VISOR SW.	EATON	12		562763
C 256						C 316	INTO HORN BOX - KNEELING BUZZER	DEUTSCH	2	562486	562485
C 257						C 317	LH SWITCH PANEL - RH SUN VISOR SW.	EATON	12		562763
C 258	LH SWITCH PANEL - MULTI FUNC. SW	AMP FF	8	561188		C 318	LH CONSOLE SW - DR'S WINDOW SW.	EATON	12		562763
C 259						C 319					
C 259	LH SWITCH PANEL - MULTI FUNC. SW	AMP FF	6		561186	C 320	RT SWITCH PANEL - DRIVER'S LTS SW.	EATON	12		562763
C 260						C 321	UNDER DASH RH - KEYLESS MODULE	AMP COM	26		562676
C 261						C 322	UNDER DASH RH - KEYLESS MODULE	AMP COM	22		562675
C 262						C 323	DRIVER'S WINDOW MOTOR	PED	2		561848
C 263	LUGGAGE COMPT. LTS COMPT #3	AMP MNL	2	561248	561247	C 324	LH SWITCH PANEL - UPPER FAN DEFROST	EATON	12		562763
C 264	LUGGAGE COMPT. LTS COMPT #2	AMP MNL	2	561248	561247	C 325	LH SWITCH PANEL - KNEELING	EATON	12		562763
C 265	LUGGAGE COMPT. LTS COMPT #1	AMP MNL	2	561248	561247	C 326	EATON TRANSMISSION INTERFACE	PED WP	4	561610	561611
C 266	ENTRANCE DOOR KEYLESS	AMP CPC	14	561585	561583	C 327					
C 267	UNDER DASH RH - ENT. DOOR PANEL	AMP CPC	24	561642	561643	C 328	RR ROOF - GALLEY LAMP		2		
C 268	FR MIRROR RH	CONXALL	5	563091	563090	C 329					
C 269	FR MIRROR LH	CONXALL	5	563091	563090	C 330					
C 270	LUGGAGE COMPT LTS - 3 LH	AMP MNL	2	561248	561247	C 331					
C 271	LUGGAGE COMPT LTS - 4	AMP MNL	2	561248	561247	C 332					
C 272						C 333					
C 273	ENT. DOOR PANEL - DIODE SOCKET	AMP MNL	9	561670	561669	C 334					
C 274						C 335					
C 275	ENT. DOOR PANEL - DIODE SOCKET	AMP MNL	9	561670	561669	C 336					
C 276						C 337					
C 277	RH UNDER DASH - ENT. DOOR REED SW.	AMP MNL	2	560900	560858	C 338					
C 278	RH PASS. AIR DUCT - ENT DOOR PRESS SW.	PED WP	2	561566	561690	C 339	KNEELING PANEL - HI BUOY SOL. VALVE	PNEUMAC	3		641385
C 279	RH UNDER DASH - ENT. DOOR REED SW.	AMP MNL	2	560900	560858	C 340	FR JCT BOX - FIRE PIEZO ALARM	AMP MNL	2	560900	560898
C 279	FR SERVICE COMPT LH - STEERING ZF	DEUTSCH	2		562485	C 341	LH SWITCH PANEL - HEAT MIRROR SW.	EATON	12		562763
C 280	ENGINE COMPT - A/C COMPRESSOR AUX.	PED WP	2	561566	561690	C 342					
C 281						C 343	LH SWITCH PANEL - HEAD LAMP SW.	EATON	12		562763
C 282	FR SERVICE COMPT - STEERING ZF	VOLVO	2		562928	C 344	LH SWITCH PANEL - HAZARD LT SW.	EATON	12		562763
C 283	LH CONSOLE - SPARE SW. LTS	AMP MNL	2	561248	561247	C 345	LH SWITCH PANEL - FOG LT SW.	EATON	12		562763
C 284	E.C.U. EATON TRANS.	PED	2		563052	C 346					
C 285						C 347					
C 286						C 348	INSTR. PANEL CENT. - RACOR MODULE	MOLEX	6	562070	562069
C 287						C 349					
C 288						C 350					
C 289						C 351					
C 290	LUGGAGE CPT - DOOR LOCK	AMP MNL	4	560851	560852	C 352					
C 291	LUGGAGE CPT - DOOR LOCK	AMP MNL	4	560851	560852	C 353					
C 292						C 354					
C 293						C 355					
C 294						C 356					
C 295						C 357					
C 296						C 358					
C 297						C 359	RH SWITCH PANEL - ENT. DOOR WIND. SW.	EATON	12		562763
C 298						C 360	ENTRANCE WINDOW MOTOR	PED	2		561848
C 299	RH SWITCH PANEL - GALLEY	EATON	12		562763	C 361					
C 300						C 362					
C 301						C 363					
C 302						C 364	FRONT ROOF - ELECTRICAL DEST. SIGN	AMP MNL	3	561667	561550
C 303	RR JCT BOX - DIODES	AMP MNL	15	561987	561986	C 365					
C 304	RR JCT BOX - DIODES	AMP MNL	15	561987	561986	C 366					
C 305						C 367					
C 306						C 368	FRONT ROOF - ELECTRICAL DEST. SIGN	AMP MNL	3	561667	561550

CONNECTORS CODE

NO	LOCATION	TYPE	CAVITY	#PIN	#SOCKET	NO	LOCATION	TYPE	CAVITY	#PIN	#SOCKET
				HOUSING	HOUSING					HOUSING	HOUSING
C 369	FRONT ROOF – ELECTRICAL DEST. SIGN	TORRIX	5	562110		C 433					
C 370	FRONT ROOF – ELECTRICAL DEST. SIGN	AMP MNL	2	560900	560858	C 434					
C 371	FRONT ROOF – ELECTRICAL DEST. SIGN	AMP MNL	3	561667	561550	C 435					
C 372	FRONT ROOF – ELECTRICAL DEST. SIGN	MOLEX	4	561477	561476	C 436					
C 373						C 437					
C 374						C 438					
C 375						C 439					
C 376						C 440					
C 377	LH SWITCH PANEL – STOP ENGINE OVERRIDE	EATON	12		562763	C 441					
C 378						C 442					
C 379	LUGGAGE COMPT. – WINDOW AJAR SW.	MOLEX	4	561477	561476	C 443					
C 380						C 444					
C 381	UNDER DASH PANEL – ANTI THILED	AMP MNL	2	561248	561247	C 445					
C 382	ENGINE GENERATOR (1)	PED WP	1	561605	561577	C 446					
C 383	ENGINE COMPT – VOLTAGE REGULATOR	PED WP	1	561605	561577	C 447					
C 384						C 448					
C 385	BATT. COMPT. – BJB INTERFACE	AMP MNL	12	561735	561736	C 449					
C 386	LH SWITCH PANEL – W.C.LIFT	EATON	12		562763	C 450	S.S. PANEL - FEEDING	MOLEX	4	562507	562503
C 387	EVAPORATOR COMPT. - BY-PASS VALVE	PED WP	2	561566	561690	C 451	S.S. PANEL - FEEDING	MOLEX	2	562550	562549
C 387	BATTERY COMPT. – WCL ACCES.	AMP CPC	16	561639	561640	C 452	UNDER DASH – S.S. ACC. SIGNAL	MOLEX	2	562550	562549
C 388	LUGG. COMPT.(4) – WCL DOOR ACCESS.	AMP MNL	12	561735	561736	C 453	S. S. PANEL – VCR FEEDING	PED WP	2	561566	561690
C 389	EVAPORATOR COMPT. – WATER PUMP	PED WP	2	561566	561690	C 454	S. S. PANEL – VCR FEEDING	PED WP	2	561566	561690
C 390	EVAPORATOR COMPT. – A/C JCT. BOX	DEUTSCH	24	562280	562283	C 455	PARCEL RACK – WIRELESS MICROPHONE	MOLEX	6		562464
C 391	CONDENSER COMPT. A/C PRESS SW 2 SP	PED WP	2	561566	561690	C 456	WORLD TRANS. - RETARDER ACCUM.	PED MP	2		562427
C 392						C 457	WORLD TRANS. - MAIN CONNECTOR	DEUTSCH	31	562572	562536
C 393						C 458	WORLD TRANS. - TURBINE SP. SENS.	PED MP	2		562426
C 394	UNDER DASH - B/U MONITOR	AMP MNL	4	560851	560852	C 459	WORLD TRANS. - ENGINE SP. SENS.	PED MP	2		562426
C 395	UNDER DASH - B/U MONITOR	CLARION	4		990335	C 460	WORLD TRANS. - SPEED SENSOR	ITT	2		562541
C 396	PARCEL RACK – SPEAKER FEEDING	MOLEX	4	562507	562503	C 461	WORLD TRANS. - RETARDER TEMP.	PED MP	2		562856
C 397						C 462	WORLD TRANS. - RETARDER SOL. "K"	PED MP	2		562426
C 398						C 463	WORLD TRANS. - SENSOR CONN.	DEUTSCH	16	562570	562571
C 399	ENGINE GENERATOR (2)	PED WP	2	561566	561690	C 464	RR JCT BOX - DDL CONN	DEUTSCH	6		565360
C 400	ENGINE COMPT. – BLOCK HEATER	PED WP	3	561781	561782	C 465	LH CONSOLE - SHIFTER SELECTOR	PED	20		562825
C 401						C 466	FR SERVICE CPT - RESIS. MOD.	PED WP	3		562428
C 402						C 467	FR SERVICE CPT - RESIS. MOD.	PED WP	3		562428
C 403	GALLEY – REFRIGERATOR		2			C 468	STEERING COLUMN – RET. HAND LEVER	AMP FF	8	561188	562363
C 404	GALLEY – LAMP SWITCH		2			C 469	FR SERVICE COMPT. – RESIS. MOD.	AMP FF	8	561188	562363
C 405	INVERTER SIGNAL	AMP MNL	2	561248	561247	C 470					
C 406						C 471					
C 407						C 472	FR SERVICE CPT – SILENT 1000 OR EATON	PED WP	2	561566	561690
C 408						C 473					
C 409						C 474	DRIVER'S TEMP SENSOR	AMP MNL	2	561248	561247
C 410						C 475	FR SERVICE CPT – SPEED SIGN. CONNECT.	DEUTSCH	6	562583	562581
C 411						C 475M	FR SERVICE CPT – SPEED SIGN. W. TR.	DEUTSCH	6	562583	562581
C 412						C 475W	FR SERVICE CPT – SPEED SIGN. W. TR.	DEUTSCH	6	562583	562581
C 413						C 476					
C 414						C 477					
C 415						C 478	FRONT ROOF – ELECTRONIC DEST. SIGN	AMP CPC	9	561636	561637
C 416						C 479	UNDER DASH – HVAC DASH MODULE	MOLEX	3		562783
C 417						C 480	UNDER DASH RH – DR'S FAN SPEED CTR	PED WP	4	561889	561890
C 418						C 481	UNDER DASH RH – DR'S FAN SPEED CTR	PED WP	3	561781	561782
C 419	FR JCT BOX – RET/JAKE SELECTION	AMP MNL	3	561667	561550	C 482					
C 420						C 483	FR SERVICE CPT – ELECTRICAL SEAT	PED	2	562237	
C 421	ENGINE COMPT. - WEBASTO	AMP FF	2	562473	562474	C 484	UNDER DASH LH – FOOT DAMPER MOTOR	PED	2		562076
C 422	ENGINE COMPT. - WEBASTO	PED	2	562644	561597	C 485	UNDER DASH LH – DASH & DEFR. DAMP. M.	AMP MNL	3	561667	561558
C 423						C 486	WCL ROOF DOOR – DOOR LT.	LEECRAFT	2	-----	562803
C 424	UNDER DASH – AUDIBLE FLASHER	AMP MNL	3	561667	561550	C 487	S.S PANEL – AUDIO IN AMPLI	MOLEX	4	-----	563071
C 425						C 488	S.S PANEL – AMPLI SIGNAL	MOLEX	8	-----	562465
C 426	ENGINE S60 RAD. FAN CLUTCH	PED WP	3	561781	561782	C 489	S.S PANEL – SPEAKER OUTLET	MOLEX	6	-----	562464
C 427						C 490					
C 428	RH SW PANEL – DASH LTS RHEOSTAT	AMP MNL	3	561667	561550	C 491					
C 429						C 492					
C 430	LH CONSOLE – PRE-HEAT TIMER	AMP FF	8	561188	562363	C 493					
C 431	LH CONSOLE – PRE-HEAT TIMER		1		560488	C 494					
C 432						C 495					

CONNECTORS CODE

NO	LOCATION	TYPE	CAVITY	#PIN HOUSING	#SOCKET HOUSING	NO	LOCATION	TYPE	CAVITY	#PIN HOUSING	#SOCKET HOUSING
C 496						C 566	FR. SERV. COMPT. - MIC. OUTLET	MOLEX	4	562507	562503
C 497						C 567	FR. SERV. COMPT. - MIC. OUTLET	MOLEX	4	562507	562503
C 498						C 568	S.S. PANEL - SPEAKER OUTLET	CINTCH	4	562553	
C 499						C 569	S. S. PANEL - AMPLI SIGNAL	MOLEX	9	562556	562555
C 500	FR JCT PANEL - PRODRIVER	MOLEX	6	562070	562069	C 570	UNDER DASH PANEL - T.T.LT MODULE	MOLEX	6		562464
C 501						C 571	UNDER DASH PANEL - T.T.LT MODULE	MOLEX	20		562778
C 502	LH DASH PANEL - PRE- HEAT SW.	EATON	12		562763	C 572	UNDER DASH PANEL - T.T.LT MODULE	MOLEX	18		562779
C 503	LH CONSOLE-PROHEAT TIMER	PED MP	6	-----	562878	C 573	UNDER DASH PANEL - T.T.LT MODULE	MOLEX	8		562465
C 504	LH CONSOLE -WEBASTO TIMER	AMP	8	-----	562852	C 574	PARCEL RACK - INDIRECT LTS BALLAST	MOLEX			562759
C 505	LH CONSOLE -ESPAR TIMER	AMP	12	-----	562681	C 575	RH PARCEL RACK - FFEDING	MOLEX	4	562507	562503
C 506	FR JCT BOX - DIGITAL CLOCK	AMP CPC	4	561685	561687	C 576	RH PARCEL RACK - FFEDING	AMP MNL	3	561667	561550
C 507	LH HAT RACK - DIGITAL CLOCK	MOLEX	4	561477	561476	C 577	LH PARCEL RACK - FFEDING	AMP MNL	3	561667	561550
C 508	RR JCT BOX - FAN CLUTCH RETARDER	AMP MNL	6	561552	561515	C 578	LH PARCEL RACK - FFEDING	MOLEX	4	562507	562503
C 509	EVAP. COMPT. - NOT USED	DEUTSCH	5		562566	C 579	LH PARCEL RACK-VCR POWER	MOLEX	4		563071
C 515	FR JCT BOX CPT. - INTERCOM	MOLEX	4	561477	561476	C 580	LH DASH PANEL - PARCEL RACK A/C SW.	EATON	12		562763
C 516	FR JCT BOX CPT. - INTERCOM	MOLEX	6	562070	562069	C 581	LH DASH PANEL - ELECTRICAL HORN	PED MP	2		562777
C 517	LAVATORY WALL - INTERCOM	MOLEX	6	562070	562069	C 582					
C 519A	RH UNDER DASH - ENTRANCE DOOR SOL.	PNEUMAC	3		641385	C 583	LH DASH PANEL - MASTER KEY SW.	DEUTSCH	2	562486	562485
C 519B	RH UNDER DASH - ENTRANCE DOOR SOL.	PNEUMAC	3		641385	C 584	FR. SERVICE COMPT - HORN PNEU. VALVE	PNEUMAC	3		562848
C 520	RH UNDER DASH - ENTRANCE DOOR SOL.	PNEUMAC	3		641385	C 585					
C 521	RH UNDER DASH - ENTRANCE DOOR SOL.	PNEUMAC	3		641385	C 586	FR SERVICE COMPT - ACC. PNEU.VALVE	PNEUMAC	3		562848
C 522	FR JCT BOX - DAYTIME LTS MODULE	BOSCH	5		561183	C 587	LH PARCEL RACK DVD UNIT	MOLEX	4	563040	563071
C 523	FR JCT BOX - FUSE BLOCK	PED	8	562647	562646	C 588	FR SERV. COMPT. - S.S. INTERFACE	AMP CPC	37	561645	561646
C 524	FR JCT BOX - FUSE BLOCK	PED	8	562647	562646	C 589	FR. MIRROR LH	CONXALL	8	563163	563088
C 525	FR JCT BOX - FUSE BLOCK	PED	8	562647	562646	C 590	FR. MIRROR RH	CONXALL	8	563163	563088
C 526	FR JCT BOX - FUSE BLOCK	PED	8	562647	562646	C 591	LH CONSOLE - LH MIRROR SW.	EURAMT.	8		562749
C 527	FR JCT BOX - FUSE BLOCK	PED	8	562647	562646	C 592	LH CONSOLE - RH MIRROR SW.	EURAMT.	8		562749
C 528						C 594	FRONT ROOF - DRIVER'S LTS	LEEKRAFT	2	-----	562803
C 529						C 595	RH DASH PANEL - ENTRANCE DOOR SW.	MOLEX	4	562507	562503
C 530	RR JCT BOX - FUSE BLOCK	PED	8	562647	562646	C 596	RH DASH PANEL - ENTRANCE DOOR SW.	MOLEX	4	562507	562503
C 531	RR JCT BOX - FUSE BLOCK	PED	8	562647	562646	C 597	LH DASH PANEL - DISPLAY SET SW.	AMP	5		562905
C 532	LH PARCEL RACK - A/C LIQ. SOL.	AMP MNL	2	561248	561247	C 598	LH DASH PANEL - DISPLAY SET SW.	AMP	5		562905
C 533	RH PARCEL RACK - A/C LIQ. SOL.	AMP MNL	2	561248	561247	C 599	UND. DASH - MAGN. SW CTR POS. DR'S AIR	AMP MNL	2	561248	561247
C 534						C 604	LH PARCEL RACK DVD VIDEO STABILIZER	SWITCHCRAFT	1		563074
C 535						C 605	LH PARCEL RACK - A/C UNIT	AMP MNL	6	561552	561515
C 536						C 606	RH PARCEL RACK - A/C UNIT	AMP MNL	6	561552	561515
C 537	A/C JCT BOX RESISTOR SIGN. RLY	AMP MNL	2	561248	561247	C 607	FR SERVICE COMPT - RPM SIGNAL (SPARE)	PED WP	2	561566	561690
C 538	FR SERV. CPT RH - OUTSIDE TEMP. SENS	AMP MNL	2	561248	561247	C 608	FR SERV. COMPT - SPEED SIGNAL (SPARE)	PED WP	2	561566	561690
C 539	HVAC DASH MODULE OUTPUT CONN.	MOLEX	24		562780	C 609					
C 540	HVAC DASH MODULE INPUT CONN.	MOLEX	22		562781	C 610					
C 541						C 611	RH PARCEL RACK READING LTS WCL	MOLEX	6	562558	562557
C 542						C 612	RH PARCEL RACK LUOR. INSTATION LTS WCL	MOLEX	4	562507	562503
C 543						C 613	RH PARCEL RACK INDIRECT LTS WCL	AMP MNL	3	561667	561550
C 544	S.S. PANEL - AUDIO SEAT	PED WP	3	561781	561782	C 614	RH PARCEL RACK INDIRECT LTS WCL	AMP MNL	3	561667	561550
C 545						C 615	LH PARCEL RACK DVD SIGN ALONG ADAPTOR	MOLEX	2	562550	562549
C 546	FR. JCT BOX - CHARGER WIRELESS MIC.	MOLEX	2		563025	CS	FR SERVICE CPT - ECU WOLRD TR.	PED MP	32		562817
C 547						CT	FR SERVICE CPT - ECU WORLD TR.	PED MP	32		562824
C 548	LH DASH PANEL - T.T.LT TEST SW.	EATON	12		562763	CV	FR SERVICE CPT - ECU WORLD TR.	PED MP	32		562823
C 549	LH DASH PANEL - ENGINE FAN OVERRIDE	EATON	12		562763	CX	CLUSTER	JAE	5		562957
C 550	LAST LUGG. CPT. -WCL MODULE	AMP CPC	16	561694	561695	CX 1	FR SERVICE CPT - ECU ABS	AMP JN	15		563200
C 551	LAST LUGG. CPT. -WCL REMOTE	AMP CPC	9	561636	561637	CX 2	FR SERVICE CPT - ECU ABS	AMP JN	18		563201
C 552											
C 553	UNDER DASH - S.S. CONTROL HEAD	MOLEX	16		562559	CY	CLUSTER	JAE	30		562765
C 554	UNDER DASH - S.S. CONTROL HEAD	MOLEX	16		562559	CW X1	ENGINE COMPT. - WATER HEATER	AMP	7	563134	563135
C 555	UNDER DASH - S.S. CONTROL HEAD	MOLEX	16		562559	CW X3	ENGINE COMPT. - WATER HEATER	AMP	7	563134	563135
C 556	UNDER DASH - RADIO FEEDING	MOLEX	2	562550	562549	LX	CLUSTER	JAE	22		562766
C 557	UNDER DASH - RADIO FEEDING	MOLEX	9	562556	562555	LY	CLUSTER	JAE	30		562767
C 558	FR. SERV. COMPT. - MIC. OUTLET	MOLEX	4	562507	562503	RX	CLUSTER	JAE	30		562767
C 559						WEB 1	ENGINE COMPT. - WEBASTO	AMP FF	2	562473	562474
C 560						WEB 2	ENGINE COMPT. - WEBASTO	AMP FF	2	562643	
C 561	LH PARCEL RACK - WIRELESS MIC.	MOLEX	8		562465	ZF 1	FR JCT BOX - STEERING E.C.U.	HELLA	9		562929
C 562	LH PARCEL RACK - VCR SIGNAL	MOLEX	12		563070						
C 563	FR. SERV. COMPT. - DRIVER SPEAKER	MOLEX	4	562507	562503						
C 564	FR. SERV. COMPT. - MIC. OUTLET	MOLEX	4	562507	562503						
C 565	FR. SERV. COMPT. - MIC. OUTLET	MOLEX	4	562507	562503						

DIODES NUMBER CODE

No.	PAGE	AMP	#PREV.	LOCATION	FUNCTION	No.	PAGE	AMP	#PREV.	LOCATION	FUNCTION
D 1	9.2	3A	561740	FR JCT BOX	KNEELING WARNING FLASHER	D 56					
D 2	15.3	3A	063849	FR JCT BOX	WATER PUMP RRE-HEAT SIGN	D 57					
D 3	15.3	3A	063849	FR JCT BOX	WATER PUMP	D 58	18.1	3A	561740	FRONT SERV. COMPT.	KNEELING SYSTEM
D 4	9.2	3A	561740	FR JCT BOX	WARNING HAZARD -RH	D 59					
D 5	9.2	3A	561740	FR JCT BOX	WARNING HAZARD -LH	D 60	15.2	3A	561740	RR JCT BOX	A/C COMPR. CLUTCH
D 6						D 61	15.1	3A	561740	RR JCT BOX	A/C COMPR. AUX.
D 7						D 62					
D 8						D 63					
D 9						D 64					
D 10	18.1	3A	561740	FR SERV. COMPT.	KNEELING SYSTEM	D 65					
D 11						D 66					
D 12	18.1	3A	561740	FR SERV. COMPT.	KNEELING SYSTEM	D 67					
D 12	25.1	3A	561740	FRONT ROOF	ELECTRICAL DEST. SIGN	D 68					
D 13	18.1	3A	561740	FR SERV. COMPT.	KNEELING SYSTEM	D 69					
D 13	25.1	3A	561740	FRONT ROOF	ELECTRICAL DEST. SIGN	D 70	18.1	3A	561740	FRONT SERV. COMPT.	LOW BUOY SYSTEM
D 14	18.1	3A	561740	FR SERV. COMPT.	KNEELING SYSTEM	D 71	18.1	3A	561740	FRONT SERV. COMPT.	LOW BUOY SYSTEM
D 15						D 72	18.1	3A	561740	FRONT SERV. COMPT.	LOW BUOY SYSTEM
D 16	9.1	3A	561740	FR JCT BOX	DAYTIME RUNNING LTS	D 73					
D 17	9.2	3A	561740	FR JCT BOX	TURN SIGNAL LT-LH	D 74					
D 18	9.2	3A	561740	FR JCT BOX	TURN SIGNAL LT-RH	D 75	4.1	3A	561740	BATT. COMPT.	STARTER RELAY SUPPRESSOR
D 19	9.1	3A	561740	FR JCT BOX	DAYTIME RUNNING LTS	D 76					
D 20	9.1	3A	561740	FR JCT BOX	DAYTIME RUNNING LTS	D 77					
D 21	9.2	3A	561740	UNDER DASH	AUDIBLE FLASHER RLY LH	D 78	14.1	3A	561740	LH CONSOLE	PRE-HEATER TIMER
D 22	9.2	3A	561740	UNDER DASH	AUDIBLE FLASHER RLY RH	D 79	14.1	3A	561740	LH CONSOLE	PRE-HEATER TIMER
D 23						D 80					
D 24	8.1	3A	561740	RR JCT BOX	FAN CLUTCH RADIATOR	D 81	18.1	3A	561740	FRONT SERV. COMPT.	KNEELING SYSTEM
D 25	8.1	3A	561740	RR JCT BOX	FAN CLUTCH RADIATOR	D 82					
D 26						D 83	8.1	3A	561740	RR JCT BOX	RAD. FAN CLUTCH W. A/C OR RETARDER
D 27						D 84					
D 27	9.3	3A	561740	RR JCT BOX	AUX LTS-TAIL	D 85					
D 28	9.3	3A	561740	RR JCT BOX	AUX LTS-STOP	D 86	24.1	3A	561740	RH UNDER DASH	ENTRANCE DOOR
D 29						D 87	24.1	3A	561740	RH UNDER DASH	ENTRANCE DOOR
D 30	4.1	3A	561740	FR JCT BOX	MASTER KEY SW. CUT-OFF	D 88	24.1	3A	561740	RH UNDER DASH	ENTRANCE DOOR
D 31	4.1	3A	561740	FR JCT BOX	MASTER KEY SW. CUT-OFF	D 89	24.1	3A	561740	RH UNDER DASH	ENTRANCE DOOR
D 32	9.2	3A	561740	FR JCT BOX	HAZARD MASTER RLY CUT OUT	D 90	24.1	3A	561740	RH UNDER DASH	ENTRANCE DOOR
D 33						D 91	24.1	3A	561740	RH UNDER DASH	ENTRANCE DOOR
D 34	15.3	3A	561740	FR JCT BOX	A/C WATER VALVE						
D 35	15.3	3A	561740	FR JCT BOX	A/C WATER VALVE						
D 36	15.2	3A	561740	EVAP. CPT.	BY-PASS VALVE						
D 37											
D 38											
D 39											
D 40											
D 41											
D 42											
D 43											
D 44											
D 45											
D 46											
D 47											
D 48											
D 49											
D 50											
D 51											
D 52											
D 53											
D 54											
D 55											

DIODES NUMBER CODE

No.	PAGE	AMP	#PREV.	LOCATION	FUNCTION	No.	PAGE	AMP	#PREV.	LOCATION	FUNCTION
D 1	9.2	3A	561740	FR JCT BOX	KNEELING WARNING FLASHER	D 56					
D 2	15.3	3A	063849	FR JCT BOX	WATER PUMP RRE-HEAT SIGN	D 57					
D 3	15.3	3A	063849	FR JCT BOX	WATER PUMP	D 58	18.1	3A	561740	FRONT SERV. COMPT.	KNEELING SYSTEM
D 4	9.2	3A	561740	FR JCT BOX	WARNING HAZARD -RH	D 59					
D 5	9.2	3A	561740	FR JCT BOX	WARNING HAZARD -LH	D 60	15.2	3A	561740	RR JCT BOX	A/C COMPR. CLUTCH
D 6						D 61	15.1	3A	561740	RR JCT BOX	A/C COMPR. AUX.
D 7						D 62					
D 8						D 63					
D 9						D 64					
D 10	18.1	3A	561740	FR SERV. COMPT.	KNEELING SYSTEM	D 65					
D 11						D 66					
D 12	18.1	3A	561740	FR SERV. COMPT.	KNEELING SYSTEM	D 67					
D 12	25.1	3A	561740	FRONT ROOF	ELECTRICAL DEST. SIGN	D 68					
D 13	18.1	3A	561740	FR SERV. COMPT.	KNEELING SYSTEM	D 69					
D 13	25.1	3A	561740	FRONT ROOF	ELECTRICAL DEST. SIGN	D 70	18.1	3A	561740	FRONT SERV. COMPT.	LOW BUOY SYSTEM
D 14	18.1	3A	561740	FR SERV. COMPT.	KNEELING SYSTEM	D 71	18.1	3A	561740	FRONT SERV. COMPT.	LOW BUOY SYSTEM
D 15						D 72	18.1	3A	561740	FRONT SERV. COMPT.	LOW BUOY SYSTEM
D 16	9.1	3A	561740	FR JCT BOX	DAYTIME RUNNING LTS	D 73	18.1	3A	561740	FRONT SERV. COMPT.	PARKING BRAKE WCL
D 17	9.2	3A	561740	FR JCT BOX	TURN SIGNAL LT-LH	D 74					
D 18	9.2	3A	561740	FR JCT BOX	TURN SIGNAL LT-RH	D 75	4.1	3A	561740	BATT. COMPT.	STARTER RELAY SUPPRESSOR
D 19	9.1	3A	561740	FR JCT BOX	DAYTIME RUNNING LTS	D 76					
D 20	9.1	3A	561740	FR JCT BOX	DAYTIME RUNNING LTS	D 77					
D 21	9.2	3A	561740	UNDER DASH	AUDIBLE FLASHER RLY LH	D 78	14.1	3A	561740	LH CONSOLE	PRE-HEATER TIMER
D 22	9.2	3A	561740	UNDER DASH	AUDIBLE FLASHER RLY RH	D 79	14.1	3A	561740	LH CONSOLE	PRE-HEATER TIMER
D 23						D 80					
D 24	8.1	3A	561740	RR JCT BOX	FAN CLUTCH RADIATOR	D 81	18.1	3A	561740	FRONT SERV. COMPT.	KNEELING SYSTEM
D 25	8.1	3A	561740	RR JCT BOX	FAN CLUTCH RADIATOR	D 82					
D 26						D 83	8.1	3A	561740	RR JCT BOX	RAD. FAN CLUTCH W. A/C OR RETARDER
D 27						D 84					
D 27	9.3	3A	561740	RR JCT BOX	AUX LTS-TAIL	D 85					
D 28	9.3	3A	561740	RR JCT BOX	AUX LTS-STOP	D 86	24.1	3A	561740	RH UNDER DASH	ENTRANCE DOOR
D 29						D 87	24.1	3A	561740	RH UNDER DASH	ENTRANCE DOOR
D 30	4.1	3A	561740	FR JCT BOX	MASTER KEY SW. CUT-OFF	D 88	24.1	3A	561740	RH UNDER DASH	ENTRANCE DOOR
D 31	4.1	3A	561740	FR JCT BOX	MASTER KEY SW. CUT-OFF	D 89	24.1	3A	561740	RH UNDER DASH	ENTRANCE DOOR
D 32	9.2	3A	561740	FR JCT BOX	HAZARD MASTER RLY CUT OUT	D 90	24.1	3A	561740	RH UNDER DASH	ENTRANCE DOOR
D 33						D 91	24.1	3A	561740	RH UNDER DASH	ENTRANCE DOOR
D 34	15.3	3A	561740	FR JCT BOX	A/C WATER VALVE						
D 35	15.3	3A	561740	FR JCT BOX	A/C WATER VALVE						
D 36	15.2	3A	561740	EVAP. CPT.	BY-PASS VALVE						
D 37	6.1	3A	561740	FR JCT BOX	NEUTRAL SIGNAL						
D 38	6.1	3A	561740	FR JCT BOX	NEUTRAL SIGNAL						
D 39	6.1	3A	561740	FR JCT BOX	NEUTRAL SIGNAL						
D 40											
D 41											
D 42											
D 43											
D 44											
D 45											
D 46											
D 47											
D 48											
D 49											
D 50	29.1	3A	561740	LAST LUGG. COMPT.	WCL DOOR AJAR SIGNAL TOP LT						
D 51	29.1	3A	561740	LAST LUGG. COMPT.	WCL DOOR AJAR SIGNAL TOP LT						
D 52											
D 53											
D 54											
D 55											

DIODES NUMBER CODE

No.	PAGE	AMP	#PREV.	LOCATION	FUNCTION	No.	PAGE	AMP	#PREV.	LOCATION	FUNCTION
D 1	9.2	3A	561740	FR JCT BOX	KNEELING WARNING FLASHER	D 56					
D 2	15.3	3A	063849	FR JCT BOX	WATER PUMP RRE-HEAT SIGN	D 57					
D 3	15.3	3A	063849	FR JCT BOX	WATER PUMP	D 58	18.1	3A	561740	FRONT SERV. COMPT.	KNEELING SYSTEM
D 4	9.2	3A	561740	FR JCT BOX	WARNING HAZARD -RH	D 59					
D 5	9.2	3A	561740	FR JCT BOX	WARNING HAZARD -LH	D 60	15.2	3A	561740	RR JCT BOX	A/C COMPR. CLUTCH
D 6						D 61	15.1	3A	561740	RR JCT BOX	A/C COMPR. AUX.
D 7						D 62					
D 8						D 63					
D 9						D 64					
D 10	18.1	3A	561740	FR SERV. COMPT.	KNEELING SYSTEM	D 65					
D 11						D 66					
D 12	18.1	3A	561740	FR SERV. COMPT.	KNEELING SYSTEM	D 67					
D 12	25.1	3A	561740	FRONT ROOF	ELECTRICAL DEST. SIGN	D 68					
D 13	18.1	3A	561740	FR SERV. COMPT.	KNEELING SYSTEM	D 69					
D 13	25.1	3A	561740	FRONT ROOF	ELECTRICAL DEST. SIGN	D 70	18.1	3A	561740	FRONT SERV. COMPT.	LOW BUOY SYSTEM
D 14	18.1	3A	561740	FR SERV. COMPT.	KNEELING SYSTEM	D 71	18.1	3A	561740	FRONT SERV. COMPT.	LOW BUOY SYSTEM
D 15						D 72	18.1	3A	561740	FRONT SERV. COMPT.	LOW BUOY SYSTEM
D 16	9.1	3A	561740	FR JCT BOX	DAYTIME RUNNING LTS	D 73	18.1	3A	561740	FRONT SERV. COMPT.	PARKING BRAKE WCL
D 17	9.2	3A	561740	FR JCT BOX	TURN SIGNAL LT-LH	D 74					
D 18	9.2	3A	561740	FR JCT BOX	TURN SIGNAL LT-RH	D 75	4.1	3A	561740	BATT. COMPT.	STARTER RELAY SUPPRESSOR
D 19	9.1	3A	561740	FR JCT BOX	DAYTIME RUNNING LTS	D 76					
D 20	9.1	3A	561740	FR JCT BOX	DAYTIME RUNNING LTS	D 77					
D 21	9.2	3A	561740	UNDER DASH	AUDIBLE FLASHER RLY LH	D 78	14.1	3A	561740	LH CONSOLE	PRE-HEATER TIMER
D 22	9.2	3A	561740	UNDER DASH	AUDIBLE FLASHER RLY RH	D 79	14.1	3A	561740	LH CONSOLE	PRE-HEATER TIMER
D 23						D 80	9.3	3A	561740	RR JCT BOX	CYCLOP LTS RELAY R 80
D 24	8.1	3A	561740	RR JCT BOX	FAN CLUTCH RADIATOR	D 81	18.1	3A	561740	FRONT SERV. COMPT.	KNEELING SYSTEM
D 25	8.1	3A	561740	RR JCT BOX	FAN CLUTCH RADIATOR	D 82					
D 26						D 83	8.1	3A	561740	RR JCT BOX	RAD. FAN CLUTCH W. A/C OR RETARDER
D 27						D 84					
D 27	9.3	3A	561740	RR JCT BOX	AUX LTS-TAIL	D 85					
D 28	9.3	3A	561740	RR JCT BOX	AUX LTS-STOP	D 86	24.1	3A	561740	RH UNDER DASH	ENTRANCE DOOR
D 29						D 87	24.1	3A	561740	RH UNDER DASH	ENTRANCE DOOR
D 30	4.1	3A	561740	FR JCT BOX	MASTER KEY SW. CUT-OFF	D 88	24.1	3A	561740	RH UNDER DASH	ENTRANCE DOOR
D 31	4.1	3A	561740	FR JCT BOX	MASTER KEY SW. CUT-OFF	D 89	24.1	3A	561740	RH UNDER DASH	ENTRANCE DOOR
D 32	9.2	3A	561740	FR JCT BOX	HAZARD MASTER RLY CUT OUT	D 90	24.1	3A	561740	RH UNDER DASH	ENTRANCE DOOR
D 33						D 91	24.1	3A	561740	RH UNDER DASH	ENTRANCE DOOR
D 34	15.3	3A	561740	FR JCT BOX	A/C WATER VALVE						
D 35	15.3	3A	561740	FR JCT BOX	A/C WATER VALVE						
D 36	15.2	3A	561740	EVAP. CPT.	BY-PASS VALVE						
D 37	6.1	3A	561740	FR JCT BOX	NEUTRAL SIGNAL						
D 38	6.1	3A	561740	FR JCT BOX	NEUTRAL SIGNAL						
D 39	6.1	3A	561740	FR JCT BOX	NEUTRAL SIGNAL						
D 40											
D 41											
D 42											
D 43											
D 44											
D 45											
D 46											
D 47											
D 48											
D 49											
D 50	29.1	3A	561740	LAST LUGG. COMPT.	WCL DOOR AJAR SIGNAL TOP LT						
D 51	29.1	3A	561740	LAST LUGG. COMPT.	WCL DOOR AJAR SIGNAL TOP LT						
D 52											
D 53											
D 54											
D 55	29.1	3A	561740	RR JCT BOX	WCL SHIFTER INHIBIT SIGNAL						

RELAYS NUMBER CODE

No.	PAGE	COIL V	#PREV.	LOCATION	FUNCTION	No.	PAGE	COIL V	#PREV.	LOCATION	FUNCTION
R 1	1.1	24V	561991	FR JCT BOX	IGNITION (24) FR	R 64					
R 2						R 65	28.4	24V		HAT RACK	SCENIC VIEW CAMERA
R 3						R 66	28.3	24V	561707	S.S. PANEL	VIDEO TRIGGER
R 4	4.1	24V	561005	RR JCT BOX	STARTING MOTOR	R 67	28.1	12V	562092	S.S. PANEL	RARIO TRIGGER
R 5	5.1	24V	561707	FR JCT BOX	CRUISE CTR BRAKE CUT-OFF	R 68	28.1	24V	561991	S.S. PANEL	S.S. ACC. SWITCH
R 6	4.1	24V	561707	UNDER DASH R.H.	ANTI-THIEF STARTING	R 69	12.1	12V	562092	RR JCT BOX	LUGG DOOR LOCK
R 7	5.1	24V	561707	FR JCT BOX	DDEC FAST IDLE SIGNAL	R 70	12.1	12V	562092	RR JCT BOX	LUGG DOOR UNLOCK
R 8						R 71	12.1	24V	561707	FR JCT BOX	LUGG DOOR UNLOCK TT LT
R 9	9.3	24V	561707	RR JCT BOX	BACK-UP LTS	R 72					
R 10						R 73					
R 11						R 74	12.1	12V	562092	RR JCT BOX	LUGG DOOR LOCK
R 12	7.2	12V	562092	FR JCT BOX	ELECTRICAL HORNS	R 75	12.1	12V	562092	RR JCT BOX	LUGG DOOR UNLOCK
R 13	9.3	24V	561707	FR JCT BOX	FOG LTS-12V	R 76	9.3	24V	561707	RR JCT BOX	STOP LTS-ENGINE BRK & RETARDER SYST.
R 14	9.1	24V	561707	FR JCT BOX	BLINKER	R 77	9.2	12V	562092	UNDER DASH	AUDIBLE FLASHER RLY
R 15						R 78	8.1	24V	561707	RR JCT BOX	DDEC FAN CONTROL SPEED#1
R 16	9.1	24V	561707	FR JCT BOX	FRONT CLEARANCE LIGHT	R 79	8.1	24V	561707	RR JCT BOX	DDEC FAN CONTROL SPEED#2
R 17	9.1	24V	561707	RR JCT BOX	TAIL.LICENCE. RR LTS	R 79	27.1	24V	561707	GALLEY PANEL	REFREGIRATOR
R 18	9.1	24V	561707	FR JCT BOX	DAYTIME RUN LTS-CUT-OUT	R 80					
R 19	9.1	24V	561707	FR JCT BOX	HI-BEAM	R 81					
R 20	9.1	24V	561707	FR JCT BOX	LO-BEAM	R 82	21.1	24V	561707	FR JCT BOX	RETARDER SYSTEM
R 21	9.2	24V	561707	FR JCT BOX	LH DIRECTIONNAL LTS	R 83	14.1	24V	561707	RR JCT BOX	WATER HEATER- WEBASTO
R 22						R 84	15.2	24V	561707	RR JCT BOX	HVAC ON-OFF SIGNAL (FULL AIR)
R 23	9.2	24V	561707	FR JCT BOX	RH DIRECTIONNAL LTS	R 85					
R 24						R 86	15.2	24V	561707	RR JCT BOX	HVAC MODE COOL/HEAT
R 25						R 86	18.1	24V	561707	FR SERV. COMPT.	KNEELING SYSTEM
R 26	9.3	24V	561707	RR JCT BOX	STOP LTS	R 87	21.1	24V	561707	FR JCT BOX	ENGINE BRAKE PRESELECT #1
R 27	11.3	24V	561707	FR JCT BOX	AISLE LTS	R 87	18.1	24V	561707	FR SERV. COMPT.	KNEELING SYSTEM
R 28	11.2	24V	561707	FR JCT BOX	DASH LTS RHEOSTAT	R 88	4.1	12V	561538	FR JCT BOX	LATCHING 24V CUT OUT SW.
R 29	15.3	24V	561005	A/C JCT BOX	CONDENSER FAN	R 88	18.1	24V	561707	FR SERV. COMPT.	KNEELING SYSTEM
R 30	15.3	24V	561005	A/C JCT BOX	EVAPORATOR FAN	R 89	15.3	24V	561707	FR JCT BOX	WATER PUMP RELAY
R 31	15.3	24V	561707	FR JCT BOX	WATER VALVE & BYPASS	R 90	18.1	24V	561707	FR JCT BOX	KNEELING CANCELLATION
R 32	1.1	24V	561991	POWER JCT BOX	12 V. CUT-OUT REAR	R 91					
R 33						R 92					
R 34	15.1	24V	561707	RR JCT BOX	A/C RAD. FAN CLUTCH (PARCEL RACK)	R 93					
R 35	15.3	24V	561707	FR JCT BOX	WATER PUMP	R 94	9.3	24V	561707	RR JCT BOX	AUX READ LAMP-LH
R 36	15.1	24V	561707	RR JCT BOX	A/C COMPR. CLUTCH (PARCEL RACK)	R 95	9.3	24V	561707	RR JCT BOX	AUX READ LAMP-RH
R 37	11.4	24V	561707	RR JCT BOX	READING LAMP	R 99	8.1	24V	561707	RR JCT BOX	RADIATOR FAN CLUTCH
R 38	11.4	24V	561707	RR JCT BOX	READING LAMP	R 103	15.1	24V	561707	RR JCT BOX	PARCEL RACK VENTILATION
R 39	11.5	24V	561707	RR JCT BOX	24 V FLUORESCENT	R 104	15.1	24V	561707	RR JCT BOX	PARCEL RACK VENTILATION
R 40	15.3	24V	561005	A/C JCT BOX	CONDENSER FAN	R 105	15.1	24V	561707	RR JCT BOX	PARCEL RACK VENTILATION
R 41	15.3	24V	561005	A/C JCT BOX	CONDENSER FAN	R 107	21.1	24V	561707	FR JCT BOX	ENGINE BRAKE PRESELECT #2
R 42	1.1	24V	561991	POWER JCT BOX	12 V. CUT-OUT FRONT	R 108	20.1	24V	561707	FR JCT BOX	ENTRANCE DOOR AIR LOCK
R 43						R F1	8.1	24V	561707	RR JCT BOX	FAN CLUTCH SP#1 OPT. RETARDER
R 44	1.1	24V	561991	POWER JCT BOX	12 V. CUT-OUT FRONT	R F2	8.1	24V	561707	RR JCT BOX	FAN CLUTCH SP#2 OPT. RETARDER
R 45	11.4	24V	561707	RR JCT BOX	INDIRECT LTS	R F3	8.1	24V	560772	RR JCT BOX	TIME DELAY FAN CLUTCH
R 46						R LA	24.1	24V	561707	RH UNDER DASH	ENTRANCE DOOR SYSTEM
R 47	27.1	24V	561707	GALLEY PANEL	COFFEE CONTAINERS	R LO	24.1	24V	561707	RH UNDER DASH	ENTRANCE DOOR SYSTEM
R 48	27.1	24V	561707	GALLEY PANEL	COFFEE MAKER	R LT	24.1	24V	561707	RH UNDER DASH	ENTRANCE DOOR SYSTEM
R 49	22.1	24V	561707	FR JCT BOX	ABS - ENGINE BRAKE	R LV	24.1	24V	561707	RH UNDER DASH	ENTRANCE DOOR SYSTEM
R 50						V IM1	6.1	12V	562092	FR JCT BOX	VIM WORLD TR.-OUTPUT 1 SPEED INTERLOCK
R 51	11.2	24V	561707	FR JCT BOX	DRIVER'S LTS KEYLERSS ALARM	V IM2	6.1	12V	562092	FR JCT BOX	VIM WORLD TR.-OUTPUT 2 ENG. BRK DISABLE
R 52	22.1	24V	561707	FR JCT BOX	ABS - RETARDER	V IM3	6.1	12V	562092	FR JCT BOX	VIM WORLD TR.-OUTPUT 3
R 53	1.1	24V	561991	RR JCT BOX	IGNITION 24V RR	V IM4	6.1	12V	562092	FR JCT BOX	VIM WORLD TR.-OUTPUT 4 RETARD. ON SIGNAL
R 54	2.1	24V	561707	RR JCT BOX	IGNITION 12V RR	V IMN	6.1	12V	562092	FR JCT BOX	VIM WORLD TR.-NEUTRAL SIGNAL
R 55						V IMR	6.1	12V	562092	FR JCT BOX	VIM WORLD TR.-B/U SIGNAL
R 56											
R 57											
R 58											
R 59											
R 60											
R 61											
R 62											
R 63											

RELAYS NUMBER CODE

No. PAGE COIL V #PREV. LOCATION FUNCTION

No. PAGE COIL V #PREV. LOCATION FUNCTION

RELAYS NUMBER CODE

No.	PAGE	COIL V	#PREV.	LOCATION	FUNCTION	No.	PAGE	COIL V	#PREV.	LOCATION	FUNCTION
R 1	1.1	24V	561991	FR JCT BOX	IGNITION (24) FR	R 64					
R 2						R 65	28.4	24V		HAT RACK	SCENIC VIEW CAMERA
R 3						R 66	28.3	24V	561707	S.S. PANEL	VIDEO TRIGGER
R 4	4.1	24V	561005	RR JCT BOX	STARTING MOTOR	R 67	28.1	12V	562092	S.S. PANEL	RARIO TRIGGER
R 5	5.1	24V	561707	FR JCT BOX	CRUISE CTR BRAKE CUT-OFF	R 68	28.1	24V	561991	S.S. PANEL	S.S. ACC. SWITCH
R 6	4.1	24V	561707	UNDER DASH R.H.	ANTI-THIEF STARTING	R 69	12.1	12V	562092	RR JCT BOX	LUGG DOOR LOCK
R 7	5.1	24V	561707	FR JCT BOX	DDEC FAST IDLE SIGNAL	R 70	12.1	12V	562092	RR JCT BOX	LUGG DOOR UNLOCK
R 8						R 71	12.1	24V	561707	FR JCT BOX	LUGG DOOR UNLOCK TT LT
R 9	9.3	24V	561707	RR JCT BOX	BACK-UP LTS	R 72					
R 10						R 73					
R 11						R 74	12.1	12V	562092	RR JCT BOX	LUGG DOOR LOCK
R 12	7.2	12V	562092	FR JCT BOX	ELECTRICAL HORNS	R 75	12.1	12V	562092	RR JCT BOX	LUGG DOOR UNLOCK
R 13	9.3	24V	561707	FR JCT BOX	FOG LTS-12V	R 76	9.3	24V	561707	RR JCT BOX	STOP LTS-ENGINE BRK & RETARDER SYST.
R 14	9.1	24V	561707	FR JCT BOX	BLINKER	R 77	9.2	12V	562092	UNDER DASH	AUDIBLE FLASHER RLY
R 15						R 78	8.1	24V	561707	RR JCT BOX	DDEC FAN CONTROL SPEED#1
R 16	9.1	24V	561707	FR JCT BOX	FRONT CLEARANCE LIGHT	R 79	8.1	24V	561707	RR JCT BOX	DDEC FAN CONTROL SPEED#2
R 17	9.1	24V	561707	RR JCT BOX	TAIL.LICENCE. RR LTS	R 79	27.1	24V	561707	GALLEY PANEL	REFREGIRATOR
R 18	9.1	24V	561707	FR JCT BOX	DAYTIME RUN LTS-CUT-OUT	R 80					
R 19	9.1	24V	561707	FR JCT BOX	HI-BEAM	R 81					
R 20	9.1	24V	561707	FR JCT BOX	LO-BEAM	R 82	21.1	24V	561707	FR JCT BOX	RETARDER SYSTEM
R 21	9.2	24V	561707	FR JCT BOX	LH DIRECTIONNAL LTS	R 83	14.1	24V	561707	RR JCT BOX	WATER HEATER- WEBASTO
R 22						R 84	15.2	24V	561707	RR JCT BOX	HVAC ON-OFF SIGNAL (FULL AIR)
R 23	9.2	24V	561707	FR JCT BOX	RH DIRECTIONNAL LTS	R 85					
R 24	9.2sp1	24v	561707	FR JCT BOX	RH CORNERING LTS	R 86	15.2	24V	561707	RR JCT BOX	HVAC MODE COOL/HEAT
R 25	9.2sp1	24v	561707	FR JCT BOX	LH CORNERING LTS	R 86	18.1	24V	561707	FR SERV. COMPT.	KNEELING SYSTEM
R 26	9.3	24V	561707	RR JCT BOX	STOP LTS	R 87	21.1	24V	561707	FR JCT BOX	ENGINE BRAKE PRESELECT #1
R 27	11.3	24v	561707	FR JCT BOX	AISLE LTS	R 87	18.1	24V	561707	FR SERV. COMPT.	KNEELING SYSTEM
R 28	11.2	24V	561707	FR JCT BOX	DASH LTS RHEOSTAT	R 88	4.1	12V	561538	FR JCT BOX	LATCHING 24V CUT OUT SW.
R 29	15.3	24V	561005	A/C JCT BOX	CONDENSER FAN	R 88	18.1	24V	561707	FR SERV. COMPT.	KNEELING SYSTEM
R 30	15.3	24V	561005	A/C JCT BOX	EVAPORATOR FAN	R 89	15.3	24V	561707	FR JCT BOX	WATER PUMP RELAY
R 31	15.3	24V	561707	FR JCT BOX	WATER VALVE & BYPASS	R 90	18.1	24V	561707	FR JCT BOX	KNEELING CANCELLATION
R 32	1.1	24V	561991	POWER JCT BOX	12 V. CUT-OUT REAR	R 91					
R 33						R 92					
R 34	15.1	24V	561707	RR JCT BOX	A/C RAD. FAN CLUTCH (PARCEL RACK)	R 93					
R 35	15.3	24V	561707	FR JCT BOX	WATER PUMP	R 94	9.3	24V	561707	RR JCT BOX	AUX READ LAMP-LH
R 36	15.1	24V	561707	RR JCT BOX	A/C COMPR. CLUTCH (PARCEL RACK)	R 95	9.3	24V	561707	RR JCT BOX	AUX READ LAMP-RH
R 37	11.4	24V	561707	RR JCT BOX	READING LAMP	R 99	8.1	24V	561707	RR JCT BOX	RADIATOR FAN CLUTCH
R 38	11.4	24V	561707	RR JCT BOX	READING LAMP	R 103	15.1	24V	561707	RR JCT BOX	PARCEL RACK VENTILATION
R 39	11.5	24V	561707	RR JCT BOX	24 V FLUORESCENT	R 104	15.1	24V	561707	RR JCT BOX	PARCEL RACK VENTILATION
R 40	15.3	24V	561005	A/C JCT BOX	CONDENSER FAN	R 105	15.1	24V	561707	RR JCT BOX	PARCEL RACK VENTILATION
R 41	15.3	24V	561005	A/C JCT BOX	CONDENSER FAN	R 107	21.1	24V	561707	FR JCT BOX	ENGINE BRAKE PRESELECT #2
R 42	1.1	24V	561991	POWER JCT BOX	12 V. CUT-OUT FRONT	R 108	20.1	24V	561707	FR JCT BOX	ENTRANCE DOOR AIR LOCK
R 43						R F1	8.1	24V	561707	RR JCT BOX	FAN CLUTCH SP#1 OPT. RETARDER
R 44	1.1	24V	561991	POWER JCT BOX	12 V. CUT-OUT FRONT	R F2	8.1	24V	561707	RR JCT BOX	FAN CLUTCH SP#2 OPT. RETARDER
R 45	11.4	24V	561707	RR JCT BOX	INDIRECT LTS	R F3	8.1	24V	560772	RR JCT BOX	TIME DELAY FAN CLUTCH
R 46						R LA	24.1	24V	561707	RH UNDER DASH	ENTRANCE DOOR SYSTEM
R 47	27.1	24V	561707	GALLEY PANEL	COFFEE CONTAINERS	R LO	24.1	24V	561707	RH UNDER DASH	ENTRANCE DOOR SYSTEM
R 48	27.1	24V	561707	GALLEY PANEL	COFFEE MAKER	R LT	24.1	24V	561707	RH UNDER DASH	ENTRANCE DOOR SYSTEM
R 49	22.1	24V	561707	FR JCT BOX	ABS - ENGINE BRAKE	R LV	24.1	24V	561707	RH UNDER DASH	ENTRANCE DOOR SYSTEM
R 50						V IM1	6.1	12V	562092	FR JCT BOX	VIM WORLD TR.-OUTPUT 1 SPEED INTERLOCK
R 51	11.2	24V	561707	FR JCT BOX	DRIVER'S LTS KEYLERSS ALARM	V IM2	6.1	12V	562092	FR JCT BOX	VIM WORLD TR.-OUTPUT 2 ENG. BRK DISABLE
R 52	22.1	24V	561707	FR JCT BOX	ABS - RETARDER	V IM3	6.1	12V	562092	FR JCT BOX	VIM WORLD TR.-OUTPUT 3
R 53	1.1	24V	561991	RR JCT BOX	IGNITION 24V RR	V IM4	6.1	12V	562092	FR JCT BOX	VIM WORLD TR.-OUTPUT 4 RETARD. ON SIGNAL
R 54	2.1	24V	561707	RR JCT BOX	IGNITION 12V RR	V IMN	6.1	12V	562092	FR JCT BOX	VIM WORLD TR.-NEUTRAL SIGNAL
R 55						V IMR	6.1	12V	562092	FR JCT BOX	VIM WORLD TR.-B/U SIGNAL
R 56											
R 57											
R 58											
R 59	9.3sp1	24V	561707	RR JCT BOX	DOCKING LTS						
R 60											
R 61											
R 62											
R 63											

RELAYS NUMBER CODE

No. PAGE COIL V #PREV. LOCATION FUNCTION

No. PAGE COIL V #PREV. LOCATION FUNCTION

RELAYS NUMBER CODE

No.	PAGE	COIL V	#PREV.	LOCATION	FUNCTION	No.	PAGE	COIL V	#PREV.	LOCATION	FUNCTION
R 1	1.1	24V	561991	FR JCT BOX	IGNITION (24) FR	R 64					
R 2						R 65	28.4	24V		HAT RACK	SCENIC VIEW CAMERA
R 3						R 66	28.3	24V	561707	S.S. PANEL	VIDEO TRIGGER
R 4	4.1	24V	561005	RR JCT BOX	STARTING MOTOR	R 67	28.1	12V	562092	S.S. PANEL	RARIO TRIGGER
R 5	5.1	24V	561707	FR JCT BOX	CRUISE CTR BRAKE CUT-OFF	R 68	28.1	24V	561991	S.S. PANEL	S.S. ACC. SWITCH
R 6	4.1	24V	561707	UNDER DASH R.H.	ANTI-THIEF STARTING	R 69	12.1	12V	562092	RR JCT BOX	LUGG DOOR LOCK
R 7	5.1	24V	561707	FR JCT BOX	DDEC FAST IDLE SIGNAL	R 70	12.1	12V	562092	RR JCT BOX	LUGG DOOR UNLOCK
R 8						R 71	12.1	24V	561707	FR JCT BOX	LUGG DOOR UNLOCK TT LT
R 9	9.3	24V	561707	RR JCT BOX	BACK-UP LTS	R 72	29.1	24V	561707	POWER JCT BOX	WCL-SYTEME ON
R 10						R 73	29.1	24V	561707	POWER JCT BOX	WCL-DOOR OPEN SW. SIGNAL
R 11						R 74	12.1	12V	562092	RR JCT BOX	LUGG DOOR LOCK
R 12	7.2	12V	562092	FR JCT BOX	ELECTRICAL HORNS	R 75	12.1	12V	562092	RR JCT BOX	LUGG DOOR UNLOCK
R 13	9.3	24V	561707	FR JCT BOX	FOG LTS-12V	R 76	9.3	24V	561707	RR JCT BOX	STOP LTS-ENGINE BRK & RETARDER SYST.
R 14	9.1	24V	561707	FR JCT BOX	BLINKER	R 77	9.2	12V	562092	UNDER DASH	AUDIBLE FLASHER RLY
R 15						R 78	8.1	24V	561707	RR JCT BOX	DDEC FAN CONTROL SPEED#1
R 16	9.1	24V	561707	FR JCT BOX	FRONT CLEARANCE LIGHT	R 79	8.1	24V	561707	RR JCT BOX	DDEC FAN CONTROL SPEED#2
R 17	9.1	24V	561707	RR JCT BOX	TAIL.LICENCE. RR LTS	R 79	27.1	24V	561707	GALLEY PANEL	REFREGIRATOR
R 18	9.1	24V	561707	FR JCT BOX	DAYTIME RUN LTS-CUT-OUT	R 80					
R 19	9.1	24V	561707	FR JCT BOX	HI-BEAM	R 81					
R 20	9.1	24V	561707	FR JCT BOX	LO-BEAM	R 82	21.1	24V	561707	FR JCT BOX	RETARDER SYSTEM
R 21	9.2	24V	561707	FR JCT BOX	LH DIRECTIONNAL LTS	R 83	14.1	24V	561707	RR JCT BOX	WATER HEATER- WEBASTO
R 22						R 84	15.2	24V	561707	RR JCT BOX	HVAC ON-OFF SIGNAL (FULL AIR)
R 23	9.2	24V	561707	FR JCT BOX	RH DIRECTIONNAL LTS	R 85					
R 24	9.2sp1	24v	561707	FR JCT BOX	RH CORNERING LTS	R 86	15.2	24V	561707	RR JCT BOX	HVAC MODE COOL/HEAT
R 25	9.2sp1	24v	561707	FR JCT BOX	LH CORNERING LTS	R 86	18.1	24V	561707	FR SERV. COMPT.	KNEELING SYSTEM
R 26	9.3	24V	561707	RR JCT BOX	STOP LTS	R 87	21.1	24V	561707	FR JCT BOX	ENGINE BRAKE PRESELECT #1
R 27	11.3	24v	561707	FR JCT BOX	AISLE LTS	R 87	18.1	24V	561707	FR SERV. COMPT.	KNEELING SYSTEM
R 28	11.2	24V	561707	FR JCT BOX	DASH LTS RHEOSTAT	R 88	4.1	24V	561707	FR JCT BOX	LATCHING 24V CUT OUT SW.
R 29	15.3	24V	561005	A/C JCT BOX	CONDENSER FAN	R 88	18.1	24V	561707	FR SERV. COMPT.	KNEELING SYSTEM
R 30	15.3	24V	561005	A/C JCT BOX	EVAPORATOR FAN	R 89	15.3	24V	561707	FR JCT BOX	WATER PUMP RELAY
R 31	15.3	24V	561707	FR JCT BOX	WATER VALVE & BYPASS	R 90	18.1	24V	561707	FR JCT BOX	KNEELING CANCELLATION
R 32	1.1	24V	561991	POWER JCT BOX	12 V. CUT-OUT REAR	R 91					
R 33						R 94	9.3	24V	561707	RR JCT BOX	AUX READ LAMP-LH
R 34	15.1	24V	561707	RR JCT BOX	A/C RAD. FAN CLUTCH (PARCEL RACK)	R 95	9.3	24V	561707	RR JCT BOX	AUX READ LAMP-RH
R 35	15.3	24V	561707	FR JCT BOX	WATER PUMP	R 96	29.1	24V	561707	POWER JCT BOX	WCL - DOOR AJAR SIGNAL
R 36	15.1	24V	561707	RR JCT BOX	A/C COMPR. CLUTCH (PARCEL RACK)	R 97	29.1	24V	561707	POWER JCT BOX	WCL - DOOR AJAR PARKING BRAKE
R 37	11.4	24V	561707	RR JCT BOX	READING LAMP	R 98	29.1	24V	561707	POWER JCT BOX	WCL - ALTERNATOR SIGNAL
R 38	11.4	24V	561707	RR JCT BOX	READING LAMP	R 99	8.1	24V	561707	RR JCT BOX	RADIATOR FAN CLUTCH
R 39	11.5	24V	561707	RR JCT BOX	24 V FLUORESCENT	R 103	15.1	24V	561707	RR JCT BOX	PARCEL RACK VENTILATION
R 40	15.3	24V	561005	A/C JCT BOX	CONDENSER FAN	R 104	15.1	24V	561707	RR JCT BOX	PARCEL RACK VENTILATION
R 41	15.3	24V	561005	A/C JCT BOX	CONDENSER FAN	R 105	15.1	24V	561707	RR JCT BOX	PARCEL RACK VENTILATION
R 42	1.1	24V	561991	POWER JCT BOX	12 V. CUT-OUT FRONT	R 107	21.1	24V	561707	FR JCT BOX	ENGINE BRAKE PRESELECT #2
R 43						R 108					
R 44	1.1	24V	561991	POWER JCT BOX	12 V. CUT-OUT FRONT	R 109	6.1	24V	561707	FR JCT BOX	SHIFTER INHIBIT
R 45	11.4	24V	561707	RR JCT BOX	INDIRECT LTS	R 110	4.1SP2	24V	561707	POWER JCT BOX	HEATER RUN. WITH CHARGER 110V ACTIVED
R 46						R 111	4.1SP2	24V	561707	POWER JCT BOX	HEATER RUN. WITH CHARGER 110V ACTIVED
R 47	27.1	24V	561707	GALLEY PANEL	COFFEE CONTAINERS	R 112	4.1SP2	24V	561707	POWER JCT BOX	HEATER RUN. WITH CHARGER 110V ACTIVED
R 48	27.1	24V	561707	GALLEY PANEL	COFFEE MAKER	R F1	8.1	24V	561707	RR JCT BOX	FAN CLUTCH SP#1 OPT. RETARDER
R 49	22.1	24V	561707	FR JCT BOX	ABS - ENGINE BRAKE	R F2	8.1	24V	561707	RR JCT BOX	FAN CLUTCH SP#2 OPT. RETARDER
R 50						R F3	8.1	24V	560772	RR JCT BOX	TIME DELAY FAN CLUTCH
R 51	11.2	24V	561707	FR JCT BOX	DRIVER'S LTS KEYLERSS ALARM	R LA	24.1	24V	561707	RH UNDER DASH	ENTRANCE DOOR SYSTEM
R 52	22.1	24V	561707	FR JCT BOX	ABS - RETARDER	R LO	24.1	24V	561707	RH UNDER DASH	ENTRANCE DOOR SYSTEM
R 53	1.1	24V	561991	RR JCT BOX	IGNITION 24V RR	R LT	24.1	24V	561707	RH UNDER DASH	ENTRANCE DOOR SYSTEM
R 54	2.1	24V	561707	RR JCT BOX	IGNITION 12V RR	R LV	24.1	24V	561707	RH UNDER DASH	ENTRANCE DOOR SYSTEM
R 55						V IM1	6.1	12V	562092	FR JCT BOX	VIM WORLD TR.-OUTPUT 1 SPEED INTERLOCK
R 56						V IM2	6.1	12V	562092	FR JCT BOX	VIM WORLD TR.-OUTPUT 2 ENG. BRK DISABLE
R 57						V IM3	6.1	12V	562092	FR JCT BOX	VIM WORLD TR.-OUTPUT 3
R 58						V IM4	6.1	12V	562092	FR JCT BOX	VIM WORLD TR.-OUTPUT 4 RETARD. ON SIGNAL
R 59	9.3sp1	24V	561707	RR JCT BOX	DOCKING LTS	V IMN	6.1	12V	562092	FR JCT BOX	VIM WORLD TR.-NEUTRAL SIGNAL
R 60						V IMR	6.1	12V	562092	FR JCT BOX	VIM WORLD TR.-B/U SIGNAL
R 61											
R 62											
R 63											

RELAYS NUMBER CODE

No. PAGE COIL V #PREV. LOCATION FUNCTION

No. PAGE COIL V #PREV. LOCATION FUNCTION

RELAYS NUMBER CODE

No.	PAGE	COIL V	#PREV.	LOCATION	FUNCTION	No.	PAGE	COIL V	#PREV.	LOCATION	FUNCTION
R 1	1.1	24V	561991	FR JCT BOX	IGNITION (24) FR	R 64					
R 2						R 65	28.4	24V		HAT RACK	SCENIC VIEW CAMERA
R 3						R 66	28.3	24V	561707	S.S. PANEL	VIDEO TRIGGER
R 4	4.1	24V	561005	RR JCT BOX	STARTING MOTOR	R 67	28.1	12V	562092	S.S. PANEL	RARIO TRIGGER
R 5	5.1	24V	561707	FR JCT BOX	CRUISE CTR BRAKE CUT-OFF	R 68	28.1	24V	561991	S.S. PANEL	S.S. ACC. SWITCH
R 6	4.1	24V	561707	UNDER DASH R.H.	ANTI-THIEF STARTING	R 69	12.1	12V	562092	RR JCT BOX	LUGG DOOR LOCK
R 7	5.1	24V	561707	FR JCT BOX	DDEC FAST IDLE SIGNAL	R 70	12.1	12V	562092	RR JCT BOX	LUGG DOOR UNLOCK
R 8						R 71	12.1	24V	561707	FR JCT BOX	LUGG DOOR UNLOCK TT LT
R 9	9.3	24V	561707	RR JCT BOX	BACK-UP LTS	R 72	29.1	24V	561707	POWER JCT BOX	WCL-SYTEME ON
R 10	6.3	24V	561707	FR JCT BOX	EATON TRANS.	R 73	29.1	24V	561707	POWER JCT BOX	WCL-DOOR OPEN SW. SIGNAL
R 11						R 74	12.1	12V	562092	RR JCT BOX	LUGG DOOR LOCK
R 12	7.2	12V	562092	FR JCT BOX	ELECTRICAL HORNS	R 75	12.1	12V	562092	RR JCT BOX	LUGG DOOR UNLOCK
R 13	9.3	24V	561707	FR JCT BOX	FOG LTS-12V	R 76	9.3	24V	561707	RR JCT BOX	STOP LTS-ENGINE BRK & RETARDER SYST.
R 14	9.1	24V	561707	FR JCT BOX	BLINKER	R 77	9.2	12V	562092	UNDER DASH	AUDIBLE FLASHER RLY
R 15						R 78	8.1	24V	561707	RR JCT BOX	DDEC FAN CONTROL SPEED#1
R 16	9.1	24V	561707	FR JCT BOX	FRONT CLEARANCE LIGHT	R 79	8.1	24V	561707	RR JCT BOX	DDEC FAN CONTROL SPEED#2
R 17	9.1	24V	561707	RR JCT BOX	TAIL.LICENCE. RR LTS	R 79	27.1	24V	561707	GALLEY PANEL	REFREGIRATOR
R 18	9.1	24V	561707	FR JCT BOX	DAYTIME RUN LTS-CUT-OUT	R 80					
R 19	9.1	24V	561707	FR JCT BOX	HI-BEAM	R 81					
R 20	9.1	24V	561707	FR JCT BOX	LO-BEAM	R 82	21.1	24V	561707	FR JCT BOX	RETARDER SYSTEM
R 21	9.2	24V	561707	FR JCT BOX	LH DIRECTIONNAL LTS	R 83	14.1	24V	561707	RR JCT BOX	WATER HEATER- WEBASTO
R 22						R 84	15.2	24V	561707	RR JCT BOX	HVAC ON-OFF SIGNAL (FULL AIR)
R 23	9.2	24V	561707	FR JCT BOX	RH DIRECTIONNAL LTS	R 85					
R 24	9.2sp1	24v	561707	FR JCT BOX	RH CORNERING LTS	R 86	15.2	24V	561707	RR JCT BOX	HVAC MODE COOL/HEAT
R 25	9.2sp1	24v	561707	FR JCT BOX	LH CORNERING LTS	R 86	18.1	24V	561707	FR SERV. COMPT.	KNEELING SYSTEM
R 26	9.3	24V	561707	RR JCT BOX	STOP LTS	R 87	21.1	24V	561707	FR JCT BOX	ENGINE BRAKE PRESELECT #1
R 27	11.3	24v	561707	FR JCT BOX	AISLE LTS	R 87	18.1	24V	561707	FR SERV. COMPT.	KNEELING SYSTEM
R 28	11.2	24V	561707	FR JCT BOX	DASH LTS RHEOSTAT	R 88	4.1	24V	561707	FR JCT BOX	LATCHING 24V CUT OUT SW.
R 29	15.3	24V	561005	A/C JCT BOX	CONDENSER FAN	R 88	18.1	24V	561707	FR SERV. COMPT.	KNEELING SYSTEM
R 30	15.3	24V	561005	A/C JCT BOX	EVAPORATOR FAN	R 89	15.3	24V	561707	FR JCT BOX	WATER PUMP RELAY
R 31	15.3	24V	561707	FR JCT BOX	WATER VALVE & BYPASS	R 90	18.1	24V	561707	FR JCT BOX	KNEELING CANCELLATION
R 32	1.1	24V	561991	POWER JCT BOX	12 V. CUT-OUT REAR	R 91					
R 33						R 94	9.3	24V	561707	RR JCT BOX	AUX READ LAMP-LH
R 34	15.1	24V	561707	RR JCT BOX	A/C RAD. FAN CLUTCH (PARCEL RACK)	R 95	9.3	24V	561707	RR JCT BOX	AUX READ LAMP-RH
R 35	15.3	24V	561707	FR JCT BOX	WATER PUMP	R 96	29.1	24V	561707	POWER JCT BOX	WCL - DOOR AJAR SIGNAL
R 36	15.1	24V	561707	RR JCT BOX	A/C COMPR. CLUTCH (PARCEL RACK)	R 97	29.1	24V	561707	POWER JCT BOX	WCL - DOOR AJAR PARKING BRAKE
R 37	11.4	24V	561707	RR JCT BOX	READING LAMP	R 98	29.1	24V	561707	POWER JCT BOX	WCL - ALTERNATOR SIGNAL
R 38	11.4	24V	561707	RR JCT BOX	READING LAMP	R 99	8.1	24V	561707	RR JCT BOX	RADIATOR FAN CLUTCH
R 39	11.5	24V	561707	RR JCT BOX	24 V FLUORESCENT	R 103	15.1	24V	561707	RR JCT BOX	PARCEL RACK VENTILATION
R 40	15.3	24V	561005	A/C JCT BOX	CONDENSER FAN	R 104	15.1	24V	561707	RR JCT BOX	PARCEL RACK VENTILATION
R 41	15.3	24V	561005	A/C JCT BOX	CONDENSER FAN	R 105	15.1	24V	561707	RR JCT BOX	PARCEL RACK VENTILATION
R 42	1.1	24V	561991	POWER JCT BOX	12 V. CUT-OUT FRONT	R 107	21.1	24V	561707	FR JCT BOX	ENGINE BRAKE PRESELECT #2
R 43						R 108					
R 44	1.1	24V	561991	POWER JCT BOX	12 V. CUT-OUT FRONT	R 109	6.1	24V	561707	FR JCT BOX	SHIFTER INHIBIT
R 45	11.4	24V	561707	RR JCT BOX	INDIRECT LTS	R 110	4.1SP2	24V	561707	POWER JCT BOX	HEATER RUN. WITH CHARGER 110V ACTIVED
R 46						R 111	4.1SP2	24V	561707	POWER JCT BOX	HEATER RUN. WITH CHARGER 110V ACTIVED
R 47	27.1	24V	561707	GALLEY PANEL	COFFEE CONTAINERS	R 112	4.1SP2	24V	561707	POWER JCT BOX	HEATER RUN. WITH CHARGER 110V ACTIVED
R 48	27.1	24V	561707	GALLEY PANEL	COFFEE MAKER	R F1	8.1	24V	561707	RR JCT BOX	FAN CLUTCH SP#1 OPT. RETARDER
R 49	22.1	24V	561707	FR JCT BOX	ABS - ENGINE BRAKE	R F2	8.1	24V	561707	RR JCT BOX	FAN CLUTCH SP#2 OPT. RETARDER
R 50						R F3	8.1	24V	560772	RR JCT BOX	TIME DELAY FAN CLUTCH
R 51	11.2	24V	561707	FR JCT BOX	DRIVER'S LTS KEYLERSS ALARM	R LA	24.1	24V	561707	RH UNDER DASH	ENTRANCE DOOR SYSTEM
R 52	22.1	24V	561707	FR JCT BOX	ABS - RETARDER	R LO	24.1	24V	561707	RH UNDER DASH	ENTRANCE DOOR SYSTEM
R 53	1.1	24V	561991	RR JCT BOX	IGNITION 24V RR	R LT	24.1	24V	561707	RH UNDER DASH	ENTRANCE DOOR SYSTEM
R 54	2.1	24V	561707	RR JCT BOX	IGNITION 12V RR	R LV	24.1	24V	561707	RH UNDER DASH	ENTRANCE DOOR SYSTEM
R 55						V IM1	6.1	12V	562092	FR JCT BOX	VIM WORLD TR.-OUTPUT 1 SPEED INTERLOCK
R 56						V IM2	6.1	12V	562092	FR JCT BOX	VIM WORLD TR.-OUTPUT 2 ENG. BRK DISABLE
R 57						V IM3	6.1	12V	562092	FR JCT BOX	VIM WORLD TR.-OUTPUT 3
R 58						V IM4	6.1	12V	562092	FR JCT BOX	VIM WORLD TR.-OUTPUT 4 RETARD. ON SIGNAL
R 59	9.3sp1	24V	561707	RR JCT BOX	DOCKING LTS	V IMN	6.1	12V	562092	FR JCT BOX	VIM WORLD TR.-NEUTRAL SIGNAL
R 60						V IMR	6.1	12V	562092	FR JCT BOX	VIM WORLD TR.-B/U SIGNAL
R 61											
R 62	5.1	24V	561707	FR JCT BOX	DDEC PARK BRAKE SIGNAL						
R 63											

RELAYS NUMBER CODE

No. PAGE COIL V #PREV. LOCATION FUNCTION

No. PAGE COIL V #PREV. LOCATION FUNCTION

RELAYS NUMBER CODE

No.	PAGE	COIL V	#PREV.	LOCATION	FUNCTION	No.	PAGE	COIL V	#PREV.	LOCATION	FUNCTION
R 1	1.1	24V	561991	FR JCT BOX	IGNITION (24) FR	R 63					
R 2						R 64					
R 3						R 65	28.4	24V		HAT RACK	SCENIC VIEW CAMERA
R 4	4.1	24V	561005	RR JCT BOX	STARTING MOTOR	R 66	28.3	24V	561707	S.S. PANEL	VIDEO TRIGGER
R 5	5.1	24V	561707	FR JCT BOX	CRUISE CTR BRAKE CUT-OFF	R 67	28.1	12V	562092	S.S. PANEL	RARIO TRIGGER
R 6	4.1	24V	561707	UNDER DASH R.H.	ANTI-THIEF STARTING	R 68	28.1	24V	561991	S.S. PANEL	S.S. ACC. SWITCH
R 7	5.1	24V	561707	FR JCT BOX	DDEC FAST IDLE SIGNAL	R 69	12.1	12V	562092	RR JCT BOX	LUGG DOOR LOCK
R 8						R 70	12.1	12V	562092	RR JCT BOX	LUGG DOOR UNLOCK
R 9	9.3	24V	561707	RR JCT BOX	BACK-UP LTS	R 71	12.1	24V	561707	FR JCT BOX	LUGG DOOR UNLOCK TT LT
R 10	6.3	24V	561707	FR JCT BOX	EATON TRANSM.	R 72	29.1	24V	561707	POWER JCT BOX	WCL-SYTEM ON
R 11						R 73	29.1	24V	561707	POWER JCT BOX	WCL-DOOR OPEN SW. SIGNAL
R 12	7.2	12V	562092	FR JCT BOX	ELECTRICAL HORNS	R 74	12.1	12V	562092	RR JCT BOX	LUGG DOOR LOCK
R 13	9.3	24V	561707	FR JCT BOX	FOG LTS-12V	R 75	12.1	12V	562092	RR JCT BOX	LUGG DOOR UNLOCK
R 14	9.1	24V	561707	FR JCT BOX	BLINKER	R 76	9.3	24V	561707	RR JCT BOX	STOP LTS-ENGINE BRK & RETARDER SYST.
R 15						R 77	9.2	12V	562092	UNDER DASH	AUDIBLE FLASHER RLY
R 16	9.1	24V	561707	FR JCT BOX	FRONT CLEARANCE LIGHT	R 78	8.1	24V	561707	RR JCT BOX	DDEC FAN CONTROL SPEED#1
R 17	9.1	24V	561707	RR JCT BOX	TAIL.LICENCE. RR LTS	R 79	27.1	24V	561707	RR JCT BOX	DDEC FAN CONTROL SPEED#2
R 18	9.1	24V	561707	FR JCT BOX	DAYTIME RUN LTS-CUT-OUT	R 80				GALLEY PANEL	REFREGIRATOR
R 19	9.1	24V	561707	FR JCT BOX	HI-BEAM	R 81					
R 20	9.1	24V	561707	FR JCT BOX	LO-BEAM	R 82	21.1	24V	561707	FR JCT BOX	RETARDER SYSTEM
R 21	9.2	24V	561707	FR JCT BOX	LH DIRECTIONNAL LTS	R 83					
R 22						R 84	15.2	24V	561707	RR JCT BOX	HVAC ON-OFF SIGNAL (FULL AIR)
R 23	9.2	24V	561707	FR JCT BOX	RH DIRECTIONNAL LTS	R 85					
R 24	9.2sp1	24v	561707	FR JCT BOX	RH CORNERING LTS	R 86	15.2	24V	561707	RR JCT BOX	HVAC MODE COOL/HEAT
R 25	9.2sp1	24v	561707	FR JCT BOX	FR CORNERING LTS	R 86	18.1	24V	561707	FR SERV. COMPT.	KNEELING SYSTEM
R 26	9.3	24V	561707	RR JCT BOX	STOP LTS	R 87	21.1	24V	561707	FR JCT BOX	ENGINE BRAKE PRESELECT #1
R 27	11.3	24v	561707	FR JCT BOX	AISLE LTS	R 87	18.1	24V	561707	FR SERV. COMPT.	KNEELING SYSTEM
R 28	11.2	24V	561707	FR JCT BOX	DASH LTS RHEOSTAT	R 88	4.1	24V	561707	FR JCT BOX	LATCHING 24V CUT OUT SW.
R 29	15.3	24V	561005	A/C JCT BOX	CONDENSER FAN	R 88	18.1	24V	561707	FR SERV. COMPT.	KNEELING SYSTEM
R 30	15.3	24V	561005	A/C JCT BOX	EVAPORATOR FAN	R 89	15.3	24V	561707	FR JCT BOX	WATER PUMP RELAY
R 31	15.3	24V	561707	FR JCT BOX	WATER VALVE & BYPASS	R 90	18.1	24V	561707	FR JCT BOX	KNEELING CANCELLATION
R 32	1.1	24V	561991	POWER JCT BOX	12 V. CUT-OUT REAR	R 91					
R 33						R 94	9.3	24V	561707	RR JCT BOX	AUX READ LAMP-LH
R 34	15.1	24V	561707	RR JCT BOX	A/C RAD. FAN CLUTCH (PARCEL RACK)	R 95	9.3	24V	561707	RR JCT BOX	AUX READ LAMP-RH
R 35	15.3	24V	561707	FR JCT BOX	WATER PUMP	R 96	29.1	24V	561707	POWER JCT BOX	WCL - DOOR AJAR SIGNAL
R 36	15.1	24V	561707	RR JCT BOX	A/C COMPR. CLUTCH (PARCEL RACK)	R 97	29.1	24V	561707	POWER JCT BOX	WCL - DOOR AJAR PARKING BRAKE
R 37	11.4	24V	561707	RR JCT BOX	READING LAMP	R 98	29.1	24V	561707	POWER JCT BOX	WCL - ALTERNATOR SIGNAL
R 38	11.4	24V	561707	RR JCT BOX	READING LAMP	R 99	8.1	24V	561707	RR JCT BOX	RADIATOR FAN CLUTCH
R 39	11.5	24V	561707	RR JCT BOX	24 V FLUORESCENT	R 103	15.1	24V	561707	RR JCT BOX	PARCEL RACK VENTILATION
R 40	15.3	24V	561005	A/C JCT BOX	CONDENSER FAN	R 104	15.1	24V	561707	RR JCT BOX	PARCEL RACK VENTILATION
R 41	15.3	24V	561005	A/C JCT BOX	CONDENSER FAN	R 105	15.1	24V	561707	RR JCT BOX	PARCEL RACK VENTILATION
R 42	1.1	24V	561991	POWER JCT BOX	12 V. CUT-OUT FRONT	R 107	21.1	24V	561707	FR JCT BOX	ENGINE BRAKE PRESELECT #2
R 43						R 108					
R 44	1.1	24V	561991	POWER JCT BOX	12 V. CUT-OUT FRONT	R 109	6.1	24V	561707	FR JCT BOX	SHIFTER INHIBIT
R 45	11.4	24V	561707	RR JCT BOX	INDIRECT LTS	R 110	4.1SP2	24V	561707	POWER JCT BOX	HEATER RUN. WITH CHARGER 110V ACTIVED
R 46						R 111	4.1SP2	24V	561707	POWER JCT BOX	HEATER RUN. WITH CHARGER 110V ACTIVED
R 47	27.1	24V	561707	GALLEY PANEL	COFFEE CONTAINERS	R 112	4.1SP2	24V	561707	POWER JCT BOX	HEATER RUN. WITH CHARGER 110V ACTIVED
R 48	27.1	24V	561707	GALLEY PANEL	COFFEE MAKER	R F1	8.1	24V	561707	RR JCT BOX	FAN CLUTCH SP#1 OPT. RETARDER
R 49	22.1	24V	561707	FR JCT BOX	ABS - ENGINE BRAKE	R F2	8.1	24V	561707	RR JCT BOX	FAN CLUTCH SP#2 OPT. RETARDER
R 50						R F3	8.1	24V	560772	RR JCT BOX	TIME DELAY FAN CLUTCH
R 51	11.2	24V	561707	FR JCT BOX	DRIVER'S LTS KEYLERSS ALARM	R LA	24.1	24V	561707	RH UNDER DASH	ENTRANCE DOOR SYSTEM
R 52	22.1	24V	561707	FR JCT BOX	ABS - RETARDER	R LO	24.1	24V	561707	RH UNDER DASH	ENTRANCE DOOR SYSTEM
R 53	1.1	24V	561991	RR JCT BOX	IGNITION 24V RR	R LT	24.1	24V	561707	RH UNDER DASH	ENTRANCE DOOR SYSTEM
R 54	2.1	24V	561707	RR JCT BOX	IGNITION 12V RR	R LV	24.1	24V	561707	RH UNDER DASH	ENTRANCE DOOR SYSTEM
R 55						V IM1	6.1	12V	562092	FR JCT BOX	VIM WORLD TR.-OUTPUT 1 SPEED INTERLOCK
R 56						V IM2	6.1	12V	562092	FR JCT BOX	VIM WORLD TR.-OUTPUT 2 ENG. BRK DISABLE
R 57						V IM3	6.1	12V	562092	FR JCT BOX	VIM WORLD TR.-OUTPUT 3
R 58						V IM4	6.1	12V	562092	FR JCT BOX	VIM WORLD TR.-OUTPUT 4 RETARD. ON SIGNAL
R 59	9.3sp1	24V	561707	RR JCT BOX	DOCKING LTS	V IMN	6.1	12V	562092	FR JCT BOX	VIM WORLD TR.-NEUTRAL SIGNAL
R 60						V IMR	6.1	12V	562092	FR JCT BOX	VIM WORLD TR.-B/U SIGNAL
R 61											
R 62	5.1	24V	561707	FR JCT BOX	DDEC PARK. BRAKE SIGNAL						

RELAYS NUMBER CODE

No. PAGE COIL V #PREV. LOCATION FUNCTION

No. PAGE COIL V #PREV. LOCATION FUNCTION

RELAYS NUMBER CODE

No.	PAGE	COIL V	#PREV.	LOCATION	FUNCTION	No.	PAGE	COIL V	#PREV.	LOCATION	FUNCTION
R 1	1.1	24V	561991	FR JCT BOX	IGNITION (24) FR	R 63					
R 2						R 64					
R 3						R 65	28.4	24V		HAT RACK	SCENIC VIEW CAMERA
R 4	4.1	24V	561005	RR JCT BOX	STARTING MOTOR	R 66	28.3	24V	561707	S.S. PANEL	VIDEO TRIGGER
R 5	5.1	24V	561707	FR JCT BOX	CRUISE CTR BRAKE CUT-OFF	R 67	28.1	12V	562092	S.S. PANEL	RARIO TRIGGER
R 6	4.1	24V	561707	UNDER DASH R.H.	ANTI-THIEF STARTING	R 68	28.1	24V	561991	S.S. PANEL	S.S. ACC. SWITCH
R 7	5.1	24V	561707	FR JCT BOX	DDEC FAST IDLE SIGNAL	R 69	12.1	12V	562092	RR JCT BOX	LUGG DOOR LOCK
R 8						R 70	12.1	12V	562092	RR JCT BOX	LUGG DOOR UNLOCK
R 9	9.3	24V	561707	RR JCT BOX	BACK-UP LTS	R 71	12.1	24V	561707	FR JCT BOX	LUGG DOOR UNLOCK TT LT
R 10	6.3	24V	561707	FR JCT BOX	EATON TRANSM.	R 72	29.1	24V	561707	POWER JCT BOX	WCL-SYTEME ON
R 11						R 73	29.1	24V	561707	POWER JCT BOX	WCL-DOOR OPEN SW. SIGNAL
R 12	7.2	12V	562092	FR JCT BOX	ELECTRICAL HORNS	R 74	12.1	12V	562092	RR JCT BOX	LUGG DOOR LOCK
R 13	9.3	24V	561707	FR JCT BOX	FOG LTS-12V	R 75	12.1	12V	562092	RR JCT BOX	LUGG DOOR UNLOCK
R 14	9.1	24V	561707	FR JCT BOX	BLINKER	R 76	9.3	24V	561707	RR JCT BOX	STOP LTS-ENGINE BRK & RETARDER SYST.
R 15						R 77	9.2	12V	562092	UNDER DASH	AUDIBLE FLASHER RLY
R 16	9.1	24V	561707	FR JCT BOX	FRONT CLEARANCE LIGHT	R 78	8.1	24V	561707	RR JCT BOX	DDEC FAN CONTROL SPEED#1
R 17	9.1	24V	561707	RR JCT BOX	TAIL LICENCE. RR LTS	R 79	27.1	24V	561707	RR JCT BOX	DDEC FAN CONTROL SPEED#2
R 18	9.1	24V	561707	FR JCT BOX	DAYTIME RUN LTS-CUT-OUT	R 80					
R 19	9.1	24V	561707	FR JCT BOX	HI-BEAM	R 81					
R 20	9.1	24V	561707	FR JCT BOX	LO-BEAM	R 82	21.1	24V	561707	FR JCT BOX	RETARDER SYSTEM
R 21	9.2	24V	561707	FR JCT BOX	LH DIRECTIONNAL LTS	R 83	14.4SP	24V	561707	RR JCT BOX	WATER PUMP RLY - PROHEAT OPTIONAL
R 22						R 84	15.2	24V	561707	RR JCT BOX	HVAC ON-OFF SIGNAL (FULL AIR)
R 23	9.2	24V	561707	FR JCT BOX	RH DIRECTIONNAL LTS	R 85					
R 24	9.2sp1	24v	561707	FR JCT BOX	RH CORNERING LTS	R 86	15.2	24V	561707	RR JCT BOX	HVAC MODE COOL/HEAT
R 25	9.2sp1	24v	561707	FR JCT BOX	LH CORNERING LTS	R 86	18.1	24V	561707	FR SERV. COMPT.	KNEELING SYSTEM
R 26	9.3	24V	561707	RR JCT BOX	STOP LTS	R 87	21.1	24V	561707	FR JCT BOX	ENGINE BRAKE PRESELECT #1
R 27	11.3	24v	561707	FR JCT BOX	AISLE LTS	R 87	18.1	24V	561707	FR SERV. COMPT.	KNEELING SYSTEM
R 28	11.2	24V	561707	FR JCT BOX	DASH LTS RHEOSTAT	R 88	4.1	24V	561707	FR JCT BOX	LATCHING 24V CUT OUT SW.
R 29	15.3	24V	561005	A/C JCT BOX	CONDENSER FAN	R 88	18.1	24V	561707	FR SERV. COMPT.	KNEELING SYSTEM
R 30	15.3	24V	561005	A/C JCT BOX	EVAPORATOR FAN	R 89	15.3	24V	561707	FR JCT BOX	WATER PUMP RELAY
R 31	15.3	24V	561707	FR JCT BOX	WATER VALVE & BYPASS	R 90	18.1	24V	561707	FR JCT BOX	KNEELING CANCELLATION
R 32	1.1	24V	561991	POWER JCT BOX	12 V. CUT-OUT REAR	R 91					
R 33						R 94	9.3	24V	561707	RR JCT BOX	AUX READ LAMP-LH
R 34	15.1	24V	561707	RR JCT BOX	A/C RAD. FAN CLUTCH (PARCEL RACK)	R 95	9.3	24V	561707	RR JCT BOX	AUX READ LAMP-RH
R 35	15.3	24V	561707	FR JCT BOX	WATER PUMP	R 96	29.1	24V	561707	POWER JCT BOX	WCL - DOOR AJAR SIGNAL
R 36	15.1	24V	561707	RR JCT BOX	A/C COMPR. CLUTCH (PARCEL RACK)	R 97	29.1	24V	561707	POWER JCT BOX	WCL - DOOR AJAR PARKING BRAKE
R 37	11.4	24V	561707	RR JCT BOX	READING LAMP	R 98	29.1	24V	561707	POWER JCT BOX	WCL - ALTERNATOR SIGNAL
R 38	11.4	24V	561707	RR JCT BOX	READING LAMP	R 99	8.1	24V	561707	RR JCT BOX	RADIATOR FAN CLUTCH
R 39	11.5	24V	561707	RR JCT BOX	24 V FLUORESCENT	R 103	15.1	24V	561707	RR JCT BOX	PARCEL RACK VENTILATION
R 40	15.3	24V	561005	A/C JCT BOX	CONDENSER FAN	R 104	15.1	24V	561707	RR JCT BOX	PARCEL RACK VENTILATION
R 41	15.3	24V	561005	A/C JCT BOX	CONDENSER FAN	R 105	15.1	24V	561707	RR JCT BOX	PARCEL RACK VENTILATION
R 42	1.1	24V	561991	POWER JCT BOX	12 V. CUT-OUT FRONT	R 107	21.1	24V	561707	FR JCT BOX	ENGINE BRAKE PRESELECT #2
R 43						R 108					
R 44	1.1	24V	561991	POWER JCT BOX	12 V. CUT-OUT FRONT	R 109	5.1	24V	561707	RR JCT BOX	THROTTLE INHIBIT WITH WCL
R 45	11.4	24V	561707	RR JCT BOX	INDIRECT LTS	R 110					
R 46						R 111	4.1SP2	24V	561707	POWER JCT BOX	HEATER RUN. WITH CHARGER 110V ACTIVED
R 47	27.1	24V	561707	GALLEY PANEL	COFFEE CONTAINERS	R 112	4.1SP2	24V	561707	POWER JCT BOX	HEATER RUN. WITH CHARGER 110V ACTIVED
R 48	27.1	24V	561707	GALLEY PANEL	COFFEE MAKER	R F1	8.1	24V	561707	RR JCT BOX	FAN CLUTCH SP#1 OPT. RETARDER
R 49	22.1	24V	561707	FR JCT BOX	ABS - ENGINE BRAKE	R F2	8.1	24V	561707	RR JCT BOX	FAN CLUTCH SP#2 OPT. RETARDER
R 50						R F3	8.1	24V	560772	RR JCT BOX	TIME DELAY FAN CLUTCH
R 51	11.2	24V	561707	FR JCT BOX	DRIVER'S LTS KEYLERSS ALARM	R LA	24.1	24V	561707	RH UNDER DASH	ENTRANCE DOOR SYSTEM
R 52	22.1	24V	561707	FR JCT BOX	ABS - 12V - RETARDER	R LO	24.1	24V	561707	RH UNDER DASH	ENTRANCE DOOR SYSTEM
R 53	1.1	24V	561991	RR JCT BOX	IGNITION 24V RR	R LT	24.1	24V	561707	RH UNDER DASH	ENTRANCE DOOR SYSTEM
R 54	2.1	24V	561707	RR JCT BOX	IGNITION 12V RR	R LV	24.1	24V	561707	RH UNDER DASH	ENTRANCE DOOR SYSTEM
R 55						V IM1	6.1	12V	562092	FR JCT BOX	VIM WORLD TR.-OUTPUT 1 SPEED INTERLOCK
R 56						V IM2	6.1	12V	562092	FR JCT BOX	VIM WORLD TR.-OUTPUT 2 ENG. BRK DISABLE
R 57						V IM3	6.1	12V	562092	FR JCT BOX	VIM WORLD TR.-OUTPUT 3
R 58						V IM4	6.1	12V	562092	FR JCT BOX	VIM WORLD TR.-OUTPUT 4 RETARD. ON SIGNAL
R 59	9.3sp1	24V	561707	RR JCT BOX	DOCKING LTS	V IMN	6.1	12V	562092	FR JCT BOX	VIM WORLD TR.-NEUTRAL SIGNAL
R 60	8.1SP1	24V	561707	FR JCT BOX	PARKING BRAKE APPLY WITH WCL	V IMR	6.1	12V	562092	FR JCT BOX	VIM WORLD TR.-B/U SIGNAL
R 61											
R 62	5.1	24V	561707	FR JCT BOX	DDEC PARK. BRAKE SIGNAL						

RELAYS NUMBER CODE

No. PAGE COIL V #PREV. LOCATION FUNCTION

No. PAGE COIL V #PREV. LOCATION FUNCTION

RELAYS NUMBER CODE

No.	PAGE	COIL V	#PREV.	LOCATION	FUNCTION	No.	PAGE	COIL V	#PREV.	LOCATION	FUNCTION
R1	1.1	24V	561991	FR JCT BOX	IGNITION (24) FR	R 63					
R2						R 64					
R3						R 65	28.4	24V		HAT RACK	SCENIC VIEW CAMERA
R4	4.1	24V	561005	RR JCT BOX	STARTING MOTOR	R 66	28.3	24V	561707	S.S. PANEL	VIDEO TRIGGER
R5	5.1	24V	561707	FR JCT BOX	CRUISE CTR BRAKE CUT-OFF	R 67	28.1	12V	562092	S.S. PANEL	RARIO TRIGGER
R6	4.1	24V	561707	UNDER DASH R.H.	ANTI-THIEF STARTING	R 68	28.1	24V	561991	S.S. PANEL	S.S. ACC. SWITCH
R7	5.1	24V	561707	FR JCT BOX	DDEC FAST IDLE SIGNAL	R 69	12.1	12V	562092	RR JCT BOX	LUGG DOOR LOCK
R8						R 70	12.1	12V	562092	RR JCT BOX	LUGG DOOR UNLOCK
R9	9.3	24V	561707	RR JCT BOX	BACK-UP LTS	R 71	12.1	24V	561707	FR JCT BOX	LUGG DOOR UNLOCK TT LT
R10	6.3	24V	561707	FR JCT BOX	EATON TRANSM.	R 72	29.1	24V	561707	POWER JCT BOX	WCL-SYTEME ON
R11						R 73	29.1	24V	561707	POWER JCT BOX	WCL-DOOR OPEN SW. SIGNAL
R12	7.2	12V	562092	FR JCT BOX	ELECTRICAL HORNS	R 74	12.1	12V	562092	RR JCT BOX	LUGG DOOR LOCK
R13	9.3	24V	561707	FR JCT BOX	FOG LTS-12V	R 75	12.1	12V	562092	RR JCT BOX	LUGG DOOR UNLOCK
R14	9.1	24V	561707	FR JCT BOX	BLINKER	R 76	9.3	24V	561707	RR JCT BOX	STOP LTS-ENGINE BRK & RETARDER SYST.
R15						R 77	9.2	12V	562092	UNDER DASH	AUDIBLE FLASHER RLY
R16	9.1	24V	561707	FR JCT BOX	FRONT CLEARANCE LIGHT	R 78	8.1	24V	561707	RR JCT BOX	DDEC FAN CONTROL SPEED#1
R17	9.1	24V	561707	RR JCT BOX	TAIL.LICENCE. RR LTS	R 79	27.1	24V	561707	RR JCT BOX	DDEC FAN CONTROL SPEED#2
R18	9.1	24V	561707	FR JCT BOX	DAYTIME RUN LTS-CUT-OUT	R 80					
R19	9.1	24V	561707	FR JCT BOX	HI-BEAM	R 81					
R20	9.1	24V	561707	FR JCT BOX	LO-BEAM	R 82	21.1	24V	561707	FR JCT BOX	RETARDER SYSTEM
R21	9.2	24V	561707	FR JCT BOX	LH DIRECTIONNAL LTS	R 83	14.4SP	24V	561707	RR JCT BOX	WATER PUMP RLY – PROHEAT OPTIONAL
R22						R 84	15.2	24V	561707	RR JCT BOX	HVAC ON-OFF SIGNAL (FULL AIR)
R23	9.2	24V	561707	FR JCT BOX	RH DIRECTIONNAL LTS	R 85					
R24	9.2sp1	24v	561707	FR JCT BOX	RH CORNERING LTS	R 86	15.2	24V	561707	RR JCT BOX	HVAC MODE COOL/HEAT
R25	9.2sp1	24v	561707	FR JCT BOX	FR CORNERING LTS	R 86	18.1	24V	561707	FR SERV. COMPT.	KNEELING SYSTEM
R26	9.3	24V	561707	RR JCT BOX	STOP LTS	R 87	21.1	24V	561707	FR JCT BOX	ENGINE BRAKE PRESELECT #1
R27	11.3	24v	561707	FR JCT BOX	AISLE LTS	R 87	18.1	24V	561707	FR SERV. COMPT.	KNEELING SYSTEM
R28	11.2	24V	561707	FR JCT BOX	DASH LTS RHEOSTAT	R 88	4.1	24V	561707	FR JCT BOX	LATCHING 24V CUT OUT SW.
R29	15.3	24V	561005	A/C JCT BOX	CONDENSER FAN	R 88	18.1	24V	561707	FR SERV. COMPT.	KNEELING SYSTEM
R30	15.3	24V	561005	A/C JCT BOX	EVAPORATOR FAN	R 89	15.3	24V	561707	FR JCT BOX	WATER PUMP RELAY
R31	15.3	24V	561707	FR JCT BOX	WATER VALVE & BYPASS	R 90	18.1	24V	561707	FR JCT BOX	KNEELING CANCELLATION
R32	1.1	24V	561991	POWER JCT BOX	12 V. CUT-OUT REAR	R 91					
R33						R 94	9.3	24V	561707	RR JCT BOX	AUX READ LAMP-LH
R34	15.1	24V	561707	RR JCT BOX	A/C RAD. FAN CLUTCH (PARCEL RACK)	R 95	9.3	24V	561707	RR JCT BOX	AUX READ LAMP-RH
R35	15.3	24V	561707	FR JCT BOX	WATER PUMP	R 96	29.1	24V	561707	POWER JCT BOX	WCL – DOOR AJAR SIGNAL
R36	15.1	24V	561707	RR JCT BOX	A/C COMPR. CLUTCH (PARCEL RACK)	R 97	29.1	24V	561707	POWER JCT BOX	WCL – DOOR AJAR PARKING BRAKE
R37	11.4	24V	561707	RR JCT BOX	READING LAMP	R 98	29.1	24V	561707	POWER JCT BOX	WCL – ALTERNATOR SIGNAL
R38	11.4	24V	561707	RR JCT BOX	READING LAMP	R 99	8.1	24V	561707	RR JCT BOX	RADIATOR FAN CLUTCH
R39	11.5	24V	561707	RR JCT BOX	24 V FLUORESCENT	R 103	15.1	24V	561707	RR JCT BOX	PARCEL RACK VENTILATION
R40	15.3	24V	561005	A/C JCT BOX	CONDENSER FAN	R 104	15.1	24V	561707	RR JCT BOX	PARCEL RACK VENTILATION
R41	15.3	24V	561005	A/C JCT BOX	CONDENSER FAN	R 105	15.1	24V	561707	RR JCT BOX	PARCEL RACK VENTILATION
R42	1.1	24V	561991	POWER JCT BOX	12 V. CUT-OUT FRONT	R 107	21.1	24V	561707	FR JCT BOX	ENGINE BRAKE PRESELECT #2
R43						R 108					
R44	1.1	24V	561991	POWER JCT BOX	12 V. CUT-OUT FRONT	R 109	5.1	24V	561707	RR JCT BOX	THROTTLE INHIBIT WITH WCL
R45	11.4	24V	561707	RR JCT BOX	INDIRECT LTS	R 110					
R46						R 111	4.1SP2	24V	561707	POWER JCT BOX	HEATER RUN. WITH CHARGER 110V ACTIVED
R47	27.1	24V	561707	GALLEY PANEL	COFFEE CONTAINERS	R 112	4.1SP2	24V	561707	POWER JCT BOX	HEATER RUN. WITH CHARGER 110V ACTIVED
R48	27.1	24V	561707	GALLEY PANEL	COFFEEMAKER	R F1	8.1	24V	561707	RR JCT BOX	FAN CLUTCH SP#1 OPT. RETARDER
R49	22.1	12V	562092	FR JCT BOX	12V ABS – ENGINE BRAKE	R F2	8.1	24V	561707	RR JCT BOX	FAN CLUTCH SP#2 OPT. RETARDER
R50						R F3	8.1	24V	560772	RR JCT BOX	TIME DELAY FAN CLUTCH
R51	11.2	24V	561707	FR JCT BOX	DRIVER'S LTS KEYLERSS ALARM	R LA	24.1	24V	561707	RH UNDER DASH	ENTRANCE DOOR SYSTEM
R52	22.1	12V	562092	FR JCT BOX	12V ABS – RETARDER	R LO	24.1	24V	561707	RH UNDER DASH	ENTRANCE DOOR SYSTEM
R53	1.1	24V	561991	RR JCT BOX	IGNITION 24V RR	R LT	24.1	24V	561707	RH UNDER DASH	ENTRANCE DOOR SYSTEM
R54	2.1	24V	561707	RR JCT BOX	IGNITION 12V RR	R LV	24.1	24V	561707	RH UNDER DASH	ENTRANCE DOOR SYSTEM
R55						V IM1	6.1	12V	562092	FR JCT BOX	VIM WORLD TR.-OUTPUT 1 SPEED INTERLOCK
R56						V IM2	6.1	12V	562092	FR JCT BOX	VIM WORLD TR.-OUTPUT 2 ENG. BRK DISABLE
R57						V IM3	6.1	12V	562092	FR JCT BOX	VIM WORLD TR.-OUTPUT 3
R58						V IM4	6.1	12V	562092	FR JCT BOX	VIM WORLD TR.-OUTPUT 4 RETARD. ON SIGNAL
R59	9.3sp1	24V	561707	RR JCT BOX	DOCKING LTS	V IMN	6.1	12V	562092	FR JCT BOX	VIM WORLD TR.-NEUTRAL SIGNAL
R60	8.1SP1	24V	561707	FR JCT BOX	PARKING BRAKE APPLY WITH WCL	V IMR	6.1	12V	562092	FR JCT BOX	VIM WORLD TR.-B/U SIGNAL
R61											
R62	5.1	24V	561707	FR JCT BOX	DDEC PARK. BRAKE SIGNAL						

RELAYS NUMBER CODE

No. PAGE COIL V #PREV. LOCATION FUNCTION

No. PAGE COIL V #PREV. LOCATION FUNCTION

RELAYS NUMBER CODE

No.	PAGE	COIL V	#PREV.	LOCATION	FUNCTION	No.	PAGE	COIL V	#PREV.	LOCATION	FUNCTION
R 1	1.1	24V	561991	FR JCT BOX	IGNITION (24) FR	R 63					
R 2						R 64	27.1	24V	561005	GALLEY PANEL	INVERTER CUT OFF
R 3						R 65	28.4	24V	OPTION	HAT RACK	SCENIC VIEW CAMERA
R 4	4.1	24V	561005	RR JCT BOX	STARTING MOTOR	R 66	28.3	24V	561707	S.S. PANEL	VIDEO TRIGGER
R 5	5.1	24V	561707	FR JCT BOX	CRUISE CTR BRAKE CUT-OFF	R 67	28.1	12V	562092	S.S. PANEL	RARIO TRIGGER
R 6	4.1	24V	561707	UNDER DASH R.H.	ANTI-THIEF STARTING	R 68	28.1	24V	561991	S.S. PANEL	S.S. ACC. SWITCH
R 7	5.1	24V	561707	FR JCT BOX	DDEC FAST IDLE SIGNAL	R 69	12.1	12V	562092	RR JCT BOX	LUGG DOOR LOCK
R 8						R 70	12.1	12V	562092	RR JCT BOX	LUGG DOOR UNLOCK
R 9	9.3	24V	561707	RR JCT BOX	BACK-UP LTS	R 71	12.1	24V	561707	FR JCT BOX	LUGG DOOR UNLOCK TT LT
R 10	6.3	24V	561707	FR JCT BOX	EATON TRANSM.	R 72	29.1	24V	561707	POWER JCT BOX	WCL-SYTEME ON
R 11						R 73	29.1	24V	561707	POWER JCT BOX	WCL-DOOR OPEN SW. SIGNAL
R 12	7.2	12V	562092	FR JCT BOX	ELECTRICAL HORNS	R 74	12.1	12V	562092	RR JCT BOX	LUGG DOOR LOCK
R 13	9.3	24V	561707	FR JCT BOX	FOG LTS-12V	R 75	12.1	12V	562092	RR JCT BOX	LUGG DOOR UNLOCK
R 14	9.1	24V	561707	FR JCT BOX	BLINKER	R 76	9.3	24V	561707	RR JCT BOX	STOP LTS-ENGINE BRK & RETARDER SYST.
R 15						R 77	9.2	12V	562092	UNDER DASH	AUDIBLE FLASHER RLY
R 16	9.1	24V	561707	FR JCT BOX	FRONT CLEARANCE LIGHT	R 78	8.1	24V	561707	RR JCT BOX	DDEC FAN CONTROL SPEED#1
R 17	9.1	24V	561707	RR JCT BOX	TAIL LICENCE. RR LTS	R 79	8.1	24V	561707	RR JCT BOX	DDEC FAN CONTROL SPEED#2
R 18	9.1	24V	561707	FR JCT BOX	DAYTIME RUN LTS-CUT-OUT	R 79	27.1	24V	561707	GALLEY PANEL	REFREGIRATOR
R 19	9.1	24V	561707	FR JCT BOX	HI-BEAM	R 80	9.3	24V	561707	RR JCT BOX	CYCLOP LTS WITH BRAKE
R 20	9.1	24V	561707	FR JCT BOX	LO-BEAM	R 81					
R 21	9.2	24V	561707	FR JCT BOX	LH DIRECTIONNAL LTS	R 82	21.1	24V	561707	FR JCT BOX	RETARDER SYSTEM
R 22						R 83	14.4SP	24V	561707	RR JCT BOX	WATER PUMP RLY - PROHEAT OPTIONAL
R 23	9.2	24V	561707	FR JCT BOX	RH DIRECTIONNAL LTS	R 84	15.2	24V	561707	RR JCT BOX	HVAC ON-OFF SIGNAL (FULL AIR)
R 24	9.2sp1	24v	561707	FR JCT BOX	RH CORNERING LTS	R 85					
R 25	9.2sp1	24v	561707	FR JCT BOX	RH CORNERING LTS	R 86	15.2	24V	561707	RR JCT BOX	HVAC MODE COOL/HEAT
R 26	9.3	24V	561707	RR JCT BOX	STOP LTS	R 86	18.1	24V	561707	FR SERV. COMPT.	KNEELING SYSTEM
R 27	11.3	24v	561707	FR JCT BOX	AISLE LTS	R 87	21.1	24V	561707	FR JCT BOX	ENGINE BRAKE PRESELECT #1
R 28	11.2	24V	561707	FR JCT BOX	DASH LTS RHEOSTAT	R 87	18.1	24V	561707	FR SERV. COMPT.	KNEELING SYSTEM
R 29	15.3	24V	561005	A/C JCT BOX	CONDENSER FAN	R 88	4.1	24V	561707	FR JCT BOX	LATCHING 24V CUT OUT SW.
R 30	15.3	24V	561005	A/C JCT BOX	EVAPORATOR FAN	R 88	18.1	24V	561707	FR SERV. COMPT.	KNEELING SYSTEM
R 31	15.3	24V	561707	FR JCT BOX	WATER VALVE & BYPASS	R 89	15.3	24V	561707	FR JCT BOX	WATER PUMP RELAY
R 32	1.1	24V	561991	POWER JCT BOX	12 V. CUT-OUT REAR	R 90	18.1	24V	561707	FR JCT BOX	KNEELING CANCELLATION
R 33						R 91					
R 34	15.1	24V	561707	RR JCT BOX	A/C RAD. FAN CLUTCH (PARCEL RACK)	R 94	9.3	24V	561707	RR JCT BOX	AUX READ LAMP-LH
R 35	15.3	24V	561707	FR JCT BOX	WATER PUMP	R 95	9.3	24V	561707	RR JCT BOX	AUX READ LAMP-RH
R 36	15.1	24V	561707	RR JCT BOX	A/C COMPR. CLUTCH (PARCEL RACK)	R 96	29.1	24V	561707	POWER JCT BOX	WCL - DOOR AJAR SIGNAL
R 37	11.4	24V	561707	RR JCT BOX	READING LAMP	R 97	29.1	24V	561707	POWER JCT BOX	WCL - DOOR AJAR PARKING BRAKE
R 38	11.4	24V	561707	RR JCT BOX	READING LAMP	R 98	29.1	24V	561707	POWER JCT BOX	WCL - ALTERNATOR SIGNAL
R 39	11.5	24V	561707	RR JCT BOX	24 V FLUORESCENT	R 99	8.1	24V	561707	RR JCT BOX	RADIATOR FAN CLUTCH
R 40	15.3	24V	561005	A/C JCT BOX	CONDENSER FAN	R 103	15.1	24V	561707	RR JCT BOX	PARCEL RACK VENTILATION
R 41	15.3	24V	561005	A/C JCT BOX	CONDENSER FAN	R 104	15.1	24V	561707	RR JCT BOX	PARCEL RACK VENTILATION
R 42	1.1	24V	561991	POWER JCT BOX	12 V. CUT-OUT FRONT	R 105	15.1	24V	561707	RR JCT BOX	PARCEL RACK VENTILATION
R 43						R 107	21.1	24V	561707	FR JCT BOX	ENGINE BRAKE PRESELECT #2
R 44	1.1	24V	561991	POWER JCT BOX	12 V. CUT-OUT FRONT	R 108					
R 45	11.4	24V	561707	RR JCT BOX	INDIRECT LTS	R 109	5.1	24V	561707	RR JCT BOX	THROTTLE INHIBIT WITH WCL
R 46						R 110					
R 47	27.1	24V	561707	GALLEY PANEL	COFFEE CONTAINERS	R 111	4.1SP2	24V	561707	POWER JCT BOX	HEATER RUN. WITH CHARGER 110V ACTIVED
R 48	27.1	24V	561707	GALLEY PANEL	COFFEEMAKER	R 112	4.1SP2	24V	561707	POWER JCT BOX	HEATER RUN. WITH CHARGER 110V ACTIVED
R 49	22.1	12V	562092	FR JCT BOX	12V ABS - ENGINE BRAKE	R F1	8.1	24V	561707	RR JCT BOX	FAN CLUTCH SP#1 OPT. RETARDER
R 50						R F2	8.1	24V	561707	RR JCT BOX	FAN CLUTCH SP#2 OPT. RETARDER
R 51	11.2	24V	561707	FR JCT BOX	DRIVER'S LTS KEYLERSS ALARM	R F3	8.1	24V	560772	RR JCT BOX	TIME DELAY FAN CLUTCH
R 52	22.1	12V	562092	FR JCT BOX	12V ABS - RETARDER	R LA	24.1	24V	561707	RH UNDER DASH	ENTRANCE DOOR SYSTEM
R 53	1.1	24V	561991	RR JCT BOX	IGNITION 24V RR	R LO	24.1	24V	561707	RH UNDER DASH	ENTRANCE DOOR SYSTEM
R 54	2.1	24V	561707	RR JCT BOX	IGNITION 12V RR	R LT	24.1	24V	561707	RH UNDER DASH	ENTRANCE DOOR SYSTEM
R 55						R LV	24.1	24V	561707	RH UNDER DASH	ENTRANCE DOOR SYSTEM
R 56						V IM1	6.1	12V	562092	FR JCT BOX	VIM WORLD TR.-OUTPUT 1 SPEED INTERLOCK
R 57						V IM2	6.1	12V	562092	FR JCT BOX	VIM WORLD TR.-OUTPUT 2 ENG. BRK DISABLE
R 58						V IM3	6.1	12V	562092	FR JCT BOX	VIM WORLD TR.-OUTPUT 3
R 59	9.3sp1	24V	561707	RR JCT BOX	DOCKING LTS	V IM4	6.1	12V	562092	FR JCT BOX	VIM WORLD TR.-OUTPUT 4 RETARD. ON SIGNAL
R 60	8.1SP1	24V	561707	FR JCT BOX	PARKING BRAKE APPLY WITH WCL	V IMN	6.1	12V	562092	FR JCT BOX	VIM WORLD TR.-NEUTRAL SIGNAL
R 61						V IMR	6.1	12V	562092	FR JCT BOX	VIM WORLD TR.-B/U SIGNAL
R 62	5.1	24V	561707	FR JCT BOX	DDEC PARK. BRAKE SIGNAL						

RELAYS NUMBER CODE

No. PAGE COIL V #PREV. LOCATION FUNCTION

No. PAGE COIL V #PREV. LOCATION FUNCTION

RELAYS NUMBER CODE

No.	PAGE	COIL V	#PREV.	LOCATION	FUNCTION	No.	PAGE	COIL V	#PREV.	LOCATION	FUNCTION
R 1	1.1	24V	561991	FR JCT BOX	IGNITION (24) FR	R 63					
R 2						R 64	27.1	24V	561005	GALLEY PANEL	INVERTER CUT OFF
R 3						R 65	28.4	24V	OPTION	HAT RACK	SCENIC VIEW CAMERA
R 4	4.1	24V	561005	RR JCT BOX	STARTING MOTOR	R 66	28.3	24V	561707	S.S. PANEL	VIDEO TRIGGER
R 5	5.1	24V	561707	FR JCT BOX	CRUISE CTR BRAKE CUT-OFF	R 67	28.1	12V	562092	S.S. PANEL	RARIO TRIGGER
R 6	4.1	24V	561707	UNDER DASH R.H.	ANTI-THIEF STARTING	R 68	28.1	24V	561991	S.S. PANEL	S.S. ACC. SWITCH
R 7	5.1	24V	561707	FR JCT BOX	DDEC FAST IDLE SIGNAL	R 69	12.1	12V	562092	RR JCT BOX	LUGG DOOR LOCK
R 8						R 70	12.1	12V	562092	RR JCT BOX	LUGG DOOR UNLOCK
R 9	9.3	24V	561707	RR JCT BOX	BACK-UP LTS	R 71	12.1	24V	561707	FR JCT BOX	LUGG DOOR UNLOCK TT LT
R 10	6.3	24V	561707	FR JCT BOX	EATON TRANSM.	R 72	29.1	24V	561707	POWER JCT BOX	WCL-SYTEME ON
R 11						R 73	29.1	24V	561707	POWER JCT BOX	WCL-DOOR OPEN SW. SIGNAL
R 12	7.2	12V	562092	FR JCT BOX	ELECTRICAL HORNS	R 74	12.1	12V	562092	RR JCT BOX	LUGG DOOR LOCK
R 13	9.3	24V	561707	FR JCT BOX	FOG LTS-12V	R 75	12.1	12V	562092	RR JCT BOX	LUGG DOOR UNLOCK
R 14	9.1	24V	561707	FR JCT BOX	BLINKER	R 76	9.3	24V	561707	RR JCT BOX	STOP LTS-ENGINE BRK & RETARDER SYST.
R 15						R 77	9.2	12V	562092	UNDER DASH	AUDIBLE FLASHER RLY
R 16	9.1	24V	561707	FR JCT BOX	FRONT CLEARANCE LIGHT	R 78	8.1	24V	561707	RR JCT BOX	DDEC FAN CONTROL SPEED#1
R 17	9.1	24V	561707	RR JCT BOX	TAIL.LICENCE. RR LTS	R 79	8.1	24V	561707	RR JCT BOX	DDEC FAN CONTROL SPEED#2
R 18	9.1	24V	561707	FR JCT BOX	DAYTIME RUN LTS-CUT-OUT	R 79	27.1	24V	561707	GALLEY PANEL	REFREGIRATOR
R 19	9.1	24V	561707	FR JCT BOX	HI-BEAM	R 80	9.3	24V	561707	RR JCT BOX	CYCLOP LTS WITH BRAKE
R 20	9.1	24V	561707	FR JCT BOX	LO-BEAM	R 81	26.1	24V	561707	LAVATORY SW.	LAVATORY TIMER PUMP
R 21	9.2	24V	561707	FR JCT BOX	LH DIRECTIONNAL LTS	R 82	21.1	24V	561707	FR JCT BOX	RETARDER SYSTEM
R 22						R 83	14.4SP	24V	561707	RR JCT BOX	WATER PUMP RLY - PROHEAT OPTIONAL
R 23	9.2	24V	561707	FR JCT BOX	RH DIRECTIONNAL LTS	R 84	15.2	24V	561707	RR JCT BOX	HVAC ON-OFF SIGNAL (FULL AIR)
R 24	9.2sp1	24v	561707	FR JCT BOX	RH CORNERING LTS	R 85					
R 25	9.2sp1	24v	561707	FR JCT BOX	LH CORNERING LTS	R 86	15.2	24V	561707	RR JCT BOX	HVAC MODE COOL/HEAT
R 26	9.3	24V	561707	RR JCT BOX	STOP LTS	R 86	18.1	24V	561707	FR SERV. COMPT.	KNEELING SYSTEM
R 27	11.3	24v	561707	FR JCT BOX	AISLE LTS	R 87	21.1	24V	561707	FR JCT BOX	ENGINE BRAKE PRESELECT #1
R 28	11.2	24V	561707	FR JCT BOX	DASH LTS RHEOSTAT	R 87	18.1	24V	561707	FR SERV. COMPT.	KNEELING SYSTEM
R 29	15.3	24V	561005	A/C JCT BOX	CONDENSER FAN	R 88	4.1	24V	561707	FR JCT BOX	LATCHING 24V CUT OUT SW.
R 30	15.3	24V	561005	A/C JCT BOX	EVAPORATOR FAN	R 88	18.1	24V	561707	FR SERV. COMPT.	KNEELING SYSTEM
R 31	15.3	24V	561707	FR JCT BOX	WATER VALVE & BYPASS	R 89	15.3	24V	561707	FR JCT BOX	WATER PUMP RELAY
R 32	1.1	24V	561991	POWER JCT BOX	12 V. CUT-OUT REAR	R 90	18.1	24V	561707	FR JCT BOX	KNEELING CANCELLATION
R 33						R 91					
R 34	15.1	24V	561707	RR JCT BOX	A/C RAD. FAN CLUTCH (PARCEL RACK)	R 94	9.3	24V	561707	RR JCT BOX	AUX READ LAMP-LH
R 35	15.3	24V	561707	FR JCT BOX	WATER PUMP	R 95	9.3	24V	561707	RR JCT BOX	AUX READ LAMP-RH
R 36	15.1	24V	561707	RR JCT BOX	A/C COMPR. CLUTCH (PARCEL RACK)	R 96	29.1	24V	561707	POWER JCT BOX	WCL - DOOR AJAR SIGNAL
R 37	11.4	24V	561707	RR JCT BOX	READING LAMP	R 97	29.1	24V	561707	POWER JCT BOX	WCL - DOOR AJAR PARKING BRAKE
R 38	11.4	24V	561707	RR JCT BOX	READING LAMP	R 98	29.1	24V	561707	POWER JCT BOX	WCL - ALTERNATOR SIGNAL
R 39	11.5	24V	561707	RR JCT BOX	24 V FLUORESCENT	R 99	8.1	24V	561707	RR JCT BOX	RADIATOR FAN CLUTCH
R 40	15.3	24V	561005	A/C JCT BOX	CONDENSER FAN	R 103	15.1	24V	561707	RR JCT BOX	PARCEL RACK VENTILATION
R 41	15.3	24V	561005	A/C JCT BOX	CONDENSER FAN	R 104	15.1	24V	561707	RR JCT BOX	PARCEL RACK VENTILATION
R 42	1.1	24V	561991	POWER JCT BOX	12 V. CUT-OUT FRONT	R 105	15.1	24V	561707	RR JCT BOX	PARCEL RACK VENTILATION
R 43						R 107	21.1	24V	561707	FR JCT BOX	ENGINE BRAKE PRESELECT #2
R 44	1.1	24V	561991	POWER JCT BOX	12 V. CUT-OUT FRONT	R 108					
R 45	11.4	24V	561707	RR JCT BOX	INDIRECT LTS	R 109	5.1	24V	561707	RR JCT BOX	THROTTLE INHIBIT WITH WCL
R 46						R 110					
R 47	27.1	24V	561707	GALLEY PANEL	COFFEE CONTAINERS	R 111	4.1SP2	24V	561707	POWER JCT BOX	HEATER RUN. WITH CHARGER 110V ACTIVED
R 48	27.1	24V	561707	GALLEY PANEL	COFFEEMAKER	R 112	4.1SP2	24V	561707	POWER JCT BOX	HEATER RUN. WITH CHARGER 110V ACTIVED
R 49	22.1	12V	562092	FR JCT BOX	12V ABS - ENGINE BRAKE	R F1	8.1	24V	561707	RR JCT BOX	FAN CLUTCH SP#1 OPT. RETARDER
R 50						R F2	8.1	24V	561707	RR JCT BOX	FAN CLUTCH SP#2 OPT. RETARDER
R 51	11.2	24V	561707	FR JCT BOX	DRIVER'S LTS KEYLERSS ALARM	R F3	8.1	24V	560772	RR JCT BOX	TIME DELAY FAN CLUTCH
R 52	22.1	12V	562092	FR JCT BOX	12V ABS - RETARDER	R LA	24.1	24V	561707	RH UNDER DASH	ENTRANCE DOOR SYSTEM
R 53	1.1	24V	561991	RR JCT BOX	IGNITION 24V RR	R LO	24.1	24V	561707	RH UNDER DASH	ENTRANCE DOOR SYSTEM
R 54	2.1	24V	561707	RR JCT BOX	IGNITION 12V RR	R LT	24.1	24V	561707	RH UNDER DASH	ENTRANCE DOOR SYSTEM
R 55						R LV	24.1	24V	561707	RH UNDER DASH	ENTRANCE DOOR SYSTEM
R 56						V IM1	6.1	12V	562092	FR JCT BOX	VIM WORLD TR.-OUTPUT 1 SPEED INTERLOCK
R 57						V IM2	6.1	12V	562092	FR JCT BOX	VIM WORLD TR.-OUTPUT 2 ENG. BRK DISABLE
R 58						V IM3	6.1	12V	562092	FR JCT BOX	VIM WORLD TR.-OUTPUT 3
R 59	9.3sp1	24V	561707	RR JCT BOX	DOCKING LTS	V IM4	6.1	12V	562092	FR JCT BOX	VIM WORLD TR.-OUTPUT 4 RETARD. ON SIGNAL
R 60	8.1SP1	24V	561707	FR JCT BOX	PARKING BRAKE APPLY WITH WCL	V IMN	6.1	12V	562092	FR JCT BOX	VIM WORLD TR.-NEUTRAL SIGNAL
R 61						V IMR	6.1	12V	562092	FR JCT BOX	VIM WORLD TR.-B/U SIGNAL
R 62	5.1	24V	561707	FR JCT BOX	DDEC PARK. BRAKE SIGNAL						

RELAYS NUMBER CODE

No. PAGE COIL V #PREV. LOCATION FUNCTION

No. PAGE COIL V #PREV. LOCATION FUNCTION

RELAYS NUMBER CODE

No.	PAGE	COIL V	#PREV.	LOCATION	FUNCTION	No.	PAGE	COIL V	#PREV.	LOCATION	FUNCTION
R 1	1.1	24V	561991	FR JCT BOX	IGNITION (24) FR	R 63	15.3	24V	560772	A/C JCT BOX	EVAPORATOR FAN – TIMER RLY
R 2						R 64	27.1	24V	561005	GALLEY PANEL	INVERTER CUT OFF
R 3						R 65	28.4	24V	OPTION	HAT RACK	SCENIC VIEW CAMERA
R 4	4.1	24V	561005	RR JCT BOX	STARTING MOTOR	R 66	28.3	24V	561707	S.S. PANEL	VIDEO TRIGGER
R 5	5.1	24V	561707	FR JCT BOX	CRUISE CTR BRAKE CUT-OFF	R 67	28.1	12V	562092	S.S. PANEL	RARIO TRIGGER
R 6	4.1	24V	561707	UNDER DASH R.H.	ANTI-THIEF STARTING	R 68	28.1	24V	561991	S.S. PANEL	S.S. ACC. SWITCH
R 7	5.1	24V	561707	FR JCT BOX	DDEC FAST IDLE SIGNAL	R 69	12.1	12V	562092	RR JCT BOX	LUGG DOOR LOCK
R 8						R 70	12.1	12V	562092	RR JCT BOX	LUGG DOOR UNLOCK
R 9	9.3	24V	561707	RR JCT BOX	BACK-UP LTS	R 71	12.1	24V	561707	FR JCT BOX	LUGG DOOR UNLOCK TT LT
R 10	6.3	24V	561707	FR JCT BOX	EATON TRANSM.	R 72	29.1	24V	561707	POWER JCT BOX	WCL-SYTEME ON
R 11						R 73	29.1	24V	561707	POWER JCT BOX	WCL-DOOR OPEN SW. SIGNAL
R 12	7.2	12V	562092	FR JCT BOX	ELECTRICAL HORNS	R 74	12.1	12V	562092	RR JCT BOX	LUGG DOOR LOCK
R 13	9.3	24V	561707	FR JCT BOX	FOG LTS-12V	R 75	12.1	12V	562092	RR JCT BOX	LUGG DOOR UNLOCK
R 14	9.1	24V	561707	FR JCT BOX	BLINKER	R 76	9.3	24V	561707	RR JCT BOX	STOP LTS-ENGINE BRK & RETARDER SYST.
R 15						R 77	9.2	12V	562092	UNDER DASH	AUDIBLE FLASHER RLY
R 16	9.1	24V	561707	FR JCT BOX	FRONT CLEARANCE LIGHT	R 78	8.1	24V	561707	RR JCT BOX	DDEC FAN CONTROL SPEED#1
R 17	9.1	24V	561707	RR JCT BOX	TAIL LICENCE. RR LTS	R 79	8.1	24V	561707	RR JCT BOX	DDEC FAN CONTROL SPEED#2
R 18	9.1	24V	561707	FR JCT BOX	DAYTIME RUN LTS-CUT-OUT	R 79	27.1	24V	561707	GALLEY PANEL	REFREGIRATOR
R 19	9.1	24V	561707	FR JCT BOX	HI-BEAM	R 80	9.3	24V	561707	RR JCT BOX	CYCLOP LTS WITH BRAKE
R 20	9.1	24V	561707	FR JCT BOX	LO-BEAM	R 81	26.1	24V	561707	LAVATORY SW.	LAVATORY TIMER PUMP
R 21	9.2	24V	561707	FR JCT BOX	LH DIRECTIONNAL LTS	R 82	21.1	24V	561707	FR JCT BOX	RETARDER SYSTEM
R 22						R 83	14.4SP	24V	561707	RR JCT BOX	WATER PUMP RLY – PROHEAT OPTIONAL
R 23	9.2	24V	561707	FR JCT BOX	RH DIRECTIONNAL LTS	R 84	15.2	24V	561707	RR JCT BOX	HVAC ON-OFF SIGNAL (FULL AIR)
R 24	9.2sp1	24v	561707	FR JCT BOX	RH CORNERING LTS	R 85					
R 25	9.2sp1	24v	561707	FR JCT BOX	FR CORNERING LTS	R 86	15.2	24V	561707	RR JCT BOX	HVAC MODE COOL/HEAT
R 26	9.3	24V	561707	RR JCT BOX	STOP LTS	R 86	18.1	24V	561707	FR SERV. COMPT.	KNEELING SYSTEM
R 27	11.3	24v	561707	FR JCT BOX	AISLE LTS	R 87	21.1	24V	561707	FR JCT BOX	ENGINE BRAKE PRESELECT #1
R 28	11.2	24V	561707	FR JCT BOX	DASH LTS RHEOSTAT	R 87	18.1	24V	561707	FR SERV. COMPT.	KNEELING SYSTEM
R 29	15.3	24V	561005	A/C JCT BOX	CONDENSER FAN	R 88	4.1	24V	561707	FR JCT BOX	LATCHING 24V CUT OUT SW.
R 30	15.3	24V	561005	A/C JCT BOX	EVAPORATOR FAN	R 88	18.1	24V	561707	FR SERV. COMPT.	KNEELING SYSTEM
R 31	15.3	24V	561707	FR JCT BOX	WATER VALVE & BYPASS	R 89	15.3	24V	561707	FR JCT BOX	WATER PUMP RELAY
R 32	1.1	24V	561991	POWER JCT BOX	12 V. CUT-OUT REAR	R 90	18.1	24V	561707	FR JCT BOX	KNEELING CANCELLATION
R 33						R 91					
R 34	15.1	24V	561707	RR JCT BOX	A/C RAD. FAN CLUTCH (PARCEL RACK)	R 94	9.3	24V	561707	RR JCT BOX	AUX READ LAMP-LH
R 35	15.3	24V	561707	FR JCT BOX	WATER PUMP	R 95	9.3	24V	561707	RR JCT BOX	AUX READ LAMP-RH
R 36	15.1	24V	561707	RR JCT BOX	A/C COMPR. CLUTCH (PARCEL RACK)	R 96	29.1	24V	561707	POWER JCT BOX	WCL – DOOR AJAR SIGNAL
R 37	11.4	24V	561707	RR JCT BOX	READING LAMP	R 97	29.1	24V	561707	POWER JCT BOX	WCL – DOOR AJAR PARKING BRAKE
R 38	11.4	24V	561707	RR JCT BOX	READING LAMP	R 98	29.1	24V	561707	POWER JCT BOX	WCL – ALTERNATOR SIGNAL
R 39	11.5	24V	561707	RR JCT BOX	24 V FLUORESCENT	R 99	8.1	24V	561707	RR JCT BOX	RADIATOR FAN CLUTCH
R 40	15.3	24V	561005	A/C JCT BOX	CONDENSER FAN	R 103	15.1	24V	561707	RR JCT BOX	PARCEL RACK VENTILATION
R 41	15.3	24V	561005	A/C JCT BOX	CONDENSER FAN	R 104	15.1	24V	561707	RR JCT BOX	PARCEL RACK VENTILATION
R 42	1.1	24V	561991	POWER JCT BOX	12 V. CUT-OUT FRONT	R 105	15.1	24V	561707	RR JCT BOX	PARCEL RACK VENTILATION
R 43						R 107	21.1	24V	561707	FR JCT BOX	ENGINE BRAKE PRESELECT #2
R 44	1.1	24V	561991	POWER JCT BOX	12 V. CUT-OUT FRONT	R 108					
R 45	11.4	24V	561707	RR JCT BOX	INDIRECT LTS	R 109	5.1	24V	561707	RR JCT BOX	THROTTLE INHIBIT WITH WCL
R 46						R 110					
R 47	27.1	24V	561707	GALLEY PANEL	COFFEE CONTAINERS	R 111	4.1SP2	24V	561707	POWER JCT BOX	HEATER RUN. WITH CHARGER 110V ACTIVED
R 48	27.1	24V	561707	GALLEY PANEL	COFFEEMAKER	R 112	4.1SP2	24V	561707	POWER JCT BOX	HEATER RUN. WITH CHARGER 110V ACTIVED
R 49	22.1	12V	562092	FR JCT BOX	12V ABS – ENGINE BRAKE	R F1	8.1	24V	561707	RR JCT BOX	FAN CLUTCH SP#1 OPT. RETARDER
R 50						R F2	8.1	24V	561707	RR JCT BOX	FAN CLUTCH SP#2 OPT. RETARDER
R 51	11.2	24V	561707	FR JCT BOX	DRIVER'S LTS KEYLERSS ALARM	R F3	8.1	24V	560772	RR JCT BOX	TIME DELAY FAN CLUTCH
R 52	22.1	12V	562092	FR JCT BOX	12V ABS – RETARDER	R LA	24.1	24V	561707	RH UNDER DASH	ENTRANCE DOOR SYSTEM
R 53	1.1	24V	561991	RR JCT BOX	IGNITION 24V RR	R LO	24.1	24V	561707	RH UNDER DASH	ENTRANCE DOOR SYSTEM
R 54	2.1	24V	561707	RR JCT BOX	IGNITION 12V RR	R LT	24.1	24V	561707	RH UNDER DASH	ENTRANCE DOOR SYSTEM
R 55						R LV	24.1	24V	561707	RH UNDER DASH	ENTRANCE DOOR SYSTEM
R 56						V IM1	6.1	12V	562092	FR JCT BOX	VIM WORLD TR.-OUTPUT 1 SPEED INTERLOCK
R 57						V IM2	6.1	12V	562092	FR JCT BOX	VIM WORLD TR.-OUTPUT 2 ENG. BRK DISABLE
R 58						V IM3	6.1	12V	562092	FR JCT BOX	VIM WORLD TR.-OUTPUT 3
R 59	9.3sp1	24V	561707	RR JCT BOX	DOCKING LTS	V IM4	6.1	12V	562092	FR JCT BOX	VIM WORLD TR.-OUTPUT 4 RETARD. ON SIGNAL
R 60	8.1SP1	24V	561707	FR JCT BOX	PARKING BRAKE APPLY WITH WCL	V IMN	6.1	12V	562092	FR JCT BOX	VIM WORLD TR.-NEUTRAL SIGNAL
R 61	15.3	24V	561707	A/C JCT BOX	EVAPORATOR FAN – SPEED RLY	V IMR	6.1	12V	562092	FR JCT BOX	VIM WORLD TR.-B/U SIGNAL
R 62	5.1	24V	561707	FR JCT BOX	DDEC PARK. BRAKE SIGNAL						

RELAYS NUMBER CODE

No. PAGE COIL V #PREV. LOCATION FUNCTION

No. PAGE COIL V #PREV. LOCATION FUNCTION

RELAYS NUMBER CODE

No.	PAGE	COIL	V	#PREV.	LOCATION	FUNCTION	No.	PAGE	COIL	V	#PREV.	LOCATION	FUNCTION
R 1		1.1	24V	561991	FR JCT BOX	IGNITION (24) FR	R 63	15.3	24V	560772	A/C JCT BOX	EVAPORATOR FAN – TIMER RLY	
R 2							R 64	27.1	24V	561005	GALLEY PANEL	INVERTER CUT OFF	
R 3							R 65	28.4	24V	OPTION	HAT RACK	SCENIC VIEW CAMERA	
R 4	4.1	24V		561005	RR JCT BOX	STARTING MOTOR	R 66	28.3	24V	561707	S.S. PANEL	VIDEO TRIGGER	
R 5	5.1	24V		561707	FR JCT BOX	CRUISE CTR BRAKE CUT-OFF	R 67	28.1	12V	562092	S.S. PANEL	RARIO TRIGGER	
R 6	4.1	24V		561707	UNDER DASH R.H.	ANTI-THIEF STARTING	R 68	28.1	24V	561991	S.S. PANEL	S.S. ACC. SWITCH	
R 7	5.1	24V		561707	FR JCT BOX	DDEC FAST IDLE SIGNAL	R 69	12.1	12V	562092	RR JCT BOX	LUGG DOOR LOCK	
R 8							R 70	12.1	12V	562092	RR JCT BOX	LUGG DOOR UNLOCK	
R 9	9.3	24V		561707	RR JCT BOX	BACK-UP LTS	R 71	12.1	24V	561707	FR JCT BOX	LUGG DOOR UNLOCK TT LT	
R 10	6.3	24V		561707	FR JCT BOX	EATON TRANSM.	R 72	29.1	24V	561707	POWER JCT BOX	WCL-SYTEME ON	
R 11							R 73	29.1	24V	561707	POWER JCT BOX	WCL-DOOR OPEN SW. SIGNAL	
R 12	7.2	12V		562092	FR JCT BOX	ELECTRICAL HORNS	R 74	12.1	12V	562092	RR JCT BOX	LUGG DOOR LOCK	
R 13	9.3	24V		561707	FR JCT BOX	FOG LTS-12V	R 75	12.1	12V	562092	RR JCT BOX	LUGG DOOR UNLOCK	
R 14	9.1	24V		561707	FR JCT BOX	BLINKER	R 76	9.3	24V	561707	RR JCT BOX	STOP LTS-ENGINE BRK & RETARDER SYST.	
R 15	15.4	24V		561707	FR JCT BOX	UPPER FAN DEFROST	R 77	9.2	12V	562092	UNDER DASH	AUDIBLE FLASHER RLY	
R 16	9.1	24V		561707	FR JCT BOX	FRONT CLEARANCE LIGHT	R 78	8.1	24V	561707	RR JCT BOX	DDEC FAN CONTROL SPEED#1	
R 17	9.1	24V		561707	RR JCT BOX	TAIL LICENCE. RR LTS	R 79	8.1	24V	561707	RR JCT BOX	DDEC FAN CONTROL SPEED#2	
R 18	9.1	24V		561707	FR JCT BOX	DAYTIME RUN LTS-CUT-OUT	R 79	27.1	24V	561707	GALLEY PANEL	REFREGIRATOR	
R 19	9.1	24V		561707	FR JCT BOX	HI-BEAM	R 80	9.3	24V	561707	RR JCT BOX	CYCLOP LTS WITH BRAKE	
R 20	9.1	24V		561707	FR JCT BOX	LO-BEAM	R 81	26.1	24V	561707	LAVATORY SW.	LAVATORY TIMER PUMP	
R 21	9.2	24V		561707	FR JCT BOX	LH DIRECTIONNAL LTS	R 82	21.1	24V	561707	FR JCT BOX	RETARDER SYSTEM	
R 22							R 83	14.4SP	24V	561707	RR JCT BOX	WATER PUMP RLY – PROHEAT OPTIONAL	
R 23	9.2	24V		561707	FR JCT BOX	RH DIRECTIONNAL LTS	R 84	15.2	24V	561707	RR JCT BOX	HVAC ON-OFF SIGNAL (FULL AIR)	
R 24	9.2sp1	24v		561707	FR JCT BOX	RH CORNERING LTS	R 85	15.2	24V	561707	FR JCT BOX	HVAC DR'S REC. DAMPER CYL. L.H.	
R 25	9.2sp1	24v		561707	FR JCT BOX	LH CORNERING LTS	R 86	15.2	24V	561707	RR JCT BOX	HVAC MODE COOL/HEAT	
R 26	9.3	24V		561707	RR JCT BOX	STOP LTS	R 86	18.1	24V	561707	FR SERV. COMPT.	KNEELING SYSTEM	
R 27	11.3	24v		561707	FR JCT BOX	AISLE LTS	R 87	21.1	24V	561707	FR JCT BOX	ENGINE BRAKE PRESELECT #1	
R 28	11.2	24V		561707	FR JCT BOX	DASH LTS RHEOSTAT	R 87	18.1	24V	561707	FR SERV. COMPT.	KNEELING SYSTEM	
R 29	15.3	24V		561005	A/C JCT BOX	CONDENSER FAN	R 88	4.1	24V	561707	FR JCT BOX	LATCHING 24V CUT OUT SW.	
R 30	15.3	24V		561005	A/C JCT BOX	EVAPORATOR FAN	R 88	18.1	24V	561707	FR SERV. COMPT.	KNEELING SYSTEM	
R 31	15.3	24V		561707	FR JCT BOX	WATER VALVE & BYPASS	R 89	15.3	24V	561707	FR JCT BOX	WATER PUMP RELAY	
R 32	1.1	24V		561991	POWER JCT BOX	12 V. CUT-OUT REAR	R 90	18.1	24V	561707	FR JCT BOX	KNEELING CANCELLATION	
R 33							R 91						
R 34	15.1	24V		561707	RR JCT BOX	A/C RAD. FAN CLUTCH (PARCEL RACK)	R 94	9.3	24V	561707	RR JCT BOX	AUX READ LAMP-LH	
R 35	15.3	24V		561707	FR JCT BOX	WATER PUMP	R 95	9.3	24V	561707	RR JCT BOX	AUX READ LAMP-RH	
R 36	15.1	24V		561707	RR JCT BOX	A/C COMPR. CLUTCH (PARCEL RACK)	R 96	29.1	24V	561707	POWER JCT BOX	WCL – DOOR AJAR SIGNAL	
R 37	11.4	24V		561707	RR JCT BOX	READING LAMP	R 97	29.1	24V	561707	POWER JCT BOX	WCL – DOOR AJAR PARKING BRAKE	
R 38	11.4	24V		561707	RR JCT BOX	READING LAMP	R 98	29.1	24V	561707	POWER JCT BOX	WCL – ALTERNATOR SIGNAL	
R 39	11.5	24V		561707	RR JCT BOX	24 V FLUORESCENT	R 99	8.1	24V	561707	RR JCT BOX	RADIATOR FAN CLUTCH	
R 40	15.3	24V		561005	A/C JCT BOX	CONDENSER FAN	R 103	15.1	24V	561707	RR JCT BOX	PARCEL RACK VENTILATION	
R 41	15.3	24V		561005	A/C JCT BOX	CONDENSER FAN	R 104	15.1	24V	561707	RR JCT BOX	PARCEL RACK VENTILATION	
R 42	1.1	24V		561991	POWER JCT BOX	12 V. CUT-OUT FRONT	R 105	15.1	24V	561707	RR JCT BOX	PARCEL RACK VENTILATION	
R 43							R 107	21.1	24V	561707	FR JCT BOX	ENGINE BRAKE PRESELECT #2	
R 44	1.1	24V		561991	POWER JCT BOX	12 V. CUT-OUT FRONT	R 108						
R 45	11.4	24V		561707	RR JCT BOX	INDIRECT LTS	R 108						
R 46							R 109	5.1	24V	561707	RR JCT BOX	THROTTLE INHIBIT WITH WCL	
R 47	27.1	24V		561707	GALLEY PANEL	COFFEE CONTAINERS	R 110						
R 48	27.1	24V		561707	GALLEY PANEL	COFFEE MAKER	R 110						
R 49	22.1	12V		562092	FR JCT BOX	12V ABS – ENGINE BRAKE	R 111	4.1SP2	24V	561707	POWER JCT BOX	HEATER RUN. WITH CHARGER 110V ACTIVED	
R 50							R 112	4.1SP2	24V	561707	POWER JCT BOX	HEATER RUN. WITH CHARGER 110V ACTIVED	
R 51	11.2	24V		561707	FR JCT BOX	DRIVER'S LTS KEYLERSS ALARM	R F 1	8.1	24V	561707	RR JCT BOX	FAN CLUTCH SP#1 OPT. RETARDER	
R 52	22.1	12V		562092	FR JCT BOX	12V ABS – RETARDER	R F 2	8.1	24V	561707	RR JCT BOX	FAN CLUTCH SP#2 OPT. RETARDER	
R 53	1.1	24V		561991	RR JCT BOX	IGNITION 24V RR	R F 3	8.1	24V	560772	RR JCT BOX	TIME DELAY FAN CLUTCH	
R 54	2.1	24V		561707	RR JCT BOX	IGNITION 12V RR	R LA	24.1	24V	561707	RH UNDER DASH	ENTRANCE DOOR SYSTEM	
R 55							R LO	24.1	24V	561707	RH UNDER DASH	ENTRANCE DOOR SYSTEM	
R 56							R LT	24.1	24V	561707	RH UNDER DASH	ENTRANCE DOOR SYSTEM	
R 57							R LV	24.1	24V	561707	RH UNDER DASH	ENTRANCE DOOR SYSTEM	
R 58							V IM1	6.1	12V	562092	FR JCT BOX	VIM WORLD TR.-OUTPUT 1 SPEED INTERLOCK	
R 59	9.3sp1	24V		561707	RR JCT BOX	DOCKING LTS	V IM2	6.1	12V	562092	FR JCT BOX	VIM WORLD TR.-OUTPUT 2 ENG. BRK DISABLE	
R 60	8.1SP1	24V		561707	FR JCT BOX	PARKING BRAKE APPLY WITH WCL	V IM3	6.1	12V	562092	FR JCT BOX	VIM WORLD TR.-OUTPUT 3	
R 61	15.3	24V		561707	A/C JCT BOX	EVAPORATOR FAN – SPEED RLY	V IM4	6.1	12V	562092	FR JCT BOX	VIM WORLD TR.-OUTPUT 4 RETARD. ON SIGNAL	
R 62	5.1	24V		561707	FR JCT BOX	DDEC PARK. BRAKE SIGNAL	V IMN	6.1	12V	562092	FR JCT BOX	VIM WORLD TR.-NEUTRAL SIGNAL	
							V IMR	6.1	12V	562092	FR JCT BOX	VIM WORLD TR.-B/U SIGNAL	

RELAYS NUMBER CODE

No. PAGE COIL V #PREV. LOCATION FUNCTION

No. PAGE COIL V #PREV. LOCATION FUNCTION

RESISTORS NUMBER CODE

No.	PAGE	OHM(S)	#PREV.	LOCATION	FUNCTION
RS1	5.1	11K	562307	FR JCT BOX	DDEC III-FAST IDLE
RS2	5.1	3.6K	562306	FR JCT BOX	DDEC III-FAST IDLE
RS3	9.3	1 (2)	561537	FR JCT BOX	FOG LT - RH
RS4	9.3	1 (2)	561537	FR JCT BOX	FOG LT - LH
RS5					
RS6					
RS7					
RS8					
RS9	7.1	100		UNDER DASH	DISPLAY SW. INDICATOR
RS10	25.1	82		FRONT ROOF	ELECTRICAL DEST. SIGN
RS11	15.1	2		PARCEL RACK	A/C VENTILATION UNIT
RS12	15.1	2		PARCEL RACK	A/C VENTILATION UNIT
RS13	15.1			RR JCT BOX	A/C COMPRESSOR AUX. DELAY
RS14	24.1	2K		UNDER DASH	ENTRANCE DOOR SWITCH
RS15	24.1	2K		UNDER DASH	ENTRANCE DOOR SWITCH
RS16	18.1	220	562498	FR SERV. COMPT.	KNEELING ALARM
RS17	7.2	220	562498	FR JCT BOX	FIRE ALARM
RS18	8.1	75K	064208	RR JCT BOX	FAN CLUTCH WITH A/C STD & OR RETARDER
RS19	9.3	24	562903	RR JCT BOX	CYCLOPS LTS - TAIL
RS20	17.1	1K		FR SERV COMPT.	VSS SIGNAL-VOLTAGE DIVIDER
RS21	24.1	100		RH UNDER DASH	ENTRANCE DOOR OPEN SOL.
RS22					
RS23					
RS24	9.1			UNDER DASH	HEAD LTS SWITCH LED
RS25	9.3			UNDER DASH	FOG LTS SWITCH LED
RS26					
RS27					
RS28					
RS29	27.1			GALLEY	LED SWITCH - VOLTAGE DIVIDER
RS30	27.1			GALLEY	LED SWITCH - VOLTAGE DIVIDER
RS31	27.1			GALLEY	LED SWITCH - VOLTAGE DIVIDER
RS32	27.1			GALLEY	LED SWITCH - VOLTAGE DIVIDER
RS33	27.1			GALLEY	LED SWITCH - VOLTAGE DIVIDER
RS34	27.1			GALLEY	LED SWITCH - VOLTAGE DIVIDER
RS35	27.1			GALLEY	LED SWITCH - VOLTAGE DIVIDER

RESISTORS NUMBER CODE

No.	PAGE	OHM(S)	#PREV.	LOCATION	FUNCTION
RS1	5.1	11K	562307	FR JCT BOX	DDEC III-FAST IDLE
RS2	5.1	3.6K	562306	FR JCT BOX	DDEC III-FAST IDLE
RS3	9.3	1 (2)	561537	FR JCT BOX	FOG LT - RH
RS4	9.3	1 (2)	561537	FR JCT BOX	FOG LT - LH
RS5					
RS6					
RS7					
RS8					
RS9	7.1	100	563006	UNDER DASH	DISPLAY SW. INDICATOR
RS10	25.1	82	562108	FRONT ROOF	ELECTRICAL DEST. SIGN
RS11	15.1	2		PARCEL RACK	A/C VENTILATION UNIT
RS12	15.1	2		PARCEL RACK	A/C VENTILATION UNIT
RS13	15.1	470K	560805	RR JCT BOX	A/C COMPRESSOR AUX. DELAY
RS14	24.1	2K		UNDER DASH	ENTRANCE DOOR SWITCH
RS15	24.1	2K		UNDER DASH	ENTRANCE DOOR SWITCH
RS16	18.1	220	562498	FR SERV. COMPT.	KNEELING ALARM
RS17	7.2	220	562498	FR JCT BOX	FIRE ALARM
RS18	8.1	75K	064208	RR JCT BOX	FAN CLUTCH WITH A/C STD & OR RETARDER
RS19	9.3	24	562903	RR JCT BOX	CYCLOPS LTS - TAIL
RS20	17.1	1K	562470	FR SERV COMPT.	VSS SIGNAL-VOLTAGE DIVIDER
RS21	24.1	100	563006	RH UNDER DASH	ENTRANCE DOOR OPEN SOL.
RS22					
RS23					
RS24	9.1	1.5K	562908	UNDER DASH	HEAD LTS SWITCH LED
RS25	9.3	1.5K	562908	UNDER DASH	FOG LTS SWITCH LED
RS26					
RS27					
RS28					
RS29	27.1	1.5K	562908	GALLEY	LED SWITCH - VOLTAGE DIVIDER
RS30	27.1	1.5K	562908	GALLEY	LED SWITCH - VOLTAGE DIVIDER
RS31	27.1	1.5K	562908	GALLEY	LED SWITCH - VOLTAGE DIVIDER
RS32	27.1	1.5K	562908	GALLEY	LED SWITCH - VOLTAGE DIVIDER
RS33	27.1	1.5K	562908	GALLEY	LED SWITCH - VOLTAGE DIVIDER
RS34	27.1	1.5K	562908	GALLEY	LED SWITCH - VOLTAGE DIVIDER
RS35	27.1	1.5K	562908	GALLEY	LED SWITCH - VOLTAGE DIVIDER
RS36					
RS37					
RS38	5.2	120	562882	DDEC ECM	EATON TERMINATING RESISTOR
RS39	6.3	120	562882	FR JCT BOX	EATON TERMINATING RESISTOR

RESISTORS NUMBER CODE

No.	PAGE	OHM(S)	#PREV.	LOCATION	FUNCTION
RS1	5.1	11K	562307	FR JCT BOX	DDEC III-FAST IDLE
RS2	5.1	3.6K	562306	FR JCT BOX	DDEC III-FAST IDLE
RS3	9.3	1 (2)	561537	FR JCT BOX	FOG LT - RH
RS4	9.3	1 (2)	561537	FR JCT BOX	FOG LT - LH
RS5	22.1	1K	562470	FR. SERV. COMPT.	ABS
RS6					
RS7					
RS8					
RS9	7.1	100	563006	UNDER DASH	DISPLAY SW. INDICATOR
RS10	25.1	82	562108	FRONT ROOF	ELECTRICAL DEST. SIGN
RS11	15.1	2		PARCEL RACK	A/C VENTILATION UNIT
RS12	15.1	2		PARCEL RACK	A/C VENTILATION UNIT
RS13	15.1	470K	560805	RR JCT BOX	A/C COMPRESSOR AUX. DELAY
RS14	24.1	2K		UNDER DASH	ENTRANCE DOOR SWITCH
RS15	24.1	2K		UNDER DASH	ENTRANCE DOOR SWITCH
RS16	18.1	220	562498	FR SERV. COMPT.	KNEELING ALARM
RS17	7.2	220	562498	FR JCT BOX	FIRE ALARM
RS18	8.1	75K	064208	RR JCT BOX	FAN CLUTCH WITH A/C STD & OR RETARDER
RS19	9.3	24	562903	RR JCT BOX	CYCLOPS LTS - TAIL
RS20	17.1	1K	562470	FR SERV COMPT.	VSS SIGNAL-VOLTAGE DIVIDER
RS21	24.1	100	563006	RH UNDER DASH	ENTRANCE DOOR OPEN SOL.
RS22					
RS23					
RS24	9.1	1.5K	562908	UNDER DASH	HEAD LTS SWITCH LED
RS25	9.3	1.5K	562908	UNDER DASH	FOG LTS SWITCH LED
RS26					
RS27					
RS28					
RS29	27.1	1.5K	562908	GALLEY	LED SWITCH - VOLTAGE DIVIDER
RS30	27.1	1.5K	562908	GALLEY	LED SWITCH - VOLTAGE DIVIDER
RS31	27.1	1.5K	562908	GALLEY	LED SWITCH - VOLTAGE DIVIDER
RS32	27.1	1.5K	562908	GALLEY	LED SWITCH - VOLTAGE DIVIDER
RS33	27.1	1.5K	562908	GALLEY	LED SWITCH - VOLTAGE DIVIDER
RS34	27.1	1.5K	562908	GALLEY	LED SWITCH - VOLTAGE DIVIDER
RS35	27.1	1.5K	562908	GALLEY	LED SWITCH - VOLTAGE DIVIDER
RS36					
RS37					
RS38	5.2	120	562882	DDEC ECM	EATON TERMINATING RESISTOR
RS39	6.3	120	562882	FR JCT BOX	EATON TERMINATING RESISTOR

RESISTORS NUMBER CODE

No.	PAGE	OHM(S)	#PREV.	LOCATION	FUNCTION
RS1	5.1	11K	562307	FR JCT BOX	DDEC III-FAST IDLE
RS2	5.1	3.6K	562306	FR JCT BOX	DDEC III-FAST IDLE
RS3	9.3	1 (2)	561537	FR JCT BOX	FOG LT - RH
RS4	9.3	1 (2)	561537	FR JCT BOX	FOG LT - LH
RS5	22.1	620	563205	FR. SERV. COMPT.	ABS
RS6	22.1	620	563205	FR. SERV. COMPT.	TRAILER ABS
RS7					
RS8					
RS9	7.1	100	563006	UNDER DASH	DISPLAY SW. INDICATOR
RS10	25.1	82	562108	FRONT ROOF	ELECTRICAL DEST. SIGN
RS11	15.1	2		PARCEL RACK	A/C VENTILATION UNIT
RS12	15.1	2		PARCEL RACK	A/C VENTILATION UNIT
RS13	15.1	470K	560805	RR JCT BOX	A/C COMPRESSOR AUX. DELAY
RS14	24.1	2K		UNDER DASH	ENTRANCE DOOR SWITCH
RS15	24.1	2K		UNDER DASH	ENTRANCE DOOR SWITCH
RS16	18.1	220	562498	FR SERV. COMPT.	KNEELING ALARM
RS17	7.2	220	562498	FR JCT BOX	FIRE ALARM
RS18	8.1	75K	064208	RR JCT BOX	FAN CLUTCH WITH A/C STD & OR RETARDER
RS19	9.3	24	562903	RR JCT BOX	CYCLOPS LTS - TAIL
RS20	17.1	1K	562470	FR SERV COMPT.	VSS SIGNAL-VOLTAGE DIVIDER
RS21	24.1	100	563006	RH UNDER DASH	ENTRANCE DOOR OPEN SOL.
RS22					
RS23					
RS24	9.1	1.5K	562908	UNDER DASH	HEAD LTS SWITCH LED
RS25	9.3	1.5K	562908	UNDER DASH	FOG LTS SWITCH LED
RS26					
RS27					
RS28					
RS29	27.1	1.5K	562908	GALLEY	LED SWITCH - VOLTAGE DIVIDER
RS30	27.1	1.5K	562908	GALLEY	LED SWITCH - VOLTAGE DIVIDER
RS31	27.1	1.5K	562908	GALLEY	LED SWITCH - VOLTAGE DIVIDER
RS32	27.1	1.5K	562908	GALLEY	LED SWITCH - VOLTAGE DIVIDER
RS33	27.1	1.5K	562908	GALLEY	LED SWITCH - VOLTAGE DIVIDER
RS34	27.1	1.5K	562908	GALLEY	LED SWITCH - VOLTAGE DIVIDER
RS35	27.1	1.5K	562908	GALLEY	LED SWITCH - VOLTAGE DIVIDER
RS36					
RS37					
RS38	5.2	120	562882	DDEC ECM	EATON TERMINATING RESISTOR
RS39	6.3	120	562882	FR JCT BOX	EATON TERMINATING RESISTOR

RESISTORS NUMBER CODE

No.	PAGE	OHM(S)	#PREV.	LOCATION	FUNCTION
RS1	5.1	11K	562307	FR JCT BOX	DDEC III-FAST IDLE
RS2	5.1	3.6K	562306	FR JCT BOX	DDEC III-FAST IDLE
RS3	9.3	1 (2)	561537	FR JCT BOX	FOG LT - RH
RS4	9.3	1 (2)	561537	FR JCT BOX	FOG LT - LH
RS5	22.1	620	563205	FR. SERV. COMPT.	ABS
RS6	22.1	620	563205	FR. SERV. COMPT.	TRAILER ABS
RS7					
RS8					
RS9	7.1	100	563006	UNDER DASH	DISPLAY SW. INDICATOR
RS10	25.1	82	562108	FRONT ROOF	ELECTRICAL DEST. SIGN
RS11	15.1	2		PARCEL RACK	A/C VENTILATION UNIT
RS12	15.1	2		PARCEL RACK	A/C VENTILATION UNIT
RS13	15.1	470K	560805	RR JCT BOX	A/C COMPRESSOR AUX. DELAY
RS14					
RS15					
RS16	18.1	220	562498	FR SERV. COMPT.	KNEELING ALARM
RS17	7.2	220	562498	FR JCT BOX	FIRE ALARM
RS18	8.1	75K	064208	RR JCT BOX	FAN CLUTCH WITH A/C STD & OR RETARDER
RS19	9.3	24	562903	RR JCT BOX	CYCLOPS LTS - TAIL
RS20	17.1	1K	562470	FR SERV COMPT.	VSS SIGNAL-VOLTAGE DIVIDER
RS21	24.1	100	563006	RH UNDER DASH	ENTRANCE DOOR OPEN SOL.
RS22					
RS23					
RS24	9.1	1.5K	562908	UNDER DASH	HEAD LTS SWITCH LED
RS25	9.3	1.5K	562908	UNDER DASH	FOG LTS SWITCH LED
RS26					
RS27					
RS28					
RS29	27.1	1.5K	562908	GALLEY	LED SWITCH - VOLTAGE DIVIDER
RS30	27.1	1.5K	562908	GALLEY	LED SWITCH - VOLTAGE DIVIDER
RS31	27.1	1.5K	562908	GALLEY	LED SWITCH - VOLTAGE DIVIDER
RS32	27.1	1.5K	562908	GALLEY	LED SWITCH - VOLTAGE DIVIDER
RS33	27.1	1.5K	562908	GALLEY	LED SWITCH - VOLTAGE DIVIDER
RS34	27.1	1.5K	562908	GALLEY	LED SWITCH - VOLTAGE DIVIDER
RS35	27.1	1.5K	562908	GALLEY	LED SWITCH - VOLTAGE DIVIDER
RS36					
RS37					
RS38	5.2	120	562882	DDEC ECM	EATON TERMINATING RESISTOR
RS39	6.3	120	562882	FR JCT BOX	EATON TERMINATING RESISTOR

RESISTORS NUMBER CODE

No.	PAGE	OHM(S)	#PREV.	LOCATION	FUNCTION
RS1	5.1	11K	562307	FR JCT BOX	DDEC III-FAST IDLE
RS2	5.1	3.6K	562306	FR JCT BOX	DDEC III-FAST IDLE
RS3	9.3	1 (2)	561537	FR JCT BOX	FOG LT - RH
RS4	9.3	1 (2)	561537	FR JCT BOX	FOG LT - LH
RS5	22.1	620	563205	FR. SERV. COMPT.	ABS
RS6	22.1	620	563205	FR. SERV. COMPT.	TRAILER ABS
RS7					
RS8					
RS9	7.1	100	563006	UNDER DASH	DISPLAY SW. INDICATOR
RS10	25.1	82	562108	FRONT ROOF	ELECTRICAL DEST. SIGN
RS11	15.1	2		PARCEL RACK	A/C VENTILATION UNIT
RS12	15.1	2		PARCEL RACK	A/C VENTILATION UNIT
RS13	15.1	470K	560805	RR JCT BOX	A/C COMPRESSOR AUX. DELAY
RS14					
RS15					
RS16	18.1	220	562498	FR SERV. COMPT.	KNEELING ALARM
RS17	7.2	220	562498	FR JCT BOX	FIRE ALARM
RS18	8.1	75K	064208	RR JCT BOX	FAN CLUTCH WITH A/C STD & OR RETARDER
RS19	9.3	24	562903	RR JCT BOX	CYCLOPS LTS - TAIL
RS20	17.1	1K	562470	FR SERV COMPT.	VSS SIGNAL-VOLTAGE DIVIDER
RS21	24.1	100	563006	RH UNDER DASH	ENTRANCE DOOR OPEN SOL.
RS22					
RS23					
RS24	9.1	1.5K	562908	UNDER DASH	HEAD LTS SWITCH LED
RS25	9.3	1.5K	562908	UNDER DASH	FOG LTS SWITCH LED
RS26					
RS27					
RS28					
RS29	27.1	1.5K	562908	GALLEY	LED SWITCH - VOLTAGE DIVIDER
RS30	27.1	1.5K	562908	GALLEY	LED SWITCH - VOLTAGE DIVIDER
RS31	27.1	1.5K	562908	GALLEY	LED SWITCH - VOLTAGE DIVIDER
RS32	27.1	1.5K	562908	GALLEY	LED SWITCH - VOLTAGE DIVIDER
RS33	27.1	1.5K	562908	GALLEY	LED SWITCH - VOLTAGE DIVIDER
RS34	27.1	1.5K	562908	GALLEY	LED SWITCH - VOLTAGE DIVIDER
RS35	27.1	1.5K	562908	GALLEY	LED SWITCH - VOLTAGE DIVIDER
RS36					
RS37					
RS38	5.2	120	562882	DDEC ECM	EATON TERMINATING RESISTOR
RS39	6.3	120	562882	FR JCT BOX	EATON TERMINATING RESISTOR
RS40					
RS41	26.1	1M	065830	LAVATORY TRAP SW	FLUSH PUMP TIME DELAY

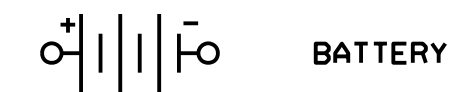
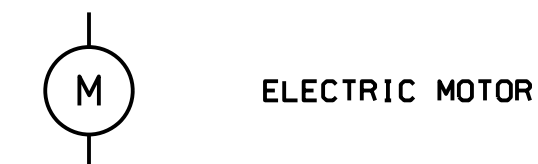
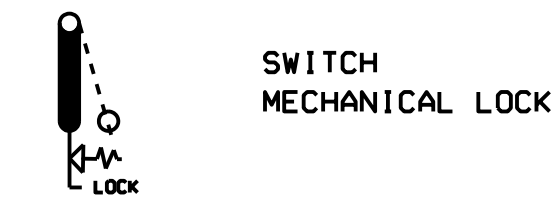
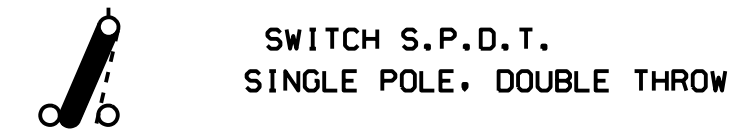
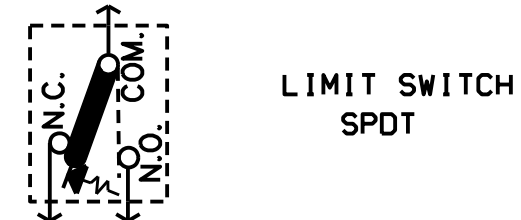
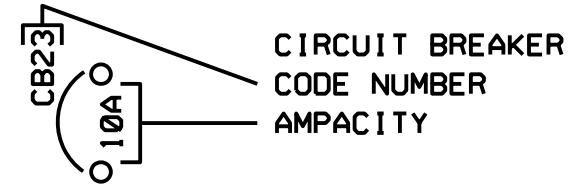
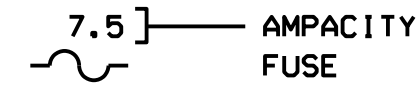
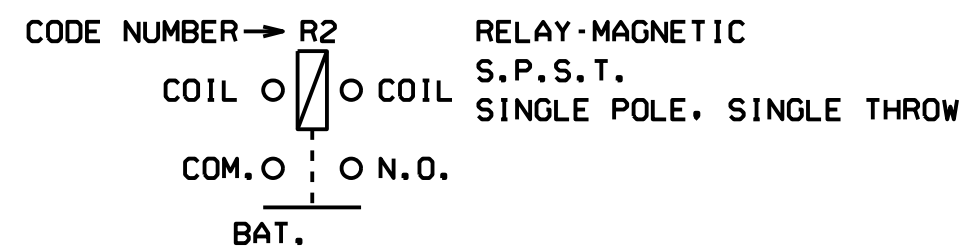
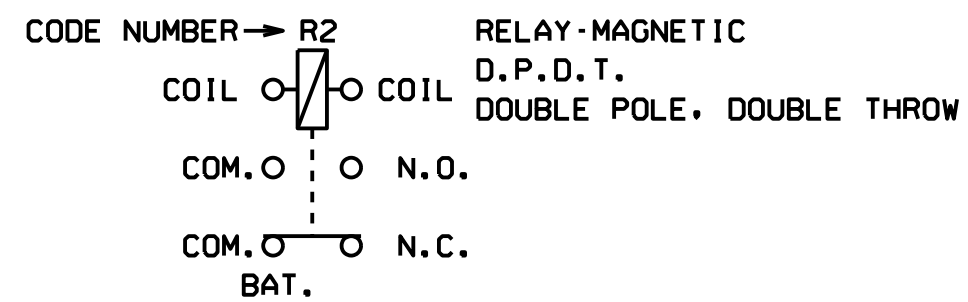
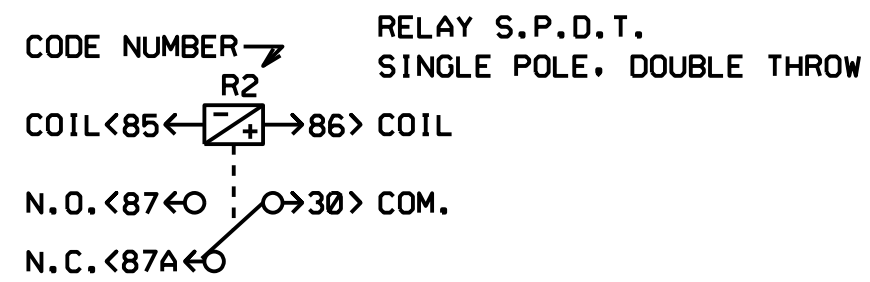
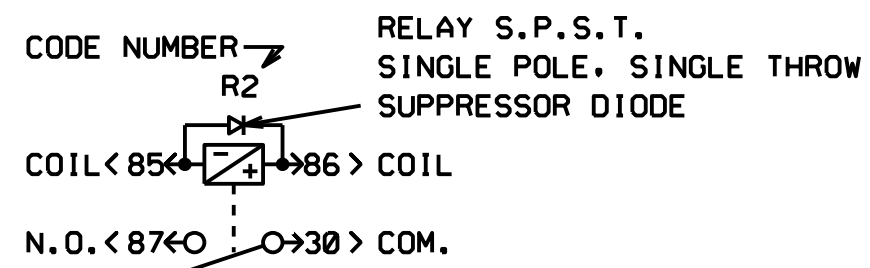
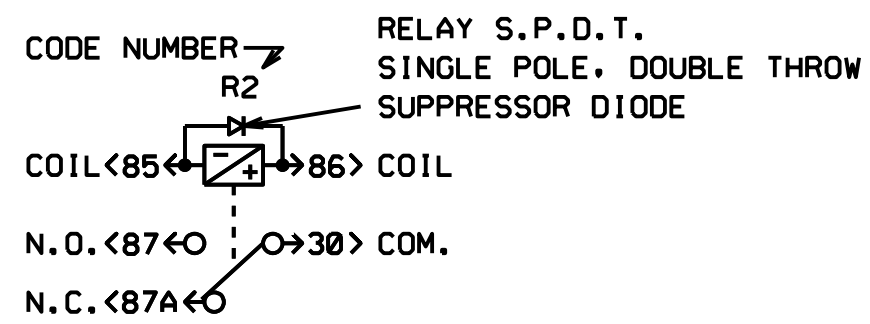
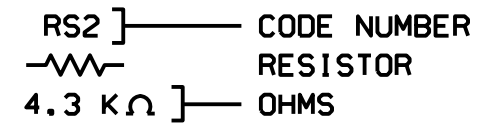
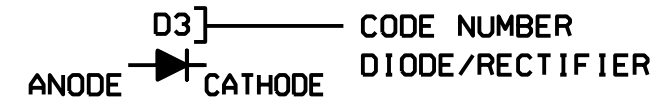
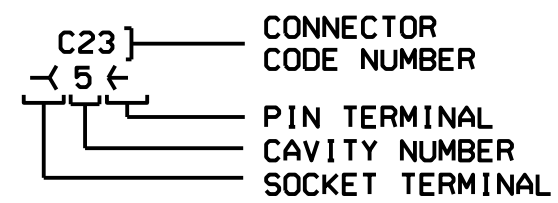
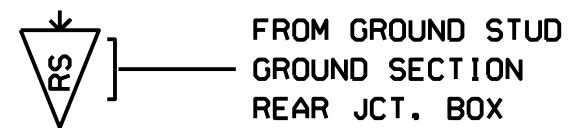
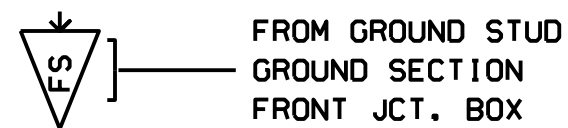
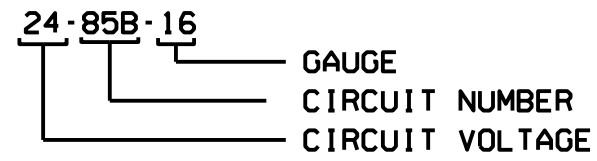
RESISTORS NUMBER CODE

No.	PAGE	OHM(S)	#PREV.	LOCATION	FUNCTION
RS1	5.1	11K	562307	FR JCT BOX	DDEC III-FAST IDLE
RS2	5.1	3.6K	562306	FR JCT BOX	DDEC III-FAST IDLE
RS3	9.3	1 (2)	561537	FR JCT BOX	FOG LT - RH
RS4	9.3	1 (2)	561537	FR JCT BOX	FOG LT - LH
RS5	22.1	620	563205	FR. SERV. COMPT.	ABS
RS6	22.1	620	563205	FR. SERV. COMPT.	TRAILER ABS
RS7					
RS8					
RS9	7.1	100	563006	UNDER DASH	DISPLAY SW. INDICATOR
RS10	25.1	82	562108	FRONT ROOF	ELECTRICAL DEST. SIGN
RS11	15.1	2		PARCEL RACK	A/C VENTILATION UNIT
RS12	15.1	2		PARCEL RACK	A/C VENTILATION UNIT
RS13	15.1	470K	560805	RR JCT BOX	A/C COMPRESSOR AUX. DELAY
RS14					
RS15					
RS16					
RS17	7.2	220	562498	FR JCT BOX	FIRE ALARM
RS18	8.1	75K	064208	RR JCT BOX	FAN CLUTCH WITH A/C STD & OR RETARDER
RS19	9.3	24	562903	RR JCT BOX	CYCLOPS LTS - TAIL
RS20	17.1	1K	562470	FR SERV COMPT.	VSS SIGNAL-VOLTAGE DIVIDER
RS21	24.1	100	563006	RH UNDER DASH	ENTRANCE DOOR OPEN SOL.
RS22					
RS23					
RS24	9.1	1.5K	562908	UNDER DASH	HEAD LTS SWITCH LED
RS25	9.3	1.5K	562908	UNDER DASH	FOG LTS SWITCH LED
RS26					
RS27					
RS28					
RS29	27.1	1.5K	562908	GALLEY	LED SWITCH - VOLTAGE DIVIDER
RS30	27.1	1.5K	562908	GALLEY	LED SWITCH - VOLTAGE DIVIDER
RS31	27.1	1.5K	562908	GALLEY	LED SWITCH - VOLTAGE DIVIDER
RS32	27.1	1.5K	562908	GALLEY	LED SWITCH - VOLTAGE DIVIDER
RS33	27.1	1.5K	562908	GALLEY	LED SWITCH - VOLTAGE DIVIDER
RS34	27.1	1.5K	562908	GALLEY	LED SWITCH - VOLTAGE DIVIDER
RS35	27.1	1.5K	562908	GALLEY	LED SWITCH - VOLTAGE DIVIDER
RS36					
RS37					
RS38	5.2	120	562882	DDEC ECM	EATON TERMINATING RESISTOR
RS39	6.3	120	562882	FR JCT BOX	EATON TERMINATING RESISTOR
RS40					
RS41	26.1	1M	065830	LAVATORY TRAP SW	FLUSH PUMP TIME DELAY
RS63	26.1	330K	065755	EVAP. COMPT.	EVAP. MOTOR - TIME DELAY

RESISTORS NUMBER CODE

No.	PAGE	OHM(S)	#PREV.	LOCATION	FUNCTION
RS1	5.1	11K	562307	FR JCT BOX	DDEC III-FAST IDLE
RS2	5.1	3.6K	562306	FR JCT BOX	DDEC III-FAST IDLE
RS3	9.3	1 (2)	561537	FR JCT BOX	FOG LT - RH
RS4	9.3	1 (2)	561537	FR JCT BOX	FOG LT - LH
RS5	22.1	620	563205	FR. SERV. COMPT.	ABS
RS6	22.1	620	563205	FR. SERV. COMPT.	TRAILER ABS
RS7					
RS8					
RS9	7.1	100	563006	UNDER DASH	DISPLAY SW. INDICATOR
RS10	25.1	82	562108	FRONT ROOF	ELECTRICAL DEST. SIGN
RS11	15.1	2		PARCEL RACK	A/C VENTILATION UNIT
RS12	15.1	2		PARCEL RACK	A/C VENTILATION UNIT
RS13	15.1	470K	560805	RR JCT BOX	A/C COMPRESSOR AUX. DELAY
RS14					
RS15					
RS16					
RS17	7.2	220	562498	FR JCT BOX	FIRE ALARM
RS18	8.1	75K	064208	RR JCT BOX	FAN CLUTCH WITH A/C STD & OR RETARDER
RS19	9.3	24	562903	RR JCT BOX	CYCLOPS LTS - TAIL
RS20	17.1	1K	562470	FR SERV COMPT.	VSS SIGNAL-VOLTAGE DIVIDER
RS21	24.1	100	563006	RH UNDER DASH	ENTRANCE DOOR OPEN SOL.
RS22					
RS23					
RS24	9.1	1.5K	562908	UNDER DASH	HEAD LTS SWITCH LED
RS25	9.3	1.5K	562908	UNDER DASH	FOG LTS SWITCH LED
RS26					
RS27					
RS28					
RS29	27.1	1.5K	562908	GALLEY	LED SWITCH - VOLTAGE DIVIDER
RS30	27.1	1.5K	562908	GALLEY	LED SWITCH - VOLTAGE DIVIDER
RS31	27.1	1.5K	562908	GALLEY	LED SWITCH - VOLTAGE DIVIDER
RS32	27.1	1.5K	562908	GALLEY	LED SWITCH - VOLTAGE DIVIDER
RS33	27.1	1.5K	562908	GALLEY	LED SWITCH - VOLTAGE DIVIDER
RS34	27.1	1.5K	562908	GALLEY	LED SWITCH - VOLTAGE DIVIDER
RS35	27.1	1.5K	562908	GALLEY	LED SWITCH - VOLTAGE DIVIDER
RS36					
RS37					
RS38	5.2	120	562882	DDEC ECM	EATON TERMINATING RESISTOR
RS39	6.3	120	562882	FR JCT BOX	EATON TERMINATING RESISTOR
RS40	15.3	1.5K	562908	UNDER DASH	UPPER FAN DEFROST LED SW.
RS41	26.1	1M	065830	LAVATORY TRAP SW	FLUSH PUMP TIME DELAY
RS63	26.1	330K	065755	EVAP. COMPT.	EVAP. MOTOR - TIME DELAY

WIRING DIAGRAM KEYS



- BLK BLACK
- YEL YELLOW
- RED RED
- WH WHITE
- GRY GREY
- ORA ORANGE
- BLU BLUE
- GRN GREEN
- BRN BROWN
- PUR PURPLE
- PK PINK

FUSES CODE

No.	PAGE	AMP.	#PREV.	LOCATION	FUNCTION
F 1	6.1	10A	562407	FR JCT BOX	WORLD TRANSM 12V BATT
F 2	6.1	10A	562407	FR JCT BOX	WORLD TRANSM 12V IGN.
F 3	7.2	20A	562605	FR JCT BOX	ELECTRICAL HORNS
F 4	7.2	5A	562259	FR JCT BOX	FIRE ALARME
F 5	8.1	7.5A	562602	FR JCT BOX	AIR DRYER
F 6	17.1	3A	562599	FR JCT BOX	STEERING CONTROL
F 7	4.2	3A	560893	RH ENG.CPT.	STARTER ON T.T.LT.
F 8					
F 9	11.1	3A	560893	BATT. COMPT.	BATT. COMPT. LTS
F 10	9.3	15A	562604	FR JCT BOX	FOG LTS
F 11					
F 12	11.3	10	562407	FR JCT BOX	AISLE LTS
F 13	11.3	7.5	562602	FR JCT BOX	EMERGENCY LTS
F 14	11.2	15A	562604	FR JCT BOX	DRIVER'S LTS SW.
F 15	11.4	15A	562604	RR JCT BOX	READING LAMP
F 16	11.4	15A	562604	RR JCT BOX	READING LAMP
F 17	11.3	7.5	5626021	RR JCT BOX	HAT RACK LTS
F 18	11.5	10A	562407	RR JCT BOX	24V FLUORESCENT
F 19	11.5	10A	562407	RR JCT BOX	24V FLUORESCENT
F 20	11.4	5A	562259	FR JCT BOX	INTERIOR LTS SWITCH
F 21	19.1	10A	562407	RR JCT BOX	FUEL PRIME PUMP
F 22	13.1	10A	562407	FR JCT BOX	POWER OUTLET DASH R.H.
F 23	19.1	15A	562604	FR JCT BOX	DRIVER'S & ENTRANCE WINDOW LIFTER
F 24	13.1	15A	562604	FR JCT BOX	CIGAR LIGHTER & POWER OUTLET L.H.CONSOLE
F 25	19.1	3A	562599	FR JCT BOX	SUN VISOR
F 26	14.1	5A	562259	FR JCT BOX	WATER HTR TIMER
F 27	11.4	10A	562407	RR JCT BOX	INDIRECT LTS
F 28	11.4	10A	562407	RR JCT BOX	INDIRECT LTS
F 29	28.1	7A		UNDER DASH	RADIO
F 30	28.1	7.5A		UNDER DASH	RADIO
F 31	25.1	5A	562259	FR JCT BOX	DESTINATION SIGN
F 32					
F 33	18.1	5	562259	FR JCT BOX	KNEELING SYSTEM
F 34					
F 35					
F 36					
F 37					
F 38					
F 39					
F 40	28.5	7.5		FR JCT BOX	CB OPTION
F 41					
F 42					
F 43					
F 44					
F 45					
F 46					
F 47	16.1	7.5A	562602	FR JCT BOX	RR VIEW MIRROR
F 48	9.2	3A	562599	FR JCT BOX	KNEELING WARN. IND.
F 49					
F 50					
F 70	27.1	7.5		GALLEY	RH CONTAINER
F 71	27.1	7.5		GALLEY	LH CONTAINER
F 72	27.1	10		GALLEY	REFRIGERATOR
F 73	27.1	35		GALLEY	COFFEEMAKER
F 74	27.1	7.5		GALLEY	REFRIGERATOR
F 75					

FUSES CODE

No.	PAGE	AMP.	#PREV.	LOCATION	FUNCTION
-----	------	------	--------	----------	----------

FUSES CODE

No.	PAGE	AMP.	#PREV.	LOCATION	FUNCTION
F 1	6.1	10A	562407	FR JCT BOX	WORLD TRANSM 12V BATT
F 2	6.1	10A	562407	FR JCT BOX	WORLD TRANSM 12V IGN.
F 3	7.2	20A	562605	FR JCT BOX	ELECTRICAL HORNS
F 4	7.2	5A	562259	FR JCT BOX	FIRE ALARME
F 5	8.1	7.5A	562602	FR JCT BOX	AIR DRYER
F 6	17.1	3A	562599	FR JCT BOX	STEERING CONTROL
F 7	4.2	3A	560893	RH ENG.CPT.	STARTER ON T.T.LT.
F 8					
F 9	11.1	3A	560893	BATT. COMPT.	BATT. COMPT. LTS
F 10	9.3	15A	562604	FR JCT BOX	FOG LTS
F 11					
F 12	11.3	10	562407	FR JCT BOX	AISLE LTS
F 13	11.3	7.5	562602	FR JCT BOX	EMERGENCY LTS
F 14	11.2	15A	562604	FR JCT BOX	DRIVER'S LTS SW.
F 15	11.4	15A	562604	RR JCT BOX	READING LAMP
F 16	11.4	15A	562604	RR JCT BOX	READING LAMP
F 17	11.3	7.5	5626021	RR JCT BOX	HAT RACK LTS
F 18	11.5	10A	562407	RR JCT BOX	24V FLUORESCENT
F 19	11.5	10A	562407	RR JCT BOX	24V FLUORESCENT
F 20	11.4	5A	562259	FR JCT BOX	INTERIOR LTS SWITCH
F 21	19.1	10A	562407	RR JCT BOX	FUEL PRIME PUMP
F 22	13.1	10A	562407	FR JCT BOX	POWER OUTLET DASH R.H.
F 23	19.1	15A	562604	FR JCT BOX	DRIVER'S & ENTRANCE WINDOW LIFTER
F 24	13.1	15A	562604	FR JCT BOX	CIGAR LIGHTER & POWER OUTLET L.H.CONSOLE
F 25	19.1	3A	562599	FR JCT BOX	SUN VISOR
F 26	14.1	5A	562259	FR JCT BOX	WATER HTR TIMER
F 27	11.4	10A	562407	RR JCT BOX	INDIRECT LTS
F 28	11.4	10A	562407	RR JCT BOX	INDIRECT LTS
F 29	28.1	7A		UNDER DASH	RADIO
F 30	28.1	7.5A		UNDER DASH	RADIO
F 31	25.1	5A	562259	FR JCT BOX	DESTINATION SIGN
F 32					
F 33	18.1	5A	562259	FR JCT BOX	KNEELING SYSTEM
F 34					
F 35					
F 36					
F 37					
F 38					
F 39					
F 40	28.5	7.5A		FR JCT BOX	CB OPTION
F 41					
F 42					
F 43					
F 44					
F 45					
F 46	9.3sp1	10A	562407	RR JCT BOX	DOCKING LTS
F 47	16.1	7.5A	562602	FR JCT BOX	RR VIEW MIRROR
F 48	9.2	3A	562599	FR JCT BOX	KNEELING WARN. IND.
F 49					
F 50					
F 70	27.1	7.5A		GALLEY	RH CONTAINER
F 71	27.1	7.5A		GALLEY	LH CONTAINER
F 72	27.1	10A		GALLEY	REFRIGERATOR
F 73	27.1	35A		GALLEY	COFFEEMAKER
F 74	27.1	7.5A		GALLEY	REFRIGERATOR
F 75	9.2sp1	10A	562407	FR JCT BOX	CORNERING LTS

FUSES CODE

No.	PAGE	AMP.	#PREV.	LOCATION	FUNCTION
-----	------	------	--------	----------	----------

FUSES CODE

No.	PAGE	AMP.	#PREV.	LOCATION	FUNCTION
F 1	6.1	10A	562407	FR JCT BOX	WORLD TRANSM 12V BATT
F 2	6.1	10A	562407	FR JCT BOX	WORLD TRANSM 12V IGN.
F 3	7.2	20A	562605	FR JCT BOX	ELECTRICAL HORNS
F 4	7.2	5A	562259	FR JCT BOX	FIRE ALARME
F 5	8.1	7.5A	562602	FR JCT BOX	AIR DRYER
F 6	17.1	3A	562599	FR JCT BOX	STEERING CONTROL
F 7	4.2	3A	560893	RH ENG.CPT.	STARTER ON T.T.LT.
F 8					
F 9	11.1	3A	560893	BATT. COMPT.	BATT. COMPT. LTS
F 10	9.3	15A	562604	FR JCT BOX	FOG LTS
F 11					
F 12	11.3	10	562407	FR JCT BOX	AISLE LTS
F 13	11.3	7.5	562602	FR JCT BOX	EMERGENCY LTS
F 14	11.2	15A	562604	FR JCT BOX	DRIVER'S LTS SW.
F 15	11.4	15A	562604	RR JCT BOX	READING LAMP
F 16	11.4	15A	562604	RR JCT BOX	READING LAMP
F 17	11.3	7.5	562602	RR JCT BOX	HAT RACK LTS
F 18	11.5	10A	562407	RR JCT BOX	24V FLUORESCENT
F 19	11.5	10A	562407	RR JCT BOX	24V FLUORESCENT
F 20	11.4	5A	562259	FR JCT BOX	INTERIOR LTS SWITCH
F 21	19.1	10A	562407	RR JCT BOX	FUEL PRIME PUMP
F 22	13.1	10A	562407	FR JCT BOX	POWER OUTLET DASH R.H.
F 23	19.1	15A	562604	FR JCT BOX	DRIVER'S & ENTRANCE WINDOW LIFTER
F 24	13.1	15A	562604	FR JCT BOX	CIGAR LIGHTER & POWER OUTLET L.H.CONSOLE
F 25	19.1	3A	562599	FR JCT BOX	SUN VISOR
F 26	14.1	7.5A	562602	FR JCT BOX	WATER HTR TIMER
F 27	11.4	10A	562407	RR JCT BOX	INDIRECT LTS
F 28	11.4	10A	562407	RR JCT BOX	INDIRECT LTS
F 29	28.1	7A		UNDER DASH	RADIO
F 30	28.1	7.5A		UNDER DASH	RADIO
F 31	25.1	5A	562259	FR JCT BOX	DESTINATION SIGN
F 32					
F 33	18.1	5A	562259	FR JCT BOX	KNEELING SYSTEM
F 34					
F 35					
F 36					
F 37					
F 38					
F 39					
F 40	28.5	7.5A		FR JCT BOX	CB OPTION
F 41					
F 42	28.5	3A		FR JCT BOX	WIRELESS MICRO CHARGER
F 43					
F 44					
F 45					
F 46	9.3sp1	10A	562407	RR JCT BOX	DOCKING LTS
F 47	16.1	7.5A	562602	FR JCT BOX	RR VIEW MIRROR
F 48	9.2	3A	562599	FR JCT BOX	KNEELING WARN. IND.
F 49					
F 50					
F 70	27.1	7.5A		GALLEY	RH CONTAINER
F 71	27.1	7.5A		GALLEY	LH CONTAINER
F 72	27.1	10A		GALLEY	REFRIGERATOR
F 73	27.1	35A		GALLEY	COFFEEMAKER
F 74	27.1	7.5A		GALLEY	REFRIGERATOR
F 75	9.2sp1	10A	562407	FR JCT BOX	CORNERING LTS

FUSES CODE

No.	PAGE	AMP.	#PREV.	LOCATION	FUNCTION
-----	------	------	--------	----------	----------

FUSES CODE

No.	PAGE	AMP.	#PREV.	LOCATION	FUNCTION
F 1	6.1	10A	562407	FR JCT BOX	WORLD TRANSM 12V BATT
F 2	6.1	10A	562407	FR JCT BOX	WORLD TRANSM 12V IGN.
F 3	7.2	20A	562605	FR JCT BOX	ELECTRICAL HORNS
F 4	7.2	5A	562259	FR JCT BOX	FIRE ALARME
F 5	8.1	7.5A	562602	FR JCT BOX	AIR DRYER
F 6	17.1	3A	562599	FR JCT BOX	STEERING CONTROL
F 7	4.2	3A	560893	RH ENG.CPT.	STARTER ON T.T.LT.
F 8					
F 9	11.1	3A	560893	BATT. COMPT.	BATT. COMPT. LTS
F 10	9.3	15A	562604	FR JCT BOX	FOG LTS
F 11					
F 12	11.3	10	562407	FR JCT BOX	AISLE LTS
F 13	11.3	7.5	562602	FR JCT BOX	EMERGENCY LTS
F 14	11.2	15A	562604	FR JCT BOX	DRIVER'S LTS SW.
F 15	11.4	15A	562604	RR JCT BOX	READING LAMP
F 16	11.4	15A	562604	RR JCT BOX	READING LAMP
F 17	11.3	7.5	562602	RR JCT BOX	HAT RACK LTS
F 18	11.5	10A	562407	RR JCT BOX	24V FLUORESCENT
F 19	11.5	10A	562407	RR JCT BOX	24V FLUORESCENT
F 20	11.4	5A	562259	FR JCT BOX	INTERIOR LTS SWITCH
F 21	19.1	10A	562407	RR JCT BOX	FUEL PRIME PUMP
F 22	13.1	10A	562407	FR JCT BOX	POWER OUTLET DASH R.H.
F 23	19.1	15A	562604	FR JCT BOX	DRIVER'S & ENTRANCE WINDOW LIFTER
F 24	13.1	15A	562604	FR JCT BOX	CIGAR LIGHTER & POWER OUTLET L.H.CONSOLE
F 25	19.1	3A	562599	FR JCT BOX	SUN VISOR
F 26	14.1	7.5A	562602	FR JCT BOX	WATER HTR TIMER
F 27	11.4	10A	562407	RR JCT BOX	INDIRECT LTS
F 28	11.4	10A	562407	RR JCT BOX	INDIRECT LTS
F 29	28.1	7A		UNDER DASH	RADIO
F 30	28.1	7.5A		UNDER DASH	RADIO
F 31	25.1	5A	562259	FR JCT BOX	DESTINATION SIGN
F 32					
F 33	18.1	5A	562259	FR JCT BOX	KNEELING SYSTEM
F 34					
F 35					
F 36					
F 37					
F 38					
F 39					
F 40	28.5	7.5A		FR JCT BOX	CB OPTION
F 41					
F 42	28.5	3A		FR JCT BOX	WIRELESS MICRO CHARGER
F 43					
F 44					
F 45					
F 46	9.3sp1	10A	562407	RR JCT BOX	DOCKING LTS
F 47	16.1	7.5A	562602	FR JCT BOX	RR VIEW MIRROR
F 48	9.2	3A	562599	FR JCT BOX	KNEELING WARN. IND.
F 49	6.3	10A	562407	FR JCT BOX	EATON TRANS
F 61	30.1	1A	561134	FR JCT BOX	INTERCOM
F 70	27.1	7.5A		GALLEY	RH CONTAINER
F 71	27.1	7.5A		GALLEY	LH CONTAINER
F 72	27.1	10A		GALLEY	REFRIGERATOR
F 73	27.1	35A		GALLEY	COFFEEMAKER
F 74	27.1	7.5A		GALLEY	REFRIGERATOR
F 75	9.2sp1	10A	562407	FR JCT BOX	CORNERING LTS

FUSES CODE

No.	PAGE	AMP.	#PREV.	LOCATION	FUNCTION
-----	------	------	--------	----------	----------

FUSES CODE

No.	PAGE	AMP.	#PREV.	LOCATION	FUNCTION	No.	PAGE	AMP	#PREV	LOCATION	FUNCTION
F 1	6.1	10A	562407	FR JCT BOX	WORLD TRANSM 12V BATT	F 76	28.7	1A	562597	SOUND SYS JC BOX	DVD KARAOKE
F 2	6.1	10A	562407	FR JCT BOX	WORLD TRANSM 12V IGN.	F 77	28.7	3A	562599	SOUND SYS JC BOX	DVD KARAOKE
F 3	7.2	20A	562605	FR JCT BOX	ELECTRICAL HORNS						
F 4	7.2	5A	562259	FR JCT BOX	FIRE ALARME						
F 5	8.1	7.5A	562602	FR JCT BOX	AIR DRYER						
F 6	17.1	3A	562599	FR JCT BOX	STEERING CONTROL						
F 7	4.2	3A	560893	RH ENG.CPT.	STARTER ON T.T.LT.						
F 8											
F 9	11.1	3A	560893	BATT. COMPT.	BATT. COMPT. LTS						
F 10	9.3	15A	562604	FR JCT BOX	FOG LTS						
F 11											
F 12	11.3	10	562407	FR JCT BOX	aisle LTS						
F 13	11.3	7.5	562602	FR JCT BOX	EMERGENCY LTS						
F 14	11.2	15A	562604	FR JCT BOX	DRIVER'S LTS SW.						
F 15	11.4	15A	562604	RR JCT BOX	READING LAMP						
F 16	11.4	15A	562604	RR JCT BOX	READING LAMP						
F 17	11.3	7.5	562602	RR JCT BOX	HAT RACK LTS						
F 18	11.5	10A	562407	RR JCT BOX	24V FLUORESCENT						
F 19	11.5	10A	562407	RR JCT BOX	24V FLUORESCENT						
F 20	11.4	5A	562259	FR JCT BOX	INTERIOR LTS SWITCH						
F 21	19.1	10A	562407	RR JCT BOX	FUEL PRIME PUMP						
F 22	13.1	10A	562407	FR JCT BOX	POWER OUTLET DASH R.H.						
F 23	19.1	15A	562604	FR JCT BOX	DRIVER'S & ENTRANCE WINDOW LIFTER						
F 24	13.1	15A	562604	FR JCT BOX	CIGAR LIGHTER & POWER OUTLET L.H.CONSOLE						
F 25	19.1	3A	562599	FR JCT BOX	SUN VISOR						
F 26	14.1	7.5A	562602	FR JCT BOX	WATER HTR TIMER						
F 27	11.4	10A	562407	RR JCT BOX	INDIRECT LTS						
F 28	11.4	10A	562407	RR JCT BOX	INDIRECT LTS						
F 29	28.1	7A		UNDER DASH	RADIO						
F 30	28.1	7.5A		UNDER DASH	RADIO						
F 31	25.1	5A	562259	FR JCT BOX	DESTINATION SIGN						
F 32											
F 33	18.1	5A	562259	FR JCT BOX	KNEELING SYSTEM						
F 34											
F 35											
F 36											
F 37											
F 38											
F 39											
F 40	28.5	7.5A		FR JCT BOX	CB OPTION						
F 41											
F 42	28.5	3A		FR JCT BOX	WIRELESS MICRO CHARGER						
F 43	1.2	3A	562599	BATT. COMP.	12V SIGNAL.TO BATT. MONITOR						
F 44	1.2	3A	562599	BATT. COMP.	12V SIGNAL.TO BATT. MONITOR						
F 45											
F 46	9.3sp1	10A	562407	RR JCT BOX	DOCKING LTS						
F 47	16.1	7.5A	562602	FR JCT BOX	RR VIEW MIRROR						
F 48	9.2	3A	562599	FR JCT BOX	KNEELING WARN. IND.						
F 49	6.3	10A	562407	FR JCT BOX	EATON TRANS						
F 61	30.1	1A	561134	FR JCT BOX	INTERCOM						
F 70	27.1	7.5A		GALLEY	RH CONTAINER						
F 71	27.1	7.5A		GALLEY	LH CONTAINER						
F 72	27.1	10A		GALLEY	REFRIGERATOR						
F 73	27.1	35A		GALLEY	COFFEEMAKER						
F 74	27.1	7.5A		GALLEY	REFRIGERATOR						
F 75	9.2sp1	10A	562407	FR JCT BOX	CORNERING LTS						

FUSES CODE

No. PAGE AMP. #PREV. LOCATION FUNCTION

No. PAGE AMP #PREV LOCATION FUNCTION

FUSES CODE

No.	PAGE	AMP.	#PREV.	LOCATION	FUNCTION	No.	PAGE	AMP	#PREV	LOCATION	FUNCTION
F 1	6.1	10A	562407	FR JCT BOX	WORLD TRANSM 12V BATT	F 76	28.7	1A	562597	SOUND SYS JC BOX	DVD KARAOKE
F 2	6.1	10A	562407	FR JCT BOX	WORLD TRANSM 12V IGN.	F 77	28.7	3A	562599	SOUND SYS JC BOX	DVD KARAOKE
F 3	7.2	20A	562605	FR JCT BOX	ELECTRICAL HORNS						
F 4	7.2	5A	562259	FR JCT BOX	FIRE ALARME						
F 5											
F 6	17.1	3A	562599	FR JCT BOX	STEERING CONTROL						
F 7	4.2	3A	560893	RH ENG.CPT.	STARTER ON T.T.LT.						
F 8											
F 9	11.1	3A	560893	BATT. COMPT.	BATT. COMPT. LTS						
F 10	9.3	15A	562604	FR JCT BOX	FOG LTS						
F 11											
F 12	11.3	10	562407	FR JCT BOX	aisle LTS						
F 13	11.3	7.5	562602	FR JCT BOX	EMERGENCY LTS						
F 14	11.2	15A	562604	FR JCT BOX	DRIVER'S LTS SW.						
F 15	11.4	15A	562604	RR JCT BOX	READING LAMP						
F 16	11.4	15A	562604	RR JCT BOX	READING LAMP						
F 17	11.3	7.5	562602	RR JCT BOX	HAT RACK LTS						
F 18	11.5	10A	562407	RR JCT BOX	24V FLUORESCENT						
F 19	11.5	10A	562407	RR JCT BOX	24V FLUORESCENT						
F 20	11.4	5A	562259	FR JCT BOX	INTERIOR LTS SWITCH						
F 21	19.1	10A	562407	RR JCT BOX	FUEL PRIME PUMP						
F 22	13.1	10A	562407	FR JCT BOX	POWER OUTLET DASH R.H.						
F 23	19.1	15A	562604	FR JCT BOX	DRIVER'S & ENTRANCE WINDOW LIFTER						
F 24	13.1	15A	562604	FR JCT BOX	CIGAR LIGHTER & POWER OUTLET L.H.CONSOLE						
F 25	19.1	3A	562599	FR JCT BOX	SUN VISOR						
F 26	14.1	7.5A	562602	FR JCT BOX	WATER HTR TIMER						
F 27	11.4	10A	562407	RR JCT BOX	INDIRECT LTS						
F 28	11.4	10A	562407	RR JCT BOX	INDIRECT LTS						
F 29	28.1	7A		UNDER DASH	RADIO						
F 30	28.1	7.5A		UNDER DASH	RADIO						
F 31	25.1	5A	562259	FR JCT BOX	DESTINATION SIGN						
F 32											
F 33	18.1	5A	562259	FR JCT BOX	KNEELING SYSTEM						
F 34											
F 35											
F 36											
F 37											
F 38											
F 39											
F 40	28.5	7.5A		FR JCT BOX	CB OPTION						
F 41											
F 42	28.5	3A		FR JCT BOX	WIRELESS MICRO CHARGER						
F 43	1.2	3A	562599	BATT. COMP.	12V SIGNAL.TO BATT. MONITOR						
F 44	1.2	3A	562599	BATT. COMP.	12V SIGNAL.TO BATT. MONITOR						
F 45											
F 46	9.3sp1	10A	562407	RR JCT BOX	DOCKING LTS						
F 47	16.1	7.5A	562602	FR JCT BOX	RR VIEW MIRROR						
F 48	9.2	3A	562599	FR JCT BOX	KNEELING WARN. IND.						
F 49	6.3	10A	562407	FR JCT BOX	EATON TRANS						
F 61	30.1	1A	561134	FR JCT BOX	INTERCOM						
F 70	27.1	7.5A		GALLEY	RH CONTAINER						
F 71	27.1	7.5A		GALLEY	LH CONTAINER						
F 72	27.1	10A		GALLEY	REFRIGERATOR						
F 73	27.1	35A		GALLEY	COFFEEMAKER						
F 74	27.1	7.5A		GALLEY	REFRIGERATOR						
F 75	9.2sp1	10A	562407	FR JCT BOX	CORNERING LTS						

FUSES CODE

No. PAGE AMP. #PREV. LOCATION FUNCTION

No. PAGE AMP #PREV LOCATION FUNCTION

FUSES CODE

No.	PAGE	AMP.	#PREV.	LOCATION	FUNCTION	No.	PAGE	AMP	#PREV	LOCATION	FUNCTION
F 1	6.1	10A	562407	FR JCT BOX	WORLD TRANSM 12V BATT	F 76	28.7	1A	562597	SOUND SYS JC BOX	DVD KARAOKE
F 2	6.1	10A	562407	FR JCT BOX	WORLD TRANSM 12V IGN.	F 77	28.7	3A	562599	SOUND SYS JC BOX	DVD KARAOKE
F 3	7.2	20A	562605	FR JCT BOX	ELECTRICAL HORNS						
F 4	7.2	5A	562259	FR JCT BOX	FIRE ALARME						
F 5	8.1	7.5 A	562602	FR JCT BOX	AIR DRYER						
F 6	17.1	3A	562599	FR JCT BOX	STEERING CONTROL						
F 7	4.2	3A	560893	RH ENG.CPT.	STARTER ON T.T.LT.						
F 8											
F 9	11.1	3A	560893	BATT. COMPT.	BATT. COMPT. LTS						
F 10	9.3	15A	562604	FR JCT BOX	FOG LTS						
F 11											
F 12	11.3	10	562407	FR JCT BOX	aisle LTS						
F 13	11.3	7.5	562602	FR JCT BOX	EMERGENCY LTS						
F 14	11.2	15A	562604	FR JCT BOX	DRIVER'S LTS SW.						
F 15	11.4	15A	562604	RR JCT BOX	READING LAMP						
F 16	11.4	15A	562604	RR JCT BOX	READING LAMP						
F 17	11.3	7.5	562602	RR JCT BOX	HAT RACK LTS						
F 18	11.5	10A	562407	RR JCT BOX	24V FLUORESCENT						
F 19	11.5	10A	562407	RR JCT BOX	24V FLUORESCENT						
F 20	11.4	5A	562259	FR JCT BOX	INTERIOR LTS SWITCH						
F 21	19.1	10A	562407	RR JCT BOX	FUEL PRIME PUMP						
F 22	13.1	10A	562407	FR JCT BOX	POWER OUTLET DASH R.H.						
F 23	19.1	15A	562604	FR JCT BOX	DRIVER'S & ENTRANCE WINDOW LIFTER						
F 24	13.1	15A	562604	FR JCT BOX	CIGAR LIGHTER & POWER OUTLET L.H.CONSOLE						
F 25	19.1	3A	562599	FR JCT BOX	SUN VISOR						
F 26	14.1	7.5A	562602	FR JCT BOX	WATER HTR TIMER						
F 27	11.4	10A	562407	RR JCT BOX	INDIRECT LTS						
F 28	11.4	10A	562407	RR JCT BOX	INDIRECT LTS						
F 29	28.1	7A		UNDER DASH	RADIO						
F 30	28.1	7.5A		UNDER DASH	RADIO						
F 31	25.1	5A	562259	FR JCT BOX	DESTINATION SIGN						
F 32											
F 33	18.1	5A	562259	FR JCT BOX	KNEELING SYSTEM						
F 34											
F 35											
F 36											
F 37											
F 38											
F 39											
F 40	28.5	7.5A		FR JCT BOX	CB OPTION						
F 41											
F 42	28.5	3A		FR JCT BOX	WIRELESS MICRO CHARGER						
F 43	1.2	3A	562599	BATT. COMP.	12V SIGNAL.TO BATT. MONITOR						
F 44	1.2	3A	562599	BATT. COMP.	12V SIGNAL.TO BATT. MONITOR						
F 45											
F 46	9.3sp1	10A	562407	RR JCT BOX	DOCKING LTS						
F 47	16.1	7.5A	562602	FR JCT BOX	RR VIEW MIRROR						
F 48	9.2	3A	562599	FR JCT BOX	KNEELING WARN. IND.						
F 49	6.3	10A	562407	FR JCT BOX	EATON TRANS						
F 61	30.1	1A	561134	FR JCT BOX	INTERCOM						
F 70	27.1	7.5A		GALLEY	RH CONTAINER						
F 71	27.1	7.5A		GALLEY	LH CONTAINER						
F 72	27.1	10A		GALLEY	REFRIGERATOR						
F 73	27.1	35A		GALLEY	COFFEEMAKER						
F 74	27.1	7.5A		GALLEY	REFRIGERATOR						
F 75	9.2sp1	10A	562407	FR JCT BOX	CORNERING LTS						

FUSES CODE

No. PAGE AMP. #PREV. LOCATION FUNCTION

No. PAGE AMP #PREV LOCATION FUNCTION

LOGIC GATE

TRUTH TABLE

AND GATE		
INPUT		OUT
A	B	C
0	0	0
0	1	0
1	0	0
1	1	1

• OUTPUT IS 1 WHEN ALL INPUT IS 1

NAND GATE		
INPUT		OUT
A	B	C
0	0	1
0	1	1
1	0	1
1	1	0

• OUTPUT IS 0 WHEN ALL INPUT IS 1

OR GATE		
INPUT		OUT
A	B	C
0	0	0
0	1	1
1	0	1
1	1	1

• OUTPUT IS 1 WHEN AT LEAST ONE INPUT IS 1

NOR GATE		
INPUT		OUT
A	B	C
0	0	1
0	1	0
1	0	0
1	1	0

• OUTPUT IS 1 WHEN NONE INPUT IS 1

NOT GATE		
INPUT	OUT	
A	B	
0	1	
1	0	

• OUTPUT IS REVERSE OF INPUT

ON-DELAY	
XX SECOND AFTER A=1 THAN B=1	

OFF-DELAY	
XX SECOND AFTER A=0 THAN B=0	

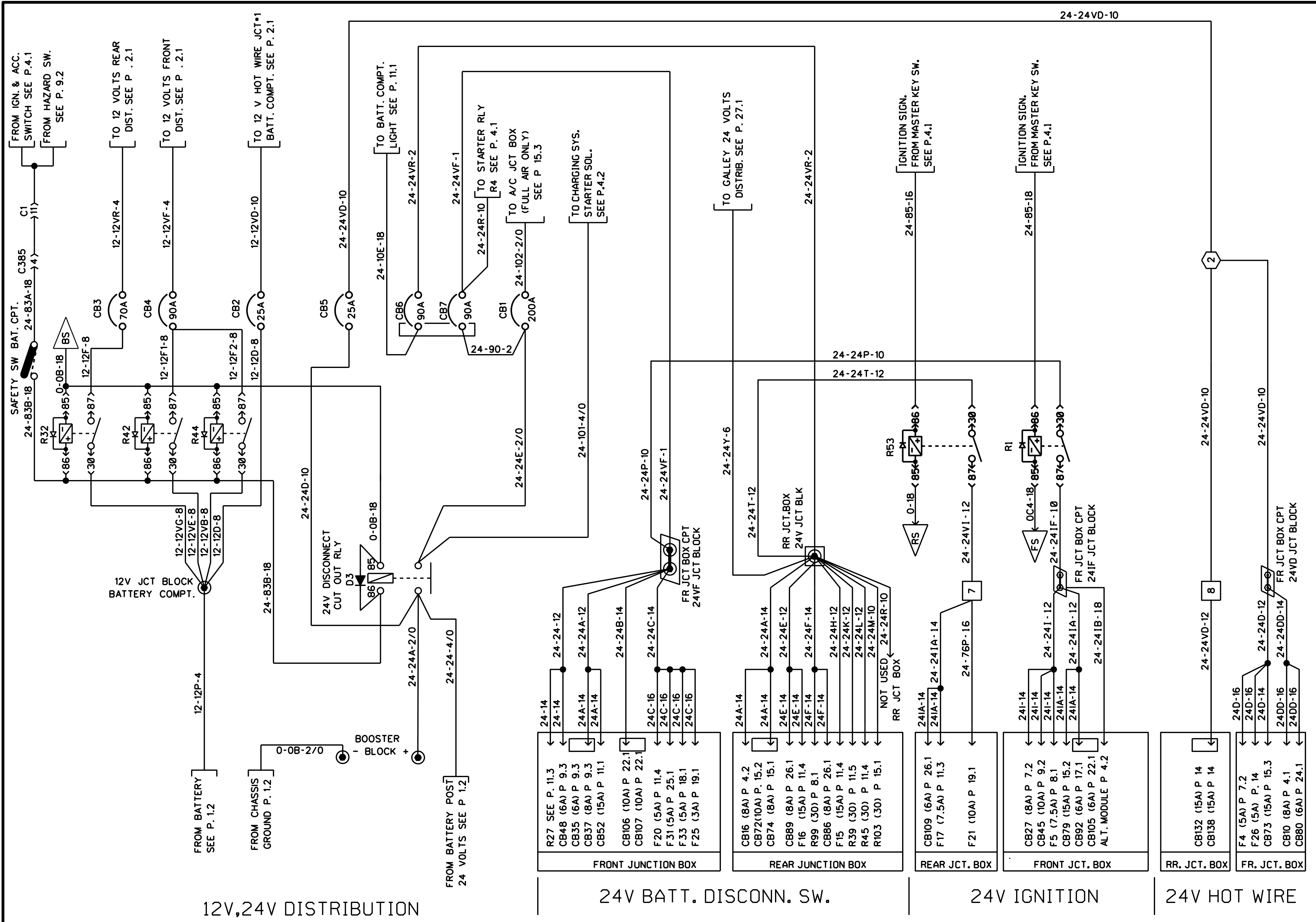
POSITIVE INPUT	
INPUT CONNECTED WITH SIGNAL 12V OR 24V SWITCH CLOSED • LEVEL 1 SWITCH OPENED • LEVEL 0	

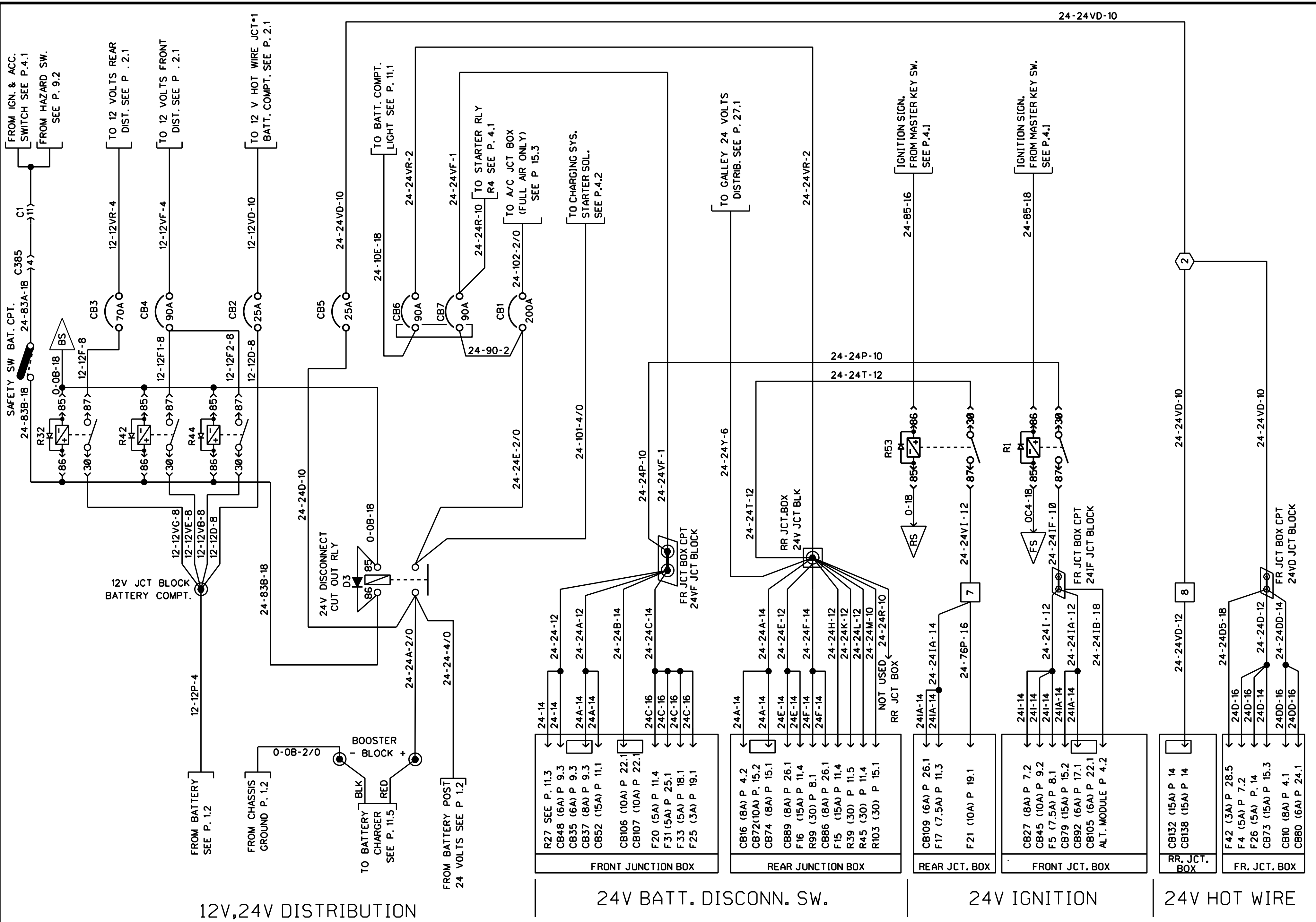
NEGATIVE INPUT	
INPUT CONNECTED WITH SIGNAL GROUND SWITCH CLOSED • LEVEL 0 SWITCH OPENED • LEVEL 1	

INPUT OR OUTPUT LEVEL

LEVEL 1 = 12 VOLTS OR 24 VOLTS

LEVEL 0 = 0 VOLT (TO GROUND)



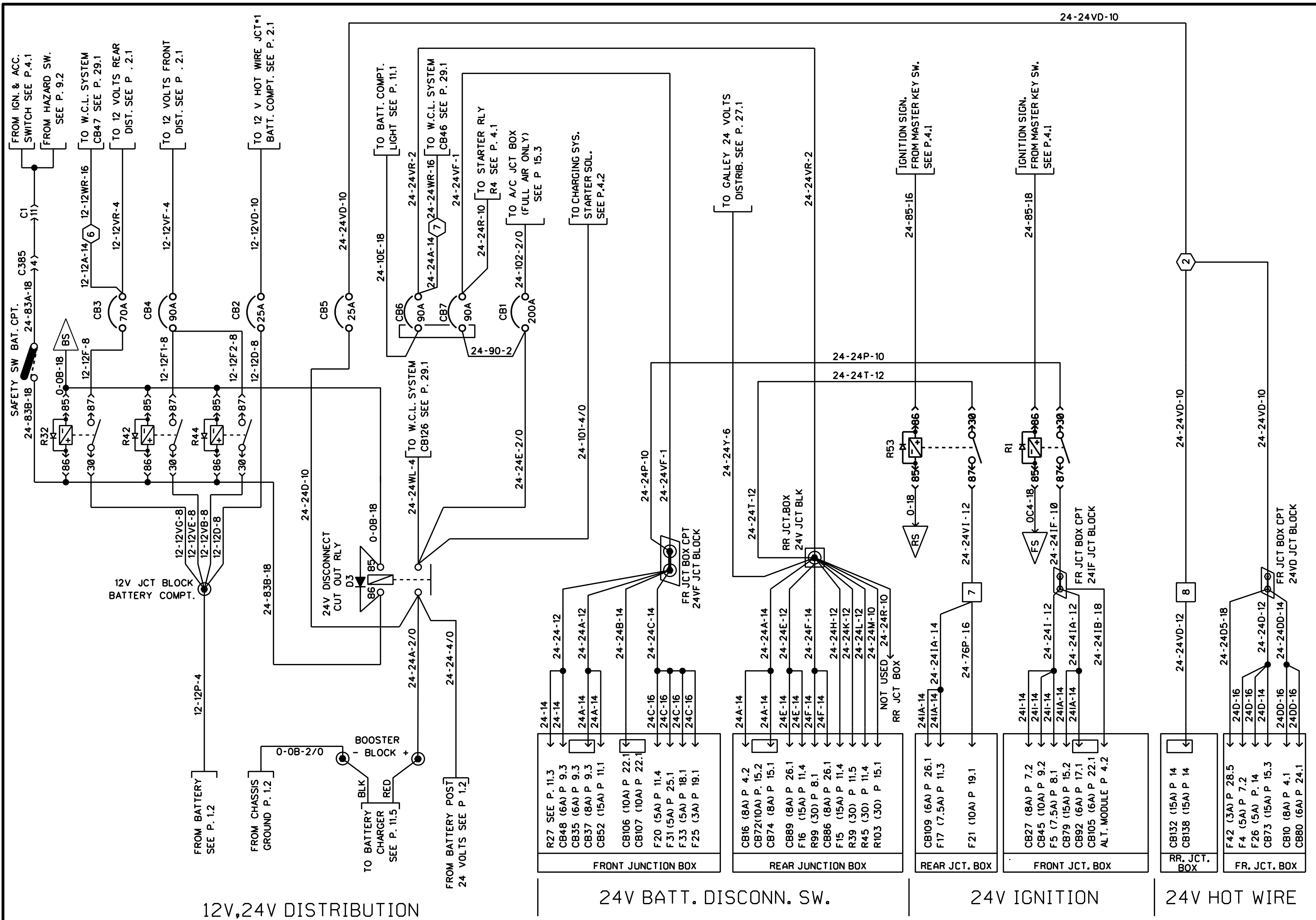


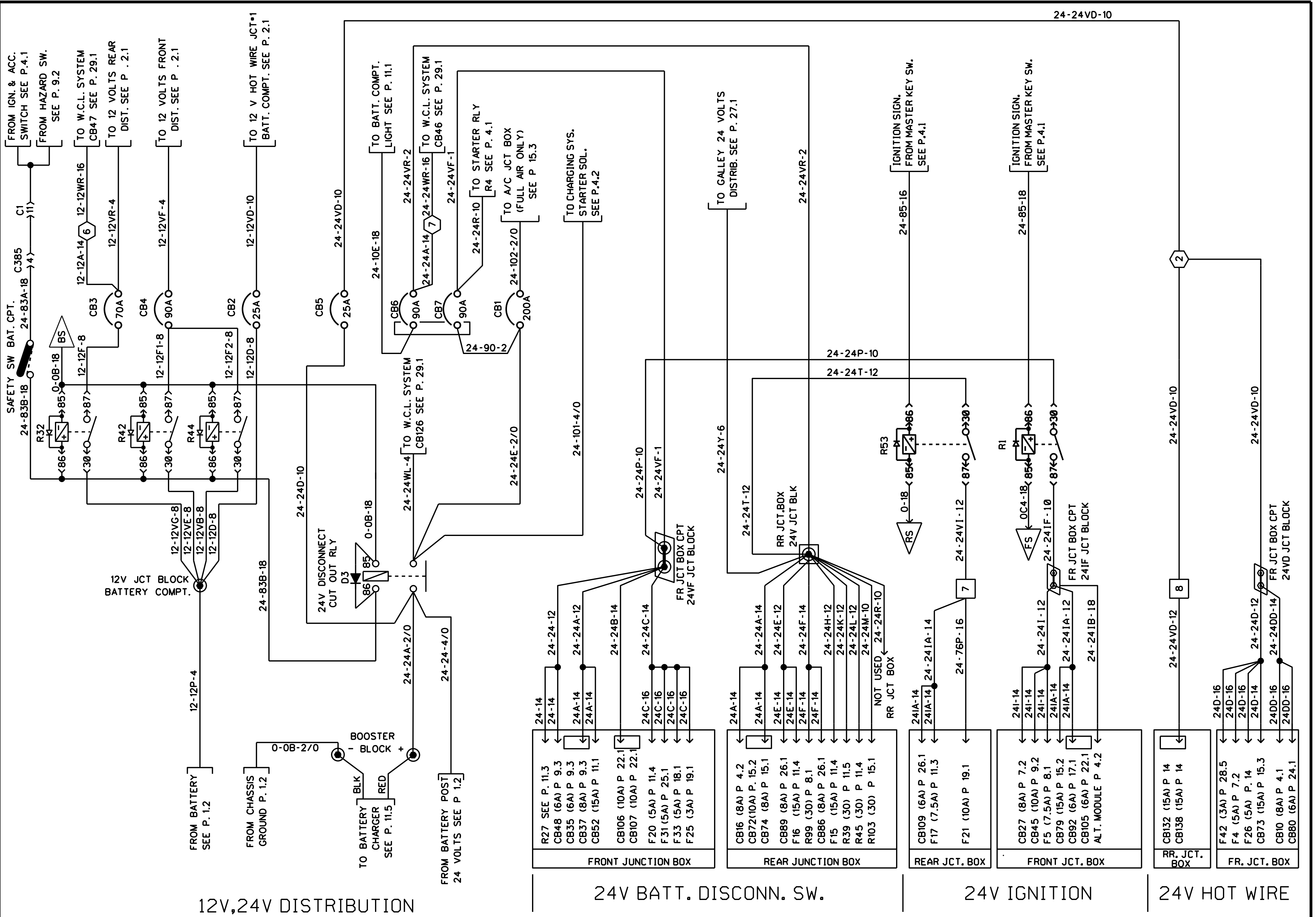
12V,24V DISTRIBUTION

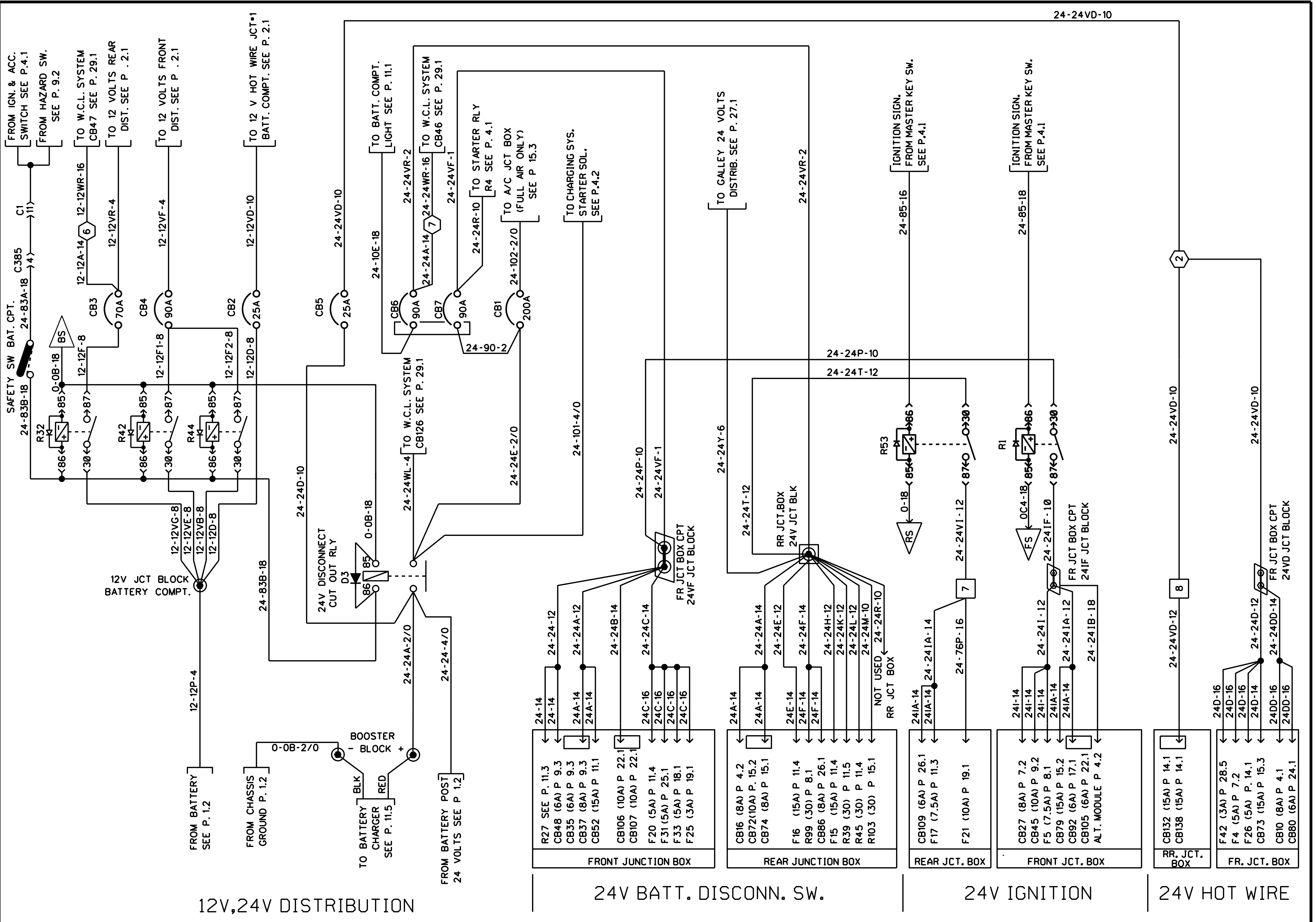
24V BATT. DISCONN. SW.

24V IGNITION

24V HOT WIRE







12V, 24V DISTRIBUTION

24V BATT. DISCONN. SW.

24V IGNITION

24V HOT WIRE

FRONT JUNCTION BOX

R27	SEE P. 11.3
CB48	(6A) P 9.3
CB35	(6A) P 9.3
CB37	(8A) P 9.3
CB52	(15A) P 11.1
CB106	(10A) P 22.1
CB107	(10A) P 22.1
F20	(5A) P 11.4
F31	(5A) P 25.1
F33	(5A) P 18.1
F25	(3A) P 19.1

REAR JUNCTION BOX

CB16	(8A) P 4.2
CB72	(10A) P 15.2
CB74	(8A) P 15.1
F16	(15A) P 11.4
R99	(30) P 8.1
CB86	(8A) P 26.1
F15	(15A) P 11.4
R39	(30) P 11.5
R45	(30) P 11.4
R103	(30) P 15.1

REAR JCT. BOX

CB109	(6A) P 26.1
F17	(7.5A) P 11.3
F21	(10A) P 19.1

FRONT JCT. BOX

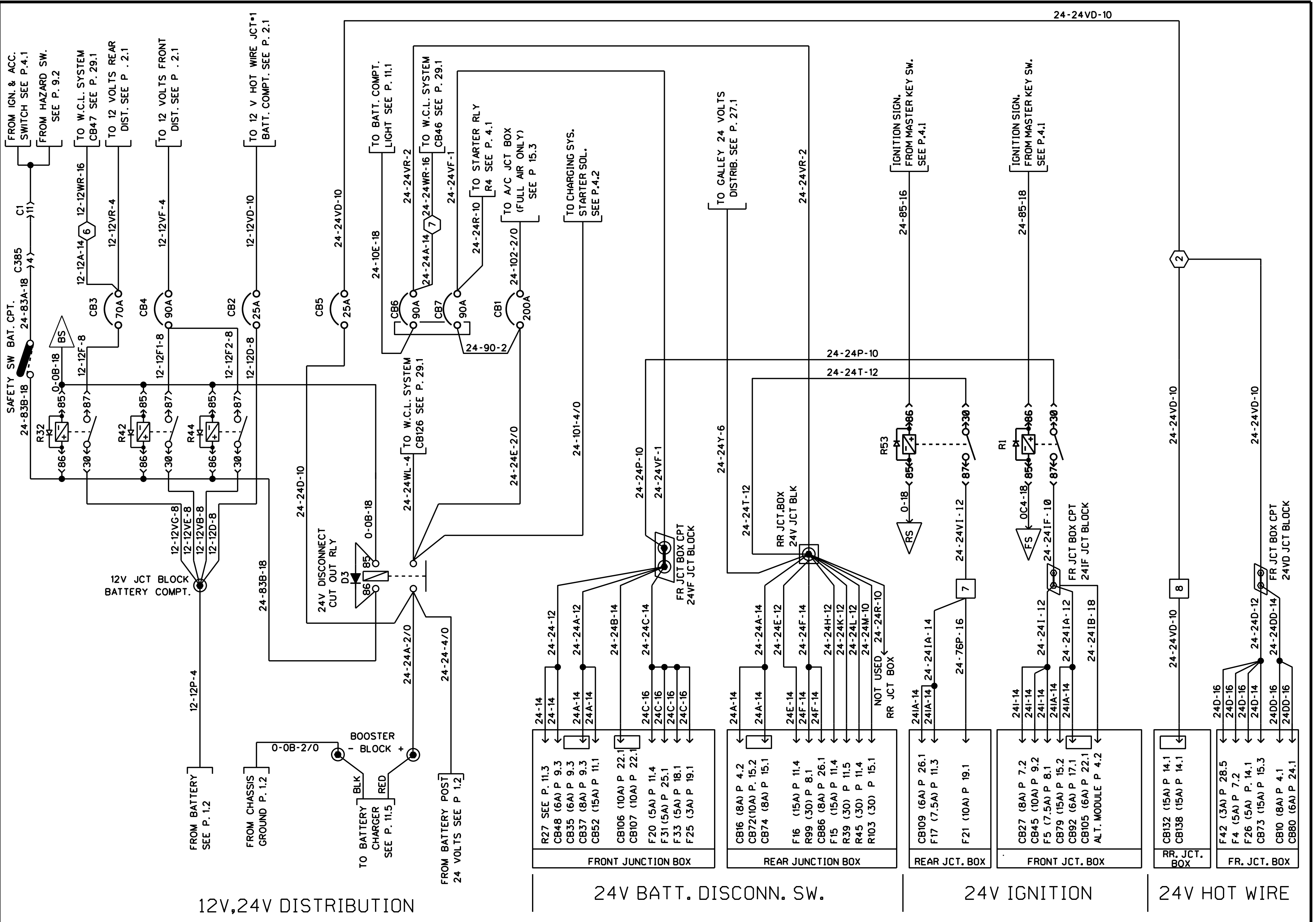
CB27	(8A) P 7.2
CB45	(10A) P 9.2
F5	(7.5A) P 8.1
CB79	(15A) P 15.2
CB92	(6A) P 17.1
CB105	(6A) P 22.1
AL.T. MODULE	P 4.2

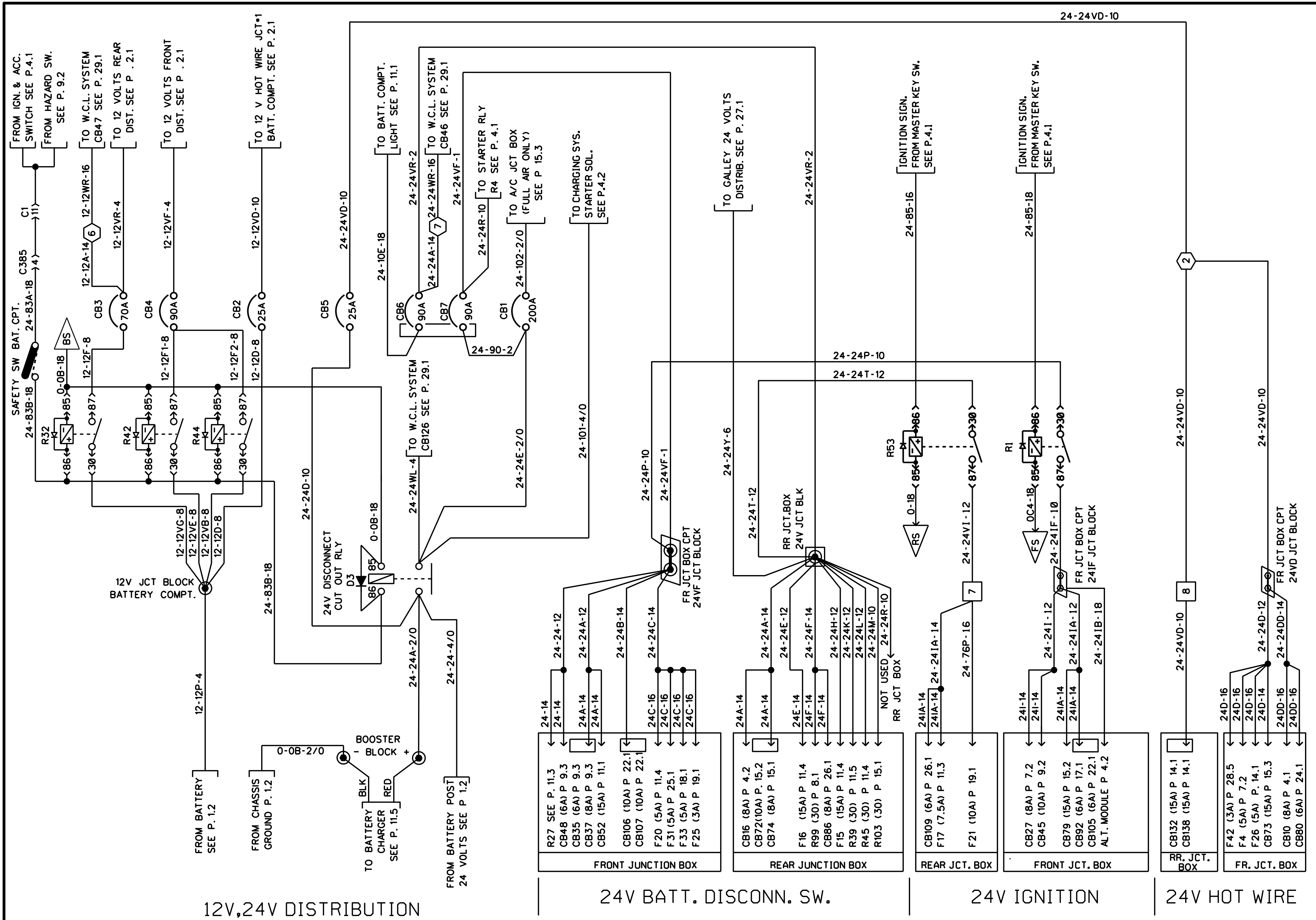
RR. JCT. BOX

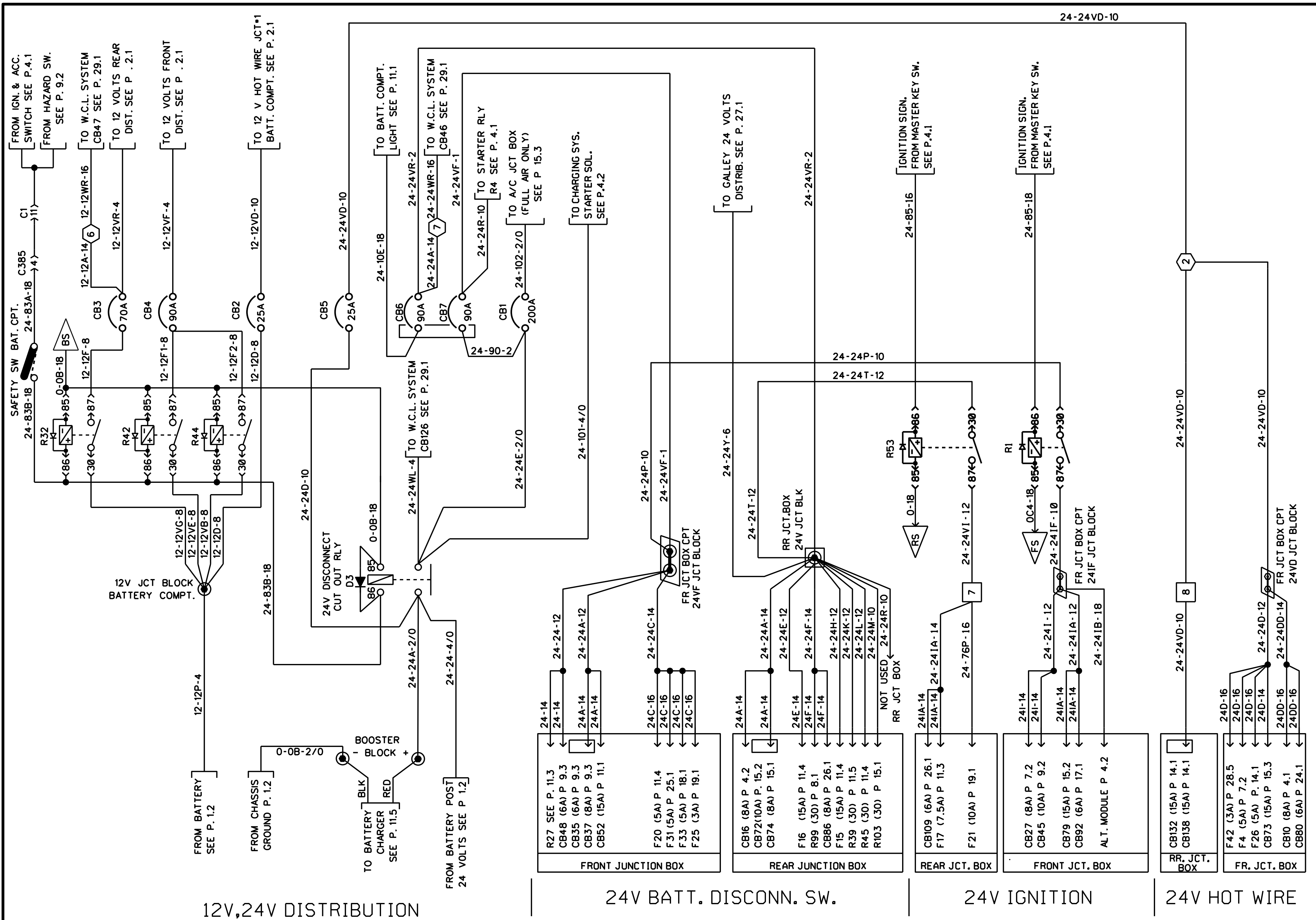
CB132	(15A) P 14.1
CB138	(15A) P 14.1

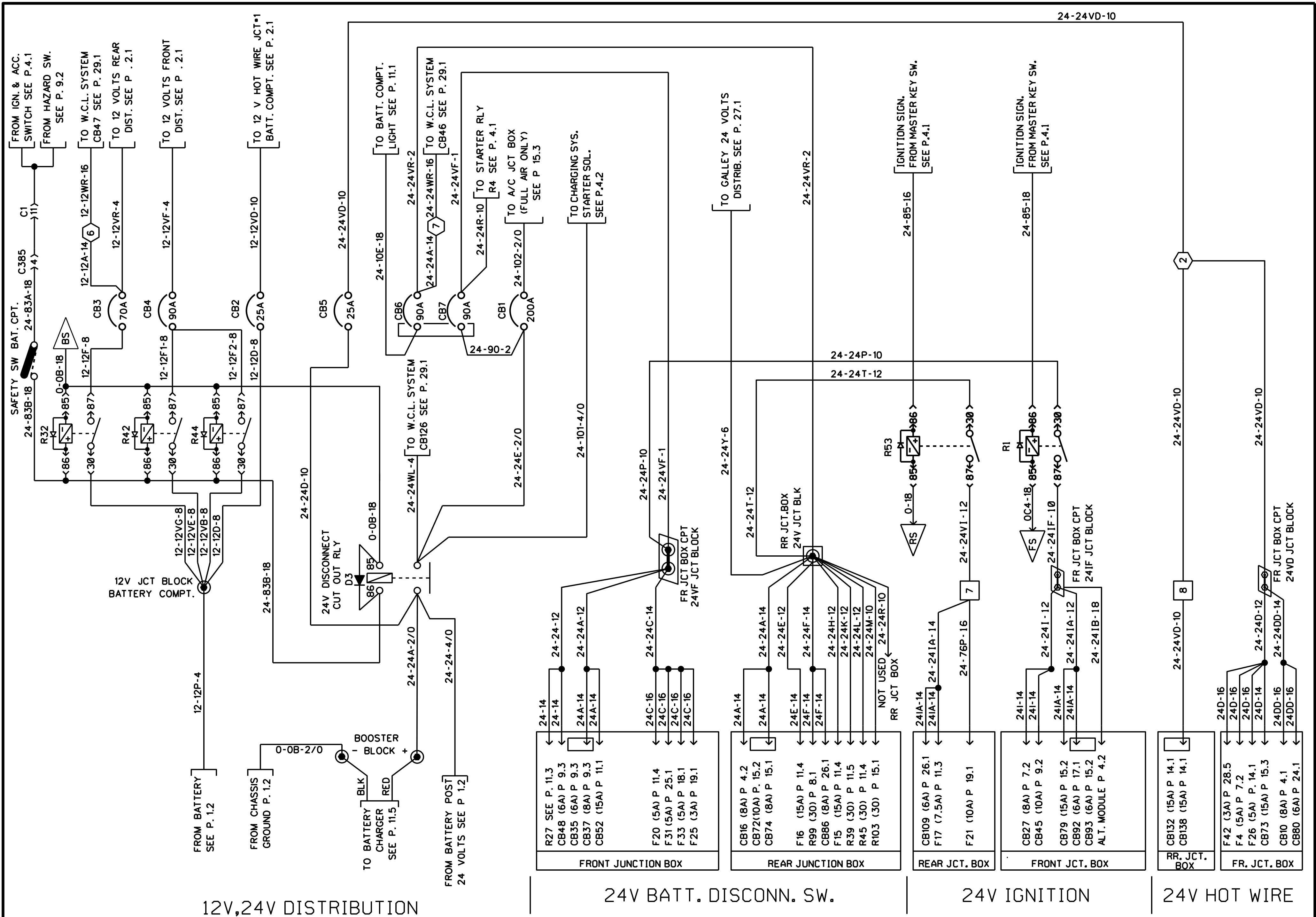
FR. JCT. BOX

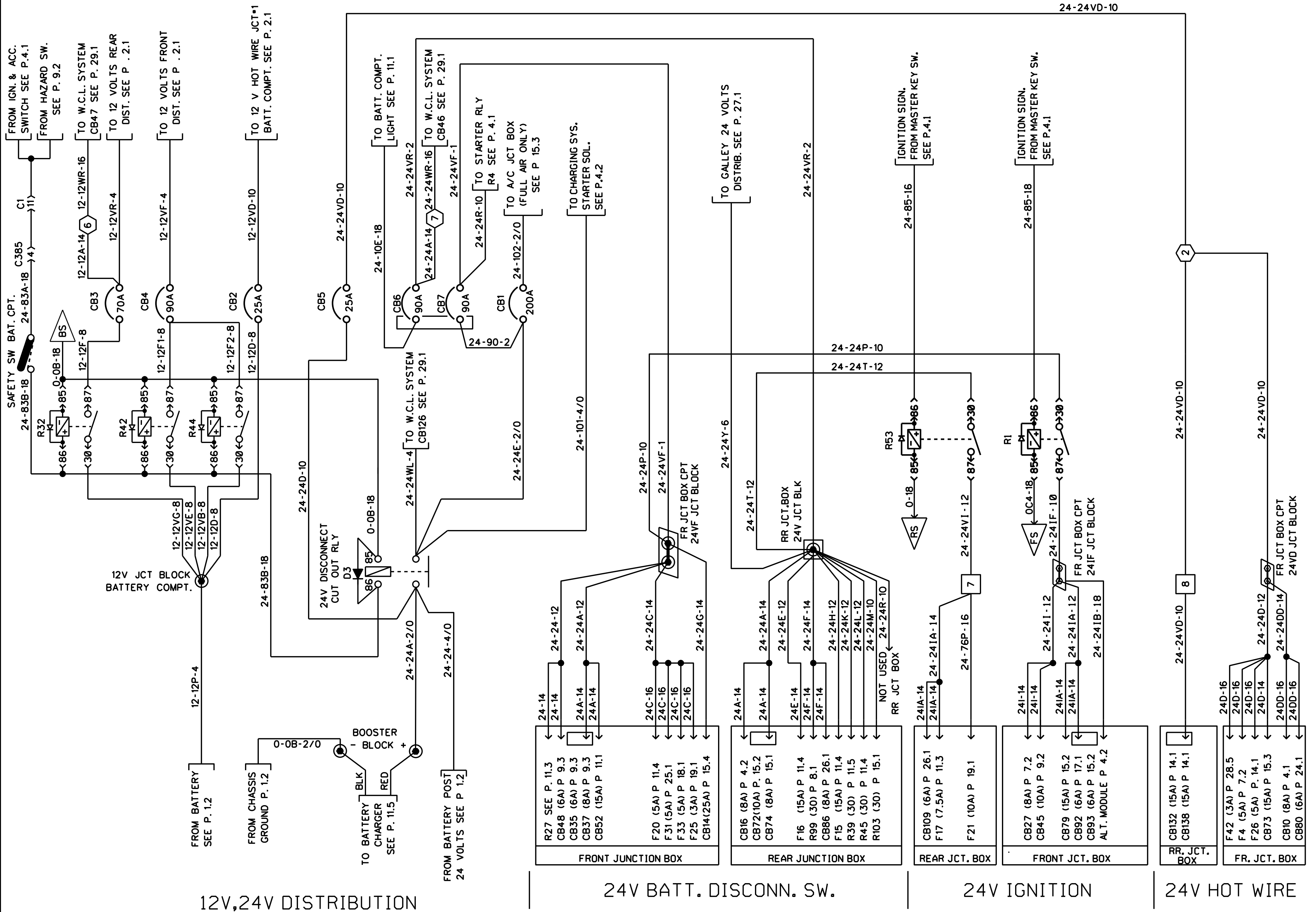
F42	(3A) P 28.5
F4	(5A) P 7.2
F26	(5A) P 14.1
CB73	(15A) P 15.3
CB10	(8A) P 4.1
CB80	(6A) P 24.1

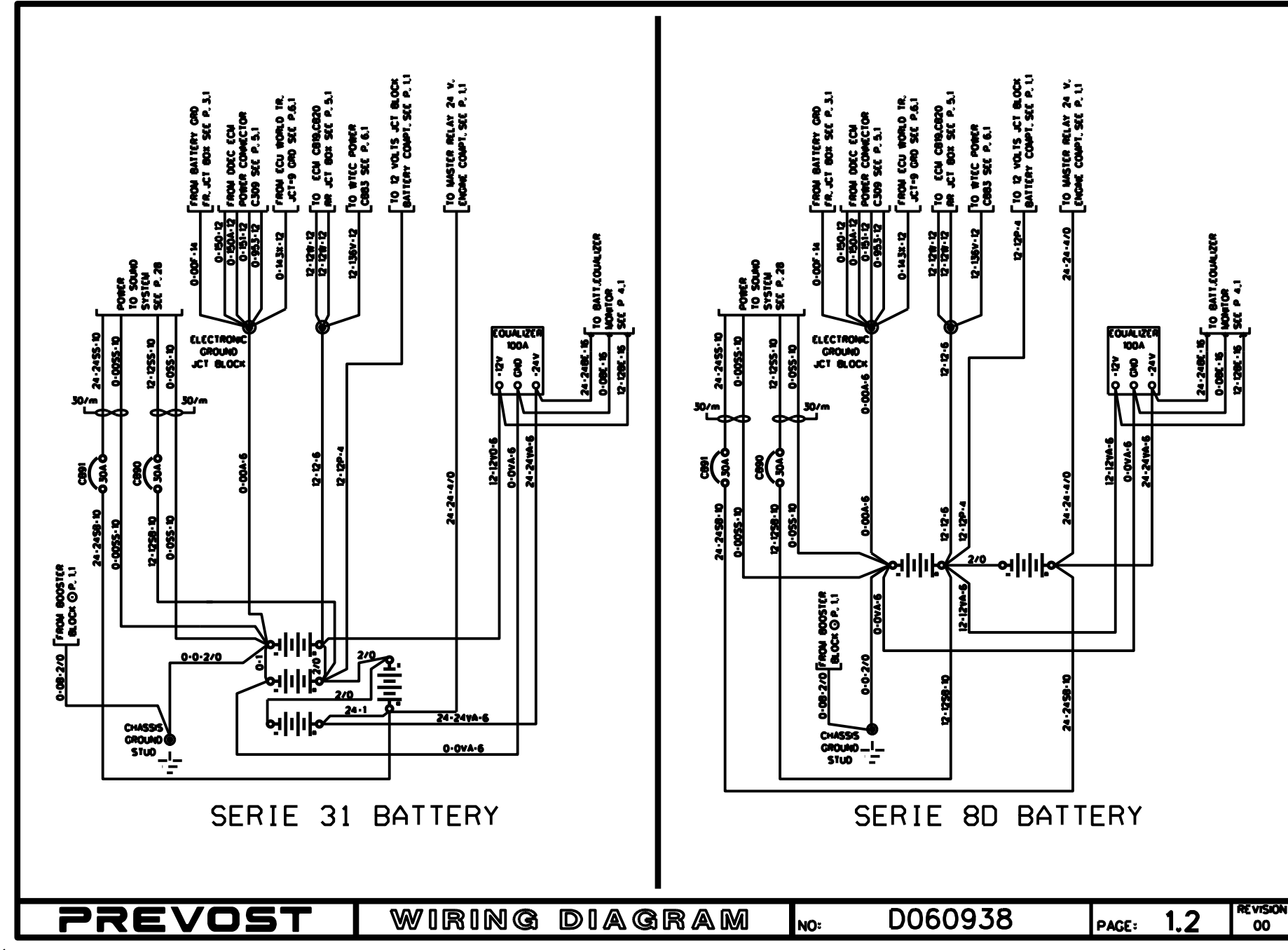
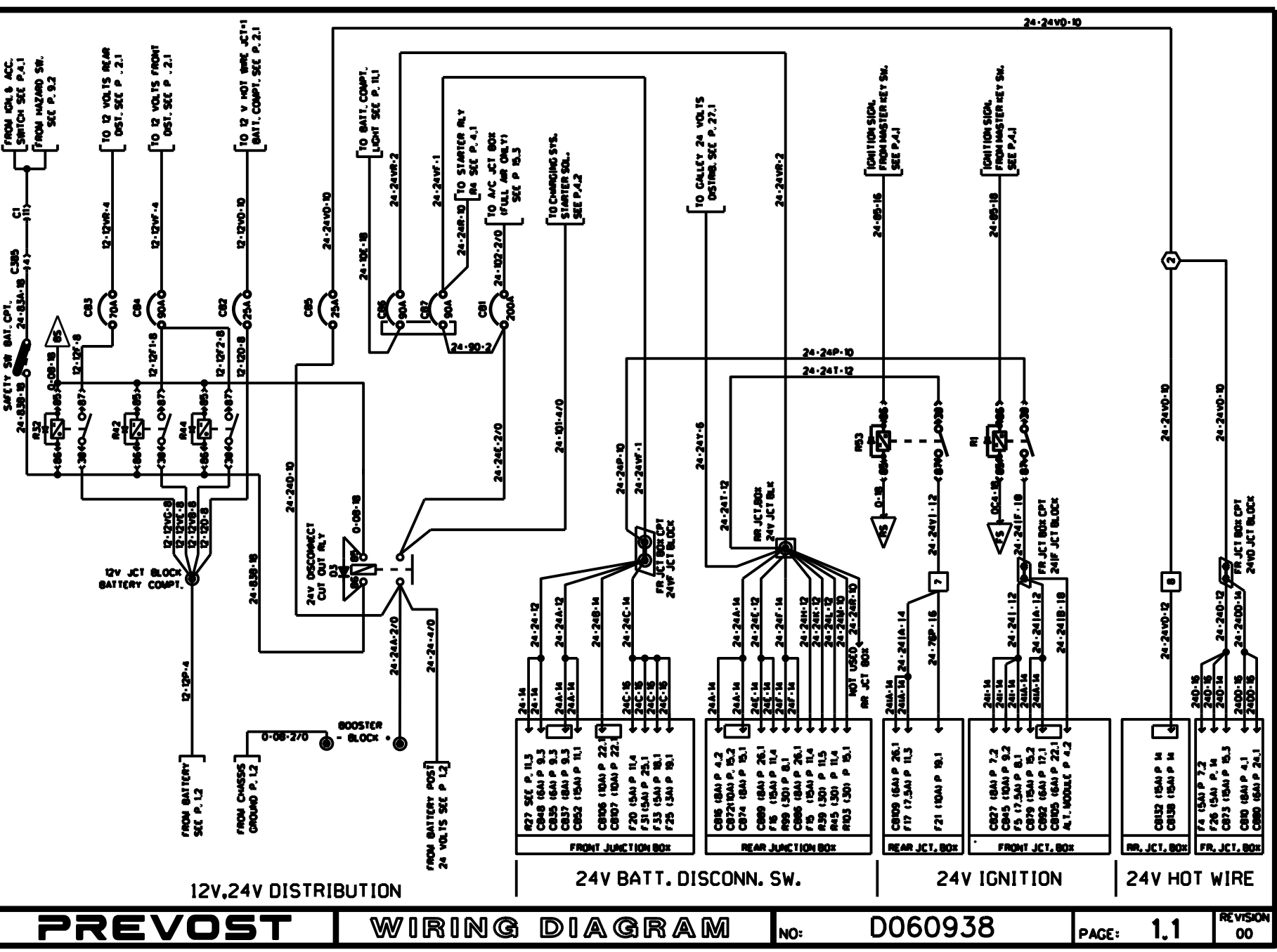


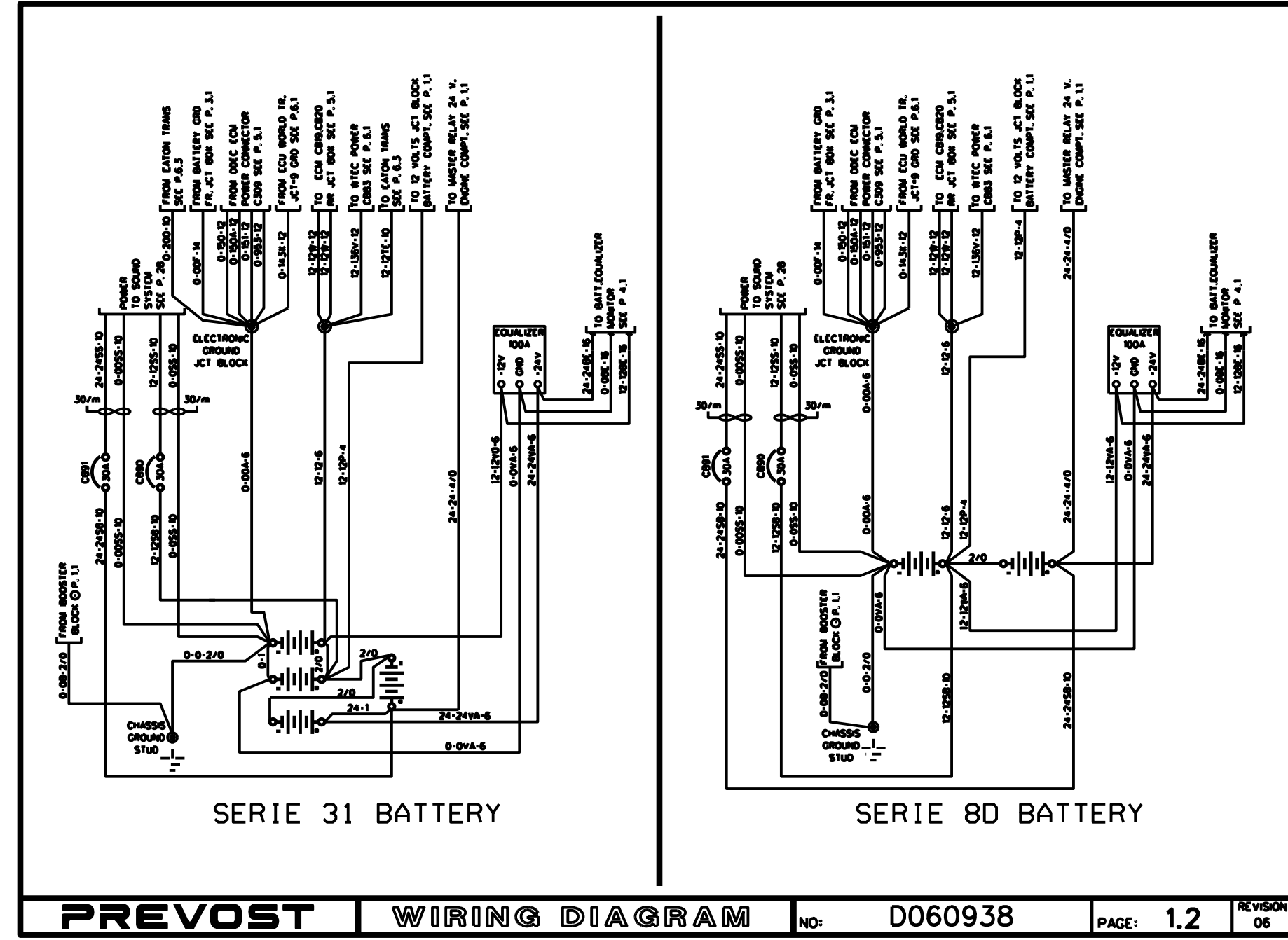
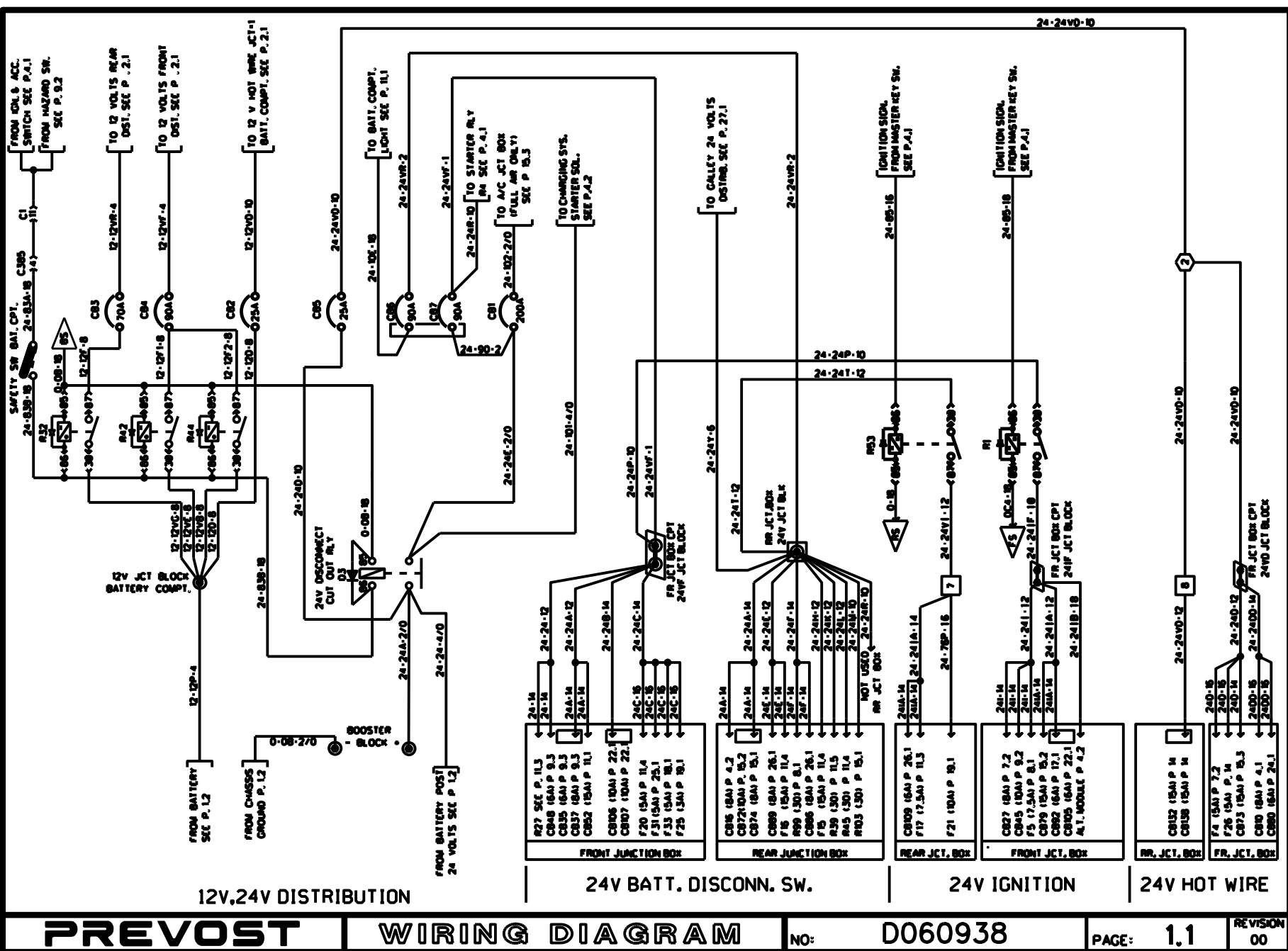


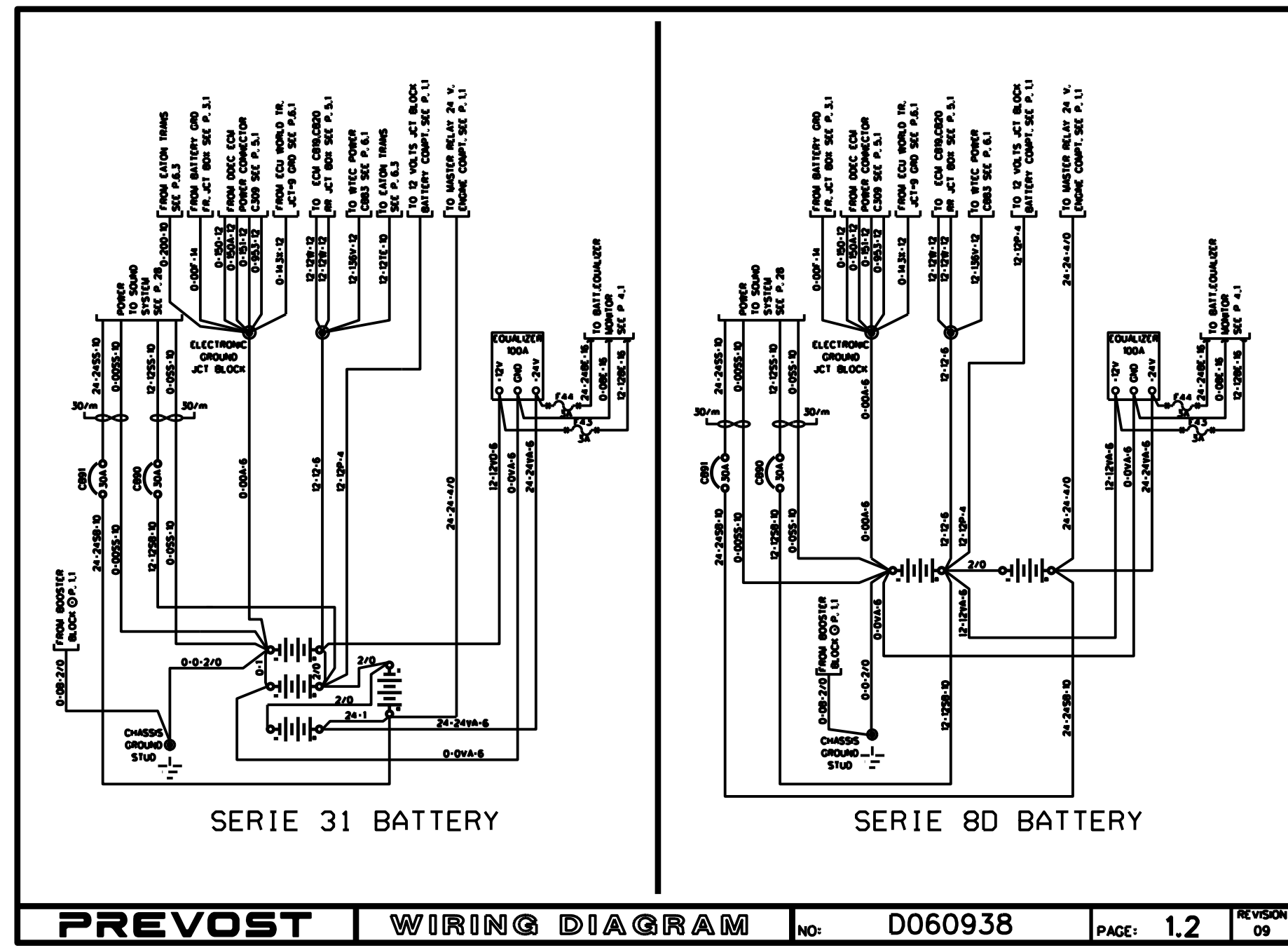
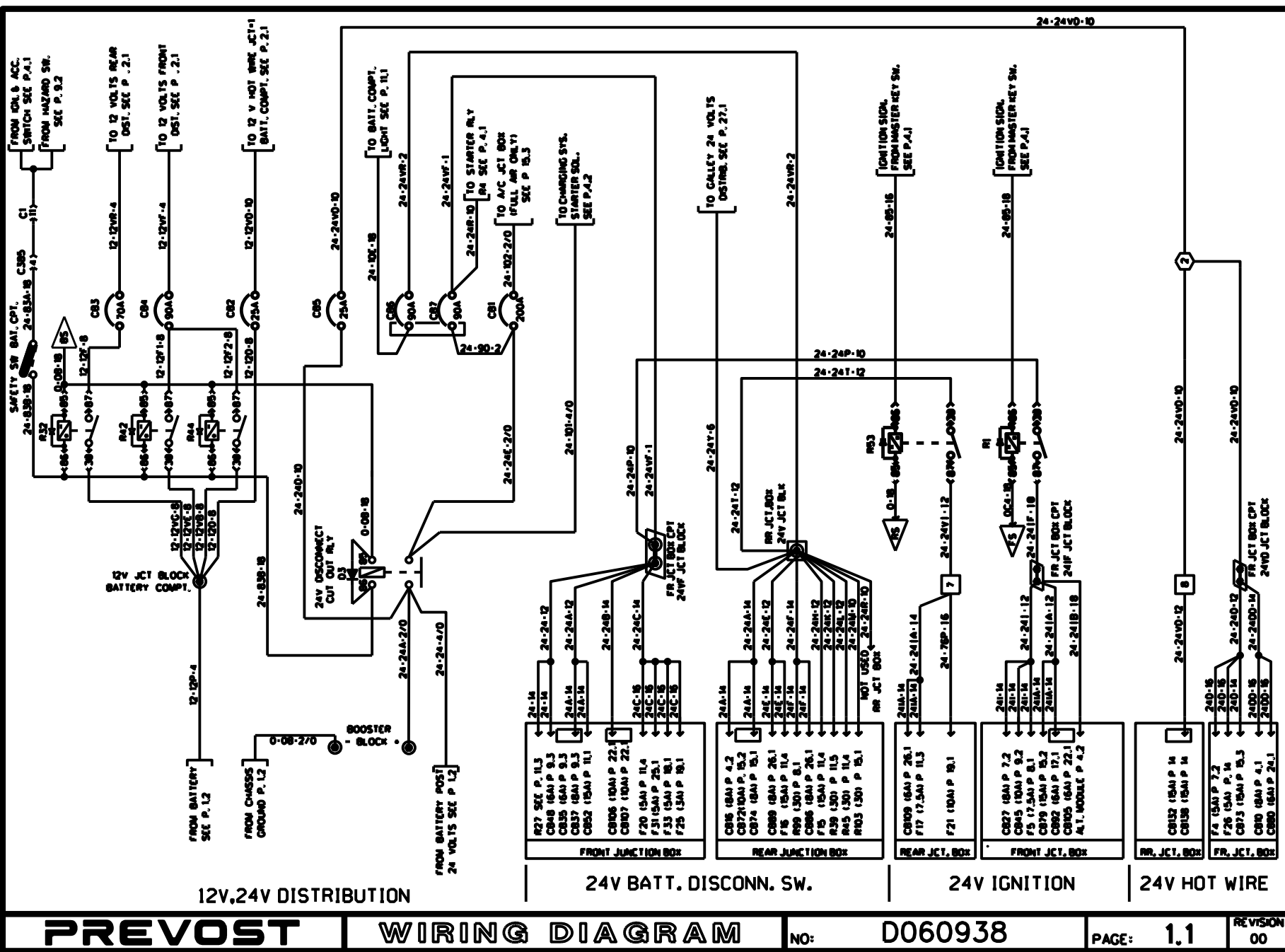


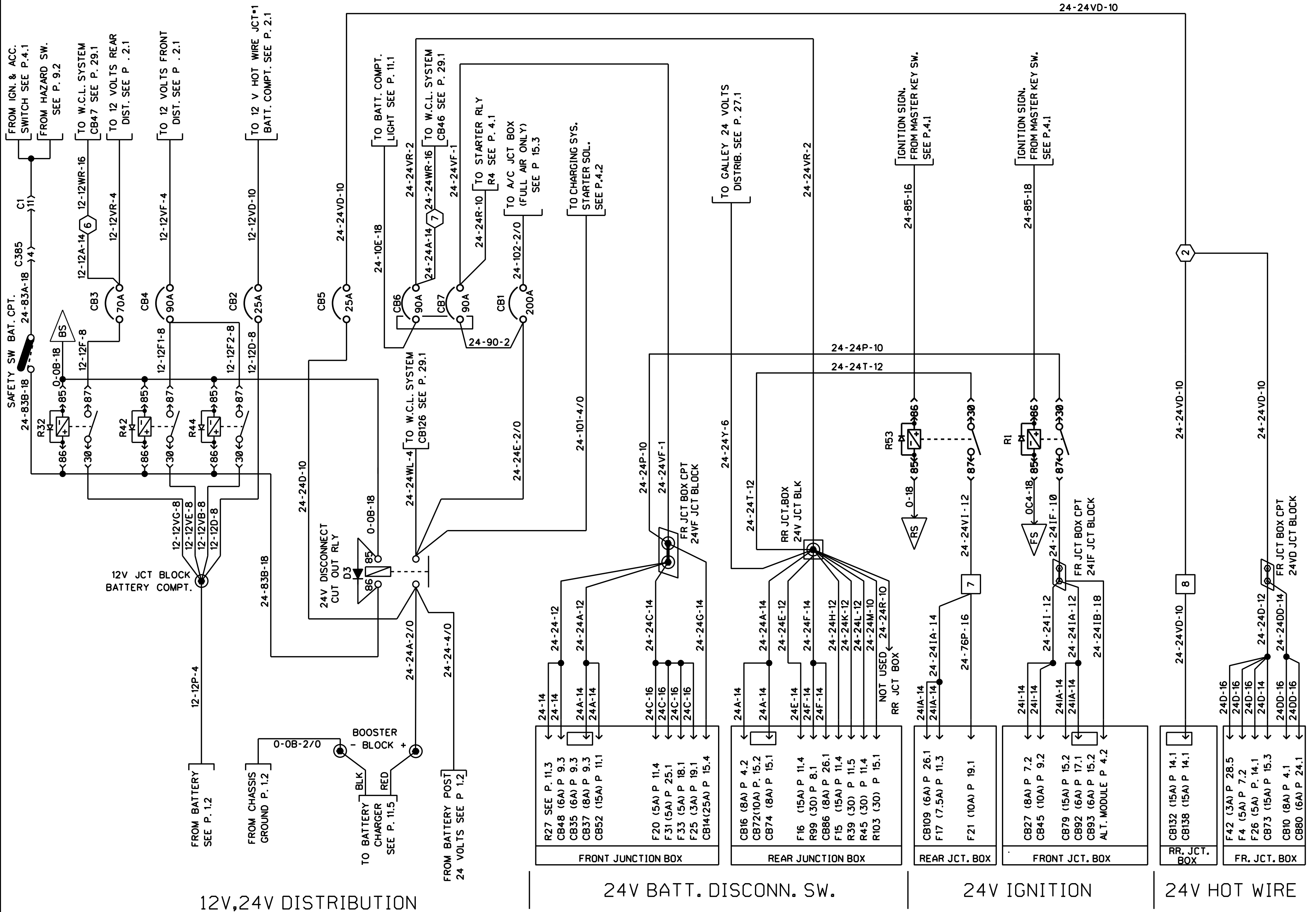


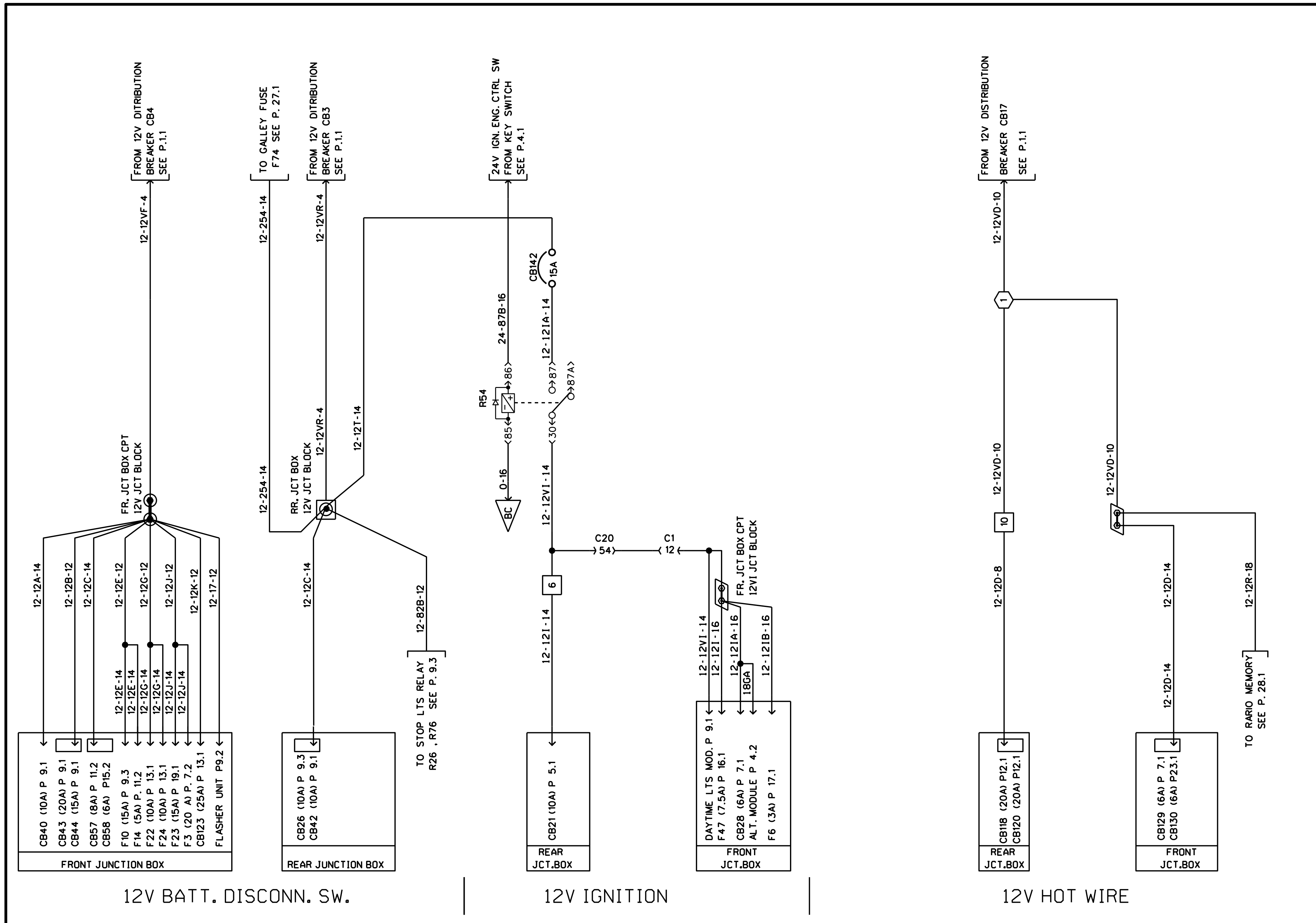




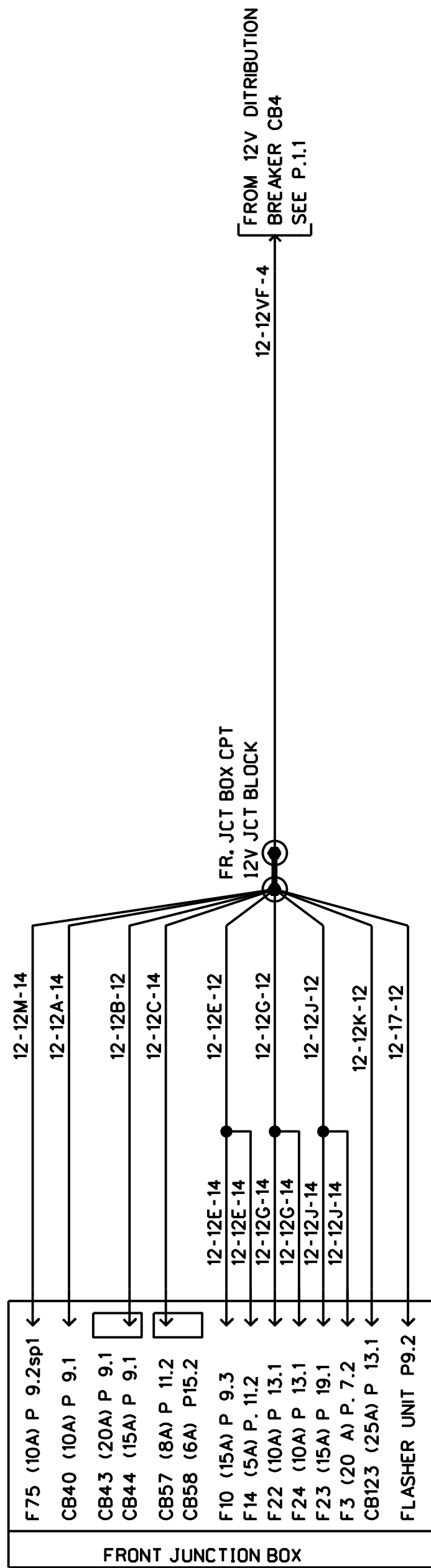




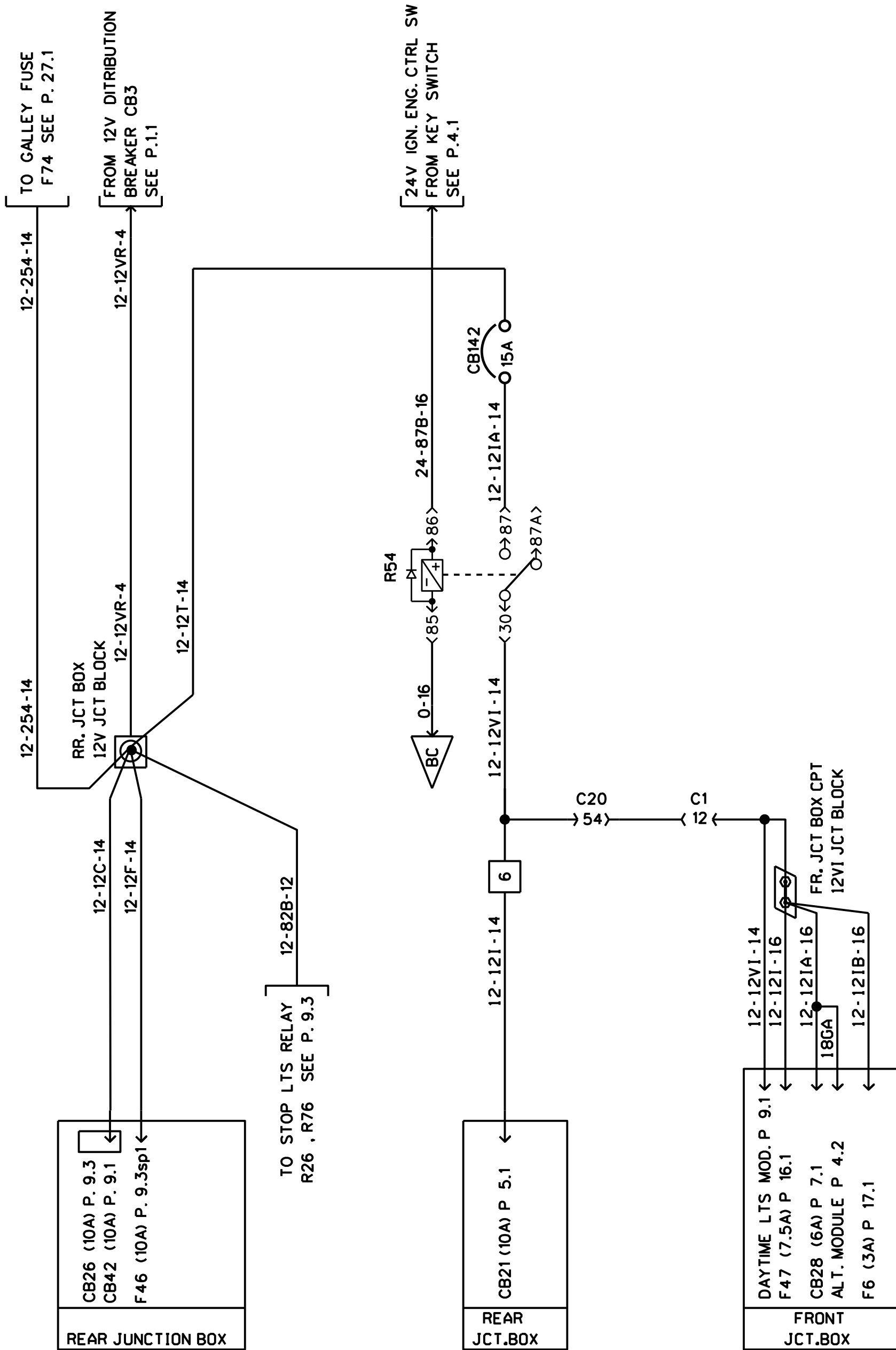




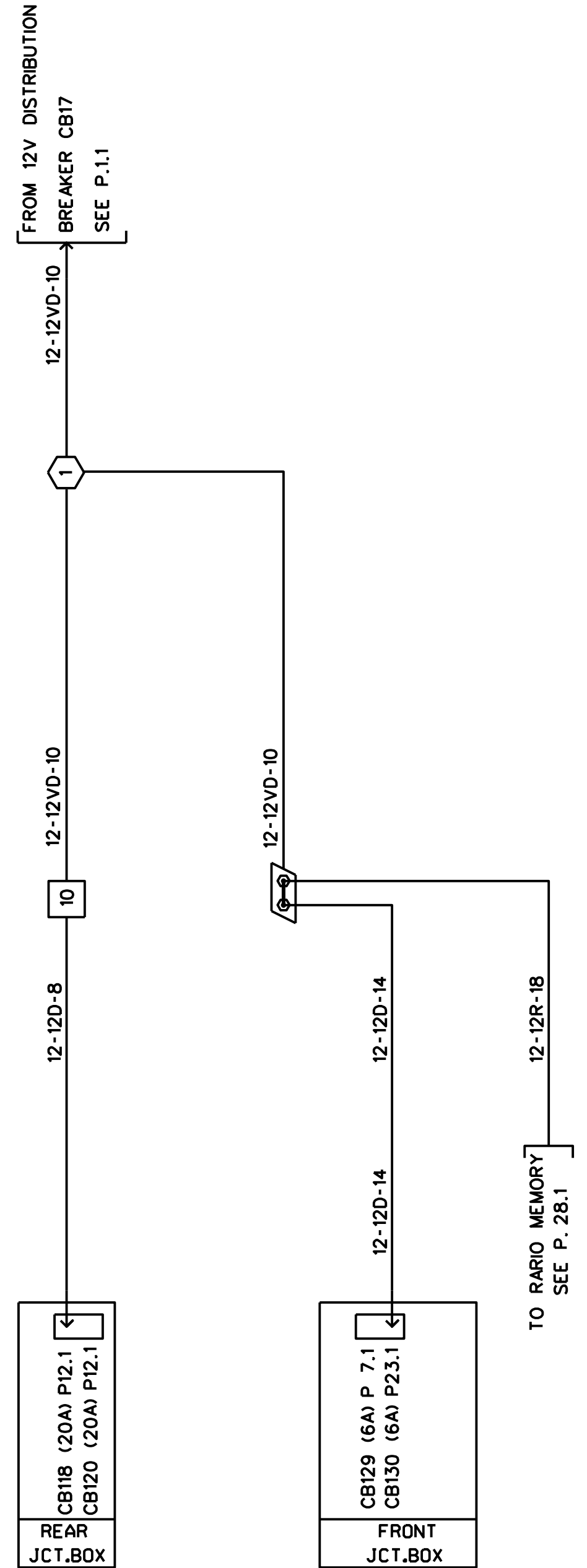
12V BATT. DISCONN. SW.

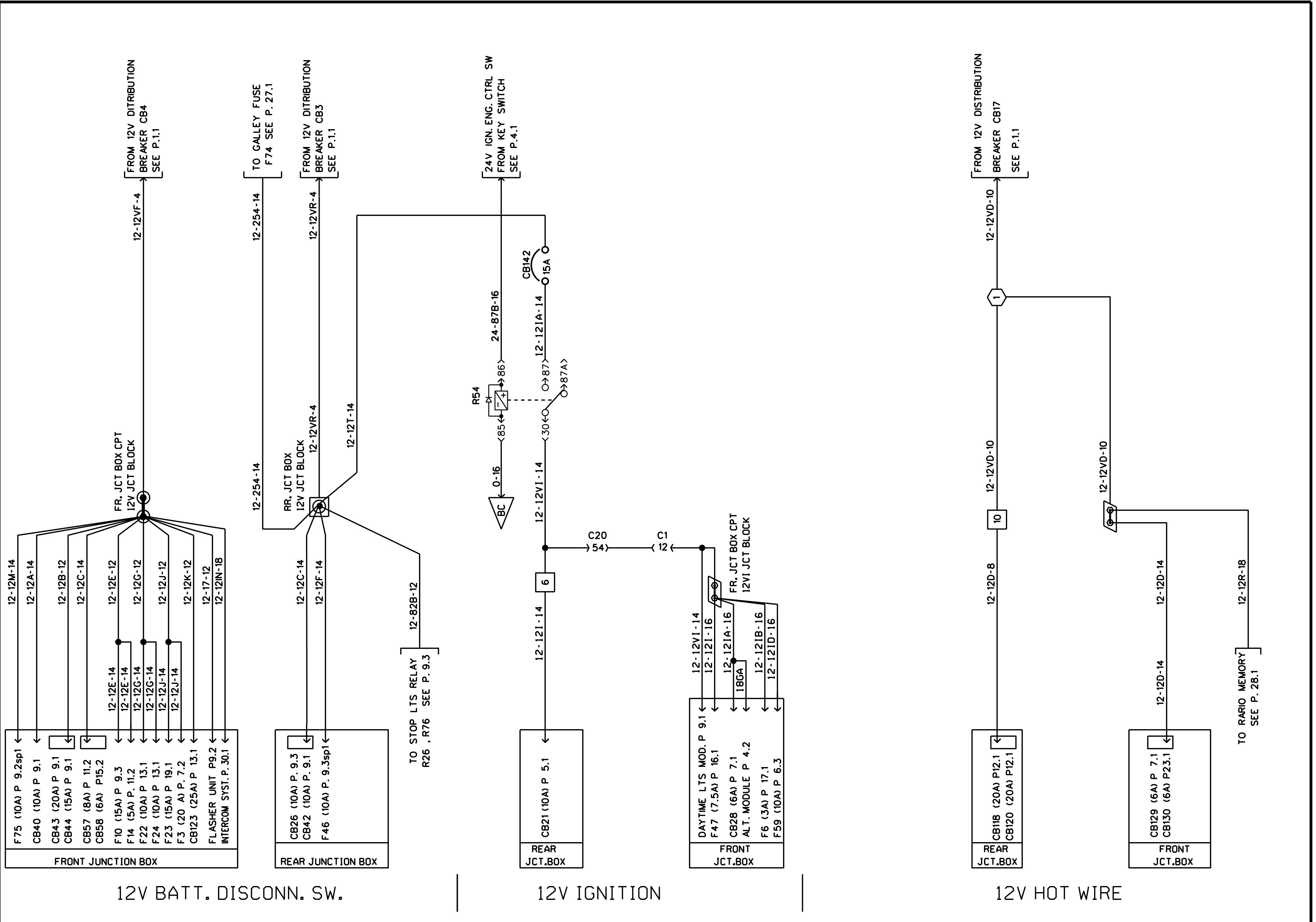


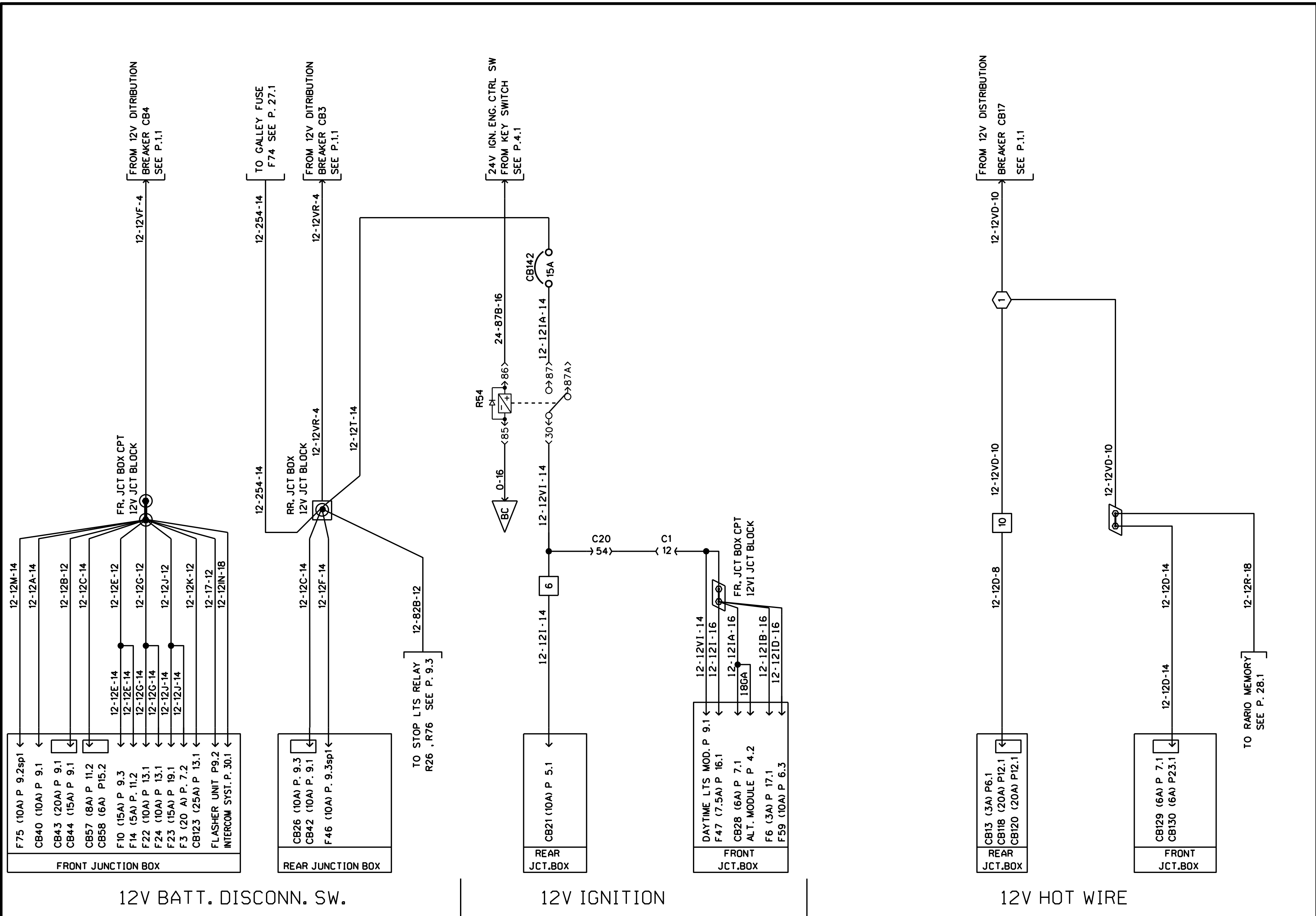
12V IGNITION

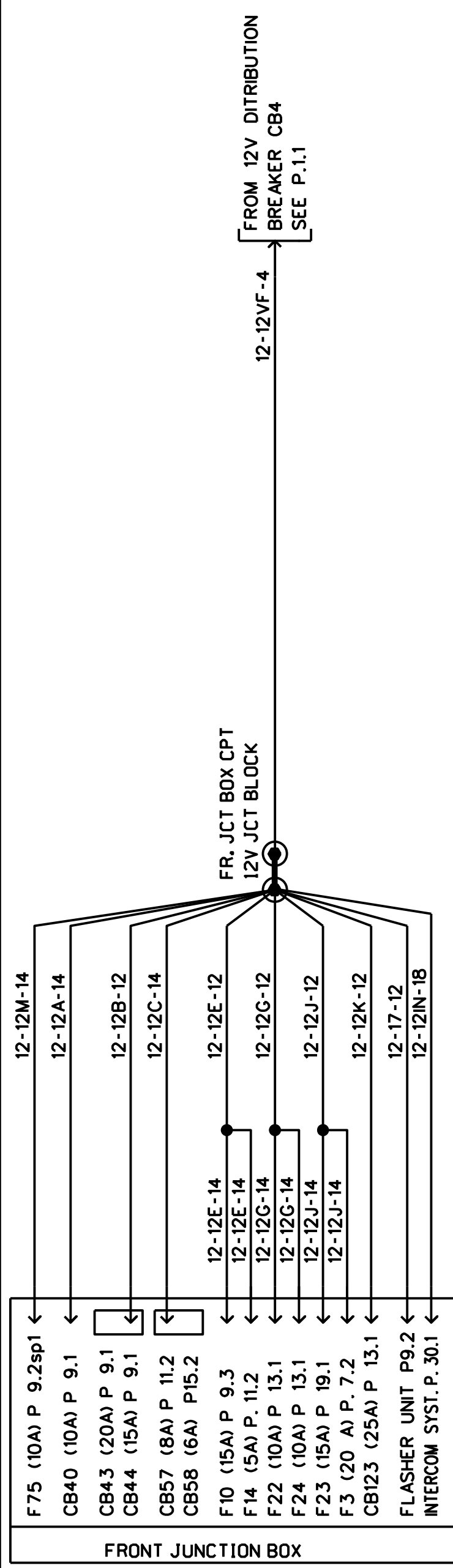


12V HOT WIRE

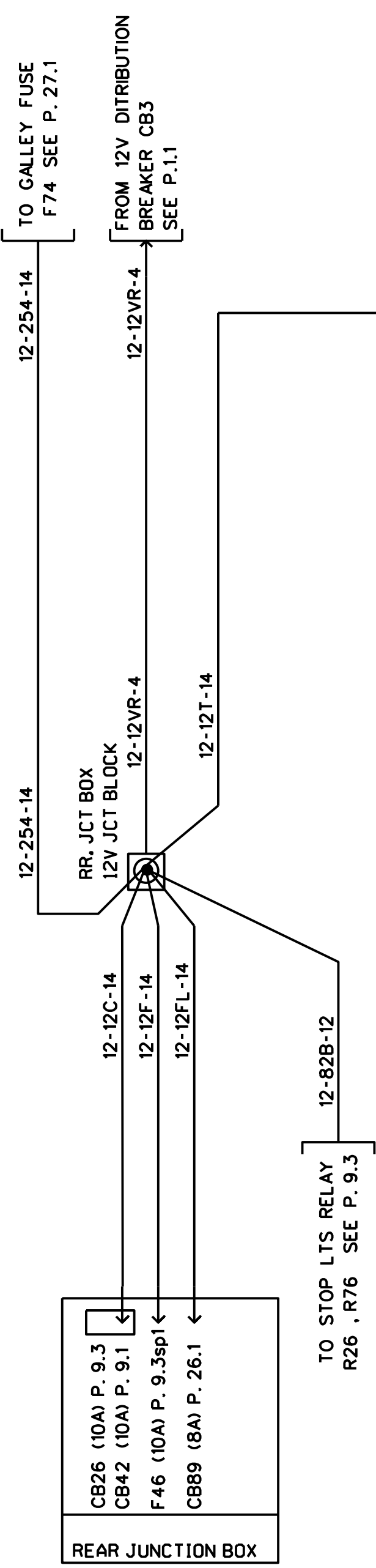




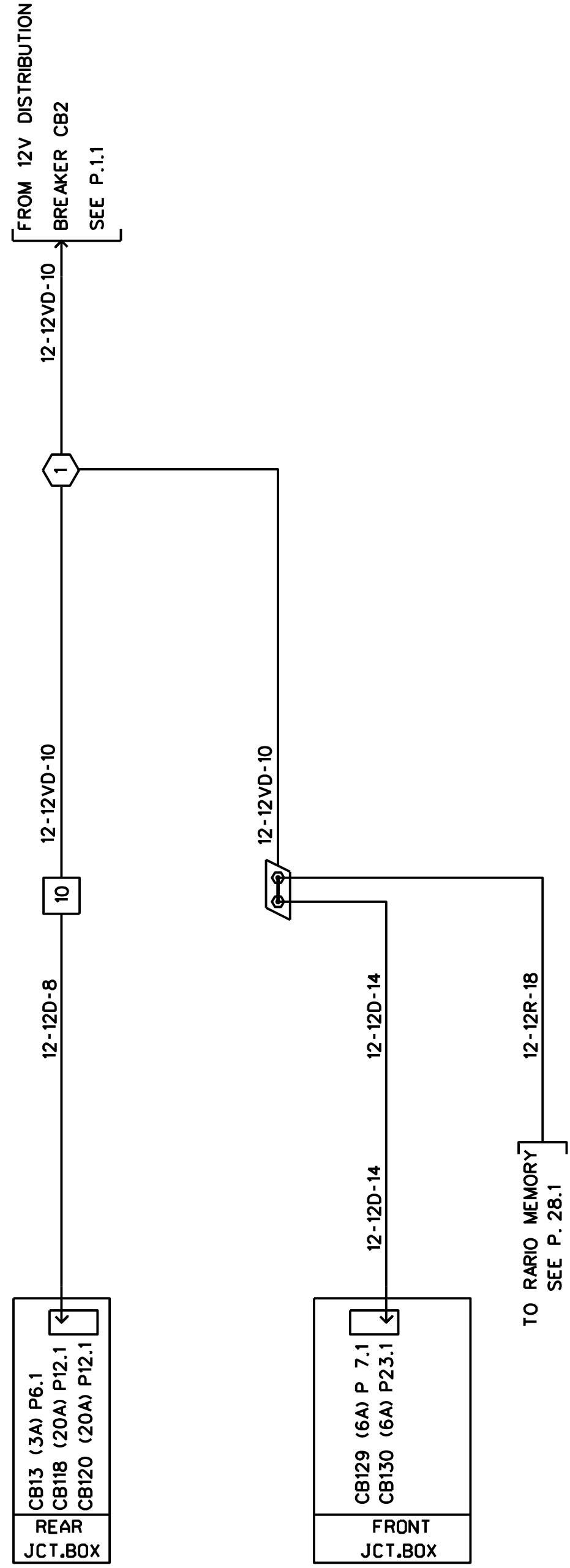




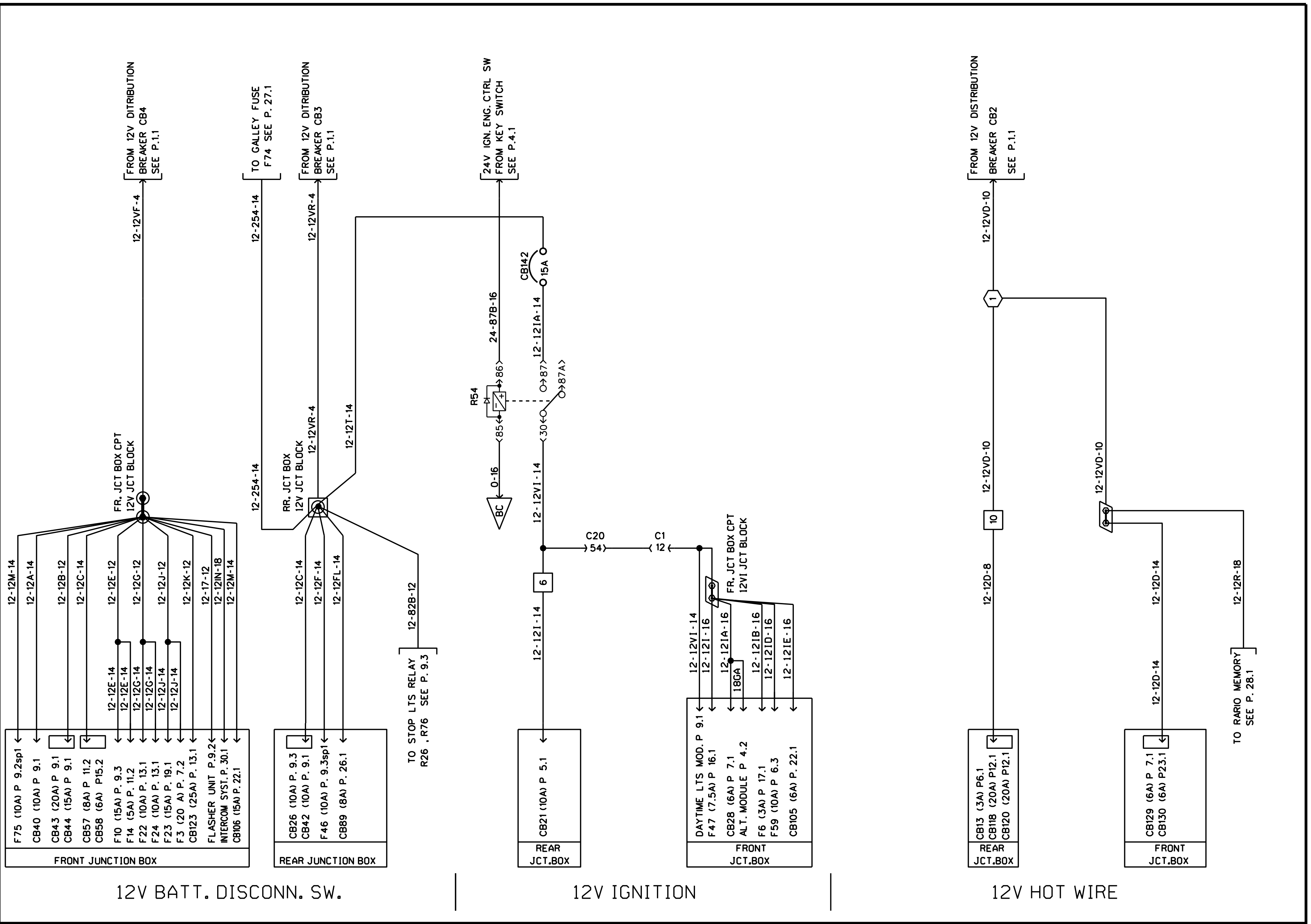
12V BATT. DISCONN. SW.

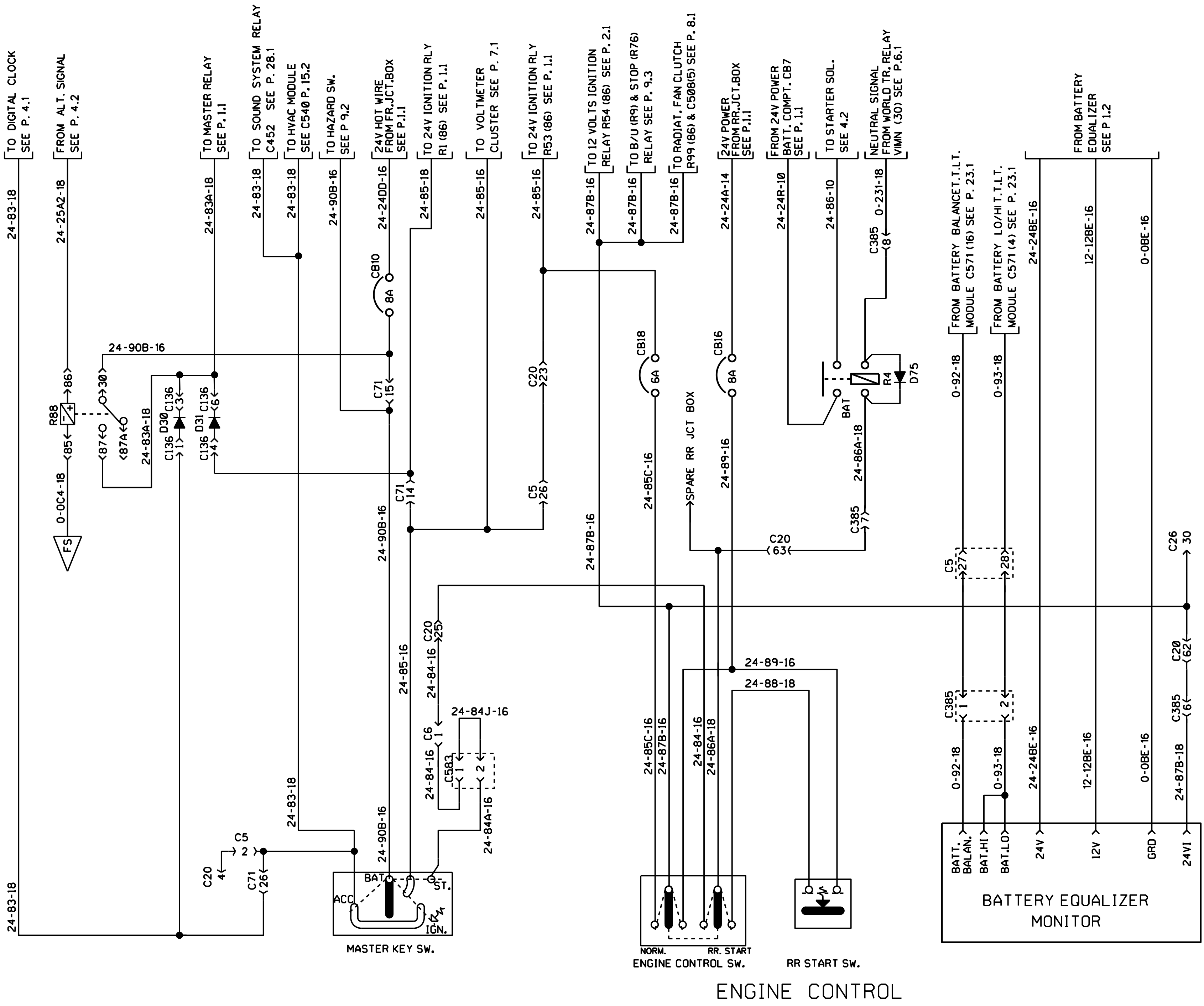


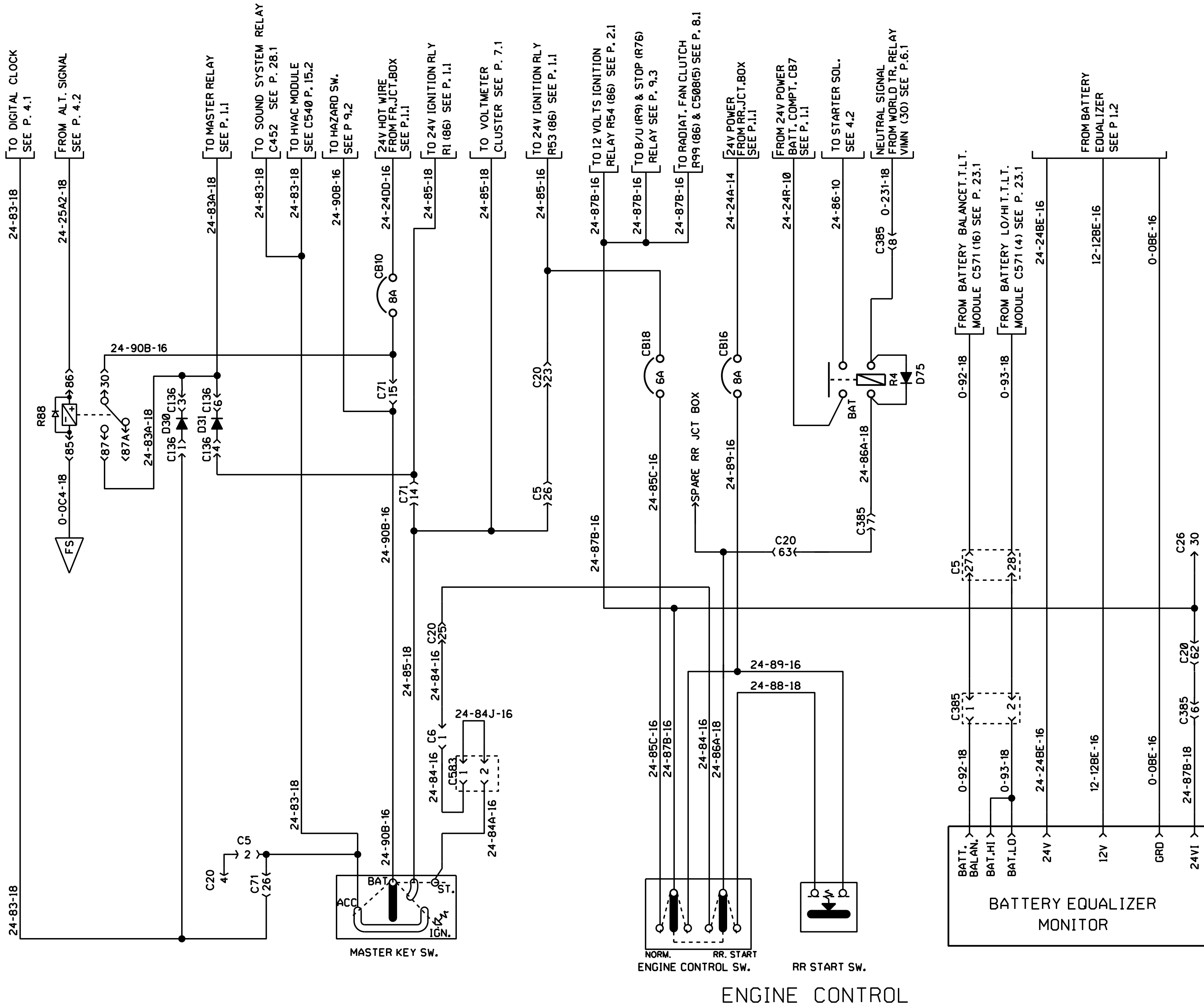
12V IGNITION

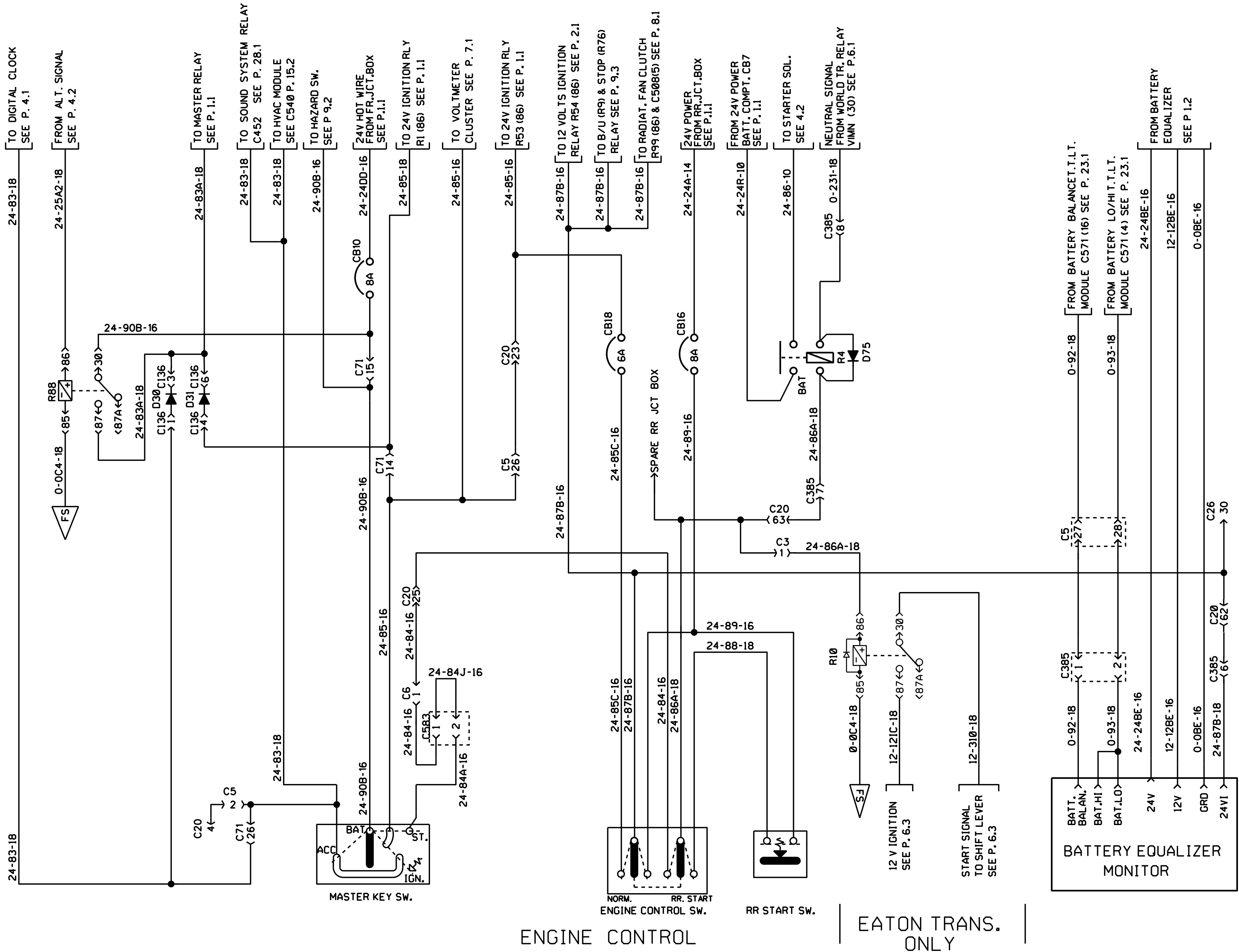


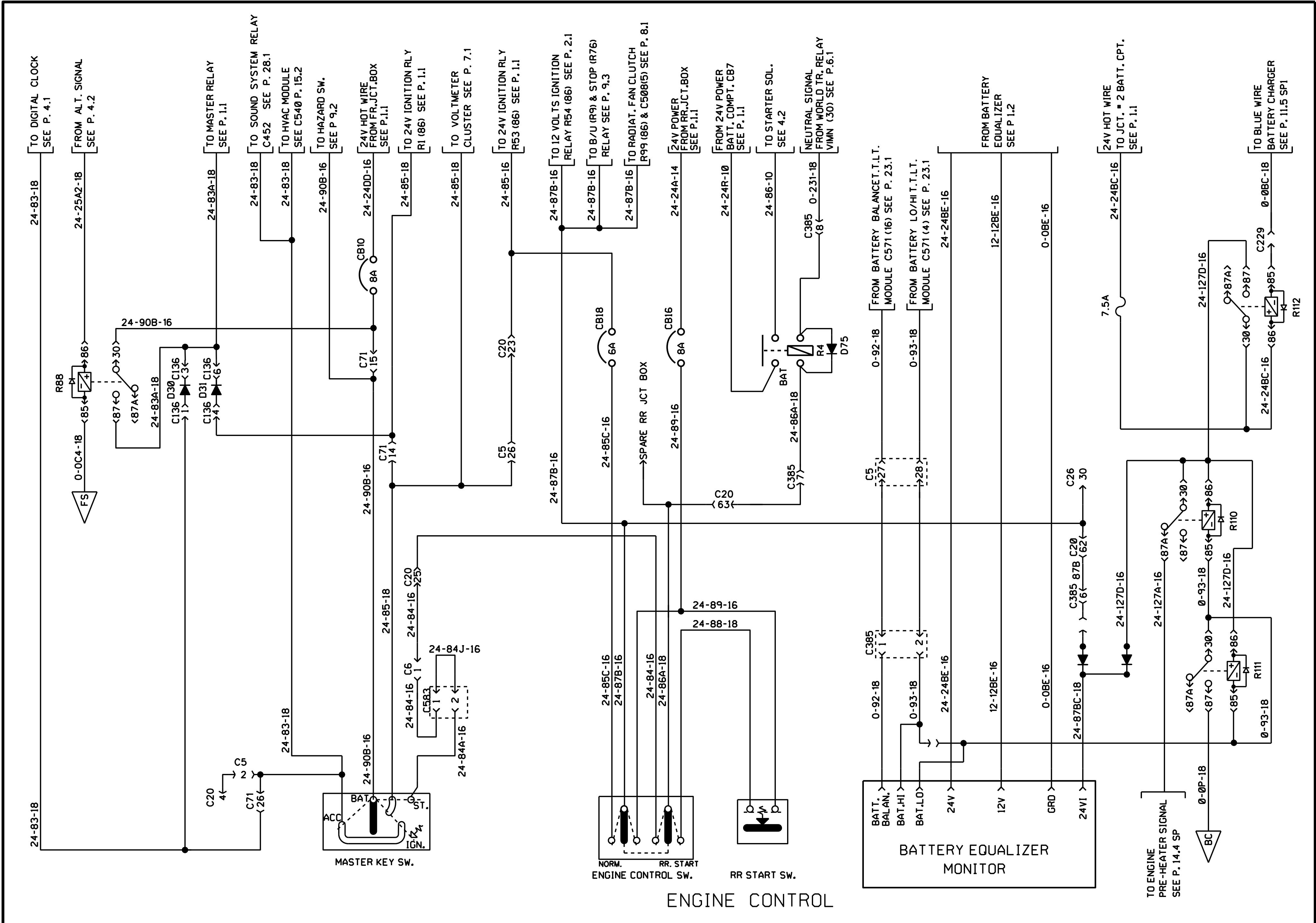
12V HOT WIRE

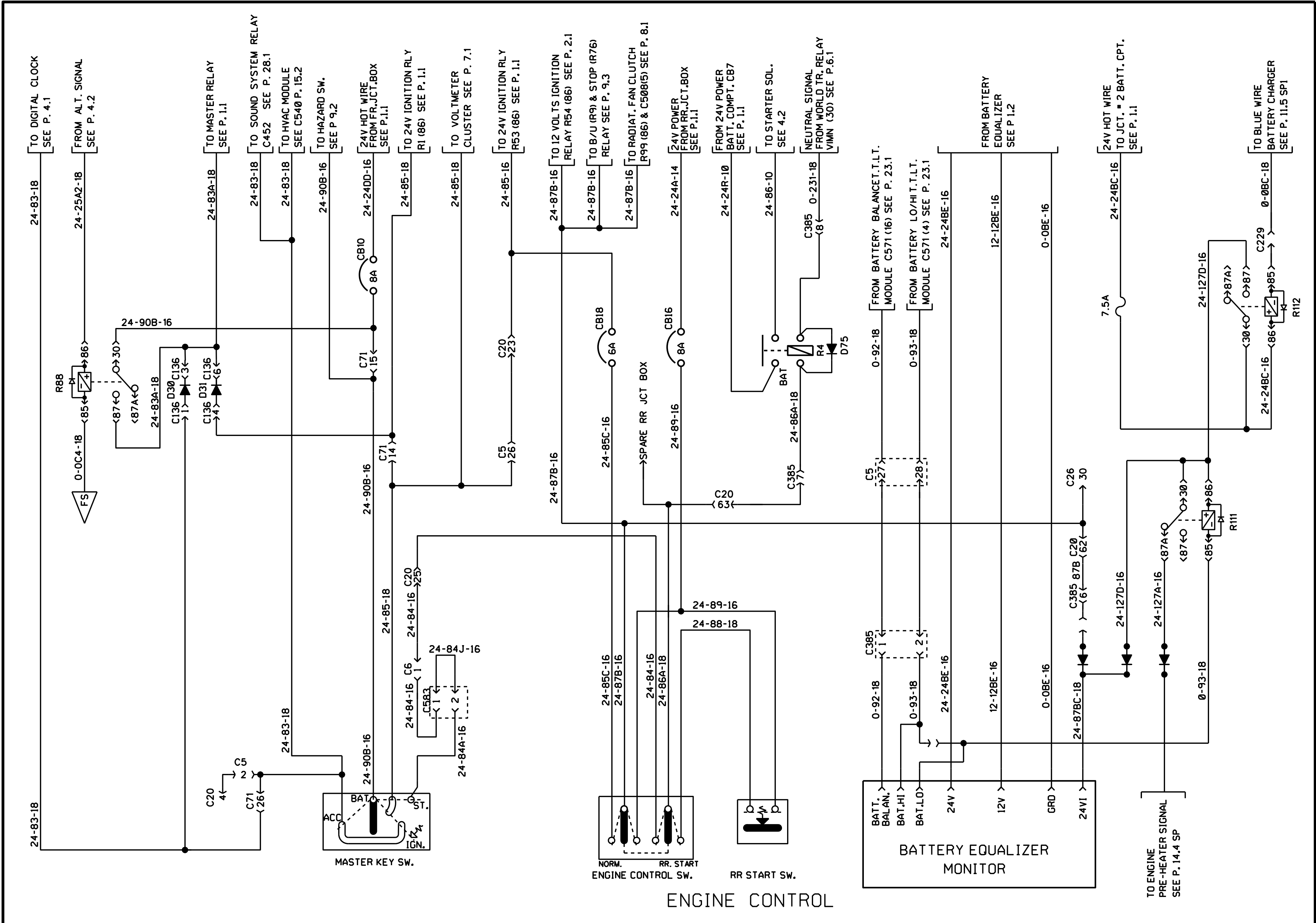












24-83-18

24-83-18

24-83-18

24-83-18

TO DIGITAL CLOCK
SEE P. 4.1

FROM ALT. SIGNAL
SEE P. 4.2

TO MASTER RELAY
SEE P. 1.1

TO SOUND SYSTEM RELAY
C452 SEE P. 28.1

TO HVAC MODULE
SEE C540 P. 15.2

TO HAZARD SW.
SEE P. 9.2

24V HOT WIRE
FROM FR. JCT. BOX
SEE P. 1.1

TO 24V IGNITION RLY
R1 (86) SEE P. 1.1

TO VOLTMETER
CLUSTER SEE P. 7.1

TO 24V IGNITION RLY
R53 (86) SEE P. 1.1

TO 12 VOLTS IGNITION
RELAY R54 (86) SEE P. 2.1

TO B/U (R9) & STOP (R76)
RELAY SEE P. 9.3

TO RADIAT. FAN CLUTCH
R99 (86) & C508(5) SEE P. 8.1

24V POWER
FROM RR. JCT. BOX
SEE P. 1.1

FROM 24V POWER
BATT. COMPT. CB7
SEE P. 1.1

TO STARTER SOL.
SEE 4.2

NEUTRAL SIGNAL
FROM WORLD TR. RELAY
VIMN (30) SEE P. 6.1

FROM BATTERY BALANCET.I.L.T.
MODULE C571 (16) SEE P. 23.1

FROM BATTERY LO/HIT.I.L.T.
MODULE C571 (4) SEE P. 23.1

FROM BATTERY
EQUALIZER
SEE P. 1.2

24V HOT WIRE
TO JCT. # 2 BATT. CPT.
SEE P. 1.1

TO BLUE WIRE
BATTERY CHARGER
SEE P. 11.5 SP1

R88

FS

0-0C4-18

85

86

87

87A

24-83A-18

C136 D30

C136

1

3

C136 D31

C136

4

6

24-83-18

C20 4

C71 26

24-90B-16

24-83A-18

C136 D30

C136

1

3

C136 D31

C136

4

6

24-90B-16

15

24-90B-16

14

24-85-18

24-90B-16

25

24-84-16

C20

26

24-85-18

24-84-16

C6

1

24-84-16

C583

1

2

24-84-16

25

24-85-18

24-84-16

25

24-85-18

24-84-16

25

24-85-18

24-84-16

25

24-85-18

24-84-16

25

24-85-18

24-84-16

25

24-85-18

24-84-16

25

24-85-18

24-84-16

25

24-85-18

24-84-16

25

24-85-18

24-84-16

25

24-85-18

24-84-16

25

24-85-18

24-84-16

25

24-85-18

24-84-16

25

24-85-18

24-84-16

25

24-85-18

24-84-16

25

24-85-18

24-84-16

25

24-85-18

24-84-16

25

24-85-18

24-84-16

25

24-83-18

24-25A2-18

24-83A-18

24-83-18

24-83-18

24-90B-16

24-24DD-16

24-85-18

24-85-18

24-85-16

24-87B-16

24-87B-16

24-87B-16

24-24A-14

24-24R-10

24-86-10

0-231-18

0-92-18

0-93-18

24-24BE-16

12-12BE-16

0-0BE-16

24-127D-16

24-24BC-16

0-0BC-18

0-0BC-18

R88

FS

0-0C4-18

85

86

87

87A

24-83A-18

C136 D30

C136

1

3

C136 D31

C136

4

6

24-83-18

C20 4

C71 26

24-90B-16

24-83A-18

C136 D30

C136

1

3

C136 D31

C136

4

6

24-90B-16

15

24-90B-16

14

24-85-18

24-90B-16

25

24-84-16

C20

26

24-85-18

24-84-16

C6

1

24-84-16

C583

1

2

24-84-16

25

24-85-18

24-84-16

25

24-85-18

24-84-16

25

24-85-18

24-84-16

25

24-85-18

24-84-16

25

24-85-18

24-84-16

25

24-85-18

24-84-16

25

24-85-18

24-84-16

25

24-85-18

24-84-16

25

24-85-18

24-84-16

25

24-85-18

24-84-16

25

24-85-18

24-84-16

25

24-85-18

24-84-16

25

24-85-18

24-84-16

25

24-85-18

24-84-16

25

24-85-18

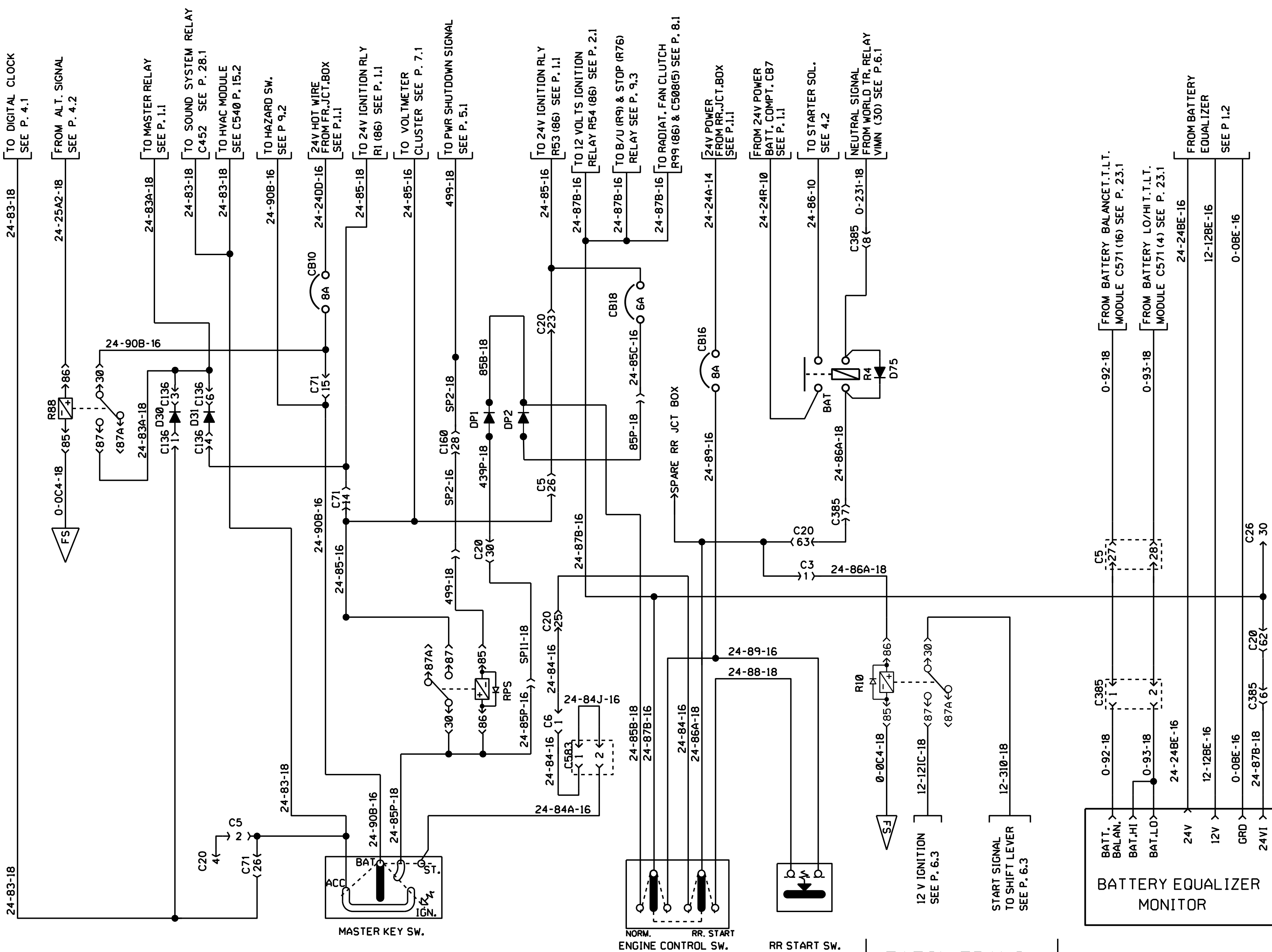
24-84-16

25

24-85-18

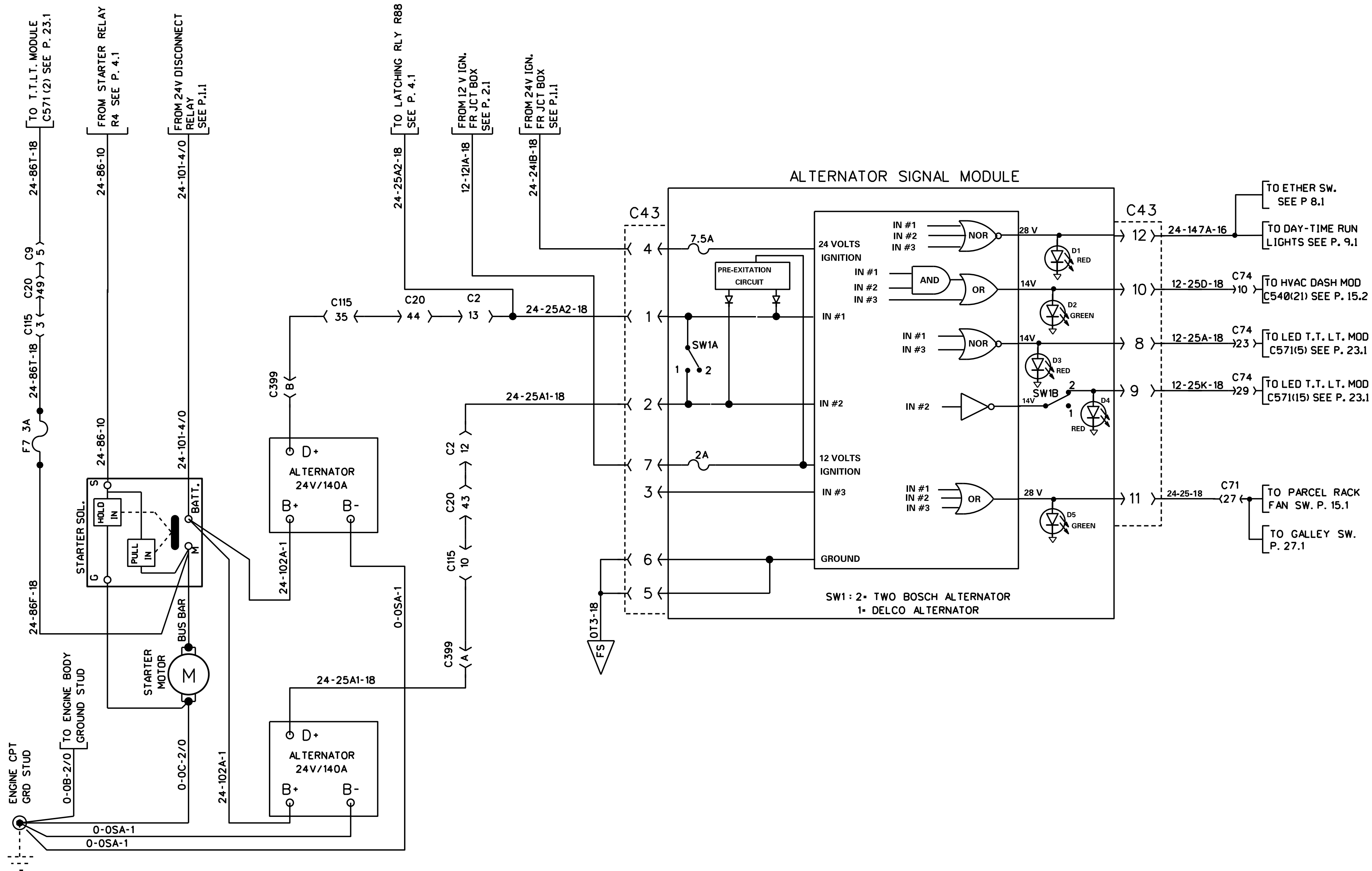
24-84-16

25



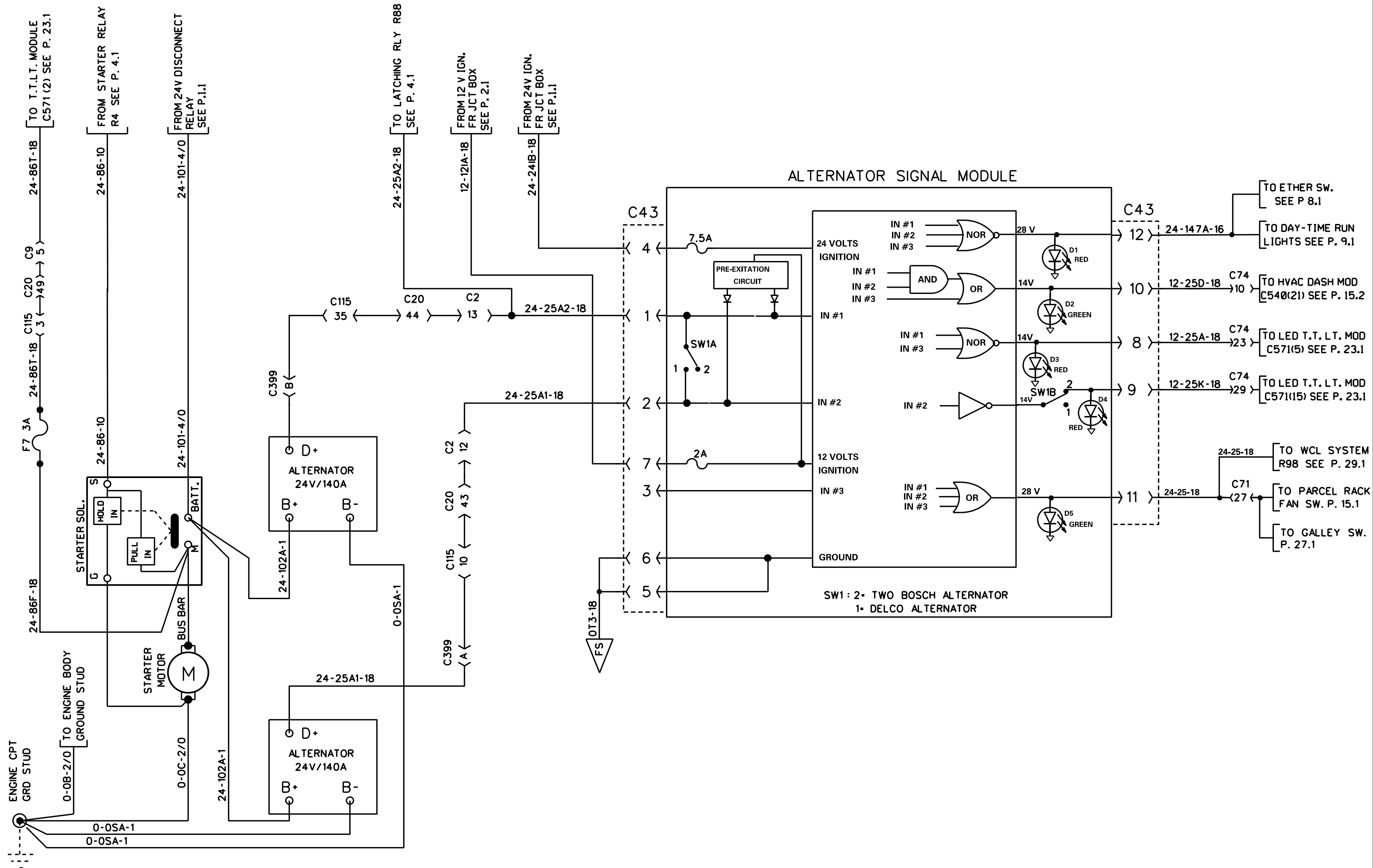
ENGINE CONTROL WITH POWER SHUDOWN & IDLER TIMER

EATON TRANS. ONLY



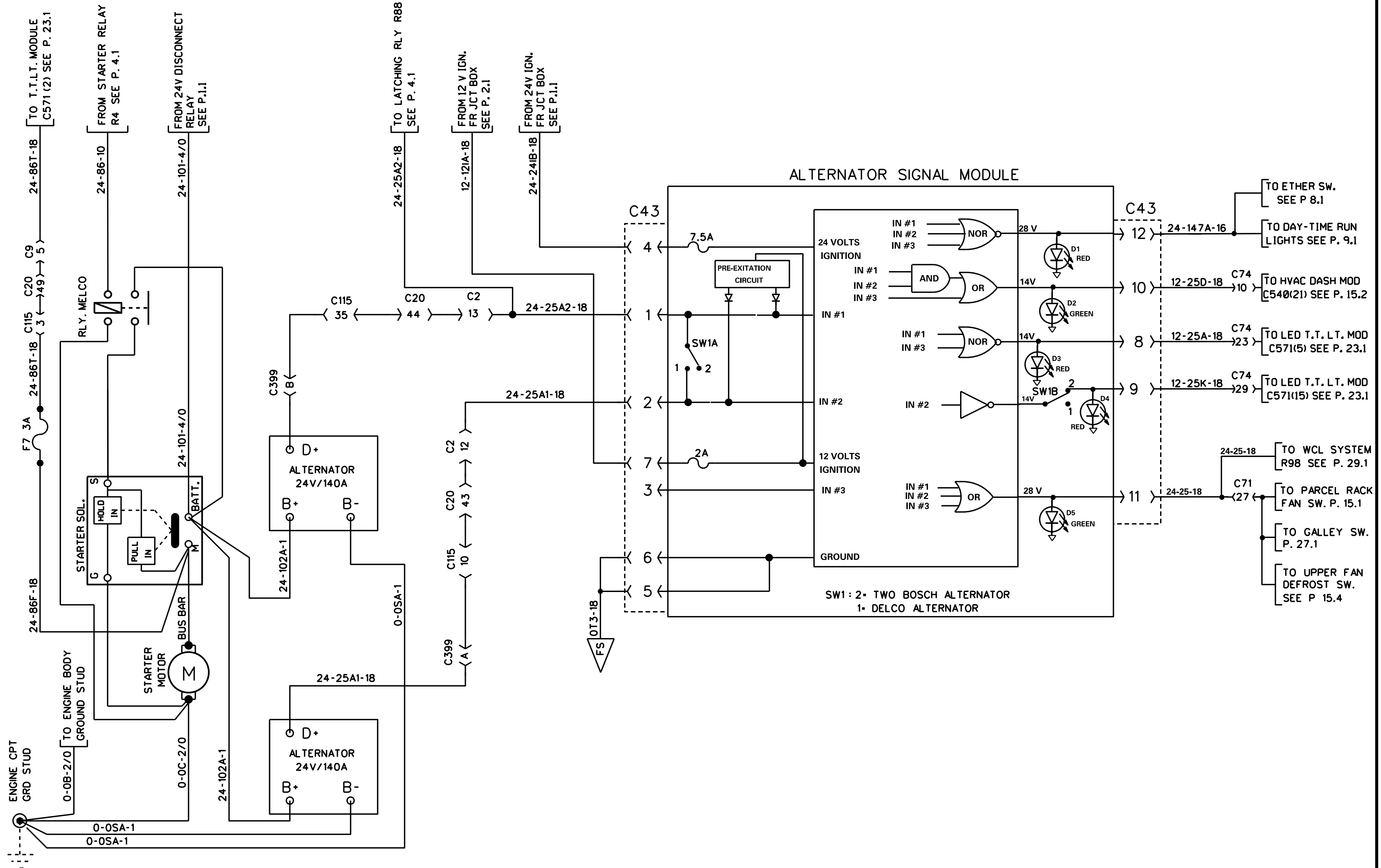
STARTER

DUAL BOSCH ALTERNATOR

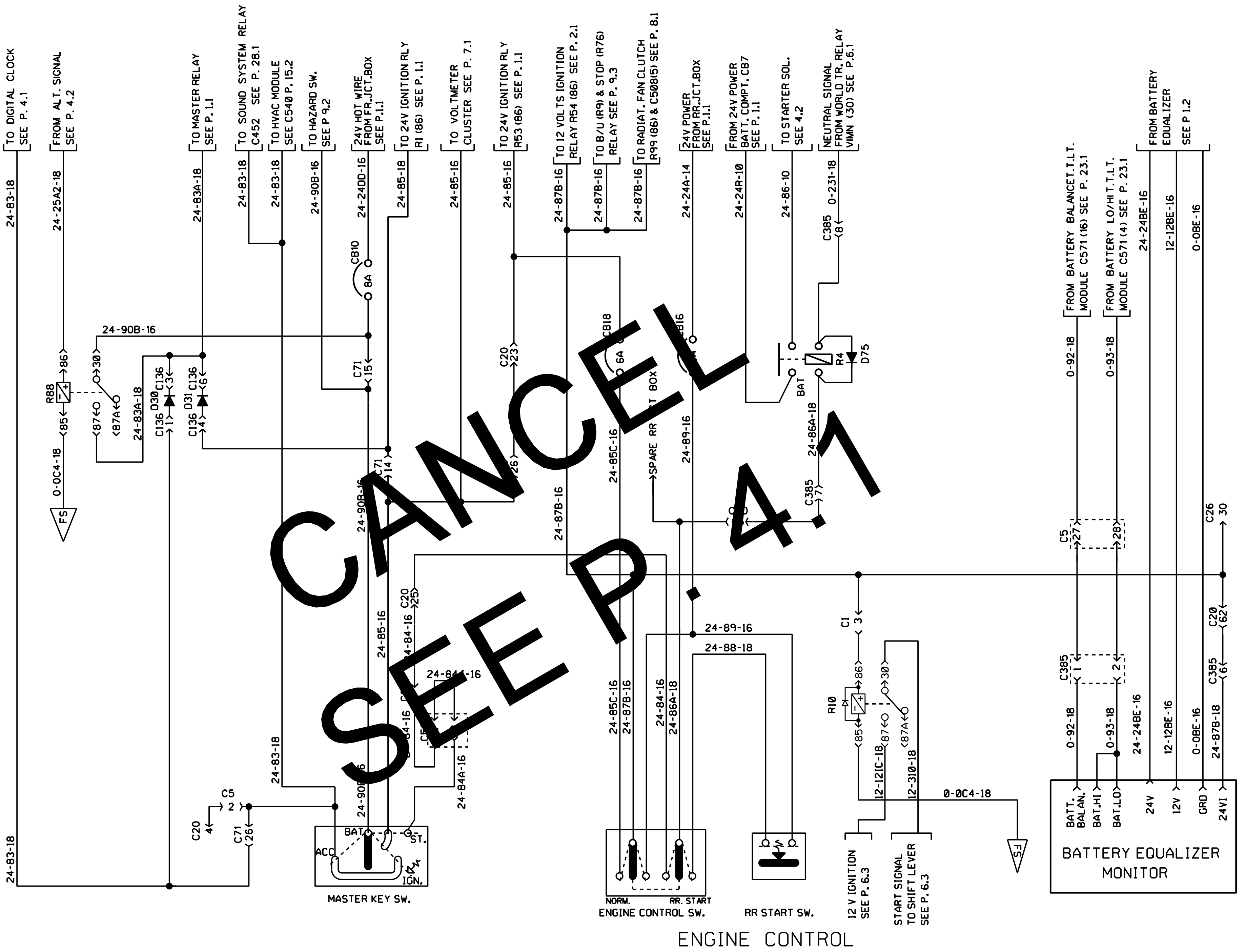


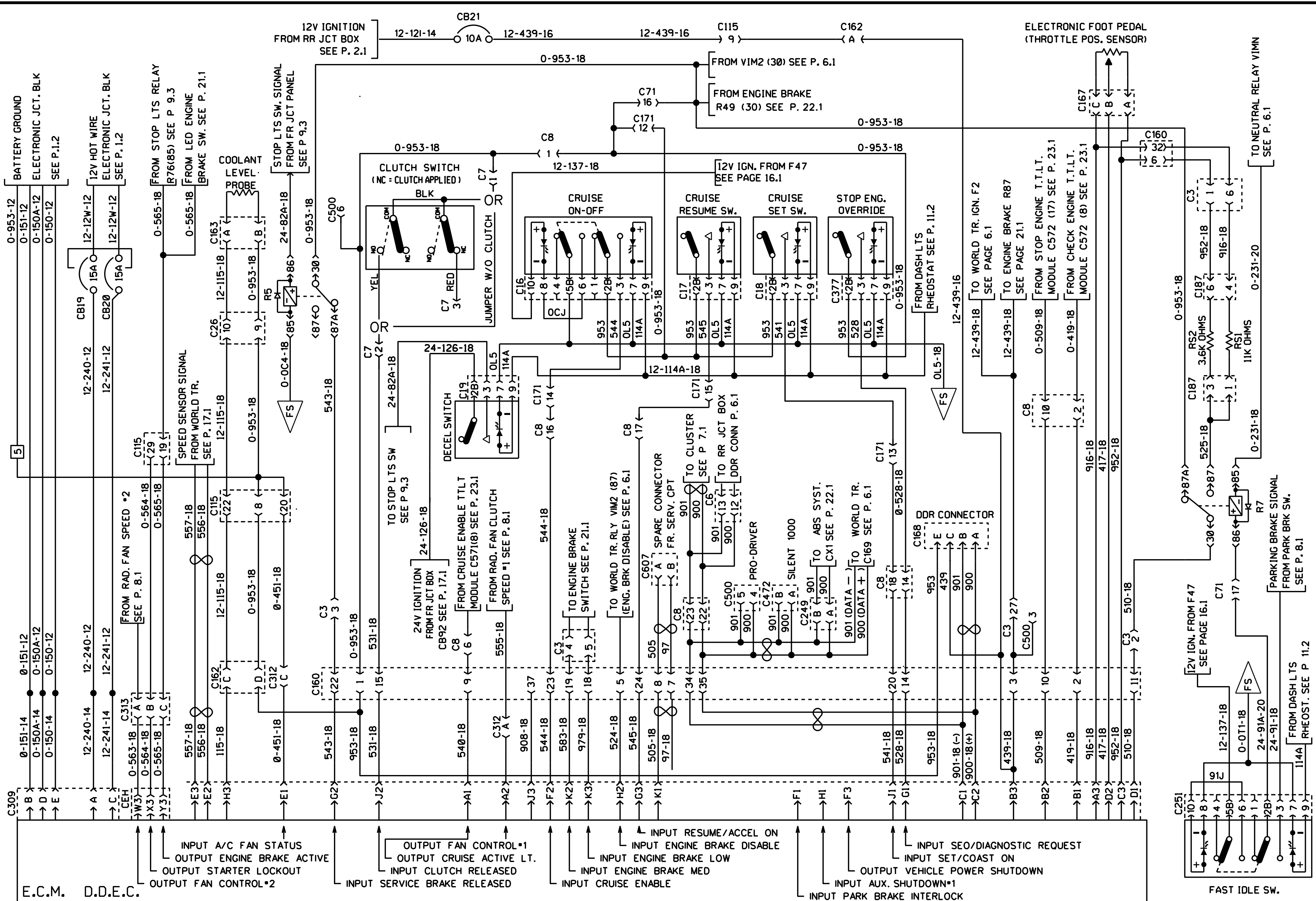
STARTER

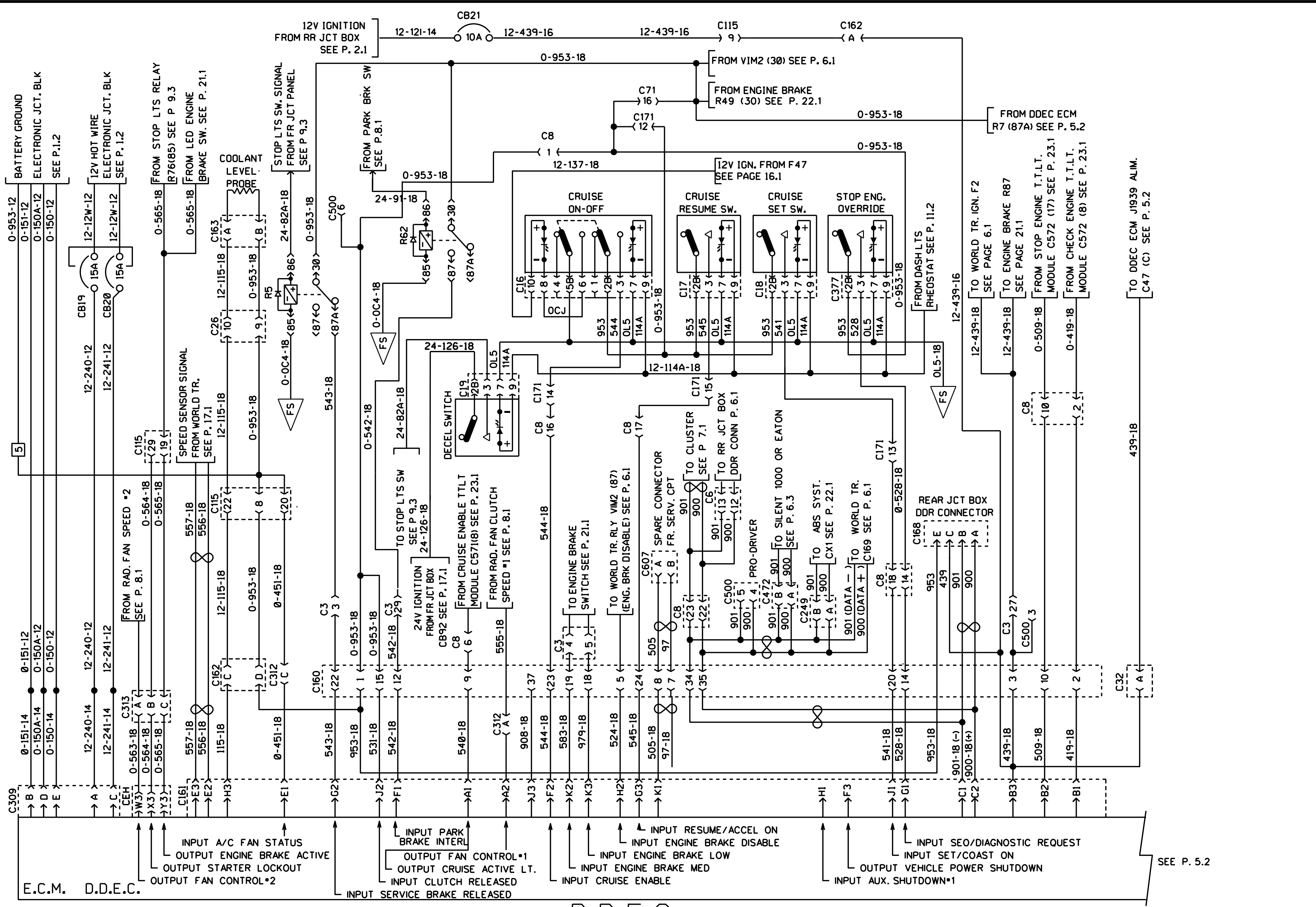
DUAL BOSCH ALTERNATOR



CANCELLED

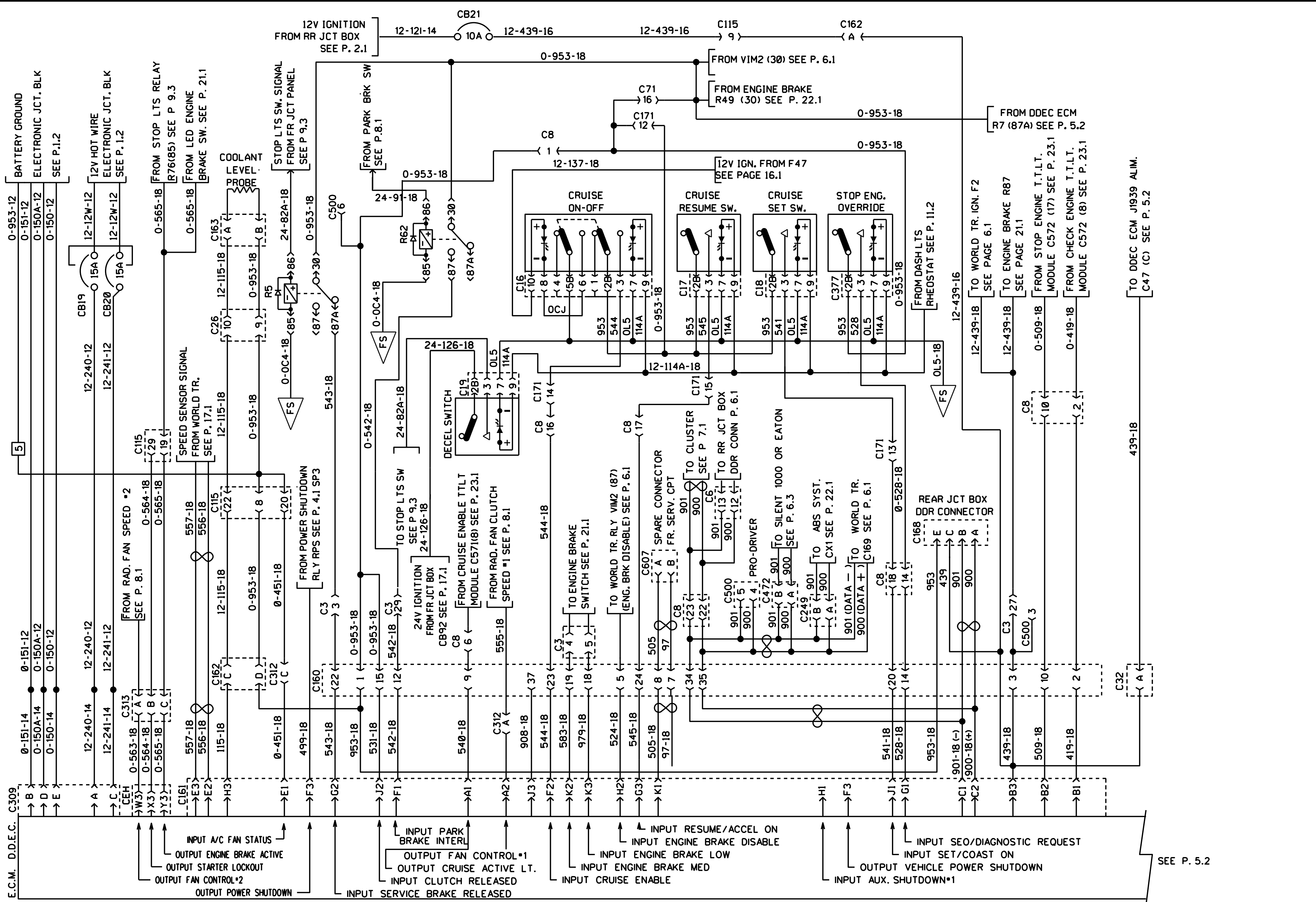






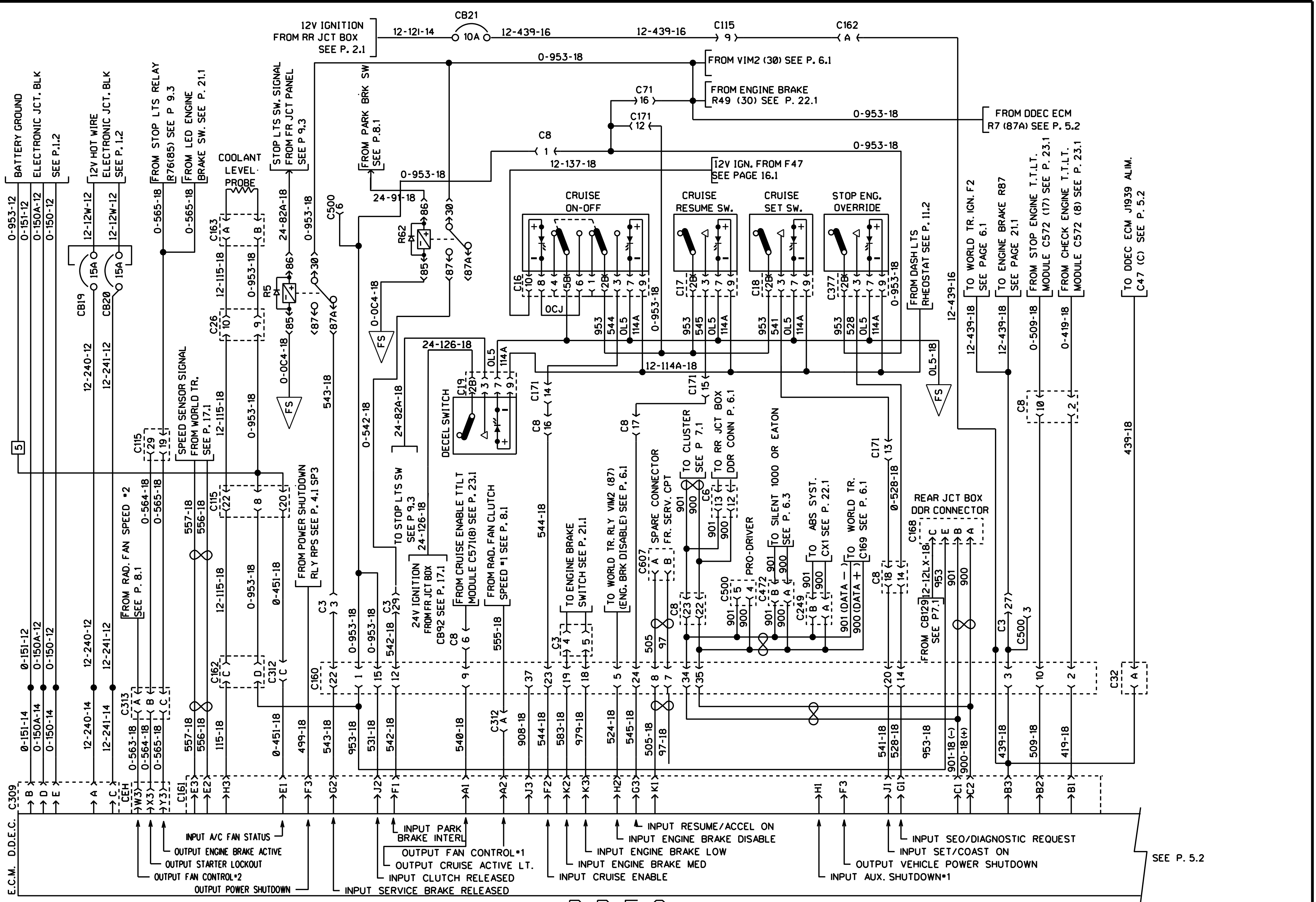
D.D.E.C.

SEE P. 5.2



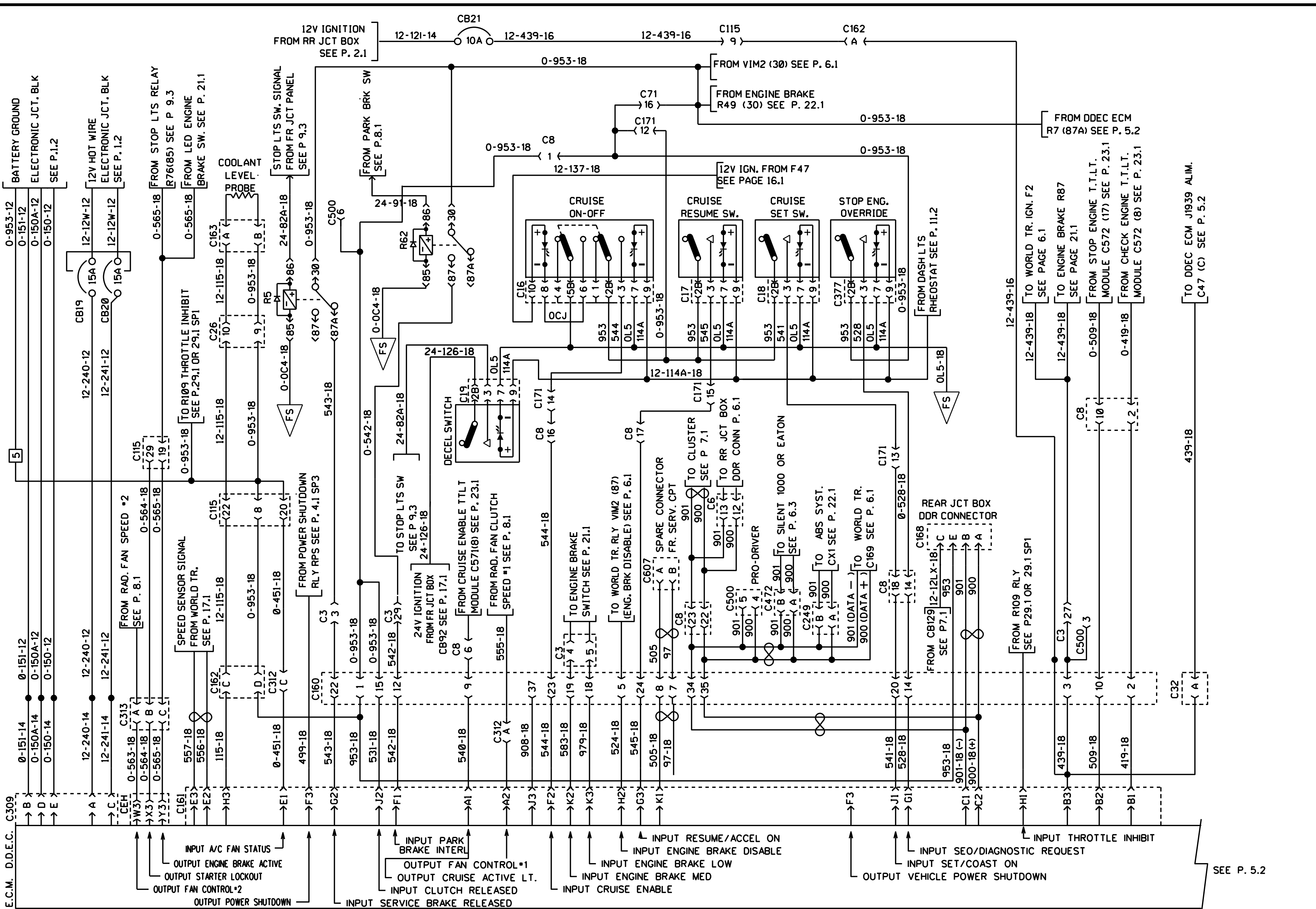
D.D.E.C.

SEE P. 5.2

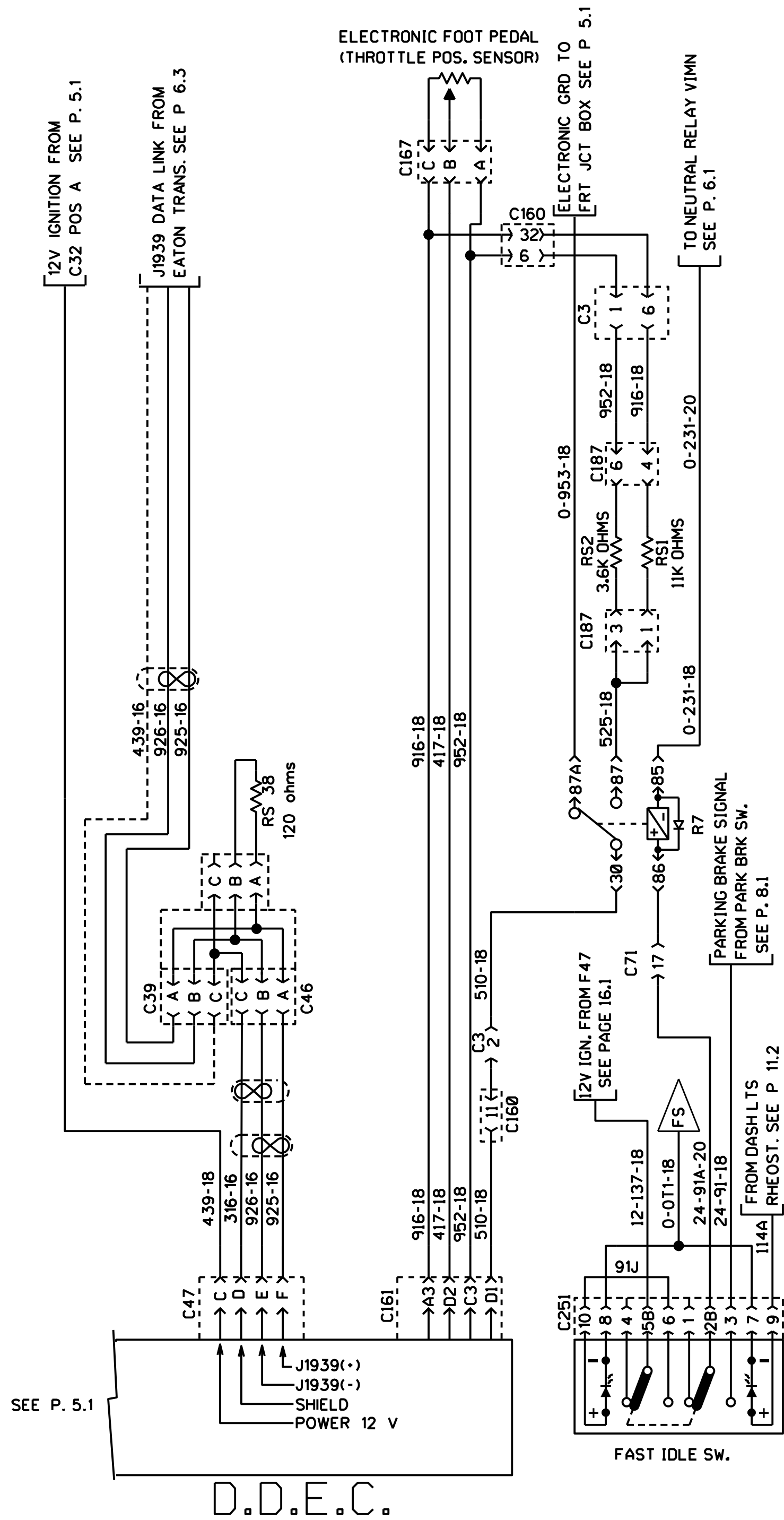


D.D.E.C.

SEE P. 5.2



D.D.E.C.



WORLD TRANSMISSION E.C.U.

PREVOST

WIRING DIAGRAM

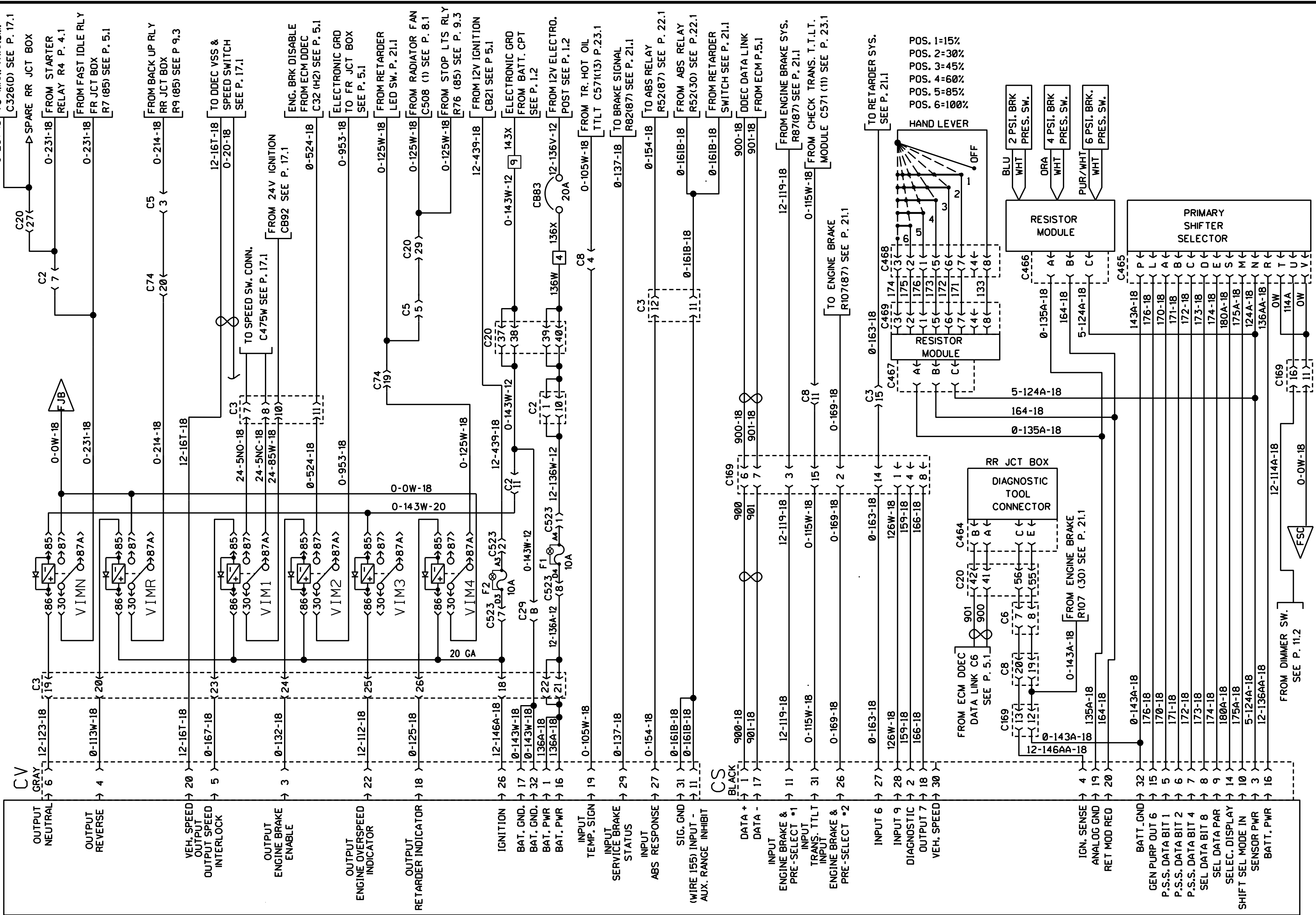
NO:

D060938

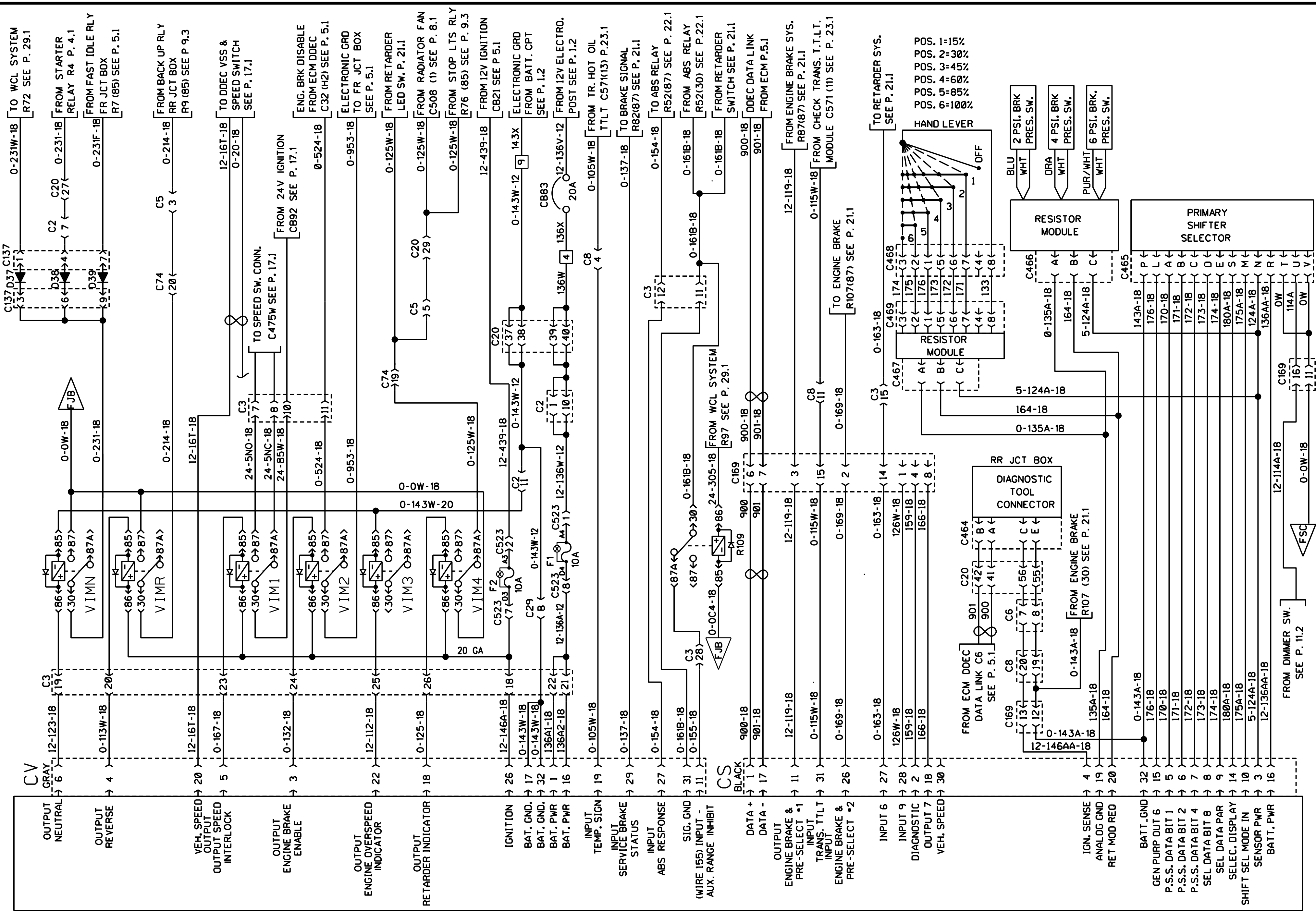
PAGE:

6.1

REVISION
00



WORLD TRANSMISSION E.C.U.



WORLD TRANSMISSION E.C.U.

PREVOST

WIRING DIAGRAM

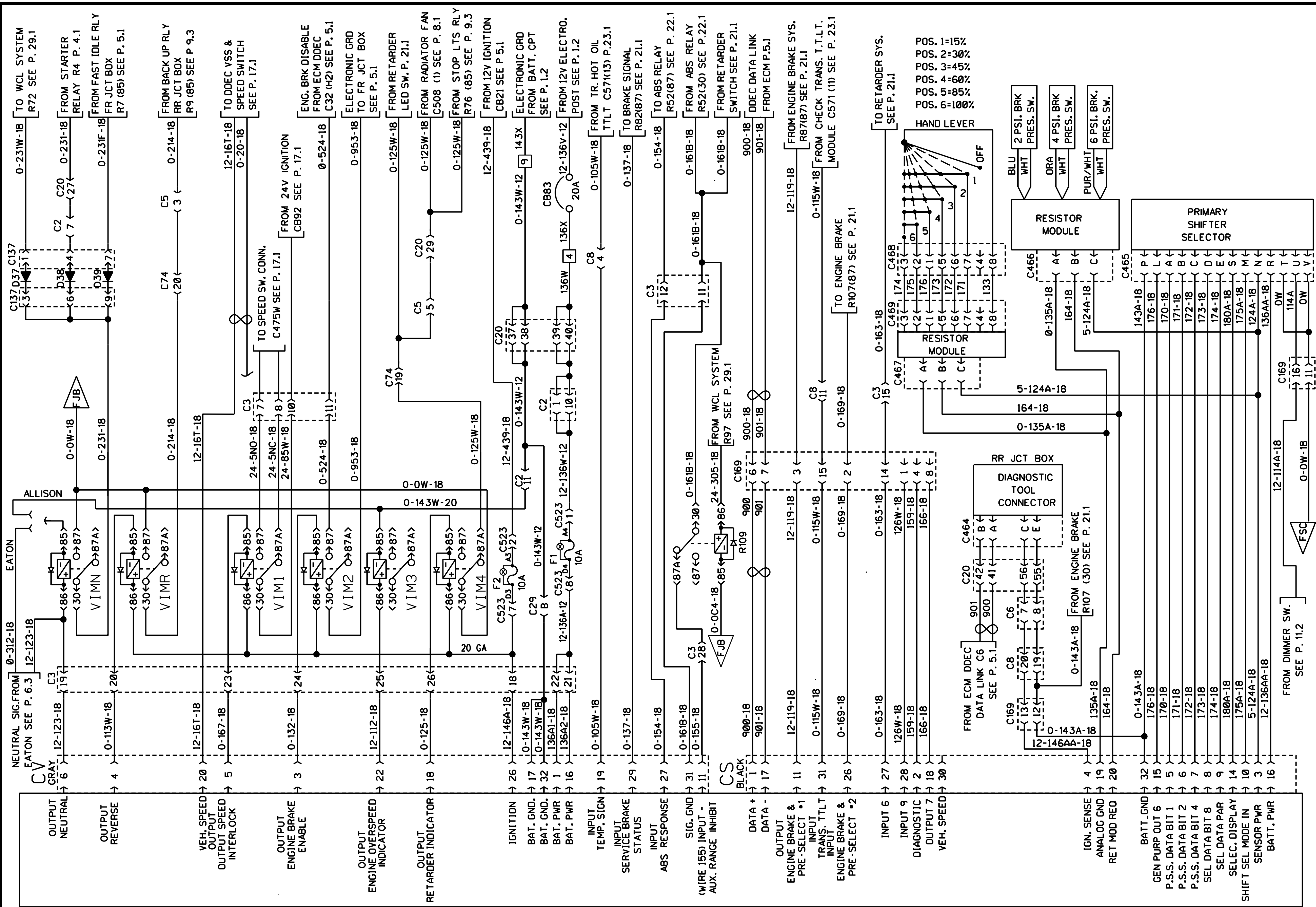
NO:

D060938

PAGE:

6.1

REVISION
06



POS. 1=15%
POS. 2=30%
POS. 3=45%
POS. 4=60%
POS. 5=85%
POS. 6=100%

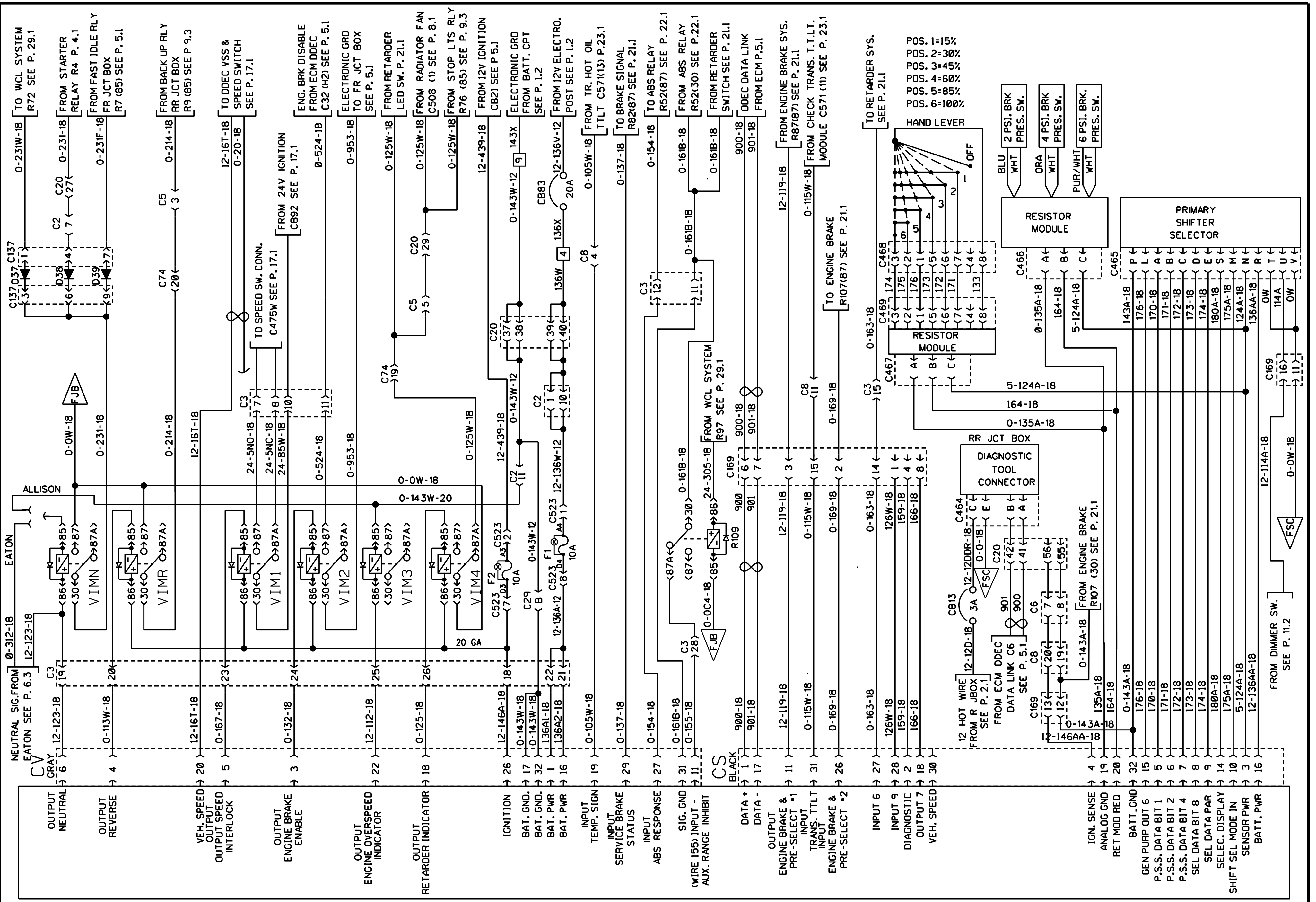
2 PSI. BRK. PRES. SW.
4 PSI. BRK. PRES. SW.
6 PSI. BRK. PRES. SW.

RR JCT BOX
DIAGNOSTIC TOOL CONNECTOR

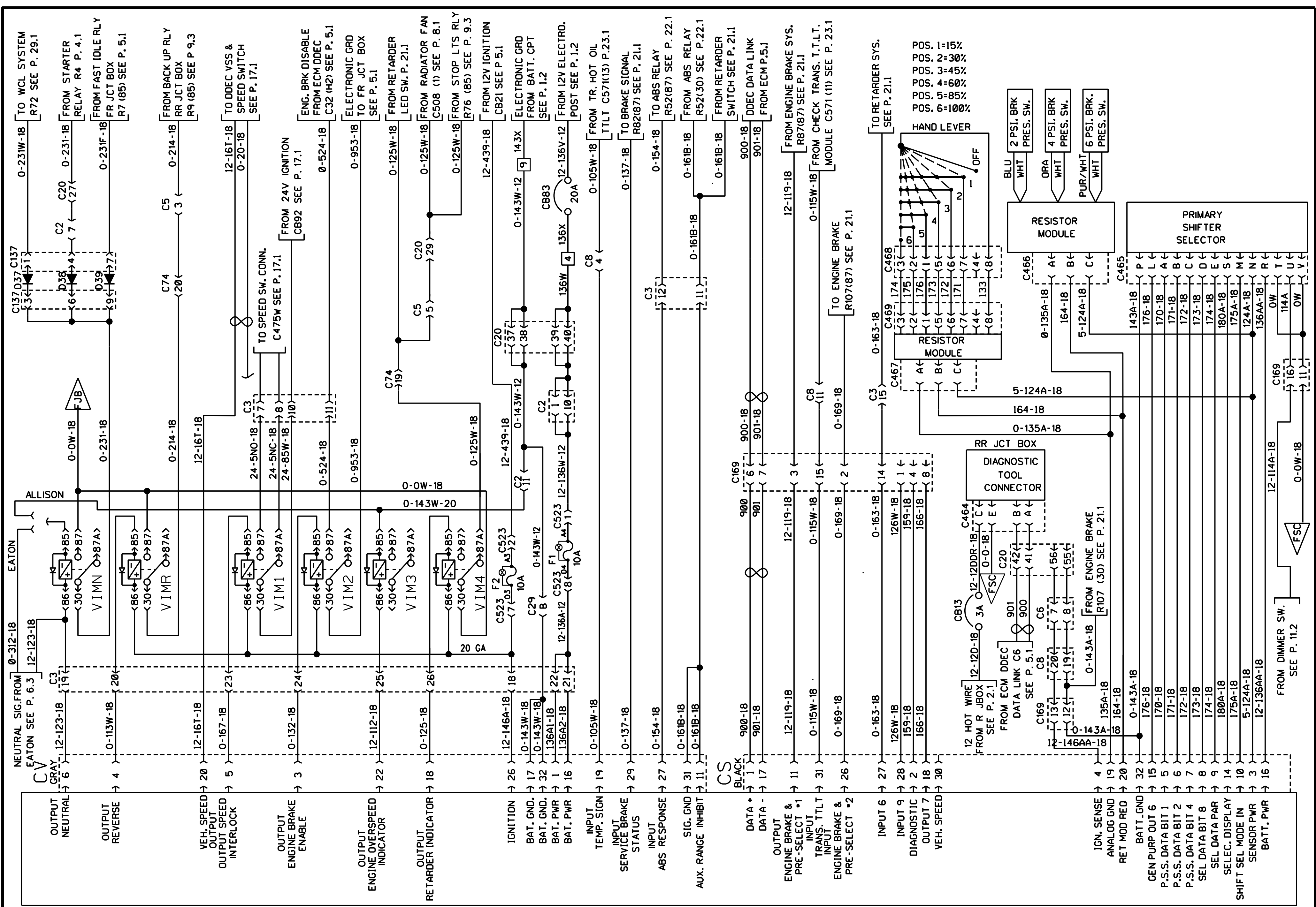
FROM ECM DDEC
DATA LINK C6
SEE P. 5.1

FROM ENGINE BRAKE
R107 (30) SEE P. 21.1

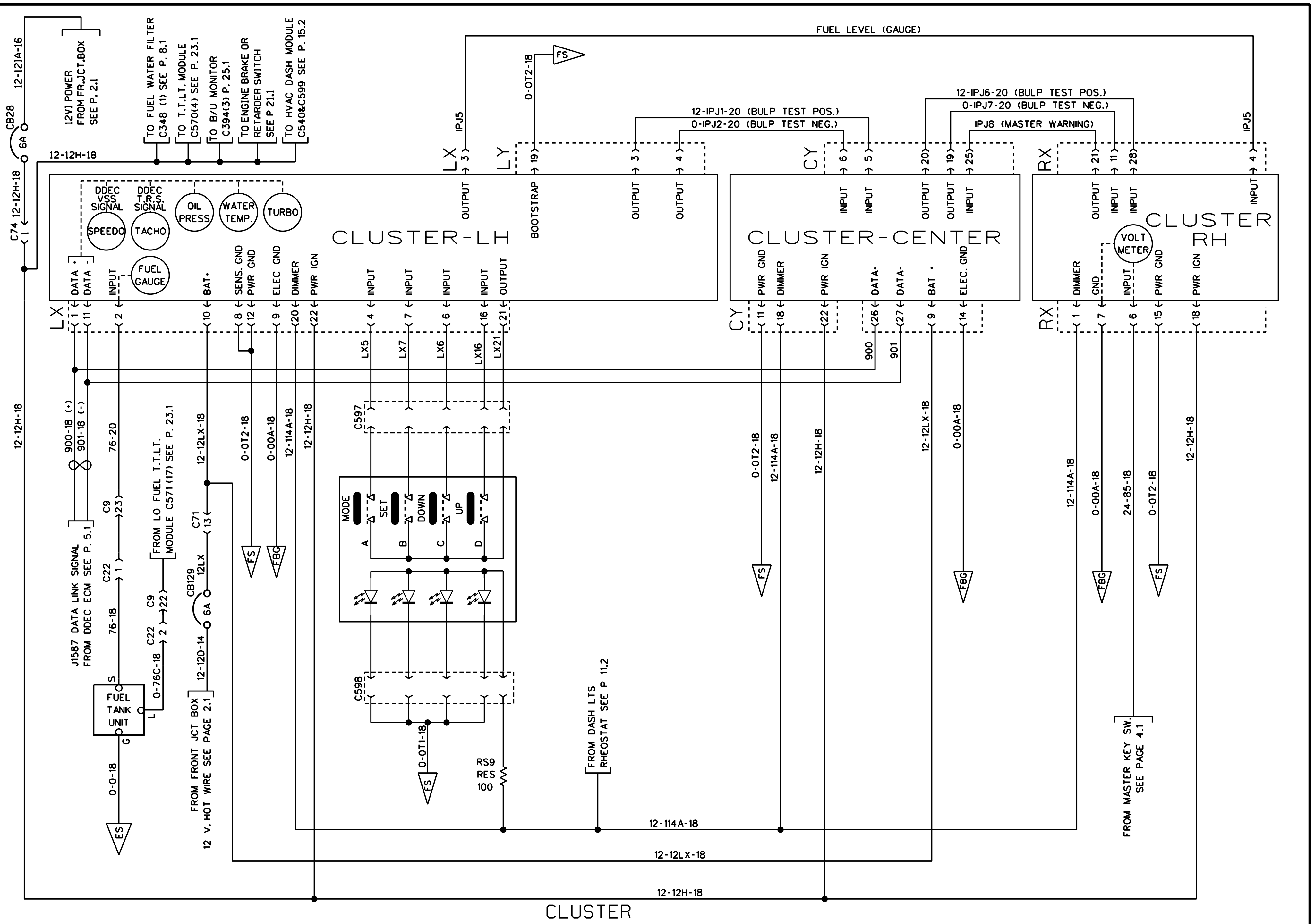
FROM DIMMER SW.
SEE P. 11.2

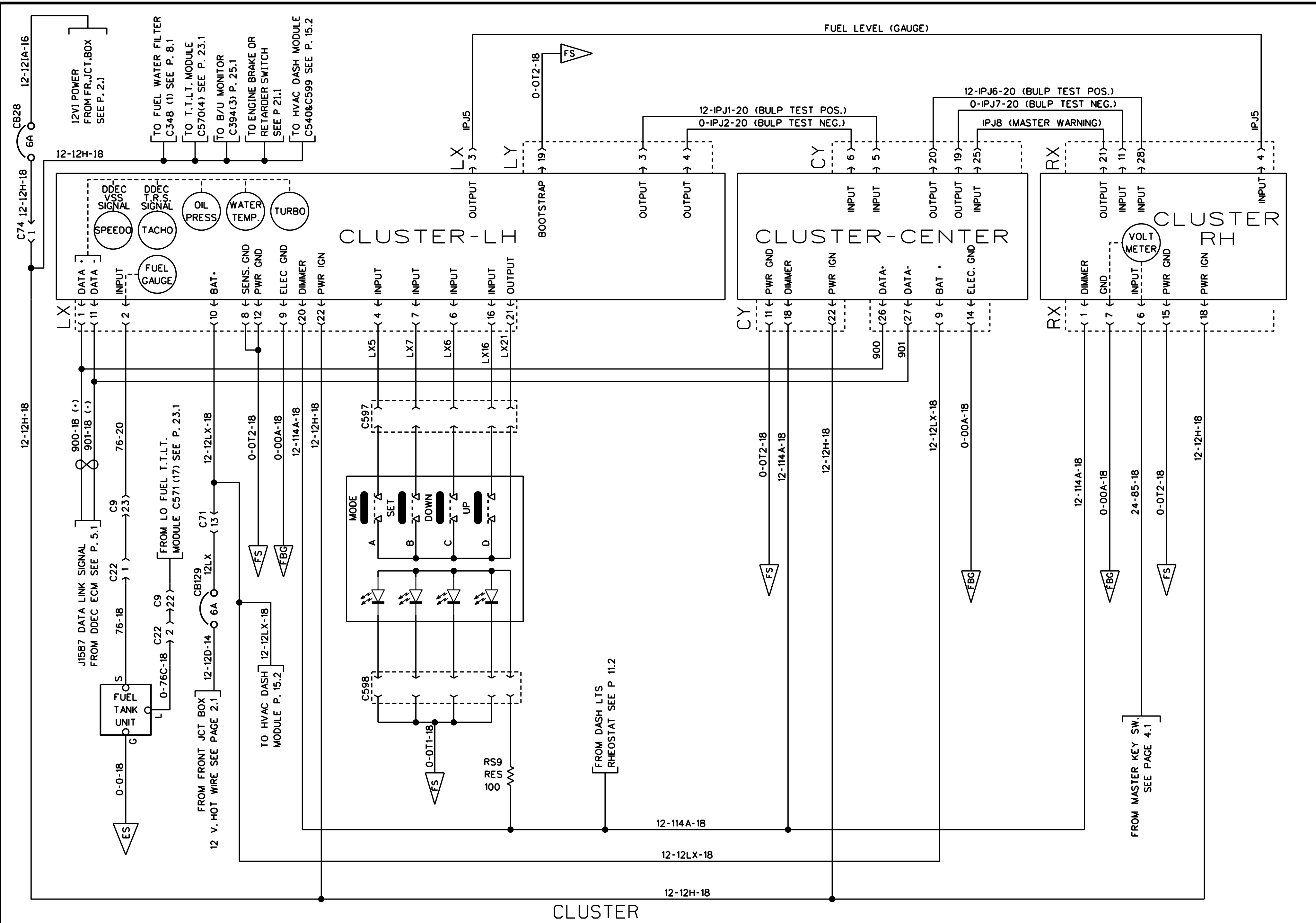


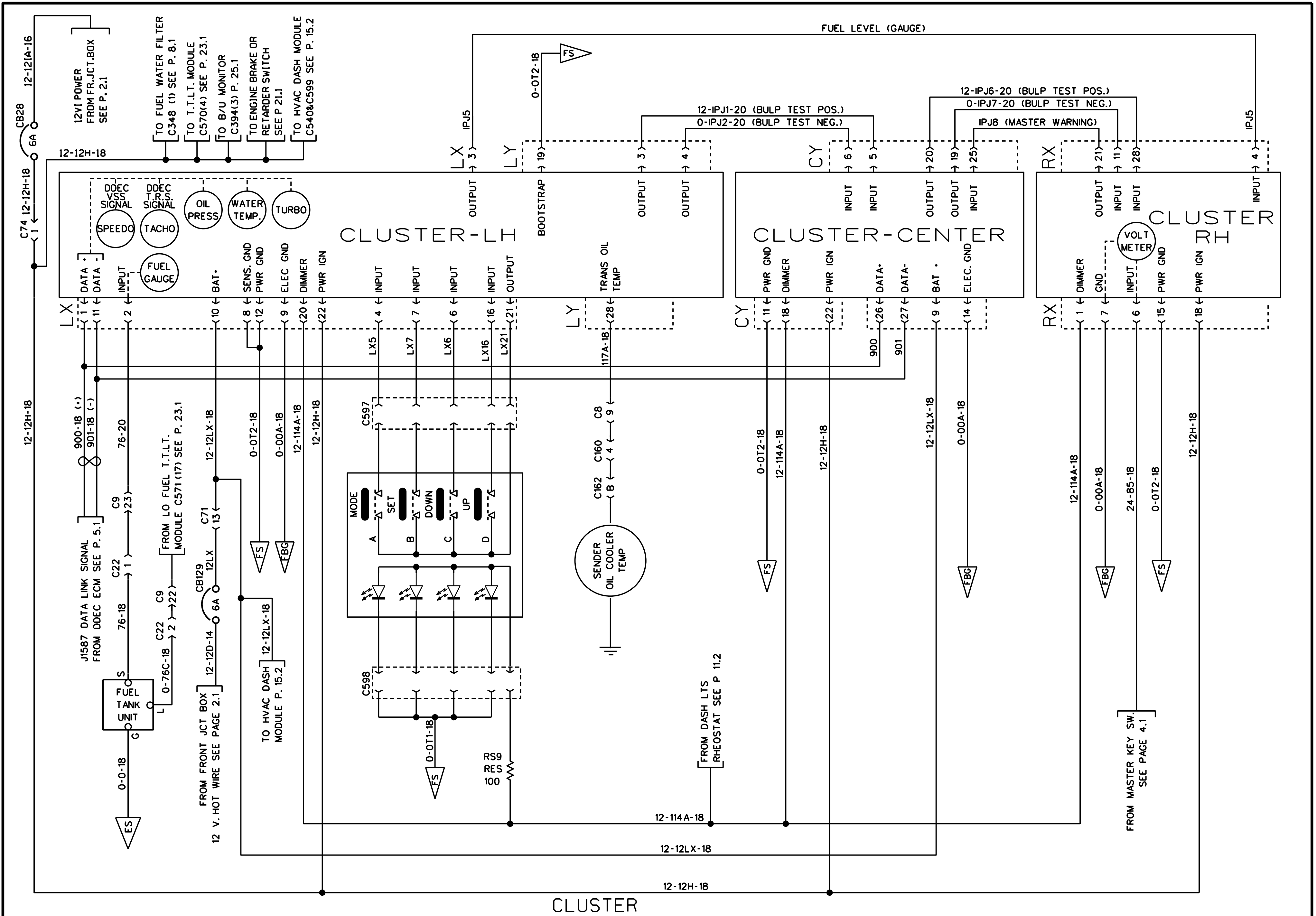
WORLD TRANSMISSION E.C.U.

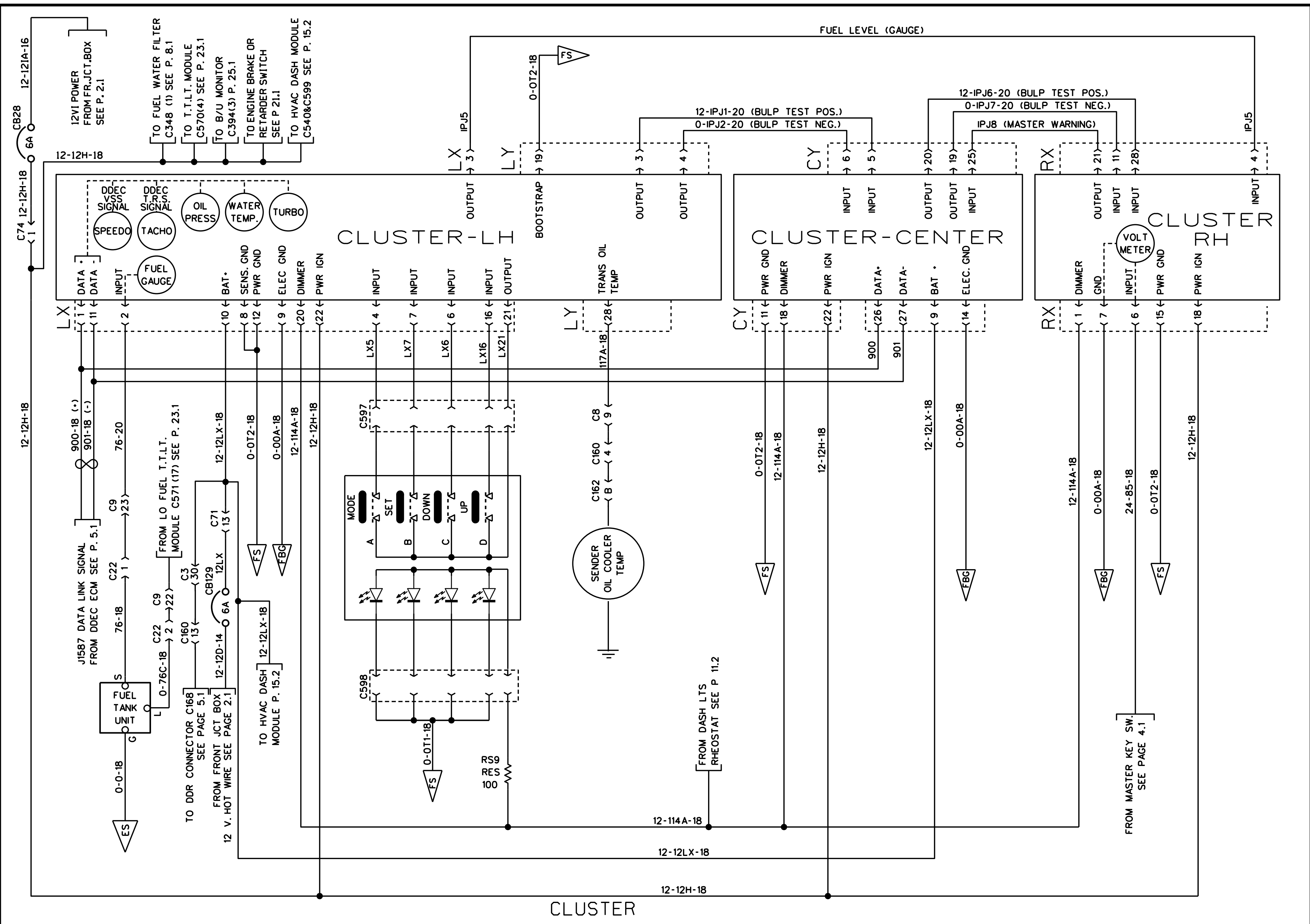


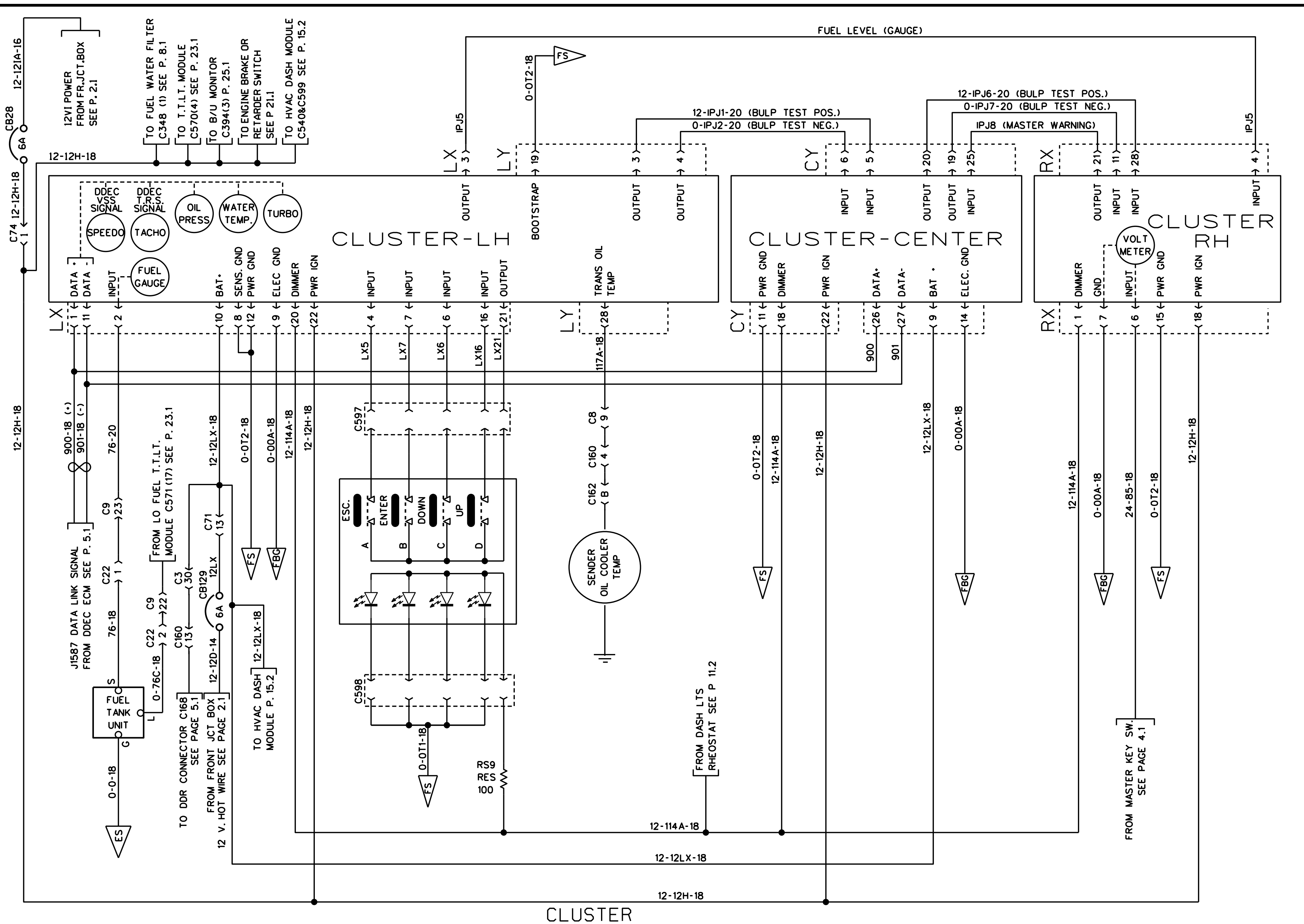
WORLD TRANSMISSION E.C.U.

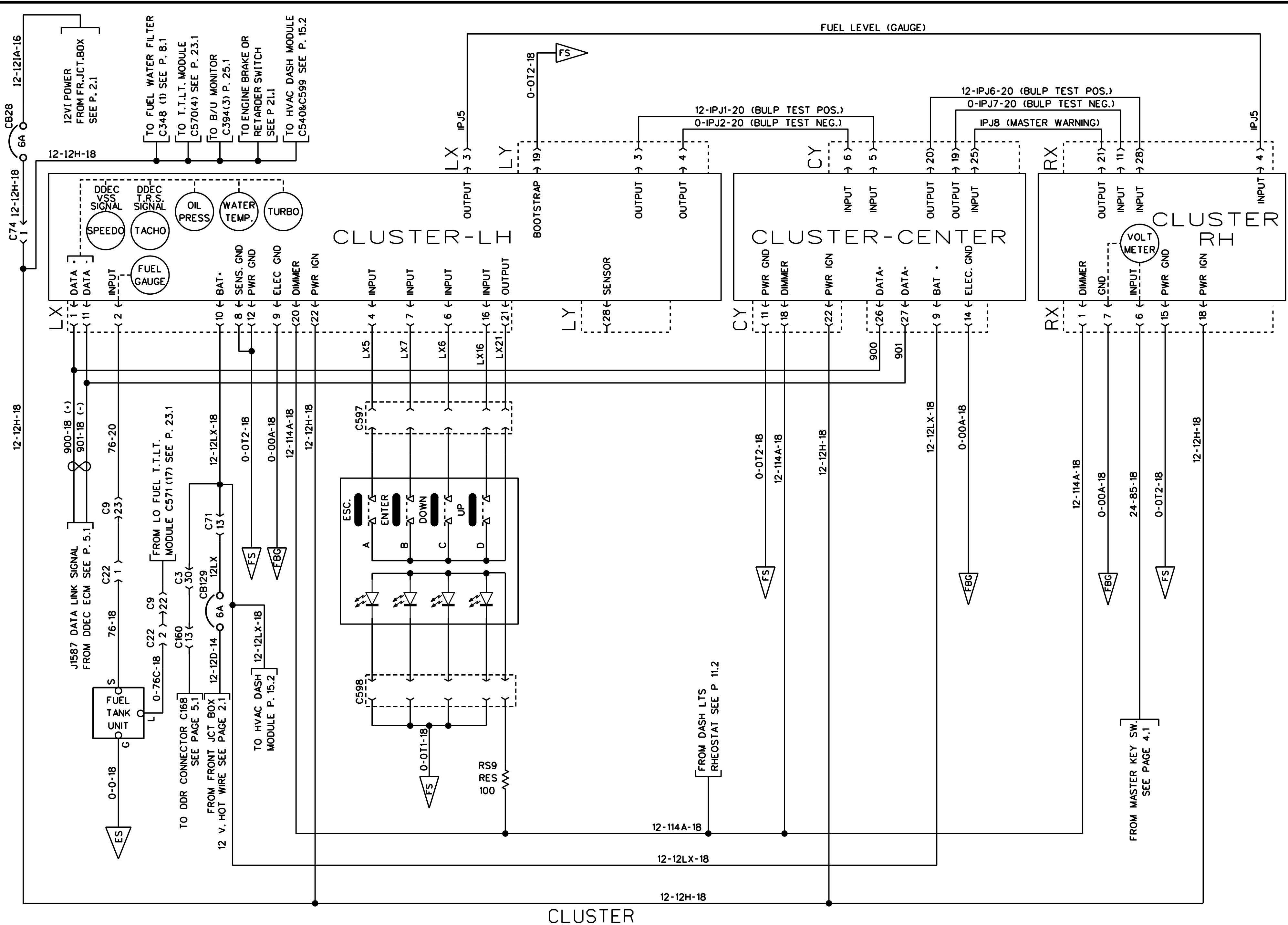


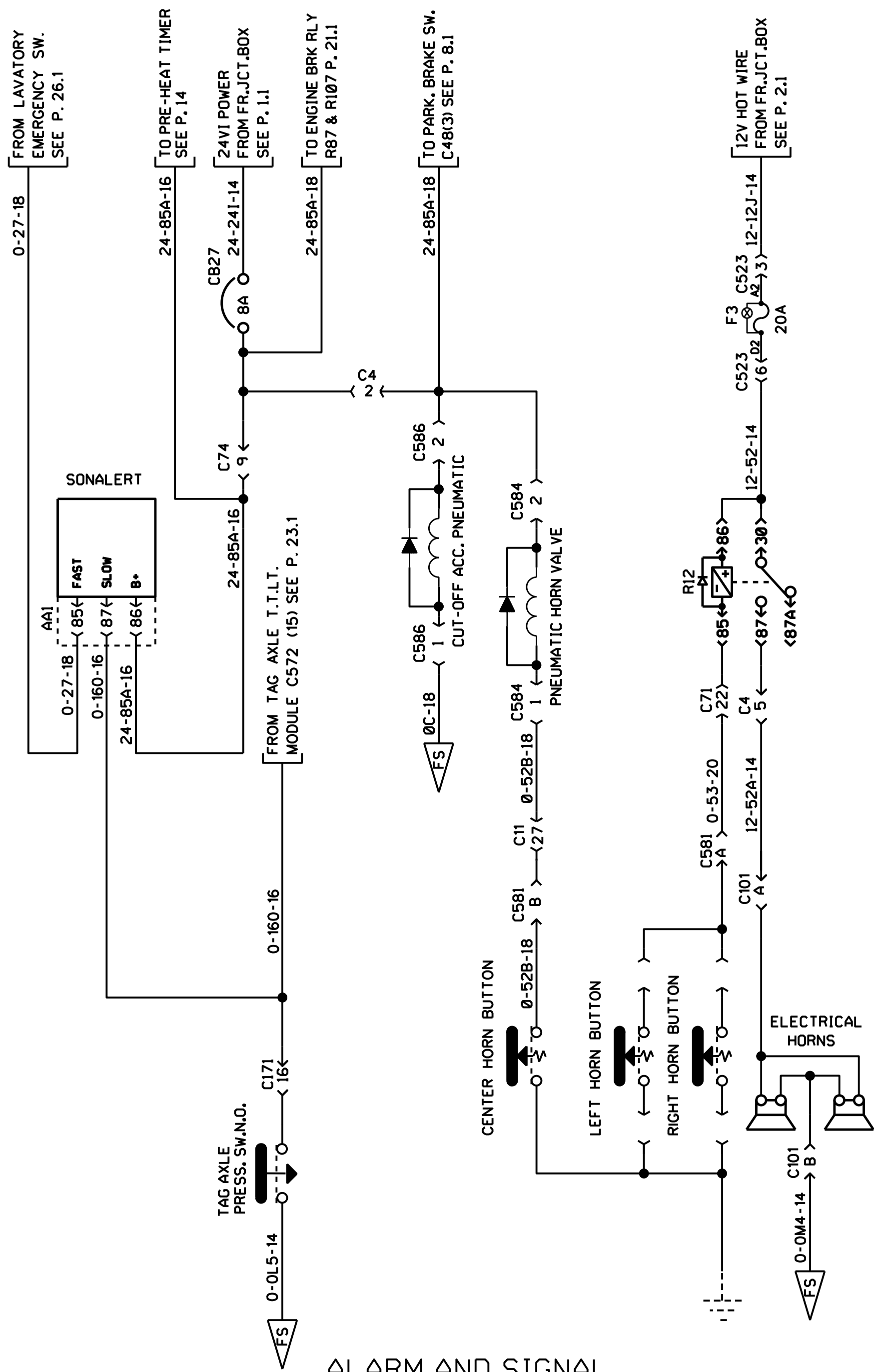




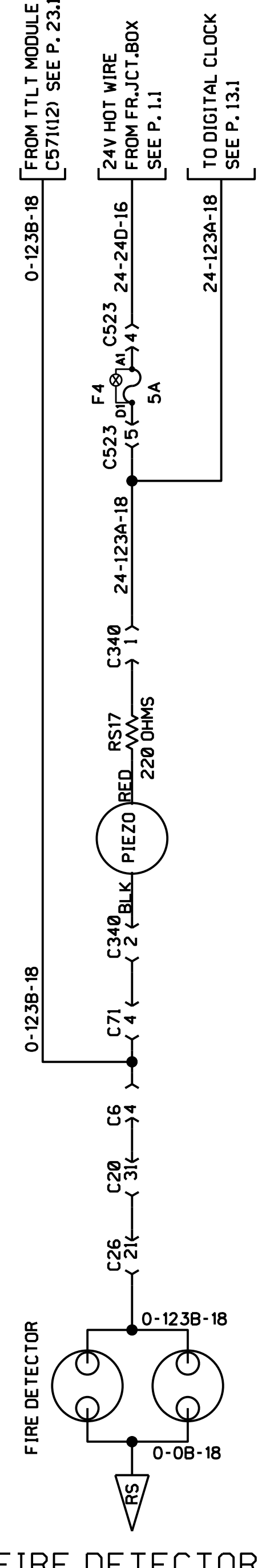




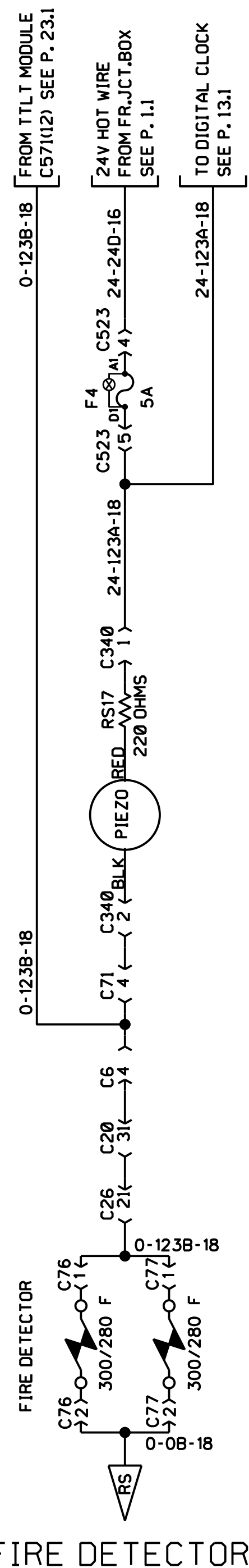
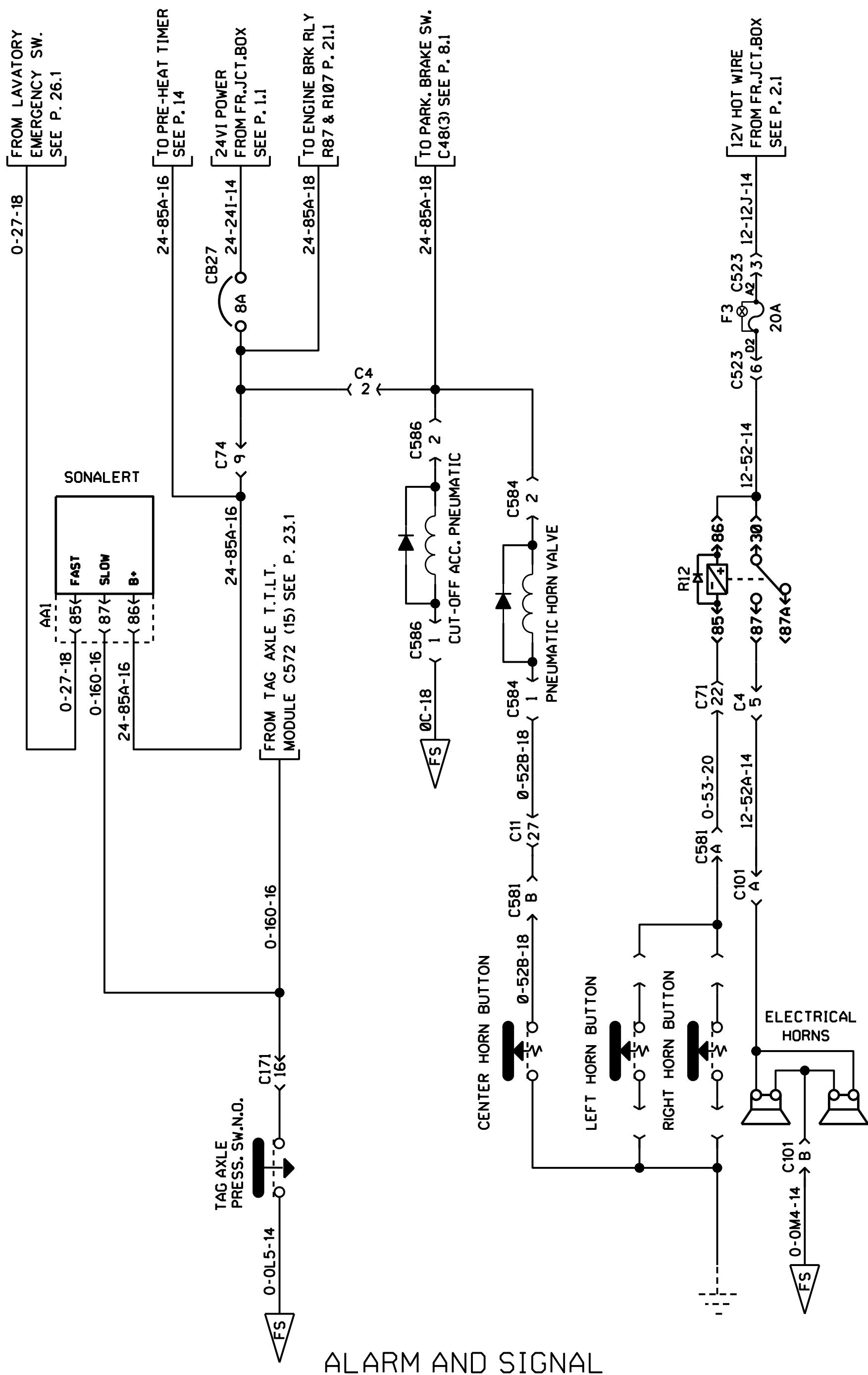


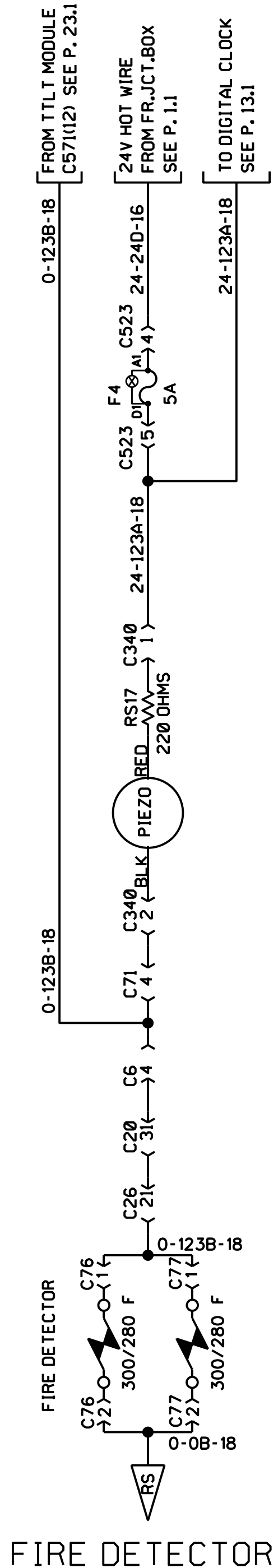
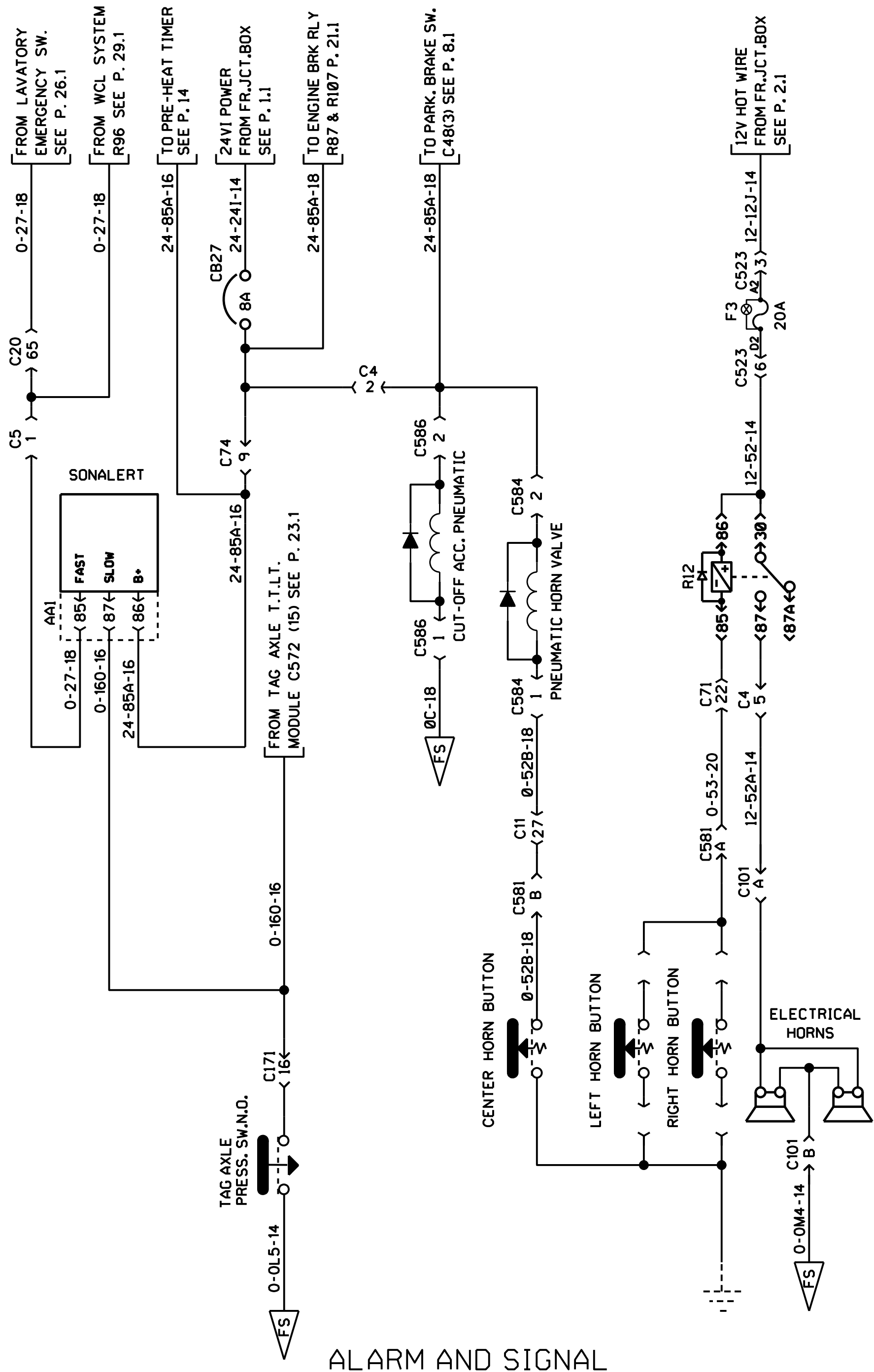


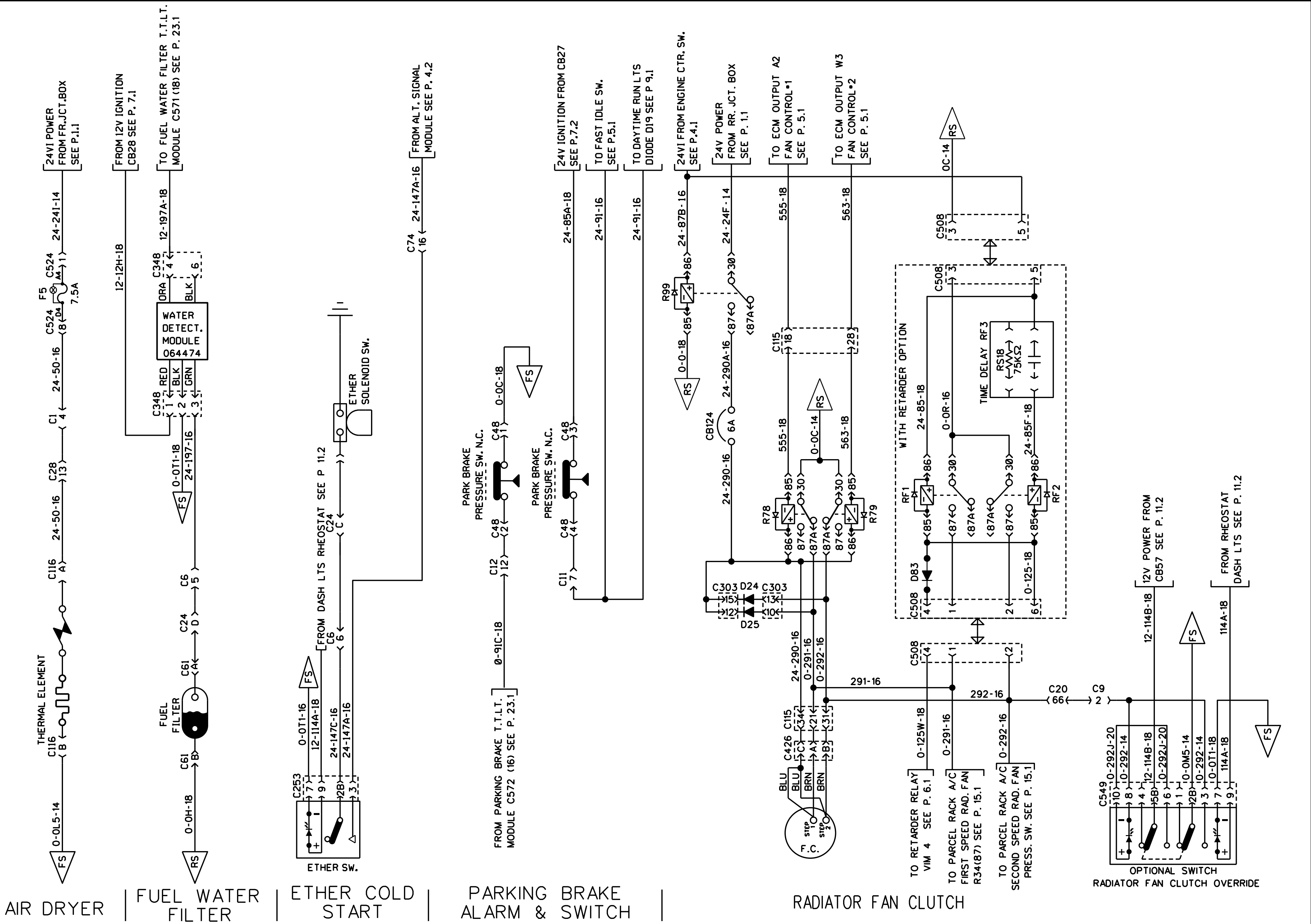
ALARM AND SIGNAL

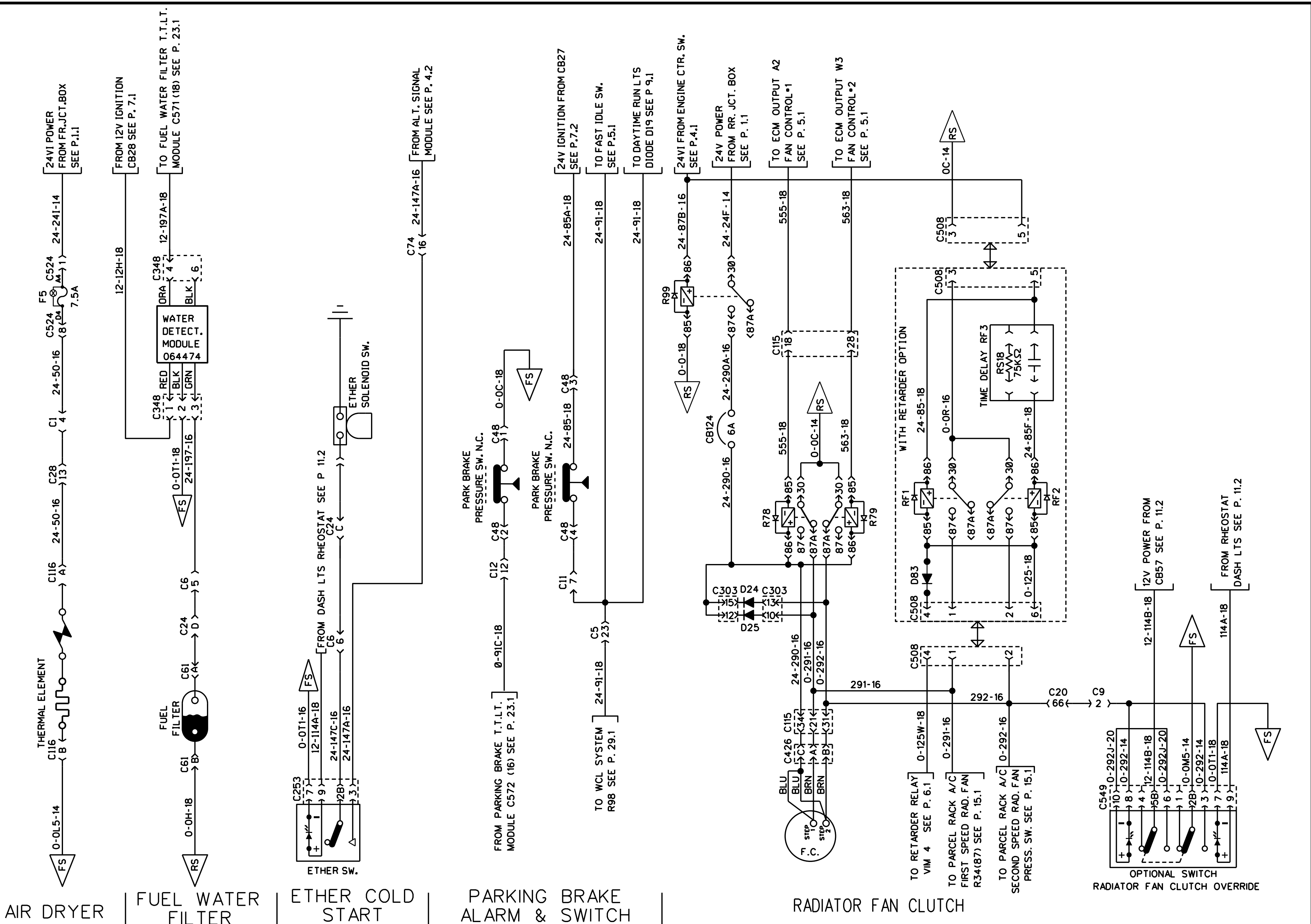


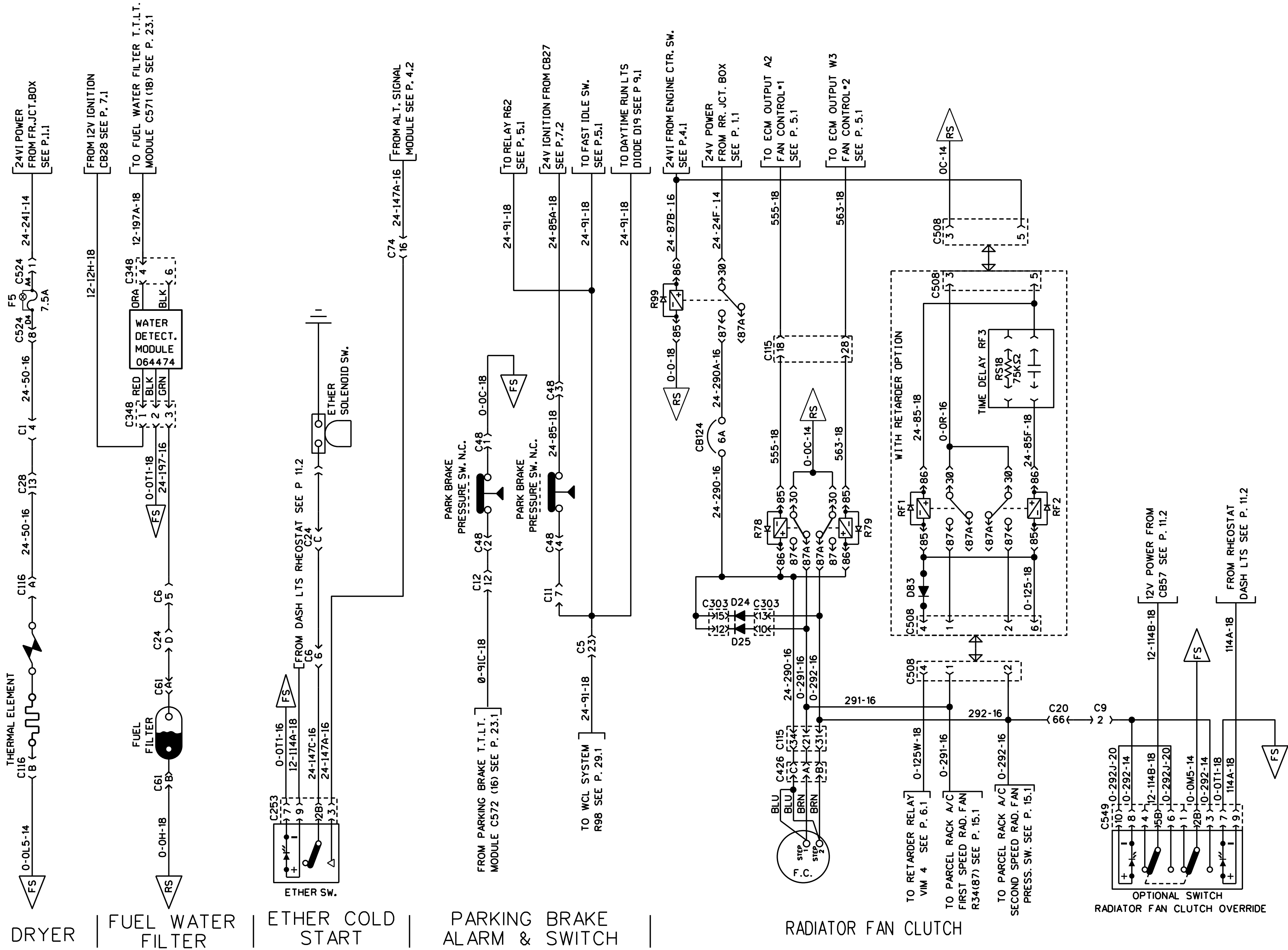
FIRE DETECTOR

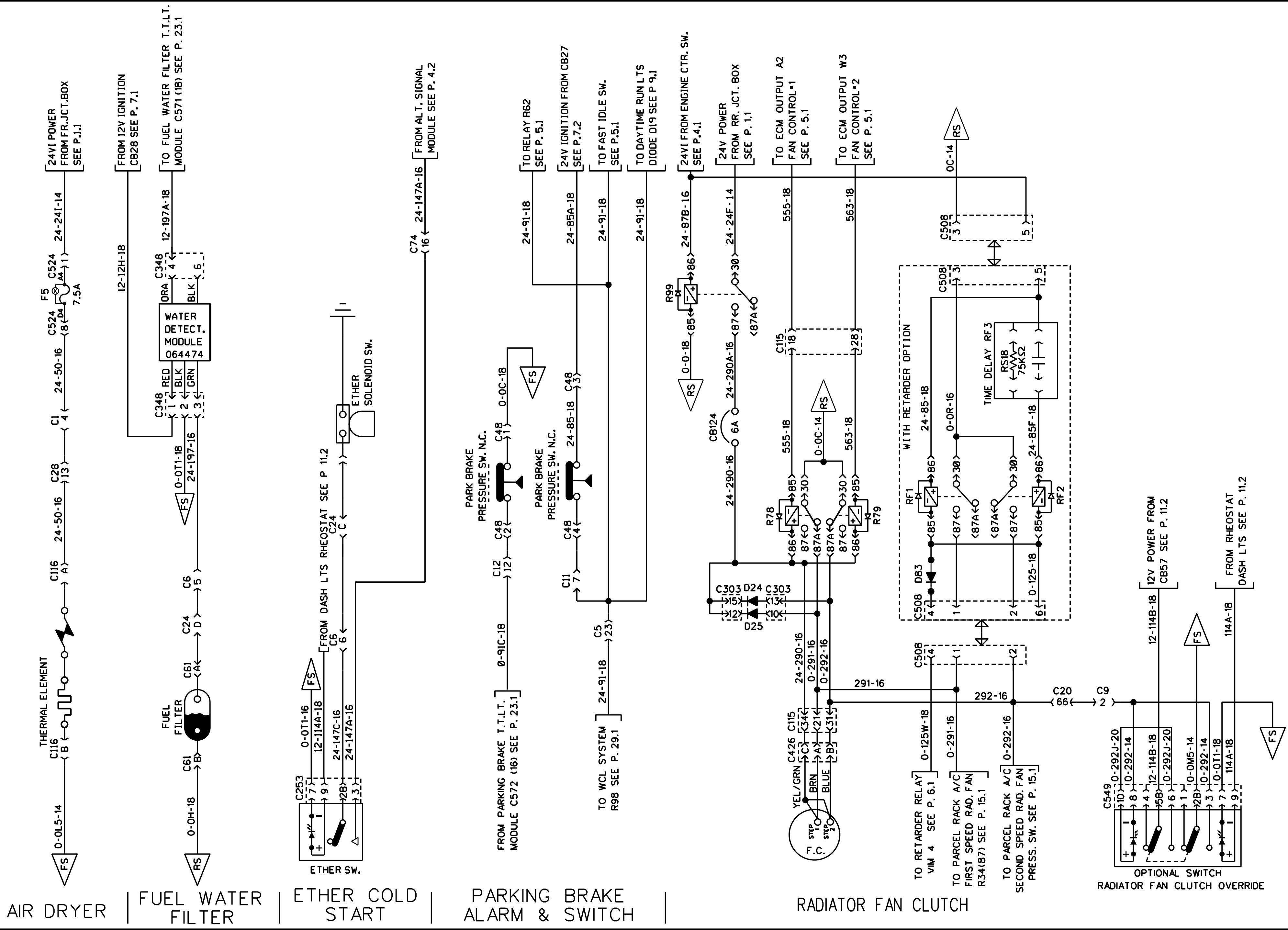


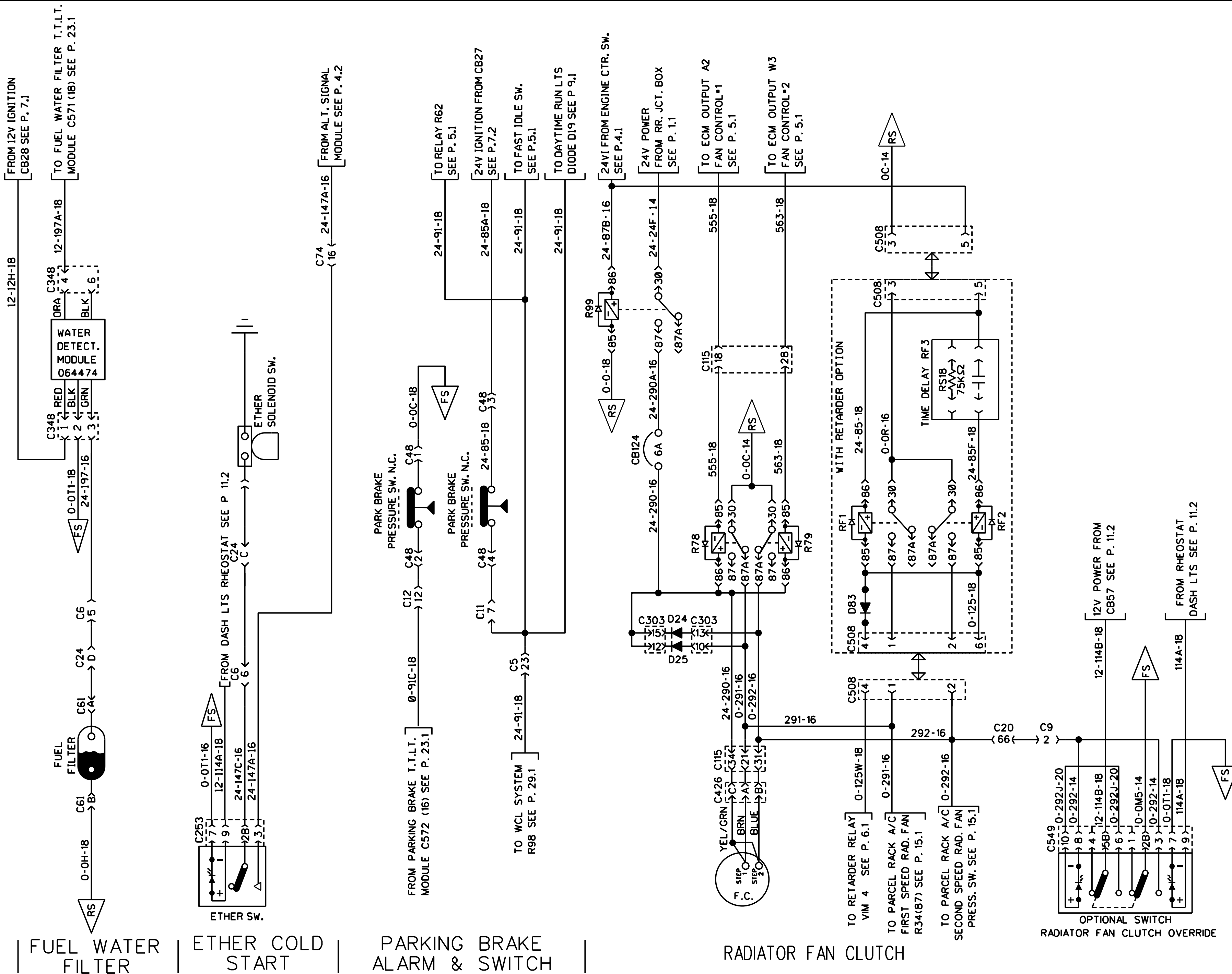


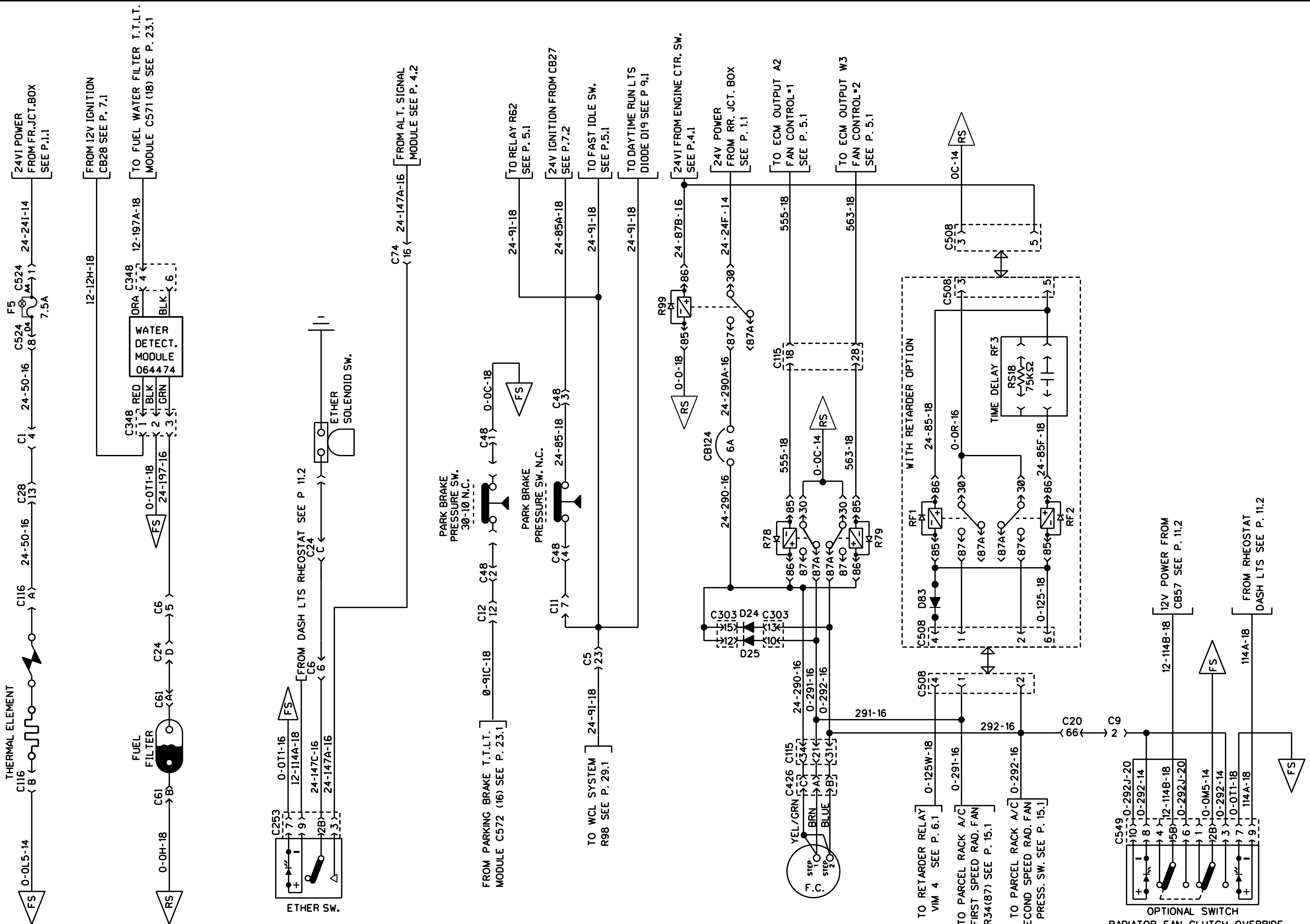












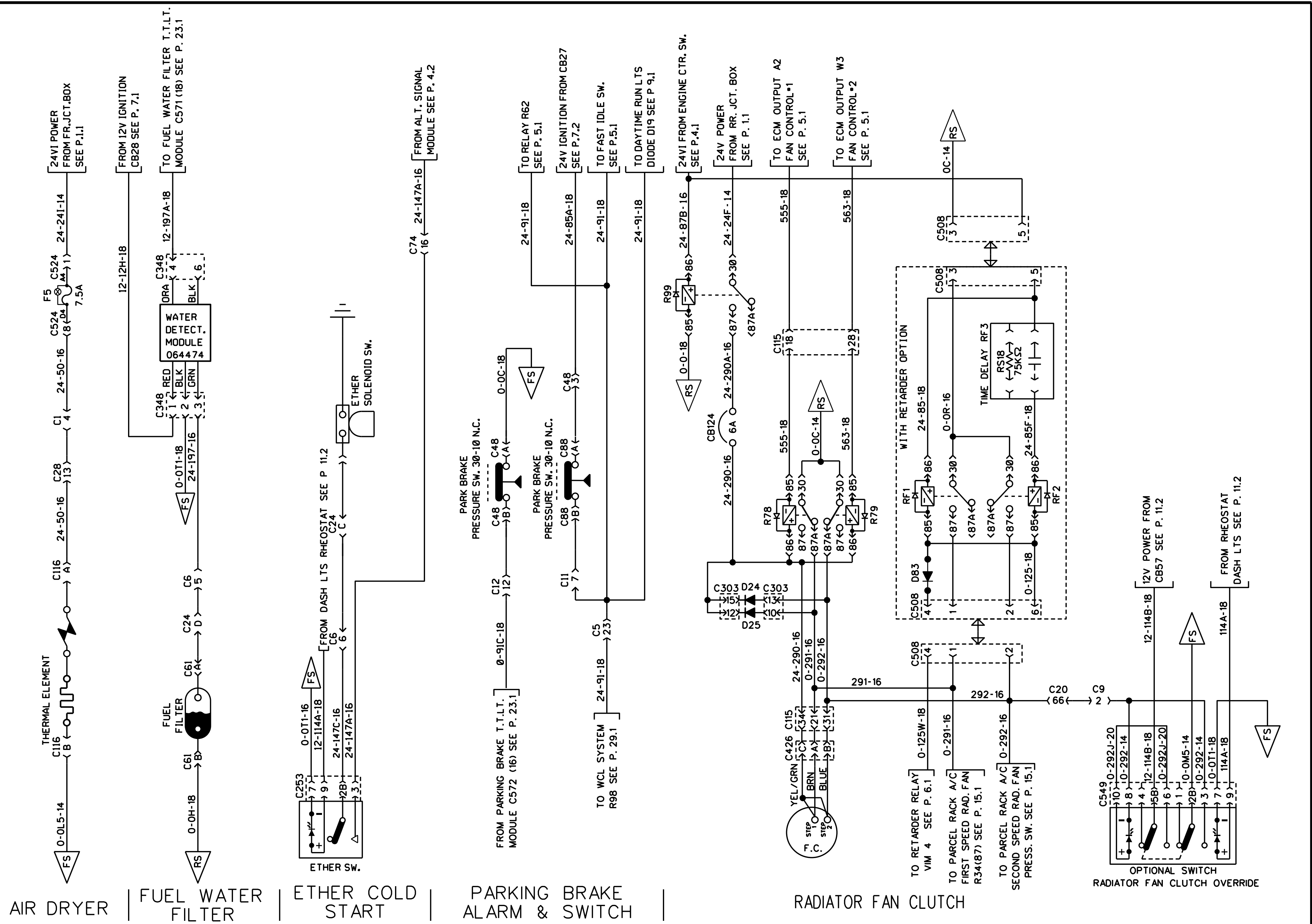
AIR DRYER

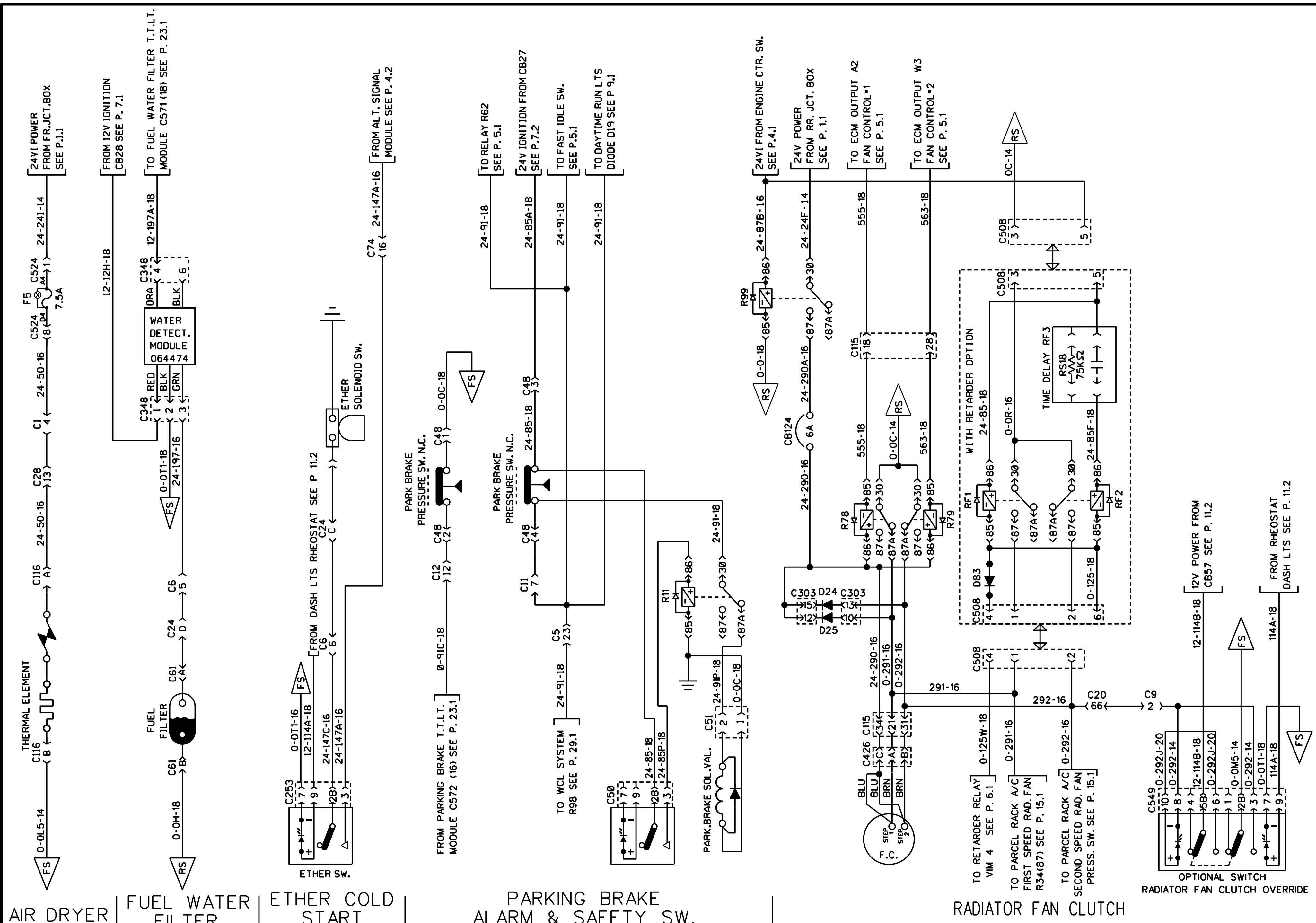
FUEL WATER FILTER

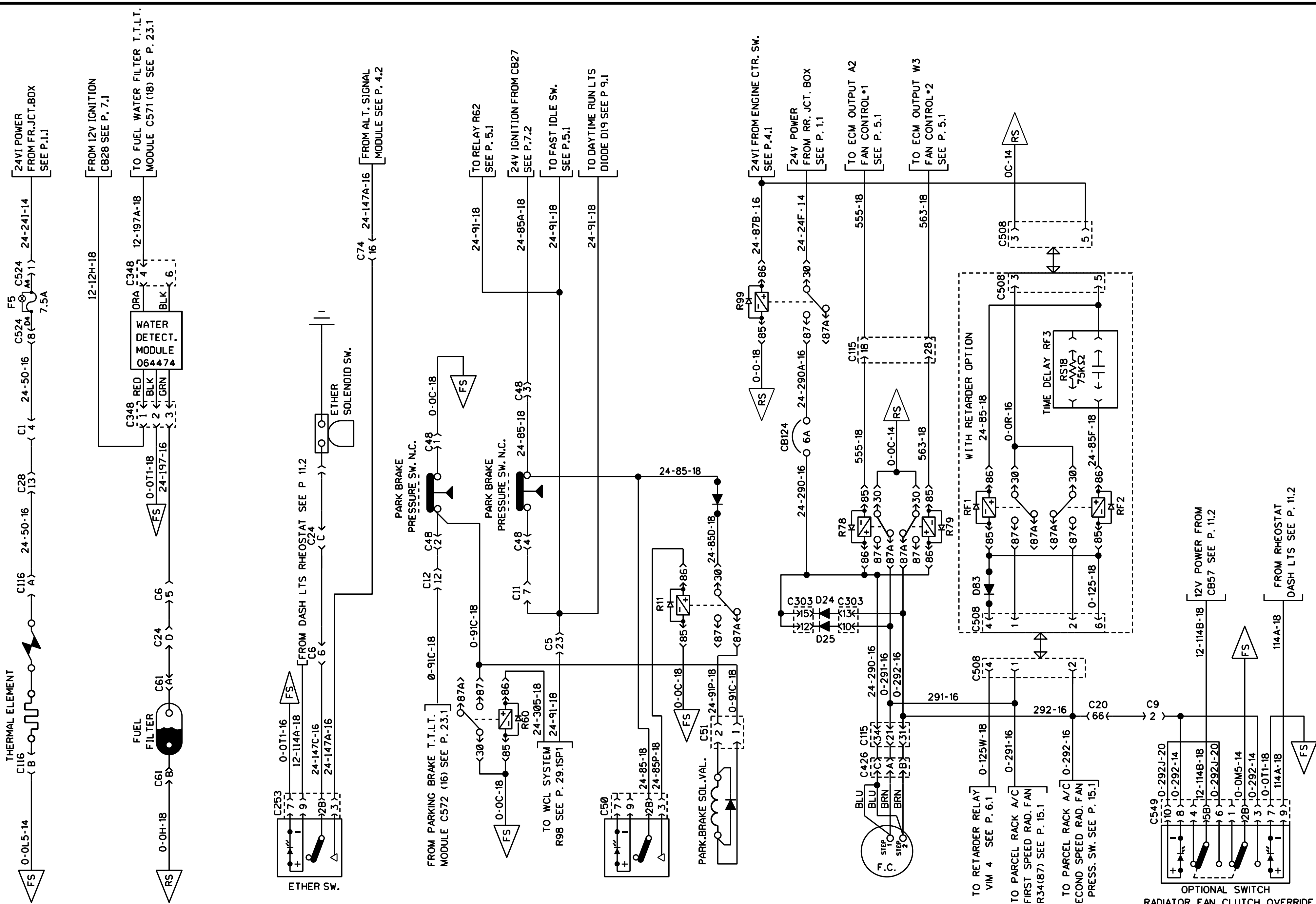
ETHER COLD START

PARKING BRAKE ALARM & SWITCH

RADIATOR FAN CLUTCH





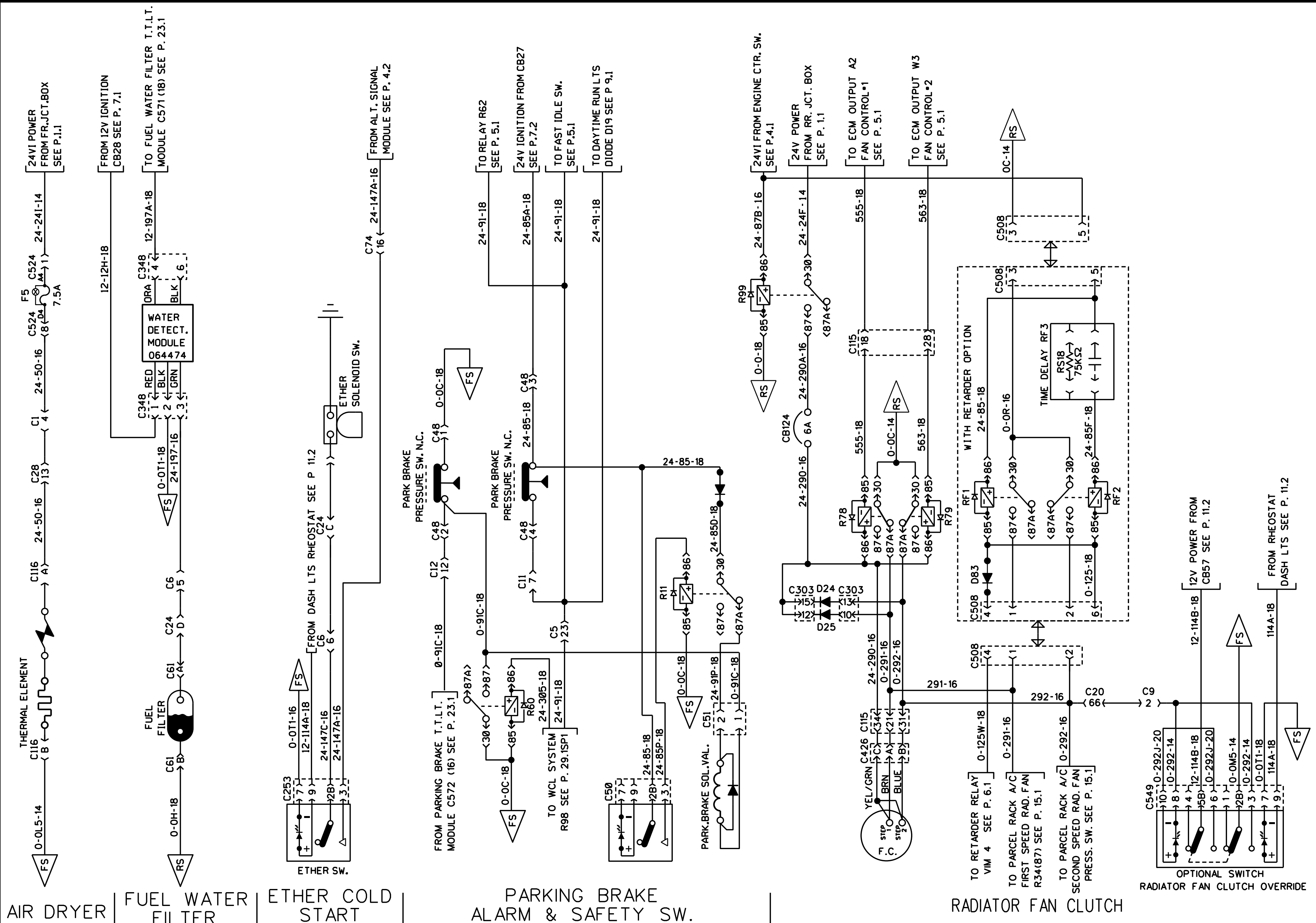


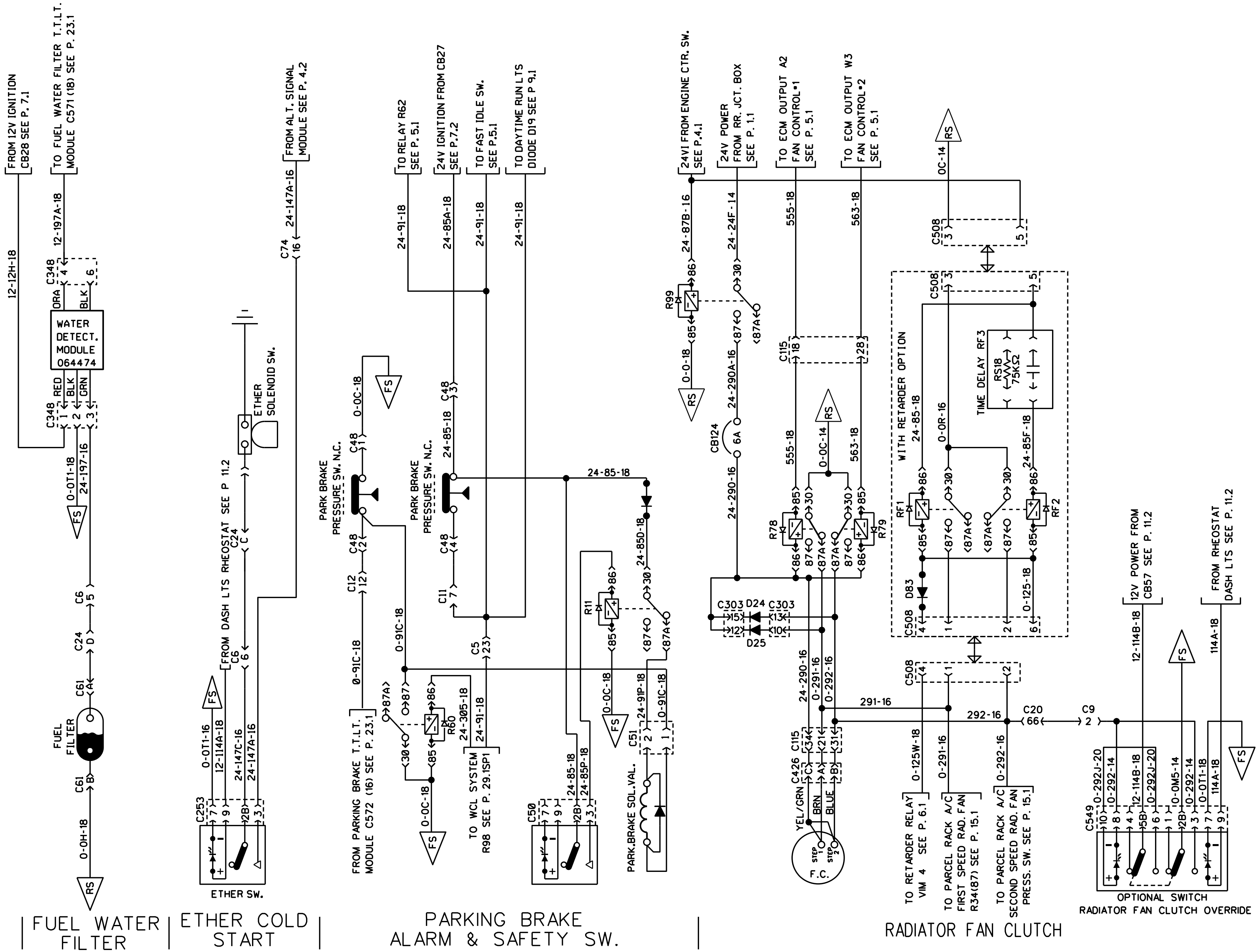
AIR DRYER | FUEL FILTER | WATER FILTER | ETHER START

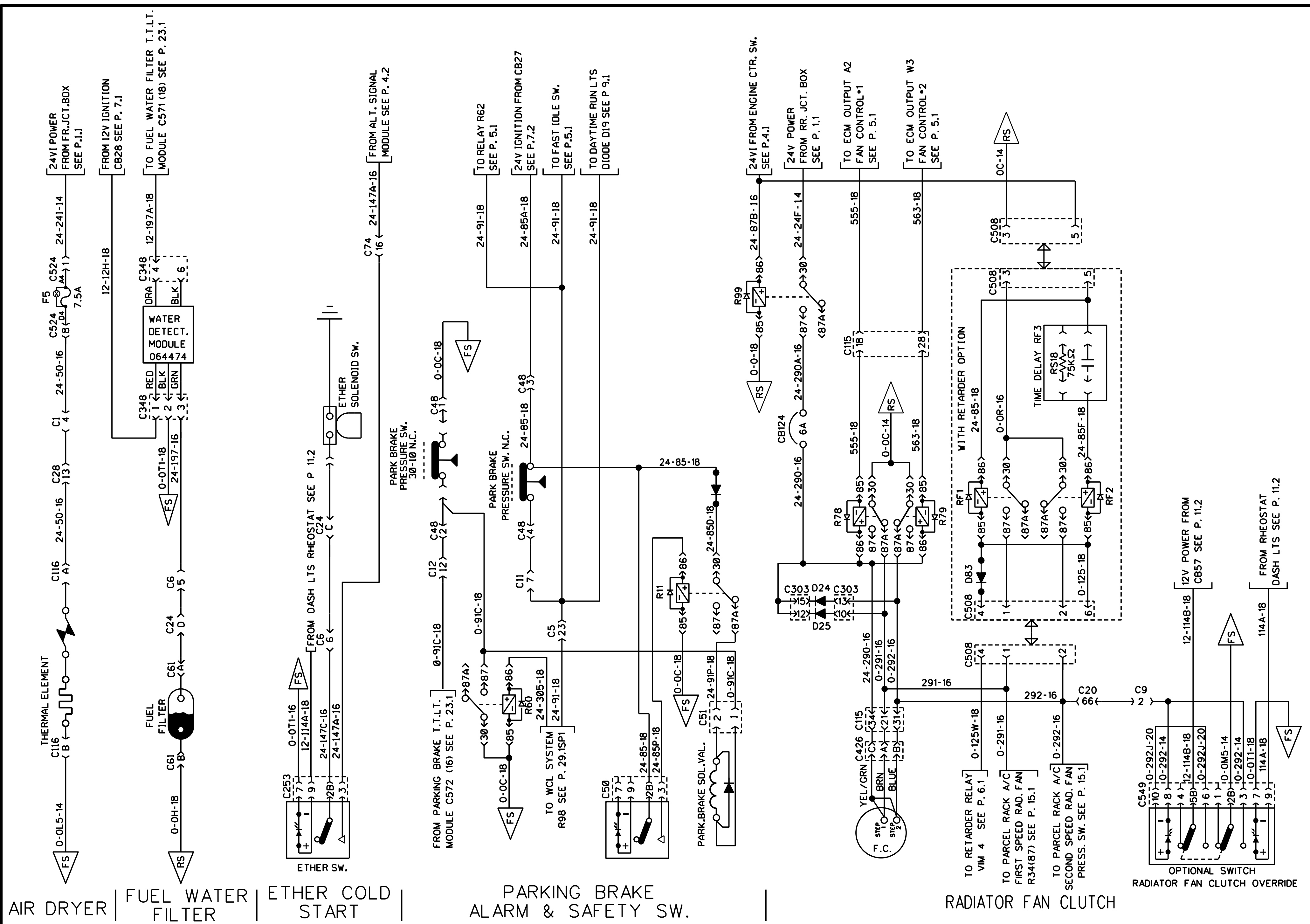
PARKING BRAKE ALARM & SAFETY SW.

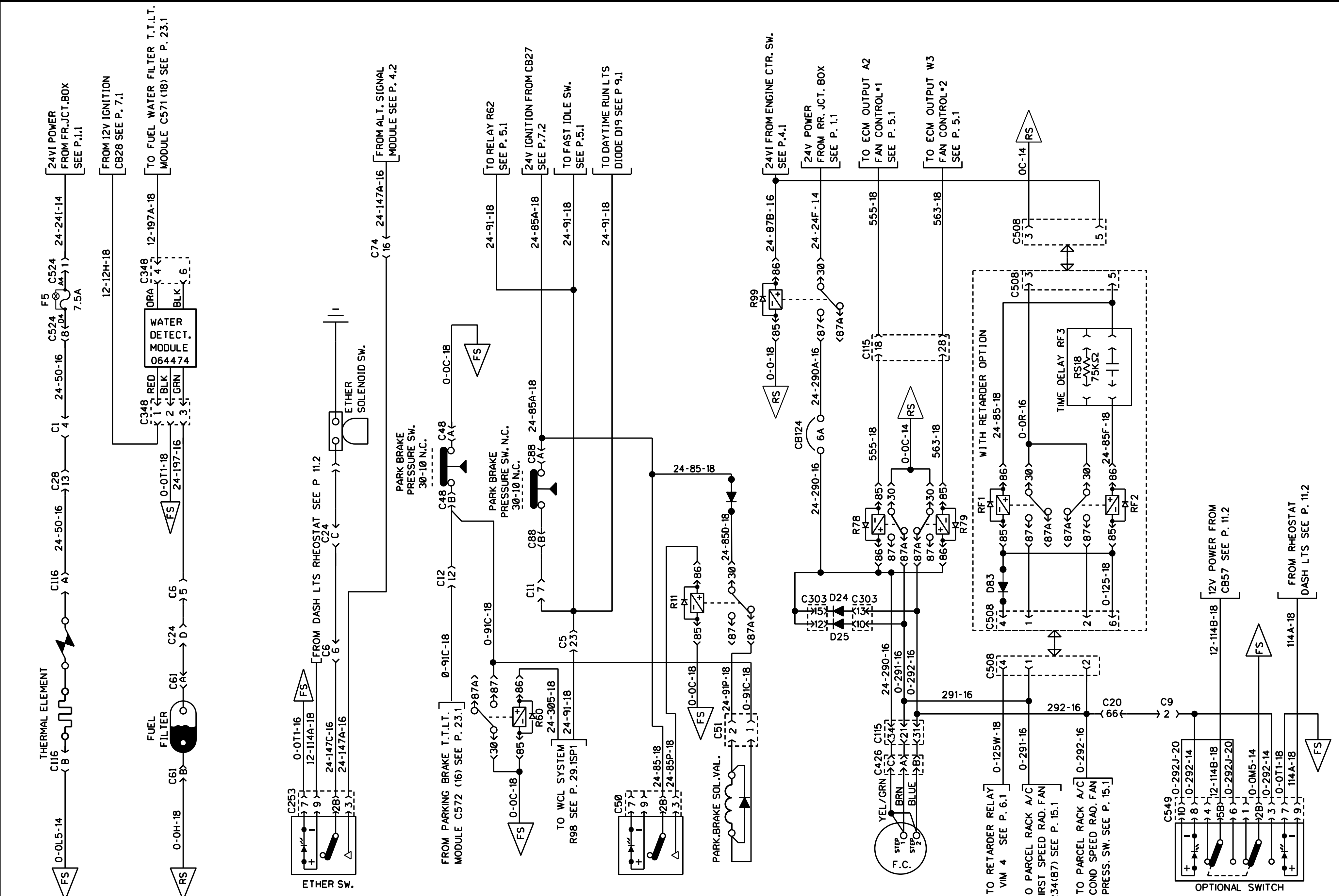
RADIATOR FAN CLUTCH

OPTIONAL SWITCH
RADIATOR FAN CLUTCH OVERRIDE

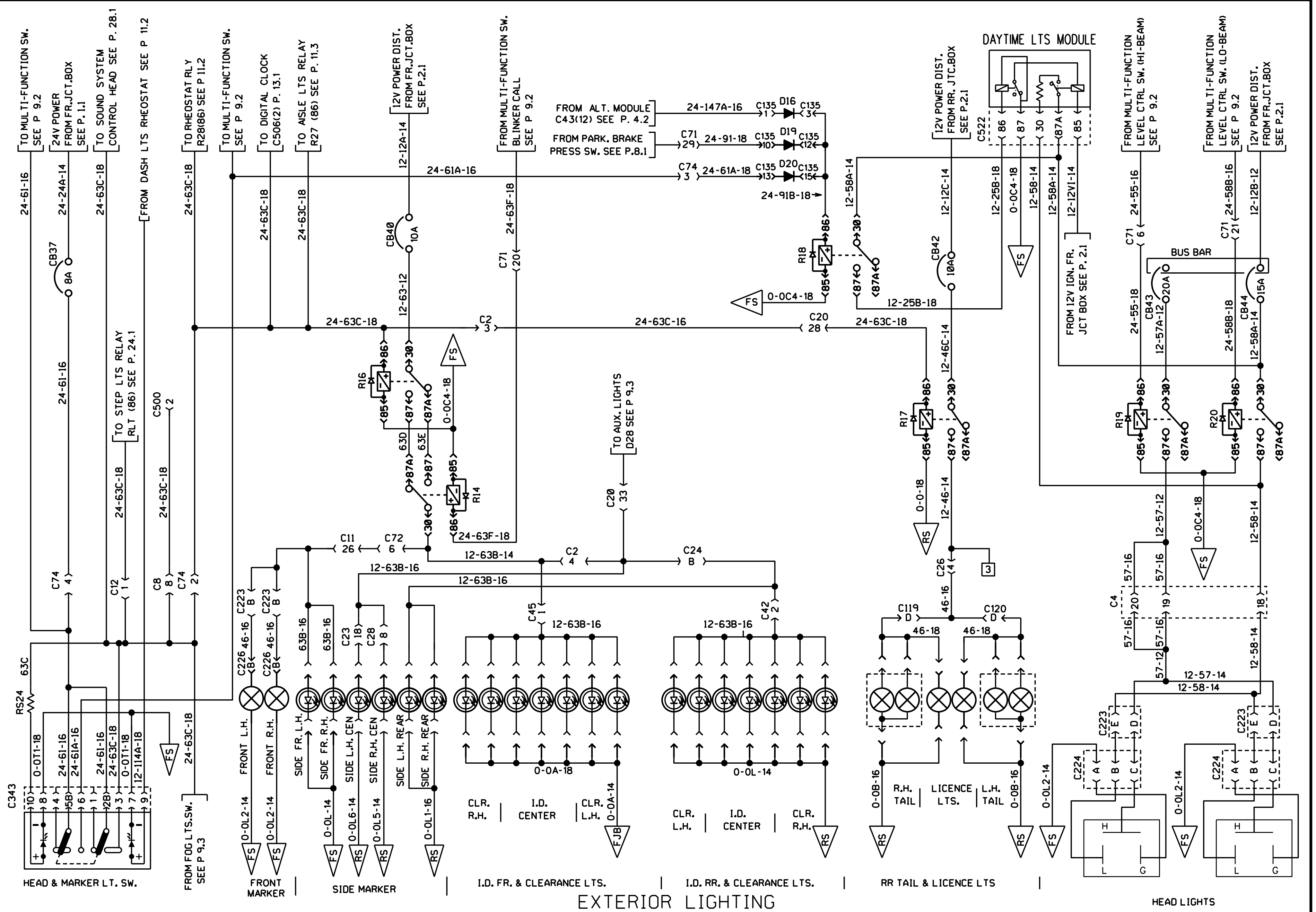


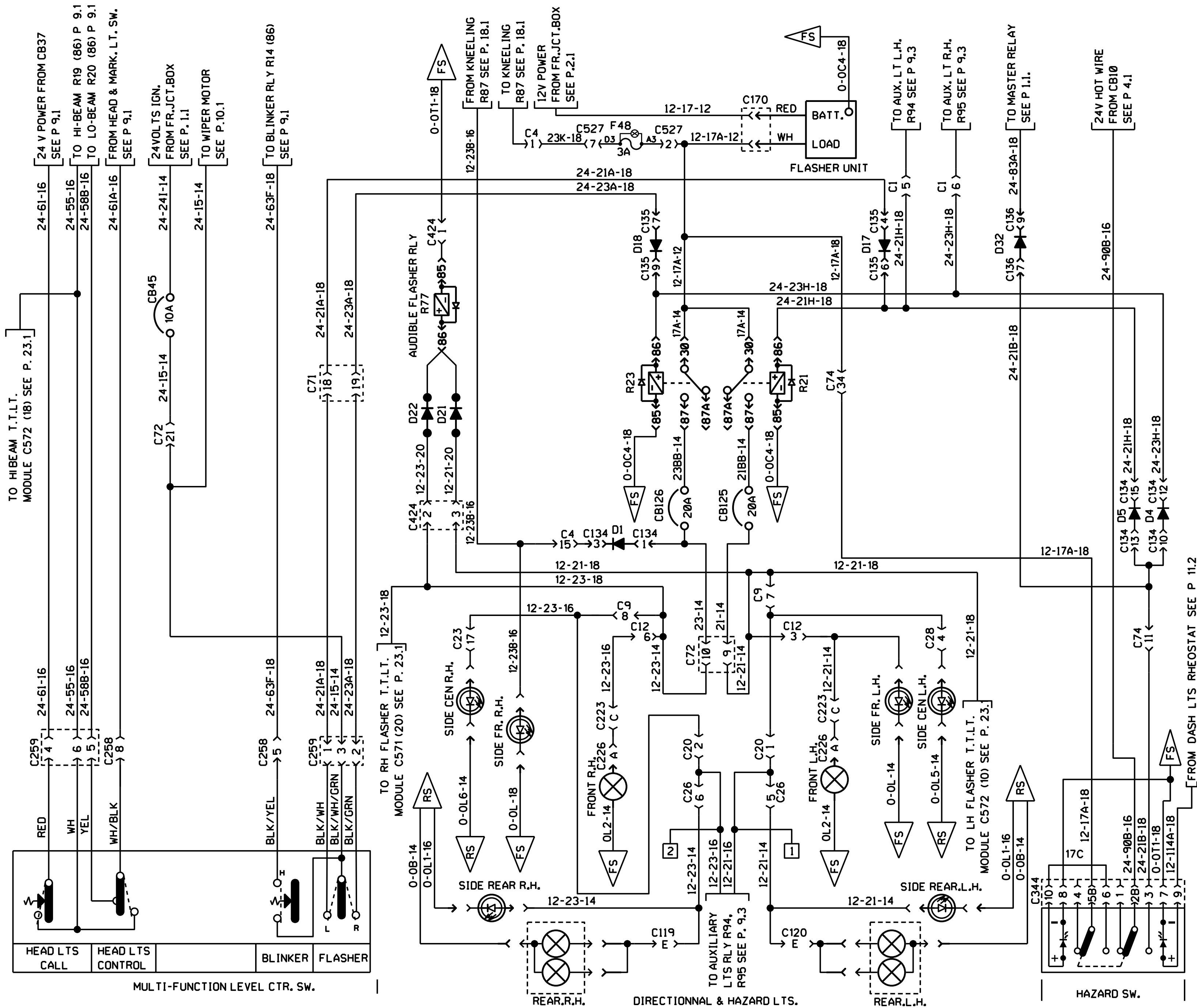


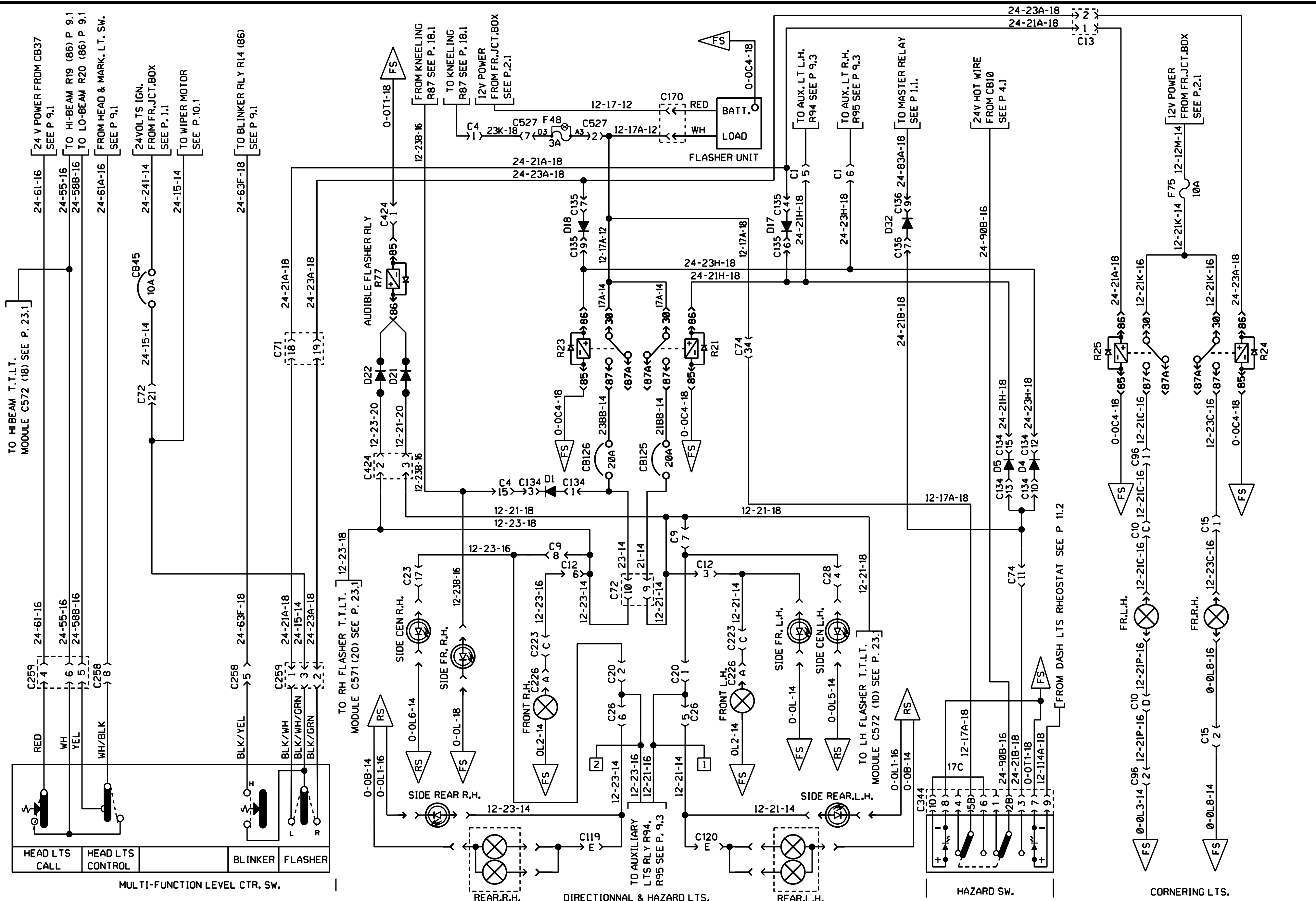


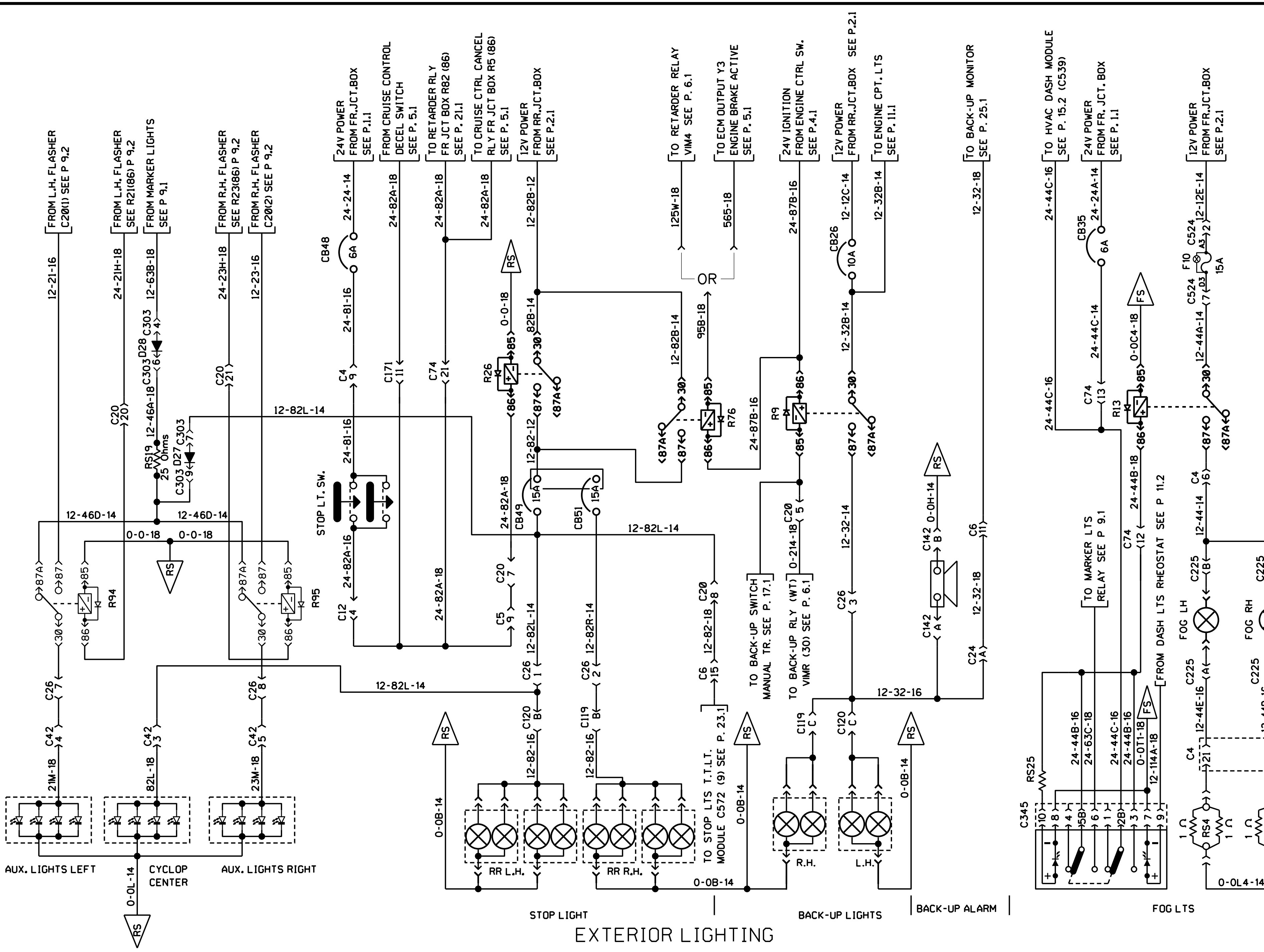


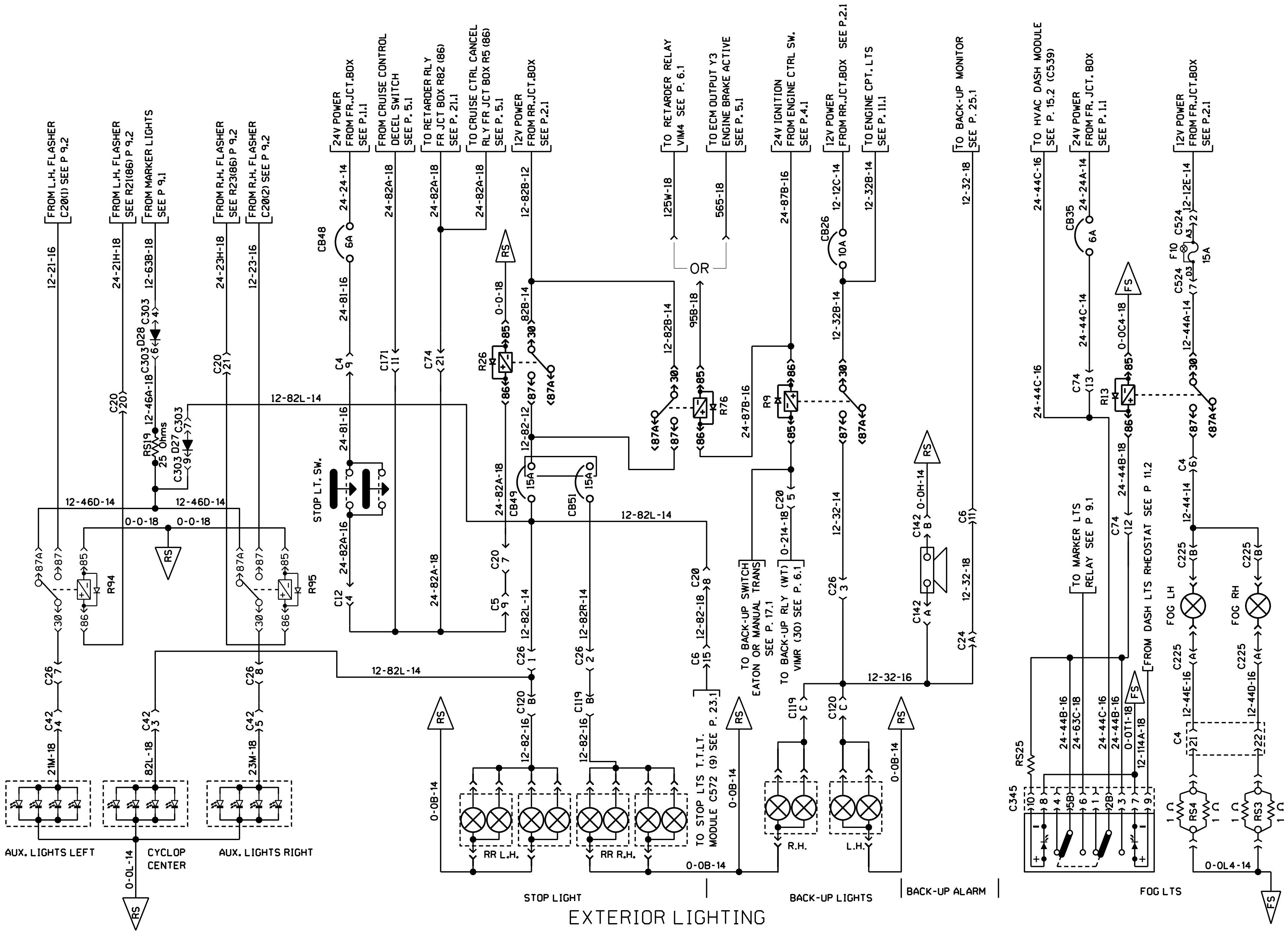
AIR DRYER | FUEL WATER FILTER | ETHER COLD START | PARKING BRAKE ALARM & SAFETY SW. | RADIATOR FAN CLUTCH

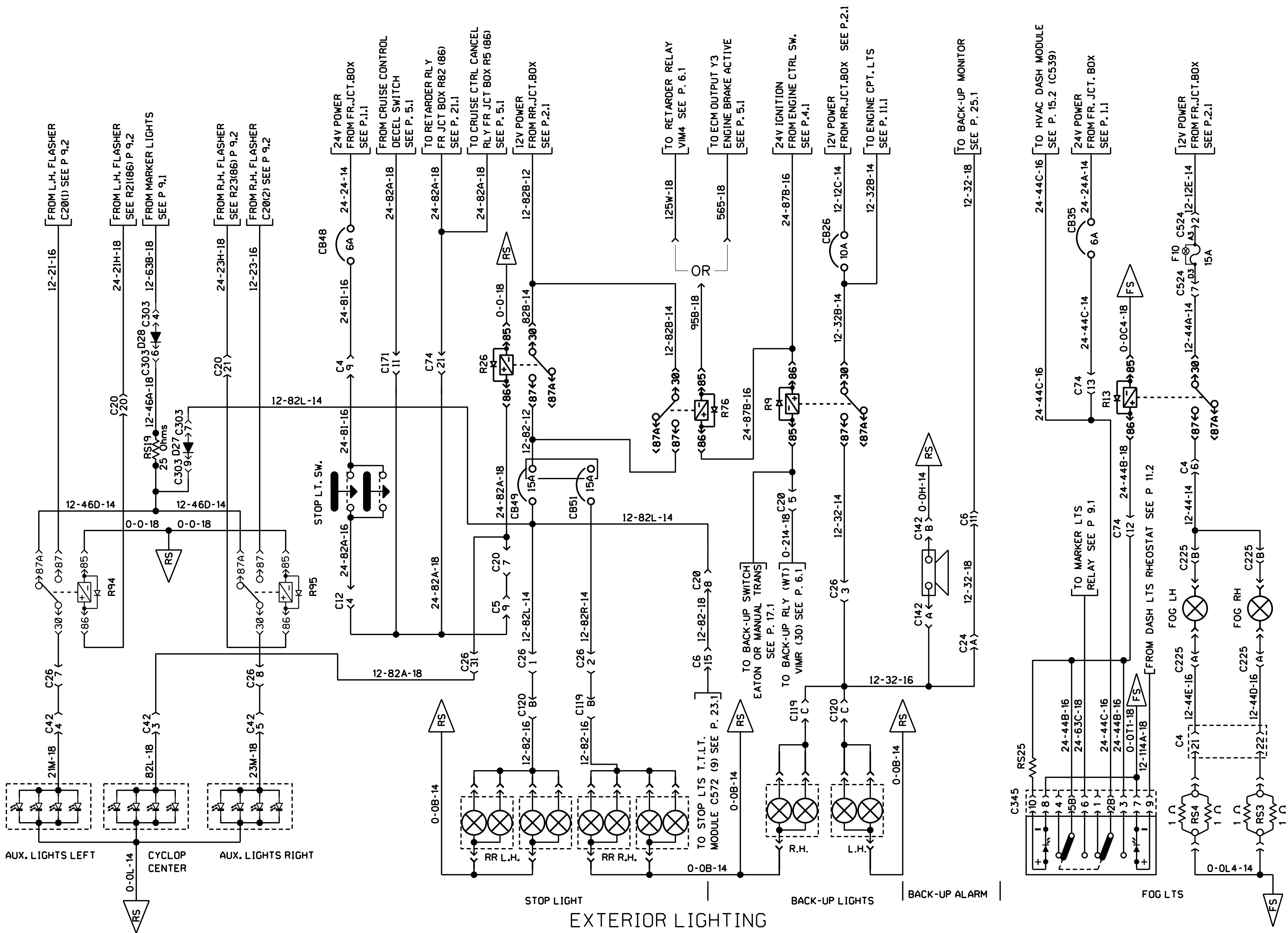


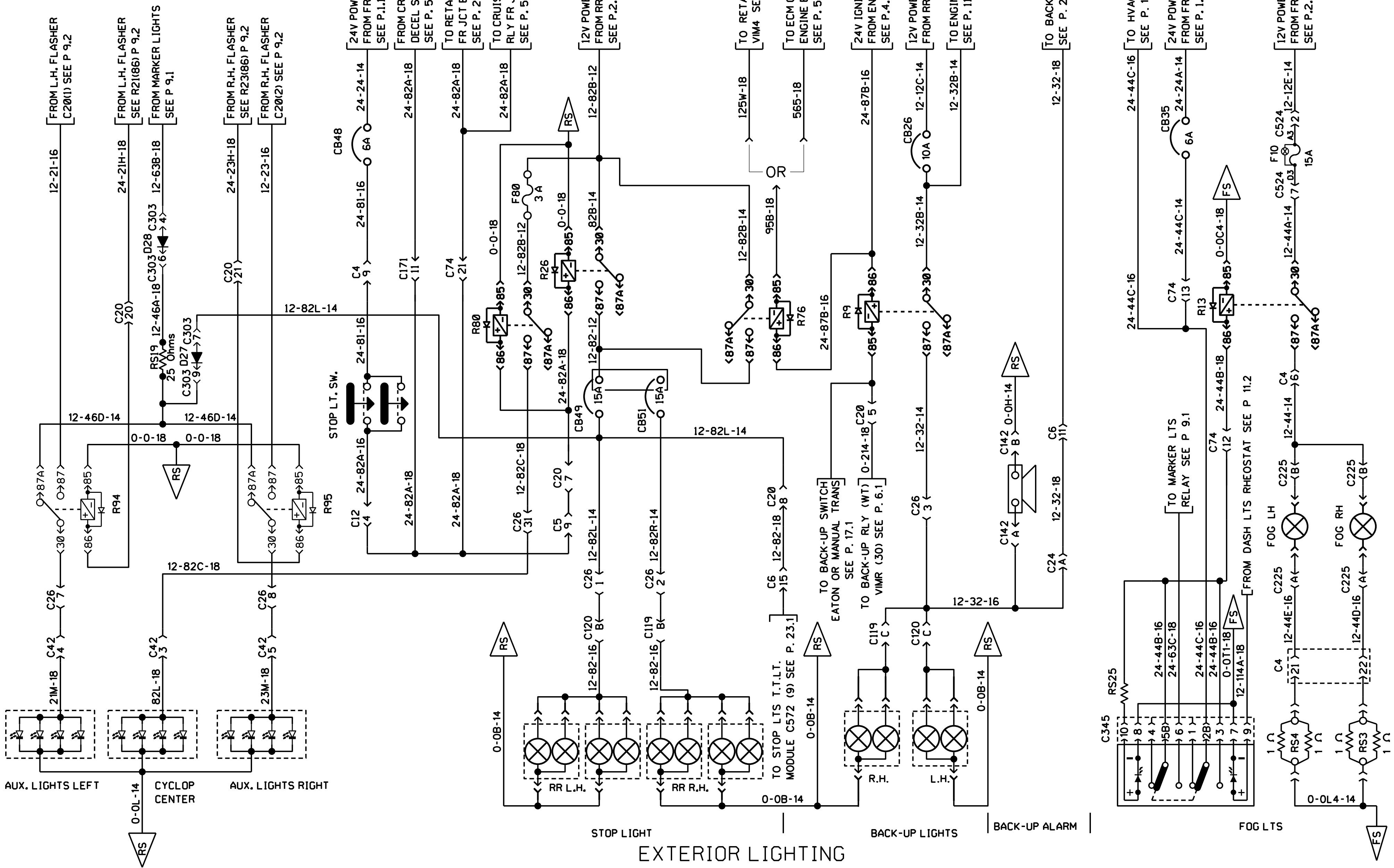


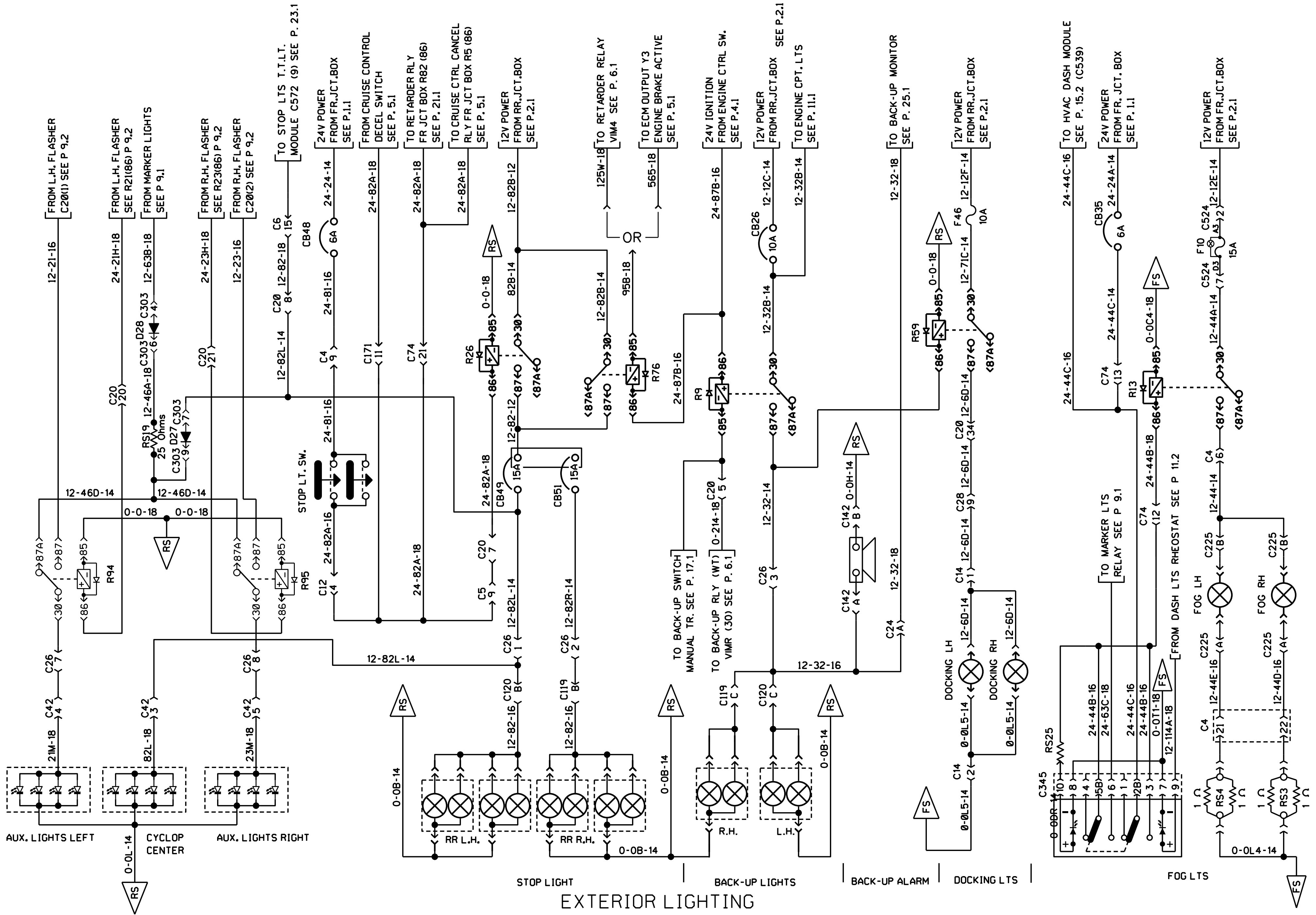


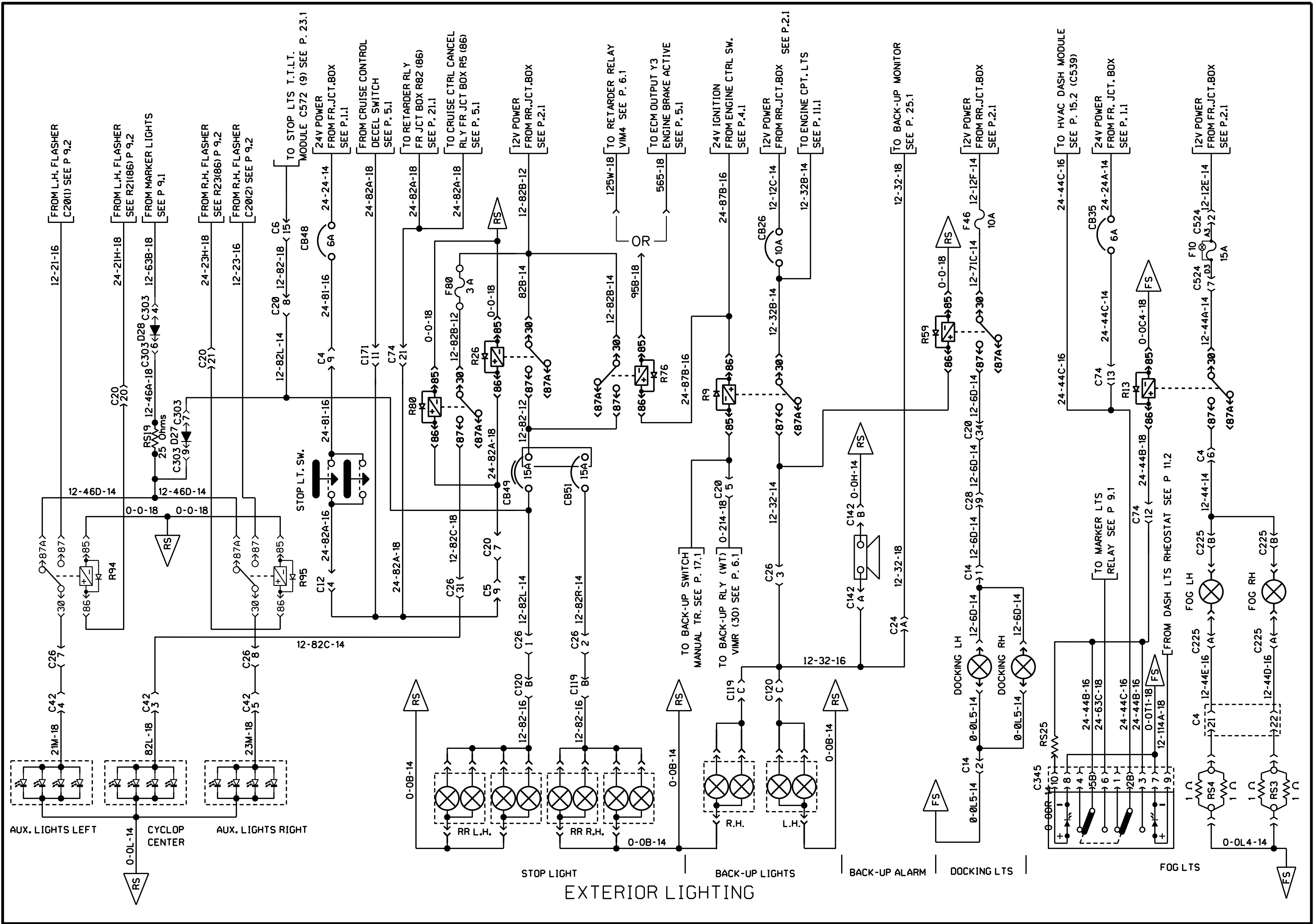


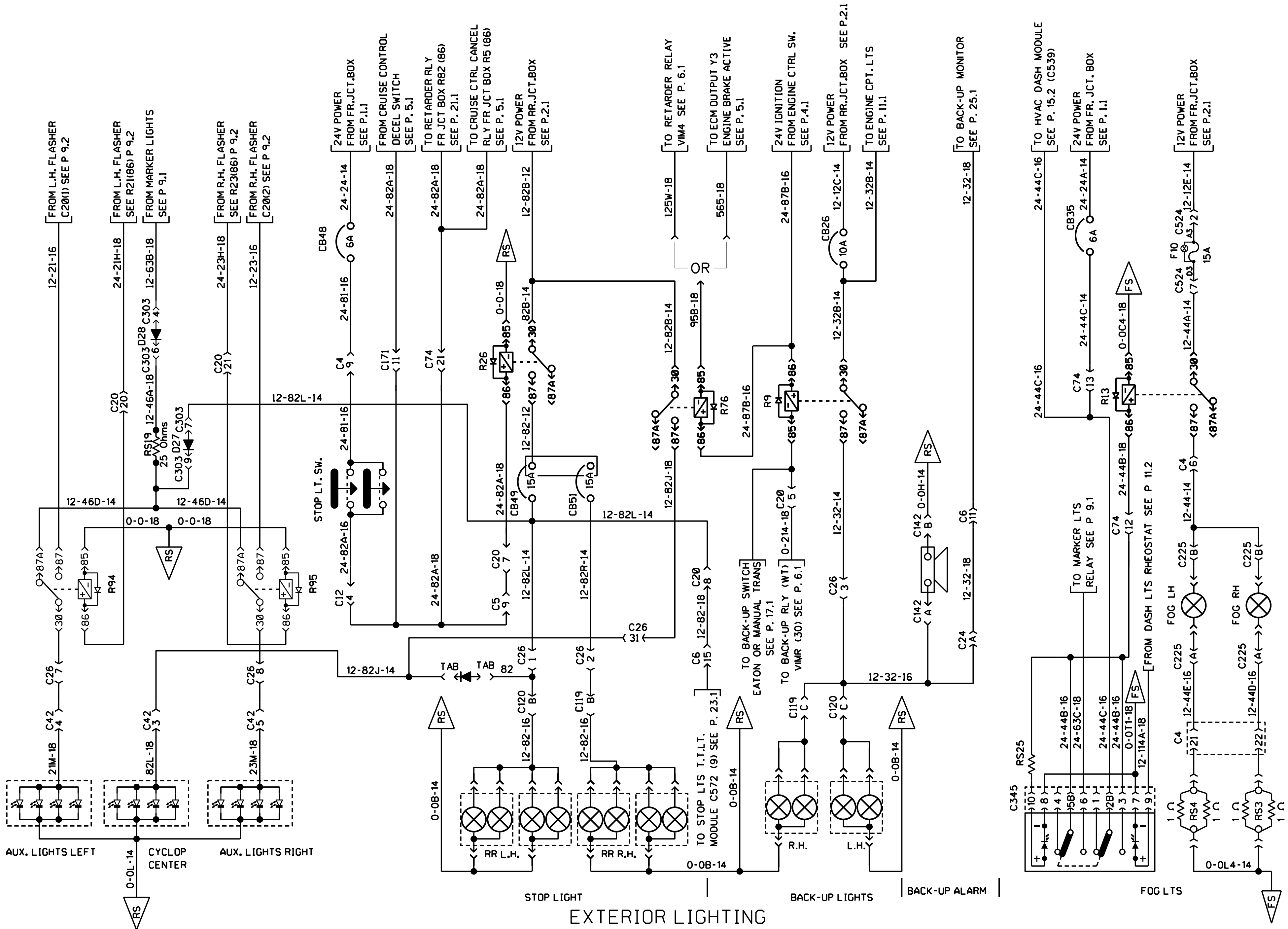






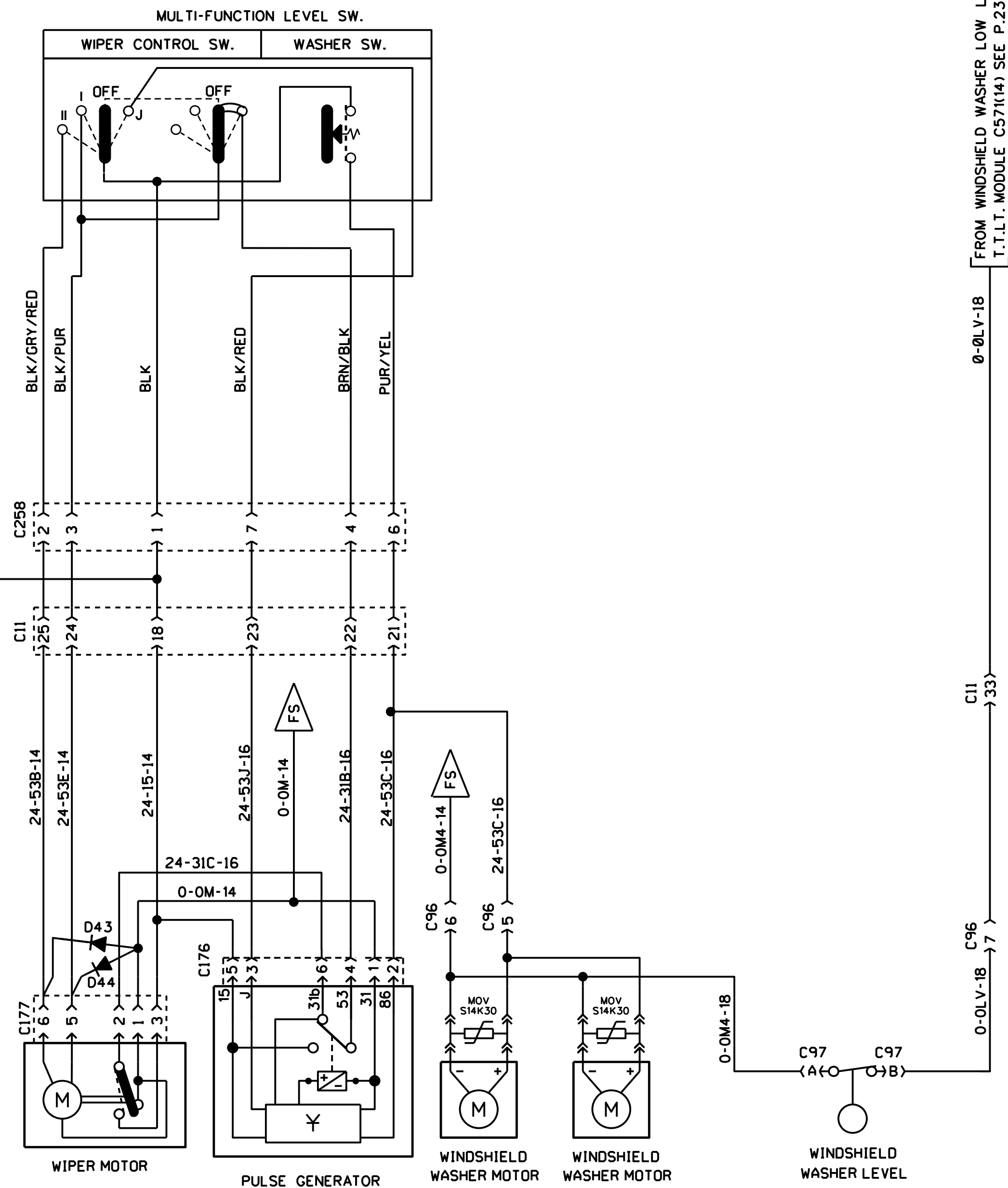




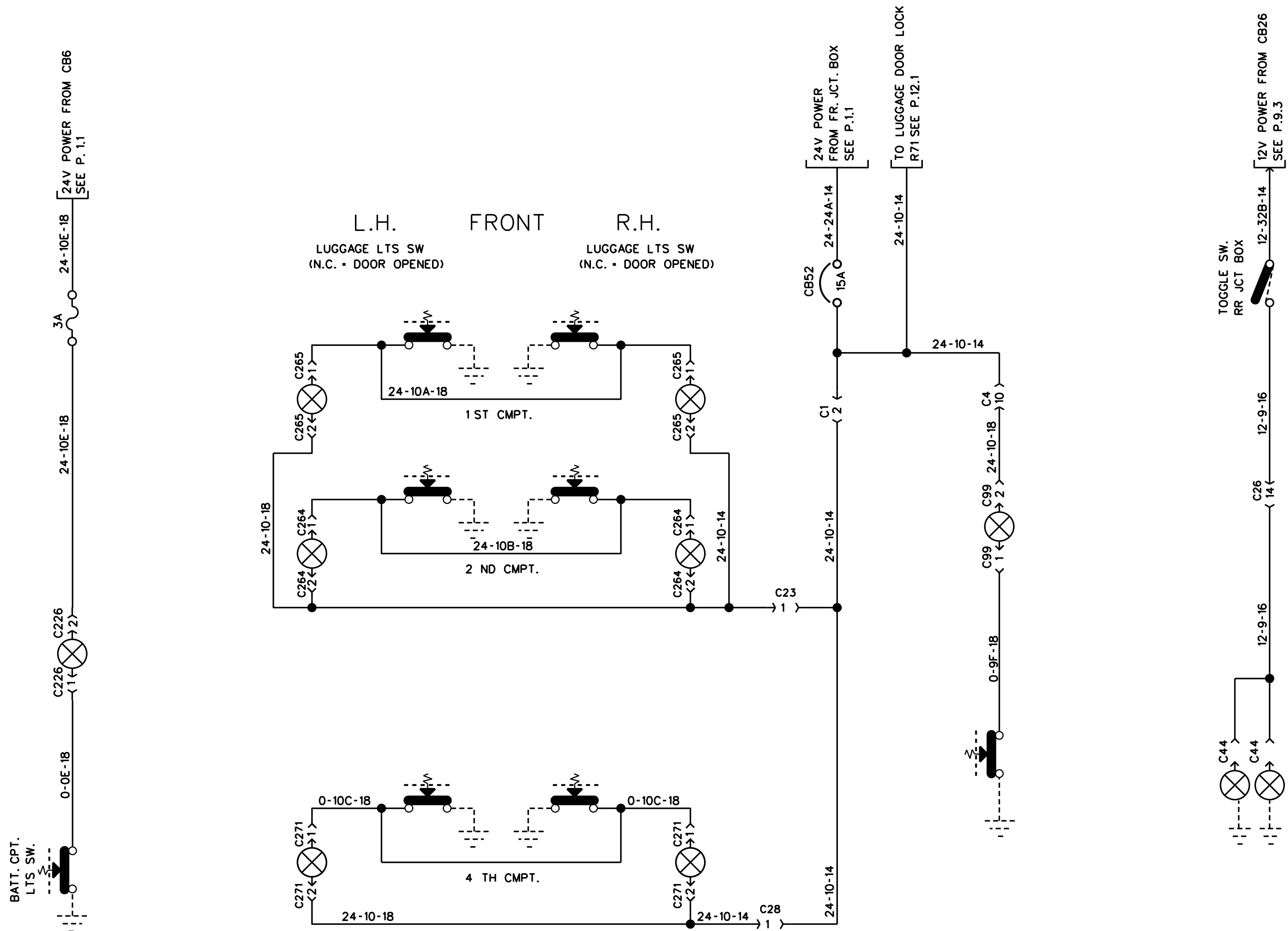


CYCLOP LTS ONLY WHIT ENGINE BRAKE OPERATE

24V IGNITION FROM CB45
SEE P. 9.2



WINDSHIELD WIPER AND WASHER



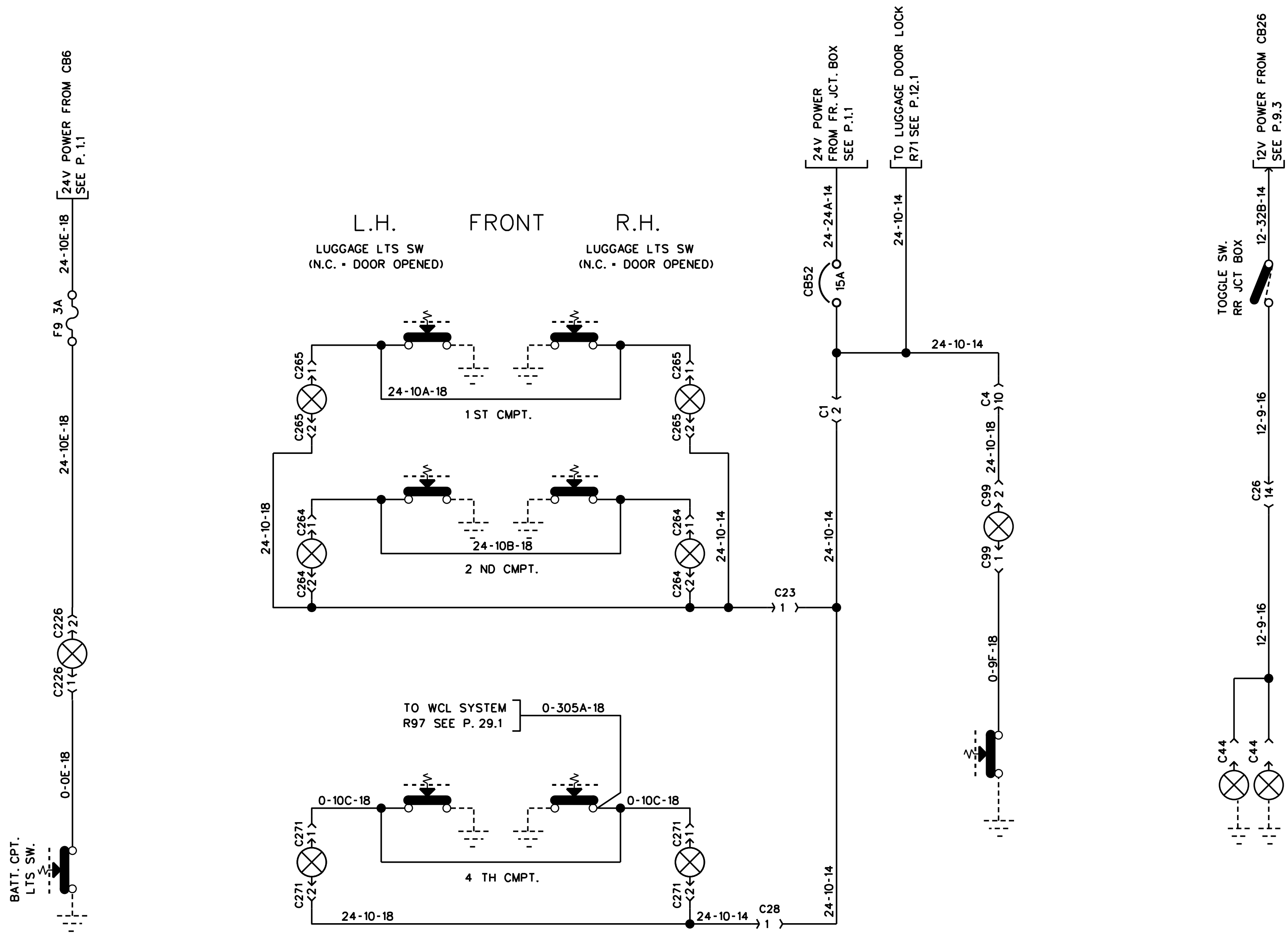
BATT. COMPT. LT.

LUGGAGE COMPARTMENT LTS.

FR. SERV. CPT. LT.

ENGINE COMPT. LTS.

INTERIOR LIGHTING



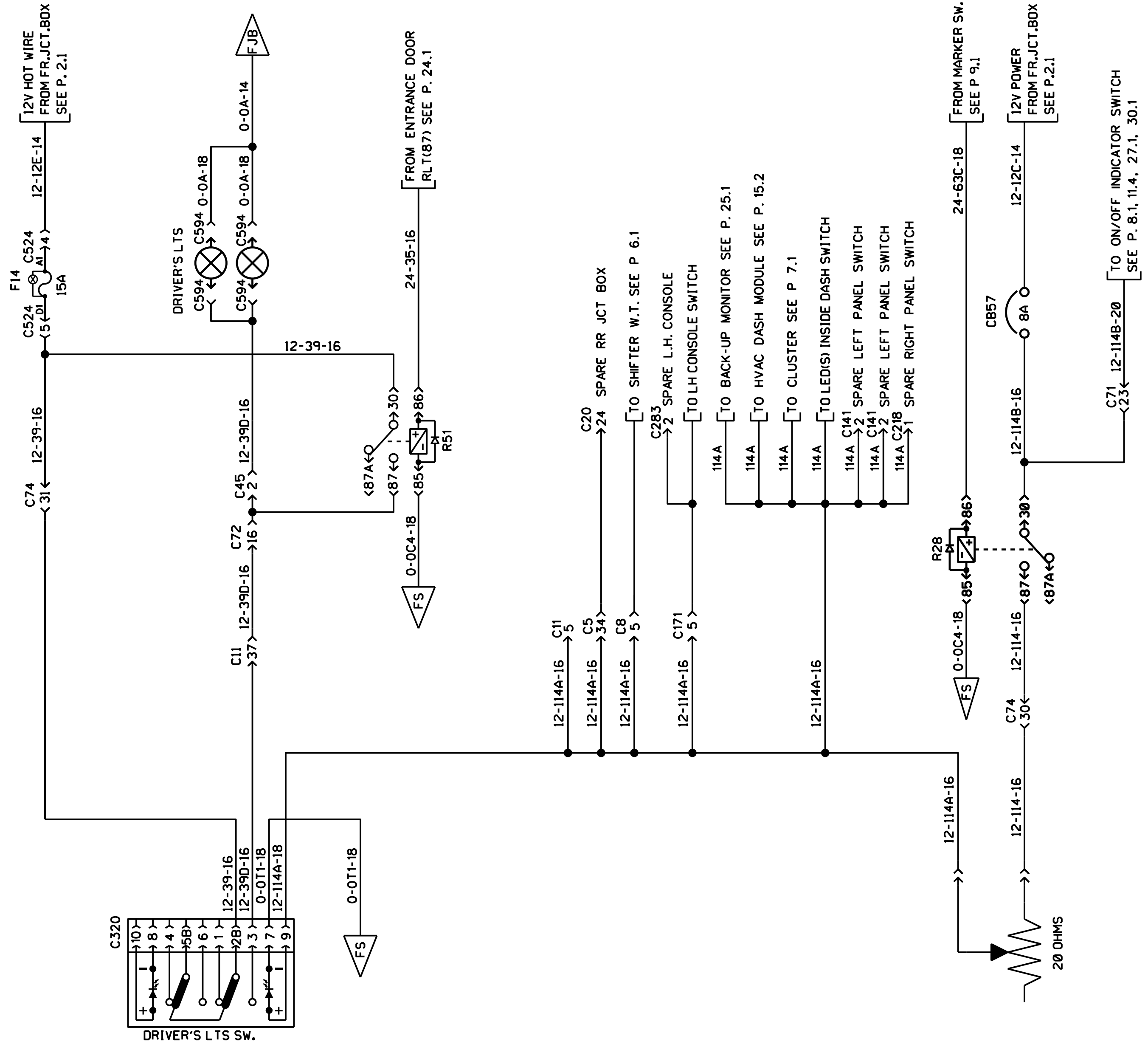
BATT. COMPT. LT.

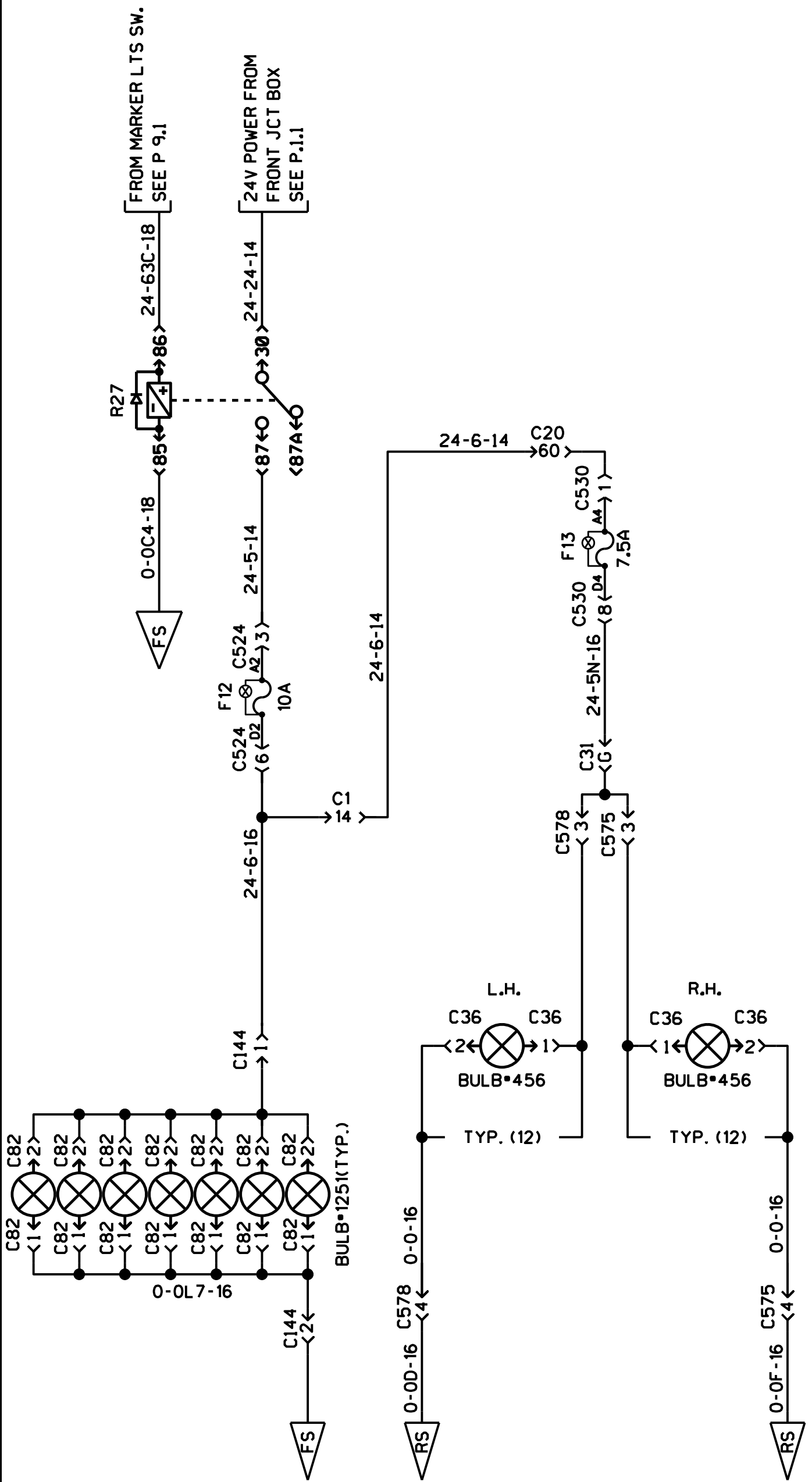
LUGGAGE COMPARTMENT LTS.

FR. SERV. CPT. LT.

ENGINE COMPT. LTS.

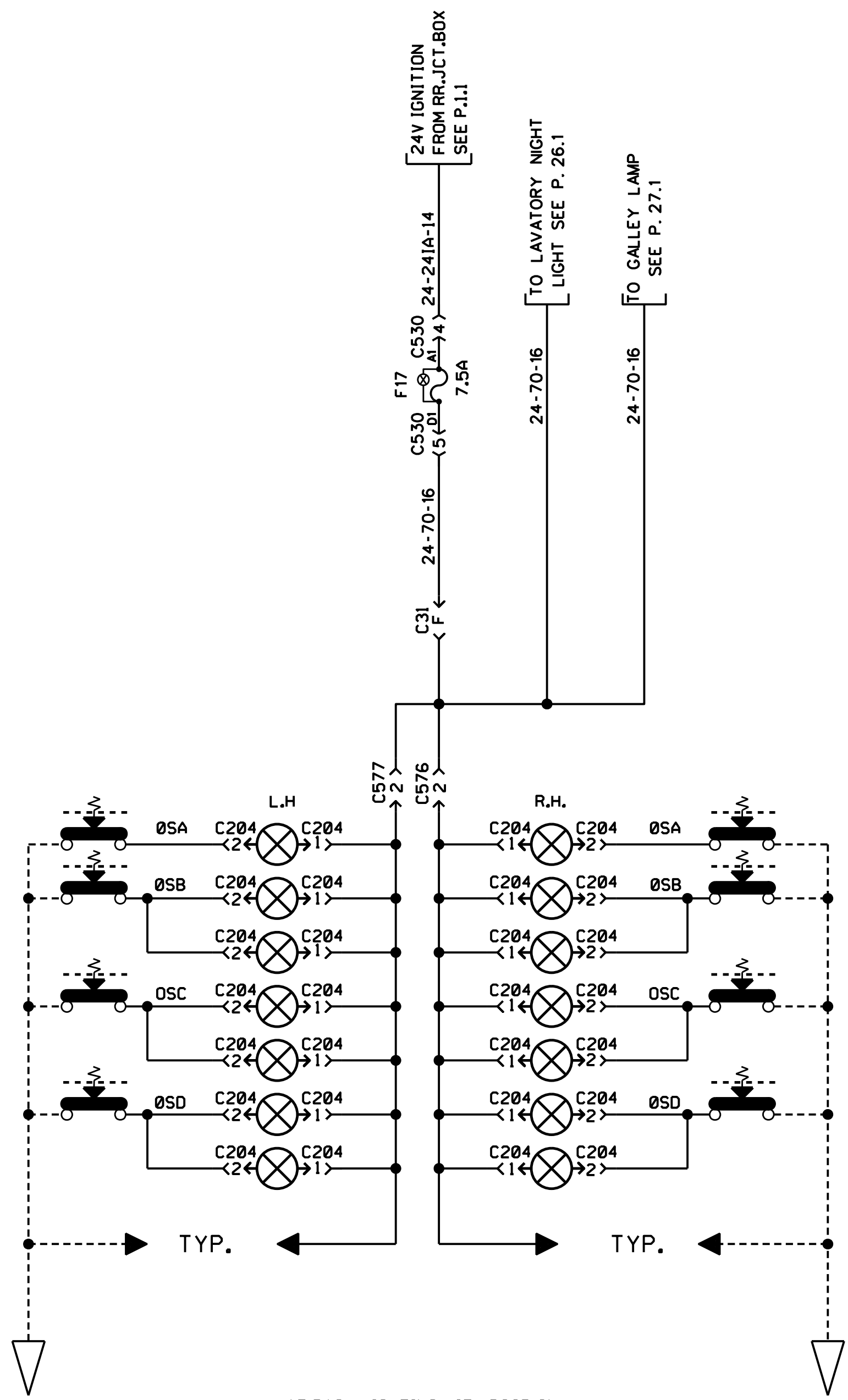
INTERIOR LIGHTING





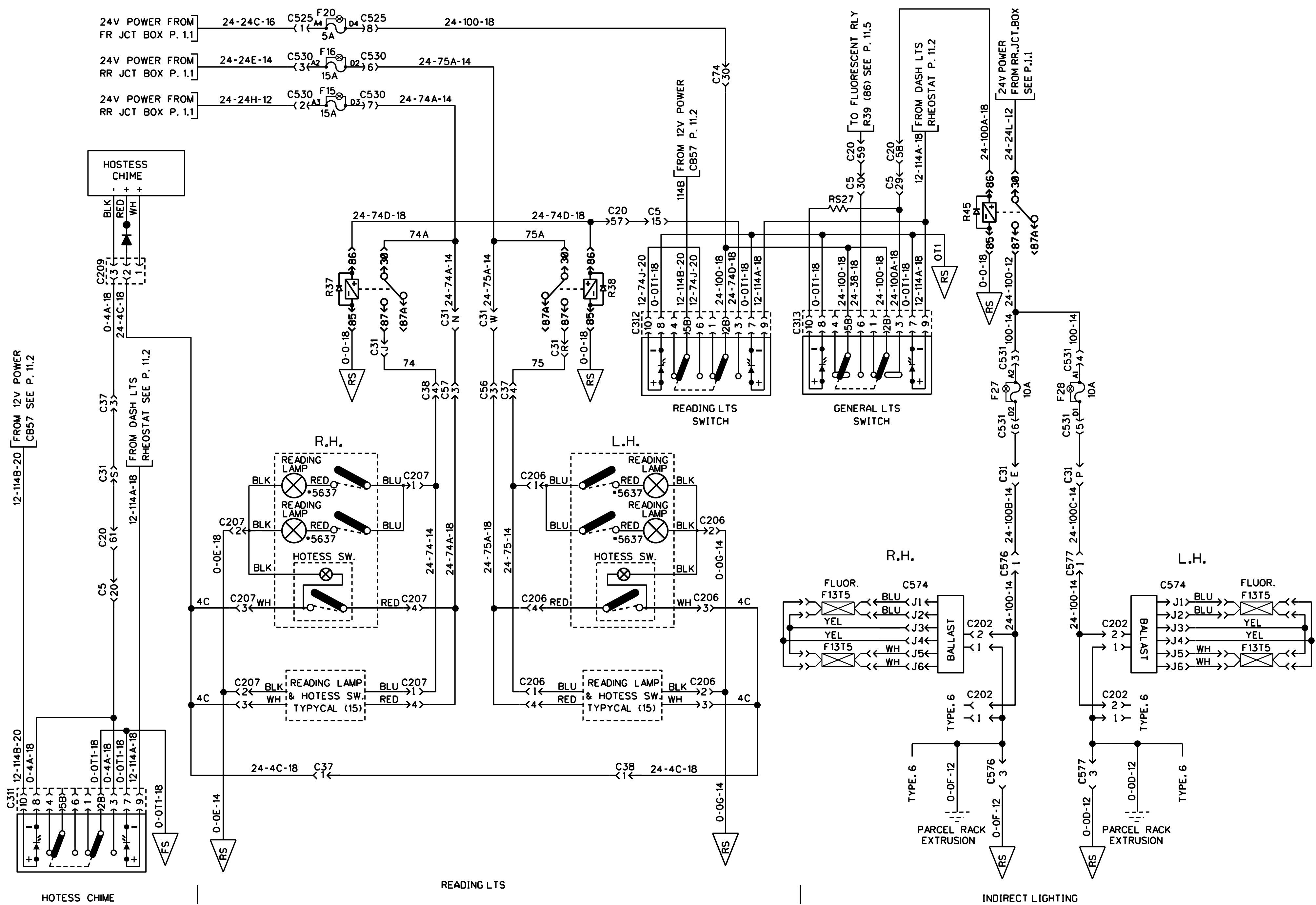
AISLE LTS L.H.

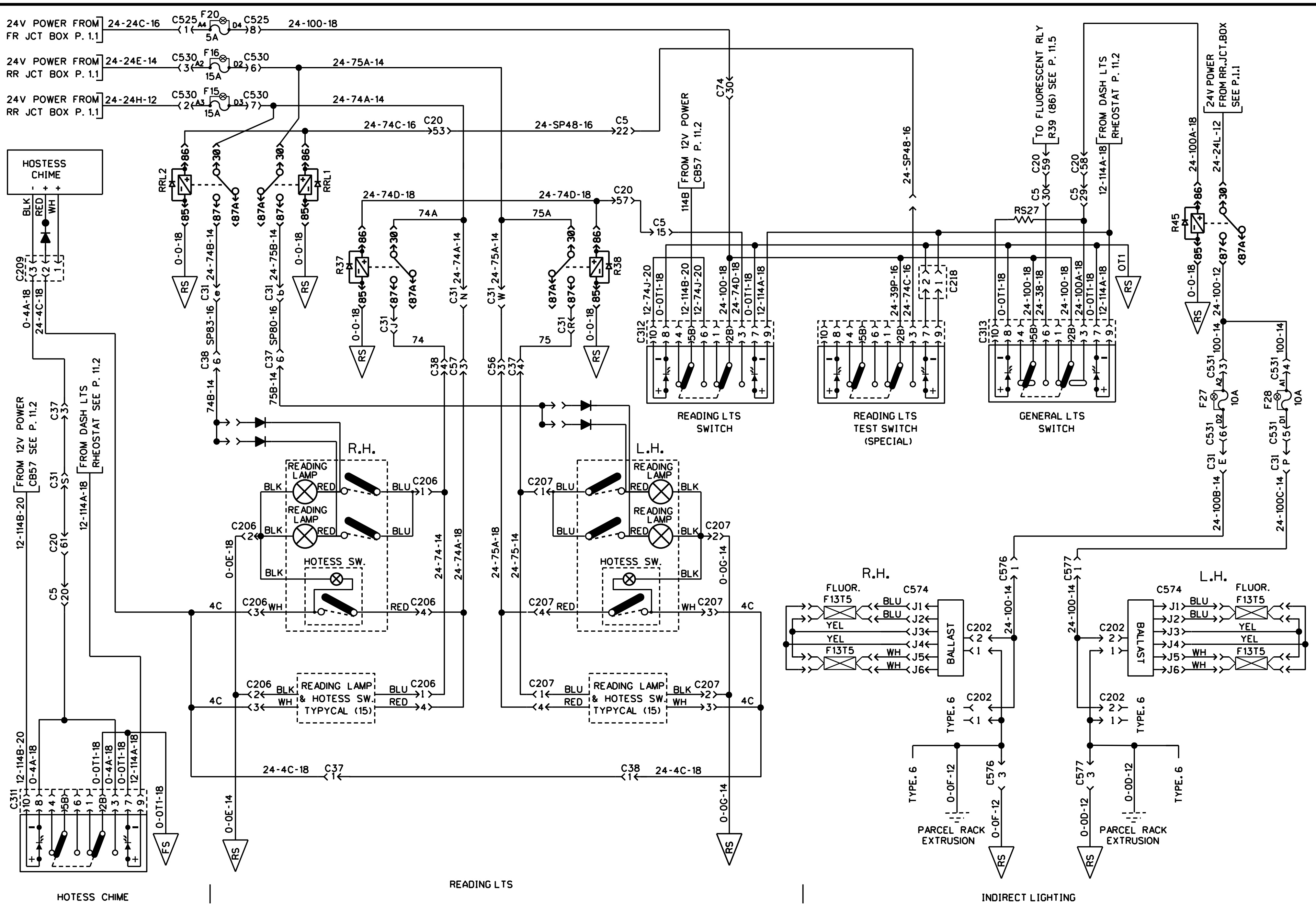
EMERGENCY EXIT LTS



HAT RACK LIGHTING WITH DOOR ONLY

INTERIOR LIGHTING





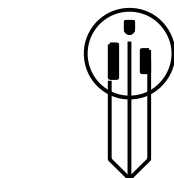
HOTESS CHIME

READING LTS

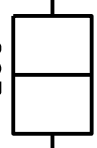
INDIRECT LIGHTING

INTERIOR LIGHTING

SHORE PLUG 110V



CHARGER PLUG

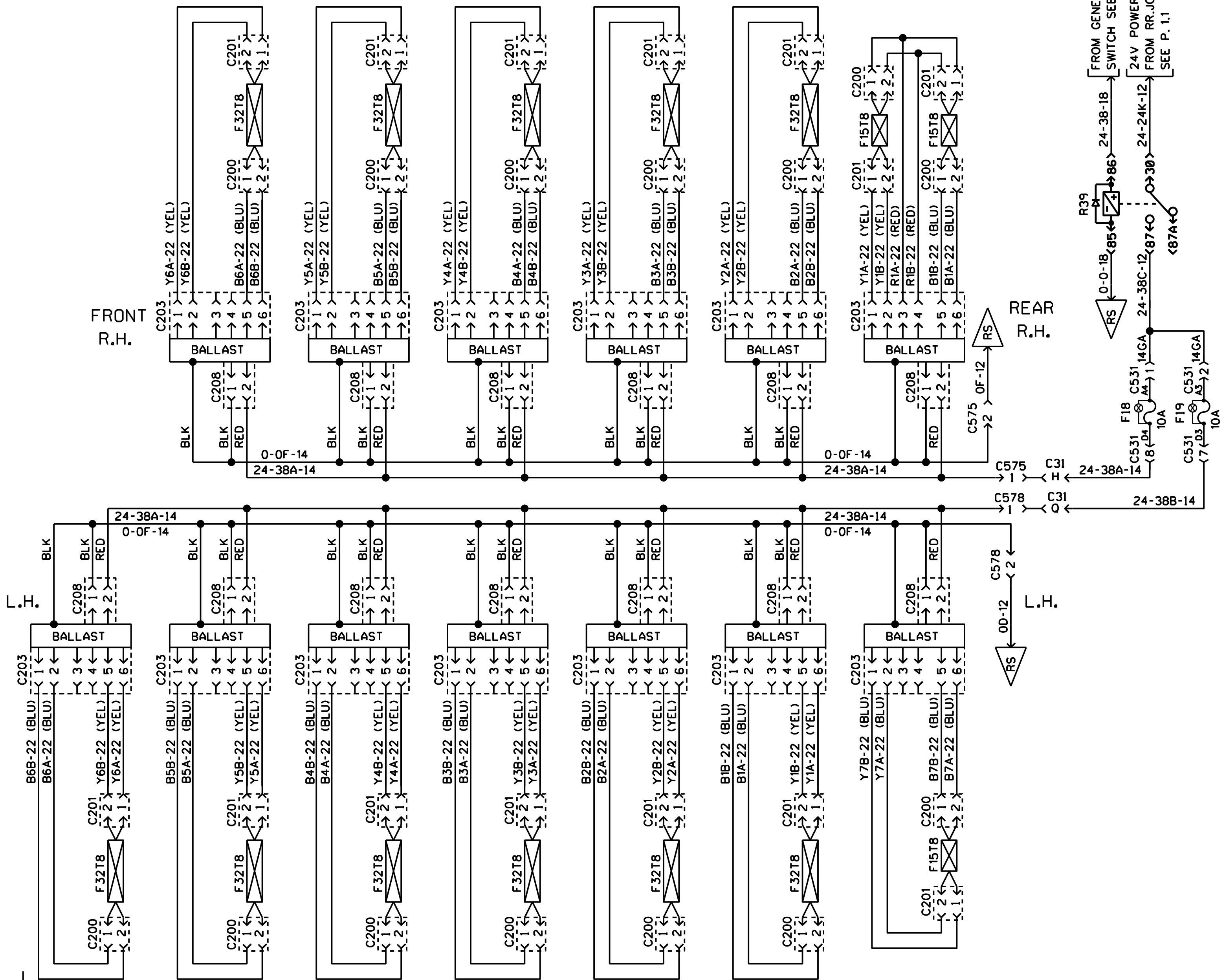


THREE STAGE BATTERY CHARGER 28 V /41 AMP.

TO BOOSTER BLOCK SEE P. 1.1

FRONT R.H.

REAR R.H.

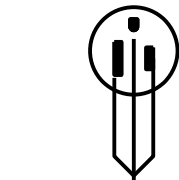


24V FLUORESCENT INTERIOR LIGHTING

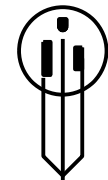
BATTERY CHARGER OR IN-STATION LIGHTING

FROM RLY R112 PRE-HEAT
SEE P. 4.1 SP2

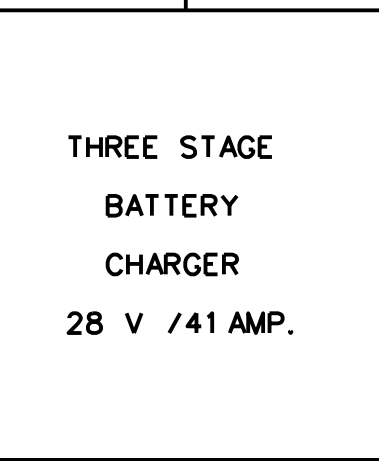
SHORE PLUG 110V



CHARGER
PLUG

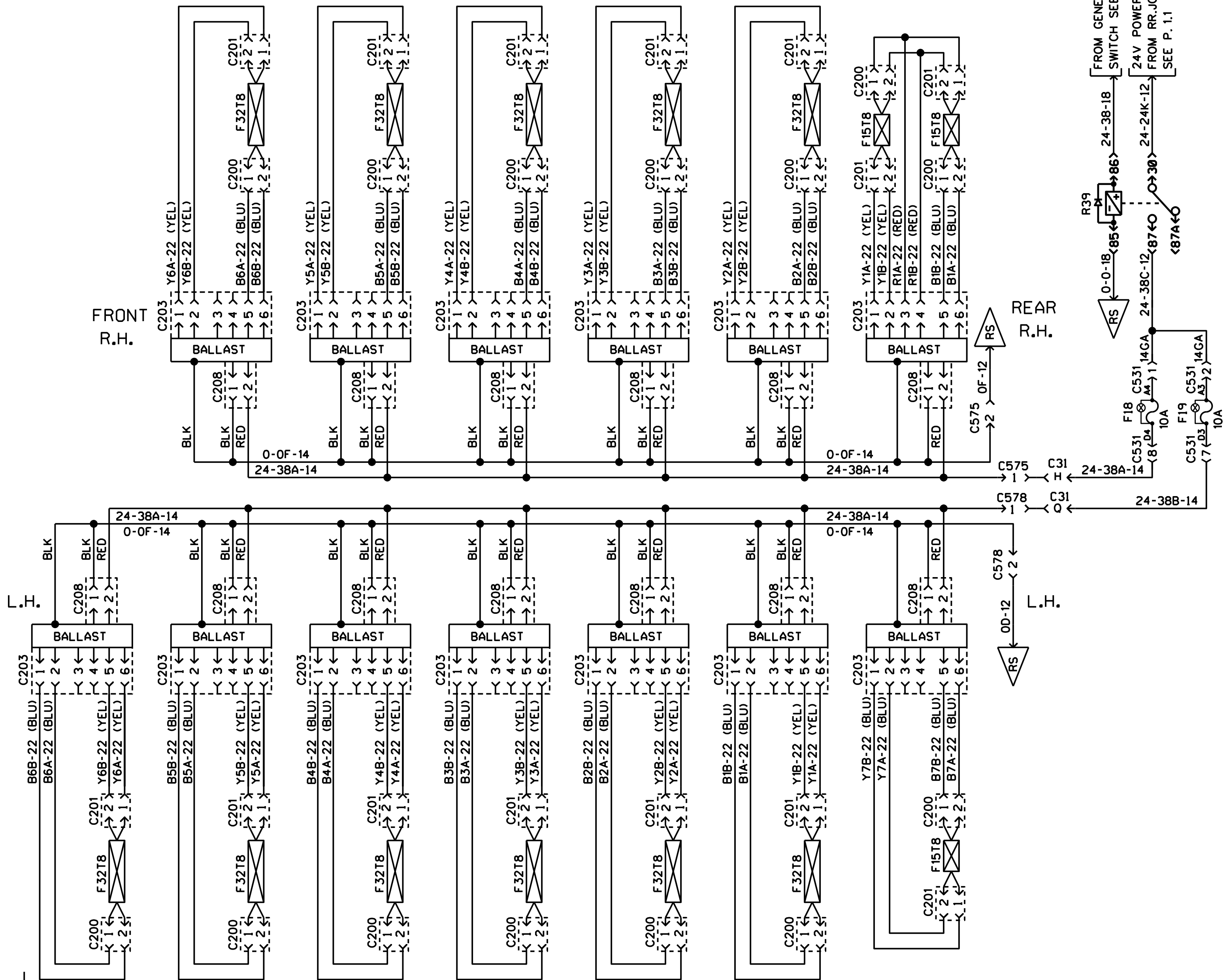


THREE STAGE
BATTERY
CHARGER
28 V / 41 AMP.



BLU
RED
BLK

TO BOOSTER
BLOCK
SEE P. 1.1



BATTERY CHARGER OR
IN-STATION LIGHTING

24V FLUORESCENT INTERIOR LIGHTING

SHORE PLUG 110V

CHARGER PLUG

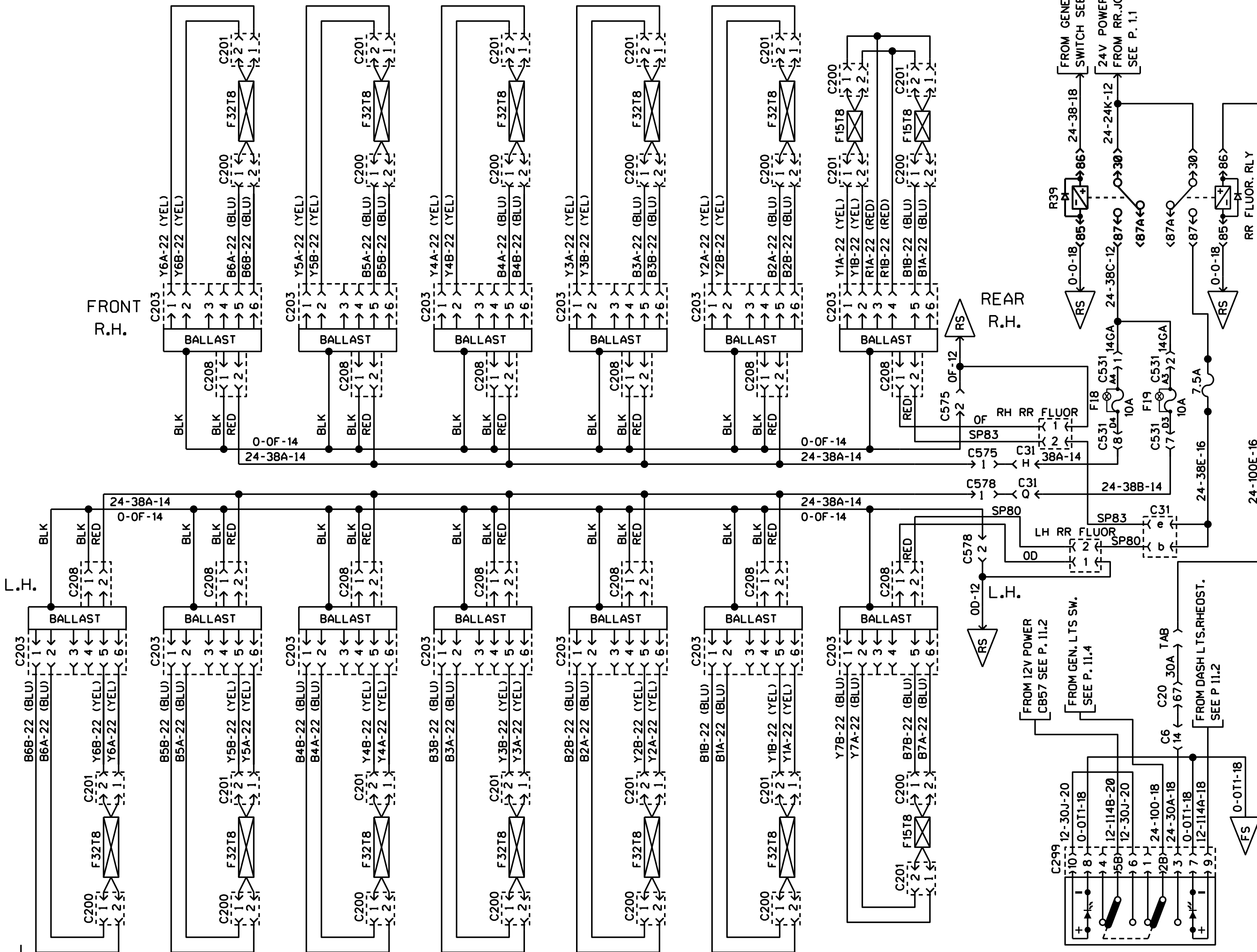
THREE STAGE BATTERY CHARGER 28 V / 41 AMP.

TO BOOSTER BLOCK SEE P. 1.1

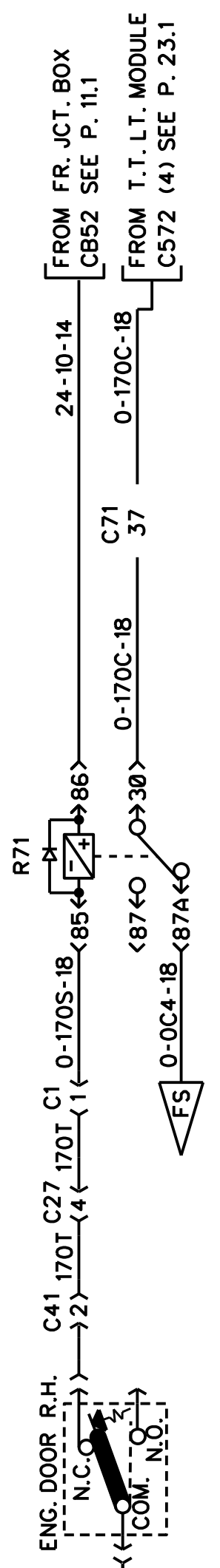
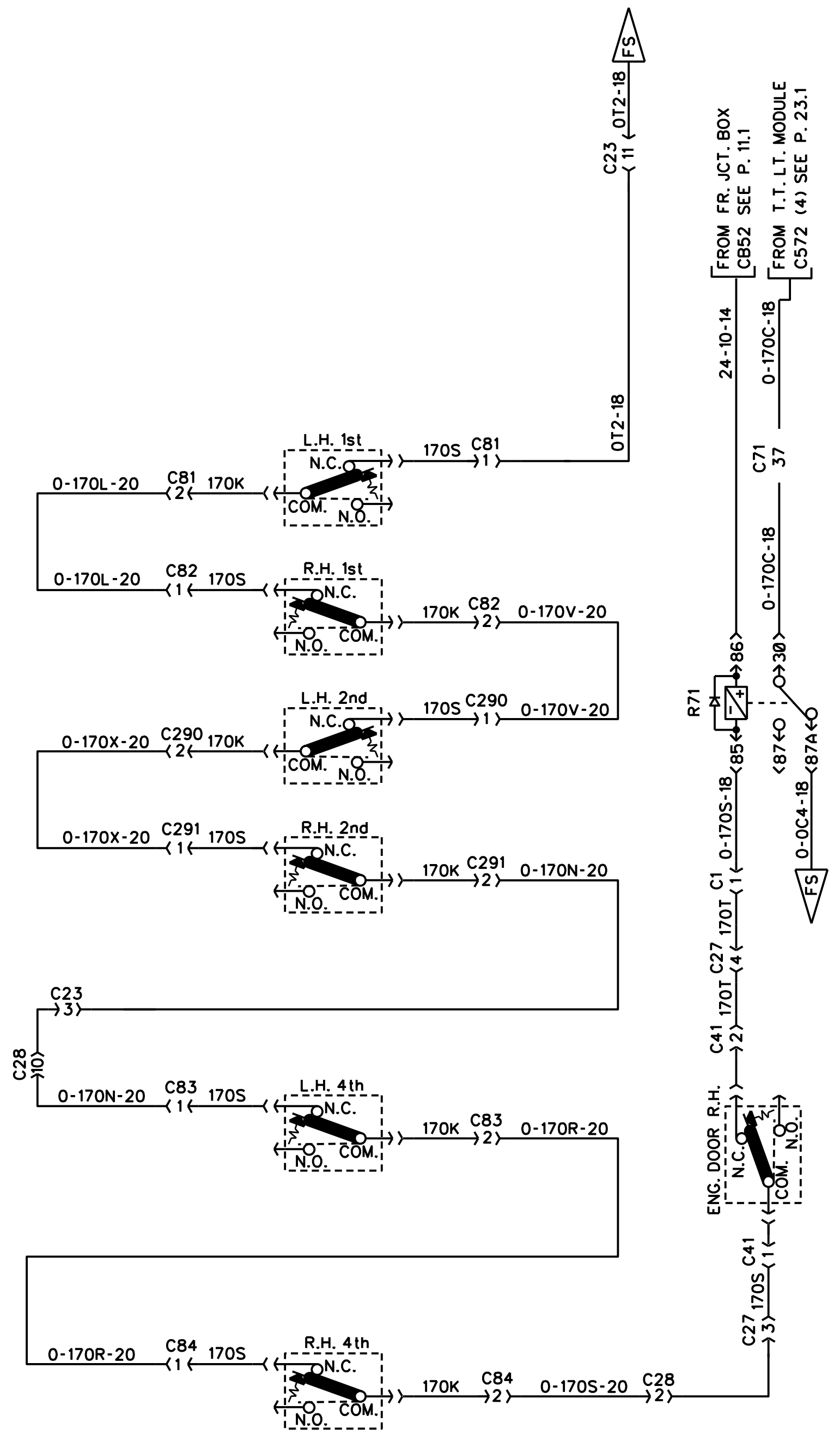
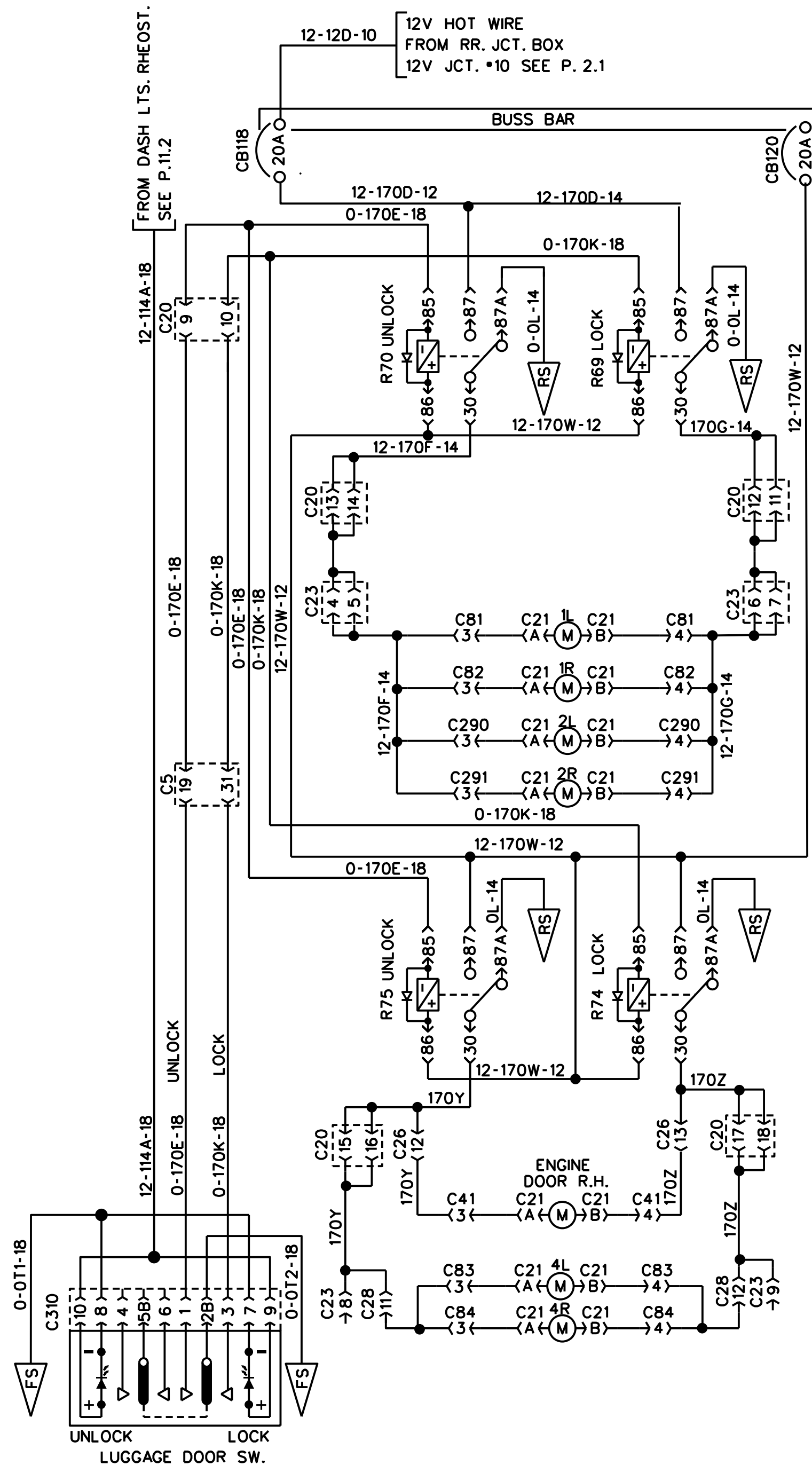
BATTERY CHARGER OR IN-STATION LIGHTING

FRONT R.H.

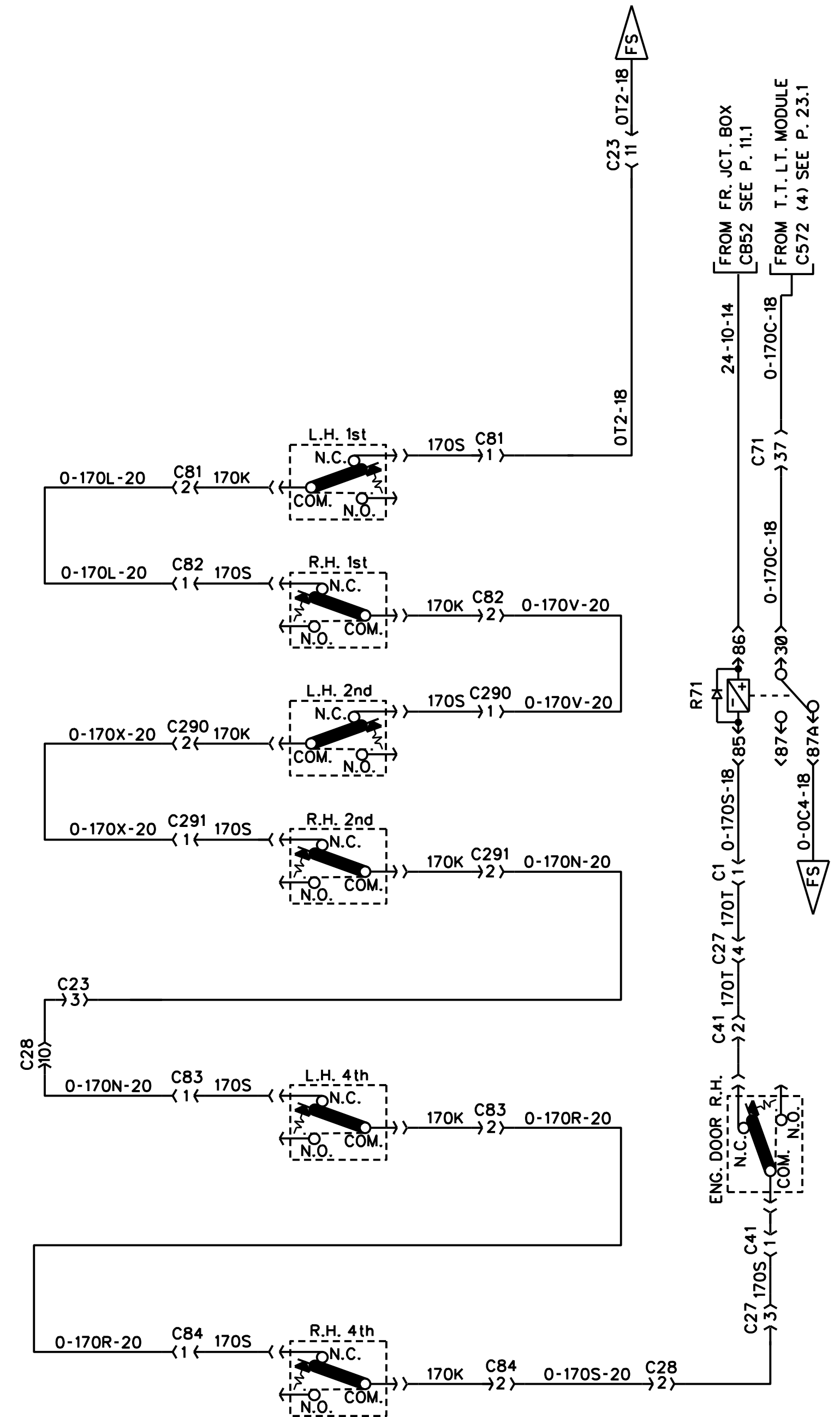
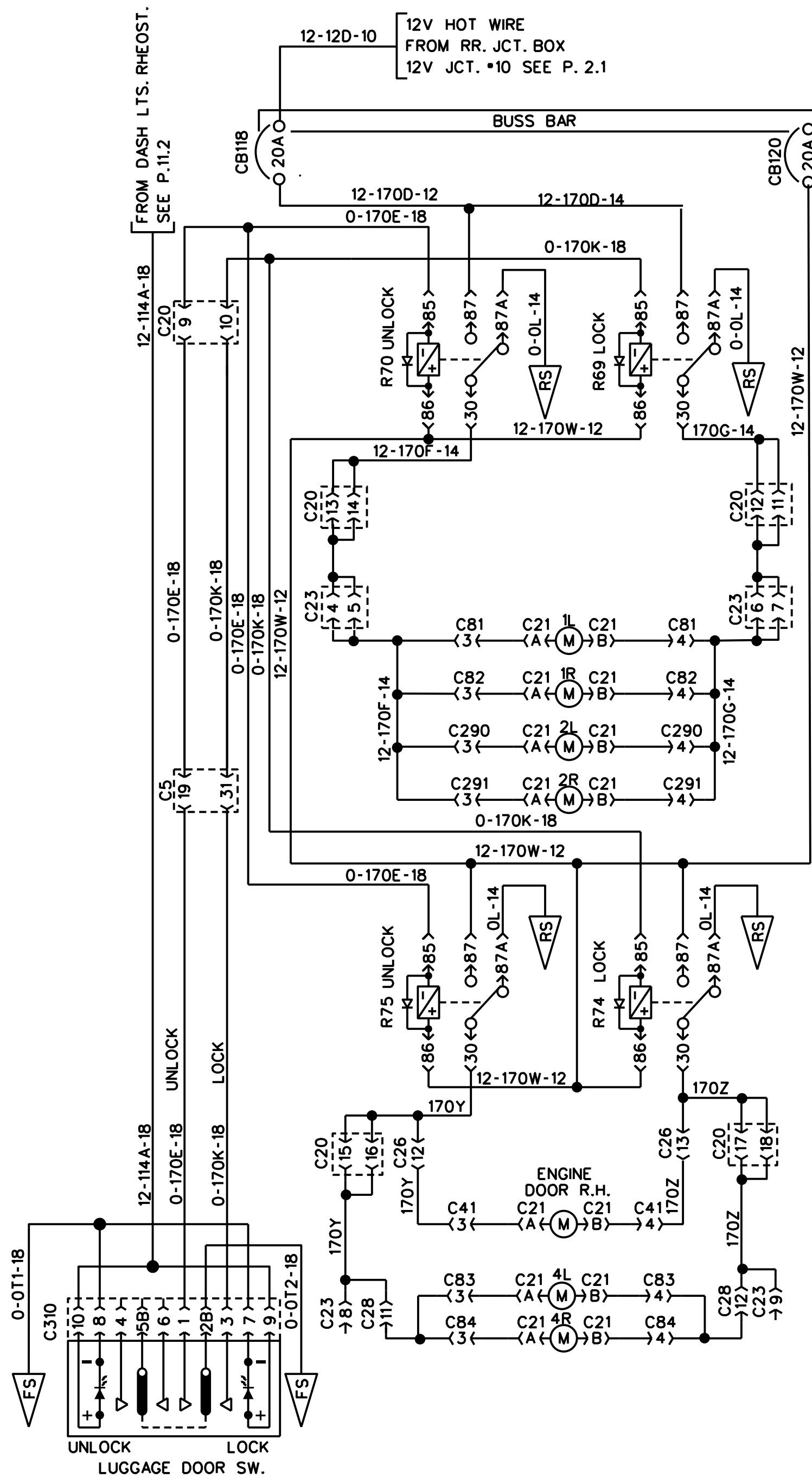
REAR R.H.



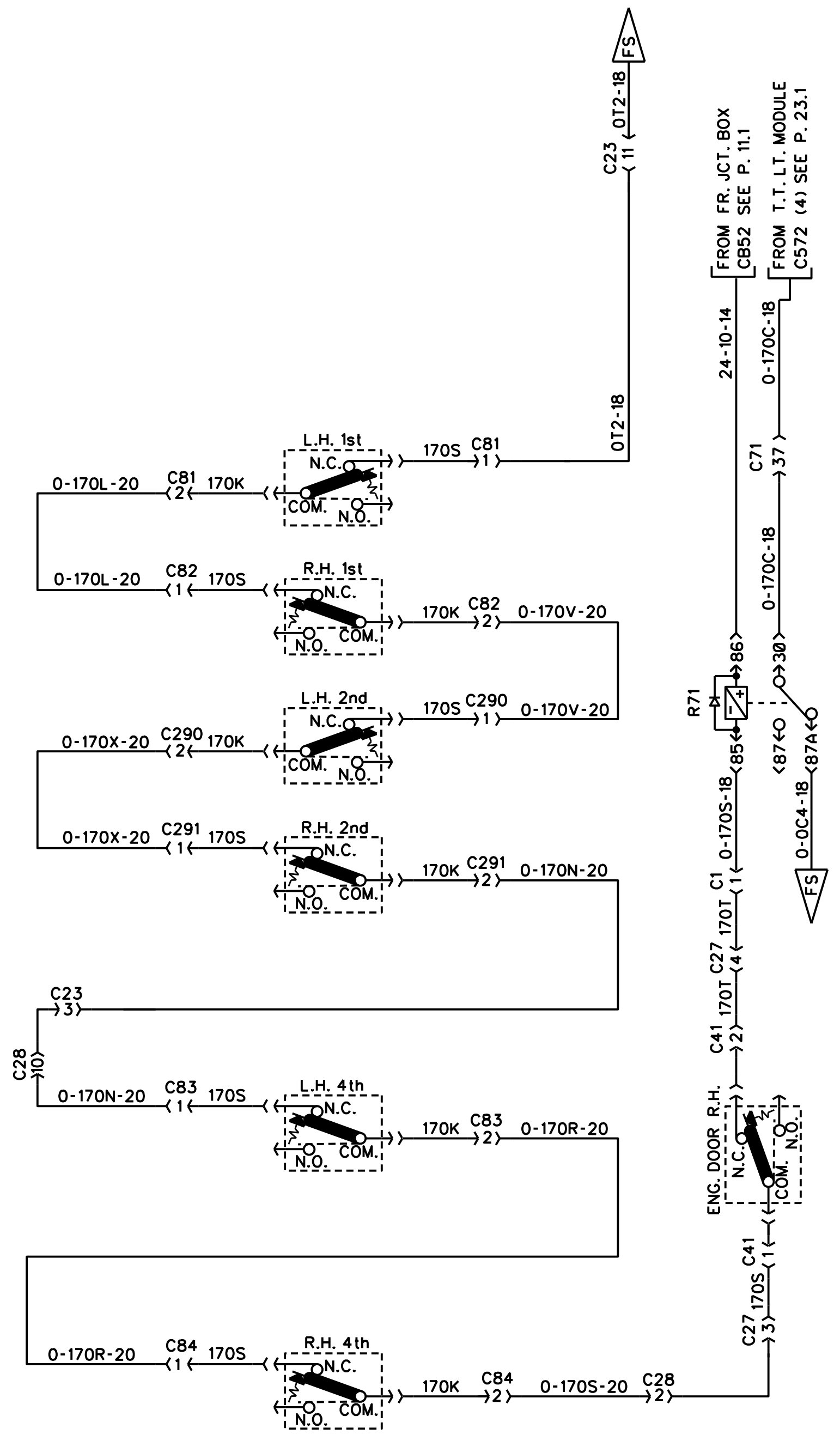
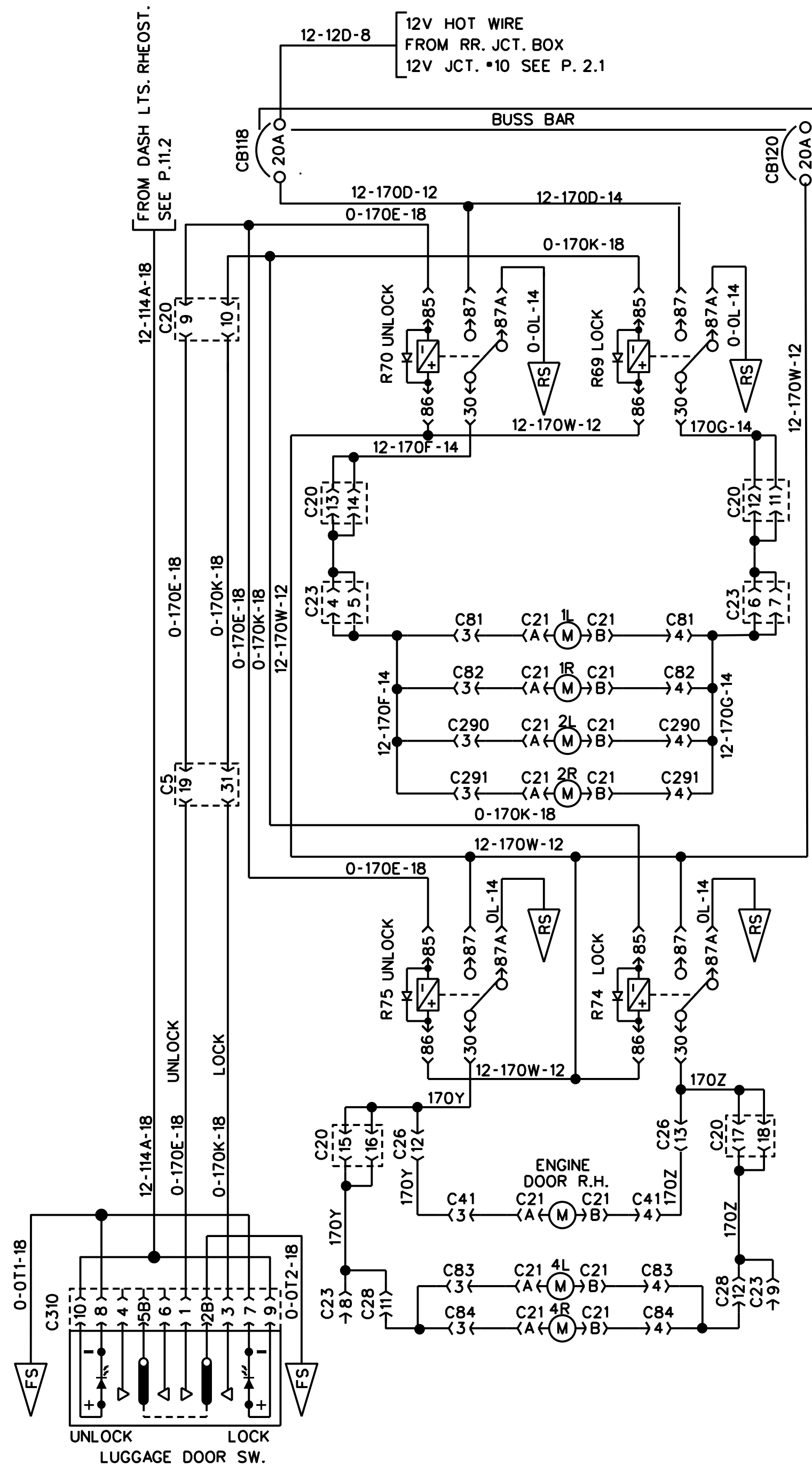
24V FLUORESCENT INTERIOR LIGHTING



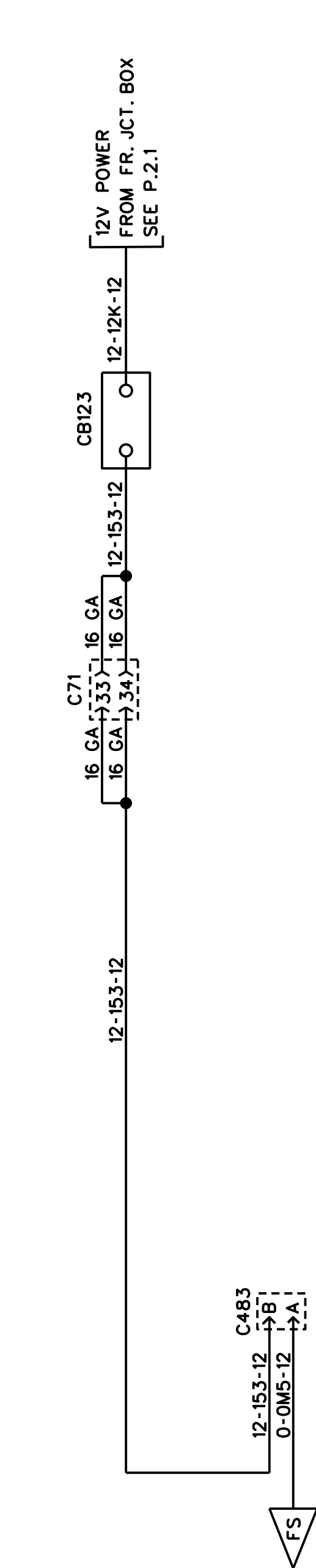
LUGGAGE DOOR LOCK



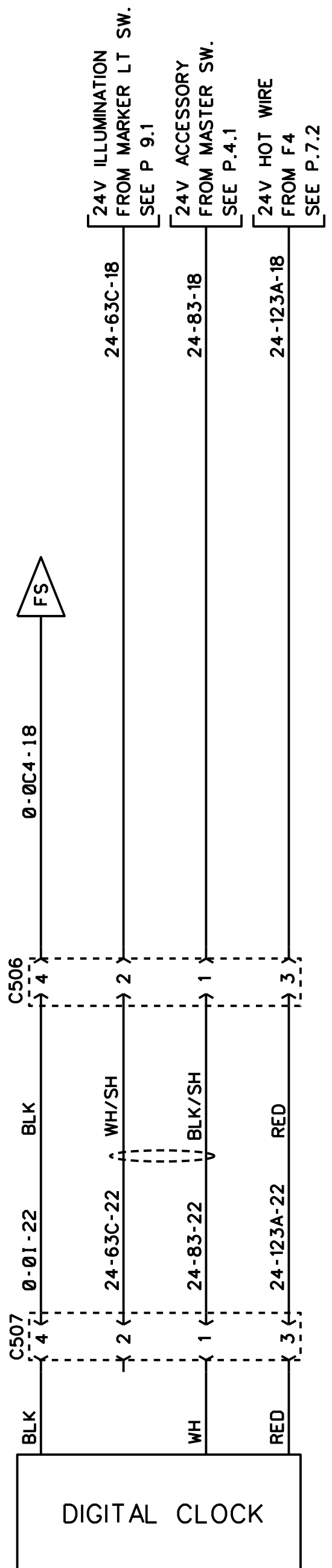
LUGGAGE DOOR LOCK



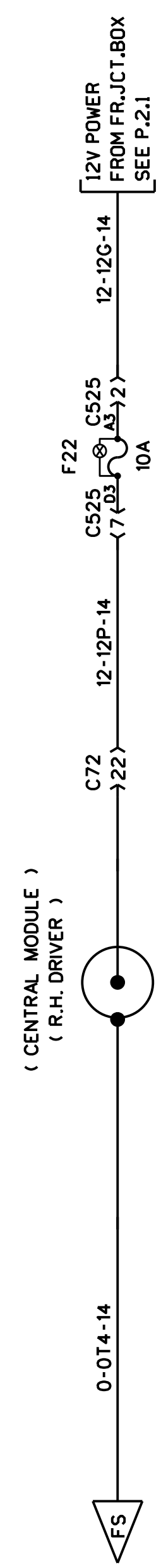
LUGGAGE DOOR LOCK



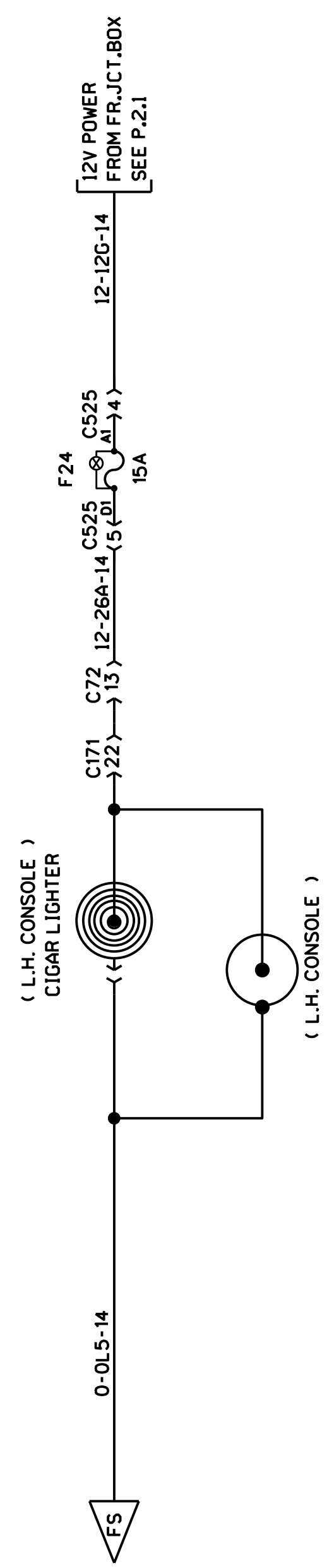
WIRING FOR
DRIVER'S SEAT ELECT. ADJ.



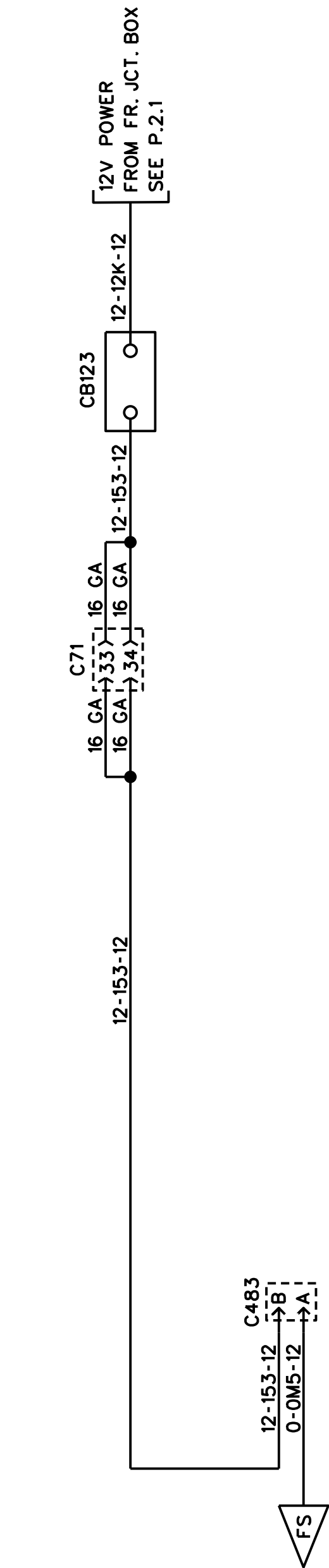
DIGITAL CLOCK



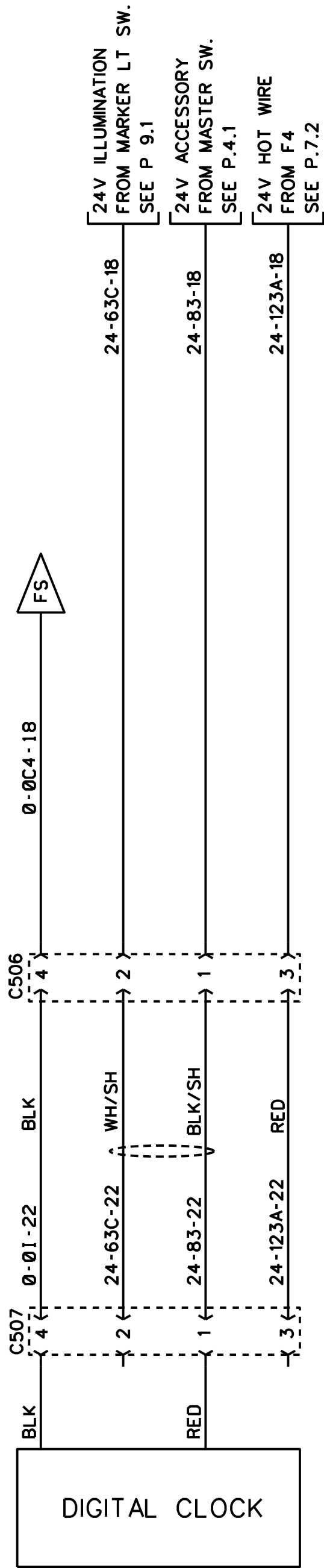
POWER 12 VOLT OUTLET



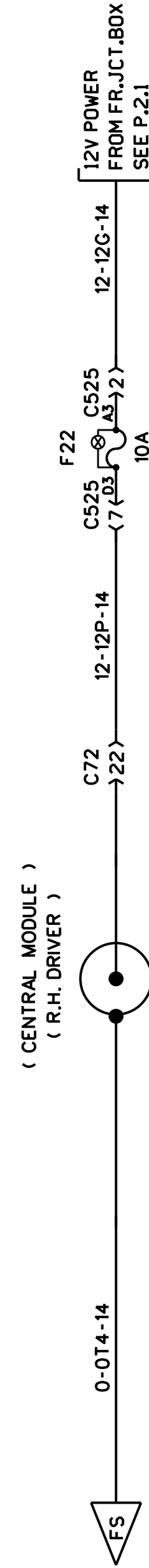
(L.H. CONSOLE)
CIGAR LIGHTER
(L.H. CONSOLE)



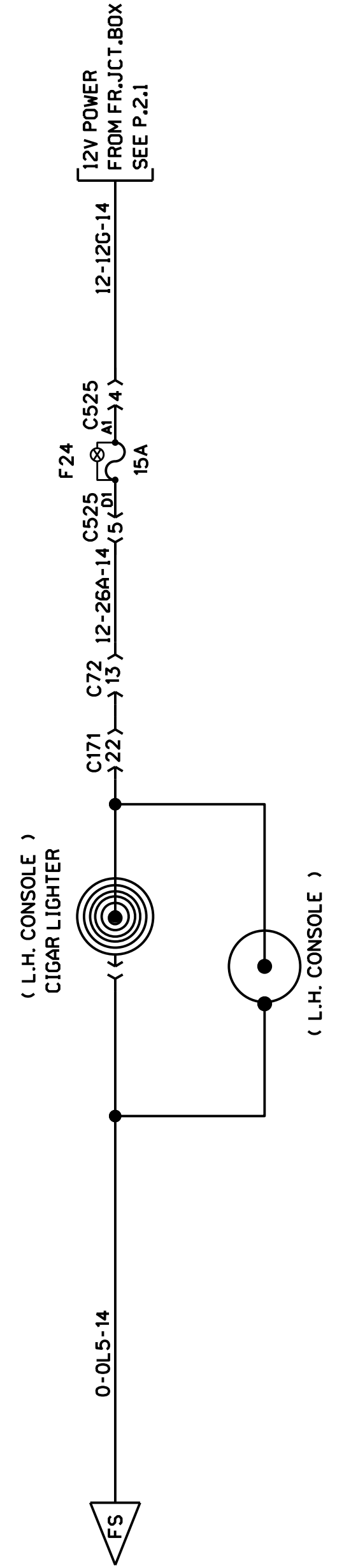
WIRING FOR DRIVER'S SEAT ELECT. ADJ.



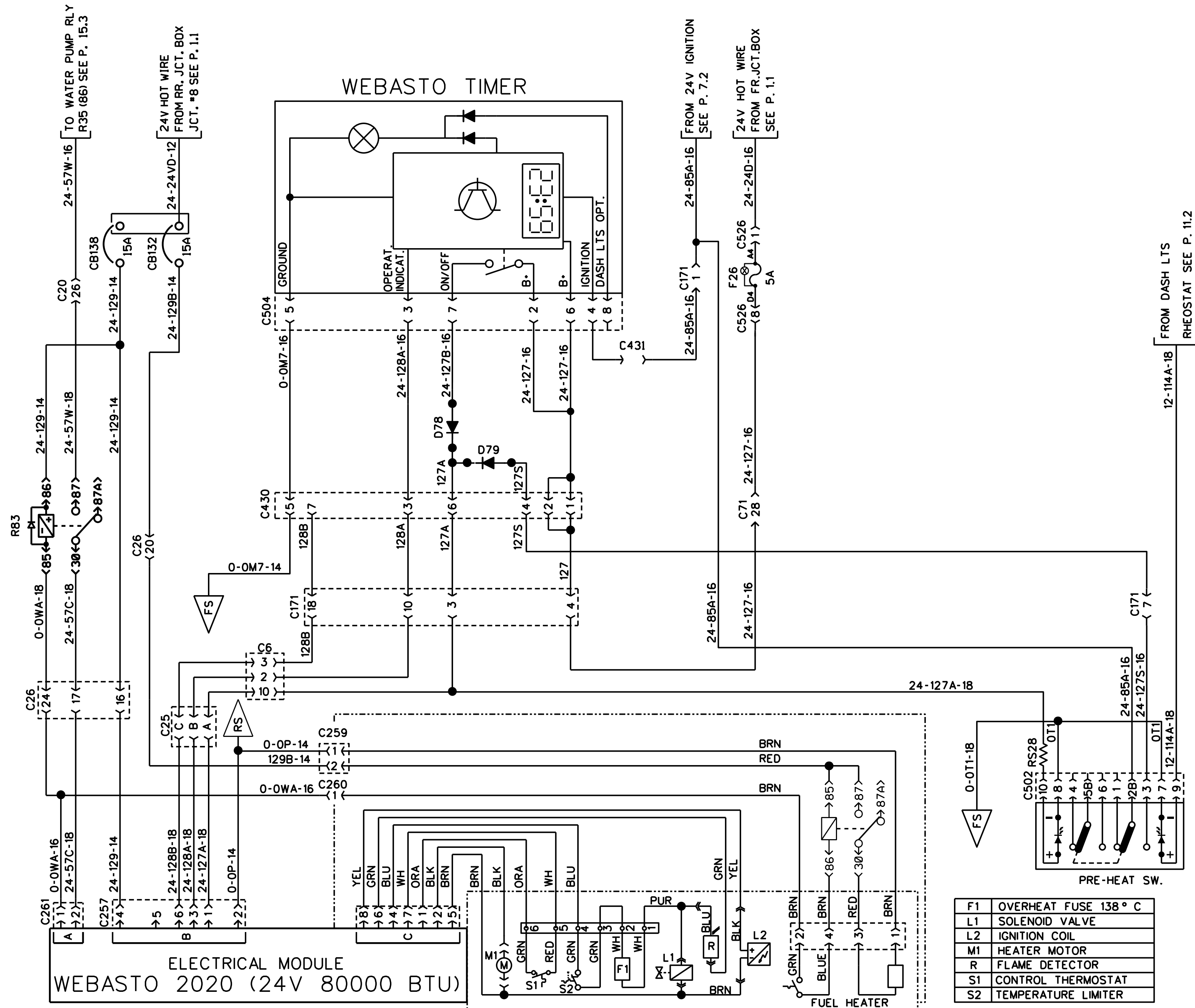
DIGITAL CLOCK



POWER 12 VOLT OUTLET

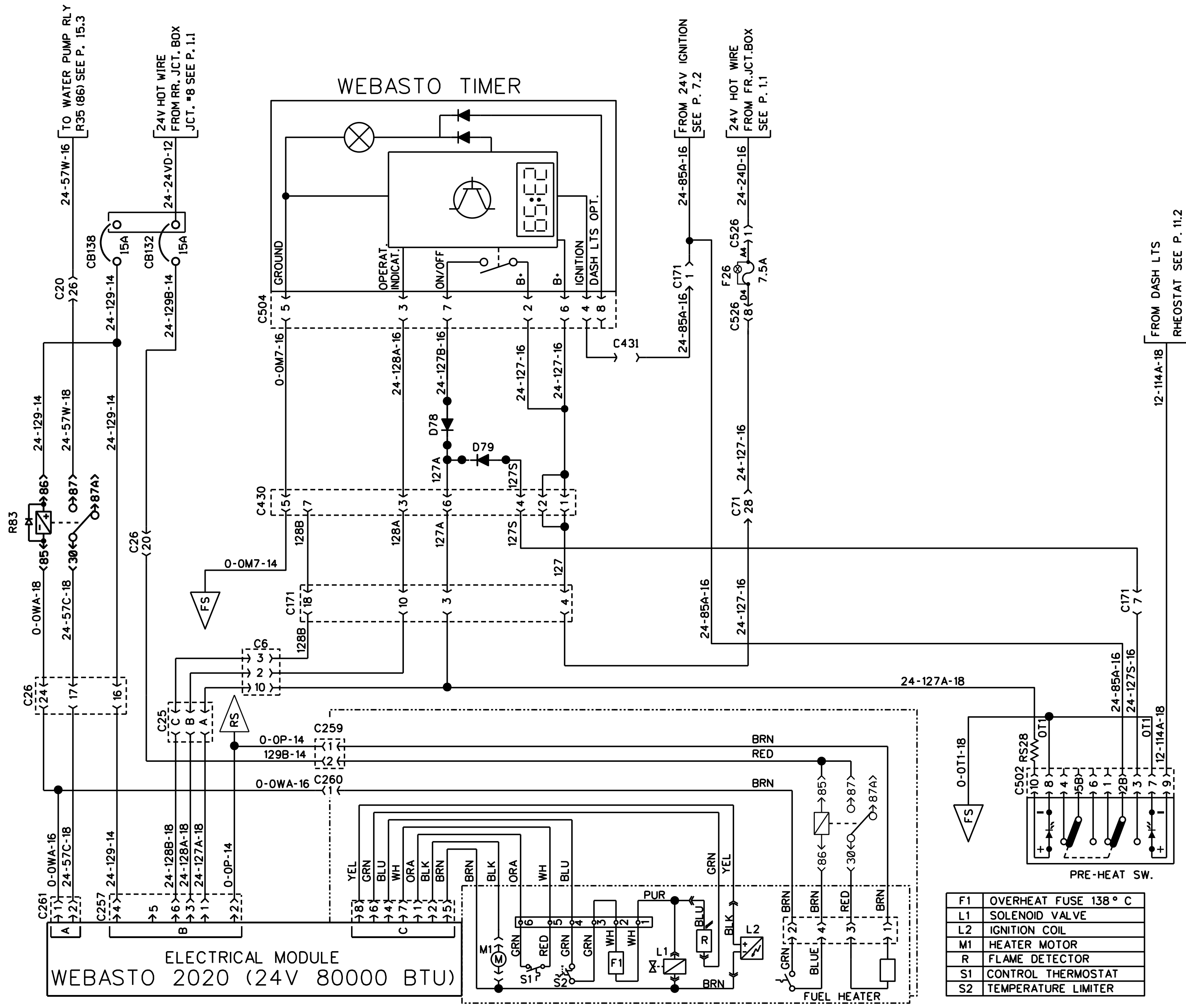


(L.H. CONSOLE) CIGAR LIGHTER (L.H. CONSOLE)



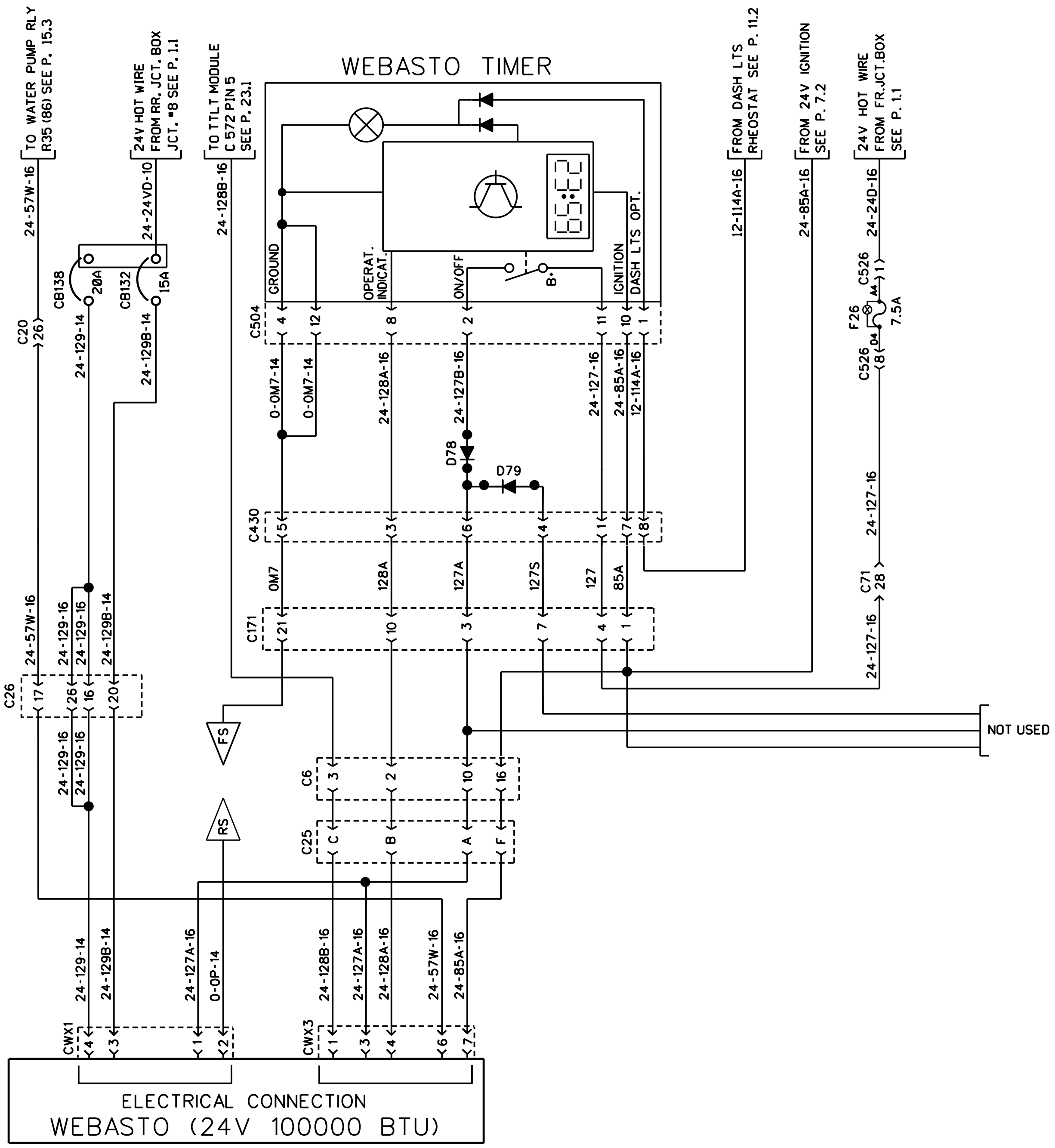
PRE-HEAT WATER HEATER (WEBASTO 200)

F1	OVERHEAT FUSE 138 ° C
L1	SOLENOID VALVE
L2	IGNITION COIL
M1	HEATER MOTOR
R	FLAME DETECTOR
S1	CONTROL THERMOSTAT
S2	TEMPERATURE LIMITER

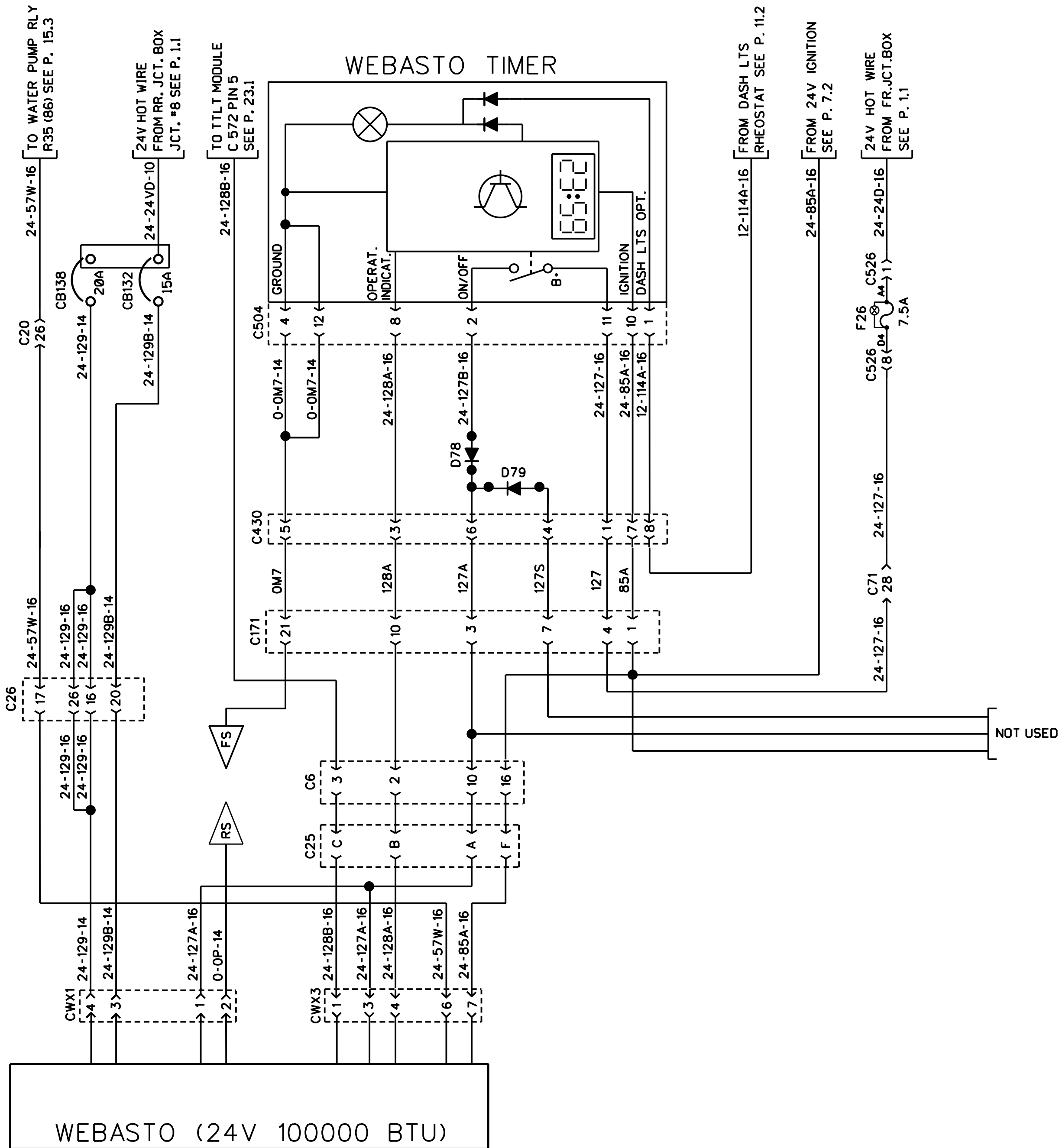


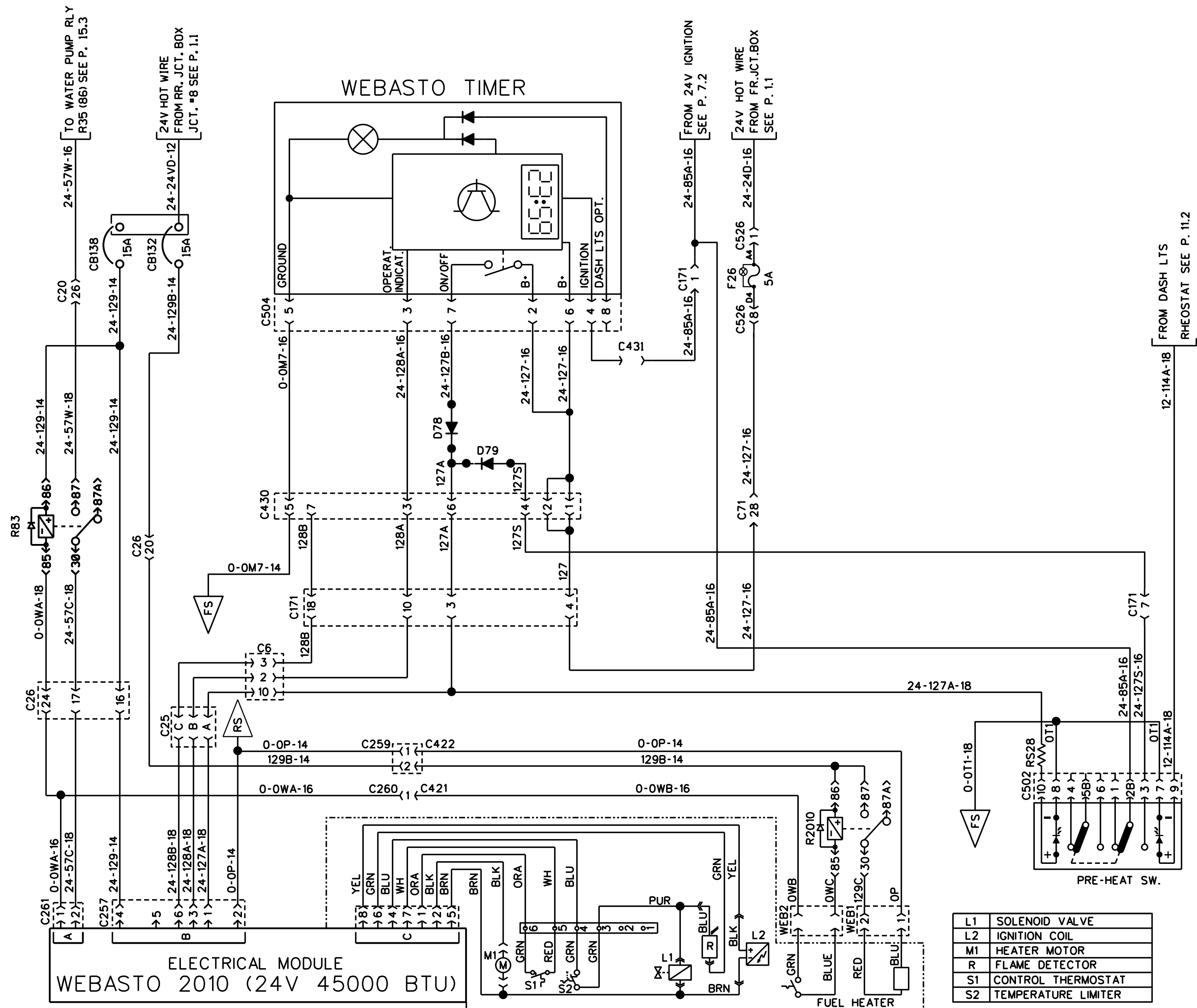
PRE-HEAT WATER HEATER (WEBASTO 2020)

F1	OVERHEAT FUSE 138° C
L1	SOLENOID VALVE
L2	IGNITION COIL
M1	HEATER MOTOR
R	FLAME DETECTOR
S1	CONTROL THERMOSTAT
S2	TEMPERATURE LIMITER

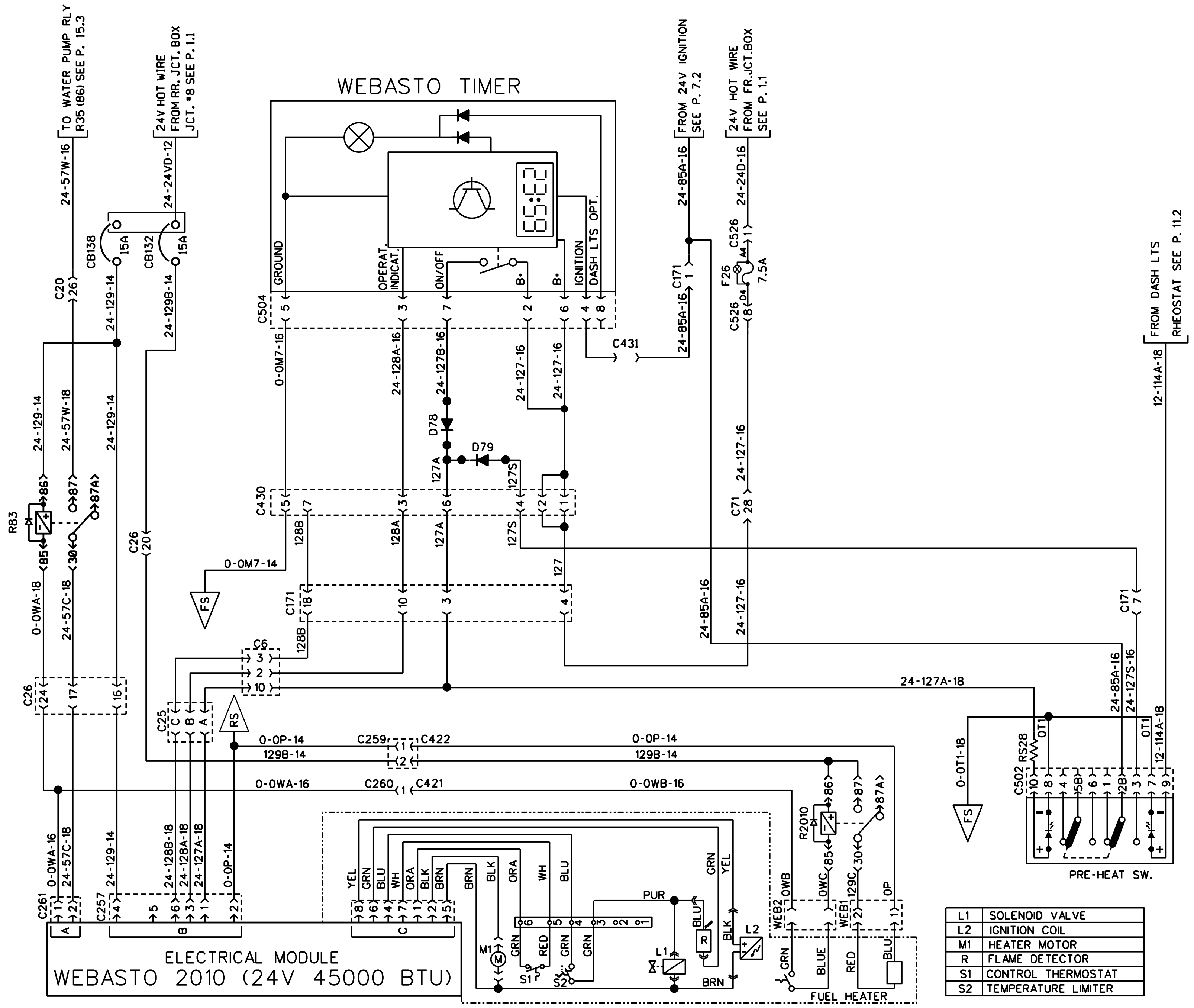


PRE-HEAT WATER HEATER (WEBASTO THERMO 300)



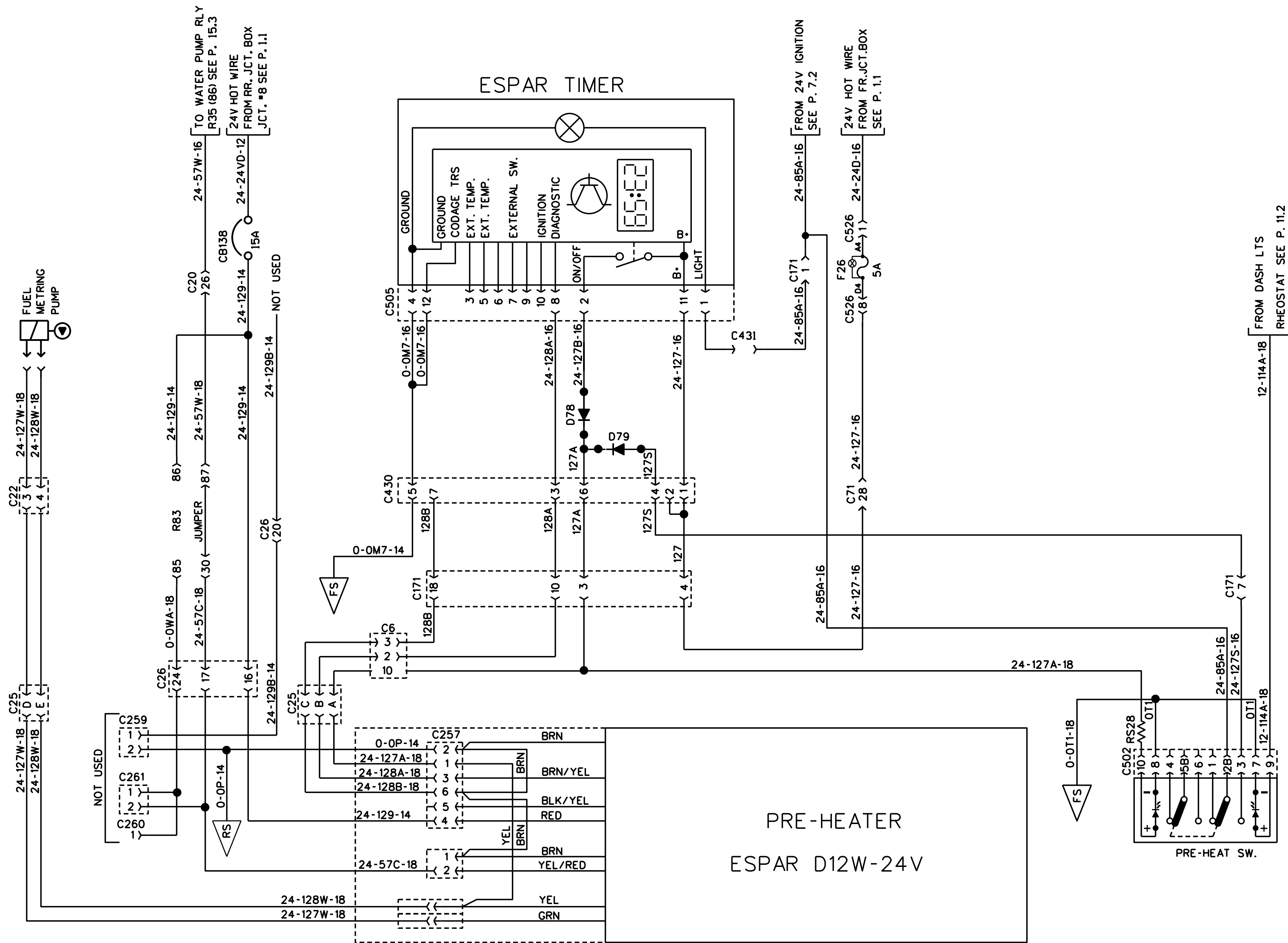


PRE-HEAT WATER HEATER (WEBASTO 2010)

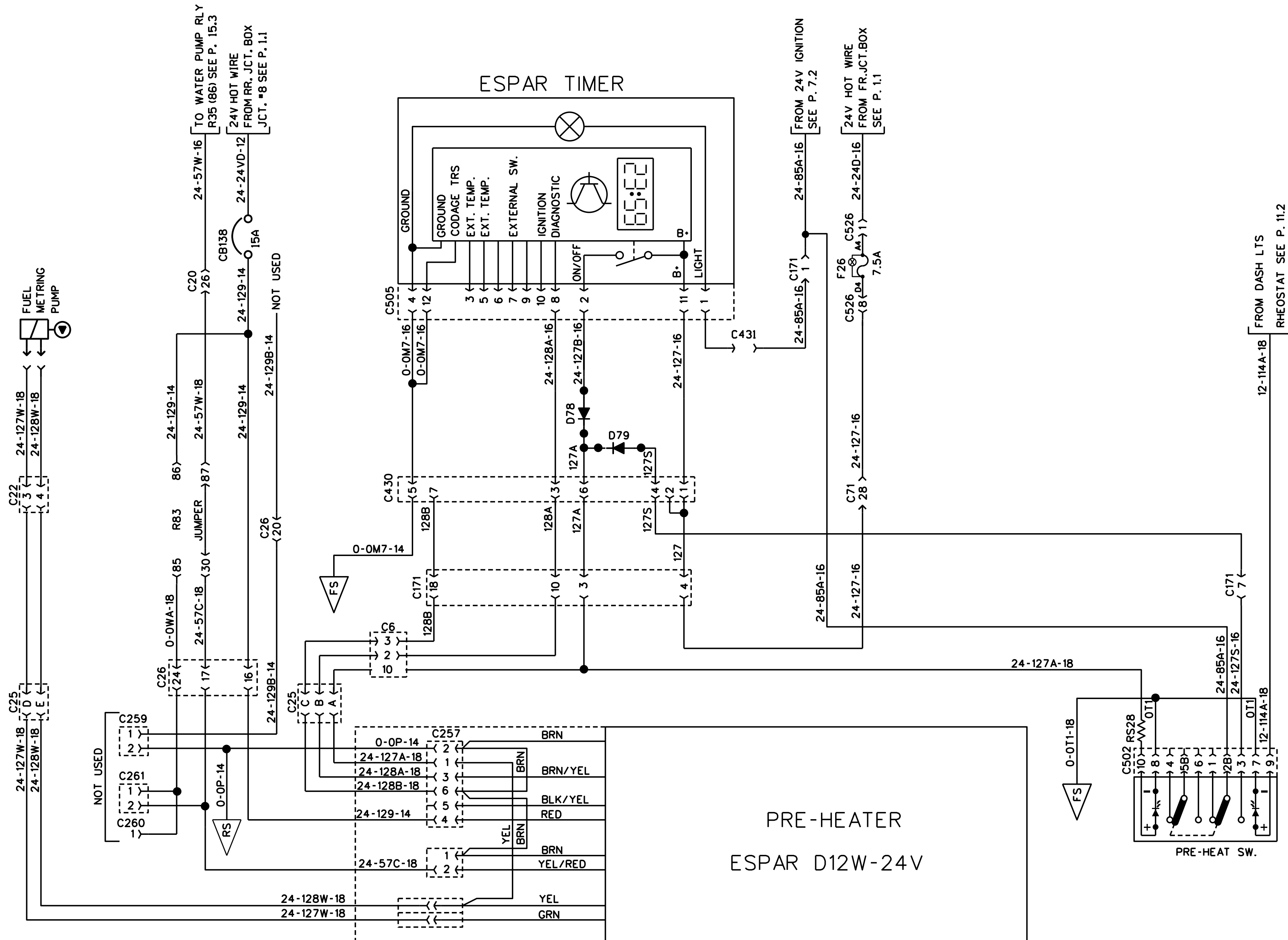


PRE-HEAT WATER HEATER (WEBASTO 2010)

L1	SOLENOID VALVE
L2	IGNITION COIL
M1	HEATER MOTOR
R	FLAME DETECTOR
S1	CONTROL THERMOSTAT
S2	TEMPERATURE LIMITER

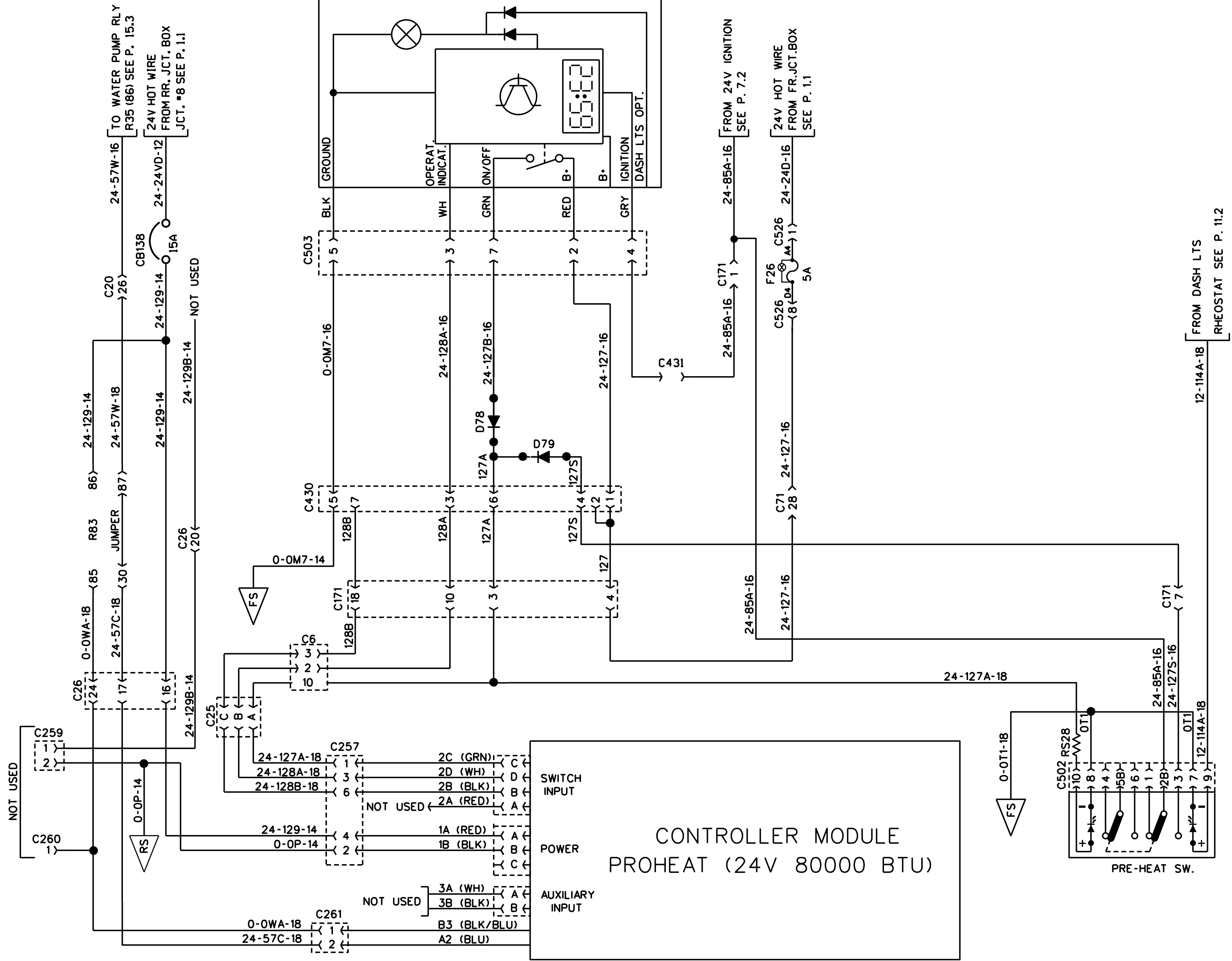


PRE-HEAT ESPAR D12W-24V (41000 BTU)



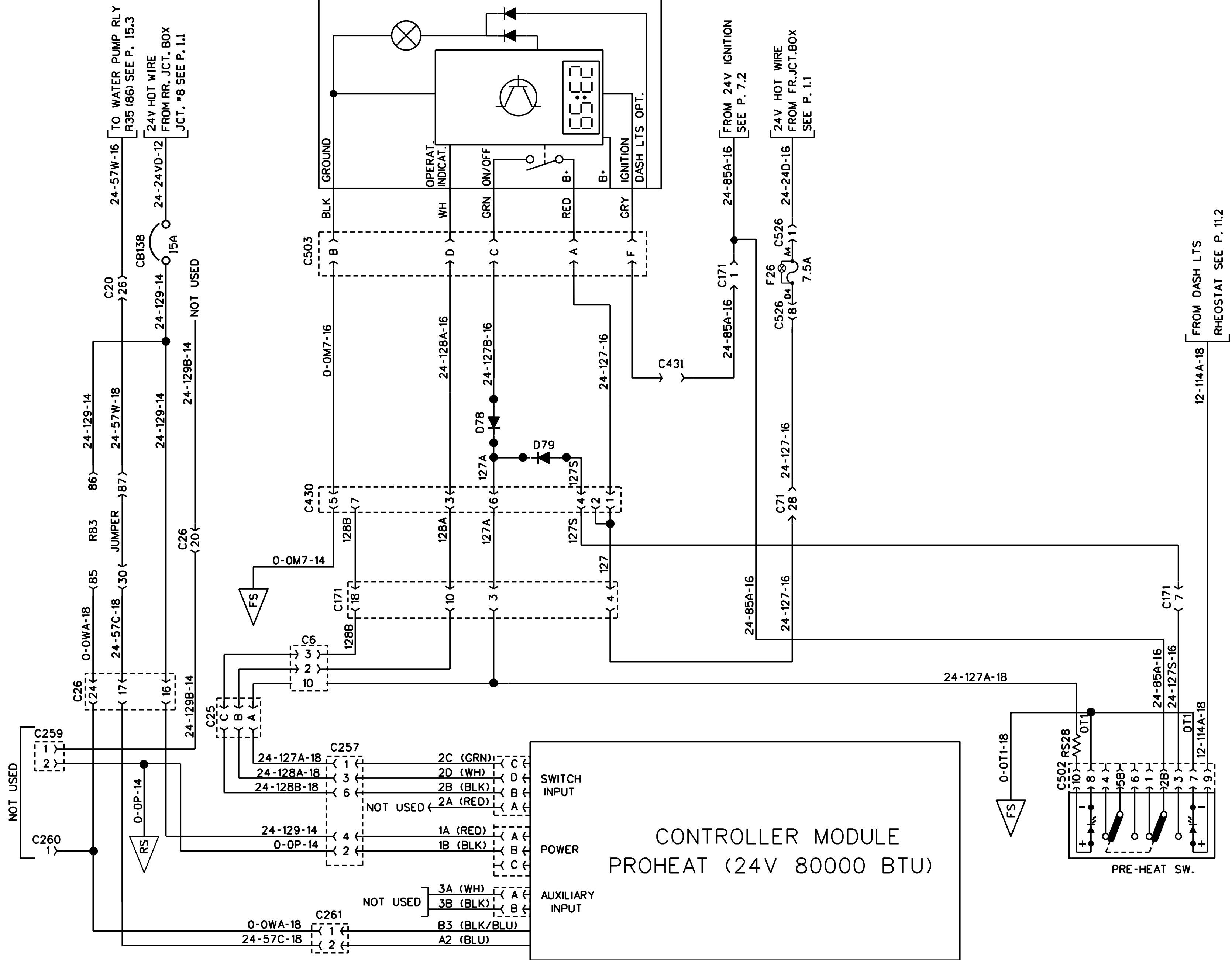
PRE-HEAT ESPAR D12W-24V (41000 BTU)

PROHEAT TIMER



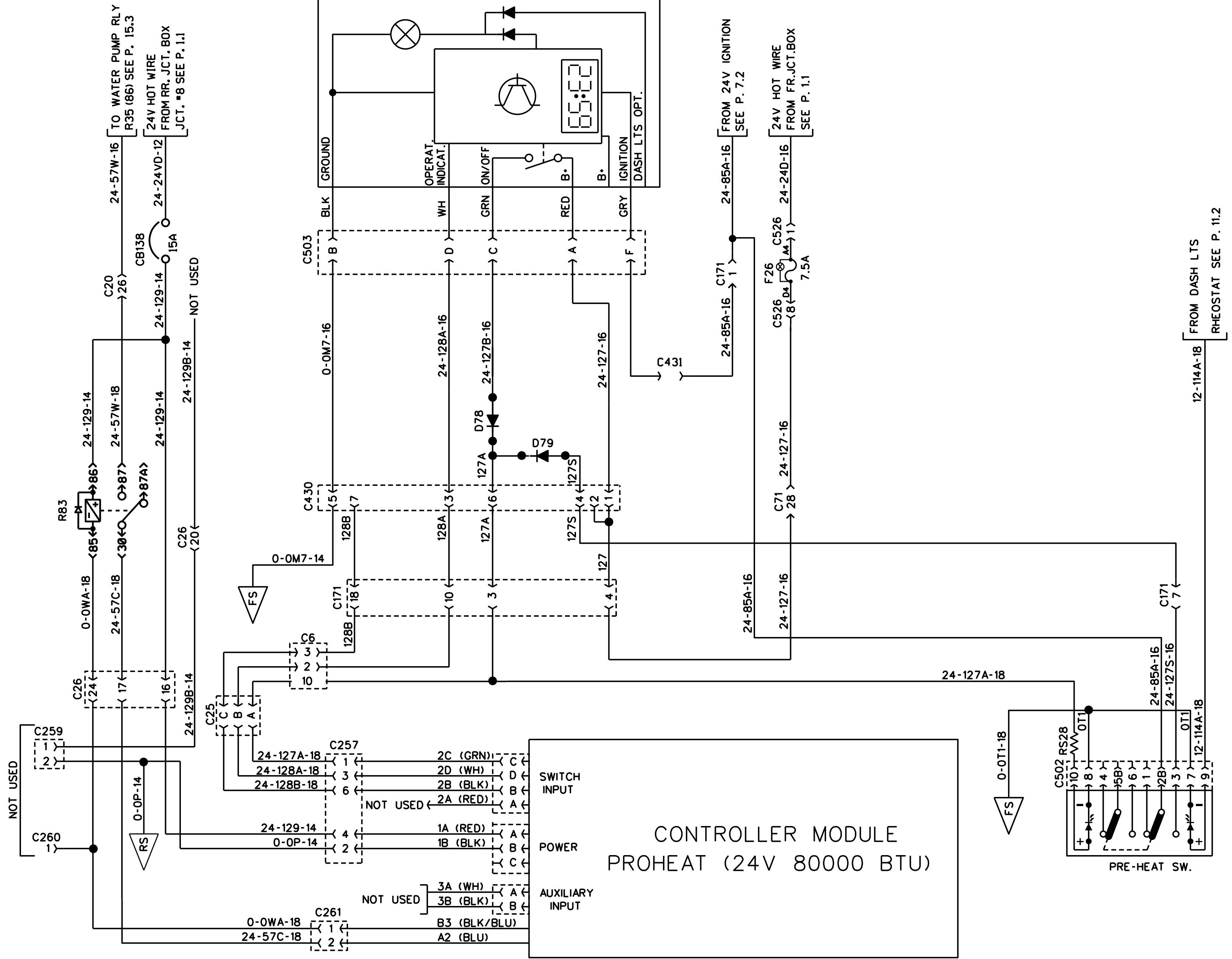
PRE-HEAT WATER HEATER PROHEAT (80000 BTU)

PROHEAT TIMER



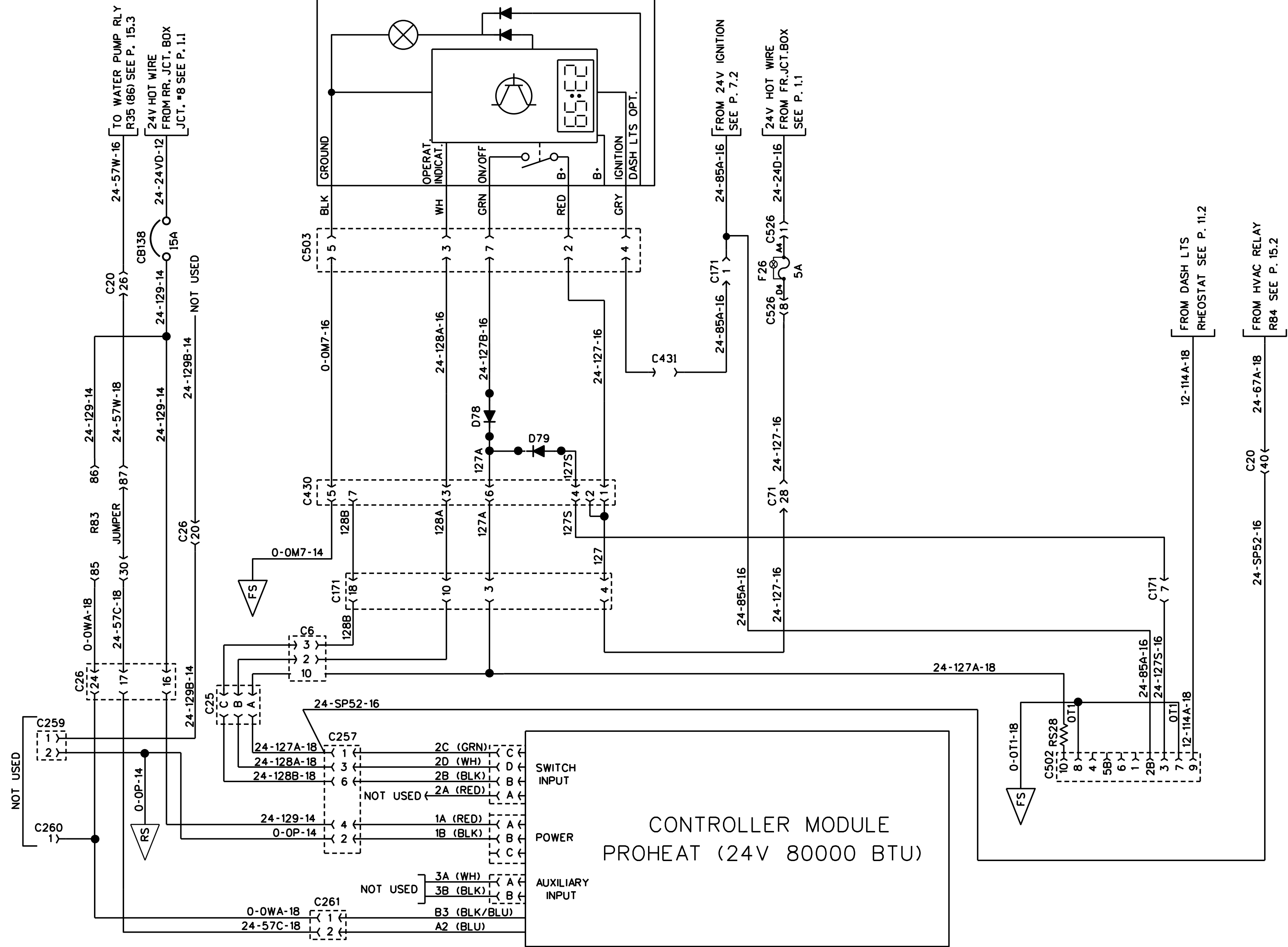
PRE-HEAT WATER HEATER PROHEAT (80000 BTU)

PROHEAT TIMER



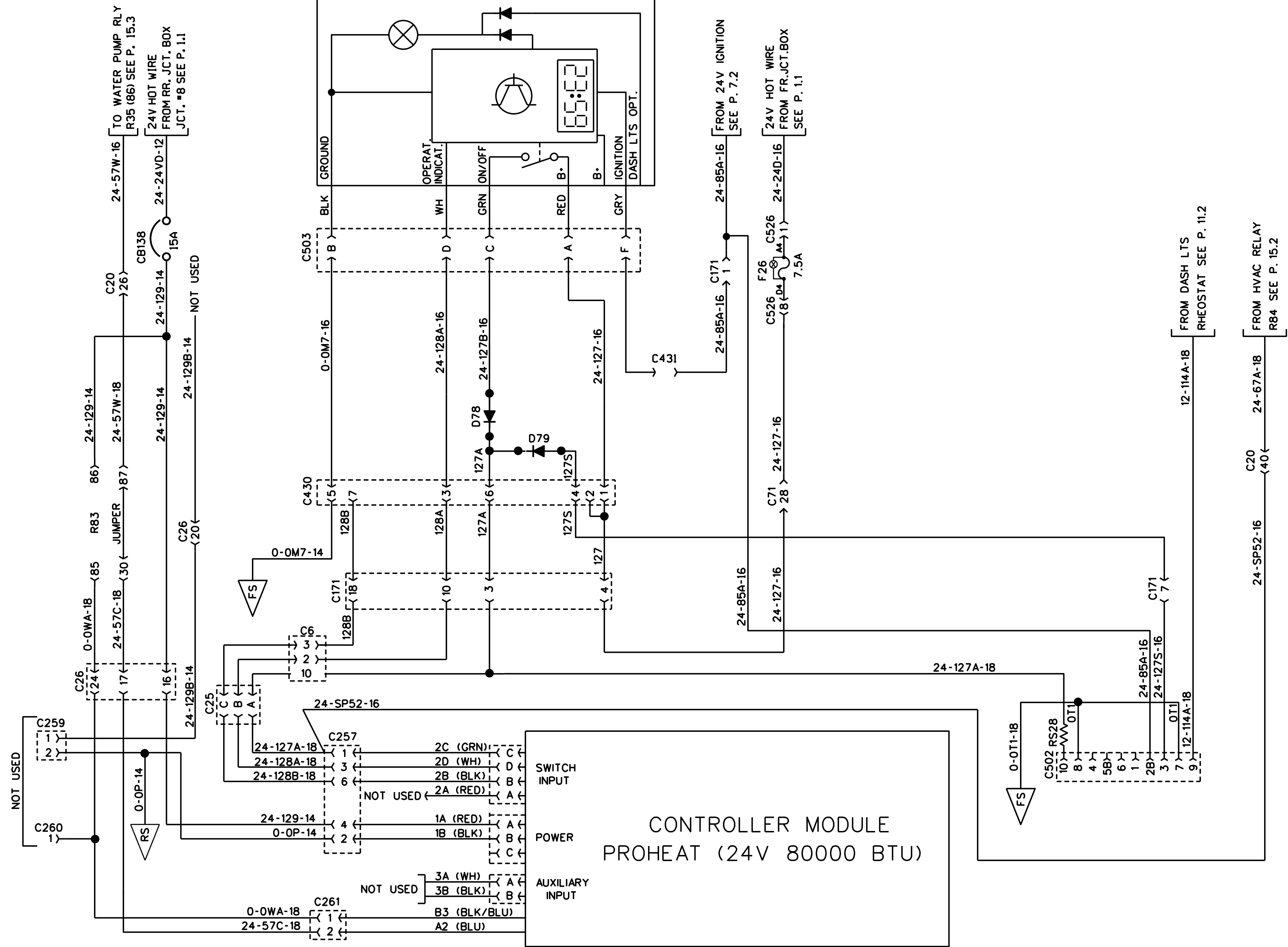
PRE-HEAT WATER HEATER PROHEAT (80000 BTU)

PROHEAT TIMER

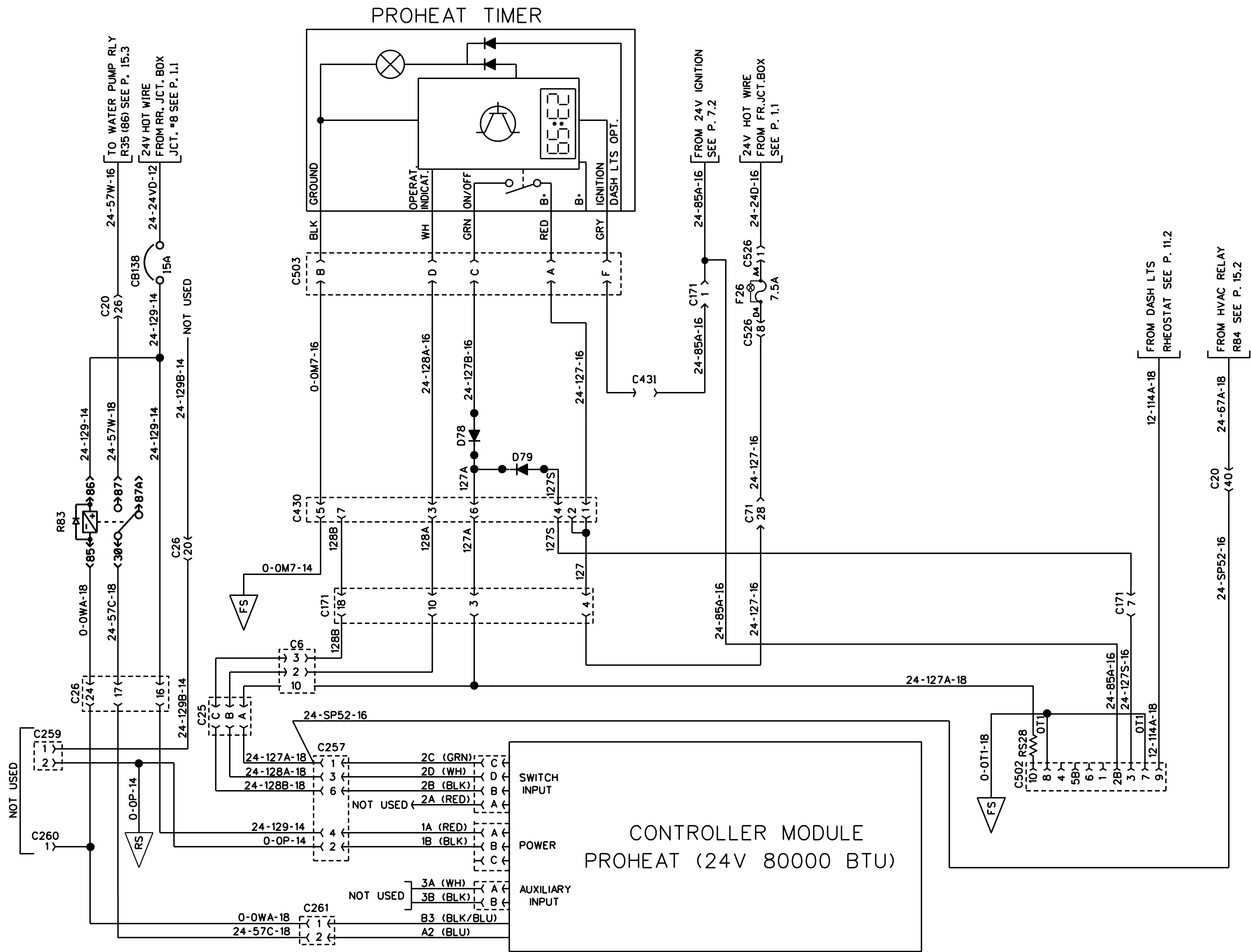


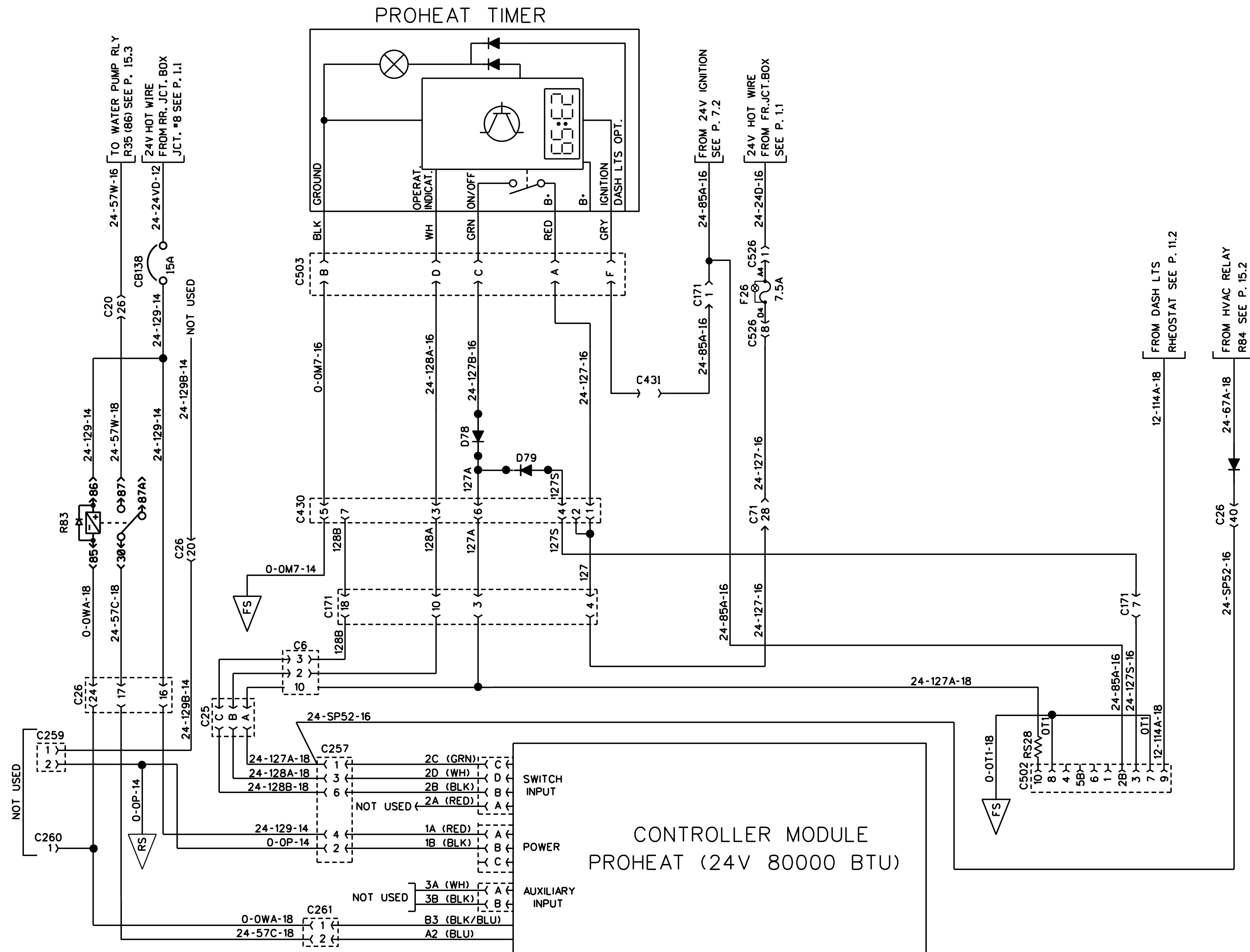
PRE-HEAT WATER HEATER (PROHEAT AUTOMATIC ON A/C)

PROHEAT TIMER

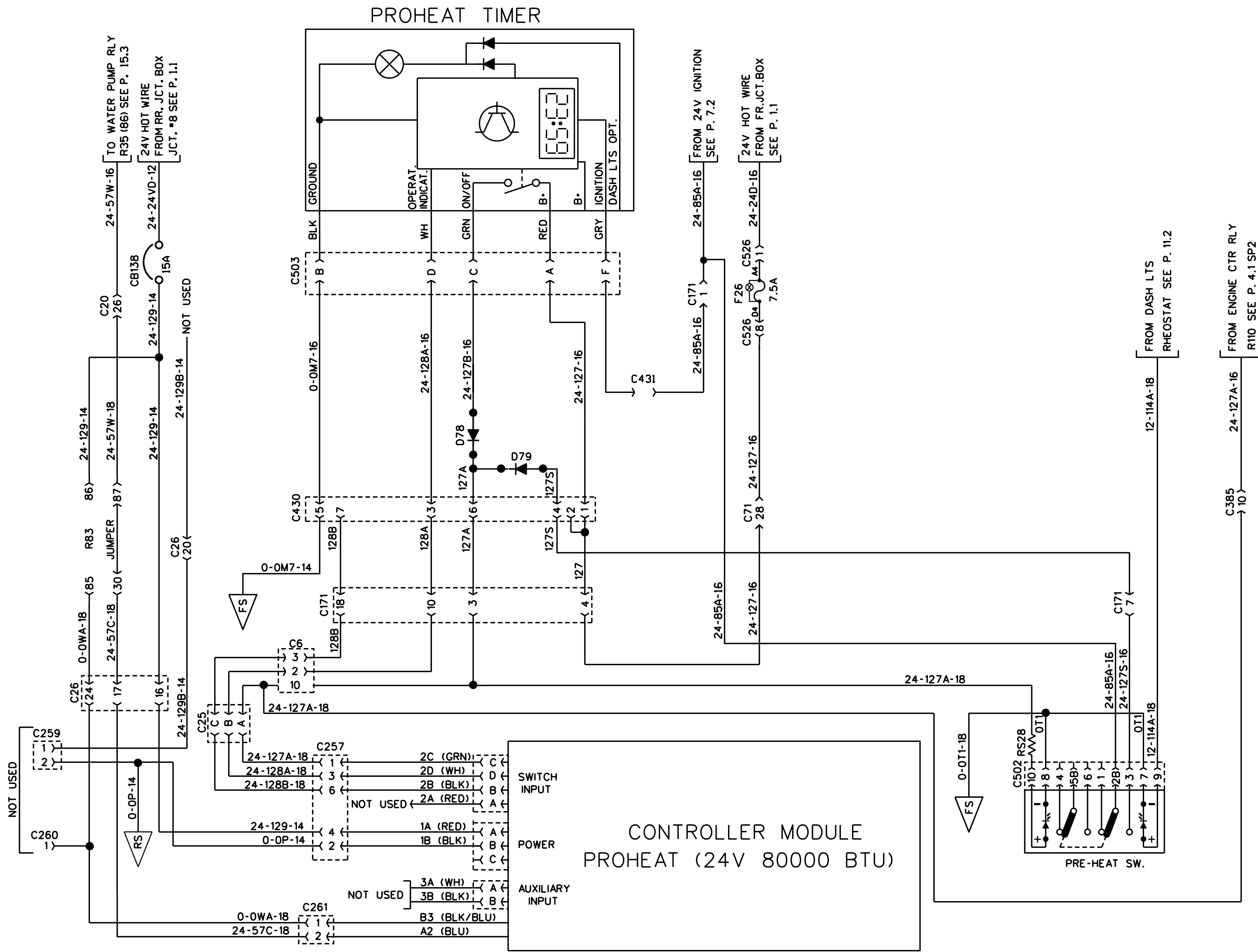


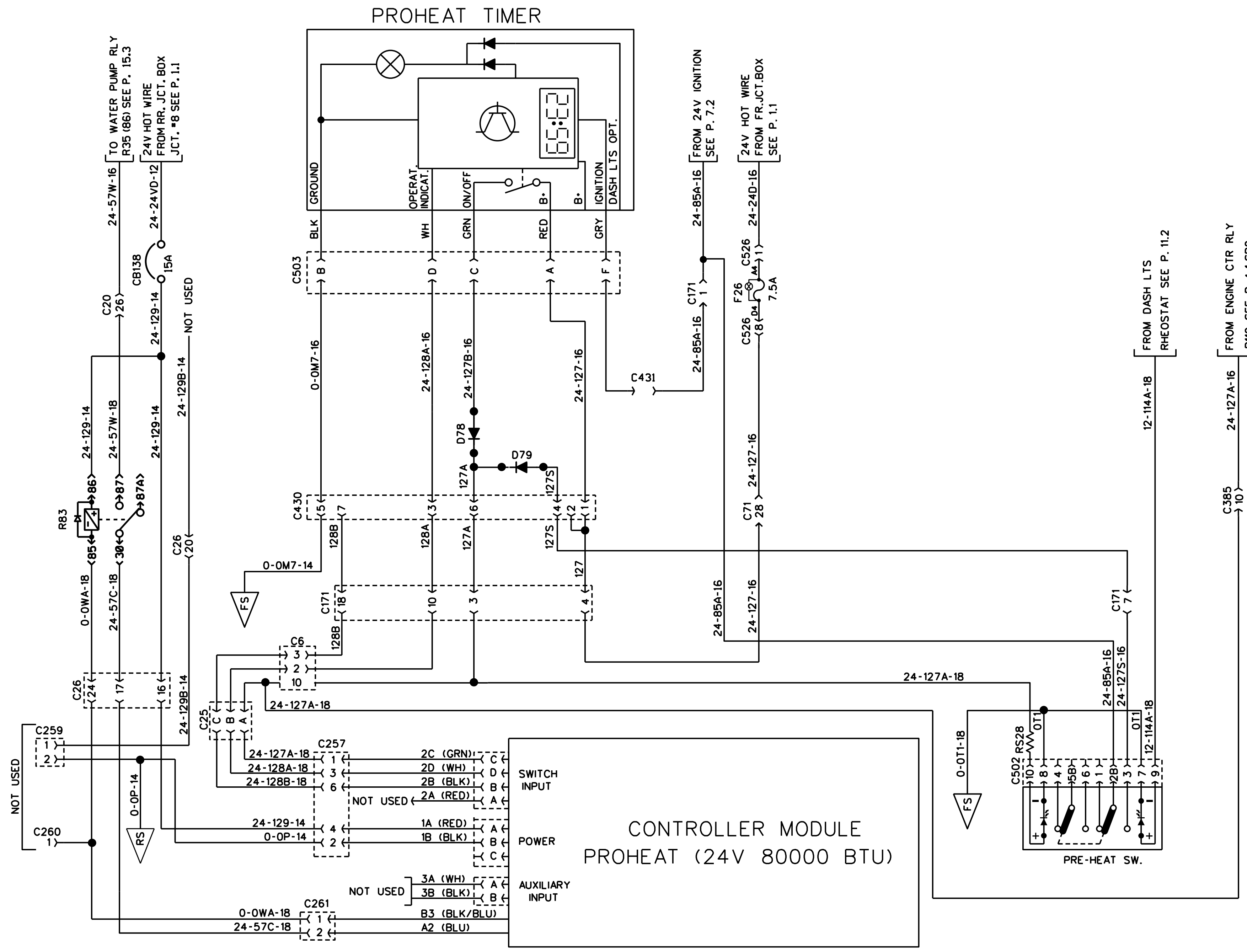
PRE-HEAT WATER HEATER (PROHEAT AUTOMATIC ON A/C)



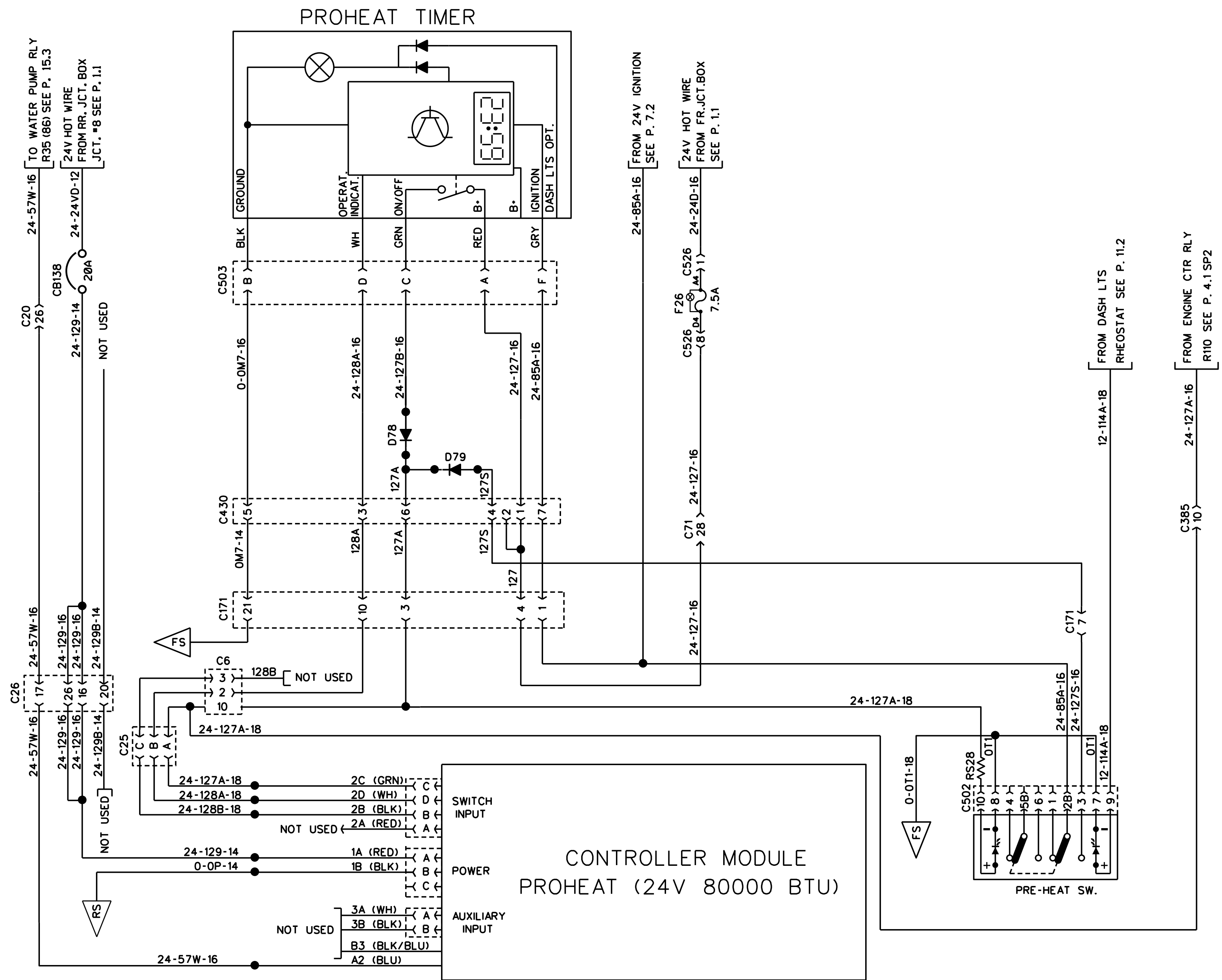


PRE-HEAT WATER HEATER (PROHEAT AUTOMATIC ON A/C)



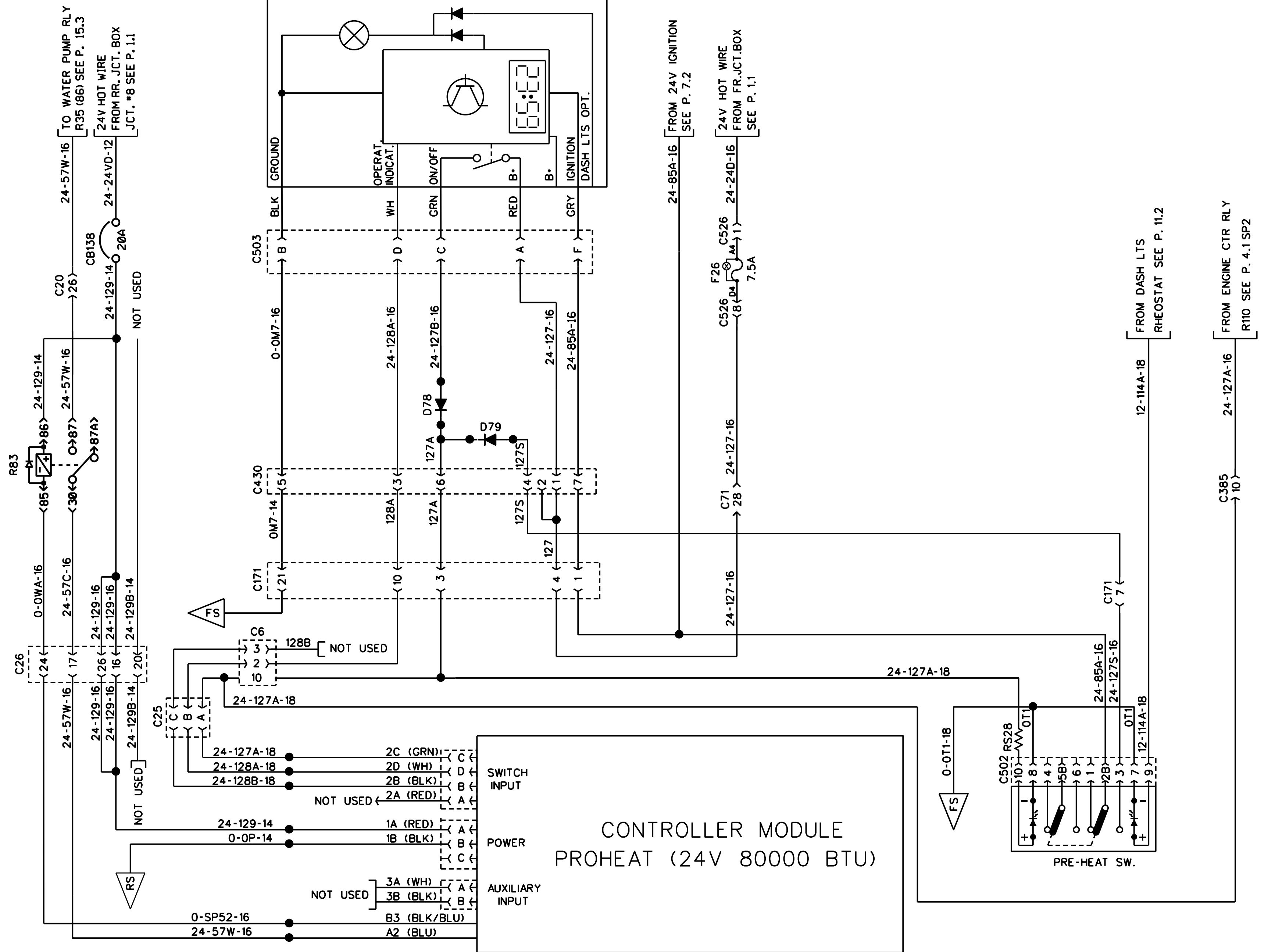


PRE-HEAT WATER HEATER PROHEAT AUTOMATIC ON BATTERY CHARGER

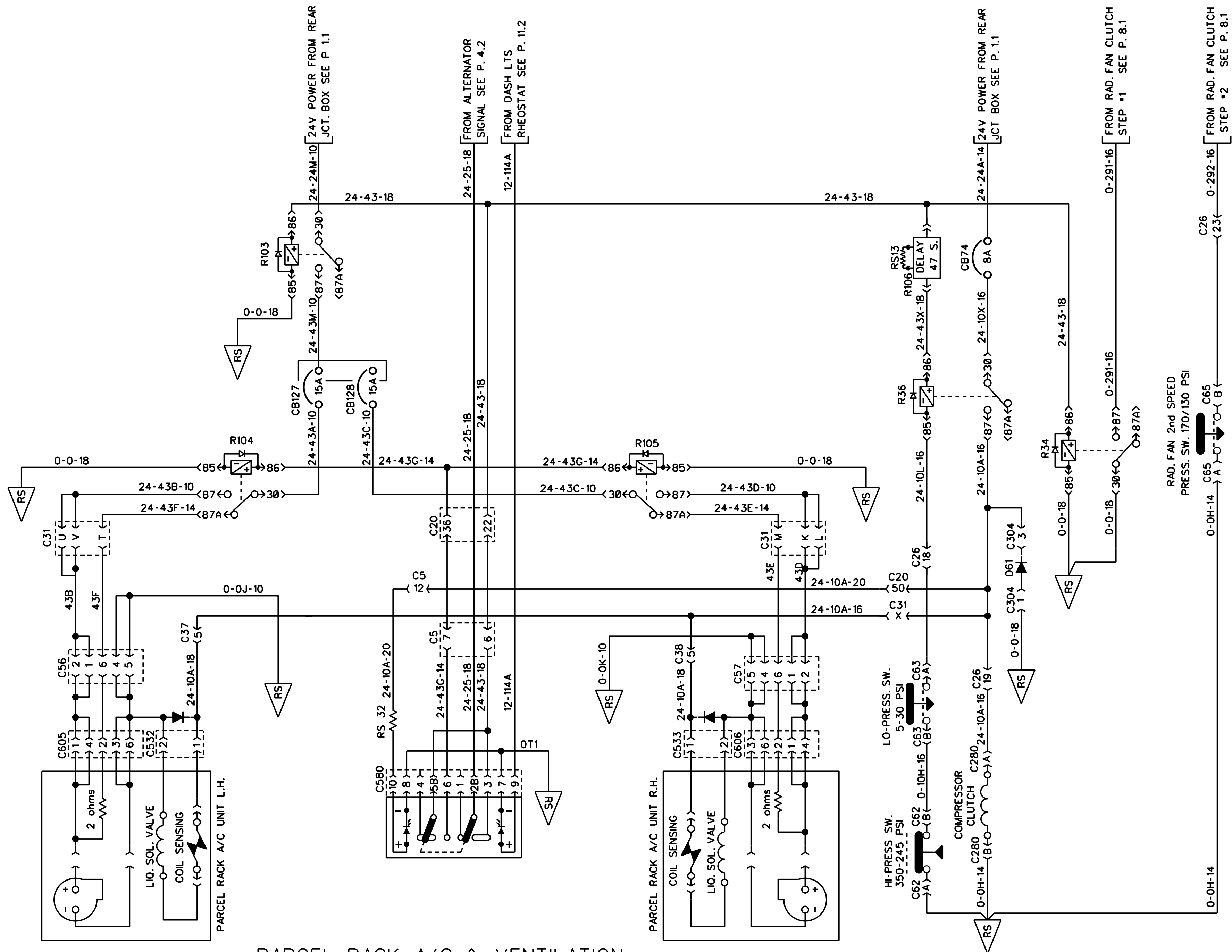


PRE-HEAT WATER HEATER PROHEAT AUTOMATIC ON BATTERY CHARGER

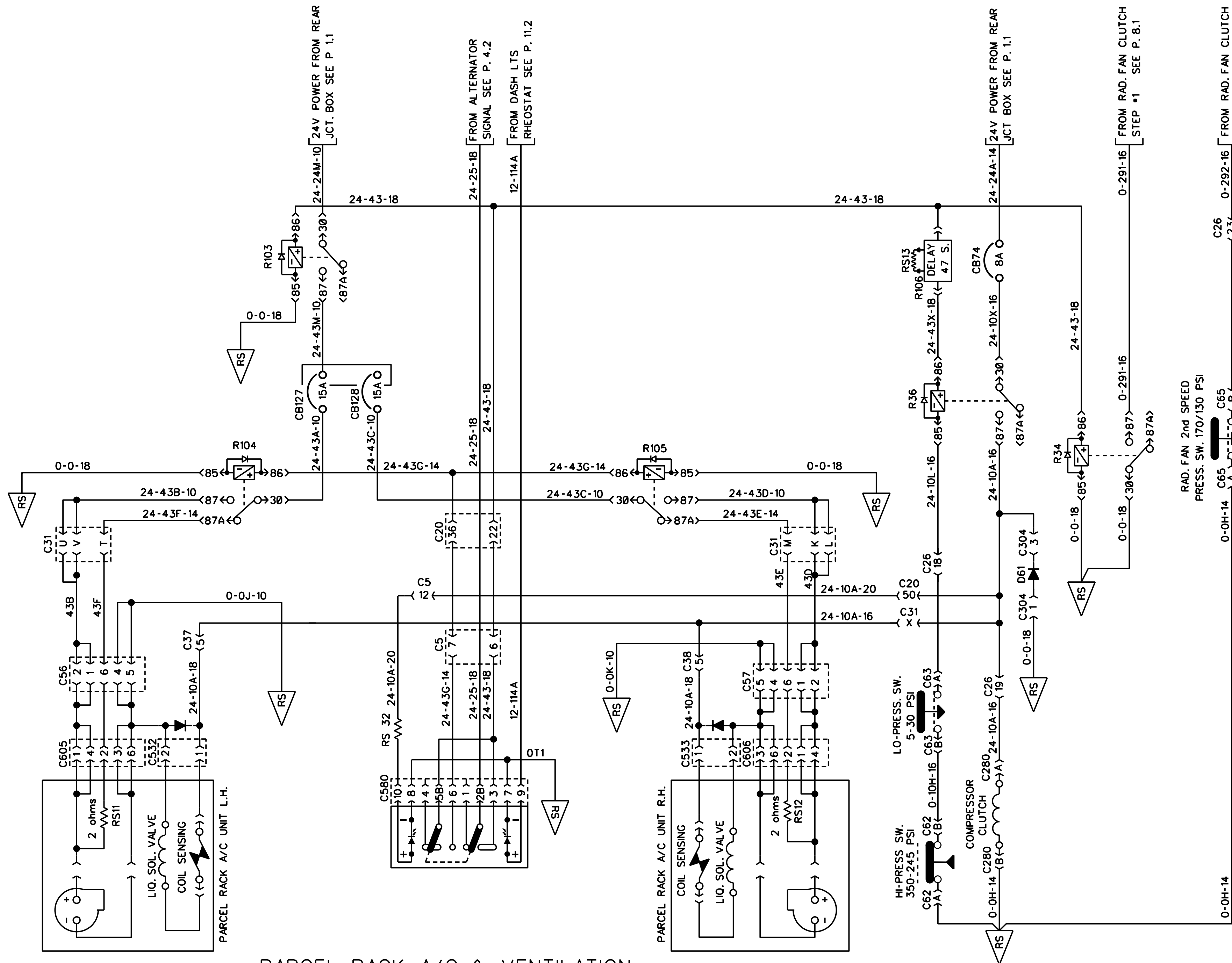
PROHEAT TIMER



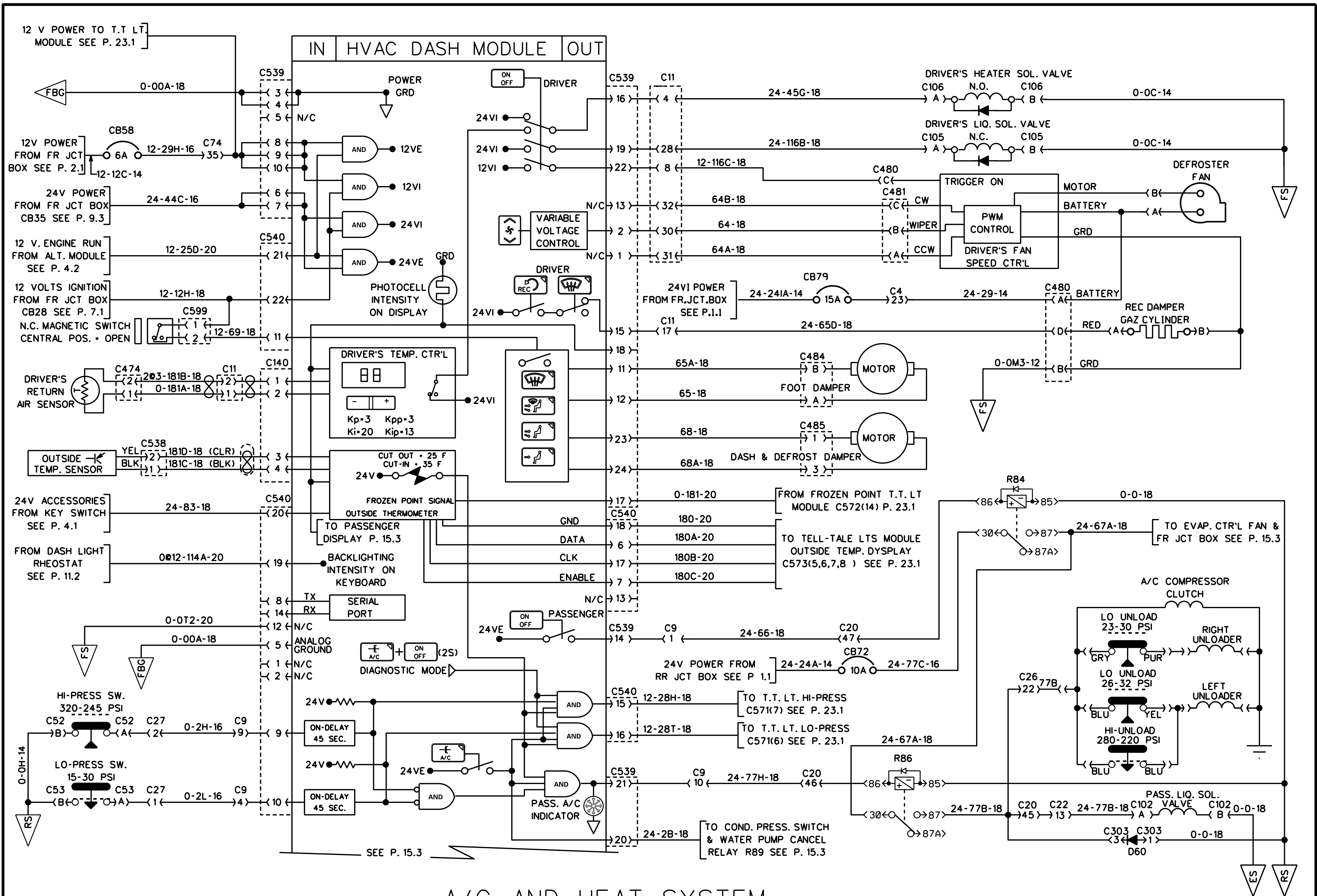
PRE-HEAT WATER HEATER PROHEAT AUTOMATIC ON BATTERY CHARGER



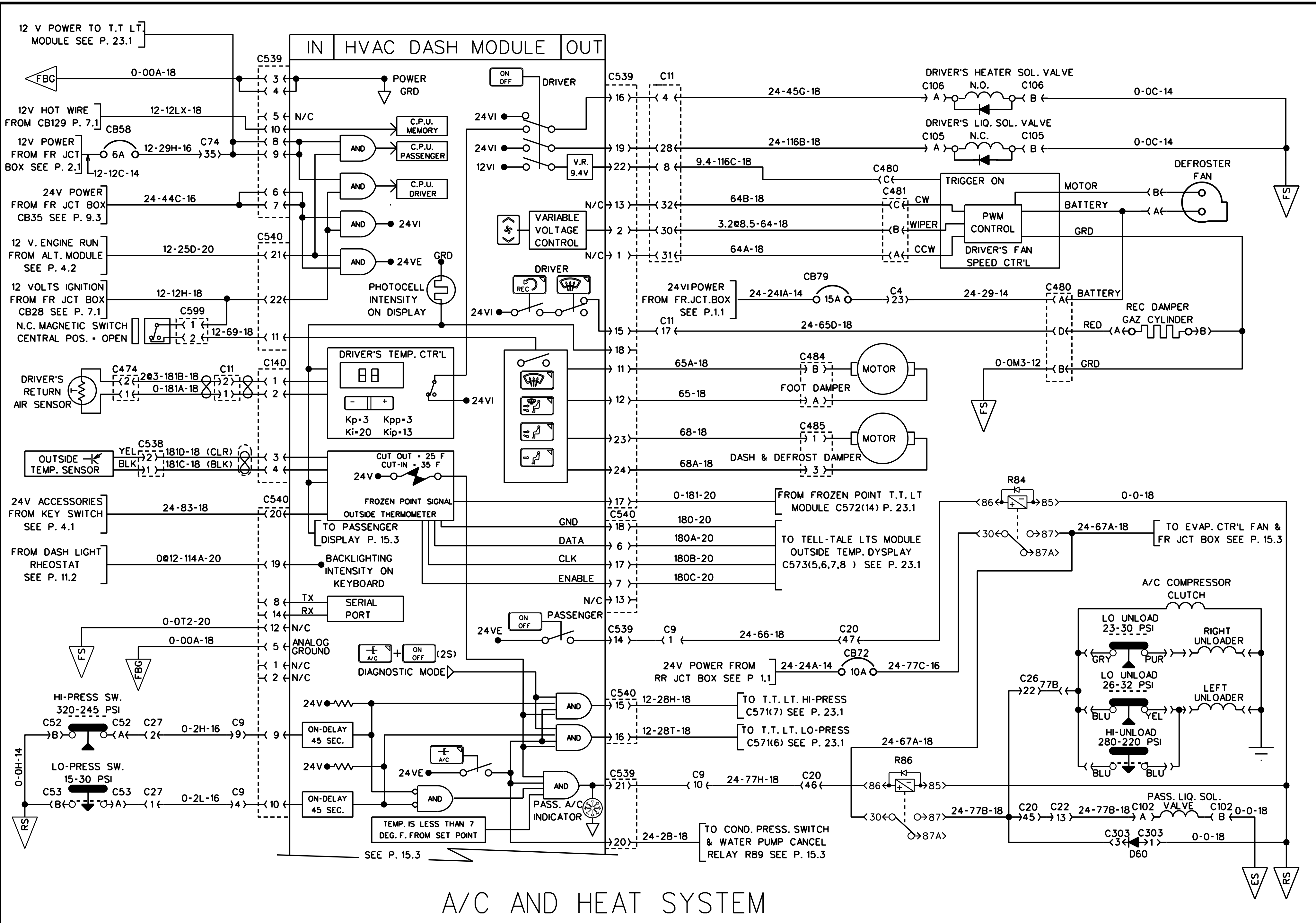
PARCEL RACK A/C & VENTILATION



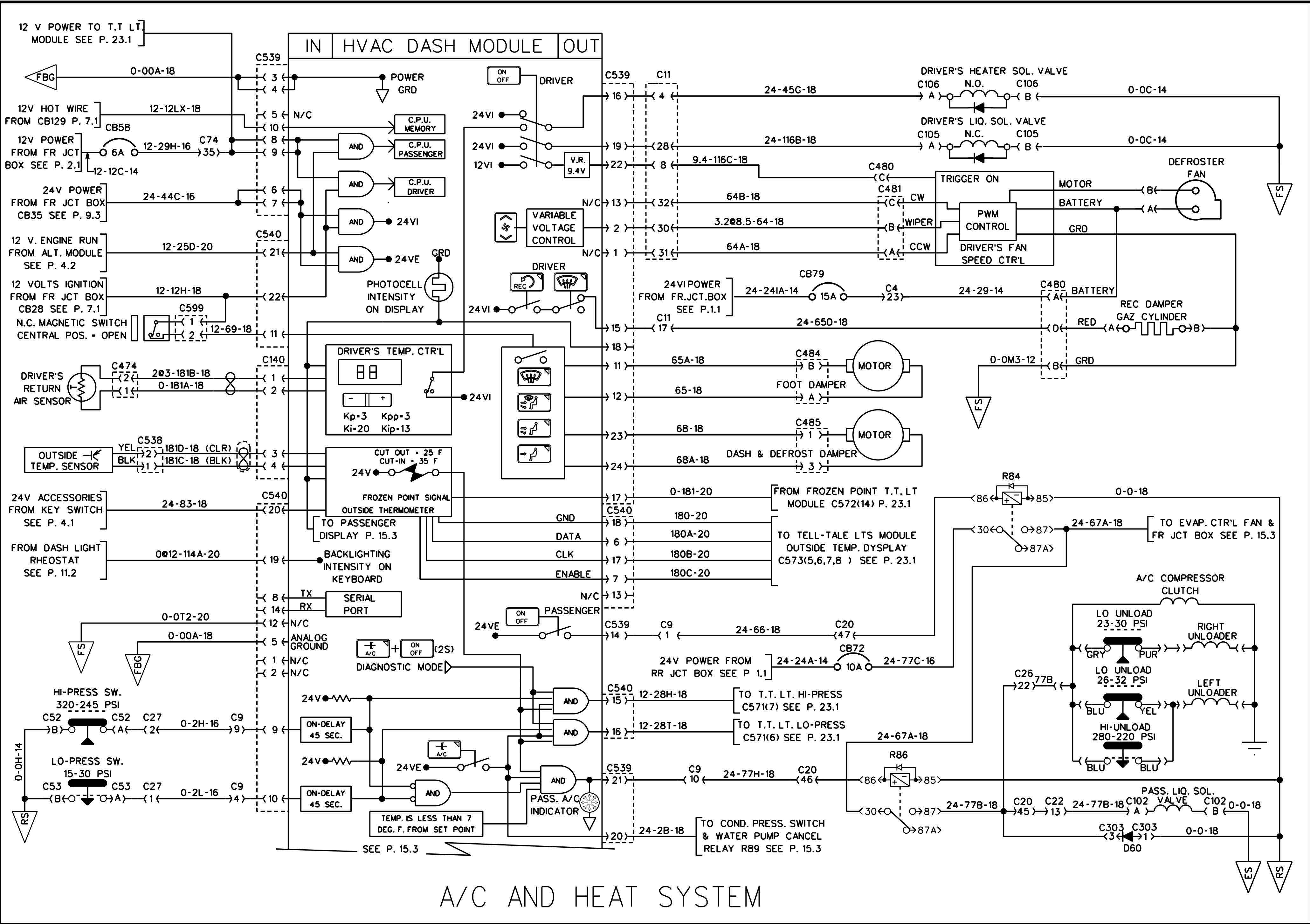
PARCEL RACK A/C & VENTILATION



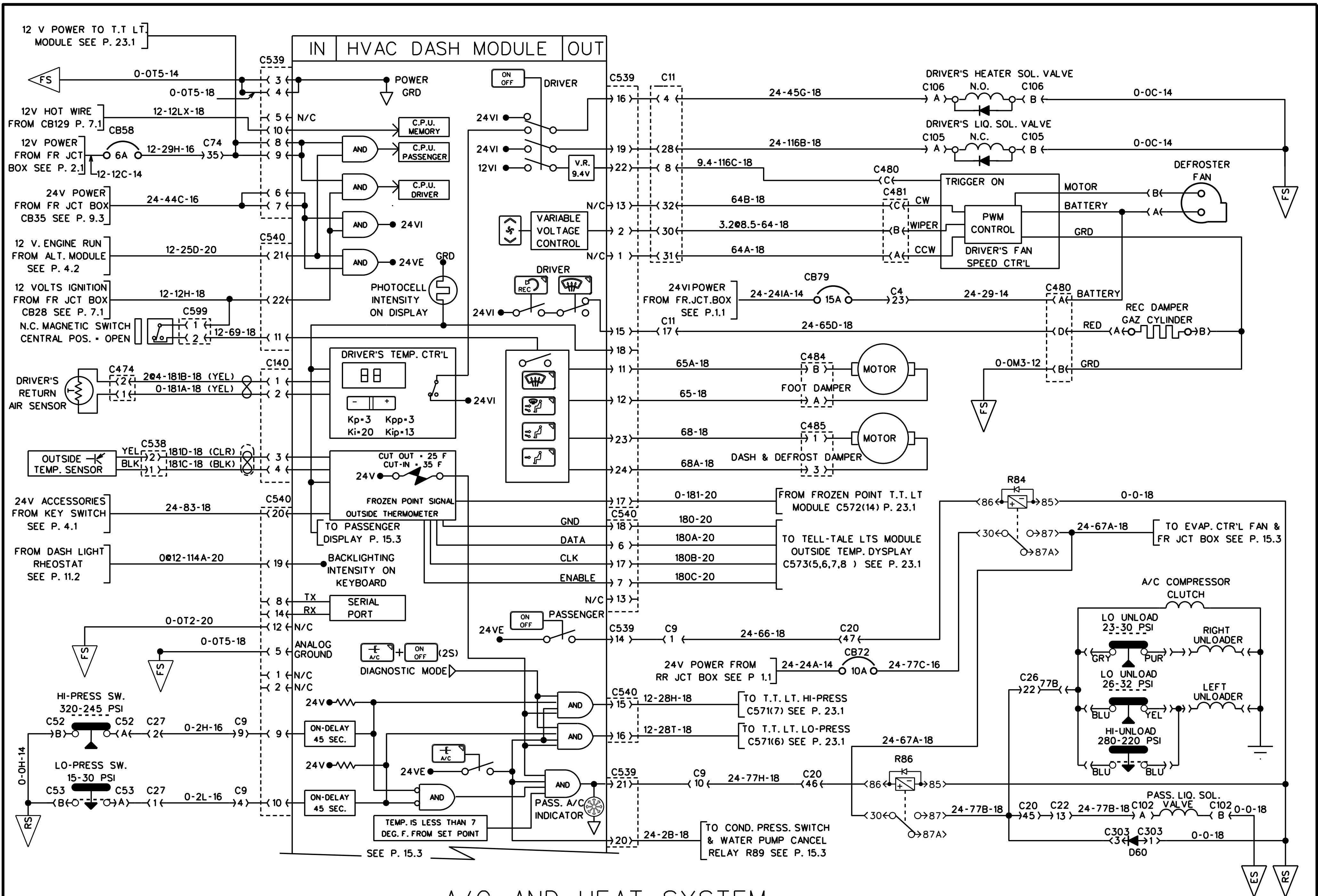
A/C AND HEAT SYSTEM



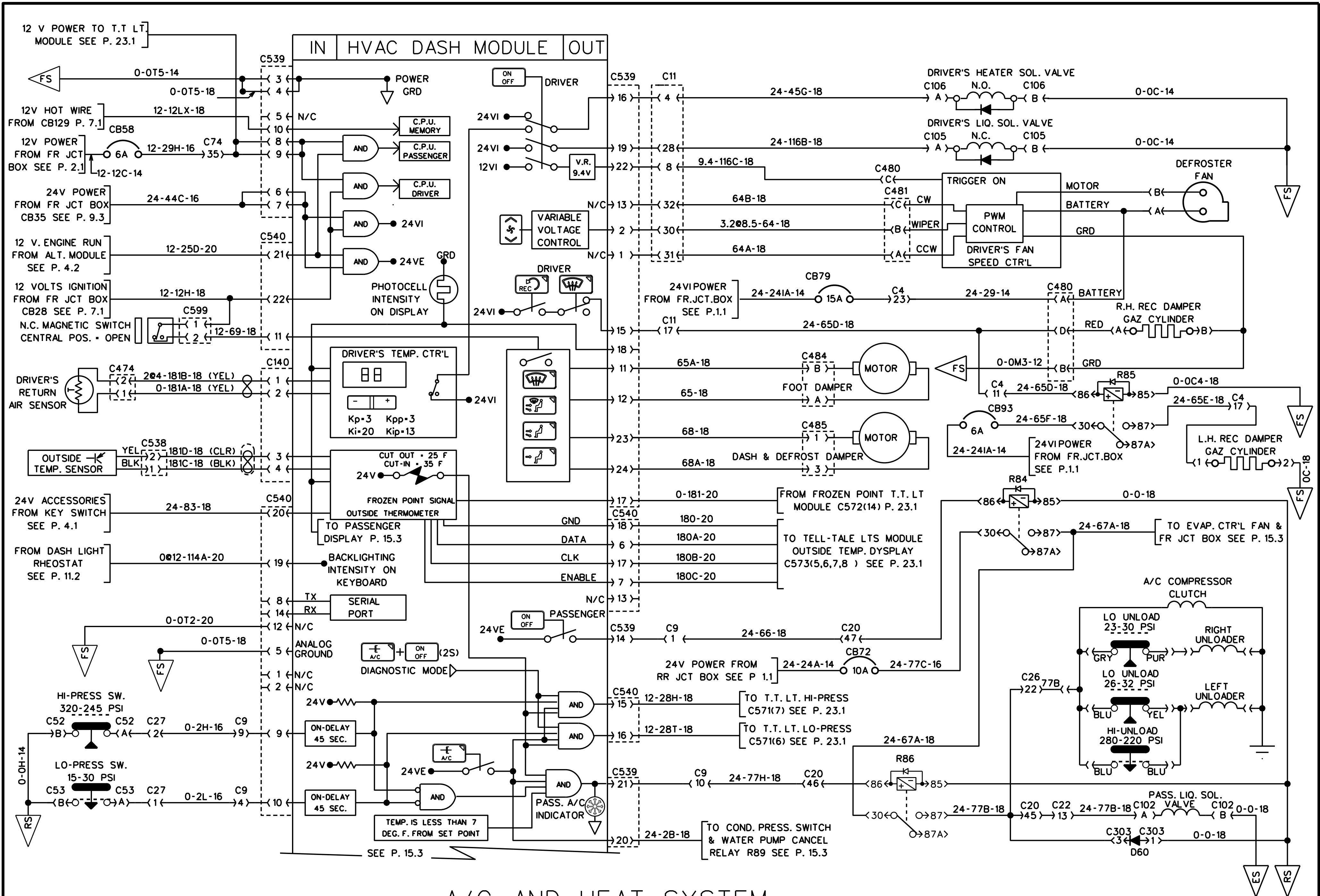
A/C AND HEAT SYSTEM



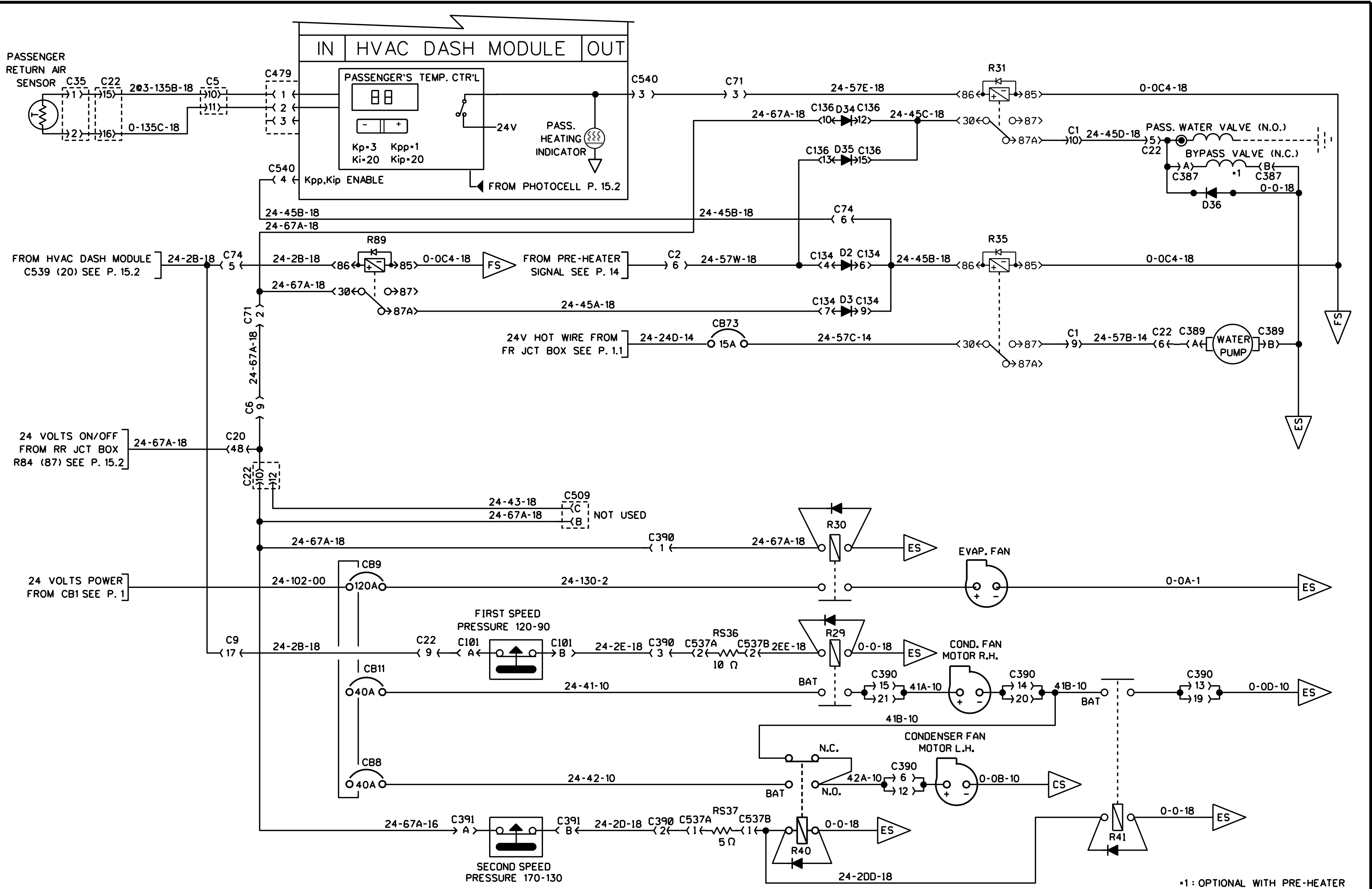
A/C AND HEAT SYSTEM



A/C AND HEAT SYSTEM

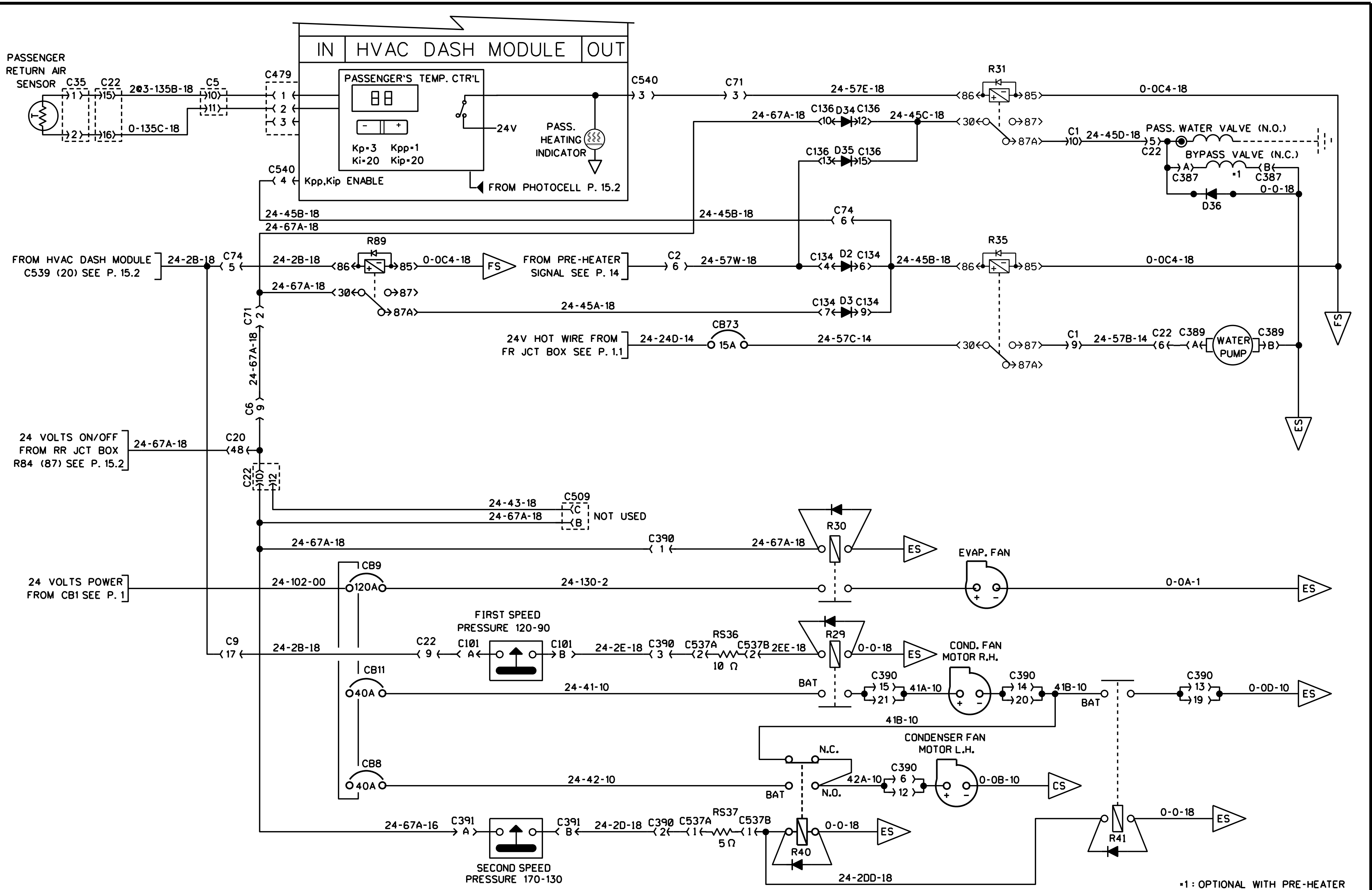


A/C AND HEAT SYSTEM



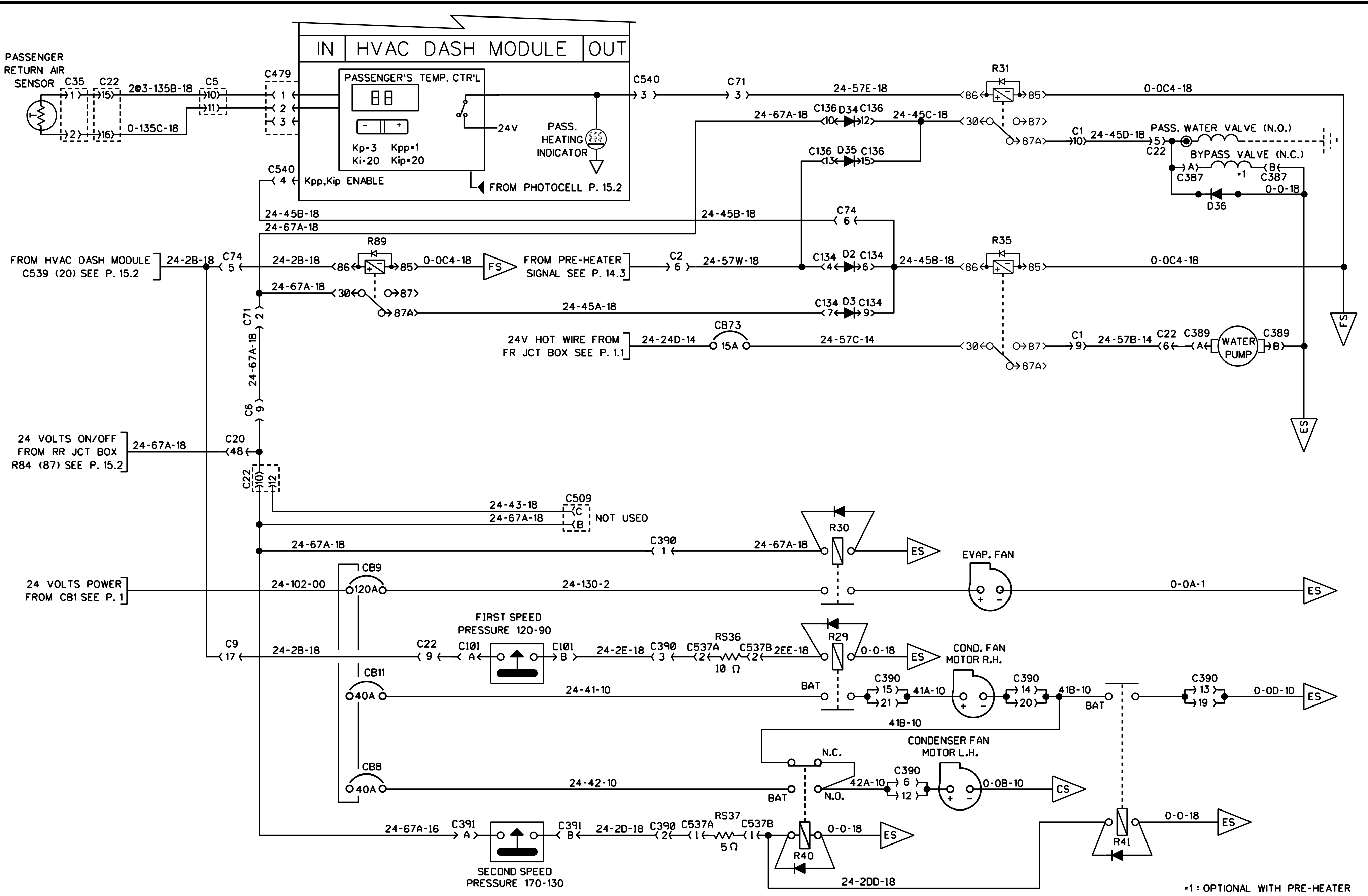
*1: OPTIONAL WITH PRE-HEATER

A/C AND HEAT SYSTEM



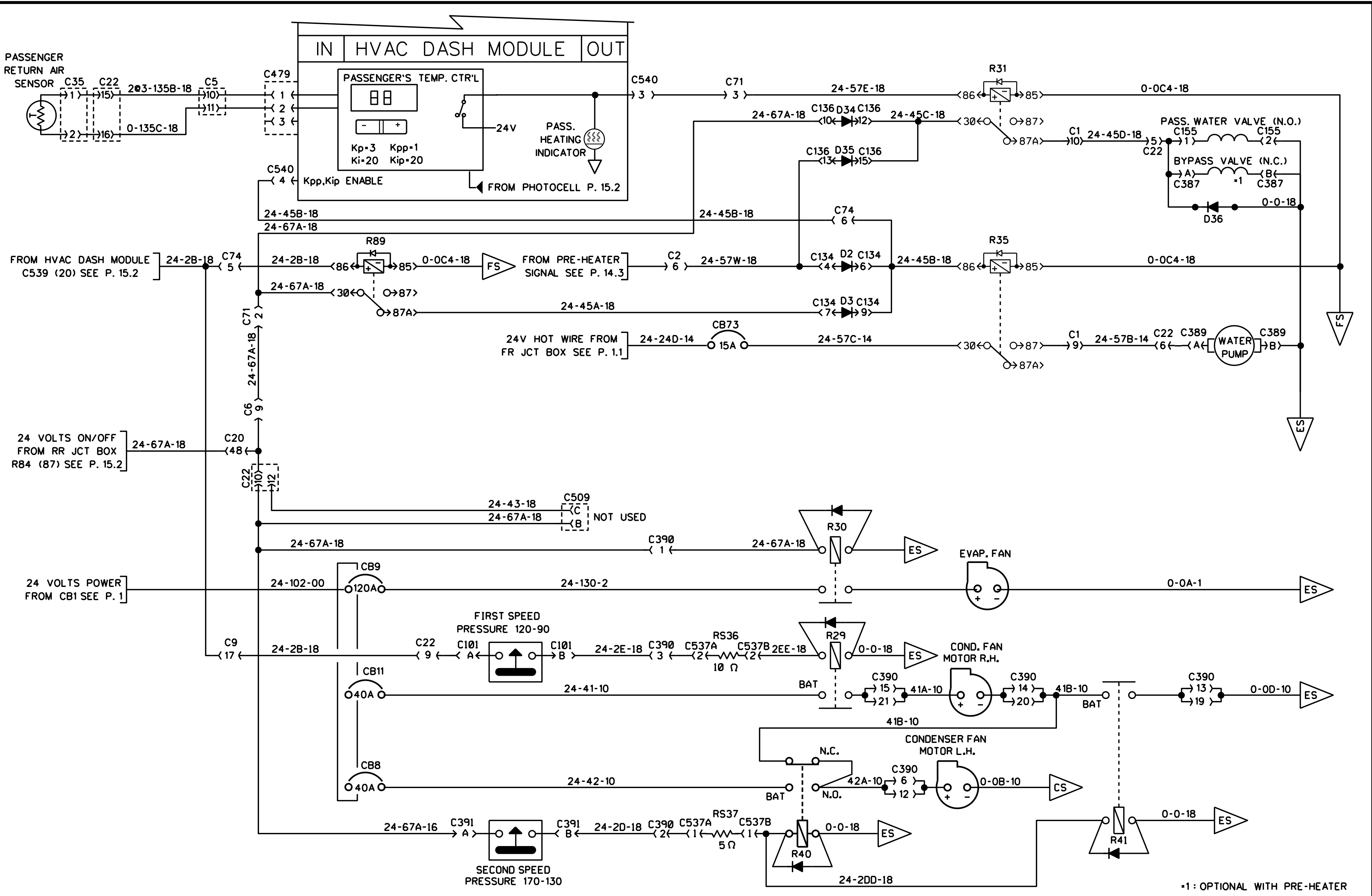
*1: OPTIONAL WITH PRE-HEATER

A/C AND HEAT SYSTEM

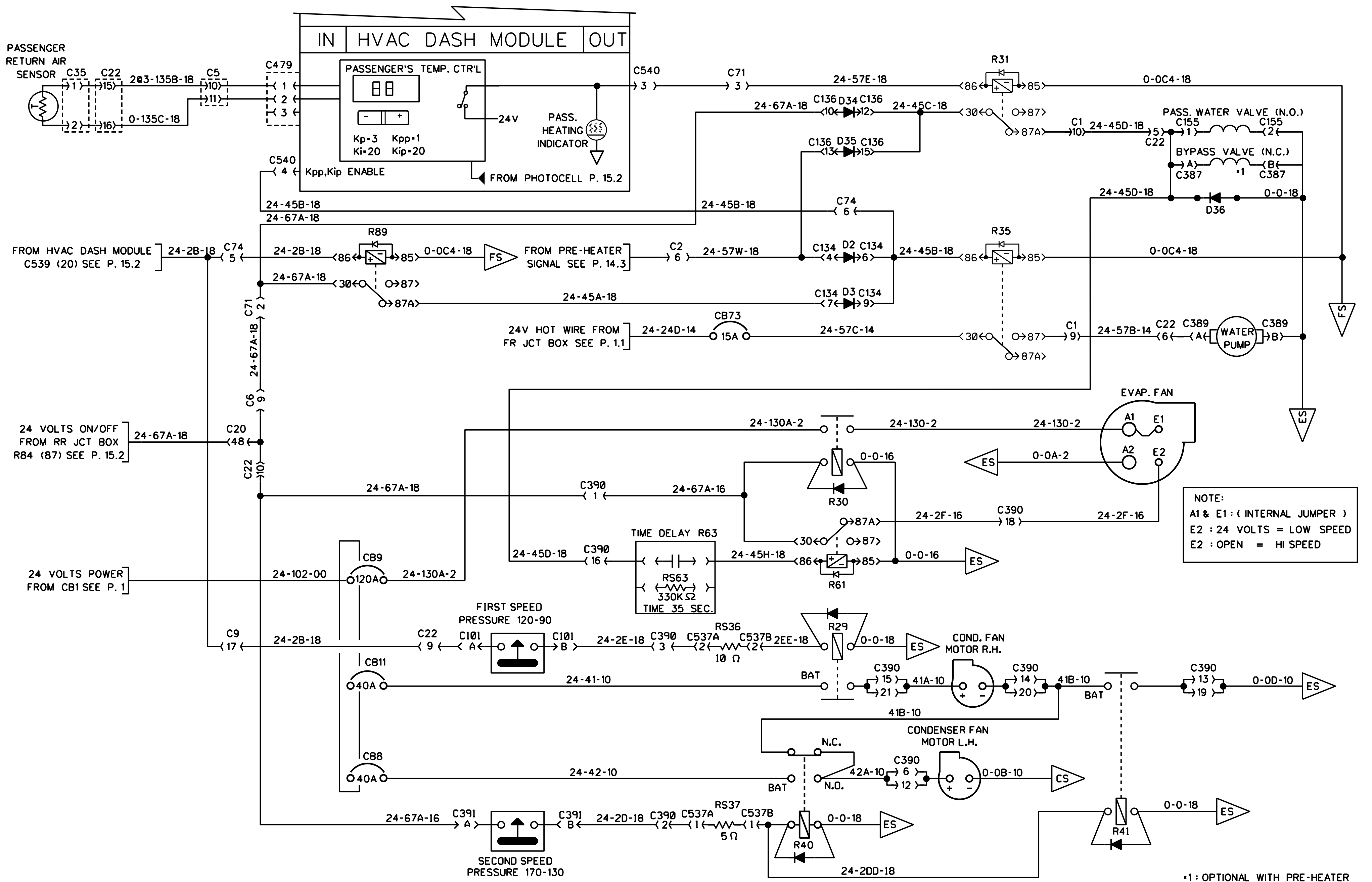


*1: OPTIONAL WITH PRE-HEATER

A/C AND HEAT SYSTEM



A/C AND HEAT SYSTEM



NOTE:
 A1 & E1 : (INTERNAL JUMPER)
 E2 : 24 VOLTS = LOW SPEED
 E2 : OPEN = HI SPEED

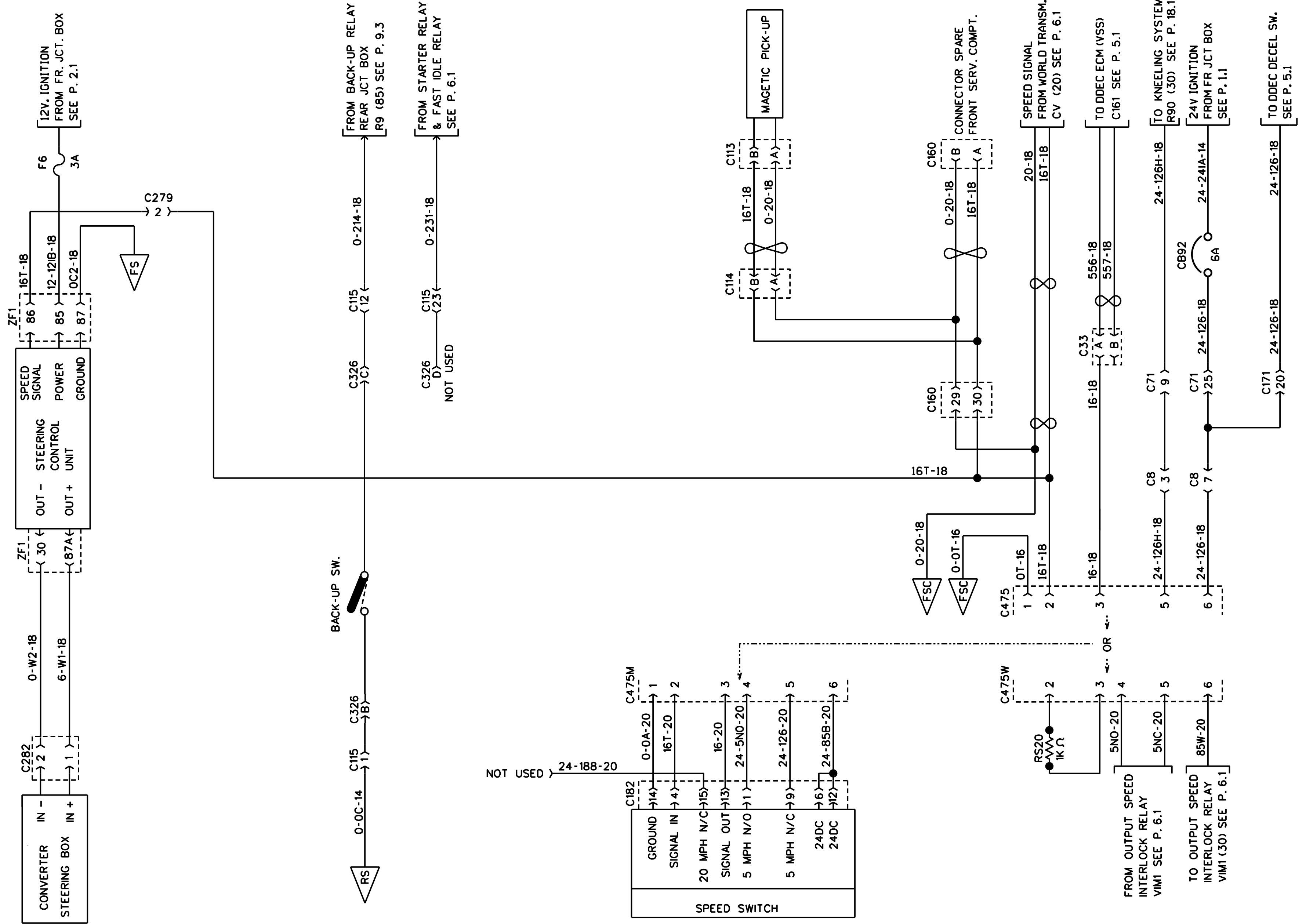
*1 : OPTIONAL WITH PRE-HEATER

A/C AND HEAT SYSTEM

STEERING CONTROL

AUTO-SHIFT EATON TRANSMISSION

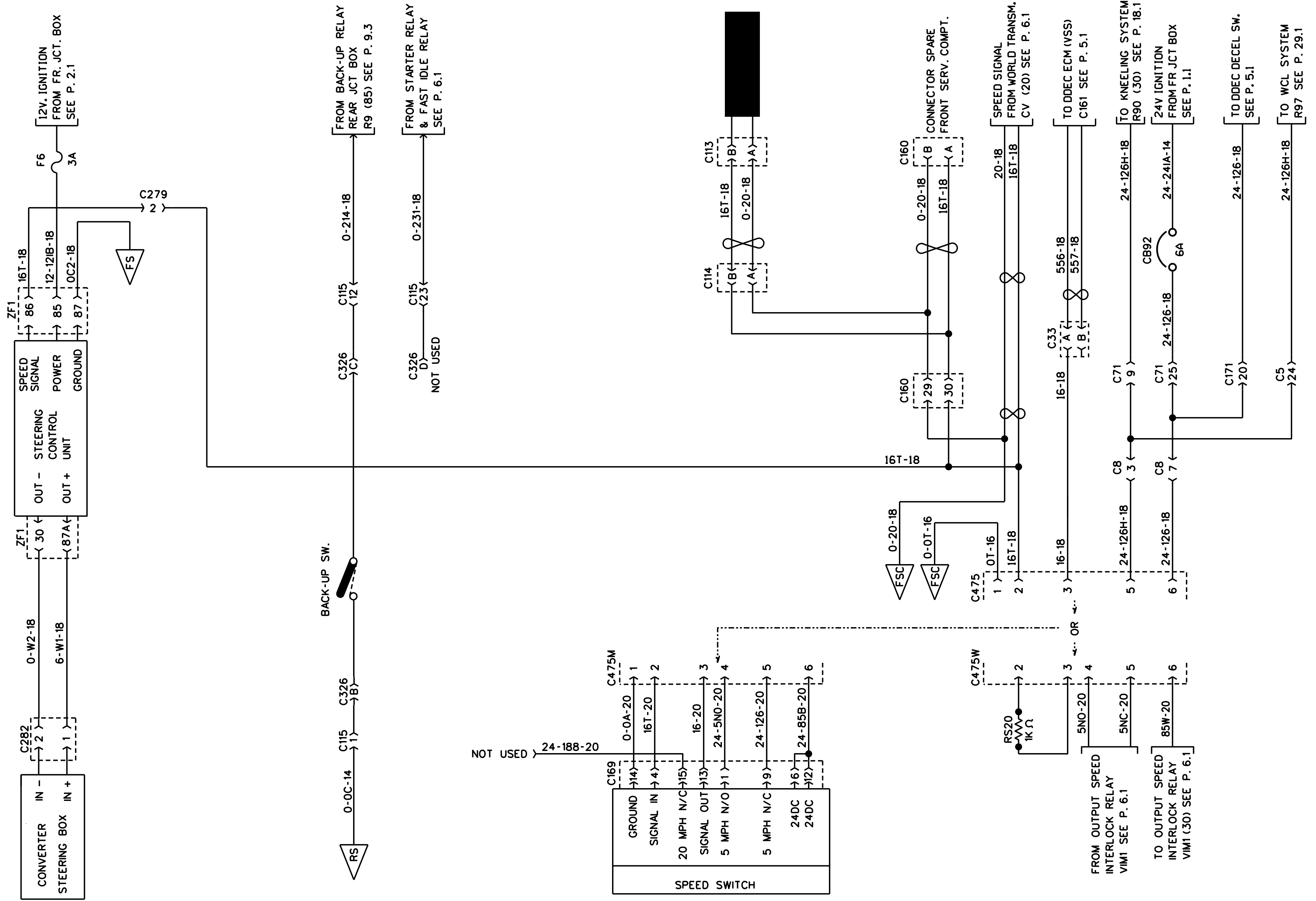
STD TRANSMISSION SPEED SIGNAL



STEERING CONTROL

AUTO-SHIFT EATON TRANSMISSION

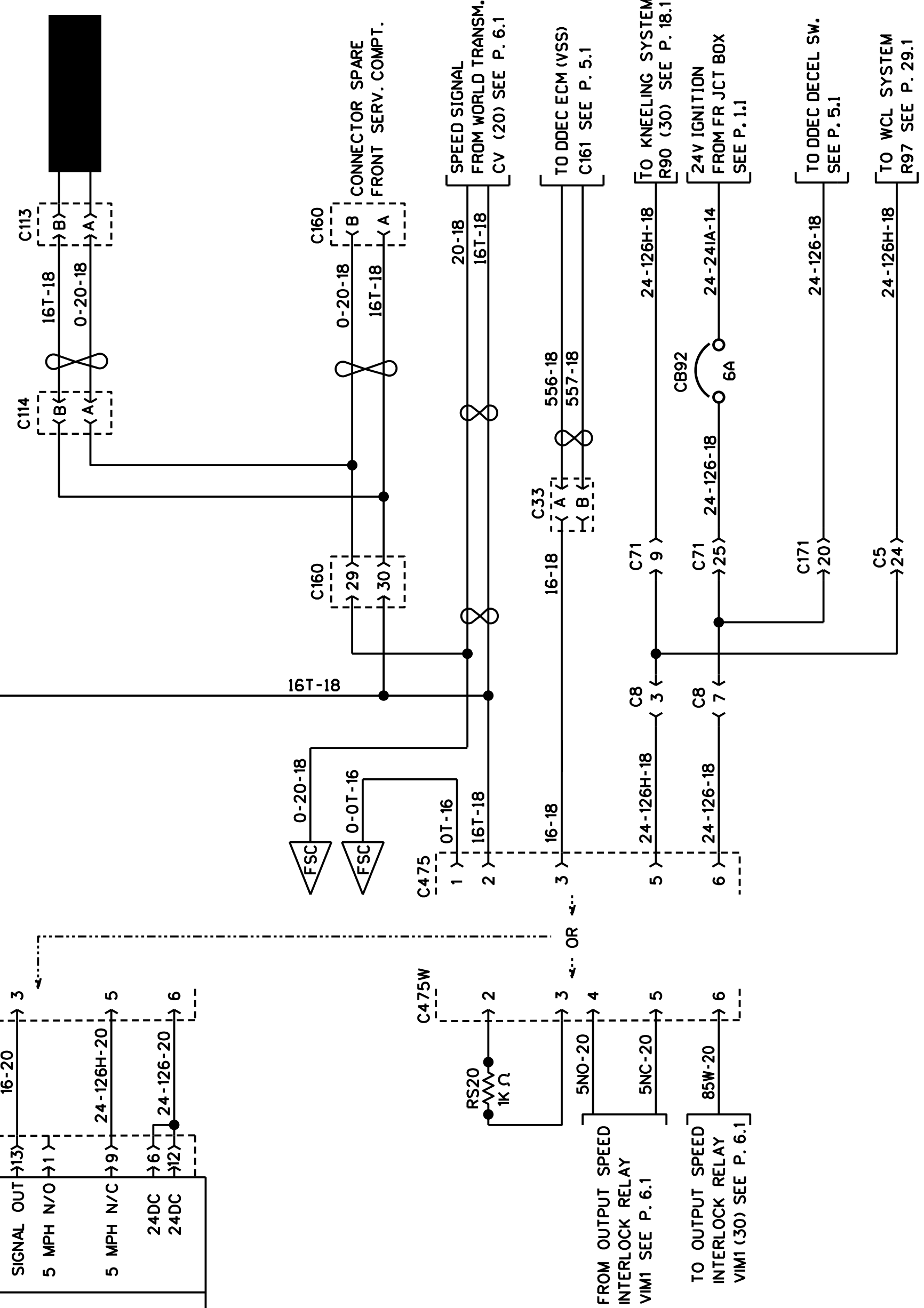
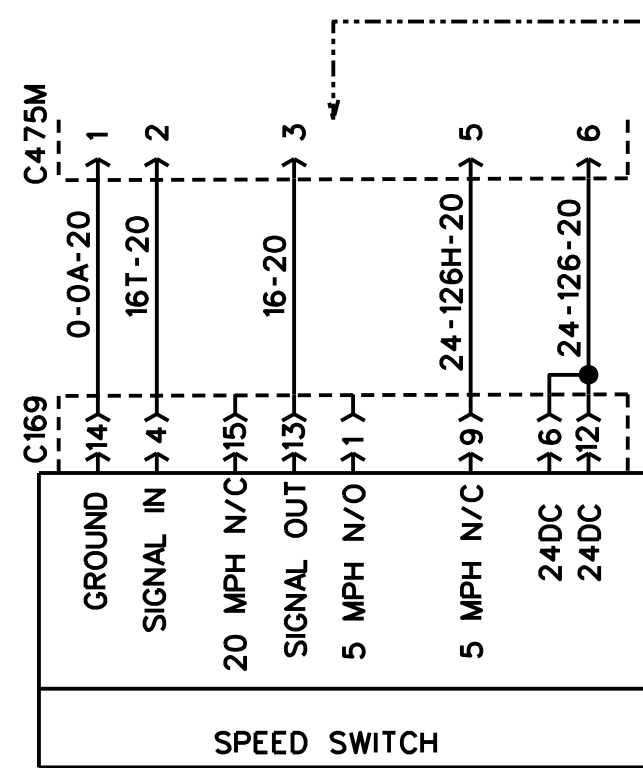
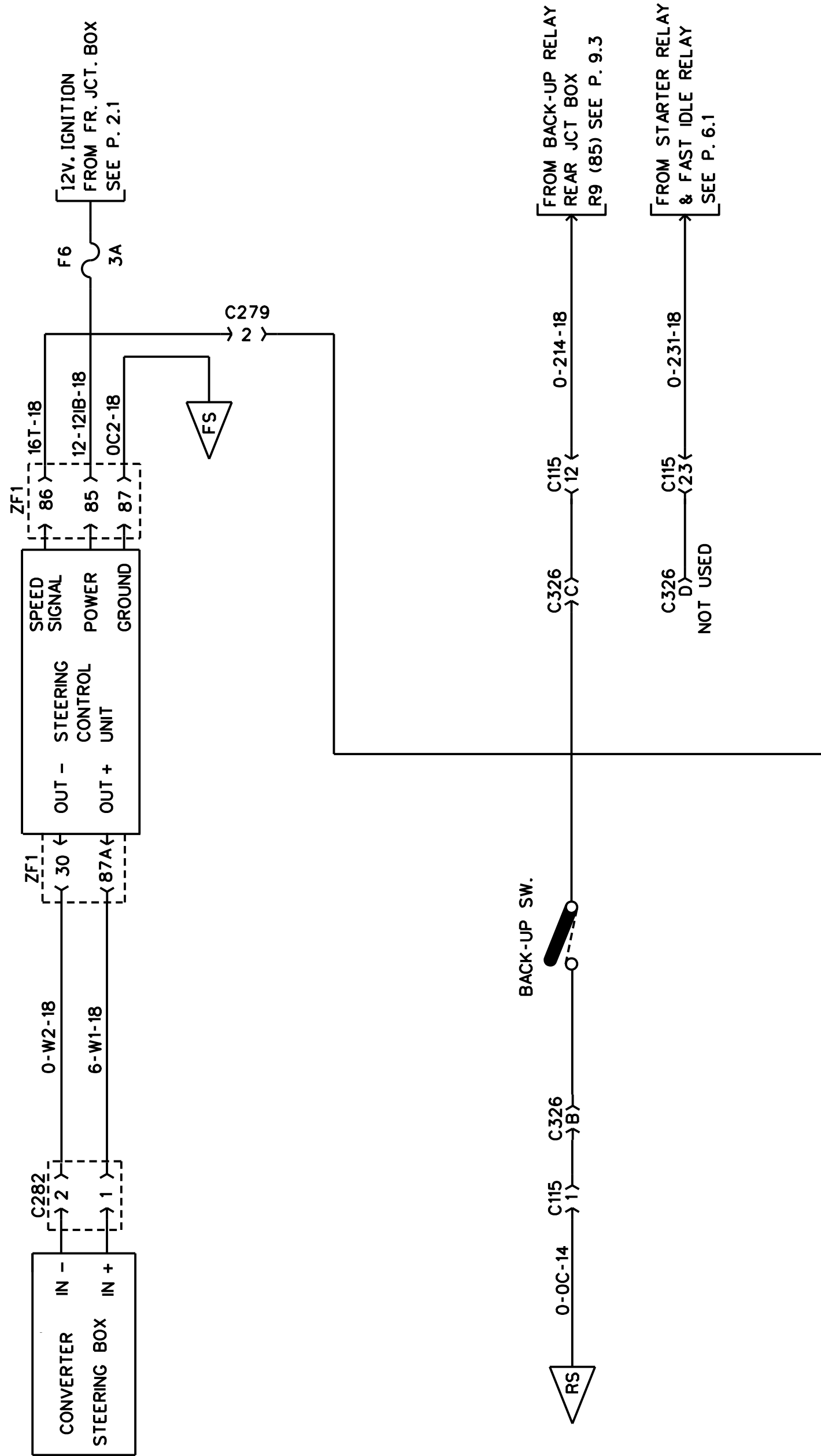
STD TRANSMISSION SPEED SIGNAL



STEERING CONTROL

AUTO-SHIFT EATON TRANSMISSION

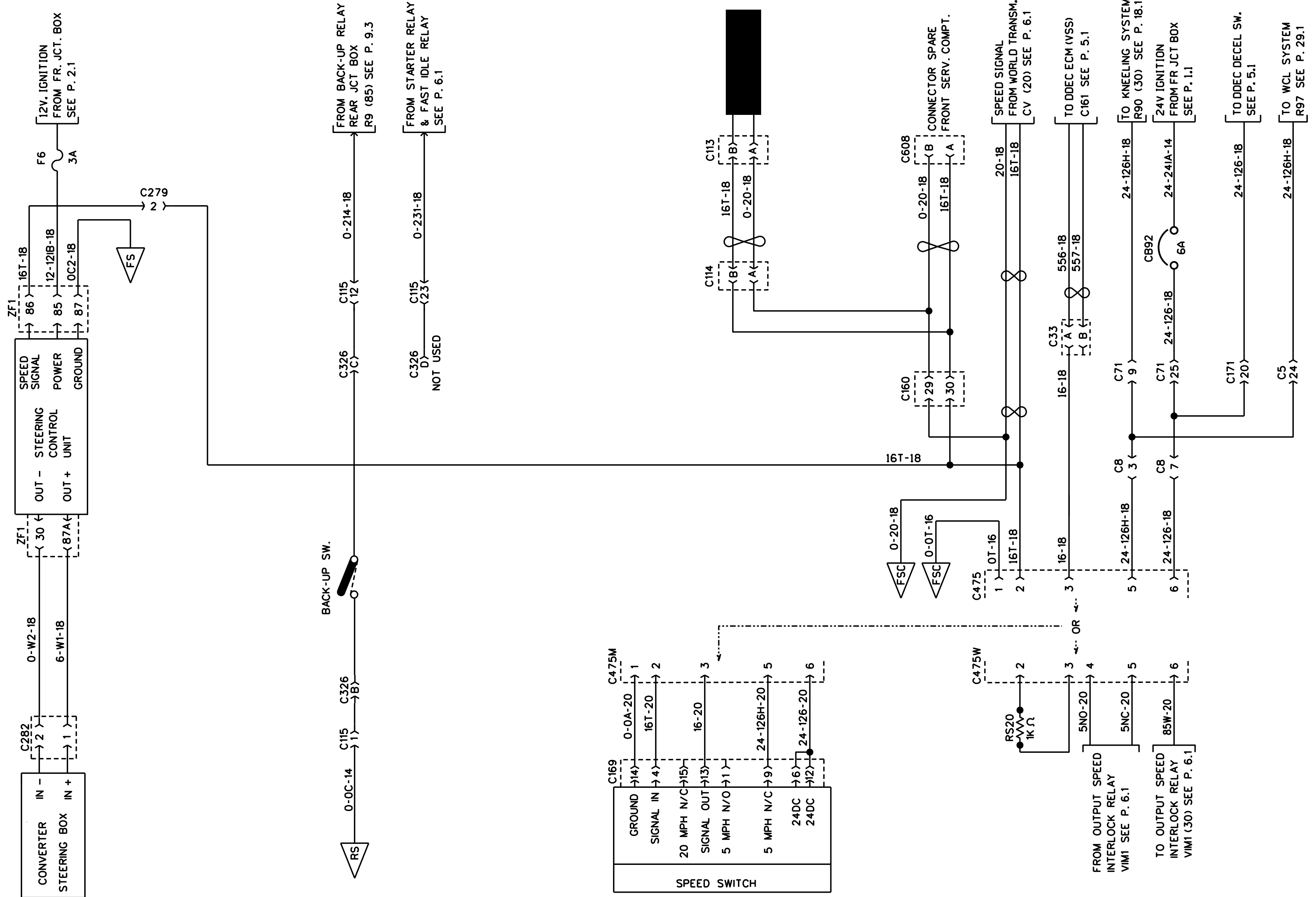
STD TRANSMISSION SPEED SIGNAL



STEERING CONTROL

AUTO-SHIFT EATON TRANSMISSION

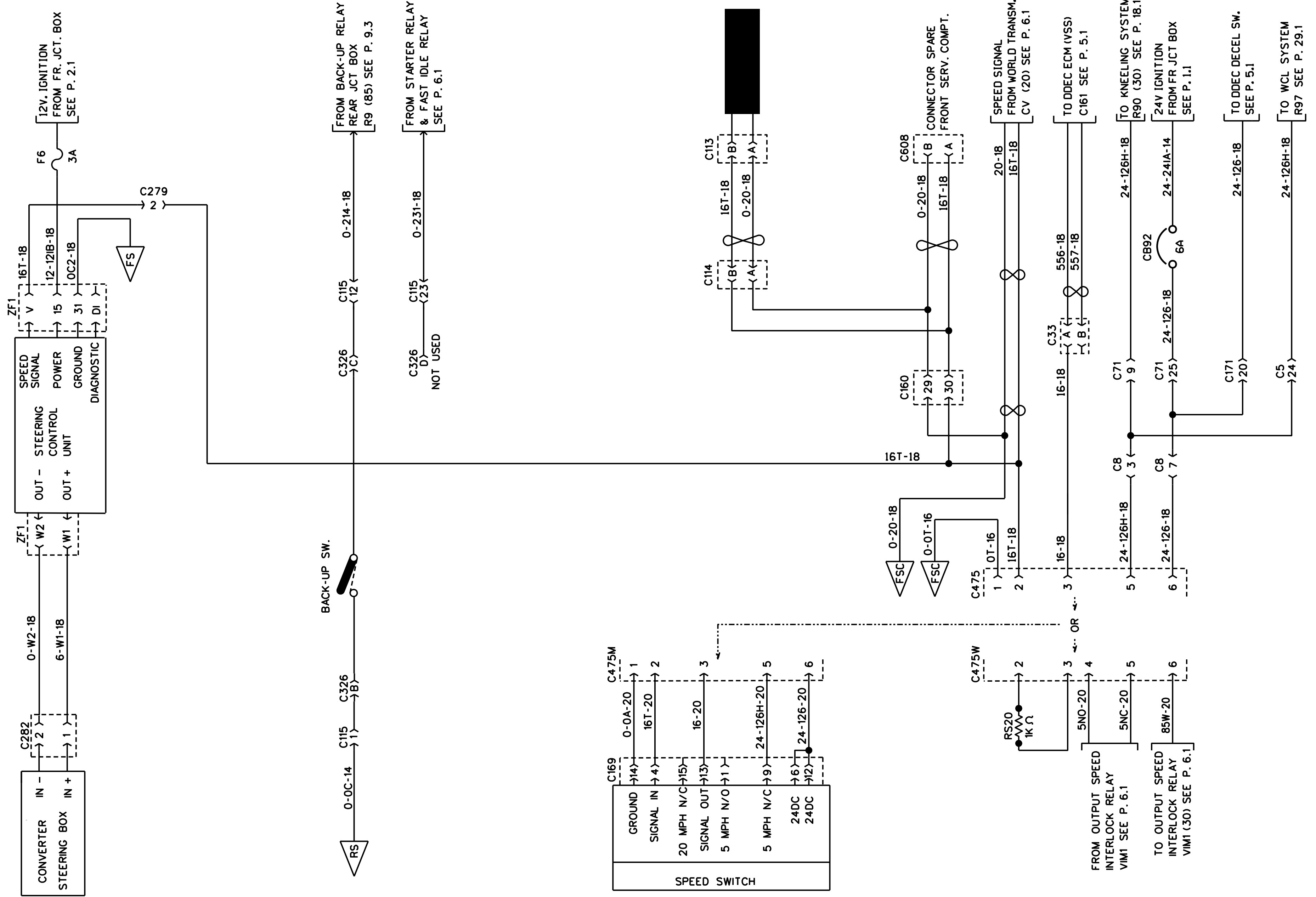
STD TRANSMISSION SPEED SIGNAL

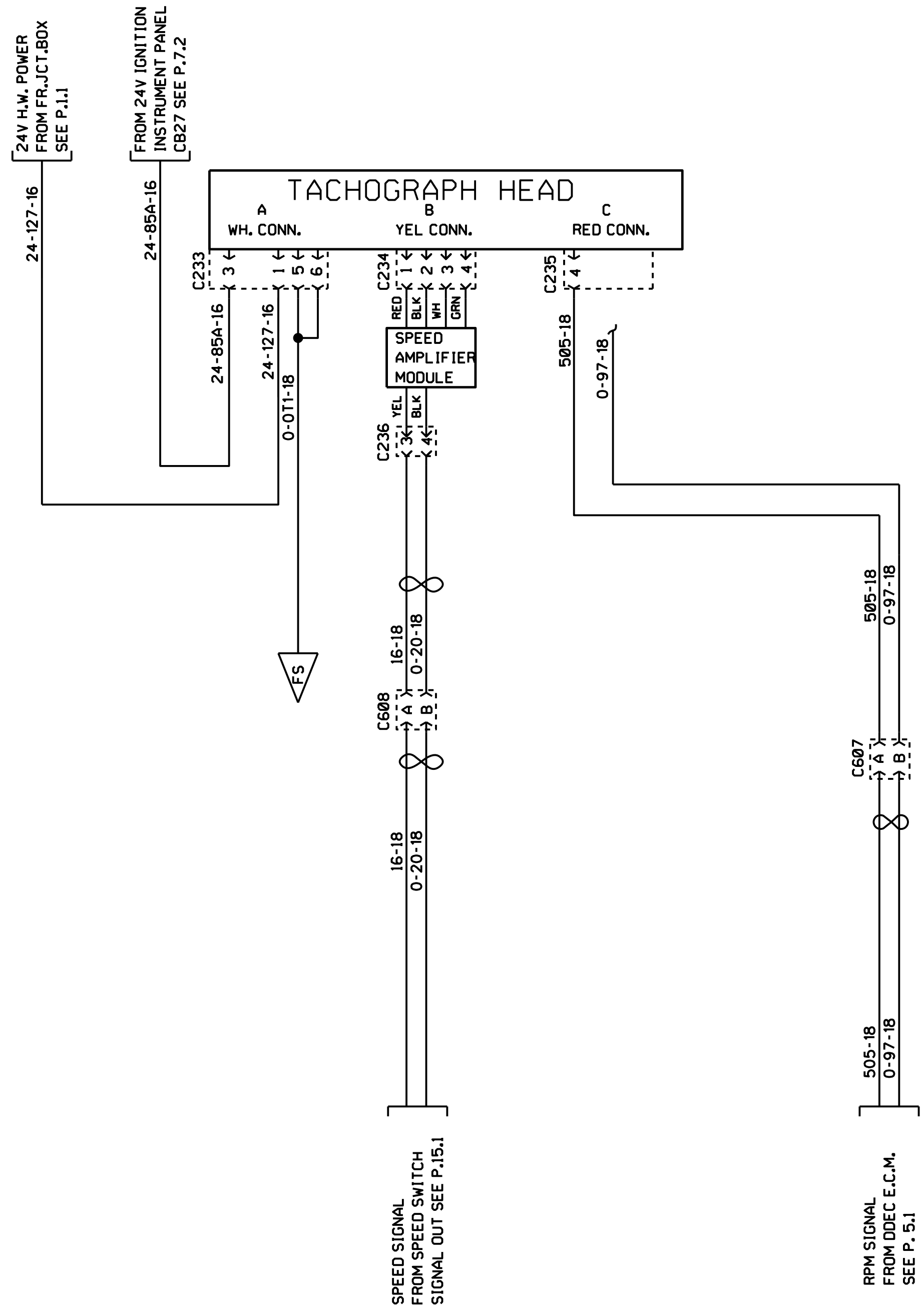


STEERING CONTROL

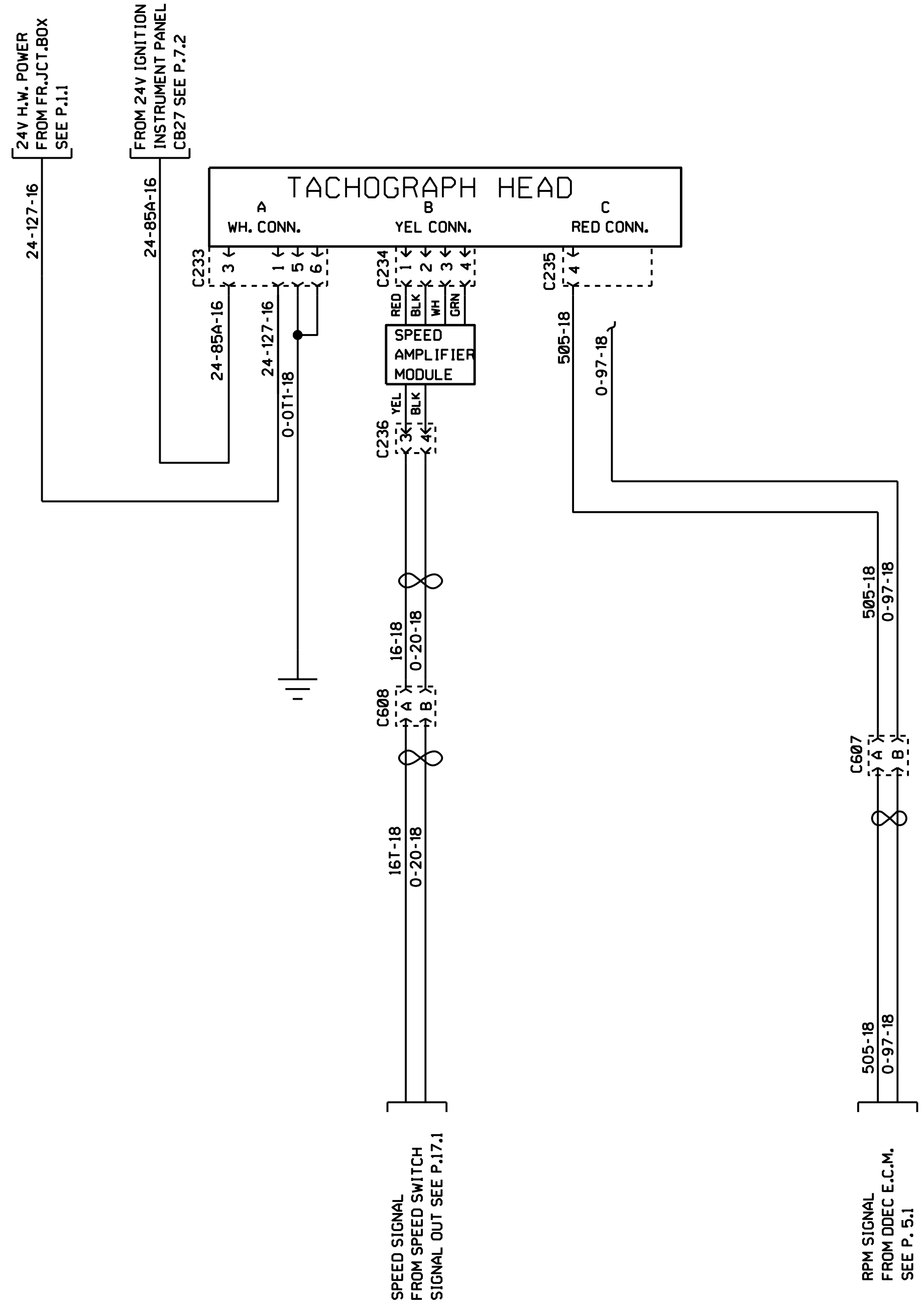
AUTO-SHIFT EATON TRANSMISSION

STD TRANSMISSION SPEED SIGNAL





ELECTRONIC TACHOGRAPH

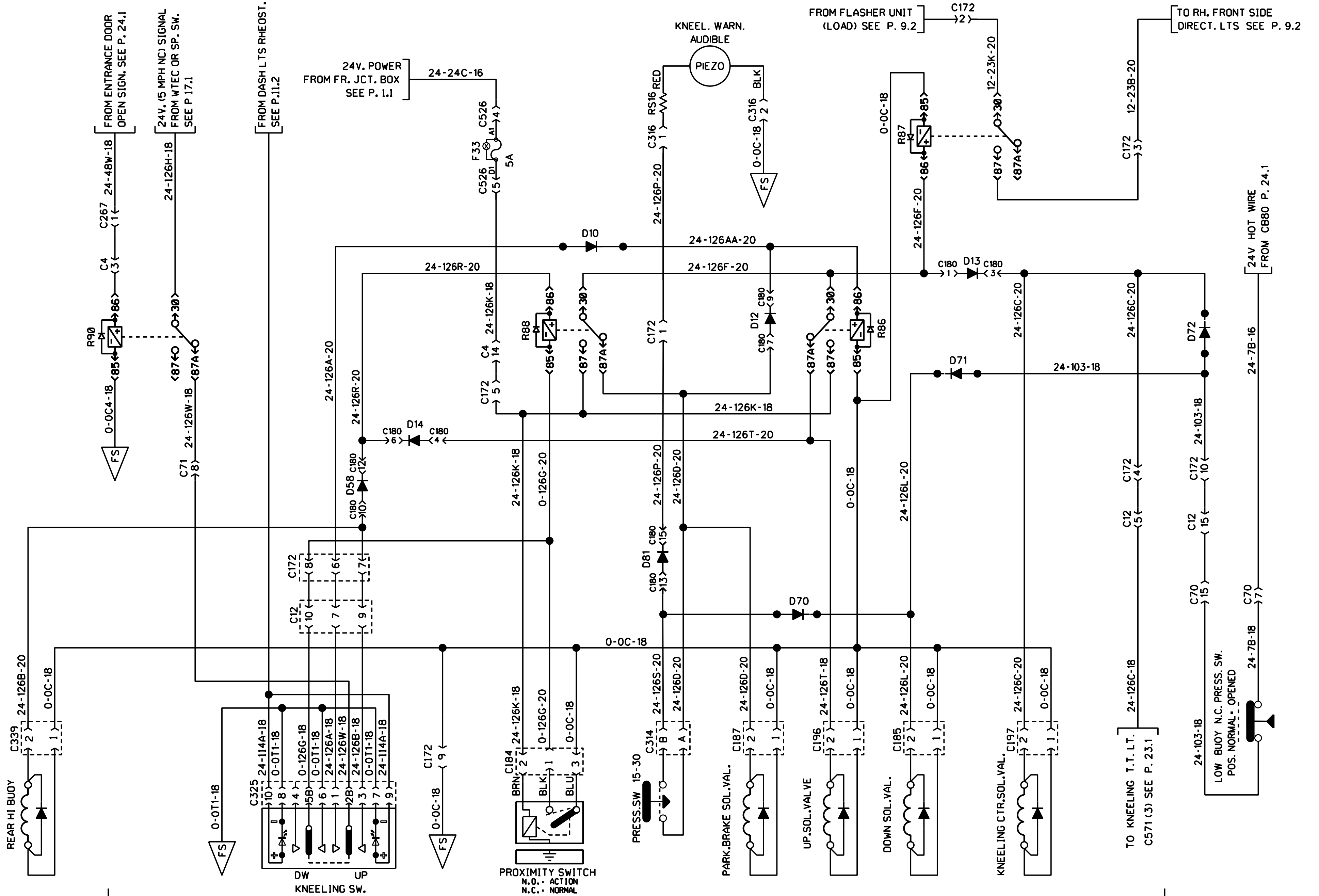


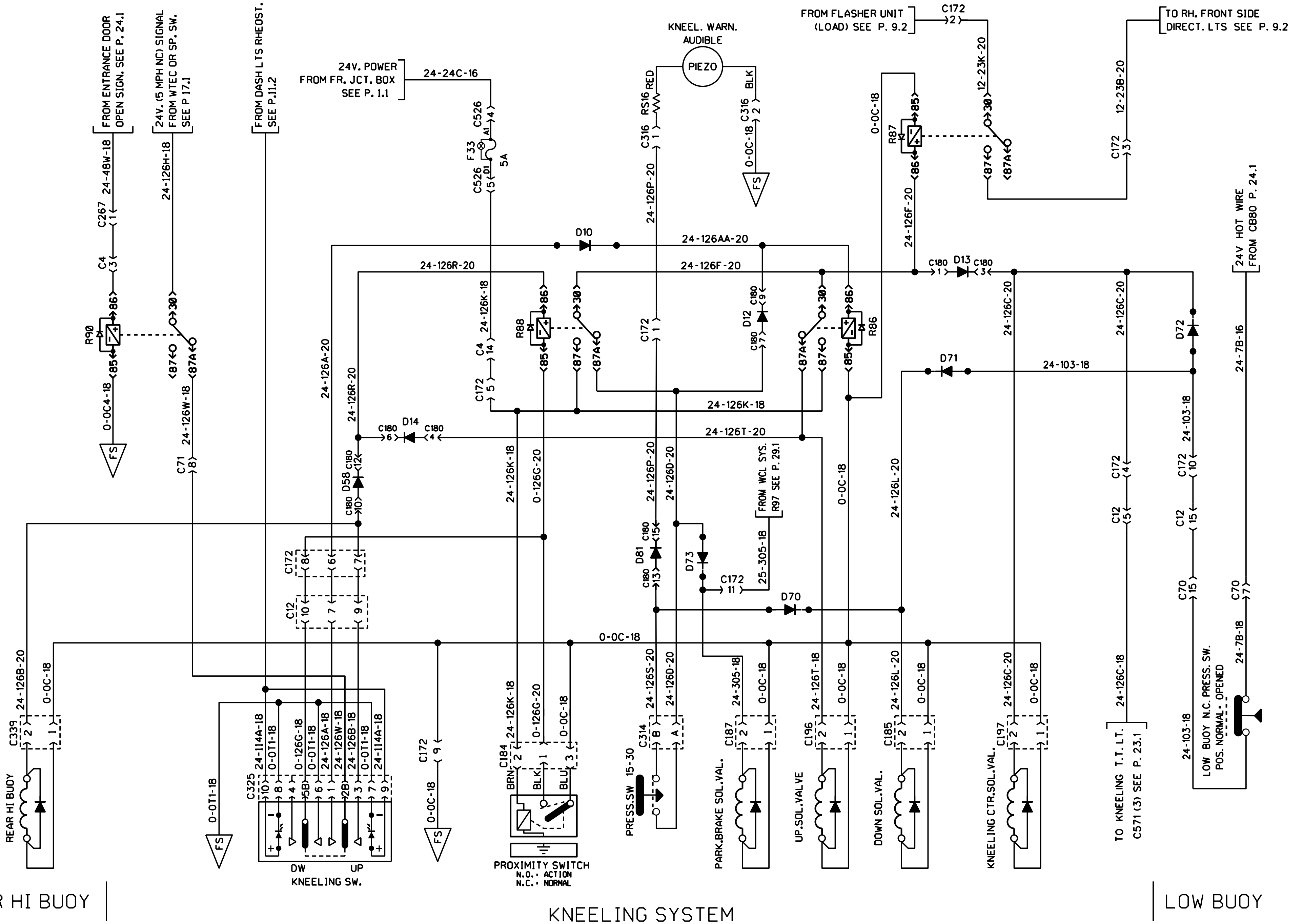
ELECTRONIC TACHOGRAPH

REAR HI BUOY

KNEELING SYSTEM

LOW BUOY





REAR HI BUOY

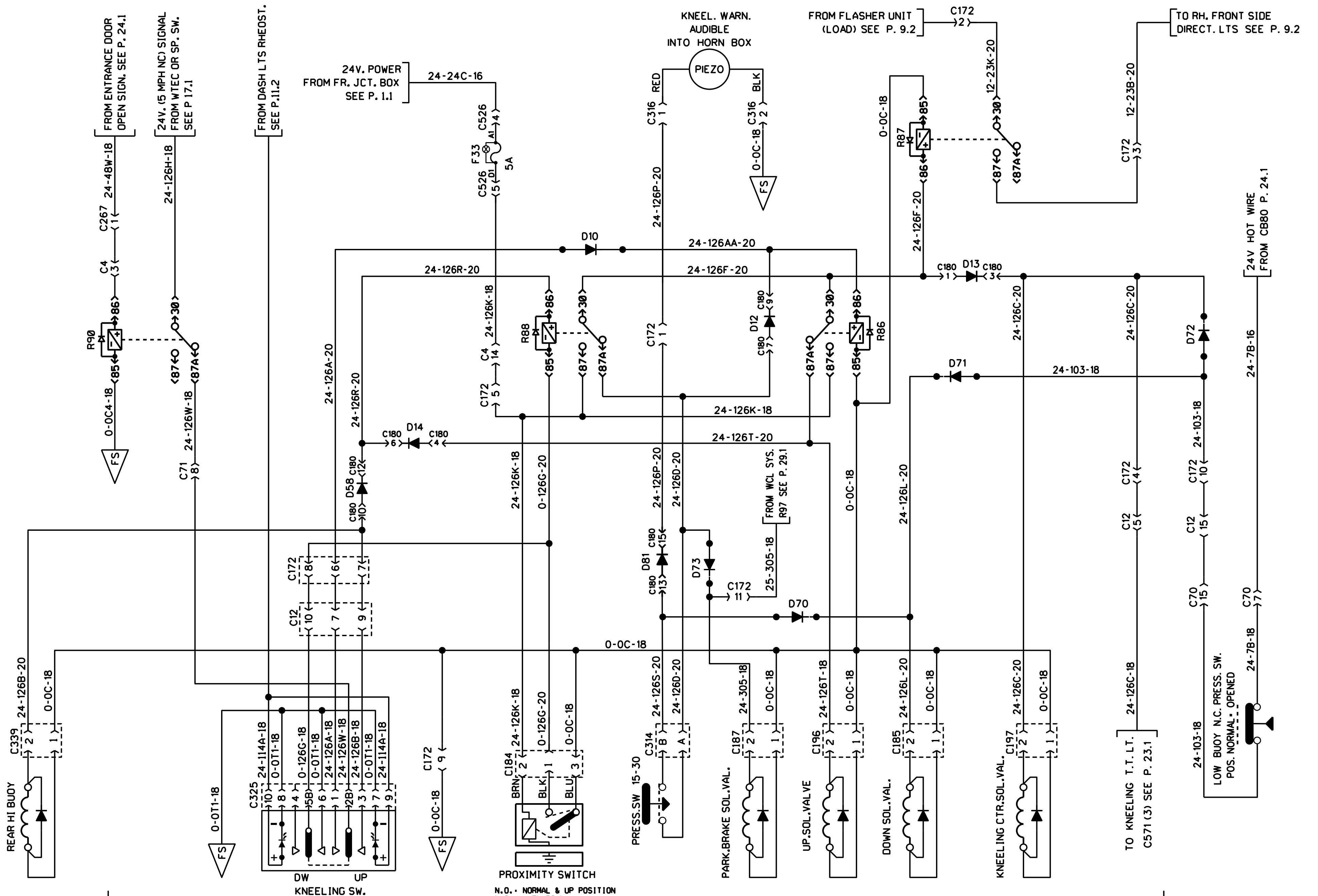
KNEELING SYSTEM

LOW BUOY

REAR HI BUOY

KNEELING SYSTEM

LOW BUOY

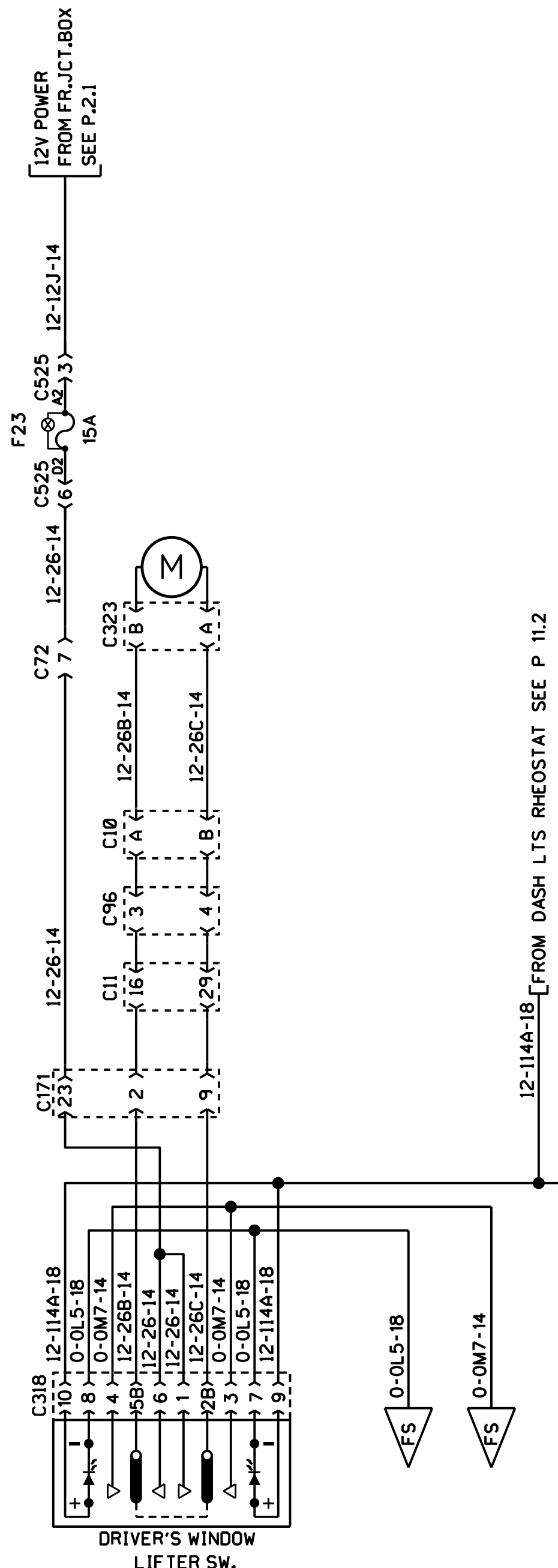


REAR HI BUOY

KNEELING SYSTEM

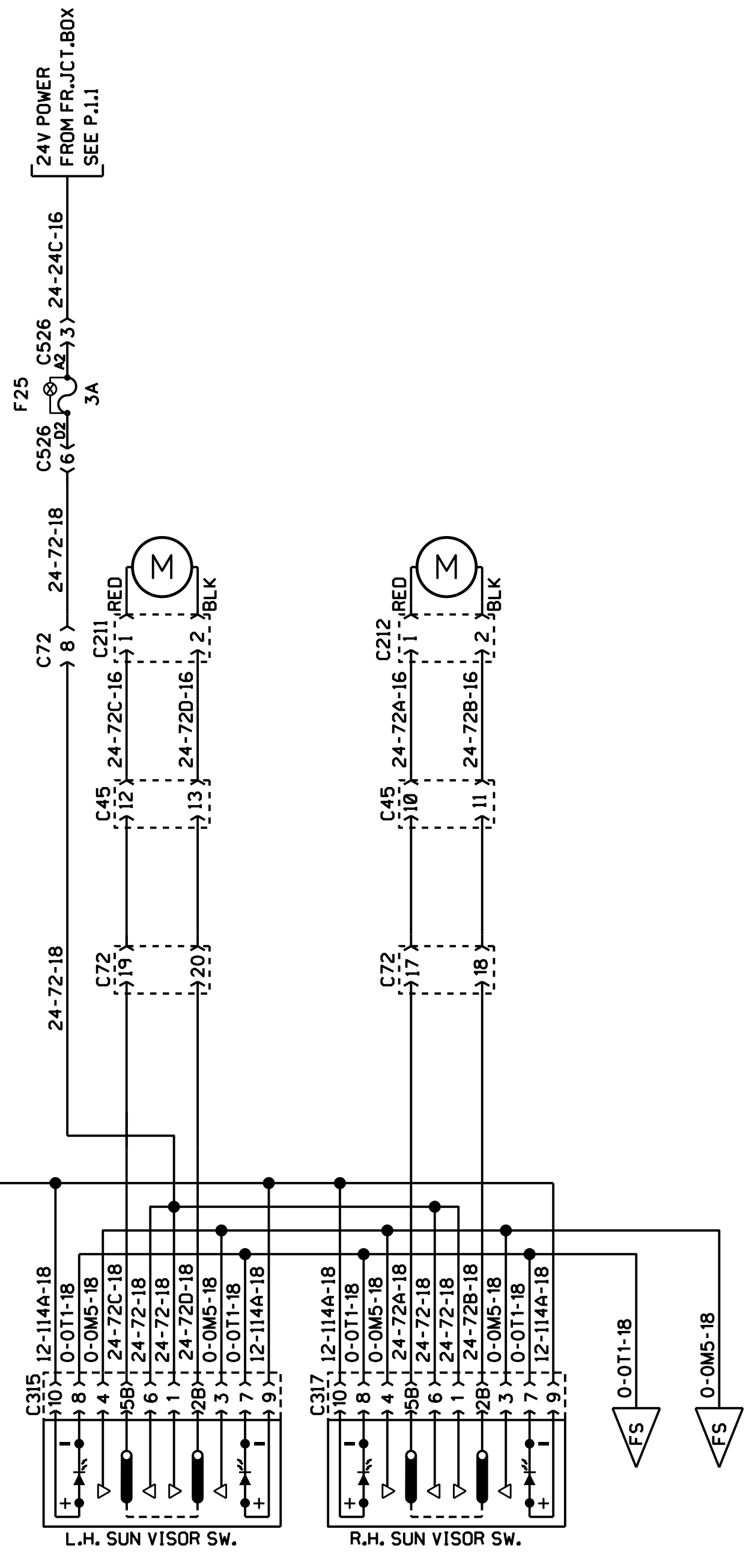
LOW BUOY

12V POWER
FROM FR. JCT. BOX
SEE P. 2.1



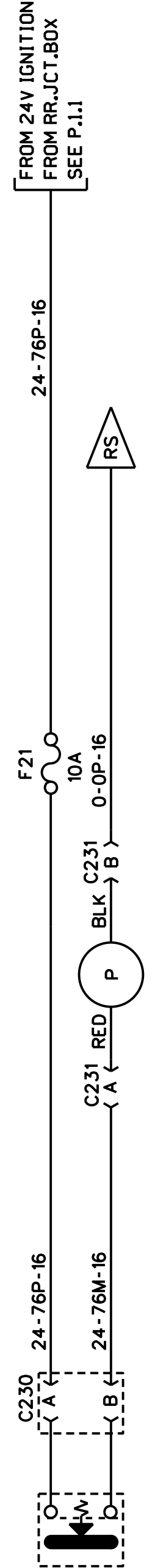
ENTRANCE DOOR AND DRIVER'S WINDOW LIFTER

24V POWER
FROM FR. JCT. BOX
SEE P. 1.1



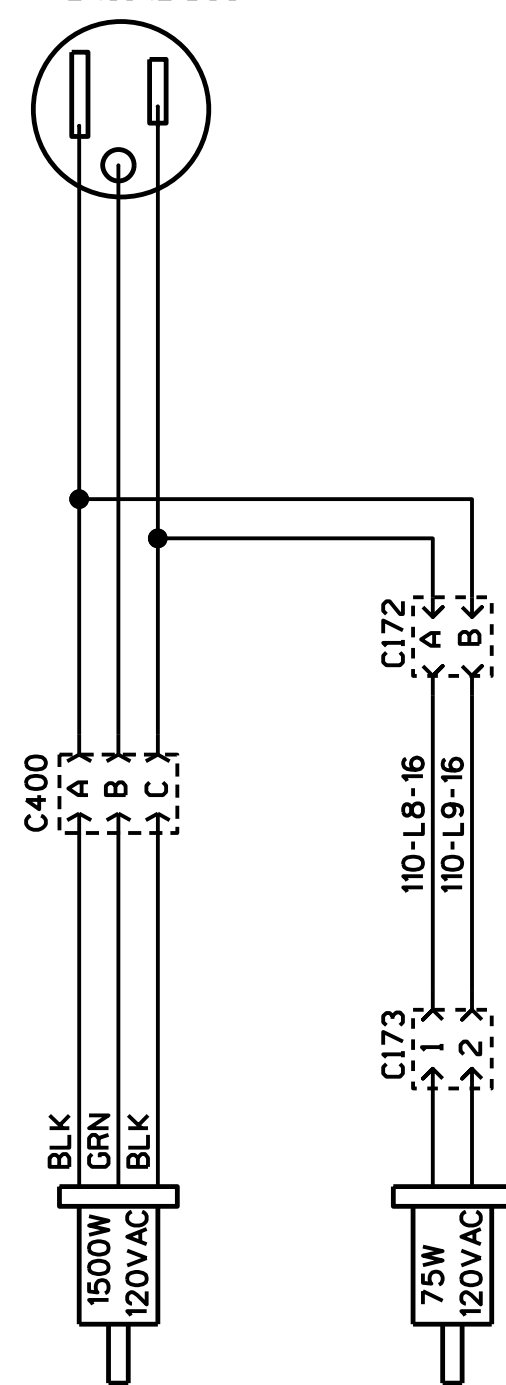
SUN VISOR

FROM 24V IGNITION
FROM RR. JCT. BOX
SEE P. 1.1

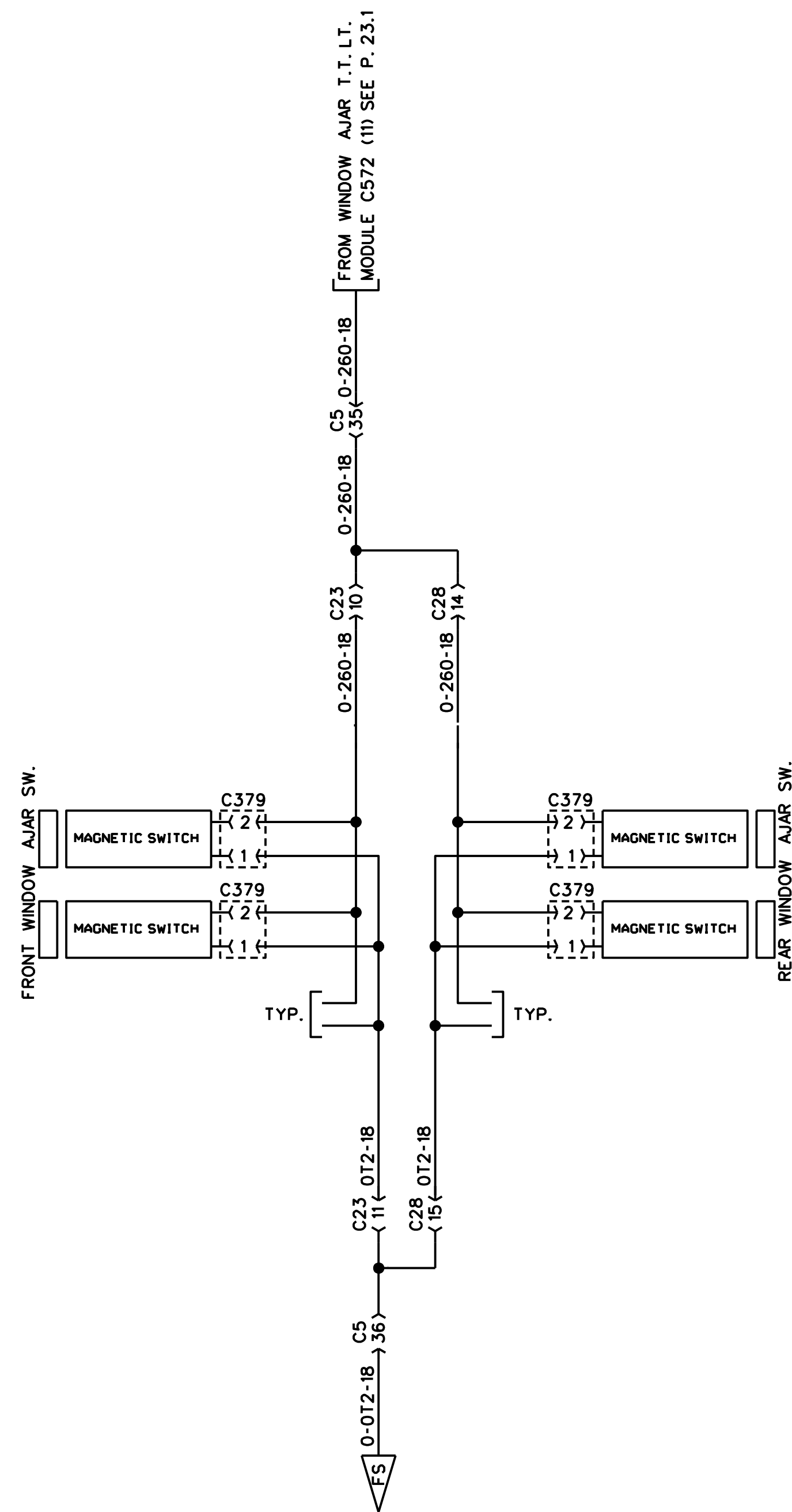


FUEL PRIME PUMP

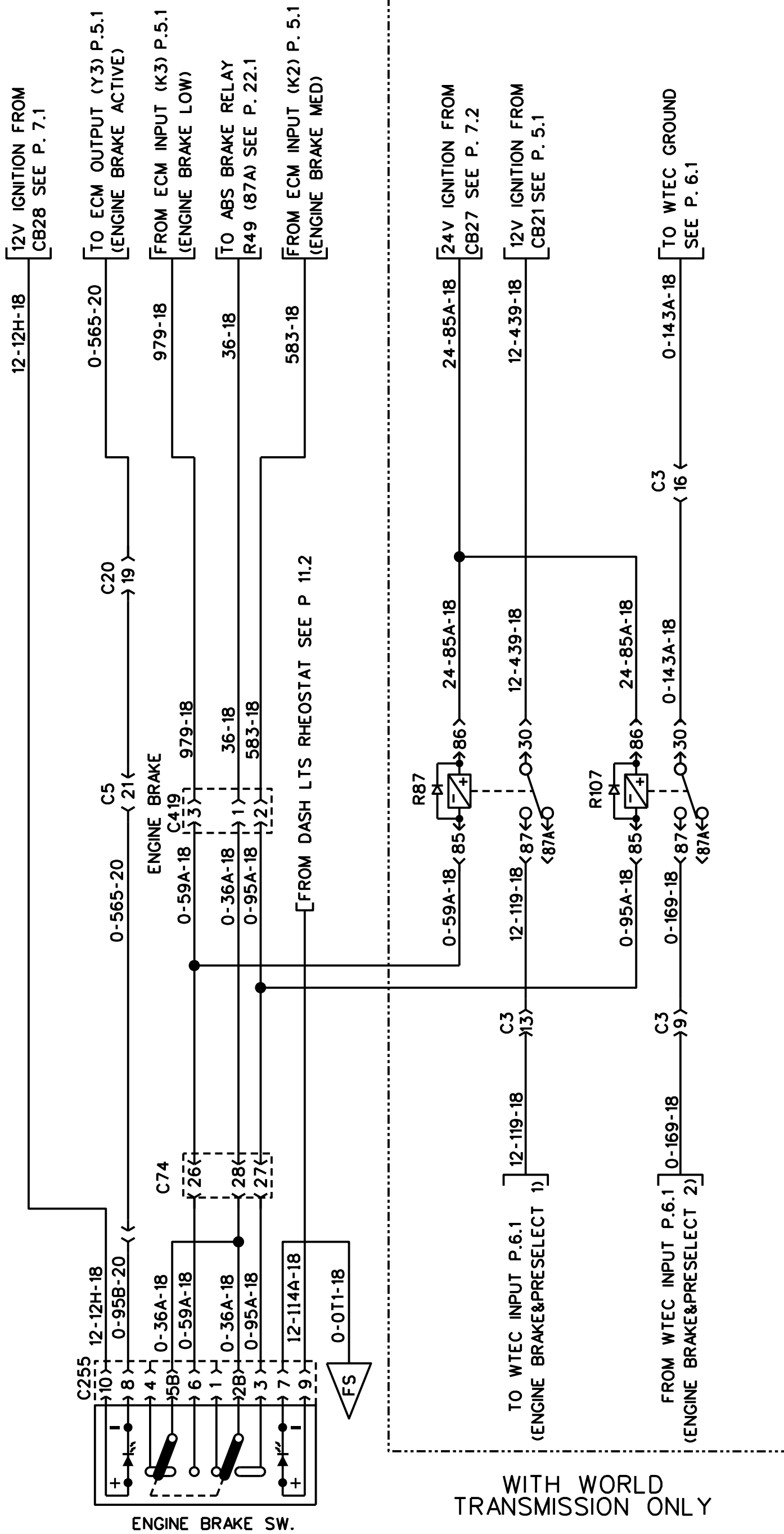
110V PLUG
RR ENGINE DOOR



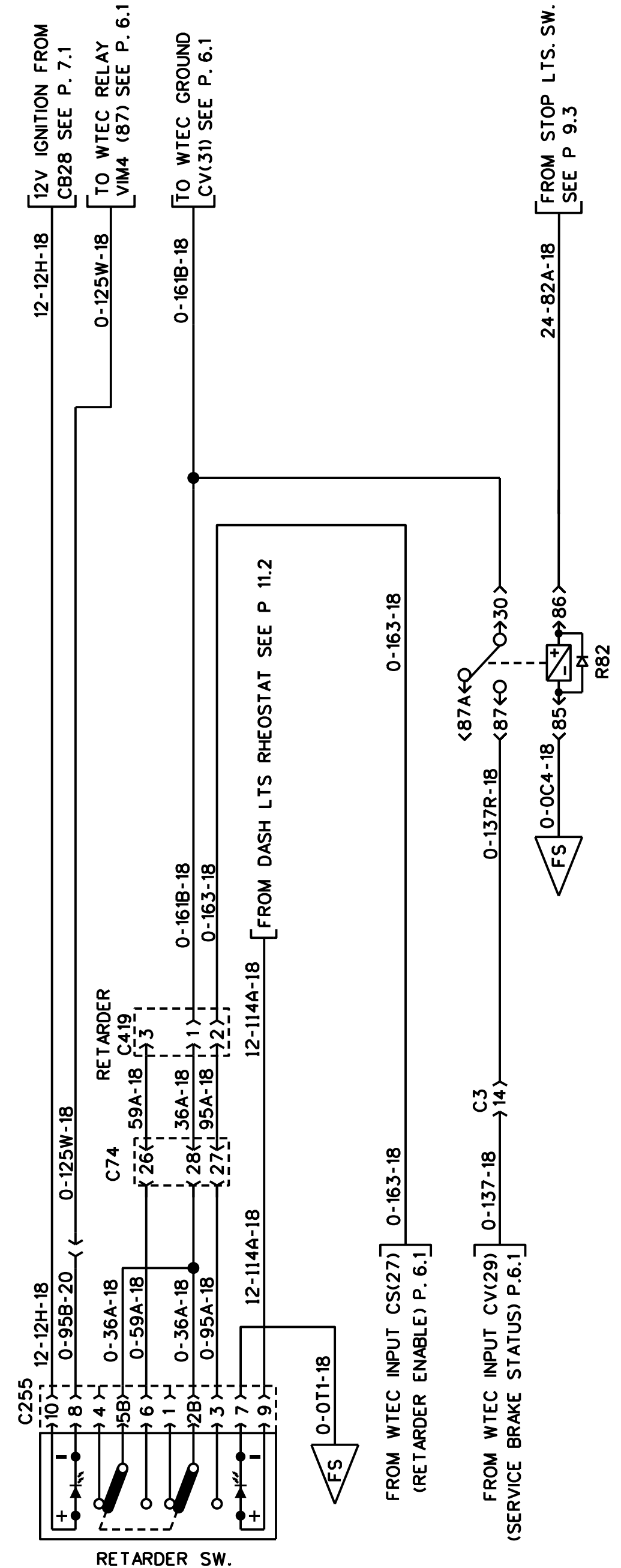
ENGINE BLOCK HEATER | WATER TANK HEATER



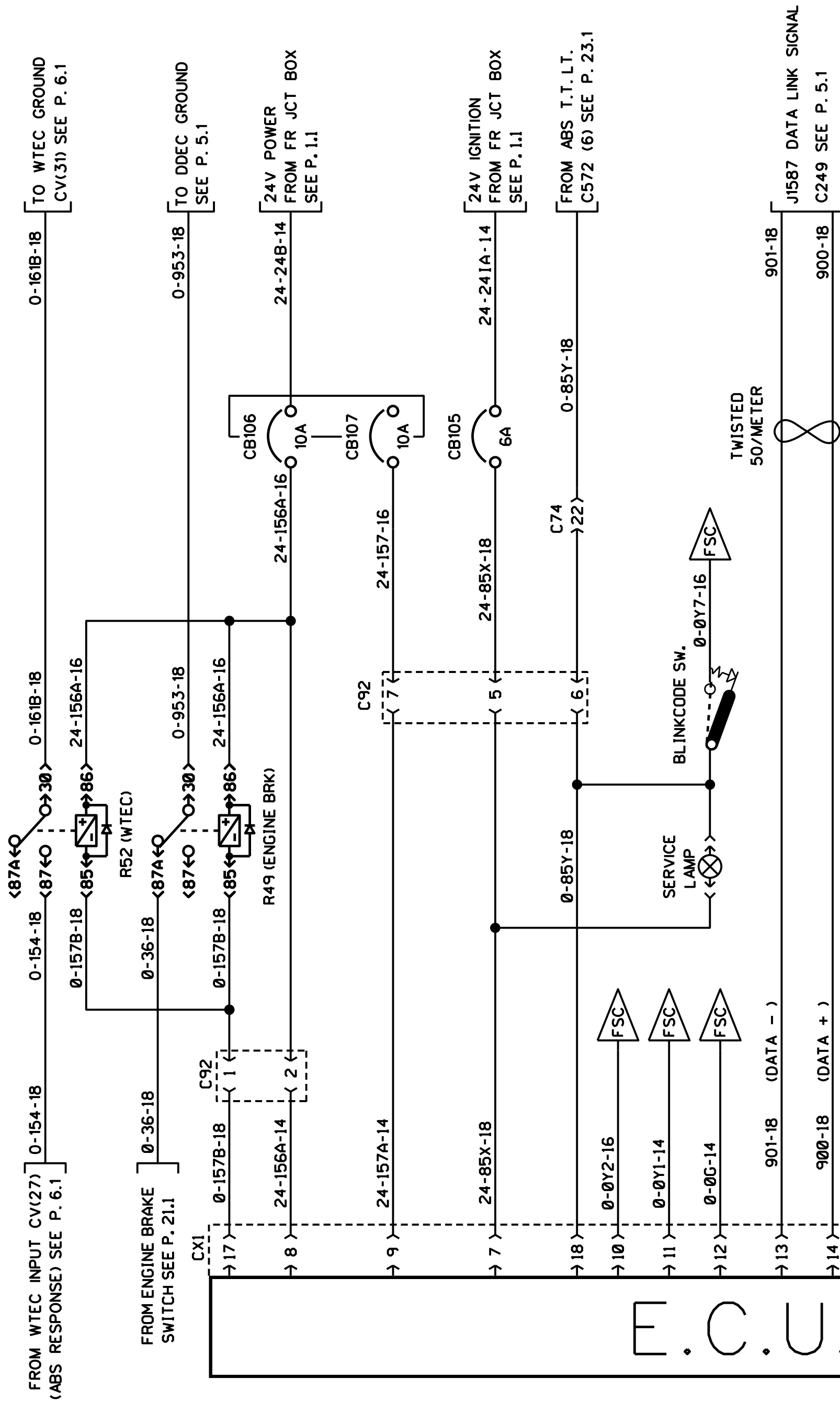
WINDOW AJAR



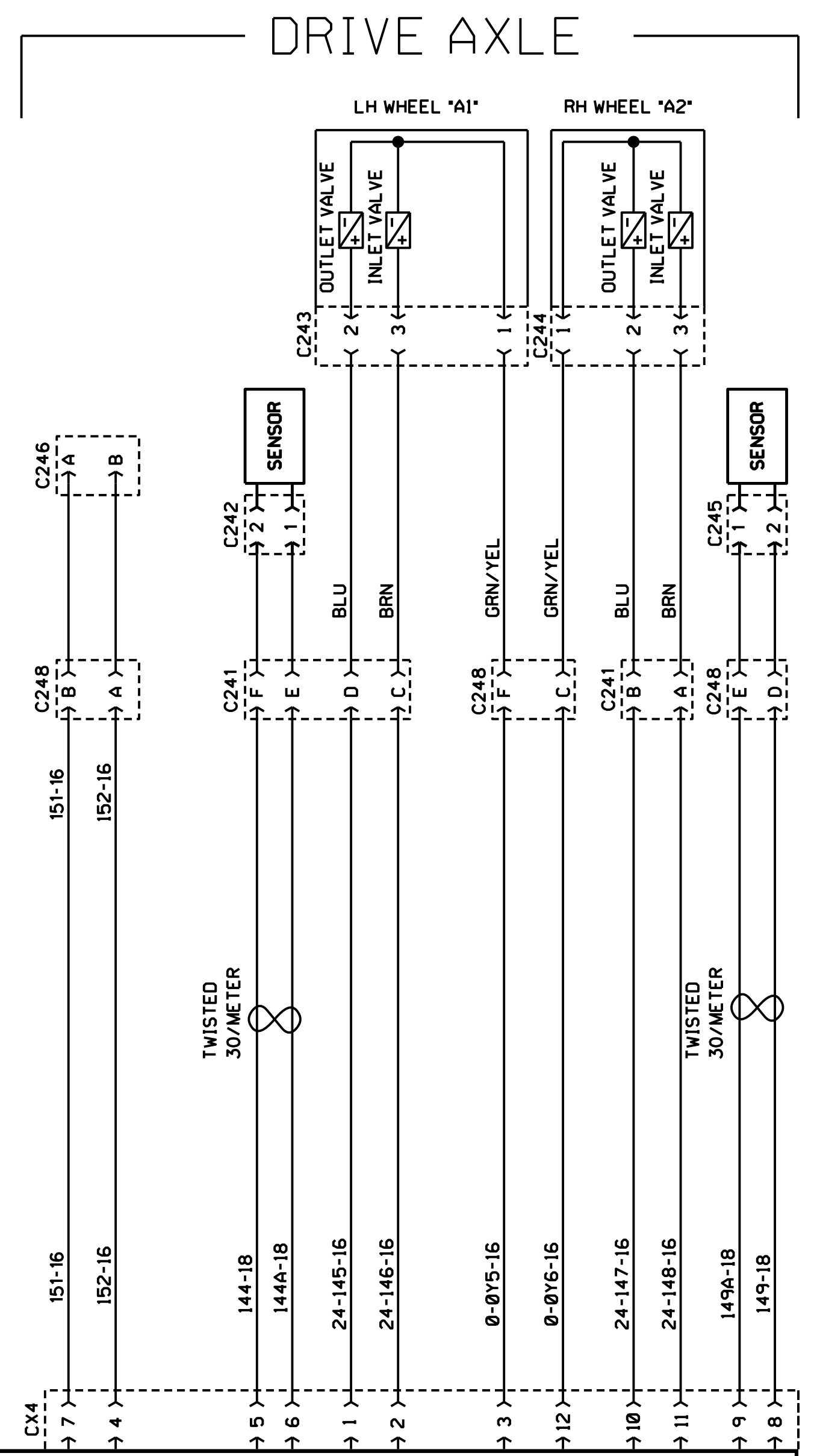
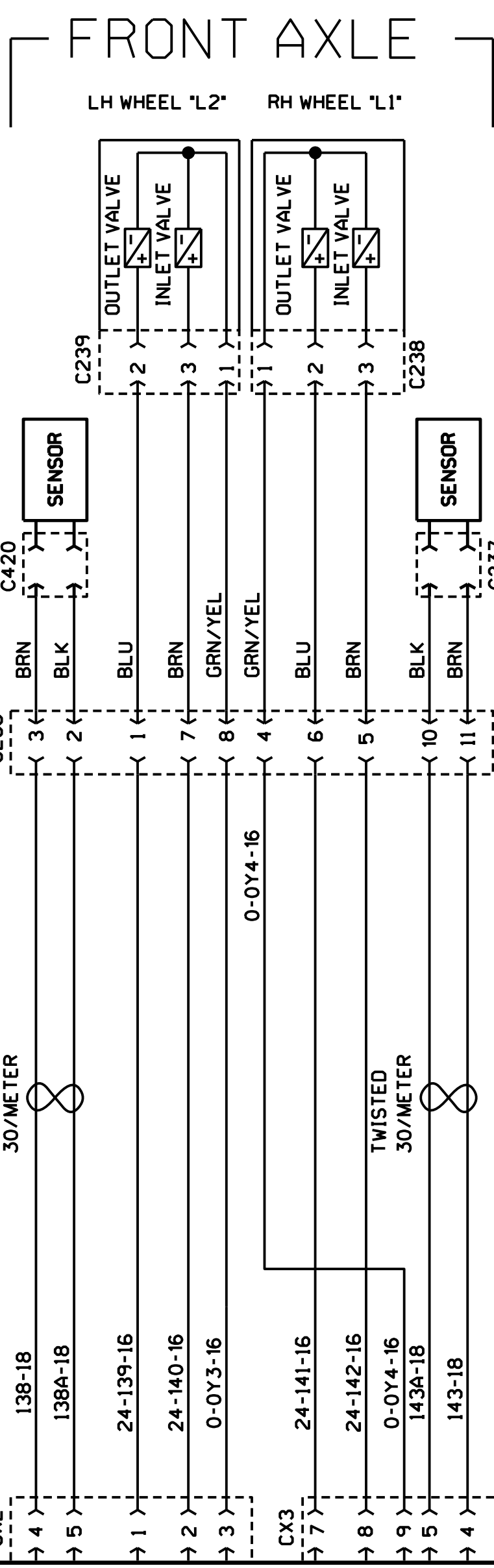
ENGINE BRAKE SYSTEM

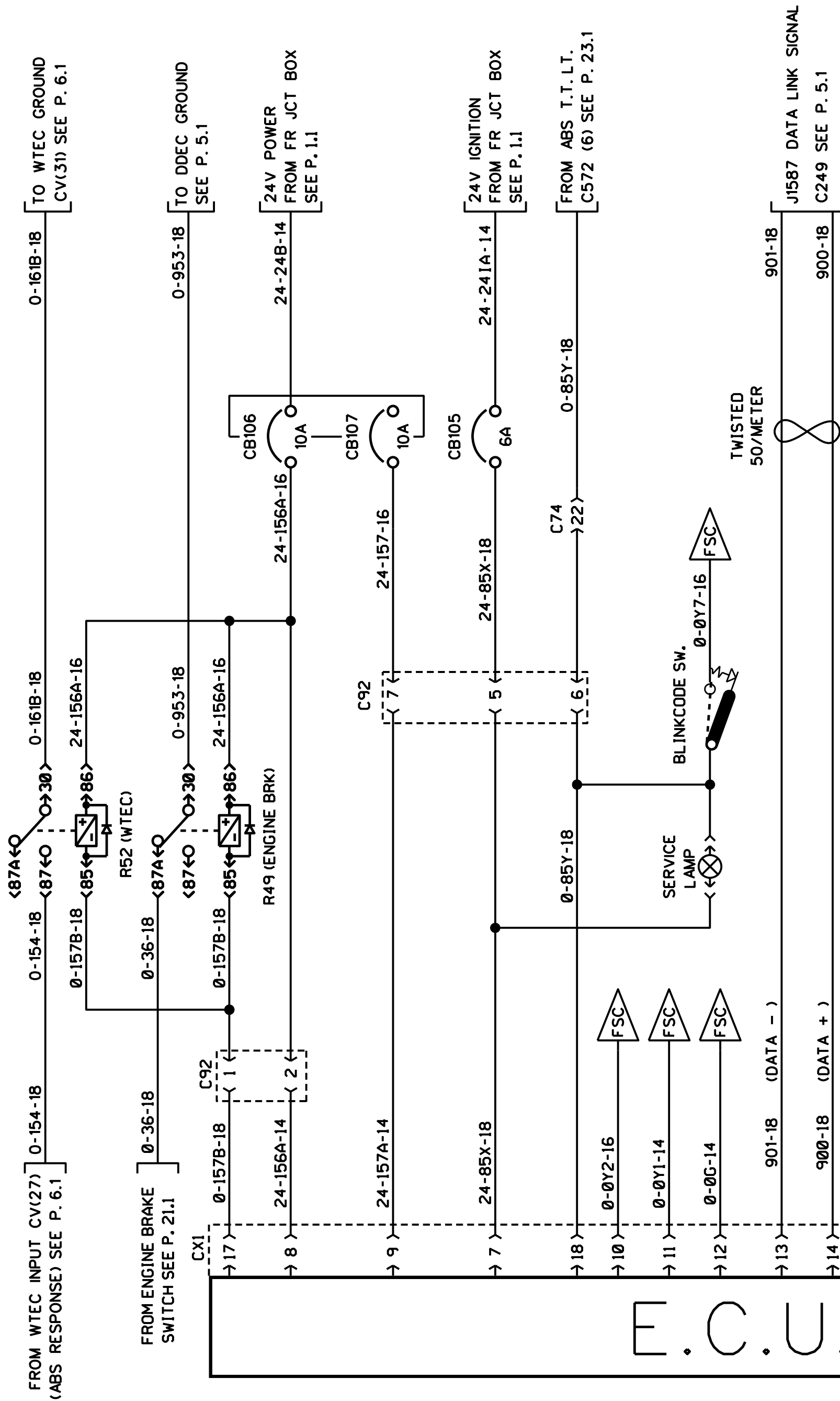


RETARDER SYSTEM
(WORLD TRANSMISSION)



E.C.U. - ABS (VERSION "D")

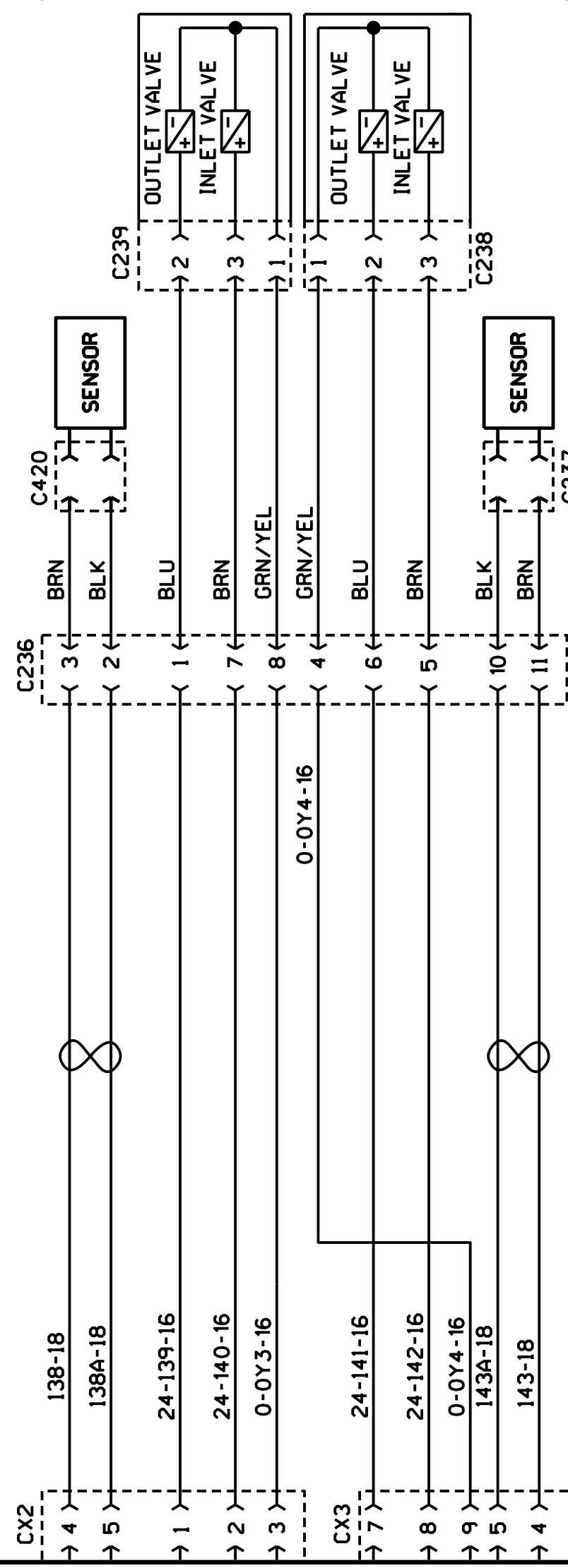




E.C.U. - ABS (VERSION "D")

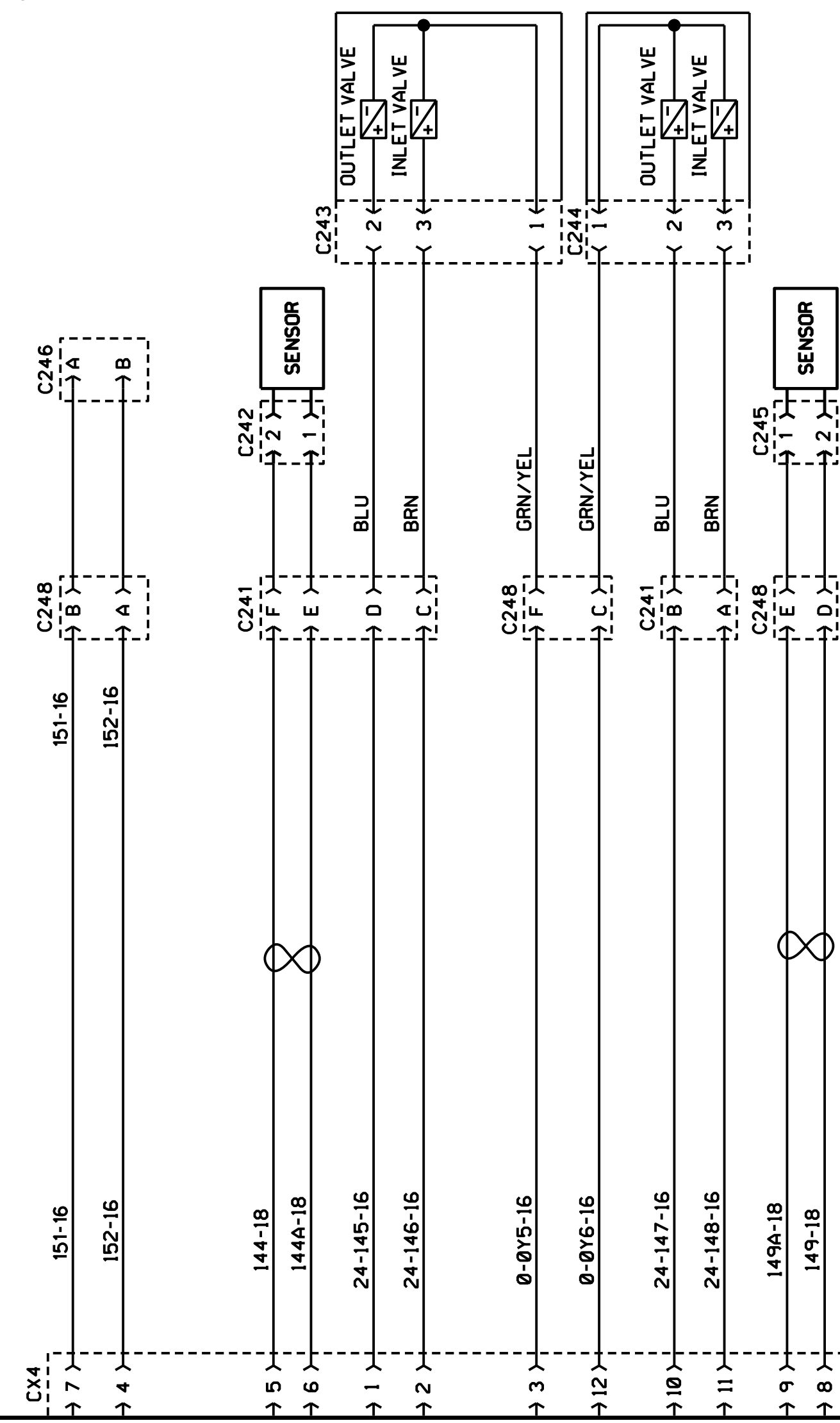
FRONT AXLE

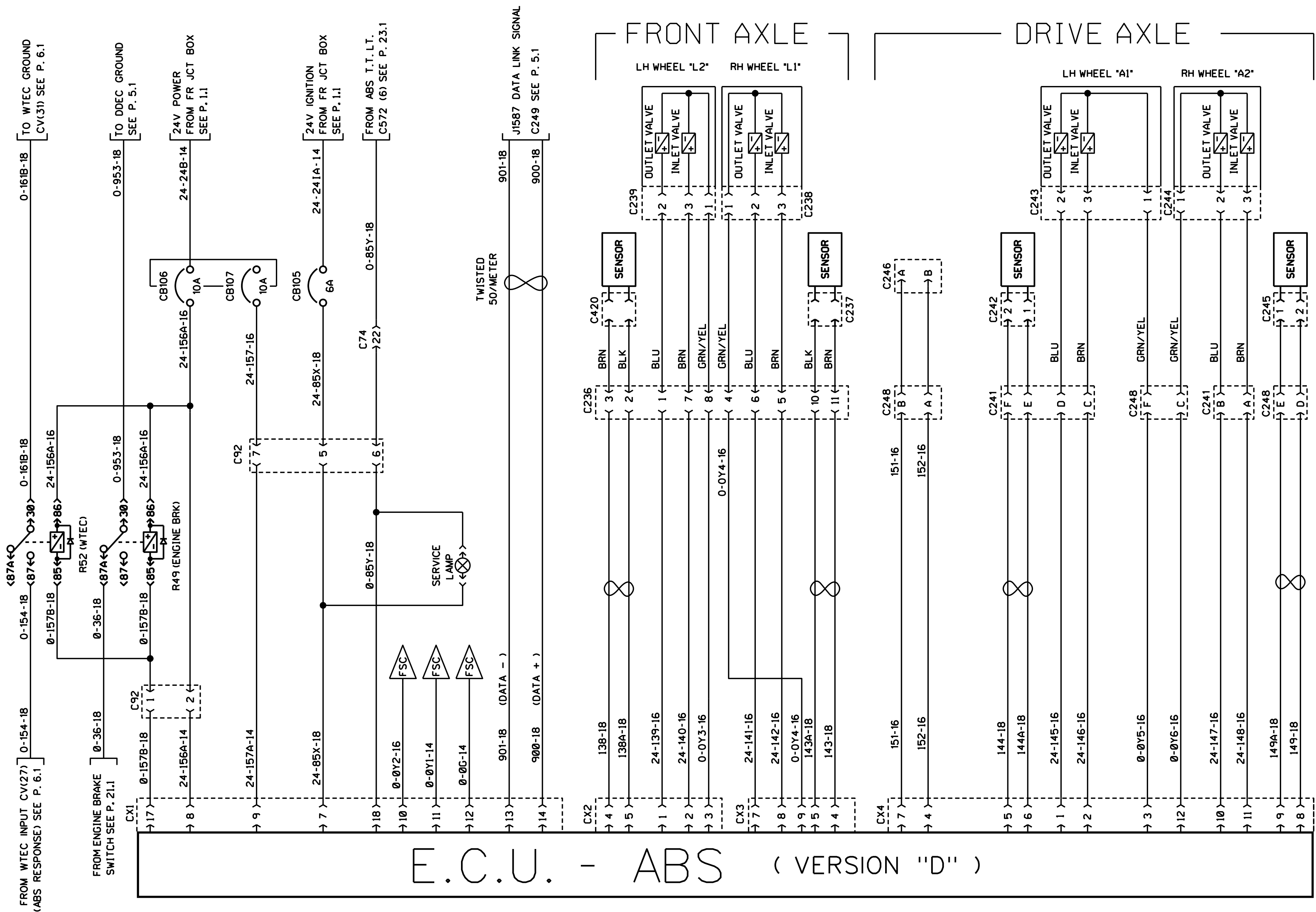
LH WHEEL "L2" RH WHEEL "L1"

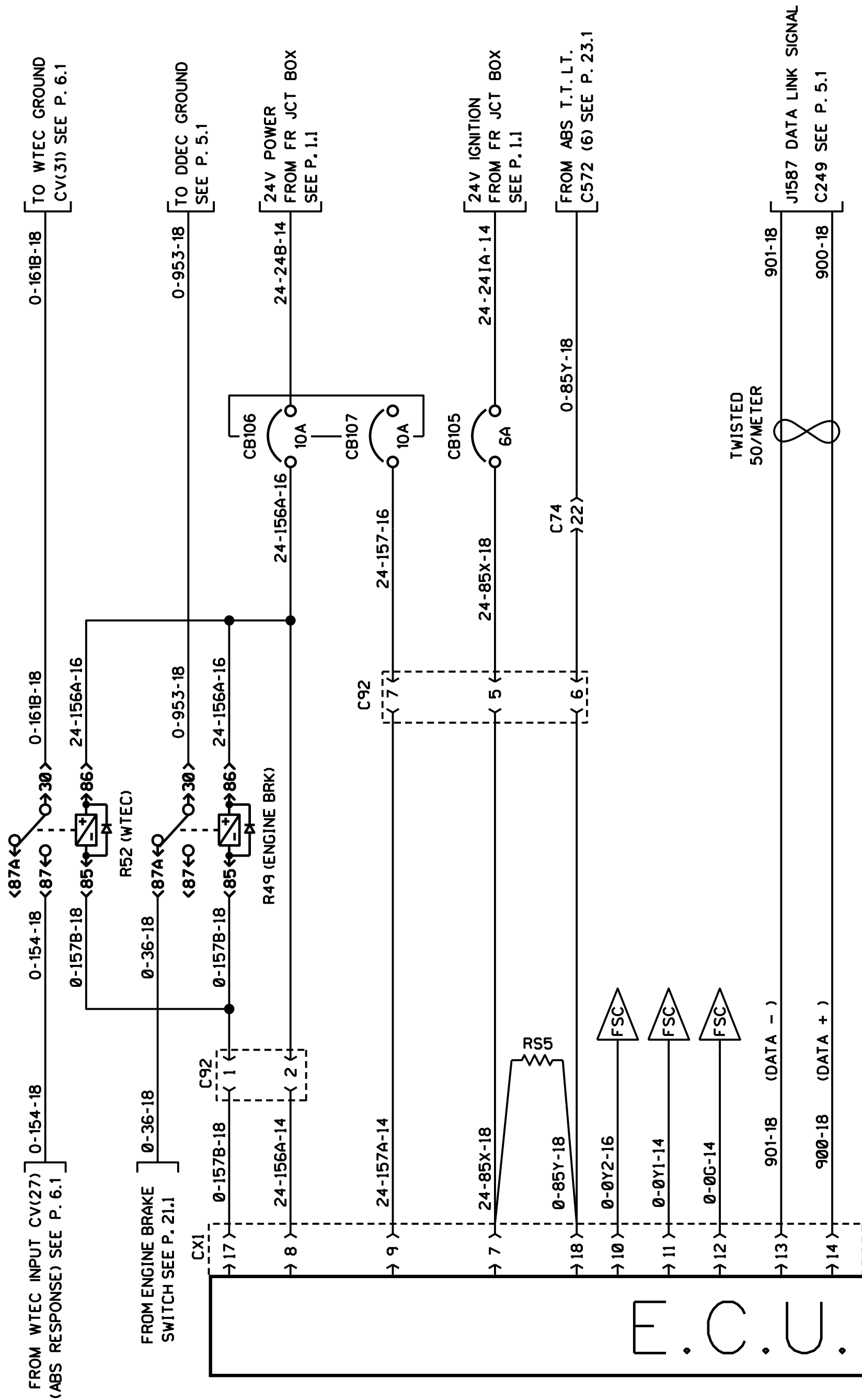


DRIVE AXLE

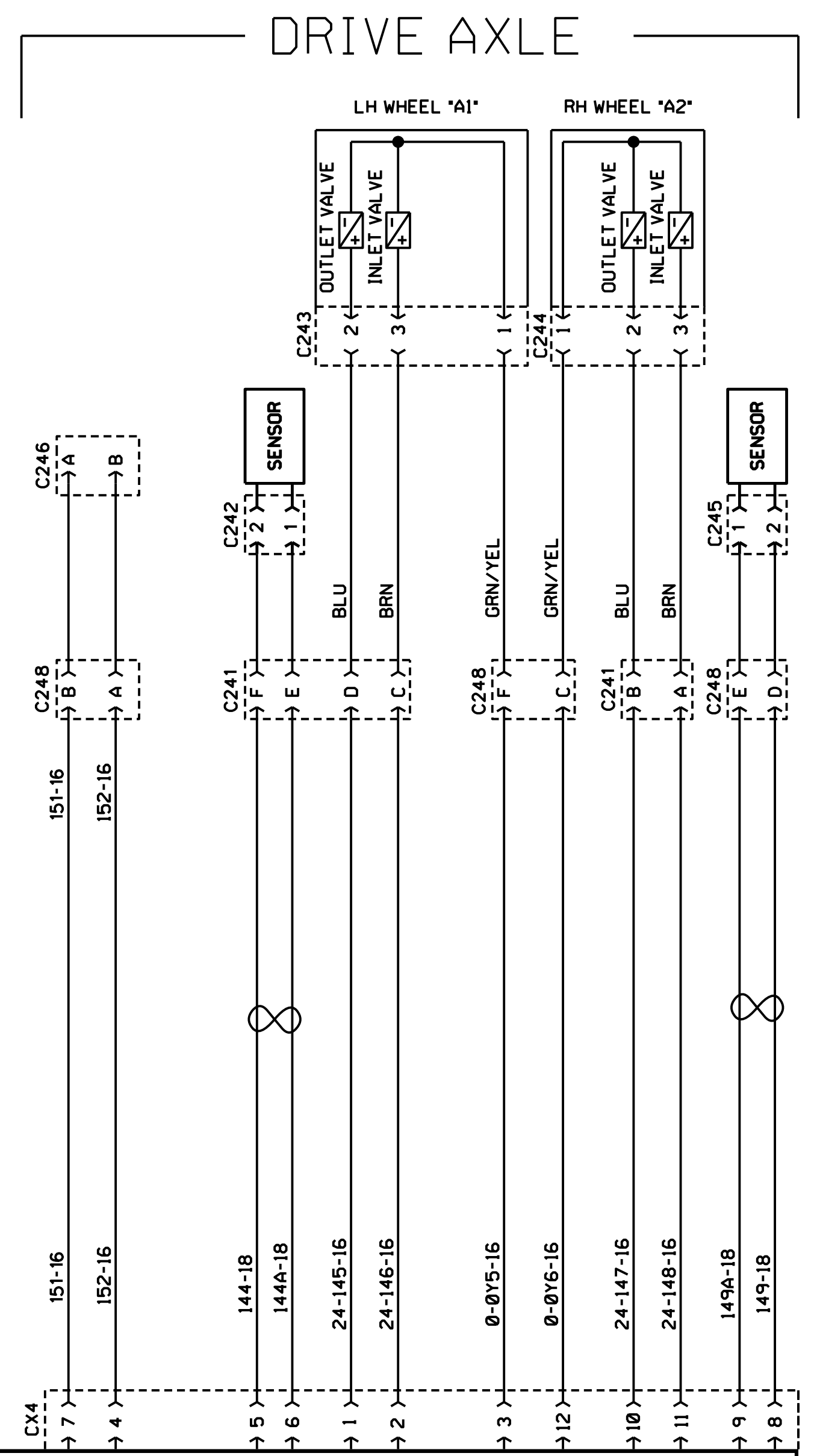
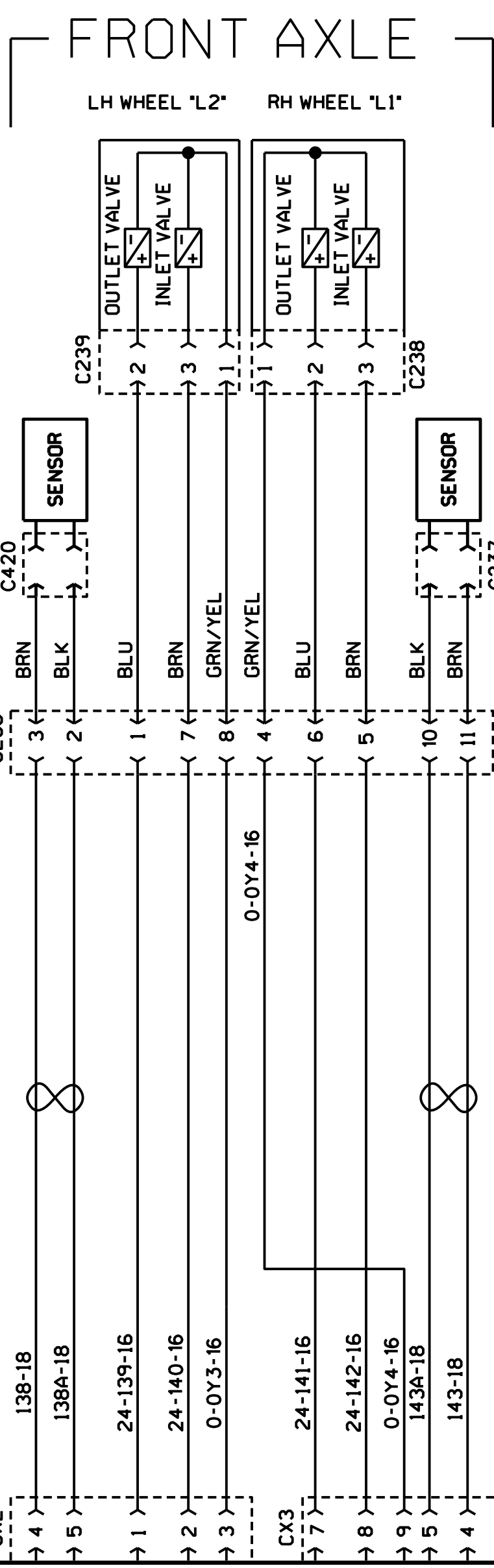
LH WHEEL "A1" RH WHEEL "A2"

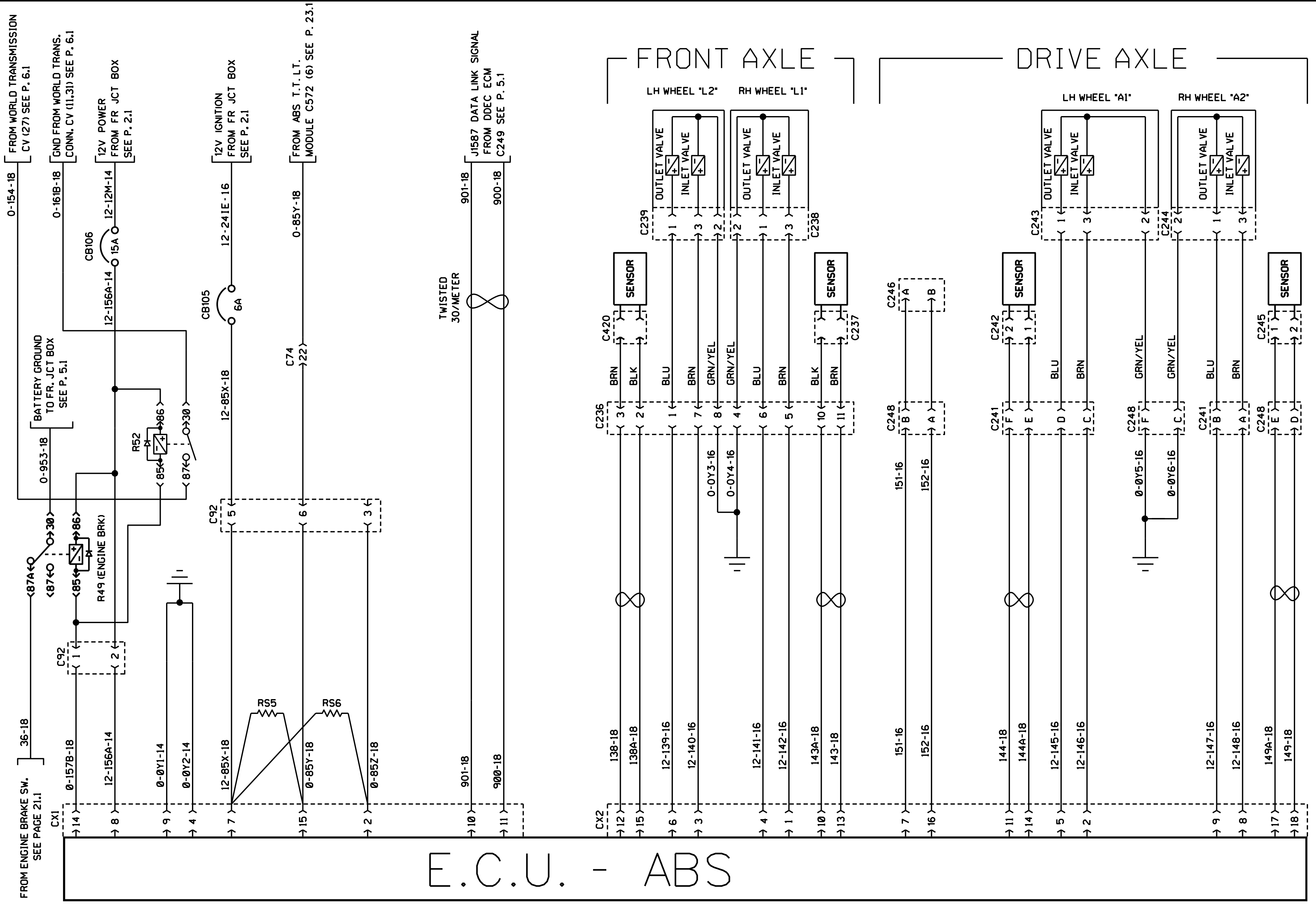




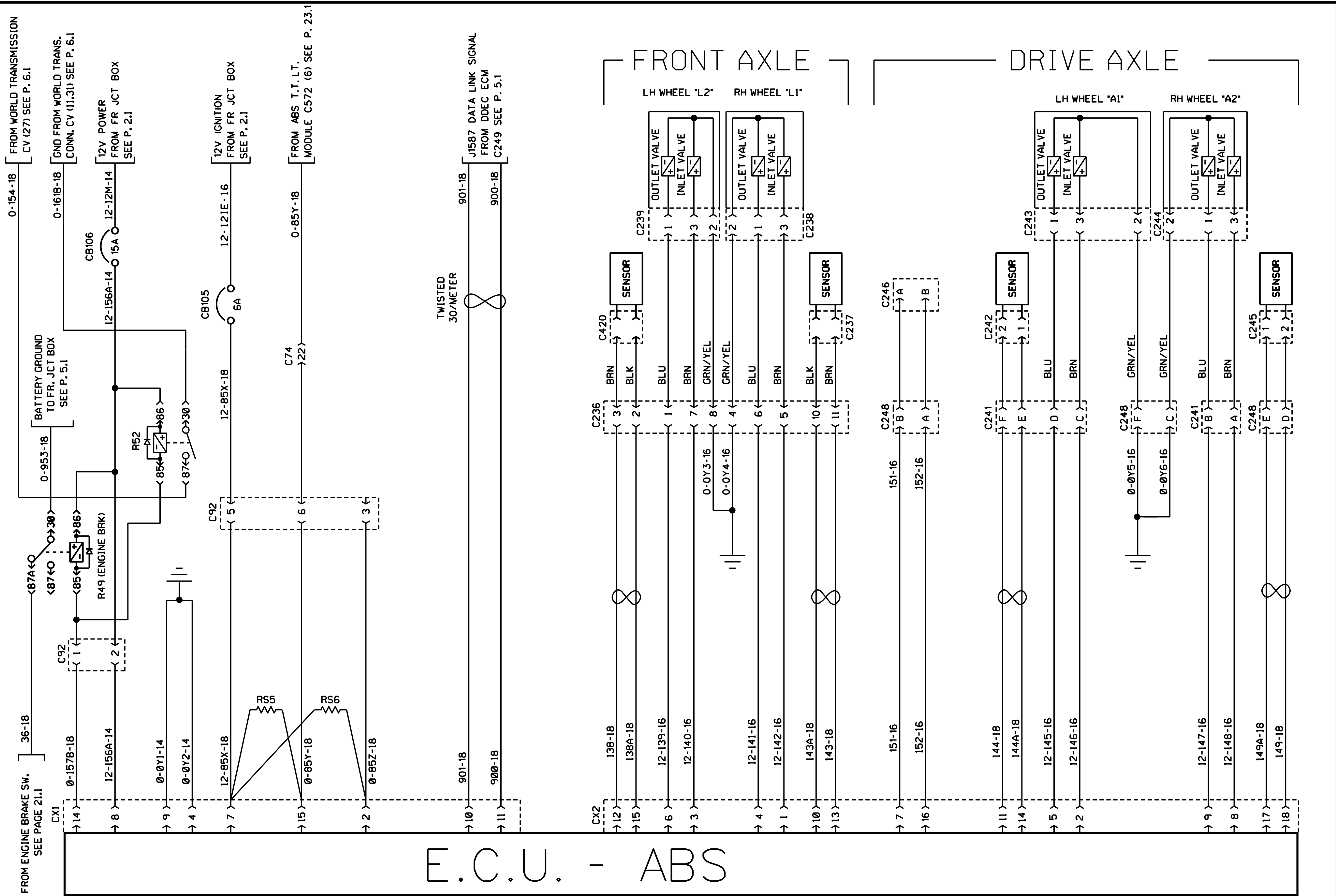


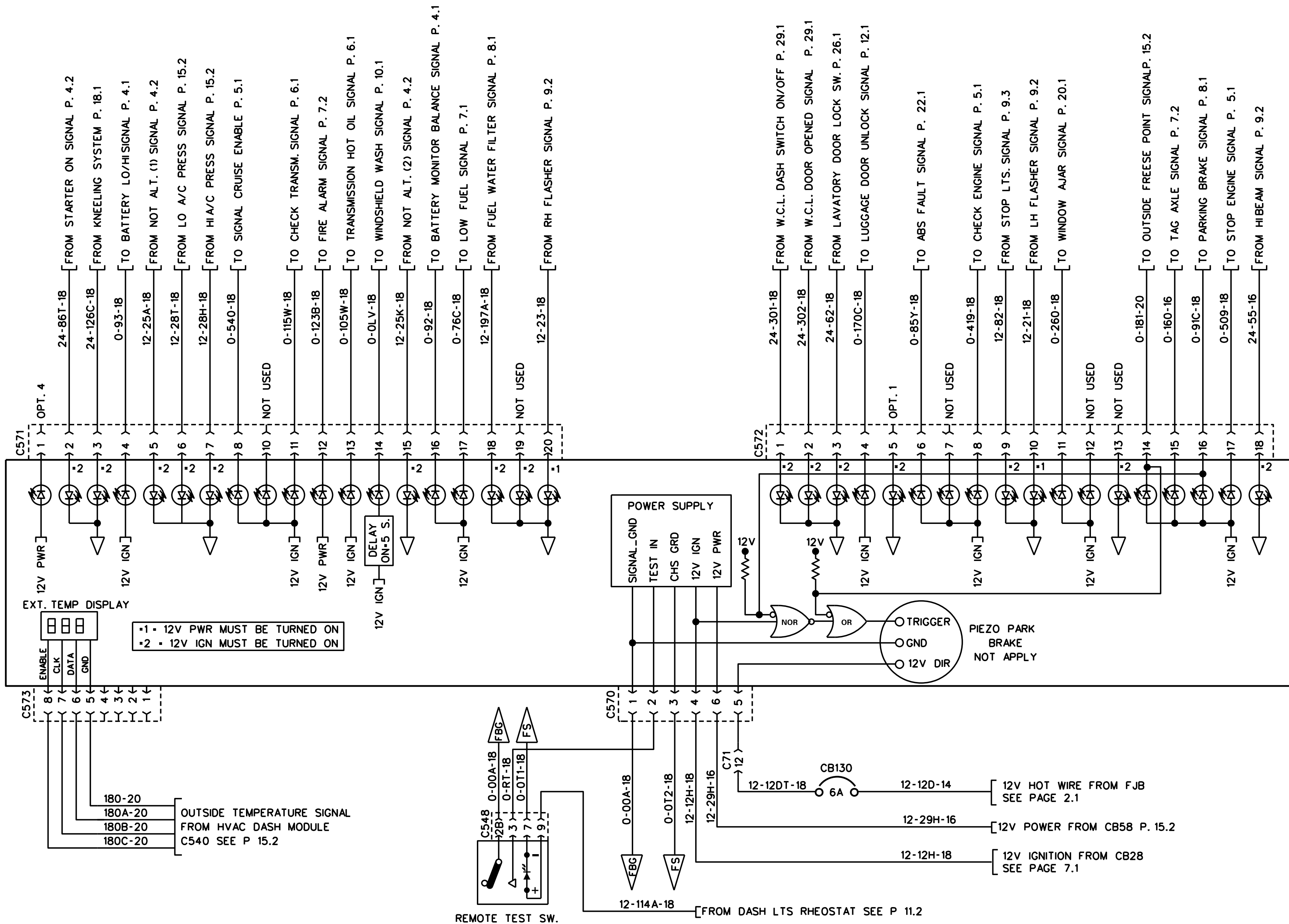
E.C.U. - ABS (VERSION "D")

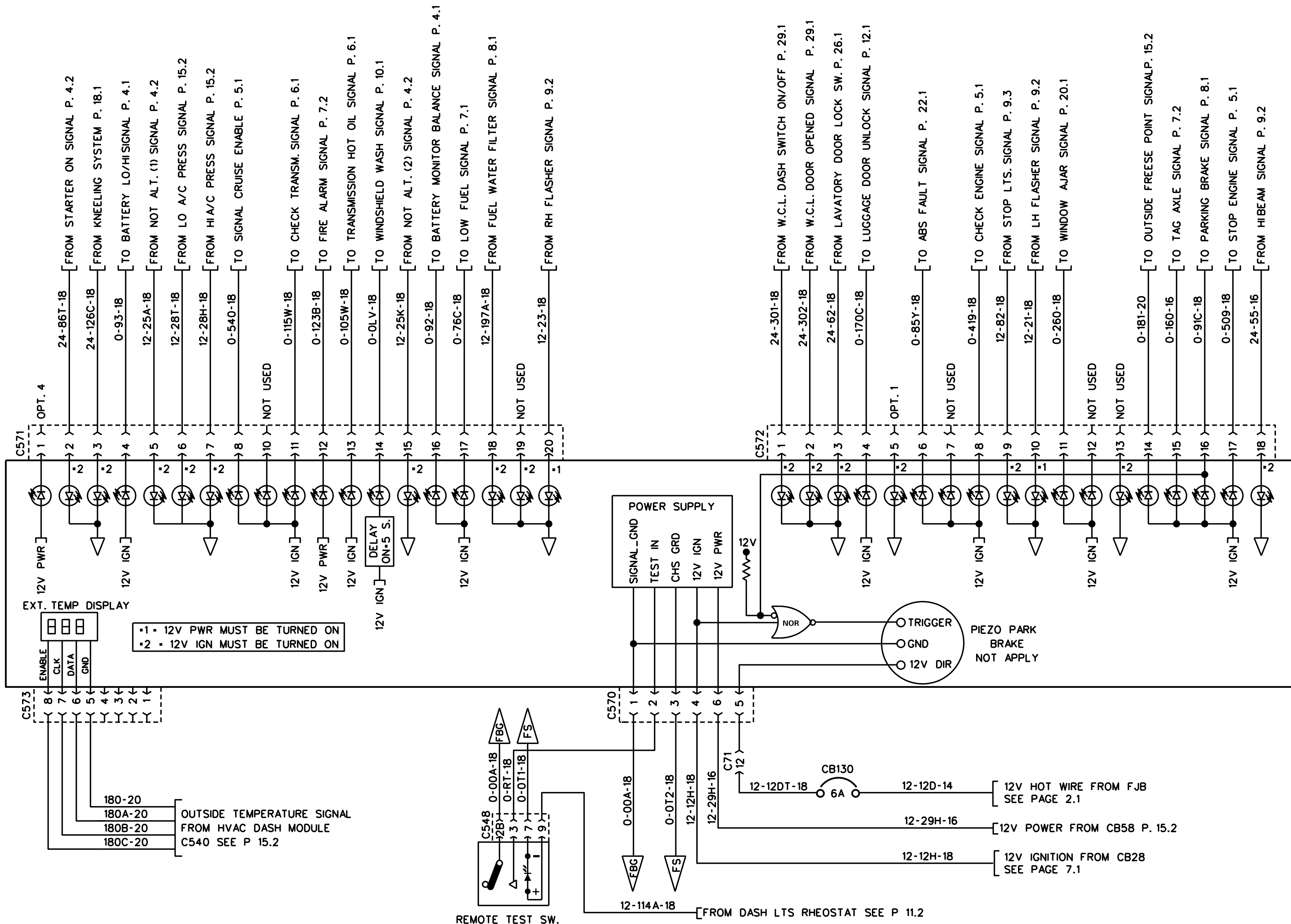


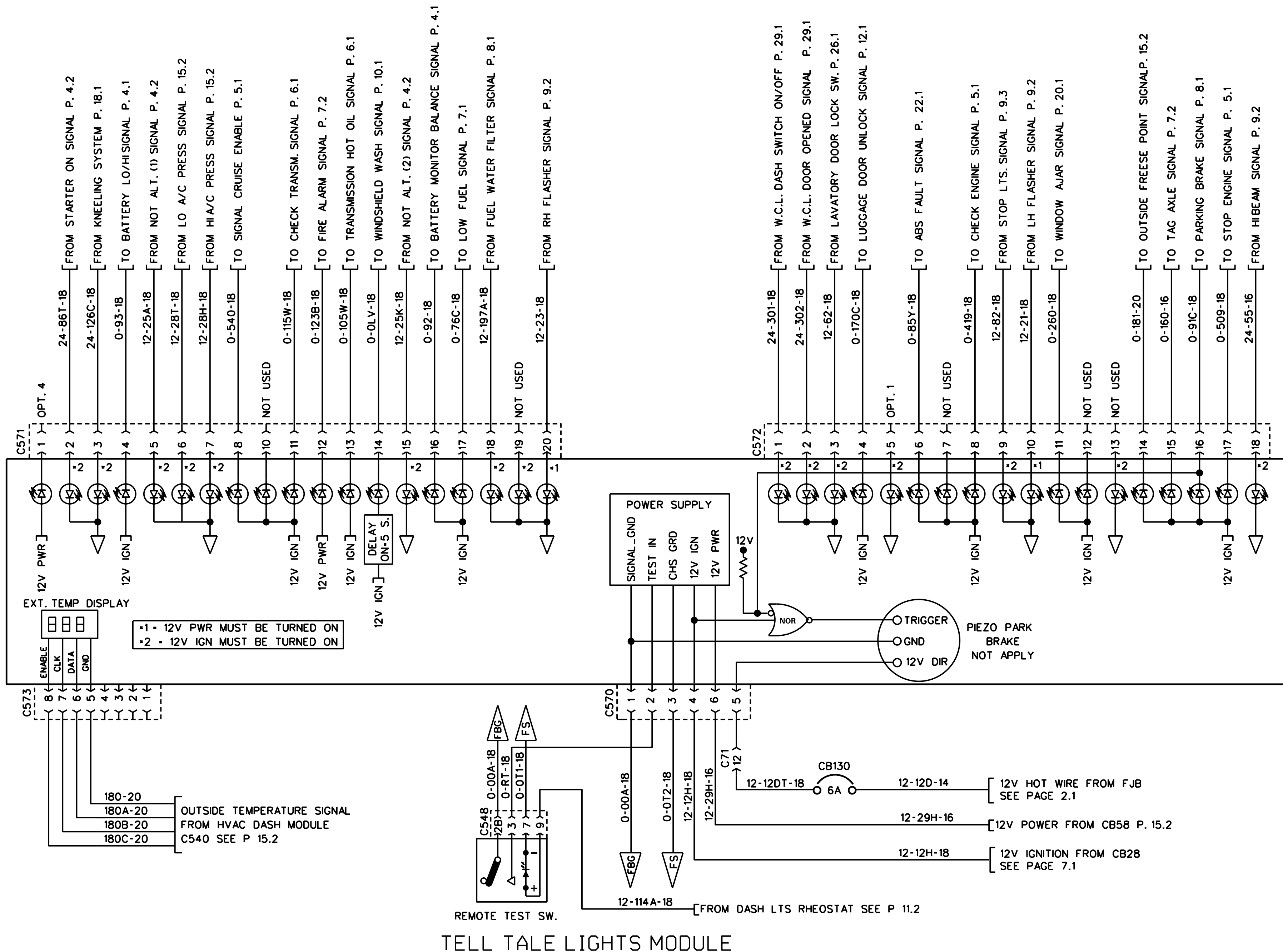


E.C.U. - ABS

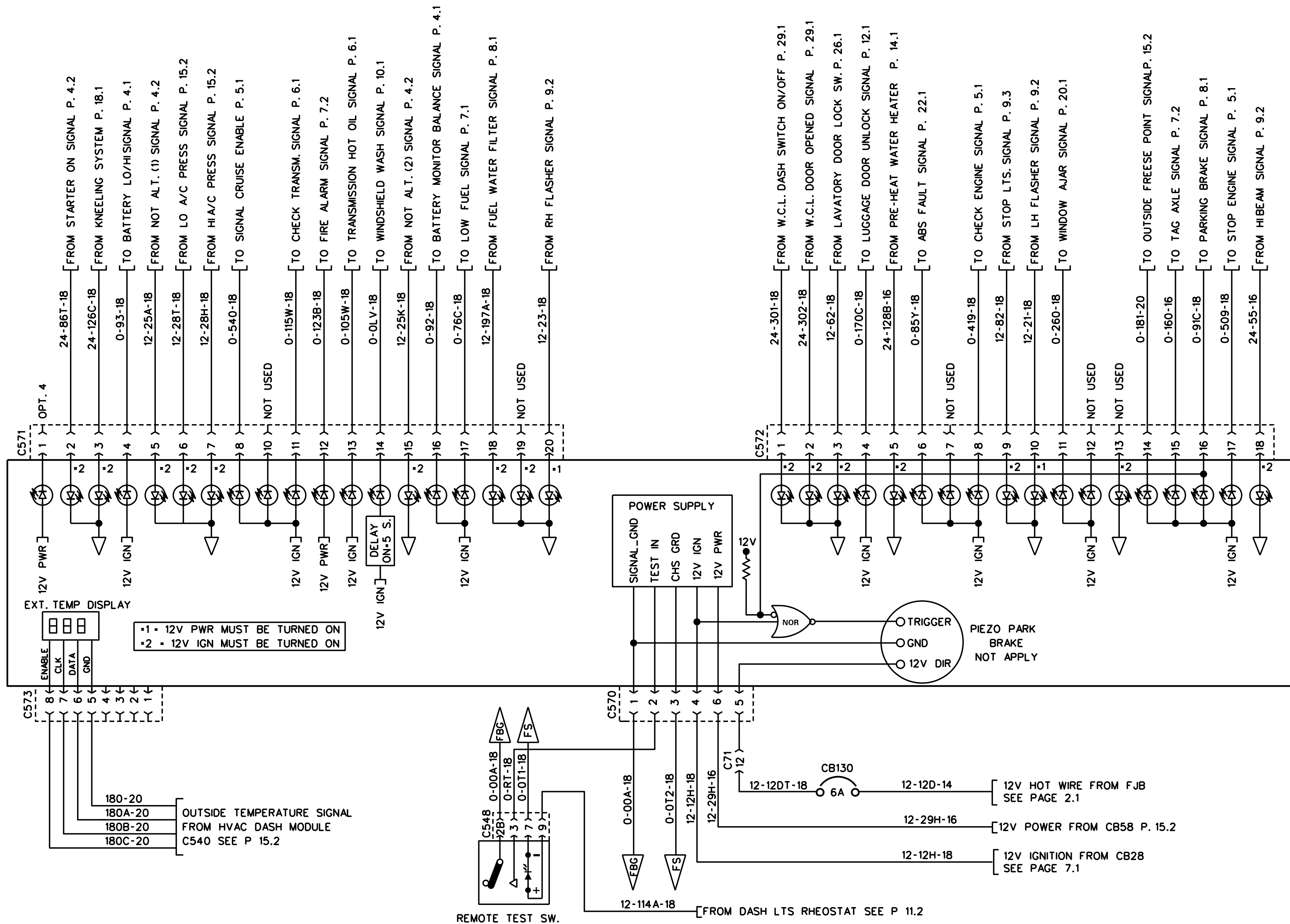




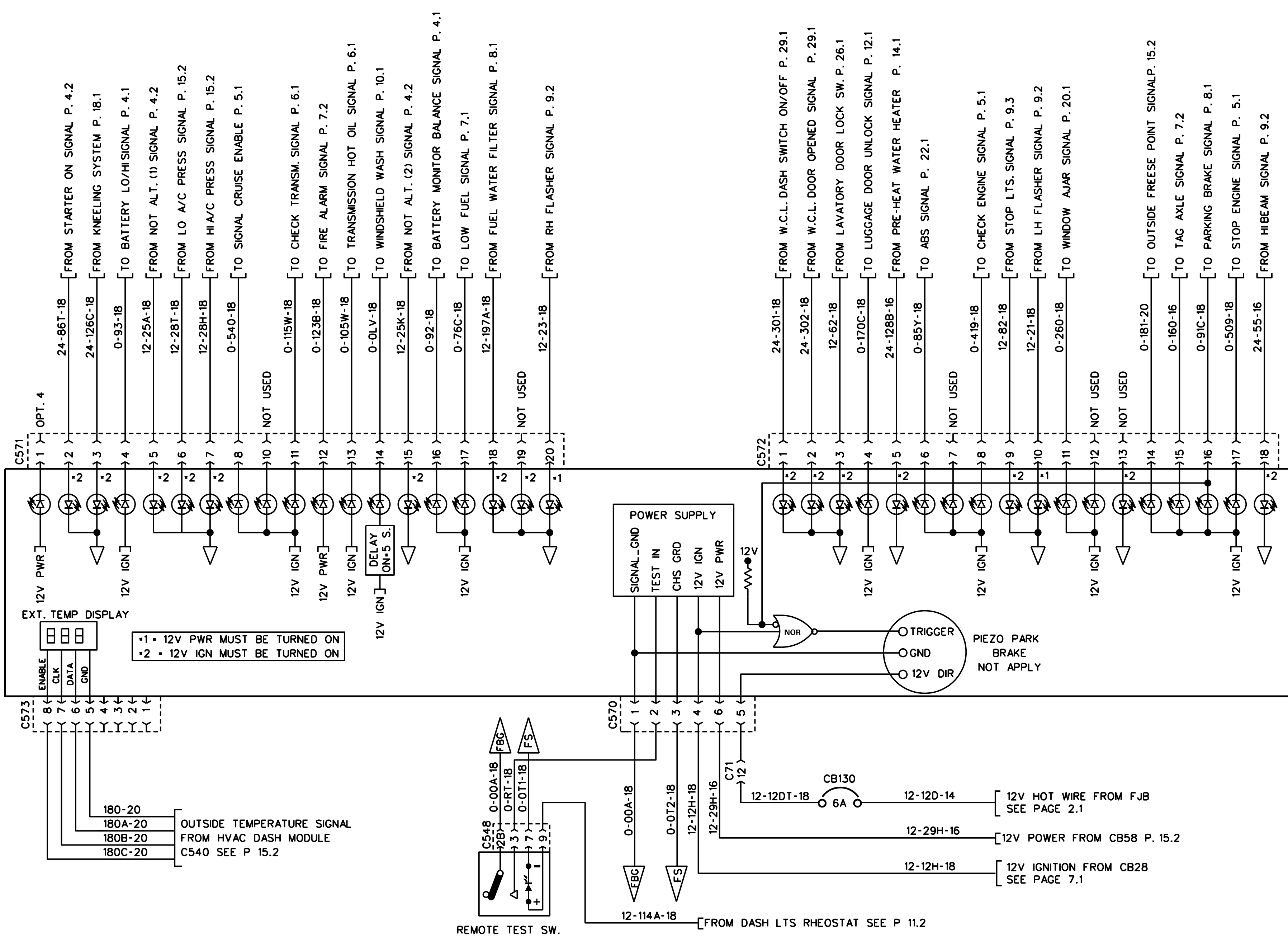




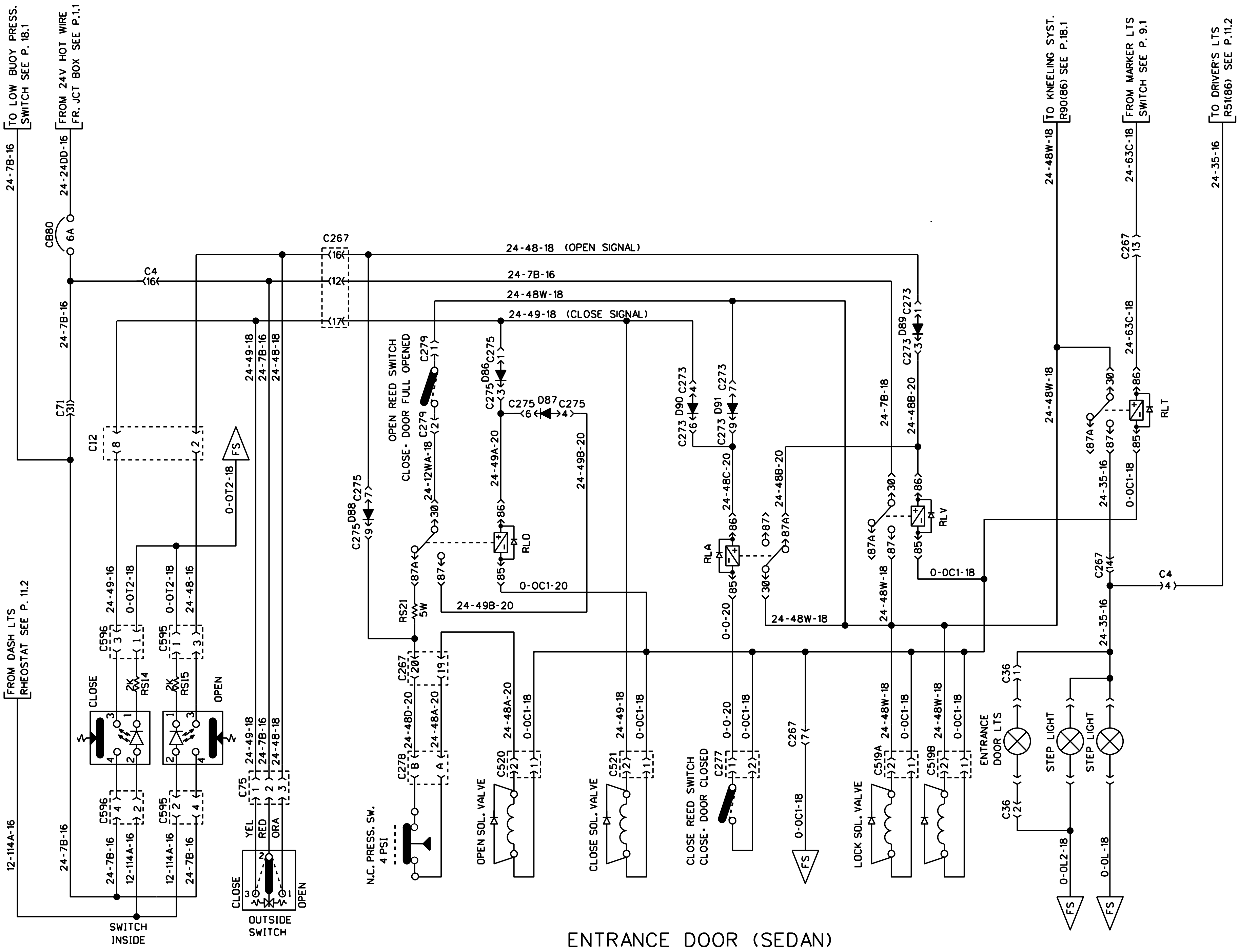
TELL TALE LIGHTS MODULE



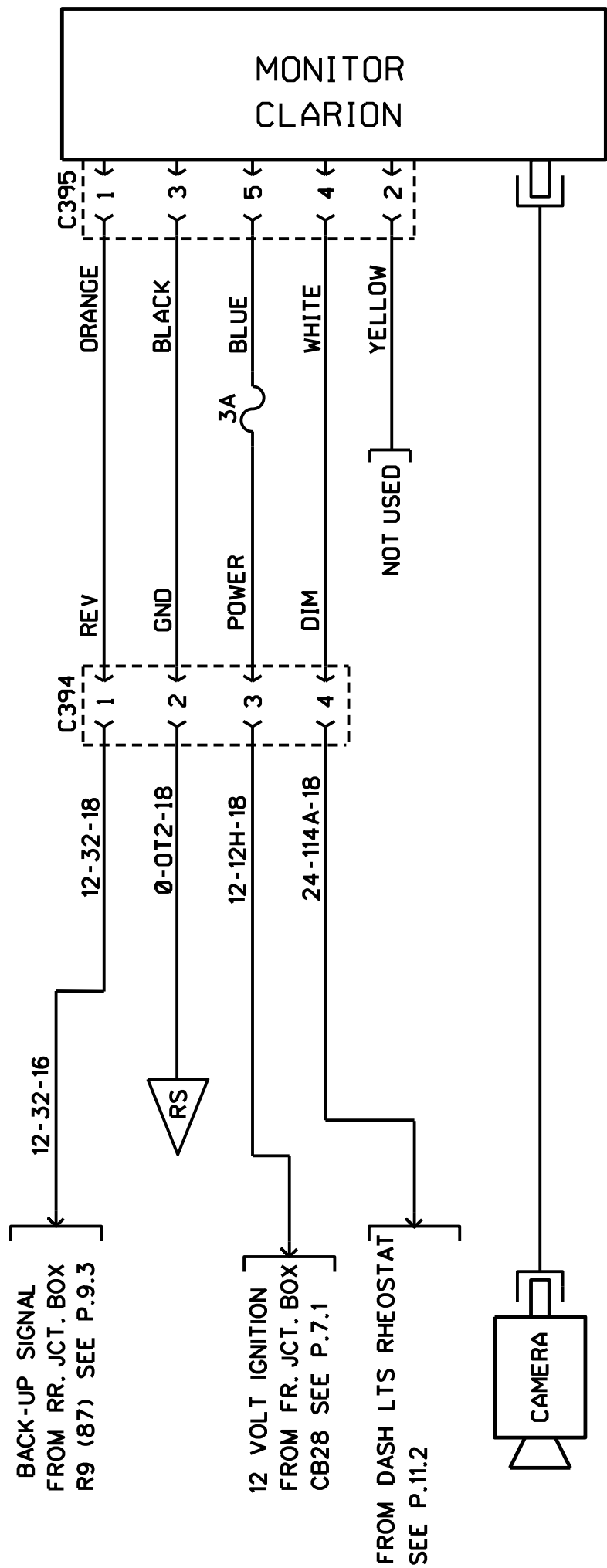
TELL TALE LIGHTS MODULE



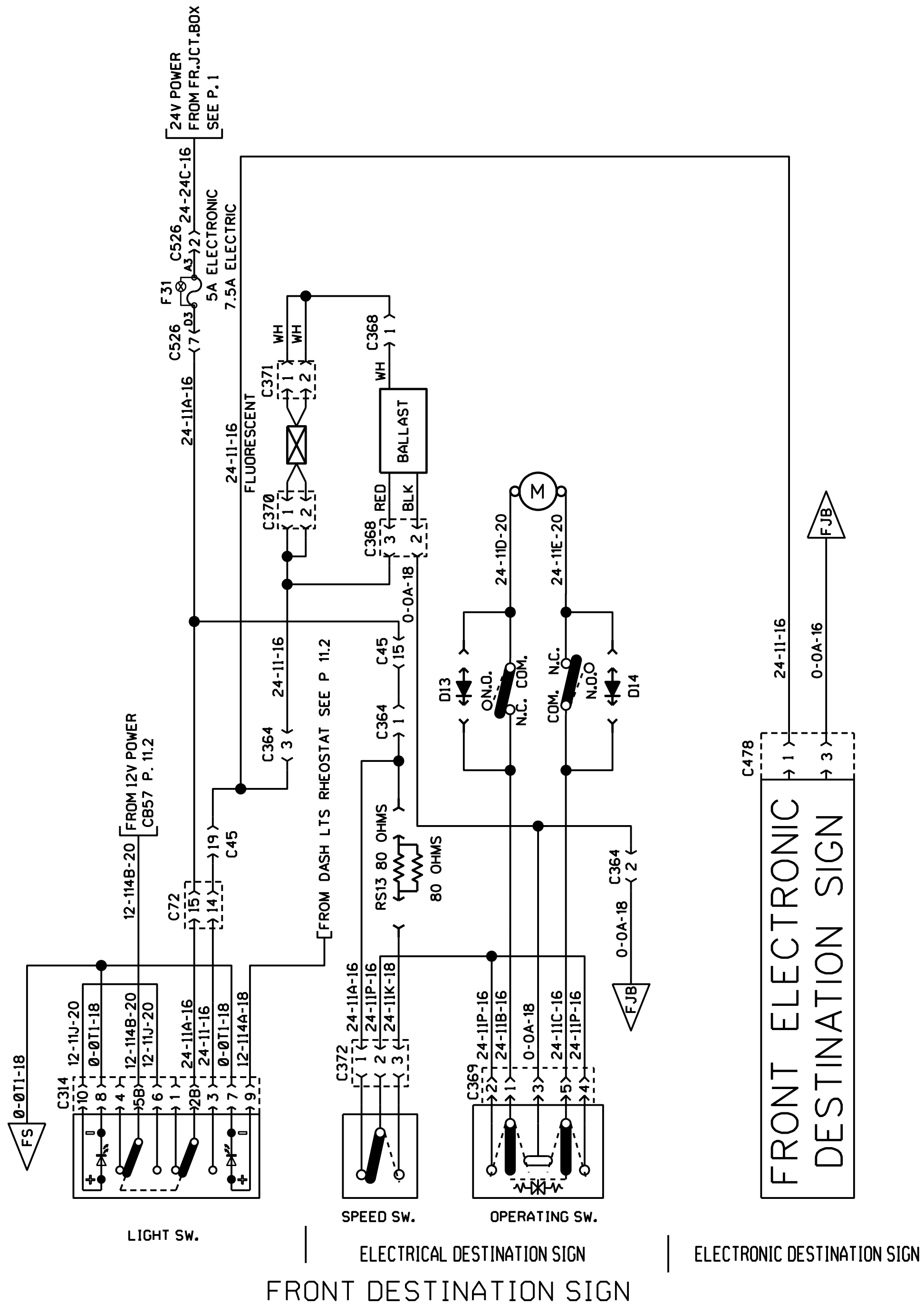
TELL TALE LIGHTS MODULE



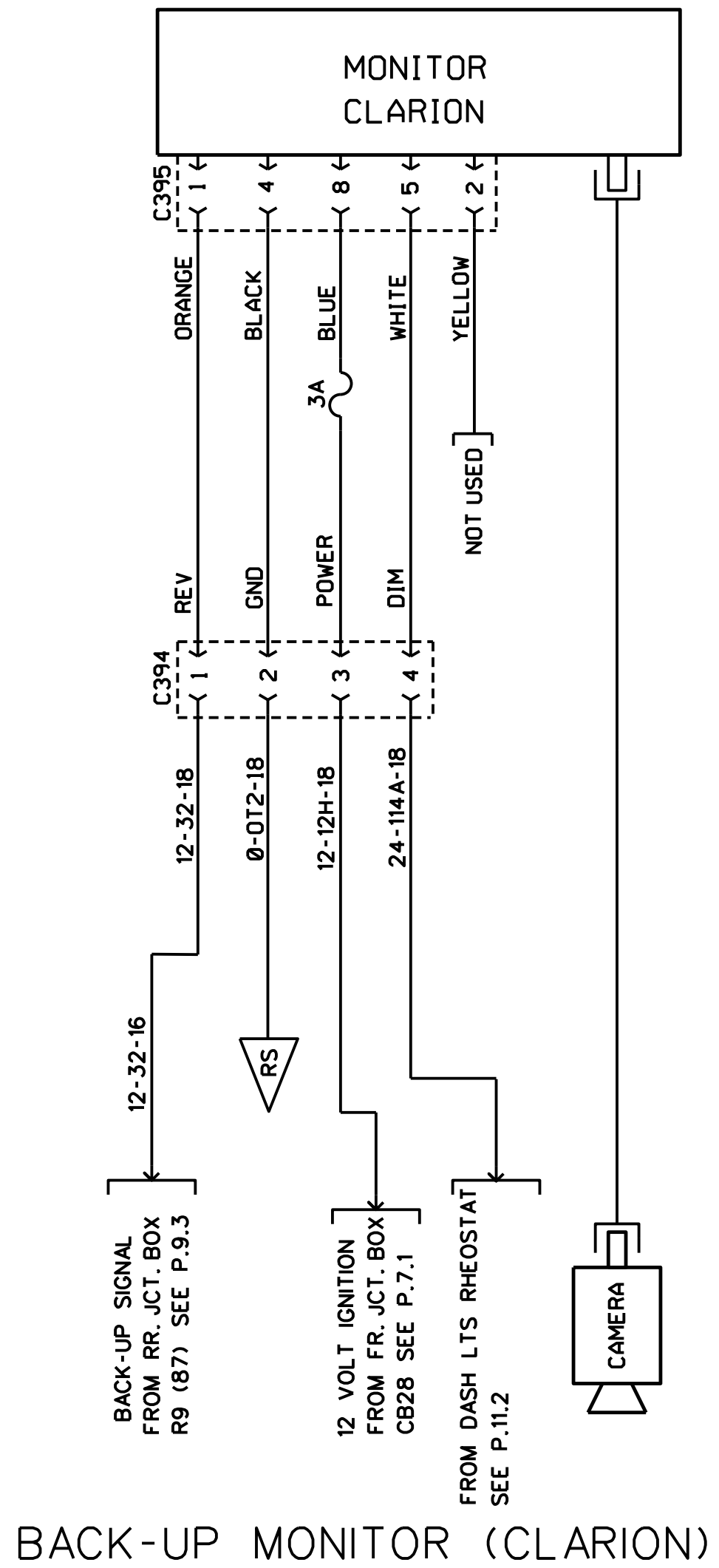
ENTRANCE DOOR (SEDAN)



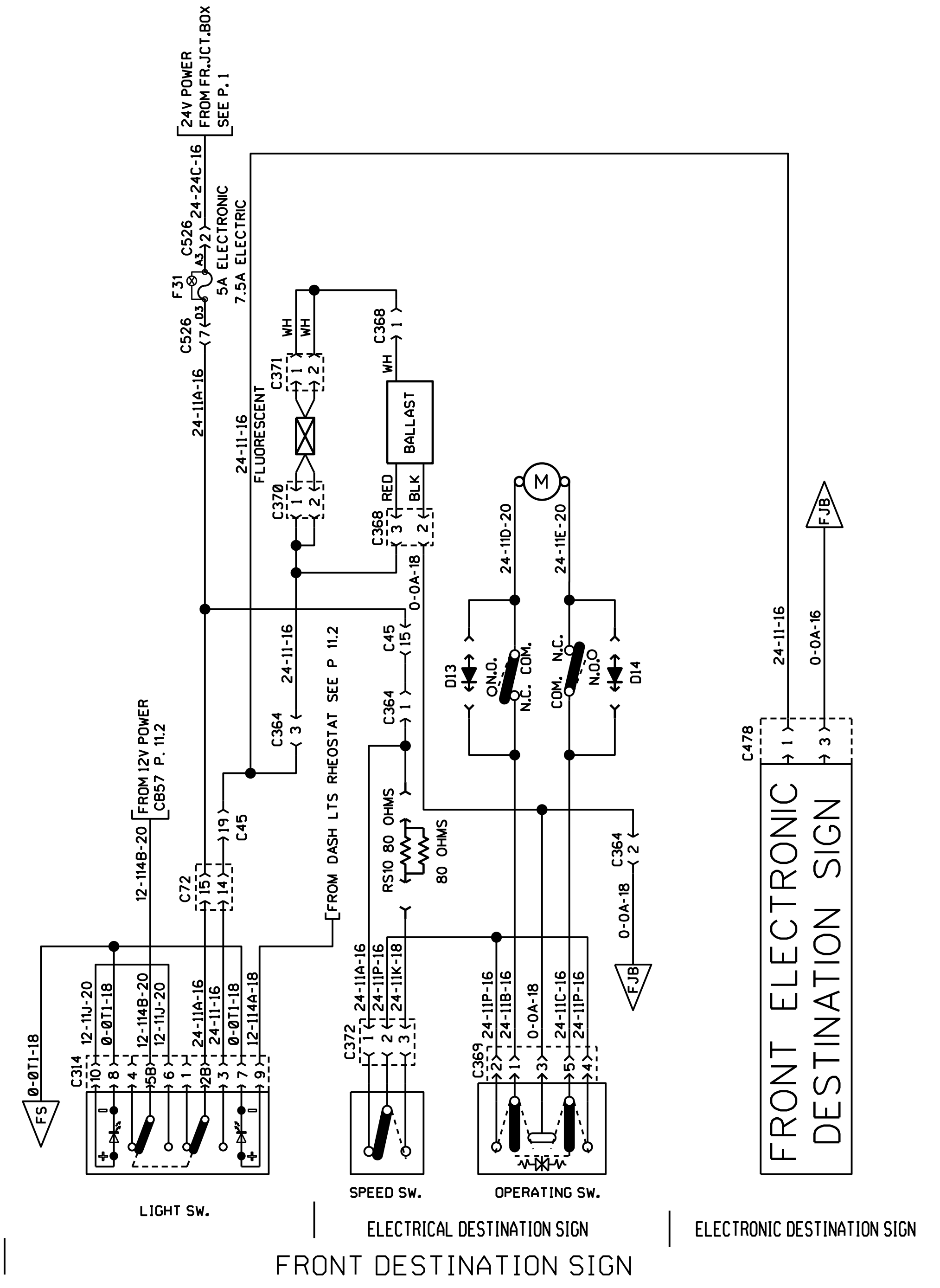
BACK-UP MONITOR (CLARION)



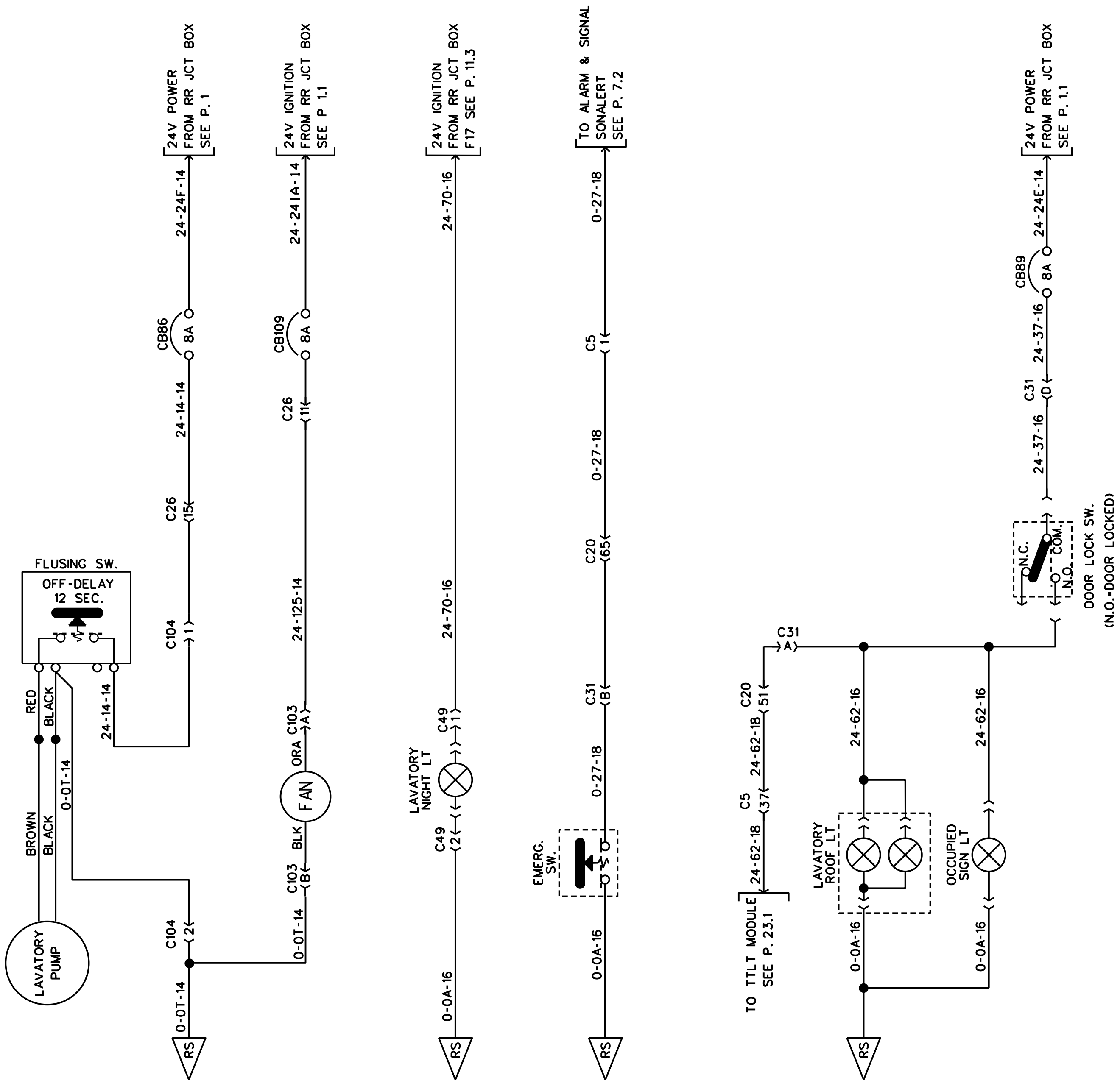
FRONT DESTINATION SIGN



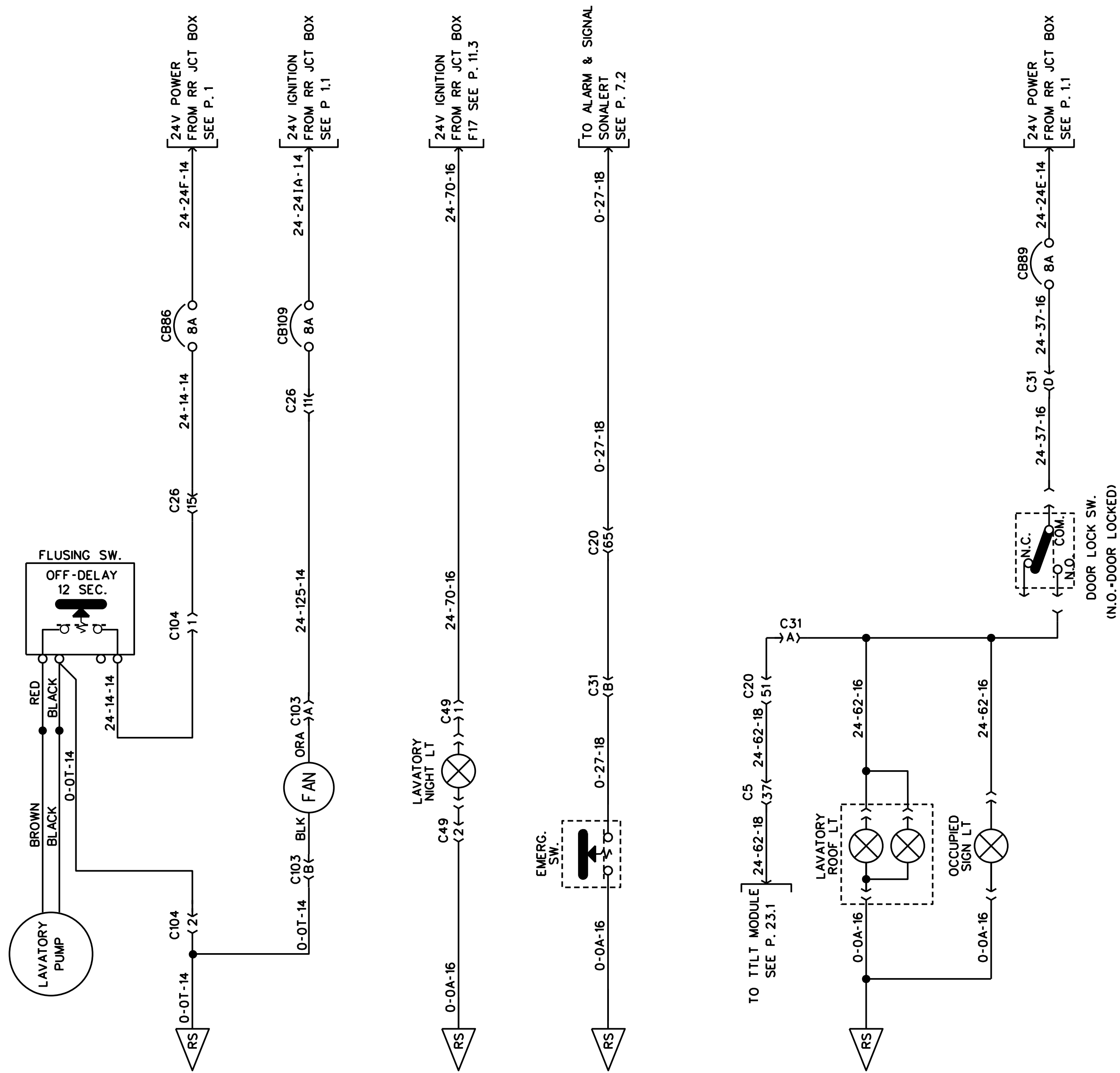
BACK-UP MONITOR (CLARION)



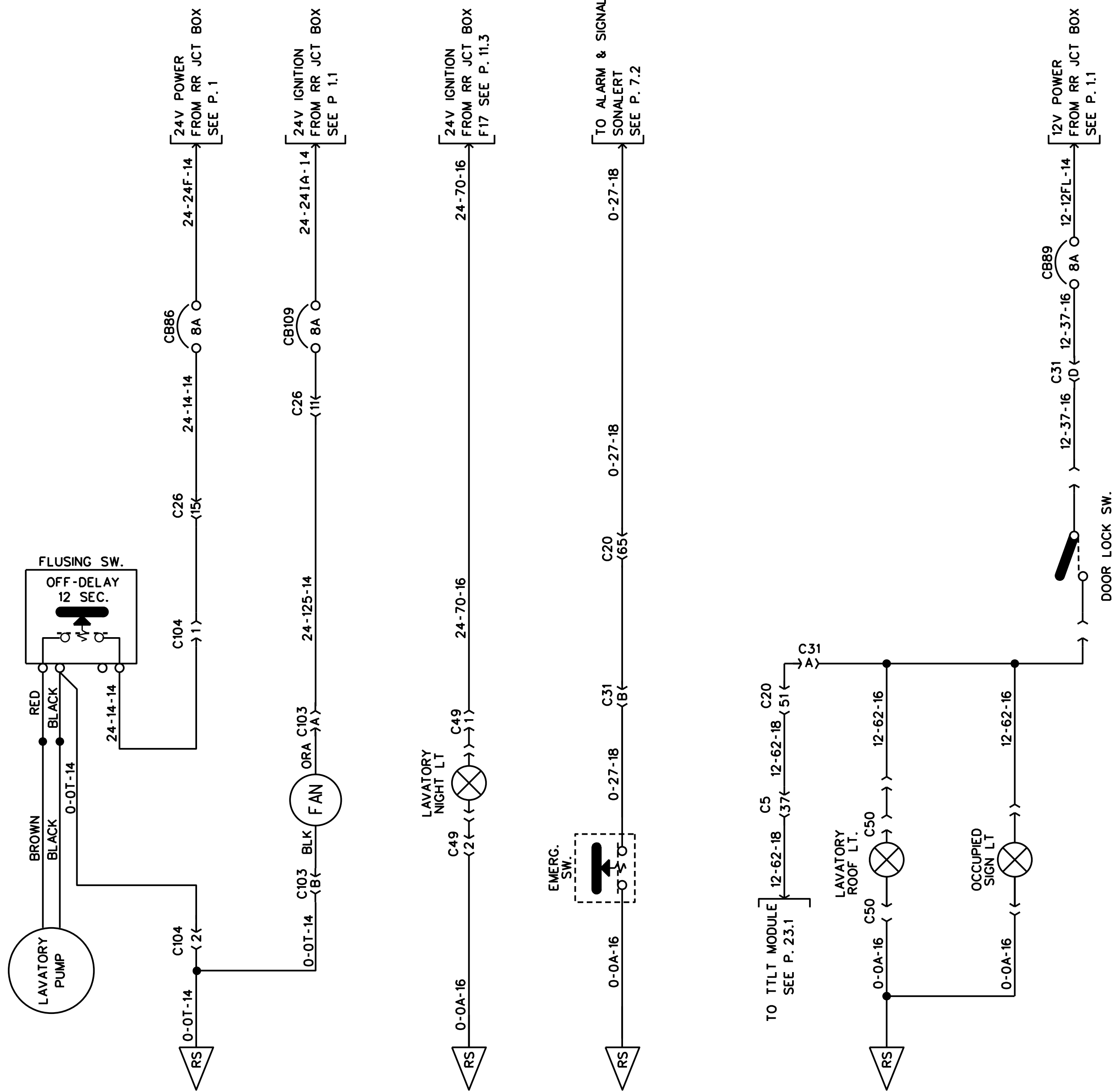
FRONT DESTINATION SIGN
ELECTRICAL DESTINATION SIGN
ELECTRONIC DESTINATION SIGN



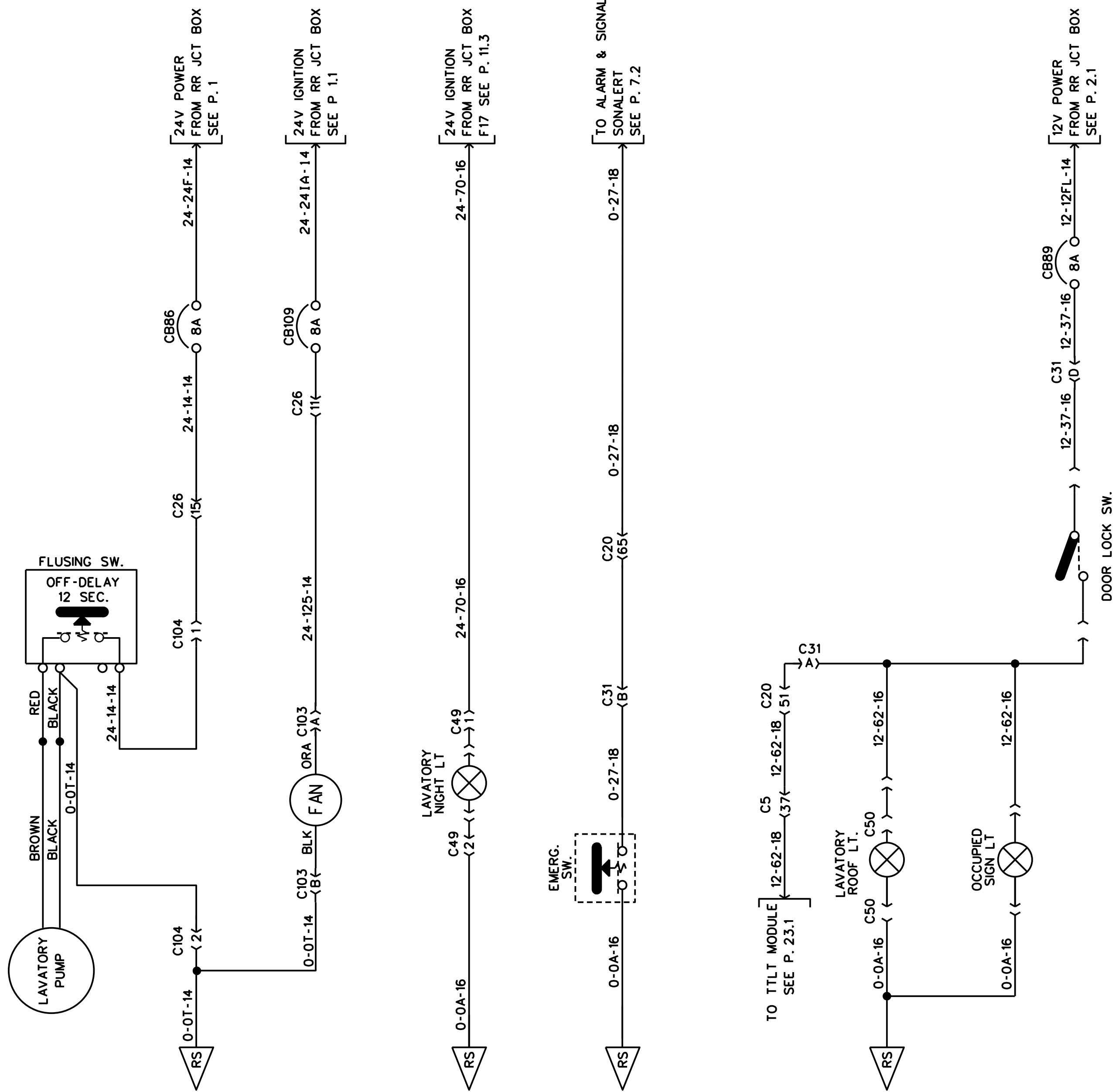
LAVATORY



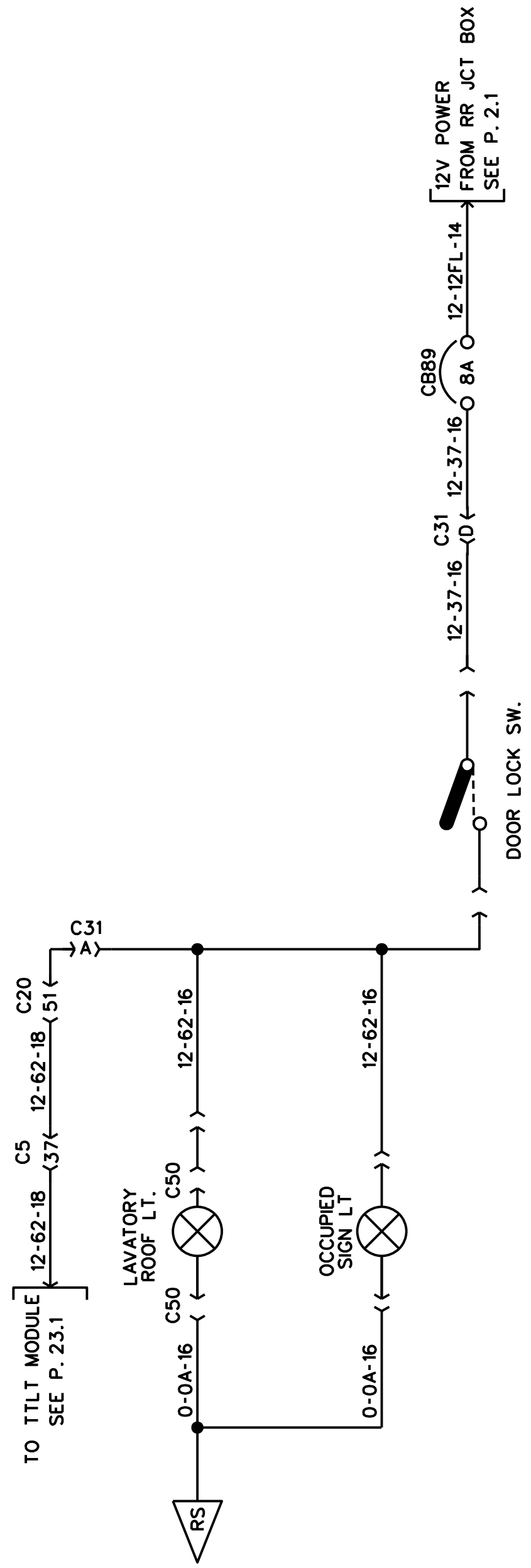
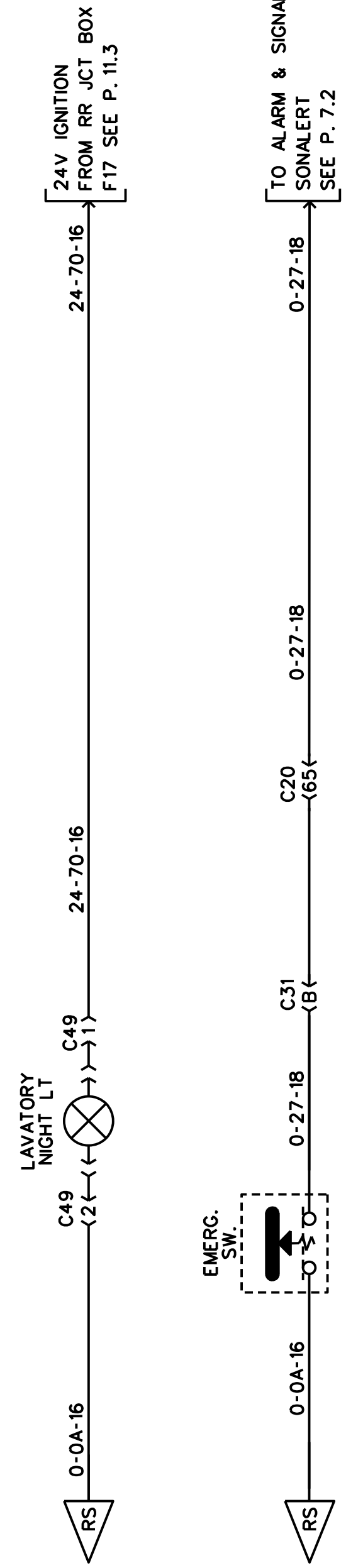
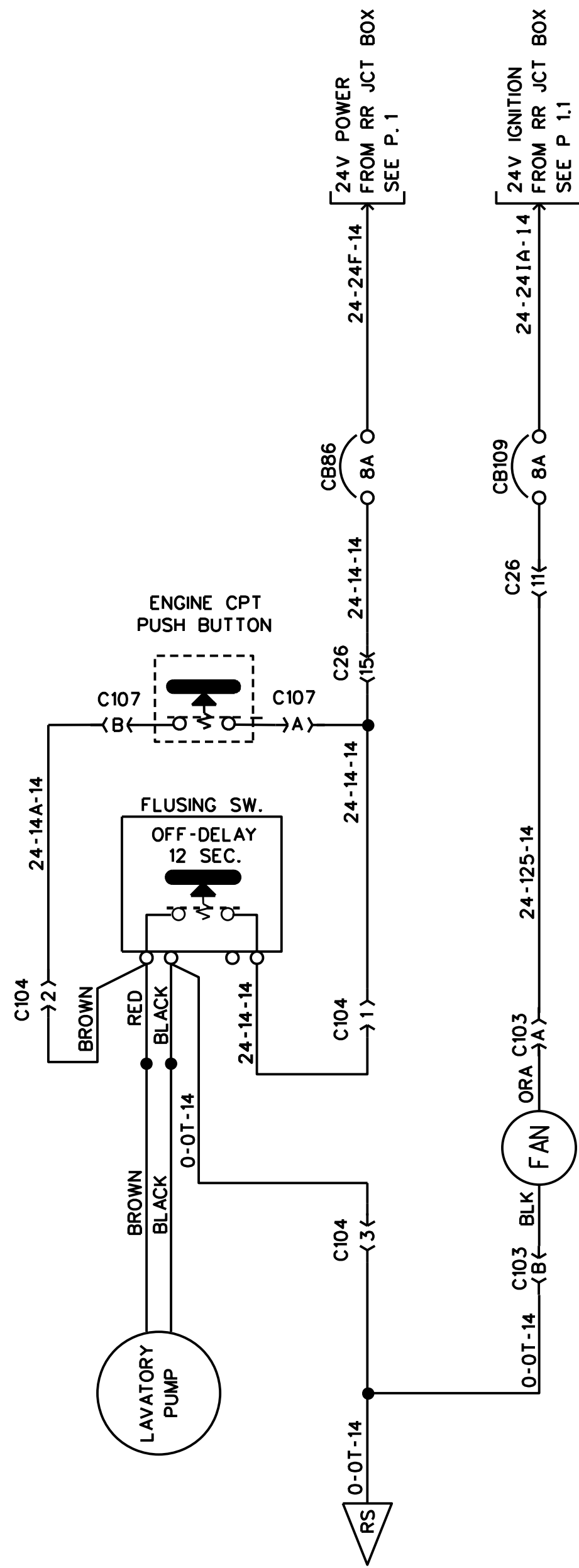
LAVATORY



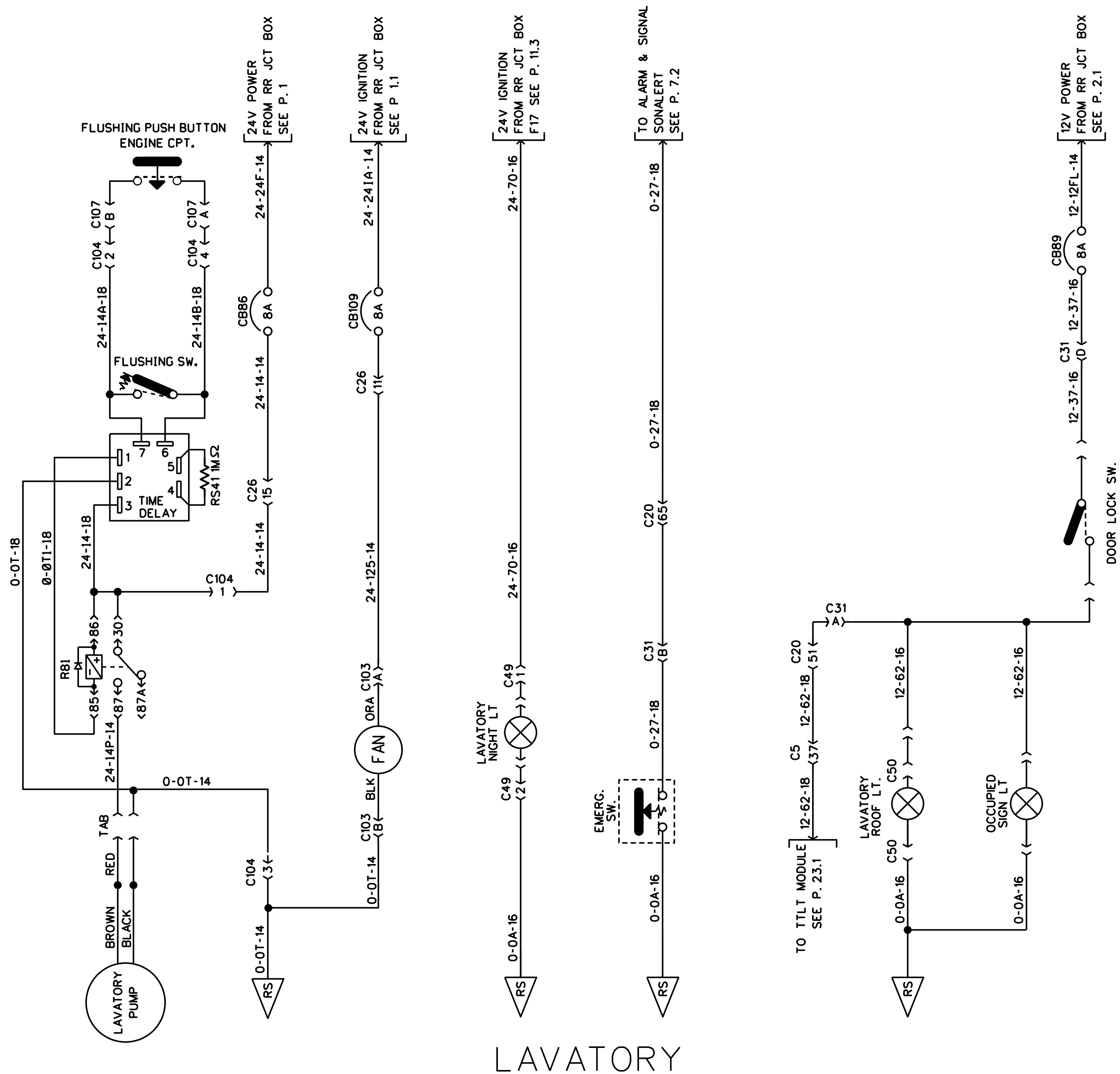
LAVATORY



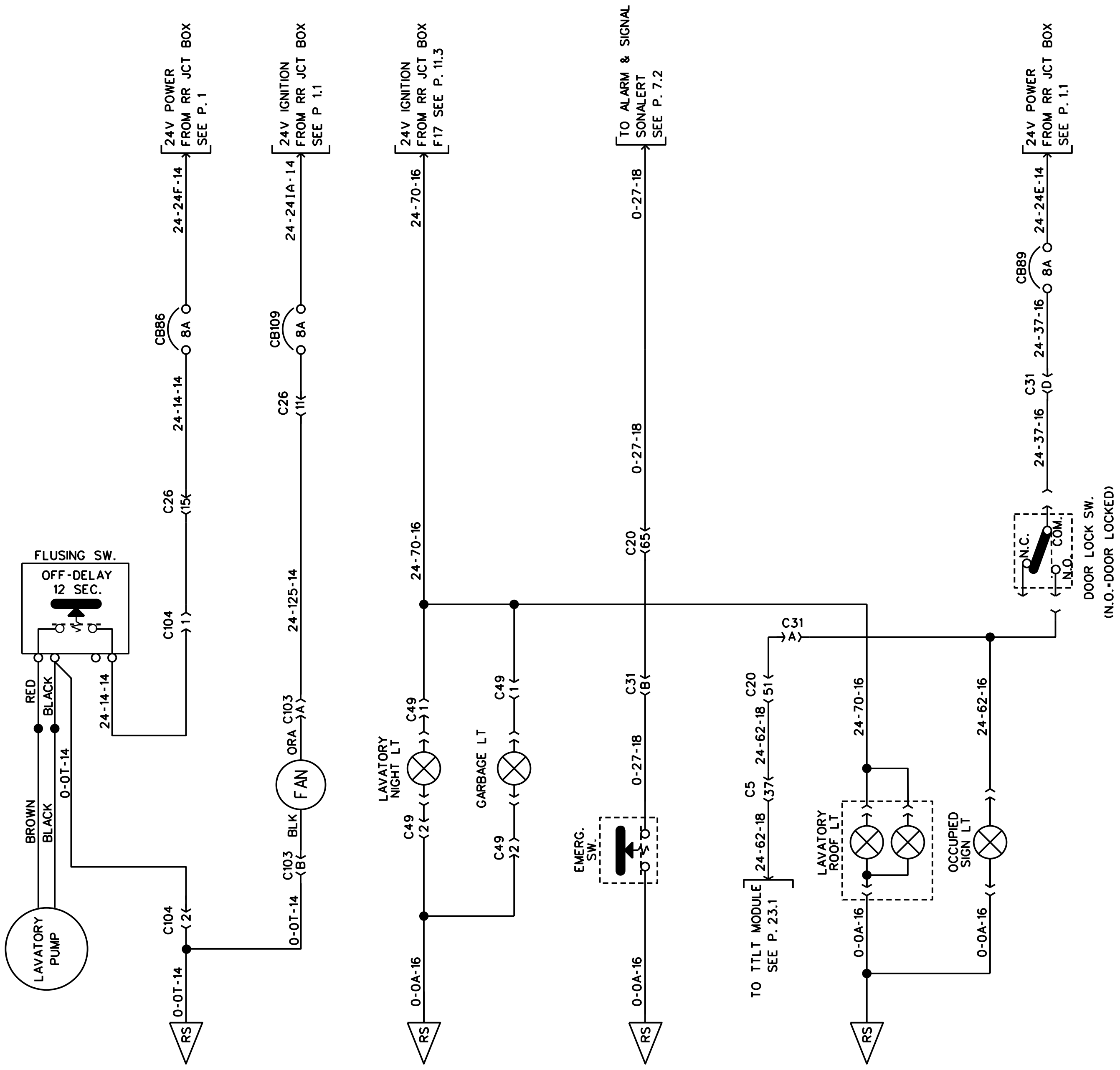
LAVATORY



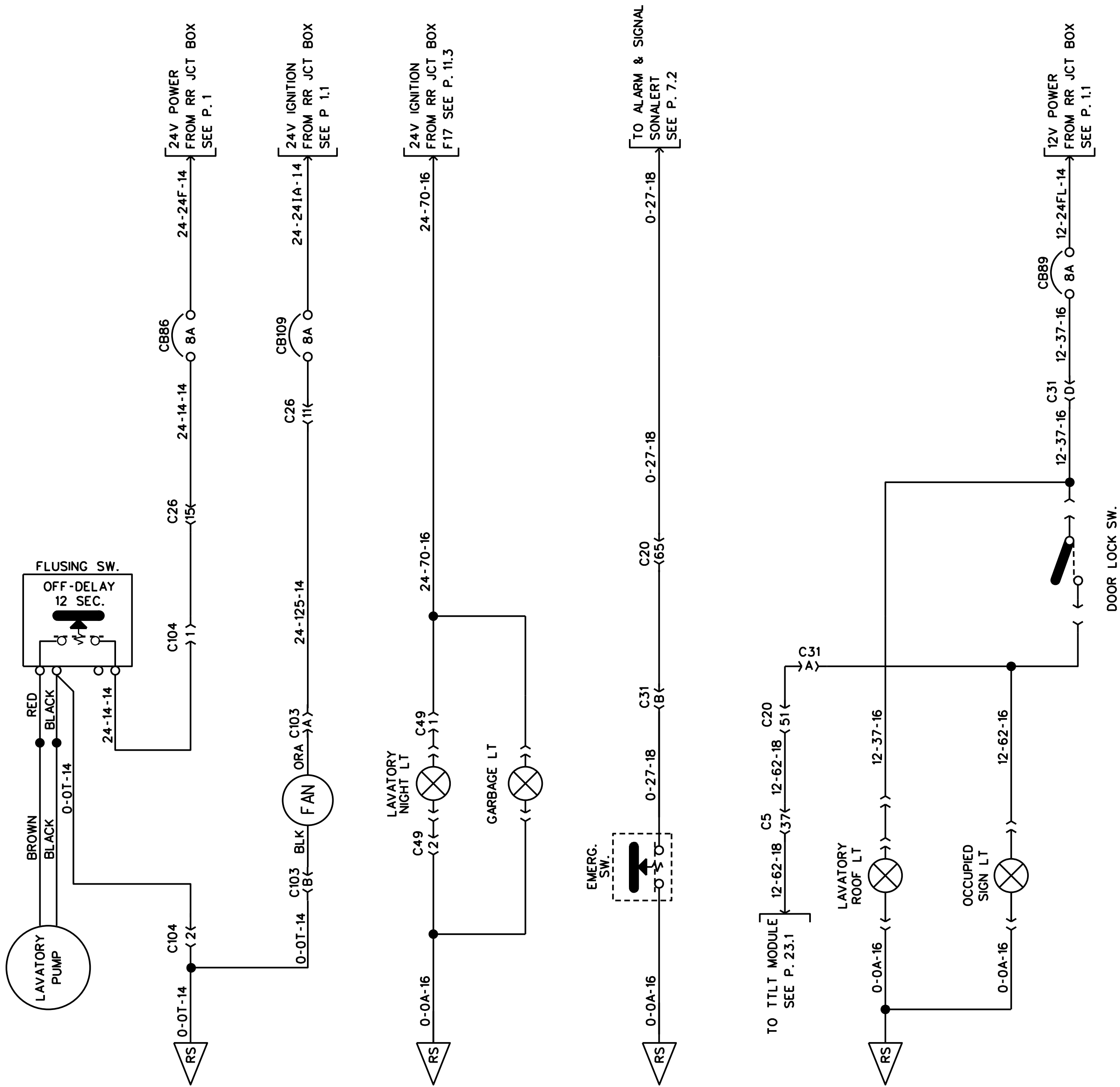
LAVATORY



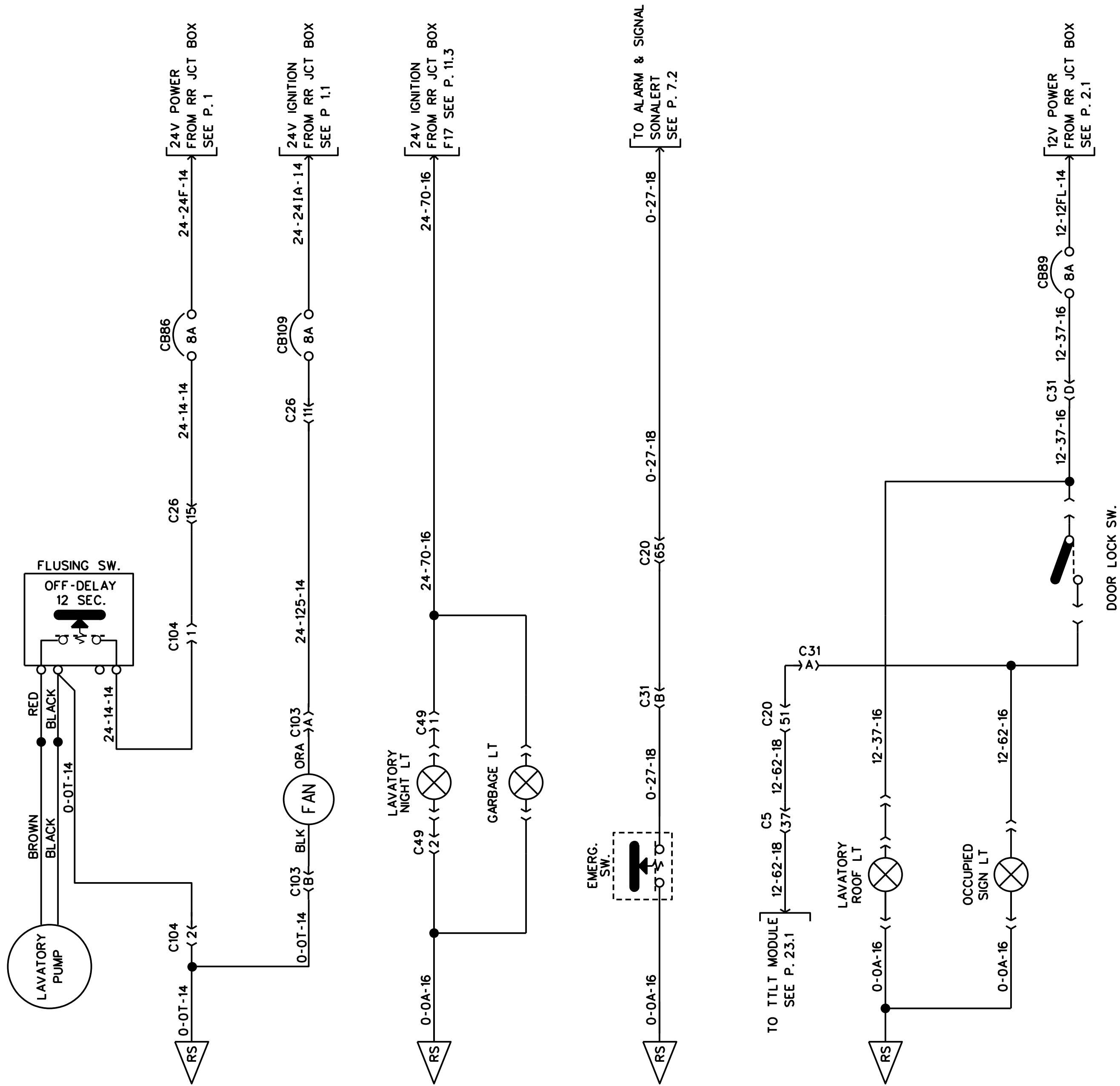
LAVATORY



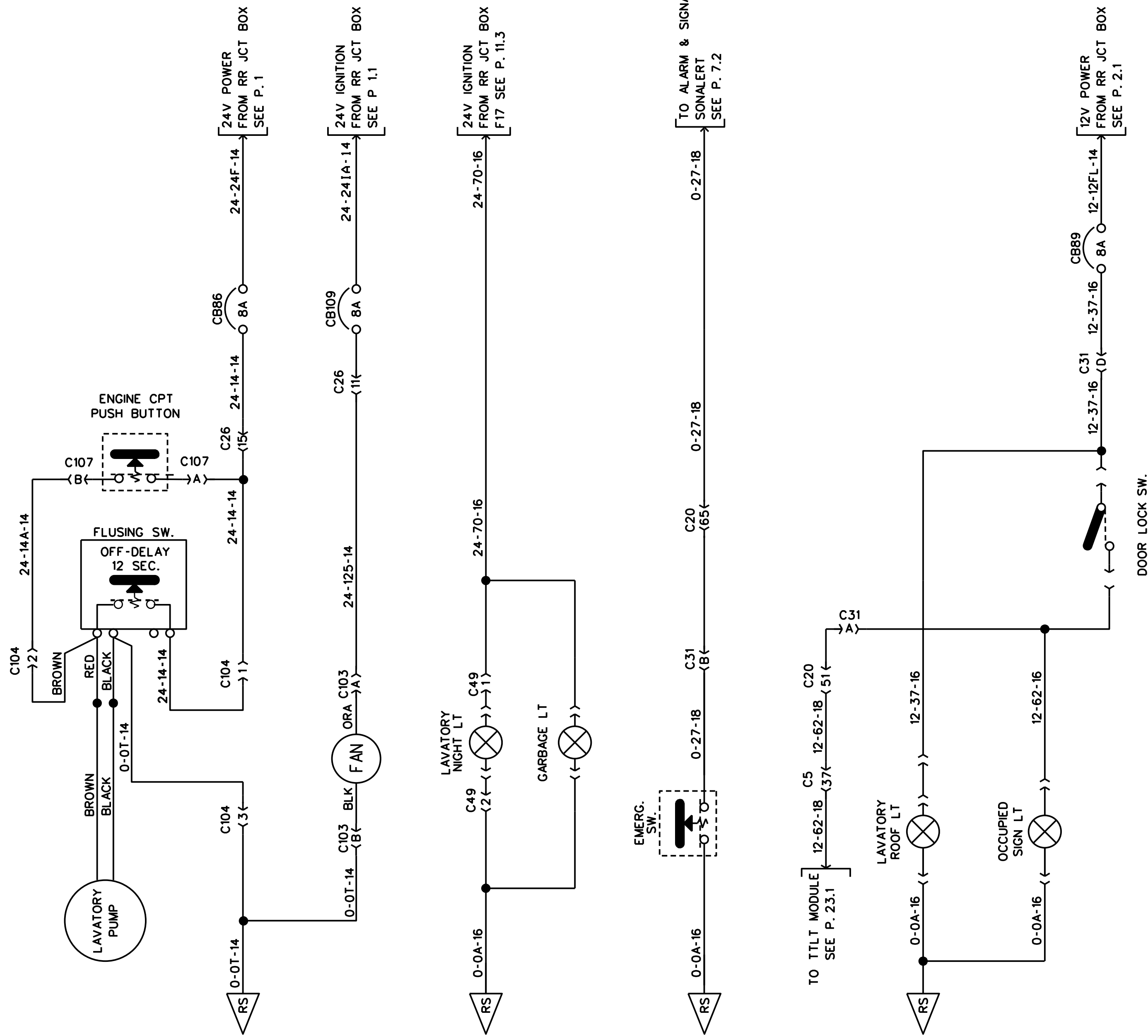
LAVATORY



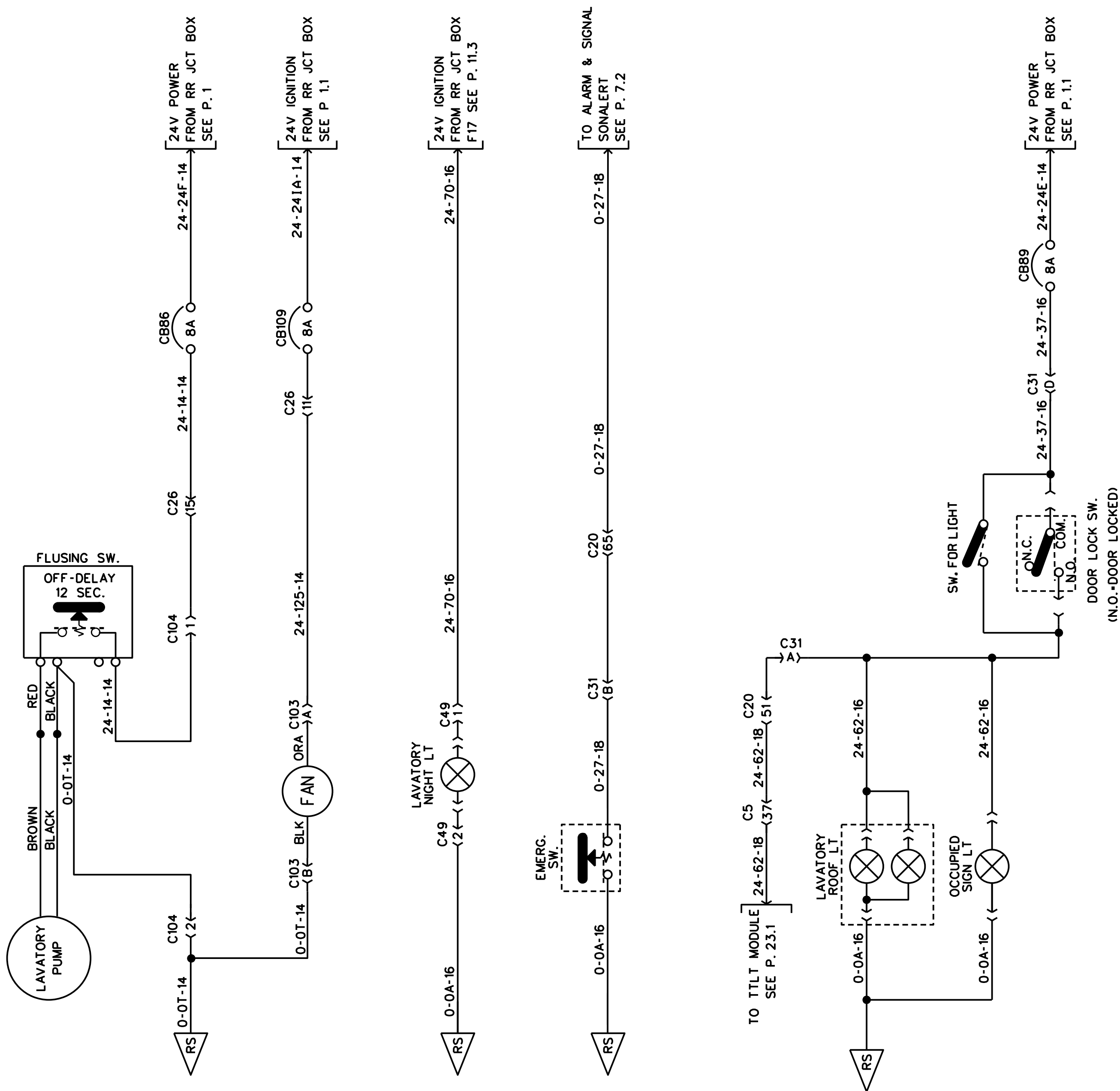
LAVATORY



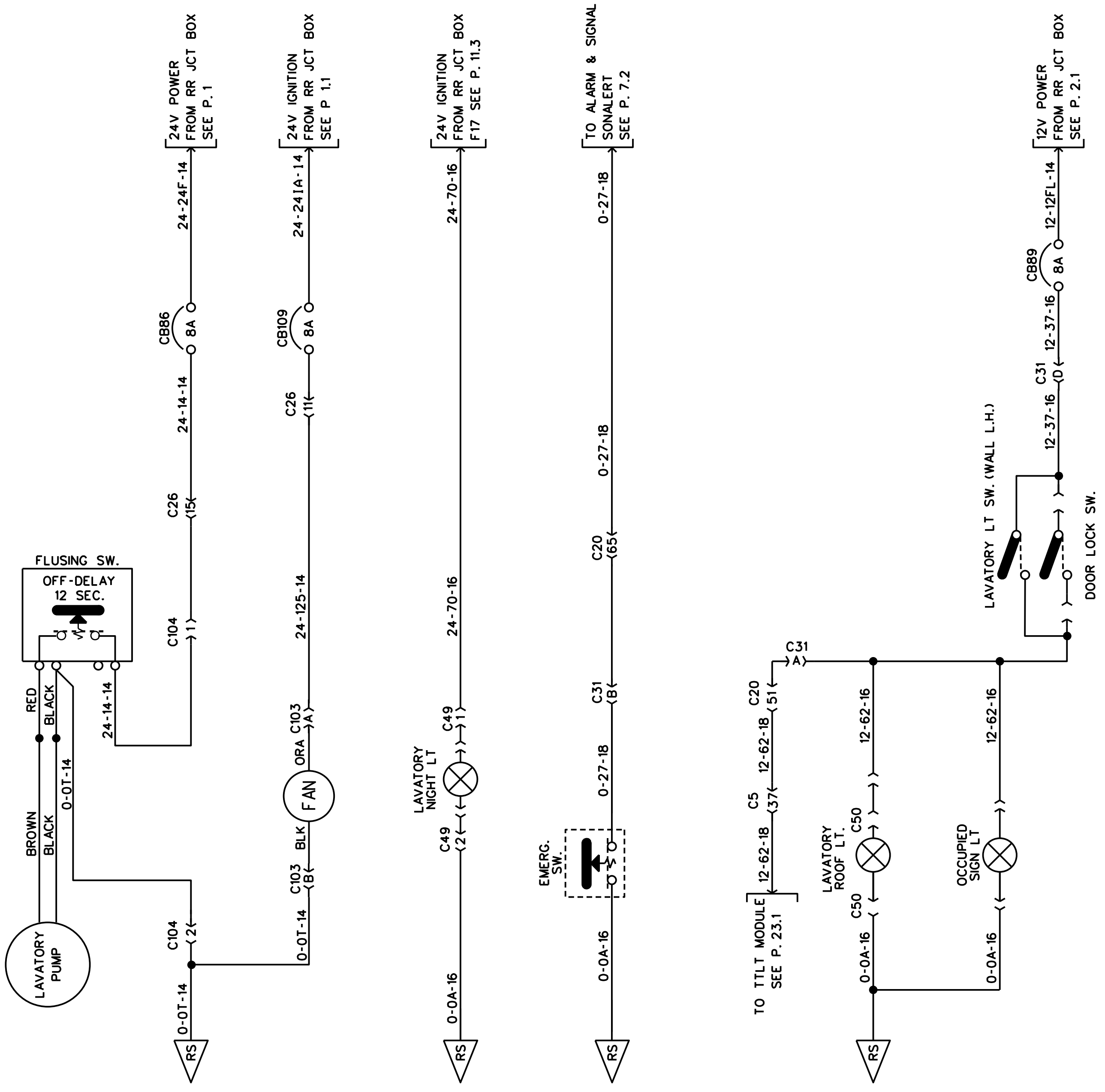
LAVATORY



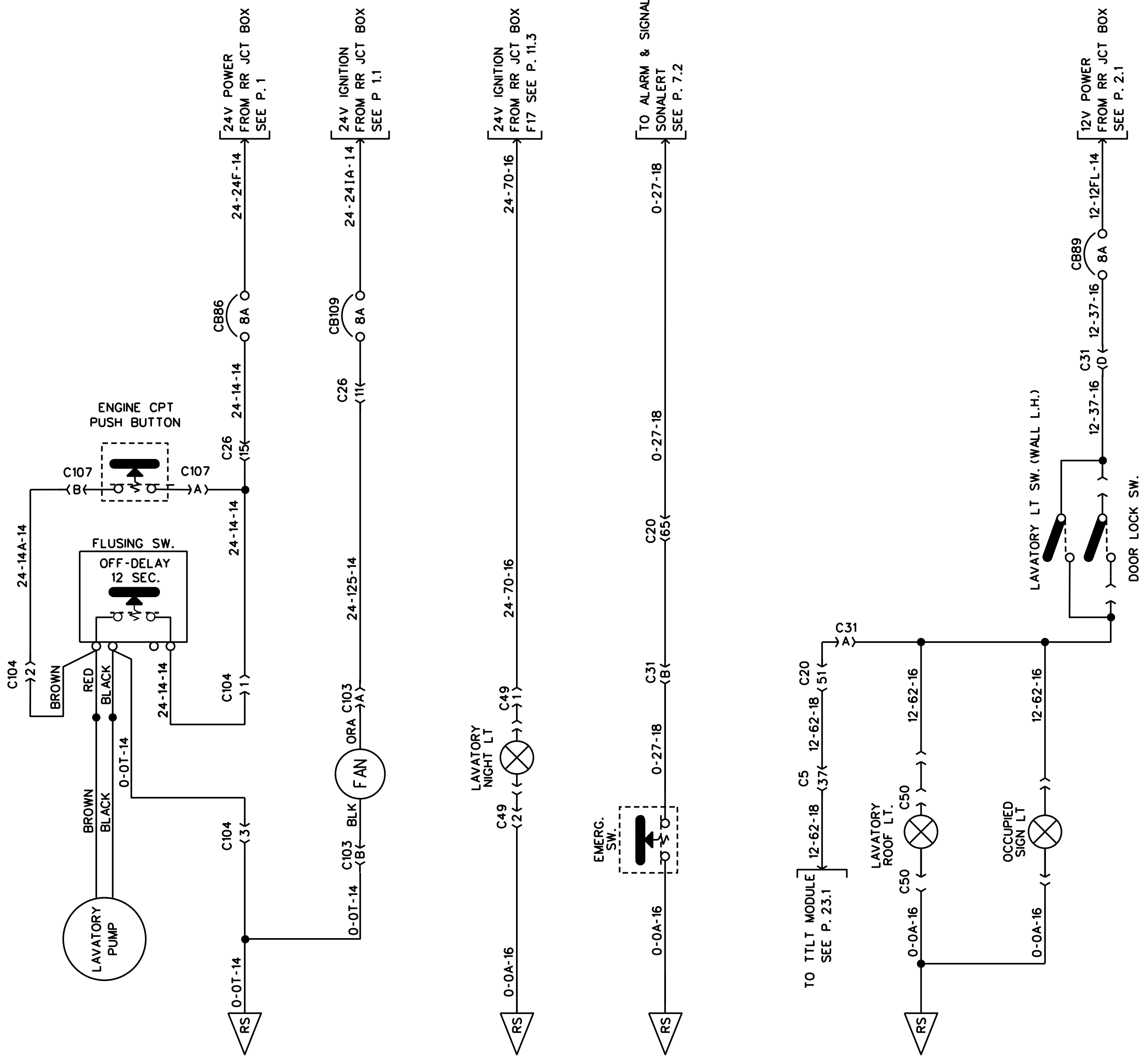
LAVATORY



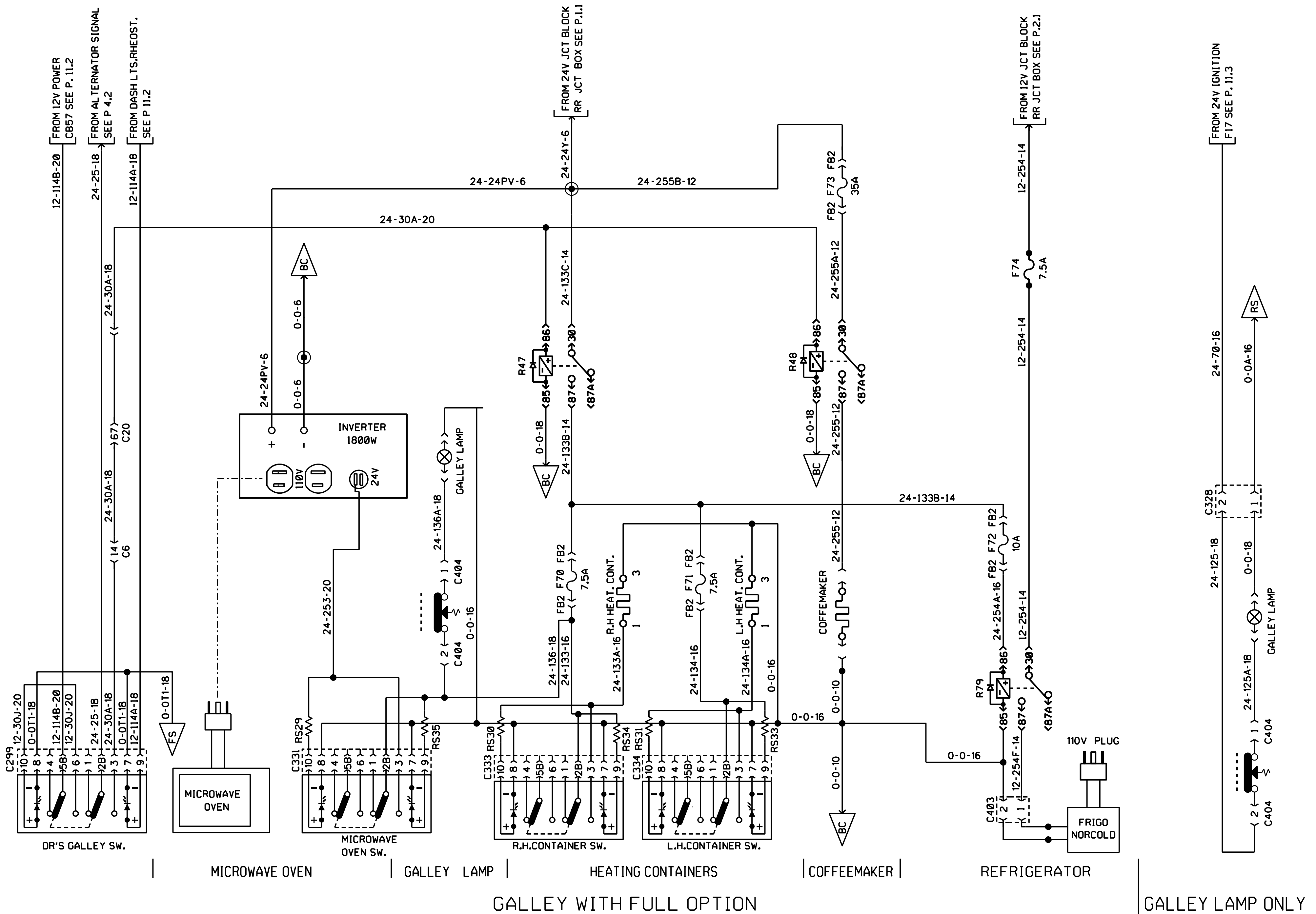
LAVATORY SWITCH ADDED FOR LIGHT

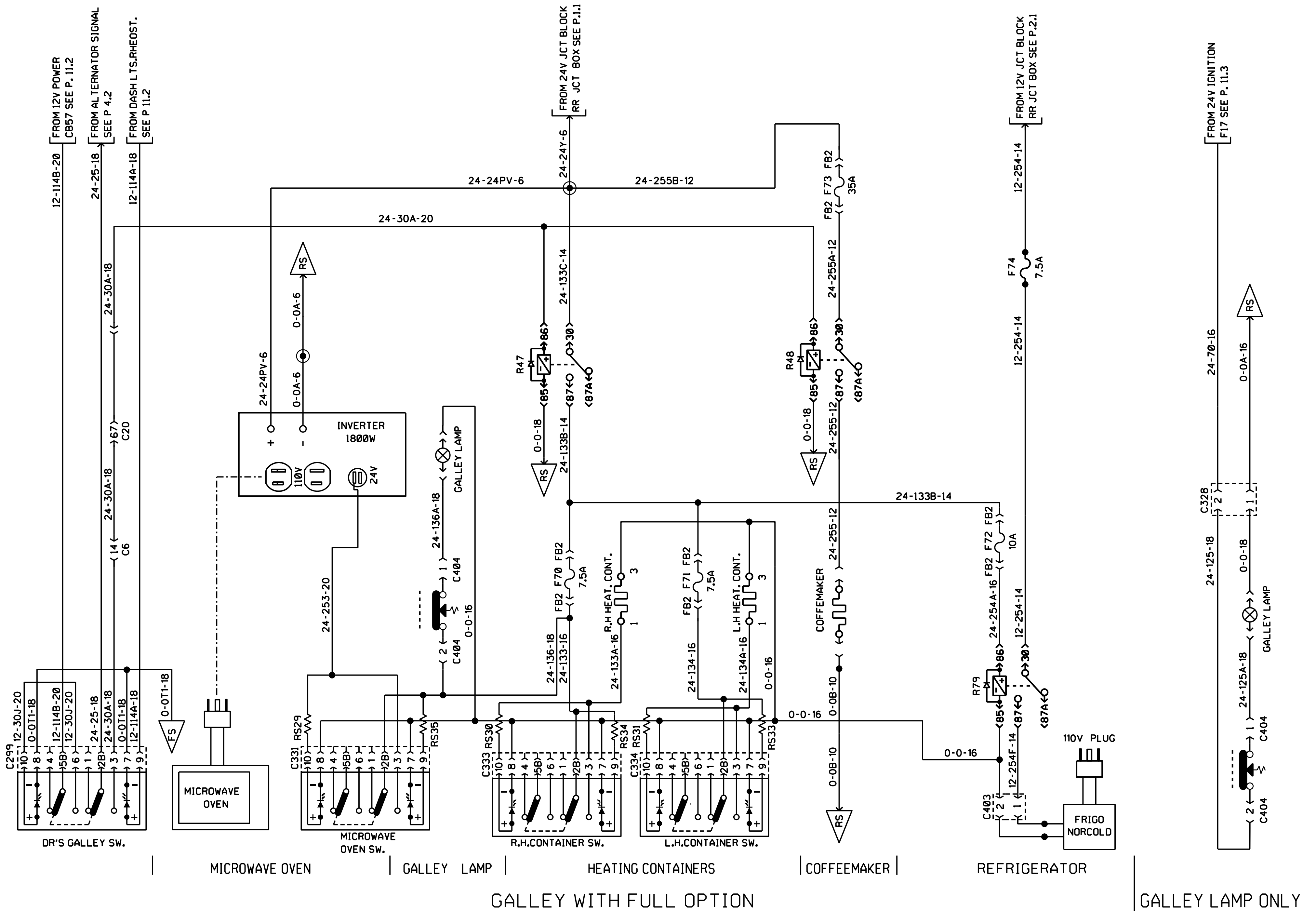


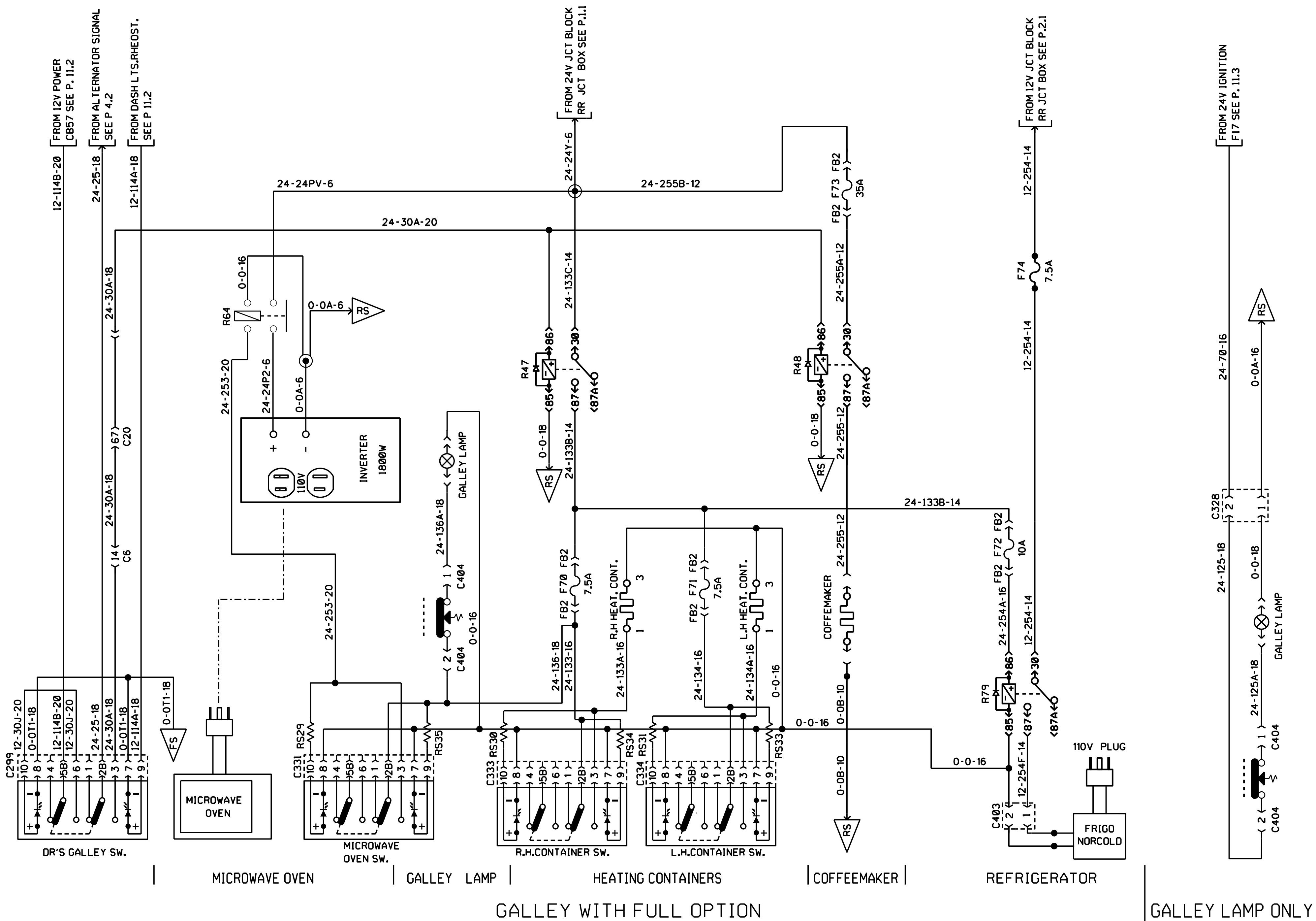
LAVATORY

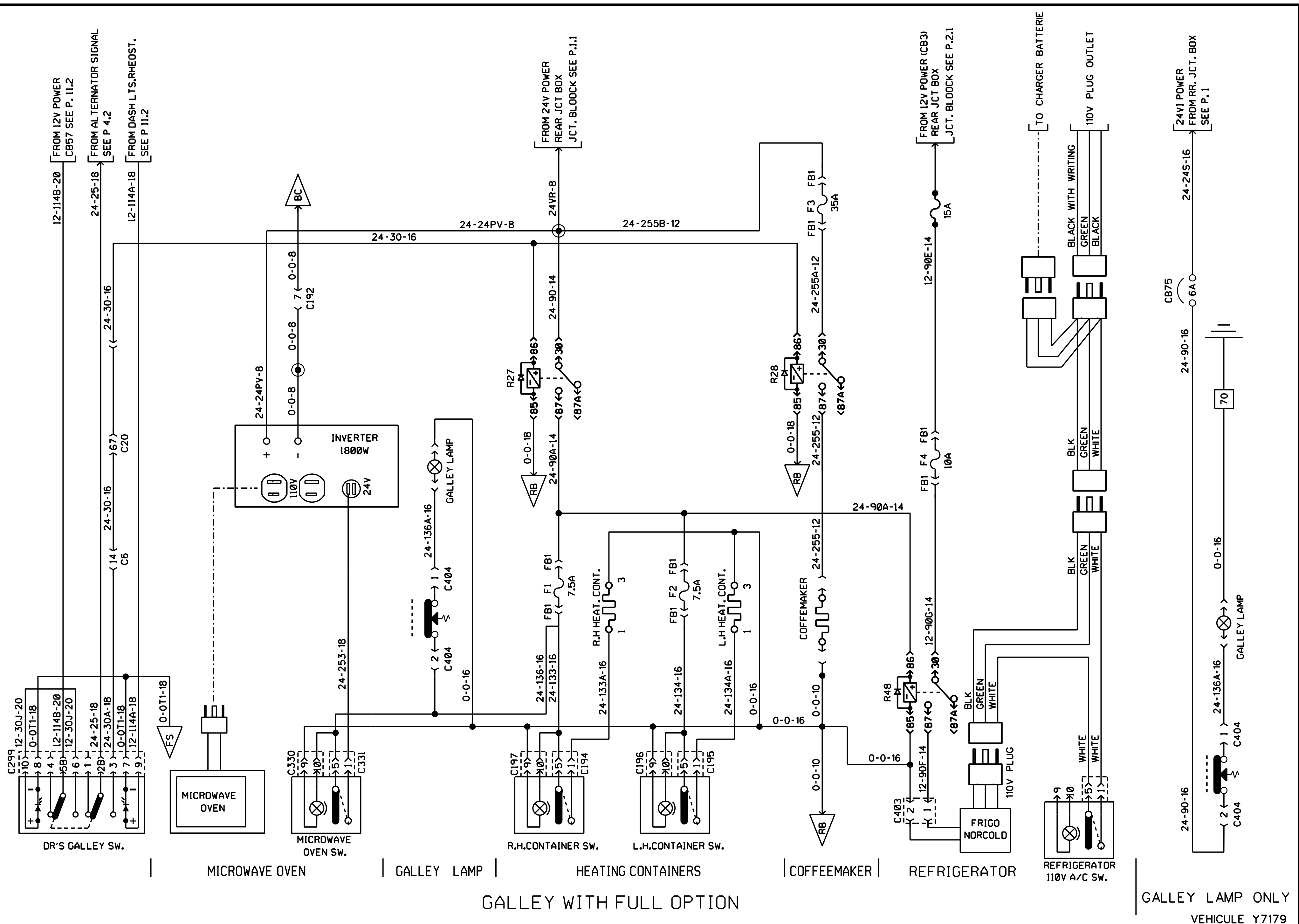


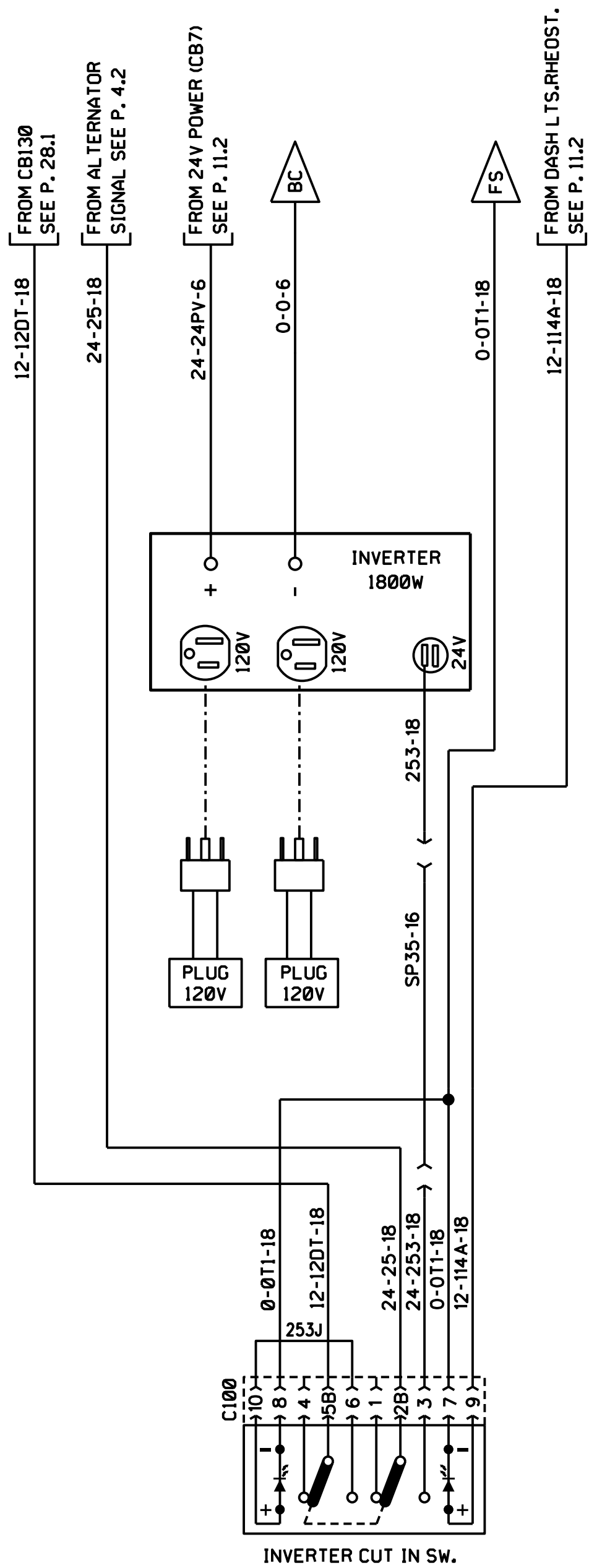
LAVATORY



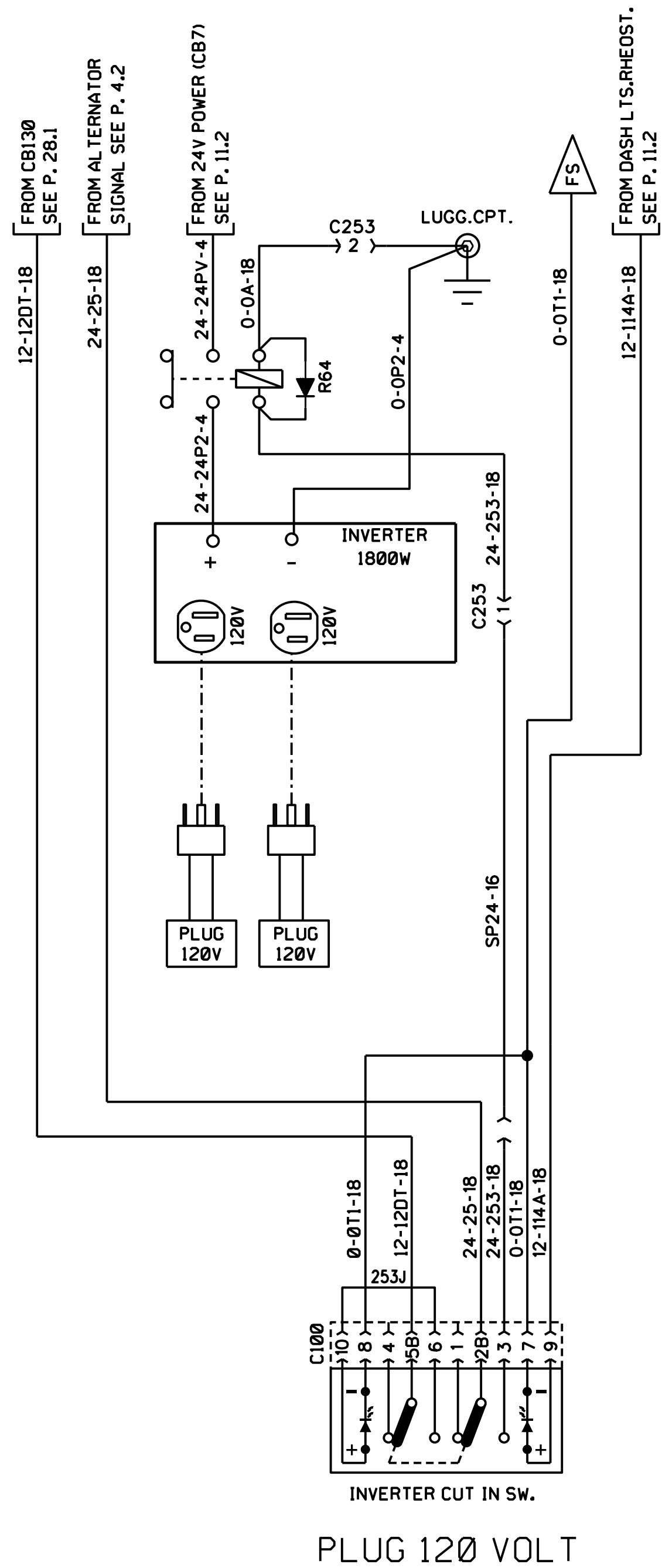


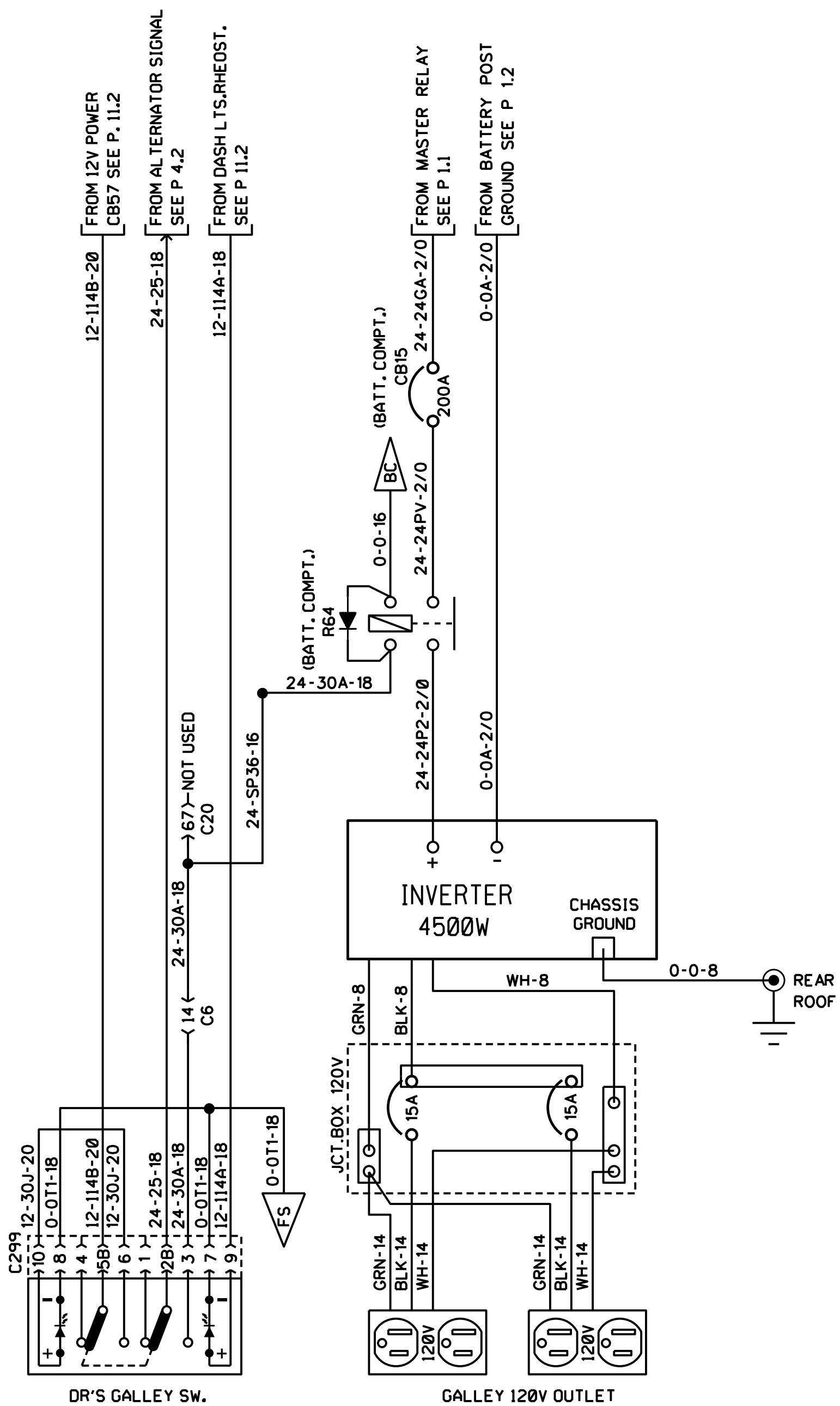




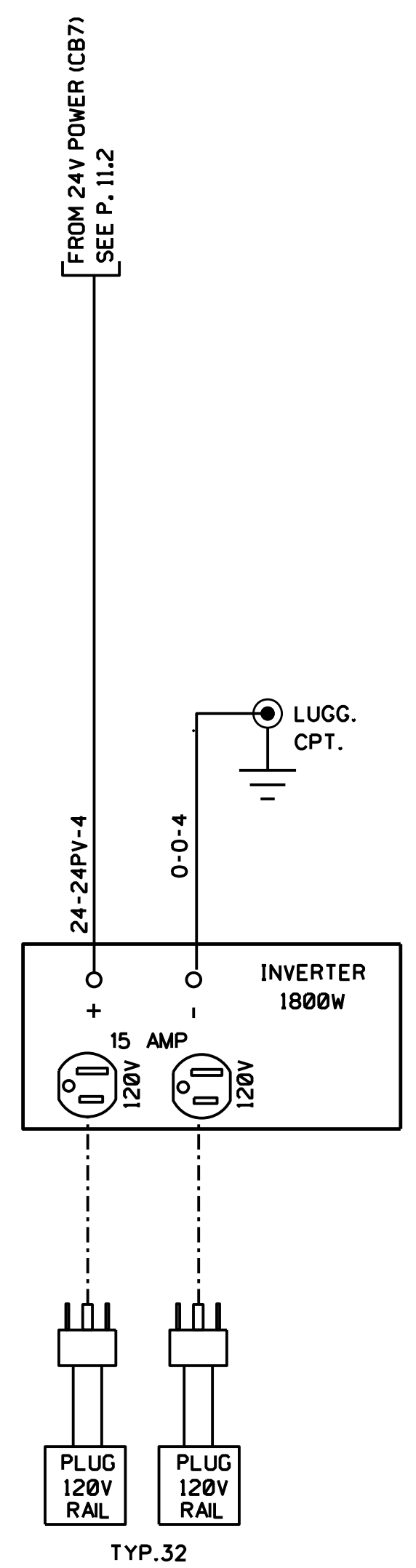


PLUG 120 VOLT

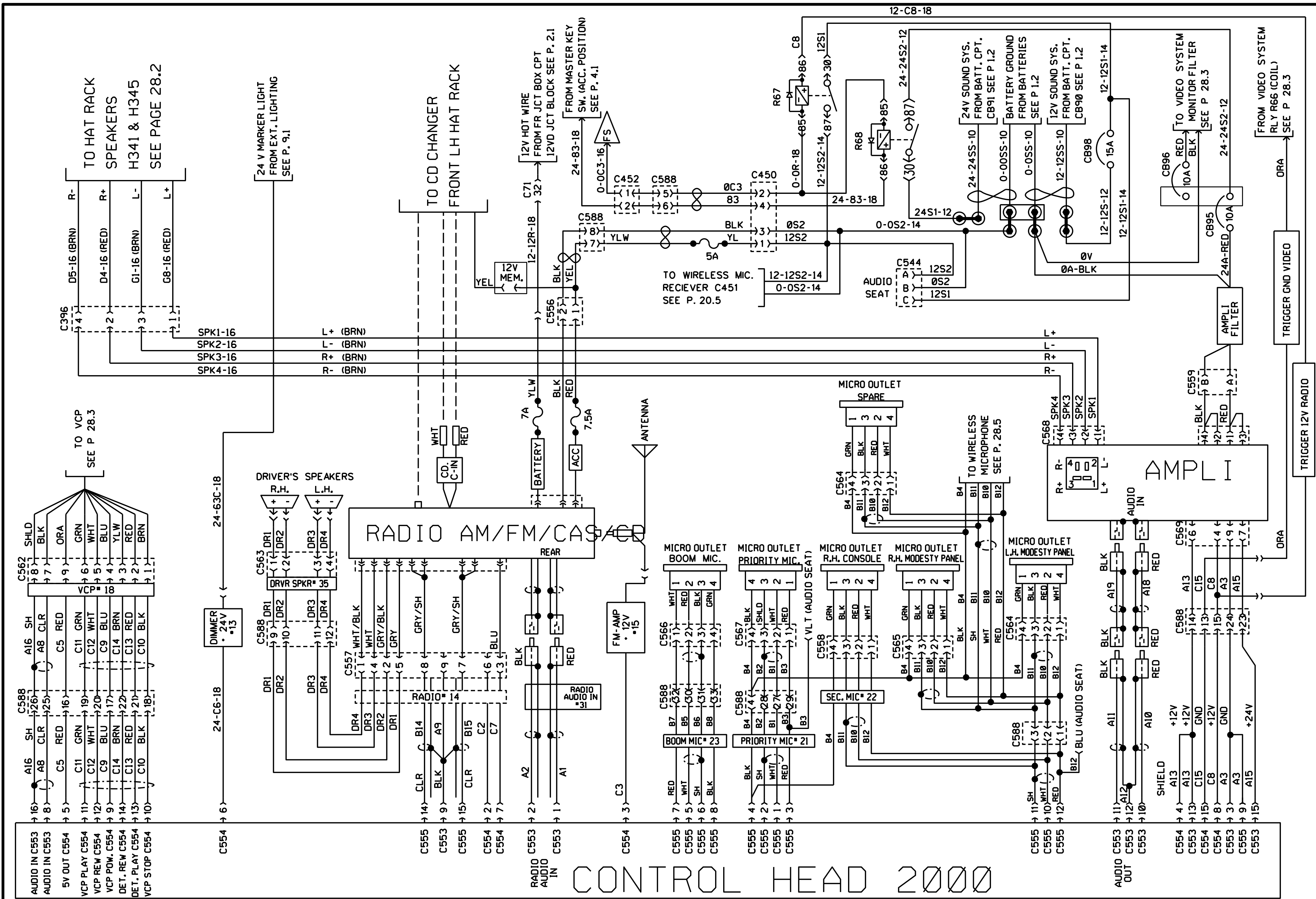




INVERTER GALLEY

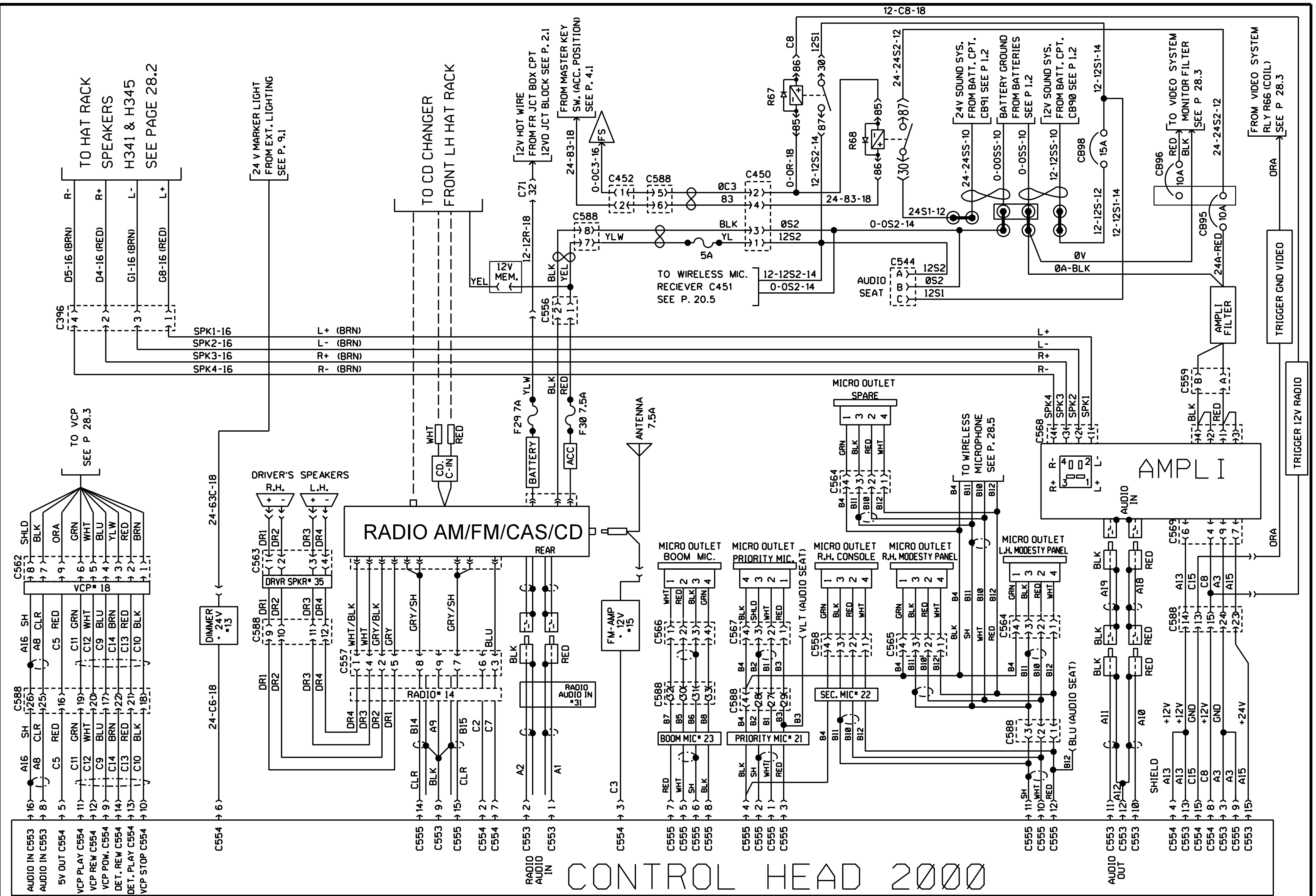


INVERTER PLUG 120 VOLT



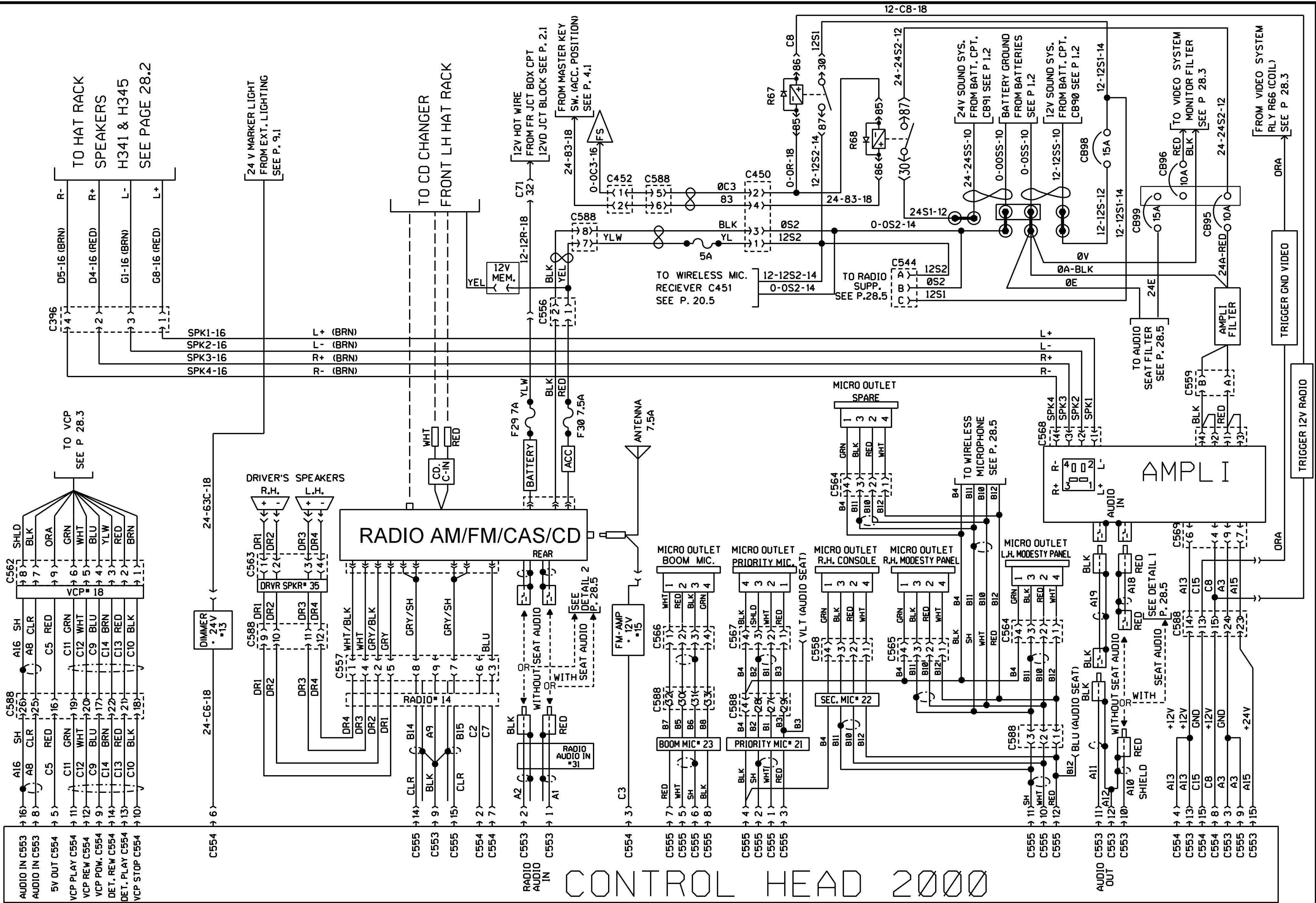
CONTROL HEAD 2000

SOUND SYSTEM H3-45



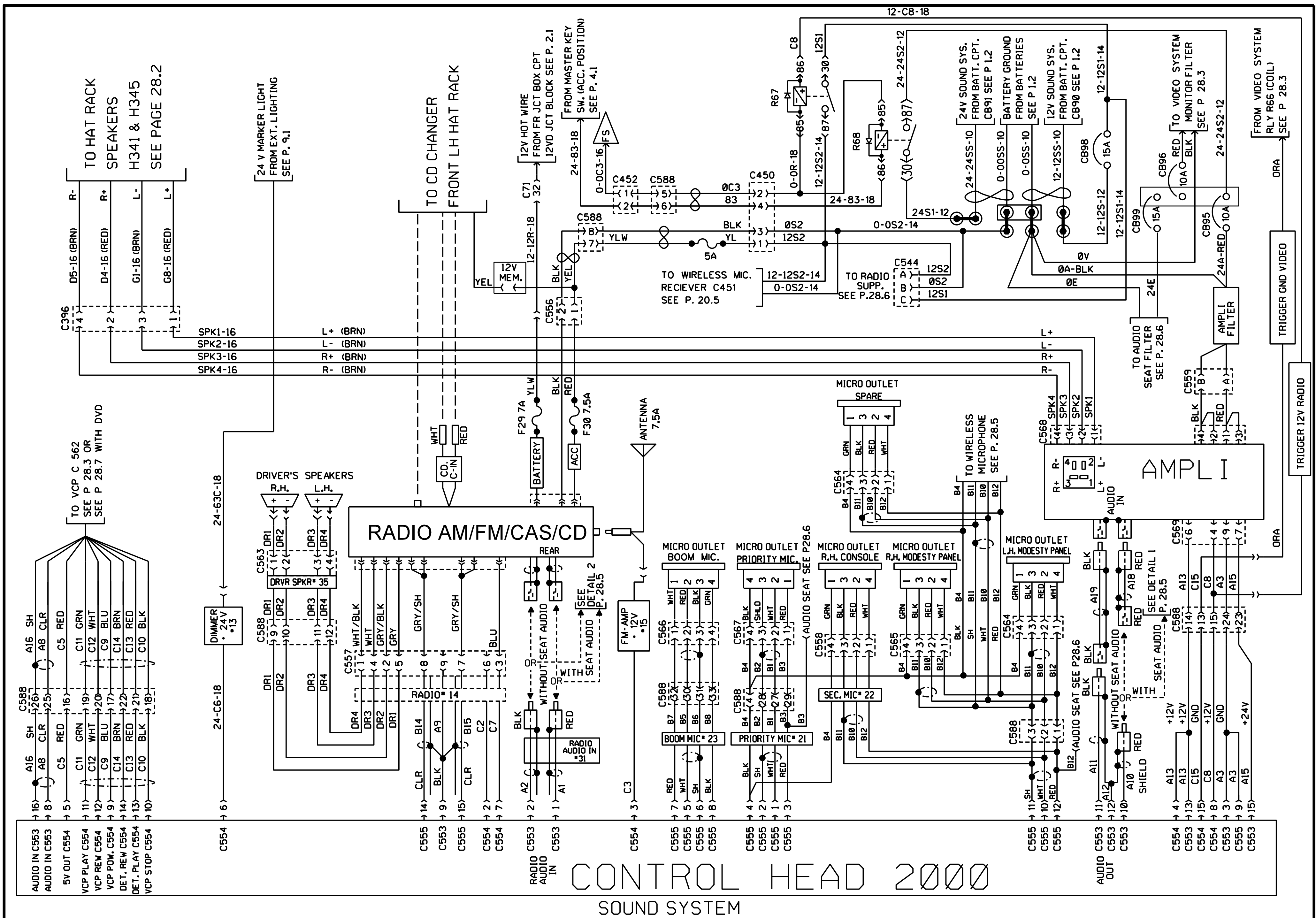
CONTROL HEAD 2000

SOUND SYSTEM H3-45

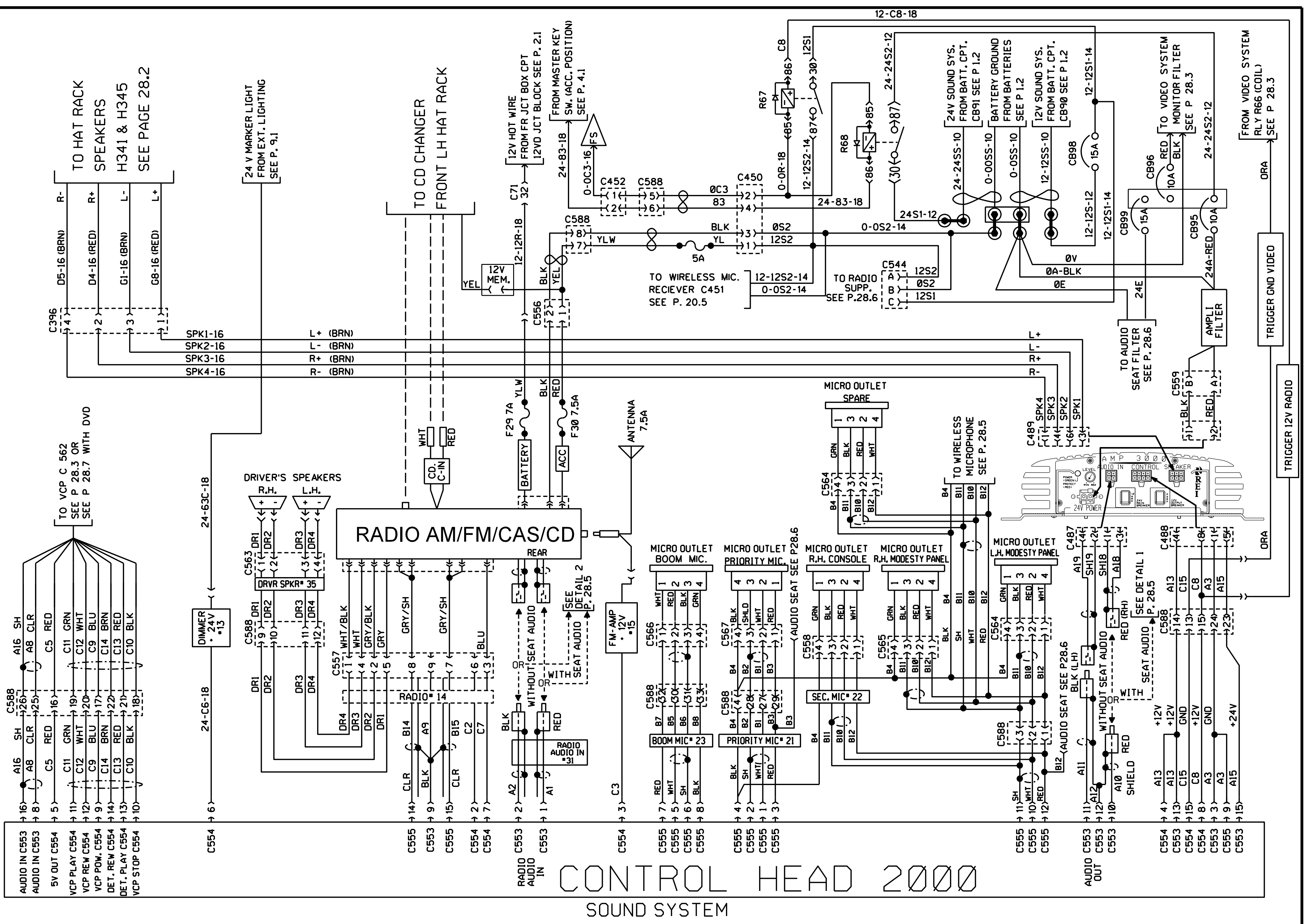


CONTROL HEAD 2000

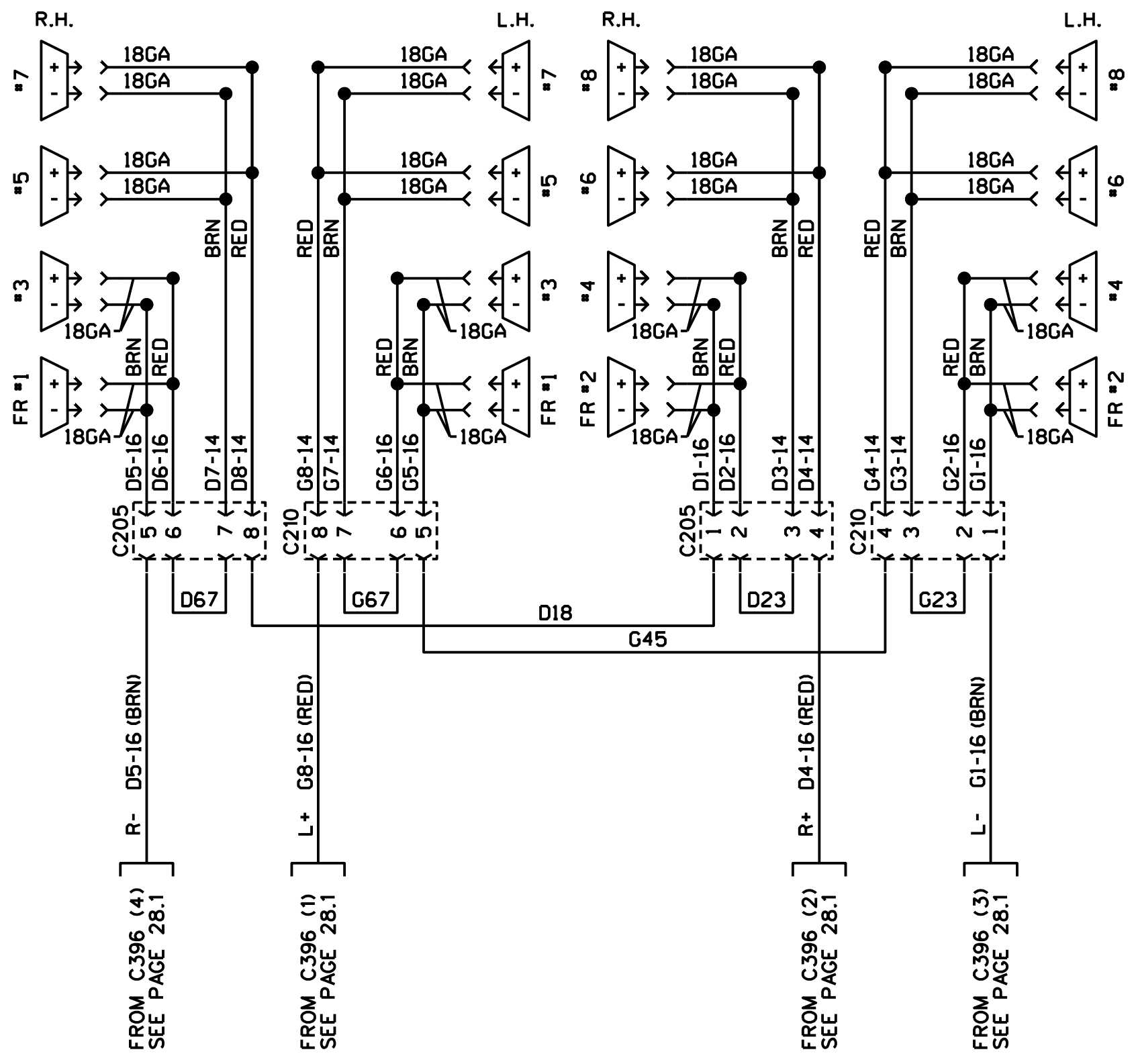
SOUND SYSTEM



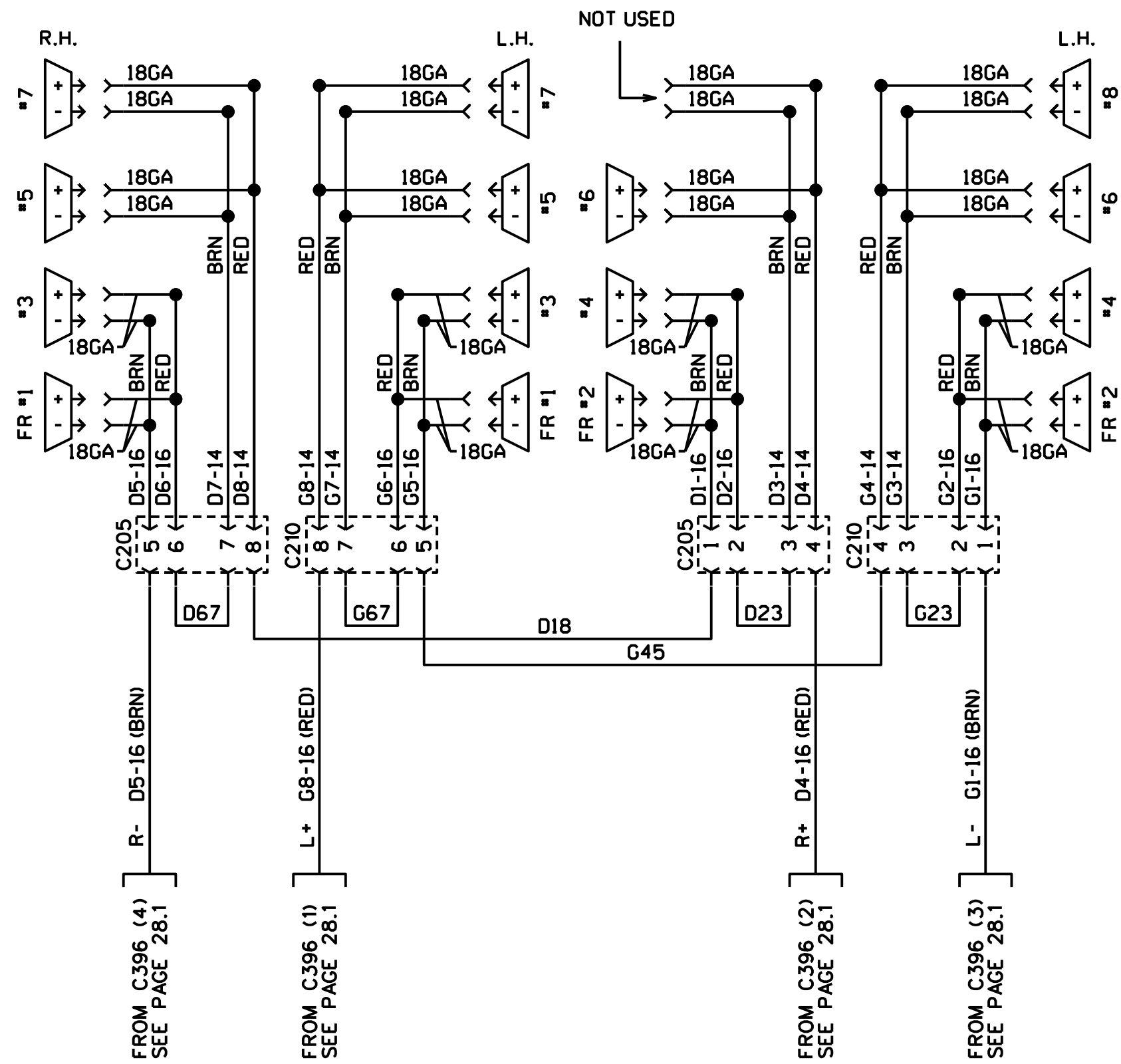
CONTROL HEAD 2000
SOUND SYSTEM



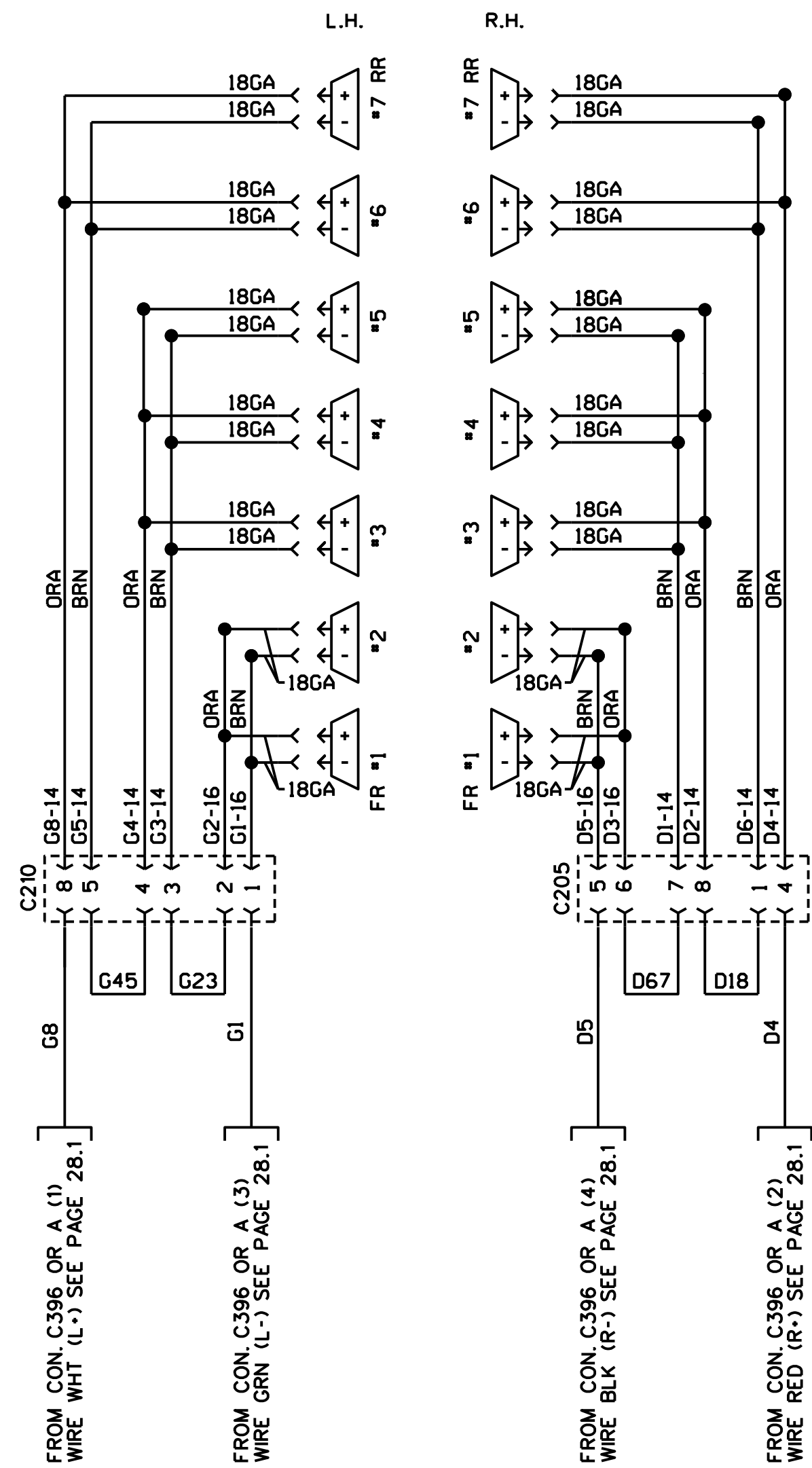
CONTROL HEAD 2000
SOUND SYSTEM



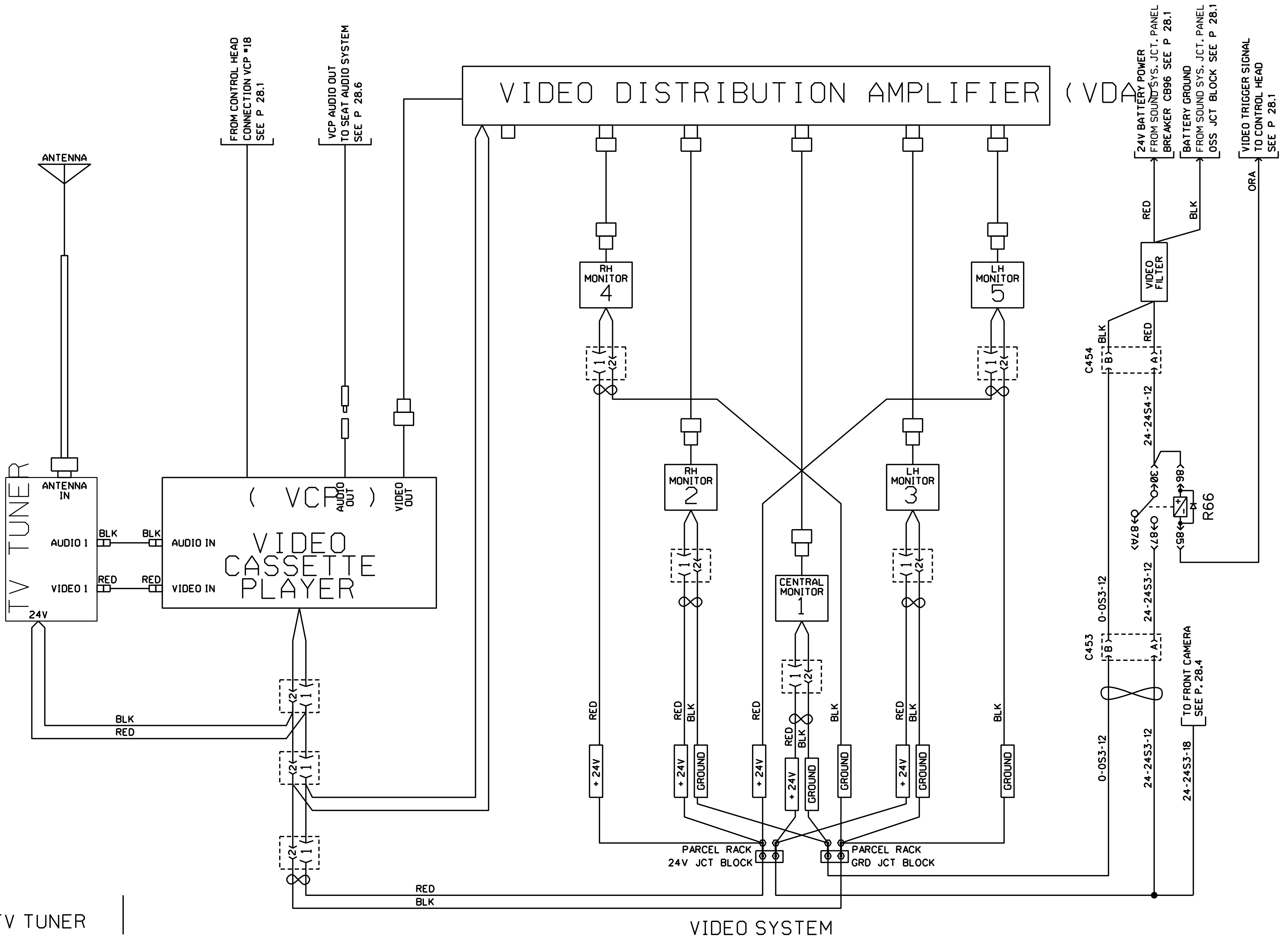
HAT RACK SPEAKERS XL2-45



HAT RACK SPEAKERS XL2-45

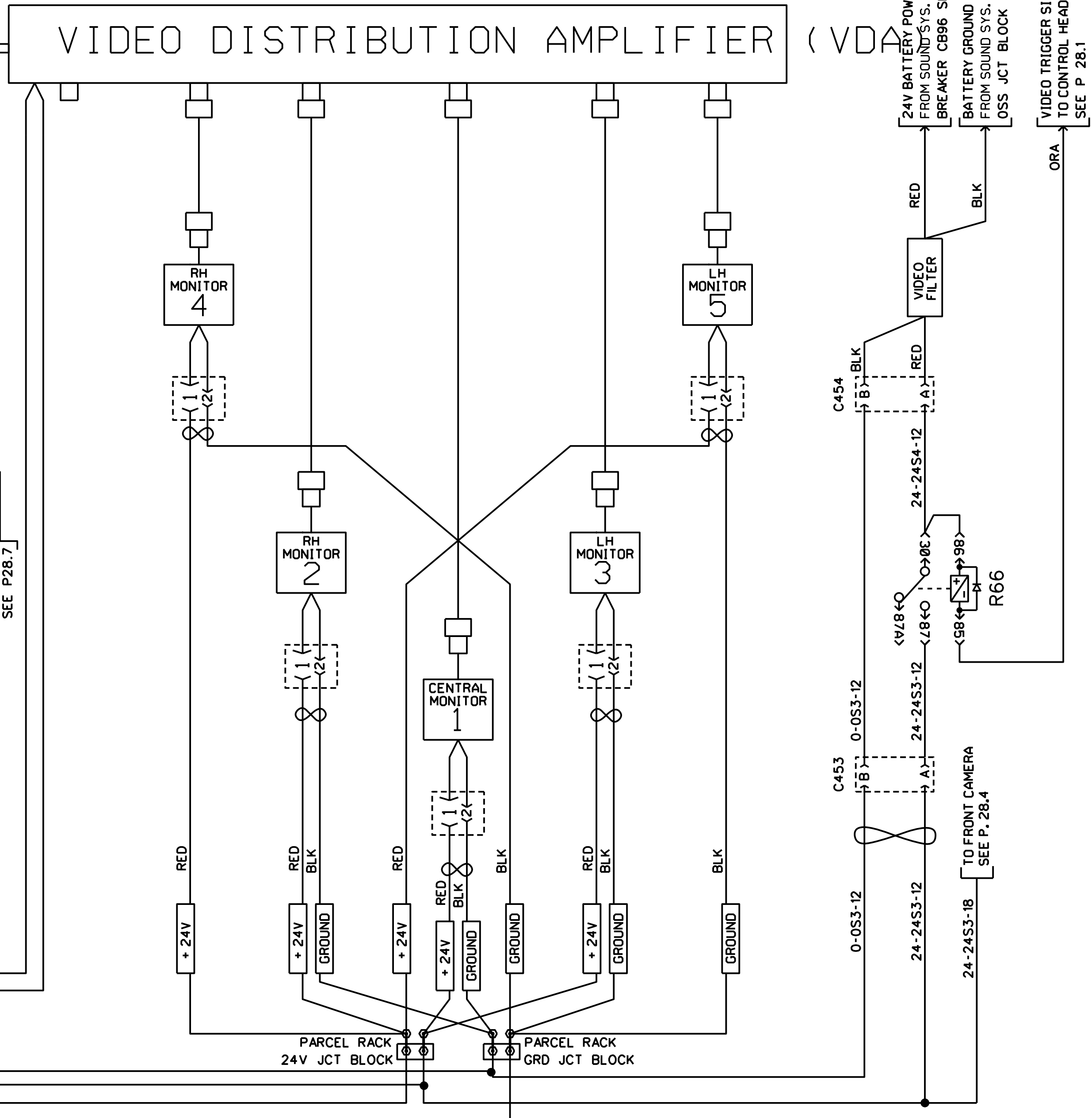
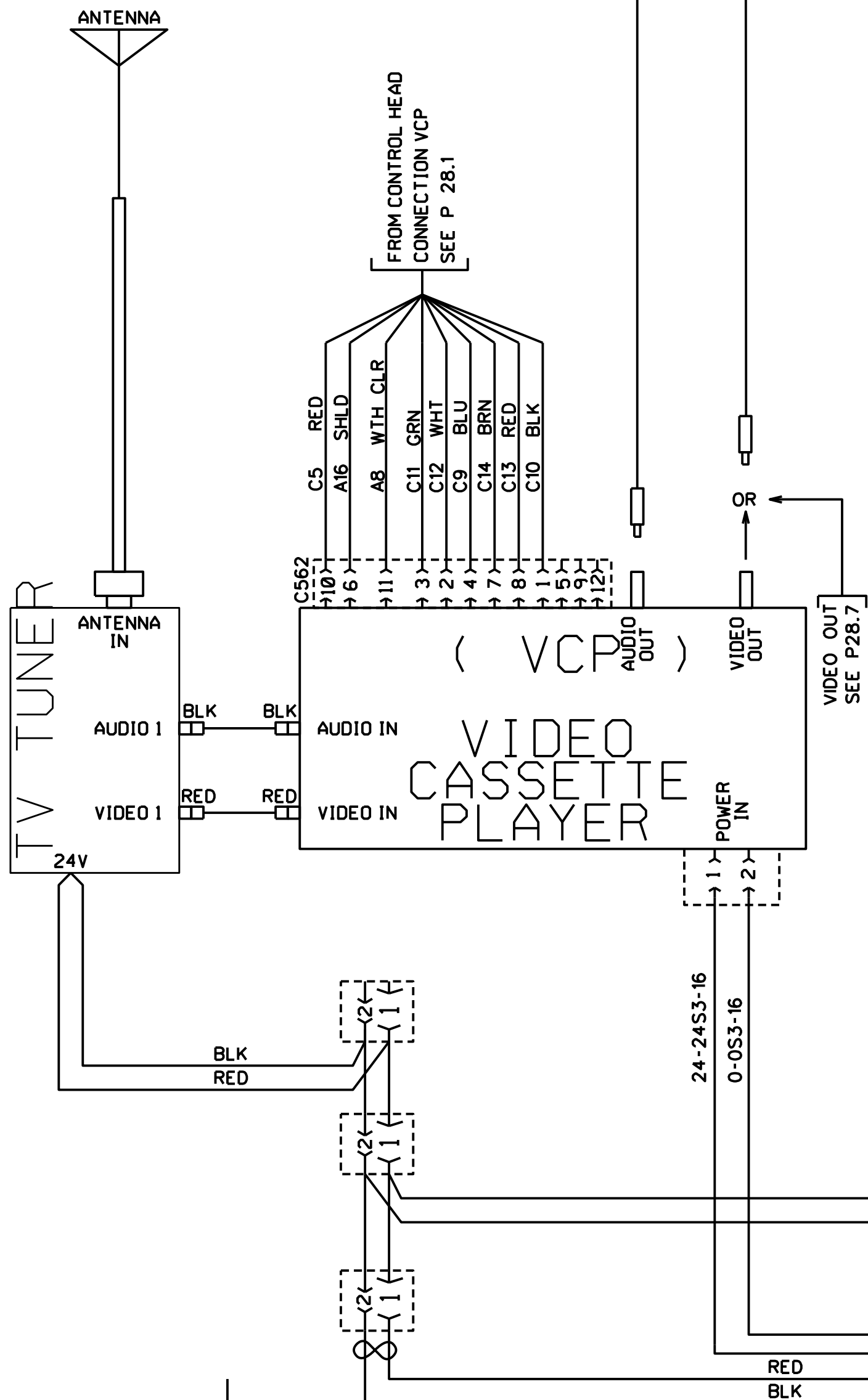


HAT RACK SPEAKERS XL2-45



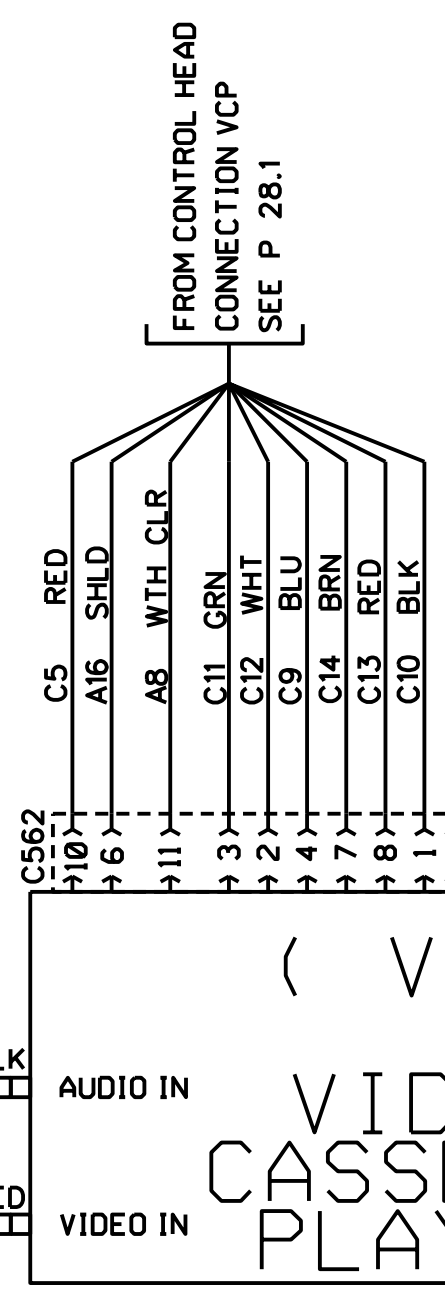
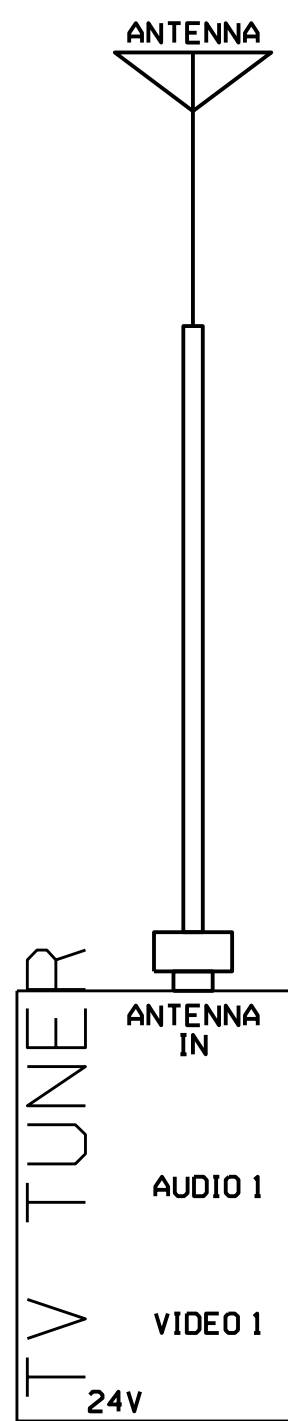
TV TUNER

VIDEO SYSTEM



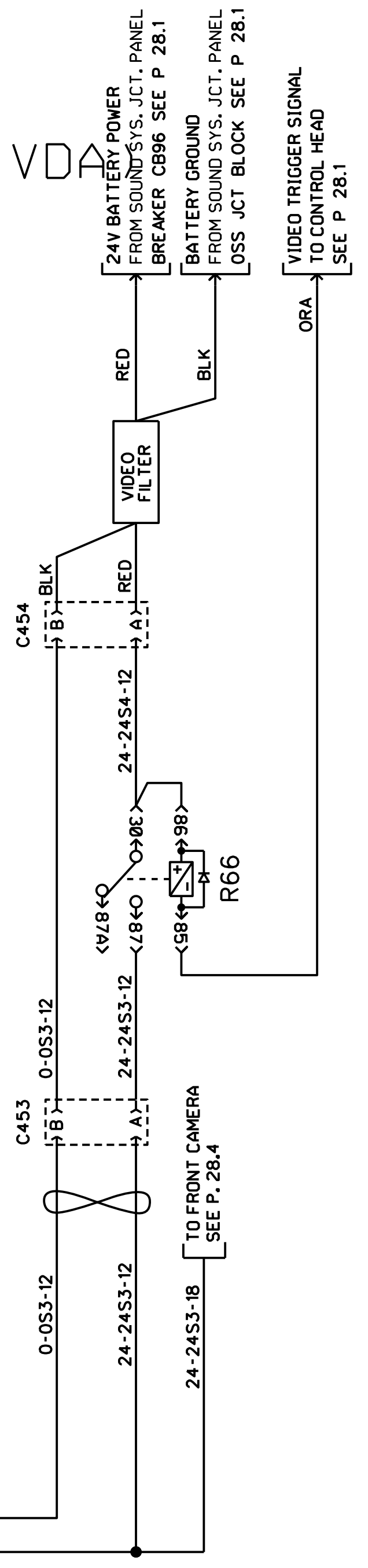
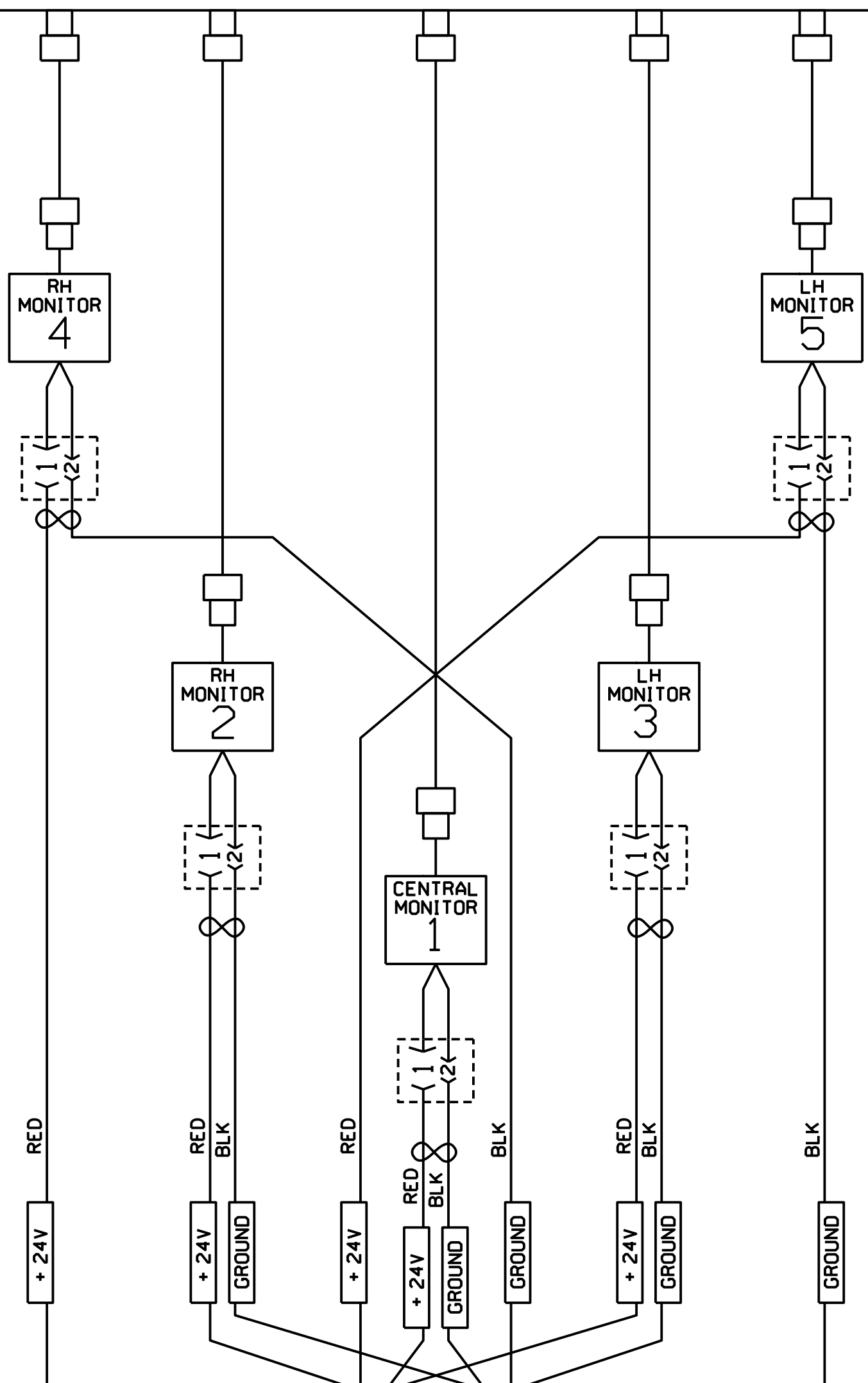
TV TUNER

VIDEO SYSTEM



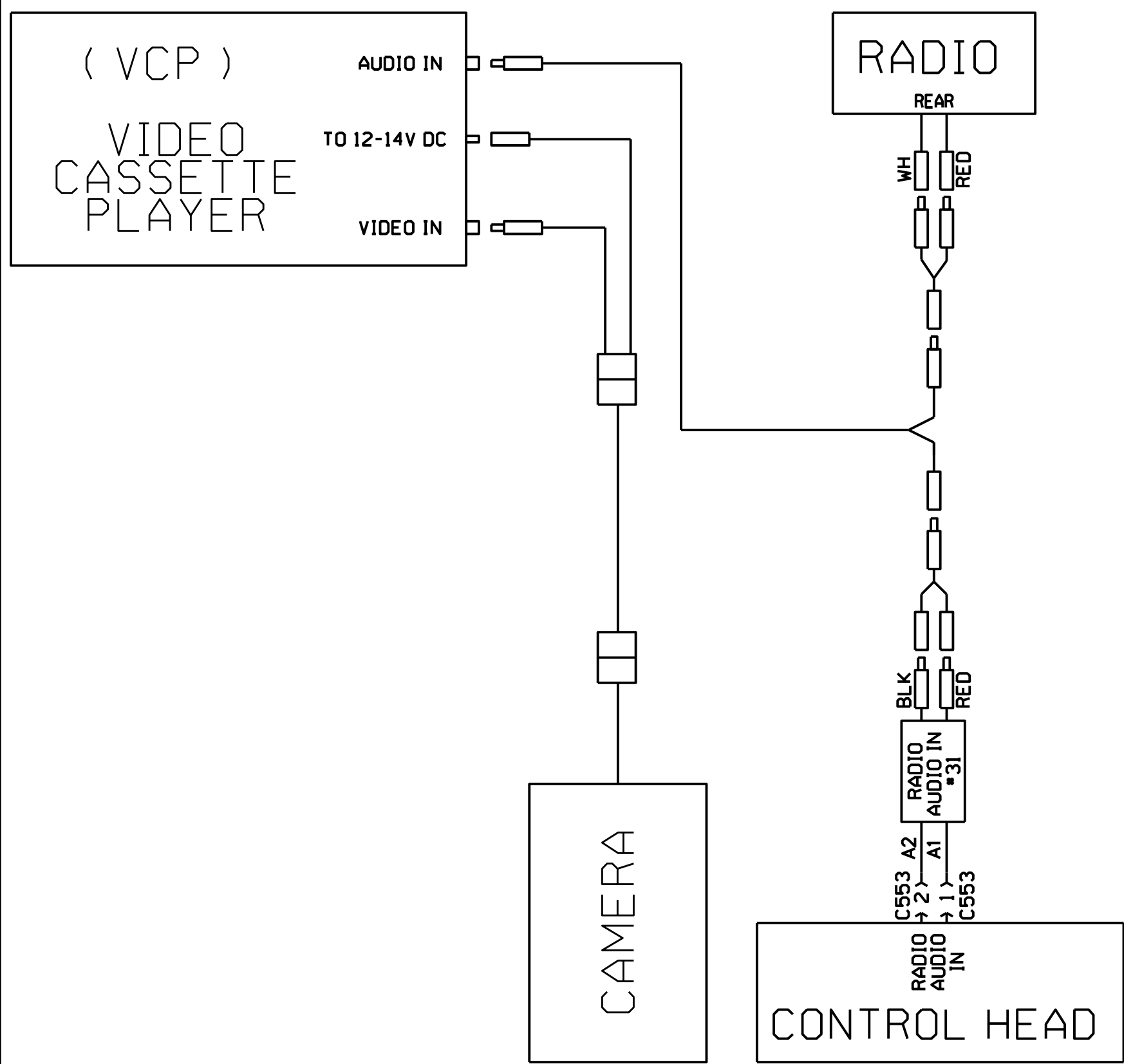
VCP AUDIO OUT
TO SEAT AUDIO SYSTEM
SEE P 28.6

VIDEO DISTRIBUTION AMPLIFIER (VDA)

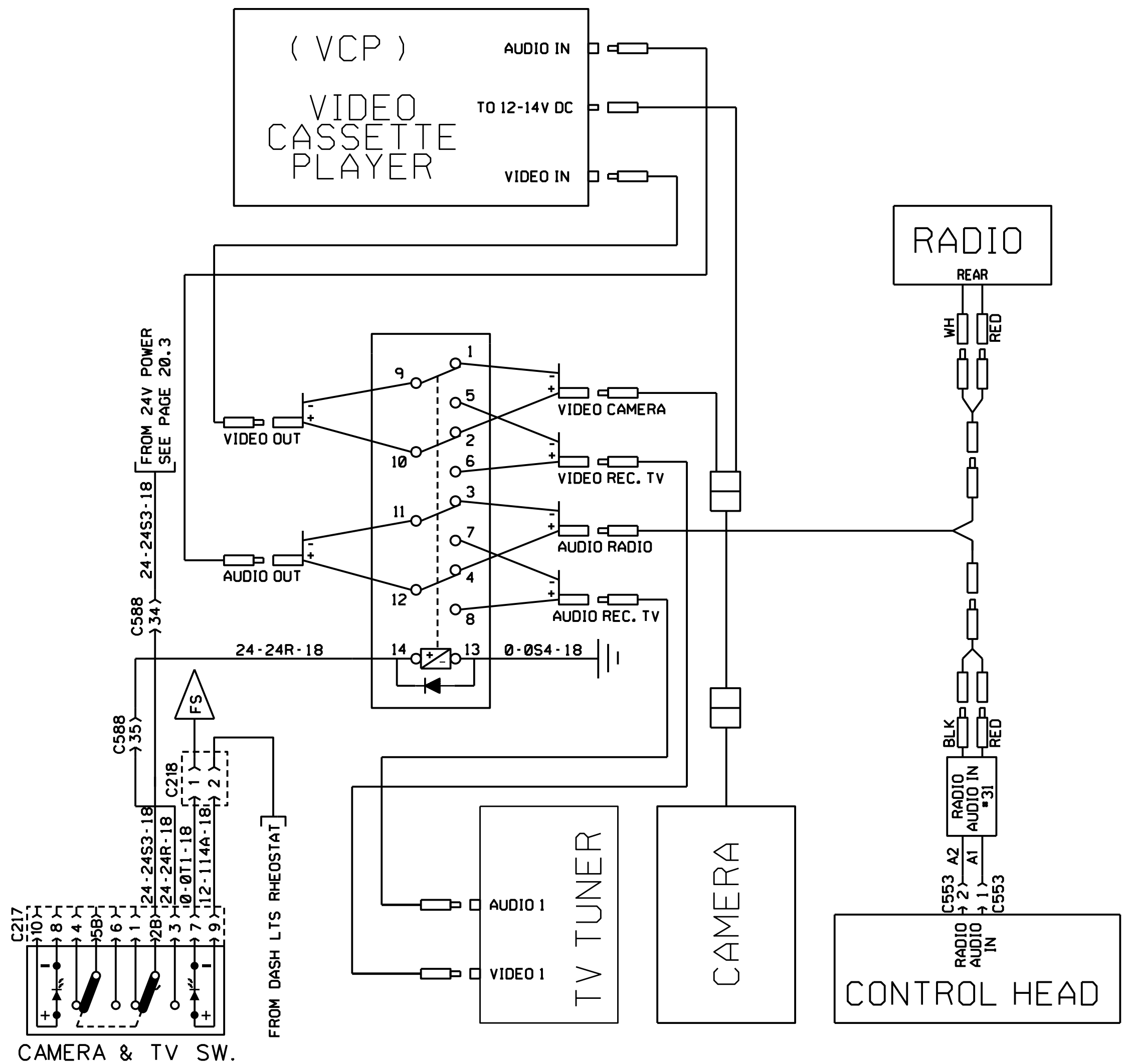


TV TUNER

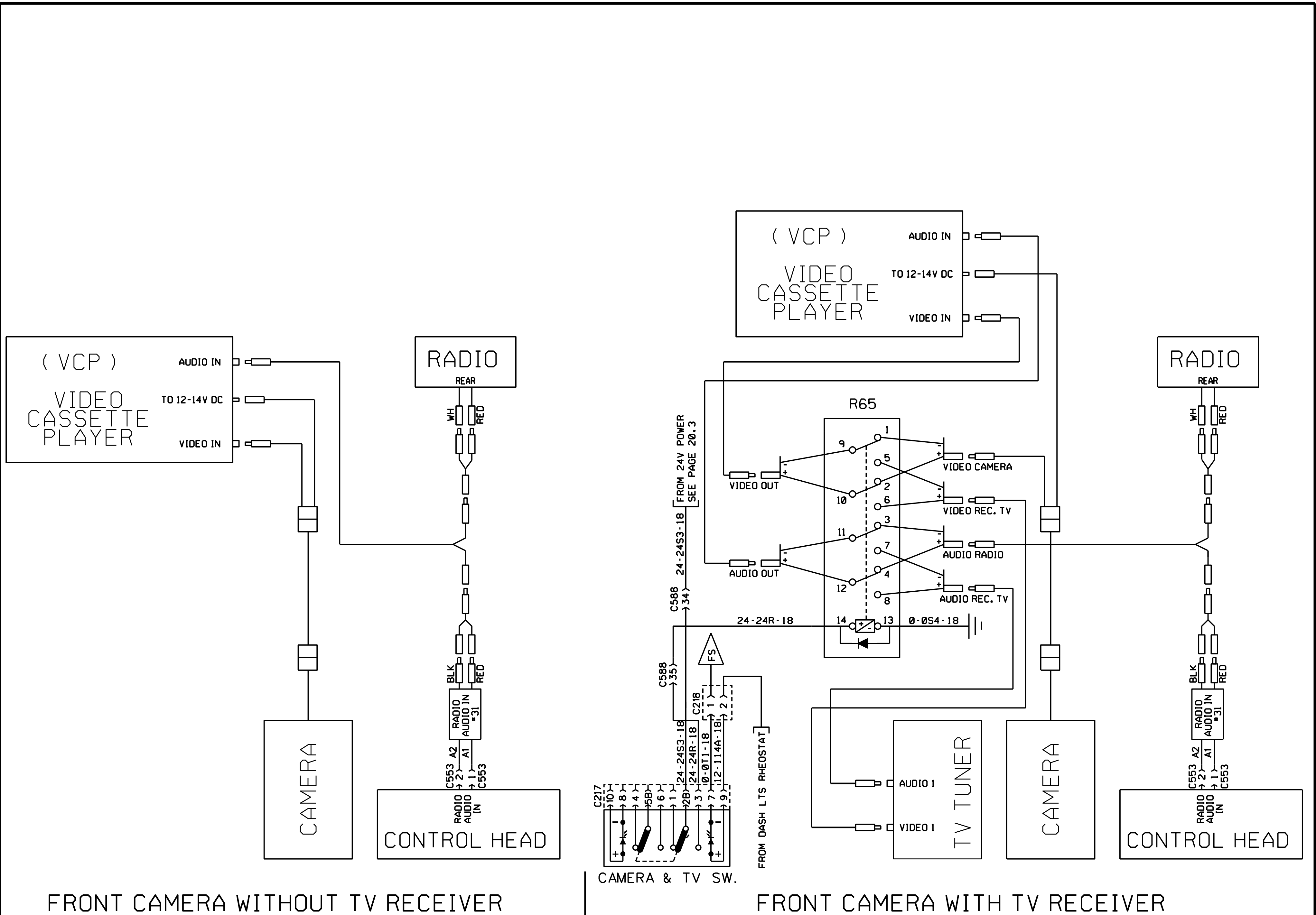
VIDEO SYSTEM



FRONT CAMERA WITHOUT TV RECEIVER

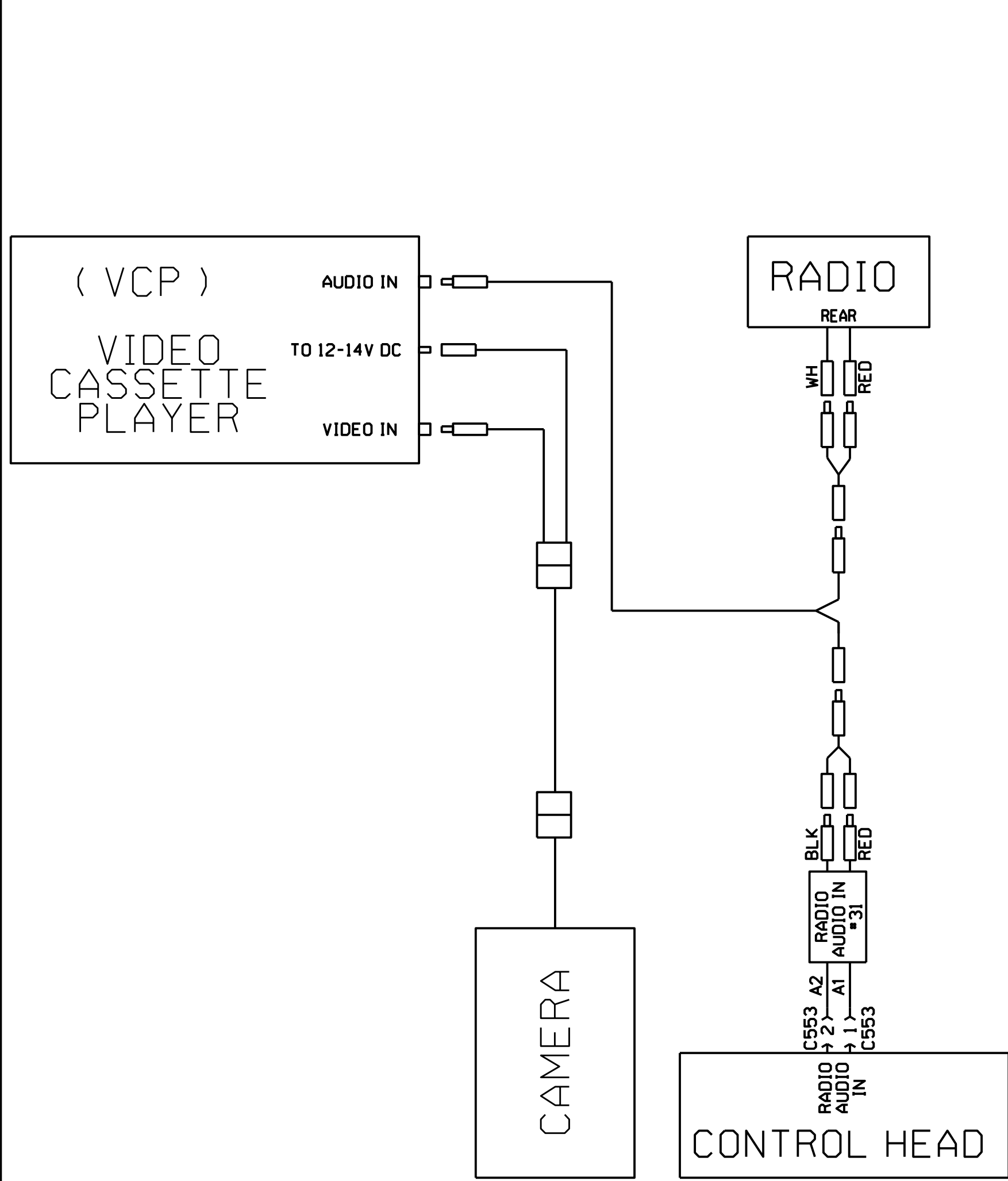


FRONT CAMERA WITH TV RECEIVER

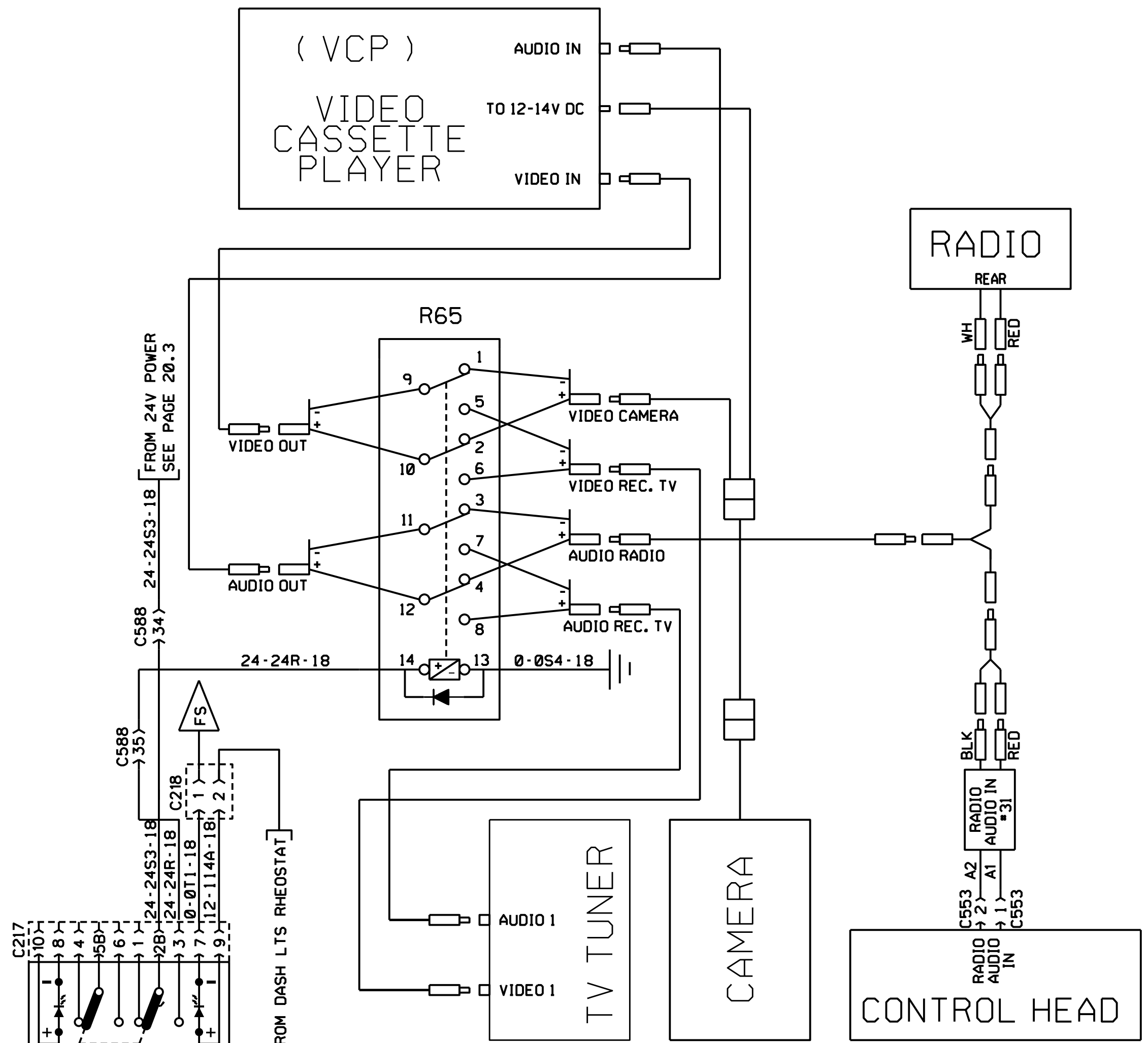


FRONT CAMERA WITHOUT TV RECEIVER

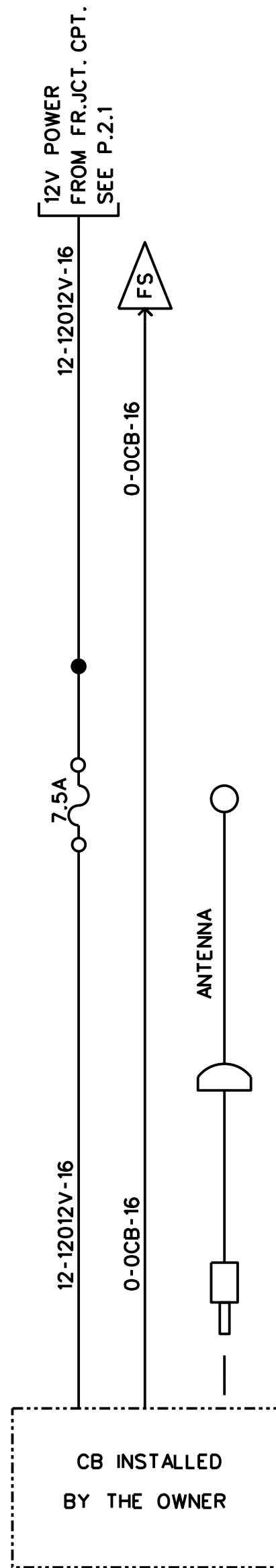
FRONT CAMERA WITH TV RECEIVER



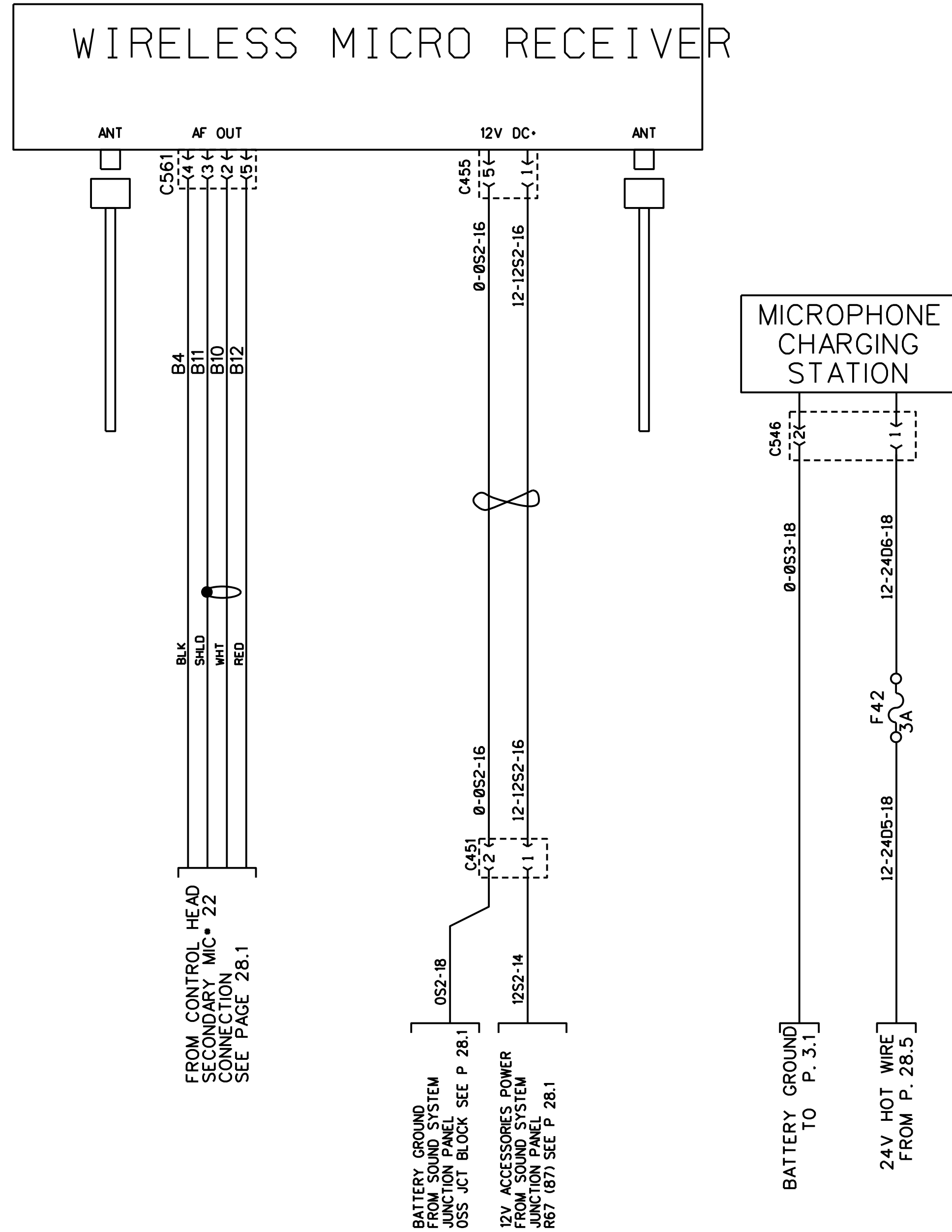
FRONT CAMERA WITHOUT TV RECEIVER



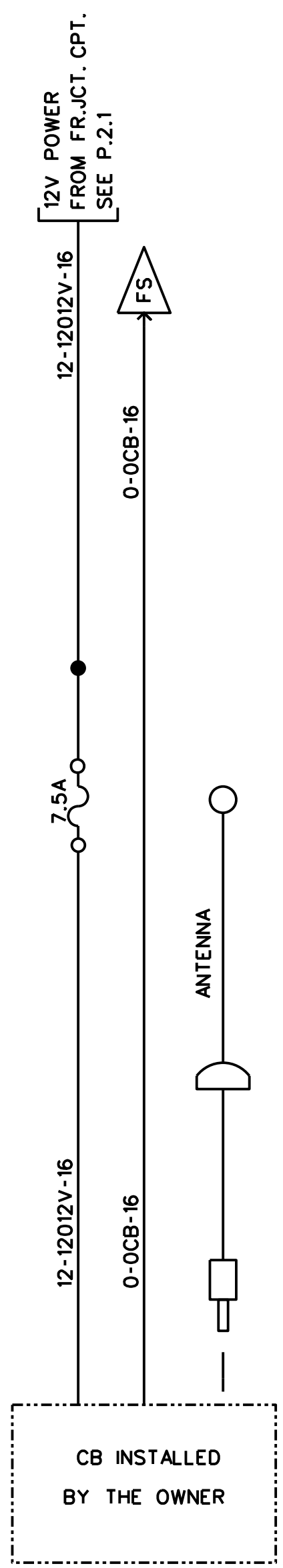
FRONT CAMERA WITH TV RECEIVER



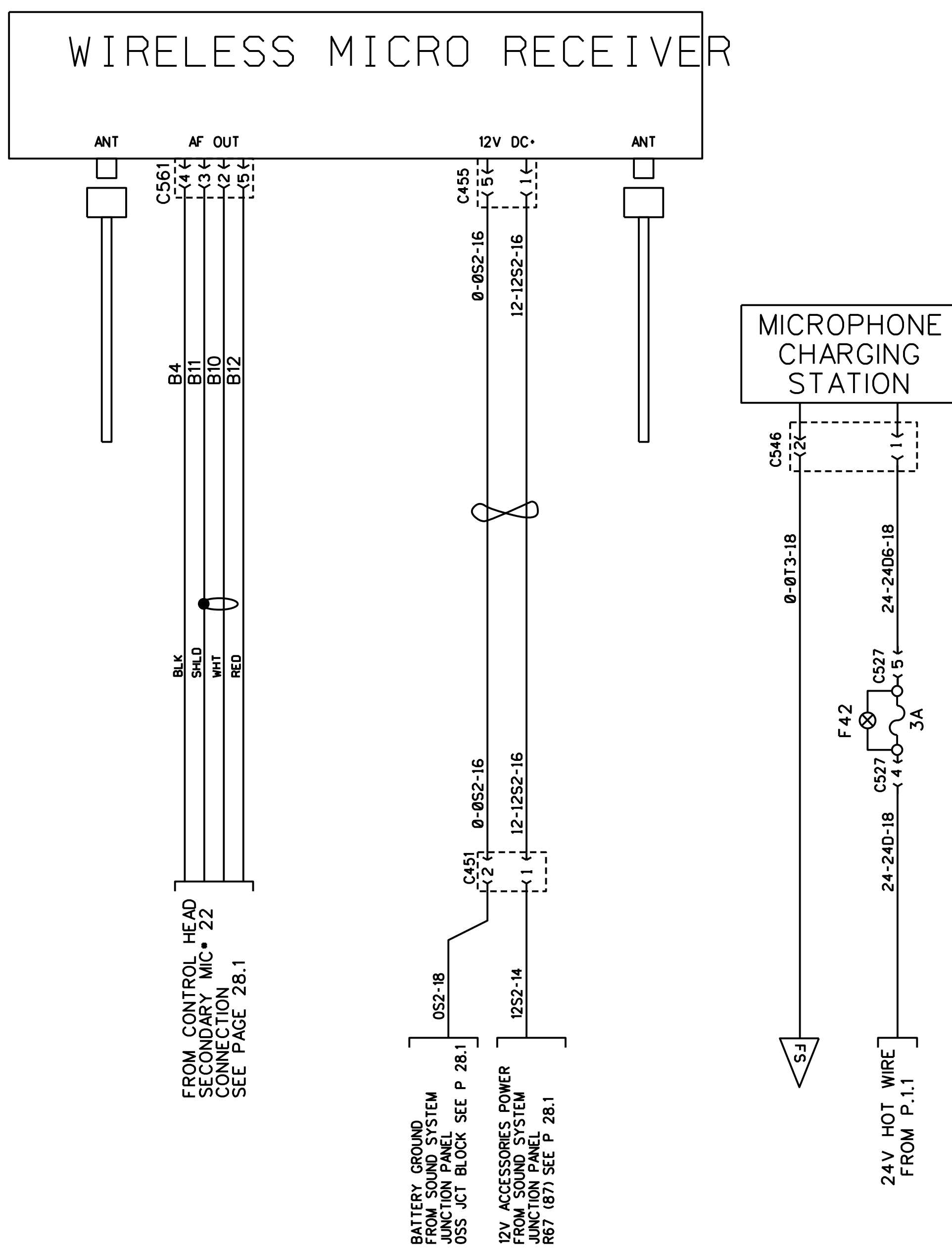
CB OPTION



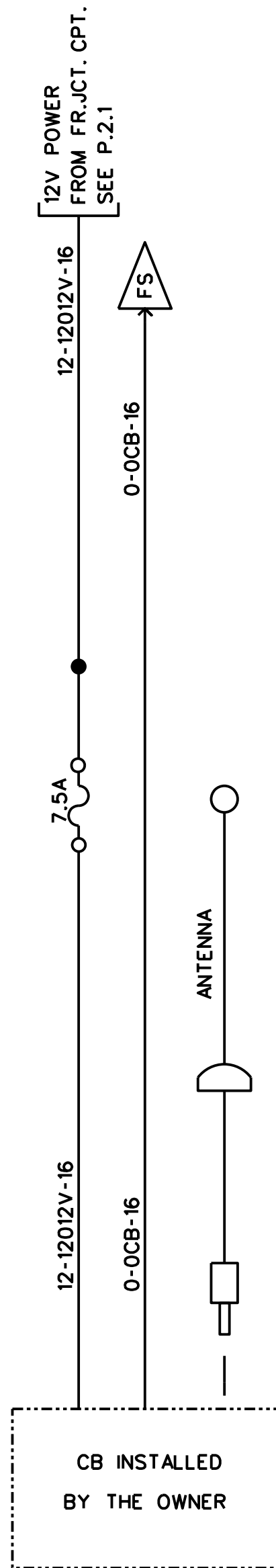
WIRELESS MICROPHONE



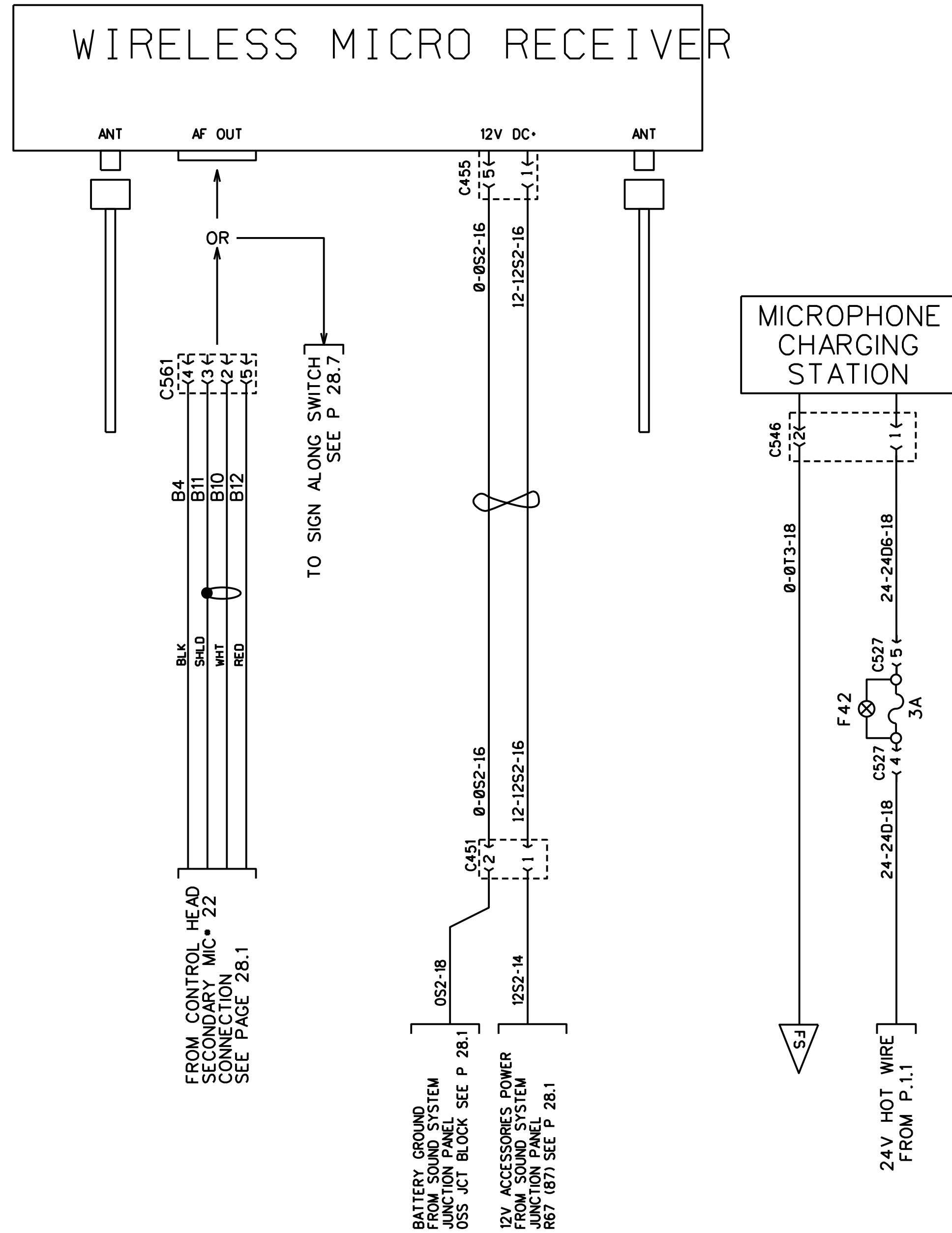
CB OPTION



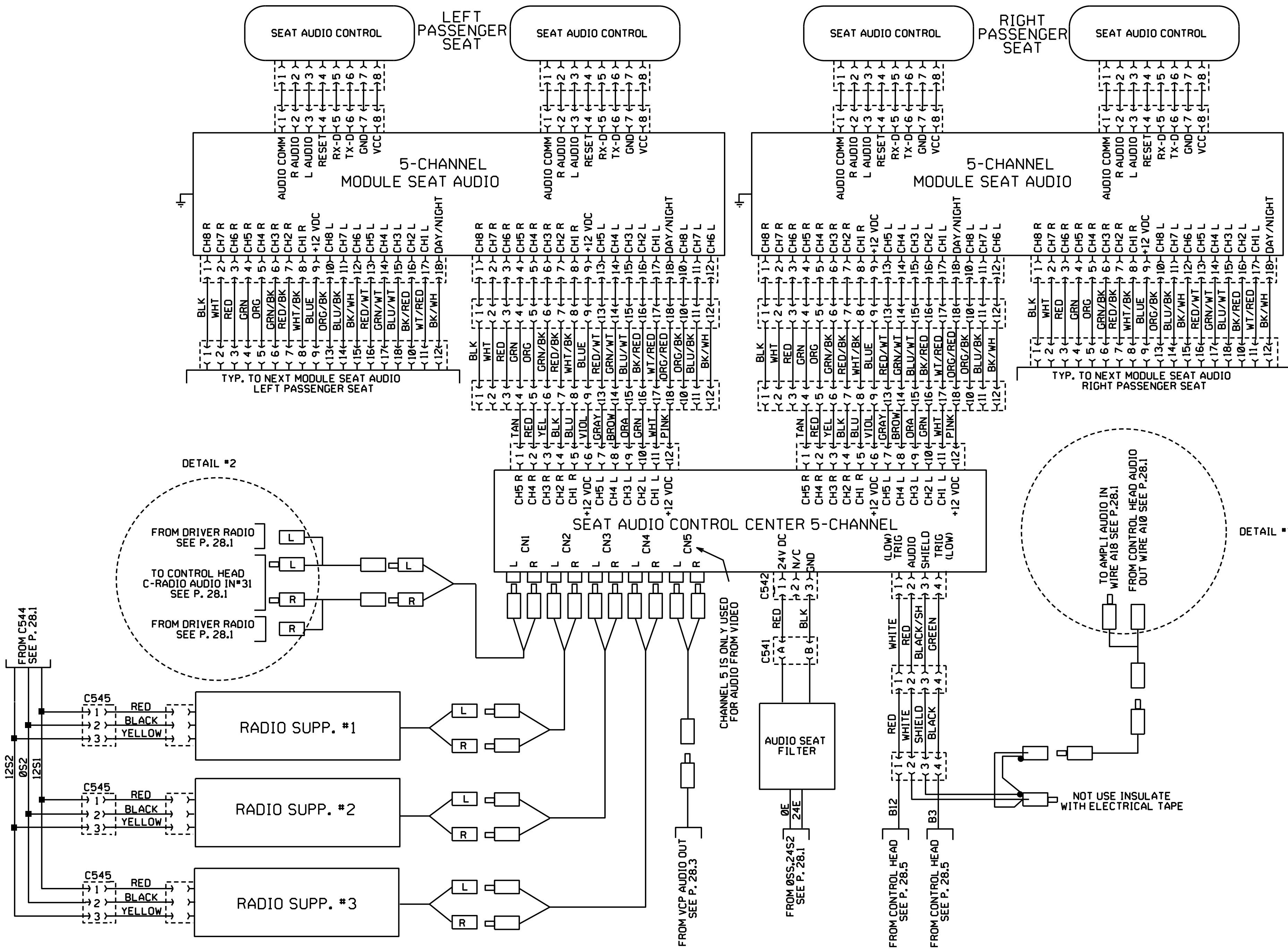
WIRELESS MICROPHONE



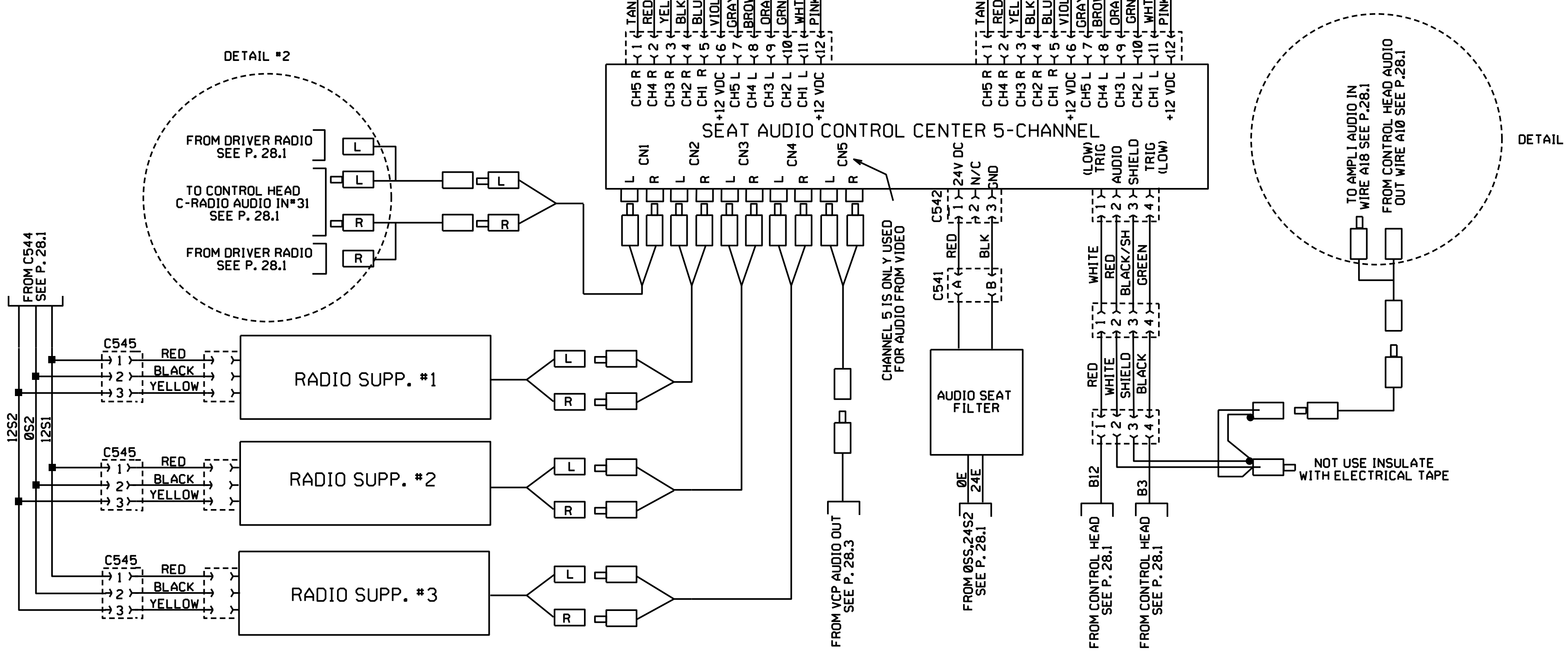
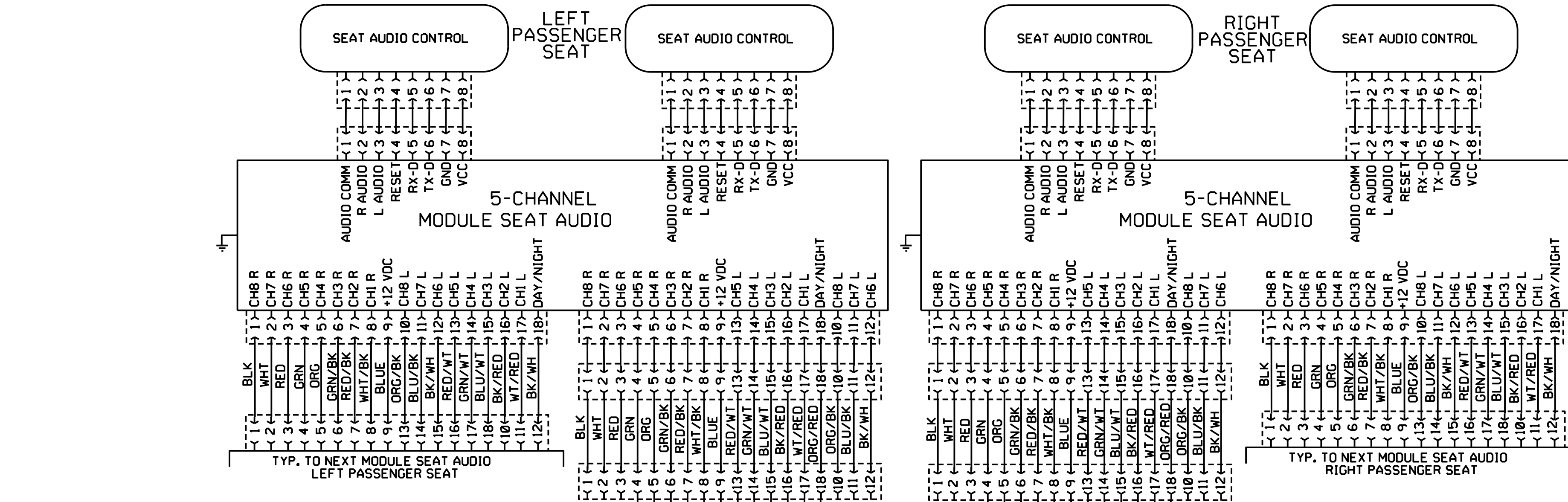
CB OPTION



WIRELESS MICROPHONE



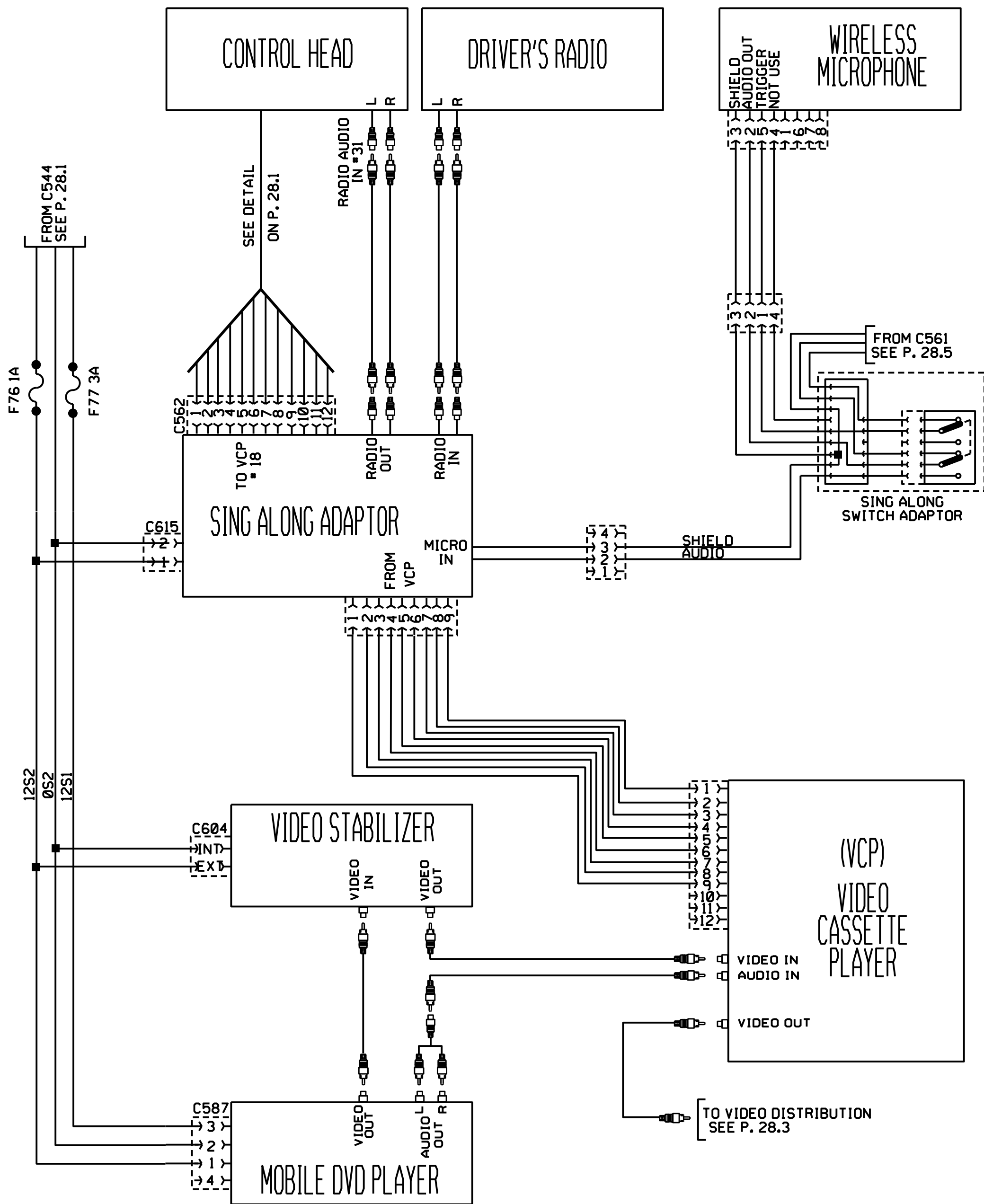
5-CHANNEL SLIM-LINE SEAT AUDIO SYSTEM



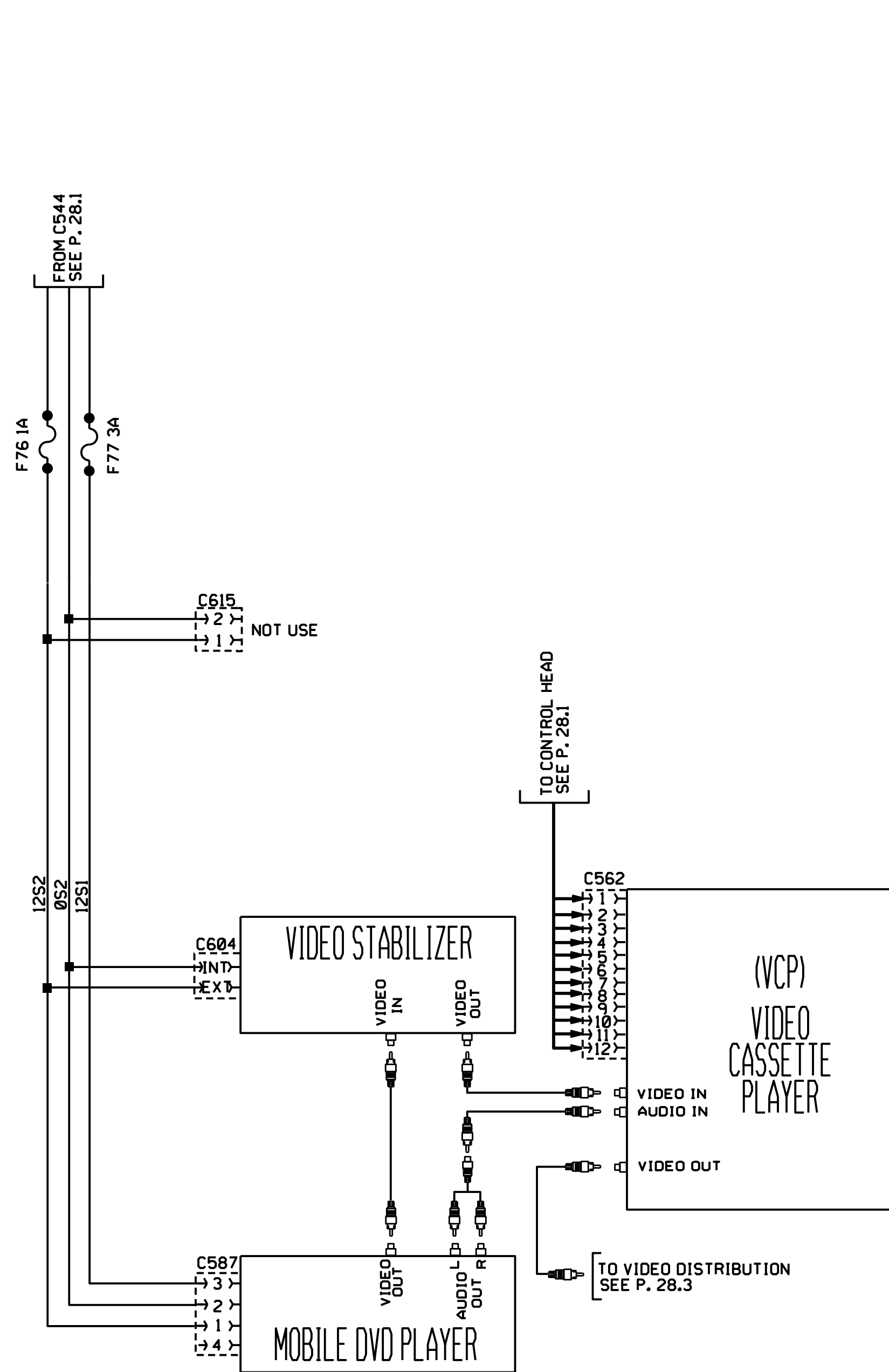
DETAIL #2

DETAIL #1

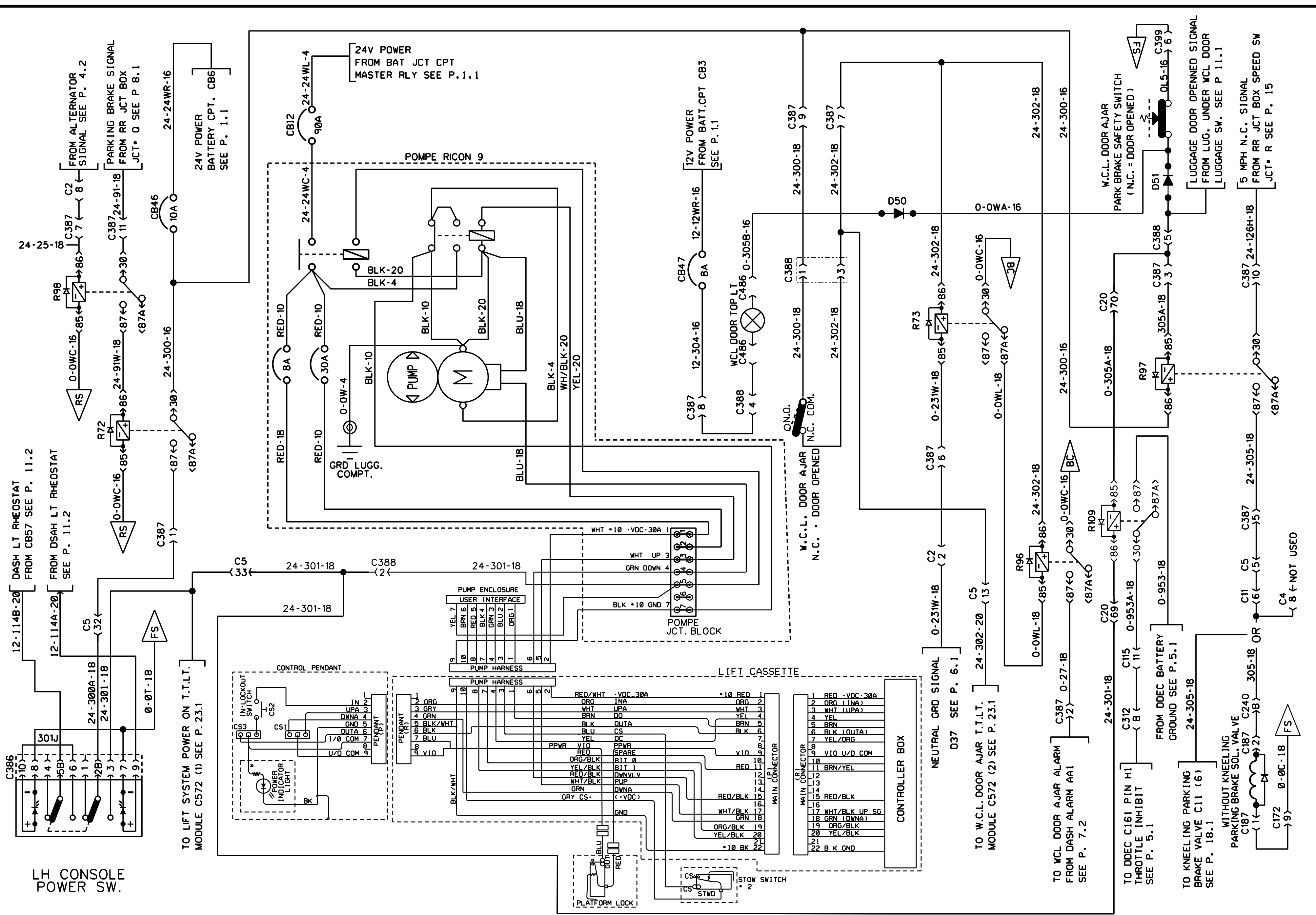
5-CHANNEL SLIM-LINE SEAT AUDIO SYSTEM



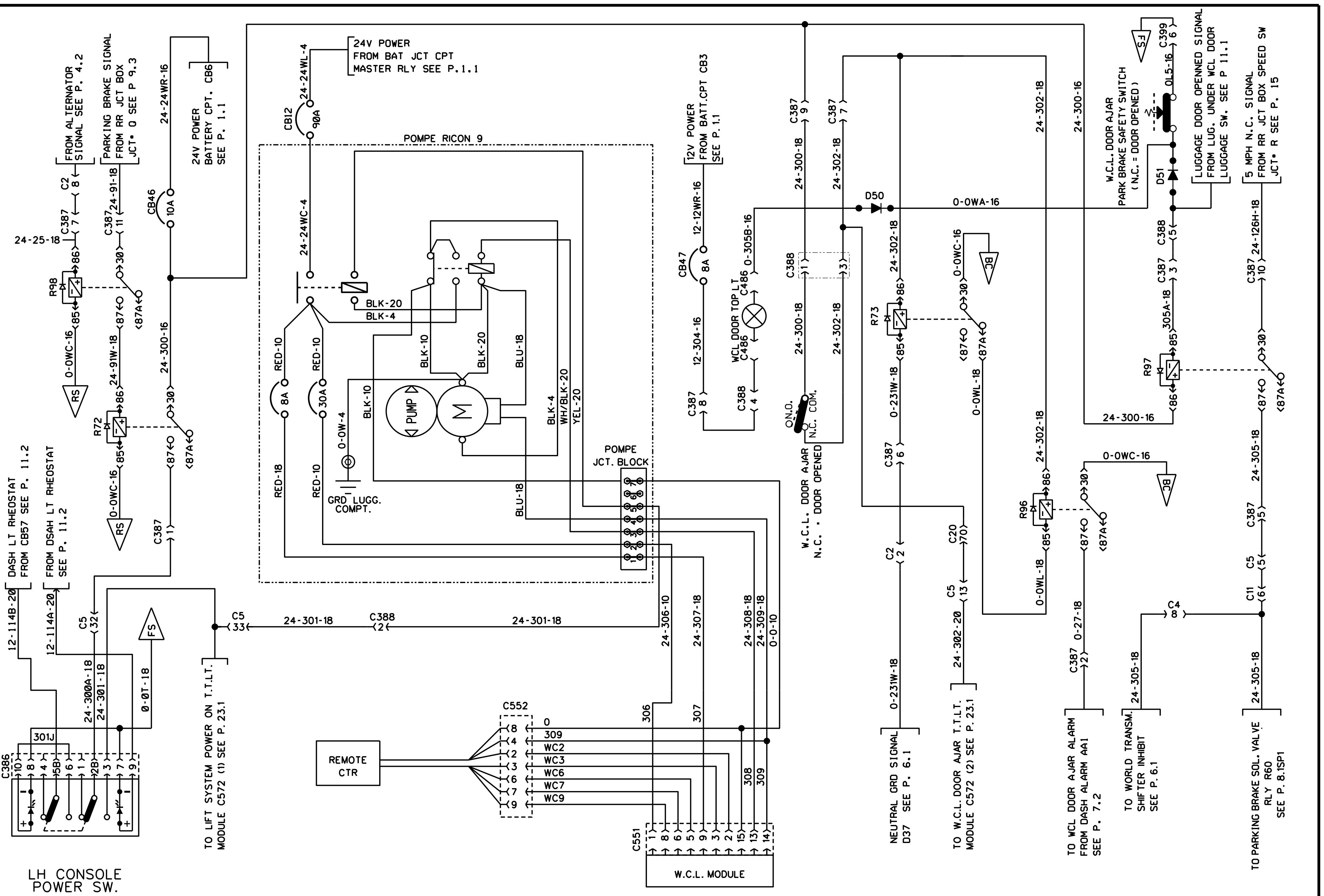
VCP AND DVD WITH KARAOKE



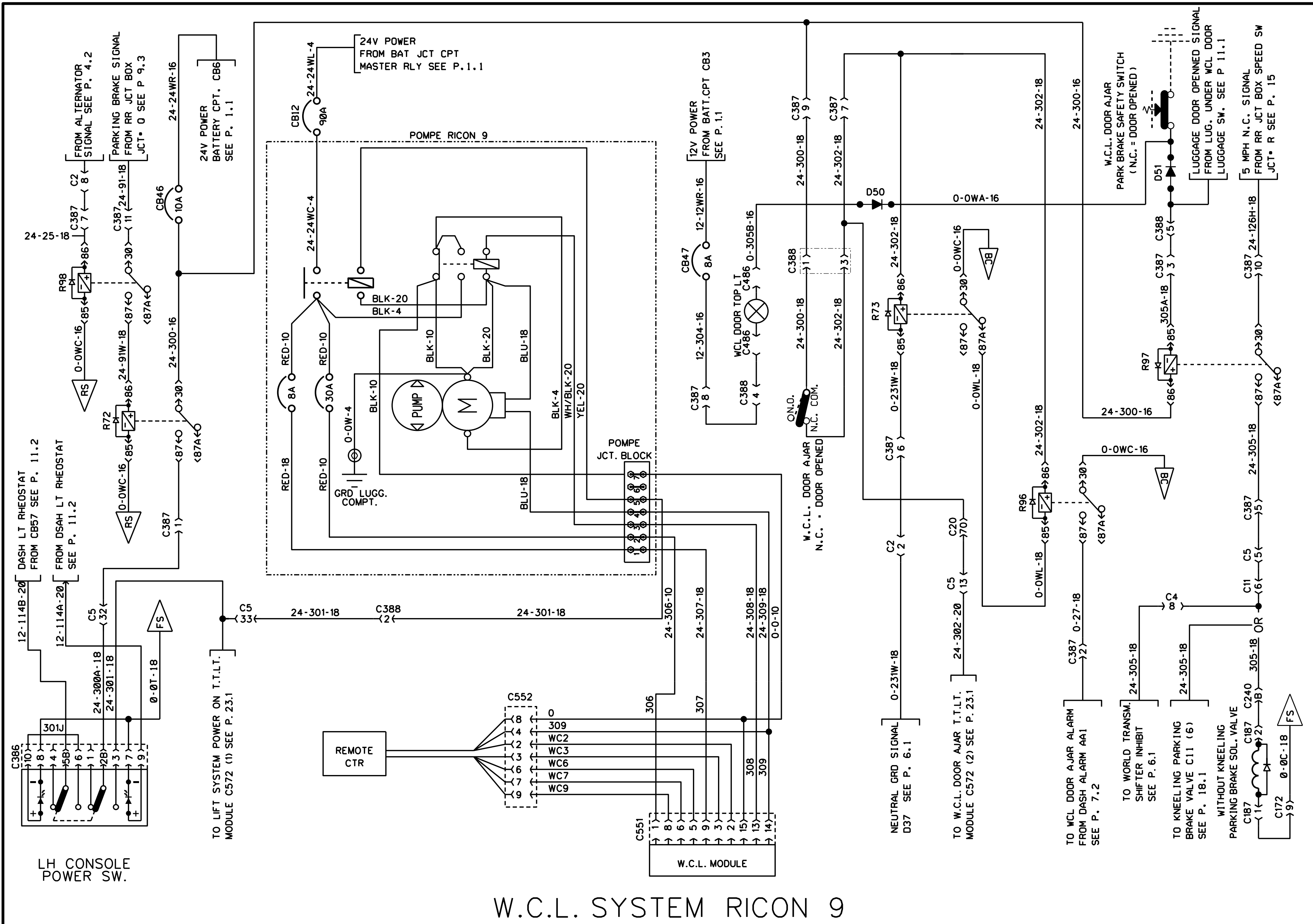
VCP AND DVD



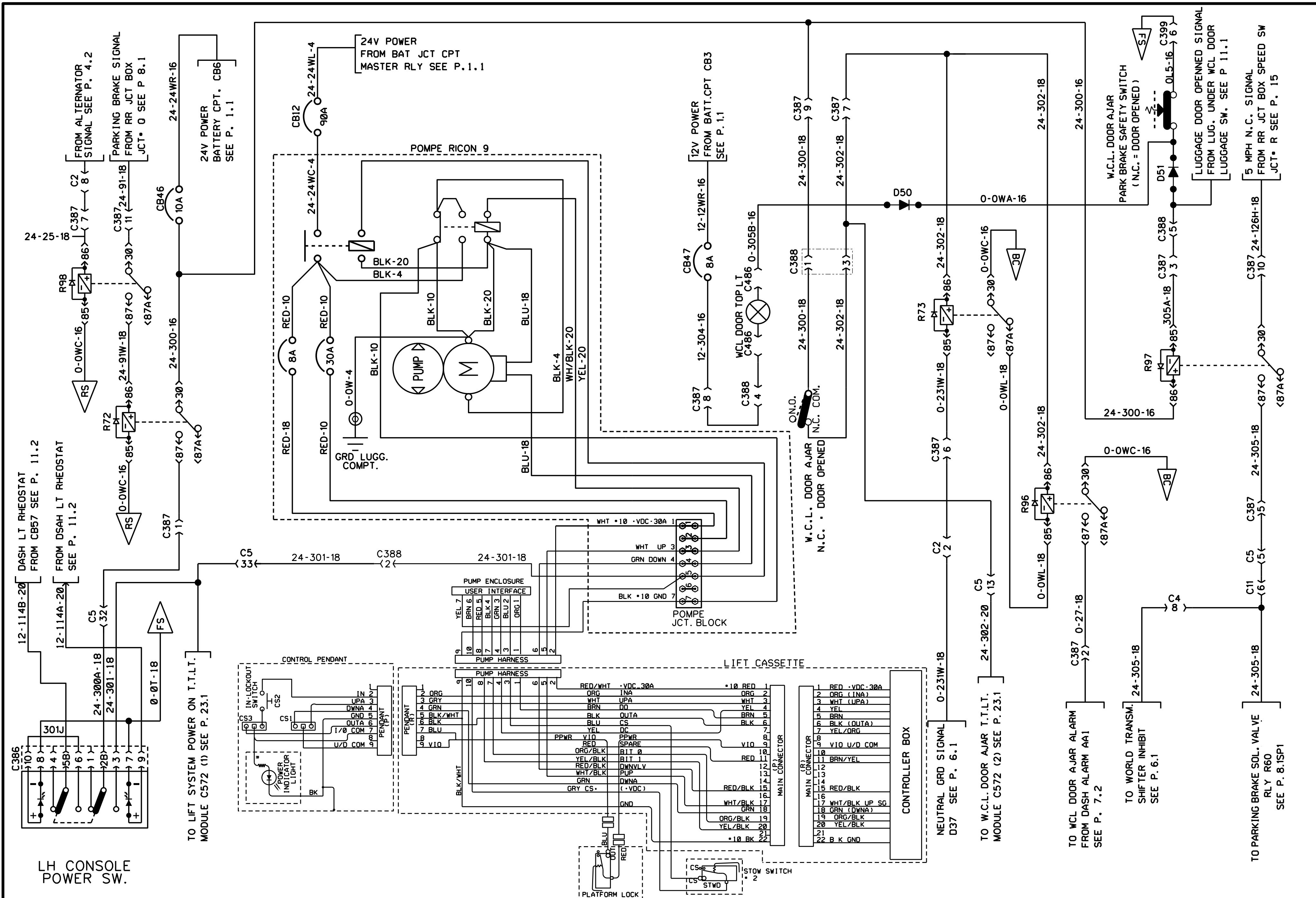
W.C.L. SYSTEM RICON 9



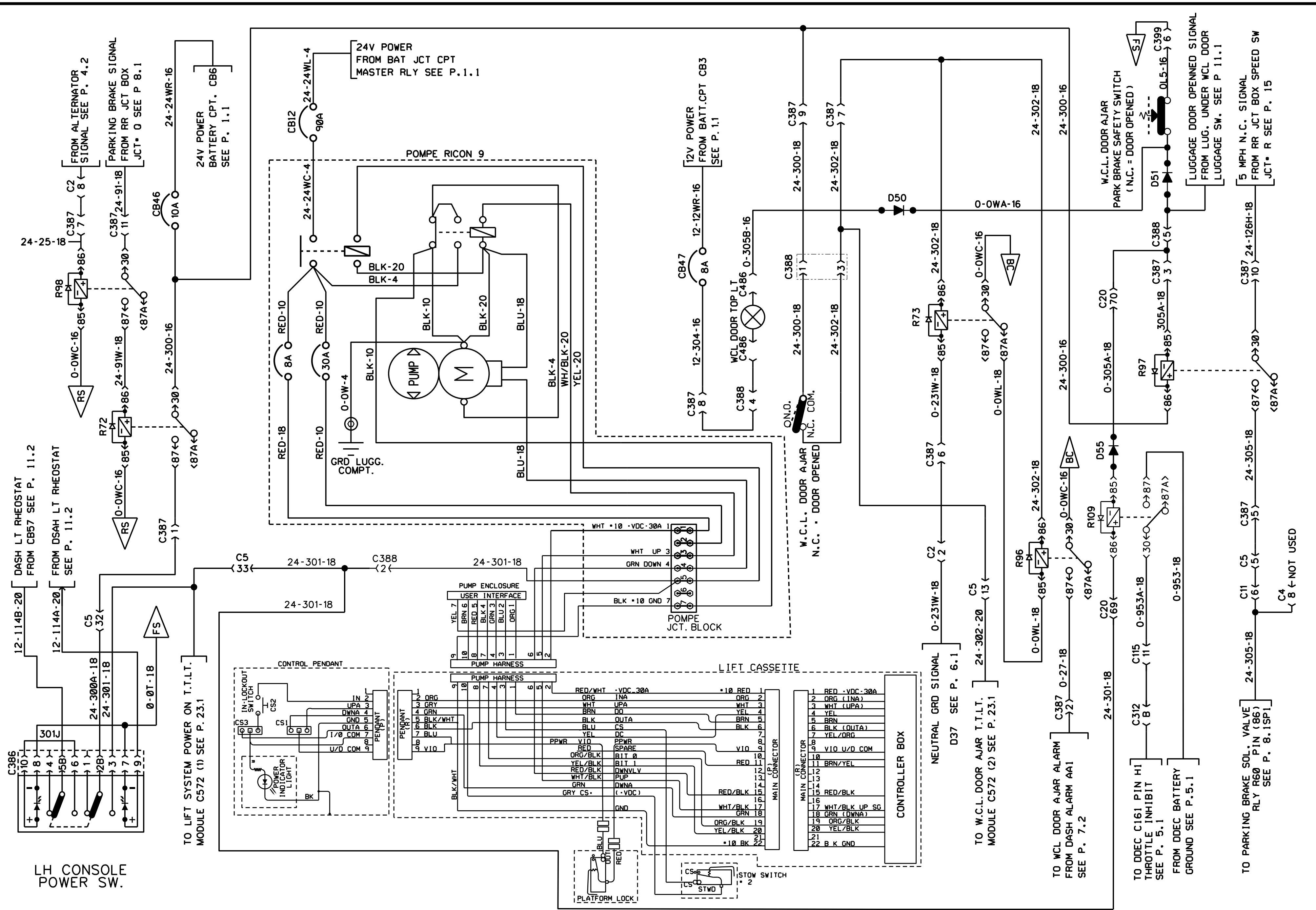
W.C.L. SYSTEM RICON 9



W.C.L. SYSTEM RICON 9



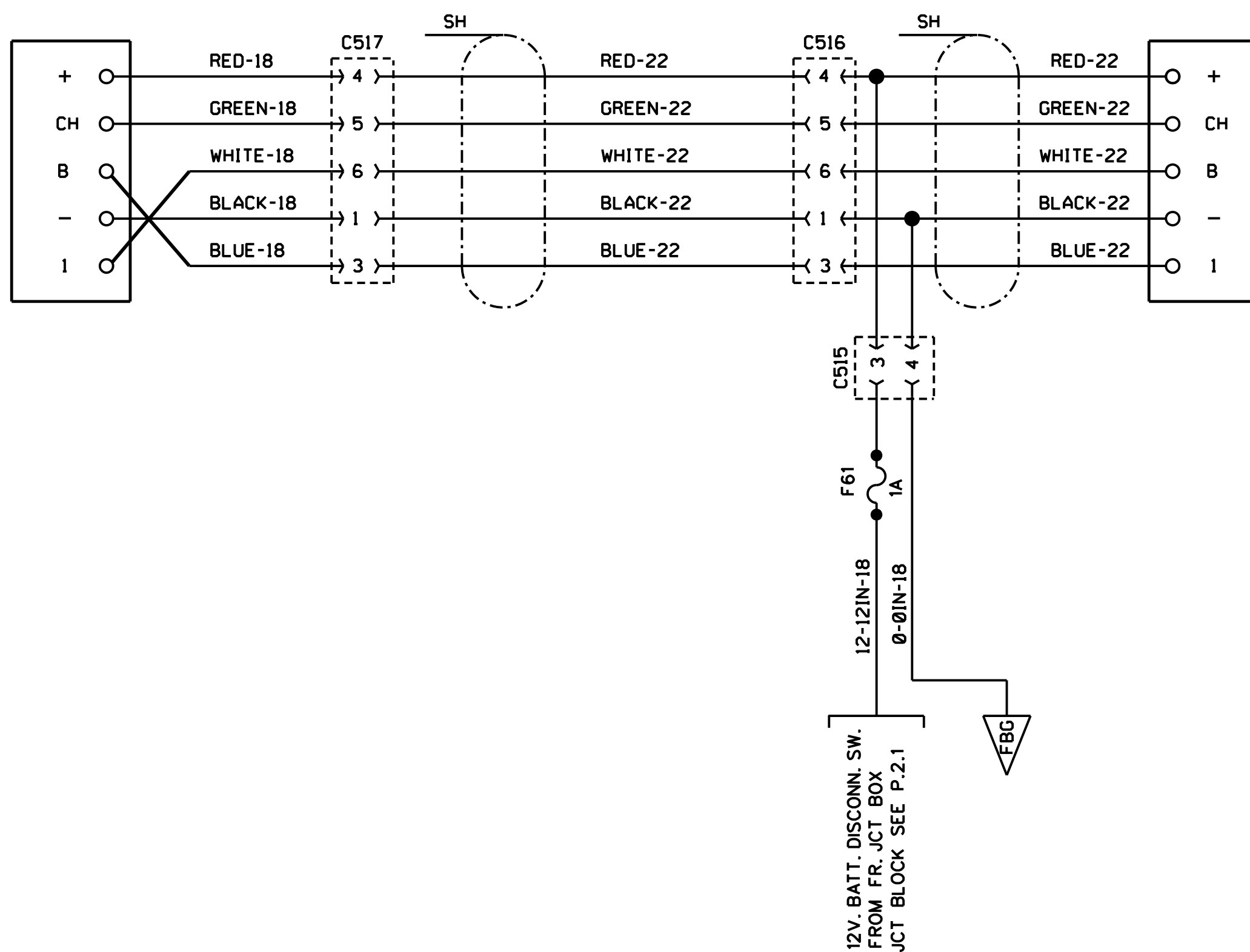
W.C.L. SYSTEM RICON 9



W.C.L. SYSTEM RICON 9

SECONDARY INTERCOM

MASTER INTERCOM



INTERCOM