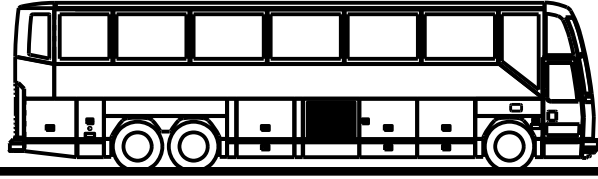
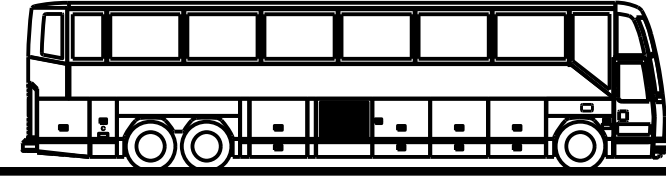


WIRING DIAGRAM

PREVOST



H3-41 & H3-45 BUS



REFERENCE: MODEL STANDARD 2003				NO: D060976			
EFF. W/ OC# 2000090		PRIOR TO / OC#		DR. SYLVAIN DESBIENS		DATE: 02-04-15	
EFF. W/ VEH.# 4-4511,4-4705,4-4758		PRIOR TO / VEH.#		CK. ERIC LANDRY		APPR. ROLAND LAPOINTE <i>R</i>	
REV.	DATE	DESCRIPTION	PAGE	BY	CK.	APPR.	
00	02-04-15	INTRODUCTION NEW COOLING SYSTEM		S.D.	E.L.	<i>R</i>	
01	03-02-27	ZF TRANSMISSION & GENERAL UPDATE	C1,E,F,G,H,I,L,2.1,5.1,6.3,9.3,18.1,18.1SP2,25.2	A.S.	E.L.	<i>R</i>	
02	03-06-05	ZF TRANSMISSION MODIFICATIONS & GENERAL UPDATE	B1,C1,C2,F,H,L,1.1,2.1,4.1,4.1SP1,4.1SP2,5.1,5.1SP1,5.1SP2,6.3,11.2,13.2,16.1,17.1SP2,18.1,20.1,20.2,28.1	A.S.	E.L.	<i>R</i>	
03	03-08-15	NEW VIDEO PANEL ARRANGEMENT - OC#2003038 EFF: 4-4821	C2, D, G3,20.1, 20.3, 20.3SP1, 20.3SP2,20.4 20.5, 20.6, 20.9, 20.10	M.L.	S.D.	<i>R</i>	
04	03-08-15	NEW FUSE BLOCK W/O LED - OC#2003033 EFF: 4-4811 ENGINE CABLE SINGLE TO DOUBLE BRAIS OC#2003075 EFF:4-4831 ELECT. FR. JCT BOX MODIF. OC#2003028 EFF:4-4834	E,G,L,2.1,5.1,6.1,6.3,7.2,8.1,9.2,9.3,11.1,11.2,11.3,11.4,12.1,14.1,17.1,18.1,19.1,20.5,22.1,23.1,24.2,24.3,25.2,26.1+7.2SP1,17.1SP1,17.1SP2,23.1SP1 26.2SP1 NO PAGES MODIFIED C1	E.L. A.S. A.S.	S.D. S.D. S.D.	<i>R</i> <i>R</i> <i>R</i>	
05	03-09-09	VIDEO STABILIZER REMOVED AND NEW DISTRIBUTION AMPLIFIER (DUAL INPUT) WITH DVD OC#2003099 AND NEW DVD OC#2003098 EFF: 4-4826	L, 20.3, 20.3SP1 20.3SP2, 20.8, 20.8SP1 20.9, 20.10	M.L.	S.D.	<i>R</i>	
06	03-10-28	CORRECTION NEW DISTRIBUTION AMPLIFIER OC#2003099 EFF. 4-4826	20.3, 20.3SP1 20.3SP2, 20.10	M.L.	E.L.	<i>R</i>	

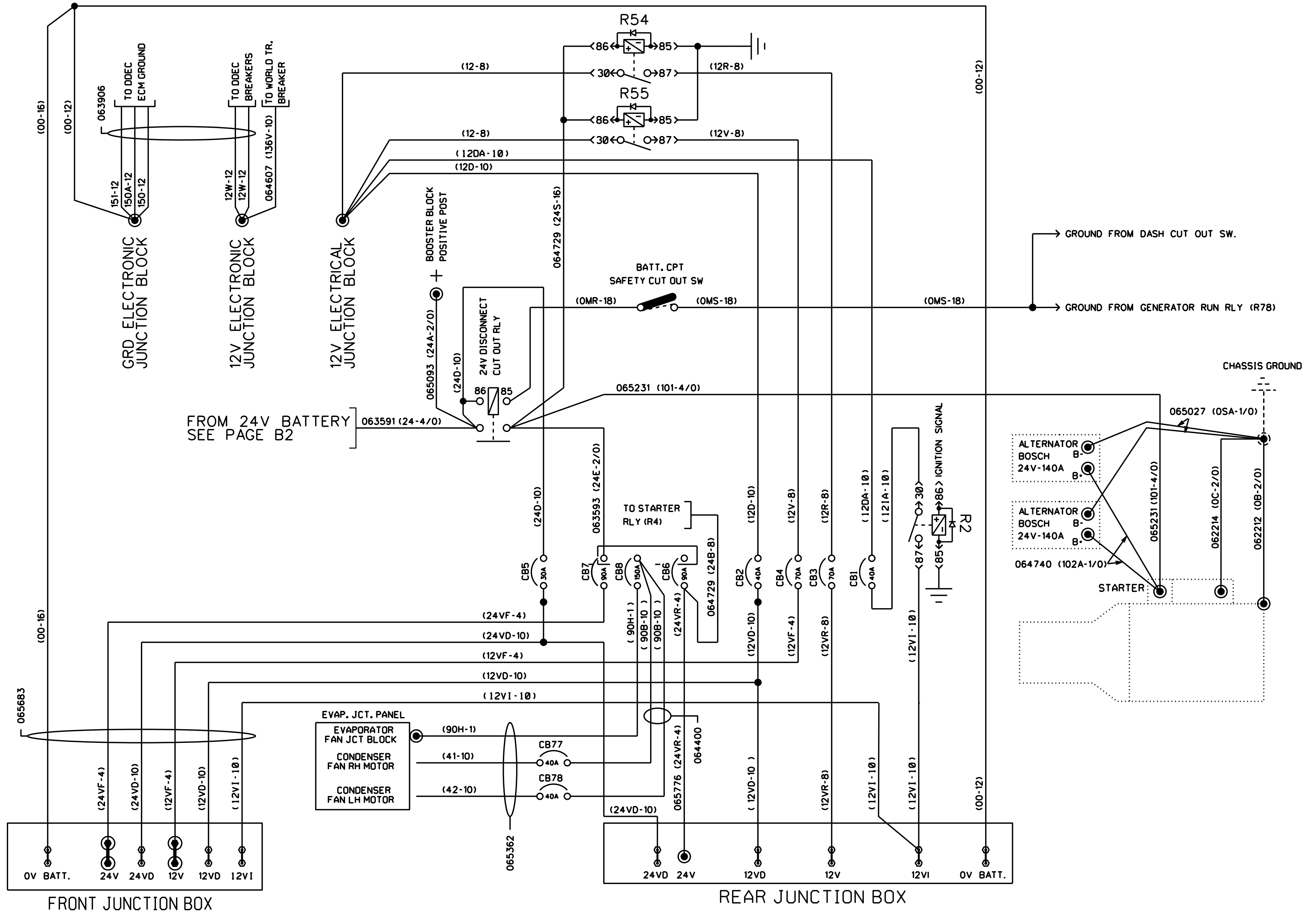
PREVOST H3-41 & H3-45 BUS				NO: D060976 p. 2/2			
REV.	DATE	DESCRIPTION	PAGE	BY	CK.	APPR.	
07	03-11-03	XENON LOW BEAM HEADLAMPS - OPTIONAL OC#2003030 EFF.#4-4852 UPDATED PAGES : 1.1,4.1SP3,4.2,4.2SP1,7.2,7.2SP1,12.1,17.1SP1,20.1,20.1SP1	C1,G,9.1,9.5 ← SEE	E.L.	S.D.	<i>R</i>	
08	03-12-16	NEW COOLING 2004 DDEC V OC#2003055 PRELIM.#4-4829 EFF.#5-4867 PARKING BRAKE SR-7 VALVE - OC*2003063 PRELIM: 4-4863 EFF: 5-4867 A/C COMPRESSOR CONNECTOR - OC*2003089 PRELIM: NIL EFF: 5-4867 HEADLAMPS RESISTANCES - OC*2003108 PRELIM: NIL EFF: 5-4867 NEW HVAC PROGRAMMATION - OC*2003120 PRELIM: NIL EFF: 5-4867 UPDATED PAGES , SEE →	B1,C1,E,G,H,I,1.1,1.2 3.1,5.1,5.1SP1,5.1SP2 6.1,6.3,9.3,19.1 8.1 13.1 F,J,9.2,9.5 N/A A, 21.1, 21.1 SP1	S.D. E.L. A.S. E.L. E.L. E.L.	E.L. S.D. E.L. S.D. S.D. S.D.	<i>R</i> <i>R</i> <i>R</i> <i>R</i> <i>R</i> <i>R</i>	
09	04-01-12	SPECIAL PAGE REVISION ONLY - NO SPECIFIC EFF.	26.2SP1	A.S.	A.S.	<i>R</i>	
10	04-03-11	UPPER DEFROST RESISTOR OC#2003125 EFF.: 4-4884 CLEARANCE LTS W/JIFFY SPLICES OC#2003118 EFF.: 4-4937 UPDATED PAGES , SEE →	J,22.1 C1 B1,4.2SP1,6.1,6.3, 13.2,20.2,	E.L. E.L. E.L.	E.L. E.L.	<i>R</i> <i>R</i>	
11	04-05-04	BOSCH ALT. C-399 ELIMINATED OC#2004020 EFF.: 4-4964 UPDATED PAGES , SEE →	C1,G,4.2,4.2SP1 C2, 1,16.1,26.1	E.L.	E.L.	<i>R</i>	
12	04-06-01	INFO: NEW DVD & VIDEO DIST. BOX OC*2004036 DRIVER'S DEFROST, DOUBLE MOTOR UNIT OC*2003144,OC*2003153 NEW HVAC CTRL MODULE OC*2004041 KNEELING UP ALARME, ON NEW JERSEY ONLY OC*2004022 } EFF: 5-0017	NO PAGE C1,E,F,G,H,I,1,13.1,13.1SP1 18.1	S.L. E.L.	E.L. E.L.	<i>R</i> <i>R</i>	
13	04-06-18	PROGRAMMABLE DIGITAL CLOCK OC* 2004045	14.1,14.1SP1	S.L.	E.L.	<i>R</i>	
14	04-07-08	UPDATE DIGITAL CLOCK	14.1,14.1SP1	S.L.	E.L.	<i>R</i>	
15	04-09-07	JAKE ON BRAKE PEDAL (LATCHED) 5-4993 WINDOW AJAR O.C 2004075 EFF: 5-4367	E3, 5.1SP3, 19.1SP1 G5,C1	S.L. E.O	E.L.	<i>R</i>	
16	04-09-21	A/C COMPRESSOR CLUTCH CUT-OUT PRESS. SWITCH (5-0115,0116,0118) SUBWOOFER W/O SEAT AUDIO & CROSSOVER (5-0081)	E3,G2,13.1SP2 20.1SP5	S.L. S.L.			

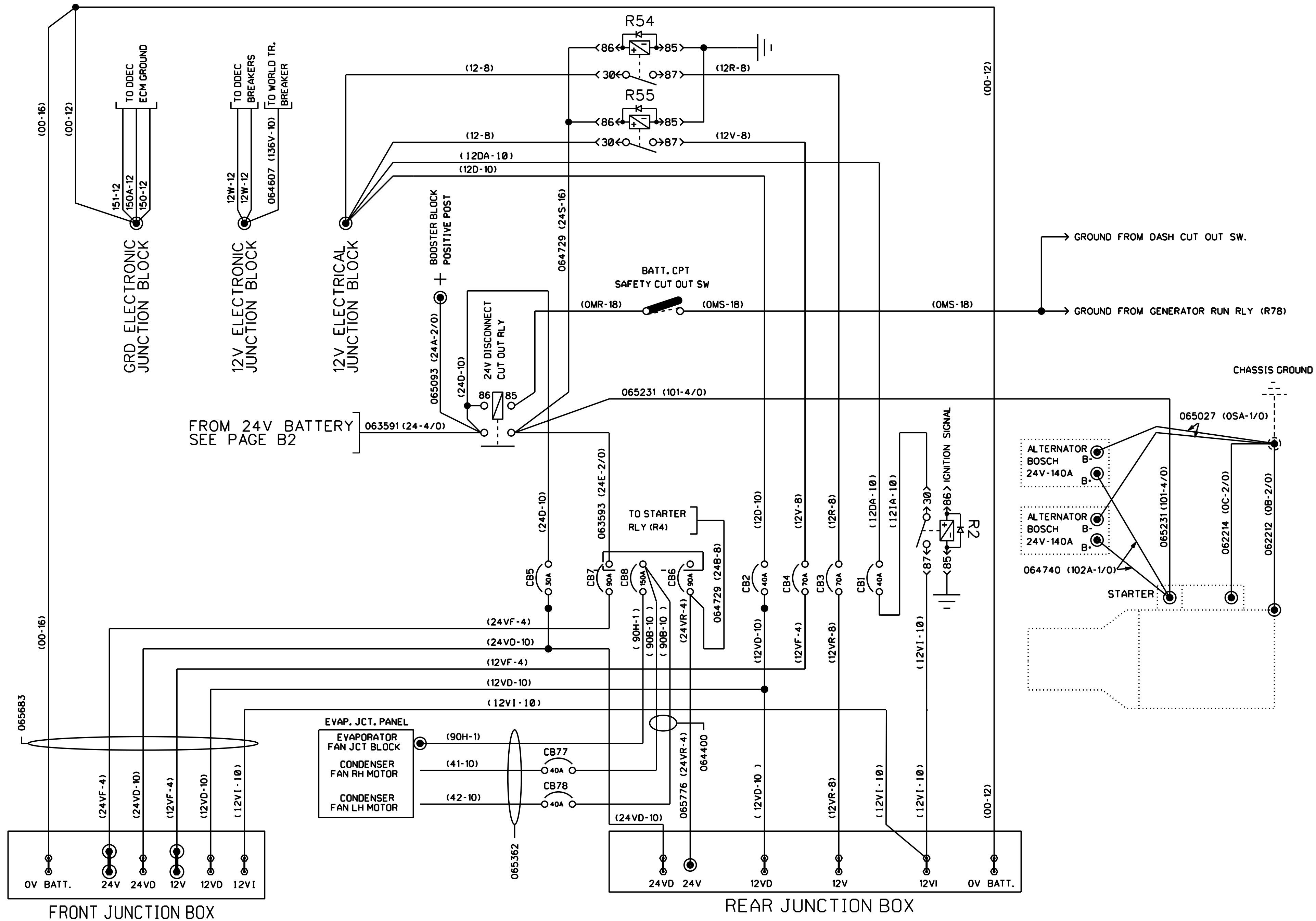
WIRING DIAGRAM INDEX

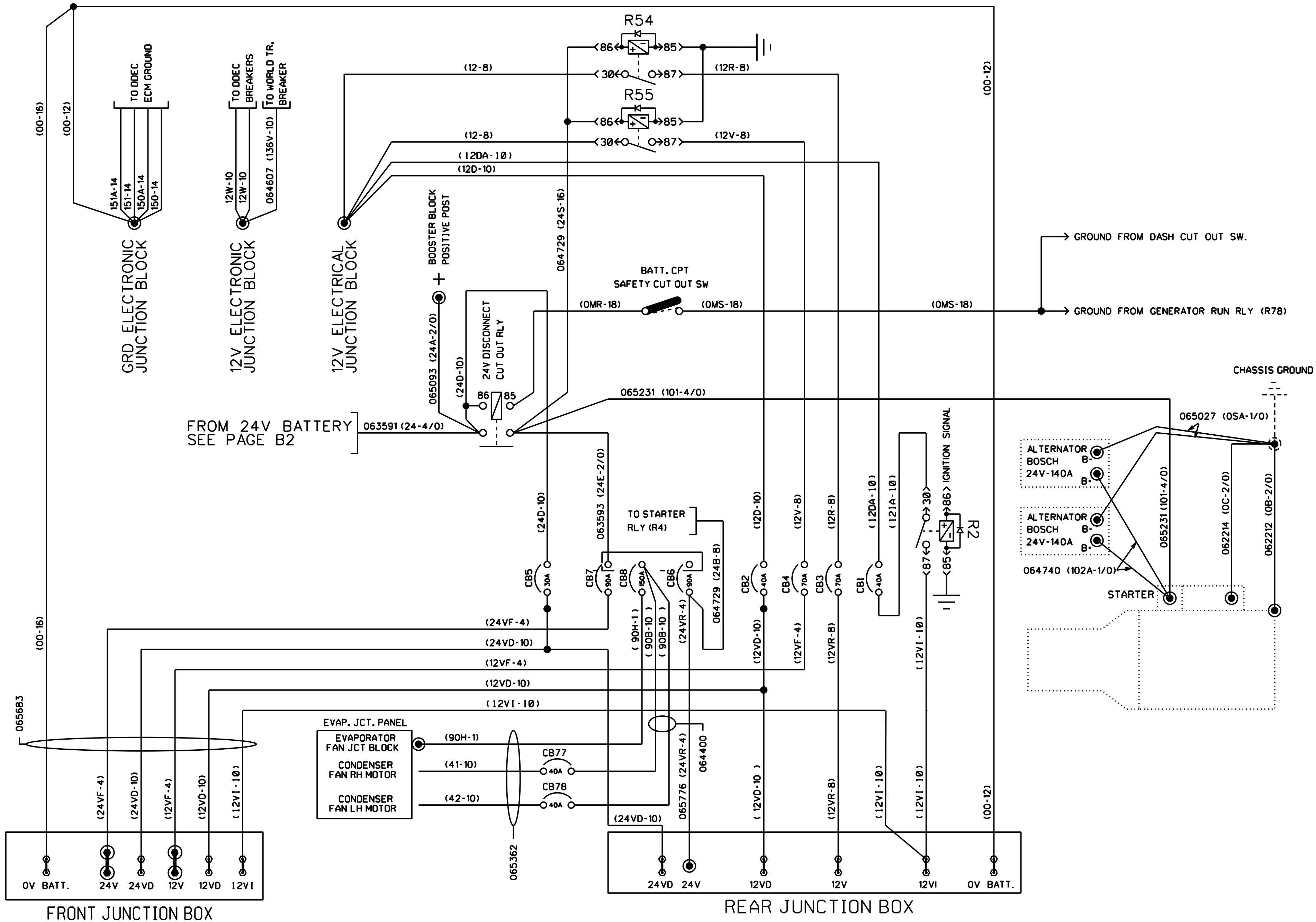
A A/C, HEAT & VENT. SYSTEM Page: 13.1 ALARM & SIGNAL Page: 7.2 ABS Page: 21.1 ARRANGEMENT - CABLE Page: B ARRANGEMENT - HARNESS Page: C1,C2 ARRANGEMENT - SPARE WIRE Page: D	E ENGINE BLOCK HEATER Page: 12.1 ENGINE BRAKE SYSTEM Page: 19.1 ENGINE CONTROL Page: 4.1 ENTRANCE DOOR SEDAN Page: 16.1 ETHER COLD START Page: 8.1 EXTERIOR LIGHTING Page: 9.1	POWER 12V OUTLET Page: 14.1 PRE-HEATER WATER HEATER Page: 26.1 PRODRIVER Page: 8.1
B BACK-UP ALARM Page: 9.3 BACK-UP MONITOR Page: 27.1 BATTERY CHARGER Page: 11.4 BATTERY STANDARD AND 8D Page: 1.2	F FAN-CLUTCH RADIATOR Page: 8.1 FAST IDLE - DDEC Page: 5.1 FIRE DETECTOR Page: 7.2 FRONT DESTINATION SIGN Page: 17.1 FRONT CAMERA Page: 20.6 FUEL FILTER WATER DETECTOR Page: 8.1 FUEL PRIME PUMP Page: 12.1	R RETARDER - WORLD TRANSM. Page: 19.1
C CLUSTER Page: 7.1 CHARGING SYSTEM Page: 4.2 CIGAR LIGHTER Page: 14.1 CODE - CIRCUIT NUMBER Page: E CODE - CIRCUIT BREAKER Page: F CODE - CONNECTOR Page: G CODE - DIODE Page: H CODE - RELAY Page: I CODE - RESISTOR Page: J CODE - WIRING KEY Page: K CODE - FUSE Page: L CODE - MODULE Page: M CRUISE CONTROL - DDEC Page: 5.1 CB OPTION Page: 20.5	G GALLEY ACCESSORIES Page: 23.1 GROUND SYSTEM Page: 3.1	S SEAT AUDIO SYSTEM Page: 20.7 SOUND & VIDEO SYSTEM Page: 20.1 SPEAKER PASSENGER Page: 20.2 SPEEDOMETER Page: 7.1 STEERING CONTROL Page: 15.1 SUN VISOR Page: 14.1
D DDEC III & IV Page: 5.1 DIGITAL CLOCK Page: 14.1 DISTRIBUTION 12V, 24V Page: 1.1 DISTRIB. 12V DISC., IGN & HOT WIRE Page: 2.1 DRIVER'S WINDOW LIFTER Page: 14.1	H HIGH BUOY Page: 18.1 HOTESS CHIME Page: 12.1	T TELL TALE LIGHT MODULES Page: 28.1 TRANSMISSION - WORLD Page: 6.1 TRNSMISSION ZF Page: 6.3 TACHYMETER Page: 7.1
	I INTERIOR LIGHTING Page: 11.1 INTERCOM Page: 27.1	W WHEEL CHAIR LIFT - RICON 9000 Page: 25.2 WHEEL CHAIR LIFT - STEW. & STEV. Page: 25.1 WINDOW AJAR Page: 7.2 WINDSHIELD (UP) FAN DEFROSTOR Page: 22.1 WIPER & WASHER Page: 10.1
	K KNEELING SYSTEM Page: 18.1 L LAVATORY Page: 17.1 LOW BUOY Page: 18.1 LUGGAGE DOOR LOCK Page: 19.1	
	M MIRROR-REAR VIEW Page: 24.2	
	P PARKING BRAKE SWITCH Page: 8.1	

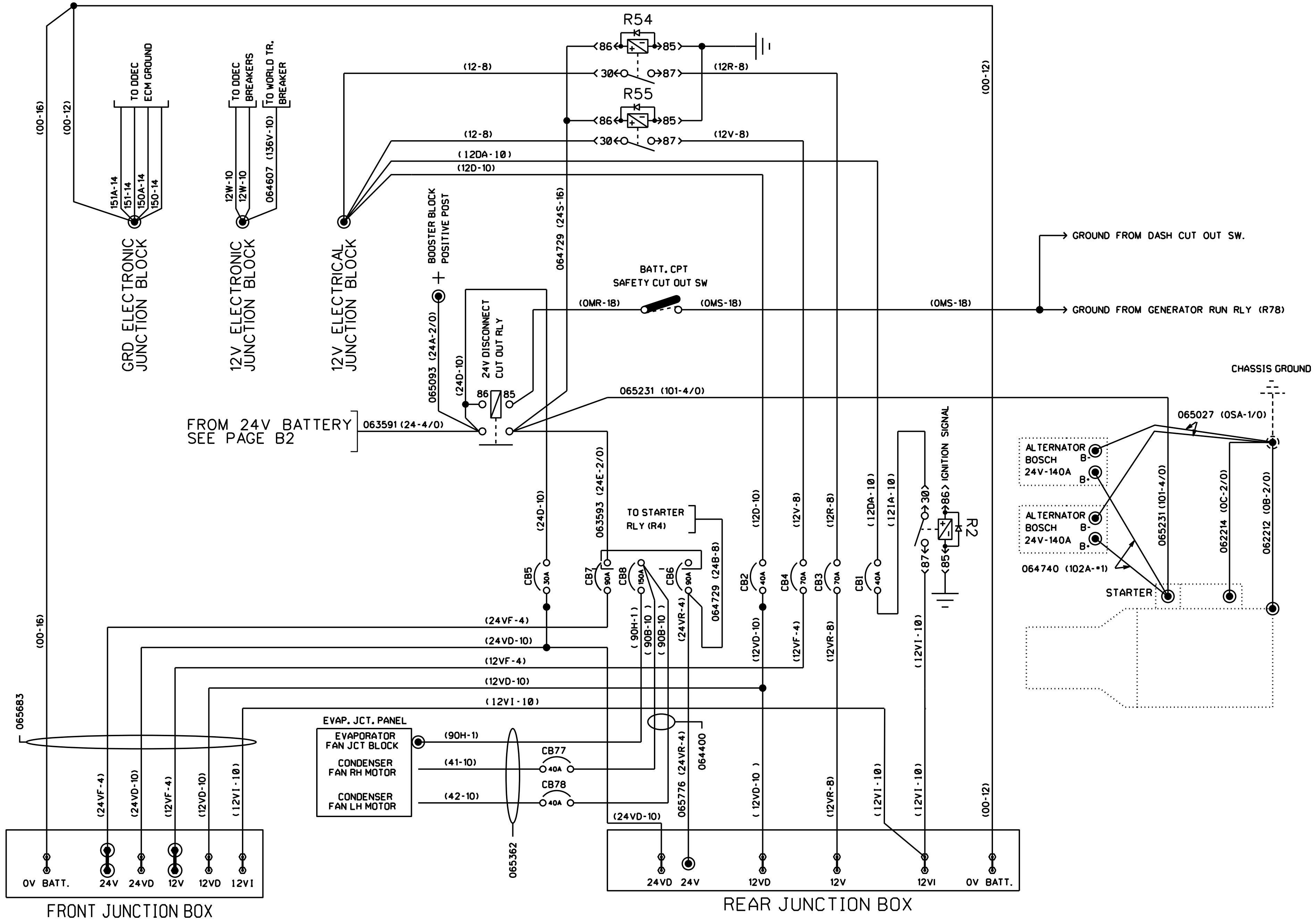
WIRING DIAGRAM INDEX

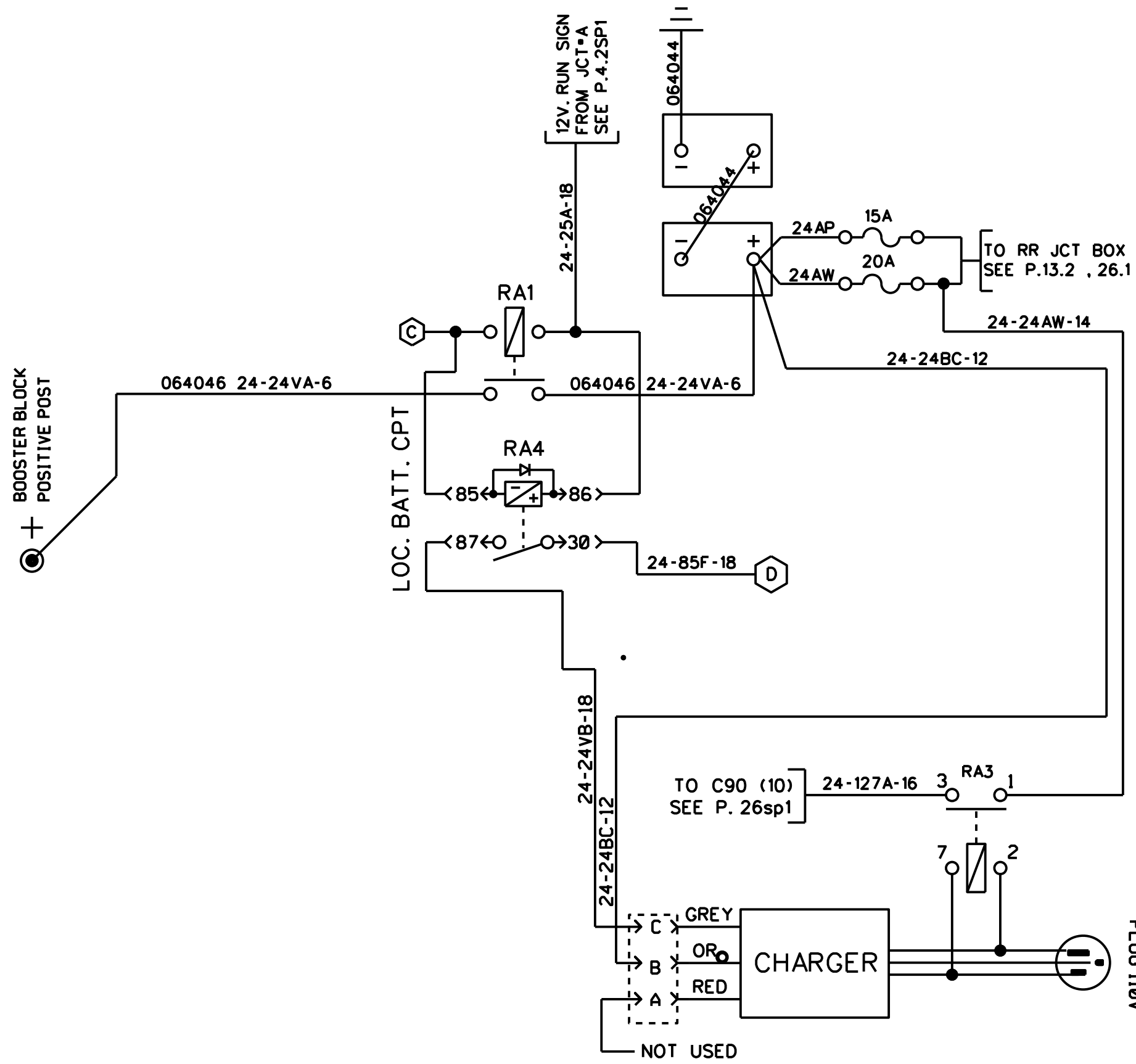
A A/C, HEAT & VENT. SYSTEM Page: 13.1 ALARM & SIGNAL Page: 7.2 ABS Page: 21.1 ARRANGEMENT - CABLE Page: B ARRANGEMENT - HARNESS Page: C1,C2 ARRANGEMENT - SPARE WIRE Page: D	E ENGINE BLOCK HEATER Page: 12.1 ENGINE BRAKE SYSTEM Page: 19.1 ENGINE CONTROL Page: 4.1 ENTRANCE DOOR SEDAN Page: 16.1 ETHER COLD START Page: 8.1 EXTERIOR LIGHTING Page: 9.1	POWER 12V OUTLET Page: 14.1 PRE-HEATER WATER HEATER Page: 26.1 PRODRIVER Page: 8.1
B BACK-UP ALARM Page: 9.3 BACK-UP MONITOR Page: 27.1 BATTERY CHARGER Page: 11.4 BATTERY STANDARD AND 8D Page: 1.2	F FAN-CLUTCH RADIATOR Page: 8.1 FAST IDLE - DDEC Page: 5.1 FIRE DETECTOR Page: 7.2 FRONT DESTINATION SIGN Page: 17.1 FRONT CAMERA Page: 20.6 FUEL FILTER WATER DETECTOR Page: 8.1 FUEL PRIME PUMP Page: 12.1	R RETARDER - WORLD TRANSM. Page: 19.1 S SEAT AUDIO SYSTEM Page: 20.7 SOUND & VIDEO SYSTEM Page: 20.1 SPEAKER PASSENGER Page: 20.2 SPEEDOMETER Page: 7.1 STEERING CONTROL Page: 15.1 SUN VISOR Page: 14.1
C CLUSTER Page: 7.1 CHARGING SYSTEM Page: 4.2 CIGAR LIGHTER Page: 14.1 CODE - CIRCUIT NUMBER Page: E CODE - CIRCUIT BREAKER Page: F CODE - CONNECTOR Page: G CODE - DIODE Page: H CODE - RELAY Page: I CODE - RESISTOR Page: J CODE - WIRING KEY Page: K CODE - FUSE Page: L CODE - MODULE Page: M CRUISE CONTROL - DDEC Page: 5.1 CB OPTION Page: 20.5	G GALLEY ACCESSORIES Page: 23.1 GROUND SYSTEM Page: 3.1 H HIGH BUOY Page: 18.1 HOSTESS CHIME Page: 12.1 I INTERIOR LIGHTING Page: 11.1 INTERCOM Page: 27.1 K KNEELING SYSTEM Page: 18.1 L LAVATORY Page: 17.1 LOW BUOY Page: 18.1 LUGGAGE DOOR LOCK Page: 19.1	T TELL TALE LIGHT MODULES Page: 28.1 TRANSMISSION - WORLD Page: 6.1 TRNSMISSION ZF Page: 6.3 TACHYMETER Page: 7.1 W WHEEL CHAIR LIFT - RICON 9000 Page: 25.2 WHEEL CHAIR LIFT - STEW. & STEV. Page: 25.1 WINDOW AJAR Page: 7.2 WINDSHIELD (UP) FAN DEFROSTOR Page: 22.1 WIPER & WASHER Page: 10.1
D DDEC Page: 5.1 DIGITAL CLOCK Page: 14.1 DISTRIBUTION 12V, 24V Page: 1.1 DISTRIB. 12V DISC., IGN & HOT WIRE Page: 2.1 DRIVER'S WINDOW LIFTER Page: 14.1	M MIRROR-REAR VIEW Page: 24.2 P PARKING BRAKE SWITCH Page: 8.1	



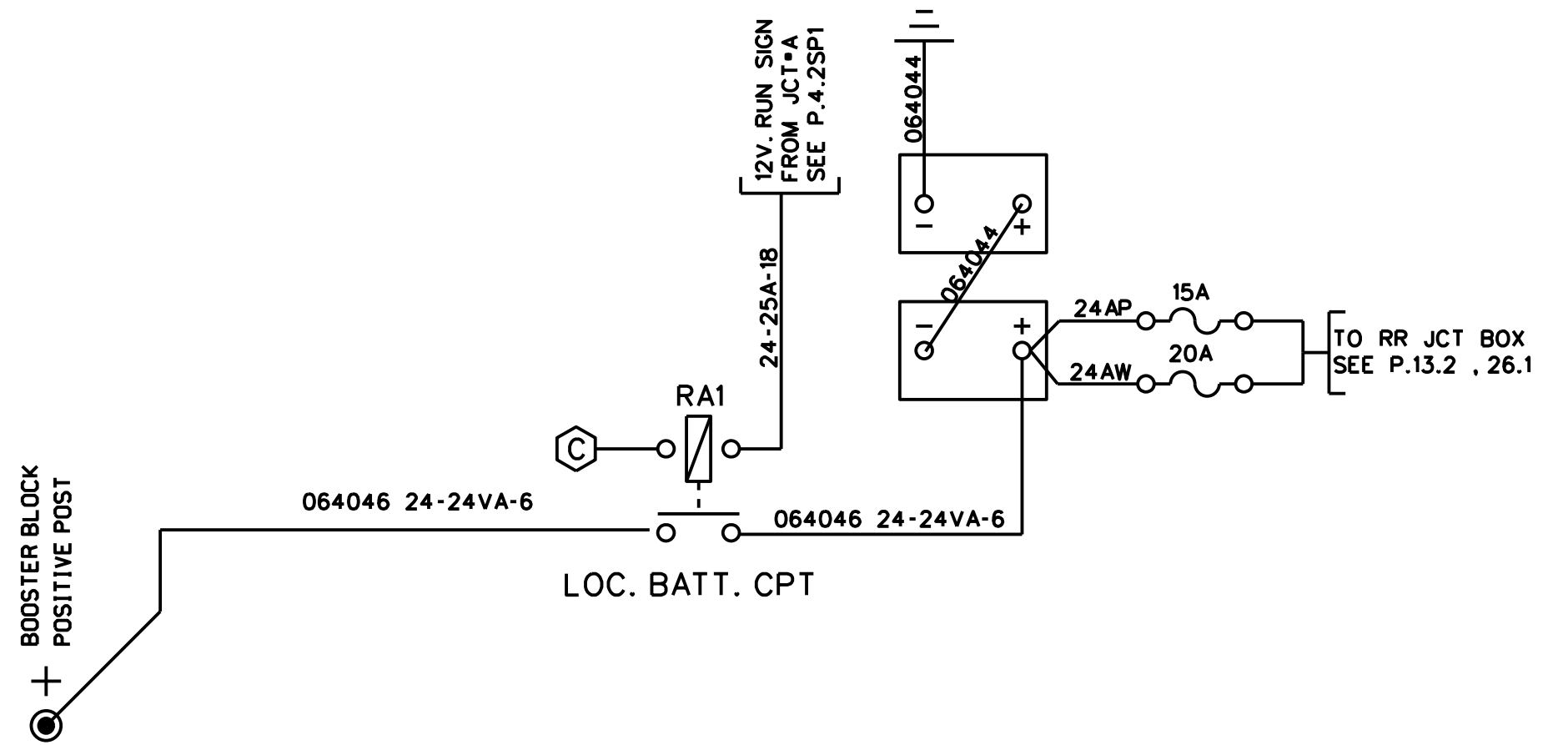




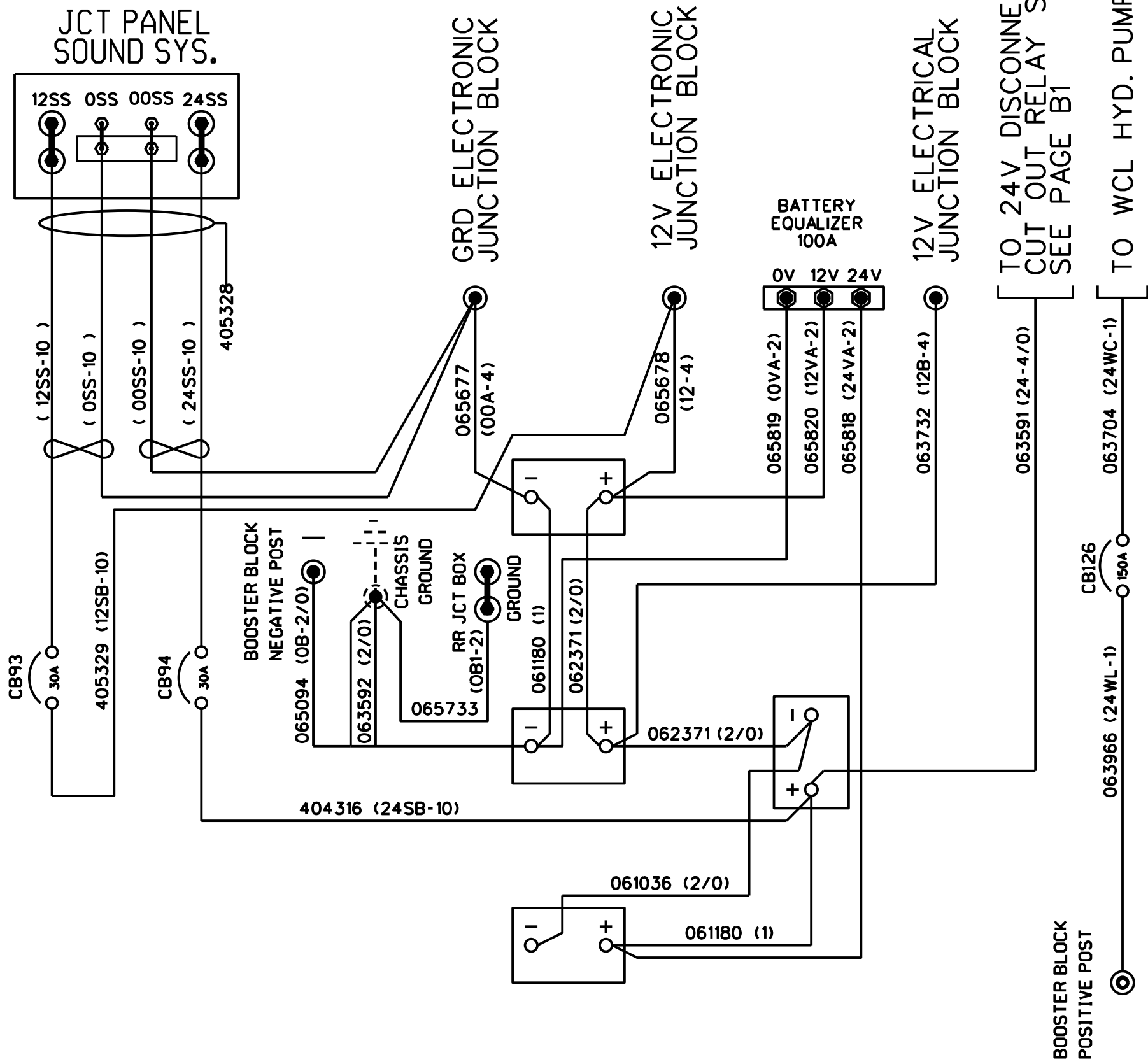




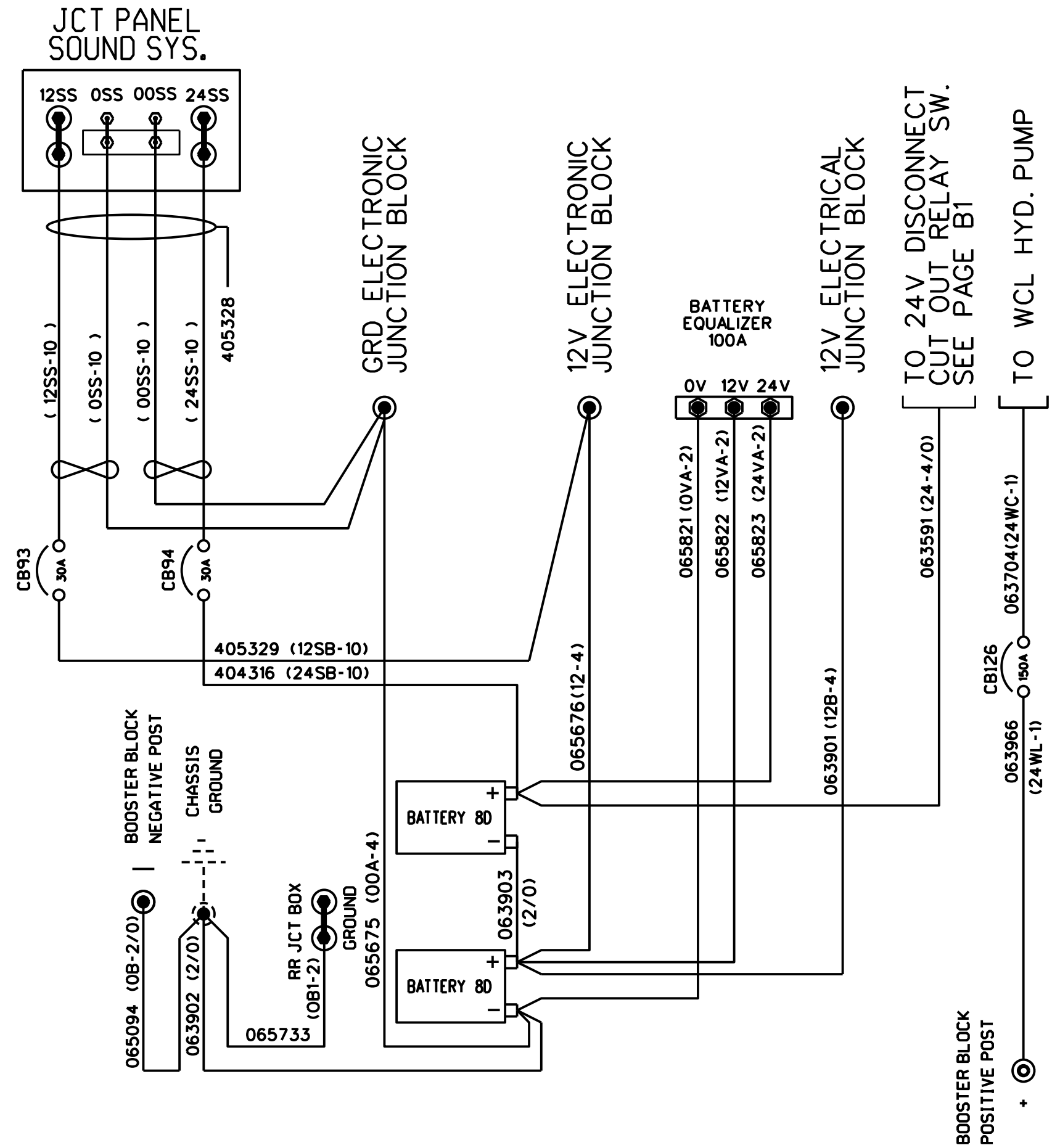
24V. BATTERY AUXILIARY WITH BATTERY CHARGER



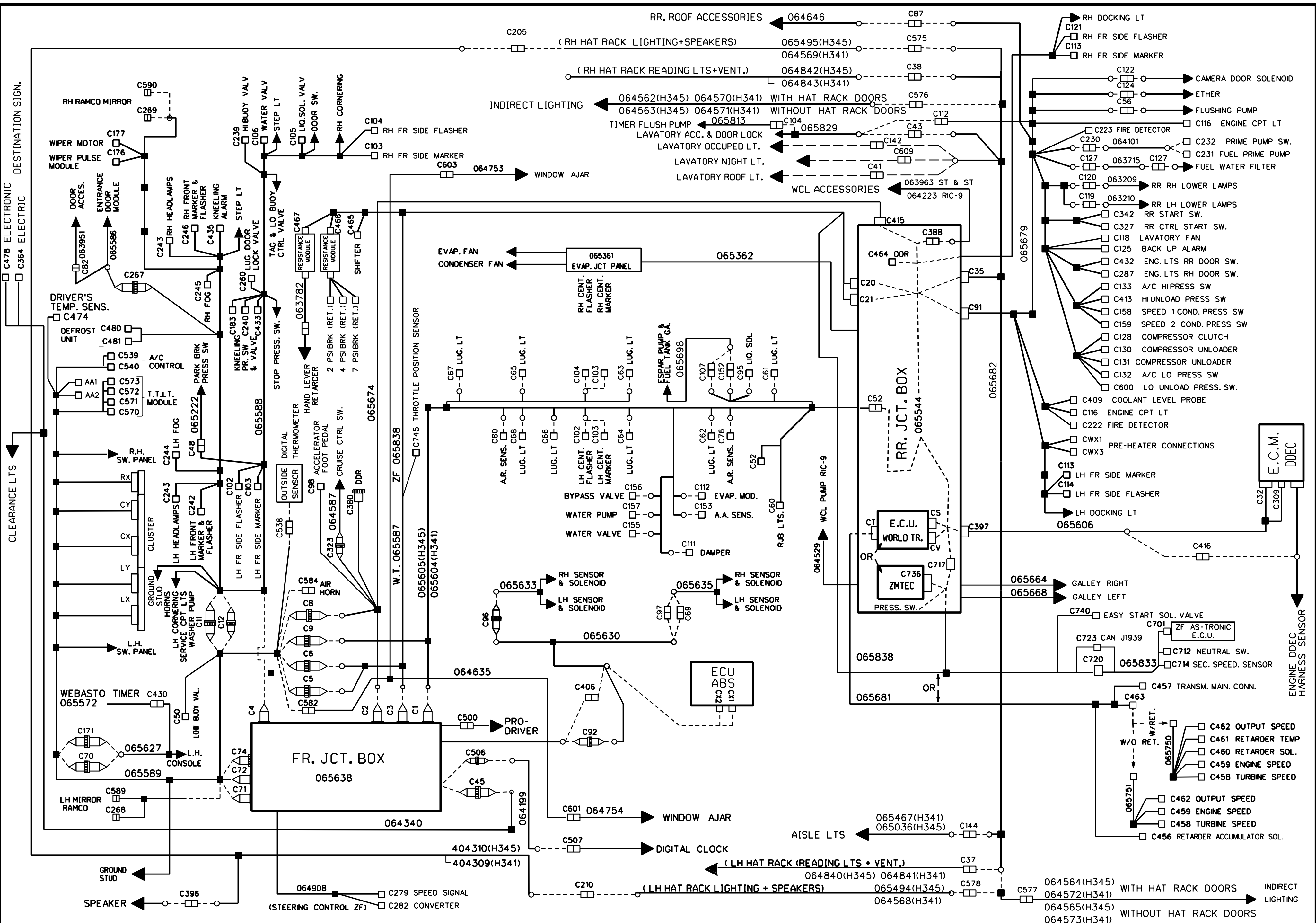
24V. BATTERY AUXILIARY

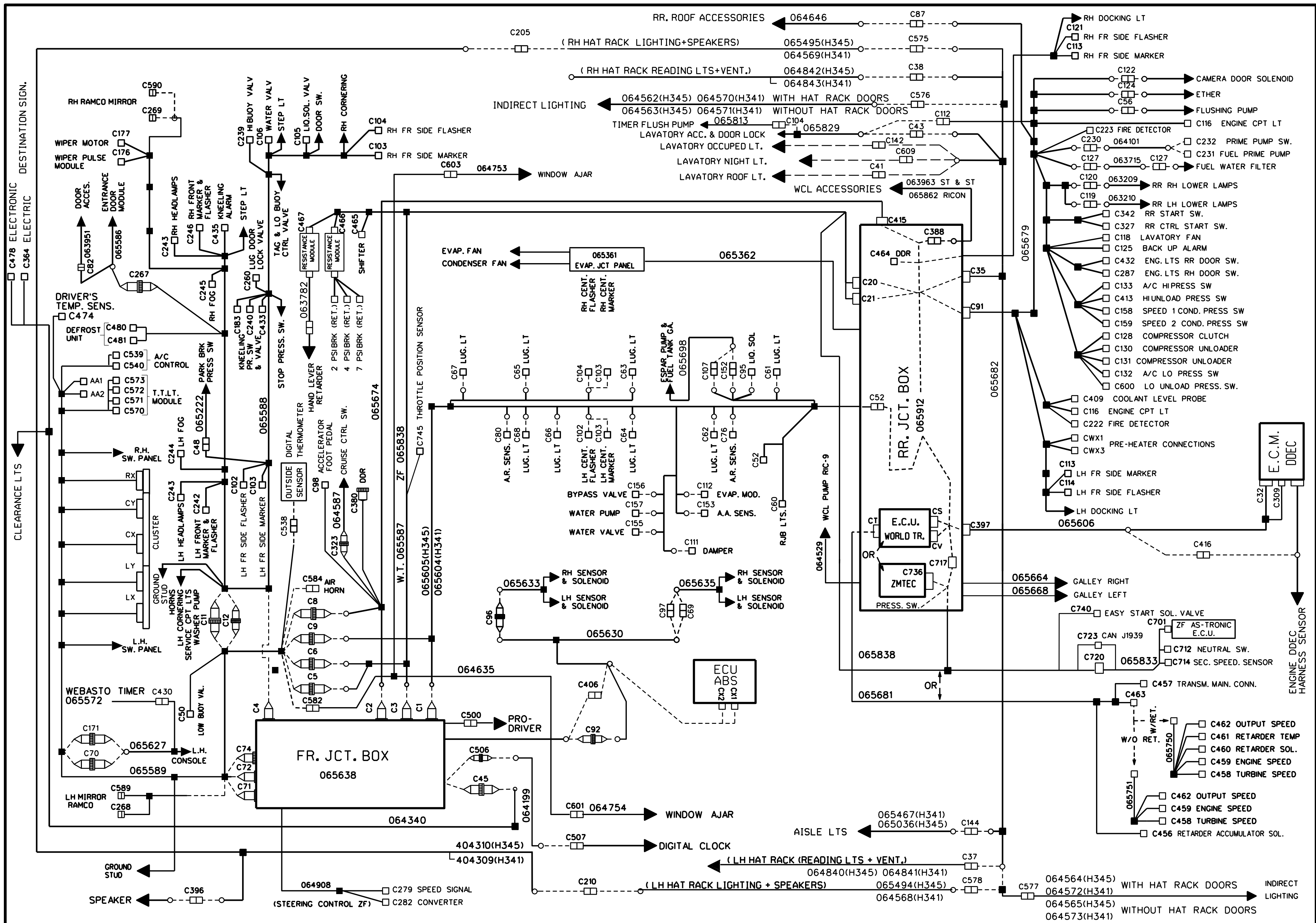


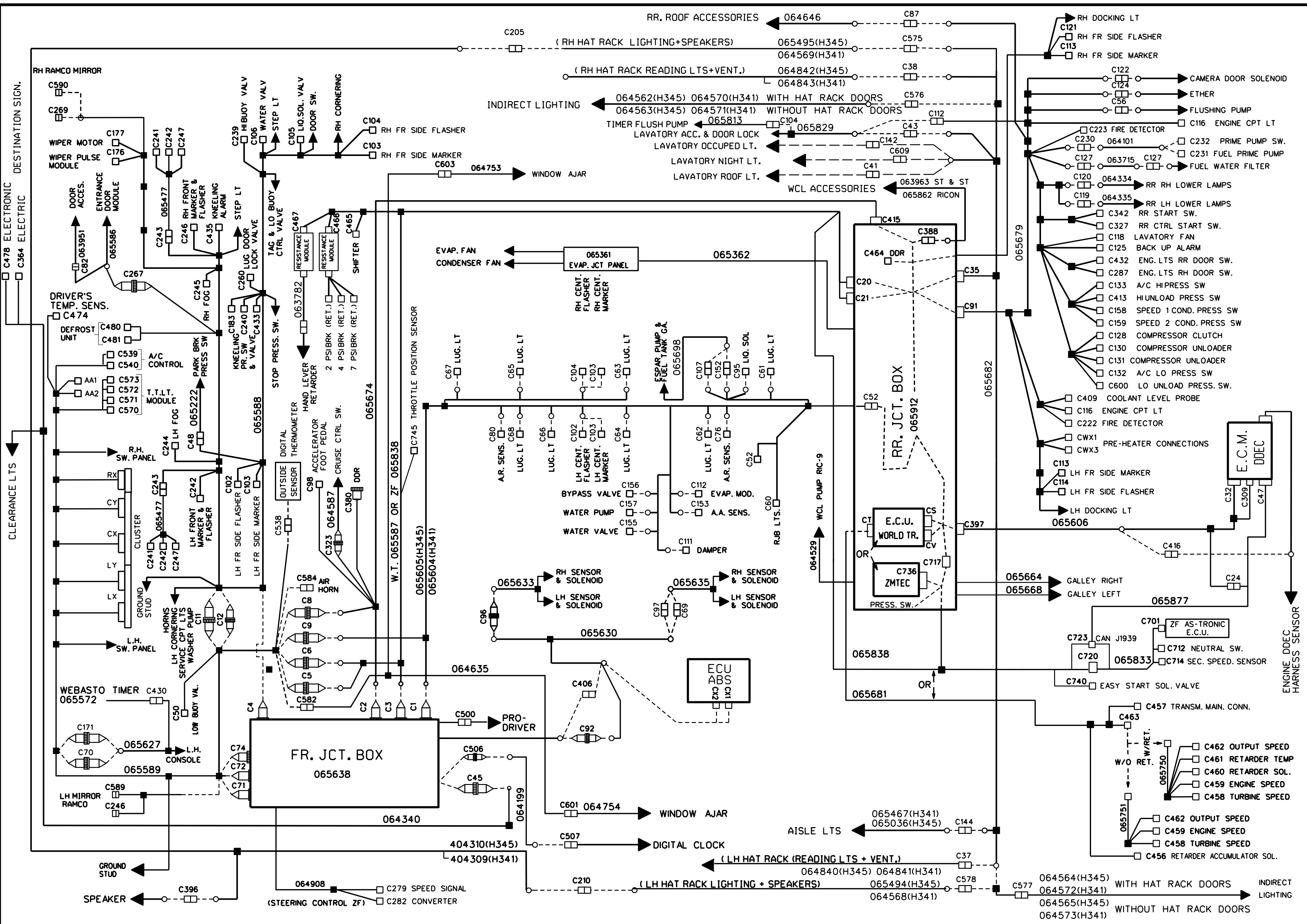
STANDARD BATTERIES

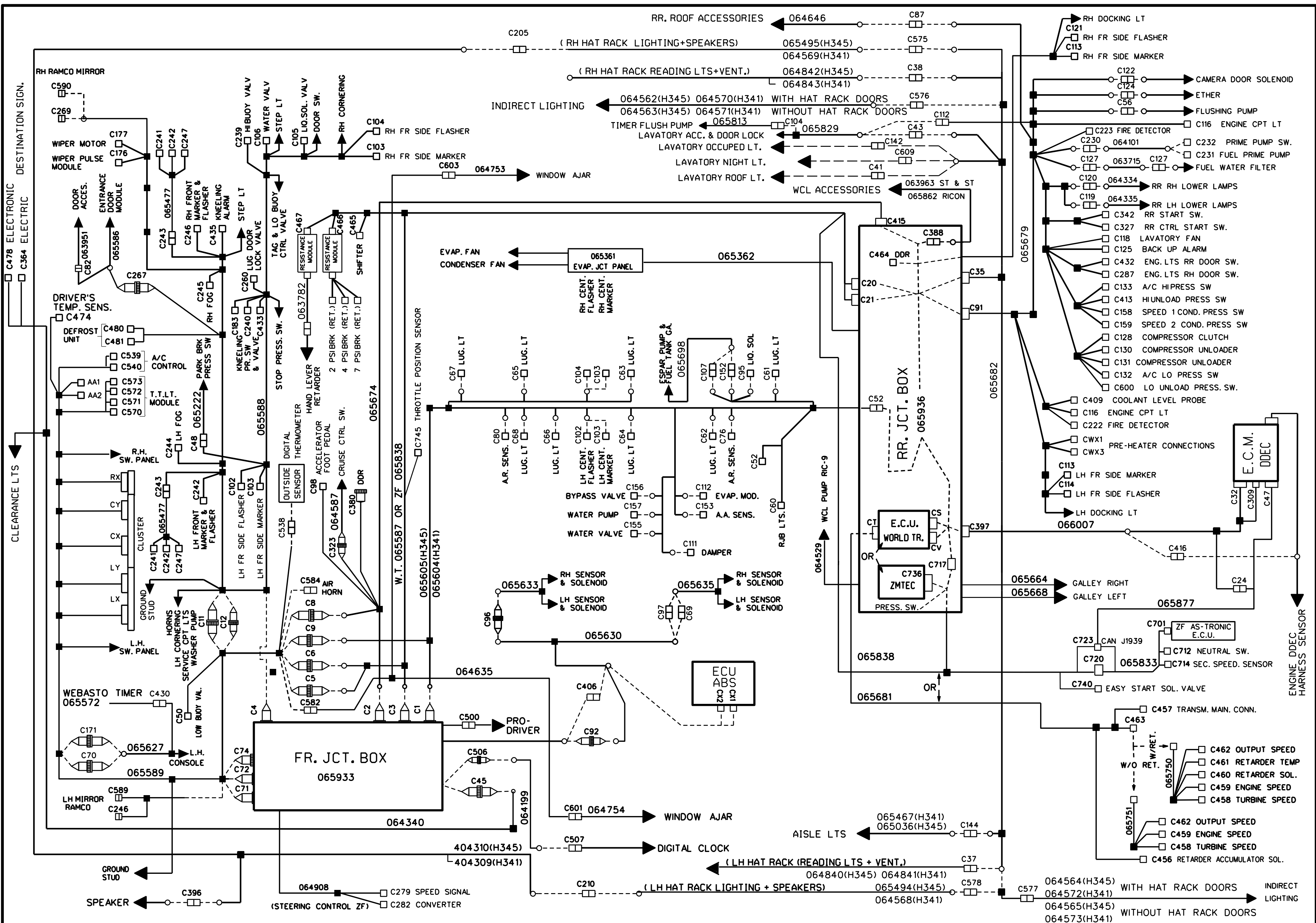


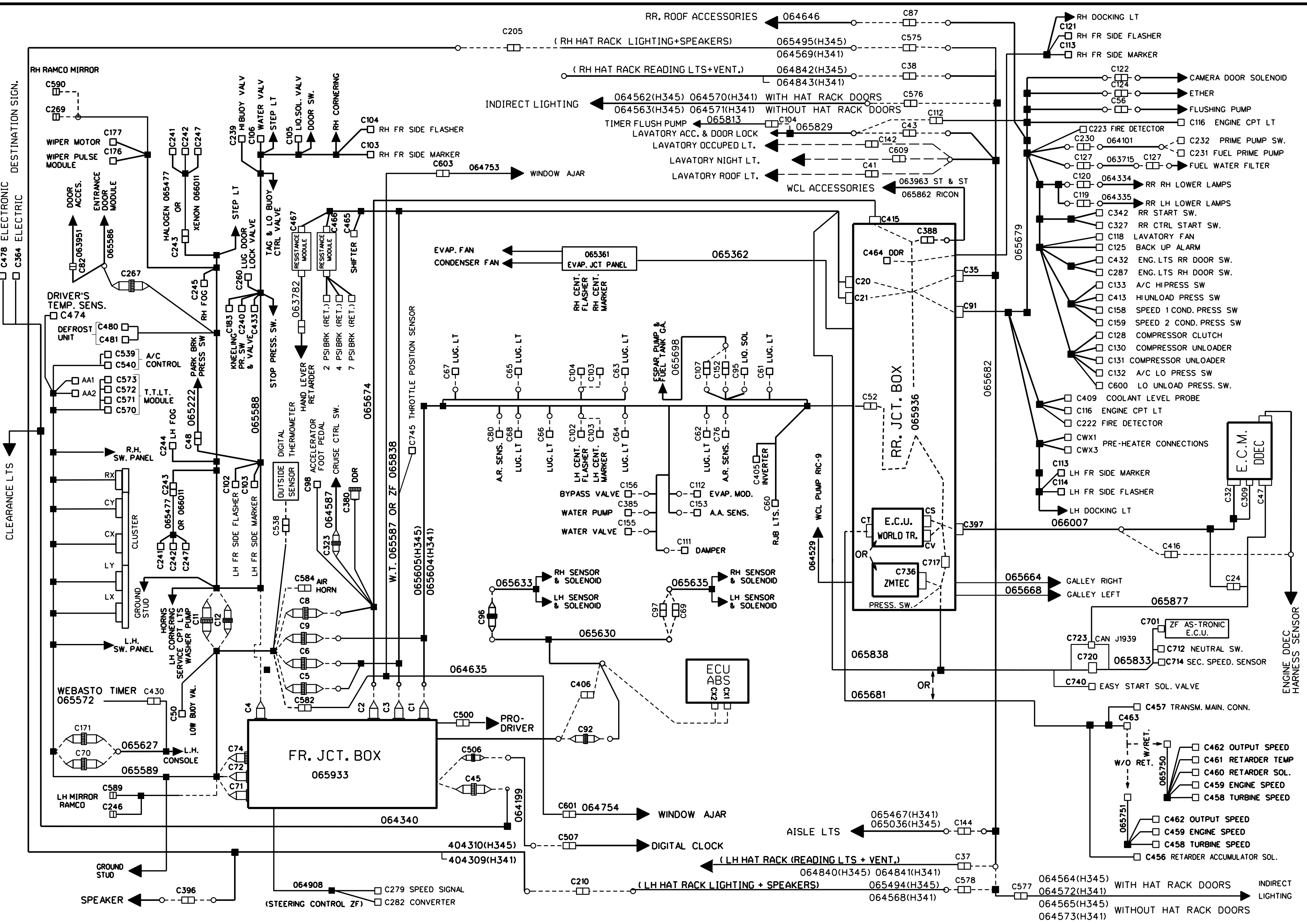
8D BATTERIES

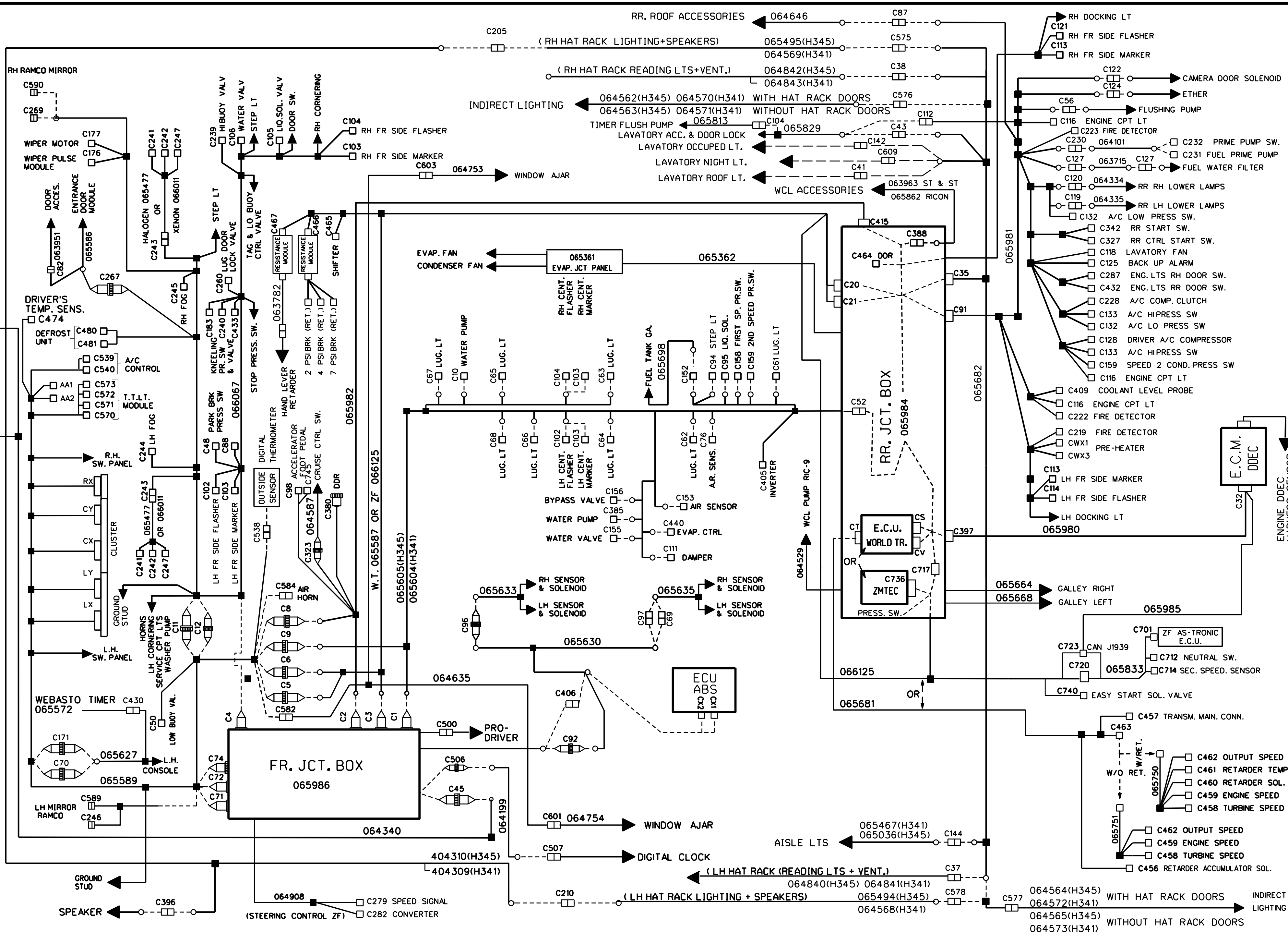


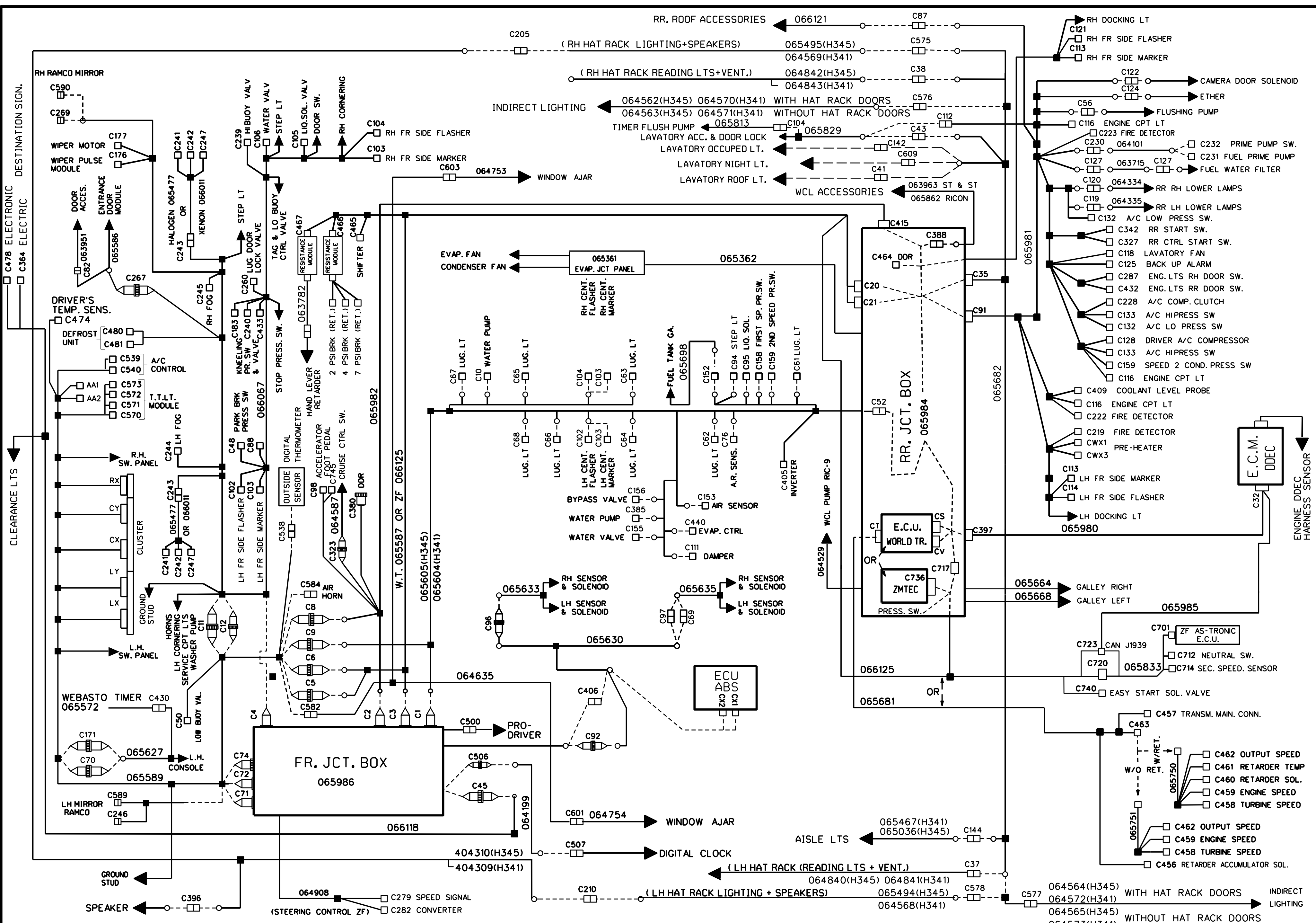


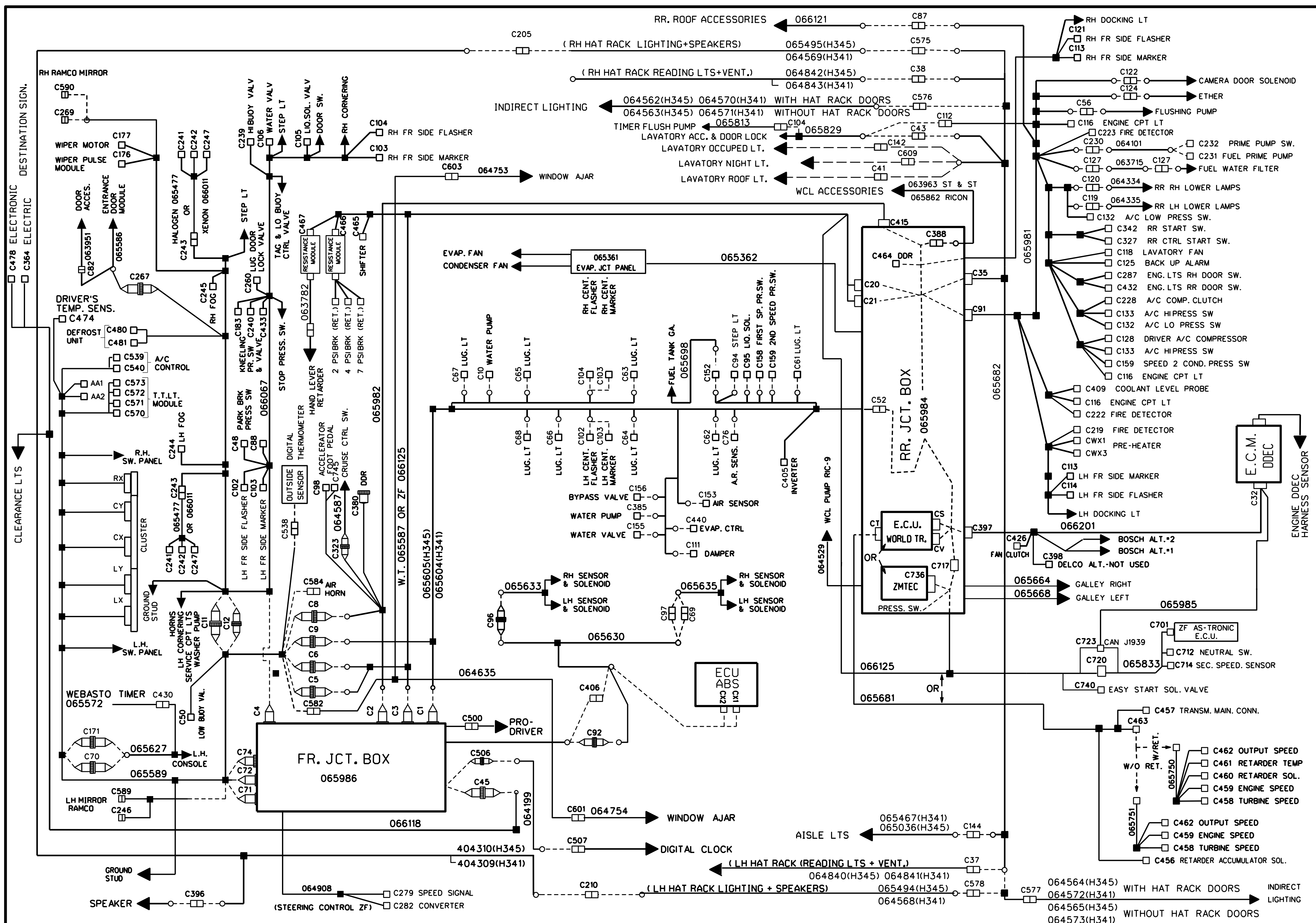


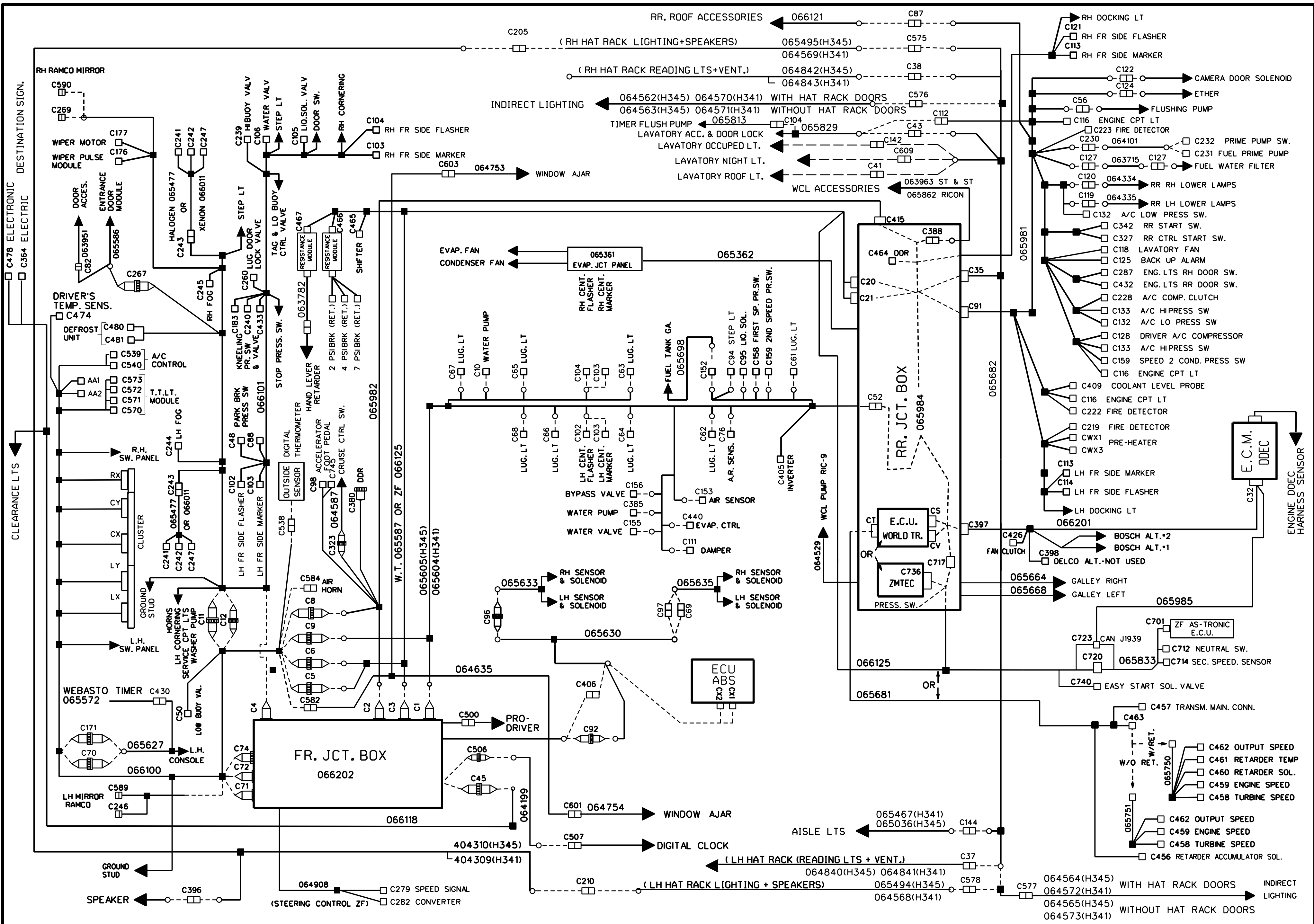


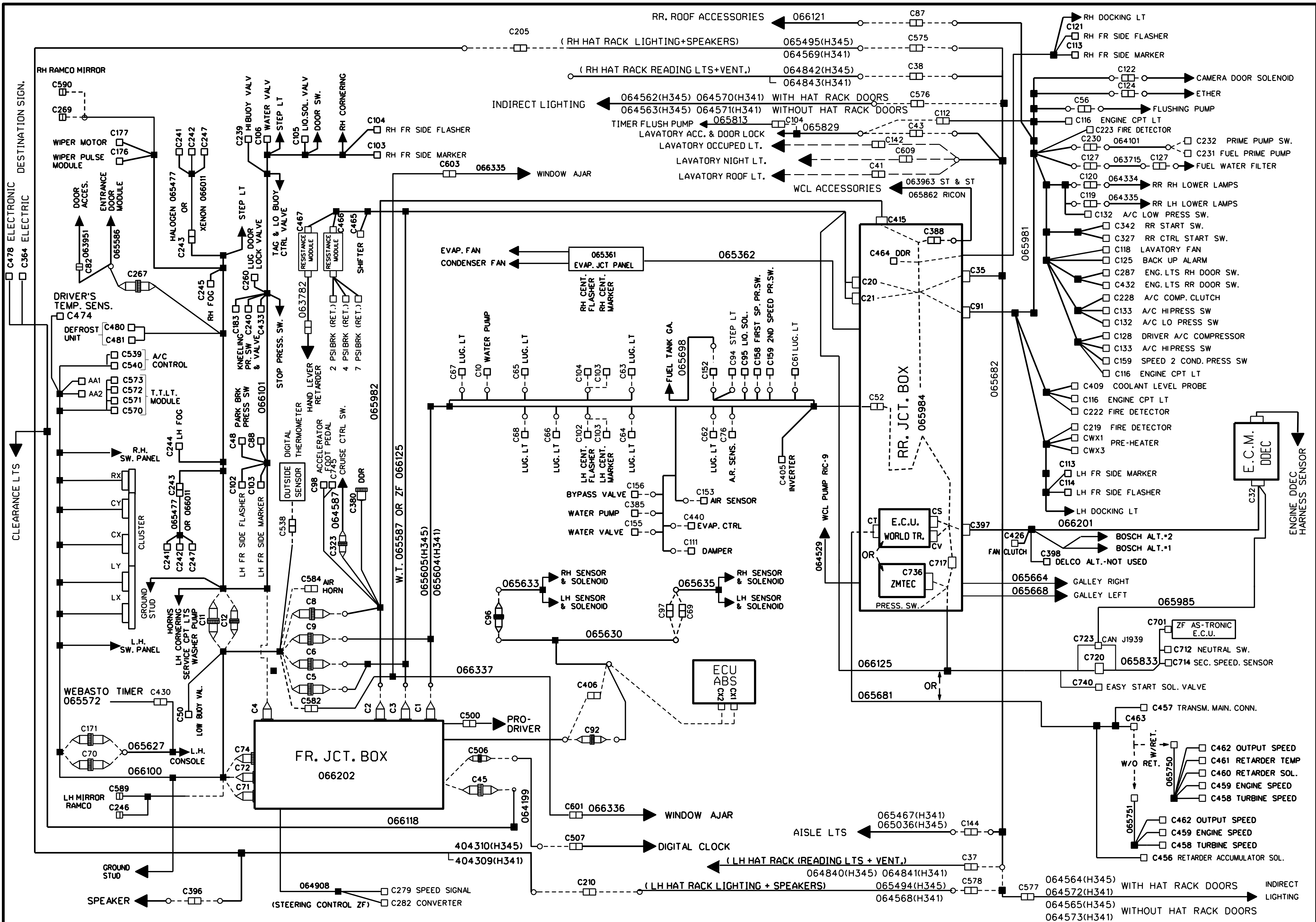


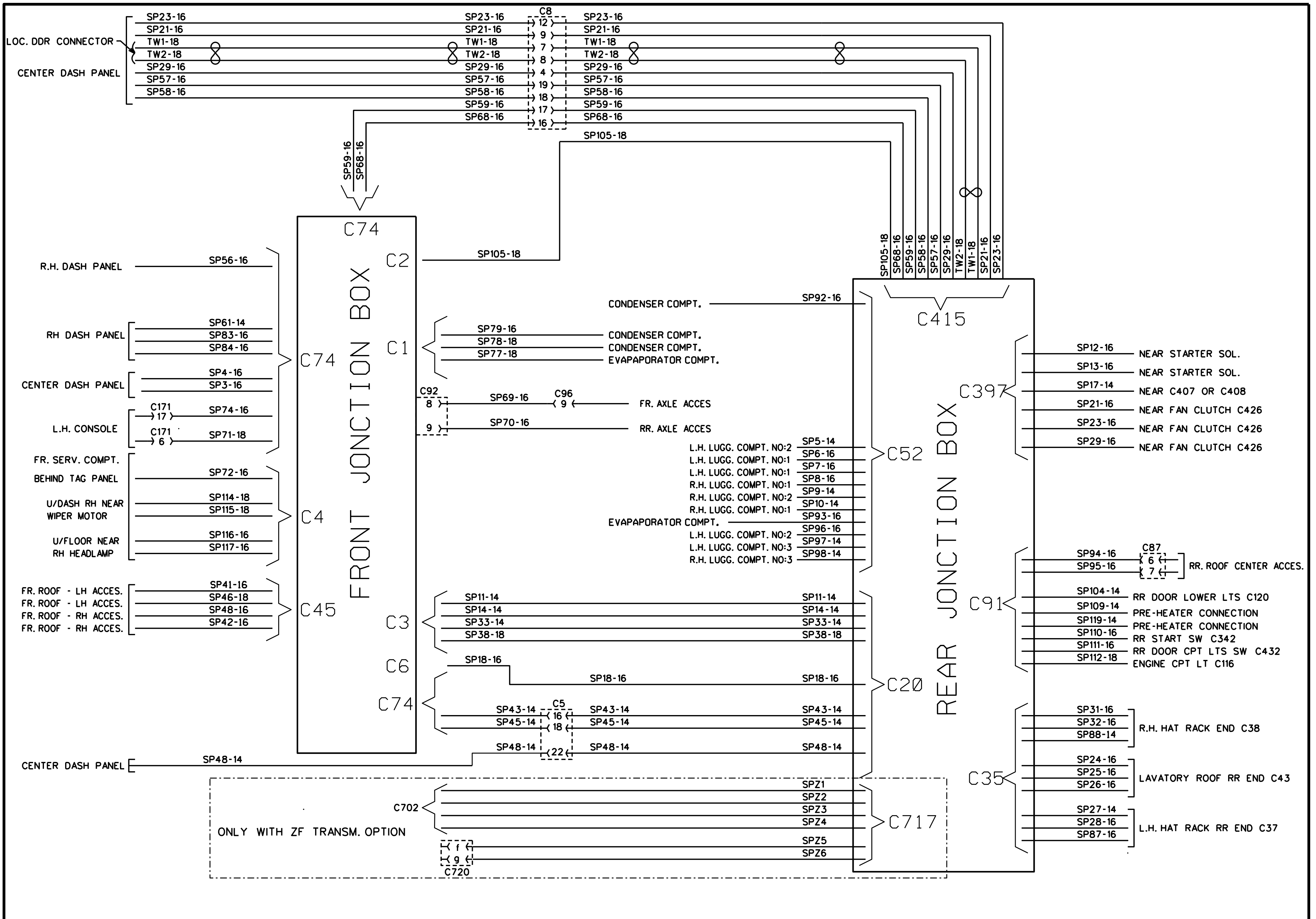


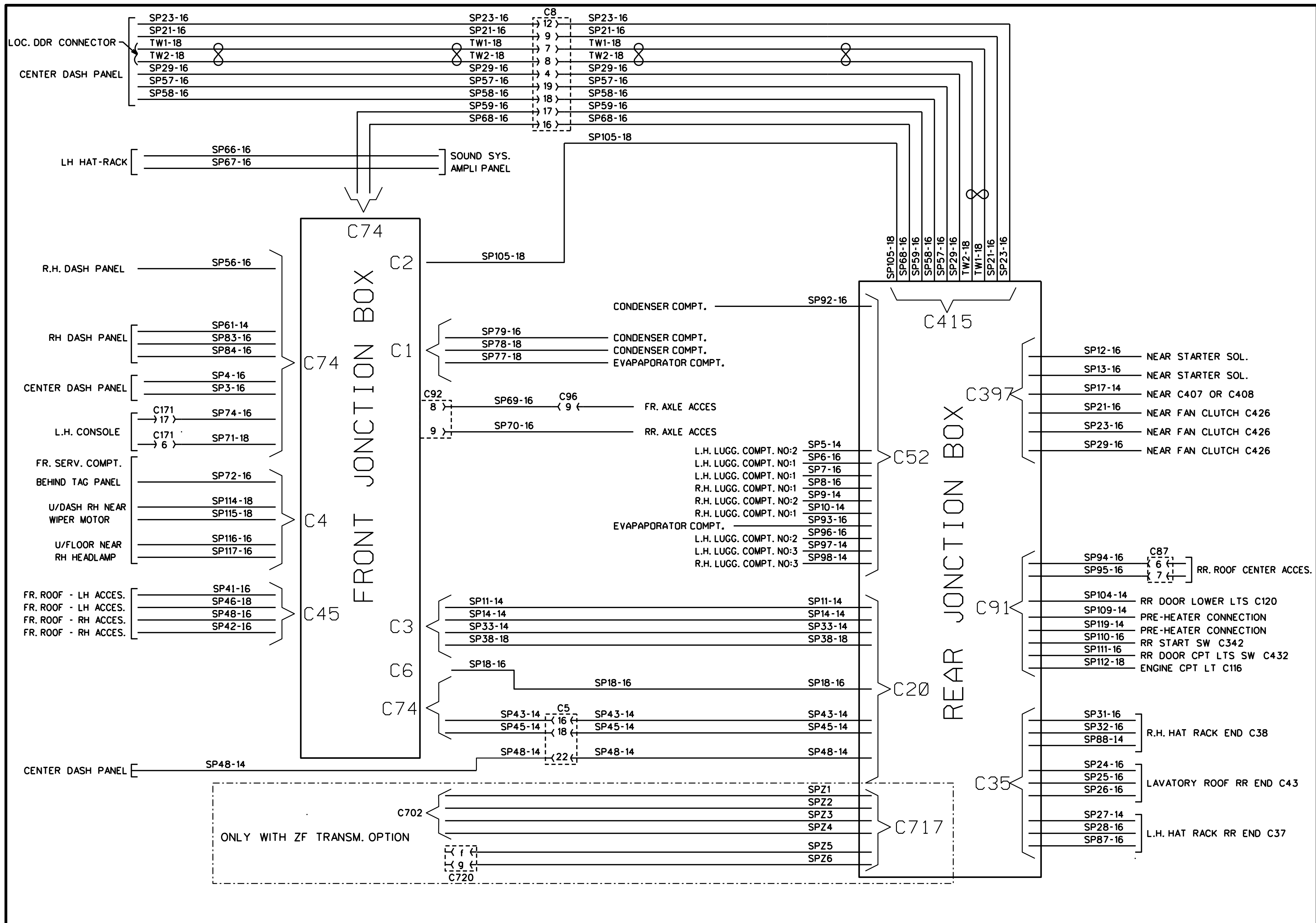












CIRCUIT NUMBER CODE

No.	DESCRIPTION	No.	DESCRIPTION	No.	DESCRIPTION	No.	DESCRIPTION
BA	INTERIOR LTS-110V FLUORESCENT	SP 17	SPARE-RJB TO ENGINE	SP 117	SPARE-FJB TO U/DASH FLOOR	0 L 1	FS - FR SERVICE CPT LTS GRD
BB	INTERIOR LTS-110V FLUORESCENT	SP 18	SPARE-FJB TO RJB	SP 119	SPARE-RJB TO ENGINE CPT.	0 L 2	FS - FR SERVICE CPT LTS GRD
D 1	SOUND SYSTEM-FR RH SPEAKER	SP 24	SPARE-RJB TO LAVATORY ROOF	SPZ 1	SPARE WIRE-ZF TRANSM.	0 L 3	FS - FJB GRD
D 2	SOUND SYSTEM-FR RH SPEAKER	SP 25	SPARE-RJB TO LAVATORY ROOF	SPZ 2	SPARE WIRE-ZF TRANSM.	0 L 4	FS - FJB GRD
D 3	SOUND SYSTEM-FR RH SPEAKER	SP 26	SPARE-RJB TO LAVATORY ROOF	SPZ 3	SPARE WIRE-ZF TRANSM.	0 L 5	FS - CIGAR LIGHTER
D 4	SOUND SYSTEM-RR RH SPEAKER	SP 27	SPARE-RJB TO LH HAT RACK	SPZ 4	SPARE WIRE-ZF TRANSM.	0 L 6	FS - FRONT SERVICE CPT LTS GRD
D 5	SOUND SYSTEM-RR RH SPEAKER	SP 28	SPARE-RJB TO LH HAT RACK	SPZ 5	SPARE WIRE-ZF TRANSM.	0 L	RS - ENGINE CPT ACCES. GRD
D 6	SOUND SYSTEM-RR RH SPEAKER	SP 31	SPARE-RJB TO RH HAT RACK	SPZ 6	SPARE WIRE-ZF TRANSM.	0 L	ENTRANCE DOOR (SEDAN) GRD
D 7	SOUND SYSTEM-RR RH SPEAKER	SP 32	SPARE-RJB TO RH HAT RACK	W C	A/C & HEAT SYST-EVAP CTR SIGN	0 L H	RS - RR END LAMPS LH GRD
D 8	SOUND SYSTEM-RR RH SPEAKER	SP 33	SPARE-FJB TO RJB	Y C	INTERIOR LTS-110V FLUORESCENT	0 M	FS - ELECTRICAL MOTOR GRD
D 3 4	SOUND SYSTEM-RR RH SPEAKER	SP 38	SPARE-FJB TO RJB	Y D	INTERIOR LTS-110V FLUORESCENT	0 M 1	FS - ELECTRICAL MOTOR GRD
D 6 7	SOUND SYSTEM-RR RH SPEAKER	SP 43	SPARE-FJB TO RJB	0	BC - BAT. CPT CHASSIS GRD	0 M 3	FS - ELECTRICAL MOTOR GRD
G 1	SOUND SYSTEM-RR LH SPEAKER	SP 45	SPARE-FJB TO RJB	0	CONDENSER CPT GRD	0 M 4	FS - ELECTRICAL MOTOR GRD
G 2	SOUND SYSTEM-FR LH SPEAKER	SP 46	SPARE-RJB TO LH FR ROOF	0	RS - RR JCT BOX RLY GRD	0 M 5	FS - ELECTRICAL MOTOR GRD
G 3	SOUND SYSTEM-FR LH SPEAKER	SP 48	SPARE-RJB TO DASH CENTER PANEL	0	GALLEY GRD	0 M 6	FS - FJB GRD
G 4	SOUND SYSTEM-RR LH SPEAKER	SP 56	SPARE-ENGINE TO RH SW PANEL	0 A	BC - SHIELD GRD	0 M 7	FS - ELECTRICAL MOTOR GRD
G 5	SOUND SYSTEM-RR LH SPEAKER	SP 57	SPARE-DASH CENTER PANEL TO ENG.	0 A	RS - RR JCT BOX RLY GRD	0 M	RS - ENGINE CPT ACCES. GRD
G 6	SOUND SYSTEM-RR LH SPEAKER	SP 58	SPARE-DASH CENTER PANEL TO ENG.	0 A	FRS - FR ROOF ACCES. GRD	0 M R	24V DISC. SW. RLY GRD SIGNAL
G 7	SOUND SYSTEM-RR LH SPEAKER	SP 59	SPARE-FJB TO ENGINE	0 A	RS - LUG. CPT ACCES. GRD	0 M S	24V DISC. SW. RLY GRD SIGNAL
G 8	SOUND SYSTEM-RR LH SPEAKER	SP 61	SPARE-FJB TO DASH RH PANEL	0 A	A/C SYSTEM-EVAP. GRD	0 N	RS - ENGINE CPT ACCES. GRD
G 3 4	SOUND SYSTEM-RR LH SPEAKER	SP 68	SPARE-FJB TO ENGINE	0 A A	RS - VOLTAGE REGULATOR GRD	0 P	RS - ENGINE CPT ACCES. GRD
G 6 7	SOUND SYSTEM-RR LH SPEAKER	SP 69	SPARE-FJB TO FR AXLE	0 B 1	EC - RR JCT PANEL GRD	0 R	FS - SOUND SYS. JCT PANEL GRD
L 1 A	INTERIOR LTS-110V FLUORESCENT	SP 70	SPARE-FJB TO FR AXLE	0 B	EC - ENGINE GRD	0 R	RS - RJB GRD
L 1 B	INTERIOR LTS-110V FLUORESCENT	SP 71	SPARE-FJB TO RH SW PANEL	0 B	FRS - FR ROOF HEAT WIND GRD	0 R	RS - ENGINE CPT ACCES. GRD
L 2 A	INTERIOR LTS-110V FLUORESCENT	SP 72	SPARE-FJB TO FR SERV CPT	0 B	RS - LUG. CPT ACCES. GRD	0 R E	RADIO & CTRL HEAD CHASSIS GRD
L 2 B	INTERIOR LTS-110V FLUORESCENT	SP 74	SPARE-FJB TO LH CONSOLE	0 B E	RJB - BAT. EQUAL. BAT GRD	0 R H	RS - RR END LAMPS RH GRD
L 0	110V RECEPTACLE- 110V FLUOR.	SP 77	SPARE-FJB TO EVAPORATOR CPT	0 C	EC - STARTER MOTOR GRD	0 S	12 VOLT RUN - GND RELAY
L 1	110V RECEPTACLE- 110V FLUOR.	SP 78	SPARE-FJB TO CONDENSER CPT	0 C	FS - SERV. CPT ACCES. GRD	0 S A	EC-BOSCH ALT. GROUND
L 2	110V RECEPTACLE- 110V FLUOR.	SP 79	SPARE-FJB TO CONDENSER CPT	0 C	BC - FAN EVAP. & CONDENSER GRD	0 S 2	SOUND SYSTEM RADIO GRD
RA	INTERIOR LTS-110V FLUORESCENT	SP 87	SPARE-RJB TO LH HAT RACK	0 C R	24V DISC. SW. RLY GRD SIGNAL	0 S 3	SOUND SYSTEM VIDEO GRD
RB	INTERIOR LTS-110V FLUORESCENT	SP 88	SPARE-RJB TO RH HAT RACK	0 C S	24V DISC. SW. RLY GRD SIGNAL	0 S S	SOUNDS SYSTEM BATT. GRD
SH 1	SHIELD CHASSIS GRD	SP 92	SPARE-RJB TO CONDENSER CPT	0 C 1	FS - SERV. CPT ACCES. GRD	0 T	FS - DASH ACCES. GRD
SH 2	SHIELD CHASSIS GRD	SP 93	SPARE-RJB TO EVAPORATOR CPT	0 C 2	FS - SERV. CPT ACCES. GRD	0 T 1	FS - DASH ACCES. GRD
SH 3	SHIELD CHASSIS GRD	SP 94	SPARE-RJB TO RR ROOF	0 C 3	FS - SERV. CPT ACCES. GRD	0 T 2	FS - DASH ACCES. GRD
SH 4	SHIELD CHASSIS GRD	SP 95	SPARE-RJB TO RR ROOF	0 C 4	FS - FJB CPT ACCES. GRD	0 T 3	FS - DASH ACCES. GRD
SP 2	SPARE-FJB TO FR SERV CPT	SP 96	SPARE-RJB TO LUGG CPT #2	0 D	BC - FAN CONDENSER GRD	0 T 4	FS - DASH ACCES. GRD
SP 3	SPARE-FJB TO CENTER DASH	SP 97	SPARE-RJB TO LUGG CPT #3	0 D	RS - HAT RACK ACCES. LH GRD	0 T 5	FS - HVAC DASH MODULE. GRD
SP 4	SPARE-FJB TO CENTER DASH	SP 98	SPARE-RJB TO LUGG CPT #3	0 D	RJB - IGNITION RELAY	0 T 6	FS - HVAC DASH MODULE. GRD
SP 5	SPARE-RJB TO LUGG CPT #2	SP 104	SPARE-RJB TO ENGINE CPT	0 D F	RS - RR SIDE FLASH & MARK GRD	0 V	RR JCT BOX CPT GRD STUD
SP 6	SPARE-RJB TO LUGG CPT #1	SP 105	SPARE-FJB TO ENGINE	0 D R	RS - RJB DOCKING LT RESISTORS	0 V A	BATTERY TO EQUALIZER 0V
SP 7	SPARE-RJB TO LUGG CPT #1	SP 106	SPARE-RJB TO BATT. CPT.	0 E	RS - HAT RACK ACCES. LH GRD	0 W	FS - WT GND & SHIELD
SP 8	SPARE-RJB TO LUGG CPT #1	SP 107	SPARE-RJB TO BATT. CPT.	0 E A	EATON TRANSMISSION GRD	0 W	RS - RR JCT BOX (WCL) GRD
SP 9	SPARE-RJB TO LUGG CPT #2	SP 108	SPARE-RJB TO BATT. CPT.	0 F	RS - HAT RACK ACCES. RH GRD	0 W C	RS - RR JCT BOX GRD (WCL)
SP 10	SPARE-RJB TO LUGG CPT #1	SP 109	SPARE-RJB TO ENGINE CPT.	0 G	RS - HAT RACK ACCES. RH GRD	0 X	RS - RR JCT BOX GRD
SP 11	SPARE-FJB TO RJB	SP 110	SPARE-RJB TO ENGINE CPT.	0 H	RS - LAVATORY ACCES. GRD	0 Y	ABS FR JCT BOX CPT GRD STUD
SP 12	SPARE-RJB TO ENGINE	SP 111	SPARE-RJB TO ENGINE CPT.	0 J	FS - LH CONSOLE SW GRD	0 Y	RR JCT BOX GRD
SP 13	SPARE-RJB TO ENGINE	SP 112	SPARE-RJB TO ENGINE CPT.	0 J	RS - RR ROOF ACCES. GRD	0 Y 1	ABS SYSTEM - GRD
SP 14	SPARE-FJB TO RJB	SP 114	SPARE-FJB TO U/DASH WIPER	0 K	RS - RR ROOF ACCES. GRD	0 Y 2	ABS SYSTEM - GRD
SP 15	SPARE-RJB TO ENGINE	SP 115	SPARE-FJB TO U/DASH WIPER	0 K	RS - RJB A/C JCT PANEL GRD	0 Y 3	ABS SYSTEM - GRD
SP 16	SPARE-RJB TO ENGINE	SP 116	SPARE-FJB TO U/DASH FLOOR	0 L	FS - FR SERVICE CPT LTS GRD	0 Y 4	ABS SYSTEM - GRD

CIRCUIT NUMBER CODE

No.	DESCRIPTION	No.	DESCRIPTION	No.	DESCRIPTION	No.	DESCRIPTION
0 Y 5	ABS SYSTEM - GRD	1 2	BAT CPT 12V BATTERY	1 2 W B	ENTRANCE DOOR (SEDAN)	2 4 D A	A/C JCT BOX 24V HOT WIRE
0 Y 6	ABS SYSTEM - GRD	1 2 A	FR JCT BOX 12V DISC SW	1 2 X	FR JCT BOX 12V DISC SW	2 4 D Z	24 V HOT WIRE FOR ZF TRANSM.
0 Z	RR JCT BOX CPT GRD STUD	1 2 A	RR JCT BOX 12V DISC SW	1 2 X 2	FR JCT BOX 12V DISC SW	2 4 E	BAT CPT 24V DISC SW
0 Z 0	RR JCT BOX CPT GRD STUD	1 2 B	12V BAT ELECTRICAL JCT BLOCK	1 2 Y	FR JCT BOX 12V DISC SW	2 4 E	FR JCT BOX 24V DISC SW
0 Z 1	ZF TRANSM. GRD	1 2 B	RR JCT BOX 12V DISC SW	1 3 A	ALARM & SIGNAL-LO AIR PRIM.	2 4 E	RR JCT BOX 24V DISC SW
0 Z 2	ZF TRANSM. GRD	1 2 B	FR JCT BOX 12V DISC SW	1 3 B	ALARM & SIGNAL-LO AIR SEC.	2 4 F	FR JCT BOX 24V DISC SW
0 0	FJB & RJB BATT. GRD	1 2 B E	BAT. EQUALIZER MONITOR	1 4	LAVATORY-FLUSHING PUMP	2 4 F	RR JCT BOX 24V DISC SW
0 0 A	FBG - T.T.LT. MODULES BATT. GRD	1 2 C	FR JCT BOX 12V DISC SW	1 4 A	LAVATORY-FLUSHING PUMP	2 4 G	FR JCT BOX 24V DISC SW
0 0 Y	FS - ABS MODULLE BATT. GRD	1 2 C	RR JCT BOX 12V HOT WIRE	1 4 P	LAVATORY-FLUSHING PUMP	2 4 G	RR JCT BOX 24V DISC SW
0 0 S S	SOUND SYSTEM BATT. GRD	1 2 C E	RR JCT BOX 12V HOT WIRE	1 5	EXTERIOR LTS-MULTI FUNC LEVEL	2 4 H	FR JCT BOX 24V DISC SW
1	TACHO SYSTEM - RPM SIGNAL +	1 2 D	BAT CPT 12V BATTERY	1 5 A	WIPER & WASHER UPPER WINDSHIELD	2 4 H	RR JCT BOX 24V DISC SW
2 B	A/C & HEAT SYSTEM-COOL SIGN	1 2 D A	12V IGNITION DISTRIBUTION	1 6	SPEED - SIGNAL +	2 4 I	FR JCT BOX 24V IGNITION
2 E	A/C & HEAT SYSTEM EVAP CONT	1 2 D T	TTLT MODULE	1 6 A	SPEED - SIGNAL +	2 4 I	RR JCT BOX 24V IGNITION
2 F	A/C & HEAT SYSTEM EVAP CONT	1 2 E	FR JCT BOX 12V DISC SW	1 6 T	SPEED - SIGNAL +	2 4 I A	FR JCT BOX 24V IGNITION
4	HOSTESS & PASSENGER CHIME	1 2 E	RR JCT BOX 12V DISC SW	1 7	EXTERIOR LTS-FLASHER UNIT	2 4 I B	FR JCT BOX 24V IGNITION
4 A	HOSTESS & PASSENGER CHIME	1 2 F	BAT CPT 12V FJB & IC	1 7 A	EXTERIOR LTS-FLASHER UNIT	2 4 I B	RR JCT BOX 24V IGNITION
4 B	PASSENGER CHIME	1 2 F	FR JCT BOX 12V DISC SW	1 9	DIFFERENTIAL OIL TEMP	2 4 I C	FR JCT BOX 24V IGNITION
4 C	HOSTESS CHIME	1 2 G	FR JCT BOX 12V DISC SW	2 0	SPEED - SIGNAL -	2 4 I C	RR JCT BOX 24V IGNITION
5	INTERIOR LTS-AISLE & EMERG. EXIT	1 2 H	12 V IGNITION D.T.RUN LIGHT	2 0 T	SPEED - SIGNAL -	2 4 I F	FJB 24VOLT IGNITION
5	UPPER WINDSHIELD DEFROSTER	1 2 J	FR JCT BOX 12V DISC SW	2 0 W	SPEED - SIGNAL -	2 4 P	FR JCT BOX 24V DISC SW
5 D	UPPER WINDSHIELD DEFROSTER	1 2 I	12V IGNITION DISTRIBUTION	2 1	EXTERIOR LTS-DIRECTIONNAL LH	2 4 S	24V DISC SW RLY SIGNAL
5 E	UPPER WINDSHIELD DEFROSTER	1 2 I	RR JCT BOX 12V IGNITION	2 1 A	EXTERIOR LTS-DIRECTIONNAL LH	2 4 S 1	SOUND SYSTEM 24V AMPLIFIER
5 N	INTERIOR LTS-EMERGENCY EXIT	1 2 K	12 VOLT IGN. TTLT & HVAC MODULE	2 1 B	EXTERIOR LTS-HAZARD	2 4 S 2	SOUND SYSTEM 24V AMPLIFIER
5 N C	SPEED SIGNAL LOWER 5MPH	1 2 I A	12V IGNITION DISTRIBUTION	2 1 C	EXTERIOR LTS-CORNERING LH	2 4 S 3	SOUND SYSTEM 24V VIDEO
5 N O	SPEED SIGNAL HIGHER 5MPH	1 2 I A	FR JCT BOX 12V IGNITION	2 1 H	EXTERIOR LTS-DIRECTIONNAL LH	2 4 S 4	SOUND SYSTEM 24V VIDEO
6	INTERIOR LTS-AISLE	1 2 I B	FR JCT BOX 12V IGNITION	2 1 K	EXTERIOR LTS-CORNERING	2 4 S B	SOUND SYSTEM 24V FEEDING
7 B	ENTRANCE DOOR (SEDAN)	1 2 I E	ABS-FR JCT BOX 12V IGNITION	2 1 N	EXTERIOR LTS-CORNERING LH	2 4 S S	SOUND SYSTEM 24V FEEDING
7 D	ENTRANCE DOOR (SEDAN)	1 2 I F	FR JCT BOX 12V IGNITION	2 1 P	EXTERIOR LTS-CORNERING LH	2 4 R	24 VOLTS FRONT CAMERA SW.
7 D A	ENTRANCE DOOR (SEDAN)	1 2 I Z	12 V IGNITION FOR ZF TRANSM.	2 3	EXTERIOR LTS-DIRECTIONNAL RH	2 4 V 2	RR JCT BOX 24V DISC SW
9	INTERIOR LTS-ENGINE CPT	1 2 L X	CLUSTER (12V HOT WIRE)	2 3	EXTERIOR LTS-DIRECTIONNAL RH	2 4 V 3	RR JCT BOX 24V DISC SW
9 A	INTERIOR LTS-ENGINE CPT	1 2 M	ABS-FR JCT BOX 12V DISC. SW.	2 3 A	EXTERIOR LTS-DIRECTIONNAL RH	2 4 V 4	RR JCT BOX 24V DISC SW
9 B	INTERIOR LTS-ENGINE CPT	1 2 P	LH CONSOLE POWER OUTLET	2 3 B	EXTERIOR LTS-DIRECTIONNAL RH	2 4 V 5	RR JCT BOX 24V DISC SW
9 E	INTERIOR LTS-FR SERVICE CPT	1 2 R	BAT CPT 12V DISC RLY TO RJB	2 3 C	EXTERIOR LTS-CORNERING RH	2 4 V D	24V HOT WIRE RR JCT BOX
9 F	INTERIOR LTS-FR SERVICE CPT	1 2 R	MEMORY BATTERY RADIO	2 3 N	EXTERIOR LTS-CORNERING RH	2 4 V F	BAT CPT 24V SW TO FJB & IC
1 0	INTERIOR LTS-LUGGAGE CPT	1 2 S	SOUND SYSTEM 12V RADIO	2 3 P	EXTERIOR LTS-CORNERING RH	2 4 V A	BATTERY TO EQUALIZER 24V
1 0 A	INTERIOR LTS-LUGGAGE CPT	1 2 S 1	SOUND SYSTEM 12V RADIO	2 4	BAT CPT 24V BATTERY	2 4 V I	RR JCT BOX 24V IGNITION
1 0 B	INTERIOR LTS-LUGGAGE CPT	1 2 S 1 A	DVD KARAOKE FEEDING	2 4	FR JCT BOX 24V DISC SW	2 4 V R	BAT CPT 24V DISC SW TO RJB
1 0 D	INTERIOR LTS-LUGGAGE CPT	1 2 S 2	SOUND SYSTEM 12V RADIO	2 4 A	BOOSTER BLOCK 24V DISC SW	2 4 W	RR JCT BOX 24V DISC SW (WCL)
1 0 F	INTERIOR LTS-LUGGAGE CPT	1 2 S 2 A	DVD KARAOKE FEEDING	2 4 A	FR JCT BOX 24V DISC SW	2 4 W C	BATT.CPT TO HYD. PUMP (WCL)
1 0 H	INTERIOR LTS-LUGGAGE CPT	1 2 S B	SOUND SYSTEM 12V FEEDING	2 4 A	RR JCT BOX 24V DISC SW	2 4 W L	24V BATTERY-HYD. PUMP (WCL)
1 0 K	INTERIOR LTS-LUGGAGE CPT	1 2 S S	SOUND SYSTEM 12V FEEDING	2 4 B	24V STARTER RLY FEEDING	2 4 Z Z	24 VOLT - ZF TRANSM. POWER
1 0 R	INTERIOR LTS-LUGGAGE DOOR AJAR	1 2 V	RR JCT BOX 12V DISC SW	2 4 B	FR JCT BOX 24V DISC SW	2 5	24 VOLT ALT.SIGNAL MODULE
1 1	FR DESTINATION SIGN	1 2 V A	BATTERY TO EQUALIZER 12V	2 4 B A	RR JCT BOX 24V DISC SW	2 5 A 1	PRE-EXITATION ALT. BOSCH #1
1 1 A	FR DESTINATION SIGN	1 2 V D	12V HOT WIRE DISTRIBUTION	2 4 B C	24 VOLT BATT. CHARGER	2 5 A 2	PRE-EXITATION ALT. BOSCH #2
1 1 B	FR DESTINATION SIGN	1 2 V F	BAT CPT 12V FJB & IC	2 4 B E	RJB CPT-BAT EQ MONITOR HOT WIRE	2 5 A	T.T. LT. ALTERNATOR #1
1 1 C	FR DESTINATION SIGN	1 2 V I	12V IGNITION DISTRIBUTION	2 4 C	FR JCT BOX 24V DISC SW	2 5 B	12 VOLTS IGN. ALT. SIGNAL MODULE
1 1 D	FR DESTINATION SIGN	1 2 V R	BAT CPT 12V DISC RLY TO RJB	2 4 C	RR JCT BOX 24V DISC SW	2 5 D	12 V. ENGINE RUN / HVAC SYSTEM
1 1 E	FR DESTINATION SIGN	1 2 W	12V BATTERY DDEC III	2 4 D	BAT CPT 24V HOT WIRE	2 5 E	USE ON VIP ONLY
1 1 K	FR DESTINATION SIGN	1 2 W	ENTRANCE DOOR (SEDAN)	2 4 D	FR JCT BOX 24V HOT WIRE	2 5 F	12 VOLT IGN. DISTRIBUTION
1 2	12V BAT ELECTRONIC JCT BLOCK	1 2 W A	ENTRANCE DOOR (SEDAN)	2 4 D	RR JCT BOX 24V HOT WIRE	2 5 H	24 VOLT IGN. ALT. BOSCH

CIRCUIT NUMBER CODE

No.	DESCRIPTION	No.	DESCRIPTION	No.	DESCRIPTION	No.	DESCRIPTION
25 K	T.T. LT. ALTERNATOR #2	43 G	HAT RACK FAN	62 E	LAVATORY-OCCUP & FLUOR LT	82 R	EXTERIOR LTS-LH STOP
26 A	CIGAR LIGHTER	44	EXTERIOR LTS-FOG	63	EXTERIOR LTS-CLEARANCE	83	ENGINE CTR-KEY SW ACCES SIGN
26	DRIVER'S WINDOW LIFTER	44 A	EXTERIOR LTS-FOG	63 A	EXTERIOR LTS-CLEARANCE	84	ENGINE CTR-KEY SW ACCES SIGN
26 B	DRIVER'S WINDOW LIFTER	44 B	EXTERIOR LTS-FOG	63 B	EXTERIOR LTS-CLEARANCE	85	ENGINE CTR-KEY SWIGNITION SIGN
26 C	DRIVER'S WINDOW LIFTER	44 C	EXTERIOR LTS-FOG & HAZARD	63 C	EXTERIOR LTS-MARKER SIGNAL	85	24V IGNITION SIGNAL
27	LAVATORY-EMERGENCY SONALERT	45 A	A/C & HEAT SYSTEM-FULL AIR	63 D	EXTERIOR LTS-MARKER & TAIL	85 A	24V IGN DASH INSTRUMENTATION
28 A	A/C & HEAT SYSTEM-HI PRESSURE	45 B	A/C & HEAT SYSTEM-WATER PUMP	63 E	EXTERIOR LTS-CLEARANCE	85 B	ENGINE CTR-24V IGNITION
28 H	TTLT HI LO PRESS	45 C	A/C & HEAT SYSTEM-WATER VALVE	63 F	EXTERIOR LTS-MARKER BLINKER	85 C	PARKING BRAKE SWITCH
28 T	TTLT HI LO PRESS	45 D	A/C & HEAT SYSTEM-WATER VALVE	63 H	EXTERIOR LTS-TAIL	85 E	STOP LIGHT RLY
29	A/C & HEAT SYSTEM-DRIVER'S HTR	45 E	A/C & HEAT SYSTEM-HEAT 1 SIGN	64	DRIVERS FAN	85 F	ENGINE CTR-ENGINE CTR SW IGN
29 A	A/C & HEAT SYSTEM-DRIVER'S HTR	45 G	A/C & HEAT SYSTEM-DRIVER'S HTR	64 B	DRIVERS FAN	85 F	LO AIR SONALERT
29 B	A/C & HEAT SYSTEM-DRIVER'S HTR	45 H	A/C & HEAT SYSTEM-DRIVER'S HTR	64 C	DRIVERS FAN	85 G	RADIATOR FAN CLUTCH
29 H	HVAC DASH MODULE	45 W	A/C & HEAT SYSTEM-COND. DOOR AJAR	65	FOOT DAMPER MOTOR	85 X	12V IGN ABS
30 A	GALLEY	46	EXTERIOR LTS-MARKER	65 A	FOOT DAMPER MOTOR	85 Y	ABS SYSTEM
31 A	A/C & HEAT SYSTEM-UNLOADER	46 A	EXTERIOR LTS-MARKER	65 D	DRIVER REC. DAMPER	86	ENGINE CTR-STARTER SOL SIGN
31 B	A/C & HEAT SYSTEM-UNLOADER	46 B	EXTERIOR LTS-MARKER	66	O_PASS. ON/OFF	86 A	ENGINE CTR-STARTER SOL SIGN
31 B	WIPER & WASHER SYSTEM	46 B	EXTERIOR LTS-MARKER	67	24 VOLT RUN DISTRIBUTION	86 F	ENGINE CTR-STARTER TTLT SIGN
31 C	WIPER & WASHER SYSTEM	46 C	EXTERIOR LTS-MARKER	67 A	A/C & HEAT SYSTEM	86 T	ENGINE CTR-STARTER TTLT SIGN
31 D	WIPER & WASHER SYSTEM	47	A/C & HEAT SYSTEM-DRIVER'S HTR	67 C	HEATING WINDSHIELD	88	ENGINE CTR-RR START SIGNAL
31 E	WIPER & WASHER SYSTEM	48	ENTRANCE DOOR (SEDAN)	67 K	A/C & HEAT SYSTEM-COND FAN CTR	89	ENGINE CTR-RR START SIGNAL
31 J	WIPER & WASHER SYSTEM	48 A	ENTRANCE DOOR (SEDAN)	67 L	A/C & HEAT SYSTEM-COND FAN CTR	90 B	A/C & HEAT SYSTEM-COND FAN MOT
31 X	WIPER & WASHER SYSTEM	49	ENTRANCE DOOR (SEDAN)	67 X	A/C & HEAT SYSTEM	90 B	ENGINE CTR-MAST KEY SW FEED
32	EXTERIOR LTS-BACK-UP	49 A	ENTRANCE DOOR (SEDAN)	68	DASH & DEFROST DAMPER MOTOR	90 C	A/C & HEAT SYSTEM-COND FAN MOT
32 B	EXTERIOR LTS-BACK-UP			68 A	DASH & DEFROST DAMPER MOTOR	90 F	CHARG SYST-VOLTAGE REGUL. "B"
32 C	BACK-UP PWR & SIGNAL	52	ALARM & SIGNAL-ELEC. HORN	70	INTERIOR LTS-HAT RACK & RR RUN.	90 H	A/C & HEAT SYSTEM-EVAP FAN MOT
32 D	BACK-UP ALARM	52 A	ALARM & SIGNAL-ELEC. HORN	72	SUN VISOR-FEEDING	91	PARKING BRAKE SW SIGNAL
35	ENTRANCE DOOR (SEDAN)	52 B	ALARM & SIGNAL- AIR HORN	72 A	SUN VISOR-RH	91 A	DDEC-FAST IDLE SIGNAL
35 B	ENTRANCE DOOR (SEDAN)	52 C	ALARM & SIGNAL- AIR HORN	72 B	SUN VISOR-RH	91 S	SONALERT PARKING BRAKE
35 BB	ENTRANCE DOOR (SEDAN)	53	ALARM & SIGNAL-ELEC. HORN	72 C	SUN VISOR-LH	91 W	PARK, BRAKE SW SIGN (WCL)
35 D	ENTRANCE DOOR (SEDAN)	53 A	WIPER & WASHER SYSTEM	72 D	SUN VISOR-LH	92	BATTERY EQUALIZER-CHECK BALANCE
36	JACOB BRAKE SYSREM	53 B	WIPER & WASHER SYSTEM	73	LAVATORY-FEEDING	93	BATTERY EQUALIZER-CHECK LO/HI
36 A	JACOB BRAKE SYSREM	53 C	WIPER & WASHER SYSTEM	74	INTERIOR LTS-READING RH	95 A	ENGINE BRAKE & RETARDER SYSTEM
38	INTERIOR LTS-24V FLUORESCENT	53 E	WIPER & WASHER SYSTEM	74 A	INTERIOR LTS-READING RH	97	TACHOMETER (-)
38 A	INTERIOR LTS-24V FLUORESCENT	53 J	WIPER & WASHER SYSTEM	74 D	INTERIOR LTS-READING SIGNAL	100	INTERIOR LTS-GENERAL
38 C	INTERIOR LTS-24V FLUORESCENT	55	EXTERIOR LTS-HI BEAM	75	INTERIOR LTS-READING LH	100 A	INTERIOR LTS-GENERAL
38 D	INTERIOR LTS-24V FLUORESCENT	57	EXTERIOR LTS-HI BEAM	75 A	INTERIOR LTS-READING LH	100 B	INTERIOR LTS-GENERAL
39	INTERIOR LTS-24V LH CONSOLE SW	57 A	A/C & HEAT SYSTEM-WATER PUMP	76	FUEL TANK GAUGE	101	24V STARTER SOL FEEDING
39 A	INTERIOR LTS-DRIVER'S LTS	57 A	EXTERIOR LTS-HI BEAM	76 B	LOW FUEL LT & ETHER COLD START	101	WORLD TRANSM-LO SIGN SOL. LO
39 P	READING LIGHTS	57 B	A/C & HEAT SYSTEM-WATER PUMP	76 C	LOW FUEL LT	102	WORLD TRANSM-SOL. SUPPLY
41	A/C & HEAT SYSTEM-COND FAN MOT	57 C	PRE-HEAT WATER HEATER	76 P	FUEL PRIME PUMP	102 A	24V STARTER TO BOSCH ALTERNATOR
41 A	A/C & HEAT SYSTEM-COND FAN MOT	58	EXTERIOR LTS-LO BEAM	76 M	FUEL PRIME PUMP	103	LOW BUOY
41 B	A/C & HEAT SYSTEM-COND FAN MOT	58 A	EXTERIOR LTS-LO BEAM	77 B	A/C & HEAT SYSTEM-COMPRESSOR	104	WORLD TRANSM-SOL. FORWARD
42	A/C & HEAT SYSTEM-COND FAN MOT	58 B	EXTERIOR LTS-LO BEAM	77 C	A/C & HEAT SYSTEM-COMPRESSOR	105	WORLD TRANSM-RETARDER & SUMP
42 A	A/C & HEAT SYSTEM-COND FAN MOT	58 E	EXTERIOR LTS-LO BEAM	77 H	A/C & HEAT SYSTEM-COMPRESSOR	105 W	WORLD TRANSM-RETARDER & SUMP
43	HAT RACK FAN	59 A	JACOB BRAKE SYSTEM	81	EXTERIOR LTS-STOP SW	106	WORLD TRANSM-OIL LEVEL HI
43 A	HAT RACK FAN	61	EXTERIOR LTS-24V FEED SW	82	EXTERIOR LTS-STOP SIGNAL	107	WORLD TRANSM-LOCKUP SOL. HI
43 B	HAT RACK FAN	61 A	EXTERIOR LTS-HEAD SIGNAL	82 A	EXTERIOR LTS-STOP SIGNAL	108	WORLD TRANSM-REM. PWR WAKE UP
43 D	HAT RACK FAN	62	LAVATORY-OCCUPIED LT	82 B	EXTERIOR LTS-STOP LTS	109	WORLD TRANSM-RET. SOL. LO
43 E	HAT RACK FAN	62 A	LAVATORY-FLUOR LT	82 K	EXTERIOR LTS-STOP PARK BRK	110	ALARM & SIGNAL-WATER TEMP
43 F	HAT RACK FAN	62 B	LAVATORY-FLUOR LT	82 L	EXTERIOR LTS-LH STOP	110	WORLD TRANSM-LOCKUP SOL. LO

CIRCUIT NUMBER CODE

No.	DESCRIPTION	No.	DESCRIPTION	No.	DESCRIPTION	No.	DESCRIPTION
111	WORLD TRANSM-SOL. C6	126 R	KNEELING SYSTEM	140	WORLD TRANSM-OUTPUT SPEED LO	162	WORLD TRANSM-PRESS. SW C3
112	WORLD TRANSM-SPARE OUTPUT (+)	126 W	5 MPH N.C. SIGNAL (WCL)	141	ABS SYSTEM	163	WORLD TRANSM-RETARDER ENABLE
113	ALARM & SIGNAL-OIL PRESS	126 S	KNEELING SYSTEM	141	WORLD TRANSM-ENGINE SPEED HI	164	WORLD TRANSM-RET. ACTUATOR SIGN
113	WORLD TRANSM-REVERSE WARNING	126 T	KNEELING SYSTEM	142	ABS SYSTEM	165	A/C & HEAT SYSTEM-TRANSMITER
113W	WORLD TR.-REVERSE WARNING	127	WORLD TRANSM-LUBE PRESS SW.	142	WORLD TRANSM-SERIAL COM. A	165	WORLD TRANSM-OIL LEVEL SIGNAL
113Z	ZF TRANSM.- REVERSE SIGNAL	127	WORLD TRANSM-RETARDER FEED SOL.	143	ABS SYSTEM	166 B	A/C & HEAT SYSTEM-EVAP. MOD.
114	INTERIOR LTS-DASH LT REGUL.	127	POWER- PRE-HEAT WATER HEATER	143	WORLD TRANSM-ECU BATTERY GRD	167	W. TR.-OUT SPEED INTERLOCK
114	WORLD TRANSM-SPARE OUTPUT (-)	127 A	PRE-HEAT WATER HEATER	143 A	ABS SYSTEM	167 Z	ZF- OUT SPEED INTERLOCK
114 A	INTERIOR LTS-DASH LT	128 A	PRE-HEAT WATER HEATER	143 W	WORLD TRANSM-BATTERY GRD	168	A/C & HEAT SYSTEM-HUMIDISTAT
114 B	INTERIOR LTS-DASH LT REGUL.	128 B	PRE-HEAT - BURNER ON SIGNAL	144	ABS SYSTEM	168	WORLD TRANSM-SER. INTERFACE (+)
114 D	INTERIOR LTS-DASH LT REGUL.	128	WORLD TRANSM-SOL. C2	144	WORLD TRANSM-ECU CHASSIS GRD	168 A	A/C & HEAT SYSTEM-HUMIDISTAT
114 E	INTERIOR LTS-DASH LT REGUL.	129	POWER- PRE-HEAT WATER HEATER	144 A	ABS SYSTEM	170	LUGGAGE DOOR LOCK
115	ALARM & SIGNAL-TAG PRESS	129 B	POWER- PRE-HEAT WATER HEATER	145	ABS SYSTEM	170 C	LUGGAGE DOOR LOCK
115	DDEC III-COOLANT LEVEL	129	WORLD TRANSM-SOL. C5	146	ABS SYSTEM	170 E	LUGGAGE DOOR LOCK
115	WORLD TRANSM-DO NOT SHIFT SIGN	130	A/C & HEAT SYSTEM-EVAP FAN MOTOR	146 A	TRANSMISSION-12V IGNITION	170 H	LUGGAGE DOOR LOCK
115 C	DDEC III-COOLANT LEVEL	130	WORLD TRANSM-SOL. GRD 3	146	WORLD TRANSM-IGNITION SENSE	181 A	THERMOMETER INSIDE SENSOR
115 W	WORLD TRANSM-DO NOT SHIFT SIGN	131	WORLD TRANSM-SOL. C4	146 W	WORLD TRANSM-12V IGNITION	181 B	THERMOMETER INSIDE SENSOR
115 W	ZF TRANSM. - CHECK TRANSM. TTLT	132	WORLD TRANSM-ENG BRK OUTPUT (-)	146 X	WORLD TRANSM-12V IGNITION	181 C	THERMOMETER OUTSIDE SENSOR
116	WORLD TRANSM-LO SIGNAL SOL. HI	132 W	WORLD TRANSM-ENG BRK OUTPUT (-)	147	ABS SYSTEM	181 D	THERMOMETER OUTSIDE SENSOR
116 B	A/C & HEAT SYSTEM-DRIVER'S HTR	133	GALLEY-HEAT CONTAINERS	147	WORLD TRANSM-OIL TEMP	197	FUEL WATER FILTER
117	WORLD TRANSM-SPARE INPUT (-)	133 A	GALLEY-HEAT CONTAINERS	147 A	ETHER COLD START & D.R.L.	197 A	FUEL WATER FILTER
117 A	ALARM & SIGNAL-TRANSM OIL TEMP	133 B	GALLEY-HEAT CONTAINERS	147 C	ETHER COLD START	197 B	FUEL WATER FILTER
117 A	ALARM & SIGNAL-TRANSM OIL TEMP	133 C	GALLEY-HEAT CONTAINERS	148	ABS SYSTEM	198	FILTER FUEL HEATER
118	WORLD TRANSM-SPARE INPUT (+)	133	WORLD TRANSM-RET. ACTUATOR HI	148	WORLD TRANSM-OUTPUT SPEED LO	199	AIR FILTER RESTRICTION SENDER
119	WORLD TRANSM-ENG BRK INPUT (+)	134	GALLEY-HEAT CONTAINERS	149	ABS SYSTEM	201	WORLD TRANSM-SPARE
120	WORLD TRANSM-SOL. C1	134 A	GALLEY-HEAT CONTAINERS	149	WORLD TRANSM-TURBINE SPEED HI	202	WORLD TRANSM-SPARE
121	WORLD TRANSM-SOL. GRD 2	134	WORLD TRANSM-RET. APPLY SOL. HI	149 A	ABS SYSTEM	203	WORLD TRANSM-SPARE
122	A/C & HEAT SYSTEM-DRIVER'S HTR	135	A/C & HEAT SYSTEM-AIR SENSOR	150	DDEC III-ECM BATTERY GRD	204	WORLD TRANSM-SPARE
122	A/C & HEAT SYSTEM-FRESH AIR	135 A	A/C & HEAT SYSTEM-AIR SENSOR	150	WORLD TRANSM-ENGINE SPEED LO	205	WORLD TRANSM-SPARE
122	WORLD TRANSM-SOL. GRD 4	135	WORLD TRANSM-ANALOG GRD	150 A	DDEC III-ECM BATTERY GRD	206	WORLD TRANSM-SPARE
122 A	A/C & HEAT SYSTEM-FRESH AIR	135 D	WORLD TRANSM-RETARDER RES MOD	151	ABS SYSTEM	214	WORLD TRANSM-BACK UP SIGNAL
123	WORLD TRANSM-NEUTRAL START	135 C	WORLD TRANSM-RETARDER TEMP	151	DDEC III-ECM BATTERY GRD	225	LAVATORY FAN
123 A	ALARM & SIGNAL-FIRE DETECTOR	136	GALLEY-ACCESSORIES	151	WORLD TRANSM-SERIAL COM. B	225 A	LAVATORY FAN
123 B	ALARM & SIGNAL-FIRE DETECTOR	136	WORLD TRANSM-ECU POWER	152	ABS SYSTEM	231	NEUTRAL SIGNAL GRD
124	WORLD TRANSM-THROTTLE (HI)	136 V	WORLD TRANSM-12V BATTERY	153	WORLD TRANSM-SPARE INPUT (-)	231 A	NEUTRAL COIL RELAY FEED SIGNAL
125	WORLD TRANSM-RET. INDICATOR	136 W	WORLD TRANSM-12V BATTERY	154	ABS SYSTEM	231 W	NEUTRAL SIGNAL GRD (WCL)
125	GALLEY LAMP	136 X	WORLD TRANSM-12V BATTERY	154	WORLD TRANSM-ABS RET. INPUT	231 Z	ZF NEUTRAL SIGNAL GRD
125 T	GALLEY LAMP	137	WORLD TRANSM-RETARDER	155	WORLD TRANSM-SPARE INPUT (-)	240	DDEC III-ECM 12V FEEDING
125 W	WORLD TRANSM-RET. INDICATOR	137 A	MIRROR (SPARTAN & RAMCO)	156	WORLD TRANSM-THROTTLE POS.	241	DDEC III-ECM 12V FEEDING
126	KNEELING SYSTEM	137 B	RR VIEW MIRROR (SPARTAN)	156 A	ABS SYSTEM	251 A	DDEC III - DATA LOGGER 12 H.W.
126 A	KNEELING SYSTEM	137 C	RR VIEW MIRROR (SPARTAN)	157	WORLD TRANSM-SPEEDO SIGNAL	251	DDEC III - PRODRIVER 12V H.W.
126 B	KNEELING SYSTEM	137 D	RR VIEW MIRROR (SPARTAN)	157 B	ABS SYSTEM	253	GALLEY-MICROWAVE
126 C	KNEELING SYSTEM	137 E	RR VIEW MIRROR (SPARTAN)	157 D	A.T.C. SYSTEM	254	GALLEY-12V FRIGO NORCOLD
126 D	KNEELING SYSTEM	137 G	RR VIEW MIRROR (SPARTAN)	157 E	A.T.C. SYSTEM	254 A	GALLEY-FRIGO
126 E	KNEELING SYSTEM	138	ABS SYSTEM	157 F	A.T.C. SYSTEM	255	GALLEY-COFEEMAKER
126 F	KNEELING SYSTEM	138	WORLD TRANSM-RETARDER TEMP	158	WORLD TRANSM-DIMMER	255 A	GALLEY-COFEEMAKER
126 G	KNEELING SYSTEM	138 A	ABS SYSTEM	160	ALARM & SIGNAL-TAG PRESS SW	257	WINDSHIELD HEATED
126 H	KNEELING SYSTEM	139	ABS SYSTEM	160	WORLD TRANSM-SER. INTERFACE (-)	257 A	WINDSHIELD HEATED
126 K	KNEELING SYSTEM	139	WORLD TRANSM-OUTPUT SPEED HI	161	WORLD TRANSM-SIGNAL GRD	257 B	WINDSHIELD HEATED
126 P	KNEELING SYSTEM	140	ABS SYSTEM	161 B	WORLD TRANSM-SIGNAL GRD	257 C	WINDSHIELD HEATED

CIRCUIT NUMBER CODE

No.	DESCRIPTION	No.	DESCRIPTION	No.	DESCRIPTION	No.	DESCRIPTION
2 5 7 D	WINDSHIELD HEATED SPARE	3 3 4	EATON GENERATION 2	9 0 0	DDEC III-DATA LINK (+)		
2 5 7 E	WINDSHIELD HEATED SPARE	4 1 6	DDEC IV- SENSOR SUPPLY 5VDC	9 0 1	DDEC III-DATA LINK (-)		
2 5 8	WINDSHIELD HEATED	4 1 7	DDEC III-LIMIT SPEED GOVERNOR	9 0 5	DDEC IV- AMBIANT AIR TEMPERATURE		
2 5 8 A	WINDSHIELD HEATED	4 1 9	DDEC III-CHECK ENGINE LIGHT	9 0 8	DDEC III-HYDRAULIC PWM#1 OUTPUT		
2 5 9	WINDSHIELD HEATED	4 3 9	DDEC III-12V IGNITION	9 1 6	DDEC III-SENSOR SUPPLY (5VDC)		
2 5 9 A	WINDSHIELD HEATED	4 4 0	DDEC III-12V IGNITION	9 2 5	J1939-HIGH		
2 6 0	WINDOW AJAR	4 4 0 A	DDEC III-12V IGNITION	9 2 6	J1939-LOW		
2 9 0	FAN CLUTCH RADIATOR	4 5 1	DDEC III-A/C FAN CLUTCH	9 2 7	J1939-SHIELD		
2 9 0	FAN CLUTCH RADIATOR	4 5 2	DDEC IV- SENSOR RETURN (ENGINE)	9 5 2	DDEC III-SENSOR RETURN		
2 9 1	FAN CLUTCH RADIATOR SPD 1	5 0 5	DDEC III-TACHOMETER DRIVE	9 5 3	DDEC III-BATTERY GRD		
2 9 2	FAN CLUTCH RADIATOR SPD 2	5 0 9	DDEC III-STOP ENGINE LIGHT	9 5 3 A	THROTTLE INHIBIT		
3 0 0	DOOR AJAR MAGN.SW. (WCL)	5 1 0	DDEC III-FAST IDLE SIGNAL	9 7 6	DDEC IV- RELATIVE HUMIDITY		
3 0 0 A	POWER SYSTEM SW. (WCL)	5 2 4	DDEC III-ENGINE BRAKE DISABLE	9 7 9	DDEC III-ENGINE BRAKE 2 CYL.		
3 0 0 B	DOOR AJAR ALARM (WCL)	5 2 4 B	ZF SIGNAL – AUX. SENSOR THROTTLE	9 8 8	DDEC III-CRUISE ENABLE LTS.		
3 0 1	POWER SYSTEM SW. (WCL)	5 2 5	DDEC III-FAST IDLE SIGNAL				
3 0 2	DOOR AJAR T.T.LT. (WCL)	5 2 8	DDEC III-STOP ENG. OVERRIDE				
3 0 2 A	DOOR AJAR ALARM SIGN.(WCL)	5 3 1	DDEC III-CRUISE CLUTCH RELEASE				
3 0 2 B	DOOR AJAR MAGN.SW. (WCL)	5 4 1	DDEC III-CRUISE SET SW				
3 0 3	REMOTE WALL SW. DWN (WCL)	5 4 3	DDEC III-CRUISE STOP SW CUT IN				
3 0 4	REMOTE WALL SW. UP (WCL)	5 4 4	DDEC III-CRUISE ON/OFF SW				
3 0 5	PARK. BRAKE SOL. VALVE (WCL)	5 4 5	DDEC III-CRUISE RESUME SW				
3 0 5 A	PARK. BRAKE SAFETY SW. (WCL)	5 5 5	DDEC III-FAN CLUTCH SPEED# 1				
3 0 6	CONTROL SYSTEM (WCL RICON)	5 5 6	DDEC III-VEHICLE SPEED (+)				
3 0 7	CONTROL SYSTEM (WCL RICON)	5 5 7	DDEC III-VEHICLE SPEED (-)				
3 0 8	CONTROL SYSTEM (WCL RICON)	5 6 3	DDEC III-FAN CLUTCH SPEED# 2				
3 0 9	CONTROL SYSTEM (WCL RICON)	5 6 4	DDEC III-DIGITAL OUTPUT				
3 1 0	EATON TRANSMISSION	5 6 5	DDEC III-ENGINE BRAKE ACTIVE				
3 1 1	EATON TRANSMISSION	5 8 3	DDEC III-ENGINE BRAKE 4 CYL.				
3 1 2	EATON TRANSMISSION	7 0 0	J1587(+)				
3 1 3	EATON TRANSMISSION	7 0 1	J1587(-) – GROUND				
3 1 4	EATON TRANSMISSION	7 0 5	ZF SIGNALS				
3 1 5	EATON TRANSMISSION	7 0 6	ZF SIGNALS				
3 1 6	EATON TRANSMISSION - EPL	7 0 7	ZF SIGNALS				
3 1 7	EATON TRANSMISSION	7 1 7	ZF SIGNALS				
3 1 8	EATON TRANSMISSION	7 1 8	ZF SIGNALS				
3 1 9	EATON TRANSMISSION	7 1 9	ZF SIGNALS				
3 2 0	EATON TRANSMISSION	7 2 0	ZF SIGNALS				
3 2 1	EATON TRANSMISSION	7 4 0	EASY START VALVE				
3 2 2	EATON TRANSMISSION	7 6 1	ZF SIGNALS				
3 2 3	EATON TRANSMISSION						
3 2 4	EATON TRANSMISSION						
3 2 5	EATON TRANSMISSION						
3 2 6	EATON TRANSMISSION						
3 2 7	EATON TRANSMISSION						
3 2 8	EATON TRANSMISSION						
3 2 9	EATON TRANSMISSION						
3 3 0	EATON TRANSMISSION - EPL						
3 3 1	EATON TRANSMISSION - EPL						
3 3 2	EATON TRANSMISSION						
3 3 3	EATON TRANSMISSION - 12V BATTERY						

CIRCUIT NUMBER CODE

No.	DESCRIPTION	No.	DESCRIPTION	No.	DESCRIPTION	No.	DESCRIPTION
BA	INTERIOR LTS-110V FLUORESCENT	SP 17	SPARE-RJB TO ENGINE	SP 117	SPARE-FJB TO U/DASH FLOOR	0 L 1	FS - FR SERVICE CPT LTS GRD
BB	INTERIOR LTS-110V FLUORESCENT	SP 18	SPARE-FJB TO RJB	SP 119	SPARE-RJB TO ENGINE CPT.	0 L 2	FS - FR SERVICE CPT LTS GRD
D 1	SOUND SYSTEM-FR RH SPEAKER	SP 24	SPARE-RJB TO LAVATORY ROOF	SPZ 1	SPARE WIRE-ZF TRANSM.	0 L 3	FS - FJB GRD
D 2	SOUND SYSTEM-FR RH SPEAKER	SP 25	SPARE-RJB TO LAVATORY ROOF	SPZ 2	SPARE WIRE-ZF TRANSM.	0 L 4	FS - FJB GRD
D 3	SOUND SYSTEM-FR RH SPEAKER	SP 26	SPARE-RJB TO LAVATORY ROOF	SPZ 3	SPARE WIRE-ZF TRANSM.	0 L 5	FS - CIGAR LIGHTER
D 4	SOUND SYSTEM-RR RH SPEAKER	SP 27	SPARE-RJB TO LH HAT RACK	SPZ 4	SPARE WIRE-ZF TRANSM.	0 L 6	FS - FRONT SERVICE CPT LTS GRD
D 5	SOUND SYSTEM-RR RH SPEAKER	SP 28	SPARE-RJB TO LH HAT RACK	SPZ 5	SPARE WIRE-ZF TRANSM.	0 L	RS - ENGINE CPT ACCES. GRD
D 6	SOUND SYSTEM-RR RH SPEAKER	SP 31	SPARE-RJB TO RH HAT RACK	SPZ 6	SPARE WIRE-ZF TRANSM.	0 L	ENTRANCE DOOR (SEDAN) GRD
D 7	SOUND SYSTEM-RR RH SPEAKER	SP 32	SPARE-RJB TO RH HAT RACK	W C	A/C & HEAT SYST-EVAP CTR SIGN	0 L H	RS - RR END LAMPS LH GRD
D 8	SOUND SYSTEM-RR RH SPEAKER	SP 33	SPARE-FJB TO RJB	Y C	INTERIOR LTS-110V FLUORESCENT	0 M	FS - ELECTRICAL MOTOR GRD
D 3 4	SOUND SYSTEM-RR RH SPEAKER	SP 38	SPARE-FJB TO RJB	Y D	INTERIOR LTS-110V FLUORESCENT	0 M 1	FS - ELECTRICAL MOTOR GRD
D 6 7	SOUND SYSTEM-RR RH SPEAKER	SP 43	SPARE-FJB TO RJB	0	BC - BAT. CPT CHASSIS GRD	0 M 3	FS - ELECTRICAL MOTOR GRD
G 1	SOUND SYSTEM-FR LH SPEAKER	SP 45	SPARE-FJB TO RJB	0	CONDENSER CPT GRD	0 M 4	FS - ELECTRICAL MOTOR GRD
G 2	SOUND SYSTEM-FR LH SPEAKER	SP 46	SPARE-RJB TO LH FR ROOF	0	RS - RR JCT BOX RLY GRD	0 M 5	FS - ELECTRICAL MOTOR GRD
G 3	SOUND SYSTEM-FR LH SPEAKER	SP 48	SPARE-RJB TO DASH CENTER PANEL	0	GALLEY GRD	0 M 6	FS - FJB GRD
G 4	SOUND SYSTEM-RR LH SPEAKER	SP 56	SPARE-ENGINE TO RH SW PANEL	0 A	BC - SHIELD GRD	0 M 7	FS - ELECTRICAL MOTOR GRD
G 5	SOUND SYSTEM-RR LH SPEAKER	SP 57	SPARE-DASH CENTER PANEL TO ENG.	0 A	RS - RR JCT BOX RLY GRD	0 M	RS - ENGINE CPT ACCES. GRD
G 6	SOUND SYSTEM-RR LH SPEAKER	SP 58	SPARE-DASH CENTER PANEL TO ENG.	0 A	FRS - FR ROOF ACCES. GRD	0 M R	24V DISC. SW. RLY GRD SIGNAL
G 7	SOUND SYSTEM-RR LH SPEAKER	SP 59	SPARE-FJB TO ENGINE	0 A	RS - LUG. CPT ACCES. GRD	0 M S	24V DISC. SW. RLY GRD SIGNAL
G 8	SOUND SYSTEM-RR LH SPEAKER	SP 61	SPARE-FJB TO DASH RH PANEL	0 A	A/C SYSTEM-EVAP. GRD	0 N	RS - ENGINE CPT ACCES. GRD
G 3 4	SOUND SYSTEM-FR LH SPEAKER	SP 68	SPARE-FJB TO ENGINE	0 A A	RS - VOLTAGE REGULATOR GRD	0 P	RS - ENGINE CPT ACCES. GRD
G 6 7	SOUND SYSTEM-RR LH SPEAKER	SP 69	SPARE-FJB TO FR AXLE	0 B 1	EC - RR JCT PANEL GRD	0 R	FS - SOUND SYS. JCT PANEL GRD
L 1 A	INTERIOR LTS-110V FLUORESCENT	SP 70	SPARE-FJB TO FR AXLE	0 B	EC - ENGINE GRD	0 R	RS - RJB GRD
L 1 B	INTERIOR LTS-110V FLUORESCENT	SP 71	SPARE-FJB TO RH SW PANEL	0 B	FRS - FR ROOF HEAT WIND GRD	0 R	RS - ENGINE CPT ACCES. GRD
L 2 A	INTERIOR LTS-110V FLUORESCENT	SP 72	SPARE-FJB TO FR SERV CPT	0 B	RS - LUG. CPT ACCES. GRD	0 R E	RADIO & CTRL HEAD CHASSIS GRD
L 2 B	INTERIOR LTS-110V FLUORESCENT	SP 74	SPARE-FJB TO LH CONSOLE	0 B E	RJB - BAT. EQUAL. BAT GRD	0 R H	RS - RR END LAMPS RH GRD
L 0	110V RECEPTACLE- 110V FLUOR.	SP 77	SPARE-FJB TO EVAPORATOR CPT	0 C	EC - STARTER MOTOR GRD	0 S	12 VOLT RUN - GND RELAY
L 1	110V RECEPTACLE- 110V FLUOR.	SP 78	SPARE-FJB TO CONDENSER CPT	0 C	FS - SERV. CPT ACCES. GRD	0 S A	EC-BOSCH ALT. GROUND
L 2	110V RECEPTACLE- 110V FLUOR.	SP 79	SPARE-FJB TO CONDENSER CPT	0 C	BC - FAN EVAP. & CONDENSER GRD	0 S 2	SOUND SYSTEM RADIO GRD
RA	INTERIOR LTS-110V FLUORESCENT	SP 87	SPARE-RJB TO LH HAT RACK	0 C R	24V DISC. SW. RLY GRD SIGNAL	0 S 3	SOUND SYSTEM VIDEO GRD
RB	INTERIOR LTS-110V FLUORESCENT	SP 88	SPARE-RJB TO RH HAT RACK	0 C S	24V DISC. SW. RLY GRD SIGNAL	0 S S	SOUNDS SYSTEM BATT. GRD
SH 1	SHIELD CHASSIS GRD	SP 92	SPARE-RJB TO CONDENSER CPT	0 C 1	FS - SERV. CPT ACCES. GRD	0 T	FS - DASH ACCES. GRD
SH 2	SHIELD CHASSIS GRD	SP 93	SPARE-RJB TO EVAPORATOR CPT	0 C 2	FS - SERV. CPT ACCES. GRD	0 T 1	FS - DASH ACCES. GRD
SH 3	SHIELD CHASSIS GRD	SP 94	SPARE-RJB TO RR ROOF	0 C 3	FS - SERV. CPT ACCES. GRD	0 T 2	FS - DASH ACCES. GRD
SH 4	SHIELD CHASSIS GRD	SP 95	SPARE-RJB TO RR ROOF	0 C 4	FS - FJB CPT ACCES. GRD	0 T 3	FS - DASH ACCES. GRD
SP 2	SPARE-FJB TO FR SERV CPT	SP 96	SPARE-RJB TO LUGG CPT #2	0 D	BC - FAN CONDENSER GRD	0 T 4	FS - DASH ACCES. GRD
SP 3	SPARE-FJB TO CENTER DASH	SP 97	SPARE-RJB TO LUGG CPT #3	0 D	RS - HAT RACK ACCES. LH GRD	0 T 5	FS - HVAC DASH MODULE. GRD
SP 4	SPARE-FJB TO CENTER DASH	SP 98	SPARE-RJB TO LUGG CPT #3	0 D	RJB - IGNITION RELAY	0 T 6	FS - HVAC DASH MODULE. GRD
SP 5	SPARE-RJB TO LUGG CPT #2	SP 104	SPARE-RJB TO ENGINE CPT	0 D F	RS - RR SIDE FLASH & MARK GRD	0 V	RR JCT BOX CPT GRD STUD
SP 6	SPARE-RJB TO LUGG CPT #1	SP 105	SPARE-FJB TO ENGINE	0 D R	RS - RJB DOCKING LT RESISTORS	0 V A	BATTERY TO EQUALISER 0V
SP 7	SPARE-RJB TO LUGG CPT #1	SP 106	SPARE-RJB TO BATT. CPT.	0 E	RS - HAT RACK ACCES. LH GRD	0 W	FS - WT GND & SHIELD
SP 8	SPARE-RJB TO LUGG CPT #1	SP 107	SPARE-RJB TO BATT. CPT.	0 E A	EATON TRANSMISSION GRD	0 W	RS - RR JCT BOX (WCL) GRD
SP 9	SPARE-RJB TO LUGG CPT #2	SP 108	SPARE-RJB TO BATT. CPT.	0 F	RS - HAT RACK ACCES. RH GRD	0 W C	RS - RR JCT BOX GRD (WCL)
SP 10	SPARE-RJB TO LUGG CPT #1	SP 109	SPARE-RJB TO ENGINE CPT.	0 G	RS - HAT RACK ACCES. RH GRD	0 X	RS - RR JCT BOX GRD
SP 11	SPARE-FJB TO RJB	SP 110	SPARE-FJB TO ENGINE CPT.	0 H	RS - LAVATORY ACCES. GRD	0 Y	ABS FR JCT BOX CPT GRD STUD
SP 12	SPARE-RJB TO ENGINE	SP 111	SPARE-RJB TO ENGINE CPT.	0 J	FS - LH CONSOLE SW GRD	0 Y	RR JCT BOX GRD
SP 13	SPARE-RJB TO ENGINE	SP 112	SPARE-RJB TO ENGINE CPT.	0 J	RS - RR ROOF ACCES. GRD	0 Y 1	ABS SYSTEM - GRD
SP 14	SPARE-FJB TO RJB	SP 114	SPARE-FJB TO U/DASH WIPER	0 K	RS - RR ROOF ACCES. GRD	0 Y 2	ABS SYSTEM - GRD
SP 15	SPARE-RJB TO ENGINE	SP 115	SPARE-FJB TO U/DASH WIPER	0 K	RS - RJB A/C JCT PANEL GRD	0 Y 3	ABS SYSTEM - GRD
SP 16	SPARE-RJB TO ENGINE	SP 116	SPARE-FJB TO U/DASH FLOOR	0 L	FS - FR SERVICE CPT LTS GRD	0 Y 4	ABS SYSTEM - GRD

CIRCUIT NUMBER CODE

No.	DESCRIPTION	No.	DESCRIPTION	No.	DESCRIPTION	No.	DESCRIPTION
0 Y5	ABS SYSTEM - GRD	12	BAT CPT 12V BATTERY	12 WA	ENTRANCE DOOR (SEDAN)	24 D	RR JCT BOX 24V HOT WIRE
0 Y6	ABS SYSTEM - GRD	12 A	FR JCT BOX 12V DISC SW	12 WB	ENTRANCE DOOR (SEDAN)	24 DA	A/C JCT BOX 24V HOT WIRE
0 Z	RR JCT BOX CPT GRD STUD	12 A	RR JCT BOX 12V DISC SW	12 X	FR JCT BOX 12V DISC SW	24 DZ	24 V HOT WIRE FOR ZF TRANSM.
0 Z0	RR JCT BOX CPT GRD STUD	12 B	12V BAT ELECTRICAL JCT BLOCK	12 X2	FR JCT BOX 12V DISC SW	24 E	BAT CPT 24V DISC SW
0Z1	ZF TRANSM. GRD	12 B	RR JCT BOX 12V DISC SW	12 Y	FR JCT BOX 12V DISC SW	24 E	FR JCT BOX 24V DISC SW
0Z2	ZF TRANSM. GRD	12 B	FR JCT BOX 12V DISC SW	13 A	ALARM & SIGNAL-LO AIR PRIM.	24 E	RR JCT BOX 24V DISC SW
00	FJB & RJB BATT. GRD	12 BE	BAT. EQUALIZER MONITOR	13 B	ALARM & SIGNAL-LO AIR SEC.	24 F	FR JCT BOX 24V DISC SW
00 A	FBG - T.T.LT. MODULES BATT. GRD	12 C	FR JCT BOX 12V DISC SW	14	LAVATORY-FLUSHING PUMP	24 F	RR JCT BOX 24V DISC SW
00 Y	FS - ABS MODULLE BATT. GRD	12 C	RR JCT BOX 12V HOT WIRE	14 A	LAVATORY-FLUSHING PUMP	24 G	FR JCT BOX 24V DISC SW
00 SS	SOUND SYSTEM BATT. GRD	12 CE	RR JCT BOX 12V HOT WIRE	14 P	LAVATORY-FLUSHING PUMP	24 G	RR JCT BOX 24V DISC SW
1	TACHO SYSTEM - RPM SIGNAL +	12 D	BAT CPT 12V BATTERY	15	EXTERIOR LTS-MULTI FUNC LEVEL	24 H	FR JCT BOX 24V DISC SW
2 B	A/C & HEAT SYSTEM-COOL SIGN	12 DA	12V IGNITION DISTRIBUTION	15 A	WIPER & WASHER UPPER WINDSHIELD	24 H	RR JCT BOX 24V DISC SW
2 E	A/C & HEAT SYSTEM EVAP CONT	12 DT	TTLT MODULE	16	SPEED - SIGNAL +	24 I	FR JCT BOX 24V IGNITION
2 F	A/C & HEAT SYSTEM EVAP CONT	12 DZ	ZF TRANSM. HOTWIRE	16 A	SPEED - SIGNAL +	24 I	RR JCT BOX 24V IGNITION
4	HOSTESS & PASSENGER CHIME	12 E	FR JCT BOX 12V DISC SW	16 T	SPEED - SIGNAL +	24 IA	FR JCT BOX 24V IGNITION
4 A	HOSTESS & PASSENGER CHIME	12 E	RR JCT BOX 12V DISC SW	17	EXTERIOR LTS-FLASHER UNIT	24 IB	FR JCT BOX 24V IGNITION
4 B	PASSENGER CHIME	12 F	BAT CPT 12V FJB & IC	17 A	EXTERIOR LTS-FLASHER UNIT	24 IB	FR JCT BOX 24V IGNITION
4 C	HOSTESS CHIME	12 F	FR JCT BOX 12V DISC SW	19	DIFFERENTIAL OIL TEMP	24 IC	FR JCT BOX 24V IGNITION
5	INTERIOR LTS-AISLE & EMERG. EXIT	12 G	FR JCT BOX 12V DISC SW	20	SPEED - SIGNAL -	24 IC	RR JCT BOX 24V IGNITION
5	UPPER WINDSHIELD DEFROSTER	12 H	12 V IGNITION D.T.RUN LIGHT	20 T	SPEED - SIGNAL -	24 IF	FJB 24VOLT IGNITION
5 D	UPPER WINDSHIELD DEFROSTER	12 J	FR JCT BOX 12V DISC SW	20 W	SPEED - SIGNAL -	24 IZ	ZF TANSM. IGNITION
5 E	UPPER WINDSHIELD DEFROSTER	12 I	12V IGNITION DISTRIBUTION	21	EXTERIOR LTS-DIRECTIONAL LH	24 P	FR JCT BOX 24V DISC SW
5 N	INTERIOR LTS-EMERGENCY EXIT	12 I	RR JCT BOX 12V IGNITION	21 A	EXTERIOR LTS-DIRECTIONAL LH	24 S	24V DISC SW RLY SIGNAL
5 NC	SPEED SIGNAL LOWER 5MPH	12 K	12 VOLT IGN. TTLT & HVAC MODULE	21 B	EXTERIOR LTS-HAZARD	24 S1	SOUND SYSTEM 24V AMPLIFIER
5 NO	SPEED SIGNAL HIGHER 5MPH	12 IA	12V IGNITION DISTRIBUTION	21 C	EXTERIOR LTS-CORNERING LH	24 S2	SOUND SYSTEM 24V AMPLIFIER
6	INTERIOR LTS-AISLE	12 IA	FR JCT BOX 12V IGNITION	21 H	EXTERIOR LTS-DIRECTIONAL LH	24 S3	SOUND SYSTEM 24V VIDEO
7 B	ENTRANCE DOOR (SEDAN)	12 IB	FR JCT BOX 12V IGNITION	21 K	EXTERIOR LTS-CORNERING	24 S4	SOUND SYSTEM 24V VIDEO
7 D	ENTRANCE DOOR (SEDAN)	12 IE	ABS-FR JCT BOX 12V IGNITION	21 N	EXTERIOR LTS-CORNERING LH	24 SB	SOUND SYSTEM 24V FEEDING
7 DA	ENTRANCE DOOR (SEDAN)	12 IF	FR JCT BOX 12V IGNITION	21 P	EXTERIOR LTS-CORNERING LH	24 SS	SOUND SYSTEM 24V FEEDING
9	INTERIOR LTS-ENGINE CPT	12 IZ	12 V IGNITION FOR ZF TRANSM.	23	EXTERIOR LTS-DIRECTIONAL RH	24 R	24 VOLTS FRONT CAMERA SW.
9 A	INTERIOR LTS-ENGINE CPT	12 LX	CLUSTER (12V HOT WIRE)	23	EXTERIOR LTS-DIRECTIONAL RH	24 V2	RR JCT BOX 24V DISC SW
9 B	INTERIOR LTS-ENGINE CPT	12 M	ABS-FR JCT BOX 12V DISC. SW.	23 A	EXTERIOR LTS-DIRECTIONAL RH	24 V3	RR JCT BOX 24V DISC SW
9 E	INTERIOR LTS-FR SERVICE CPT	12 P	LH CONSOLE POWER OUTLET	23 B	EXTERIOR LTS-DIRECTIONAL RH	24 V4	RR JCT BOX 24V DISC SW
9 F	INTERIOR LTS-FR SERVICE CPT	12 R	BAT CPT 12V DISC RLY TO RJB	23 C	EXTERIOR LTS-CORNERING RH	24 V5	RR JCT BOX 24V DISC SW
10	INTERIOR LTS-LUGGAGE CPT	12 R	MEMORY BATTERY RADIO	23 N	EXTERIOR LTS-CORNERING RH	24 VD	24V HOT WIRE RR JCT BOX
10 A	INTERIOR LTS-LUGGAGE CPT	12 S	SOUND SYSTEM 12V RADIO	23 P	EXTERIOR LTS-CORNERING RH	24 VF	BAT CPT 24V SW TO FJB & IC
10 B	INTERIOR LTS-LUGGAGE CPT	12 S1	SOUND SYSTEM 12V RADIO	24	BAT CPT 24V BATTERY	24 VA	BATTERY TO EQUALIZER 24V
10 D	INTERIOR LTS-LUGGAGE CPT	12 S1A	DVD KARAOKE FEEDING	24	FR JCT BOX 24V DISC SW	24 VI	RR JCT BOX 24V IGNITION
10 F	INTERIOR LTS-LUGGAGE CPT	12 S2	SOUND SYSTEM 12V RADIO	24 A	BOOSTER BLOCK 24V DISC SW	24 VR	BAT CPT 24V DISC SW TO RJB
10 H	INTERIOR LTS-LUGGAGE CPT	12 S2A	DVD KARAOKE FEEDING	24 A	FR JCT BOX 24V DISC SW	24 W	RR JCT BOX 24V DISC SW (WCL)
10 K	INTERIOR LTS-LUGGAGE CPT	12 SB	SOUND SYSTEM 12V FEEDING	24 A	RR JCT BOX 24V DISC SW	24 WC	BATT.CPT TO HYD. PUMP (WCL)
10 R	INTERIOR LTS-LUGGAGE DOOR AJAR	12 SS	SOUND SYSTEM 12V FEEDING	24 B	24V STARTER RLY FEEDING	24 WL	24V BATTERY-HYD. PUMP (WCL)
11	FR DESTINATION SIGN	12 V	RR JCT BOX 12V DISC SW	24 B	FR JCT BOX 24V DISC SW	24 ZZ	24 VOLT - ZF TRANSM. POWER
11 A	FR DESTINATION SIGN	12 VA	BATTERY TO EQUALIZER 12V	24 BA	RR JCT BOX 24V DISC SW	25	24 VOLT ALT.SIGNAL MODULE
11 B	FR DESTINATION SIGN	12 VD	12V HOT WIRE DISTRIBUTION	24 BC	24 VOLT BATT. CHARGER	25 A1	PRE-EXITATION ALT. BOSCH #1
11 C	FR DESTINATION SIGN	12 VF	BAT CPT 12V FJB & IC	24 BE	RJB CPT-BAT EQ MONITOR HOT WIRE	25 A2	PRE-EXITATION ALT. BOSCH #2
11 D	FR DESTINATION SIGN	12 VI	12V IGNITION DISTRIBUTION	24 C	FR JCT BOX 24V DISC SW	25 A	T.T. LT. ALTERNATOR #1
11 E	FR DESTINATION SIGN	12 VR	BAT CPT 12V DISC RLY TO RJB	24 C	RR JCT BOX 24V DISC SW	25 B	12 VOLTS IGN. ALT. SIGNAL MODULE
11 K	FR DESTINATION SIGN	12 W	12V BATTERY DDEC III	24 D	BAT CPT 24V HOT WIRE	25 D	12 V. ENGINE RUN / HVAC SYSTEM
12	12V BAT ELECTRONIC JCT BLOCK	12 W	ENTRANCE DOOR (SEDAN)	24 D	FR JCT BOX 24V HOT WIRE	25 E	USE ON VIP ONLY

CIRCUIT NUMBER CODE

No.	DESCRIPTION	No.	DESCRIPTION	No.	DESCRIPTION	No.	DESCRIPTION
25 F	12 VOLT IGN. DISTRIBUTION	43 E	HAT RACK FAN	62 A	LAVATORY-FLUOR LT	82 K	EXTERIOR LTS-STOP PARK BRK
25 H	24 VOLT IGN. ALT. BOSCH	43 F	HAT RACK FAN	62 B	LAVATORY-FLUOR LT	82 L	EXTERIOR LTS-LH STOP
25 K	T.T. LT. ALTERNATOR #2	43 G	HAT RACK FAN	62 E	LAVATORY-OCCUP & FLUOR LT	82 R	EXTERIOR LTS-LH STOP
26 A	CIGAR LIGHTER	44	EXTERIOR LTS-FOG	63	EXTERIOR LTS-CLEARANCE	83	ENGINE CTR-KEY SW ACCES SIGN
26	DRIVER'S WINDOW LIFTER	44 A	EXTERIOR LTS-FOG	63 A	EXTERIOR LTS-CLEARANCE	84	ENGINE CTR-KEY SW ACCES SIGN
26 B	DRIVER'S WINDOW LIFTER	44 B	EXTERIOR LTS-FOG	63 B	EXTERIOR LTS-CLEARANCE	85	ENGINE CTR-KEY SWIGNITION SIGN
26 C	DRIVER'S WINDOW LIFTER	44 C	EXTERIOR LTS-FOG & HAZARD	63 C	EXTERIOR LTS-MARKER SIGNAL	85	24V IGNITION SIGNAL
27	LAVATORY-EMERGENCY SONALERT	45 A	A/C & HEAT SYSTEM-FULL AIR	63 D	EXTERIOR LTS-MARKER & TAIL	85 A	24V IGN DASH INSTRUMENTATION
28 A	A/C & HEAT SYSTEM-HI PRESSURE	45 B	A/C & HEAT SYSTEM-WATER PUMP	63 E	EXTERIOR LTS-CLEARANCE	85 B	ENGINE CTR-24V IGNITION
28 H	TTLT HI LO PRESS	45 C	A/C & HEAT SYSTEM-WATER VALVE	63 F	EXTERIOR LTS-MARKER BLINKER	85 C	PARKING BRAKE SWITCH
28 T	TTLT HI LO PRESS	45 D	A/C & HEAT SYSTEM-WATER VALVE	63 H	EXTERIOR LTS-TAIL	85 E	STOP LIGHT RLY
29	A/C & HEAT SYSTEM-DRIVER'S HTR	45 E	A/C & HEAT SYSTEM-HEAT 1 SIGN	64	DRIVERS FAN	85 F	ENGINE CTR-ENGINE CTR SW IGN
29 A	A/C & HEAT SYSTEM-DRIVER'S HTR	45 G	A/C & HEAT SYSTEM-DRIVER'S HTR	64 B	DRIVERS FAN	85 F	LO AIR SONALERT
29 B	A/C & HEAT SYSTEM-DRIVER'S HTR	45 H	A/C & HEAT SYSTEM-DRIVER'S HTR	64 C	DRIVERS FAN	85 G	RADIATOR FAN CLUTCH
29 H	HVAC DASH MODULE	45 W	A/C & HEAT SYSTEM-COND. DOOR AJAR	65	FOOT DAMPER MOTOR	85 X	12V IGN ABS
30 A	GALLEY	46	EXTERIOR LTS-MARKER	65 A	FOOT DAMPER MOTOR	85 Y	ABS SYSTEM
31 A	A/C & HEAT SYSTEM-UNLOADER	46 A	EXTERIOR LTS-MARKER	65 D	DRIVER REC. DAMPER	86	ENGINE CTR-STARTER SOL SIGN
31 B	A/C & HEAT SYSTEM-UNLOADER	46 B	EXTERIOR LTS-MARKER	66	O_PASS. ON/OFF	86 A	ENGINE CTR-STARTER SOL SIGN
31 B	WIPER & WASHER SYSTEM	46 B	EXTERIOR LTS-MARKER	67	24 VOLT RUN DISTRIBUTION	86 F	ENGINE CTR-STARTER TTLT SIGN
31 C	WIPER & WASHER SYSTEM	46 C	EXTERIOR LTS-MARKER	67 A	A/C & HEAT SYSTEM	86 T	ENGINE CTR-STARTER TTLT SIGN
31 D	WIPER & WASHER SYSTEM	47	A/C & HEAT SYSTEM-DRIVER'S HTR	67 C	HEATING WINDSHIELD	88	ENGINE CTR-RR START SIGNAL
31 E	WIPER & WASHER SYSTEM	48	ENTRANCE DOOR (SEDAN)	67 K	A/C & HEAT SYSTEM-COND FAN CTR	89	ENGINE CTR-RR START SIGNAL
31 J	WIPER & WASHER SYSTEM	48 A	ENTRANCE DOOR (SEDAN)	67 L	A/C & HEAT SYSTEM-COND FAN CTR	90 B	A/C & HEAT SYSTEM-COND FAN MOT
31 X	WIPER & WASHER SYSTEM	49	ENTRANCE DOOR (SEDAN)	67 X	A/C & HEAT SYSTEM	90 B	ENGINE CTR-MAST KEY SW FEED
32	EXTERIOR LTS-BACK-UP	49 A	ENTRANCE DOOR (SEDAN)	68	DASH & DEFROST DAMPER MOTOR	90 C	A/C & HEAT SYSTEM-COND FAN MOT
32 B	EXTERIOR LTS-BACK-UP			68 A	DASH & DEFROST DAMPER MOTOR	90 F	CHARG SYST-VOLTAGE REGUL. "B"
32 C	BACK-UP PWR & SIGNAL	52	ALARM & SIGNAL-ELEC. HORN	70	INTERIOR LTS-HAT RACK & RR RUN.	90 H	A/C & HEAT SYSTEM-EVAP FAN MOT
32 D	BACK-UP ALARM	52 A	ALARM & SIGNAL-ELEC. HORN	72	SUN VISOR-FEEDING	91	PARKING BRAKE SW SIGNAL
35	ENTRANCE DOOR (SEDAN)	52 B	ALARM & SIGNAL- AIR HORN	72 A	SUN VISOR-RH	91 A	DDEC-FAST IDLE SIGNAL
35 B	ENTRANCE DOOR (SEDAN)	52 C	ALARM & SIGNAL- AIR HORN	72 B	SUN VISOR-RH	91 S	SONALERT PARKING BRAKE
35 BB	ENTRANCE DOOR (SEDAN)	53	ALARM & SIGNAL-ELEC. HORN	72 C	SUN VISOR-LH	91 W	PARK, BRAKE SW SIGN (WCL)
35 D	ENTRANCE DOOR (SEDAN)	53 A	WIPER & WASHER SYSTEM	72 D	SUN VISOR-LH	92	BATTERY EQUALIZER-CHECK BALANCE
36	JACOB BRAKE SYSREM	53 B	WIPER & WASHER SYSTEM	73	LAVATORY-FEEDING	93	BATTERY EQUALIZER-CHECK LO/HI
36 A	JACOB BRAKE SYSREM	53 C	WIPER & WASHER SYSTEM	74	INTERIOR LTS-READING RH	95 A	ENGINE BRAKE & RETARDER SYSTEM
38	INTERIOR LTS-24V FLUORESCENT	53 E	WIPER & WASHER SYSTEM	74 A	INTERIOR LTS-READING RH	97	TACHOMETER (-)
38 A	INTERIOR LTS-24V FLUORESCENT	53 J	WIPER & WASHER SYSTEM	74 D	INTERIOR LTS-READING SIGNAL	100	INTERIOR LTS-GENERAL
38 C	INTERIOR LTS-24V FLUORESCENT	55	EXTERIOR LTS-HI BEAM	75	INTERIOR LTS-READING LH	100 A	INTERIOR LTS-GENERAL
38 D	INTERIOR LTS-24V FLUORESCENT	57	EXTERIOR LTS-HI BEAM	75 A	INTERIOR LTS-READING LH	100 B	INTERIOR LTS-GENERAL
39	INTERIOR LTS-24V LH CONSOLE SW	57 A	A/C & HEAT SYSTEM-WATER PUMP	76	FUEL TANK GAUGE	101	24V STARTER SOL FEEDING
39 A	INTERIOR LTS-DRIVER'S LTS	57 A	EXTERIOR LTS-HI BEAM	76 B	LOW FUEL LT & ETHER COLD START	101	WORLD TRANSM-LO SIGN SOL. LO
39 P	READING LIGHTS	57 B	A/C & HEAT SYSTEM-WATER PUMP	76 C	LOW FUEL LT	102	WORLD TRANSM-SOL. SUPPLY
41	A/C & HEAT SYSTEM-COND FAN MOT	57 C	PRE-HEAT WATER HEATER	76 P	FUEL PRIME PUMP	102 A	24V STARTER TO BOSCH ALTERNATOR
41 A	A/C & HEAT SYSTEM-COND FAN MOT	58	EXTERIOR LTS-LO BEAM	76 M	FUEL PRIME PUMP	103	LOW BUOY
41 B	A/C & HEAT SYSTEM-COND FAN MOT	58 A	EXTERIOR LTS-LO BEAM	77 B	A/C & HEAT SYSTEM-COMPRESSOR	104	WORLD TRANSM-SOL. FORWARD
42	A/C & HEAT SYSTEM-COND FAN MOT	58 B	EXTERIOR LTS-LO BEAM	77 C	A/C & HEAT SYSTEM-COMPRESSOR	105	WORLD TRANSM-RETARDER & SUMP
42 A	A/C & HEAT SYSTEM-COND FAN MOT	58 E	EXTERIOR LTS-LO BEAM	77 H	A/C & HEAT SYSTEM-COMPRESSOR	105 W	WORLD TRANSM-RETARDER & SUMP
43	HAT RACK FAN	59 A	JACOB BRAKE SYSTEM	81	EXTERIOR LTS-STOP SW	106	WORLD TRANSM-OIL LEVEL HI
43 A	HAT RACK FAN	61	EXTERIOR LTS-24V FEED SW	82	EXTERIOR LTS-STOP SIGNAL	107	WORLD TRANSM-LOCKUP SOL. HI
43 B	HAT RACK FAN	61 A	EXTERIOR LTS-HEAD SIGNAL	82 A	EXTERIOR LTS-STOP SIGNAL	108	WORLD TRANSM-REM. PWR WAKE UP
43 D	HAT RACK FAN	62	LAVATORY-OCCUPIED LT	82 B	EXTERIOR LTS-STOP LTS	109	WORLD TRANSM-RET. SOL. LO

CIRCUIT NUMBER CODE

No.	DESCRIPTION	No.	DESCRIPTION	No.	DESCRIPTION	No.	DESCRIPTION
110	ALARM & SIGNAL-WATER TEMP	126 K	KNEELING SYSTEM	139	WORLD TRANSM-OUTPUT SPEED HI	161	WORLD TRANSM-SIGNAL GRD
110	WORLD TRANSM-LOCKUP SOL. LO	126 P	KNEELING SYSTEM	140	ABS SYSTEM	161 B	WORLD TRANSM-SIGNAL GRD
111	WORLD TRANSM-SOL. C6	126 R	KNEELING SYSTEM	140	WORLD TRANSM-OUTPUT SPEED LO	162	WORLD TRANSM-PRESS. SW C3
112	WORLD TRANSM-SPARE OUTPUT (+)	126 W	5 MPH N.C. SIGNAL (WCL)	141	ABS SYSTEM	163	WORLD TRANSM-RETARDER ENABLE
113	ALARM & SIGNAL-OIL PRESS	126 S	KNEELING SYSTEM	141	WORLD TRANSM-ENGINE SPEED HI	164	WORLD TRANSM-RET. ACTUATOR SIGN
113	WORLD TRANSM-REVERSE WARNING	126 T	KNEELING SYSTEM	142	ABS SYSTEM	165	A/C & HEAT SYSTEM-TRANSMITER
113W	WORLD TR.-REVERSE WARNING	127	WORLD TRANSM-LUBE PRESS SW.	142	WORLD TRANSM-SERIAL COM. A	165	WORLD TRANSM-OIL LEVEL SIGNAL
113Z	ZF TRANSM.- REVERSE SIGNAL	127	WORLD TRANSM-RETARDER FEED SOL.	143	ABS SYSTEM	166 B	A/C & HEAT SYSTEM-EVAP. MOD.
114	INTERIOR LTS-DASH LT REGUL.	127	POWER- PRE-HEAT WATER HEATER	143	WORLD TRANSM-ECU BATTERY GRD	167	W. TR.-OUT SPEED INTERLOCK
114	WORLD TRANSM-SPARE OUTPUT (-)	127 A	PRE-HEAT WATER HEATER	143 A	ABS SYSTEM	167Z	ZF- OUT SPEED INTERLOCK
114 A	INTERIOR LTS-DASH LT	128 A	PRE-HEAT WATER HEATER	143 W	WORLD TRANSM-BATTERY GRD	168	A/C & HEAT SYSTEM-HUMIDISTAT
114 B	INTERIOR LTS-DASH LT REGUL.	128 B	PRE-HEAT - BURNER ON SIGNAL	144	ABS SYSTEM	168	WORLD TRANSM-SER. INTERFACE (+)
114 D	INTERIOR LTS-DASH LT REGUL.	128	WORLD TRANSM-SOL. C2	144	WORLD TRANSM-ECU CHASSIS GRD	168 A	A/C & HEAT SYSTEM-HUMIDISTAT
114 E	INTERIOR LTS-DASH LT REGUL.	129	POWER- PRE-HEAT WATER HEATER	144 A	ABS SYSTEM	170	LUGGAGE DOOR LOCK
115	ALARM & SIGNAL-TAG PRESS	129 B	POWER- PRE-HEAT WATER HEATER	145	ABS SYSTEM	170 C	LUGGAGE DOOR LOCK
115	DDEC III-COOLANT LEVEL	129	WORLD TRANSM-SOL. C5	146	ABS SYSTEM	170 E	LUGGAGE DOOR LOCK
115	WORLD TRANSM-DO NOT SHIFT SIGN	130	A/C & HEAT SYSTEM-EVAP FAN MOTOR	146 A	TRANSMISSION-12V IGNITION	170 H	LUGGAGE DOOR LOCK
115 C	DDEC III-COOLANT LEVEL	130	WORLD TRANSM-SOL. GRD 3	146	WORLD TRANSM-IGNITION SENSE	181 A	THERMOMETER INSIDE SENSOR
115 W	WORLD TRANSM-DO NOT SHIFT SIGN	131	WORLD TRANSM-SOL. C4	146 W	WORLD TRANSM-12V IGNITION	181 B	THERMOMETER INSIDE SENSOR
115 W	ZF TRANSM. - CHECK TRANSM. TTLT	132	WORLD TRANSM-ENG BRK OUTPUT (-)	146 X	WORLD TRANSM-12V IGNITION	181 C	THERMOMETER OUTSIDE SENSOR
116	WORLD TRANSM-LO SIGNAL SOL. HI	132 W	WORLD TRANSM-ENG BRK OUTPUT (-)	147	ABS SYSTEM	181 D	THERMOMETER OUTSIDE SENSOR
116 B	A/C & HEAT SYSTEM-DRIVER'S HTR	133	GALLEY-HEAT CONTAINERS	147	WORLD TRANSM-OIL TEMP	197	FUEL WATER FILTER
117	WORLD TRANSM-SPARE INPUT (-)	133 A	GALLEY-HEAT CONTAINERS	147 A	ETHER COLD START & D.R.L.	197 A	FUEL WATER FILTER
117 A	ALARM & SIGNAL-TRANSM OIL TEMP	133 B	GALLEY-HEAT CONTAINERS	147 C	ETHER COLD START	197 B	FUEL WATER FILTER
117 A	ALARM & SIGNAL-TRANSM OIL TEMP	133 C	GALLEY-HEAT CONTAINERS	148	ABS SYSTEM	198	FILTER FUEL HEATER
118	WORLD TRANSM-SPARE INPUT (+)	133	WORLD TRANSM-RET. ACTUATOR HI	148	WORLD TRANSM-OUTPUT SPEED LO	199	AIR FILTER RESTRICTION SENDER
119	WORLD TRANSM-ENG BRK INPUT (+)	134	GALLEY-HEAT CONTAINERS	149	ABS SYSTEM	201	WORLD TRANSM-SPARE
120	WORLD TRANSM-SOL. C1	134 A	GALLEY-HEAT CONTAINERS	149	WORLD TRANSM-TURBINE SPEED HI	202	WORLD TRANSM-SPARE
121	WORLD TRANSM-SOL. GRD 2	134	WORLD TRANSM-RET. APPLY SOL. HI	149 A	ABS SYSTEM	203	WORLD TRANSM-SPARE
122	A/C & HEAT SYSTEM-DRIVER'S HTR	135	A/C & HEAT SYSTEM-AIR SENSOR	150	DDEC III-ECM BATTERY GRD	204	WORLD TRANSM-SPARE
122	A/C & HEAT SYSTEM-FRESH AIR	135 A	A/C & HEAT SYSTEM-AIR SENSOR	150	WORLD TRANSM-ENGINE SPEED LO	205	WORLD TRANSM-SPARE
122	WORLD TRANSM-SOL. GRD 4	135	WORLD TRANSM-ANALOG GRD	150 A	DDEC III-ECM BATTERY GRD	206	WORLD TRANSM-SPARE
122 A	A/C & HEAT SYSTEM-FRESH AIR	135 D	WORLD TRANSM-RETARDER RES MOD	151	ABS SYSTEM	214	WORLD TRANSM-BACK UP SIGNAL
123	WORLD TRANSM-NEUTRAL START	135 C	WORLD TRANSM-RETARDER TEMP	151	DDEC III-ECM BATTERY GRD	225	LAVATORY FAN
123 A	ALARM & SIGNAL-FIRE DETECTOR	136	GALLEY-ACCESSORIES	151	WORLD TRANSM-SERIAL COM. B	225 A	LAVATORY FAN
123 B	ALARM & SIGNAL-FIRE DETECTOR	136	WORLD TRANSM-ECU POWER	152	ABS SYSTEM	231	NEUTRAL SIGNAL GRD
124	WORLD TRANSM-THROTTLE (HI)	136 V	WORLD TRANSM-12V BATTERY	153	WORLD TRANSM-SPARE INPUT (-)	231 A	NEUTRAL COIL RELAY FEED SIGNAL
125	WORLD TRANSM-RET. INDICATOR	136 W	WORLD TRANSM-12V BATTERY	154	ABS SYSTEM	231 W	NEUTRAL SIGNAL GRD (WCL)
125	GALLEY LAMP	136 X	WORLD TRANSM-12V BATTERY	154	WORLD TRANSM-ABS RET. INPUT	231 Z	ZF NEUTRAL SIGNAL GRD
125 T	GALLEY LAMP	137	WORLD TRANSM-RETARDER	155	WORLD TRANSM-SPARE INPUT (-)	240	DDEC III-ECM 12V FEEDING
125 W	WORLD TRANSM-RET. INDICATOR	137 A	MIRROR (SPARTAN & RAMCO)	156	WORLD TRANSM-THROTTLE POS.	241	DDEC III-ECM 12V FEEDING
126	KNEELING SYSTEM	137 B	RR VIEW MIRROR (SPARTAN)	156 A	ABS SYSTEM	251 A	DDEC III - DATA LOGGER 12 H.W.
126 A	KNEELING SYSTEM	137 C	RR VIEW MIRROR (SPARTAN)	157	WORLD TRANSM-SPEEDO SIGNAL	251	DDEC III - PRODRIVER 12V H.W.
126 B	KNEELING SYSTEM	137 D	RR VIEW MIRROR (SPARTAN)	157 B	ABS SYSTEM	253	GALLEY-MICROWAVE
126 C	KNEELING SYSTEM	137 E	RR VIEW MIRROR (SPARTAN)	157 D	A.T.C. SYSTEM	254	GALLEY-12V FRIGO NORCOLD
126 D	KNEELING SYSTEM	137 G	RR VIEW MIRROR (SPARTAN)	157 E	A.T.C. SYSTEM	254 A	GALLEY-FRIGO
126 E	KNEELING SYSTEM	138	ABS SYSTEM	157 F	A.T.C. SYSTEM	255	GALLEY-COFEEMAKER
126 F	KNEELING SYSTEM	138	WORLD TRANSM-RETARDER TEMP	158	WORLD TRANSM-DIMMER	255 A	GALLEY-COFEEMAKER
126 G	KNEELING SYSTEM	138 A	ABS SYSTEM	160	ALARM & SIGNAL-TAG PRESS SW	257	WINDSHIELD HEATED
126 H	KNEELING SYSTEM	139	ABS SYSTEM	160	WORLD TRANSM-SER. INTERFACE (-)	257 A	WINDSHIELD HEATED

CIRCUIT NUMBER CODE

No.	DESCRIPTION	No.	DESCRIPTION	No.	DESCRIPTION	No.	DESCRIPTION
257 B	WINDSHIELD HEATED	332	EATON TRANSMISSION				
257 C	WINDSHIELD HEATED	333	EATON TRANSMISSION - 12V BATTERY				
257 D	WINDSHIELD HEATED SPARE	334	EATON GENERATION 2				
257 E	WINDSHIELD HEATED SPARE	416	DDEV IV- SENSOR SUPPLY 5VDC	900	DDEC III-DATA LINK (+)		
258	WINDSHIELD HEATED	417	DDEC III-LIMIT SPEED GOVERNOR	901	DDEC III-DATA LINK (-)		
258 A	WINDSHIELD HEATED	419	DDEC III-CHECK ENGINE LIGHT	905	DDEC IV- AMBIANT AIR TEMPERATURE		
259	WINDSHIELD HEATED	439	DDEC III-12V IGNITION	908	DDEC III-HYDRAULIC PWM#1 OUTPUT		
259 A	WINDSHIELD HEATED	440	DDEC III-12V IGNITION	916	DDEC III-SENSOR SUPPLY (5VDC)		
260	WINDOW AJAR	440 A	DDEC III-12V IGNITION	925	J1939-HIGH		
290	FAN CLUTCH RADIATOR	451	DDEC III-A/C FAN CLUTCH	926	J1939-LOW		
290	FAN CLUTCH RADIATOR	452	DDEC IV- SENSOR RETURN (ENGINE)	927	J1939-SHIELD		
291	FAN CLUTCH RADIATOR SPD 1	505	DDEC III-TACHOMETER DRIVE	952	DDEC III-SENSOR RETURN		
292	FAN CLUTCH RADIATOR SPD 2	509	DDEC III-STOP ENGINE LIGHT	953	DDEC III-BATTERY GRD		
300	DOOR AJAR MAGN.SW. (WCL)	510	DDEC III-FAST IDLE SIGNAL	953 A	THROTTLE INHIBIT		
300 A	POWER SYSTEM SW. (WCL)	524	DDEC III-ENGINE BRAKE DISABLE	976	DDEC IV- RELATIVE HUMIDITY		
300 B	DOOR AJAR ALARM (WCL)	524 B	ZF SIGNAL – AUX. SENSOR THROTTLE	979	DDEC III-ENGINE BRAKE 2 CYL.		
301	POWER SYSTEM SW. (WCL)	525	DDEC III-FAST IDLE SIGNAL	988	DDEC III-CRUISE ENABLE LTS.		
302	DOOR AJAR T.T.LT. (WCL)	528	DDEC III-STOP ENG. OVERRIDE				
302 A	DOOR AJAR ALARM SIGN.(WCL)	531	DDEC III-CRUISE CLUTCH RELEASE				
302 B	DOOR AJAR MAGN.SW. (WCL)	541	DDEC III-CRUISE SET SW				
303	REMOTE WALL SW. DWN (WCL)	543	DDEC III-CRUISE STOP SW CUT IN				
304	REMOTE WALL SW. UP (WCL)	544	DDEC III-CRUISE ON/OFF SW				
305	PARK. BRAKE SOL. VALVE (WCL)	545	DDEC III-CRUISE RESUME SW				
305 A	PARK. BRAKE SAFETY SW. (WCL)	555	DDEC III-FAN CLUTCH SPEED# 1				
306	CONTROL SYSTEM (WCL RICON)	556	DDEC III-VEHICLE SPEED (+)				
307	CONTROL SYSTEM (WCL RICON)	557	DDEC III-VEHICLE SPEED (-)				
308	CONTROL SYSTEM (WCL RICON)	563	DDEC III-FAN CLUTCH SPEED# 2				
309	CONTROL SYSTEM (WCL RICON)	564	DDEC III-DIGITAL OUTPUT				
310	EATON TRANSMISSION	565	DDEC III-ENGINE BRAKE ACTIVE				
311	EATON TRANSMISSION	565 Z	DECELERATION LTS				
312	EATON TRANSMISSION	583	DDEC III-ENGINE BRAKE 4 CYL.				
313	EATON TRANSMISSION	700	J1587(+)				
314	EATON TRANSMISSION	701	J1587(-) – GROUND				
315	EATON TRANSMISSION	705	ZF SIGNALS				
316	EATON TRANSMISSION - EPL	706	ZF SIGNALS				
317	EATON TRANSMISSION	707	ZF SIGNALS				
318	EATON TRANSMISSION	717	ZF SIGNALS				
319	EATON TRANSMISSION	718	ZF SIGNALS				
320	EATON TRANSMISSION	719	ZF SIGNALS				
321	EATON TRANSMISSION	720	ZF SIGNALS				
322	EATON TRANSMISSION	740	EASY START VALVE				
323	EATON TRANSMISSION	761	ZF SIGNALS				
324	EATON TRANSMISSION						
325	EATON TRANSMISSION						
326	EATON TRANSMISSION						
327	EATON TRANSMISSION						
328	EATON TRANSMISSION						
329	EATON TRANSMISSION						
330	EATON TRANSMISSION - EPL						
331	EATON TRANSMISSION - EPL						

CIRCUIT NUMBER CODE

No.	DESCRIPTION	No.	DESCRIPTION	No.	DESCRIPTION	No.	DESCRIPTION
BA	INTERIOR LTS-110V FLUORESCENT	SP 17	SPARE-RJB TO ENGINE	SP 117	SPARE-FJB TO UDASH FLOOR	0 L 1	FS - FR SERVICE CPT LTS GRD
BB	INTERIOR LTS-110V FLUORESCENT	SP 18	SPARE-FJB TO RJB	SP 119	SPARE-RJB TO ENGINE CPT.	0 L 2	FS - FR SERVICE CPT LTS GRD
D 1	SOUND SYSTEM-FR RH SPEAKER	SP 24	SPARE-RJB TO LAVATORY ROOF	SPZ 1	SPARE WIRE-ZF TRANSM.	0 L 3	FS - FJB GRD
D 2	SOUND SYSTEM-FR RH SPEAKER	SP 25	SPARE-RJB TO LAVATORY ROOF	SPZ 2	SPARE WIRE-ZF TRANSM.	0 L 4	FS - FJB GRD
D 3	SOUND SYSTEM-FR RH SPEAKER	SP 26	SPARE-RJB TO LAVATORY ROOF	SPZ 3	SPARE WIRE-ZF TRANSM.	0 L 5	FS - CIGAR LIGHTER
D 4	SOUND SYSTEM-RR RH SPEAKER	SP 27	SPARE-RJB TO LH HAT RACK	SPZ 4	SPARE WIRE-ZF TRANSM.	0 L 6	FS - FRONT SERVICE CPT LTS GRD
D 5	SOUND SYSTEM-RR RH SPEAKER	SP 28	SPARE-RJB TO LH HAT RACK	SPZ 5	SPARE WIRE-ZF TRANSM.	0 L	RS - ENGINE CPT ACCES. GRD
D 6	SOUND SYSTEM-RR RH SPEAKER	SP 31	SPARE-RJB TO RH HAT RACK	SPZ 6	SPARE WIRE-ZF TRANSM.	0 L	ENTRANCE DOOR (SEDAN) GRD
D 7	SOUND SYSTEM-RR RH SPEAKER	SP 32	SPARE-RJB TO RH HAT RACK	W C	A/C & HEAT SYST-EVAP CTR SIGN	0 L H	RS - RR END LAMPS LH GRD
D 8	SOUND SYSTEM-RR RH SPEAKER	SP 33	SPARE-FJB TO RJB	Y C	INTERIOR LTS-110V FLUORESCENT	0 M	FS - ELECTRICAL MOTOR GRD
D 3 4	SOUND SYSTEM-RR RH SPEAKER	SP 38	SPARE-FJB TO RJB	Y D	INTERIOR LTS-110V FLUORESCENT	0 M 1	FS - ELECTRICAL MOTOR GRD
D 6 7	SOUND SYSTEM-RR RH SPEAKER	SP 43	SPARE-FJB TO RJB	0	BC - BAT. CPT CHASSIS GRD	0 M 3	FS - ELECTRICAL MOTOR GRD
G 1	SOUND SYSTEM-FR LH SPEAKER	SP 45	SPARE-FJB TO RJB	0	CONDENSER CPT GRD	0 M 4	FS - ELECTRICAL MOTOR GRD
G 2	SOUND SYSTEM-FR LH SPEAKER	SP 46	SPARE-RJB TO LH FR ROOF	0	RS - RR JCT BOX RLY GRD	0 M 5	FS - ELECTRICAL MOTOR GRD
G 3	SOUND SYSTEM-FR LH SPEAKER	SP 48	SPARE-RJB TO DASH CENTER PANEL	0	GALLEY GRD	0 M 6	FS - FJB GRD
G 4	SOUND SYSTEM-RR LH SPEAKER	SP 56	SPARE-ENGINE TO RH SW PANEL	0 A	BC - SHIELD GRD	0 M 7	FS - ELECTRICAL MOTOR GRD
G 5	SOUND SYSTEM-RR LH SPEAKER	SP 57	SPARE-DASH CENTER PANEL TO ENG.	0 A	RS - RR JCT BOX RLY GRD	0 M	RS - ENGINE CPT ACCES. GRD
G 6	SOUND SYSTEM-RR LH SPEAKER	SP 58	SPARE-DASH CENTER PANEL TO ENG.	0 A	FRS - FR ROOF ACCES. GRD	0 MR	24V DISC. SW. RLY GRD SIGNAL
G 7	SOUND SYSTEM-RR LH SPEAKER	SP 59	SPARE-FJB TO ENGINE	0 A	RS - LUG. CPT ACCES. GRD	0 MS	24V DISC. SW. RLY GRD SIGNAL
G 8	SOUND SYSTEM-RR LH SPEAKER	SP 61	SPARE-FJB TO DASH RH PANEL	0 A	A/C SYSTEM-EVAP. GRD	0 N	RS - ENGINE CPT ACCES. GRD
G 3 4	SOUND SYSTEM-RR LH SPEAKER	SP 68	SPARE-FJB TO ENGINE	0 A A	RS - VOLTAGE REGULATOR GRD	0 P	RS - ENGINE CPT ACCES. GRD
G 6 7	SOUND SYSTEM-RR LH SPEAKER	SP 69	SPARE-FJB TO FR AXLE	0 B 1	EC - RR JCT PANEL GRD	0 R	FS - SOUND SYS. JCT PANEL GRD
L 1 A	INTERIOR LTS-110V FLUORESCENT	SP 70	SPARE-FJB TO FR AXLE	0 B	EC - ENGINE GRD	0 R	RS - RJB GRD
L 1 B	INTERIOR LTS-110V FLUORESCENT	SP 71	SPARE-FJB TO RH SW PANEL	0 B	FRS - FR ROOF HEAT WIND GRD	0 R	RS - ENGINE CPT ACCES. GRD
L 2 A	INTERIOR LTS-110V FLUORESCENT	SP 72	SPARE-FJB TO FR SERV CPT	0 B	RS - LUG. CPT ACCES. GRD	0 R E	RADIO & CTRL HEAD CHASSIS GRD
L 2 B	INTERIOR LTS-110V FLUORESCENT	SP 74	SPARE-FJB TO LH CONSOLE	0 B E	RJB - BAT. EQUAL. BAT GRD	0 R H	RS - RR END LAMPS RH GRD
L 0	110V RECEPTACLE- 110V FLUOR.	SP 77	SPARE-FJB TO EVAPORATOR CPT	0 C	EC - STARTER MOTOR GRD	0 S	12 VOLT RUN - GND RELAY
L 1	110V RECEPTACLE- 110V FLUOR.	SP 78	SPARE-FJB TO CONDENSER CPT	0 C	FS - SERV. CPT ACCES. GRD	0 S A	EC-BOSCH ALT. GROUND
L 2	110V RECEPTACLE- 110V FLUOR.	SP 79	SPARE-FJB TO CONDENSER CPT	0 C	BC - FAN EVAP. & CONDENSER GRD	0 S 2	SOUND SYSTEM RADIO GRD
RA	INTERIOR LTS-110V FLUORESCENT	SP 87	SPARE-RJB TO LH HAT RACK	0 C R	24V DISC. SW. RLY GRD SIGNAL	0 S 3	SOUND SYSTEM VIDEO GRD
RB	INTERIOR LTS-110V FLUORESCENT	SP 88	SPARE-RJB TO RH HAT RACK	0 C S	24V DISC. SW. RLY GRD SIGNAL	0 S S	SOUNDS SYSTEM BATT. GRD
SH 1	SHIELD CHASSIS GRD	SP 92	SPARE-RJB TO CONDENSER CPT	0 C 1	FS - SERV. CPT ACCES. GRD	0 T	FS - DASH ACCES. GRD
SH 2	SHIELD CHASSIS GRD	SP 93	SPARE-RJB TO EVAPORATOR CPT	0 C 2	FS - SERV. CPT ACCES. GRD	0 T 1	FS - DASH ACCES. GRD
SH 3	SHIELD CHASSIS GRD	SP 94	SPARE-RJB TO RR ROOF	0 C 3	FS - SERV. CPT ACCES. GRD	0 T 2	FS - DASH ACCES. GRD
SH 4	SHIELD CHASSIS GRD	SP 95	SPARE-RJB TO RR ROOF	0 C 4	FS - FJB CPT ACCES. GRD	0 T 3	FS - DASH ACCES. GRD
SP 2	SPARE-FJB TO FR SERV CPT	SP 96	SPARE-RJB TO LUGG CPT #2	0 D	BC - FAN CONDENSER GRD	0 T 4	FS - DASH ACCES. GRD
SP 3	SPARE-FJB TO CENTER DASH	SP 97	SPARE-RJB TO LUGG CPT #3	0 D	RS - HAT RACK ACCES. LH GRD	0 T 5	FS - HVAC DASH MODULE. GRD
SP 4	SPARE-FJB TO CENTER DASH	SP 98	SPARE-RJB TO LUGG CPT #3	0 D	RJB - IGNITION RELAY	0 T 6	FS - HVAC DASH MODULE. GRD
SP 5	SPARE-RJB TO LUGG CPT #2	SP 104	SPARE-RJB TO ENGINE CPT	0 D F	RS - RR SIDE FLASH & MARK GRD	0 V	RR JCT BOX CPT GRD STUD
SP 6	SPARE-RJB TO LUGG CPT #1	SP 105	SPARE-FJB TO ENGINE	0 D R	RS - RJB DOCKING LT RESISTORS	0 V A	BATTERY TO EQUALISER 0V
SP 7	SPARE-RJB TO LUGG CPT #1	SP 106	SPARE-RJB TO BATT. CPT.	0 E	RS - HAT RACK ACCES. LH GRD	0 W	FS - WT GND & SHIELD
SP 8	SPARE-RJB TO LUGG CPT #1	SP 107	SPARE-RJB TO BATT. CPT.	0 E A	EATON TRANSMISSION GRD	0 W	RS - RR JCT BOX (WCL) GRD
SP 9	SPARE-RJB TO LUGG CPT #2	SP 108	SPARE-RJB TO BATT. CPT.	0 F	RS - HAT RACK ACCES. RH GRD	0 W C	RS - RR JCT BOX GRD (WCL)
SP 10	SPARE-RJB TO LUGG CPT #1	SP 109	SPARE-RJB TO ENGINE CPT.	0 G	RS - HAT RACK ACCES. RH GRD	0 X	RS - RR JCT BOX GRD
SP 11	SPARE-FJB TO RJB	SP 110	SPARE-FJB TO ENGINE CPT.	0 H	RS - LAVATORY ACCES. GRD	0 Y	ABS FR JCT BOX CPT GRD STUD
SP 12	SPARE-RJB TO ENGINE	SP 111	SPARE-RJB TO ENGINE CPT.	0 J	FS - LH CONSOLE SW GRD	0 Y	RR JCT BOX GRD
SP 13	SPARE-RJB TO ENGINE	SP 112	SPARE-RJB TO ENGINE CPT.	0 J	RS - RR ROOF ACCES. GRD	0 Y 1	ABS SYSTEM - GRD
SP 14	SPARE-FJB TO RJB	SP 114	SPARE-FJB TO U/DASH WIPER	0 K	RS - RR ROOF ACCES. GRD	0 Y 2	ABS SYSTEM - GRD
SP 15	SPARE-RJB TO ENGINE	SP 115	SPARE-FJB TO U/DASH WIPER	0 K	RS - RJB A/C JCT PANEL GRD	0 Y 3	ABS SYSTEM - GRD
SP 16	SPARE-RJB TO ENGINE	SP 116	SPARE-FJB TO U/DASH FLOOR	0 L	FS - FR SERVICE CPT LTS GRD	0 Y 4	ABS SYSTEM - GRD

CIRCUIT NUMBER CODE

No.	DESCRIPTION	No.	DESCRIPTION	No.	DESCRIPTION	No.	DESCRIPTION
0 Y5	ABS SYSTEM - GRD	12	BAT CPT 12V BATTERY	12 W A	ENTRANCE DOOR (SEDAN)	24 D	RR JCT BOX 24V HOT WIRE
0 Y6	ABS SYSTEM - GRD	12 A	FR JCT BOX 12V DISC SW	12 W B	ENTRANCE DOOR (SEDAN)	24 D A	A/C JCT BOX 24V HOT WIRE
0 Z	RR JCT BOX CPT GRD STUD	12 A	RR JCT BOX 12V DISC SW	12 X	FR JCT BOX 12V DISC SW	24 D Z	24 V HOT WIRE FOR ZF TRANSM.
0 Z0	RR JCT BOX CPT GRD STUD	12 B	12V BAT ELECTRICAL JCT BLOCK	12 X2	FR JCT BOX 12V DISC SW	24 E	BAT CPT 24V DISC SW
0Z1	ZF TRANSM. GRD	12 B	RR JCT BOX 12V DISC SW	12 Y	FR JCT BOX 12V DISC SW	24 E	FR JCT BOX 24V DISC SW
0Z2	ZF TRANSM. GRD	12 B	FR JCT BOX 12V DISC SW	13 A	ALARM & SIGNAL-LO AIR PRIM.	24 E	RR JCT BOX 24V DISC SW
00	FJB & RJB BATT. GRD	12 B E	BAT. EQUALIZER MONITOR	13 B	ALARM & SIGNAL-LO AIR SEC.	24 F	FR JCT BOX 24V DISC SW
00 A	FBG - T.T.LT. MODULES BATT. GRD	12 C	FR JCT BOX 12V DISC SW	14	LAVATORY-FLUSHING PUMP	24 F	RR JCT BOX 24V DISC SW
00 Y	FS - ABS MODULLE BATT. GRD	12 C	RR JCT BOX 12V HOT WIRE	14 A	LAVATORY-FLUSHING PUMP	24 G	FR JCT BOX 24V DISC SW
00 S S	SOUND SYSTEM BATT. GRD	12 C E	RR JCT BOX 12V HOT WIRE	14 P	LAVATORY-FLUSHING PUMP	24 G	RR JCT BOX 24V DISC SW
1	TACHO SYSTEM - RPM SIGNAL +	12 D	BAT CPT 12V BATTERY	15	EXTERIOR LTS-MULTI FUNC LEVEL	24 H	FR JCT BOX 24V DISC SW
2 B	A/C & HEAT SYSTEM-COOL SIGN	12 D A	12V IGNITION DISTRIBUTION	15 A	WIPER & WASHER UPPER WINDSHIELD	24 H	RR JCT BOX 24V DISC SW
2 E	A/C & HEAT SYSTEM EVAP CONT	12 D T	TTLT MODULE	16	SPEED - SIGNAL +	24 I	FR JCT BOX 24V IGNITION
2 F	A/C & HEAT SYSTEM EVAP CONT	12 D Z	ZF TRANSM. HOTWIRE	16 A	SPEED - SIGNAL +	24 I	RR JCT BOX 24V IGNITION
4	HOSTESS & PASSENGER CHIME	12 E	FR JCT BOX 12V DISC SW	16 T	SPEED - SIGNAL +	24 I A	FR JCT BOX 24V IGNITION
4 A	HOSTESS & PASSENGER CHIME	12 E	RR JCT BOX 12V DISC SW	17	EXTERIOR LTS-FLASHER UNIT	24 I B	FR JCT BOX 24V IGNITION
4 B	PASSENGER CHIME	12 F	BAT CPT 12V FJB & IC	17 A	EXTERIOR LTS-FLASHER UNIT	24 I B	FR JCT BOX 24V IGNITION
4 C	HOSTESS CHIME	12 F	FR JCT BOX 12V DISC SW	19	DIFFERENTIAL OIL TEMP	24 I C	FR JCT BOX 24V IGNITION
5	INTERIOR LTS-AISLE & EMERG. EXIT	12 G	FR JCT BOX 12V DISC SW	20	SPEED - SIGNAL -	24 I C	RR JCT BOX 24V IGNITION
5	UPPER WINDSHIELD DEFROSTER	12 H	12 V IGNITION D.T.RUN LIGHT	20 T	SPEED - SIGNAL -	24 I F	FJB 24VOLT IGNITION
5 D	UPPER WINDSHIELD DEFROSTER	12 J	FR JCT BOX 12V DISC SW	20 W	SPEED - SIGNAL -	24 I Z	ZF TANSM. IGNITION
5 E	UPPER WINDSHIELD DEFROSTER	12 I	12V IGNITION DISTRIBUTION	21	EXTERIOR LTS-DIRECTIONAL LH	24 P	FR JCT BOX 24V DISC SW
5 N	INTERIOR LTS-EMERGENCY EXIT	12 I	RR JCT BOX 12V IGNITION	21 A	EXTERIOR LTS-DIRECTIONAL LH	24 S	24V DISC SW RLY SIGNAL
5 N C	SPEED SIGNAL LOWER 5MPH	12 K	12 VOLT IGN. TTLT & HVAC MODULE	21 B	EXTERIOR LTS-HAZARD	24 S 1	SOUND SYSTEM 24V AMPLIFIER
5 N O	SPEED SIGNAL HIGHER 5MPH	12 I A	12V IGNITION DISTRIBUTION	21 C	EXTERIOR LTS-CORNERING LH	24 S 2	SOUND SYSTEM 24V AMPLIFIER
6	INTERIOR LTS-AISLE	12 I A	FR JCT BOX 12V IGNITION	21 H	EXTERIOR LTS-DIRECTIONAL LH	24 S 3	SOUND SYSTEM 24V VIDEO
7 B	ENTRANCE DOOR (SEDAN)	12 I B	FR JCT BOX 12V IGNITION	21 K	EXTERIOR LTS-CORNERING	24 S 4	SOUND SYSTEM 24V VIDEO
7 D	ENTRANCE DOOR (SEDAN)	12 I E	ABS-FR JCT BOX 12V IGNITION	21 N	EXTERIOR LTS-CORNERING LH	24 S B	SOUND SYSTEM 24V FEEDING
7 D A	ENTRANCE DOOR (SEDAN)	12 I F	FR JCT BOX 12V IGNITION	21 P	EXTERIOR LTS-CORNERING LH	24 S S	SOUND SYSTEM 24V FEEDING
9	INTERIOR LTS-ENGINE CPT	12 I Z	12 V IGNITION FOR ZF TRANSM.	23	EXTERIOR LTS-DIRECTIONAL RH	24 R	24 VOLTS FRONT CAMERA SW.
9 A	INTERIOR LTS-ENGINE CPT	12 L X	CLUSTER (12V HOT WIRE)	23	EXTERIOR LTS-DIRECTIONAL RH	24 V 2	RR JCT BOX 24V DISC SW
9 B	INTERIOR LTS-ENGINE CPT	12 M	ABS-FR JCT BOX 12V DISC. SW.	23 A	EXTERIOR LTS-DIRECTIONAL RH	24 V 3	RR JCT BOX 24V DISC SW
9 E	INTERIOR LTS-FR SERVICE CPT	12 P	LH CONSOLE POWER OUTLET	23 B	EXTERIOR LTS-DIRECTIONAL RH	24 V 4	RR JCT BOX 24V DISC SW
9 F	INTERIOR LTS-FR SERVICE CPT	12 R	BAT CPT 12V DISC RLY TO RJB	23 C	EXTERIOR LTS-CORNERING RH	24 V 5	RR JCT BOX 24V DISC SW
10	INTERIOR LTS-LUGGAGE CPT	12 R	MEMORY BATTERY RADIO	23 N	EXTERIOR LTS-CORNERING RH	24 V D	24V HOT WIRE RR JCT BOX
10 A	INTERIOR LTS-LUGGAGE CPT	12 S	SOUND SYSTEM 12V RADIO	23 P	EXTERIOR LTS-CORNERING RH	24 V F	BAT CPT 24V SW TO FJB & IC
10 B	INTERIOR LTS-LUGGAGE CPT	12 S 1	SOUND SYSTEM 12V RADIO	24	BAT CPT 24V BATTERY	24 V A	BATTERY TO EQUALIZER 24V
10 D	INTERIOR LTS-LUGGAGE CPT	12 S 1 A	DVD KARAOKE FEEDING	24	FR JCT BOX 24V DISC SW	24 V I	RR JCT BOX 24V IGNITION
10 F	INTERIOR LTS-LUGGAGE CPT	12 S 2	SOUND SYSTEM 12V RADIO	24 A	BOOSTER BLOCK 24V DISC SW	24 V R	BAT CPT 24V DISC SW TO RJB
10 H	INTERIOR LTS-LUGGAGE CPT	12 S 2 A	DVD KARAOKE FEEDING	24 A	FR JCT BOX 24V DISC SW	24 W	RR JCT BOX 24V DISC SW (WCL)
10 K	INTERIOR LTS-LUGGAGE CPT	12 S B	SOUND SYSTEM 12V FEEDING	24 A	RR JCT BOX 24V DISC SW	24 W C	BATT.CPT TO HYD. PUMP (WCL)
10 R	INTERIOR LTS-LUGGAGE DOOR AJAR	12 S S	SOUND SYSTEM 12V FEEDING	24 B	24V STARTER RLY FEEDING	24 W L	24V BATTERY-HYD. PUMP (WCL)
11	FR DESTINATION SIGN	12 V	RR JCT BOX 12V DISC SW	24 B	FR JCT BOX 24V DISC SW	24 Z Z	24 VOLT - ZF TRANSM. POWER
11 A	FR DESTINATION SIGN	12 V A	BATTERY TO EQUALIZER 12V	24 B A	RR JCT BOX 24V DISC SW	25	24 VOLT ALT.SIGNAL MODULE
11 B	FR DESTINATION SIGN	12 V D	12V HOT WIRE DISTRIBUTION	24 B C	24 VOLT BATT. CHARGER	25 A 1	PRE-EXITATION ALT. BOSCH #1
11 C	FR DESTINATION SIGN	12 V F	BAT CPT 12V FJB & IC	24 B E	RJB CPT-BAT EQ MONITOR HOT WIRE	25 A 2	PRE-EXITATION ALT. BOSCH #2
11 D	FR DESTINATION SIGN	12 V I	12V IGNITION DISTRIBUTION	24 C	FR JCT BOX 24V DISC SW	25 A	T.T. LT. ALTERNATOR #1
11 E	FR DESTINATION SIGN	12 V R	BAT CPT 12V DISC RLY TO RJB	24 C	RR JCT BOX 24V DISC SW	25 B	12 VOLTS IGN. ALT. SIGNAL MODULE
11 K	FR DESTINATION SIGN	12 W	12V BATTERY DDEC III	24 D	BAT CPT 24V HOT WIRE	25 D	12 V. ENGINE RUN / HVAC SYSTEM
12	12V BAT ELECTRONIC JCT BLOCK	12 W	ENTRANCE DOOR (SEDAN)	24 D	FR JCT BOX 24V HOT WIRE	25 E	USE ON VIP ONLY

CIRCUIT NUMBER CODE

No.	DESCRIPTION	No.	DESCRIPTION	No.	DESCRIPTION	No.	DESCRIPTION
25 F	12 VOLT IGN. DISTRIBUTION	43 E	HAT RACK FAN	62 A	LAVATORY-FLUOR LT	82 K	EXTERIOR LTS-STOP PARK BRK
25 H	24 VOLT IGN. ALT. BOSCH	43 F	HAT RACK FAN	62 B	LAVATORY-FLUOR LT	82 L	EXTERIOR LTS-LH STOP
25 K	T.T. LT. ALTERNATOR #2	43 G	HAT RACK FAN	62 E	LAVATORY-OCCUP & FLUOR LT	82 R	EXTERIOR LTS-LH STOP
26 A	CIGAR LIGHTER	44	EXTERIOR LTS-FOG	63	EXTERIOR LTS-CLEARANCE	83	ENGINE CTR-KEY SW ACCES SIGN
26	DRIVER'S WINDOW LIFTER	44 A	EXTERIOR LTS-FOG	63 A	EXTERIOR LTS-CLEARANCE	84	ENGINE CTR-KEY SW ACCES SIGN
26 B	DRIVER'S WINDOW LIFTER	44 B	EXTERIOR LTS-FOG	63 B	EXTERIOR LTS-CLEARANCE	85	ENGINE CTR-KEY SWIGNITION SIGN
26 C	DRIVER'S WINDOW LIFTER	44 C	EXTERIOR LTS-FOG & HAZARD	63 C	EXTERIOR LTS-MARKER SIGNAL	85	24V IGNITION SIGNAL
27	LAVATORY-EMERGENCY SONALERT	45 A	A/C & HEAT SYSTEM-FULL AIR	63 D	EXTERIOR LTS-MARKER & TAIL	85 A	24V IGN DASH INSTRUMENTATION
28 A	A/C & HEAT SYSTEM-HI PRESSURE	45 B	A/C & HEAT SYSTEM-WATER PUMP	63 E	EXTERIOR LTS-CLEARANCE	85 B	ENGINE CTR-24V IGNITION
28 H	TTLT HI LO PRESS	45 C	A/C & HEAT SYSTEM-WATER VALVE	63 F	EXTERIOR LTS-MARKER BLINKER	85 C	PARKING BRAKE SWITCH
28 T	TTLT HI LO PRESS	45 D	A/C & HEAT SYSTEM-WATER VALVE	63 H	EXTERIOR LTS-TAIL	85 E	STOP LIGHT RLY
29	A/C & HEAT SYSTEM-DRIVER'S HTR	45 E	A/C & HEAT SYSTEM-HEAT 1 SIGN	64	DRIVERS FAN	85 F	ENGINE CTR-ENGINE CTR SW IGN
29 A	A/C & HEAT SYSTEM-DRIVER'S HTR	45 G	A/C & HEAT SYSTEM-DRIVER'S HTR	64 B	DRIVERS FAN	85 F	LO AIR SONALERT
29 B	A/C & HEAT SYSTEM-DRIVER'S HTR	45 H	A/C & HEAT SYSTEM-DRIVER'S HTR	64 C	DRIVERS FAN	85 G	RADIATOR FAN CLUTCH
29 H	HVAC DASH MODULE	45 W	A/C & HEAT SYSTEM-COND. DOOR AJAR	65	FOOT DAMPER MOTOR	85 X	12V IGN ABS
30 A	GALLEY	46	EXTERIOR LTS-MARKER	65 A	FOOT DAMPER MOTOR	85 Y	ABS SYSTEM
31 A	A/C & HEAT SYSTEM-UNLOADER	46 A	EXTERIOR LTS-MARKER	65 D	DRIVER REC. DAMPER	86	ENGINE CTR-STARTER SOL SIGN
31 B	A/C & HEAT SYSTEM-UNLOADER	46 B	EXTERIOR LTS-MARKER	66	O_PASS. ON/OFF	86 A	ENGINE CTR-STARTER SOL SIGN
31 B	WIPER & WASHER SYSTEM	46 B	EXTERIOR LTS-MARKER	67	24 VOLT RUN DISTRIBUTION	86 F	ENGINE CTR-STARTER TTLT SIGN
31 C	WIPER & WASHER SYSTEM	46 C	EXTERIOR LTS-MARKER	67 A	A/C & HEAT SYSTEM	86 T	ENGINE CTR-STARTER TTLT SIGN
31 D	WIPER & WASHER SYSTEM	47	A/C & HEAT SYSTEM-DRIVER'S HTR	67 C	HEATING WINDSHIELD	88	ENGINE CTR-RR START SIGNAL
31 E	WIPER & WASHER SYSTEM	48	ENTRANCE DOOR (SEDAN)	67 K	A/C & HEAT SYSTEM-COND FAN CTR	89	ENGINE CTR-RR START SIGNAL
31 J	WIPER & WASHER SYSTEM	48 A	ENTRANCE DOOR (SEDAN)	67 L	A/C & HEAT SYSTEM-COND FAN CTR	90 B	A/C & HEAT SYSTEM-COND FAN MOT
31 X	WIPER & WASHER SYSTEM	49	ENTRANCE DOOR (SEDAN)	67 X	A/C & HEAT SYSTEM	90 B	ENGINE CTR-MAST KEY SW FEED
32	EXTERIOR LTS-BACK-UP	49 A	ENTRANCE DOOR (SEDAN)	68	DASH & DEFROST DAMPER MOTOR	90 C	A/C & HEAT SYSTEM-COND FAN MOT
32 B	EXTERIOR LTS-BACK-UP			68 A	DASH & DEFROST DAMPER MOTOR	90 F	CHARG SYST-VOLTAGE REGUL. "B"
32 C	BACK-UP PWR & SIGNAL	52	ALARM & SIGNAL-ELEC. HORN	70	INTERIOR LTS-HAT RACK & RR RUN.	90 H	A/C & HEAT SYSTEM-EVAP FAN MOT
32 D	BACK-UP ALARM	52 A	ALARM & SIGNAL-ELEC. HORN	72	SUN VISOR-FEEDING	91	PARKING BRAKE SW SIGNAL
35	ENTRANCE DOOR (SEDAN)	52 B	ALARM & SIGNAL- AIR HORN	72 A	SUN VISOR-RH	91 A	DDEC-FAST IDLE SIGNAL
35 B	ENTRANCE DOOR (SEDAN)	52 C	ALARM & SIGNAL- AIR HORN	72 B	SUN VISOR-RH	91 S	SONALERT PARKING BRAKE
35 BB	ENTRANCE DOOR (SEDAN)	53	ALARM & SIGNAL-ELEC. HORN	72 C	SUN VISOR-LH	91 W	PARK, BRAKE SW SIGN (WCL)
35 D	ENTRANCE DOOR (SEDAN)	53 A	WIPER & WASHER SYSTEM	72 D	SUN VISOR-LH	92	BATTERY EQUALIZER-CHECK BALANCE
36	JACOB BRAKE SYSREM	53 B	WIPER & WASHER SYSTEM	73	LAVATORY-FEEDING	93	BATTERY EQUALIZER-CHECK LO/HI
36 A	JACOB BRAKE SYSREM	53 C	WIPER & WASHER SYSTEM	74	INTERIOR LTS-READING RH	95 A	ENGINE BRAKE & RETARDER SYSTEM
38	INTERIOR LTS-24V FLUORESCENT	53 E	WIPER & WASHER SYSTEM	74 A	INTERIOR LTS-READING RH	97	TACHOMETER (-)
38 A	INTERIOR LTS-24V FLUORESCENT	53 J	WIPER & WASHER SYSTEM	74 D	INTERIOR LTS-READING SIGNAL	100	INTERIOR LTS-GENERAL
38 C	INTERIOR LTS-24V FLUORESCENT	55	EXTERIOR LTS-HI BEAM	75	INTERIOR LTS-READING LH	100 A	INTERIOR LTS-GENERAL
38 D	INTERIOR LTS-24V FLUORESCENT	57	EXTERIOR LTS-HI BEAM	75 A	INTERIOR LTS-READING LH	100 B	INTERIOR LTS-GENERAL
39	INTERIOR LTS-24V LH CONSOLE SW	57 A	A/C & HEAT SYSTEM-WATER PUMP	76	FUEL TANK GAUGE	101	24V STARTER SOL FEEDING
39 A	INTERIOR LTS-DRIVER'S LTS	57 A	EXTERIOR LTS-HI BEAM	76 B	LOW FUEL LT & ETHER COLD START	101	WORLD TRANSM-LO SIGN SOL. LO
39 P	READING LIGHTS	57 B	A/C & HEAT SYSTEM-WATER PUMP	76 C	LOW FUEL LT	102	WORLD TRANSM-SOL. SUPPLY
41	A/C & HEAT SYSTEM-COND FAN MOT	57 C	PRE-HEAT WATER HEATER	76 P	FUEL PRIME PUMP	102 A	24V STARTER TO BOSCH ALTERNATOR
41 A	A/C & HEAT SYSTEM-COND FAN MOT	58	EXTERIOR LTS-LO BEAM	76 M	FUEL PRIME PUMP	103	LOW BUOY
41 B	A/C & HEAT SYSTEM-COND FAN MOT	58 A	EXTERIOR LTS-LO BEAM	77 B	A/C & HEAT SYSTEM-COMPRESSOR	104	WORLD TRANSM-SOL. FORWARD
42	A/C & HEAT SYSTEM-COND FAN MOT	58 B	EXTERIOR LTS-LO BEAM	77 C	A/C & HEAT SYSTEM-COMPRESSOR	105	WORLD TRANSM-RETARDER & SUMP
42 A	A/C & HEAT SYSTEM-COND FAN MOT	58 E	EXTERIOR LTS-LO BEAM	77 H	A/C & HEAT SYSTEM-COMPRESSOR	105 W	WORLD TRANSM-RETARDER & SUMP
43	HAT RACK FAN	59 A	JACOB BRAKE SYSTEM	81	EXTERIOR LTS-STOP SW	106	WORLD TRANSM-OIL LEVEL HI
43 A	HAT RACK FAN	61	EXTERIOR LTS-24V FEED SW	82	EXTERIOR LTS-STOP SIGNAL	107	WORLD TRANSM-LOCKUP SOL. HI
43 B	HAT RACK FAN	61 A	EXTERIOR LTS-HEAD SIGNAL	82 A	EXTERIOR LTS-STOP SIGNAL	108	WORLD TRANSM-REM. PWR WAKE UP
43 D	HAT RACK FAN	62	LAVATORY-OCCUPIED LT	82 B	EXTERIOR LTS-STOP LTS	109	WORLD TRANSM-RET. SOL. LO

CIRCUIT NUMBER CODE

No.	DESCRIPTION	No.	DESCRIPTION	No.	DESCRIPTION	No.	DESCRIPTION
110	ALARM & SIGNAL-WATER TEMP	126 K	KNEELING SYSTEM	139	WORLD TRANSM-OUTPUT SPEED HI	161	WORLD TRANSM-SIGNAL GRD
110	WORLD TRANSM-LOCKUP SOL. LO	126 P	KNEELING SYSTEM	140	ABS SYSTEM	161 B	WORLD TRANSM-SIGNAL GRD
111	WORLD TRANSM-SOL. C6	126 R	KNEELING SYSTEM	140	WORLD TRANSM-OUTPUT SPEED LO	162	WORLD TRANSM-PRESS. SW C3
112	WORLD TRANSM-SPARE OUTPUT (+)	126 W	5 MPH N.C. SIGNAL (WCL)	141	ABS SYSTEM	163	WORLD TRANSM-RETARDER ENABLE
113	ALARM & SIGNAL-OIL PRESS	126 S	KNEELING SYSTEM	141	WORLD TRANSM-ENGINE SPEED HI	164	WORLD TRANSM-RET. ACTUATOR SIGN
113	WORLD TRANSM-REVERSE WARNING	126 T	KNEELING SYSTEM	142	ABS SYSTEM	165	A/C & HEAT SYSTEM-TRANSMITER
113W	WORLD TR.-REVERSE WARNING	127	WORLD TRANSM-LUBE PRESS SW.	142	WORLD TRANSM-SERIAL COM. A	165	WORLD TRANSM-OIL LEVEL SIGNAL
113Z	ZF TRANSM.- REVERSE SIGNAL	127	WORLD TRANSM-RETARDER FEED SOL.	143	ABS SYSTEM	166 B	A/C & HEAT SYSTEM-EVAP. MOD.
114	INTERIOR LTS-DASH LT REGUL.	127	POWER- PRE-HEAT WATER HEATER	143	WORLD TRANSM-ECU BATTERY GRD	167	W. TR.-OUT SPEED INTERLOCK
114	WORLD TRANSM-SPARE OUTPUT (-)	127 A	PRE-HEAT WATER HEATER	143 A	ABS SYSTEM	167Z	ZF- OUT SPEED INTERLOCK
114 A	INTERIOR LTS-DASH LT	128 A	PRE-HEAT WATER HEATER	143 W	WORLD TRANSM-BATTERY GRD	168	A/C & HEAT SYSTEM-HUMIDISTAT
114 B	INTERIOR LTS-DASH LT REGUL.	128 B	PRE-HEAT - BURNER ON SIGNAL	144	ABS SYSTEM	168	WORLD TRANSM-SER. INTERFACE (+)
114 D	INTERIOR LTS-DASH LT REGUL.	128	WORLD TRANSM-SOL. C2	144	WORLD TRANSM-ECU CHASSIS GRD	168 A	A/C & HEAT SYSTEM-HUMIDISTAT
114 E	INTERIOR LTS-DASH LT REGUL.	129	POWER- PRE-HEAT WATER HEATER	144 A	ABS SYSTEM	170	LUGGAGE DOOR LOCK
115	ALARM & SIGNAL-TAG PRESS	129 B	POWER- PRE-HEAT WATER HEATER	145	ABS SYSTEM	170 C	LUGGAGE DOOR LOCK
115	DDEC III-COOLANT LEVEL	129	WORLD TRANSM-SOL. C5	146	ABS SYSTEM	170 E	LUGGAGE DOOR LOCK
115	WORLD TRANSM-DO NOT SHIFT SIGN	130	A/C & HEAT SYSTEM-EVAP FAN MOTOR	146 A	TRANSMISSION-12V IGNITION	170 H	LUGGAGE DOOR LOCK
115 C	DDEC III-COOLANT LEVEL	130	WORLD TRANSM-SOL. GRD 3	146	WORLD TRANSM-IGNITION SENSE	181 A	THERMOMETER INSIDE SENSOR
115 W	WORLD TRANSM-DO NOT SHIFT SIGN	131	WORLD TRANSM-SOL. C4	146 W	WORLD TRANSM-12V IGNITION	181 B	THERMOMETER INSIDE SENSOR
115 W	ZF TRANSM. - CHECK TRANSM. TTLT	132	WORLD TRANSM-ENG BRK OUTPUT (-)	146 X	WORLD TRANSM-12V IGNITION	181 C	THERMOMETER OUTSIDE SENSOR
116	WORLD TRANSM-LO SIGNAL SOL. HI	132 W	WORLD TRANSM-ENG BRK OUTPUT (-)	147	ABS SYSTEM	181 D	THERMOMETER OUTSIDE SENSOR
116 B	A/C & HEAT SYSTEM-DRIVER'S HTR	133	GALLEY-HEAT CONTAINERS	147	WORLD TRANSM-OIL TEMP	197	FUEL WATER FILTER
117	WORLD TRANSM-SPARE INPUT (-)	133 A	GALLEY-HEAT CONTAINERS	147 A	ETHER COLD START & D.R.L.	197 A	FUEL WATER FILTER
117 A	ALARM & SIGNAL-TRANSM OIL TEMP	133 B	GALLEY-HEAT CONTAINERS	147 C	ETHER COLD START	197 B	FUEL WATER FILTER
117 A	ALARM & SIGNAL-TRANSM OIL TEMP	133 C	GALLEY-HEAT CONTAINERS	148	ABS SYSTEM	198	FILTER FUEL HEATER
118	WORLD TRANSM-SPARE INPUT (+)	133	WORLD TRANSM-RET. ACTUATOR HI	148	WORLD TRANSM-OUTPUT SPEED LO	199	AIR FILTER RESTRICTION SENDER
119	WORLD TRANSM-ENG BRK INPUT (+)	134	GALLEY-HEAT CONTAINERS	149	ABS SYSTEM	201	WORLD TRANSM-SPARE
120	WORLD TRANSM-SOL. C1	134 A	GALLEY-HEAT CONTAINERS	149	WORLD TRANSM-TURBINE SPEED HI	202	WORLD TRANSM-SPARE
121	WORLD TRANSM-SOL. GRD 2	134	WORLD TRANSM-RET. APPLY SOL. HI	149 A	ABS SYSTEM	203	WORLD TRANSM-SPARE
122	A/C & HEAT SYSTEM-DRIVER'S HTR	135	A/C & HEAT SYSTEM-AIR SENSOR	150	DDEC III-ECM BATTERY GRD	204	WORLD TRANSM-SPARE
122	A/C & HEAT SYSTEM-FRESH AIR	135 A	A/C & HEAT SYSTEM-AIR SENSOR	150	WORLD TRANSM-ENGINE SPEED LO	205	WORLD TRANSM-SPARE
122	WORLD TRANSM-SOL. GRD 4	135	WORLD TRANSM-ANALOG GRD	150 A	DDEC III-ECM BATTERY GRD	206	WORLD TRANSM-SPARE
122 A	A/C & HEAT SYSTEM-FRESH AIR	135 D	WORLD TRANSM-RETARDER RES MOD	151	ABS SYSTEM	214	WORLD TRANSM-BACK UP SIGNAL
123	WORLD TRANSM-NEUTRAL START	135 C	WORLD TRANSM-RETARDER TEMP	151	DDEC III-ECM BATTERY GRD	225	LAVATORY FAN
123 A	ALARM & SIGNAL-FIRE DETECTOR	136	GALLEY-ACCESSORIES	151	WORLD TRANSM-SERIAL COM. B	225 A	LAVATORY FAN
123 B	ALARM & SIGNAL-FIRE DETECTOR	136	WORLD TRANSM-ECU POWER	152	ABS SYSTEM	231	NEUTRAL SIGNAL GRD
124	WORLD TRANSM-THROTTLE (HI)	136 V	WORLD TRANSM-12V BATTERY	153	WORLD TRANSM-SPARE INPUT (-)	231 A	NEUTRAL COIL RELAY FEED SIGNAL
125	WORLD TRANSM-RET. INDICATOR	136 W	WORLD TRANSM-12V BATTERY	154	ABS SYSTEM	231 W	NEUTRAL SIGNAL GRD (WCL)
125	GALLEY LAMP	136 X	WORLD TRANSM-12V BATTERY	154	WORLD TRANSM-ABS RET. INPUT	231 Z	ZF NEUTRAL SIGNAL GRD
125 T	GALLEY LAMP	137	WORLD TRANSM-RETARDER	155	WORLD TRANSM-SPARE INPUT (-)	240	DDEC III-ECM 12V FEEDING
125 W	WORLD TRANSM-RET. INDICATOR	137 A	MIRROR (SPARTAN & RAMCO)	156	WORLD TRANSM-THROTTLE POS.	241	DDEC III-ECM 12V FEEDING
126	KNEELING SYSTEM	137 B	RR VIEW MIRROR (SPARTAN)	156 A	ABS SYSTEM	251 A	DDEC III - DATA LOGGER 12 H.W.
126 A	KNEELING SYSTEM	137 C	RR VIEW MIRROR (SPARTAN)	157	WORLD TRANSM-SPEEDO SIGNAL	251	DDEC III - PRODRIVER 12V H.W.
126 B	KNEELING SYSTEM	137 D	RR VIEW MIRROR (SPARTAN)	157 B	ABS SYSTEM	253	GALLEY-MICROWAVE
126 C	KNEELING SYSTEM	137 E	RR VIEW MIRROR (SPARTAN)	157 D	A.T.C. SYSTEM	254	GALLEY-12V FRIGO NORCOLD
126 D	KNEELING SYSTEM	137 G	RR VIEW MIRROR (SPARTAN)	157 E	A.T.C. SYSTEM	254 A	GALLEY-FRIGO
126 E	KNEELING SYSTEM	138	ABS SYSTEM	157 F	A.T.C. SYSTEM	255	GALLEY-COFEEMAKER
126 F	KNEELING SYSTEM	138	WORLD TRANSM-RETARDER TEMP	158	WORLD TRANSM-DIMMER	255 A	GALLEY-COFEEMAKER
126 G	KNEELING SYSTEM	138 A	ABS SYSTEM	160	ALARM & SIGNAL-TAG PRESS SW	257	WINDSHIELD HEATED
126 H	KNEELING SYSTEM	139	ABS SYSTEM	160	WORLD TRANSM-SER. INTERFACE (-)	257 A	WINDSHIELD HEATED

CIRCUIT NUMBER CODE

No.	DESCRIPTION	No.	DESCRIPTION	No.	DESCRIPTION	No.	DESCRIPTION
257 B	WINDSHIELD HEATED	331	EATON TRANSMISSION - EPL				
257 C	WINDSHIELD HEATED	332	EATON TRANSMISSION				
257 D	WINDSHIELD HEATED SPARE	333	EATON TRANSMISSION - 12V BATTERY				
257 E	WINDSHIELD HEATED SPARE	334	EATON GENERATION 2				
258	WINDSHIELD HEATED	416	DDEV IV- SENSOR SUPPLY 5VDC	900	DDEC III-DATA LINK (+)		
258 A	WINDSHIELD HEATED	417	DDEC III-LIMIT SPEED GOVERNOR	901	DDEC III-DATA LINK (-)		
259	WINDSHIELD HEATED	419	DDEC III-CHECK ENGINE LIGHT	905	DDEC IV- AMBIANT AIR TEMPERATURE		
259 A	WINDSHIELD HEATED	439	DDEC III-12V IGNITION	908	DDEC III-HYDRAULIC PWM#1 OUTPUT		
260	WINDOW AJAR	440	DDEC III-12V IGNITION	916	DDEC III-SENSOR SUPPLY (5VDC)		
290	FAN CLUTCH RADIATOR	440 A	DDEC III-12V IGNITION	925	J1939-HIGH		
290	FAN CLUTCH RADIATOR	451	DDEC III-A/C FAN CLUTCH	926	J1939-LOW		
291	FAN CLUTCH RADIATOR SPD 1	452	DDEC IV- SENSOR RETURN (ENGINE)	927	J1939-SHIELD		
292	FAN CLUTCH RADIATOR SPD 2	505	DDEC III-TACHOMETER DRIVE	952	DDEC III-SENSOR RETURN		
300	DOOR AJAR MAGN.SW. (WCL)	509	DDEC III-STOP ENGINE LIGHT	953	DDEC III-BATTERY GRD		
300 A	POWER SYSTEM SW. (WCL)	510	DDEC III-FAST IDLE SIGNAL	953 A	THROTTLE INHIBIT		
300 B	DOOR AJAR ALARM (WCL)	524	DDEC III-ENGINE BRAKE DISABLE	976	DDEC IV- RELATIVE HUMIDITY		
301	POWER SYSTEM SW. (WCL)	524 B	ZF SIGNAL - AUX. SENSOR THROTTLE	979	DDEC III-ENGINE BRAKE 2 CYL.		
302	DOOR AJAR T.T.LT. (WCL)	525	DDEC III-FAST IDLE SIGNAL	988	DDEC III-CRUISE ENABLE LTS.		
302 A	DOOR AJAR ALARM SIGN.(WCL)	528	DDEC III-STOP ENG. OVERRIDE				
302 B	DOOR AJAR MAGN.SW. (WCL)	531	DDEC III-CRUISE CLUTCH RELEASE				
303	REMOTE WALL SW. DWN (WCL)	541	DDEC III-CRUISE SET SW				
304	REMOTE WALL SW. UP (WCL)	543	DDEC III-CRUISE STOP SW CUT IN				
305	PARK. BRAKE SOL. VALVE (WCL)	544	DDEC III-CRUISE ON/OFF SW				
305 A	PARK. BRAKE SAFETY SW. (WCL)	545	DDEC III-CRUISE RESUME SW				
305 A1	DOOR AJAR - PARK. BRAKE (WCL)	555	DDEC III-FAN CLUTCH SPEED# 1				
306	CONTROL SYSTEM (WCL RICON)	556	DDEC III-VEHICLE SPEED (+)				
307	CONTROL SYSTEM (WCL RICON)	557	DDEC III-VEHICLE SPEED (-)				
308	CONTROL SYSTEM (WCL RICON)	563	DDEC III-FAN CLUTCH SPEED# 2				
309	CONTROL SYSTEM (WCL RICON)	564	DDEC III-DIGITAL OUTPUT				
310	EATON TRANSMISSION	565	DDEC III-ENGINE BRAKE ACTIVE				
311	EATON TRANSMISSION	565 Z	DECELERATION LTS				
312	EATON TRANSMISSION	583	DDEC III-ENGINE BRAKE 4 CYL.				
313	EATON TRANSMISSION	700	J1587(+)				
314	EATON TRANSMISSION	701	J1587(-) - GROUND				
315	EATON TRANSMISSION	705	ZF SIGNALS				
316	EATON TRANSMISSION - EPL	706	ZF SIGNALS				
317	EATON TRANSMISSION	707	ZF SIGNALS				
318	EATON TRANSMISSION	717	ZF SIGNALS				
319	EATON TRANSMISSION	718	ZF SIGNALS				
320	EATON TRANSMISSION	719	ZF SIGNALS				
321	EATON TRANSMISSION	720	ZF SIGNALS				
322	EATON TRANSMISSION	740	EASY START VALVE				
323	EATON TRANSMISSION	761	ZF SIGNALS				
324	EATON TRANSMISSION						
325	EATON TRANSMISSION						
326	EATON TRANSMISSION						
327	EATON TRANSMISSION						
328	EATON TRANSMISSION						
329	EATON TRANSMISSION						
330	EATON TRANSMISSION - EPL						

CIRCUIT NUMBER CODE

No.	DESCRIPTION	No.	DESCRIPTION	No.	DESCRIPTION	No.	DESCRIPTION
BA	INTERIOR LTS-110V FLUORESCENT	SP 17	SPARE-RJB TO ENGINE	SP 117	SPARE-FJB TO U/DASH FLOOR	0 L 1	FS - FR SERVICE CPT LTS GRD
BB	INTERIOR LTS-110V FLUORESCENT	SP 18	SPARE-FJB TO RJB	SP 119	SPARE-RJB TO ENGINE CPT.	0 L 2	FS - FR SERVICE CPT LTS GRD
D 1	SOUND SYSTEM-FR RH SPEAKER	SP 24	SPARE-RJB TO LAVATORY ROOF	SPZ 1	SPARE WIRE-ZF TRANSM.	0 L 3	FS - FJB GRD
D 2	SOUND SYSTEM-FR RH SPEAKER	SP 25	SPARE-RJB TO LAVATORY ROOF	SPZ 2	SPARE WIRE-ZF TRANSM.	0 L 4	FS - FJB GRD
D 3	SOUND SYSTEM-FR RH SPEAKER	SP 26	SPARE-RJB TO LAVATORY ROOF	SPZ 3	SPARE WIRE-ZF TRANSM.	0 L 5	FS - CIGAR LIGHTER
D 4	SOUND SYSTEM-RR RH SPEAKER	SP 27	SPARE-RJB TO LH HAT RACK	SPZ 4	SPARE WIRE-ZF TRANSM.	0 L 6	FS - FRONT SERVICE CPT LTS GRD
D 5	SOUND SYSTEM-RR RH SPEAKER	SP 28	SPARE-RJB TO LH HAT RACK	SPZ 5	SPARE WIRE-ZF TRANSM.	0 L	RS - ENGINE CPT ACCES. GRD
D 6	SOUND SYSTEM-RR RH SPEAKER	SP 31	SPARE-RJB TO RH HAT RACK	SPZ 6	SPARE WIRE-ZF TRANSM.	0 L	ENTRANCE DOOR (SEDAN) GRD
D 7	SOUND SYSTEM-RR RH SPEAKER	SP 32	SPARE-RJB TO RH HAT RACK	W C	A/C & HEAT SYST-EVAP CTR SIGN	0 L H	RS - RR END LAMPS LH GRD
D 8	SOUND SYSTEM-RR RH SPEAKER	SP 33	SPARE-FJB TO RJB	Y C	INTERIOR LTS-110V FLUORESCENT	0 M	FS - ELECTRICAL MOTOR GRD
D 3 4	SOUND SYSTEM-RR RH SPEAKER	SP 38	SPARE-FJB TO RJB	Y D	INTERIOR LTS-110V FLUORESCENT	0 M 1	FS - ELECTRICAL MOTOR GRD
D 6 7	SOUND SYSTEM-RR RH SPEAKER	SP 43	SPARE-FJB TO RJB	0	BC - BAT. CPT CHASSIS GRD	0 M 3	FS - ELECTRICAL MOTOR GRD
G 1	SOUND SYSTEM-FR LH SPEAKER	SP 45	SPARE-FJB TO RJB	0	CONDENSER CPT GRD	0 M 4	FS - ELECTRICAL MOTOR GRD
G 2	SOUND SYSTEM-FR LH SPEAKER	SP 46	SPARE-RJB TO LH FR ROOF	0	RS - RR JCT BOX RLY GRD	0 M 5	FS - ELECTRICAL MOTOR GRD
G 3	SOUND SYSTEM-FR LH SPEAKER	SP 48	SPARE-RJB TO DASH CENTER PANEL	0	GALLEY GRD	0 M 6	FS - FJB GRD
G 4	SOUND SYSTEM-RR LH SPEAKER	SP 56	SPARE-ENGINE TO RH SW PANEL	0 A	BC - SHIELD GRD	0 M 7	FS - ELECTRICAL MOTOR GRD
G 5	SOUND SYSTEM-RR LH SPEAKER	SP 57	SPARE-DASH CENTER PANEL TO ENG.	0 A	RS - RR JCT BOX RLY GRD	0 M	RS - ENGINE CPT ACCES. GRD
G 6	SOUND SYSTEM-RR LH SPEAKER	SP 58	SPARE-DASH CENTER PANEL TO ENG.	0 A	FRS - FR ROOF ACCES. GRD	0 MR	24V DISC. SW. RLY GRD SIGNAL
G 7	SOUND SYSTEM-RR LH SPEAKER	SP 59	SPARE-FJB TO ENGINE	0 A	RS - LUG. CPT ACCES. GRD	0 MS	24V DISC. SW. RLY GRD SIGNAL
G 8	SOUND SYSTEM-RR LH SPEAKER	SP 61	SPARE-FJB TO DASH RH PANEL	0 A	A/C SYSTEM-EVAP. GRD	0 N	RS - ENGINE CPT ACCES. GRD
G 3 4	SOUND SYSTEM-RR LH SPEAKER	SP 68	SPARE-FJB TO ENGINE	0 A A	RS - VOLTAGE REGULATOR GRD	0 P	RS - ENGINE CPT ACCES. GRD
G 6 7	SOUND SYSTEM-RR LH SPEAKER	SP 69	SPARE-FJB TO FR AXLE	0 B 1	EC - RR JCT PANEL GRD	0 R	FS - SOUND SYS. JCT PANEL GRD
L 1 A	INTERIOR LTS-110V FLUORESCENT	SP 70	SPARE-FJB TO FR AXLE	0 B	EC - ENGINE GRD	0 R	RS - RJB GRD
L 1 B	INTERIOR LTS-110V FLUORESCENT	SP 71	SPARE-FJB TO RH SW PANEL	0 B	FRS - FR ROOF HEAT WIND GRD	0 R	RS - ENGINE CPT ACCES. GRD
L 2 A	INTERIOR LTS-110V FLUORESCENT	SP 72	SPARE-FJB TO FR SERV CPT	0 B	RS - LUG. CPT ACCES. GRD	0 R E	RADIO & CTRL HEAD CHASSIS GRD
L 2 B	INTERIOR LTS-110V FLUORESCENT	SP 74	SPARE-FJB TO LH CONSOLE	0 B E	RJB - BAT. EQUAL. BAT GRD	0 R H	RS - RR END LAMPS RH GRD
L 0	110V RECEPTACLE- 110V FLUOR.	SP 77	SPARE-FJB TO EVAPORATOR CPT	0 C	EC - STARTER MOTOR GRD	0 S	12 VOLT RUN - GND RELAY
L 1	110V RECEPTACLE- 110V FLUOR.	SP 78	SPARE-FJB TO CONDENSER CPT	0 C	FS - SERV. CPT ACCES. GRD	0 S A	EC-BOSCH ALT. GROUND
L 2	110V RECEPTACLE- 110V FLUOR.	SP 79	SPARE-FJB TO CONDENSER CPT	0 C	BC - FAN EVAP. & CONDENSER GRD	0 S 2	SOUND SYSTEM RADIO GRD
RA	INTERIOR LTS-110V FLUORESCENT	SP 87	SPARE-RJB TO LH HAT RACK	0 C R	24V DISC. SW. RLY GRD SIGNAL	0 S 3	SOUND SYSTEM VIDEO GRD
RB	INTERIOR LTS-110V FLUORESCENT	SP 88	SPARE-RJB TO RH HAT RACK	0 C S	24V DISC. SW. RLY GRD SIGNAL	0 S S	SOUNDS SYSTEM BATT. GRD
SH 1	SHIELD CHASSIS GRD	SP 92	SPARE-RJB TO CONDENSER CPT	0 C 1	FS - SERV. CPT ACCES. GRD	0 T	FS - DASH ACCES. GRD
SH 2	SHIELD CHASSIS GRD	SP 93	SPARE-RJB TO EVAPORATOR CPT	0 C 2	FS - SERV. CPT ACCES. GRD	0 T 1	FS - DASH ACCES. GRD
SH 3	SHIELD CHASSIS GRD	SP 94	SPARE-RJB TO RR ROOF	0 C 3	FS - SERV. CPT ACCES. GRD	0 T 2	FS - DASH ACCES. GRD
SH 4	SHIELD CHASSIS GRD	SP 95	SPARE-RJB TO RR ROOF	0 C 4	FS - FJB CPT ACCES. GRD	0 T 3	FS - DASH ACCES. GRD
SP 2	SPARE-FJB TO FR SERV CPT	SP 96	SPARE-RJB TO LUGG CPT #2	0 D	BC - FAN CONDENSER GRD	0 T 4	FS - DASH ACCES. GRD
SP 3	SPARE-FJB TO CENTER DASH	SP 97	SPARE-RJB TO LUGG CPT #3	0 D	RS - HAT RACK ACCES. LH GRD	0 T 5	FS - HVAC DASH MODULE. GRD
SP 4	SPARE-FJB TO CENTER DASH	SP 98	SPARE-RJB TO LUGG CPT #3	0 D	RJB - IGNITION RELAY	0 T 6	FS - HVAC DASH MODULE. GRD
SP 5	SPARE-RJB TO LUGG CPT #2	SP 104	SPARE-RJB TO ENGINE CPT	0 D F	RS - RR SIDE FLASH & MARK GRD	0 T 7	FS - DDDL GRD
SP 6	SPARE-RJB TO LUGG CPT #1	SP 105	SPARE-FJB TO ENGINE	0 D R	RS - RJB DOCKING LT RESISTORS	0 V	RR JCT BOX CPT GRD STUD
SP 7	SPARE-RJB TO LUGG CPT #1	SP 106	SPARE-RJB TO BATT. CPT.	0 E	RS - HAT RACK ACCES. LH GRD	0 V A	BATTERY TO EQUALISER 0V
SP 8	SPARE-RJB TO LUGG CPT #1	SP 107	SPARE-RJB TO BATT. CPT.	0 E A	EATON TRANSMISSION GRD	0 W	FS - WT GND & SHIELD
SP 9	SPARE-RJB TO LUGG CPT #2	SP 108	SPARE-RJB TO BATT. CPT.	0 F	RS - HAT RACK ACCES. RH GRD	0 W	RS - RR JCT BOX (WCL) GRD
SP 10	SPARE-RJB TO LUGG CPT #1	SP 109	SPARE-RJB TO ENGINE CPT.	0 G	RS - HAT RACK ACCES. RH GRD	0 W C	RS - RR JCT BOX GRD (WCL)
SP 11	SPARE-FJB TO RJB	SP 110	SPARE-RJB TO ENGINE CPT.	0 H	RS - LAVATORY ACCES. GRD	0 X	RS - RR JCT BOX GRD
SP 12	SPARE-RJB TO ENGINE	SP 111	SPARE-RJB TO ENGINE CPT.	0 J	FS - LH CONSOLE SW GRD	0 Y	ABS FR JCT BOX CPT GRD STUD
SP 13	SPARE-RJB TO ENGINE	SP 112	SPARE-RJB TO ENGINE CPT.	0 J	RS - RR ROOF ACCES. GRD	0 Y	RR JCT BOX GRD
SP 14	SPARE-FJB TO RJB	SP 114	SPARE-FJB TO U/DASH WIPER	0 K	RS - RR ROOF ACCES. GRD	0 Y 1	ABS SYSTEM - GRD
SP 15	SPARE-RJB TO ENGINE	SP 115	SPARE-FJB TO U/DASH WIPER	0 K	RS - RJB A/C JCT PANEL GRD	0 Y 2	ABS SYSTEM - GRD
SP 16	SPARE-RJB TO ENGINE	SP 116	SPARE-FJB TO U/DASH FLOOR	0 L	FS - FR SERVICE CPT LTS GRD	0 Y 3	ABS SYSTEM - GRD

CIRCUIT NUMBER CODE

No.	DESCRIPTION	No.	DESCRIPTION	No.	DESCRIPTION	No.	DESCRIPTION
0 Y 4	ABS SYSTEM - GRD	1 2	12V BAT ELECTRONIC JCT BLOCK	1 2 W	ENTRANCE DOOR (SEDAN)	2 4 D	FR JCT BOX 24V HOT WIRE
0 Y 5	ABS SYSTEM - GRD	1 2	BAT CPT 12V BATTERY	1 2 W A	ENTRANCE DOOR (SEDAN)	2 4 D	RR JCT BOX 24V HOT WIRE
0 Y 6	ABS SYSTEM - GRD	1 2 A	FR JCT BOX 12V DISC SW	1 2 W B	ENTRANCE DOOR (SEDAN)	2 4 D A	A/C JCT BOX 24V HOT WIRE
0 Z	RR JCT BOX CPT GRD STUD	1 2 A	RR JCT BOX 12V DISC SW	1 2 X	FR JCT BOX 12V DISC SW	2 4 D Z	24 V HOT WIRE FOR ZF TRANSM.
0 Z 0	RR JCT BOX CPT GRD STUD	1 2 B	12V BAT ELECTRICAL JCT BLOCK	1 2 X 2	FR JCT BOX 12V DISC SW	2 4 E	BAT CPT 24V DISC SW
0 Z 1	ZF TRANSM. GRD	1 2 B	RR JCT BOX 12V DISC SW	1 2 Y	FR JCT BOX 12V DISC SW	2 4 E	FR JCT BOX 24V DISC SW
0 Z 2	ZF TRANSM. GRD	1 2 B	FR JCT BOX 12V DISC SW	1 3 A	ALARM & SIGNAL-LO AIR PRIM.	2 4 E	RR JCT BOX 24V DISC SW
0 0	FJB & RJB BATT. GRD	1 2 B E	BAT. EQUALIZER MONITOR	1 3 B	ALARM & SIGNAL-LO AIR SEC.	2 4 F	FR JCT BOX 24V DISC SW
0 0 A	FBG - T.T.LT. MODULES BATT. GRD	1 2 C	FR JCT BOX 12V DISC SW	1 4	LAVATORY-FLUSHING PUMP	2 4 F	RR JCT BOX 24V DISC SW
0 0 Y	FS - ABS MODULLE BATT. GRD	1 2 C	RR JCT BOX 12V HOT WIRE	1 4 A	LAVATORY-FLUSHING PUMP	2 4 G	FR JCT BOX 24V DISC SW
0 0 S S	SOUND SYSTEM BATT. GRD	1 2 C E	RR JCT BOX 12V HOT WIRE	1 4 P	LAVATORY-FLUSHING PUMP	2 4 G	RR JCT BOX 24V DISC SW
1	TACHO SYSTEM - RPM SIGNAL +	1 2 D	BAT CPT 12V BATTERY	1 5	EXTERIOR LTS-MULTI FUNC LEVEL	2 4 H	FR JCT BOX 24V DISC SW
2 B	A/C & HEAT SYSTEM-COOL SIGN	1 2 D A	12V IGNITION DISTRIBUTION	1 5 A	WIPER & WASHER UPPER WINDSHIELD	2 4 H	RR JCT BOX 24V DISC SW
2 E	A/C & HEAT SYSTEM EVAP CONT	1 2 D T	TTLT MODULE	1 6	SPEED - SIGNAL +	2 4 I	FR JCT BOX 24V IGNITION
2 F	A/C & HEAT SYSTEM EVAP CONT	1 2 D Z	ZF TRANSM. HOTWIRE	1 6 A	SPEED - SIGNAL +	2 4 I	RR JCT BOX 24V IGNITION
4	HOSTESS & PASSENGER CHIME	1 2 E	FR JCT BOX 12V DISC SW	1 6 T	SPEED - SIGNAL +	2 4 I A	FR JCT BOX 24V IGNITION
4 A	HOSTESS & PASSENGER CHIME	1 2 E	RR JCT BOX 12V DISC SW	1 7	EXTERIOR LTS-FLASHER UNIT	2 4 I B	RR JCT BOX 24V IGNITION
4 B	PASSENGER CHIME	1 2 F	BAT CPT 12V FJB & IC	1 7 A	EXTERIOR LTS-FLASHER UNIT	2 4 I B	RR JCT BOX 24V IGNITION
4 C	HOSTESS CHIME	1 2 F	FR JCT BOX 12V DISC SW	1 9	DIFFERENTIAL OIL TEMP	2 4 I C	FR JCT BOX 24V IGNITION
5	INTERIOR LTS-AISLE & EMERG. EXIT	1 2 G	FR JCT BOX 12V DISC SW	2 0	SPEED - SIGNAL -	2 4 I C	RR JCT BOX 24V IGNITION
5	UPPER WINDSHIELD DEFROSTER	1 2 H	12 V IGNITION D.T.RUN LIGHT	2 0 T	SPEED - SIGNAL -	2 4 I F	FJB 24VOLT IGNITION
5 D	UPPER WINDSHIELD DEFROSTER	1 2 J	FR JCT BOX 12V DISC SW	2 0 W	SPEED - SIGNAL -	2 4 I Z	ZF TANSM. IGNITION
5 E	UPPER WINDSHIELD DEFROSTER	1 2 I	12V IGNITION DISTRIBUTION	2 1	EXTERIOR LTS-DIRECTIONAL LH	2 4 P	FR JCT BOX 24V DISC SW
5 N	INTERIOR LTS-EMERGENCY EXIT	1 2 I	RR JCT BOX 12V IGNITION	2 1 A	EXTERIOR LTS-DIRECTIONAL LH	2 4 S	24V DISC SW RLY SIGNAL
5 N C	SPEED SIGNAL LOWER 5MPH	1 2 K	12 VOLT IGN. TTLT & HVAC MODULE	2 1 B	EXTERIOR LTS-HAZARD	2 4 S 1	SOUND SYSTEM 24V AMPLIFIER
5 N O	SPEED SIGNAL HIGHER 5MPH	1 2 I A	12V IGNITION DISTRIBUTION	2 1 C	EXTERIOR LTS-CORNERING LH	2 4 S 2	SOUND SYSTEM 24V AMPLIFIER
6	INTERIOR LTS-AISLE	1 2 I A	FR JCT BOX 12V IGNITION	2 1 H	EXTERIOR LTS-DIRECTIONAL LH	2 4 S 3	SOUND SYSTEM 24V VIDEO
7 B	ENTRANCE DOOR (SEDAN)	1 2 I B	FR JCT BOX 12V IGNITION	2 1 K	EXTERIOR LTS-CORNERING	2 4 S 4	SOUND SYSTEM 24V VIDEO
7 D	ENTRANCE DOOR (SEDAN)	1 2 I E	ABS-FR JCT BOX 12V IGNITION	2 1 N	EXTERIOR LTS-CORNERING LH	2 4 S B	SOUND SYSTEM 24V FEEDING
7 D A	ENTRANCE DOOR (SEDAN)	1 2 I F	FR JCT BOX 12V IGNITION	2 1 P	EXTERIOR LTS-CORNERING LH	2 4 S S	SOUND SYSTEM 24V FEEDING
9	INTERIOR LTS-ENGINE CPT	1 2 I Z	12 V IGNITION FOR ZF TRANSM.	2 3	EXTERIOR LTS-DIRECTIONAL RH	2 4 R	24 VOLTS FRONT CAMERA SW.
9 A	INTERIOR LTS-ENGINE CPT	1 2 L X	CLUSTER (12V HOT WIRE)	2 3	EXTERIOR LTS-DIRECTIONAL RH	2 4 V 2	RR JCT BOX 24V DISC SW
9 B	INTERIOR LTS-ENGINE CPT	1 2 M	ABS-FR JCT BOX 12V DISC. SW.	2 3 A	EXTERIOR LTS-DIRECTIONAL RH	2 4 V 3	RR JCT BOX 24V DISC SW
9 E	INTERIOR LTS-FR SERVICE CPT	1 2 P	LH CONSOLE POWER OUTLET	2 3 B	EXTERIOR LTS-DIRECTIONAL RH	2 4 V 4	RR JCT BOX 24V DISC SW
9 F	INTERIOR LTS-FR SERVICE CPT	1 2 R	BAT CPT 12V DISC RLY TO RJB	2 3 C	EXTERIOR LTS-CORNERING RH	2 4 V 5	RR JCT BOX 24V DISC SW
1 0	INTERIOR LTS-LUGGAGE CPT	1 2 R	MEMORY BATTERY RADIO	2 3 N	EXTERIOR LTS-CORNERING RH	2 4 V D	24V HOT WIRE RR JCT BOX
1 0 A	INTERIOR LTS-LUGGAGE CPT	1 2 S	SOUND SYSTEM 12V RADIO	2 3 P	EXTERIOR LTS-CORNERING RH	2 4 V F	BAT CPT 24V SW TO FJB & IC
1 0 B	INTERIOR LTS-LUGGAGE CPT	1 2 S 1	SOUND SYSTEM 12V RADIO	2 4	BAT CPT 24V BATTERY	2 4 V A	BATTERY TO EQUALIZER 24V
1 0 D	INTERIOR LTS-LUGGAGE CPT	1 2 S 1 A	DVD KARAOKE FEEDING	2 4	FR JCT BOX 24V DISC SW	2 4 V I	RR JCT BOX 24V IGNITION
1 0 F	INTERIOR LTS-LUGGAGE CPT	1 2 S 2	SOUND SYSTEM 12V RADIO	2 4 A	BOOSTER BLOCK 24V DISC SW	2 4 V R	BAT CPT 24V DISC SW TO RJB
1 0 H	INTERIOR LTS-LUGGAGE CPT	1 2 S 2 A	DVD KARAOKE FEEDING	2 4 A	FR JCT BOX 24V DISC SW	2 4 W	RR JCT BOX 24V DISC SW (WCL)
1 0 K	INTERIOR LTS-LUGGAGE CPT	1 2 S B	SOUND SYSTEM 12V FEEDING	2 4 A	RR JCT BOX 24V DISC SW	2 4 W C	BATT.CPT TO HYD. PUMP (WCL)
1 0 R	INTERIOR LTS-LUGGAGE DOOR AJAR	1 2 S S	SOUND SYSTEM 12V FEEDING	2 4 B	24V STARTER RLY FEEDING	2 4 W L	24V BATTERY-HYD. PUMP (WCL)
1 1	FR DESTINATION SIGN	1 2 V	RR JCT BOX 12V DISC SW	2 4 B	FR JCT BOX 24V DISC SW	2 4 Z Z	24 VOLT - ZF TRANSM. POWER
1 1 A	FR DESTINATION SIGN	1 2 V A	BATTERY TO EQUALIZER 12V	2 4 B A	RR JCT BOX 24V DISC SW	2 5	24 VOLT ALT.SIGNAL MODULE
1 1 B	FR DESTINATION SIGN	1 2 V D	12V HOT WIRE DISTRIBUTION	2 4 B C	24 VOLT BATT. CHARGER	2 5 A 1	PRE-EXITATION ALT. BOSCH #1
1 1 C	FR DESTINATION SIGN	1 2 V F	BAT CPT 12V FJB & IC	2 4 B E	RJB CPT-BAT EQ MONITOR HOT WIRE	2 5 A 2	PRE-EXITATION ALT. BOSCH #2
1 1 D	FR DESTINATION SIGN	1 2 V I	12V IGNITION DISTRIBUTION	2 4 C	FR JCT BOX 24V DISC SW	2 5 A	T.T. LT. ALTERNATOR #1
1 1 E	FR DESTINATION SIGN	1 2 V R	BAT CPT 12V DISC RLY TO RJB	2 4 C	RR JCT BOX 24V DISC SW	2 5 B	12 VOLTS IGN. ALT. SIGNAL MODULE
1 1 K	FR DESTINATION SIGN	1 2 W	12V BATTERY DDEC III	2 4 D	BAT CPT 24V HOT WIRE	2 5 D	12 V. ENGINE RUN / HVAC SYSTEM

CIRCUIT NUMBER CODE

No.	DESCRIPTION	No.	DESCRIPTION	No.	DESCRIPTION	No.	DESCRIPTION
25 E	USE ON VIP ONLY	43 D	HAT RACK FAN	62	LAVATORY-OCCUPIED LT	82 A	EXTERIOR LTS-STOP SIGNAL
25 F	12 VOLT IGN. DISTRIBUTION	43 E	HAT RACK FAN	62 A	LAVATORY-FLUOR LT	82 B	EXTERIOR LTS-STOP LTS
25 H	24 VOLT IGN. ALT. BOSCH	43 F	HAT RACK FAN	62 B	LAVATORY-FLUOR LT	82 K	EXTERIOR LTS-STOP PARK BRK
25 K	T.T. LT. ALTERNATOR #2	43 G	HAT RACK FAN	62 E	LAVATORY-OCCUP & FLUOR LT	82 L	EXTERIOR LTS-LH STOP
26 A	CIGAR LIGHTER	44	EXTERIOR LTS-FOG	63	EXTERIOR LTS-CLEARANCE	82 R	EXTERIOR LTS-LH STOP
26	DRIVER'S WINDOW LIFTER	44 A	EXTERIOR LTS-FOG	63 A	EXTERIOR LTS-CLEARANCE	83	ENGINE CTR-KEY SW ACCES SIGN
26 B	DRIVER'S WINDOW LIFTER	44 B	EXTERIOR LTS-FOG	63 B	EXTERIOR LTS-CLEARANCE	84	ENGINE CTR-KEY SW ACCES SIGN
26 C	DRIVER'S WINDOW LIFTER	44 C	EXTERIOR LTS-FOG & HAZARD	63 C	EXTERIOR LTS-MARKER SIGNAL	85	ENGINE CTR-KEY SWIGNITION SIGN
27	LAVATORY-EMERGENCY SONALERT	45 A	A/C & HEAT SYSTEM-FULL AIR	63 D	EXTERIOR LTS-MARKER & TAIL	85	24V IGNITION SIGNAL
28 A	A/C & HEAT SYSTEM-HI PRESSURE	45 B	A/C & HEAT SYSTEM-WATER PUMP	63 E	EXTERIOR LTS-CLEARANCE	85 A	24V IGN DASH INSTRUMENTATION
28 H	TTLT HI LO PRESS	45 C	A/C & HEAT SYSTEM-WATER VALVE	63 F	EXTERIOR LTS-MARKER BLINKER	85 B	ENGINE CTR-24V IGNITION
28 T	TTLT HI LO PRESS	45 D	A/C & HEAT SYSTEM-WATER VALVE	63 H	EXTERIOR LTS-TAIL	85 C	PARKING BRAKE SWITCH
29	A/C & HEAT SYSTEM-DRIVER'S HTR	45 E	A/C & HEAT SYSTEM-HEAT 1 SIGN	64	DRIVERS FAN	85 E	STOP LIGHT RLY
29 A	A/C & HEAT SYSTEM-DRIVER'S HTR	45 G	A/C & HEAT SYSTEM-DRIVER'S HTR	64 B	DRIVERS FAN	85 F	ENGINE CTR-ENGINE CTR SW IGN
29 B	A/C & HEAT SYSTEM-DRIVER'S HTR	45 H	A/C & HEAT SYSTEM-DRIVER'S HTR	64 C	DRIVERS FAN	85 F	LO AIR SONALERT
29 H	HVAC DASH MODULE	45 W	A/C & HEAT SYSTEM-COND. DOOR AJAR	65	FOOT DAMPER MOTOR	85 G	RADIATOR FAN CLUTCH
30 A	GALLEY	46	EXTERIOR LTS-MARKER	65 A	FOOT DAMPER MOTOR	85 X	12V IGN ABS
31 A	A/C & HEAT SYSTEM-UNLOADER	46 A	EXTERIOR LTS-MARKER	65 D	DRIVER REC. DAMPER	85 Y	ABS SYSTEM
31 B	A/C & HEAT SYSTEM-UNLOADER	46 B	EXTERIOR LTS-MARKER	66	O_PASS. ON/OFF	86	ENGINE CTR-STARTER SOL SIGN
31 B	WIPER & WASHER SYSTEM	46 B	EXTERIOR LTS-MARKER	67	24 VOLT RUN DISTRIBUTION	86 A	ENGINE CTR-STARTER SOL SIGN
31 C	WIPER & WASHER SYSTEM	46 C	EXTERIOR LTS-MARKER	67 A	A/C & HEAT SYSTEM	86 F	ENGINE CTR-STARTER TTLT SIGN
31 D	WIPER & WASHER SYSTEM	47	A/C & HEAT SYSTEM-DRIVER'S HTR	67 C	HEATING WINDSHIELD	86 T	ENGINE CTR-STARTER TTLT SIGN
31 E	WIPER & WASHER SYSTEM	48	ENTRANCE DOOR (SEDAN)	67 K	A/C & HEAT SYSTEM-COND FAN CTR	88	ENGINE CTR-RR START SIGNAL
31 J	WIPER & WASHER SYSTEM	48 A	ENTRANCE DOOR (SEDAN)	67 L	A/C & HEAT SYSTEM-COND FAN CTR	89	ENGINE CTR-RR START SIGNAL
31 X	WIPER & WASHER SYSTEM	49	ENTRANCE DOOR (SEDAN)	67 X	A/C & HEAT SYSTEM	90 B	A/C & HEAT SYSTEM-COND FAN MOT
32	EXTERIOR LTS-BACK-UP	49 A	ENTRANCE DOOR (SEDAN)	68	DASH & DEFROST DAMPER MOTOR	90 B	ENGINE CTR-MAST KEY SW FEED
32 B	EXTERIOR LTS-BACK-UP			68 A	DASH & DEFROST DAMPER MOTOR	90 C	A/C & HEAT SYSTEM-COND FAN MOT
32 C	BACK-UP PWR & SIGNAL	52	ALARM & SIGNAL-ELEC. HORN	70	INTERIOR LTS-HAT RACK & RR RUN.	90 F	CHARG SYST-VOLTAGE REGUL. "B"
32 D	BACK-UP ALARM	52 A	ALARM & SIGNAL-ELEC. HORN	72	SUN VISOR-FEEDING	90 H	A/C & HEAT SYSTEM-EVAP FAN MOT
35	ENTRANCE DOOR (SEDAN)	52 B	ALARM & SIGNAL- AIR HORN	72 A	SUN VISOR-RH	91	PARKING BRAKE SW SIGNAL
35 B	ENTRANCE DOOR (SEDAN)	52 C	ALARM & SIGNAL- AIR HORN	72 B	SUN VISOR-RH	91 A	DDEC-FAST IDLE SIGNAL
35 BB	ENTRANCE DOOR (SEDAN)	53	ALARM & SIGNAL-ELEC. HORN	72 C	SUN VISOR-LH	91 S	SONALERT PARKING BRAKE
35 D	ENTRANCE DOOR (SEDAN)	53 A	WIPER & WASHER SYSTEM	72 D	SUN VISOR-LH	91 W	PARK, BRAKE SW SIGN (WCL)
36	JACOB BRAKE SYSREM	53 B	WIPER & WASHER SYSTEM	73	LAVATORY-FEEDING	92	BATTERY EQUALIZER-CHECK BALANCE
36 A	JACOB BRAKE SYSREM	53 C	WIPER & WASHER SYSTEM	74	INTERIOR LTS-READING RH	93	BATTERY EQUALIZER-CHECK LO/HI
38	INTERIOR LTS-24V FLUORESCENT	53 E	WIPER & WASHER SYSTEM	74 A	INTERIOR LTS-READING RH	95 A	ENGINE BRAKE & RETARDER SYSTEM
38 A	INTERIOR LTS-24V FLUORESCENT	53 J	WIPER & WASHER SYSTEM	74 B	INTERIOR LTS-READING RH	97	TACHOMETER (-)
38 C	INTERIOR LTS-24V FLUORESCENT	55	EXTERIOR LTS-HI BEAM	74 D	INTERIOR LTS-READING SIGNAL	100	INTERIOR LTS-GENERAL
38 D	INTERIOR LTS-24V FLUORESCENT	57	EXTERIOR LTS-HI BEAM	75	INTERIOR LTS-READING LH	100 A	INTERIOR LTS-GENERAL
39	INTERIOR LTS-24V LH CONSOLE SW	57 A	A/C & HEAT SYSTEM-WATER PUMP	75 A	INTERIOR LTS-READING LH	100 B	INTERIOR LTS-GENERAL
39 A	INTERIOR LTS-DRIVER'S LTS	57 A	EXTERIOR LTS-HI BEAM	76	FUEL TANK GAUGE	101	24V STARTER SOL FEEDING
39 P	READING LIGHTS	57 B	A/C & HEAT SYSTEM-WATER PUMP	76 B	LOW FUEL LT & ETHER COLD START	101	WORLD TRANSM-LO SIGN SOL. LO
41	A/C & HEAT SYSTEM-COND FAN MOT	57 C	PRE-HEAT WATER HEATER	76 C	LOW FUEL LT	102	WORLD TRANSM-SOL. SUPPLY
41 A	A/C & HEAT SYSTEM-COND FAN MOT	58	EXTERIOR LTS-LO BEAM	76 P	FUEL PRIME PUMP	102 A	24V STARTER TO BOSCH ALTERNATOR
41 B	A/C & HEAT SYSTEM-COND FAN MOT	58 A	EXTERIOR LTS-LO BEAM	76 M	FUEL PRIME PUMP	103	LOW BUOY
42	A/C & HEAT SYSTEM-COND FAN MOT	58 B	EXTERIOR LTS-LO BEAM	77 B	A/C & HEAT SYSTEM-COMPRESSOR	104	WORLD TRANSM-SOL. FORWARD
42 A	A/C & HEAT SYSTEM-COND FAN MOT	58 E	EXTERIOR LTS-LO BEAM	77 C	A/C & HEAT SYSTEM-COMPRESSOR	105	WORLD TRANSM-RETARDER & SUMP
43	HAT RACK FAN	59 A	JACOB BRAKE SYSTEM	77 H	A/C & HEAT SYSTEM-COMPRESSOR	105 W	WORLD TRANSM-RETARDER & SUMP
43 A	HAT RACK FAN	61	EXTERIOR LTS-24V FEED SW	81	EXTERIOR LTS-STOP SW	106	WORLD TRANSM-OIL LEVEL HI
43 B	HAT RACK FAN	61 A	EXTERIOR LTS-HEAD SIGNAL	82	EXTERIOR LTS-STOP SIGNAL	107	WORLD TRANSM-LOCKUP SOL. HI

CIRCUIT NUMBER CODE

No.	DESCRIPTION	No.	DESCRIPTION	No.	DESCRIPTION	No.	DESCRIPTION
108	WORLD TRANSM-REM. PWR WAKE UP	126 F 1	KNEELING SYSTEM	138	WORLD TRANSM-RETARDER TEMP	158	WORLD TRANSM-DIMMER
109	WORLD TRANSM-RET. SOL. LO	126 G	KNEELING SYSTEM	138 A	ABS SYSTEM	160	ALARM & SIGNAL-TAG PRESS SW
110	ALARM & SIGNAL-WATER TEMP	126 H	KNEELING SYSTEM	139	ABS SYSTEM	160	WORLD TRANSM-SER. INTERFACE (-)
110	WORLD TRANSM-LOCKUP SOL. LO	126 K	KNEELING SYSTEM	139	WORLD TRANSM-OUTPUT SPEED HI	161	WORLD TRANSM-SIGNAL GRD
111	WORLD TRANSM-SOL. C6	126 P	KNEELING SYSTEM	140	ABS SYSTEM	161 B	WORLD TRANSM-SIGNAL GRD
112	WORLD TRANSM-SPARE OUTPUT (+)	126 R	KNEELING SYSTEM	140	WORLD TRANSM-OUTPUT SPEED LO	162	WORLD TRANSM-PRESS. SW C3
113	ALARM & SIGNAL-OIL PRESS	126 W	5 MPH N.C. SIGNAL (WCL)	141	ABS SYSTEM	163	WORLD TRANSM-RETARDER ENABLE
113	WORLD TRANSM-REVERSE WARNING	126 S	KNEELING SYSTEM	141	WORLD TRANSM-ENGINE SPEED HI	164	WORLD TRANSM-RET. ACTUATOR SIGNAL
113W	WORLD TR.-REVERSE WARNING	126 T	KNEELING SYSTEM	142	ABS SYSTEM	165	A/C & HEAT SYSTEM-TRANSMITER
113Z	ZF TRANSM.- REVERSE SIGNAL	127	WORLD TRANSM-LUBE PRESS SW.	142	WORLD TRANSM-SERIAL COM. A	165	WORLD TRANSM-OIL LEVEL SIGNAL
114	INTERIOR LTS-DASH LT REGUL.	127	WORLD TRANSM-RETARDER FEED SOL.	143	ABS SYSTEM	166 B	A/C & HEAT SYSTEM-EVAP. MOD.
114	WORLD TRANSM-SPARE OUTPUT (-)	127	POWER- PRE-HEAT WATER HEATER	143	WORLD TRANSM-ECU BATTERY GRD	167	W. TR.-OUT SPEED INTERLOCK
114 A	INTERIOR LTS-DASH LT	127 A	PRE-HEAT WATER HEATER	143 A	ABS SYSTEM	167Z	ZF- OUT SPEED INTERLOCK
114 B	INTERIOR LTS-DASH LT REGUL.	128 A	PRE-HEAT WATER HEATER	143 W	WORLD TRANSM-BATTERY GRD	168	A/C & HEAT SYSTEM-HUMIDISTAT
114 D	INTERIOR LTS-DASH LT REGUL.	128 B	PRE-HEAT - BURNER ON SIGNAL	144	ABS SYSTEM	168	WORLD TRANSM-SER. INTERFACE (+)
114 E	INTERIOR LTS-DASH LT REGUL.	128	WORLD TRANSM-SOL. C2	144	WORLD TRANSM-ECU CHASSIS GRD	168 A	A/C & HEAT SYSTEM-HUMIDISTAT
115	ALARM & SIGNAL-TAG PRESS	129	POWER- PRE-HEAT WATER HEATER	144 A	ABS SYSTEM	170	LUGGAGE DOOR LOCK
115	DDEC III-COOLANT LEVEL	129 B	POWER- PRE-HEAT WATER HEATER	145	ABS SYSTEM	170 C	LUGGAGE DOOR LOCK
115	WORLD TRANSM-DO NOT SHIFT SIGN	129	WORLD TRANSM-SOL. C5	146	ABS SYSTEM	170 E	LUGGAGE DOOR LOCK
115 C	DDEC III-COOLANT LEVEL	130	A/C & HEAT SYSTEM-EVAP FAN MOTOR	146 A	TRANSMISSION-12V IGNITION	170 H	LUGGAGE DOOR LOCK
115 W	WORLD TRANSM-DO NOT SHIFT SIGN	130	WORLD TRANSM-SOL. GRD 3	146	WORLD TRANSM-IGNITION SENSE	181 A	THERMOMETER INSIDE SENSOR
115 W	ZF TRANSM. - CHECK TRANSM. TTLT	131	WORLD TRANSM-SOL. C4	146 W	WORLD TRANSM-12V IGNITION	181 B	THERMOMETER INSIDE SENSOR
116	WORLD TRANSM-LO SIGNAL SOL. HI	132	WORLD TRANSM-ENG BRK OUTPUT (-)	146 X	WORLD TRANSM-12V IGNITION	181 C	THERMOMETER OUTSIDE SENSOR
116 B	A/C & HEAT SYSTEM-DRIVER'S HTR	132 W	WORLD TRANSM-ENG BRK OUTPUT (-)	147	ABS SYSTEM	181 D	THERMOMETER OUTSIDE SENSOR
117	WORLD TRANSM-SPARE INPUT (-)	133	GALLEY-HEAT CONTAINERS	147	WORLD TRANSM-OIL TEMP	197	FUEL WATER FILTER
117 A	ALARM & SIGNAL-TRANSM OIL TEMP	133 A	GALLEY-HEAT CONTAINERS	147 A	ETHER COLD START & D.R.L.	197 A	FUEL WATER FILTER
117 A	ALARM & SIGNAL-TRANSM OIL TEMP	133 B	GALLEY-HEAT CONTAINERS	147 C	ETHER COLD START	197 B	FUEL WATER FILTER
118	WORLD TRANSM-SPARE INPUT (+)	133 C	GALLEY-HEAT CONTAINERS	148	ABS SYSTEM	198	FILTER FUEL HEATER
119	WORLD TRANSM-ENG BRK INPUT (+)	133	WORLD TRANSM-RET. ACTUATOR HI	148	WORLD TRANSM-OUTPUT SPEED LO	199	AIR FILTER RESTRICTION SENDER
120	WORLD TRANSM-SOL. C1	134	GALLEY-HEAT CONTAINERS	149	ABS SYSTEM	201	WORLD TRANSM-SPARE
121	WORLD TRANSM-SOL. GRD 2	134 A	GALLEY-HEAT CONTAINERS	149	WORLD TRANSM-TURBINE SPEED HI	202	WORLD TRANSM-SPARE
122	A/C & HEAT SYSTEM-DRIVER'S HTR	134	WORLD TRANSM-RET. APPLY SOL. HI	149 A	ABS SYSTEM	203	WORLD TRANSM-SPARE
122	A/C & HEAT SYSTEM-FRESH AIR	135	A/C & HEAT SYSTEM-AIR SENSOR	150	DDEC III-ECM BATTERY GRD	204	WORLD TRANSM-SPARE
122	WORLD TRANSM-SOL. GRD 4	135 A	A/C & HEAT SYSTEM-AIR SENSOR	150	WORLD TRANSM-ENGINE SPEED LO	205	WORLD TRANSM-SPARE
122 A	A/C & HEAT SYSTEM-FRESH AIR	135	WORLD TRANSM-ANALOG GRD	150 A	DDEC III-ECM BATTERY GRD	206	WORLD TRANSM-SPARE
123	WORLD TRANSM-NEUTRAL START	135 D	WORLD TRANSM-RETARDER RES MOD	151	ABS SYSTEM	214	WORLD TRANSM-BACK UP SIGNAL
123 A	ALARM & SIGNAL-FIRE DETECTOR	135 C	WORLD TRANSM-RETARDER TEMP	151	DDEC III-ECM BATTERY GRD	225	LAVATORY FAN
123 B	ALARM & SIGNAL-FIRE DETECTOR	136	GALLEY-ACCESSORIES	151	WORLD TRANSM-SERIAL COM. B	225 A	LAVATORY FAN
124	WORLD TRANSM-THROTTLE (HI)	136	WORLD TRANSM-ECU POWER	152	ABS SYSTEM	231	NEUTRAL SIGNAL GRD
125	WORLD TRANSM-RET. INDICATOR	136 V	WORLD TRANSM-12V BATTERY	153	WORLD TRANSM-SPARE INPUT (-)	231 A	NEUTRAL COIL RELAY FEED SIGNAL
125	GALLEY LAMP	136 W	WORLD TRANSM-12V BATTERY	154	ABS SYSTEM	231 W	NEUTRAL SIGNAL GRD (WCL)
125 T	GALLEY LAMP	136 X	WORLD TRANSM-12V BATTERY	154	WORLD TRANSM-ABS RET. INPUT	231 Z	ZF NEUTRAL SIGNAL GRD
125 W	WORLD TRANSM-RET. INDICATOR	137	WORLD TRANSM-RETARDER	155	WORLD TRANSM-SPARE INPUT (-)	240	DDEC III-ECM 12V FEEDING
126	KNEELING SYSTEM	137 A	MIRROR (SPARTAN & RAMCO)	156	WORLD TRANSM-THROTTLE POS.	241	DDEC III-ECM 12V FEEDING
126 A	KNEELING SYSTEM	137 B	RR VIEW MIRROR (SPARTAN)	156 A	ABS SYSTEM	251 A	DDEC III - DATA LOGGER 12 H.W.
126 B	KNEELING SYSTEM	137 C	RR VIEW MIRROR (SPARTAN)	157	WORLD TRANSM-SPEEDO SIGNAL	251	DDEC III - PRODRIVER 12V H.W.
126 C	KNEELING SYSTEM	137 D	RR VIEW MIRROR (SPARTAN)	157 B	ABS SYSTEM	253	GALLEY-MICROWAVE
126 D	KNEELING SYSTEM	137 E	RR VIEW MIRROR (SPARTAN)	157 D	A.T.C. SYSTEM	254	GALLEY-12V FRIGO NORCOLD
126 E	KNEELING SYSTEM	137 G	RR VIEW MIRROR (SPARTAN)	157 E	A.T.C. SYSTEM	254 A	GALLEY-FRIGO
126 F	KNEELING SYSTEM	138	ABS SYSTEM	157 F	A.T.C. SYSTEM	255	GALLEY-COFFEEMAKER

CIRCUIT NUMBER CODE

No.	DESCRIPTION	No.	DESCRIPTION	No.	DESCRIPTION	No.	DESCRIPTION
255 A	GALLEY-COFEE/MAKER	328	EATON TRANSMISSION				
257	WINDSHIELD HEATED	329	EATON TRANSMISSION				
257 A	WINDSHIELD HEATED	330	EATON TRANSMISSION - EPL				
257 B	WINDSHIELD HEATED	331	EATON TRANSMISSION - EPL				
257 C	WINDSHIELD HEATED	332	EATON TRANSMISSION				
257 D	WINDSHIELD HEATED SPARE	333	EATON TRANSMISSION - 12V BATTERY				
257 E	WINDSHIELD HEATED SPARE	334	EATON GENERATION 2				
258	WINDSHIELD HEATED	416	DDEV IV- SENSOR SUPPLY 5VDC				
258 A	WINDSHIELD HEATED	417	DDEC III-LIMIT SPEED GOVERNOR	900	DDEC III-DATA LINK (+)		
259	WINDSHIELD HEATED	419	DDEC III-CHECK ENGINE LIGHT	901	DDEC III-DATA LINK (-)		
259 A	WINDSHIELD HEATED	439	DDEC III-12V IGNITION	905	DDEC IV- AMBIANT AIR TEMPERATURE		
260	WINDOW AJAR	440	DDEC III-12V IGNITION	908	DDEC III-HYDRAULIC PWM#1 OUTPUT		
290	FAN CLUTCH RADIATOR	440 A	DDEC III-12V IGNITION	916	DDEC III-SENSOR SUPPLY (5VDC)		
290	FAN CLUTCH RADIATOR	451	DDEC III-A/C FAN CLUTCH	925	J1939-HIGH		
291	FAN CLUTCH RADIATOR SPD 1	452	DDEC IV- SENSOR RETURN (ENGINE)	926	J1939-LOW		
292	FAN CLUTCH RADIATOR SPD 2	505	DDEC III-TACHOMETER DRIVE	927	J1939-SHIELD		
300	DOOR AJAR MAGN.SW. (WCL)	509	DDEC III-STOP ENGINE LIGHT	952	DDEC III-SENSOR RETURN #1		
300 A	POWER SYSTEM SW. (WCL)	510	DDEC III-FAST IDLE SIGNAL	953	DDEC III-SENSOR RETURN #2		
300 B	DOOR AJAR ALARM (WCL)	524	DDEC III-ENGINE BRAKE DISABLE	953 A	THROTTLE INHIBIT		
301	POWER SYSTEM SW. (WCL)	524 B	ZF SIGNAL – AUX. SENSOR THROTTLE	976	DDEC IV- RELATIVE HUMIDITY		
302	DOOR AJAR T.T.LT. (WCL)	525	DDEC III-FAST IDLE SIGNAL	979	DDEC III-ENGINE BRAKE 2 CYL.		
302 A	DOOR AJAR ALARM SIGN.(WCL)	528	DDEC III-STOP ENG. OVERRIDE	988	DDEC III-CRUISE ENABLE LTS.		
302 B	DOOR AJAR MAGN.SW. (WCL)	531	DDEC III-CRUISE CLUTCH RELEASE				
303	REMOTE WALL SW. DWN (WCL)	541	DDEC III-CRUISE SET SW				
304	REMOTE WALL SW. UP (WCL)	543	DDEC III-CRUISE STOP SW CUT IN				
305	PARK. BRAKE SOL. VALVE (WCL)	544	DDEC III-CRUISE ON/OFF SW				
305 A	PARK. BRAKE SAFETY SW. (WCL)	545	DDEC III-CRUISE RESUME SW				
305 A 1	DOOR AJAR - PARK. BRAKE (WCL)	555	DDEC III-FAN CLUTCH SPEED# 1				
306	CONTROL SYSTEM (WCL RICON)	556	DDEC III-VEHICLE SPEED (+)				
307	CONTROL SYSTEM (WCL RICON)	557	DDEC III-VEHICLE SPEED (-)				
308	CONTROL SYSTEM (WCL RICON)	563	DDEC III-FAN CLUTCH SPEED# 2				
309	CONTROL SYSTEM (WCL RICON)	564	DDEC III-DIGITAL OUTPUT				
310	EATON TRANSMISSION	564 B	DDEC III-DIGITAL OUTPUT				
311	EATON TRANSMISSION	565	DDEC III-ENGINE BRAKE ACTIVE				
312	EATON TRANSMISSION	565 Z	DECELERATION LTS				
313	EATON TRANSMISSION	583	DDEC III-ENGINE BRAKE 4 CYL.				
314	EATON TRANSMISSION	700	J1587(+)				
315	EATON TRANSMISSION	701	J1587(-) – GROUND				
316	EATON TRANSMISSION - EPL	705	ZF SIGNALS				
317	EATON TRANSMISSION	706	ZF SIGNALS				
318	EATON TRANSMISSION	707	ZF SIGNALS				
319	EATON TRANSMISSION	717	ZF SIGNALS				
320	EATON TRANSMISSION	718	ZF SIGNALS				
321	EATON TRANSMISSION	719	ZF SIGNALS				
322	EATON TRANSMISSION	720	ZF SIGNALS				
323	EATON TRANSMISSION	740	EASY START VALVE				
324	EATON TRANSMISSION	761	ZF SIGNALS				
325	EATON TRANSMISSION						
326	EATON TRANSMISSION						
327	EATON TRANSMISSION						

CIRCUIT NUMBER CODE

No.	DESCRIPTION	No.	DESCRIPTION	No.	DESCRIPTION	No.	DESCRIPTION
BA	INTERIOR LTS-110V FLUORESCENT	SP 17	SPARE-RJB TO ENGINE	SP 117	SPARE-FJB TO UDASH FLOOR	0 L1	FS - FR SERVICE CPT LTS GRD
BB	INTERIOR LTS-110V FLUORESCENT	SP 18	SPARE-FJB TO RJB	SP 119	SPARE-RJB TO ENGINE CPT.	0 L2	FS - FR SERVICE CPT LTS GRD
D 1	SOUND SYSTEM-FR RH SPEAKER	SP 24	SPARE-RJB TO LAVATORY ROOF	SPZ1	SPARE WIRE-ZF TRANSM.	0 L3	FS - FJB GRD
D 2	SOUND SYSTEM-FR RH SPEAKER	SP 25	SPARE-RJB TO LAVATORY ROOF	SPZ2	SPARE WIRE-ZF TRANSM.	0 L4	FS - FJB GRD
D 3	SOUND SYSTEM-FR RH SPEAKER	SP 26	SPARE-RJB TO LAVATORY ROOF	SPZ3	SPARE WIRE-ZF TRANSM.	0 L5	FS - CIGAR LIGHTER
D 4	SOUND SYSTEM-RR RH SPEAKER	SP 27	SPARE-RJB TO LH HAT RACK	SPZ4	SPARE WIRE-ZF TRANSM.	0 L6	FS - FRONT SERVICE CPT LTS GRD
D 5	SOUND SYSTEM-RR RH SPEAKER	SP 28	SPARE-RJB TO LH HAT RACK	SPZ5	SPARE WIRE-ZF TRANSM.	0 L	RS - ENGINE CPT ACCES. GRD
D 6	SOUND SYSTEM-RR RH SPEAKER	SP 31	SPARE-RJB TO RH HAT RACK	SPZ6	SPARE WIRE-ZF TRANSM.	0 L	ENTRANCE DOOR (SEDAN) GRD
D 7	SOUND SYSTEM-RR RH SPEAKER	SP 32	SPARE-RJB TO RH HAT RACK	W C	A/C & HEAT SYST-EVAP CTR SIGN	0 LH	RS - RR END LAMPS LH GRD
D 8	SOUND SYSTEM-RR RH SPEAKER	SP 33	SPARE-FJB TO RJB	Y C	INTERIOR LTS-110V FLUORESCENT	0 M	FS - ELECTRICAL MOTOR GRD
D 3 4	SOUND SYSTEM-RR RH SPEAKER	SP 38	SPARE-FJB TO RJB	Y D	INTERIOR LTS-110V FLUORESCENT	0 M1	FS - ELECTRICAL MOTOR GRD
D 6 7	SOUND SYSTEM-RR RH SPEAKER	SP 43	SPARE-FJB TO RJB	0	BC - BAT. CPT CHASSIS GRD	0 M3	FS - ELECTRICAL MOTOR GRD
G 1	SOUND SYSTEM-FR LH SPEAKER	SP 45	SPARE-FJB TO RJB	0	CONDENSER CPT GRD	0 M4	FS - ELECTRICAL MOTOR GRD
G 2	SOUND SYSTEM-FR LH SPEAKER	SP 46	SPARE-RJB TO LH FR ROOF	0	RS - RR JCT BOX RLY GRD	0 M5	FS - ELECTRICAL MOTOR GRD
G 3	SOUND SYSTEM-FR LH SPEAKER	SP 48	SPARE-RJB TO DASH CENTER PANEL	0	GALLEY GRD	0 M6	FS - FJB GRD
G 4	SOUND SYSTEM-RR LH SPEAKER	SP 56	SPARE-ENGINE TO RH SW PANEL	0 A	BC - SHIELD GRD	0 M7	FS - ELECTRICAL MOTOR GRD
G 5	SOUND SYSTEM-RR LH SPEAKER	SP 57	SPARE-DASH CENTER PANEL TO ENG.	0 A	RS - RR JCT BOX RLY GRD	0 M	RS - ENGINE CPT ACCES. GRD
G 6	SOUND SYSTEM-RR LH SPEAKER	SP 58	SPARE-DASH CENTER PANEL TO ENG.	0 A	FRS - FR ROOF ACCES. GRD	0 MR	24V DISC. SW. RLY GRD SIGNAL
G 7	SOUND SYSTEM-RR LH SPEAKER	SP 59	SPARE-FJB TO ENGINE	0 A	RS - LUG. CPT ACCES. GRD	0 MS	24V DISC. SW. RLY GRD SIGNAL
G 8	SOUND SYSTEM-RR LH SPEAKER	SP 61	SPARE-FJB TO DASH RH PANEL	0 A	A/C SYSTEM-EVAP. GRD	0 N	RS - ENGINE CPT ACCES. GRD
G 3 4	SOUND SYSTEM-RR LH SPEAKER	SP 68	SPARE-FJB TO ENGINE	0 AA	RS - VOLTAGE REGULATOR GRD	0 P	RS - ENGINE CPT ACCES. GRD
G 6 7	SOUND SYSTEM-RR LH SPEAKER	SP 69	SPARE-FJB TO FR AXLE	0 B1	EC - RR JCT PANEL GRD	0 R	FS - SOUND SYS. JCT PANEL GRD
L 1 A	INTERIOR LTS-110V FLUORESCENT	SP 70	SPARE-FJB TO FR AXLE	0 B	EC - ENGINE GRD	0 R	RS - RJB GRD
L 1 B	INTERIOR LTS-110V FLUORESCENT	SP 71	SPARE-FJB TO RH SW PANEL	0 B	FRS - FR ROOF HEAT WIND GRD	0 R	RS - ENGINE CPT ACCES. GRD
L 2 A	INTERIOR LTS-110V FLUORESCENT	SP 72	SPARE-FJB TO FR SERV CPT	0 B	RS - LUG. CPT ACCES. GRD	0 RE	RADIO & CTRL HEAD CHASSIS GRD
L 2 B	INTERIOR LTS-110V FLUORESCENT	SP 74	SPARE-FJB TO LH CONSOLE	0 BE	RJB - BAT. EQUAL. BAT GRD	0 RH	RS - RR END LAMPS RH GRD
L 0	110V RECEPTACLE- 110V FLUOR.	SP 77	SPARE-FJB TO EVAPORATOR CPT	0 C	EC - STARTER MOTOR GRD	0 S	12 VOLT RUN - GND RELAY
L 1	110V RECEPTACLE- 110V FLUOR.	SP 78	SPARE-FJB TO CONDENSER CPT	0 C	FS - SERV. CPT ACCES. GRD	0 SA	EC-BOSCH ALT. GROUND
L 2	110V RECEPTACLE- 110V FLUOR.	SP 79	SPARE-FJB TO CONDENSER CPT	0 C	BC - FAN EVAP. & CONDENSER GRD	0 S2	SOUND SYSTEM RADIO GRD
RA	INTERIOR LTS-110V FLUORESCENT	SP 87	SPARE-RJB TO LH HAT RACK	0 CR	24V DISC. SW. RLY GRD SIGNAL	0 S3	SOUND SYSTEM VIDEO GRD
RB	INTERIOR LTS-110V FLUORESCENT	SP 88	SPARE-RJB TO RH HAT RACK	0 CS	24V DISC. SW. RLY GRD SIGNAL	0 SS	SOUNDS SYSTEM BATT. GRD
SH 1	SHIELD CHASSIS GRD	SP 92	SPARE-RJB TO CONDENSER CPT	0 C1	FS - SERV. CPT ACCES. GRD	0 T	FS - DASH ACCES. GRD
SH 2	SHIELD CHASSIS GRD	SP 93	SPARE-RJB TO EVAPORATOR CPT	0 C2	FS - SERV. CPT ACCES. GRD	0 T1	FS - DASH ACCES. GRD
SH 3	SHIELD CHASSIS GRD	SP 94	SPARE-RJB TO RR ROOF	0 C3	FS - SERV. CPT ACCES. GRD	0 T2	FS - DASH ACCES. GRD
SH 4	SHIELD CHASSIS GRD	SP 95	SPARE-RJB TO RR ROOF	0 C4	FS - FJB CPT ACCES. GRD	0 T3	FS - DASH ACCES. GRD
SP 2	SPARE-FJB TO FR SERV CPT	SP 96	SPARE-RJB TO LUGG CPT #2	0 D	BC - FAN CONDENSER GRD	0 T4	FS - DASH ACCES. GRD
SP 3	SPARE-FJB TO CENTER DASH	SP 97	SPARE-RJB TO LUGG CPT #3	0 D	RS - HAT RACK ACCES. LH GRD	0 T5	FS - HVAC DASH MODULE. GRD
SP 4	SPARE-FJB TO CENTER DASH	SP 98	SPARE-RJB TO LUGG CPT #3	0 D	RJB - IGNITION RELAY	0 T6	FS - HVAC DASH MODULE. GRD
SP 5	SPARE-RJB TO LUGG CPT #2	SP 104	SPARE-RJB TO ENGINE CPT	0 DF	RS - RR SIDE FLASH & MARK GRD	0 T7	FS - DDDL GRD
SP 6	SPARE-RJB TO LUGG CPT #1	SP 105	SPARE-FJB TO ENGINE	0 DR	RS - RJB DOCKING LT RESISTORS	0 V	RR JCT BOX CPT GRD STUD
SP 7	SPARE-RJB TO LUGG CPT #1	SP 106	SPARE-RJB TO BATT. CPT.	0 E	RS - HAT RACK ACCES. LH GRD	0 VA	BATTERY TO EQUALISER 0V
SP 8	SPARE-RJB TO LUGG CPT #1	SP 107	SPARE-RJB TO BATT. CPT.	0 EA	EATON TRANSMISSION GRD	0 W	FS - WT GND & SHIELD
SP 9	SPARE-RJB TO LUGG CPT #2	SP 108	SPARE-RJB TO BATT. CPT.	0 F	RS - HAT RACK ACCES. RH GRD	0 W	RS - RR JCT BOX (WCL) GRD
SP 10	SPARE-RJB TO LUGG CPT #1	SP 109	SPARE-RJB TO ENGINE CPT.	0 G	RS - HAT RACK ACCES. RH GRD	0 WC	RS - RR JCT BOX GRD (WCL)
SP 11	SPARE-FJB TO RJB	SP 110	SPARE-RJB TO ENGINE CPT.	0 H	RS - LAVATORY ACCES. GRD	0 X	RS - RR JCT BOX GRD
SP 12	SPARE-RJB TO ENGINE	SP 111	SPARE-RJB TO ENGINE CPT.	0 J	FS - LH CONSOLE SW GRD	0 Y	ABS FR JCT BOX CPT GRD STUD
SP 13	SPARE-RJB TO ENGINE	SP 112	SPARE-RJB TO ENGINE CPT.	0 J	RS - RR ROOF ACCES. GRD	0 Y	RR JCT BOX GRD
SP 14	SPARE-FJB TO RJB	SP 114	SPARE-FJB TO U/DASH WIPER	0 K	RS - RR ROOF ACCES. GRD	0 Y1	ABS SYSTEM - GRD
SP 15	SPARE-RJB TO ENGINE	SP 115	SPARE-FJB TO U/DASH WIPER	0 K	RS - RJB A/C JCT PANEL GRD	0 Y2	ABS SYSTEM - GRD
SP 16	SPARE-RJB TO ENGINE	SP 116	SPARE-FJB TO U/DASH FLOOR	0 L	FS - FR SERVICE CPT LTS GRD	0 Y3	ABS SYSTEM - GRD

CIRCUIT NUMBER CODE

No.	DESCRIPTION	No.	DESCRIPTION	No.	DESCRIPTION	No.	DESCRIPTION
0 Y4	ABS SYSTEM - GRD	12	12V BAT ELECTRONIC JCT BLOCK	12 W	ENTRANCE DOOR (SEDAN)	24 D	FR JCT BOX 24V HOT WIRE
0 Y5	ABS SYSTEM - GRD	12	BAT CPT 12V BATTERY	12 WA	ENTRANCE DOOR (SEDAN)	24 D	RR JCT BOX 24V HOT WIRE
0 Y6	ABS SYSTEM - GRD	12 A	FR JCT BOX 12V DISC SW	12 WB	ENTRANCE DOOR (SEDAN)	24 DA	A/C JCT BOX 24V HOT WIRE
0 Z	RR JCT BOX CPT GRD STUD	12 A	RR JCT BOX 12V DISC SW	12 X	FR JCT BOX 12V DISC SW	24 DZ	24 V HOT WIRE FOR ZF TRANSM.
0 Z0	RR JCT BOX CPT GRD STUD	12 B	12V BAT ELECTRICAL JCT BLOCK	12 X2	FR JCT BOX 12V DISC SW	24 E	BAT CPT 24V DISC SW
0Z1	ZF TRANSM. GRD	12 B	RR JCT BOX 12V DISC SW	12 Y	FR JCT BOX 12V DISC SW	24 E	FR JCT BOX 24V DISC SW
0Z2	ZF TRANSM. GRD	12 B	FR JCT BOX 12V DISC SW	13 A	ALARM & SIGNAL-LO AIR PRIM.	24 E	RR JCT BOX 24V DISC SW
00	FJB & RJB BATT. GRD	12 BE	BAT. EQUALIZER MONITOR	13 B	ALARM & SIGNAL-LO AIR SEC.	24 F	FR JCT BOX 24V DISC SW
00 A	FBG - T.T.LT. MODULES BATT. GRD	12 C	FR JCT BOX 12V DISC SW	14	LAVATORY-FLUSHING PUMP	24 F	RR JCT BOX 24V DISC SW
00 Y	FS - ABS MODULLE BATT. GRD	12 C	RR JCT BOX 12V HOT WIRE	14 A	LAVATORY-FLUSHING PUMP	24 G	FR JCT BOX 24V DISC SW
00 SS	SOUND SYSTEM BATT. GRD	12 CE	RR JCT BOX 12V HOT WIRE	14 P	LAVATORY-FLUSHING PUMP	24 G	RR JCT BOX 24V DISC SW
1	TACHO SYSTEM - RPM SIGNAL +	12 D	BAT CPT 12V BATTERY	15	EXTERIOR LTS-MULTI FUNC LEVEL	24 H	FR JCT BOX 24V DISC SW
2 B	A/C & HEAT SYSTEM-COOL SIGN	12 DA	12V IGNITION DISTRIBUTION	15 A	WIPER & WASHER UPPER WINDSHIELD	24 H	RR JCT BOX 24V DISC SW
2 E	A/C & HEAT SYSTEM EVAP CONT	12 DT	TTLT MODULE	16	SPEED - SIGNAL +	24 I	FR JCT BOX 24V IGNITION
2 F	A/C & HEAT SYSTEM EVAP CONT	12 DZ	ZF TRANSM. HOTWIRE	16 A	SPEED - SIGNAL +	24 I	RR JCT BOX 24V IGNITION
4	HOSTESS & PASSENGER CHIME	12 E	FR JCT BOX 12V DISC SW	16 T	SPEED - SIGNAL +	24 IA	FR JCT BOX 24V IGNITION
4 A	HOSTESS & PASSENGER CHIME	12 E	RR JCT BOX 12V DISC SW	17	EXTERIOR LTS-FLASHER UNIT	24 IB	RR JCT BOX 24V IGNITION
4 B	PASSENGER CHIME	12 F	BAT CPT 12V FJB & IC	17 A	EXTERIOR LTS-FLASHER UNIT	24 IB	RR JCT BOX 24V IGNITION
4 C	HOSTESS CHIME	12 F	FR JCT BOX 12V DISC SW	19	DIFFERENTIAL OIL TEMP	24 IC	FR JCT BOX 24V IGNITION
5	INTERIOR LTS-AISLE & EMERG. EXIT	12 G	FR JCT BOX 12V DISC SW	20	SPEED - SIGNAL -	24 IC	RR JCT BOX 24V IGNITION
5	UPPER WINDSHIELD DEFROSTER	12 H	12 V IGNITION D.T.RUN LIGHT	20 T	SPEED - SIGNAL -	24 IF	FJB 24VOLT IGNITION
5 D	UPPER WINDSHIELD DEFROSTER	12 J	FR JCT BOX 12V DISC SW	20 W	SPEED - SIGNAL -	24 IZ	ZF TANSM. IGNITION
5 E	UPPER WINDSHIELD DEFROSTER	12 I	12V IGNITION DISTRIBUTION	21	EXTERIOR LTS-DIRECTIONAL LH	24 P	FR JCT BOX 24V DISC SW
5 N	INTERIOR LTS-EMERGENCY EXIT	12 I	RR JCT BOX 12V IGNITION	21 A	EXTERIOR LTS-DIRECTIONAL LH	24 S	24V DISC SW RLY SIGNAL
5 NC	SPEED SIGNAL LOWER 5MPH	12 K	12 VOLT IGN. TTLT & HVAC MODULE	21 B	EXTERIOR LTS-HAZARD	24 S1	SOUND SYSTEM 24V AMPLIFIER
5 NO	SPEED SIGNAL HIGHER 5MPH	12 IA	12V IGNITION DISTRIBUTION	21 C	EXTERIOR LTS-CORNERING LH	24 S2	SOUND SYSTEM 24V AMPLIFIER
6	INTERIOR LTS-AISLE	12 IA	FR JCT BOX 12V IGNITION	21 H	EXTERIOR LTS-DIRECTIONAL LH	24 S3	SOUND SYSTEM 24V VIDEO
7 B	ENTRANCE DOOR (SEDAN)	12 IB	FR JCT BOX 12V IGNITION	21 K	EXTERIOR LTS-CORNERING	24 S4	SOUND SYSTEM 24V VIDEO
7 D	ENTRANCE DOOR (SEDAN)	12 IE	ABS-FR JCT BOX 12V IGNITION	21 N	EXTERIOR LTS-CORNERING LH	24 SB	SOUND SYSTEM 24V FEEDING
7 DA	ENTRANCE DOOR (SEDAN)	12 IF	FR JCT BOX 12V IGNITION	21 P	EXTERIOR LTS-CORNERING LH	24 SS	SOUND SYSTEM 24V FEEDING
9	INTERIOR LTS-ENGINE CPT	12 IZ	12 V IGNITION FOR ZF TRANSM.	23	EXTERIOR LTS-DIRECTIONAL RH	24 R	24 VOLTS FRONT CAMERA SW.
9 A	INTERIOR LTS-ENGINE CPT	12 LX	CLUSTER (12V HOT WIRE)	23	EXTERIOR LTS-DIRECTIONAL RH	24 V2	RR JCT BOX 24V DISC SW
9 B	INTERIOR LTS-ENGINE CPT	12 M	ABS-FR JCT BOX 12V DISC. SW.	23 A	EXTERIOR LTS-DIRECTIONAL RH	24 V3	RR JCT BOX 24V DISC SW
9 E	INTERIOR LTS-FR SERVICE CPT	12 P	LH CONSOLE POWER OUTLET	23 B	EXTERIOR LTS-DIRECTIONAL RH	24 V4	RR JCT BOX 24V DISC SW
9 F	INTERIOR LTS-FR SERVICE CPT	12 R	BAT CPT 12V DISC RLY TO RJB	23 C	EXTERIOR LTS-CORNERING RH	24 V5	RR JCT BOX 24V DISC SW
10	INTERIOR LTS-LUGGAGE CPT	12 R	MEMORY BATTERY RADIO	23 N	EXTERIOR LTS-CORNERING RH	24 VD	24V HOT WIRE RR JCT BOX
10 A	INTERIOR LTS-LUGGAGE CPT	12 S	SOUND SYSTEM 12V RADIO	23 P	EXTERIOR LTS-CORNERING RH	24 VF	BAT CPT 24V SW TO FJB & IC
10 B	INTERIOR LTS-LUGGAGE CPT	12 S1	SOUND SYSTEM 12V RADIO	24	BAT CPT 24V BATTERY	24 VA	BATTERY TO EQUALIZER 24V
10 D	INTERIOR LTS-LUGGAGE CPT	12 S1A	DVD KARAOKE FEEDING	24	FR JCT BOX 24V DISC SW	24 VI	RR JCT BOX 24V IGNITION
10 F	INTERIOR LTS-LUGGAGE CPT	12 S2	SOUND SYSTEM 12V RADIO	24 A	BOOSTER BLOCK 24V DISC SW	24 VR	BAT CPT 24V DISC SW TO RJB
10 H	INTERIOR LTS-LUGGAGE CPT	12 S2A	DVD KARAOKE FEEDING	24 A	FR JCT BOX 24V DISC SW	24 W	RR JCT BOX 24V DISC SW (WCL)
10 K	INTERIOR LTS-LUGGAGE CPT	12 SB	SOUND SYSTEM 12V FEEDING	24 A	RR JCT BOX 24V DISC SW	24 WC	BATT.CPT TO HYD. PUMP (WCL)
10 R	INTERIOR LTS-LUGGAGE DOOR AJAR	12 SS	SOUND SYSTEM 12V FEEDING	24 B	24V STARTER RLY FEEDING	24 WL	24V BATTERY-HYD. PUMP (WCL)
11	FR DESTINATION SIGN	12 V	RR JCT BOX 12V DISC SW	24 B	FR JCT BOX 24V DISC SW	24 ZZ	24 VOLT - ZF TRANSM. POWER
11 A	FR DESTINATION SIGN	12 VA	BATTERY TO EQUALIZER 12V	24 BA	RR JCT BOX 24V DISC SW	25	24 VOLT ALT.SIGNAL MODULE
11 B	FR DESTINATION SIGN	12 VD	12V HOT WIRE DISTRIBUTION	24 BC	24 VOLT BATT. CHARGER	25 A1	PRE-EXITATION ALT. BOSCH #1
11 C	FR DESTINATION SIGN	12 VF	BAT CPT 12V FJB & IC	24 BE	RJB CPT-BAT EQ MONITOR HOT WIRE	25 A2	PRE-EXITATION ALT. BOSCH #2
11 D	FR DESTINATION SIGN	12 VI	12V IGNITION DISTRIBUTION	24 C	FR JCT BOX 24V DISC SW	25 A	T.T. LT. ALTERNATOR #1
11 E	FR DESTINATION SIGN	12 VR	BAT CPT 12V DISC RLY TO RJB	24 C	RR JCT BOX 24V DISC SW	25 B	12 VOLTS IGN. ALT. SIGNAL MODULE
11 K	FR DESTINATION SIGN	12 W	12V BATTERY DDEC III	24 D	BAT CPT 24V HOT WIRE	25 D	12 V. ENGINE RUN / HVAC SYSTEM

CIRCUIT NUMBER CODE

No.	DESCRIPTION	No.	DESCRIPTION	No.	DESCRIPTION	No.	DESCRIPTION
25 E	USE ON VIP ONLY	43 B	HAT RACK FAN	61 A	EXTERIOR LTS-HEAD SIGNAL	82 B	EXTERIOR LTS-STOP LTS
25 F	12 VOLT IGN. DISTRIBUTION	43 D	HAT RACK FAN	62	LAVATORY-OCCUPIED LT	82 K	EXTERIOR LTS-STOP PARK BRK
25 H	24 VOLT IGN. ALT. BOSCH	43 E	HAT RACK FAN	62 A	LAVATORY-FLUOR LT	82 L	EXTERIOR LTS-LH STOP
25 K	T.T. LT. ALTERNATOR #2	43 F	HAT RACK FAN	62 B	LAVATORY-FLUOR LT	82 R	EXTERIOR LTS-LH STOP
26 A	CIGAR LIGHTER	43 G	HAT RACK FAN	62 E	LAVATORY-OCCUP & FLUOR LT	83	ENGINE CTR-KEY SW ACCES SIGN
26	DRIVER'S WINDOW LIFTER	44	EXTERIOR LTS-FOG	63	EXTERIOR LTS-CLEARANCE	84	ENGINE CTR-KEY SW ACCES SIGN
26 B	DRIVER'S WINDOW LIFTER	44 A	EXTERIOR LTS-FOG	63 A	EXTERIOR LTS-CLEARANCE	85	ENGINE CTR-KEY SWIGNITION SIGN
26 C	DRIVER'S WINDOW LIFTER	44 B	EXTERIOR LTS-FOG	63 B	EXTERIOR LTS-CLEARANCE	85	24V IGNITION SIGNAL
27	LAVATORY-EMERGENCY SONALERT	44 C	EXTERIOR LTS-FOG & HAZARD	63 C	EXTERIOR LTS-MARKER SIGNAL	85 A	24V IGN DASH INSTRUMENTATION
28 A	A/C & HEAT SYSTEM-HI PRESSURE	45 A	A/C & HEAT SYSTEM-FULL AIR	63 D	EXTERIOR LTS-MARKER & TAIL	85 B	ENGINE CTR-24V IGNITION
28 H	TTLT HI LO PRESS	45 B	A/C & HEAT SYSTEM-WATER PUMP	63 E	EXTERIOR LTS-CLEARANCE	85 C	PARKING BRAKE SWITCH
28 T	TTLT HI LO PRESS	45 C	A/C & HEAT SYSTEM-WATER VALVE	63 F	EXTERIOR LTS-MARKER BLINKER	85 E	STOP LIGHT RLY
29	A/C & HEAT SYSTEM-DRIVER'S HTR	45 D	A/C & HEAT SYSTEM-WATER VALVE	63 H	EXTERIOR LTS-TAIL	85 F	ENGINE CTR-ENGINE CTR SW IGN
29 A	A/C & HEAT SYSTEM-DRIVER'S HTR	45 E	A/C & HEAT SYSTEM-HEAT 1 SIGN	64	DRIVERS FAN	85 F	LO AIR SONALERT
29 B	A/C & HEAT SYSTEM-DRIVER'S HTR	45 G	A/C & HEAT SYSTEM-DRIVER'S HTR	65	FOOT DAMPER MOTOR	85 G	RADIATOR FAN CLUTCH
29 H	HVAC DASH MODULE	45 H	A/C & HEAT SYSTEM-DRIVER'S HTR	65 A	FOOT DAMPER MOTOR	85 X	12V IGN ABS
29 X	A/C & HEAT SYSTEM-DRIVER'S HTR	45 W	A/C & HEAT SYSTEM-COND. DOOR AJAR	65 D	DRIVER REC. DAMPER	85 Y	ABS SYSTEM
30 A	GALLEY	46	EXTERIOR LTS-MARKER	66	O_PASS. ON/OFF	86	ENGINE CTR-STARTER SOL SIGN
31 A	A/C & HEAT SYSTEM-UNLOADER	46 A	EXTERIOR LTS-MARKER	67	24 VOLT RUN DISTRIBUTION	86 A	ENGINE CTR-STARTER SOL SIGN
31 B	A/C & HEAT SYSTEM-UNLOADER	46 B	EXTERIOR LTS-MARKER	67 A	A/C & HEAT SYSTEM	86 F	ENGINE CTR-STARTER TTLT SIGN
31 B	WIPER & WASHER SYSTEM	46 B	EXTERIOR LTS-MARKER	67 C	HEATING WINDSHIELD	86 T	ENGINE CTR-STARTER TTLT SIGN
31 C	WIPER & WASHER SYSTEM	46 C	EXTERIOR LTS-MARKER	67 K	A/C & HEAT SYSTEM-COND FAN CTR	88	ENGINE CTR-RR START SIGNAL
31 D	WIPER & WASHER SYSTEM	47	A/C & HEAT SYSTEM-DRIVER'S HTR	67 L	A/C & HEAT SYSTEM-COND FAN CTR	89	ENGINE CTR-RR START SIGNAL
31 E	WIPER & WASHER SYSTEM	48	ENTRANCE DOOR (SEDAN)	67 X	A/C & HEAT SYSTEM	90 B	A/C & HEAT SYSTEM-COND FAN MOT
31 J	WIPER & WASHER SYSTEM	48 A	ENTRANCE DOOR (SEDAN)	68	DASH & DEFROST DAMPER MOTOR	90 B	ENGINE CTR-MAST KEY SW FEED
31 X	WIPER & WASHER SYSTEM	49	ENTRANCE DOOR (SEDAN)	68 A	DASH & DEFROST DAMPER MOTOR	90 C	A/C & HEAT SYSTEM-COND FAN MOT
32	EXTERIOR LTS-BACK-UP	49 A	ENTRANCE DOOR (SEDAN)	70	INTERIOR LTS-HAT RACK & RR RUN.	90 F	CHARG SYST-VOLTAGE REGUL. "B"
32 B	EXTERIOR LTS-BACK-UP			72	SUN VISOR-FEEDING	90 H	A/C & HEAT SYSTEM-EVAP FAN MOT
32 C	BACK-UP PWR & SIGNAL	52	ALARM & SIGNAL-ELEC. HORN	72 A	SUN VISOR-RH	91	PARKING BRAKE SW SIGNAL
32 D	BACK-UP ALARM	52 A	ALARM & SIGNAL-ELEC. HORN	72 B	SUN VISOR-RH	91 A	DDEC-FAST IDLE SIGNAL
35	ENTRANCE DOOR (SEDAN)	52 B	ALARM & SIGNAL- AIR HORN	72 C	SUN VISOR-LH	91 S	SONALERT PARKING BRAKE
35 B	ENTRANCE DOOR (SEDAN)	52 C	ALARM & SIGNAL- AIR HORN	72 D	SUN VISOR-LH	91 W	PARK, BRAKE SW SIGN (WCL)
35 BB	ENTRANCE DOOR (SEDAN)	53	ALARM & SIGNAL-ELEC. HORN	73	LAVATORY-FEEDING	92	BATTERY EQUALIZER-CHECK BALANCE
35 D	ENTRANCE DOOR (SEDAN)	53 A	WIPER & WASHER SYSTEM	74	INTERIOR LTS-READING RH	93	BATTERY EQUALIZER-CHECK LO/HI
36	JACOB BRAKE SYSREM	53 B	WIPER & WASHER SYSTEM	74 A	INTERIOR LTS-READING RH	95 A	ENGINE BRAKE & RETARDER SYSTEM
36 A	JACOB BRAKE SYSREM	53 C	WIPER & WASHER SYSTEM	74 B	INTERIOR LTS-READING RH	97	TACHOMETER (-)
38	INTERIOR LTS-24V FLUORESCENT	53 E	WIPER & WASHER SYSTEM	74 D	INTERIOR LTS-READING SIGNAL	100	INTERIOR LTS-GENERAL
38 A	INTERIOR LTS-24V FLUORESCENT	53 J	WIPER & WASHER SYSTEM	75	INTERIOR LTS-READING LH	100 A	INTERIOR LTS-GENERAL
38 C	INTERIOR LTS-24V FLUORESCENT	55	EXTERIOR LTS-HI BEAM	75 A	INTERIOR LTS-READING LH	100 B	INTERIOR LTS-GENERAL
38 D	INTERIOR LTS-24V FLUORESCENT	57	EXTERIOR LTS-HI BEAM	76	FUEL TANK GAUGE	101	24V STARTER SOL FEEDING
39	INTERIOR LTS-24V LH CONSOLE SW	57 A	A/C & HEAT SYSTEM-WATER PUMP	76 B	LOW FUEL LT & ETHER COLD START	101	WORLD TRANSM-LO SIGN SOL. LO
39 A	INTERIOR LTS-DRIVER'S LTS	57 A	EXTERIOR LTS-HI BEAM	76 C	LOW FUEL LT	102	WORLD TRANSM-SOL. SUPPLY
39 P	READING LIGHTS	57 B	A/C & HEAT SYSTEM-WATER PUMP	76 P	FUEL PRIME PUMP	102 A	24V STARTER TO BOSCH ALTERNATOR
41	A/C & HEAT SYSTEM-COND FAN MOT	57 C	PRE-HEAT WATER HEATER	76 M	FUEL PRIME PUMP	103	LOW BUOY
41 A	A/C & HEAT SYSTEM-COND FAN MOT	58	EXTERIOR LTS-LO BEAM	77 B	A/C & HEAT SYSTEM-COMPRESSOR	104	WORLD TRANSM-SOL. FORWARD
41 B	A/C & HEAT SYSTEM-COND FAN MOT	58 A	EXTERIOR LTS-LO BEAM	77 C	A/C & HEAT SYSTEM-COMPRESSOR	105	WORLD TRANSM-RETARDER & SUMP
42	A/C & HEAT SYSTEM-COND FAN MOT	58 B	EXTERIOR LTS-LO BEAM	77 H	A/C & HEAT SYSTEM-COMPRESSOR	105 W	WORLD TRANSM-RETARDER & SUMP
42 A	A/C & HEAT SYSTEM-COND FAN MOT	58 E	EXTERIOR LTS-LO BEAM	81	EXTERIOR LTS-STOP SW	106	WORLD TRANSM-OIL LEVEL HI
43	HAT RACK FAN	59 A	JACOB BRAKE SYSTEM	82	EXTERIOR LTS-STOP SIGNAL	107	WORLD TRANSM-LOCKUP SOL. HI
43 A	HAT RACK FAN	61	EXTERIOR LTS-24V FEED SW	82 A	EXTERIOR LTS-STOP SIGNAL	108	WORLD TRANSM-REM. PWR WAKE UP

CIRCUIT NUMBER CODE

No.	DESCRIPTION	No.	DESCRIPTION	No.	DESCRIPTION	No.	DESCRIPTION
109	WORLD TRANSM-RET. SOL. LO	126 G	KNEELING SYSTEM	138 A	ABS SYSTEM	160	ALARM & SIGNAL-TAG PRESS SW
110	ALARM & SIGNAL-WATER TEMP	126 H	KNEELING SYSTEM	139	ABS SYSTEM	160	WORLD TRANSM-SER. INTERFACE (-)
110	WORLD TRANSM-LOCKUP SOL. LO	126 K	KNEELING SYSTEM	139	WORLD TRANSM-OUTPUT SPEED HI	161	WORLD TRANSM-SIGNAL GRD
111	WORLD TRANSM-SOL. C6	126 P	KNEELING SYSTEM	140	ABS SYSTEM	161 B	WORLD TRANSM-SIGNAL GRD
112	WORLD TRANSM-SPARE OUTPUT (+)	126 R	KNEELING SYSTEM	140	WORLD TRANSM-OUTPUT SPEED LO	162	WORLD TRANSM-PRESS. SW C3
113	ALARM & SIGNAL-OIL PRESS	126 W	5 MPH N.C. SIGNAL (WCL)	141	ABS SYSTEM	163	WORLD TRANSM-RETARDER ENABLE
113	WORLD TRANSM-REVERSE WARNING	126 S	KNEELING SYSTEM	141	WORLD TRANSM-ENGINE SPEED HI	164	WORLD TRANSM-RET. ACTUATOR SIGN
113W	WORLD TR.-REVERSE WARNING	126 T	KNEELING SYSTEM	142	ABS SYSTEM	165	A/C & HEAT SYSTEM-TRANSMITER
113Z	ZF TRANSM.- REVERSE SIGNAL	127	WORLD TRANSM-LUBE PRESS SW.	142	WORLD TRANSM-SERIAL COM. A	165	WORLD TRANSM-OIL LEVEL SIGNAL
114	INTERIOR LTS-DASH LT REGUL.	127	WORLD TRANSM-RETARDER FEED SOL.	143	ABS SYSTEM	166 B	A/C & HEAT SYSTEM-EVAP. MOD.
114	WORLD TRANSM-SPARE OUTPUT (-)	127	POWER- PRE-HEAT WATER HEATER	143	WORLD TRANSM-ECU BATTERY GRD	167	W. TR.-OUT SPEED INTERLOCK
114 A	INTERIOR LTS-DASH LT	127 A	PRE-HEAT WATER HEATER	143 A	ABS SYSTEM	167Z	ZF- OUT SPEED INTERLOCK
114 B	INTERIOR LTS-DASH LT REGUL.	128 A	PRE-HEAT WATER HEATER	143 W	WORLD TRANSM-BATTERY GRD	168	A/C & HEAT SYSTEM-HUMIDISTAT
114 D	INTERIOR LTS-DASH LT REGUL.	128 B	PRE-HEAT - BURNER ON SIGNAL	144	ABS SYSTEM	168	WORLD TRANSM-SER. INTERFACE (+)
114 E	INTERIOR LTS-DASH LT REGUL.	128	WORLD TRANSM-SOL. C2	144	WORLD TRANSM-ECU CHASSIS GRD	168 A	A/C & HEAT SYSTEM-HUMIDISTAT
115	ALARM & SIGNAL-TAG PRESS	129	POWER- PRE-HEAT WATER HEATER	144 A	ABS SYSTEM	170	LUGGAGE DOOR LOCK
115	DDEC III-COOLANT LEVEL	129 B	POWER- PRE-HEAT WATER HEATER	145	ABS SYSTEM	170 C	LUGGAGE DOOR LOCK
115	WORLD TRANSM-DO NOT SHIFT SIGN	129	WORLD TRANSM-SOL. C5	146	ABS SYSTEM	170 E	LUGGAGE DOOR LOCK
115 C	DDEC III-COOLANT LEVEL	130	A/C & HEAT SYSTEM-EVAP FAN MOTOR	146 A	TRANSMISSION-12V IGNITION	170 H	LUGGAGE DOOR LOCK
115 W	WORLD TRANSM-DO NOT SHIFT SIGN	130	WORLD TRANSM-SOL. GRD 3	146	WORLD TRANSM-IGNITION SENSE	181 A	THERMOMETER INSIDE SENSOR
115W	ZF TRANSM. - CHECK TRANS. TTLT	131	WORLD TRANSM-SOL. C4	146 W	WORLD TRANSM-12V IGNITION	181 B	THERMOMETER INSIDE SENSOR
116	WORLD TRANSM-LO SIGNAL SOL. HI	132	WORLD TRANSM-ENG BRK OUTPUT (-)	146 X	WORLD TRANSM-12V IGNITION	181 C	THERMOMETER OUTSIDE SENSOR
116 B	A/C & HEAT SYSTEM-DRIVER'S HTR	132 W	WORLD TRANSM-ENG BRK OUTPUT (-)	147	ABS SYSTEM	181 D	THERMOMETER OUTSIDE SENSOR
117	WORLD TRANSM-SPARE INPUT (-)	133	GALLEY-HEAT CONTAINERS	147	WORLD TRANSM-OIL TEMP	197	FUEL WATER FILTER
117 A	ALARM & SIGNAL-TRANSM OIL TEMP	133 A	GALLEY-HEAT CONTAINERS	147 A	ETHER COLD START & D.R.L.	197 A	FUEL WATER FILTER
117 A	ALARM & SIGNAL-TRANSM OIL TEMP	133 B	GALLEY-HEAT CONTAINERS	147 C	ETHER COLD START	197 B	FUEL WATER FILTER
118	WORLD TRANSM-SPARE INPUT (+)	133 C	GALLEY-HEAT CONTAINERS	148	ABS SYSTEM	198	FILTER FUEL HEATER
119	WORLD TRANSM-ENG BRK INPUT (+)	133	WORLD TRANSM-RET. ACTUATOR HI	148	WORLD TRANSM-OUTPUT SPEED LO	199	AIR FILTER RESTRICTION SENDER
120	WORLD TRANSM-SOL. C1	134	GALLEY-HEAT CONTAINERS	149	ABS SYSTEM	201	WORLD TRANSM-SPARE
121	WORLD TRANSM-SOL. GRD 2	134 A	GALLEY-HEAT CONTAINERS	149	WORLD TRANSM-TURBINE SPEED HI	202	WORLD TRANSM-SPARE
122	A/C & HEAT SYSTEM-DRIVER'S HTR	134	WORLD TRANSM-RET. APPLY SOL. HI	149 A	ABS SYSTEM	203	WORLD TRANSM-SPARE
122	A/C & HEAT SYSTEM-FRESH AIR	135	A/C & HEAT SYSTEM-AIR SENSOR	150	DDEC III-ECM BATTERY GRD	204	WORLD TRANSM-SPARE
122	WORLD TRANSM-SOL. GRD 4	135 A	A/C & HEAT SYSTEM-AIR SENSOR	150	WORLD TRANSM-ENGINE SPEED LO	205	WORLD TRANSM-SPARE
122 A	A/C & HEAT SYSTEM-FRESH AIR	135	WORLD TRANSM-ANALOG GRD	150 A	DDEC III-ECM BATTERY GRD	206	WORLD TRANSM-SPARE
123	WORLD TRANSM-NEUTRAL START	135 D	WORLD TRANSM-RETARDER RES MOD	151	ABS SYSTEM	214	WORLD TRANSM-BACK UP SIGNAL
123 A	ALARM & SIGNAL-FIRE DETECTOR	135 C	WORLD TRANSM-RETARDER TEMP	151	DDEC III-ECM BATTERY GRD	225	LAVATORY FAN
123 B	ALARM & SIGNAL-FIRE DETECTOR	136	GALLEY-ACCESSORIES	151	WORLD TRANSM-SERIAL COM. B	225 A	LAVATORY FAN
124	WORLD TRANSM-THROTTLE (HI)	136	WORLD TRANSM-ECU POWER	152	ABS SYSTEM	231	NEUTRAL SIGNAL GRD
125	WORLD TRANSM-RET. INDICATOR	136 V	WORLD TRANSM-12V BATTERY	153	WORLD TRANSM-SPARE INPUT (-)	231 A	NEUTRAL COIL RELAY FEED SIGNAL
125	GALLEY LAMP	136 W	WORLD TRANSM-12V BATTERY	154	ABS SYSTEM	231 W	NEUTRAL SIGNAL GRD (WCL)
125 T	GALLEY LAMP	136 X	WORLD TRANSM-12V BATTERY	154	WORLD TRANSM-ABS RET. INPUT	231 Z	ZF NEUTRAL SIGNAL GRD
125 W	WORLD TRANSM-RET. INDICATOR	137	WORLD TRANSM-RETARDER	155	WORLD TRANSM-SPARE INPUT (-)	240	DDEC III-ECM 12V FEEDING
126	KNEELING SYSTEM	137 A	MIRROR (SPARTAN & RAMCO)	156	WORLD TRANSM-THROTTLE POS.	241	DDEC III-ECM 12V FEEDING
126 A	KNEELING SYSTEM	137 B	RR VIEW MIRROR (SPARTAN)	156 A	ABS SYSTEM	251 A	DDEC III - DATA LOGGER 12 H.W.
126 B	KNEELING SYSTEM	137 C	RR VIEW MIRROR (SPARTAN)	157	WORLD TRANSM-SPEEDO SIGNAL	251	DDEC III - PRODRIVER 12V H.W.
126 C	KNEELING SYSTEM	137 D	RR VIEW MIRROR (SPARTAN)	157 B	ABS SYSTEM	253	GALLEY-MICROWAVE
126 D	KNEELING SYSTEM	137 E	RR VIEW MIRROR (SPARTAN)	157 D	A.T.C. SYSTEM	254	GALLEY-12V FRIGO NORCOLD
126 E	KNEELING SYSTEM	137 G	RR VIEW MIRROR (SPARTAN)	157 E	A.T.C. SYSTEM	254 A	GALLEY-FRIGO
126 F	KNEELING SYSTEM	138	ABS SYSTEM	157 F	A.T.C. SYSTEM	255	GALLEY-COFEEMAKER
126 F 1	KNEELING SYSTEM	138	WORLD TRANSM-RETARDER TEMP	158	WORLD TRANSM-DIMMER	255 A	GALLEY-COFEEMAKER

CIRCUIT NUMBER CODE

No.	DESCRIPTION	No.	DESCRIPTION	No.	DESCRIPTION	No.	DESCRIPTION
257	WINDSHIELD HEATED	329	EATON TRANSMISSION				
257 A	WINDSHIELD HEATED	330	EATON TRANSMISSION - EPL				
257 B	WINDSHIELD HEATED	331	EATON TRANSMISSION - EPL				
257 C	WINDSHIELD HEATED	332	EATON TRANSMISSION				
257 D	WINDSHIELD HEATED SPARE	333	EATON TRANSMISSION - 12V BATTERY				
257 E	WINDSHIELD HEATED SPARE	334	EATON GENERATION 2				
258	WINDSHIELD HEATED	416	DDEV IV- SENSOR SUPPLY 5VDC				
258 A	WINDSHIELD HEATED	417	DDEC III-LIMIT SPEED GOVERNOR	900	DDEC III-DATA LINK (+)		
259	WINDSHIELD HEATED	419	DDEC III-CHECK ENGINE LIGHT	901	DDEC III-DATA LINK (-)		
259 A	WINDSHIELD HEATED	439	DDEC III-12V IGNITION	905	DDEC IV- AMBIANT AIR TEMPERATURE		
260	WINDOW AJAR	440	DDEC III-12V IGNITION	908	DDEC III-HYDRAULIC PWM#1 OUTPUT		
290	FAN CLUTCH RADIATOR	440 A	DDEC III-12V IGNITION	916	DDEC III-SENSOR SUPPLY (5VDC)		
290	FAN CLUTCH RADIATOR	451	DDEC III-A/C FAN CLUTCH	925	J1939-HIGH		
291	FAN CLUTCH RADIATOR SPD 1	452	DDEC IV- SENSOR RETURN (ENGINE)	926	J1939-LOW		
292	FAN CLUTCH RADIATOR SPD 2	505	DDEC III-TACHOMETER DRIVE	927	J1939-SHIELD		
300	DOOR AJAR MAGN.SW. (WCL)	509	DDEC III-STOP ENGINE LIGHT	952	DDEC III-SENSOR RETURN #1		
300 A	POWER SYSTEM SW. (WCL)	510	DDEC III-FAST IDLE SIGNAL	953	DDEC III-SENSOR RETURN #2		
300 B	DOOR AJAR ALARM (WCL)	524	DDEC III-ENGINE BRAKE DISABLE	953 A	THROTTLE INHIBIT		
301	POWER SYSTEM SW. (WCL)	524 B	ZF SIGNAL - AUX. SENSOR THROTTLE	976	DDEC IV- RELATIVE HUMIDITY		
302	DOOR AJAR T.T.LT. (WCL)	525	DDEC III-FAST IDLE SIGNAL	979	DDEC III-ENGINE BRAKE 2 CYL.		
302 A	DOOR AJAR ALARM SIGN.(WCL)	528	DDEC III-STOP ENG. OVERRIDE	988	DDEC III-CRUISE ENABLE LTS.		
302 B	DOOR AJAR MAGN.SW. (WCL)	531	DDEC III-CRUISE CLUTCH RELEASE				
303	REMOTE WALL SW. DWN (WCL)	541	DDEC III-CRUISE SET SW				
304	REMOTE WALL SW. UP (WCL)	543	DDEC III-CRUISE STOP SW CUT IN				
305	PARK. BRAKE SOL. VALVE (WCL)	544	DDEC III-CRUISE ON/OFF SW				
305 A	PARK. BRAKE SAFETY SW. (WCL)	545	DDEC III-CRUISE RESUME SW				
305 A 1	DOOR AJAR - PARK. BRAKE (WCL)	555	DDEC III-FAN CLUTCH SPEED# 1				
306	CONTROL SYSTEM (WCL RICON)	556	DDEC III-VEHICLE SPEED (+)				
307	CONTROL SYSTEM (WCL RICON)	557	DDEC III-VEHICLE SPEED (-)				
308	CONTROL SYSTEM (WCL RICON)	563	DDEC III-FAN CLUTCH SPEED# 2				
309	CONTROL SYSTEM (WCL RICON)	564	DDEC III-DIGITAL OUTPUT				
310	EATON TRANSMISSION	564 B	DDEC III-DIGITAL OUTPUT				
311	EATON TRANSMISSION	565	DDEC III-ENGINE BRAKE ACTIVE				
312	EATON TRANSMISSION	565 Z	DECELERATION LTS				
313	EATON TRANSMISSION	583	DDEC III-ENGINE BRAKE 4 CYL.				
314	EATON TRANSMISSION	700	J1587(+)				
315	EATON TRANSMISSIOM	701	J1587(-) - GROUND				
316	EATON TRANSMISSION - EPL	705	ZF SIGNALS				
317	EATON TRANSMISSION	706	ZF SIGNALS				
318	EATON TRANSMISSION	707	ZF SIGNALS				
319	EATON TRANSMISSION	717	ZF SIGNALS				
320	EATON TRANSMISSION	718	ZF SIGNALS				
321	EATON TRANSMISSION	719	ZF SIGNALS				
322	EATON TRANSMISSIION	720	ZF SIGNALS				
323	EATON TRANSMISSION	740	EASY START VALVE				
324	EATON TRANSMISSION	761	ZF SIGNALS				
325	EATON TRANSMISSION						
326	EATON TRANSMISSION						
327	EATON TRANSMISSION						
328	EATON TRANSMISSION						

CIRCUIT NUMBER CODE

No.	DESCRIPTION	No.	DESCRIPTION	No.	DESCRIPTION	No.	DESCRIPTION
BA	INTERIOR LTS-110V FLUORESCENT	SP 17	SPARE-RJB TO ENGINE	SP 117	SPARE-FJB TO UDASH FLOOR	0 L 1	FS - FR SERVICE CPT LTS GRD
BB	INTERIOR LTS-110V FLUORESCENT	SP 18	SPARE-FJB TO RJB	SP 119	SPARE-RJB TO ENGINE CPT.	0 L 2	FS - FR SERVICE CPT LTS GRD
D 1	SOUND SYSTEM-FR RH SPEAKER	SP 24	SPARE-RJB TO LAVATORY ROOF	SPZ 1	SPARE WIRE-ZF TRANSM.	0 L 3	FS - FJB GRD
D 2	SOUND SYSTEM-FR RH SPEAKER	SP 25	SPARE-RJB TO LAVATORY ROOF	SPZ 2	SPARE WIRE-ZF TRANSM.	0 L 4	FS - FJB GRD
D 3	SOUND SYSTEM-FR RH SPEAKER	SP 26	SPARE-RJB TO LAVATORY ROOF	SPZ 3	SPARE WIRE-ZF TRANSM.	0 L 5	FS - CIGAR LIGHTER
D 4	SOUND SYSTEM-RR RH SPEAKER	SP 27	SPARE-RJB TO LH HAT RACK	SPZ 4	SPARE WIRE-ZF TRANSM.	0 L 6	FS - FRONT SERVICE CPT LTS GRD
D 5	SOUND SYSTEM-RR RH SPEAKER	SP 28	SPARE-RJB TO LH HAT RACK	SPZ 5	SPARE WIRE-ZF TRANSM.	0 L	RS - ENGINE CPT ACCES. GRD
D 6	SOUND SYSTEM-RR RH SPEAKER	SP 31	SPARE-RJB TO RH HAT RACK	SPZ 6	SPARE WIRE-ZF TRANSM.	0 L	ENTRANCE DOOR (SEDAN) GRD
D 7	SOUND SYSTEM-RR RH SPEAKER	SP 32	SPARE-RJB TO RH HAT RACK	W C	A/C & HEAT SYST-EVAP CTR SIGN	0 L H	RS - RR END LAMPS LH GRD
D 8	SOUND SYSTEM-RR RH SPEAKER	SP 33	SPARE-FJB TO RJB	Y C	INTERIOR LTS-110V FLUORESCENT	0 M	FS - ELECTRICAL MOTOR GRD
D 3 4	SOUND SYSTEM-RR RH SPEAKER	SP 38	SPARE-FJB TO RJB	Y D	INTERIOR LTS-110V FLUORESCENT	0 M 1	FS - ELECTRICAL MOTOR GRD
D 6 7	SOUND SYSTEM-RR RH SPEAKER	SP 43	SPARE-FJB TO RJB	0	BC - BAT. CPT CHASSIS GRD	0 M 3	FS - ELECTRICAL MOTOR GRD
G 1	SOUND SYSTEM-FR LH SPEAKER	SP 45	SPARE-FJB TO RJB	0	CONDENSER CPT GRD	0 M 4	FS - ELECTRICAL MOTOR GRD
G 2	SOUND SYSTEM-FR LH SPEAKER	SP 46	SPARE-RJB TO LH FR ROOF	0	RS - RR JCT BOX RLY GRD	0 M 5	FS - ELECTRICAL MOTOR GRD
G 3	SOUND SYSTEM-FR LH SPEAKER	SP 48	SPARE-RJB TO DASH CENTER PANEL	0	GALLEY GRD	0 M 6	FS - FJB GRD
G 4	SOUND SYSTEM-RR LH SPEAKER	SP 56	SPARE-ENGINE TO RH SW PANEL	0 A	BC - SHIELD GRD	0 M 7	FS - ELECTRICAL MOTOR GRD
G 5	SOUND SYSTEM-RR LH SPEAKER	SP 57	SPARE-DASH CENTER PANEL TO ENG.	0 A	RS - RR JCT BOX RLY GRD	0 M	RS - ENGINE CPT ACCES. GRD
G 6	SOUND SYSTEM-RR LH SPEAKER	SP 58	SPARE-DASH CENTER PANEL TO ENG.	0 A	FRS - FR ROOF ACCES. GRD	0 MR	24V DISC. SW. RLY GRD SIGNAL
G 7	SOUND SYSTEM-RR LH SPEAKER	SP 59	SPARE-FJB TO ENGINE	0 A	RS - LUG. CPT ACCES. GRD	0 MS	24V DISC. SW. RLY GRD SIGNAL
G 8	SOUND SYSTEM-RR LH SPEAKER	SP 61	SPARE-FJB TO DASH RH PANEL	0 A	A/C SYSTEM-EVAP. GRD	0 N	RS - ENGINE CPT ACCES. GRD
G 3 4	SOUND SYSTEM-RR LH SPEAKER	SP 68	SPARE-FJB TO ENGINE	0 A A	RS - VOLTAGE REGULATOR GRD	0 P	RS - ENGINE CPT ACCES. GRD
G 6 7	SOUND SYSTEM-RR LH SPEAKER	SP 69	SPARE-FJB TO FR AXLE	0 B 1	EC - RR JCT PANEL GRD	0 R	FS - SOUND SYS. JCT PANEL GRD
L 1 A	INTERIOR LTS-110V FLUORESCENT	SP 70	SPARE-FJB TO FR AXLE	0 B	EC - ENGINE GRD	0 R	RS - RJB GRD
L 1 B	INTERIOR LTS-110V FLUORESCENT	SP 71	SPARE-FJB TO RH SW PANEL	0 B	FRS - FR ROOF HEAT WIND GRD	0 R	RS - ENGINE CPT ACCES. GRD
L 2 A	INTERIOR LTS-110V FLUORESCENT	SP 72	SPARE-FJB TO FR SERV CPT	0 B	RS - LUG. CPT ACCES. GRD	0 R E	RADIO & CTRL HEAD CHASSIS GRD
L 2 B	INTERIOR LTS-110V FLUORESCENT	SP 74	SPARE-FJB TO LH CONSOLE	0 B E	RJB - BAT. EQUAL. BAT GRD	0 R H	RS - RR END LAMPS RH GRD
L 0	110V RECEPTACLE- 110V FLUOR.	SP 77	SPARE-FJB TO EVAPORATOR CPT	0 C	EC - STARTER MOTOR GRD	0 S	12 VOLT RUN - GND RELAY
L 1	110V RECEPTACLE- 110V FLUOR.	SP 78	SPARE-FJB TO CONDENSER CPT	0 C	FS - SERV. CPT ACCES. GRD	0 S A	EC-BOSCH ALT. GROUND
L 2	110V RECEPTACLE- 110V FLUOR.	SP 79	SPARE-FJB TO CONDENSER CPT	0 C	BC - FAN EVAP. & CONDENSER GRD	0 S 2	SOUND SYSTEM RADIO GRD
RA	INTERIOR LTS-110V FLUORESCENT	SP 87	SPARE-RJB TO LH HAT RACK	0 C R	24V DISC. SW. RLY GRD SIGNAL	0 S 3	SOUND SYSTEM VIDEO GRD
RB	INTERIOR LTS-110V FLUORESCENT	SP 88	SPARE-RJB TO RH HAT RACK	0 C S	24V DISC. SW. RLY GRD SIGNAL	0 S S	SOUNDS SYSTEM BATT. GRD
SH 1	SHIELD CHASSIS GRD	SP 92	SPARE-RJB TO CONDENSER CPT	0 C 1	FS - SERV. CPT ACCES. GRD	0 T	FS - DASH ACCES. GRD
SH 2	SHIELD CHASSIS GRD	SP 93	SPARE-RJB TO EVAPORATOR CPT	0 C 2	FS - SERV. CPT ACCES. GRD	0 T 1	FS - DASH ACCES. GRD
SH 3	SHIELD CHASSIS GRD	SP 94	SPARE-RJB TO RR ROOF	0 C 3	FS - SERV. CPT ACCES. GRD	0 T 2	FS - DASH ACCES. GRD
SH 4	SHIELD CHASSIS GRD	SP 95	SPARE-RJB TO RR ROOF	0 C 4	FS - FJB CPT ACCES. GRD	0 T 3	FS - DASH ACCES. GRD
SP 2	SPARE-FJB TO FR SERV CPT	SP 96	SPARE-RJB TO LUGG CPT #2	0 D	BC - FAN CONDENSER GRD	0 T 4	FS - DASH ACCES. GRD
SP 3	SPARE-FJB TO CENTER DASH	SP 97	SPARE-RJB TO LUGG CPT #3	0 D	RS - HAT RACK ACCES. LH GRD	0 T 5	FS - HVAC DASH MODULE. GRD
SP 4	SPARE-FJB TO CENTER DASH	SP 98	SPARE-RJB TO LUGG CPT #3	0 D	RJB - IGNITION RELAY	0 T 6	FS - HVAC DASH MODULE. GRD
SP 5	SPARE-RJB TO LUGG CPT #2	SP 104	SPARE-RJB TO ENGINE CPT	0 D F	RS - RR SIDE FLASH & MARK GRD	0 T 7	FS - DDDL GRD
SP 6	SPARE-RJB TO LUGG CPT #1	SP 105	SPARE-FJB TO ENGINE	0 D R	RS - RJB DOCKING LT RESISTORS	0 V	RR JCT BOX CPT GRD STUD
SP 7	SPARE-RJB TO LUGG CPT #1	SP 106	SPARE-RJB TO BATT. CPT.	0 E	RS - HAT RACK ACCES. LH GRD	0 V A	BATTERY TO EQUALISER 0V
SP 8	SPARE-RJB TO LUGG CPT #1	SP 107	SPARE-RJB TO BATT. CPT.	0 E A	EATON TRANSMISSION GRD	0 W	FS - WT GND & SHIELD
SP 9	SPARE-RJB TO LUGG CPT #2	SP 108	SPARE-RJB TO BATT. CPT.	0 F	RS - HAT RACK ACCES. RH GRD	0 W	RS - RR JCT BOX (WCL) GRD
SP 10	SPARE-RJB TO LUGG CPT #1	SP 109	SPARE-RJB TO ENGINE CPT.	0 G	RS - HAT RACK ACCES. RH GRD	0 W C	RS - RR JCT BOX GRD (WCL)
SP 11	SPARE-FJB TO RJB	SP 110	SPARE-RJB TO ENGINE CPT.	0 H	RS - LAVATORY ACCES. GRD	0 X	RS - RR JCT BOX GRD
SP 12	SPARE-RJB TO ENGINE	SP 111	SPARE-RJB TO ENGINE CPT.	0 J	FS - LH CONSOLE SW GRD	0 Y	ABS FR JCT BOX CPT GRD STUD
SP 13	SPARE-RJB TO ENGINE	SP 112	SPARE-RJB TO ENGINE CPT.	0 J	RS - RR ROOF ACCES. GRD	0 Y	RR JCT BOX GRD
SP 14	SPARE-FJB TO RJB	SP 114	SPARE-FJB TO U/DASH WIPER	0 K	RS - RR ROOF ACCES. GRD	0 Y 1	ABS SYSTEM - GRD
SP 15	SPARE-RJB TO ENGINE	SP 115	SPARE-FJB TO U/DASH WIPER	0 K	RS - RJB A/C JCT PANEL GRD	0 Y 2	ABS SYSTEM - GRD
SP 16	SPARE-RJB TO ENGINE	SP 116	SPARE-FJB TO U/DASH FLOOR	0 L	FS - FR SERVICE CPT LTS GRD	0 Y 3	ABS SYSTEM - GRD

CIRCUIT NUMBER CODE

No.	DESCRIPTION	No.	DESCRIPTION	No.	DESCRIPTION	No.	DESCRIPTION
0 Y 4	ABS SYSTEM - GRD	1 2	12V BAT ELECTRONIC JCT BLOCK	1 2 W	ENTRANCE DOOR (SEDAN)	2 4 D	FR JCT BOX 24V HOT WIRE
0 Y 5	ABS SYSTEM - GRD	1 2	BAT CPT 12V BATTERY	1 2 W A	ENTRANCE DOOR (SEDAN)	2 4 D	RR JCT BOX 24V HOT WIRE
0 Y 6	ABS SYSTEM - GRD	1 2 A	FR JCT BOX 12V DISC SW	1 2 W B	ENTRANCE DOOR (SEDAN)	2 4 D A	A/C JCT BOX 24V HOT WIRE
0 Z	RR JCT BOX CPT GRD STUD	1 2 A	RR JCT BOX 12V DISC SW	1 2 X	FR JCT BOX 12V DISC SW	2 4 D Z	24 V HOT WIRE FOR ZF TRANSM.
0 Z 0	RR JCT BOX CPT GRD STUD	1 2 B	12V BAT ELECTRICAL JCT BLOCK	1 2 X 2	FR JCT BOX 12V DISC SW	2 4 E	BAT CPT 24V DISC SW
0 Z 1	ZF TRANSM. GRD	1 2 B	RR JCT BOX 12V DISC SW	1 2 Y	FR JCT BOX 12V DISC SW	2 4 E	FR JCT BOX 24V DISC SW
0 Z 2	ZF TRANSM. GRD	1 2 B	FR JCT BOX 12V DISC SW	1 3 A	ALARM & SIGNAL-LO AIR PRIM.	2 4 E	RR JCT BOX 24V DISC SW
0 0	FJB & RJB BATT. GRD	1 2 B E	BAT. EQUALIZER MONITOR	1 3 B	ALARM & SIGNAL-LO AIR SEC.	2 4 F	FR JCT BOX 24V DISC SW
0 0 A	FBG - T.T.LT. MODULES BATT. GRD	1 2 C	FR JCT BOX 12V DISC SW	1 4	LAVATORY-FLUSHING PUMP	2 4 F	RR JCT BOX 24V DISC SW
0 0 Y	FS - ABS MODULLE BATT. GRD	1 2 C	RR JCT BOX 12V HOT WIRE	1 4 A	LAVATORY-FLUSHING PUMP	2 4 G	FR JCT BOX 24V DISC SW
0 0 S S	SOUND SYSTEM BATT. GRD	1 2 C E	RR JCT BOX 12V HOT WIRE	1 4 P	LAVATORY-FLUSHING PUMP	2 4 G	RR JCT BOX 24V DISC SW
1	TACHO SYSTEM - RPM SIGNAL +	1 2 D	BAT CPT 12V BATTERY	1 5	EXTERIOR LTS-MULTI FUNC LEVEL	2 4 H	FR JCT BOX 24V DISC SW
2 B	A/C & HEAT SYSTEM-COOL SIGN	1 2 D A	12V IGNITION DISTRIBUTION	1 5 A	WIPER & WASHER UPPER WINDSHIELD	2 4 H	RR JCT BOX 24V DISC SW
2 E	A/C & HEAT SYSTEM EVAP CONT	1 2 D T	TTLT MODULE	1 6	SPEED - SIGNAL +	2 4 I	FR JCT BOX 24V IGNITION
2 F	A/C & HEAT SYSTEM EVAP CONT	1 2 D Z	ZF TRANSM. HOTWIRE	1 6 A	SPEED - SIGNAL +	2 4 I	RR JCT BOX 24V IGNITION
4	HOSTESS & PASSENGER CHIME	1 2 E	FR JCT BOX 12V DISC SW	1 6 T	SPEED - SIGNAL +	2 4 I A	FR JCT BOX 24V IGNITION
4 A	HOSTESS & PASSENGER CHIME	1 2 E	RR JCT BOX 12V DISC SW	1 7	EXTERIOR LTS-FLASHER UNIT	2 4 I B	RR JCT BOX 24V IGNITION
4 B	PASSENGER CHIME	1 2 F	BAT CPT 12V FJB & IC	1 7 A	EXTERIOR LTS-FLASHER UNIT	2 4 I B	RR JCT BOX 24V IGNITION
4 C	HOSTESS CHIME	1 2 F	FR JCT BOX 12V DISC SW	1 9	DIFFERENTIAL OIL TEMP	2 4 I C	FR JCT BOX 24V IGNITION
5	INTERIOR LTS-AISLE & EMERG. EXIT	1 2 G	FR JCT BOX 12V DISC SW	2 0	SPEED - SIGNAL -	2 4 I C	RR JCT BOX 24V IGNITION
5	UPPER WINDSHIELD DEFROSTER	1 2 H	12 V IGNITION D.T.RUN LIGHT	2 0 T	SPEED - SIGNAL -	2 4 I F	FJB 24VOLT IGNITION
5 D	UPPER WINDSHIELD DEFROSTER	1 2 J	FR JCT BOX 12V DISC SW	2 0 W	SPEED - SIGNAL -	2 4 I Z	ZF TANSM. IGNITION
5 E	UPPER WINDSHIELD DEFROSTER	1 2 I	12V IGNITION DISTRIBUTION	2 1	EXTERIOR LTS-DIRECTIONAL LH	2 4 P	FR JCT BOX 24V DISC SW
5 N	INTERIOR LTS-EMERGENCY EXIT	1 2 I	RR JCT BOX 12V IGNITION	2 1 A	EXTERIOR LTS-DIRECTIONAL LH	2 4 S	24V DISC SW RLY SIGNAL
5 N C	SPEED SIGNAL LOWER 5MPH	1 2 K	12 VOLT IGN. TTLT & HVAC MODULE	2 1 B	EXTERIOR LTS-HAZARD	2 4 S 1	SOUND SYSTEM 24V AMPLIFIER
5 N O	SPEED SIGNAL HIGHER 5MPH	1 2 I A	12V IGNITION DISTRIBUTION	2 1 C	EXTERIOR LTS-CORNERING LH	2 4 S 2	SOUND SYSTEM 24V AMPLIFIER
6	INTERIOR LTS-AISLE	1 2 I A	FR JCT BOX 12V IGNITION	2 1 H	EXTERIOR LTS-DIRECTIONAL LH	2 4 S 3	SOUND SYSTEM 24V VIDEO
7 B	ENTRANCE DOOR (SEDAN)	1 2 I B	FR JCT BOX 12V IGNITION	2 1 K	EXTERIOR LTS-CORNERING	2 4 S 4	SOUND SYSTEM 24V VIDEO
7 D	ENTRANCE DOOR (SEDAN)	1 2 I E	ABS-FR JCT BOX 12V IGNITION	2 1 N	EXTERIOR LTS-CORNERING LH	2 4 S B	SOUND SYSTEM 24V FEEDING
7 D A	ENTRANCE DOOR (SEDAN)	1 2 I F	FR JCT BOX 12V IGNITION	2 1 P	EXTERIOR LTS-CORNERING LH	2 4 S S	SOUND SYSTEM 24V FEEDING
9	INTERIOR LTS-ENGINE CPT	1 2 I Z	12 V IGNITION FOR ZF TRANSM.	2 3	EXTERIOR LTS-DIRECTIONAL RH	2 4 R	24 VOLTS FRONT CAMERA SW.
9 A	INTERIOR LTS-ENGINE CPT	1 2 L X	CLUSTER (12V HOT WIRE)	2 3	EXTERIOR LTS-DIRECTIONAL RH	2 4 V 2	RR JCT BOX 24V DISC SW
9 B	INTERIOR LTS-ENGINE CPT	1 2 M	ABS-FR JCT BOX 12V DISC. SW.	2 3 A	EXTERIOR LTS-DIRECTIONAL RH	2 4 V 3	RR JCT BOX 24V DISC SW
9 E	INTERIOR LTS-FR SERVICE CPT	1 2 P	LH CONSOLE POWER OUTLET	2 3 B	EXTERIOR LTS-DIRECTIONAL RH	2 4 V 4	RR JCT BOX 24V DISC SW
9 F	INTERIOR LTS-FR SERVICE CPT	1 2 R	BAT CPT 12V DISC RLY TO RJB	2 3 C	EXTERIOR LTS-CORNERING RH	2 4 V 5	RR JCT BOX 24V DISC SW
1 0	INTERIOR LTS-LUGGAGE CPT	1 2 R	MEMORY BATTERY RADIO	2 3 N	EXTERIOR LTS-CORNERING RH	2 4 V D	24V HOT WIRE RR JCT BOX
1 0 A	INTERIOR LTS-LUGGAGE CPT	1 2 S	SOUND SYSTEM 12V RADIO	2 3 P	EXTERIOR LTS-CORNERING RH	2 4 V F	BAT CPT 24V SW TO FJB & IC
1 0 B	INTERIOR LTS-LUGGAGE CPT	1 2 S 1	SOUND SYSTEM 12V RADIO	2 4	BAT CPT 24V BATTERY	2 4 V A	BATTERY TO EQUALIZER 24V
1 0 D	INTERIOR LTS-LUGGAGE CPT	1 2 S 1 A	DVD KARAOKE FEEDING	2 4	FR JCT BOX 24V DISC SW	2 4 V I	RR JCT BOX 24V IGNITION
1 0 F	INTERIOR LTS-LUGGAGE CPT	1 2 S 2	SOUND SYSTEM 12V RADIO	2 4 A	BOOSTER BLOCK 24V DISC SW	2 4 V R	BAT CPT 24V DISC SW TO RJB
1 0 H	INTERIOR LTS-LUGGAGE CPT	1 2 S 2 A	DVD KARAOKE FEEDING	2 4 A	FR JCT BOX 24V DISC SW	2 4 W	RR JCT BOX 24V DISC SW (WCL)
1 0 K	INTERIOR LTS-LUGGAGE CPT	1 2 S B	SOUND SYSTEM 12V FEEDING	2 4 A	RR JCT BOX 24V DISC SW	2 4 W C	BATT.CPT TO HYD. PUMP (WCL)
1 0 R	INTERIOR LTS-LUGGAGE DOOR AJAR	1 2 S S	SOUND SYSTEM 12V FEEDING	2 4 B	24V STARTER RLY FEEDING	2 4 W L	24V BATTERY-HYD. PUMP (WCL)
1 1	FR DESTINATION SIGN	1 2 V	RR JCT BOX 12V DISC SW	2 4 B	FR JCT BOX 24V DISC SW	2 4 Z Z	24 VOLT - ZF TRANSM. POWER
1 1 A	FR DESTINATION SIGN	1 2 V A	BATTERY TO EQUALIZER 12V	2 4 B A	RR JCT BOX 24V DISC SW	2 5	24 VOLT ALT.SIGNAL MODULE
1 1 B	FR DESTINATION SIGN	1 2 V D	12V HOT WIRE DISTRIBUTION	2 4 B C	24 VOLT BATT. CHARGER	2 5 A 1	PRE-EXITATION ALT. BOSCH #1
1 1 C	FR DESTINATION SIGN	1 2 V F	BAT CPT 12V FJB & IC	2 4 B E	RJB CPT-BAT EQ MONITOR HOT WIRE	2 5 A 2	PRE-EXITATION ALT. BOSCH #2
1 1 D	FR DESTINATION SIGN	1 2 V I	12V IGNITION DISTRIBUTION	2 4 C	FR JCT BOX 24V DISC SW	2 5 A	T.T. LT. ALTERNATOR #1
1 1 E	FR DESTINATION SIGN	1 2 V R	BAT CPT 12V DISC RLY TO RJB	2 4 C	RR JCT BOX 24V DISC SW	2 5 B	12 VOLTS IGN. ALT. SIGNAL MODULE
1 1 K	FR DESTINATION SIGN	1 2 W	12V BATTERY DDEC III	2 4 D	BAT CPT 24V HOT WIRE	2 5 D	12 V. ENGINE RUN / HVAC SYSTEM

CIRCUIT NUMBER CODE

No.	DESCRIPTION	No.	DESCRIPTION	No.	DESCRIPTION	No.	DESCRIPTION
25 E	USE ON VIP ONLY	43 B	HAT RACK FAN	61 A	EXTERIOR LTS-HEAD SIGNAL	82 B	EXTERIOR LTS-STOP LTS
25 F	12 VOLT IGN. DISTRIBUTION	43 D	HAT RACK FAN	62	LAVATORY-OCCUPIED LT	82 K	EXTERIOR LTS-STOP PARK BRK
25 H	24 VOLT IGN. ALT. BOSCH	43 E	HAT RACK FAN	62 A	LAVATORY-FLUOR LT	82 L	EXTERIOR LTS-LH STOP
25 K	T.T. LT. ALTERNATOR #2	43 F	HAT RACK FAN	62 B	LAVATORY-FLUOR LT	82 R	EXTERIOR LTS-LH STOP
26 A	CIGAR LIGHTER	43 G	HAT RACK FAN	62 E	LAVATORY-OCCUP & FLUOR LT	83	ENGINE CTR-KEY SW ACCES SIGN
26	DRIVER'S WINDOW LIFTER	44	EXTERIOR LTS-FOG	63	EXTERIOR LTS-CLEARANCE	84	ENGINE CTR-KEY SW ACCES SIGN
26 B	DRIVER'S WINDOW LIFTER	44 A	EXTERIOR LTS-FOG	63 A	EXTERIOR LTS-CLEARANCE	85	ENGINE CTR-KEY SWIGNITION SIGN
26 C	DRIVER'S WINDOW LIFTER	44 B	EXTERIOR LTS-FOG	63 B	EXTERIOR LTS-CLEARANCE	85	24V IGNITION SIGNAL
27	LAVATORY-EMERGENCY SONALERT	44 C	EXTERIOR LTS-FOG & HAZARD	63 C	EXTERIOR LTS-MARKER SIGNAL	85 A	24V IGN DASH INSTRUMENTATION
28 A	A/C & HEAT SYSTEM-HI PRESSURE	45 A	A/C & HEAT SYSTEM-FULL AIR	63 D	EXTERIOR LTS-MARKER & TAIL	85 B	ENGINE CTR-24V IGNITION
28 H	TTLT HI LO PRESS	45 B	A/C & HEAT SYSTEM-WATER PUMP	63 E	EXTERIOR LTS-CLEARANCE	85 C	PARKING BRAKE SWITCH
28 T	TTLT HI LO PRESS	45 C	A/C & HEAT SYSTEM-WATER VALVE	63 F	EXTERIOR LTS-MARKER BLINKER	85 E	STOP LIGHT RLY
29	A/C & HEAT SYSTEM-DRIVER'S HTR	45 D	A/C & HEAT SYSTEM-WATER VALVE	63 H	EXTERIOR LTS-TAIL	85 F	ENGINE CTR-ENGINE CTR SW IGN
29 A	A/C & HEAT SYSTEM-DRIVER'S HTR	45 E	A/C & HEAT SYSTEM-HEAT 1 SIGN	64	DRIVERS FAN	85 F	LO AIR SONALERT
29 B	A/C & HEAT SYSTEM-DRIVER'S HTR	45 G	A/C & HEAT SYSTEM-DRIVER'S HTR	65	FOOT DAMPER MOTOR	85 G	RADIATOR FAN CLUTCH
29 H	HVAC DASH MODULE	45 H	A/C & HEAT SYSTEM-DRIVER'S HTR	65 A	FOOT DAMPER MOTOR	85 X	12V IGN ABS
29 X	A/C & HEAT SYSTEM-DRIVER'S HTR	45 W	A/C & HEAT SYSTEM-COND. DOOR AJAR	65 D	DRIVER REC. DAMPER	85 Y	ABS SYSTEM
30 A	GALLEY	46	EXTERIOR LTS-MARKER	66	O_PASS. ON/OFF	86	ENGINE CTR-STARTER SOL SIGN
31 A	A/C & HEAT SYSTEM-UNLOADER	46 A	EXTERIOR LTS-MARKER	67	24 VOLT RUN DISTRIBUTION	86 A	ENGINE CTR-STARTER SOL SIGN
31 B	A/C & HEAT SYSTEM-UNLOADER	46 B	EXTERIOR LTS-MARKER	67 A	A/C & HEAT SYSTEM	86 F	ENGINE CTR-STARTER TTLT SIGN
31 B	WIPER & WASHER SYSTEM	46 B	A/C & HEAT SYSTEM-MARKER	67 C	HEATING WINDSHIELD	86 T	ENGINE CTR-STARTER TTLT SIGN
31 C	WIPER & WASHER SYSTEM	46 C	EXTERIOR LTS-MARKER	67 K	A/C & HEAT SYSTEM-COND FAN CTR	88	ENGINE CTR-RR START SIGNAL
31 D	WIPER & WASHER SYSTEM	47	A/C & HEAT SYSTEM-DRIVER'S HTR	67 L	A/C & HEAT SYSTEM-COND FAN CTR	89	ENGINE CTR-RR START SIGNAL
31 E	WIPER & WASHER SYSTEM	48	ENTRANCE DOOR (SEDAN)	67 X	A/C & HEAT SYSTEM	90 B	A/C & HEAT SYSTEM-COND FAN MOT
31 J	WIPER & WASHER SYSTEM	48 A	ENTRANCE DOOR (SEDAN)	68	DASH & DEFROST DAMPER MOTOR	90 B	ENGINE CTR-MAST KEY SW FEED
31 X	WIPER & WASHER SYSTEM	49	ENTRANCE DOOR (SEDAN)	68 A	DASH & DEFROST DAMPER MOTOR	90 C	A/C & HEAT SYSTEM-COND FAN MOT
32	EXTERIOR LTS-BACK-UP	49 A	ENTRANCE DOOR (SEDAN)	70	INTERIOR LTS-HAT RACK & RR RUN.	90 F	CHARG SYST-VOLTAGE REGUL. "B"
32 B	EXTERIOR LTS-BACK-UP			72	SUN VISOR-FEEDING	90 H	A/C & HEAT SYSTEM-EVAP FAN MOT
32 C	BACK-UP PWR & SIGNAL	52	ALARM & SIGNAL-ELEC. HORN	72 A	SUN VISOR-RH	91	PARKING BRAKE SW SIGNAL
32 D	BACK-UP ALARM	52 A	ALARM & SIGNAL-ELEC. HORN	72 B	SUN VISOR-RH	91 A	DDEC-FAST IDLE SIGNAL
35	ENTRANCE DOOR (SEDAN)	52 B	ALARM & SIGNAL- AIR HORN	72 C	SUN VISOR-LH	91 S	SONALERT PARKING BRAKE
35 B	ENTRANCE DOOR (SEDAN)	52 C	ALARM & SIGNAL- AIR HORN	72 D	SUN VISOR-LH	91 W	PARK, BRAKE SW SIGN (WCL)
35 BB	ENTRANCE DOOR (SEDAN)	53	ALARM & SIGNAL-ELEC. HORN	73	LAVATORY-FEEDING	92	BATTERY EQUALIZER-CHECK BALANCE
35 D	ENTRANCE DOOR (SEDAN)	53 A	WIPER & WASHER SYSTEM	74	INTERIOR LTS-READING RH	93	BATTERY EQUALIZER-CHECK LO/HI
36	JACOB BRAKE SYSREM	53 B	WIPER & WASHER SYSTEM	74 A	INTERIOR LTS-READING RH	95 A	ENGINE BRAKE & RETARDER SYSTEM
36 A	JACOB BRAKE SYSREM	53 C	WIPER & WASHER SYSTEM	74 B	INTERIOR LTS-READING RH	95 B	ENGINE BRAKE & RETARDER SYSTEM
38	INTERIOR LTS-24V FLUORESCENT	53 E	WIPER & WASHER SYSTEM	74 D	INTERIOR LTS-READING SIGNAL	95 C	ENGINE BRAKE & RETARDER SYSTEM
38 A	INTERIOR LTS-24V FLUORESCENT	53 J	WIPER & WASHER SYSTEM	75	INTERIOR LTS-READING LH	95 D	ENGINE BRAKE & RETARDER SYSTEM
38 C	INTERIOR LTS-24V FLUORESCENT	55	EXTERIOR LTS-HI BEAM	75 A	INTERIOR LTS-READING LH	97	TACHOMETER (-)
38 D	INTERIOR LTS-24V FLUORESCENT	57	EXTERIOR LTS-HI BEAM	76	FUEL TANK GAUGE	100	INTERIOR LTS-GENERAL
39	INTERIOR LTS-24V LH CONSOLE SW	57 A	A/C & HEAT SYSTEM-WATER PUMP	76 B	LOW FUEL LT & ETHER COLD START	100 A	INTERIOR LTS-GENERAL
39 A	INTERIOR LTS-DRIVER'S LTS	57 A	EXTERIOR LTS-HI BEAM	76 C	LOW FUEL LT	100 B	INTERIOR LTS-GENERAL
39 P	READING LIGHTS	57 B	A/C & HEAT SYSTEM-WATER PUMP	76 P	FUEL PRIME PUMP	101	24V STARTER SOL FEEDING
41	A/C & HEAT SYSTEM-COND FAN MOT	57 C	PRE-HEAT WATER HEATER	76 M	FUEL PRIME PUMP	101	WORLD TRANSM-LO SIGN SOL. LO
41 A	A/C & HEAT SYSTEM-COND FAN MOT	58	EXTERIOR LTS-LO BEAM	77 B	A/C & HEAT SYSTEM-COMPRESSOR	102	WORLD TRANSM-SOL. SUPPLY
41 B	A/C & HEAT SYSTEM-COND FAN MOT	58 A	EXTERIOR LTS-LO BEAM	77 C	A/C & HEAT SYSTEM-COMPRESSOR	102 A	24V STARTER TO BOSCH ALTERNATOR
42	A/C & HEAT SYSTEM-COND FAN MOT	58 B	EXTERIOR LTS-LO BEAM	77 H	A/C & HEAT SYSTEM-COMPRESSOR	103	LOW BUOY
42 A	A/C & HEAT SYSTEM-COND FAN MOT	58 E	EXTERIOR LTS-LO BEAM	81	EXTERIOR LTS-STOP SW	104	WORLD TRANSM-SOL. FORWARD
43	HAT RACK FAN	59 A	JACOB BRAKE SYSTEM	82	EXTERIOR LTS-STOP SIGNAL	105	WORLD TRANSM-RETARDER & SUMP
43 A	HAT RACK FAN	61	EXTERIOR LTS-24V FEED SW	82 A	EXTERIOR LTS-STOP SIGNAL	105 W	WORLD TRANSM-RETARDER & SUMP

CIRCUIT NUMBER CODE

No.	DESCRIPTION	No.	DESCRIPTION	No.	DESCRIPTION	No.	DESCRIPTION
106	WORLD TRANSM-OIL LEVEL HI	126 E	KNEELING SYSTEM	137 G	RR VIEW MIRROR (SPARTAN)	157 E	A.T.C. SYSTEM
107	WORLD TRANSM-LOCKUP SOL. HI	126 F	KNEELING SYSTEM	138	ABS SYSTEM	157 F	A.T.C. SYSTEM
108	WORLD TRANSM-REM. PWR WAKE UP	126 F 1	KNEELING SYSTEM	138	WORLD TRANSM-RETARDER TEMP	158	WORLD TRANSM-DIMMER
109	WORLD TRANSM-RET. SOL. LO	126 G	KNEELING SYSTEM	138 A	ABS SYSTEM	160	ALARM & SIGNAL-TAG PRESS SW
110	ALARM & SIGNAL-WATER TEMP	126 H	KNEELING SYSTEM	139	ABS SYSTEM	160	WORLD TRANSM-SER. INTERFACE (-)
110	WORLD TRANSM-LOCKUP SOL. LO	126 K	KNEELING SYSTEM	139	WORLD TRANSM-OUTPUT SPEED HI	161	WORLD TRANSM-SIGNAL GRD
111	WORLD TRANSM-SOL. C6	126 P	KNEELING SYSTEM	140	ABS SYSTEM	161 B	WORLD TRANSM-SIGNAL GRD
112	WORLD TRANSM-SPARE OUTPUT (+)	126 R	KNEELING SYSTEM	140	WORLD TRANSM-OUTPUT SPEED LO	162	WORLD TRANSM-PRESS. SW C3
113	ALARM & SIGNAL-OIL PRESS	126 W	5 MPH N.C. SIGNAL (WCL)	141	ABS SYSTEM	163	WORLD TRANSM-RETARDER ENABLE
113	WORLD TRANSM-REVERSE WARNING	126 S	KNEELING SYSTEM	141	WORLD TRANSM-ENGINE SPEED HI	164	WORLD TRANSM-RET. ACTUATOR SIGN
113W	WORLD TR.-REVERSE WARNING	126 T	KNEELING SYSTEM	142	ABS SYSTEM	165	A/C & HEAT SYSTEM-TRANSMITER
113Z	ZF TRANSM.- REVERSE SIGNAL	127	WORLD TRANSM-LUBE PRESS SW.	142	WORLD TRANSM-SERIAL COM. A	165	WORLD TRANSM-OIL LEVEL SIGNAL
114	INTERIOR LTS-DASH LT REGUL.	127	WORLD TRANSM-RETARDER FEED SOL.	143	ABS SYSTEM	166 B	A/C & HEAT SYSTEM-EVAP. MOD.
114	WORLD TRANSM-SPARE OUTPUT (-)	127	POWER- PRE-HEAT WATER HEATER	143	WORLD TRANSM-ECU BATTERY GRD	167	W. TR.-OUT SPEED INTERLOCK
114 A	INTERIOR LTS-DASH LT	127 A	PRE-HEAT WATER HEATER	143 A	ABS SYSTEM	167Z	ZF- OUT SPEED INTERLOCK
114 B	INTERIOR LTS-DASH LT REGUL.	128 A	PRE-HEAT WATER HEATER	143 W	WORLD TRANSM-BATTERY GRD	168	A/C & HEAT SYSTEM-HUMIDISTAT
114 D	INTERIOR LTS-DASH LT REGUL.	128 B	PRE-HEAT - BURNER ON SIGNAL	144	ABS SYSTEM	168	WORLD TRANSM-SER. INTERFACE (+)
114 E	INTERIOR LTS-DASH LT REGUL.	128	WORLD TRANSM-SOL. C2	144	WORLD TRANSM-ECU CHASSIS GRD	168 A	A/C & HEAT SYSTEM-HUMIDISTAT
115	ALARM & SIGNAL-TAG PRESS	129	POWER- PRE-HEAT WATER HEATER	144 A	ABS SYSTEM	170	LUGGAGE DOOR LOCK
115	DDEC III-COOLANT LEVEL	129 B	POWER- PRE-HEAT WATER HEATER	145	ABS SYSTEM	170 C	LUGGAGE DOOR LOCK
115	WORLD TRANSM-DO NOT SHIFT SIGN	129	WORLD TRANSM-SOL. C5	146	ABS SYSTEM	170 E	LUGGAGE DOOR LOCK
115 C	DDEC III-COOLANT LEVEL	130	A/C & HEAT SYSTEM-EVAP FAN MOTOR	146 A	TRANSMISSION-12V IGNITION	170 H	LUGGAGE DOOR LOCK
115 W	WORLD TRANSM-DO NOT SHIFT SIGN	130	WORLD TRANSM-SOL. GRD 3	146	WORLD TRANSM-IGNITION SENSE	181 A	THERMOMETER INSIDE SENSOR
115 W	ZF TRANSM. - CHECK TRANSM. TTLT	131	WORLD TRANSM-SOL. C4	146 W	WORLD TRANSM-12V IGNITION	181 B	THERMOMETER INSIDE SENSOR
116	WORLD TRANSM-LO SIGNAL SOL. HI	132	WORLD TRANSM-ENG BRK OUTPUT (-)	146 X	WORLD TRANSM-12V IGNITION	181 C	THERMOMETER OUTSIDE SENSOR
116 B	A/C & HEAT SYSTEM-DRIVER'S HTR	132 W	WORLD TRANSM-ENG BRK OUTPUT (-)	147	ABS SYSTEM	181 D	THERMOMETER OUTSIDE SENSOR
117	WORLD TRANSM-SPARE INPUT (-)	133	GALLEY-HEAT CONTAINERS	147	WORLD TRANSM-OIL TEMP	197	FUEL WATER FILTER
117 A	ALARM & SIGNAL-TRANSM OIL TEMP	133 A	GALLEY-HEAT CONTAINERS	147 A	ETHER COLD START & D.R.L.	197 A	FUEL WATER FILTER
117 A	ALARM & SIGNAL-TRANSM OIL TEMP	133 B	GALLEY-HEAT CONTAINERS	147 C	ETHER COLD START	197 B	FUEL WATER FILTER
118	WORLD TRANSM-SPARE INPUT (+)	133 C	GALLEY-HEAT CONTAINERS	148	ABS SYSTEM	198	FILTER FUEL HEATER
119	WORLD TRANSM-ENG BRK INPUT (+)	133	WORLD TRANSM-RET. ACTUATOR HI	148	WORLD TRANSM-OUTPUT SPEED LO	199	AIR FILTER RESTRICTION SENDER
120	WORLD TRANSM-SOL. C1	134	GALLEY-HEAT CONTAINERS	149	ABS SYSTEM	201	WORLD TRANSM-SPARE
121	WORLD TRANSM-SOL. GRD 2	134 A	GALLEY-HEAT CONTAINERS	149	WORLD TRANSM-TURBINE SPEED HI	202	WORLD TRANSM-SPARE
122	A/C & HEAT SYSTEM-DRIVER'S HTR	134	WORLD TRANSM-RET. APPLY SOL. HI	149 A	ABS SYSTEM	203	WORLD TRANSM-SPARE
122	A/C & HEAT SYSTEM-FRESH AIR	135	A/C & HEAT SYSTEM-AIR SENSOR	150	DDEC III-ECM BATTERY GRD	204	WORLD TRANSM-SPARE
122	WORLD TRANSM-SOL. GRD 4	135 A	A/C & HEAT SYSTEM-AIR SENSOR	150	WORLD TRANSM-ENGINE SPEED LO	205	WORLD TRANSM-SPARE
122 A	A/C & HEAT SYSTEM-FRESH AIR	135	WORLD TRANSM-ANALOG GRD	150 A	DDEC III-ECM BATTERY GRD	206	WORLD TRANSM-SPARE
123	WORLD TRANSM-NEUTRAL START	135 D	WORLD TRANSM-RETARDER RES MOD	151	ABS SYSTEM	214	WORLD TRANSM-BACK UP SIGNAL
123 A	ALARM & SIGNAL-FIRE DETECTOR	135 C	WORLD TRANSM-RETARDER TEMP	151	DDEC III-ECM BATTERY GRD	225	LAVATORY FAN
123 B	ALARM & SIGNAL-FIRE DETECTOR	136	GALLEY-ACCESSORIES	151	WORLD TRANSM-SERIAL COM. B	225 A	LAVATORY FAN
124	WORLD TRANSM-THROTTLE (HI)	136	WORLD TRANSM-ECU POWER	152	ABS SYSTEM	231	NEUTRAL SIGNAL GRD
125	WORLD TRANSM-RET. INDICATOR	136 V	WORLD TRANSM-12V BATTERY	153	WORLD TRANSM-SPARE INPUT (-)	231 A	NEUTRAL COIL RELAY FEED SIGNAL
125	GALLEY LAMP	136 W	WORLD TRANSM-12V BATTERY	154	ABS SYSTEM	231 W	NEUTRAL SIGNAL GRD (WCL)
125 T	GALLEY LAMP	136 X	WORLD TRANSM-12V BATTERY	154	WORLD TRANSM-ABS RET. INPUT	231 Z	ZF NEUTRAL SIGNAL GRD
125 W	WORLD TRANSM-RET. INDICATOR	137	WORLD TRANSM-RETARDER	155	WORLD TRANSM-SPARE INPUT (-)	240	DDEC III-ECM 12V FEEDING
126	KNEELING SYSTEM	137 A	MIRROR (SPARTAN & RAMCO)	156	WORLD TRANSM-THROTTLE POS.	241	DDEC III-ECM 12V FEEDING
126 A	KNEELING SYSTEM	137 B	RR VIEW MIRROR (SPARTAN)	156 A	ABS SYSTEM	251 A	DDEC III - DATA LOGGER 12 H.W.
126 B	KNEELING SYSTEM	137 C	RR VIEW MIRROR (SPARTAN)	157	WORLD TRANSM-SPEEDO SIGNAL	251	DDEC III - PRODRIVER 12V H.W.
126 C	KNEELING SYSTEM	137 D	RR VIEW MIRROR (SPARTAN)	157 B	ABS SYSTEM	253	GALLEY-MICROWAVE
126 D	KNEELING SYSTEM	137 E	RR VIEW MIRROR (SPARTAN)	157 D	A.T.C. SYSTEM	254	GALLEY-12V FRIGO NORCOLD

CIRCUIT NUMBER CODE

No.	DESCRIPTION	No.	DESCRIPTION	No.	DESCRIPTION	No.	DESCRIPTION
254 A	GALLEY-FRIGO	326	EATON TRANSMISSION				
255	GALLEY-COFEEMAKER	327	EATON TRANSMISSION				
255 A	GALLEY-COFEEMAKER	328	EATON TRANSMISSION				
257	WINDSHIELD HEATED	329	EATON TRANSMISSION				
257 A	WINDSHIELD HEATED	330	EATON TRANSMISSION - EPL				
257 B	WINDSHIELD HEATED	331	EATON TRANSMISSION - EPL				
257 C	WINDSHIELD HEATED	332	EATON TRANSMISSION				
257 D	WINDSHIELD HEATED SPARE	333	EATON TRANSMISSION - 12V BATTERY				
257 E	WINDSHIELD HEATED SPARE	334	EATON GENERATION 2				
258	WINDSHIELD HEATED	416	DDEV IV- SENSOR SUPPLY 5VDC				
258 A	WINDSHIELD HEATED	417	DDEC III-LIMIT SPEED GOVERNOR	900	DDEC III-DATA LINK (+)		
259	WINDSHIELD HEATED	419	DDEC III-CHECK ENGINE LIGHT	901	DDEC III-DATA LINK (-)		
259 A	WINDSHIELD HEATED	439	DDEC III-12V IGNITION	905	DDEC IV- AMBIANT AIR TEMPERATURE		
260	WINDOW AJAR	440	DDEC III-12V IGNITION	908	DDEC III-HYDRAULIC PWM#1 OUTPUT		
290	FAN CLUTCH RADIATOR	440 A	DDEC III-12V IGNITION	916	DDEC III-SENSOR SUPPLY (5VDC)		
290	FAN CLUTCH RADIATOR	451	DDEC III-A/C FAN CLUTCH	925	J1939-HIGH		
291	FAN CLUTCH RADIATOR SPD 1	452	DDEC IV- SENSOR RETURN (ENGINE)	926	J1939-LOW		
292	FAN CLUTCH RADIATOR SPD 2	505	DDEC III-TACHOMETER DRIVE	927	J1939-SHIELD		
300	DOOR AJAR MAGN.SW. (WCL)	509	DDEC III-STOP ENGINE LIGHT	952	DDEC III-SENSOR RETURN #1		
300 A	POWER SYSTEM SW. (WCL)	510	DDEC III-FAST IDLE SIGNAL	953	DDEC III-SENSOR RETURN #2		
300 B	DOOR AJAR ALARM (WCL)	524	DDEC III-ENGINE BRAKE DISABLE	953 A	THROTTLE INHIBIT		
301	POWER SYSTEM SW. (WCL)	524 B	ZF SIGNAL - AUX. SENSOR THROTTLE	976	DDEC IV- RELATIVE HUMIDITY		
302	DOOR AJAR T.T.LT. (WCL)	525	DDEC III-FAST IDLE SIGNAL	979	DDEC III-ENGINE BRAKE 2 CYL.		
302 A	DOOR AJAR ALARM SIGN.(WCL)	528	DDEC III-STOP ENG. OVERRIDE	988	DDEC III-CRUISE ENABLE LTS.		
302 B	DOOR AJAR MAGN.SW. (WCL)	531	DDEC III-CRUISE CLUTCH RELEASE				
303	REMOTE WALL SW. DWN (WCL)	541	DDEC III-CRUISE SET SW				
304	REMOTE WALL SW. UP (WCL)	543	DDEC III-CRUISE STOP SW CUT IN				
305	PARK. BRAKE SOL. VALVE (WCL)	544	DDEC III-CRUISE ON/OFF SW				
305 A	PARK. BRAKE SAFETY SW. (WCL)	545	DDEC III-CRUISE RESUME SW				
305 A 1	DOOR AJAR - PARK. BRAKE (WCL)	555	DDEC III-FAN CLUTCH SPEED# 1				
306	CONTROL SYSTEM (WCL RICON)	556	DDEC III-VEHICLE SPEED (+)				
307	CONTROL SYSTEM (WCL RICON)	557	DDEC III-VEHICLE SPEED (-)				
308	CONTROL SYSTEM (WCL RICON)	563	DDEC III-FAN CLUTCH SPEED# 2				
309	CONTROL SYSTEM (WCL RICON)	564	DDEC III-DIGITAL OUTPUT				
310	EATON TRANSMISSION	564 B	DDEC III-DIGITAL OUTPUT				
311	EATON TRANSMISSION	565	DDEC III-ENGINE BRAKE ACTIVE				
312	EATON TRANSMISSION	565 Z	DECELERATION LTS				
313	EATON TRANSMISSION	583	DDEC III-ENGINE BRAKE 4 CYL.				
314	EATON TRANSMISSION	700	J1587(+)				
315	EATON TRANSMISSION	701	J1587(-) - GROUND				
316	EATON TRANSMISSION - EPL	705	ZF SIGNALS				
317	EATON TRANSMISSION	706	ZF SIGNALS				
318	EATON TRANSMISSION	707	ZF SIGNALS				
319	EATON TRANSMISSION	717	ZF SIGNALS				
320	EATON TRANSMISSION	718	ZF SIGNALS				
321	EATON TRANSMISSION	719	ZF SIGNALS				
322	EATON TRANSMISSION	720	ZF SIGNALS				
323	EATON TRANSMISSION	740	EASY START VALVE				
324	EATON TRANSMISSION	761	ZF SIGNALS				
325	EATON TRANSMISSION						

CIRCUIT BREAKERS CODE

No.	PAGE	AMP.	#PREV.	LOCATION	FUNCTION	No.	PAGE	AMP.	#PREV.	LOCATION	FUNCTION
CB 1	2	40A	562686	RR. JCT. BOX	12V IGNITION	CB 126	25.2	90A	560298	RR. JCT. BOX	WHELL CHAIR LIFT MOTOR PUMP RICON
CB 2	1.1	40A	870093	RR. JCT. BOX	12V HOT WIRE	CB 127	13.3	15A	561793	RR. JCT. BOX	HAT-RACK FAN L.H.
CB 3	1.1	70A	562687	RR. JCT. BOX	12V FEED RR. JCT. BOX	CB 128	13.3	15A	561793	RR. JCT. BOX	HAT-RACK FAN R.H.
CB 4	1.1	70A	562687	RR. JCT. BOX	12V FEED FR. JCT. BOX	CB 129	7.2	6A	561790	FR. JCT. BOX	CLUSTER
CB 5	1.1	30A	870690	RR. JCT. BOX	24V HOT WIRE	CB 130	28	6A	561790	FR. JCT. BOX	CLUSTER
CB 6	1.1	90A	562683	RR. JCT. BOX	24V FEED RR. JCT. BOX	CB 131					
CB 7	1.1	90A	562683	RR. JCT. BOX	24V FEED FR. JCT. BOX						
CB 8	1.1	150A	560299	RR. JCT. BOX	24V EVAPORATOR FAN MOTOR						
CB 10	4	8A	561791	FR. JCT. BOX	MASTER KEY SWITCH						
CB 13	23.1	90A	562683	RR. JCT. BOX	INVERTER						
CB 16	4	8A	561791	RR. JCT. BOX	ENGINE-RR. CTRL & START SW.						
CB 18	4	6A	561790	RR. JCT. BOX	ENGINE-FR. CTRL SW.						
CB 19	5	15A	561793	RR. JCT. BOX	E.C.M. DDEC 12V POWER						
CB 20	5	15A	561793	RR. JCT. BOX	E.C.M. DDEC 12V POWER						
CB 21	5	10A	561792	RR. JCT. BOX	E.C.M. DDEC and WTEC 12V IGNITION						
CB 24	6	25A	561795	RR. JCT. BOX	WORLD TRANSMISSION						
CB 26	9.3	8A	561791	RR. JCT. BOX	BACK-UP LTS						
CB 27	7	8A	561791	FR. JCT. BOX	24V IGNITION DASH ACCESSORIES						
CB 28	7	6A	561790	FR. JCT. BOX	12V IGNITION DASH ACCESSORIES						
CB 34	9.3	6A	561792	RR. JCT. BOX	BACK-UP ALARM						
CB 35	9.3	15A	561793	FR. JCT. BOX	FOG & HAZARD DASH SW.						
CB 37	9.1	6A	561790	FR. JCT. BOX	HEAD & MULTI-FUNCTION LEVEL SW.						
CB 38	9.1	3A	561797	FR. JCT. BOX	FR. MARKER LTS						
CB 39	9.1	6A	561790	FR. JCT. BOX	CLEARANCE & IDENTIFICATION LTS						
CB 40	9.1	3A	561797	FR. JCT. BOX	FR. CLEARANCE & IDENTIFICATION LTS						
CB 41	9.1	3A	561797	RR. JCT. BOX	RR. CLEARANCE & IDENTIFICATION LTS						
CB 42	9.1	8A	561791	RR. JCT. BOX	RR. TAIL & LICENCE LTS						
CB 43	9.1	20A	561794	FR. JCT. BOX	HEADLAMP (HI)						
CB 44	9.1	15A	561793	FR. JCT. BOX	HEADLAMP (LO)						
CB 45	9.2	10A	561792	FR. JCT. BOX	WIPER CTRL. MULTI-FUNCTION LEVEL SW.						
CB 46	9.2	10A	561792	FR. JCT. BOX	FLASHER & HAZARD UNIT						
CB 48	9.3	6A	561790	FR. JCT. BOX	STOP LTS PRESSURE SW.						
CB 49	9.3	6A	561790	RR. JCT. BOX	STOP & CYCLOP LTS						
CB 51	10	10A	561792	FR. JCT. BOX	UPPER WIPER CTRL SW.						
CB 52	11.1	15A	561793	RR. JCT. BOX	LUGGAGE & DOOR AJAR LTS						
CB 57	11.2	8A	561791	FR. JCT. BOX	DASH LTS RHEOSTAT						
CB 58	13.1	6A	561790	FR. JCT. BOX	HVAC DASH MODULE						
CB 63	11.4	8A	561791	FR. SERVICE.CPT	110V FLUORESCENT LH						
CB 64	11.4	8A	561791	FR. SERVICE.CPT	110V FLUORESCENT RH						
CB 70											
CB 71											
CB 72	13.2	10A	561792	RR. JCT. BOX	A/C COMPRESSOR CLUTCH						
CB 73	13.2	15A	561793	RR. JCT. BOX	WATER PUMP						
CB 77	13.1	40A	870093	RR. JCT. BOX	CONDENSER FAN MOTOR RH						
CB 78	13.1	40A	870093	RR. JCT. BOX	CONDENSER FAN MOTOR LH						
CB 79	13.2	15A	561793	FR. JCT. BOX	DRIVER'S HTR FAN SPEED CTRL MODULE						
CB 85	16.1	10A	561790	FR. JCT. BOX	ENTRANCE DOOR (SEDAN) & STEP LTS						
CB 93	1.2	30A	870690	RR. JCT. BOX	SOUND SYSTEM 12V FEEDING						
CB 94	1.2	30A	870690	RR. JCT. BOX	SOUND SYSTEM 24V FEEDING						
CB 95	20.1	10A	561792	S.S. JCT. PANEL	SOUND SYSTEM AMPLI						
CB 96	20.1	10A	561792	S.S. JCT. PANEL	VIDEO SYSTEM						
CB 97											
CB 98	20.1	15A	561793	S.S. JCT. PANEL	SOUND SYSTEM RADIO & CD						
CB 99	20.7	15A	561793	S.S. JCT. PANEL	SEAT AUDIO SYSTEM						
CB 105	21.1	6A	561790	FR. JCT. BOX	E.C.U. ABS						
CB 106	21.1	15A	561793	FR. JCT. BOX	E.C.U. ABS						
CB 124	8	6A	561790	RR. JCT. BOX	RADIATOR FAN CLUTCH						
CB 126	25.1	150A	560299	RR. JCT. BOX	WHELL CHAIR LIFT MOTOR PUMP STE.						

CIRCUIT BREAKERS CODE

No.	PAGE	AMP.	#PREV.	LOCATION	FUNCTION	No.	PAGE	AMP.	#PREV.	LOCATION	FUNCTION
CB 1	2	40A	562686	RR. JCT. BOX	12V IGNITION	CB 126	25.2	50A	563355	RR. JCT. BOX	WHEEL CHAIR LIFT MOTOR PUMP RICON
CB 2	1.1	40A	870093	RR. JCT. BOX	12V HOT WIRE	CB 127	13.3	15A	561793	RR. JCT. BOX	HAT-RACK FAN L.H.
CB 3	1.1	70A	562687	RR. JCT. BOX	12V FEED RR. JCT. BOX	CB 128	13.3	15A	561793	RR. JCT. BOX	HAT-RACK FAN R.H.
CB 4	1.1	70A	562687	RR. JCT. BOX	12V FEED FR. JCT. BOX	CB 129	7.2	6A	561790	FR. JCT. BOX	CLUSTER
CB 5	1.1	30A	870690	RR. JCT. BOX	24V HOT WIRE	CB 130	28	6A	561790	FR. JCT. BOX	CLUSTER
CB 6	1.1	90A	562683	RR. JCT. BOX	24V FEED RR. JCT. BOX	CB 131					
CB 7	1.1	90A	562683	RR. JCT. BOX	24V FEED FR. JCT. BOX						
CB 8	1.1	150A	560299	RR. JCT. BOX	24V EVAPORATOR FAN MOTOR						
CB 10	4	8A	561791	FR. JCT. BOX	MASTER KEY SWITCH						
CB 13	23.1	90A	562683	RR. JCT. BOX	INVERTER						
CB 16	4	8A	561791	RR. JCT. BOX	ENGINE-RR. CTRL & START SW.						
CB 18	4	6A	561790	RR. JCT. BOX	ENGINE-FR. CTRL SW.						
CB 19	5	15A	561793	RR. JCT. BOX	E.C.M. DDEC 12V POWER						
CB 20	5	15A	561793	RR. JCT. BOX	E.C.M. DDEC 12V POWER						
CB 21	5	10A	561792	RR. JCT. BOX	E.C.M. DDEC and WTEC 12V IGNITION						
CB 24	6	25A	561795	RR. JCT. BOX	WORLD TRANSMISSION						
CB 26	9.3	8A	561791	RR. JCT. BOX	BACK-UP LTS						
CB 27	7	8A	561791	FR. JCT. BOX	24V IGNITION DASH ACCESSORIES						
CB 28	7	6A	561790	FR. JCT. BOX	12V IGNITION DASH ACCESSORIES						
CB 34	9.3	6A	561792	RR. JCT. BOX	BACK-UP ALARM						
CB 35	9.3	15A	561793	FR. JCT. BOX	FOG & HAZARD DASH SW.						
CB 37	9.1	6A	561790	FR. JCT. BOX	HEAD & MULTI-FUNCTION LEVEL SW.						
CB 38	9.1	3A	561797	FR. JCT. BOX	FR. MARKER LTS						
CB 39	9.1	6A	561790	FR. JCT. BOX	CLEARANCE & IDENTIFICATION LTS						
CB 40	9.1	3A	561797	FR. JCT. BOX	FR. CLEARANCE & IDENTIFICATION LTS						
CB 41	9.1	3A	561797	RR. JCT. BOX	RR. CLEARANCE & IDENTIFICATION LTS						
CB 42	9.1	8A	561791	RR. JCT. BOX	RR. TAIL & LICENCE LTS						
CB 43	9.1	20A	561794	FR. JCT. BOX	HEADLAMP (HI)						
CB 44	9.1	15A	561793	FR. JCT. BOX	HEADLAMP (LO)						
CB 45	9.2	10A	561792	FR. JCT. BOX	WIPER CTRL. MULTI-FUNCTION LEVEL SW.						
CB 46	9.2	10A	561792	FR. JCT. BOX	FLASHER & HAZARD UNIT						
CB 48	9.3	6A	561790	FR. JCT. BOX	STOP LTS PRESSURE SW.						
CB 49	9.3	6A	561790	RR. JCT. BOX	STOP & CYCLOP LTS						
CB 51	10	10A	561792	FR. JCT. BOX	UPPER WIPER CTRL SW.						
CB 52	11.1	15A	561793	RR. JCT. BOX	LUGGAGE & DOOR AJAR LTS						
CB 57	11.2	8A	561791	FR. JCT. BOX	DASH LTS RHEOSTAT						
CB 58	13.1	6A	561790	FR. JCT. BOX	HVAC DASH MODULE						
CB 63	11.4	8A	561791	FR. SERVICE.CPT	110V FLUORESCENT LH						
CB 64	11.4	8A	561791	FR. SERVICE.CPT	110V FLUORESCENT RH						
CB 70											
CB 71											
CB 72	13.2	10A	561792	RR. JCT. BOX	A/C COMPRESSOR CLUTCH						
CB 73	13.2	15A	561793	RR. JCT. BOX	WATER PUMP						
CB 77	13.1	40A	870093	RR. JCT. BOX	CONDENSER FAN MOTOR RH						
CB 78	13.1	40A	870093	RR. JCT. BOX	CONDENSER FAN MOTOR LH						
CB 79	13.2	15A	561793	FR. JCT. BOX	DRIVER'S HTR FAN SPEED CTRL MODULE						
CB 85	16.1	10A	561790	FR. JCT. BOX	ENTRANCE DOOR (SEDAN) & STEP LTS						
CB 93	1.2	30A	870690	RR. JCT. BOX	SOUND SYSTEM 12V FEEDING						
CB 94	1.2	30A	870690	RR. JCT. BOX	SOUND SYSTEM 24V FEEDING						
CB 95	20.1	10A	561792	S.S. JCT. PANEL	SOUND SYSTEM AMPLI						
CB 96	20.1	10A	561792	S.S. JCT. PANEL	VIDEO SYSTEM						
CB 97											
CB 98	20.1	15A	561793	S.S. JCT. PANEL	SOUND SYSTEM RADIO & CD						
CB 99	20.7	15A	561793	S.S. JCT. PANEL	SEAT AUDIO SYSTEM						
CB 105	21.1	6A	561790	FR. JCT. BOX	E.C.U. ABS						
CB 106	21.1	15A	561793	FR. JCT. BOX	E.C.U. ABS						
CB 124	8	6A	561790	RR. JCT. BOX	RADIATOR FAN CLUTCH						
CB 126	25.1	150A	560299	RR. JCT. BOX	WHEEL CHAIR LIFT MOTOR PUMP STE.						

CIRCUIT BREAKERS CODE

No.	PAGE	AMP.	#PREV.	LOCATION	FUNCTION	No.	PAGE	AMP.	#PREV.	LOCATION	FUNCTION
CB 1	2	40A	562686	RR. JCT. BOX	12V IGNITION	CB 126	25.2	50A	563355	RR. JCT. BOX	WHEEL CHAIR LIFT MOTOR PUMP RICON
CB 2	1.1	40A	870093	RR. JCT. BOX	12V HOT WIRE	CB 127	13.3	15A	561793	RR. JCT. BOX	HAT-RACK FAN L.H.
CB 3	1.1	70A	562687	RR. JCT. BOX	12V FEED RR. JCT. BOX	CB 128	13.3	15A	561793	RR. JCT. BOX	HAT-RACK FAN R.H.
CB 4	1.1	70A	562687	RR. JCT. BOX	12V FEED FR. JCT. BOX	CB 129	7.2	6A	561790	FR. JCT. BOX	CLUSTER
CB 5	1.1	30A	870690	RR. JCT. BOX	24V HOT WIRE	CB 130	28	6A	561790	FR. JCT. BOX	CLUSTER
CB 6	1.1	90A	562683	RR. JCT. BOX	24V FEED RR. JCT. BOX	CB 131					
CB 7	1.1	90A	562683	RR. JCT. BOX	24V FEED FR. JCT. BOX						
CB 8	1.1	150A	560299	RR. JCT. BOX	24V EVAPORATOR FAN MOTOR						
CB 10	4	8A	561791	FR. JCT. BOX	MASTER KEY SWITCH						
CB 13											
CB 16	4	8A	561791	RR. JCT. BOX	ENGINE-RR. CTRL & START SW.						
CB 18	4	6A	561790	RR. JCT. BOX	ENGINE-FR. CTRL SW.						
CB 19	5	15A	561793	RR. JCT. BOX	E.C.M. DDEC 12V POWER						
CB 20	5	15A	561793	RR. JCT. BOX	E.C.M. DDEC 12V POWER						
CB 21	5	10A	561792	RR. JCT. BOX	E.C.M. DDEC and WTEC 12V IGNITION						
CB 24	6	25A	561795	RR. JCT. BOX	WORLD TRANSMISSION						
CB 26	9.3	8A	561791	RR. JCT. BOX	BACK-UP LTS						
CB 27	7	8A	561791	FR. JCT. BOX	24V IGNITION DASH ACCESSORIES						
CB 28	7	6A	561790	FR. JCT. BOX	12V IGNITION DASH ACCESSORIES						
CB 34	9.3	6A	561792	RR. JCT. BOX	BACK-UP ALARM						
CB 35	9.3	15A	561793	FR. JCT. BOX	FOG & HAZARD DASH SW.						
CB 37	9.1	6A	561790	FR. JCT. BOX	HEAD & MULTI-FUNCTION LEVEL SW.						
CB 38	9.1	3A	561797	FR. JCT. BOX	FR. MARKER LTS						
CB 39	9.1	6A	561790	FR. JCT. BOX	CLEARANCE & IDENTIFICATION LTS						
CB 40	9.1	3A	561797	FR. JCT. BOX	FR. CLEARANCE & IDENTIFICATION LTS						
CB 41	9.1	3A	561797	RR. JCT. BOX	RR. CLEARANCE & IDENTIFICATION LTS						
CB 42	9.1	8A	561791	RR. JCT. BOX	RR. TAIL & LICENCE LTS						
CB 43	9.1	20A	561794	FR. JCT. BOX	HEADLAMP (HI)						
CB 44	9.1	15A	561793	FR. JCT. BOX	HEADLAMP (LO)						
CB 45	9.2	10A	561792	FR. JCT. BOX	WIPER CTRL. MULTI-FUNCTION LEVEL SW.						
CB 46	9.2	10A	561792	FR. JCT. BOX	FLASHER & HAZARD UNIT						
CB 48	9.3	6A	561790	FR. JCT. BOX	STOP LTS PRESSURE SW.						
CB 49	9.3	6A	561790	RR. JCT. BOX	STOP & CYCLOP LTS						
CB 51	10	10A	561792	FR. JCT. BOX	UPPER WIPER CTRL SW.						
CB 52	11.1	15A	561793	RR. JCT. BOX	LUGGAGE & DOOR AJAR LTS						
CB 57	11.2	8A	561791	FR. JCT. BOX	DASH LTS RHEOSTAT						
CB 58	13.1	6A	561790	FR. JCT. BOX	HVAC DASH MODULE						
CB 63											
CB 64											
CB 70											
CB 71											
CB 72	13.2	10A	561792	RR. JCT. BOX	A/C COMPRESSOR CLUTCH						
CB 73	13.2	15A	561793	RR. JCT. BOX	WATER PUMP						
CB 77	13.1	40A	870093	RR. JCT. BOX	CONDENSER FAN MOTOR RH						
CB 78	13.1	40A	870093	RR. JCT. BOX	CONDENSER FAN MOTOR LH						
CB 79	13.2	15A	561793	FR. JCT. BOX	DRIVER'S HTR FAN SPEED CTRL MODULE						
CB 85	16.1	10A	561792	FR. JCT. BOX	ENTRANCE DOOR (SEDAN) & STEP LTS						
CB 93	1.2	30A	870690	RR. JCT. BOX	SOUND SYSTEM 12V FEEDING						
CB 94	1.2	30A	870690	RR. JCT. BOX	SOUND SYSTEM 24V FEEDING						
CB 95	20.1	10A	561792	S.S. JCT. PANEL	SOUND SYSTEM AMPLI						
CB 96	20.1	10A	561792	S.S. JCT. PANEL	VIDEO SYSTEM						
CB 97											
CB 98	20.1	15A	561793	S.S. JCT. PANEL	SOUND SYSTEM RADIO & CD						
CB 99	20.7	15A	561793	S.S. JCT. PANEL	SEAT AUDIO SYSTEM						
CB 105	21.1	6A	561790	FR. JCT. BOX	E.C.U. ABS						
CB 106	21.1	15A	561793	FR. JCT. BOX	E.C.U. ABS						
CB 124	8	6A	561790	RR. JCT. BOX	RADIATOR FAN CLUTCH						
CB 126	25.1	150A	560299	RR. JCT. BOX	WHEEL CHAIR LIFT MOTOR PUMP STE.						

CIRCUIT BREAKERS CODE

No.	PAGE	AMP.	#PREV.	LOCATION	FUNCTION	No.	PAGE	AMP.	#PREV.	LOCATION	FUNCTION
CB 1	2	40A	562686	RR. JCT. BOX	12V IGNITION	CB 126	25.2	50A	563355	RR. JCT. BOX	WHEEL CHAIR LIFT MOTOR PUMP RICON
CB 2	1.1	40A	870093	RR. JCT. BOX	12V HOT WIRE	CB 127	13.3	15A	561793	RR. JCT. BOX	HAT-RACK FAN L.H.
CB 3	1.1	70A	562687	RR. JCT. BOX	12V FEED RR. JCT. BOX	CB 128	13.3	15A	561793	RR. JCT. BOX	HAT-RACK FAN R.H.
CB 4	1.1	70A	562687	RR. JCT. BOX	12V FEED FR. JCT. BOX	CB 129	7.2	6A	561790	FR. JCT. BOX	CLUSTER
CB 5	1.1	30A	870690	RR. JCT. BOX	24V HOT WIRE	CB 130	28	6A	561790	FR. JCT. BOX	CLUSTER
CB 6	1.1	90A	562683	RR. JCT. BOX	24V FEED RR. JCT. BOX	CB 131					
CB 7	1.1	90A	562683	RR. JCT. BOX	24V FEED FR. JCT. BOX						
CB 8	1.1	150A	560299	RR. JCT. BOX	24V EVAPORATOR FAN MOTOR						
CB 10	4	8A	561791	FR. JCT. BOX	MASTER KEY SWITCH						
CB 13											
CB 16	4	8A	561791	RR. JCT. BOX	ENGINE-RR. CTRL & START SW.						
CB 18	4	6A	561790	RR. JCT. BOX	ENGINE-FR. CTRL SW.						
CB 19	5	15A	561793	RR. JCT. BOX	E.C.M. DDEC 12V POWER						
CB 20	5	15A	561793	RR. JCT. BOX	E.C.M. DDEC 12V POWER						
CB 21	5	10A	561792	RR. JCT. BOX	E.C.M. DDEC and WTEC 12V IGNITION						
CB 24	6	25A	561795	RR. JCT. BOX	WORLD TRANSMISSION						
CB 26	9.3	8A	561791	RR. JCT. BOX	BACK-UP LTS						
CB 27	7	8A	561791	FR. JCT. BOX	24V IGNITION DASH ACCESSORIES						
CB 28	7	6A	561790	FR. JCT. BOX	12V IGNITION DASH ACCESSORIES						
CB 34	9.3	6A	561792	RR. JCT. BOX	BACK-UP ALARM						
CB 35	9.3	15A	561793	FR. JCT. BOX	FOG & HAZARD DASH SW.						
CB 37	9.1	6A	561790	FR. JCT. BOX	HEAD & MULTI-FUNCTION LEVEL SW.						
CB 38	9.1	3A	561797	FR. JCT. BOX	FR. MARKER LTS						
CB 39	9.1	6A	561790	FR. JCT. BOX	CLEARANCE & IDENTIFICATION LTS						
CB 40	9.1	3A	561797	FR. JCT. BOX	FR. CLEARANCE & IDENTIFICATION LTS						
CB 41	9.1	3A	561797	RR. JCT. BOX	RR. CLEARANCE & IDENTIFICATION LTS						
CB 42	9.1	8A	561791	RR. JCT. BOX	RR. TAIL & LICENCE LTS						
CB 43	9.1	15A	561793	FR. JCT. BOX	HEADLAMP (HI)						
CB 44	9.1	15A	561793	FR. JCT. BOX	HEADLAMP (LO)						
CB 45	9.2	10A	561792	FR. JCT. BOX	WIPER CTRL. MULTI-FUNCTION LEVEL SW.						
CB 46	9.2	10A	561792	FR. JCT. BOX	FLASHER & HAZARD UNIT						
CB 48	9.3	6A	561790	FR. JCT. BOX	STOP LTS PRESSURE SW.						
CB 49	9.3	6A	561790	RR. JCT. BOX	STOP & CYCLOP LTS						
CB 51	10	10A	561792	FR. JCT. BOX	UPPER WIPER CTRL SW.						
CB 52	11.1	15A	561793	RR. JCT. BOX	LUGGAGE & DOOR AJAR LTS						
CB 57	11.2	8A	561791	FR. JCT. BOX	DASH LTS RHEOSTAT						
CB 58	13.1	6A	561790	FR. JCT. BOX	HVAC DASH MODULE						
CB 63											
CB 64											
CB 70											
CB 71											
CB 72	13.2	10A	561792	RR. JCT. BOX	A/C COMPRESSOR CLUTCH						
CB 73	13.2	15A	561793	RR. JCT. BOX	WATER PUMP						
CB 77	13.1	40A	870093	RR. JCT. BOX	CONDENSER FAN MOTOR RH						
CB 78	13.1	40A	870093	RR. JCT. BOX	CONDENSER FAN MOTOR LH						
CB 79	13.2	15A	561793	FR. JCT. BOX	DRIVER'S HTR FAN SPEED CTRL MODULE						
CB 85	16.1	10A	561792	FR. JCT. BOX	ENTRANCE DOOR (SEDAN) & STEP LTS						
CB 93	1.2	30A	870690	RR. JCT. BOX	SOUND SYSTEM 12V FEEDING						
CB 94	1.2	30A	870690	RR. JCT. BOX	SOUND SYSTEM 24V FEEDING						
CB 95	20.1	10A	561792	S.S. JCT. PANEL	SOUND SYSTEM AMPLI						
CB 96	20.1	10A	561792	S.S. JCT. PANEL	VIDEO SYSTEM						
CB 97											
CB 98	20.1	15A	561793	S.S. JCT. PANEL	SOUND SYSTEM RADIO & CD						
CB 99	20.7	15A	561793	S.S. JCT. PANEL	SEAT AUDIO SYSTEM						
CB 105	21.1	6A	561790	FR. JCT. BOX	E.C.U. ABS						
CB 106	21.1	15A	561793	FR. JCT. BOX	E.C.U. ABS						
CB 124	8	6A	561790	RR. JCT. BOX	RADIATOR FAN CLUTCH						
CB 126	25.1	150A	560299	RR. JCT. BOX	WHEEL CHAIR LIFT MOTOR PUMP STE.						

CIRCUIT BREAKERS CODE

No.	PAGE	AMP.	#PREV.	LOCATION	FUNCTION	No.	PAGE	AMP.	#PREV.	LOCATION	FUNCTION
CB 1	2	40A	562686	RR. JCT. BOX	12V IGNITION	CB 126	25.2	50A	563355	RR. JCT. BOX	WHEEL CHAIR LIFT MOTOR PUMP RICON
CB 2	1.1	40A	870093	RR. JCT. BOX	12V HOT WIRE	CB 127	13.3	15A	561793	RR. JCT. BOX	HAT-RACK FAN L.H.
CB 3	1.1	70A	562687	RR. JCT. BOX	12V FEED RR. JCT. BOX	CB 128	13.3	15A	561793	RR. JCT. BOX	HAT-RACK FAN R.H.
CB 4	1.1	70A	562687	RR. JCT. BOX	12V FEED FR. JCT. BOX	CB 129	7.2	6A	561790	FR. JCT. BOX	CLUSTER
CB 5	1.1	30A	870690	RR. JCT. BOX	24V HOT WIRE	CB 130	28	6A	561790	FR. JCT. BOX	CLUSTER
CB 6	1.1	90A	562683	RR. JCT. BOX	24V FEED RR. JCT. BOX	CB 131					
CB 7	1.1	90A	562683	RR. JCT. BOX	24V FEED FR. JCT. BOX						
CB 8	1.1	150A	560299	RR. JCT. BOX	24V EVAPORATOR FAN MOTOR						
CB 10	4	8A	561791	FR. JCT. BOX	MASTER KEY SWITCH						
CB 13											
CB 16	4	8A	561791	RR. JCT. BOX	ENGINE-RR. CTRL & START SW.						
CB 18	4	6A	561790	RR. JCT. BOX	ENGINE-FR. CTRL SW.						
CB 19	5	15A	561793	RR. JCT. BOX	E.C.M. DDEC 12V POWER						
CB 20	5	15A	561793	RR. JCT. BOX	E.C.M. DDEC 12V POWER						
CB 21	5	10A	561792	RR. JCT. BOX	E.C.M. DDEC and WTEC 12V IGNITION						
CB 24	6	25A	561795	RR. JCT. BOX	WORLD TRANSMISSION						
CB 26	9.3	8A	561791	RR. JCT. BOX	BACK-UP LTS						
CB 27	7	8A	561791	FR. JCT. BOX	24V IGNITION DASH ACCESSORIES						
CB 28	7	6A	561790	FR. JCT. BOX	12V IGNITION DASH ACCESSORIES						
CB 34	9.3	6A	561792	RR. JCT. BOX	BACK-UP ALARM						
CB 35	9.3	15A	561793	FR. JCT. BOX	FOG & HAZARD DASH SW.						
CB 37	9.1	6A	561790	FR. JCT. BOX	HEAD & MULTI-FUNCTION LEVEL SW.						
CB 38	9.1	3A	561797	FR. JCT. BOX	FR. MARKER LTS						
CB 39	9.1	6A	561790	FR. JCT. BOX	CLEARANCE & IDENTIFICATION LTS						
CB 40	9.1	3A	561797	FR. JCT. BOX	FR. CLEARANCE & IDENTIFICATION LTS						
CB 41	9.1	3A	561797	RR. JCT. BOX	RR. CLEARANCE & IDENTIFICATION LTS						
CB 42	9.1	8A	561791	RR. JCT. BOX	RR. TAIL & LICENCE LTS						
CB 43	9.1	15A	561793	FR. JCT. BOX	HEADLAMP (HI)						
CB 44	9.1	15A	561793	FR. JCT. BOX	HEADLAMP (LO)						
CB 45	9.2	10A	561792	FR. JCT. BOX	WIPER CTRL. MULTI-FUNCTION LEVEL SW.						
CB 46	9.2	10A	561792	FR. JCT. BOX	FLASHER & HAZARD UNIT						
CB 48	9.3	6A	561790	FR. JCT. BOX	STOP LTS PRESSURE SW.						
CB 49	9.3	6A	561790	RR. JCT. BOX	STOP & CYCLOP LTS						
CB 51	10	10A	561792	FR. JCT. BOX	UPPER WIPER CTRL SW.						
CB 52	11.1	15A	561793	RR. JCT. BOX	LUGGAGE & DOOR AJAR LTS						
CB 57	11.2	8A	561791	FR. JCT. BOX	DASH LTS RHEOSTAT						
CB 58	13.1	6A	561790	FR. JCT. BOX	HVAC DASH MODULE						
CB 63											
CB 64											
CB 70											
CB 71											
CB 72	13.2	10A	561792	RR. JCT. BOX	A/C COMPRESSOR CLUTCH						
CB 73	13.2	15A	561793	RR. JCT. BOX	WATER PUMP						
CB 77	13.1	40A	870093	RR. JCT. BOX	CONDENSER FAN MOTOR RH						
CB 78	13.1	40A	870093	RR. JCT. BOX	CONDENSER FAN MOTOR LH						
CB 79	13.2	25A	561795	FR. JCT. BOX	DRIVER'S HTR FAN SPEED CTRL MODULE						
CB 85	16.1	10A	561792	FR. JCT. BOX	ENTRANCE DOOR (SEDAN) & STEP LTS						
CB 93	1.2	30A	870690	RR. JCT. BOX	SOUND SYSTEM 12V FEEDING						
CB 94	1.2	30A	870690	RR. JCT. BOX	SOUND SYSTEM 24V FEEDING						
CB 95	20.1	10A	561792	S.S. JCT. PANEL	SOUND SYSTEM AMPLI						
CB 96	20.1	10A	561792	S.S. JCT. PANEL	VIDEO SYSTEM						
CB 97											
CB 98	20.1	15A	561793	S.S. JCT. PANEL	SOUND SYSTEM RADIO & CD						
CB 99	20.7	15A	561793	S.S. JCT. PANEL	SEAT AUDIO SYSTEM						
CB 105	21.1	6A	561790	FR. JCT. BOX	E.C.U. ABS						
CB 106	21.1	15A	561793	FR. JCT. BOX	E.C.U. ABS						
CB 124	8	6A	561790	RR. JCT. BOX	RADIATOR FAN CLUTCH						
CB 126	25.1	150A	560299	RR. JCT. BOX	WHEEL CHAIR LIFT MOTOR PUMP STE.						

CONNECTORS CODE

NO	LOCATION	TYPE	CAVITY	#PIN	#SOCKET	NO	LOCATION	TYPE	CAVITY	#PIN	#SOCKET
				HOUSING	HOUSING					HOUSING	HOUSING
AA1	BEHIND DASH - SONALERT	BOSCH	5		561183	C 55	RH SWITCH PANEL	AMP CPC	9	561636	561637
AA2	BEHIND DASH - SONALERT	BOSCH	5		561183	C 56	HAT RACK- MOTOR FAN	MOLEX	6	562558	562557
C X1	FR SERVICE COMPT- ECU ABS	AMP	15		563200	C 57	HAT RACK- MOTOR FAN	MOLEX	6	562558	562557
C X2	FR SERVICE COMPT- ECU ABS	AMP	18		563201	C 58	RR JCT BOX AC PANEL	DEUTSCH	24	562280	562283
CRH	DDEC ENGINE- RELATIVE HUMIDITY SENS.	FCI	4		563277	C 59	RR JCT BOX AC PANEL	AMP CPC	14	561584	561583
CRXTX	HVAC DASN MODULE COMMUNICATION	MOLEX	3	563206	562873	C 60	RR JCT BOX COMPT.-LT	AMP MNL	2	561248	561247
CS	RR JCT BOX ECU WORLD TR.	PED	32		562817	C 61	LUGGAGE COMPARTMENT LTS	AMP MNL	2	561248	561247
CT	RR JCT BOX ECU WORLD TR.	PED	32		562824	C 62	LUGGAGE COMPARTMENT LTS	AMP MNL	2	561248	561247
CV	RR JCT BOX ECU WORLD TR.	PED	32		562823	C 63	LUGGAGE COMPARTMENT LTS	AMP MNL	2	561248	561247
		AMP CPC	9	561636	561637	C 64	LUGGAGE COMPARTMENT LTS	AMP MNL	2	561248	561247
CWX1	ENGINE CPT-WEBASTO PRE-HEAT WATER	AMP SEALED	7		563135	C 65	LUGGAGE COMPARTMENT LTS	AMP MNL	2	561248	561247
CWX3	ENGINE CPT-WEBASTO PRE-HEAT WATER	AMP SEALED	7	563136		C 66	LUGGAGE COMPARTMENT LTS	AMP MNL	2	561248	561247
CY	CLUSTER	JAE	30	---	562765	C 67	LUGGAGE COMPARTMENT LTS	AMP MNL	2	561248	561247
C 1	FR JCT BOX COMPARTMENT	AMP CPC	14	561585	561584	C 68	LUGGAGE COMPARTMENT LTS	AMP MNL	2	561248	561247
C 2	FR JCT BOX COMPARTMENT	AMP CPC	16	561639	561640	C 69	RR AXLE ACC-INSIDE PVC END	PED WP	6	561568	561578
C 3	FR JCT BOX COMPARTMENT	AMP CPC	24	561641	561643	C 70	LH CONSOLE	AMP CPC	16	561642	561643
C 4	FR JCT BOX COMPARTMENT	AMP CPC	37	561644	561646	C 71	FR JCT BOX COMPARTMENT	AMP CPC	37	561645	561646
C 5	FR SERVICE COMPT.-UNDERNEATH	AMP CPC	37	561644	561646	C 72	FR JCT BOX COMPARTMENT	AMP CPC	24	561642	561643
C 6	FR SERVICE COMPT.-UNDERNEATH	AMP CPC	16	561639	561640	C 73	DASH CENTER PANEL	AMP CPC	16	561639	561640
C 7						C 74	FR JCT BOX COMPARTMENT	AMP CPC	37	561645	561646
C 8	FR SERVICE COMPT.-UNDERNEATH	AMP CPC	24	561641	561643	C 75	SERV CPT. RXT. ENT. DOOR SW	DEUTSCH	4	562479	562477
C 9	FR SERVICE COMPT.-UNDERNEATH	AMP CPC	24	561641	561643	C 76	LUGGAGE COMPT.-AIR RET.SENS.	AMP MNL	2	561248	561247
C 10	LUGGAGE COMPT. WATER BOOSTER PUMP	PED	2	562348	562471	C 77	LUGGAGE COMPT.-AIR RET.SENS.	AMP MNL	2	561248	561247
C 11	FR SERVICE COMPARTMENT	AMP CPC	37	561644	561646	C 78					
C 12	FR SERVICE COMPARTMENT	AMP CPC	16	561639	561640	C 79					
C 13	LH CONSOLE-CTR MIRROR	AMP MNL	6	561552	561515	C 80	LUGGAGE COMPT.-AIR RET.SENS.	AMP MNL	2	561248	561247
C 14	UNDER DASH-LH MIRROR	AMP MNL	9	561661	561662	C 81	PASSENGER COMPT.-AISLE LTS	AMP MNL	2	560900	560898
C 15	A/C CLUTCH	PED WP	2	561566	561690	C 82	ENTRANCE DOOR	MOLEX	6	562070	562069
C 16	LH CONSOLE SW-CRUISE ON OFF	EATON	10	-----	562763	C 83	ENTRANCE DOOR-PROIMITY SW	MOLEX	4	561477	561476
C 17	LH CONSOLE SW-CRUISE RESUME	EATON	10	-----	562763	C 84	ENTRANCE DOOR-PRESSURE SW	PED WP	2	561566	561690
C 18	LH CONSOLE SW-CRUISE SET	EATON	10	-----	562763	C 85	UNDER INSTRUMENT PANEL LH	AMP MTA-100	-----	562248	-----
C 19	LH CONSOLE DECEL SW	EATON	10	-----	562763	C 86					
C 20	RR JCT BOX	DEUTSCH	70	562282	562285	C 87	RR END ROOF	AMP CPC	9	561636	561637
C 21	RR JCT BOX	DEUTSCH	24	562280	562283	C 88					
C 22	RR JCT BOX - EATON TRANSM.	AMP MNL	6	561552	561515	C 89	RR END ROOF-B/U NONITOR	AMP CPC	4	561582	561581
C 23	DDEC ENGINE-ECM J1939	PED MP	6	-----	561962	C 90	RR JCT BOX	AMP CPC	15	561987	561986
C 24						C 91	RR JCT BOX	AMP CPC	37	561714	561713
C 25	RR JCT BOX - EATON TRANSM. J1939	DEUTCH	3	562877	562884	C 92	FR LH UPPER WHELL CPT-ABS	AMP CPC	9	561635	561637
C 26	HYD & MAN TRANSM.-NEUT.& B/U	PED WP	4	561610	561611	C 93	FR LH UPPER WHELL CPT-ABS		35	-----	641094
C 27	HYD & MAN TRANSM.-SPEED SENS.	PED WP	2	561566	561690	C 94	RH CONSOLE ENTRANCE STEP LIGHT	DEUTCH	2	562486	562485
C 28	EATON TRANSMISSION	DEUTCH	3	562877	562884	C 95	CONDENSOR CPT - LIQ. SOL. VALVE	PED WP	2	561566	561690
C 29	EATON TRANSMISSION	PED MP	6	562878	-----	C 96	FR AXLE ACCESSORIES	AMP CPC	14	561585	561585
C 30	RR JCT BOX - ECU EATON TRANSM.	PED MP	32	-----	562866	C 97	RR AXLE ACC-INSIDE PVC END	PED WP	6	561568	561578
C 31	RR JCT BOX - ECU EATON TRANSM.	PED MP	24	-----	562865	C 98	FR SERVICE COMPT-EL.FT.PEDAL	PED WP	3	561782	561781
C 32	DDEC ENGINE-ECM	PED	30	-----	561600	C 99	FR SERVICE COMPT LTS	AMP MNL	2	561248	561247
C 33	RR JCT BOX - EATON TRANSM.	DEUTCH	9	562531	-----	C 100	LH CONSOLE - 120 VOLTS SWITCH	EATON	8	-----	562763
C 34	RH. CONSOLE - EATON TRANSM. SHIFTER	PED MP	3	-----	562871	C 101	FR SERVICE COMPT-ELEC. HORNS	PED WP	2	561566	561690
C 35	RR JCT BOX	AMP CPC	24	561642	561643	C 102	FR SERV & SIDE CPT-FLASH. LH	GROTE	2	-----	562155
C 36	RH. CONSOLE - EATON TRANSM. SHIFTER	PED MP	24	-----	562874	C 103	FR SERV & SIDE CPT-MARKERS	GROTE	2	-----	562155
C 37	RR SECTION-LH HAT RACK	MOLEX	6	562558	562557	C 104	LAVATORY TRAP-FLUSH PUMP SW.	DEUTSCH	4	562479	562477
C 38	RR SECTION-RH HAT RACK	MOLEX	6	562558	562557	C 104	FR SERV & SIDE CPT-FLASH. RH	GROTE	2	-----	562155
C 39	LH CONSOLE - EATON TRANSM. DISPLAY	AMP MNL	4	561551	561668	C 105	FR SERVICE COMPT-LIQ.S.VALVE	PED WP	2	561566	561690
C 40	RR JCT BOX - EATON TRANSM. J1939	DEUTCH	3	562877	562884	C 106	FR SERVICE COMPT-WATER VALVE	PED WP	2	561566	561690
C 41	LAVATORY ROOF LIGHT	LEECRAFT	2	----	562803	C 107					
C 42	LAVATORY BACK WALL-WTR TANK	AMP MNL	2	560900	560898	C 108	FR SERVICE COMPT-KNEEL.SYS	PED WP	2	561566	561690
C 43	LAVATORY BACK WALL-ACCES.	AMP MNL	9	561661	561662	C 109	FR SERVICE COMPT-KNEEL.SYS	PED WP	2	561566	561690
C 44	EATON TRANSM. J1939	DEUTCH	3	562877	562884	C 110	FR SERVICE COMPT-KNEEL.SYS	PED WP	2	561566	561690
C 45	FR JCT BOX COMPARTMENT	AMP CPC	24	561642	561643	C 111	EVAPORATOR COMPT-DAMPER	DEUTSCH	2	562486	562485
C 46	EATON TRANSM. J1939	DEUTCH	3	562877	562884	C 112	LAVATORY BACK WALL-FLUSH PUMP SW.	DEUTSCH	4	562479	562477
C 47	FR SERVICE COMPARTMENT	AMP CPC	16	561694	561695	C 113	RR MARKER LT	GROTE	2	-----	562155
C 48	FR. SERVICE CMPT.PRESS SW PARKBREAK	DEUTCH	4	562479	562477	C 114	RR J. BOX CPT DOOR DIR LT LH	GROTE	2	-----	562155
C 49	BATTERIE COMPT.-LT	AMP MNL	2	561248	561247	C 115					
C 50	FR SERVICE COMPT.-LOW BUOY	PED WP	1	561605	561577	C 116	ENGINE COMPT. LTS	GROTE	2	-----	563268
C 51						C 117	RR JCT BOX MARKER LT	GROTE	2	-----	562155
C 52	RR JCT BOX	AMP CPC	24	561642	561643	C 117	FR SRV. COMPT. KNEELING UP SOL VALVE	PED WP	2	561761	
C 53	SPARE TIRE COMPT ENTRANCE STEP LIGHT	DEUTCH	2	562486	562485	C 118	ENGINE COMPT-LAVATORY FAN	PED WP	2	561566	561690
C 54	SPARE TIRE COMPT ENTRANCE STEP LIGHT	DEUTCH	2	562486	562485	C 119	ENGINE CPT RR DOOR RH LO LAMP	PED WP	6	561606	561607

CONNECTORS CODE

NO	LOCATION	TYPE	CAVITY	#PIN	#SOCKET	NO	LOCATION	TYPE	CAVITY	#PIN	#SOCKET
				HOUSING	HOUSING					HOUSING	HOUSING
C 120	ENGINE CPT RR DOOR LH LO LAMP	PED WP	6	561606	561607	C 186M	RR JCT BOX CPT.-SPD SIGN. M.TR	PED WP	2	561566	561690
C 121	BATTERIE CPT. DOOR DIR LT RH	GROTE	2	-----	562155	C 186W	RR JCT BOX CPT.-SPD SIGN. WT	PED WP	2	561566	561690
C 122						C 187	FR JCT BOX-RPM RESISTOR CON.	AMP MNL	6	561552	561515
C 123	TAG AXLE-UNLOAD TAG RH VALVE	PED WP	2	561566	561690	C 188					
C 124	ENGINE CPT-ETHER SW	PED WP	2	561566	561690	C 189	ENGINE CPT RR DOOR B/U LT	TRUCK-LITE	2	-----	562755
C 125	ENGINE CPT-B/U ALARM	PED WP	2	561566	561690	C 190	ENGINE CPT RR DOOR TAIL/ STOP LT	SUPER SEAL	3		562601
C 126	ENGINE CPT-FLUSHING PUMP	PED WP	2	561566	561690	C 191	ENGINE CPT RR DOOR RH TAIL/STOP LT	SUPER SEAL	3		562601
C 127	ENGINE CPT-FUEL FILTER	PED WP	2	561566	561690	C 192	ENGINE CPT RR DOOR DIR. LT	SUPER SEAL	3		562601
C 128	ENGINE CPT-A/C COMPR.CLUTCH	ITT SS	2	561813	561812	C 193					
C 129						C 194					
C 130	ENGINE CPT-UNLOADER	ITT SS	2	561813	561812	C 195					
C 131	ENGINE CPT-UNLOADER	ITT SS	2	561813	561812	C 198	ENGINE CPT RR DOOR LICENCE LT	PED WP	2	562348	562471
C 132	ENGINE CPT-A/C LO PRESS SW	PED WP	2	561566	561690	C 199					
C 133	ENGINE CPT-A/C HI PRESS SW	PED WP	2	561566	561690	C 200	RH HAT RACK-FLUORESCENT	AMP MNL	2	561248	561247
C 134	FR JCT BOX-LUGGAGE DIODE CON.	AMP MNL	15	561987	561986	C 201	RH HAT RACK-FLUORESCENT	AMP MNL	2	561248	561247
C 135	FR JCT BOX-LUGGAGE DIODE CON.	AMP MNL	15	561987	561986	C 202	RH HAT RACK-INDIRECT LIGHTING	MOLEX	2	-----	562758
C 136	RR JCT BOX - A/C PANEL DIODE CONN.	AMP MNL	15	561987	561986	C 203	RH HAT RACK-INDIRECT LIGHTING	MOLEX	6	-----	562759
C 137	RR JCT BOX-TRANSMITTER	AMP MNL	2	560900	560898	C 204	RH HAT RACK-GENERAL LT	AMP MNL	2	560900	560898
C 138	RR JCT BOX-CONTROL MODULE	AMP HDP	15	-----	562012	C 205	FR SECT.-RH HAT RACK SPEAKER	AMP MNL	9	561661	561662
C 139	RR JCT BOX-LOGIC MODULE	AMP HDP	15	562011	-----	C 206	RH HAT RACK-READING LT	AMP FF	4	-----	562756
C 140	HVAC DASH MODULE THERMOMETER	MOLEX	4		562782	C 207	LH HAT RACK-READING LT	AMP FF	4	-----	562756
C 141	INSTRUMENT PANEL LH UNLOAD TAG	AMP	2	561248	561247	C 208	LH HAT RACK-BALLAST	MOLEX	2	-----	562758
C 142	LAVATORY DOOR WALL	AMP MNL	2	561248	561247	C 209	LH HAT RACK HOTESS CHIME	AMP MNL	3	561667	561550
C 143						C 210	FR SECT.-LH HAT RACK SPEAKER	AMP MNL	9	561661	561662
C 144	UNDER LH SEAT-AISLE LTS	AMP MNL	4	560851	560852	C 211	FR ROOF-STORE LH	AMP MNL	2	560900	560898
C 145	RR JCT BOX CPT-RR SIDE LTS	AMP MNL	9	561670	561669	C 212	FR ROOF-STORE RH	AMP MNL	2	560900	560898
C 146	ENGINE CPT-MODULATOR VALVE	AMPHENOL	2	-----	560412	C 213					
C 147	BATT & RR J.B.CPT-DOCK.LTS	PED WP	2	561566	561690	C 214	ENGINE CPT J1922				
C 148						C 215	TAG AXLE - A.T.C. SYSTEM				
C 149	CONDENSER CPT-FAN MOTOR	ORDNANCE	3	562555	562001	C 216	TAG AXLE - A.T.C. SYSTEM				
C 150						C 217	RH DASH PANEL-FRONT CAMERA SW	EATON	8	-----	562763
C 151	EVAPORATOR CPT-THERMOSTAT	ITT SS	2	561813	562159	C 218	RH DASH PANEL-FRONT CAMERA SW	AMP MNL	2	560900	560898
C 152	CONDENSER CPT-FUEL GAUGE	PED WP	4	561610	561611	C 219	ENGINE CMPT. - FIRE DETECTOR	DEUTSCH	2	562486	562485
C 153	EVAPORATOR CPT-AIR AMB. SENS	AMP MNL	2	561248	561247	C 220	RR.JCT.BOX-FUEL PRIME PUMP	TC	1	561070	561073
C 154	EVAPORATOR CPT-FRESH AIR SENS	ITT SS	2	561813	561812	C 221	BATTERY CMPT. FIRE DETECTOR	DEUTSCH	2	562486	562485
C 155	EVAPORATOR CPT-WATER VALVE	PNEUMAC	4	562304		C 222	ENGINE CMPT. FIRE DETCTOR	DEUTSCH	2	562486	562485
C 156	EVAPOR. CPT-BYPASS WATER VAL.	PED WP	2	561566	561690	C 223	ENGINE CMPT. FIRE DETCTOR	DEUTSCH	2	562486	562485
C 157						C 224	ENGINE CMPT. -VORAD J1939	DEUTSCH	3	562877	562884
C 158	CONDENSER CPT-A/C LO TEMP.	PED WP	2	561566	561690	C 225	ENGINE CMPT. -VORAD J1939	DEUTSCH	3	562877	562884
C 159	CONDENSER CPT-A/C HI TEMP.	PED WP	2	561566	561690	C 226	FR LH UPPER WHEEL CPT-VORAD J1939	DEUTSCH	3	562677	562884
C 160	FR AXLE-ABS RH SENSOR	WABCO	2	641132	-----	C 227					
C 161	FR AXLE-ABS RH VALVE	WABCO	3	-----	641098	C 228					
C 162	FR AXLE-ABS LH VALVE	WABCO	3	-----	641098	C 229					
C 163	FR AXLE-ABS LH SENSOR	WABCO	2	641132	-----	C 230	ENG.CPT.-FUEL PRIME PUMP FEED	DEUTSCH	2	562486	562485
C 164	RR AXLE-ABS LH SENSOR	WABCO	2	641132	-----	C 231	ENG.CPT.-FUEL PRIME PUMP SW.	PED WP	2	561566	561690
C 165	RR AXLE-ABS LH VALVE	WABCO	3	-----	641098	C 232	ENG.CPT.-FUEL PRIME PUMP	PED WP	2	561566	561690
C 166	RR AXLE-ABS RH VALVE	WABCO	3	-----	641098	C 233	FR. SERVICE COMPT.	VDO	8		562043
C 167	RR AXLE-ABS RH SENSOR	DEUTSCH	2	641132	-----	C 234	FR. SERVICE COMPT.	VDO	8		562044
C 168	RR AXLE-ABS OPT ATC	PED WP	2	561566	561690	C 235	FR. SERVICE COMPT.	VDO	8		562041
C 169	RR JCT BOX-SPEED SW	AMP HDP	15	-----	562012	C 236	LUGGAGE COMPARTEMENT	AMP MNL	4	560851	560852
C 170	FR JCT BOX-FLASHER UNIT	TC	2	-----	561940	C 237	UNDER DASH LH-JACOB CLUTCH SW	ITT SS	3	561111	561080
C 171	LH CONSOLE	AMP CPC	24	561642	561643	C 238	UNDER DASH LH-PASS. REC. DAMPER SW	EATON	8	-----	562763
C 172						C 239	FR SERVICE CPT-HI BUOY VALVE	PED WP	2	561566	561690
C 173						C 240	FR SERVICE CPT-KNEEL PROX SW	PED WP	3	561781	562428
C 174	UNDER DASH RH-HTR MODULE	AMP MNL	9	561670	561669	C 241	HEADLAMPS HI BEAM	HELLA	2		562623
C 175	UNDER DASH RH-HTR MODULE	AMP MNL	9	561670	561669	C 242	HEADLAMPS LO BEAM	HELLA	2		562623
C 176	UNDER DASH RH-WIPER PULSE	AMP FF	6	-----	561186	C 243	FR SERVICE CPT. HEADLAMPS	DEUTCH	3	565131	562789
C 177	UNDER DASH RH-WIPER MOTOR	AMP FF	6	-----	561186	C 244	FR SERVICE CPT-LH FOG LAMP	DEUTCH	2	562902	562901
C 178	UNDER DASH RH-LH FAN	TC	2	561030	560997	C 245	FR SERVICE CPT-RH FOG LAMP	DEUTCH	2	562902	562901
C 179	UNDER DASH RH-RH FAN	TC	2	561030	560997	C 246	FR SERVICE CPT. MIRROR	CONXALL	5	563091	563090
C 180	RR JCT BOX-DIODE CONNECTOR	AMP MNL	15	561987	561986	C 247	HEADLAMPS MARK & DIR LTS	AMP SUPER S	3		562601
C 181	RR JCT BOX-DIODE CONNECTOR	AMP MNL	15	561987	561986	C 248	FR JCT BOX-WIPER PULSE GEN	AMP FF	6	-----	561108
C 182						C 249					
C 183	FR SERVICE CPT-KNEELING PAN.	PED WP	4	561610	561611	C 250	LH CONSOL PANEL- LOW BOY	PED	2	561566	561690
C 184	FR SERVICE CPT-KNEELING SW	ITT SS	3	561111	561080	C 251	LH DASH PANEL-FAST IDLE SW	EATON	8	-----	562763
C 185						C 252					
C 186						C 253	LH DASH PANEL-ETHER SW	EATON	8	-----	562763

CONNECTORS CODE

NO	LOCATION	TYPE	CAVITY	#PIN	#SOCKET	NO	LOCATION	TYPE	CAVITY	#PIN	#SOCKET
				HOUSING	HOUSING					HOUSING	HOUSING
C 254	INST. PANEL RH-ENTR.DOOR SW.	TORRIX	5	-----	562110	C 320	RH DASH PANEL-DRIVER'S LTS SW	EATON	8	-----	562763
C 255	LH DASH PANEL-JACOB & RETARDER SW	EATON	8	-----	562763	C 321	READING LTS TEST				
C 256						C 322	LH CONSOLE DRV WIND LIFT MOT	PED PO	2	-----	561848
C 257						C 323	LH CONSOLE CRUISE CTR SW PAN. AMP	CPC	9	561636	561637
C 258	LH SW PANEL-MULTI FUNC. SW	AMP FF	8	561188	-----	C 324					
C 259	LH SW PANEL-MULTI FUNC. SW	AMP FF	6	-----	561108	C 325	LH DASH PANEL-KNEELING SW	EATON	8	-----	562763
C 260	FR SERVICE CPT-LUG DOOR LCK	PED WP	6	561606	561607	C 326	ENGINE CMPT.	PED	4	-----	561610
C 261	UNDER DASH RH-DOOR MODULE	AMP MNL	9	561670	561669	C 327	ENGINE CONTROL	DEUTSCH	6	562583	562581
C 262	UNDER DASH RH-DOOR MODULE	AMP MNL	4	561551	561668	C 328	GALLEY-LAMP	AMP MNL	2	561248	561247
C 263	UNDER DASH RH-DOOR MODULE	AMP MNL	3	561667	561550	C 329	ENGINE TACHO SIGNAL	PED WP	3	561781	561789
C 264	UNDER DASH RH-DOOR MODULE	AMP MNL	3	561667	561550	C 330					
C 265	UNDER DASH RH-DOOR MODULE	AMP HDP-20	15	562011	562012	C 331	GALLEY MICROWAVE SW	EATON	8	-----	562763
C 266						C 332					
C 267	UNDER DASH RH	AMP CPC	24	561642	561643	C 333	GALLEY RH CONTAINER SW	EATON	8	-----	562763
C 268	UNDER DASH LH-MIRROR	AMP MNL	6	561552	561515	C 334	GALLEY LH CONTAINER SW	EATON	8	-----	562763
C 269	UNDER DASH RH-MIRROR	AMP MNL	6	561552	561515	C 335					
C 270	LH MIRROR POST	MOLEX	6	562070	562069	C 336					
C 271	RH MIRROR POST	MOLEX	6	562070	562069	C 337	INSTR PANEL LH-UP WIPER SW	EATON	8	-----	562763
C 272	LH MIRROR	SPARTAN	6	-----	990158	C 338	INSTR PANEL LH-UP DEFROST SW	EATON	8	-----	562763
C 273	RH MIRROR	SPARTAN	6	-----	990158	C 339	INSTR PANEL LH-UP WASHER SW	EATON	8	-----	562763
C 274	RR. JCT. BOX - SIGNAL ALT. MODULE	AMP MNL	12	561735	561734	C 340	FR JCT. BOX FIRE PIEZO ALARM	AMP MNL	2	560900	560898
C 275	UNDER DASH RH-DOOR MODULE	AMP MNL	9	561670	561669	C 341	INSTR PANEL LH-HEAT MIRROR SW	EATON	8	-----	562763
C 276	UNDER DASH RH-LOCK SOL.VALVE	AMP MNL	2	561248	561247	C 342	ENGINE RR START SW	DEUTSCH	2	562586	562585
C 277						C 343	INSTR PANEL LH-HEADLAMP SW	EATON	8	-----	562763
C 278						C 344	INSTR PANEL LH-HAZARD LT SW	EATON	8	-----	562763
C 279 *	FR SERVICE CPT.- STEERING ZF	DEUTCH	2		562486	C 345	INSTR PANEL LH-FOG LT SW	EATON	8	-----	562763
C 279	UNDER DASH CYLINDER READ SW.	AMP MNL	2	561248	561247	C 346					
C 280	LH CONSOLE-UNLOAD TAG SW.	NGR	10	-----	562763	C 347	INSTR PANEL LH-DASH LT SW	AMP MNL	2	560900	560898
C 281						C 348	INSTR PANEL CENT-RACOR MODULE	MOLEX	6	562070	562067
C 282						C 349					
C 283						C 350	RH CONSOLE-THERMOMETER	AMP MNL	3	561667	561550
C 284						C 351	LH HAT RACK-FLUOR 110V	MOLEX	4	561477	561476
C 285						C 352	RH CONSOLE-DRV TEMP SENSOR	BURNDY	4	-----	561104
C 286	RH SW PANEL-A/C & HEAT	EATON	8	-----	562763	C 353	INSTR PANEL RH-DRV FAN RHEOST	AMP MNL	6	561552	561515
C 287	ENGINE COMPT-LTS SW	PED WP	2	561566	561690	C 354	INSTR PANEL RH-DRV TEMP CTR	AMP MNL	6	561552	561515
C 288	RH SW PANEL-FRESH AIR	EATON	8	-----	562763	C 355	INSTR PANEL RH-FR TEMP CTR	AMP MNL	3	561667	561550
C 289						C 356					
C 290						C 357	INSTR PANEL RH-WATER TEMP GA	AMP MNL	3	561667	561550
C 291						C 358	INSTR PANEL RH-FUEL LEVEL GA	AMP MNL	3	561667	561550
C 292						C 359					
C 293						C 360					
C 294						C 361	FR ROOF-WIPER MOTOR	AMP FF	6	-----	561186
C 295						C 362	FR ROOF-LAVATORY OCCUPIED LT	AMP MNL	2	561248	561247
C 296						C 363	FR ROOF-WATCH YOUR STEP LT	AMP MNL	2	561248	561247
C 297	INSTRUMENT PANEL RH -LTS	AMP MNL	2	560900	560898	C 364	FR ROOF-DESTINATION SIGN	AMP MNL	3	561667	561550
C 298						C 365	FR ROOF-UP WINDSHIELD DEFROST	AMP MNL	3	561667	561550
C 299	RH DASH PANEL SW-GALLEY	EATON	8	-----	562763	C 366	RH DASH PANEL-GRN & RED LEDS	AMP MNL	3	560908	562006
C 300						C 367	ENGINE COMPT-DIF OIL T SENSOR	PED WP	2	561566	561690
C 301						C 368	FR ROOF-DEST. SIGN BALLAST	AMP MNL	3	561667	561550
C 302						C 369	FR ROOF-DEST. SIGN OPER. SW	TORRIX	5	-----	562110
C 303						C 370	FR ROOF-DEST. SIGN FLUOR.	AMP MNL	2	560900	560898
C 304						C 371	FR ROOF-DEST. SIGN FLUOR.	AMP MNL	2	560900	560898
C 305						C 372	FR ROOF-DEST. SIGN SPEED SW	MOLEX	4	561477	561476
C 306						C 373	FR ROOF-NO SMOKING LT	AMP MNL	2	561248	561247
C 307						C 374	LH SWITCH PANEL	AMP MNL	6	561552	561515
C 308	LH CONSOLE SW-RHEOSTAT	TC	2	561030	560997	C 375					
C 309	DDEC ENGINE-ECM POWER CON.	PED MP	5	-----	562345	C 376					
C 310	LH DASH PANEL -LUG. DOOR LCK SW	EATON	8	-----	562763	C 377	LH DASH PANEL-STOP ENG.OVERRIDE SW	EATON	8	-----	562763
C 311	RH DASH PANEL -HOS & PAS CHIME SW	EATON	8	-----	562763	C 378					
C 312	RH DASH PANEL -READING LTS SW	EATON	8	-----	562763	C 379					
C 313	RH DASH PANEL -GEN & FLUOR LTS SW	EATON	8	-----	562763	C 380	LH CONSOLE-DDR CONNECTOR	DEUTSCH	6	562360	-----
C 314	LH DASH PANEL-FR DEST. SIGN SW	EATON	8	-----	562763	C 381					
C 315	LH DASH PANEL-LH STORE SW	EATON	8	-----	562763	C 382					
C 316	LH CONSOLE SPARE SWITCH	EATON	8	-----	562763	C 383					
C 317	LH DASH PANEL-RH STORE SW	EATON	8	-----	562763	C 384					
C 318	LH CONSOLE SW-DRV WINDOW LIFT	EATON	8	-----	562763	C 385	EVAPOTATOR COMP WATER PUMP	PED WP	2	561566	561690
C 319						C 386	LH DASH PANEL-WCL POWER SYSTEM SW	EATON	8	-----	562763

CONNECTORS CODE

NO	LOCATION	TYPE	CAVITY	#PIN	#SOCKET	NO	LOCATION	TYPE	CAVITY	#PIN	#SOCKET
				HOUSING	HOUSING					HOUSING	HOUSING
C 387	RR JCT BOX (WCL)	AMP MNL	9	561661	561662	C 454	SOUND SYS.JCT.PAN.-FILT. VCP	PED WP	2	561566	561680
C 388	RR JCT BOX (WCL)	AMP MNL	12	561735	561734	C 455	WIRELESS MICRO-LH HAT-RACK	MOLEX	6	-----	562464
C 389	WCL REAR DOOR	MOLEX	4	561477	561476	C 456	WORLD TRANSM.-RETARDER ACCUM.	PED MP	2	-----	562427
C 390	LAVATORY WALL-WCL REMOTE CTR	EATON	8	-----	562763	C 457	WORLD TRANSM.-MAIN CONNECTOR	DEUTSCH	31	562572	562536
C 391	LAVATORY WALL-WCL LAMP	EATON	8	-----	562763	C 458	WORLD TRANSM.-TURBINE SP.SENS	PED MP	2	-----	562426
C 392	LAVATORY WALL-WCL SW. LT.	EATON	2	-----	561835	C 459	WORLD TRANSM.-ENGINE SP.SENS.	PED MP	2	-----	562426
C 393	LAVATORY WALL-WCL REMOTE SYS.	AMP CPC	4	561686	561687	C 460	WORLD TRANSM.-SPEED SENSOR	ITT	2	-----	562541
C 394	UNDER INSTR. PANEL- B/U MONITOR	AMP MNL	4	560851	560852	C 461	WORLD TRANSM.-RETARDER TEMP.	PED MP	2	561566	561680
C 395	DRIVER'S COMPT. - B/U MONITOR	AMP	5	-----	-----	C 462	WORLD TRANSM.-RETARD SOL."K"	PED MP	2	-----	562426
C 396	FR SECT. LH HAT RACK-SPEAKER	MOLEX	4	562507	562503	C 463	WORLD TRANSM.-SENSOR CONN.	DEUTSCH	16	562570	562571
C 397	ENGINE COMPT. CRADLE ACC.	DEUTSCH	40	562281	562284	C 464	RR JCT BOX-DDR CONNECTOR	DEUTSCH	6	-----	562360
C 398						C 465	LH CONSOLE-SHIFTER SELECTOR	PED	20	-----	562825
C 399	ENGINE COMPT. - PRE-EXITATION ALT.	PED WP	2	561566	561690	C 466	FR SERVICE CPT.-RESIS. MOD.	PED WP	3	-----	562428
C 400	ENGINE COMPT. BLOCK HEATER	PED MP	3	561781	561782	C 467	FR SERVICE CPT.-RESIS. MOD.	PED WP	3	-----	562428
C 401						C 468			8		
C 402						C 469					
C 403	GALLEY FRIGO NORCOLD	AMP MNL	2	561248	561247	C 470	FR LH UPPER WHELL CPT-SILENT 1000	AMP MNL	2	561248	561247
C 404	GALLEY LAMP	AMP MNL	2	561248	561247	C 471	FR LH UPPER WHELL CPT-SILENT 1000	AMP MNL	2	561248	561247
C 405	LAST LUGGAGE COMP. - INVERTER SIGNAL	AMP MNL	2	561248	561247	C 472	FR LH UPPER WHELL CPT-SILENT 1000	PED WP	2	561566	561690
C 406	FR JCT BOX COMPT.-ABS	AMP MNL	2	560900	560898	C 473	FR LH UPPER WHELL CPT-SILENT 1000	AMP MNL	3	561667	561550
C 407						C 474	DRIVER CPT.-TEMP. SENSOR	AMP MNL	2	561247	561248
C 408						C 475	RR JCT BOX-SPEED SIGN CONNECTOR	DEUTSCH	2	562486	562485
C 409	ENGINE CPT -LOW COOL. LEVEL	PED MP	2	-----	562350	C 476					
C 410	FR JCT BOX-DIODE CONNECTOR	AMP MNL	15	561987	561986	C 477					
C 411	FR JCT BOX-DIODE CONNECTOR	AMP MNL	15	561987	561986	C 478	ELECTRONIC DESTINATION SIGN	AMP CPC	9	561636	561637
C 412	LH DASH PANEL-MASTER SWITCH SW	EATON	8	-----	562763	C 479	HVAC MODULE	MOLEX	3	-----	562783
C 413	ENG CPT-A/C HI UNLOAD PRS SW	PED WP	2	561566	561690	C 480	UNDER DASH LH-DR. FAN SPEED CTR. MOD	PED	4	561889	561890
C 414						C 481	UNDER DASH LH-DR. FAN SPEED CTR. MOD	PED	3	561781	561782
C 415	RR JCT BOX - ENGINE SIGNAL	DEUTSCH	24	562280	562283	C 482					
C 416	ENGINE CRADLE-ENGINE SIGNAL	FCI	10	563207	-----	C 483	FR SERVICE CPT. (NOT USED)	PED PC	2	-----	562237
C 417	FRONT JCT BOX-DIODES	AMP MNL	15	561987	561986	C 484	UNDER DASH LH.-FOOT DAMPER MOTOR	PED PC	2	-----	562076
C 418	LH DASH PANEL-HTR WINDSH.SW	EATON	8	-----	562763	C 485	UNDER DASH LH.-DASH & DEFR. DAM.MOT.	AMP MNL	3	561667	561550
C 419	FR JCT BOX-RETARDER OR JACOB	AMP MNL	3	561667	561550	C 486					
C 420						C 487	S.S.PANEL - AUDIO IN AMPLI	MOLEX	4	-----	563071
C 421						C 488	S.S.PANEL - AMPLI SIGNAL	MOLEX	8	-----	562465
C 422						C 489	S.S.PANEL - SPEAKER OUTLET	MOLEX	6	-----	562464
C 423						C 490					
C 424	UNDER INSTRUMENT PANEL CENTER	AMP MNL	3	561667	561550	C 491					
C 425	FR JCT BOX-DIODES	AMP MNL	15	561987	561986	C 492					
C 426	ENGINE COMPT. CLUTCH CTR FAN	PED WP	3	561781	561782	C 493					
C 427	PRO-HEAT	PED-WP	2	561566	561680	C 494					
C 428	PRO-HEAT	PED WP	6	561606	561607	C 495					
C 429	FR JCT BOX COMPT.	AMP MNL	6	561552	561515	C 496					
C 430	LH CONSOLE-TIMER	AMP FF	8	561188	562363	C 497					
C 431	LH CONSOLE-PRE HEAT.	TAB AMP	1	561540	561539	C 498					
C 432	ENGINE CPT.-PROX. SW. DOOR AJAR	PED-WP	2	561566	561680	C 499					
C 433	FR SERVICE CPT. KNEEL. PRESS. SW	PED WP	2	561566	561690	C 500	FR LH UPPER WHELL CPT -PRODRIVER	MOLEX	6	562070	562069
C 434	FRONT JCT. BOX-DIODES	AMP MNL	15	561987	561986	C 501	FR LH UPPER WHELL CPT -PRODRIVER	PED MP	7	562433	-----
C 435	FR SERVICE CPT.(RH) KNEEL. PIEZO	AMP MNL	2	560900	560898	C 502	LH DASH PANEL-PRE HEATER SW.	EATON	8	-----	562763
C 436	RH HAT RACK-WCL CENTER ROOF ACC	AMP CPC	16	561639	561640	C 503	LH CONSOLE-PRE HEATER SW.	EATON	2	-----	561837
C 437	RH HAT RACK-WCL FR & RR SECT.	AMP CPC	24	561642	561643	C 504	LH CONSOLE WEBASTO TIMER	AMP	8	-----	562852
C 438	EVAP CMPT- A/C CONTROL	AMP MNL	2	561248	561247	C 505	LH CONSOLE ESPAR TIMER	AMP	9	-----	562681
C 439	EVAP CMPT- A/C CONTROL	AMP MNL	2	561248	561247	C 506	FR JCT BOX CPT. DIGITAL CLOCK	AMP	4	561685	561687
C 440	EVAP CMPT- A/C CONTROL	DEUTSCH	4	562479	562477	C 507	FR SECT. LH HAT-RACK DIG. CLOCK	MOLEX	4	561477	561476
C 441	FR JCT BOX- DIODES	AMP MNL	15	561987	561986	C 508	RR JCT BOX-FAN CLUTCH RETARDER	AMP MNL	6	561552	561515
C 442						C 509	FR LH UPPER WHELL CPT -DATA LOGGER	PED MP	16	-----	562530
C 443						C 510	FR LH UPPER WHELL CPT -DATA LOGGER	DEUTSCH	9	562531	-----
C 444						C 511	FR LH UPPER WHELL CPT -DATA LOGGER	PED MP	4	562532	-----
C 445						C 512	FR LH UPPER WHELL CPT -DATA LOGGER	PED MP	10	562533	-----
C 446						C 513	FR LH UPPER WHELL CPT -DATA LOGGER	AMP MNL	3	561667	561550
C 447						C 514	FR LH UPPER WHELL CPT -DATA LOGGER	PED MP	6	562433	562417
C 448						C 515	FR JCT BOX CPT.-INTERCOM	MOLEX	4	561477	561476
C 449						C 516	FR JCT BOX CPT.-INTERCOM	MOLEX	6	562070	562069
C 450	SOUND SYS. JCT. PANEL	MOLEX	4	562507	562503	C 517	LAVATORY WALL-INTERCOM	MOLEX	6	562070	562069
C 451	WIRELESS MICRO-FIRST CPT BAG	MOLEX	2	562550	562549	C 519	UNDER DASH RH-SEDAN DOOR	HUMPHREY	2	-----	562580
C 452	UNDER DASH INSTR. PANEL	MOLEX	2	562550	562549	C 520	UNDER DASH RH-SEDAN DOOR	HUMPHREY	2	-----	641385
C 453	SOUND SYS. JCT.PANEL-VCP	PED WP	2	561566	561680	C 521	UNDER DASH RH-SEDAN DOOR	HUMPHREY	2	-----	641385

CONNECTORS CODE

NO	LOCATION	TYPE	CAVITY	#PIN	#SOCKET	NO	LOCATION	TYPE	CAVITY	#PIN	#SOCKET
				HOUSING	HOUSING					HOUSING	HOUSING
C 522						C 589	UNDER DASH - L.H. MIRROR	AMP MNL	9	561670	561669
C 523	FR JCT BOX-FUSE BLOCK	PED	8	562647	562646	C 590	UNDER DASH - R.H. MIRROR	AMP MNL	9	561670	561669
C 524	FR JCT BOX-FUSE BLOCK	PED	8	562647	562646	C 591	L.H.CONSOLE - MIRROR L.H.	EURAMTEC	8	-----	562799
C 525	FR JCT BOX-FUSE BLOCK	PED	8	562647	562646	C 592	L.H.CONSOLE - MIRROR R.H.	EURAMTEC	8	-----	562799
C 526	FR JCT BOX-FUSE BLOCK	PED	8	562647	562646	C 593	BATTERY CMPT. - CHARGER	PED WP	3	561781	561782
C 527	FR JCT BOX-FUSE BLOCK	PED	8	562647	562646	C 594	FRONT ROOF - DRIVERS LIGHT	LEEKRAFT		-----	562803
C 528	FR JCT BOX-FUSE BLOCK	PED	8	562647	562646	C 595	DASH CENTER MODULE - OPEN DOOR	MOLEX	4	561477	561476
C 529	FR JCT BOX-12V OUTLET	AMP MNL	2	561247	561248	C 596	DASH CENTER MODULE - CLOSE DOOR	MOLEX	4	561477	561476
C 530	RR JCT BOX-FUSE BLOCK	PED	8	562647	562646	C 597	L.H. DASH PANEL - DISPLAY SET SW.	MOLEX	5		562812
C 531	RR JCT BOX-FUSE BLOCK	PED	8	562647	562646	C 598	L.H. DASH PANEL - DISPLAY SET SW.	MOLEX	5		562812
C 532	RR JCT BOX-FUSE BLOCK	PED	8	562647	562646	C 599					
C 533	RR JCT BOX-FUSE BLOCK	PED	8	562647	562646	C 600	ENGINE CPT.-A/C LOW PRESS SW. UNLOAD	PED	2	562348	562471
C 534	RR JCT BOX-FUSE BLOCK	PED	8	562647	562646	C 601	L.H. ROOF - WINDOW AJAR	AMP MNL	2	561248	561247
C 535	RR JCT BOX-FIRE MODULE DETECT.	AMP MNL	3	561667	561550	C 602	L.H. ROOF - WINDOW AJAR	MOLEX	4	561477	561476
C 536	UNDER DASH RH-DRIVER'S HTR TEMP. CTR	AMP MNL	6	561552	561515	C 603	R.H. ROOF - WINDOW AJAR	AMP MNL	2	561248	561247
C 537	BATT. CPT.-A/C PRESS. SIGN. RLY	AMP MNL	2	561248	561247	C 604	LH PARCEL RACK DVD VIDEO STABILIZER	SWITCHCRAFT	1	563074	
C 538	FR SERVICE CPT.-OUTSIDE TEMP. SENSOR	AMP MNL	2	561248	561247	C 605	HAT RACK - MOTOR FAN	PED	2	560997	561030
C 539	HVAC DASH MODULE OUTPUT CON	MOLEX	24		562780	C 606	HAT RACK - MOTOR FAN	PED	2	560997	561030
C 540	HVAC DASH MODULE INPUT CON	MOLEX	22		562781	C 607					
C 541	SOUND SYS. JCT PANEL-AUDIO SEAT SYS.	PED WP	2	561566	561690	C 608	FRONT SERVICE CMPT. SPEED SIGNAL	PED WP	2	561566	561690
C 542	LH HAT RACK-AUDIO SEAT SYSTEM	AMP MNL	3	561667	561550	C 609	LAVATORY - NIGHT LIGHT				
C 543						C 610					
C 544	SOUND SYS JCT PANEL-AUDIO SEAT SYS.	PED WP	3	561781	562428	C 611	HAT RACK READING LTS RICON	MOLEX	6	562558	562557
C 545	LH HAT RACK-AUDIO SEAT SYSTEM	AMP MNL	3	561667	561550	C 612	HAT -RACK FLUOR. INSTATION LTS RICON	MOLEX	4	562507	562503
C 546	WIRELESS MIC. CHARGING SYSTEM	MOLEX	2	-----	563025	C 613	HAT -RACK INDIRECT LTS RICON	AMP MNL	3	561667	561550
C 547	RH DASH PANEL-ACCESSORIES	AMP CPC	37	561645	561646	C 614	HAT -RACK INDIRECT LTS RICON	AMP MNL	3	561667	561550
C 548	LH DASH PANEL-T.T. LT. TEST SW.	EATON	8	-----	562763	C 615	LH PARCEL RACK DVD SING ALONG ADAPT.	MOLEX	2	562550	562549
C 549	LH DASH PANEL-FAN CLUTCH OVERR. SW	EATON	8	-----	562763	C 616					
C 550	LAST LUGG. CPT. -WCL RICON	AMP CPC	16	561694	561695	C 701	ZF TRANSMISSION ECU	KOSTAL	20		
C 551	LAST LUGG. CPT. -WCL RICON	AMP CPC	16	561694	561695	C 702	SHIFT SELECTOR - LH CONSOLE	AMP	14		563338
C 552	LAST LUGG. CPT. -WCL RICON	AMP CPC	9	561636	561637	C 712	NEUTRAL SWITCH ON ZF TRANSM. (TOP)	AMP	4		563340
C 553	UNDER DASH R.H. - CONTROL. HEAD	MOLEX	16	-----	562559	C 714	OUTPUT SENSOR ON ZF TRANSM. (BOTTOM)	AMP	4		563340
C 554	UNDER DASH R.H. - CONTROL. HEAD	MOLEX	16	-----	562559	C 717	BATT. CPT. - MAIN CONNECTOR	AMP CPC	22	561642	561643
C 555	UNDER DASH R.H. - CONTROL. HEAD	MOLEX	16	-----	562559	C 720	ENGINE COMPT - BLKHD CONNECTOR	DEUTSCH	31	563359	563358
C 556	UNDER DASH R.H. - RADIO ACC.	MOLEX	2	562550	562549	C 721	LH CONSOLE - ZF TESTMAN DIAGNOSTIC	AMP MNL	6	563356	
C 557	UNDER DASH R.H. - RADIO ACC.	MOLEX	9	562556	562555	C 723	ENGINE COMPT - FOR TRANSM.	DEUTSCH	3		562884
C 558	UNDER DASH R.H. - RADIO ACC.	MOLEX	4	562507	562503	C 736	ENGINE COMPT - ZMTEC MODULE	PACKARD	30	563053	
C 559	SOUND SYS. JCT. PANEL - FILTER AMPLI	PED WP	2	561566	561690	C 740	DRIVE AXLE - EASY START SOL VALVE	LEONI	2	--	641949
C 560	SOUND SYS. JCT. PANEL - POWER AMPLI	MOLEX	4	562507	562503	C 742	BATT. CPT - FUSE BLOCK	AMP	8	562446	
C 561	L.H. HAT RACK - WIRELESS MICRO	MOLEX	8		562465	C 745	FR SERV.COMPT - THROTTLE POS. SENSOR	PED WP	3	561781	
C 562	L.H. HAT RACK - VCP	MOLEX	12	562556	563070	C 760	FR SERV. COMPT - TO J1939	DEUTSCH	3		
C 563	L.H. MODESTY PANEL - DRIVERS SPK.	MOLEX	4	562507	562503	C 761	FR SERV. COMPT - TO J1939	DEUTSCH	3		562884
C 564	L.H. MODESTY PANEL - MICRO	MOLEX	4	562507	562503	C 762	ENGINE COMPT - TO J1939	DEUTSCH	3		562884
C 565	R.H. MODESTY PANEL - MICRO	MOLEX	4	562507	562503	C 763	ENGINE COMPT - TO J1939	DEUTSCH	3		562884
C 566	L.H. CONSOLE - BOOM MICRO	MOLEX	4	562507	562503	C 764	ENGINE COMPT - TO J1939	DEUTSCH	3		562884
C 567	L.H. CONSOLE - DRIVERS MICRO	MOLEX	4	562507	562503	C 765	ENGINE COMPT - TO J1939	DEUTSCH	3		562884
C 568	SOUND SYS. JCT. PANEL - PASS. SPK	CINCH	4	562553	562552	C 766	ENGINE COMPT - TO J1939	DEUTSCH	3		562884
C 569	SOUND SYS. JCT. PANEL - POWER AMPLI.	MOLEX	9	562556	562555						
C 570	UNDER DASH PANEL TTLT	MOLEX	6		562464						
C 571	UNDER DASH PANEL TTLT	MOLEX	20		562778						
C 572	UNDER DASH PANEL TTLT	MOLEX	18		562779	C X	CLUSTER	JAE	22		562766
C 573	UNDER DASH PANEL TTLT	MOLEX	8		562465	C Y	CLUSTER	JAE	30		562767
C 574	HAT -RACK FLUOR. INDIRECT LIGHTING	MOLEX	6	-----	562759	L X	CLUSTER	JAE	22		562764
C 575	HAT -RACK FLUOR. INSTATION LIGHT	MOLEX	4	562507	562503	L					
C 576	HAT -RACK FLUOR. INDIRECT LIGHTING	AMP MNL	3	561667	561550	R					
C 577	HAT -RACK FLUOR. INDIRECT LIGHTING	AMP MNL	3	561667	561550						
C 578	HAT -RACK FLUOR. INSTATION LIGHT	MOLEX	4	562507	562503						
C 579	L.H HAT RACK - VCP POWER	MOLEX	4		563071						
C 580	RH DASH PANEL-HAT RACK FAN SW	EATON	8	-----	562763						
C 581											
C 582	FRONT SERVICE CMPT. - WINDOWS AJAR	PED WP	2	561566	561690						
C 583	L.H. DASH PANEL - MASTER KEY	DEUTSCH	2	562486	562485						
C 584	FRONT SERVICE CMPT. - AIR HORH	HUMPHREY	3	-----	641385						
C 585											
C 586											
C 587	LH PARCEL RACK DVD UNIT	MOLEX	4	563040	563071						
C 588	FRONT SERVICE CPT. CENTER SOUND SYS.	AMP. CPC	37	561645	561646						

CONNECTORS CODE

NO	LOCATION	TYPE	CAVITY	#PIN	#SOCKET	NO	LOCATION	TYPE	CAVITY	#PIN	#SOCKET
				HOUSING	HOUSING					HOUSING	HOUSING
AA1	BEHIND DASH - SONALERT	BOSCH	5		561183	C 55	RH SWITCH PANEL	AMP CPC	9	561636	561637
AA2	BEHIND DASH - SONALERT	BOSCH	5		561183	C 56	HAT RACK- MOTOR FAN	MOLEX	6	562558	562557
C X1	FR SERVICE COMPT- ECU ABS	AMP	15		563200	C 57	HAT RACK- MOTOR FAN	MOLEX	6	562558	562557
C X2	FR SERVICE COMPT- ECU ABS	AMP	18		563201	C 58	RR JCT BOX AC PANEL	DEUTSCH	24	562280	562283
CRH	DDEC ENGINE- RELATIVE HUMIDITY SENS.	FCI	4		563277	C 59	RR JCT BOX AC PANEL	AMP CPC	14	561584	561583
CRXTX	HVAC DASN MODULE COMMUNICATION	MOLEX	3	563206	562873	C 60	RR JCT BOX COMPT.-LT	AMP MNL	2	561248	561247
CS	RR JCT BOX ECU WORLD TR.	PED	32		562817	C 61	LUGGAGE COMPARTMENT LTS	AMP MNL	2	561248	561247
CT	RR JCT BOX ECU WORLD TR.	PED	32		562824	C 62	LUGGAGE COMPARTMENT LTS	AMP MNL	2	561248	561247
CV	RR JCT BOX ECU WORLD TR.	PED	32		562823	C 63	LUGGAGE COMPARTMENT LTS	AMP MNL	2	561248	561247
		AMP CPC	9	561636	561637	C 64	LUGGAGE COMPARTMENT LTS	AMP MNL	2	561248	561247
CWX1	ENGINE CPT-WEBASTO PRE-HEAT WATER	AMP SEALED	7		563135	C 65	LUGGAGE COMPARTMENT LTS	AMP MNL	2	561248	561247
CWX3	ENGINE CPT-WEBASTO PRE-HEAT WATER	AMP SEALED	7	563136		C 66	LUGGAGE COMPARTMENT LTS	AMP MNL	2	561248	561247
CY	CLUSTER	JAE	30	---	562765	C 67	LUGGAGE COMPARTMENT LTS	AMP MNL	2	561248	561247
C 1	FR JCT BOX COMPARTMENT	AMP CPC	14	561585	561584	C 68	LUGGAGE COMPARTMENT LTS	AMP MNL	2	561248	561247
C 2	FR JCT BOX COMPARTMENT	AMP CPC	16	561639	561640	C 69	RR AXLE ACC-INSIDE PVC END	PED WP	6	561568	561578
C 3	FR JCT BOX COMPARTMENT	AMP CPC	24	561641	561643	C 70	LH CONSOLE	AMP CPC	16	561642	561643
C 4	FR JCT BOX COMPARTMENT	AMP CPC	37	561644	561646	C 71	FR JCT BOX COMPARTMENT	AMP CPC	37	561645	561646
C 5	FR SERVICE COMPT.-UNDERNEATH	AMP CPC	37	561644	561646	C 72	FR JCT BOX COMPARTMENT	AMP CPC	24	561642	561643
C 6	FR SERVICE COMPT.-UNDERNEATH	AMP CPC	16	561639	561640	C 73	DASH CENTER PANEL	AMP CPC	16	561639	561640
C 7						C 74	FR JCT BOX COMPARTMENT	AMP CPC	37	561645	561646
C 8	FR SERVICE COMPT.-UNDERNEATH	AMP CPC	24	561641	561643	C 75	SERV CPT. RXT. ENT. DOOR SW	DEUTSCH	4	562479	562477
C 9	FR SERVICE COMPT.-UNDERNEATH	AMP CPC	24	561641	561643	C 76	LUGGAGE COMPT.-AIR RET.SENS.	AMP MNL	2	561248	561247
C 10	LUGGAGE COMPT. WATER BOOSTER PUMP	PED	2	562348	562471	C 77	LUGGAGE COMPT.-AIR RET.SENS.	AMP MNL	2	561248	561247
C 11	FR SERVICE COMPARTMENT	AMP CPC	37	561644	561646	C 78					
C 12	FR SERVICE COMPARTMENT	AMP CPC	16	561639	561640	C 79					
C 13	LH CONSOLE-CTR MIRROR	AMP MNL	6	561552	561515	C 80	LUGGAGE COMPT.-AIR RET.SENS.	AMP MNL	2	561248	561247
C 14	UNDER DASH-LH MIRROR	AMP MNL	9	561661	561662	C 81	PASSENGER COMPT.-AISLE LTS	AMP MNL	2	560900	560898
C 15	A/C CLUTCH	PED WP	2	561566	561690	C 82	ENTRANCE DOOR	MOLEX	6	562070	562069
C 16	LH CONSOLE SW-CRUISE ON OFF	EATON	10	-----	562763	C 83	ENTRANCE DOOR-PROIMITY SW	MOLEX	4	561477	561476
C 17	LH CONSOLE SW-CRUISE RESUME	EATON	10	-----	562763	C 84	ENTRANCE DOOR-PRESSURE SW	PED WP	2	561566	561690
C 18	LH CONSOLE SW-CRUISE SET	EATON	10	-----	562763	C 85	UNDER INSTRUMENT PANEL LH	AMP MTA-100	-----	562248	-----
C 19	LH CONSOLE DECEL SW	EATON	10	-----	562763	C 86					
C 20	RR JCT BOX	DEUTSCH	70	562282	562285	C 87	RR END ROOF	AMP CPC	9	561636	561637
C 21	RR JCT BOX	DEUTSCH	24	562280	562283	C 88					
C 22	RR JCT BOX - EATON TRANSM.	AMP MNL	6	561552	561515	C 89	RR END ROOF-B/U NONITOR	AMP CPC	4	561582	561581
C 23	DDEC ENGINE-ECM J1939	PED MP	6	-----	561962	C 90	RR JCT BOX	AMP CPC	15	561987	561986
C 24	DDEC ENGINE-12V/ FOR OPTION	PED WP	1	-----	561577	C 91	RR JCT BOX	AMP CPC	37	561714	561713
C 25						C 92	FR LH UPPER WHELL CPT-ABS	AMP CPC	9	561635	561637
C 26	HYD & MAN TRANSM.-NEUT. & B/U	PED WP	4	561610	561611	C 93	FR LH UPPER WHELL CPT-ABS		35	-----	641094
C 27	HYD & MAN TRANSM.-SPEED SENS.	PED WP	2	561566	561690	C 94	RH CONSOLE ENTRANCE STEP LIGHT	DEUTCH	2	562486	562485
C 28	EATON TRANSMISSION	DEUTCH	3	562877	562884	C 95	CONDENSOR CPT - LIQ. SOL. VALVE	PED WP	2	561566	561690
C 29	EATON TRANSMISSION	PED MP	6	562878	-----	C 96	FR AXLE ACCESSORIES	AMP CPC	14	561585	561585
C 30	RR JCT BOX - ECU EATON TRANSM.	PED MP	32	-----	562866	C 97	RR AXLE ACC-INSIDE PVC END	PED WP	6	561568	561578
C 31	RR JCT BOX - ECU EATON TRANSM.	PED MP	24	-----	562865	C 98	FR SERVICE COMPT-EL.FT.PEDAL	PED WP	3	561782	561781
C 32	DDEC ENGINE-ECM	PED	30	-----	561600	C 99	FR SERVICE COMPT LTS	AMP MNL	2	561248	561247
C 33	RR JCT BOX - EATON TRANSM.	DEUTCH	9	562531	-----	C 100	LH CONSOLE - 120 VOLTS SWITCH	EATON	8	-----	562763
C 34	RH. CONSOLE - EATON TRANSM. SHIFTER	PED MP	3	-----	562871	C 101	FR SERVICE COMPT-ELEC. HORNS	PED WP	2	561566	561690
C 35	RR JCT BOX	DEUTCH	40	562281	562284	C 102	FR SERV & SIDE CPT-FLASH. LH	GROTE	2	-----	562155
C 36	RH. CONSOLE - EATON TRANSM. SHIFTER	PED MP	24	-----	562874	C 103	FR SERV & SIDE CPT-MARKERS	GROTE	2	-----	562155
C 37	RR SECTION-LH HAT RACK	MOLEX	6	562558	562557	C 104	LAVATORY TRAP-FLUSH PUMP SW.	DEUTSCH	4	562479	562477
C 38	RR SECTION-RH HAT RACK	MOLEX	6	562558	562557	C 104	FR SERV & SIDE CPT-FLASH. RH	GROTE	2	-----	562155
C 39	LH CONSOLE - EATON TRANSM. DISPLAY	AMP MNL	4	561551	561668	C 105	FR SERVICE COMPT-LIQ.S.VALVE	PED WP	2	561566	561690
C 40	RR JCT BOX - EATON TRANSM. J1939	DEUTCH	3	562877	562884	C 106	FR SERVICE COMPT-WATER VALVE	PED WP	2	561566	561690
C 41	LAVATORY ROOF LIGHT	LEECRAFT	2	-----	562803	C 107					
C 42	LAVATORY BACK WALL-WTR TANK	AMP MNL	2	560900	560898	C 108	FR SERVICE COMPT-KNEEL.SYS	PED WP	2	561566	561690
C 43	LAVATORY BACK WALL-ACCES.	AMP MNL	9	561661	561662	C 109	FR SERVICE COMPT-KNEEL.SYS	PED WP	2	561566	561690
C 44	EATON TRANSM. J1939	DEUTCH	3	562877	562884	C 110	FR SERVICE COMPT-KNEEL.SYS	PED WP	2	561566	561690
C 45	FR JCT BOX COMPARTMENT	AMP CPC	24	561642	561643	C 111	EVAPORATOR COMPT-DAMPER	DEUTSCH	2	562486	562485
C 46	EATON TRANSM. J1939	DEUTCH	3	562877	562884	C 112	LAVATORY BACK WALL-FLUSH PUMP SW.	DEUTSCH	4	562479	562477
C 47	FR SERVICE COMPARTMENT	AMP CPC	16	561694	561695	C 113	RR MARKER LT	GROTE	2	-----	562155
C 48	FR. SERVICE CMPT.PRESS SW PARKBREAK	DEUTCH	4	562479	562477	C 114	RR J. BOX CPT DOOR DIR LT LH	GROTE	2	-----	562155
C 49	BATTERIE COMPT.-LT	AMP MNL	2	561248	561247	C 115					
C 50	FR SERVICE COMPT.-LOW BUOY	PED WP	1	561605	561577	C 116	ENGINE COMPT. LTS	GROTE	2	-----	563268
C 51						C 117	RR JCT BOX MARKER LT	GROTE	2	-----	562155
C 52	RR JCT BOX	AMP CPC	24	561642	561643	C 117	FR SRV. COMPT. KNEELING UP SOL VALVE	PED WP	2	561761	
C 53	SPARE TIRE COMPT ENTRANCE STEP LIGHT	DEUTCH	2	562486	562485	C 118	ENGINE COMPT-LAVATORY FAN	PED WP	2	561566	561690
C 54	SPARE TIRE COMPT ENTRANCE STEP LIGHT	DEUTCH	2	562486	562485	C 119	ENGINE CPT RR DOOR RH LO LAMP	PED WP	6	561606	561607

CONNECTORS CODE

NO	LOCATION	TYPE	CAVITY	#PIN	#SOCKET	NO	LOCATION	TYPE	CAVITY	#PIN	#SOCKET
				HOUSING	HOUSING					HOUSING	HOUSING
C 120	ENGINE CPT RR DOOR LH LO LAMP	PED WP	6	561606	561607	C 186M	RR JCT BOX CPT.-SPD SIGN. M.TR	PED WP	2	561566	561690
C 121	BATTERIE CPT. DOOR DIR LT RH	GROTE	2	-----	562155	C 186W	RR JCT BOX CPT.-SPD SIGN. WT	PED WP	2	561566	561690
C 122						C 187	FR JCT BOX-RPM RESISTOR CON.	AMP MNL	6	561552	561515
C 123	TAG AXLE-UNLOAD TAG RH VALVE	PED WP	2	561566	561690	C 188					
C 124	ENGINE CPT-ETHER SW	PED WP	2	561566	561690	C 189	ENGINE CPT RR DOOR B/U LT	TRUCK-LITE	2	-----	562755
C 125	ENGINE CPT-B/U ALARM	PED WP	2	561566	561690	C 190	ENGINE CPT RR DOOR TAIL/ STOP LT	SUPER SEAL	3		562601
C 126	ENGINE CPT-FLUSHING PUMP	PED WP	2	561566	561690	C 191	ENGINE CPT RR DOOR RH TAIL/STOP LT	SUPER SEAL	3		562601
C 127	ENGINE CPT-FUEL FILTER	PED WP	2	561566	561690	C 192	ENGINE CPT RR DOOR DIR. LT	SUPER SEAL	3		562601
C 128	ENGINE CPT-A/C COMPR.CLUTCH	ITT SS	2	561813	561812	C 193					
C 129						C 194					
C 130	ENGINE CPT-UNLOADER	ITT SS	2	561813	561812	C 195					
C 131	ENGINE CPT-UNLOADER	ITT SS	2	561813	561812	C 198	ENGINE CPT RR DOOR LICENCE LT	PED WP	2	562348	562471
C 132	ENGINE CPT-A/C LO PRESS SW	PED WP	2	561566	561690	C 199					
C 133	ENGINE CPT-A/C HI PRESS SW	PED WP	2	561566	561690	C 200	RH HAT RACK-FLUORESCENT	AMP MNL	2	561248	561247
C 134	FR JCT BOX-LUGGAGE DIODE CON.	AMP MNL	15	561987	561986	C 201	RH HAT RACK-FLUORESCENT	AMP MNL	2	561248	561247
C 135	FR JCT BOX-LUGGAGE DIODE CON.	AMP MNL	15	561987	561986	C 202	RH HAT RACK-INDIRECT LIGHTING	MOLEX	2	-----	562758
C 136	RR JCT BOX - A/C PANEL DIODE CONN.	AMP MNL	15	561987	561986	C 203	RH HAT RACK-INDIRECT LIGHTING	MOLEX	6	-----	562759
C 137	RR JCT BOX-TRANSMITTER	AMP MNL	2	560900	560898	C 204	RH HAT RACK-GENERAL LT	AMP MNL	2	560900	560898
C 138	RR JCT BOX-CONTROL MODULE	AMP HDP	15	-----	562012	C 205	FR SECT.-RH HAT RACK SPEAKER	AMP MNL	9	561661	561662
C 139	RR JCT BOX-LOGIC MODULE	AMP HDP	15	562011	-----	C 206	RH HAT RACK-READING LT	AMP FF	4	-----	562756
C 140	HVAC DASH MODULE THERMOMETER	MOLEX	4		562782	C 207	LH HAT RACK-READING LT	AMP FF	4	-----	562756
C 141	INSTRUMENT PANEL LH UNLOAD TAG	AMP	2	561248	561247	C 208	LH HAT RACK-BALLAST	MOLEX	2	-----	562758
C 142	LAVATORY DOOR WALL	AMP MNL	2	561248	561247	C 209	LH HAT RACK HOTESS CHIME	AMP MNL	3	561667	561550
C 143						C 210	FR SECT.-LH HAT RACK SPEAKER	AMP MNL	9	561661	561662
C 144	UNDER LH SEAT-AISLE LTS	AMP MNL	4	560851	560852	C 211	FR ROOF-STORE LH	AMP MNL	2	560900	560898
C 145	RR JCT BOX CPT-RR SIDE LTS	AMP MNL	9	561670	561669	C 212	FR ROOF-STORE RH	AMP MNL	2	560900	560898
C 146	ENGINE CPT-MODULATOR VALVE	AMPHENOL	2	-----	560412	C 213					
C 147	BATT & RR J.B.CPT-DOCK.LTS	PED WP	2	561566	561690	C 214	ENGINE CPT J1922				
C 148						C 215	TAG AXLE - A.T.C. SYSTEM				
C 149	CONDENSER CPT-FAN MOTOR	ORDNANCE	3	562555	562001	C 216	TAG AXLE - A.T.C. SYSTEM				
C 150						C 217	RH DASH PANEL-FRONT CAMERA SW	EATON	8	-----	562763
C 151	EVAPORATOR CPT-THERMOSTAT	ITT SS	2	561813	562159	C 218	RH DASH PANEL-FRONT CAMERA SW	AMP MNL	2	560900	560898
C 152	CONDENSER CPT-FUEL GAUGE	PED WP	4	561610	561611	C 219	ENGINE CMPT. - FIRE DETECTOR	DEUTSCH	2	562486	562485
C 153	EVAPORATOR CPT-AIR AMB. SENS	AMP MNL	2	561248	561247	C 220	RR.JCT.BOX-FUEL PRIME PUMP	TC	1	561070	561073
C 154	EVAPORATOR CPT-FRESH AIR SENS	ITT SS	2	561813	561812	C 221	BATTERY CMPT. FIRE DETECTOR	DEUTSCH	2	562486	562485
C 155	EVAPORATOR CPT-WATER VALVE	PNEUMAC	4	562304		C 222	ENGINE CMPT. FIRE DETCTOR	DEUTSCH	2	562486	562485
C 156	EVAPOR. CPT-BYPASS WATER VAL.	PED WP	2	561566	561690	C 223	ENGINE CMPT. FIRE DETCTOR	DEUTSCH	2	562486	562485
C 157						C 224	ENGINE CMPT. -VORAD J1939	DEUTSCH	3	562877	562884
C 158	CONDENSER CPT-A/C LO TEMP.	PED WP	2	561566	561690	C 225	ENGINE CMPT. -VORAD J1939	DEUTSCH	3	562877	562884
C 159	CONDENSER CPT-A/C HI TEMP.	PED WP	2	561566	561690	C 226	FR LH UPPER WHEEL CPT-VORAD J1939	DEUTSCH	3	562677	562884
C 160	FR AXLE-ABS RH SENSOR	WABCO	2	641132	-----	C 227					
C 161	FR AXLE-ABS RH VALVE	WABCO	3	-----	641098	C 228					
C 162	FR AXLE-ABS LH VALVE	WABCO	3	-----	641098	C 229					
C 163	FR AXLE-ABS LH SENSOR	WABCO	2	641132	-----	C 230	ENG.CPT.-FUEL PRIME PUMP FEED	DEUTSCH	2	562486	562485
C 164	RR AXLE-ABS LH SENSOR	WABCO	2	641132	-----	C 231	ENG.CPT.-FUEL PRIME PUMP SW.	PED WP	2	561566	561690
C 165	RR AXLE-ABS LH VALVE	WABCO	3	-----	641098	C 232	ENG.CPT.-FUEL PRIME PUMP	PED WP	2	561566	561690
C 166	RR AXLE-ABS RH VALVE	WABCO	3	-----	641098	C 233	FR. SERVICE COMPT.	VDO	8		562043
C 167	RR AXLE-ABS RH SENSOR	DEUTSCH	2	641132	-----	C 234	FR. SERVICE COMPT.	VDO	8		562044
C 168	RR AXLE-ABS OPT ATC	PED WP	2	561566	561690	C 235	FR. SERVICE COMPT.	VDO	8		562041
C 169	RR JCT BOX-SPEED SW	AMP HDP	15	-----	562012	C 236	LUGGAGE COMPARTEMENT	AMP MNL	4	560851	560852
C 170	FR JCT BOX-FLASHER UNIT	TC	2	-----	561940	C 237	UNDER DASH LH-JACOB CLUTCH SW	ITT SS	3	561111	561080
C 171	LH CONSOLE	AMP CPC	24	561642	561643	C 238	UNDER DASH LH-PASS. REC. DAMPER SW	EATON	8	-----	562763
C 172						C 239	FR SERVICE CPT-HI BUOY VALVE	PED WP	2	561566	561690
C 173						C 240	FR SERVICE CPT-KNEEL PROX SW	PED WP	3	561781	562428
C 174	UNDER DASH RH-HTR MODULE	AMP MNL	9	561670	561669	C 241	HEADLAMPS HI BEAM	HELLA	2		562623
C 175	UNDER DASH RH-HTR MODULE	AMP MNL	9	561670	561669	C 242	HEADLAMPS LO BEAM	HELLA	2		562623
C 176	UNDER DASH RH-WIPER PULSE	AMP FF	6	-----	561186	C 243	FR SERVICE CPT. HEADLAMPS	DEUTCH	3	565131	562789
C 177	UNDER DASH RH-WIPER MOTOR	AMP FF	6	-----	561186	C 244	FR SERVICE CPT-LH FOG LAMP	DEUTCH	2	562902	562901
C 178	UNDER DASH RH-LH FAN	TC	2	561030	560997	C 245	FR SERVICE CPT-RH FOG LAMP	DEUTCH	2	562902	562901
C 179	UNDER DASH RH-RH FAN	TC	2	561030	560997	C 246	FR SERVICE CPT. MIRROR	CONXALL	5	563091	563090
C 180	RR JCT BOX-DIODE CONNECTOR	AMP MNL	15	561987	561986	C 247	HEADLAMPS MARK & DIR LTS	AMP SUPER S	3		562601
C 181	RR JCT BOX-DIODE CONNECTOR	AMP MNL	15	561987	561986	C 248	FR JCT BOX-WIPER PULSE GEN	AMP FF	6	-----	561108
C 182						C 249					
C 183	FR SERVICE CPT-KNEELING PAN.	PED WP	4	561610	561611	C 250	LH CONSOL PANEL- LOW BOY	PED	2	561566	561690
C 184	FR SERVICE CPT-KNEELING SW	ITT SS	3	561111	561080	C 251	LH DASH PANEL-FAST IDLE SW	EATON	8	-----	562763
C 185						C 252					
C 186						C 253	LH DASH PANEL-ETHER SW	EATON	8	-----	562763

CONNECTORS CODE

NO	LOCATION	TYPE	CAVITY	#PIN HOUSING	#SOCKET HOUSING	NO	LOCATION	TYPE	CAVITY	#PIN HOUSING	#SOCKET HOUSING
C 254	INST. PANEL RH-ENTR.DOOR SW.	TORRIX	5	-----	562110	C 320	RH DASH PANEL-DRIVER'S LTS SW	EATON	8	-----	562763
C 255	LH DASH PANEL-JACOB & RETARDER SW	EATON	8	-----	562763	C 321	READING LTS TEST				
C 256						C 322	LH CONSOLE DRV WIND LIFT MOT	PED PO	2	-----	561848
C 257						C 323	LH CONSOLE CRUISE CTR SW PAN. AMP	CPC	9	561636	561637
C 258	LH SW PANEL-MULTI FUNC. SW	AMP FF	8	561188	-----	C 324					
C 259	LH SW PANEL-MULTI FUNC. SW	AMP FF	6	-----	561108	C 325	LH DASH PANEL-KNEELING SW	EATON	8	-----	562763
C 260	FR SERVICE CPT-LUG DOOR LCK	PED WP	6	561606	561607	C 326	ENGINE CMPT.	PED	4	-----	561610
C 261	UNDER DASH RH-DOOR MODULE	AMP MNL	9	561670	561669	C 327	ENGINE CONTROL	DEUTSCH	6	562583	562581
C 262	UNDER DASH RH-DOOR MODULE	AMP MNL	4	561551	561668	C 328	GALLEY-LAMP	AMP MNL	2	561248	561247
C 263	UNDER DASH RH-DOOR MODULE	AMP MNL	3	561667	561550	C 329	ENGINE TACHO SIGNAL	PED WP	3	561781	561789
C 264	UNDER DASH RH-DOOR MODULE	AMP MNL	3	561667	561550	C 330					
C 265	UNDER DASH RH-DOOR MODULE	AMP HDP-20	15	562011	562012	C 331	GALLEY MICROWAVE SW	EATON	8	-----	562763
C 266						C 332					
C 267	UNDER DASH RH	AMP CPC	24	561642	561643	C 333	GALLEY RH CONTAINER SW	EATON	8	-----	562763
C 268	UNDER DASH LH-MIRROR	AMP MNL	6	561552	561515	C 334	GALLEY LH CONTAINER SW	EATON	8	-----	562763
C 269	UNDER DASH RH-MIRROR	AMP MNL	6	561552	561515	C 335					
C 270	LH MIRROR POST	MOLEX	6	562070	562069	C 336					
C 271	RH MIRROR POST	MOLEX	6	562070	562069	C 337	INSTR PANEL LH-UP WIPER SW	EATON	8	-----	562763
C 272	LH MIRROR	SPARTAN	6	-----	990158	C 338	INSTR PANEL LH-UP DEFROST SW	EATON	8	-----	562763
C 273	RH MIRROR	SPARTAN	6	-----	990158	C 339	INSTR PANEL LH-UP WASHER SW	EATON	8	-----	562763
C 274	RR. JCT. BOX - SIGNAL ALT. MODULE	AMP MNL	12	561735	561734	C 340	FR JCT. BOX FIRE PIEZO ALARM	AMP MNL	2	560900	560898
C 275	UNDER DASH RH-DOOR MODULE	AMP MNL	9	561670	561669	C 341	INSTR PANEL LH-HEAT MIRROR SW	EATON	8	-----	562763
C 276	UNDER DASH RH-LOCK SOL.VALVE	AMP MNL	2	561248	561247	C 342	ENGINE RR START SW	DEUTSCH	2	562586	562585
C 277						C 343	INSTR PANEL LH-HEADLAMP SW	EATON	8	-----	562763
C 278						C 344	INSTR PANEL LH-HAZARD LT SW	EATON	8	-----	562763
C 279 *	FR SERVICE CPT.- STEERING ZF	DEUTCH	2		562486	C 345	INSTR PANEL LH-FOG LT SW	EATON	8	-----	562763
C 279	UNDER DASH CYLINDER READ SW.	AMP MNL	2	561248	561247	C 346					
C 280	LH CONSOLE-UNLOAD TAG SW.	NGR	10	-----	562763	C 347	INSTR PANEL LH-DASH LT SW	AMP MNL	2	560900	560898
C 281						C 348	INSTR PANEL CENT-RACOR MODULE	MOLEX	6	562070	562067
C 282						C 349					
C 283						C 350	RH CONSOLE-THERMOMETER	AMP MNL	3	561667	561550
C 284						C 351	LH HAT RACK-FLUOR 110V	MOLEX	4	561477	561476
C 285						C 352	RH CONSOLE-DRV TEMP SENSOR	BURNDY	4	-----	561104
C 286	RH SW PANEL-A/C & HEAT	EATON	8	-----	562763	C 353	INSTR PANEL RH-DRV FAN RHEOST	AMP MNL	6	561552	561515
C 287	ENGINE COMPT-LTS SW	PED WP	2	561566	561690	C 354	INSTR PANEL RH-DRV TEMP CTR	AMP MNL	6	561552	561515
C 288	RH SW PANEL-FRESH AIR	EATON	8	-----	562763	C 355	INSTR PANEL RH-FR TEMP CTR	AMP MNL	3	561667	561550
C 289						C 356					
C 290						C 357	INSTR PANEL RH-WATER TEMP GA	AMP MNL	3	561667	561550
C 291						C 358	INSTR PANEL RH-FUEL LEVEL GA	AMP MNL	3	561667	561550
C 292						C 359					
C 293						C 360					
C 294						C 361	FR ROOF-WIPER MOTOR	AMP FF	6	-----	561186
C 295						C 362	FR ROOF-LAVATORY OCCUPIED LT	AMP MNL	2	561248	561247
C 296						C 363	FR ROOF-WATCH YOUR STEP LT	AMP MNL	2	561248	561247
C 297	INSTRUMENT PANEL RH -LTS	AMP MNL	2	560900	560898	C 364	FR ROOF-DESTINATION SIGN	AMP MNL	3	561667	561550
C 298						C 365	FR ROOF-UP WINDSHIELD DEFROST	AMP MNL	3	561667	561550
C 299	RH DASH PANEL SW-GALLEY	EATON	8	-----	562763	C 366	RH DASH PANEL-GRN & RED LEDS	AMP MNL	3	560908	562006
C 300						C 367	ENGINE COMPT-DIF OIL T SENSOR	PED WP	2	561566	561690
C 301						C 368	FR ROOF-DEST. SIGN BALLAST	AMP MNL	3	561667	561550
C 302						C 369	FR ROOF-DEST. SIGN OPER. SW	TORRIX	5	-----	562110
C 303						C 370	FR ROOF-DEST. SIGN FLUOR.	AMP MNL	2	560900	560898
C 304						C 371	FR ROOF-DEST. SIGN FLUOR.	AMP MNL	2	560900	560898
C 305						C 372	FR ROOF-DEST. SIGN SPEED SW	MOLEX	4	561477	561476
C 306						C 373	FR ROOF-NO SMOKING LT	AMP MNL	2	561248	561247
C 307						C 374	LH SWITCH PANEL	AMP MNL	6	561552	561515
C 308	LH CONSOLE SW-RHEOSTAT	TC	2	561030	560997	C 375					
C 309	DDEC ENGINE-ECM POWER CON.	PED MP	5	-----	562345	C 376					
C 310	LH DASH PANEL -LUG. DOOR LCK SW	EATON	8	-----	562763	C 377	LH DASH PANEL-STOP ENG.OVERRIDE SW	EATON	8	-----	562763
C 311	RH DASH PANEL -HOS & PAS CHIME SW	EATON	8	-----	562763	C 378					
C 312	RH DASH PANEL -READING LTS SW	EATON	8	-----	562763	C 379					
C 313	RH DASH PANEL -GEN & FLUOR LTS SW	EATON	8	-----	562763	C 380	LH CONSOLE-DDR CONNECTOR	DEUTSCH	6	562360	-----
C 314	LH DASH PANEL-FR DEST. SIGN SW	EATON	8	-----	562763	C 381					
C 315	LH DASH PANEL-LH STORE SW	EATON	8	-----	562763	C 382					
C 316	LH CONSOLE SPARE SWITCH	EATON	8	-----	562763	C 383					
C 317	LH DASH PANEL-RH STORE SW	EATON	8	-----	562763	C 384					
C 318	LH CONSOLE SW-DRV WINDOW LIFT	EATON	8	-----	562763	C 385	EVAPOTATOR COMP WATER PUMP	PED WP	2	561566	561690
C 319						C 386	LH DASH PANEL-WCL POWER SYSTEM SW	EATON	8	-----	562763

CONNECTORS CODE

NO	LOCATION	TYPE	CAVITY	#PIN	#SOCKET	NO	LOCATION	TYPE	CAVITY	#PIN	#SOCKET
				HOUSING	HOUSING					HOUSING	HOUSING
C 387	RR JCT BOX (WCL)	AMP MNL	9	561661	561662	C 454	SOUND SYS.JCT.PAN.-FILT. VCP	PED WP	2	561566	561680
C 388	RR JCT BOX (WCL)	AMP MNL	12	561735	561734	C 455	WIRELESS MICRO-LH HAT-RACK	MOLEX	6	-----	562464
C 389	WCL REAR DOOR	MOLEX	4	561477	561476	C 456	WORLD TRANSM.-RETARDER ACCUM.	PED MP	2	-----	562427
C 390	LAVATORY WALL-WCL REMOTE CTR	EATON	8	-----	562763	C 457	WORLD TRANSM.-MAIN CONNECTOR	DEUTSCH	31	562572	562536
C 391	LAVATORY WALL-WCL LAMP	EATON	8	-----	562763	C 458	WORLD TRANSM.-TURBINE SP.SENS	PED MP	2	-----	562426
C 392	LAVATORY WALL-WCL SW. LT.	EATON	2	-----	561835	C 459	WORLD TRANSM.-ENGINE SP.SENS.	PED MP	2	-----	562426
C 393	LAVATORY WALL-WCL REMOTE SYS.	AMP CPC	4	561686	561687	C 460	WORLD TRANSM.-SPEED SENSOR	ITT	2	-----	562541
C 394	UNDER INSTR. PANEL- B/U MONITOR	AMP MNL	4	560851	560852	C 461	WORLD TRANSM.-RETARDER TEMP.	PED MP	2	561566	561680
C 395	DRIVER'S COMPT. - B/U MONITOR	AMP	5	-----	-----	C 462	WORLD TRANSM.-RETARD SOL."K"	PED MP	2	-----	562426
C 396	FR SECT. LH HAT RACK-SPEAKER	MOLEX	4	562507	562503	C 463	WORLD TRANSM.-SENSOR CONN.	DEUTSCH	16	562570	562571
C 397	ENGINE COMPT. CRADLE ACC.	DEUTSCH	40	562281	562284	C 464	RR JCT BOX-DDR CONNECTOR	DEUTSCH	6	-----	562360
C 398						C 465	LH CONSOLE-SHIFTER SELECTOR	PED	20	-----	562825
C 399	ENGINE COMPT. - PRE-EXITATION ALT.	PED WP	2	561566	561690	C 466	FR SERVICE CPT.-RESIS. MOD.	PED WP	3	-----	562428
C 400	ENGINE COMPT. BLOCK HEATER	PED MP	3	561781	561782	C 467	FR SERVICE CPT.-RESIS. MOD.	PED WP	3	-----	562428
C 401						C 468			8		
C 402						C 469					
C 403	GALLEY FRIGO NORCOLD	AMP MNL	2	561248	561247	C 470	FR LH UPPER WHELL CPT-SILENT 1000	AMP MNL	2	561248	561247
C 404	GALLEY LAMP	AMP MNL	2	561248	561247	C 471	FR LH UPPER WHELL CPT-SILENT 1000	AMP MNL	2	561248	561247
C 405	LAST LUGGAGE COMP. - INVERTER SIGNAL	AMP MNL	2	561248	561247	C 472	FR LH UPPER WHELL CPT-SILENT 1000	PED WP	2	561566	561690
C 406	FR JCT BOX COMPT.-ABS	AMP MNL	2	560900	560898	C 473	FR LH UPPER WHELL CPT-SILENT 1000	AMP MNL	3	561667	561550
C 407						C 474	DRIVER CPT.-TEMP. SENSOR	AMP MNL	2	561247	561248
C 408						C 475	RR JCT BOX-SPEED SIGN CONNECTOR	DEUTSCH	2	562486	562485
C 409	ENGINE CPT -LOW COOL. LEVEL	PED MP	2	-----	562350	C 476					
C 410	FR JCT BOX-DIODE CONNECTOR	AMP MNL	15	561987	561986	C 477					
C 411	FR JCT BOX-DIODE CONNECTOR	AMP MNL	15	561987	561986	C 478	ELECTRONIC DESTINATION SIGN	AMP CPC	9	561636	561637
C 412	LH DASH PANEL-MASTER SWITCH SW	EATON	8	-----	562763	C 479	HVAC MODULE	MOLEX	3	-----	562783
C 413	ENG CPT-A/C HI UNLOAD PRS SW	PED WP	2	561566	561690	C 480	UNDER DASH LH-DR. FAN SPEED CTR. MOD	PED	4	561889	561890
C 414						C 481	UNDER DASH LH-DR. FAN SPEED CTR. MOD	PED	3	561781	561782
C 415	RR JCT BOX - ENGINE SIGNAL	DEUTSCH	24	562280	562283	C 482					
C 416	ENGINE CRADLE-ENGINE SIGNAL	FCI	10	563207	-----	C 483	FR SERVICE CPT. (NOT USED)	PED PC	2	-----	562237
C 417	FRONT JCT BOX-DIODES	AMP MNL	15	561987	561986	C 484	UNDER DASH LH.-FOOT DAMPER MOTOR	PED PC	2	-----	562076
C 418	LH DASH PANEL-HTR WINDSH.SW	EATON	8	-----	562763	C 485	UNDER DASH LH.-DASH & DEFR. DAM.MOT.	AMP MNL	3	561667	561550
C 419	FR JCT BOX-RETARDER OR JACOB	AMP MNL	3	561667	561550	C 486					
C 420						C 487	S.S.PANEL - AUDIO IN AMPLI	MOLEX	4	-----	563071
C 421						C 488	S.S.PANEL - AMPLI SIGNAL	MOLEX	8	-----	562465
C 422						C 489	S.S.PANEL - SPEAKER OUTLET	MOLEX	6	-----	562464
C 423						C 490					
C 424	UNDER INSTRUMENT PANEL CENTER	AMP MNL	3	561667	561550	C 491					
C 425	FR JCT BOX-DIODES	AMP MNL	15	561987	561986	C 492					
C 426	ENGINE COMPT. CLUTCH CTR FAN	PED WP	3	561781	561782	C 493					
C 427	PRO-HEAT	PED-WP	2	561566	561680	C 494					
C 428	PRO-HEAT	PED WP	6	561606	561607	C 495					
C 429	FR JCT BOX COMPT.	AMP MNL	6	561552	561515	C 496					
C 430	LH CONSOLE-TIMER	AMP FF	8	561188	562363	C 497					
C 431	LH CONSOLE-PRE HEAT.	TAB AMP	1	561540	561539	C 498					
C 432	ENGINE CPT.-PROX. SW. DOOR AJAR	PED-WP	2	561566	561680	C 499					
C 433	FR SERVICE CPT. KNEEL. PRESS. SW	PED WP	2	561566	561690	C 500	FR LH UPPER WHELL CPT -PRODRIVER	MOLEX	6	562070	562069
C 434	FRONT JCT. BOX-DIODES	AMP MNL	15	561987	561986	C 501	FR LH UPPER WHELL CPT -PRODRIVER	PED MP	7	562433	-----
C 435	FR SERVICE CPT.(RH) KNEEL. PIEZO	AMP MNL	2	560900	560898	C 502	LH DASH PANEL-PRE HEATER SW.	EATON	8	-----	562763
C 436	RH HAT RACK-WCL CENTER ROOF ACC	AMP CPC	16	561639	561640	C 503	LH CONSOLE-PRE HEATER SW.	EATON	2	-----	561837
C 437	RH HAT RACK-WCL FR & RR SECT.	AMP CPC	24	561642	561643	C 504	LH CONSOLE WEBASTO TIMER	AMP	8	-----	562852
C 438	EVAP CMPT- A/C CONTROL	AMP MNL	2	561248	561247	C 505	LH CONSOLE ESPAR TIMER	AMP	9	-----	562681
C 439	EVAP CMPT- A/C CONTROL	AMP MNL	2	561248	561247	C 506	FR JCT BOX CPT. DIGITAL CLOCK	AMP	4	561685	561687
C 440	EVAP CMPT- A/C CONTROL	DEUTSCH	4	562479	562477	C 507	FR SECT. LH HAT-RACK DIG. CLOCK	MOLEX	4	561477	561476
C 441	FR JCT BOX- DIODES	AMP MNL	15	561987	561986	C 508	RR JCT BOX-FAN CLUTCH RETARDER	AMP MNL	6	561552	561515
C 442						C 509	FR LH UPPER WHELL CPT -DATA LOGGER	PED MP	16	-----	562530
C 443						C 510	FR LH UPPER WHELL CPT -DATA LOGGER	DEUTSCH	9	562531	-----
C 444						C 511	FR LH UPPER WHELL CPT -DATA LOGGER	PED MP	4	562532	-----
C 445						C 512	FR LH UPPER WHELL CPT -DATA LOGGER	PED MP	10	562533	-----
C 446						C 513	FR LH UPPER WHELL CPT -DATA LOGGER	AMP MNL	3	561667	561550
C 447						C 514	FR LH UPPER WHELL CPT -DATA LOGGER	PED MP	6	562433	562417
C 448						C 515	FR JCT BOX CPT.-INTERCOM	MOLEX	4	561477	561476
C 449						C 516	FR JCT BOX CPT.-INTERCOM	MOLEX	6	562070	562069
C 450	SOUND SYS. JCT. PANEL	MOLEX	4	562507	562503	C 517	LAVATORY WALL-INTERCOM	MOLEX	6	562070	562069
C 451	WIRELESS MICRO-FIRST CPT BAG	MOLEX	2	562550	562549	C 519	UNDER DASH RH-SEDAN DOOR	HUMPHREY	2	-----	562580
C 452	UNDER DASH INSTR. PANEL	MOLEX	2	562550	562549	C 520	UNDER DASH RH-SEDAN DOOR	HUMPHREY	2	-----	641385
C 453	SOUND SYS. JCT.PANEL-VCP	PED WP	2	561566	561680	C 521	UNDER DASH RH-SEDAN DOOR	HUMPHREY	2	-----	641385

CONNECTORS CODE

NO	LOCATION	TYPE	CAVITY	#PIN	#SOCKET	NO	LOCATION	TYPE	CAVITY	#PIN	#SOCKET
				HOUSING	HOUSING					HOUSING	HOUSING
C 522						C 589	UNDER DASH - L.H. MIRROR	AMP MNL	9	561670	561669
C 523	FR JCT BOX-FUSE BLOCK	PED	8	562647	562646	C 590	UNDER DASH - R.H. MIRROR	AMP MNL	9	561670	561669
C 524	FR JCT BOX-FUSE BLOCK	PED	8	562647	562646	C 591	L.H.CONSOLE - MIRROR L.H.	EURAMTEC	8	-----	562799
C 525	FR JCT BOX-FUSE BLOCK	PED	8	562647	562646	C 592	L.H.CONSOLE - MIRROR R.H.	EURAMTEC	8	-----	562799
C 526	FR JCT BOX-FUSE BLOCK	PED	8	562647	562646	C 593	BATTERY CMPT. - CHARGER	PED WP	3	561781	561782
C 527	FR JCT BOX-FUSE BLOCK	PED	8	562647	562646	C 594	FRONT ROOF - DRIVERS LIGHT	LEEKRAFT	-----	-----	562803
C 528	FR JCT BOX-FUSE BLOCK	PED	8	562647	562646	C 595	DASH CENTER MODULE - OPEN DOOR	MOLEX	4	561477	561476
C 529	FR JCT BOX-12V OUTLET	AMP MNL	2	561247	561248	C 596	DASH CENTER MODULE - CLOSE DOOR	MOLEX	4	561477	561476
C 530	RR JCT BOX-FUSE BLOCK	PED	8	562647	562646	C 597	L.H. DASH PANEL - DISPLAY SET SW.	MOLEX	5	-----	562812
C 531	RR JCT BOX-FUSE BLOCK	PED	8	562647	562646	C 598	L.H. DASH PANEL - DISPLAY SET SW.	MOLEX	5	-----	562812
C 532	RR JCT BOX-FUSE BLOCK	PED	8	562647	562646	C 599					
C 533	RR JCT BOX-FUSE BLOCK	PED	8	562647	562646	C 600	ENGINE CPT.-A/C LOW PRESS SW. UNLOAD	PED	2	562348	562471
C 534	RR JCT BOX-FUSE BLOCK	PED	8	562647	562646	C 601	L.H. ROOF - WINDOW AJAR	AMP MNL	2	561248	561247
C 535	RR JCT BOX-FIRE MODULE DETECT.	AMP MNL	3	561667	561550	C 602	L.H. ROOF - WINDOW AJAR	MOLEX	4	561477	561476
C 536	UNDER DASH RH-DRIVER'S HTR TEMP. CTR	AMP MNL	6	561552	561515	C 603	R.H. ROOF - WINDOW AJAR	AMP MNL	2	561248	561247
C 537	BATT. CPT.-A/C PRESS. SIGN. RLY	AMP MNL	2	561248	561247	C 604	LH PARCEL RACK DVD VIDEO STABILIZER	SWITCHCRAFT	1	563074	
C 538	FR SERVICE CPT.-OUTSIDE TEMP. SENSOR	AMP MNL	2	561248	561247	C 605	HAT RACK - MOTOR FAN	PED	2	560997	561030
C 539	HVAC DASH MODULE OUTPUT CON	MOLEX	24	-----	562780	C 606	HAT RACK - MOTOR FAN	PED	2	560997	561030
C 540	HVAC DASH MODULE INPUT CON	MOLEX	22	-----	562781	C 607					
C 541	SOUND SYS. JCT PANEL-AUDIO SEAT SYS.	PED WP	2	561566	561690	C 608	FRONT SERVICE CMPT. SPEED SIGNAL	PED WP	2	561566	561690
C 542	LH HAT RACK-AUDIO SEAT SYSTEM	AMP MNL	3	561667	561550	C 609	LAVATORY - NIGHT LIGHT				
C 543						C 610					
C 544	SOUND SYS JCT PANEL-AUDIO SEAT SYS.	PED WP	3	561781	562428	C 611	HAT RACK READING LTS RICON	MOLEX	6	562558	562557
C 545	LH HAT RACK-AUDIO SEAT SYSTEM	AMP MNL	3	561667	561550	C 612	HAT -RACK FLUOR. INSTATION LTS RICON	MOLEX	4	562507	562503
C 546	WIRELESS MIC. CHARGING SYSTEM	MOLEX	2	-----	563025	C 613	HAT -RACK INDIRECT LTS RICON	AMP MNL	3	561667	561550
C 547	RH DASH PANEL-ACCESSORIES	AMP CPC	37	561645	561646	C 614	HAT -RACK INDIRECT LTS RICON	AMP MNL	3	561667	561550
C 548	LH DASH PANEL-T.T. LT. TEST SW.	EATON	8	-----	562763	C 615	LH PARCEL RACK DVD SING ALONG ADAPT.	MOLEX	2	562550	562549
C 549	LH DASH PANEL-FAN CLUTCH OVERR. SW	EATON	8	-----	562763	C 616					
C 550	LAST LUGG. CPT. -WCL RICON	AMP CPC	16	561694	561695	C 701	ZF TRANSMISSION ECU	KOSTAL	20		
C 551	LAST LUGG. CPT. -WCL RICON	AMP CPC	16	561694	561695	C 702	SHIFT SELECTOR - LH CONSOLE	AMP	14		563338
C 552	LAST LUGG. CPT. -WCL RICON	AMP CPC	9	561636	561637	C 712	NEUTRAL SWITCH ON ZF TRANSM. (TOP)	AMP	4		563340
C 553	UNDER DASH R.H. - CONTROL. HEAD	MOLEX	16	-----	562559	C 714	OUTPUT SENSOR ON ZF TRANSM. (BOTTOM)	AMP	4		563340
C 554	UNDER DASH R.H. - CONTROL. HEAD	MOLEX	16	-----	562559	C 717	BATT. CPT. - MAIN CONNECTOR	AMP CPC	22	561642	561643
C 555	UNDER DASH R.H. - CONTROL. HEAD	MOLEX	16	-----	562559	C 720	ENGINE COMPT - BLKHD CONNECTOR	DEUTSCH	31	563359	563358
C 556	UNDER DASH R.H. - RADIO ACC.	MOLEX	2	562550	562549	C 721	LH CONSOLE - ZF TESTMAN DIAGNOSTIC	AMP MNL	6	563356	
C 557	UNDER DASH R.H. - RADIO ACC.	MOLEX	9	562556	562555	C 723	ENGINE COMPT - FOR TRANSM.	DEUTSCH	3		562884
C 558	UNDER DASH R.H. - RADIO ACC.	MOLEX	4	562507	562503	C 736	ENGINE COMPT - ZMTEC MODULE	PACKARD	30	563053	
C 559	SOUND SYS. JCT. PANEL - FILTER AMPLI	PED WP	2	561566	561690	C 740	DRIVE AXLE - EASY START SOL VALVE	LEONI	2	--	641949
C 560	SOUND SYS. JCT. PANEL - POWER AMPLI	MOLEX	4	562507	562503	C 742	BATT. CPT - FUSE BLOCK	AMP	8	562446	
C 561	L.H. HAT RACK - WIRELESS MICRO	MOLEX	8	-----	562465	C 745	FR SERV.COMPT - THROTTLE POS. SENSOR	PED WP	3	561781	
C 562	L.H. HAT RACK - VCP	MOLEX	12	562556	563070	C 760	FR SERV. COMPT - TO J1939	DEUTSCH	3		
C 563	L.H. MODESTY PANEL - DRIVERS SPK.	MOLEX	4	562507	562503	C 761	FR SERV. COMPT - TO J1939	DEUTSCH	3		562884
C 564	L.H. MODESTY PANEL - MICRO	MOLEX	4	562507	562503	C 762	ENGINE COMPT - TO J1939	DEUTSCH	3		562884
C 565	R.H. MODESTY PANEL - MICRO	MOLEX	4	562507	562503	C 763	ENGINE COMPT - TO J1939	DEUTSCH	3		562884
C 566	L.H. CONSOLE - BOOM MICRO	MOLEX	4	562507	562503	C 764	ENGINE COMPT - TO J1939	DEUTSCH	3		562884
C 567	L.H. CONSOLE - DRIVERS MICRO	MOLEX	4	562507	562503	C 765	ENGINE COMPT - TO J1939	DEUTSCH	3		562884
C 568	SOUND SYS. JCT. PANEL - PASS. SPK	CINCH	4	562553	562552	C 766	ENGINE COMPT - TO J1939	DEUTSCH	3		562884
C 569	SOUND SYS. JCT. PANEL - POWER AMPLI.	MOLEX	9	562556	562555						
C 570	UNDER DASH PANEL TTLT	MOLEX	6	-----	562464						
C 571	UNDER DASH PANEL TTLT	MOLEX	20	-----	562778						
C 572	UNDER DASH PANEL TTLT	MOLEX	18	-----	562779	C X	CLUSTER	JAE	22		562766
C 573	UNDER DASH PANEL TTLT	MOLEX	8	-----	562465	C Y	CLUSTER	JAE	30		562767
C 574	HAT -RACK FLUOR. INDIRECT LIGHTING	MOLEX	6	-----	562759	L X	CLUSTER	JAE	22		562764
C 575	HAT -RACK FLUOR. INSTATION LIGHT	MOLEX	4	562507	562503	L					
C 576	HAT -RACK FLUOR. INDIRECT LIGHTING	AMP MNL	3	561667	561550	R					
C 577	HAT -RACK FLUOR. INDIRECT LIGHTING	AMP MNL	3	561667	561550						
C 578	HAT -RACK FLUOR. INSTATION LIGHT	MOLEX	4	562507	562503						
C 579	L.H HAT RACK - VCP POWER	MOLEX	4	-----	563071						
C 580	RH DASH PANEL-HAT RACK FAN SW	EATON	8	-----	562763						
C 581											
C 582	FRONT SERVICE CMPT. - WINDOWS AJAR	PED WP	2	561566	561690						
C 583	L.H. DASH PANEL - MASTER KEY	DEUTSCH	2	562486	562485						
C 584	FRONT SERVICE CMPT. - AIR HORH	HUMPHREY	3	-----	641385						
C 585											
C 586											
C 587	LH PARCEL RACK DVD UNIT	MOLEX	4	563040	563071						
C 588	FRONT SERVICE CPT. CENTER SOUND SYS.	AMP. CPC	37	561645	561646						

CONNECTORS CODE

NO	LOCATION	TYPE	CAVITY	#PIN	#SOCKET	NO	LOCATION	TYPE	CAVITY	#PIN	#SOCKET
				HOUSING	HOUSING					HOUSING	HOUSING
AA1	BEHIND DASH - SONALERT	BOSCH	5		561183	C 55	RH SWITCH PANEL	AMP CPC	9	561636	561637
AA2	BEHIND DASH - SONALERT	BOSCH	5		561183	C 56	HAT RACK- MOTOR FAN	MOLEX	6	562558	562557
C X1	FR SERVICE COMPT- ECU ABS	AMP	15		563200	C 57	HAT RACK- MOTOR FAN	MOLEX	6	562558	562557
C X2	FR SERVICE COMPT- ECU ABS	AMP	18		563201	C 58	RR JCT BOX AC PANEL	DEUTSCH	24	562280	562283
CRH	DDEC ENGINE- RELATIVE HUMIDITY SENS.	FCI	4		563277	C 59	RR JCT BOX AC PANEL	AMP CPC	14	561584	561583
CRXTX	HVAC DASN MODULE COMMUNICATION	MOLEX	3	563206	562873	C 60	RR JCT BOX COMPT.-LT	AMP MNL	2	561248	561247
CS	RR JCT BOX ECU WORLD TR.	PED	32		562817	C 61	LUGGAGE COMPARTMENT LTS	AMP MNL	2	561248	561247
CT	RR JCT BOX ECU WORLD TR.	PED	32		562824	C 62	LUGGAGE COMPARTMENT LTS	AMP MNL	2	561248	561247
CV	RR JCT BOX ECU WORLD TR.	PED	32		562823	C 63	LUGGAGE COMPARTMENT LTS	AMP MNL	2	561248	561247
		AMP CPC	9	561636	561637	C 64	LUGGAGE COMPARTMENT LTS	AMP MNL	2	561248	561247
CWX1	ENGINE CPT-WEBASTO PRE-HEAT WATER	AMP SEALED	7		563135	C 65	LUGGAGE COMPARTMENT LTS	AMP MNL	2	561248	561247
CWX3	ENGINE CPT-WEBASTO PRE-HEAT WATER	AMP SEALED	7	563136		C 66	LUGGAGE COMPARTMENT LTS	AMP MNL	2	561248	561247
CY	CLUSTER	JAE	30	---	562765	C 67	LUGGAGE COMPARTMENT LTS	AMP MNL	2	561248	561247
C 1	FR JCT BOX COMPARTMENT	AMP CPC	14	561585	561584	C 68	LUGGAGE COMPARTMENT LTS	AMP MNL	2	561248	561247
C 2	FR JCT BOX COMPARTMENT	AMP CPC	16	561639	561640	C 69	RR AXLE ACC-INSIDE PVC END	PED WP	6	561568	561578
C 3	FR JCT BOX COMPARTMENT	AMP CPC	24	561641	561643	C 70	LH CONSOLE	AMP CPC	16	561642	561643
C 4	FR JCT BOX COMPARTMENT	AMP CPC	37	561644	561646	C 71	FR JCT BOX COMPARTMENT	AMP CPC	37	561645	561646
C 5	FR SERVICE COMPT.-UNDERNEATH	AMP CPC	37	561644	561646	C 72	FR JCT BOX COMPARTMENT	AMP CPC	24	561642	561643
C 6	FR SERVICE COMPT.-UNDERNEATH	AMP CPC	16	561639	561640	C 73	DASH CENTER PANEL	AMP CPC	16	561639	561640
C 7						C 74	FR JCT BOX COMPARTMENT	AMP CPC	37	561645	561646
C 8	FR SERVICE COMPT.-UNDERNEATH	AMP CPC	24	561641	561643	C 75	SERV CPT. RXT. ENT. DOOR SW	DEUTSCH	4	562479	562477
C 9	FR SERVICE COMPT.-UNDERNEATH	AMP CPC	24	561641	561643	C 76	LUGGAGE COMPT.-AIR RET.SENS.	AMP MNL	2	561248	561247
C 10	LUGGAGE COMPT. WATER BOOSTER PUMP	PED	2	562348	562471	C 77	LUGGAGE COMPT.-AIR RET.SENS.	AMP MNL	2	561248	561247
C 11	FR SERVICE COMPARTMENT	AMP CPC	37	561644	561646	C 78					
C 12	FR SERVICE COMPARTMENT	AMP CPC	16	561639	561640	C 79					
C 13	LH CONSOLE-CTR MIRROR	AMP MNL	6	561552	561515	C 80	LUGGAGE COMPT.-AIR RET.SENS.	AMP MNL	2	561248	561247
C 14	UNDER DASH-LH MIRROR	AMP MNL	9	561661	561662	C 81	PASSENGER COMPT.-AISLE LTS	AMP MNL	2	560900	560898
C 15	A/C CLUTCH	PED WP	2	561566	561690	C 82	ENTRANCE DOOR	MOLEX	6	562070	562069
C 16	LH CONSOLE SW-CRUISE ON OFF	EATON	10	-----	562763	C 83	ENTRANCE DOOR-PROIMITY SW	MOLEX	4	561477	561476
C 17	LH CONSOLE SW-CRUISE RESUME	EATON	10	-----	562763	C 84	ENTRANCE DOOR-PRESSURE SW	PED WP	2	561566	561690
C 18	LH CONSOLE SW-CRUISE SET	EATON	10	-----	562763	C 85	UNDER INSTRUMENT PANEL LH	AMP MTA-100	-----	562248	-----
C 19	LH CONSOLE DECEL SW	EATON	10	-----	562763	C 86					
C 20	RR JCT BOX	DEUTSCH	70	562282	562285	C 87	RR END ROOF	AMP CPC	9	561636	561637
C 21	RR JCT BOX	DEUTSCH	24	562280	562283	C 88					
C 22	RR JCT BOX - EATON TRANSM.	AMP MNL	6	561552	561515	C 89	RR END ROOF-B/U NONITOR	AMP CPC	4	561582	561581
C 23	DDEC ENGINE-ECM J1939	PED MP	6	-----	561962	C 90	RR JCT BOX	AMP CPC	15	561987	561986
C 24	DDEC ENGINE-12Vi FOR OPTION	PED WP	1	-----	561577	C 91	RR JCT BOX	AMP CPC	37	561714	561713
C 25						C 92	FR LH UPPER WHELL CPT-ABS	AMP CPC	9	561635	561637
C 26	HYD & MAN TRANSM.-NEUT. & B/U	PED WP	4	561610	561611	C 93	FR LH UPPER WHELL CPT-ABS		35	-----	641094
C 27	HYD & MAN TRANSM.-SPEED SENS.	PED WP	2	561566	561690	C 94	RH CONSOLE ENTRANCE STEP LIGHT	DEUTCH	2	562486	562485
C 28	EATON TRANSMISSION	DEUTCH	3	562877	562884	C 95	CONDENSOR CPT - LIQ. SOL. VALVE	PED WP	2	561566	561690
C 29	EATON TRANSMISSION	PED MP	6	562878	-----	C 96	FR AXLE ACCESSORIES	AMP CPC	14	561585	561585
C 30	RR JCT BOX - ECU EATON TRANSM.	PED MP	32	-----	562866	C 97	RR AXLE ACC-INSIDE PVC END	PED WP	6	561568	561578
C 31	RR JCT BOX - ECU EATON TRANSM.	PED MP	24	-----	562865	C 98	FR SERVICE COMPT-EL.FT.PEDAL	PED WP	3	561782	561781
C 32	DDEC ENGINE-ECM	PED	30	-----	561600	C 99	FR SERVICE COMPT LTS	AMP MNL	2	561248	561247
C 33	RR JCT BOX - EATON TRANSM.	DEUTCH	9	562531	-----	C 100	LH CONSOLE - 120 VOLTS SWITCH	EATON	8	-----	562763
C 34	RH. CONSOLE - EATON TRANSM. SHIFTER	PED MP	3	-----	562871	C 101	FR SERVICE COMPT-ELEC. HORNS	PED WP	2	561566	561690
C 35	RR JCT BOX	DEUTCH	40	562281	562284	C 102	FR SERV & SIDE CPT-FLASH. LH	GROTE	2	-----	562155
C 36	RH. CONSOLE - EATON TRANSM. SHIFTER	PED MP	24	-----	562874	C 103	FR SERV & SIDE CPT-MARKERS	GROTE	2	-----	562155
C 37	RR SECTION-LH HAT RACK	MOLEX	6	562558	562557	C 104	LAVATORY TRAP-FLUSH PUMP SW.	DEUTSCH	4	562479	562477
C 38	RR SECTION-RH HAT RACK	MOLEX	6	562558	562557	C 104	FR SERV & SIDE CPT-FLASH. RH	GROTE	2	-----	562155
C 39	LH CONSOLE - EATON TRANSM. DISPLAY	AMP MNL	4	561551	561668	C 105	FR SERVICE COMPT-LIQ.S.VALVE	PED WP	2	561566	561690
C 40	RR JCT BOX - EATON TRANSM. J1939	DEUTCH	3	562877	562884	C 106	FR SERVICE COMPT-WATER VALVE	PED WP	2	561566	561690
C 41	LAVATORY ROOF LIGHT	LEECRAFT	2	----	562803	C 107					
C 42	LAVATORY BACK WALL-WTR TANK	AMP MNL	2	560900	560898	C 108	FR SERVICE COMPT-KNEEL.SYS	PED WP	2	561566	561690
C 43	LAVATORY BACK WALL-ACCES.	AMP MNL	9	561661	561662	C 109	FR SERVICE COMPT-KNEEL.SYS	PED WP	2	561566	561690
C 44	EATON TRANSM. J1939	DEUTCH	3	562877	562884	C 110	FR SERVICE COMPT-KNEEL.SYS	PED WP	2	561566	561690
C 45	FR JCT BOX COMPARTMENT	AMP CPC	24	561642	561643	C 111	EVAPORATOR COMPT-DAMPER	DEUTSCH	2	562486	562485
C 46	EATON TRANSM. J1939	DEUTCH	3	562877	562884	C 112	LAVATORY BACK WALL-FLUSH PUMP SW.	DEUTSCH	4	562479	562477
C 47	FR SERVICE COMPARTMENT	AMP CPC	16	561694	561695	C 113	RR MARKER LT	GROTE	2	-----	562155
C 48	FR. SERVICE CMPT.PRESS SW PARKBREAK	DEUTCH	4	562479	562477	C 114	RR J. BOX CPT DOOR DIR LT LH	GROTE	2	-----	562155
C 49	BATTERIE COMPT.-LT	AMP MNL	2	561248	561247	C 115					
C 50	FR SERVICE COMPT.-LOW BUOY	PED WP	1	561605	561577	C 116	ENGINE COMPT. LTS	GROTE	2		563268
C 51						C 117	RR JCT BOX MARKER LT	GROTE	2	-----	562155
C 52	RR JCT BOX	AMP CPC	24	561642	561643	C 117	FR SRV. COMPT. KNEELING UP SOL VALVE	PED WP	2	561761	
C 53	SPARE TIRE COMPT ENTRANCE STEP LIGHT	DEUTCH	2	562486	562485	C 118	ENGINE COMPT-LAVATORY FAN	PED WP	2	561566	561690
C 54	SPARE TIRE COMPT ENTRANCE STEP LIGHT	DEUTCH	2	562486	562485	C 119	ENGINE CPT RR DOOR RH LO LAMP	PED WP	6	561606	561607

CONNECTORS CODE

NO	LOCATION	TYPE	CAVITY	#PIN	#SOCKET	NO	LOCATION	TYPE	CAVITY	#PIN	#SOCKET
				HOUSING	HOUSING					HOUSING	HOUSING
C 120	ENGINE CPT RR DOOR LH LO LAMP	PED WP	6	561606	561607	C 186M	RR JCT BOX CPT.-SPD SIGN. M.TR	PED WP	2	561566	561690
C 121	BATTERIE CPT. DOOR DIR LT RH	GROTE	2	-----	562155	C 186W	RR JCT BOX CPT.-SPD SIGN. WT	PED WP	2	561566	561690
C 122						C 187	FR JCT BOX-RPM RESISTOR CON.	AMP MNL	6	561552	561515
C 123	TAG AXLE-UNLOAD TAG RH VALVE	PED WP	2	561566	561690	C 188					
C 124	ENGINE CPT-ETHER SW	PED WP	2	561566	561690	C 189	ENGINE CPT RR DOOR B/U LT	TRUCK-LITE	2	-----	562755
C 125	ENGINE CPT-B/U ALARM	PED WP	2	561566	561690	C 190	ENGINE CPT RR DOOR TAIL/ STOP LT	SUPER SEAL	3		562601
C 126	ENGINE CPT-FLUSHING PUMP	PED WP	2	561566	561690	C 191	ENGINE CPT RR DOOR RH TAIL/STOP LT	SUPER SEAL	3		562601
C 127	ENGINE CPT-FUEL FILTER	PED WP	2	561566	561690	C 192	ENGINE CPT RR DOOR DIR. LT	SUPER SEAL	3		562601
C 128	ENGINE CPT-A/C COMPR.CLUTCH	ITT SS	2	561813	561812	C 193					
C 129						C 194					
C 130	ENGINE CPT-UNLOADER	ITT SS	2	561813	561812	C 195					
C 131	ENGINE CPT-UNLOADER	ITT SS	2	561813	561812	C 198	ENGINE CPT RR DOOR LICENCE LT	PED WP	2	562348	562471
C 132	ENGINE CPT-A/C LO PRESS SW	PED WP	2	561566	561690	C 199					
C 133	ENGINE CPT-A/C HI PRESS SW	PED WP	2	561566	561690	C 200	RH HAT RACK-FLUORESCENT	AMP MNL	2	561248	561247
C 134	FR JCT BOX-LUGGAGE DIODE CON.	AMP MNL	15	561987	561986	C 201	RH HAT RACK-FLUORESCENT	AMP MNL	2	561248	561247
C 135	FR JCT BOX-LUGGAGE DIODE CON.	AMP MNL	15	561987	561986	C 202	RH HAT RACK-INDIRECT LIGHTING	MOLEX	2	-----	562758
C 136	RR JCT BOX - A/C PANEL DIODE CONN.	AMP MNL	15	561987	561986	C 203	RH HAT RACK-INDIRECT LIGHTING	MOLEX	6	-----	562759
C 137	RR JCT BOX-TRANSMITTER	AMP MNL	2	560900	560898	C 204	RH HAT RACK-GENERAL LT	AMP MNL	2	560900	560898
C 138	RR JCT BOX-CONTROL MODULE	AMP HDP	15	-----	562012	C 205	FR SECT.-RH HAT RACK SPEAKER	AMP MNL	9	561661	561662
C 139	RR JCT BOX-LOGIC MODULE	AMP HDP	15	562011	-----	C 206	RH HAT RACK-READING LT	AMP FF	4	-----	562756
C 140	HVAC DASH MODULE THERMOMETER	MOLEX	4		562782	C 207	LH HAT RACK-READING LT	AMP FF	4	-----	562756
C 141	INSTRUMENT PANEL LH UNLOAD TAG	AMP	2	561248	561247	C 208	LH HAT RACK-BALLAST	MOLEX	2	-----	562758
C 142	LAVATORY DOOR WALL	AMP MNL	2	561248	561247	C 209	LH HAT RACK HOTESS CHIME	AMP MNL	3	561667	561550
C 143						C 210	FR SECT.-LH HAT RACK SPEAKER	AMP MNL	9	561661	561662
C 144	UNDER LH SEAT-AISLE LTS	AMP MNL	4	560851	560852	C 211	FR ROOF-STORE LH	AMP MNL	2	560900	560898
C 145	RR JCT BOX CPT-RR SIDE LTS	AMP MNL	9	561670	561669	C 212	FR ROOF-STORE RH	AMP MNL	2	560900	560898
C 146	ENGINE CPT-MODULATOR VALVE	AMPHENOL	2	-----	560412	C 213					
C 147	BATT & RR J.B.CPT-DOCK.LTS	PED WP	2	561566	561690	C 214	ENGINE CPT J1922				
C 148						C 215	TAG AXLE - A.T.C. SYSTEM				
C 149	CONDENSER CPT-FAN MOTOR	ORDNANCE	3	562555	562001	C 216	TAG AXLE - A.T.C. SYSTEM				
C 150						C 217	RH DASH PANEL-FRONT CAMERA SW	EATON	8	-----	562763
C 151	EVAPORATOR CPT-THERMOSTAT	ITT SS	2	561813	562159	C 218	RH DASH PANEL-FRONT CAMERA SW	AMP MNL	2	560900	560898
C 152	CONDENSER CPT-FUEL GAUGE	PED WP	4	561610	561611	C 219	ENGINE CMPT. - FIRE DETECTOR	DEUTSCH	2	562486	562485
C 153	EVAPORATOR CPT-AIR AMB. SENS	AMP MNL	2	561248	561247	C 220	RR.JCT.BOX-FUEL PRIME PUMP	TC	1	561070	561073
C 154	EVAPORATOR CPT-FRESH AIR SENS	ITT SS	2	561813	561812	C 221	BATTERY CMPT. FIRE DETECTOR	DEUTSCH	2	562486	562485
C 155	EVAPORATOR CPT-WATER VALVE	PNEUMAC	4	563204		C 222	ENGINE CMPT. FIRE DETCTOR	DEUTSCH	2	562486	562485
C 156	EVAPOR. CPT-BYPASS WATER VAL.	PED WP	2	561566	561690	C 223	ENGINE CMPT. FIRE DETCTOR	DEUTSCH	2	562486	562485
C 157						C 224	ENGINE CMPT. -VORAD J1939	DEUTSCH	3	562877	562884
C 158	CONDENSER CPT-A/C LO TEMP.	PED WP	2	561566	561690	C 225	ENGINE CMPT. -VORAD J1939	DEUTSCH	3	562877	562884
C 159	CONDENSER CPT-A/C HI TEMP.	PED WP	2	561566	561690	C 226	FR LH UPPER WHEEL CPT-VORAD J1939	DEUTSCH	3	562677	562884
C 160	FR AXLE-ABS RH SENSOR	WABCO	2	641132	-----	C 227					
C 161	FR AXLE-ABS RH VALVE	WABCO	3	-----	641098	C 228					
C 162	FR AXLE-ABS LH VALVE	WABCO	3	-----	641098	C 229					
C 163	FR AXLE-ABS LH SENSOR	WABCO	2	641132	-----	C 230	ENG.CPT.-FUEL PRIME PUMP FEED	DEUTSCH	2	562486	562485
C 164	RR AXLE-ABS LH SENSOR	WABCO	2	641132	-----	C 231	ENG.CPT.-FUEL PRIME PUMP SW.	PED WP	2	561566	561690
C 165	RR AXLE-ABS LH VALVE	WABCO	3	-----	641098	C 232	ENG.CPT.-FUEL PRIME PUMP	PED WP	2	561566	561690
C 166	RR AXLE-ABS RH VALVE	WABCO	3	-----	641098	C 233	FR. SERVICE COMPT.	VDO	8		562043
C 167	RR AXLE-ABS RH SENSOR	DEUTSCH	2	641132	-----	C 234	FR. SERVICE COMPT.	VDO	8		562044
C 168	RR AXLE-ABS OPT ATC	PED WP	2	561566	561690	C 235	FR. SERVICE COMPT.	VDO	8		562041
C 169	RR JCT BOX-SPEED SW	AMP HDP	15	-----	562012	C 236	LUGGAGE COMPARTEMENT	AMP MNL	4	560851	560852
C 170	FR JCT BOX-FLASHER UNIT	TC	2	-----	561940	C 237	UNDER DASH LH-JACOB CLUTCH SW	ITT SS	3	561111	561080
C 171	LH CONSOLE	AMP CPC	24	561642	561643	C 238	UNDER DASH LH-PASS. REC. DAMPER SW	EATON	8	-----	562763
C 172						C 239	FR SERVICE CPT-HI BUOY VALVE	PED WP	2	561566	561690
C 173						C 240	FR SERVICE CPT-KNEEL PROX SW	PED WP	3	561781	562428
C 174	UNDER DASH RH-HTR MODULE	AMP MNL	9	561670	561669	C 241	HEADLAMPS HI BEAM	HELLA	2		562623
C 175	UNDER DASH RH-HTR MODULE	AMP MNL	9	561670	561669	C 242	HEADLAMPS LO BEAM	HELLA	2		562623
C 176	UNDER DASH RH-WIPER PULSE	AMP FF	6	-----	561186	C 243	FR SERVICE CPT. HEADLAMPS	DEUTCH	3	565131	562789
C 177	UNDER DASH RH-WIPER MOTOR	AMP FF	6	-----	561186	C 244	FR SERVICE CPT-LH FOG LAMP	DEUTCH	2	562902	562901
C 178	UNDER DASH RH-LH FAN	TC	2	561030	560997	C 245	FR SERVICE CPT-RH FOG LAMP	DEUTCH	2	562902	562901
C 179	UNDER DASH RH-RH FAN	TC	2	561030	560997	C 246	FR SERVICE CPT. MIRROR	CONXALL	5	563091	563090
C 180	RR JCT BOX-DIODE CONNECTOR	AMP MNL	15	561987	561986	C 247	HEADLAMPS MARK & DIR LTS	AMP SUPER S	3		562601
C 181	RR JCT BOX-DIODE CONNECTOR	AMP MNL	15	561987	561986	C 248	FR JCT BOX-WIPER PULSE GEN	AMP FF	6	-----	561108
C 182						C 249					
C 183	FR SERVICE CPT-KNEELING PAN.	PED WP	4	561610	561611	C 250	LH CONSOL PANEL- LOW BOY	PED	2	561566	561690
C 184	FR SERVICE CPT-KNEELING SW	ITT SS	3	561111	561080	C 251	LH DASH PANEL-FAST IDLE SW	EATON	8	-----	562763
C 185						C 252					
C 186						C 253	LH DASH PANEL-ETHER SW	EATON	8	-----	562763

CONNECTORS CODE

NO	LOCATION	TYPE	CAVITY	#PIN	#SOCKET	NO	LOCATION	TYPE	CAVITY	#PIN	#SOCKET
				HOUSING	HOUSING					HOUSING	HOUSING
C 254	INST. PANEL RH-ENTR.DOOR SW.	TORRIX	5	-----	562110	C 320	RH DASH PANEL-DRIVER'S LTS SW	EATON	8	-----	562763
C 255	LH DASH PANEL-JACOB & RETARDER SW	EATON	8	-----	562763	C 321	READING LTS TEST				
C 256						C 322	LH CONSOLE DRV WIND LIFT MOT	PED PO	2	-----	561848
C 257						C 323	LH CONSOLE CRUISE CTR SW PAN. AMP	CPC	9	561636	561637
C 258	LH SW PANEL-MULTI FUNC. SW	AMP FF	8	561188	-----	C 324					
C 259	LH SW PANEL-MULTI FUNC. SW	AMP FF	6	-----	561108	C 325	LH DASH PANEL-KNEELING SW	EATON	8	-----	562763
C 260	FR SERVICE CPT-LUG DOOR LCK	PED WP	6	561606	561607	C 326	ENGINE CMPT.	PED	4	-----	561610
C 261	UNDER DASH RH-DOOR MODULE	AMP MNL	9	561670	561669	C 327	ENGINE CONTROL	DEUTSCH	6	562583	562581
C 262	UNDER DASH RH-DOOR MODULE	AMP MNL	4	561551	561668	C 328	GALLEY-LAMP	AMP MNL	2	561248	561247
C 263	UNDER DASH RH-DOOR MODULE	AMP MNL	3	561667	561550	C 329	ENGINE TACHO SIGNAL	PED WP	3	561781	561789
C 264	UNDER DASH RH-DOOR MODULE	AMP MNL	3	561667	561550	C 330					
C 265	UNDER DASH RH-DOOR MODULE	AMP HDP-20	15	562011	562012	C 331	GALLEY MICROWAVE SW	EATON	8	-----	562763
C 266						C 332					
C 267	UNDER DASH RH	AMP CPC	24	561642	561643	C 333	GALLEY RH CONTAINER SW	EATON	8	-----	562763
C 268	UNDER DASH LH-MIRROR	AMP MNL	6	561552	561515	C 334	GALLEY LH CONTAINER SW	EATON	8	-----	562763
C 269	UNDER DASH RH-MIRROR	AMP MNL	6	561552	561515	C 335					
C 270	LH MIRROR POST	MOLEX	6	562070	562069	C 336					
C 271	RH MIRROR POST	MOLEX	6	562070	562069	C 337	INSTR PANEL LH-UP WIPER SW	EATON	8	-----	562763
C 272	LH MIRROR	SPARTAN	6	-----	990158	C 338	INSTR PANEL LH-UP DEFROST SW	EATON	8	-----	562763
C 273	RH MIRROR	SPARTAN	6	-----	990158	C 339	INSTR PANEL LH-UP WASHER SW	EATON	8	-----	562763
C 274	RR. JCT. BOX - SIGNAL ALT. MODULE	AMP MNL	12	561735	561734	C 340	FR JCT. BOX FIRE PIEZO ALARM	AMP MNL	2	560900	560898
C 275	UNDER DASH RH-DOOR MODULE	AMP MNL	9	561670	561669	C 341	INSTR PANEL LH-HEAT MIRROR SW	EATON	8	-----	562763
C 276	UNDER DASH RH-LOCK SOL.VALVE	AMP MNL	2	561248	561247	C 342	ENGINE RR START SW	DEUTSCH	2	562586	562585
C 277						C 343	INSTR PANEL LH-HEADLAMP SW	EATON	8	-----	562763
C 278						C 344	INSTR PANEL LH-HAZARD LT SW	EATON	8	-----	562763
C 279 *	FR SERVICE CPT.- STEERING ZF	DEUTCH	2		562486	C 345	INSTR PANEL LH-FOG LT SW	EATON	8	-----	562763
C 279	UNDER DASH CYLINDER READ SW.	AMP MNL	2	561248	561247	C 346					
C 280	LH CONSOLE-UNLOAD TAG SW.	NGR	10	-----	562763	C 347	INSTR PANEL LH-DASH LT SW	AMP MNL	2	560900	560898
C 281						C 348	INSTR PANEL CENT-RACOR MODULE	MOLEX	6	562070	562067
C 282						C 349					
C 283						C 350	RH CONSOLE-THERMOMETER	AMP MNL	3	561667	561550
C 284	LH DR'S ROOF - MONITOR FEED	PED WP	3	561781	561782	C 351	LH HAT RACK-FLUOR 110V	MOLEX	4	561477	561476
C 285	LH DR'S ROOF - SOUND SYSTEM	AMP CPC	24	561442	561643	C 352	RH CONSOLE-DRV TEMP SENSOR	BURNDY	4	-----	561104
C 286	RH SW PANEL-A/C & HEAT	EATON	8	-----	562763	C 353	INSTR PANEL RH-DRV FAN RHEOST	AMP MNL	6	561552	561515
C 287	ENGINE COMPT-LTS SW	PED WP	2	561566	561690	C 354	INSTR PANEL RH-DRV TEMP CTR	AMP MNL	6	561552	561515
C 288	RH SW PANEL-FRESH AIR	EATON	8	-----	562763	C 355	INSTR PANEL RH-FR TEMP CTR	AMP MNL	3	561667	561550
C 289						C 356					
C 290						C 357	INSTR PANEL RH-WATER TEMP GA	AMP MNL	3	561667	561550
C 291						C 358	INSTR PANEL RH-FUEL LEVEL GA	AMP MNL	3	561667	561550
C 292	LH PARCEL RACK VIDEO PANEL- MONITOR	MOLEX	4	563040	563071	C 359					
C 293	LH PARCEL RACK VIDEO PAN. - RCA RELAY	AMP MNL	2	561248	561247	C 360					
C 294	LH PARCEL RACK VIDEO PAN.- RCA RELAY	AMP MNL	2	561248	561247	C 361	FR ROOF-WIPER MOTOR	AMP FF	6	-----	561186
C 295	LH PARCEL RACK VID. PANEL- AMPLI VIDEO	MOLEX	4	563040	563071	C 362	FR ROOF-LAVATORY OCCUPIED LT	AMP MNL	2	561248	561247
C 296	LH PARCEL RACK VIDEO PAN. - MICRO SIGNAL	MOLEX	4	562507	562503	C 363	FR ROOF-WATCH YOUR STEP LT	AMP MNL	2	561248	561247
C 297	INSTRUMENT PANEL RH -LTS	AMP MNL	2	560900	560898	C 364	FR ROOF-DESTINATION SIGN	AMP MNL	3	561667	561550
C 298						C 365	FR ROOF-UP WINDSHIELD DEFROST	AMP MNL	3	561667	561550
C 299	RH DASH PANEL SW-GALLEY	EATON	8	-----	562763	C 366	RH DASH PANEL-GRN & RED LEDS	AMP MNL	3	560908	562006
C 300						C 367	ENGINE COMPT-DIF OIL T SENSOR	PED WP	2	561566	561690
C 301						C 368	FR ROOF-DEST. SIGN BALLAST	AMP MNL	3	561667	561550
C 302						C 369	FR ROOF-DEST. SIGN OPER. SW	TORRIX	5	-----	562110
C 303						C 370	FR ROOF-DEST. SIGN FLUOR.	AMP MNL	2	560900	560898
C 304						C 371	FR ROOF-DEST. SIGN FLUOR.	AMP MNL	2	560900	560898
C 305						C 372	FR ROOF-DEST. SIGN SPEED SW	MOLEX	4	561477	561476
C 306						C 373	FR ROOF-NO SMOKING LT	AMP MNL	2	561248	561247
C 307						C 374	LH SWITCH PANEL	AMP MNL	6	561552	561515
C 308	LH CONSOLE SW-RHEOSTAT	TC	2	561030	560997	C 375					
C 309	DDEC ENGINE-ECM POWER CON.	PED MP	5	-----	562345	C 376					
C 310	LH DASH PANEL -LUG. DOOR LCK SW	EATON	8	-----	562763	C 377	LH DASH PANEL-STOP ENG.OVERRIDE SW	EATON	8	-----	562763
C 311	RH DASH PANEL -HOS & PAS CHIME SW	EATON	8	-----	562763	C 378					
C 312	RH DASH PANEL -READING LTS SW	EATON	8	-----	562763	C 379					
C 313	RH DASH PANEL -GEN & FLUOR LTS SW	EATON	8	-----	562763	C 380	LH CONSOLE-DDR CONNECTOR	DEUTSCH	6	562360	-----
C 314	LH DASH PANEL-FR DEST. SIGN SW	EATON	8	-----	562763	C 381					
C 315	LH DASH PANEL-LH STORE SW	EATON	8	-----	562763	C 382					
C 316	LH CONSOLE SPARE SWITCH	EATON	8	-----	562763	C 383					
C 317	LH DASH PANEL-RH STORE SW	EATON	8	-----	562763	C 384					
C 318	LH CONSOLE SW-DRV WINDOW LIFT	EATON	8	-----	562763	C 385	EVAPOTATOR COMP WATER PUMP	PED WP	2	561566	561690
C 319						C 386	LH DASH PANEL-WCL POWER SYSTEM SW	EATON	8	-----	562763

CONNECTORS CODE

NO	LOCATION	TYPE	CAVITY	#PIN #SOCKET		NO	LOCATION	TYPE	CAVITY	#PIN #SOCKET	
				HOUSING	HOUSING					HOUSING	HOUSING
C 387	RR JCT BOX (WCL)	AMP MNL	9	561661	561662	C 454	SOUND SYS.JCT.PAN.-FLT. VCP	PED WP	2	561566	561680
C 388	RR JCT BOX (WCL)	AMP MNL	12	561735	561734	C 455	WIRELESS MICRO-LH HAT-RACK	MOLEX	6	-----	562464
C 389	WCL REAR DOOR	MOLEX	4	561477	561476	C 456	WORLD TRANSM.-RETARDER ACCUM.	PED MP	2	-----	562427
C 390	LAVATORY WALL-WCL REMOTE CTR	EATON	8	-----	562763	C 457	WORLD TRANSM.-MAIN CONNECTOR	DEUTSCH	31	562572	562536
C 391	LAVATORY WALL-WCL LAMP	EATON	8	-----	562763	C 458	WORLD TRANSM.-TURBINE SP.SENS	PED MP	2	-----	562426
C 392	LAVATORY WALL-WCL SW. LT.	EATON	2	-----	561835	C 459	WORLD TRANSM.-ENGINE SP.SENS.	PED MP	2	-----	562426
C 393	LAVATORY WALL-WCL REMOTE SYS.	AMP CPC	4	561686	561687	C 460	WORLD TRANSM.-SPEED SENSOR	ITT	2	-----	562541
C 394	UNDER INSTR. PANEL- B/U MONITOR	AMP MNL	4	560851	560852	C 461	WORLD TRANSM.-RETARDER TEMP.	PED MP	2	561566	561680
C 395	DRIVER'S COMPT. - B/U MONITOR	AMP	5	-----	-----	C 462	WORLD TRANSM.-RETARD SOL."K"	PED MP	2	-----	562426
C 396	FR SECT. LH HAT RACK-SPEAKER	MOLEX	4	562507	562503	C 463	WORLD TRANSM.-SENSOR CONN.	DEUTSCH	16	562570	562571
C 397	ENGINE COMPT. CRADLE ACC.	DEUTSCH	40	562281	562284	C 464	RR JCT BOX-DDR CONNECTOR	DEUTSCH	6	-----	562360
C 398						C 465	LH CONSOLE-SHIFTER SELECTOR	PED	20	-----	562825
C 399	ENGINE COMPT. - PRE-EXITATION ALT.	PED WP	2	561566	561690	C 466	FR SERVICE CPT.-RESIS. MOD.	PED WP	3	-----	562428
C 400	ENGINE COMPT. BLOCK HEATER	PED MP	3	561781	561782	C 467	FR SERVICE CPT.-RESIS. MOD.	PED WP	3	-----	562428
C 401						C 468			8		
C 402						C 469					
C 403	GALLEY FRIGO NORCOLD	AMP MNL	2	561248	561247	C 470	FR LH UPPER WHELL CPT-SILENT 1000	AMP MNL	2	561248	561247
C 404	GALLEY LAMP	AMP MNL	2	561248	561247	C 471	FR LH UPPER WHELL CPT-SILENT 1000	AMP MNL	2	561248	561247
C 405	LAST LUGGAGE COMP. - INVERTER SIGNAL	AMP MNL	2	561248	561247	C 472	FR LH UPPER WHELL CPT-SILENT 1000	PED WP	2	561566	561690
C 406	FR JCT BOX COMPT.-ABS	AMP MNL	2	560900	560898	C 473	FR LH UPPER WHELL CPT-SILENT 1000	AMP MNL	3	561667	561550
C 407						C 474	DRIVER CPT.-TEMP. SENSOR	AMP MNL	2	561247	561248
C 408						C 475	RR JCT BOX-SPEED SIGN CONNECTOR	DEUTSCH	2	562486	562485
C 409	ENGINE CPT -LOW COOL. LEVEL	PED MP	2	-----	562350	C 476					
C 410	FR JCT BOX-DIODE CONNECTOR	AMP MNL	15	561987	561986	C 477					
C 411	FR JCT BOX-DIODE CONNECTOR	AMP MNL	15	561987	561986	C 478	ELECTRONIC DESTINATION SIGN	AMP CPC	9	561636	561637
C 412	LH DASH PANEL-MASTER SWITCH SW	EATON	8	-----	562763	C 479	HVAC MODULE	MOLEX	3	-----	562783
C 413	ENG CPT-A/C HI UNLOAD PRS SW	PED WP	2	561566	561690	C 480	UNDER DASH LH-DR. FAN SPEED CTR. MOD	PED	4	561889	561890
C 414						C 481	UNDER DASH LH-DR. FAN SPEED CTR. MOD	PED	3	561781	561782
C 415	RR JCT BOX - ENGINE SIGNAL	DEUTSCH	24	562280	562283	C 482					
C 416	ENGINE CRADLE-ENGINE SIGNAL	FCI	10	563207	-----	C 483	FR SERVICE CPT. (NOT USED)	PED PC	2	-----	562237
C 417	FRONT JCT BOX-DIODES	AMP MNL	15	561987	561986	C 484	UNDER DASH LH.-FOOT DAMPER MOTOR	PED PC	2	-----	562076
C 418	LH DASH PANEL-HTR WINDSH.SW	EATON	8	-----	562763	C 485	UNDER DASH LH.-DASH & DEFR. DAM.MOT.	AMP MNL	3	561667	561550
C 419	FR JCT BOX-RETARDER OR JACOB	AMP MNL	3	561667	561550	C 486					
C 420						C 487	S.S.PANEL - AUDIO IN AMPLI	MOLEX	4	-----	563071
C 421						C 488	S.S.PANEL - AMPLI SIGNAL	MOLEX	8	-----	562465
C 422						C 489	S.S.PANEL - SPEAKER OUTLET	MOLEX	6	-----	562464
C 423						C 490					
C 424	UNDER INSTRUMENT PANEL CENTER	AMP MNL	3	561667	561550	C 491					
C 425	FR JCT BOX-DIODES	AMP MNL	15	561987	561986	C 492					
C 426	ENGINE COMPT. CLUTCH CTR FAN	PED WP	3	561781	561782	C 493					
C 427	PRO-HEAT	PED-WP	2	561566	561680	C 494					
C 428	PRO-HEAT	PED WP	6	561606	561607	C 495					
C 429	FR JCT BOX COMPT.	AMP MNL	6	561552	561515	C 496					
C 430	LH CONSOLE-TIMER	AMP FF	8	561188	562363	C 497					
C 431	LH CONSOLE-PRE HEAT.	TAB AMP	1	561540	561539	C 498					
C 432	ENGINE CPT.-PROX. SW. DOOR AJAR	PED-WP	2	561566	561680	C 499					
C 433	FR SERVICE CPT. KNEEL. PRESS. SW	PED WP	2	561566	561690	C 500	FR LH UPPER WHELL CPT -PRODRIVER	MOLEX	6	562070	562069
C 434	FRONT JCT. BOX-DIODES	AMP MNL	15	561987	561986	C 501	FR LH UPPER WHELL CPT -PRODRIVER	PED MP	7	562433	-----
C 435	FR SERVICE CPT. (RH) KNEEL. PIEZO	AMP MNL	2	560900	560898	C 502	LH DASH PANEL-PRE HEATER SW.	EATON	8	-----	562763
C 436	RH HAT RACK-WCL CENTER ROOF ACC	AMP CPC	16	561639	561640	C 503	LH CONSOLE-PRE HEATER SW.	EATON	2	-----	561837
C 437	RH HAT RACK-WCL FR & RR SECT.	AMP CPC	24	561642	561643	C 504	LH CONSOLE WEBASTO TIMER	AMP	8	-----	562852
C 438	EVAP CMPT- A/C CONTROL	AMP MNL	2	561248	561247	C 505	LH CONSOLE ESPAR TIMER	AMP	9	-----	562881
C 439	EVAP CMPT- A/C CONTROL	AMP MNL	2	561248	561247	C 506	FR JCT BOX CPT. DIGITAL CLOCK	AMP	4	561685	561687
C 440	EVAP CMPT- A/C CONTROL	DEUTSCH	4	562479	562477	C 507	FR SECT. LH HAT-RACK DIG. CLOCK	MOLEX	4	561477	561476
C 441	FR JCT BOX- DIODES	AMP MNL	15	561987	561986	C 508	RR JCT BOX-FAN CLUTCH RETARDER	AMP MNL	6	561552	561515
C 442						C 509	FR LH UPPER WHELL CPT -DATA LOGGER	PED MP	16	-----	562530
C 443						C 510	FR LH UPPER WHELL CPT -DATA LOGGER	DEUTSCH	9	562531	-----
C 444						C 511	FR LH UPPER WHELL CPT -DATA LOGGER	PED MP	4	562532	-----
C 445						C 512	FR LH UPPER WHELL CPT -DATA LOGGER	PED MP	10	562533	-----
C 446						C 513	FR LH UPPER WHELL CPT -DATA LOGGER	AMP MNL	3	561667	561550
C 447						C 514	FR LH UPPER WHELL CPT -DATA LOGGER	PED MP	6	562433	562417
C 448						C 515	FR JCT BOX CPT.-INTERCOM	MOLEX	4	561477	561476
C 449						C 516	FR JCT BOX CPT.-INTERCOM	MOLEX	6	562070	562069
C 450	SOUND SYS. JCT. PANEL	MOLEX	4	562507	562503	C 517	LAVATORY WALL-INTERCOM	MOLEX	6	562070	562069
C 451	WIRELESS MICRO-FIRST CPT BAG	MOLEX	2	562550	562549	C 519	UNDER DASH RH-SEDAN DOOR	HUMPHREY	2	-----	562580
C 452	UNDER DASH INSTR. PANEL	MOLEX	2	562550	562549	C 520	UNDER DASH RH-SEDAN DOOR	HUMPHREY	2	-----	641385
C 453	SOUND SYS. JCT.PANEL-VCP	PED WP	2	561566	561680	C 521	UNDER DASH RH-SEDAN DOOR	HUMPHREY	2	-----	641385

CONNECTORS CODE

NO	LOCATION	TYPE	CAVITY	#PIN		NO	LOCATION	TYPE	CAVITY	#PIN	
				HOUSING	HOUSING					HOUSING	HOUSING
C 522						C 589	UNDER DASH - L.H. MIRROR	AMP MNL	9	561670	561669
C 523	FR JCT BOX-FUSE BLOCK	PED	8	562647	562646	C 590	UNDER DASH - R.H. MIRROR	AMP MNL	9	561670	561669
C 524	FR JCT BOX-FUSE BLOCK	PED	8	562647	562646	C 591	L.H.CONSOLE - MIRROR L.H.	EURAMTEC	8	-----	562799
C 525	FR JCT BOX-FUSE BLOCK	PED	8	562647	562646	C 592	L.H.CONSOLE - MIRROR R.H.	EURAMTEC	8	-----	562799
C 526	FR JCT BOX-FUSE BLOCK	PED	8	562647	562646	C 593	BATTERY CMPT. - CHARGER	PED WP	3	561781	561782
C 527	FR JCT BOX-FUSE BLOCK	PED	8	562647	562646	C 594	FRONT ROOF - DRIVERS LIGHT	LEEKRAFT		-----	562803
C 528	FR JCT BOX-FUSE BLOCK	PED	8	562647	562646	C 595	DASH CENTER MODULE - OPEN DOOR	MOLEX	4	561477	561476
C 529	FR JCT BOX-12V OUTLET	AMP MNL	2	561247	561248	C 596	DASH CENTER MODULE - CLOSE DOOR	MOLEX	4	561477	561476
C 530	RR JCT BOX-FUSE BLOCK	PED	8	562647	562646	C 597	L.H. DASH PANEL - DISPLAY SET SW.	MOLEX	5		562812
C 531	RR JCT BOX-FUSE BLOCK	PED	8	562610	---	C 598	L.H. DASH PANEL - DISPLAY SET SW.	MOLEX	5		562812
C 532	RR JCT BOX-FUSE BLOCK	PED	8	562610	---	C 599					
C 533	RR JCT BOX-FUSE BLOCK	PED	8	562647	562646	C 600	ENGINE CPT.-A/C LOW PRESS SW. UNLOAD	PED	2	562348	562471
C 534	RR JCT BOX-FUSE BLOCK	PED	8	562647	562646	C 601	L.H. ROOF - WINDOW AJAR	AMP MNL	2	561248	561247
C 535	RR JCT BOX-FIRE MODULE DETECT.	AMP MNL	3	561667	561550	C 602	L.H. ROOF - WINDOW AJAR	MOLEX	4	561477	561476
C 536	UNDER DASH RH-DRIVER'S HTR TEMP. CTR	AMP MNL	6	561552	561515	C 603	R.H. ROOF - WINDOW AJAR	AMP MNL	2	561248	561247
C 537	BATT. CPT.-A/C PRESS. SIGN. RLY	AMP MNL	2	561248	561247	C 604	LH PARCEL RACK DVD VIDEO STABILIZER	SWITCHCRAFT	1	563074	
C 538	FR SERVICE CPT.-OUTSIDE TEMP. SENSOR	AMP MNL	2	561248	561247	C 605	HAT RACK - MOTOR FAN	PED	2	560997	561030
C 539	HVAC DASH MODULE OUTPUT CON	MOLEX	24		562780	C 606	HAT RACK - MOTOR FAN	PED	2	560997	561030
C 540	HVAC DASH MODULE INPUT CON	MOLEX	22		562781	C 607					
C 541	SOUND SYS. JCT PANEL-AUDIO SEAT SYS.	PED WP	2	561566	561690	C 608	FRONT SERVICE CMPT. SPEED SIGNAL	PED WP	2	561566	561690
C 542	LH HAT RACK-AUDIO SEAT SYSTEM	AMP MNL	3	561667	561550	C 609	LAVATORY - NIGHT LIGHT				
C 543						C 610					
C 544	SOUND SYS JCT PANEL-AUDIO SEAT SYS.	PED WP	3	561781	562428	C 611	HAT RACK READING LTS RICON	MOLEX	6	562558	562557
C 545	LH HAT RACK-AUDIO SEAT SYSTEM	AMP MNL	3	561667	561550	C 612	HAT -RACK FLUOR. INSTATION LTS RICON	MOLEX	4	562507	562503
C 546	WIRELESS MIC. CHARGING SYSTEM	MOLEX	2	-----	563025	C 613	HAT -RACK INDIRECT LTS RICON	AMP MNL	3	561667	561550
C 547	RH DASH PANEL-ACCESSORIES	AMP CPC	37	561645	561646	C 614	HAT -RACK INDIRECT LTS RICON	AMP MNL	3	561667	561550
C 548	LH DASH PANEL-T.T. LT. TEST SW.	EATON	8	-----	562763	C 615	LH PARCEL RACK DVD SING ALONG ADAPT.	MOLEX	2	562550	562549
C 549	LH DASH PANEL-FAN CLUTCH OVERR. SW	EATON	8	-----	562763	C 616					
C 550	LAST LUGG. CPT. -WCL RICON	AMP CPC	16	561694	561695	C 701	ZF TRANSMISSION ECU	KOSTAL	20		
C 551	LAST LUGG. CPT. -WCL RICON	AMP CPC	16	561694	561695	C 702	SHIFT SELECTOR - LH CONSOLE	AMP	14		563338
C 552	LAST LUGG. CPT. -WCL RICON	AMP CPC	9	561636	561637	C 712	NEUTRAL SWITCH ON ZF TRANSM. (TOP)	AMP	4		563340
C 553	UNDER DASH R.H. - CONTROL. HEAD	MOLEX	16	-----	562559	C 714	OUTPUT SENSOR ON ZF TRANSM. (BOTTOM)	AMP	4		563340
C 554	UNDER DASH R.H. - CONTROL. HEAD	MOLEX	16	-----	562559	C 717	BATT. CPT - MAIN CONNECTOR	AMP CPC	22	561642	561643
C 555	UNDER DASH R.H. - CONTROL. HEAD	MOLEX	16	-----	562559	C 720	ENGINE COMPT - BLKHD CONNECTOR	DEUTSCH	31	563359	563358
C 556	UNDER DASH R.H. - RADIO ACC.	MOLEX	2	562550	562549	C 721	LH CONSOLE - ZF TESTMAN DIAGNOSTIC	AMP MNL	6	563356	
C 557	UNDER DASH R.H. - RADIO ACC.	MOLEX	9	562556	562555	C 723	ENGINE COMPT - FOR TRANSM.	DEUTSCH	3		562884
C 558	UNDER DASH R.H. - RADIO ACC.	MOLEX	4	562507	562503	C 736	ENGINE COMPT - ZMTEC MODULE	PACKKARD	30	563053	
C 559	SOUND SYS. JCT. PANEL - FILTER AMPLI	PED WP	2	561566	561690	C 740	DRIVE AXLE - EASY START SOL VALVE	LEONI	2	--	641949
C 560	SOUND SYS. JCT. PANEL - POWER AMPLI	MOLEX	4	562507	562503	C 742	BATT. CPT - FUSE BLOCK	AMP	8	562446	
C 561	L.H. HAT RACK - WIRELESS MICRO	MOLEX	8		562465	C 745	FR SERV.COMPT - THROTTLE POS. SENSOR	PED WP	3	561781	
C 562	L.H. HAT RACK - VCP	MOLEX	12	562556	563070	C 760	FR SERV. COMPT - TO J1939	DEUTSCH	3		
C 563	L.H. MODESTY PANEL - DRIVERS SPK.	MOLEX	4	562507	562503	C 761	FR SERV. COMPT - TO J1939	DEUTSCH	3		562884
C 564	L.H. MODESTY PANEL - MICRO	MOLEX	4	562507	562503	C 762	ENGINE COMPT - TO J1939	DEUTSCH	3		562884
C 565	R.H. MODESTY PANEL - MICRO	MOLEX	4	562507	562503	C 763	ENGINE COMPT - TO J1939	DEUTSCH	3		562884
C 566	L.H. CONSOLE - BOOM MICRO	MOLEX	4	562507	562503	C 764	ENGINE COMPT - TO J1939	DEUTSCH	3		562884
C 567	L.H. CONSOLE - DRIVERS MICRO	MOLEX	4	562507	562503	C 765	ENGINE COMPT - TO J1939	DEUTSCH	3		562884
C 568	SOUND SYS. JCT. PANEL - PASS. SPK	CINCH	4	562553	562552	C 766	ENGINE COMPT - TO J1939	DEUTSCH	3		562884
C 569	SOUND SYS. JCT. PANEL - POWER AMPLI.	MOLEX	9	562556	562555						
C 570	UNDER DASH PANEL TTLT	MOLEX	6		562464						
C 571	UNDER DASH PANEL TTLT	MOLEX	20		562778	C X	CLUSTER	JAE	22		562766
C 572	UNDER DASH PANEL TTLT	MOLEX	18		562779	C Y	CLUSTER	JAE	30		562767
C 573	UNDER DASH PANEL TTLT	MOLEX	8		562465	L X	CLUSTER	JAE	22		562764
C 574	HAT -RACK FLUOR. INDIRECT LIGHTING	MOLEX	6	-----	562759	L					
C 575	HAT -RACK FLUOR. INSTATION LIGHT	MOLEX	4	562507	562503	R					
C 576	HAT -RACK FLUOR. INDIRECT LIGHTING	AMP MNL	3	561667	561550						
C 577	HAT -RACK FLUOR. INDIRECT LIGHTING	AMP MNL	3	561667	561550						
C 578	HAT -RACK FLUOR. INSTATION LIGHT	MOLEX	4	562507	562503						
C 579	L.H HAT RACK - VCP POWER	MOLEX	4		563071						
C 580	RH DASH PANEL-HAT RACK FAN SW	EATON	8	-----	562763						
C 581											
C 582	FRONT SERVICE CMPT. - WINDOWS AJAR	PED WP	2	561566	561690						
C 583	L.H. DASH PANEL - MASTER KEY	DEUTSCH	2	562486	562485						
C 584	FRONT SERVICE CMPT. - AIR HORH	HUMPHREY	3	-----	641385						
C 585											
C 586											
C 587	LH PARCEL RACK DVD UNIT	MOLEX	4	563040	563071						
C 588	FRONT SERVICE CPT. CENTER SOUND SYS.	AMP. CPC	37	561645	561646						

CONNECTORS CODE

NO	LOCATION	TYPE	CAVITY	#PIN	#SOCKET	NO	LOCATION	TYPE	CAVITY	#PIN	#SOCKET
				HOUSING	HOUSING					HOUSING	HOUSING
AA1	BEHIND DASH - SONALERT	BOSCH	5		561183	C 55	RH SWITCH PANEL	AMP CPC	9	561636	561637
AA2	BEHIND DASH - SONALERT	BOSCH	5		561183	C 56	HAT RACK- MOTOR FAN	MOLEX	6	562558	562557
C X1	FR SERVICE COMPT- ECU ABS	AMP	15		563200	C 57	HAT RACK- MOTOR FAN	MOLEX	6	562558	562557
C X2	FR SERVICE COMPT- ECU ABS	AMP	18		563201	C 58	RR JCT BOX AC PANEL	DEUTSCH	24	562280	562283
CRH	DDEC ENGINE- RELATIVE HUMIDITY SENS.	FCI	4		563277	C 59	RR JCT BOX AC PANEL	AMP CPC	14	561584	561583
CRXTX	HVAC DASN MODULE COMMUNICATION	MOLEX	3	563206	562873	C 60	RR JCT BOX COMPT.-LT	AMP MNL	2	561248	561247
CS	RR JCT BOX ECU WORLD TR.	PED	32		562817	C 61	LUGGAGE COMPARTMENT LTS	AMP MNL	2	561248	561247
CT	RR JCT BOX ECU WORLD TR.	PED	32		562824	C 62	LUGGAGE COMPARTMENT LTS	AMP MNL	2	561248	561247
CV	RR JCT BOX ECU WORLD TR.	PED	32		562823	C 63	LUGGAGE COMPARTMENT LTS	AMP MNL	2	561248	561247
		AMP CPC	9	561636	561637	C 64	LUGGAGE COMPARTMENT LTS	AMP MNL	2	561248	561247
CWX1	ENGINE CPT-WEBASTO PRE-HEAT WATER	AMP SEALED	7		563135	C 65	LUGGAGE COMPARTMENT LTS	AMP MNL	2	561248	561247
CWX3	ENGINE CPT-WEBASTO PRE-HEAT WATER	AMP SEALED	7	563136		C 66	LUGGAGE COMPARTMENT LTS	AMP MNL	2	561248	561247
CY	CLUSTER	JAE	30	---	562765	C 67	LUGGAGE COMPARTMENT LTS	AMP MNL	2	561248	561247
C 1	FR JCT BOX COMPARTMENT	AMP CPC	14	561585	561584	C 68	LUGGAGE COMPARTMENT LTS	AMP MNL	2	561248	561247
C 2	FR JCT BOX COMPARTMENT	AMP CPC	16	561639	561640	C 69	RR AXLE ACC-INSIDE PVC END	PED WP	6	561568	561578
C 3	FR JCT BOX COMPARTMENT	AMP CPC	24	561641	561643	C 70	LH CONSOLE	AMP CPC	16	561642	561643
C 4	FR JCT BOX COMPARTMENT	AMP CPC	37	561644	561646	C 71	FR JCT BOX COMPARTMENT	AMP CPC	37	561645	561646
C 5	FR SERVICE COMPT.-UNDERNEATH	AMP CPC	37	561644	561646	C 72	FR JCT BOX COMPARTMENT	AMP CPC	24	561642	561643
C 6	FR SERVICE COMPT.-UNDERNEATH	AMP CPC	16	561639	561640	C 73	DASH CENTER PANEL	AMP CPC	16	561639	561640
C 7						C 74	FR JCT BOX COMPARTMENT	AMP CPC	37	561645	561646
C 8	FR SERVICE COMPT.-UNDERNEATH	AMP CPC	24	561641	561643	C 75	SERV CPT. RXT. ENT. DOOR SW	DEUTSCH	4	562479	562477
C 9	FR SERVICE COMPT.-UNDERNEATH	AMP CPC	24	561641	561643	C 76	LUGGAGE COMPT.-AIR RET.SENS.	AMP MNL	2	561248	561247
C 10	LUGGAGE COMPT. WATER BOOSTER PUMP	PED	2	562348	562471	C 77	LUGGAGE COMPT.-AIR RET.SENS.	AMP MNL	2	561248	561247
C 11	FR SERVICE COMPARTMENT	AMP CPC	37	561644	561646	C 78					
C 12	FR SERVICE COMPARTMENT	AMP CPC	16	561639	561640	C 79					
C 13	LH CONSOLE-CTR MIRROR	AMP MNL	6	561552	561515	C 80	LUGGAGE COMPT.-AIR RET.SENS.	AMP MNL	2	561248	561247
C 14	UNDER DASH-LH MIRROR	AMP MNL	9	561661	561662	C 81	PASSENGER COMPT.-AISLE LTS	AMP MNL	2	560900	560898
C 15	A/C CLUTCH	PED WP	2	561566	561690	C 82	ENTRANCE DOOR	MOLEX	6	562070	562069
C 16	LH CONSOLE SW-CRUISE ON OFF	EATON	10	-----	562763	C 83	ENTRANCE DOOR-PROIMITY SW	MOLEX	4	561477	561476
C 17	LH CONSOLE SW-CRUISE RESUME	EATON	10	-----	562763	C 84	ENTRANCE DOOR-PRESSURE SW	PED WP	2	561566	561690
C 18	LH CONSOLE SW-CRUISE SET	EATON	10	-----	562763	C 85	UNDER INSTRUMENT PANEL LH	AMP MTA-100	-----	562248	-----
C 19	LH CONSOLE DECEL SW	EATON	10	-----	562763	C 86					
C 20	RR JCT BOX	DEUTSCH	70	562282	562285	C 87	RR END ROOF	AMP CPC	9	561636	561637
C 21	RR JCT BOX	DEUTSCH	24	562280	562283	C 88					
C 22	RR JCT BOX - EATON TRANSM.	AMP MNL	6	561552	561515	C 89	RR END ROOF-B/U NONITOR	AMP CPC	4	561582	561581
C 23	DDEC ENGINE-ECM J1939	PED MP	6	-----	561962	C 90	RR JCT BOX	AMP CPC	15	561987	561986
C 24	DDEC ENGINE-12Vi FOR OPTION	PED WP	1	-----	561577	C 91	RR JCT BOX	AMP CPC	37	561714	561713
C 25						C 92	FR LH UPPER WHELL CPT-ABS	AMP CPC	9	561635	561637
C 26	HYD & MAN TRANSM.-NEUT. & B/U	PED WP	4	561610	561611	C 93	FR LH UPPER WHELL CPT-ABS		35	-----	641094
C 27	HYD & MAN TRANSM.-SPEED SENS.	PED WP	2	561566	561690	C 94	RH CONSOLE ENTRANCE STEP LIGHT	DEUTCH	2	562486	562485
C 28	EATON TRANSMISSION	DEUTCH	3	562877	562884	C 95	CONDENSOR CPT - LIQ. SOL. VALVE	PED WP	2	561566	561690
C 29	EATON TRANSMISSION	PED MP	6	562878	-----	C 96	FR AXLE ACCESSORIES	AMP CPC	14	561585	561585
C 30	RR JCT BOX - ECU EATON TRANSM.	PED MP	32	-----	562866	C 97	RR AXLE ACC-INSIDE PVC END	PED WP	6	561568	561578
C 31	RR JCT BOX - ECU EATON TRANSM.	PED MP	24	-----	562865	C 98	FR SERVICE COMPT-EL.FT.PEDAL	PED WP	3	561782	561781
C 32	DDEC ENGINE-ECM	PED	30	-----	561600	C 99	FR SERVICE COMPT LTS	AMP MNL	2	561248	561247
C 33	RR JCT BOX - EATON TRANSM.	DEUTCH	9	562531	-----	C 100	LH CONSOLE - 120 VOLTS SWITCH	EATON	8	-----	562763
C 34	RH. CONSOLE - EATON TRANSM. SHIFTER	PED MP	3	-----	562871	C 101	FR SERVICE COMPT-ELEC. HORNS	PED WP	2	561566	561690
C 35	RR JCT BOX	DEUTCH	40	562281	562284	C 102	FR SERV & SIDE CPT-FLASH. LH	GROTE	2	-----	562155
C 36	RH. CONSOLE - EATON TRANSM. SHIFTER	PED MP	24	-----	562874	C 103	FR SERV & SIDE CPT-MARKERS	GROTE	2	-----	562155
C 37	RR SECTION-LH HAT RACK	MOLEX	6	562558	562557	C 104	LAVATORY TRAP-FLUSH PUMP SW.	DEUTSCH	4	562479	562477
C 38	RR SECTION-RH HAT RACK	MOLEX	6	562558	562557	C 104	FR SERV & SIDE CPT-FLASH. RH	GROTE	2	-----	562155
C 39	LH CONSOLE - EATON TRANSM. DISPLAY	AMP MNL	4	561551	561668	C 105	FR SERVICE COMPT-LIQ.S.VALVE	PED WP	2	561566	561690
C 40	RR JCT BOX - EATON TRANSM. J1939	DEUTCH	3	562877	562884	C 106	FR SERVICE COMPT-WATER VALVE	PED WP	2	561566	561690
C 41	LAVATORY ROOF LIGHT	LEECRAFT	2	-----	562803	C 107					
C 42	LAVATORY BACK WALL-WTR TANK	AMP MNL	2	560900	560898	C 108	FR SERVICE COMPT-KNEEL.SYS	PED WP	2	561566	561690
C 43	LAVATORY BACK WALL-ACCES.	AMP MNL	9	561661	561662	C 109	FR SERVICE COMPT-KNEEL.SYS	PED WP	2	561566	561690
C 44	EATON TRANSM. J1939	DEUTCH	3	562877	562884	C 110	FR SERVICE COMPT-KNEEL.SYS	PED WP	2	561566	561690
C 45	FR JCT BOX COMPARTMENT	AMP CPC	24	561642	561643	C 111	EVAPORATOR COMPT-DAMPER	DEUTSCH	2	562486	562485
C 46	EATON TRANSM. J1939	DEUTCH	3	562877	562884	C 112	LAVATORY BACK WALL-FLUSH PUMP SW.	DEUTSCH	4	562479	562477
C 47	FR SERVICE COMPARTMENT	AMP CPC	16	561694	561695	C 113	RR MARKER LT	GROTE	2	-----	562155
C 48	FR. SERVICE CMPT.PRESS SW PARKBREAK	DEUTCH	4	562479	562477	C 114	RR J. BOX CPT DOOR DIR LT LH	GROTE	2	-----	562155
C 49	BATTERIE COMPT.-LT	AMP MNL	2	561248	561247	C 115					
C 50	FR SERVICE COMPT.-LOW BUOY	PED WP	1	561605	561577	C 116	ENGINE COMPT. LTS	GROTE	2		563268
C 51						C 117	RR JCT BOX MARKER LT	GROTE	2	-----	562155
C 52	RR JCT BOX	AMP CPC	24	561642	561643	C 117	FR SRV. COMPT. KNEELING UP SOL VALVE	PED WP	2	561761	
C 53	SPARE TIRE COMPT ENTRANCE STEP LIGHT	DEUTCH	2	562486	562485	C 118	ENGINE COMPT-LAVATORY FAN	PED WP	2	561566	561690
C 54	SPARE TIRE COMPT ENTRANCE STEP LIGHT	DEUTCH	2	562486	562485	C 119	ENGINE CPT RR DOOR RH LO LAMP	PED WP	6	561606	561607

CONNECTORS CODE

NO	LOCATION	TYPE	CAVITY	#PIN	#SOCKET	NO	LOCATION	TYPE	CAVITY	#PIN	#SOCKET
				HOUSING	HOUSING					HOUSING	HOUSING
C 120	ENGINE CPT RR DOOR LH LO LAMP	PED WP	6	561606	561607	C 186M	RR JCT BOX CPT.-SPD SIGN. M.TR	PED WP	2	561566	561690
C 121	BATTERIE CPT. DOOR DIR LT RH	GROTE	2	-----	562155	C 186W	RR JCT BOX CPT.-SPD SIGN. WT	PED WP	2	561566	561690
C 122						C 187	FR JCT BOX-RPM RESISTOR CON.	AMP MNL	6	561552	561515
C 123	TAG AXLE-UNLOAD TAG RH VALVE	PED WP	2	561566	561690	C 188					
C 124	ENGINE CPT-ETHER SW	PED WP	2	561566	561690	C 189	ENGINE CPT RR DOOR B/U LT	TRUCK-LITE	2	-----	562755
C 125	ENGINE CPT-B/U ALARM	PED WP	2	561566	561690	C 190	ENGINE CPT RR DOOR TAIL/ STOP LT	SUPER SEAL	3		562601
C 126	ENGINE CPT-FLUSHING PUMP	PED WP	2	561566	561690	C 191	ENGINE CPT RR DOOR RH TAIL/STOP LT	SUPER SEAL	3		562601
C 127	ENGINE CPT-FUEL FILTER	PED WP	2	561566	561690	C 192	ENGINE CPT RR DOOR DIR. LT	SUPER SEAL	3		562601
C 128	ENGINE CPT-A/C COMPR.CLUTCH	ITT SS	2	561813	561812	C 193					
C 129						C 194					
C 130	ENGINE CPT-UNLOADER	ITT SS	2	561813	561812	C 195					
C 131	ENGINE CPT-UNLOADER	ITT SS	2	561813	561812	C 198	ENGINE CPT RR DOOR LICENCE LT	PED WP	2	562348	562471
C 132	ENGINE CPT-A/C LO PRESS SW	PED WP	2	561566	561690	C 199					
C 133	ENGINE CPT-A/C HI PRESS SW	PED WP	2	561566	561690	C 200	RH HAT RACK-FLUORESCENT	AMP MNL	2	561248	561247
C 134	FR JCT BOX-LUGGAGE DIODE CON.	AMP MNL	15	561987	561986	C 201	RH HAT RACK-FLUORESCENT	AMP MNL	2	561248	561247
C 135	FR JCT BOX-LUGGAGE DIODE CON.	AMP MNL	15	561987	561986	C 202	RH HAT RACK-INDIRECT LIGHTING	MOLEX	2	-----	562758
C 136	RR JCT BOX - A/C PANEL DIODE CONN.	AMP MNL	15	561987	561986	C 203	RH HAT RACK-INDIRECT LIGHTING	MOLEX	6	-----	562759
C 137	RR JCT BOX-TRANSMITTER	AMP MNL	2	560900	560898	C 204	RH HAT RACK-GENERAL LT	AMP MNL	2	560900	560898
C 138	RR JCT BOX-CONTROL MODULE	AMP HDP	15	-----	562012	C 205	FR SECT.-RH HAT RACK SPEAKER	AMP MNL	9	561661	561662
C 139	RR JCT BOX-LOGIC MODULE	AMP HDP	15	562011	-----	C 206	RH HAT RACK-READING LT	AMP FF	4	-----	562756
C 140	HVAC DASH MODULE THERMOMETER	MOLEX	4		562782	C 207	LH HAT RACK-READING LT	AMP FF	4	-----	562756
C 141	INSTRUMENT PANEL LH UNLOAD TAG	AMP	2	561248	561247	C 208	LH HAT RACK-BALLAST	MOLEX	2	-----	562758
C 142	LAVATORY DOOR WALL	AMP MNL	2	561248	561247	C 209	LH HAT RACK HOTESS CHIME	AMP MNL	3	561667	561550
C 143						C 210	FR SECT.-LH HAT RACK SPEAKER	AMP MNL	9	561661	561662
C 144	UNDER LH SEAT-AISLE LTS	AMP MNL	4	560851	560852	C 211	FR ROOF-STORE LH	AMP MNL	2	560900	560898
C 145	RR JCT BOX CPT-RR SIDE LTS	AMP MNL	9	561670	561669	C 212	FR ROOF-STORE RH	AMP MNL	2	560900	560898
C 146	ENGINE CPT-MODULATOR VALVE	AMPHENOL	2	-----	560412	C 213					
C 147	BATT & RR J.B.CPT-DOCK.LTS	PED WP	2	561566	561690	C 214	ENGINE CPT J1922				
C 148						C 215	TAG AXLE - A.T.C. SYSTEM				
C 149	CONDENSER CPT-FAN MOTOR	ORDNANCE	3	562555	562001	C 216	TAG AXLE - A.T.C. SYSTEM				
C 150						C 217	RH DASH PANEL-FRONT CAMERA SW	EATON	8	-----	562763
C 151	EVAPORATOR CPT-THERMOSTAT	ITT SS	2	561813	562159	C 218	RH DASH PANEL-FRONT CAMERA SW	AMP MNL	2	560900	560898
C 152	CONDENSER CPT-FUEL GAUGE	PED WP	4	561610	561611	C 219	ENGINE CMPT. - FIRE DETECTOR	DEUTSCH	2	562486	562485
C 153	EVAPORATOR CPT-AIR AMB. SENS	AMP MNL	2	561248	561247	C 220	RR.JCT.BOX-FUEL PRIME PUMP	TC	1	561070	561073
C 154	EVAPORATOR CPT-FRESH AIR SENS	ITT SS	2	561813	561812	C 221	BATTERY CMPT. FIRE DETECTOR	DEUTSCH	2	562486	562485
C 155	EVAPORATOR CPT-WATER VALVE	PNEUMAC	4	563204		C 222	ENGINE CMPT. FIRE DETCTOR	DEUTSCH	2	562486	562485
C 156	EVAPOR. CPT-BYPASS WATER VAL.	PED WP	2	561566	561690	C 223	ENGINE CMPT. FIRE DETCTOR	DEUTSCH	2	562486	562485
C 157						C 224	ENGINE CMPT. -VORAD J1939	DEUTSCH	3	562877	562884
C 158	CONDENSER CPT-A/C LO TEMP.	PED WP	2	561566	561690	C 225	ENGINE CMPT. -VORAD J1939	DEUTSCH	3	562877	562884
C 159	CONDENSER CPT-A/C HI TEMP.	PED WP	2	561566	561690	C 226	FR LH UPPER WHEEL CPT-VORAD J1939	DEUTSCH	3	562677	562884
C 160	FR AXLE-ABS RH SENSOR	WABCO	2	641132	-----	C 227					
C 161	FR AXLE-ABS RH VALVE	WABCO	3	-----	641098	C 228					
C 162	FR AXLE-ABS LH VALVE	WABCO	3	-----	641098	C 229					
C 163	FR AXLE-ABS LH SENSOR	WABCO	2	641132	-----	C 230	ENG.CPT.-FUEL PRIME PUMP FEED	DEUTSCH	2	562486	562485
C 164	RR AXLE-ABS LH SENSOR	WABCO	2	641132	-----	C 231	ENG.CPT.-FUEL PRIME PUMP SW.	PED WP	2	561566	561690
C 165	RR AXLE-ABS LH VALVE	WABCO	3	-----	641098	C 232	ENG.CPT.-FUEL PRIME PUMP	PED WP	2	561566	561690
C 166	RR AXLE-ABS RH VALVE	WABCO	3	-----	641098	C 233	FR. SERVICE COMPT.	VDO	8		562043
C 167	RR AXLE-ABS RH SENSOR	DEUTSCH	2	641132	-----	C 234	FR. SERVICE COMPT.	VDO	8		562044
C 168	RR AXLE-ABS OPT ATC	PED WP	2	561566	561690	C 235	FR. SERVICE COMPT.	VDO	8		562041
C 169	RR JCT BOX-SPEED SW	AMP HDP	15	-----	562012	C 236	LUGGAGE COMPARTEMENT	AMP MNL	4	560851	560852
C 170	FR JCT BOX-FLASHER UNIT	TC	2	-----	561940	C 237	UNDER DASH LH-JACOB CLUTCH SW	ITT SS	3	561111	561080
C 171	LH CONSOLE	AMP CPC	24	561642	561643	C 238	UNDER DASH LH-PASS. REC. DAMPER SW	EATON	8	-----	562763
C 172						C 239	FR SERVICE CPT-HI BUOY VALVE	PED WP	2	561566	561690
C 173						C 240	FR SERVICE CPT-KNEEL PROX SW	PED WP	3	561781	562428
C 174	UNDER DASH RH-HTR MODULE	AMP MNL	9	561670	561669	C 241	HEADLAMPS HI BEAM	HELLA	2		562623
C 175	UNDER DASH RH-HTR MODULE	AMP MNL	9	561670	561669	C 242	HALOGEN HEAHLAMPS LO BEAM	HELLA	2		562623
C 176	UNDER DASH RH-WIPER PULSE	AMP FF	6	-----	561186	C 242	XENON HEADLAMPS LO BEAM	DELPHI	2		563366
C 177	UNDER DASH RH-WIPER MOTOR	AMP FF	6	-----	561186	C 243	FRONT CAP- HEADLIGHTS MAIN CONN	DEUTCH	6	565131	562789
C 178	UNDER DASH RH-LH FAN	TC	2	561030	560997	C 244	FR SERVICE CPT-LH FOG LAMP	DEUTCH	2	562902	562901
C 179	UNDER DASH RH-RH FAN	TC	2	561030	560997	C 245	FR SERVICE CPT-RH FOG LAMP	DEUTCH	2	562902	562901
C 180	RR JCT BOX-DIODE CONNECTOR	AMP MNL	15	561987	561986	C 246	UNDER DASH - L.H. MIRROR	CONNXALL	5	563196	563090
C 181	RR JCT BOX-DIODE CONNECTOR	AMP MNL	15	561987	561986	C 247	HEADLAMPS MARK & DIR LTS	AMP SUPER S	3		562601
C 182						C 248	FR JCT BOX-WIPER PULSE GEN	AMP FF	6	-----	561108
C 183	FR SERVICE CPT-KNEELING PAN.	PED WP	4	561610	561611	C 249					
C 184	FR SERVICE CPT-KNEELING SW	ITT SS	3	561111	561080	C 250	LH CONSOL PANEL- LOW BOY	PED	2	561566	561690
C 185						C 251	LH DASH PANEL-FAST IDLE SW	EATON	8	-----	562763
C 186						C 252					

CONNECTORS CODE

NO	LOCATION	TYPE	CAVITY	#PIN		NO	LOCATION	TYPE	CAVITY	#PIN	
				HOUSING	HOUSING					HOUSING	HOUSING
C 253	LH DASH PANEL-ETHER SW	EATON	8	-----	562763	C 319					
C 254	INST. PANEL RH-ENTR.DOOR SW.	TORRIX	5	-----	562110	C 320	RH DASH PANEL-DRIVER'S LTS SW	EATON	8	-----	562763
C 255	LH DASH PANEL-JACOB & RETARDER SW	EATON	8	-----	562763	C 321	READING LTS TEST				
C 256						C 322	LH CONSOLE DRV WIND LIFT MOT	PED PO	2	-----	561848
C 257						C 323	LH CONSOLE CRUISE CTR SW PAN. AMP	CPC	9	561636	561637
C 258	LH SW PANEL-MULTI FUNC. SW	AMP FF	8	561188	-----	C 324					
C 259	LH SW PANEL-MULTI FUNC. SW	AMP FF	6	-----	561108	C 325	LH DASH PANEL-KNEELING SW	EATON	8	-----	562763
C 260	FR SERVICE CPT-LUG DOOR LCK	PED WP	6	561606	561607	C 326	ENGINE CMPT.	PED	4	-----	561610
C 261	UNDER DASH RH-DOOR MODULE	AMP MNL	9	561670	561669	C 327	ENGINE CONTROL	DEUTSCH	6	562583	562581
C 262	UNDER DASH RH-DOOR MODULE	AMP MNL	4	561551	561668	C 328	GALLEY-LAMP	AMP MNL	2	561248	561247
C 263	UNDER DASH RH-DOOR MODULE	AMP MNL	3	561667	561550	C 329	ENGINE TACHO SIGNAL	PED WP	3	561781	561789
C 264	UNDER DASH RH-DOOR MODULE	AMP MNL	3	561667	561550	C 330					
C 265	UNDER DASH RH-DOOR MODULE	AMP HDP-20	15	562011	562012	C 331	GALLEY MICROWAVE SW	EATON	8	-----	562763
C 266						C 332					
C 267	UNDER DASH RH	AMP CPC	24	561642	561643	C 333	GALLEY RH CONTAINER SW	EATON	8	-----	562763
C 268						C 334	GALLEY LH CONTAINER SW	EATON	8	-----	562763
C 269	UNDER DASH - R.H. MIRROR	CONNXALL	5	563196	563090	C 335					
C 270	LH MIRROR POST	MOLEX	6	562070	562069	C 336					
C 271	RH MIRROR POST	MOLEX	6	562070	562069	C 337	INSTR PANEL LH-UP WIPER SW	EATON	8	-----	562763
C 272	LH MIRROR	SPARTAN	6	-----	990158	C 338	INSTR PANEL LH-UP DEFROST SW	EATON	8	-----	562763
C 273	RH MIRROR	SPARTAN	6	-----	990158	C 339	INSTR PANEL LH-UP WASHER SW	EATON	8	-----	562763
C 274	RR. JCT. BOX - SIGNAL ALT. MODULE	AMP MNL	12	561735	561734	C 340	FR JCT. BOX FIRE PIEZO ALARM	AMP MNL	2	560900	560898
C 275	UNDER DASH RH-DOOR MODULE	AMP MNL	9	561670	561669	C 341	INSTR PANEL LH-HEAT MIRROR SW	EATON	8	-----	562763
C 276	UNDER DASH RH-LOCK SOL.VALVE	AMP MNL	2	561248	561247	C 342	ENGINE RR START SW	DEUTSCH	2	562586	562585
C 277						C 343	INSTR PANEL LH-HEADLAMP SW	EATON	8	-----	562763
C 278						C 344	INSTR PANEL LH-HAZARD LT SW	EATON	8	-----	562763
C 279 *	FR SERVICE CPT.- STEERING ZF	DEUTCH	2		562486	C 345	INSTR PANEL LH-FOG LT SW	EATON	8	-----	562763
C 279	UNDER DASH CYLINDER READ SW.	AMP MNL	2	561248	561247	C 346					
C 280	LH CONSOLE-UNLOAD TAG SW.	NGR	10	-----	562763	C 347	INSTR PANEL LH-DASH LT SW	AMP MNL	2	560900	560898
C 281						C 348	INSTR PANEL CENT-RACOR MODULE	MOLEX	6	562070	562067
C 282						C 349					
C 283						C 350	RH CONSOLE-THERMOMETER	AMP MNL	3	561667	561550
C 284	LH DR'S ROOF - MONITOR FEED	PED WP	3	561781	561782	C 351	LH HAT RACK-FLUOR 110V	MOLEX	4	561477	561476
C 285	LH DR'S ROOF - SOUND SYSTEM	AMP CPC	24	561642	561643	C 352	RH CONSOLE-DRV TEMP SENSOR	BURNDY	4	-----	561104
C 286	RH SW PANEL-A/C & HEAT	EATON	8	-----	562763	C 353	INSTR PANEL RH-DRV FAN RHEOST	AMP MNL	6	561552	561515
C 287	ENGINE COMPT-LTS SW	PED WP	2	561566	561690	C 354	INSTR PANEL RH-DRV TEMP CTR	AMP MNL	6	561552	561515
C 288	RH SW PANEL-FRESH AIR	EATON	8	-----	562763	C 355	INSTR PANEL RH-FR TEMP CTR	AMP MNL	3	561667	561550
C 289						C 356					
C 290						C 357	INSTR PANEL RH-WATER TEMP GA	AMP MNL	3	561667	561550
C 291						C 358	INSTR PANEL RH-FUEL LEVEL GA	AMP MNL	3	561667	561550
C 292	LH PARCEL RACK VIDEO PANEL- MONITOR	MOLEX	4	563040	563071	C 359					
C 293	LH PARCEL RACK VIDEO PAN. - RCA RELAY	AMP MNL	2	561248	561247	C 360					
C 294	LH PARCEL RACK VIDEO PAN.- RCA RELAY	AMP MNL	2	561248	561247	C 361	FR ROOF-WIPER MOTOR	AMP FF	6	-----	561186
C 295	LH PARCEL RACK VID. PANEL- AMPLI VIDEO	MOLEX	4	563040	563071	C 362	FR ROOF-LAVATORY OCCUPIED LT	AMP MNL	2	561248	561247
C 296	LH PARCEL RACK VIDEO PAN. - MICRO SIGNAL	MOLEX	4	562507	562503	C 363	FR ROOF-WATCH YOUR STEP LT	AMP MNL	2	561248	561247
C 297	INSTRUMENT PANEL RH -LTS	AMP MNL	2	560900	560898	C 364	FR ROOF-DESTINATION SIGN	AMP MNL	3	561667	561550
C 298						C 365	FR ROOF-UP WINDSHIELD DEFROST	AMP MNL	3	561667	561550
C 299	RH DASH PANEL SW-GALLEY	EATON	8	-----	562763	C 366	RH DASH PANEL-GRN & RED LEDS	AMP MNL	3	560908	562006
C 300						C 367	ENGINE COMPT-DIF OIL T SENSOR	PED WP	2	561566	561690
C 301						C 368	FR ROOF-DEST. SIGN BALLAST	AMP MNL	3	561667	561550
C 302						C 369	FR ROOF-DEST. SIGN OPER. SW	TORRIX	5	-----	562110
C 303						C 370	FR ROOF-DEST. SIGN FLUOR.	AMP MNL	2	560900	560898
C 304						C 371	FR ROOF-DEST. SIGN FLUOR.	AMP MNL	2	560900	560898
C 305						C 372	FR ROOF-DEST. SIGN SPEED SW	MOLEX	4	561477	561476
C 306						C 373	FR ROOF-NO SMOKING LT	AMP MNL	2	561248	561247
C 307						C 374	LH SWITCH PANEL	AMP MNL	6	561552	561515
C 308	LH CONSOLE SW-RHEOSTAT	TC	2	561030	560997	C 375					
C 309	DDEC ENGINE-ECM POWER CON.	PED MP	5	-----	562345	C 376					
C 310	LH DASH PANEL -LUG. DOOR LCK SW	EATON	8	-----	562763	C 377	LH DASH PANEL-STOP ENG.OVERRIDE SW	EATON	8	-----	562763
C 311	RH DASH PANEL -HOS & PAS CHIME SW	EATON	8	-----	562763	C 378					
C 312	RH DASH PANEL -READING LTS SW	EATON	8	-----	562763	C 379					
C 313	RH DASH PANEL -GEN & FLUOR LTS SW	EATON	8	-----	562763	C 380	LH CONSOLE-DDR CONNECTOR	DEUTSCH	6	562360	-----
C 314	LH DASH PANEL-FR DEST. SIGN SW	EATON	8	-----	562763	C 381					
C 315	LH DASH PANEL-LH STORE SW	EATON	8	-----	562763	C 382					
C 316	LH CONSOLE SPARE SWITCH	EATON	8	-----	562763	C 383					
C 317	LH DASH PANEL-RH STORE SW	EATON	8	-----	562763	C 384					
C 318	LH CONSOLE SW-DRV WINDOW LIFT	EATON	8	-----	562763	C 385	EVAPOTATOR COMP WATER PUMP	PED WP	2	561566	561690

CONNECTORS CODE

NO	LOCATION	TYPE	CAVITY	#PIN	#SOCKET	NO	LOCATION	TYPE	CAVITY	#PIN	#SOCKET
				HOUSING	HOUSING					HOUSING	HOUSING
C 386	LH DASH PANEL-WCL POWER SYSTEM SW	EATON	8	-----	562763	C 453	SOUND SYS. JCT.PANEL-VCP	PED WP	2	561566	561680
C 387	RR JCT BOX (WCL)	AMP MNL	9	561661	561662	C 454	SOUND SYS.JCT.PAN.-FILT. VCP	PED WP	2	561566	561680
C 388	RR JCT BOX (WCL)	AMP MNL	12	561735	561734	C 455	WIRELESS MICRO-LH HAT-RACK	MOLEX	6	-----	562464
C 389	WCL REAR DOOR	MOLEX	4	561477	561476	C 456	WORLD TRANSM.-RETARDER ACCUM.	PED MP	2	-----	562427
C 390	LAVATORY WALL-WCL REMOTE CTR	EATON	8	-----	562763	C 457	WORLD TRANSM.-MAIN CONNECTOR	DEUTSCH	31	562572	562536
C 391	LAVATORY WALL-WCL LAMP	EATON	8	-----	562763	C 458	WORLD TRANSM.-TURBINE SP.SENS	PED MP	2	-----	562426
C 392	LAVATORY WALL-WCL SW. LT.	EATON	2	-----	561835	C 459	WORLD TRANSM.-ENGINE SP.SENS.	PED MP	2	-----	562426
C 393	LAVATORY WALL-WCL REMOTE SYS.	AMP CPC	4	561686	561687	C 460	WORLD TRANSM.-SPEED SENSOR	ITT	2	-----	562541
C 394	UNDER INSTR. PANEL- B/U MONITOR	AMP MNL	4	560851	560852	C 461	WORLD TRANSM.-RETARDER TEMP.	PED MP	2	561566	561680
C 395	DRIVER'S COMPT. - B/U MONITOR	AMP	5	-----	-----	C 462	WORLD TRANSM.-RETARD SOL."K"	PED MP	2	-----	562426
C 396	FR SECT. LH HAT RACK-SPEAKER	MOLEX	4	562507	562503	C 463	WORLD TRANSM.-SENSOR CONN.	DEUTSCH	16	562570	562571
C 397	ENGINE COMPT. CRADLE ACC.	DEUTSCH	40	562281	562284	C 464	RR JCT BOX-DDR CONNECTOR	DEUTSCH	6	-----	562360
C 398						C 465	LH CONSOLE-SHIFTER SELECTOR	PED	20	-----	562825
C 399	ENGINE COMPT. - PRE-EXITATION ALT.	PED WP	2	561566	561690	C 466	FR SERVICE CPT.-RESIS. MOD.	PED WP	3	-----	562428
C 400	ENGINE COMPT. BLOCK HEATER	PED MP	3	561781	561782	C 467	FR SERVICE CPT.-RESIS. MOD.	PED WP	3	-----	562428
C 401						C 468			8		
C 402						C 469					
C 403	GALLEY FRIGO NORCOLD	AMP MNL	2	561248	561247	C 470	FR LH UPPER WHELL CPT-SILENT 1000	AMP MNL	2	561248	561247
C 404	GALLEY LAMP	AMP MNL	2	561248	561247	C 471	FR LH UPPER WHELL CPT-SILENT 1000	AMP MNL	2	561248	561247
C 405	LAST LUGGAGE COMP. - INVERTER SIGNAL	AMP MNL	2	561248	561247	C 472	FR LH UPPER WHELL CPT-SILENT 1000	PED WP	2	561566	561690
C 406	FR JCT BOX COMPT.-ABS	AMP MNL	2	560900	560898	C 473	FR LH UPPER WHELL CPT-SILENT 1000	AMP MNL	3	561667	561550
C 407						C 474	DRIVER CPT.-TEMP. SENSOR	AMP MNL	2	561247	561248
C 408						C 475	RR JCT BOX-SPEED SIGN CONNECTOR	DEUTSCH	2	562486	562485
C 409	ENGINE CPT -LOW COOL. LEVEL	PED MP	2	-----	562350	C 476					
C 410	FR JCT BOX-DIODE CONNECTOR	AMP MNL	15	561987	561986	C 477					
C 411	FR JCT BOX-DIODE CONNECTOR	AMP MNL	15	561987	561986	C 478	ELECTRONIC DESTINATION SIGN	AMP CPC	9	561636	561637
C 412	LH DASH PANEL-MASTER SWITCH SW	EATON	8	-----	562763	C 479	HVAC MODULE	MOLEX	3	-----	562783
C 413	ENG CPT-A/C HI UNLOAD PRS SW	PED WP	2	561566	561690	C 480	UNDER DASH LH-DR. FAN SPEED CTR. MOD	PED	4	561889	561890
C 414						C 481	UNDER DASH LH-DR. FAN SPEED CTR. MOD	PED	3	561781	561782
C 415	RR JCT BOX - ENGINE SIGNAL	DEUTSCH	24	562280	562283	C 482					
C 416	ENGINE CRADLE-ENGINE SIGNAL	FCI	10	563207	-----	C 483	FR SERVICE CPT. (NOT USED)	PED PC	2	-----	562237
C 417	FRONT JCT BOX-DIODES	AMP MNL	15	561987	561986	C 484	UNDER DASH LH.-FOOT DAMPER MOTOR	PED PC	2	-----	562076
C 418	LH DASH PANEL-HTR WINDSH.SW	EATON	8	-----	562763	C 485	UNDER DASH LH.-DASH & DEFR. DAM.MOT.	AMP MNL	3	561667	561550
C 419	FR JCT BOX-RETARDER OR JACOB	AMP MNL	3	561667	561550	C 486					
C 420						C 487	S.S.PANEL - AUDIO IN AMPLI	MOLEX	4	-----	563071
C 421						C 488	S.S.PANEL - AMPLI SIGNAL	MOLEX	8	-----	562465
C 422						C 489	S.S.PANEL - SPEAKER OUTLET	MOLEX	6	-----	562464
C 423						C 490					
C 424	UNDER INSTRUMENT PANEL CENTER	AMP MNL	3	561667	561550	C 491					
C 425	FR JCT BOX-DIODES	AMP MNL	15	561987	561986	C 492					
C 426	ENGINE COMPT. CLUTCH CTR FAN	PED WP	3	561781	561782	C 493					
C 427	PRO-HEAT	PED-WP	2	561566	561680	C 494					
C 428	PRO-HEAT	PED WP	6	561606	561607	C 495					
C 429	FR JCT BOX COMPT.	AMP MNL	6	561552	561515	C 496					
C 430	LH CONSOLE-TIMER	AMP FF	8	561188	562363	C 497					
C 431	LH CONSOLE-PRE HEAT.	TAB AMP	1	561540	561539	C 498					
C 432	ENGINE CPT.-PROX. SW. DOOR AJAR	PED-WP	2	561566	561680	C 499					
C 433	FR SERVICE CPT. KNEEL. PRESS. SW	PED WP	2	561566	561690	C 500	FR LH UPPER WHELL CPT -PRODRIVER	MOLEX	6	562070	562069
C 434	FRONT JCT. BOX-DIODES	AMP MNL	15	561987	561986	C 501	FR LH UPPER WHELL CPT -PRODRIVER	PED MP	7	562433	-----
C 435	FR SERVICE CPT.(RH) KNEEL. PIEZO	AMP MNL	2	560900	560898	C 502	LH DASH PANEL-PRE HEATER SW.	EATON	8	-----	562763
C 436	RH HAT RACK-WCL CENTER ROOF ACC	AMP CPC	16	561639	561640	C 503	LH CONSOLE-PRE HEATER SW.	EATON	2	-----	561837
C 437	RH HAT RACK-WCL FR & RR SECT.	AMP CPC	24	561642	561643	C 504	LH CONSOLE WEBASTO TIMER	AMP	8	-----	562852
C 438	EVAP CMPT- A/C CONTROL	AMP MNL	2	561248	561247	C 505	LH CONSOLE ESPAR TIMER	AMP	9	-----	562681
C 439	EVAP CMPT- A/C CONTROL	AMP MNL	2	561248	561247	C 506	FR JCT BOX CPT. DIGITAL CLOCK	AMP	4	561685	561687
C 440	EVAP CMPT- A/C CONTROL	DEUTSCH	4	562479	562477	C 507	FR SECT. LH HAT-RACK DIG. CLOCK	MOLEX	4	561477	561476
C 441	FR JCT BOX- DIODES	AMP MNL	15	561987	561986	C 508	RR JCT BOX-FAN CLUTCH RETARDER	AMP MNL	6	561552	561515
C 442						C 509	FR LH UPPER WHELL CPT -DATA LOGGER	PED MP	16	-----	562530
C 443						C 510	FR LH UPPER WHELL CPT -DATA LOGGER	DEUTSCH	9	562531	-----
C 444						C 511	FR LH UPPER WHELL CPT -DATA LOGGER	PED MP	4	562532	-----
C 445						C 512	FR LH UPPER WHELL CPT -DATA LOGGER	PED MP	10	562533	-----
C 446						C 513	FR LH UPPER WHELL CPT -DATA LOGGER	AMP MNL	3	561667	561550
C 447						C 514	FR LH UPPER WHELL CPT -DATA LOGGER	PED MP	6	562433	562417
C 448						C 515	FR JCT BOX CPT.-INTERCOM	MOLEX	4	561477	561476
C 449						C 516	FR JCT BOX CPT.-INTERCOM	MOLEX	6	562070	562069
C 450	SOUND SYS. JCT. PANEL	MOLEX	4	562507	562503	C 517	LAVATORY WALL-INTERCOM	MOLEX	6	562070	562069
C 451	WIRELESS MICRO-FIRST CPT BAG	MOLEX	2	562550	562549	C 519	UNDER DASH RH-SEDAN DOOR	HUMPHREY	2	-----	562580
C 452	UNDER DASH INSTR. PANEL	MOLEX	2	562550	562549	C 520	UNDER DASH RH-SEDAN DOOR	HUMPHREY	2	-----	641385

CONNECTORS CODE

NO	LOCATION	TYPE	CAVITY	#PIN	#SOCKET	NO	LOCATION	TYPE	CAVITY	#PIN	#SOCKET
				HOUSING	HOUSING					HOUSING	HOUSING
C 521	UNDER DASH RH-SEDAN DOOR	HUMPHREY	2	-----	641385	C 588	FRONT SERVICE CPT. CENTER SOUND SYS.	CONNXALL	9	563163	563089
C 522						C 589	UNDER DASH - L.H. MIRROR	CONNXALL	9	563163	563089
C 523	FR JCT BOX-FUSE BLOCK	PED	8	562647	562646	C 590	UNDER DASH - R.H. MIRROR	AMP MNL	9	561670	561669
C 524	FR JCT BOX-FUSE BLOCK	PED	8	562647	562646	C 591	L.H.CONSOLE - MIRROR L.H.	EURAMTEC	8	-----	562799
C 525	FR JCT BOX-FUSE BLOCK	PED	8	562647	562646	C 592	L.H.CONSOLE - MIRROR R.H.	EURAMTEC	8	-----	562799
C 526	FR JCT BOX-FUSE BLOCK	PED	8	562647	562646	C 593	BATTERY CMPT. - CHARGER	PED WP	3	561781	561782
C 527	FR JCT BOX-FUSE BLOCK	PED	8	562647	562646	C 594	FRONT ROOF - DRIVERS LIGHT	LEEKRAFT	-----	-----	562803
C 528	FR JCT BOX-FUSE BLOCK	PED	8	562647	562646	C 595	DASH CENTER MODULE - OPEN DOOR	MOLEX	4	561477	561476
C 529	FR JCT BOX-12V OUTLET	AMP MNL	2	561247	561248	C 596	DASH CENTER MODULE - CLOSE DOOR	MOLEX	4	561477	561476
C 530	RR JCT BOX-FUSE BLOCK	PED	8	562647	562646	C 597	L.H. DASH PANEL - DISPLAY SET SW.	MOLEX	5	-----	562812
C 531	RR JCT BOX-FUSE BLOCK	PED	8	562610	---	C 598	L.H. DASH PANEL - DISPLAY SET SW.	MOLEX	5	-----	562812
C 532	RR JCT BOX-FUSE BLOCK	PED	8	562610	---	C 599	UND.DASH-MAGN.SW.CTR POS. DR'S AIR	AMP MNL	2	561248	561247
C 533	RR JCT BOX-FUSE BLOCK	PED	8	562647	562646	C 600	ENGINE CPT.-A/C LOW PRESS SW. UNLOAD	PED	2	562348	562471
C 534	RR JCT BOX-FUSE BLOCK	PED	8	562647	562646	C 601	L.H. ROOF - WINDOW AJAR	AMP MNL	2	561248	561247
C 535	RR JCT BOX-FIRE MODULE DETECT.	AMP MNL	3	561667	561550	C 602	L.H. ROOF - WINDOW AJAR	MOLEX	4	561477	561476
C 536	UNDER DASH RH-DRIVER'S HTR TEMP. CTR	AMP MNL	6	561552	561515	C 603	R.H. ROOF - WINDOW AJAR	AMP MNL	2	561248	561247
C 537	BATT. CPT.-A/C PRESS. SIGN. RLY	AMP MNL	2	561248	561247	C 604	LH PARCEL RACK DVD VIDEO STABILIZER	SWITCHCRAFT	1	563074	-----
C 538	FR SERVICE CPT.-OUTSIDE TEMP. SENSOR	AMP MNL	2	561248	561247	C 605	HAT RACK - MOTOR FAN	PED	2	560997	561030
C 539	HVAC DASH MODULE OUTPUT CON	MOLEX	24	-----	562780	C 606	HAT RACK - MOTOR FAN	PED	2	560997	561030
C 540	HVAC DASH MODULE INPUT CON	MOLEX	22	-----	562781	C 607					
C 541	SOUND SYS. JCT PANEL-AUDIO SEAT SYS.	PED WP	2	561566	561690	C 608	FRONT SERVICE CMPT. SPEED SIGNAL	PED WP	2	561566	561690
C 542	LH HAT RACK-AUDIO SEAT SYSTEM	AMP MNL	3	561667	561550	C 609	LAVATORY - NIGHT LIGHT				
C 543						C 610					
C 544	SOUND SYS JCT PANEL-AUDIO SEAT SYS.	PED WP	3	561781	562428	C 611	HAT RACK READING LTS RICON	MOLEX	6	562558	562557
C 545	LH HAT RACK-AUDIO SEAT SYSTEM	AMP MNL	3	561667	561550	C 612	HAT -RACK FLUOR. INSTATION LTS RICON	MOLEX	4	562507	562503
C 546	WIRELESS MIC. CHARGING SYSTEM	MOLEX	2	-----	563025	C 613	HAT -RACK INDIRECT LTS RICON	AMP MNL	3	561667	561550
C 547	RH DASH PANEL-ACCESSORIES	AMP CPC	37	561645	561646	C 614	HAT -RACK INDIRECT LTS RICON	AMP MNL	3	561667	561550
C 548	LH DASH PANEL-T.T. LT. TEST SW.	EATON	8	-----	562763	C 615	LH PARCEL RACK DVD SING ALONG ADAPT.	MOLEX	2	562550	562549
C 549	LH DASH PANEL-FAN CLUTCH OVERR. SW	EATON	8	-----	562763	C 616					
C 550	LAST LUGG. CPT. -WCL RICON	AMP CPC	16	561694	561695						
C 551	LAST LUGG. CPT. -WCL RICON	AMP CPC	16	561694	561695	C 701	ZF TRANSMISSION ECU	KOSTAL	20		
C 552	LAST LUGG. CPT. -WCL RICON	AMP CPC	9	561636	561637	C 702	SHIFT SELECTOR - LH CONSOLE	AMP	14		563338
C 553	UNDER DASH R.H. - CONTROL. HEAD	MOLEX	16	-----	562559	C 712	NEUTRAL SWITCH ON ZF TRANSM. (TOP)	AMP	4		563340
C 554	UNDER DASH R.H. - CONTROL. HEAD	MOLEX	16	-----	562559	C 714	OUTPUT SENSOR ON ZF TRANSM. (BOTTOM)	AMP	4		563340
C 555	UNDER DASH R.H. - CONTROL. HEAD	MOLEX	16	-----	562559	C 717	BATT. CPT - MAIN CONNECTOR	AMP CPC	22	561642	561643
C 556	UNDER DASH R.H. - RADIO ACC.	MOLEX	2	562550	562549	C 720	ENGINE COMPT - BLKHD CONNECTOR	DEUTSCH	31	563359	563358
C 557	UNDER DASH R.H. - RADIO ACC.	MOLEX	9	562556	562555	C 721	LH CONSOLE - ZF TESTMAN DIAGNOSTIC	AMP MNL	6	563356	-----
C 558	UNDER DASH R.H. - RADIO ACC.	MOLEX	4	562507	562503	C 723	ENGINE COMPT - FOR TRANSM.	DEUTSCH	3		562884
C 559	SOUND SYS. JCT. PANEL - FILTER AMPLI	PED WP	2	561566	561690	C 736	ENGINE COMPT - ZMTEC MODULE	PACKARD	30	563053	-----
C 560	SOUND SYS. JCT. PANEL - POWER AMPLI	MOLEX	4	562507	562503	C 740	DRIVE AXLE - EASY START SOL VALVE	LEONI	2	--	641949
C 561	L.H. HAT RACK - WIRELESS MICRO	MOLEX	8	-----	562465	C 742	BATT. CPT - FUSE BLOCK	AMP	8	562446	-----
C 562	L.H. HAT RACK - VCP	MOLEX	12	562556	563070	C 745	FR SERV.COMPT - THROTTLE POS. SENSOR	PED WP	3	561781	-----
C 563	L.H. MODESTY PANEL - DRIVERS SPK.	MOLEX	4	562507	562503	C 760	FR SERV. COMPT - TO J1939	DEUTSCH	3		-----
C 564	L.H. MODESTY PANEL - MICRO	MOLEX	4	562507	562503	C 761	FR SERV. COMPT - TO J1939	DEUTSCH	3		562884
C 565	R.H. MODESTY PANEL - MICRO	MOLEX	4	562507	562503	C 762	ENGINE COMPT - TO J1939	DEUTSCH	3		562884
C 566	L.H. CONSOLE - BOOM MICRO	MOLEX	4	562507	562503	C 763	ENGINE COMPT - TO J1939	DEUTSCH	3		562884
C 567	L.H. CONSOLE - DRIVERS MICRO	MOLEX	4	562507	562503	C 764	ENGINE COMPT - TO J1939	DEUTSCH	3		562884
C 568	SOUND SYS. JCT. PANEL - PASS. SPK	CINCH	4	562553	562552	C 765	ENGINE COMPT - TO J1939	DEUTSCH	3		562884
C 569	SOUND SYS. JCT. PANEL - POWER AMPLI.	MOLEX	9	562556	562555	C 766	ENGINE COMPT - TO J1939	DEUTSCH	3		562884
C 570	UNDER DASH PANEL TTLT	MOLEX	6	-----	562464						
C 571	UNDER DASH PANEL TTLT	MOLEX	20	562778	562778	C X	CLUSTER	JAE	22		562766
C 572	UNDER DASH PANEL TTLT	MOLEX	18	562779	562779	C Y	CLUSTER	JAE	30		562767
C 573	UNDER DASH PANEL TTLT	MOLEX	8	-----	562465	L X	CLUSTER	JAE	22		562764
C 574	HAT -RACK FLUOR. INDIRECT LIGHTING	MOLEX	6	-----	562759	L					
C 575	HAT -RACK FLUOR. INSTATION LIGHT	MOLEX	4	562507	562503	R					
C 576	HAT -RACK FLUOR. INDIRECT LIGHTING	AMP MNL	3	561667	561550						
C 577	HAT -RACK FLUOR. INDIRECT LIGHTING	AMP MNL	3	561667	561550						
C 578	HAT -RACK FLUOR. INSTATION LIGHT	MOLEX	4	562507	562503						
C 579	L.H HAT RACK - VCP POWER	MOLEX	4	-----	563071						
C 580	RH DASH PANEL-HAT RACK FAN SW	EATON	8	-----	562763						
C 581											
C 582	FRONT SERVICE CMPT. - WINDOWS AJAR	PED WP	2	561566	561690						
C 583	L.H. DASH PANEL - MASTER KEY	DEUTSCH	2	562486	562485						
C 584	FRONT SERVICE CMPT. - AIR HORH	HUMPHREY	3	-----	641385						
C 585											
C 586											
C 587	LH PARCEL RACK DVD UNIT	MOLEX	4	563040	563071						

CONNECTORS CODE

NO	LOCATION	TYPE	CAVITY	#PIN #SOCKET		NO	LOCATION	TYPE	CAVITY	#PIN #SOCKET	
				HOUSING	HOUSING					HOUSING	HOUSING
AA1	BEHIND DASH - SONALERT	BOSCH	5		561183	C56	HAT RACK- MOTOR FAN	MOLEX	6	562558	562557
AA2	BEHIND DASH - SONALERT	BOSCH	5		561183	C57	HAT RACK- MOTOR FAN	MOLEX	6	562558	562557
C X1	FR SERVICE COMPT- ECU ABS	AMP	15		563200	C58	RR JCT BOX AC PANEL	DEUTSCH	24	562280	562283
C X2	FR SERVICE COMPT- ECU ABS	AMP	18		563201	C59	RR JCT BOX AC PANEL	AMP CPC	14	561584	561583
CRXTX	HVAC DASN MODULE COMMUNICATION	MOLEX	3	563206	562873	C60	RR JCT BOX COMPT.-LT	AMP MNL	2	561248	561247
CS	RR JCT BOX ECU WORLD TR.	PED	32		562817	C61	LUGGAGE COMPARTMENT LTS	AMP MNL	2	561248	561247
CT	RR JCT BOX ECU WORLD TR.	PED	32		562824	C62	LUGGAGE COMPARTMENT LTS	AMP MNL	2	561248	561247
C TCI	ENGINE CPT - DDEC V TURBO TEMP.	FCI	2		563404	C63	LUGGAGE COMPARTMENT LTS	AMP MNL	2	561248	561247
C V	RR JCT BOX ECU WORLD TR.	PED	32		562823	C64	LUGGAGE COMPARTMENT LTS	AMP MNL	2	561248	561247
C WX1	ENGINE CPT-WEBASTO PRE-HEAT WATER	AMP SEALED	7		563135	C65	LUGGAGE COMPARTMENT LTS	AMP MNL	2	561248	561247
C WX3	ENGINE CPT-WEBASTO PRE-HEAT WATER	AMP SEALED	7	563134		C66	LUGGAGE COMPARTMENT LTS	AMP MNL	2	561248	561247
C Y	CLUSTER	JAE	30	---	562765	C67	LUGGAGE COMPARTMENT LTS	AMP MNL	2	561248	561247
C 1	FR JCT BOX COMPARTMENT	AMP CPC	14	561585	561584	C68	LUGGAGE COMPARTMENT LTS	AMP MNL	2	561248	561247
C 2	FR JCT BOX COMPARTMENT	AMP CPC	16	561639	561640	C69	RR AXLE ACC-INSIDE PVC END	PED WP	6	561568	561578
C 3	FR JCT BOX COMPARTMENT	AMP CPC	24	561641	561643	C70	LH CONSOLE	AMP CPC	16	561642	561643
C 4	FR JCT BOX COMPARTMENT	AMP CPC	37	561644	561646	C71	FR JCT BOX COMPARTMENT	AMP CPC	37	561645	561646
C 5	FR SERVICE COMPT.-UNDERNEATH	AMP CPC	37	561644	561646	C72	FR JCT BOX COMPARTMENT	AMP CPC	24	561642	561643
C 6	FR SERVICE COMPT.-UNDERNEATH	AMP CPC	16	561639	561640	C73	DASH CENTER PANEL	AMP CPC	16	561639	561640
C 7						C74	FR JCT BOX COMPARTMENT	AMP CPC	37	561645	561646
C 8	FR SERVICE COMPT.-UNDERNEATH	AMP CPC	24	561641	561643	C75	SERV CPT. RXT. ENT. DOOR SW	DEUTSCH	4	562479	562477
C 9	FR SERVICE COMPT.-UNDERNEATH	AMP CPC	24	561641	561643	C76	LUGGAGE COMPT.-AIR RET.SENS.	AMP MNL	2	561248	561247
C 10	LUGGAGE COMPT. WATER BOOSTER PUMP	PED	2	562348	562471	C77	LUGGAGE COMPT.-AIR RET.SENS.	AMP MNL	2	561248	561247
C 11	FR SERVICE COMPARTMENT	AMP CPC	37	561644	561646	C78					
C 12	FR SERVICE COMPARTMENT	AMP CPC	16	561639	561640	C79					
C 13	LH CONSOLE-CTR MIRROR	AMP MNL	6	561552	561515	C80	LUGGAGE COMPT.-AIR RET.SENS.	AMP MNL	2	561248	561247
C 14	UNDER DASH-LH MIRROR	AMP MNL	9	561661	561662	C81	PASSENGER COMPT.-AISLE LTS	AMP MNL	2	560900	560898
C 15	A/C CLUTCH	PED WP	2	561566	561690	C82	ENTRANCE DOOR	MOLEX	6	562070	562069
C 16	LH CONSOLE SW-CRUISE ON OFF	EATON	10	-----	562763	C83	ENTRANCE DOOR-PROIMITY SW	MOLEX	4	561477	561476
C 17	LH CONSOLE SW-CRUISE RESUME	EATON	10	-----	562763	C84	ENTRANCE DOOR-PRESSURE SW	PED WP	2	561566	561690
C 18	LH CONSOLE SW-CRUISE SET	EATON	10	-----	562763	C85	UNDER INSTRUMENT PANEL LH	AMP MTA-100	-----	562248	-----
C 19	LH CONSOLE DECEL SW	EATON	10	-----	562763	C86					
C 20	RR JCT BOX	DEUTSCH	70	562282	562285	C87	RR END ROOF	AMP CPC	9	561636	561637
C 21	RR JCT BOX	DEUTSCH	24	562280	562283	C88	FR. SERVICE COMPT.PRESS SW PARK BRAKE	PED WP	2	561566	561690
C 22	RR JCT BOX - EATON TRANSM.	AMP MNL	6	561552	561515	C89	RR END ROOF-B/U NONITOR	AMP CPC	4	561582	561581
C 23						C90	RR JCT BOX	AMP CPC	15	561987	561986
C 24						C91	RR JCT BOX	AMP CPC	37	561714	561713
C 25						C92	FR LH UPPER WHELL CPT-ABS	AMP CPC	9	561635	561637
C 26	HYD & MAN TRANSM.-NEUT.& B/U	PED WP	4	561610	561611	C93	FR LH UPPER WHELL CPT-ABS		35	-----	641094
C 27	HYD & MAN TRANSM.-SPEED SENS.	PED WP	2	561566	561690	C94	RH CONSOLE ENTRANCE STEP LIGHT	DEUTCH	2	562486	562485
C 28	EATON TRANSMISSION	DEUTCH	3	562877	562884	C95	CONDENSOR CPT - LIQ. SOL. VALVE	PED WP	2	561566	561690
C 29	EATON TRANSMISSION	PED MP	6	562878	-----	C96	FR AXLE ACCESSORIES	AMP CPC	14	561585	561585
C 30	RR JCT BOX - ECU EATON TRANSM.	PED MP	32	-----	562866	C97	RR AXLE ACC-INSIDE PVC END	PED WP	6	561568	561578
C 31	RR JCT BOX - ECU EATON TRANSM.	PED MP	24	-----	562865	C98	FR SERVICE COMPT-EL.FT.PEDAL	PED WP	3	561782	561781
C 32	DDEC ENGINE-ECM	AMP	68	-----	563403	C99	FR SERVICE COMPT LTS	AMP MNL	2	561248	561247
C 33	RR JCT BOX - EATON TRANSM.	DEUTCH	9	562531	-----	C100	LH CONSOLE - 120 VOLTS SWITCH	EATON	8	-----	562763
C 34	RH. CONSOLE - EATON TRANSM. SHIFTER	PED MP	3	-----	562871	C101	FR SERVICE COMPT-ELEC. HORNS	PED WP	2	561566	561690
C 35	RR JCT BOX	DEUTCH	40	562281	562284	C102	SIDE (LH/FR & CENTER) DIR. LTS	GROTE	2	-----	562155
C 36	RH. CONSOLE - EATON TRANSM. SHIFTER	PED MP	24	-----	562874	C103	SIDE (LH/FR & CENTER) MARKER LTS	GROTE	2	-----	562155
C 37	RR SECTION-LH HAT RACK	MOLEX	6	562558	562557	C104	SIDE (RH/FR & CENTER) DIR. LTS	DEUTSCH	4	562479	562477
C 38	RR SECTION-RH HAT RACK	MOLEX	6	562558	562557	C104	FR SERV & SIDE CPT-FLASH. RH	GROTE	2	-----	562155
C 39	LH CONSOLE - EATON TRANSM. DISPLAY	AMP MNL	4	561551	561668	C105	FR SERVICE COMPT-LIQ.S.VALVE	PED WP	2	561566	561690
C 40	RR JCT BOX - EATON TRANSM. J1939	DEUTCH	3	562877	562884	C106	FR SERVICE COMPT-WATER VALVE	PED WP	2	561566	561690
C 41	LAVATORY ROOF LIGHT	LEECRAFT	2	-----	562803	C107					
C 42	LAVATORY BACK WALL-WTR TANK	AMP MNL	2	560900	560898	C108	FR SERVICE COMPT-KNEEL.SYS	PED WP	2	561566	561690
C 43	LAVATORY BACK WALL-ACCES.	AMP MNL	9	561661	561662	C109	FR SERVICE COMPT-KNEEL.SYS	PED WP	2	561566	561690
C 44	EATON TRANSM. J1939	DEUTCH	3	562877	562884	C110	FR SERVICE COMPT-KNEEL.SYS	PED WP	2	561566	561690
C 45	FR JCT BOX COMPARTMENT	AMP CPC	24	561642	561643	C111	EVAPORATOR COMPT-DAMPER	DEUTSCH	2	562486	562485
C 46	EATON TRANSM. J1939	DEUTCH	3	562877	562884	C112	LAVATORY BACK WALL-FLUSH PUMP SW.	DEUTSCH	4	562479	562477
C 47	FR SERVICE COMPARTMENT	AMP CPC	16	561694	561695	C113	SIDE (LH/RR) MARKER LTS	GROTE	2	-----	562155
C 48	FR. SERVICE COMPT.PRESS SW PARKBREAK	PED WP	2	561566	561690	C114	SIDE (LH/RR) DIR LTS	GROTE	2	-----	562155
C 49	BATTERIE COMPT.-LT	AMP MNL	2	561248	561247	C115					
C 50	FR SERVICE COMPT.-LOW BUOY	PED WP	1	561605	561577	C116	ENGINE COMPT. LTS	GROTE	2		563268
C 51						C117	SIDE (RH/RR) MARKER LTS	GROTE	2	-----	562155
C 52	RR JCT BOX	AMP CPC	24	561642	561643	C117	FR SRV. COMPT. KNEELING UP SOL VALVE	PED WP	2	561761	
C 53	SPARE TIRE COMPT ENTRANCE STEP LIGHT	DEUTCH	2	562486	562485	C118	ENGINE COMPT-LAVATORY FAN	PED WP	2	561566	561690
C 54	SPARE TIRE COMPT ENTRANCE STEP LIGHT	DEUTCH	2	562486	562485	C119	ENGINE CPT RR DOOR RH LO LAMP	PED WP	6	561606	561607
C 55	RH SWITCH PANEL	AMP CPC	9	561636	561637	C120	ENGINE CPT RR DOOR LH LO LAMP	PED WP	6	561606	561607

CONNECTORS CODE

NO	LOCATION	TYPE	CAVITY	#PIN	#SOCKET	NO	LOCATION	TYPE	CAVITY	#PIN	#SOCKET
				HOUSING	HOUSING					HOUSING	HOUSING
C 121	SIDE (RH/RR) DIR. LTS	GROTE	2	-----	562155	C 186W	RR JCT BOX CPT.-SPD SIGN. WT	PED WP	2	561566	561690
C 122						C 187	FR JCT BOX-RPM RESISTOR CON.	AMP MNL	6	561552	561515
C 123	TAG AXLE-UNLOAD TAG RH VALVE	PED WP	2	561566	561690	C 188					
C 124	ENGINE CPT-ETHER SW	PED WP	2	561566	561690	C 189	ENGINE CPT RR DOOR B/U LT	TRUCK-LITE	2	-----	562755
C 125	ENGINE CPT-B/U ALARM	PED WP	2	561566	561690	C 190	ENGINE CPT RR DOOR TAIL/ STOP LT	SUPER SEAL	3		562601
C 126	ENGINE CPT-FLUSHING PUMP	PED WP	2	561566	561690	C 191	ENGINE CPT RR DOOR RH TAIL/STOP LT	SUPER SEAL	3		562601
C 127	ENGINE CPT-FUEL FILTER	PED WP	2	561566	561690	C 192	ENGINE CPT RR DOOR DIR. LT	SUPER SEAL	3		562601
C 128	ENGINE CPT-A/C COMPR.CLUTCH	ITT SS	2	561813	561812	C 193					
C 129						C 194					
C 130	ENGINE CPT-UNLOADER	ITT SS	2	561813	561812	C 195					
C 131	ENGINE CPT-UNLOADER	ITT SS	2	561813	561812	C 198	ENGINE CPT RR DOOR LICENCE LT	PED WP	2	562348	562471
C 132	ENGINE CPT-A/C LO PRESS SW	PED WP	2	561566	561690	C 199					
C 133	ENGINE CPT-A/C HI PRESS SW	PED WP	2	561566	561690	C 200	RH HAT RACK-FLUORESCENT	AMP MNL	2	561248	561247
C 134	FR JCT BOX-LUGGAGE DIODE CON.	AMP MNL	15	561987	561986	C 201	RH HAT RACK-FLUORESCENT	AMP MNL	2	561248	561247
C 135	FR JCT BOX-LUGGAGE DIODE CON.	AMP MNL	15	561987	561986	C 202	RH HAT RACK-INDIRECT LIGHTING	MOLEX	2	-----	562758
C 136	RR JCT BOX - A/C PANEL DIODE CONN.	AMP MNL	15	561987	561986	C 203	RH HAT RACK-INDIRECT LIGHTING	MOLEX	6	-----	562759
C 137	RR JCT BOX-TRANSMITTER	AMP MNL	2	560900	560898	C 204	RH HAT RACK-GENERAL LT	AMP MNL	2	560900	560898
C 138	RR JCT BOX-CONTROL MODULE	AMP HDP	15	-----	562012	C 205	FR SECT.-RH HAT RACK SPEAKER	AMP MNL	9	561661	561662
C 139	RR JCT BOX-LOGIC MODULE	AMP HDP	15	562011	-----	C 206	RH HAT RACK-READING LT	AMP FF	4	-----	562756
C 140	HVAC DASH MODULE THERMOMETER	MOLEX	4		562782	C 207	LH HAT RACK-READING LT	AMP FF	4	-----	562756
C 141	INSTRUMENT PANEL LH UNLOAD TAG	AMP	2	561248	561247	C 208	LH HAT RACK-BALLAST	MOLEX	2	-----	562758
C 142	LAVATORY DOOR WALL	AMP MNL	2	561248	561247	C 209	LH HAT RACK HOTESS CHIME	AMP MNL	3	561667	561550
C 143						C 210	FR SECT.-LH HAT RACK SPEAKER	AMP MNL	9	561661	561662
C 144	UNDER LH SEAT-AISLE LTS	AMP MNL	4	560851	560852	C 211	FR ROOF-STORE LH	AMP MNL	2	560900	560898
C 145	RR JCT BOX CPT-RR SIDE LTS	AMP MNL	9	561670	561669	C 212	FR ROOF-STORE RH	AMP MNL	2	560900	560898
C 146	ENGINE CPT-MODULATOR VALVE	AMPENOL	2	-----	560412	C 213					
C 147	BATT & RR J.B.CPT-DOCK LTS	PED WP	2	561566	561690	C 214	ENGINE CPT J1922				
C 148						C 215	TAG AXLE - A.T.C. SYSTEM				
C 149	CONDENSER CPT-FAN MOTOR	ORDNANCE	3	562555	562001	C 216	TAG AXLE - A.T.C. SYSTEM				
C 150						C 217	RH DASH PANEL-FRONT CAMERA SW	EATON	8	-----	562763
C 151	EVAPORATOR CPT-THERMOSTAT	ITT SS	2	561813	562159	C 218	RH DASH PANEL-FRONT CAMERA SW	AMP MNL	2	560900	560898
C 152	CONDENSER CPT-FUEL GAUGE	PED WP	4	561610	561611	C 219	ENGINE CMPT. - FIRE DETECTOR	DEUTSCH	2	562486	562485
C 153	EVAPORATOR CPT-AIR AMB. SENS	AMP MNL	2	561248	561247	C 220	RR.JCT.BOX-FUEL PRIME PUMP	TC	1	561070	561073
C 154	EVAPORATOR CPT-FRESH AIR SENS	ITT SS	2	561813	561812	C 221	BATTERY CMPT. FIRE DETECTOR	DEUTSCH	2	562486	562485
C 155	EVAPORATOR CPT-WATER VALVE	PNEUMAC	4	563204		C 222	ENGINE CMPT. FIRE DETCTOR	DEUTSCH	2	562486	562485
C 156	EVAPOR. CPT-BYPASS WATER VAL.	PED WP	2	561566	561690	C 223	ENGINE CMPT. FIRE DETCTOR	DEUTSCH	2	562486	562485
C 157						C 224	ENGINE CMPT. -VORAD J1939	DEUTSCH	3	562877	562884
C 158	CONDENSER CPT-A/C LO TEMP.	PED WP	2	561566	561690	C 225	ENGINE CMPT. -VORAD J1939	DEUTSCH	3	562877	562884
C 159	CONDENSER CPT-A/C HI TEMP.	PED WP	2	561566	561690	C 226	FR LH UPPER WHEEL CPT-VORAD J1939	DEUTSCH	3	562677	562884
C 160	FR AXLE-ABS RH SENSOR	WABCO	2	641132	-----	C 227					
C 161	FR AXLE-ABS RH VALVE	WABCO	3	-----	641098	C 228	ENG.CPT.- A/C COMPRESSOR	PED WP	2	561566	561690
C 162	FR AXLE-ABS LH VALVE	WABCO	3	-----	641098	C 229					
C 163	FR AXLE-ABS LH SENSOR	WABCO	2	641132	-----	C 230	ENG.CPT.-FUEL PRIME PUMP FEED	DEUTSCH	2	562486	562485
C 164	RR AXLE-ABS LH SENSOR	WABCO	2	641132	-----	C 231	ENG.CPT.-FUEL PRIME PUMP SW.	PED WP	2	561566	561690
C 165	RR AXLE-ABS LH VALVE	WABCO	3	-----	641098	C 232	ENG.CPT.-FUEL PRIME PUMP	PED WP	2	561566	561690
C 166	RR AXLE-ABS RH VALVE	WABCO	3	-----	641098	C 233	FR. SERVICE CMPT.	VDO	8		562043
C 167	RR AXLE-ABS RH SENSOR	DEUTSCH	2	641132	-----	C 234	FR. SERVICE CMPT.	VDO	8		562044
C 168	RR AXLE-ABS OPT ATC	PED WP	2	561566	561690	C 235	FR. SERVICE CMPT.	VDO	8		562041
C 169	RR JCT BOX-SPEED SW	AMP HDP	15	-----	562012	C 236	LUGGAGE COMPARTEMENT	AMP MNL	4	560851	560852
C 170	FR JCT BOX-FLASHER UNIT	TC	2	-----	561940	C 237	UNDER DASH LH-JACOB CLUTCH SW	ITT SS	3	561111	561080
C 171	LH CONSOLE	AMP CPC	24	561642	561643	C 238	UNDER DASH LH-PASS. REC. DAMPER SW	EATON	8	-----	562763
C 172						C 239	FR SERVICE CPT-HI BUOY VALVE	PED WP	2	561566	561690
C 173						C 240	FR SERVICE CPT-KNEEL PROX SW	PED WP	3	561781	562428
C 174	UNDER DASH RH-HTR MODULE	AMP MNL	9	561670	561669	C 241	HEADLAMPS HI BEAM	HELLA	2		562623
C 175	UNDER DASH RH-HTR MODULE	AMP MNL	9	561670	561669	C 242	HALOGEN HEAHLAMPS LO BEAM	HELLA	2		562623
C 176	UNDER DASH RH-WIPER PULSE	AMP FF	6	-----	561186	C 242	XENON HEADLAMPS LO BEAM	DELPHI	2		563366
C 177	UNDER DASH RH-WIPER MOTOR	AMP FF	6	-----	561186	C 243	FRONT CAP- HEADLIGHTS MAIN CONN	DEUTCH	6	565131	562789
C 178	UNDER DASH RH-LH FAN	TC	2	561030	560997	C 244	FR SERVICE CPT-LH FOG LAMP	DEUTCH	2	562902	562901
C 179	UNDER DASH RH-RH FAN	TC	2	561030	560997	C 245	FR SERVICE CPT-RH FOG LAMP	DEUTCH	2	562902	562901
C 180	RR JCT BOX-DIODE CONNECTOR	AMP MNL	15	561987	561986	C 246	UNDER DASH - L.H. MIRROR	CONNXALL	5	563196	563090
C 181	RR JCT BOX-DIODE CONNECTOR	AMP MNL	15	561987	561986	C 247	HEADLAMPS MARK & DIR LTS	AMP SUPER S	3		562601
C 182						C 248	FR JCT BOX-WIPER PULSE GEN	AMP FF	6	-----	561108
C 183	FR SERVICE CPT-KNEELING PAN.	PED WP	4	561610	561611	C 249					
C 184	FR SERVICE CPT-KNEELING SW	ITT SS	3	561111	561080	C 250	LH CONSOL PANEL- LOW BOY	PED	2	561566	561690
C 185						C 251	LH DASH PANEL-FAST IDLE SW	EATON	8	-----	562763
C 186						C 252					
C 186M	RR JCT BOX CPT.-SPD SIGN. M.TR	PED WP	2	561566	561690	C 253	LH DASH PANEL-ETHER SW	EATON	8	-----	562763

CONNECTORS CODE

NO	LOCATION	TYPE	CAVITY	#PIN	#SOCKET	NO	LOCATION	TYPE	CAVITY	#PIN	#SOCKET
				HOUSING	HOUSING					HOUSING	HOUSING
C 254	INST. PANEL RH-ENTR.DOOR SW.	TORRIX	5	-----	562110	C 320	RH DASH PANEL-DRIVER'S LTS SW	EATON	8	-----	562763
C 255	LH DASH PANEL-JACOB & RETARDER SW	EATON	8	-----	562763	C 321	READING LTS TEST				
C 256						C 322	LH CONSOLE DRV WIND LIFT MOT	PED PO	2	-----	561848
C 257						C 323	LH CONSOLE CRUISE CTR SW PAN. AMP	CPC	9	561636	561637
C 258	LH SW PANEL-MULTI FUNC. SW	AMP FF	8	561188	-----	C 324					
C 259	LH SW PANEL-MULTI FUNC. SW	AMP FF	6	-----	561108	C 325	LH DASH PANEL-KNEELING SW	EATON	8	-----	562763
C 260	FR SERVICE CPT-LUG DOOR LCK	PED WP	6	561606	561607	C 326	ENGINE CMPT.	PED	4	-----	561610
C 261	UNDER DASH RH-DOOR MODULE	AMP MNL	9	561670	561669	C 327	ENGINE CONTROL	DEUTSCH	6	562583	562581
C 262	UNDER DASH RH-DOOR MODULE	AMP MNL	4	561551	561668	C 328	GALLEY-LAMP	AMP MNL	2	561248	561247
C 263	UNDER DASH RH-DOOR MODULE	AMP MNL	3	561667	561550	C 329	ENGINE TACHO SIGNAL	PED WP	3	561781	561789
C 264	UNDER DASH RH-DOOR MODULE	AMP MNL	3	561667	561550	C 330					
C 265	UNDER DASH RH-DOOR MODULE	AMP HDP-20	15	562011	562012	C 331	GALLEY MICROWAVE SW	EATON	8	-----	562763
C 266						C 332					
C 267	UNDER DASH RH	AMP CPC	24	561642	561643	C 333	GALLEY RH CONTAINER SW	EATON	8	-----	562763
C 268						C 334	GALLEY LH CONTAINER SW	EATON	8	-----	562763
C 269	UNDER DASH - R.H. MIRROR	CONNXALL	5	563196	563090	C 335					
C 270	LH MIRROR POST	MOLEX	6	562070	562069	C 336					
C 271	RH MIRROR POST	MOLEX	6	562070	562069	C 337	INSTR PANEL LH-UP WIPER SW	EATON	8	-----	562763
C 272	LH MIRROR	SPARTAN	6	-----	990158	C 338	INSTR PANEL LH-UP DEFROST SW	EATON	8	-----	562763
C 273	RH MIRROR	SPARTAN	6	-----	990158	C 339	INSTR PANEL LH-UP WASHER SW	EATON	8	-----	562763
C 274	RR. JCT. BOX - SIGNAL ALT. MODULE	AMP MNL	12	561735	561734	C 340	FR JCT. BOX FIRE PIEZO ALARM	AMP MNL	2	560900	560898
C 275	UNDER DASH RH-DOOR MODULE	AMP MNL	9	561670	561669	C 341	INSTR PANEL LH-HEAT MIRROR SW	EATON	8	-----	562763
C 276	UNDER DASH RH-LOCK SOL.VALVE	AMP MNL	2	561248	561247	C 342	ENGINE RR START SW	DEUTSCH	2	562586	562585
C 277						C 343	INSTR PANEL LH-HEADLAMP SW	EATON	8	-----	562763
C 278						C 344	INSTR PANEL LH-HAZARD LT SW	EATON	8	-----	562763
C 279 *	FR SERVICE CPT.- STEERING ZF	DEUTCH	2		562486	C 345	INSTR PANEL LH-FOG LT SW	EATON	8	-----	562763
C 279	UNDER DASH CYLINDER READ SW.	AMP MNL	2	561248	561247	C 346					
C 280	LH CONSOLE-UNLOAD TAG SW.	NGR	10	-----	562763	C 347	INSTR PANEL LH-DASH LT SW	AMP MNL	2	560900	560898
C 281						C 348	INSTR PANEL CENT-RACOR MODULE	MOLEX	6	562070	562067
C 282						C 349					
C 283						C 350	RH CONSOLE-THERMOMETER	AMP MNL	3	561667	561550
C 284	LH DR'S ROOF - MONITOR FEED	PED WP	3	561781	561782	C 351	LH HAT RACK-FLUOR 110V	MOLEX	4	561477	561476
C 285	LH DR'S ROOF - SOUND SYSTEM	AMP CPC	24	561442	561643	C 352	RH CONSOLE-DRV TEMP SENSOR	BURNDY	4	-----	561104
C 286	RH SW PANEL-A/C & HEAT	EATON	8	-----	562763	C 353	INSTR PANEL RH-DRV FAN RHEOST	AMP MNL	6	561552	561515
C 287	ENGINE COMPT-LTS SW	PED WP	2	561566	561690	C 354	INSTR PANEL RH-DRV TEMP CTR	AMP MNL	6	561552	561515
C 288	RH SW PANEL-FRESH AIR	EATON	8	-----	562763	C 355	INSTR PANEL RH-FR TEMP CTR	AMP MNL	3	561667	561550
C 289						C 356					
C 290						C 357	INSTR PANEL RH-WATER TEMP GA	AMP MNL	3	561667	561550
C 291						C 358	INSTR PANEL RH-FUEL LEVEL GA	AMP MNL	3	561667	561550
C 292	LH PARCEL RACK VIDEO PANEL- MONITOR	MOLEX	4	563040	563071	C 359					
C 293	LH PARCEL RACK VIDEO PAN. - RCA RELAY	AMP MNL	2	561248	561247	C 360					
C 294	LH PARCEL RACK VIDEO PAN. - RCA RELAY	AMP MNL	2	561248	561247	C 361	FR ROOF-WIPER MOTOR	AMP FF	6	-----	561186
C 295	LH PARCEL RACK VID. PANEL- AMPLI VIDEO	MOLEX	4	563040	563071	C 362	FR ROOF-LAVATORY OCCUPIED LT	AMP MNL	2	561248	561247
C 296	LH PARCEL RACK VIDEO PAN. - MICRO SIGNAL	MOLEX	4	562507	562503	C 363	FR ROOF-WATCH YOUR STEP LT	AMP MNL	2	561248	561247
C 297	INSTRUMENT PANEL RH -LTS	AMP MNL	2	560900	560898	C 364	FR ROOF-DESTINATION SIGN	AMP MNL	3	561667	561550
C 298						C 365	FR ROOF-UP WINDSHIELD DEFROST	AMP MNL	3	561667	561550
C 299	RH DASH PANEL SW-GALLEY	EATON	8	-----	562763	C 366	RH DASH PANEL-GRN & RED LEDS	AMP MNL	3	560908	562006
C 300	FR SERVICE CPT.- LOW BEAM RESISTORS	PED WP	2	561566	561690	C 367	ENGINE COMPT-DIF OIL T SENSOR	PED WP	2	561566	561690
C 301						C 368	FR ROOF-DEST. SIGN BALLAST	AMP MNL	3	561667	561550
C 302						C 369	FR ROOF-DEST. SIGN OPER. SW	TORRIX	5	-----	562110
C 303						C 370	FR ROOF-DEST. SIGN FLUOR.	AMP MNL	2	560900	560898
C 304						C 371	FR ROOF-DEST. SIGN FLUOR.	AMP MNL	2	560900	560898
C 305						C 372	FR ROOF-DEST. SIGN SPEED SW	MOLEX	4	561477	561476
C 306						C 373	FR ROOF-NO SMOKING LT	AMP MNL	2	561248	561247
C 307						C 374	LH SWITCH PANEL	AMP MNL	6	561552	561515
C 308	LH CONSOLE SW-RHEOSTAT	TC	2	561030	560997	C 375					
C 309						C 376					
C 310	LH DASH PANEL -LUG. DOOR LCK SW	EATON	8	-----	562763	C 377	LH DASH PANEL-STOP ENG.OVERRIDE SW	EATON	8	-----	562763
C 311	RH DASH PANEL -HOS & PAS CHIME SW	EATON	8	-----	562763	C 378					
C 312	RH DASH PANEL -READING LTS SW	EATON	8	-----	562763	C 379					
C 313	RH DASH PANEL -GEN & FLUOR LTS SW	EATON	8	-----	562763	C 380	LH CONSOLE-DDR CONNECTOR	DEUTSCH	6	562360	-----
C 314	LH DASH PANEL-FR DEST. SIGN SW	EATON	8	-----	562763	C 381					
C 315	LH DASH PANEL-LH STORE SW	EATON	8	-----	562763	C 382					
C 316	LH CONSOLE SPARE SWITCH	EATON	8	-----	562763	C 383					
C 317	LH DASH PANEL-RH STORE SW	EATON	8	-----	562763	C 384					
C 318	LH CONSOLE SW-DRV WINDOW LIFT	EATON	8	-----	562763	C 385	EVAPOTATOR COMP WATER PUMP	PED WP	2	561566	561690
C 319						C 386	LH DASH PANEL-WCL POWER SYSTEM SW	EATON	8	-----	562763

CONNECTORS CODE

NO	LOCATION	TYPE	CAVITY	#PIN #SOCKET		NO	LOCATION	TYPE	CAVITY	#PIN #SOCKET	
				HOUSING	HOUSING					HOUSING	HOUSING
C 387	RR JCT BOX (WCL)	AMP MNL	9	561661	561662	C 454	SOUND SYS.JCT.PAN.-FILT. VCP	PED WP	2	561566	561680
C 388	RR JCT BOX (WCL)	AMP MNL	12	561735	561734	C 455	WIRELESS MICRO-LH HAT-RACK	MOLEX	6	-----	562464
C 389	WCL REAR DOOR	MOLEX	4	561477	561476	C 456	WORLD TRANSM.-RETARDER ACCUM.	PED MP	2	-----	562427
C 390	LAVATORY WALL-WCL REMOTE CTR	EATON	8	-----	562763	C 457	WORLD TRANSM.-MAIN CONNECTOR	DEUTSCH	31	562572	562536
C 391	LAVATORY WALL-WCL LAMP	EATON	8	-----	562763	C 458	WORLD TRANSM.-TURBINE SP.SENS	PED MP	2	-----	562426
C 392	LAVATORY WALL-WCL SW. LT.	EATON	2	-----	561835	C 459	WORLD TRANSM.-ENGINE SP.SENS.	PED MP	2	-----	562426
C 393	LAVATORY WALL-WCL REMOTE SYS.	AMP CPC	4	561686	561687	C 460	WORLD TRANSM.-SPEED SENSOR	ITT	2	-----	562541
C 394	UNDER INSTR. PANEL- B/U MONITOR	AMP MNL	4	560851	560852	C 461	WORLD TRANSM.-RETARDER TEMP.	PED MP	2	561566	561680
C 395	DRIVER'S COMPT. - B/U MONITOR	AMP	5	-----	-----	C 462	WORLD TRANSM.-RETARD SOL."K"	PED MP	2	-----	562426
C 396	FR SECT. LH HAT RACK-SPEAKER	MOLEX	4	562507	562503	C 463	WORLD TRANSM.-SENSOR CONN.	DEUTSCH	16	562570	562571
C 397	ENGINE COMPT. CRADLE ACC.	DEUTSCH	40	562281	562284	C 464	RR JCT BOX-DDR CONNECTOR	DEUTSCH	6	-----	562360
C 398	ENGINE COMPT. - PRE-EXITATION ALT.	PED WP	2	561566	561690	C 465	LH CONSOLE-SHIFTER SELECTOR	PED	20	-----	562825
C 399	ENGINE COMPT. - PRE-EXITATION ALT.	PED WP	2	561566	561690	C 466	FR SERVICE CPT.-RESIS. MOD.	PED WP	3	-----	562428
C 400	ENGINE COMPT. BLOCK HEATER	PED MP	3	561781	561782	C 467	FR SERVICE CPT.-RESIS. MOD.	PED WP	3	-----	562428
C 401						C 468			8		
C 402						C 469					
C 403	GALLEY FRIGO NORCOLD	AMP MNL	2	561248	561247	C 470	FR LH UPPER WHELL CPT-SILENT 1000	AMP MNL	2	561248	561247
C 404	GALLEY LAMP	AMP MNL	2	561248	561247	C 471	FR LH UPPER WHELL CPT-SILENT 1000	AMP MNL	2	561248	561247
C 405	LAST LUGGAGE COMP. - INVERTER SIGNAL	AMP MNL	2	561248	561247	C 472	FR LH UPPER WHELL CPT-SILENT 1000	AMP MP	2	561566	561690
C 406	FR JCT BOX COMPT.-ABS	AMP MNL	2	560900	560898	C 473	FR LH UPPER WHELL CPT-SILENT 1000	AMP MNL	3	561667	561550
C 407						C 474	DRIVER CPT.-TEMP. SENSOR	AMP MNL	2	561247	561248
C 408						C 475	RR JCT BOX-SPEED SIGN CONNECTOR	DEUTSCH	2	562486	562485
C 409	ENGINE CPT -LOW COOL. LEVEL	PED MP	2	-----	562350	C 476					
C 410	FR JCT BOX-DIODE CONNECTOR	AMP MNL	15	561987	561986	C 477					
C 411	FR JCT BOX-DIODE CONNECTOR	AMP MNL	15	561987	561986	C 478	ELECTRONIC DESTINATION SIGN	AMP CPC	9	561636	561637
C 412	LH DASH PANEL-MASTER SWITCH SW	EATON	8	-----	562763	C 479	HVAC MODULE	MOLEX	3	-----	562783
C 413	ENG CPT-A/C HI UNLOAD PRS SW	PED WP	2	561566	561690	C 480	UNDER DASH LH-DR. FAN SPEED CTR. MOD	PED	4	561889	561890
C 414						C 481	UNDER DASH LH-DR. FAN SPEED CTR. MOD	PED	3	561781	561782
C 415	RR JCT BOX - ENGINE SIGNAL	DEUTSCH	24	562280	562283	C 482					
C 416						C 483	FR SERVICE CPT. (NOT USED)	PED PC	2	-----	562237
C 417	FRONT JCT BOX-DIODES	AMP MNL	15	561987	561986	C 484	UNDER DASH LH.-FOOT DAMPER MOTOR	PED PC	2	-----	562076
C 418	LH DASH PANEL-HTR WINDSH.SW	EATON	8	-----	562763	C 485	UNDER DASH LH.-DASH & DEFR. DAM.MOT.	AMP MNL	3	561667	561550
C 419	FR JCT BOX-RETARDER OR JACOB	AMP MNL	3	561667	561550	C 486					
C 420						C 487	S.S.PANEL - AUDIO IN AMPLI	MOLEX	4	-----	563071
C 421						C 488	S.S.PANEL - AMPLI SIGNAL	MOLEX	8	-----	562465
C 422						C 489	S.S.PANEL - SPEAKER OUTLET	MOLEX	6	-----	562464
C 423						C 490					
C 424	UNDER INSTRUMENT PANEL CENTER	AMP MNL	3	561667	561550	C 491					
C 425	FR JCT BOX-DIODES	AMP MNL	15	561987	561986	C 492					
C 426	ENGINE COMPT. CLUTCH CTR FAN	PED WP	3	561781	561782	C 493					
C 427	PRO-HEAT	PED-WP	2	561566	561680	C 494					
C 428	PRO-HEAT	PED WP	6	561606	561607	C 495					
C 429	FR JCT BOX COMPT.	AMP MNL	6	561552	561515	C 496					
C 430	LH CONSOLE-TIMER	AMP FF	8	561188	562363	C 497					
C 431	LH CONSOLE-PRE HEAT.	TAB AMP	1	561540	561539	C 498					
C 432	ENGINE CPT.-PROX. SW. DOOR AJAR	PED-WP	2	561566	561680	C 499					
C 433	FR SERVICE CPT. KNEEL. PRESS. SW	PED WP	2	561566	561690	C 500	FR LH UPPER WHELL CPT -PRODRIVER	MOLEX	6	562070	562069
C 434	FRONT JCT. BOX-DIODES	AMP MNL	15	561987	561986	C 501	FR LH UPPER WHELL CPT -PRODRIVER	PED MP	7	562433	-----
C 435	FR SERVICE CPT. (RH) KNEEL. PIEZO	AMP MNL	2	560900	560898	C 502	LH DASH PANEL-PRE HEATER SW.	EATON	8	-----	562763
C 436	RH HAT RACK-WCL CENTER ROOF ACC	AMP CPC	16	561639	561640	C 503	LH CONSOLE-PRE HEATER SW.	EATON	2	-----	561837
C 437	RH HAT RACK-WCL FR & RR SECT.	AMP CPC	24	561642	561643	C 504	LH CONSOLE WEBASTO TIMER	AMP	8	-----	562852
C 438	EVAP CMPT- A/C CONTROL	AMP MNL	2	561248	561247	C 505	LH CONSOLE ESPAR TIMER	AMP	9	-----	562881
C 439	EVAP CMPT- A/C CONTROL	AMP MNL	2	561248	561247	C 506	FR JCT BOX CPT. DIGITAL CLOCK	AMP	4	561685	561687
C 440	EVAP CMPT- A/C CONTROL	DEUTSCH	4	562479	562477	C 507	FR SECT. LH HAT-RACK DIG. CLOCK	MOLEX	4	561477	561476
C 441	FR JCT BOX- DIODES	AMP MNL	15	561987	561986	C 508	RR JCT BOX-FAN CLUTCH RETARDER	AMP MNL	6	561552	561515
C 442						C 509	FR LH UPPER WHELL CPT -DATA LOGGER	PED MP	16	-----	562530
C 443						C 510	FR LH UPPER WHELL CPT -DATA LOGGER	DEUTSCH	9	562531	-----
C 444						C 511	FR LH UPPER WHELL CPT -DATA LOGGER	PED MP	4	562532	-----
C 445						C 512	FR LH UPPER WHELL CPT -DATA LOGGER	PED MP	10	562533	-----
C 446						C 513	FR LH UPPER WHELL CPT -DATA LOGGER	AMP MNL	3	561667	561550
C 447						C 514	FR LH UPPER WHELL CPT -DATA LOGGER	PED MP	6	562433	562417
C 448						C 515	FR JCT BOX CPT.-INTERCOM	MOLEX	4	561477	561476
C 449						C 516	FR JCT BOX CPT.-INTERCOM	MOLEX	6	562070	562069
C 450	SOUND SYS. JCT. PANEL	MOLEX	4	562507	562503	C 517	LAVATORY WALL-INTERCOM	MOLEX	6	562070	562069
C 451	WIRELESS MICRO-FIRST CPT BAG	MOLEX	2	562550	562549	C 519	UNDER DASH RH-SEDAN DOOR	HUMPHREY	2	-----	562580
C 452	UNDER DASH INSTR. PANEL	MOLEX	2	562550	562549	C 520	UNDER DASH RH-SEDAN DOOR	HUMPHREY	2	-----	641385
C 453	SOUND SYS. JCT.PANEL-VCP	PED WP	2	561566	561680	C 521	UNDER DASH RH-SEDAN DOOR	HUMPHREY	2	-----	641385

CONNECTORS CODE

NO	LOCATION	TYPE	CAVITY	#PIN	#SOCKET	NO	LOCATION	TYPE	CAVITY	#PIN	#SOCKET
				HOUSING	HOUSING					HOUSING	HOUSING
C 522						C 589	UNDER DASH - L.H. MIRROR	CONNXALL	9	563163	563089
C 523	FR JCT BOX-FUSE BLOCK	PED	8	562647	562646	C 590	UNDER DASH - R.H. MIRROR	AMP MNL	9	561670	561669
C 524	FR JCT BOX-FUSE BLOCK	PED	8	562647	562646	C 591	L.H.CONSOLE - MIRROR L.H.	EURAMTEC	8	-----	562799
C 525	FR JCT BOX-FUSE BLOCK	PED	8	562647	562646	C 592	L.H.CONSOLE - MIRROR R.H.	EURAMTEC	8	-----	562799
C 526	FR JCT BOX-FUSE BLOCK	PED	8	562647	562646	C 593	BATTERY CMPT. - CHARGER	PED WP	3	561781	561782
C 527	FR JCT BOX-FUSE BLOCK	PED	8	562647	562646	C 594	FRONT ROOF - DRIVERS LIGHT	LEEKRAFT		-----	562803
C 528	FR JCT BOX-FUSE BLOCK	PED	8	562647	562646	C 595	DASH CENTER MODULE - OPEN DOOR	MOLEX	4	561477	561476
C 529	FR JCT BOX-12V OUTLET	AMP MNL	2	561247	561248	C 596	DASH CENTER MODULE - CLOSE DOOR	MOLEX	4	561477	561476
C 530	RR JCT BOX-FUSE BLOCK	PED	8	562647	562646	C 597	L.H. DASH PANEL - DISPLAY SET SW.	MOLEX	5		562812
C 531	RR JCT BOX-FUSE BLOCK	PED	8	562610	---	C 598	L.H. DASH PANEL - DISPLAY SET SW.	MOLEX	5		562812
C 532	RR JCT BOX-FUSE BLOCK	PED	8	562610	---	C 599	UND.DASH-MAGN.SW.CTR POS. DR'S AIR	AMP MNL	2	561248	561247
C 533	RR JCT BOX-FUSE BLOCK	PED	8	562647	562646	C 600	ENGINE CPT.-A/C LOW PRESS SW. UNLOAD	PED	2	562348	562471
C 534	RR JCT BOX-FUSE BLOCK	PED	8	562647	562646	C 601	L.H. ROOF - WINDOW AJAR	AMP MNL	2	561248	561247
C 535	RR JCT BOX-FIRE MODULE DETECT.	AMP MNL	3	561667	561550	C 602	L.H. ROOF - WINDOW AJAR	MOLEX	4	561477	561476
C 536	UNDER DASH RH-DRIVER'S HTR TEMP. CTR	AMP MNL	6	561552	561515	C 603	R.H. ROOF - WINDOW AJAR	AMP MNL	2	561248	561247
C 537	BATT. CPT.-A/C PRESS. SIGN. RLY	AMP MNL	2	561248	561247	C 604	LH PARCEL RACK DVD VIDEO STABILIZER	SWITCHCRAFT	1	563074	
C 538	FR SERVICE CPT.-OUTSIDE TEMP. SENSOR	AMP MNL	2	561248	561247	C 605	HAT RACK - MOTOR FAN	PED	2	560997	561030
C 539	HVAC DASH MODULE OUTPUT CON	MOLEX	24		562780	C 606	HAT RACK - MOTOR FAN	PED	2	560997	561030
C 540	HVAC DASH MODULE INPUT CON	MOLEX	22		562781	C 607					
C 541	SOUND SYS. JCT PANEL-AUDIO SEAT SYS.	PED WP	2	561566	561690	C 608	FRONT SERVICE CMPT. SPEED SIGNAL	PED WP	2	561566	561690
C 542	LH HAT RACK-AUDIO SEAT SYSTEM	AMP MNL	3	561667	561550	C 609	LAVATORY - NIGHT LIGHT				
C 543						C 610					
C 544	SOUND SYS JCT PANEL-AUDIO SEAT SYS.	PED WP	3	561781	562428	C 611	HAT RACK READING LTS RICON	MOLEX	6	562558	562557
C 545	LH HAT RACK-AUDIO SEAT SYSTEM	AMP MNL	3	561667	561550	C 612	HAT -RACK FLUOR. INSTATION LTS RICON	MOLEX	4	562507	562503
C 546	WIRELESS MIC. CHARGING SYSTEM	MOLEX	2	-----	563025	C 613	HAT -RACK INDIRECT LTS RICON	AMP MNL	3	561667	561550
C 547	RH DASH PANEL-ACCESSORIES	AMP CPC	37	561645	561646	C 614	HAT -RACK INDIRECT LTS RICON	AMP MNL	3	561667	561550
C 548	LH DASH PANEL-T.T. LT. TEST SW.	EATON	8	-----	562763	C 615	LH PARCEL RACK DVD SING ALONG ADAPT.	MOLEX	2	562550	562549
C 549	LH DASH PANEL-FAN CLUTCH OVERR. SW	EATON	8	-----	562763	C 616					
C 550	LAST LUGG. CPT. -WCL RICON	AMP CPC	16	561694	561695	C 701	ZF TRANSMISSION ECU	KOSTAL	20		
C 551	LAST LUGG. CPT. -WCL RICON	AMP CPC	16	561694	561695	C 702	SHIFT SELECTOR - LH CONSOLE	AMP	14		563338
C 552	LAST LUGG. CPT. -WCL RICON	AMP CPC	9	561636	561637	C 712	NEUTRAL SWITCH ON ZF TRANSM. (TOP)	AMP	4		563340
C 553	UNDER DASH R.H. - CONTROL. HEAD	MOLEX	16	-----	562559	C 714	OUTPUT SENSOR ON ZF TRANSM. (BOTTOM)	AMP	4		563340
C 554	UNDER DASH R.H. - CONTROL. HEAD	MOLEX	16	-----	562559	C 717	BATT. CPT - MAIN CONNECTOR	AMP CPC	22	561642	561643
C 555	UNDER DASH R.H. - CONTROL. HEAD	MOLEX	16	-----	562559	C 720	ENGINE COMPT - BLKHD CONNECTOR	DEUTSCH	31	563359	563358
C 556	UNDER DASH R.H. - RADIO ACC.	MOLEX	2	562550	562549	C 721	LH CONSOLE - ZF TESTMAN DIAGNOSTIC	AMP MNL	6	563356	
C 557	UNDER DASH R.H. - RADIO ACC.	MOLEX	9	562556	562555	C 723	ENGINE COMPT - FOR TRANSM.	DEUTSCH	3		562884
C 558	UNDER DASH R.H. - RADIO ACC.	MOLEX	4	562507	562503	C 736	ENGINE COMPT - ZMTEC MODULE	PACKARD	30	563053	
C 559	SOUND SYS. JCT. PANEL - FILTER AMPLI	PED WP	2	561566	561690	C 740	DRIVE AXLE - EASY START SOL VALVE	LEONI	2	--	641949
C 560	SOUND SYS. JCT. PANEL - POWER AMPLI	MOLEX	4	562507	562503	C 742	BATT. CPT - FUSE BLOCK	AMP	8	562446	
C 561	L.H. HAT RACK - WIRELESS MICRO	MOLEX	8		562465	C 745	FR SERV.COMPT - THROTTLE POS. SENSOR	PED WP	3	561781	
C 562	L.H. HAT RACK - VCP	MOLEX	12	562556	563070	C 760	FR SERV. COMPT - TO J1939	DEUTSCH	3		
C 563	L.H. MODESTY PANEL - DRIVERS SPK.	MOLEX	4	562507	562503	C 761	FR SERV. COMPT - TO J1939	DEUTSCH	3		562884
C 564	L.H. MODESTY PANEL - MICRO	MOLEX	4	562507	562503	C 762	ENGINE COMPT - TO J1939	DEUTSCH	3		562884
C 565	R.H. MODESTY PANEL - MICRO	MOLEX	4	562507	562503	C 763	ENGINE COMPT - TO J1939	DEUTSCH	3		562884
C 566	L.H. CONSOLE - BOOM MICRO	MOLEX	4	562507	562503	C 764	ENGINE COMPT - TO J1939	DEUTSCH	3		562884
C 567	L.H. CONSOLE - DRIVERS MICRO	MOLEX	4	562507	562503	C 765	ENGINE COMPT - TO J1939	DEUTSCH	3		562884
C 568	SOUND SYS. JCT. PANEL - PASS. SPK	CINCH	4	562553	562552	C 766	ENGINE COMPT - TO J1939	DEUTSCH	3		562884
C 569	SOUND SYS. JCT. PANEL - POWER AMPLI.	MOLEX	9	562556	562555						
C 570	UNDER DASH PANEL TTLT	MOLEX	6		562464						
C 571	UNDER DASH PANEL TTLT	MOLEX	20		562778	C X	CLUSTER	JAE	22		562766
C 572	UNDER DASH PANEL TTLT	MOLEX	18		562779	C Y	CLUSTER	JAE	30		562767
C 573	UNDER DASH PANEL TTLT	MOLEX	8		562465	L X	CLUSTER	JAE	22		562764
C 574	HAT -RACK FLUOR. INDIRECT LIGHTING	MOLEX	6	-----	562759	L					
C 575	HAT -RACK FLUOR. INSTATION LIGHT	MOLEX	4	562507	562503	R					
C 576	HAT -RACK FLUOR. INDIRECT LIGHTING	AMP MNL	3	561667	561550						
C 577	HAT -RACK FLUOR. INDIRECT LIGHTING	AMP MNL	3	561667	561550						
C 578	HAT -RACK FLUOR. INSTATION LIGHT	MOLEX	4	562507	562503						
C 579	L.H HAT RACK - VCP POWER	MOLEX	4		563071						
C 580	RH DASH PANEL-HAT RACK FAN SW	EATON	8	-----	562763						
C 581											
C 582	FRONT SERVICE CMPT. - WINDOWS AJAR	PED WP	2	561566	561690						
C 583	L.H. DASH PANEL - MASTER KEY	DEUTSCH	2	562486	562485						
C 584	FRONT SERVICE CMPT. - AIR HORH	HUMPHREY	3	-----	641385						
C 585											
C 586											
C 587	LH PARCEL RACK DVD UNIT	MOLEX	4	563040	563071						
C 588	FRONT SERVICE CPT. CENTER SOUND SYS.	CONNXALL	9	563163	563089						

CONNECTORS CODE

NO	LOCATION	TYPE	CAVITY	#PIN	#SOCKET	NO	LOCATION	TYPE	CAVITY	#PIN	#SOCKET
				HOUSING	HOUSING					HOUSING	HOUSING
AA1	BEHIND DASH - SONALERT	BOSCH	5		561183	C 56	HAT RACK- MOTOR FAN	MOLEX	6	562558	562557
AA2	BEHIND DASH - SONALERT	BOSCH	5		561183	C 57	HAT RACK- MOTOR FAN	MOLEX	6	562558	562557
C X1	FR SERVICE COMPT- ECU ABS	AMP	15		563200	C 58	RR JCT BOX AC PANEL	DEUTSCH	24	562280	562283
C X2	FR SERVICE COMPT- ECU ABS	AMP	18		563201	C 59	RR JCT BOX AC PANEL	AMP CPC	14	561584	561583
CRXTX	HVAC DASN MODULE COMMUNICATION	MOLEX	3	563206	562873	C 60	RR JCT BOX COMPT.-LT	AMP MNL	2	561248	561247
C S	RR JCT BOX ECU WORLD TR.	PED	32		562817	C 61	LUGGAGE COMPARTMENT LTS	AMP MNL	2	561248	561247
C T	RR JCT BOX ECU WORLD TR.	PED	32		562824	C 62	LUGGAGE COMPARTMENT LTS	AMP MNL	2	561248	561247
C TCI	ENGINE CPT - DDEC V TURBO TEMP.	FCI	2		563404	C 63	LUGGAGE COMPARTMENT LTS	AMP MNL	2	561248	561247
C V	RR JCT BOX ECU WORLD TR.	PED	32		562823	C 64	LUGGAGE COMPARTMENT LTS	AMP MNL	2	561248	561247
C WX1	ENGINE CPT-WEBASTO PRE-HEAT WATER	AMP SEALED	7		563135	C 65	LUGGAGE COMPARTMENT LTS	AMP MNL	2	561248	561247
C WX3	ENGINE CPT-WEBASTO PRE-HEAT WATER	AMP SEALED	7	563134		C 66	LUGGAGE COMPARTMENT LTS	AMP MNL	2	561248	561247
C Y	CLUSTER	JAE	30	---	562765	C 67	LUGGAGE COMPARTMENT LTS	AMP MNL	2	561248	561247
C 1	FR JCT BOX COMPARTMENT	AMP CPC	14	561585	561584	C 68	LUGGAGE COMPARTMENT LTS	AMP MNL	2	561248	561247
C 2	FR JCT BOX COMPARTMENT	AMP CPC	16	561639	561640	C 69	RR AXLE ACC-INSIDE PVC END	PED WP	6	561568	561578
C 3	FR JCT BOX COMPARTMENT	AMP CPC	24	561641	561643	C 70	LH CONSOLE	AMP CPC	16	561642	561643
C 4	FR JCT BOX COMPARTMENT	AMP CPC	37	561644	561646	C 71	FR JCT BOX COMPARTMENT	AMP CPC	37	561645	561646
C 5	FR SERVICE COMPT.-UNDERNEATH	AMP CPC	37	561644	561646	C 72	FR JCT BOX COMPARTMENT	AMP CPC	24	561642	561643
C 6	FR SERVICE COMPT.-UNDERNEATH	AMP CPC	16	561639	561640	C 73	DASH CENTER PANEL	AMP CPC	16	561639	561640
C 7						C 74	FR JCT BOX COMPARTMENT	AMP CPC	37	561645	561646
C 8	FR SERVICE COMPT.-UNDERNEATH	AMP CPC	24	561641	561643	C 75	SERV CPT. RXT. ENT. DOOR SW	DEUTSCH	4	562479	562477
C 9	FR SERVICE COMPT.-UNDERNEATH	AMP CPC	24	561641	561643	C 76	LUGGAGE COMPT.-AIR RET.SENS.	AMP MNL	2	561248	561247
C 10	LUGGAGE COMPT. WATER BOOSTER PUMP	PED	2	562348	562471	C 77	LUGGAGE COMPT.-AIR RET.SENS.	AMP MNL	2	561248	561247
C 11	FR SERVICE COMPARTMENT	AMP CPC	37	561644	561646	C 78					
C 12	FR SERVICE COMPARTMENT	AMP CPC	16	561639	561640	C 79					
C 13	LH CONSOLE-CTR MIRROR	AMP MNL	6	561552	561515	C 80	LUGGAGE COMPT.-AIR RET.SENS.	AMP MNL	2	561248	561247
C 14	UNDER DASH-LH MIRROR	AMP MNL	9	561661	561662	C 81	PASSENGER COMPT.-AISLE LTS	AMP MNL	2	560900	560898
C 15	A/C CLUTCH	PED WP	2	561566	561690	C 82	ENTRANCE DOOR	MOLEX	6	562070	562069
C 16	LH CONSOLE SW-CRUISE ON OFF	EATON	10	-----	562763	C 83	ENTRANCE DOOR-PROIMITY SW	MOLEX	4	561477	561476
C 17	LH CONSOLE SW-CRUISE RESUME	EATON	10	-----	562763	C 84	ENTRANCE DOOR-PRESSURE SW	PED WP	2	561566	561690
C 18	LH CONSOLE SW-CRUISE SET	EATON	10	-----	562763	C 85	UNDER INSTRUMENT PANEL LH	AMP MTA-100	-----	562248	-----
C 19	LH CONSOLE DECEL SW	EATON	10	-----	562763	C 86					
C 20	RR JCT BOX	DEUTSCH	70	562282	562285	C 87	RR END ROOF	AMP CPC	9	561636	561637
C 21	RR JCT BOX	DEUTSCH	24	562280	562283	C 88	FR. SERVICE COMPT.PRESS SW PARK BRAKE	PED WP	2	561566	561690
C 22	RR JCT BOX - EATON TRANSM.	AMP MNL	6	561552	561515	C 89	RR END ROOF-B/U NONITOR	AMP CPC	4	561582	561581
C 23						C 90	RR JCT BOX	AMP CPC	15	561987	561986
C 24						C 91	RR JCT BOX	AMP CPC	37	561714	561713
C 25						C 92	FR LH UPPER WHELL CPT-ABS	AMP CPC	9	561635	561637
C 26	HYD & MAN TRANSM.-NEUT.& B/U	PED WP	4	561610	561611	C 93	FR LH UPPER WHELL CPT-ABS		35	-----	641094
C 27	HYD & MAN TRANSM.-SPEED SENS.	PED WP	2	561566	561690	C 94	RH CONSOLE ENTRANCE STEP LIGHT	DEUTCH	2	562486	562485
C 28	EATON TRANSMISSION	DEUTCH	3	562877	562884	C 95	CONDENSOR CPT - LIQ. SOL. VALVE	PED WP	2	561566	561690
C 29	EATON TRANSMISSION	PED MP	6	562878	-----	C 96	FR AXLE ACCESSORIES	AMP CPC	14	561585	561585
C 30	RR JCT BOX - ECU EATON TRANSM.	PED MP	32	-----	562866	C 97	RR AXLE ACC-INSIDE PVC END	PED WP	6	561568	561578
C 31	RR JCT BOX - ECU EATON TRANSM.	PED MP	24	-----	562865	C 98	FR SERVICE COMPT-EL.FT.PEDAL	PED WP	3	561782	561781
C 32	DDEC ENGINE-ECM	AMP	68	-----	563403	C 99	FR SERVICE COMPT LTS	AMP MNL	2	561248	561247
C 33	RR JCT BOX - EATON TRANSM.	DEUTCH	9	562531	-----	C 100	LH CONSOLE - 120 VOLTS SWITCH	EATON	8	-----	562763
C 34	RH. CONSOLE - EATON TRANSM. SHIFTER	PED MP	3	-----	562871	C 101	FR SERVICE COMPT-ELEC. HORNS	PED WP	2	561566	561690
C 35	RR JCT BOX	DEUTCH	40	562281	562284	C 102	SIDE (LH/FR & CENTER) DIR. LTS	GROTE	2	-----	562155
C 36	RH. CONSOLE - EATON TRANSM. SHIFTER	PED MP	24	-----	562874	C 103	SIDE (LH/FR & CENTER) MARKER LTS	GROTE	2	-----	562155
C 37	RR SECTION-LH HAT RACK	MOLEX	6	562558	562557	C 104	SIDE (RH/FR & CENTER) DIR. LTS	DEUTSCH	4	562479	562477
C 38	RR SECTION-RH HAT RACK	MOLEX	6	562558	562557	C 104	FR SERV & SIDE CPT-FLASH. RH	GROTE	2	-----	562155
C 39	LH CONSOLE - EATON TRANSM. DISPLAY	AMP MNL	4	561551	561668	C 105	FR SERVICE COMPT-LIQ.S.VALVE	PED WP	2	561566	561690
C 40	RR JCT BOX - EATON TRANSM. J1939	DEUTCH	3	562877	562884	C 106	FR SERVICE COMPT-WATER VALVE	PED WP	2	561566	561690
C 41	LAVATORY ROOF LIGHT	LEECRAFT	2	-----	562803	C 107					
C 42	LAVATORY BACK WALL-WTR TANK	AMP MNL	2	560900	560898	C 108	FR SERVICE COMPT-KNEEL.SYS	PED WP	2	561566	561690
C 43	LAVATORY BACK WALL-ACCES.	AMP MNL	9	561661	561662	C 109	FR SERVICE COMPT-KNEEL.SYS	PED WP	2	561566	561690
C 44	EATON TRANSM. J1939	DEUTCH	3	562877	562884	C 110	FR SERVICE COMPT-KNEEL.SYS	PED WP	2	561566	561690
C 45	FR JCT BOX COMPARTMENT	AMP CPC	24	561642	561643	C 111	EVAPORATOR COMPT-DAMPER	DEUTSCH	2	562486	562485
C 46	EATON TRANSM. J1939	DEUTCH	3	562877	562884	C 112	LAVATORY BACK WALL-FLUSH PUMP SW.	DEUTSCH	4	562479	562477
C 47	FR SERVICE COMPARTMENT	AMP CPC	16	561694	561695	C 113	SIDE (LH/RR) MARKER LTS	GROTE	2	-----	562155
C 48	FR. SERVICE COMPT.PRESS SW PARKBREAK	PED WP	2	561566	561690	C 114	SIDE (LH/RR) DIR LTS	GROTE	2	-----	562155
C 49	BATTERIE COMPT.-LT	AMP MNL	2	561248	561247	C 115					
C 50	FR SERVICE COMPT.-LOW BUOY	PED WP	1	561605	561577	C 116	ENGINE COMPT. LTS	GROTE	2		563268
C 51						C 117	SIDE (RH/RR) MARKER LTS	GROTE	2	-----	562155
C 52	RR JCT BOX	AMP CPC	24	561642	561643	C 117	FR SRV. COMPT. KNEELING UP SOL VALVE	PED WP	2	561761	
C 53	SPARE TIRE COMPT ENTRANCE STEP LIGHT	DEUTCH	2	562486	562485	C 118	ENGINE COMPT-LAVATORY FAN	PED WP	2	561566	561690
C 54	SPARE TIRE COMPT ENTRANCE STEP LIGHT	DEUTCH	2	562486	562485	C 119	ENGINE CPT RR DOOR RH LO LAMP	PED WP	6	561606	561607
C 55	RH SWITCH PANEL	AMP CPC	9	561636	561637	C 120	ENGINE CPT RR DOOR LH LO LAMP	PED WP	6	561606	561607

CONNECTORS CODE

NO	LOCATION	TYPE	CAVITY	#PIN #SOCKET		NO	LOCATION	TYPE	CAVITY	#PIN #SOCKET	
				HOUSING	HOUSING					HOUSING	HOUSING
C 121	SIDE (RH/RR) DIR. LTS	GROTE	2	-----	562155	C 186W	RR JCT BOX CPT.-SPD SIGN. WT	PED WP	2	561566	561690
C 122						C 187	FR JCT BOX-RPM RESISTOR CON.	AMP MNL	6	561552	561515
C 123	TAG AXLE-UNLOAD TAG RH VALVE	PED WP	2	561566	561690	C 188					
C 124	ENGINE CPT-ETHER SW	PED WP	2	561566	561690	C 189	ENGINE CPT RR DOOR B/U LT	TRUCK-LITE	2	-----	562755
C 125	ENGINE CPT-B/U ALARM	PED WP	2	561566	561690	C 190	ENGINE CPT RR DOOR TAIL/ STOP LT	SUPER SEAL	3		562601
C 126	ENGINE CPT-FLUSHING PUMP	PED WP	2	561566	561690	C 191	ENGINE CPT RR DOOR RH TAIL/STOP LT	SUPER SEAL	3		562601
C 127	ENGINE CPT-FUEL FILTER	PED WP	2	561566	561690	C 192	ENGINE CPT RR DOOR DIR. LT	SUPER SEAL	3		562601
C 128	ENGINE CPT-A/C COMPR.CLUTCH	ITT SS	2	561813	561812	C 193					
C 129						C 194					
C 130	ENGINE CPT-UNLOADER	ITT SS	2	561813	561812	C 195					
C 131	ENGINE CPT-UNLOADER	ITT SS	2	561813	561812	C 198	ENGINE CPT RR DOOR LICENCE LT	PED WP	2	562348	562471
C 132	ENGINE CPT-A/C LO PRESS SW	PED WP	2	561566	561690	C 199					
C 133	ENGINE CPT-A/C HI PRESS SW	PED WP	2	561566	561690	C 200	RH HAT RACK-FLUORESCENT	AMP MNL	2	561248	561247
C 134	FR JCT BOX-LUGGAGE DIODE CON.	AMP MNL	15	561987	561986	C 201	RH HAT RACK-FLUORESCENT	AMP MNL	2	561248	561247
C 135	FR JCT BOX-LUGGAGE DIODE CON.	AMP MNL	15	561987	561986	C 202	RH HAT RACK-INDIRECT LIGHTING	MOLEX	2	-----	562758
C 136	RR JCT BOX - A/C PANEL DIODE CONN.	AMP MNL	15	561987	561986	C 203	RH HAT RACK-INDIRECT LIGHTING	MOLEX	6	-----	562759
C 137	RR JCT BOX-TRANSMITTER	AMP MNL	2	560900	560898	C 204	RH HAT RACK-GENERAL LT	AMP MNL	2	560900	560898
C 138	RR JCT BOX-CONTROL MODULE	AMP HDP	15	-----	562012	C 205	FR SECT.-RH HAT RACK SPEAKER	AMP MNL	9	561661	561662
C 139	RR JCT BOX-LOGIC MODULE	AMP HDP	15	562011	-----	C 206	RH HAT RACK-READING LT	AMP FF	4	-----	562756
C 140	HVAC DASH MODULE THERMOMETER	MOLEX	4		562782	C 207	LH HAT RACK-READING LT	AMP FF	4	-----	562756
C 141	INSTRUMENT PANEL LH UNLOAD TAG	AMP	2	561248	561247	C 208	LH HAT RACK-BALLAST	MOLEX	2	-----	562758
C 142	LAVATORY DOOR WALL	AMP MNL	2	561248	561247	C 209	LH HAT RACK HOTESS CHIME	AMP MNL	3	561667	561550
C 143						C 210	FR SECT.-LH HAT RACK SPEAKER	AMP MNL	9	561661	561662
C 144	UNDER LH SEAT-AISLE LTS	AMP MNL	4	560851	560852	C 211	FR ROOF-STORE LH	AMP MNL	2	560900	560898
C 145	RR JCT BOX CPT-RR SIDE LTS	AMP MNL	9	561670	561669	C 212	FR ROOF-STORE RH	AMP MNL	2	560900	560898
C 146	ENGINE CPT-MODULATOR VALVE	AMPHENOL	2	-----	560412	C 213					
C 147	BATT & RR J.B.CPT-DOCK LTS	PED WP	2	561566	561690	C 214	ENGINE CPT J1922				
C 148						C 215	TAG AXLE - A.T.C. SYSTEM				
C 149	CONDENSER CPT-FAN MOTOR	ORDNANCE	3	562555	562001	C 216	TAG AXLE - A.T.C. SYSTEM				
C 150						C 217	RH DASH PANEL-FRONT CAMERA SW	EATON	8	-----	562763
C 151	EVAPORATOR CPT-THERMOSTAT	ITT SS	2	561813	562159	C 218	RH DASH PANEL-FRONT CAMERA SW	AMP MNL	2	560900	560898
C 152	CONDENSER CPT-FUEL GAUGE	PED WP	4	561610	561611	C 219	ENGINE CMPT. - FIRE DETECTOR	DEUTSCH	2	562486	562485
C 153	EVAPORATOR CPT-AIR AMB. SENS	AMP MNL	2	561248	561247	C 220	RR.JCT.BOX-FUEL PRIME PUMP	TC	1	561070	561073
C 154	EVAPORATOR CPT-FRESH AIR SENS	ITT SS	2	561813	561812	C 221	BATTERY CMPT. FIRE DETECTOR	DEUTSCH	2	562486	562485
C 155	EVAPORATOR CPT-WATER VALVE	PNEUMAC	4	563204		C 222	ENGINE CMPT. FIRE DETCTOR	DEUTSCH	2	562486	562485
C 156	EVAPOR. CPT-BYPASS WATER VAL.	PED WP	2	561566	561690	C 223	ENGINE CMPT. FIRE DETCTOR	DEUTSCH	2	562486	562485
C 157						C 224	ENGINE CMPT. -VORAD J1939	DEUTSCH	3	562877	562884
C 158	CONDENSER CPT-A/C LO TEMP.	PED WP	2	561566	561690	C 225	ENGINE CMPT. -VORAD J1939	DEUTSCH	3	562877	562884
C 159	CONDENSER CPT-A/C HI TEMP.	PED WP	2	561566	561690	C 226	FR LH UPPER WHEEL CPT-VORAD J1939	DEUTSCH	3	562677	562884
C 160	FR AXLE-ABS RH SENSOR	WABCO	2	641132	-----	C 227					
C 161	FR AXLE-ABS RH VALVE	WABCO	3	-----	641098	C 228	ENG.CPT.- A/C COMPRESSOR	PED WP	2	561566	561690
C 162	FR AXLE-ABS LH VALVE	WABCO	3	-----	641098	C 229					
C 163	FR AXLE-ABS LH SENSOR	WABCO	2	641132	-----	C 230	ENG.CPT.-FUEL PRIME PUMP FEED	DEUTSCH	2	562486	562485
C 164	RR AXLE-ABS LH SENSOR	WABCO	2	641132	-----	C 231	ENG.CPT.-FUEL PRIME PUMP SW.	PED WP	2	561566	561690
C 165	RR AXLE-ABS LH VALVE	WABCO	3	-----	641098	C 232	ENG.CPT.-FUEL PRIME PUMP	PED WP	2	561566	561690
C 166	RR AXLE-ABS RH VALVE	WABCO	3	-----	641098	C 233	FR. SERVICE CMPT.	VDO	8		562043
C 167	RR AXLE-ABS RH SENSOR	DEUTSCH	2	641132	-----	C 234	FR. SERVICE CMPT.	VDO	8		562044
C 168	RR AXLE-ABS OPT ATC	PED WP	2	561566	561690	C 235	FR. SERVICE CMPT.	VDO	8		562041
C 169	RR JCT BOX-SPEED SW	AMP HDP	15	-----	562012	C 236	LUGGAGE COMPARTEMENT	AMP MNL	4	560851	560852
C 170	FR JCT BOX-FLASHER UNIT	TC	2	-----	561940	C 237	UNDER DASH LH-JACOB CLUTCH SW	ITT SS	3	561111	561080
C 171	LH CONSOLE	AMP CPC	24	561642	561643	C 238	UNDER DASH LH-PASS. REC. DAMPER SW	EATON	8	-----	562763
C 172						C 239	FR SERVICE CPT-HI BUOY VALVE	PED WP	2	561566	561690
C 173						C 240	FR SERVICE CPT-KNEEL PROX SW	PED WP	3	561781	562428
C 174	UNDER DASH RH-HTR MODULE	AMP MNL	9	561670	561669	C 241	HEADLAMPS HI BEAM	HELLA	2		562623
C 175	UNDER DASH RH-HTR MODULE	AMP MNL	9	561670	561669	C 242	HALOGEN HEAHLAMPS LO BEAM	HELLA	2		562623
C 176	UNDER DASH RH-WIPER PULSE	AMP FF	6	-----	561186	C 242	XENON HEADLAMPS LO BEAM	DELPHI	2		563366
C 177	UNDER DASH RH-WIPER MOTOR	AMP FF	6	-----	561186	C 243	FRONT CAP- HEADLIGHTS MAIN CONN	DEUTCH	6	565131	562789
C 178	UNDER DASH RH-LH FAN	TC	2	561030	560997	C 244	FR SERVICE CPT-LH FOG LAMP	DEUTCH	2	562902	562901
C 179	UNDER DASH RH-RH FAN	TC	2	561030	560997	C 245	FR SERVICE CPT-RH FOG LAMP	DEUTCH	2	562902	562901
C 180	RR JCT BOX-DIODE CONNECTOR	AMP MNL	15	561987	561986	C 246	UNDER DASH - L.H. MIRROR	CONNXALL	5	563196	563090
C 181	RR JCT BOX-DIODE CONNECTOR	AMP MNL	15	561987	561986	C 247	HEADLAMPS MARK & DIR LTS	AMP SUPER S	3		562601
C 182						C 248	FR JCT BOX-WIPER PULSE GEN	AMP FF	6	-----	561108
C 183	FR SERVICE CPT-KNEELING PAN.	PED WP	4	561610	561611	C 249					
C 184	FR SERVICE CPT-KNEELING SW	ITT SS	3	561111	561080	C 250	LH CONSOL PANEL- LOW BOY	PED	2	561566	561690
C 185						C 251	LH DASH PANEL-FAST IDLE SW	EATON	8	-----	562763
C 186						C 252					
C 186M	RR JCT BOX CPT.-SPD SIGN. M.TR	PED WP	2	561566	561690	C 253	LH DASH PANEL-ETHER SW	EATON	8	-----	562763

CONNECTORS CODE

NO	LOCATION	TYPE	CAVITY	#PIN	#SOCKET	NO	LOCATION	TYPE	CAVITY	#PIN	#SOCKET
				HOUSING	HOUSING					HOUSING	HOUSING
C 254	INST. PANEL RH-ENTR.DOOR SW.	TORRIX	5	-----	562110	C 320	RH DASH PANEL-DRIVER'S LTS SW	EATON	8	-----	562763
C 255	LH DASH PANEL-JACOB & RETARDER SW	EATON	8	-----	562763	C 321	READING LTS TEST				
C 256						C 322	LH CONSOLE DRV WIND LIFT MOT	PED PO	2	-----	561848
C 257						C 323	LH CONSOLE CRUISE CTR SW PAN. AMP	CPC	9	561636	561637
C 258	LH SW PANEL-MULTI FUNC. SW	AMP FF	8	561188	-----	C 324					
C 259	LH SW PANEL-MULTI FUNC. SW	AMP FF	6	-----	561108	C 325	LH DASH PANEL-KNEELING SW	EATON	8	-----	562763
C 260	FR SERVICE CPT-LUG DOOR LCK	PED WP	6	561606	561607	C 326	ENGINE CMPT.	PED	4	-----	561610
C 261	UNDER DASH RH-DOOR MODULE	AMP MNL	9	561670	561669	C 327	ENGINE CONTROL	DEUTSCH	6	562583	562581
C 262	UNDER DASH RH-DOOR MODULE	AMP MNL	4	561551	561668	C 328	GALLEY-LAMP	AMP MNL	2	561248	561247
C 263	UNDER DASH RH-DOOR MODULE	AMP MNL	3	561667	561550	C 329	ENGINE TACHO SIGNAL	PED WP	3	561781	561789
C 264	UNDER DASH RH-DOOR MODULE	AMP MNL	3	561667	561550	C 330					
C 265	UNDER DASH RH-DOOR MODULE	AMP HDP-20	15	562011	562012	C 331	GALLEY MICROWAVE SW	EATON	8	-----	562763
C 266						C 332					
C 267	UNDER DASH RH	AMP CPC	24	561642	561643	C 333	GALLEY RH CONTAINER SW	EATON	8	-----	562763
C 268						C 334	GALLEY LH CONTAINER SW	EATON	8	-----	562763
C 269	UNDER DASH - R.H. MIRROR	CONNXALL	5	563196	563090	C 335					
C 270	LH MIRROR POST	MOLEX	6	562070	562069	C 336					
C 271	RH MIRROR POST	MOLEX	6	562070	562069	C 337	INSTR PANEL LH-UP WIPER SW	EATON	8	-----	562763
C 272	LH MIRROR	SPARTAN	6	-----	990158	C 338	INSTR PANEL LH-UP DEFROST SW	EATON	8	-----	562763
C 273	RH MIRROR	SPARTAN	6	-----	990158	C 339	INSTR PANEL LH-UP WASHER SW	EATON	8	-----	562763
C 274	RR. JCT. BOX - SIGNAL ALT. MODULE	AMP MNL	12	561735	561734	C 340	FR JCT. BOX FIRE PIEZO ALARM	AMP MNL	2	560900	560898
C 275	UNDER DASH RH-DOOR MODULE	AMP MNL	9	561670	561669	C 341	INSTR PANEL LH-HEAT MIRROR SW	EATON	8	-----	562763
C 276	UNDER DASH RH-LOCK SOL.VALVE	AMP MNL	2	561248	561247	C 342	ENGINE RR START SW	DEUTSCH	2	562586	562585
C 277						C 343	INSTR PANEL LH-HEADLAMP SW	EATON	8	-----	562763
C 278						C 344	INSTR PANEL LH-HAZARD LT SW	EATON	8	-----	562763
C 279 *	FR SERVICE CPT.- STEERING ZF	DEUTCH	2		562486	C 345	INSTR PANEL LH-FOG LT SW	EATON	8	-----	562763
C 279	UNDER DASH CYLINDER READ SW.	AMP MNL	2	561248	561247	C 346					
C 280	LH CONSOLE-UNLOAD TAG SW.	NGR	10	-----	562763	C 347	INSTR PANEL LH-DASH LT SW	AMP MNL	2	560900	560898
C 281						C 348	INSTR PANEL CENT-RACOR MODULE	MOLEX	6	562070	562067
C 282						C 349					
C 283						C 350	RH CONSOLE-THERMOMETER	AMP MNL	3	561667	561550
C 284	LH DR'S ROOF - MONITOR FEED	PED WP	3	561781	561782	C 351	LH HAT RACK-FLUOR 110V	MOLEX	4	561477	561476
C 285	LH DR'S ROOF - SOUND SYSTEM	AMP CPC	24	561642	561643	C 352	RH CONSOLE-DRV TEMP SENSOR	BURNDY	4	-----	561104
C 286	RH SW PANEL-A/C & HEAT	EATON	8	-----	562763	C 353	INSTR PANEL RH-DRV FAN RHEOST	AMP MNL	6	561552	561515
C 287	ENGINE COMPT-LTS SW	PED WP	2	561566	561690	C 354	INSTR PANEL RH-DRV TEMP CTR	AMP MNL	6	561552	561515
C 288	RH SW PANEL-FRESH AIR	EATON	8	-----	562763	C 355	INSTR PANEL RH-FR TEMP CTR	AMP MNL	3	561667	561550
C 289						C 356					
C 290						C 357	INSTR PANEL RH-WATER TEMP GA	AMP MNL	3	561667	561550
C 291						C 358	INSTR PANEL RH-FUEL LEVEL GA	AMP MNL	3	561667	561550
C 292	LH PARCEL RACK VIDEO PANEL- MONITOR	MOLEX	4	563040	563071	C 359					
C 293	LH PARCEL RACK VIDEO PAN. - RCA RELAY	AMP MNL	2	561248	561247	C 360					
C 294	LH PARCEL RACK VIDEO PAN. - RCA RELAY	AMP MNL	2	561248	561247	C 361	FR ROOF-WIPER MOTOR	AMP FF	6	-----	561186
C 295	LH PARCEL RACK VID. PANEL- AMPLI VIDEO	MOLEX	4	563040	563071	C 362	FR ROOF-LAVATORY OCCUPIED LT	AMP MNL	2	561248	561247
C 296	LH PARCEL RACK VIDEO PAN. - MICRO SIGNAL	MOLEX	4	562507	562503	C 363	FR ROOF-WATCH YOUR STEP LT	AMP MNL	2	561248	561247
C 297	INSTRUMENT PANEL RH -LTS	AMP MNL	2	560900	560898	C 364	FR ROOF-DESTINATION SIGN	AMP MNL	3	561667	561550
C 298						C 365	FR ROOF-UP WINDSHIELD DEFROST	AMP MNL	3	561667	561550
C 299	RH DASH PANEL SW-GALLEY	EATON	8	-----	562763	C 366	RH DASH PANEL-GRN & RED LEDS	AMP MNL	3	560908	562006
C 300	FR SERVICE CPT.- LOW BEAM RESISTORS	PED WP	2	561566	561690	C 367	ENGINE COMPT-DIF OIL T SENSOR	PED WP	2	561566	561690
C 301						C 368	FR ROOF-DEST. SIGN BALLAST	AMP MNL	3	561667	561550
C 302						C 369	FR ROOF-DEST. SIGN OPER. SW	TORRIX	5	-----	562110
C 303						C 370	FR ROOF-DEST. SIGN FLUOR.	AMP MNL	2	560900	560898
C 304						C 371	FR ROOF-DEST. SIGN FLUOR.	AMP MNL	2	560900	560898
C 305						C 372	FR ROOF-DEST. SIGN SPEED SW	MOLEX	4	561477	561476
C 306						C 373	FR ROOF-NO SMOKING LT	AMP MNL	2	561248	561247
C 307						C 374	LH SWITCH PANEL	AMP MNL	6	561552	561515
C 308	LH CONSOLE SW-RHEOSTAT	TC	2	561030	560997	C 375					
C 309						C 376					
C 310	LH DASH PANEL -LUG. DOOR LCK SW	EATON	8	-----	562763	C 377	LH DASH PANEL-STOP ENG.OVERRIDE SW	EATON	8	-----	562763
C 311	RH DASH PANEL -HOS & PAS CHIME SW	EATON	8	-----	562763	C 378					
C 312	RH DASH PANEL -READING LTS SW	EATON	8	-----	562763	C 379					
C 313	RH DASH PANEL -GEN & FLUOR LTS SW	EATON	8	-----	562763	C 380	LH CONSOLE-DDR CONNECTOR	DEUTSCH	6	562360	-----
C 314	LH DASH PANEL-FR DEST. SIGN SW	EATON	8	-----	562763	C 381					
C 315	LH DASH PANEL-LH STORE SW	EATON	8	-----	562763	C 382					
C 316	LH CONSOLE SPARE SWITCH	EATON	8	-----	562763	C 383					
C 317	LH DASH PANEL-RH STORE SW	EATON	8	-----	562763	C 384					
C 318	LH CONSOLE SW-DRV WINDOW LIFT	EATON	8	-----	562763	C 385	EVAPOTATOR COMP WATER PUMP	PED WP	2	561566	561690
C 319						C 386	LH DASH PANEL-WCL POWER SYSTEM SW	EATON	8	-----	562763

CONNECTORS CODE

NO	LOCATION	TYPE	CAVITY	#PIN #SOCKET		NO	LOCATION	TYPE	CAVITY	#PIN #SOCKET	
				HOUSING	HOUSING					HOUSING	HOUSING
C 387	RR JCT BOX (WCL)	AMP MNL	9	561661	561662	C 454	SOUND SYS.JCT.PAN.-FLT. VCP	PED WP	2	561566	561680
C 388	RR JCT BOX (WCL)	AMP MNL	12	561735	561734	C 455	WIRELESS MICRO-LH HAT-RACK	MOLEX	6	-----	562464
C 389	WCL REAR DOOR	MOLEX	4	561477	561476	C 456	WORLD TRANSM.-RETARDER ACCUM.	PED MP	2	-----	562427
C 390	LAVATORY WALL-WCL REMOTE CTR	EATON	8	-----	562763	C 457	WORLD TRANSM.-MAIN CONNECTOR	DEUTSCH	31	562572	562536
C 391	LAVATORY WALL-WCL LAMP	EATON	8	-----	562763	C 458	WORLD TRANSM.-TURBINE SP.SENS	PED MP	2	-----	562426
C 392	LAVATORY WALL-WCL SW. LT.	EATON	2	-----	561835	C 459	WORLD TRANSM.-ENGINE SP.SENS.	PED MP	2	-----	562426
C 393	LAVATORY WALL-WCL REMOTE SYS.	AMP CPC	4	561686	561687	C 460	WORLD TRANSM.-SPEED SENSOR	ITT	2	-----	562541
C 394	UNDER INSTR. PANEL- B/U MONITOR	AMP MNL	4	560851	560852	C 461	WORLD TRANSM.-RETARDER TEMP.	PED MP	2	561566	561680
C 395	DRIVER'S COMPT. - B/U MONITOR	AMP	5	-----	-----	C 462	WORLD TRANSM.-RETARD SOL."K"	PED MP	2	-----	562426
C 396	FR SECT. LH HAT RACK-SPEAKER	MOLEX	4	562507	562503	C 463	WORLD TRANSM.-SENSOR CONN.	DEUTSCH	16	562570	562571
C 397	ENGINE COMPT. CRADLE ACC.	DEUTSCH	40	562281	562284	C 464	RR JCT BOX-DDR CONNECTOR	DEUTSCH	6	-----	562360
C 398	ENGINE COMPT. - PRE-EXITATION ALT.	PED WP	2	561566	561690	C 465	LH CONSOLE-SHIFTER SELECTOR	PED	20	-----	562825
C 399						C 466	FR SERVICE CPT.-RESIS. MOD.	PED WP	3	-----	562428
C 400	ENGINE COMPT. BLOCK HEATER	PED MP	3	561781	561782	C 467	FR SERVICE CPT.-RESIS. MOD.	PED WP	3	-----	562428
C 401						C 468			8		
C 402						C 469					
C 403	GALLEY FRIGO NORCOLD	AMP MNL	2	561248	561247	C 470	FR LH UPPER WHELL CPT-SILENT 1000	AMP MNL	2	561248	561247
C 404	GALLEY LAMP	AMP MNL	2	561248	561247	C 471	FR LH UPPER WHELL CPT-SILENT 1000	AMP MNL	2	561248	561247
C 405	LAST LUGGAGE COMP. - INVERTER SIGNAL	AMP MNL	2	561248	561247	C 472	FR LH UPPER WHELL CPT-SILENT 1000	PED WP	2	561566	561690
C 406	FR JCT BOX COMPT.-ABS	AMP MNL	2	560900	560898	C 473	FR LH UPPER WHELL CPT-SILENT 1000	AMP MNL	3	561667	561550
C 407						C 474	DRIVER CPT.-TEMP. SENSOR	AMP MNL	2	561247	561248
C 408						C 475	RR JCT BOX-SPEED SIGN CONNECTOR	DEUTSCH	2	562486	562485
C 409	ENGINE CPT -LOW COOL. LEVEL	PED MP	2	-----	562350	C 476					
C 410	FR JCT BOX-DIODE CONNECTOR	AMP MNL	15	561987	561986	C 477					
C 411	FR JCT BOX-DIODE CONNECTOR	AMP MNL	15	561987	561986	C 478	ELECTRONIC DESTINATION SIGN	AMP CPC	9	561636	561637
C 412	LH DASH PANEL-MASTER SWITCH SW	EATON	8	-----	562763	C 479	HVAC MODULE	MOLEX	3	-----	562783
C 413	ENG CPT-A/C HI UNLOAD PRS SW	PED WP	2	561566	561690	C 480	UNDER DASH LH-DR. FAN SPEED CTR. MOD	PED	4	561889	561890
C 414						C 481	UNDER DASH LH-DR. FAN SPEED CTR. MOD	PED	3	561781	561782
C 415	RR JCT BOX - ENGINE SIGNAL	DEUTSCH	24	562280	562283	C 482					
C 416						C 483	FR SERVICE CPT. (NOT USED)	PED PC	2	-----	562237
C 417	FRONT JCT BOX-DIODES	AMP MNL	15	561987	561986	C 484	UNDER DASH LH.-FOOT DAMPER MOTOR	PED PC	2	-----	562076
C 418	LH DASH PANEL-HTR WINDSH.SW	EATON	8	-----	562763	C 485	UNDER DASH LH.-DASH & DEFR. DAM.MOT.	AMP MNL	3	561667	561550
C 419	FR JCT BOX-RETARDER OR JACOB	AMP MNL	3	561667	561550	C 486					
C 420						C 487	S.S.PANEL - AUDIO IN AMPLI	MOLEX	4	-----	563071
C 421						C 488	S.S.PANEL - AMPLI SIGNAL	MOLEX	8	-----	562465
C 422						C 489	S.S.PANEL - SPEAKER OUTLET	MOLEX	6	-----	562464
C 423						C 490					
C 424	UNDER INSTRUMENT PANEL CENTER	AMP MNL	3	561667	561550	C 491					
C 425	FR JCT BOX-DIODES	AMP MNL	15	561987	561986	C 492					
C 426	ENGINE COMPT. CLUTCH CTR FAN	PED WP	3	561781	561782	C 493					
C 427	PRO-HEAT	PED-WP	2	561566	561680	C 494					
C 428	PRO-HEAT	PED WP	6	561606	561607	C 495					
C 429	FR JCT BOX COMPT.	AMP MNL	6	561552	561515	C 496					
C 430	LH CONSOLE-TIMER	AMP FF	8	561188	562363	C 497					
C 431	LH CONSOLE-PRE HEAT.	TAB AMP	1	561540	561539	C 498					
C 432	ENGINE CPT.-PROX. SW. DOOR AJAR	PED-WP	2	561566	561680	C 499					
C 433	FR SERVICE CPT. KNEEL. PRESS. SW	PED WP	2	561566	561690	C 500	FR LH UPPER WHELL CPT -PRODRIVER	MOLEX	6	562070	562069
C 434	FRONT JCT. BOX-DIODES	AMP MNL	15	561987	561986	C 501	FR LH UPPER WHELL CPT -PRODRIVER	PED MP	7	562433	-----
C 435	FR SERVICE CPT. (RH) KNEEL. PIEZO	AMP MNL	2	560900	560898	C 502	LH DASH PANEL-PRE HEATER SW.	EATON	8	-----	562763
C 436	RH HAT RACK-WCL CENTER ROOF ACC	AMP CPC	16	561639	561640	C 503	LH CONSOLE-PRE HEATER SW.	EATON	2	-----	561837
C 437	RH HAT RACK-WCL FR & RR SECT.	AMP CPC	24	561642	561643	C 504	LH CONSOLE WEBASTO TIMER	AMP	8	-----	562852
C 438	EVAP CMPT- A/C CONTROL	AMP MNL	2	561248	561247	C 505	LH CONSOLE ESPAR TIMER	AMP	9	-----	562881
C 439	EVAP CMPT- A/C CONTROL	AMP MNL	2	561248	561247	C 506	FR JCT BOX CPT. DIGITAL CLOCK	AMP	4	561685	561687
C 440	EVAP CMPT- A/C CONTROL	DEUTSCH	4	562479	562477	C 507	FR SECT. LH HAT-RACK DIG. CLOCK	MOLEX	4	561477	561476
C 441	FR JCT BOX- DIODES	AMP MNL	15	561987	561986	C 508	RR JCT BOX-FAN CLUTCH RETARDER	AMP MNL	6	561552	561515
C 442						C 509	FR LH UPPER WHELL CPT -DATA LOGGER	PED MP	16	-----	562530
C 443						C 510	FR LH UPPER WHELL CPT -DATA LOGGER	DEUTSCH	9	562531	-----
C 444						C 511	FR LH UPPER WHELL CPT -DATA LOGGER	PED MP	4	562532	-----
C 445						C 512	FR LH UPPER WHELL CPT -DATA LOGGER	PED MP	10	562533	-----
C 446						C 513	FR LH UPPER WHELL CPT -DATA LOGGER	AMP MNL	3	561667	561550
C 447						C 514	FR LH UPPER WHELL CPT -DATA LOGGER	PED MP	6	562433	562417
C 448						C 515	FR JCT BOX CPT.-INTERCOM	MOLEX	4	561477	561476
C 449						C 516	FR JCT BOX CPT.-INTERCOM	MOLEX	6	562070	562069
C 450	SOUND SYS. JCT. PANEL	MOLEX	4	562507	562503	C 517	LAVATORY WALL-INTERCOM	MOLEX	6	562070	562069
C 451	WIRELESS MICRO-FIRST CPT BAG	MOLEX	2	562550	562549	C 519	UNDER DASH RH-SEDAN DOOR	HUMPHREY	2	-----	562580
C 452	UNDER DASH INSTR. PANEL	MOLEX	2	562550	562549	C 520	UNDER DASH RH-SEDAN DOOR	HUMPHREY	2	-----	641385
C 453	SOUND SYS. JCT.PANEL-VCP	PED WP	2	561566	561680	C 521	UNDER DASH RH-SEDAN DOOR	HUMPHREY	2	-----	641385

CONNECTORS CODE

NO	LOCATION	TYPE	CAVITY	#PIN	#SOCKET	NO	LOCATION	TYPE	CAVITY	#PIN	#SOCKET
				HOUSING	HOUSING					HOUSING	HOUSING
C 522						C 589	UNDER DASH - L.H. MIRROR	CONNXALL	9	563163	563089
C 523	FR JCT BOX-FUSE BLOCK	PED	8	562647	562646	C 590	UNDER DASH - R.H. MIRROR	AMP MNL	9	561670	561669
C 524	FR JCT BOX-FUSE BLOCK	PED	8	562647	562646	C 591	L.H.CONSOLE - MIRROR L.H.	EURAMTEC	8	-----	562799
C 525	FR JCT BOX-FUSE BLOCK	PED	8	562647	562646	C 592	L.H.CONSOLE - MIRROR R.H.	EURAMTEC	8	-----	562799
C 526	FR JCT BOX-FUSE BLOCK	PED	8	562647	562646	C 593	BATTERY CMPT. - CHARGER	PED WP	3	561781	561782
C 527	FR JCT BOX-FUSE BLOCK	PED	8	562647	562646	C 594	FRONT ROOF - DRIVERS LIGHT	LEEKRAFT		-----	562803
C 528	FR JCT BOX-FUSE BLOCK	PED	8	562647	562646	C 595	DASH CENTER MODULE - OPEN DOOR	MOLEX	4	561477	561476
C 529	FR JCT BOX-12V OUTLET	AMP MNL	2	561247	561248	C 596	DASH CENTER MODULE - CLOSE DOOR	MOLEX	4	561477	561476
C 530	RR JCT BOX-FUSE BLOCK	PED	8	562647	562646	C 597	L.H. DASH PANEL - DISPLAY SET SW.	MOLEX	5		562812
C 531	RR JCT BOX-FUSE BLOCK	PED	8	562610	---	C 598	L.H. DASH PANEL - DISPLAY SET SW.	MOLEX	5		562812
C 532	RR JCT BOX-FUSE BLOCK	PED	8	562610	---	C 599	UND.DASH-MAGN.SW.CTR POS. DR'S AIR	AMP MNL	2	561248	561247
C 533	RR JCT BOX-FUSE BLOCK	PED	8	562647	562646	C 600	ENGINE CPT.-A/C LOW PRESS SW. UNLOAD	PED	2	562348	562471
C 534	RR JCT BOX-FUSE BLOCK	PED	8	562647	562646	C 601	L.H. ROOF - WINDOW AJAR	AMP MNL	2	561248	561247
C 535	RR JCT BOX-FIRE MODULE DETECT.	AMP MNL	3	561667	561550	C 602	L.H. ROOF - WINDOW AJAR	MOLEX	4	561477	561476
C 536	UNDER DASH RH-DRIVER'S HTR TEMP. CTR	AMP MNL	6	561552	561515	C 603	R.H. ROOF - WINDOW AJAR	AMP MNL	2	561248	561247
C 537	BATT. CPT.-A/C PRESS. SIGN. RLY	AMP MNL	2	561248	561247	C 604	LH PARCEL RACK DVD VIDEO STABILIZER	SWITCHCRAFT	1	563074	
C 538	FR SERVICE CPT.-OUTSIDE TEMP. SENSOR	AMP MNL	2	561248	561247	C 605	HAT RACK - MOTOR FAN	PED	2	560997	561030
C 539	HVAC DASH MODULE OUTPUT CON	MOLEX	24		562780	C 606	HAT RACK - MOTOR FAN	PED	2	560997	561030
C 540	HVAC DASH MODULE INPUT CON	MOLEX	22		562781	C 607					
C 541	SOUND SYS. JCT PANEL-AUDIO SEAT SYS.	PED WP	2	561566	561690	C 608	FRONT SERVICE CMPT. SPEED SIGNAL	PED WP	2	561566	561690
C 542	LH HAT RACK-AUDIO SEAT SYSTEM	AMP MNL	3	561667	561550	C 609	LAVATORY - NIGHT LIGHT				
C 543						C 610					
C 544	SOUND SYS JCT PANEL-AUDIO SEAT SYS.	PED WP	3	561781	562428	C 611	HAT RACK READING LTS RICON	MOLEX	6	562558	562557
C 545	LH HAT RACK-AUDIO SEAT SYSTEM	AMP MNL	3	561667	561550	C 612	HAT -RACK FLUOR. INSTATION LTS RICON	MOLEX	4	562507	562503
C 546	WIRELESS MIC. CHARGING SYSTEM	MOLEX	2	-----	563025	C 613	HAT -RACK INDIRECT LTS RICON	AMP MNL	3	561667	561550
C 547	RH DASH PANEL-ACCESSORIES	AMP CPC	37	561645	561646	C 614	HAT -RACK INDIRECT LTS RICON	AMP MNL	3	561667	561550
C 548	LH DASH PANEL-T.T. LT. TEST SW.	EATON	8	-----	562763	C 615	LH PARCEL RACK DVD SING ALONG ADAPT.	MOLEX	2	562550	562549
C 549	LH DASH PANEL-FAN CLUTCH OVERR. SW	EATON	8	-----	562763	C 616					
C 550	LAST LUGG. CPT. -WCL RICON	AMP CPC	16	561694	561695	C 701	ZF TRANSMISSION ECU	KOSTAL	20		
C 551	LAST LUGG. CPT. -WCL RICON	AMP CPC	16	561694	561695	C 702	SHIFT SELECTOR - LH CONSOLE	AMP	14		563338
C 552	LAST LUGG. CPT. -WCL RICON	AMP CPC	9	561636	561637	C 712	NEUTRAL SWITCH ON ZF TRANSM. (TOP)	AMP	4		563340
C 553	UNDER DASH R.H. - CONTROL. HEAD	MOLEX	16	-----	562559	C 714	OUTPUT SENSOR ON ZF TRANSM. (BOTTOM)	AMP	4		563340
C 554	UNDER DASH R.H. - CONTROL. HEAD	MOLEX	16	-----	562559	C 717	BATT. CPT - MAIN CONNECTOR	AMP CPC	22	561642	561643
C 555	UNDER DASH R.H. - CONTROL. HEAD	MOLEX	16	-----	562559	C 720	ENGINE COMPT - BLKHD CONNECTOR	DEUTSCH	31	563359	563358
C 556	UNDER DASH R.H. - RADIO ACC.	MOLEX	2	562550	562549	C 721	LH CONSOLE - ZF TESTMAN DIAGNOSTIC	AMP MNL	6	563356	
C 557	UNDER DASH R.H. - RADIO ACC.	MOLEX	9	562556	562555	C 723	ENGINE COMPT - FOR TRANSM.	DEUTSCH	3		562884
C 558	UNDER DASH R.H. - RADIO ACC.	MOLEX	4	562507	562503	C 736	ENGINE COMPT - ZMTEC MODULE	PACKARD	30	563053	
C 559	SOUND SYS. JCT. PANEL - FILTER AMPLI	PED WP	2	561566	561690	C 740	DRIVE AXLE - EASY START SOL VALVE	LEONI	2	--	641949
C 560	SOUND SYS. JCT. PANEL - POWER AMPLI	MOLEX	4	562507	562503	C 742	BATT. CPT - FUSE BLOCK	AMP	8	562446	
C 561	L.H. HAT RACK - WIRELESS MICRO	MOLEX	8		562465	C 745	FR SERV.COMPT - THROTTLE POS. SENSOR	PED WP	3	561781	
C 562	L.H. HAT RACK - VCP	MOLEX	12	562556	563070	C 760	FR SERV. COMPT - TO J1939	DEUTSCH	3		
C 563	L.H. MODESTY PANEL - DRIVERS SPK.	MOLEX	4	562507	562503	C 761	FR SERV. COMPT - TO J1939	DEUTSCH	3		562884
C 564	L.H. MODESTY PANEL - MICRO	MOLEX	4	562507	562503	C 762	ENGINE COMPT - TO J1939	DEUTSCH	3		562884
C 565	R.H. MODESTY PANEL - MICRO	MOLEX	4	562507	562503	C 763	ENGINE COMPT - TO J1939	DEUTSCH	3		562884
C 566	L.H. CONSOLE - BOOM MICRO	MOLEX	4	562507	562503	C 764	ENGINE COMPT - TO J1939	DEUTSCH	3		562884
C 567	L.H. CONSOLE - DRIVERS MICRO	MOLEX	4	562507	562503	C 765	ENGINE COMPT - TO J1939	DEUTSCH	3		562884
C 568	SOUND SYS. JCT. PANEL - PASS. SPK	CINCH	4	562553	562552	C 766	ENGINE COMPT - TO J1939	DEUTSCH	3		562884
C 569	SOUND SYS. JCT. PANEL - POWER AMPLI.	MOLEX	9	562556	562555						
C 570	UNDER DASH PANEL TTLT	MOLEX	6		562464						
C 571	UNDER DASH PANEL TTLT	MOLEX	20		562778	C X	CLUSTER	JAE	22		562766
C 572	UNDER DASH PANEL TTLT	MOLEX	18		562779	C Y	CLUSTER	JAE	30		562767
C 573	UNDER DASH PANEL TTLT	MOLEX	8		562465	L X	CLUSTER	JAE	22		562764
C 574	HAT -RACK FLUOR. INDIRECT LIGHTING	MOLEX	6	-----	562759	L					
C 575	HAT -RACK FLUOR. INSTATION LIGHT	MOLEX	4	562507	562503	R					
C 576	HAT -RACK FLUOR. INDIRECT LIGHTING	AMP MNL	3	561667	561550						
C 577	HAT -RACK FLUOR. INDIRECT LIGHTING	AMP MNL	3	561667	561550						
C 578	HAT -RACK FLUOR. INSTATION LIGHT	MOLEX	4	562507	562503						
C 579	L.H HAT RACK - VCP POWER	MOLEX	4		563071						
C 580	RH DASH PANEL-HAT RACK FAN SW	EATON	8	-----	562763						
C 581											
C 582	FRONT SERVICE CMPT. - WINDOWS AJAR	PED WP	2	561566	561690						
C 583	L.H. DASH PANEL - MASTER KEY	DEUTSCH	2	562486	562485						
C 584	FRONT SERVICE CMPT. - AIR HORH	HUMPHREY	3	-----	641385						
C 585											
C 586											
C 587	LH PARCEL RACK DVD UNIT	MOLEX	4	563040	563071						
C 588	FRONT SERVICE CPT. CENTER SOUND SYS.	CONNXALL	9	563163	563089						

CONNECTORS CODE

NO	LOCATION	TYPE	CAVITY	#PIN	#SOCKET	NO	LOCATION	TYPE	CAVITY	#PIN	#SOCKET
				HOUSING	HOUSING					HOUSING	HOUSING
AA1	BEHIND DASH - SONALERT	BOSCH	5		561183	C 56	HAT RACK- MOTOR FAN	MOLEX	6	562558	562557
AA2	BEHIND DASH - SONALERT	BOSCH	5		561183	C 57	HAT RACK- MOTOR FAN	MOLEX	6	562558	562557
C X1	FR SERVICE COMPT- ECU ABS	AMP	15		563200	C 58	RR JCT BOX AC PANEL	DEUTSCH	24	562280	562283
C X2	FR SERVICE COMPT- ECU ABS	AMP	18		563201	C 59	RR JCT BOX AC PANEL	AMP CPC	14	561584	561583
CRXTX	HVAC DASN MODULE COMMUNICATION	MOLEX	3	563206	562873	C 60	RR JCT BOX COMPT.-LT	AMP MNL	2	561248	561247
C S	RR JCT BOX ECU WORLD TR.	PED	32		562817	C 61	LUGGAGE COMPARTMENT LTS	AMP MNL	2	561248	561247
C T	RR JCT BOX ECU WORLD TR.	PED	32		562824	C 62	LUGGAGE COMPARTMENT LTS	AMP MNL	2	561248	561247
C TCI	ENGINE CPT - DDEC V TURBO TEMP.	FCI	2		563404	C 63	LUGGAGE COMPARTMENT LTS	AMP MNL	2	561248	561247
C V	RR JCT BOX ECU WORLD TR.	PED	32		562823	C 64	LUGGAGE COMPARTMENT LTS	AMP MNL	2	561248	561247
C WX1	ENGINE CPT-WEBASTO PRE-HEAT WATER	AMP SEALED	7		563135	C 65	LUGGAGE COMPARTMENT LTS	AMP MNL	2	561248	561247
C WX3	ENGINE CPT-WEBASTO PRE-HEAT WATER	AMP SEALED	7	563134		C 66	LUGGAGE COMPARTMENT LTS	AMP MNL	2	561248	561247
C Y	CLUSTER	JAE	30	---	562765	C 67	LUGGAGE COMPARTMENT LTS	AMP MNL	2	561248	561247
C 1	FR JCT BOX COMPARTMENT	AMP CPC	14	561585	561584	C 68	LUGGAGE COMPARTMENT LTS	AMP MNL	2	561248	561247
C 2	FR JCT BOX COMPARTMENT	AMP CPC	16	561639	561640	C 69	RR AXLE ACC-INSIDE PVC END	PED WP	6	561568	561578
C 3	FR JCT BOX COMPARTMENT	AMP CPC	24	561641	561643	C 70	LH CONSOLE	AMP CPC	16	561642	561643
C 4	FR JCT BOX COMPARTMENT	AMP CPC	37	561644	561646	C 71	FR JCT BOX COMPARTMENT	AMP CPC	37	561645	561646
C 5	FR SERVICE COMPT.-UNDERNEATH	AMP CPC	37	561644	561646	C 72	FR JCT BOX COMPARTMENT	AMP CPC	24	561642	561643
C 6	FR SERVICE COMPT.-UNDERNEATH	AMP CPC	16	561639	561640	C 73	DASH CENTER PANEL	AMP CPC	16	561639	561640
C 7						C 74	FR JCT BOX COMPARTMENT	AMP CPC	37	561645	561646
C 8	FR SERVICE COMPT.-UNDERNEATH	AMP CPC	24	561641	561643	C 75	SERV CPT. RXT. ENT. DOOR SW	DEUTSCH	4	562479	562477
C 9	FR SERVICE COMPT.-UNDERNEATH	AMP CPC	24	561641	561643	C 76	LUGGAGE COMPT.-AIR RET.SENS.	AMP MNL	2	561248	561247
C 10	LUGGAGE COMPT. WATER BOOSTER PUMP	PED	2	562348	562471	C 77	LUGGAGE COMPT.-AIR RET.SENS.	AMP MNL	2	561248	561247
C 11	FR SERVICE COMPARTMENT	AMP CPC	37	561644	561646	C 78					
C 12	FR SERVICE COMPARTMENT	AMP CPC	16	561639	561640	C 79					
C 13	LH CONSOLE-CTR MIRROR	AMP MNL	6	561552	561515	C 80	LUGGAGE COMPT.-AIR RET.SENS.	AMP MNL	2	561248	561247
C 14	UNDER DASH-LH MIRROR	AMP MNL	9	561661	561662	C 81	PASSENGER COMPT.-AISLE LTS	AMP MNL	2	560900	560898
C 15	A/C CLUTCH	PED WP	2	561566	561690	C 82	ENTRANCE DOOR	MOLEX	6	562070	562069
C 16	LH CONSOLE SW-CRUISE ON OFF	EATON	10	-----	562763	C 83	ENTRANCE DOOR-PROIMITY SW	MOLEX	4	561477	561476
C 17	LH CONSOLE SW-CRUISE RESUME	EATON	10	-----	562763	C 84	ENTRANCE DOOR-PRESSURE SW	PED WP	2	561566	561690
C 18	LH CONSOLE SW-CRUISE SET	EATON	10	-----	562763	C 85	UNDER INSTRUMENT PANEL LH	AMP MTA-100	-----	562248	-----
C 19	LH CONSOLE DECEL SW	EATON	10	-----	562763	C 86					
C 20	RR JCT BOX	DEUTSCH	70	562282	562285	C 87	RR END ROOF	AMP CPC	9	561636	561637
C 21	RR JCT BOX	DEUTSCH	24	562280	562283	C 88	FR. SERVICE COMPT.PRESS SW PARK BRAKE	PED WP	2	561566	561690
C 22	RR JCT BOX - EATON TRANSM.	AMP MNL	6	561552	561515	C 89	RR END ROOF-B/U NONITOR	AMP CPC	4	561582	561581
C 23						C 90	RR JCT BOX	AMP CPC	15	561987	561986
C 24						C 91	RR JCT BOX	AMP CPC	37	561714	561713
C 25						C 92	FR LH UPPER WHELL CPT-ABS	AMP CPC	9	561635	561637
C 26	HYD & MAN TRANSM.-NEUT.& B/U	PED WP	4	561610	561611	C 93	FR LH UPPER WHELL CPT-ABS		35	-----	641094
C 27	HYD & MAN TRANSM.-SPEED SENS.	PED WP	2	561566	561690	C 94	RH CONSOLE ENTRANCE STEP LIGHT	DEUTCH	2	562486	562485
C 28	EATON TRANSMISSION	DEUTCH	3	562877	562884	C 95	CONDENSOR CPT - LIQ. SOL. VALVE	PED WP	2	561566	561690
C 29	EATON TRANSMISSION	PED MP	6	562878	-----	C 96	FR AXLE ACCESSORIES	AMP CPC	14	561585	561585
C 30	RR JCT BOX - ECU EATON TRANSM.	PED MP	32	-----	562866	C 97	RR AXLE ACC-INSIDE PVC END	PED WP	6	561568	561578
C 31	RR JCT BOX - ECU EATON TRANSM.	PED MP	24	-----	562865	C 98	FR SERVICE COMPT-EL.FT.PEDAL	PED WP	3	561782	561781
C 32	DDEC ENGINE-ECM	AMP	68	-----	563403	C 99	FR SERVICE COMPT LTS	AMP MNL	2	561248	561247
C 33	RR JCT BOX - EATON TRANSM.	DEUTCH	9	562531	-----	C 100	LH CONSOLE - 120 VOLTS SWITCH	EATON	8	-----	562763
C 34	RH. CONSOLE - EATON TRANSM. SHIFTER	PED MP	3	-----	562871	C 101	FR SERVICE COMPT-ELEC. HORNS	PED WP	2	561566	561690
C 35	RR JCT BOX	DEUTCH	40	562281	562284	C 102	SIDE (LH/FR & CENTER) DIR. LTS	GROTE	2	-----	562155
C 36	RH. CONSOLE - EATON TRANSM. SHIFTER	PED MP	24	-----	562874	C 103	SIDE (LH/FR & CENTER) MARKER LTS	GROTE	2	-----	562155
C 37	RR SECTION-LH HAT RACK	MOLEX	6	562558	562557	C 104	SIDE (RH/FR & CENTER) DIR. LTS	DEUTSCH	4	562479	562477
C 38	RR SECTION-RH HAT RACK	MOLEX	6	562558	562557	C 104	FR SERV & SIDE CPT-FLASH. RH	GROTE	2	-----	562155
C 39	LH CONSOLE - EATON TRANSM. DISPLAY	AMP MNL	4	561551	561668	C 105	FR SERVICE COMPT-LIQ.S.VALVE	PED WP	2	561566	561690
C 40	RR JCT BOX - EATON TRANSM. J1939	DEUTCH	3	562877	562884	C 106	FR SERVICE COMPT-WATER VALVE	PED WP	2	561566	561690
C 41	LAVATORY ROOF LIGHT	LEECRAFT	2	-----	562803	C 107					
C 42	LAVATORY BACK WALL-WTR TANK	AMP MNL	2	560900	560898	C 108	FR SERVICE COMPT-KNEEL.SYS	PED WP	2	561566	561690
C 43	LAVATORY BACK WALL-ACCES.	AMP MNL	9	561661	561662	C 109	FR SERVICE COMPT-KNEEL.SYS	PED WP	2	561566	561690
C 44	EATON TRANSM. J1939	DEUTCH	3	562877	562884	C 110	FR SERVICE COMPT-KNEEL.SYS	PED WP	2	561566	561690
C 45	FR JCT BOX COMPARTMENT	AMP CPC	24	561642	561643	C 111	EVAPORATOR COMPT-DAMPER	DEUTSCH	2	562486	562485
C 46	EATON TRANSM. J1939	DEUTCH	3	562877	562884	C 112	LAVATORY BACK WALL-FLUSH PUMP SW.	DEUTSCH	4	562479	562477
C 47	FR SERVICE COMPARTMENT	AMP CPC	16	561694	561695	C 113	SIDE (LH/RR) MARKER LTS	GROTE	2	-----	562155
C 48	FR. SERVICE COMPT.PRESS SW PARKBREAK	PED WP	2	561566	561690	C 114	SIDE (LH/RR) DIR LTS	GROTE	2	-----	562155
C 49	BATTERIE COMPT.-LT	AMP MNL	2	561248	561247	C 115					
C 50	FR SERVICE COMPT.-LOW BUOY	PED WP	1	561605	561577	C 116	ENGINE COMPT. LTS	GROTE	2		563268
C 51						C 117	SIDE (RH/RR) MARKER LTS	GROTE	2	-----	562155
C 52	RR JCT BOX	AMP CPC	24	561642	561643	C 117	FR SRV. COMPT. KNEELING UP SOL VALVE	PED WP	2	561761	
C 53	SPARE TIRE COMPT ENTRANCE STEP LIGHT	DEUTCH	2	562486	562485	C 118	ENGINE COMPT-LAVATORY FAN	PED WP	2	561566	561690
C 54	SPARE TIRE COMPT ENTRANCE STEP LIGHT	DEUTCH	2	562486	562485	C 119	ENGINE CPT RR DOOR RH LO LAMP	PED WP	6	561606	561607
C 55	RH SWITCH PANEL	AMP CPC	9	561636	561637	C 120	ENGINE CPT RR DOOR LH LO LAMP	PED WP	6	561606	561607

CONNECTORS CODE

NO	LOCATION	TYPE	CAVITY	#PIN	#SOCKET	NO	LOCATION	TYPE	CAVITY	#PIN	#SOCKET
				HOUSING	HOUSING					HOUSING	HOUSING
C 121	SIDE (RH/RR) DIR. LTS	GROTE	2	-----	562155	C 186W	RR JCT BOX CPT.-SPD SIGN. WT	PED WP	2	561566	561690
C 122						C 187	FR JCT BOX-RPM RESISTOR CON.	AMP MNL	6	561552	561515
C 123	TAG AXLE-UNLOAD TAG RH VALVE	PED WP	2	561566	561690	C 188	KNEELING UP ALARM - NJ COACHE ONLY	AMP MNL	15	561987	561986
C 124	ENGINE CPT-ETHER SW	PED WP	2	561566	561690	C 189	ENGINE CPT RR DOOR B/U LT	TRUCK-LITE	2	-----	562755
C 125	ENGINE CPT-B/U ALARM	PED WP	2	561566	561690	C 190	ENGINE CPT RR DOOR TAIL/ STOP LT	SUPER SEAL	3		562601
C 126	ENGINE CPT-FLUSHING PUMP	PED WP	2	561566	561690	C 191	ENGINE CPT RR DOOR RH TAIL/STOP LT	SUPER SEAL	3		562601
C 127	ENGINE CPT-FUEL FILTER	PED WP	2	561566	561690	C 192	ENGINE CPT RR DOOR DIR. LT	SUPER SEAL	3		562601
C 128	ENGINE CPT-A/C COMPR.CLUTCH	ITT SS	2	561813	561812	C 193					
C 129						C 194					
C 130	ENGINE CPT-UNLOADER	ITT SS	2	561813	561812	C 195					
C 131	ENGINE CPT-UNLOADER	ITT SS	2	561813	561812	C 198	ENGINE CPT RR DOOR LICENCE LT	PED WP	2	562348	562471
C 132	ENGINE CPT-A/C LO PRESS SW	PED WP	2	561566	561690	C 199					
C 133	ENGINE CPT-A/C HI PRESS SW	PED WP	2	561566	561690	C 200	RH HAT RACK-FLUORESCENT	AMP MNL	2	561248	561247
C 134	FR JCT BOX-LUGGAGE DIODE CON.	AMP MNL	15	561987	561986	C 201	RH HAT RACK-FLUORESCENT	AMP MNL	2	561248	561247
C 135	FR JCT BOX-LUGGAGE DIODE CON.	AMP MNL	15	561987	561986	C 202	RH HAT RACK-INDIRECT LIGHTING	MOLEX	2	-----	562758
C 136	RR JCT BOX - A/C PANEL DIODE CONN.	AMP MNL	15	561987	561986	C 203	RH HAT RACK-INDIRECT LIGHTING	MOLEX	6	-----	562759
C 137	RR JCT BOX-TRANSMITTER	AMP MNL	2	560900	560898	C 204	RH HAT RACK-GENERAL LT	AMP MNL	2	560900	560898
C 138	RR JCT BOX-CONTROL MODULE	AMP HDP	15	-----	562012	C 205	FR SECT.-RH HAT RACK SPEAKER	AMP MNL	9	561661	561662
C 139	RR JCT BOX-LOGIC MODULE	AMP HDP	15	562011	-----	C 206	RH HAT RACK-READING LT	AMP FF	4	-----	562756
C 140	HVAC DASH MODULE THERMOMETER	MOLEX	4		562782	C 207	LH HAT RACK-READING LT	AMP FF	4	-----	562756
C 141	INSTRUMENT PANEL LH UNLOAD TAG	AMP	2	561248	561247	C 208	LH HAT RACK-BALLAST	MOLEX	2	-----	562758
C 142	LAVATORY DOOR WALL	AMP MNL	2	561248	561247	C 209	LH HAT RACK-HOTESS CHIME	AMP MNL	3	561667	561550
C 143						C 210	FR SECT.-LH HAT RACK SPEAKER	AMP MNL	9	561661	561662
C 144	UNDER LH SEAT-AISLE LTS	AMP MNL	4	560851	560852	C 211	FR ROOF-STORE LH	AMP MNL	2	560900	560898
C 145	RR JCT BOX CPT-RR SIDE LTS	AMP MNL	9	561670	561669	C 212	FR ROOF-STORE RH	AMP MNL	2	560900	560898
C 146	ENGINE CPT-MODULATOR VALVE	AMPENOL	2	-----	560412	C 213					
C 147	BATT & RR J.B.CPT-DOCK LTS	PED WP	2	561566	561690	C 214	ENGINE CPT J1922				
C 148						C 215	TAG AXLE - A.T.C. SYSTEM				
C 149	CONDENSER CPT-FAN MOTOR	ORDNANCE	3	562555	562001	C 216	TAG AXLE - A.T.C. SYSTEM				
C 150						C 217	RH DASH PANEL-FRONT CAMERA SW	EATON	8	-----	562763
C 151	EVAPORATOR CPT-THERMOSTAT	ITT SS	2	561813	562159	C 218	RH DASH PANEL-FRONT CAMERA SW	AMP MNL	2	560900	560898
C 152	CONDENSER CPT-FUEL GAUGE	PED WP	4	561610	561611	C 219	ENGINE CMPT. - FIRE DETECTOR	DEUTSCH	2	562486	562485
C 153	EVAPORATOR CPT-AIR AMB. SENS	AMP MNL	2	561248	561247	C 220	RR.JCT.BOX-FUEL PRIME PUMP	TC	1	561070	561073
C 154	EVAPORATOR CPT-FRESH AIR SENS	ITT SS	2	561813	561812	C 221	BATTERY CMPT. FIRE DETECTOR	DEUTSCH	2	562486	562485
C 155	EVAPORATOR CPT-WATER VALVE	PNEUMAC	4	563204		C 222	ENGINE CMPT. FIRE DETCTOR	DEUTSCH	2	562486	562485
C 156	EVAPOR. CPT-BYPASS WATER VAL.	PED WP	2	561566	561690	C 223	ENGINE CMPT. FIRE DETCTOR	DEUTSCH	2	562486	562485
C 157						C 224	ENGINE CMPT. -VORAD J1939	DEUTSCH	3	562877	562884
C 158	CONDENSER CPT-A/C LO TEMP.	PED WP	2	561566	561690	C 225	ENGINE CMPT. -VORAD J1939	DEUTSCH	3	562877	562884
C 159	CONDENSER CPT-A/C HI TEMP.	PED WP	2	561566	561690	C 226	FR LH UPPER WHEEL CPT-VORAD J1939	DEUTSCH	3	562677	562884
C 160	FR AXLE-ABS RH SENSOR	WABCO	2	641132	-----	C 227					
C 161	FR AXLE-ABS RH VALVE	WABCO	3	-----	641098	C 228	ENG.CPT.- A/C COMPRESSOR	PED WP	2	561566	561690
C 162	FR AXLE-ABS LH VALVE	WABCO	3	-----	641098	C 229					
C 163	FR AXLE-ABS LH SENSOR	WABCO	2	641132	-----	C 230	ENG.CPT.-FUEL PRIME PUMP FEED	DEUTSCH	2	562486	562485
C 164	RR AXLE-ABS LH SENSOR	WABCO	2	641132	-----	C 231	ENG.CPT.-FUEL PRIME PUMP SW.	PED WP	2	561566	561690
C 165	RR AXLE-ABS LH VALVE	WABCO	3	-----	641098	C 232	ENG.CPT.-FUEL PRIME PUMP	PED WP	2	561566	561690
C 166	RR AXLE-ABS RH VALVE	WABCO	3	-----	641098	C 233	FR. SERVICE CMPT.	VDO	8		562043
C 167	RR AXLE-ABS RH SENSOR	DEUTSCH	2	641132	-----	C 234	FR. SERVICE CMPT.	VDO	8		562044
C 168	RR AXLE-ABS OPT ATC	PED WP	2	561566	561690	C 235	FR. SERVICE CMPT.	VDO	8		562041
C 169	RR JCT BOX-SPEED SW	AMP HDP	15	-----	562012	C 236	LUGGAGE COMPARTEMENT	AMP MNL	4	560851	560852
C 170	FR JCT BOX-FLASHER UNIT	TC	2	-----	561940	C 237	UNDER DASH LH-JACOB CLUTCH SW	ITT SS	3	561111	561080
C 171	LH CONSOLE	AMP CPC	24	561642	561643	C 238	UNDER DASH LH-PASS. REC. DAMPER SW	EATON	8	-----	562763
C 172						C 239	FR SERVICE CPT-HI BUOY VALVE	PED WP	2	561566	561690
C 173						C 240	FR SERVICE CPT-KNEEL PROX SW	PED WP	3	561781	562428
C 174	UNDER DASH RH-HTR MODULE	AMP MNL	9	561670	561669	C 241	HEADLAMPS HI BEAM	HELLA	2		562623
C 175	UNDER DASH RH-HTR MODULE	AMP MNL	9	561670	561669	C 242	HALOGEN HEAHLAMPS LO BEAM	HELLA	2		562623
C 176	UNDER DASH RH-WIPER PULSE	AMP FF	6	-----	561186	C 242	XENON HEADLAMPS LO BEAM	DELPHI	2		563366
C 177	UNDER DASH RH-WIPER MOTOR	AMP FF	6	-----	561186	C 243	FRONT CAP- HEADLIGHTS MAIN CONN	DEUTCH	6	565131	562789
C 178	UNDER DASH RH-LH FAN	TC	2	561030	560997	C 244	FR SERVICE CPT-LH FOG LAMP	DEUTCH	2	562902	562901
C 179	UNDER DASH RH-RH FAN	TC	2	561030	560997	C 245	FR SERVICE CPT-RH FOG LAMP	DEUTCH	2	562902	562901
C 180	RR JCT BOX-DIODE CONNECTOR	AMP MNL	15	561987	561986	C 246	UNDER DASH - L.H. MIRROR	CONNXALL	5	563196	563090
C 181	RR JCT BOX-DIODE CONNECTOR	AMP MNL	15	561987	561986	C 247	HEADLAMPS MARK & DIR LTS	AMP SUPER S	3		562601
C 182						C 248	FR JCT BOX-WIPER PULSE GEN	AMP FF	6	-----	561108
C 183	FR SERVICE CPT-KNEELING PAN.	PED WP	4	561610	561611	C 249					
C 184	FR SERVICE CPT-KNEELING SW	ITT SS	3	561111	561080	C 250	LH CONSOL PANEL- LOW BOY	PED	2	561566	561690
C 185						C 251	LH DASH PANEL-FAST IDLE SW	EATON	8	-----	562763
C 186						C 252					
C 186M	RR JCT BOX CPT.-SPD SIGN. M.TR	PED WP	2	561566	561690	C 253	LH DASH PANEL-ETHER SW	EATON	8	-----	562763

CONNECTORS CODE

NO	LOCATION	TYPE	CAVITY	#PIN	#SOCKET	NO	LOCATION	TYPE	CAVITY	#PIN	#SOCKET
				HOUSING	HOUSING					HOUSING	HOUSING
C 254	INST. PANEL RH-ENTR.DOOR SW.	TORRIX	5	-----	562110	C 320	RH DASH PANEL-DRIVER'S LTS SW	EATON	8	-----	562763
C 255	LH DASH PANEL-JACOB & RETARDER SW	EATON	8	-----	562763	C 321	READING LTS TEST				
C 256						C 322	LH CONSOLE DRV WIND LIFT MOT	PED PO	2	-----	561848
C 257						C 323	LH CONSOLE CRUISE CTR SW PAN. AMP	CPC	9	561636	561637
C 258	LH SW PANEL-MULTI FUNC. SW	AMP FF	8	561188	-----	C 324					
C 259	LH SW PANEL-MULTI FUNC. SW	AMP FF	6	-----	561108	C 325	LH DASH PANEL-KNEELING SW	EATON	8	-----	562763
C 260	FR SERVICE CPT-LUG DOOR LCK	PED WP	6	561606	561607	C 326	ENGINE CMPT.	PED	4	-----	561610
C 261	UNDER DASH RH-DOOR MODULE	AMP MNL	9	561670	561669	C 327	ENGINE CONTROL	DEUTSCH	6	562583	562581
C 262	UNDER DASH RH-DOOR MODULE	AMP MNL	4	561551	561668	C 328	GALLEY-LAMP	AMP MNL	2	561248	561247
C 263	UNDER DASH RH-DOOR MODULE	AMP MNL	3	561667	561550	C 329	ENGINE TACHO SIGNAL	PED WP	3	561781	561789
C 264	UNDER DASH RH-DOOR MODULE	AMP MNL	3	561667	561550	C 330					
C 265	UNDER DASH RH-DOOR MODULE	AMP HDP-20	15	562011	562012	C 331	GALLEY MICROWAVE SW	EATON	8	-----	562763
C 266						C 332					
C 267	UNDER DASH RH	AMP CPC	24	561642	561643	C 333	GALLEY RH CONTAINER SW	EATON	8	-----	562763
C 268						C 334	GALLEY LH CONTAINER SW	EATON	8	-----	562763
C 269	UNDER DASH - R.H. MIRROR	CONNXALL	5	563196	563090	C 335					
C 270	LH MIRROR POST	MOLEX	6	562070	562069	C 336					
C 271	RH MIRROR POST	MOLEX	6	562070	562069	C 337	INSTR PANEL LH-UP WIPER SW	EATON	8	-----	562763
C 272	LH MIRROR	SPARTAN	6	-----	990158	C 338	INSTR PANEL LH-UP DEFROST SW	EATON	8	-----	562763
C 273	RH MIRROR	SPARTAN	6	-----	990158	C 339	INSTR PANEL LH-UP WASHER SW	EATON	8	-----	562763
C 274	RR. JCT. BOX - SIGNAL ALT. MODULE	AMP MNL	12	561735	561734	C 340	FR JCT. BOX FIRE PIEZO ALARM	AMP MNL	2	560900	560898
C 275	UNDER DASH RH-DOOR MODULE	AMP MNL	9	561670	561669	C 341	INSTR PANEL LH-HEAT MIRROR SW	EATON	8	-----	562763
C 276	UNDER DASH RH-LOCK SOL.VALVE	AMP MNL	2	561248	561247	C 342	ENGINE RR START SW	DEUTSCH	2	562586	562585
C 277						C 343	INSTR PANEL LH-HEADLAMP SW	EATON	8	-----	562763
C 278						C 344	INSTR PANEL LH-HAZARD LT SW	EATON	8	-----	562763
C 279 *	FR SERVICE CPT.- STEERING ZF	DEUTCH	2		562486	C 345	INSTR PANEL LH-FOG LT SW	EATON	8	-----	562763
C 279	UNDER DASH CYLINDER READ SW.	AMP MNL	2	561248	561247	C 346					
C 280	LH CONSOLE-UNLOAD TAG SW.	NGR	10	-----	562763	C 347	INSTR PANEL LH-DASH LT SW	AMP MNL	2	560900	560898
C 281						C 348	INSTR PANEL CENT-RACOR MODULE	MOLEX	6	562070	562067
C 282						C 349					
C 283						C 350	RH CONSOLE-THERMOMETER	AMP MNL	3	561667	561550
C 284	LH DR'S ROOF - MONITOR FEED	PED WP	3	561781	561782	C 351	LH HAT RACK-FLUOR 110V	MOLEX	4	561477	561476
C 285	LH DR'S ROOF - SOUND SYSTEM	AMP CPC	24	561442	561643	C 352	RH CONSOLE-DRV TEMP SENSOR	BURNDY	4	-----	561104
C 286	RH SW PANEL-A/C & HEAT	EATON	8	-----	562763	C 353	INSTR PANEL RH-DRV FAN RHEOST	AMP MNL	6	561552	561515
C 287	ENGINE COMPT-LTS SW	PED WP	2	561566	561690	C 354	INSTR PANEL RH-DRV TEMP CTR	AMP MNL	6	561552	561515
C 288	RH SW PANEL-FRESH AIR	EATON	8	-----	562763	C 355	INSTR PANEL RH-FR TEMP CTR	AMP MNL	3	561667	561550
C 289						C 356					
C 290						C 357	INSTR PANEL RH-WATER TEMP GA	AMP MNL	3	561667	561550
C 291						C 358	INSTR PANEL RH-FUEL LEVEL GA	AMP MNL	3	561667	561550
C 292	LH PARCEL RACK VIDEO PANEL- MONITOR	MOLEX	4	563040	563071	C 359					
C 293	LH PARCEL RACK VIDEO PAN. - RCA RELAY	AMP MNL	2	561248	561247	C 360					
C 294	LH PARCEL RACK VIDEO PAN. - RCA RELAY	AMP MNL	2	561248	561247	C 361	FR ROOF-WIPER MOTOR	AMP FF	6	-----	561186
C 295	LH PARCEL RACK VID. PANEL- AMPLI VIDEO	MOLEX	4	563040	563071	C 362	FR ROOF-LAVATORY OCCUPIED LT	AMP MNL	2	561248	561247
C 296	LH PARCEL RACK VIDEO PAN. - MICRO SIGNAL	MOLEX	4	562507	562503	C 363	FR ROOF-WATCH YOUR STEP LT	AMP MNL	2	561248	561247
C 297	INSTRUMENT PANEL RH -LTS	AMP MNL	2	560900	560898	C 364	FR ROOF-DESTINATION SIGN	AMP MNL	3	561667	561550
C 298						C 365	FR ROOF-UP WINDSHIELD DEFROST	AMP MNL	3	561667	561550
C 299	RH DASH PANEL SW-GALLEY	EATON	8	-----	562763	C 366	RH DASH PANEL-GRN & RED LEDS	AMP MNL	3	560908	562006
C 300	FR SERVICE CPT.- LOW BEAM RESISTORS	PED WP	2	561566	561690	C 367	ENGINE COMPT-DIF OIL T SENSOR	PED WP	2	561566	561690
C 301	FR SERVICE CPT.- DR'S FAN SPEED	PED WP	1	561605	561577	C 368	FR ROOF-DEST. SIGN BALLAST	AMP MNL	3	561667	561550
C 302						C 369	FR ROOF-DEST. SIGN OPER. SW	TORRIX	5	-----	562110
C 303						C 370	FR ROOF-DEST. SIGN FLUOR.	AMP MNL	2	560900	560898
C 304						C 371	FR ROOF-DEST. SIGN FLUOR.	AMP MNL	2	560900	560898
C 305						C 372	FR ROOF-DEST. SIGN SPEED SW	MOLEX	4	561477	561476
C 306						C 373	FR ROOF-NO SMOKING LT	AMP MNL	2	561248	561247
C 307						C 374	LH SWITCH PANEL	AMP MNL	6	561552	561515
C 308	LH CONSOLE SW-RHEOSTAT	TC	2	561030	560997	C 375					
C 309						C 376					
C 310	LH DASH PANEL -LUG. DOOR LCK SW	EATON	8	-----	562763	C 377	LH DASH PANEL-STOP ENG.OVERRIDE SW	EATON	8	-----	562763
C 311	RH DASH PANEL -HOS & PAS CHIME SW	EATON	8	-----	562763	C 378					
C 312	RH DASH PANEL -READING LTS SW	EATON	8	-----	562763	C 379					
C 313	RH DASH PANEL -GEN & FLUOR LTS SW	EATON	8	-----	562763	C 380	LH CONSOLE-DDR CONNECTOR	DEUTSCH	6	562360	-----
C 314	LH DASH PANEL-FR DEST. SIGN SW	EATON	8	-----	562763	C 381					
C 315	LH DASH PANEL-LH STORE SW	EATON	8	-----	562763	C 382					
C 316	LH CONSOLE SPARE SWITCH	EATON	8	-----	562763	C 383					
C 317	LH DASH PANEL-RH STORE SW	EATON	8	-----	562763	C 384					
C 318	LH CONSOLE SW-DRV WINDOW LIFT	EATON	8	-----	562763	C 385	EVAPOTATOR COMP WATER PUMP	PED WP	2	561566	561690
C 319						C 386	LH DASH PANEL-WCL POWER SYSTEM SW	EATON	8	-----	562763

CONNECTORS CODE

NO	LOCATION	TYPE	CAVITY	#PIN #SOCKET		NO	LOCATION	TYPE	CAVITY	#PIN #SOCKET	
				HOUSING	HOUSING					HOUSING	HOUSING
C 387	RR JCT BOX (WCL)	AMP MNL	9	561661	561662	C 454	SOUND SYS.JCT.PAN.-FILT. VCP	PED WP	2	561566	561680
C 388	RR JCT BOX (WCL)	AMP MNL	12	561735	561734	C 455	WIRELESS MICRO-LH HAT-RACK	MOLEX	6	-----	562464
C 389	WCL REAR DOOR	MOLEX	4	561477	561476	C 456	WORLD TRANSM.-RETARDER ACCUM.	PED MP	2	-----	562427
C 390	LAVATORY WALL-WCL REMOTE CTR	EATON	8	-----	562763	C 457	WORLD TRANSM.-MAIN CONNECTOR	DEUTSCH	31	562572	562536
C 391	LAVATORY WALL-WCL LAMP	EATON	8	-----	562763	C 458	WORLD TRANSM.-TURBINE SP.SENS	PED MP	2	-----	562426
C 392	LAVATORY WALL-WCL SW. LT.	EATON	2	-----	561835	C 459	WORLD TRANSM.-ENGINE SP.SENS.	PED MP	2	-----	562426
C 393	LAVATORY WALL-WCL REMOTE SYS.	AMP CPC	4	561686	561687	C 460	WORLD TRANSM.-SPEED SENSOR	ITT	2	-----	562541
C 394	UNDER INSTR. PANEL- B/U MONITOR	AMP MNL	4	560851	560852	C 461	WORLD TRANSM.-RETARDER TEMP.	PED MP	2	561566	561680
C 395	DRIVER'S COMPT. - B/U MONITOR	AMP	5	-----	-----	C 462	WORLD TRANSM.-RETARD SOL."K"	PED MP	2	-----	562426
C 396	FR SECT. LH HAT RACK-SPEAKER	MOLEX	4	562507	562503	C 463	WORLD TRANSM.-SENSOR CONN.	DEUTSCH	16	562570	562571
C 397	ENGINE COMPT. CRADLE ACC.	DEUTSCH	40	562281	562284	C 464	RR JCT BOX-DDR CONNECTOR	DEUTSCH	6	-----	562360
C 398	ENGINE COMPT. - PRE-EXITATION ALT.	PED WP	2	561566	561690	C 465	LH CONSOLE-SHIFTER SELECTOR	PED	20	-----	562825
C 399						C 466	FR SERVICE CPT.-RESIS. MOD.	PED WP	3	-----	562428
C 400	ENGINE COMPT. BLOCK HEATER	PED MP	3	561781	561782	C 467	FR SERVICE CPT.-RESIS. MOD.	PED WP	3	-----	562428
C 401						C 468			8		
C 402						C 469					
C 403	GALLEY FRIGO NORCOLD	AMP MNL	2	561248	561247	C 470	FR LH UPPER WHELL CPT-SILENT 1000	AMP MNL	2	561248	561247
C 404	GALLEY LAMP	AMP MNL	2	561248	561247	C 471	FR LH UPPER WHELL CPT-SILENT 1000	AMP MNL	2	561248	561247
C 405	LAST LUGGAGE COMP. - INVERTER SIGNAL	AMP MNL	2	561248	561247	C 472	FR LH UPPER WHELL CPT-SILENT 1000	PED WP	2	561566	561690
C 406	FR JCT BOX COMPT.-ABS	AMP MNL	2	560900	560898	C 473	FR LH UPPER WHELL CPT-SILENT 1000	AMP MNL	3	561667	561550
C 407						C 474	DRIVER CPT.-TEMP. SENSOR	AMP MNL	2	561247	561248
C 408						C 475	RR JCT BOX-SPEED SIGN CONNECTOR	DEUTSCH	2	562486	562485
C 409	ENGINE CPT -LOW COOL. LEVEL	PED MP	2	-----	562350	C 476					
C 410	FR JCT BOX-DIODE CONNECTOR	AMP MNL	15	561987	561986	C 477					
C 411	FR JCT BOX-DIODE CONNECTOR	AMP MNL	15	561987	561986	C 478	ELECTRONIC DESTINATION SIGN	AMP CPC	9	561636	561637
C 412	LH DASH PANEL-MASTER SWITCH SW	EATON	8	-----	562763	C 479	HVAC MODULE	MOLEX	3	-----	562783
C 413	ENG CPT-A/C HI UNLOAD PRS SW	PED WP	2	561566	561690	C 480	UNDER DASH LH-DR. FAN SPEED CTR. MOD	PED	4	561889	561890
C 414						C 481	UNDER DASH LH-DR. FAN SPEED CTR. MOD	PED	3	561781	561782
C 415	RR JCT BOX - ENGINE SIGNAL	DEUTSCH	24	562280	562283	C 482					
C 416						C 483	FR SERVICE CPT. (NOT USED)	PED PC	2	-----	562237
C 417	FRONT JCT BOX-DIODES	AMP MNL	15	561987	561986	C 484	UNDER DASH LH.-FOOT DAMPER MOTOR	PED PC	2	-----	562076
C 418	LH DASH PANEL-HTR WINDSH.SW	EATON	8	-----	562763	C 485	UNDER DASH LH.-DASH & DEFR. DAM.MOT.	AMP MNL	3	561667	561550
C 419	FR JCT BOX-RETARDER OR JACOB	AMP MNL	3	561667	561550	C 486					
C 420						C 487	S.S.PANEL - AUDIO IN AMPLI	MOLEX	4	-----	563071
C 421						C 488	S.S.PANEL - AMPLI SIGNAL	MOLEX	8	-----	562465
C 422						C 489	S.S.PANEL - SPEAKER OUTLET	MOLEX	6	-----	562464
C 423						C 490					
C 424	UNDER INSTRUMENT PANEL CENTER	AMP MNL	3	561667	561550	C 491					
C 425	FR JCT BOX-DIODES	AMP MNL	15	561987	561986	C 492					
C 426	ENGINE COMPT. CLUTCH CTR FAN	PED WP	3	561781	561782	C 493					
C 427	PRO-HEAT	PED-WP	2	561566	561680	C 494					
C 428	PRO-HEAT	PED WP	6	561606	561607	C 495					
C 429	FR JCT BOX COMPT.	AMP MNL	6	561552	561515	C 496					
C 430	LH CONSOLE-TIMER	AMP FF	8	561188	562363	C 497					
C 431	LH CONSOLE-PRE HEAT.	TAB AMP	1	561540	561539	C 498					
C 432	ENGINE CPT.-PROX. SW. DOOR AJAR	PED-WP	2	561566	561680	C 499					
C 433	FR SERVICE CPT. KNEEL. PRESS. SW	PED WP	2	561566	561690	C 500	FR LH UPPER WHELL CPT -PRODRIVER	MOLEX	6	562070	562069
C 434	FRONT JCT. BOX-DIODES	AMP MNL	15	561987	561986	C 501	FR LH UPPER WHELL CPT -PRODRIVER	PED MP	7	562433	-----
C 435	FR SERVICE CPT. (RH) KNEEL. PIEZO	AMP MNL	2	560900	560898	C 502	LH DASH PANEL-PRE HEATER SW.	EATON	8	-----	562763
C 436	RH HAT RACK-WCL CENTER ROOF ACC	AMP CPC	16	561639	561640	C 503	LH CONSOLE-PRE HEATER SW.	EATON	2	-----	561837
C 437	RH HAT RACK-WCL FR & RR SECT.	AMP CPC	24	561642	561643	C 504	LH CONSOLE WEBASTO TIMER	AMP	8	-----	562852
C 438	EVAP CMPT- A/C CONTROL	AMP MNL	2	561248	561247	C 505	LH CONSOLE ESPAR TIMER	AMP	9	-----	562681
C 439	EVAP CMPT- A/C CONTROL	AMP MNL	2	561248	561247	C 506	FR JCT BOX CPT. DIGITAL CLOCK	AMP	4	561685	561687
C 440	EVAP CMPT- A/C CONTROL	DEUTSCH	4	562479	562477	C 507	FR SECT. LH HAT-RACK DIG. CLOCK	MOLEX	4	561477	561476
C 441	FR JCT BOX- DIODES	AMP MNL	15	561987	561986	C 508	RR JCT BOX-FAN CLUTCH RETARDER	AMP MNL	6	561552	561515
C 442						C 509	FR LH UPPER WHELL CPT -DATA LOGGER	PED MP	16	-----	562530
C 443						C 510	FR LH UPPER WHELL CPT -DATA LOGGER	DEUTSCH	9	562531	-----
C 444						C 511	FR LH UPPER WHELL CPT -DATA LOGGER	PED MP	4	562532	-----
C 445						C 512	FR LH UPPER WHELL CPT -DATA LOGGER	PED MP	10	562533	-----
C 446						C 513	FR LH UPPER WHELL CPT -DATA LOGGER	AMP MNL	3	561667	561550
C 447						C 514	FR LH UPPER WHELL CPT -DATA LOGGER	PED MP	6	562433	562417
C 448						C 515	FR JCT BOX CPT.-INTERCOM	MOLEX	4	561477	561476
C 449						C 516	FR JCT BOX CPT.-INTERCOM	MOLEX	6	562070	562069
C 450	SOUND SYS. JCT. PANEL	MOLEX	4	562507	562503	C 517	LAVATORY WALL-INTERCOM	MOLEX	6	562070	562069
C 451	WIRELESS MICRO-FIRST CPT BAG	MOLEX	2	562550	562549	C 519	UNDER DASH RH-SEDAN DOOR	HUMPHREY	2	-----	562580
C 452	UNDER DASH INSTR. PANEL	MOLEX	2	562550	562549	C 520	UNDER DASH RH-SEDAN DOOR	HUMPHREY	2	-----	641385
C 453	SOUND SYS. JCT.PANEL-VCP	PED WP	2	561566	561680	C 521	UNDER DASH RH-SEDAN DOOR	HUMPHREY	2	-----	641385

CONNECTORS CODE

NO	LOCATION	TYPE	CAVITY	#PIN	#SOCKET	NO	LOCATION	TYPE	CAVITY	#PIN	#SOCKET
				HOUSING	HOUSING					HOUSING	HOUSING
C 522						C 589	UNDER DASH - L.H. MIRROR	CONNXALL	9	563163	563089
C 523	FR JCT BOX-FUSE BLOCK	PED	8	562647	562646	C 590	UNDER DASH - R.H. MIRROR	AMP MNL	9	561670	561669
C 524	FR JCT BOX-FUSE BLOCK	PED	8	562647	562646	C 591	L.H.CONSOLE - MIRROR L.H.	EURAMTEC	8	-----	562799
C 525	FR JCT BOX-FUSE BLOCK	PED	8	562647	562646	C 592	L.H.CONSOLE - MIRROR R.H.	EURAMTEC	8	-----	562799
C 526	FR JCT BOX-FUSE BLOCK	PED	8	562647	562646	C 593	BATTERY CMPT. - CHARGER	PED WP	3	561781	561782
C 527	FR JCT BOX-FUSE BLOCK	PED	8	562647	562646	C 594	FRONT ROOF - DRIVERS LIGHT	LEEKRAFT		-----	562803
C 528	FR JCT BOX-FUSE BLOCK	PED	8	562647	562646	C 595	DASH CENTER MODULE - OPEN DOOR	MOLEX	4	561477	561476
C 529	FR JCT BOX-12V OUTLET	AMP MNL	2	561247	561248	C 596	DASH CENTER MODULE - CLOSE DOOR	MOLEX	4	561477	561476
C 530	RR JCT BOX-FUSE BLOCK	PED	8	562647	562646	C 597	L.H. DASH PANEL - DISPLAY SET SW.	MOLEX	5		562812
C 531	RR JCT BOX-FUSE BLOCK	PED	8	562610	---	C 598	L.H. DASH PANEL - DISPLAY SET SW.	MOLEX	5		562812
C 532	RR JCT BOX-FUSE BLOCK	PED	8	562610	---	C 599	UND.DASH-MAGN.SW.CTR POS. DR'S AIR	AMP MNL	2	561248	561247
C 533	RR JCT BOX-FUSE BLOCK	PED	8	562647	562646	C 600	ENGINE CPT.-A/C LOW PRESS SW. UNLOAD	PED	2	562348	562471
C 534	RR JCT BOX-FUSE BLOCK	PED	8	562647	562646	C 601	L.H. ROOF - WINDOW AJAR	AMP MNL	2	561248	561247
C 535	RR JCT BOX-FIRE MODULE DETECT.	AMP MNL	3	561667	561550	C 602	L.H. ROOF - WINDOW AJAR	MOLEX	4	561477	561476
C 536	UNDER DASH RH-DRIVER'S HTR TEMP. CTR	AMP MNL	6	561552	561515	C 603	R.H. ROOF - WINDOW AJAR	AMP MNL	2	561248	561247
C 537	BATT. CPT.-A/C PRESS. SIGN. RLY	AMP MNL	2	561248	561247	C 604	LH PARCEL RACK DVD VIDEO STABILIZER	SWITCHCRAFT	1	563074	
C 538	FR SERVICE CPT.-OUTSIDE TEMP. SENSOR	AMP MNL	2	561248	561247	C 605	HAT RACK - MOTOR FAN	PED	2	560997	561030
C 539	HVAC DASH MODULE OUTPUT CON	MOLEX	24		562780	C 606	HAT RACK - MOTOR FAN	PED	2	560997	561030
C 540	HVAC DASH MODULE INPUT CON	MOLEX	22		562781	C 607					
C 541	SOUND SYS. JCT PANEL-AUDIO SEAT SYS.	PED WP	2	561566	561690	C 608	FRONT SERVICE CMPT. SPEED SIGNAL	PED WP	2	561566	561690
C 542	LH HAT RACK-AUDIO SEAT SYSTEM	AMP MNL	3	561667	561550	C 609	LAVATORY - NIGHT LIGHT				
C 543						C 610					
C 544	SOUND SYS JCT PANEL-AUDIO SEAT SYS.	PED WP	3	561781	562428	C 611	HAT RACK READING LTS RICON	MOLEX	6	562558	562557
C 545	LH HAT RACK-AUDIO SEAT SYSTEM	AMP MNL	3	561667	561550	C 612	HAT -RACK FLUOR. INSTATION LTS RICON	MOLEX	4	562507	562503
C 546	WIRELESS MIC. CHARGING SYSTEM	MOLEX	2	-----	563025	C 613	HAT -RACK INDIRECT LTS RICON	AMP MNL	3	561667	561550
C 547	RH DASH PANEL-ACCESSORIES	AMP CPC	37	561645	561646	C 614	HAT -RACK INDIRECT LTS RICON	AMP MNL	3	561667	561550
C 548	LH DASH PANEL-T.T. LT. TEST SW.	EATON	8	-----	562763	C 615	LH PARCEL RACK DVD SING ALONG ADAPT.	MOLEX	2	562550	562549
C 549	LH DASH PANEL-FAN CLUTCH OVERR. SW	EATON	8	-----	562763	C 616					
C 550	LAST LUGG. CPT. -WCL RICON	AMP CPC	16	561694	561695	C 701	ZF TRANSMISSION ECU	KOSTAL	20		
C 551	LAST LUGG. CPT. -WCL RICON	AMP CPC	16	561694	561695	C 702	SHIFT SELECTOR - LH CONSOLE	AMP	14		563338
C 552	LAST LUGG. CPT. -WCL RICON	AMP CPC	9	561636	561637	C 712	NEUTRAL SWITCH ON ZF TRANS. (TOP)	AMP	4		563340
C 553	UNDER DASH R.H. - CONTROL. HEAD	MOLEX	16	-----	562559	C 714	OUTPUT SENSOR ON ZF TRANS. (BOTTOM)	AMP	4		563340
C 554	UNDER DASH R.H. - CONTROL. HEAD	MOLEX	16	-----	562559	C 717	BATT. CPT - MAIN CONNECTOR	AMP CPC	22	561642	561643
C 555	UNDER DASH R.H. - CONTROL. HEAD	MOLEX	16	-----	562559	C 720	ENGINE COMPT - BLKHD CONNECTOR	DEUTSCH	31	563359	563358
C 556	UNDER DASH R.H. - RADIO ACC.	MOLEX	2	562550	562549	C 721	LH CONSOLE - ZF TESTMAN DIAGNOSTIC	AMP MNL	6	563356	
C 557	UNDER DASH R.H. - RADIO ACC.	MOLEX	9	562556	562555	C 723	ENGINE COMPT - FOR TRANS.	DEUTSCH	3		562884
C 558	UNDER DASH R.H. - RADIO ACC.	MOLEX	4	562507	562503	C 736	ENGINE COMPT - ZMTEC MODULE	PACKARD	30	563053	
C 559	SOUND SYS. JCT. PANEL - FILTER AMPLI	PED WP	2	561566	561690	C 740	DRIVE AXLE - EASY START SOL VALVE	LEONI	2	--	641949
C 560	SOUND SYS. JCT. PANEL - POWER AMPLI	MOLEX	4	562507	562503	C 742	BATT. CPT - FUSE BLOCK	AMP	8	562446	
C 561	L.H. HAT RACK - WIRELESS MICRO	MOLEX	8		562465	C 745	FR SERV.COMPT - THROTTLE POS. SENSOR	PED WP	3	561781	
C 562	L.H. HAT RACK - VCP	MOLEX	12	562556	563070	C 760	FR SERV. COMPT - TO J1939	DEUTSCH	3		
C 563	L.H. MODESTY PANEL - DRIVERS SPK.	MOLEX	4	562507	562503	C 761	FR SERV. COMPT - TO J1939	DEUTSCH	3		562884
C 564	L.H. MODESTY PANEL - MICRO	MOLEX	4	562507	562503	C 762	ENGINE COMPT - TO J1939	DEUTSCH	3		562884
C 565	R.H. MODESTY PANEL - MICRO	MOLEX	4	562507	562503	C 763	ENGINE COMPT - TO J1939	DEUTSCH	3		562884
C 566	L.H. CONSOLE - BOOM MICRO	MOLEX	4	562507	562503	C 764	ENGINE COMPT - TO J1939	DEUTSCH	3		562884
C 567	L.H. CONSOLE - DRIVERS MICRO	MOLEX	4	562507	562503	C 765	ENGINE COMPT - TO J1939	DEUTSCH	3		562884
C 568	SOUND SYS. JCT. PANEL - PASS. SPK	CINCH	4	562553	562552	C 766	ENGINE COMPT - TO J1939	DEUTSCH	3		562884
C 569	SOUND SYS. JCT. PANEL - POWER AMPLI.	MOLEX	9	562556	562555						
C 570	UNDER DASH PANEL TTLT	MOLEX	6		562464						
C 571	UNDER DASH PANEL TTLT	MOLEX	20		562778	C X	CLUSTER	JAE	22		562766
C 572	UNDER DASH PANEL TTLT	MOLEX	18		562779	C Y	CLUSTER	JAE	30		562767
C 573	UNDER DASH PANEL TTLT	MOLEX	8		562465	L X	CLUSTER	JAE	22		562764
C 574	HAT -RACK FLUOR. INDIRECT LIGHTING	MOLEX	6	-----	562759	L					
C 575	HAT -RACK FLUOR. INSTATION LIGHT	MOLEX	4	562507	562503	R					
C 576	HAT -RACK FLUOR. INDIRECT LIGHTING	AMP MNL	3	561667	561550						
C 577	HAT -RACK FLUOR. INDIRECT LIGHTING	AMP MNL	3	561667	561550						
C 578	HAT -RACK FLUOR. INSTATION LIGHT	MOLEX	4	562507	562503						
C 579	L.H HAT RACK - VCP POWER	MOLEX	4		563071						
C 580	RH DASH PANEL-HAT RACK FAN SW	EATON	8	-----	562763						
C 581											
C 582	FRONT SERVICE CMPT. - WINDOWS AJAR	PED WP	2	561566	561690						
C 583	L.H. DASH PANEL - MASTER KEY	DEUTSCH	2	562486	562485						
C 584	FRONT SERVICE CMPT. - AIR HORH	HUMPHREY	3	-----	641385						
C 585											
C 586											
C 587	LH PARCEL RACK DVD UNIT	MOLEX	4	563040	563071						
C 588	FRONT SERVICE CPT. CENTER SOUND SYS.	CONNXALL	9	563163	563089						

CONNECTORS CODE

NO	LOCATION	TYPE	CAVITY	#PIN #SOCKET		NO	LOCATION	TYPE	CAVITY	#PIN #SOCKET	
				HOUSING	HOUSING					HOUSING	HOUSING
AA1	BEHIND DASH - SONALERT	BOSCH	5		561183	C 56	HAT RACK- MOTOR FAN	MOLEX	6	562558	562557
AA2	BEHIND DASH - SONALERT	BOSCH	5		561183	C 57	HAT RACK- MOTOR FAN	MOLEX	6	562558	562557
C X1	FR SERVICE COMPT- ECU ABS	AMP	15		563200	C 58	RR JCT BOX AC PANEL	DEUTSCH	24	562280	562283
C X2	FR SERVICE COMPT- ECU ABS	AMP	18		563201	C 59	RR JCT BOX AC PANEL	AMP CPC	14	561584	561583
CRXTX	HVAC DASN MODULE COMMUNICATION	MOLEX	3	563206	562873	C 60	RR JCT BOX COMPT.-LT	AMP MNL	2	561248	561247
C S	RR JCT BOX ECU WORLD TR.	PED	32		562817	C 61	LUGGAGE COMPARTMENT LTS	AMP MNL	2	561248	561247
C T	RR JCT BOX ECU WORLD TR.	PED	32		562824	C 62	LUGGAGE COMPARTMENT LTS	AMP MNL	2	561248	561247
C TCI	ENGINE CPT - DDEC V TURBO TEMP.	FCI	2		563404	C 63	LUGGAGE COMPARTMENT LTS	AMP MNL	2	561248	561247
C V	RR JCT BOX ECU WORLD TR.	PED	32		562823	C 64	LUGGAGE COMPARTMENT LTS	AMP MNL	2	561248	561247
C WX1	ENGINE CPT-WEBASTO PRE-HEAT WATER	AMP SEALED	7		563135	C 65	LUGGAGE COMPARTMENT LTS	AMP MNL	2	561248	561247
C WX3	ENGINE CPT-WEBASTO PRE-HEAT WATER	AMP SEALED	7	563134		C 66	LUGGAGE COMPARTMENT LTS	AMP MNL	2	561248	561247
C Y	CLUSTER	JAE	30	---	562765	C 67	LUGGAGE COMPARTMENT LTS	AMP MNL	2	561248	561247
C 1	FR JCT BOX COMPARTMENT	AMP CPC	14	561585	561584	C 68	LUGGAGE COMPARTMENT LTS	AMP MNL	2	561248	561247
C 2	FR JCT BOX COMPARTMENT	AMP CPC	16	561639	561640	C 69	RR AXLE ACC-INSIDE PVC END	PED WP	6	561568	561578
C 3	FR JCT BOX COMPARTMENT	AMP CPC	24	561641	561643	C 70	LH CONSOLE	AMP CPC	16	561642	561643
C 4	FR JCT BOX COMPARTMENT	AMP CPC	37	561644	561646	C 71	FR JCT BOX COMPARTMENT	AMP CPC	37	561645	561646
C 5	FR SERVICE COMPT.-UNDERNEATH	AMP CPC	37	561644	561646	C 72	FR JCT BOX COMPARTMENT	AMP CPC	24	561642	561643
C 6	FR SERVICE COMPT.-UNDERNEATH	AMP CPC	16	561639	561640	C 73	DASH CENTER PANEL	AMP CPC	16	561639	561640
C 7						C 74	FR JCT BOX COMPARTMENT	AMP CPC	37	561645	561646
C 8	FR SERVICE COMPT.-UNDERNEATH	AMP CPC	24	561641	561643	C 75	SERV CPT. RXT. ENT. DOOR SW	DEUTSCH	4	562479	562477
C 9	FR SERVICE COMPT.-UNDERNEATH	AMP CPC	24	561641	561643	C 76	LUGGAGE COMPT.-AIR RET.SENS.	AMP MNL	2	561248	561247
C 10	LUGGAGE COMPT. WATER BOOSTER PUMP	PED	2	562348	562471	C 77	LUGGAGE COMPT.-AIR RET.SENS.	AMP MNL	2	561248	561247
C 11	FR SERVICE COMPARTMENT	AMP CPC	37	561644	561646	C 78					
C 12	FR SERVICE COMPARTMENT	AMP CPC	16	561639	561640	C 79					
C 13	LH CONSOLE-CTR MIRROR	AMP MNL	6	561552	561515	C 80	LUGGAGE COMPT.-AIR RET.SENS.	AMP MNL	2	561248	561247
C 14	UNDER DASH-LH MIRROR	AMP MNL	9	561661	561662	C 81	PASSENGER COMPT.-AISLE LTS	AMP MNL	2	560900	560898
C 15	A/C CLUTCH	PED WP	2	561566	561690	C 82	ENTRANCE DOOR	MOLEX	6	562070	562069
C 16	LH CONSOLE SW-CRUISE ON OFF	EATON	10	-----	562763	C 83	ENTRANCE DOOR-PROIMITY SW	MOLEX	4	561477	561476
C 17	LH CONSOLE SW-CRUISE RESUME	EATON	10	-----	562763	C 84	ENTRANCE DOOR-PRESSURE SW	PED WP	2	561566	561690
C 18	LH CONSOLE SW-CRUISE SET	EATON	10	-----	562763	C 85	UNDER INSTRUMENT PANEL LH	AMP MTA-100	-----	562248	-----
C 19	LH CONSOLE DECEL SW	EATON	10	-----	562763	C 86					
C 20	RR JCT BOX	DEUTSCH	70	562282	562285	C 87	RR END ROOF	AMP CPC	9	561636	561637
C 21	RR JCT BOX	DEUTSCH	24	562280	562283	C 88	FR. SERVICE COMPT.PRESS SW PARK BRAKE	PED WP	2	561566	561690
C 22	RR JCT BOX - EATON TRANSM.	AMP MNL	6	561552	561515	C 89	RR END ROOF-B/U NONITOR	AMP CPC	4	561582	561581
C 23						C 90	RR JCT BOX	AMP CPC	15	561987	561986
C 24						C 91	RR JCT BOX	AMP CPC	37	561714	561713
C 25						C 92	FR LH UPPER WHELL CPT-ABS	AMP CPC	9	561635	561637
C 26	HYD & MAN TRANSM.-NEUT.& B/U	PED WP	4	561610	561611	C 93	FR LH UPPER WHELL CPT-ABS		35	-----	641094
C 27	HYD & MAN TRANSM.-SPEED SENS.	PED WP	2	561566	561690	C 94	RH CONSOLE ENTRANCE STEP LIGHT	DEUTCH	2	562486	562485
C 28	EATON TRANSMISSION	DEUTCH	3	562877	562884	C 95	CONDENSOR CPT - LIQ. SOL. VALVE	PED WP	2	561566	561690
C 29	EATON TRANSMISSION	PED MP	6	562878	-----	C 96	FR AXLE ACCESSORIES	AMP CPC	14	561585	561585
C 30	RR JCT BOX - ECU EATON TRANSM.	PED MP	32	-----	562866	C 97	RR AXLE ACC-INSIDE PVC END	PED WP	6	561568	561578
C 31	RR JCT BOX - ECU EATON TRANSM.	PED MP	24	-----	562865	C 98	FR SERVICE COMPT-EL.FT.PEDAL	PED WP	3	561782	561781
C 32	DDEC ENGINE-ECM	AMP	68	-----	563403	C 99	FR SERVICE COMPT LTS	AMP MNL	2	561248	561247
C 33	RR JCT BOX - EATON TRANSM.	DEUTCH	9	562531	-----	C 100	LH CONSOLE - 120 VOLTS SWITCH	EATON	8	-----	562763
C 34	RH. CONSOLE - EATON TRANSM. SHIFTER	PED MP	3	-----	562871	C 101	FR SERVICE COMPT-ELEC. HORNS	PED WP	2	561566	561690
C 35	RR JCT BOX	DEUTCH	40	562281	562284	C 102	SIDE (LH/FR & CENTER) DIR. LTS	GROTE	2	-----	562155
C 36	RH. CONSOLE - EATON TRANSM. SHIFTER	PED MP	24	-----	562874	C 103	SIDE (LH/FR & CENTER) MARKER LTS	GROTE	2	-----	562155
C 37	RR SECTION-LH HAT RACK	MOLEX	6	562558	562557	C 104	SIDE (RH/FR & CENTER) DIR. LTS	DEUTSCH	4	562479	562477
C 38	RR SECTION-RH HAT RACK	MOLEX	6	562558	562557	C 104	FR SERV & SIDE CPT-FLASH. RH	GROTE	2	-----	562155
C 39	LH CONSOLE - EATON TRANSM. DISPLAY	AMP MNL	4	561551	561668	C 105	FR SERVICE COMPT-LIQ.S.VALVE	PED WP	2	561566	561690
C 40	RR JCT BOX - EATON TRANSM. J1939	DEUTCH	3	562877	562884	C 106	FR SERVICE COMPT-WATER VALVE	PED WP	2	561566	561690
C 41	LAVATORY ROOF LIGHT	LEECRAFT	2	-----	562803	C 107					
C 42	LAVATORY BACK WALL-WTR TANK	AMP MNL	2	560900	560898	C 108	FR SERVICE COMPT-KNEEL.SYS	PED WP	2	561566	561690
C 43	LAVATORY BACK WALL-ACCES.	AMP MNL	9	561661	561662	C 109	FR SERVICE COMPT-KNEEL.SYS	PED WP	2	561566	561690
C 44	EATON TRANSM. J1939	DEUTCH	3	562877	562884	C 110	FR SERVICE COMPT-KNEEL.SYS	PED WP	2	561566	561690
C 45	FR JCT BOX COMPARTMENT	AMP CPC	24	561642	561643	C 111	EVAPORATOR COMPT-DAMPER	DEUTSCH	2	562486	562485
C 46	EATON TRANSM. J1939	DEUTCH	3	562877	562884	C 112	LAVATORY BACK WALL-FLUSH PUMP SW.	DEUTSCH	4	562479	562477
C 47	FR SERVICE COMPARTMENT	AMP CPC	16	561694	561695	C 113	SIDE (LH/RR) MARKER LTS	GROTE	2	-----	562155
C 48	FR. SERVICE COMPT.PRESS SW PARKBREAK	PED WP	2	561566	561690	C 114	SIDE (LH/RR) DIR LTS	GROTE	2	-----	562155
C 49	BATTERIE COMPT.-LT	AMP MNL	2	561248	561247	C 115					
C 50	FR SERVICE COMPT.-LOW BUOY	PED WP	1	561605	561577	C 116	ENGINE COMPT. LTS	GROTE	2		563268
C 51						C 117	SIDE (RH/RR) MARKER LTS	GROTE	2	-----	562155
C 52	RR JCT BOX	AMP CPC	24	561642	561643	C 117	FR SRV. COMPT. KNEELING UP SOL VALVE	PED WP	2	561761	
C 53	SPARE TIRE COMPT ENTRANCE STEP LIGHT	DEUTCH	2	562486	562485	C 118	ENGINE COMPT-LAVATORY FAN	PED WP	2	561566	561690
C 54	SPARE TIRE COMPT ENTRANCE STEP LIGHT	DEUTCH	2	562486	562485	C 119	ENGINE CPT RR DOOR RH LO LAMP	PED WP	6	561606	561607
C 55	RH SWITCH PANEL	AMP CPC	9	561636	561637	C 120	ENGINE CPT RR DOOR LH LO LAMP	PED WP	6	561606	561607

CONNECTORS CODE

NO	LOCATION	TYPE	CAVITY	#PIN		NO	LOCATION	TYPE	CAVITY	#SOCKET	
				HOUSING	HOUSING					HOUSING	HOUSING
C 121	SIDE (RH/RR) DIR. LTS	GROTE	2	-----	562155	C 186W	RR JCT BOX CPT.-SPD SIGN. WT	PED WP	2	561566	561690
C 122						C 187	FR JCT BOX-RPM RESISTOR CON.	AMP MNL	6	561552	561515
C 123	TAG AXLE-UNLOAD TAG RH VALVE	PED WP	2	561566	561690	C 188	KNEELING UP ALARM - NJ COACHE ONLY	AMP MNL	15	561987	561986
C 124	ENGINE CPT-ETHER SW	PED WP	2	561566	561690	C 189	ENGINE CPT RR DOOR B/U LT	TRUCK-LITE	2	-----	562755
C 125	ENGINE CPT-B/U ALARM	PED WP	2	561566	561690	C 190	ENGINE CPT RR DOOR TAIL/ STOP LT	SUPER SEAL	3		562601
C 126	ENGINE CPT-FLUSHING PUMP	PED WP	2	561566	561690	C 191	ENGINE CPT RR DOOR RH TAIL/STOP LT	SUPER SEAL	3		562601
C 127	ENGINE CPT-FUEL FILTER	PED WP	2	561566	561690	C 192	ENGINE CPT RR DOOR DIR. LT	SUPER SEAL	3		562601
C 128	ENGINE CPT-A/C COMPR.CLUTCH	ITT SS	2	561813	561812	C 193					
C 129						C 194					
C 130	ENGINE CPT-UNLOADER	ITT SS	2	561813	561812	C 195					
C 131	ENGINE CPT-UNLOADER	ITT SS	2	561813	561812	C 198	ENGINE CPT RR DOOR LICENCE LT	PED WP	2	562348	562471
C 132	ENGINE CPT-A/C LO PRESS SW	PED WP	2	561566	561690	C 199					
C 133	ENGINE CPT-A/C HI PRESS SW	PED WP	2	561566	561690	C 200	RH HAT RACK-FLUORESCENT	AMP MNL	2	561248	561247
C 134	FR JCT BOX-LUGGAGE DIODE CON.	AMP MNL	15	561987	561986	C 201	RH HAT RACK-FLUORESCENT	AMP MNL	2	561248	561247
C 135	FR JCT BOX-LUGGAGE DIODE CON.	AMP MNL	15	561987	561986	C 202	RH HAT RACK-INDIRECT LIGHTING	MOLEX	2	-----	562758
C 136	RR JCT BOX - A/C PANEL DIODE CONN.	AMP MNL	15	561987	561986	C 203	RH HAT RACK-INDIRECT LIGHTING	MOLEX	6	-----	562759
C 137	RR JCT BOX-TRANSMITTER	AMP MNL	2	560900	560898	C 204	RH HAT RACK-GENERAL LT	AMP MNL	2	560900	560898
C 138	RR JCT BOX-CONTROL MODULE	AMP HDP	15	-----	562012	C 205	FR SECT.-RH HAT RACK SPEAKER	AMP MNL	9	561661	561662
C 139	RR JCT BOX-LOGIC MODULE	AMP HDP	15	562011	-----	C 206	RH HAT RACK-READING LT	AMP FF	4	-----	562756
C 140	HVAC DASH MODULE THERMOMETER	MOLEX	4		562782	C 207	LH HAT RACK-READING LT	AMP FF	4	-----	562756
C 141	INSTRUMENT PANEL LH UNLOAD TAG	AMP	2	561248	561247	C 208	LH HAT RACK-BALLAST	MOLEX	2	-----	562758
C 142	LAVATORY DOOR WALL	AMP MNL	2	561248	561247	C 209	LH HAT RACK-HOTESS CHIME	AMP MNL	3	561667	561550
C 143						C 210	FR SECT.-LH HAT RACK SPEAKER	AMP MNL	9	561661	561662
C 144	UNDER LH SEAT-AISLE LTS	AMP MNL	4	560851	560852	C 211	FR ROOF-STORE LH	AMP MNL	2	560900	560898
C 145	RR JCT BOX CPT-RR SIDE LTS	AMP MNL	9	561670	561669	C 212	FR ROOF-STORE RH	AMP MNL	2	560900	560898
C 146	ENGINE CPT-MODULATOR VALVE	AMPHENOL	2	-----	560412	C 213					
C 147	BATT & RR J.B.CPT-DOCK LTS	PED WP	2	561566	561690	C 214	ENGINE CPT J1922				
C 148						C 215	TAG AXLE - A.T.C. SYSTEM				
C 149	CONDENSER CPT-FAN MOTOR	ORDNANCE	3	562555	562001	C 216	TAG AXLE - A.T.C. SYSTEM				
C 150						C 217	RH DASH PANEL-FRONT CAMERA SW	EATON	8	-----	562763
C 151	EVAPORATOR CPT-THERMOSTAT	ITT SS	2	561813	562159	C 218	RH DASH PANEL-FRONT CAMERA SW	AMP MNL	2	560900	560898
C 152	CONDENSER CPT-FUEL GAUGE	PED WP	4	561610	561611	C 219	ENGINE CMPT. - FIRE DETECTOR	DEUTSCH	2	562486	562485
C 153	EVAPORATOR CPT-AIR AMB. SENS	AMP MNL	2	561248	561247	C 220	RR.JCT.BOX-FUEL PRIME PUMP	TC	1	561070	561073
C 154	EVAPORATOR CPT-FRESH AIR SENS	ITT SS	2	561813	561812	C 221	BATTERY CMPT. FIRE DETECTOR	DEUTSCH	2	562486	562485
C 155	EVAPORATOR CPT-WATER VALVE	PNEUMAC	4	563204		C 222	ENGINE CMPT. FIRE DETCTOR	DEUTSCH	2	562486	562485
C 156	EVAPOR. CPT-BYPASS WATER VAL.	PED WP	2	561566	561690	C 223	ENGINE CMPT. FIRE DETCTOR	DEUTSCH	2	562486	562485
C 157						C 224	ENGINE CMPT. -VORAD J1939	DEUTSCH	3	562877	562884
C 158	CONDENSER CPT-A/C LO TEMP.	PED WP	2	561566	561690	C 225	ENGINE CMPT. -VORAD J1939	DEUTSCH	3	562877	562884
C 159	CONDENSER CPT-A/C HI TEMP.	PED WP	2	561566	561690	C 226	FR LH UPPER WHEEL CPT-VORAD J1939	DEUTSCH	3	562677	562884
C 160	FR AXLE-ABS RH SENSOR	WABCO	2	641132	-----	C 227					
C 161	FR AXLE-ABS RH VALVE	WABCO	3	-----	641098	C 228	ENG.CPT.- A/C COMPRESSOR	PED WP	2	561566	561690
C 162	FR AXLE-ABS LH VALVE	WABCO	3	-----	641098	C 229					
C 163	FR AXLE-ABS LH SENSOR	WABCO	2	641132	-----	C 230	ENG.CPT.-FUEL PRIME PUMP FEED	DEUTSCH	2	562486	562485
C 164	RR AXLE-ABS LH SENSOR	WABCO	2	641132	-----	C 231	ENG.CPT.-FUEL PRIME PUMP SW.	PED WP	2	561566	561690
C 165	RR AXLE-ABS LH VALVE	WABCO	3	-----	641098	C 232	ENG.CPT.-FUEL PRIME PUMP	PED WP	2	561566	561690
C 166	RR AXLE-ABS RH VALVE	WABCO	3	-----	641098	C 233	FR. SERVICE CMPT.	VDO	8		562043
C 167	RR AXLE-ABS RH SENSOR	DEUTSCH	2	641132	-----	C 234	FR. SERVICE CMPT.	VDO	8		562044
C 168	RR AXLE-ABS OPT ATC	PED WP	2	561566	561690	C 235	FR. SERVICE CMPT.	VDO	8		562041
C 169	RR JCT BOX-SPEED SW	AMP HDP	15	-----	562012	C 236	LUGGAGE COMPARTEMENT	AMP MNL	4	560851	560852
C 170	FR JCT BOX-FLASHER UNIT	TC	2	-----	561940	C 237	UNDER DASH LH-JACOB CLUTCH SW	ITT SS	3	561111	561080
C 171	LH CONSOLE	AMP CPC	24	561642	561643	C 238	UNDER DASH LH-PASS. REC. DAMPER SW	EATON	8	-----	562763
C 172						C 239	FR SERVICE CPT-HI BUOY VALVE	PED WP	2	561566	561690
C 173						C 240	FR SERVICE CPT-KNEEL PROX SW	PED WP	3	561781	562428
C 174	UNDER DASH RH-HTR MODULE	AMP MNL	9	561670	561669	C 241	HEADLAMPS HI BEAM	HELLA	2		562623
C 175	UNDER DASH RH-HTR MODULE	AMP MNL	9	561670	561669	C 242	HALOGEN HEAHLAMPS LO BEAM	HELLA	2		562623
C 176	UNDER DASH RH-WIPER PULSE	AMP FF	6	-----	561186	C 242	XENON HEADLAMPS LO BEAM	DELPHI	2		563366
C 177	UNDER DASH RH-WIPER MOTOR	AMP FF	6	-----	561186	C 243	FRONT CAP- HEADLIGHTS MAIN CONN	DEUTCH	6	565131	562789
C 178	UNDER DASH RH-LH FAN	TC	2	561030	560997	C 244	FR SERVICE CPT-LH FOG LAMP	DEUTCH	2	562902	562901
C 179	UNDER DASH RH-RH FAN	TC	2	561030	560997	C 245	FR SERVICE CPT-RH FOG LAMP	DEUTCH	2	562902	562901
C 180	RR JCT BOX-DIODE CONNECTOR	AMP MNL	15	561987	561986	C 246	UNDER DASH - L.H. MIRROR	CONNXALL	5	563196	563090
C 181	RR JCT BOX-DIODE CONNECTOR	AMP MNL	15	561987	561986	C 247	HEADLAMPS MARK & DIR LTS	AMP SUPER S	3		562601
C 182						C 248	FR JCT BOX-WIPER PULSE GEN	AMP FF	6	-----	561108
C 183	FR SERVICE CPT-KNEELING PAN.	PED WP	4	561610	561611	C 249					
C 184	FR SERVICE CPT-KNEELING SW	ITT SS	3	561111	561080	C 250	LH CONSOL PANEL- LOW BOY	PED	2	561566	561690
C 185						C 251	LH DASH PANEL-FAST IDLE SW	EATON	8	-----	562763
C 186						C 252					
C 186M	RR JCT BOX CPT.-SPD SIGN. M.TR	PED WP	2	561566	561690	C 253	LH DASH PANEL-ETHER SW	EATON	8	-----	562763

CONNECTORS CODE

NO	LOCATION	TYPE	CAVITY	#PIN #SOCKET		NO	LOCATION	TYPE	CAVITY	#PIN #SOCKET	
				HOUSING	HOUSING					HOUSING	HOUSING
C 254	INST. PANEL RH-ENTR.DOOR SW.	TORRIX	5	-----	562110	C 320	RH DASH PANEL-DRIVER'S LTS SW	EATON	8	-----	562763
C 255	LH DASH PANEL-JACOB & RETARDER SW	EATON	8	-----	562763	C 321	READING LTS TEST				
C 256						C 322	LH CONSOLE DRV WIND LIFT MOT	PED PO	2	-----	561848
C 257						C 323	LH CONSOLE CRUISE CTR SW PAN. AMP	CPC	9	561636	561637
C 258	LH SW PANEL-MULTI FUNC. SW	AMP FF	8	561188	-----	C 324					
C 259	LH SW PANEL-MULTI FUNC. SW	AMP FF	6	-----	561108	C 325	LH DASH PANEL-KNEELING SW	EATON	8	-----	562763
C 260	FR SERVICE CPT-LUG DOOR LCK	PED WP	6	561606	561607	C 326	ENGINE CMPT.	PED	4	-----	561610
C 261	UNDER DASH RH-DOOR MODULE	AMP MNL	9	561670	561669	C 327	ENGINE CONTROL	DEUTSCH	6	562583	562581
C 262	UNDER DASH RH-DOOR MODULE	AMP MNL	4	561551	561668	C 328	GALLEY-LAMP	AMP MNL	2	561248	561247
C 263	UNDER DASH RH-DOOR MODULE	AMP MNL	3	561667	561550	C 329	ENGINE TACHO SIGNAL	PED WP	3	561781	561789
C 264	UNDER DASH RH-DOOR MODULE	AMP MNL	3	561667	561550	C 330					
C 265	UNDER DASH RH-DOOR MODULE	AMP HDP-20	15	562011	562012	C 331	GALLEY MICROWAVE SW	EATON	8	-----	562763
C 266						C 332					
C 267	UNDER DASH RH	AMP CPC	24	561642	561643	C 333	GALLEY RH CONTAINER SW	EATON	8	-----	562763
C 268						C 334	GALLEY LH CONTAINER SW	EATON	8	-----	562763
C 269	UNDER DASH - R.H. MIRROR	CONNXALL	5	563196	563090	C 335					
C 270	LH MIRROR POST	MOLEX	6	562070	562069	C 336					
C 271	RH MIRROR POST	MOLEX	6	562070	562069	C 337	INSTR PANEL LH-UP WIPER SW	EATON	8	-----	562763
C 272	LH MIRROR	SPARTAN	6	-----	990158	C 338	INSTR PANEL LH-UP DEFROST SW	EATON	8	-----	562763
C 273	RH MIRROR	SPARTAN	6	-----	990158	C 339	INSTR PANEL LH-UP WASHER SW	EATON	8	-----	562763
C 274	RR. JCT. BOX - SIGNAL ALT. MODULE	AMP MNL	12	561735	561734	C 340	FR JCT. BOX FIRE PIEZO ALARM	AMP MNL	2	560900	560898
C 275	UNDER DASH RH-DOOR MODULE	AMP MNL	9	561670	561669	C 341	INSTR PANEL LH-HEAT MIRROR SW	EATON	8	-----	562763
C 276	UNDER DASH RH-LOCK SOL.VALVE	AMP MNL	2	561248	561247	C 342	ENGINE RR START SW	DEUTSCH	2	562586	562585
C 277						C 343	INSTR PANEL LH-HEADLAMP SW	EATON	8	-----	562763
C 278						C 344	INSTR PANEL LH-HAZARD LT SW	EATON	8	-----	562763
C 279 *	FR SERVICE CPT.- STEERING ZF	DEUTCH	2		562486	C 345	INSTR PANEL LH-FOG LT SW	EATON	8	-----	562763
C 279	UNDER DASH CYLINDER READ SW.	AMP MNL	2	561248	561247	C 346					
C 280	LH CONSOLE-UNLOAD TAG SW.	NGR	10	-----	562763	C 347	INSTR PANEL LH-DASH LT SW	AMP MNL	2	560900	560898
C 281						C 348	INSTR PANEL CENT-RACOR MODULE	MOLEX	6	562070	562067
C 282						C 349					
C 283						C 350	RH CONSOLE-THERMOMETER	AMP MNL	3	561667	561550
C 284	LH DR'S ROOF - MONITOR FEED	PED WP	3	561781	561782	C 351	LH HAT RACK-FLUOR 110V	MOLEX	4	561477	561476
C 285	LH DR'S ROOF - SOUND SYSTEM	AMP CPC	24	561442	561643	C 352	RH CONSOLE-DRV TEMP SENSOR	BURNDY	4	-----	561104
C 286	RH SW PANEL-A/C & HEAT	EATON	8	-----	562763	C 353	INSTR PANEL RH-DRV FAN RHEOST	AMP MNL	6	561552	561515
C 287	ENGINE COMPT-LTS SW	PED WP	2	561566	561690	C 354	INSTR PANEL RH-DRV TEMP CTR	AMP MNL	6	561552	561515
C 288	RH SW PANEL-FRESH AIR	EATON	8	-----	562763	C 355	INSTR PANEL RH-FR TEMP CTR	AMP MNL	3	561667	561550
C 289						C 356					
C 290						C 357	INSTR PANEL RH-WATER TEMP GA	AMP MNL	3	561667	561550
C 291						C 358	INSTR PANEL RH-FUEL LEVEL GA	AMP MNL	3	561667	561550
C 292	LH PARCEL RACK VIDEO PANEL- MONITOR	MOLEX	4	563040	563071	C 359					
C 293	LH PARCEL RACK VIDEO PAN. - RCA RELAY	AMP MNL	2	561248	561247	C 360					
C 294	LH PARCEL RACK VIDEO PAN. - RCA RELAY	AMP MNL	2	561248	561247	C 361	FR ROOF-WIPER MOTOR	AMP FF	6	-----	561186
C 295	LH PARCEL RACK VID. PANEL- AMPLI VIDEO	MOLEX	4	563040	563071	C 362	FR ROOF-LAVATORY OCCUPIED LT	AMP MNL	2	561248	561247
C 296	LH PARCEL RACK VIDEO PAN. - MICRO SIGNAL	MOLEX	4	562507	562503	C 363	FR ROOF-WATCH YOUR STEP LT	AMP MNL	2	561248	561247
C 297	INSTRUMENT PANEL RH -LTS	AMP MNL	2	560900	560898	C 364	FR ROOF-DESTINATION SIGN	AMP MNL	3	561667	561550
C 298						C 365	FR ROOF-UP WINDSHIELD DEFROST	AMP MNL	3	561667	561550
C 299	RH DASH PANEL SW-GALLEY	EATON	8	-----	562763	C 366	RH DASH PANEL-GRN & RED LEDS	AMP MNL	3	560908	562006
C 300	FR SERVICE CPT.- LOW BEAM RESISTORS	PED WP	2	561566	561690	C 367	ENGINE COMPT-DIF OIL T SENSOR	PED WP	2	561566	561690
C 301	FR SERVICE CPT.- DR'S FAN SPEED	PED WP	1	561605	561577	C 368	FR ROOF-DEST. SIGN BALLAST	AMP MNL	3	561667	561550
C 302						C 369	FR ROOF-DEST. SIGN OPER. SW	TORRIX	5	-----	562110
C 303						C 370	FR ROOF-DEST. SIGN FLUOR.	AMP MNL	2	560900	560898
C 304						C 371	FR ROOF-DEST. SIGN FLUOR.	AMP MNL	2	560900	560898
C 305						C 372	FR ROOF-DEST. SIGN SPEED SW	MOLEX	4	561477	561476
C 306						C 373	FR ROOF-NO SMOKING LT	AMP MNL	2	561248	561247
C 307						C 374	LH SWITCH PANEL	AMP MNL	6	561552	561515
C 308	LH CONSOLE SW-RHEOSTAT	TC	2	561030	560997	C 375					
C 309						C 376					
C 310	LH DASH PANEL -LUG. DOOR LCK SW	EATON	8	-----	562763	C 377	LH DASH PANEL-STOP ENG.OVERRIDE SW	EATON	8	-----	562763
C 311	RH DASH PANEL -HOS & PAS CHIME SW	EATON	8	-----	562763	C 378					
C 312	RH DASH PANEL -READING LTS SW	EATON	8	-----	562763	C 379					
C 313	RH DASH PANEL -GEN & FLUOR LTS SW	EATON	8	-----	562763	C 380	LH CONSOLE-DDR CONNECTOR	DEUTSCH	6	562360	-----
C 314	LH DASH PANEL-FR DEST. SIGN SW	EATON	8	-----	562763	C 381					
C 315	LH DASH PANEL-LH STORE SW	EATON	8	-----	562763	C 382					
C 316	LH CONSOLE SPARE SWITCH	EATON	8	-----	562763	C 383					
C 317	LH DASH PANEL-RH STORE SW	EATON	8	-----	562763	C 384					
C 318	LH CONSOLE SW-DRV WINDOW LIFT	EATON	8	-----	562763	C 385	EVAPOTATOR COMP WATER PUMP	PED WP	2	561566	561690
C 319						C 386	LH DASH PANEL-WCL POWER SYSTEM SW	EATON	8	-----	562763

CONNECTORS CODE

NO	LOCATION	TYPE	CAVITY	#PIN #SOCKET		NO	LOCATION	TYPE	CAVITY	#PIN #SOCKET	
				HOUSING	HOUSING					HOUSING	HOUSING
C 387	RR JCT BOX (WCL)	AMP MNL	9	561661	561662	C 453	SOUND SYS. JCT.PANEL-VCP	PED WP	2	561566	561680
C 388	RR JCT BOX (WCL)	AMP MNL	12	561735	561734	C 454	SOUND SYS.JCT.PAN.-FILT. VCP	PED WP	2	561566	561680
C 389	WCL REAR DOOR	MOLEX	4	561477	561476	C 455	WIRELESS MICRO-LH HAT-RACK	MOLEX	6	-----	562464
C 390	LAVATORY WALL-WCL REMOTE CTR	EATON	8	-----	562763	C 456	WORLD TRANSM.-RETARDER ACCUM.	PED MP	2	-----	562427
C 391	LAVATORY WALL-WCL LAMP	EATON	8	-----	562763	C 457	WORLD TRANSM.-MAIN CONNECTOR	DEUTSCH	31	562572	562536
C 392	LAVATORY WALL-WCL SW. LT.	EATON	2	-----	561835	C 458	WORLD TRANSM.-TURBINE SP.SENS	PED MP	2	-----	562426
C 393	LAVATORY WALL-WCL REMOTE SYS.	AMP CPC	4	561686	561687	C 459	WORLD TRANSM.-ENGINE SP.SENS.	PED MP	2	-----	562426
C 394	UNDER INSTR. PANEL- B/U MONITOR	AMP MNL	4	560851	560852	C 460	WORLD TRANSM.-SPEED SENSOR	ITT	2	-----	562541
C 395	DRIVER'S COMPT. - B/U MONITOR	AMP	5	-----	-----	C 461	WORLD TRANSM.-RETARDER TEMP.	PED MP	2	561566	561680
C 396	FR SECT. LH HAT RACK-SPEAKER	MOLEX	4	562507	562503	C 462	WORLD TRANSM.-RETARD SOL."K"	PED MP	2	-----	562426
C 397	ENGINE COMPT. CRADLE ACC.	DEUTSCH	40	562281	562284	C 463	WORLD TRANSM.-SENSOR CONN.	DEUTSCH	16	562570	562571
C 398	ENGINE COMPT. - PRE-EXITATION ALT.	PED WP	2	561566	561690	C 464	RR JCT BOX-DDR CONNECTOR	DEUTSCH	6	-----	562360
C 399						C 465	LH CONSOLE-SHIFTER SELECTOR	PED	20	-----	562825
C 400	ENGINE COMPT. BLOCK HEATER	PED MP	3	561781	561782	C 466	FR SERVICE CPT.-RESIS. MOD.	PED WP	3	-----	562428
C 401	EVAPORATOR COMP.	PED WP	1	561605	561577	C 467	FR SERVICE CPT.-RESIS. MOD.	PED WP	3	-----	562428
C 401	EVAPORATOR COMP.	PED WP	1	561605	561577	C 468			8		
C 402						C 469					
C 403	GALLEY FRIGO NORCOLD	AMP MNL	2	561248	561247	C 470	FR LH UPPER WHELL CPT-SILENT 1000	AMP MNL	2	561248	561247
C 404	GALLEY LAMP	AMP MNL	2	561248	561247	C 471	FR LH UPPER WHELL CPT-SILENT 1000	AMP MNL	2	561248	561247
C 405	LAST LUGGAGE COMP.- INVERTER SIGNAL	AMP MNL	2	561248	561247	C 472	FR LH UPPER WHELL CPT-SILENT 1000	PED WP	2	561566	561690
C 406	FR JCT BOX COMPT.-ABS	AMP MNL	2	560900	560898	C 473	FR LH UPPER WHELL CPT-SILENT 1000	AMP MNL	3	561667	561550
C 407						C 474	DRIVER CPT.-TEMP. SENSOR	AMP MNL	2	561247	561248
C 408						C 475	RR JCT BOX-SPEED SIGN CONNECTOR	DEUTSCH	2	562486	562485
C 409	ENGINE CPT -LOW COOL. LEVEL	PED MP	2	-----	562350	C 476					
C 410	FR JCT BOX-DIODE CONNECTOR	AMP MNL	15	561987	561986	C 477					
C 411	FR JCT BOX-DIODE CONNECTOR	AMP MNL	15	561987	561986	C 478	ELECTRONIC DESTINATION SIGN	AMP CPC	9	561636	561637
C 412	LH DASH PANEL-MASTER SWITCH SW	EATON	8	-----	562763	C 479	HVAC MODULE	MOLEX	3	-----	562783
C 413	ENG CPT-A/C HI UNLOAD PRS SW	PED WP	2	561566	561690	C 480	UNDER DASH LH-DR. FAN SPEED CTR. MOD	PED	4	561889	561890
C 414						C 481	UNDER DASH LH-DR. FAN SPEED CTR. MOD	PED	3	561781	561782
C 415	RR JCT BOX - ENGINE SIGNAL	DEUTSCH	24	562280	562283	C 482					
C 416						C 483	FR SERVICE CPT. (NOT USED)	PED PC	2	-----	562237
C 417	FRONT JCT BOX-DIODES	AMP MNL	15	561987	561986	C 484	UNDER DASH LH.-FOOT DAMPER MOTOR	PED PC	2	-----	562076
C 418	LH DASH PANEL-HTR WINDSH.SW	EATON	8	-----	562763	C 485	UNDER DASH LH.-DASH & DEFR. DAM.MOT.	AMP MNL	3	561667	561550
C 419	FR JCT BOX-RETARDER OR JACO B	AMP MNL	3	561667	561550	C 486					
C 420						C 487	S.S.PANEL - AUDIO IN AMPLI	MOLEX	4	-----	563071
C 421						C 488	S.S.PANEL - AMPLI SIGNAL	MOLEX	8	-----	562465
C 422						C 489	S.S.PANEL - SPEAKER OUTLET	MOLEX	6	-----	562464
C 423						C 490					
C 424	UNDER INSTRUMENT PANEL CENTER	AMP MNL	3	561667	561550	C 491					
C 425	FR JCT BOX-DIODES	AMP MNL	15	561987	561986	C 492					
C 426	ENGINE COMPT. CLUTCH CTR FAN	PED WP	3	561781	561782	C 493					
C 427	PRO-HEAT	PED-WP	2	561566	561680	C 494					
C 428	PRO-HEAT	PED WP	6	561606	561607	C 495					
C 429	FR JCT BOX COMPT.	AMP MNL	6	561552	561515	C 496					
C 430	LH CONSOLE-TIMER	AMP FF	8	561188	562363	C 497					
C 431	LH CONSOLE-PRE HEAT.	TAB AMP	1	561540	561539	C 498					
C 432	ENGINE CPT.-PROX. SW. DOOR AJAR	PED-WP	2	561566	561680	C 499					
C 433	FR SERVICE CPT. KNEEL. PRESS. SW	PED WP	2	561566	561690	C 500	FR LH UPPER WHELL CPT -PRODRIVER	MOLEX	6	562070	562069
C 434	FRONT JCT. BOX-DIODES	AMP MNL	15	561987	561986	C 501	FR LH UPPER WHELL CPT -PRODRIVER	PED MP	7	562433	-----
C 435	FR SERVICE CPT.(RH) KNEEL. PIEZO	AMP MNL	2	560900	560898	C 502	LH DASH PANEL-PRE HEATER SW.	EATON	8	-----	562763
C 436	RH HAT RACK-WCL CENTER ROOF ACC	AMP CPC	16	561639	561640	C 503	LH CONSOLE-PRE HEATER SW.	EATON	2	-----	561837
C 437	RH HAT RACK-WCL FR & RR SECT.	AMP CPC	24	561642	561643	C 504	LH CONSOLE WEBASTO TIMER	AMP	8	-----	562852
C 438	EVAP CMPT- A/C CONTROL	AMP MNL	2	561248	561247	C 505	LH CONSOLE ESPAR TIMER	AMP	9	-----	562681
C 439	EVAP CMPT- A/C CONTROL	AMP MNL	2	561248	561247	C 506	FR JCT BOX CPT. DIGITAL CLOCK	AMP	4	561685	561687
C 440	EVAP CMPT- A/C CONTROL	DEUTSCH	4	562479	562477	C 507	FR SECT. LH HAT-RACK DIG. CLOCK	MOLEX	4	561477	561476
C 441	FR JCT BOX- DIODES	AMP MNL	15	561987	561986	C 508	RR JCT BOX-FAN CLUTCH RETARDER	AMP MNL	6	561552	561515
C 442						C 509	FR LH UPPER WHELL CPT -DATA LOGGER	PED MP	16	-----	562530
C 443						C 510	FR LH UPPER WHELL CPT -DATA LOGGER	DEUTSCH	9	562531	-----
C 444						C 511	FR LH UPPER WHELL CPT -DATA LOGGER	PED MP	4	562532	-----
C 445						C 512	FR LH UPPER WHELL CPT -DATA LOGGER	PED MP	10	562533	-----
C 446						C 513	FR LH UPPER WHELL CPT -DATA LOGGER	AMP MNL	3	561667	561550
C 447						C 514	FR LH UPPER WHELL CPT -DATA LOGGER	PED MP	6	562433	562417
C 448						C 515	FR JCT BOX CPT.-INTERCOM	MOLEX	4	561477	561476
C 449						C 516	FR JCT BOX CPT.-INTERCOM	MOLEX	6	562070	562069
C 450	SOUND SYS. JCT. PANEL	MOLEX	4	562507	562503	C 517	LAVATORY WALL-INTERCOM	MOLEX	6	562070	562069
C 451	WIRELESS MICRO-FIRST CPT BAG	MOLEX	2	562550	562549	C 519	UNDER DASH RH-SEDAN DOOR	HUMPHREY	2	-----	562580
C 452	UNDER DASH INSTR. PANEL	MOLEX	2	562550	562549	C 520	UNDER DASH RH-SEDAN DOOR	HUMPHREY	2	-----	641385

CONNECTORS CODE

NO	LOCATION	TYPE	CAVITY	#PIN	#SOCKET	NO	LOCATION	TYPE	CAVITY	#PIN	#SOCKET
				HOUSING	HOUSING					HOUSING	HOUSING
C 521	UNDER DASH RH-SEDAN DOOR	HUMPHREY	2	-----	641385	C 588	FRONT SERVICE CPT. CENTER SOUND SYS.	CONNXALL	9	563163	563089
C 522						C 589	UNDER DASH - L.H. MIRROR	CONNXALL	9	563163	563089
C 523	FR JCT BOX-FUSE BLOCK	PED	8	562647	562646	C 590	UNDER DASH - R.H. MIRROR	AMP MNL	9	561670	561669
C 524	FR JCT BOX-FUSE BLOCK	PED	8	562647	562646	C 591	L.H.CONSOLE - MIRROR L.H.	EURAMTEC	8	-----	562799
C 525	FR JCT BOX-FUSE BLOCK	PED	8	562647	562646	C 592	L.H.CONSOLE - MIRROR R.H.	EURAMTEC	8	-----	562799
C 526	FR JCT BOX-FUSE BLOCK	PED	8	562647	562646	C 593	BATTERY CMPT. - CHARGER	PED WP	3	561781	561782
C 527	FR JCT BOX-FUSE BLOCK	PED	8	562647	562646	C 594	FRONT ROOF - DRIVERS LIGHT	LEEKRAFT	-----	-----	562803
C 528	FR JCT BOX-FUSE BLOCK	PED	8	562647	562646	C 595	DASH CENTER MODULE - OPEN DOOR	MOLEX	4	561477	561476
C 529	FR JCT BOX-12V OUTLET	AMP MNL	2	561247	561248	C 596	DASH CENTER MODULE - CLOSE DOOR	MOLEX	4	561477	561476
C 530	RR JCT BOX-FUSE BLOCK	PED	8	562647	562646	C 597	L.H. DASH PANEL - DISPLAY SET SW.	MOLEX	5	-----	562812
C 531	RR JCT BOX-FUSE BLOCK	PED	8	562610	---	C 598	L.H. DASH PANEL - DISPLAY SET SW.	MOLEX	5	-----	562812
C 532	RR JCT BOX-FUSE BLOCK	PED	8	562610	---	C 599	UND.DASH-MAGN.SW.CTR POS. DR'S AIR	AMP MNL	2	561248	561247
C 533	RR JCT BOX-FUSE BLOCK	PED	8	562647	562646	C 600	ENGINE CPT.-A/C LOW PRESS SW. UNLOAD	PED	2	562348	562471
C 534	RR JCT BOX-FUSE BLOCK	PED	8	562647	562646	C 601	L.H. ROOF - WINDOW AJAR	MOLEX	4	561477	561476
C 535	RR JCT BOX-FIRE MODULE DETECT.	AMP MNL	3	561667	561550	C 602	L.H. ROOF - WINDOW AJAR	MOLEX	4	561477	561476
C 536	UNDER DASH RH-DRIVER'S HTR TEMP. CTR	AMP MNL	6	561552	561515	C 603	R.H. ROOF - WINDOW AJAR	MOLEX	4	561477	561476
C 537	BATT. CPT.-A/C PRESS. SIGN. RLY	AMP MNL	2	561248	561247	C 604	LH PARCEL RACK DVD VIDEO STABILIZER	SWITCHCRAFT	1	563074	-----
C 538	FR SERVICE CPT.-OUTSIDE TEMP. SENSOR	AMP MNL	2	561248	561247	C 605	HAT RACK - MOTOR FAN	PED	2	560997	561030
C 539	HVAC DASH MODULE OUTPUT CON	MOLEX	24	-----	562780	C 606	HAT RACK - MOTOR FAN	PED	2	560997	561030
C 540	HVAC DASH MODULE INPUT CON	MOLEX	22	-----	562781	C 607					
C 541	SOUND SYS. JCT PANEL-AUDIO SEAT SYS.	PED WP	2	561566	561690	C 608	FRONT SERVICE CMPT. SPEED SIGNAL	PED WP	2	561566	561690
C 542	LH HAT RACK-AUDIO SEAT SYSTEM	AMP MNL	3	561667	561550	C 609	LAVATORY - NIGHT LIGHT				
C 543	EVAPORATOR COMP.	PED WP	1	561605	561577	C 610					
C 544	SOUND SYS JCT PANEL-AUDIO SEAT SYS.	PED WP	3	561781	562428	C 611	HAT RACK READING LTS RICON	MOLEX	6	562558	562557
C 545	LH HAT RACK-AUDIO SEAT SYSTEM	AMP MNL	3	561667	561550	C 612	HAT -RACK FLUOR. INSTATION LTS RICON	MOLEX	4	562507	562503
C 546	WIRELESS MIC. CHARGING SYSTEM	MOLEX	2	-----	563025	C 613	HAT -RACK INDIRECT LTS RICON	AMP MNL	3	561667	561550
C 547	RH DASH PANEL-ACCESSORIES	AMP CPC	37	561645	561646	C 614	HAT -RACK INDIRECT LTS RICON	AMP MNL	3	561667	561550
C 548	LH DASH PANEL-T.T. LT. TEST SW.	EATON	8	-----	562763	C 615	LH PARCEL RACK DVD SING ALONG ADAPT.	MOLEX	2	562550	562549
C 549	LH DASH PANEL-FAN CLUTCH OVERR. SW	EATON	8	-----	562763	C 616					
C 550	LAST LUGG. CPT. -WCL RICON	AMP CPC	16	561694	561695						
C 551	LAST LUGG. CPT. -WCL RICON	AMP CPC	16	561694	561695	C 701	ZF TRANSMISSION ECU	KOSTAL	20		
C 552	LAST LUGG. CPT. -WCL RICON	AMP CPC	9	561636	561637	C 702	SHIFT SELECTOR - LH CONSOLE	AMP	14		563338
C 553	UNDER DASH R.H. - CONTROL. HEAD	MOLEX	16	-----	562559	C 712	NEUTRAL SWITCH ON ZF TRANSM. (TOP)	AMP	4		563340
C 554	UNDER DASH R.H. - CONTROL. HEAD	MOLEX	16	-----	562559	C 714	OUTPUT SENSOR ON ZF TRANSM. (BOTTOM)	AMP	4		563340
C 555	UNDER DASH R.H. - CONTROL. HEAD	MOLEX	16	-----	562559	C 717	BATT. CPT - MAIN CONNECTOR	AMP CPC	22	561642	561643
C 556	UNDER DASH R.H. - RADIO ACC.	MOLEX	2	562550	562549	C 720	ENGINE COMPT - BLKHD CONNECTOR	DEUTSCH	31	563359	563358
C 557	UNDER DASH R.H. - RADIO ACC.	MOLEX	9	562556	562555	C 721	LH CONSOLE - ZF TESTMAN DIAGNOSTIC	AMP MNL	6	563356	-----
C 558	UNDER DASH R.H. - RADIO ACC.	MOLEX	4	562507	562503	C 723	ENGINE COMPT - FOR TRANSM.	DEUTSCH	3		562884
C 559	SOUND SYS. JCT. PANEL - FILTER AMPLI	PED WP	2	561566	561690	C 736	ENGINE COMPT - ZMTEC MODULE	PACKARD	30	563053	-----
C 560	SOUND SYS. JCT. PANEL - POWER AMPLI	MOLEX	4	562507	562503	C 740	DRIVE AXLE - EASY START SOL VALVE	LEONI	2	--	641949
C 561	L.H. HAT RACK - WIRELESS MICRO	MOLEX	8	-----	562465	C 742	BATT. CPT - FUSE BLOCK	AMP	8	562446	-----
C 562	L.H. HAT RACK - VCP	MOLEX	12	562556	563070	C 745	FR SERV.COMPT - THROTTLE POS. SENSOR	PED WP	3	561781	-----
C 563	L.H. MODESTY PANEL - DRIVERS SPK.	MOLEX	4	562507	562503	C 760	FR SERV. COMPT - TO J1939	DEUTSCH	3		-----
C 564	L.H. MODESTY PANEL - MICRO	MOLEX	4	562507	562503	C 761	FR SERV. COMPT - TO J1939	DEUTSCH	3		562884
C 565	R.H. MODESTY PANEL - MICRO	MOLEX	4	562507	562503	C 762	ENGINE COMPT - TO J1939	DEUTSCH	3		562884
C 566	L.H. CONSOLE - BOOM MICRO	MOLEX	4	562507	562503	C 763	ENGINE COMPT - TO J1939	DEUTSCH	3		562884
C 567	L.H. CONSOLE - DRIVERS MICRO	MOLEX	4	562507	562503	C 764	ENGINE COMPT - TO J1939	DEUTSCH	3		562884
C 568	SOUND SYS. JCT. PANEL - PASS. SPK	CINCH	4	562553	562552	C 765	ENGINE COMPT - TO J1939	DEUTSCH	3		562884
C 569	SOUND SYS. JCT. PANEL - POWER AMPLI.	MOLEX	9	562556	562555	C 766	ENGINE COMPT - TO J1939	DEUTSCH	3		562884
C 570	UNDER DASH PANEL TTLT	MOLEX	6	-----	562464						
C 571	UNDER DASH PANEL TTLT	MOLEX	20	562778	-----	C X	CLUSTER	JAE	22		562766
C 572	UNDER DASH PANEL TTLT	MOLEX	18	562779	-----	C Y	CLUSTER	JAE	30		562767
C 573	UNDER DASH PANEL TTLT	MOLEX	8	562465	-----	L X	CLUSTER	JAE	22		562764
C 574	HAT -RACK FLUOR. INDIRECT LIGHTING	MOLEX	6	-----	562759	L					
C 575	HAT -RACK FLUOR. INSTATION LIGHT	MOLEX	4	562507	562503	R					
C 576	HAT -RACK FLUOR. INDIRECT LIGHTING	AMP MNL	3	561667	561550						
C 577	HAT -RACK FLUOR. INDIRECT LIGHTING	AMP MNL	3	561667	561550						
C 578	HAT -RACK FLUOR. INSTATION LIGHT	MOLEX	4	562507	562503						
C 579	L.H HAT RACK - VCP POWER	MOLEX	4	-----	563071						
C 580	RH DASH PANEL-HAT RACK FAN SW	EATON	8	-----	562763						
C 581											
C 582	FRONT SERVICE CMPT. - WINDOWS AJAR	PED WP	2	561566	561690						
C 583	L.H. DASH PANEL - MASTER KEY	DEUTSCH	2	562486	562485						
C 584	FRONT SERVICE CMPT. - AIR HORH	HUMPHREY	3	-----	641385						
C 585											
C 586											
C 587	LH PARCEL RACK DVD UNIT	MOLEX	4	563040	563071						

DIODES NUMBER CODE

No.	PAGE	AMP	#PREV.	LOCATION	FUNCTION	No.	PAGE	AMP	#PREV.	LOCATION	FUNCTION
D 1	13.1	3A	560931	EVAP.COMP.	BYPASS VALVE	D 58	17	3A	561740	FR JCT BOX	RR HIGH BUOY - KNEELING
D 2						D 59	13.2	3A	561740	RR JCT BOX	A/C & HEAT BYPASS SWITCH
D 3	1.1	3A	561740	RR JCT BOX	24V DISC. CUT OUT RLY	D 60	13.1	3A	561740	RR JCT BOX	A/C PASS. LIQ. SOL. VALVE
D 4	9.2	3A	561740	FR JCT BOX	WARNING HAZARD-RH	D 61	9.2	3A	561740	FR JCT BOX	KNEELING SIDE FR RH DIRECTIONAL LT
D 5	9.2	3A	561740	FR JCT BOX	WARNING HAZARD-LH	D 62	13.2	3A	561740	RR JCT BOX	WATER PUMP FEED
D 6	5	3A	561740	FR JCT BOX	WCL NEUT. SIGN INTERFACE TO PARK BRK TTLT	D 63	17	3A	561740	FR JCT BOX	LAVATORY SONALERT
D 7						D 64	17	3A	561740	FR JCT BOX	WCL DOOR ALARM
D 8	9.1	3A	561740	FR JCT BOX	HI/LO BEAMS	D 65	13.2	3A	561740	RR JCT BOX	WATER PUMP - PRE-HEAT FEED
D 9	12	3A	561740	FR L.H. HAT-RACK	HOSTESS & PASSENGER CHIME	D 66	13.2	3A	561740	RR JCT BOX	WATER VALVE - HEAT SW. FEED
D 10	9.1	3A	561740	FR JCT BOX	DAY-TIME RUN LIGHT -ENGINE NOT RUN	D 67	9.2	3A	561740	UNDER DASH	AUDIBLE FLASHER RLY - RH
D 11	17	3A	561740	RR JCT BOX	LAVATORY OCCUPIED SIGN	D 68	9.2	3A	561740	UNDER DASH	AUDIBLE FLASHER RLY - LH
D 12	17	3A	561740	RR JCT BOX	LAVATORY OCCUPIED SIGN	D 69					
D 13	17	3A	561740	FR DEST. SIGN	FR DESTINATION SIGN	D 70	18	3A	561740	FR JCT BOX	FR HIGH BUOY - KNEELING
D 14	17	3A	561740	FR DEST. SIGN	FR DESTINATION SIGN	D 71	18	3A	561740	FR JCT BOX	FR HIGH BUOY - KNEELING
D 15	18	3A	561740	FR JCT BOX	KNEELING SYSTEM CTR-UP	D 72	18	3A	561740	FR JCT BOX	FR HIGH BUOY - KNEELING
D 16	18	3A	561740	FR JCT BOX	KNEELING SYSTEM CTR-DOWN	D 73	18	3A	561740	FR JCT BOX	FR HIGH BUOY - KNEELING
D 17	9.2	3A	561740	FR JCT BOX	WARNING HAZARD-LH	D 74					
D 18	9.2	3A	561740	FR JCT BOX	WARNING HAZARD-RH	D 75	4	3A	381351	RR JCT BOX	STARTER-SUPPRESSOR COIL RLY
D 19	9	3A	561740	FR JCT BOX	DAYTIME RUN LTS-PARK BRK CALL SW.	D 76	9.3	3A	561740	RR JCT BOX	STOP LIGHT RLY
D 20	9	3A	561740	FR JCT BOX	DAYTIME RUN LTS-HEAD LT SW	D 77	18	3A	561740	FR JCT BOX	PARKING BRAKE - KNEELING
D 21	18	3A	561740	FR JCT BOX	KNEELING SYSTEM FEED BACK	D 78	26	3A	561740	LH CONSOLE	PRE-HEAT WATER HEATER SW.
D 22	4.2	3A	561740	FR JCT BOX	ALTERNATOR POWER IGNITION	D 79	26	3A	561740	LH CONSOLE	PRE-HEAT WATER HEATER SW.
D 23						D 80					
D 24						D 81	18	3A	561740	FR JCT BOX	PIEZO-KNEELING
D 25	11.1	3A	561740	FR JCT BOX	LUGGAGE DOOR AJAR T.T.LT.	D 82	8.1	3A	561740	RR JCT BOX	FAN CLUTCH
D 26	11.1	3A	561740	FR JCT BOX	LUGGAGE DOOR AJAR T.T.LT.	D 83	8	3A	561740	RR JCT BOX	FAN CLUTCH W/RETARDER
D 27	11.1	3A	561740	FR JCT BOX	LUGGAGE DOOR AJAR T.T.LT.	D 84	13.2	3A	561740	RR JCT BOX	WATER VALVE
D 28	11.1	3A	561740	FR JCT BOX	LUGGAGE DOOR AJAR T.T.LT.	D 85	16.1	3A	561740	FR JCT BOX	ENTRANCE DOOR SEDAN
D 29	11.1	3A	561740	FR JCT BOX	LUGGAGE DOOR AJAR T.T.LT.	D 86	16	3A	561740	UNDER DASH RH	ENTRANCE DOOR SEDAN
D 30	11.1	3A	561740	FR JCT BOX	LUGGAGE DOOR AJAR T.T.LT.	D 87	16	3A	561740	UNDER DASH RH	ENTRANCE DOOR SEDAN
D 31						D 88	16	3A	561740	UNDER DASH RH	ENTRANCE DOOR SEDAN
D 32						D 89	16	3A	561740	UNDER DASH RH	ENTRANCE DOOR SEDAN
D 33						D 90	16	3A	561740	UNDER DASH RH	ENTRANCE DOOR SEDAN
D 34						D 91	16	3A	561740	UNDER DASH RH	ENTRANCE DOOR SEDAN
D 35	25	3A	561740	RR JCT BOX	WCL DOOR AJAR ALARM T.T.LT.	D F1	8.1	3A	561740	RR. JCT. BOX	FAN CLUTCH - SUPPRESSOR
D 36	11.4	3A	561740	RR JCT BOX	CHARGEUR 24V/110V	D F2	8.1	3A	561740	RR. JCT. BOX	FAN CLUTCH - SUPPRESSOR
D 37	11.4	3A	561740	RR JCT BOX	CHARGEUR 24V/110V						
D 38	11.4	3A	561740	RR JCT BOX	CHARGEUR 24V/110V						
D 39											
D 40											
D 41											
D 42											
D 43	10	3A	561740	LOWER WIPER MOT.	WIPER MOTOR SUPPRESSOR						
D 44	10	3A	561740	LOWER WIPER MOT.	WIPER MOTOR SUPPRESSOR						
D 45	10	3A	561740	UPPER WIPER MOT.	WIPER MOTOR SUPPRESSOR						
D 46	9.3	3A	561740	RR JCT BOX	PARK BRAKE STOP LIGHT						
D 47	9.3	3A	561740	RR JCT BOX	CYCLOP LTS						
D 48											
D 49											
D 50											
D 51											
D 52											
D 53											
D 54											
D 55	25	3A	561740	RR JCT BOX	SHIFTER INHIBIT R109						
D 56	9.3	3A	561740	RR JCT BOX	PARK BRAKE STOP LTS SIGNAL BLOCKED						
D 57											

DIODES NUMBER CODE

No.	PAGE	AMP	#PREV.	LOCATION	FUNCTION	No.	PAGE	AMP	#PREV.	LOCATION	FUNCTION
D 1	13.1	3A	560931	EVAP.COMP.	BYPASS VALVE	D 58	17	3A	561740	FR JCT BOX	RR HIGH BUOY - KNEELING
D 2						D 59	13.2	3A	561740	RR JCT BOX	A/C & HEAT BYPASS SWITCH
D 3	1.1	3A	561740	RR JCT BOX	24V DISC. CUT OUT RLY	D 60	13.1	3A	561740	RR JCT BOX	A/C PASS. LIQ. SOL. VALVE
D 4	9.2	3A	561740	FR JCT BOX	WARNING HAZARD-RH	D 61	9.2	3A	561740	FR JCT BOX	KNEELING SIDE FR RH DIRECTIONAL LT
D 5	9.2	3A	561740	FR JCT BOX	WARNING HAZARD-LH	D 62	13.2	3A	561740	RR JCT BOX	WATER PUMP FEED
D 6	5	3A	561740	FR JCT BOX	WCL NEUT. SIGN INTERFACE TO PARK BRK TTLT	D 63	17	3A	561740	FR JCT BOX	LAVATORY SONALERT
D 7						D 64	17	3A	561740	FR JCT BOX	WCL DOOR ALARM
D 8	9.1	3A	561740	FR JCT BOX	HI/LO BEAMS	D 65	13.2	3A	561740	RR JCT BOX	WATER PUMP - PRE-HEAT FEED
D 9	12	3A	561740	FR L.H. HAT-RACK	HOSTESS & PASSENGER CHIME	D 66	13.2	3A	561740	RR JCT BOX	WATER VALVE - HEAT SW. FEED
D 10	9.1	3A	561740	FR JCT BOX	DAY-TIME RUN LIGHT -ENGINE NOT RUN	D 67	9.2	3A	561740	UNDER DASH	AUDIBLE FLASHER RLY - RH
D 11	17	3A	561740	RR JCT BOX	LAVATORY OCCUPIED SIGN	D 68	9.2	3A	561740	UNDER DASH	AUDIBLE FLASHER RLY - LH
D 12	17	3A	561740	RR JCT BOX	LAVATORY OCCUPIED SIGN	D 69					
D 13	17	3A	561740	FR DEST. SIGN	FR DESTINATION SIGN	D 70	18	3A	561740	FR JCT BOX	FR HIGH BUOY - KNEELING
D 14	17	3A	561740	FR DEST. SIGN	FR DESTINATION SIGN	D 71	18	3A	561740	FR JCT BOX	FR HIGH BUOY - KNEELING
D 15	18	3A	561740	FR JCT BOX	KNEELING SYSTEM CTR-UP	D 72	18	3A	561740	FR JCT BOX	FR HIGH BUOY - KNEELING
D 16	18	3A	561740	FR JCT BOX	KNEELING SYSTEM CTR-DOWN	D 73	18	3A	561740	FR JCT BOX	FR HIGH BUOY - KNEELING
D 17	9.2	3A	561740	FR JCT BOX	WARNING HAZARD-LH	D 74					
D 18	9.2	3A	561740	FR JCT BOX	WARNING HAZARD-RH	D 75	4	3A	381351	RR JCT BOX	STARTER-SUPPRESSOR COIL RLY
D 19	9	3A	561740	FR JCT BOX	DAYTIME RUN LTS-PARK BRK CALL SW.	D 76	9.3	3A	561740	RR JCT BOX	STOP LIGHT RLY
D 20	9	3A	561740	FR JCT BOX	DAYTIME RUN LTS-HEAD LT SW	D 77	18	3A	561740	FR JCT BOX	PARKING BRAKE - KNEELING
D 21	18	3A	561740	FR JCT BOX	KNEELING SYSTEM FEED BACK	D 78	26	3A	561740	LH CONSOLE	PRE-HEAT WATER HEATER SW.
D 22	4.2	3A	561740	FR JCT BOX	ALTERNATOR POWER IGNITION	D 79	26	3A	561740	LH CONSOLE	PRE-HEAT WATER HEATER SW.
D 23						D 80					
D 24						D 81	18	3A	561740	FR JCT BOX	PIEZO-KNEELING
D 25	11.1	3A	561740	FR JCT BOX	LUGGAGE DOOR AJAR T.T.LT.	D 82	8.1	3A	561740	RR JCT BOX	FAN CLUTCH
D 26	11.1	3A	561740	FR JCT BOX	LUGGAGE DOOR AJAR T.T.LT.	D 83	8	3A	561740	RR JCT BOX	FAN CLUTCH W/RETARDER
D 27	11.1	3A	561740	FR JCT BOX	LUGGAGE DOOR AJAR T.T.LT.	D 84	13.2	3A	561740	RR JCT BOX	WATER VALVE
D 28	11.1	3A	561740	FR JCT BOX	LUGGAGE DOOR AJAR T.T.LT.	D 85	16.1	3A	561740	FR JCT BOX	ENTRANCE DOOR SEDAN
D 29	11.1	3A	561740	FR JCT BOX	LUGGAGE DOOR AJAR T.T.LT.	D 86	16	3A	561740	UNDER DASH RH	ENTRANCE DOOR SEDAN
D 30	11.1	3A	561740	FR JCT BOX	LUGGAGE DOOR AJAR T.T.LT.	D 87	16	3A	561740	UNDER DASH RH	ENTRANCE DOOR SEDAN
D 31						D 88	16	3A	561740	UNDER DASH RH	ENTRANCE DOOR SEDAN
D 32						D 89	16	3A	561740	UNDER DASH RH	ENTRANCE DOOR SEDAN
D 33						D 90	16	3A	561740	UNDER DASH RH	ENTRANCE DOOR SEDAN
D 34						D 91	16	3A	561740	UNDER DASH RH	ENTRANCE DOOR SEDAN
D 35	25	3A	561740	RR JCT BOX	WCL DOOR AJAR ALARM T.T.LT.	D 92	6.3	3A	561740	RR JCT. BOX	ZF TRANSMISSION
D 36	11.4	3A	561740	RR JCT BOX	CHARGEUR 24V/110V	D 93	6.3	3A	561740	RR JCT. BOX	ZF TRANSMISSION
D 37	11.4	3A	561740	RR JCT BOX	CHARGEUR 24V/110V	D F1	8.1	3A	561740	RR. JCT. BOX	FAN CLUTCH - SUPPRESSOR
D 38	11.4	3A	561740	RR JCT BOX	CHARGEUR 24V/110V	D F2	8.1	3A	561740	RR. JCT. BOX	FAN CLUTCH - SUPPRESSOR
D 39											
D 40											
D 41											
D 42											
D 43	10	3A	561740	LOWER WIPER MOT.	WIPER MOTOR SUPPRESSOR						
D 44	10	3A	561740	LOWER WIPER MOT.	WIPER MOTOR SUPPRESSOR						
D 45	10	3A	561740	UPPER WIPER MOT.	WIPER MOTOR SUPPRESSOR						
D 46	9.3	3A	561740	RR JCT BOX	PARK BRAKE STOP LIGHT						
D 47	9.3	3A	561740	RR JCT BOX	CYCLOP LTS						
D 48											
D 49											
D 50											
D 51											
D 52											
D 53											
D 54											
D 55	25	3A	561740	RR JCT BOX	SHIFTER INHIBIT R109						
D 56	9.3	3A	561740	RR JCT BOX	PARK BRAKE STOP LTS SIGNAL BLOCKED						
D 57											

DIODES NUMBER CODE

No.	PAGE	AMP	#PREV.	LOCATION	FUNCTION	No.	PAGE	AMP	#PREV.	LOCATION	FUNCTION
D 1	13.1	3A	560931	EVAP.COMP.	BYPASS VALVE	D 58	17	3A	561740	FR JCT BOX	RR HIGH BUOY - KNEELING
D 2						D 59	13.2	3A	561740	RR JCT BOX	A/C & HEAT BYPASS SWITCH
D 3	1.1	3A	561740	RR JCT BOX	24V DISC. CUT OUT RLY	D 60	13.1	3A	561740	RR JCT BOX	A/C PASS. LIQ. SOL. VALVE
D 4	9.2	3A	561740	FR JCT BOX	WARNING HAZARD-RH	D 61	9.2	3A	561740	FR JCT BOX	KNEELING SIDE FR RH DIRECTIONAL LT
D 5	9.2	3A	561740	FR JCT BOX	WARNING HAZARD-LH	D 62	13.2	3A	561740	RR JCT BOX	WATER PUMP FEED
D 6	5	3A	561740	FR JCT BOX	WCL NEUT. SIGN INTERFACE TO PARK BRK TTLT	D 63	17	3A	561740	FR JCT BOX	LAVATORY SONALERT
D 7						D 64	17	3A	561740	FR JCT BOX	WCL DOOR ALARM
D 8	9.1	3A	561740	FR JCT BOX	HI/LO BEAMS	D 65	13.2	3A	561740	RR JCT BOX	WATER PUMP - PRE-HEAT FEED
D 9	12	3A	561740	FR L.H. HAT-RACK	HOSTESS & PASSENGER CHIME	D 66	13.2	3A	561740	RR JCT BOX	WATER VALVE - HEAT SW. FEED
D 10	9.1	3A	561740	FR JCT BOX	DAY-TIME RUN LIGHT -ENGINE NOT RUN	D 67	9.2	3A	561740	UNDER DASH	AUDIBLE FLASHER RLY - RH
D 11	17	3A	561740	RR JCT BOX	LAVATORY OCCUPIED SIGN	D 68	9.2	3A	561740	UNDER DASH	AUDIBLE FLASHER RLY - LH
D 12	17	3A	561740	RR JCT BOX	LAVATORY OCCUPIED SIGN	D 69					
D 13	17	3A	561740	FR DEST. SIGN	FR DESTINATION SIGN	D 70	18	3A	561740	FR JCT BOX	FR HIGH BUOY - KNEELING
D 14	17	3A	561740	FR DEST. SIGN	FR DESTINATION SIGN	D 71	18	3A	561740	FR JCT BOX	FR HIGH BUOY - KNEELING
D 15	18	3A	561740	FR JCT BOX	KNEELING SYSTEM CTR-UP	D 72	18	3A	561740	FR JCT BOX	FR HIGH BUOY - KNEELING
D 16	18	3A	561740	FR JCT BOX	KNEELING SYSTEM CTR-DOWN	D 73	18	3A	561740	FR JCT BOX	FR HIGH BUOY - KNEELING
D 17	9.2	3A	561740	FR JCT BOX	WARNING HAZARD-LH	D 74					
D 18	9.2	3A	561740	FR JCT BOX	WARNING HAZARD-RH	D 75	4	3A	381351	RR JCT BOX	STARTER-SUPPRESSOR COIL RLY
D 19	9	3A	561740	FR JCT BOX	DAYTIME RUN LTS-PARK BRK CALL SW.	D 76	9.3	3A	561740	RR JCT BOX	STOP LIGHT RLY
D 20	9	3A	561740	FR JCT BOX	DAYTIME RUN LTS-HEAD LT SW	D 77	18	3A	561740	FR JCT BOX	PARKING BRAKE - KNEELING
D 21	18	3A	561740	FR JCT BOX	KNEELING SYSTEM FEED BACK	D 78	26	3A	561740	LH CONSOLE	PRE-HEAT WATER HEATER SW.
D 22	4.2	3A	561740	FR JCT BOX	ALTERNATOR POWER IGNITION	D 79	26	3A	561740	LH CONSOLE	PRE-HEAT WATER HEATER SW.
D 23						D 80					
D 24						D 81	18	3A	561740	FR JCT BOX	PIEZO-KNEELING
D 25	11.1	3A	561740	FR JCT BOX	LUGGAGE DOOR AJAR T.T.LT.	D 82	8.1	3A	561740	RR JCT BOX	FAN CLUTCH
D 26	11.1	3A	561740	FR JCT BOX	LUGGAGE DOOR AJAR T.T.LT.	D 83	8	3A	561740	RR JCT BOX	FAN CLUTCH W/RETARDER
D 27	11.1	3A	561740	FR JCT BOX	LUGGAGE DOOR AJAR T.T.LT.	D 84	13.2	3A	561740	RR JCT BOX	WATER VALVE
D 28	11.1	3A	561740	FR JCT BOX	LUGGAGE DOOR AJAR T.T.LT.	D 85	16.1	3A	561740	FR JCT BOX	ENTRANCE DOOR SEDAN
D 29	11.1	3A	561740	FR JCT BOX	LUGGAGE DOOR AJAR T.T.LT.	D 86	16	3A	561740	UNDER DASH RH	ENTRANCE DOOR SEDAN
D 30	11.1	3A	561740	FR JCT BOX	LUGGAGE DOOR AJAR T.T.LT.	D 87	16	3A	561740	UNDER DASH RH	ENTRANCE DOOR SEDAN
D 31						D 88	16	3A	561740	UNDER DASH RH	ENTRANCE DOOR SEDAN
D 32						D 89	16	3A	561740	UNDER DASH RH	ENTRANCE DOOR SEDAN
D 33	13.2	3A	561740	UNDER DASH	PASS. REC. DAMPER SW.	D 90	16	3A	561740	UNDER DASH RH	ENTRANCE DOOR SEDAN
D 34						D 91	16	3A	561740	UNDER DASH RH	ENTRANCE DOOR SEDAN
D 35	25	3A	561740	RR JCT BOX	WCL DOOR AJAR ALARM T.T.LT.	D 92	6.3	3A	561740	RR JCT. BOX	ZF TRANSMISSION
D 36	11.4	3A	561740	RR JCT BOX	CHARGEUR 24V/110V	D 93	6.3	3A	561740	RR JCT. BOX	ZF TRANSMISSION
D 37	11.4	3A	561740	RR JCT BOX	CHARGEUR 24V/110V	D F1	8.1	3A	561740	RR. JCT. BOX	FAN CLUTCH - SUPPRESSOR
D 38	11.4	3A	561740	RR JCT BOX	CHARGEUR 24V/110V	D F2	8.1	3A	561740	RR. JCT. BOX	FAN CLUTCH - SUPPRESSOR
D 39											
D 40											
D 41											
D 42											
D 43	10	3A	561740	LOWER WIPER MOT.	WIPER MOTOR SUPPRESSOR						
D 44	10	3A	561740	LOWER WIPER MOT.	WIPER MOTOR SUPPRESSOR						
D 45	10	3A	561740	UPPER WIPER MOT.	WIPER MOTOR SUPPRESSOR						
D 46	9.3	3A	561740	RR JCT BOX	PARK BRAKE STOP LIGHT						
D 47	9.3	3A	561740	RR JCT BOX	CYCLOP LTS						
D 48											
D 49											
D 50											
D 51											
D 52											
D 53											
D 54											
D 55	25	3A	561740	RR JCT BOX	SHIFTER INHIBIT R109						
D 56	9.3	3A	561740	RR JCT BOX	PARK BRAKE STOP LTS SIGNAL BLOCKED						
D 57											

DIODES NUMBER CODE

No.	PAGE	AMP	#PREV.	LOCATION	FUNCTION	No.	PAGE	AMP	#PREV.	LOCATION	FUNCTION
D 1	13.1	3A	560931	EVAP.COMP.	BYPASS VALVE	D 58	17	3A	561740	FR JCT BOX	RR HIGH BUOY - KNEELING
D 2						D 59	13.2	3A	561740	RR JCT BOX	A/C & HEAT BYPASS SWITCH
D 3	1.1	3A	561740	RR JCT BOX	24V DISC. CUT OUT RLY	D 60	13.1	3A	561740	RR JCT BOX	A/C PASS. LIQ. SOL. VALVE
D 4	9.2	3A	561740	FR JCT BOX	WARNING HAZARD-RH	D 61	9.2	3A	561740	FR JCT BOX	KNEELING SIDE FR RH DIRECTIONAL LT
D 5	9.2	3A	561740	FR JCT BOX	WARNING HAZARD-LH	D 62	13.2	3A	561740	RR JCT BOX	WATER PUMP FEED
D 6	5	3A	561740	FR JCT BOX	WCL NEUT. SIGN INTERFACE TO PARK BRK TTLT	D 63	17	3A	561740	FR JCT BOX	LAVATORY SONALERT
D 7						D 64	17	3A	561740	FR JCT BOX	WCL DOOR ALARM
D 8	9.5	3A	561740	FR JCT BOX	HI / LO BEAMS	D 65	13.2	3A	561740	RR JCT BOX	WATER PUMP - PRE-HEAT FEED
D 9	12	3A	561740	FR L.H. HAT-RACK	HOSTESS & PASSENGER CHIME	D 66	13.2	3A	561740	RR JCT BOX	WATER VALVE - HEAT SW. FEED
D 10	9.1	3A	561740	FR JCT BOX	DAY-TIME RUN LIGHT -ENGINE NOT RUN	D 67	9.2	3A	561740	UNDER DASH	AUDIBLE FLASHER RLY - RH
D 11	17	3A	561740	RR JCT BOX	LAVATORY OCCUPIED SIGN	D 68	9.2	3A	561740	UNDER DASH	AUDIBLE FLASHER RLY - LH
D 12	17	3A	561740	RR JCT BOX	LAVATORY OCCUPIED SIGN	D 69	19.1	3A	561740	FR JCT BOX	ENGINE BRAKE - LEAKAGE SUPPRESSOR
D 13	17	3A	561740	FR DEST. SIGN	FR DESTINATION SIGN	D 70	18	3A	561740	FR JCT BOX	FR HIGH BUOY - KNEELING
D 14	17	3A	561740	FR DEST. SIGN	FR DESTINATION SIGN	D 71	18	3A	561740	FR JCT BOX	FR HIGH BUOY - KNEELING
D 15	18	3A	561740	FR JCT BOX	KNEELING SYSTEM CTR-UP	D 72	18	3A	561740	FR JCT BOX	FR HIGH BUOY - KNEELING
D 16	18	3A	561740	FR JCT BOX	KNEELING SYSTEM CTR-DOWN	D 73	18	3A	561740	FR JCT BOX	FR HIGH BUOY - KNEELING
D 17	9.2	3A	561740	FR JCT BOX	WARNING HAZARD-LH	D 74					
D 18	9.2	3A	561740	FR JCT BOX	WARNING HAZARD-RH	D 75	4	3A	381351	RR JCT BOX	STARTER-SUPPRESSOR COIL RLY
D 19	9	3A	561740	FR JCT BOX	DAYTIME RUN LTS-PARK BRK CALL SW.	D 76	9.3	3A	561740	RR JCT BOX	STOP LIGHT RLY
D 20	9	3A	561740	FR JCT BOX	DAYTIME RUN LTS-HEAD LT SW	D 77	18	3A	561740	FR JCT BOX	PARKING BRAKE - KNEELING
D 21	18	3A	561740	FR JCT BOX	KNEELING SYSTEM FEED BACK	D 78	26	3A	561740	LH CONSOLE	PRE-HEAT WATER HEATER SW.
D 22	4.2	3A	561740	FR JCT BOX	ALTERNATOR POWER IGNITION	D 79	26	3A	561740	LH CONSOLE	PRE-HEAT WATER HEATER SW.
D 23						D 80					
D 24						D 81	18	3A	561740	FR JCT BOX	PIEZO-KNEELING
D 25	11.1	3A	561740	FR JCT BOX	LUGGAGE DOOR AJAR T.T.LT.	D 82	8.1	3A	561740	RR JCT BOX	FAN CLUTCH
D 26	11.1	3A	561740	FR JCT BOX	LUGGAGE DOOR AJAR T.T.LT.	D 83	8	3A	561740	RR JCT BOX	FAN CLUTCH W/RETARDER
D 27	11.1	3A	561740	FR JCT BOX	LUGGAGE DOOR AJAR T.T.LT.	D 84	13.2	3A	561740	RR JCT BOX	WATER VALVE
D 28	11.1	3A	561740	FR JCT BOX	LUGGAGE DOOR AJAR T.T.LT.	D 85	16.1	3A	561740	FR JCT BOX	ENTRANCE DOOR SEDAN
D 29	11.1	3A	561740	FR JCT BOX	LUGGAGE DOOR AJAR T.T.LT.	D 86	16	3A	561740	UNDER DASH RH	ENTRANCE DOOR SEDAN
D 30	11.1	3A	561740	FR JCT BOX	LUGGAGE DOOR AJAR T.T.LT.	D 87	16	3A	561740	UNDER DASH RH	ENTRANCE DOOR SEDAN
D 31						D 88	16	3A	561740	UNDER DASH RH	ENTRANCE DOOR SEDAN
D 32						D 89	16	3A	561740	UNDER DASH RH	ENTRANCE DOOR SEDAN
D 33	13.2	3A	561740	UNDER DASH	PASS. REC. DAMPER SW.	D 90	16	3A	561740	UNDER DASH RH	ENTRANCE DOOR SEDAN
D 34						D 91	16	3A	561740	UNDER DASH RH	ENTRANCE DOOR SEDAN
D 35	25	3A	561740	RR JCT BOX	WCL DOOR AJAR ALARM T.T.LT.	D 92	6.3	3A	561740	RR JCT. BOX	ZF TRANSMISSION
D 36	11.4	3A	561740	RR JCT BOX	CHARGEUR 24V/110V	D 93	6.3	3A	561740	RR JCT. BOX	ZF TRANSMISSION
D 37	11.4	3A	561740	RR JCT BOX	CHARGEUR 24V/110V	D F1	8.1	3A	561740	RR. JCT. BOX	FAN CLUTCH - SUPPRESSOR
D 38	11.4	3A	561740	RR JCT BOX	CHARGEUR 24V/110V	D F2	8.1	3A	561740	RR. JCT. BOX	FAN CLUTCH - SUPPRESSOR
D 39											
D 40											
D 41											
D 42											
D 43	10	3A	561740	LOWER WIPER MOT.	WIPER MOTOR SUPPRESSOR						
D 44	10	3A	561740	LOWER WIPER MOT.	WIPER MOTOR SUPPRESSOR						
D 45	10	3A	561740	UPPER WIPER MOT.	WIPER MOTOR SUPPRESSOR						
D 46	9.3	3A	561740	RR JCT BOX	PARK BRAKE STOP LIGHT						
D 47	9.3	3A	561740	RR JCT BOX	CYCLOP LTS						
D 48											
D 49											
D 50											
D 51											
D 52											
D 53											
D 54											
D 55	25	3A	561740	RR JCT BOX	SHIFTER INHIBIT R109						
D 56	9.3	3A	561740	RR JCT BOX	PARK BRAKE STOP LTS SIGNAL BLOCKED						
D 57											

DIODES NUMBER CODE

No.	PAGE	AMP	#PREV.	LOCATION	FUNCTION	No.	PAGE	AMP	#PREV.	LOCATION	FUNCTION
D 1	13.1	3A	560931	EVAP.COMP.	BYPASS VALVE	D 58	17	3A	561740	FR JCT BOX	RR HIGH BUOY - KNEELING
D 2						D 59	13.2	3A	561740	RR JCT BOX	A/C & HEAT BYPASS SWITCH
D 3	1.1	3A	561740	RR JCT BOX	24V DISC. CUT OUT RLY	D 60	13.1	3A	561740	RR JCT BOX	A/C PASS. LIQ. SOL. VALVE
D 4	9.2	3A	561740	FR JCT BOX	WARNING HAZARD-RH	D 61	9.2	3A	561740	FR JCT BOX	KNEELING SIDE FR RH DIRECTIONAL LT
D 5	9.2	3A	561740	FR JCT BOX	WARNING HAZARD-LH	D 62	13.2	3A	561740	RR JCT BOX	WATER PUMP FEED
D 6	5	3A	561740	FR JCT BOX	WCL NEUT. SIGN INTERFACE TO PARK BRK TTLT	D 63	17	3A	561740	FR JCT BOX	LAVATORY SONALERT
D 7						D 64	17	3A	561740	FR JCT BOX	WCL DOOR ALARM
D 8	9.5	3A	561740	FR JCT BOX	HI / LO BEAMS	D 65	13.2	3A	561740	RR JCT BOX	WATER PUMP - PRE-HEAT FEED
D 9	12	3A	561740	FR L.H. HAT-RACK	HOSTESS & PASSENGER CHIME	D 66	13.2	3A	561740	RR JCT BOX	WATER VALVE - HEAT SW. FEED
D 10	9.1	3A	561740	FR JCT BOX	DAY-TIME RUN LIGHT -ENGINE NOT RUN	D 67	9.2	3A	561740	UNDER DASH	AUDIBLE FLASHER RLY - RH
D 11	17	3A	561740	RR JCT BOX	LAVATORY OCCUPIED SIGN	D 68	9.2	3A	561740	UNDER DASH	AUDIBLE FLASHER RLY - LH
D 12	17	3A	561740	RR JCT BOX	LAVATORY OCCUPIED SIGN	D 69	19.1	3A	561740	FR JCT BOX	ENGINE BRAKE - LEAKAGE SUPPRESSOR
D 13	17	3A	561740	FR DEST. SIGN	FR DESTINATION SIGN	D 70	18	3A	561740	FR JCT BOX	FR HIGH BUOY - KNEELING
D 14	17	3A	561740	FR DEST. SIGN	FR DESTINATION SIGN	D 71	18	3A	561740	FR JCT BOX	FR HIGH BUOY - KNEELING
D 15	18.1	3A	561740	FR JCT BOX	KNEELING SYSTEM CTR-UP	D 72	18	3A	561740	FR JCT BOX	FR HIGH BUOY - KNEELING
D 16	18.1	3A	561740	FR JCT BOX	KNEELING SYSTEM CTR-DOWN	D 73	18	3A	561740	FR JCT BOX	FR HIGH BUOY - KNEELING
D 17	9.2	3A	561740	FR JCT BOX	WARNING HAZARD-LH	D 74					
D 18	9.2	3A	561740	FR JCT BOX	WARNING HAZARD-RH	D 75	4	3A	381351	RR JCT BOX	STARTER-SUPPRESSOR COIL RLY
D 19	9	3A	561740	FR JCT BOX	DAYTIME RUN LTS-PARK BRK CALL SW.	D 76	9.3	3A	561740	RR JCT BOX	STOP LIGHT RLY
D 20	9	3A	561740	FR JCT BOX	DAYTIME RUN LTS-HEAD LT SW	D 77	18	3A	561740	FR JCT BOX	PARKING BRAKE - KNEELING
D 21	18	3A	561740	FR JCT BOX	KNEELING SYSTEM FEED BACK	D 78	26	3A	561740	LH CONSOLE	PRE-HEAT WATER HEATER SW.
D 22	4.2	3A	561740	FR JCT BOX	ALTERNATOR POWER IGNITION	D 79	26	3A	561740	LH CONSOLE	PRE-HEAT WATER HEATER SW.
D 23	18.1	3A	561740	FR JCT BOX	KNEELING SYSTEM UP ALARM - NY ONLY	D 80					
D 24						D 81	18	3A	561740	FR JCT BOX	PIEZO-KNEELING
D 25	11.1	3A	561740	FR JCT BOX	LUGGAGE DOOR AJAR T.T.LT.	D 82	8.1	3A	561740	RR JCT BOX	FAN CLUTCH
D 26	11.1	3A	561740	FR JCT BOX	LUGGAGE DOOR AJAR T.T.LT.	D 83	8	3A	561740	RR JCT BOX	FAN CLUTCH W/RETARDER
D 27	11.1	3A	561740	FR JCT BOX	LUGGAGE DOOR AJAR T.T.LT.	D 84	13.2	3A	561740	RR JCT BOX	WATER VALVE
D 28	11.1	3A	561740	FR JCT BOX	LUGGAGE DOOR AJAR T.T.LT.	D 85	16.1	3A	561740	FR JCT BOX	ENTRANCE DOOR SEDAN
D 29	11.1	3A	561740	FR JCT BOX	LUGGAGE DOOR AJAR T.T.LT.	D 86	16	3A	561740	UNDER DASH RH	ENTRANCE DOOR SEDAN
D 30	11.1	3A	561740	FR JCT BOX	LUGGAGE DOOR AJAR T.T.LT.	D 87	16	3A	561740	UNDER DASH RH	ENTRANCE DOOR SEDAN
D 31						D 88	16	3A	561740	UNDER DASH RH	ENTRANCE DOOR SEDAN
D 32						D 89	16	3A	561740	UNDER DASH RH	ENTRANCE DOOR SEDAN
D 33	13.2	3A	561740	UNDER DASH	PASS. REC. DAMPER SW.	D 90	16	3A	561740	UNDER DASH RH	ENTRANCE DOOR SEDAN
D 34						D 91	16	3A	561740	UNDER DASH RH	ENTRANCE DOOR SEDAN
D 35	25	3A	561740	RR JCT BOX	WCL DOOR AJAR ALARM T.T.LT.	D 92	6.3	3A	561740	RR JCT. BOX	ZF TRANSMISSION
D 36	11.4	3A	561740	RR JCT BOX	CHARGEUR 24V/110V	D 93	6.3	3A	561740	RR JCT. BOX	ZF TRANSMISSION
D 37	11.4	3A	561740	RR JCT BOX	CHARGEUR 24V/110V	D F1	8.1	3A	561740	RR. JCT. BOX	FAN CLUTCH - SUPPRESSOR
D 38	11.4	3A	561740	RR JCT BOX	CHARGEUR 24V/110V	D F2	8.1	3A	561740	RR. JCT. BOX	FAN CLUTCH - SUPPRESSOR
D 39											
D 40											
D 41											
D 42											
D 43	10	3A	561740	LOWER WIPER MOT.	WIPER MOTOR SUPPRESSOR						
D 44	10	3A	561740	LOWER WIPER MOT.	WIPER MOTOR SUPPRESSOR						
D 45	10	3A	561740	UPPER WIPER MOT.	WIPER MOTOR SUPPRESSOR						
D 46	9.3	3A	561740	RR JCT BOX	PARK BRAKE STOP LIGHT						
D 47	9.3	3A	561740	RR JCT BOX	CYCLOP LTS						
D 48											
D 49											
D 50											
D 51											
D 52											
D 53											
D 54											
D 55	25	3A	561740	RR JCT BOX	SHIFTER INHIBIT R109						
D 56	9.3	3A	561740	RR JCT BOX	PARK BRAKE STOP LTS SIGNAL BLOCKED						
D 57											

RELAYS NUMBER CODE

No.	PAGE	COIL V	#PREV.	LOCATION	FUNCTION	No.	PAGE	COIL V	#PREV.	LOCATION	FUNCTION
RF2	8.1	24V	561707	RR JCT BOX	FAN CLUTCH W/RET. SPEED 2	R 60	13.2	24V	561707	EVAP CPT	EVAP FAN CONTROL SPEED 2
RF3	8.1	24V	560772	RR JCT BOX	TIME DELAY	R 61	9.3	24V	561707	RR JCT BOX	STOP LTS-JACOB & RET. SIGNAL
RLA	16.1	24V	561707	UNDER DASH RH.	ENTRANCE DOOR SEDAN (LATCH)	R 62	5.1	24V	561707	FR JCT BOX	DDEC PARKING BRAKE RELAY
RLO	16.1	24V	561707	UNDER DASH RH.	ENTRANCE DOOR SEDAN (PRESS. SW.)	R 63	13.2	24V	560772	EVAP. CPT.	TIME DELAY EVAP. FAN
RLT	16.1	24V	561707	UNDER DASH RH.	ENTRANCE DOOR SEDAN (LIGHT)	R 64					
RLV	16.1	24V	561707	UNDER DASH RH.	ENTRANCE DOOR SEDAN (VALVE)	R 65					
R 1	1.1	24V	561991	FR JCT BOX	ENGINE RUN (24) FR	R 66	20.3	24V	561707	SS JCT PANEL	SOUND SYSTEM VIDEO
R 2	2.1	24V	561991	RR JCT BOX	ENGINE RUN (12) FR & RR	R 67	20.1	12V	562092	SS JCT PANEL	SOUND SYSTEM RADIO
R 3						R 68	20.1	24V	561991	SS JCT PANEL	SOUND SYSTEM AMPLIFIER
R 4	4.1	24V	560407	RR JCT BOX	STARTING MOTOR	R 69					
R 5	5.1	24V	561707	FR JCT BOX	CRUISE CTR. STOP SIGN.	R 70					
R 6						R 71					
R 7	5.1	24V	561707	FR JCT BOX	FAST IDLE	R 72	23.1	24V	561005	LAST LUGG. CPT.	INVERTER CUT OFF
R 8						R 73	23.1SP	24V	561005	LAST LUGG. CPT.	INVERTER CUT OFF
R 9	9.3	24V	561707	RR JCT BOX	BACK-UP LTS	R 74					
R 10						R 75					
R 11						R 76					
R 12	7.2	12V	562092	FR JCT BOX	ELECTRICAL HORNS	R 77					
R 13	9.3	24V	561707	FR JCT BOX	FOG LTS	R 78	1.1	12V	562092	FR JCT BOX	MASTER SWITCH
R 14	9.1	24V	561707	FR JCT BOX	BLINKER	R 79	23	24V	561707	GALLEY CPT.	GALLEY-REFRIGERATOR
R 15	9.1	24V	561707	FR JCT BOX	FR MARKER LTS	R 80	11.1	24V	561707	RR JCT BOX	ENGINE COMPARTMENT LTS
R 16	9.1	24V	561707	FR JCT BOX	IDENT. & CLEARANCE LTS	R 81	17.1	24V	561707	LAVATORY SW.	LAVATORY TIMER PUMP
R 17	9.1	24V	561707	RR JCT BOX	TAIL,LICENCE,MARKER-RR LTS	R 82	19	24V	561707	FR JCT BOX	RETARDER WT
R 18	9.1	24V	561707	FR JCT BOX	D R L-PARK BRK CUT-OUT	R 83	26	24V	561707	RR JCT BOX	PRE-HEAT WATER HEATER
R 19	9.1	24V	561707	FR JCT BOX	HEADLAMPS (HI)	R 84	8	24V	561707	RR JCT BOX	FAN CLUTCH-FIRST SPEED
R 20	9.1	24V	561707	FR JCT BOX	HEADLAMPS (LO)	R 85	8	24V	561707	RR JCT BOX	FAN CLUTCH-SECOND SPEED
R 21	9.2	24V	561707	FR JCT BOX	L.H. DIRECTIONNAL LT	R 86					
R 22						R 87	19	24V	561707	RR JCT BOX	ENGINE BRAKE REQUEST WT
R 23	9.2	24V	561707	FR JCT BOX	R.H. DIRECTIONNAL LT	R 88					
R 24	9.2	24V	561707	FR JCT BOX	R.H. CORNERING LT	R 89					
R 25	9.2	24V	561707	FR JCT BOX	L.H. CORNERING LT	R 90	18.1	24V	561707	FR JCT BOX	KNEELING SYSTEM
R 26	9.3	24V	561707	RR JCT BOX	STOP LTS	R 91					
R 27	11.2	24V	561707	RR JCT BOX	AISLE & EMERG.EXIT - LTS	R 92					
R 28	11.2	24V	561707	FR JCT BOX	DASH LTS RHEOSTAT	R 93					
R 29	11.3	24V	561707	RR JCT BOX	READING LTS R.H.	R 94	25	24V	561707	RR JCT BOX	WCL - SYSTEM
R 30	11.3	24V	561707	RR JCT BOX	READING LTS L.H.	R 95	25	24V	561707	RR JCT BOX	WCL - MAGNETIC SW. SIGN.
R 31	11.3	24V	561707	RR JCT BOX	GENERAL LTS	R 96	25	24V	561707	RR JCT BOX	WCL - DOOR AJAR ALARM
R 32	11.4	24V	561707	RR JCT BOX	24V FLUORESCENT	R 97	25	24V	561707	RR JCT BOX	WCL - DOOR AJAR PARK. BRAKE
R 34	13.1	24V	561707	RR JCT BOX	A/C SYSTEM	R 98	25	24V	561707	RR JCT BOX	WCL -ALTERNATOR SIGNAL
R 35	13.1	24V	561707	RR JCT BOX	A/C SYSTEM	R 99	8	24V	561707	RR JCT BOX	RADIATOR FAN CLUTCH
R 36	13.1	24V	561707	RR JCT BOX	A/C SYSTEM	R 100					
R 37	9.2	24V	561707	FR JCT BOX	KNEELING LT	R 101				RR JCT BOX	FUEL FILTER HEATER
R 38	13.2	24V	561707	RR JCT BOX	A/C SYSTEM	R 102	17	24V	561707	RR JCT BOX	LAVATORY DOME
R 39	13.2	24V	561005	EVAP. CPT.	CONDENSER FAN MOTOR	R 103	13.3	24V	561707	RR JCT BOX	HAT-RACK FAN
R 40	13.2	24V	561014	EVAP. CPT.	CONDENSER SPEED CTR HI	R 104	13.3	24V	561707	RR JCT BOX	HAT-RACK FAN - L.H.
R 41	13.2	24V	561005	EVAP. CPT.	CONDENSER SPEED CTR HI	R 105	13.3	24V	561707	RR JCT BOX	HAT-RACK FAN - R.H.
R 42						R 106	17.1	24V	561707	RR JCT BOX	LAVATORY FAN
R 43	18.1	24V	561707	FR JCT BOX	KNEELING SYSTEM	R 107					
R 44	18.1	24V	561707	FR JCT BOX	KNEELING SYSTEM	R 109	25	24V	561707	RR JCT BOX	THROTTLE INHIBIT
R 45	13.2	24V	561707	RR JCT BOX	A/C SYSTEM	R 119					
R 46						R PS	4.1SP1	24V	561707	FR JCT BOX	IDLE POWER SHUT DOWN
R 47	23.1	24V	561707	GALLEY COMPT	GALLEY-LIQUID CONTAINERS	R ZF1	15.1	12V	563033	FR JCT BOX	STEERING CTL UNIT - OPTIONNAL
R 48	23.1	24V	561707	GALLEY COMPT	GALLEY-COFFEE MAKER	R ZF2	6.3	12V	562092	RR JCT BOX	EASY START CTL - ZF TRANSM. OPTION
R 49	21.1	12V	562092	FR JCT BOX	ABS - SERVICE BRK RLY						
R 50	13.2	24V	561005	EVAP CPT	EVAP FAN MOTOR 1 ST SPEED	V IMN	6	12V	562092	RR JCT BOX	VIM WORLD TR.-NEUTRAL SIGNAL
R 51	11.3	24V	562092	FR JCT BOX	DRIVER'S LTS RLY- ENT. DOOR SIGN.	V IMR	6	12V	562092	RR JCT BOX	VIM WORLD TR.-B/U SIGNAL
R 52	21.1	12V	562092	FR JCT BOX	ABS - W/TR SIGN. RETARDER	V IM1	6	12V	562092	RR JCT BOX	VIM WORLD TR.-OUTPUT 1
R 53	1.1	24V	561991	RR JCT BOX	ENGINE RUN (24) RR	V IM2	6	12V	562092	RR JCT BOX	VIM WORLD TR.-OUTPUT 2 ENG. BRK DISABLE
R 54	1.1	24V	561991	RR JCT BOX	12V CUT OUT RLY RR	V IM3	6	12V	562092	RR JCT BOX	VIM WORLD TR.-OUTPUT 3 SPD SW. 5MPH NO NC
R 55	1.1	24V	561991	RR JCT BOX	12V CUT OUT RLY FR	V IM4	6.1	12V	562092	RR JCT BOX	VIM WORLD TR.-OUTPUT4 RETARD. ON SIGNAL
R 56	21.1				ATC LAMP						
R 57	9.1	24V	561707	FR JCT BOX	DAY'S BLINKER						
R 58	21.1sp1	12V	562092	FR JCT BOX	ATC TAG AXLE BREAK						
R 59	9.3	12V	562092	RR JCT BOX	DOCKING LTS						

RELAYS NUMBER CODE

No. PAGE COIL V #PREV. LOCATION FUNCTION

No. PAGE COIL V #PREV. LOCATION FUNCTION

RELAYS NUMBER CODE

No.	PAGE	COIL V	#PREV.	LOCATION	FUNCTION	No.	PAGE	COIL V	#PREV.	LOCATION	FUNCTION
RF2	8.1	24V	561707	RR JCT BOX	FAN CLUTCH W/RET. SPEED 2	R 60	13.2	24V	561707	EVAP CPT	EVAP FAN CONTROL SPEED 2
RF3	8.1	24V	560772	RR JCT BOX	TIME DELAY	R 61	9.3	24V	561707	RR JCT BOX	STOP LTS-JACOB & RET. SIGNAL
RLA	16.1	24V	561707	UNDER DASH RH.	ENTRANCE DOOR SEDAN (LATCH)	R 62	5.1	24V	561707	FR JCT BOX	DDEC PARKING BRAKE RELAY
RLO	16.1	24V	561707	UNDER DASH RH.	ENTRANCE DOOR SEDAN (PRESS. SW.)	R 63	13.2	24V	560772	EVAP. CPT.	TIME DELAY EVAP. FAN
RLT	16.1	24V	561707	UNDER DASH RH.	ENTRANCE DOOR SEDAN (LIGHT)	R 64					
RLV	16.1	24V	561707	UNDER DASH RH.	ENTRANCE DOOR SEDAN (VALVE)	R 65					
R 1	1.1	24V	561991	FR JCT BOX	ENGINE RUN (24) FR	R 66	20.3	24V	561707	SS JCT PANEL	SOUND SYSTEM VIDEO
R 2	2.1	24V	561991	RR JCT BOX	ENGINE RUN (12) FR & RR	R 67	20.1	12V	562092	SS JCT PANEL	SOUND SYSTEM RADIO
R 3						R 68	20.1	24V	561991	SS JCT PANEL	SOUND SYSTEM AMPLIFIER
R 4	4.1	24V	560407	RR JCT BOX	STARTING MOTOR	R 69					
R 5	5.1	24V	561707	FR JCT BOX	CRUISE CTR. STOP SIGN.	R 70					
R 6						R 71					
R 7	5.1	24V	561707	FR JCT BOX	FAST IDLE	R 72	23.1	24V	561005	LAST LUGG. CPT.	INVERTER CUT OFF
R 8						R 73	23.1SP	24V	561005	LAST LUGG. CPT.	INVERTER CUT OFF
R 9	9.3	24V	561707	RR JCT BOX	BACK-UP LTS	R 74					
R 10						R 75					
R 11						R 76					
R 12	7.2	12V	562092	FR JCT BOX	ELECTRICAL HORNS	R 77					
R 13	9.3	24V	561707	FR JCT BOX	FOG LTS	R 78	1.1	12V	562092	FR JCT BOX	MASTER SWITCH
R 14	9.1	24V	561707	FR JCT BOX	BLINKER	R 79	23	24V	561707	GALLEY CPT.	GALLEY-REFRIGERATOR
R 15	9.1	24V	561707	FR JCT BOX	FR MARKER LTS	R 80	11.1	24V	561707	RR JCT BOX	ENGINE COMPARTMENT LTS
R 16	9.1	24V	561707	FR JCT BOX	IDENT. & CLEARANCE LTS	R 81	17.1	24V	561707	LAVATORY SW.	LAVATORY TIMER PUMP
R 17	9.1	24V	561707	RR JCT BOX	TAIL,LICENCE,MARKER-RR LTS	R 82	19	24V	561707	FR JCT BOX	RETARDER WT
R 18	9.1	24V	561707	FR JCT BOX	D R L-PARK BRK CUT-OUT	R 83	26	24V	561707	RR JCT BOX	PRE-HEAT WATER HEATER
R 19	9.1	24V	561707	FR JCT BOX	HEADLAMPS (HI)	R 84	8	24V	561707	RR JCT BOX	FAN CLUTCH-FIRST SPEED
R 20	9.1	24V	561707	FR JCT BOX	HEADLAMPS (LO)	R 85	8	24V	561707	RR JCT BOX	FAN CLUTCH-SECOND SPEED
R 21	9.2	24V	561707	FR JCT BOX	L.H. DIRECTIONNAL LT	R 86					
R 22						R 87	19	24V	561707	RR JCT BOX	ENGINE BRAKE REQUEST WT
R 23	9.2	24V	561707	FR JCT BOX	R.H. DIRECTIONNAL LT	R 88					
R 24	9.2	24V	561707	FR JCT BOX	R.H. CORNERING LT	R 89					
R 25	9.2	24V	561707	FR JCT BOX	L.H. CORNERING LT	R 90	18.1	24V	561707	FR JCT BOX	KNEELING SYSTEM
R 26	9.3	24V	561707	RR JCT BOX	STOP LTS	R 91					
R 27	11.2	24V	561707	RR JCT BOX	AISLE & EMERG.EXIT - LTS	R 92					
R 28	11.2	24V	561707	FR JCT BOX	DASH LTS RHEOSTAT	R 93					
R 29	11.3	24V	561707	RR JCT BOX	READING LTS R.H.	R 94	25	24V	561707	RR JCT BOX	WCL - SYSTEM
R 30	11.3	24V	561707	RR JCT BOX	READING LTS L.H.	R 95	25	24V	561707	RR JCT BOX	WCL - MAGNETIC SW. SIGN.
R 31	11.3	24V	561707	RR JCT BOX	GENERAL LTS	R 96	25	24V	561707	RR JCT BOX	WCL - DOOR AJAR ALARM
R 32	11.4	24V	561707	RR JCT BOX	24V FLUORESCENT	R 97	25	24V	561707	RR JCT BOX	WCL - DOOR AJAR PARK. BRAKE
R 34	13.1	24V	561707	RR JCT BOX	A/C SYSTEM	R 98	25	24V	561707	RR JCT BOX	WCL -ALTERNATOR SIGNAL
R 35	13.1	24V	561707	RR JCT BOX	A/C SYSTEM	R 99	8	24V	561707	RR JCT BOX	RADIATOR FAN CLUTCH
R 36	13.1	24V	561707	RR JCT BOX	A/C SYSTEM	R 100					
R 37	9.2	24V	561707	FR JCT BOX	KNEELING LT	R 101				RR JCT BOX	FUEL FILTER HEATER
R 38	13.2	24V	561707	RR JCT BOX	A/C SYSTEM	R 102	17	24V	561707	RR JCT BOX	LAVATORY DOME
R 39	13.2	24V	561005	EVAP. CPT.	CONDENSER FAN MOTOR	R 103	13.3	24V	561707	RR JCT BOX	HAT-RACK FAN
R 40	13.2	24V	561014	EVAP. CPT.	CONDENSER SPEED CTR HI	R 104	13.3	24V	561707	RR JCT BOX	HAT-RACK FAN - L.H.
R 41	13.2	24V	561005	EVAP. CPT.	CONDENSER SPEED CTR HI	R 105	13.3	24V	561707	RR JCT BOX	HAT-RACK FAN - R.H.
R 42						R 106	17.1	24V	561707	RR JCT BOX	LAVATORY FAN
R 43	18.1	24V	561707	FR JCT BOX	KNEELING SYSTEM	R 107					
R 44	18.1	24V	561707	FR JCT BOX	KNEELING SYSTEM	R 109	25	24V	561707	RR JCT BOX	THROTTLE INHIBIT
R 45	13.2	24V	561707	RR JCT BOX	A/C SYSTEM	R 119					
R 46						R PS	4.1SP1	24V	561707	FR JCT BOX	IDLE POWER SHUT DOWN
R 47	23.1	24V	561707	GALLEY COMPT	GALLEY-LIQUID CONTAINERS	R ZF1	15.1	12V	563033	FR JCT BOX	STEERING CTL UNIT - OPTIONNAL
R 48	23.1	24V	561707	GALLEY COMPT	GALLEY-COFFEE MAKER	R ZF2	6.3	24V	561707	RR JCT BOX	EASY START CTL - ZF TRANSM. OPTION
R 49	21.1	12V	562092	FR JCT BOX	ABS - SERVICE BRK RLY	R ZF3	6.3	24V	561707	RR JCT BOX	DECELERATION LTS - ZF TRANSM. OPTION
R 50	13.2	24V	561005	EVAP CPT	EVAP FAN MOTOR 1 ST SPEED	V IMN	6	12V	562092	RR JCT BOX	VIM WORLD TR.-NEUTRAL SIGNAL
R 51	11.3	24V	562092	FR JCT BOX	DRIVER'S LTS RLY- ENT. DOOR SIGN.	V IMR	6	12V	562092	RR JCT BOX	VIM WORLD TR.-BU SIGNAL
R 52	21.1	12V	562092	FR JCT BOX	ABS - W/TR SIGN. RETARDER	V IM1	6	12V	562092	RR JCT BOX	VIM WORLD TR.-OUTPUT 1
R 53	1.1	24V	561991	RR JCT BOX	ENGINE RUN (24) RR	V IM2	6	12V	562092	RR JCT BOX	VIM WORLD TR.-OUTPUT 2 ENG. BRK DISABLE
R 54	1.1	24V	561991	RR JCT BOX	12V CUT OUT RLY RR	V IM3	6	12V	562092	RR JCT BOX	VIM WORLD TR.-OUTPUT 3 SPD SW. 5MPH NO NC
R 55	1.1	24V	561991	RR JCT BOX	12V CUT OUT RLY FR	V IM4	6.1	12V	562092	RR JCT BOX	VIM WORLD TR.-OUTPUT4 RETARD. ON SIGNAL
R 56	21.1				ATC LAMP						
R 57	9.1	24V	561707	FR JCT BOX	DAY'S BLINKER						
R 58	21.1sp1	12V	562092	FR JCT BOX	ATC TAG AXLE BREAK						
R 59	9.3	12V	562092	RR JCT BOX	DOCKING LTS						

RELAYS NUMBER CODE

No. PAGE COIL V #PREV. LOCATION FUNCTION

No. PAGE COIL V #PREV. LOCATION FUNCTION

RELAYS NUMBER CODE

No.	PAGE	COIL V	#PREV.	LOCATION	FUNCTION	No.	PAGE	COIL V	#PREV.	LOCATION	FUNCTION
RF2	8.1	24V	561707	RR JCT BOX	FAN CLUTCH W/RET. SPEED 2	R 60	13.2	24V	561707	EVAP CPT	EVAP FAN CONTROL SPEED 2
RF3	8.1	24V	560772	RR JCT BOX	TIME DELAY	R 61	9.3	24V	561707	RR JCT BOX	STOP LTS-JACOB & RET. SIGNAL
RLA	16.1	24V	561707	UNDER DASH RH.	ENTRANCE DOOR SEDAN (LATCH)	R 62	5.1	24V	561707	FR JCT BOX	DDEC PARKING BRAKE RELAY
RLO	16.1	24V	561707	UNDER DASH RH.	ENTRANCE DOOR SEDAN (PRESS. SW.)	R 63	13.2	24V	560772	EVAP. CPT.	TIME DELAY EVAP. FAN
RLT	16.1	24V	561707	UNDER DASH RH.	ENTRANCE DOOR SEDAN (LIGHT)	R 64					
RLV	16.1	24V	561707	UNDER DASH RH.	ENTRANCE DOOR SEDAN (VALVE)	R 65					
R 1	1.1	24V	561991	FR JCT BOX	ENGINE RUN (24) FR	R 66	20.3	24V	561707	SS JCT PANEL	SOUND SYSTEM VIDEO
R 2	2.1	24V	561991	RR JCT BOX	ENGINE RUN (12) FR & RR	R 67	20.1	12V	562092	SS JCT PANEL	SOUND SYSTEM RADIO
R 3						R 68	20.1	24V	561991	SS JCT PANEL	SOUND SYSTEM AMPLIFIER
R 4	4.1	24V	560407	RR JCT BOX	STARTING MOTOR	R 69					
R 5	5.1	24V	561707	FR JCT BOX	CRUISE CTR. STOP SIGN.	R 70					
R 6						R 71					
R 7	5.1	24V	561707	FR JCT BOX	FAST IDLE	R 72	23.1	24V	561005	LAST LUGG. CPT.	INVERTER CUT OFF
R 8						R 73	23.1SP	24V	561005	LAST LUGG. CPT.	INVERTER CUT OFF
R 9	9.3	24V	561707	RR JCT BOX	BACK-UP LTS	R 74					
R 10						R 75					
R 11	6.1	24V	561707	RR JCT BOX	TRANSMISSION INHIBIT	R 76					
R 12	7.2	12V	562092	FR JCT BOX	ELECTRICAL HORNS	R 77					
R 13	9.3	24V	561707	FR JCT BOX	FOG LTS	R 78	1.1	12V	562092	FR JCT BOX	MASTER SWITCH
R 14	9.1	24V	561707	FR JCT BOX	BLINKER	R 79	23	24V	561707	GALLEY CPT.	GALLEY-REFRIGERATOR
R 15	9.1	24V	561707	FR JCT BOX	FR MARKER LTS	R 80	11.1	24V	561707	RR JCT BOX	ENGINE COMPARTMENT LTS
R 16	9.1	24V	561707	FR JCT BOX	IDENT. & CLEARANCE LTS	R 81	17.1	24V	561707	LAVATORY SW.	LAVATORY TIMER PUMP
R 17	9.1	24V	561707	RR JCT BOX	TAIL,LICENCE,MARKER-RR LTS	R 82	19	24V	561707	FR JCT BOX	RETARDER WT
R 18	9.1	24V	561707	FR JCT BOX	D R L-PARK BRK CUT-OUT	R 83	26	24V	561707	RR JCT BOX	PRE-HEAT WATER HEATER
R 19	9.1	24V	561707	FR JCT BOX	HEADLAMPS (HI)	R 84	8	24V	561707	RR JCT BOX	FAN CLUTCH-FIRST SPEED
R 20	9.1	24V	561707	FR JCT BOX	HEADLAMPS (LO)	R 85	8	24V	561707	RR JCT BOX	FAN CLUTCH-SECOND SPEED
R 21	9.2	24V	561707	FR JCT BOX	L.H. DIRECTIONNAL LT	R 86					
R 22						R 87	19	24V	561707	RR JCT BOX	ENGINE BRAKE REQUEST WT
R 23	9.2	24V	561707	FR JCT BOX	R.H. DIRECTIONNAL LT	R 88					
R 24	9.2	24V	561707	FR JCT BOX	R.H. CORNERING LT	R 89					
R 25	9.2	24V	561707	FR JCT BOX	L.H. CORNERING LT	R 90	18.1	24V	561707	FR JCT BOX	KNEELING SYSTEM
R 26	9.3	24V	561707	RR JCT BOX	STOP LTS	R 91					
R 27	11.2	24V	561707	RR JCT BOX	AISLE & EMERG.EXIT - LTS	R 92					
R 28	11.2	24V	561707	FR JCT BOX	DASH LTS RHEOSTAT	R 93					
R 29	11.3	24V	561707	RR JCT BOX	READING LTS R.H.	R 94	25	24V	561707	RR JCT BOX	WCL - SYSTEM
R 30	11.3	24V	561707	RR JCT BOX	READING LTS L.H.	R 95	25	24V	561707	RR JCT BOX	WCL - MAGNETIC SW. SIGN.
R 31	11.3	24V	561707	RR JCT BOX	GENERAL LTS	R 96	25	24V	561707	RR JCT BOX	WCL - DOOR AJAR ALARM
R 32	11.4	24V	561707	RR JCT BOX	24V FLUORESCENT	R 97	25	24V	561707	RR JCT BOX	WCL - DOOR AJAR PARK. BRAKE
R 34	13.1	24V	561707	RR JCT BOX	A/C SYSTEM	R 98	25	24V	561707	RR JCT BOX	WCL -ALTERNATOR SIGNAL
R 35	13.1	24V	561707	RR JCT BOX	A/C SYSTEM	R 99	8	24V	561707	RR JCT BOX	RADIATOR FAN CLUTCH
R 36	13.1	24V	561707	RR JCT BOX	A/C SYSTEM	R 100					
R 37	9.2	24V	561707	FR JCT BOX	KNEELING LT	R 101				RR JCT BOX	FUEL FILTER HEATER
R 38	13.2	24V	561707	RR JCT BOX	A/C SYSTEM	R 102	17	24V	561707	RR JCT BOX	LAVATORY DOME
R 39	13.2	24V	561005	EVAP. CPT.	CONDENSER FAN MOTOR	R 103	13.3	24V	561707	RR JCT BOX	HAT-RACK FAN
R 40	13.2	24V	561014	EVAP. CPT.	CONDENSER SPEED CTR HI	R 104	13.3	24V	561707	RR JCT BOX	HAT-RACK FAN - L.H.
R 41	13.2	24V	561005	EVAP. CPT.	CONDENSER SPEED CTR HI	R 105	13.3	24V	561707	RR JCT BOX	HAT-RACK FAN - R.H.
R 42						R 106	17.1	24V	561707	RR JCT BOX	LAVATORY FAN
R 43	18.1	24V	561707	FR JCT BOX	KNEELING SYSTEM	R 107					
R 44	18.1	24V	561707	FR JCT BOX	KNEELING SYSTEM	R 109	25	24V	561707	RR JCT BOX	THROTTLE INHIBIT
R 45	13.2	24V	561707	RR JCT BOX	A/C SYSTEM	R 119					
R 46						R PS	4.1SP1	24V	561707	FR JCT BOX	IDLE POWER SHUT DOWN
R 47	23.1	24V	561707	GALLEY COMPT	GALLEY-LIQUID CONTAINERS	R ZF1	15.1	12V	563033	FR JCT BOX	STEERING CTL UNIT - OPTIONNAL
R 48	23.1	24V	561707	GALLEY COMPT	GALLEY-COFFEE MAKER	R ZF2	6.3	24V	561707	RR JCT BOX	EASY START CTL - ZF TRANSM. OPTION
R 49	21.1	12V	562092	FR JCT BOX	ABS - SERVICE BRK RLY	R ZF3	6.3	24V	561707	RR JCT BOX	DECELERATION LTS - ZF TRANSM. OPTION
R 50	13.2	24V	561005	EVAP CPT	EVAP FAN MOTOR 1 ST SPEED	V IMN	6	12V	562092	RR JCT BOX	VIM WORLD TR.-NEUTRAL SIGNAL
R 51	11.3	24V	562092	FR JCT BOX	DRIVER'S LTS RLY- ENT. DOOR SIGN.	V IMR	6	12V	562092	RR JCT BOX	VIM WORLD TR.-BU SIGNAL
R 52	21.1	12V	562092	FR JCT BOX	ABS - W/TR SIGN. RETARDER	V IM1	6	12V	562092	RR JCT BOX	VIM WORLD TR.-OUTPUT 1
R 53	1.1	24V	561991	RR JCT BOX	ENGINE RUN (24) RR	V IM2	6	12V	562092	RR JCT BOX	VIM WORLD TR.-OUTPUT 2 ENG. BRK DISABLE
R 54	1.1	24V	561991	RR JCT BOX	12V CUT OUT RLY RR	V IM3	6	12V	562092	RR JCT BOX	VIM WORLD TR.-OUTPUT 3 SPD SW. 5MPH NO NC
R 55	1.1	24V	561991	RR JCT BOX	12V CUT OUT RLY FR	V IM4	6.1	12V	562092	RR JCT BOX	VIM WORLD TR.-OUTPUT4 RETARD. ON SIGNAL
R 56	21.1				ATC LAMP						
R 57	9.1	24V	561707	FR JCT BOX	DAY'S BLINKER						
R 58	21.1sp1	12V	562092	FR JCT BOX	ATC TAG AXLE BREAK						
R 59	9.3	12V	562092	RR JCT BOX	DOCKING LTS						

RELAYS NUMBER CODE

No. PAGE COIL V #PREV. LOCATION FUNCTION

No. PAGE COIL V #PREV. LOCATION FUNCTION

RELAYS NUMBER CODE

No.	PAGE	COIL V	#PREV.	LOCATION	FUNCTION	No.	PAGE	COIL V	#PREV.	LOCATION	FUNCTION
RF2	8.1	24V	561707	RR JCT BOX	FAN CLUTCH W/RET. SPEED 2	R 60	13.2	24V	561707	EVAP CPT	EVAP FAN CONTROL SPEED 2
RF3	8.1	24V	560772	RR JCT BOX	TIME DELAY	R 61	9.3	24V	561707	RR JCT BOX	STOP LTS-JACOB & RET. SIGNAL
RLA	16.1	24V	561707	UNDER DASH RH.	ENTRANCE DOOR SEDAN (LATCH)	R 62	5.1	24V	561707	FR JCT BOX	DDEC PARKING BRAKE RELAY
RLO	16.1	24V	561707	UNDER DASH RH.	ENTRANCE DOOR SEDAN (PRESS. SW.)	R 63	13.2	24V	560772	EVAP. CPT.	TIME DELAY EVAP. FAN
RLT	16.1	24V	561707	UNDER DASH RH.	ENTRANCE DOOR SEDAN (LIGHT)	R 64					
RLV	16.1	24V	561707	UNDER DASH RH.	ENTRANCE DOOR SEDAN (VALVE)	R 65					
R 1	1.1	24V	561991	FR JCT BOX	ENGINE RUN (24) FR	R 66	20.3	24V	561707	SS JCT PANEL	SOUND SYSTEM VIDEO
R 2	2.1	24V	561991	RR JCT BOX	ENGINE RUN (12) FR & RR	R 67	20.1	12V	562092	SS JCT PANEL	SOUND SYSTEM RADIO
R 3						R 68	20.1	24V	561991	SS JCT PANEL	SOUND SYSTEM AMPLIFIER
R 4	4.1	24V	560407	RR JCT BOX	STARTING MOTOR	R 69					
R 5	5.1	24V	561707	FR JCT BOX	CRUISE CTR. STOP SIGN.	R 70					
R 6						R 71					
R 7	5.1	24V	561707	FR JCT BOX	FAST IDLE	R 72	23.1	24V	561005	LAST LUGG. CPT.	INVERTER CUT OFF
R 8						R 73	23.1SP	24V	561005	LAST LUGG. CPT.	INVERTER CUT OFF
R 9	9.3	24V	561707	RR JCT BOX	BACK-UP LTS	R 74					
R 10						R 75					
R 11	6.1	24V	561707	RR JCT BOX	TRANSMISSION INHIBIT	R 76					
R 12	7.2	12V	562092	FR JCT BOX	ELECTRICAL HORNS	R 77					
R 13	9.3	24V	561707	FR JCT BOX	FOG LTS	R 78	1.1	12V	562092	FR JCT BOX	MASTER SWITCH
R 14	9.1	24V	561707	FR JCT BOX	BLINKER	R 79	23	24V	561707	GALLEY CPT.	GALLEY-REFRIGERATOR
R 15	9.1	24V	561707	FR JCT BOX	FR MARKER LTS	R 80	11.1	24V	561707	RR JCT BOX	ENGINE COMPARTMENT LTS
R 16	9.1	24V	561707	FR JCT BOX	IDENT. & CLEARANCE LTS	R 81	17.1	24V	561707	LAVATORY SW.	LAVATORY TIMER PUMP
R 17	9.1	24V	561707	RR JCT BOX	TAIL,LICENCE,MARKER-RR LTS	R 82	19	24V	561707	FR JCT BOX	RETARDER WT
R 18	9.1	24V	561707	FR JCT BOX	D R L-PARK BRK CUT-OUT	R 83	26	24V	561707	RR JCT BOX	PRE-HEAT WATER HEATER
R 19	9.1	24V	561707	FR JCT BOX	HEADLAMPS (HI)	R 84	8	24V	561707	RR JCT BOX	FAN CLUTCH-FIRST SPEED
R 20	9.1	24V	561707	FR JCT BOX	HEADLAMPS (LO)	R 85	8	24V	561707	RR JCT BOX	FAN CLUTCH-SECOND SPEED
R 21	9.2	24V	561707	FR JCT BOX	L.H. DIRECTIONNAL LT	R 86					
R 22						R 87	19	24V	561707	RR JCT BOX	ENGINE BRAKE REQUEST WT
R 23	9.2	24V	561707	FR JCT BOX	R.H. DIRECTIONNAL LT	R 88					
R 24	9.2	24V	561707	FR JCT BOX	R.H. CORNERING LT	R 89					
R 25	9.2	24V	561707	FR JCT BOX	L.H. CORNERING LT	R 90	18.1	24V	561707	FR JCT BOX	KNEELING SYSTEM
R 26	9.3	24V	561707	RR JCT BOX	STOP LTS	R 91					
R 27	11.2	24V	561707	RR JCT BOX	AISLE & EMERG.EXIT - LTS	R 92					
R 28	11.2	24V	561707	FR JCT BOX	DASH LTS RHEOSTAT	R 93					
R 29	11.3	24V	561707	RR JCT BOX	READING LTS R.H.	R 94	25	24V	561707	RR JCT BOX	WCL - SYSTEM
R 30	11.3	24V	561707	RR JCT BOX	READING LTS L.H.	R 95	25	24V	561707	RR JCT BOX	WCL - MAGNETIC SW. SIGN.
R 31	11.3	24V	561707	RR JCT BOX	GENERAL LTS	R 96	25	24V	561707	RR JCT BOX	WCL - DOOR AJAR ALARM
R 32	11.4	24V	561707	RR JCT BOX	24V FLUORESCENT	R 97	25	24V	561707	RR JCT BOX	WCL - DOOR AJAR PARK. BRAKE
R 34	13.1	24V	561707	RR JCT BOX	A/C SYSTEM	R 98	25	24V	561707	RR JCT BOX	WCL -ALTERNATOR SIGNAL
R 35	13.1	24V	561707	RR JCT BOX	A/C SYSTEM	R 99	8	24V	561707	RR JCT BOX	RADIATOR FAN CLUTCH
R 36	13.1	24V	561707	RR JCT BOX	A/C SYSTEM	R 100					
R 37	9.2	24V	561707	FR JCT BOX	KNEELING LT	R 101				RR JCT BOX	FUEL FILTER HEATER
R 38	13.2	24V	561707	RR JCT BOX	A/C SYSTEM	R 102	17	24V	561707	RR JCT BOX	LAVATORY DOME
R 39	13.2	24V	561005	EVAP. CPT.	CONDENSER FAN MOTOR	R 103	13.3	24V	561707	RR JCT BOX	HAT-RACK FAN
R 40	13.2	24V	561014	EVAP. CPT.	CONDENSER SPEED CTR HI	R 104	13.3	24V	561707	RR JCT BOX	HAT-RACK FAN - L.H.
R 41	13.2	24V	561005	EVAP. CPT.	CONDENSER SPEED CTR HI	R 105	13.3	24V	561707	RR JCT BOX	HAT-RACK FAN - R.H.
R 42						R 106	17.1	24V	561707	RR JCT BOX	LAVATORY FAN
R 43	18.1	24V	561707	FR JCT BOX	KNEELING SYSTEM	R 107					
R 44	18.1	24V	561707	FR JCT BOX	KNEELING SYSTEM	R 109	25	24V	561707	RR JCT BOX	THROTTLE INHIBIT
R 45	13.2	24V	561707	RR JCT BOX	A/C SYSTEM	R 119					
R 46						R PS	4.1SP1	24V	561707	FR JCT BOX	IDLE POWER SHUT DOWN
R 47	23.1	24V	561707	GALLEY COMPT	GALLEY-LIQUID CONTAINERS	R ZF1	15.1	12V	563033	FR JCT BOX	STEERING CTL UNIT - OPTIONNAL
R 48	23.1	24V	561707	GALLEY COMPT	GALLEY-COFFEE MAKER	R ZF2	6.3	24V	561707	RR JCT BOX	EASY START CTL - ZF TRANSM. OPTION
R 49	21.1	12V	562092	FR JCT BOX	ABS - SERVICE BRK RLY	R ZF3	9.3	24V	561707	RR JCT BOX	DECELERATION LTS - ZF TRANSM. OPTION
R 50	13.2	24V	561005	EVAP CPT	EVAP FAN MOTOR 1 ST SPEED	V IMN	6	12V	562092	RR JCT BOX	VIM WORLD TR.-NEUTRAL SIGNAL
R 51	11.3	24V	562092	FR JCT BOX	DRIVER'S LTS RLY- ENT. DOOR SIGN.	V IMR	6	12V	562092	RR JCT BOX	VIM WORLD TR.-BU SIGNAL
R 52	21.1	12V	562092	FR JCT BOX	ABS - W/TR SIGN. RETARDER	V IM1	6	12V	562092	RR JCT BOX	VIM WORLD TR.-OUTPUT 1
R 53	1.1	24V	561991	RR JCT BOX	ENGINE RUN (24) RR	V IM2	6	12V	562092	RR JCT BOX	VIM WORLD TR.-OUTPUT 2 ENG. BRK DISABLE
R 54	1.1	24V	561991	RR JCT BOX	12V CUT OUT RLY RR	V IM3	6	12V	562092	RR JCT BOX	VIM WORLD TR.-OUTPUT 3 SPD SW. 5MPH NO NC
R 55	1.1	24V	561991	RR JCT BOX	12V CUT OUT RLY FR	V IM4	6.1	12V	562092	RR JCT BOX	VIM WORLD TR.-OUTPUT4 RETARD. ON SIGNAL
R 56	21.1				ATC LAMP						
R 57	9.1	24V	561707	FR JCT BOX	DAY'S BLINKER						
R 58	21.1sp1	12V	562092	FR JCT BOX	ATC TAG AXLE BREAK						
R 59	9.3	12V	562092	RR JCT BOX	DOCKING LTS						

RELAYS NUMBER CODE

No. PAGE COIL V #PREV. LOCATION FUNCTION

No. PAGE COIL V #PREV. LOCATION FUNCTION

RESISTORS NUMBER CODE

No.	PAGE	OHM(S)	#PREV.	LOCATION	FUNCTION
RS 1	5	11 K	561898	FR JCT BOX	FAST IDLE DDEC CONTROL
RS 2	5	3.6 K	561897	FR JCT BOX	FAST IDLE DDEC CONTROL
RS 3	9.3	1 (2)	561537	FR JCT BOX	FOG LT - RH
RS 4	9.3	1 (2)	561537	FR JCT BOX	FOG LT - LH
RS 5	9.2	1 (2)	061976	FR JCT BOX	CORNERING LT - LH
RS 6	16.1	5	563006	RH UNDER DASH	VOLTAGE DIV. OPEN DOOR SOL.
RS 7	9.3	.82 (2)	060806	RR JCT BOX	PARKING BRAKE STOP LTS
RS 8	9.2	1 (2)	061976	FR JCT BOX	CORNERING LT - RH
RS 9	9.3	1 (2)	061976	RR JCT BOX	DOCKING LT - RH
RS 10	9.3	1 (2)	061976	RR JCT BOX	DOCKING LT - LH
RS 11	22	12	561191	FR TOP	DEFROSTER SPEED
RS 12	22	12	561191	FR TOP	DEFROSTER SPEED
RS 13	17	80 (2)	562108	FR TOP	FR DESTINATION SIGN
RS 14					
RS 15					
RS 16					
RS 17	7	220	562498	FR JCT BOX	FIRE ALARM
RS 18	8	75 K	064208	RR JCT BOX	FAN CLUTCH W/RETARDER
RS 19	13.2	330K	065755	EVAP. CPT.	TIME DELAY RELAY EVAP. FAN
RS 20	15	1 K	562470	RR JCT BOX	WORLD TR. SPEED TO DDEC III
RS 21	22	15K	562908	DASH	CURRENT LIMIT FOR LED
RS 24	9.1	1.5K	562908	DASH	CURRENT LIMIT FOR LED
RS 25	9.3	1.5K	562908	DASH	CURRENT LIMIT FOR LED
RS 26	10	1.5K	562908	DASH	CURRENT LIMIT FOR LED
RS 28	26.1	1.5K	562908	DASH	CURRENT LIMIT FOR LED
RS 29	23.1	1.5K	562908	GALLEY	CURRENT LIMIT FOR LED
RS 30	23.1	1.5K	562908	GALLEY	CURRENT LIMIT FOR LED
RS 31	23.1	1.5K	562908	GALLEY	CURRENT LIMIT FOR LED
RS 32	13.3	1.5K	562908	DASH	CURRENT LIMIT FOR LED
RS 33	4.2	30	562948	RR JCT BOX	CURRENT LOAD FOR RELAY CONTACT
RS 33	23.1	1.5K	562908	GALLEY	CURRENT LIMIT FOR LED
RS 34	23.1	1.5K	562908	GALLEY	CURRENT LIMIT FOR LED
RS 35	23.1	1.5K	562908	GALLEY	CURRENT LIMIT FOR LED
RS 36	13.2	10	064907	EVAP. CPT.	CURRENT LIMIT FOR RELAY
RS 37	13.2	5	064907	EVAP. CPT.	CURRENT LIMIT FOR RELAY
RS 38	21.1	620	563205	FR. SERV. COMPT	ABS
RS 39	21.1	620	563205	FR. SERV. COMPT	TRAILER ABS
RS 40					
RS 41	17.1	1M	065830	LAVATORY TRAP SW.	FLUSH PUMP TIME DELAY

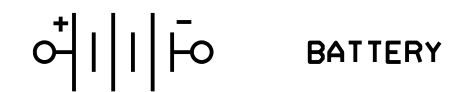
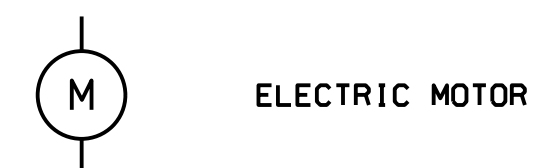
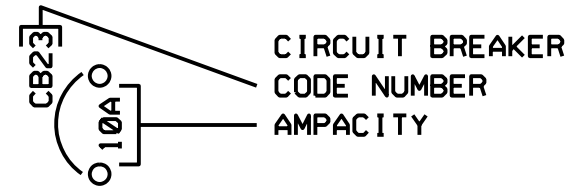
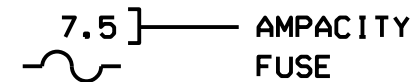
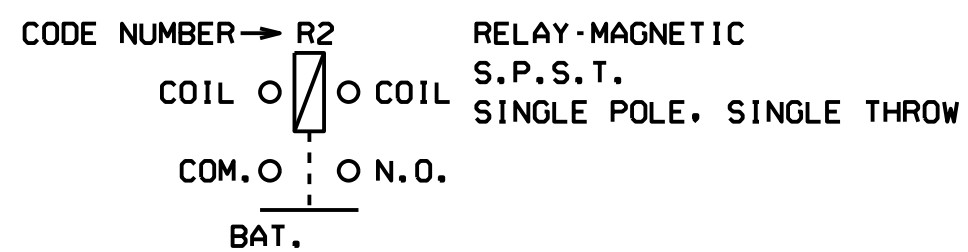
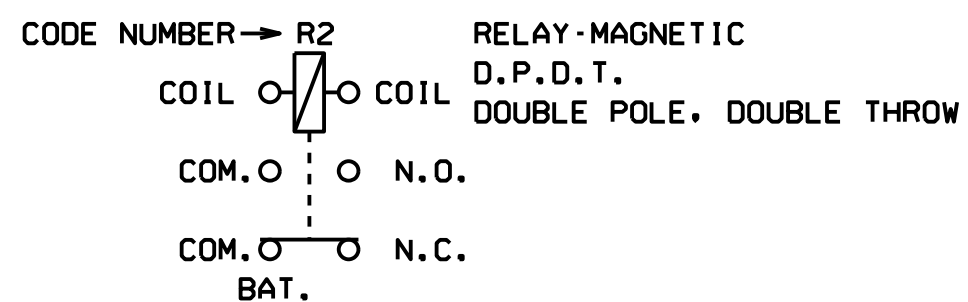
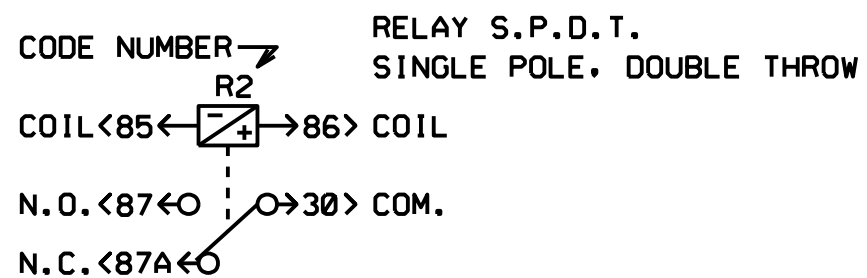
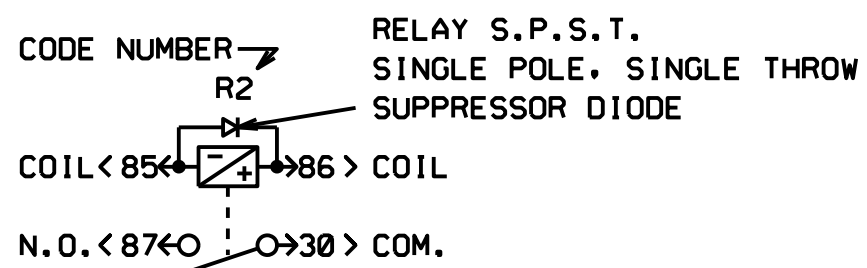
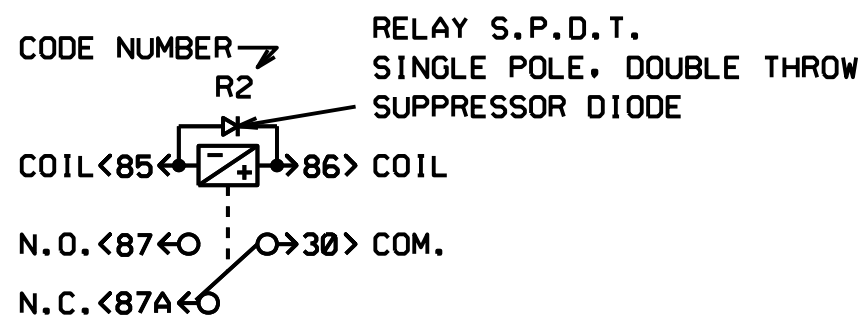
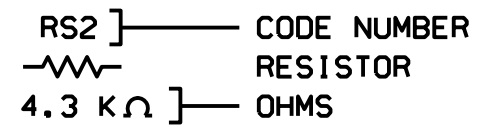
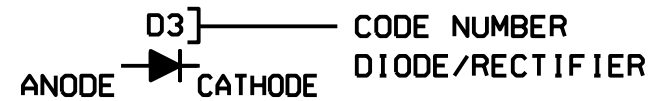
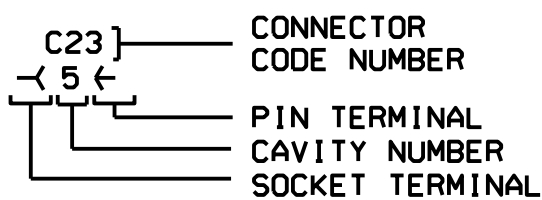
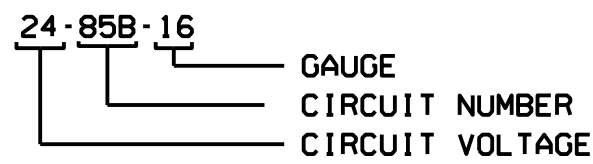
RESISTORS NUMBER CODE

No.	PAGE	OHM(S)	#PREV.	LOCATION	FUNCTION
RS 1	5	11 K	561898	FR JCT BOX	FAST IDLE DDEC CONTROL
RS 2	5	3.6 K	561897	FR JCT BOX	FAST IDLE DDEC CONTROL
RS 3	9.3	1 (2)	561537	FR JCT BOX	FOG LT - RH
RS 4	9.3	1 (2)	561537	FR JCT BOX	FOG LT - LH
RS 5	9.2	1 (2)	061976	FR JCT BOX	CORNERING LT - LH
RS 6	16.1	5	563006	RH UNDER DASH	VOLTAGE DIV. OPEN DOOR SOL.
RS 7	9.3	.82 (2)	060806	RR JCT BOX	PARKING BRAKE STOP LTS
RS 8	9.2	1 (2)	061976	FR JCT BOX	CORNERING LT - RH
RS 9	9.3	1 (2)	061976	RR JCT BOX	DOCKING LT - RH
RS 10	9.3	1 (2)	061976	RR JCT BOX	DOCKING LT - LH
RS 11	22	12	561191	FR TOP	DEFROSTER SPEED
RS 12	22	12	561191	FR TOP	DEFROSTER SPEED
RS 13	17	80 (2)	562108	FR TOP	FR DESTINATION SIGN
RS 14					
RS 15					
RS 16					
RS 17	7	220	562498	FR JCT BOX	FIRE ALARM
RS 18	8	75 K	064208	RR JCT BOX	FAN CLUTCH W/RETARDER
RS 19	13.2	330K	065755	EVAP. CPT.	TIME DELAY RELAY EVAP. FAN
RS 20	15	1 K	562470	RR JCT BOX	WORLD TR. SPEED TO DDEC III
RS 21	22	15K	562908	DASH	CURRENT LIMIT FOR LED
RS 24	9.1	1.5K	562908	DASH	CURRENT LIMIT FOR LED
RS 25	9.3	1.5K	562908	DASH	CURRENT LIMIT FOR LED
RS 26	10	1.5K	562908	DASH	CURRENT LIMIT FOR LED
RS 28	26.1	1.5K	562908	DASH	CURRENT LIMIT FOR LED
RS 29	23.1	1.5K	562908	GALLEY	CURRENT LIMIT FOR LED
RS 30	23.1	1.5K	562908	GALLEY	CURRENT LIMIT FOR LED
RS 31	23.1	1.5K	562908	GALLEY	CURRENT LIMIT FOR LED
RS 32	13.3	1.5K	562908	DASH	CURRENT LIMIT FOR LED
RS 33	4.2	30	562948	RR JCT BOX	CURRENT LOAD FOR RELAY CONTACT
RS 33	23.1	1.5K	562908	GALLEY	CURRENT LIMIT FOR LED
RS 34	23.1	1.5K	562908	GALLEY	CURRENT LIMIT FOR LED
RS 35	23.1	1.5K	562908	GALLEY	CURRENT LIMIT FOR LED
RS 36	13.2	10	064907	EVAP. CPT.	CURRENT LIMIT FOR RELAY
RS 37	13.2	5	064907	EVAP. CPT.	CURRENT LIMIT FOR RELAY
RS 38	21.1	620	563205	FR. SERV. COMPT	ABS
RS 39	21.1	620	563205	FR. SERV. COMPT	TRAILER ABS
RS 40					
RS 41	17.1	1M	065830	LAVATORY TRAP SW.	FLUSH PUMP TIME DELAY
RS 42	9.5	0.2	066001	FR JCT BOX	RH LOW BEAM (HALOGEN ONLY)
RS 43	9.5	0.2	066001	FR JCT BOX	LH LOW BEAM (HALOGEN ONLY)

RESISTORS NUMBER CODE

No.	PAGE	OHM(S)	#PREV.	LOCATION	FUNCTION
RS 1	5	11 K	561898	FR JCT BOX	FAST IDLE DDEC CONTROL
RS 2	5	3.6 K	561897	FR JCT BOX	FAST IDLE DDEC CONTROL
RS 3	9.3	1 (2)	561537	FR JCT BOX	FOG LT - RH
RS 4	9.3	1 (2)	561537	FR JCT BOX	FOG LT - LH
RS 5	9.2	1 (2)	061976	FR JCT BOX	CORNERING LT - LH
RS 6	16.1	5	563006	RH UNDER DASH	VOLTAGE DIV. OPEN DOOR SOL.
RS 7	9.3	.82 (2)	060806	RR JCT BOX	PARKING BRAKE STOP LTS
RS 8	9.2	1 (2)	061976	FR JCT BOX	CORNERING LT - RH
RS 9	9.3	1 (2)	061976	RR JCT BOX	DOCKING LT - RH
RS 10	9.3	1 (2)	061976	RR JCT BOX	DOCKING LT - LH
RS 11					
RS 12	22	6	563436	FR TOP	DEFROSTER SPEED
RS 13	17	80 (2)	562108	FR TOP	FR DESTINATION SIGN
RS 14					
RS 15					
RS 16					
RS 17	7	220	562498	FR JCT BOX	FIRE ALARM
RS 18	8	75 K	064208	RR JCT BOX	FAN CLUTCH W/RETARDER
RS 19	13.2	330K	065755	EVAP. CPT.	TIME DELAY RELAY EVAP. FAN
RS 20	15	1 K	562470	RR JCT BOX	WORLD TR. SPEED TO DDEC III
RS 21	22	15K	562908	DASH	CURRENT LIMIT FOR LED
RS 24	9.1	1.5K	562908	DASH	CURRENT LIMIT FOR LED
RS 25	9.3	1.5K	562908	DASH	CURRENT LIMIT FOR LED
RS 26	10	1.5K	562908	DASH	CURRENT LIMIT FOR LED
RS 28	26.1	1.5K	562908	DASH	CURRENT LIMIT FOR LED
RS 29	23.1	1.5K	562908	GALLEY	CURRENT LIMIT FOR LED
RS 30	23.1	1.5K	562908	GALLEY	CURRENT LIMIT FOR LED
RS 31	23.1	1.5K	562908	GALLEY	CURRENT LIMIT FOR LED
RS 32	13.3	1.5K	562908	DASH	CURRENT LIMIT FOR LED
RS 33	4.2	30	562948	RR JCT BOX	CURRENT LOAD FOR RELAY CONTACT
RS 33	23.1	1.5K	562908	GALLEY	CURRENT LIMIT FOR LED
RS 34	23.1	1.5K	562908	GALLEY	CURRENT LIMIT FOR LED
RS 35	23.1	1.5K	562908	GALLEY	CURRENT LIMIT FOR LED
RS 36	13.2	10	064907	EVAP. CPT.	CURRENT LIMIT FOR RELAY
RS 37	13.2	5	064907	EVAP. CPT.	CURRENT LIMIT FOR RELAY
RS 38	21.1	620	563205	FR. SERV. COMPT	ABS
RS 39	21.1	620	563205	FR. SERV. COMPT	TRAILER ABS
RS 40					
RS 41	17.1	1M	065830	LAVATORY TRAP SW.	FLUSH PUMP TIME DELAY
RS 42	9.5	0.2	066001	FR JCT BOX	RH LOW BEAM (HALOGEN ONLY)
RS 43	9.5	0.2	066001	FR JCT BOX	LH LOW BEAM (HALOGEN ONLY)

WIRING DIAGRAM KEYS



- BLK BLACK
- YEL YELLOW
- RED RED
- WH WHITE
- GRY GREY
- ORA ORANGE
- BLU BLUE
- GRN GREEN
- BRN BROWN
- PUR PURPLE
- PK PINK

FUSES CODE

No.	PAGE	AMP.	#PREV.	LOCATION	FUNCTION	No.	PAGE	AMP.	#PREV.	LOCATION	FUNCTION
F 1	6.1	10A	562407	RR. JCT. BOX	WORLD TRANSMISSION 12V BATTERY	F 73	23.1	35A	562608	GALLEY PANEL	GALLEY COFFEMAKER
F 2	6.1	10A	562407	RR. JCT. BOX	WORLD TRANS.& EATON TRANS.12V IGNITION	F 74	23.1	7.5	560598	BAT. CPT.	GALLEY REFRIGERATOR
F 3	7.2	20A	562605	FR. JCT. BOX	ELECTRICAL HORNS	F 75					
F 4	7.2	5A	562259	FR. JCT. BOX	FIRE ALARM	F 76	20.8	1A	562597	SOUND SYS JC	DVD KARAOKE
F 5						F 77	20.8	3A	562599	SOUND SYS JC	DVD KARAOKE
F 6	5.1	5A	562602	FR. JCT. BOX	CRUISE DECEL SW.	F 81	6.3	10A	562407	RR. JCT. BOX	Z F TRANSM.
F 7	8.1	5A	562602	FR. JCT. BOX	PARKING BRAKE PRESSURE SW.	F 82	6.3	10A	562407	RR. JCT. BOX	Z F TRANSM.
F 8	9.2	10A	562407	FR. JCT. BOX	CORNERING LTS	F 83	6.3	10A	562407	RR. JCT. BOX	Z F TRANSM.
F 9	9.3	15A	562604	RR. JCT. BOX	DOCKING LTS						
F 10	9.3	15A	562604	FR. JCT. BOX	FOG LTS						
F 11	11.1	5A	562259	FR. JCT. BOX	FRONT SERVICE CPT LTS						
F 12	11.2	10A	562407	RR. JCT. BOX	aisle LTS						
F 13	11.2	7.5A	562602	RR. JCT. BOX	EMERGENCY EXIT LTS	F ZF1	15.1	3A	560893	FR.JCT.BOX	STEERING CONTROL
F 14	11.3	15A	562602	FR. JCT. BOX	DRIVER'S LTS						
F 15	11.3	15A	562604	RR. JCT. BOX	READING LTS RH						
F 16	11.3	15A	562604	RR. JCT. BOX	READING LTS LH						
F 17	11.3	10A	562407	RR. JCT. BOX	INDIRECT LIGHTING R.H.						
F 18	11.4	10A	562407	RR. JCT. BOX	24V FLUORESCENT RH						
F 19	11.4	10A	562407	RR. JCT. BOX	24V FLUORESCENT LH						
F 20	11.3	5A	562599	FR. JCT. BOX	GENERAL & READING LTS. SW.						
F 21	12.1	10A	560061	RR. JCT. BOX	PRIME PUMP						
F 22	14.1	10A	562407	FR. JCT. BOX	POWER 12V OUTLET						
F 23	14.1	15A	562604	FR. JCT. BOX	DRIVER'S WINDOW LIFTER						
F 24	14.1	15A	562604	FR. JCT. BOX	CIGAR LIGHTER						
F 25	14.1	3A	562599	FR. JCT. BOX	SUN VISOR						
F 26	26.1	7.5A	562259	FR. JCT. BOX	WATER HTR WEBASTO TIMER						
F 27	17.1	5A	562259	RR. JCT. BOX	GALLEY LAMP & LAVATORY NIGHT LTS.						
F 28	17.1	10A	562407	RR. JCT. BOX	LAVATORY PUMP						
F 29	17.1	7.5A	562602	RR. JCT. BOX	LAVATORY LTS						
F 31	17.1	5A	562259	FR. JCT. BOX	FRONT DESTINATION SIGN ELECTRONIC						
F 31	17.1	7.5A	562602	FR. JCT. BOX	FRONT DESTINATION SIGN ELECTRIC						
F 32	11.3	5A	562259	FR. JCT. BOX	PASSENGER NO SMOKING LTS						
F 33	18.1	5A	562259	FR. JCT. BOX	KNEELING SYSTEM						
F 34	19.1	3A	562599	FR. JCT. BOX	LUGGAGE DOOR LOCK						
F 39	22.1	20A	562605	FR. JCT. BOX	UPPER WINDSHIELD FAN AND PUMP DEFROST						
F 40											
F 41											
F 42	20.5	3A			WIRELESS MIC CHARGER						
F 43	1.2	3A	562599	FR. JCT. BOX	12V SIGNAL TO BATT MONITOR						
F 44	1.2	3A	562599	FR. JCT. BOX	24V SIGNAL TO BATT MONITOR						
F 46	24.1	7.5A	562602	FR. JCT. BOX	MIRROR ADJUST & HEATED 24V SPARTAN						
F 47	24.3	7.5A	562407	FR. JCT. BOX	MIRROR ADJUST & HEATED 12V RAMCO						
F 48	25.2	10A	562407	RR. JCT. BOX	WHEEL CHAIR LIFT POWER CONTROL						
F 49	26.1	15A	562605	RR. JCT. BOX	PRE-HEAT WATER HEATER WEBASTO						
F 50	26.1	20A	562605	RR. JCT. BOX	PRE-HEAT WATER HEATER WEBASTO						
F 51	11.2	7.5A	562602	RR. JCT. BOX	HAR RACK CPT LTS						
F 57	17.1	5A	562259	RR. JCT. BOX	LAVATORY FLUORESCENT						
F 58	11.3	10A	562407	RR. JCT. BOX	INDIRECT LIGHTING L.H.						
F 59											
F 60	17.1	10A	562407	RR. JCT. BOX	LAVATORY FAN						
F 61	27.1	1A	560893	FR. JCT. BOX	INTERCOM						
F 62	2.1	3A	562599	RR. JCT. BOX	PRO-LINK & FIRE ALARM						
F 63	27.1	3A	560893	MON. CLARION	BACK-UP MONITOR CLARION						
F 70	23.1	7.5A	562602	GALLEY PANEL	GALLEY RH CONTAINER						
F 71	23.1	7.5A	562602	GALLEY PANEL	GALLEY LH CONTAINER						
F 72	23.1	10A	562407	GALLEY PANEL	GALLEY REFRIGERATOR COMPRESSOR						

FUSES CODE

No. PAGE AMP. #PREV. LOCATION FUNCTION

No. PAGE AMP. #PREV. LOCATION FUNCTION

FUSES CODE

No.	PAGE	AMP.	#PREV.	LOCATION	FUNCTION	No.	PAGE	AMP.	#PREV.	LOCATION	FUNCTION
F 1	6.1	10A	562407	RR. JCT. BOX	WORLD TRANSMISSION 12V BATTERY	F 73	23.1	35A	562608	GALLEY PANEL	GALLEY COFFEMAKER
F 2	6.1	10A	562407	RR. JCT. BOX	WORLD TRANS.& EATON TRANS.12V IGNITION	F 74	23.1	7.5	560598	BAT. CPT.	GALLEY REFRIGERATOR
F 3	7.2	20A	562605	FR. JCT. BOX	ELECTRICAL HORNS	F 75					
F 4	7.2	5A	562259	FR. JCT. BOX	FIRE ALARM	F 76	20.8	1A	562597	SOUND SYS JC	DVD KARAOKE
F 5						F 77	20.8	3A	562599	SOUND SYS JC	DVD KARAOKE
F 6	5.1	5A	562602	FR. JCT. BOX	CRUISE DECEL SW.	F 81	6.3	10A	562407	RR. JCT. BOX	Z F TRANSM.
F 7	8.1	5A	562602	FR. JCT. BOX	PARKING BRAKE PRESSURE SW.	F 82	6.3	10A	562407	RR. JCT. BOX	ZF TRANSM.
F 8	9.2	10A	562407	FR. JCT. BOX	CORNERING LTS	F 83	6.3	10A	562407	RR. JCT. BOX	ZF TRANSM.
F 9	9.3	15A	562604	RR. JCT. BOX	DOCKING LTS	F 84	6.3	10A	562407	RR. JCT. BOX	ZF TRANSM.
F 10	9.3	15A	562604	FR. JCT. BOX	FOG LTS						
F 11	11.1	5A	562259	FR. JCT. BOX	FRONT SERVICE CPT LTS						
F 12	11.2	10A	562407	RR. JCT. BOX	AISLE LTS						
F 13	11.2	7.5A	562602	RR. JCT. BOX	EMERGENCY EXIT LTS	F ZF1	15.1	3A	560893	FR.JCT.BOX	STEERING CONTROL
F 14	11.3	15A	562602	FR. JCT. BOX	DRIVER'S LTS						
F 15	11.3	15A	562604	RR. JCT. BOX	READING LTS RH						
F 16	11.3	15A	562604	RR. JCT. BOX	READING LTS LH						
F 17	11.3	10A	562407	RR. JCT. BOX	INDIRECT LIGHTING R.H.						
F 18	11.4	10A	562407	RR. JCT. BOX	24V FLUORESCENT RH						
F 19	11.4	10A	562407	RR. JCT. BOX	24V FLUORESCENT LH						
F 20	11.3	5A	562599	FR. JCT. BOX	GENERAL & READING LTS. SW.						
F 21	12.1	10A	560061	RR. JCT. BOX	PRIME PUMP						
F 22	14.1	10A	562407	FR. JCT. BOX	POWER 12V OUTLET						
F 23	14.1	15A	562604	FR. JCT. BOX	DRIVER'S WINDOW LIFTER						
F 24	14.1	15A	562604	FR. JCT. BOX	CIGAR LIGHTER						
F 25	14.1	3A	562599	FR. JCT. BOX	SUN VISOR						
F 26	26.1	7.5A	562259	FR. JCT. BOX	WATER HTR WEBASTO TIMER						
F 27	17.1	5A	562259	RR. JCT. BOX	GALLEY LAMP & LAVATORY NIGHT LTS.						
F 28	17.1	10A	562407	RR. JCT. BOX	LAVATORY PUMP						
F 29	17.1	7.5A	562602	RR. JCT. BOX	LAVATORY LTS						
F 31	17.1	5A	562259	FR. JCT. BOX	FRONT DESTINATION SIGN ELECTRONIC						
F 31	17.1	7.5A	562602	FR. JCT. BOX	FRONT DESTINATION SIGN ELECTRIC						
F 32	11.3	5A	562259	FR. JCT. BOX	PASSENGER NO SMOKING LTS						
F 33	18.1	5A	562259	FR. JCT. BOX	KNEELING SYSTEM						
F 34	19.1	3A	562599	FR. JCT. BOX	LUGGAGE DOOR LOCK						
F 39	22.1	20A	562605	FR. JCT. BOX	UPPER WINDSHIELD FAN AND PUMP DEFROST						
F 40											
F 41											
F 42	20.5	3A			WIRELESS MIC CHARGER						
F 43	1.2	3A	562599	FR. JCT. BOX	12V SIGNAL TO BATT MONITOR						
F 44	1.2	3A	562599	FR. JCT. BOX	24V SIGNAL TO BATT MONITOR						
F 46	24.1	7.5A	562602	FR. JCT. BOX	MIRROR ADJUST & HEATED 24V SPARTAN						
F 47	24.3	7.5A	562407	FR. JCT. BOX	MIRROR ADJUST & HEATED 12V RAMCO						
F 48	25.2	10A	562407	RR. JCT. BOX	WHEEL CHAIR LIFT POWER CONTROL						
F 49	26.1	15A	562605	RR. JCT. BOX	PRE-HEAT WATER HEATER WEBASTO						
F 50	26.1	20A	562605	RR. JCT. BOX	PRE-HEAT WATER HEATER WEBASTO						
F 51	11.2	7.5A	562602	RR. JCT. BOX	HAR RACK CPT LTS						
F 57	17.1	5A	562259	RR. JCT. BOX	LAVATORY FLUORESCENT						
F 58	11.3	10A	562407	RR. JCT. BOX	INDIRECT LIGHTING L.H.						
F 59											
F 60	17.1	10A	562407	RR. JCT. BOX	LAVATORY FAN						
F 61	27.1	1A	560893	FR. JCT. BOX	INTERCOM						
F 62	2.1	3A	562599	RR. JCT. BOX	PRO-LINK & FIRE ALARM						
F 63	27.1	3A	560893	MON. CLARION	BACK-UP MONITOR CLARION						
F 70	23.1	7.5A	562602	GALLEY PANEL	GALLEY RH CONTAINER						
F 71	23.1	7.5A	562602	GALLEY PANEL	GALLEY LH CONTAINER						
F 72	23.1	10A	562407	GALLEY PANEL	GALLEY REFRIGERATOR COMPRESSOR						

FUSES CODE

No. PAGE AMP. #PREV. LOCATION FUNCTION

No. PAGE AMP. #PREV. LOCATION FUNCTION

FUSES CODE

No.	PAGE	AMP.	#PREV.	LOCATION	FUNCTION	No.	PAGE	AMP.	#PREV.	LOCATION	FUNCTION
F 1	6.1	10A	562407	RR. JCT. BOX	WORLD TRANSMISSION 12V BATTERY	F 73	23.1	35A	562608	GALLEY PANEL	GALLEY COFFEMAKER
F 2	6.1	10A	562407	RR. JCT. BOX	WORLD TRANS.& EATON TRANS.12V IGNITION	F 74	23.1	7.5	560598	BAT. CPT.	GALLEY REFRIGERATOR
F 3	7.2	20A	562605	FR. JCT. BOX	ELECTRICAL HORNS	F 75					
F 4	7.2	5A	562259	FR. JCT. BOX	FIRE ALARM	F 76	20.8	1A	562597	SOUND SYS JC	DVD KARAOKE
F 5						F 77	20.8	3A	562599	SOUND SYS JC	DVD KARAOKE
F 6	5.1	5A	562602	FR. JCT. BOX	CRUISE DECEL SW.	F 81	6.3	10A	562407	RR. JCT. BOX	Z F TRANSM.
F 7	8.1	5A	562602	FR. JCT. BOX	PARKING BRAKE PRESSURE SW.	F 82	6.3	10A	562407	RR. JCT. BOX	Z F TRANSM.
F 8	9.2	10A	562407	FR. JCT. BOX	CORNERING LTS	F 83	6.3	10A	562407	RR. JCT. BOX	Z F TRANSM.
F 9	9.3	15A	562604	RR. JCT. BOX	DOCKING LTS	F 84	6.3	10A	562407	RR. JCT. BOX	Z F TRANSM.
F 10	9.3	15A	562604	FR. JCT. BOX	FOG LTS						
F 11	11.1	5A	562259	FR. JCT. BOX	FRONT SERVICE CPT LTS						
F 12	11.2	10A	562407	RR. JCT. BOX	AISLE LTS						
F 13	11.2	7.5A	562602	RR. JCT. BOX	EMERGENCY EXIT LTS	F ZF1	15.1	3A	560893	FR.JCT.BOX	STEERING CONTROL
F 14	11.3	15A	562602	FR. JCT. BOX	DRIVER'S LTS						
F 15	11.3	15A	562604	RR. JCT. BOX	READING LTS RH						
F 16	11.3	15A	562604	RR. JCT. BOX	READING LTS LH						
F 17	11.3	10A	562407	RR. JCT. BOX	INDIRECT LIGHTING R.H.						
F 18	11.4	10A	562407	RR. JCT. BOX	24V FLUORESCENT RH						
F 19	11.4	10A	562407	RR. JCT. BOX	24V FLUORESCENT LH						
F 20	11.3	5A	562599	FR. JCT. BOX	GENERAL & READING LTS. SW.						
F 21	12.1	10A	560061	RR. JCT. BOX	PRIME PUMP						
F 22	14.1	10A	562407	FR. JCT. BOX	POWER 12V OUTLET						
F 23	14.1	15A	562604	FR. JCT. BOX	DRIVER'S WINDOW LIFTER						
F 24	14.1	15A	562604	FR. JCT. BOX	CIGAR LIGHTER						
F 25	14.1	3A	562599	FR. JCT. BOX	SUN VISOR						
F 26	26.1	7.5A	562259	FR. JCT. BOX	WATER HTR WEBASTO TIMER						
F 27	17.1	5A	562259	RR. JCT. BOX	GALLEY LAMP & LAVATORY NIGHT LTS.						
F 28	17.1	10A	562407	RR. JCT. BOX	LAVATORY PUMP						
F 29	17.1	7.5A	562602	RR. JCT. BOX	LAVATORY LTS						
F 31	17.1	5A	562259	FR. JCT. BOX	FRONT DESTINATION SIGN ELECTRONIC						
F 31	17.1	7.5A	562602	FR. JCT. BOX	FRONT DESTINATION SIGN ELECTRIC						
F 32	11.3	5A	562259	FR. JCT. BOX	PASSENGER NO SMOKING LTS						
F 33	18.1	5A	562259	FR. JCT. BOX	KNEELING SYSTEM						
F 34	19.1	3A	562599	FR. JCT. BOX	LUGGAGE DOOR LOCK						
F 39	22.1	20A	562605	FR. JCT. BOX	UPPER WINDSHIELD FAN AND PUMP DEFROST						
F 40											
F 41											
F 42	20.5	3A			WIRELESS MIC CHARGER						
F 43	1.2	3A	562599	FR. JCT. BOX	12V SIGNAL TO BATT MONITOR						
F 44	1.2	3A	562599	FR. JCT. BOX	24V SIGNAL TO BATT MONITOR						
F 46	24.1	7.5A	562602	FR. JCT. BOX	MIRROR ADJUST & HEATED 24V SPARTAN						
F 47	24.3	7.5A	562407	FR. JCT. BOX	MIRROR ADJUST & HEATED 12V RAMCO						
F 48	25.2	10A	562407	RR. JCT. BOX	WHEEL CHAIR LIFT POWER CONTROL						
F 49	26.1	15A	562605	RR. JCT. BOX	PRE-HEAT WATER HEATER WEBASTO						
F 50	26.1	20A	562605	RR. JCT. BOX	PRE-HEAT WATER HEATER WEBASTO						
F 51	11.2	7.5A	562602	RR. JCT. BOX	HAT RACK CPT LTS						
F 57	17.1	5A	562259	RR. JCT. BOX	LAVATORY FLUORESCENT						
F 58	11.3	10A	562407	RR. JCT. BOX	INDIRECT LIGHTING L.H.						
F 59											
F 60	17.1	10A	562407	RR. JCT. BOX	LAVATORY FAN						
F 61	27.1	1A	560893	FR. JCT. BOX	INTERCOM						
F 62	2.1	3A	562599	RR. JCT. BOX	PRO-LINK & FIRE ALARM						
F 63	27.1	3A	560893	MON. CLARION	BACK-UP MONITOR CLARION						
F 70	23.1	7.5A	562602	GALLEY PANEL	GALLEY RH CONTAINER						
F 71	23.1	7.5A	562602	GALLEY PANEL	GALLEY LH CONTAINER						
F 72	23.1	10A	562407	GALLEY PANEL	GALLEY REFRIGERATOR COMPRESSOR						

FUSES CODE

No. PAGE AMP. #PREV. LOCATION FUNCTION

No. PAGE AMP. #PREV. LOCATION FUNCTION

FUSES CODE

No.	PAGE	AMP.	#PREV.	LOCATION	FUNCTION	No.	PAGE	AMP.	#PREV.	LOCATION	FUNCTION
F 1	6.1	10A	562407	RR. JCT. BOX	WORLD TRANSMISSION 12V BATTERY	F 73	23.1	35A	562608	GALLEY PANEL	GALLEY COFFEMAKER
F 2	6.1	10A	562407	RR. JCT. BOX	WORLD TRANS.& EATON TRANS.12V IGNITION	F 74	23.1	7.5	560598	BAT. CPT.	GALLEY REFRIGERATOR
F 3	7.2	20A	562605	FR. JCT. BOX	ELECTRICAL HORNS	F 75					
F 4	7.2	5A	562259	FR. JCT. BOX	FIRE ALARM	F 76	20.8	1A	562597	SOUND SYS JC	DVD KARAOKE
F 5						F 77	20.8	3A	562599	SOUND SYS JC	DVD KARAOKE
F 6	5.1	5A	562602	FR. JCT. BOX	CRUISE DECEL SW.	F 81	6.3	10A	562407	RR. JCT. BOX	Z F TRANSM.
F 7	8.1	5A	562602	FR. JCT. BOX	PARKING BRAKE PRESSURE SW.	F 82	6.3	10A	562407	RR. JCT. BOX	ZF TRANSM.
F 7S	4.2	3A	560893	STARTER	STARTER « ON » TTLT	F 83	6.3	10A	562407	RR. JCT. BOX	ZF TRANSM.
F 8	9.2	10A	562407	FR. JCT. BOX	CORNERING LTS	F 84	6.3	10A	562407	RR. JCT. BOX	ZF TRANSM.
F 9	9.3	15A	562604	RR. JCT. BOX	DOCKING LTS						
F 10	9.3	15A	562604	FR. JCT. BOX	FOG LTS						
F 11	11.1	5A	562259	FR. JCT. BOX	FRONT SERVICE CPT LTS						
F 12	11.2	10A	562407	RR. JCT. BOX	AISLE LTS	F ZF1	15.1	3A	560893	FR.JCT.BOX	STEERING CONTROL
F 13	11.2	7.5A	562602	RR. JCT. BOX	EMERGENCY EXIT LTS						
F 14	11.3	15A	562602	FR. JCT. BOX	DRIVER'S LTS						
F 15	11.3	15A	562604	RR. JCT. BOX	READING LTS RH						
F 16	11.3	15A	562604	RR. JCT. BOX	READING LTS LH						
F 17	11.3	10A	562407	RR. JCT. BOX	INDIRECT LIGHTING R.H.						
F 18	11.4	10A	562407	RR. JCT. BOX	24V FLUORESCENT RH						
F 19	11.4	10A	562407	RR. JCT. BOX	24V FLUORESCENT LH						
F 20	11.3	5A	562599	FR. JCT. BOX	GENERAL & READING LTS. SW.						
F 21	12.1	10A	560061	RR. JCT. BOX	PRIME PUMP						
F 22	14.1	10A	562407	FR. JCT. BOX	POWER 12V OUTLET						
F 23	14.1	15A	562604	FR. JCT. BOX	DRIVER'S WINDOW LIFTER						
F 24	14.1	15A	562604	FR. JCT. BOX	CIGAR LIGHTER						
F 25	14.1	3A	562599	FR. JCT. BOX	SUN VISOR						
F 26	26.1	7.5A	562259	FR. JCT. BOX	WATER HTR WEBASTO TIMER						
F 27	17.1	5A	562259	RR. JCT. BOX	GALLEY LAMP & LAVATORY NIGHT LTS.						
F 28	17.1	10A	562407	RR. JCT. BOX	LAVATORY PUMP						
F 29	17.1	7.5A	562602	RR. JCT. BOX	LAVATORY LTS						
F 31	17.1	5A	562259	FR. JCT. BOX	FRONT DESTINATION SIGN ELECTRONIC						
F 31	17.1	7.5A	562602	FR. JCT. BOX	FRONT DESTINATION SIGN ELECTRIC						
F 32	11.3	5A	562259	FR. JCT. BOX	PASSENGER NO SMOKING LTS						
F 33	18.1	5A	562259	FR. JCT. BOX	KNEELING SYSTEM						
F 34	19.1	3A	562599	FR. JCT. BOX	LUGGAGE DOOR LOCK						
F 39	22.1	20A	562605	FR. JCT. BOX	UPPER WINDSHIELD FAN AND PUMP DEFROST						
F 40											
F 41											
F 42	20.5	3A	562599	FR. JCT. BOX	WIRELESS MIC CHARGER						
F 43	1.2	3A	562599	FR. JCT. BOX	12V SIGNAL TO BATT MONITOR						
F 44	1.2	3A	562599	FR. JCT. BOX	24V SIGNAL TO BATT MONITOR						
F 46											
F 47	24.2,24.3	7.5A	562407	FR. JCT. BOX	MIRROR ADJUST & HEATED 12V RAMCO						
F 48	25.2	10A	562407	RR. JCT. BOX	WHEEL CHAIR LIFT POWER CONTROL						
F 49	26.1	15A	562605	RR. JCT. BOX	PRE-HEAT WATER HEATER WEBASTO						
F 50	26.1	20A	562605	RR. JCT. BOX	PRE-HEAT WATER HEATER WEBASTO						
F 51	11.2	7.5A	562602	RR. JCT. BOX	HAT RACK CPT LTS						
F 57	17.1	5A	562259	RR. JCT. BOX	LAVATORY FLUORESCENT						
F 58	11.3	10A	562407	RR. JCT. BOX	INDIRECT LIGHTING L.H.						
F 59											
F 60	17.1	10A	562407	RR. JCT. BOX	LAVATORY FAN						
F 61	27.1	1A	560893	FR. JCT. BOX	INTERCOM						
F 62	2.1	3A	562599	RR. JCT. BOX	PRO-LINK & FIRE ALARM						
F 63	27.1	3A	560893	MON. CLARION	BACK-UP MONITOR CLARION						
F 70	23.1	7.5A	562602	GALLEY PANEL	GALLEY RH CONTAINER						
F 71	23.1	7.5A	562602	GALLEY PANEL	GALLEY LH CONTAINER						
F 72	23.1	10A	562407	GALLEY PANEL	GALLEY REFRIGERATOR COMPRESSOR						

FUSES CODE

No. PAGE AMP. #PREV. LOCATION FUNCTION

No. PAGE AMP. #PREV. LOCATION FUNCTION

FUSES CODE

No.	PAGE	AMP.	#PREV.	LOCATION	FUNCTION	No.	PAGE	AMP.	#PREV.	LOCATION	FUNCTION
F 1	6.1	10A	562407	RR. JCT. BOX	WORLD TRANSMISSION 12V BATTERY	F 72	23.1	10A	562407	GALLEY PANEL	GALLEY REFRIGERATOR COMPRESSOR
F 2	6.1	10A	562407	RR. JCT. BOX	WORLD TRANS.& EATON TRANS.12V IGNITION	F 73	23.1	35A	562608	GALLEY PANEL	GALLEY COFFEMAKER
F 3	7.2	20A	562605	FR. JCT. BOX	ELECTRICAL HORNS	F 74	23.1	7.5	560598	BAT. CPT.	GALLEY REFRIGERATOR
F 4	7.2	5A	562259	FR. JCT. BOX	FIRE ALARM	F 75					
F 5						F 76	20.8	3A	562599	SOUND SYS JC	DVD KARAOKE
F 6	5.1	5A	562602	FR. JCT. BOX	CRUISE DECEL SW.	F 77					
F 7	8.1	5A	562602	FR. JCT. BOX	PARKING BRAKE PRESSURE SW.	F 81	6.3	10A	562407	RR. JCT. BOX	Z F TRANSM.
F 7S	4.2	3A	560893	STARTER	STARTER « ON » TTLT	F 82	6.3	10A	562407	RR. JCT. BOX	ZF TRANSM.
F 8	9.2	10A	562407	FR. JCT. BOX	CORNERING LTS	F 83	6.3	10A	562407	RR. JCT. BOX	ZF TRANSM.
F 9	9.3	15A	562604	RR. JCT. BOX	DOCKING LTS	F 84	6.3	10A	562407	RR. JCT. BOX	ZF TRANSM.
F 10	9.3	15A	562604	FR. JCT. BOX	FOG LTS						
F 11	11.1	5A	562259	FR. JCT. BOX	FRONT SERVICE CPT LTS						
F 12	11.2	10A	562407	RR. JCT. BOX	aisle LTS	F ZF1	15.1	3A	560893	FR.JCT.BOX	STEERING CONTROL
F 13	11.2	7.5A	562602	RR. JCT. BOX	EMERGENCY EXIT LTS						
F 14	11.3	15A	562602	FR. JCT. BOX	DRIVER'S LTS						
F 15	11.3	15A	562604	RR. JCT. BOX	READING LTS RH						
F 16	11.3	15A	562604	RR. JCT. BOX	READING LTS LH						
F 17	11.3	10A	562407	RR. JCT. BOX	INDIRECT LIGHTING R.H.						
F 18	11.4	10A	562407	RR. JCT. BOX	24V FLUORESCENT RH						
F 19	11.4	10A	562407	RR. JCT. BOX	24V FLUORESCENT LH						
F 20	11.3	5A	562599	FR. JCT. BOX	GENERAL & READING LTS. SW.						
F 21	12.1	10A	560061	RR. JCT. BOX	PRIME PUMP						
F 22	14.1	10A	562407	FR. JCT. BOX	POWER 12V OUTLET						
F 23	14.1	15A	562604	FR. JCT. BOX	DRIVER'S WINDOW LIFTER						
F 24	14.1	15A	562604	FR. JCT. BOX	CIGAR LIGHTER						
F 25	14.1	3A	562599	FR. JCT. BOX	SUN VISOR						
F 26	26.1	7.5A	562259	FR. JCT. BOX	WATER HTR WEBASTO TIMER						
F 27	17.1	5A	562259	RR. JCT. BOX	GALLEY LAMP & LAVATORY NIGHT LTS.						
F 28	17.1	10A	562407	RR. JCT. BOX	LAVATORY PUMP						
F 29	17.1	7.5A	562602	RR. JCT. BOX	LAVATORY LTS						
F 31	17.1	5A	562259	FR. JCT. BOX	FRONT DESTINATION SIGN ELECTRONIC						
F 31	17.1	7.5A	562602	FR. JCT. BOX	FRONT DESTINATION SIGN ELECTRIC						
F 32	11.3	5A	562259	FR. JCT. BOX	PASSENGER NO SMOKING LTS						
F 33	18.1	5A	562259	FR. JCT. BOX	KNEELING SYSTEM						
F 34	19.1	3A	562599	FR. JCT. BOX	LUGGAGE DOOR LOCK						
F 39	22.1	20A	562605	FR. JCT. BOX	UPPER WINDSHIELD FAN AND PUMP DEFROST						
F 40											
F 41											
F 42	20.5	3A	562599	FR. JCT. BOX	WIRELESS MIC CHARGER						
F 43	1.2	3A	562599	FR. JCT. BOX	12V SIGNAL TO BATT MONITOR						
F 44	1.2	3A	562599	FR. JCT. BOX	24V SIGNAL TO BATT MONITOR						
F 46											
F 47	24.2,24.3	7.5A	562407	FR. JCT. BOX	MIRROR ADJUST & HEATED 12V RAMCO						
F 48	25.2	10A	562407	RR. JCT. BOX	WHEEL CHAIR LIFT POWER CONTROL						
F 49	26.1	15A	562605	RR. JCT. BOX	PRE-HEAT WATER HEATER WEBASTO						
F 50	26.1	20A	562605	RR. JCT. BOX	PRE-HEAT WATER HEATER WEBASTO						
F 51	11.2	7.5A	562602	RR. JCT. BOX	HAT RACK CPT LTS						
F 57	17.1	5A	562259	RR. JCT. BOX	LAVATORY FLUORESCENT						
F 58	11.3	10A	562407	RR. JCT. BOX	INDIRECT LIGHTING L.H.						
F 59											
F 60	17.1	10A	562407	RR. JCT. BOX	LAVATORY FAN						
F 61	27.1	1A	560893	FR. JCT. BOX	INTERCOM						
F 62	2.1	3A	562599	RR. JCT. BOX	PRO-LINK & FIRE ALARM						
F 63	27.1	3A	560893	MON. CLARION	BACK-UP MONITOR CLARION						
F 70	23.1	7.5A	562602	GALLEY PANEL	GALLEY RH CONTAINER						
F 71	23.1	7.5A	562602	GALLEY PANEL	GALLEY LH CONTAINER						

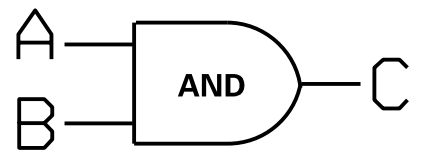
FUSES CODE

No. PAGE AMP. #PREV. LOCATION FUNCTION

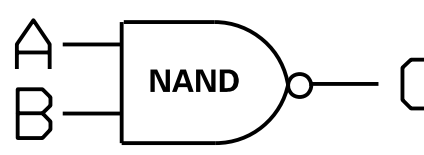
No. PAGE AMP. #PREV. LOCATION FUNCTION

LOGIC GATE

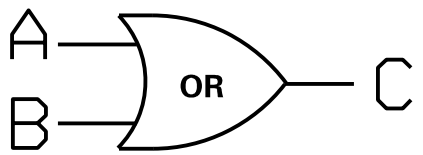
TRUTH TABLE

AND GATE		
		
INPUT		OUT
A	B	C
0	0	0
0	1	0
1	0	0
1	1	1

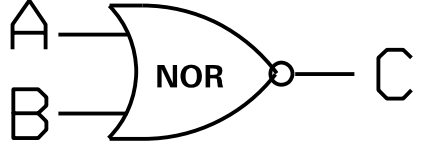
• OUTPUT IS 1 WHEN ALL INPUT IS 1

NAND GATE		
		
INPUT		OUT
A	B	C
0	0	1
0	1	1
1	0	1
1	1	0

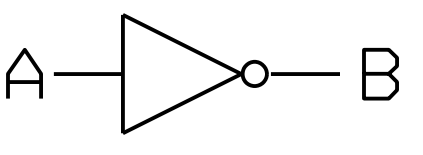
• OUTPUT IS 0 WHEN ALL INPUT IS 1

OR GATE		
		
INPUT		OUT
A	B	C
0	0	0
0	1	1
1	0	1
1	1	1


• OUTPUT IS 1 WHEN EITHER INPUT IS 1


NOR GATE		
		
INPUT		OUT
A	B	C
0	0	1
0	1	0
1	0	0
1	1	0

• OUTPUT IS 1 WHEN NONE INPUT IS 1

NOT GATE		
		
INPUT	A	OUT
B		
	0	1
	1	0

• OUTPUT IS REVERSE OF INPUT

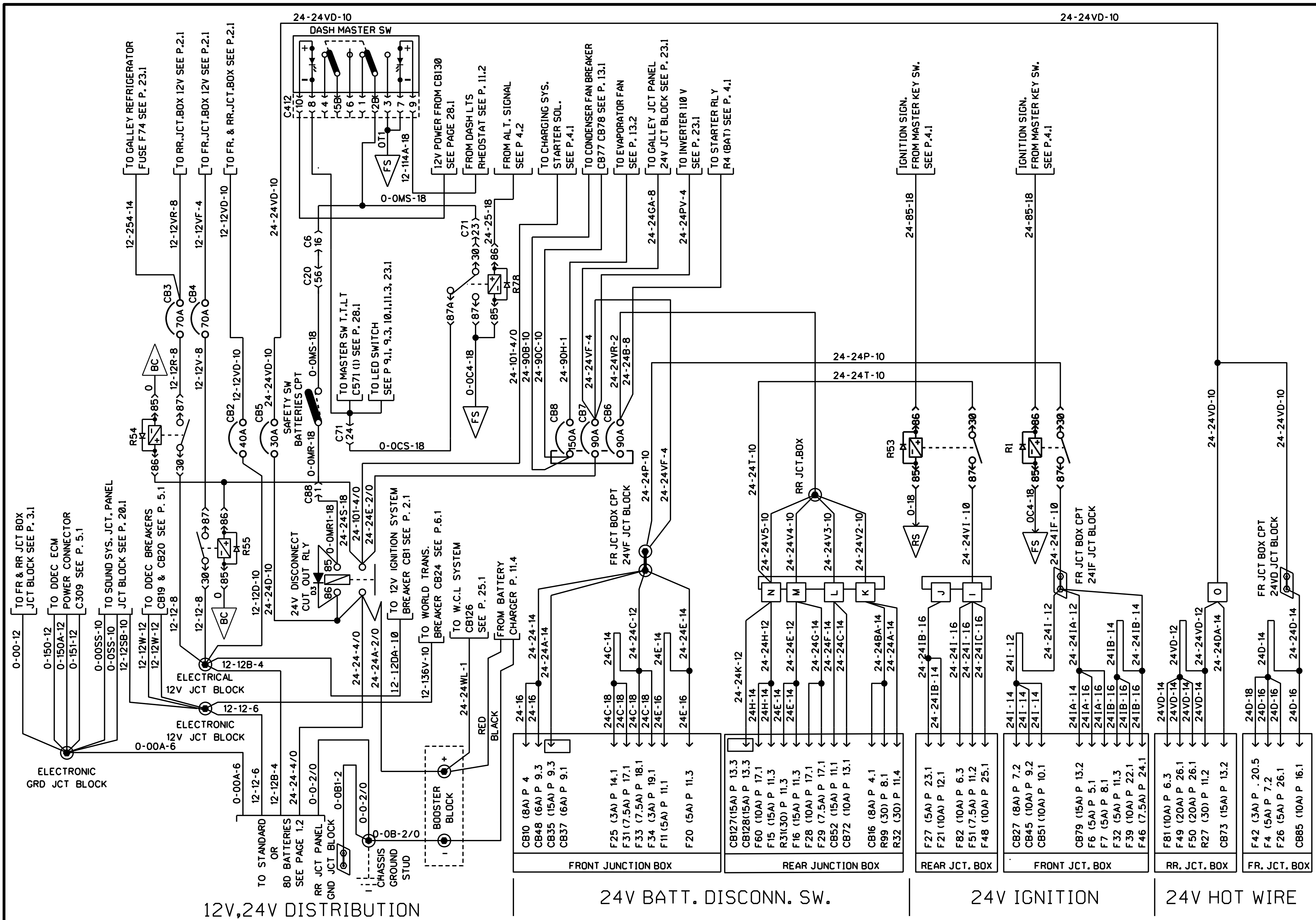
ON-DELAY	
	
XX SECOND AFTER A=1 THAN B=1	

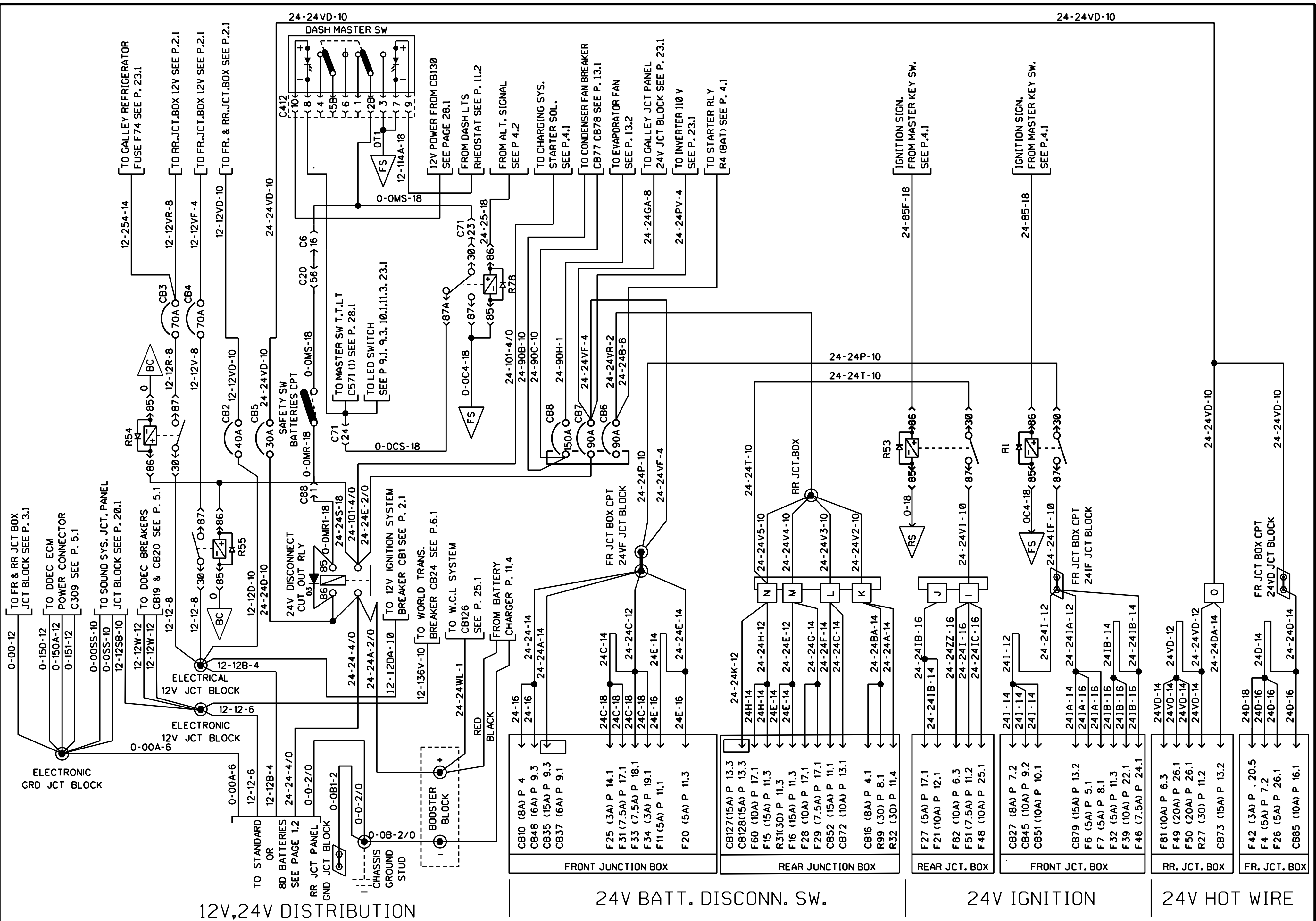
OFF-DELAY	
	
XX SECOND AFTER A=0 THAN B=0	

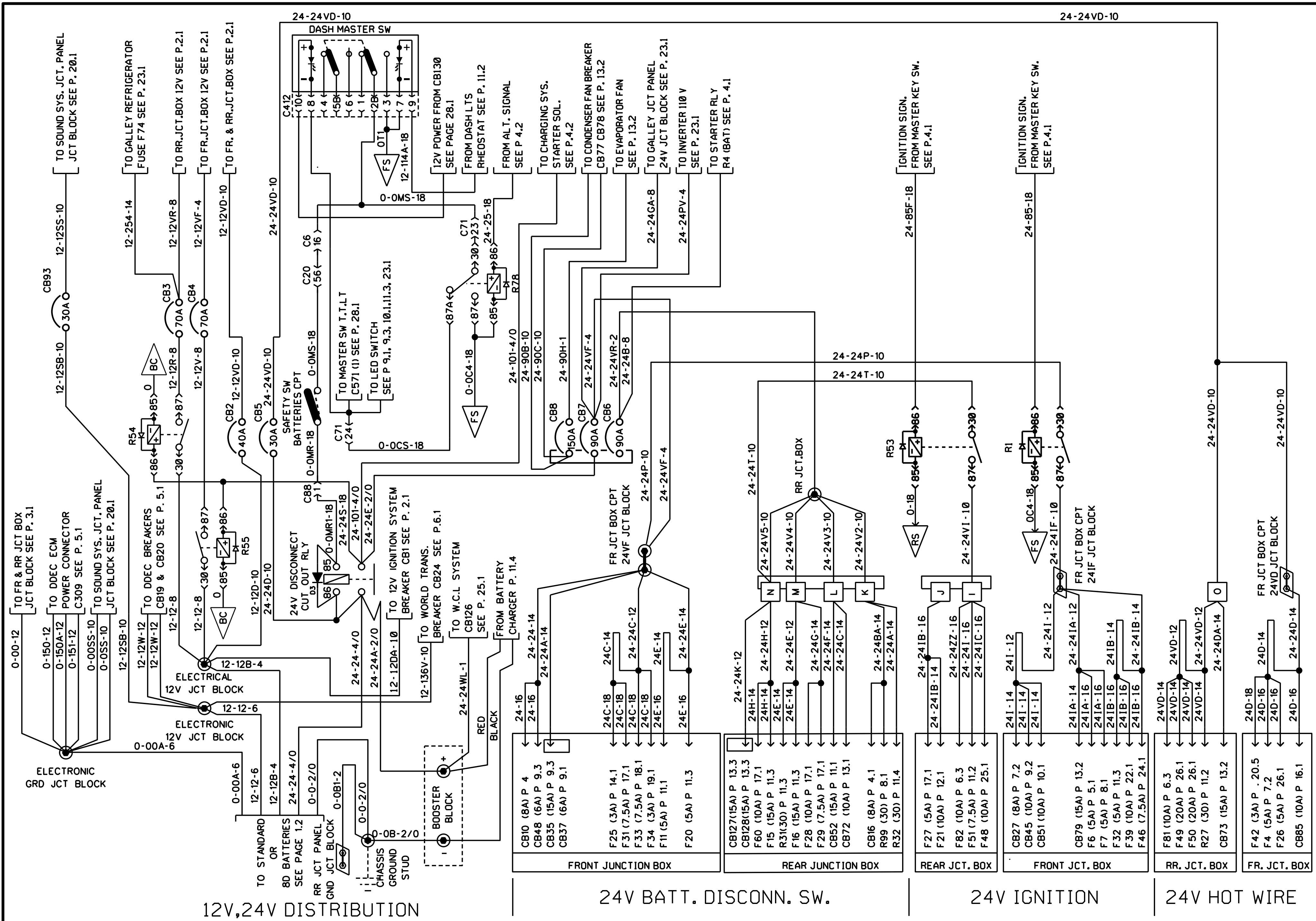
INPUT OR OUTPUT LEVEL

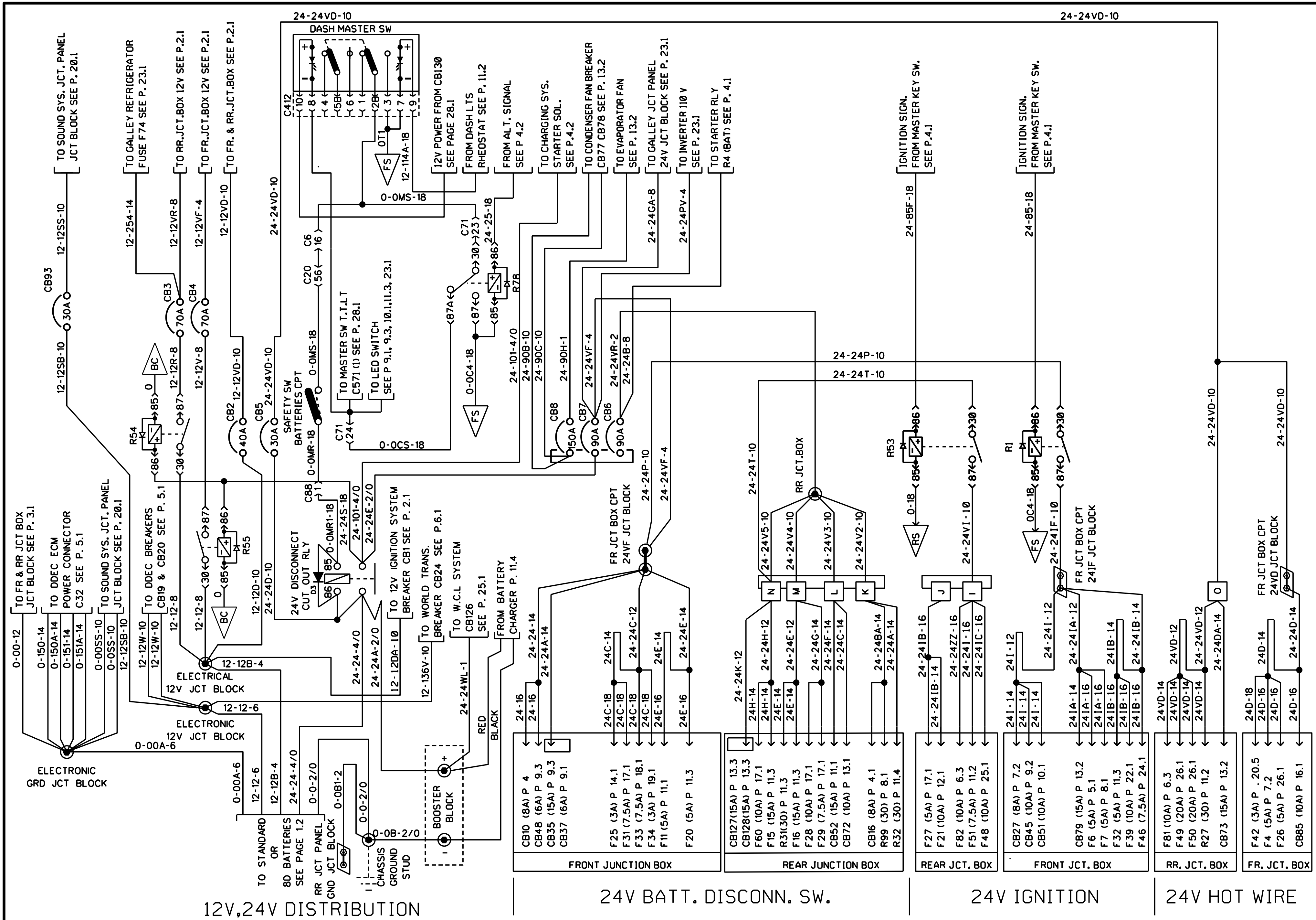
LEVEL 1 = 12 VOLTS OR 24 VOLTS

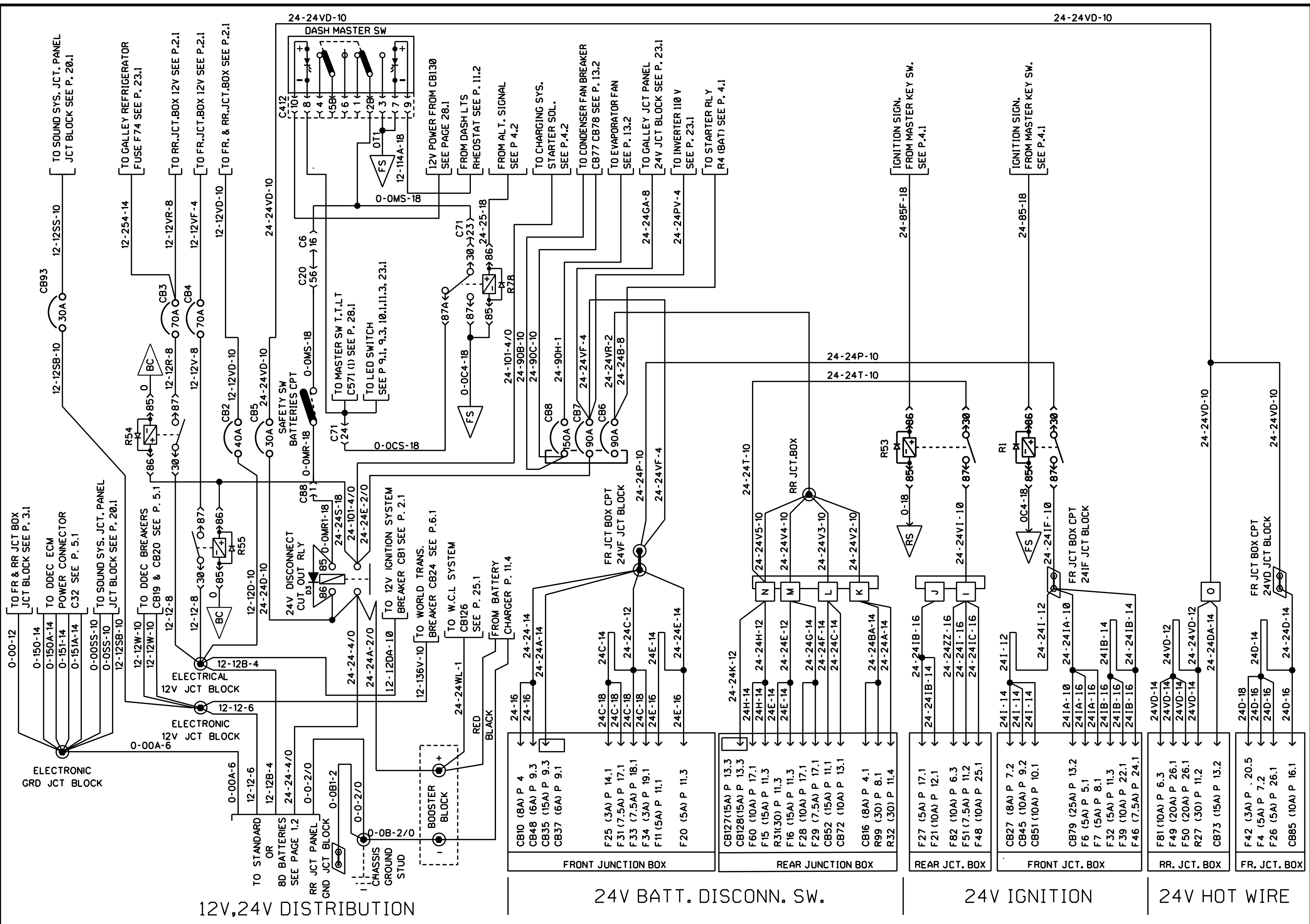
LEVEL 0 = 0 VOLT (TO GROUND)

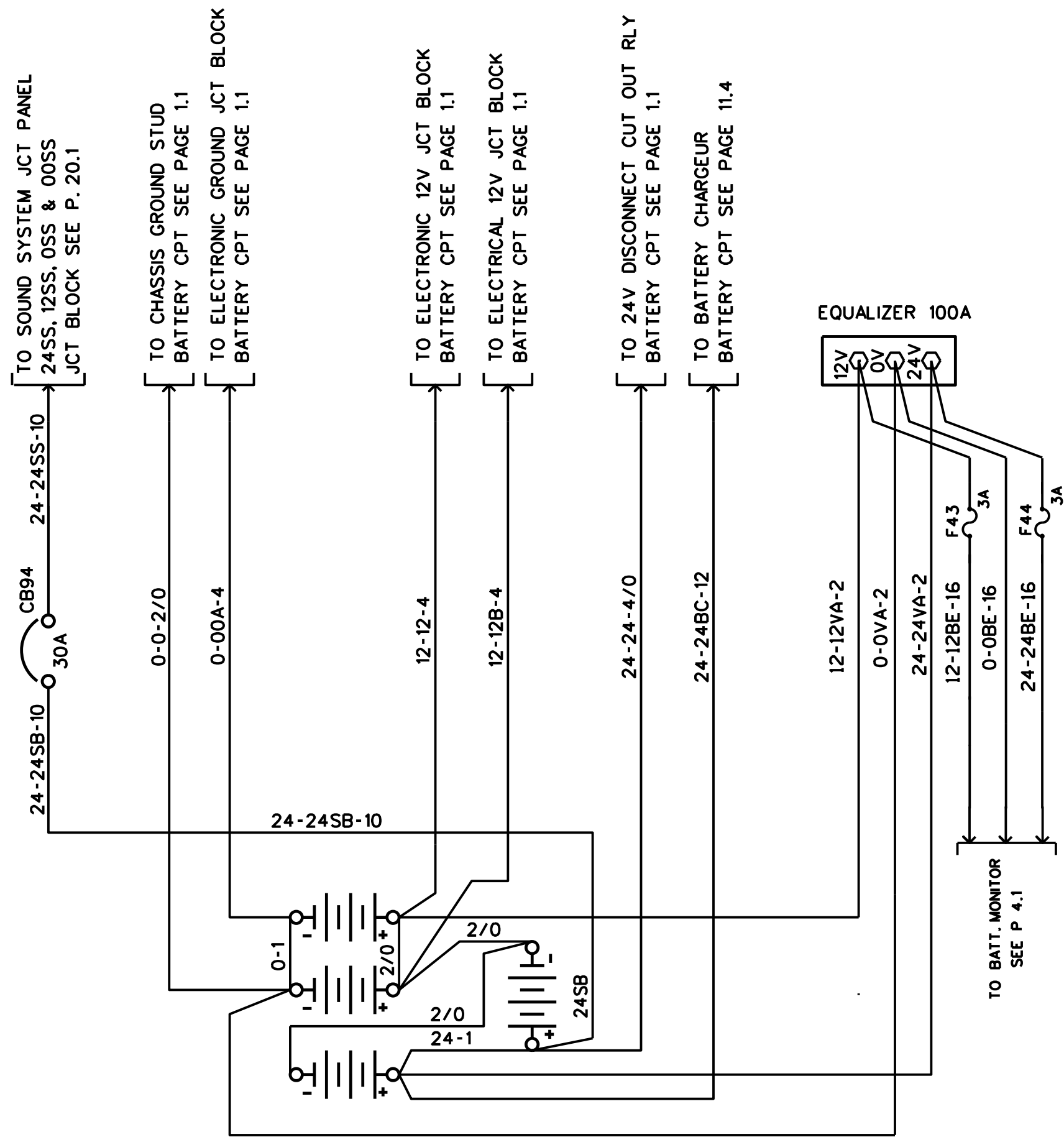




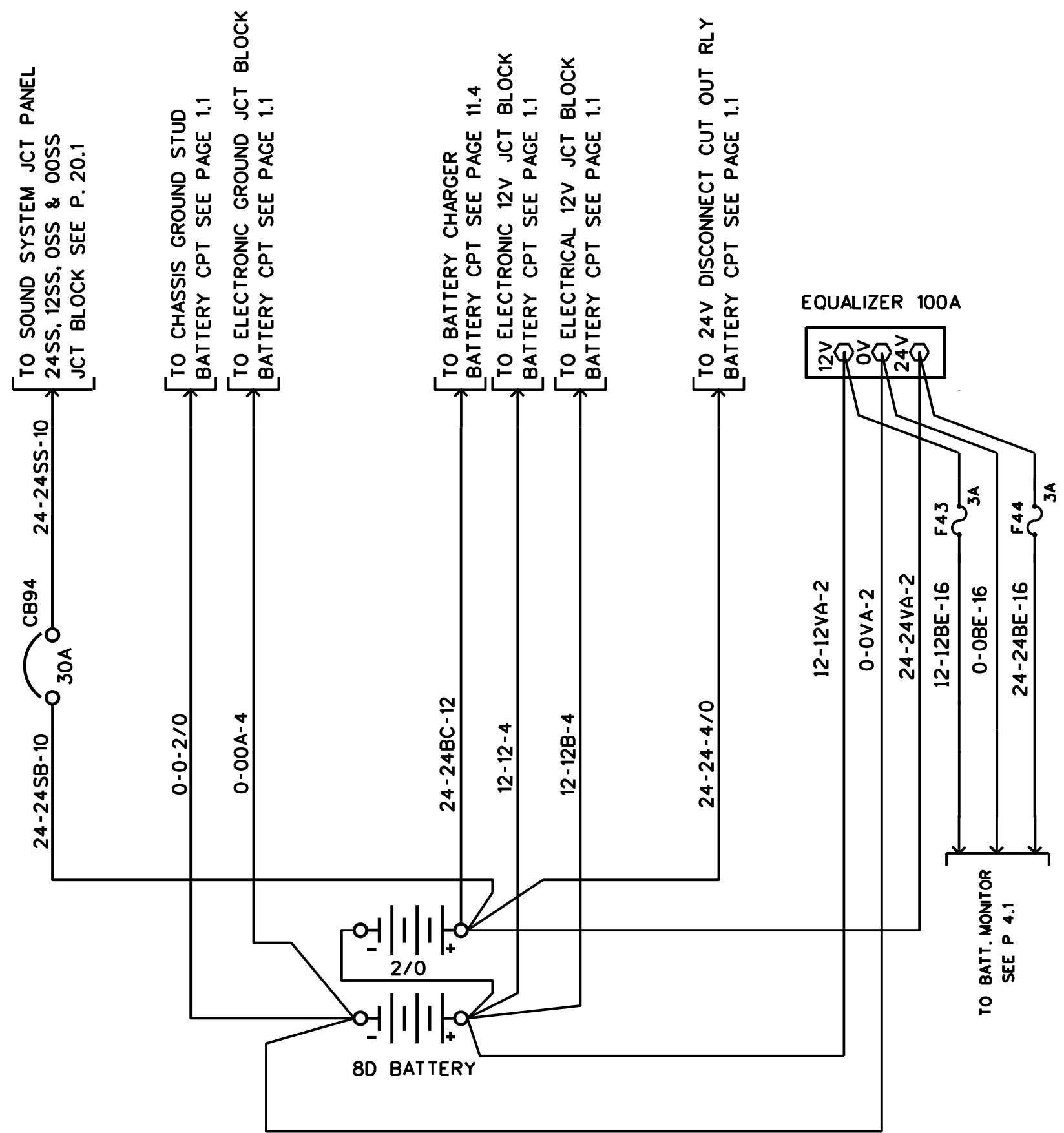




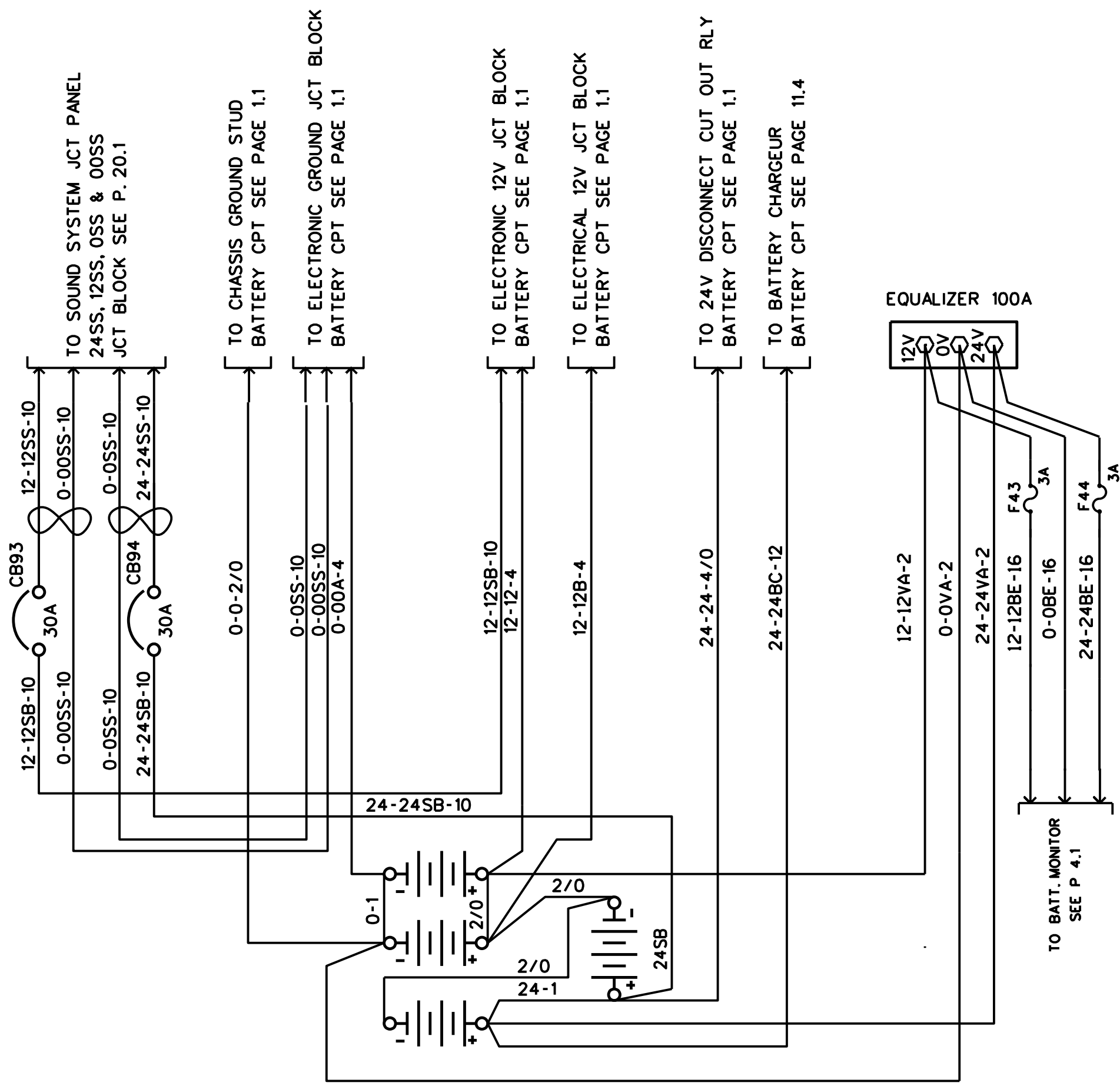




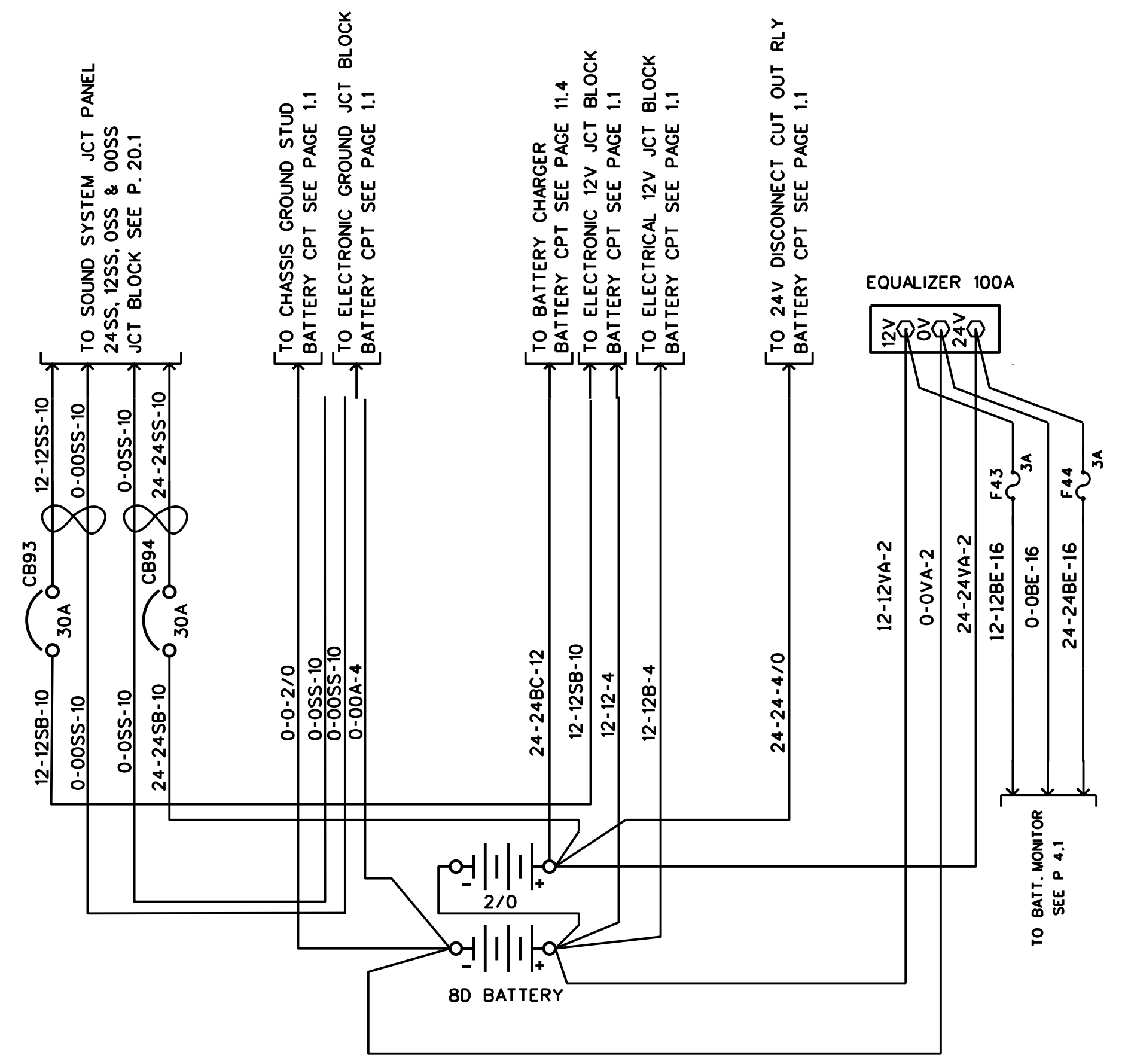
STANDARD BATTERIES



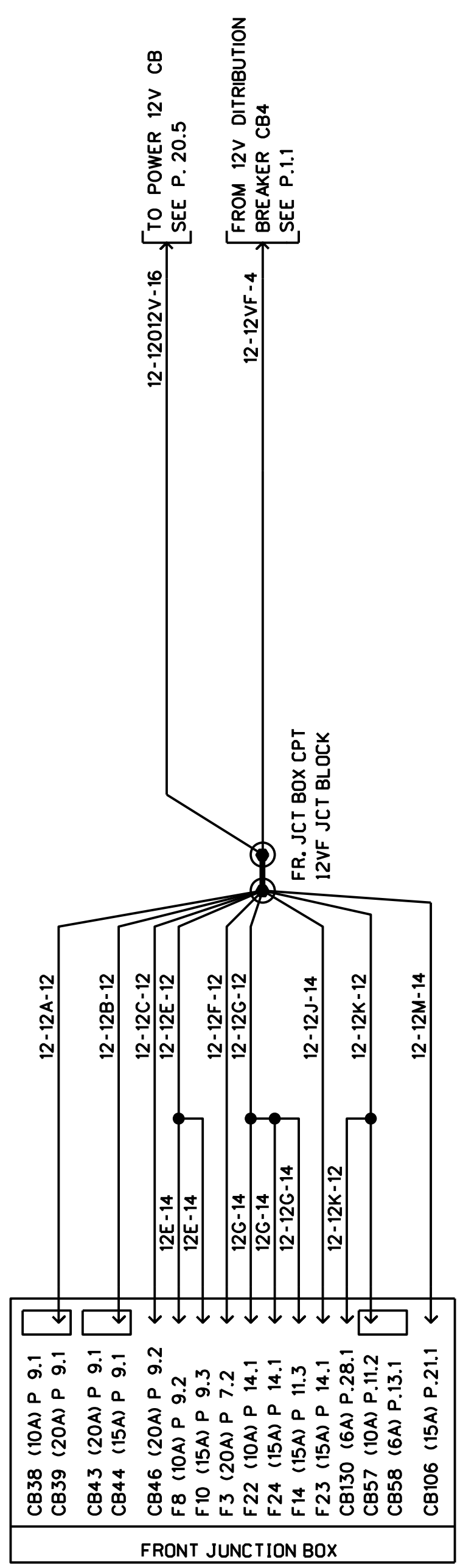
8D BATTERIES



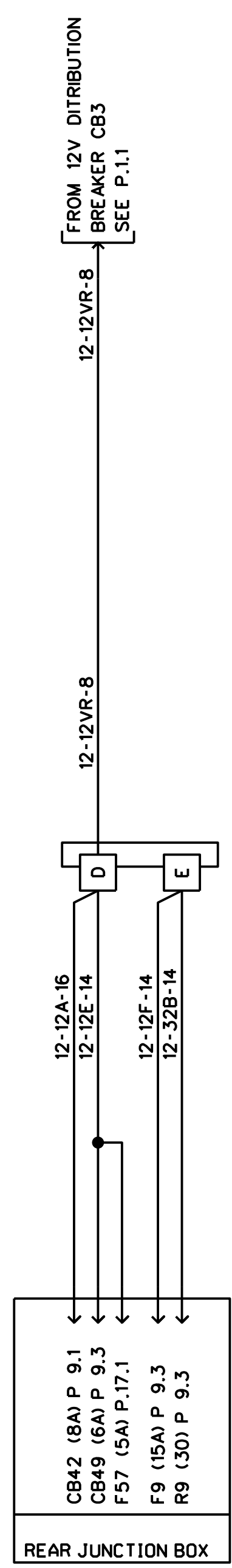
STANDARD BATTERIES



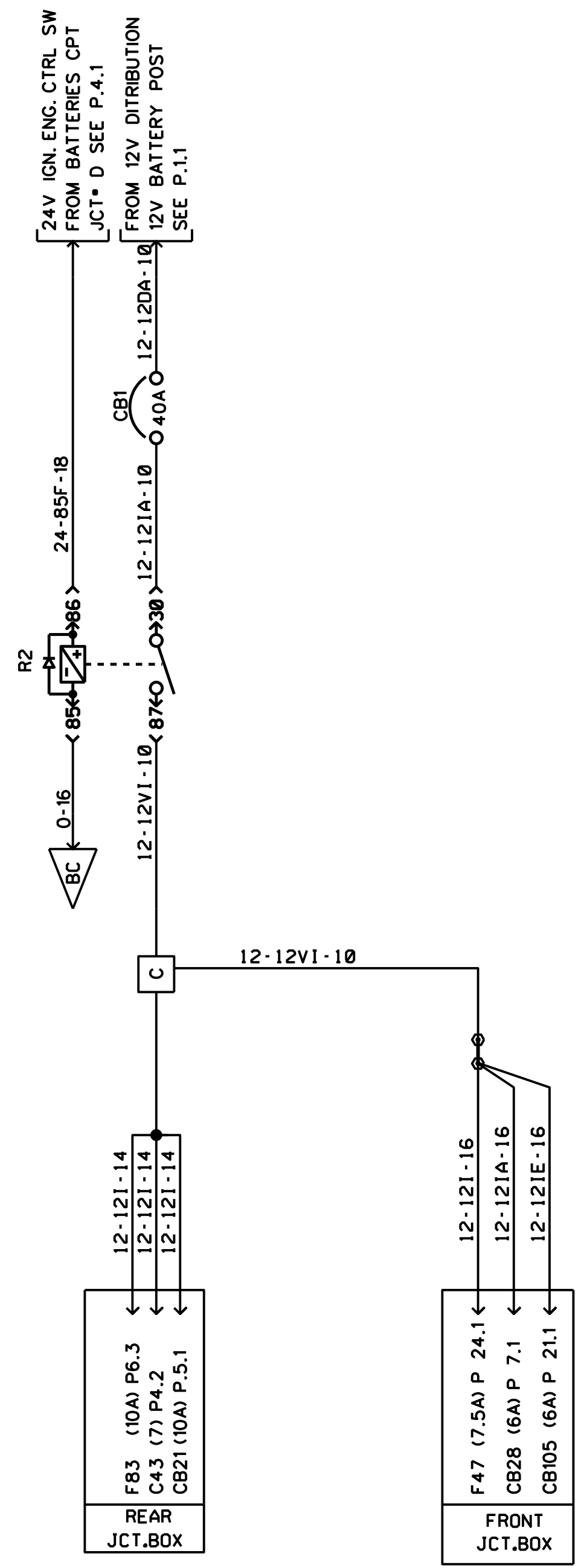
8D BATTERIES



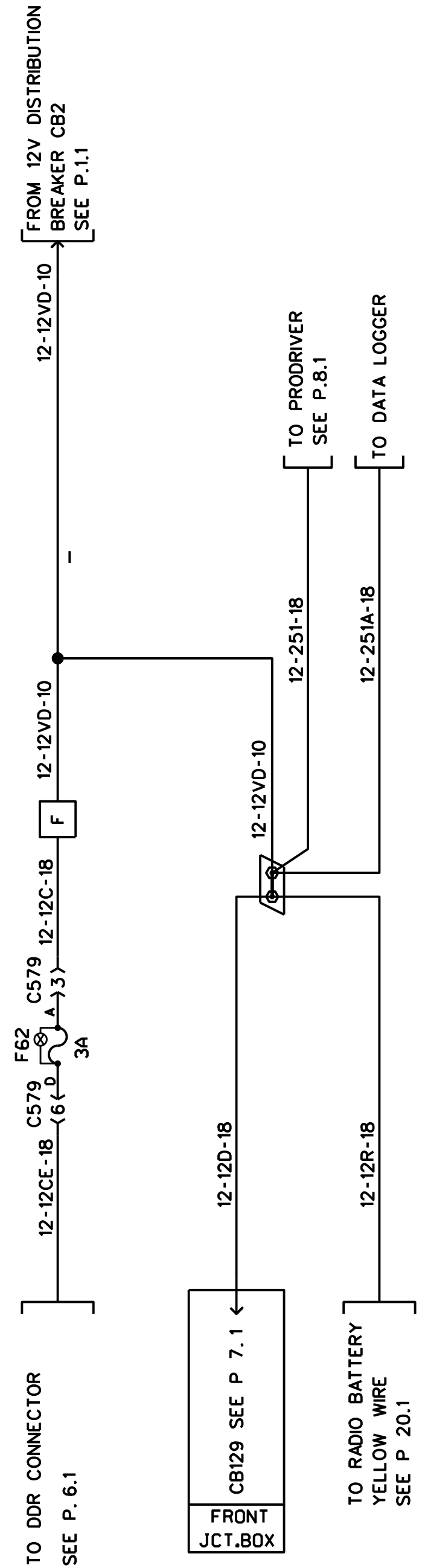
12V BATT. DISCONN. SW.

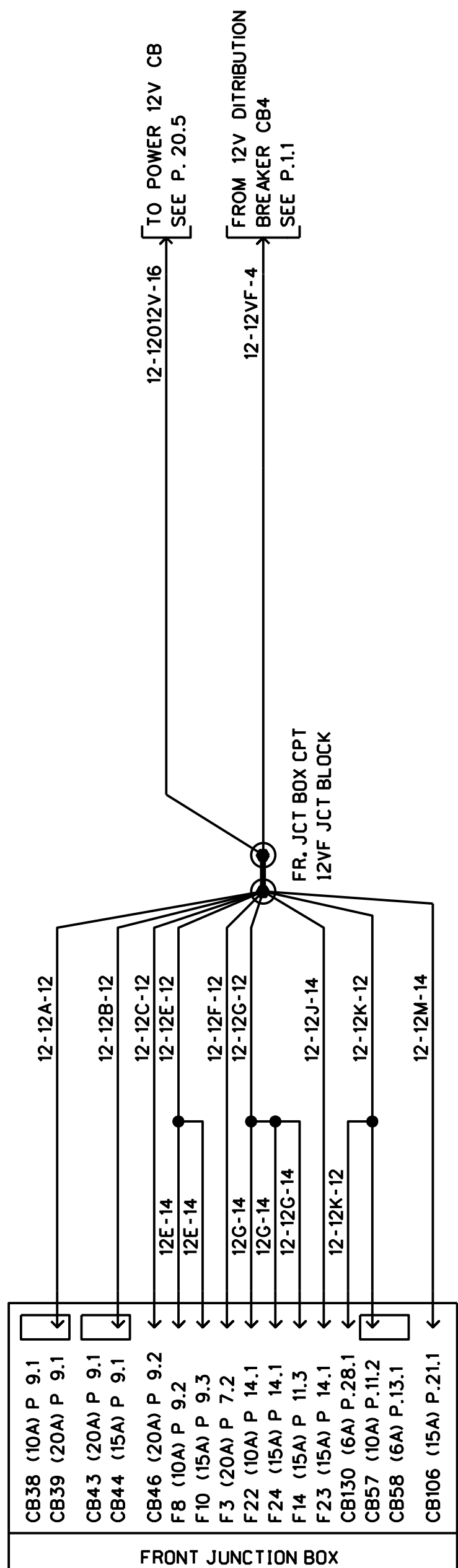


12V IGNITION

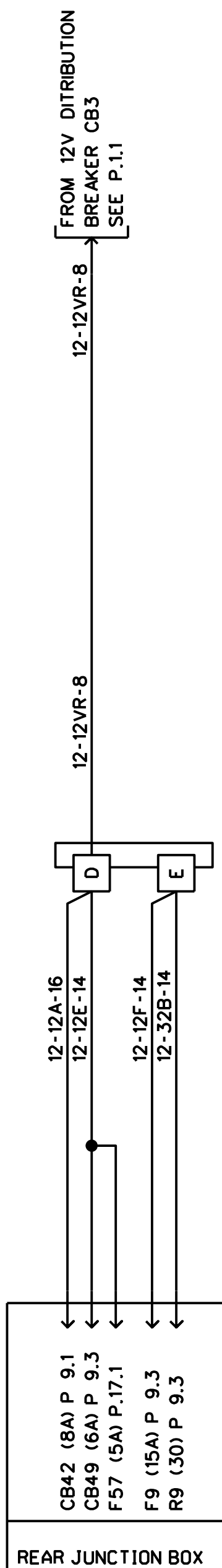


12V HOT WIRE

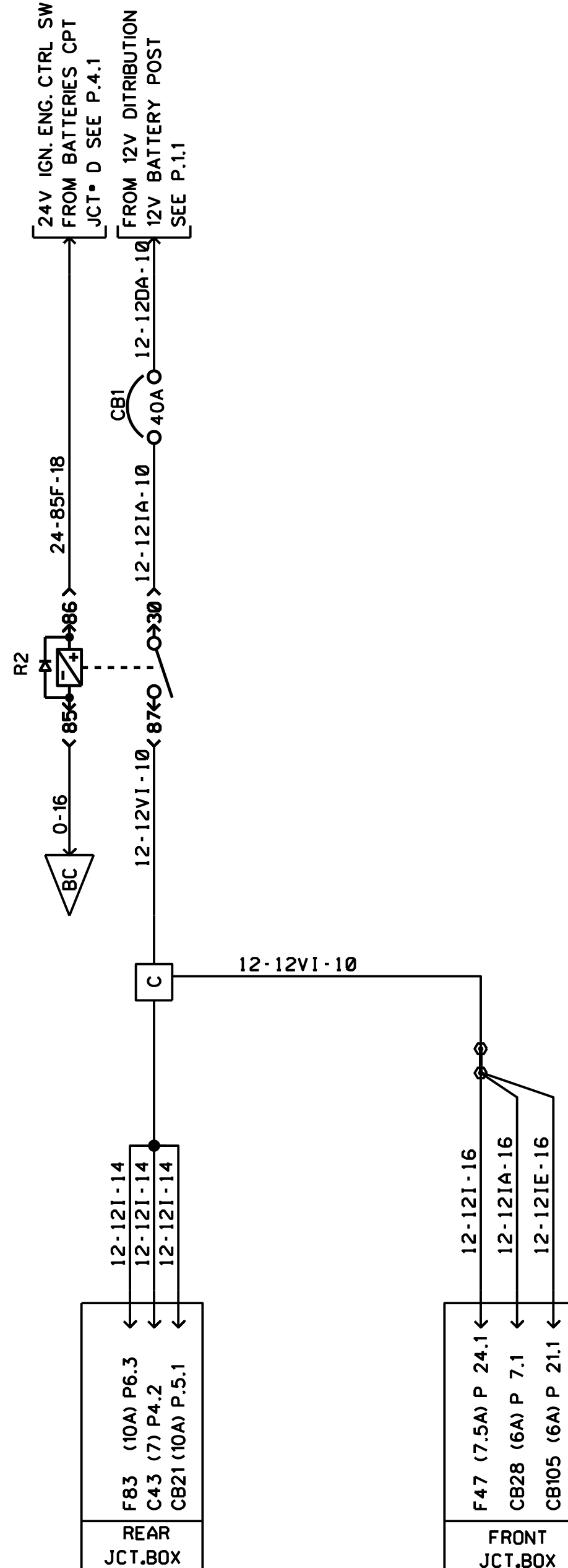




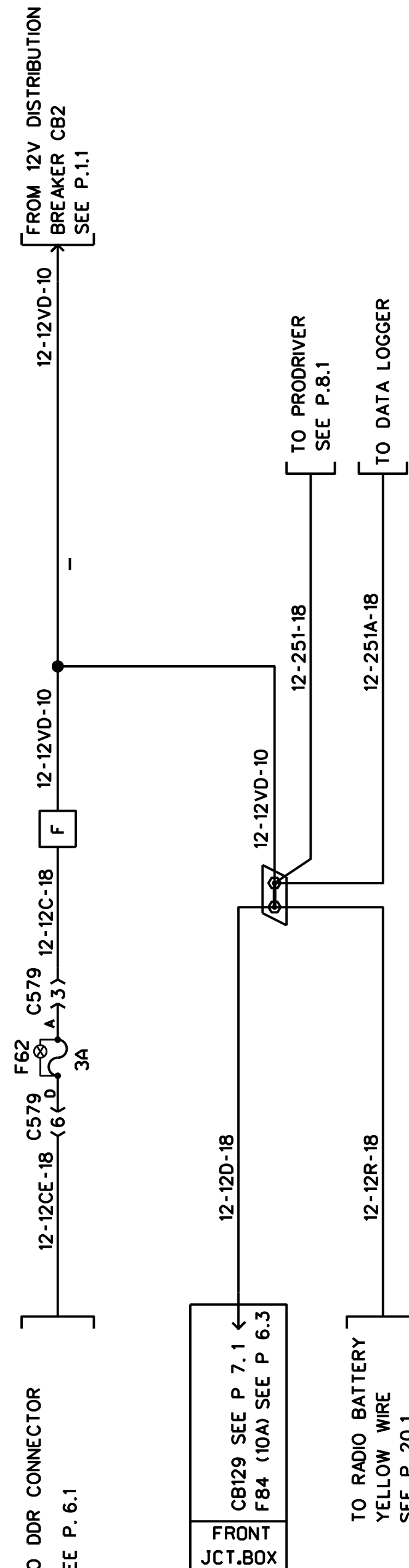
12V BATT. DISCONN. SW.

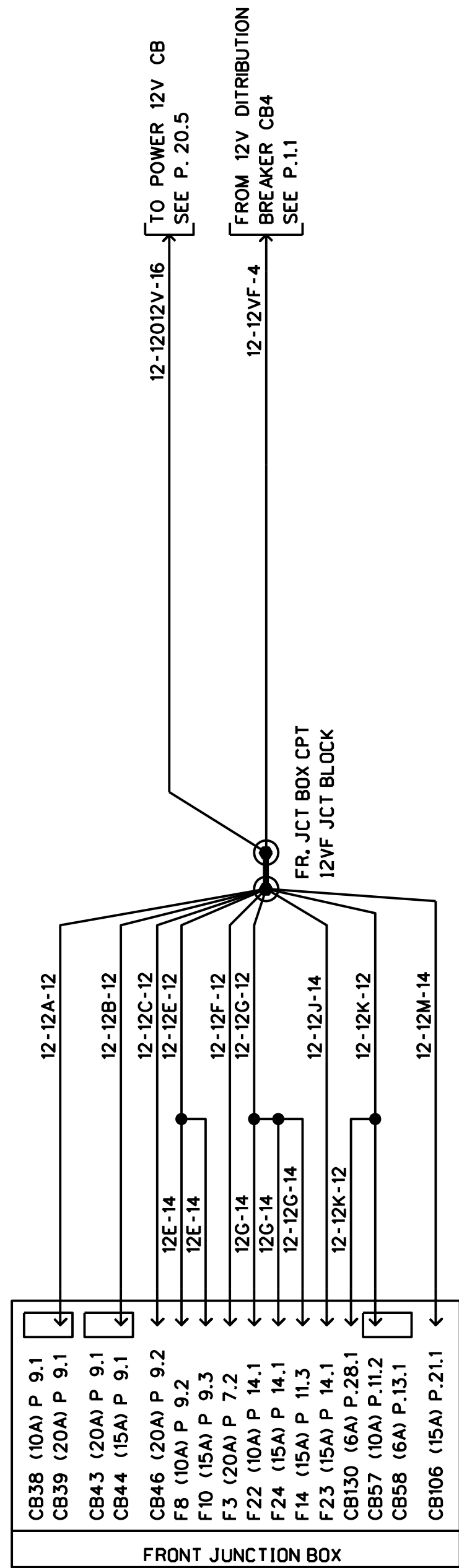


12V IGNITION

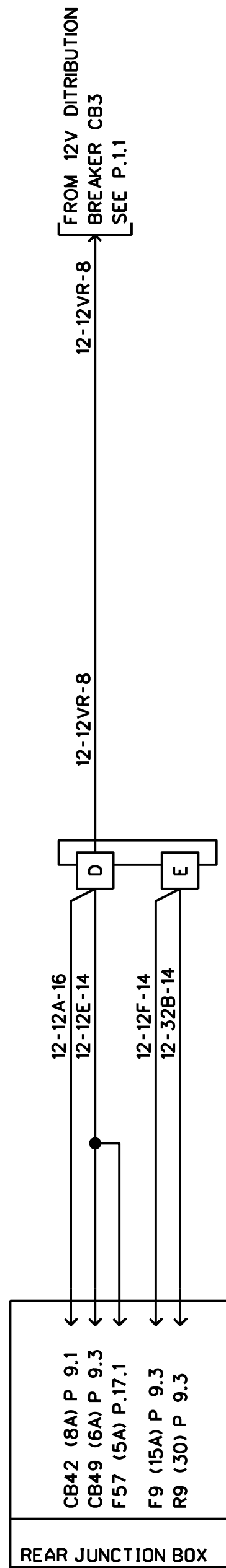


12V HOT WIRE

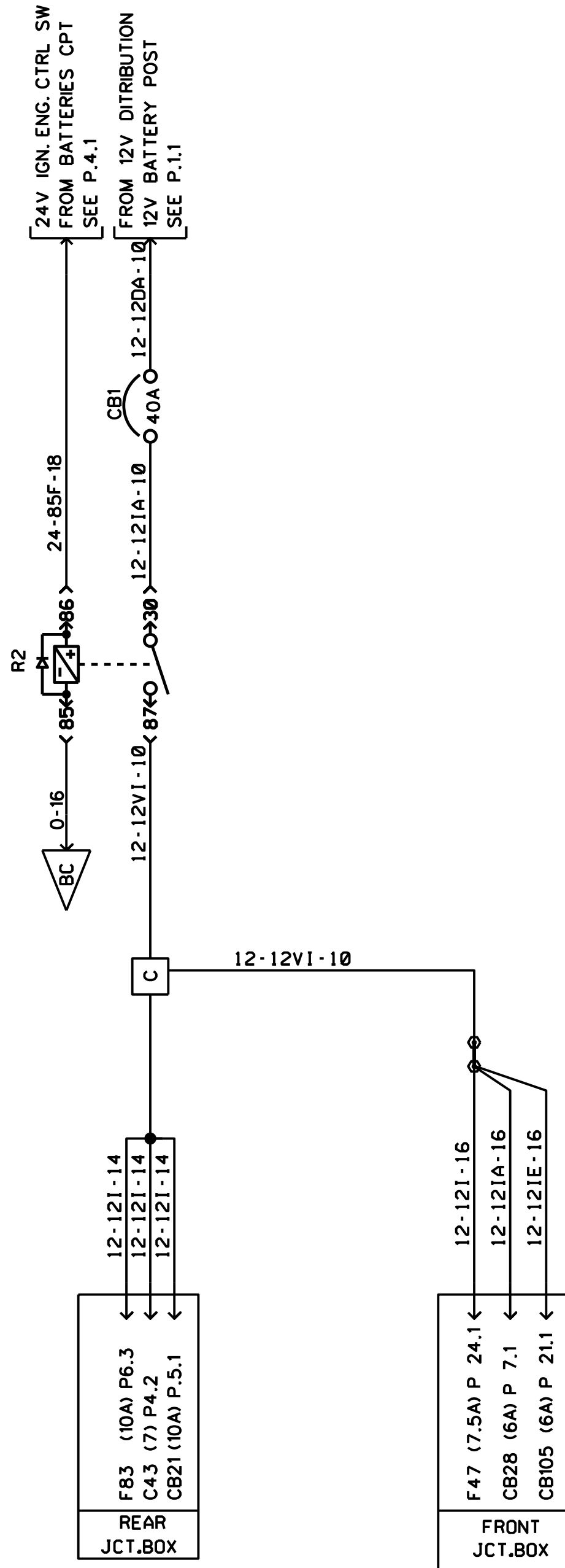




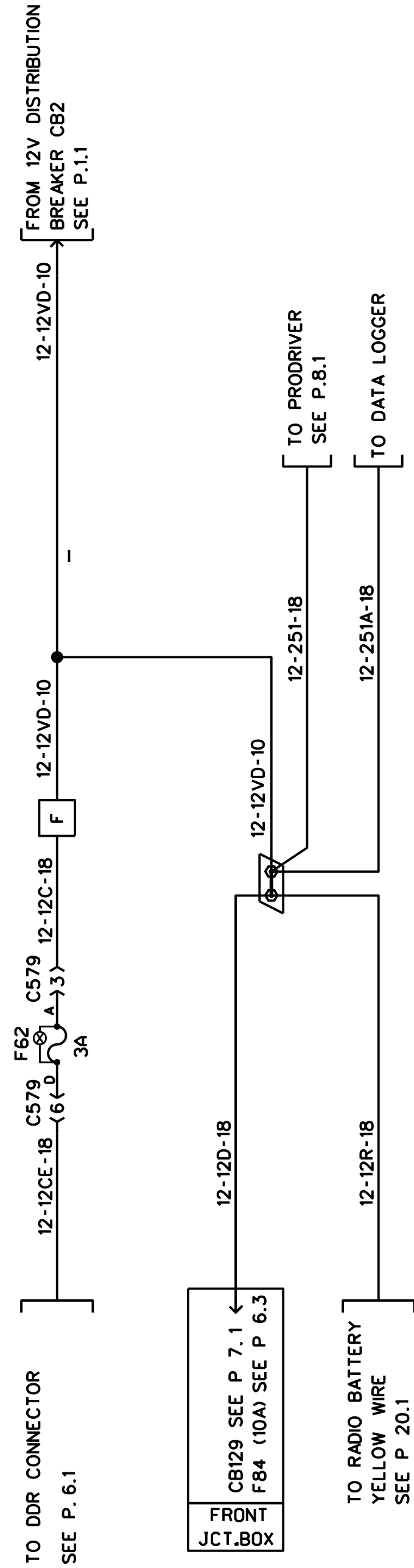
12V BATT. DISCONN. SW.

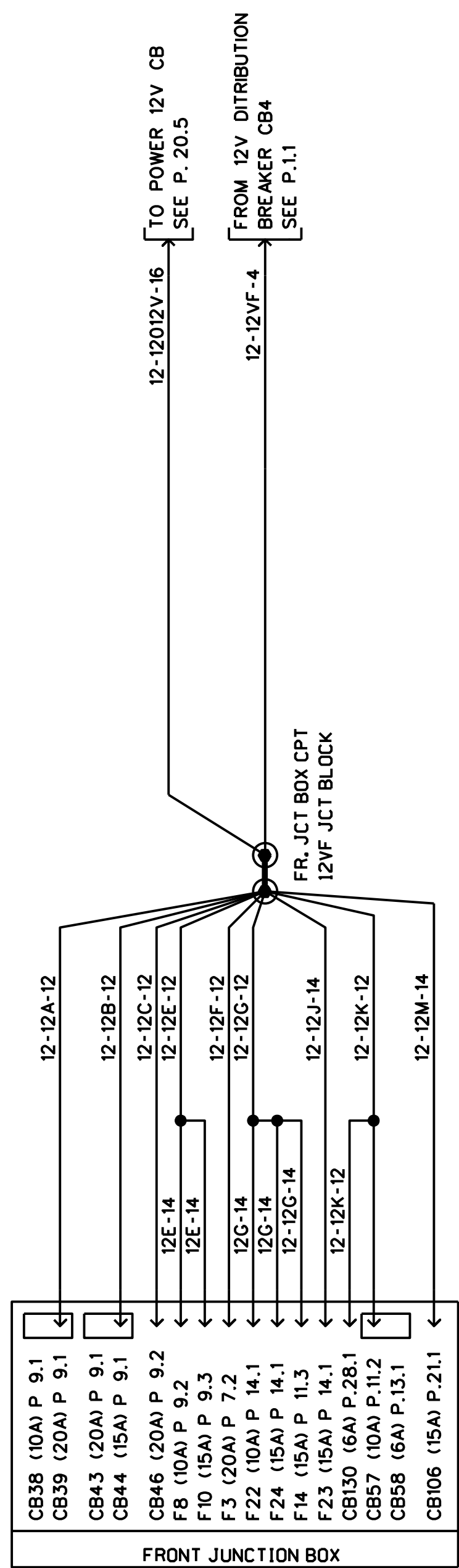


12V IGNITION

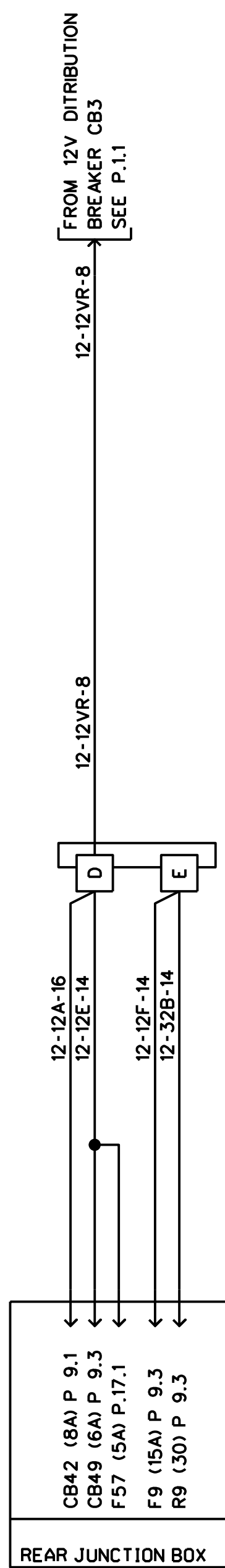


12V HOT WIRE

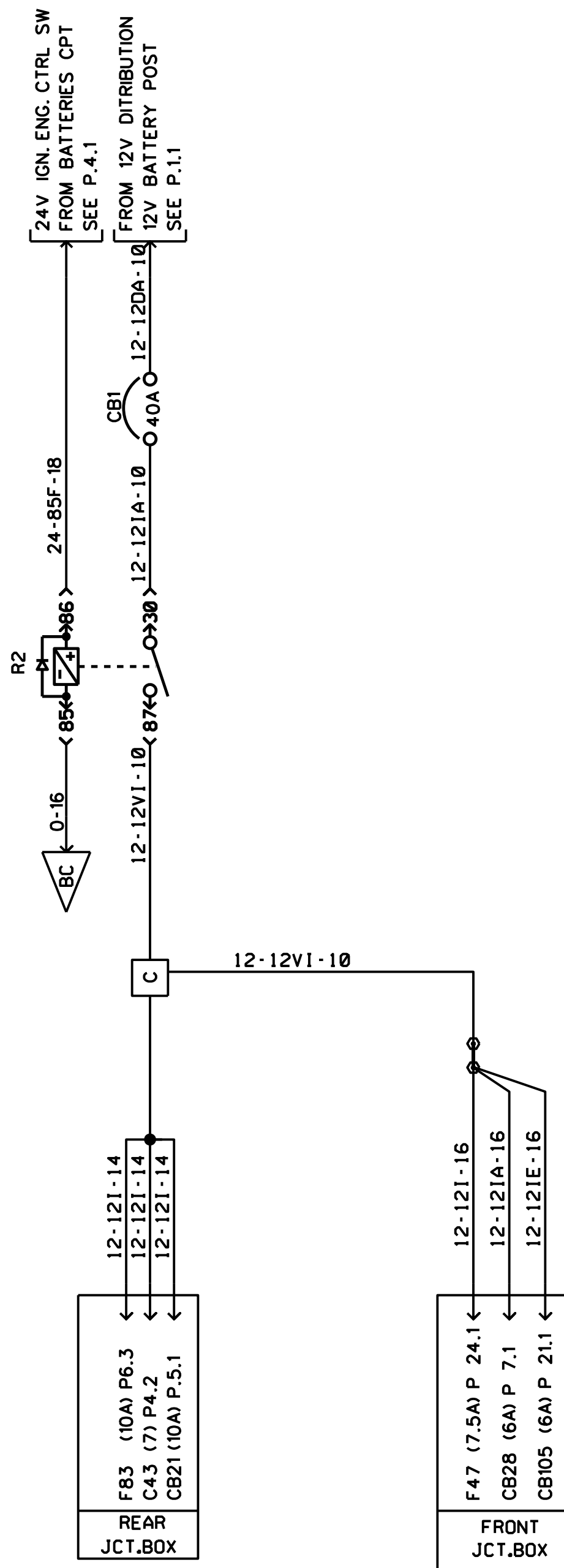




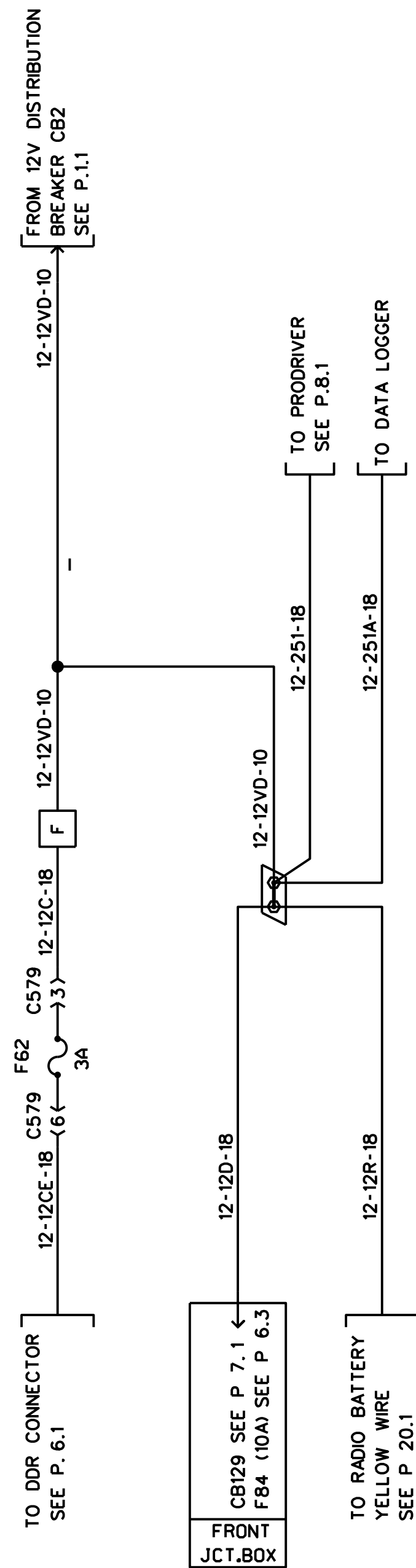
12V BATT. DISCONN. SW.

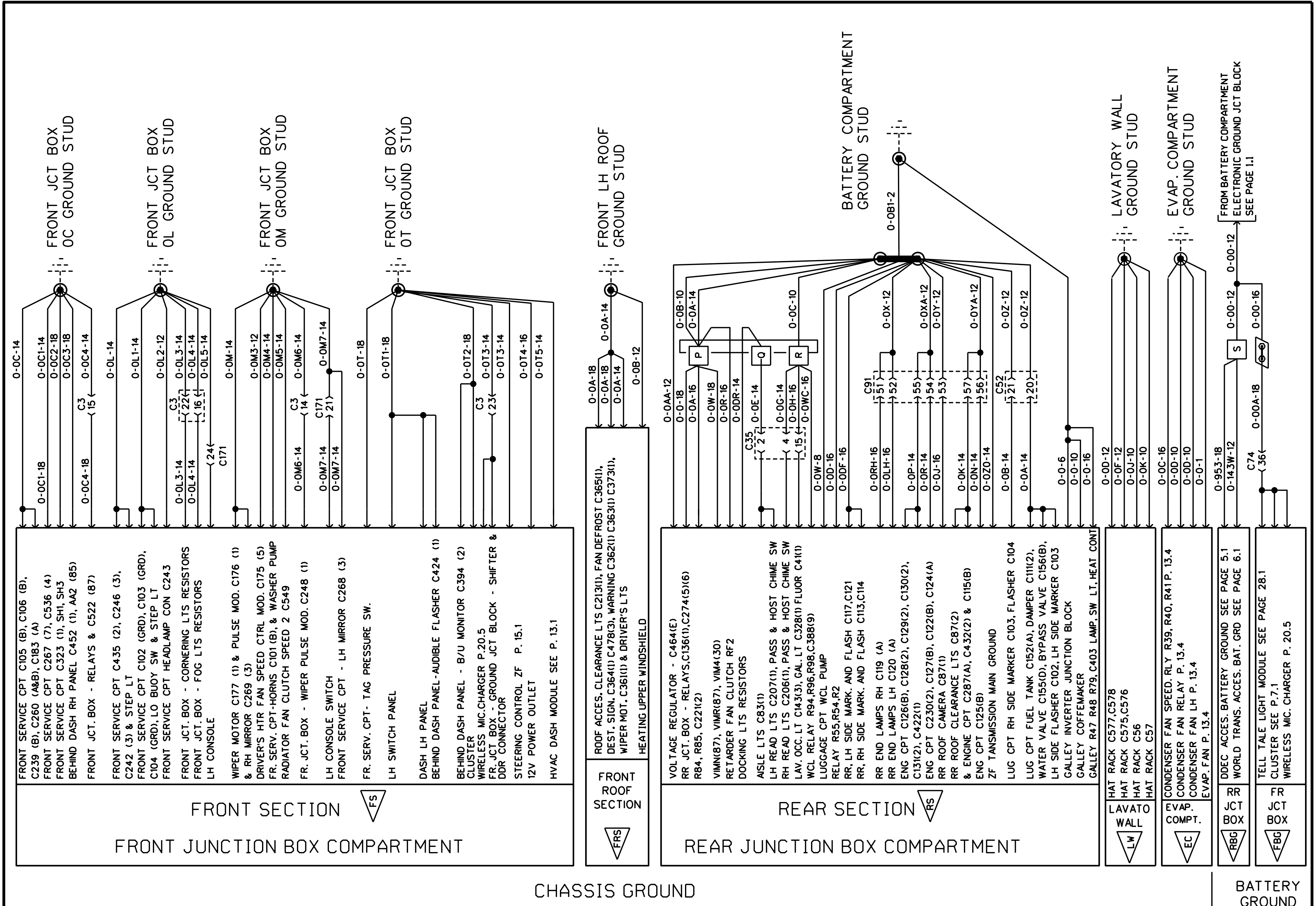


12V IGNITION

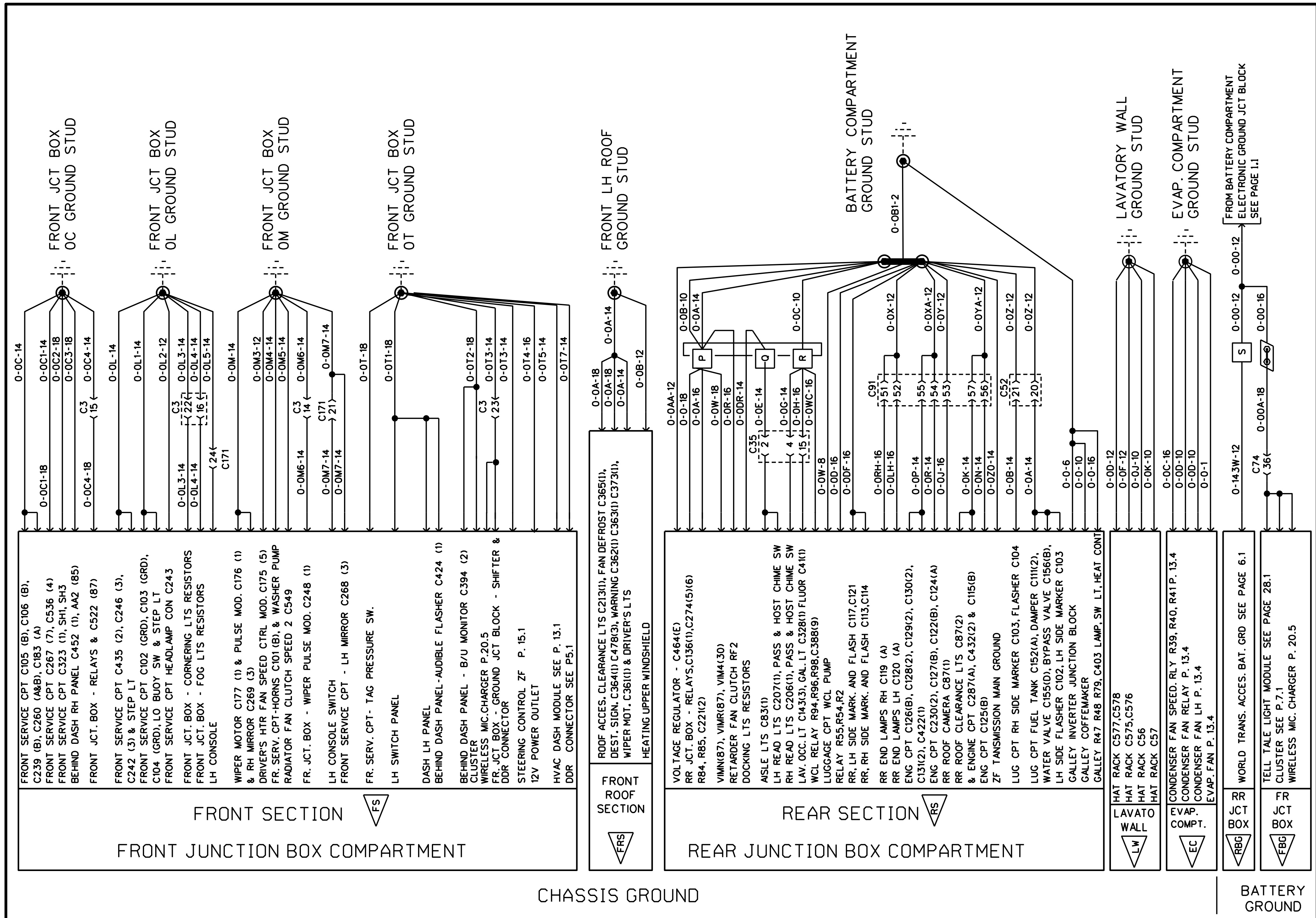


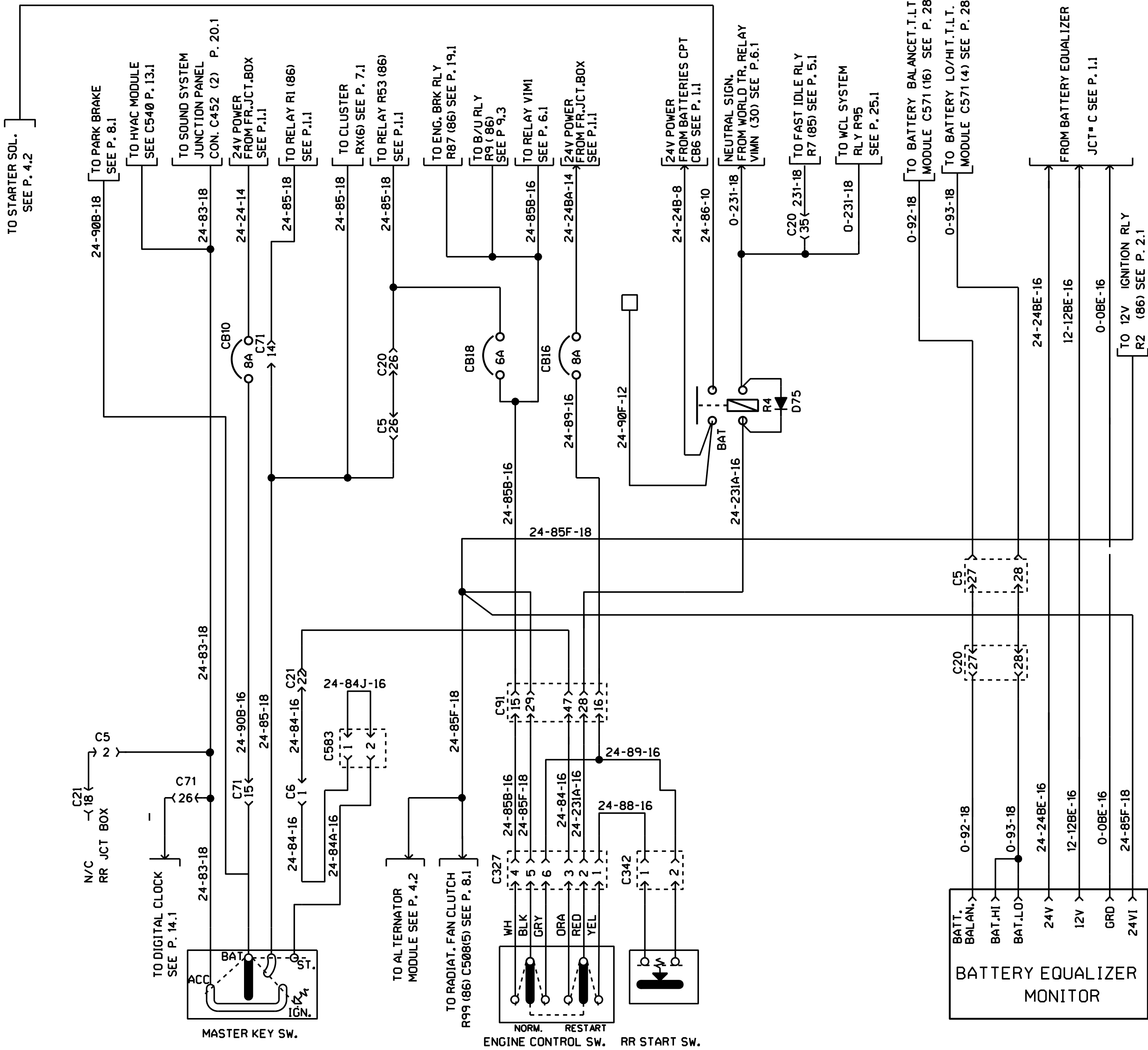
12V HOT WIRE



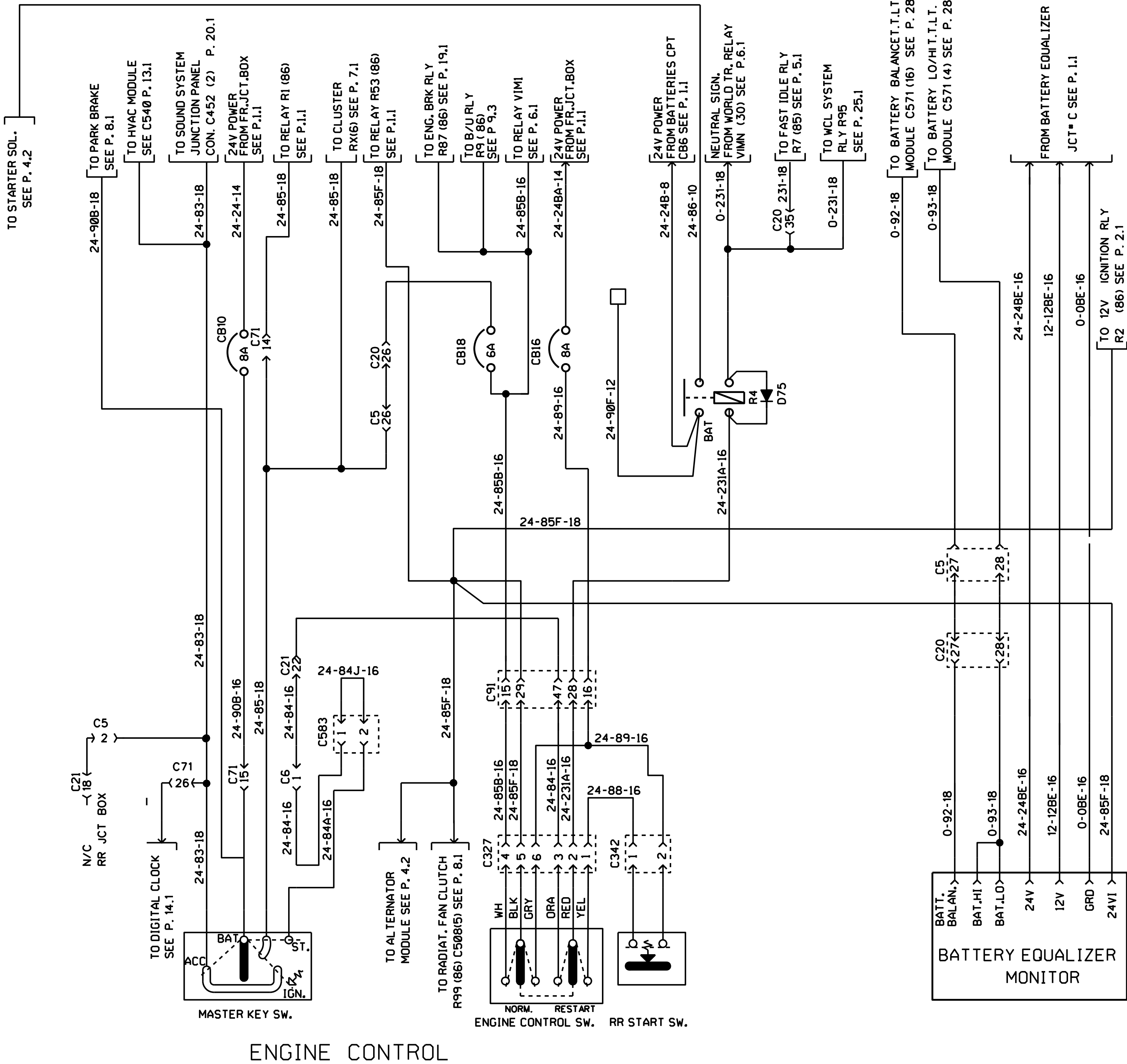


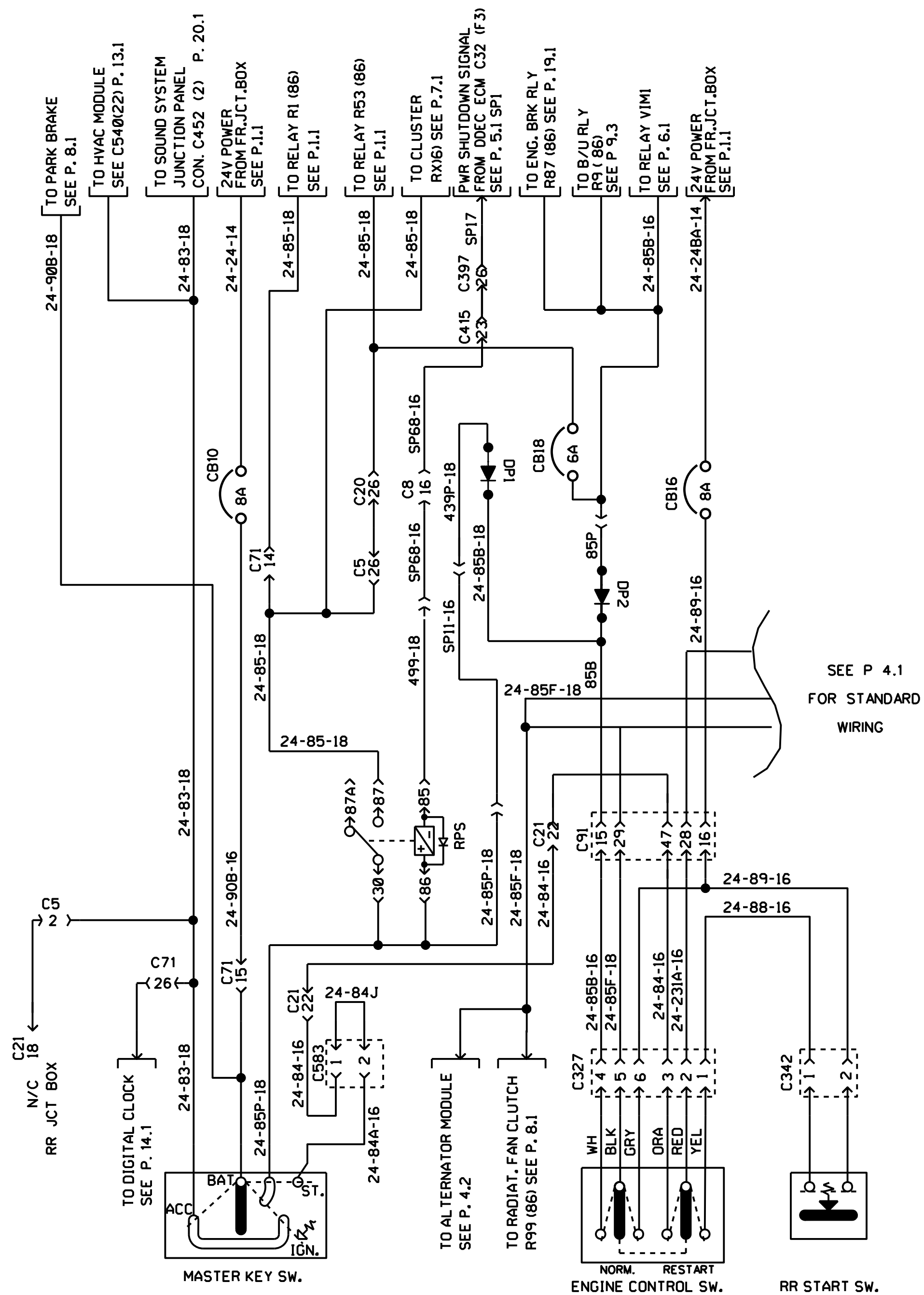
CHASSIS GROUND





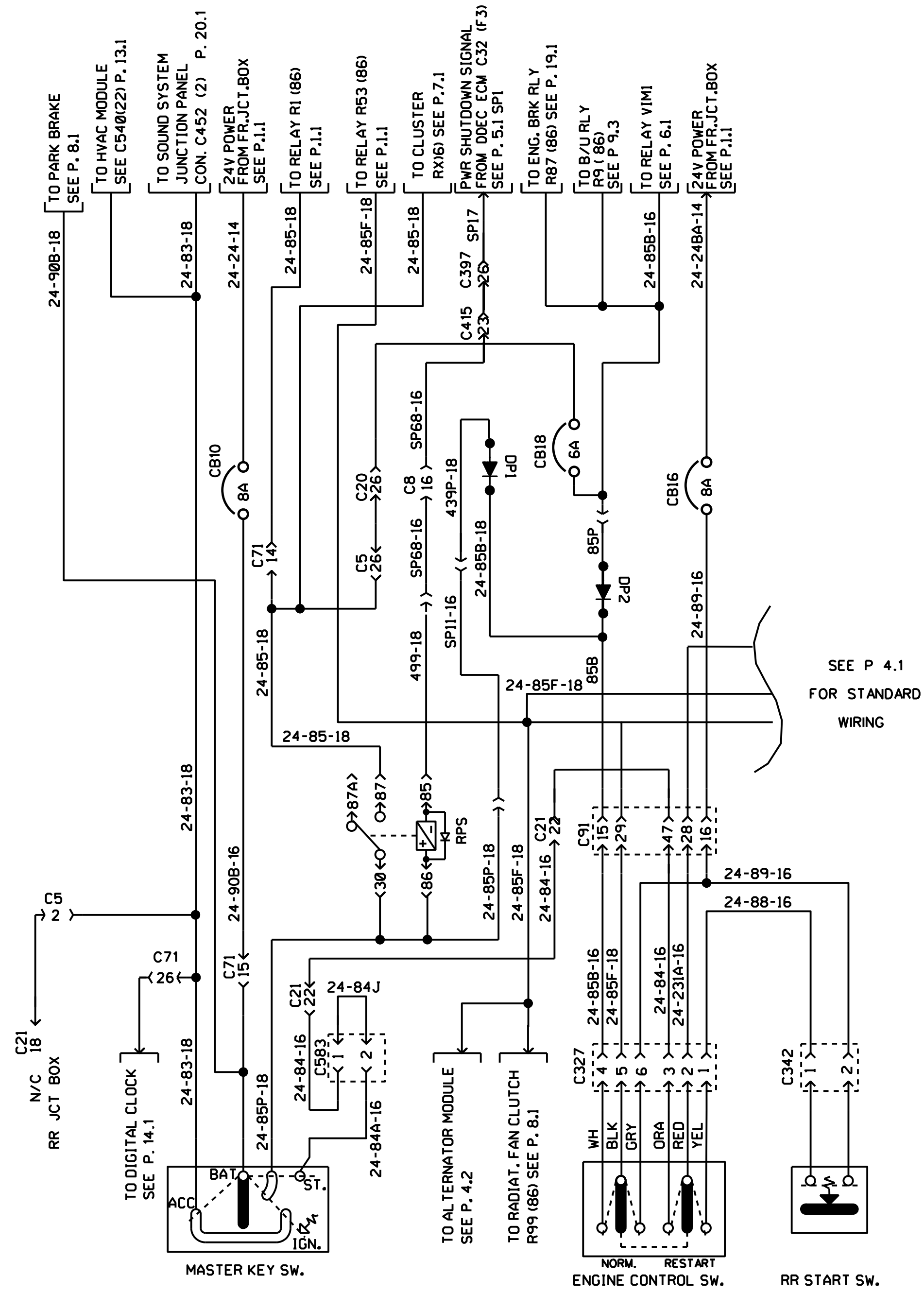
ENGINE CONTROL



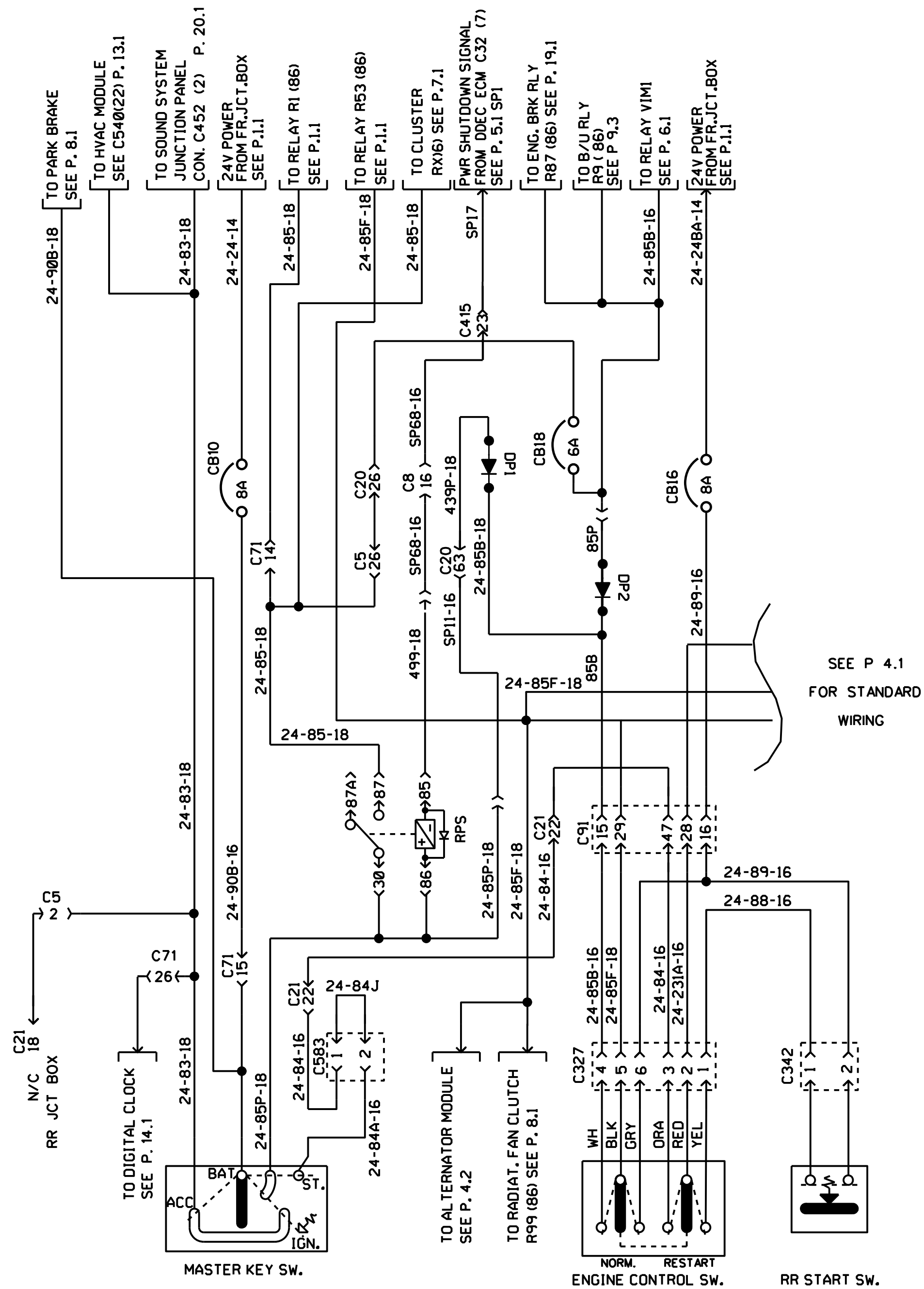


ENGINE CONTROL WITH POWER SHUTDOWN & IDLER TIMER

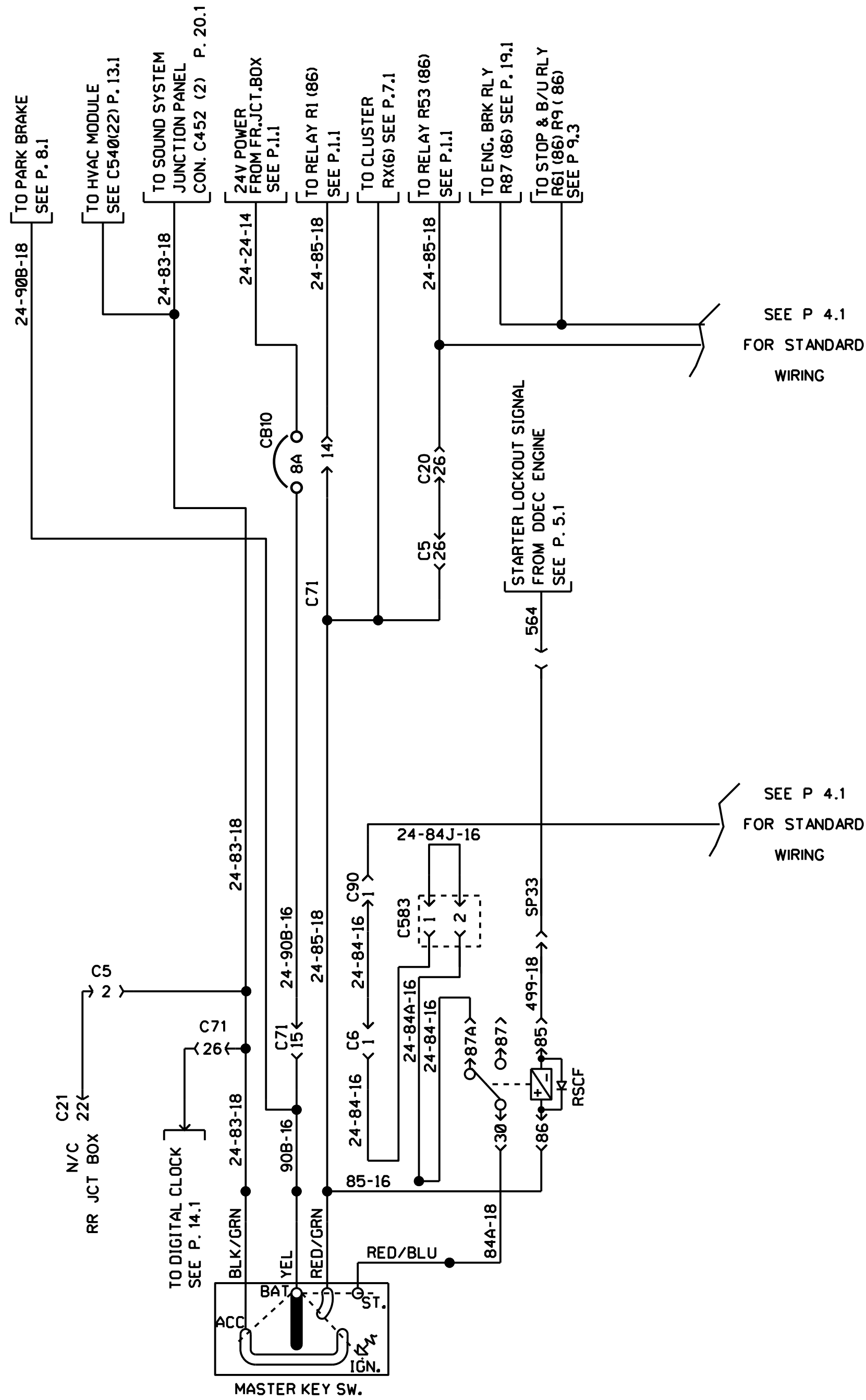
SEE P 4.1
FOR STANDARD
WIRING



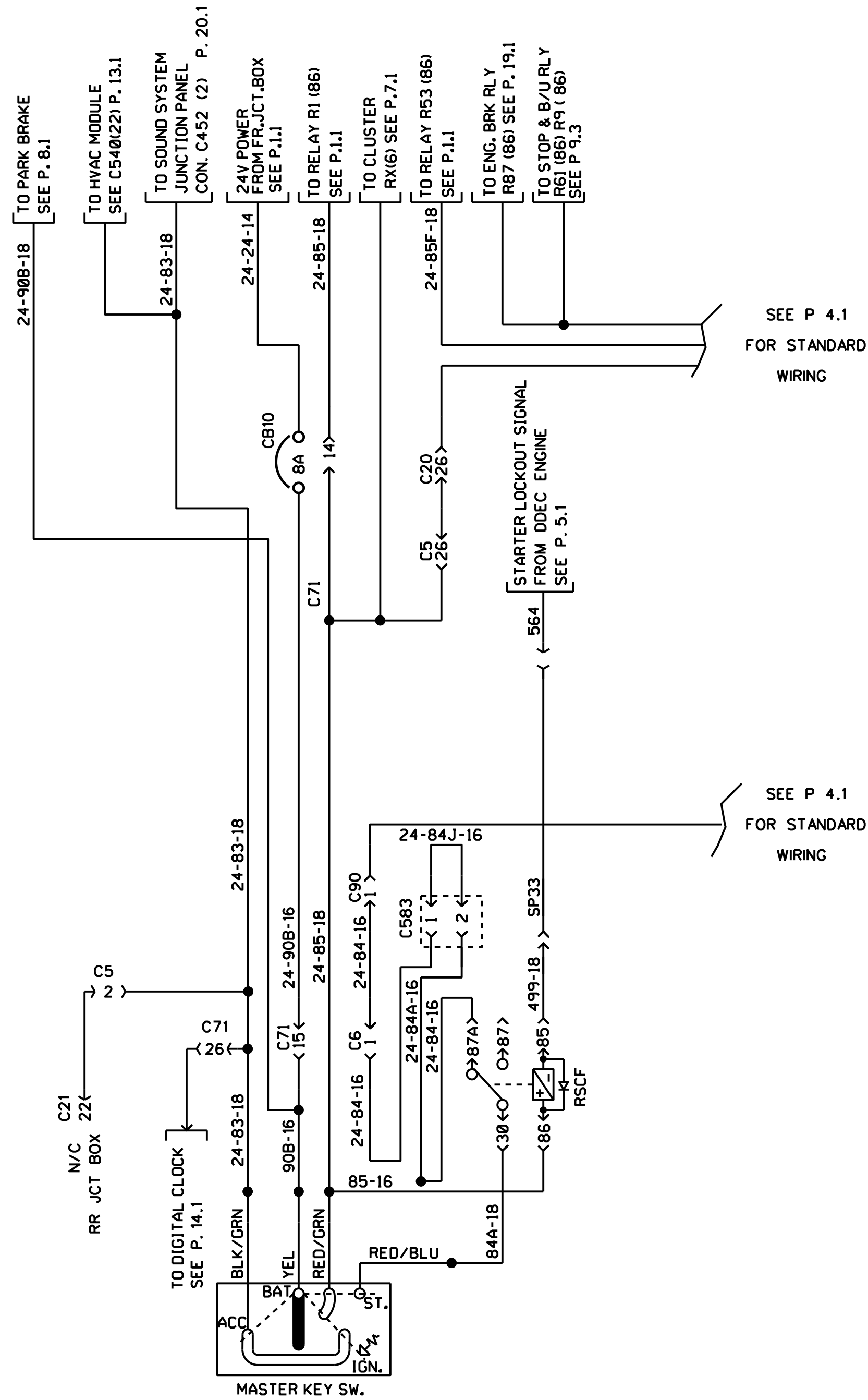
ENGINE CONTROL WITH POWER SHUTDOWN & IDLER TIMER



ENGINE CONTROL WITH POWER SHUTDOWN & IDLER TIMER

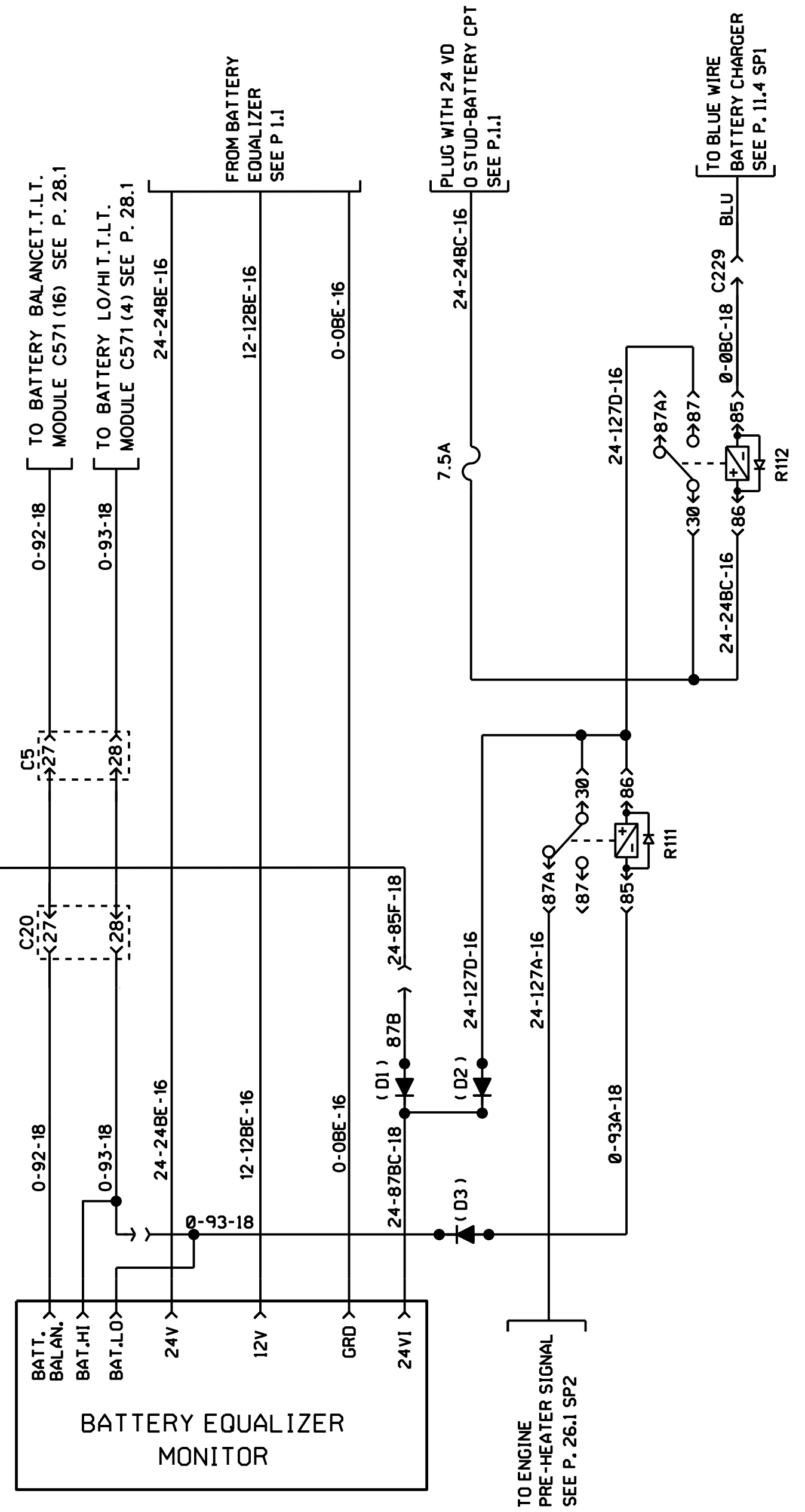


ENGINE CONTROL WITH FORD KEY

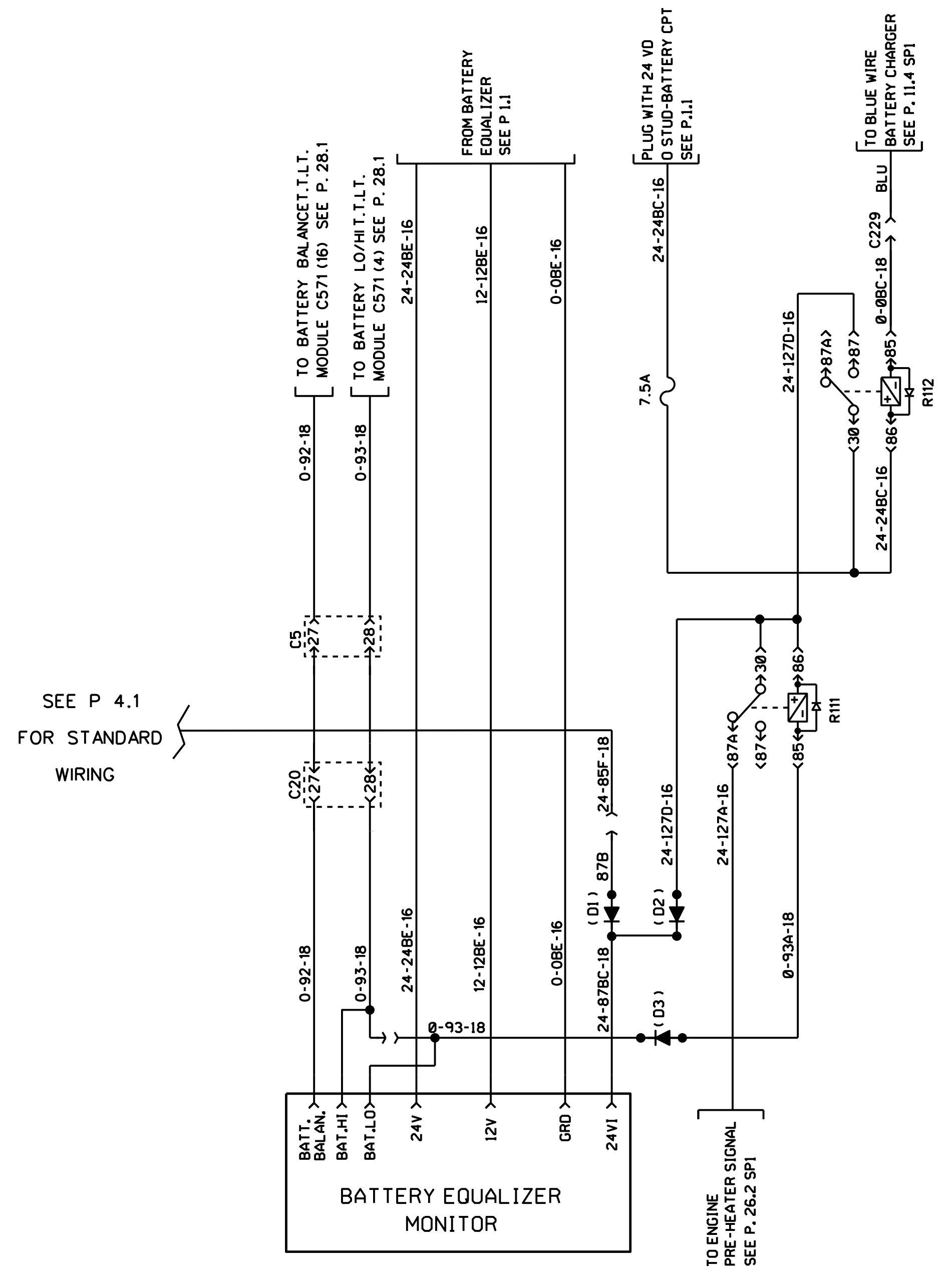


ENGINE CONTROL WITH FORD KEY

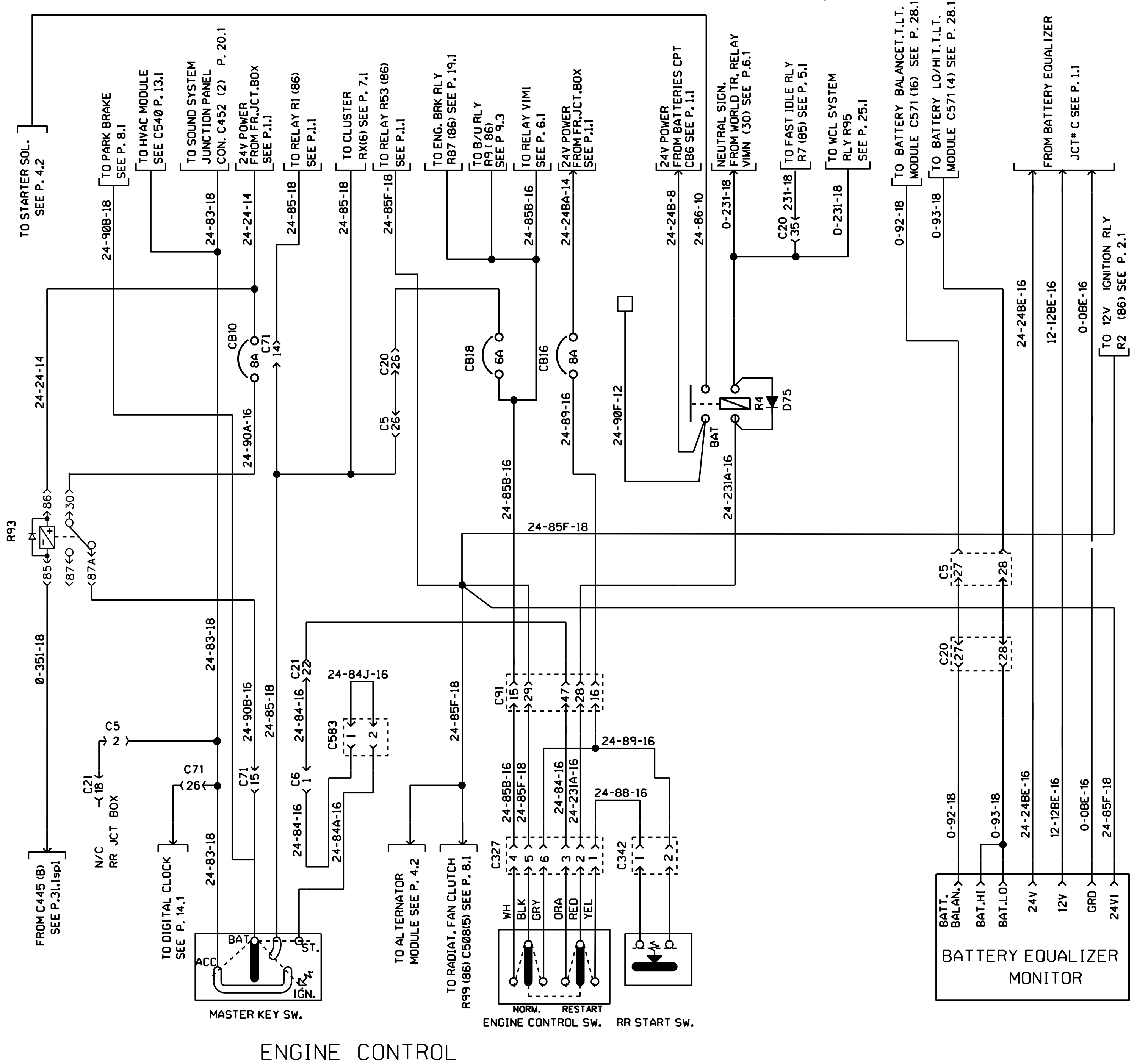
SEE P 4.1
FOR STANDARD
WIRING



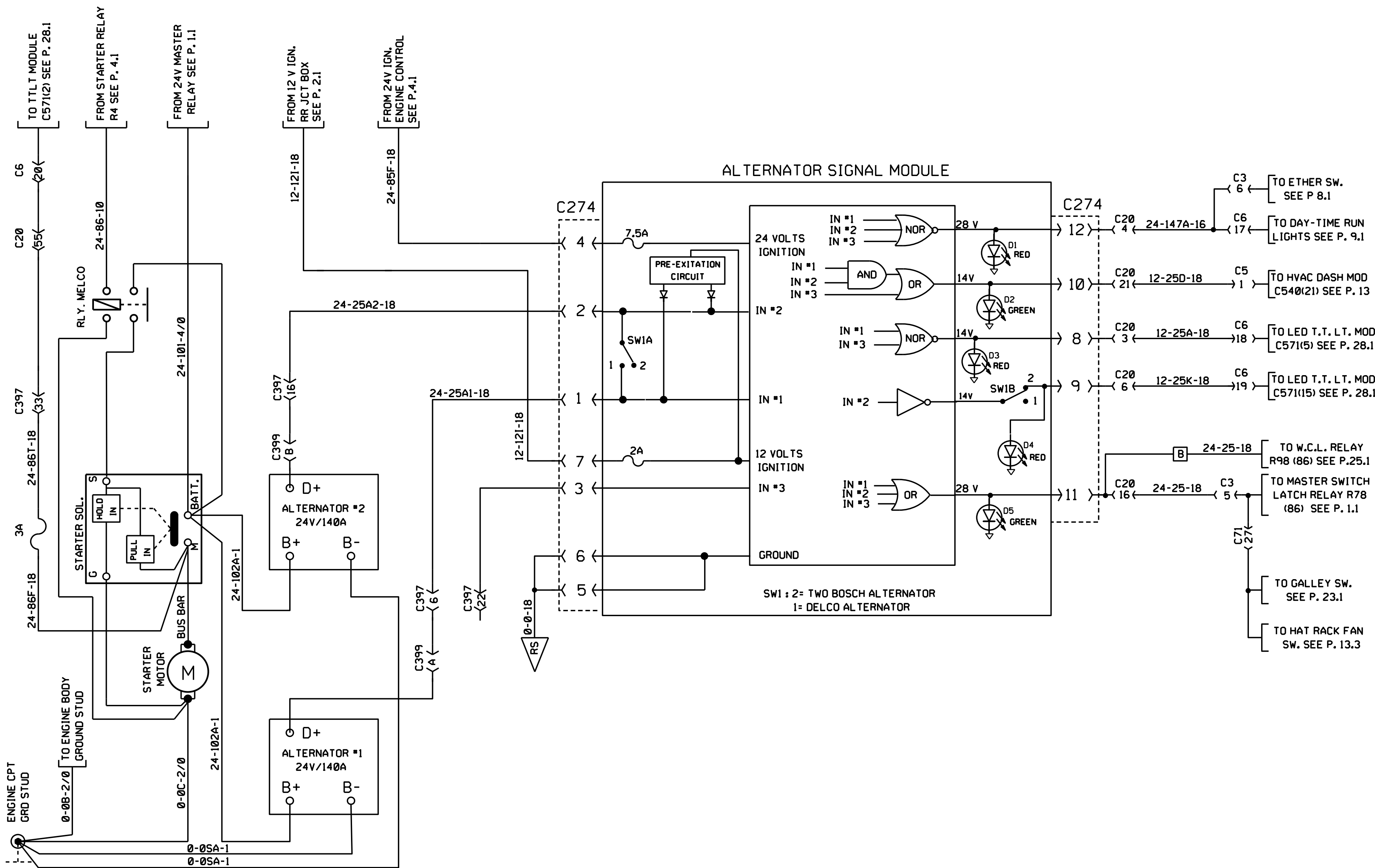
PRE-HEATER ON WITH CHARGER ON



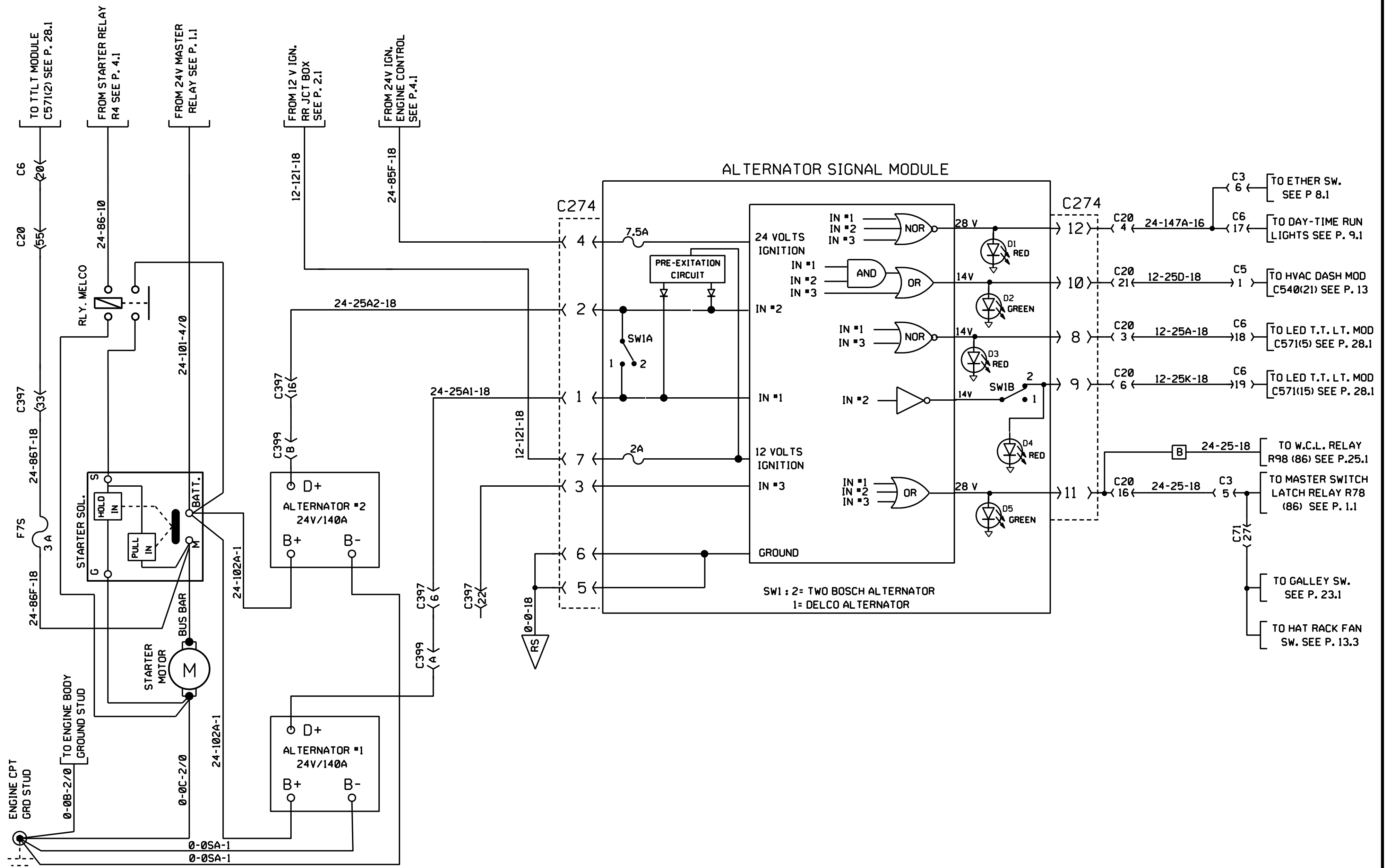
PRE-HEATER ON WITH CHARGER ON



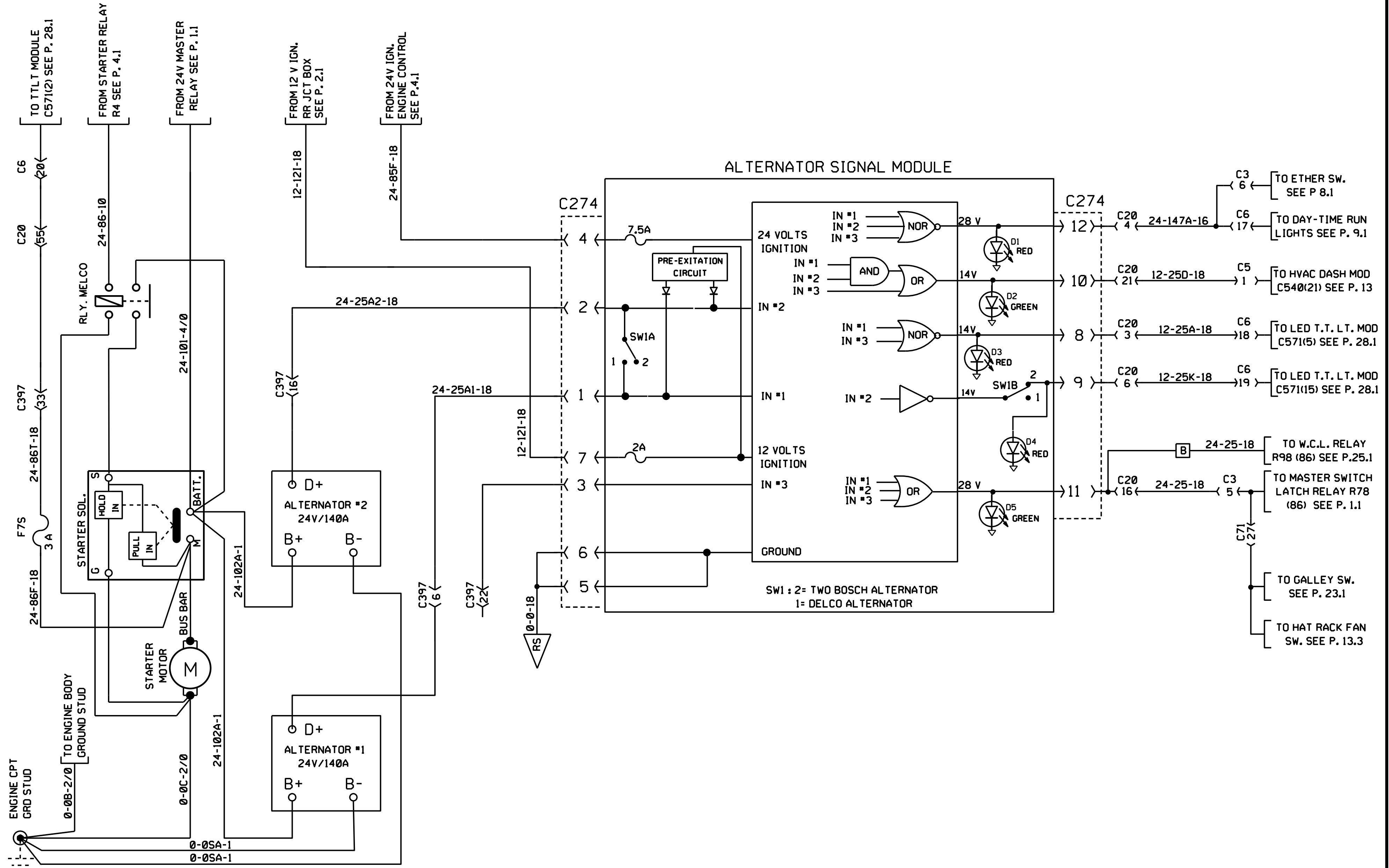
ENGINE CONTROL



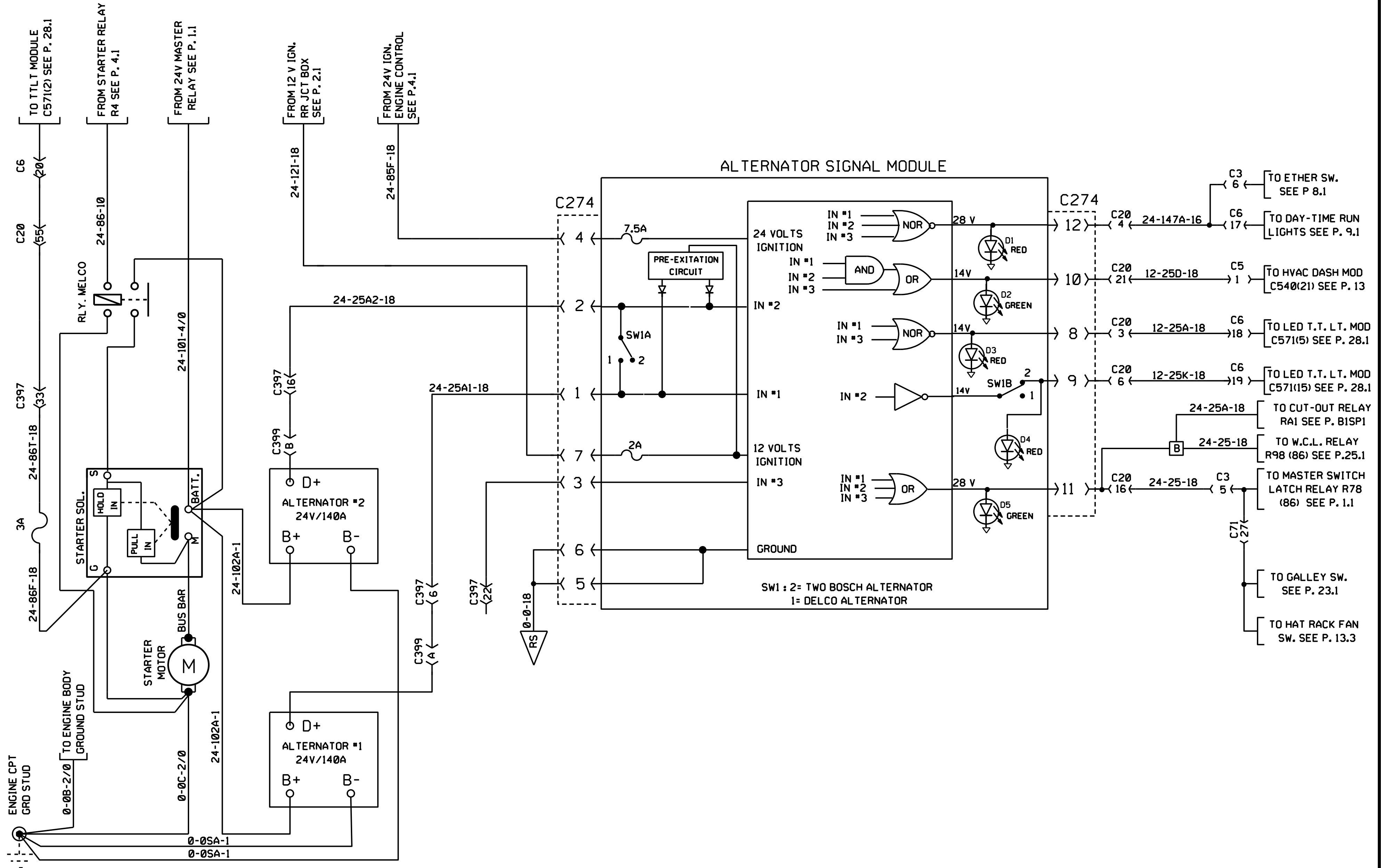
STARTER & BOSCH ALTERNATOR



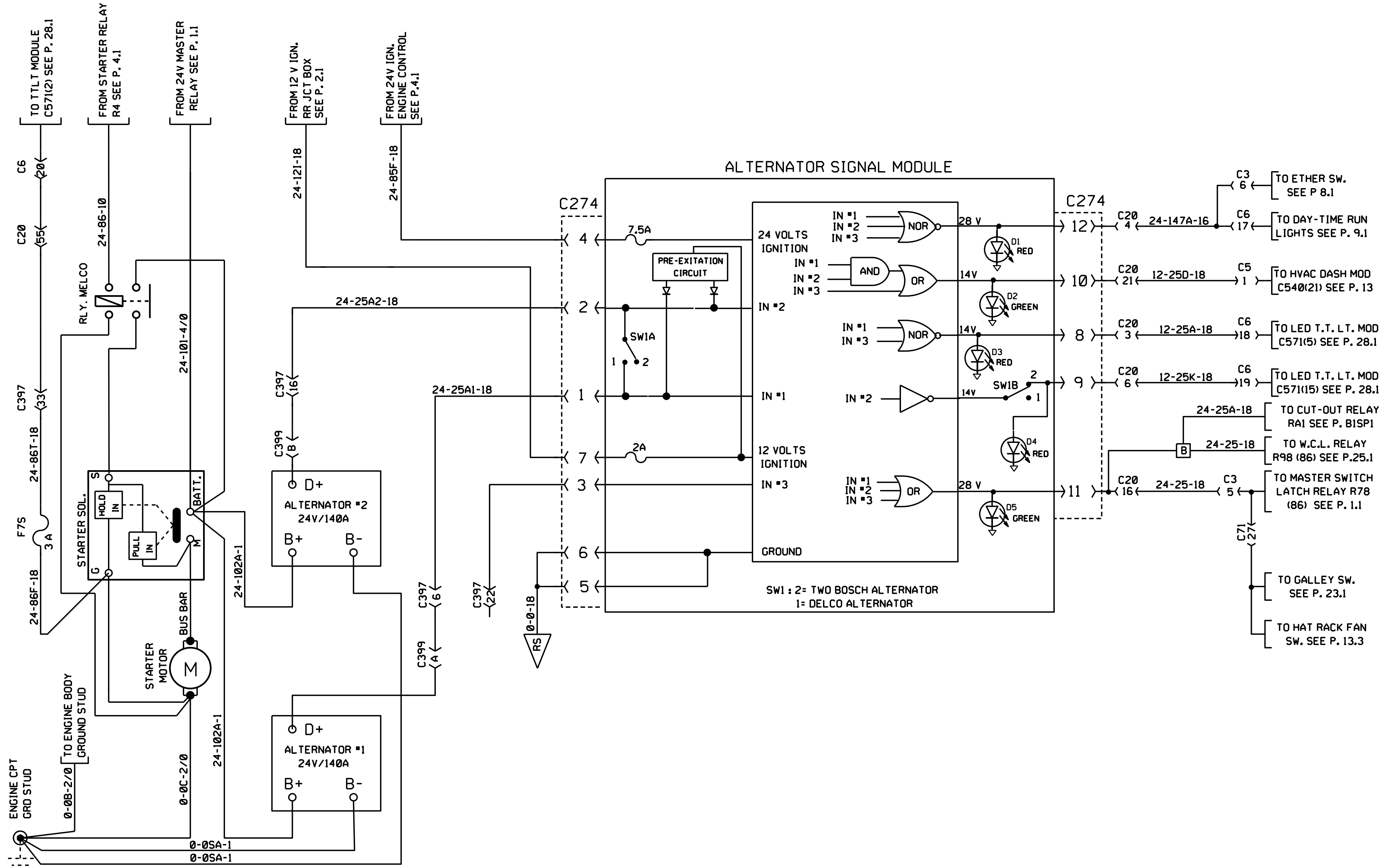
STARTER & BOSCH ALTERNATOR



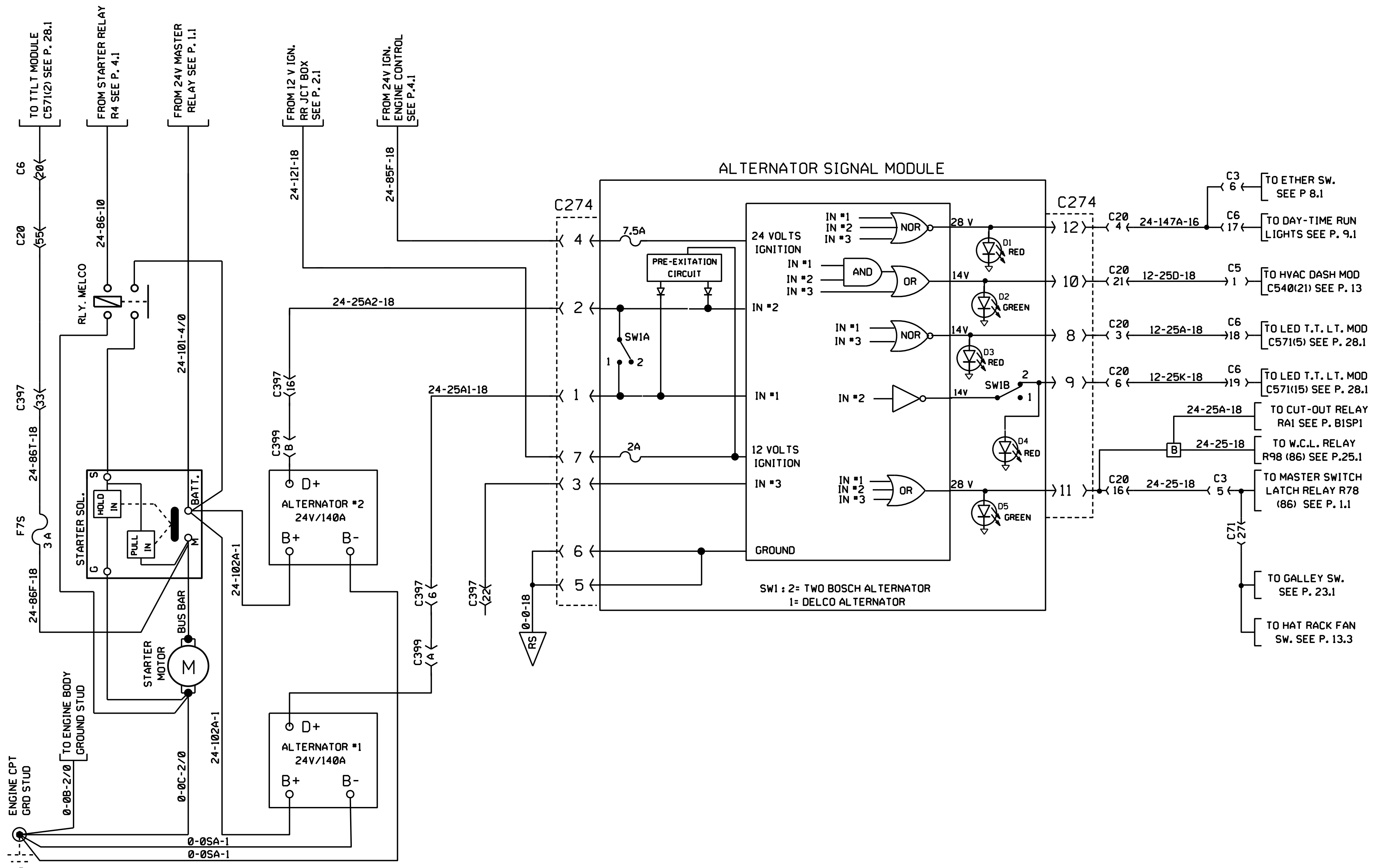
STARTER & BOSCH ALTERNATOR

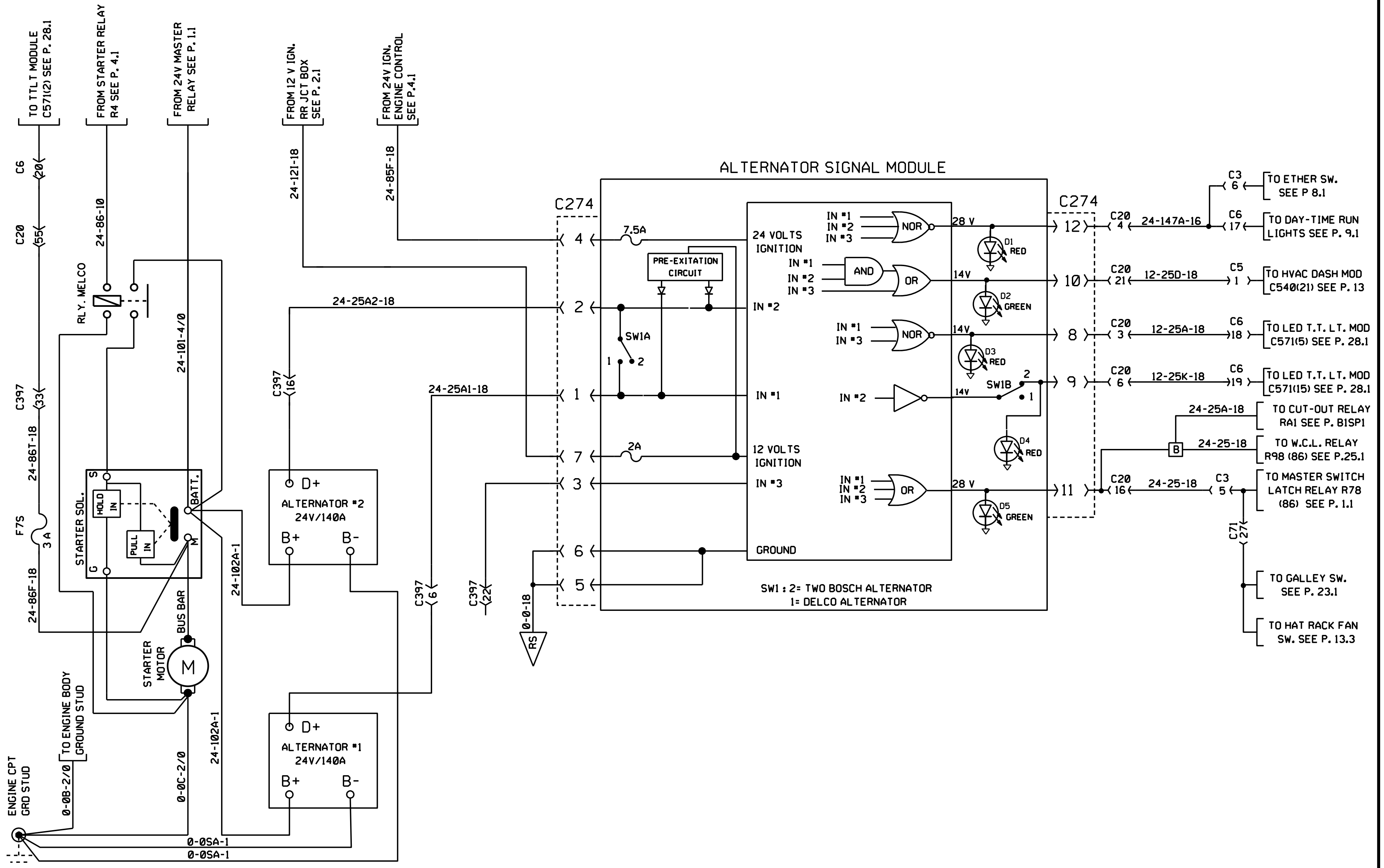


STARTER & BOSCH ALTERNATOR

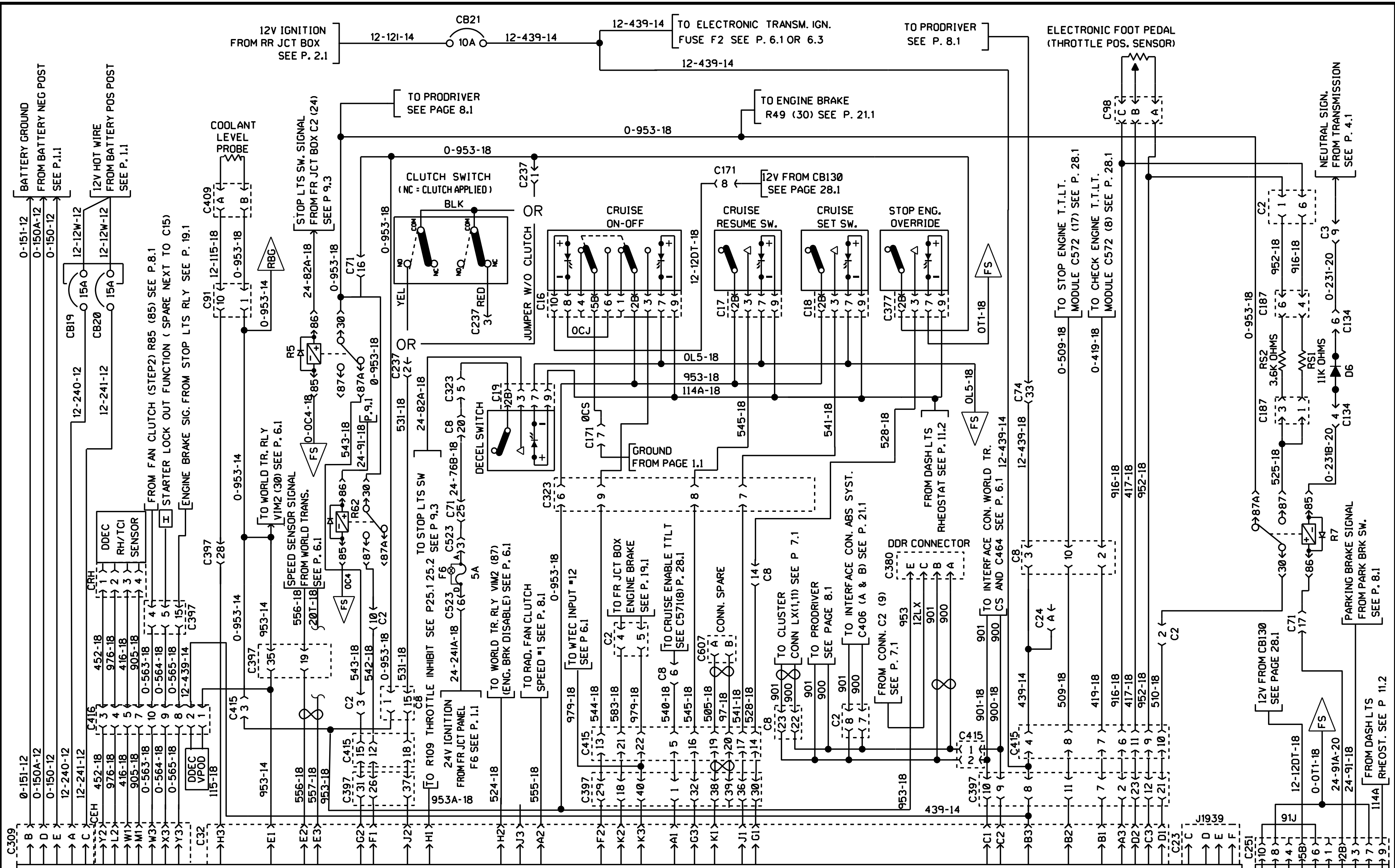


STARTER & BOSCH ALTERNATOR



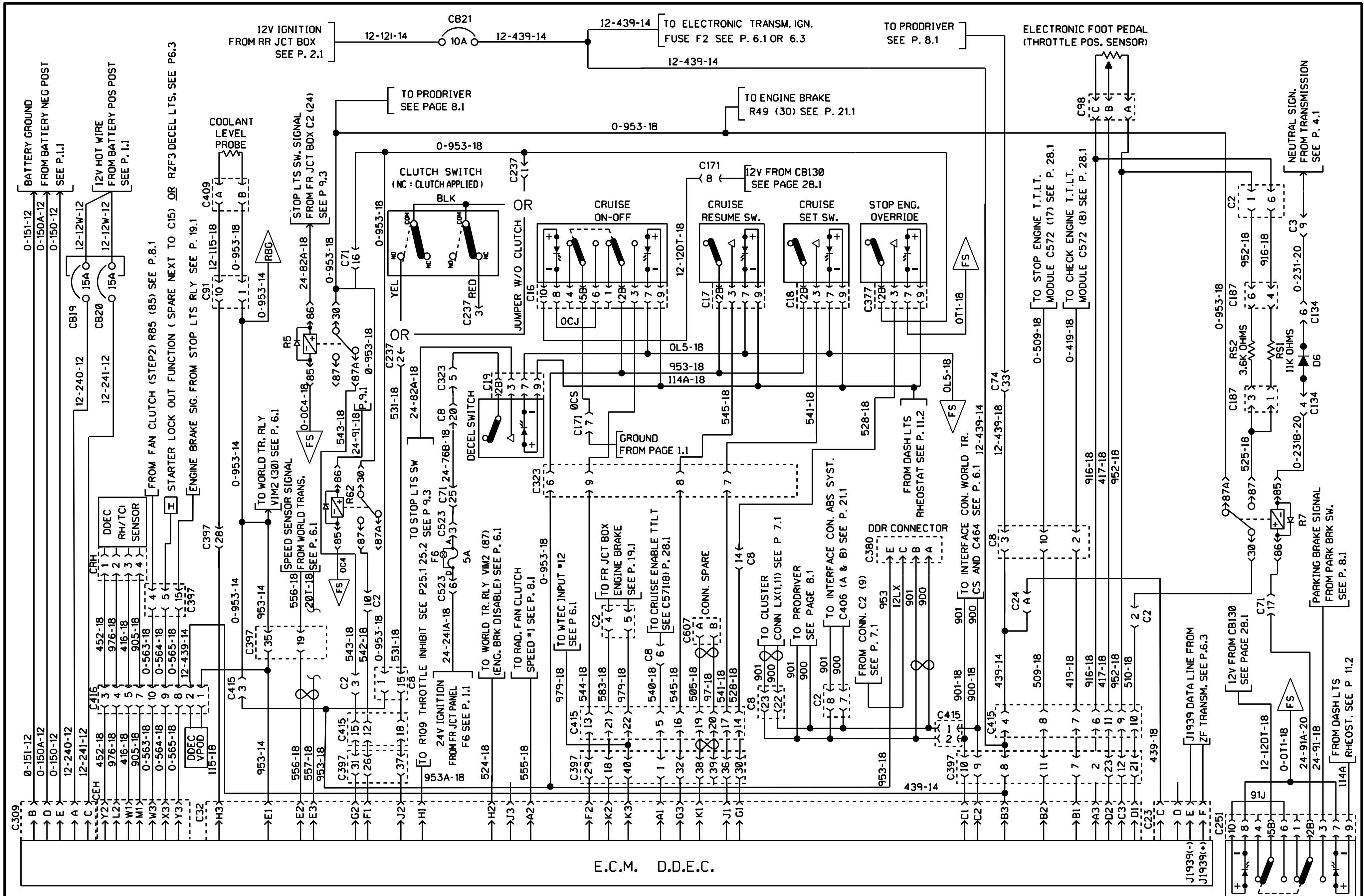


STARTER & BOSCH ALTERNATOR



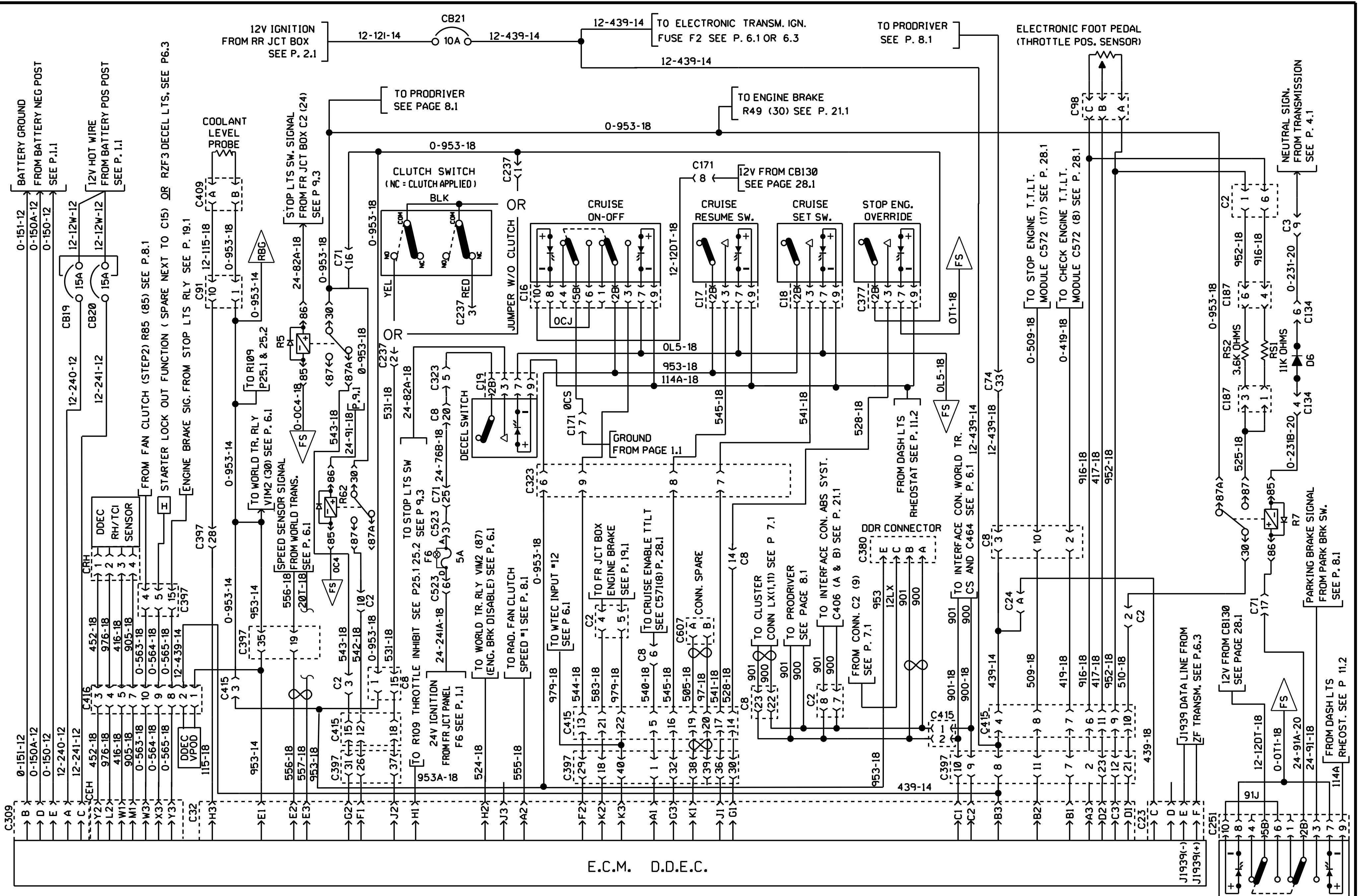
E.C.M. D.D.E.C.

D.D.E.C. IV



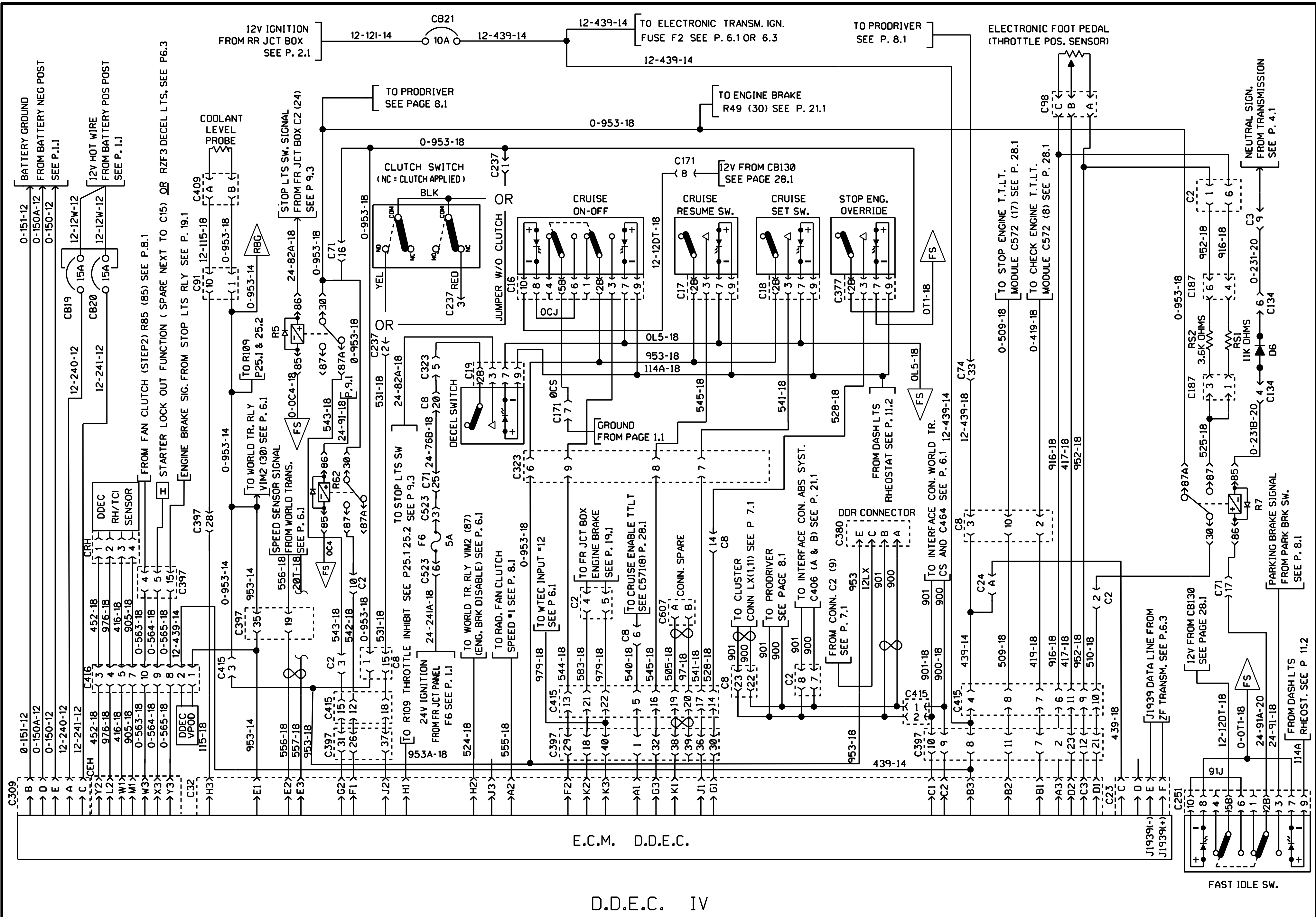
E.C.M. D.D.E.C.

D.D.E.C. IV



E.C.M. D.D.E.C.

D.D.E.C. IV

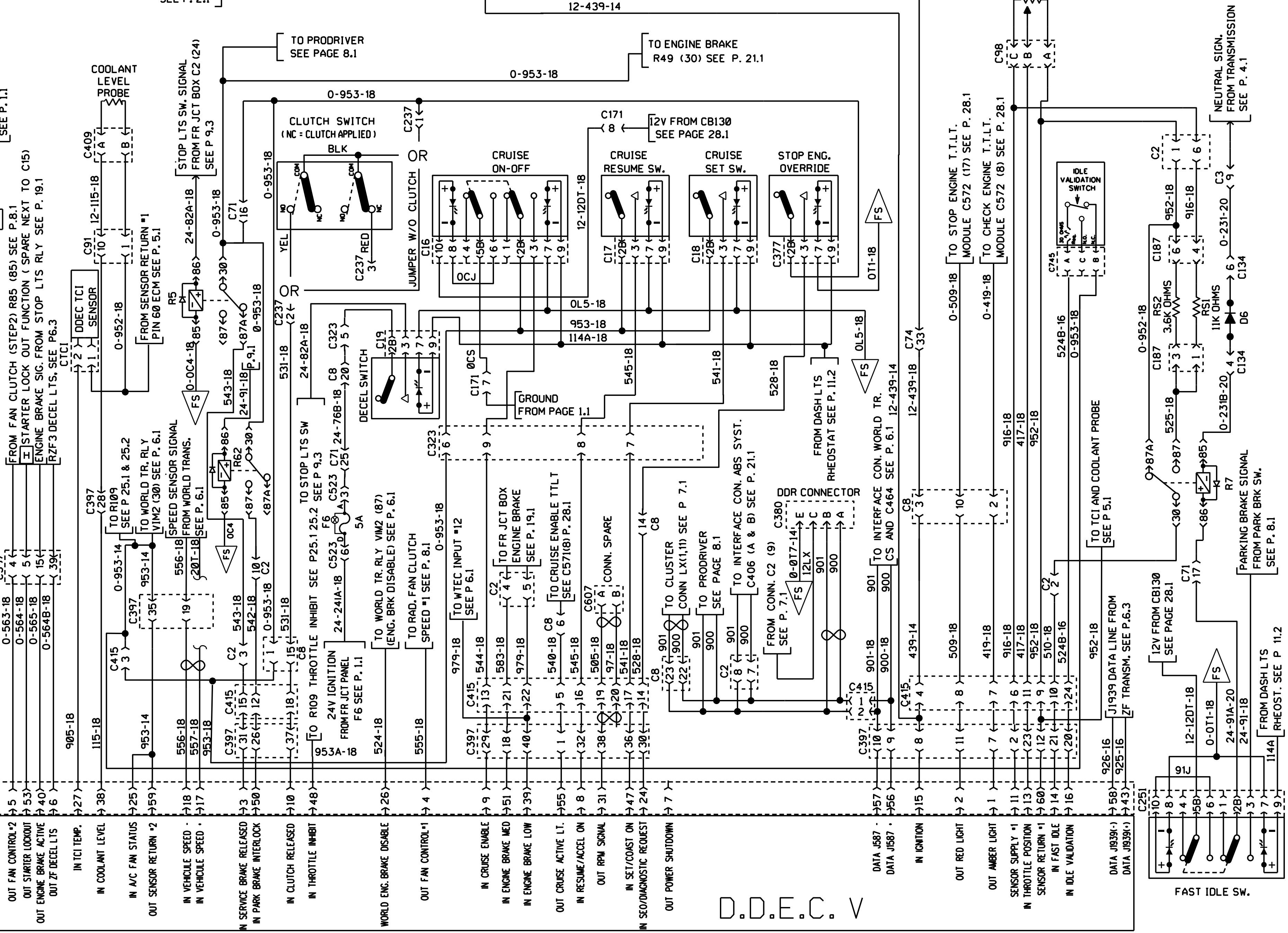


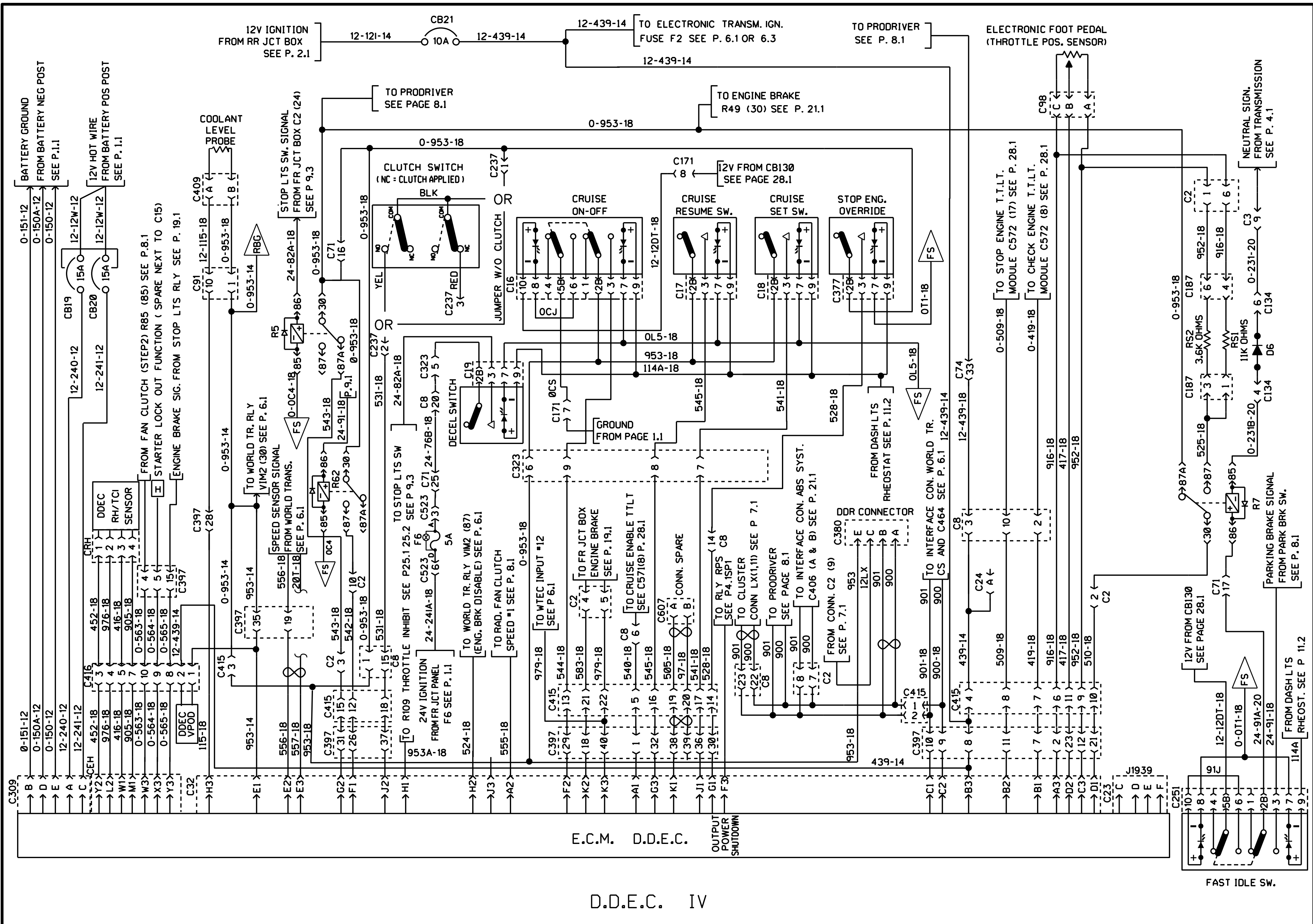
E.C.M. D.D.E.C.

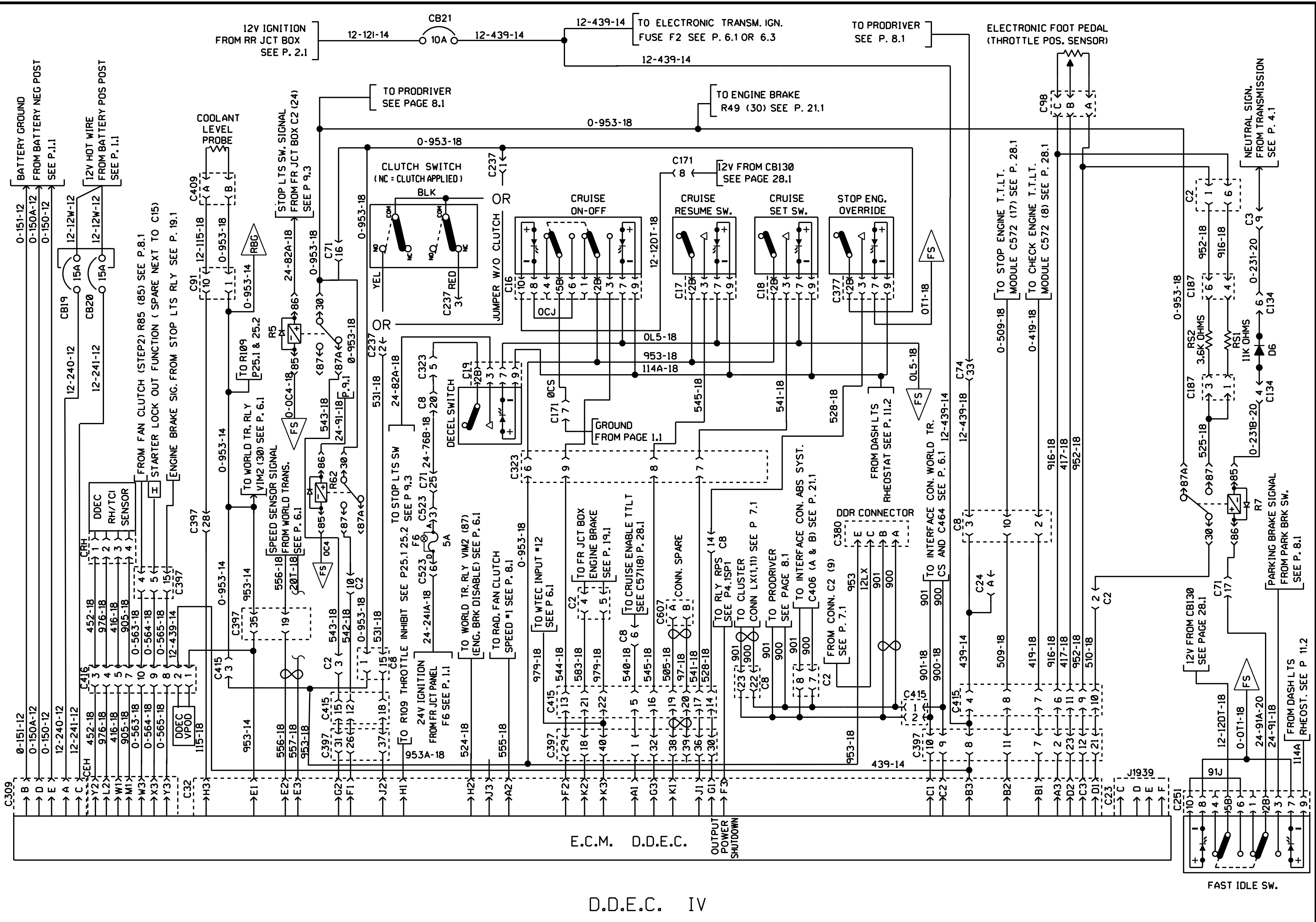
D.D.E.C. IV

E.C.M. D.D.E.C.V

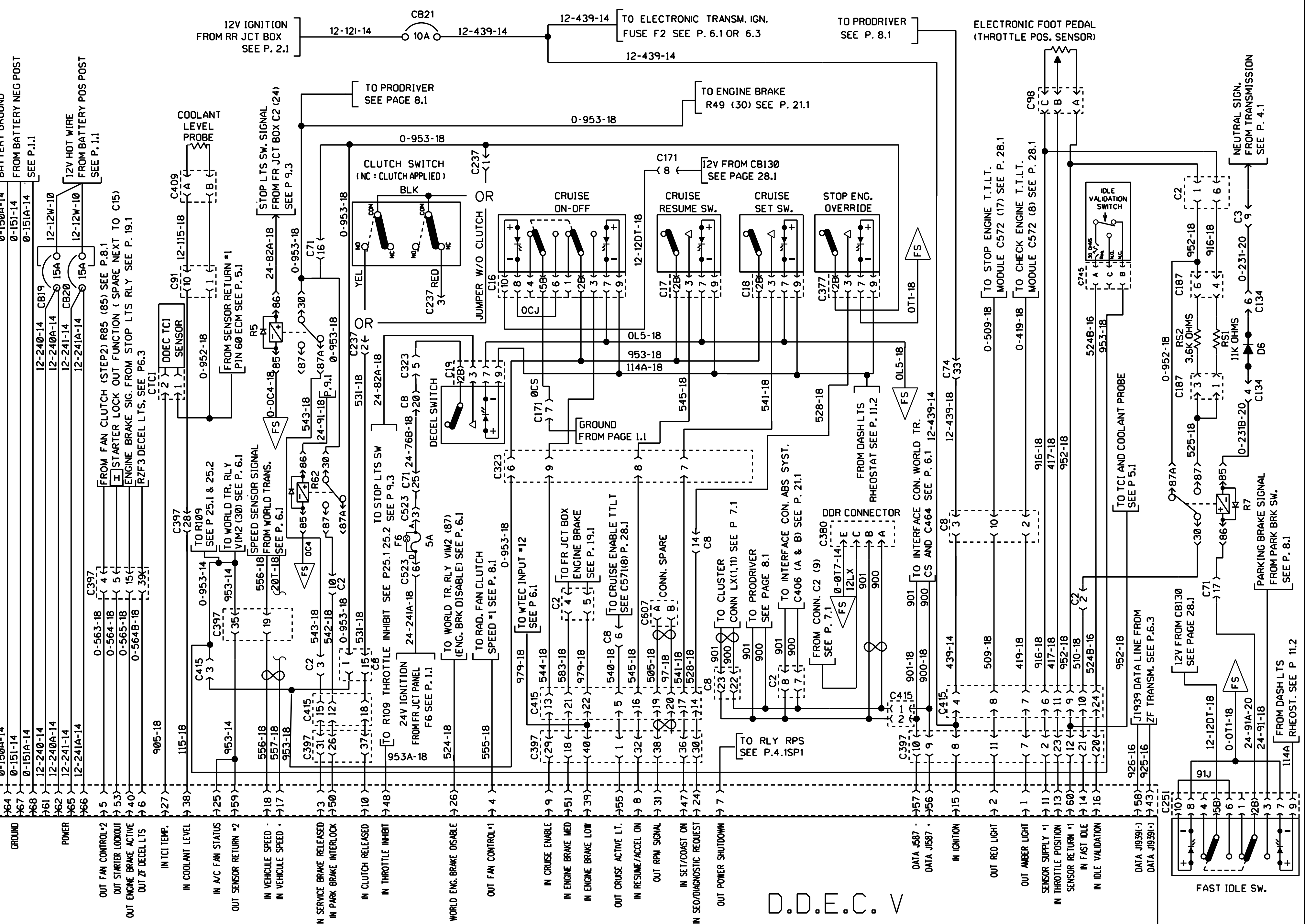
- GROUND
 - 0-150-14
 - 0-150A-14
 - 0-151-14
 - 0-151A-14
- POWER
 - 12-240-14
 - 12-240A-14
 - 12-241-14
 - 12-241A-14
- OUT FAN CONTROL *2
- OUT STARTER LOCKOUT
- OUT ENGINE BRAKE ACTIVE
- OUT ZF DECEL LITS
- IN TCI TEMP.
- IN COOLANT LEVEL
- IN A/C FAN STATUS
- OUT SENSOR RETURN *2
- IN VEHICLE SPEED
- IN VEHICLE SPEED
- IN SERVICE BRAKE RELEASED
- IN PARK BRAKE INTERLOCK
- IN CLUTCH RELEASED
- IN THROTTLE INHIBIT
- WORLD ENG. BRAKE DISABLE
- OUT FAN CONTROL *1
- IN CRUISE ENABLE
- IN ENGINE BRAKE MED
- IN ENGINE BRAKE LOW
- OUT CRUISE ACTIVE LIT
- IN RESUME/ACCEL ON
- OUT RPM SIGNAL
- IN SET/COAST ON
- IN SER/DIAGNOSTIC REQUEST
- OUT POWER SHUTDOWN
- DATA J587
- DATA J587
- IN IGNITION
- OUT RED LIGHT
- OUT AMBER LIGHT
- SENSOR SUPPLY *1
- IN THROTTLE POSITION
- SENSOR RETURN *1
- IN FAST IDLE
- IN IDLE VALIDATION
- DATA J939(-)
- DATA J939(+)



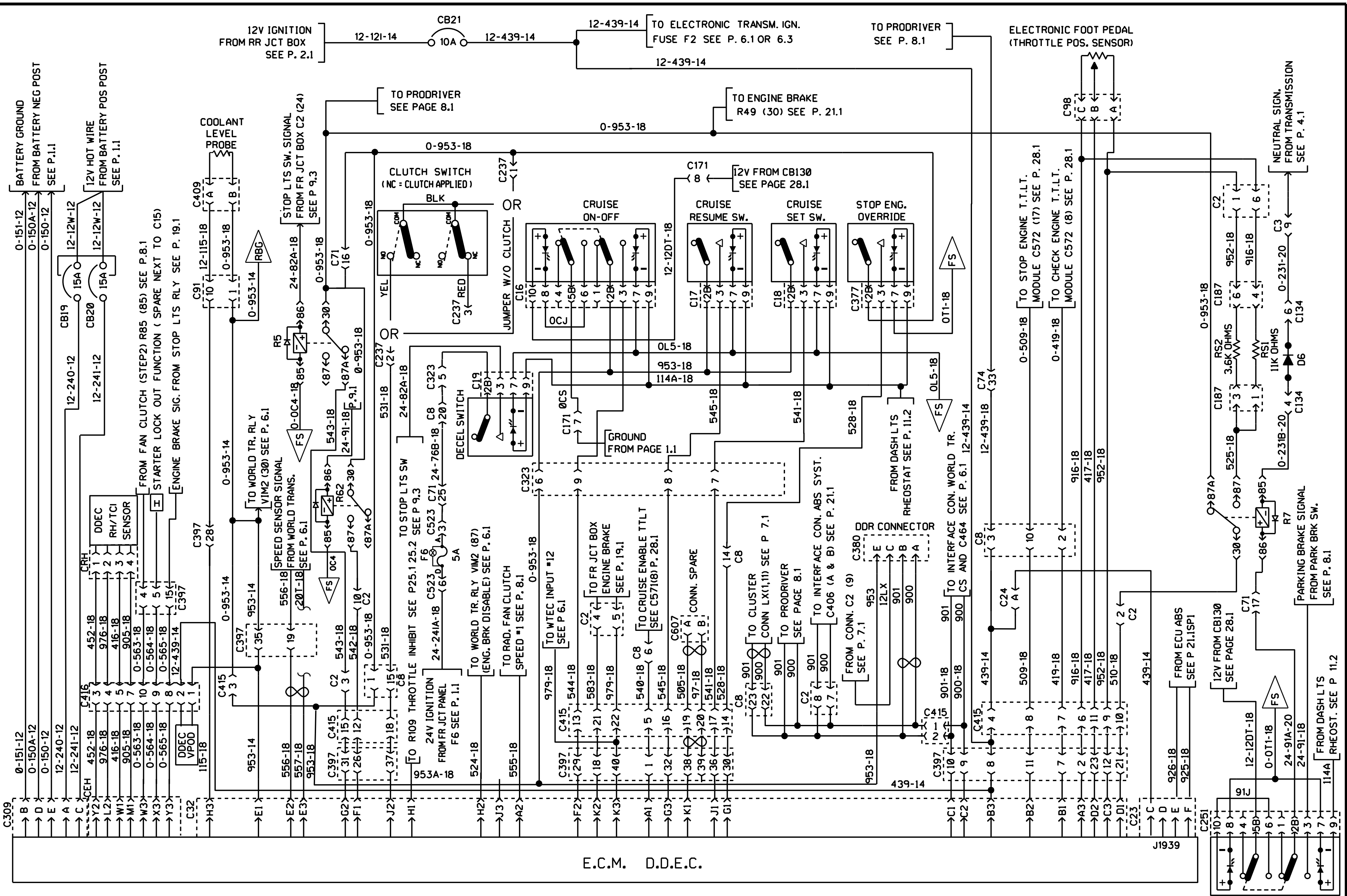


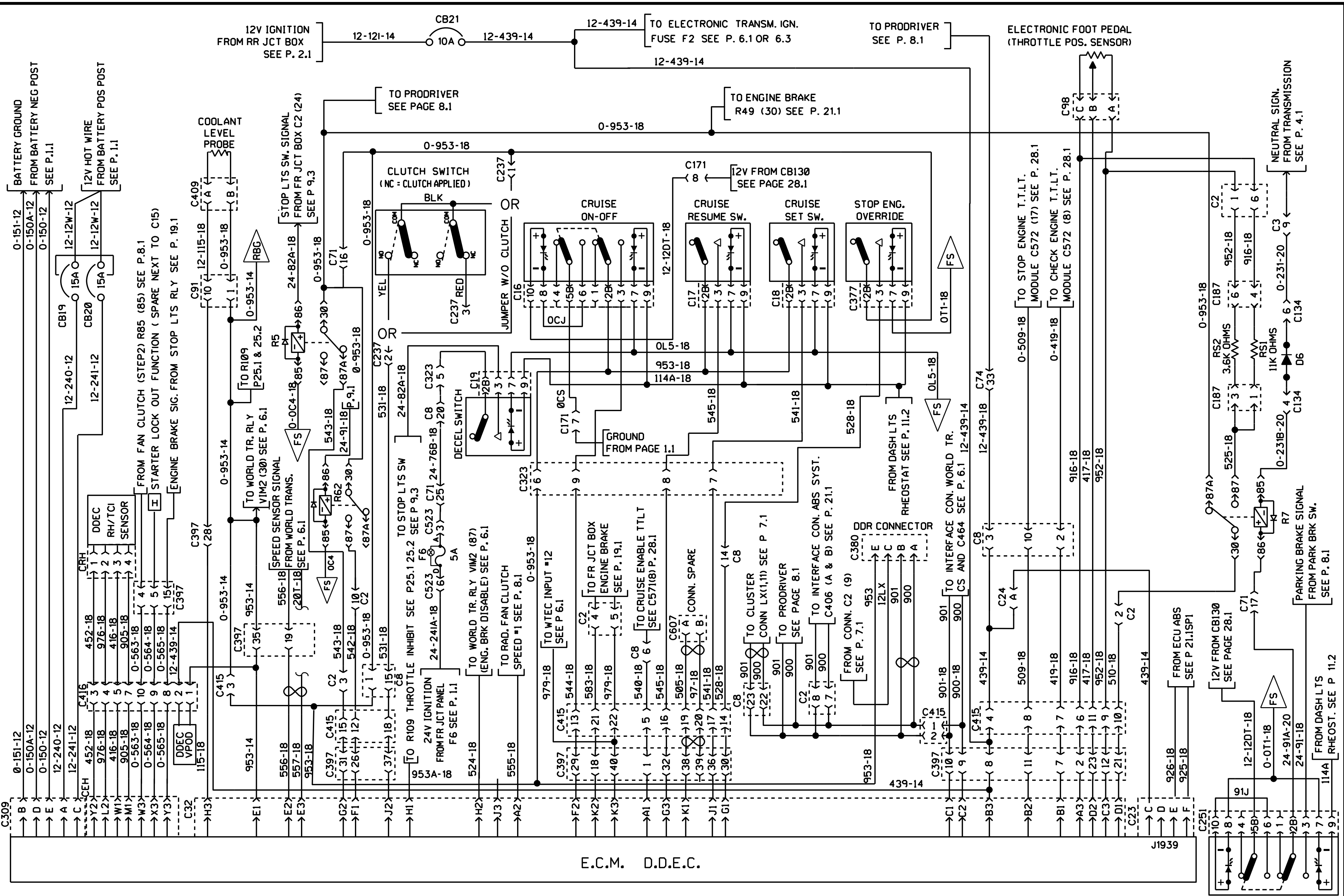


E.C.M. D.D.E.C. V



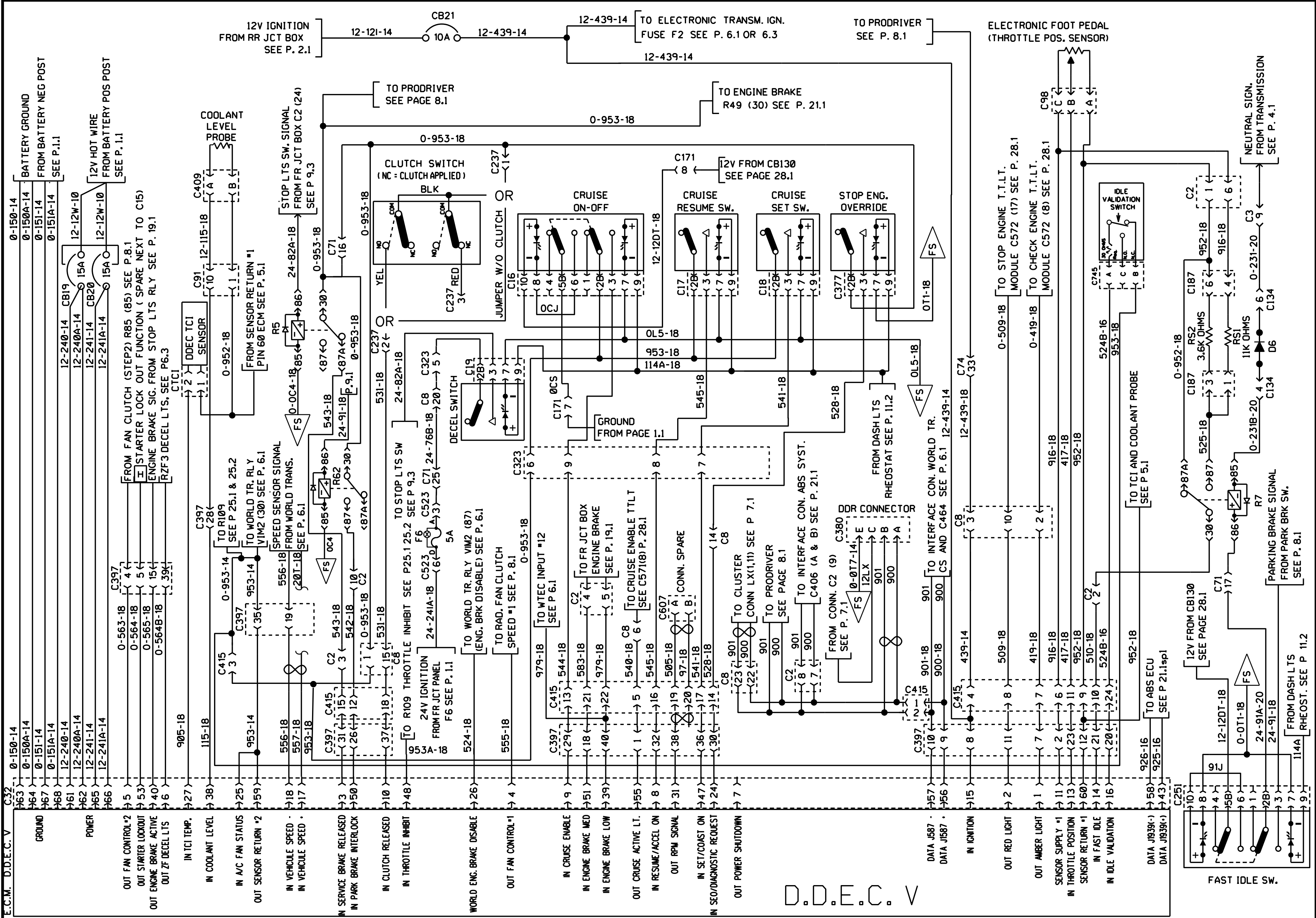
D.D.E.C. V



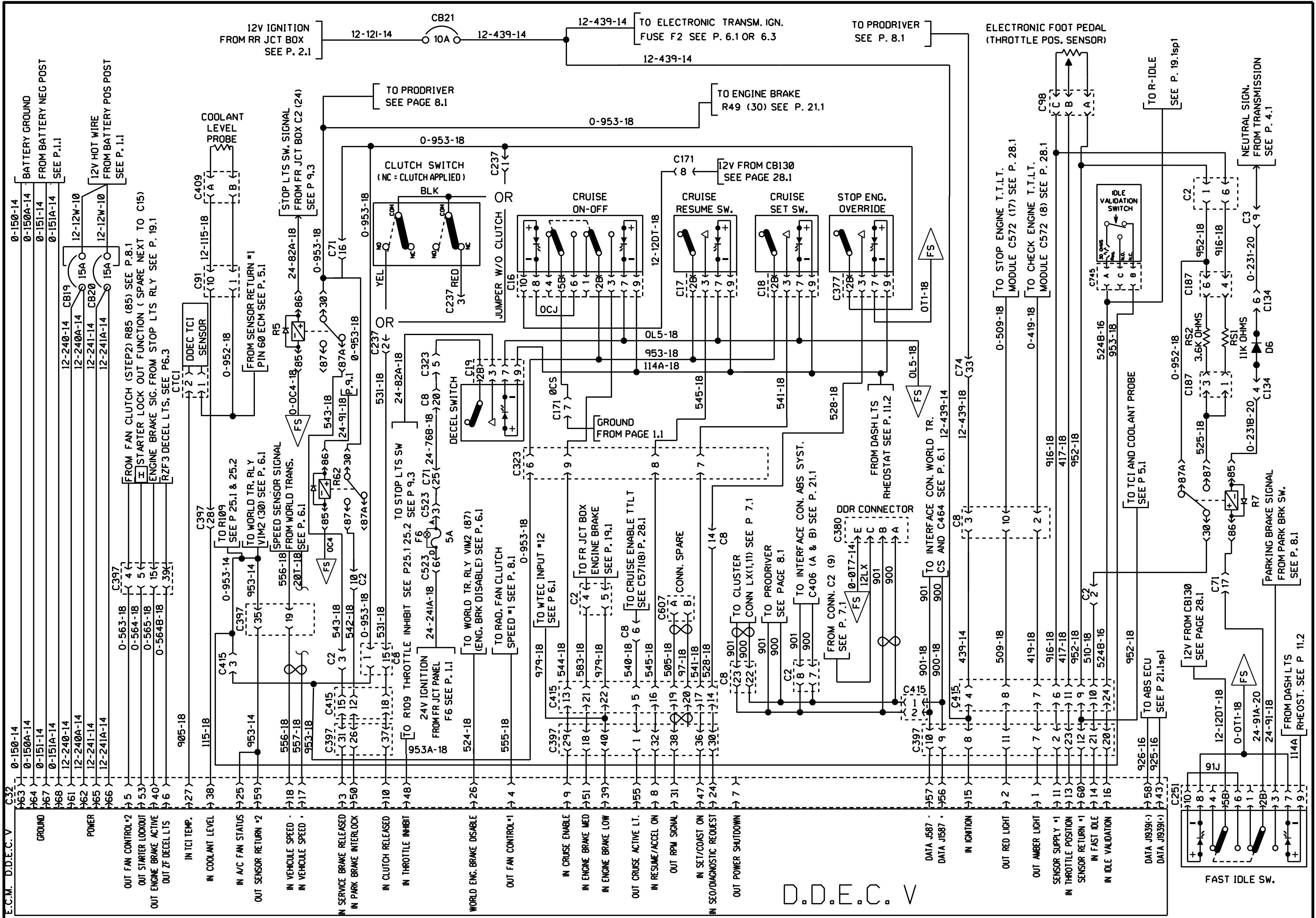


E.C.M. D.D.E.C.

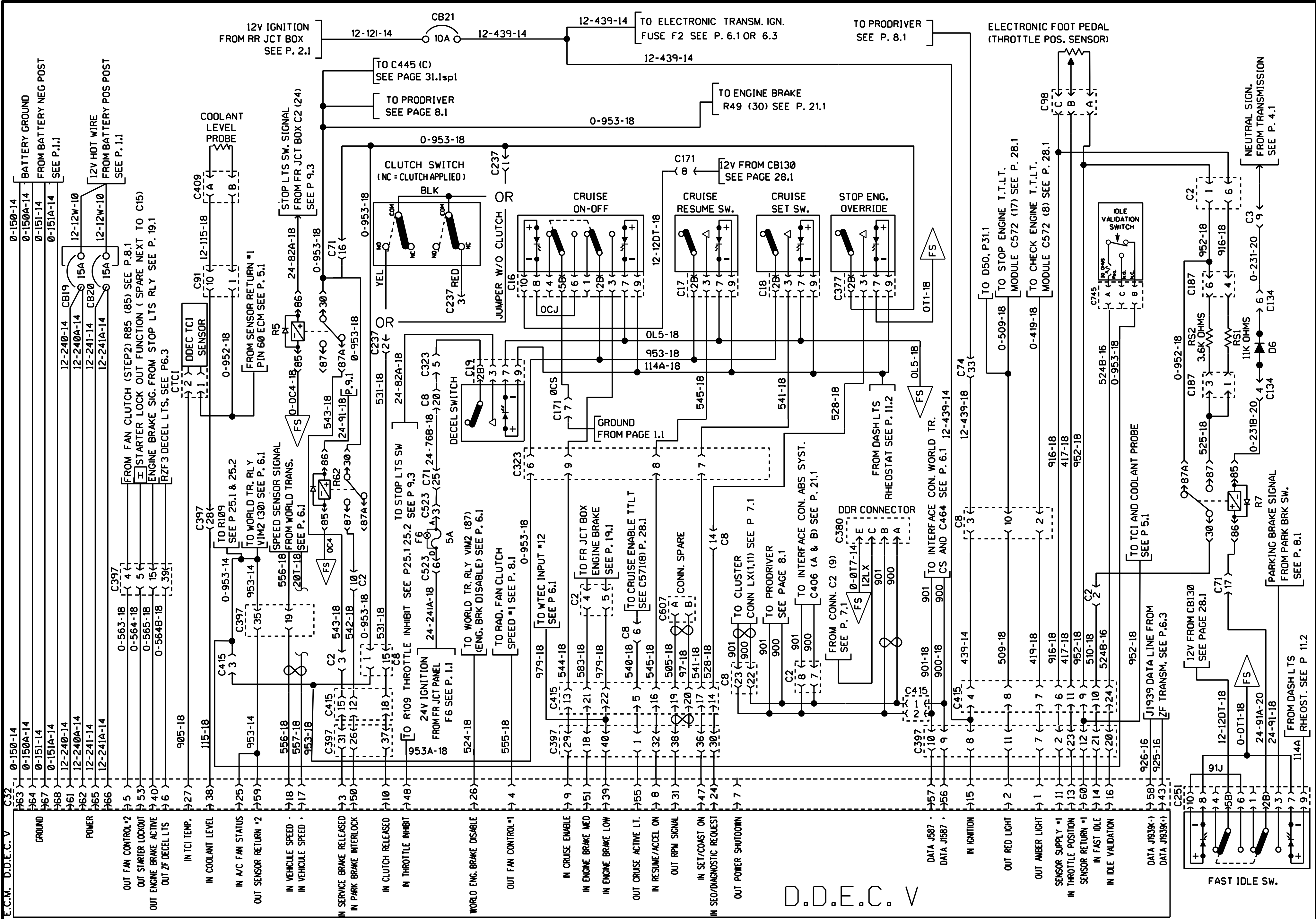
D.D.E.C. IV



E.C.M. D.D.E.C.V



D.D.E.C.V



E.C.M. D.D.E.C.V. C32

- 763 GROUND
- 764 GROUND
- 767 GROUND
- 768 GROUND
- 762 POWER
- 765 POWER
- 766 POWER
- 75 OUT FAN CONTROL *2
- 753 OUT STARTER LOCKOUT
- 740 OUT ENGINE BRAKE ACTIVE
- 739 OUT ZF DECEL L.T.S.
- 727 IN TCI TEMP.
- 738 IN COOLANT LEVEL
- 725 IN A/C FAN STATUS
- 759 OUT SENSOR RETURN *2
- 718 IN VEHICLE SPEED
- 717 IN VEHICLE SPEED
- 73 IN SERVICE BRAKE RELEASED
- 750 IN PARK BRAKE INTERLOCK
- 710 IN CLUTCH RELEASED
- 748 IN THROTTLE INHIBIT
- 726 WORLD ENG. BRAKE DISABLE
- 74 OUT FAN CONTROL *1
- 79 IN CRUISE ENABLE
- 751 IN ENGINE BRAKE MED
- 739 IN ENGINE BRAKE LOW
- 755 OUT CRUISE ACTIVE L.T.
- 78 IN RESUME/ACCEL ON
- 731 OUT RPM SIGNAL
- 747 IN SET/COAST ON
- 724 IN SER/DIAGNOSTIC REQUEST
- 77 OUT POWER SHUTDOWN
- 757 DATA J587
- 756 DATA J587
- 715 IN IGNITION
- 72 OUT RED LIGHT
- 71 OUT AMBER LIGHT
- 711 SENSOR SUPPLY *1
- 713 IN THROTTLE POSITION
- 760 SENSOR RETURN *1
- 714 IN FAST IDLE
- 716 IN IDLE VALIDATION
- 758 DATA J1939(-)
- 743 DATA J1939(+)

PREVOST

WIRING DIAGRAM

NO: **D060976**

PAGE: **5.1sp4**

REVISION
00

WORLD TRANSMISSION E.C.U.

PREVOST

WIRING DIAGRAM

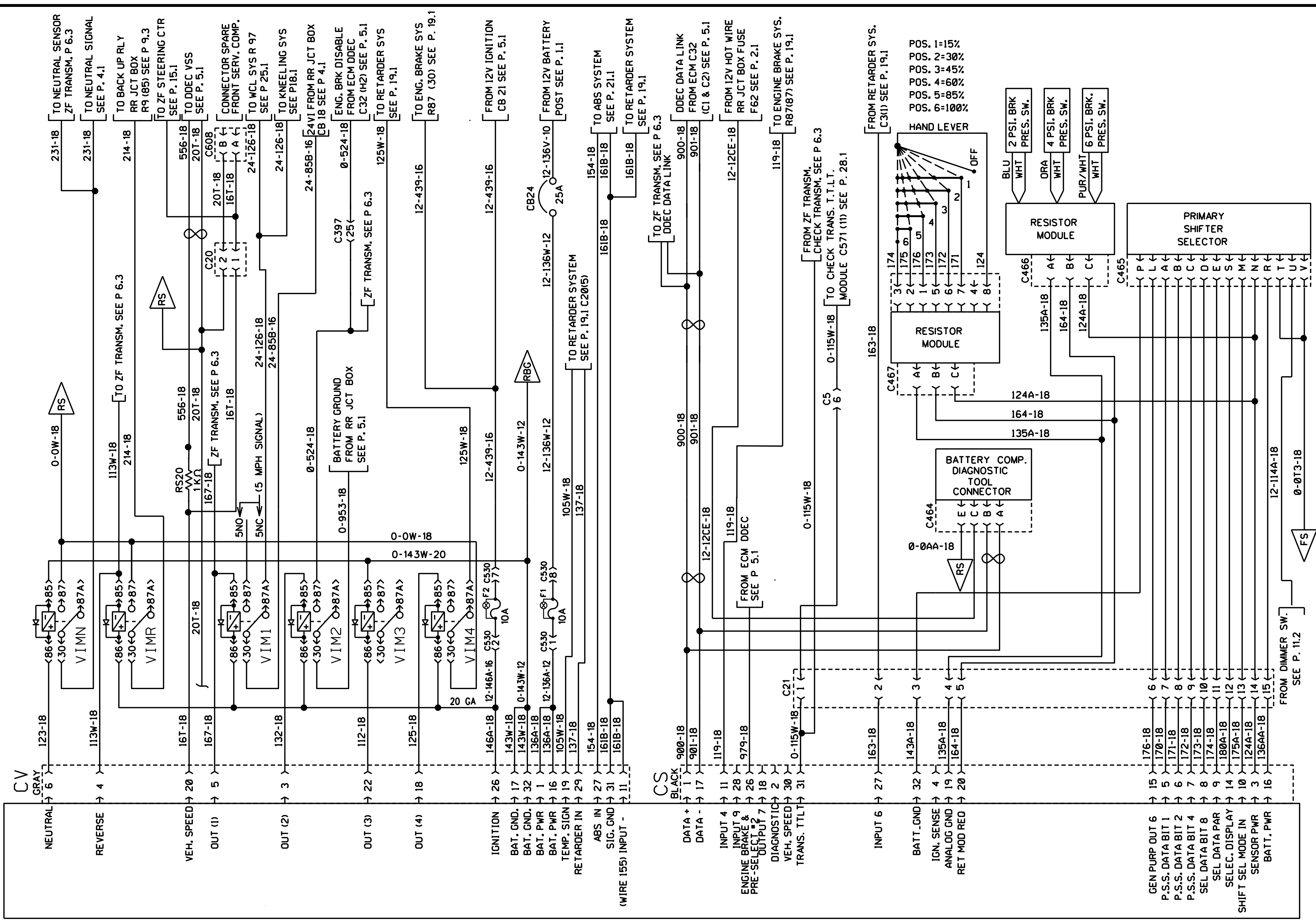
NO:

0060976

PAGE:

6.1

REVISION
00

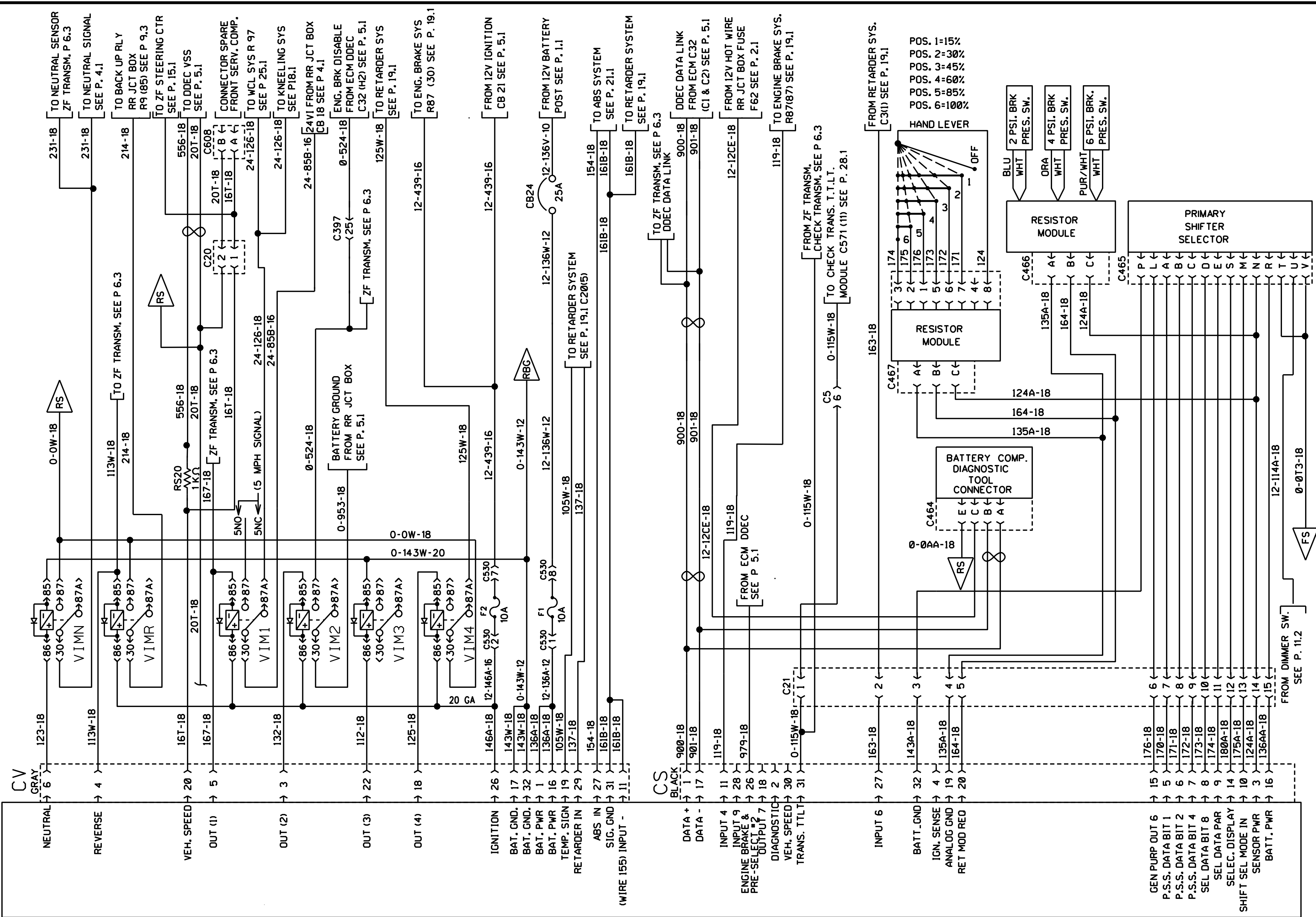


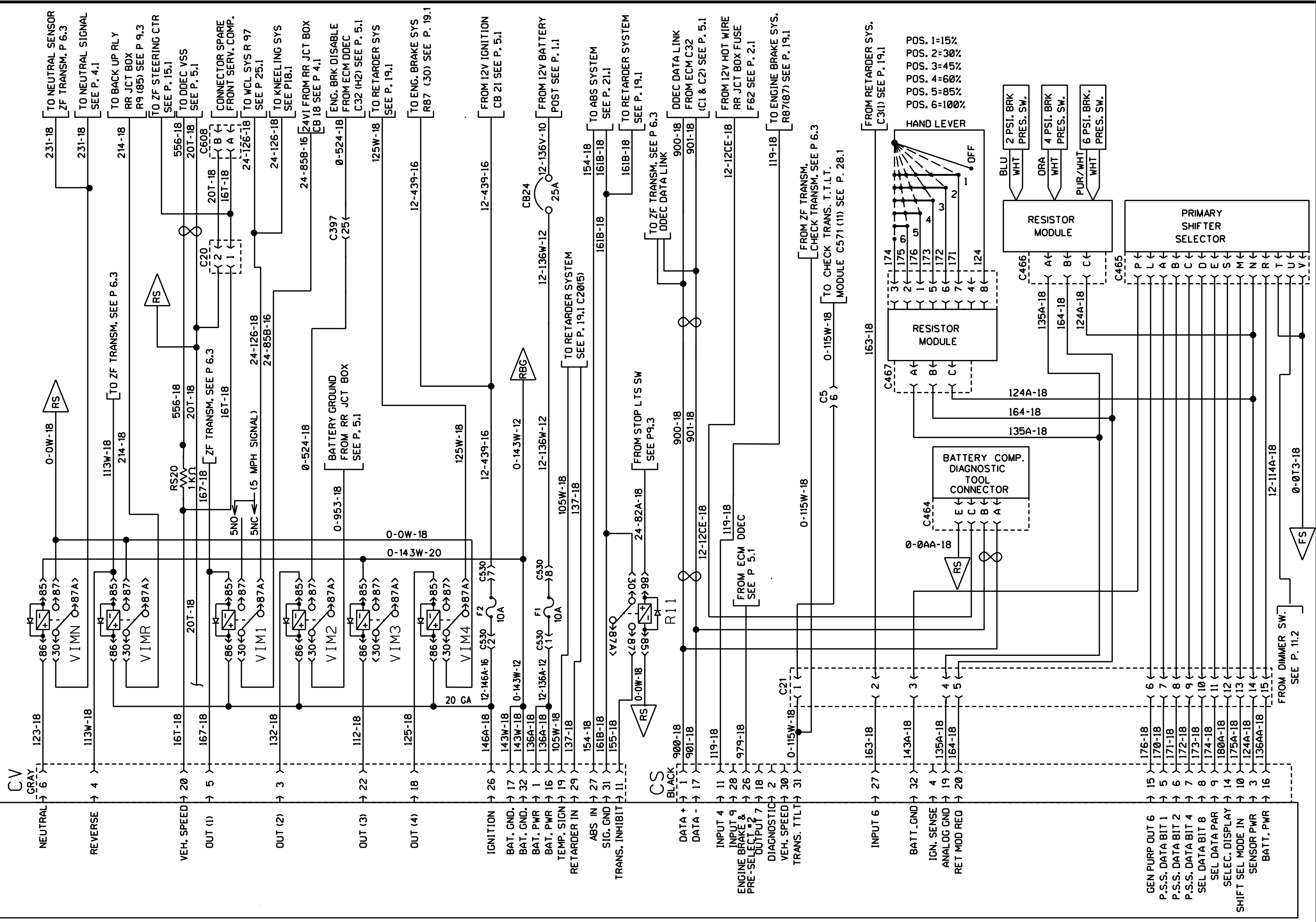
FROM DIMMER SW. SEE P. 11.2

FS

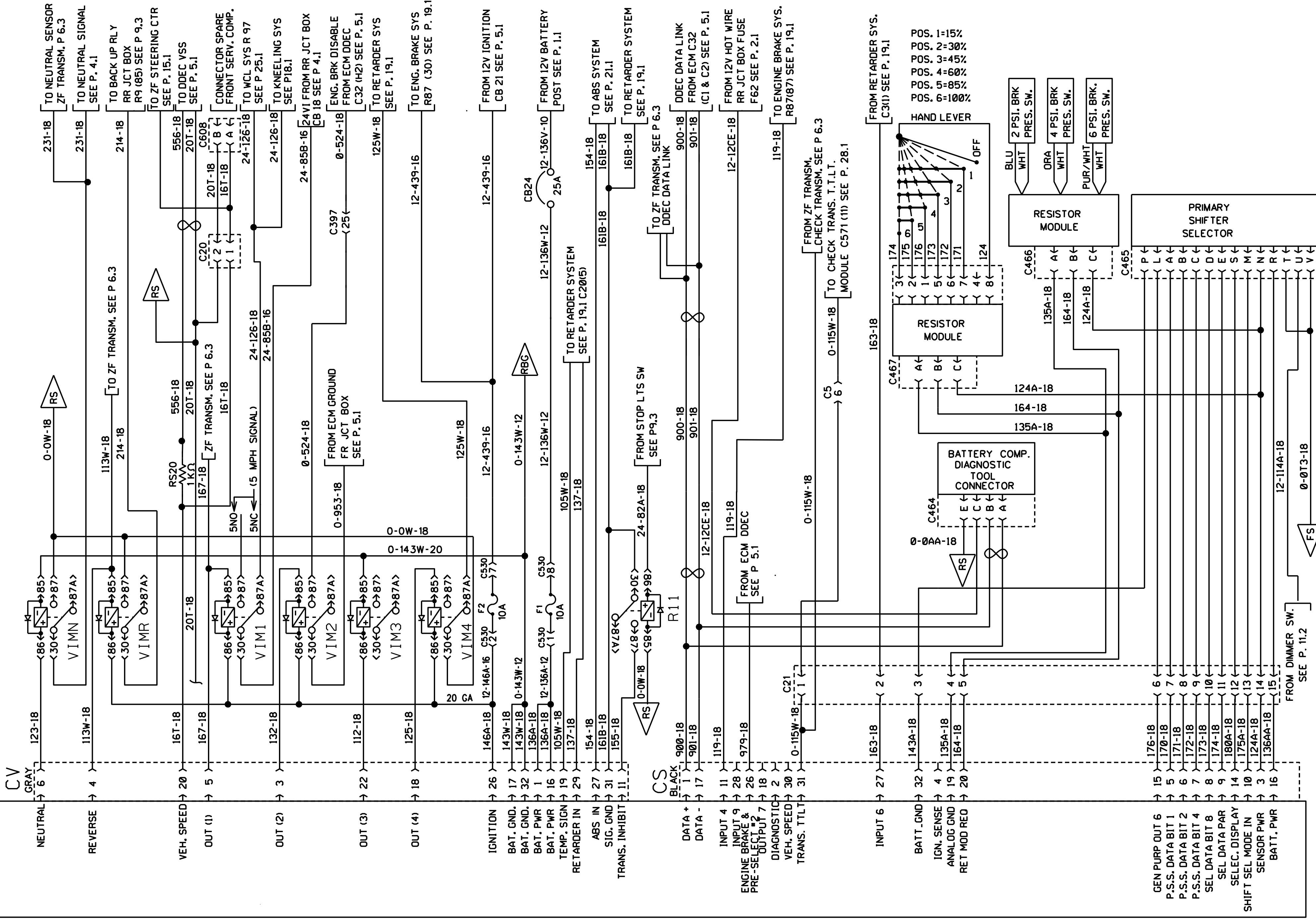
- POS. 1 = 15%
- POS. 2 = 30%
- POS. 3 = 45%
- POS. 4 = 60%
- POS. 5 = 75%
- POS. 6 = 100%

WORLD TRANSMISSION E.C.U.

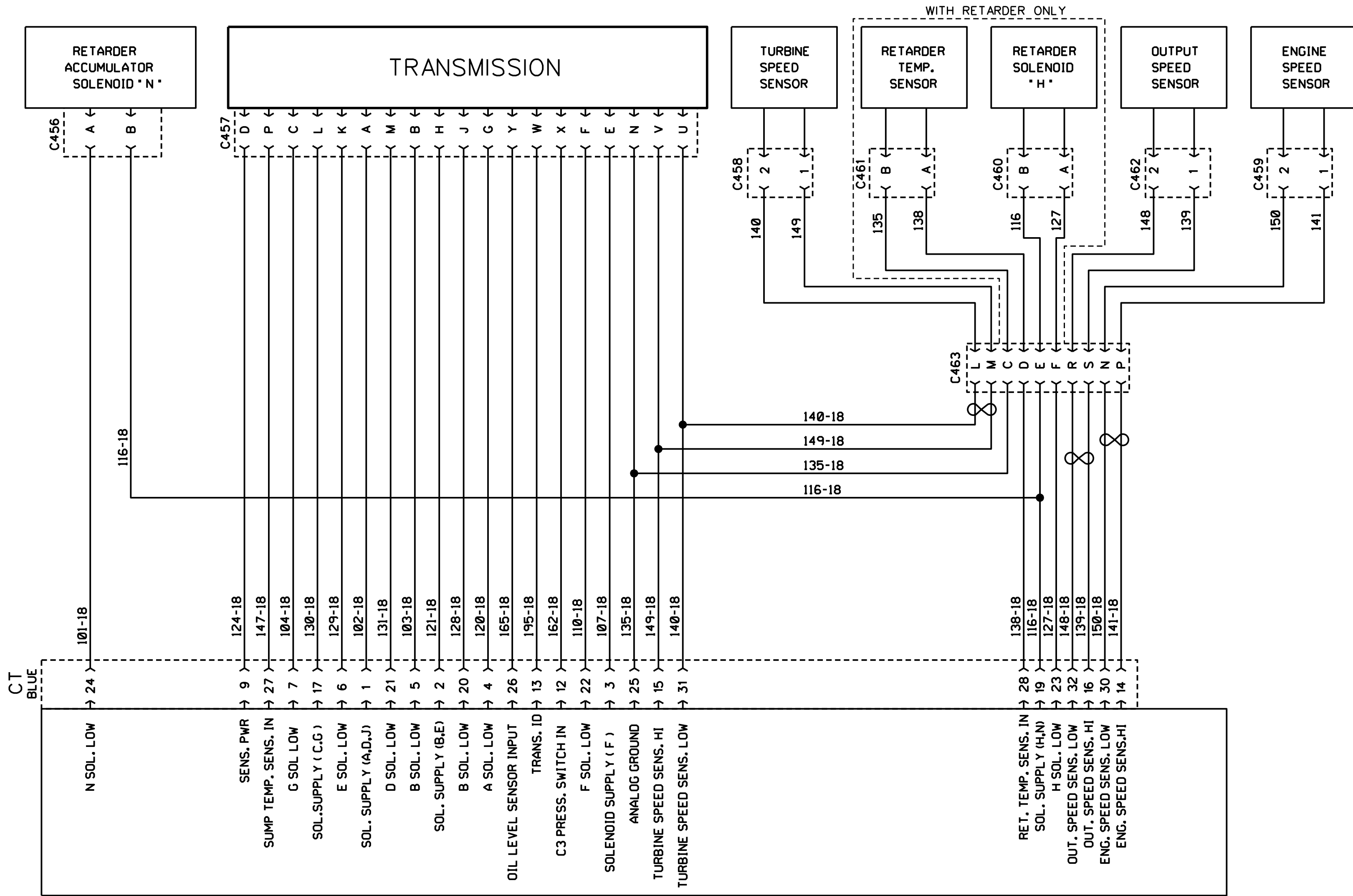




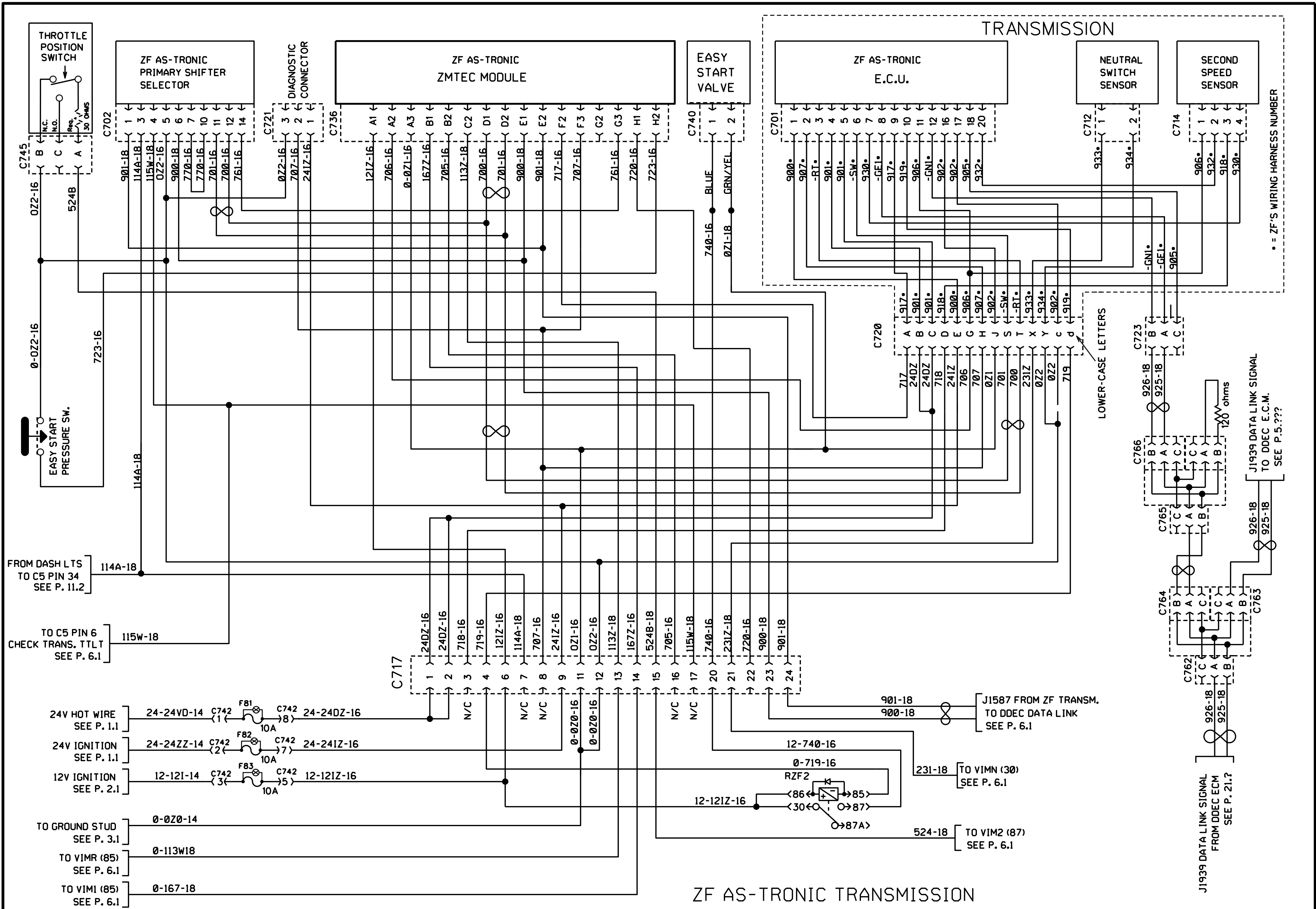
WORLD TRANSMISSION E.C.U.

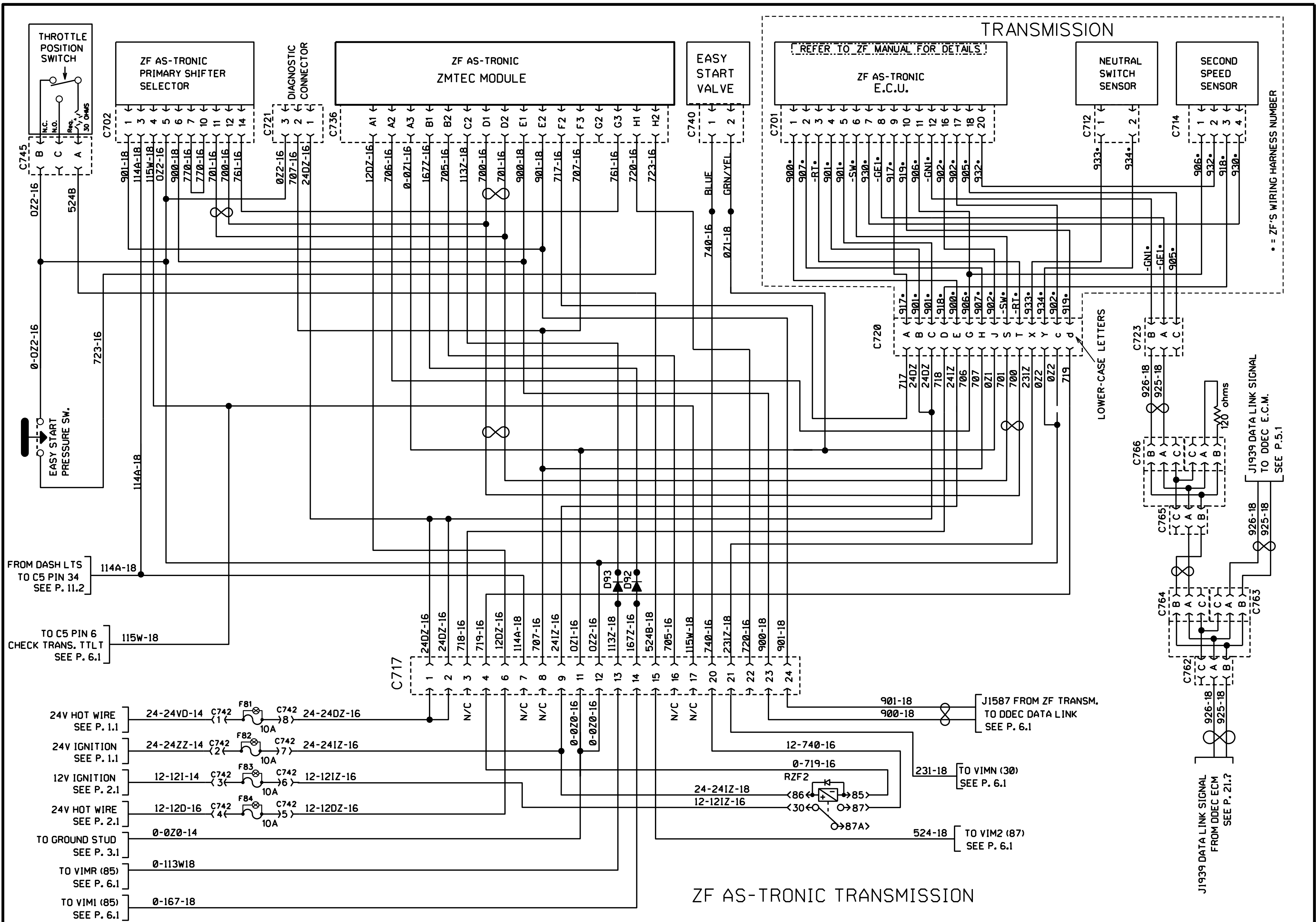


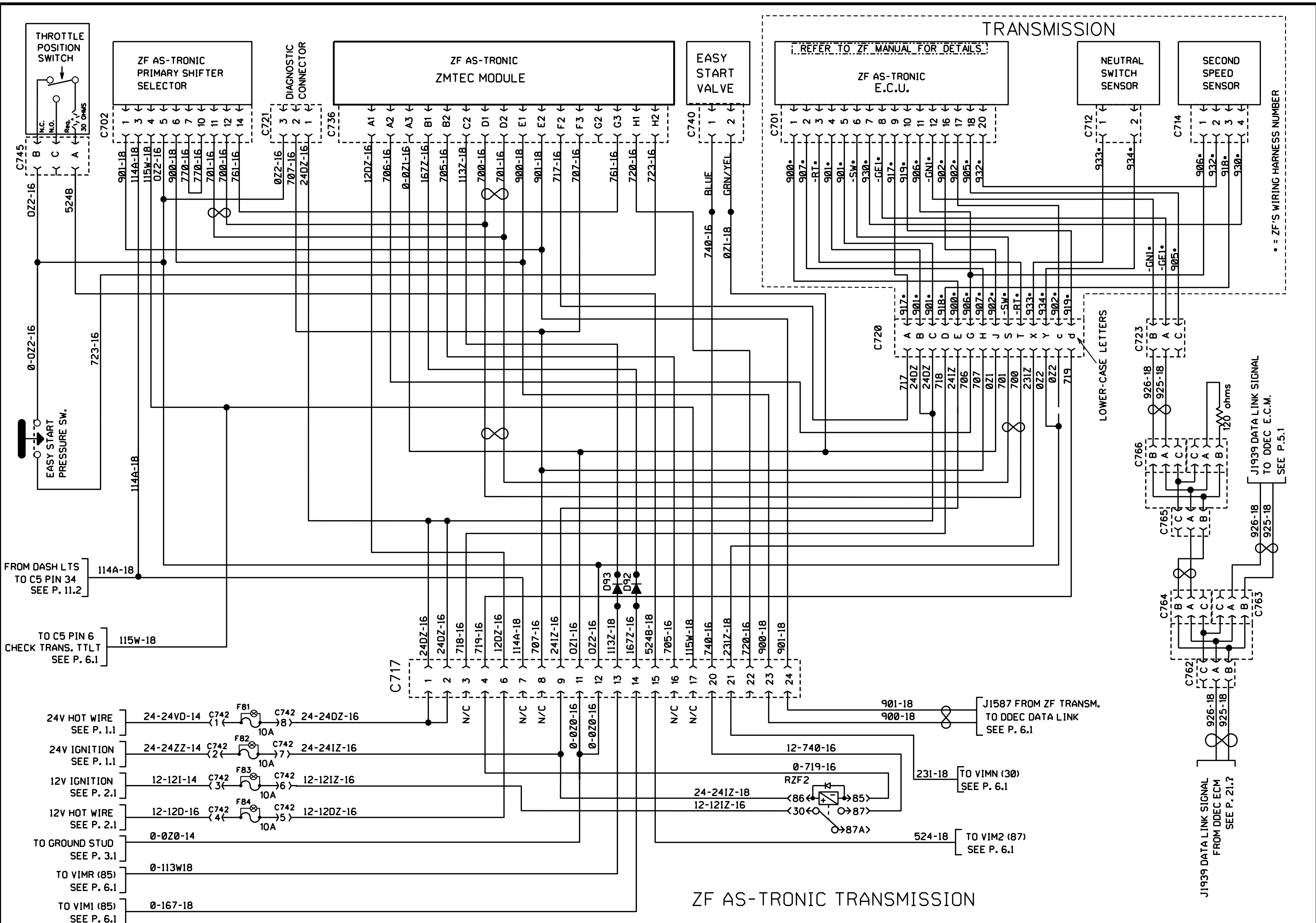
WORLD TRANSMISSION E.C.U.

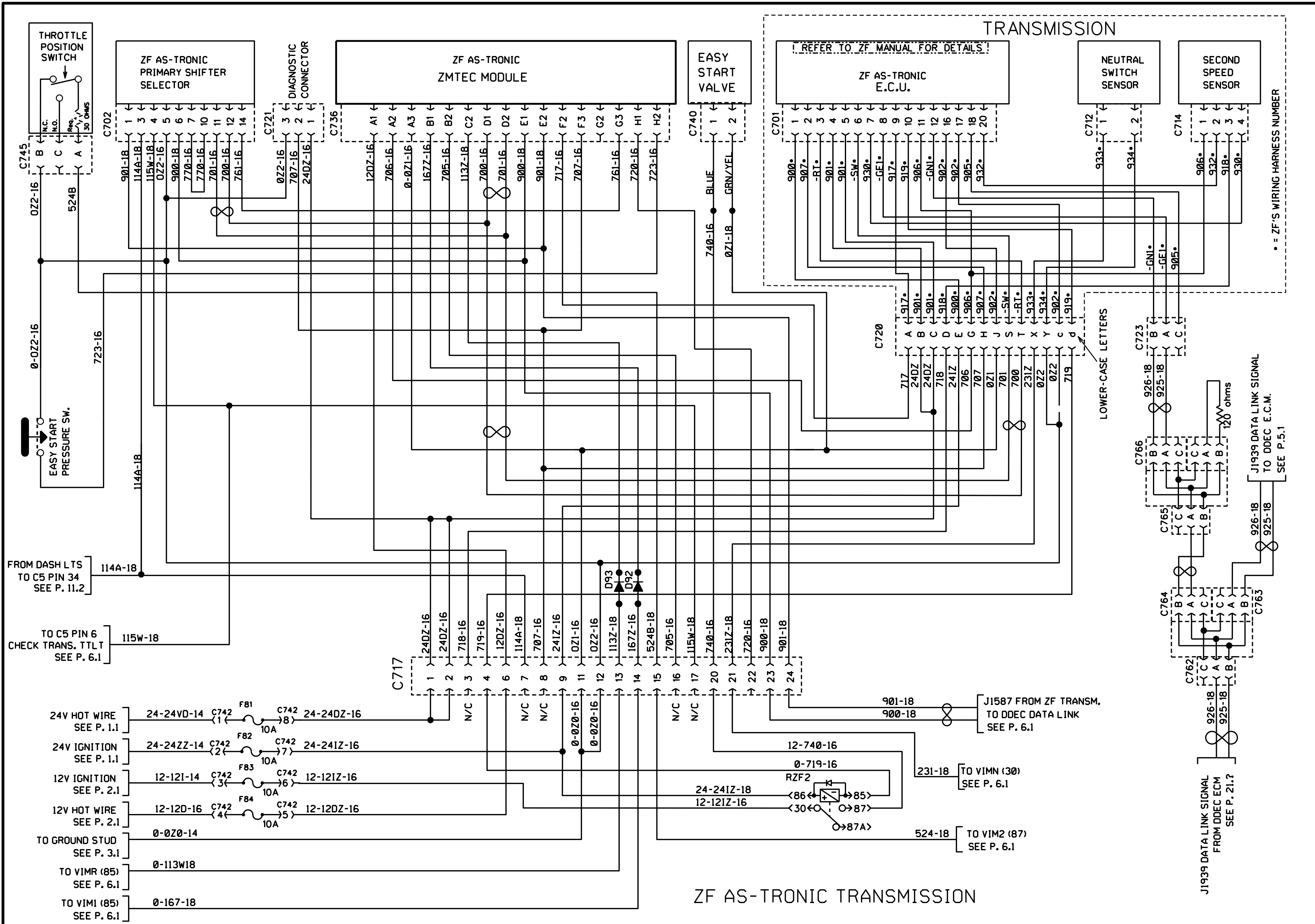


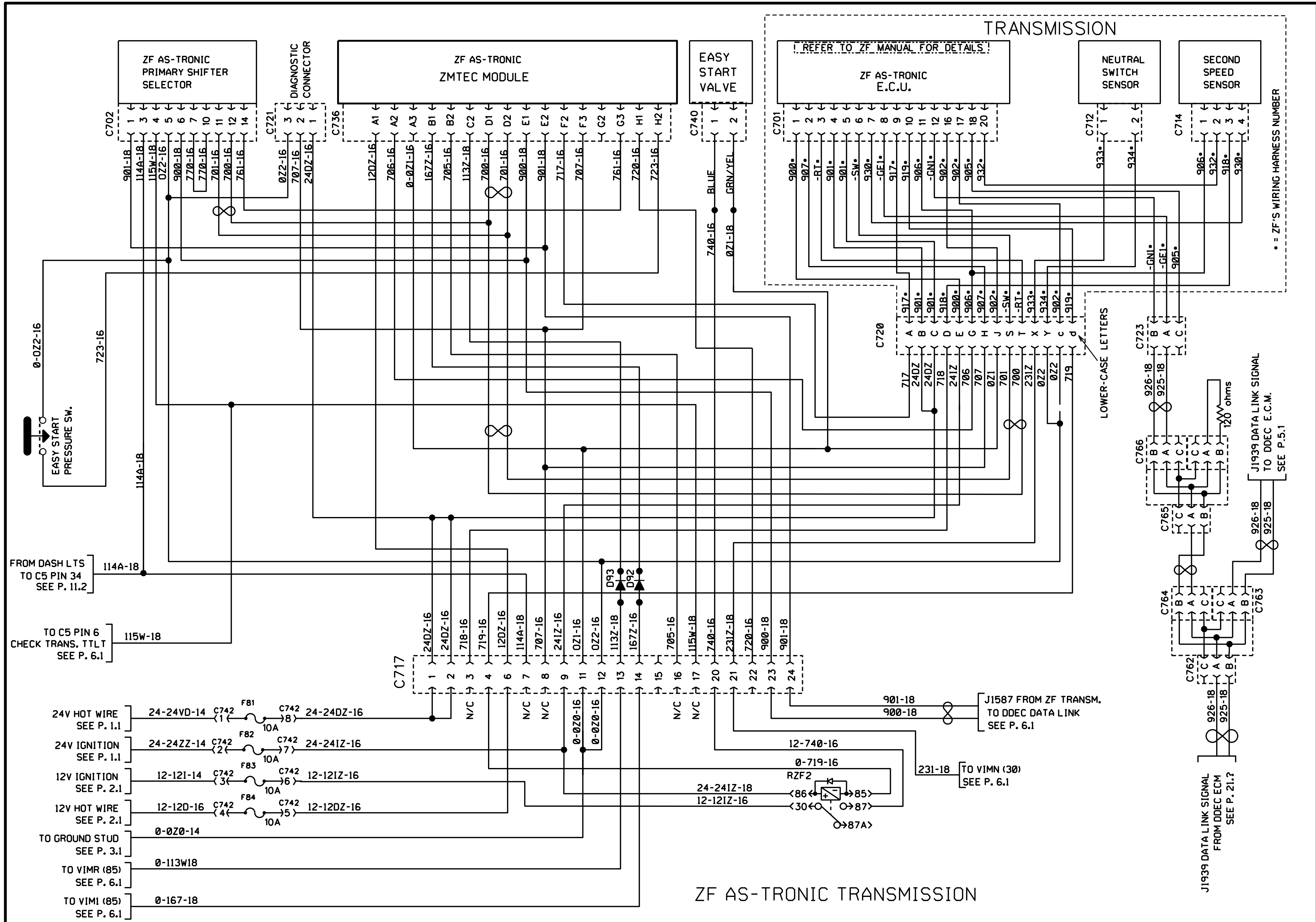
WORLD TRANSMISSION E.C.U. (SUITE)

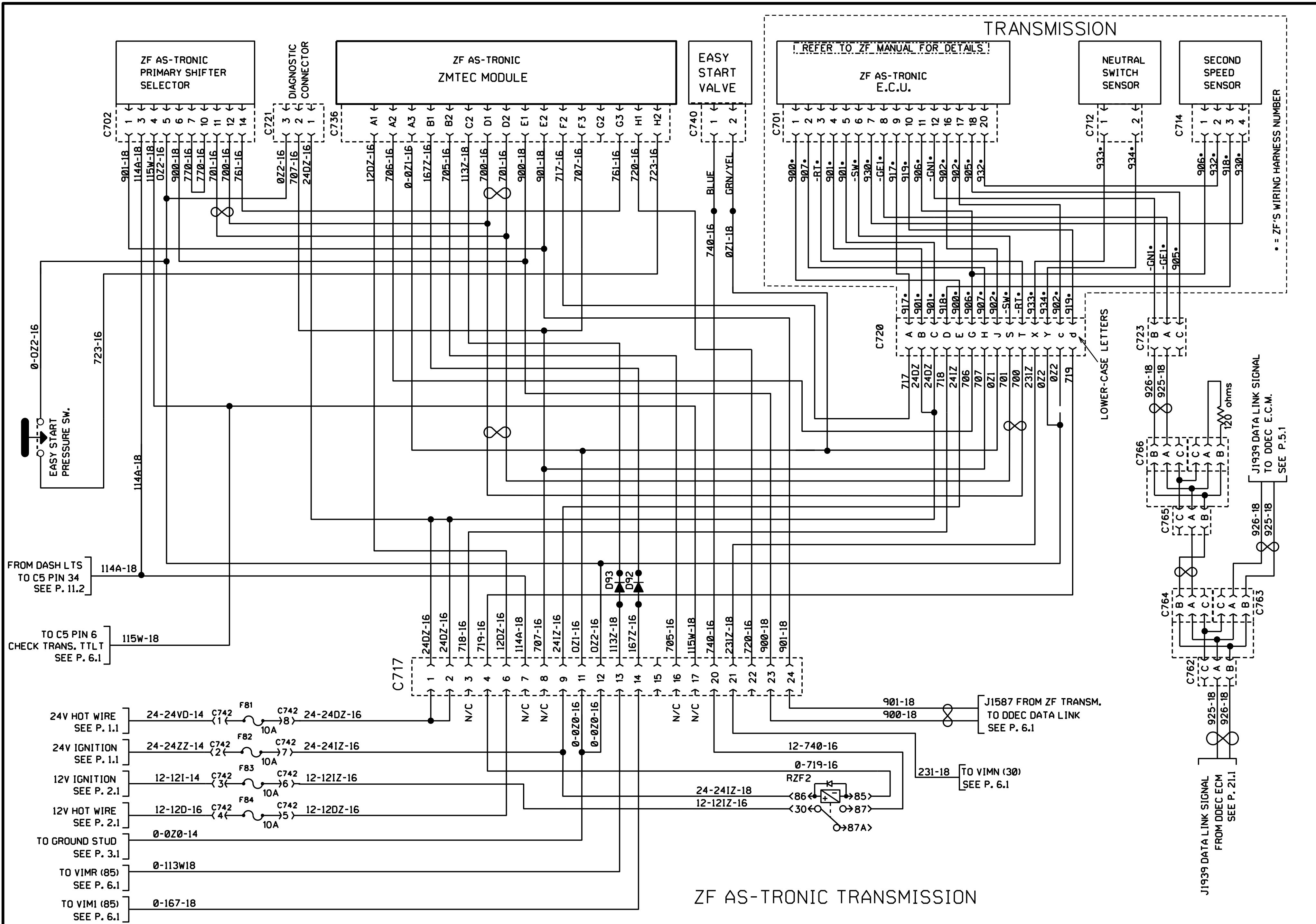


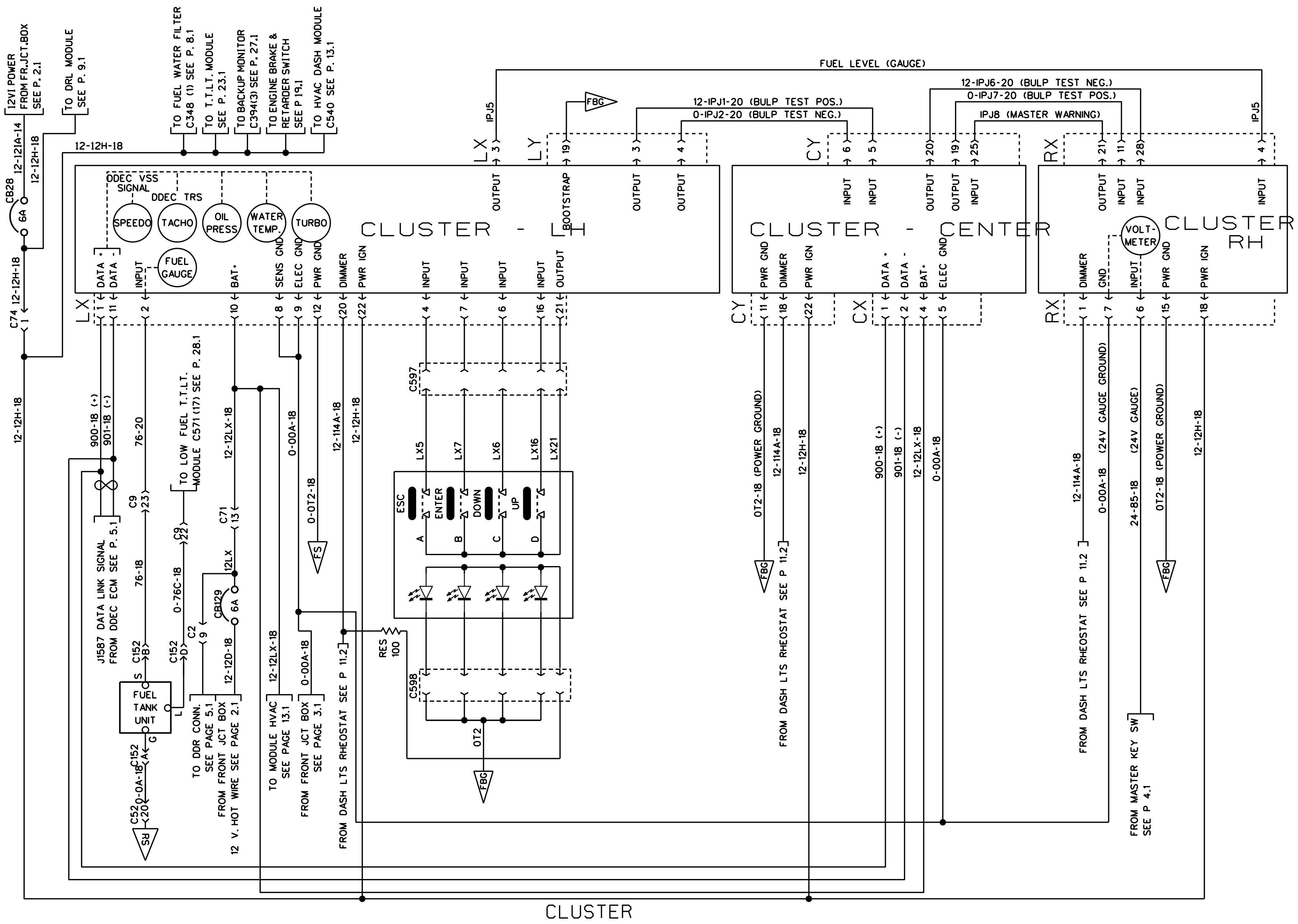


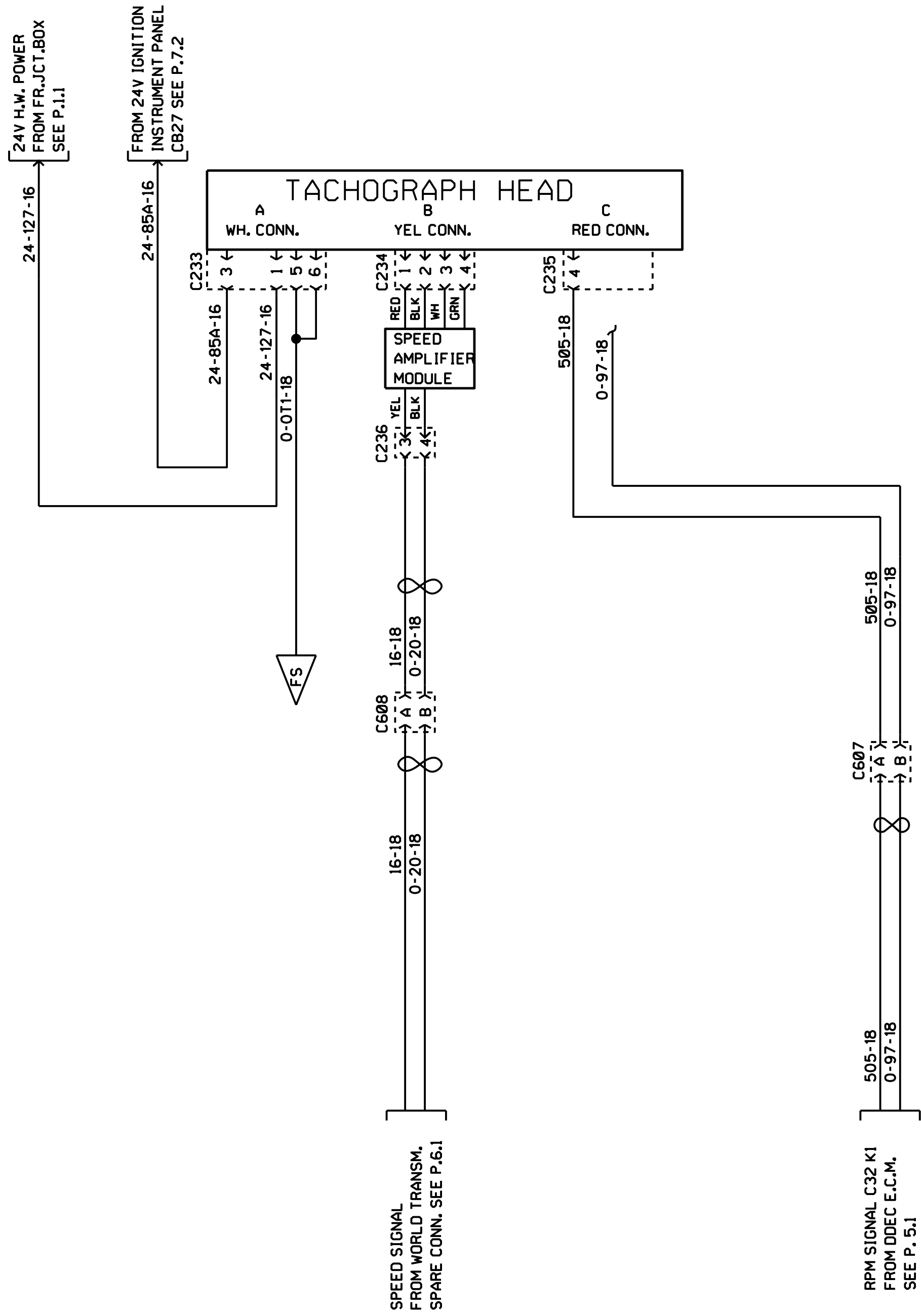




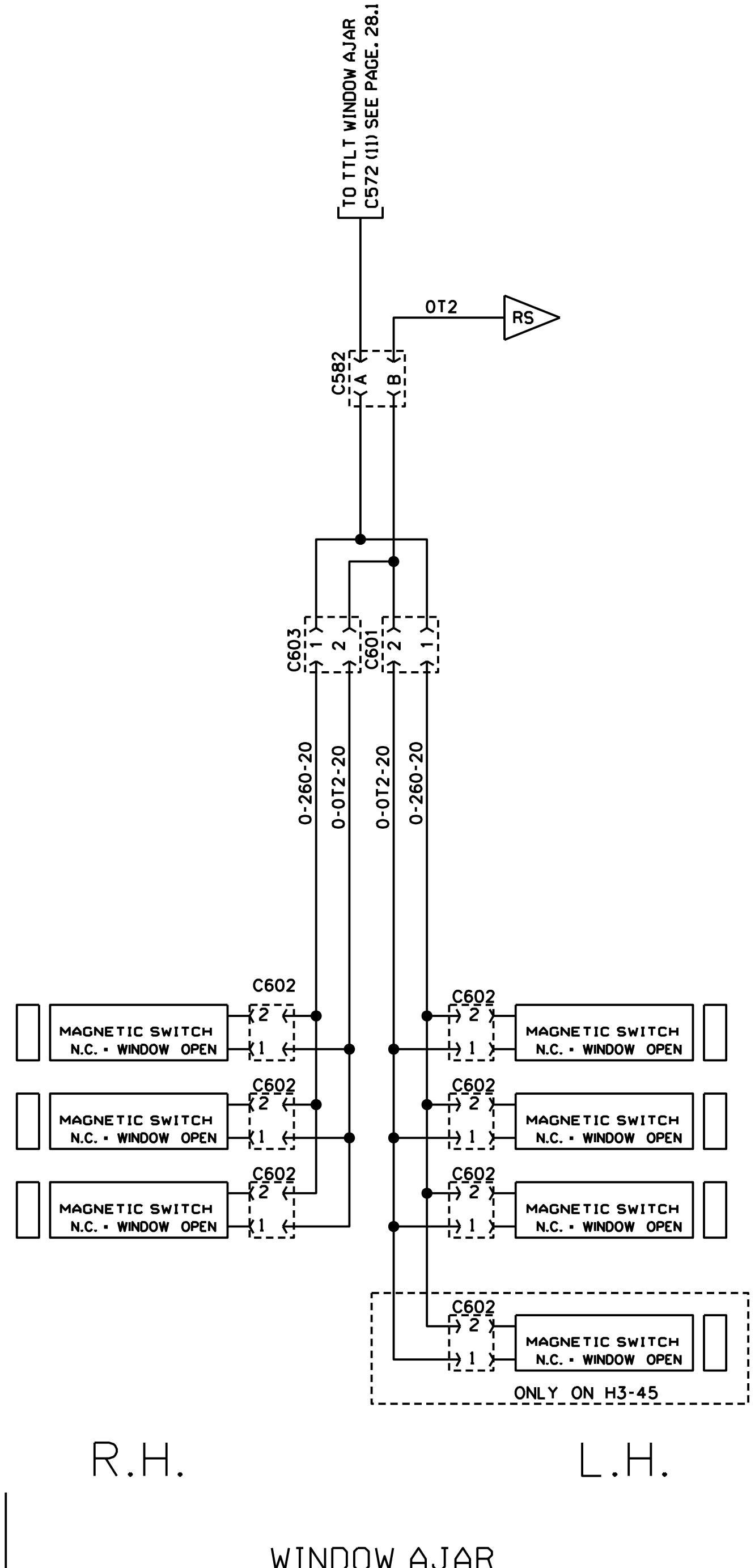
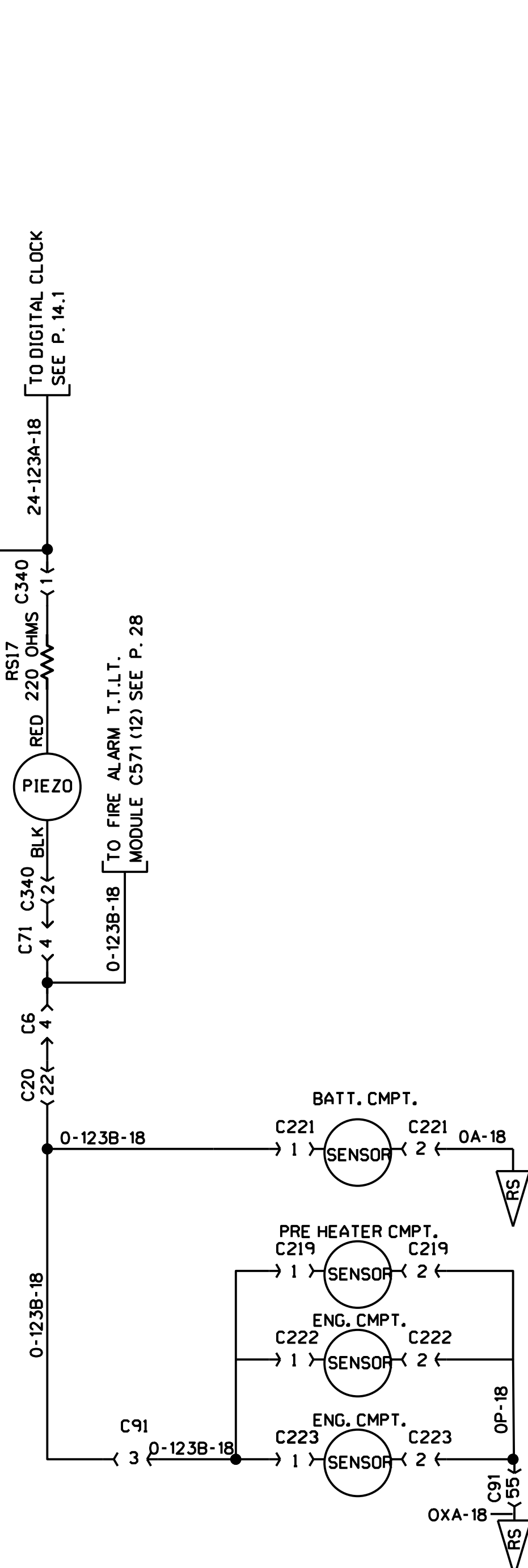
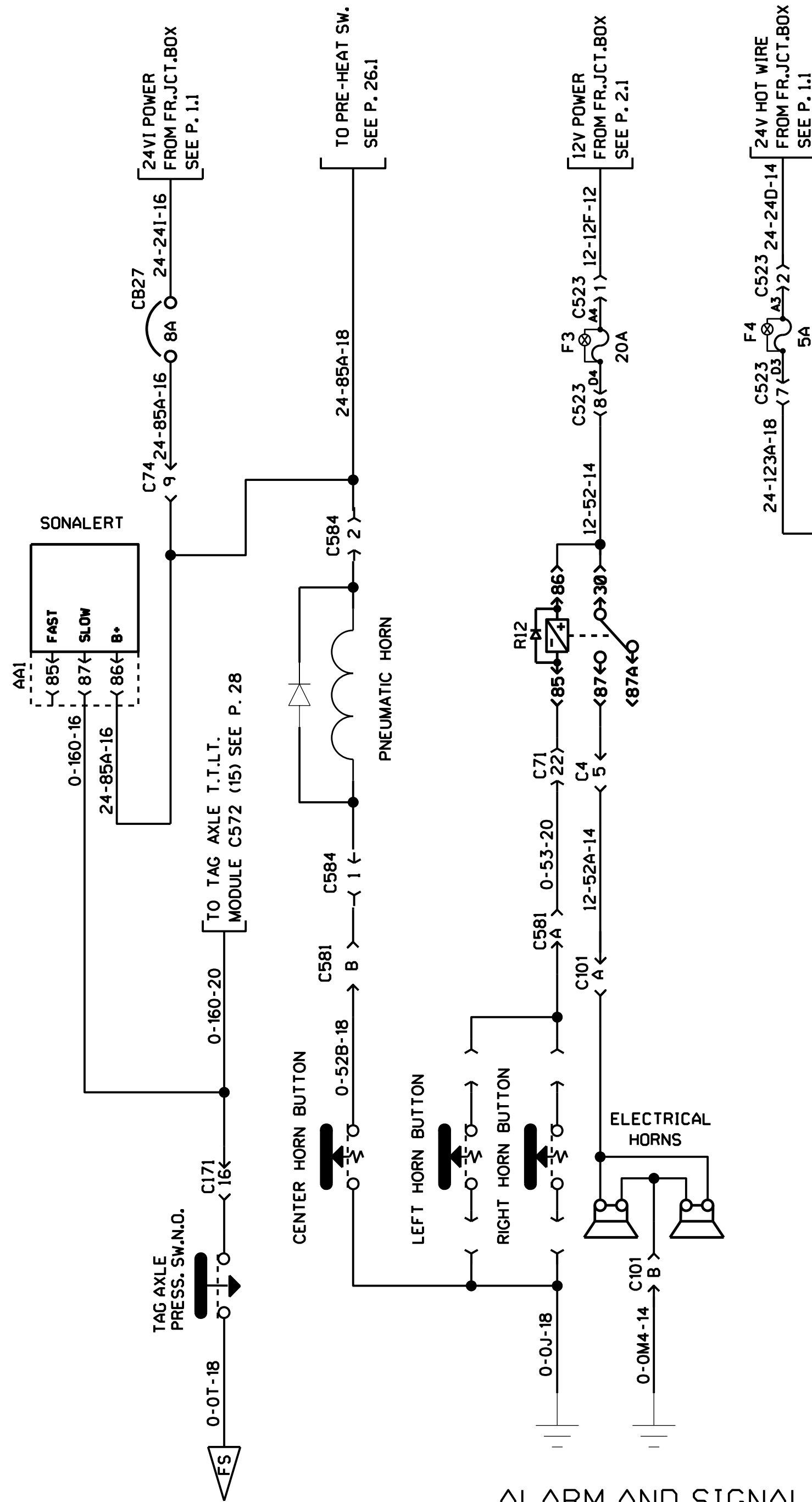


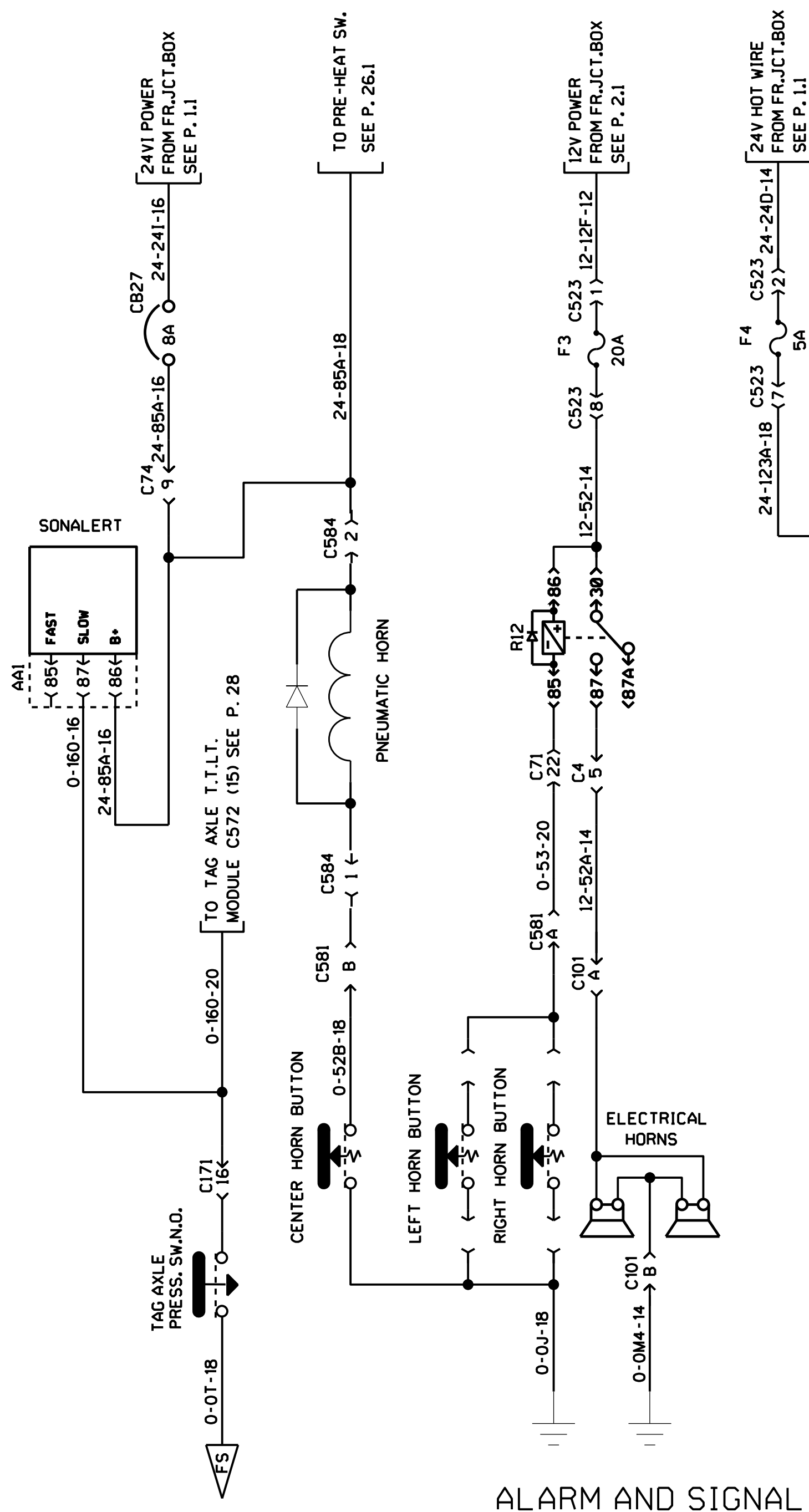




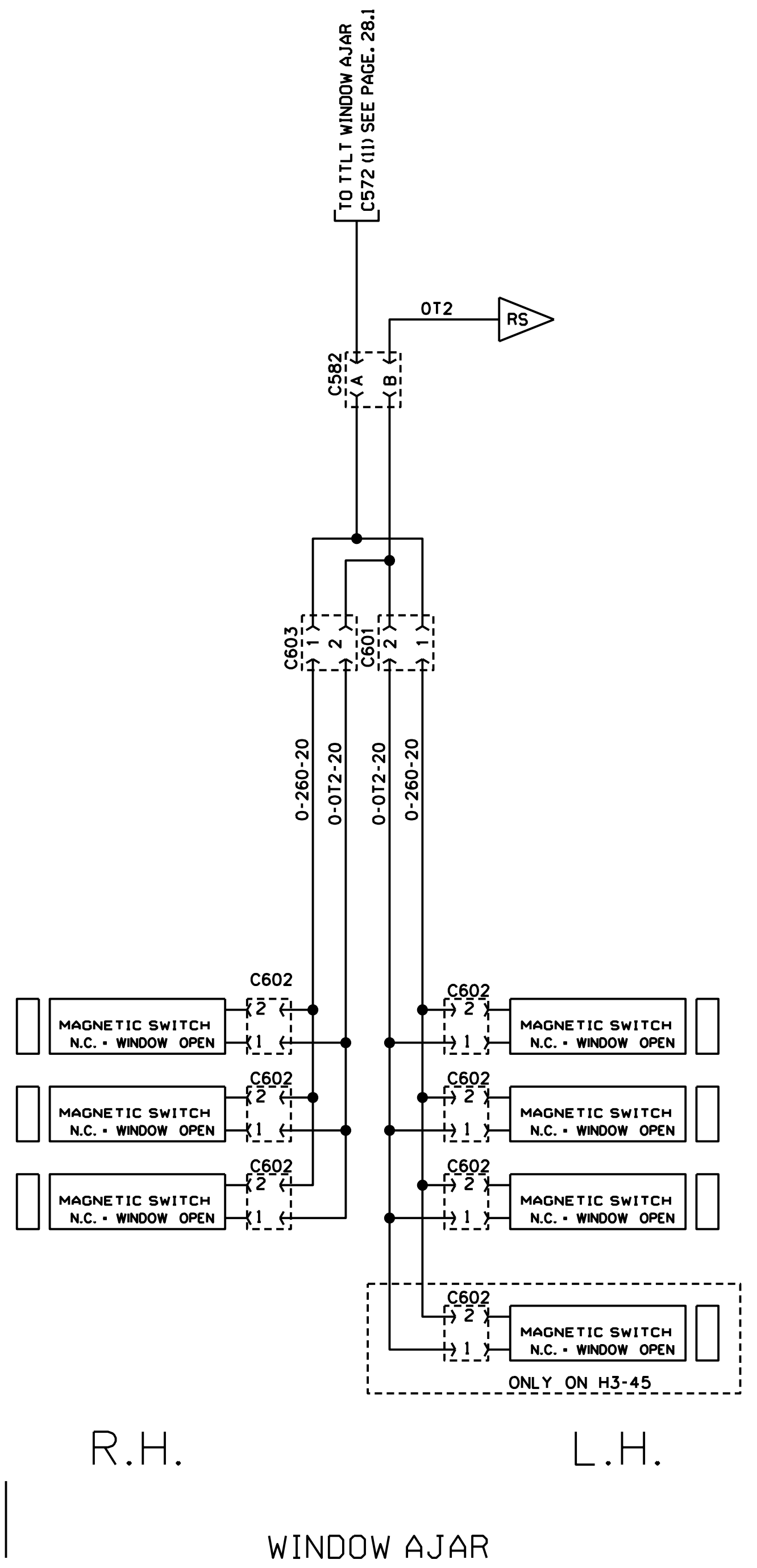
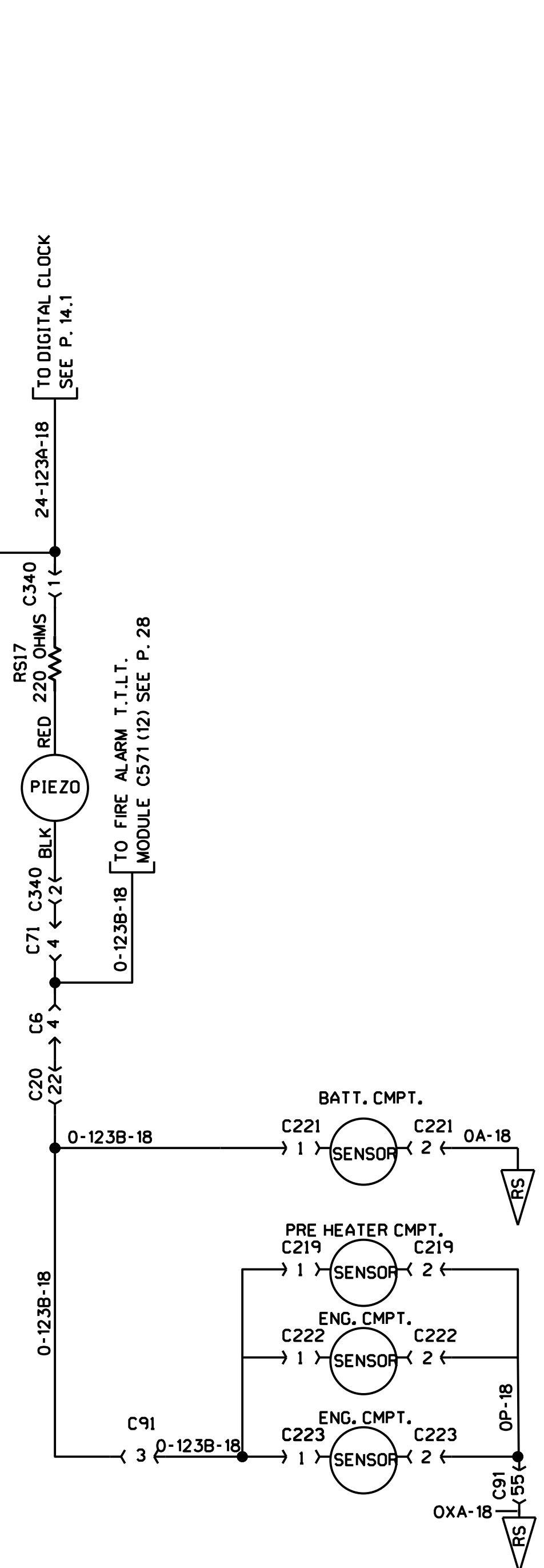


ELECTRONIC TACHOGRAPH

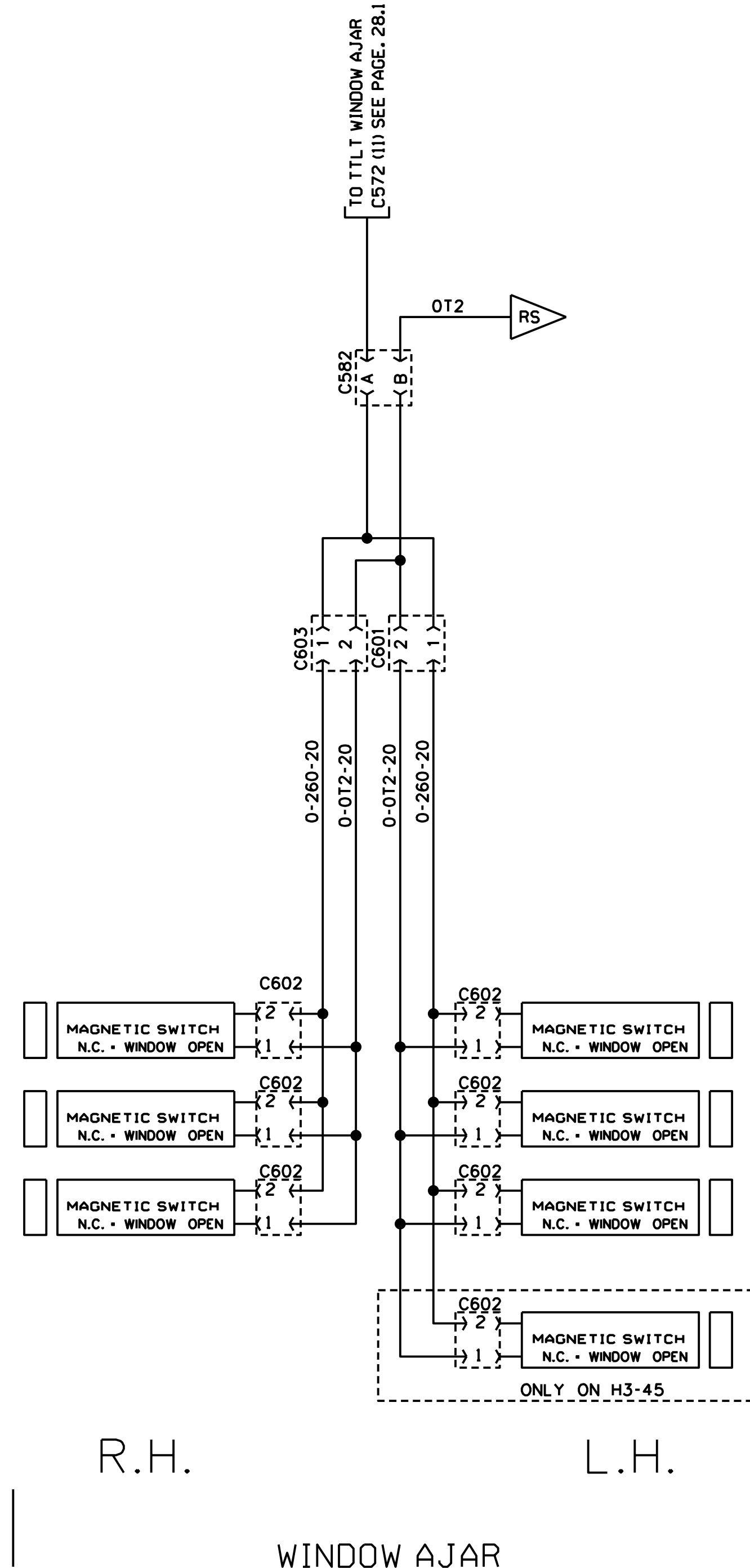
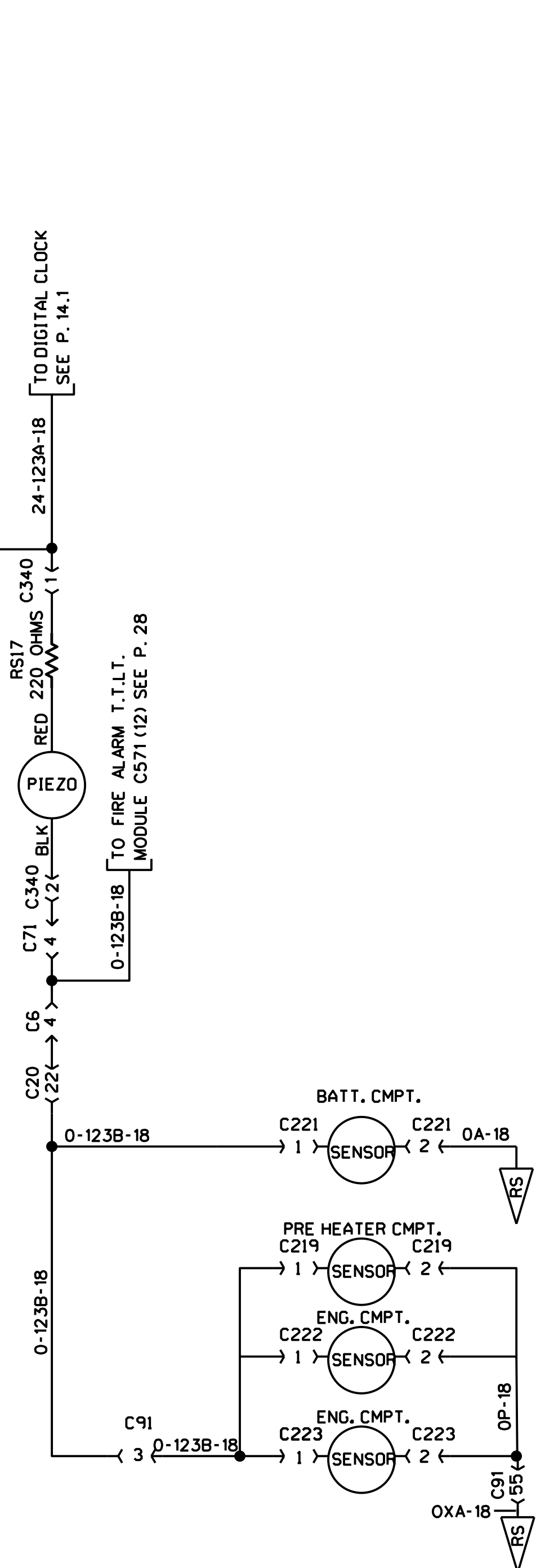
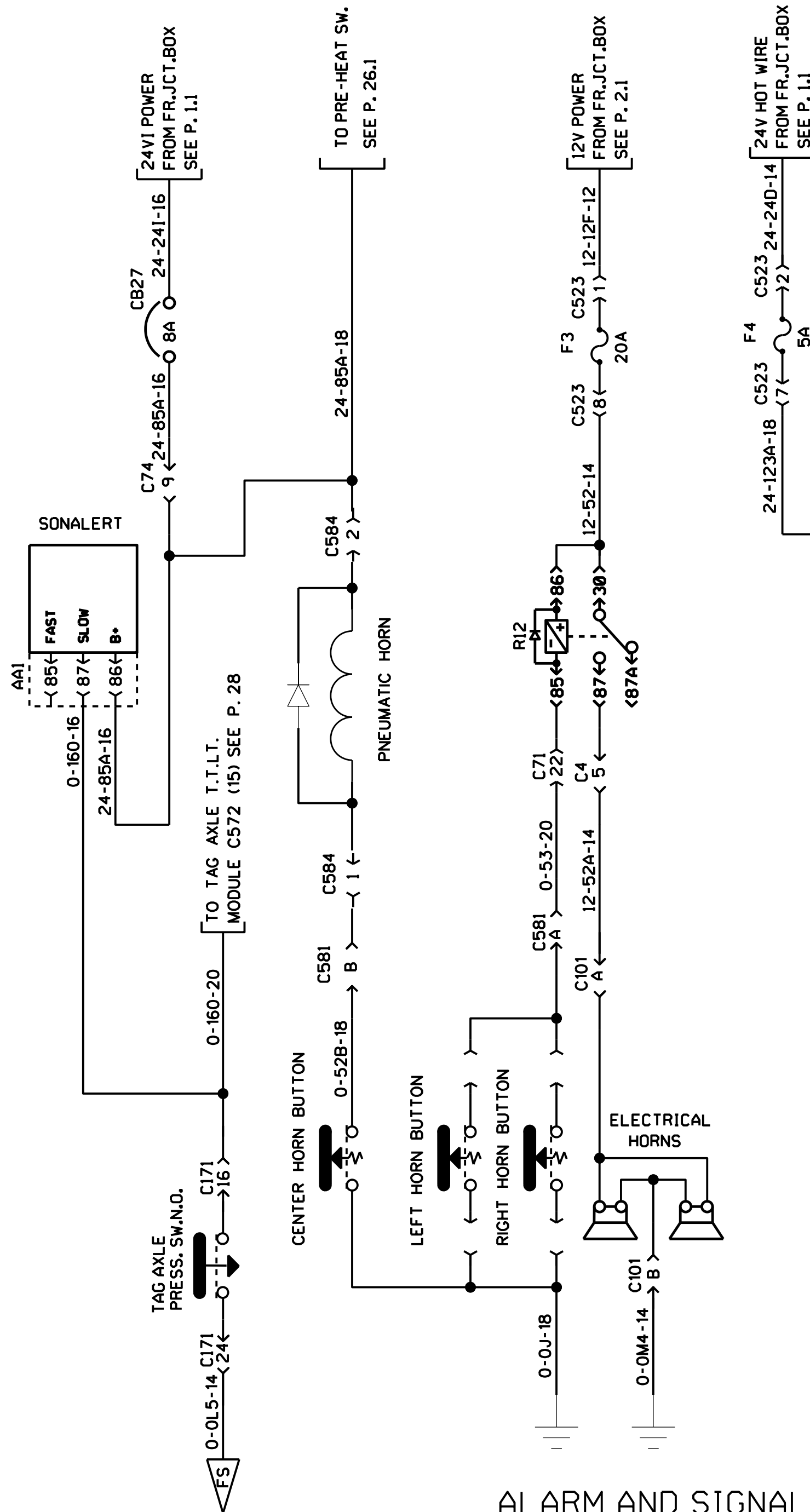


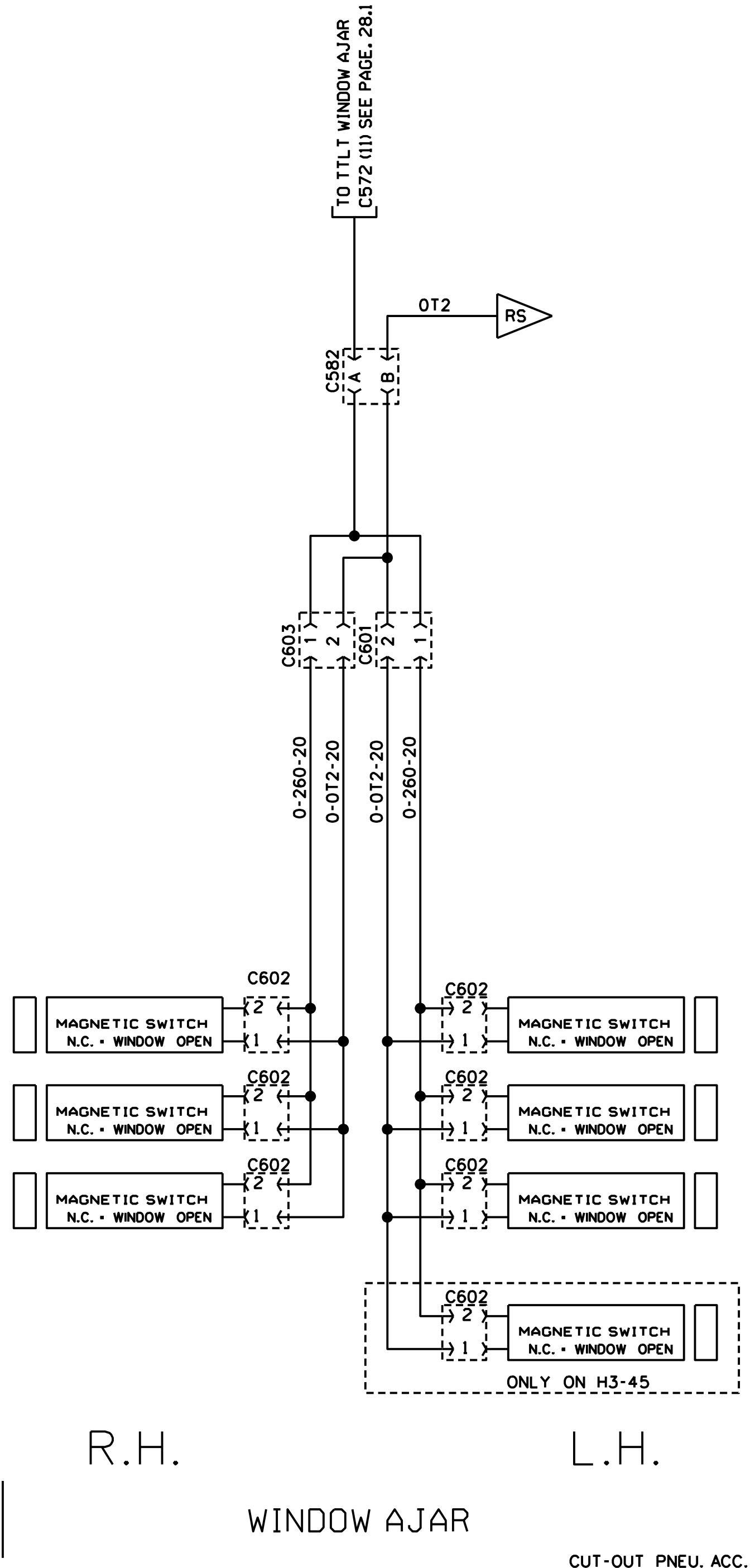
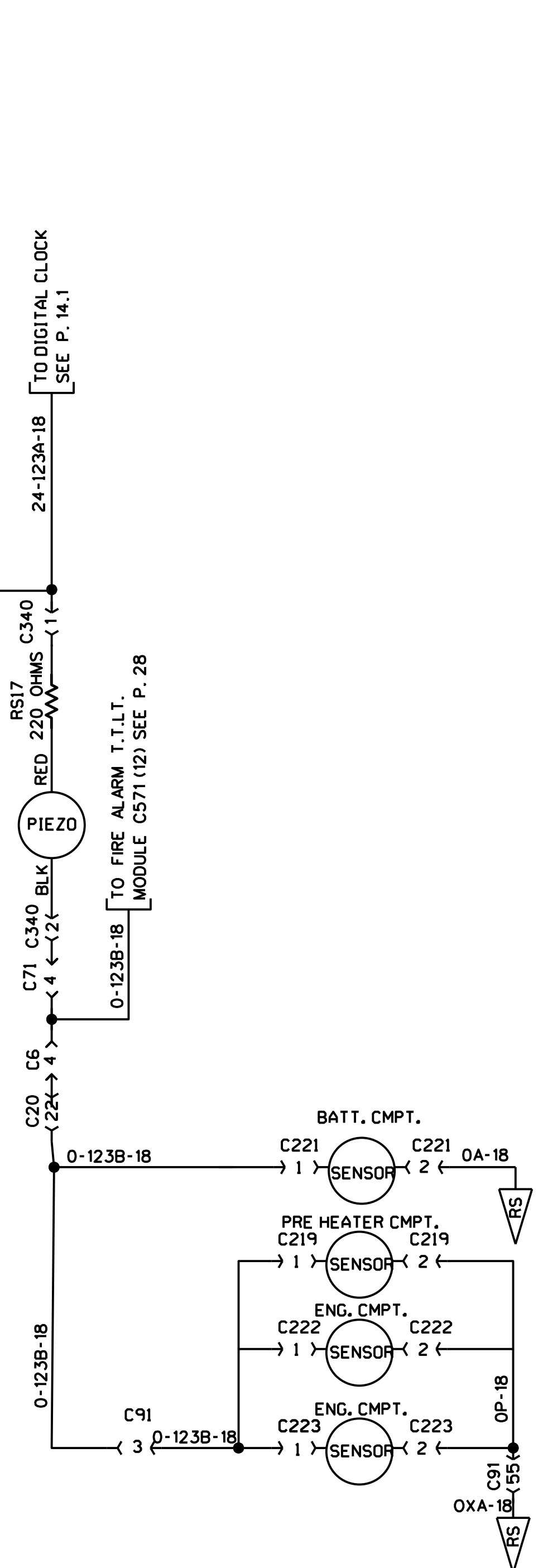
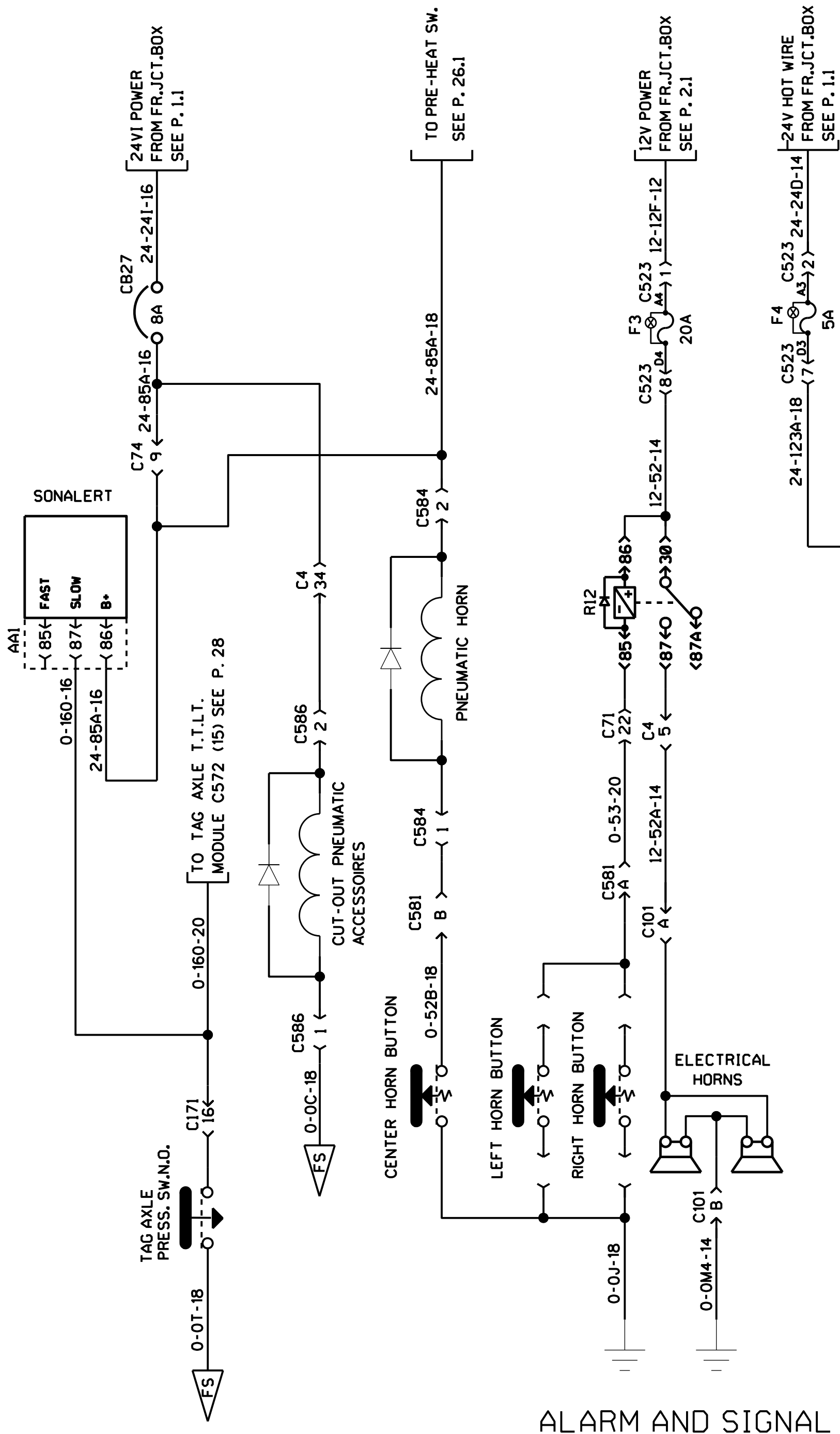


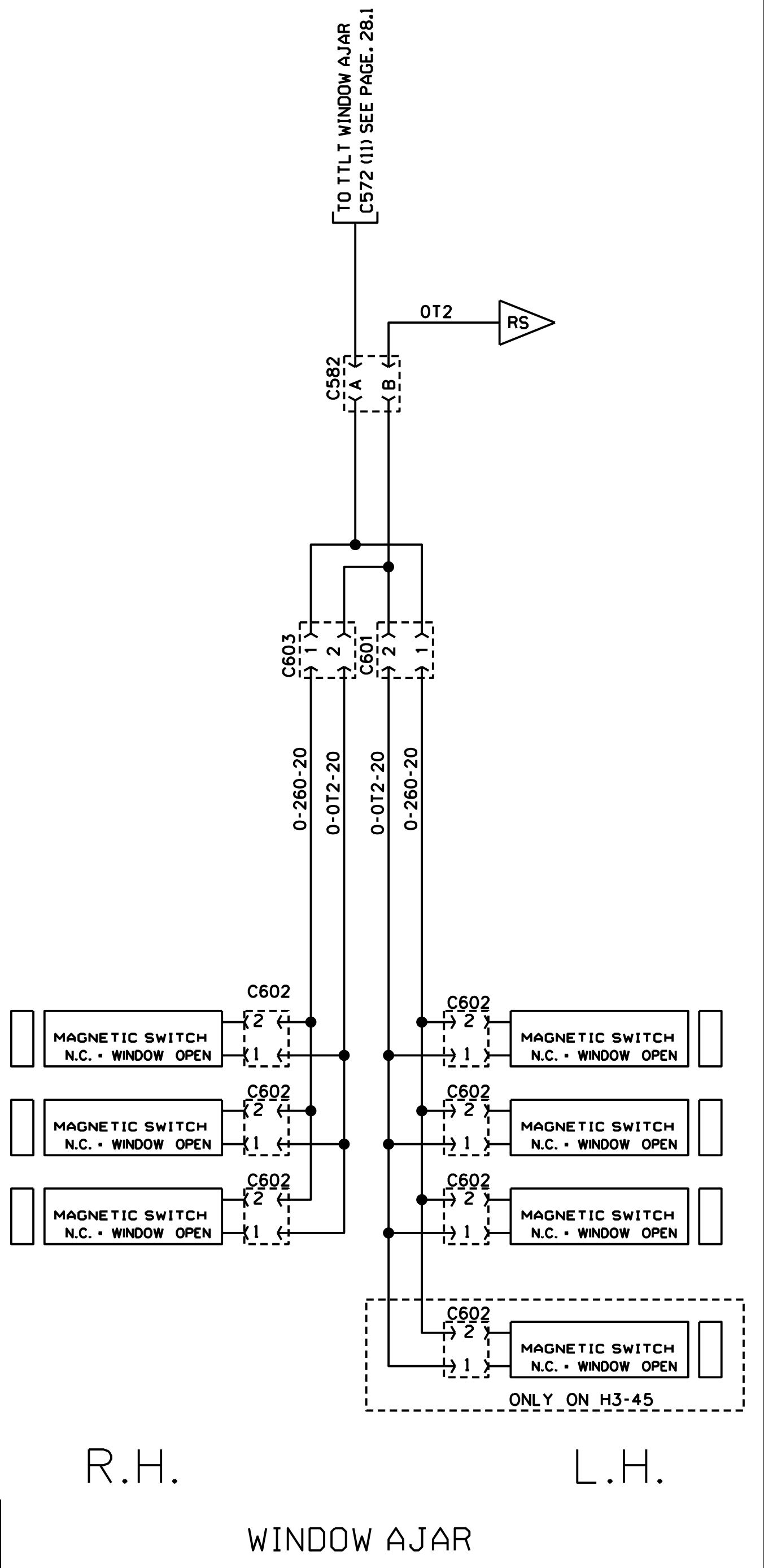
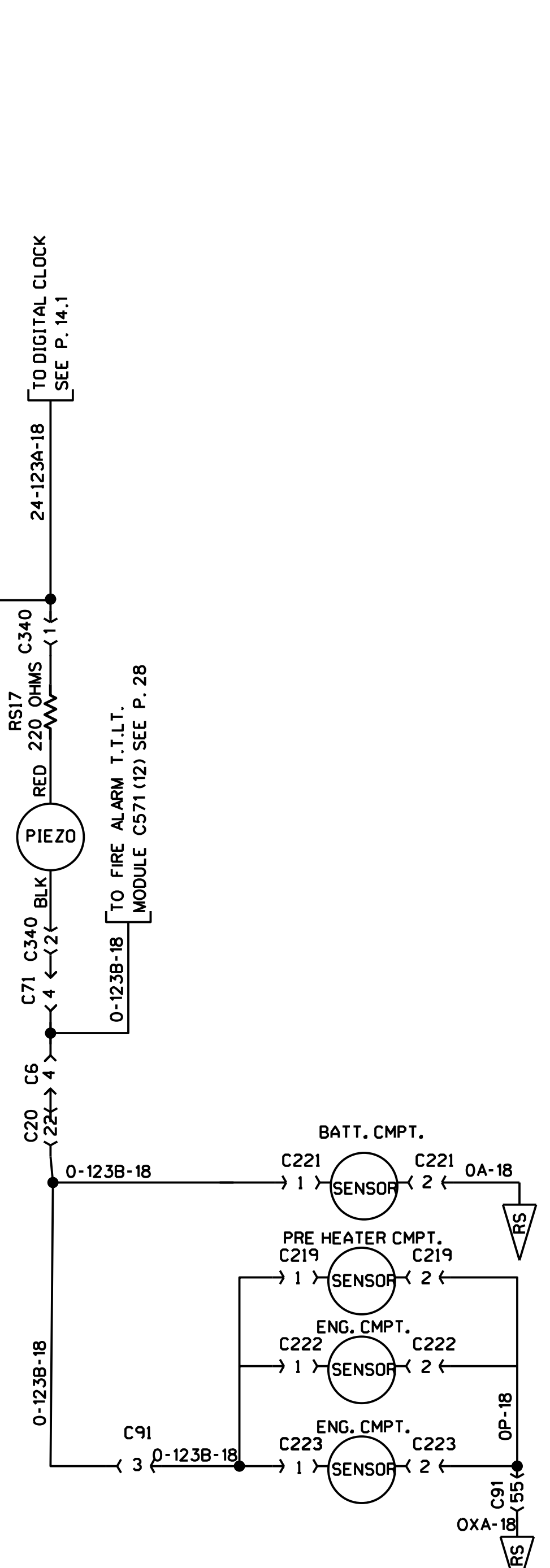
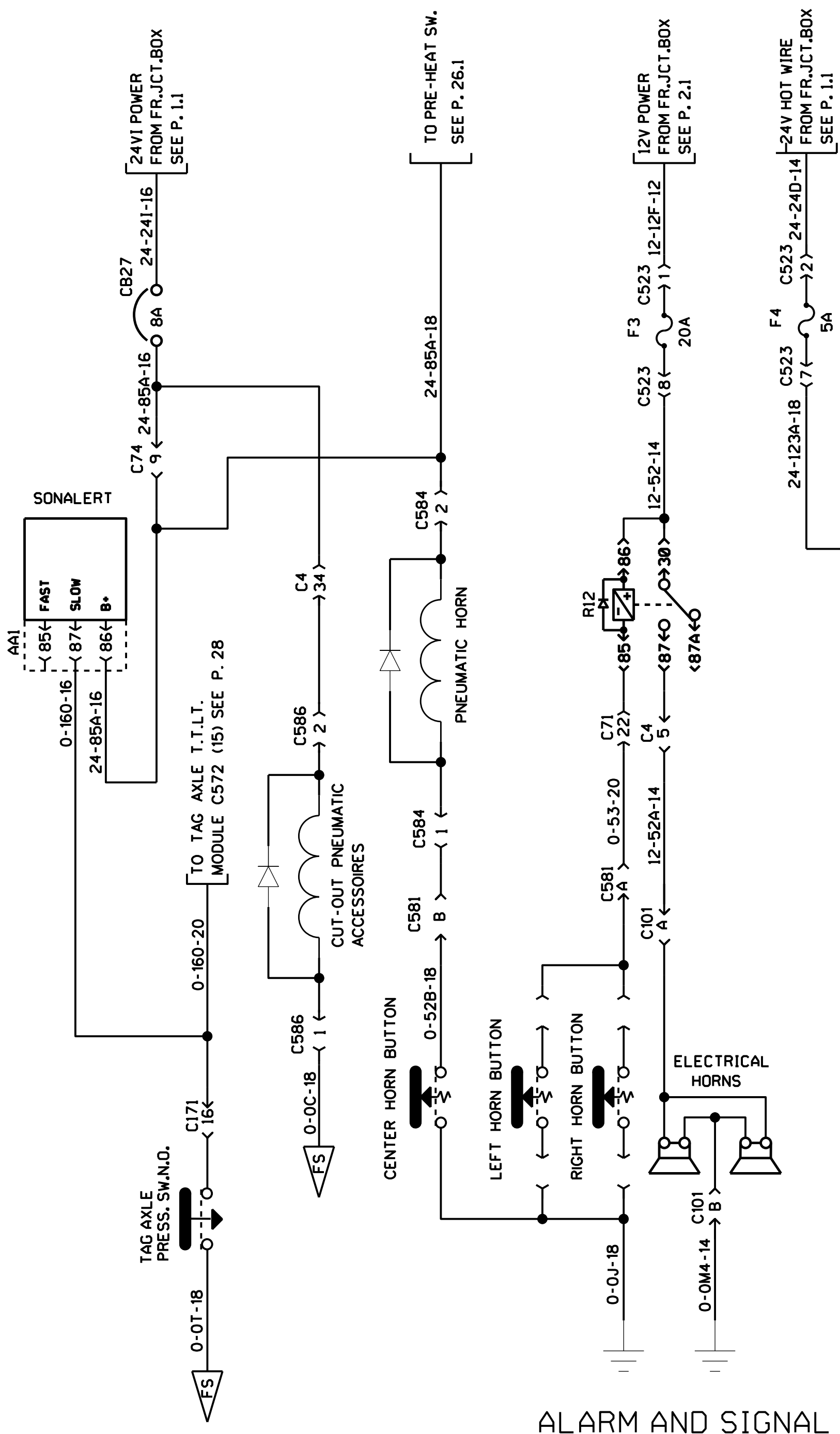
ALARM AND SIGNAL

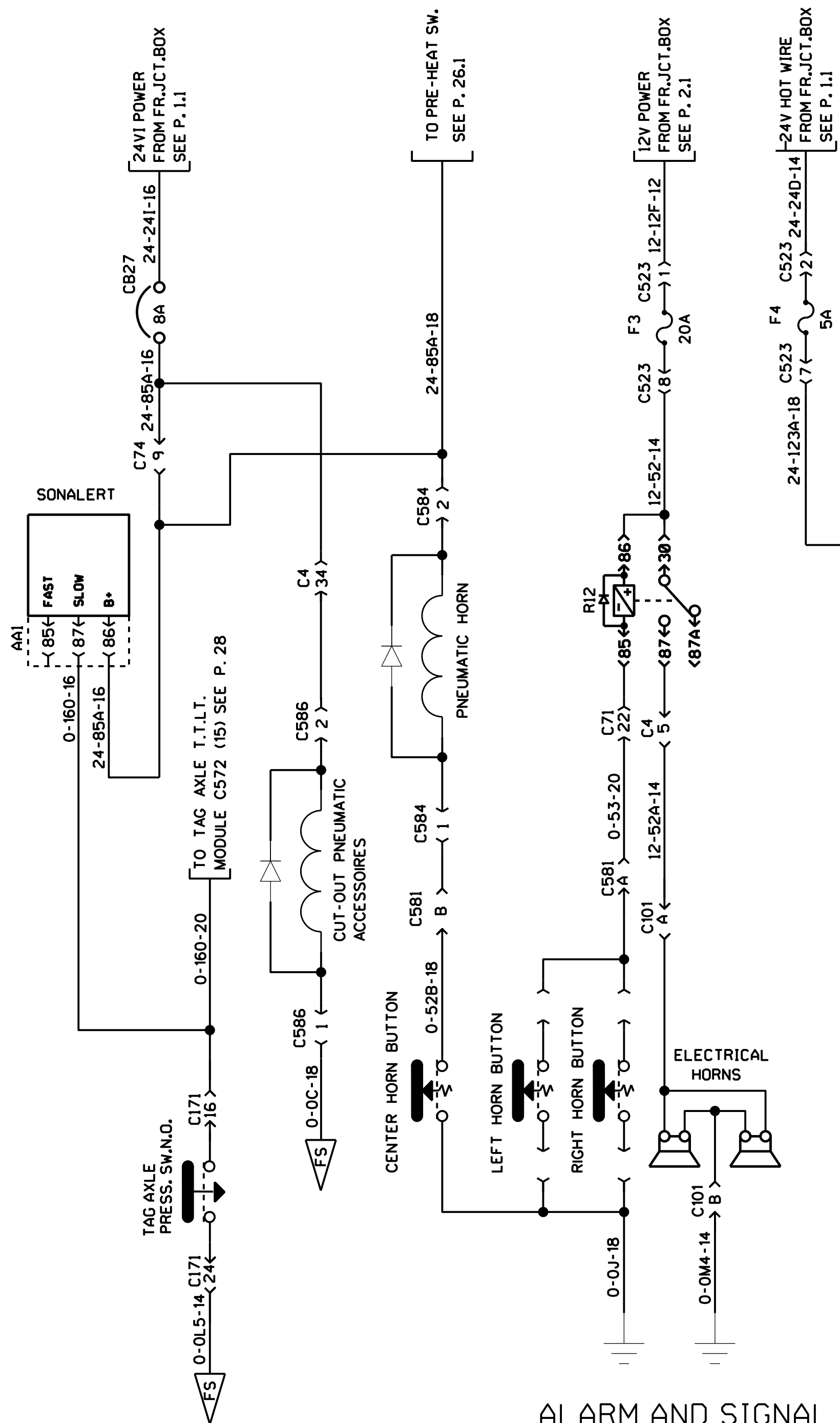


WINDOW AJAR

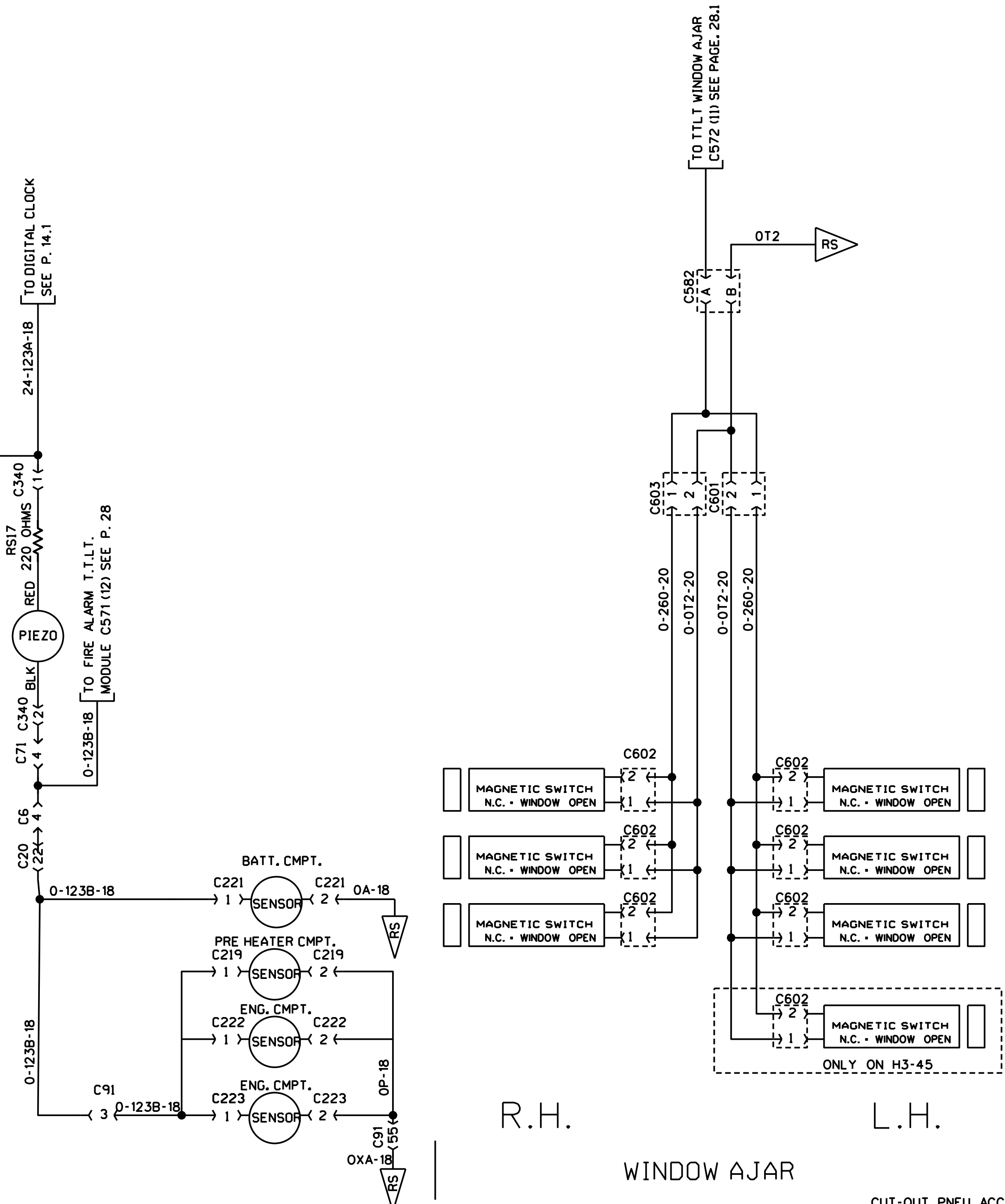


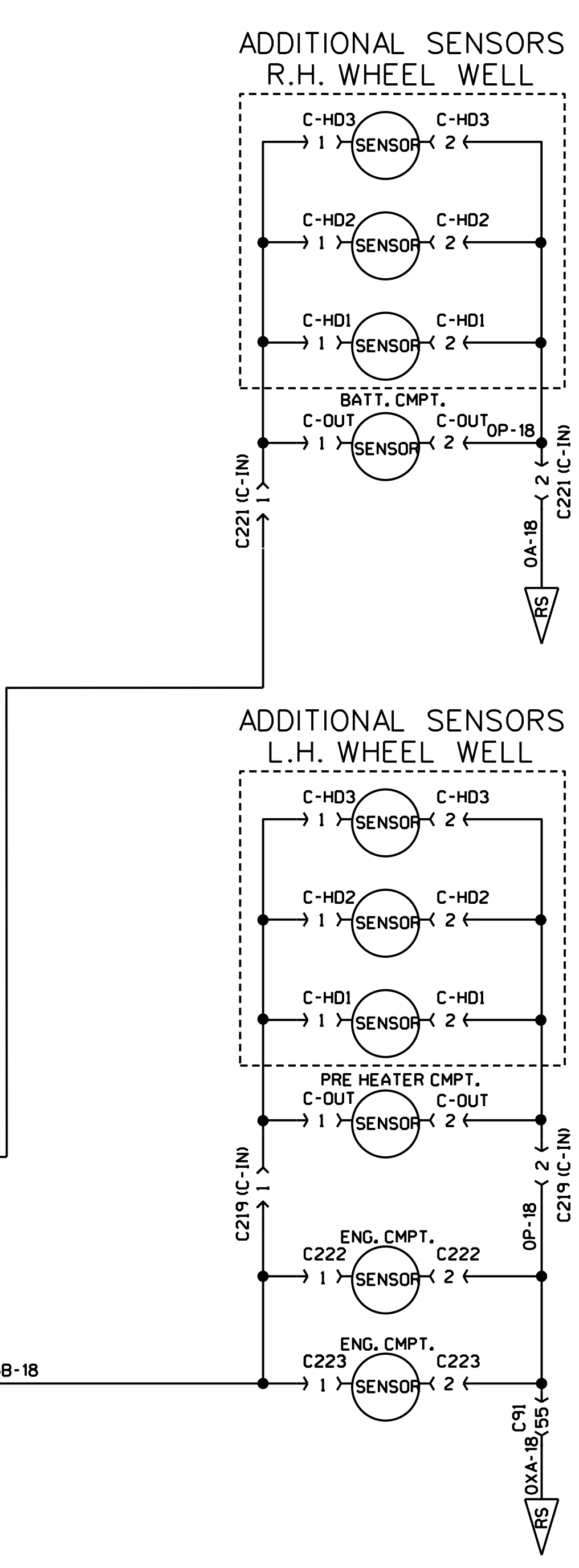
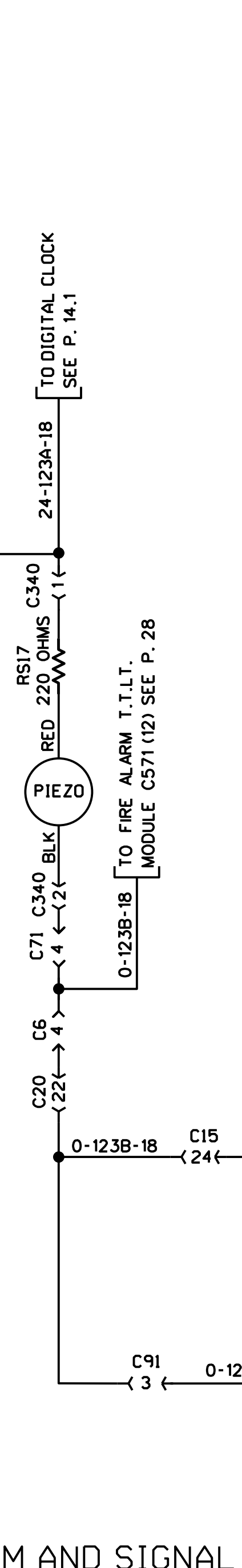
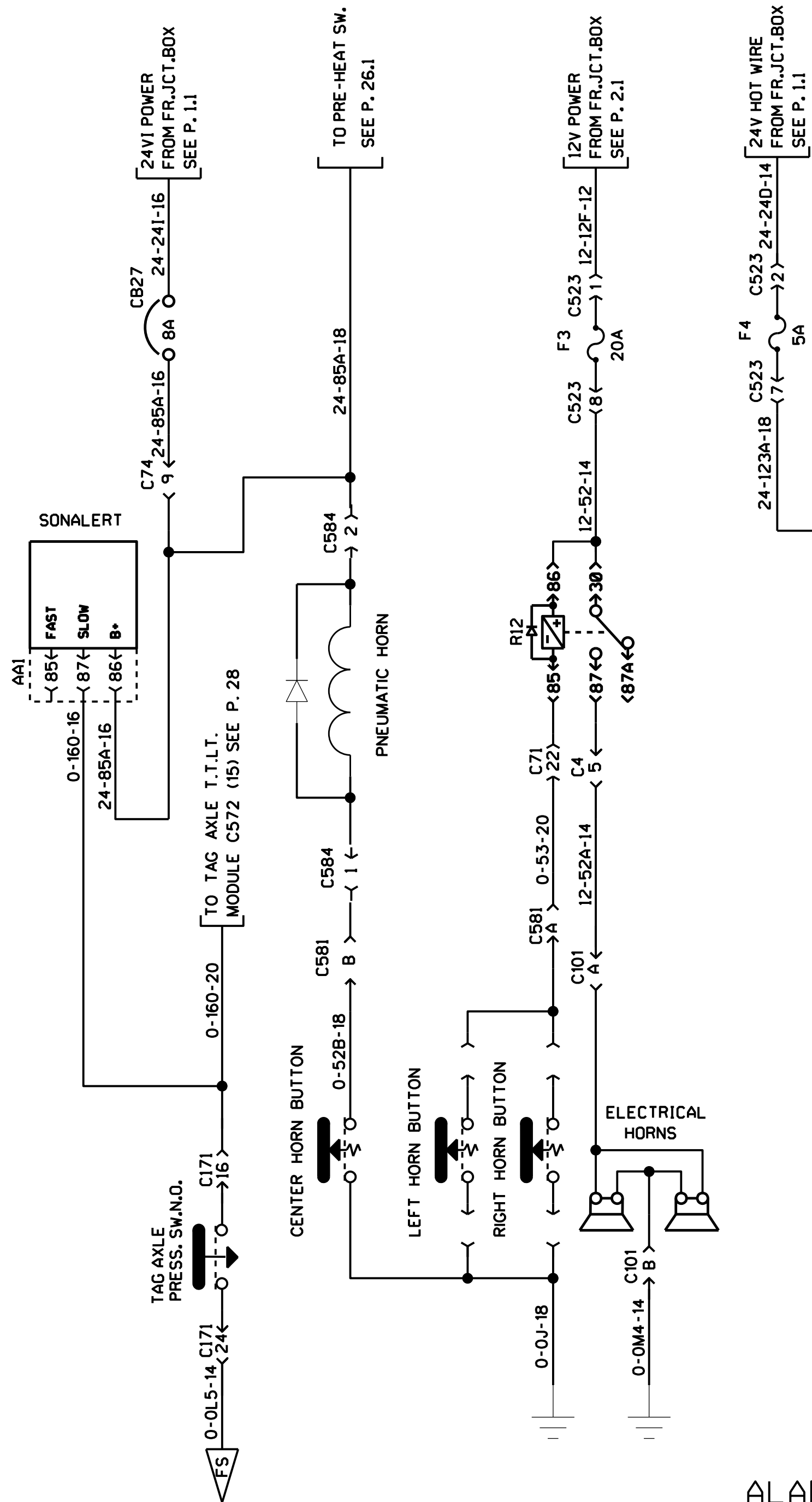




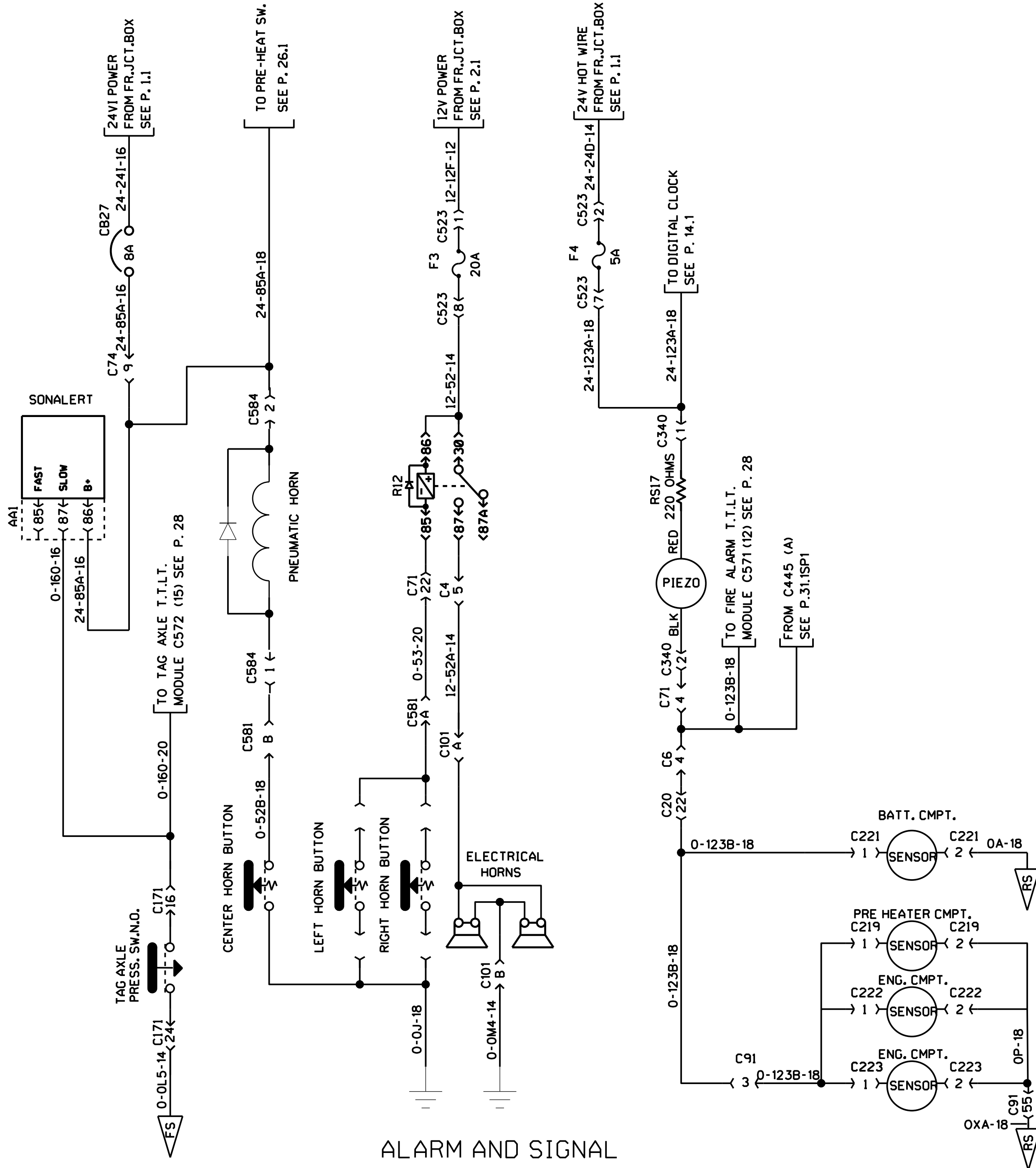


ALARM AND SIGNAL



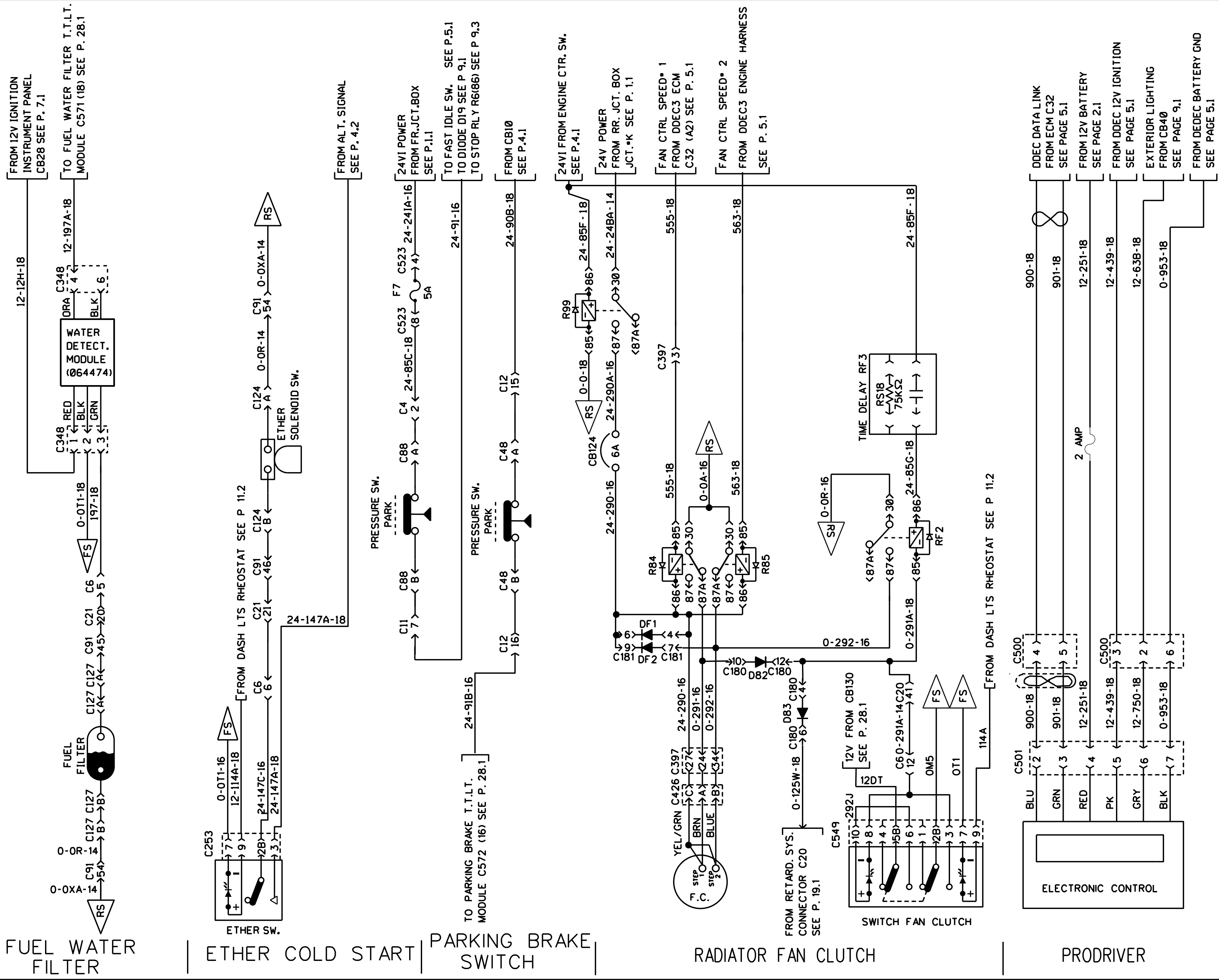


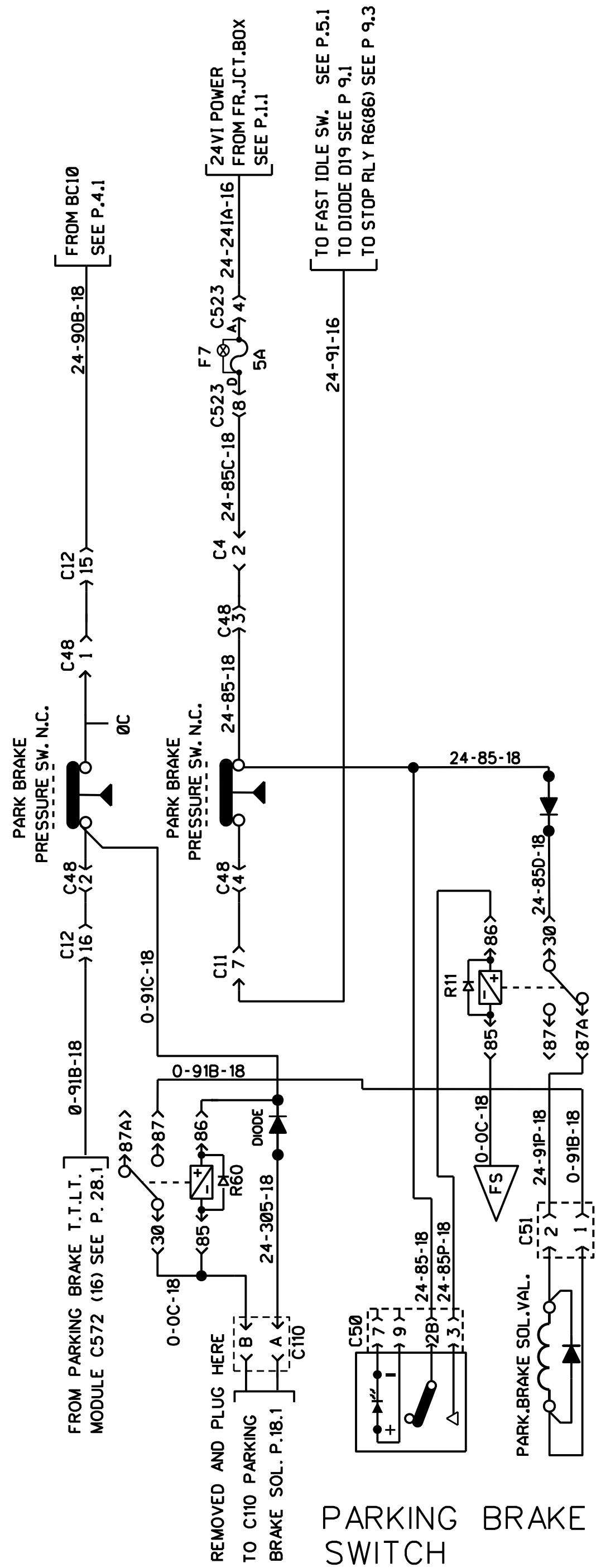
ALARM AND SIGNAL



ALARM AND SIGNAL

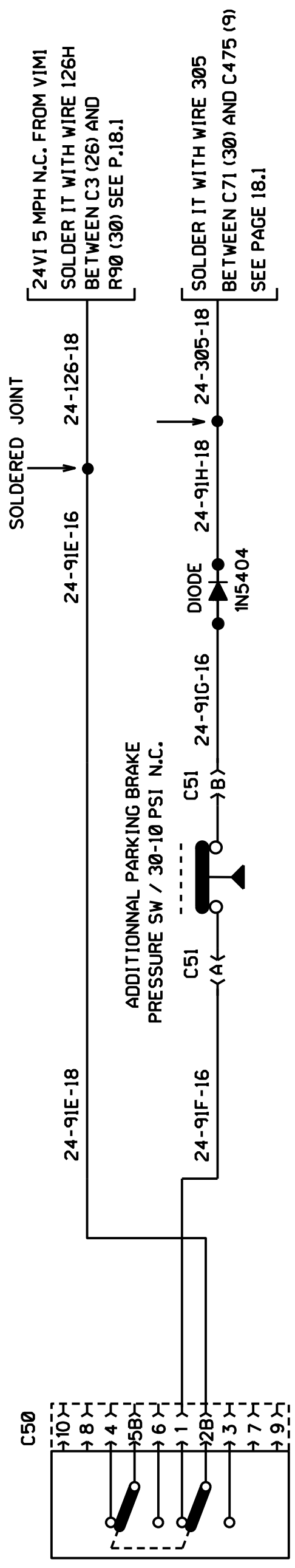




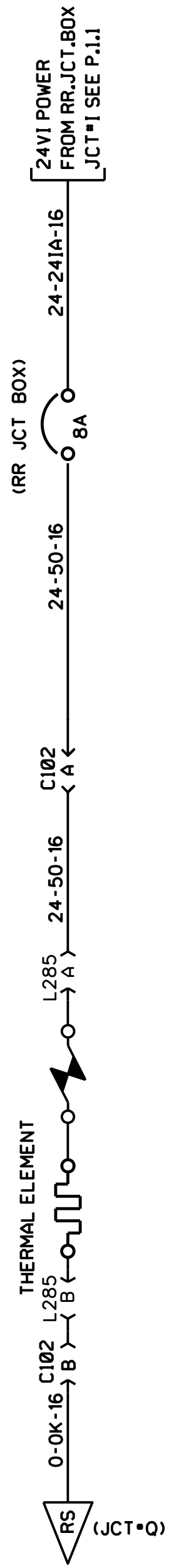


PARKING BRAKE SWITCH

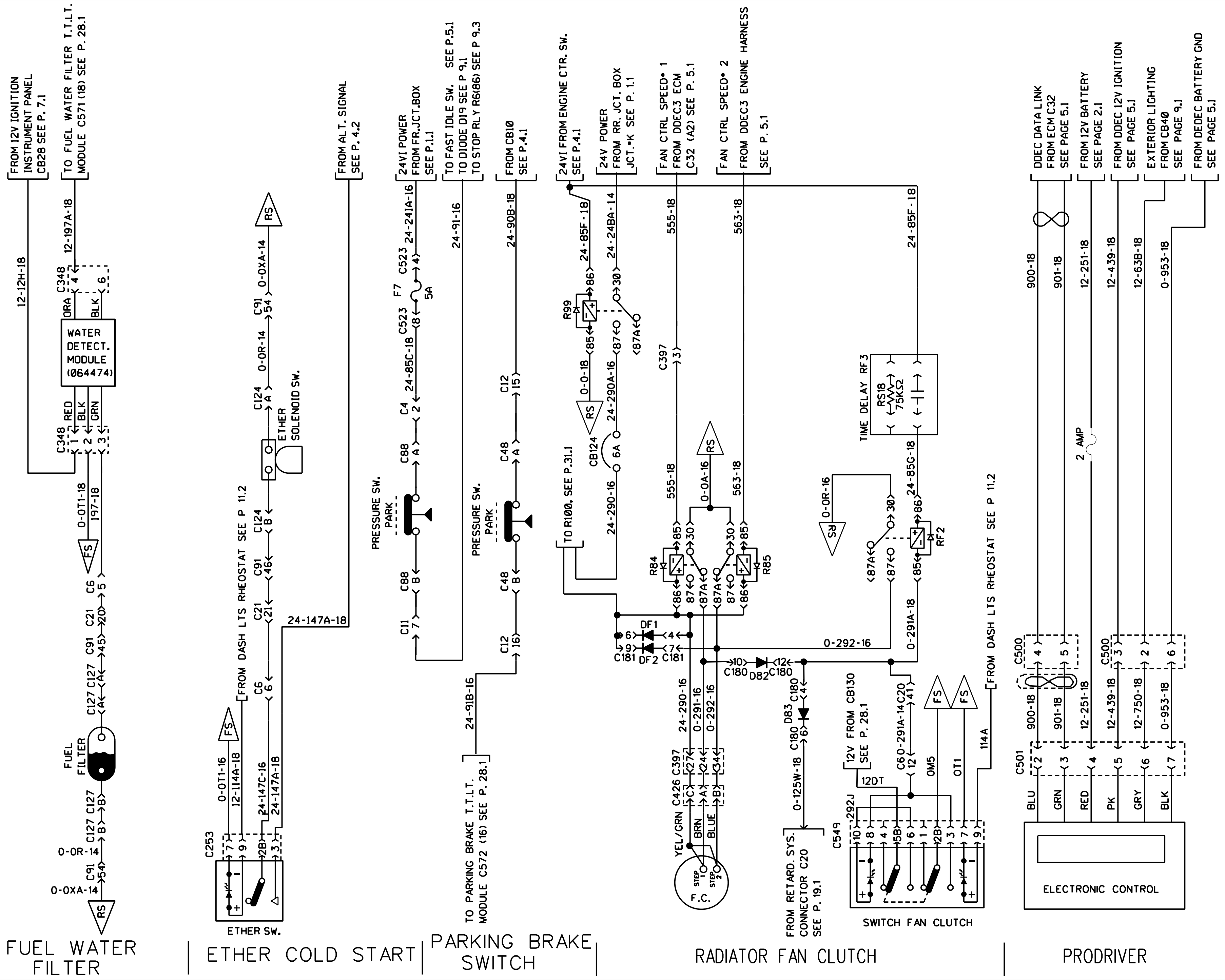
PARKING BRAKE SAFETY SWITCH WITH WCL

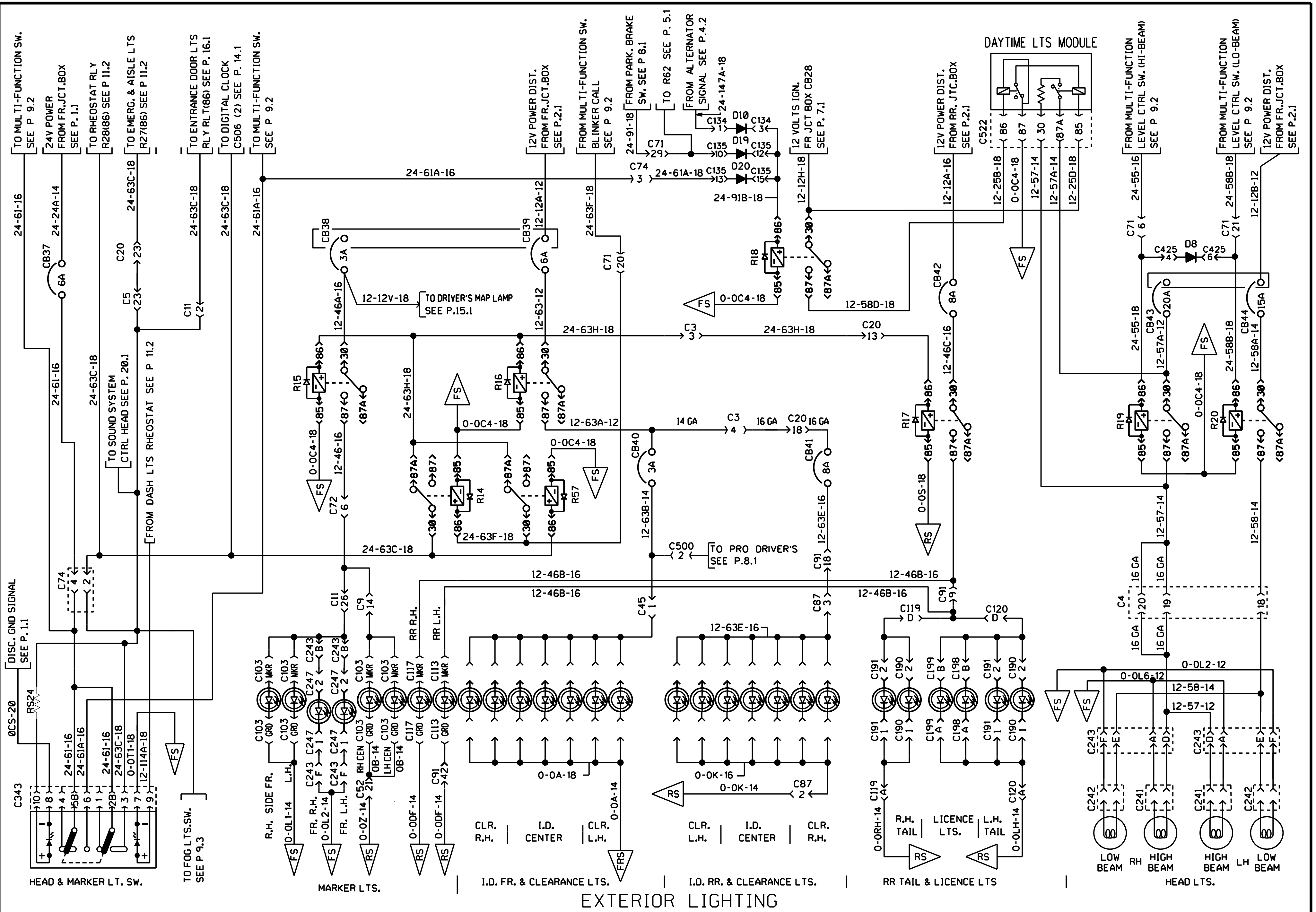


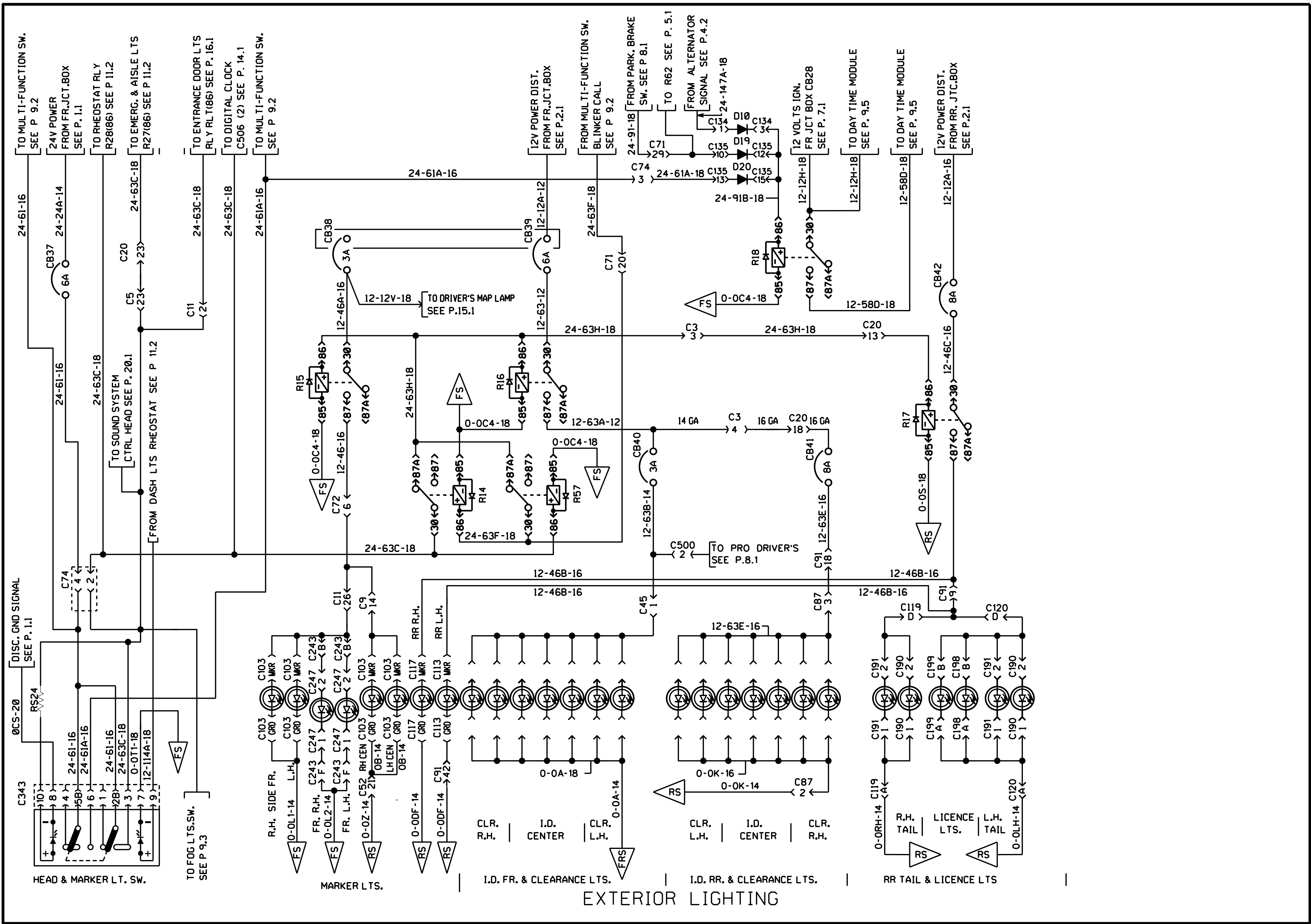
PARKING BRAKE
SAFETY SWITCH

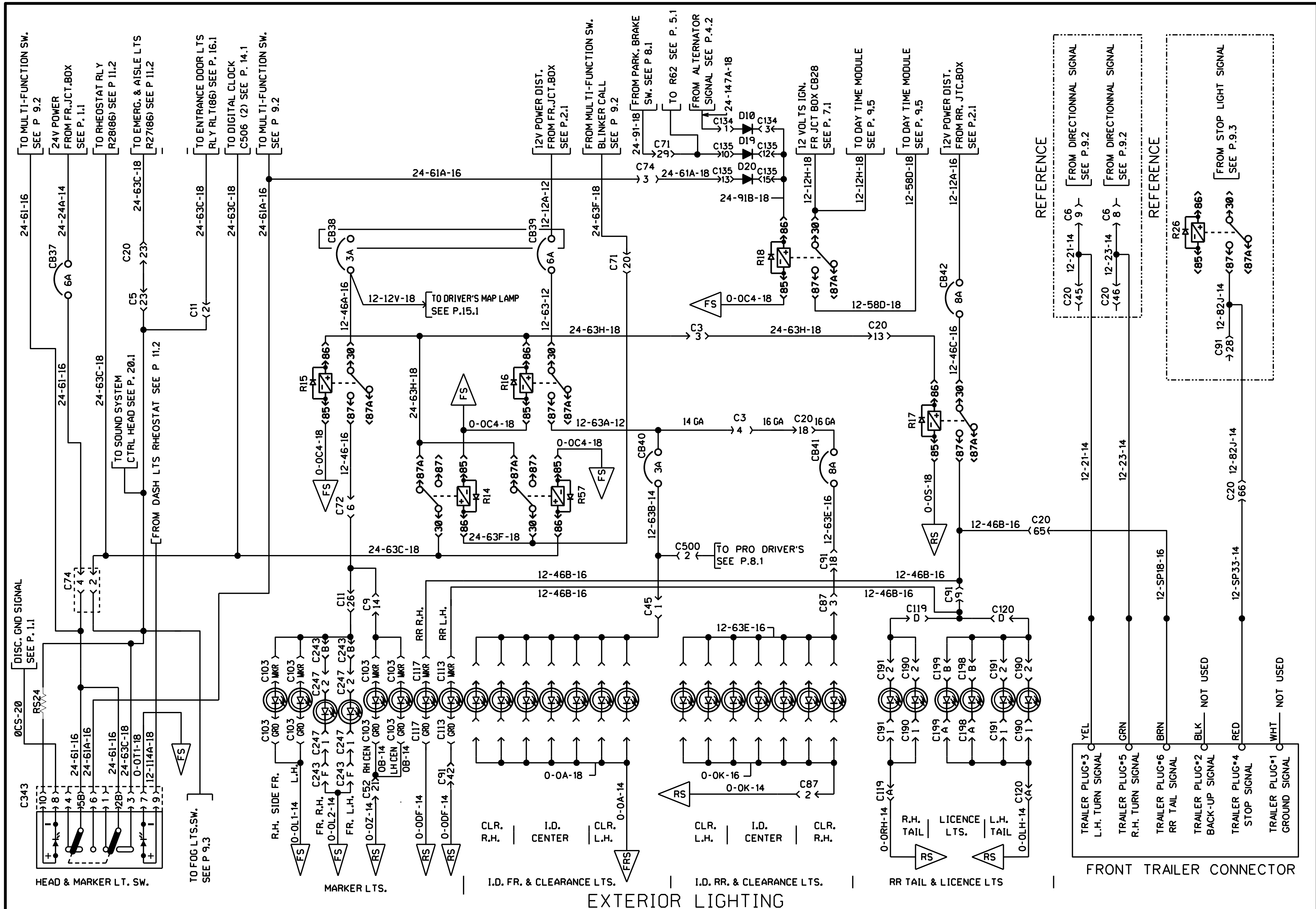


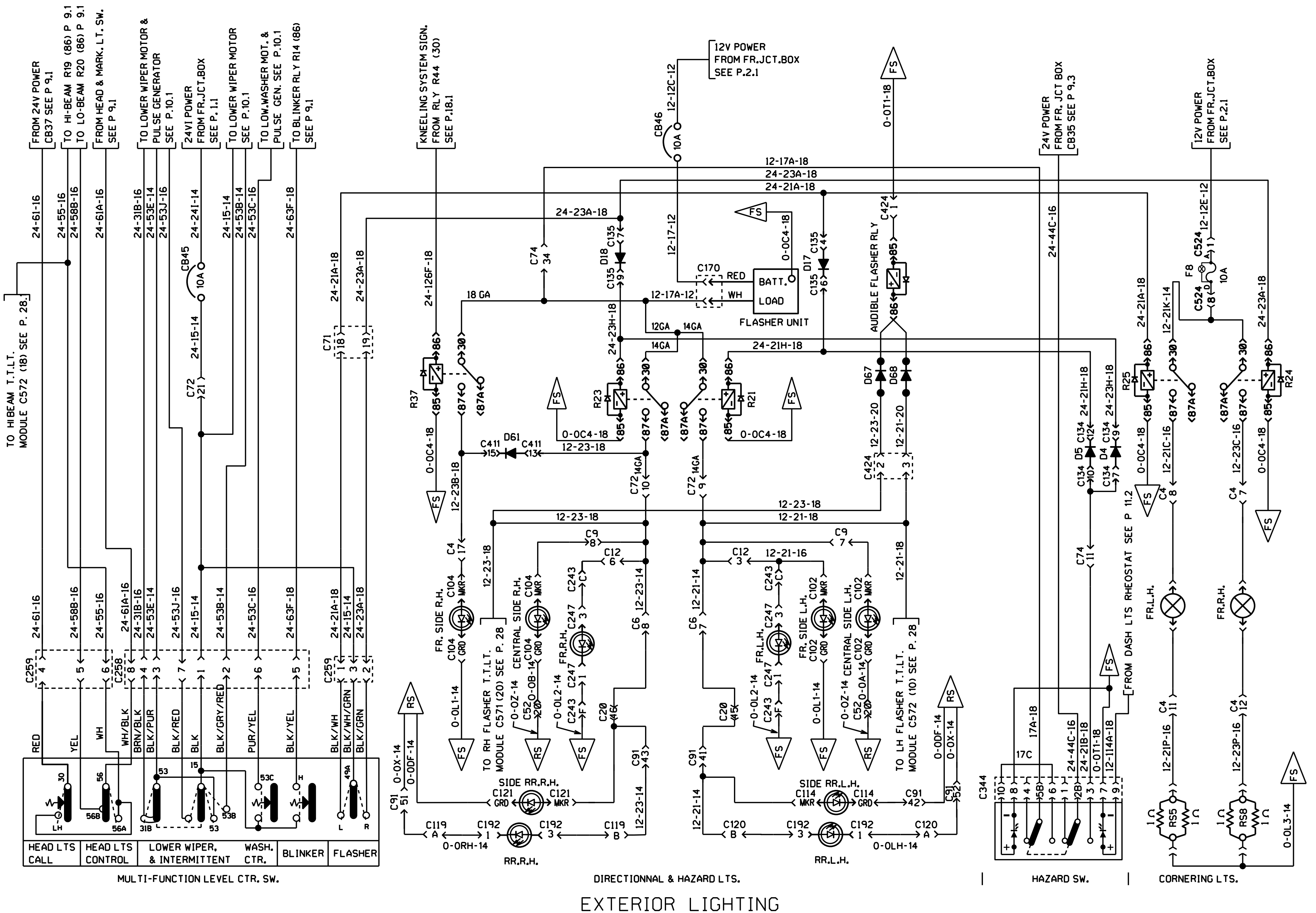
AIR DRYER



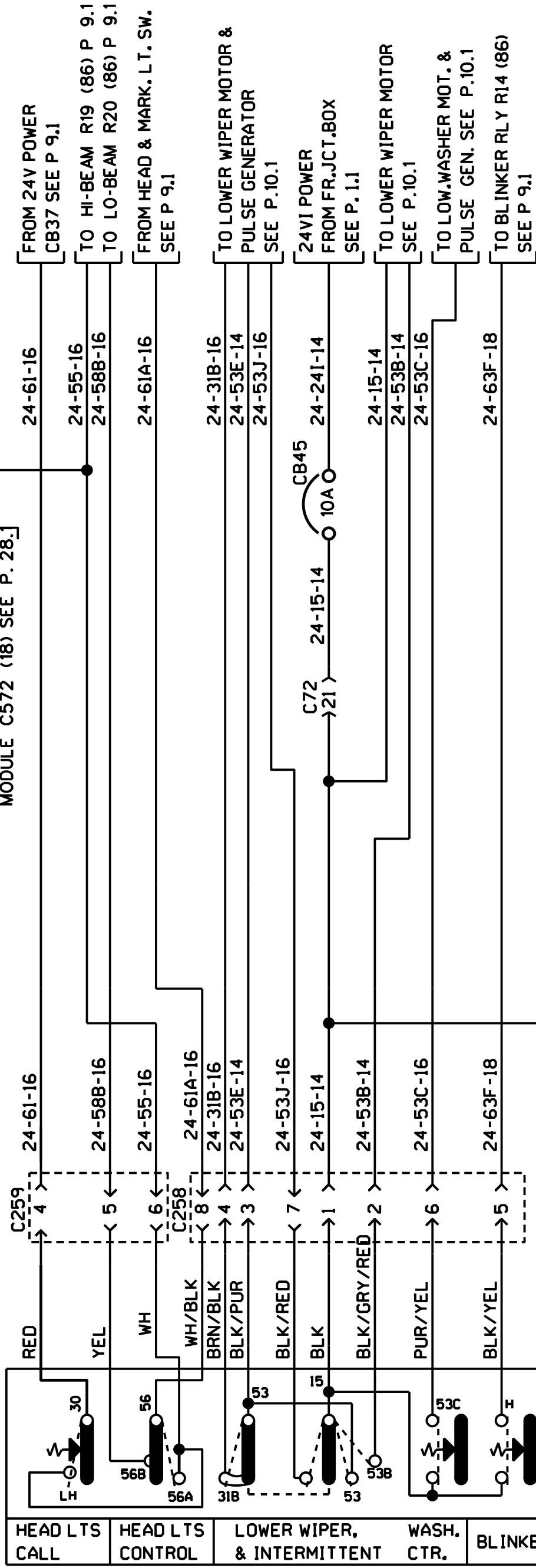




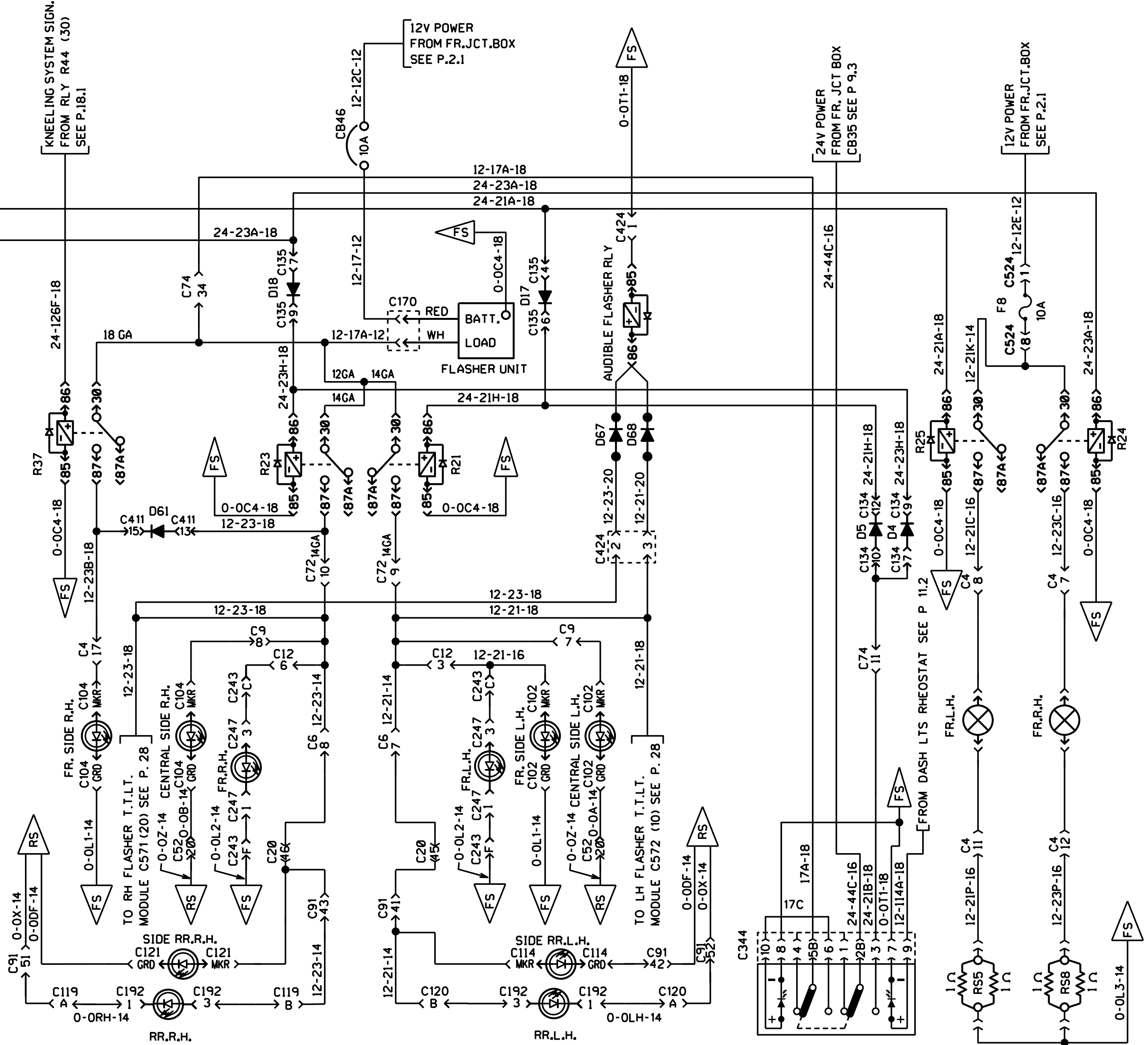




TO HIBEAM T.I.L.T.
MODULE C572 (18) SEE P. 28.



MULTI-FUNCTION LEVEL CTR. SW.



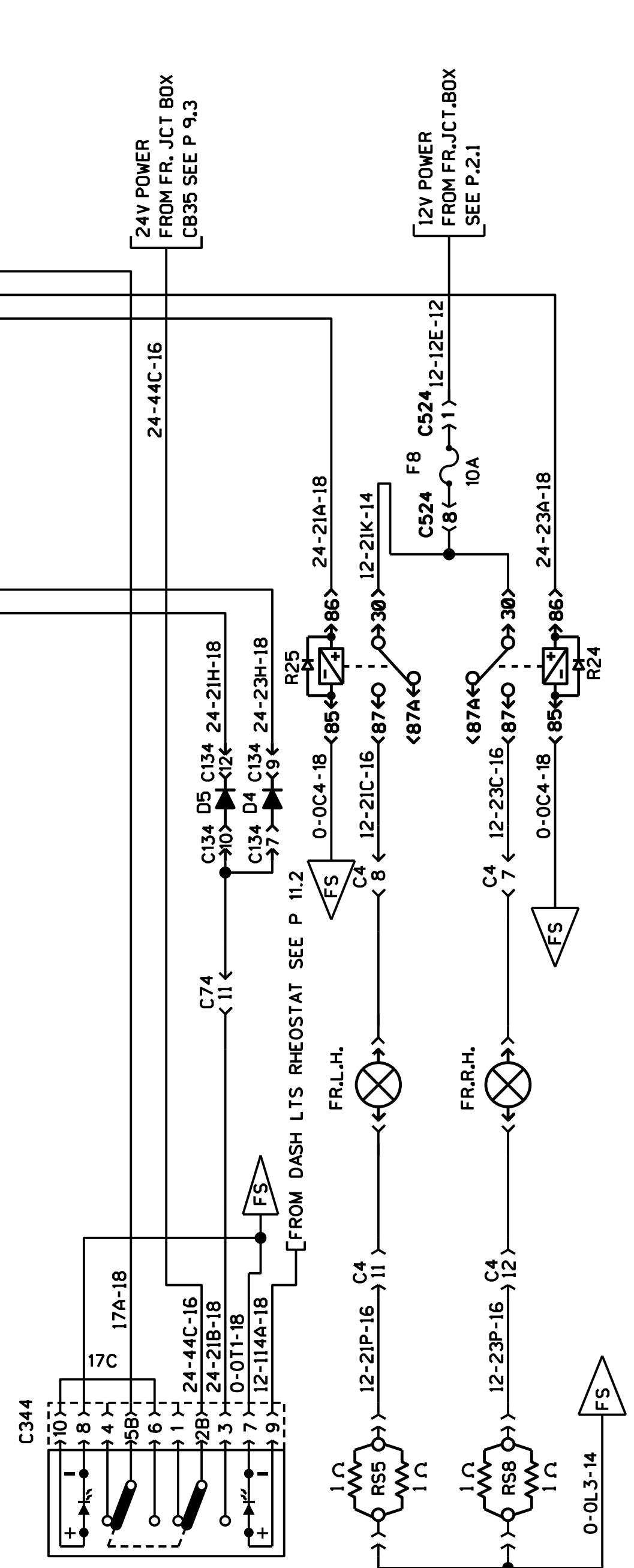
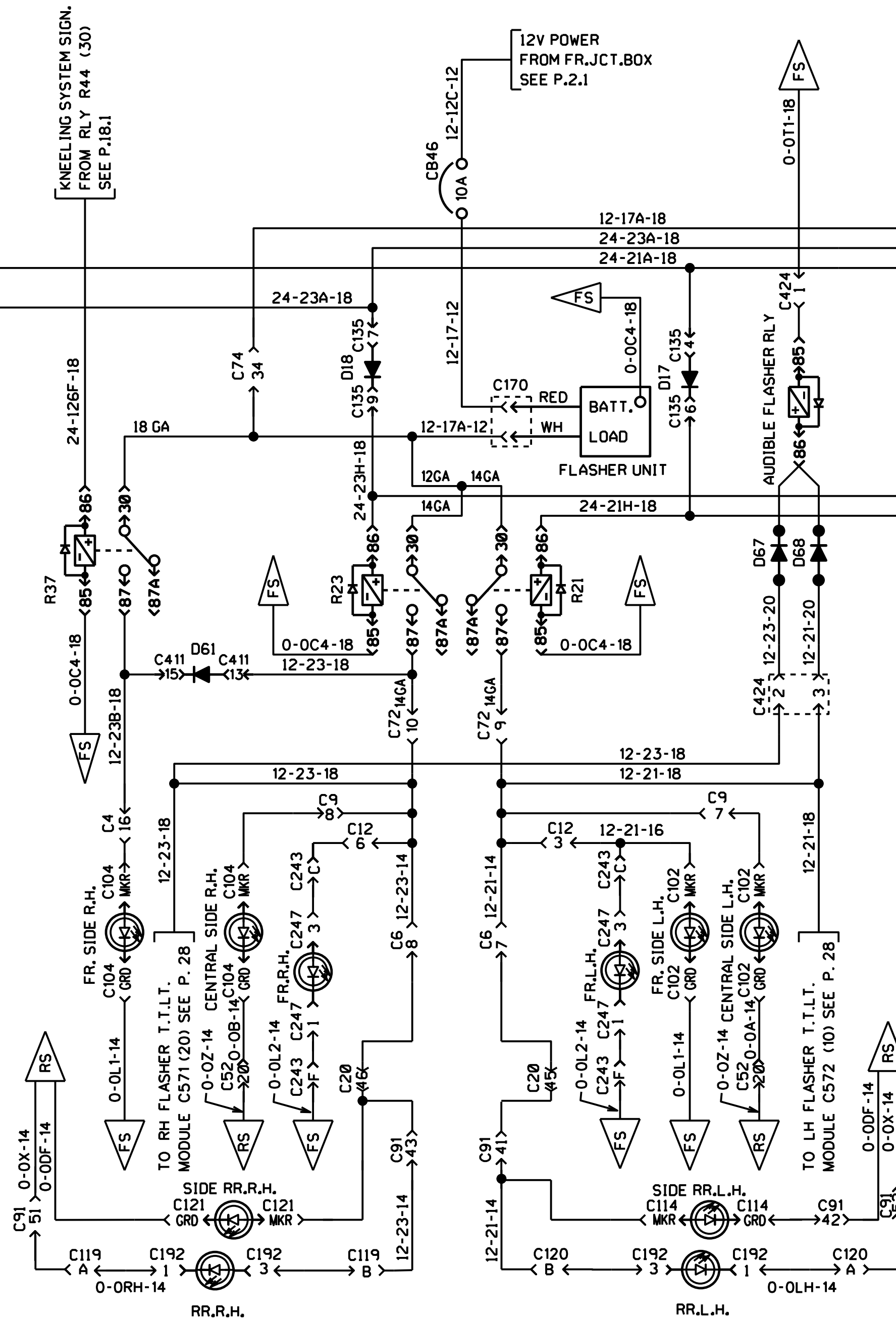
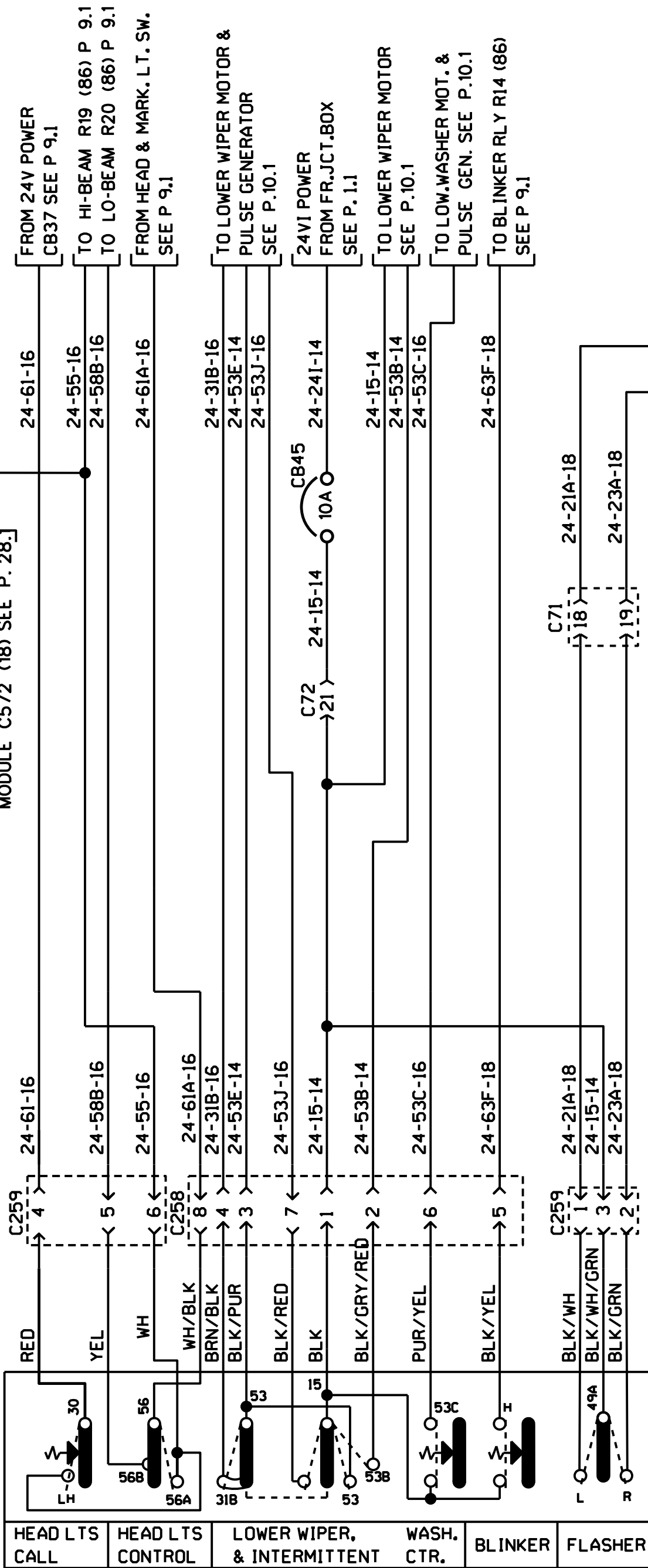
DIRECTIONAL & HAZARD LTS.

EXTERIOR LIGHTING

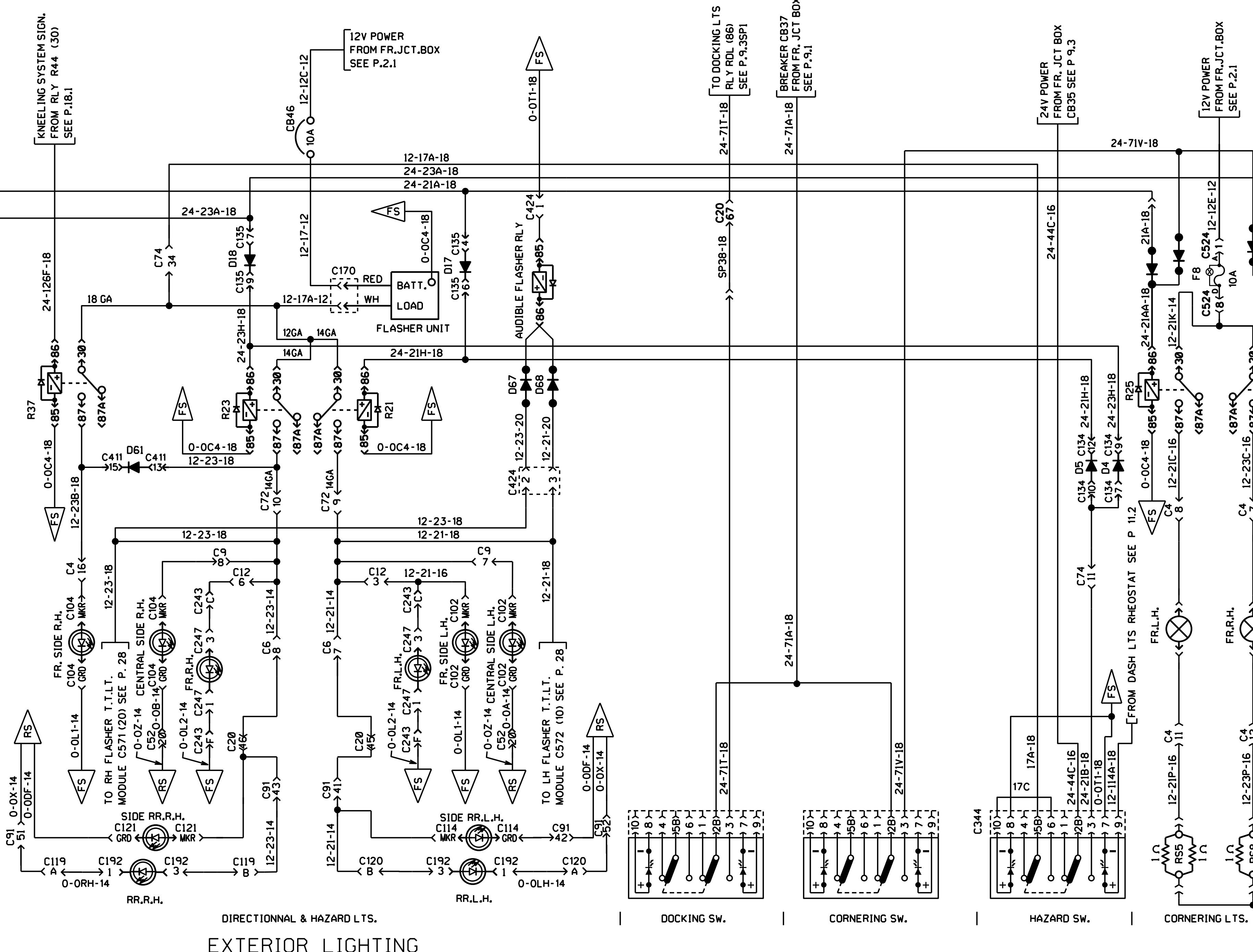
HAZARD SW.

CORNERING LTS.

TO HIBEAM T.I.L.T.
MODULE C572 (18) SEE P. 28



EXTERIOR LIGHTING



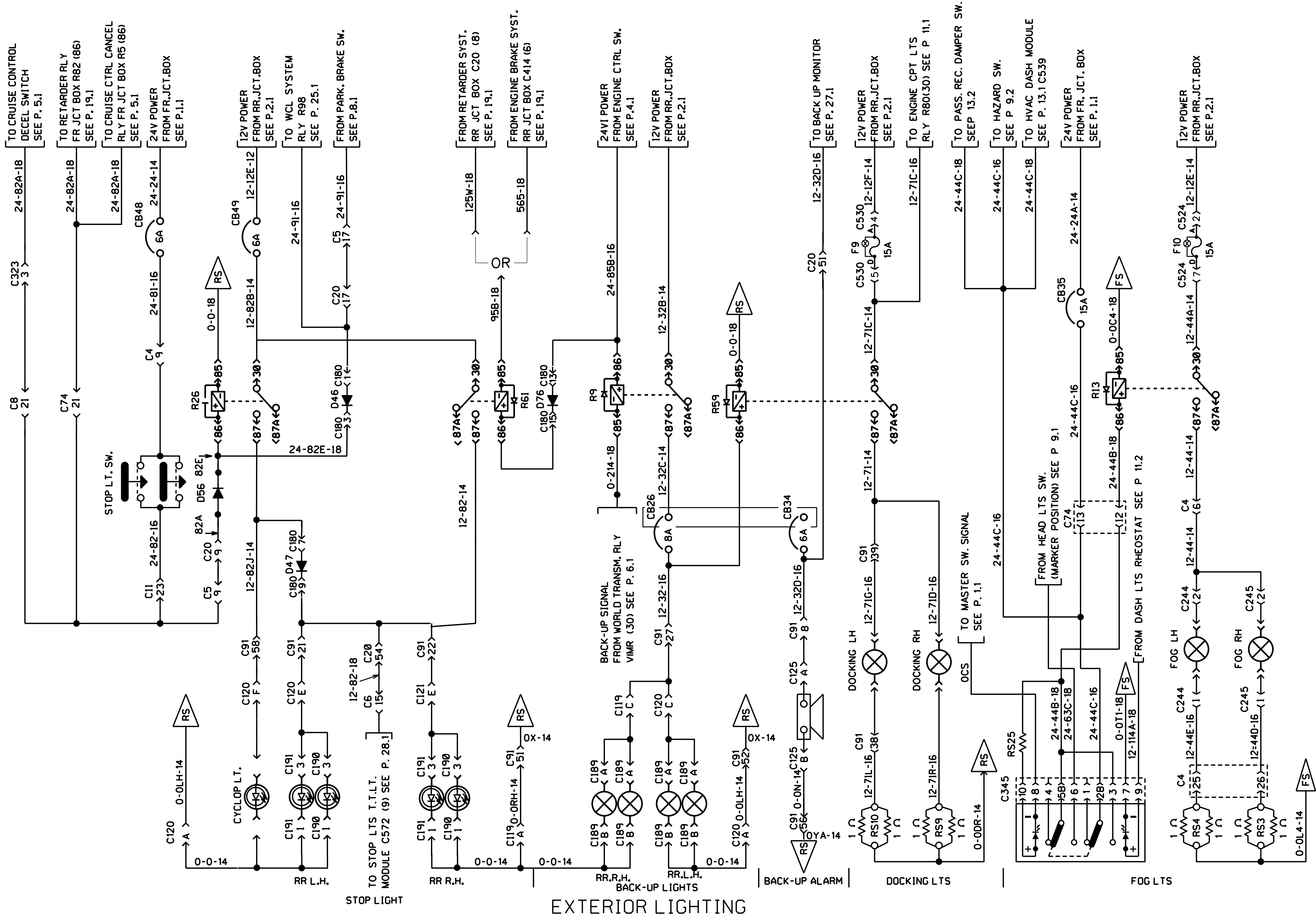
DIRECTIONAL & HAZARD LTS.
EXTERIOR LIGHTING

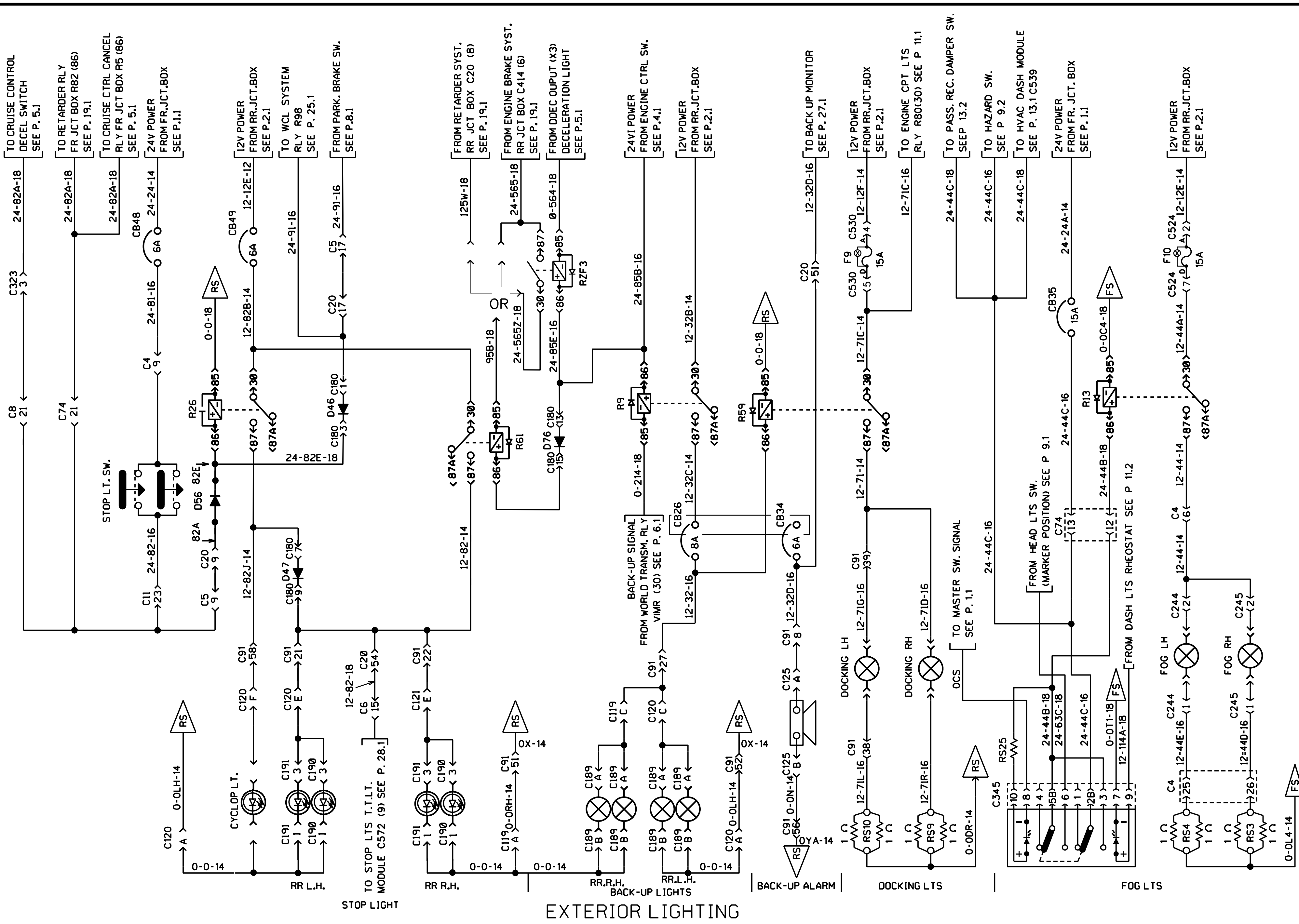
DOCKING SW.

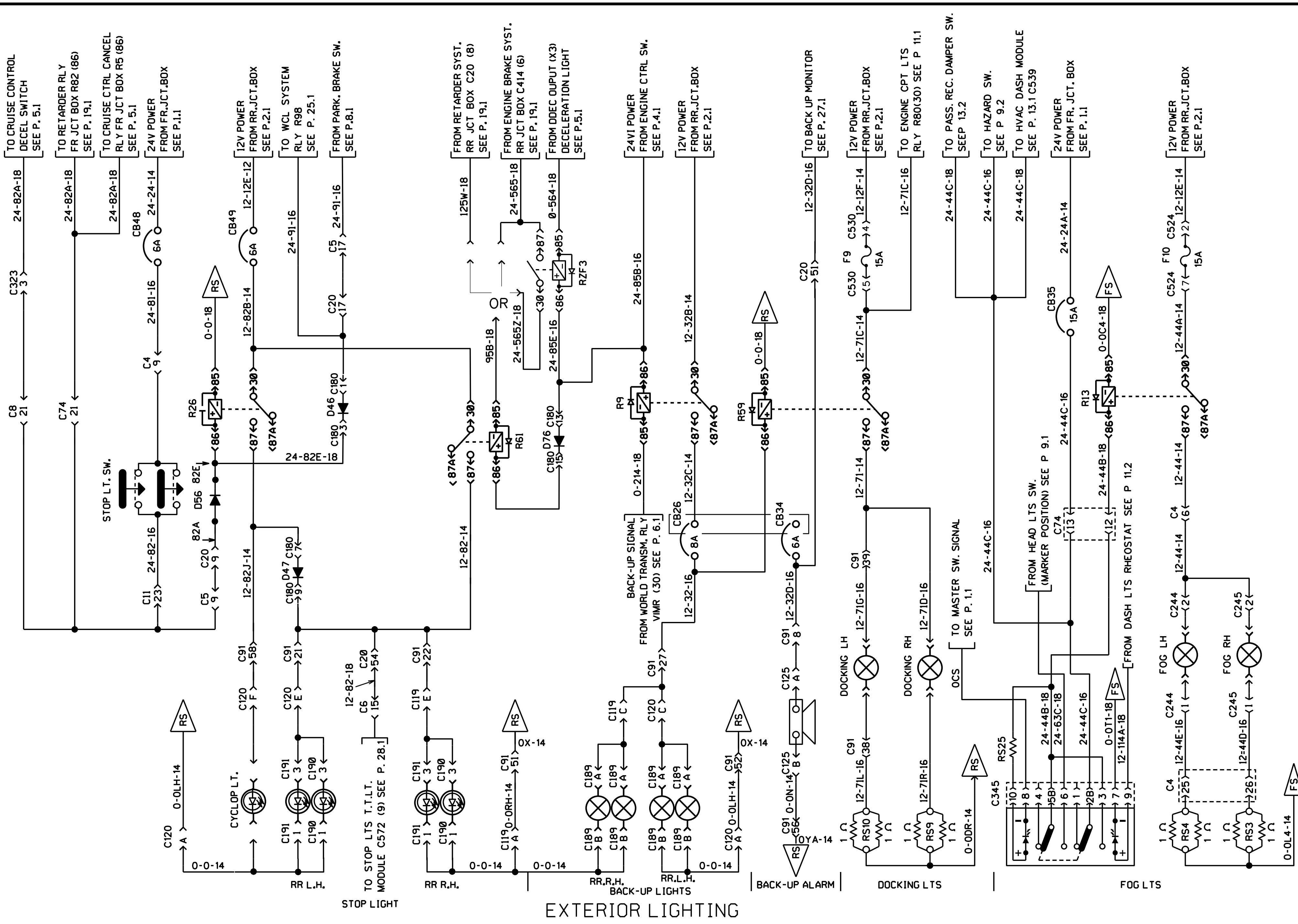
CORNERING SW.

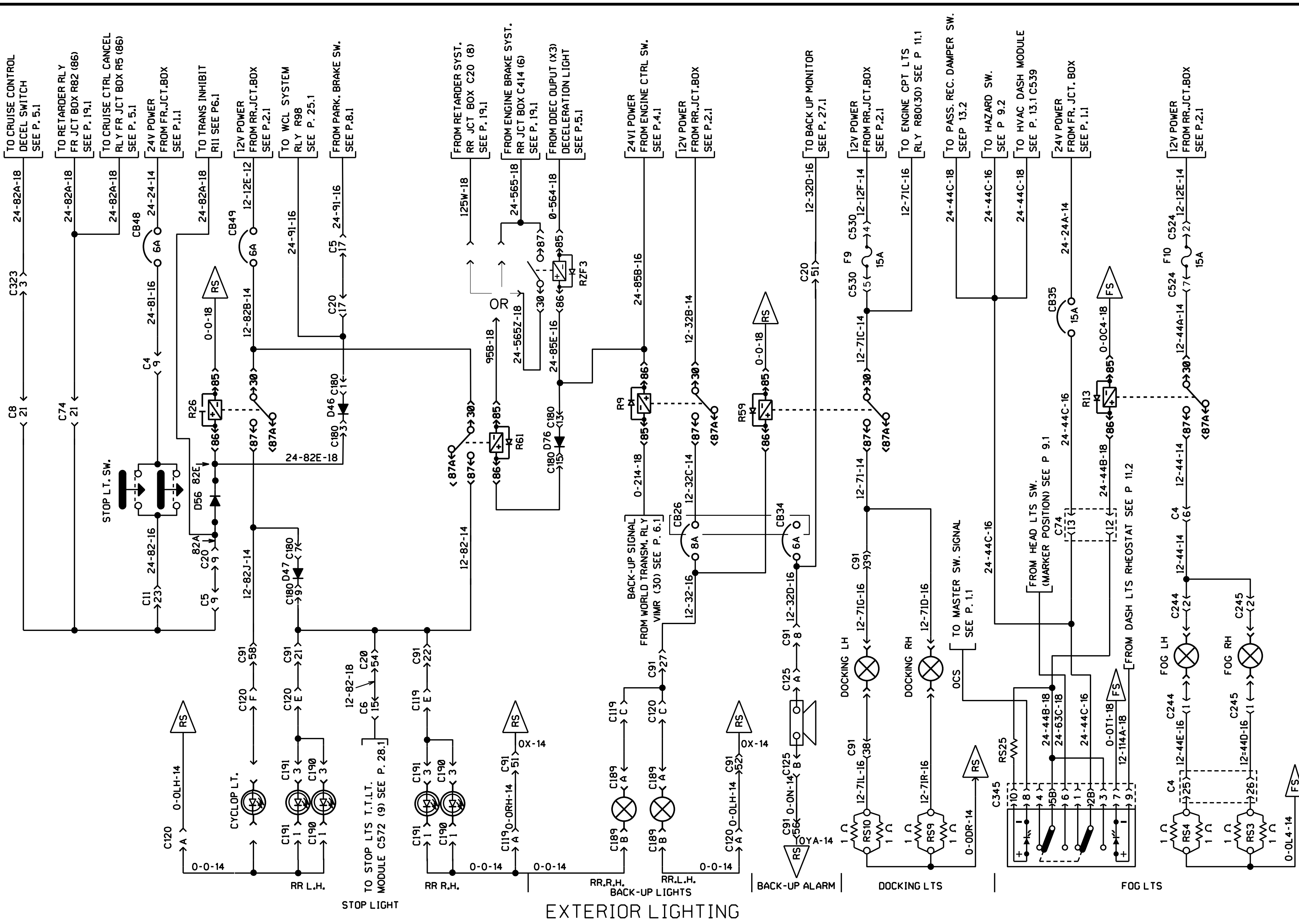
HAZARD SW.

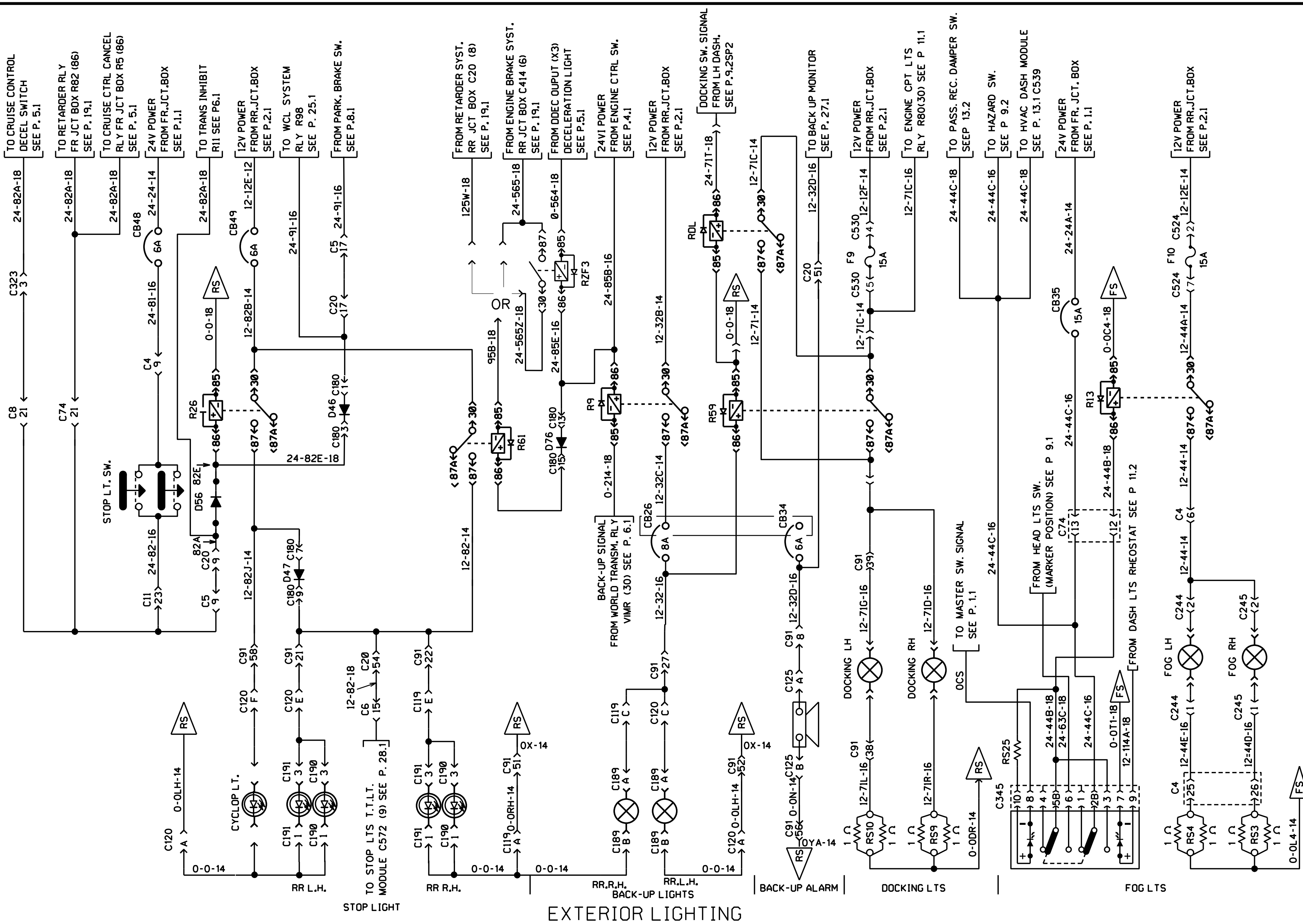
CORNERING LTS.

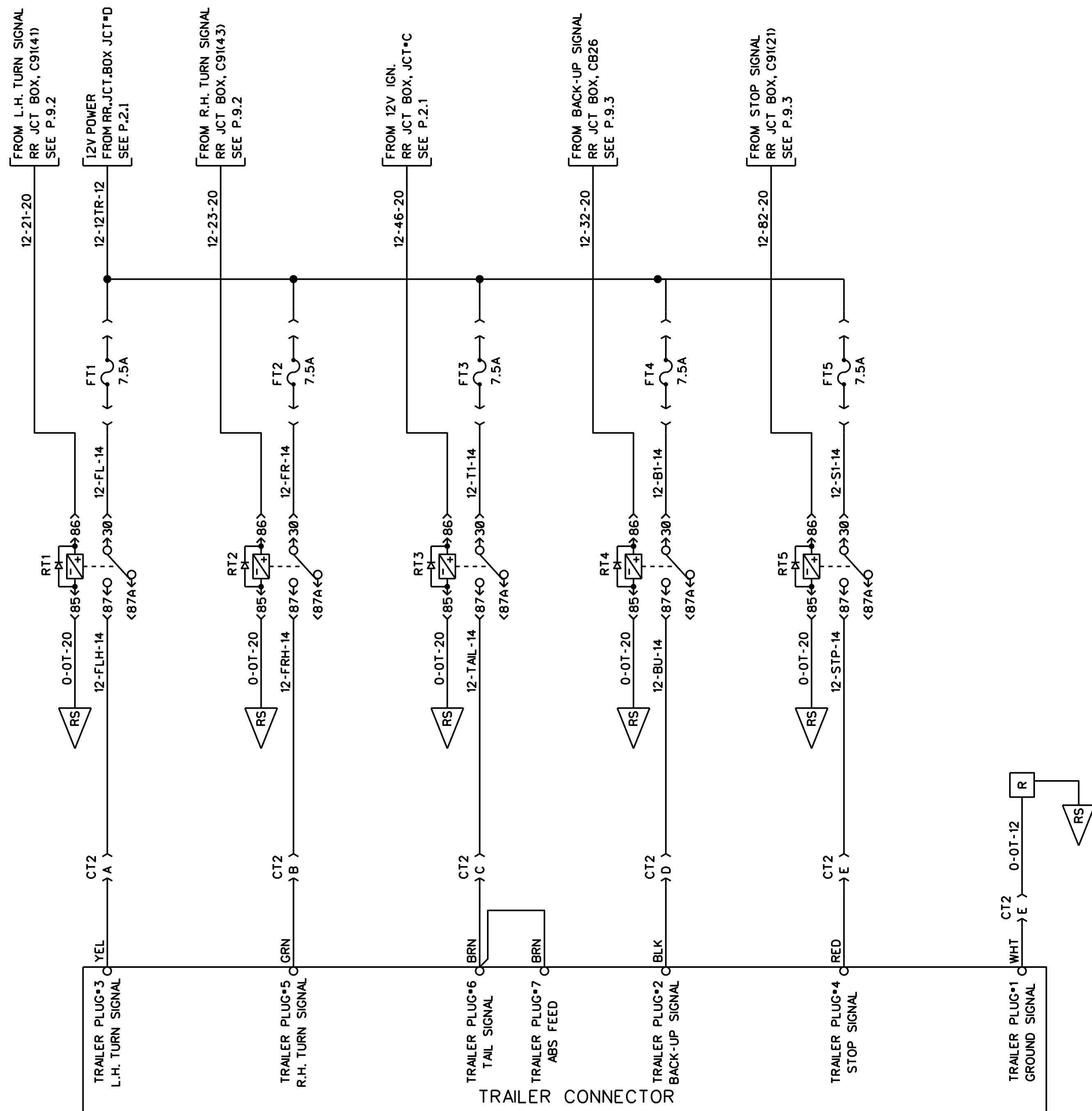




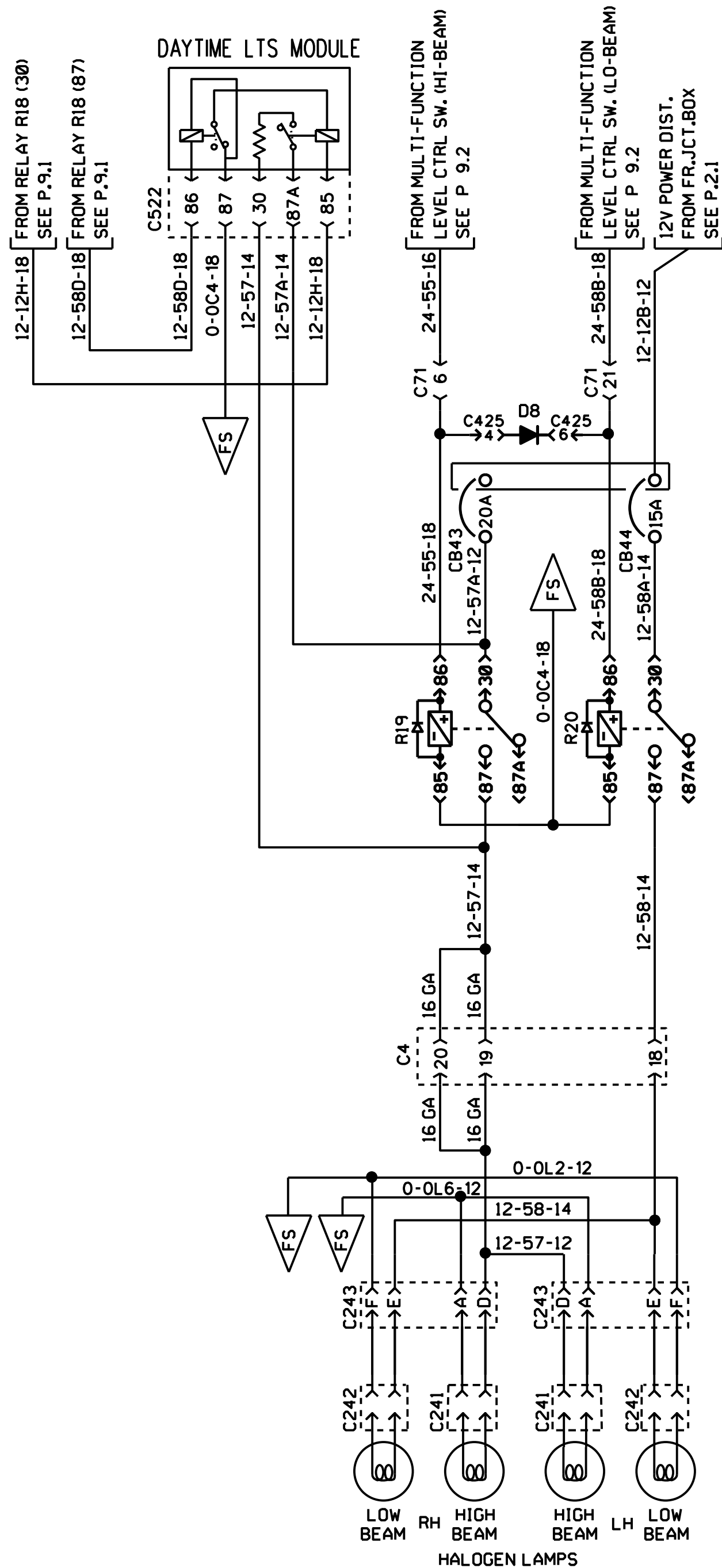




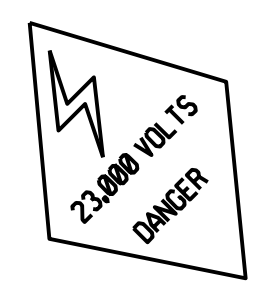
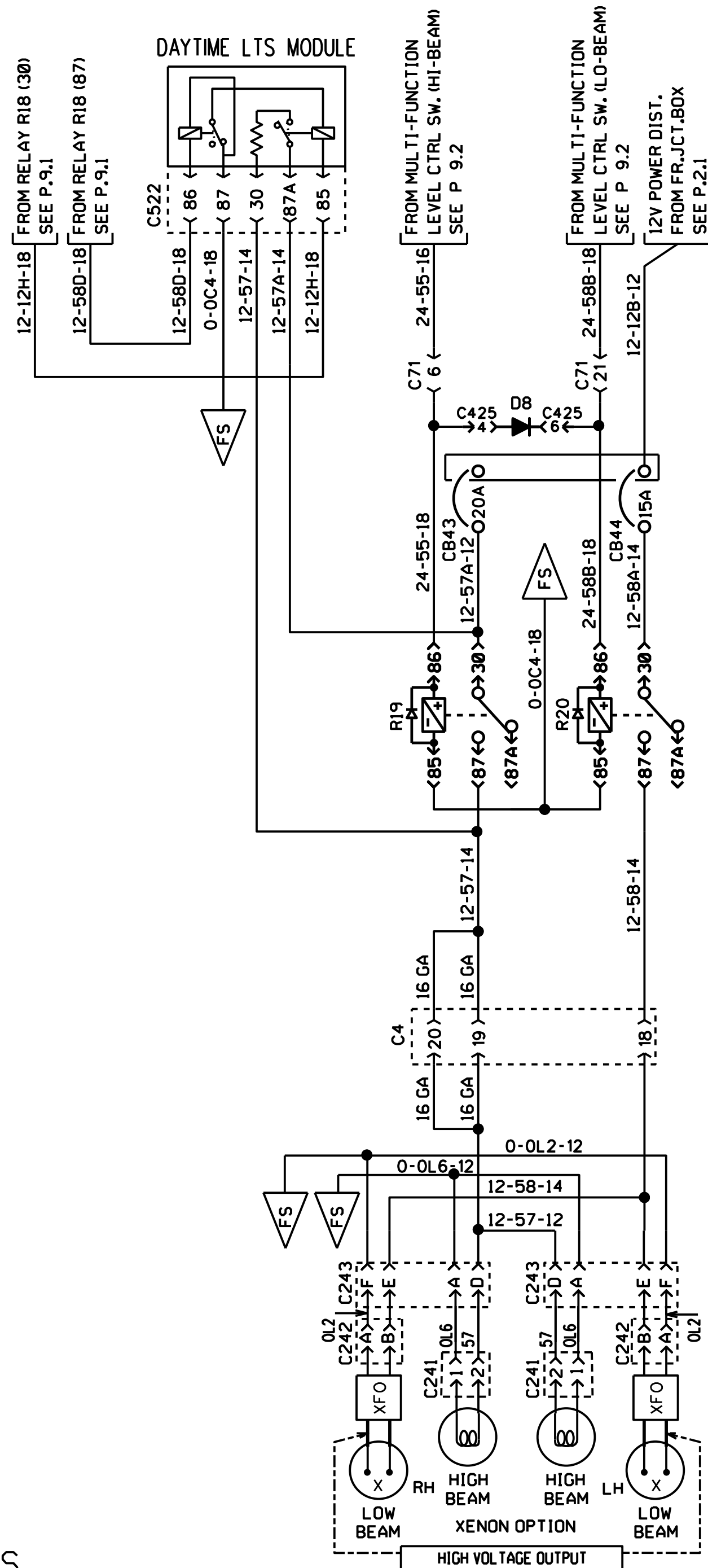


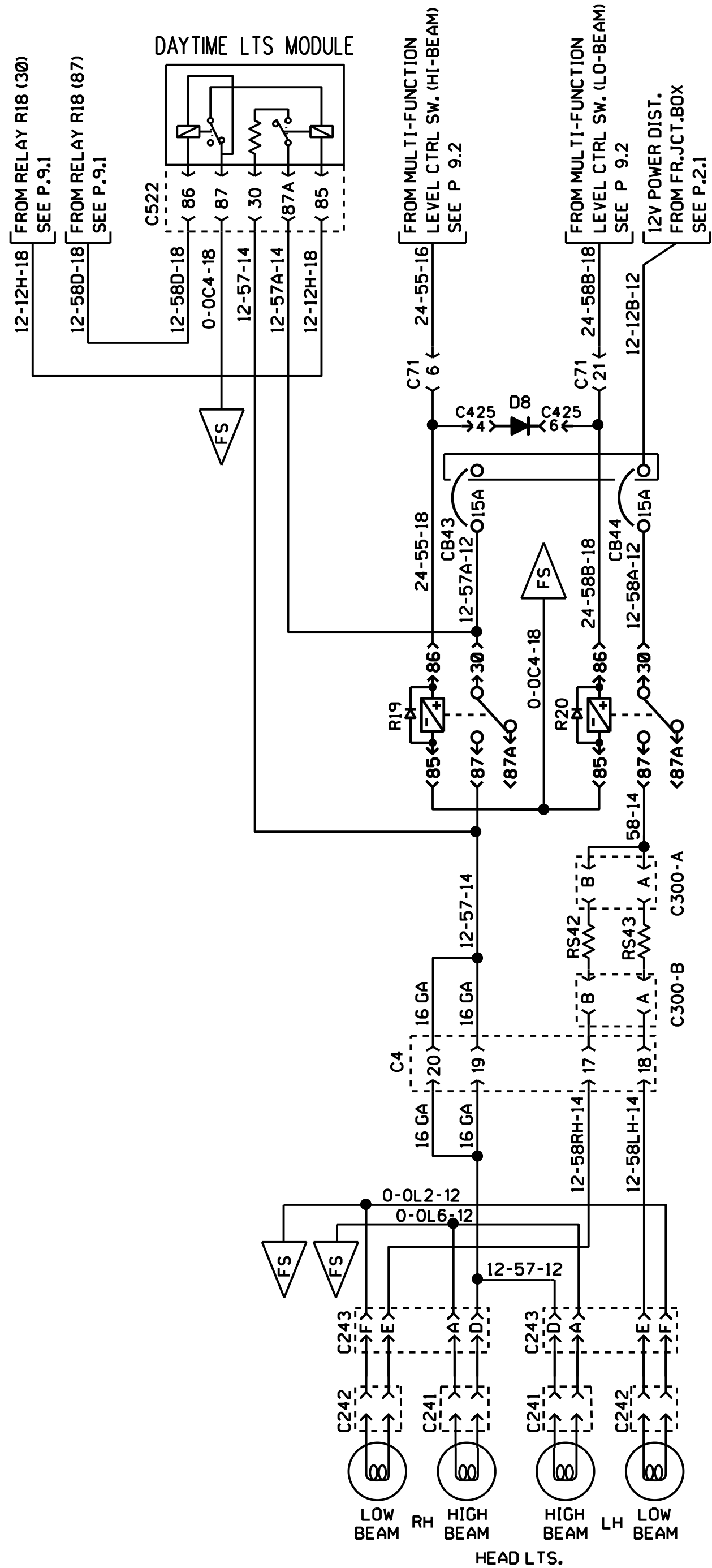


EXTERIOR TRAILER LED LIGHTING

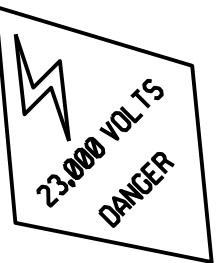
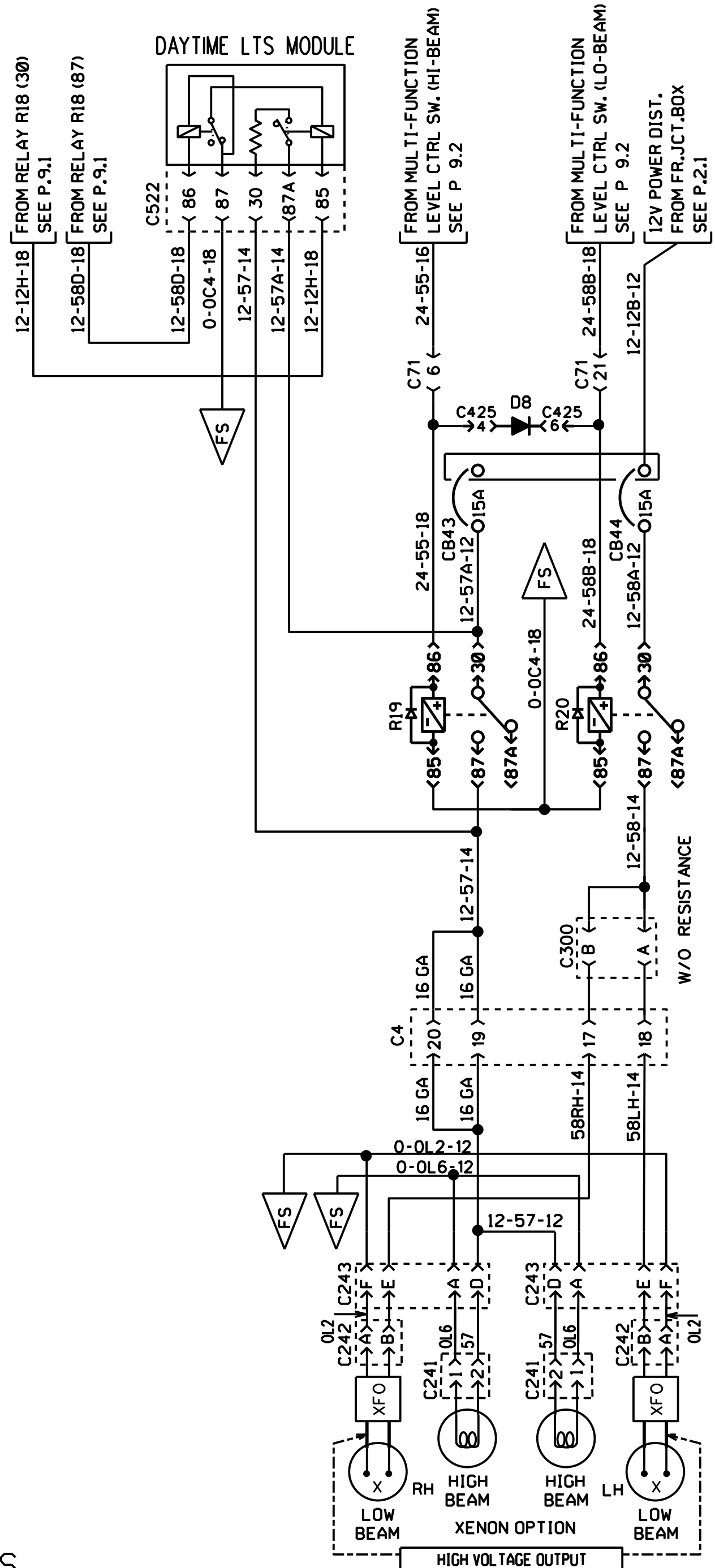


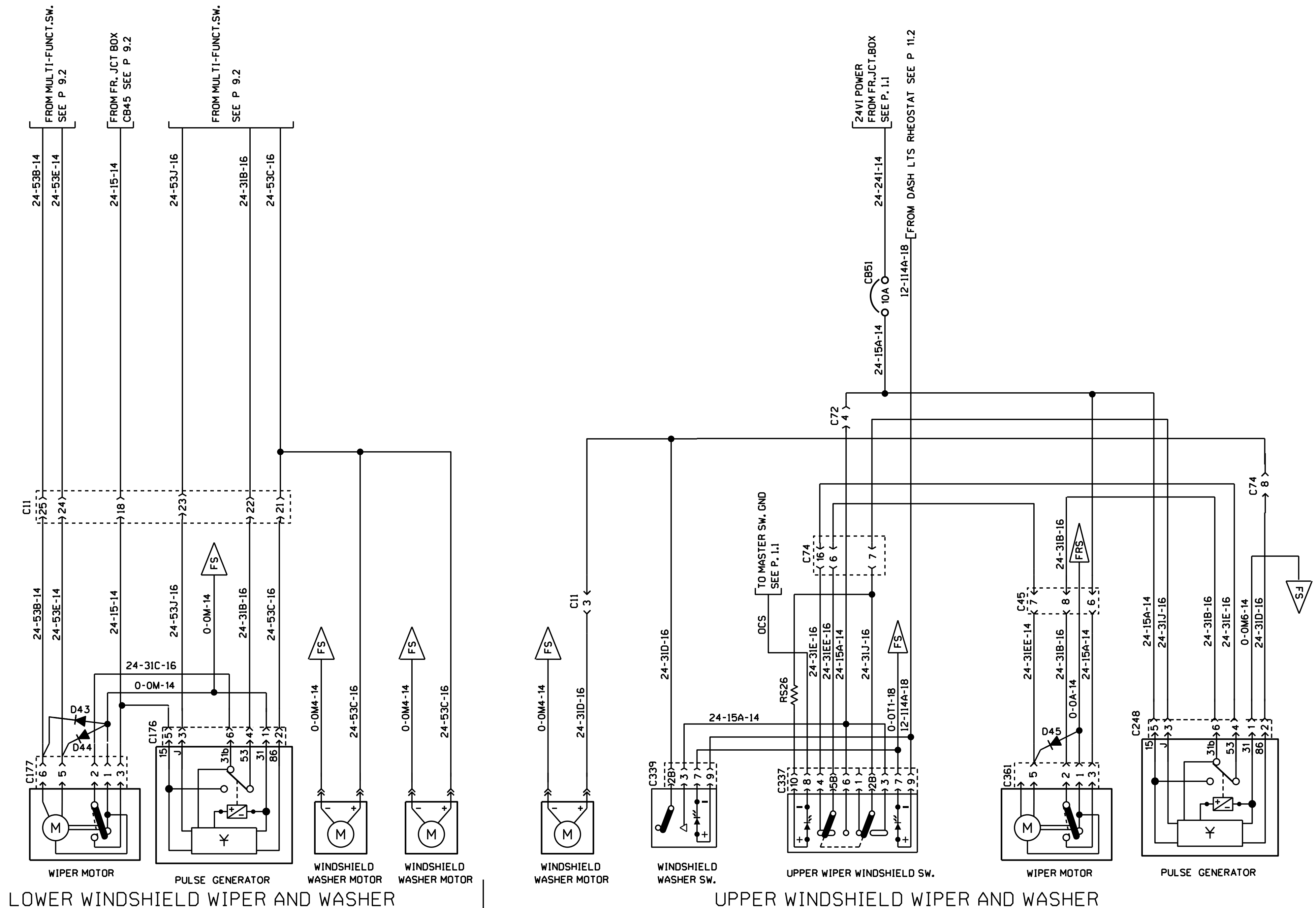
EXTERIOR HEADLIGHTS





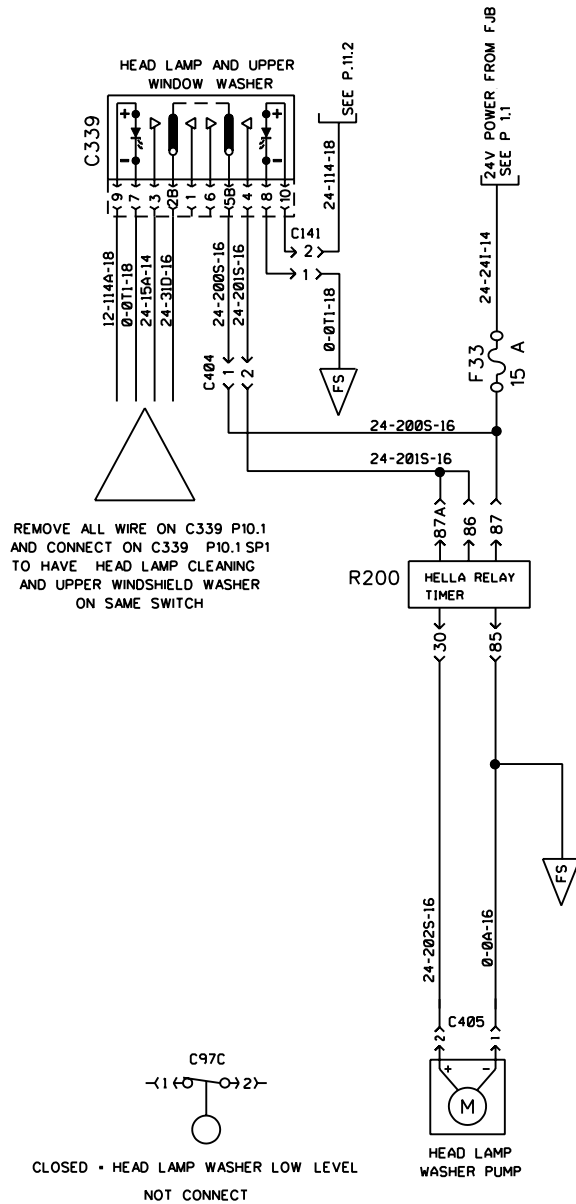
EXTERIOR HEADLIGHTS



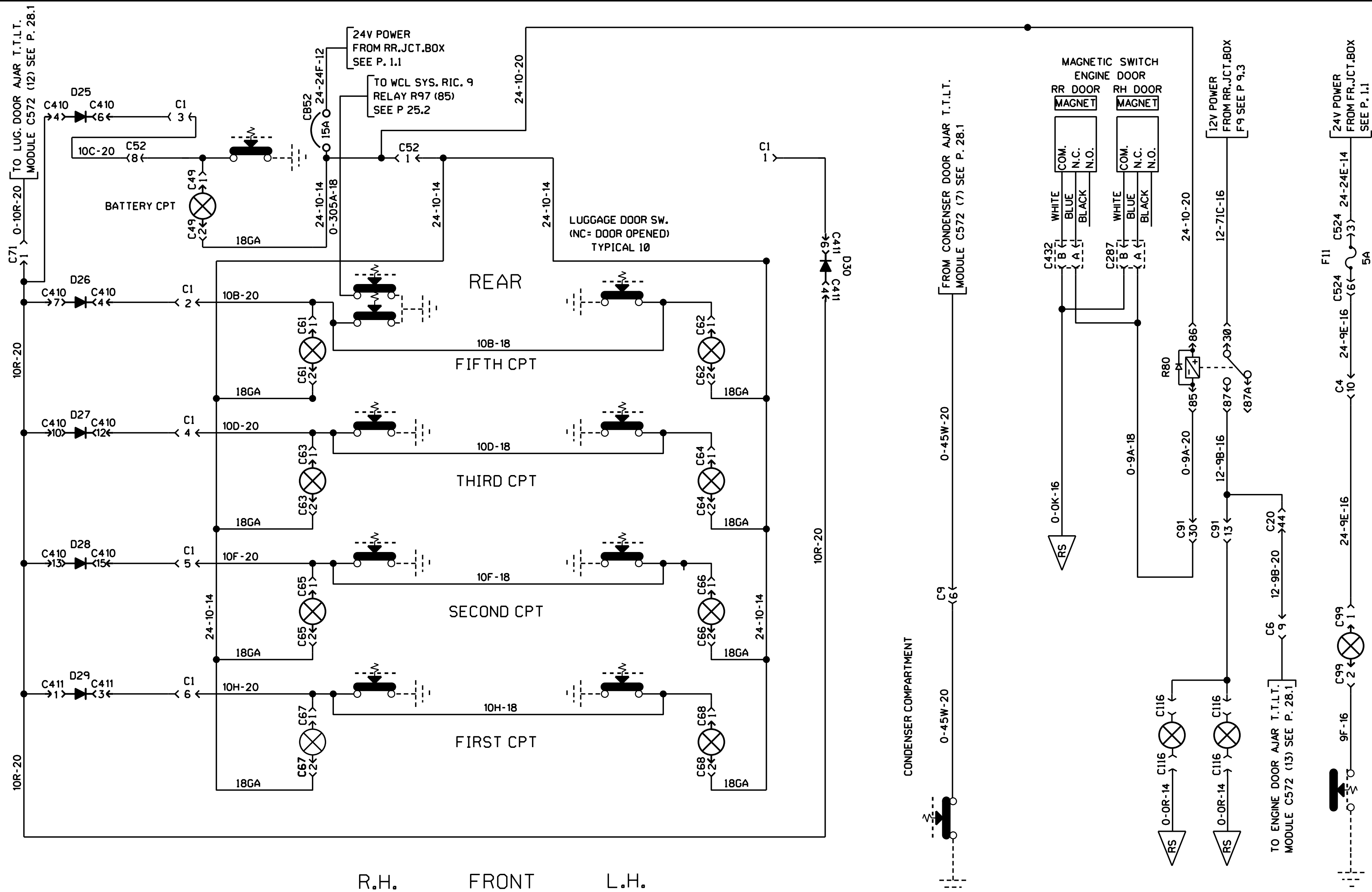


LOWER WINDSHIELD WIPER AND WASHER

UPPER WINDSHIELD WIPER AND WASHER



HEAD LAMP CLEANING SYSTEM



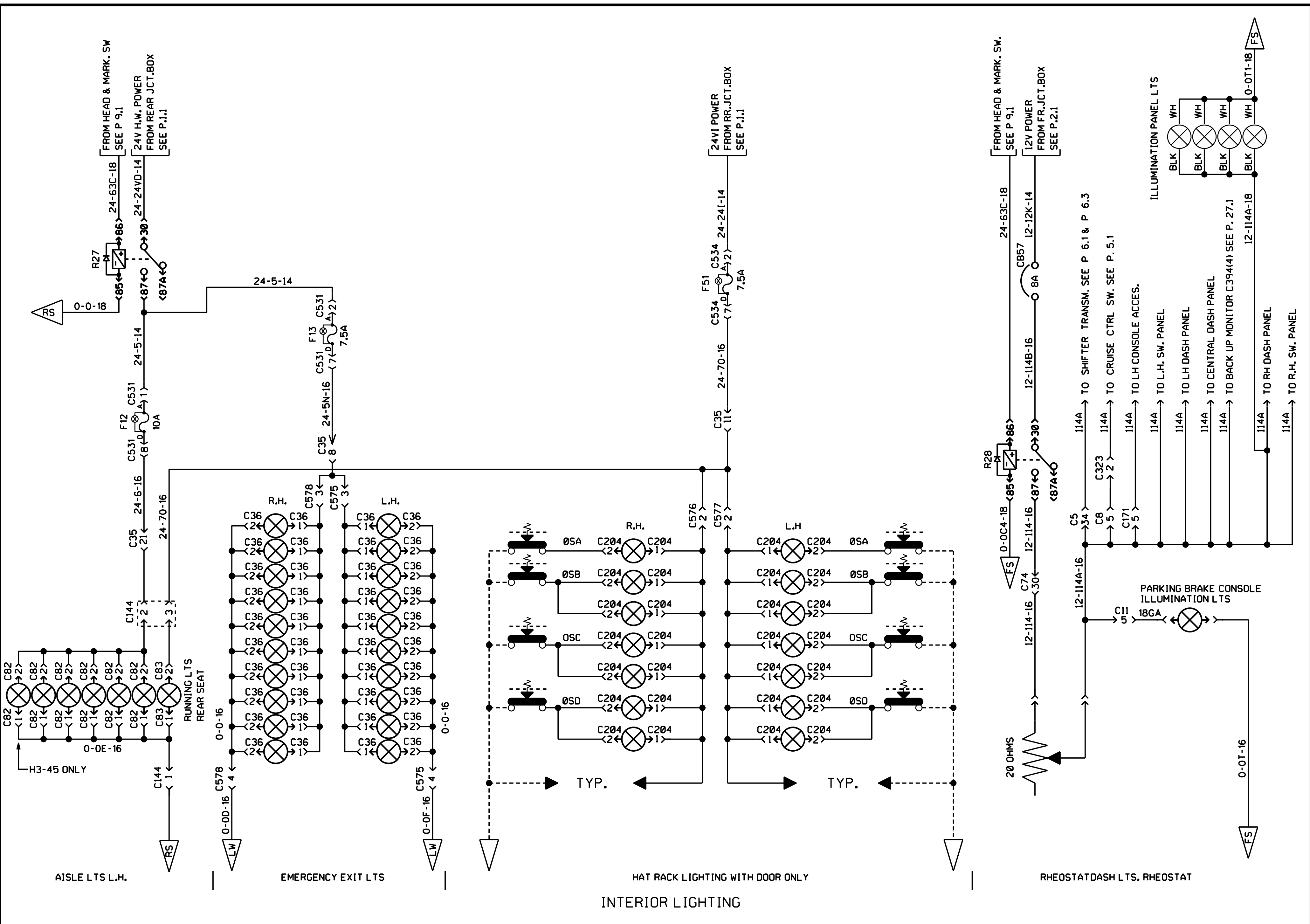
LUGGAGE COMPARTMENT AND DOOR AJAR LTS

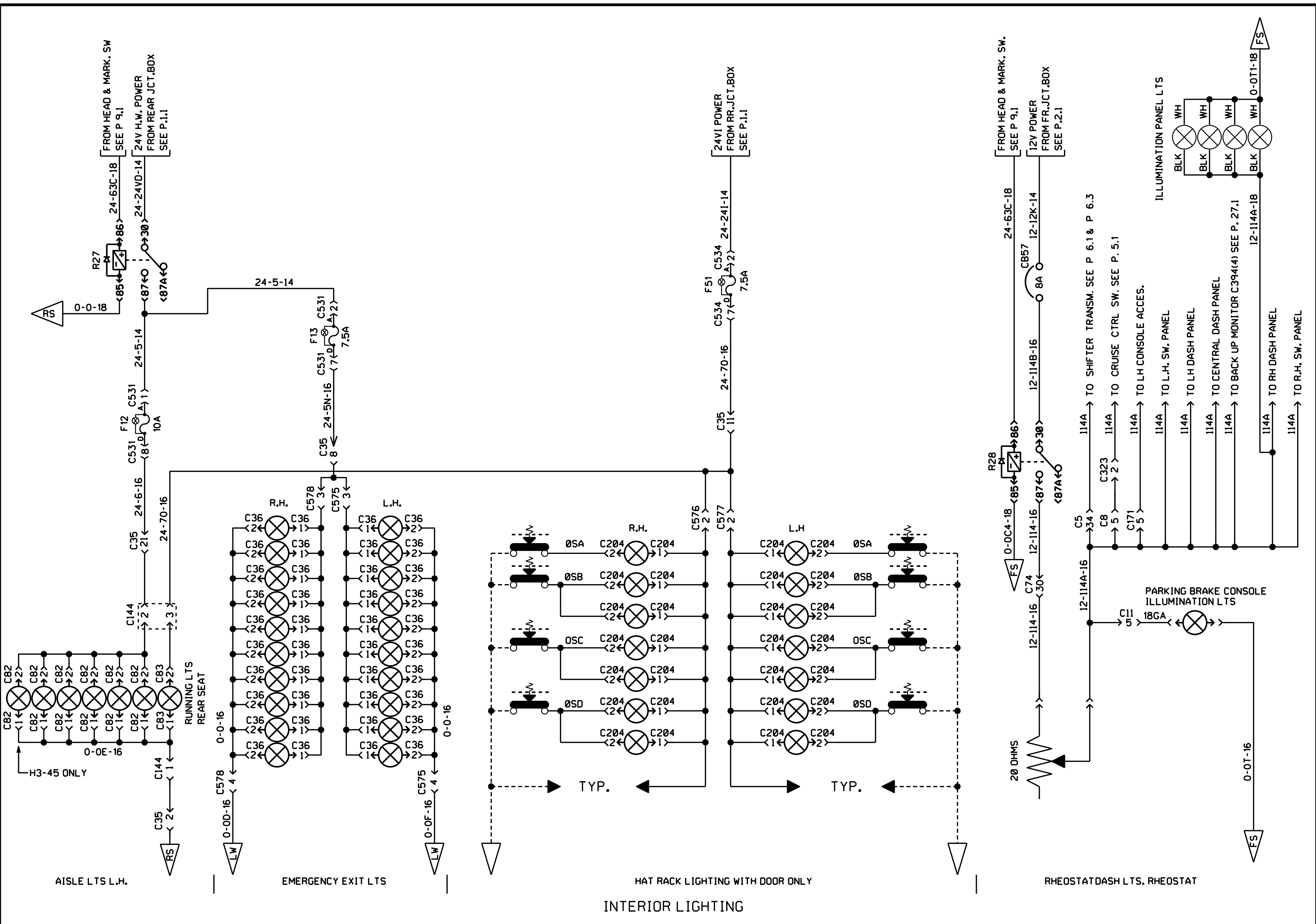
DOOR AJAR SWITCH
CONDENSER COMPT.

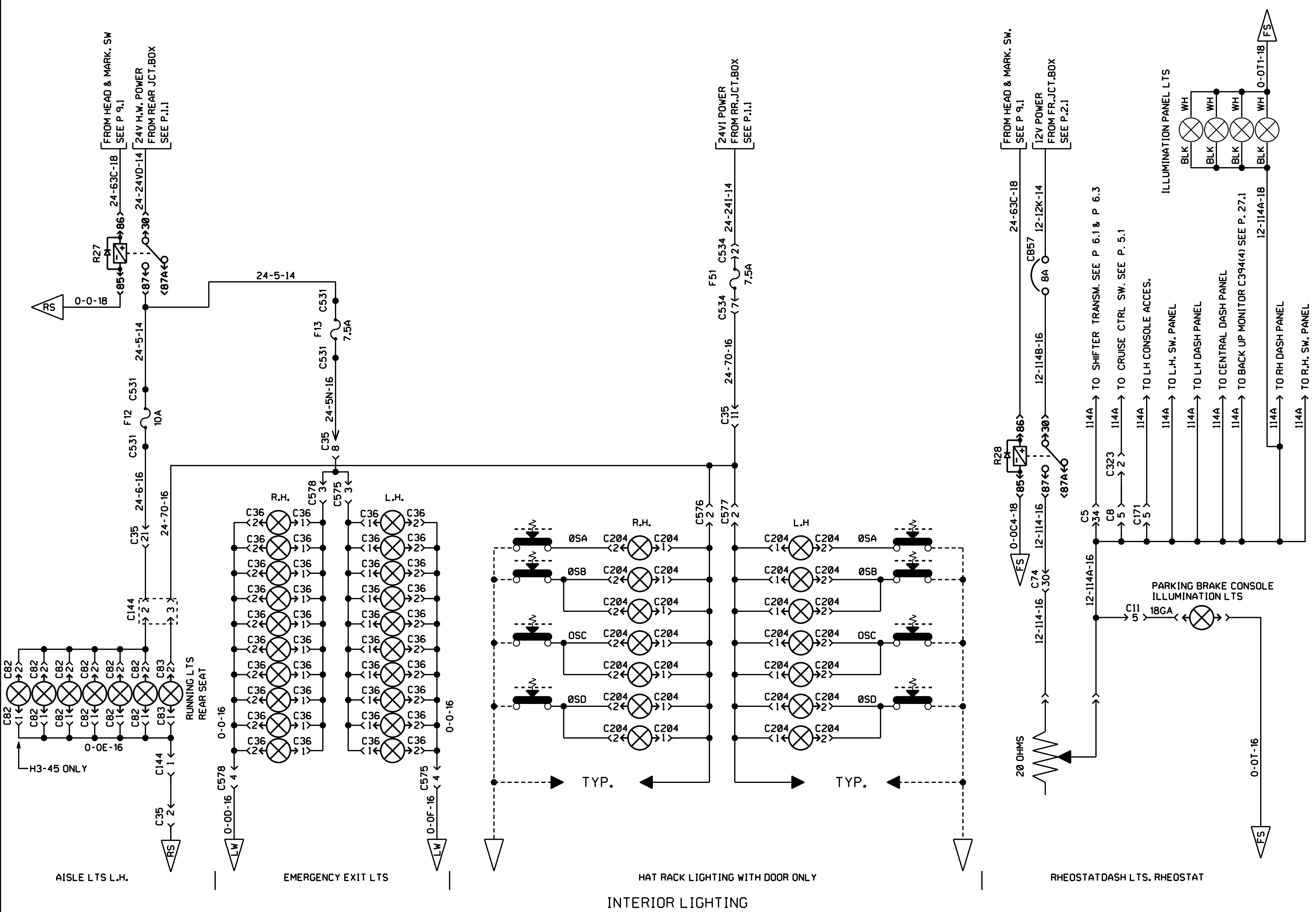
ENGINE COMPT. LTS.

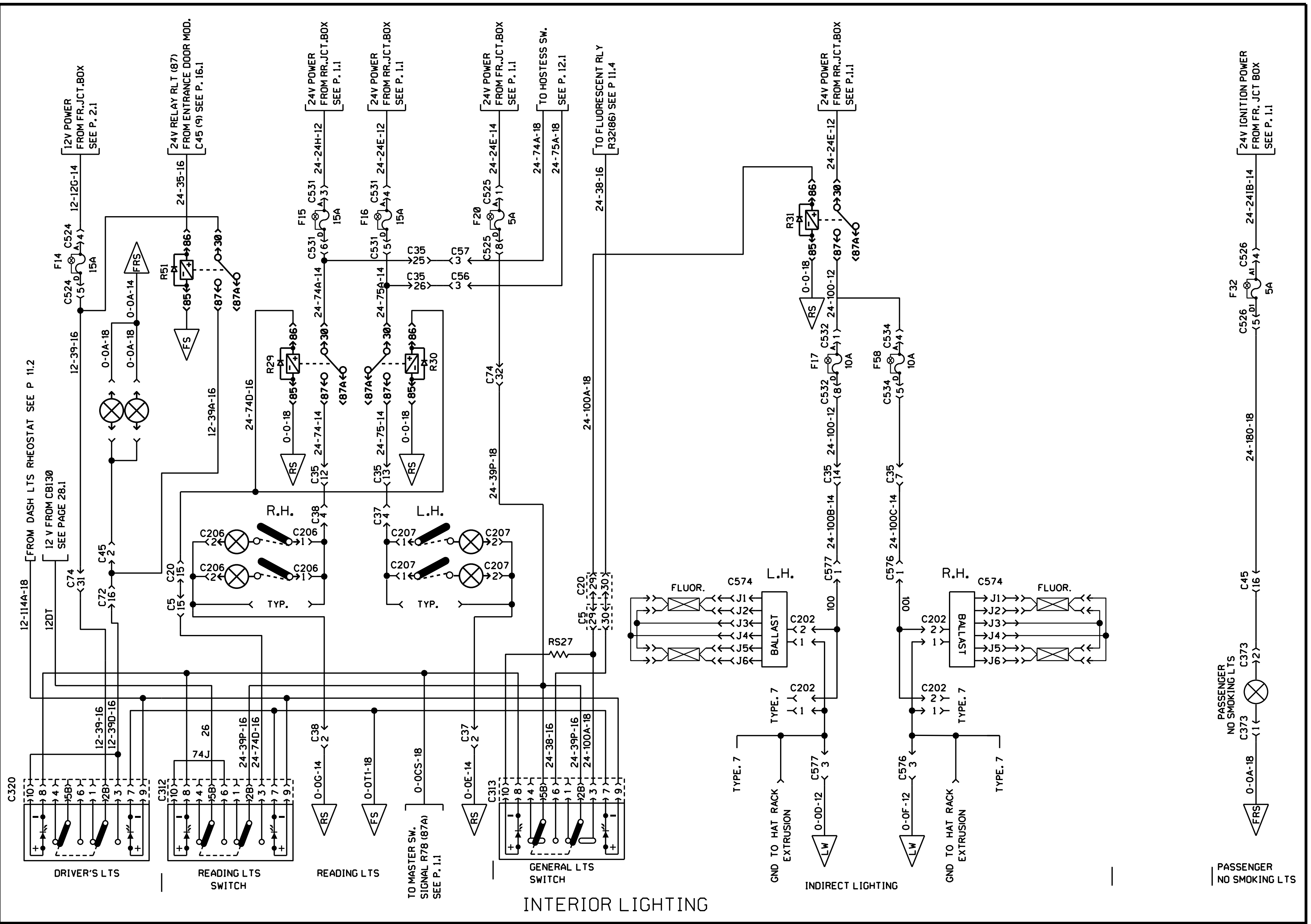
FRONT SERVICE
COMPT. LT.

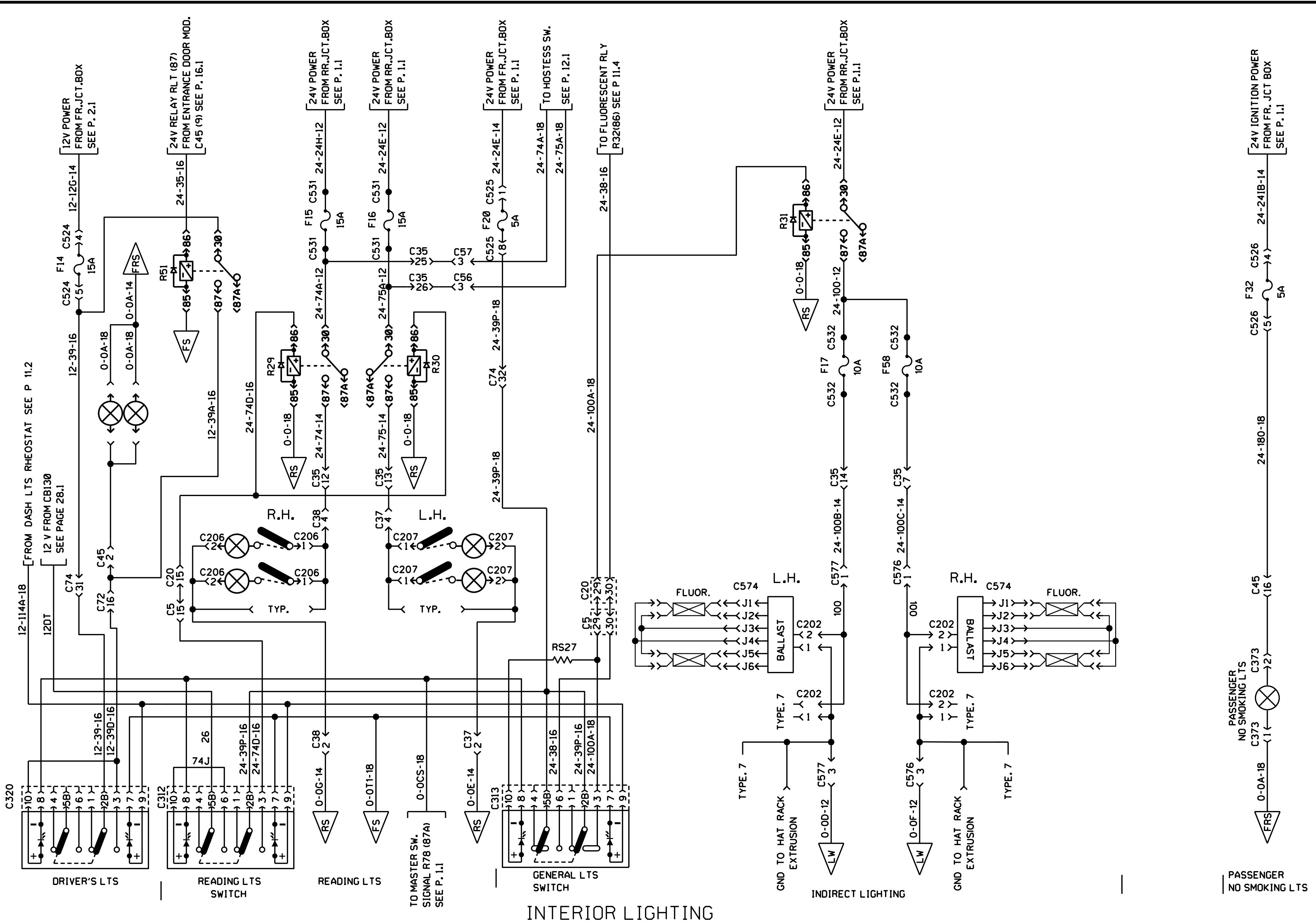
INTERIOR LIGHTING

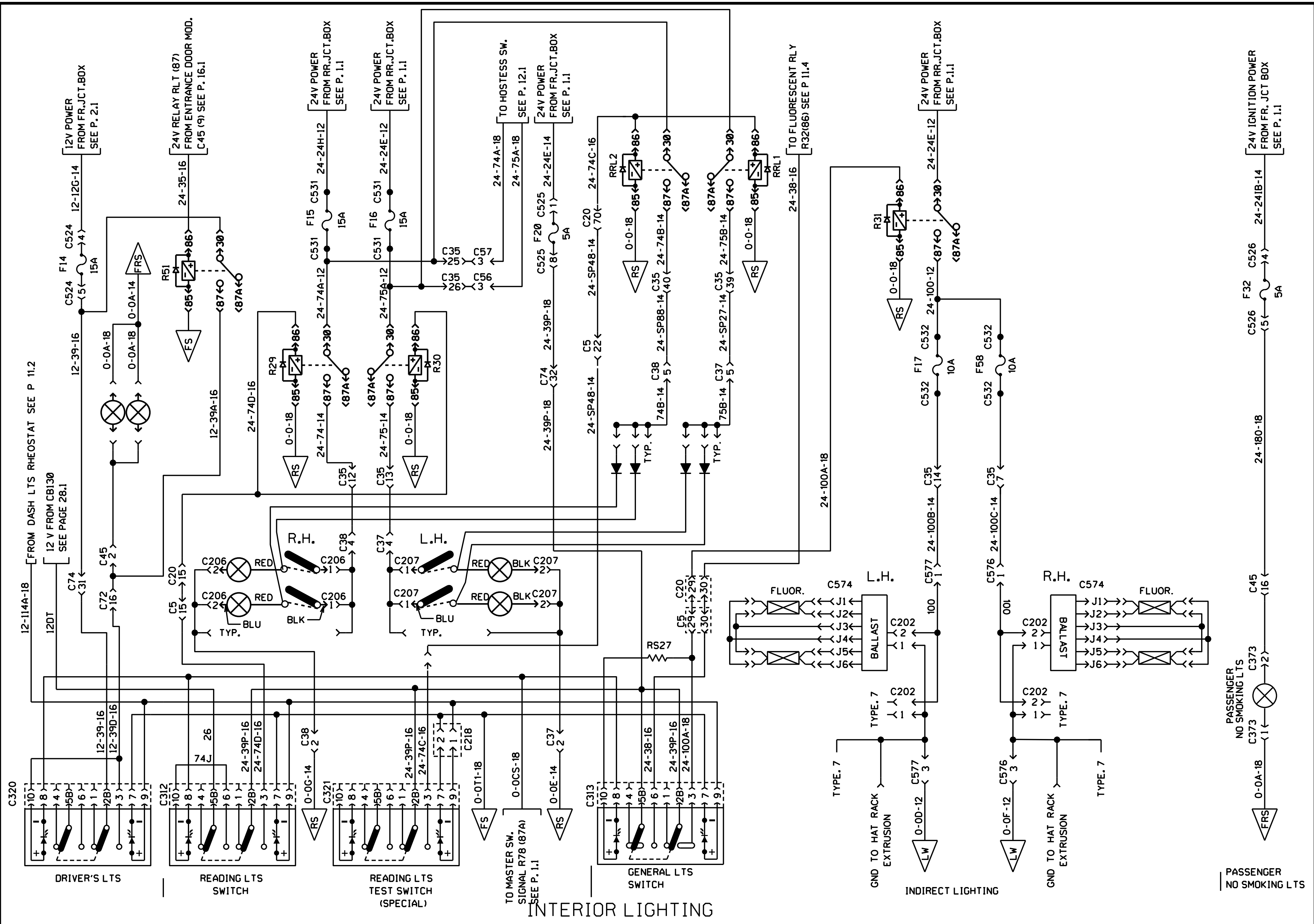




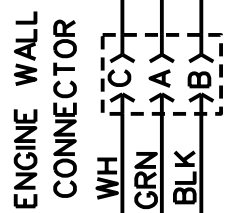
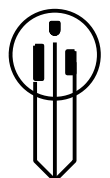




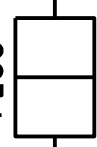




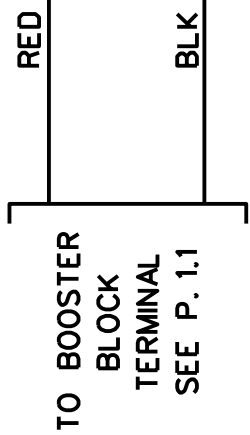
SHORE PLUG 110V



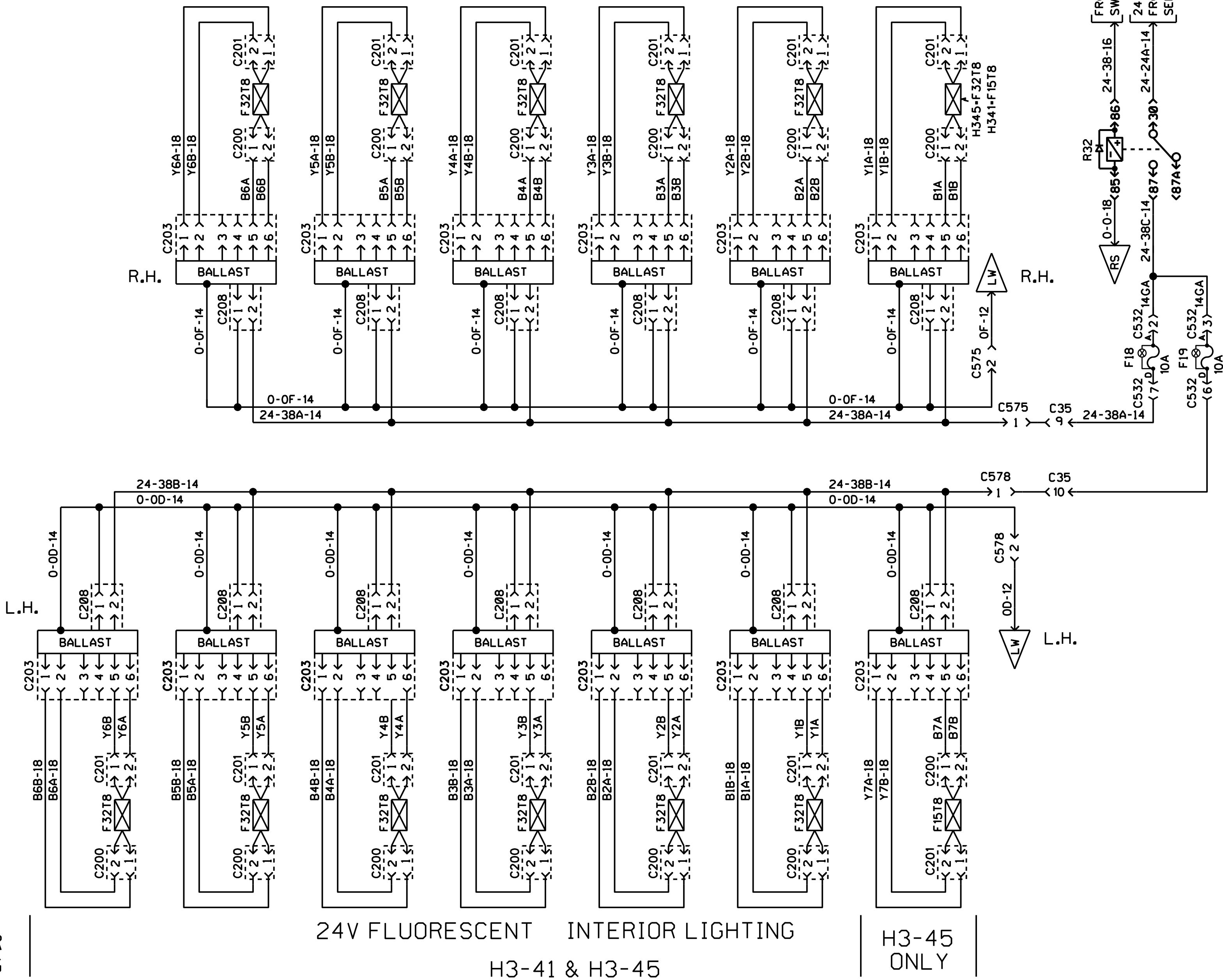
CHARGER PLUG



THREE STAGE BATTERY CHARGER 28 V /41 AMP.



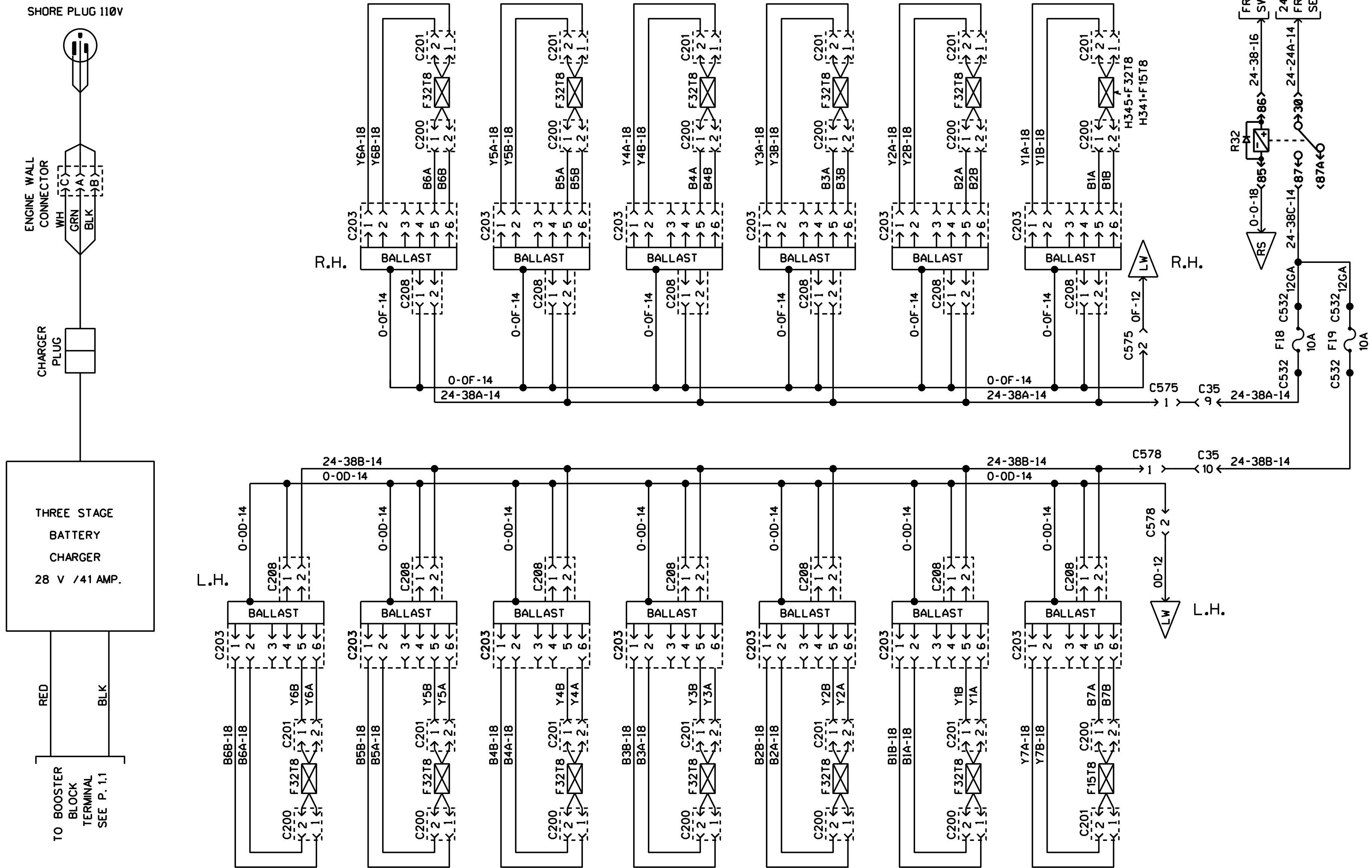
BATTERY CHARGER OR IN-STATION LIGHTING

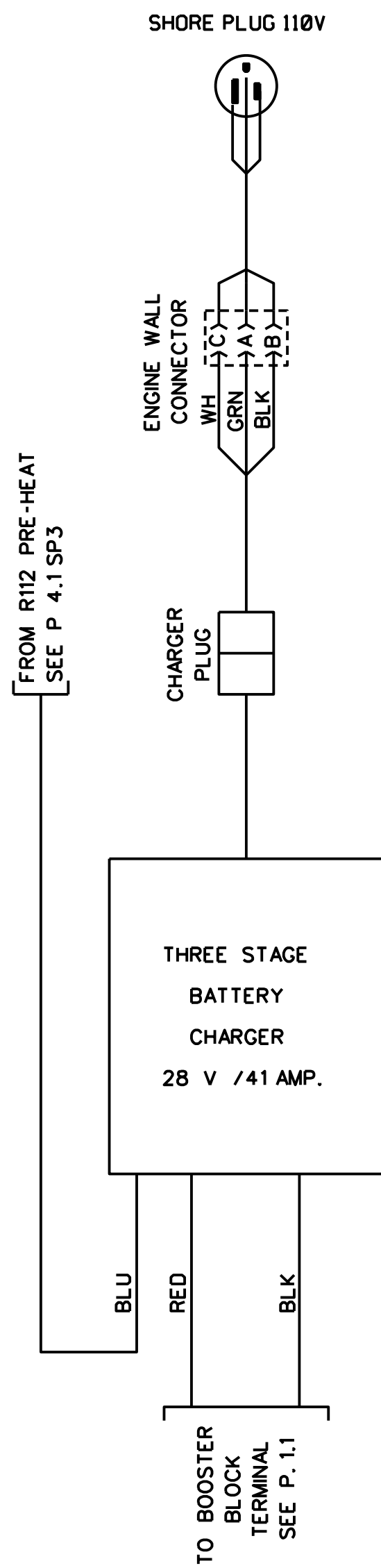


BATTERY CHARGER OR
IN-STATION LIGHTING

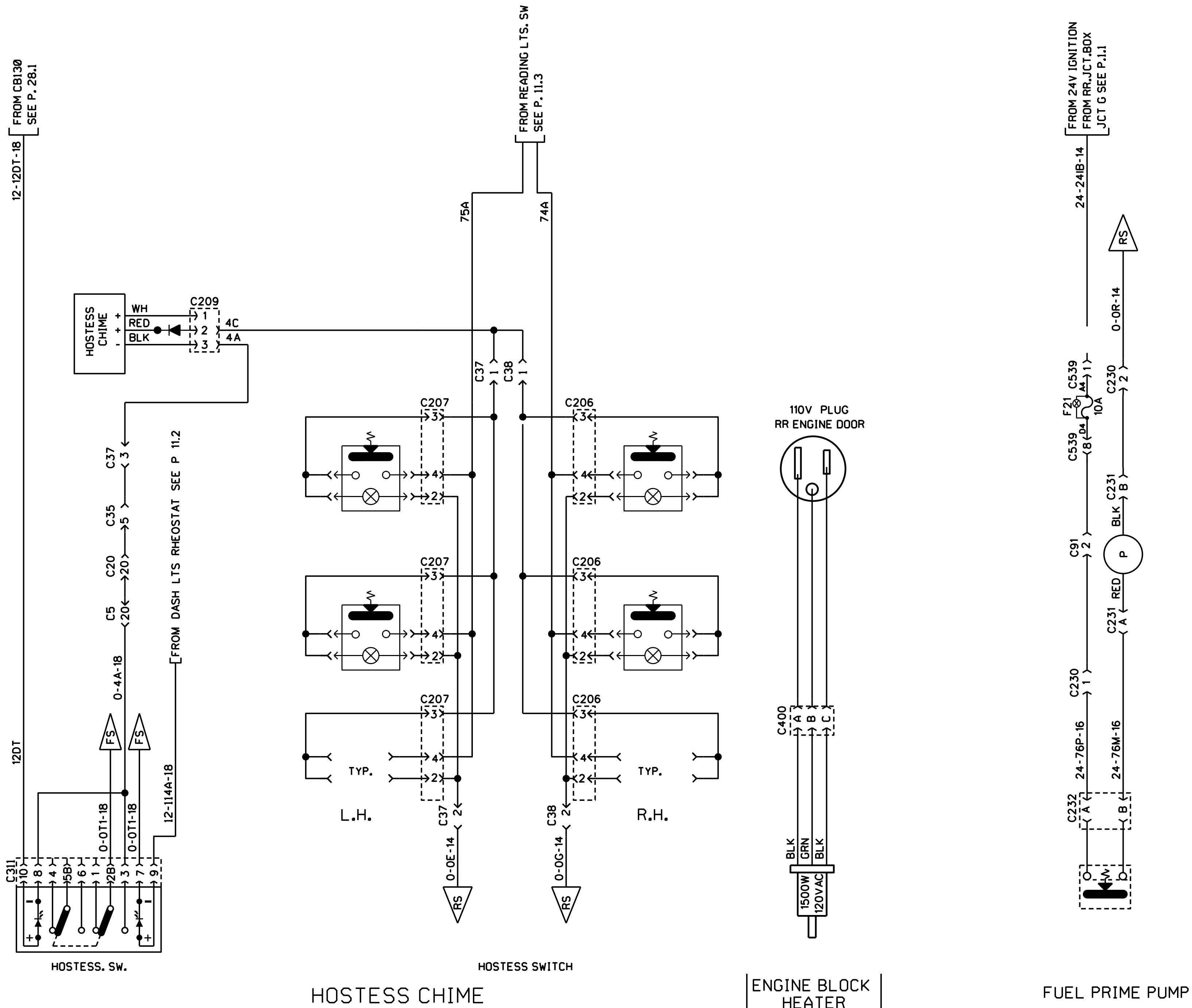
24V FLUORESCENT INTERIOR LIGHTING
H3-41 & H3-45

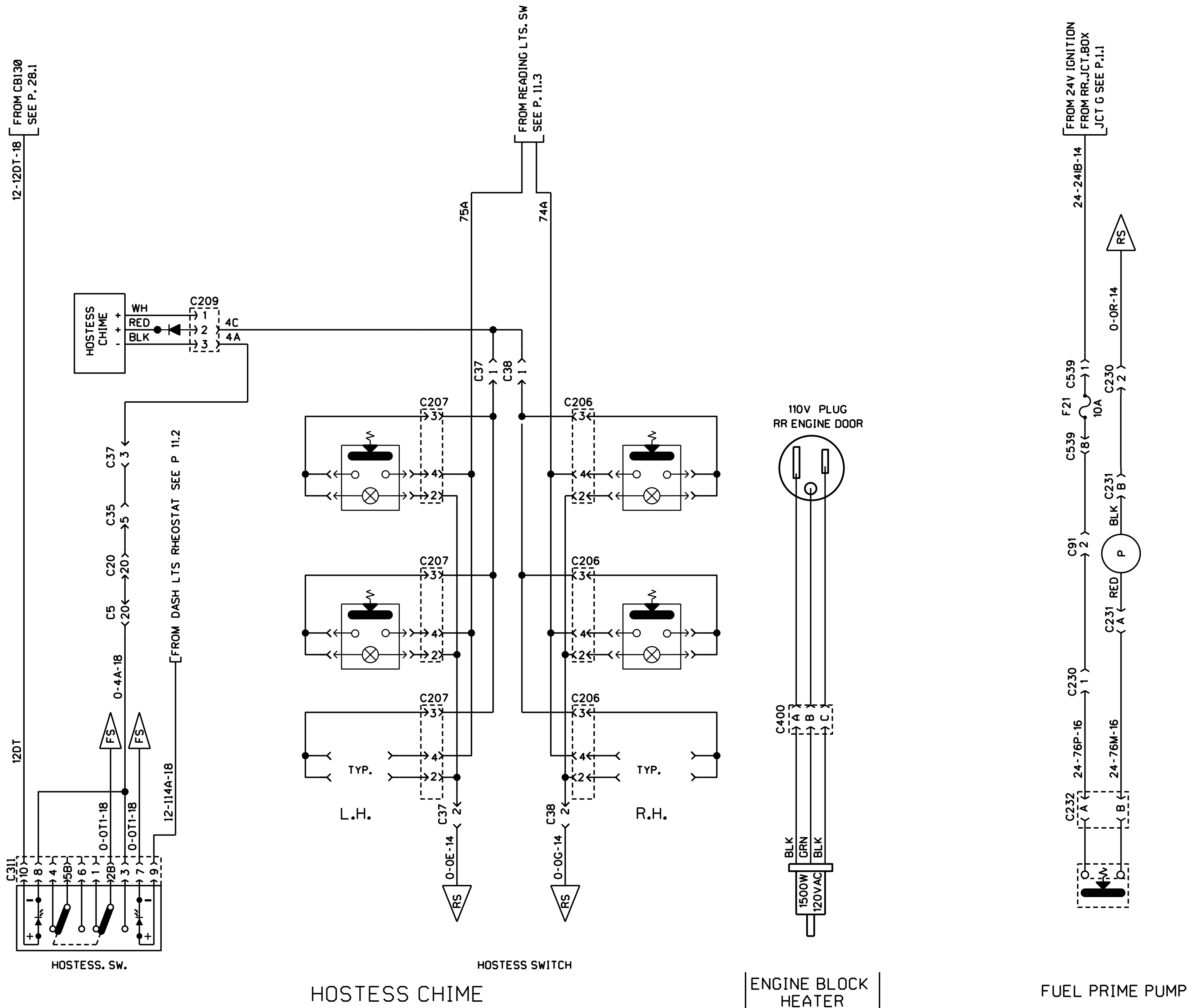
H3-45
ONLY

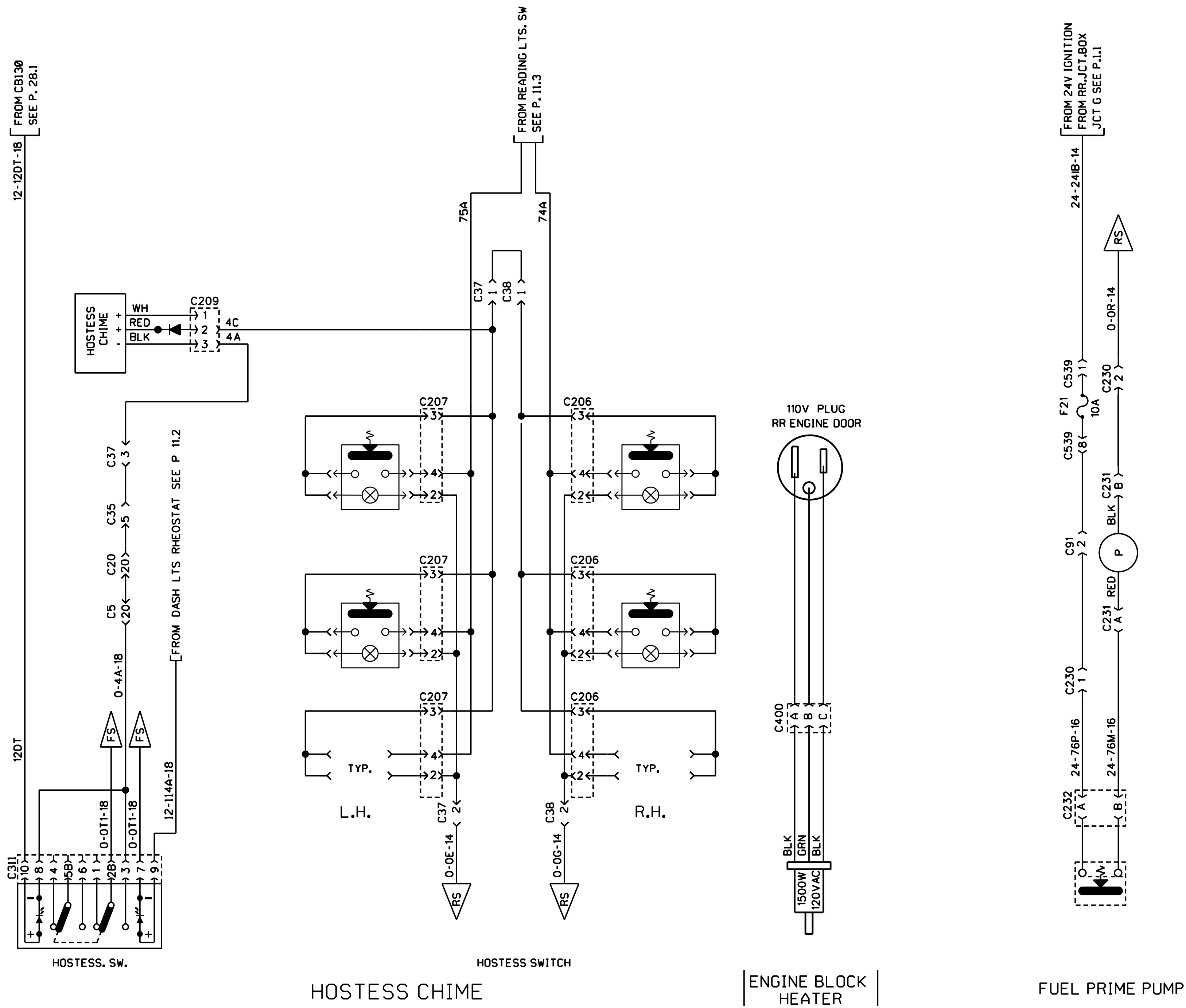


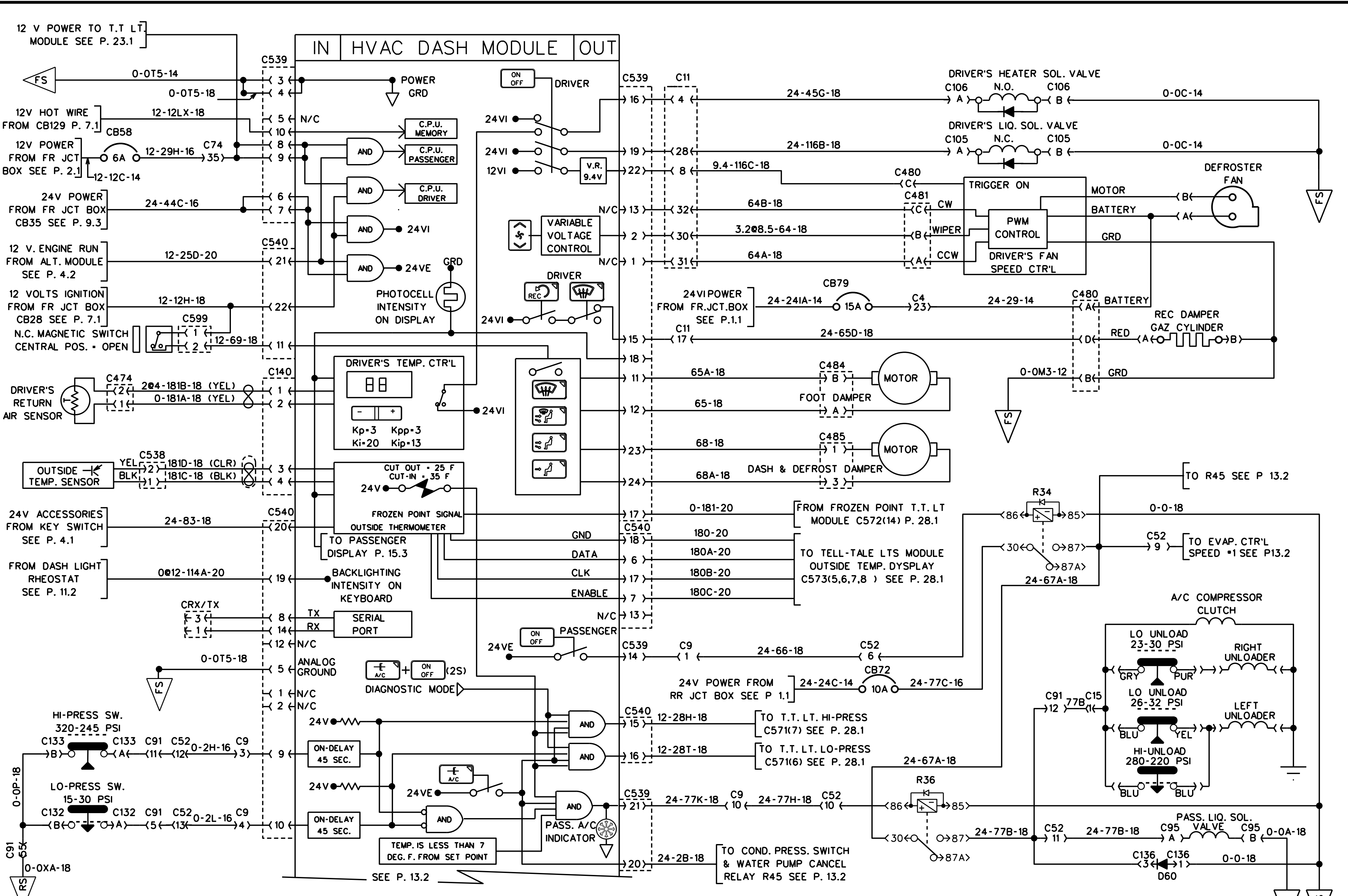


BATTERY CHARGER OR
IN-STATION LIGHTING



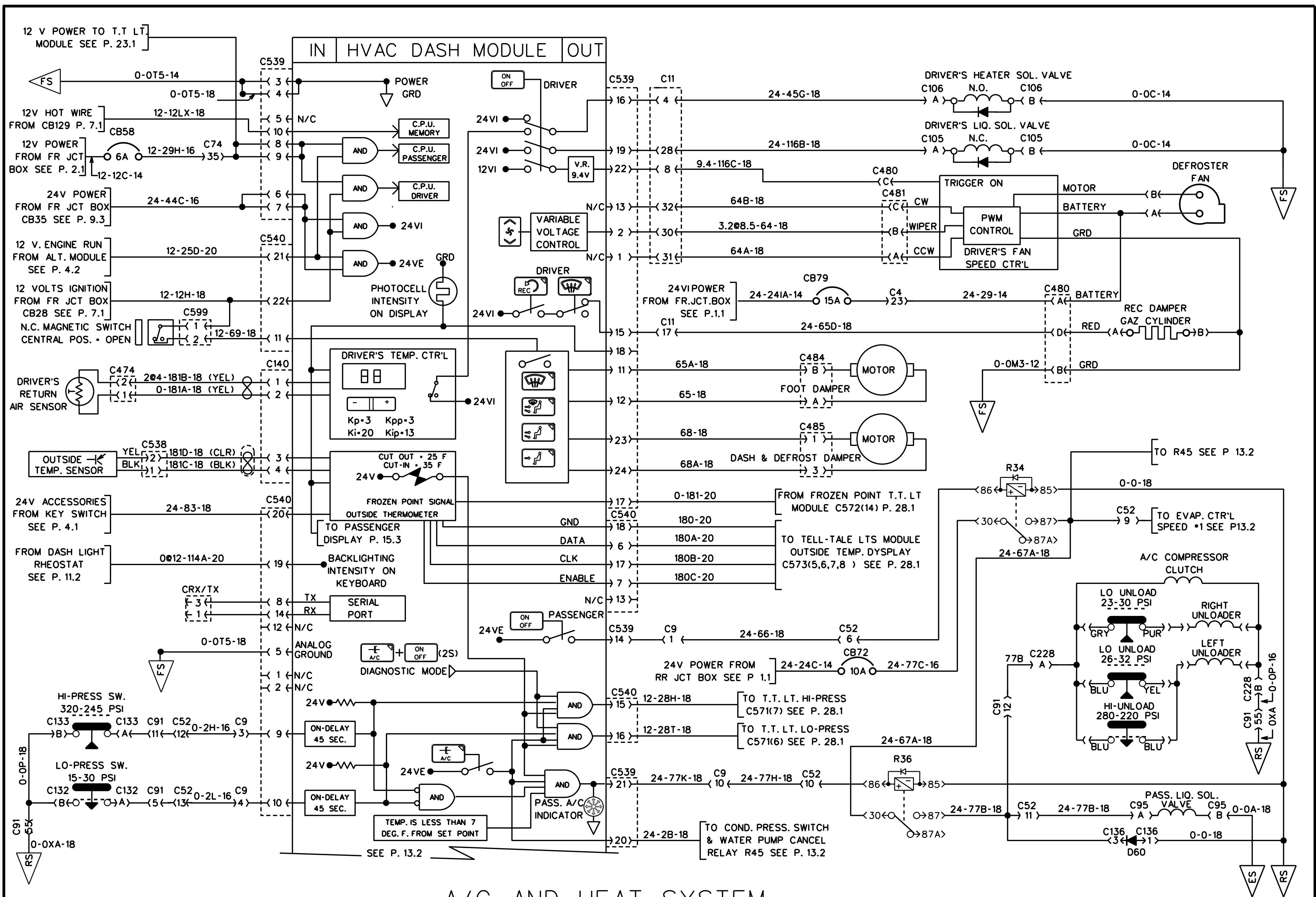






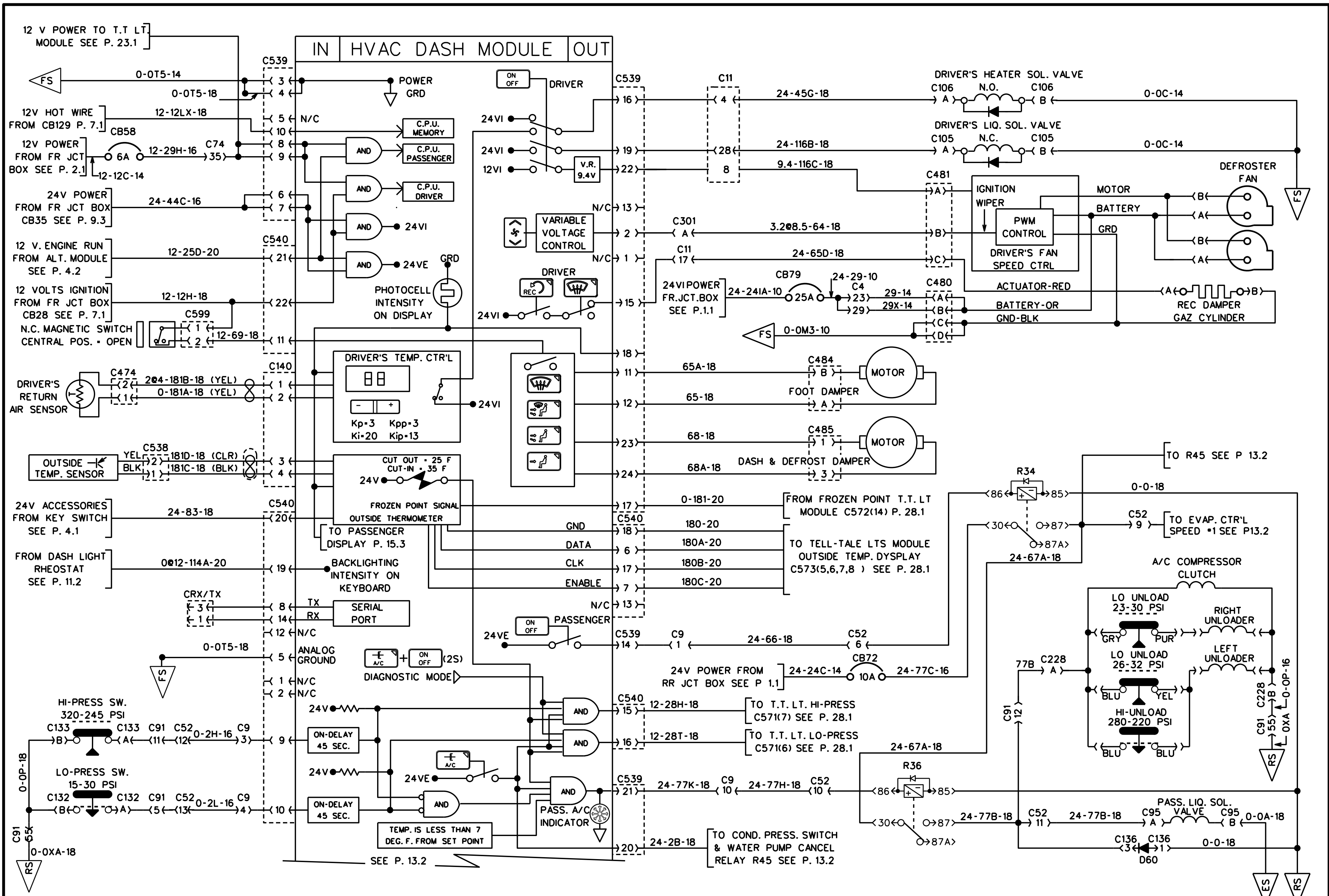
A/C AND HEAT SYSTEM

FAIT A PARTIR DE D060938 P15.2 REV 12



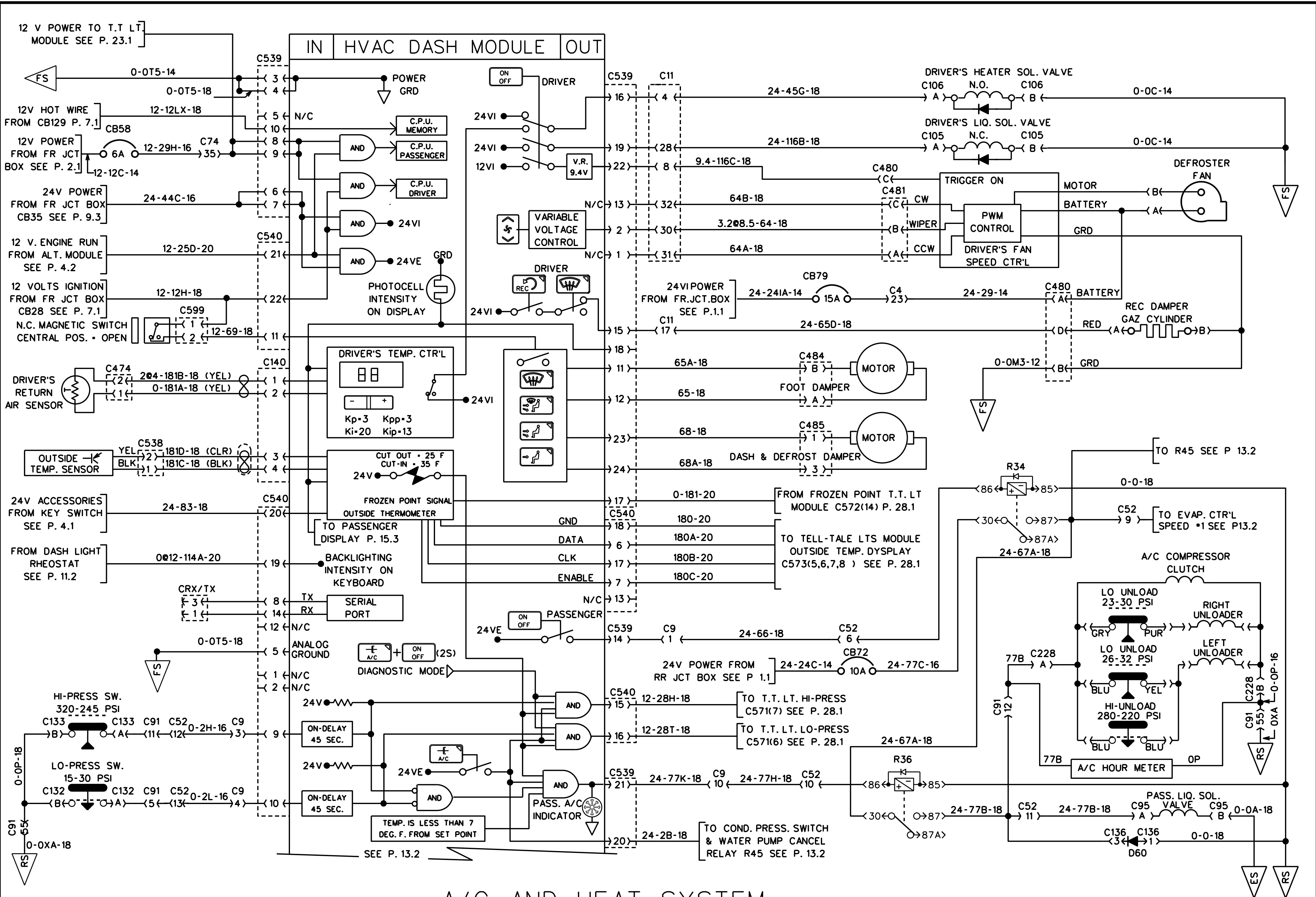
A/C AND HEAT SYSTEM

FAIT A PARTIR DE D060938 P15.2 REV 12



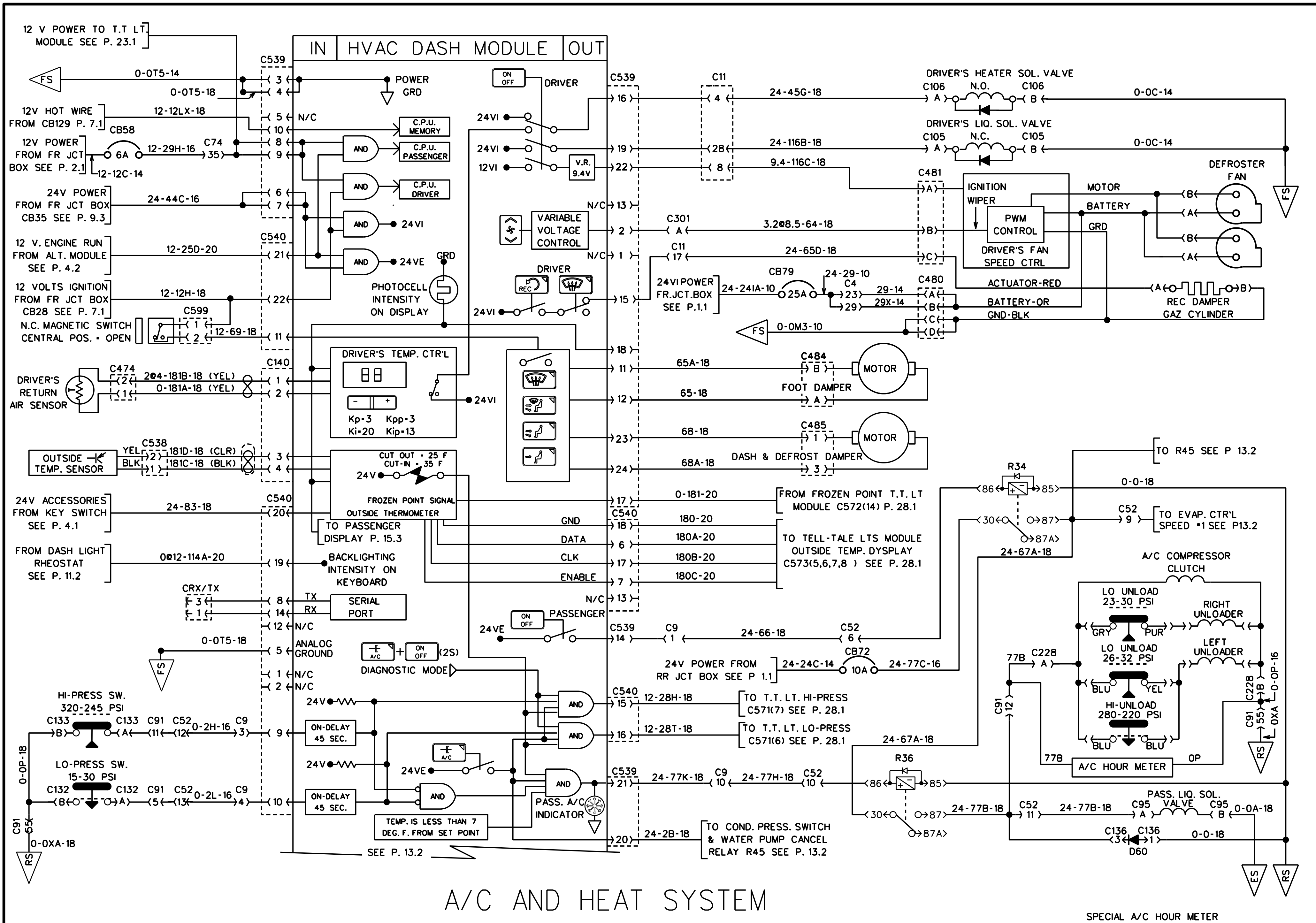
A/C AND HEAT SYSTEM

FAIT A PARTIR DE D060938 P15.2 REV 12



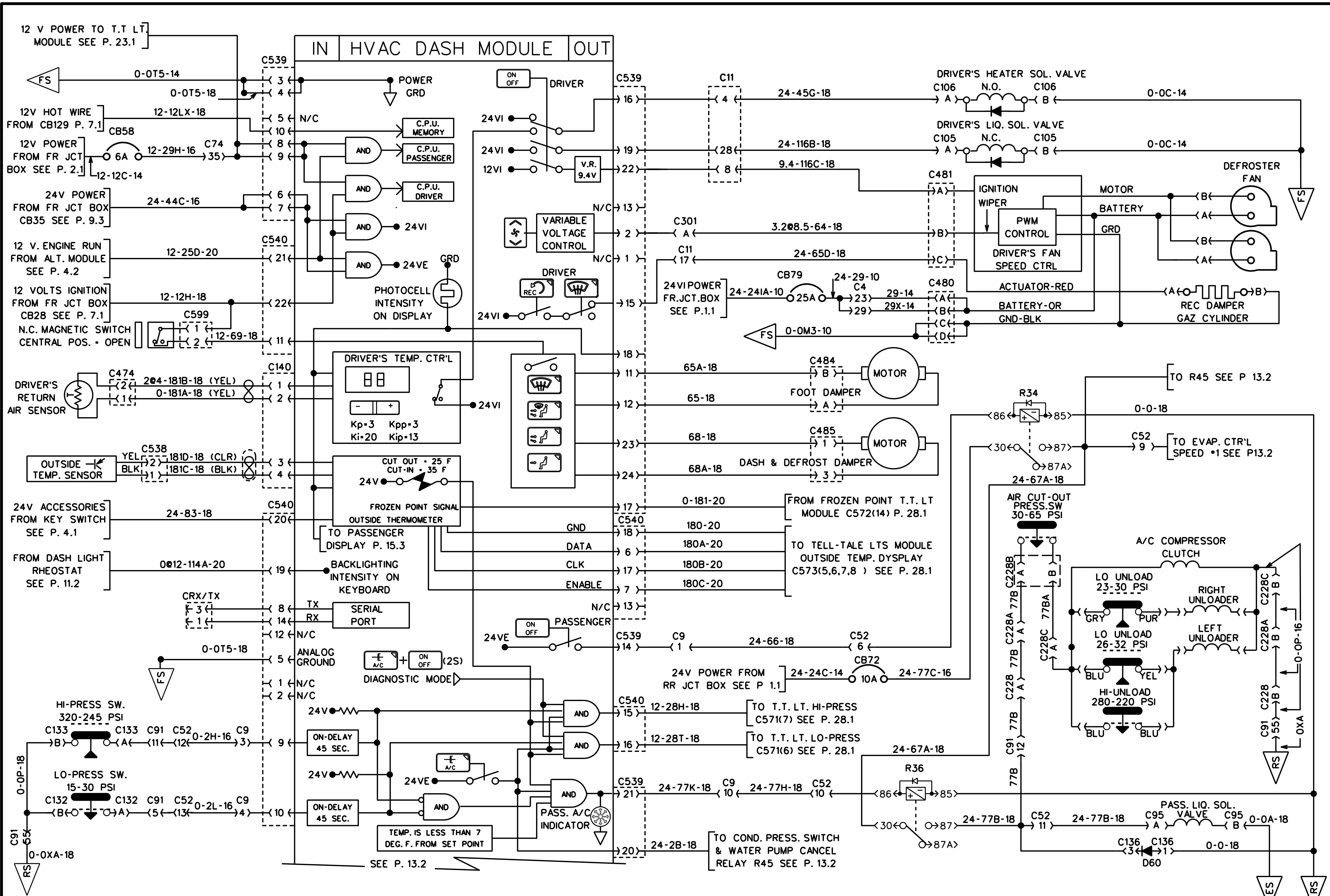
A/C AND HEAT SYSTEM

SPECIAL A/C HOUR METER

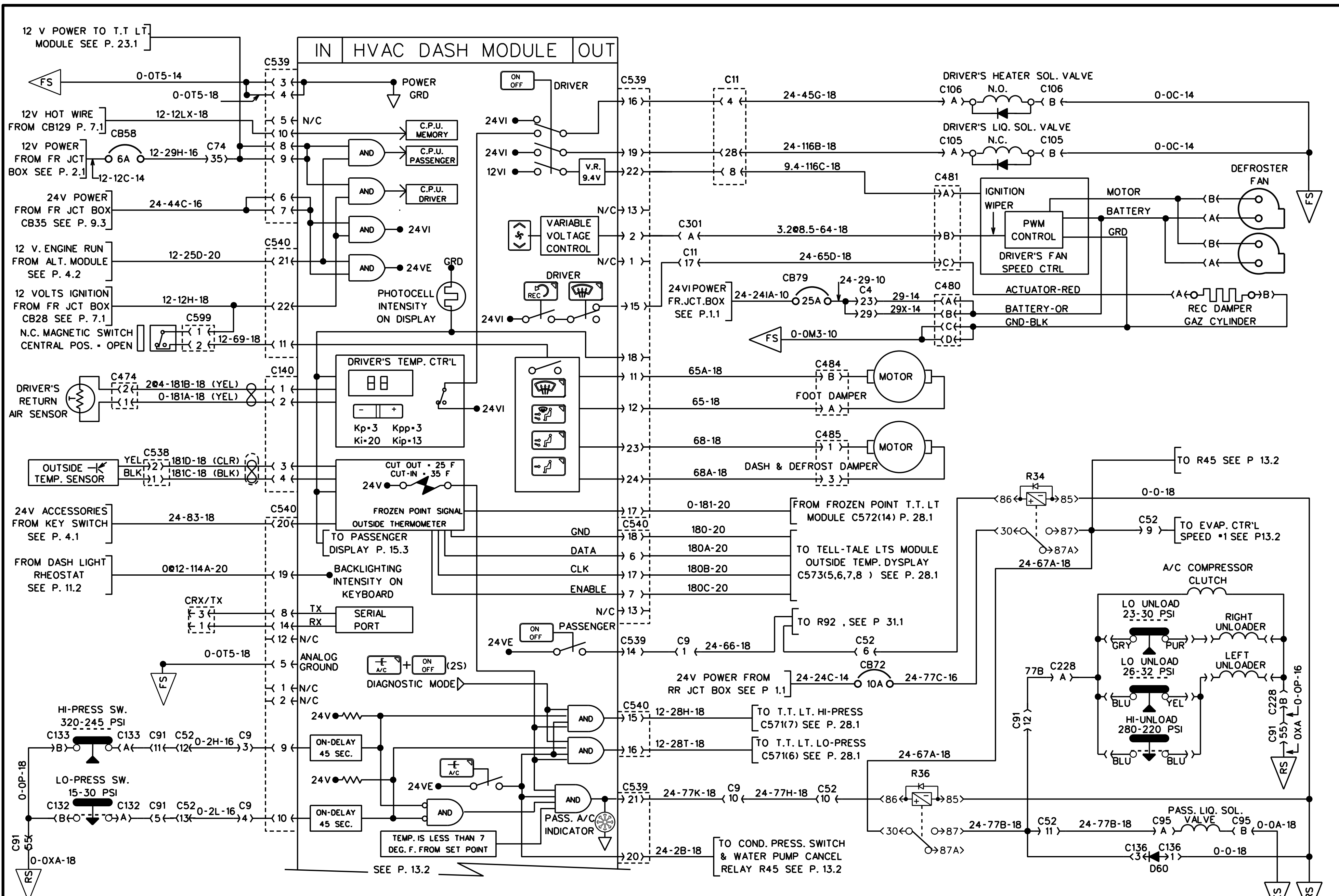


A/C AND HEAT SYSTEM

SPECIAL A/C HOUR METER

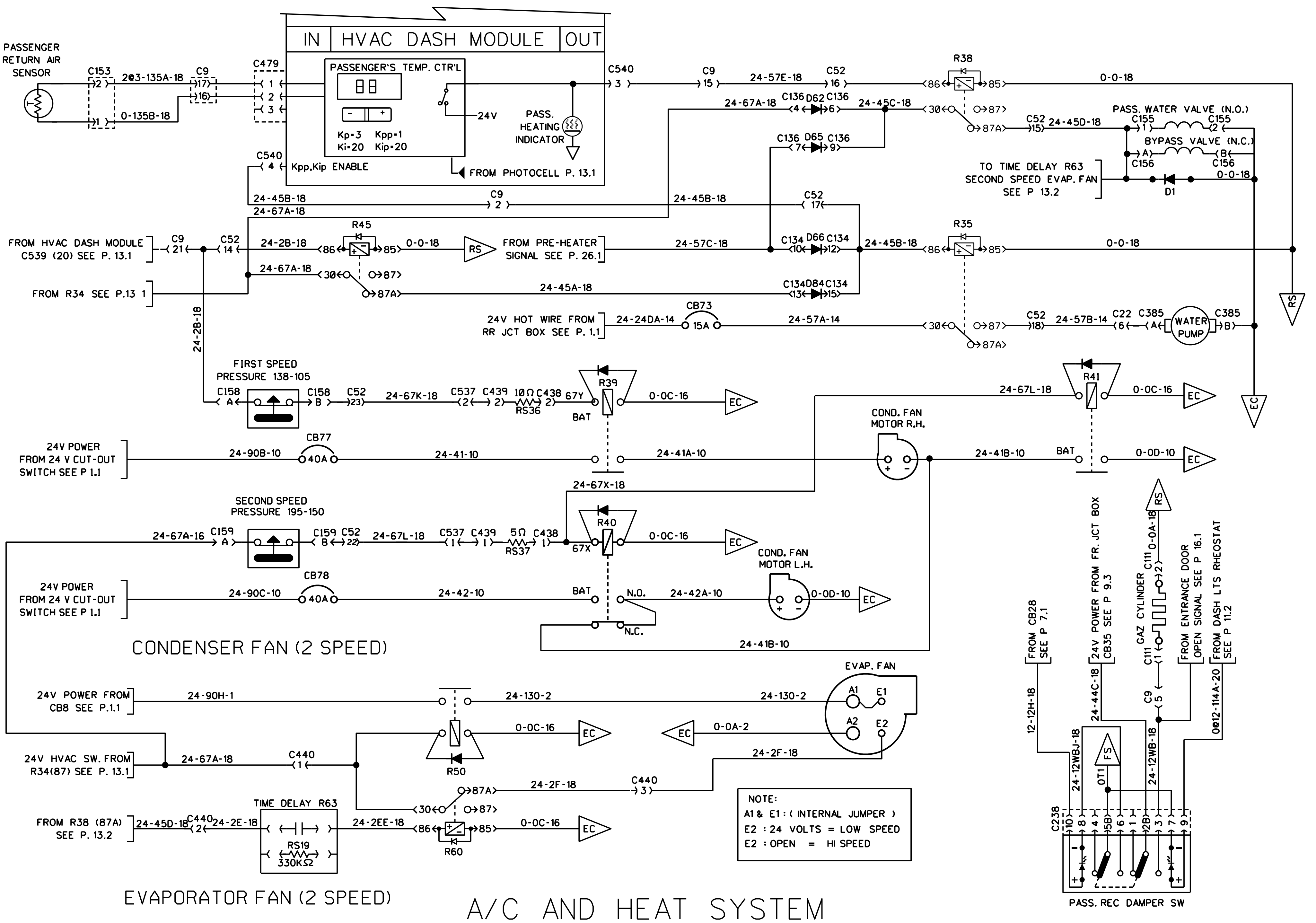


A/C AND HEAT SYSTEM

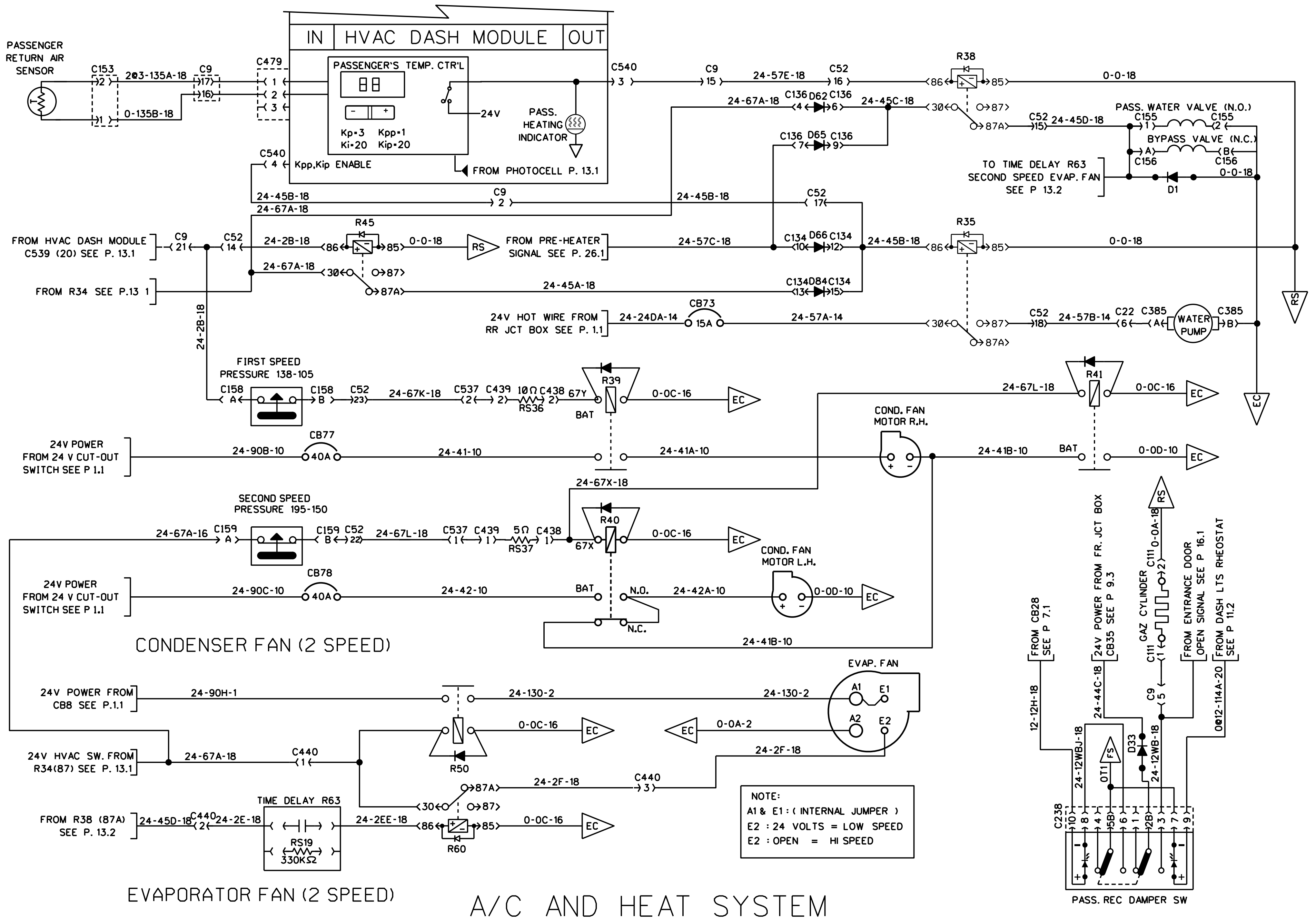


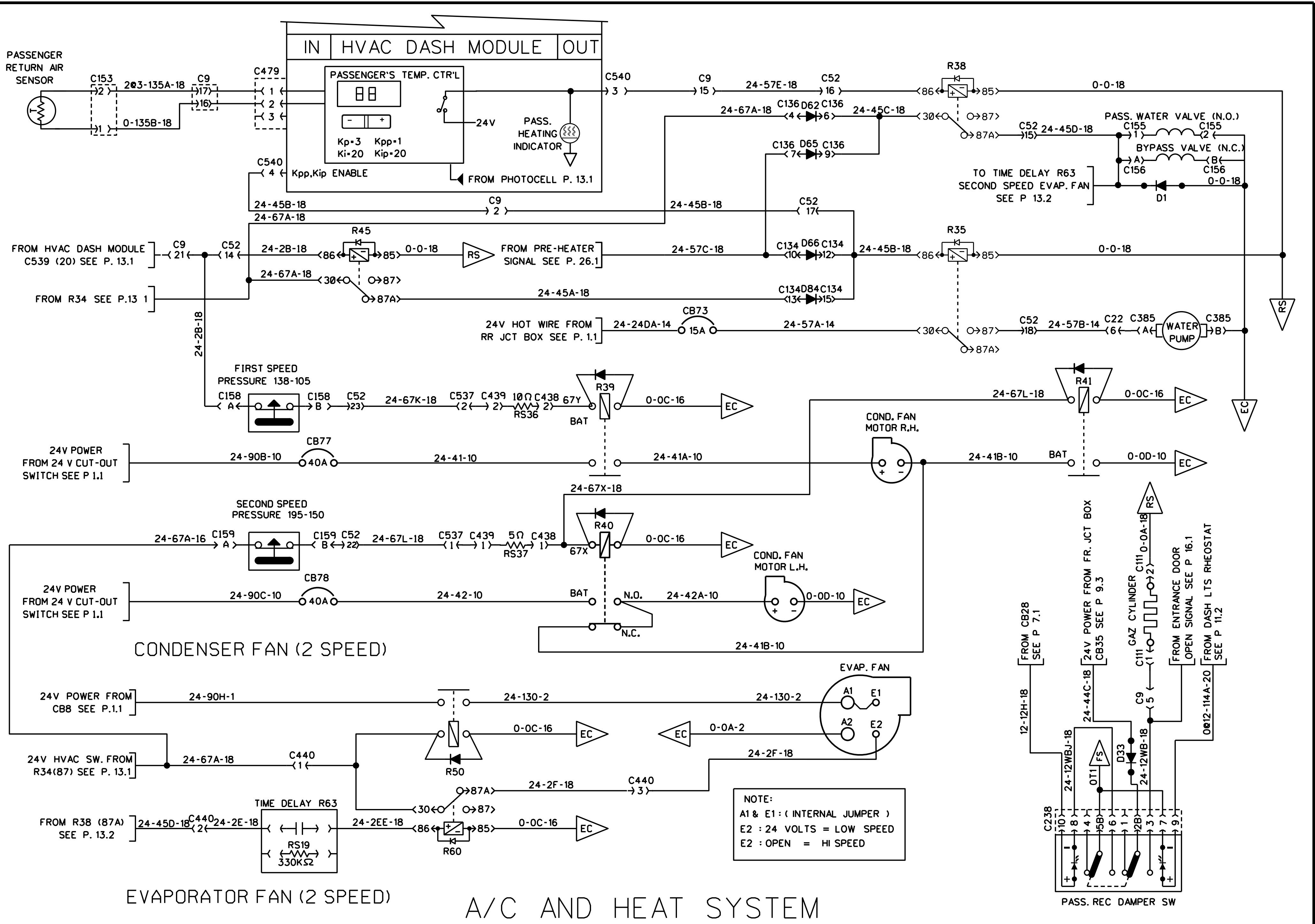
A/C AND HEAT SYSTEM

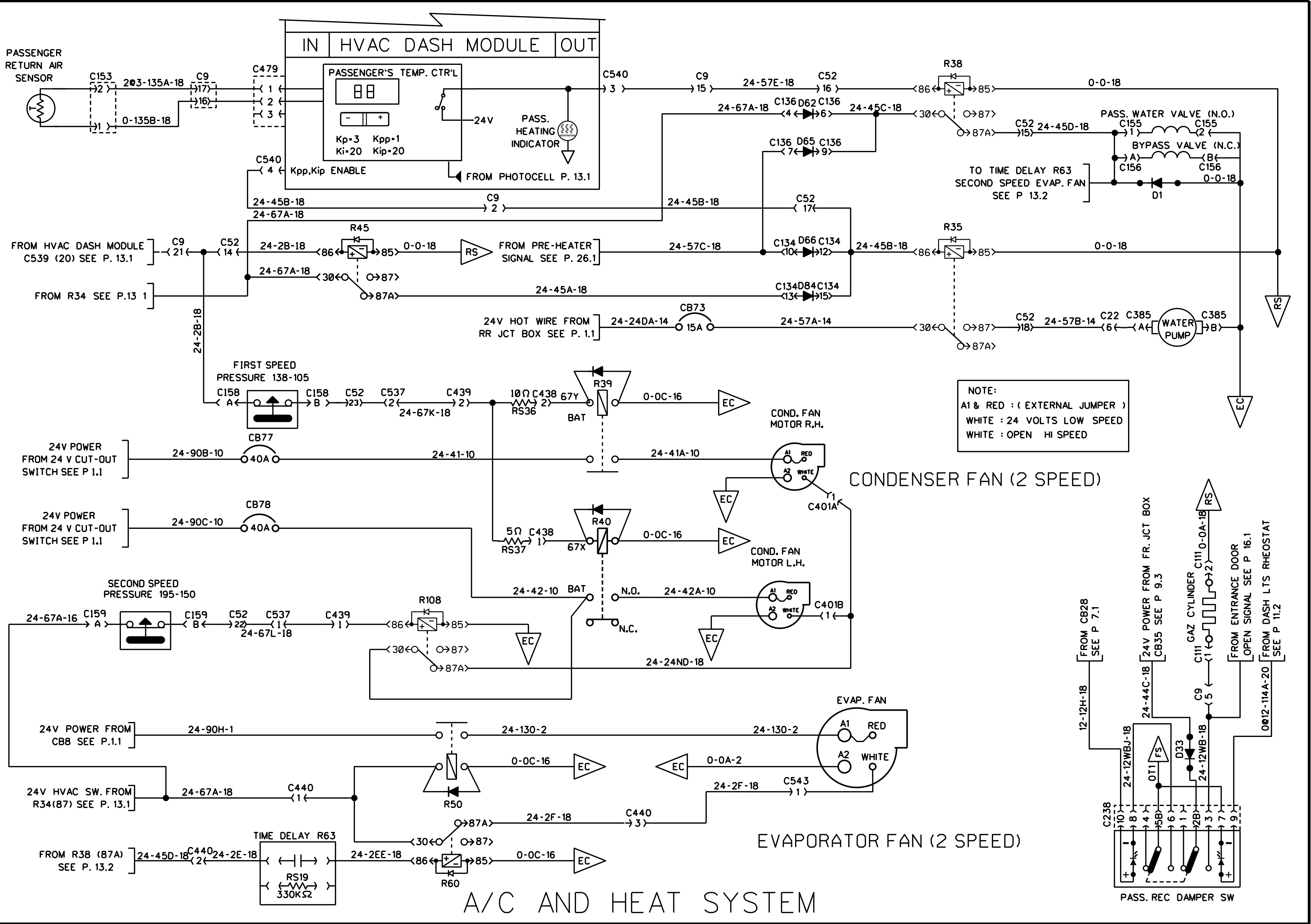
FAIT A PARTIR DE D060938 P15.2 REV 12

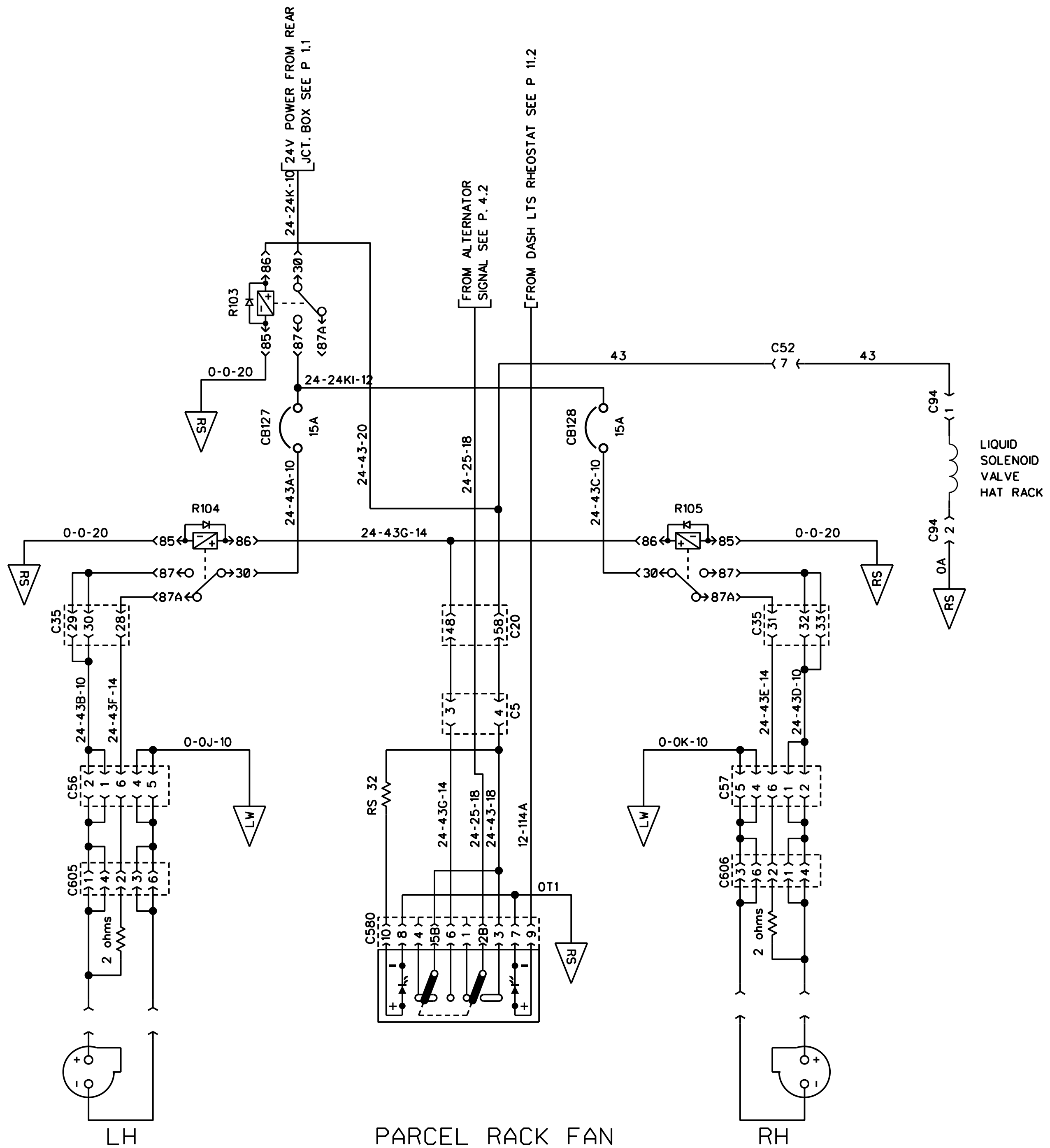


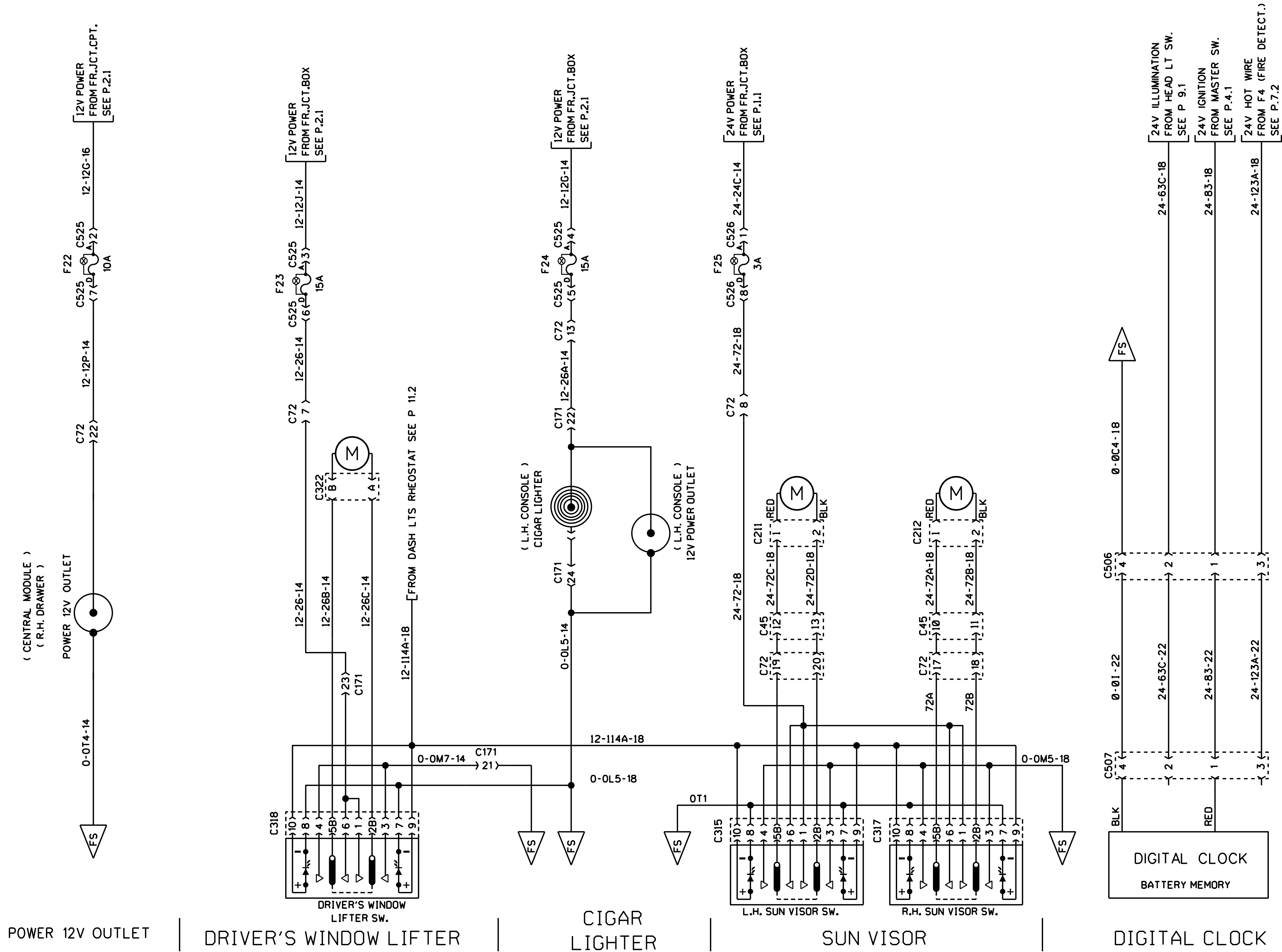
NOTE:
 A1 & E1 : (INTERNAL JUMPER)
 E2 : 24 VOLTS = LOW SPEED
 E2 : OPEN = HI SPEED











POWER 12V OUTLET

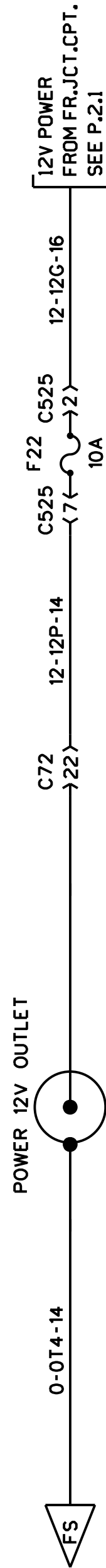
DRIVER'S WINDOW LIFTER

CIGAR LIGHTER

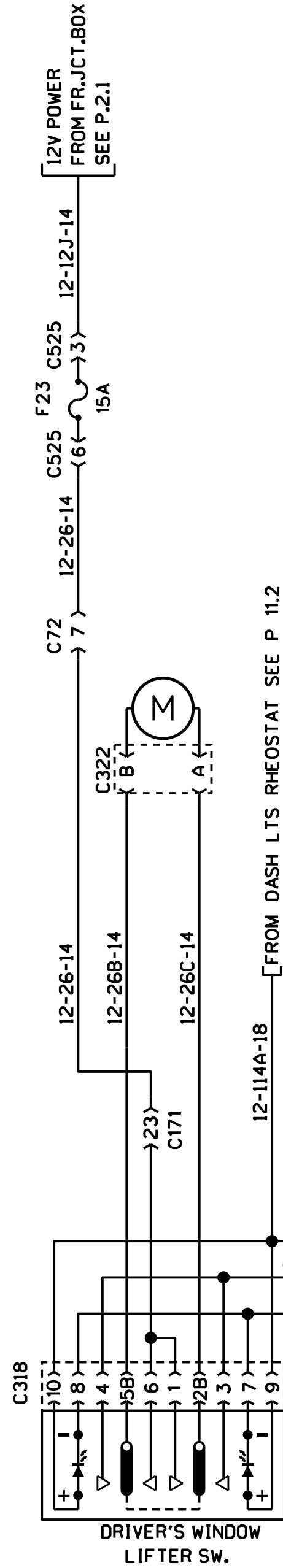
SUN VISOR

DIGITAL CLOCK

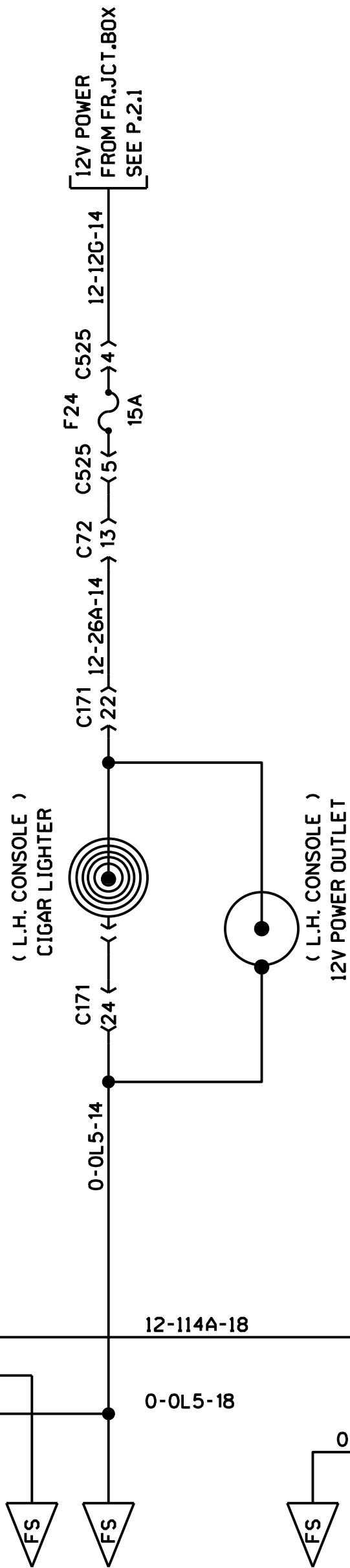
(CENTRAL MODULE)
(R.H. DRAWER)



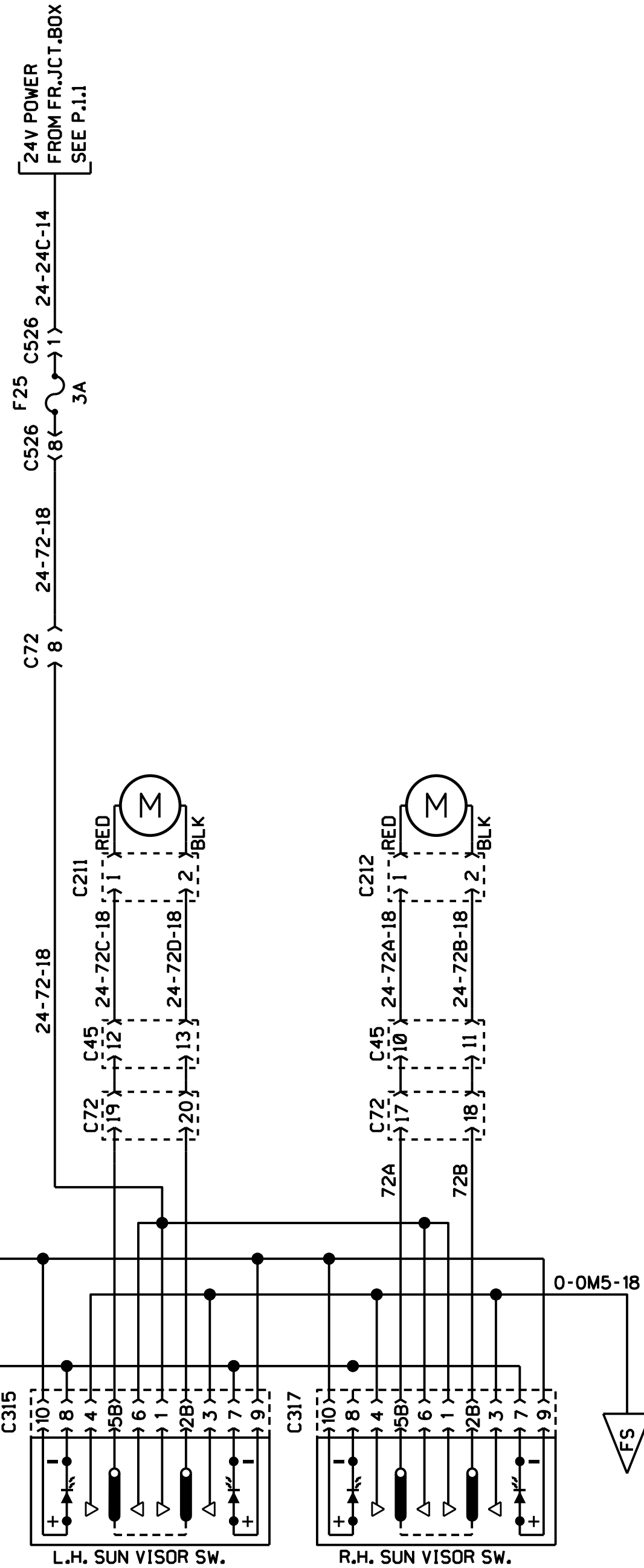
POWER 12V OUTLET



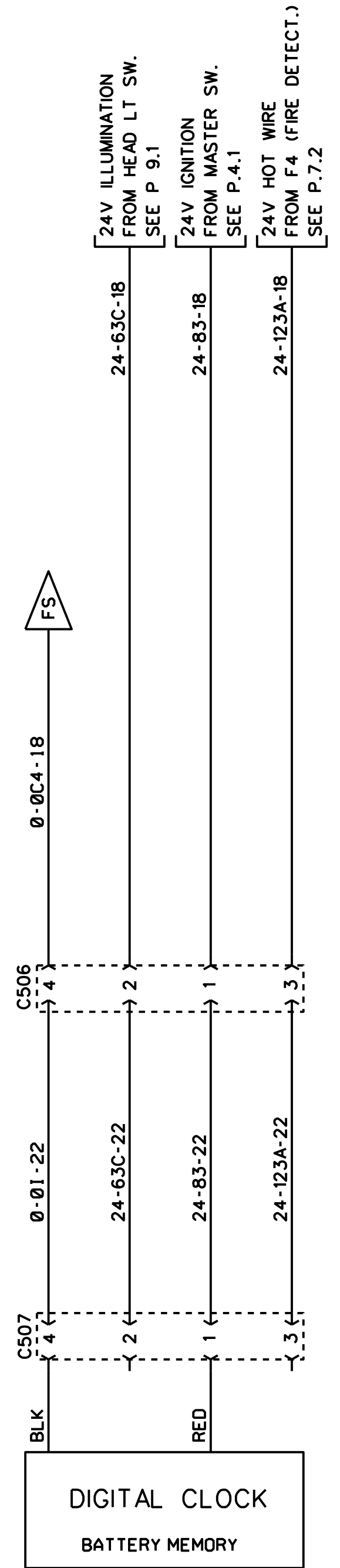
DRIVER'S WINDOW LIFTER



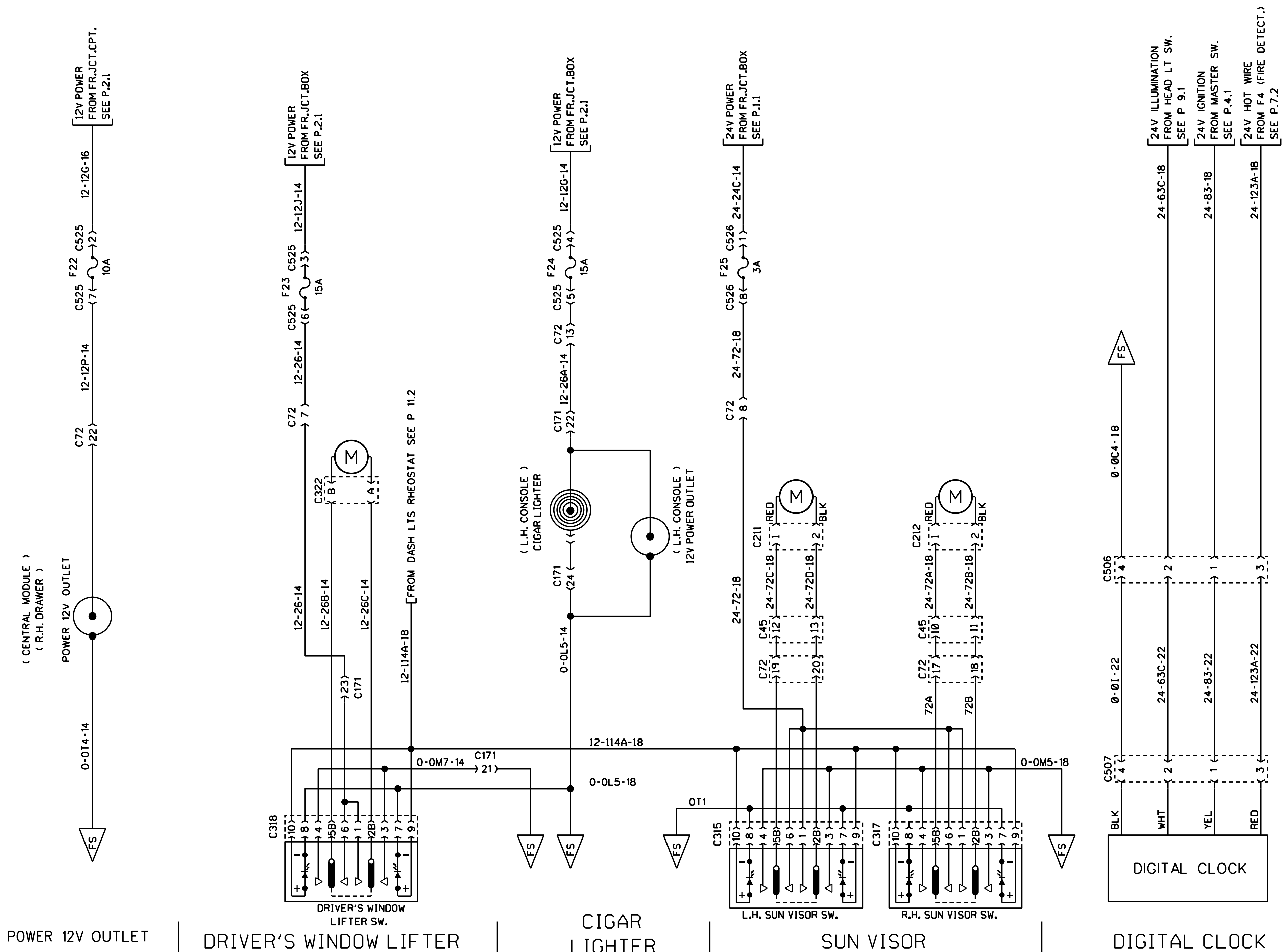
CIGAR LIGHTER



SUN VISOR



DIGITAL CLOCK



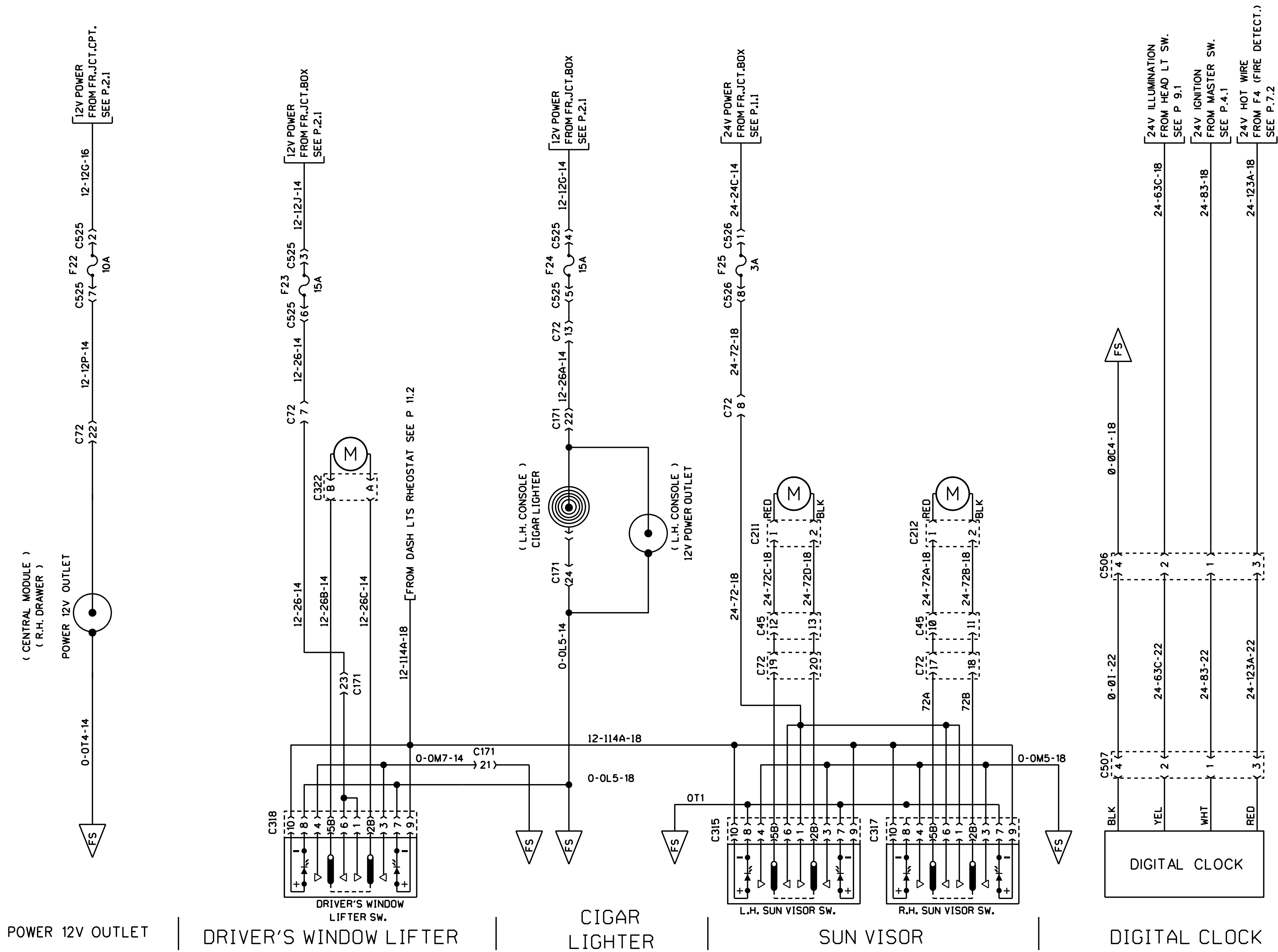
POWER 12V OUTLET

DRIVER'S WINDOW LIFTER

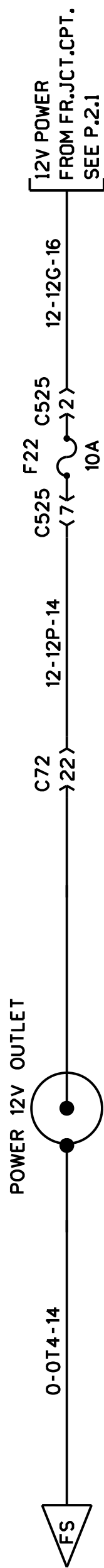
CIGAR LIGHTER

SUN VISOR

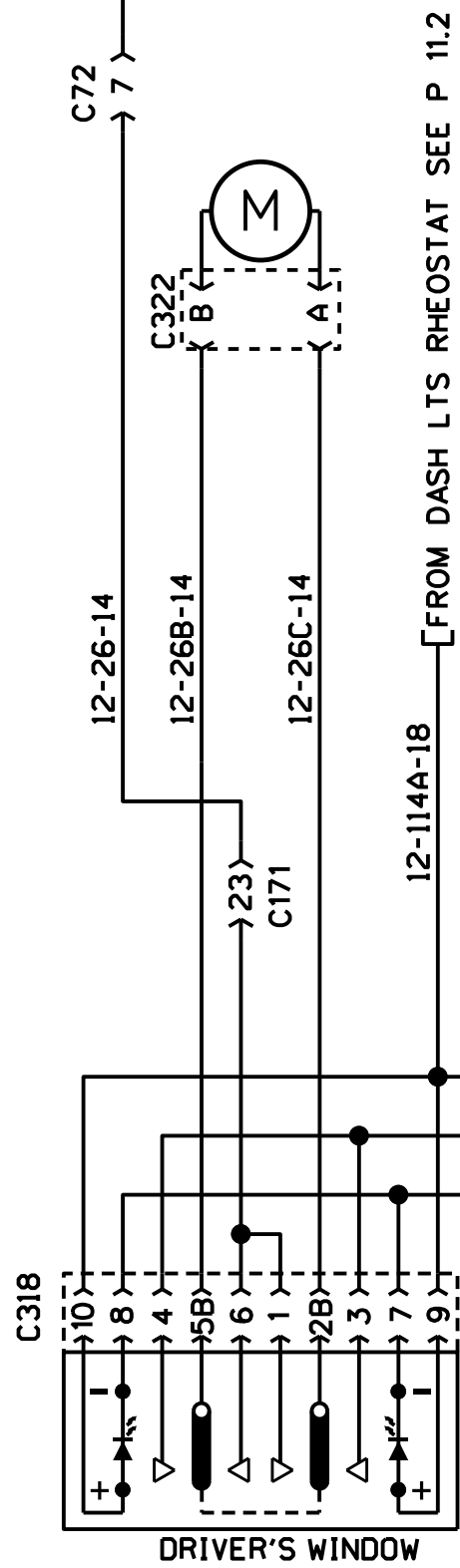
DIGITAL CLOCK



(CENTRAL MODULE)
(R.H. DRAWER)

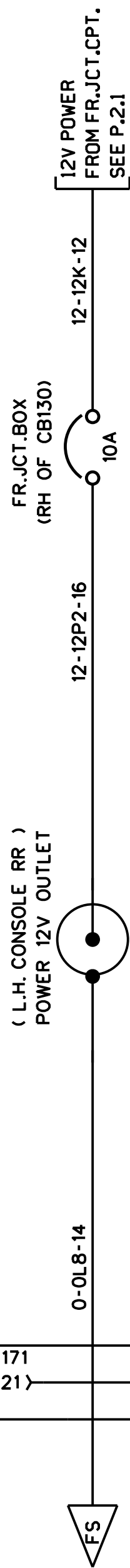


POWER 12V OUTLET

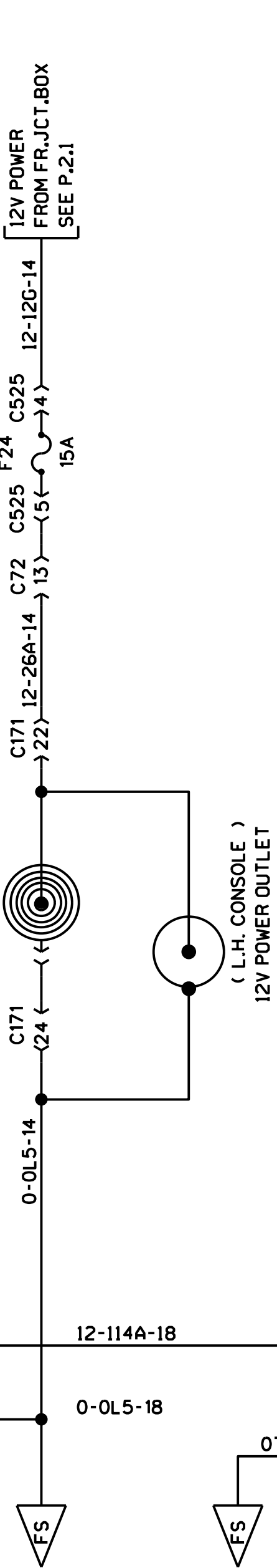


DRIVER'S WINDOW LIFTER

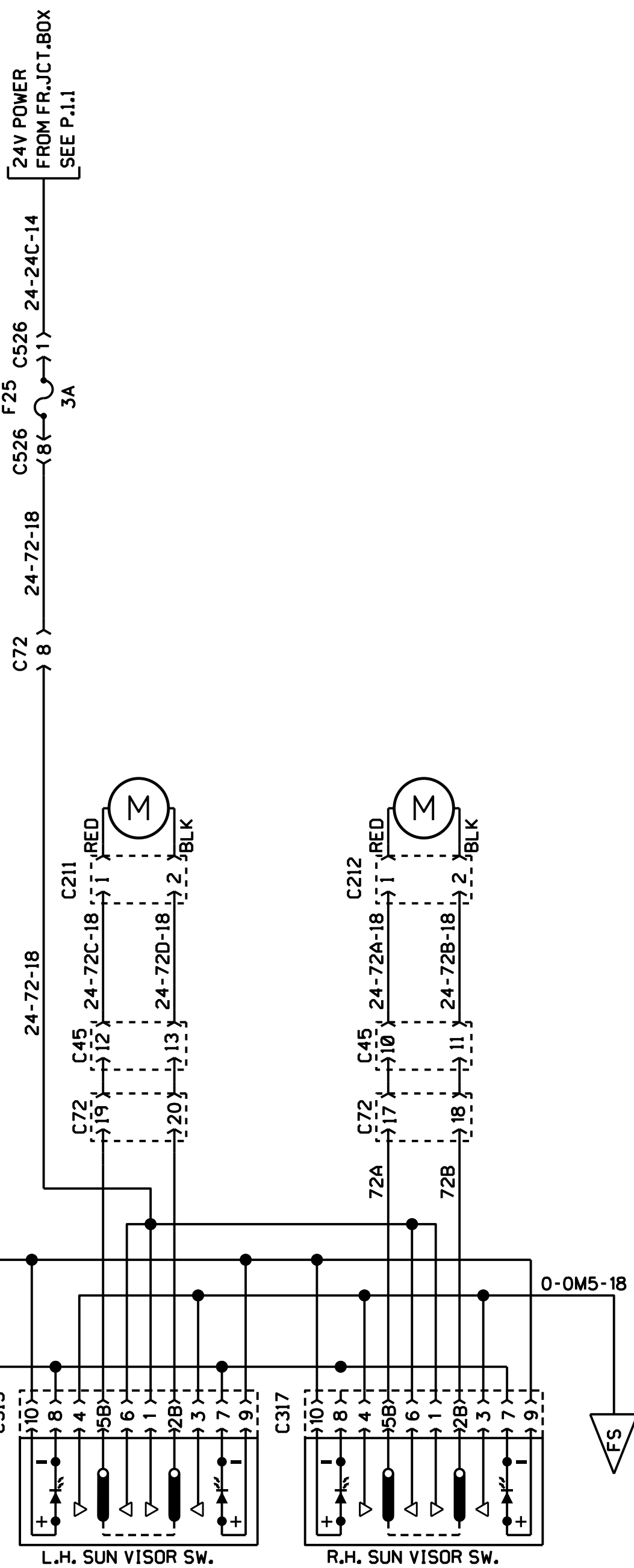
[FROM DASH LTS RHEOSTAT SEE P 11.2



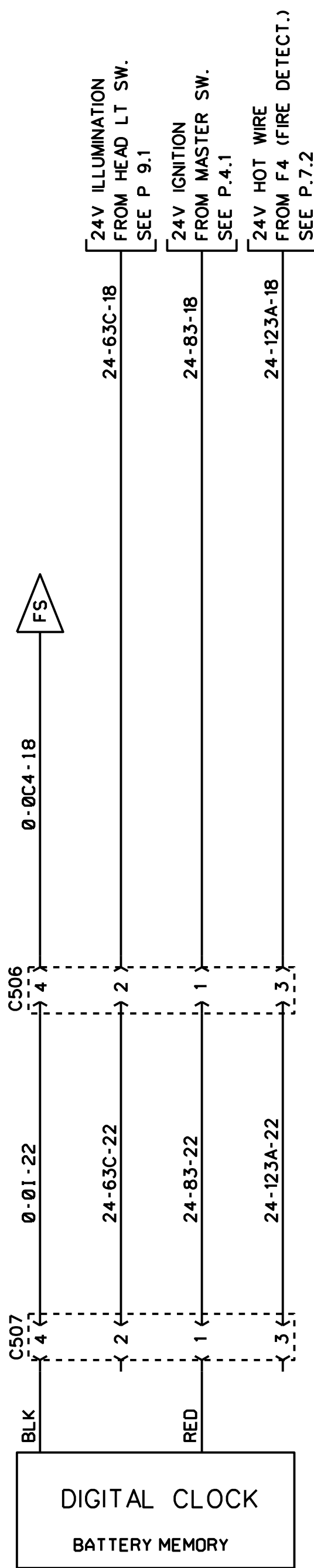
POWER 12V OUTLET (SPECIAL)



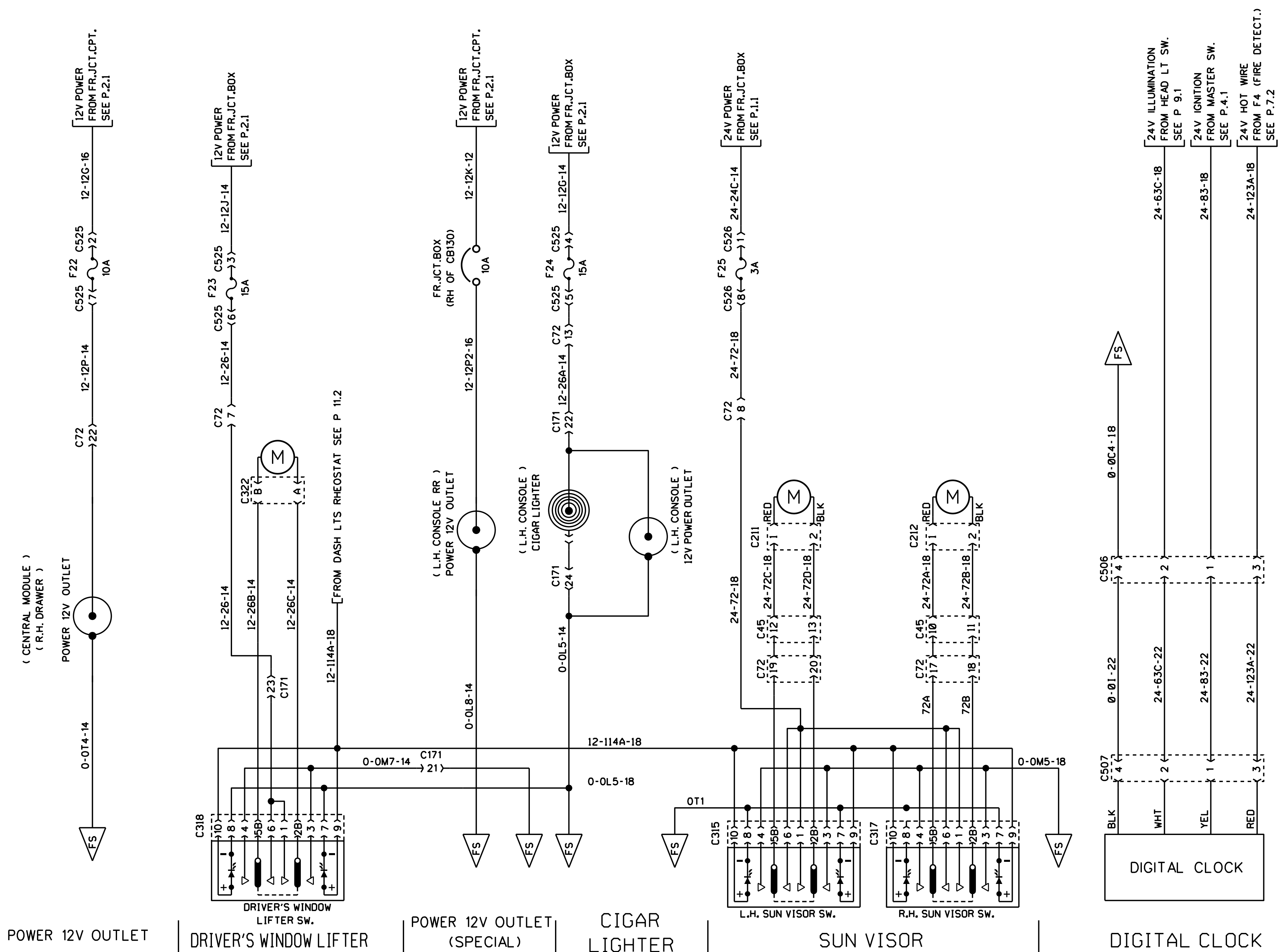
CIGAR LIGHTER



SUN VISOR



DIGITAL CLOCK



POWER 12V OUTLET

DRIVER'S WINDOW LIFTER SW.

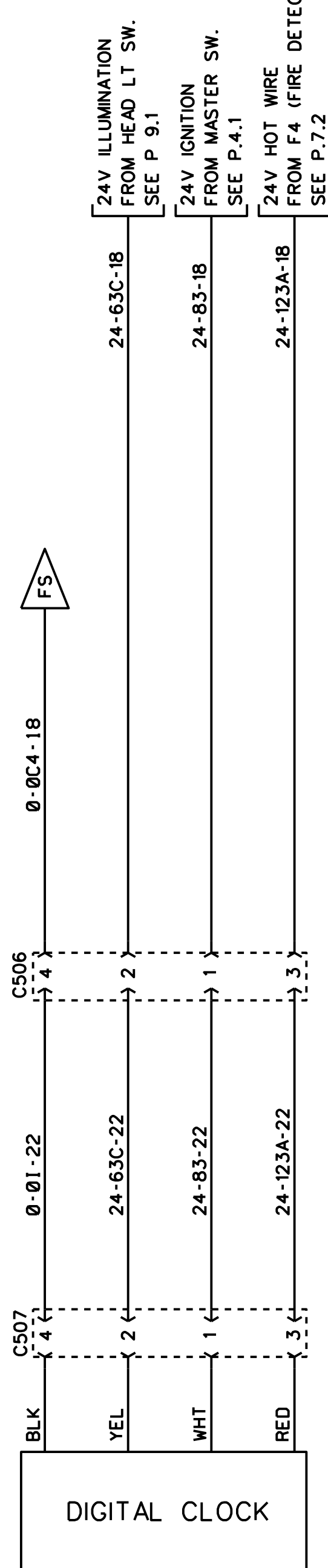
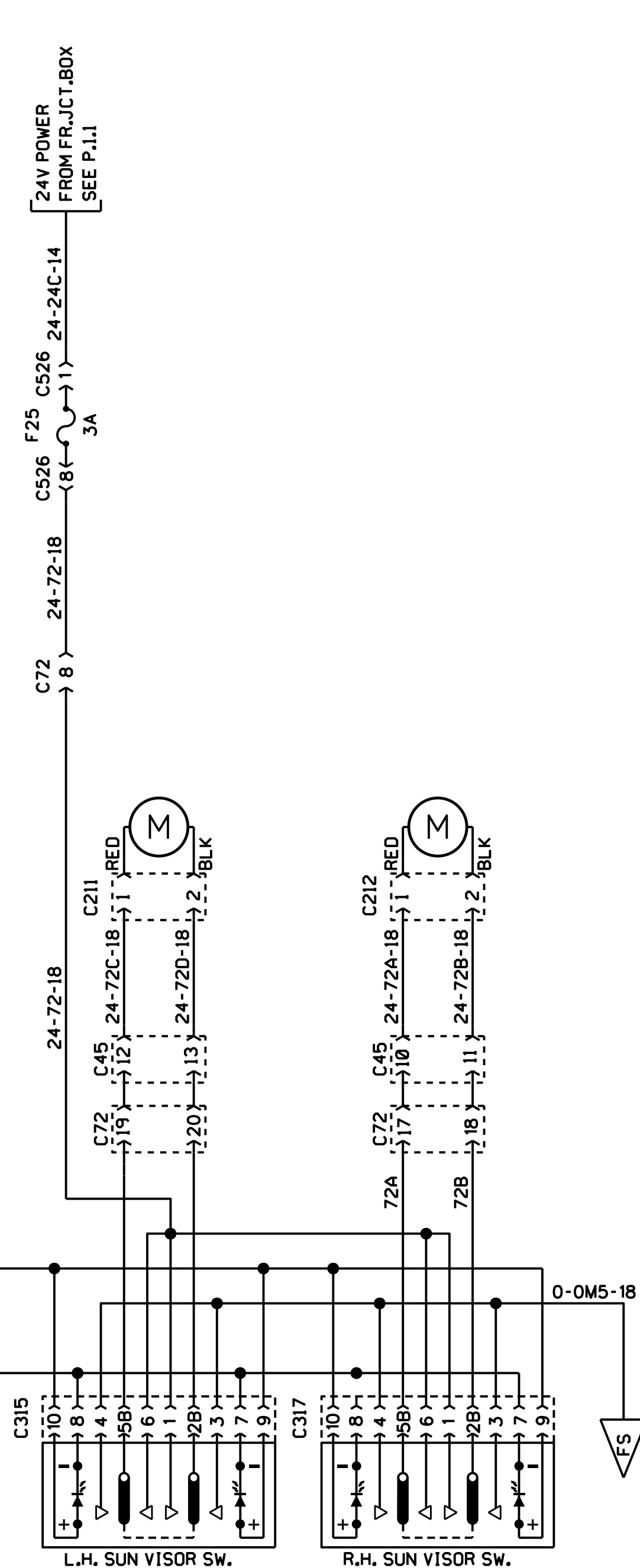
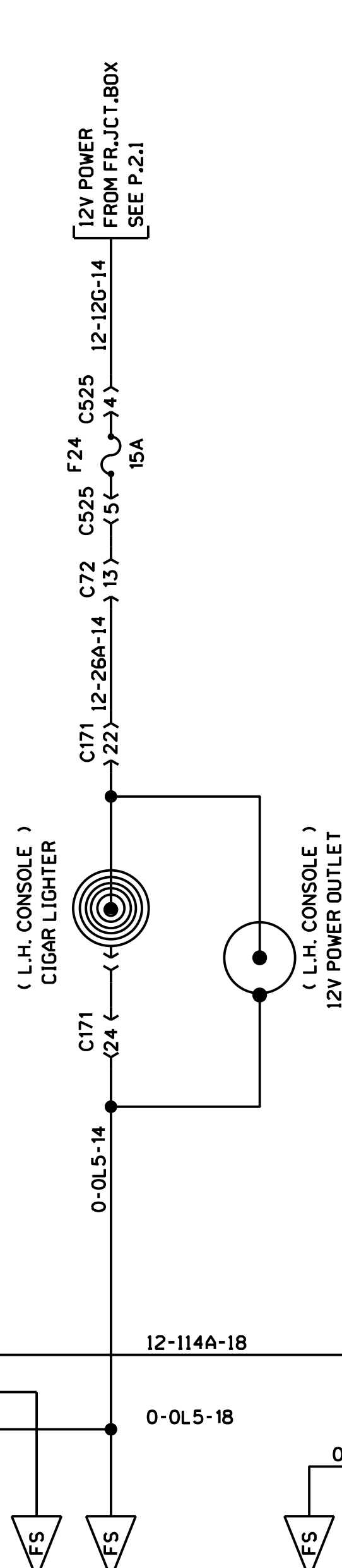
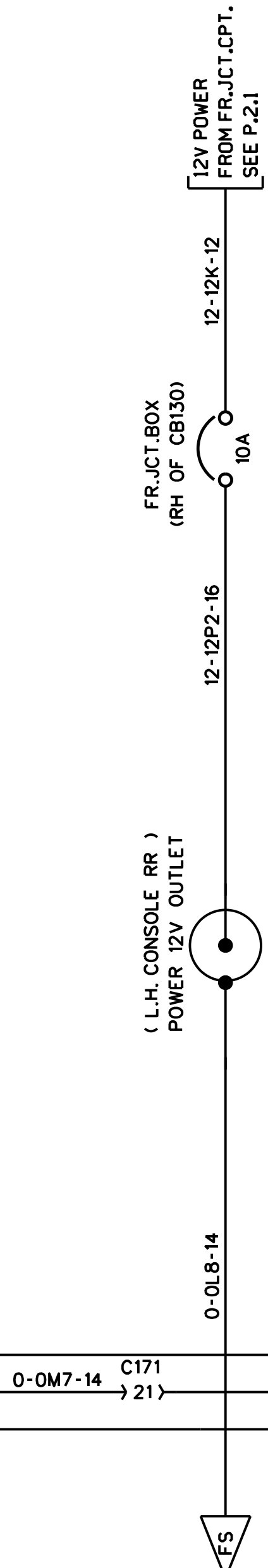
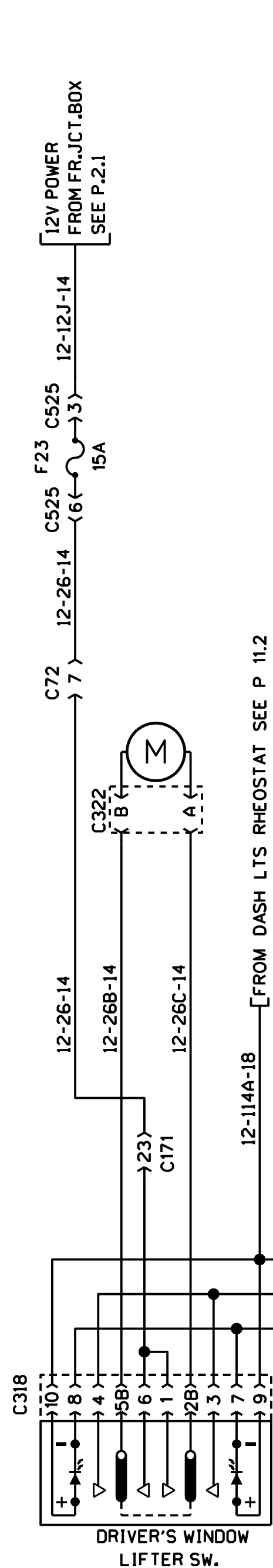
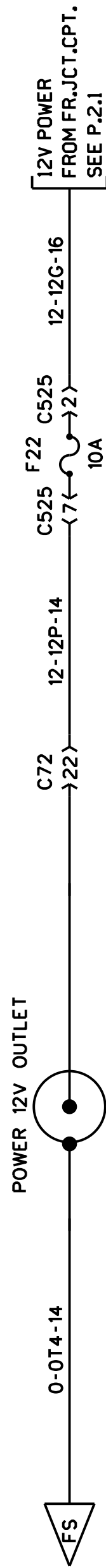
POWER 12V OUTLET (SPECIAL)

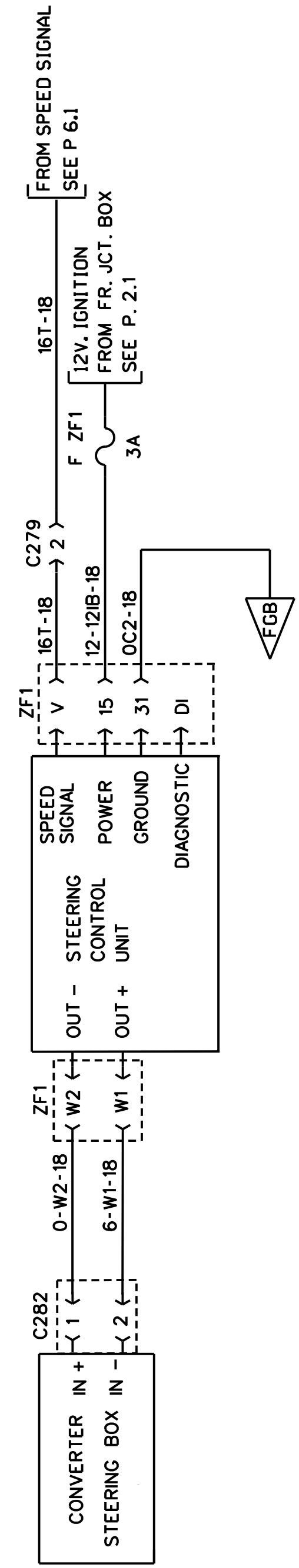
CIGAR LIGHTER

SUN VISOR

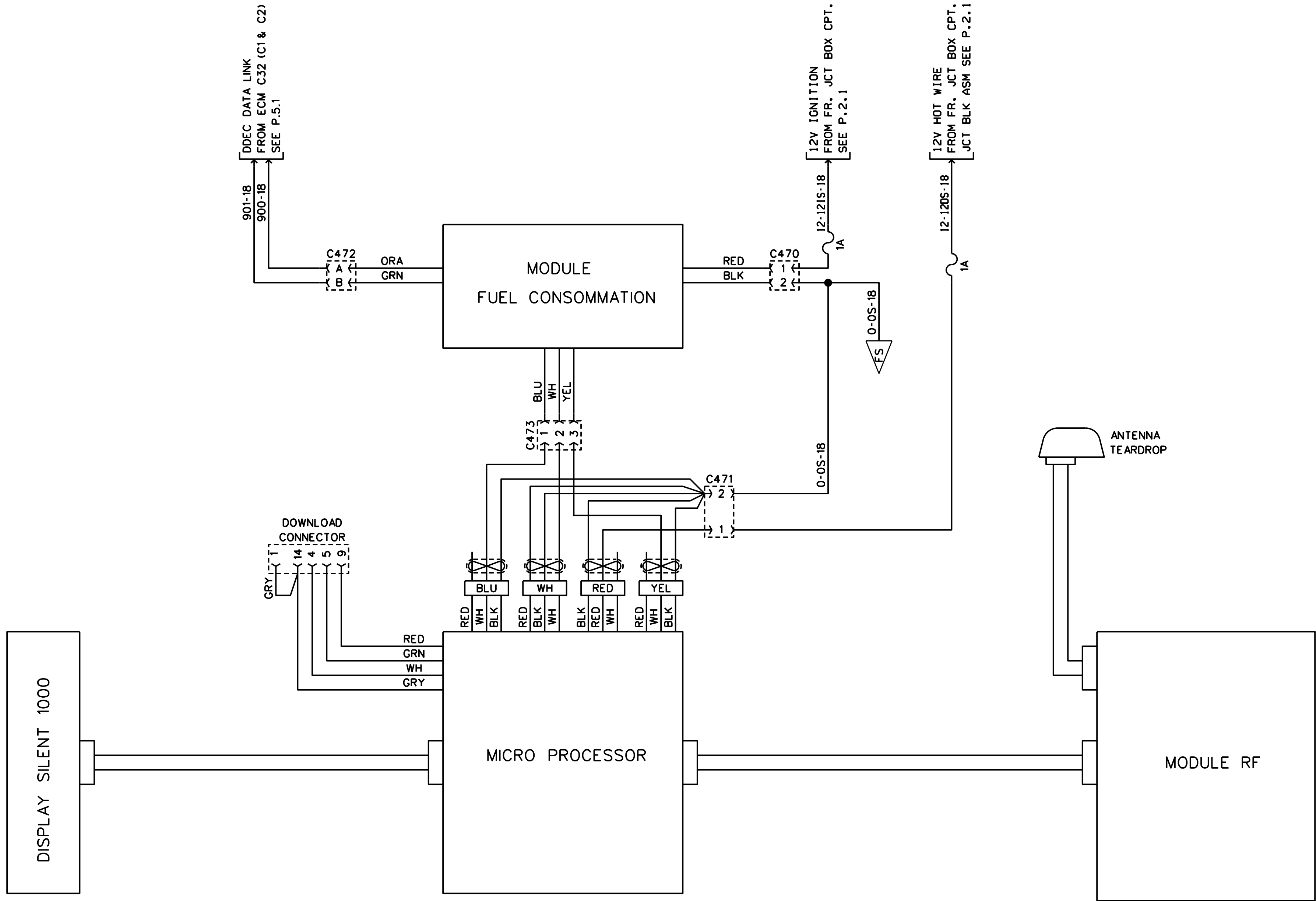
DIGITAL CLOCK

(CENTRAL MODULE)
(R.H. DRAWER)



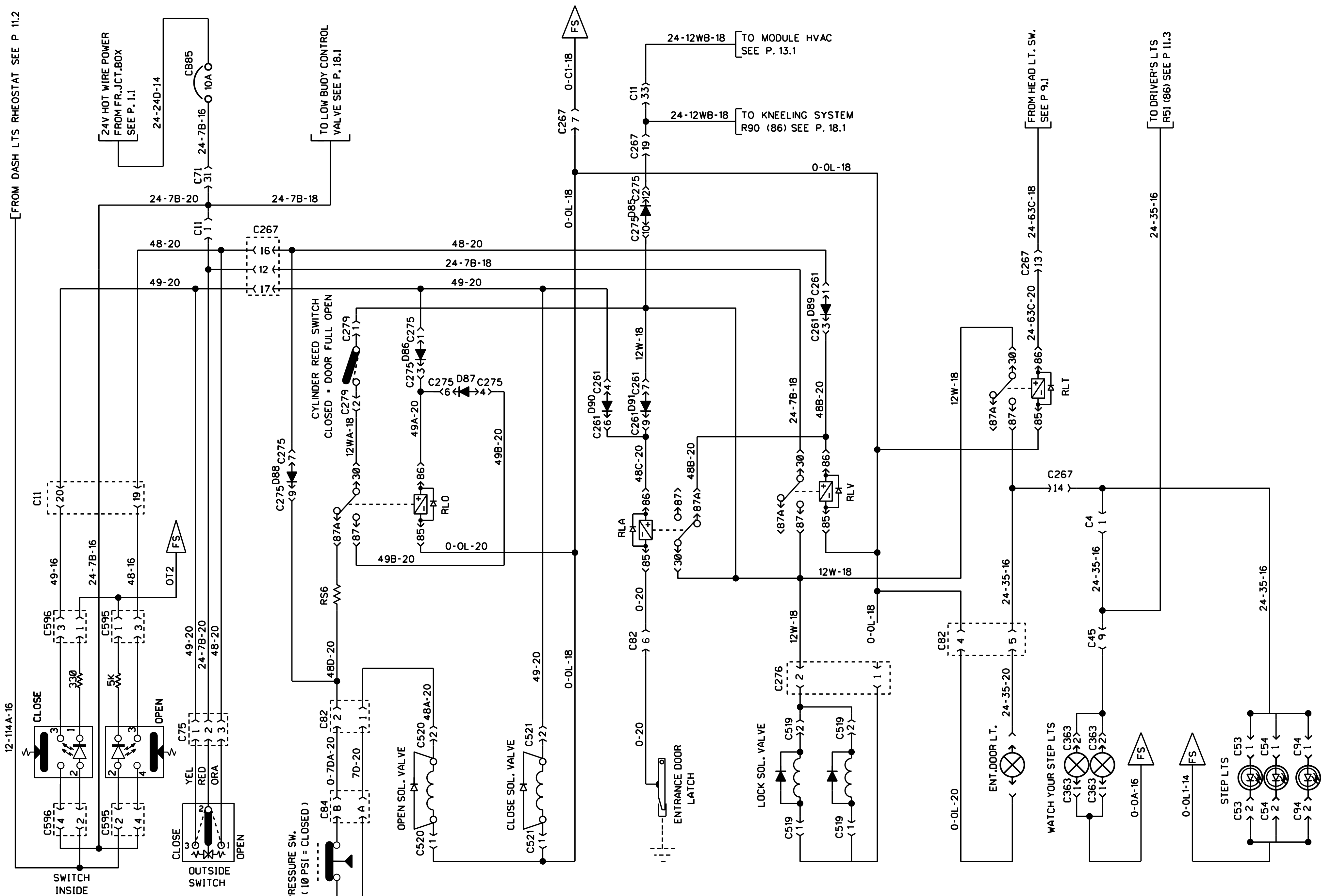


STEERING CONTROL ZF



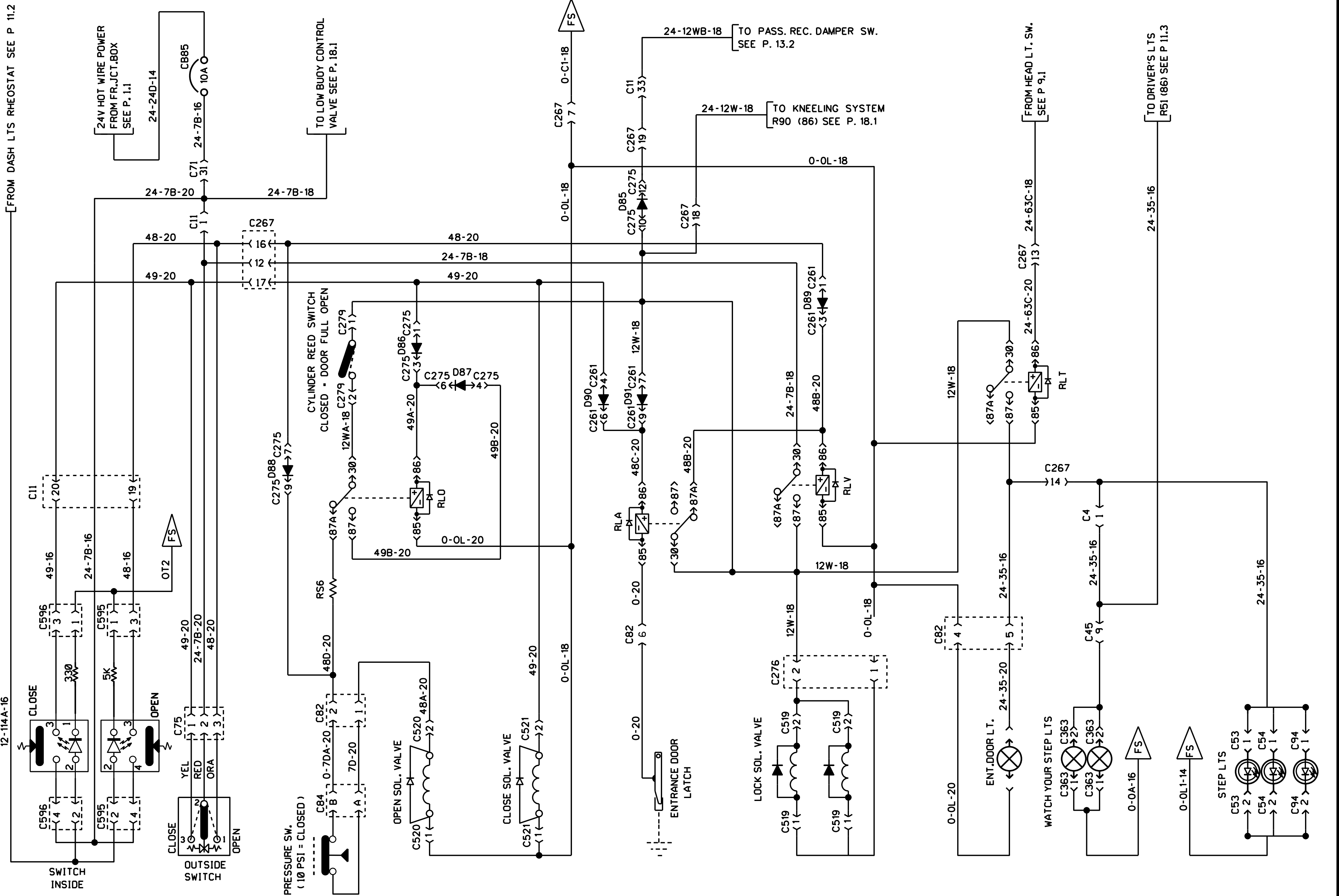
SILENT 1000

[FROM DASH LTS RHEOSTAT SEE P 11.2



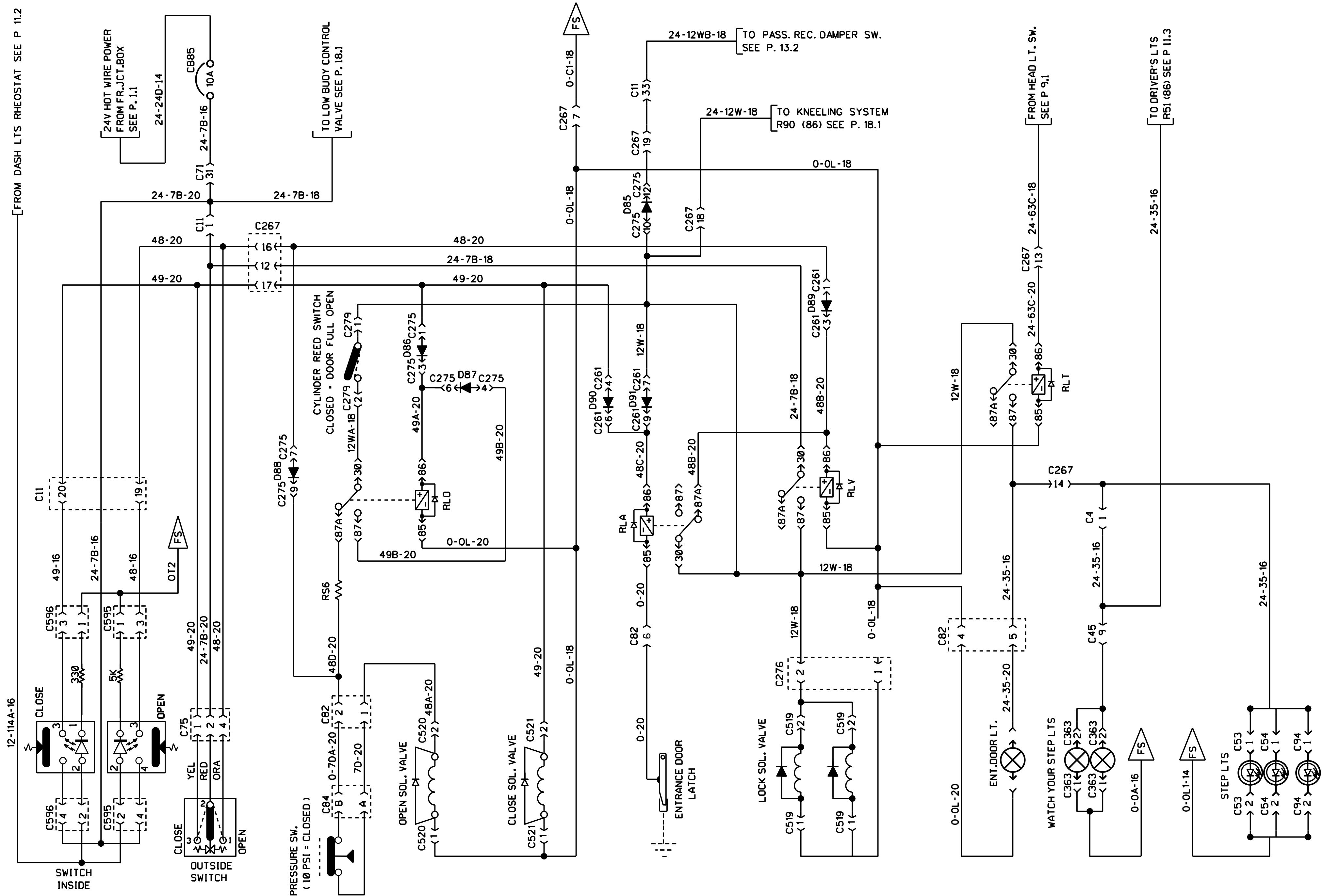
ENTRANCE DOOR (SEDAN)

[FROM DASH LTS RHEOSTAT SEE P 11.2

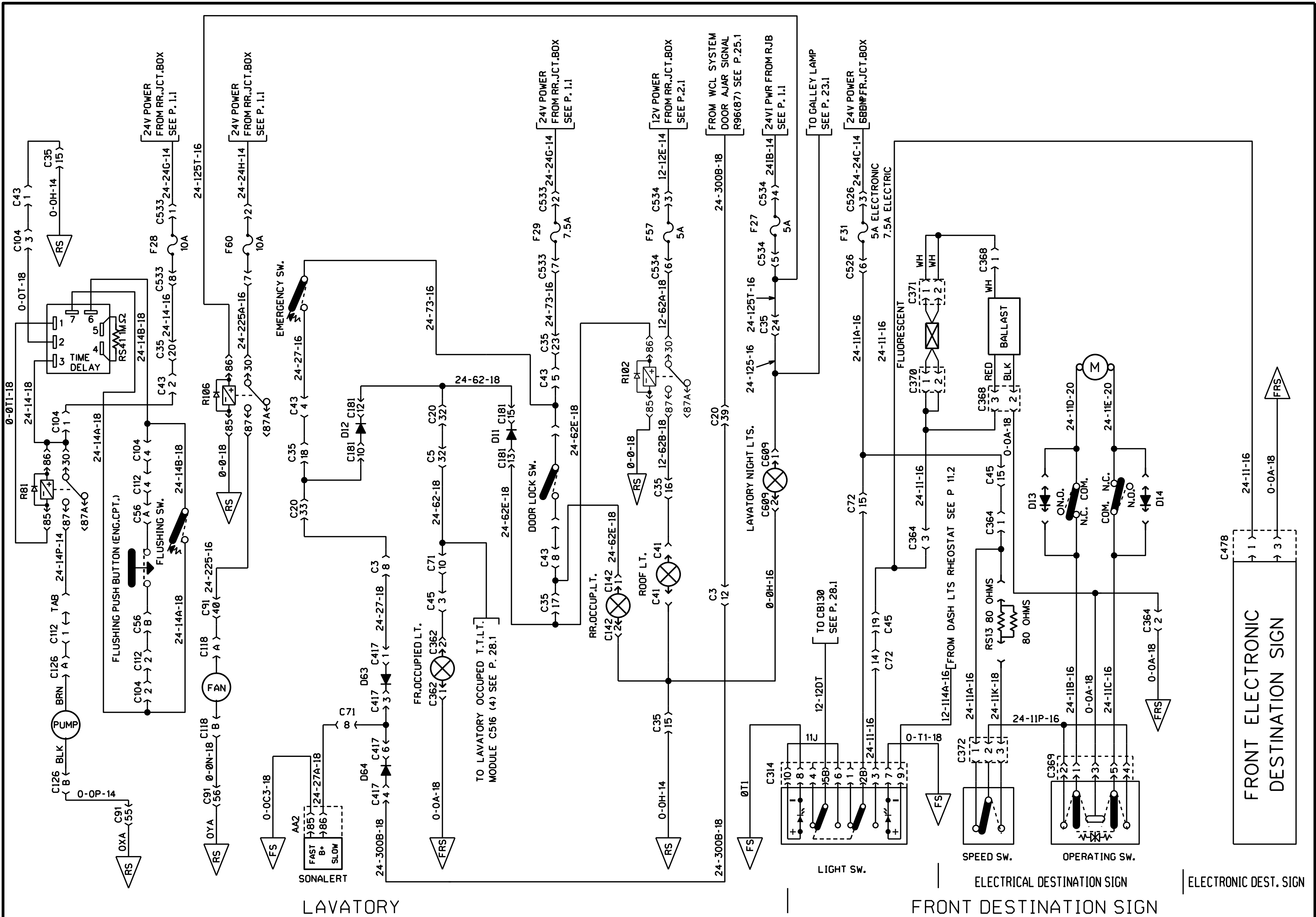


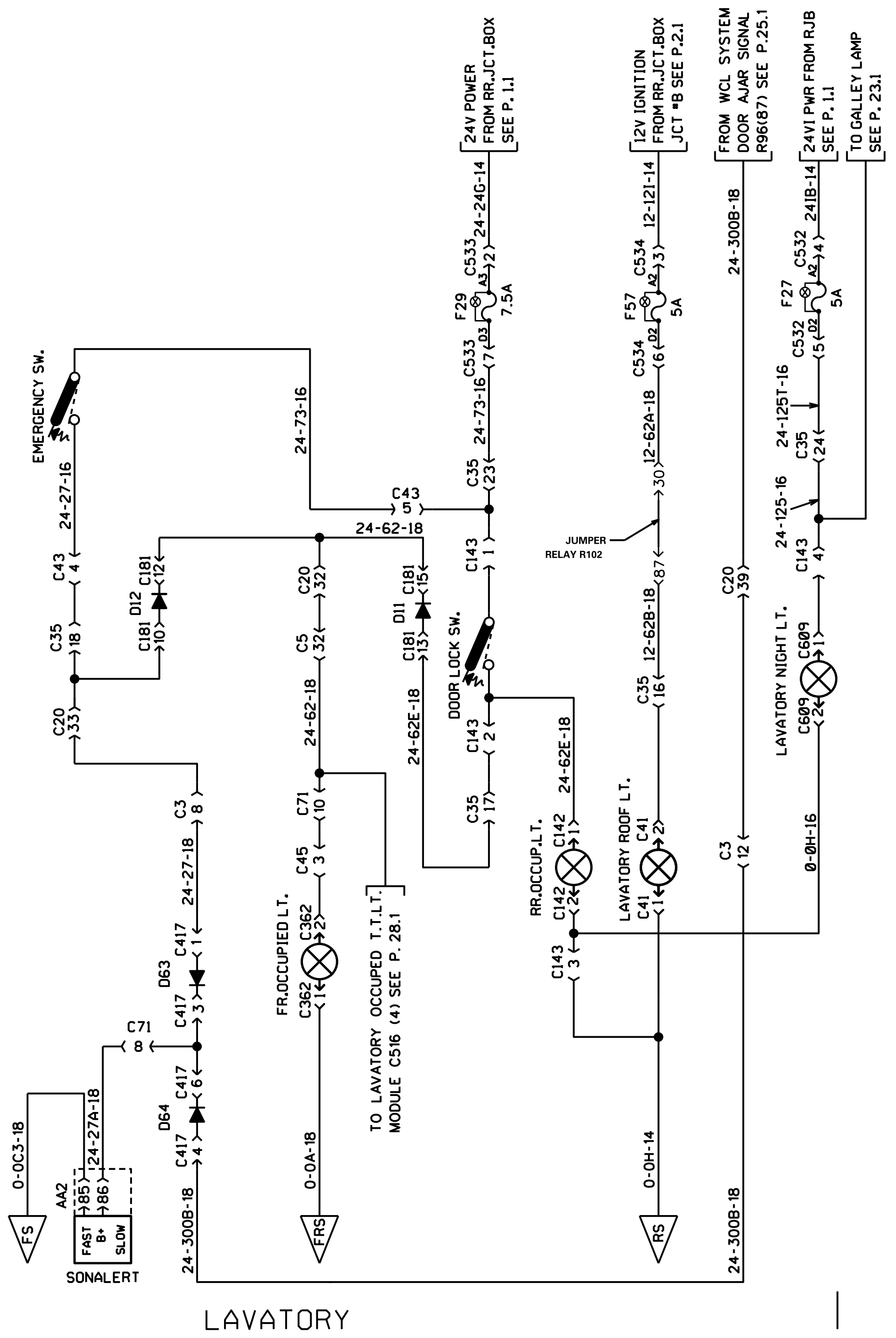
ENTRANCE DOOR (SEDAN)

[FROM DASH LTS RHEOSTAT SEE P 11.2

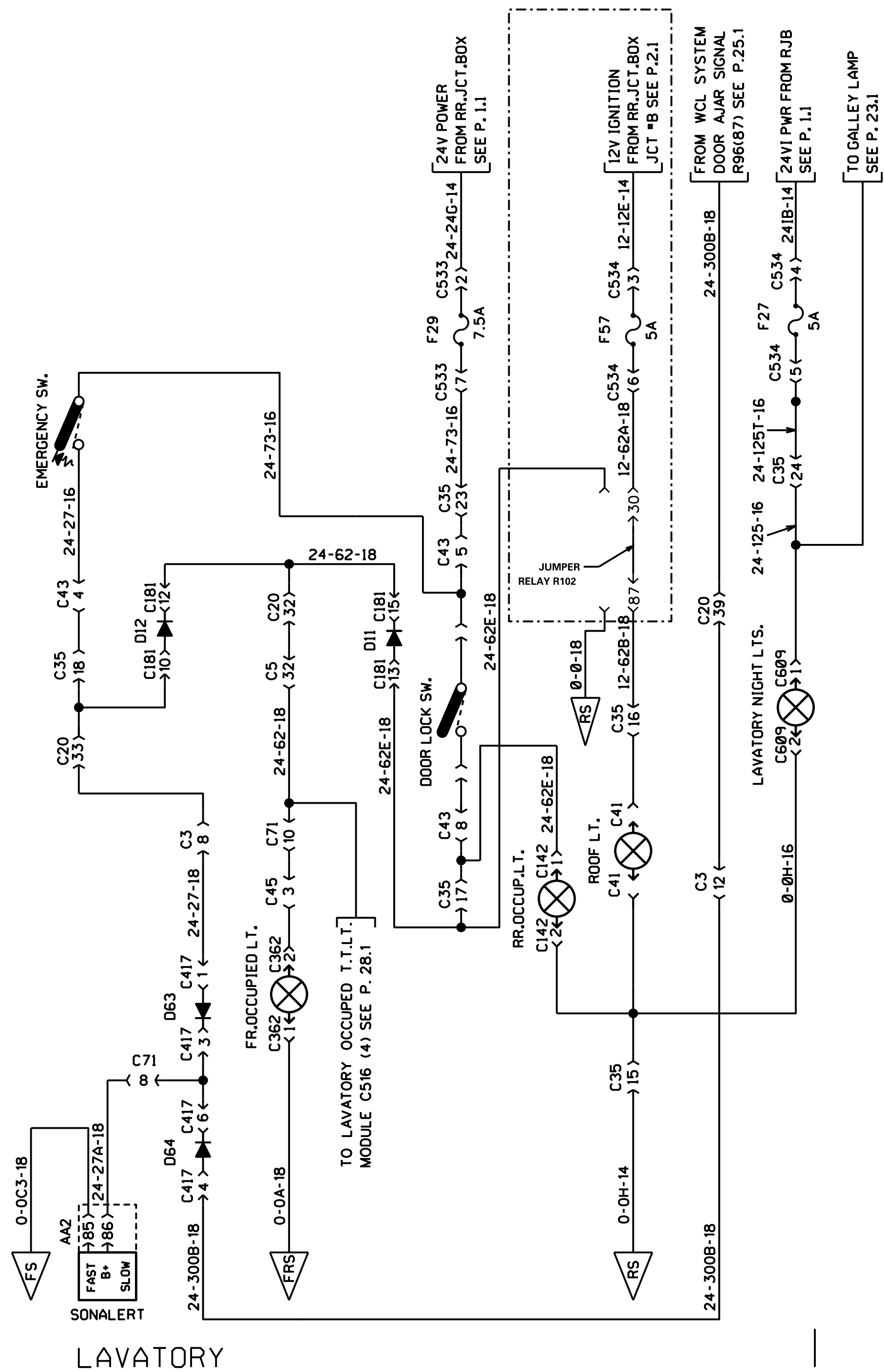


ENTRANCE DOOR (SEDAN)



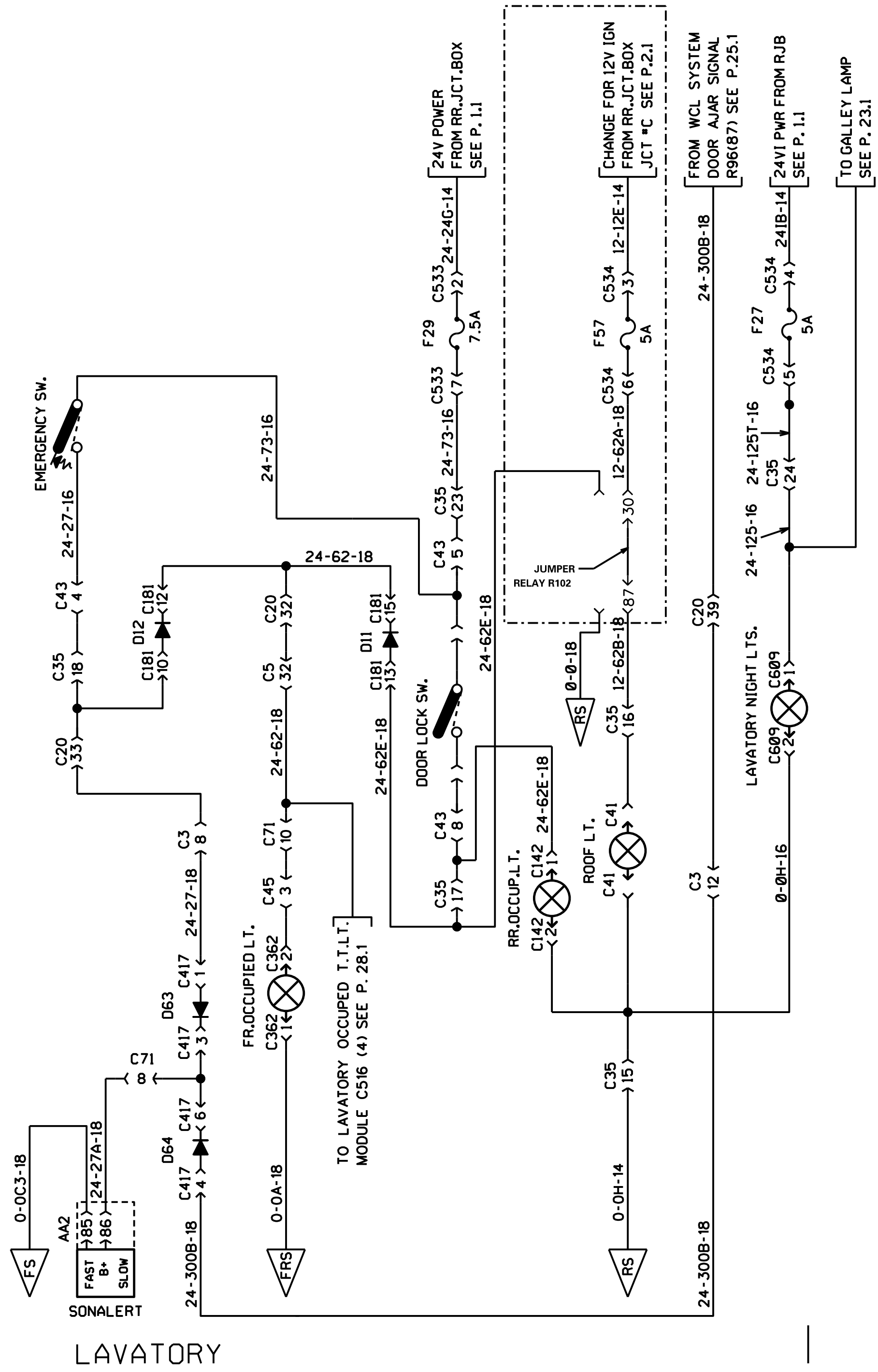


LAVATORY



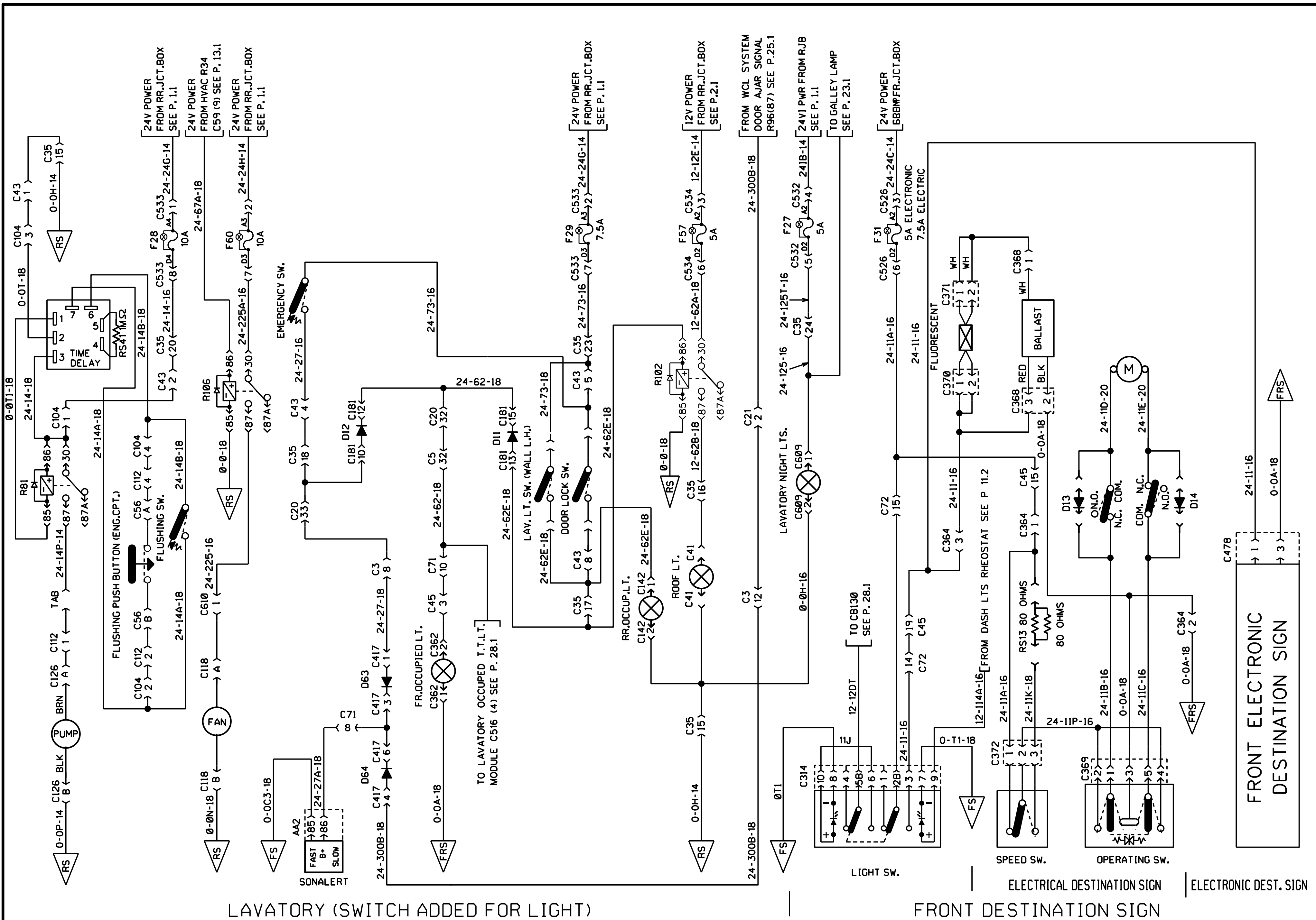
LAVATORY

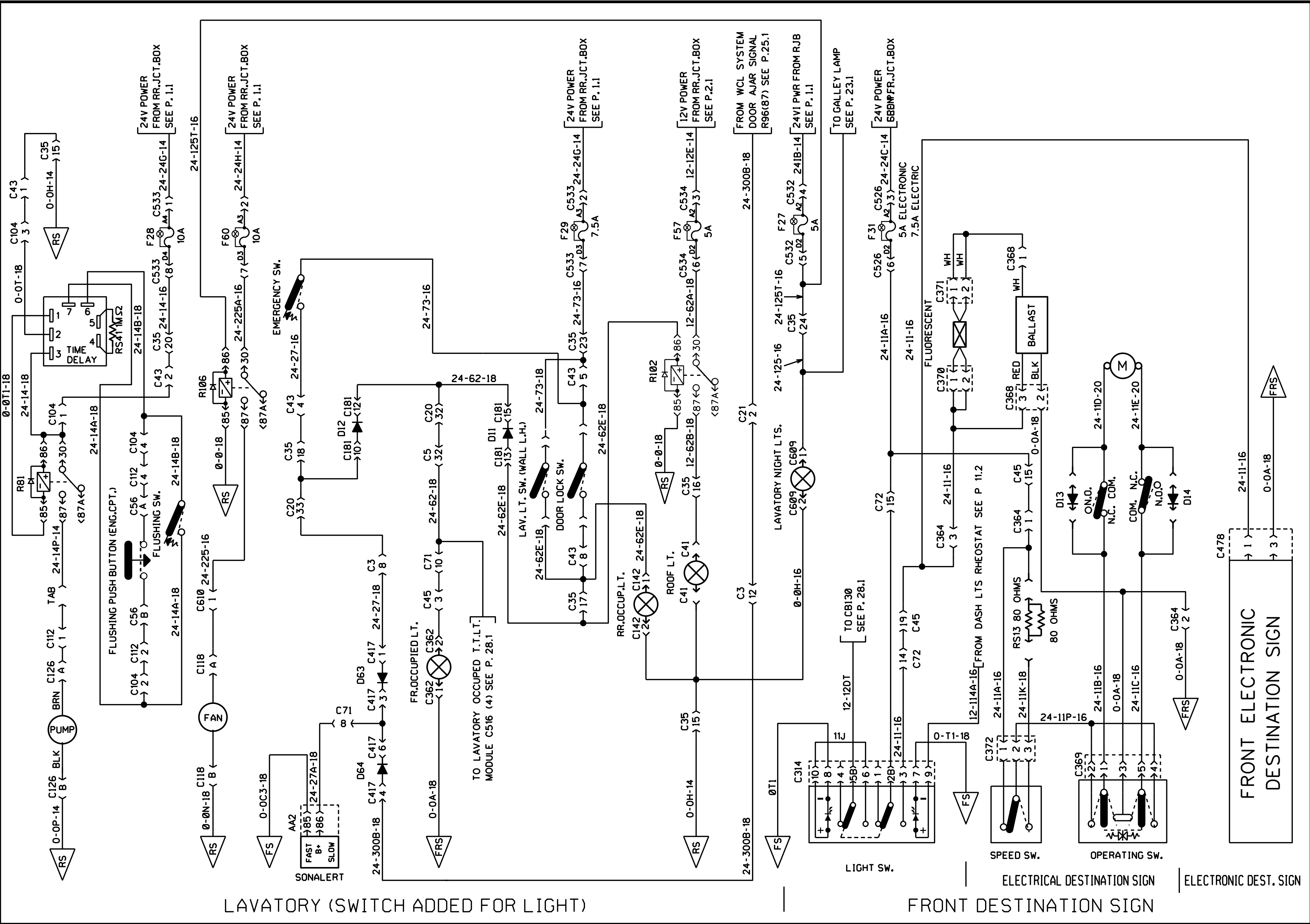
ROOF LTS "ON" WITH IGN.

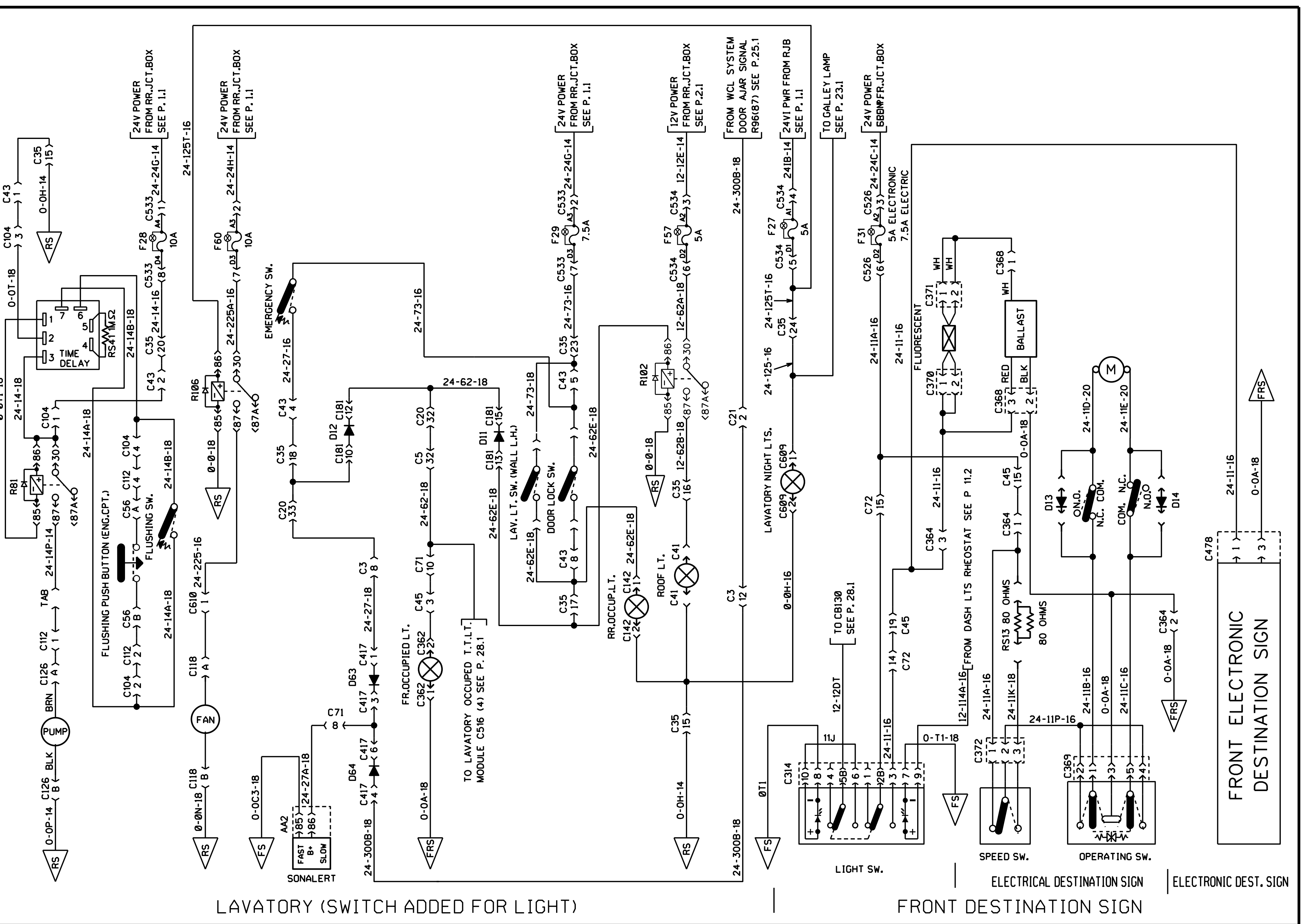


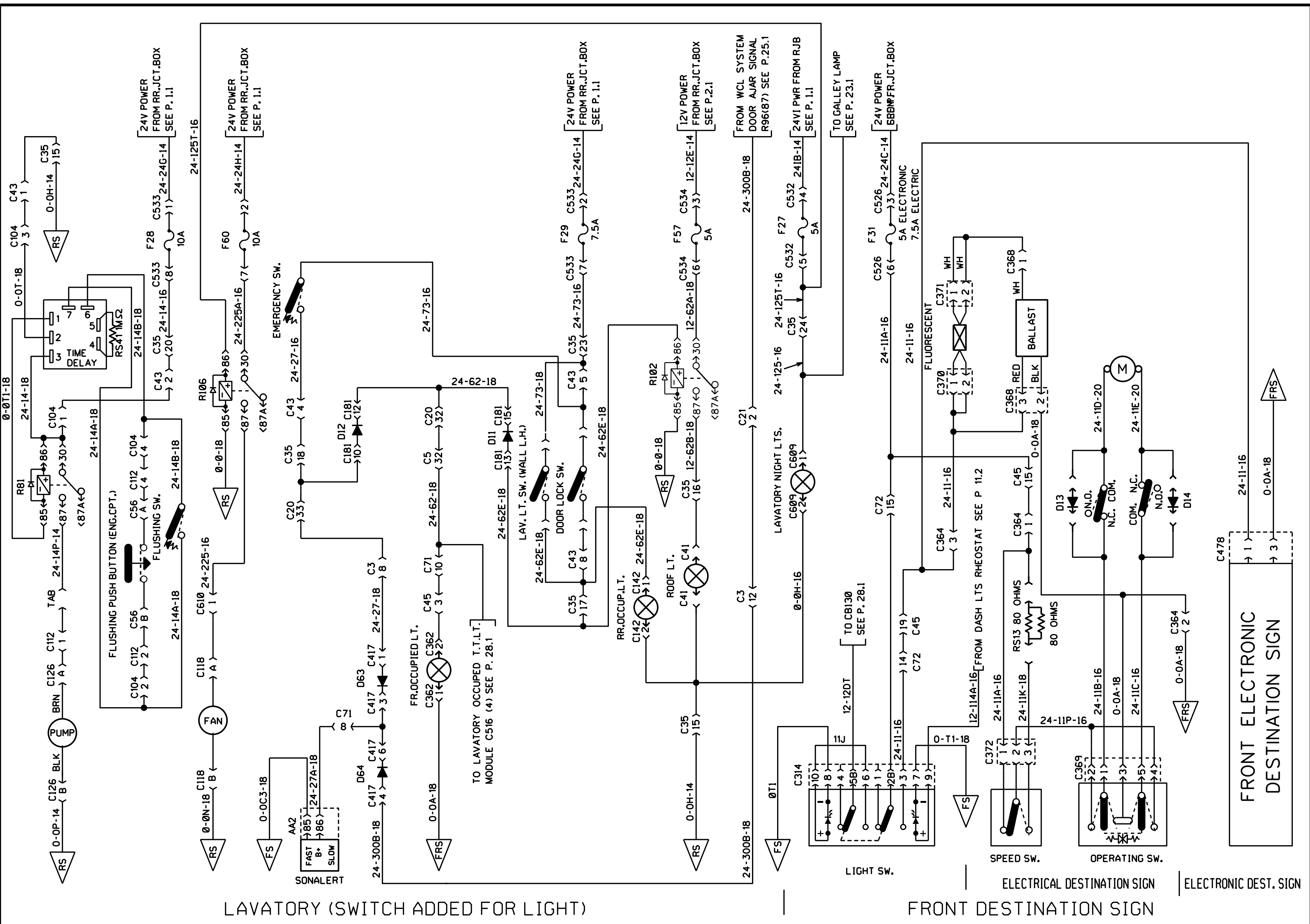
LAVATORY

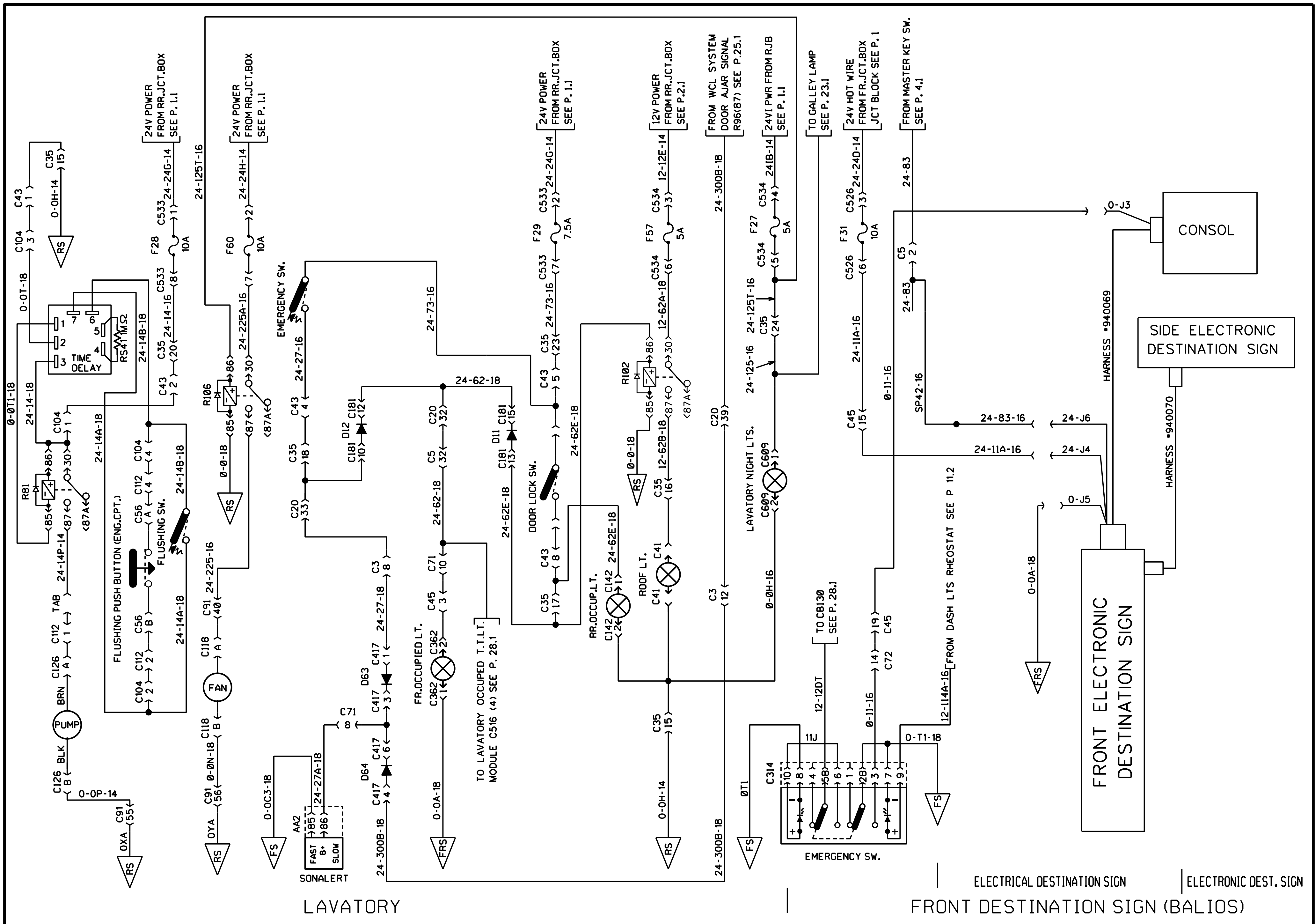
ROOF LTS "ON" WITH IGN.

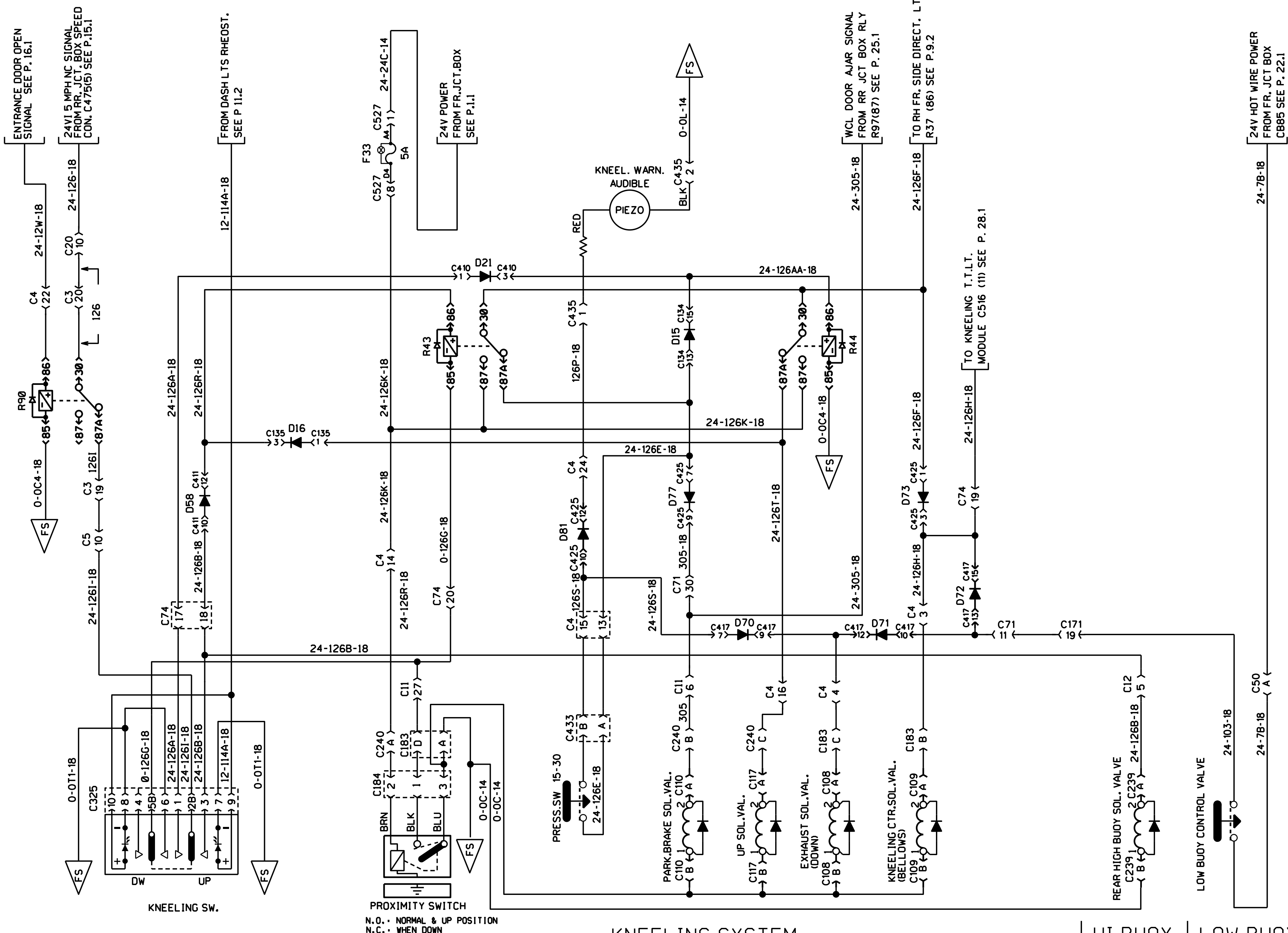






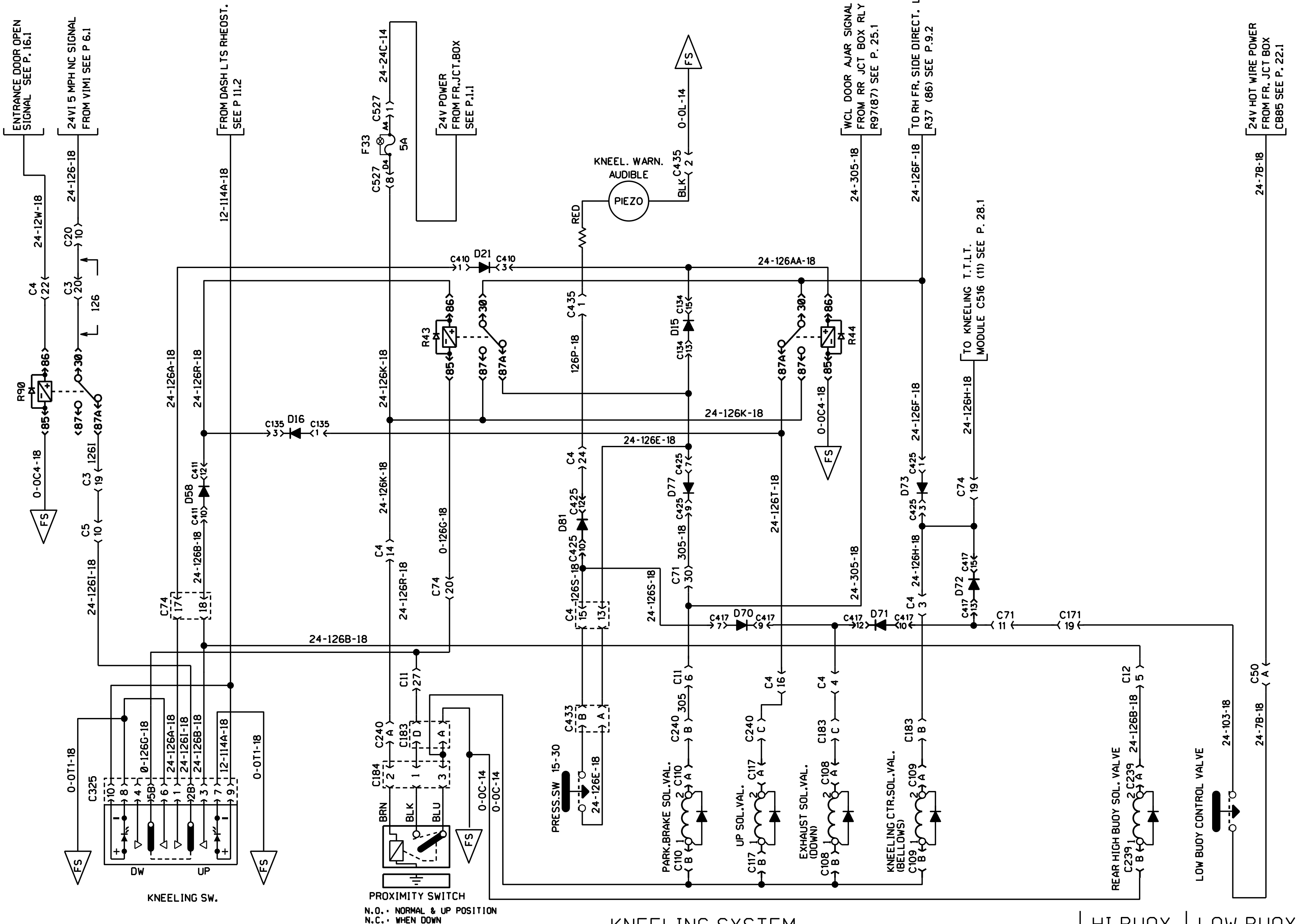






KNEELING SYSTEM

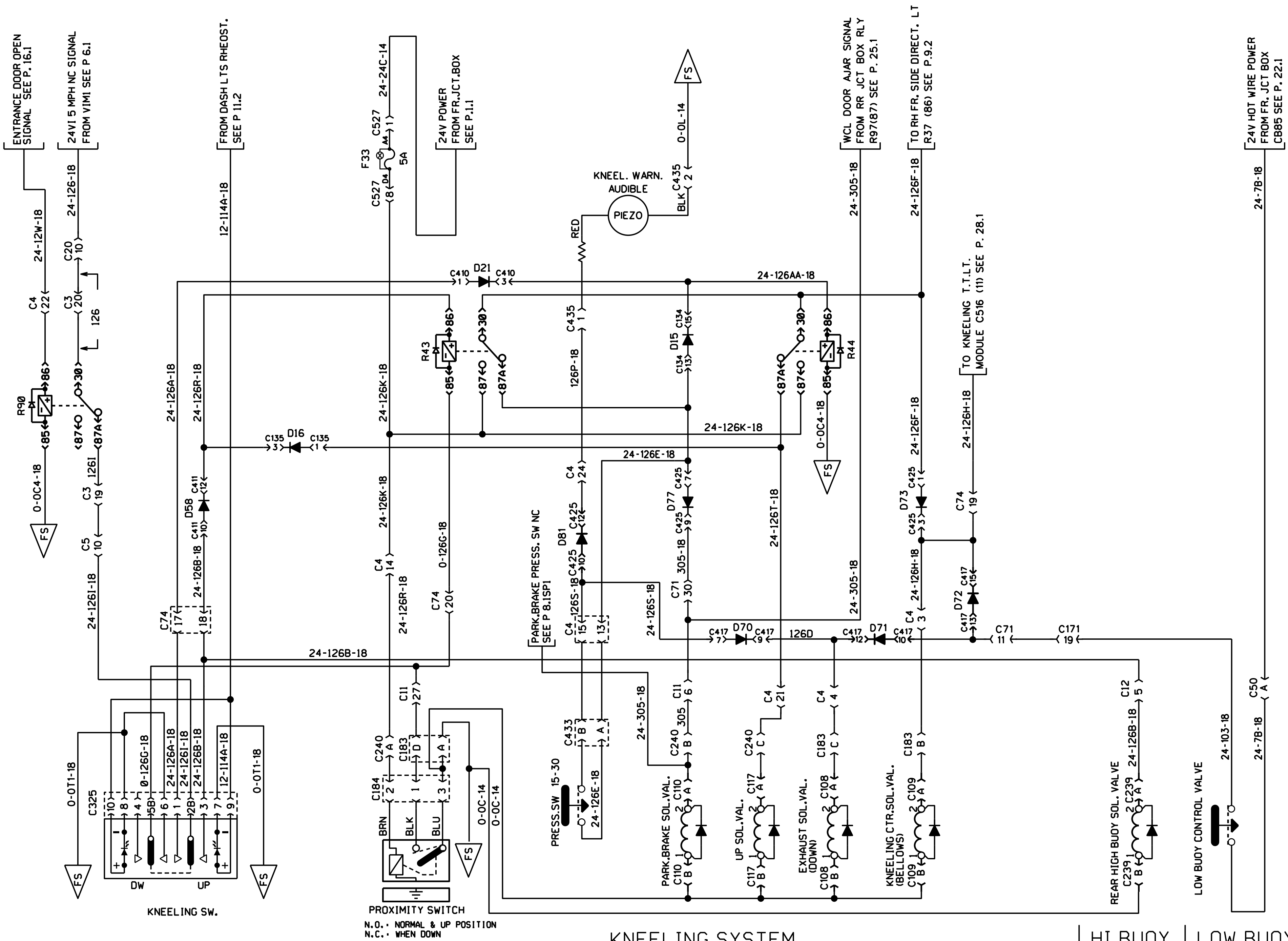
HI BUOY | LOW BUOY



KNEELING SYSTEM

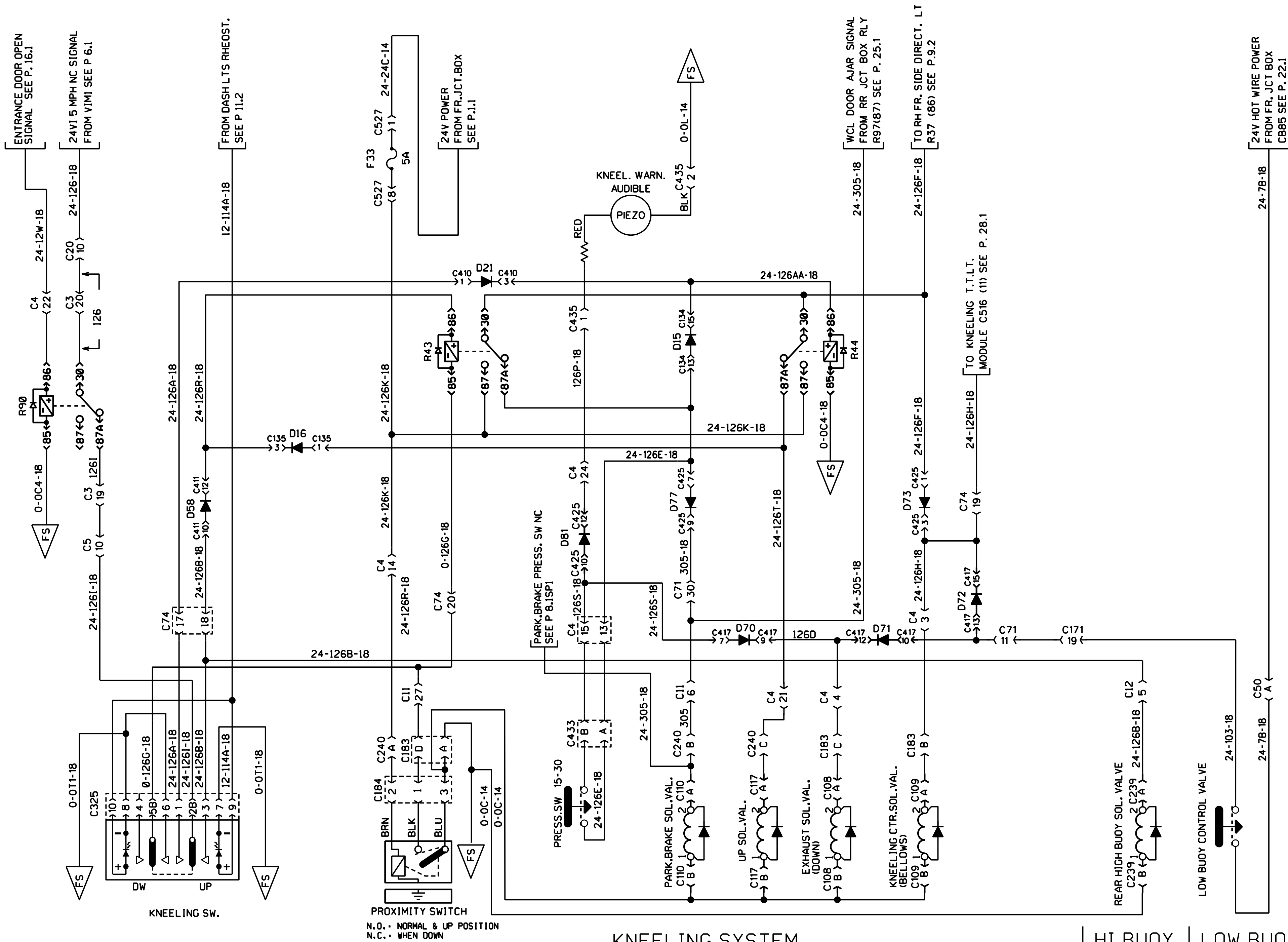
HI BUOY | LOW BUOY

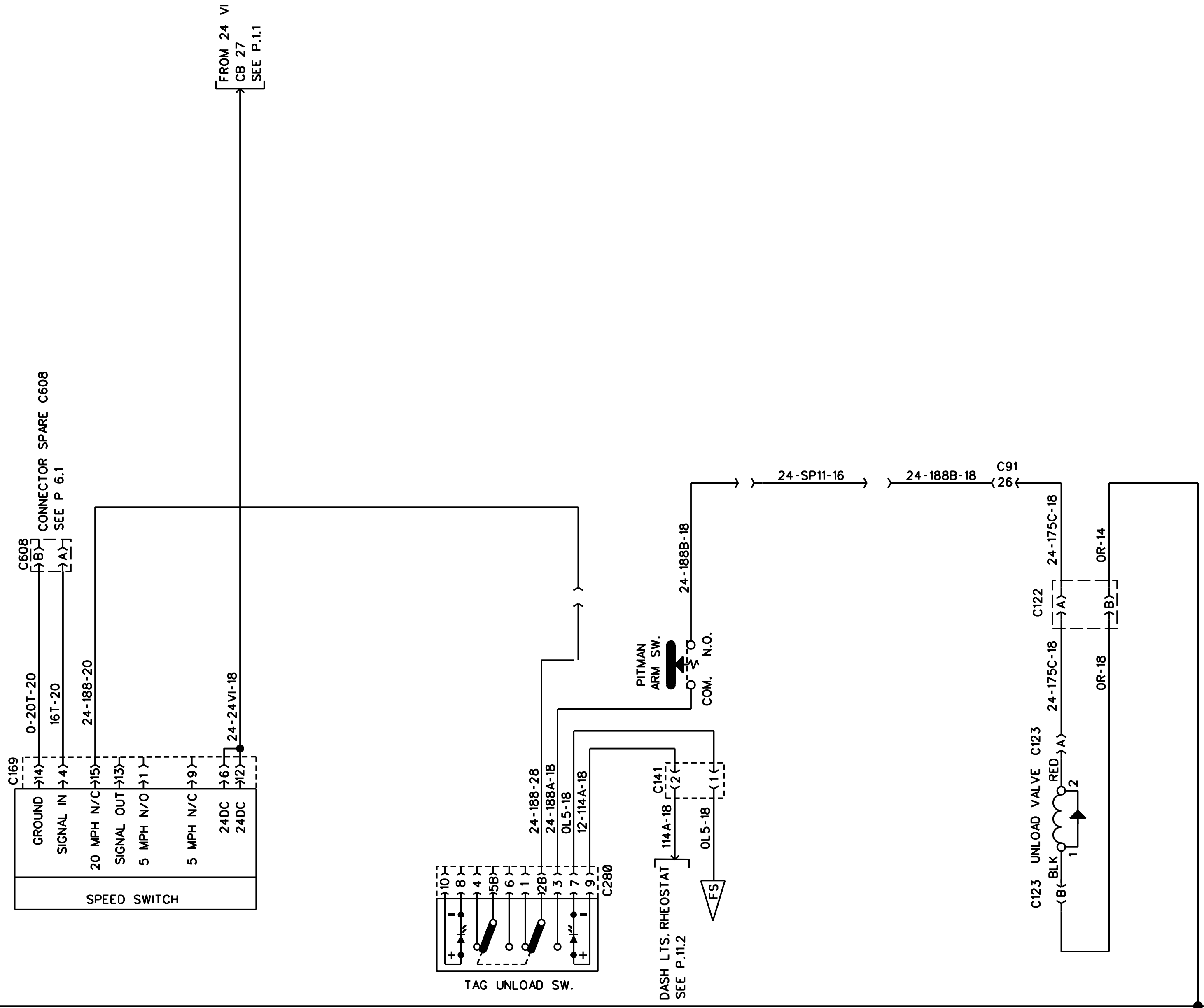
N.O. • NORMAL & UP POSITION
N.C. • WHEN DOWN



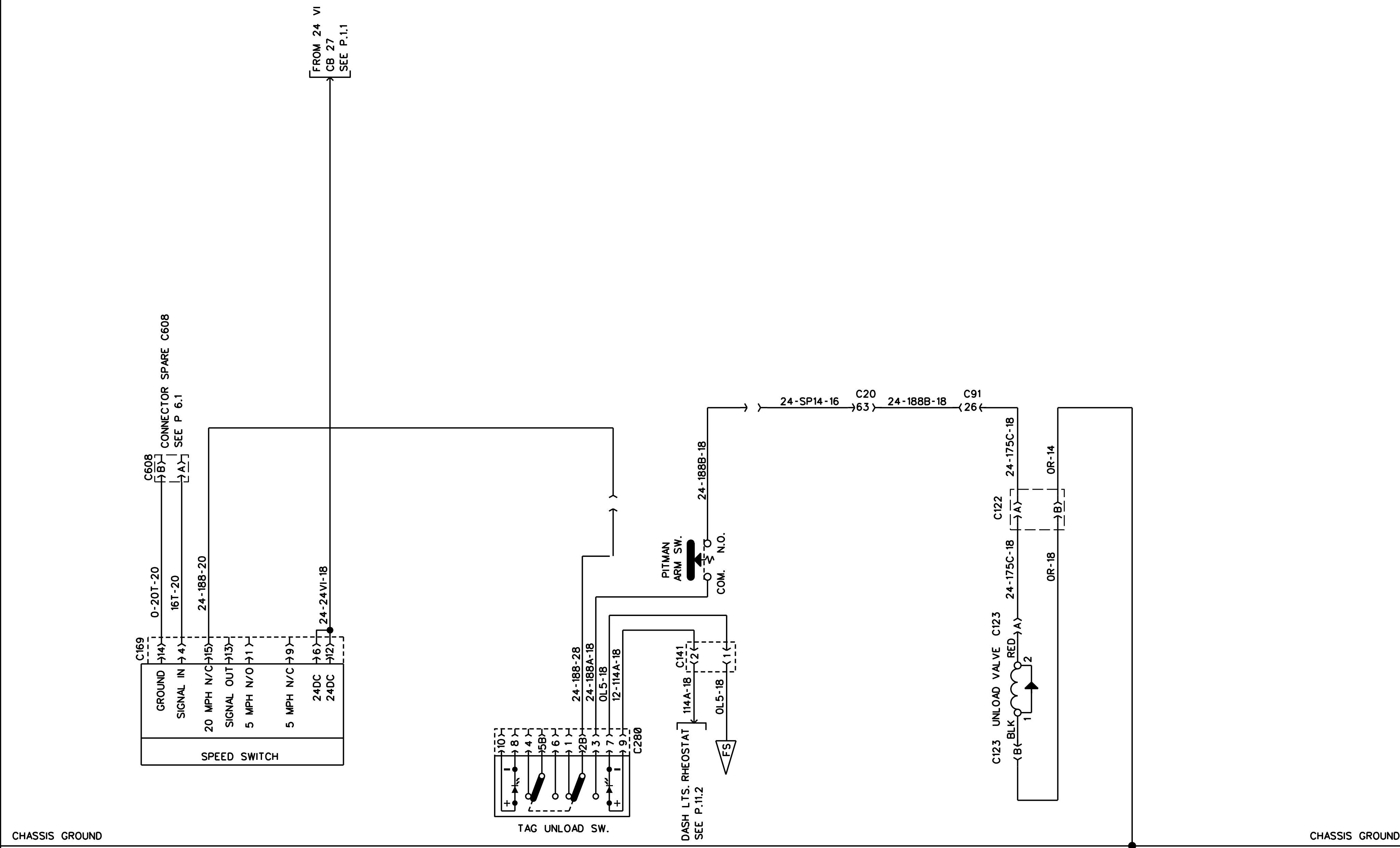
KNEELING SYSTEM

| HI BUOY | LOW BUOY





UNLOAD TAG SYSTEM



UNLOAD TAG SYSTEM

C310

LOCKED UNLOCKED

24-170E-18
24-170-18
24-170H-18

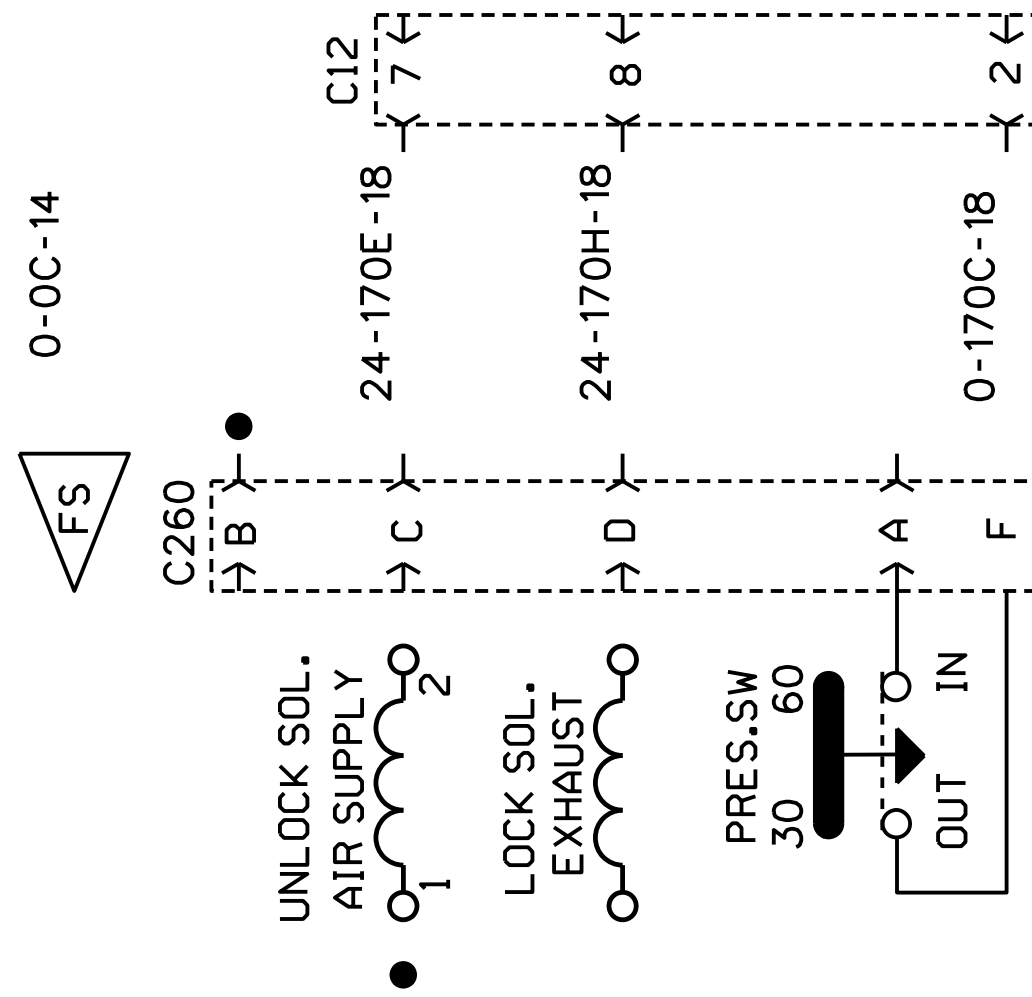
12-114A-18

FS

← 37 ←

24-24C-14 [24V POWER
FROM FR.JCT.BOX

3A

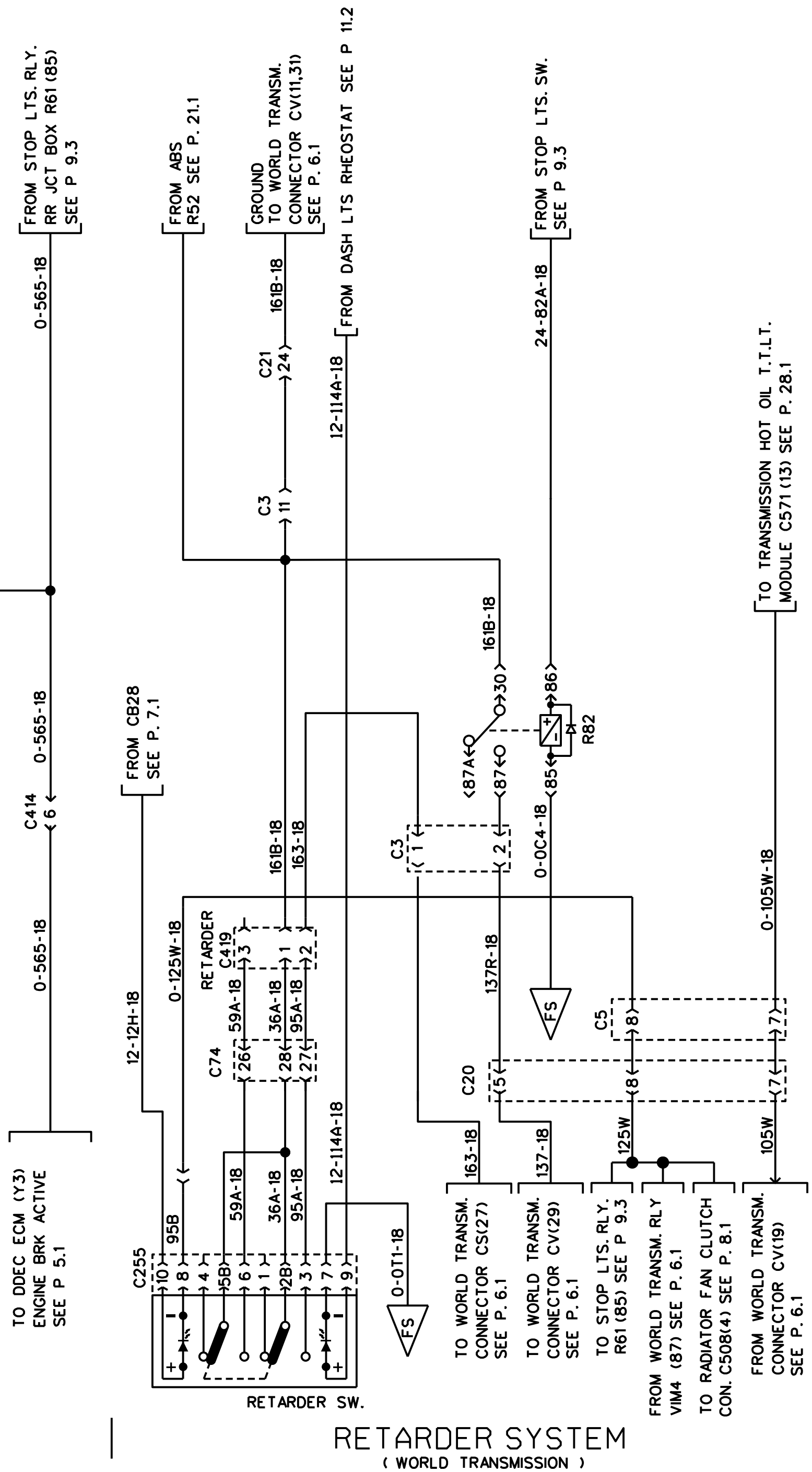
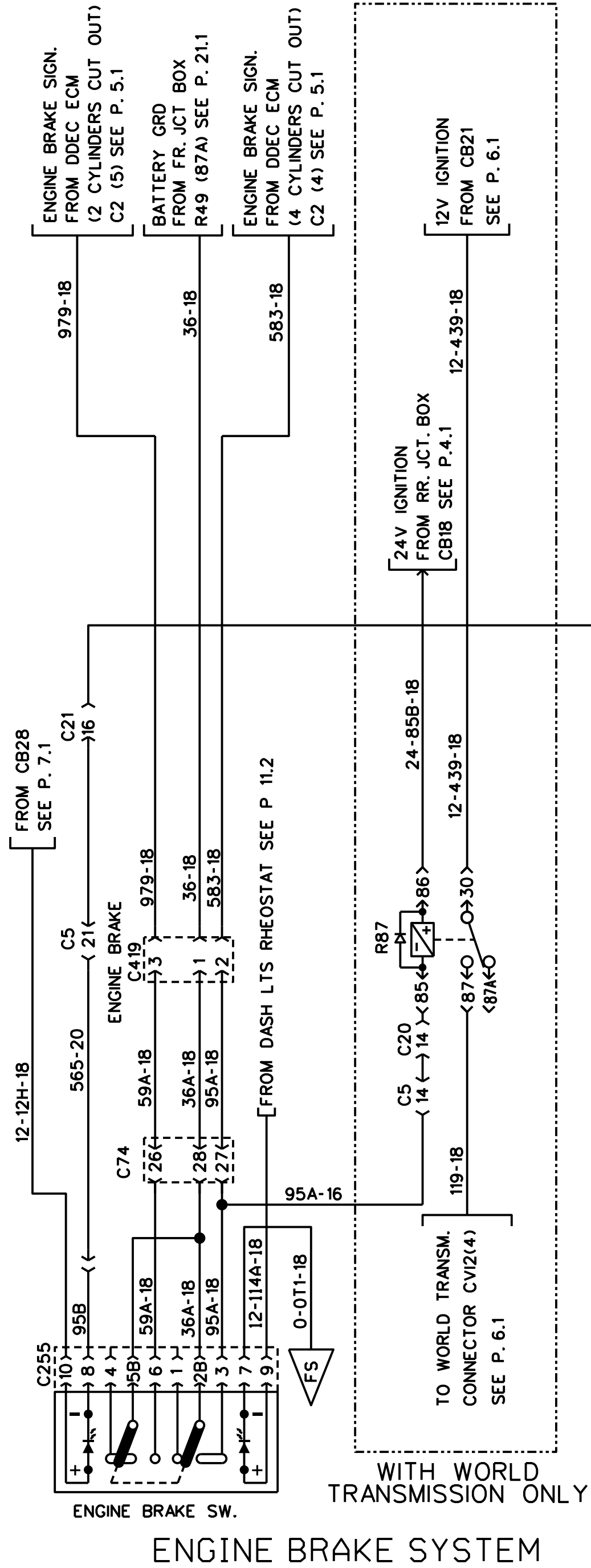
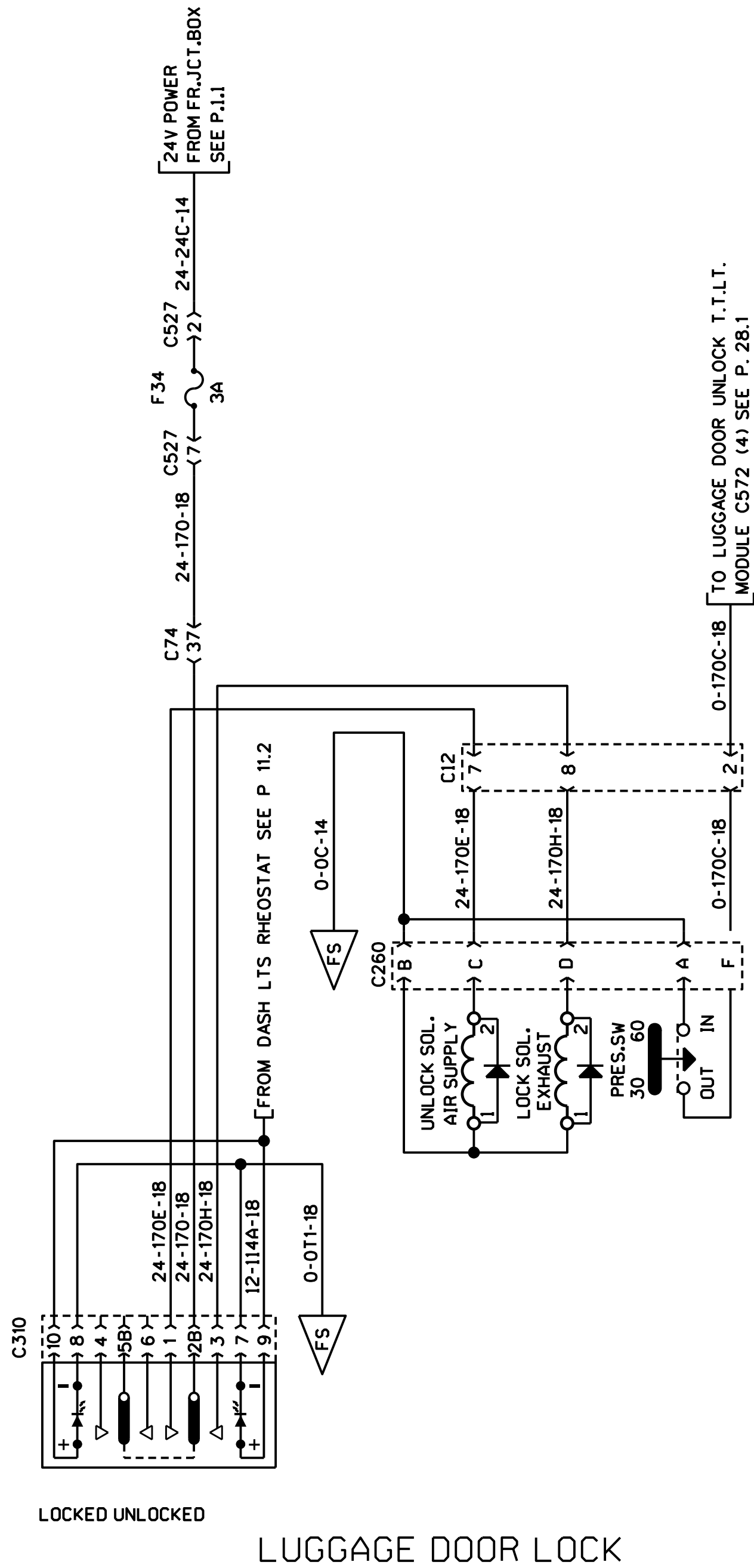


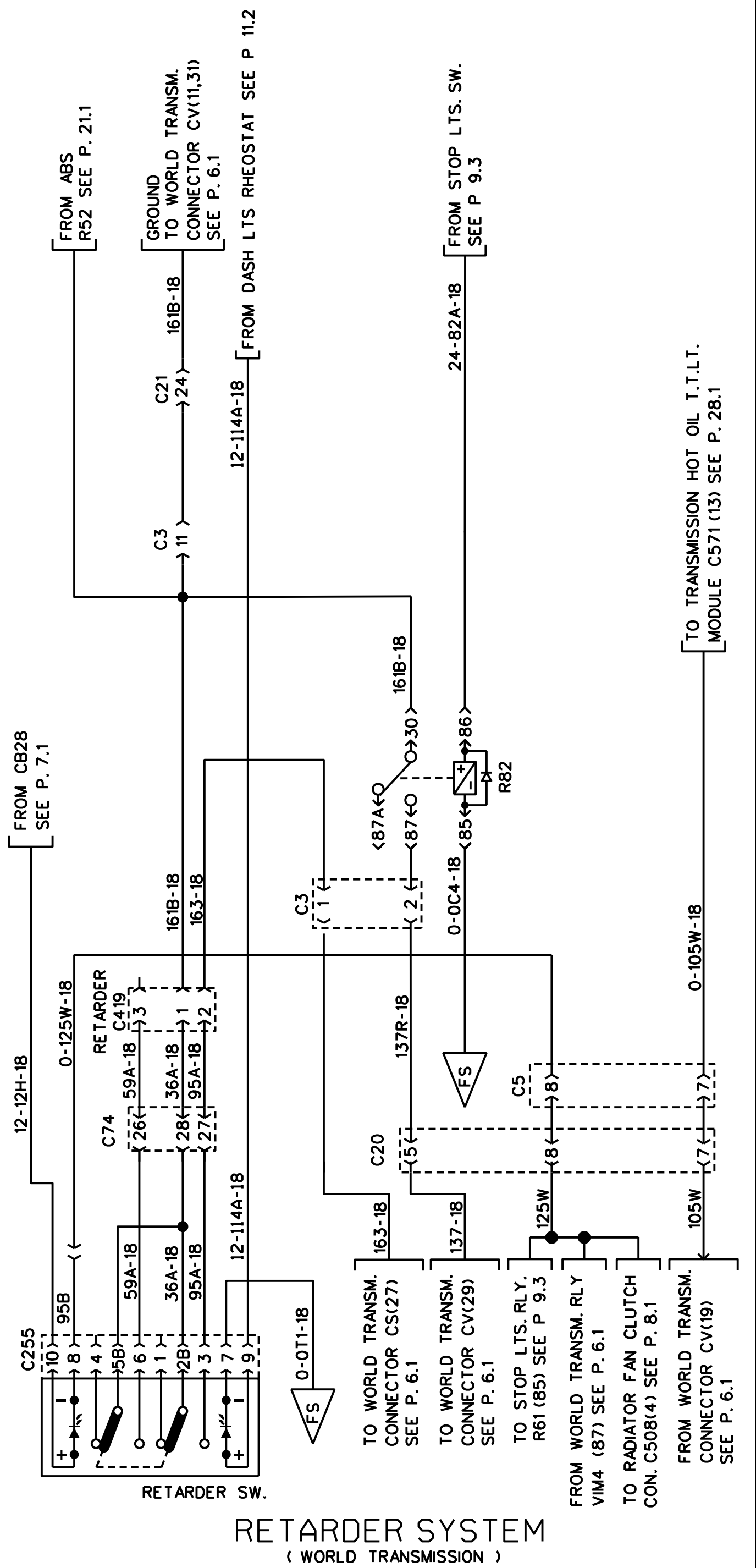
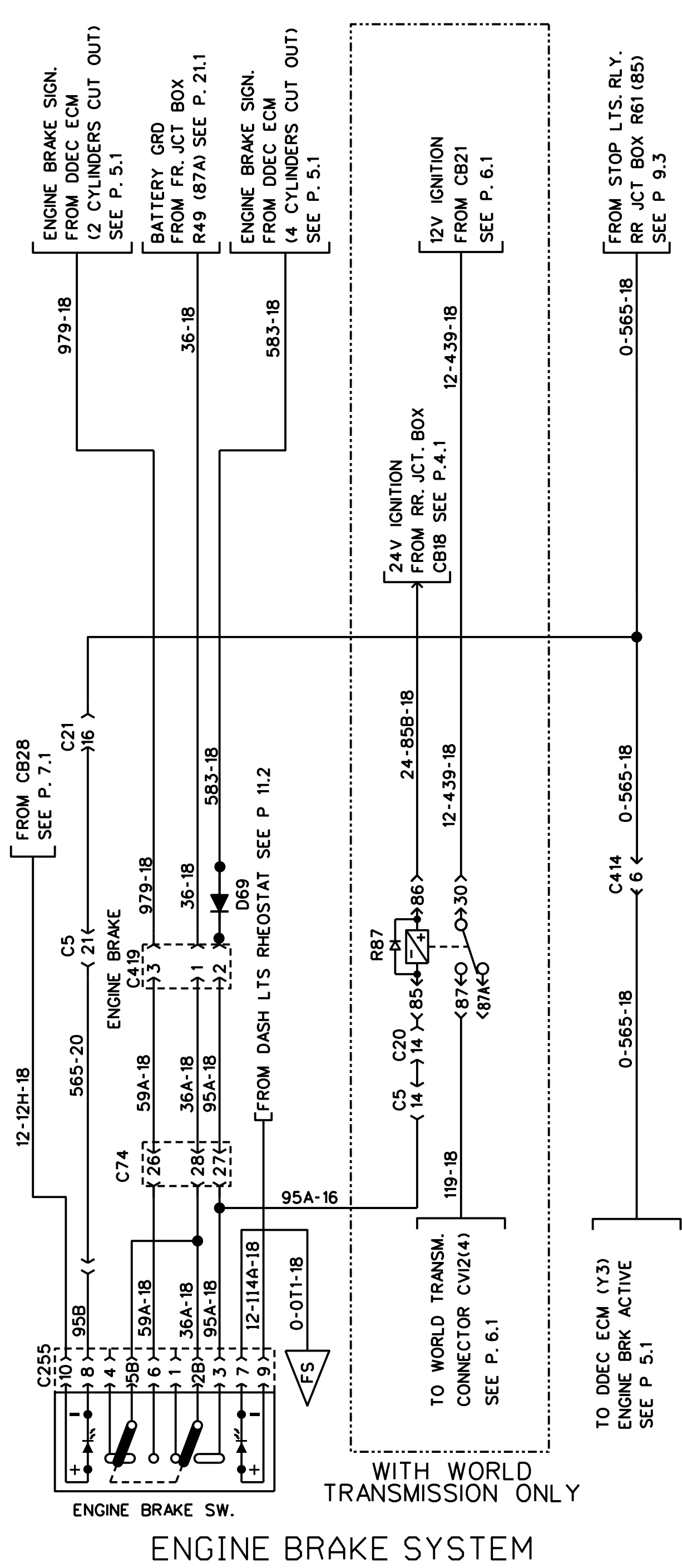
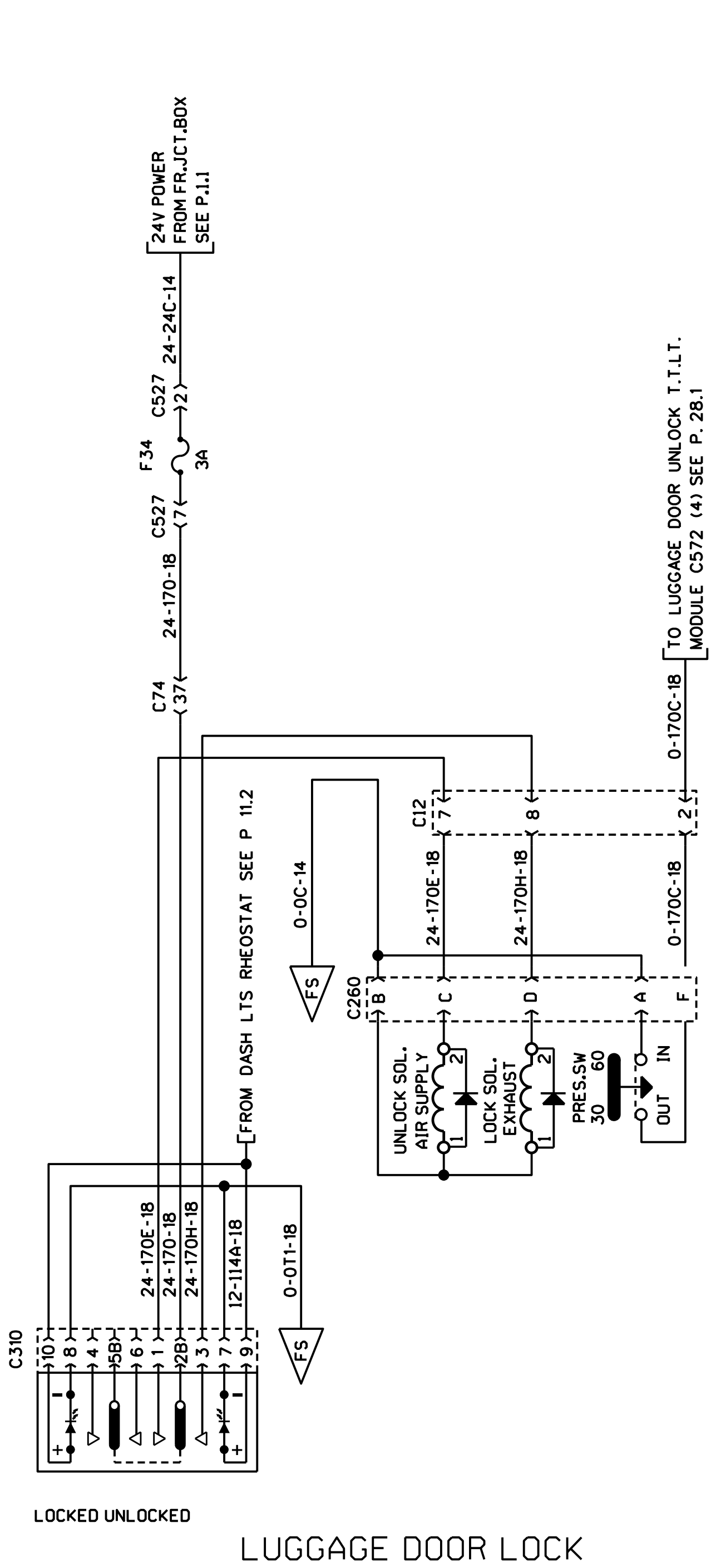
12-114A-18

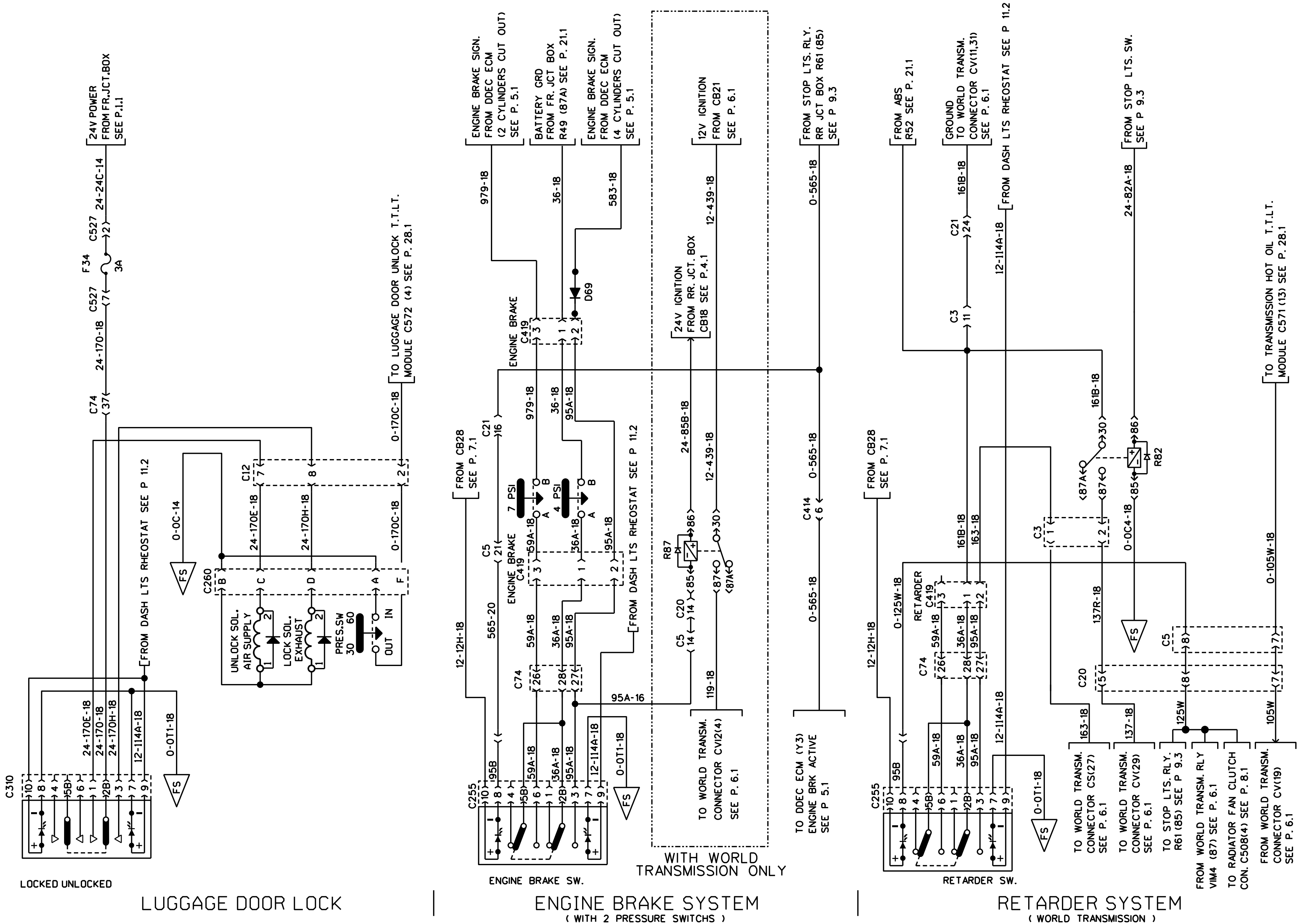
0-0T1-18

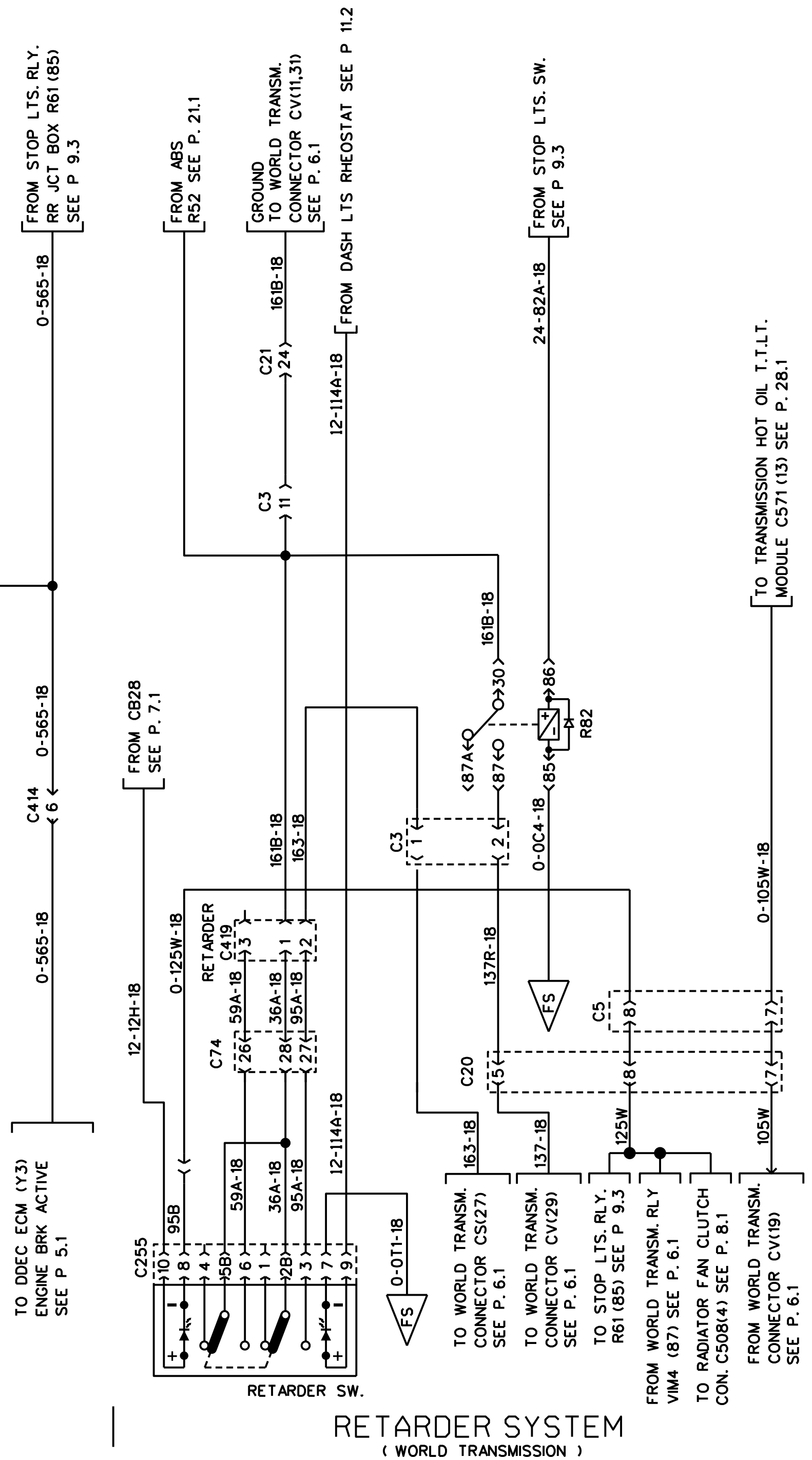
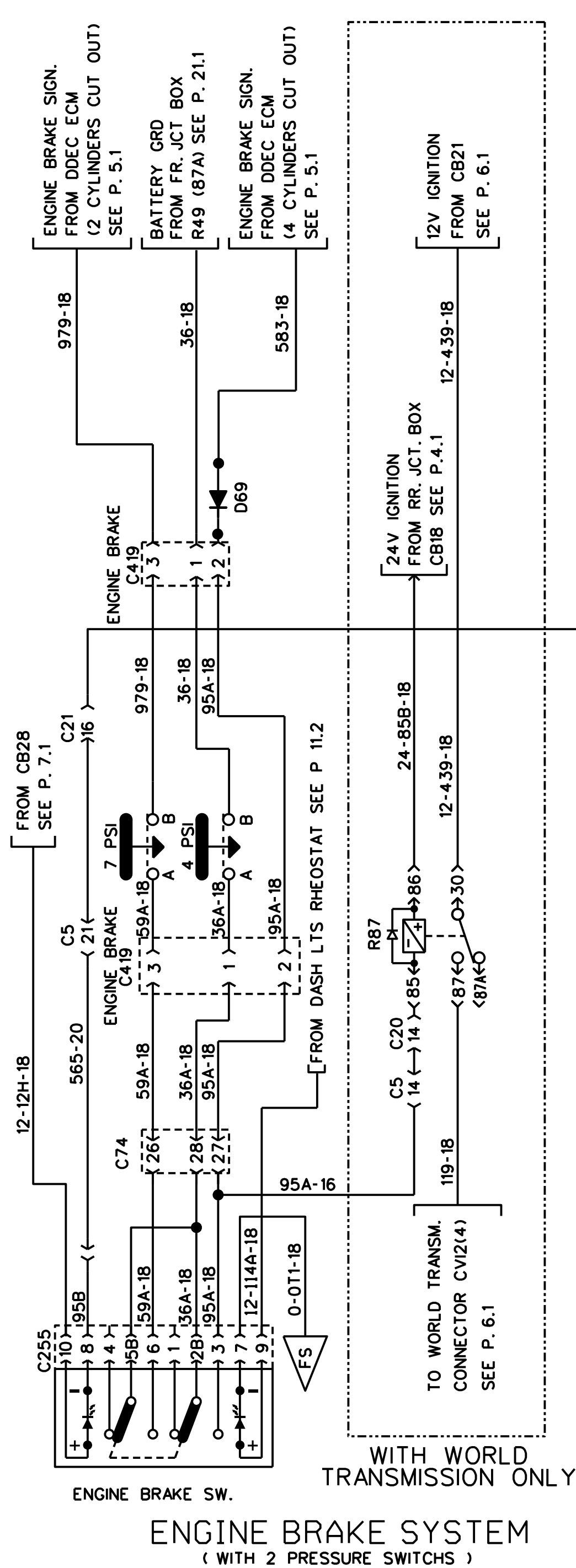
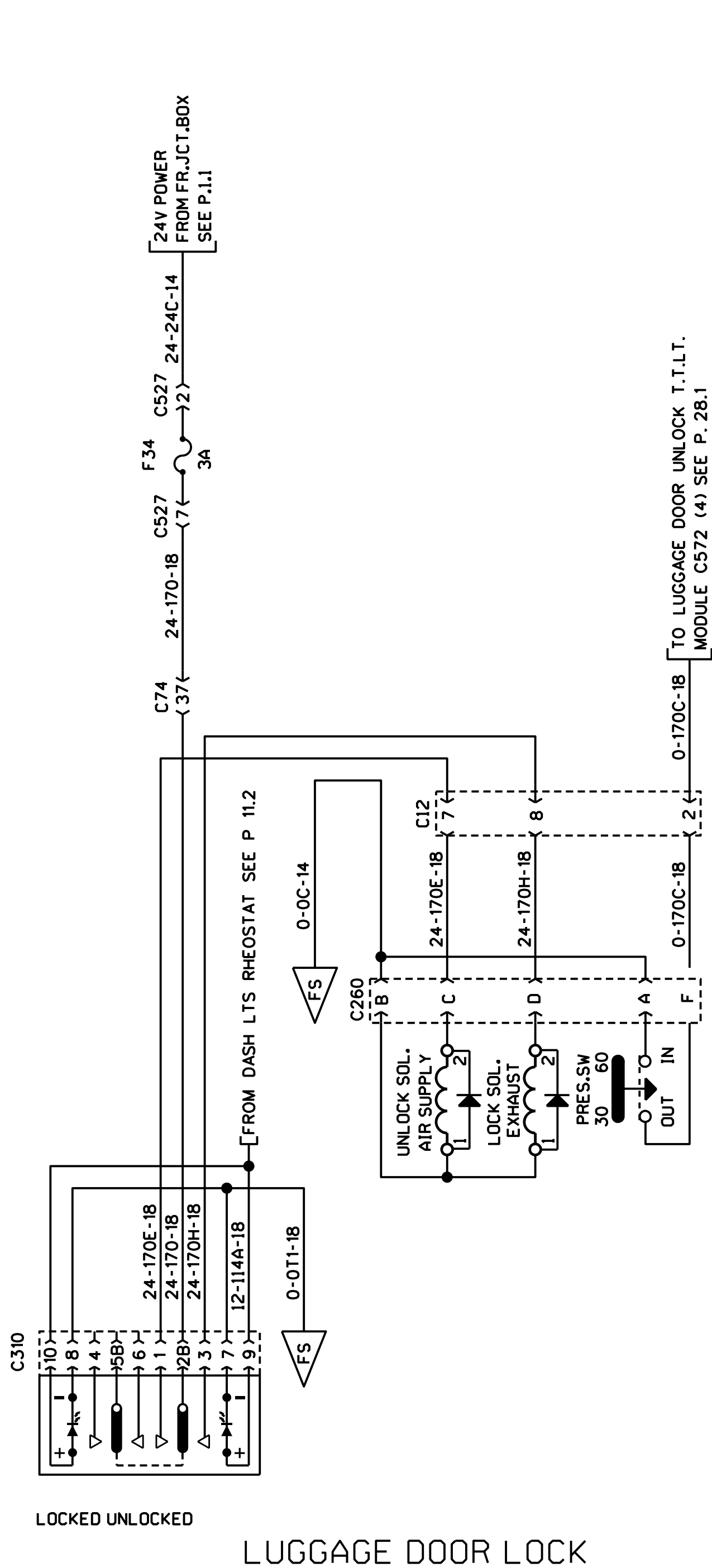


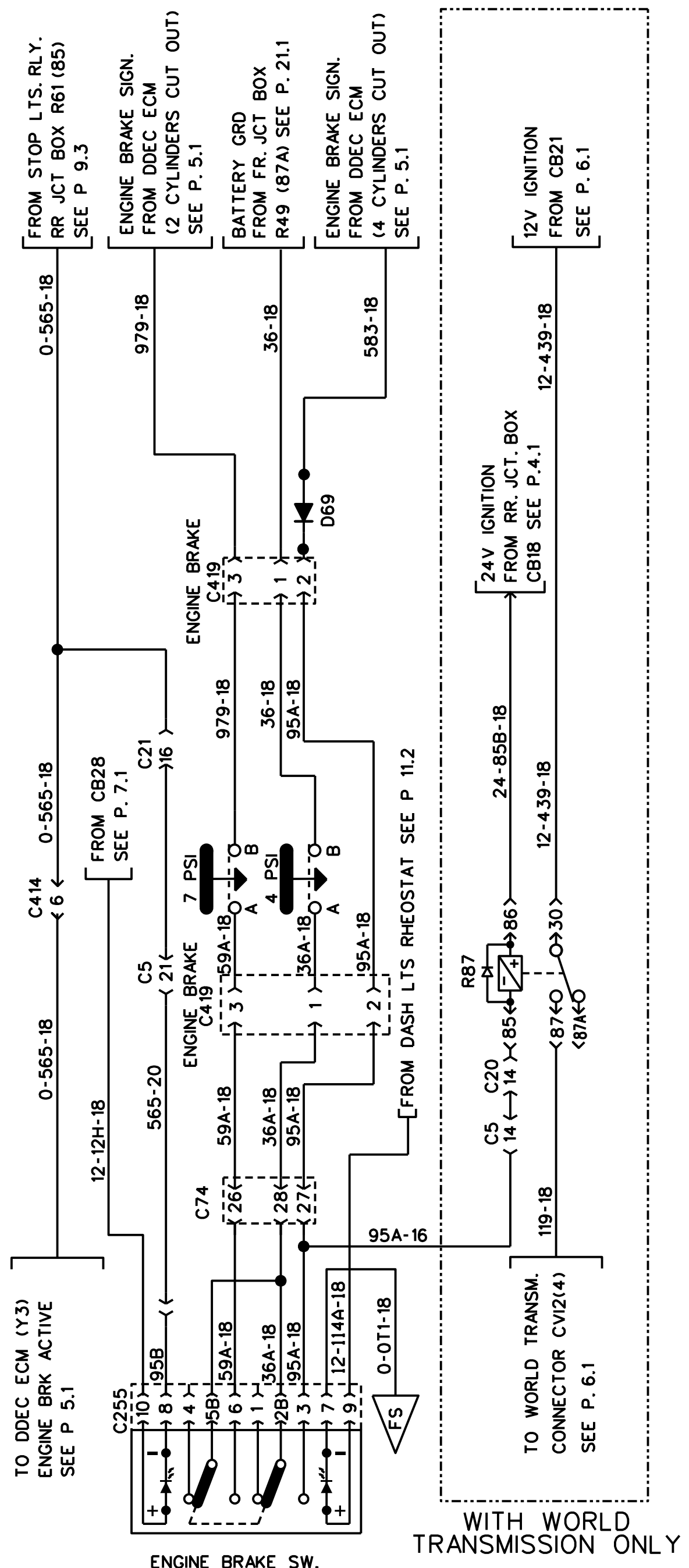
LUGGAGE DOOR LOCK



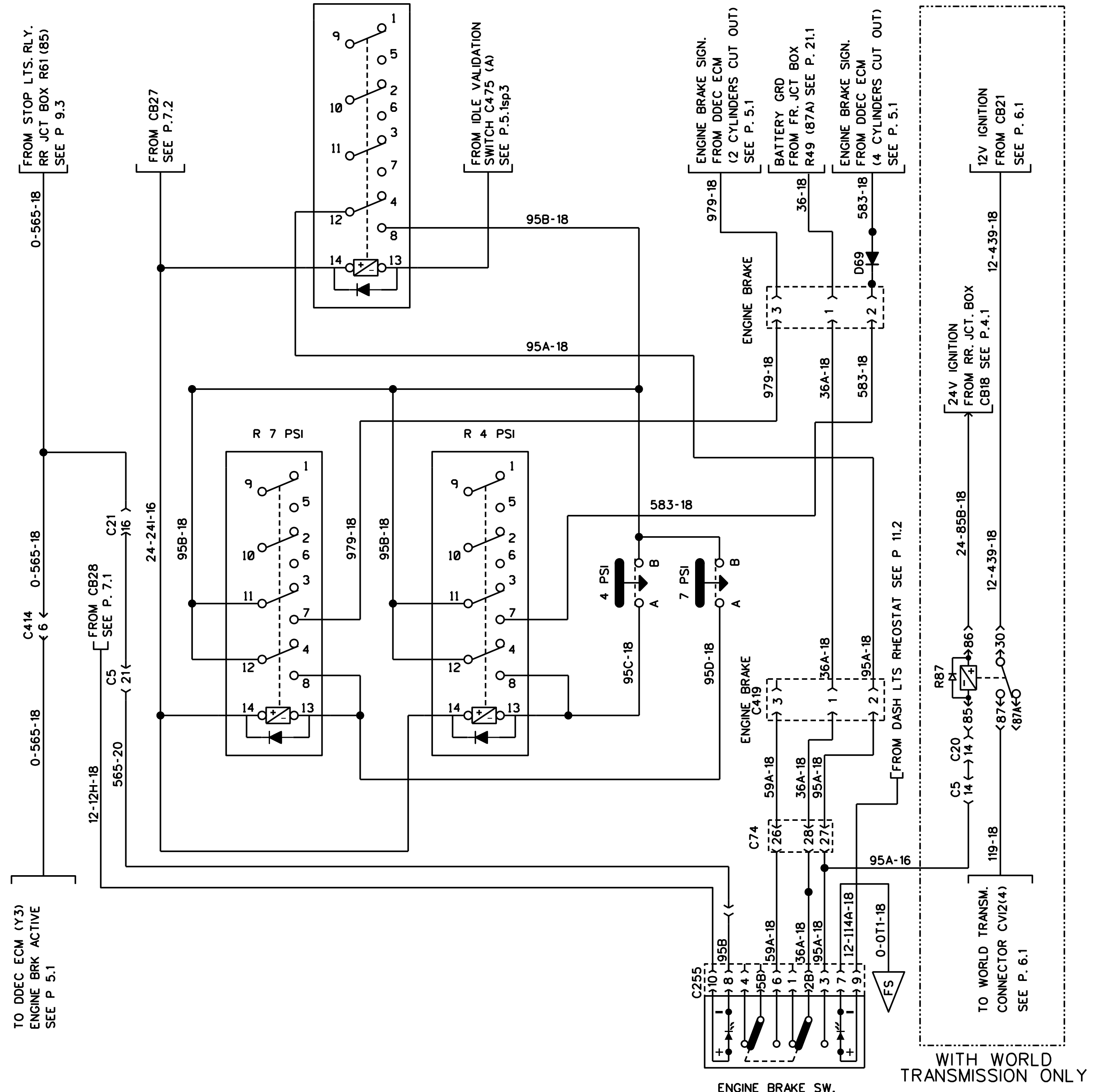




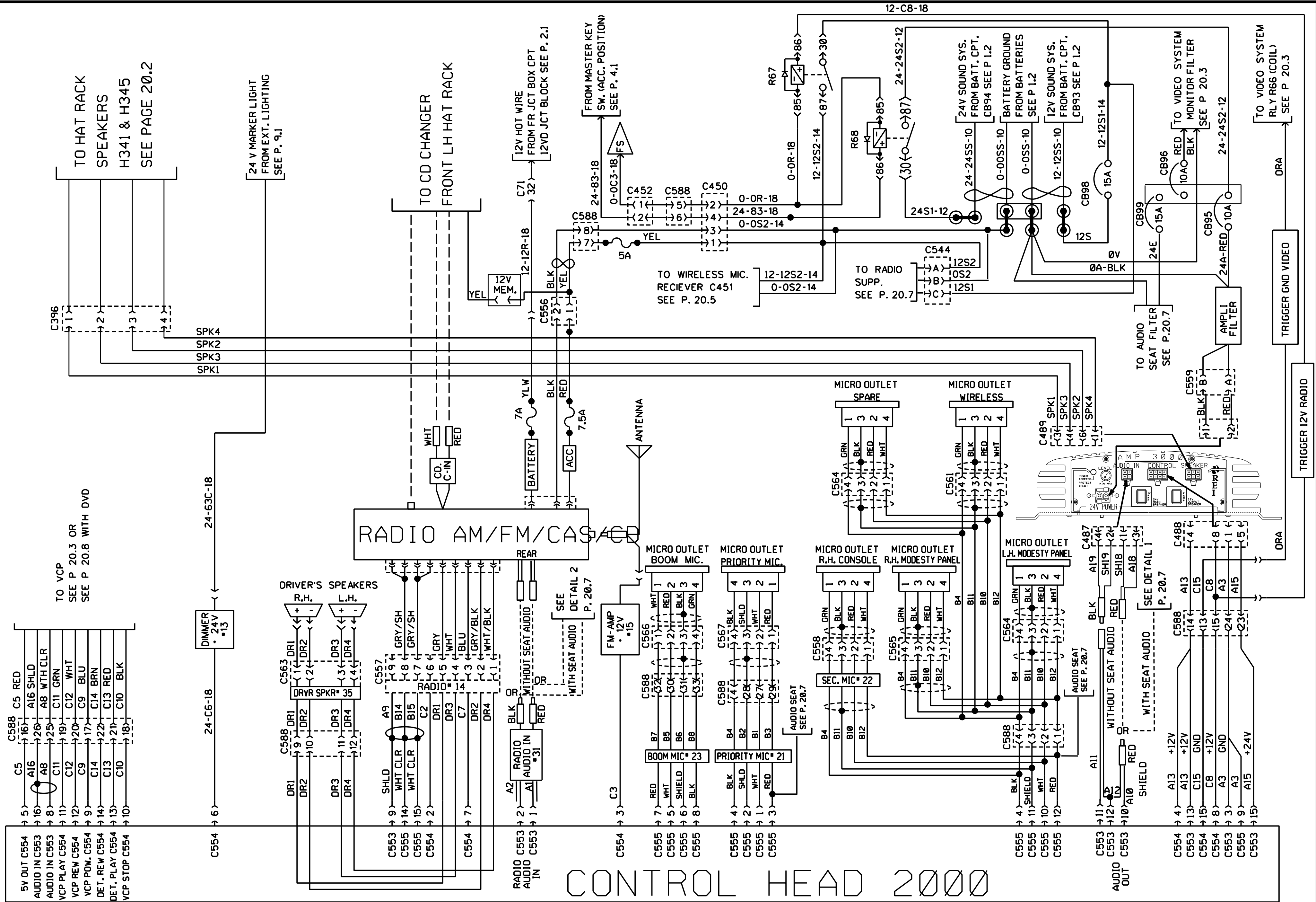




ENGINE BRAKE SYSTEM
(WITH 2 PRESSURE SWITCHES)

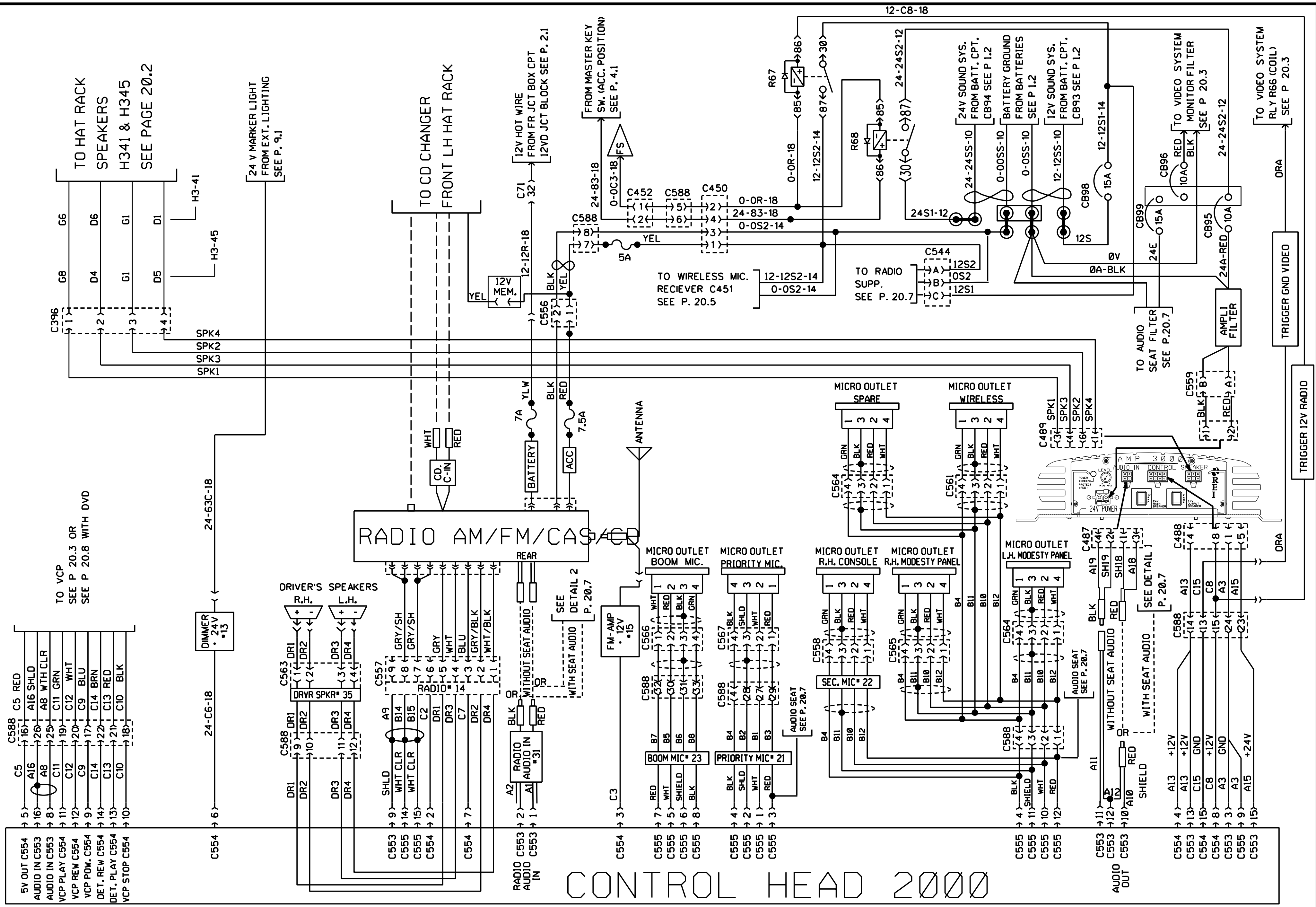


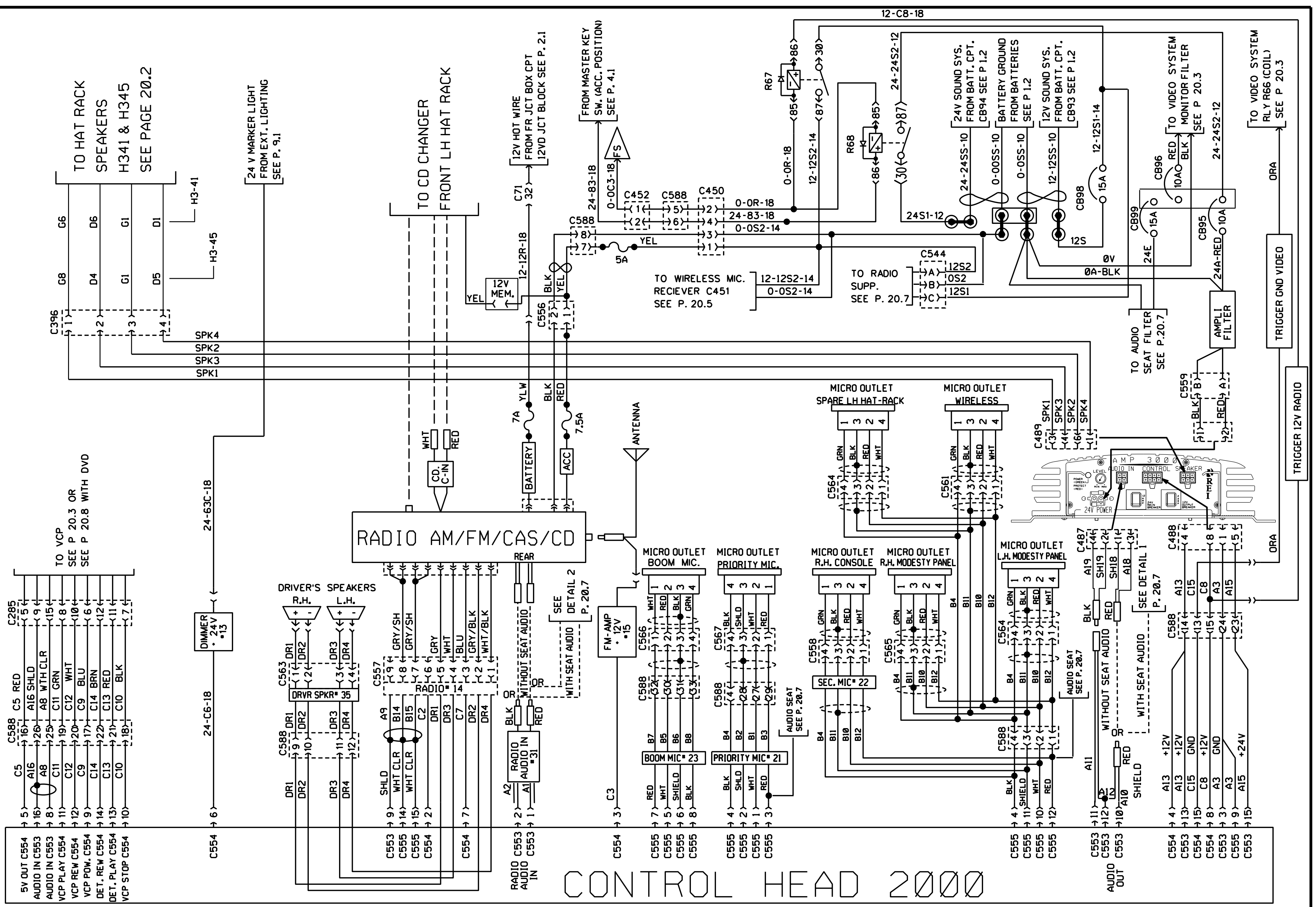
ENGINE BRAKE SYSTEM
(WITH 2 PRESSURE SWITCHES LATCHED)



CONTROL HEAD 2000

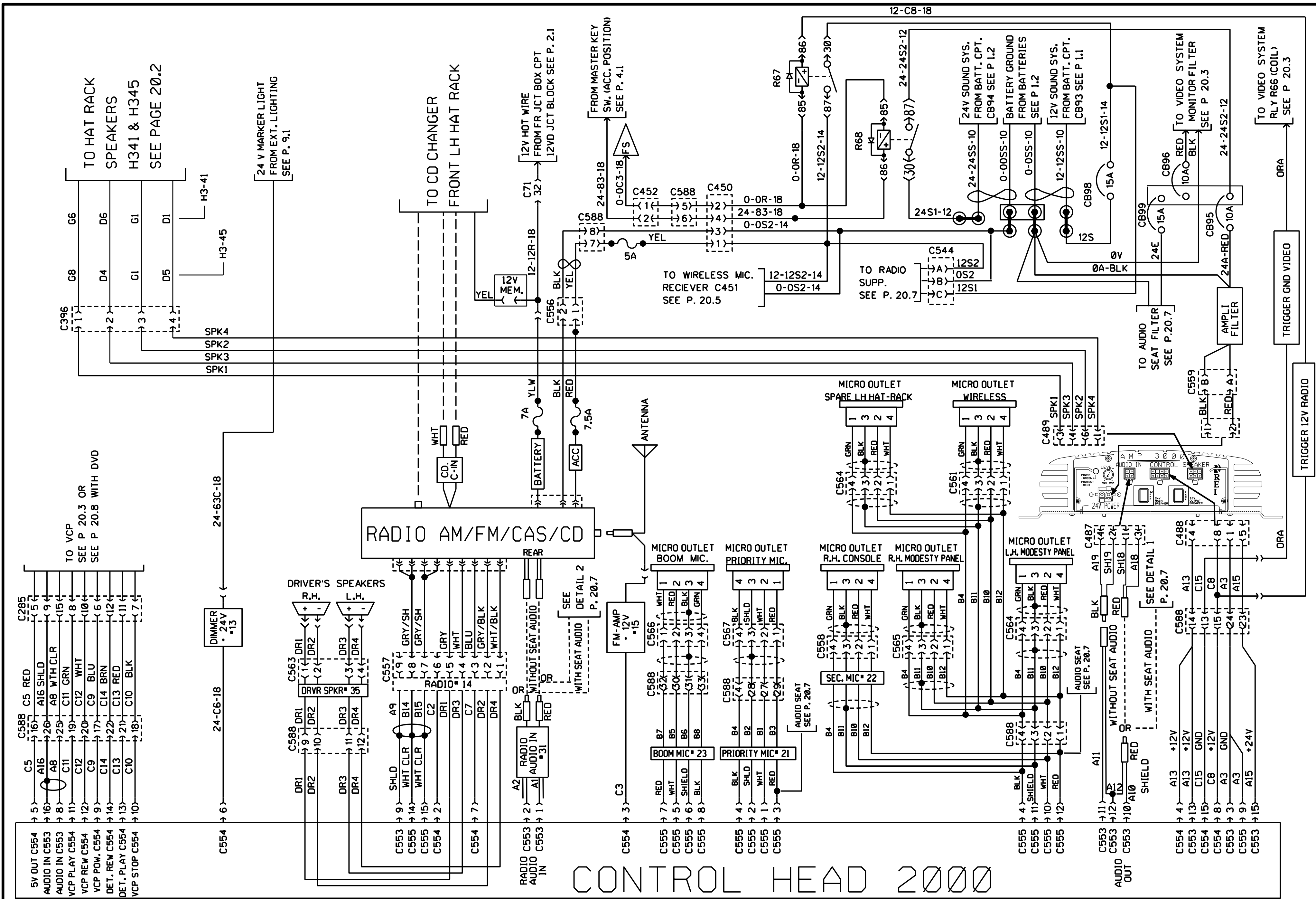
SOUND SYSTEM H3-45





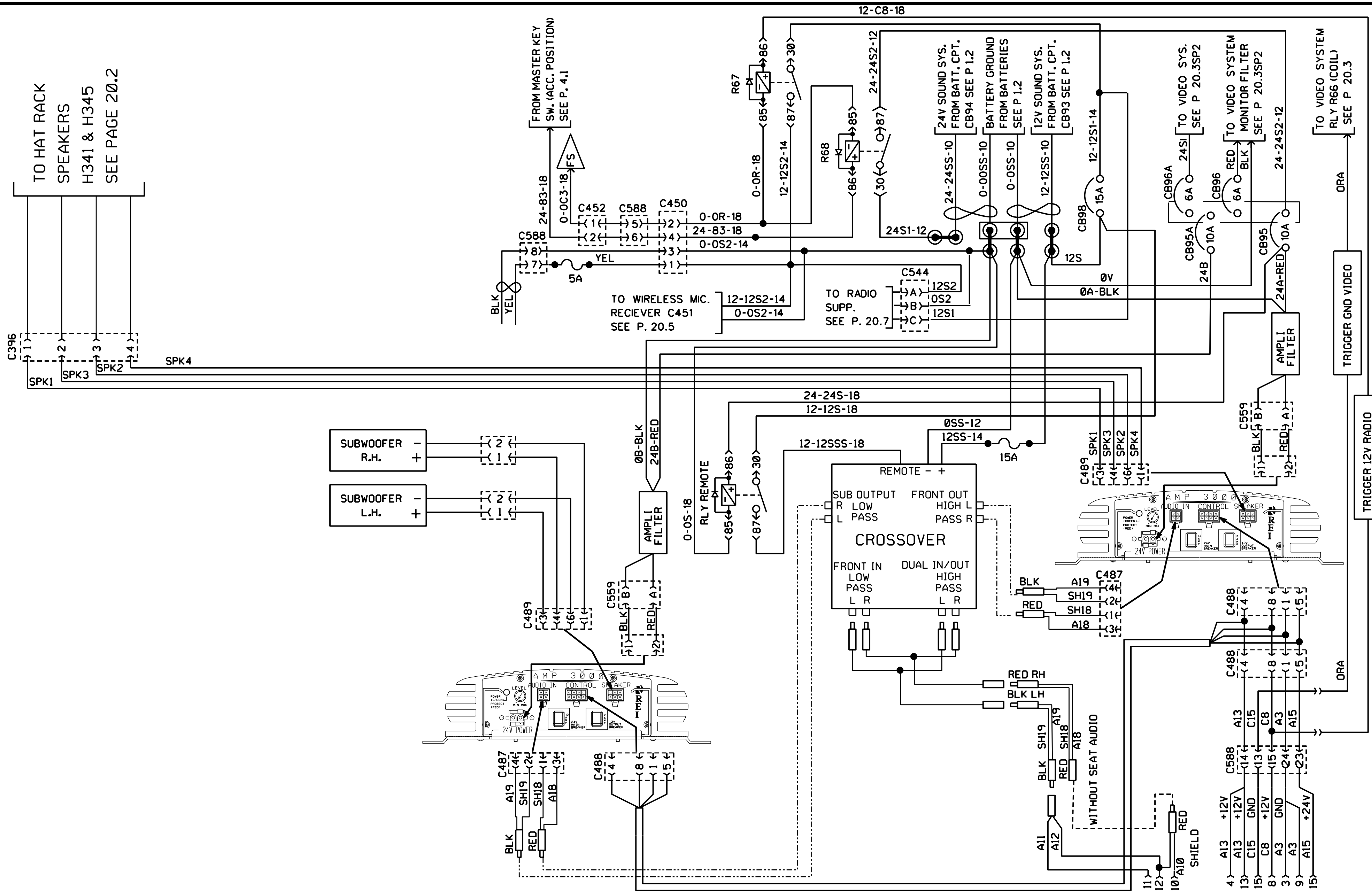
CONTROL HEAD 2000

SOUND SYSTEM H3-45



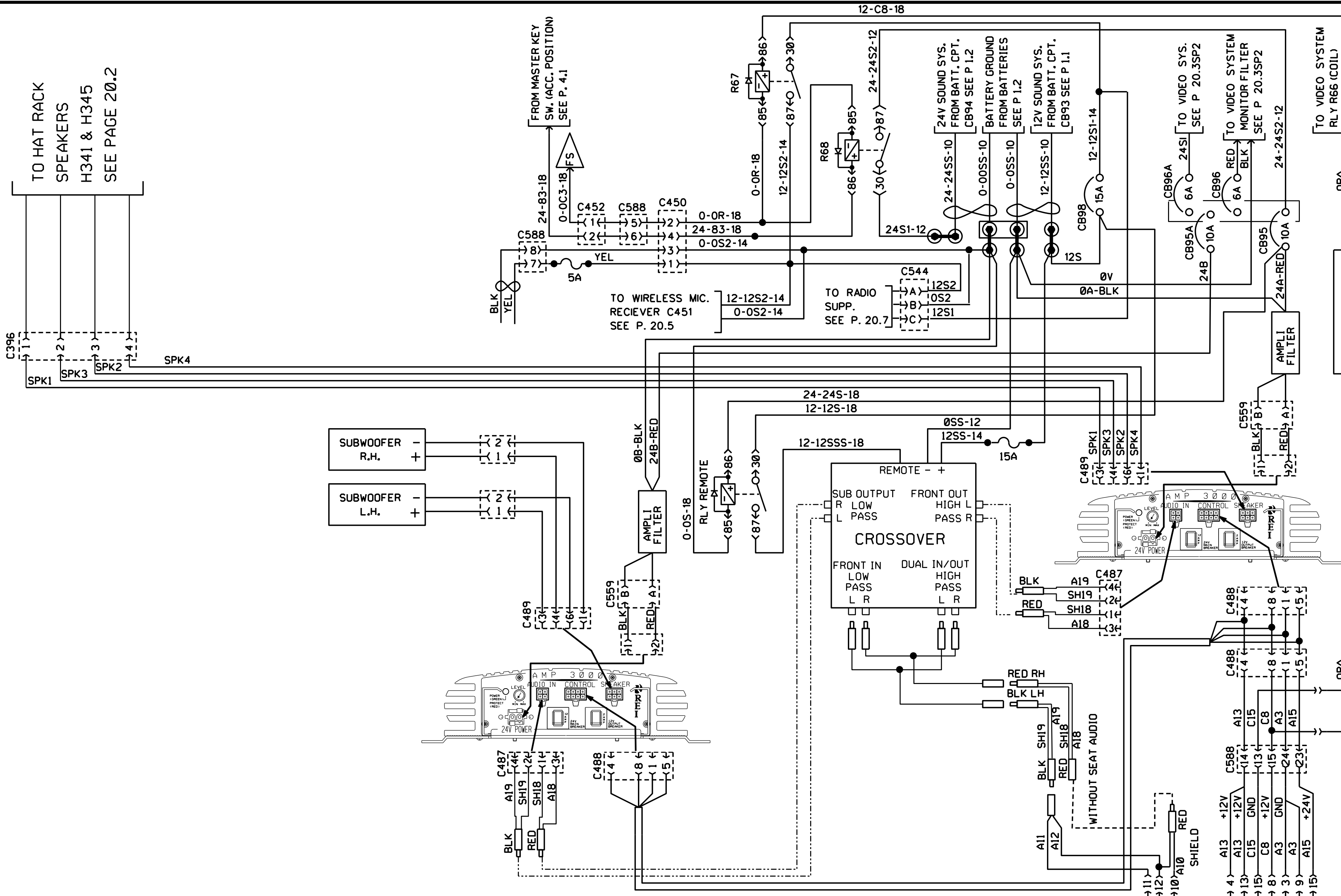
CONTROL HEAD 2000

SOUND SYSTEM H3-45



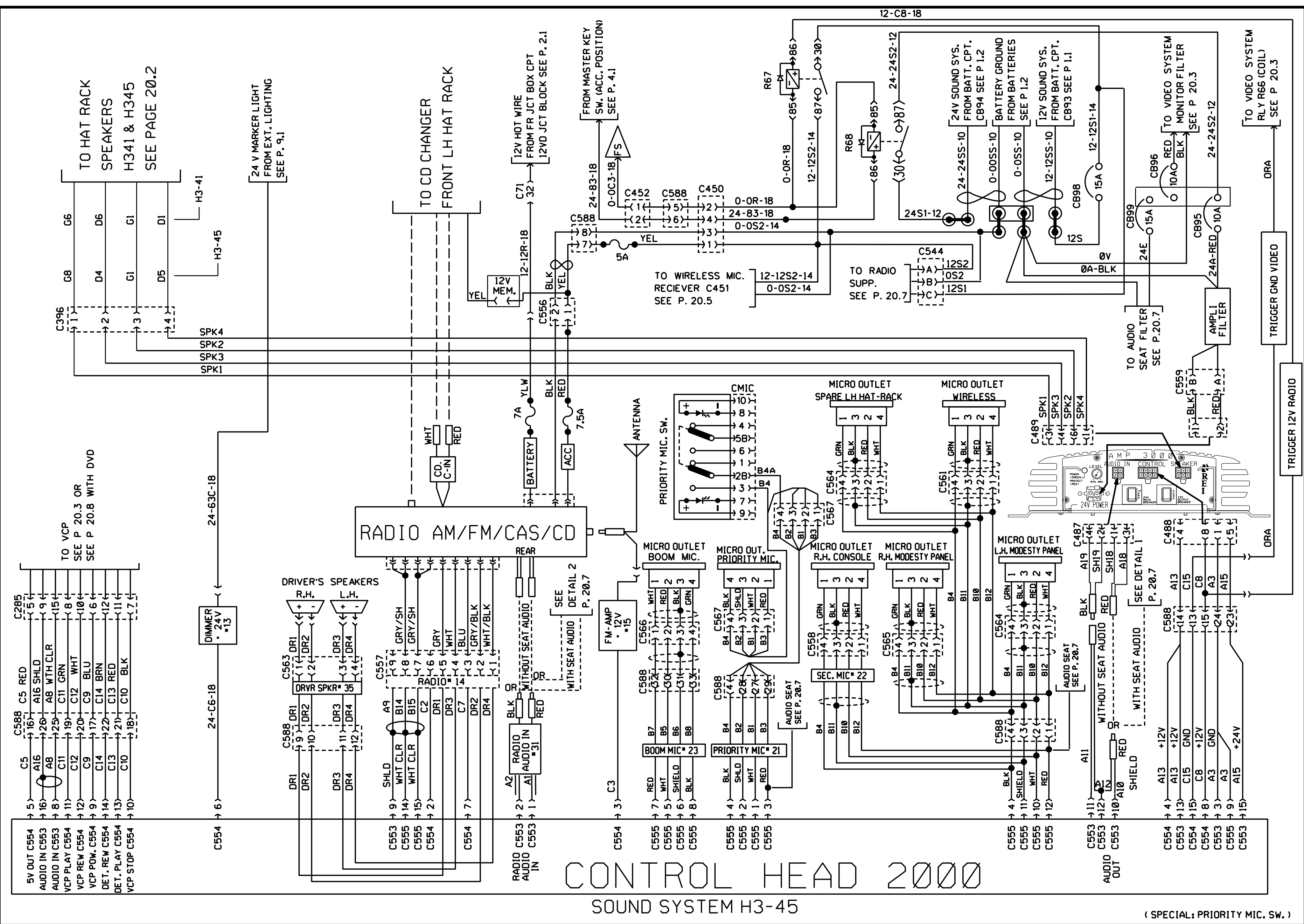
CONTROL HEAD 2000

SOUND SYSTEM H3-45 W/SUBWOOFER W/O SEAT AUDIO



CONTROL HEAD 2000

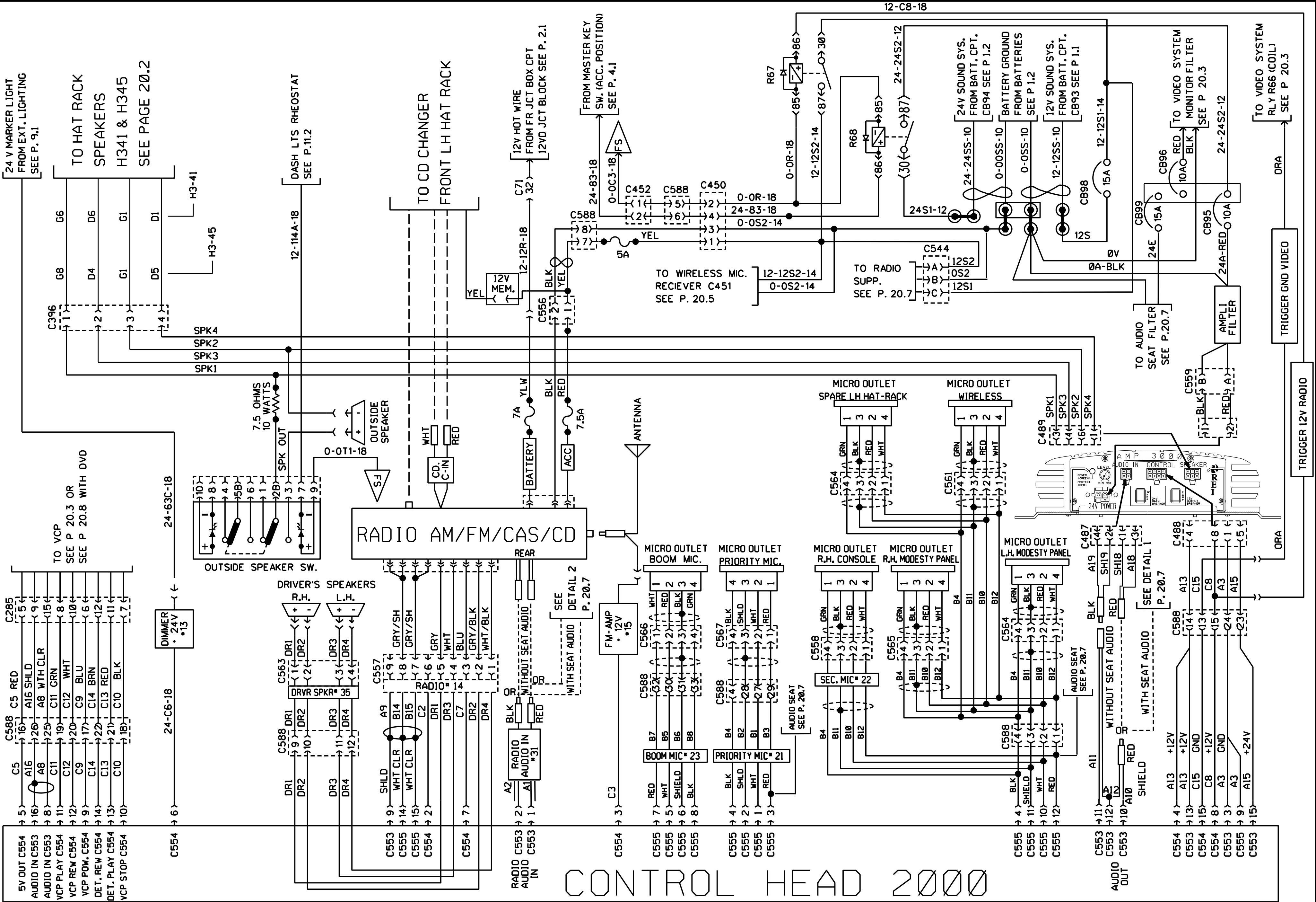
SOUND SYSTEM H3-45 W/SUBWOOFER W/O SEAT AUDIO



CONTROL HEAD 2000

SOUND SYSTEM H3-45

(SPECIAL: PRIORITY MIC. SW.)

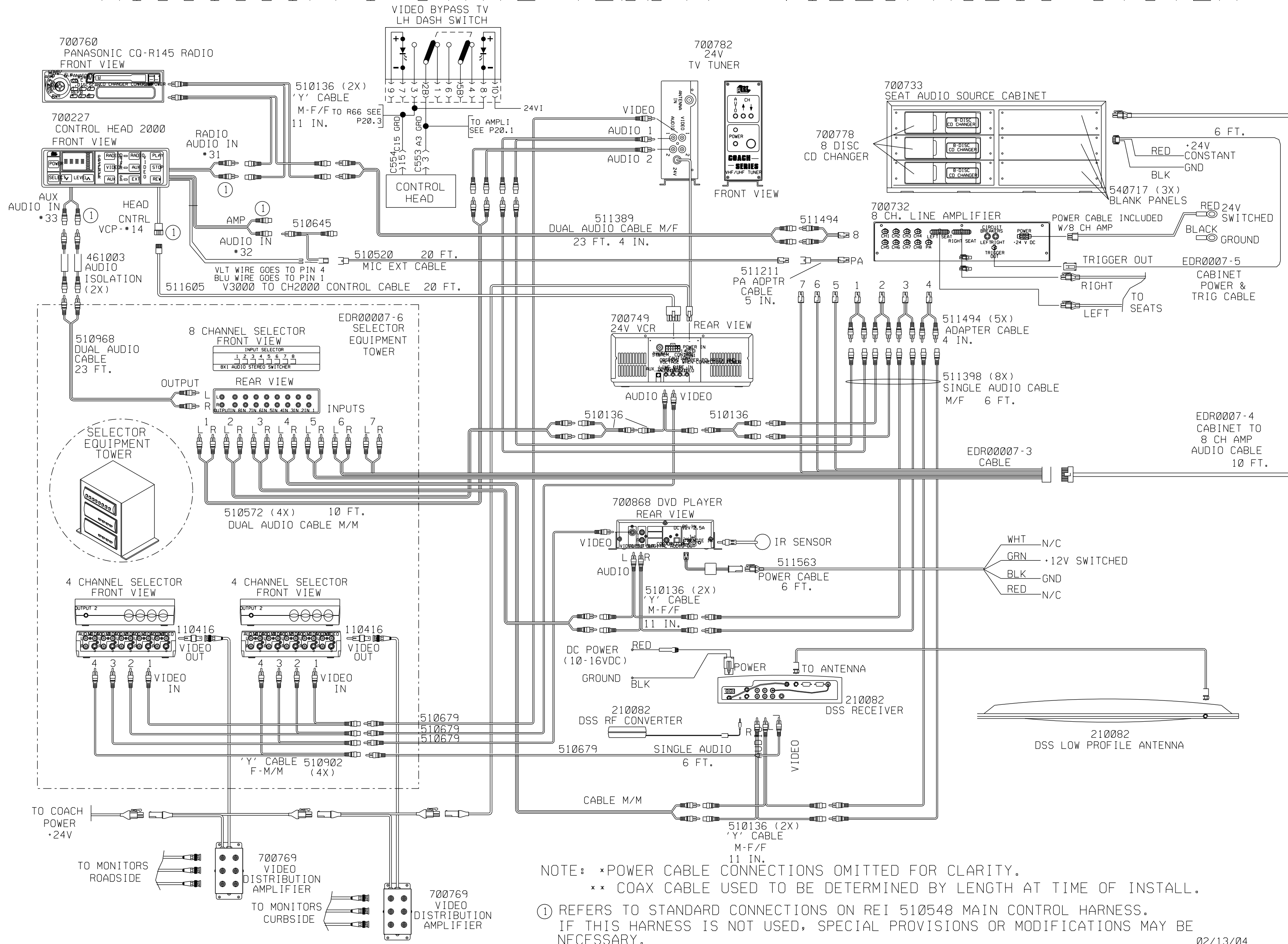


CONTROL HEAD 2000

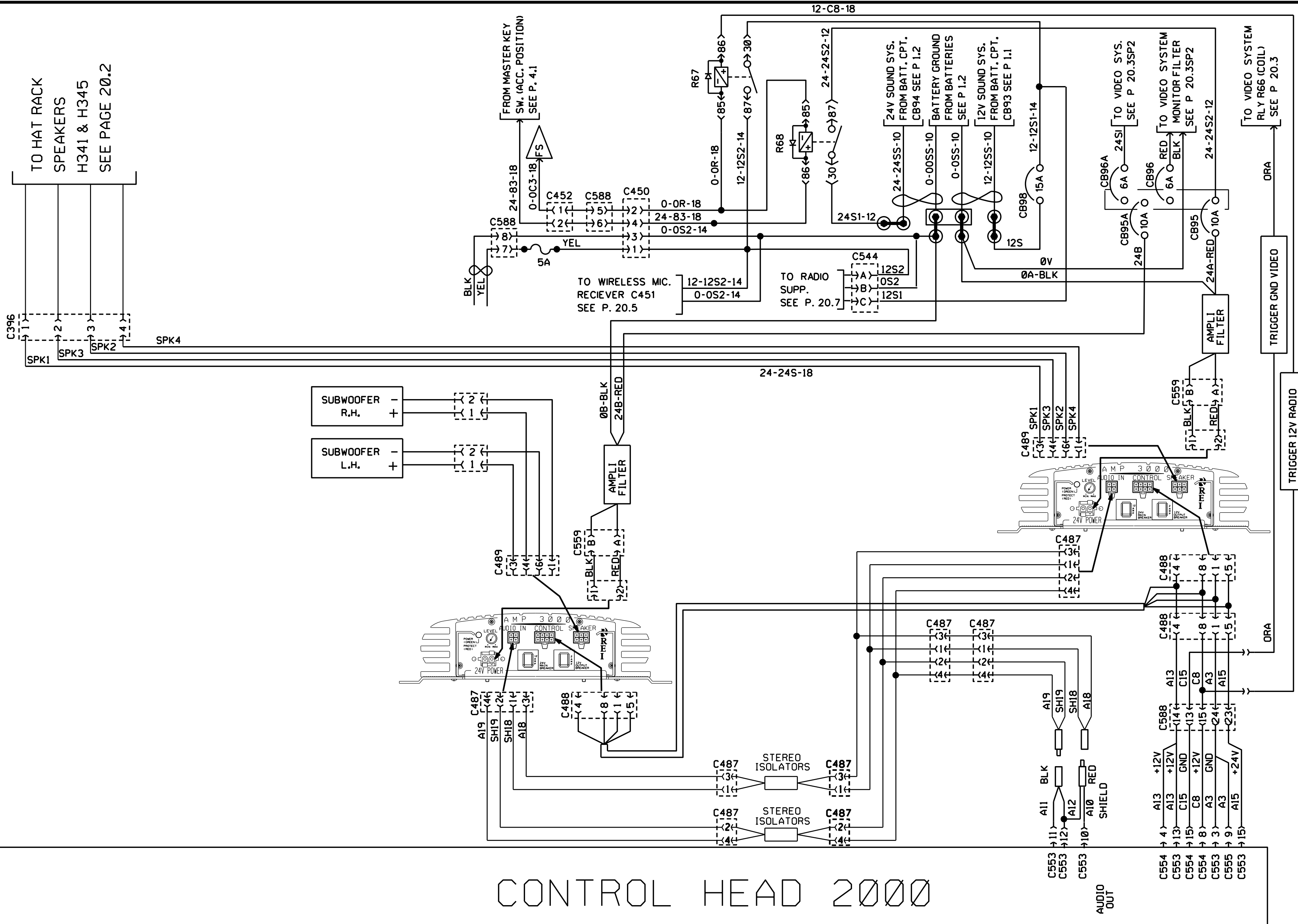
SOUND SYSTEM H3-45

(SPECIAL OUTSIDE SPEAKER)

MISSISSIPPI STATE (2004) VIDEO/AUDIO SYSTEM

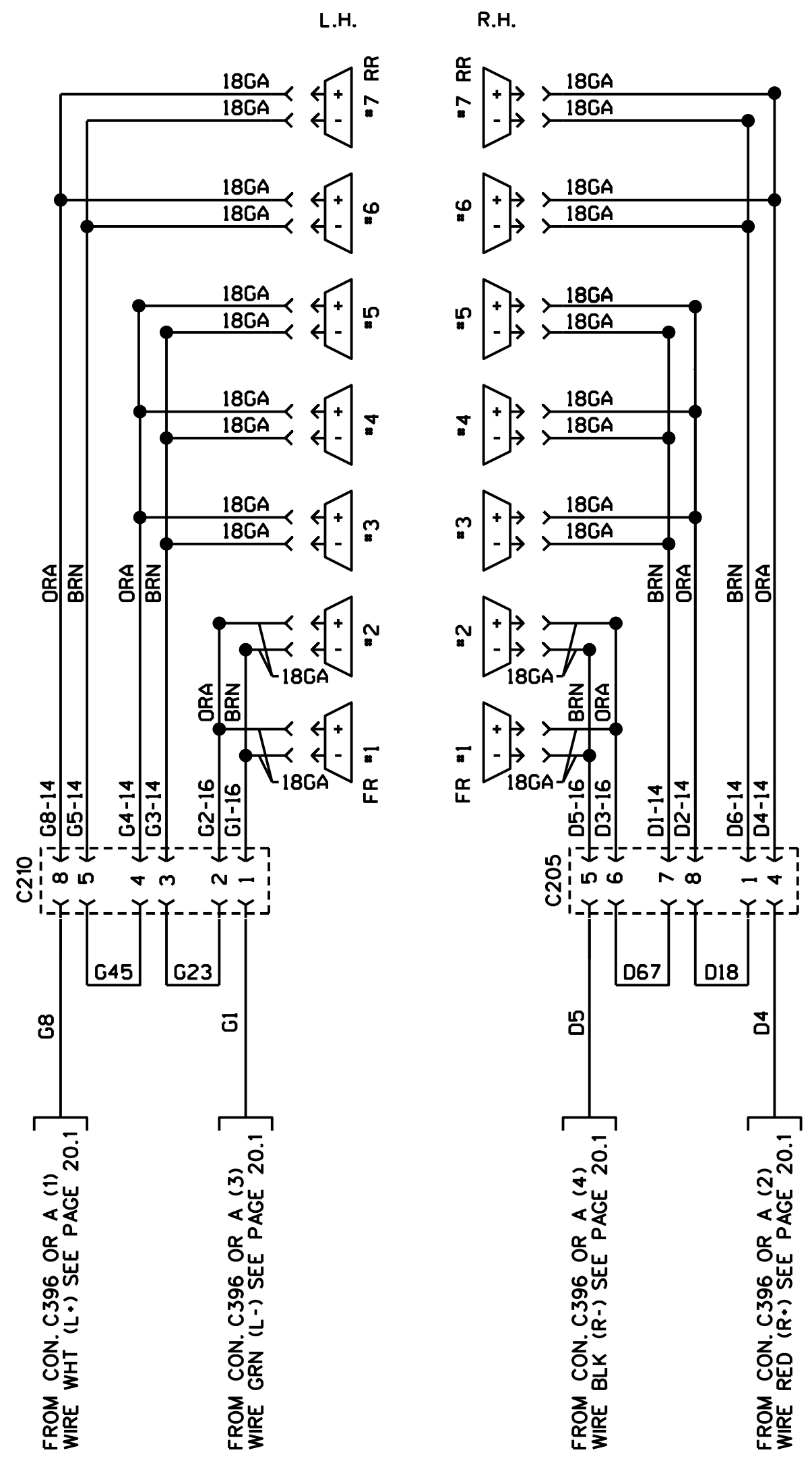


02/13/04
FORM: MS_SYS_2004

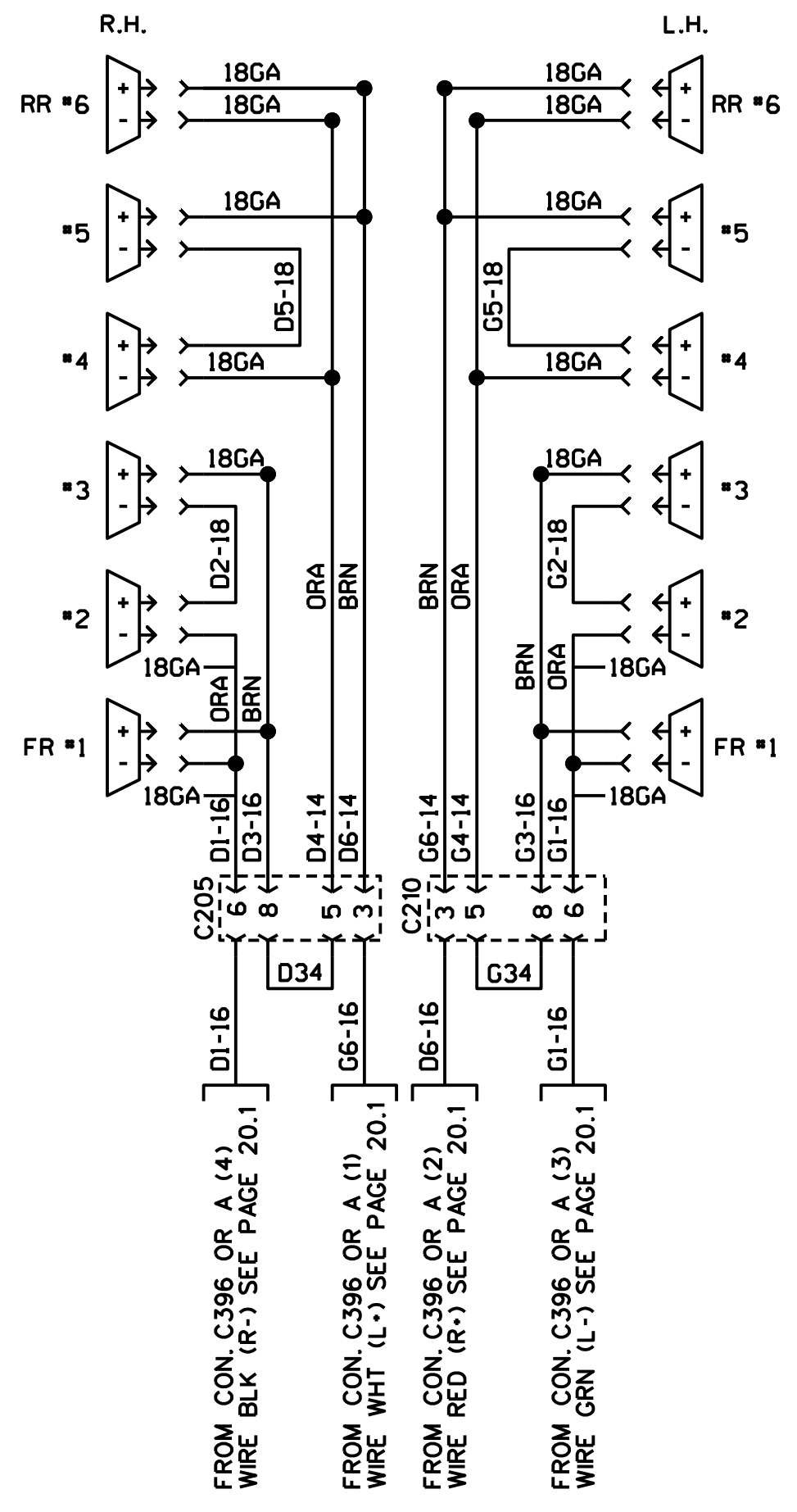


CONTROL HEAD 2000

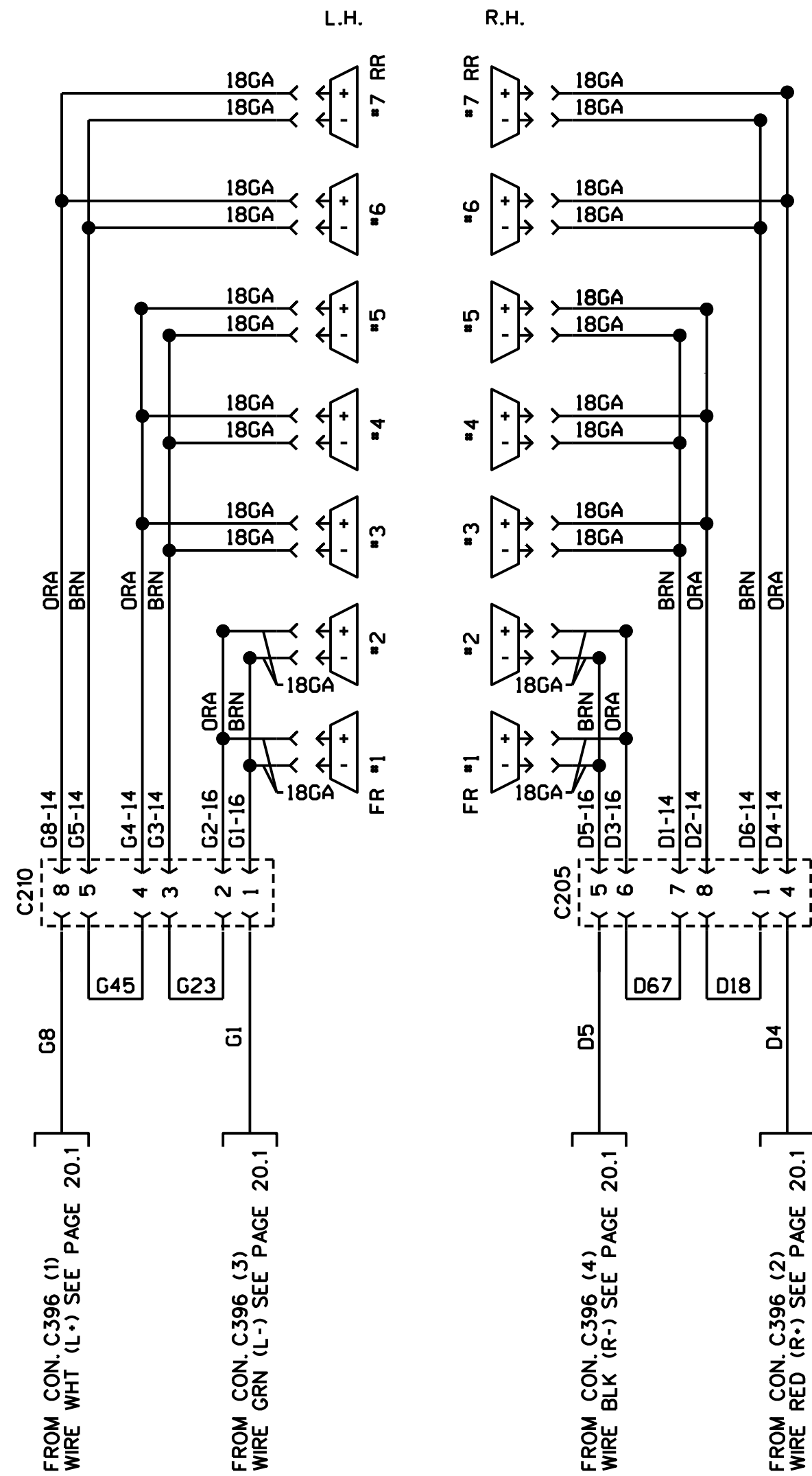
SOUND SYSTEM H3-45 W/SUBWOOFER W/O SEAT AUDIO W/O CROSSOVER



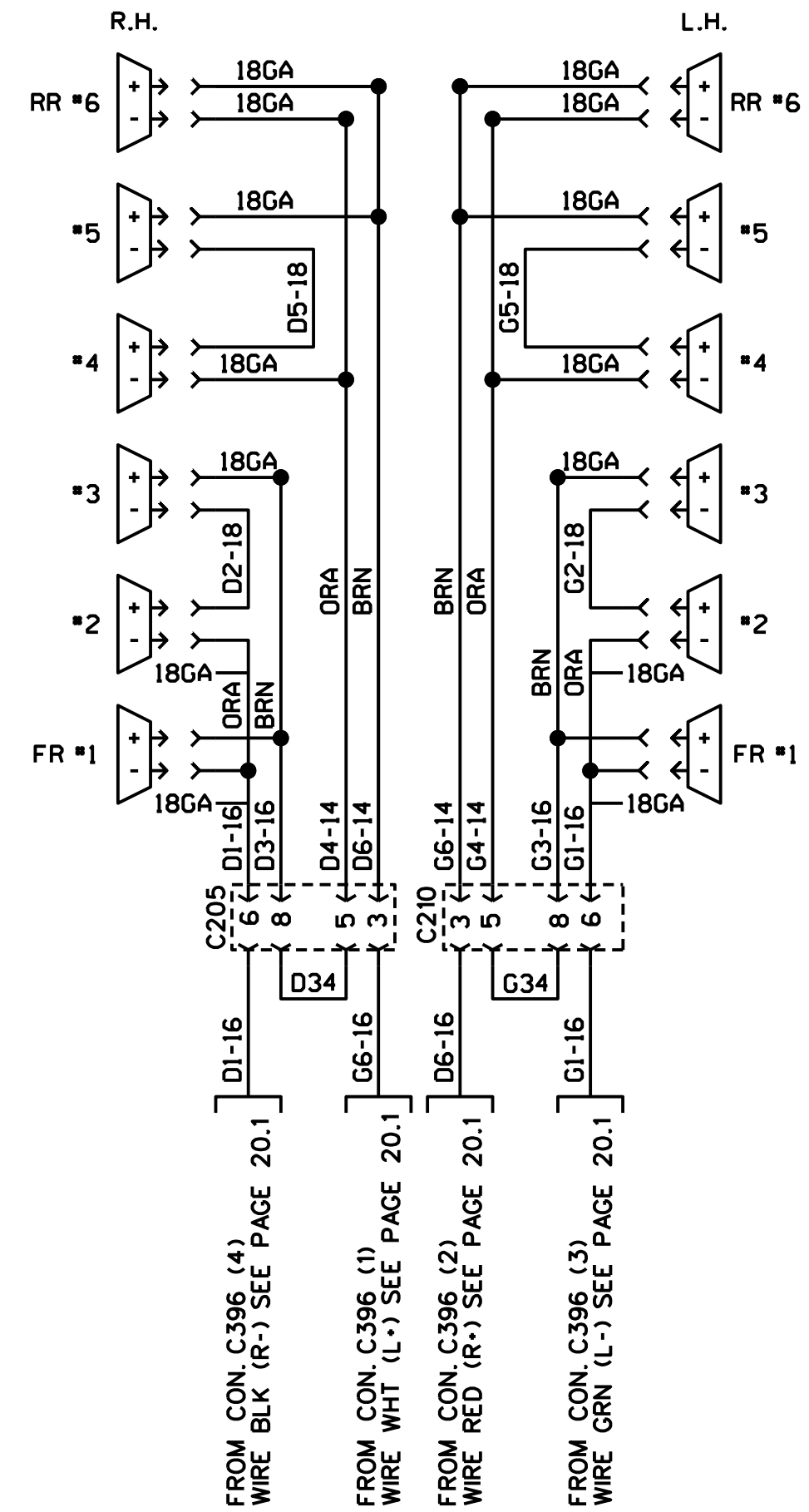
HAT RACK SPEAKERS H3-45



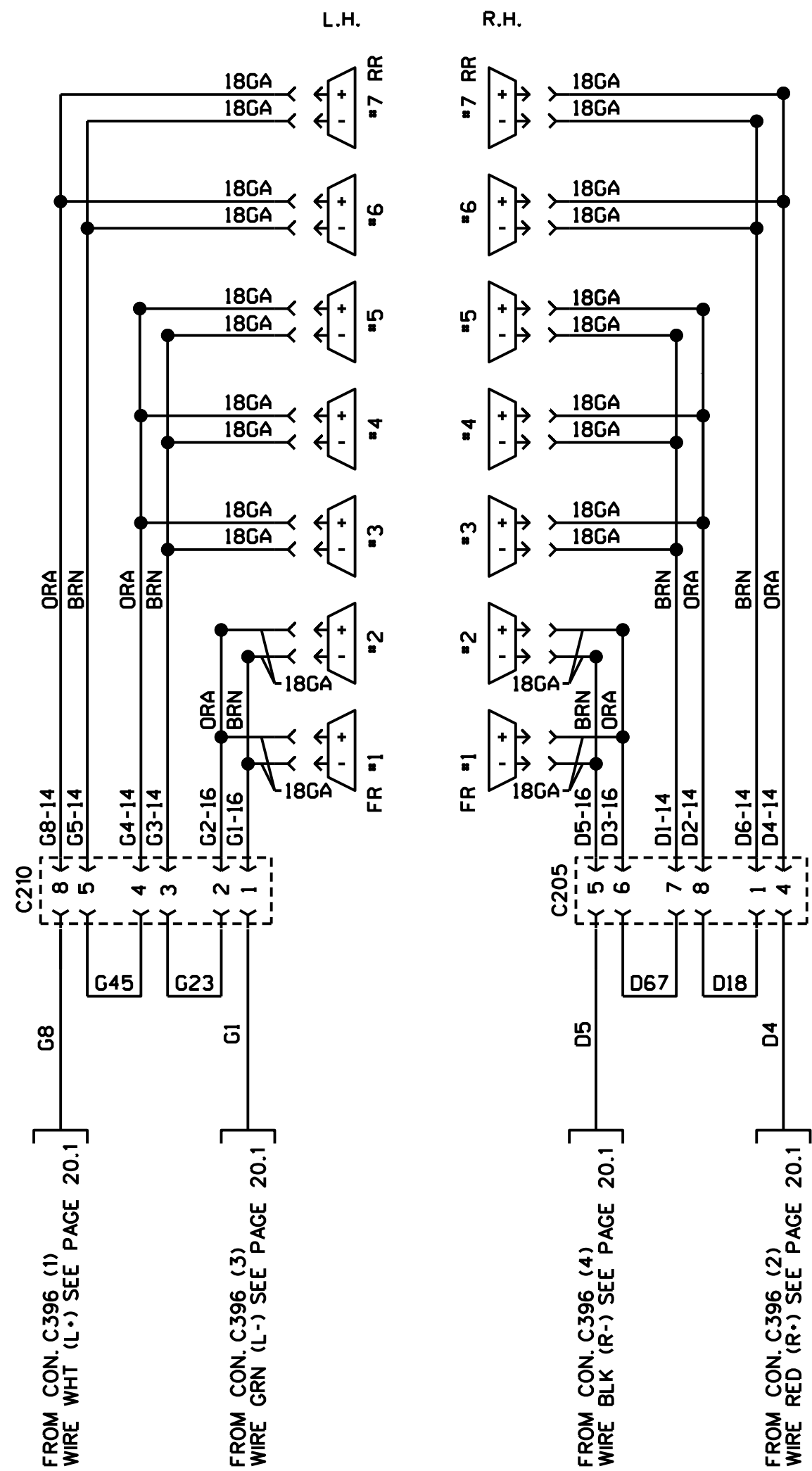
HAT RACK SPEAKERS H3-41



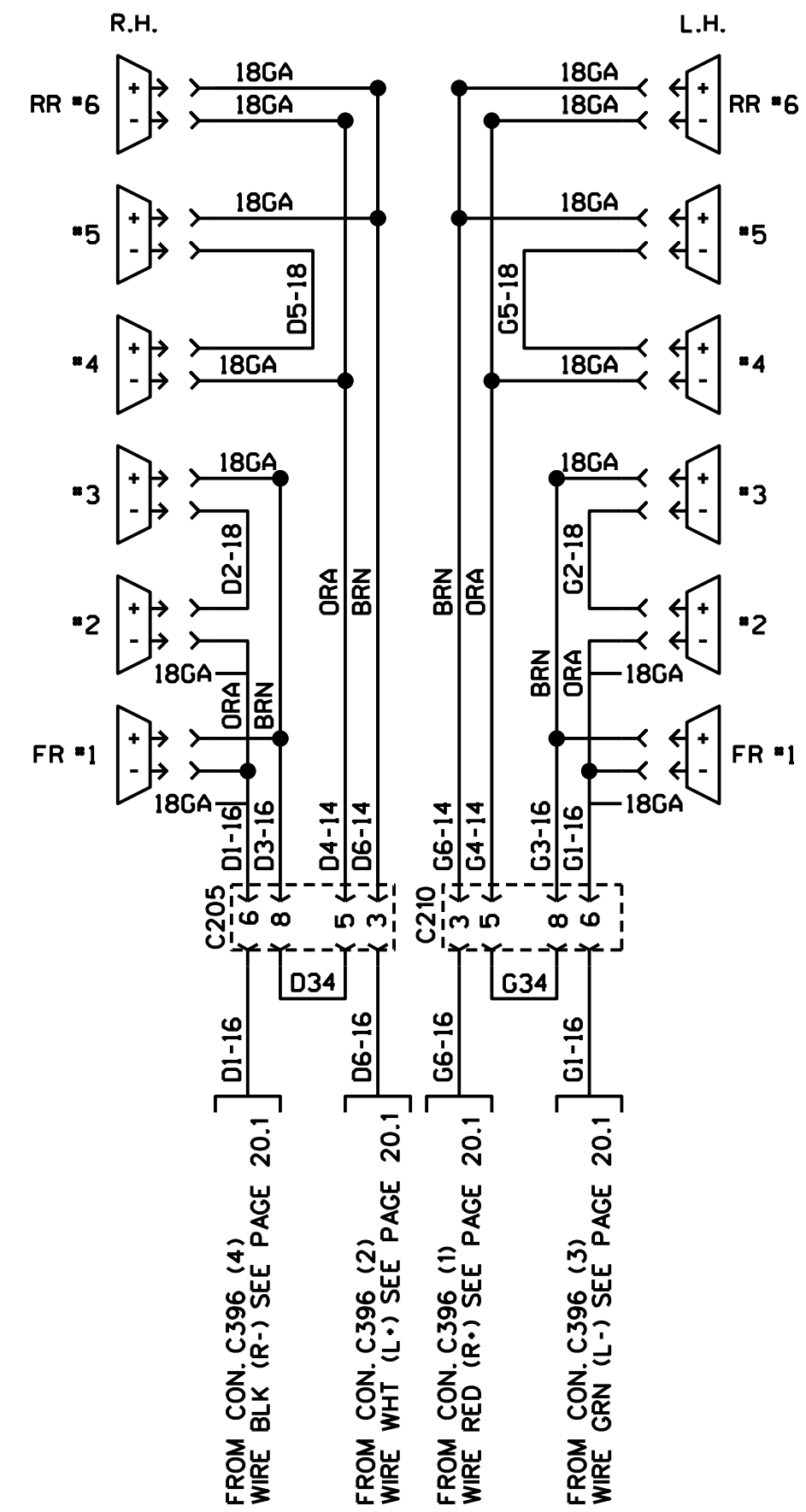
HAT RACK SPEAKERS H3-45



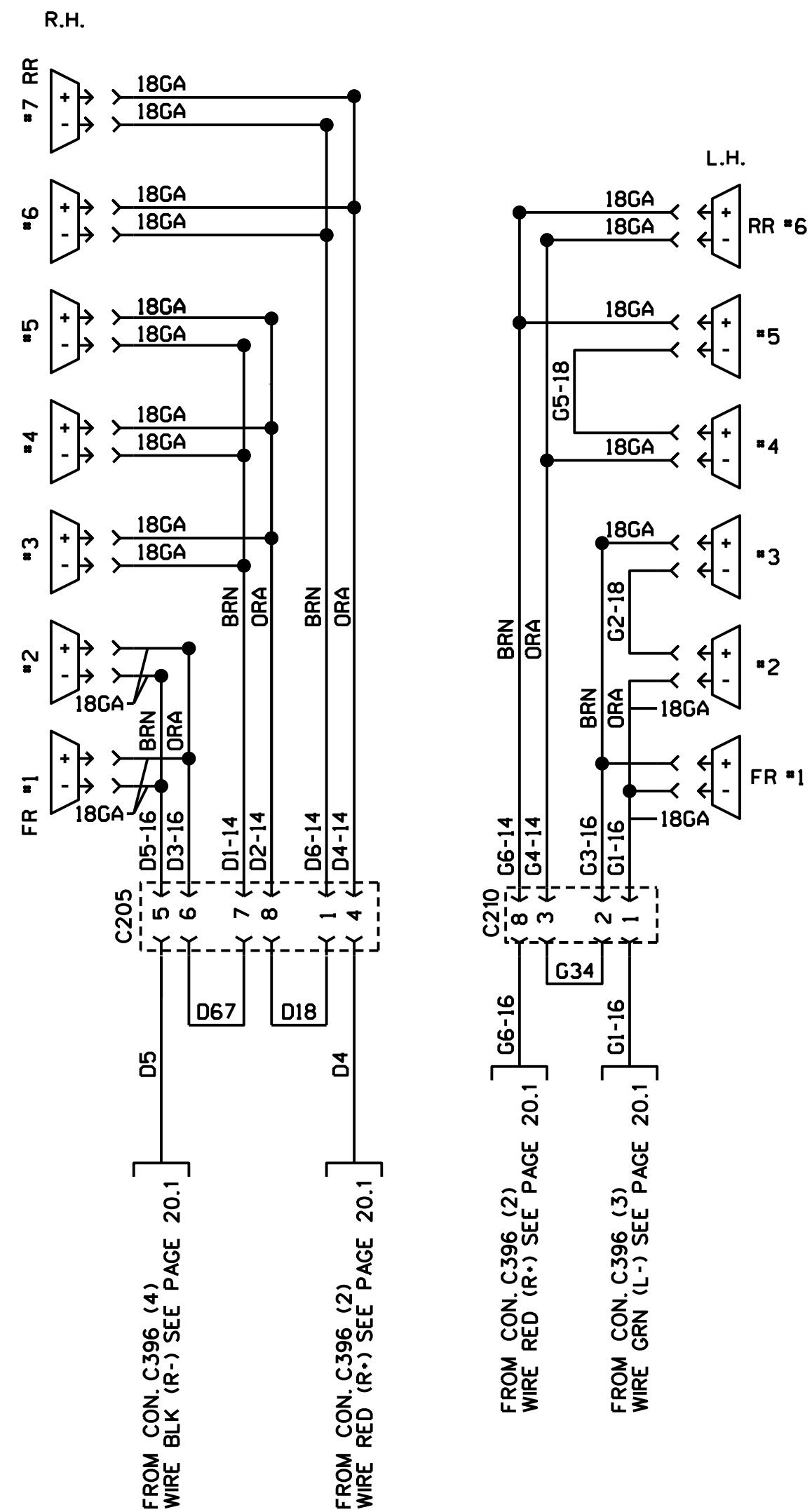
HAT RACK SPEAKERS H3-41



HAT RACK SPEAKERS H3-45

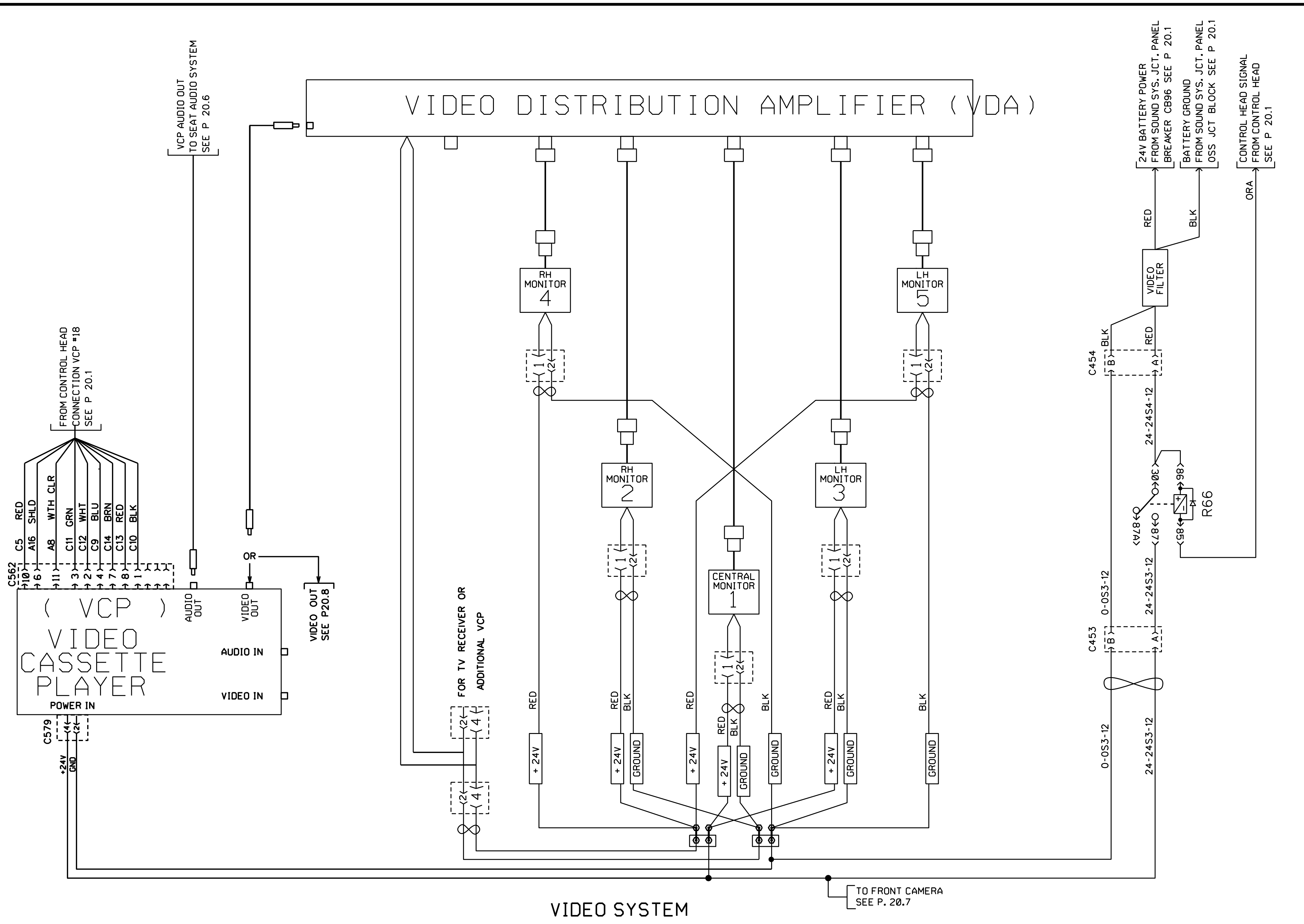


HAT RACK SPEAKERS H3-41



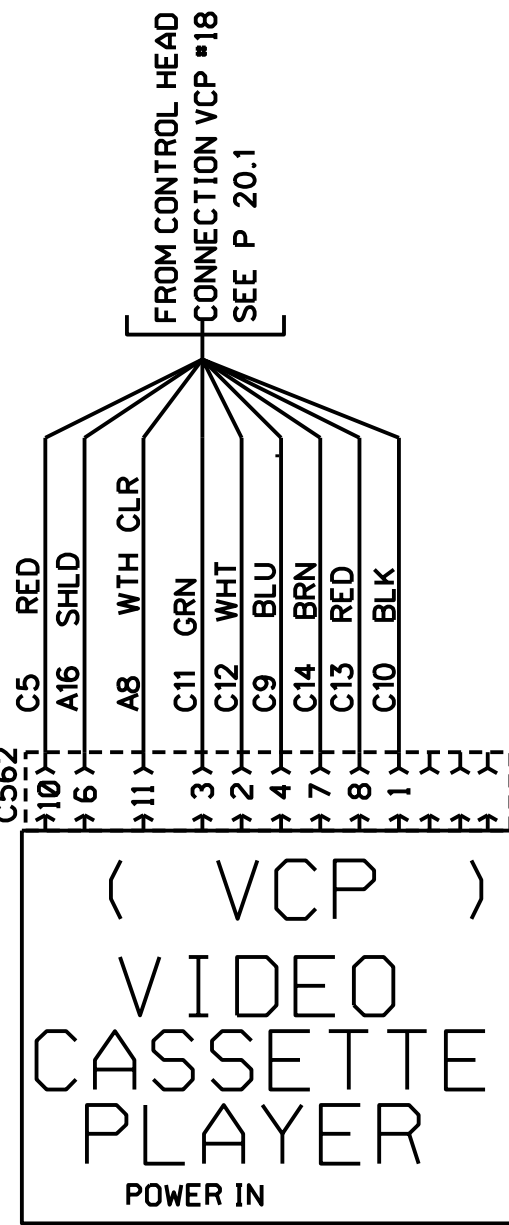
HAT RACK SPEAKERS H3-45

(L.H. HAT RACK SPECIAL ARRANGEMENT H341)



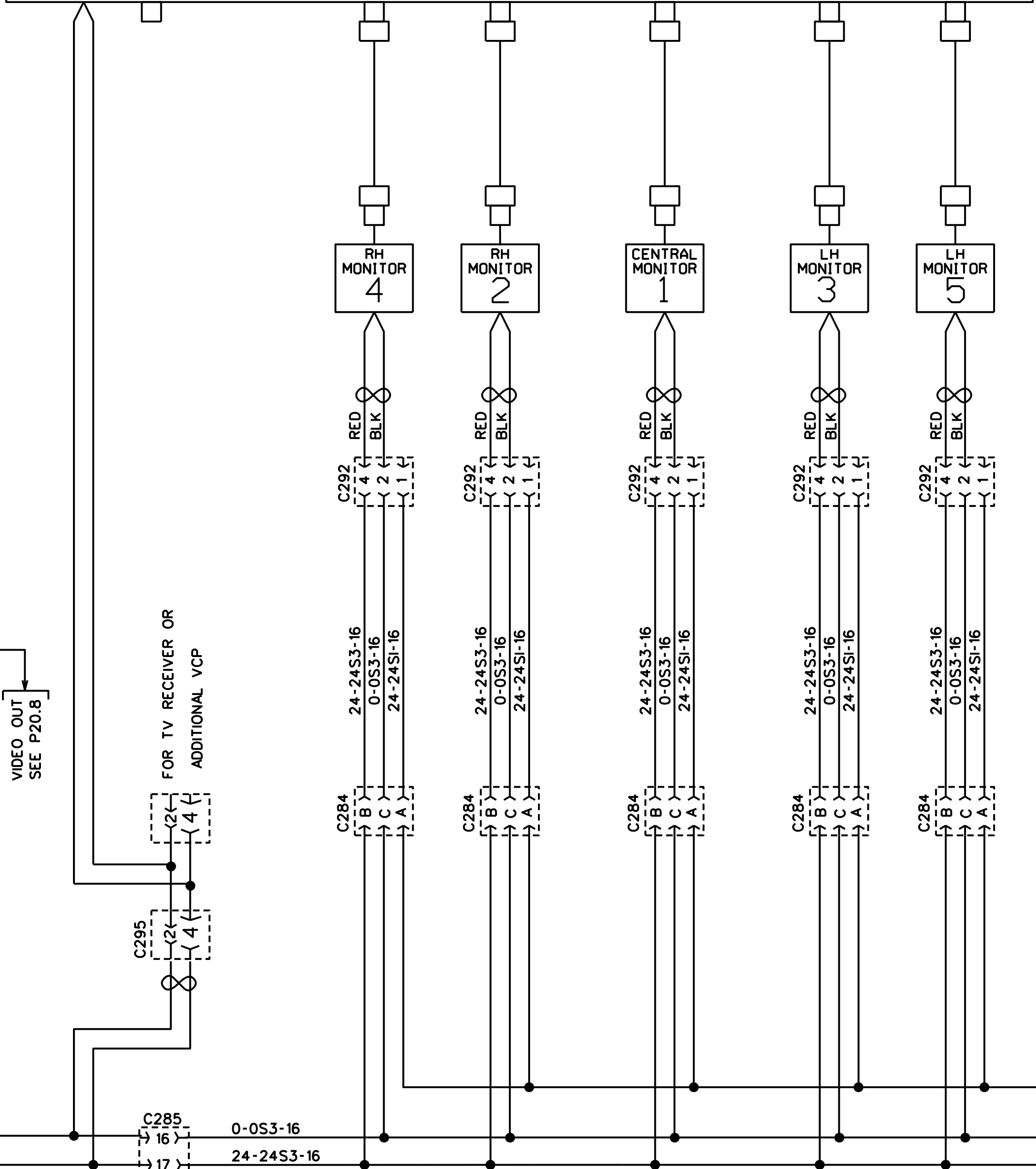
VIDEO SYSTEM

TO FRONT CAMERA
SEE P. 20.7



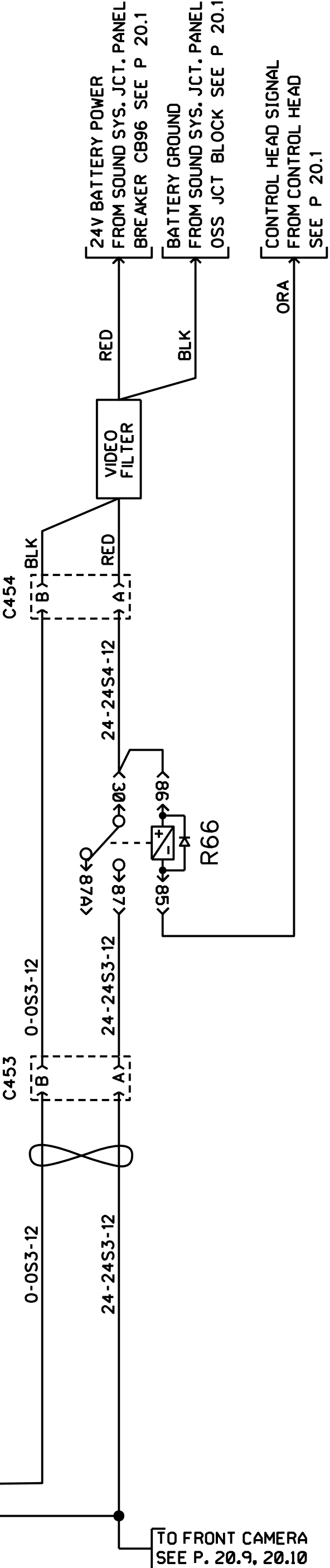
VCP AUDIO OUT
TO SEAT AUDIO SYSTEM
SEE P 20.6

VIDEO DISTRIBUTION AMPLIFIER (VDA)



VIDEO OUT
SEE P20.8

FOR TV RECEIVER OR
ADDITIONAL VCP



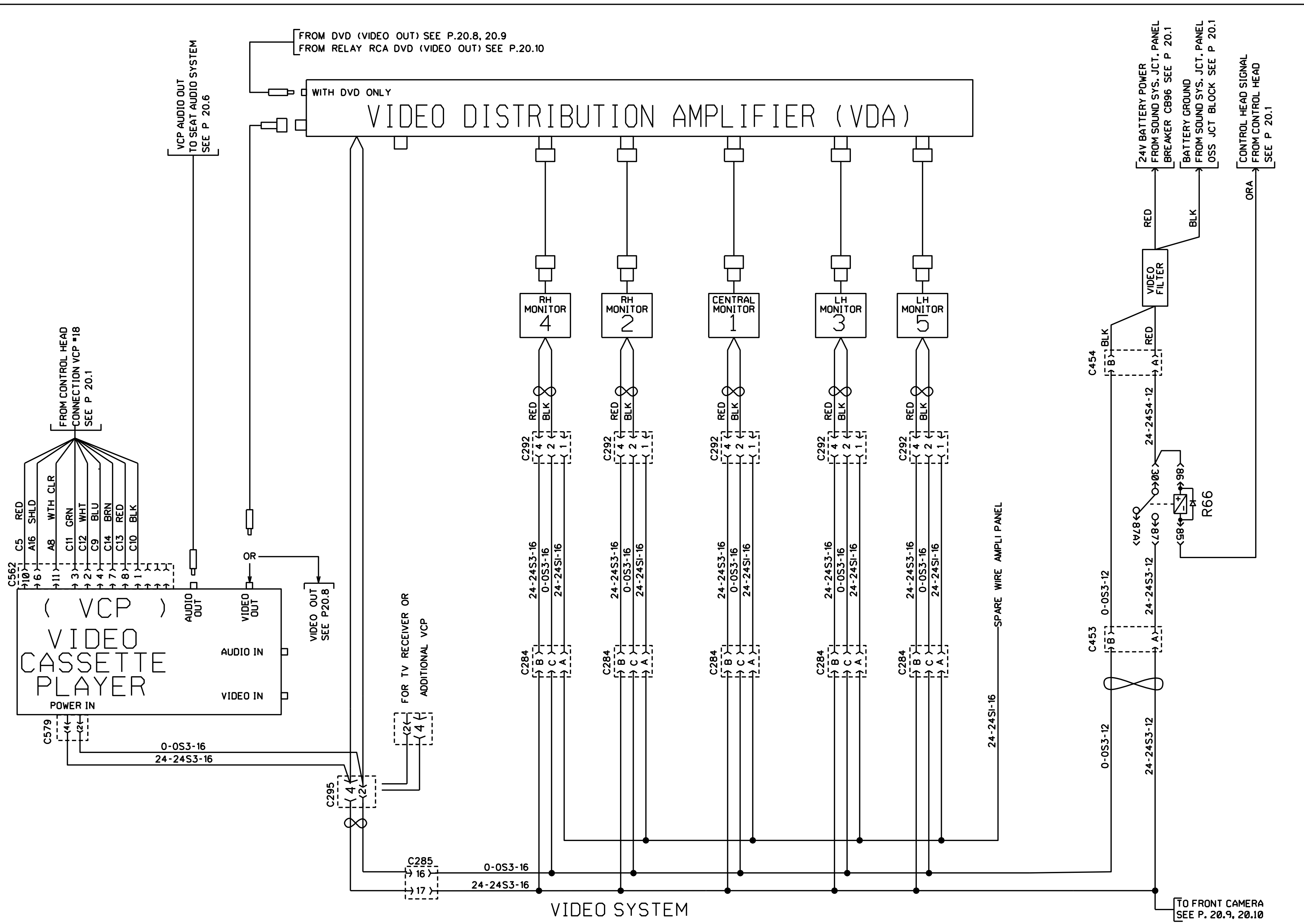
24V BATTERY POWER
FROM SOUND SYS. JCT. PANEL
BREAKER CB96 SEE P 20.1

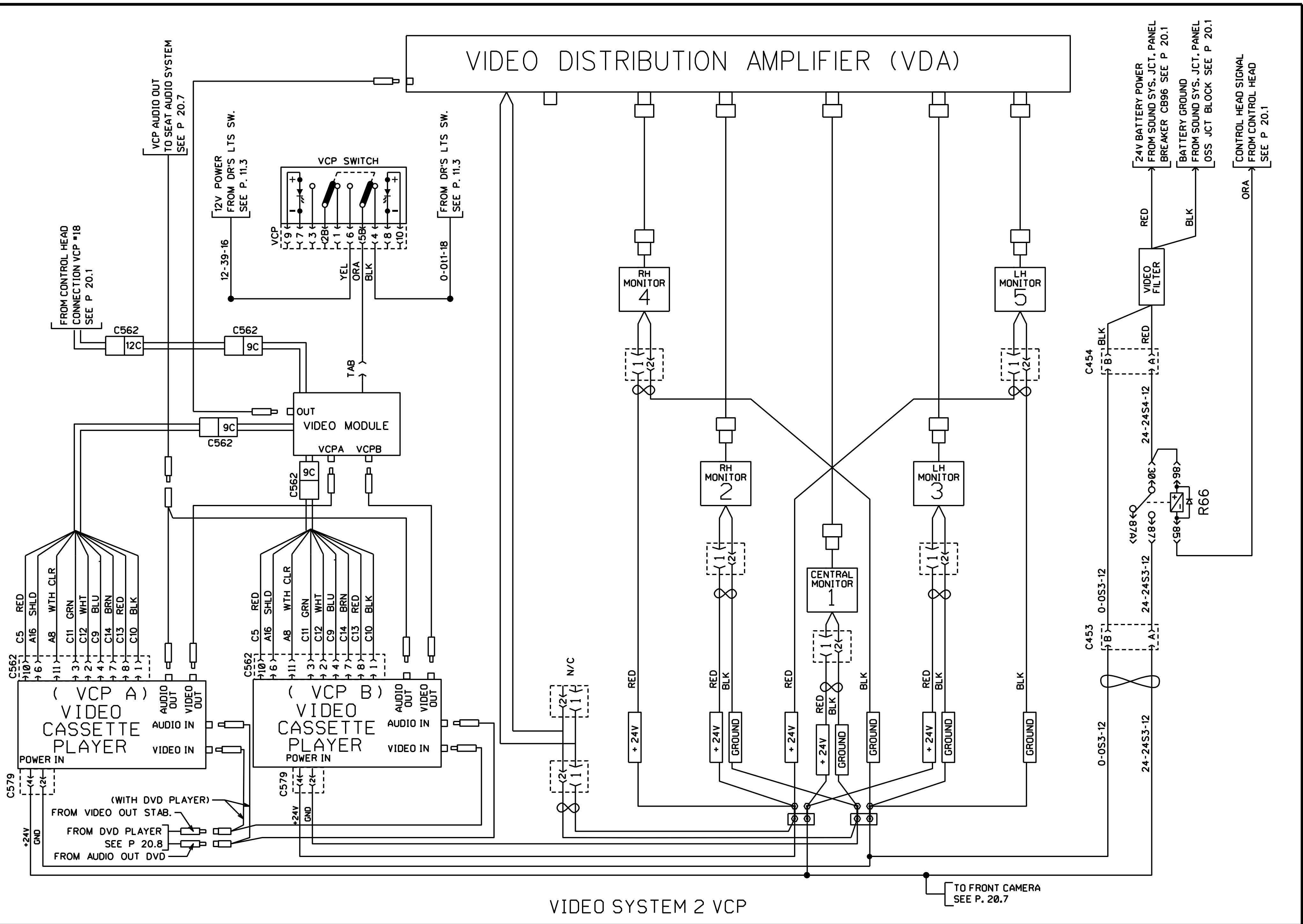
BATTERY GROUND
FROM SOUND SYS. JCT. PANEL
OSS JCT BLOCK SEE P 20.1

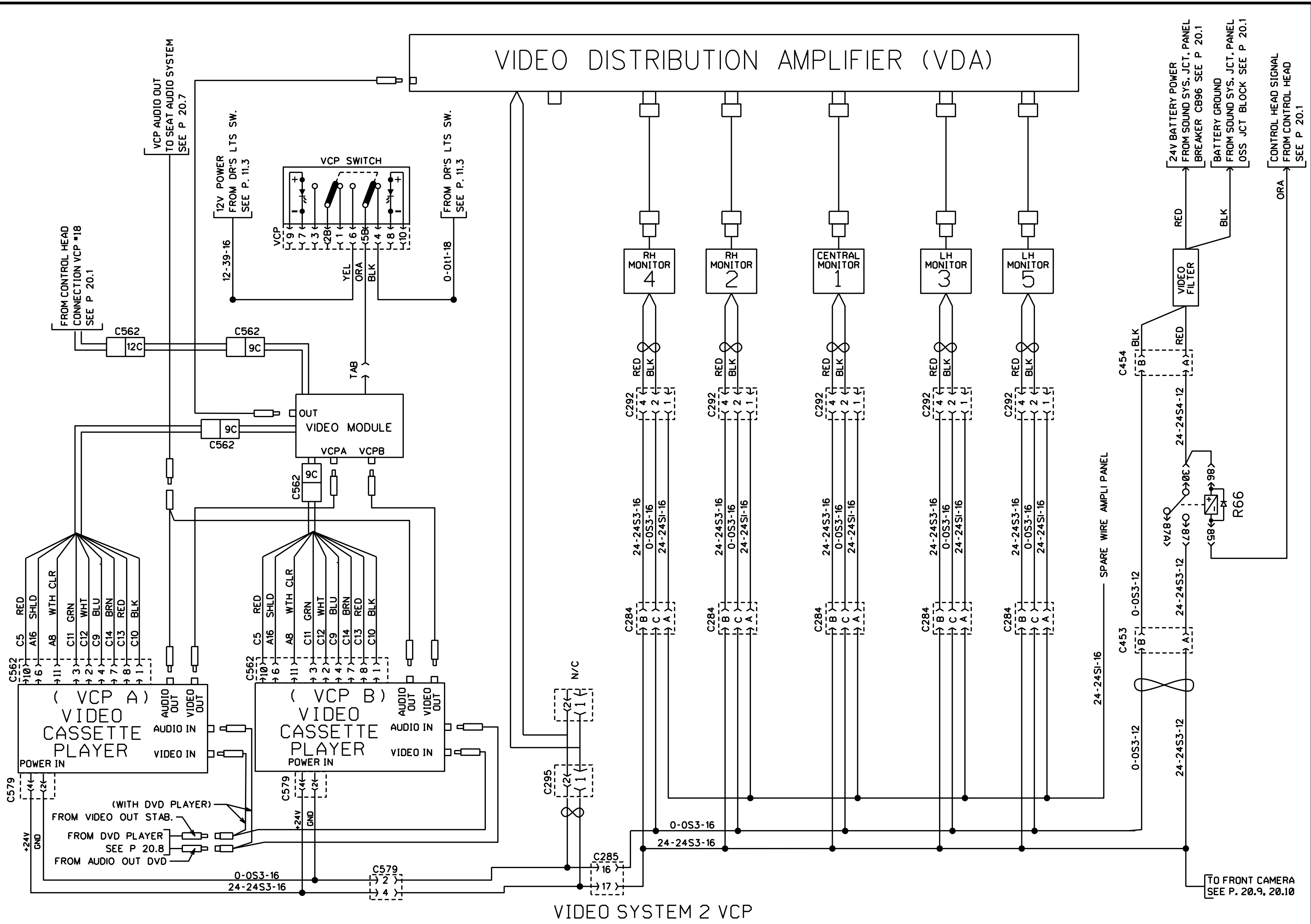
CONTROL HEAD SIGNAL
FROM CONTROL HEAD
SEE P 20.1

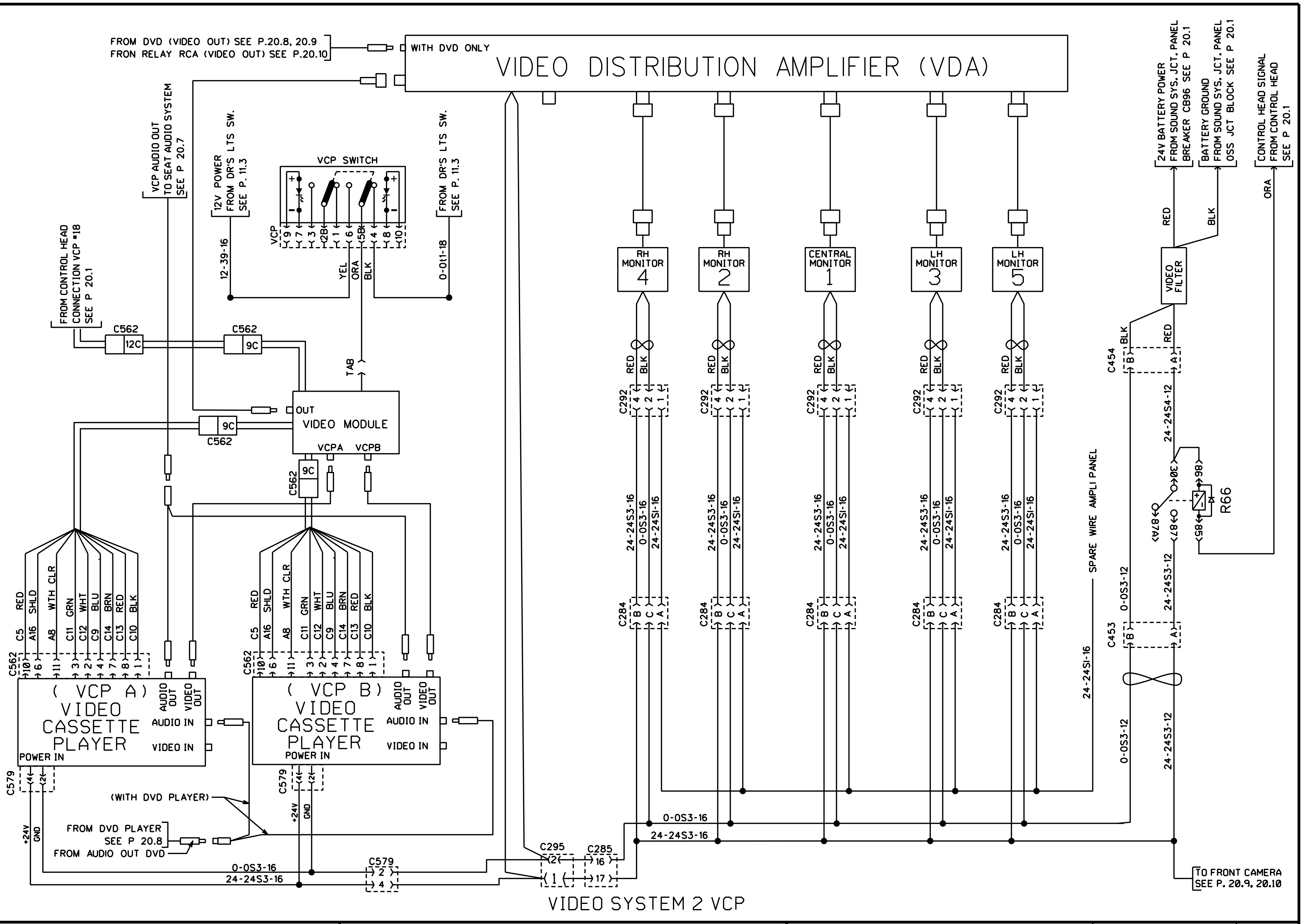
VIDEO SYSTEM

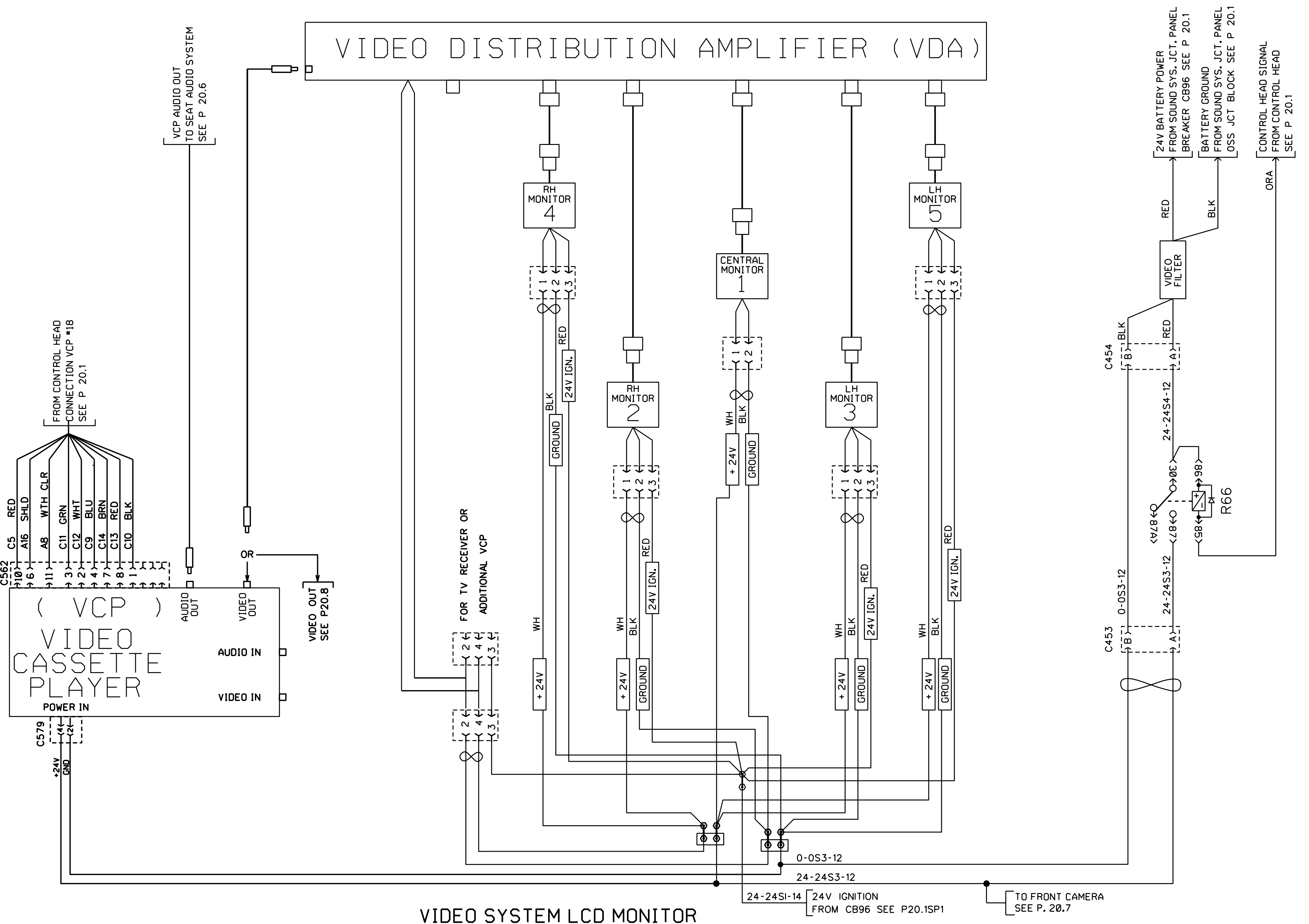
TO FRONT CAMERA
SEE P. 20.9, 20.10

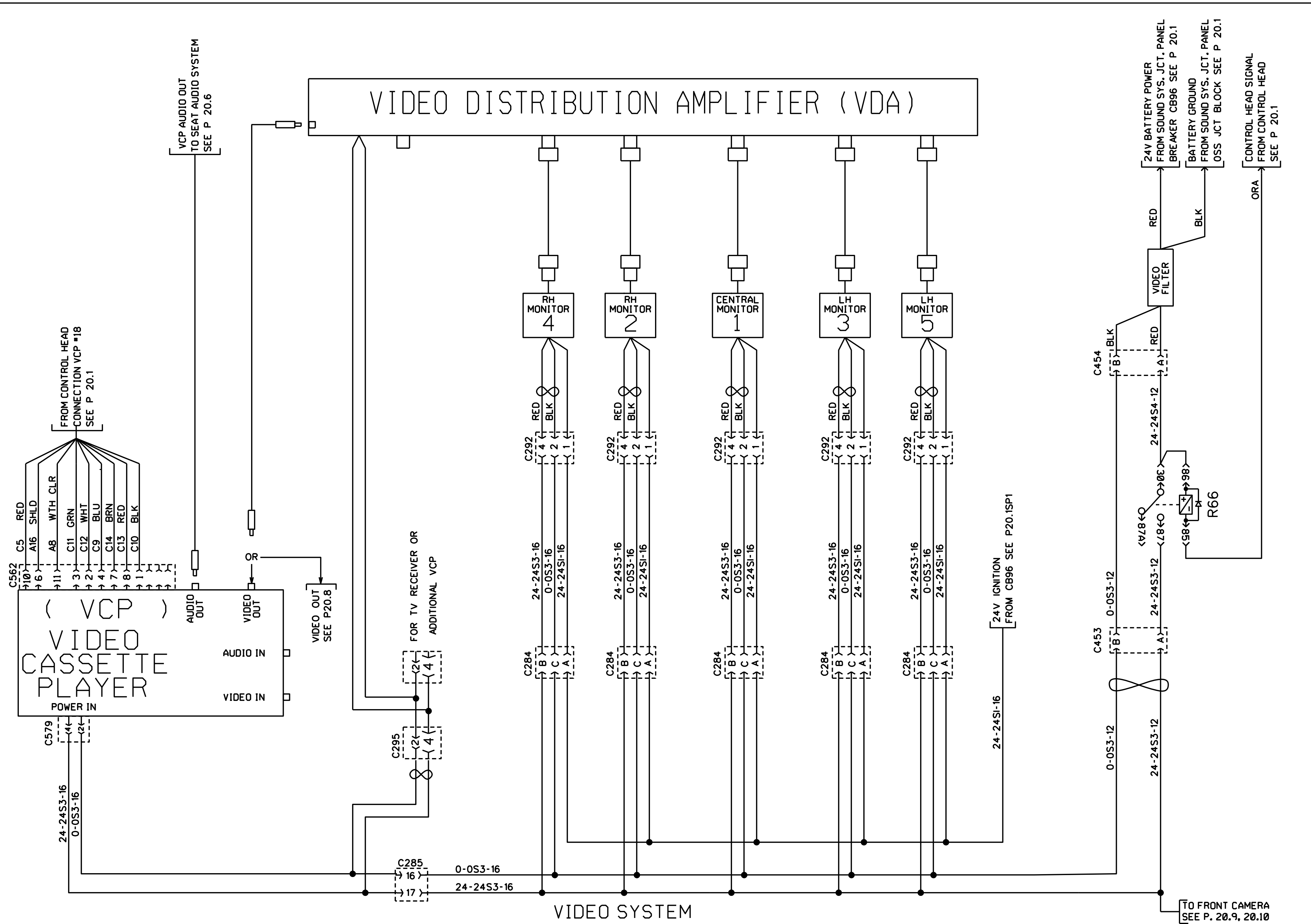


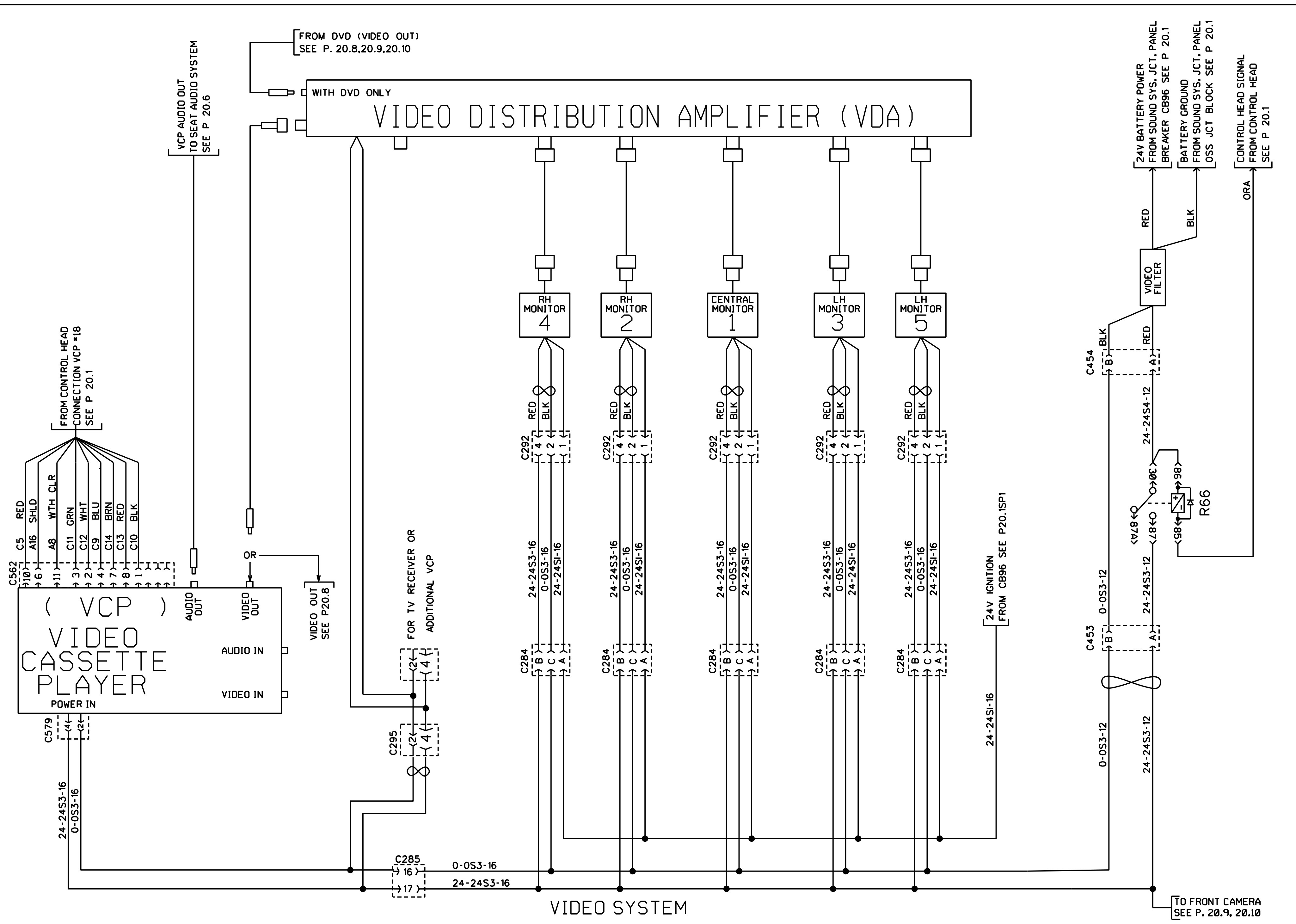


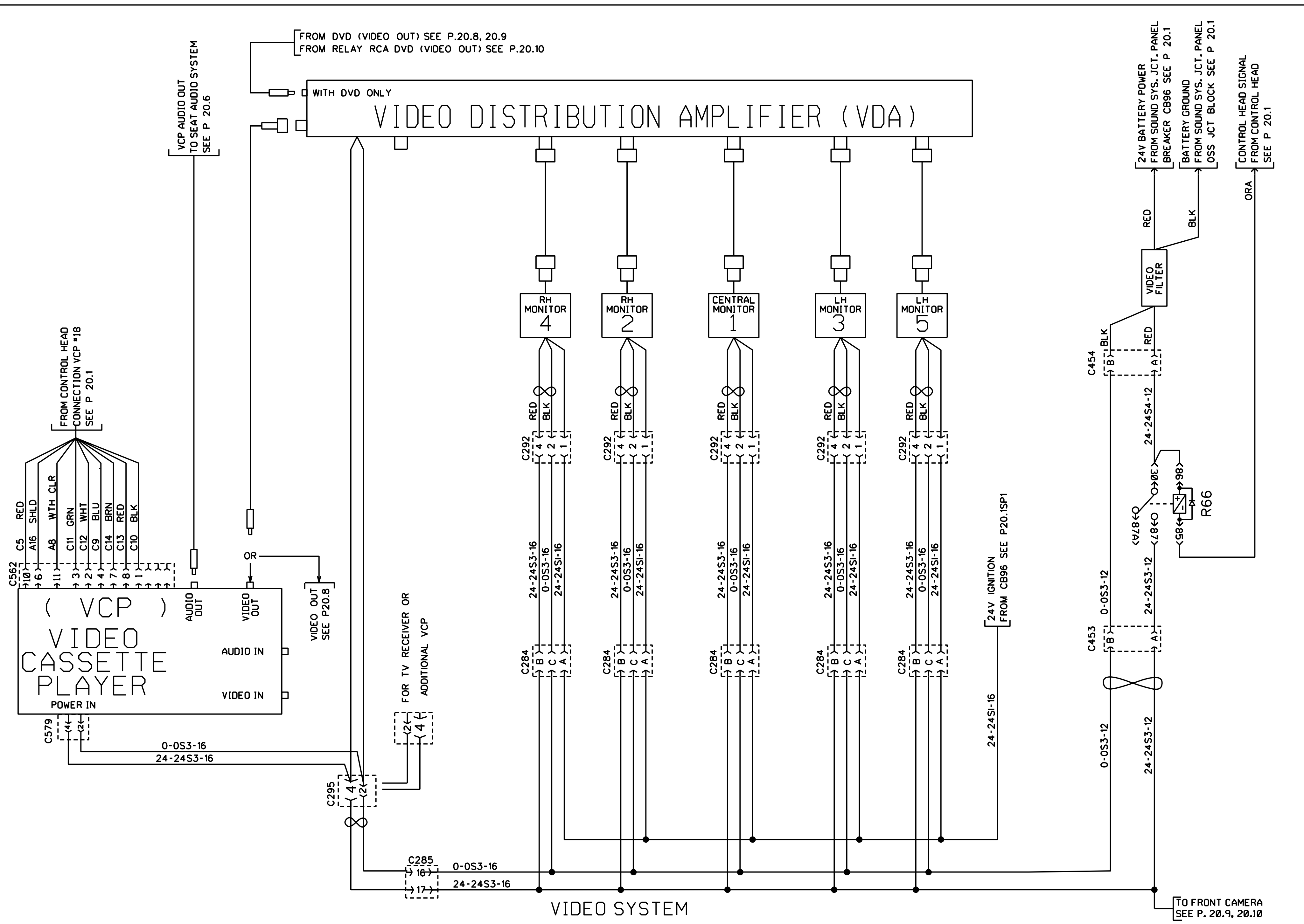


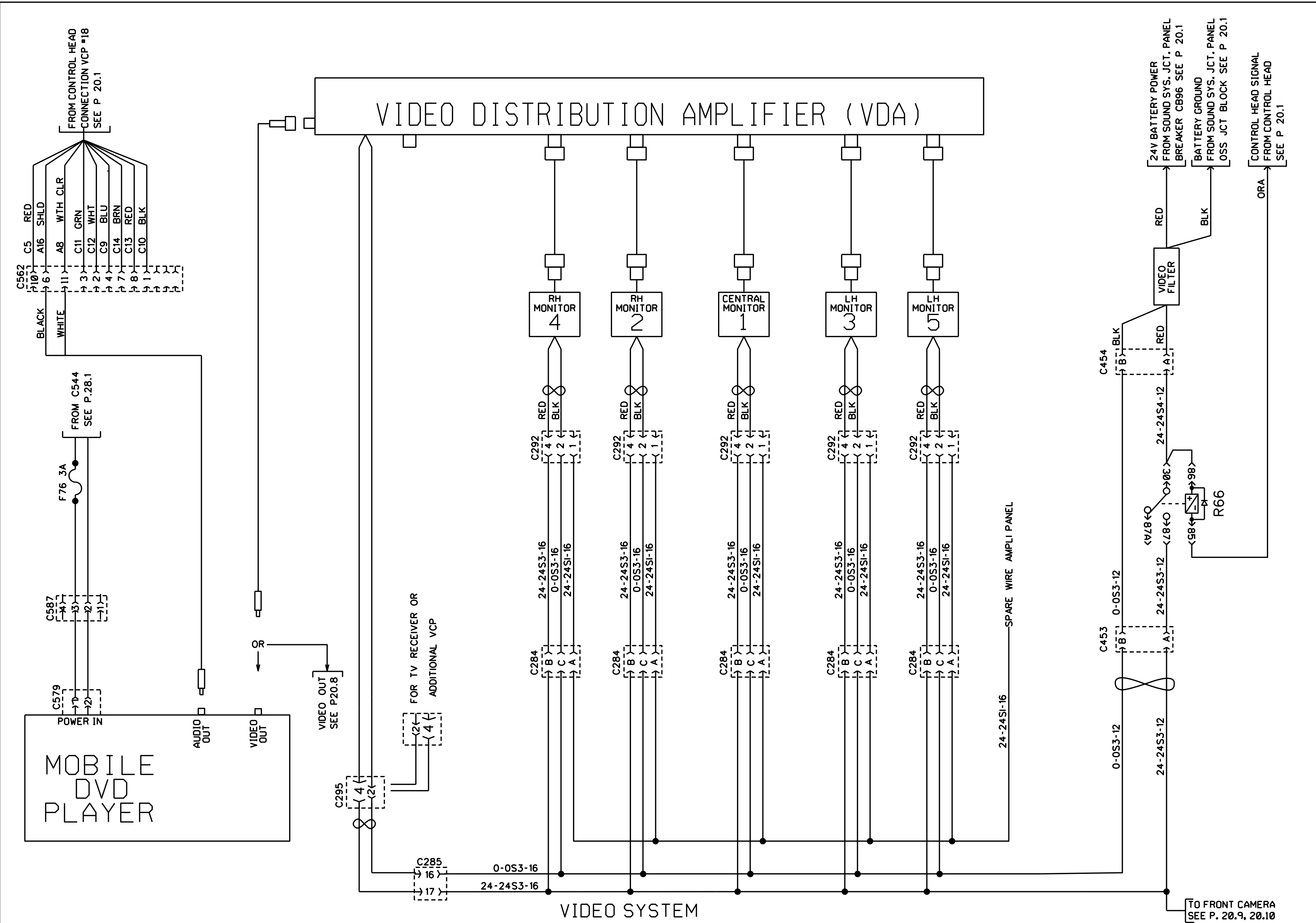


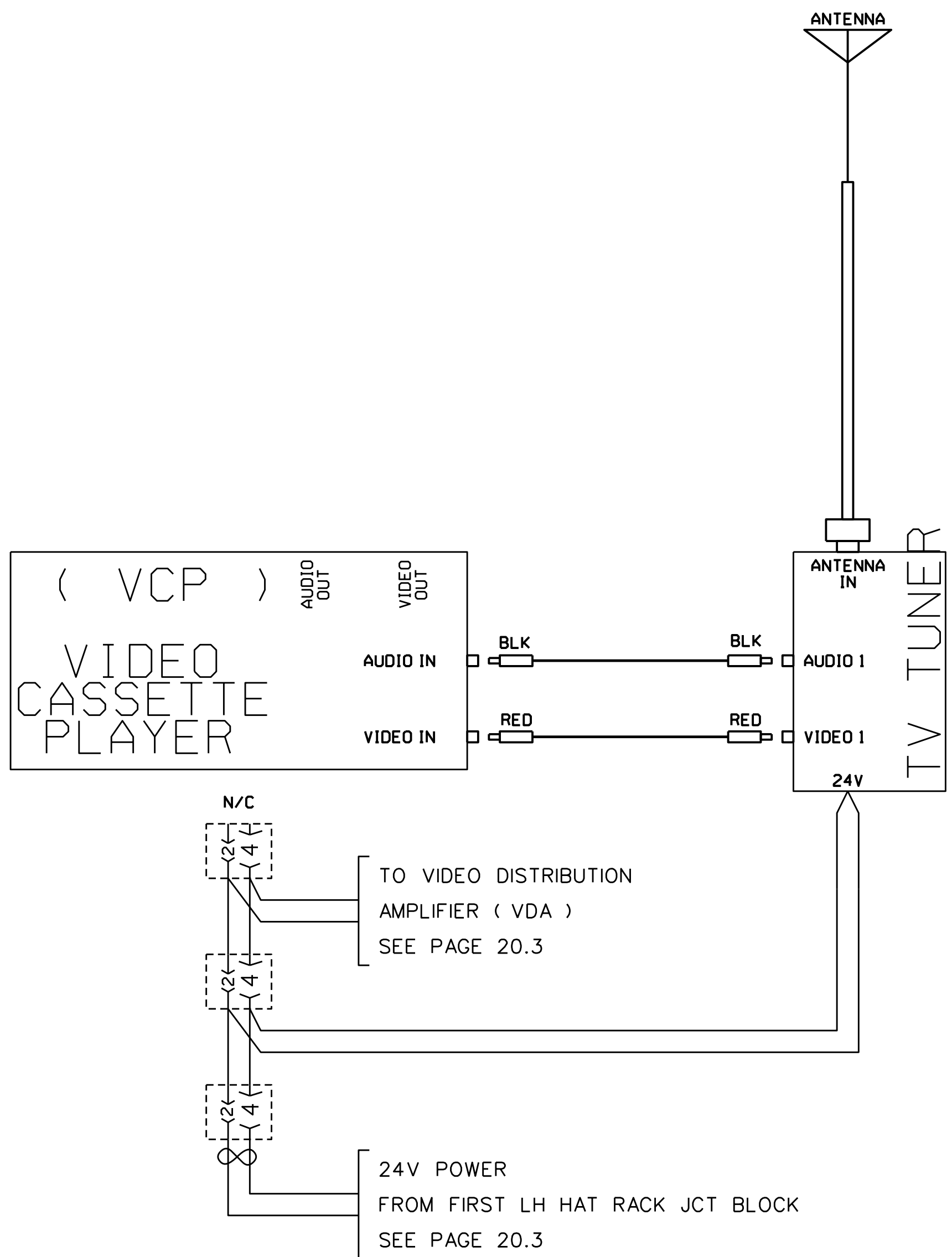




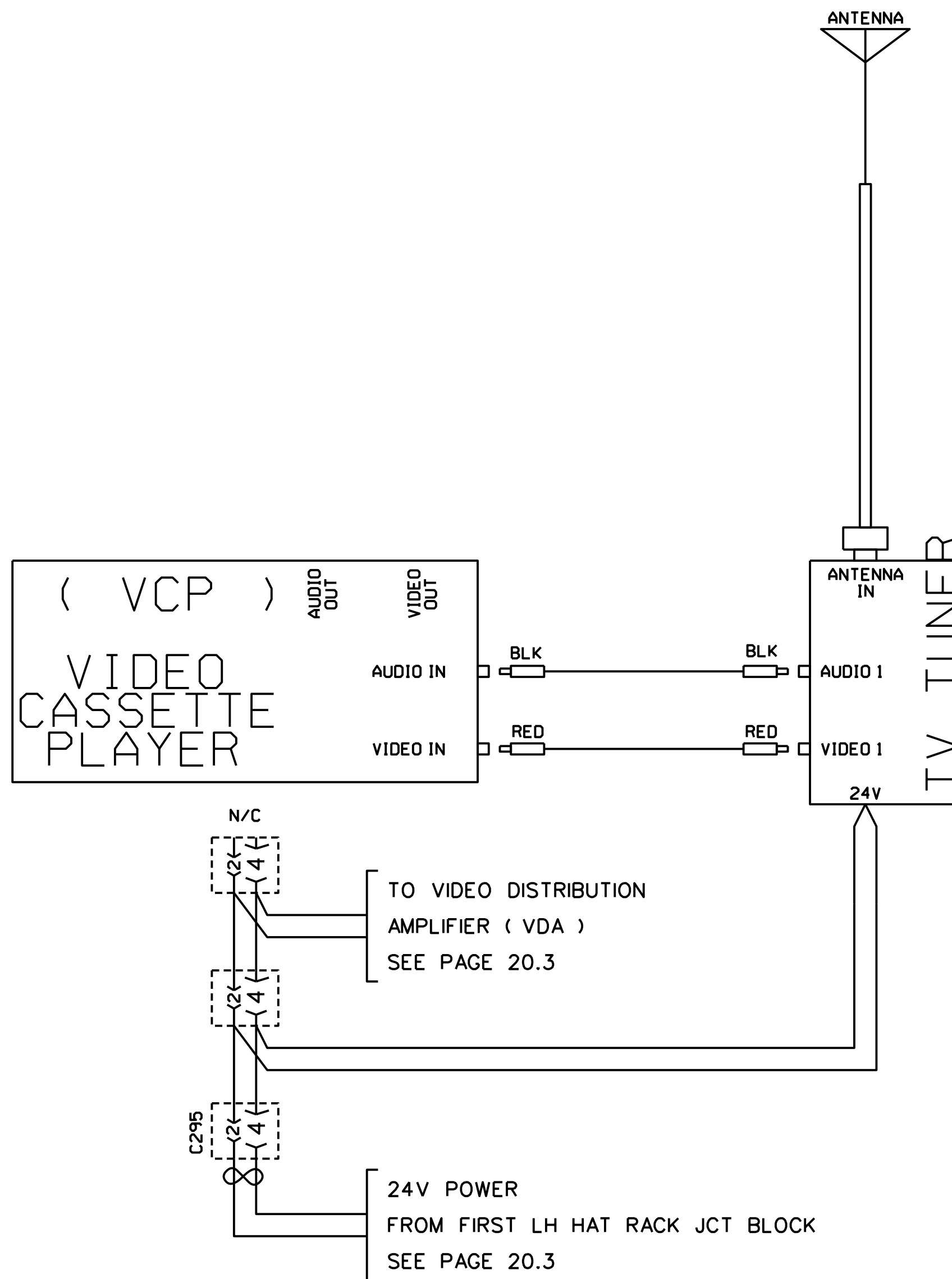




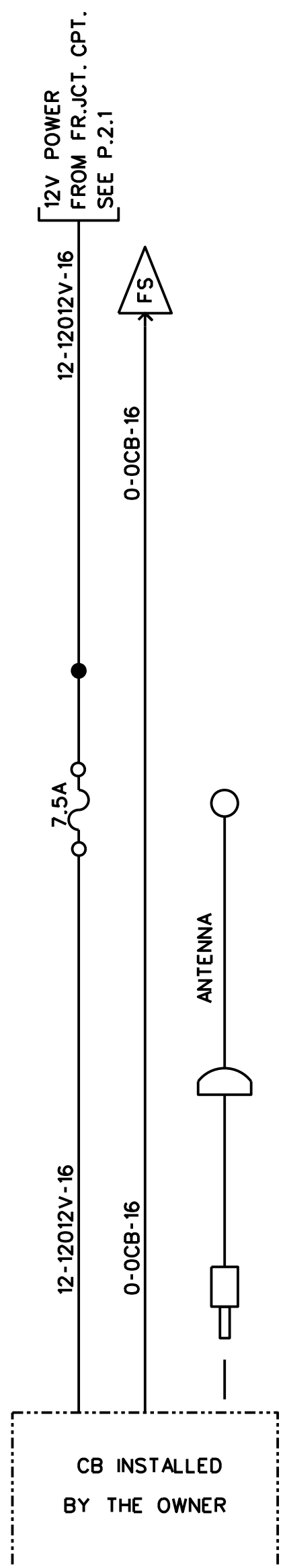




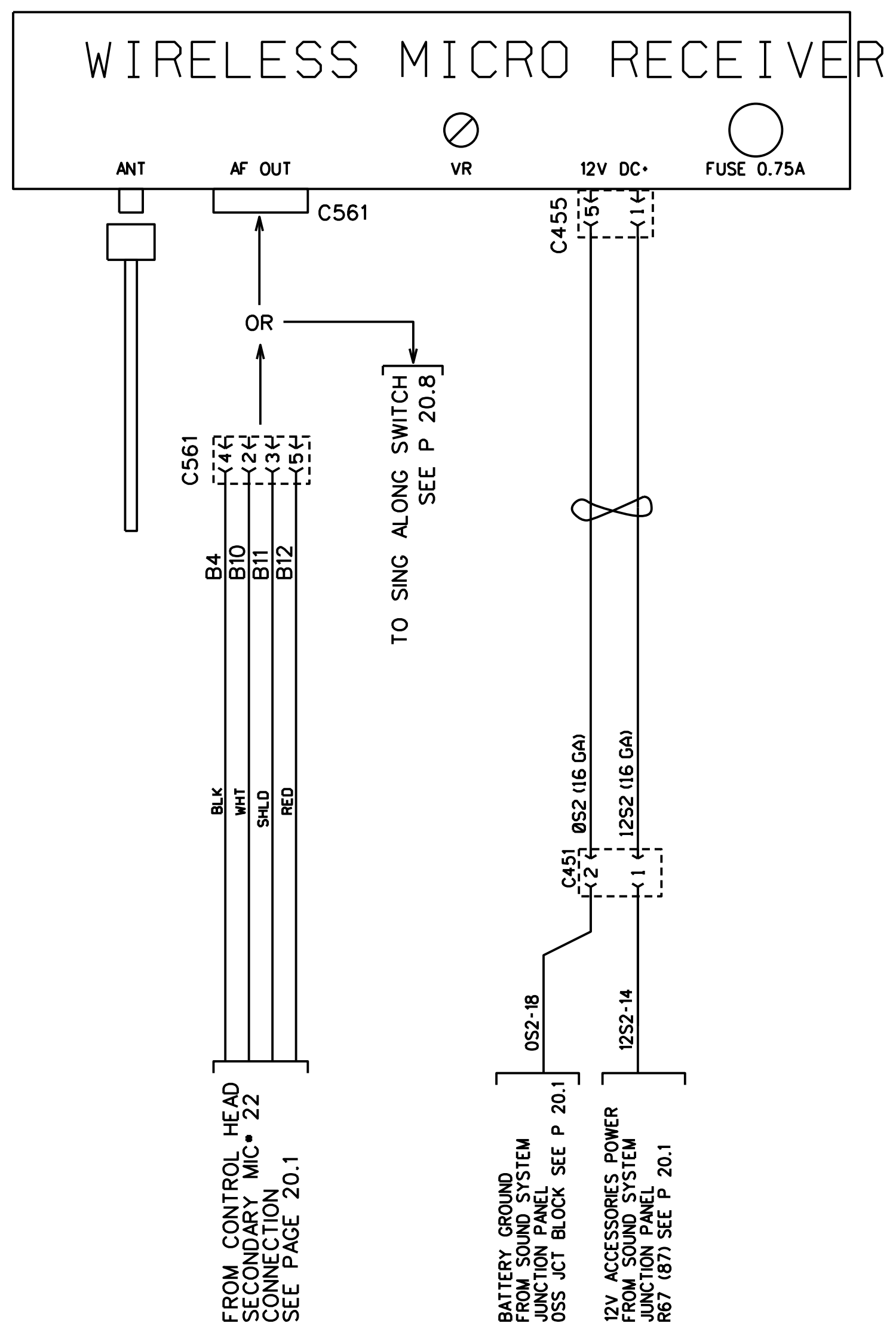
TV RECEIVER



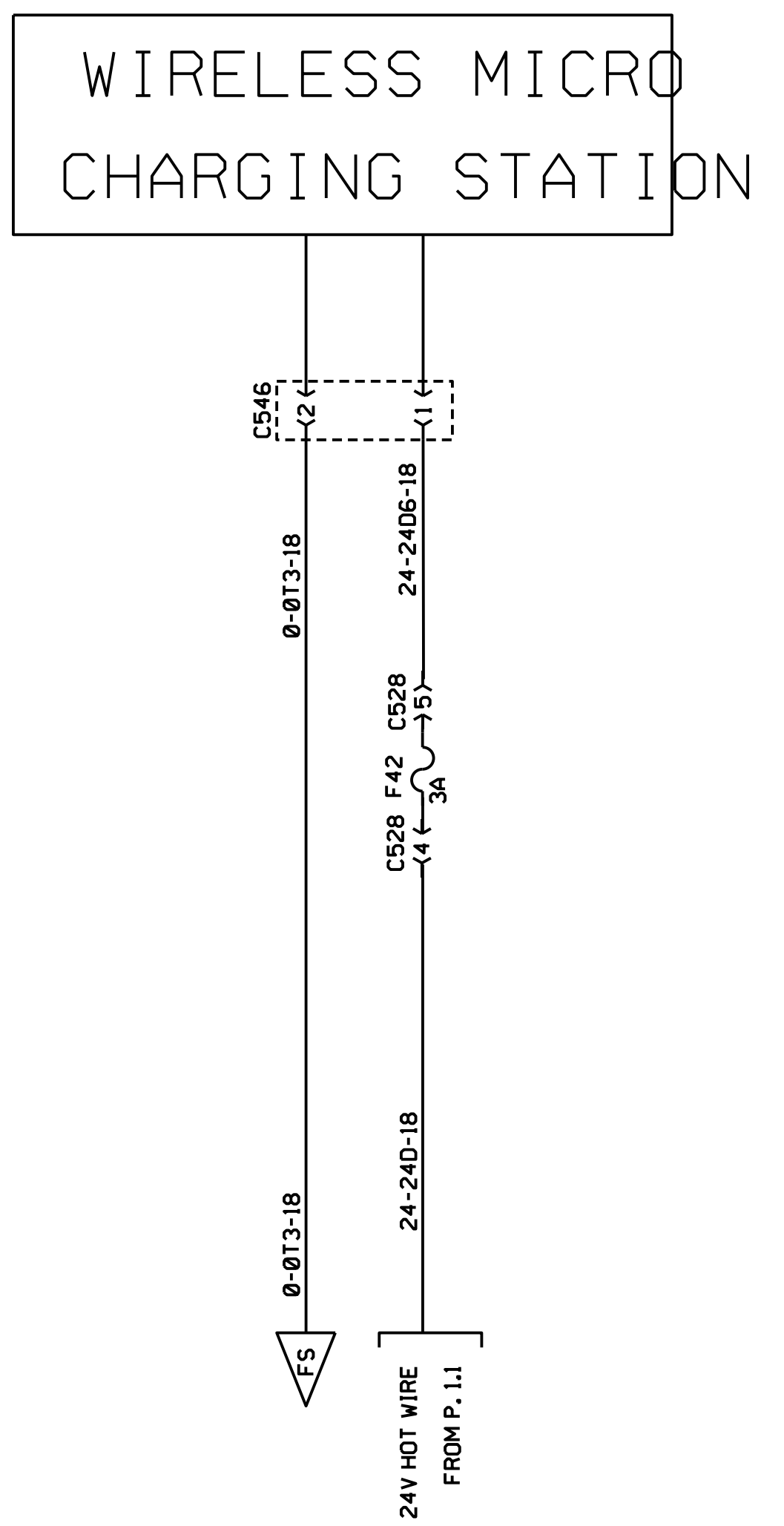
TV RECEIVER

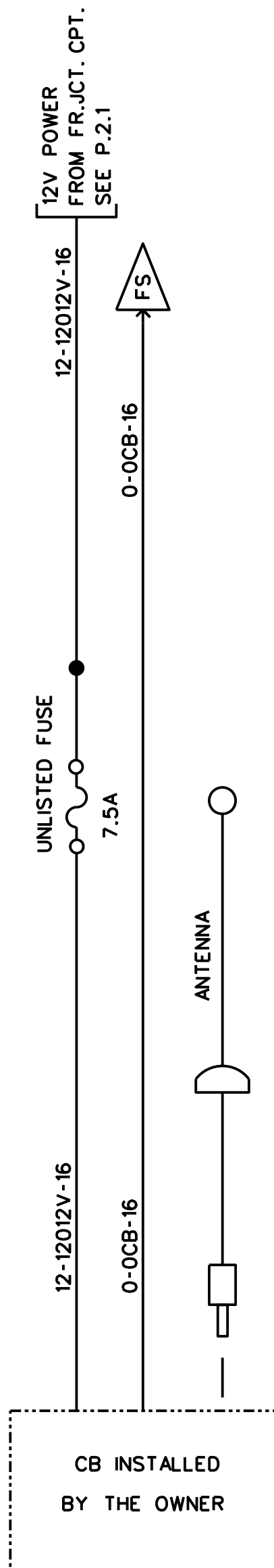


CB OPTION

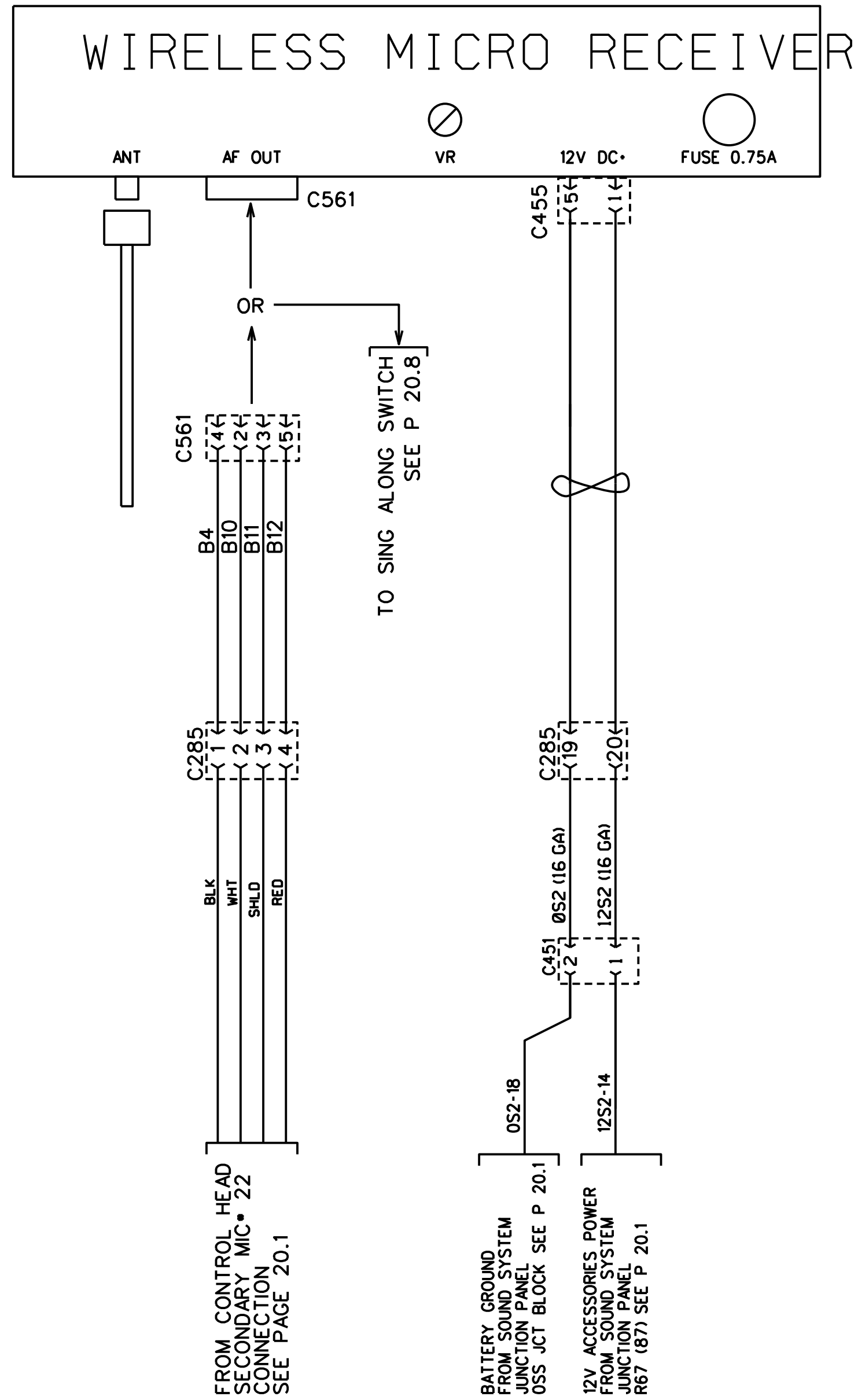


WIRELESS MICROPHONE

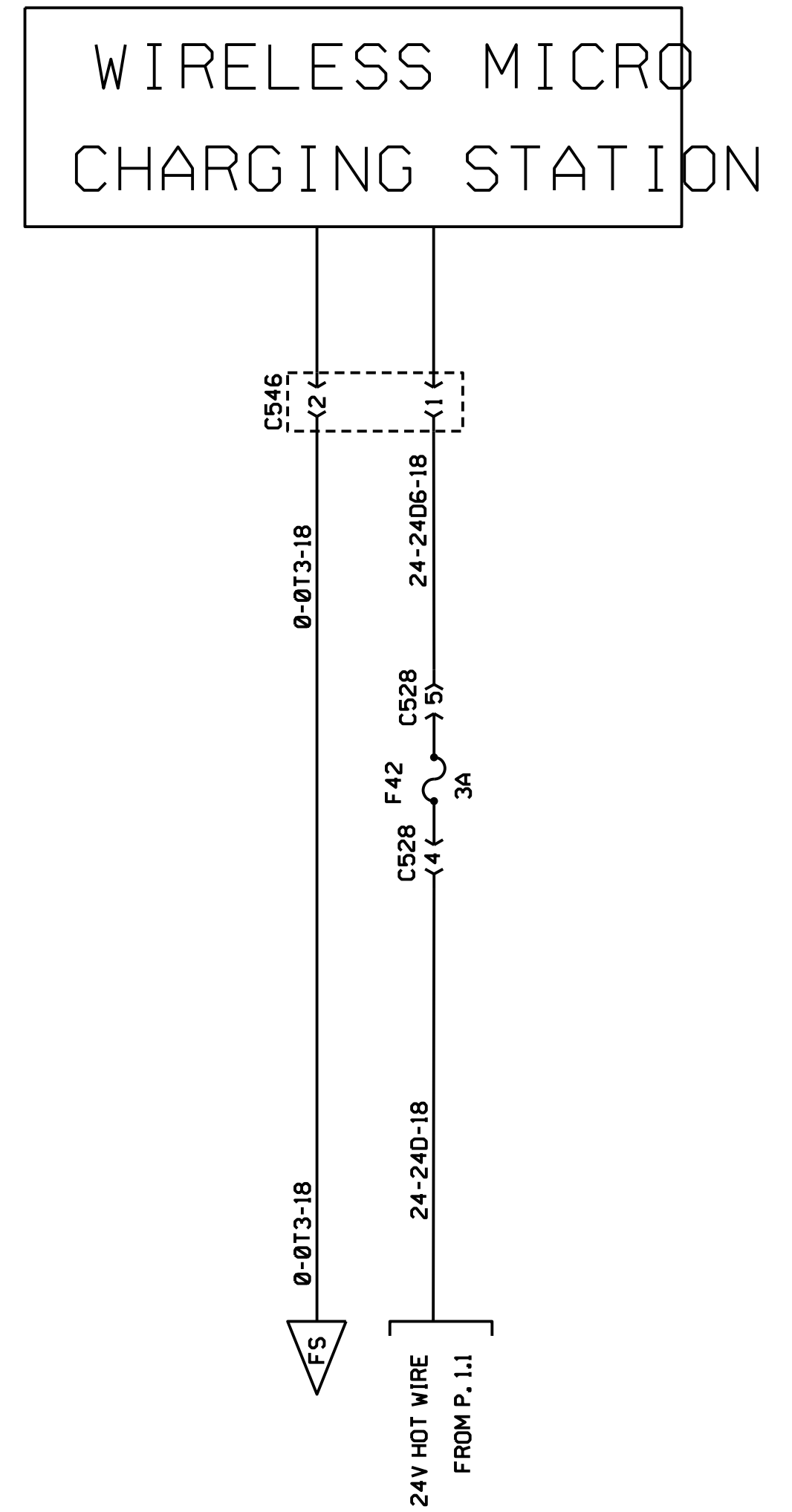


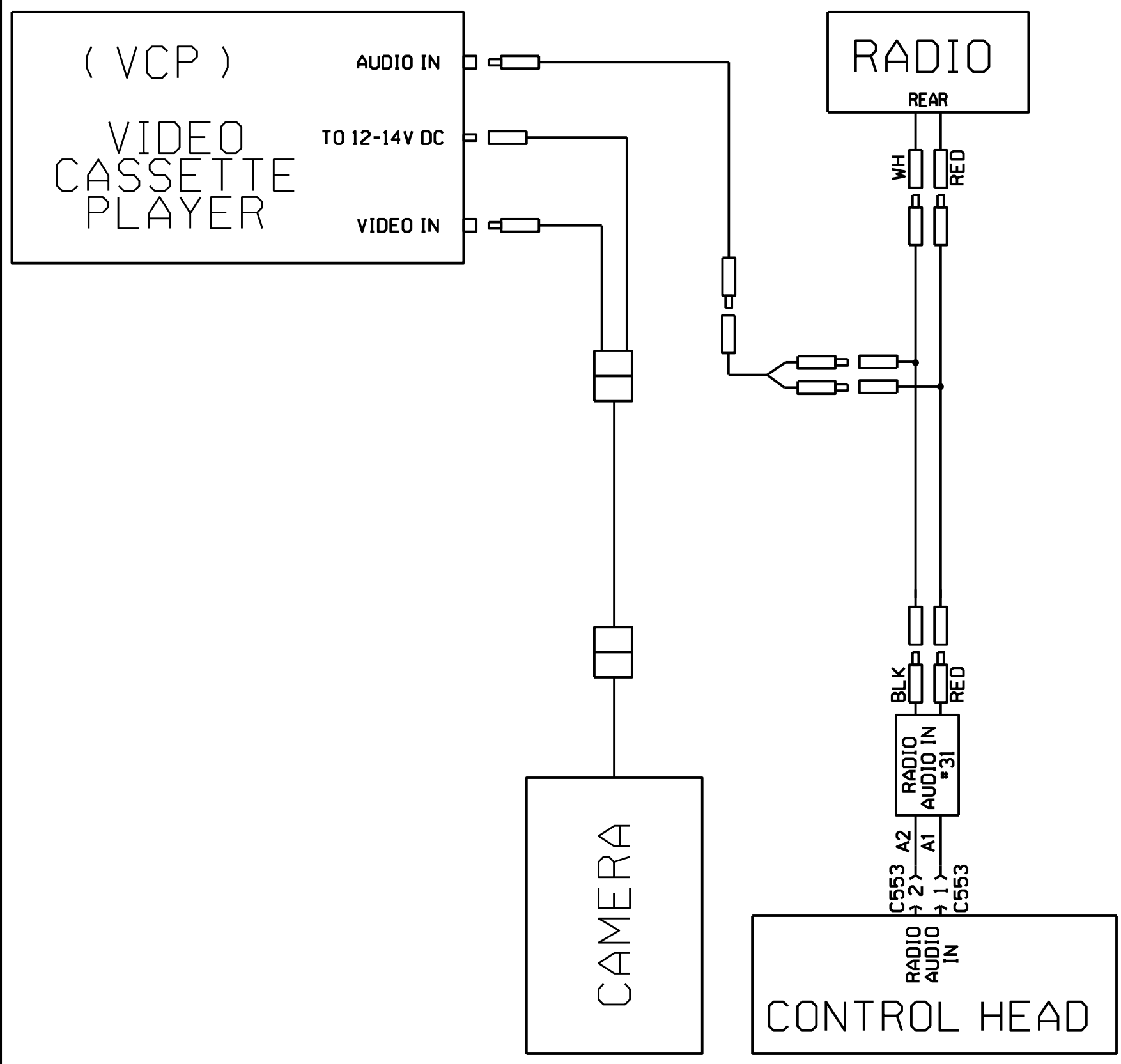


CB OPTION

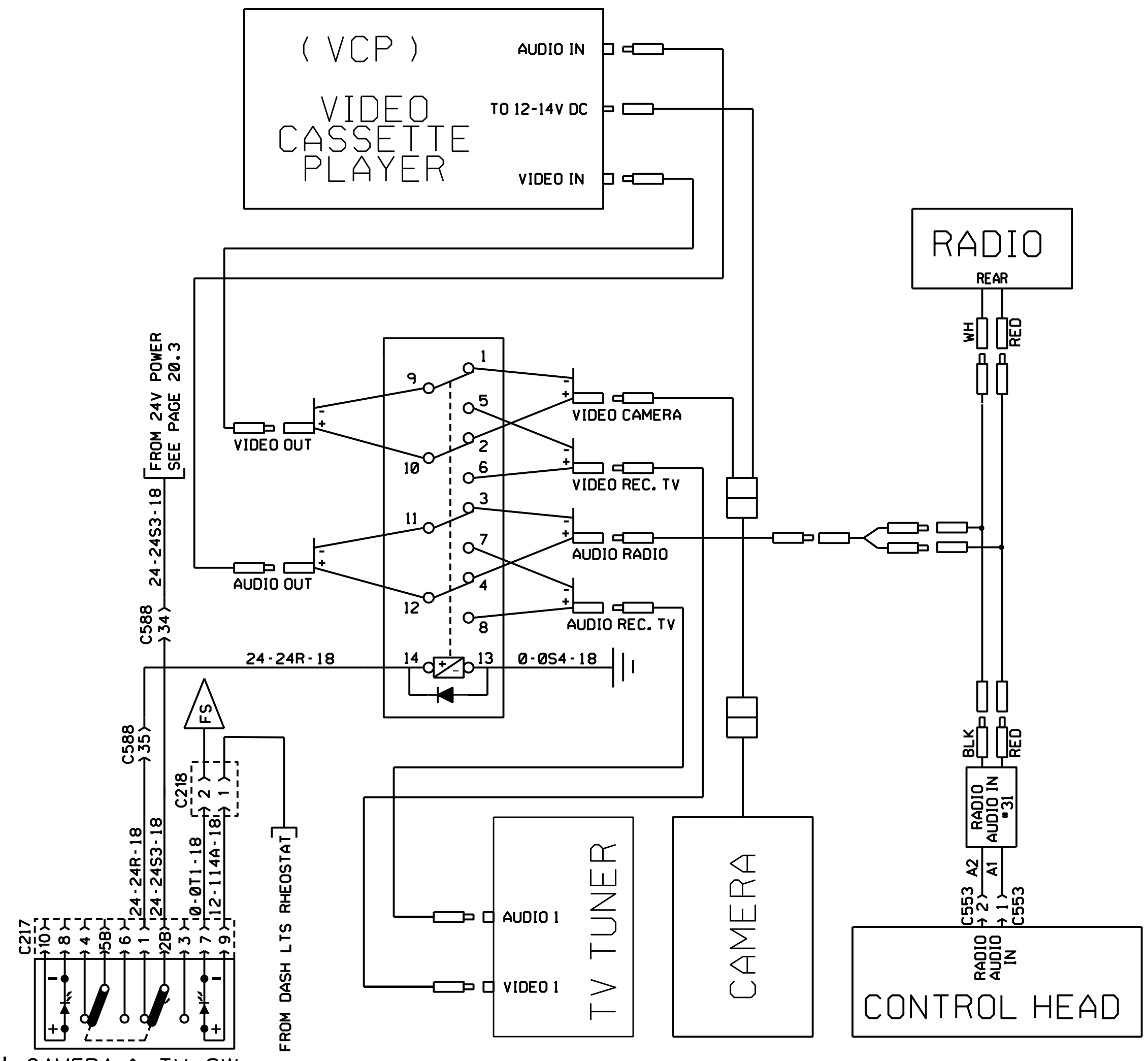


WIRELESS MICROPHONE

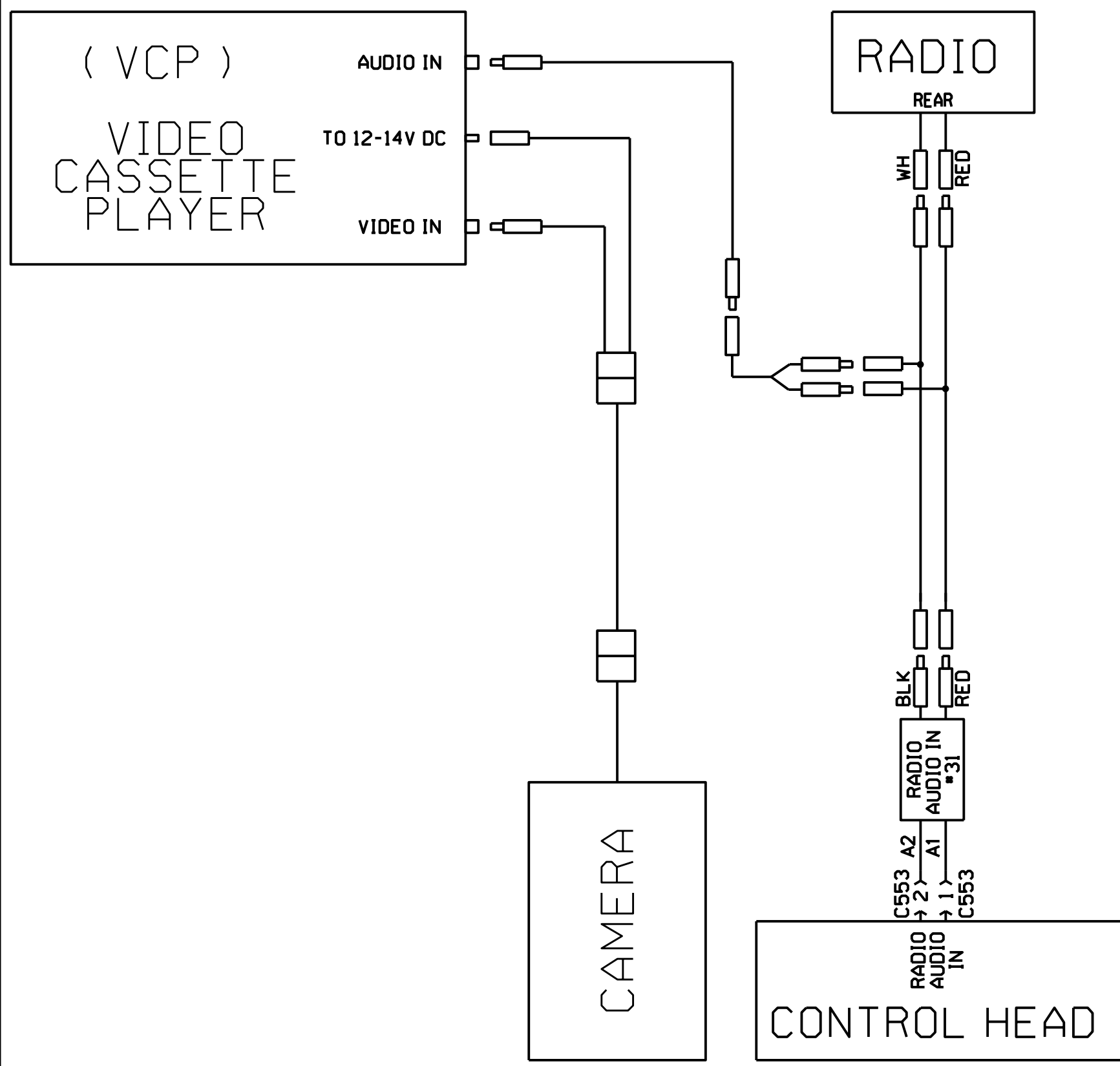




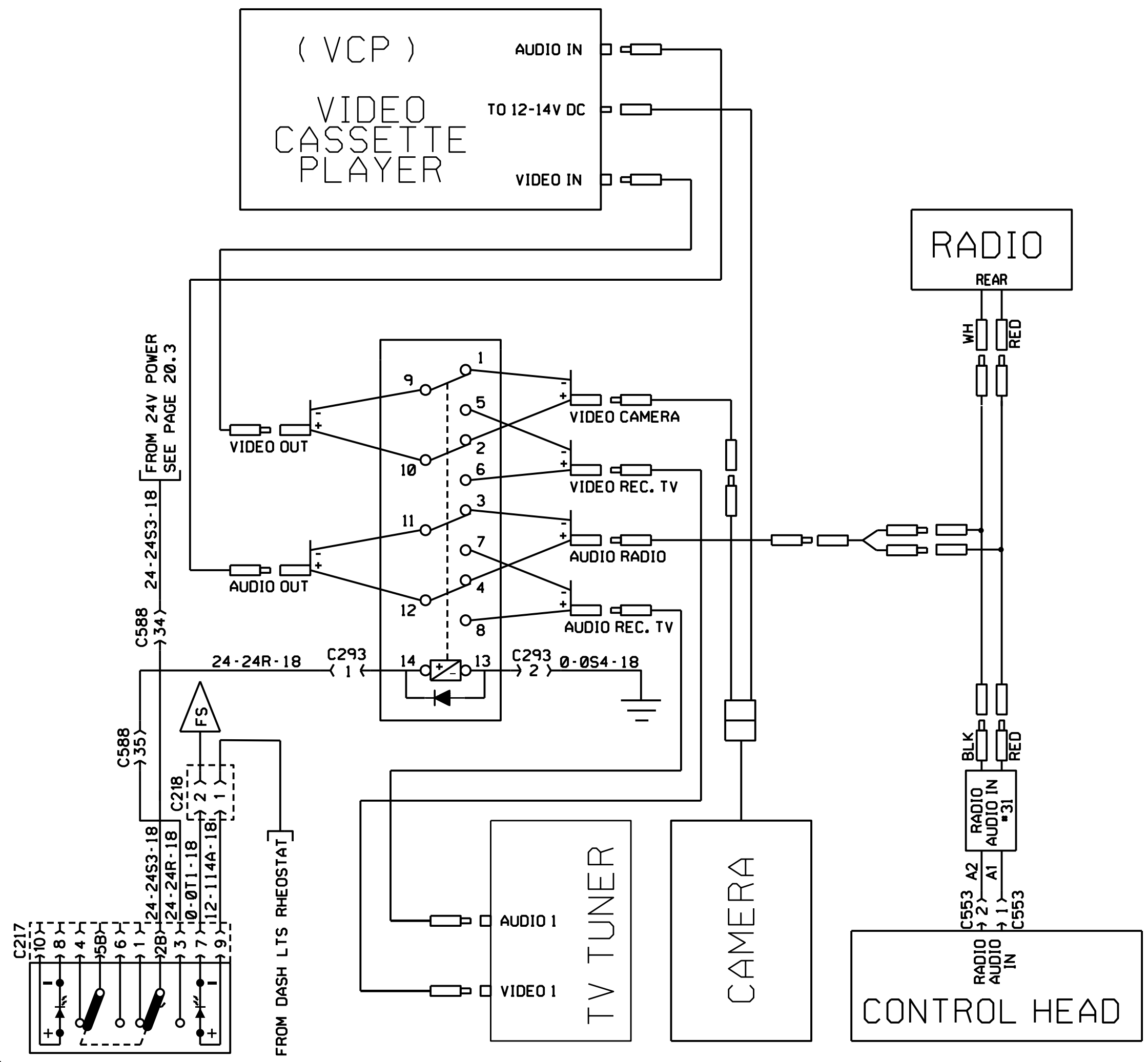
FRONT CAMERA WITHOUT TV RECEIVER



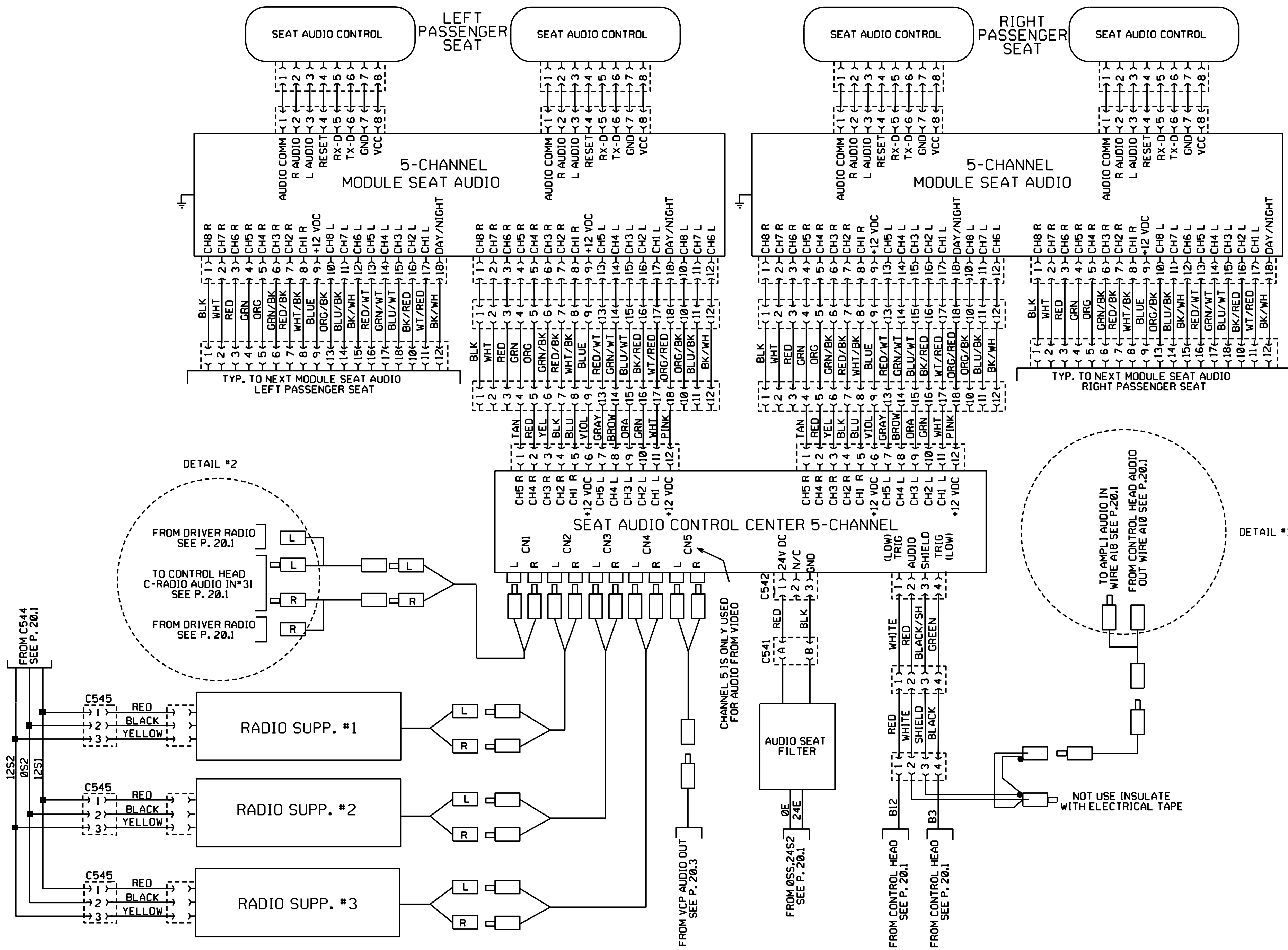
FRONT CAMERA WITH TV RECEIVER



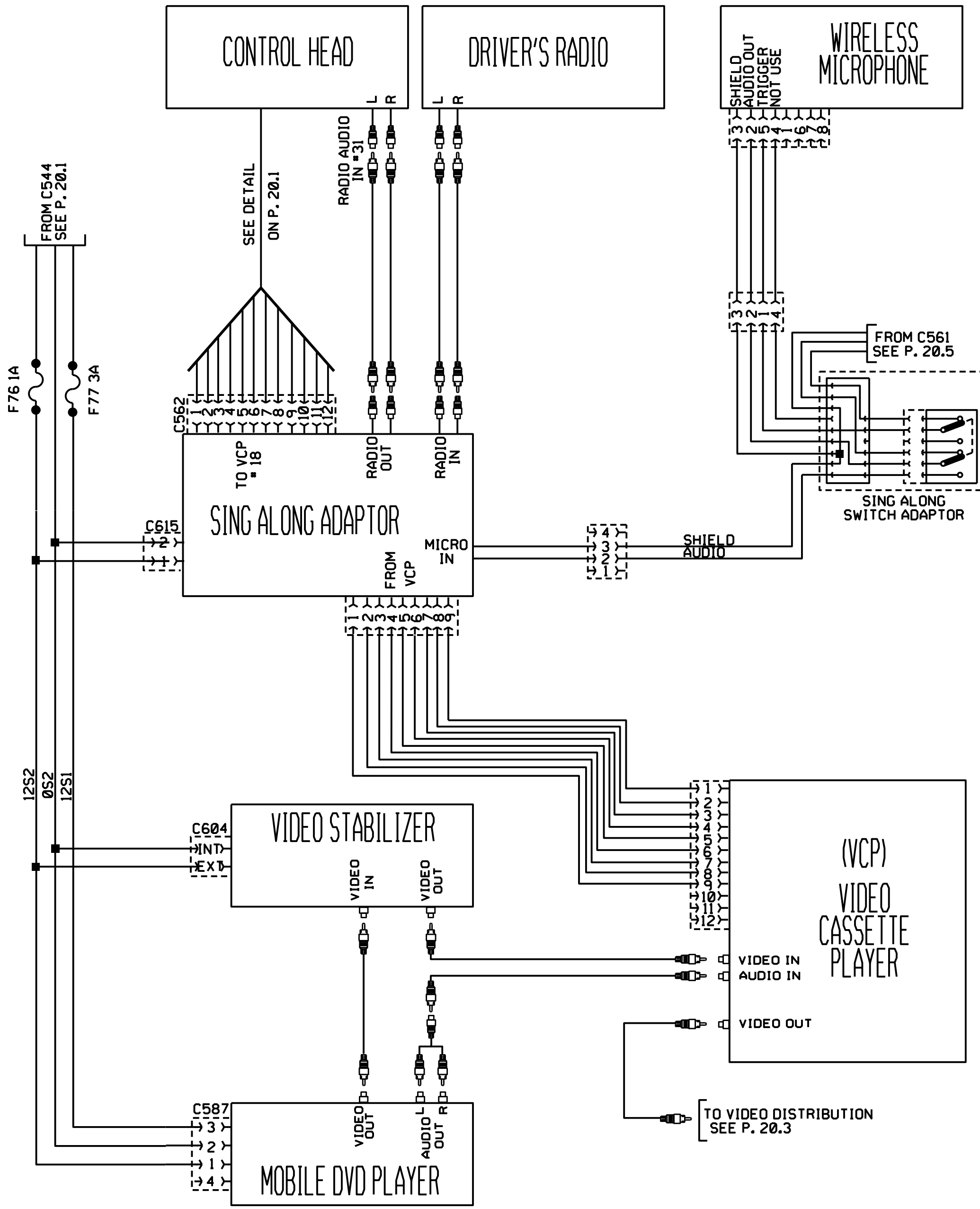
FRONT CAMERA WITHOUT TV RECEIVER



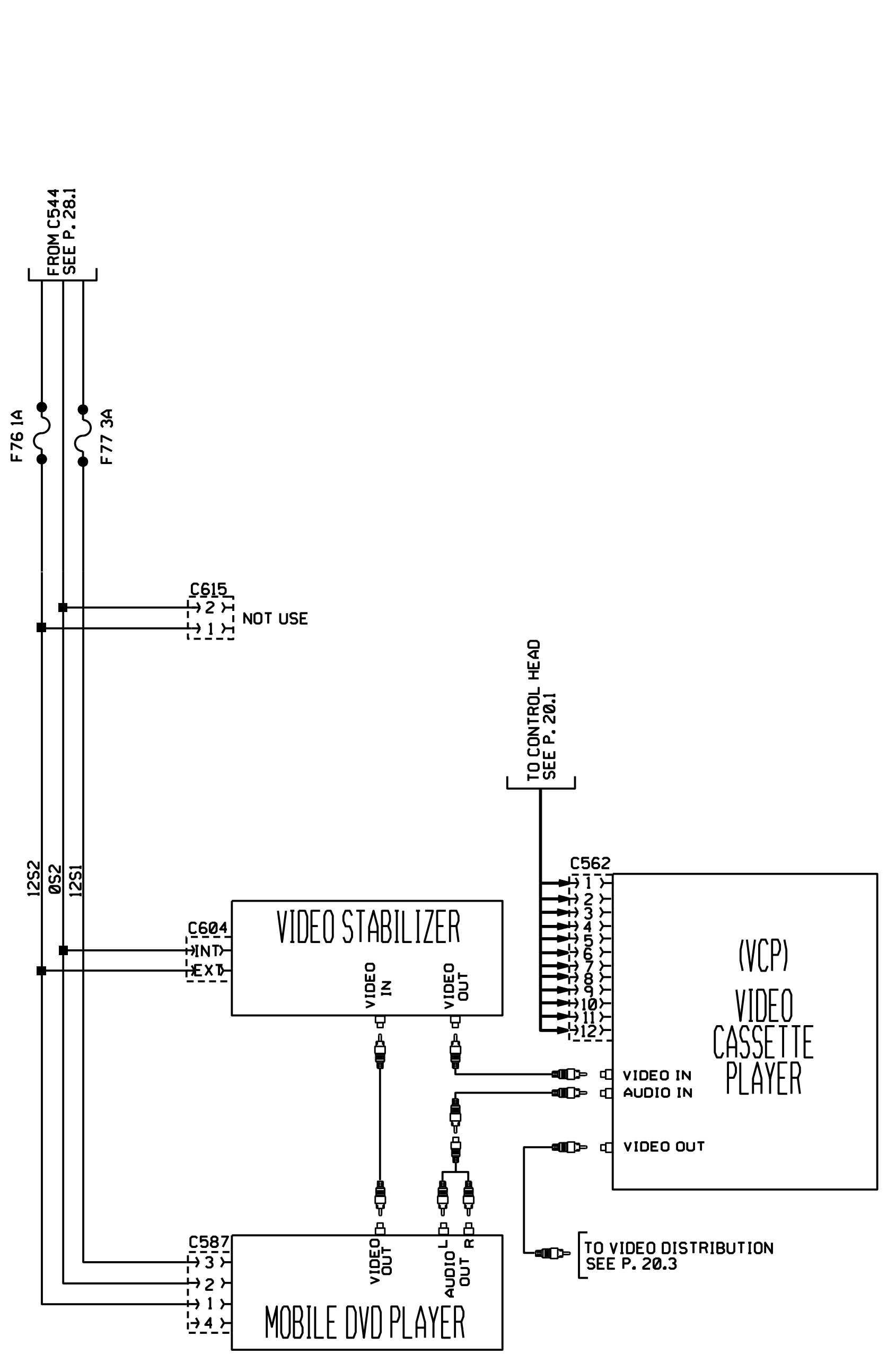
VCP, FRONT CAMERA WITH TV RECEIVER



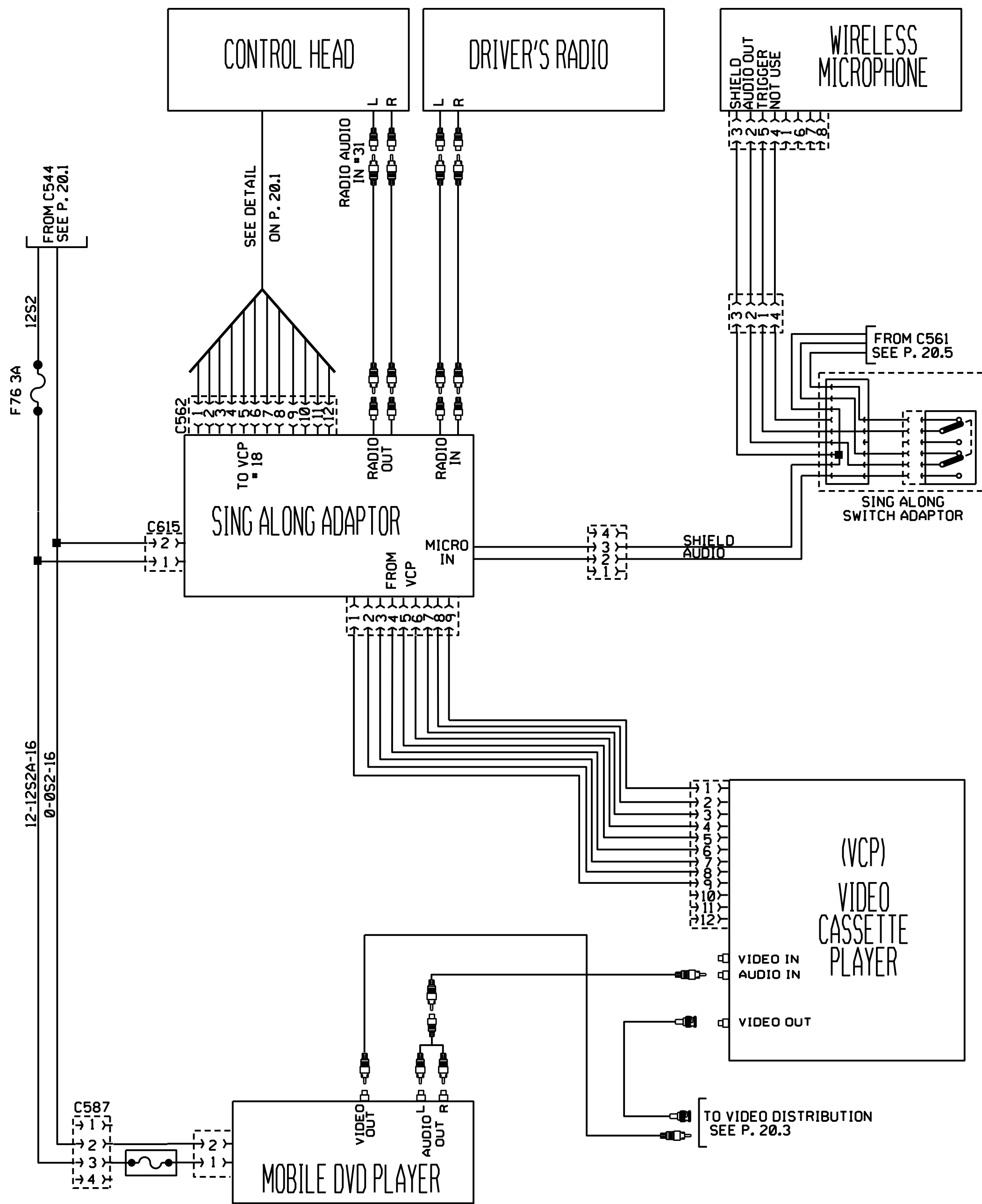
5-CHANNEL SLIM-LINE SEAT AUDIO SYSTEM



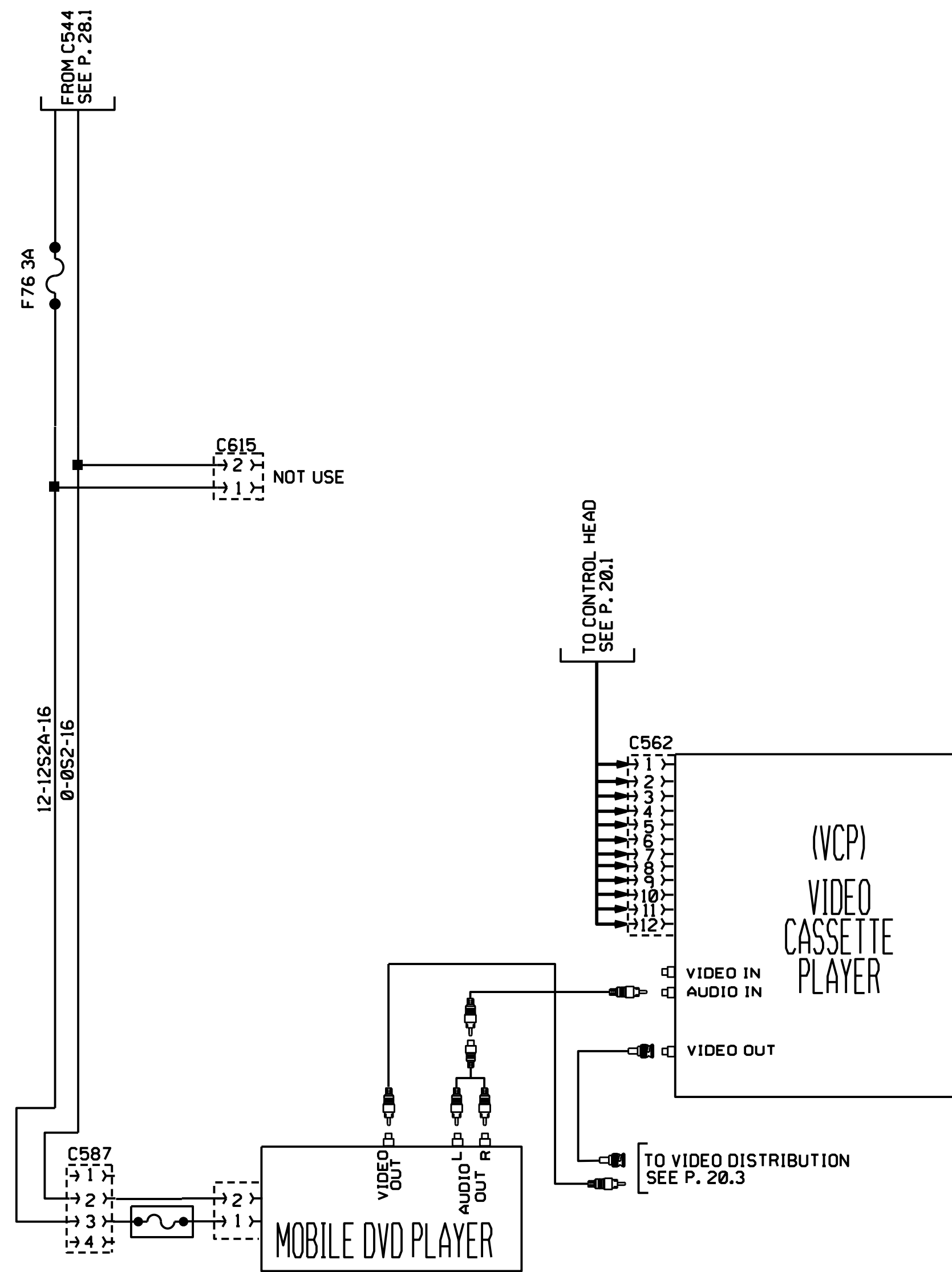
VCP AND DVD WITH KARAOKE



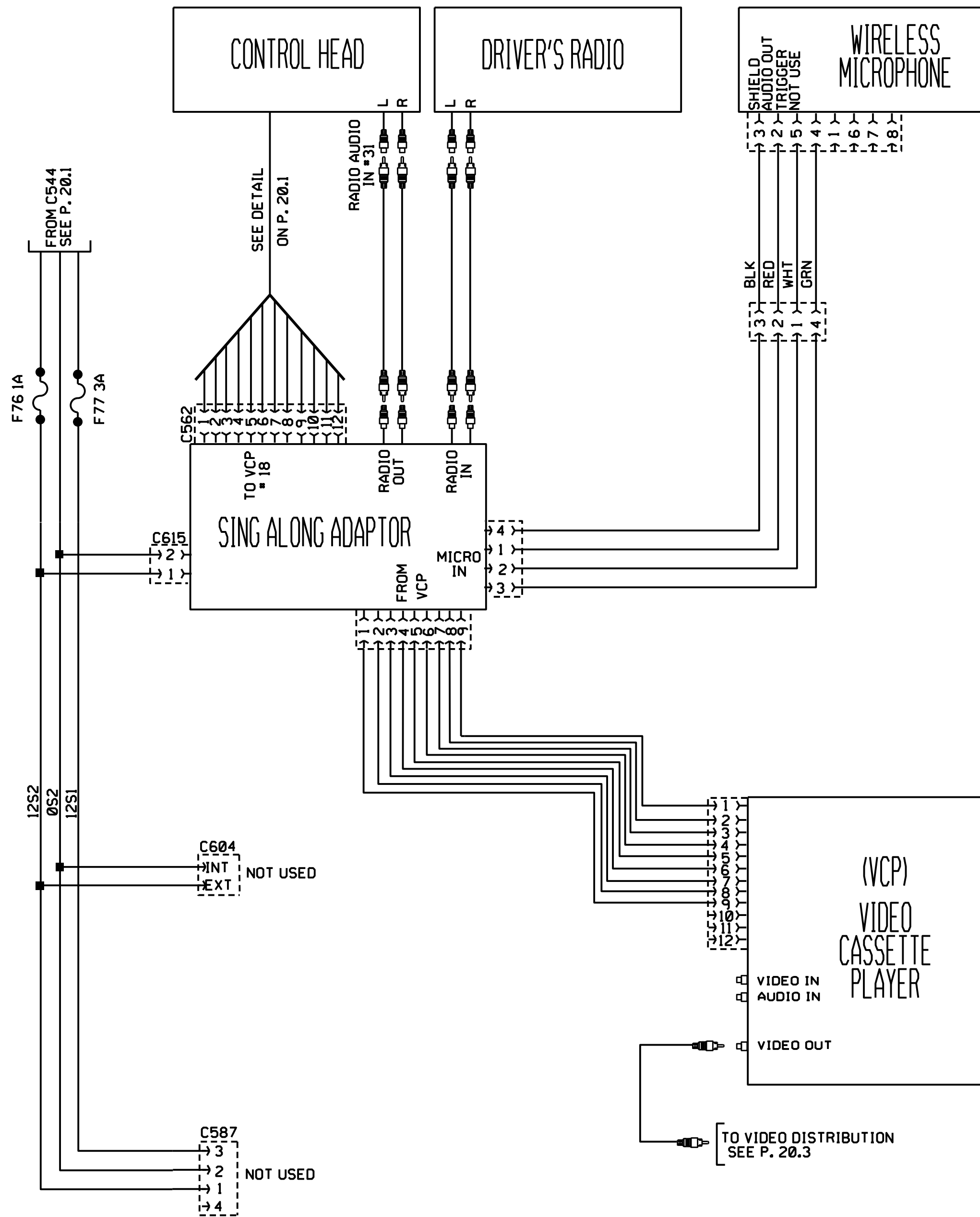
VCP AND DVD



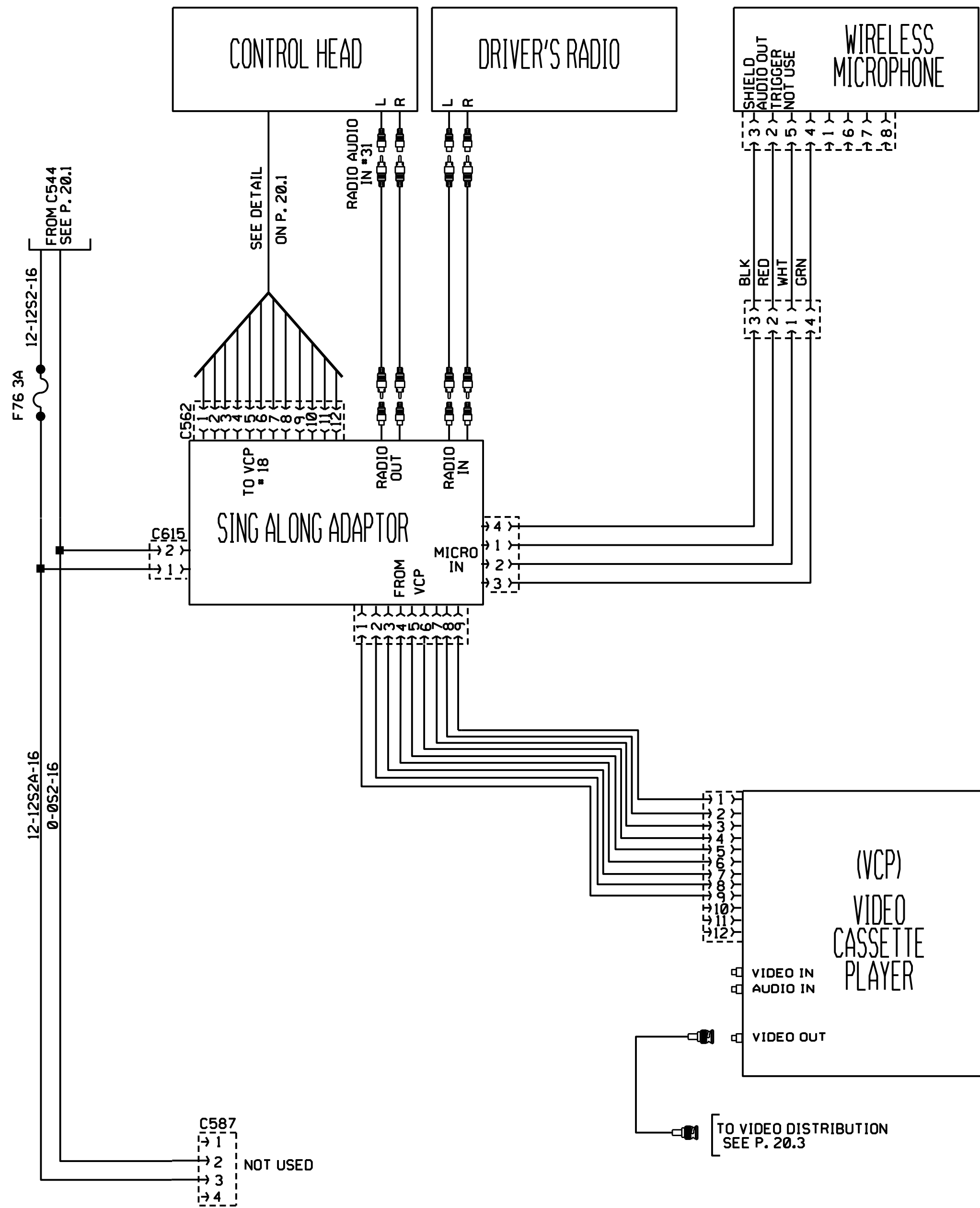
VCP AND DVD WITH KARAOKE



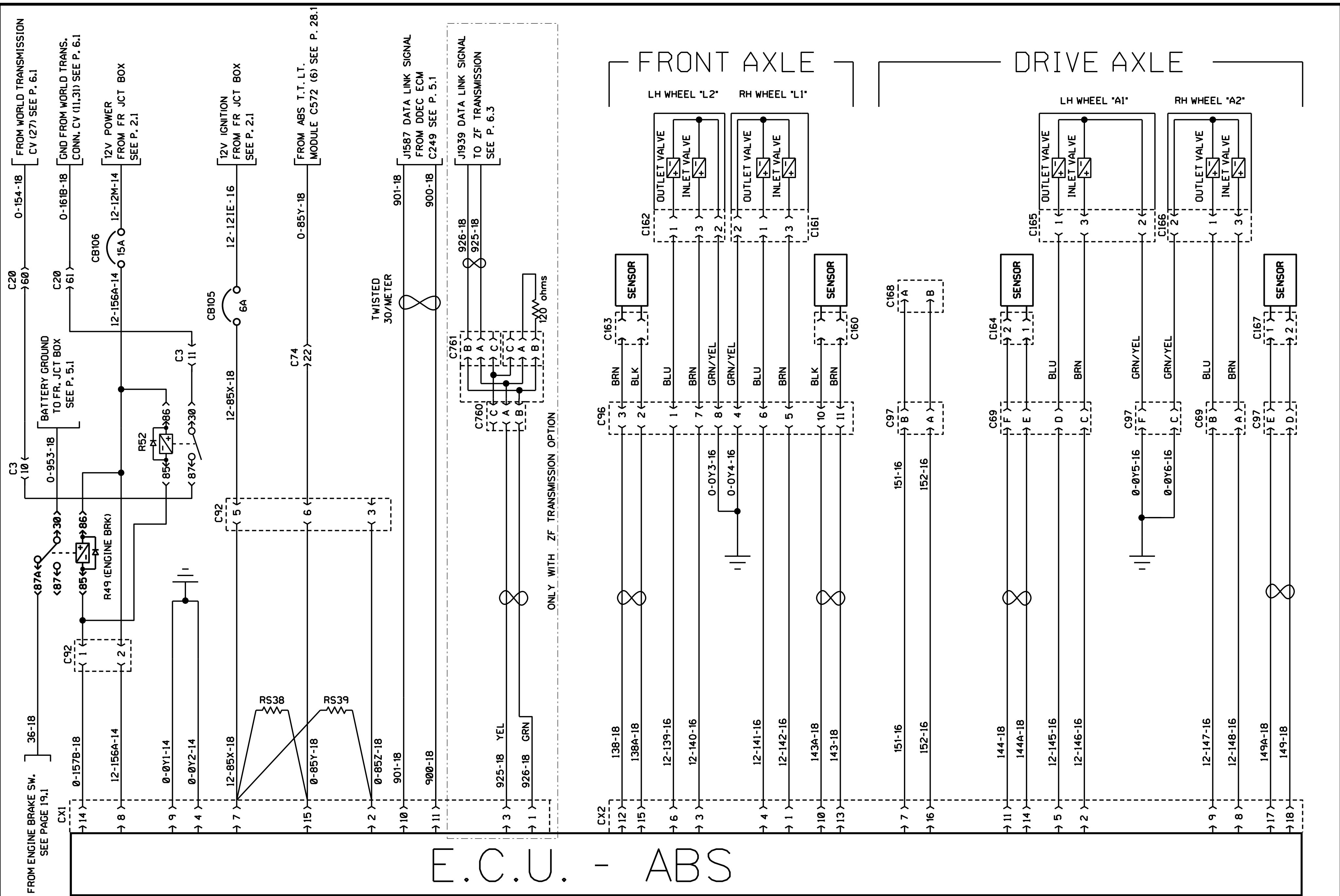
VCP AND DVD

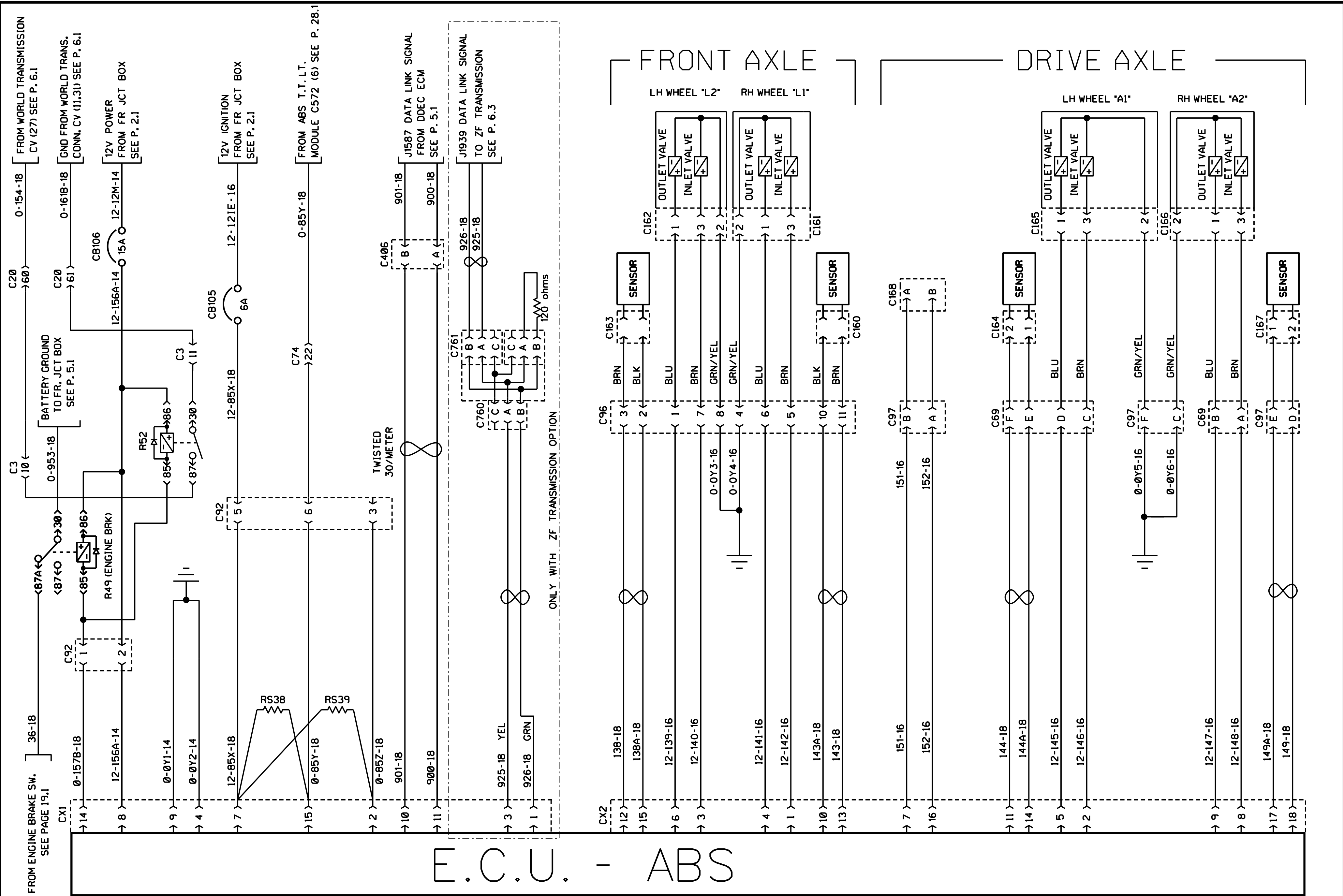


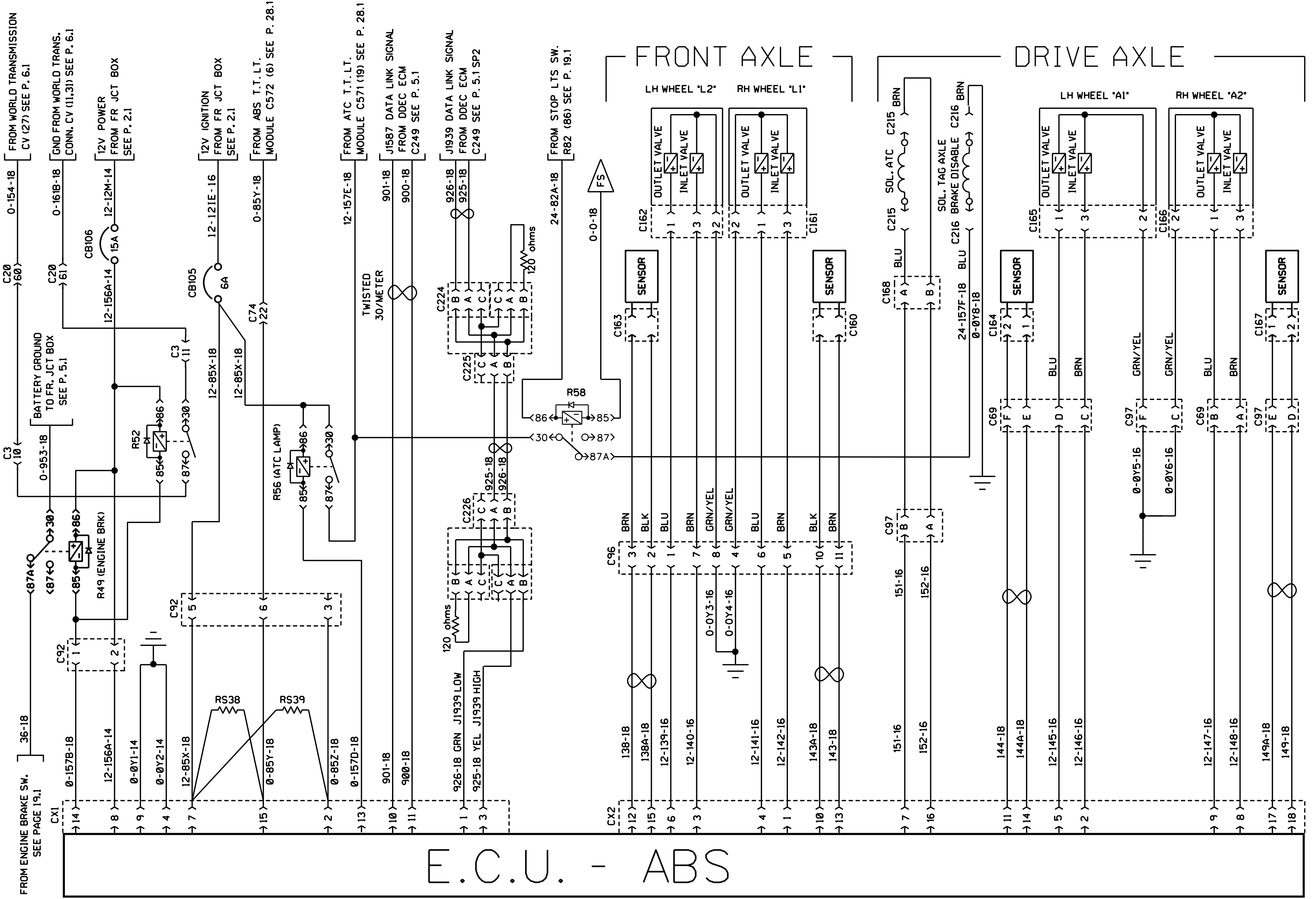
VCP AND SING ALONG ADAPTOR



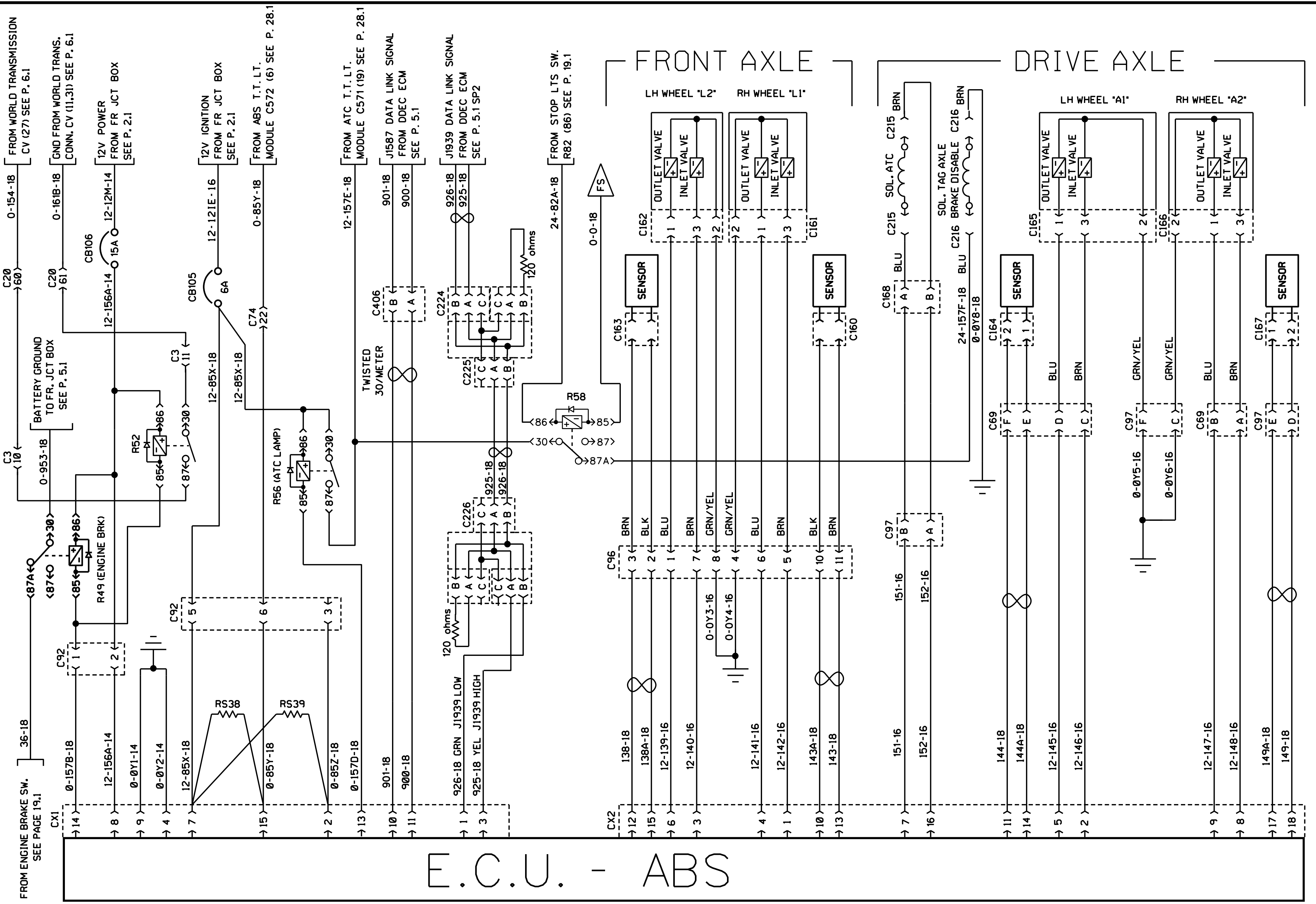
VCP AND SING ALONG ADAPTOR



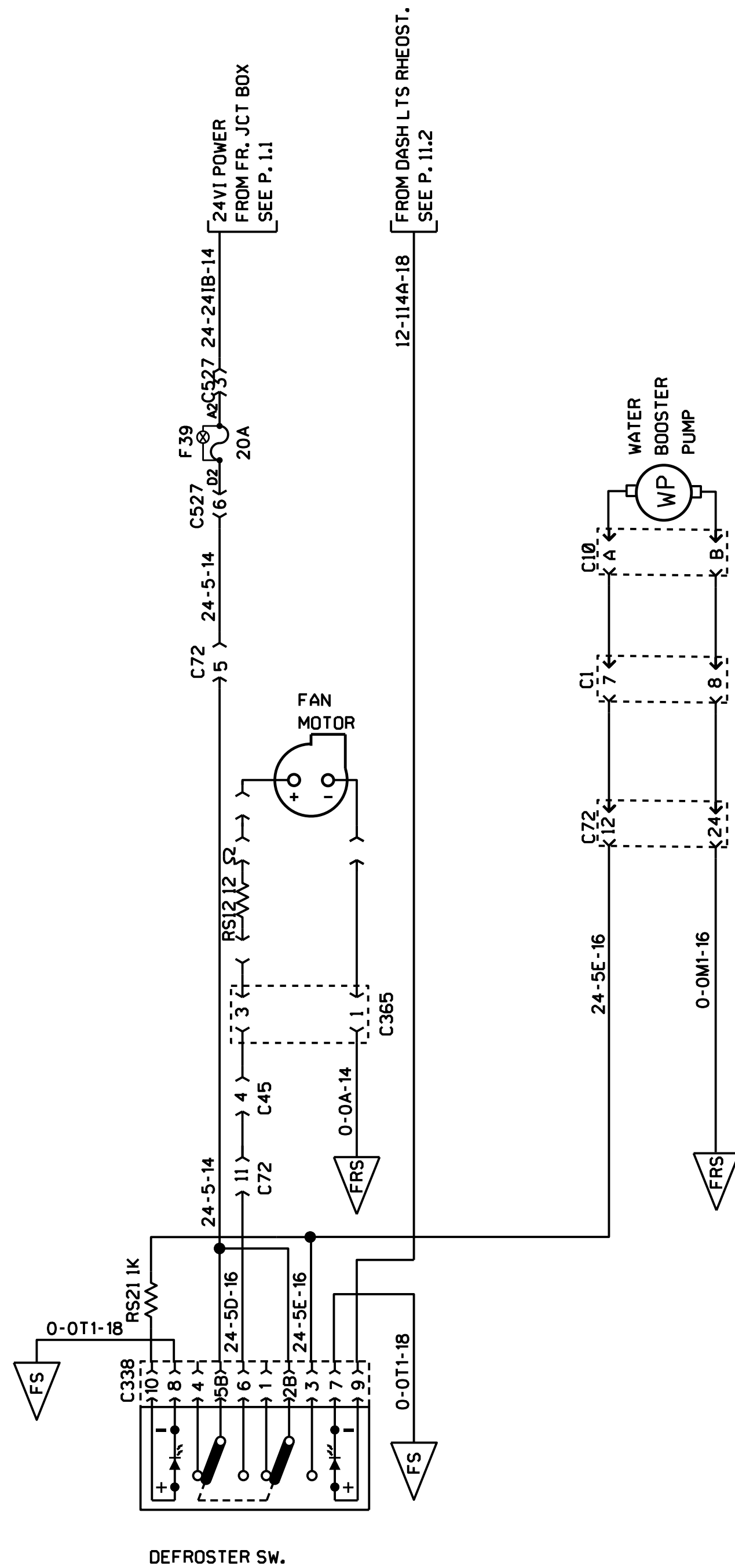




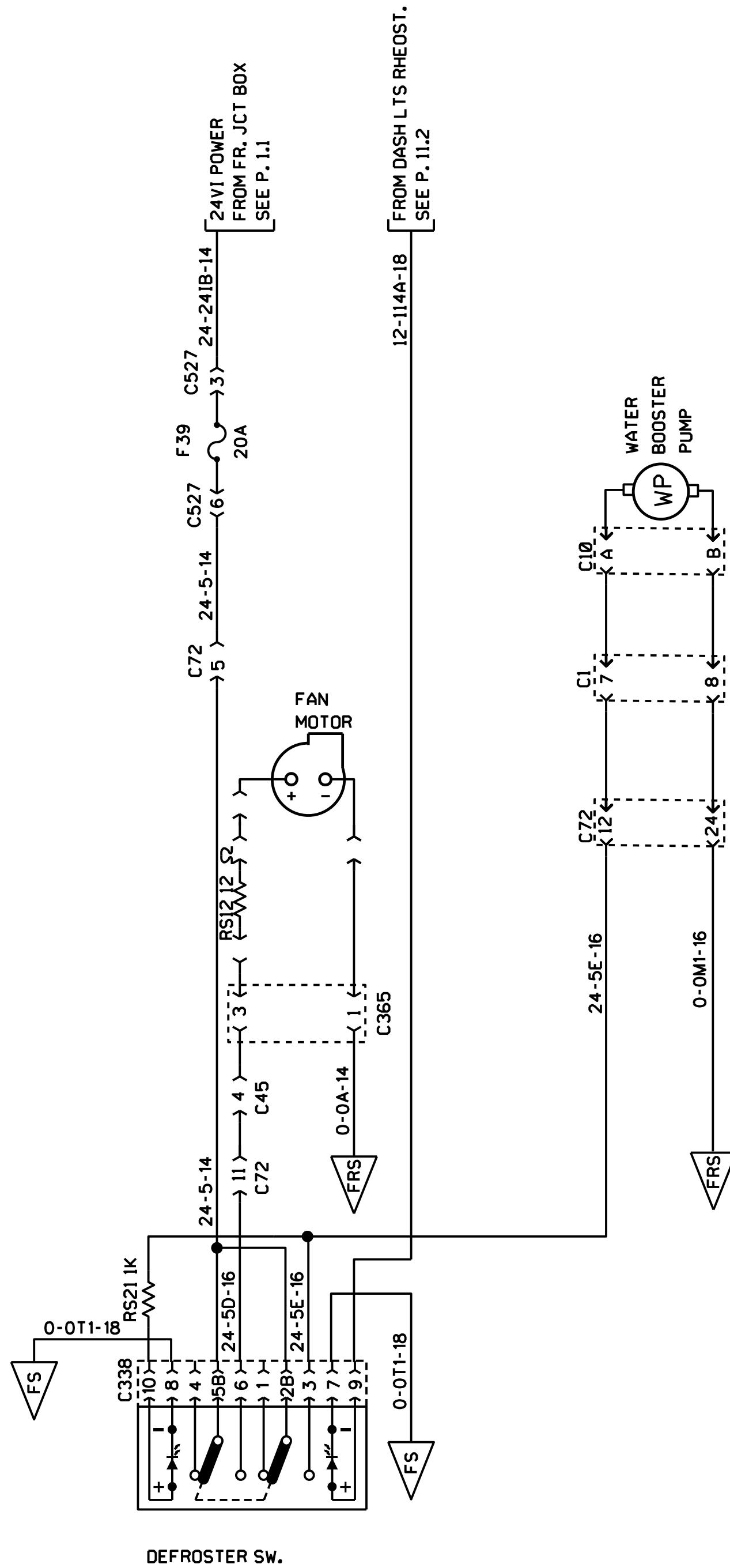
F.C.U. - ABS



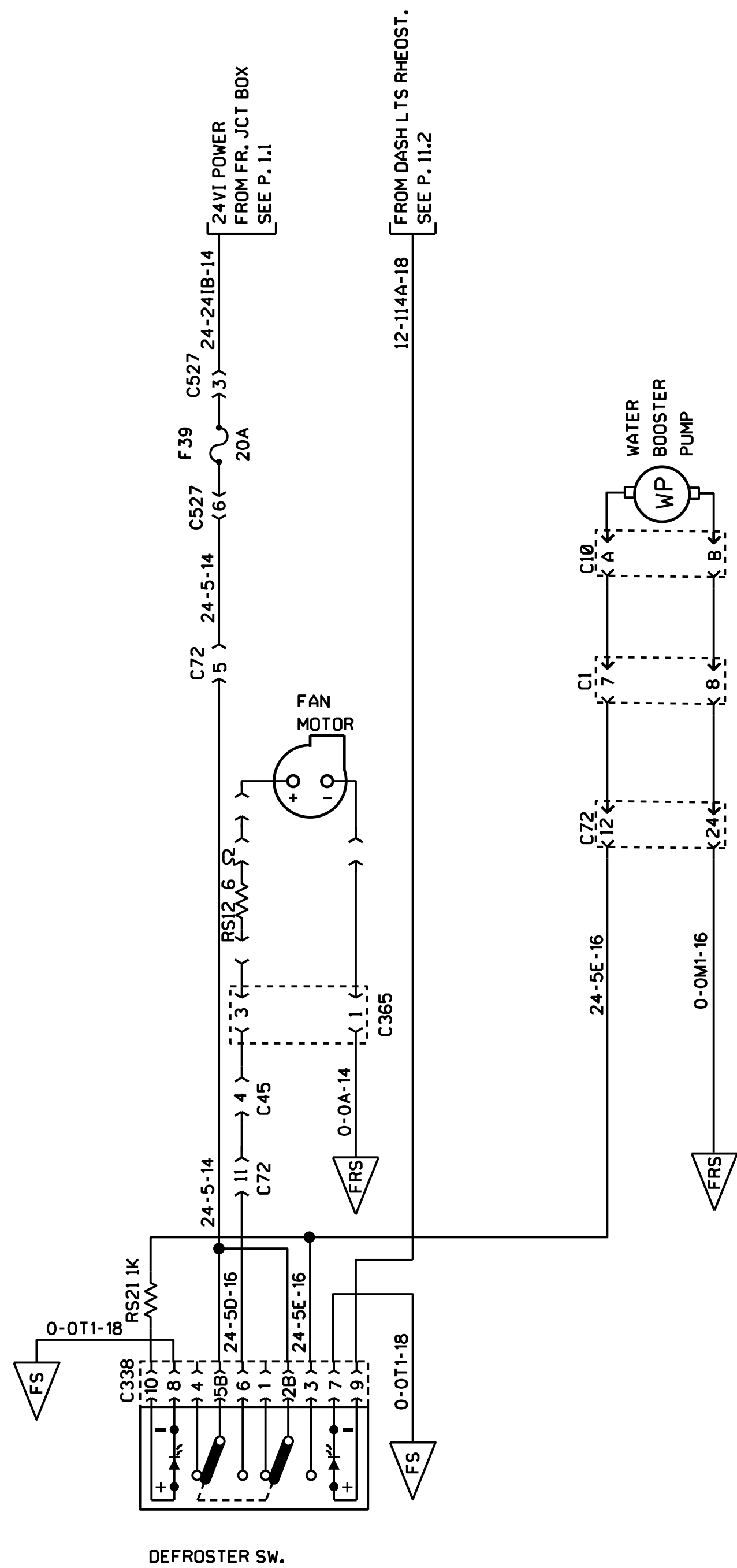
E.C.U. - ABS



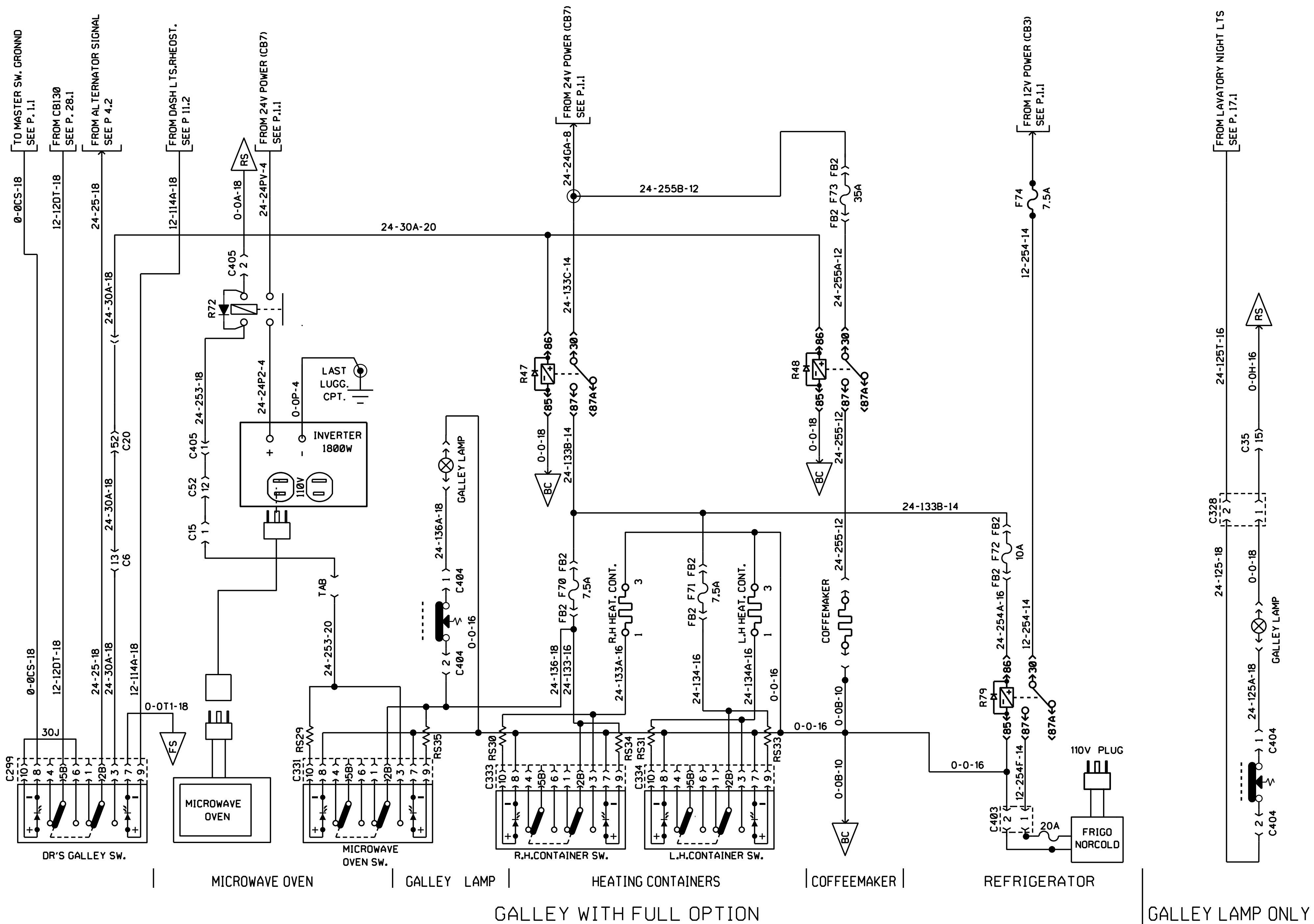
DEFROSTER SW.
UPPER WINDSHIELD DEFROST

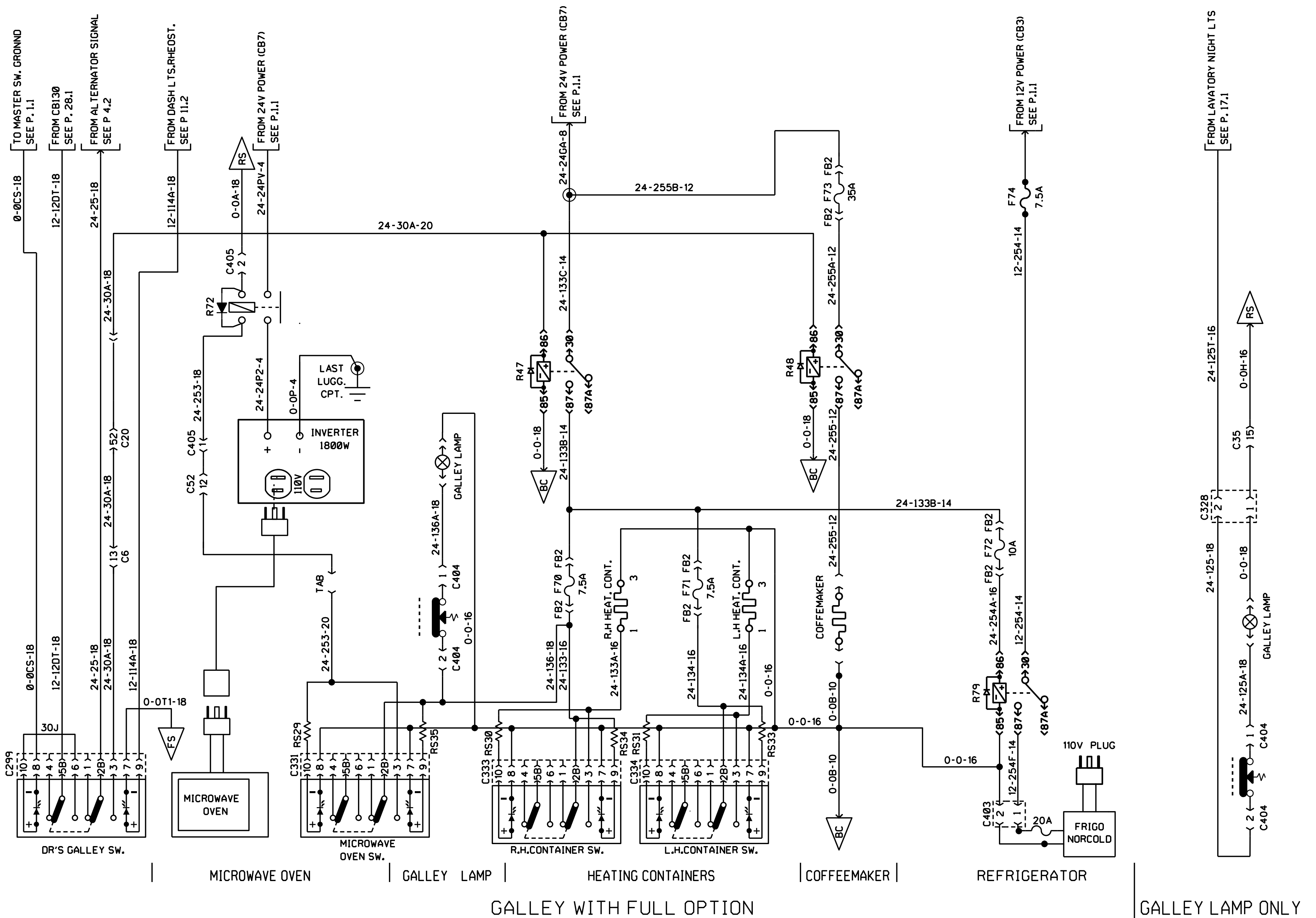


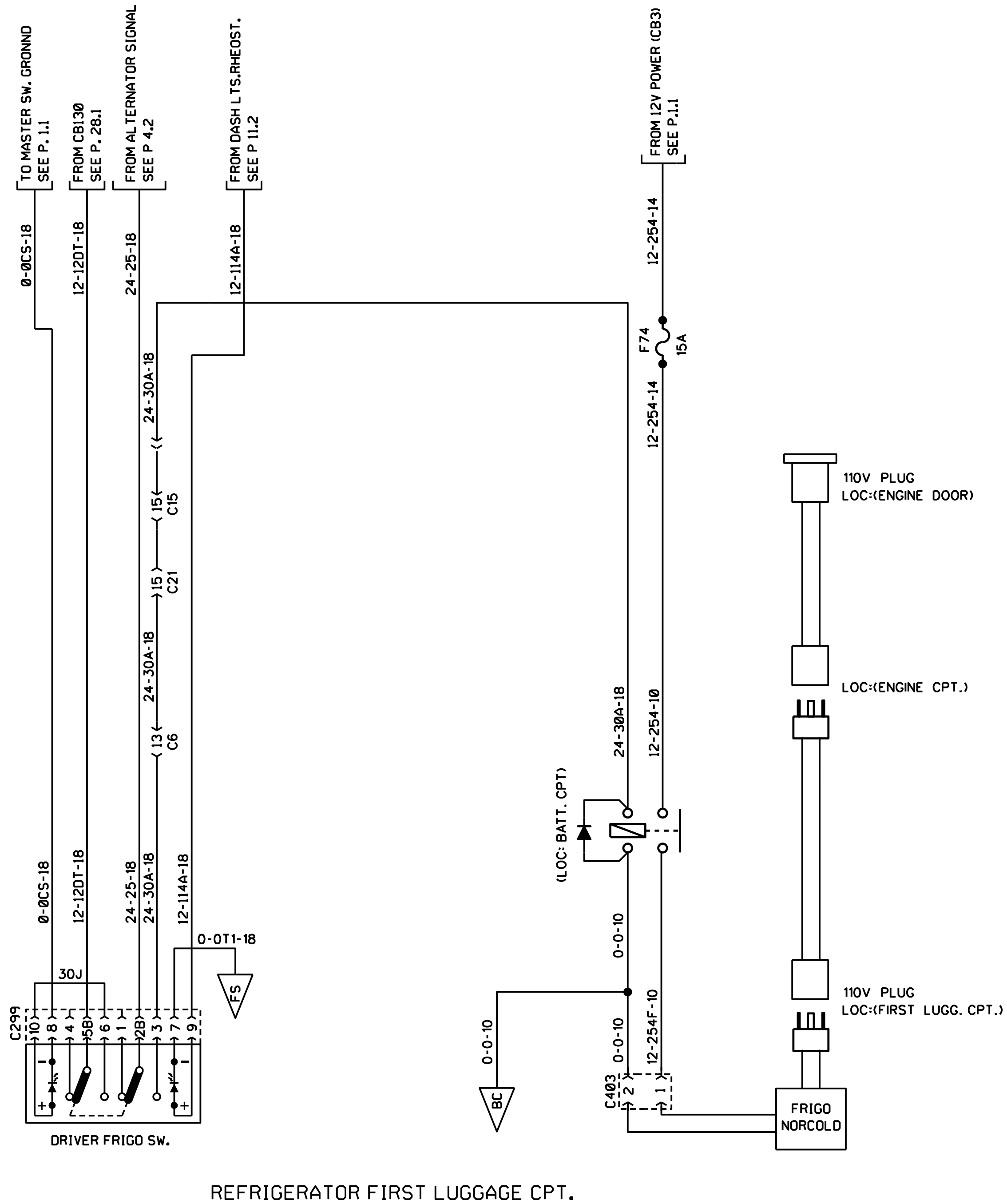
DEFROSTER SW.
UPPER WINDSHIELD DEFROST



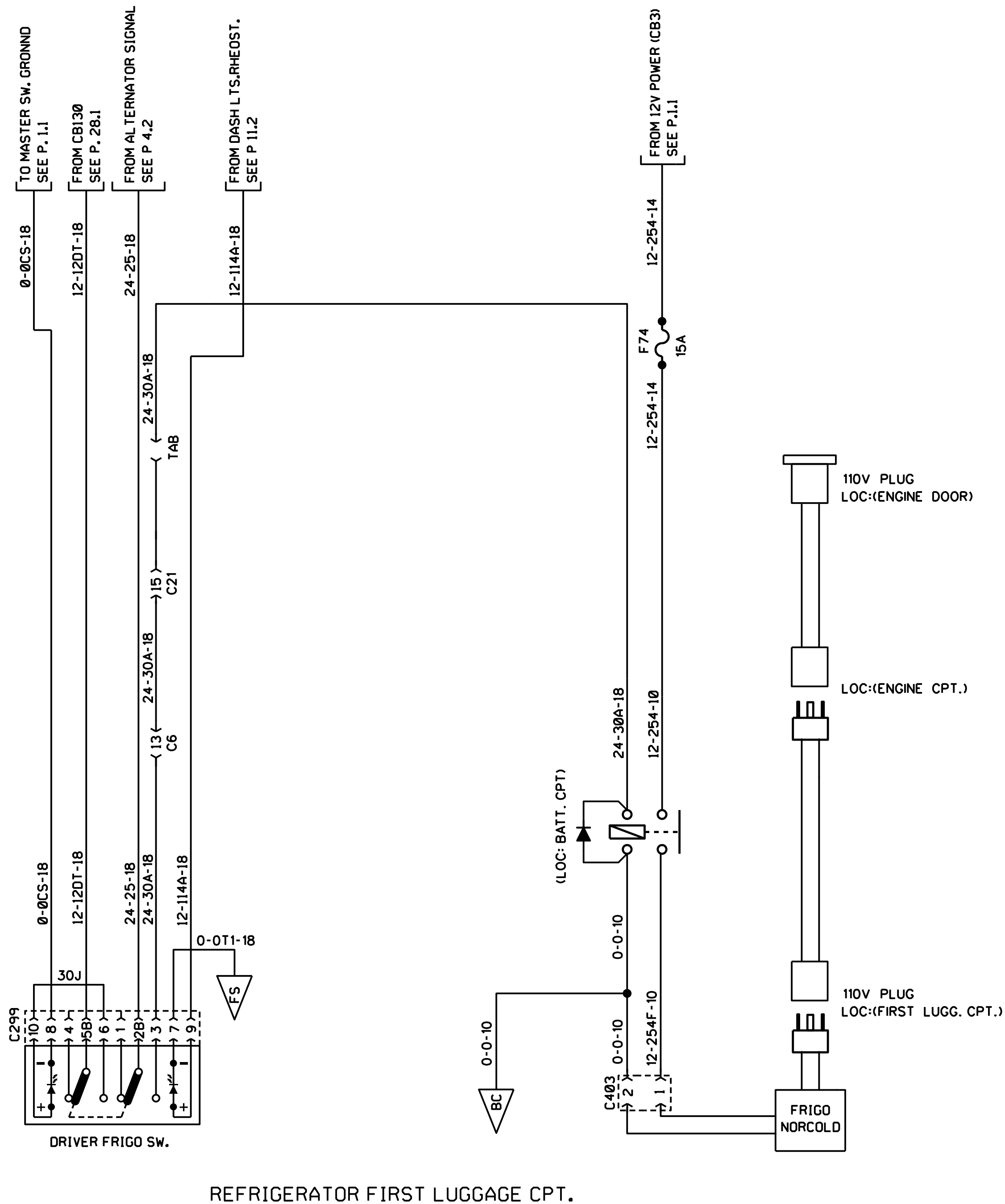
DEFROSTER SW.
UPPER WINDSHIELD DEFROST





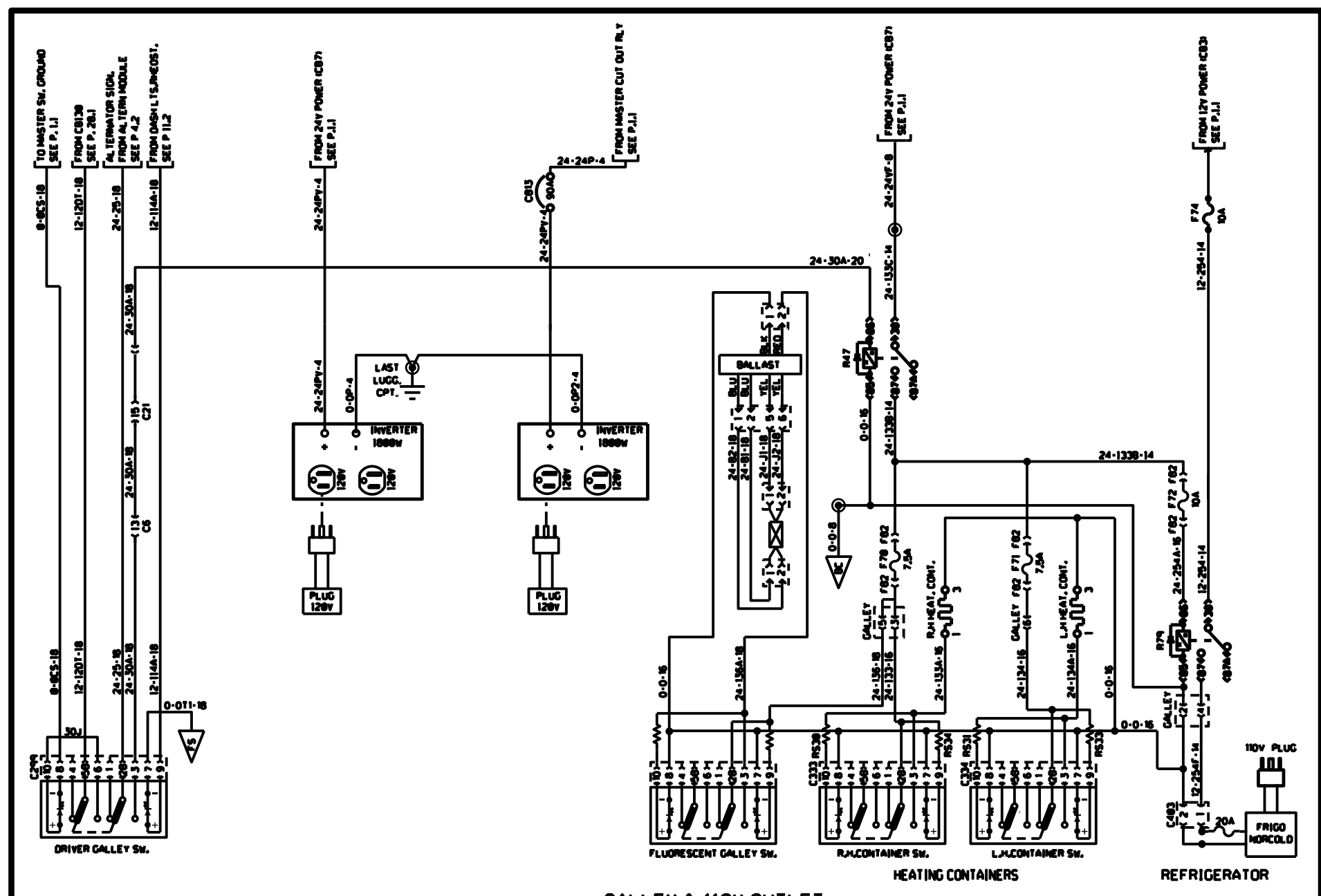


REFRIGERATOR FIRST LUGGAGE CPT.



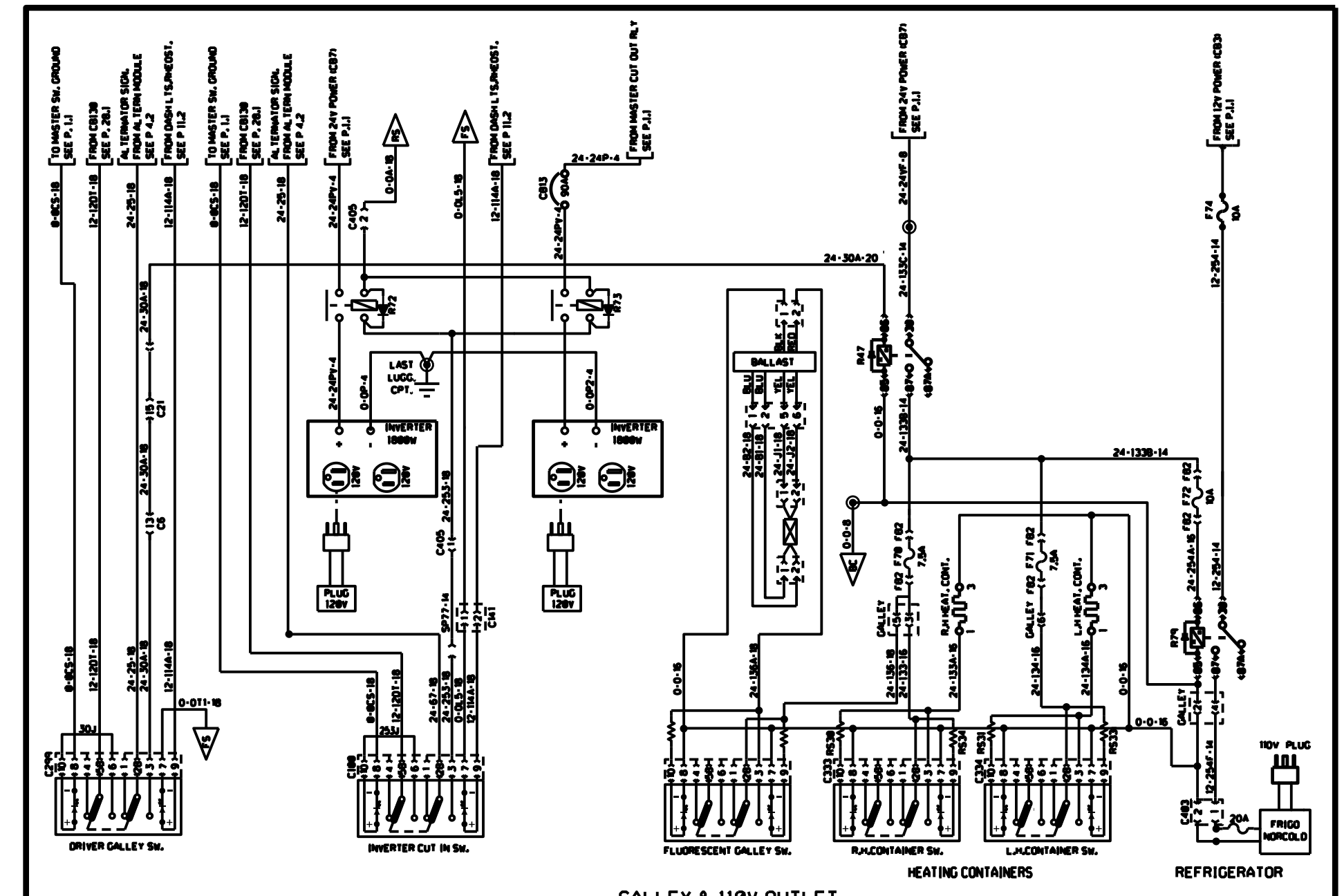
REFRIGERATOR FIRST LUGGAGE CPT.

SANS RELAIS

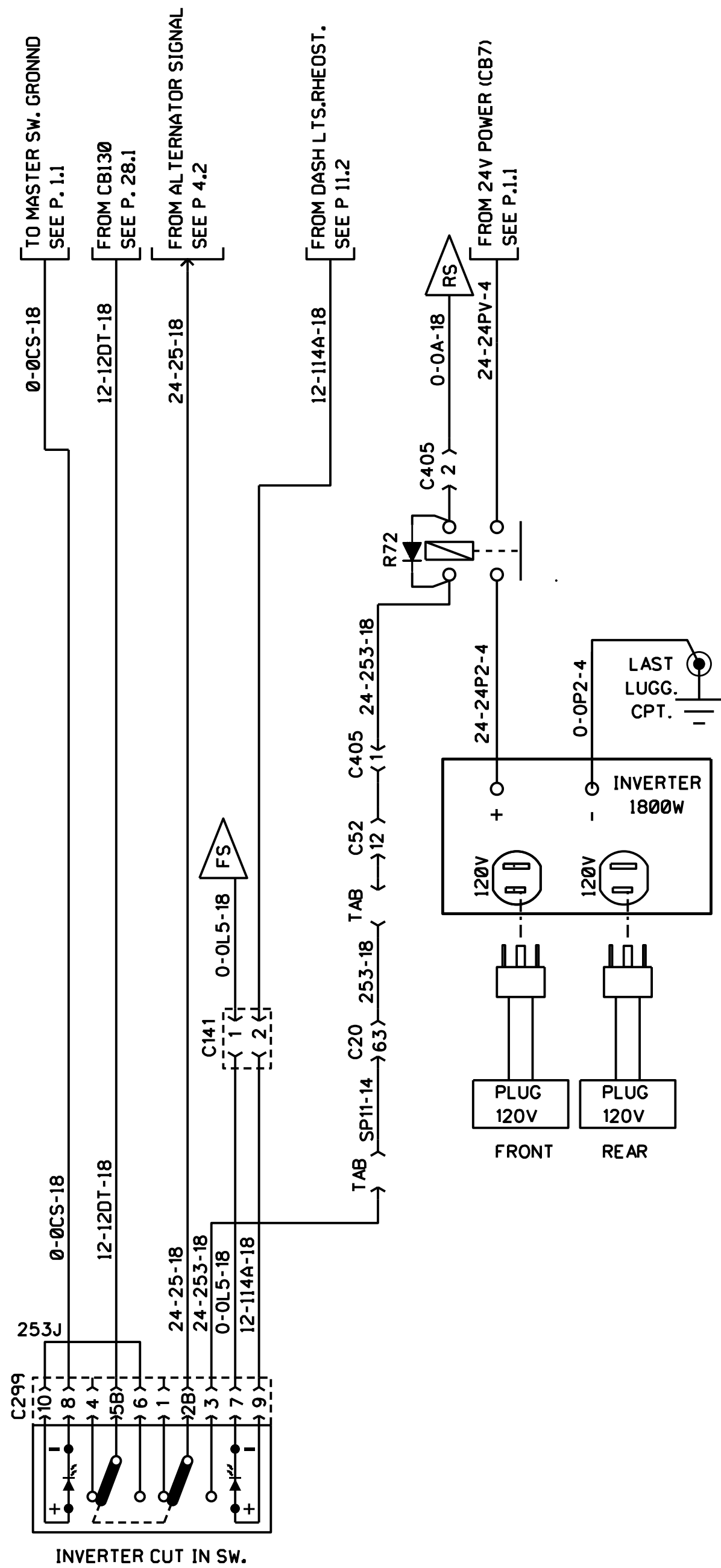


GALLEY & 110V OUTLET

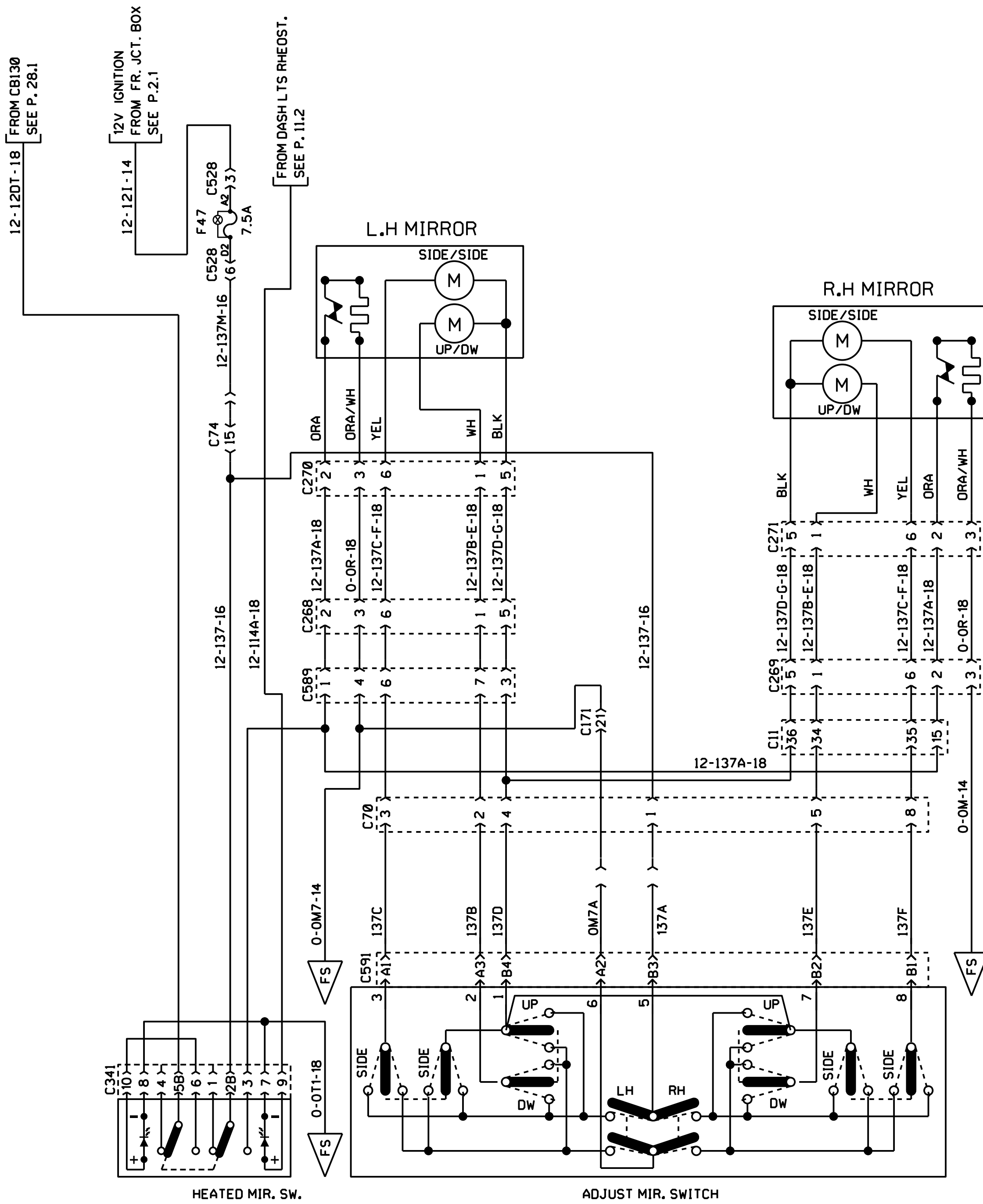
AVEC RELAIS



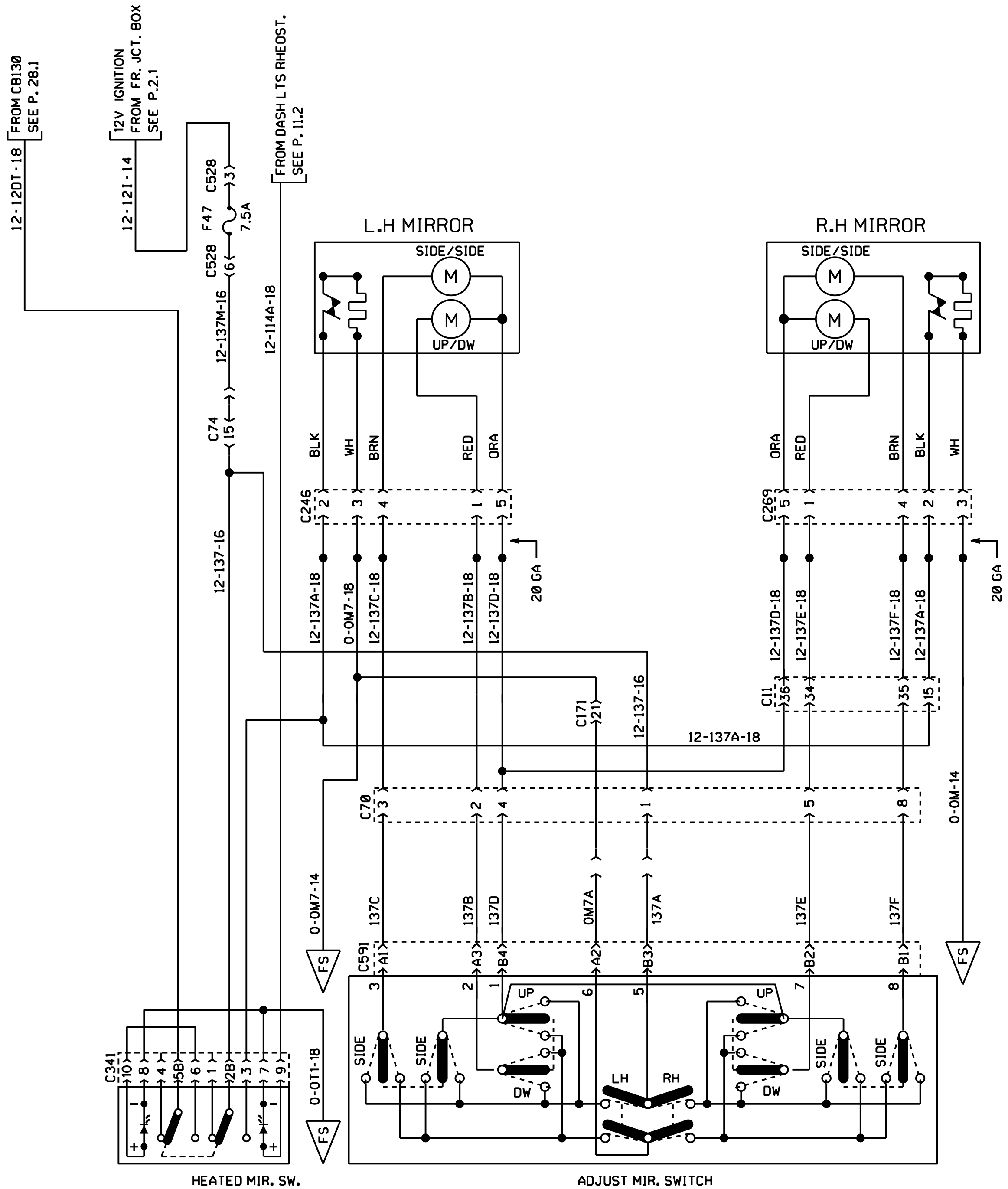
GALLEY & 110V OUTLET



120V OUTLET



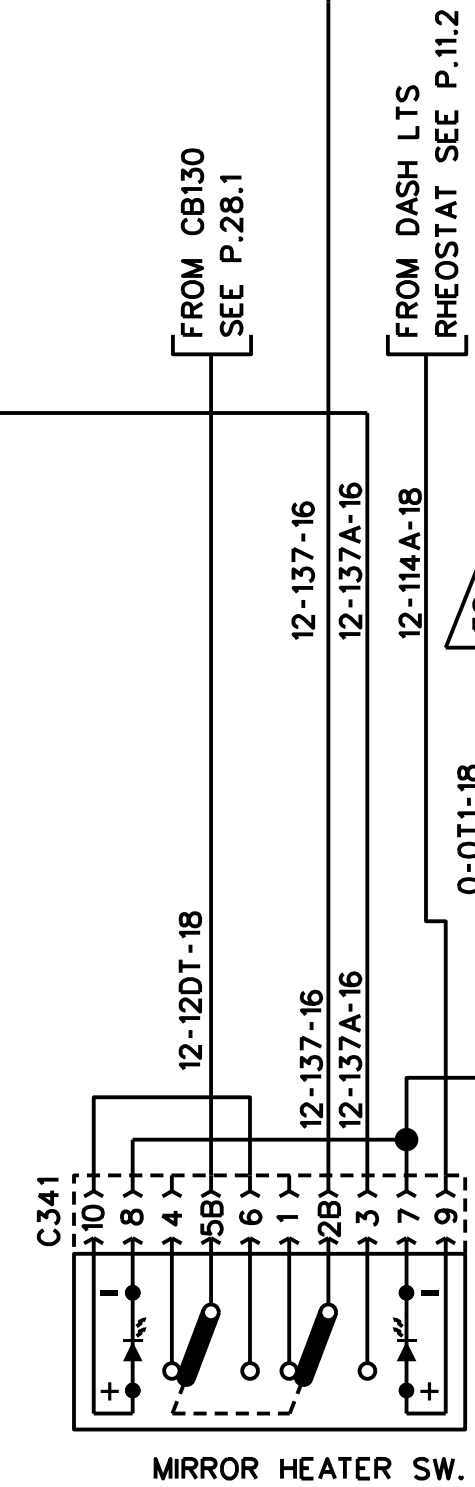
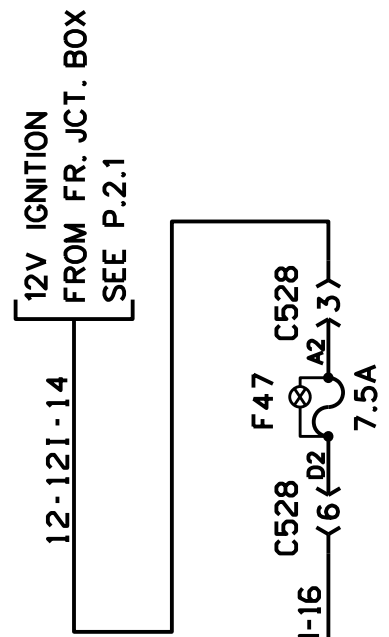
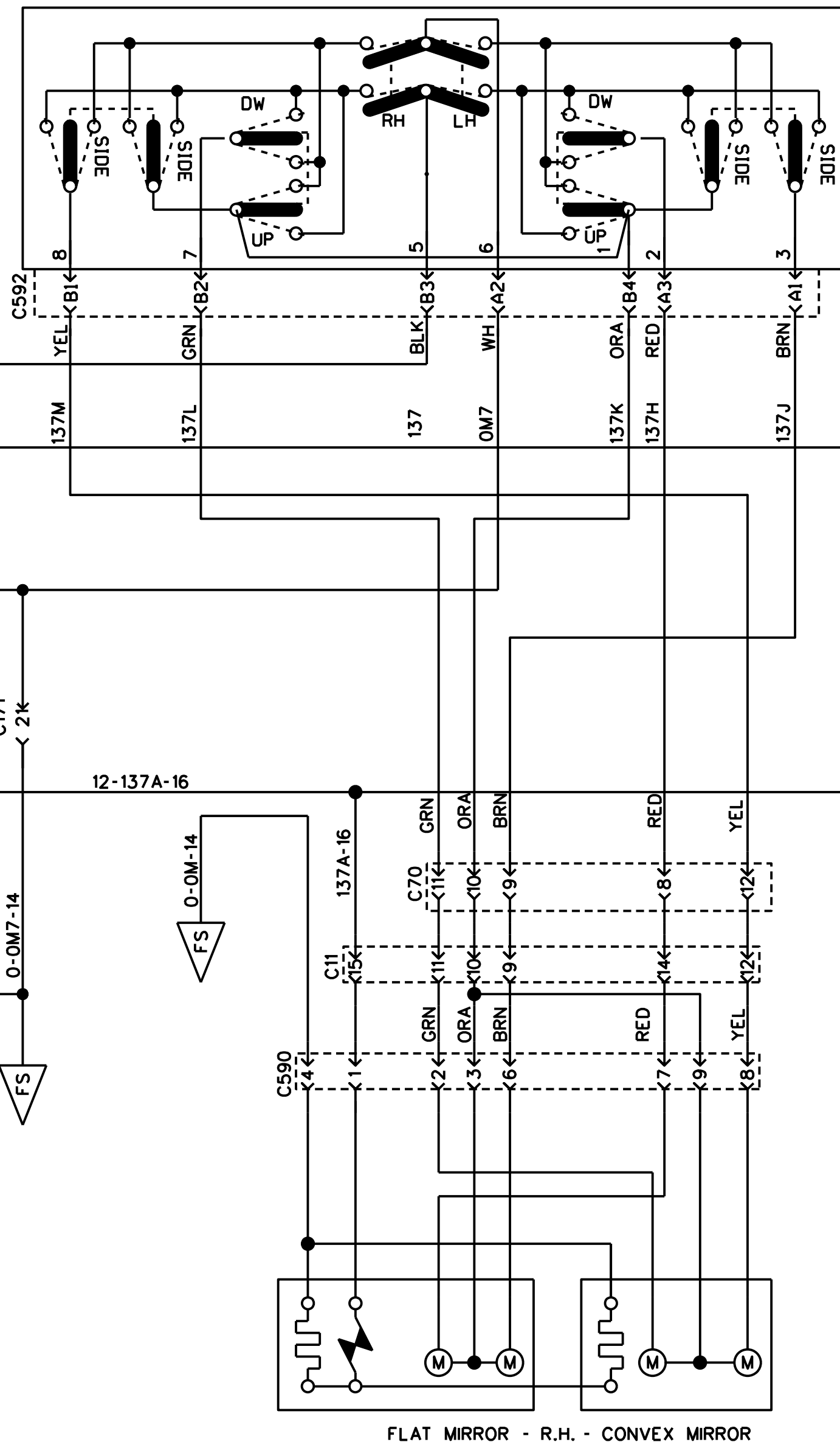
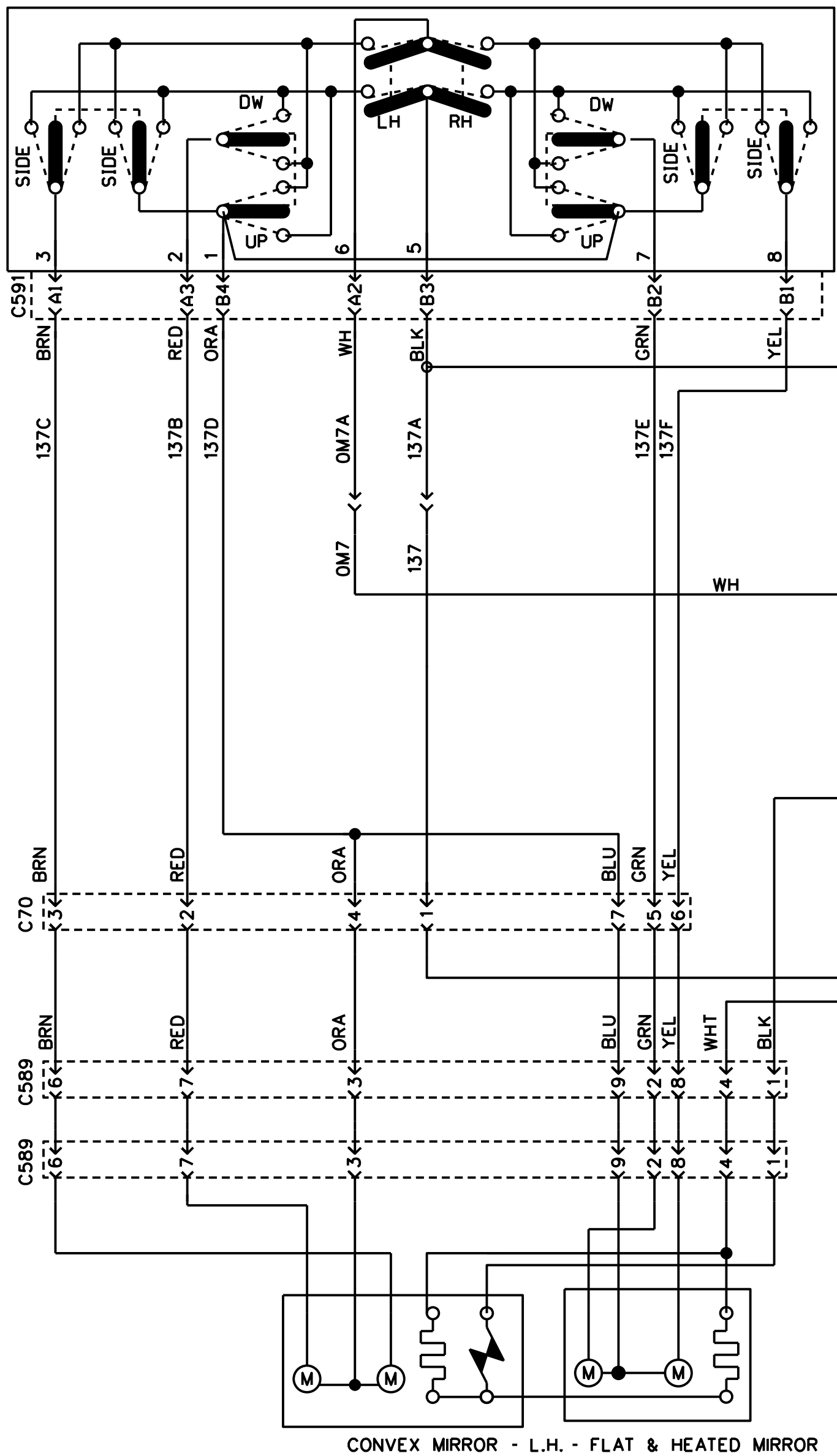
REAR VIEW MIRROR RAMCO FLAT - 1 ADJUSTMENT SW. & 1 HEATED SW.



REAR VIEW MIRROR RAMCO FLAT - 1 ADJUSTMENT SW. & 1 HEATED SW.

ADJUST FLAT & CONVEX LH MIRROR SWITCH

ADJUST FLAT & CONVEX RH MIRROR SWITCH

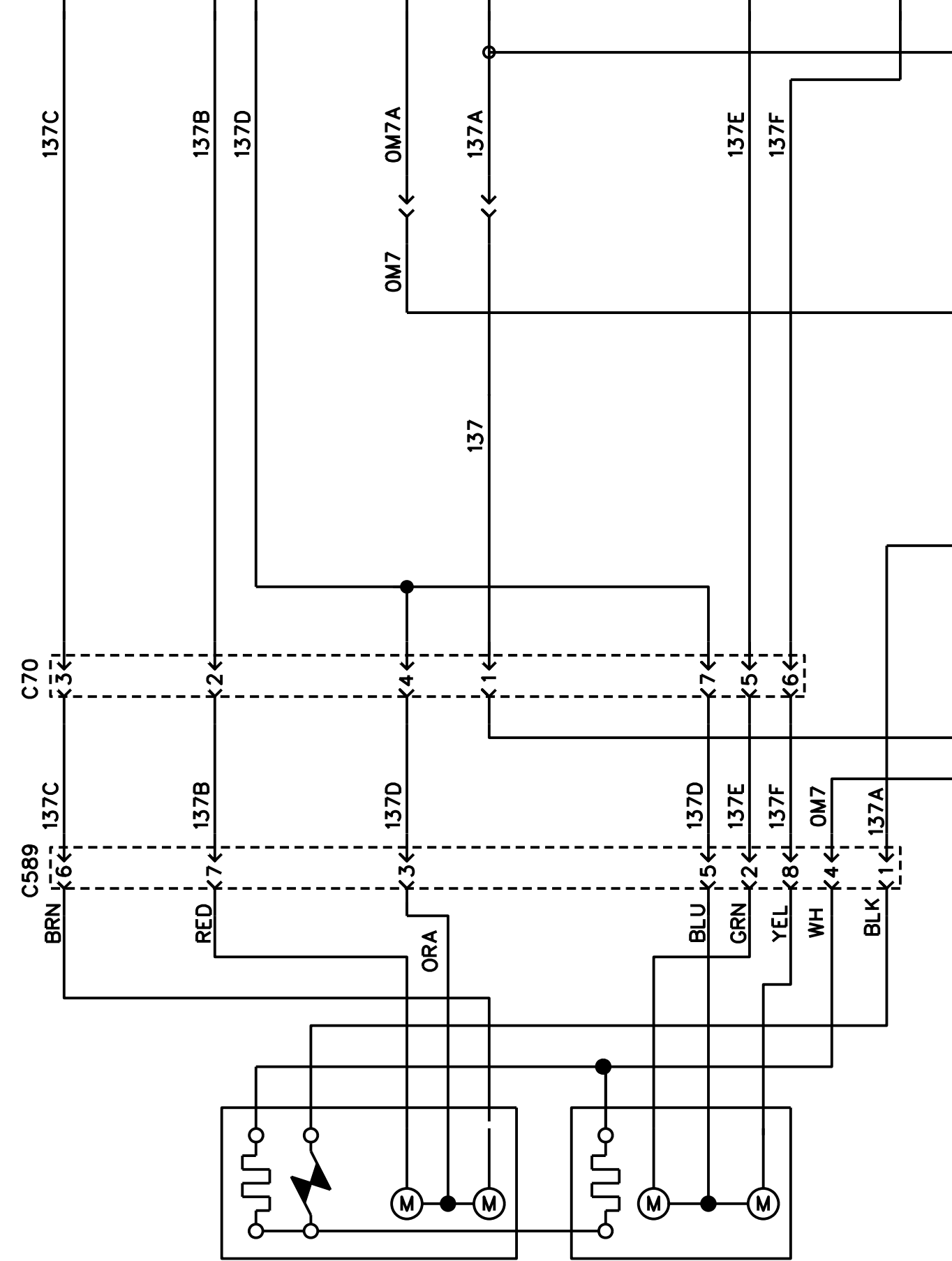
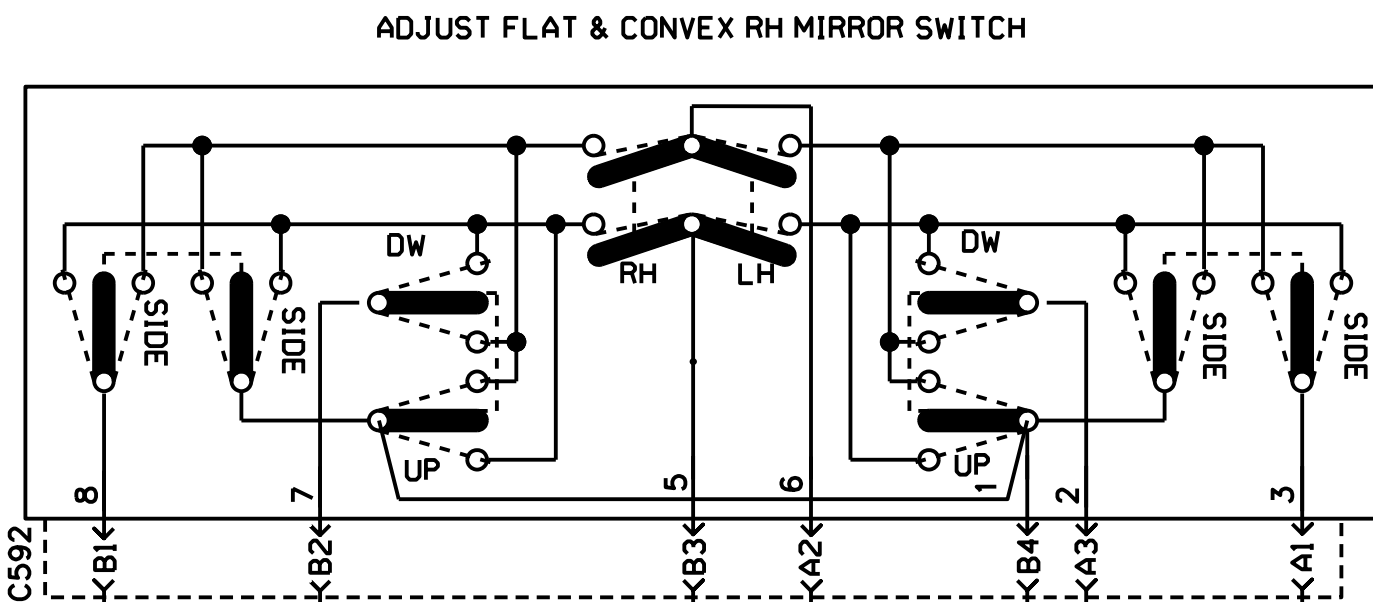
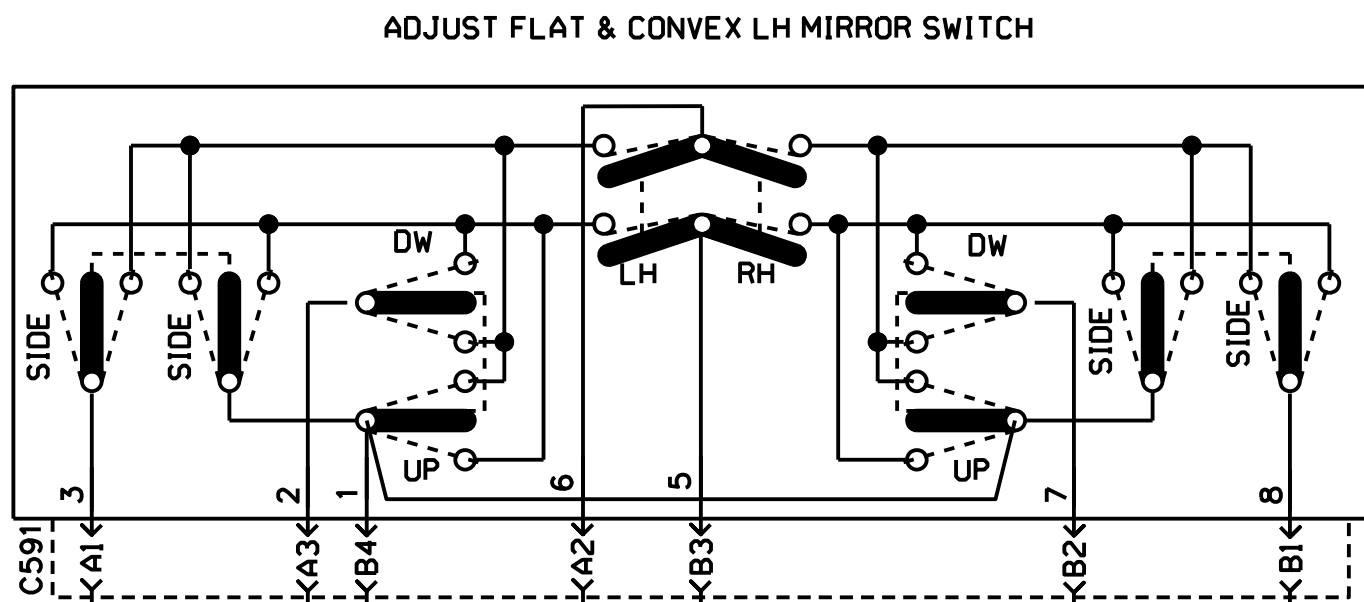


CONVEX MIRROR - L.H. - FLAT & HEATED MIRROR

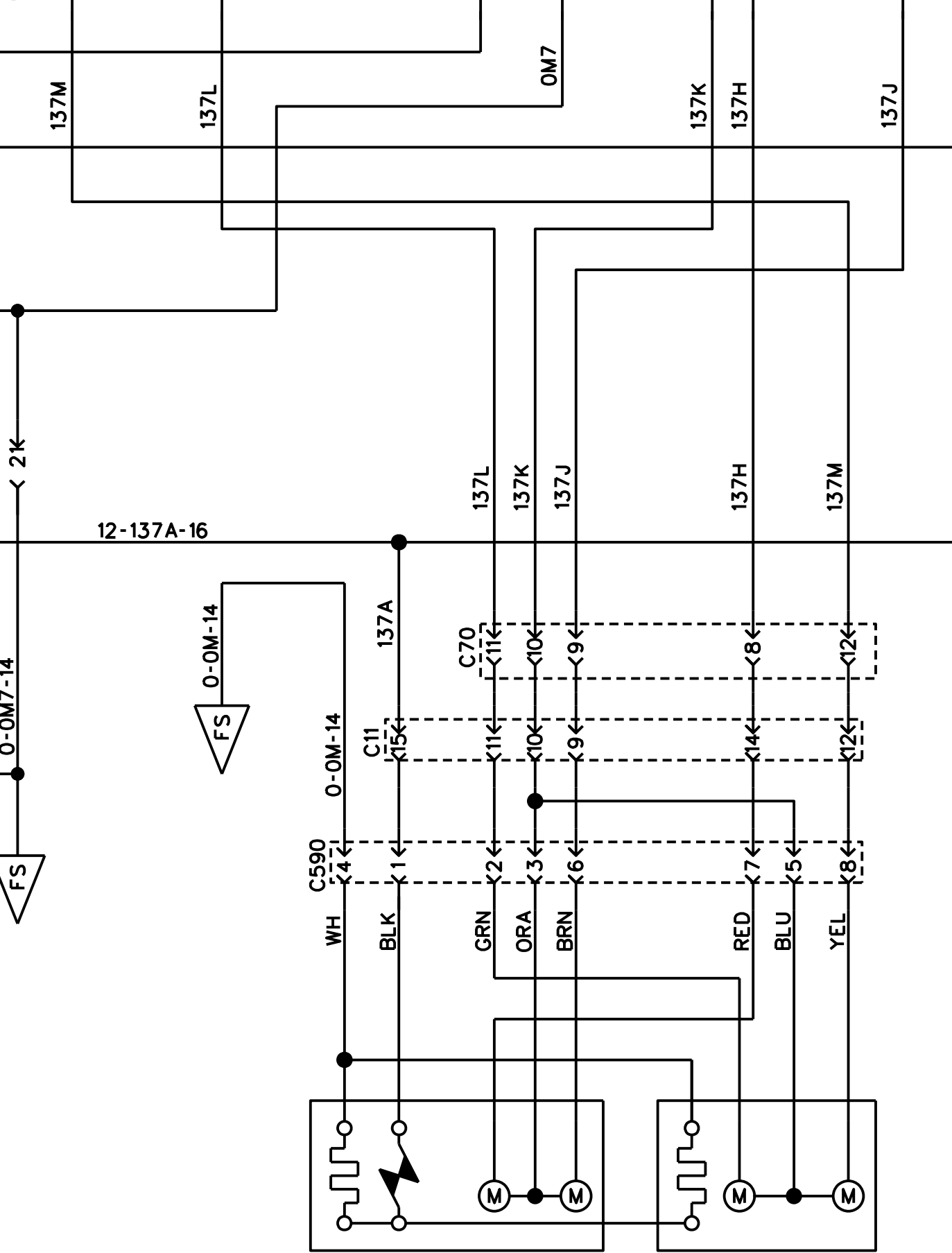
FLAT MIRROR - R.H. - CONVEX MIRROR

MIRROR HEATER SW.

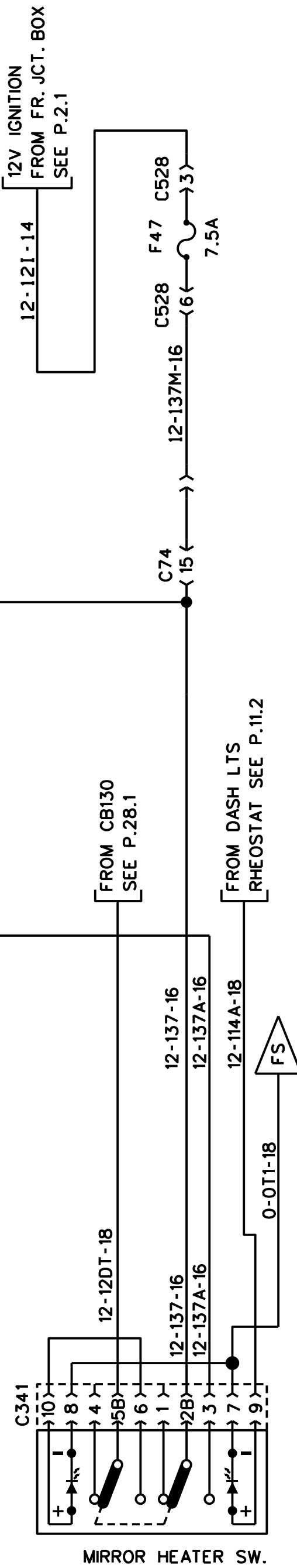
REAR VIEW MIRROR RAMCO FLAT & CONVEX - 2 ADJUSTMENT SW. & 1 HEATED SW.



FLAT MIRROR - L.H. - CONVEX MIRROR

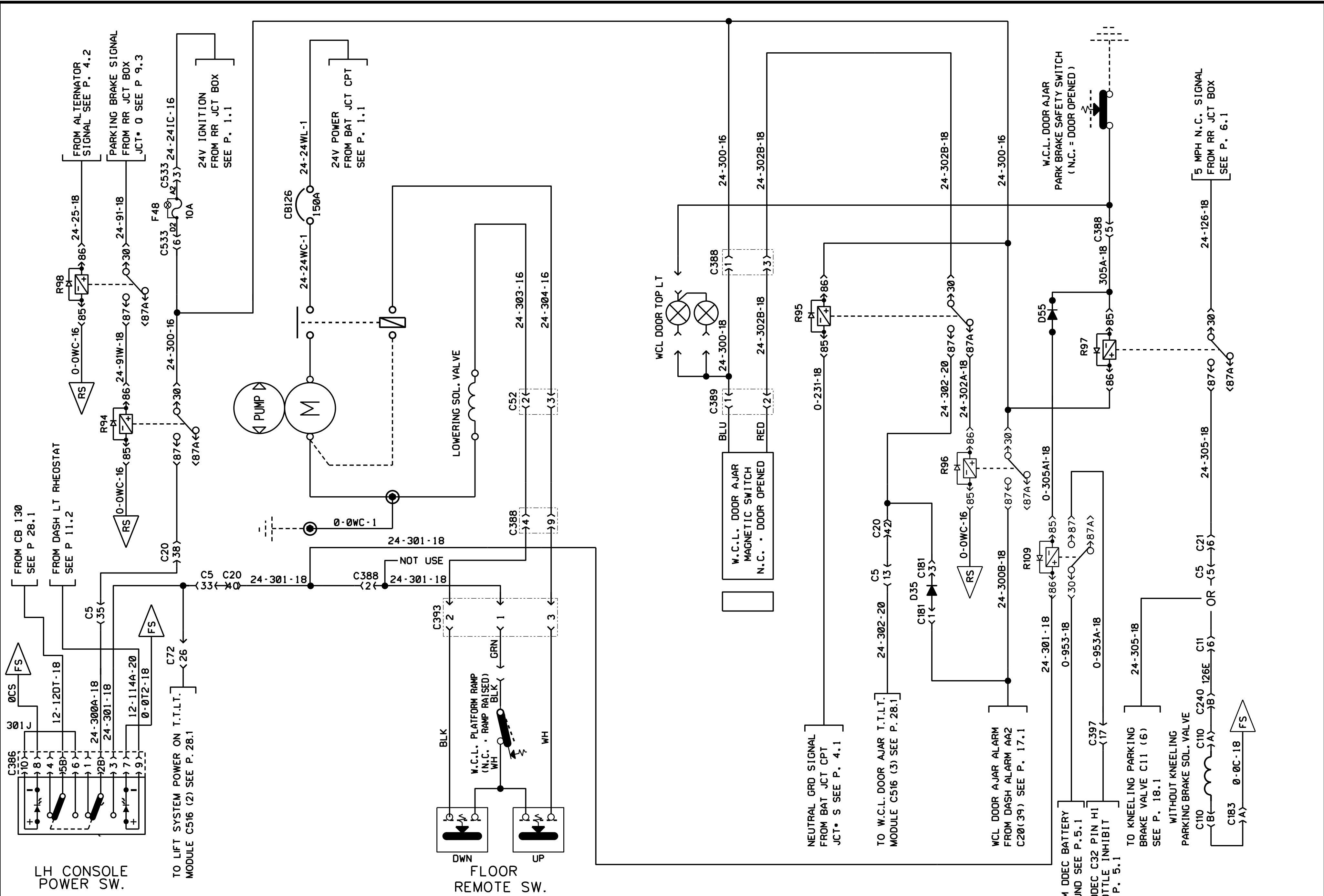


FLAT MIRROR - R.H. - CONVEX MIRROR

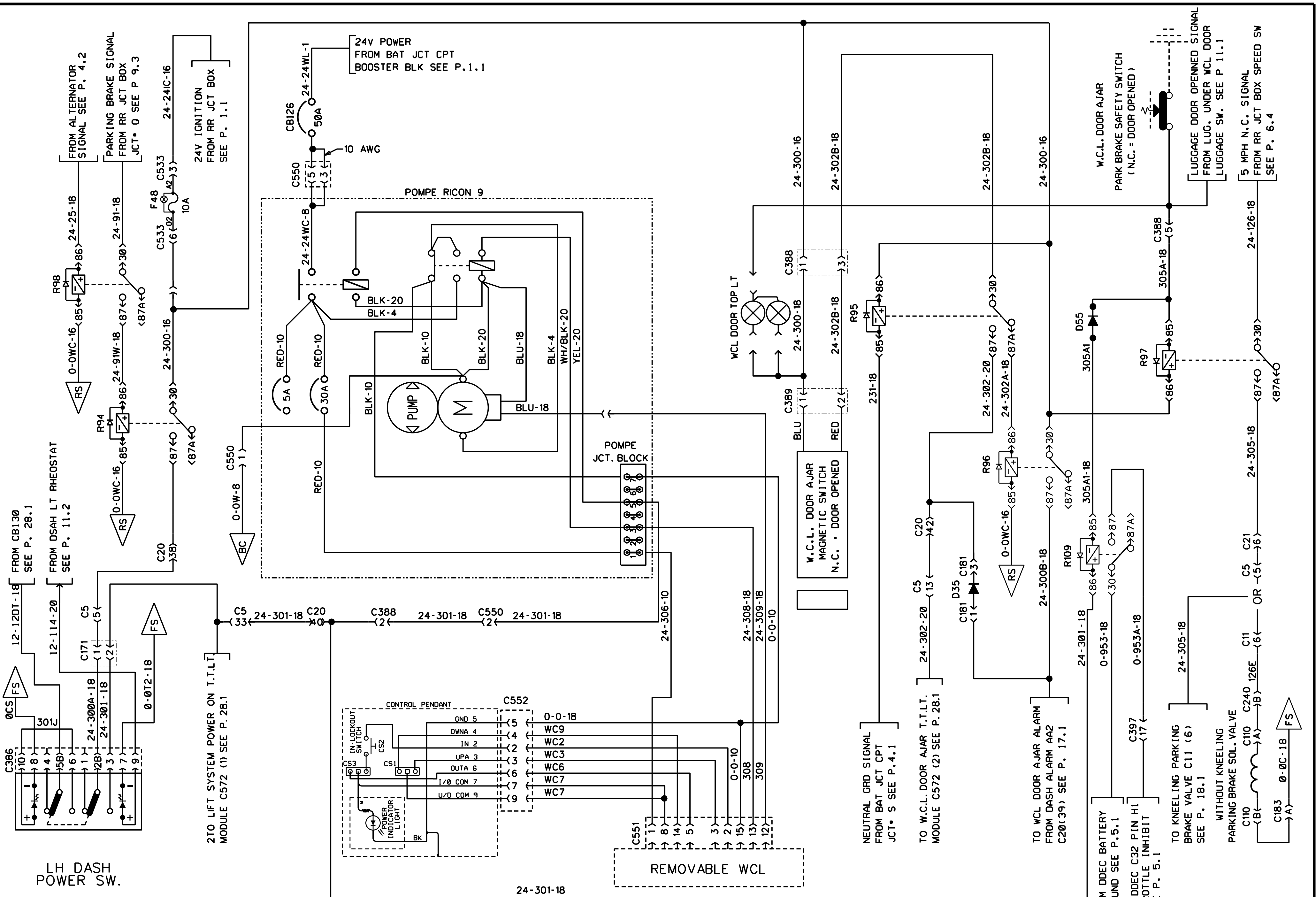


MIRROR HEATER SW.

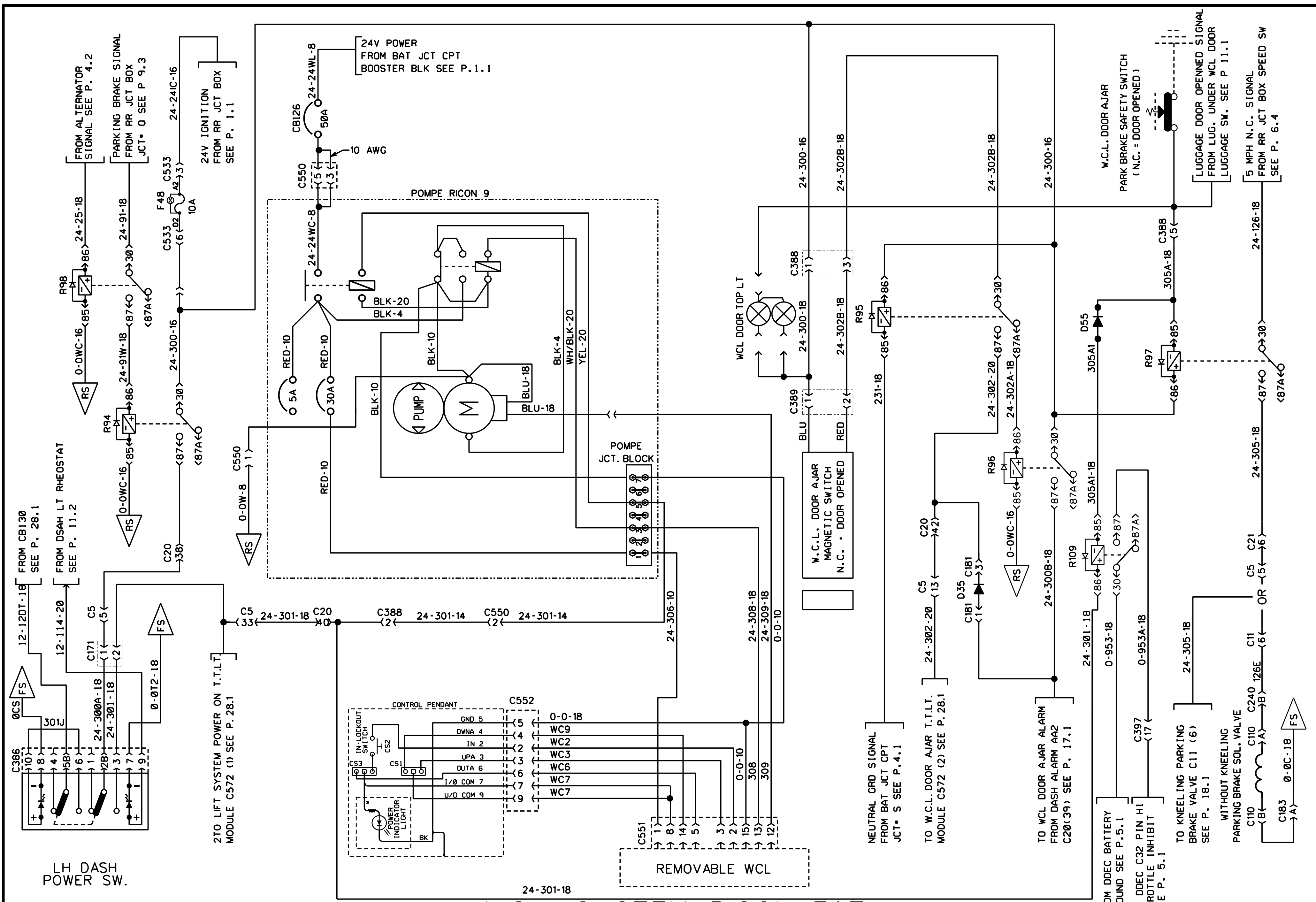
REAR VIEW MIRROR RAMCO FLAT & CONVEX - 2 ADJUSTMENT SW. & 1 HEATED SW.



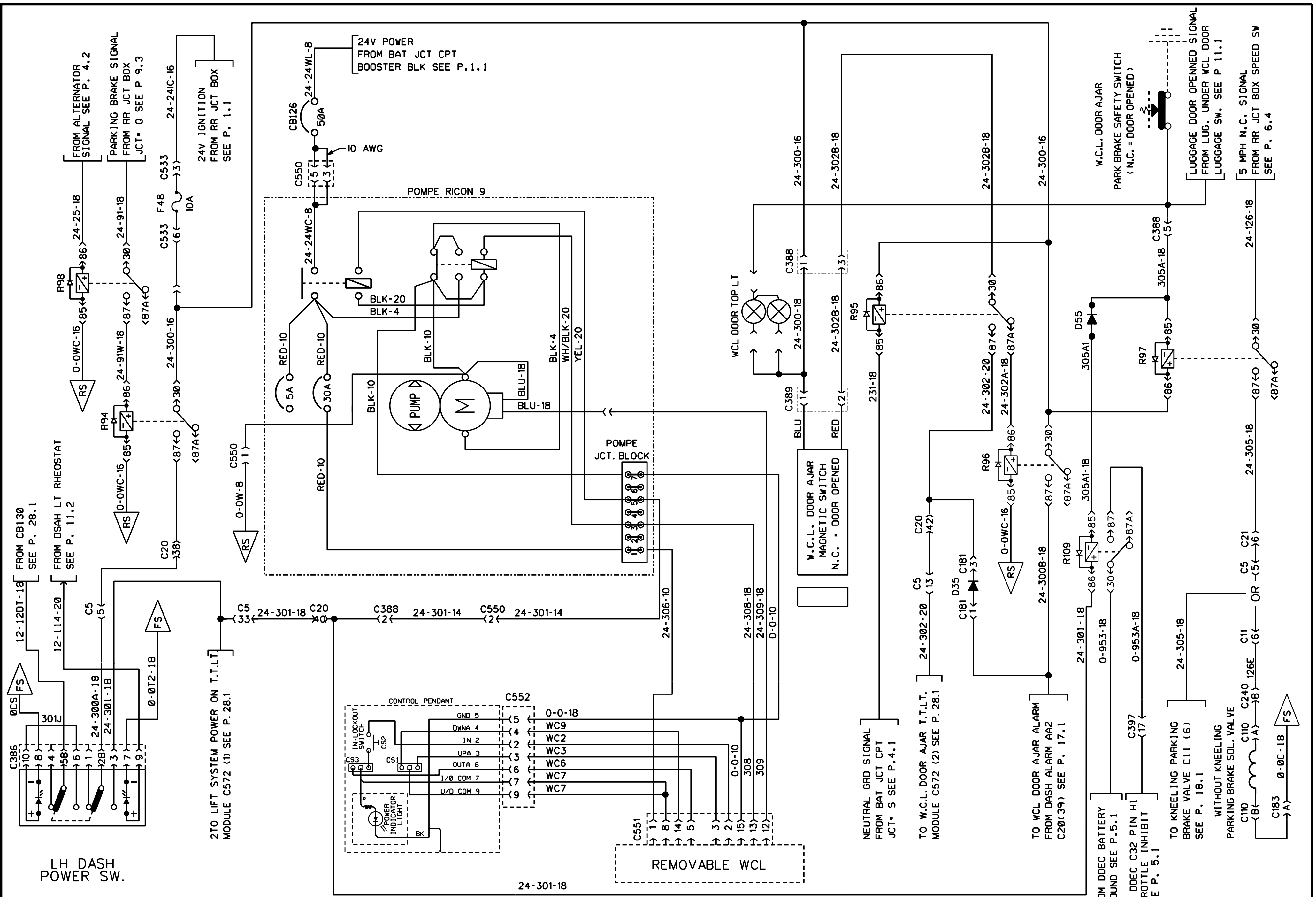
W.C.L. SYSTEM STEWART & STEVENSON



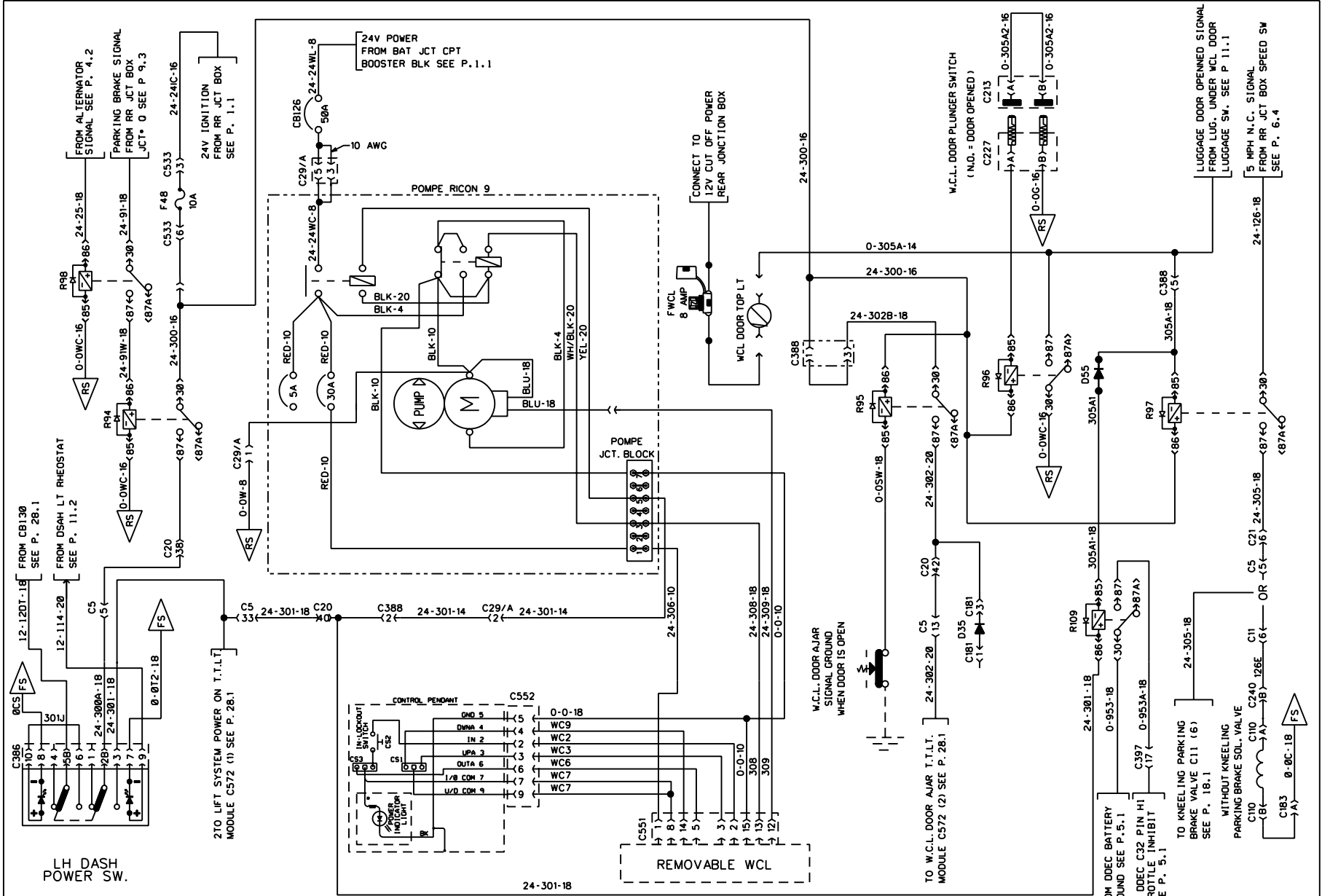
W.C.L. SYSTEM RICON F9T



W.C.L. SYSTEM RICON F9T



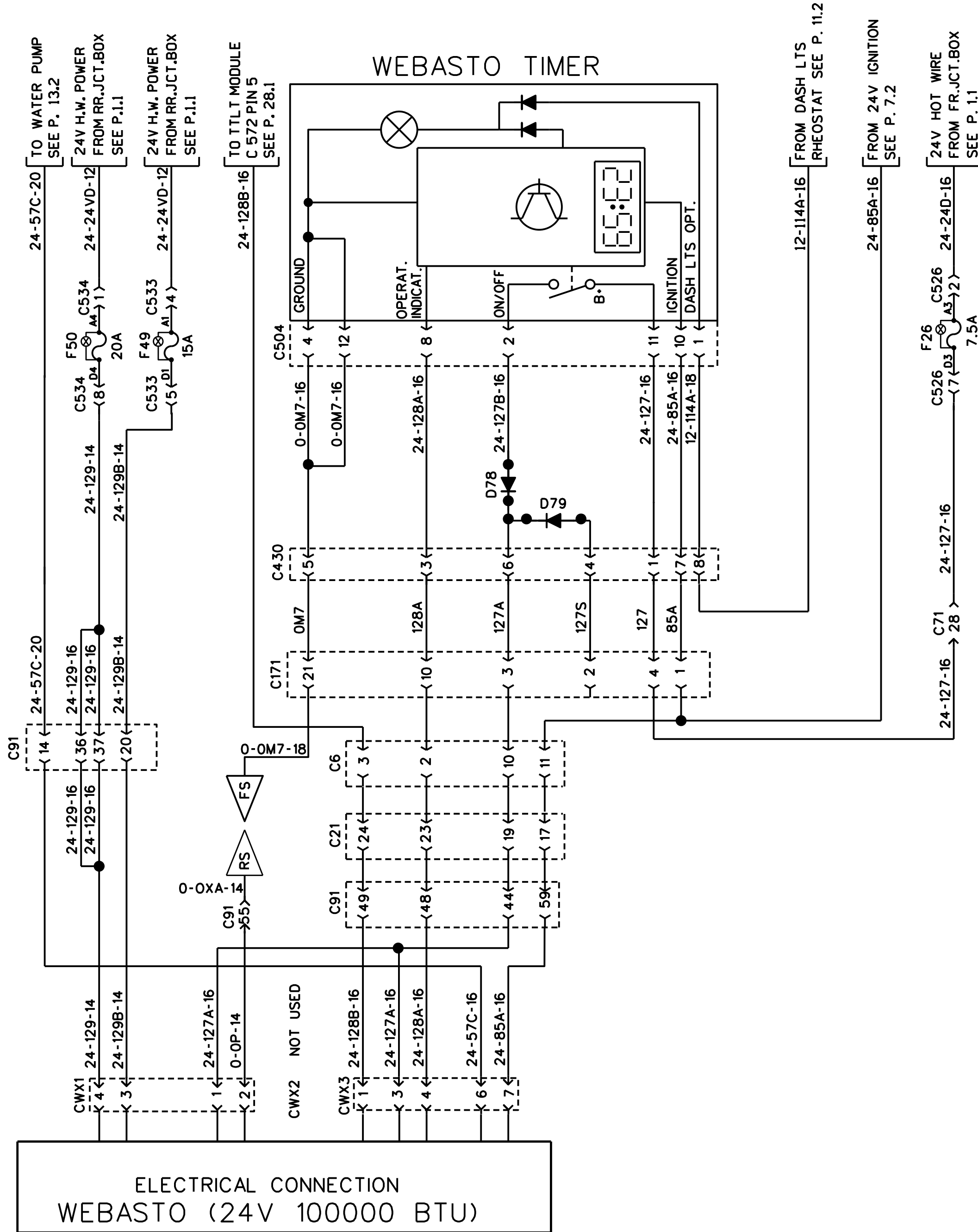
W.C.L. SYSTEM RICON F9T



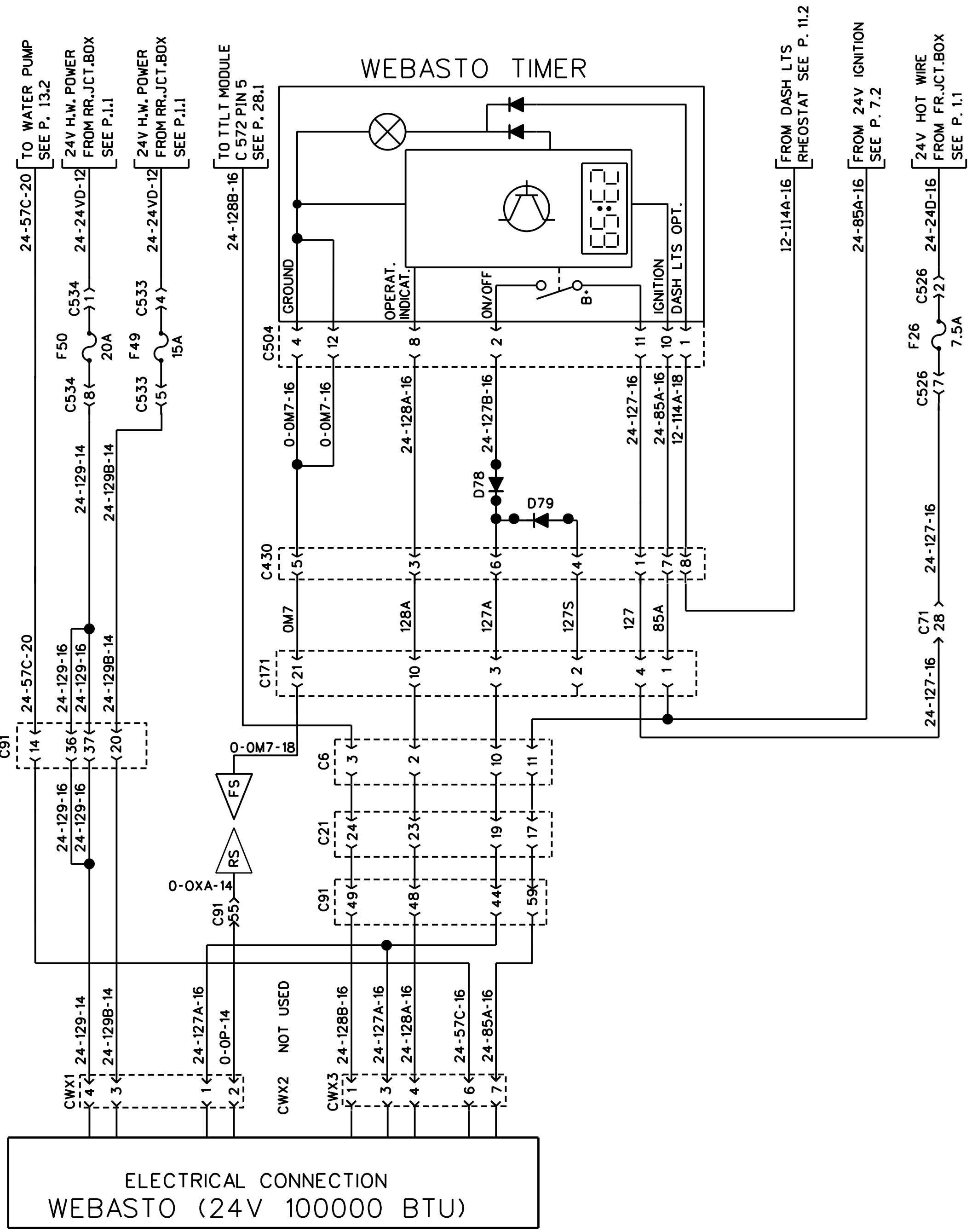
W.C.L. SYSTEM RICON F9T

TRAVAIL A FAIRE LORS DU BRANCHEMENT DE LA NOUVELLE COUETTE ACCESSOIRE WCL DANS LA BOITE DE JONCTION ARRIERE.
 -BRANCHER FIL 05W (DOOR OPEN SIGNAL) SUR LA PIN 85 DE R95 A LA PALCE DU FIL 231. ELIMINER FIL 231.
 -MODIFIER LE BRANCHEMENT DE R96 COMME SUIV.
 1-ELIMINER LES FILS 302A PIN 86 ET 300B PIN 87.
 2-PRENDRE LE FIL 300 OUI EST DANS LA PIN 85 ET LE BRANCHER A LA PIN 86.
 3-PRENDRE LE FIL 08C OUI EST DANS LA PIN 85 ET LE BRANCHER A LA PIN 30.
 4-PRENDRE LE FIL 305A DE LA NOUVELLE COUETTE ACCESSOIRE WCL ET LE BRANCHER A LA PIN 87.
 4-PRENDRE LE FIL 305A2 DE LA NOUVELLE COUETTE ACCESSOIRE WCL ET LE BRANCHER A LA PIN 85.

PRE-HEAT WATER HEATER (WEBASTO THERMO 300)

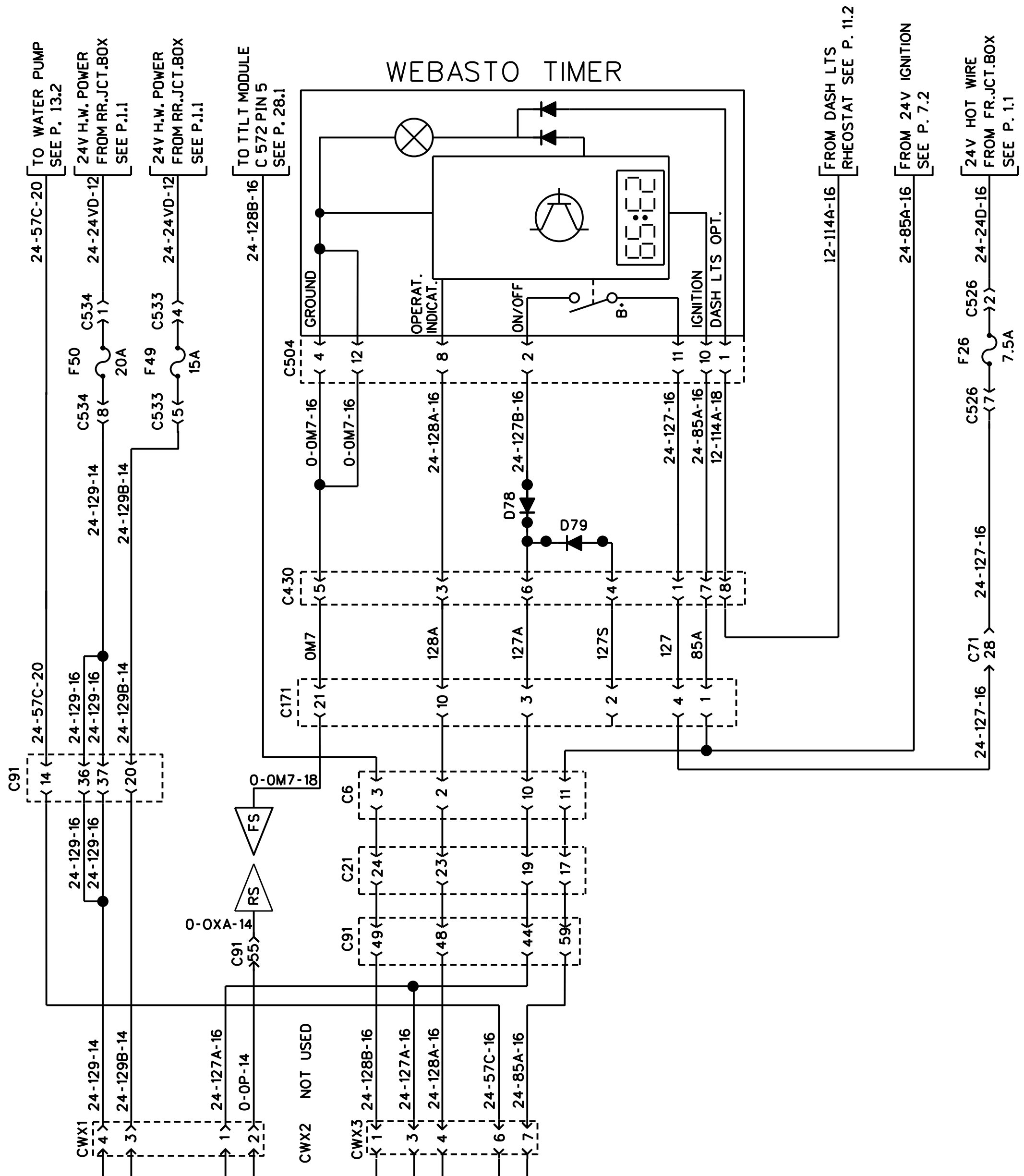


ELECTRICAL CONNECTION
WEBASTO (24V 100000 BTU)

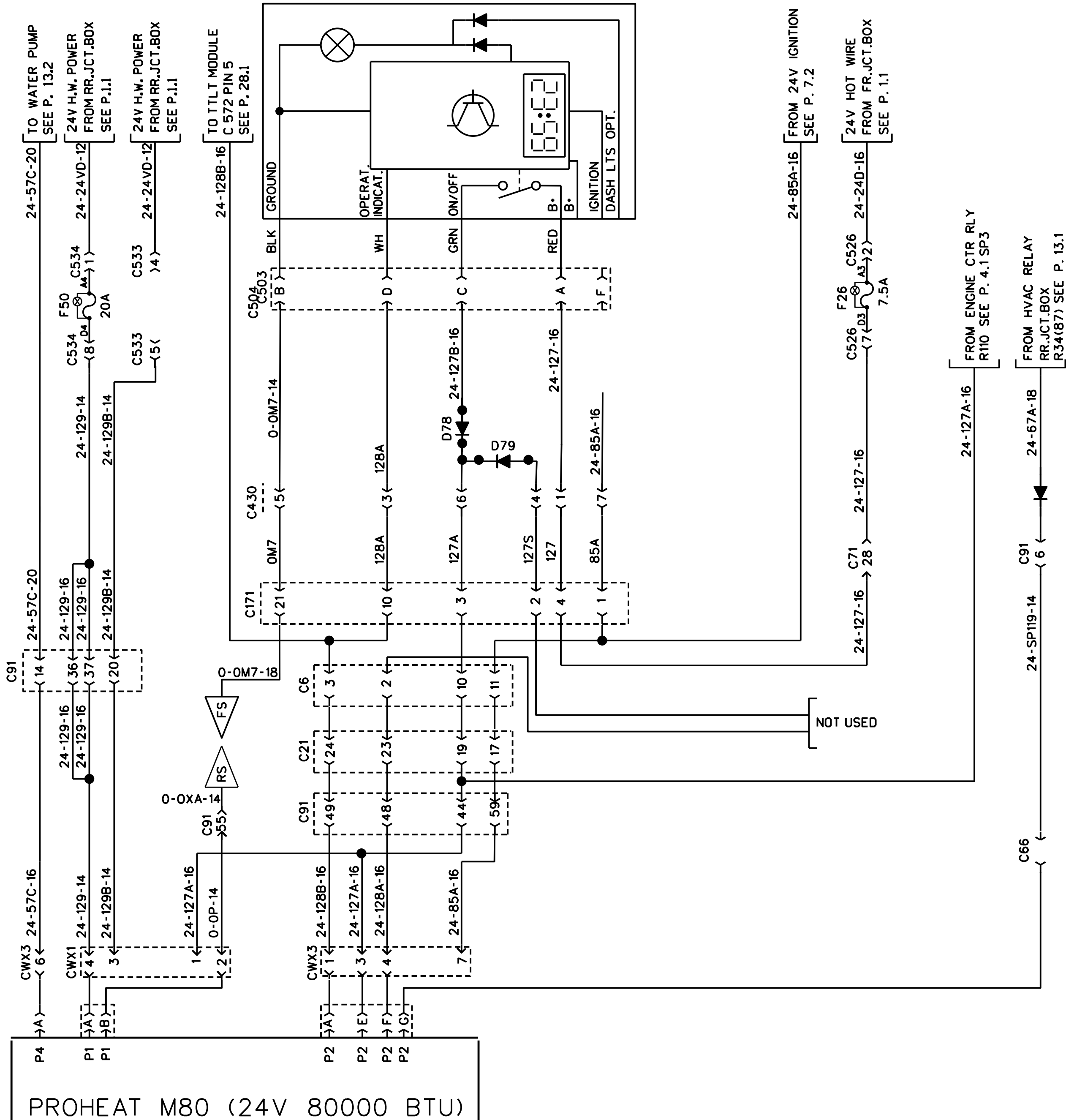


PRE-HEAT WATER HEATER (WEBASTO THERMO 300)

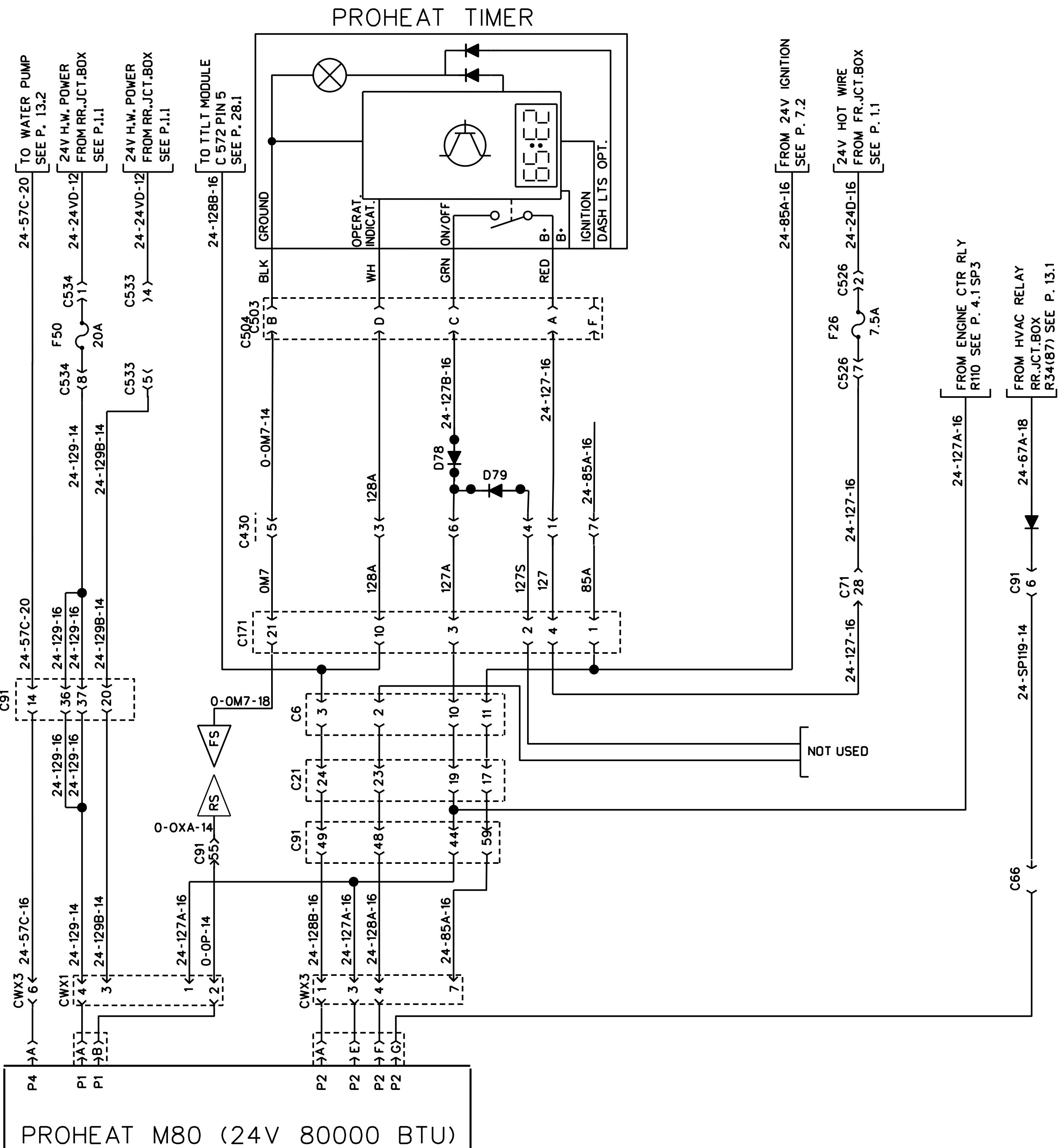
ELECTRICAL CONNECTION
 WEBASTO (24V 100000 BTU)
 PRE-HEAT WATER HEATER (WEBASTO THERMO 300)



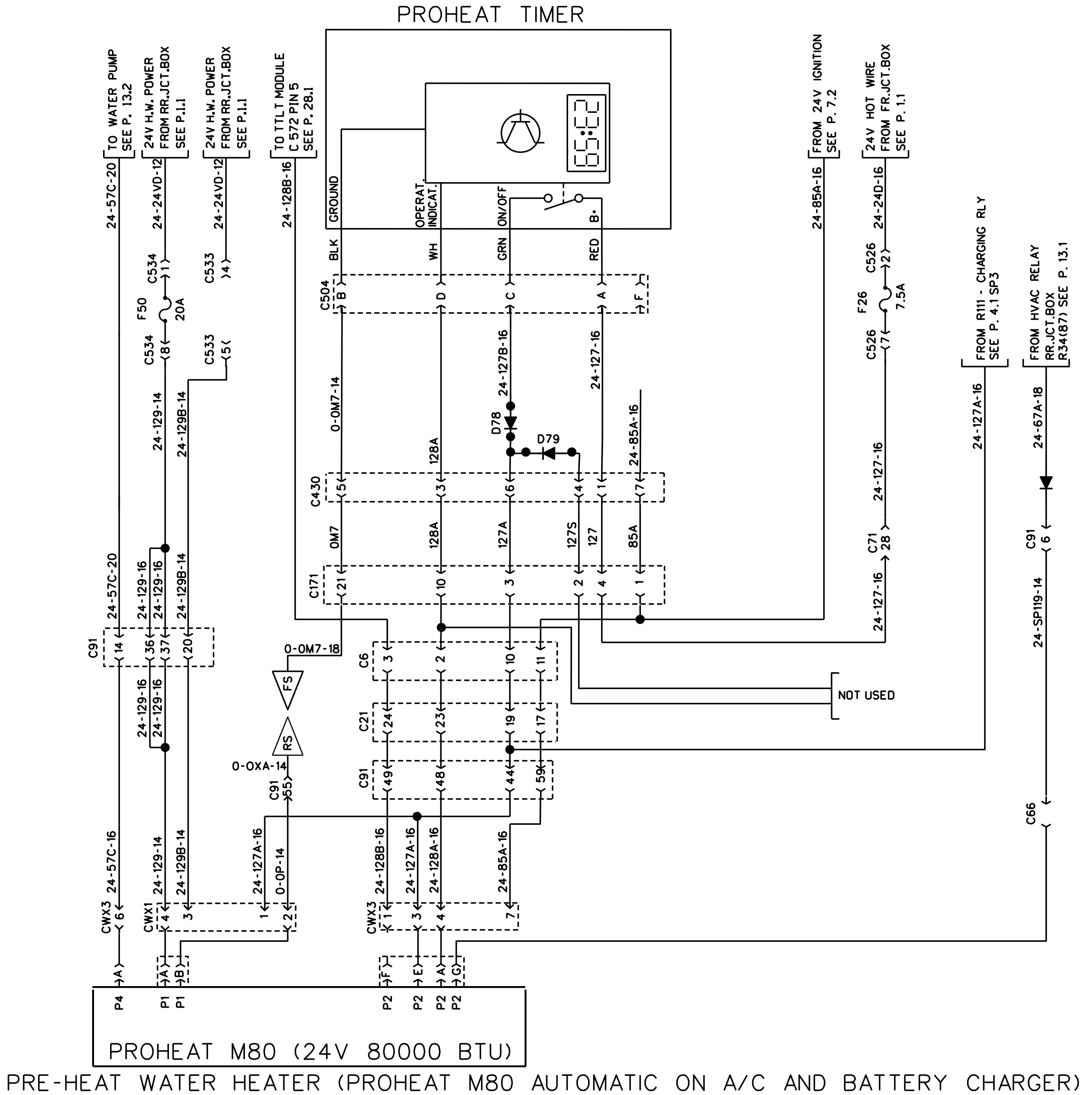
PROHEAT TIMER



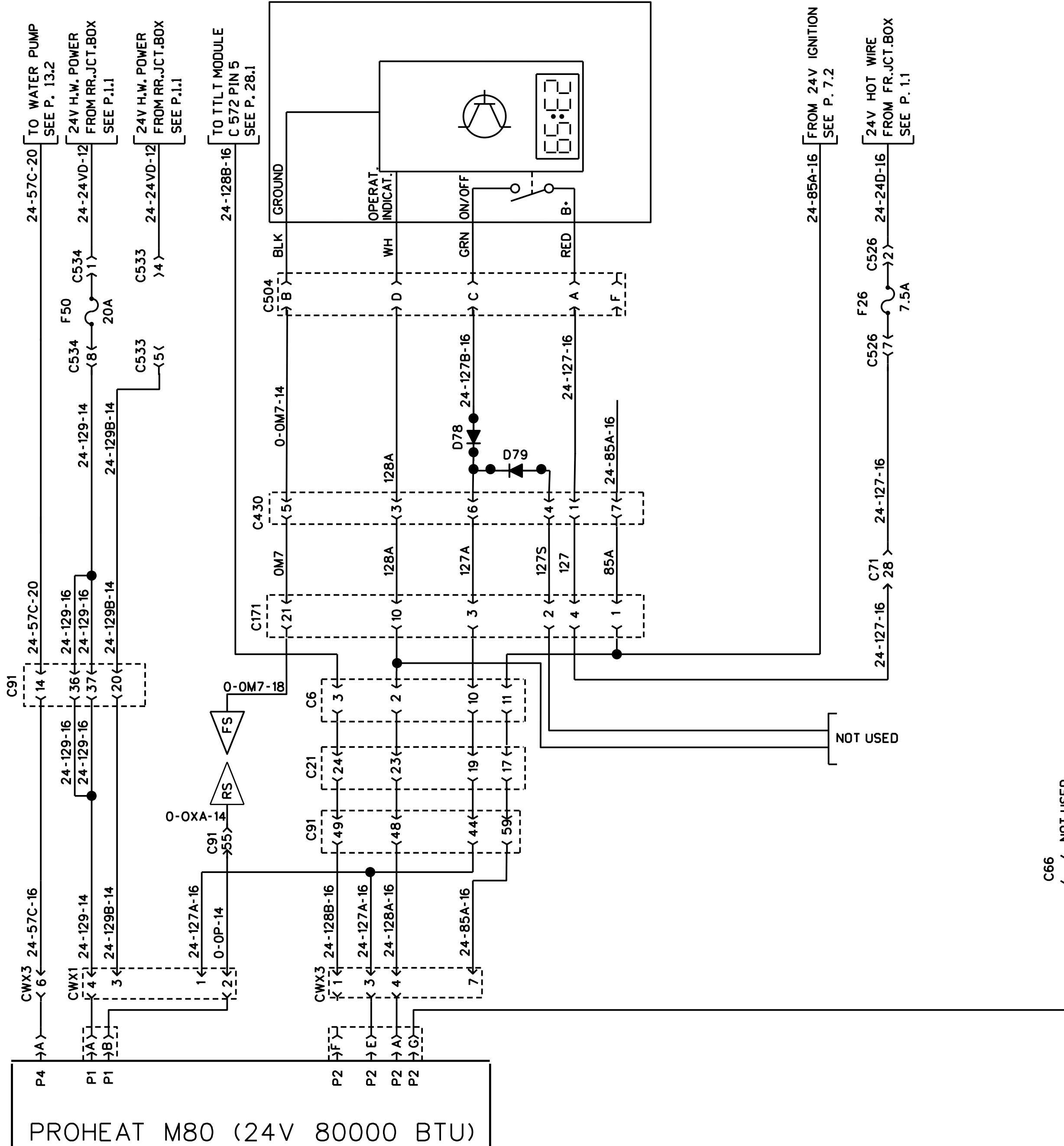
PRE-HEAT WATER HEATER (PROHEAT M80 AUTOMATIC ON A/C AND BATTERY CHARGER)

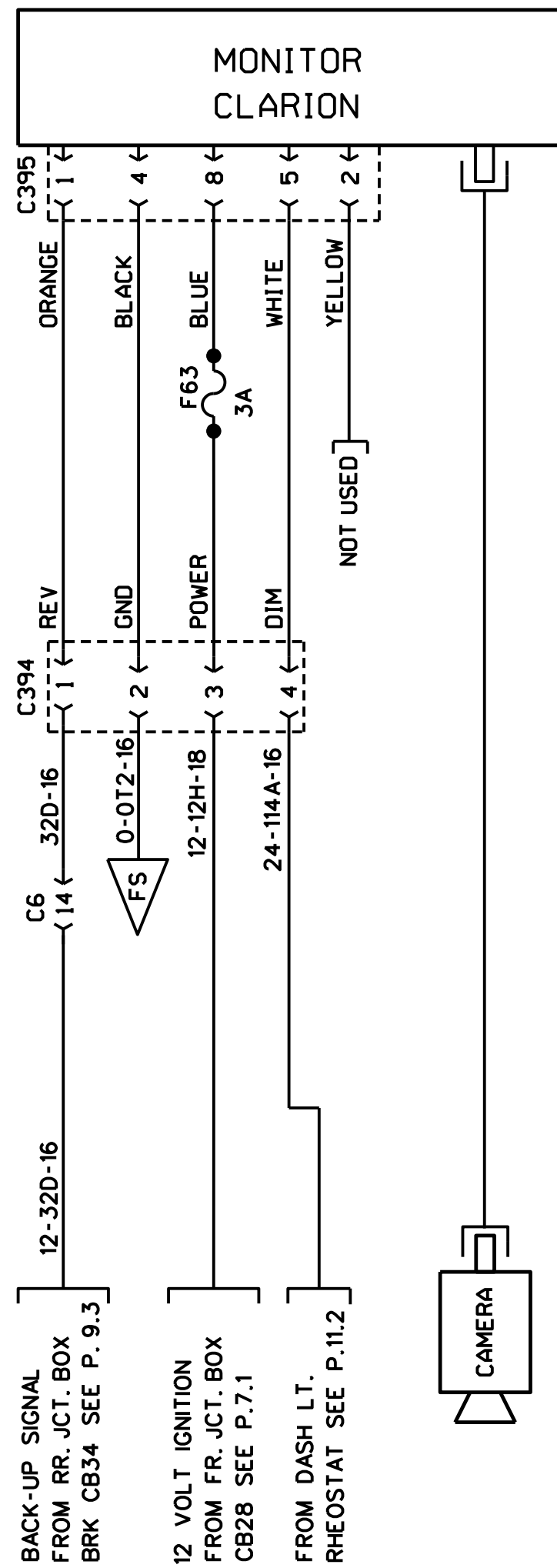


PRE-HEAT WATER HEATER (PROHEAT M80 AUTOMATIC ON A/C AND BATTERY CHARGER)



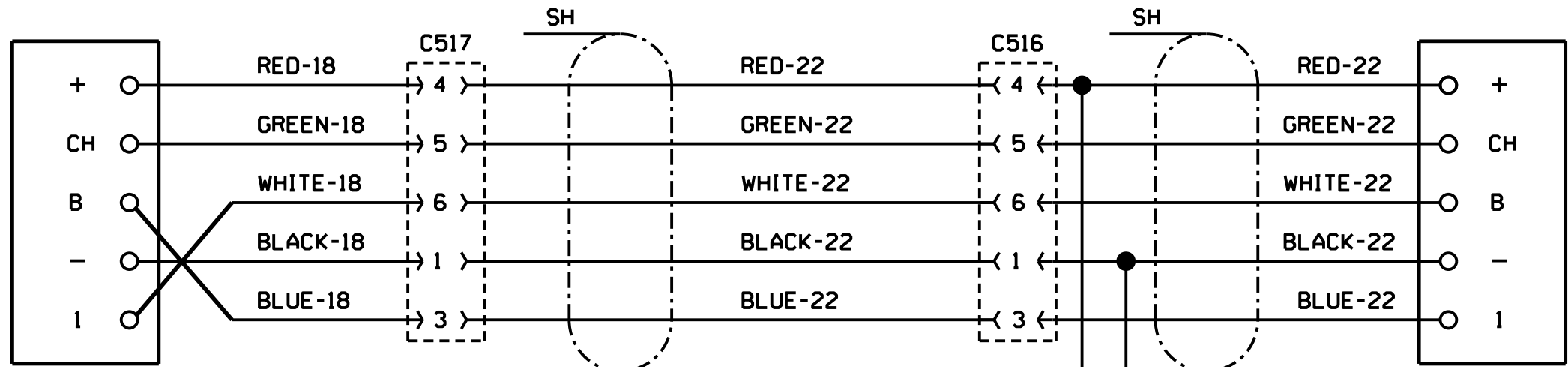
PROHEAT TIMER



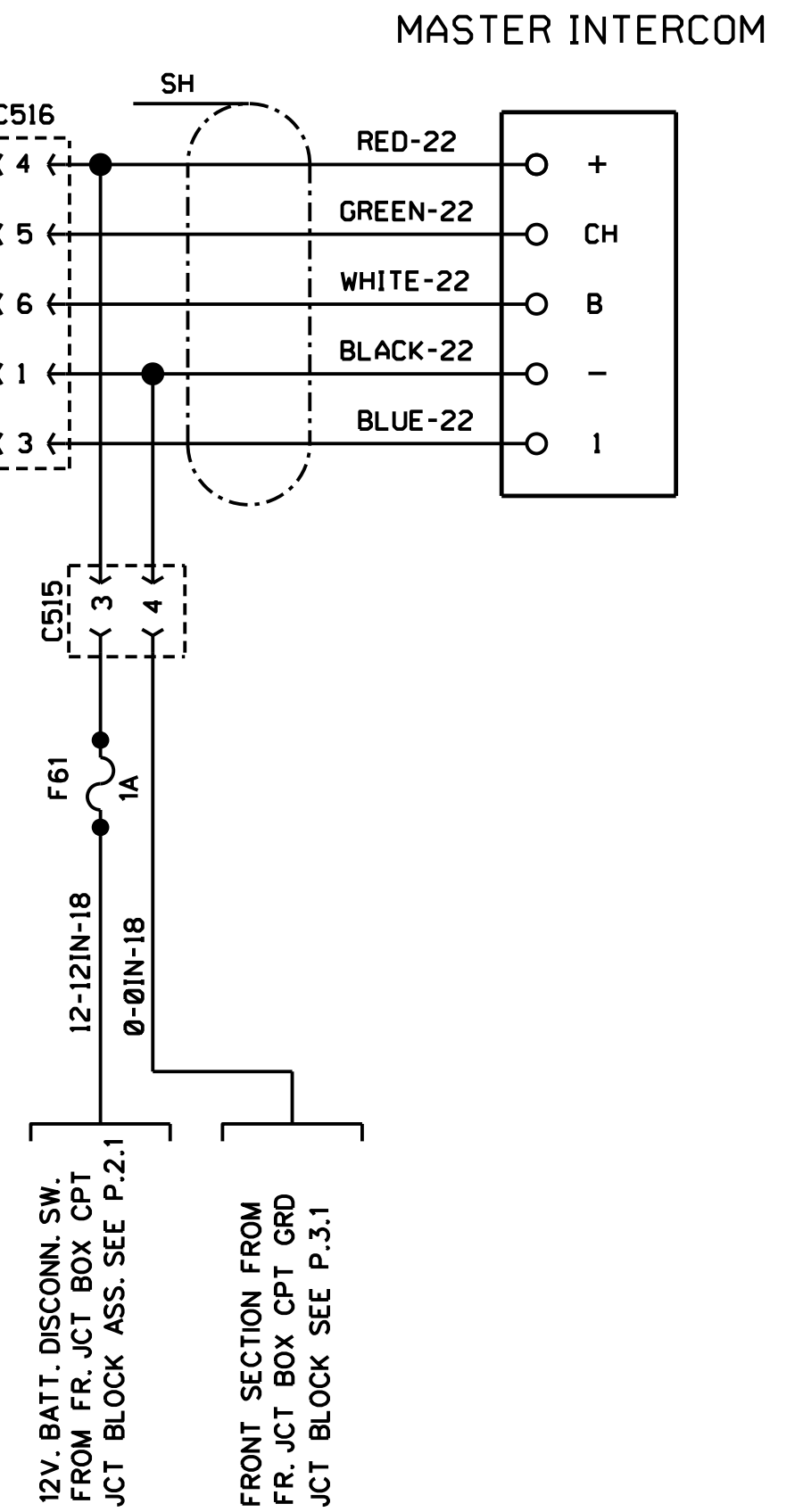


BACK-UP MONITOR (CLARION)

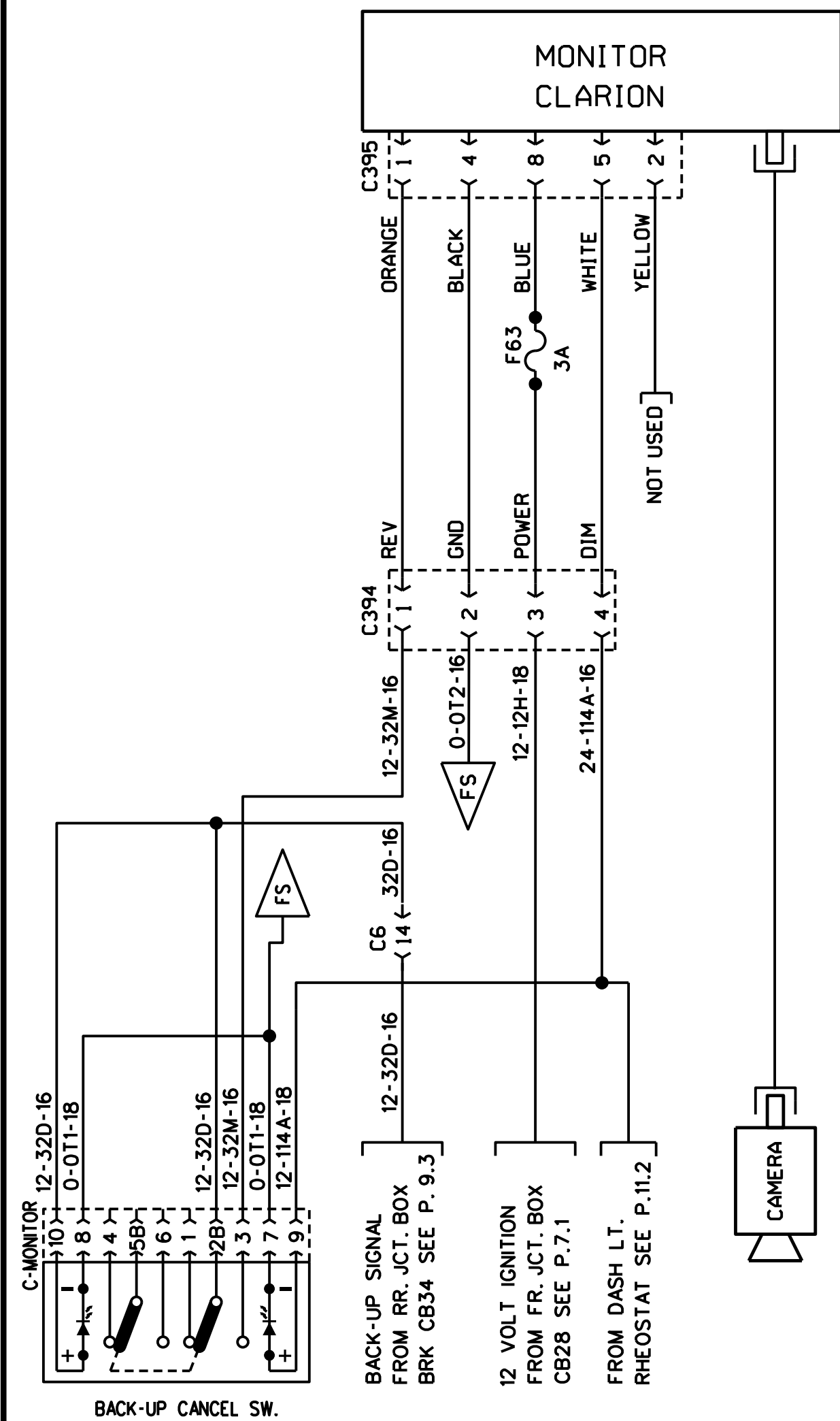
SECONDARY INTERCOM



INTERCOM

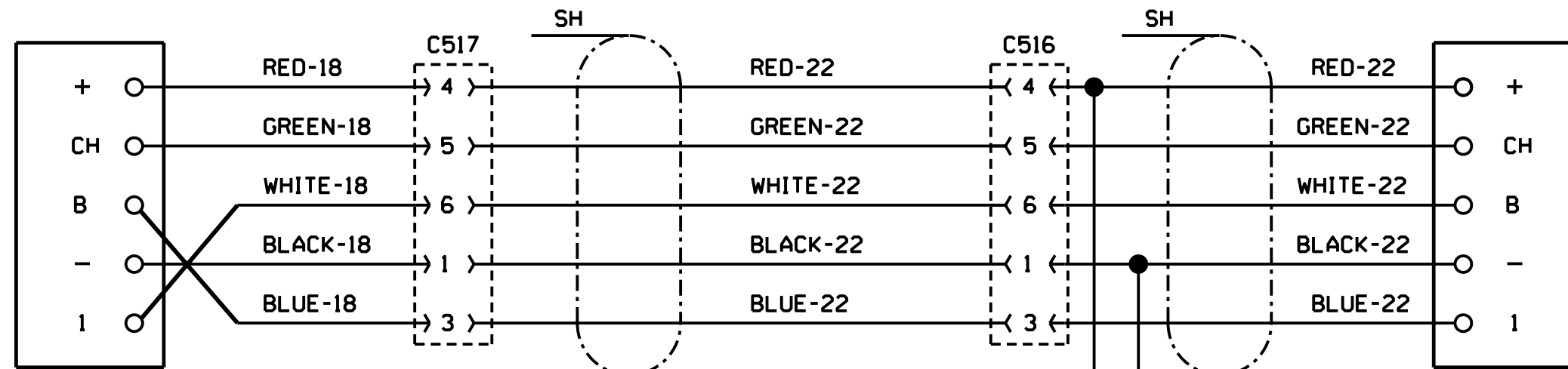


FRONT SECTION FROM
FR. JCT. BOX CPT GRD
JCT. BLOCK SEE P. 3.1

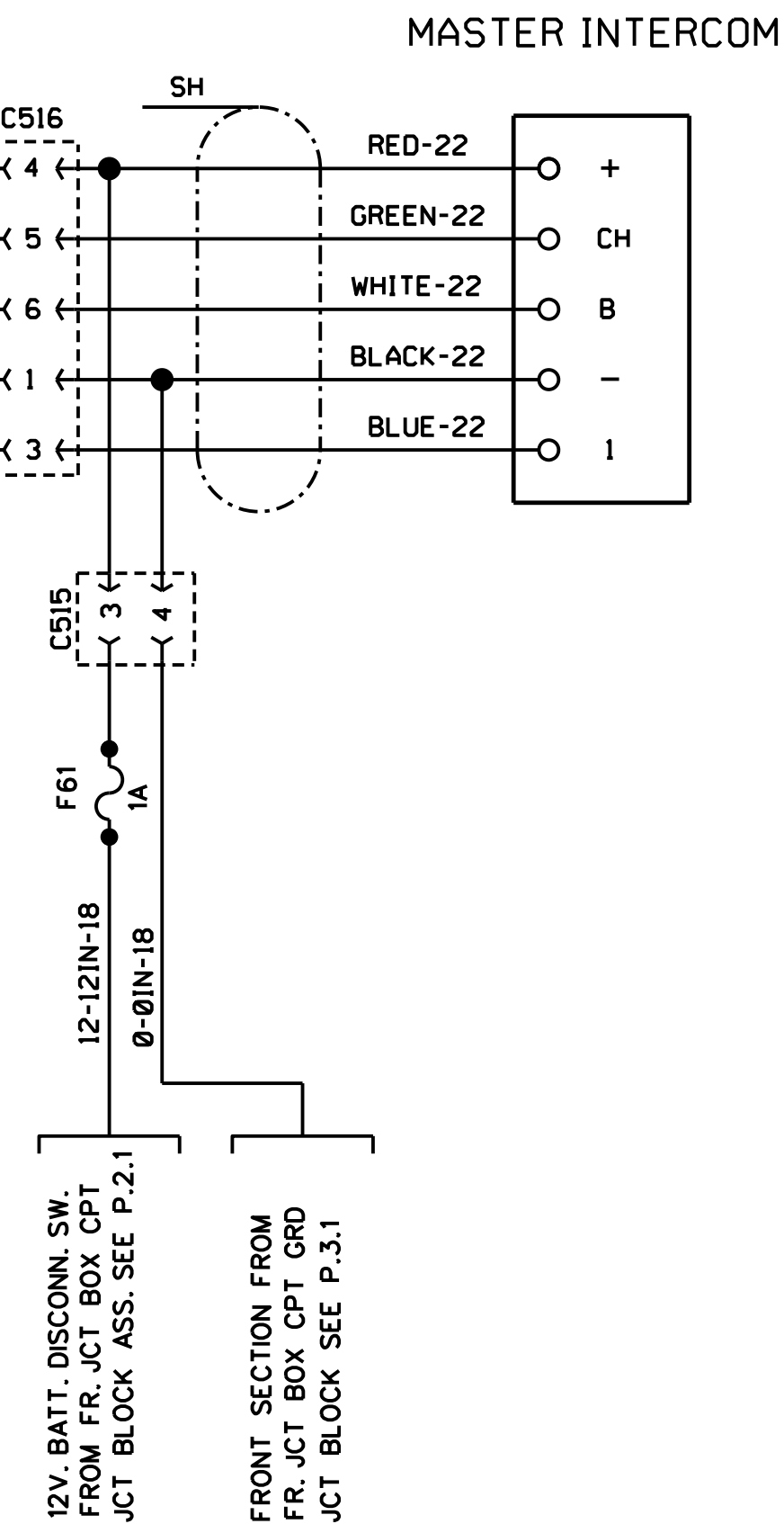


BACK-UP MONITOR (CLARION)

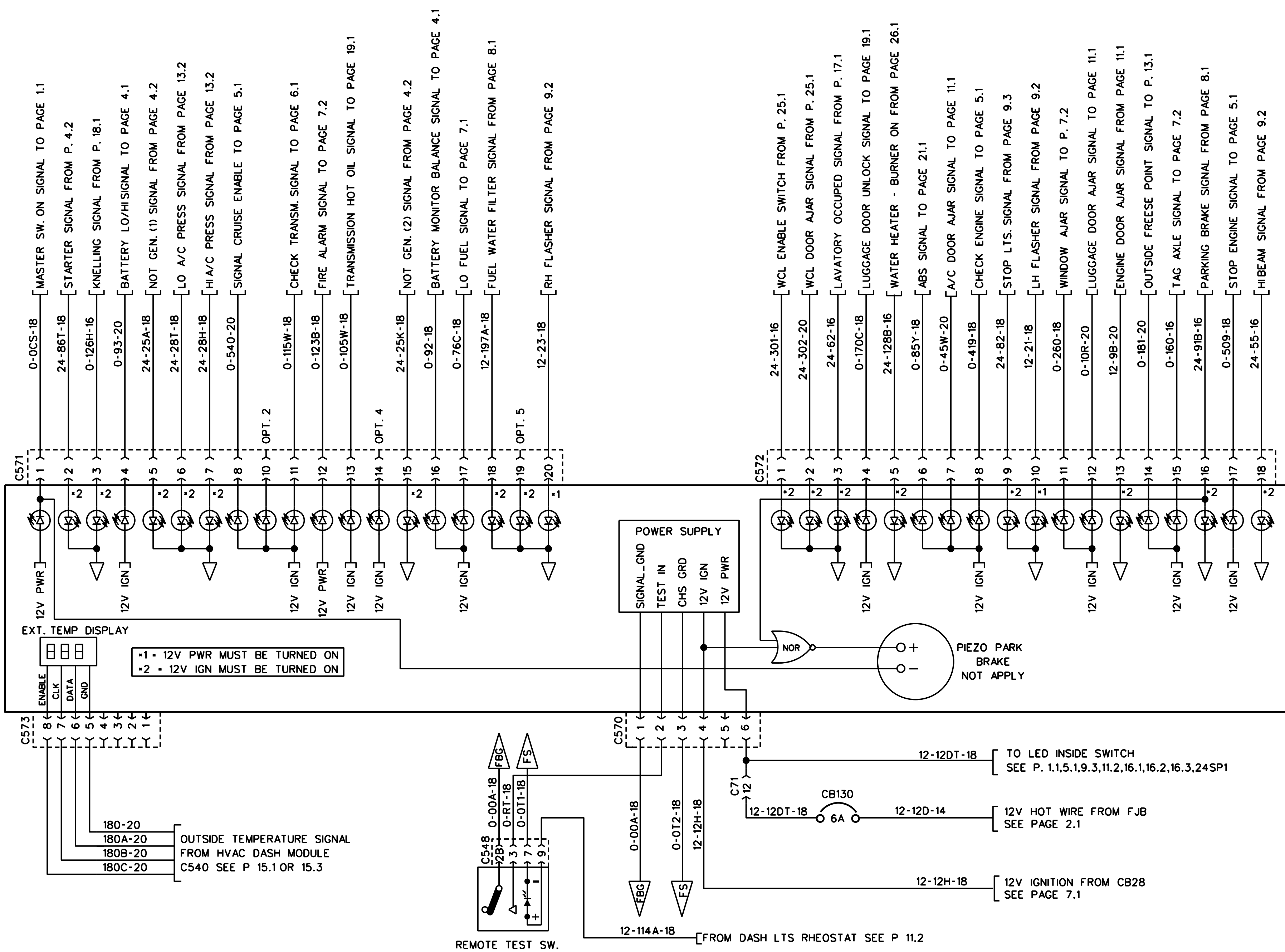
SECONDARY INTERCOM



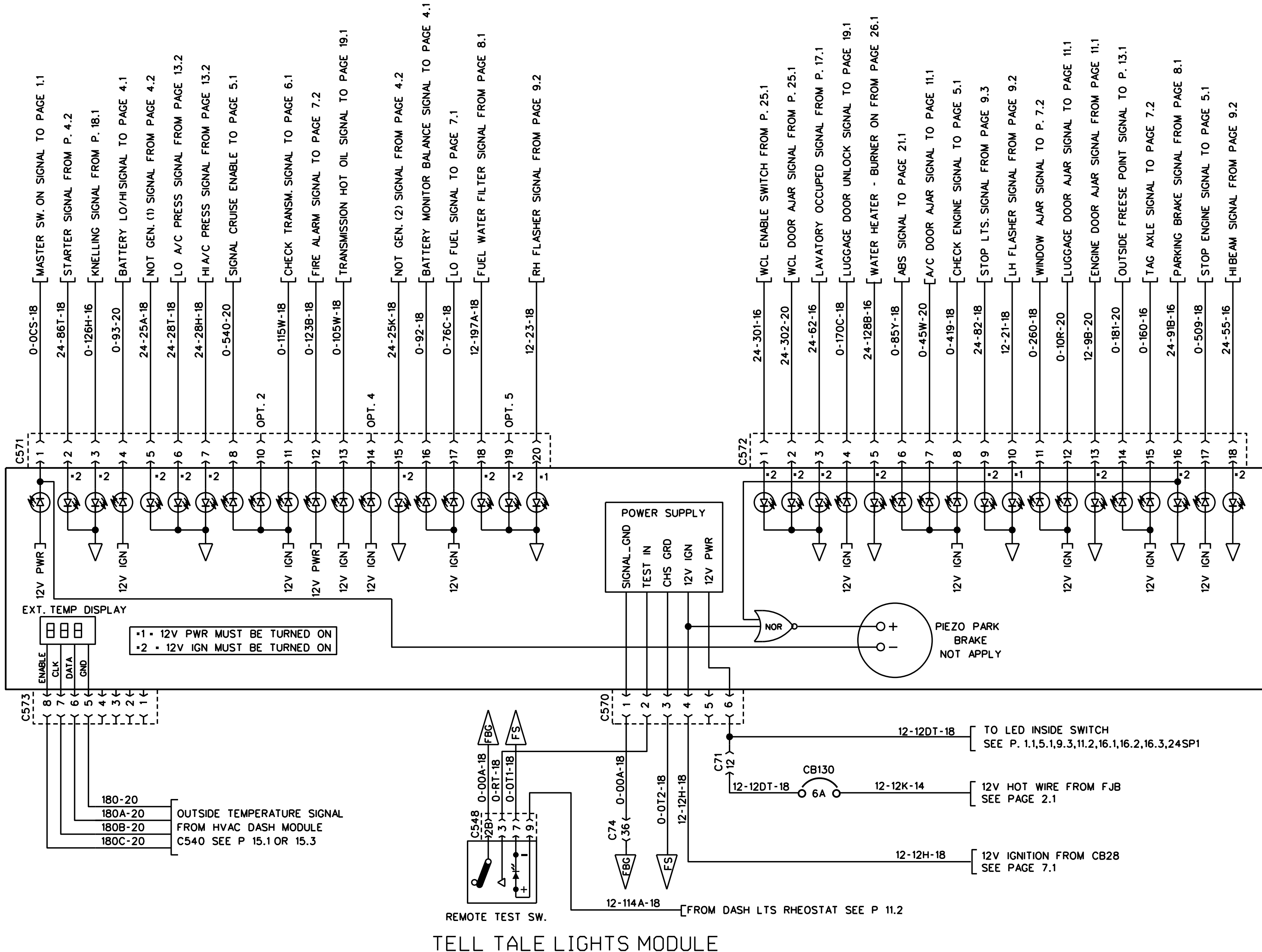
INTERCOM

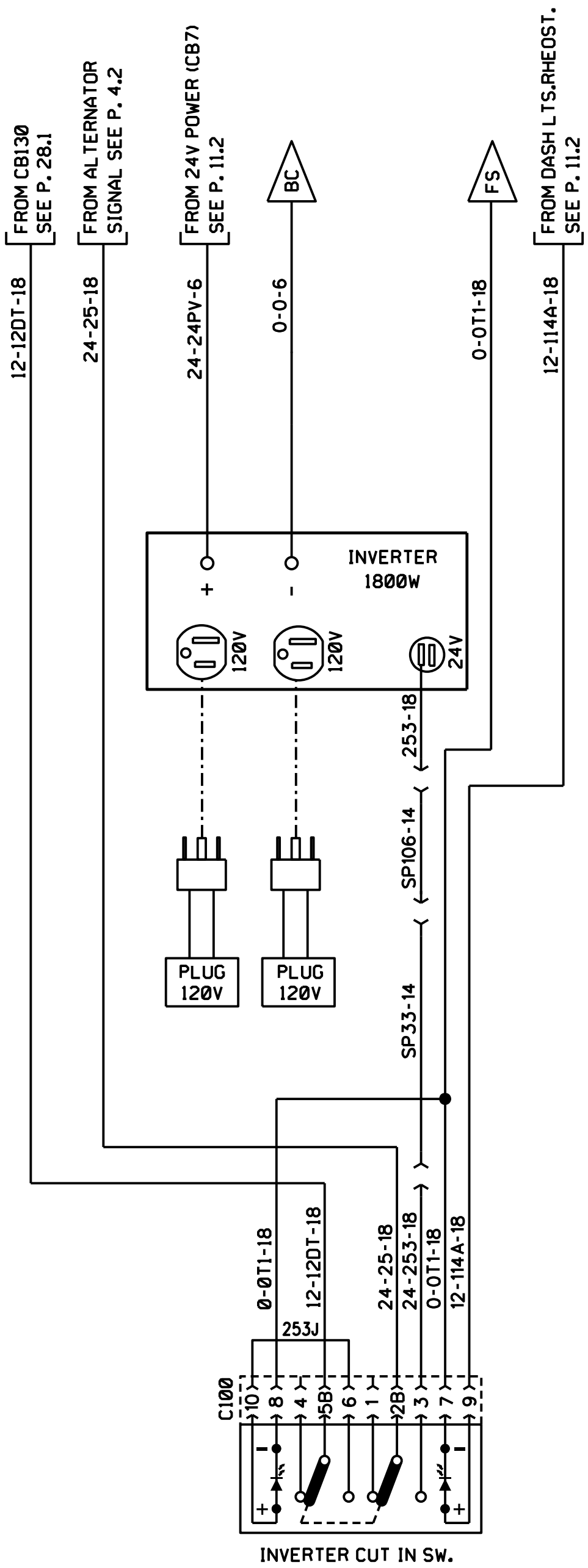


SPECIAL BACK-UP SWITCH CANCEL ADDED



TELL TALE LIGHTS MODULE





PLUG 120 VOLT

