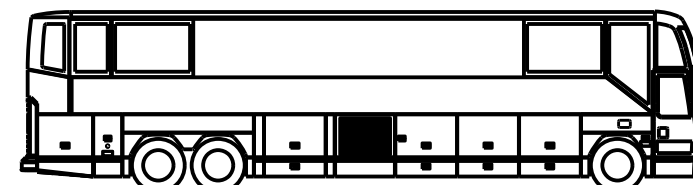


WIRING DIAGRAM

PREVOST

H3-45 VIP



REFERENCE: MODEL 2003		NO: D060978				
EFF. W/ OC# 2000090 PRIOR TO / OC#		DR. SYLVAIN DESBIENS	DATE: 02-06-06			
EFF. W/ VEH.# 4-4589, 4-4641, 4-4758 PRIOR TO / VEH.#		CK. ERIC LANDRY	APPR. ROLAND LAPOINTE			
REV.	DATE	DESCRIPTION	PAGE	BY	CK.	APPR.
00	02-06-06	INTRODUCTION NEW COOLING SYSTEM	ALL	S.D.	E.L.	<i>R</i>
01	03-06-17	SLIDE-OUT PAGE ADDED O.C.*2003018 EFF: 4-4818	A, 24.1, 24.2	S.G.	S.D.	<i>R</i>
02	03-08-21	NEW FUSE BLOCK W/O LED - OC*2003033 EFF: 4-4806	L,1.1,2.1,4.2,5.1,6.1 7.2,8.1,9.2,9.3,11.1,11.2 14.1,15.3,16.2,16.3,17.1 19.1,20.1	E.L.		
		ENGINE CABLE SINGLE TO DOUBLE BRAID OC*2003075 EFF: 4-4831 ELECT. FR. JCT BOX MODIF. OC*2003028 EFF: 4-4834	NO PAGES MODIFIED C1	A.S. A.S.	E.L. E.L.	<i>R</i>
03	03-11-03	XENON LOW BEAM HEADLAMPS - OPTIONAL - OC*2003030 EFF: 4-4851	C1,1,9.1,9.5	E.L.	S.D.	<i>R</i>
04	03-12-15	NEW COOLING 2004 DDEC V - OC*2003055 PRELIM: 4-4829 EFF: 4-4867 PARKING BRAKE SR-7 VALVE - OC*2003063 PRELIM: 4-4863 EFF: 4-4867 A/C COMPRESSOR CONNECTOR - OC*2003089 PRELIM: NIL EFF: 4-4867 HEADLAMPS RESISTANCES - OC*2003108 PRELIM: NIL EFF: 4-4867 NEW HVAC PROGRAMMATION - OC*2003120 PRELIM: NIL EFF: 4-4867 ELECTRICAL AWNING WINDOWS - OC*2003029 PRELIM: 4-4846 EFF: 4-4895	A,B,1,C1,E,G,H,1,1.1,3.1, 4.1,5.1,6.1,9.3,21.1,22.1 8.1 15.1 F,J,9.5 N/A L,7.3,23.1	S.D. E.L. A.S. E.L. E.L.	<i>R</i>	<i>R</i>
05	04-03-11	NEW SLIDE-OUT LOGIC CONTROL OC*2003078 EFF:4-4908 CLEARANCE LTS W/JIFFY SPLICE OC*2003118 EFF: 4-4937 PAGES UPDATED →	G,24.1,24.2 C1 6.1,7.3,9.1,22.1	S.D. A.S. E.L.	<i>R</i>	<i>R</i>
06	04-05-04	ENGINE CRADLE WIRING HARNESS IMPROVED - OC*2004020 EFF: 4-4964	C1,	E.L.	<i>R</i>	<i>R</i>

PREVOST H3-45 VIP		NO: D060978 p. 2				
REV.	DATE	DESCRIPTION	PAGE	BY	CK.	APPR.
07	04-06-01	ATC (OPTION) / ALTERNATOR SIGNAL MODIFICATION - OC*2004068 EFF: 4-4986 DRIVER'S DEFROST, DOUBLE MOTOR UNIT OC*2003144, OC*2003153 EFF: 5-0023 NEW HVAC CTRL MODULE - FULL AIR ONLY OC*2004041	1.1,4.2 C1,E,F,G,1.1,15.1,15.3	S.L. E.L.	<i>R</i>	<i>R</i>
08	04-10-29	ENTRANCE LIGHTS OFF DELAY RELAY CHANGED O.C. 2004093 EFF 5-0104	11.2	E.O.		
	05-01-07	24VDC MINI-RELAYS CHANGE TO VOLVO OC* 2004108 EFF:5-0143	1, 5.1, 5.1SP1, 6.1, 7.2, 8.1SP1, 9.1, 9.2, 9.3, 9.5, 11.1, 12.1, 12.2, 15.3, 20.1, 21.1, 21.1SP1, 22.1, 22.1SP1	J.PRO.		
	04-10-05	TRAILER BRAKE OPTION REVIEW O.C. 2003106 EFF: 5-0216	8.1, 23.1, 23.1SP1, 23.1SP2, C1, E, G	E.O.		
	04-11-30	CIRCULATORY CONTROL PUMP. MODIF. PASS. LIQ. SOL. OC* 2004103 EFF: 5-0216	C1, 15.1, 15.2	J.PRO.		

WIRING DIAGRAM INDEX

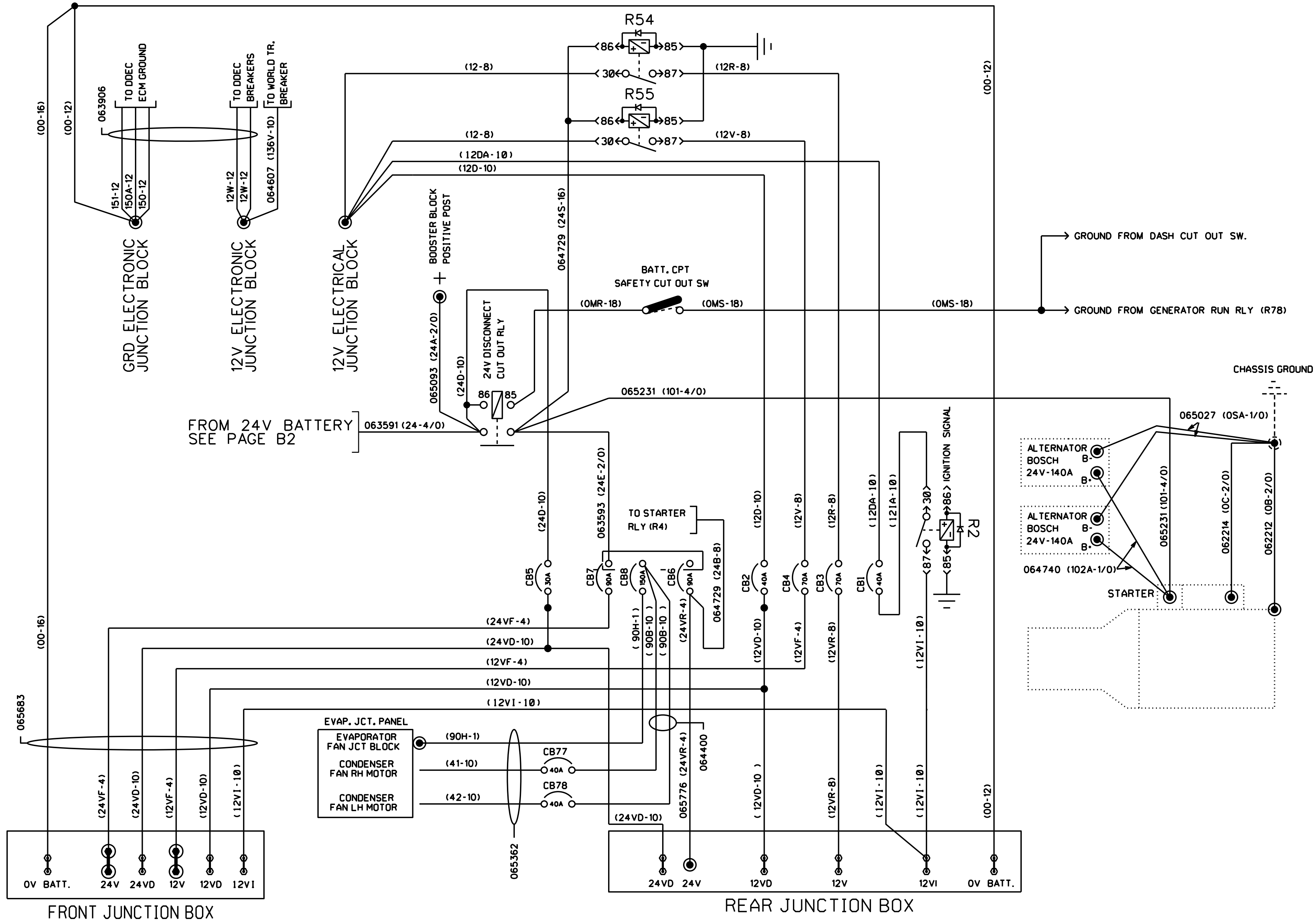
A A/C & HEAT SYSTEM (FULL AIR) Page: 15.1 A/C & HEAT SYSTEM (DRIVER ONLY) Page: 15.3 ALARM & SIGNAL Page: 7 ALTERNATOR DELCO & STARTER Page: 4.1 ALTERNATOR BOSCH & STARTER Page: 4.2 ABS Page: 22 ARRANGEMENT - CABLE Page: B ARRANGEMENT - HARNESS Page: C ARRANGEMENT - SPARE WIRE Page: D	DRIVER'S & CO-PILOT SEAT-HEATER Page: 13 E ENGINE BLOCK HEATER Page: 14 ENGINE BRAKE SYSTEM Page: 21 ENGINE CONTROL Page: 4 ETHER COLD START Page: 8 EXTERIOR LIGHTING Page: 9 F FAN-CLUTCH RADIATOR Page: 8 FAST IDLE - DDEC Page: 5 FIRE DETECTOR Page: 7.2 FUEL WATER FILTER Page: 8 FUEL PRIME PUMP Page: 14	S SUN VISOR Page: 19 STEERING CONTROL Page: 17.1 T TACHOMETER (VDO) Page: 17 TELL TALE LIGHT MODULES Page: 23 THERMOMETER-DIGITAL Page: 23 TRANSMISSION - WORLD Page: 6 W WIPER & WASHER Page: 10 W.C.L. RICON 9000 Page: 24.1
B BACK-UP ALARM Page: 9.3 BACK-UP MONITOR Page: 20		
C CIGAR LIGHTER Page: 19 CODE - CIRCUIT NUMBER Page: E CODE - CIRCUIT BREAKER Page: F CODE - CONNECTOR Page: G CODE - DIODE Page: H CODE - RELAY Page: I CODE - RESISTOR Page: J CODE - WIRING KEY Page: K CODE - FUSE Page: L CODE - MODULE Page: M CRUISE CONTROL - DDEC Page: 5	G GROUND SYSTEM Page: 3 I INTERIOR LIGHTING Page: 11 K KEYLESS ENTRY SYSTEM Page: 12 L LEVEL LOW SYSTEM Page: 18 LUGGAGE DOOR LOCK Page: 12 M MIRROR-REAR VIEW Page: 16	
D DDEC III Page: 5 DISTRIBUTION 12V Page: 2 DISTRIBUTION 24V Page: 1 DRIVER'S WINDOW LIFTER Page: 19 DRIVER'S SEAT-ELECT. ADJUST Page: 13	P PARKING BRAKE ALARM Page: 8 PARKING BRAKE SWITCH Page: 8 PRODRIVER Page: 8 R RETARDER - WORLD TRANSM. Page: 21	

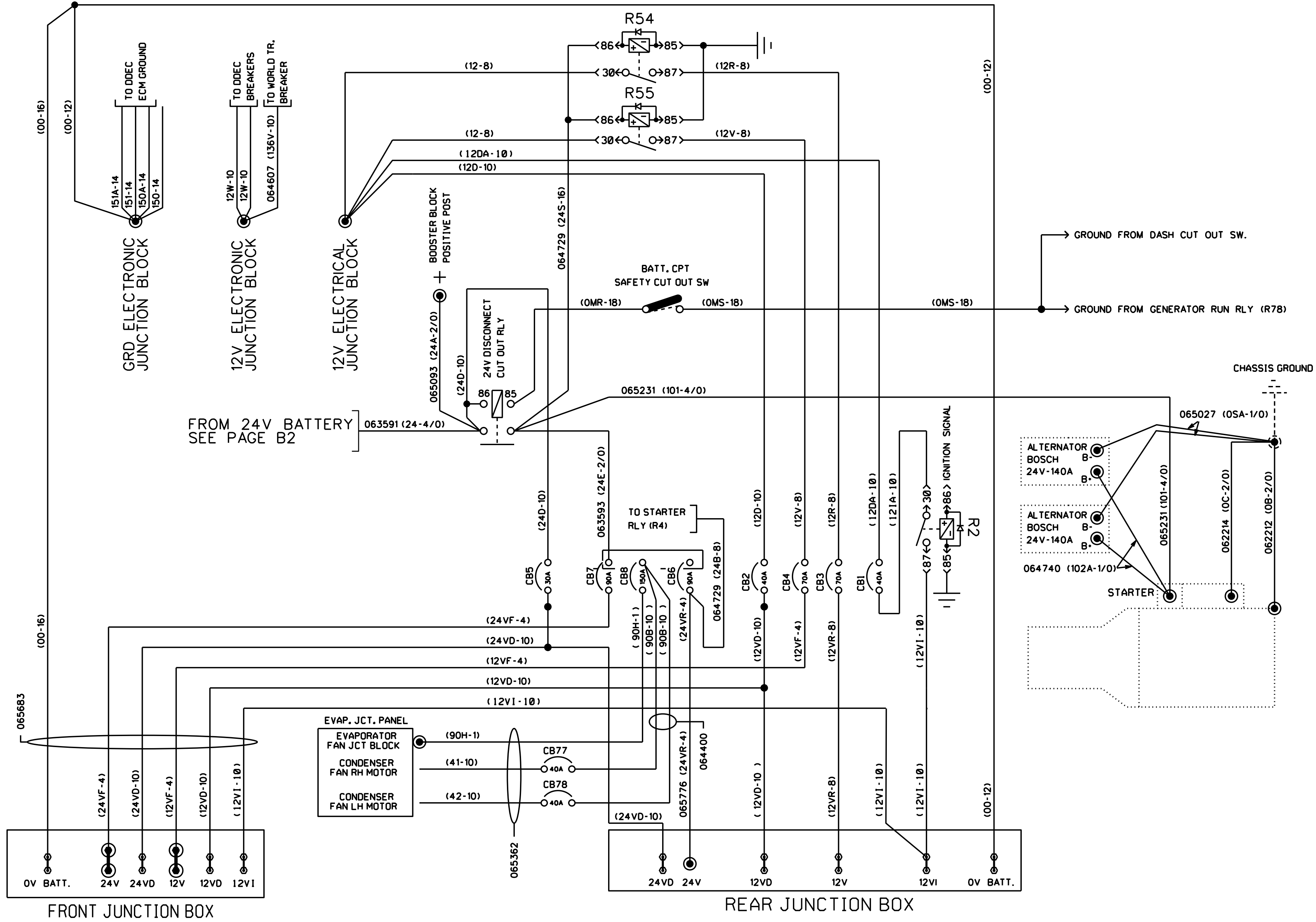
WIRING DIAGRAM INDEX

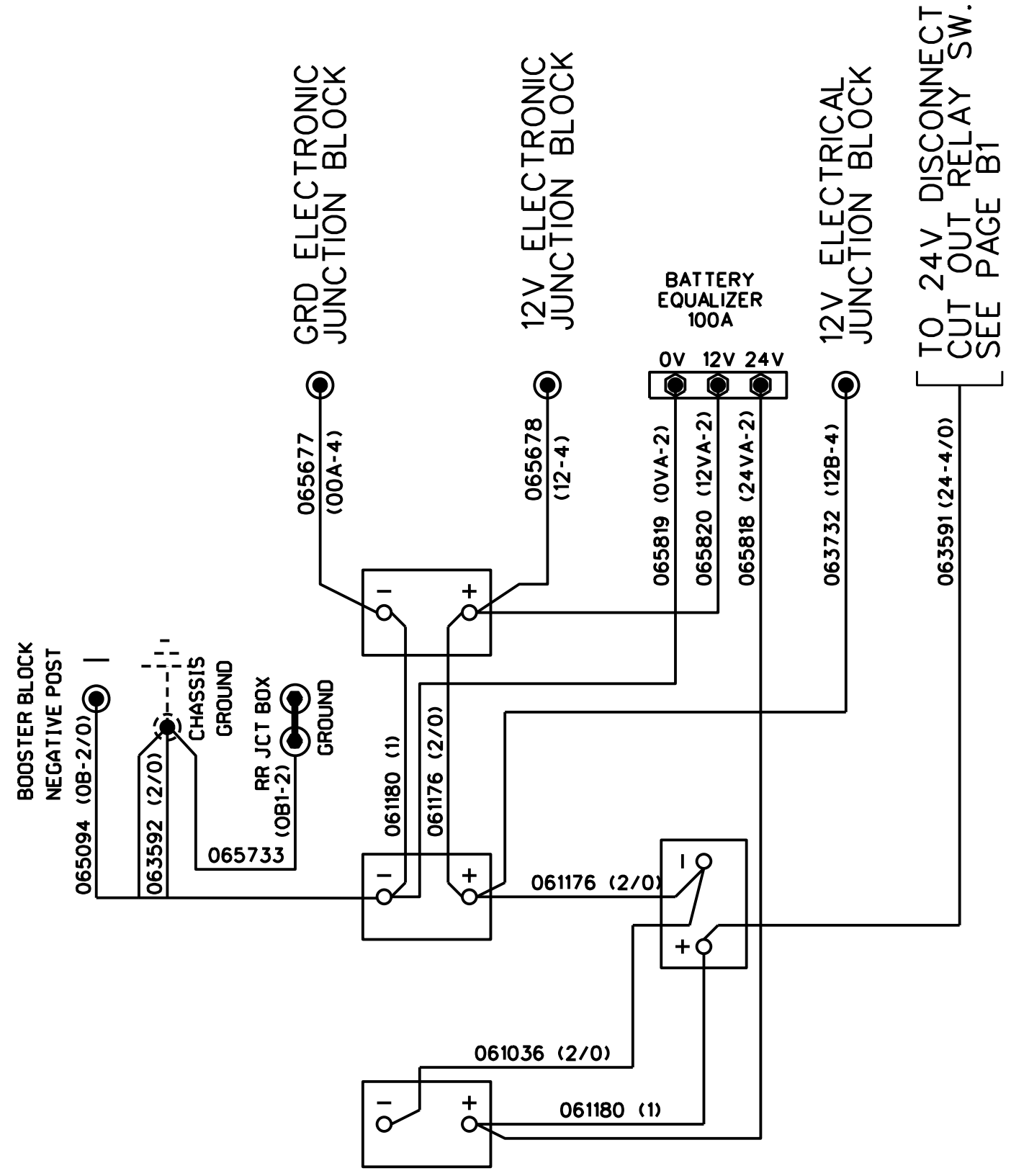
<p>A A/C & HEAT SYSTEM (FULL AIR) Page: 15.1 A/C & HEAT SYSTEM (DRIVER ONLY) Page: 15.3 ALARM & SIGNAL Page: 7 ALTERNATOR DELCO & STARTER Page: 4.1 ALTERNATOR BOSCH & STARTER Page: 4.2 ABS Page: 22 ARRANGEMENT - CABLE Page: B ARRANGEMENT - HARNESS Page: C ARRANGEMENT - SPARE WIRE Page: D</p>	<p>DRIVER'S & CO-PILOT SEAT-HEATER Page: 13 E ENGINE BLOCK HEATER Page: 14 ENGINE BREAKE SYSTEM Page: 21 ENGINE CONTROL Page: 4 ETHER COLD START Page: 8 EXTERIOR LIGHTING Page: 9 F FAN-CLUTCH RADIATOR Page: 8 FAST IDLE - DDEC Page: 5 FIRE DETECTOR Page: 7.2 FUEL WATER FILTER Page: 8 FUEL PRIME PUMP Page: 14</p>	<p>S SLIDE-OUT Page: 24 SUN VISOR Page: 19 STEERING CONTROL Page: 17.1 T TACHOMETER (VDO) Page: 17 TELL TALE LIGHT MODULES Page: 23 THERMOMETER-DIGITAL Page: 23 TRANSMISSION - WORLD Page: 6 W WIPER & WASHER Page: 10 W.C.L. RICON 9000 Page: 24.1</p>
<p>B BACK-UP ALARM Page: 9.3 BACK-UP MONITOR Page: 20</p>	<p>G GROUND SYSTEM Page: 3 I INTERIOR LIGHTING Page: 11 K KEYLESS ENTRY SYSTEM Page: 12</p>	
<p>C CIGAR LIGHTER Page: 19 CODE - CIRCUIT NUMBER Page: E CODE - CIRCUIT BREAKER Page: F CODE - CONNECTOR Page: G CODE - DIODE Page: H CODE - RELAY Page: I CODE - RESISTOR Page: J CODE - WIRING KEY Page: K CODE - FUSE Page: L CODE - MODULE Page: M CRUISE CONTROL - DDEC Page: 5</p>	<p>L LEVEL LOW SYSTEM Page: 18 LUGGAGE DOOR LOCK Page: 12 M MIRROR-REAR VIEW Page: 16</p>	
<p>D DDEC III Page: 5 DISTRIBUTION 12V Page: 2 DISTRIBUTION 24V Page: 1 DRIVER'S WINDOW LIFTER Page: 19 DRIVER'S SEAT-ELECT. ADJUST Page: 13</p>	<p>P PARKING BREAKE ALARM Page: 8 PARKING BREAKE SWITCH Page: 8 PRODRIVER Page: 8 R RETARDER - WORLD TRANSM. Page: 21</p>	

WIRING DIAGRAM INDEX

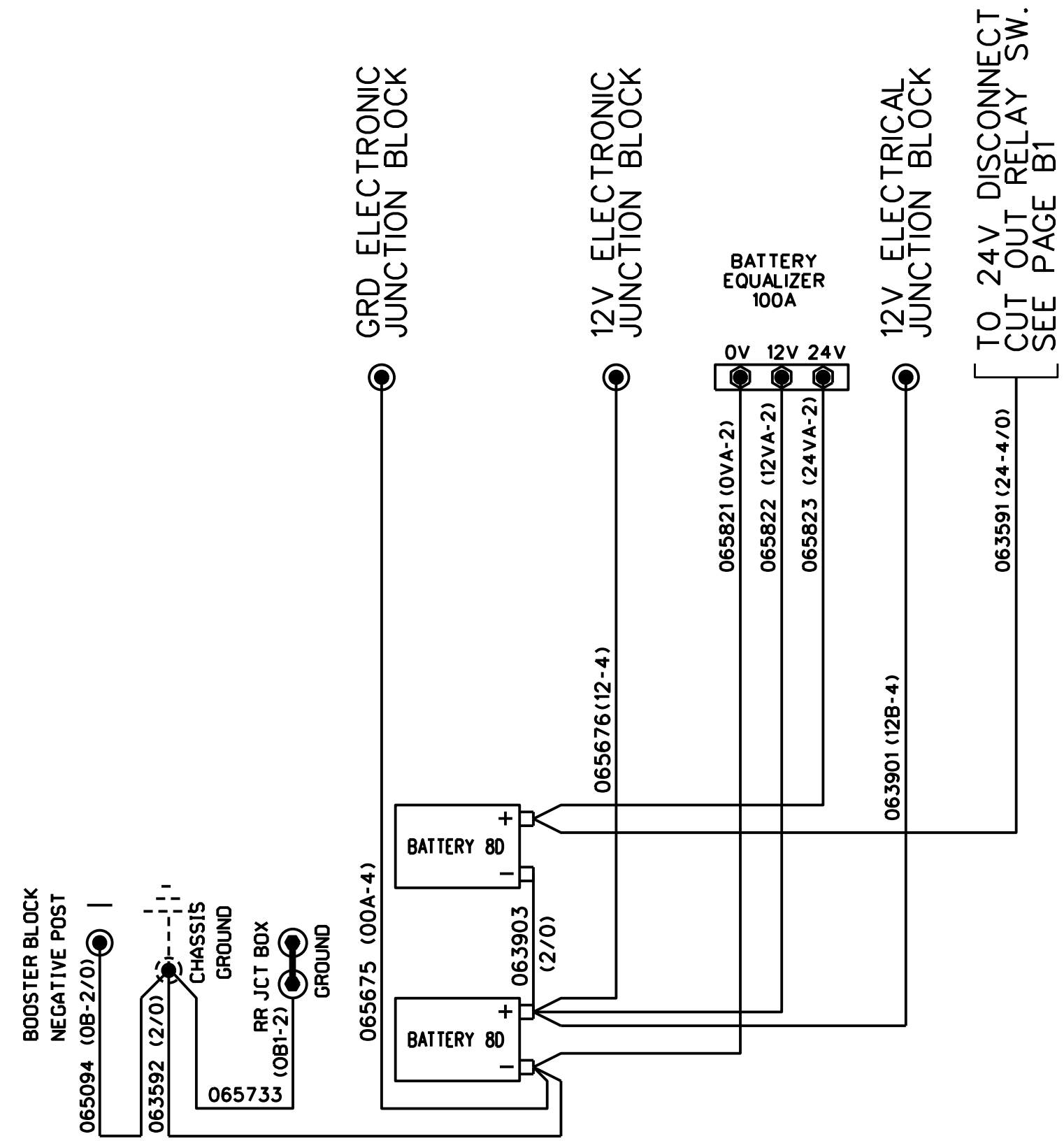
<p>A A/C & HEAT SYSTEM (FULL AIR) Page: 15.1</p> <p>A/C & HEAT SYSTEM (DRIVER ONLY) Page: 15.3</p> <p>ALARM & SIGNAL Page: 7</p> <p>ALTERNATOR DELCO & STARTER Page: 4.1</p> <p>ALTERNATOR BOSCH & STARTER Page: 4.2</p> <p>ABS Page: 22</p> <p>ARRANGEMENT - CABLE Page: B</p> <p>ARRANGEMENT - HARNESS Page: C</p> <p>ARRANGEMENT - SPARE WIRE Page: D</p>	<p>DRIVER'S & CO-PILOT SEAT-HEATER Page: 13</p> <p>E ENGINE BLOCK HEATER Page: 14</p> <p>ENGINE BREAKE SYSTEM Page: 21</p> <p>ENGINE CONTROL Page: 4</p> <p>ETHER COLD START Page: 8</p> <p>EXTERIOR LIGHTING Page: 9</p> <p>F FAN-CLUTCH RADIATOR Page: 8</p> <p>FAST IDLE - DDEC Page: 5</p> <p>FIRE DETECTOR Page: 7.2</p> <p>FUEL WATER FILTER Page: 8</p> <p>FUEL PRIME PUMP Page: 14</p>	<p>S SLIDE-OUT Page: 24</p> <p>SUN VISOR Page: 19</p> <p>STEERING CONTROL Page: 17.1</p> <p>T TACHOMETER (VDO) Page: 17</p> <p>TELL TALE LIGHT MODULES Page: 23</p> <p>THERMOMETER-DIGITAL Page: 23</p> <p>TRANSMISSION - WORLD Page: 6</p> <p>W WINDOW AJAR Page: 7.3</p> <p>WIPER & WASHER Page: 10</p> <p>W.C.L. RICON 9000 Page: 24.1</p>
<p>B BACK-UP ALARM Page: 9.3</p> <p>BACK-UP MONITOR Page: 20</p>	<p>G GROUND SYSTEM Page: 3</p>	
<p>C CIGAR LIGHTER Page: 19</p> <p>CODE - CIRCUIT NUMBER Page: E</p> <p>CODE - CIRCUIT BREAKER Page: F</p> <p>CODE - CONNECTOR Page: G</p> <p>CODE - DIODE Page: H</p> <p>CODE - RELAY Page: I</p> <p>CODE - RESISTOR Page: J</p> <p>CODE - WIRING KEY Page: K</p> <p>CODE - FUSE Page: L</p> <p>CODE - MODULE Page: M</p> <p>CRUISE CONTROL - DDEC Page: 5</p>	<p>I INTERIOR LIGHTING Page: 11</p> <p>K KEYLESS ENTRY SYSTEM Page: 12</p> <p>L LEVEL LOW SYSTEM Page: 18</p> <p>LUGGAGE DOOR LOCK Page: 12</p> <p>M MIRROR-REAR VIEW Page: 16</p>	
<p>D DDEC Page: 5</p> <p>DISTRIBUTION 12V Page: 2</p> <p>DISTRIBUTION 24V Page: 1</p> <p>DRIVER'S WINDOW LIFTER Page: 19</p> <p>DRIVER'S SEAT-ELECT. ADJUST Page: 13</p>	<p>P PARKING BREAKE ALARM Page: 8</p> <p>PARKING BREAKE SWITCH Page: 8</p> <p>PRODRIVER Page: 8</p> <p>R RETARDER - WORLD TRANSM. Page: 21</p>	



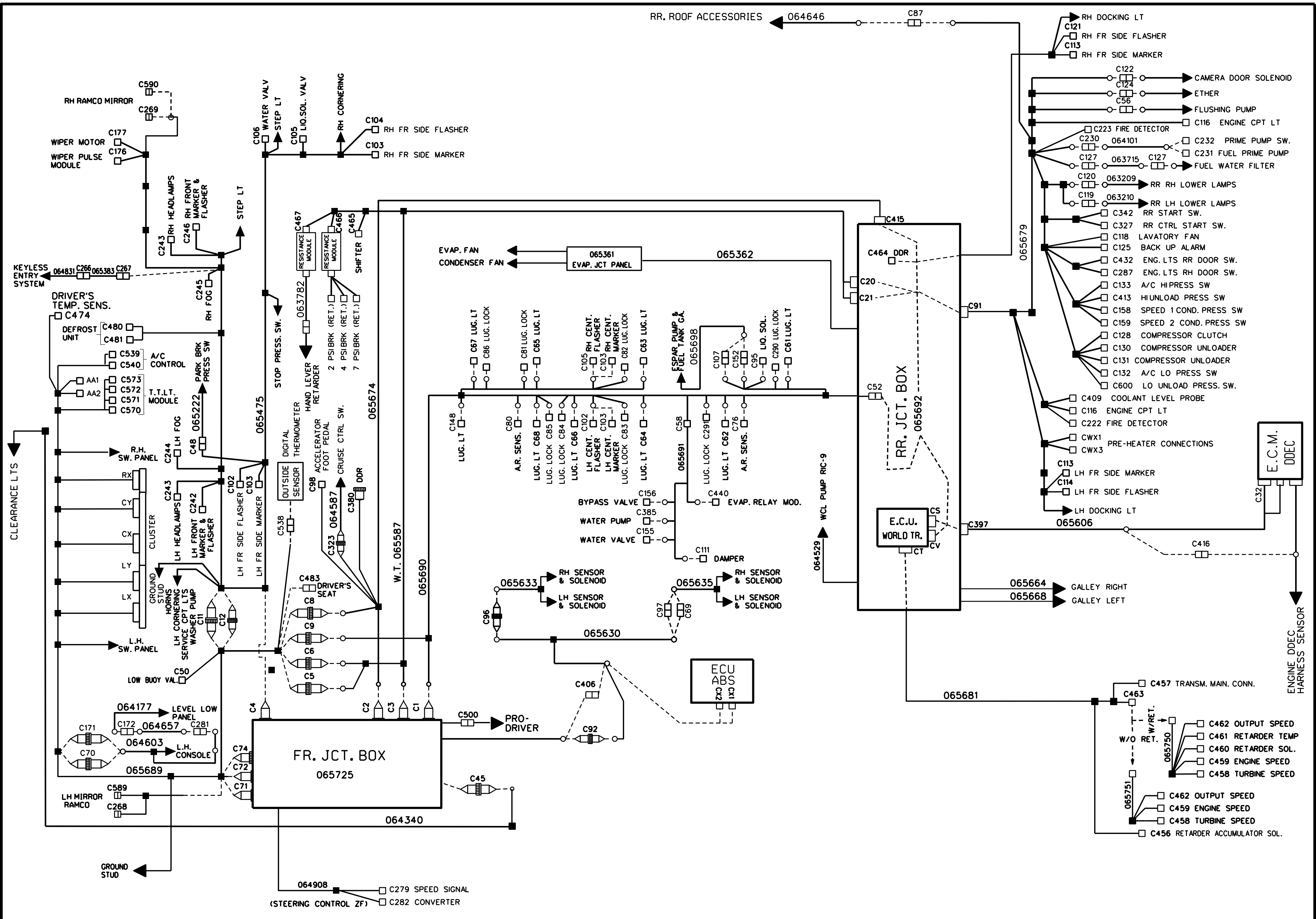


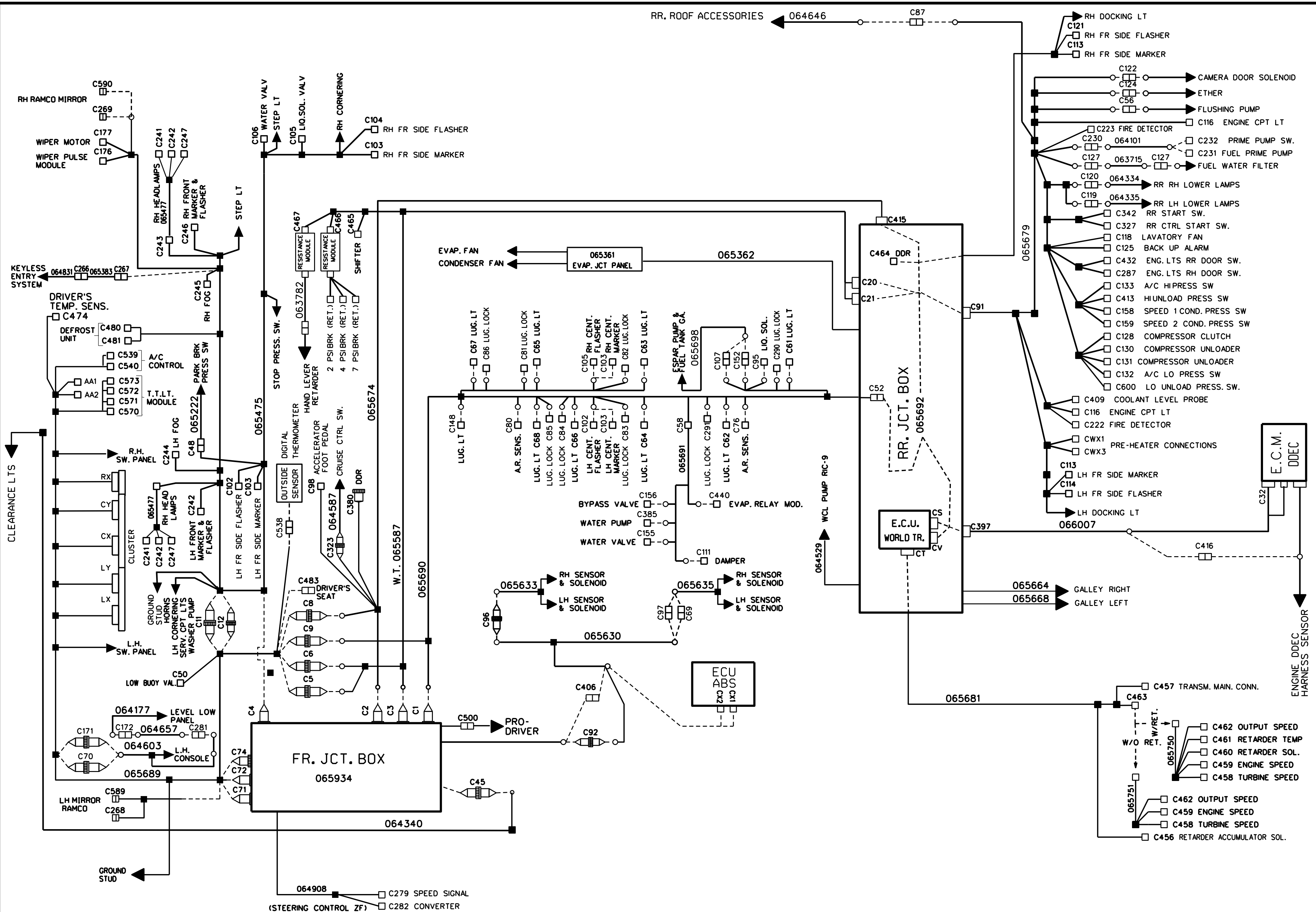


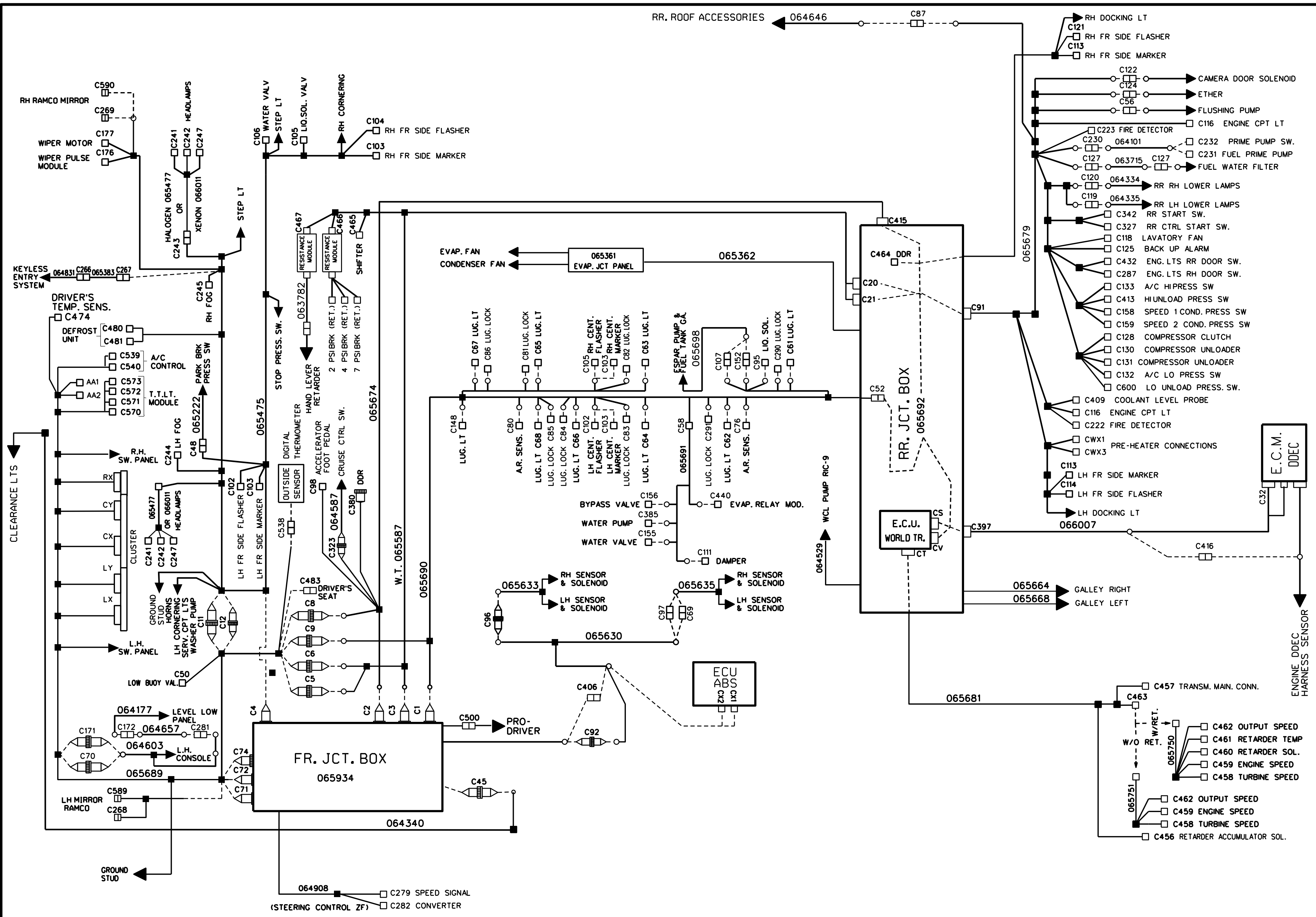
STANDARD BATTERIES

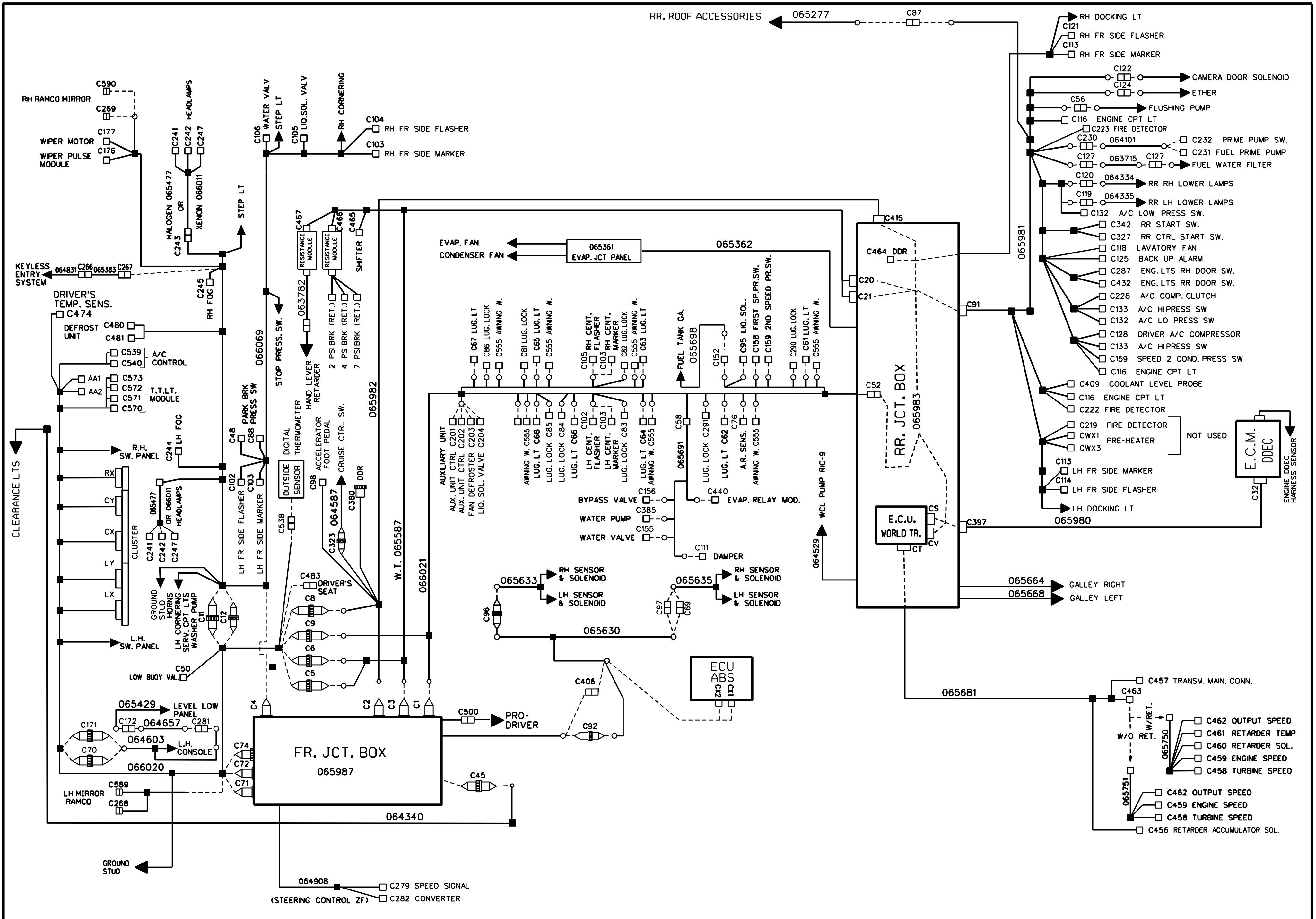


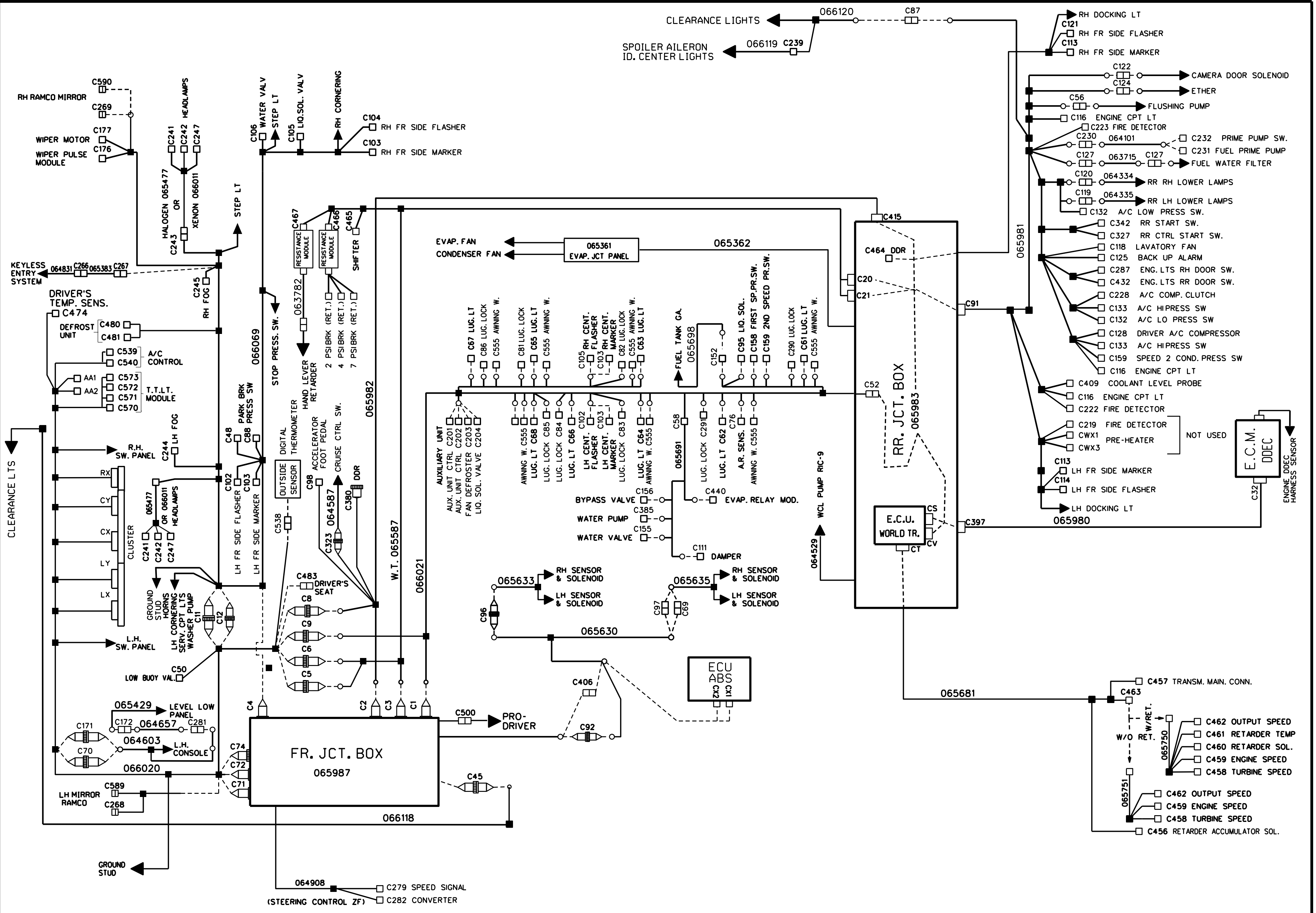
8D BATTERIES

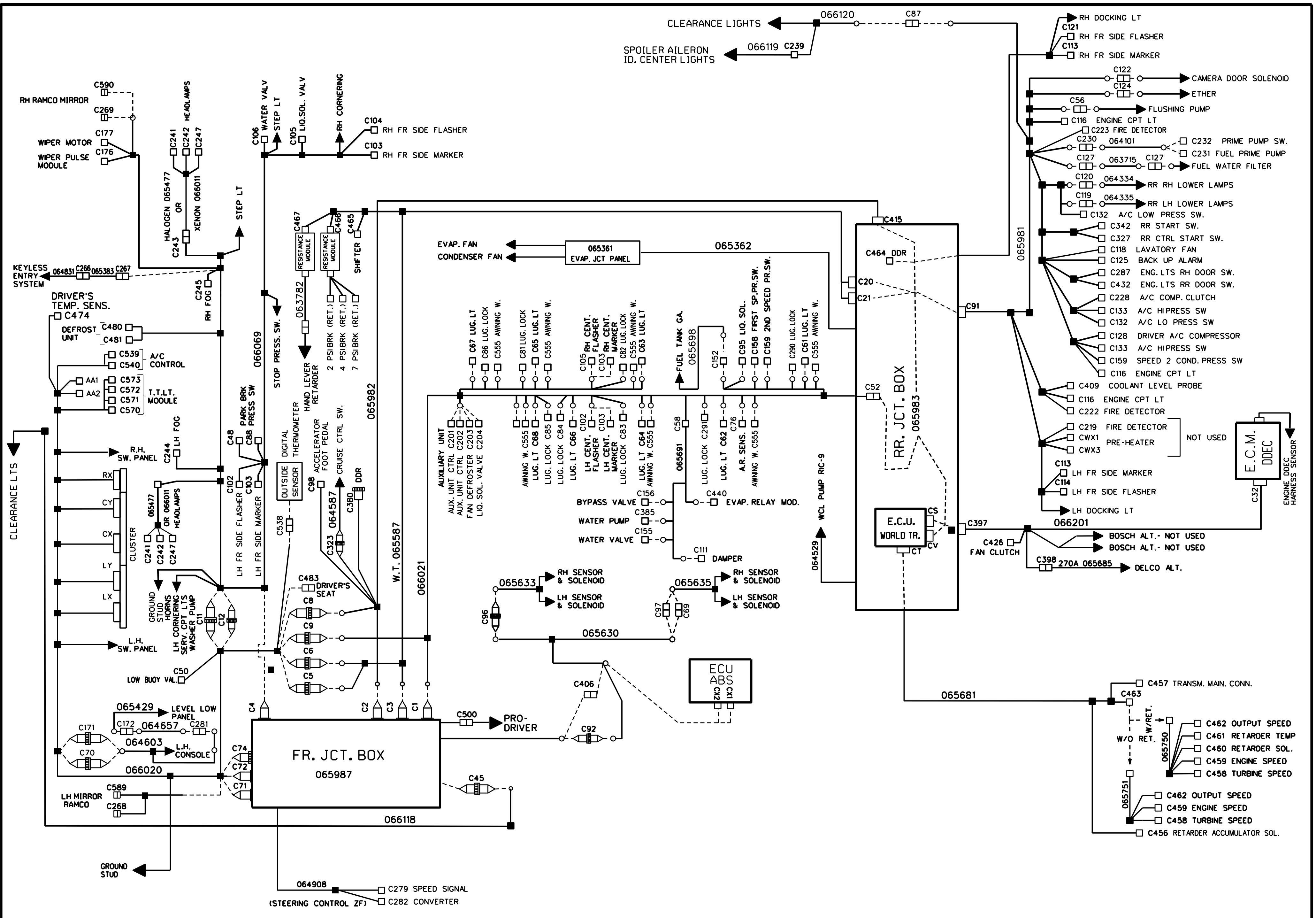


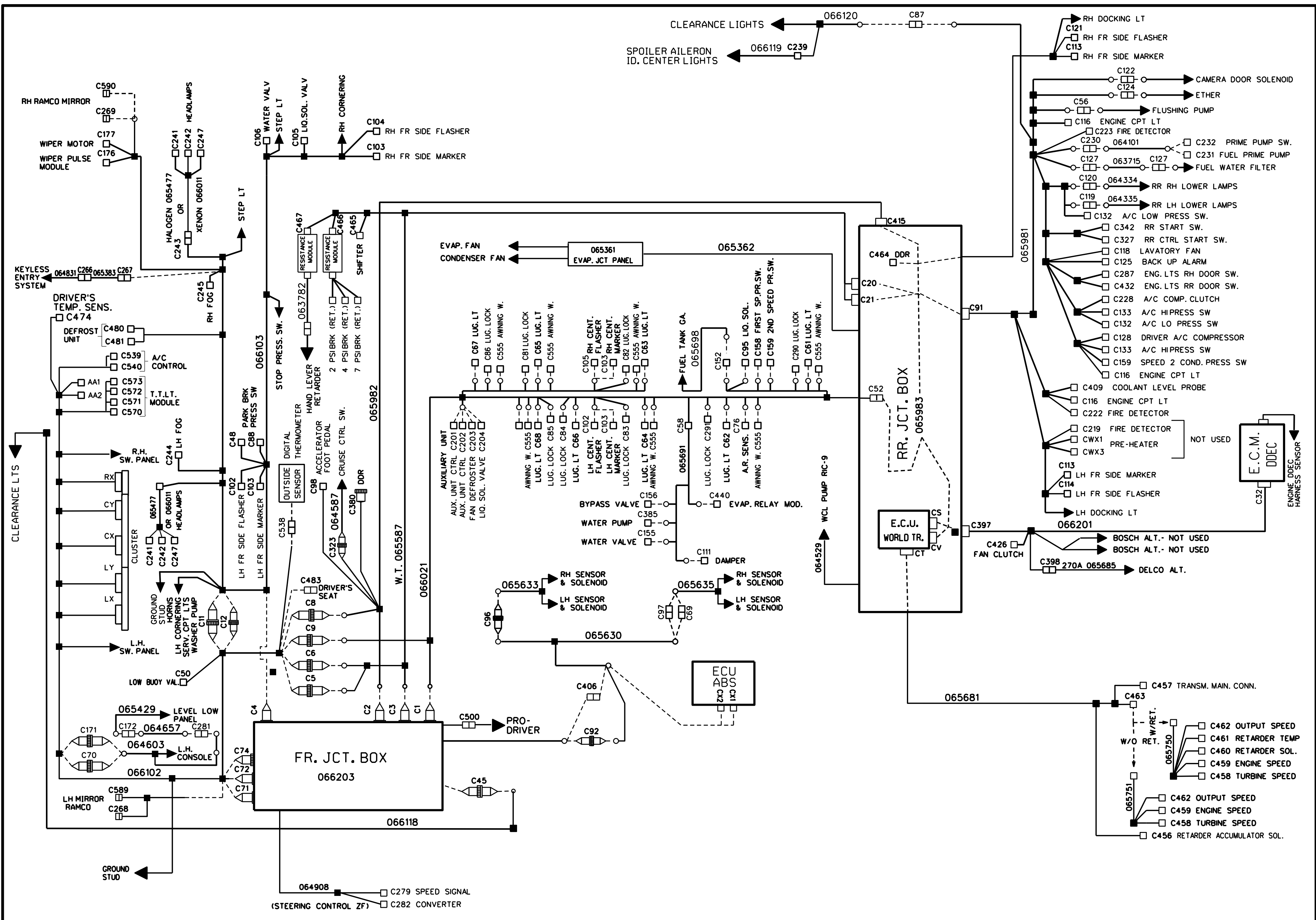


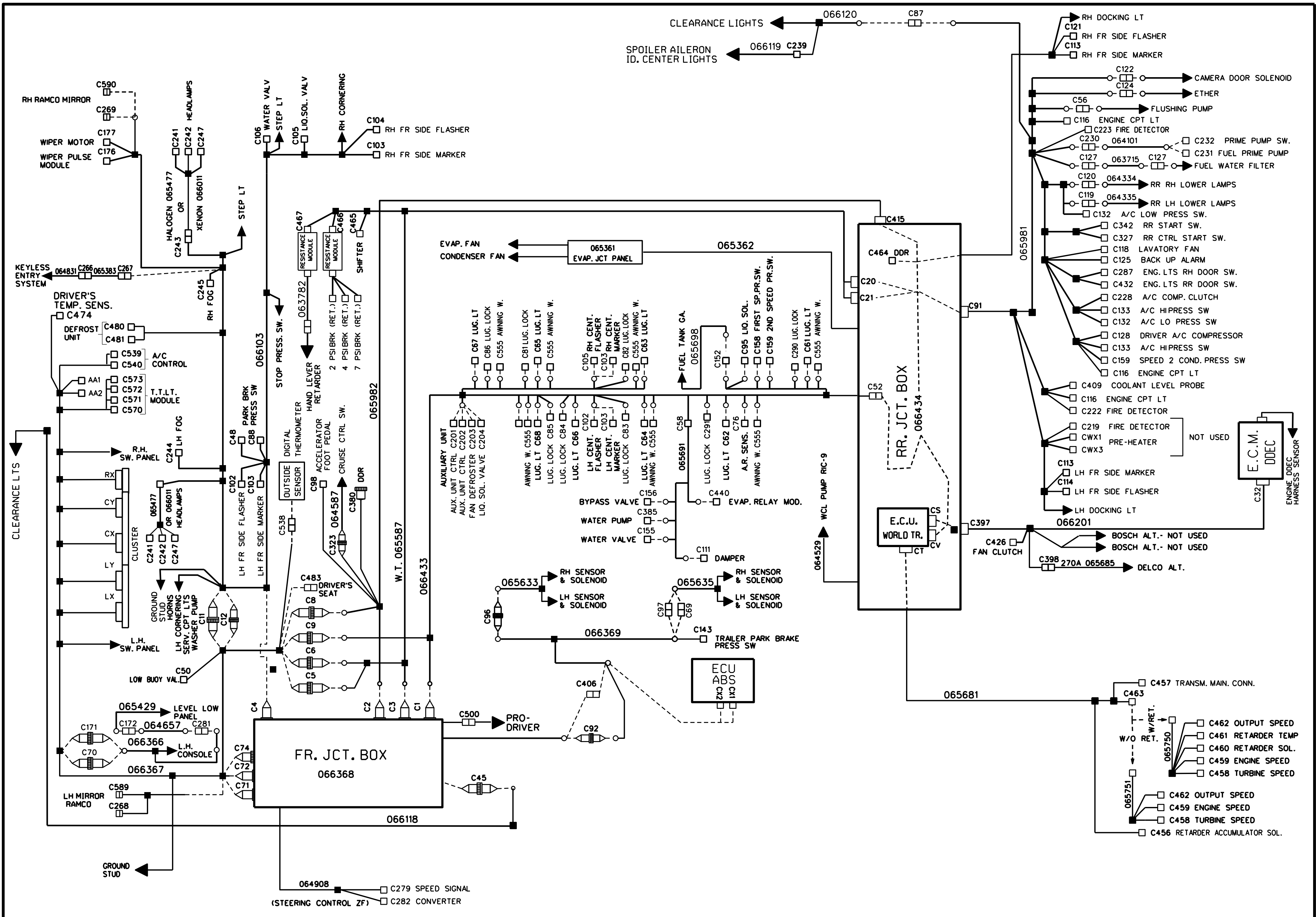


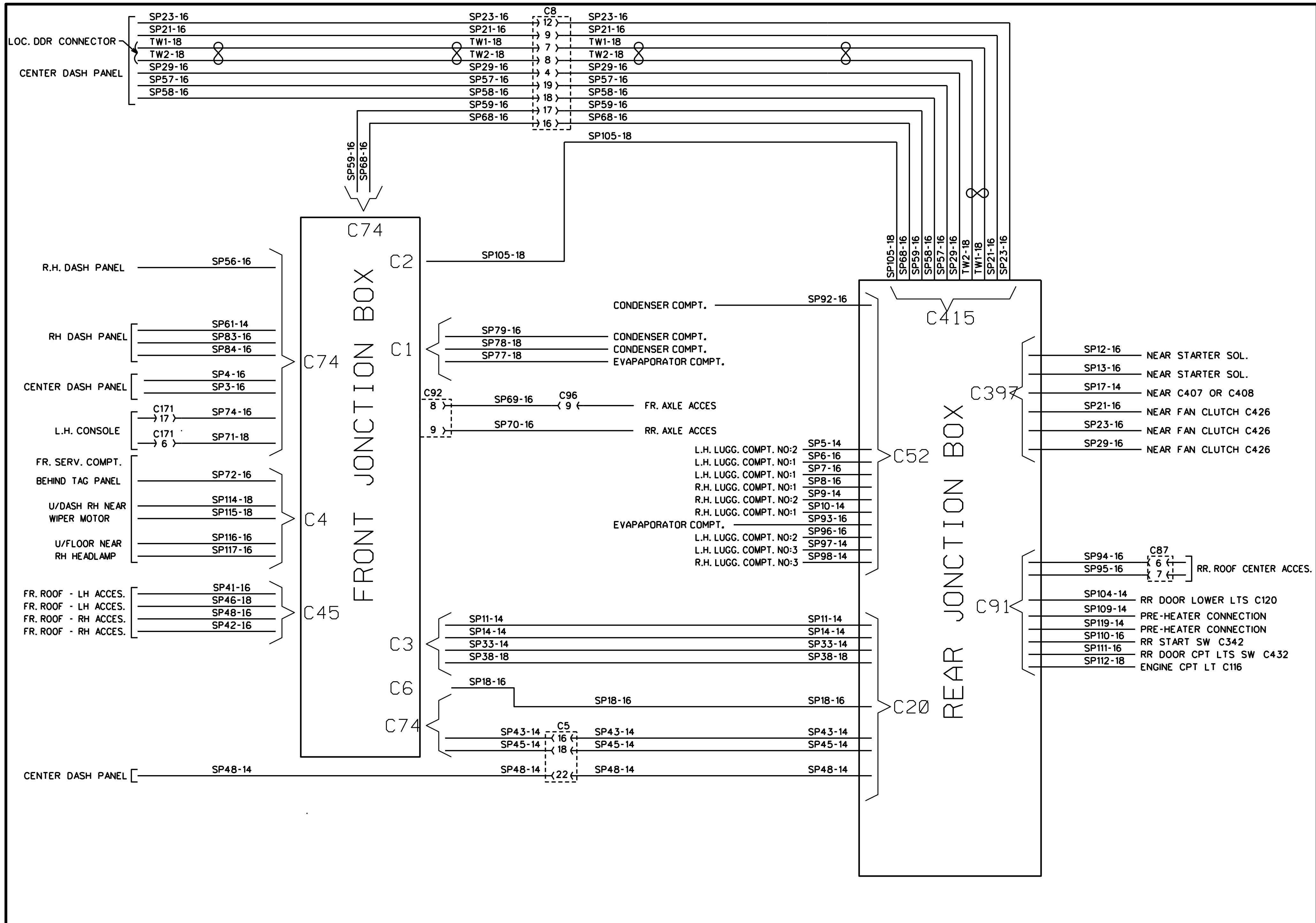












CIRCUIT NUMBER CODE

No.	DESCRIPTION	No.	DESCRIPTION	No.	DESCRIPTION	No.	DESCRIPTION
L 8	ENG. BLK HEATER	SP 94	SPARE-RJB TO RR ROOF	0 K	RS - RR ROOF ACCES. GRD	0 Y 6	
L 9	ENG. BLK HEATER	SP 95	SPARE-RJB TO RR ROOF	0 K	RS - RJB A/C JCT PANEL GRD	0 Z	RR JCT BOX CPT GRD STUD
SP 2	SPARE-FJB TO FR SERV CPT	SP 96	SPARE-RJB TO LUGG CPT #2	0 L	FS - FR SERVICE CPT LTS GRD	0 0	FJB & RJB BATT. GRD
SP 3	SPARE-FJB TO CENTER DASH	SP 97	SPARE-RJB TO LUGG CPT #3	0 L 1	FS - FR SERVICE CPT LTS GRD	0 0 A	FBG - T.T.LT. MODULES BATT. GRD
SP 4	SPARE-FJB TO CENTER DASH	SP 98	SPARE-RJB TO LUGG CPT #3	0 L 2	FS - FR SERVICE CPT LTS GRD	0 0 Y	FS - ABS MODULE BATT. GRD
SP 5	SPARE-RJB TO LUGG CPT #2	SP 104	SPARE-RJB TO ENGINE CPT	0 L 3	FS - FJB GRD	0 0 SS	SOUND SYSTEM BATT. GRD
SP 6	SPARE-RJB TO LUGG CPT #1	SP 105	SPARE-FJB TO ENGINE	0 L 4	FS - FJB GRD	1	TACHO SYSTEM - RPM SIGNAL +
SP 7	SPARE-RJB TO LUGG CPT #1	SP 106	SPARE-RJB TO BATT. CPT.	0 L 5	FS - CIGAR LIGHTER	2 B	A/C & HEAT SYSTEM-COOL SIGN
SP 8	SPARE-RJB TO LUGG CPT #1	SP 107	SPARE-RJB TO BATT. CPT.	0 L 6	FS - FR SERVICE CPT LTS GRD	2 E	A/C & HEAT EVAP. CONTROL
SP 9	SPARE-RJB TO LUGG CPT #2	SP 108	SPARE-RJB TO BATT. CPT.	0 L	RS - ENGINE CPT ACCES. GRD	2 F	A/C & HEAT EVAP. CONTROL
SP 10	SPARE-RJB TO LUGG CPT #1	SP 109	SPARE-RJB TO ENGINE CPT.	0 L	ENTRANCE DOOR GRD	5 NC	SPEED SIGNAL LOWER 5MPH
SP 11	SPARE-FJB TO RJB	SP 110	SPARE-RJB TO ENGINE CPT.	0 L H	RS - RR END LAMPS LH GRD	5 NO	SPEED SIGNAL HIGHER 5MPH
SP 12	SPARE-RJB TO ENGINE	SP 111	SPARE-RJB TO ENGINE CPT.	0 M	FS - ELECTRICAL MOTOR GRD	9	INTERIOR LTS-ENGINE CPT
SP 13	SPARE-RJB TO ENGINE	SP 112	SPARE-RJB TO ENGINE CPT.	0 M 3	FS - ELECTRICAL MOTOR GRD	9 A	INTERIOR LTS-ENGINE CPT
SP 14	SPARE-FJB TO RJB	SP 114	SPARE-FJB TO U/DASH WIPER	0 M 4	FS - ELECTRICAL MOTOR GRD	9 B	INTERIOR LTS-ENGINE CPT
SP 15	SPARE-RJB TO ENGINE	SP 115	SPARE-FJB TO U/DASH WIPER	0 M 5	FS - ELECTRICAL MOTOR GRD	9 E	INTERIOR LTS-FR SERVICE CPT
SP 16	SPARE-RJB TO ENGINE	SP 116	SPARE-FJB TO U/DASH FLOOR	0 M 6	FS - FJB GRD	9 F	INTERIOR LTS-FR SERVICE CPT
SP 17	SPARE-RJB TO ENGINE	SP 117	SPARE-FJB TO U/DASH FLOOR	0 M 7	FS - ELECTRICAL MOTOR GRD	1 0	INTERIOR LTS-LUGGAGE CPT
SP 18	SPARE-FJB TO RJB	W C	A/C & HEAT SYST-EVAP CTR SIGN	0 M 8	FS - AUX. A/C UNIT	1 0 A	INTERIOR LTS-LUGGAGE CPT
SP 24	SPARE-RJB TO LAVATORY ROOF	0	RJB - BAT. CPT CHASSIS GRD	0 M 9	FS - WATER PUMP DRIVER	1 0 B	INTERIOR LTS-LUGGAGE CPT
SP 25	SPARE-RJB TO LAVATORY ROOF	0	CONDENSER CPT GRD	0 M	RS - ENGINE CPT ACCES. GRD	1 0 C	INTERIOR LTS-LUGGAGE CPT
SP 26	SPARE-RJB TO LAVATORY ROOF	0	RS - RR JCT BOX RLY GRD	0 MR	24V DISC. SW. RLY GRD SIGNAL	1 0 D	INTERIOR LTS-LUGGAGE CPT
SP 27	SPARE-RJB TO LH HAT RACK	0 A	RJB - SHIELD GRD	0 MS	24V DISC. SW. RLY GRD SIGNAL	1 0 E	INTERIOR LTS-EVAP. CPT
SP 28	SPARE-RJB TO LH HAT RACK	0 A	RS - RR JCT BOX RLY GRD	0 N	RS - ENGINE CPT ACCES. GRD	1 0 F	INTERIOR LTS-LUGGAGE CPT
SP 31	SPARE-RJB TO RH HAT RACK	0 A	FRS - FR ROOF ACCES. GRD	0 P	RS - ENGINE CPT ACCES. GRD	1 0 H	INTERIOR LTS-LUGGAGE CPT
SP 32	SPARE-RJB TO RH HAT RACK	0 A	RS - LUG. CPT ACCES. GRD	0 R	RS - RJB GRD	1 0 R	INTERIOR LTS-LUGGAGE DOOR AJAR
SP 33	SPARE-FJB TO RJB	0 A	A/C HEAT SYSTEM - EVAP. GRD	0 R	RS - ENGINE CPT ACCES. GRD	1 2	12V BAT ELECTRONIC JCT BLOCK
SP 38	SPARE-FJB TO RJB	0 A A	RS - VOLTAGE REGULATOR GRD	0 R H	RS - RR END LAMPS RH GRD	1 2	BAT CPT 12V BATTERY
SP 43	SPARE-FJB TO RJB	0 B 1	EC - RR JCT PANNEL GRD	0 S	12 VOLT RUN- GND RLY	1 2 A	FR JCT BOX 12V DISC SW
SP 45	SPARE-FJB TO RJB	0 B	EC - ENGINE GRD	0 S A	ENGINE CPT STUD-ALTERN. BOSCH	1 2 A	RR JCT BOX 12V DISC SW
SP 46	SPARE-RJB TO LH FR ROOF	0 B	FRS - FR ROOF HEAT WIND GRD	0 T	FS - DASH ACCES. GRD	1 2 B	12V BAT ELECTRICAL JCT BLOCK
SP 48	SPARE-RJB TO DASH CENTER PANEL	0 B	RS - LUG. CPT ACCES. GRD	0 T 1	FS - DASH ACCES. GRD	1 2 B	RR JCT BOX 12V DISC SW
SP 56	SPARE-ENGINE TO RH SW PANEL	0 B E	RJB - BAT. EQUAL. BAT GRD	0 T 2	FS - DASH ACCES. GRD	1 2 B	FR JCT BOX 12V DISC SW
SP 57	SPARE-DASH CENTER PANEL TO ENG.	0 C	EC - STARTER MOTOR GRD	0 T 3	FS - DASH ACCES. GRD	1 2 B E	BAT. EQUALIZER MONITOR
SP 58	SPARE-DASH CENTER PANEL TO ENG.	0 C	FS - SERV. CPT ACCES. GRD	0 T 4	FS - DASH ACCES. GRD	1 2 C	FR JCT BOX 12V DISC SW
SP 59	SPARE-FJB TO ENGINE	0 C	RJB - FAN EVAP & CONDENSER GRD	0 T 5	FS - HVAC DASH MODULE. GRD	1 2 C	RR JCT BOX 12V DISC SW
SP 61	SPARE-FJB TO DASH RH PANEL	0 C R	24V DISC. SW. RLY GRD SIGNAL	0 T 6	FS - DASH ACCES. GRD	1 2 D	BAT CPT 12V BATTERY
SP 68	SPARE-FJB TO ENGINE	0 C S	24V DISC. SW. RLY GRD SIGNAL	0 V	RR JCT BOX CPT GRD STUD	1 2 D A	12V IGNITION DISTRIBUTION
SP 69	SPARE-FJB TO FR AXLE	0 C 1	FS - SERV. CPT ACCES. GRD	0 V A	BATTERY TO EQUALISER 0V	1 2 D T	TTLT MODULE
SP 70	SPARE-FJB TO FR AXLE	0 C 2	FS - SERV. CPT ACCES. GRD	0 W	FS - WT GND & SHIELD	1 2 E	FR JCT BOX 12V DISC SW
SP 71	SPARE-FJB TO RH SW PANEL	0 C 3	FS - SERV. CPT ACCES. GRD	0 W	RS - RR JCT BOX (WCL) GRD	1 2 E	RR JCT BOX 12V DISC SW
SP 72	SPARE-FJB TO FR SERV CPT	0 C 4	FS - FJB. CPT ACCES. GRD	0 W C	RS - RR JCT BOX GRD (WCL)	1 2 F	BAT CPT 12V FJB & IC
SP 74	SPARE-FJB TO LH CONSOLE	0 D	RJB - FAN CONDENSER GRD	0 X	RS - RR JCT BOX GRD	1 2 F	FR JCT BOX 12V DISC SW
SP 77	SPARE-FJB TO EVAPORATOR CPT	0 D	RJB - IGNITION RLY	0 Y	ABS FR JCT BOX CPT GRD STUD	1 2 F	RR JCT BOX 12V DISC SW
SP 78	SPARE-FJB TO CONDENSER CPT	0 D	RS - HAT RACK ACCES. LH GRD	0 Y	RR JCT BOX GRD	1 2 G	FR JCT BOX 12V DISC SW
SP 79	SPARE-FJB TO CONDENSER CPT	0 D F	RS - RR SIDE FLASH & MARK GRD	0 Y 1	ABS SYSTEM GRD	1 2 J	FR JCT BOX 12V DISC SW
SP 87	SPARE-RJB TO LH HAT RACK	0 D G	EC- ALTERNATOR CASING GRD	0 Y 2	ABS SYSTEM GRD	1 2 K	HVAC MODULE
SP 88	SPARE-RJB TO RH HAT RACK	0 D R	RS - RJB DOCKING LT RESISTORS	0 Y 3	ABS SYSTEM GRD	1 2 I	12V IGNITION DISTRIBUTION
SP 92	SPARE-RJB TO CONDENSER CPT	0 J	FS - LH CONSOLE SW GRD	0 Y 4	ABS SYSTEM GRD	1 2 I	RR JCT BOX 12V IGNITION
SP 93	SPARE-RJB TO EVAPORATOR CPT	0 J	RS - RR ROOF ACCES. GRD	0 Y 5		1 2 I A	12V IGNITION DISTRIBUTION

CIRCUIT NUMBER CODE

No.	DESCRIPTION	No.	DESCRIPTION	No.	DESCRIPTION	No.	DESCRIPTION
12 I A	FR JCT BOX 12V IGNITION	24	BAT CPT 24V BATTERY	25 F	12V IGNITION DISTRIBUTION	44 C	EXTERIOR LTS-FOG & HAZARD
12 I B	FR JCT BOX 12V IGNITION	24	FR JCT BOX 24V DISC SW	25 B	EXTERIOR LTS-DAYTIME RUN LTS	45 A	WATER PUMP SIGNAL
12 I E	ABS - FR JCT BOX 12V IGNITION	24 A	BOOSTER BLOCK 24V DISC SW	25 B	12 V. IGN. ALTERNATOR BOSCH	45 B	A/C & HEAT SYSTEM-HEAT SIGN
12 L X	CLUSTER FEED	24 A	FR JCT BOX 24V DISC SW	25 C	12 V. SIGNAL ALT.#1 AND ALT.#2 RUN	45 D	A/C & HEAT SYSTEM-WATER VALVE
12 I F	FR JCT BOX 12V IGNITION	24 A	FR JCT BOX 24V DISC SW	25 D	12 V. SIGNAL ALT.#1 AND ALT.#2 RUN	45 E	A/C & HEAT SYSTEM-HEAT 1 SIGN
12 M	ABS - FR JCT BOX 12V DISC. SW.	24 B	24V STARTER RLY FEEDING	25 E	24V DELCO SIGNAL ENGINE RUN	45 G	A/C & HEAT SYSTEM-DRIVER'S HTR
12 P	LH CONSOLE POWER OUTLET	24 B	FR JCT BOX 24V DISC SW	25 H	24 V. IGN. ALTERNATOR BOSCH	45 H	A/C & HEAT SYSTEM-DRIVER'S HTR
12 R	BAT CPT 12V DISC RLY TO RJB	24 B A	RR JCT BOX 24V DISC SW	25 K	NOT ALTERNATOR #2-WARNING LT	45 J	A/C & HEAT SYSTEM-DRIVER'S HTR
12 V	RR JCT BOX 12V DISC SW	24 B E	RJB CPT-BAT EQ MONITOR HOT WIRE	26	CIGAR LIGHTER	45 W	A/C & HEAT SYSTEM-COND. DOOR AJAR
12 V A	BATTERY TO EQUALIZER 12V	24 C	FR JCT BOX 24V DISC SW	26	DRIVER'S WINDOW LIFTER	46	EXTERIOR LTS-MARKER
12 V D	12V HOT WIRE DISTRIBUTION	24 C	RR JCT BOX 24V DISC SW	26 B	DRIVER'S WINDOW LIFTER	46 A	EXTERIOR LTS-MARKER
12 V F	BAT CPT 12V FJB & IC	24 D	BAT CPT 24V HOT WIRE	26 C	DRIVER'S WINDOW LIFTER	46 B	EXTERIOR LTS-MARKER
12 V I	12V IGNITION DISTRIBUTION	24 D	FR JCT BOX 24V HOT WIRE	27	PARKING BRAKE SONALERT	46 B	EXTERIOR LTS-MARKER
12 V R	BAT CPT 12V DISC RLY TO RJB	24 D	RR JCT BOX 24V HOT WIRE	27 A	PARKING BRAKE SONALERT	46 C	EXTERIOR LTS-MARKER
12 W	12V BATTERY DDEC III	24 D A	A/C JCT BOX 24V HOT WIRE	28 A	A/C & HEAT SYSTEM-HI PRESSURE	47	A/C & HEAT SYSTEM-DRIVER'S HTR
12 X	FR JCT BOX 12V DISC SW	24 E	BAT CPT 24V DISC SW	28 H	TTLT HI LO PRESS	52	ALARM & SIGNAL-ELEC. HORN
12 X 2	FR JCT BOX 12V DISC SW	24 E	FR JCT BOX 24V DISC SW	28 T	TTLT HI LO PRESS	52 A	ALARM & SIGNAL-ELEC. HORN
12 Y	FR JCT BOX 12V DISC SW	24 E	RR JCT BOX 24V DISC SW	29	A/C & HEAT SYSTEM-DRIVER'S HTR	52 B	ALARM & SIGNAL-AIR HORN
13 A	ALARM & SIGNAL-LO AIR PRIM.	24 F	FR JCT BOX 24V DISC SW	29 A	A/C & HEAT SYSTEM-DRIVER'S HTR	52 C	ALARM & SIGNAL-AIR HORN
13 B	ALARM & SIGNAL-LO AIR SEC.	24 F	RR JCT BOX 24V DISC SW	29 H	HVAC DASH MODULE	53	ALARM & SIGNAL-ELEC. HORN
15	EXTERIOR LTS-MULTI FUNC LEVEL	24 G	FR JCT BOX 24V DISC SW	29 B	A/C & HEAT SYSTEM-DRIVER'S HTR	53 A	WIPER & WASHER SYSTEM
15 A	WIPER & WASHER UPPER WINDSHIELD	24 G	RR JCT BOX 24V DISC SW	31 A	A/C & HEAT SYSTEM-UNLOADER	53 B	WIPER & WASHER SYSTEM
16	SPEED - SIGNAL +	24 H	FR JCT BOX 24V DISC SW	31 B	A/C & HEAT SYSTEM-UNLOADER	53 C	WIPER & WASHER SYSTEM
16 A	SPEED - SIGNAL +	24 H	RR JCT BOX 24V DISC SW	31 B	WIPER & WASHER SYSTEM	53 E	WIPER & WASHER SYSTEM
16 T	SPEED - SIGNAL +	24 I	FR JCT BOX 24V IGNITION	31 C	WIPER & WASHER SYSTEM	53 J	WIPER & WASHER SYSTEM
17	EXTERIOR LTS-FLASHER UNIT	24 I	RR JCT BOX 24V IGNITION	31 D	WIPER & WASHER SYSTEM	53 K	KEYLESS
17 A	EXTERIOR LTS-FLASHER UNIT	24 I A	FR JCT BOX 24V IGNITION	31 E	WIPER & WASHER SYSTEM	55	EXTERIOR LTS-HI BEAM
19	DIFFERENTIAL OIL TEMP	24 I A	RR JCT BOX 24V IGNITION	31 J	WIPER & WASHER SYSTEM	57	EXTERIOR LTS-HI BEAM
20	SPEED - SIGNAL -	24 I B	FR JCT BOX 24V IGNITION	31 X	WIPER & WASHER SYSTEM	57 A	A/C & HEAT SYSTEM-WATER PUMP
20 T	SPEED - SIGNAL -	24 I B	RR JCT BOX 24V IGNITION	32	EXTERIOR LTS-BACK-UP	57 A	EXTERIOR LTS-HI BEAM
20 W	SPEED - SIGNAL -	24 I F	FJB 24V IGNITION	32 B	EXTERIOR LTS-BACK-UP	57 B	A/C & HEAT SYSTEM-WATER PUMP
21	EXTERIOR LTS-DIRECTIONNAL LH	24 I C	FR JCT BOX 24V IGNITION	32 C	BACK-UP PWR & SIGNAL	57 C	PRE-HEAT WATER HEATER
21 A	EXTERIOR LTS-DIRECTIONNAL LH	24 P	FR JCT BOX 24V DISC SW	32 D	BACK-UP ALARM	57 C A	A/C & HEAT SYSTEM-HEAT SIGN
21 B	EXTERIOR LTS-HAZARD	24 S	24V DISC SW RLY SIGNAL	35	ENTRANCE DOOR	57 C C	A/C & HEAT SYSTEM-HEAT SIGN
21 C	EXTERIOR LTS-CORNERING LH	24 T	RR JCT BOX 24V DISC SW	35 B	ENTRANCE DOOR	57 E	A/C & HEAT SYSTEM-HEAT SIGN
21 D	EXTERIOR LTS-DIRECTIONNAL LH	24 V 2	RR JCT BOX 24V DISC SW	36	JACOB BRAKE SYSREM	58	EXTERIOR LTS-LO BEAM
21 H	EXTERIOR LTS-DIRECTIONNAL LH	24 V 3	RR JCT BOX 24V DISC SW	36 A	JACOB BRAKE SYSREM	58 A	EXTERIOR LTS-LO BEAM
21 K	EXTERIOR LTS-CORNERING	24 V 4	RR JCT BOX 24V DISC SW	39	INTERIOR LTS-12V RH PANEL SW.	58 B	EXTERIOR LTS-LO BEAM
21 N	EXTERIOR LTS-CORNERING LH	24 V 5	RR JCT BOX 24V DISC SW	39 A	INTERIOR LTS-DRIVER'S LTS	58 C	DAYTIME RUNNING LIGHT
21 P	EXTERIOR LTS-CORNERING LH	24 V D	24V HOT WIRE DISTRIBUTION	39 B	DRIVER'S LTS KEYLESS	58 D	DAYTIME RUNNING LIGHT
22	LATCHING RLY.	24 V F	BAT CPT 24V SW TO FJB & IC	39 K	DRIVER'S LTS KEYLESS	58 E	EXTERIOR LTS-LO BEAM
23	EXTERIOR LTS-DIRECTIONNAL RH	24 V A	BATTERY TO EQUALIZER 24V	41	A/C & HEAT SYSTEM-COND FAN MOT	59 A	JACOB BRAKE SYSTEM
23	EXTERIOR LTS-DIRECTIONNAL RH	24 V I	RR JCT BOX 24V IGNITION	41 A	A/C & HEAT SYSTEM-COND FAN MOT	61	EXTERIOR LTS-24V FEED SW
23 A	EXTERIOR LTS-DIRECTIONNAL RH	24 V R	BAT CPT 24V DISC SW TO RJB	41 B	A/C & HEAT SYSTEM-COND FAN MOT	61 A	EXTERIOR LTS-HEAD SIGNAL
23 B	EXTERIOR LTS-DIRECTIONNAL RH	25	12VAC GEN RLY ON SIGNAL	42	A/C & HEAT SYSTEM-COND FAN MOT	63	EXTERIOR LTS-CLEARANCE
23 C	EXTERIOR LTS-CORNERING RH	25 A	ETHER SWITCH	43	A/C & HEAT SYSTEM-COND FAN MOT	63 A	EXTERIOR LTS-CLEARANCE
23 D	EXTERIOR LTS-DIRECTIONNAL RH	25 A	NOT ALTERNATOR #1-WARNING LT	42 A	A/C & HEAT SYSTEM-COND FAN MOT	63 B	EXTERIOR LTS-CLEARANCE
23 K	EXTERIOR LTS-DOCKINK SW	25 A 1	24 VOLTS EXCITING SIGNAL - ALT. #1	44	EXTERIOR LTS-FOG	63 C	EXTERIOR LTS-MARKER SIGNAL
23 N	EXTERIOR LTS-CORNERING RH	25 A 2	24 VOLTS EXCITING SIGNAL - ALT. #2	44 A	EXTERIOR LTS-FOG	63 D	EXTERIOR LTS-MARKER & TAIL
23 P	EXTERIOR LTS-CORNERING RH	25 A 3	24 V. SIGNAL ALT#1 OR ALT. #2 RUN	44 B	EXTERIOR LTS-FOG	63 E	EXTERIOR LTS-CLEARANCE

CIRCUIT NUMBER CODE

No.	DESCRIPTION	No.	DESCRIPTION	No.	DESCRIPTION	No.	DESCRIPTION
63 F	EXTERIOR LTS-MARKER BLINKER	85 G	TIME DELAY RF3	115	DDEC III-COOLANT LEVEL	132 H	LEVEL LOW SYSTEM
63 H	EXTERIOR LTS-TAIL	85 X	12V IGN ABS	115	WORLD TRANSM-DO NOT SHIFT SIGN	132 J	LEVEL LOW SYSTEM
64	DRIVER'S FAN	85 Y	ABS SYSTEM	115 C	DDEC III-COOLANT LEVEL	132 K	LEVEL LOW SYSTEM
64 B	DRIVER'S FAN	85 Z	TRAILER ABS SYSTEM	115 W	WORLD TRANSM-DO NOT SHIFT SIGN	132 W	WORLD TRANSM-ENG BRK OUTPUT (-)
64 C	DRIVER'S FAN	86	ENGINE CTR-STARTER SOL SIGN	116	WORLD TRANSM-LO SIGNAL SOL. HI	133	WORLD TRANSM-RET. ACTUATOR HI
65	FOOT DAMPER MOTOR	86 A	ENGINE CTR-STARTER SOL SIGN	116 B	A/C & HEAT SYSTEM-DRIVER'S HTR	134	WORLD TRANSM-RET. APPLY SOL. HI
65 A	FOOT DAMPER MOTOR	86 T	ENGINE CTR-STARTER SOL SIGN	117	WORLD TRANSM-SPARE INPUT (-)	135	A/C & HEAT SYSTEM-AIR SENSOR
65 P	AUX. LIQ.SOL.VALVE	88	ENGINE CTR-RR START SIGNAL	117 A	ALARM & SIGNAL-TRANSM OIL TEMP	135	WORLD TRANSM-ANALOG GRD
65 D	DRIVER'S REC. DAMPER	89	ENGINE CTR-RR START SIGNAL	117 A	ALARM & SIGNAL-TRANSM OIL TEMP	135 A	A/C & HEAT SYSTEM-AIR SENSOR
66	O_PASS. ON/OFF	90 B	A/C & HEAT SYSTEM-COND FAN MOT	118	WORLD TRANSM-SPARE INPUT (+)	135 D	WORLD TRANSM-RETARDER RES MOD
67	A/C & HEAT SYSTEM	90 B	ENGINE CTR-MAST KEY SW FEED	119	WORLD TRANSM-ENG BRK INPUT (+)	135 C	WORLD TRANSM-RETARDER TEMP
67 A	A/C & HEAT SYSTEM	90 C	A/C & HEAT SYSTEM-COND FAN MOT	120	WORLD TRANSM-SOL. C1	136	WORLD TRANSM-ECU POWER
67 C	HEAT WINDS.	90 F	CHARG SYST-VOLTAGE REGUL. "B"	121	WORLD TRANSM-SOL. GRD 2	136 V	WORLD TRANSM-12V BATTERY
67 K	A/C & HEAT SYSTEM-COND FAN CTR	90 H	A/C & HEAT SYSTEM-EVAP FAN MOT	122	A/C & HEAT SYSTEM-DRIVER'S HTR	136 W	WORLD TRANSM-12V BATTERY
67 L	A/C & HEAT SYSTEM-COND FAN CTR	91	PARKING BRAKE SW SIGNAL	122	A/C & HEAT SYSTEM-FRESH AIR	136 X	WORLD TRANSM-12V BATTERY
67 X	A/C & HEAT SYSTEM	91 A	DDEC-FAST IDLE SIGNAL	122	WORLD TRANSM-SOL. GRD 4	137	WORLD TRANSM-RETARDER
68	DASH & DEFROST DAMPER MOTOR	91 S	SONALERT PARKING BRAKE	122 A	A/C & HEAT SYSTEM-FRESH AIR	137 A	MIRROR (SPARTAN & RAMCO)
68 A	DASH & DEFROST DAMPER MOTOR	91 W	PARK, BRAKE SW SIGN (WCL)	123	WORLD TRANSM-NEUTRAL START	137 B	RR VIEW MIRROR (SPARTAN)
70	INTERIOR LTS-HAT RACK & RR RUN.	92	BATTERY EQUALIZER-CHECK BALANCE	123 A	ALARM & SIGNAL-FIRE DETECTOR	137 C	RR VIEW MIRROR (SPARTAN)
72	SUN VISOR-FEEDING	93	BATTERY EQUALIZER-CHECK LO/HI	123 B	ALARM & SIGNAL-FIRE DETECTOR	137 D	RR VIEW MIRROR (SPARTAN)
72 A	SUN VISOR-RH	95 A	ENGINE BRAKE & RETARDER SYSTEM	124	WORLD TRANSM-THROTTLE (HI)	137 E	RR VIEW MIRROR (SPARTAN)
72 B	SUN VISOR-RH	97	TACHOMETER (-)	125	WORLD TRANSM-RET. INDICATOR	137 G	RR VIEW MIRROR (SPARTAN)
72 C	SUN VISOR-LH	101	24V STARTER SOL FEEDING	125 W	WORLD TRANSM-RET. INDICATOR	138	ABS SYSTEM
72 D	SUN VISOR-LH	101	WORLD TRANSM-LO SIGN SOL. LO	126	LEVEL LOW SYSTEM	138	WORLD TRANSM-RETARDER TEMP
76	FUEL TANK GAUGE	102	24V STARTER TO GENERATOR DELCO	126	WORLD TRANSM-LUBE PRESS SW.	138 A	ABS SYSTEM
76 B	LOW FUEL LT & ETHER COLD START	102	WORLD TRANSM-SOL. GRD 1	127	WORLD TRANSM-LUBE PRESS SW.	139	ABS SYSTEM
76 C	LOW FUEL LT	102	WORLD TRANSM-SOL. C3	127	PRE-HEAT WATER HEATER	139	WORLD TRANSM-OUTPUT SPEED HI
76 P	FUEL PRIME PUMP	102 A	24V STARTER TO GENERATOR BOSCH	127 A	PRE-HEAT WATER HEATER	140	ABS SYSTEM
76 M	FUEL PRIME PUMP	104	WORLD TRANSM-SOL. FORWARD	127 B	PRE-HEAT WATER HEATER	140	WORLD TRANSM-OUTPUT SPEED LO
77 B	A/C & HEAT SYSTEM-COMPRESSOR	104	LEVEL LOW SYSTEM	127	WORLD TRANSM-RETARDER FEED SOL.	141	ABS SYSTEM
77 C	A/C & HEAT SYSTEM-COMPRESSOR	105	WORLD TRANSM-RETARDER & SUMP	127 S	PRE-HEAT WATER HEATER	141	WORLD TRANSM-ENGINE SPEED HI
77 H	A/C & HEAT SYSTEM-COMPRESSOR	105 W	WORLD TRANSM-RETARDER & SUMP	127 W	PRE-HEAT WATER HEATER	142	ABS SYSTEM
77 K	GRD SIGNAL-COMPRESSOR CUT-OUT	106	WORLD TRANSM-OIL LEVEL HI	128	PRE-HEAT WATER HEATER	142	WORLD TRANSM-SERIAL COM. A
81	EXTERIOR LTS-STOP SW	107	CHARG SYST-VOLTAGE REGUL. "F"	128 A	PRE-HEAT WATER HEATER	143	ABS SYSTEM
82	EXTERIOR LTS-STOP SIGNAL	107	WORLD TRANSM-LOCKUP SOL. HI	128 B	PRE-HEAT WATER HEATER	143	WORLD TRANSM-ECU BATTERY GRD
82 A	EXTERIOR LTS-STOP SIGNAL	108	WORLD TRANSM-REM. PWR WAKE UP	128 W	PRE-HEAT WATER HEATER	143 A	ABS SYSTEM
82 B	EXTERIOR LTS-STOP LTS	109	WORLD TRANSM-RET. SOL. LO	128	WORLD TRANSM-SOL. C2	143 W	WORLD TRANSM-BATTERY GRD
82 K	EXTERIOR LTS-STOP PARK BRK	110	ALARM & SIGNAL-WATER TEMP	129	PRE-HEAT WATER HEATER	143 X	WORLD TRANSM-BATTERY GRD
82 L	EXTERIOR LTS-LH STOP	110	WORLD TRANSM-LOCKUP SOL. LO	129	WORLD TRANSM-SOL. C5	144	ABS SYSTEM
82 R	EXTERIOR LTS-LH STOP	111	WORLD TRANSM-SOL. C6	130	A/C HEAT SYSTEM-EVAP FAN MOT	144	WORLD TRANSM-ECU CHASSIS GRD
83	ENGINE CTR-KEY SW ACCES SIGN	112	WORLD TRANSM-SPARE OUTPUT (+)	130	WORLD TRANSM-SOL. GRD 3	144 A	ABS SYSTEM
84	ENGINE CTR-KEY SW ACCES SIGN	113	ALARM & SIGNAL-OIL PRESS	131	WORLD TRANSM-SOL. C4	145	ABS SYSTEM
85	ENGINE CTR-KEY SWIGNITION SIGN	113	WORLD TRANSM-REVERSE WARNING	132	WORLD TRANSM-ENG BRK OUTPUT (-)	146	ABS SYSTEM
85	24V IGNITION SIGNAL	114	INTERIOR LTS-DASH LT REGUL.	132 A	LEVEL LOW SYSTEM	146	WORLD TRANSM-IGNITION SENSE
85 A	24V IGN DASH INSTRUMENTATION	114	WORLD TRANSM-SPARE OUTPUT (-)	132 B	LEVEL LOW SYSTEM	146 AA	DDR CONNECTOR POWER
85 B	ENGINE CTR-24V IGNITION	114 A	INTERIOR LTS-DASH LT	132 C	LEVEL LOW SYSTEM	146 W	WORLD TRANSM-12V IGNITION
85 C	PARKING BRAKE SWITCH	114 B	INTERIOR LTS-DASH LT REGUL.	132 D	LEVEL LOW SYSTEM	146 X	WORLD TRANSM-12V IGNITION
85 E	STOP LIGHT RLY.	114 D	INTERIOR LTS-DASH LT REGUL.	132 E	LEVEL LOW SYSTEM	147	ABS SYSTEM
85 F	ENGINE CTR-ENGINE CTR SW IGN	114 E	INTERIOR LTS-DASH LT REGUL.	132 F	LEVEL LOW SYSTEM	147	ETHER COLD START
85 F	LO AIR SONALERT	115	ALARM & SIGNAL-TAG PRESS	132 G	LEVEL LOW SYSTEM	147	WORLD TRANSM-OIL TEMP

CIRCUIT NUMBER CODE

No.	DESCRIPTION	No.	DESCRIPTION	No.	DESCRIPTION	No.	DESCRIPTION
147 C	ETHER COLD START	170 X	LUGGAGE DOOR LOCK	259	WINDSHIELD HEATED	544	DDEC III-CRUISE ON/OFF SW
148	ABS SYSTEM	170 Y	LUGGAGE DOOR LOCK	259 A	WINDSHIELD HEATED	545	DDEC III-CRUISE RESUME SW
148	WORLD TRANSM-OUTPUT SPEED LO	170 Z	LUGGAGE DOOR LOCK	264	SPEED SIGNAL- AUX. FAN UNIT	555	DDEC III-FAN CLUTCH SPEED# 1
149	ABS SYSTEM	173	BACK-UP MONITOR	264 A	SPEED SIGNAL- AUX. FAN UNIT	556	DDEC III-VEHICLE SPEED (+)
149	WORLD TRANSM-TURBINE SPEED HI	174	BACK-UP MONITOR	264 B	SPEED SIGNAL- AUX. FAN UNIT	557	DDEC III-VEHICLE SPEED (-)
149 A	ABS SYSTEM	174 W	WORLD TRANSM	270	KEYLESS ENTRY SYSTEM	563	DDEC III-FAN CLUTCH SPEED# 2
150	DDEC III-ECM BATTERY GRD	175	BACK-UP MONITOR	272	KEYLESS ENTRY SYSTEM	564	DDEC III-DIGITAL OUTPUT
150	WORLD TRANSM-ENGINE SPEED LO	175 A	BACK-UP MONITOR	274	KEYLESS ENTRY SYSTEM	565	DDEC III-ENGINE BRAKE ACTIVE
150 A	DDEC III-ECM BATTERY GRD	175 AW	WORLD TRANSM	275	KEYLESS ENTRY SYSTEM	583	DDEC III-VEHICLE SPEED (-)
151	ABS SYSTEM	175 B	BACK-UP MONITOR	276	KEYLESS ENTRY SYSTEM	900	DDEC III-DATA LINK (+)
151	DDEC III-ECM BATTERY GRD	175 C	BACK-UP MONITOR	277	KEYLESS ENTRY SYSTEM	901	DDEC III-DATA LINK (-)
151	WORLD TRANSM-SERIAL COM. B	180	DRIVER'S SEAT HEATER	278	KEYLESS ENTRY SYSTEM	905	DDEC IV-AMBIANT AIR TEMPERATURE
152	ABS SYSTEM	180 A	DRIVER'S SEAT HEATER	279	KEYLESS ENTRY SYSTEM	908	DDEC III-HYDRAULIC PWM#1 OUTPUT
153	WORLD TRANSM-SPARE INPUT (-)	180 B	CO-PILOT SEAT HEATER	280	KEYLESS ENTRY SYSTEM	916	DDEC III-SENSOR SUPPLY (5VDC)
154	ABS SYSTEM	180 C	CO-PILOT SEAT HEATER	283	KEYLESS ENTRY SYSTEM	952	DDEC III-SENSOR RETURN
154	WORLD TRANSM-ABS RET. INPUT	181 A	THERMOMETER INSIDE SENSOR	283 A	KEYLESS ENTRY SYSTEM	953	DDEC III-BATTERY GRD
155	WORLD TRANSM-SPARE INPUT (-)	181 B	THERMOMETER INSIDE SENSOR	284 A	KEYLESS ENTRY SYSTEM	976	DDEC IV-RELATIVE HUMIDITY
156	WORLD TRANSM-THROTTLE POS.	181 C	THERMOMETER OUTSIDE SENSOR	284 B	KEYLESS ENTRY SYSTEM	979	DDEC III-ENGINE BRAKE 2 CYL.
156 A	ABS SYSTEM	181 D	THERMOMETER OUTSIDE SENSOR	285	KEYLESS ENTRY SYSTEM		
157	WORLD TRANSM-SPEEDO SIGNAL	197	FUEL WATER FILTER	285 B	KEYLESS ENTRY SYSTEM		
157 B	ABS SYSTEM	197 A	FUEL WATER FILTER	285 C	KEYLESS ENTRY SYSTEM		
158	WORLD TRANSM-DIMMER	197 B	FUEL WATER FILTER	286	KEYLESS ENTRY SYSTEM		
160	ALARM & SIGNAL-TAG PRESS SW	198	FILTER FUEL HEATER	286 A	KEYLESS ENTRY SYSTEM		
160	WORLD TRANSM-SER. INTERFACE (-)	199	AIR FILTER RESTRICTION SENDER	290	FAN CLUTCH RADIATOR		
161	WORLD TRANSM-SIGNAL GRD	201	WORLD TRANSM-SPARE	290	FAN CLUTCH RADIATOR		
161 B	WORLD TRANSM-SIGNAL GRD	202	WORLD TRANSM-SPARE	291	FAN CLUTCH RADIATOR SPD 1		
162	WORLD TRANSM-PRESS. SW C3	203	WORLD TRANSM-SPARE	291	KEYLESS ENTRY SYSTEM		
163	WORLD TRANSM-RETARDER ENABLE	204	WORLD TRANSM-SPARE	292	FAN CLUTCH RADIATOR SPD 2		
164	WORLD TRANSM-RET. ACTUATOR SIGN	205	WORLD TRANSM-SPARE	293	KEYLESS ENTRY SYSTEM		
165	A/C & HEAT SYSTEM-TRANSMITER	206	WORLD TRANSM-SPARE	294	ANTI-THEFT SYSTEM KEYLESS		
165	WORLD TRANSM-OIL LEVEL SIGNAL	214	WORLD TRANSM-BACK UP SIGNAL	295	LED FEED ALARM -KEYLESS		
166 B	A/C & HEAT SYSTEM-EVAP. MOD.	216 B	24V SIGNAL AUX. LIQ. SOL. VALVE	416	DDEC IV-SENSOR SUPPLY 5VDC		
168	A/C & HEAT SYSTEM-HUMIDISTAT	216 C	12 V. TRIGGER AUX. A/C UNIT	417	DDEC III-LIMIT SPEED GOVERNOR		
168	WORLD TRANSM-SER. INTERFACE (+)	229	24 V. POWER AUX. A/C UNIT	419	DDEC III-CHECK ENGINE LIGHT		
168 A	A/C & HEAT SYSTEM-HUMIDISTAT	229 A	PWM SIGNAL - AUX. FAN UNIT	439	DDEC III-12V IGNITION		
170 C	LUGGAGE DOOR LOCK	231	NEUTRAL SIGNAL GRD	440	DDEC III-12V IGNITION		
170 D	LUGGAGE DOOR LOCK	231 A	NEUTRAL COIL RELAY FEED SIGNAL	440 A	DDEC III-12V IGNITION		
170 E	LUGGAGE DOOR LOCK	231 W	NEUTRAL SIGNAL GRD (WCL)	451	DDEC III-A/C FAN CLUTCH		
170 F	LUGGAGE DOOR LOCK	240	DDEC III-ECM 12V FEEDING	452	DDEC IV- SENSOR RETURN		
170 G	LUGGAGE DOOR LOCK	241	DDEC III-ECM 12V FEEDING	505	DDEC III-TACHOMETER DRIVE		
170 H	LUGGAGE DOOR LOCK	251	DDEC III - PRODRIVER 12V H.W.	509	DDEC III-STOP ENGINE LIGHT		
170 K	LUGGAGE DOOR LOCK	251 A	DDEC III -DATA LOGGER 12V H.W.	510	DDEC III-FAST IDLE SIGNAL		
170 L	LUGGAGE DOOR LOCK	257	WINDSHIELD HEATED	524	DDEC III-ENGINE BRAKE DISABLE		
170 M	LUGGAGE DOOR LOCK	257 A	WINDSHIELD HEATED	525	DDEC III-FAST IDLE SIGNAL		
170 N	LUGGAGE DOOR LOCK	257 B	WINDSHIELD HEATED	528	DDEC III-STOP ENG. OVERRIDE		
170 P	LUGGAGE DOOR LOCK	257 C	WINDSHIELD HEATED	531	DDEC III-CRUISE CLUTCH RELEASE		
170 R	LUGGAGE DOOR LOCK	257 D	WINDSHIELD HEATED SPARE	540	DDEC III-CRUISE ENABLE LTS.		
170 S	LUGGAGE DOOR LOCK	257 E	WINDSHIELD HEATED SPARE	541	DDEC III-CRUISE SET SW		
170 V	LUGGAGE DOOR LOCK	258	WINDSHIELD HEATED	542	INPUT PARK BRAKE INTERLOCK		
170 W	LUGGAGE DOOR LOCK	258 A	WINDSHIELD HEATED	543	DDEC III-CRUISE STOP SW CUT IN		

CIRCUIT NUMBER CODE

No.	DESCRIPTION	No.	DESCRIPTION	No.	DESCRIPTION	No.	DESCRIPTION
L 8	ENG. BLK HEATER	SP 94	SPARE-RJB TO RR ROOF	0 K	RS - RR ROOF ACCES. GRD	0 Y3	ABS SYSTEM GRD
L 9	ENG. BLK HEATER	SP 95	SPARE-RJB TO RR ROOF	0 K	RS - RJB A/C JCT PANEL GRD	0 Y4	ABS SYSTEM GRD
SP 2	SPARE-FJB TO FR SERV CPT	SP 96	SPARE-RJB TO LUGG CPT #2	0 L	FS - FR SERVICE CPT LTS GRD	0 Y5	
SP 3	SPARE-FJB TO CENTER DASH	SP 97	SPARE-RJB TO LUGG CPT #3	0 L1	FS - FR SERVICE CPT LTS GRD	0 Y6	
SP 4	SPARE-FJB TO CENTER DASH	SP 98	SPARE-RJB TO LUGG CPT #3	0 L2	FS - FR SERVICE CPT LTS GRD	0 Z	RR JCT BOX CPT GRD STUD
SP 5	SPARE-RJB TO LUGG CPT #2	SP 104	SPARE-RJB TO ENGINE CPT	0 L3	FS - FJB GRD	0 0	FJB & RJB BATT. GRD
SP 6	SPARE-RJB TO LUGG CPT #1	SP 105	SPARE-FJB TO ENGINE	0 L4	FS - FJB GRD	0 0 A	FBG - T.T.LT. MODULES BATT. GRD
SP 7	SPARE-RJB TO LUGG CPT #1	SP 106	SPARE-RJB TO BATT. CPT.	0 L5	FS - CIGAR LIGHTER	0 0 Y	FS - ABS MODULE BATT. GRD
SP 8	SPARE-RJB TO LUGG CPT #1	SP 107	SPARE-RJB TO BATT. CPT.	0 L6	FS - FR SERVICE CPT LTS GRD	0 0 SS	SOUND SYSTEM BATT. GRD
SP 9	SPARE-RJB TO LUGG CPT #2	SP 108	SPARE-RJB TO BATT. CPT.	0 L	RS - ENGINE CPT ACCES. GRD	1	TACHO SYSTEM - RPM SIGNAL +
SP 10	SPARE-RJB TO LUGG CPT #1	SP 109	SPARE-RJB TO ENGINE CPT.	0 L	ENTRANCE DOOR GRD	2 B	A/C & HEAT SYSTEM-COOL SIGN
SP 11	SPARE-FJB TO RJB	SP 110	SPARE-RJB TO ENGINE CPT.	0 LH	RS - RR END LAMPS LH GRD	2 E	A/C & HEAT EVAP. CONTROL
SP 12	SPARE-RJB TO ENGINE	SP 111	SPARE-RJB TO ENGINE CPT.	0 M	FS - ELECTRICAL MOTOR GRD	2 F	A/C & HEAT EVAP. CONTROL
SP 13	SPARE-RJB TO ENGINE	SP 112	SPARE-RJB TO ENGINE CPT.	0 M3	FS - ELECTRICAL MOTOR GRD	5 NC	SPEED SIGNAL LOWER 5MPH
SP 14	SPARE-FJB TO RJB	SP 114	SPARE-FJB TO U/DASH WIPER	0 M4	FS - ELECTRICAL MOTOR GRD	5 NO	SPEED SIGNAL HIGHER 5MPH
SP 15	SPARE-RJB TO ENGINE	SP 115	SPARE-FJB TO U/DASH WIPER	0 M5	FS - ELECTRICAL MOTOR GRD	9	INTERIOR LTS-ENGINE CPT
SP 16	SPARE-RJB TO ENGINE	SP 116	SPARE-RJB TO U/DASH FLOOR	0 M6	FS - FJB GRD	9 A	INTERIOR LTS-ENGINE CPT
SP 17	SPARE-RJB TO ENGINE	SP 117	SPARE-FJB TO U/DASH FLOOR	0 M7	FS - ELECTRICAL MOTOR GRD	9 B	INTERIOR LTS-ENGINE CPT
SP 18	SPARE-FJB TO RJB	W C	A/C & HEAT SYST-EVAP CTR SIGN	0 M8	FS - AUX. A/C UNIT	9 E	INTERIOR LTS-FR SERVICE CPT
SP 24	SPARE-RJB TO LAVATORY ROOF	0	RJB - BAT. CPT CHASSIS GRD	0 M9	FS - WATER PUMP DRIVER	9 F	INTERIOR LTS-FR SERVICE CPT
SP 25	SPARE-RJB TO LAVATORY ROOF	0	CONDENSER CPT GRD	0 M	RS - ENGINE CPT ACCES. GRD	10	INTERIOR LTS-LUGGAGE CPT
SP 26	SPARE-RJB TO LAVATORY ROOF	0	RS - RR JCT BOX RLY GRD	0 MR	24V DISC. SW. RLY GRD SIGNAL	10 A	INTERIOR LTS-LUGGAGE CPT
SP 27	SPARE-RJB TO LH HAT RACK	0 A	RJB - SHIELD GRD	0 MS	24V DISC. SW. RLY GRD SIGNAL	10 B	INTERIOR LTS-LUGGAGE CPT
SP 28	SPARE-RJB TO LH HAT RACK	0 A	RS - RR JCT BOX RLY GRD	0 N	RS - ENGINE CPT ACCES. GRD	10 C	INTERIOR LTS-LUGGAGE CPT
SP 31	SPARE-RJB TO RH HAT RACK	0 A	FRS - FR ROOF ACCES. GRD	0 P	RS - ENGINE CPT ACCES. GRD	10 D	INTERIOR LTS-LUGGAGE CPT
SP 32	SPARE-RJB TO RH HAT RACK	0 A	RS - LUG. CPT ACCES. GRD	0 R	RS - RJB GRD	10 E	INTERIOR LTS-EVAP. CPT
SP 33	SPARE-FJB TO RJB	0 A	A/C HEAT SYSTEM - EVAP. GRD	0 R	RS - ENGINE CPT ACCES. GRD	10 F	INTERIOR LTS-LUGGAGE CPT
SP 38	SPARE-FJB TO RJB	0 AA	RS - VOLTAGE REGULATOR GRD	0 RH	RS - RR END LAMPS RH GRD	10 H	INTERIOR LTS-LUGGAGE CPT
SP 43	SPARE-FJB TO RJB	0 B1	EC - RR JCT PANNEL GRD	0 S	12 VOLT RUN- GND RLY	10 R	INTERIOR LTS-LUGGAGE DOOR AJAR
SP 45	SPARE-FJB TO RJB	0 B	EC - ENGINE GRD	0 SA	ENGINE CPT STUD-ALTERN. BOSCH	12	12V BAT ELECTRONIC JCT BLOCK
SP 46	SPARE-RJB TO LH FR ROOF	0 B	FRS - FR ROOF HEAT WIND GRD	0 T	FS - DASH ACCES. GRD	12	BAT CPT 12V BATTERY
SP 48	SPARE-RJB TO DASH CENTER PANEL	0 B	RS - LUG. CPT ACCES. GRD	0 T1	FS - DASH ACCES. GRD	12 A	FR JCT BOX 12V DISC SW
SP 56	SPARE-ENGINE TO RH SW PANEL	0 BE	RJB - BAT. EQUAL. BAT GRD	0 T2	FS - DASH ACCES. GRD	12 A	RR JCT BOX 12V DISC SW
SP 57	SPARE-DASH CENTER PANEL TO ENG.	0 C	EC - STARTER MOTOR GRD	0 T3	FS - DASH ACCES. GRD	12 B	12V BAT ELECTRICAL JCT BLOCK
SP 58	SPARE-DASH CENTER PANEL TO ENG.	0 C	FS - SERV. CPT ACCES. GRD	0 T4	FS - DASH ACCES. GRD	12 B	RR JCT BOX 12V DISC SW
SP 59	SPARE-FJB TO ENGINE	0 C	RJB - FAN EVAP & CONDENSER GRD	0 T5	FS - HVAC DASH MODULE. GRD	12 B	FR JCT BOX 12V DISC SW
SP 61	SPARE-FJB TO DASH RH PANEL	0 CR	24V DISC. SW. RLY GRD SIGNAL	0 T6	FS - DASH ACCES. GRD	12 BE	BAT. EQUALIZER MONITOR
SP 68	SPARE-FJB TO ENGINE	0 CS	24V DISC. SW. RLY GRD SIGNAL	0 T7	FS - DDR GROUND	12 C	FR JCT BOX 12V DISC SW
SP 69	SPARE-FJB TO FR AXLE	0 C1	FS - SERV. CPT ACCES. GRD	0 V	RR JCT BOX CPT GRD STUD	12 C	RR JCT BOX 12V DISC SW
SP 70	SPARE-FJB TO FR AXLE	0 C2	FS - SERV. CPT ACCES. GRD	0 VA	BATTERY TO EQUALISER 0V	12 D	BAT CPT 12V BATTERY
SP 71	SPARE-FJB TO RH SW PANEL	0 C3	FS - SERV. CPT ACCES. GRD	0 W	FS - WT GND & SHIELD	12 DA	12V IGNITION DISTRIBUTION
SP 72	SPARE-FJB TO FR SERV CPT	0 C4	FS - FJB. CPT ACCES. GRD	0 AW	FS - AWNING WINDOWS	12 DT	TTLT MODULE
SP 74	SPARE-FJB TO LH CONSOLE	0 D	RJB - FAN CONDENSER GRD	0 W	RS - RR JCT BOX (WCL) GRD	12 E	FR JCT BOX 12V DISC SW
SP 77	SPARE-FJB TO EVAPORATOR CPT	0 D	RJB - IGNITION RLY	0 WC	RS - RR JCT BOX GRD (WCL)	12 E	RR JCT BOX 12V DISC SW
SP 78	SPARE-FJB TO CONDENSER CPT	0 D	RS - HAT RACK ACCES. LH GRD	0 X A	RS - RR JCT BOX GRD (A/C COMP)	12 F	BAT CPT 12V FJB & IC
SP 79	SPARE-FJB TO CONDENSER CPT	0 DF	RS - RR SIDE FLASH & MARK GRD	0 X	RS - RR JCT BOX GRD	12 F	FR JCT BOX 12V DISC SW
SP 87	SPARE-RJB TO LH HAT RACK	0 DG	EC- ALTERNATOR CASING GRD	0 Y	ABS FR JCT BOX CPT GRD STUD	12 F	RR JCT BOX 12V DISC SW
SP 88	SPARE-RJB TO RH HAT RACK	0 DR	RS - RJB DOCKING LT RESISTORS	0 Y	RR JCT BOX GRD	12 G	FR JCT BOX 12V DISC SW
SP 92	SPARE-RJB TO CONDENSER CPT	0 J	FS - LH CONSOLE SW GRD	0 Y1	ABS SYSTEM GRD	12 J	FR JCT BOX 12V DISC SW
SP 93	SPARE-RJB TO EVAPORATOR CPT	0 J	RS - RR ROOF ACCES. GRD	0 Y2	ABS SYSTEM GRD	12 K	HVAC MODULE

CIRCUIT NUMBER CODE

No.	DESCRIPTION	No.	DESCRIPTION	No.	DESCRIPTION	No.	DESCRIPTION
12 I	12V IGNITION DISTRIBUTION	23 K	EXTERIOR LTS-DOCKINK SW	25 A	NOT ALTERNATOR #1-WARNING LT	42 A	A/C & HEAT SYSTEM-COND FAN MOT
12 I	RR JCT BOX 12V IGNITION	23 N	EXTERIOR LTS-CORNERING RH	25 A1	24 VOLTS EXCITING SIGNAL - ALT. #1	44	EXTERIOR LTS-FOG
12 IA	12V IGNITION DISTRIBUTION	23 P	EXTERIOR LTS-CORNERING RH	25 A2	24 VOLTS EXCITING SIGNAL - ALT. #2	44 A	EXTERIOR LTS-FOG
12 IA	FR JCT BOX 12V IGNITION	24	BAT CPT 24V BATTERY	25 A3	24 V. SIGNAL ALT#1 OR ALT. #2 RUN	44 B	EXTERIOR LTS-FOG
12 IB	FR JCT BOX 12V IGNITION	24	FR JCT BOX 24V DISC SW	25 F	12V IGNITION DISTRIBUTION	44 C	EXTERIOR LTS-FOG & HAZARD
12 IE	ABS - FR JCT BOX 12V IGNITION	24 A	BOOSTER BLOCK 24V DISC SW	25 B	EXTERIOR LTS-DAYTIME RUN LTS	45 A	WATER PUMP SIGNAL
12 LX	CLUSTER FEED	24 A	FR JCT BOX 24V DISC SW	25 B	12 V. IGN. ALTERNATOR BOSCH	45 B	A/C & HEAT SYSTEM-HEAT SIGN
12 IF	FR JCT BOX 12V IGNITION	24 A	RR JCT BOX 24V DISC SW	25 C	12 V. SIGNAL ALT.#1 AND ALT.#2 RUN	45 D	A/C & HEAT SYSTEM-WATER VALVE
12 M	ABS - FR JCT BOX 12V DISC. SW.	24 AW	24V HOT WIRE - AWINING WINDOWS	25 D	12 V. SIGNAL ALT.#1 AND ALT.#2 RUN	45 E	A/C & HEAT SYSTEM-HEAT 1 SIGN
12 P	LH CONSOLE POWER OUTLET	24 B	24V STARTER RLY FEEDING	25 E	24V DELCO SIGNAL ENGINE RUN	45 G	A/C & HEAT SYSTEM-DRIVER'S HTR
12 R	BAT CPT 12V DISC RLY TO RJB	24 B	FR JCT BOX 24V DISC SW	25 H	24 V. IGN. ALTERNATOR BOSCH	45 H	A/C & HEAT SYSTEM-DRIVER'S HTR
12 V	RR JCT BOX 12V DISC SW	24 BA	RR JCT BOX 24V DISC SW	25 K	NOT ALTERNATOR #2-WARNING LT	45 J	A/C & HEAT SYSTEM-DRIVER'S HTR
12 VA	BATTERY TO EQUALIZER 12V	24 BE	RJB CPT-BAT EQ MONITOR HOT WIRE	26	CIGAR LIGHTER	45 W	A/C & HEAT SYSTEM-COND. DOOR AJAR
12 VD	12V HOT WIRE DISTRIBUTION	24 C	FR JCT BOX 24V DISC SW	26	DRIVER'S WINDOW LIFTER	46	EXTERIOR LTS-MARKER
12 VF	BAT CPT 12V FJB & IC	24 C	RR JCT BOX 24V DISC SW	26 B	DRIVER'S WINDOW LIFTER	46 A	EXTERIOR LTS-MARKER
12 VI	12V IGNITION DISTRIBUTION	24 D	BAT CPT 24V HOT WIRE	26 C	DRIVER'S WINDOW LIFTER	46 B	EXTERIOR LTS-MARKER
12 VR	BAT CPT 12V DISC RLY TO RJB	24 D	FR JCT BOX 24V HOT WIRE	27	PARKING BRAKE SONALERT	46 B	EXTERIOR LTS-MARKER
12 W	12V BATTERY DDEC III	24 D	RR JCT BOX 24V HOT WIRE	27 A	PARKING BRAKE SONALERT	46 C	EXTERIOR LTS-MARKER
12 X	FR JCT BOX 12V DISC SW	24 DA	A/C JCT BOX 24V HOT WIRE	28 A	A/C & HEAT SYSTEM-HI PRESSURE	47	A/C & HEAT SYSTEM-DRIVER'S HTR
12 X2	FR JCT BOX 12V DISC SW	24 E	BAT CPT 24V DISC SW	28 H	TTLT HI LO PRESS	52	ALARM & SIGNAL-ELEC. HORN
12 Y	FR JCT BOX 12V DISC SW	24 E	FR JCT BOX 24V DISC SW	28 T	TTLT HI LO PRESS	52 A	ALARM & SIGNAL-ELEC. HORN
13 A	ALARM & SIGNAL-LO AIR PRIM.	24 E	RR JCT BOX 24V DISC SW	29	A/C & HEAT SYSTEM-DRIVER'S HTR	52 B	ALARM & SIGNAL-AIR HORN
13 B	ALARM & SIGNAL-LO AIR SEC.	24 F	FR JCT BOX 24V DISC SW	29 A	A/C & HEAT SYSTEM-DRIVER'S HTR	52 C	ALARM & SIGNAL-AIR HORN
15	EXTERIOR LTS-MULTI FUNC LEVEL	24 F	RR JCT BOX 24V DISC SW	29 H	HVAC DASH MODULE	53	ALARM & SIGNAL-ELEC. HORN
15 A	WIPER & WASHER UPPER WINDSHIELD	24 G	FR JCT BOX 24V DISC SW	29 B	A/C & HEAT SYSTEM-DRIVER'S HTR	53 A	WIPER & WASHER SYSTEM
16	SPEED - SIGNAL +	24 G	RR JCT BOX 24V DISC SW	31 A	A/C & HEAT SYSTEM-UNLOADER	53 B	WIPER & WASHER SYSTEM
16 A	SPEED - SIGNAL +	24 H	FR JCT BOX 24V DISC SW	31 B	A/C & HEAT SYSTEM-UNLOADER	53 C	WIPER & WASHER SYSTEM
16 T	SPEED - SIGNAL +	24 H	RR JCT BOX 24V DISC SW	31 B	WIPER & WASHER SYSTEM	53 E	WIPER & WASHER SYSTEM
17	EXTERIOR LTS-FLASHER UNIT	24 I	FR JCT BOX 24V IGNITION	31 C	WIPER & WASHER SYSTEM	53 J	WIPER & WASHER SYSTEM
17 A	EXTERIOR LTS-FLASHER UNIT	24 I	RR JCT BOX 24V IGNITION	31 D	WIPER & WASHER SYSTEM	53 K	KEYLESS
19	DIFFERENTIAL OIL TEMP	24 IA	FR JCT BOX 24V IGNITION	31 E	WIPER & WASHER SYSTEM	55	EXTERIOR LTS-HI BEAM
20	SPEED - SIGNAL -	24 IA	RR JCT BOX 24V IGNITION	31 J	WIPER & WASHER SYSTEM	57	EXTERIOR LTS-HI BEAM
20 T	SPEED - SIGNAL -	24 IB	FR JCT BOX 24V IGNITION	31 X	WIPER & WASHER SYSTEM	57 A	A/C & HEAT SYSTEM-WATER PUMP
20 W	SPEED - SIGNAL -	24 IB	RR JCT BOX 24V IGNITION	32	EXTERIOR LTS-BACK-UP	57 A	EXTERIOR LTS-HI BEAM
21	EXTERIOR LTS-DIRECTIONNAL LH	24 IF	FJB 24V IGNITION	32 B	EXTERIOR LTS-BACK-UP	57 B	A/C & HEAT SYSTEM-WATER PUMP
21 A	EXTERIOR LTS-DIRECTIONNAL LH	24 IC	FR JCT BOX 24V IGNITION	32 C	BACK-UP PWR & SIGNAL	57 C	PRE-HEAT WATER HEATER
21 B	EXTERIOR LTS-HAZARD	24 P	FR JCT BOX 24V DISC SW	32 D	BACK-UP ALARM	57 CA	A/C & HEAT SYSTEM-HEAT SIGN
21 C	EXTERIOR LTS-CORNERING LH	24 S	24V DISC SW RLY SIGNAL	35	ENTRANCE DOOR	57 CC	A/C & HEAT SYSTEM-HEAT SIGN
21 D	EXTERIOR LTS-DIRECTIONNAL LH	24 T	RR JCT BOX 24V DISC SW	35 B	ENTRANCE DOOR	57 E	A/C & HEAT SYSTEM-HEAT SIGN
21 H	EXTERIOR LTS-DIRECTIONNAL LH	24 V2	RR JCT BOX 24V DISC SW	36	JACOB BRAKE SYSREM	58	EXTERIOR LTS-LO BEAM
21 K	EXTERIOR LTS-CORNERING	24 V3	RR JCT BOX 24V DISC SW	36 A	JACOB BRAKE SYSREM	58 A	EXTERIOR LTS-LO BEAM
21 N	EXTERIOR LTS-CORNERING LH	24 V4	RR JCT BOX 24V DISC SW	39	INTERIOR LTS-12V RH PANEL SW.	58 B	EXTERIOR LTS-LO BEAM
21 P	EXTERIOR LTS-CORNERING LH	24 V5	RR JCT BOX 24V DISC SW	39 A	INTERIOR LTS-DRIVER'S LTS	58 C	DAYTIME RUNNING LIGHT
22	LATCHING RLY.	24 VD	24V HOT WIRE DISTRIBUTION	39 B	DRIVER'S LTS KEYLESS	58 D	DAYTIME RUNNING LIGHT
23	EXTERIOR LTS-DIRECTIONNAL RH	24 VF	BAT CPT 24V SW TO FJB & IC	39 K	DRIVER'S LTS KEYLESS	58 E	EXTERIOR LTS-LO BEAM
23	EXTERIOR LTS-DIRECTIONNAL RH	24 VA	BATTERY TO EQUALIZER 24V	41	A/C & HEAT SYSTEM-COND FAN MOT	59 A	JACOB BRAKE SYSTEM
23 A	EXTERIOR LTS-DIRECTIONNAL RH	24 VI	RR JCT BOX 24V IGNITION	41 A	A/C & HEAT SYSTEM-COND FAN MOT	61	EXTERIOR LTS-24V FEED SW
23 B	EXTERIOR LTS-DIRECTIONNAL RH	24 VR	BAT CPT 24V DISC SW TO RJB	41 B	A/C & HEAT SYSTEM-COND FAN MOT	61 A	EXTERIOR LTS-HEAD SIGNAL
23 C	EXTERIOR LTS-CORNERING RH	25	12VAC GEN RLY ON SIGNAL	42	A/C & HEAT SYSTEM-COND FAN MOT	63	EXTERIOR LTS-CLEARANCE
23 D	EXTERIOR LTS-DIRECTIONNAL RH	25 A	ETHER SWITCH	43	A/C & HEAT SYSTEM-COND FAN MOT	63 A	EXTERIOR LTS-CLEARANCE

CIRCUIT NUMBER CODE

No.	DESCRIPTION	No.	DESCRIPTION	No.	DESCRIPTION	No.	DESCRIPTION
63 B	EXTERIOR LTS-CLEARANCE	85 C	PARKING BRAKE SWITCH	114 B	INTERIOR LTS-DASH LT REGUL.	132 D	LEVEL LOW SYSTEM
63 C	EXTERIOR LTS-MARKER SIGNAL	85 E	STOP LIGHT RLY.	114 D	INTERIOR LTS-DASH LT REGUL.	132 E	LEVEL LOW SYSTEM
63 D	EXTERIOR LTS-MARKER & TAIL	85 F	ENGINE CTR-ENGINE CTR SW IGN	114 E	INTERIOR LTS-DASH LT REGUL.	132 F	LEVEL LOW SYSTEM
63 E	EXTERIOR LTS-CLEARANCE	85 F	LO AIR SONALERT	115	ALARM & SIGNAL-TAG PRESS	132 G	LEVEL LOW SYSTEM
63 F	EXTERIOR LTS-MARKER BLINKER	85 G	TIME DELAY RF3	115	DDEC III-COOLANT LEVEL	132 H	LEVEL LOW SYSTEM
63 H	EXTERIOR LTS-TAIL	85 X	12V IGN ABS	115	WORLD TRANSM-DO NOT SHIFT SIGN	132 J	LEVEL LOW SYSTEM
64	DRIVER'S FAN	85 Y	ABS SYSTEM	115 C	DDEC III-COOLANT LEVEL	132 K	LEVEL LOW SYSTEM
64 B	DRIVER'S FAN	85 Z	TRAILER ABS SYSTEM	115 W	WORLD TRANSM-DO NOT SHIFT SIGN	132 W	WORLD TRANSM-ENG BRK OUTPUT (-)
64 C	DRIVER'S FAN	86	ENGINE CTR-STARTER SOL SIGN	116	WORLD TRANSM-LO SIGNAL SOL. HI	133	WORLD TRANSM-RET. ACTUATOR HI
65	FOOT DAMPER MOTOR	86 A	ENGINE CTR-STARTER SOL SIGN	116 B	A/C & HEAT SYSTEM-DRIVER'S HTR	134	WORLD TRANSM-RET. APPLY SOL. HI
65 A	FOOT DAMPER MOTOR	86 T	ENGINE CTR-STARTER SOL SIGN	117	WORLD TRANSM-SPARE INPUT (-)	135	A/C & HEAT SYSTEM-AIR SENSOR
65 P	AUX. LIQ.SOL.VALVE	88	ENGINE CTR-RR START SIGNAL	117 A	ALARM & SIGNAL-TRANSM OIL TEMP	135	WORLD TRANSM-ANALOG GRD
65 D	DRIVER'S REC. DAMPER	89	ENGINE CTR-RR START SIGNAL	117 A	ALARM & SIGNAL-TRANSM OIL TEMP	135 A	A/C & HEAT SYSTEM-AIR SENSOR
66	O_PASS. ON/OFF	90 B	A/C & HEAT SYSTEM-COND FAN MOT	118	WORLD TRANSM-SPARE INPUT (+)	135 D	WORLD TRANSM-RETARDER RES MOD
67	A/C & HEAT SYSTEM	90 B	ENGINE CTR-MAST KEY SW FEED	119	WORLD TRANSM-ENG BRK INPUT (+)	135 C	WORLD TRANSM-RETARDER TEMP
67 A	A/C & HEAT SYSTEM	90 C	A/C & HEAT SYSTEM-COND FAN MOT	120	WORLD TRANSM-SOL. C1	136	WORLD TRANSM-ECU POWER
67 C	HEAT WINDS.	90 F	CHARG SYST-VOLTAGE REGUL. "B"	121	WORLD TRANSM-SOL. GRD 2	136 V	WORLD TRANSM-12V BATTERY
67 K	A/C & HEAT SYSTEM-COND FAN CTR	90 H	A/C & HEAT SYSTEM-EVAP FAN MOT	122	A/C & HEAT SYSTEM-DRIVER'S HTR	136 W	WORLD TRANSM-12V BATTERY
67 L	A/C & HEAT SYSTEM-COND FAN CTR	91	PARKING BRAKE SW SIGNAL	122	A/C & HEAT SYSTEM-FRESH AIR	136 X	WORLD TRANSM-12V BATTERY
67 X	A/C & HEAT SYSTEM	91 A	DDEC-FAST IDLE SIGNAL	122	WORLD TRANSM-SOL. GRD 4	137	WORLD TRANSM-RETARDER
68	DASH & DEFROST DAMPER MOTOR	91 S	SONALERT PARKING BRAKE	122 A	A/C & HEAT SYSTEM-FRESH AIR	137 A	MIRROR (SPARTAN & RAMCO)
68 A	DASH & DEFROST DAMPER MOTOR	91 W	PARK, BRAKE SW SIGN (WCL)	123	WORLD TRANSM-NEUTRAL START	137 B	RR VIEW MIRROR (SPARTAN)
70	INTERIOR LTS-HAT RACK & RR RUN.	92	BATTERY EQUALIZER-CHECK BALANCE	123 A	ALARM & SIGNAL-FIRE DETECTOR	137 C	RR VIEW MIRROR (SPARTAN)
72	SUN VISOR-FEEDING	93	BATTERY EQUALIZER-CHECK LO/HI	123 B	ALARM & SIGNAL-FIRE DETECTOR	137 D	RR VIEW MIRROR (SPARTAN)
72 A	SUN VISOR-RH	95 A	ENGINE BRAKE & RETARDER SYSTEM	124	WORLD TRANSM-THROTTLE (HI)	137 E	RR VIEW MIRROR (SPARTAN)
72 B	SUN VISOR-RH	97	TACHOMETER (-)	125	WORLD TRANSM-RET. INDICATOR	137 G	RR VIEW MIRROR (SPARTAN)
72 C	SUN VISOR-LH	101	24V STARTER SOL FEEDING	125 W	WORLD TRANSM-RET. INDICATOR	138	ABS SYSTEM
72 D	SUN VISOR-LH	101	WORLD TRANSM-LO SIGN SOL. LO	126	LEVEL LOW SYSTEM	138	WORLD TRANSM-RETARDER TEMP
76	FUEL TANK GAUGE	102	24V STARTER TO GENERATOR DELCO	126	WORLD TRANSM-LUBE PRESS SW.	138 A	ABS SYSTEM
76 B	LOW FUEL LT & ETHER COLD START	102	WORLD TRANSM-SOL. GRD 1	127	WORLD TRANSM-LUBE PRESS SW.	139	ABS SYSTEM
76 C	LOW FUEL LT	102	WORLD TRANSM-SOL. C3	127	PRE-HEAT WATER HEATER	139	WORLD TRANSM-OUTPUT SPEED HI
76 P	FUEL PRIME PUMP	102 A	24V STARTER TO GENERATOR BOSCH	127 A	PRE-HEAT WATER HEATER	140	ABS SYSTEM
76 M	FUEL PRIME PUMP	104	WORLD TRANSM-SOL. FORWARD	127 B	PRE-HEAT WATER HEATER	140	WORLD TRANSM-OUTPUT SPEED LO
77 B	A/C & HEAT SYSTEM-COMPRESSOR	104	LEVEL LOW SYSTEM	127	WORLD TRANSM-RETARDER FEED SOL.	141	ABS SYSTEM
77 C	A/C & HEAT SYSTEM-COMPRESSOR	105	WORLD TRANSM-RETARDER & SUMP	127 S	PRE-HEAT WATER HEATER	141	WORLD TRANSM-ENGINE SPEED HI
77 H	A/C & HEAT SYSTEM-COMPRESSOR	105 W	WORLD TRANSM-RETARDER & SUMP	127 W	PRE-HEAT WATER HEATER	142	ABS SYSTEM
77 K	GRD SIGNAL-COMPRESSOR CUT-OUT	106	WORLD TRANSM-OIL LEVEL HI	128	PRE-HEAT WATER HEATER	142	WORLD TRANSM-SERIAL COM. A
81	EXTERIOR LTS-STOP SW	107	CHARG SYST-VOLTAGE REGUL. "F"	128 A	PRE-HEAT WATER HEATER	143	ABS SYSTEM
82	EXTERIOR LTS-STOP SIGNAL	107	WORLD TRANSM-LOCKUP SOL. HI	128 B	PRE-HEAT WATER HEATER	143	WORLD TRANSM-ECU BATTERY GRD
82 A	EXTERIOR LTS-STOP SIGNAL	108	WORLD TRANSM-REM. PWR WAKE UP	128 W	PRE-HEAT WATER HEATER	143 A	ABS SYSTEM
82 B	EXTERIOR LTS-STOP LTS	109	WORLD TRANSM-RET. SOL. LO	128	WORLD TRANSM-SOL. C2	143 W	WORLD TRANSM-BATTERY GRD
82 K	EXTERIOR LTS-STOP PARK BRK	110	ALARM & SIGNAL-WATER TEMP	129	PRE-HEAT WATER HEATER	143 X	WORLD TRANSM-BATTERY GRD
82 L	EXTERIOR LTS-LH STOP	110	WORLD TRANSM-LOCKUP SOL. LO	129	WORLD TRANSM-SOL. C5	144	ABS SYSTEM
82 R	EXTERIOR LTS-LH STOP	111	WORLD TRANSM-SOL. C6	130	A/C HEAT SYSTEM-EVAP FAN MOT	144	WORLD TRANSM-ECU CHASSIS GRD
83	ENGINE CTR-KEY SW ACCES SIGN	112	WORLD TRANSM-SPARE OUTPUT (+)	130	WORLD TRANSM-SOL. GRD 3	144 A	ABS SYSTEM
84	ENGINE CTR-KEY SW ACCES SIGN	113	ALARM & SIGNAL-OIL PRESS	131	WORLD TRANSM-SOL. C4	145	ABS SYSTEM
85	ENGINE CTR-KEY SWIGNITION SIGN	113	WORLD TRANSM-REVERSE WARNING	132	WORLD TRANSM-ENG BRK OUTPUT (-)	146	ABS SYSTEM
85	24V IGNITION SIGNAL	114	INTERIOR LTS-DASH LT REGUL.	132 A	LEVEL LOW SYSTEM	146	WORLD TRANSM-IGNITION SENSE
85 A	24V IGN DASH INSTRUMENTATION	114	WORLD TRANSM-SPARE OUTPUT (-)	132 B	LEVEL LOW SYSTEM	146 A A	DDR CONNECTOR POWER
85 B	ENGINE CTR-24V IGNITION	114 A	INTERIOR LTS-DASH LT	132 C	LEVEL LOW SYSTEM	146 W	WORLD TRANSM-12V IGNITION

CIRCUIT NUMBER CODE

No.	DESCRIPTION	No.	DESCRIPTION	No.	DESCRIPTION	No.	DESCRIPTION
146 X	WORLD TRANSM-12V IGNITION	170 R	LUGGAGE DOOR LOCK	257 D	WINDSHIELD HEATED SPARE	540	DDEC -CRUISE ENABLE LTS.
147	ABS SYSTEM	170 S	LUGGAGE DOOR LOCK	257 E	WINDSHIELD HEATED SPARE	541	DDEC -CRUISE SET SW
147	ETHER COLD START	170 V	LUGGAGE DOOR LOCK	258	WINDSHIELD HEATED	542	INPUT PARK BRAKE INTERLOCK
147	WORLD TRANSM-OIL TEMP	170 W	LUGGAGE DOOR LOCK	258 A	WINDSHIELD HEATED	543	DDEC -CRUISE STOP SW CUT IN
147 C	ETHER COLD START	170 X	LUGGAGE DOOR LOCK	259	WINDSHIELD HEATED	544	DDEC -CRUISE ON/OFF SW
148	ABS SYSTEM	170 Y	LUGGAGE DOOR LOCK	259 A	WINDSHIELD HEATED	545	DDEC -CRUISE RESUME SW
148	WORLD TRANSM-OUTPUT SPEED LO	170 Z	LUGGAGE DOOR LOCK	264	SPEED SIGNAL- AUX. FAN UNIT	555	DDEC -FAN CLUTCH SPEED# 1
149	ABS SYSTEM	173	BACK-UP MONITOR	264 A	SPEED SIGNAL- AUX. FAN UNIT	556	DDEC -VEHICLE SPEED (+)
149	WORLD TRANSM-TURBINE SPEED HI	174	BACK-UP MONITOR	264 B	SPEED SIGNAL- AUX. FAN UNIT	557	DDEC -VEHICLE SPEED (-)
149 A	ABS SYSTEM	174 W	WORLD TRANSM	270	KEYLESS ENTRY SYSTEM	563	DDEC -FAN CLUTCH SPEED# 2
150	DDEC III-ECM BATTERY GRD	175	BACK-UP MONITOR	272	KEYLESS ENTRY SYSTEM	564	DDEC -DIGITAL OUTPUT
150	WORLD TRANSM-ENGINE SPEED LO	175 A	BACK-UP MONITOR	274	KEYLESS ENTRY SYSTEM	565	DDEC -ENGINE BRAKE ACTIVE
150 A	DDEC III-ECM BATTERY GRD	175 AW	WORLD TRANSM	275	KEYLESS ENTRY SYSTEM	583	DDEC -ENGINE BRAKE 4 CYL.
151	ABS SYSTEM	175 B	BACK-UP MONITOR	276	KEYLESS ENTRY SYSTEM	900	DDEC -DATA LINK (+)
151	DDEC III-ECM BATTERY GRD	175 C	BACK-UP MONITOR	277	KEYLESS ENTRY SYSTEM	901	DDEC -DATA LINK (-)
151	WORLD TRANSM-SERIAL COM. B	180	DRIVER'S SEAT HEATER	278	KEYLESS ENTRY SYSTEM	905	DDEC -AMBIANT AIR TEMPERATURE
152	ABS SYSTEM	180 A	DRIVER'S SEAT HEATER	279	KEYLESS ENTRY SYSTEM	908	DDEC -HYDRAULIC PWM#1 OUTPUT
153	WORLD TRANSM-SPARE INPUT (-)	180 B	CO-PILOT SEAT HEATER	280	KEYLESS ENTRY SYSTEM	916	DDEC -SENSOR SUPPLY (5VDC)
154	ABS SYSTEM	180 C	CO-PILOT SEAT HEATER	283	KEYLESS ENTRY SYSTEM	952	DDEC -SENSOR RETURN # 1
154	WORLD TRANSM-ABS RET. INPUT	181 A	THERMOMETER INSIDE SENSOR	283 A	KEYLESS ENTRY SYSTEM	953	DDEC -SENSOR RETURN # 2
155	WORLD TRANSM-SPARE INPUT (-)	181 B	THERMOMETER INSIDE SENSOR	284 A	KEYLESS ENTRY SYSTEM	976	DDEC -RELATIVE HUMIDITY
156	WORLD TRANSM-THROTTLE POS.	181 C	THERMOMETER OUTSIDE SENSOR	284 B	KEYLESS ENTRY SYSTEM	979	DDEC -ENGINE BRAKE 2 CYL.
156 A	ABS SYSTEM	181 D	THERMOMETER OUTSIDE SENSOR	285	KEYLESS ENTRY SYSTEM		
157	WORLD TRANSM-SPEEDO SIGNAL	197	FUEL WATER FILTER	285 B	KEYLESS ENTRY SYSTEM		
157 B	ABS SYSTEM	197 A	FUEL WATER FILTER	285 C	KEYLESS ENTRY SYSTEM		
158	WORLD TRANSM-DIMMER	197 B	FUEL WATER FILTER	286	KEYLESS ENTRY SYSTEM		
160	ALARM & SIGNAL-TAG PRESS SW	198	FILTER FUEL HEATER	286 A	KEYLESS ENTRY SYSTEM		
160	WORLD TRANSM-SER. INTERFACE (-)	199	AIR FILTER RESTRICTION SENDER	290	FAN CLUTCH RADIATOR		
161	WORLD TRANSM-SIGNAL GRD	201	WORLD TRANSM-SPARE	290	FAN CLUTCH RADIATOR		
161 B	WORLD TRANSM-SIGNAL GRD	202	WORLD TRANSM-SPARE	291	FAN CLUTCH RADIATOR SPD 1		
162	WORLD TRANSM-PRESS. SW C3	203	WORLD TRANSM-SPARE	291	KEYLESS ENTRY SYSTEM		
163	WORLD TRANSM-RETARDER ENABLE	204	WORLD TRANSM-SPARE	292	FAN CLUTCH RADIATOR SPD 2		
164	WORLD TRANSM-RET. ACTUATOR SIGN	205	WORLD TRANSM-SPARE	293	KEYLESS ENTRY SYSTEM		
165	A/C & HEAT SYSTEM-TRANSMITER	206	WORLD TRANSM-SPARE	294	ANTI-THEFT SYSTEM KEYLESS		
165	WORLD TRANSM-OIL LEVEL SIGNAL	214	WORLD TRANSM-BACK UP SIGNAL	295	LED FEED ALARM -KEYLESS		
166 B	A/C & HEAT SYSTEM-EVAP. MOD.	216 B	24V SIGNAL AUX. LIQ. SOL. VALVE	416	DDEC IV-SENSOR SUPPLY 5VDC		
168	A/C & HEAT SYSTEM-HUMIDISTAT	216 C	12 V. TRIGGER AUX. A/C UNIT	417	DDEC -LIMIT SPEED GOVERNOR		
168	WORLD TRANSM-SER. INTERFACE (+)	229	24 V. POWER AUX. A/C UNIT	419	DDEC -CHECK ENGINE LIGHT		
168 A	A/C & HEAT SYSTEM-HUMIDISTAT	229 A	PWM SIGNAL - AUX. FAN UNIT	439	DDEC -12V IGNITION		
170 C	LUGGAGE DOOR LOCK	231	NEUTRAL SIGNAL GRD	440	DDEC -12V IGNITION		
170 D	LUGGAGE DOOR LOCK	231 A	NEUTRAL COIL RELAY FEED SIGNAL	440 A	DDEC -12V IGNITION		
170 E	LUGGAGE DOOR LOCK	231 W	NEUTRAL SIGNAL GRD (WCL)	451	DDEC -A/C FAN CLUTCH		
170 F	LUGGAGE DOOR LOCK	240	DDEC -ECM 12V FEEDING	452	DDEC - SENSOR RETURN		
170 G	LUGGAGE DOOR LOCK	241	DDEC -ECM 12V FEEDING	505	DDEC -TACHOMETER DRIVE		
170 H	LUGGAGE DOOR LOCK	251	DDEC - PRODRIVER 12V H.W.	509	DDEC -STOP ENGINE LIGHT		
170 K	LUGGAGE DOOR LOCK	251 A	DDEC -DATA LOGGER 12V H.W.	510	DDEC -FAST IDLE SIGNAL		
170 L	LUGGAGE DOOR LOCK	257	WINDSHIELD HEATED	524	DDEC -ENGINE BRAKE DISABLE		
170 M	LUGGAGE DOOR LOCK	257 A	WINDSHIELD HEATED	525	DDEC -FAST IDLE SIGNAL		
170 N	LUGGAGE DOOR LOCK	257 B	WINDSHIELD HEATED	528	DDEC -STOP ENG. OVERRIDE		
170 P	LUGGAGE DOOR LOCK	257 C	WINDSHIELD HEATED	531	DDEC -CRUISE CLUTCH RELEASE		

CIRCUIT NUMBER CODE

No.	DESCRIPTION	No.	DESCRIPTION	No.	DESCRIPTION	No.	DESCRIPTION
L 8	ENG. BLK HEATER	SP 94	SPARE-RJB TO RR ROOF	0 K	RS - RR ROOF ACCES. GRD	0 Y3	ABS SYSTEM GRD
L 9	ENG. BLK HEATER	SP 95	SPARE-RJB TO RR ROOF	0 K	RS - RJB A/C JCT PANEL GRD	0 Y4	ABS SYSTEM GRD
SP 2	SPARE-FJB TO FR SERV CPT	SP 96	SPARE-RJB TO LUGG CPT #2	0 L	FS - FR SERVICE CPT LTS GRD	0 Y5	
SP 3	SPARE-FJB TO CENTER DASH	SP 97	SPARE-RJB TO LUGG CPT #3	0 L1	FS - FR SERVICE CPT LTS GRD	0 Y6	
SP 4	SPARE-FJB TO CENTER DASH	SP 98	SPARE-RJB TO LUGG CPT #3	0 L2	FS - FR SERVICE CPT LTS GRD	0 Z	RR JCT BOX CPT GRD STUD
SP 5	SPARE-RJB TO LUGG CPT #2	SP 104	SPARE-RJB TO ENGINE CPT	0 L3	FS - FJB GRD	0 0	FJB & RJB BATT. GRD
SP 6	SPARE-RJB TO LUGG CPT #1	SP 105	SPARE-FJB TO ENGINE	0 L4	FS - FJB GRD	0 0 A	FBG - T.T.LT. MODULES BATT. GRD
SP 7	SPARE-RJB TO LUGG CPT #1	SP 106	SPARE-RJB TO BATT. CPT.	0 L5	FS - CIGAR LIGHTER	0 0 Y	FS - ABS MODULLE BATT. GRD
SP 8	SPARE-RJB TO LUGG CPT #1	SP 107	SPARE-RJB TO BATT. CPT.	0 L6	FS - FR SERVICE CPT LTS GRD	0 0 SS	SOUND SYSTEM BATT. GRD
SP 9	SPARE-RJB TO LUGG CPT #2	SP 108	SPARE-RJB TO BATT. CPT.	0 L	RS - ENGINE CPT ACCES. GRD	1	TACHO SYSTEM - RPM SIGNAL +
SP 10	SPARE-RJB TO LUGG CPT #1	SP 109	SPARE-RJB TO ENGINE CPT.	0 L	ENTRANCE DOOR GRD	2 B	A/C & HEAT SYSTEM-COOL SIGN
SP 11	SPARE-FJB TO RJB	SP 110	SPARE-RJB TO ENGINE CPT.	0 LH	RS - RR END LAMPS LH GRD	2 E	A/C & HEAT EVAP. CONTROL
SP 12	SPARE-RJB TO ENGINE	SP 111	SPARE-RJB TO ENGINE CPT.	0 M	FS - ELECTRICAL MOTOR GRD	2 F	A/C & HEAT EVAP. CONTROL
SP 13	SPARE-RJB TO ENGINE	SP 112	SPARE-RJB TO ENGINE CPT.	0 M3	FS - ELECTRICAL MOTOR GRD	5 NC	SPEED SIGNAL LOWER 5MPH
SP 14	SPARE-FJB TO RJB	SP 114	SPARE-FJB TO U/DASH WIPER	0 M4	FS - ELECTRICAL MOTOR GRD	5 NO	SPEED SIGNAL HIGHER 5MPH
SP 15	SPARE-RJB TO ENGINE	SP 115	SPARE-FJB TO U/DASH WIPER	0 M5	FS - ELECTRICAL MOTOR GRD	9	INTERIOR LTS-ENGINE CPT
SP 16	SPARE-RJB TO ENGINE	SP 116	SPARE-RJB TO U/DASH FLOOR	0 M6	FS - FJB GRD	9 A	INTERIOR LTS-ENGINE CPT
SP 17	SPARE-RJB TO ENGINE	SP 117	SPARE-FJB TO U/DASH FLOOR	0 M7	FS - ELECTRICAL MOTOR GRD	9 B	INTERIOR LTS-ENGINE CPT
SP 18	SPARE-FJB TO RJB	W C	A/C & HEAT SYST-EVAP CTR SIGN	0 M8	FS - AUX. A/C UNIT	9 E	INTERIOR LTS-FR SERVICE CPT
SP 24	SPARE-RJB TO LAVATORY ROOF	0	RJB - BAT. CPT CHASSIS GRD	0 M9	FS - WATER PUMP DRIVER	9 F	INTERIOR LTS-FR SERVICE CPT
SP 25	SPARE-RJB TO LAVATORY ROOF	0	CONDENSER CPT GRD	0 M	RS - ENGINE CPT ACCES. GRD	10	INTERIOR LTS-LUGGAGE CPT
SP 26	SPARE-RJB TO LAVATORY ROOF	0	RS - RR JCT BOX RLY GRD	0 MR	24V DISC. SW. RLY GRD SIGNAL	10 A	INTERIOR LTS-LUGGAGE CPT
SP 27	SPARE-RJB TO LH HAT RACK	0 A	RJB - SHIELD GRD	0 MS	24V DISC. SW. RLY GRD SIGNAL	10 B	INTERIOR LTS-LUGGAGE CPT
SP 28	SPARE-RJB TO LH HAT RACK	0 A	RS - RR JCT BOX RLY GRD	0 N	RS - ENGINE CPT ACCES. GRD	10 C	INTERIOR LTS-LUGGAGE CPT
SP 31	SPARE-RJB TO RH HAT RACK	0 A	FRS - FR ROOF ACCES. GRD	0 P	RS - ENGINE CPT ACCES. GRD	10 D	INTERIOR LTS-LUGGAGE CPT
SP 32	SPARE-RJB TO RH HAT RACK	0 A	RS - LUG. CPT ACCES. GRD	0 R	RS - RJB GRD	10 E	INTERIOR LTS-EVAP. CPT
SP 33	SPARE-FJB TO RJB	0 A	A/C HEAT SYSTEM - EVAP. GRD	0 R	RS - ENGINE CPT ACCES. GRD	10 F	INTERIOR LTS-LUGGAGE CPT
SP 38	SPARE-FJB TO RJB	0 AA	RS - VOLTAGE REGULATOR GRD	0 RH	RS - RR END LAMPS RH GRD	10 H	INTERIOR LTS-LUGGAGE CPT
SP 43	SPARE-FJB TO RJB	0 B1	EC - RR JCT PANNEL GRD	0 S	12 VOLT RUN- GND RLY	10 R	INTERIOR LTS-LUGGAGE DOOR AJAR
SP 45	SPARE-FJB TO RJB	0 B	EC - ENGINE GRD	0 SA	ENGINE CPT STUD-ALTERN. BOSCH	12	12V BAT ELECTRONIC JCT BLOCK
SP 46	SPARE-RJB TO LH FR ROOF	0 B	FRS - FR ROOF HEAT WIND GRD	0 T	FS - DASH ACCES. GRD	12	BAT CPT 12V BATTERY
SP 48	SPARE-RJB TO DASH CENTER PANEL	0 B	RS - LUG. CPT ACCES. GRD	0 T1	FS - DASH ACCES. GRD	12 A	FR JCT BOX 12V DISC SW
SP 56	SPARE-ENGINE TO RH SW PANEL	0 BE	RJB - BAT. EQUAL. BAT GRD	0 T2	FS - DASH ACCES. GRD	12 A	RR JCT BOX 12V DISC SW
SP 57	SPARE-DASH CENTER PANEL TO ENG.	0 C	EC - STARTER MOTOR GRD	0 T3	FS - DASH ACCES. GRD	12 B	12V BAT ELECTRICAL JCT BLOCK
SP 58	SPARE-DASH CENTER PANEL TO ENG.	0 C	FS - SERV. CPT ACCES. GRD	0 T4	FS - DASH ACCES. GRD	12 B	RR JCT BOX 12V DISC SW
SP 59	SPARE-FJB TO ENGINE	0 C	RJB - FAN EVAP & CONDENSER GRD	0 T5	FS - HVAC DASH MODULE. GRD	12 B	FR JCT BOX 12V DISC SW
SP 61	SPARE-FJB TO DASH RH PANEL	0 CR	24V DISC. SW. RLY GRD SIGNAL	0 T6	FS - DASH ACCES. GRD	12 BE	BAT. EQUALIZER MONITOR
SP 68	SPARE-FJB TO ENGINE	0 CS	24V DISC. SW. RLY GRD SIGNAL	0 T7	FS - DDR GROUND	12 C	FR JCT BOX 12V DISC SW
SP 69	SPARE-FJB TO FR AXLE	0 C1	FS - SERV. CPT ACCES. GRD	0 V	RR JCT BOX CPT GRD STUD	12 C	RR JCT BOX 12V DISC SW
SP 70	SPARE-FJB TO FR AXLE	0 C2	FS - SERV. CPT ACCES. GRD	0 VA	BATTERY TO EQUALISER 0V	12 D	BAT CPT 12V BATTERY
SP 71	SPARE-FJB TO RH SW PANEL	0 C3	FS - SERV. CPT ACCES. GRD	0 W	FS - WT GND & SHIELD	12 DA	12V IGNITION DISTRIBUTION
SP 72	SPARE-FJB TO FR SERV CPT	0 C4	FS - FJB. CPT ACCES. GRD	0 AW	FS - AWNING WINDOWS	12 DT	TTLT MODULE
SP 74	SPARE-FJB TO LH CONSOLE	0 D	RJB - FAN CONDENSER GRD	0 W	RS - RR JCT BOX (WCL) GRD	12 E	FR JCT BOX 12V DISC SW
SP 77	SPARE-FJB TO EVAPORATOR CPT	0 D	RJB - IGNITION RLY	0 WC	RS - RR JCT BOX GRD (WCL)	12 E	RR JCT BOX 12V DISC SW
SP 78	SPARE-FJB TO CONDENSER CPT	0 D	RS - HAT RACK ACCES. LH GRD	0 X A	RS - RR JCT BOX GRD (A/C COMP)	12 F	BAT CPT 12V FJB & IC
SP 79	SPARE-FJB TO CONDENSER CPT	0 DF	RS - RR SIDE FLASH & MARK GRD	0 X	RS - RR JCT BOX GRD	12 F	FR JCT BOX 12V DISC SW
SP 87	SPARE-RJB TO LH HAT RACK	0 DG	EC- ALTERNATOR CASING GRD	0 Y	ABS FR JCT BOX CPT GRD STUD	12 F	RR JCT BOX 12V DISC SW
SP 88	SPARE-RJB TO RH HAT RACK	0 DR	RS - RJB DOCKING LT RESISTORS	0 Y	RR JCT BOX GRD	12 G	FR JCT BOX 12V DISC SW
SP 92	SPARE-RJB TO CONDENSER CPT	0 J	FS - LH CONSOLE SW GRD	0 Y1	ABS SYSTEM GRD	12 J	FR JCT BOX 12V DISC SW
SP 93	SPARE-RJB TO EVAPORATOR CPT	0 J	RS - RR ROOF ACCES. GRD	0 Y2	ABS SYSTEM GRD	12 K	HVAC MODULE

CIRCUIT NUMBER CODE

No.	DESCRIPTION	No.	DESCRIPTION	No.	DESCRIPTION	No.	DESCRIPTION
12 I	12V IGNITION DISTRIBUTION	23 K	EXTERIOR LTS-DOCKINK SW	25 A	NOT ALTERNATOR #1-WARNING LT	43	A/C & HEAT SYSTEM-COND FAN MOT
12 I	RR JCT BOX 12V IGNITION	23 N	EXTERIOR LTS-CORNERING RH	25 A1	24 VOLTS EXCITING SIGNAL - ALT. #1	42 A	A/C & HEAT SYSTEM-COND FAN MOT
12 IA	12V IGNITION DISTRIBUTION	23 P	EXTERIOR LTS-CORNERING RH	25 A2	24 VOLTS EXCITING SIGNAL - ALT. #2	44	EXTERIOR LTS-FOG
12 IA	FR JCT BOX 12V IGNITION	24	BAT CPT 24V BATTERY	25 A3	24 V. SIGNAL ALT#1 OR ALT. #2 RUN	44 A	EXTERIOR LTS-FOG
12 IB	FR JCT BOX 12V IGNITION	24	FR JCT BOX 24V DISC SW	25 F	12V IGNITION DISTRIBUTION	44 B	EXTERIOR LTS-FOG
12 IE	ABS - FR JCT BOX 12V IGNITION	24 A	BOOSTER BLOCK 24V DISC SW	25 B	EXTERIOR LTS-DAYTIME RUN LTS	44 C	EXTERIOR LTS-FOG & HAZARD
12 LX	CLUSTER FEED	24 A	FR JCT BOX 24V DISC SW	25 B	12 V. IGN. ALTERNATOR BOSCH	45 A	WATER PUMP SIGNAL
12 IF	FR JCT BOX 12V IGNITION	24 A	RR JCT BOX 24V DISC SW	25 C	12 V. SIGNAL ALT.#1 AND ALT.#2 RUN	45 B	A/C & HEAT SYSTEM-HEAT SIGN
12 M	ABS - FR JCT BOX 12V DISC. SW.	24 AW	24V HOT WIRE - AWINING WINDOWS	25 D	12 V. SIGNAL ALT.#1 AND ALT.#2 RUN	45 D	A/C & HEAT SYSTEM-WATER VALVE
12 P	LH CONSOLE POWER OUTLET	24 B	24V STARTER RLY FEEDING	25 E	24V DELCO SIGNAL ENGINE RUN	45 E	A/C & HEAT SYSTEM-HEAT 1 SIGN
12 R	BAT CPT 12V DISC RLY TO RJB	24 B	FR JCT BOX 24V DISC SW	25 H	24 V. IGN. ALTERNATOR BOSCH	45 G	A/C & HEAT SYSTEM-DRIVER'S HTR
12 V	RR JCT BOX 12V DISC SW	24 BA	RR JCT BOX 24V DISC SW	25 K	NOT ALTERNATOR #2-WARNING LT	45 H	A/C & HEAT SYSTEM-DRIVER'S HTR
12 VA	BATTERY TO EQUALIZER 12V	24 BE	RJB CPT-BAT EQ MONITOR HOT WIRE	26	CIGAR LIGHTER	45 J	A/C & HEAT SYSTEM-DRIVER'S HTR
12 VD	12V HOT WIRE DISTRIBUTION	24 C	FR JCT BOX 24V DISC SW	26	DRIVER'S WINDOW LIFTER	45 W	A/C & HEAT SYSTEM-COND. DOOR AJAR
12 VF	BAT CPT 12V FJB & IC	24 C	RR JCT BOX 24V DISC SW	26 B	DRIVER'S WINDOW LIFTER	46	EXTERIOR LTS-MARKER
12 VI	12V IGNITION DISTRIBUTION	24 D	BAT CPT 24V HOT WIRE	26 C	DRIVER'S WINDOW LIFTER	46 A	EXTERIOR LTS-MARKER
12 VR	BAT CPT 12V DISC RLY TO RJB	24 D	FR JCT BOX 24V HOT WIRE	27	PARKING BRAKE SONALERT	46 B	EXTERIOR LTS-MARKER
12 W	12V BATTERY DDEC III	24 D	RR JCT BOX 24V HOT WIRE	27 A	PARKING BRAKE SONALERT	46 B	EXTERIOR LTS-MARKER
12 X	FR JCT BOX 12V DISC SW	24 DA	A/C JCT BOX 24V HOT WIRE	28 A	A/C & HEAT SYSTEM-HI PRESSURE	46 C	EXTERIOR LTS-MARKER
12 X2	FR JCT BOX 12V DISC SW	24 E	BAT CPT 24V DISC SW	28 H	TTLT HI LO PRESS	47	A/C & HEAT SYSTEM-DRIVER'S HTR
12 Y	FR JCT BOX 12V DISC SW	24 E	FR JCT BOX 24V DISC SW	28 T	TTLT HI LO PRESS	52	ALARM & SIGNAL-ELEC. HORN
13 A	ALARM & SIGNAL-LO AIR PRIM.	24 E	RR JCT BOX 24V DISC SW	29	A/C & HEAT SYSTEM-DRIVER'S HTR	52 A	ALARM & SIGNAL-ELEC. HORN
13 B	ALARM & SIGNAL-LO AIR SEC.	24 F	FR JCT BOX 24V DISC SW	29 A	A/C & HEAT SYSTEM-DRIVER'S HTR	52 B	ALARM & SIGNAL-AIR HORN
15	EXTERIOR LTS-MULTI FUNC LEVEL	24 F	RR JCT BOX 24V DISC SW	29 B	A/C & HEAT SYSTEM-DRIVER'S HTR	52 C	ALARM & SIGNAL-AIR HORN
15 A	WIPER & WASHER UPPER WINDSHIELD	24 G	FR JCT BOX 24V DISC SW	29 H	HVAC DASH MODULE	53	ALARM & SIGNAL-ELEC. HORN
16	SPEED - SIGNAL +	24 G	RR JCT BOX 24V DISC SW	29 X	A/C & HEAT SYSTEM-DRIVER'S HTR	53 A	WIPER & WASHER SYSTEM
16 A	SPEED - SIGNAL +	24 H	FR JCT BOX 24V DISC SW	31 A	A/C & HEAT SYSTEM-UNLOADER	53 B	WIPER & WASHER SYSTEM
16 T	SPEED - SIGNAL +	24 H	RR JCT BOX 24V DISC SW	31 B	A/C & HEAT SYSTEM-UNLOADER	53 C	WIPER & WASHER SYSTEM
17	EXTERIOR LTS-FLASHER UNIT	24 I	FR JCT BOX 24V IGNITION	31 B	WIPER & WASHER SYSTEM	53 E	WIPER & WASHER SYSTEM
17 A	EXTERIOR LTS-FLASHER UNIT	24 I	RR JCT BOX 24V IGNITION	31 C	WIPER & WASHER SYSTEM	53 J	WIPER & WASHER SYSTEM
19	DIFFERENTIAL OIL TEMP	24 IA	FR JCT BOX 24V IGNITION	31 D	WIPER & WASHER SYSTEM	53 K	KEYLESS
20	SPEED - SIGNAL -	24 IA	RR JCT BOX 24V IGNITION	31 E	WIPER & WASHER SYSTEM	55	EXTERIOR LTS-HI BEAM
20 T	SPEED - SIGNAL -	24 IB	FR JCT BOX 24V IGNITION	31 J	WIPER & WASHER SYSTEM	57	EXTERIOR LTS-HI BEAM
20 W	SPEED - SIGNAL -	24 IB	RR JCT BOX 24V IGNITION	31 X	WIPER & WASHER SYSTEM	57 A	A/C & HEAT SYSTEM-WATER PUMP
21	EXTERIOR LTS-DIRECTIONNAL LH	24 IF	FJB 24V IGNITION	32	EXTERIOR LTS-BACK-UP	57 A	EXTERIOR LTS-HI BEAM
21 A	EXTERIOR LTS-DIRECTIONNAL LH	24 IC	FR JCT BOX 24V IGNITION	32 B	EXTERIOR LTS-BACK-UP	57 B	A/C & HEAT SYSTEM-WATER PUMP
21 B	EXTERIOR LTS-HAZARD	24 P	FR JCT BOX 24V DISC SW	32 C	BACK-UP PWR & SIGNAL	57 C	PRE-HEAT WATER HEATER
21 C	EXTERIOR LTS-CORNERING LH	24 S	24V DISC SW RLY SIGNAL	32 D	BACK-UP ALARM	57 CA	A/C & HEAT SYSTEM-HEAT SIGN
21 D	EXTERIOR LTS-DIRECTIONNAL LH	24 T	RR JCT BOX 24V DISC SW	35	ENTRANCE DOOR	57 CC	A/C & HEAT SYSTEM-HEAT SIGN
21 H	EXTERIOR LTS-DIRECTIONNAL LH	24 V2	RR JCT BOX 24V DISC SW	35 B	ENTRANCE DOOR	57 E	A/C & HEAT SYSTEM-HEAT SIGN
21 K	EXTERIOR LTS-CORNERING	24 V3	RR JCT BOX 24V DISC SW	36	JACOB BRAKE SYSREM	58	EXTERIOR LTS-LO BEAM
21 N	EXTERIOR LTS-CORNERING LH	24 V4	RR JCT BOX 24V DISC SW	36 A	JACOB BRAKE SYSREM	58 A	EXTERIOR LTS-LO BEAM
21 P	EXTERIOR LTS-CORNERING LH	24 V5	RR JCT BOX 24V DISC SW	39	INTERIOR LTS-12V RH PANEL SW.	58 B	EXTERIOR LTS-LO BEAM
22	LATCHING RLY.	24 VD	24V HOT WIRE DISTRIBUTION	39 A	INTERIOR LTS-DRIVER'S LTS	58 C	DAYTIME RUNNING LIGHT
23	EXTERIOR LTS-DIRECTIONNAL RH	24 VF	BAT CPT 24V SW TO FJB & IC	39 B	DRIVER'S LTS KEYLESS	58 D	DAYTIME RUNNING LIGHT
23	EXTERIOR LTS-DIRECTIONNAL RH	24 VA	BATTERY TO EQUALIZER 24V	39 K	DRIVER'S LTS KEYLESS	58 E	EXTERIOR LTS-LO BEAM
23 A	EXTERIOR LTS-DIRECTIONNAL RH	24 VI	RR JCT BOX 24V IGNITION	41	A/C & HEAT SYSTEM-COND FAN MOT	59 A	JACOB BRAKE SYSTEM
23 B	EXTERIOR LTS-DIRECTIONNAL RH	24 VR	BAT CPT 24V DISC SW TO RJB	41 A	A/C & HEAT SYSTEM-COND FAN MOT	61	EXTERIOR LTS-24V FEED SW
23 C	EXTERIOR LTS-CORNERING RH	25	12VAC GEN RLY ON SIGNAL	41 B	A/C & HEAT SYSTEM-COND FAN MOT	61 A	EXTERIOR LTS-HEAD SIGNAL
23 D	EXTERIOR LTS-DIRECTIONNAL RH	25 A	ETHER SWITCH	42	A/C & HEAT SYSTEM-COND FAN MOT	63	EXTERIOR LTS-CLEARANCE

CIRCUIT NUMBER CODE

No.	DESCRIPTION	No.	DESCRIPTION	No.	DESCRIPTION	No.	DESCRIPTION
63 A	EXTERIOR LTS-CLEARANCE	85 E	STOP LIGHT RLY.	114 D	INTERIOR LTS-DASH LT REGUL.	132 E	LEVEL LOW SYSTEM
63 B	EXTERIOR LTS-CLEARANCE	85 F	ENGINE CTR-ENGINE CTR SW IGN	114 E	INTERIOR LTS-DASH LT REGUL.	132 F	LEVEL LOW SYSTEM
63 C	EXTERIOR LTS-MARKER SIGNAL	85 F	LO AIR SONALERT	115	ALARM & SIGNAL-TAG PRESS	132 G	LEVEL LOW SYSTEM
63 D	EXTERIOR LTS-MARKER & TAIL	85 G	TIME DELAY RF3	115	DDEC III-COOLANT LEVEL	132 H	LEVEL LOW SYSTEM
63 E	EXTERIOR LTS-CLEARANCE	85 X	12V IGN ABS	115	WORLD TRANSM-DO NOT SHIFT SIGN	132 J	LEVEL LOW SYSTEM
63 F	EXTERIOR LTS-MARKER BLINKER	85 Y	ABS SYSTEM	115 C	DDEC III-COOLANT LEVEL	132 K	LEVEL LOW SYSTEM
63 H	EXTERIOR LTS-TAIL	85 Z	TRAILER ABS SYSTEM	115 W	WORLD TRANSM-DO NOT SHIFT SIGN	132 W	WORLD TRANSM-ENG BRK OUTPUT (-)
64	DRIVER'S FAN	86	ENGINE CTR-STARTER SOL SIGN	116	WORLD TRANSM-LO SIGNAL SOL. HI	133	WORLD TRANSM-RET. ACTUATOR HI
65	FOOT DAMPER MOTOR	86 A	ENGINE CTR-STARTER SOL SIGN	116 B	A/C & HEAT SYSTEM-DRIVER'S HTR	134	WORLD TRANSM-RET. APPLY SOL. HI
65 A	FOOT DAMPER MOTOR	86 T	ENGINE CTR-STARTER SOL SIGN	117	WORLD TRANSM-SPARE INPUT (-)	135	A/C & HEAT SYSTEM-AIR SENSOR
65 P	AUX. LIQ.SOL.VALVE	88	ENGINE CTR-RR START SIGNAL	117 A	ALARM & SIGNAL-TRANSM OIL TEMP	135	WORLD TRANSM-ANALOG GRD
65 D	DRIVER'S REC. DAMPER	89	ENGINE CTR-RR START SIGNAL	117 A	ALARM & SIGNAL-TRANSM OIL TEMP	135 A	A/C & HEAT SYSTEM-AIR SENSOR
66	O_PASS. ON/OFF	90 B	A/C & HEAT SYSTEM-COND FAN MOT	118	WORLD TRANSM-SPARE INPUT (+)	135 D	WORLD TRANSM-RETARDER RES MOD
67	A/C & HEAT SYSTEM	90 B	ENGINE CTR-MAST KEY SW FEED	119	WORLD TRANSM-ENG BRK INPUT (+)	135 C	WORLD TRANSM-RETARDER TEMP
67 A	A/C & HEAT SYSTEM	90 C	A/C & HEAT SYSTEM-COND FAN MOT	120	WORLD TRANSM-SOL. C1	136	WORLD TRANSM-ECU POWER
67 C	HEAT WINDS.	90 F	CHARG SYST-VOLTAGE REGUL. "B"	121	WORLD TRANSM-SOL. GRD 2	136 V	WORLD TRANSM-12V BATTERY
67 K	A/C & HEAT SYSTEM-COND FAN CTR	90 H	A/C & HEAT SYSTEM-EVAP FAN MOT	122	A/C & HEAT SYSTEM-DRIVER'S HTR	136 W	WORLD TRANSM-12V BATTERY
67 L	A/C & HEAT SYSTEM-COND FAN CTR	91	PARKING BRAKE SW SIGNAL	122	A/C & HEAT SYSTEM-FRESH AIR	136 X	WORLD TRANSM-12V BATTERY
67 X	A/C & HEAT SYSTEM	91 A	DDEC-FAST IDLE SIGNAL	122	WORLD TRANSM-SOL. GRD 4	137	WORLD TRANSM-RETARDER
68	DASH & DEFROST DAMPER MOTOR	91 S	SONALERT PARKING BRAKE	122 A	A/C & HEAT SYSTEM-FRESH AIR	137 A	MIRROR (SPARTAN & RAMCO)
68 A	DASH & DEFROST DAMPER MOTOR	91 W	PARK, BRAKE SW SIGN (WCL)	123	WORLD TRANSM-NEUTRAL START	137 B	RR VIEW MIRROR (SPARTAN)
70	INTERIOR LTS-HAT RACK & RR RUN.	92	BATTERY EQUALIZER-CHECK BALANCE	123 A	ALARM & SIGNAL-FIRE DETECTOR	137 C	RR VIEW MIRROR (SPARTAN)
72	SUN VISOR-FEEDING	93	BATTERY EQUALIZER-CHECK LO/HI	123 B	ALARM & SIGNAL-FIRE DETECTOR	137 D	RR VIEW MIRROR (SPARTAN)
72 A	SUN VISOR-RH	95 A	ENGINE BRAKE & RETARDER SYSTEM	124	WORLD TRANSM-THROTTLE (HI)	137 E	RR VIEW MIRROR (SPARTAN)
72 B	SUN VISOR-RH	97	TACHOMETER (-)	125	WORLD TRANSM-RET. INDICATOR	137 G	RR VIEW MIRROR (SPARTAN)
72 C	SUN VISOR-LH	101	24V STARTER SOL FEEDING	125 W	WORLD TRANSM-RET. INDICATOR	138	ABS SYSTEM
72 D	SUN VISOR-LH	101	WORLD TRANSM-LO SIGN SOL. LO	126	LEVEL LOW SYSTEM	138	WORLD TRANSM-RETARDER TEMP
76	FUEL TANK GAUGE	102	24V STARTER TO GENERATOR DELCO	126	WORLD TRANSM-LUBE PRESS SW.	138 A	ABS SYSTEM
76 B	LOW FUEL LT & ETHER COLD START	102	WORLD TRANSM-SOL. GRD 1	127	WORLD TRANSM-LUBE PRESS SW.	139	ABS SYSTEM
76 C	LOW FUEL LT	102	WORLD TRANSM-SOL. C3	127	PRE-HEAT WATER HEATER	139	WORLD TRANSM-OUTPUT SPEED HI
76 P	FUEL PRIME PUMP	102 A	24V STARTER TO GENERATOR BOSCH	127 A	PRE-HEAT WATER HEATER	140	ABS SYSTEM
76 M	FUEL PRIME PUMP	104	WORLD TRANSM-SOL. FORWARD	127 B	PRE-HEAT WATER HEATER	140	WORLD TRANSM-OUTPUT SPEED LO
77 B	A/C & HEAT SYSTEM-COMPRESSOR	104	LEVEL LOW SYSTEM	127	WORLD TRANSM-RETARDER FEED SOL.	141	ABS SYSTEM
77 C	A/C & HEAT SYSTEM-COMPRESSOR	105	WORLD TRANSM-RETARDER & SUMP	127 S	PRE-HEAT WATER HEATER	141	WORLD TRANSM-ENGINE SPEED HI
77 H	A/C & HEAT SYSTEM-COMPRESSOR	105 W	WORLD TRANSM-RETARDER & SUMP	127 W	PRE-HEAT WATER HEATER	142	ABS SYSTEM
77 K	GRD SIGNAL-COMPRESSOR CUT-OUT	106	WORLD TRANSM-OIL LEVEL HI	128	PRE-HEAT WATER HEATER	142	WORLD TRANSM-SERIAL COM. A
81	EXTERIOR LTS-STOP SW	107	CHARG SYST-VOLTAGE REGUL. "F"	128 A	PRE-HEAT WATER HEATER	143	ABS SYSTEM
82	EXTERIOR LTS-STOP SIGNAL	107	WORLD TRANSM-LOCKUP SOL. HI	128 B	PRE-HEAT WATER HEATER	143	WORLD TRANSM-ECU BATTERY GRD
82 A	EXTERIOR LTS-STOP SIGNAL	108	WORLD TRANSM-REM. PWR WAKE UP	128 W	PRE-HEAT WATER HEATER	143 A	ABS SYSTEM
82 B	EXTERIOR LTS-STOP LTS	109	WORLD TRANSM-RET. SOL. LO	128	WORLD TRANSM-SOL. C2	143 W	WORLD TRANSM-BATTERY GRD
82 K	EXTERIOR LTS-STOP PARK BRK	110	ALARM & SIGNAL-WATER TEMP	129	PRE-HEAT WATER HEATER	143 X	WORLD TRANSM-BATTERY GRD
82 L	EXTERIOR LTS-LH STOP	110	WORLD TRANSM-LOCKUP SOL. LO	129	WORLD TRANSM-SOL. C5	144	ABS SYSTEM
82 R	EXTERIOR LTS-LH STOP	111	WORLD TRANSM-SOL. C6	130	A/C HEAT SYSTEM-EVAP FAN MOT	144	WORLD TRANSM-ECU CHASSIS GRD
83	ENGINE CTR-KEY SW ACCES SIGN	112	WORLD TRANSM-SPARE OUTPUT (+)	130	WORLD TRANSM-SOL. GRD 3	144 A	ABS SYSTEM
84	ENGINE CTR-KEY SW ACCES SIGN	113	ALARM & SIGNAL-OIL PRESS	131	WORLD TRANSM-SOL. C4	145	ABS SYSTEM
85	ENGINE CTR-KEY SWIGNITION SIGN	113	WORLD TRANSM-REVERSE WARNING	132	WORLD TRANSM-ENG BRK OUTPUT (-)	146	ABS SYSTEM
85	24V IGNITION SIGNAL	114	INTERIOR LTS-DASH LT REGUL.	132 A	LEVEL LOW SYSTEM	146	WORLD TRANSM-IGNITION SENSE
85 A	24V IGN DASH INSTRUMENTATION	114	WORLD TRANSM-SPARE OUTPUT (-)	132 B	LEVEL LOW SYSTEM	146 AA	DDR CONNECTOR POWER
85 B	ENGINE CTR-24V IGNITION	114 A	INTERIOR LTS-DASH LT	132 C	LEVEL LOW SYSTEM	146 W	WORLD TRANSM-12V IGNITION
85 C	PARKING BRAKE SWITCH	114 B	INTERIOR LTS-DASH LT REGUL.	132 D	LEVEL LOW SYSTEM	146 X	WORLD TRANSM-12V IGNITION

CIRCUIT NUMBER CODE

No.	DESCRIPTION	No.	DESCRIPTION	No.	DESCRIPTION	No.	DESCRIPTION
147	ABS SYSTEM	170 S	LUGGAGE DOOR LOCK	257 E	WINDSHIELD HEATED SPARE	541	DDEC -CRUISE SET SW
147	ETHER COLD START	170 V	LUGGAGE DOOR LOCK	258	WINDSHIELD HEATED	542	INPUT PARK BRAKE INTERLOCK
147	WORLD TRANSM-OIL TEMP	170 W	LUGGAGE DOOR LOCK	258 A	WINDSHIELD HEATED	543	DDEC -CRUISE STOP SW CUT IN
147 C	ETHER COLD START	170 X	LUGGAGE DOOR LOCK	259	WINDSHIELD HEATED	544	DDEC -CRUISE ON/OFF SW
148	ABS SYSTEM	170 Y	LUGGAGE DOOR LOCK	259 A	WINDSHIELD HEATED	545	DDEC -CRUISE RESUME SW
148	WORLD TRANSM-OUTPUT SPEED LO	170 Z	LUGGAGE DOOR LOCK	264	S PEEED SIGNAL- AUX. FAN UNIT	555	DDEC -FAN CLUTCH SPEED# 1
149	ABS SYSTEM	173	BACK-UP MONITOR	264 A	SPEED SIGNAL- AUX. FAN UNIT	556	DDEC -VEHICLE SPEED (+)
149	WORLD TRANSM-TURBINE SPEED HI	174	BACK-UP MONITOR	264 B	SPEED SIGNAL- AUX. FAN UNIT	557	DDEC -VEHICLE SPEED (-)
149 A	ABS SYSTEM	174 W	WORLD TRANS	270	KEYLESS ENTRY SYSTEM	563	DDEC -FAN CLUTCH SPEED# 2
150	DDEC III-ECM BATTERY GRD	175	BACK-UP MONITOR	272	KEYLESS ENTRY SYSTEM	564	DDEC -DIGITAL OUTPUT
150	WORLD TRANSM-ENGINE SPEED LO	175 A	BACK-UP MONITOR	274	KEYLESS ENTRY SYSTEM	565	DDEC -ENGINE BRAKE ACTIVE
150 A	DDEC III-ECM BATTERY GRD	175 A W	WORLD TRANS	275	KEYLESS ENTRY SYSTEM	583	DDEC -ENGINE BRAKE 4 CYL.
151	ABS SYSTEM	175 B	BACK-UP MONITOR	276	KEYLESS ENTRY SYSTEM	900	DDEC -DATA LINK (+)
151	DDEC III-ECM BATTERY GRD	175 C	BACK-UP MONITOR	277	KEYLESS ENTRY SYSTEM	901	DDEC -DATA LINK (-)
151	WORLD TRANSM-SERIAL COM. B	180	DRIVER'S SEAT HEATER	278	KEYLESS ENTRY SYSTEM	905	DDEC -AMBIANT AIR TEMPERATURE
152	ABS SYSTEM	180 A	DRIVER'S SEAT HEATER	279	KEYLESS ENTRY SYSTEM	908	DDEC -HYDRAULIC PWM#1 OUTPUT
153	WORLD TRANSM-SPARE INPUT (-)	180 B	CO-PILOT SEAT HEATER	280	KEYLESS ENTRY SYSTEM	916	DDEC -SENSOR SUPPLY (5VDC)
154	ABS SYSTEM	180 C	CO-PILOT SEAT HEATER	283	KEYLESS ENTRY SYSTEM	952	DDEC -SENSOR RETURN # 1
154	WORLD TRANSM-ABS RET. INPUT	181 A	THERMOMETER INSIDE SENSOR	283 A	KEYLESS ENTRY SYSTEM	953	DDEC -SENSOR RETURN # 2
155	WORLD TRANSM-SPARE INPUT (-)	181 B	THERMOMETER INSIDE SENSOR	284 A	KEYLESS ENTRY SYSTEM	976	DDEC -RELATIVE HUMIDITY
156	WORLD TRANSM-THROTTLE POS.	181 C	THERMOMETER OUTSIDE SENSOR	284 B	KEYLESS ENTRY SYSTEM	979	DDEC -ENGINE BRAKE 2 CYL.
156 A	ABS SYSTEM	181 D	THERMOMETER OUTSIDE SENSOR	285	KEYLESS ENTRY SYSTEM		
157	WORLD TRANSM-SPEEDO SIGNAL	197	FUEL WATER FILTER	285 B	KEYLESS ENTRY SYSTEM		
157 B	ABS SYSTEM	197 A	FUEL WATER FILTER	285 C	KEYLESS ENTRY SYSTEM		
158	WORLD TRANSM-DIMMER	197 B	FUEL WATER FILTER	286	KEYLESS ENTRY SYSTEM		
160	ALARM & SIGNAL-TAG PRESS SW	198	FILTER FUEL HEATER	286 A	KEYLESS ENTRY SYSTEM		
160	WORLD TRANSM-SER. INTERFACE (-)	199	AIR FILTER RESTRICTION SENDER	290	FAN CLUTCH RADIATOR		
161	WORLD TRANSM-SIGNAL GRD	201	WORLD TRANSM-SPARE	290	FAN CLUTCH RADIATOR		
161 B	WORLD TRANSM-SIGNAL GRD	202	WORLD TRANSM-SPARE	291	FAN CLUTCH RADIATOR SPD 1		
162	WORLD TRANSM-PRESS. SW C3	203	WORLD TRANSM-SPARE	291	KEYLESS ENTRY SYSTEM		
163	WORLD TRANSM-RETARDER ENABLE	204	WORLD TRANSM-SPARE	292	FAN CLUTCH RADIATOR SPD 2		
164	WORLD TRANSM-RET. ACTUATOR SIGN	205	WORLD TRANSM-SPARE	293	KEYLESS ENTRY SYSTEM		
165	A/C & HEAT SYSTEM-TRANSMITER	206	WORLD TRANSM-SPARE	294	ANTI-THEFT SYSTEM KEYLESS		
165	WORLD TRANSM-OIL LEVEL SIGNAL	214	WORLD TRANSM-BACK UP SIGNAL	295	LED FEED ALARM -KEYLESS		
166 B	A/C & HEAT SYSTEM-EVAP. MOD.	216 B	24V SIGNAL AUX. LIQ. SOL. VALVE	416	DDEC IV-SENSOR SUPPLY 5VDC		
168	A/C & HEAT SYSTEM-HUMIDISTAT	216 C	12 V. TRIGGER AUX. A/C UNIT	417	DDEC -LIMIT SPEED GOVERNOR		
168	WORLD TRANSM-SER. INTERFACE (+)	229	24 V. POWER AUX. A/C UNIT	419	DDEC -CHECK ENGINE LIGHT		
168 A	A/C & HEAT SYSTEM-HUMIDISTAT	229 A	PWM SIGNAL - AUX. FAN UNIT	439	DDEC -12V IGNITION		
170 C	LUGGAGE DOOR LOCK	231	NEUTRAL SIGNAL GRD	440	DDEC -12V IGNITION		
170 D	LUGGAGE DOOR LOCK	231 A	NEUTRAL COIL RELAY FEED SIGNAL	440 A	DDEC -12V IGNITION		
170 E	LUGGAGE DOOR LOCK	231 W	NEUTRAL SIGNAL GRD (WCL)	451	DDEC -A/C FAN CLUTCH		
170 F	LUGGAGE DOOR LOCK	240	DDEC -ECM 12V FEEDING	452	DDEC - SENSOR RETURN		
170 G	LUGGAGE DOOR LOCK	241	DDEC -ECM 12V FEEDING	505	DDEC -TACHOMETER DRIVE		
170 H	LUGGAGE DOOR LOCK	251	DDEC - PRODRIVER 12V H.W.	509	DDEC -STOP ENGINE LIGHT		
170 K	LUGGAGE DOOR LOCK	251 A	DDEC -DATA LOGGER 12V H.W.	510	DDEC -FAST IDLE SIGNAL		
170 L	LUGGAGE DOOR LOCK	257	WINDSHIELD HEATED	524	DDEC -ENGINE BRAKE DISABLE		
170 M	LUGGAGE DOOR LOCK	257 A	WINDSHIELD HEATED	525	DDEC -FAST IDLE SIGNAL		
170 N	LUGGAGE DOOR LOCK	257 B	WINDSHIELD HEATED	528	DDEC -STOP ENG. OVERRIDE		
170 P	LUGGAGE DOOR LOCK	257 C	WINDSHIELD HEATED	531	DDEC -CRUISE CLUTCH RELEASE		
170 R	LUGGAGE DOOR LOCK	257 D	WINDSHIELD HEATED SPARE	540	DDEC -CRUISE ENABLE LTS.		

CIRCUIT NUMBER CODE

No.	DESCRIPTION	No.	DESCRIPTION	No.	DESCRIPTION	No.	DESCRIPTION
L 8	ENG. BLK HEATER	SP 94	SPARE-RJB TO RR ROOF	0 K	RS - RR ROOF ACCES. GRD	0 Y3	ABS SYSTEM GRD
L 9	ENG. BLK HEATER	SP 95	SPARE-RJB TO RR ROOF	0 K	RS - RJB A/C JCT PANEL GRD	0 Y4	ABS SYSTEM GRD
SP 2	SPARE-FJB TO FR SERV CPT	SP 96	SPARE-RJB TO LUGG CPT #2	0 L	FS - FR SERVICE CPT LTS GRD	0 Y5	
SP 3	SPARE-FJB TO CENTER DASH	SP 97	SPARE-RJB TO LUGG CPT #3	0 L1	FS - FR SERVICE CPT LTS GRD	0 Y6	
SP 4	SPARE-FJB TO CENTER DASH	SP 98	SPARE-RJB TO LUGG CPT #3	0 L2	FS - FR SERVICE CPT LTS GRD	0 Z	RR JCT BOX CPT GRD STUD
SP 5	SPARE-RJB TO LUGG CPT #2	SP 104	SPARE-RJB TO ENGINE CPT	0 L3	FS - FJB GRD	0 0	FJB & RJB BATT. GRD
SP 6	SPARE-RJB TO LUGG CPT #1	SP 105	SPARE-FJB TO ENGINE	0 L4	FS - FJB GRD	0 0 A	FBG - T.T.LT. MODULES BATT. GRD
SP 7	SPARE-RJB TO LUGG CPT #1	SP 106	SPARE-RJB TO BATT. CPT.	0 L5	FS - CIGAR LIGHTER	0 0 Y	FS - ABS MODULLE BATT. GRD
SP 8	SPARE-RJB TO LUGG CPT #1	SP 107	SPARE-RJB TO BATT. CPT.	0 L6	FS - FR SERVICE CPT LTS GRD	0 0 SS	SOUND SYSTEM BATT. GRD
SP 9	SPARE-RJB TO LUGG CPT #2	SP 108	SPARE-RJB TO BATT. CPT.	0 L	RS - ENGINE CPT ACCES. GRD	1	TACHO SYSTEM - RPM SIGNAL +
SP 10	SPARE-RJB TO LUGG CPT #1	SP 109	SPARE-RJB TO ENGINE CPT.	0 L	ENTRANCE DOOR GRD	2 B	A/C & HEAT SYSTEM-COOL SIGN
SP 11	SPARE-FJB TO RJB	SP 110	SPARE-RJB TO ENGINE CPT.	0 LH	RS - RR END LAMPS LH GRD	2 E	A/C & HEAT EVAP. CONTROL
SP 12	SPARE-RJB TO ENGINE	SP 111	SPARE-RJB TO ENGINE CPT.	0 M	FS - ELECTRICAL MOTOR GRD	2 F	A/C & HEAT EVAP. CONTROL
SP 13	SPARE-RJB TO ENGINE	SP 112	SPARE-RJB TO ENGINE CPT.	0 M3	FS - ELECTRICAL MOTOR GRD	5 NC	SPEED SIGNAL LOWER 5MPH
SP 14	SPARE-FJB TO RJB	SP 114	SPARE-FJB TO U/DASH WIPER	0 M4	FS - ELECTRICAL MOTOR GRD	5 NO	SPEED SIGNAL HIGHER 5MPH
SP 15	SPARE-RJB TO ENGINE	SP 115	SPARE-FJB TO U/DASH WIPER	0 M5	FS - ELECTRICAL MOTOR GRD	9	INTERIOR LTS-ENGINE CPT
SP 16	SPARE-RJB TO ENGINE	SP 116	SPARE-RJB TO U/DASH FLOOR	0 M6	FS - FJB GRD	9 A	INTERIOR LTS-ENGINE CPT
SP 17	SPARE-RJB TO ENGINE	SP 117	SPARE-FJB TO U/DASH FLOOR	0 M7	FS - ELECTRICAL MOTOR GRD	9 B	INTERIOR LTS-ENGINE CPT
SP 18	SPARE-FJB TO RJB	W C	A/C & HEAT SYST-EVAP CTR SIGN	0 M8	FS - AUX. A/C UNIT	9 E	INTERIOR LTS-FR SERVICE CPT
SP 24	SPARE-RJB TO LAVATORY ROOF	0	RJB - BAT. CPT CHASSIS GRD	0 M9	FS - WATER PUMP DRIVER	9 F	INTERIOR LTS-FR SERVICE CPT
SP 25	SPARE-RJB TO LAVATORY ROOF	0	CONDENSER CPT GRD	0 M	RS - ENGINE CPT ACCES. GRD	10	INTERIOR LTS-LUGGAGE CPT
SP 26	SPARE-RJB TO LAVATORY ROOF	0	RS - RR JCT BOX RLY GRD	0 MR	24V DISC. SW. RLY GRD SIGNAL	10 A	INTERIOR LTS-LUGGAGE CPT
SP 27	SPARE-RJB TO LH HAT RACK	0 A	RJB - SHIELD GRD	0 MS	24V DISC. SW. RLY GRD SIGNAL	10 B	INTERIOR LTS-LUGGAGE CPT
SP 28	SPARE-RJB TO LH HAT RACK	0 A	RS - RR JCT BOX RLY GRD	0 N	RS - ENGINE CPT ACCES. GRD	10 C	INTERIOR LTS-LUGGAGE CPT
SP 31	SPARE-RJB TO RH HAT RACK	0 A	FRS - FR ROOF ACCES. GRD	0 P	RS - ENGINE CPT ACCES. GRD	10 D	INTERIOR LTS-LUGGAGE CPT
SP 32	SPARE-RJB TO RH HAT RACK	0 A	RS - LUG. CPT ACCES. GRD	0 R	RS - RJB GRD	10 E	INTERIOR LTS-EVAP. CPT
SP 33	SPARE-FJB TO RJB	0 A	A/C HEAT SYSTEM - EVAP. GRD	0 R	RS - ENGINE CPT ACCES. GRD	10 F	INTERIOR LTS-LUGGAGE CPT
SP 38	SPARE-FJB TO RJB	0 AA	RS - VOLTAGE REGULATOR GRD	0 RH	RS - RR END LAMPS RH GRD	10 H	INTERIOR LTS-LUGGAGE CPT
SP 43	SPARE-FJB TO RJB	0 B1	EC - RR JCT PANNEL GRD	0 S	12 VOLT RUN- GND RLY	10 R	INTERIOR LTS-LUGGAGE DOOR AJAR
SP 45	SPARE-FJB TO RJB	0 B	EC - ENGINE GRD	0 SA	ENGINE CPT STUD-ALTERN. BOSCH	12	12V BAT ELECTRONIC JCT BLOCK
SP 46	SPARE-RJB TO LH FR ROOF	0 B	FRS - FR ROOF HEAT WIND GRD	0 T	FS - DASH ACCES. GRD	12	BAT CPT 12V BATTERY
SP 48	SPARE-RJB TO DASH CENTER PANEL	0 B	RS - LUG. CPT ACCES. GRD	0 T1	FS - DASH ACCES. GRD	12 A	FR JCT BOX 12V DISC SW
SP 56	SPARE-ENGINE TO RH SW PANEL	0 BE	RJB - BAT. EQUAL. BAT GRD	0 T2	FS - DASH ACCES. GRD	12 A	RR JCT BOX 12V DISC SW
SP 57	SPARE-DASH CENTER PANEL TO ENG.	0 C	EC - STARTER MOTOR GRD	0 T3	FS - DASH ACCES. GRD	12 B	12V BAT ELECTRICAL JCT BLOCK
SP 58	SPARE-DASH CENTER PANEL TO ENG.	0 C	FS - SERV. CPT ACCES. GRD	0 T4	FS - DASH ACCES. GRD	12 B	RR JCT BOX 12V DISC SW
SP 59	SPARE-FJB TO ENGINE	0 C	RJB - FAN EVAP & CONDENSER GRD	0 T5	FS - HVAC DASH MODULE. GRD	12 B	FR JCT BOX 12V DISC SW
SP 61	SPARE-FJB TO DASH RH PANEL	0 CR	24V DISC. SW. RLY GRD SIGNAL	0 T6	FS - DASH ACCES. GRD	12 BE	BAT. EQUALIZER MONITOR
SP 68	SPARE-FJB TO ENGINE	0 CS	24V DISC. SW. RLY GRD SIGNAL	0 T7	FS - DDR GROUND	12 C	FR JCT BOX 12V DISC SW
SP 69	SPARE-FJB TO FR AXLE	0 C1	FS - SERV. CPT ACCES. GRD	0 V	RR JCT BOX CPT GRD STUD	12 C	RR JCT BOX 12V DISC SW
SP 70	SPARE-FJB TO FR AXLE	0 C2	FS - SERV. CPT ACCES. GRD	0 VA	BATTERY TO EQUALISER 0V	12 D	BAT CPT 12V BATTERY
SP 71	SPARE-FJB TO RH SW PANEL	0 C3	FS - SERV. CPT ACCES. GRD	0 W	FS - WT GND & SHIELD	12 DA	12V IGNITION DISTRIBUTION
SP 72	SPARE-FJB TO FR SERV CPT	0 C4	FS - FJB. CPT ACCES. GRD	0 AW	FS - AWNING WINDOWS	12 DT	TTLT MODULE
SP 74	SPARE-FJB TO LH CONSOLE	0 D	RJB - FAN CONDENSER GRD	0 W	RS - RR JCT BOX (WCL) GRD	12 E	FR JCT BOX 12V DISC SW
SP 77	SPARE-FJB TO EVAPORATOR CPT	0 D	RJB - IGNITION RLY	0 WC	RS - RR JCT BOX GRD (WCL)	12 E	RR JCT BOX 12V DISC SW
SP 78	SPARE-FJB TO CONDENSER CPT	0 D	RS - HAT RACK ACCES. LH GRD	0 X A	RS - RR JCT BOX GRD (A/C COMP)	12 F	BAT CPT 12V FJB & IC
SP 79	SPARE-FJB TO CONDENSER CPT	0 DF	RS - RR SIDE FLASH & MARK GRD	0 X	RS - RR JCT BOX GRD	12 F	FR JCT BOX 12V DISC SW
SP 87	SPARE-RJB TO LH HAT RACK	0 DG	EC- ALTERNATOR CASING GRD	0 Y	ABS FR JCT BOX CPT GRD STUD	12 F	RR JCT BOX 12V DISC SW
SP 88	SPARE-RJB TO RH HAT RACK	0 DR	RS - RJB DOCKING LT RESISTORS	0 Y	RR JCT BOX GRD	12 G	FR JCT BOX 12V DISC SW
SP 92	SPARE-RJB TO CONDENSER CPT	0 J	FS - LH CONSOLE SW GRD	0 Y1	ABS SYSTEM GRD	12 J	FR JCT BOX 12V DISC SW
SP 93	SPARE-RJB TO EVAPORATOR CPT	0 J	RS - RR ROOF ACCES. GRD	0 Y2	ABS SYSTEM GRD	12 K	HVAC MODULE

CIRCUIT NUMBER CODE

No.	DESCRIPTION	No.	DESCRIPTION	No.	DESCRIPTION	No.	DESCRIPTION
12 I	12V IGNITION DISTRIBUTION	23 K	EXTERIOR LTS-DOCKINK SW	25 A	NOT ALTERNATOR #1-WARNING LT	43	A/C & HEAT SYSTEM-COND FAN MOT
12 I	RR JCT BOX 12V IGNITION	23 N	EXTERIOR LTS-CORNERING RH	25 A1	24 VOLTS EXCITING SIGNAL - ALT. #1	42 A	A/C & HEAT SYSTEM-COND FAN MOT
12 IA	12V IGNITION DISTRIBUTION	23 P	EXTERIOR LTS-CORNERING RH	25 A2	24 VOLTS EXCITING SIGNAL - ALT. #2	44	EXTERIOR LTS-FOG
12 IA	FR JCT BOX 12V IGNITION	24	BAT CPT 24V BATTERY	25 A3	24 V. SIGNAL ALT#1 OR ALT. #2 RUN	44 A	EXTERIOR LTS-FOG
12 IB	FR JCT BOX 12V IGNITION	24	FR JCT BOX 24V DISC SW	25 F	12V IGNITION DISTRIBUTION	44 B	EXTERIOR LTS-FOG
12 IE	ABS - FR JCT BOX 12V IGNITION	24 A	BOOSTER BLOCK 24V DISC SW	25 B	EXTERIOR LTS-DAYTIME RUN LTS	44 C	EXTERIOR LTS-FOG & HAZARD
12 LX	CLUSTER FEED	24 A	FR JCT BOX 24V DISC SW	25 B	12 V. IGN. ALTERNATOR BOSCH	45 A	WATER PUMP SIGNAL
12 IF	FR JCT BOX 12V IGNITION	24 A	RR JCT BOX 24V DISC SW	25 C	12 V. SIGNAL ALT.#1 AND ALT.#2 RUN	45 B	A/C & HEAT SYSTEM-HEAT SIGN
12 M	ABS - FR JCT BOX 12V DISC. SW.	24 AW	24V HOT WIRE - AWINING WINDOWS	25 D	12 V. SIGNAL ALT.#1 AND ALT.#2 RUN	45 D	A/C & HEAT SYSTEM-WATER VALVE
12 P	LH CONSOLE POWER OUTLET	24 B	24V STARTER RLY FEEDING	25 E	24V DELCO SIGNAL ENGINE RUN	45 E	A/C & HEAT SYSTEM-HEAT 1 SIGN
12 R	BAT CPT 12V DISC RLY TO RJB	24 B	FR JCT BOX 24V DISC SW	25 H	24 V. IGN. ALTERNATOR BOSCH	45 G	A/C & HEAT SYSTEM-DRIVER'S HTR
12 V	RR JCT BOX 12V DISC SW	24 BA	RR JCT BOX 24V DISC SW	25 K	NOT ALTERNATOR #2-WARNING LT	45 H	A/C & HEAT SYSTEM-DRIVER'S HTR
12 VA	BATTERY TO EQUALIZER 12V	24 BE	RJB CPT-BAT EQ MONITOR HOT WIRE	26	CIGAR LIGHTER	45 J	A/C & HEAT SYSTEM-DRIVER'S HTR
12 VD	12V HOT WIRE DISTRIBUTION	24 C	FR JCT BOX 24V DISC SW	26	DRIVER'S WINDOW LIFTER	45 W	A/C & HEAT SYSTEM-COND. DOOR AJAR
12 VF	BAT CPT 12V FJB & IC	24 C	RR JCT BOX 24V DISC SW	26 B	DRIVER'S WINDOW LIFTER	46	EXTERIOR LTS-MARKER
12 VI	12V IGNITION DISTRIBUTION	24 D	BAT CPT 24V HOT WIRE	26 C	DRIVER'S WINDOW LIFTER	46 A	EXTERIOR LTS-MARKER
12 VR	BAT CPT 12V DISC RLY TO RJB	24 D	FR JCT BOX 24V HOT WIRE	27	PARKING BRAKE SONALERT	46 B	EXTERIOR LTS-MARKER
12 W	12V BATTERY DDEC III	24 D	RR JCT BOX 24V HOT WIRE	27 A	PARKING BRAKE SONALERT	46 B	EXTERIOR LTS-MARKER
12 X	FR JCT BOX 12V DISC SW	24 DA	A/C JCT BOX 24V HOT WIRE	28 A	A/C & HEAT SYSTEM-HI PRESSURE	46 C	EXTERIOR LTS-MARKER
12 X2	FR JCT BOX 12V DISC SW	24 E	BAT CPT 24V DISC SW	28 H	TTLT HI LO PRESS	47	A/C & HEAT SYSTEM-DRIVER'S HTR
12 Y	FR JCT BOX 12V DISC SW	24 E	FR JCT BOX 24V DISC SW	28 T	TTLT HI LO PRESS	52	ALARM & SIGNAL-ELEC. HORN
13 A	ALARM & SIGNAL-LO AIR PRIM.	24 E	RR JCT BOX 24V DISC SW	29	A/C & HEAT SYSTEM-DRIVER'S HTR	52 A	ALARM & SIGNAL-ELEC. HORN
13 B	ALARM & SIGNAL-LO AIR SEC.	24 F	FR JCT BOX 24V DISC SW	29 A	A/C & HEAT SYSTEM-DRIVER'S HTR	52 B	ALARM & SIGNAL-AIR HORN
15	EXTERIOR LTS-MULTI FUNC LEVEL	24 F	RR JCT BOX 24V DISC SW	29 B	A/C & HEAT SYSTEM-DRIVER'S HTR	52 C	ALARM & SIGNAL-AIR HORN
15 A	WIPER & WASHER UPPER WINDSHIELD	24 G	FR JCT BOX 24V DISC SW	29 H	HVAC DASH MODULE	53	ALARM & SIGNAL-ELEC. HORN
16	SPEED - SIGNAL +	24 G	RR JCT BOX 24V DISC SW	29 X	A/C & HEAT SYSTEM-DRIVER'S HTR	53 A	WIPER & WASHER SYSTEM
16 A	SPEED - SIGNAL +	24 H	FR JCT BOX 24V DISC SW	31 A	A/C & HEAT SYSTEM-UNLOADER	53 B	WIPER & WASHER SYSTEM
16 T	SPEED - SIGNAL +	24 H	RR JCT BOX 24V DISC SW	31 B	A/C & HEAT SYSTEM-UNLOADER	53 C	WIPER & WASHER SYSTEM
17	EXTERIOR LTS-FLASHER UNIT	24 I	FR JCT BOX 24V IGNITION	31 B	WIPER & WASHER SYSTEM	53 E	WIPER & WASHER SYSTEM
17 A	EXTERIOR LTS-FLASHER UNIT	24 I	RR JCT BOX 24V IGNITION	31 C	WIPER & WASHER SYSTEM	53 J	WIPER & WASHER SYSTEM
19	DIFFERENTIAL OIL TEMP	24 IA	FR JCT BOX 24V IGNITION	31 D	WIPER & WASHER SYSTEM	53 K	KEYLESS
20	SPEED - SIGNAL -	24 IA	RR JCT BOX 24V IGNITION	31 E	WIPER & WASHER SYSTEM	55	EXTERIOR LTS-HI BEAM
20 T	SPEED - SIGNAL -	24 IB	FR JCT BOX 24V IGNITION	31 J	WIPER & WASHER SYSTEM	57	EXTERIOR LTS-HI BEAM
20 W	SPEED - SIGNAL -	24 IB	RR JCT BOX 24V IGNITION	31 X	WIPER & WASHER SYSTEM	57 A	A/C & HEAT SYSTEM-WATER PUMP
21	EXTERIOR LTS-DIRECTIONNAL LH	24 IF	FJB 24V IGNITION	32	EXTERIOR LTS-BACK-UP	57 A	EXTERIOR LTS-HI BEAM
21 A	EXTERIOR LTS-DIRECTIONNAL LH	24 IC	FR JCT BOX 24V IGNITION	32 B	EXTERIOR LTS-BACK-UP	57 B	A/C & HEAT SYSTEM-WATER PUMP
21 B	EXTERIOR LTS-HAZARD	24 P	FR JCT BOX 24V DISC SW	32 C	BACK-UP PWR & SIGNAL	57 C	PRE-HEAT WATER HEATER
21 C	EXTERIOR LTS-CORNERING LH	24 S	24V DISC SW RLY SIGNAL	32 D	BACK-UP ALARM	57 CA	A/C & HEAT SYSTEM-HEAT SIGN
21 D	EXTERIOR LTS-DIRECTIONNAL LH	24 T	RR JCT BOX 24V DISC SW	35	ENTRANCE DOOR	57 CC	A/C & HEAT SYSTEM-HEAT SIGN
21 H	EXTERIOR LTS-DIRECTIONNAL LH	24 V2	RR JCT BOX 24V DISC SW	35 B	ENTRANCE DOOR	57 E	A/C & HEAT SYSTEM-HEAT SIGN
21 K	EXTERIOR LTS-CORNERING	24 V3	RR JCT BOX 24V DISC SW	36	JACOB BRAKE SYSREM	58	EXTERIOR LTS-LO BEAM
21 N	EXTERIOR LTS-CORNERING LH	24 V4	RR JCT BOX 24V DISC SW	36 A	JACOB BRAKE SYSREM	58 A	EXTERIOR LTS-LO BEAM
21 P	EXTERIOR LTS-CORNERING LH	24 V5	RR JCT BOX 24V DISC SW	39	INTERIOR LTS-12V RH PANEL SW.	58 B	EXTERIOR LTS-LO BEAM
22	LATCHING RLY.	24 VD	24V HOT WIRE DISTRIBUTION	39 A	INTERIOR LTS-DRIVER'S LTS	58 C	DAYTIME RUNNING LIGHT
23	EXTERIOR LTS-DIRECTIONNAL RH	24 VF	BAT CPT 24V SW TO FJB & IC	39 B	DRIVER'S LTS KEYLESS	58 D	DAYTIME RUNNING LIGHT
23	EXTERIOR LTS-DIRECTIONNAL RH	24 VA	BATTERY TO EQUALIZER 24V	39 K	DRIVER'S LTS KEYLESS	58 E	EXTERIOR LTS-LO BEAM
23 A	EXTERIOR LTS-DIRECTIONNAL RH	24 VI	RR JCT BOX 24V IGNITION	41	A/C & HEAT SYSTEM-COND FAN MOT	59 A	JACOB BRAKE SYSTEM
23 B	EXTERIOR LTS-DIRECTIONNAL RH	24 VR	BAT CPT 24V DISC SW TO RJB	41 A	A/C & HEAT SYSTEM-COND FAN MOT	61	EXTERIOR LTS-24V FEED SW
23 C	EXTERIOR LTS-CORNERING RH	25	12VAC GEN RLY ON SIGNAL	41 B	A/C & HEAT SYSTEM-COND FAN MOT	61 A	EXTERIOR LTS-HEAD SIGNAL
23 D	EXTERIOR LTS-DIRECTIONNAL RH	25 A	ETHER SWITCH	42	A/C & HEAT SYSTEM-COND FAN MOT	63	EXTERIOR LTS-CLEARANCE

CIRCUIT NUMBER CODE

No.	DESCRIPTION	No.	DESCRIPTION	No.	DESCRIPTION	No.	DESCRIPTION
63 A	EXTERIOR LTS-CLEARANCE	85 E	STOP LIGHT RLY.	114 A	INTERIOR LTS-DASH LT	132 C	LEVEL LOW SYSTEM
63 B	EXTERIOR LTS-CLEARANCE	85 F	ENGINE CTR-ENGINE CTR SW IGN	114 B	INTERIOR LTS-DASH LT REGUL.	132 D	LEVEL LOW SYSTEM
63 C	EXTERIOR LTS-MARKER SIGNAL	85 F	LO AIR SONALERT	114 D	INTERIOR LTS-DASH LT REGUL.	132 E	LEVEL LOW SYSTEM
63 D	EXTERIOR LTS-MARKER & TAIL	85 G	TIME DELAY RF3	114 E	INTERIOR LTS-DASH LT REGUL.	132 F	LEVEL LOW SYSTEM
63 E	EXTERIOR LTS-CLEARANCE	85 X	12V IGN ABS	115	ALARM & SIGNAL-TAG PRESS	132 G	LEVEL LOW SYSTEM
63 F	EXTERIOR LTS-MARKER BLINKER	85 Y	ABS SYSTEM	115	DDEC III-COOLANT LEVEL	132 H	LEVEL LOW SYSTEM
63 H	EXTERIOR LTS-TAIL	85 Z	TRAILER ABS SYSTEM	115	WORLD TRANSM-DO NOT SHIFT SIGN	132 J	LEVEL LOW SYSTEM
64	DRIVER'S FAN	86	ENGINE CTR-STARTER SOL SIGN	115 C	DDEC III-COOLANT LEVEL	132 K	LEVEL LOW SYSTEM
65	FOOT DAMPER MOTOR	86 A	ENGINE CTR-STARTER SOL SIGN	115 W	WORLD TRANSM-DO NOT SHIFT SIGN	132 W	WORLD TRANSM-ENG BRK OUTPUT (-)
65 A	FOOT DAMPER MOTOR	86 T	ENGINE CTR-STARTER SOL SIGN	116	WORLD TRANSM-LO SIGNAL SOL. HI	133	WORLD TRANSM-RET. ACTUATOR HI
65 P	AUX. LIQ.SOL.VALVE	88	ENGINE CTR-RR START SIGNAL	116 B	A/C & HEAT SYSTEM-DRIVER'S HTR	134	WORLD TRANSM-RET. APPLY SOL. HI
65 D	DRIVER'S REC. DAMPER	89	ENGINE CTR-RR START SIGNAL	117	WORLD TRANSM-SPARE INPUT (-)	135	A/C & HEAT SYSTEM-AIR SENSOR
66	O_PASS. ON/OFF	90 B	A/C & HEAT SYSTEM-COND FAN MOT	117 A	ALARM & HEAT SYSTEM-TRANSM OIL TEMP	135	WORLD TRANSM-ANALOG GRD
67	A/C & HEAT SYSTEM	90 B	ENGINE CTR-MAST KEY SW FEED	117 A	ALARM & SIGNAL-TRANSM OIL TEMP	135 A	A/C & HEAT SYSTEM-AIR SENSOR
67 A	A/C & HEAT SYSTEM	90 C	A/C & HEAT SYSTEM-COND FAN MOT	118	WORLD TRANSM-SPARE INPUT (+)	135 D	WORLD TRANSM-RETARDER RES MOD
67 C	HEAT WINDS.	90 F	CHARG SYST-VOLTAGE REGUL. "B"	119	WORLD TRANSM-ENG BRK INPUT (+)	135 C	WORLD TRANSM-RETARDER TEMP
67 K	A/C & HEAT SYSTEM-COND FAN CTR	90 H	A/C & HEAT SYSTEM-EVAP FAN MOT	120	WORLD TRANSM-SOL. C1	136	WORLD TRANSM-ECU POWER
67 L	A/C & HEAT SYSTEM-COND FAN CTR	91	PARKING BRAKE SW SIGNAL	121	WORLD TRANSM-SOL. GRD 2	136 V	WORLD TRANSM-12V BATTERY
67 X	A/C & HEAT SYSTEM	91 A	DDEC-FAST IDLE SIGNAL	122	A/C & HEAT SYSTEM-DRIVER'S HTR	136 W	WORLD TRANSM-12V BATTERY
68	DASH & DEFROST DAMPER MOTOR	91 S	SONALERT PARKING BRAKE	122	A/C & HEAT SYSTEM-FRESH AIR	136 X	WORLD TRANSM-12V BATTERY
68 A	DASH & DEFROST DAMPER MOTOR	91 W	PARK, BRAKE SW SIGN (WCL)	122	WORLD TRANSM-SOL. GRD 4	137	WORLD TRANSM-RETARDER
70	INTERIOR LTS-HAT RACK & RR RUN.	92	BATTERY EQUALIZER-CHECK BALANCE	122 A	A/C & HEAT SYSTEM-FRESH AIR	137 A	MIRROR (SPARTAN & RAMCO)
72	SUN VISOR-FEEDING	93	BATTERY EQUALIZER-CHECK LO/HI	123	WORLD TRANSM-NEUTRAL START	137 B	RR VIEW MIRROR (SPARTAN)
72 A	SUN VISOR-RH	95 A	ENGINE BRAKE & RETARDER SYSTEM	123 A	ALARM & SIGNAL-FIRE DETECTOR	137 C	RR VIEW MIRROR (SPARTAN)
72 B	SUN VISOR-RH	97	TACHOMETER (-)	123 B	ALARM & SIGNAL-FIRE DETECTOR	137 D	RR VIEW MIRROR (SPARTAN)
72 C	SUN VISOR-LH	98 A	TRAILER PARK BRAKE PRESS SW	124	WORLD TRANSM-THROTTLE (HI)	137 E	RR VIEW MIRROR (SPARTAN)
72 D	SUN VISOR-LH	98 B	TRAILER BRAKE PRESS SW	125	WORLD TRANSM-RET. INDICATOR	137 G	RR VIEW MIRROR (SPARTAN)
76	FUEL TANK GAUGE	101	24V STARTER SOL FEEDING	125 W	WORLD TRANSM-RET. INDICATOR	138	ABS SYSTEM
76 B	LOW FUEL LT & ETHER COLD START	101	WORLD TRANSM-LO SIGN SOL. LO	126	LEVEL LOW SYSTEM	138	WORLD TRANSM-RETARDER TEMP
76 C	LOW FUEL LT	102	24V STARTER TO GENERATOR DELCO	126	WORLD TRANSM-LUBE PRESS SW.	138 A	ABS SYSTEM
76 P	FUEL PRIME PUMP	102	WORLD TRANSM-SOL. GRD 1	127	WORLD TRANSM-LUBE PRESS SW.	139	ABS SYSTEM
76 M	FUEL PRIME PUMP	102	WORLD TRANSM-SOL. C3	127	PRE-HEAT WATER HEATER	139	WORLD TRANSM-OUTPUT SPEED HI
77 B	A/C & HEAT SYSTEM-COMPRESSOR	102 A	24V STARTER TO GENERATOR BOSCH	127 A	PRE-HEAT WATER HEATER	140	ABS SYSTEM
77 C	A/C & HEAT SYSTEM-COMPRESSOR	104	WORLD TRANSM-SOL. FORWARD	127 B	PRE-HEAT WATER HEATER	140	WORLD TRANSM-OUTPUT SPEED LO
77 H	A/C & HEAT SYSTEM-COMPRESSOR	104	LEVEL LOW SYSTEM	127	WORLD TRANSM-RETARDER FEED SOL.	141	ABS SYSTEM
77 K	GRD SIGNAL-COMPRESSOR CUT-OUT	105	WORLD TRANSM-RETARDER & SUMP	127 S	PRE-HEAT WATER HEATER	141	WORLD TRANSM-ENGINE SPEED HI
81	EXTERIOR LTS-STOP SW	105 W	WORLD TRANSM-RETARDER & SUMP	127 W	PRE-HEAT WATER HEATER	142	ABS SYSTEM
82	EXTERIOR LTS-STOP SIGNAL	106	WORLD TRANSM-OIL LEVEL HI	128	PRE-HEAT WATER HEATER	142	WORLD TRANSM-SERIAL COM. A
82 A	EXTERIOR LTS-STOP SIGNAL	107	CHARG SYST-VOLTAGE REGUL. "F"	128 A	PRE-HEAT WATER HEATER	143	ABS SYSTEM
82 B	EXTERIOR LTS-STOP LTS	107	WORLD TRANSM-LOCKUP SOL. HI	128 B	PRE-HEAT WATER HEATER	143	WORLD TRANSM-ECU BATTERY GRD
82 K	EXTERIOR LTS-STOP PARK BRK	108	WORLD TRANSM-REM. PWR WAKE UP	128 W	PRE-HEAT WATER HEATER	143 A	ABS SYSTEM
82 L	EXTERIOR LTS-LH STOP	109	WORLD TRANSM-RET. SOL. LO	128	WORLD TRANSM-SOL. C2	143 W	WORLD TRANSM-BATTERY GRD
82 R	EXTERIOR LTS-LH STOP	110	ALARM & SIGNAL-WATER TEMP	129	PRE-HEAT WATER HEATER	143 X	WORLD TRANSM-BATTERY GRD
83	ENGINE CTR-KEY SW ACCES SIGN	110	WORLD TRANSM-LOCKUP SOL. LO	129	WORLD TRANSM-SOL. C5	144	ABS SYSTEM
84	ENGINE CTR-KEY SW ACCES SIGN	111	WORLD TRANSM-SOL. C6	130	A/C HEAT SYSTEM-EVAP FAN MOT	144	WORLD TRANSM-ECU CHASSIS GRD
85	ENGINE CTR-KEY SWIGNITION SIGN	112	WORLD TRANSM-SPARE OUTPUT (+)	130	WORLD TRANSM-SOL. GRD 3	144 A	ABS SYSTEM
85	24V IGNITION SIGNAL	113	ALARM & SIGNAL-OIL PRESS	131	WORLD TRANSM-SOL. C4	145	ABS SYSTEM
85 A	24V IGN DASH INSTRUMENTATION	113	WORLD TRANSM-REVERSE WARNING	132	WORLD TRANSM-ENG BRK OUTPUT (-)	146	ABS SYSTEM
85 B	ENGINE CTR-24V IGNITION	114	INTERIOR LTS-DASH LT REGUL.	132 A	LEVEL LOW SYSTEM	146	WORLD TRANSM-IGNITION SENSE
85 C	PARKING BRAKE SWITCH	114	WORLD TRANSM-SPARE OUTPUT (-)	132 B	LEVEL LOW SYSTEM	146 AA	DDR CONNECTOR POWER

CIRCUIT NUMBER CODE

No.	DESCRIPTION	No.	DESCRIPTION	No.	DESCRIPTION	No.	DESCRIPTION
146 W	WORLD TRANSM-12V IGNITION	170 P	LUGGAGE DOOR LOCK	257 C	WINDSHIELD HEATED	531	DDEC -CRUISE CLUTCH RELEASE
146 X	WORLD TRANSM-12V IGNITION	170 R	LUGGAGE DOOR LOCK	257 D	WINDSHIELD HEATED SPARE	540	DDEC -CRUISE ENABLE LTS.
147	ABS SYSTEM	170 S	LUGGAGE DOOR LOCK	257 E	WINDSHIELD HEATED SPARE	541	DDEC -CRUISE SET SW
147	ETHER COLD START	170 V	LUGGAGE DOOR LOCK	258	WINDSHIELD HEATED	542	INPUT PARK BRAKE INTERLOCK
147	WORLD TRANSM-OIL TEMP	170 W	LUGGAGE DOOR LOCK	258 A	WINDSHIELD HEATED	543	DDEC -CRUISE STOP SW CUT IN
147 C	ETHER COLD START	170 X	LUGGAGE DOOR LOCK	259	WINDSHIELD HEATED	544	DDEC -CRUISE ON/OFF SW
148	ABS SYSTEM	170 Y	LUGGAGE DOOR LOCK	259 A	WINDSHIELD HEATED	545	DDEC -CRUISE RESUME SW
148	WORLD TRANSM-OUTPUT SPEED LO	170 Z	LUGGAGE DOOR LOCK	264	SPEED SIGNAL- AUX. FAN UNIT	555	DDEC -FAN CLUTCH SPEED# 1
149	ABS SYSTEM	173	BACK-UP MONITOR	264 A	SPEED SIGNAL- AUX. FAN UNIT	556	DDEC -VEHICLE SPEED (+)
149	WORLD TRANSM-TURBINE SPEED HI	174	BACK-UP MONITOR	264 B	SPEED SIGNAL- AUX. FAN UNIT	557	DDEC -VEHICLE SPEED (-)
149 A	ABS SYSTEM	174 W	WORLD TRANS	270	KEYLESS ENTRY SYSTEM	563	DDEC -FAN CLUTCH SPEED# 2
150	DDEC III-ECM BATTERY GRD	175	BACK-UP MONITOR	272	KEYLESS ENTRY SYSTEM	564	DDEC -DIGITAL OUTPUT
150	WORLD TRANSM-ENGINE SPEED LO	175 A	BACK-UP MONITOR	274	KEYLESS ENTRY SYSTEM	565	DDEC -ENGINE BRAKE ACTIVE
150 A	DDEC III-ECM BATTERY GRD	175 A W	WORLD TRANS	275	KEYLESS ENTRY SYSTEM	583	DDEC -ENGINE BRAKE 4 CYL.
151	ABS SYSTEM	175 B	BACK-UP MONITOR	276	KEYLESS ENTRY SYSTEM	900	DDEC -DATA LINK (+)
151	DDEC III-ECM BATTERY GRD	175 C	BACK-UP MONITOR	277	KEYLESS ENTRY SYSTEM	901	DDEC -DATA LINK (-)
151	WORLD TRANSM-SERIAL COM. B	180	DRIVER'S SEAT HEATER	278	KEYLESS ENTRY SYSTEM	905	DDEC -AMBIANT AIR TEMPERATURE
152	ABS SYSTEM	180 A	DRIVER'S SEAT HEATER	279	KEYLESS ENTRY SYSTEM	908	DDEC -HYDRAULIC PWM#1 OUTPUT
153	WORLD TRANSM-SPARE INPUT (-)	180 B	CO-PILOT SEAT HEATER	280	KEYLESS ENTRY SYSTEM	916	DDEC -SENSOR SUPPLY (5VDC)
154	ABS SYSTEM	180 C	CO-PILOT SEAT HEATER	283	KEYLESS ENTRY SYSTEM	952	DDEC -SENSOR RETURN # 1
154	WORLD TRANSM-ABS RET. INPUT	181 A	THERMOMETER INSIDE SENSOR	283 A	KEYLESS ENTRY SYSTEM	953	DDEC -SENSOR RETURN # 2
155	WORLD TRANSM-SPARE INPUT (-)	181 B	THERMOMETER INSIDE SENSOR	284 A	KEYLESS ENTRY SYSTEM	976	DDEC -RELATIVE HUMIDITY
156	WORLD TRANSM-THROTTLE POS.	181 C	THERMOMETER OUTSIDE SENSOR	284 B	KEYLESS ENTRY SYSTEM	979	DDEC -ENGINE BRAKE 2 CYL.
156 A	ABS SYSTEM	181 D	THERMOMETER OUTSIDE SENSOR	285	KEYLESS ENTRY SYSTEM		
157	WORLD TRANSM-SPEEDO SIGNAL	197	FUEL WATER FILTER	285 B	KEYLESS ENTRY SYSTEM		
157 B	ABS SYSTEM	197 A	FUEL WATER FILTER	285 C	KEYLESS ENTRY SYSTEM		
158	WORLD TRANSM-DIMMER	197 B	FUEL WATER FILTER	286	KEYLESS ENTRY SYSTEM		
160	ALARM & SIGNAL-TAG PRESS SW	198	FILTER FUEL HEATER	286 A	KEYLESS ENTRY SYSTEM		
160	WORLD TRANSM-SER. INTERFACE (-)	199	AIR FILTER RESTRICTION SENDER	290	FAN CLUTCH RADIATOR		
161	WORLD TRANSM-SIGNAL GRD	201	WORLD TRANSM-SPARE	290	FAN CLUTCH RADIATOR		
161 B	WORLD TRANSM-SIGNAL GRD	202	WORLD TRANSM-SPARE	291	FAN CLUTCH RADIATOR SPD 1		
162	WORLD TRANSM-PRESS. SW C3	203	WORLD TRANSM-SPARE	291	KEYLESS ENTRY SYSTEM		
163	WORLD TRANSM-RETARDER ENABLE	204	WORLD TRANSM-SPARE	292	FAN CLUTCH RADIATOR SPD 2		
164	WORLD TRANSM-RET. ACTUATOR SIGN	205	WORLD TRANSM-SPARE	293	KEYLESS ENTRY SYSTEM		
165	A/C & HEAT SYSTEM-TRANSMITER	206	WORLD TRANSM-SPARE	294	ANTI-THEFT SYSTEM KEYLESS		
165	WORLD TRANSM-OIL LEVEL SIGNAL	214	WORLD TRANSM-BACK UP SIGNAL	295	LED FEED ALARM -KEYLESS		
166 B	A/C & HEAT SYSTEM-EVAP. MOD.	216 B	24V SIGNAL AUX. LIQ. SOL. VALVE	416	DDEC IV-SENSOR SUPPLY 5VDC		
168	A/C & HEAT SYSTEM-HUMIDISTAT	216 C	12 V. TRIGGER AUX. A/C UNIT	417	DDEC -LIMIT SPEED GOVERNOR		
168	WORLD TRANSM-SER. INTERFACE (+)	229	24 V. POWER AUX. A/C UNIT	419	DDEC -CHECK ENGINE LIGHT		
168 A	A/C & HEAT SYSTEM-HUMIDISTAT	229 A	PWM SIGNAL - AUX. FAN UNIT	439	DDEC -12V IGNITION		
170 C	LUGGAGE DOOR LOCK	231	NEUTRAL SIGNAL GRD	440	DDEC -12V IGNITION		
170 D	LUGGAGE DOOR LOCK	231 A	NEUTRAL COIL RELAY FEED SIGNAL	440 A	DDEC -12V IGNITION		
170 E	LUGGAGE DOOR LOCK	231 W	NEUTRAL SIGNAL GRD (WCL)	451	DDEC -A/C FAN CLUTCH		
170 F	LUGGAGE DOOR LOCK	240	DDEC -ECM 12V FEEDING	452	DDEC - SENSOR RETURN		
170 G	LUGGAGE DOOR LOCK	241	DDEC -ECM 12V FEEDING	505	DDEC -TACHOMETER DRIVE		
170 H	LUGGAGE DOOR LOCK	251	DDEC - PRODRIVER 12V H.W.	509	DDEC -STOP ENGINE LIGHT		
170 K	LUGGAGE DOOR LOCK	251 A	DDEC -DATA LOGGER 12V H.W.	510	DDEC -FAST IDLE SIGNAL		
170 L	LUGGAGE DOOR LOCK	257	WINDSHIELD HEATED	524	DDEC -ENGINE BRAKE DISABLE		
170 M	LUGGAGE DOOR LOCK	257 A	WINDSHIELD HEATED	525	DDEC -FAST IDLE SIGNAL		
170 N	LUGGAGE DOOR LOCK	257 B	WINDSHIELD HEATED	528	DDEC -STOP ENG. OVERRIDE		

CIRCUIT BREAKERS CODE

No.	PAGE	AMP.	#PREV.	LOCATION	FUNCTION	No.	PAGE	AMP.	#PREV	LOCATION	FUNCTION
CB 1	2.1	40A	562686	RR. JCT. BOX	12V IGNITION	CB 59					
CB 2	1.1	40A	870093	RR. JCT. BOX	12V HOT WIRE	CB 60					
CB 3	1.1	70A	562687	RR. JCT. BOX	12V FEED RR. JCT. BOX	CB 61					
CB 4	1.1	70A	562687	RR. JCT. BOX	12V FEED FR. JCT. BOX	CB 62					
CB 5	1.1	30A	870690	RR. JCT. BOX	24V HOT WIRE	CB 63					
CB 6	1.1	90A	562683	RR. JCT. BOX	24V FEED RR. JCT. BOX	CB 64					
CB 7	1.1	90A	562683	RR. JCT. BOX	24V FEED FR. JCT. BOX	CB 65					
CB 8	1.1	150A	560299	RR. JCT. BOX	24V EVAPORATOR FAN MOTOR	CB 66					
CB 9						CB 67					
CB 10	4.1	8A	561791	FR. JCT. BOX	MASTER KEY SWITCH	CB 68					
CB 11						CB 69					
CB 12						CB 70					
CB 13						CB 71					
CB 14						CB 72	15.1	10A	561792	RR. JCT. BOX	A/C COMPRESSOR CLUTCH
CB 15						CB 73	15.1	15A	561793	RR. JCT. BOX	WATER PUMP
CB 16	4.1	8A	561791	RR. JCT. BOX	ENGINE-RR. CTRL & START SW.	CB 74					
CB 17						CB 75					
CB 18	4.1	6A	561790	RR. JCT. BOX	ENGINE-FR. CTRL SW.	CB 76					
CB 19	5.1	15A	561793	RR. JCT. BOX	E.C.M. DDEC III 12V POWER	CB 77	15.2	40A	870093	RR. JCT. BOX	CONDENSER FAN MOTOR RH
CB 20	5.1	15A	561793	RR. JCT. BOX	E.C.M. DDEC III 12V POWER	CB 78	15.2	40A	870093	RR. JCT. BOX	CONDENSER FAN MOTOR LH
CB 21	5.1	10A	561792	RR. JCT. BOX	E.C.M. DDEC AND WTEC 12V IGNITION	CB 79	15.2	15A	561793	FR. JCT. BOX	DRIVER'S HTR FAN SPEED CTRL MODULE
CB 22						CB 80					
CB 23						CB 81					
CB 24	6.1	20A	561794	RR. JCT. BOX	WORLD TRANSMISSION 12V POWER	CB 82					
CB 25						CB 83					
CB 26	9.3	8A	561791	RR. JCT. BOX	BACK-UP LTS	CB 84					
CB 27	7.1	8A	561791	FR. JCT. BOX	24V IGNITION DASH ACCESSORIES	CB 85	11.2	10A	561790	FR. JCT. BOX	ENTRANCE DOOR & STEP LTS
CB 28	7.2	6A	561790	FR. JCT. BOX	12V IGNITION DASH ACCESSORIES	CB 86					
CB 29						CB 87					
CB 30						CB 88					
CB 31						CB 89					
CB 32						CB 90					
CB 33						CB 91					
CB 34	9.3	6A	561790	RR. JCT. BOX	BACK-UP ALARM	CB 92					
CB 35	9.3	15A	561790	FR. JCT. BOX	FOG & HAZARD DASH SW.	CB 93					
CB 36						CB 94					
CB 37	9.1	6A	561790	FR. JCT. BOX	HEAD & MULTI-FUNCTION LEVEL SW.	CB 95					
CB 38	9.1	3A	561797	FR. JCT. BOX	FR. MARKER LTS	CB 96					
CB 39	9.1	6A	561790	FR. JCT. BOX	CLEARANCE & IDENTIFICATION LTS	CB 97					
CB 40	9.1	3A	561797	FR. JCT. BOX	FR. CLEARANCE & IDENTIFICATION LTS	CB 98					
CB 41	9.1	3A	561797	RR. JCT. BOX	RR. CLEARANCE & IDENTIFICATION LTS	CB 99					
CB 42	9.1	8A	561791	RR. JCT. BOX	RR. TAIL & LICENCE LTS	CB 102					
CB 43	9.1	20A	561794	FR. JCT. BOX	HEADLAMP (HI)	CB 103					
CB 44	9.1	15A	561793	FR. JCT. BOX	HEADLAMP (LO)	CB 104					
CB 45	9.2	10A	561792	FR. JCT. BOX	WIPER CTRL MULTI-FUNCTION LEVEL SW.	CB 105	22.1	6A	561790	FR. JCT. BOX	E.C.U. ABS
CB 46	9.2	10A	561792	FR. JCT. BOX	FLASHER & HAZARD UNIT	CB 106	22.1	15A	561793	FR. JCT. BOX	E.C.U. ABS
CB 47						CB 115	12.1	8A	561791	FR. JCT. BOX	KEYLESS MODULE
CB 48	9.3	6A	561790	FR. JCT. BOX	STOP LTS PRESSURE SW.	CB 118	12.1	20A	561794	RR. JCT. BOX	KEYLESS ENTRY SYS. - LUGGAGE DOOR LOCK
CB 49	9.3	6A	561790	RR. JCT. BOX	STOP & CYCLOP LTS	CB 120	12.1	20A	561794	RR. JCT. BOX	KEYLESS ENTRY SYS. - LUGGAGE DOOR LOCK
CB 50						CB 123	13.1	25A	561795	FR. JCT. BOX	DRIVER'S SEAT ELECTRICAL ADJUSTMENT
CB 51	10.1	10A	561792	FR. JCT. BOX	UPPER WIPER CTRL SW.	CB 124	8.1	6A	561790	RR. JCT. BOX	RADIATOR FAN CLUTCH
CB 52	11.1	15A	561793	RR. JCT. BOX	LUGGAGE & DOOR AJAR LTS	CB 129	7.2	6A	561790	FR. JCT. BOX	CLUSTER
CB 53						CB 130	23.1	6A	561790	FR. JCT. BOX	TELL TALE LIGHTS MODULE
CB 54						CB 131					
CB 55						CB 132					
CB 56											
CB 57	11.2	8A	561791	FR. JCT. BOX	DASH LTS RHEOSTAT						
CB 58	15.1	6A	561790	FR. JCT. BOX	HVAC DASH MODULE						

CIRCUIT BREAKERS CODE

No.	PAGE	AMP.	#PREV.	LOCATION	FUNCTION	No.	PAGE	AMP.	#PREV	LOCATION	FUNCTION
CB 1	2.1	40A	562686	RR. JCT. BOX	12V IGNITION	CB 59					
CB 2	1.1	40A	870093	RR. JCT. BOX	12V HOT WIRE	CB 60					
CB 3	1.1	70A	562687	RR. JCT. BOX	12V FEED RR. JCT. BOX	CB 61					
CB 4	1.1	70A	562687	RR. JCT. BOX	12V FEED FR. JCT. BOX	CB 62					
CB 5	1.1	30A	870690	RR. JCT. BOX	24V HOT WIRE	CB 63					
CB 6	1.1	90A	562683	RR. JCT. BOX	24V FEED RR. JCT. BOX	CB 64					
CB 7	1.1	90A	562683	RR. JCT. BOX	24V FEED FR. JCT. BOX	CB 65					
CB 8	1.1	150A	560299	RR. JCT. BOX	24V EVAPORATOR FAN MOTOR	CB 66					
CB 9						CB 67					
CB 10	4.1	8A	561791	FR. JCT. BOX	MASTER KEY SWITCH	CB 68					
CB 11						CB 69					
CB 12						CB 70					
CB 13						CB 71					
CB 14						CB 72	15.1	10A	561792	RR. JCT. BOX	A/C COMPRESSOR CLUTCH
CB 15						CB 73	15.1	15A	561793	RR. JCT. BOX	WATER PUMP
CB 16	4.1	8A	561791	RR. JCT. BOX	ENGINE-RR. CTRL & START SW.	CB 74					
CB 17						CB 75					
CB 18	4.1	6A	561790	RR. JCT. BOX	ENGINE-FR. CTRL SW.	CB 76					
CB 19	5.1	15A	561793	RR. JCT. BOX	E.C.M. DDEC III 12V POWER	CB 77	15.2	40A	870093	RR. JCT. BOX	CONDENSER FAN MOTOR RH
CB 20	5.1	15A	561793	RR. JCT. BOX	E.C.M. DDEC III 12V POWER	CB 78	15.2	40A	870093	RR. JCT. BOX	CONDENSER FAN MOTOR LH
CB 21	5.1	10A	561792	RR. JCT. BOX	E.C.M. DDEC AND WTEC 12V IGNITION	CB 79	15.2	15A	561793	FR. JCT. BOX	DRIVER'S HTR FAN SPEED CTRL MODULE
CB 22						CB 80					
CB 23						CB 81					
CB 24	6.1	20A	561794	RR. JCT. BOX	WORLD TRANSMISSION 12V POWER	CB 82					
CB 25						CB 83					
CB 26	9.3	8A	561791	RR. JCT. BOX	BACK-UP LTS	CB 84					
CB 27	7.1	8A	561791	FR. JCT. BOX	24V IGNITION DASH ACCESSORIES	CB 85	11.2	10A	561790	FR. JCT. BOX	ENTRANCE DOOR & STEP LTS
CB 28	7.2	6A	561790	FR. JCT. BOX	12V IGNITION DASH ACCESSORIES	CB 86					
CB 29						CB 87					
CB 30						CB 88					
CB 31						CB 89					
CB 32						CB 90					
CB 33						CB 91					
CB 34	9.3	6A	561790	RR. JCT. BOX	BACK-UP ALARM	CB 92					
CB 35	9.3	15A	561790	FR. JCT. BOX	FOG & HAZARD DASH SW.	CB 93					
CB 36						CB 94					
CB 37	9.1	6A	561790	FR. JCT. BOX	HEAD & MULTI-FUNCTION LEVEL SW.	CB 95					
CB 38	9.1	3A	561797	FR. JCT. BOX	FR. MARKER LTS	CB 96					
CB 39	9.1	6A	561790	FR. JCT. BOX	CLEARANCE & IDENTIFICATION LTS	CB 97					
CB 40	9.1	3A	561797	FR. JCT. BOX	FR. CLEARANCE & IDENTIFICATION LTS	CB 98					
CB 41	9.1	3A	561797	RR. JCT. BOX	RR. CLEARANCE & IDENTIFICATION LTS	CB 99					
CB 42	9.1	8A	561791	RR. JCT. BOX	RR. TAIL & LICENCE LTS	CB 102					
CB 43	9.5	15A	561793	FR. JCT. BOX	HEADLAMP (HI)	CB 103					
CB 44	9.5	15A	561793	FR. JCT. BOX	HEADLAMP (LO)	CB 104					
CB 45	9.2	10A	561792	FR. JCT. BOX	WIPER CTRL MULTI-FUNCTION LEVEL SW.	CB 105	22.1	6A	561790	FR. JCT. BOX	E.C.U. ABS
CB 46	9.2	10A	561792	FR. JCT. BOX	FLASHER & HAZARD UNIT	CB 106	22.1	15A	561793	FR. JCT. BOX	E.C.U. ABS
CB 47						CB 115	12.1	8A	561791	FR. JCT. BOX	KEYLESS MODULE
CB 48	9.3	6A	561790	FR. JCT. BOX	STOP LTS PRESSURE SW.	CB 118	12.1	20A	561794	RR. JCT. BOX	KEYLESS ENTRY SYS. - LUGGAGE DOOR LOCK
CB 49	9.3	6A	561790	RR. JCT. BOX	STOP & CYCLOP LTS	CB 120	12.1	20A	561794	RR. JCT. BOX	KEYLESS ENTRY SYS. - LUGGAGE DOOR LOCK
CB 50						CB 123	13.1	25A	561795	FR. JCT. BOX	DRIVER'S SEAT ELECTRICAL ADJUSTMENT
CB 51	10.1	10A	561792	FR. JCT. BOX	UPPER WIPER CTRL SW.	CB 124	8.1	6A	561790	RR. JCT. BOX	RADIATOR FAN CLUTCH
CB 52	11.1	15A	561793	RR. JCT. BOX	LUGGAGE & DOOR AJAR LTS	CB 129	7.2	6A	561790	FR. JCT. BOX	CLUSTER
CB 53						CB 130	23.1	6A	561790	FR. JCT. BOX	TELL TALE LIGHTS MODULE
CB 54						CB 131					
CB 55						CB 132					
CB 56											
CB 57	11.2	8A	561791	FR. JCT. BOX	DASH LTS RHEOSTAT						
CB 58	15.1	6A	561790	FR. JCT. BOX	HVAC DASH MODULE						

CIRCUIT BREAKERS CODE

No.	PAGE	AMP.	#PREV.	LOCATION	FUNCTION	No.	PAGE	AMP.	#PREV	LOCATION	FUNCTION
CB 1	2.1	40A	562686	RR. JCT. BOX	12V IGNITION	CB 59					
CB 2	1.1	40A	870093	RR. JCT. BOX	12V HOT WIRE	CB 60					
CB 3	1.1	70A	562687	RR. JCT. BOX	12V FEED RR. JCT. BOX	CB 61					
CB 4	1.1	70A	562687	RR. JCT. BOX	12V FEED FR. JCT. BOX	CB 62					
CB 5	1.1	30A	870690	RR. JCT. BOX	24V HOT WIRE	CB 63					
CB 6	1.1	90A	562683	RR. JCT. BOX	24V FEED RR. JCT. BOX	CB 64					
CB 7	1.1	90A	562683	RR. JCT. BOX	24V FEED FR. JCT. BOX	CB 65					
CB 8	1.1	150A	560299	RR. JCT. BOX	24V EVAPORATOR FAN MOTOR	CB 66					
CB 9						CB 67					
CB 10	4.1	8A	561791	FR. JCT. BOX	MASTER KEY SWITCH	CB 68					
CB 11						CB 69					
CB 12						CB 70					
CB 13						CB 71					
CB 14						CB 72	15.1	10A	561792	RR. JCT. BOX	A/C COMPRESSOR CLUTCH
CB 15						CB 73	15.1	15A	561793	RR. JCT. BOX	WATER PUMP
CB 16	4.1	8A	561791	RR. JCT. BOX	ENGINE-RR. CTRL & START SW.	CB 74					
CB 17						CB 75					
CB 18	4.1	6A	561790	RR. JCT. BOX	ENGINE-FR. CTRL SW.	CB 76					
CB 19	5.1	15A	561793	RR. JCT. BOX	E.C.M. DDEC III 12V POWER	CB 77	15.2	40A	870093	RR. JCT. BOX	CONDENSER FAN MOTOR RH
CB 20	5.1	15A	561793	RR. JCT. BOX	E.C.M. DDEC III 12V POWER	CB 78	15.2	40A	870093	RR. JCT. BOX	CONDENSER FAN MOTOR LH
CB 21	5.1	10A	561792	RR. JCT. BOX	E.C.M. DDEC AND WTEC 12V IGNITION	CB 79	15.2	25A	561795	FR. JCT. BOX	DRIVER'S HTR FAN SPEED CTRL MODULE
CB 22						CB 80					
CB 23						CB 81					
CB 24	6.1	20A	561794	RR. JCT. BOX	WORLD TRANSMISSION 12V POWER	CB 82					
CB 25						CB 83					
CB 26	9.3	8A	561791	RR. JCT. BOX	BACK-UP LTS	CB 84					
CB 27	7.1	8A	561791	FR. JCT. BOX	24V IGNITION DASH ACCESSORIES	CB 85	11.2	10A	561790	FR. JCT. BOX	ENTRANCE DOOR & STEP LTS
CB 28	7.2	6A	561790	FR. JCT. BOX	12V IGNITION DASH ACCESSORIES	CB 86					
CB 29						CB 87					
CB 30						CB 88					
CB 31						CB 89					
CB 32						CB 90					
CB 33						CB 91					
CB 34	9.3	6A	561790	RR. JCT. BOX	BACK-UP ALARM	CB 92					
CB 35	9.3	15A	561790	FR. JCT. BOX	FOG & HAZARD DASH SW.	CB 93					
CB 36						CB 94					
CB 37	9.1	6A	561790	FR. JCT. BOX	HEAD & MULTI-FUNCTION LEVEL SW.	CB 95					
CB 38	9.1	3A	561797	FR. JCT. BOX	FR. MARKER LTS	CB 96					
CB 39	9.1	6A	561790	FR. JCT. BOX	CLEARANCE & IDENTIFICATION LTS	CB 97					
CB 40	9.1	3A	561797	FR. JCT. BOX	FR. CLEARANCE & IDENTIFICATION LTS	CB 98					
CB 41	9.1	3A	561797	RR. JCT. BOX	RR. CLEARANCE & IDENTIFICATION LTS	CB 99					
CB 42	9.1	8A	561791	RR. JCT. BOX	RR. TAIL & LICENCE LTS	CB 102					
CB 43	9.5	15A	561793	FR. JCT. BOX	HEADLAMP (HI)	CB 103					
CB 44	9.5	15A	561793	FR. JCT. BOX	HEADLAMP (LO)	CB 104					
CB 45	9.2	10A	561792	FR. JCT. BOX	WIPER CTRL MULTI-FUNCTION LEVEL SW.	CB 105	22.1	6A	561790	FR. JCT. BOX	E.C.U. ABS
CB 46	9.2	10A	561792	FR. JCT. BOX	FLASHER & HAZARD UNIT	CB 106	22.1	15A	561793	FR. JCT. BOX	E.C.U. ABS
CB 47						CB 115	12.1	8A	561791	FR. JCT. BOX	KEYLESS MODULE
CB 48	9.3	6A	561790	FR. JCT. BOX	STOP LTS PRESSURE SW.	CB 118	12.1	20A	561794	RR. JCT. BOX	KEYLESS ENTRY SYS. - LUGGAGE DOOR LOCK
CB 49	9.3	6A	561790	RR. JCT. BOX	STOP & CYCLOP LTS	CB 120	12.1	20A	561794	RR. JCT. BOX	KEYLESS ENTRY SYS. - LUGGAGE DOOR LOCK
CB 50						CB 123	13.1	25A	561795	FR. JCT. BOX	DRIVER'S SEAT ELECTRICAL ADJUSTMENT
CB 51	10.1	10A	561792	FR. JCT. BOX	UPPER WIPER CTRL SW.	CB 124	8.1	6A	561790	RR. JCT. BOX	RADIATOR FAN CLUTCH
CB 52	11.1	15A	561793	RR. JCT. BOX	LUGGAGE & DOOR AJAR LTS	CB 129	7.2	6A	561790	FR. JCT. BOX	CLUSTER
CB 53						CB 130	23.1	6A	561790	FR. JCT. BOX	TELL TALE LIGHTS MODULE
CB 54						CB 131					
CB 55						CB 132					
CB 56											
CB 57	11.2	8A	561791	FR. JCT. BOX	DASH LTS RHEOSTAT						
CB 58	15.1	6A	561790	FR. JCT. BOX	HVAC DASH MODULE						

CONNECTORS CODE

NO	LOCATION	TYPE	CAVITY	#PIN HOUSING	#SOCKET HOUSING	NO	LOCATION	TYPE	CAVITY	#PIN HOUSING	#SOCKET HOUSING
C X1	FR LH UPPER WHELL CPT-ABS	AMP	15		563200	C 59	RR JCT BOX - A/C PANEL	AMP CPC	14	561585	561583
C X2	FR LH UPPER WHELL CPT-ABS	AMP	18		563201	C 60	RR JCT BOX COMPT.-LT	AMP MNL	2	561248	561247
C RH	DDEC ENGINE – RELATIVE HUMIDITY	FCI	4		563277	C 61	LUGGAGE COMPARTMENT LTS	AMP MNL	2	561248	561247
C RXTX	HVAC MODULE COMMUNICATION	MOLEX	3	563206	562783	C 62	LUGGAGE COMPARTMENT LTS	AMP MNL	2	561248	561247
C S	RR JCT BOX ECU WORLD TR.	PED	32		562817	C 63	LUGGAGE COMPARTMENT LTS	AMP MNL	2	561248	561247
C T	RR JCT BOX ECU WORLD TR.	PED	32		562824	C 64	LUGGAGE COMPARTMENT LTS	AMP MNL	2	561248	561247
C V	RR JCT BOX ECU WORLD TR.	PED	32		562823	C 65	LUGGAGE COMPARTMENT LTS	AMP MNL	2	561248	561247
C Y	CLUSTER	JAE	30		562765	C 66	LUGGAGE COMPARTMENT LTS	AMP MNL	2	561248	561247
C 1	FR JCT BOX COMPARTMENT	AMP CPC	14	561585	561584	C 67	LUGGAGE COMPARTMENT LTS	AMP MNL	2	561248	561247
C 2	FR JCT BOX COMPARTMENT	AMP CPC	16	561639	561640	C 68	LUGGAGE COMPARTMENT LTS	AMP MNL	2	561248	561247
C 3	FR JCT BOX COMPARTMENT	AMP CPC	24	561641	561643	C 69	RR AXLE ACC-INSIDE PVC END	PED WP	6	561568	561578
C 4	FR JCT BOX COMPARTMENT	AMP CPC	37	561644	561646	C 70	LH CONSOLE	AMP CPC	24	561642	561643
C 5	FR SERVICE COMPT.-UNDERNEATH	AMP CPC	37	561644	561646	C 71	FR JCT BOX COMPARTMENT	AMP CPC	37	561645	561646
C 6	FR SERVICE COMPT.-UNDERNEATH	AMP CPC	16	561639	561640	C 72	FR JCT BOX COMPARTMENT	AMP CPC	24	561642	561643
C 8	FR SERVICE COMPT.-UNDERNEATH	AMP CPC	24	561641	561643	C 74	FR JCT BOX COMPARTMENT	AMP CPC	37	561645	561646
C 9	FR SERVICE COMPT.-UNDERNEATH	AMP CPC	37	561644	561646	C 75	LUGG. COMPT. – DOOR LOCK	AMP MNL	2	561551	561668
C 10						C 76	LUGGAGE COMPT.-AIR RET.SENS.	AMP MNL	2	561248	561247
C 11	FR SERVICE COMPARTMENT	AMP CPC	37	561644	561646	C 77	LUGGAGE COMPT.-DOOR LOCK		4	561551	561668
C 12	FR SERVICE COMPARTMENT	AMP CPC	16	561639	561640	C 78	LUGGAGE COMPT.-LTS - COND. CPT	AMP MNL	2	561248	561247
C 13	LH CONSOLE-CTR MIRROR	AMP MNL	6	561552	561515	C 79	LUGGAGE COMPT.-LTS - EVAP. CPT.	AMP MNL	2	561248	561247
C 14	UNDER DASH-LH MIRROR	AMP MNL	9	561661	561662	C 80	LUGGAGE COMPT.-AIR RET.SENS.	AMP MNL	2	561248	561247
C 15	ENGINE CPT – A/C CLUTCH	PED WP	2	561566	561690	C 80A	EVAPORATOR COMPT.-AIR RET.SENS.	AMP MNL	2	561248	561247
C 16	LH CONSOLE SW-CRUISE ON OFF	EATON	10	-----	562763	C 81	LUGGAGE COMPT.-DOOR LOCK	AMP MNL	2	561551	561668
C 17	LH CONSOLE SW-CRUISE RESUME	EATON	10	-----	562763	C 82	LUGGAGE COMPT.-DOOR LOCK	AMP MNL	2	561551	561668
C 18	LH CONSOLE SW-CRUISE SET	EATON	10	-----	562763	C 83	LUGGAGE COMPT.-DOOR LOCK	AMP MNL	2	561551	561668
C 19	LH CONSOLE DECEL SW	EATON	10	-----	562763	C 84	LUGGAGE COMPT.-DOOR LOCK	AMP MNL	2	561551	561668
C 20	RR JCT BOX	DEUTSCH	70	562282	562285	C 85	LUGGAGE COMPT.-DOOR LOCK	AMP MNL	2	561551	561668
C 21	RR JCT BOX	DEUTSCH	24	562281	562284	C 86	LUGGAGE COMPT.-DOOR LOCK	AMP MNL	2	561551	561668
C 22						C 87	RR END ROOF	AMP CPC	9	561636	561637
C 23						C 88					
C 24						C 89	RR END ROOF-B/U NONITOR	AMP CPC	4	561582	561581
C 25						C 90	RR JCT BOX	AMP CPC	15	561987	561986
C 26						C 91	RR JCT BOX	AMP CPC	37	561714	561713
C 27						C 92	FR LH UPPER WHELL CPT-ABS	AMP CPC	9	561635	561637
C 28						C 93					
C 29						C 94					
C 30						C 95	CONDENSOR CPT. LIQ SOL VALVE	PED WP	2	561566	561690
C 31						C 96	FR AXLE ACCESSORIES	AMP CPC	14	561585	561585
C 32	DDEC ENGINE-ECM	PED	30	-----	561600	C 97	RR AXLE ACC-INSIDE PVC END	PED WP	6	561568	561578
C 33						C 98	FR SERVICE COMPT-EL.FT.PEDAL	PED WP	3	561782	561781
C 34						C 99	FR SERVICE COMPT LTS	AMP MNL	2	561248	561247
C 35	RR JCT BOX	AMP CPC	24	561642	561643	C 100					
C 36						C 101	FR SERVICE COMPT-ELEC. HORNS	PED WP	2	561566	561690
C 37						C 102	FR SERV & SIDE CPT-FLASH. LH	GROTE	2	-----	562155
C 38						C 103	FR SERV & SIDE CPT-MARKERS	GROTE	2	-----	562155
C 39						C 104	FR SERV & SIDE CPT-FLASH. RH	GROTE	2	-----	562155
C 40						C 105	FR SERVICE COMPT-LIQ.S.VALVE	PED WP	2	561566	561690
C 41						C 106	FR SERVICE COMPT-WATER VALVE	PED WP	2	561566	561690
C 42						C 107					
C 43						C 108					
C 44						C 109					
C 45	FR. JCT BOX COMPARTMENT	AMP CPC	24	561642	561643	C 110					
C 46						C 111	EVAPORATOR COMPT-DAMPER	DEUTSCH	2	562486	562485
C 47	FR SERVICE COMPARTMENT	AMP CPC	16	561694	561695	C 112	EVAPORATOR COMPT-SPEED MOT CTRL	DEUTSCH	5	-----	562566
C 48	FR. SERV. COMPT.-PRESS SW. PARK BRAKE	DEUTSCH	4	562479	562477	C 113	RR MARKER LT	GROTE	2	-----	562155
C 49	BATTERIE COMPT.-LT	AMP MNL	2	561248	561247	C 114	RR J. BOX CPT DOOR DIR LT LH	GROTE	2	-----	562155
C 50						C 115					
C 51						C 116	ENGINE COMPT. LTS	PED WP	1	561605	561577
C 52	RR JCT BOX	AMP CPC	24	561642	561643	C 117	RR J.B.CPT.MARKER LT	GROTE	2	-----	562155
C 53						C 118					
C 54						C 119	ENGINE CPT RR DOOR RH LO LAMP	PED WP	6	561606	561607
C 55	RH SWITCH PANEL	AMP CPC	9	561636	561637	C 120	ENGINE CPT RR DOOR LH LO LAMP	PED WP	6	561606	561607
C 56						C 121	BATTERIE CPT. DOOR DIR LT RH	GROTE	2	-----	562155
C 57						C 122	ENGINE CPT-CAMERA DOOR VALVE	PED WP	2	561566	561690
C 58	RR JCT BOX - A/C PANEL	AMP CPC	9	561636	561637	C 123					

CONNECTORS CODE

NO	LOCATION	TYPE	CAVITY	#PIN HOUSING	#SOCKET HOUSING	NO	LOCATION	TYPE	CAVITY	#PIN HOUSING	#SOCKET HOUSING
C 124	ENGINE CPT-ETHER SW	PED WP	2	561566	561690	C 187	FR JCT BOX-RPM RESISTOR CON.	AMP MNL	6	561552	561515
C 125	ENGINE CPT-B/U ALARM	PED WP	2	561566	561690	C 188					
C 126						C 189	ENGINE CPT RR DOOR B/U LT	PED WP	2	561566	561690
C 127	ENGINE CPT-FUEL FILTER	PED WP	2	561566	561690	C 190	ENGINE CPT RR DOOR TAIL/STOP LT	AMP SUPER S	3		562601
C 128	ENGINE CPT-A/C COMPR.CLUTCH	ITT SS	2	561813	561812	C 191	ENGINE CPT RR DOOR TAIL/STOP LT	AMP SUPER S	3		562601
C 129	ENGINE CPT-PRE-HEAT WATER	AMP FF	6	561672	561186	C 192	ENGINE CPT RR DOOR RH DIR. LT	PED WP	2	561566	561690
C 130	ENGINE CPT-UNLOADER	ITT SS	2	561813	561812	C 193					
C 131	ENGINE CPT-UNLOADER	ITT SS	2	561813	561812	C 194					
C 132	ENGINE CPT-A/C LO PRESS SW	PED WP	2	561566	561690	C 195					
C 133	ENGINE CPT-A/C HI PRESS SW	PED WP	2	561566	561690	C 196					
C 134	FR JCT BOX-LUGGAGE DIODE CON.	AMP MNL	15	561987	561986	C 197					
C 135	FR JCT BOX-LUGGAGE DIODE CON.	AMP MNL	15	561987	561986	C 198	ENGINE CPT RR DOOR LICENCE LT	PED WP	2	562348	562471
C 136	RR JCT BOX-A/C PANEL DIODE CON.	AMP MNL	15	561987	561986	C 199					
C 137	RR JCT BOX-TRANSMITTER	AMP MNL	2	560900	560898	C 200					
C 138	RR JCT BOX-CONTROL MODULE	AMP HDP	15	-----	562012	C 201	AUX. UNIT CONTROL	PED WP	4	561610	561611
C 139	RR JCT BOX-LOGIC MODULE	AMP HDP	15	562011	-----	C 202	AUX. UNIT CONTROL	PED WP	3	561781	561782
C 140	HVAC DASH MODULE THERMOMETER	MOLEX	4	562782	-----	C 203	AUX. UNIT CONTROL	PED WP	2	561566	561690
C 141	INSTRUMENT PANEL LH UNLOAD TAG	AMP	2	561248	561247	C 204	AUX. LIQUID SOL.VALVE	PED WP	2	561566	561690
C 142						C 205					
C 143						C 206					
C 144						C 207					
C 145	RR JCT BOX CPT-RR SIDE LTS	AMP MNL	9	561670	561669	C 208					
C 146	ENGINE CPT-MODULATOR VALVE	AMPHENOL	2	-----	560412	C 209					
C 147	BATT & RR J.B.CPT-DOCK.LTS	PED WP	2	561566	561690	C 210					
C 148						C 211	FR ROOF-STORE LH	AMP MNL	2	560900	560898
C 149	CONDENSER CPT-FAN MOTOR	ORDNANCE	3	562555	562001	C 212	FR ROOF-STORE RH	AMP MNL	2	560900	560898
C 150	ENGINE CPT. - FUEL FILTER	PED WP	1	561605	561577	C 213					
C 151	EVAPORATOR CPT-THERMOSTAT	ITT	2	561813	562159	C 214					
C 152	CONDENSER CPT-FUEL GAUGE	PED WP	4	561610	561611	C 215					
C 153	EVAPORATOR CPT-AIR AMB. SENS	AMP MNL	2	561248	561247	C 216					
C 154	EVAPORATOR CPT-FRESH AIR SENS	ITT SS	2	561813	561812	C 217					
C 155	EVAPORATOR CPT-WATER VALVE	PNEUMAC	4	563204	-----	C 218					
C 156	EVAPOR. CPT-BYPASS WATER VAL.	PED WP	2	561566	561690	C 219					
C 157	FRONT SER. CPT-WATER PUMP	PED WP	2	561566	561690	C 220	RR.JCT.BOX-FUEL PRIME PUMP	TC	1	561070	561073
C 158	ENGINE CPT-A/C LO TEMP.	PED WP	2	561566	561690	C 221	BATTERY CMPT. FIRE DETECTOR	DEUTSCH	2	562486	562485
C 159	ENGINE CPT-A/C HI TEMP.	PED WP	2	561566	561690	C 222	ENGINE CMPT. FIRE DETECTOR	DEUTSCH	2	562486	562485
C 160	FR AXLE-ABS RH SENSOR	WABCO	2	641132	-----	C 223	ENGINE CMPT. FIRE DETECTOR	DEUTSCH	2	562486	562485
C 161	FR AXLE-ABS RH VALVE	WABCO	3	-----	641098	C 224					
C 162	FR AXLE-ABS LH VALVE	WABCO	3	-----	641098	C 225					
C 163	FR AXLE-ABS LH SENSOR	WABCO	2	641132	-----	C 226					
C 164	RR AXLE-ABS LH SENSOR	DEUTSCH	2	562486	562485	C 227					
C 165	RR AXLE-ABS LH VALVE	WABCO	3	-----	641098	C 228					
C 166	RR AXLE-ABS RH VALVE	WABCO	3	-----	641098	C 229					
C 167	RR AXLE-ABS RH SENSOR	DEUTSCH	2	562486	562485	C 230	ENG.CPT.-FUEL PRIME PUMP FEED	DEUTSCH	2	562486	562485
C 168	RR AXLE-ABS OPT ATC	PED WP	2	561566	561690	C 231	ENG.CPT.-FUEL PRIME PUMP SW.	PED WP	2	561566	561690
C 169	RR JCT BOX-SPEED SW	AMP HDP	15	-----	562012	C 232	ENG.CPT.-FUEL PRIME PUMP	PED WP	2	561566	561690
C 170	FR JCT BOX-FLASHER UNIT	TC	2	-----	561940	C 233					
C 171	LH CONSOLE	AMP CPC	24	561642	561643	C 234					
C 172	FR SERV. COMPT.- LEVEL LOW	AMP CPC	9	561635	561637	C 235					
C 173	LAV.POTABLE-WATER TANK HEAT.	AMP MNL	2	560900	560898	C 236					
C 174	UNDER DASH RH-HTR MODULE	AMP MNL	9	561670	561669	C 237					
C 175	UNDER DASH RH-HTR MODULE	AMP MNL	9	561670	561669	C 238	UNDER DASH LH PASS REC DAMPER SW	EATON	8		562763
C 176	UNDER DASH RH-WIPER PULSE	AMP FF	6	-----	561186	C 239	RR I.D. LTS	PED WP	2	561566	561690
C 177	UNDER DASH RH-WIPER MOTOR	AMP FF	6	-----	561186	C 240	LUGG. CPT.-CO-PILOT SEAT HEATER	AMP MNL	2	560900	560898
C 178	UNDER DASH RH-LH FAN	TC	2	561030	560997	C 241	HEADLAMPS HI BEAM	HELLA	2		562623
C 179	UNDER DASH RH-RH FAN	TC	2	561030	560997	C 242	HEADLAMPS LO BEAM	HELLA	2		562623
C 181	RR JCT BOX-DIODE CONNECTOR	AMP MNL	15	561987	561986	C 243	FR SERVICE CPT-HEADLAMPS	DEUTSCH	3		561071
C 180	RR JCT BOX-DIODE CONNECTOR	AMP MNL	15	561987	561986	C 244	FR SERVICE CPT-LH FOG LAMP	DEUTSCH	2	561813	561812
C 182						C 245	FR SERVICE CPT-RH FOG LAMP	DEUTSCH	2	561813	561812
C 183						C 246	FR SERVICE CPT-MARK & DIR LT	CONXALL	5	563091	563090
C 184						C 247	HEADLAMPS MARK & DIR LTS	AMP SUPER S	3		562601
C 185						C 248	FR JCT BOX-WIPER PULSE GEN	AMP FF	6	-----	561108
C 186						C 249					
C 186M	RR JCT BOX CPT.-SPD SIGN. M.TR	PED WP	2	561566	561690	C 250					
C 186W	RR JCT BOX CPT.-SPD SIGN. WT	PED WP	2	561566	561690	C 251	LH SW PANEL-FAST IDLE	EATON	10	-----	562763

CONNECTORS CODE

NO	LOCATION	TYPE	CAVITY	#PIN HOUSING	#SOCKET HOUSING	NO	LOCATION	TYPE	CAVITY	#PIN HOUSING	#SOCKET HOUSING
C 252						C 316					
C 253	LH SW PANEL-ETHER	EATON	10	-----	562763	C 317	LH CONSOLE SW-RH STORE	EATON	10	-----	562763
C 254	INST. PANEL RH-ENTR.DOOR SW.	TORRIX	5	-----	562110	C 318	LH CONSOLE SW-DRV WINDOW LIFT	EATON	10	-----	562763
C 255	LH SW PANEL-JACOB	EATON	10	-----	562763	C 319					
C 256						C 320	RH SW PANEL-DRIVER'S LTS	EATON	10	-----	562763
C 257						C 321					
C 258	LH SW PANEL-MULTI FUNC. SW	AMP FF	8	561188	-----	C 322	LH CONSOLE DRV WIND LIFT MOT	PED PO	2	-----	561848
C 259	LH SW PANEL-MULTI FUNC. SW	AMP FF	6	-----	561108	C 323	LH CONSOLE CRUISE CTR SW PAN.	AMP CPC	9	561636	561637
C 260						C 324					
C 261						C 325	LH CONSOLE SW-KNEELING	EATON	8	-----	562763
C 262	UNDER DASH RH-KEYLESS MODULE	AMP MUL	22	-----	562675	C 326	LH CONSOLE SW-SPARE	EATON	8	-----	562763
C 263	UNDER DASH RH- KEYLESS MODULE	AMP MUL	26	-----	562676	C 327	ENGINE CONTROL	DEUTSCH	6	562583	562581
C 264	ENTRANCE DOOR-KEYPAD	AMP CPC	9	561536	561637	C 328					
C 265	RH SW PANEL -DRIVER'S DOOR SW.	EATON	10	-----	562763	C 329	ENGINE TACHO SIGNAL	PED WP	3	561781	561789
C 266	ENTRANCE DOOR-KEYLESS	AMP CPC	14	561585		C 330					
C 267	UNDER DASH RH	AMP CPC	24	561642	561643	C 331					
C 268						C 332					
C 269	UNDER DASH FLAT MIRROR	CONXALL	5	563091	563090	C 333					
C 270	LH MIRROR POST	MOLEX	6	562070	562069	C 334					
C 271	RH MIRROR POST	MOLEX	6	562070	562069	C 335					
C 272	LH MIRROR	SPARTAN	6	-----	990158	C 336					
C 273	RH MIRROR	SPARTAN	6	-----	990158	C 337	INSTR PANEL LH-UP WIPER SW	EATON	8	-----	562763
C 274	RR JCT BOX - ALT SIGNAL MODULE	AMP MNL	12	561735	561734	C 338	INSTR PANEL LH-UP DEFROST SW	EATON	8	-----	562763
C 275						C 339	INSTR PANEL LH-UP WASHER SW	EATON	8	-----	562763
C 276	UNDER DASH RH -3 WAY LTS	EATON	10	-----	562763	C 340	FR JCT. BOX FIRE PIEZO ALARM	AMP MNL	2	560900	560898
C 277	LH CONSOLE -DOCK. & CORN. SW.	EATON	10	-----	562763	C 341	INSTR PANEL LH-HEAT MIRROR SW	EATON	8	-----	562763
C 278	LH CONSOLE -BACK-UP CANCEL SW.	EATON	10	-----	562763	C 342	ENGINE RR START SW	DEUTSCH	2	562586	562585
C 279	FR SERVICE CPT- STEERING ZF	DEUTSCH	2		562485	C 343	INSTR PANEL LH-HEADLAMP SW	EATON	8	-----	562763
C 280	UNDER DASH RH -3 WAY LTS	EATON	10	-----	562763	C 344	INSTR PANEL LH-HAZARD LT SW	EATON	8	-----	562763
C 281	LH CONSOLE -LEVEL LOW	AMP MNL	4	560851	560852	C 345	INSTR PANEL LH-FOG LT SW	EATON	8	-----	562763
C 282	RH SW PANEL -MONITOR OPER. SW.	EATON	10	-----	562763	C 346	INSTR PANEL LH-SWITCH LTS	EATON	2	-----	561837
C 282	FR SERVICE CPT- STEERING GEAR BOX ZF	VOLVO	2		562928	C 347	INSTR PANEL LH-DASH LT SW	AMP MNL	2	560900	560898
C 283	LH CONSOLE -LOW DOCKING SW.	EATON	10	-----	562763	C 348	INSTR PANEL CENT-RACOR MODULE	MOLEX	6	562070	562067
C 284						C 349					
C 285	ENTRANCE DOOR -SOL. DOOR	PED PO	2	-----	562076	C 350	RH CONSOLE-THERMOMETER	AMP MNL	3	561667	561550
C 286	RH SW PANEL-A/C & HEAT	EATON	10	-----	562763	C 351					
C 287	ENGINE COMPT-LTS SW	PED WP	2	561566	561690	C 352	RH CONSOLE-DRV TEMP SENSOR	BURNDY	4	-----	561104
C 288	RH SW PANEL-FRESH AIR	EATON	10	-----	562763	C 353	INSTR PANEL RH-DRV FAN RHEOST	AMP MNL	6	561552	561515
C 289						C 354	INSTR PANEL RH-DRV TEMP CTR	AMP MNL	6	561552	561515
C 290	LUGGAGE COMPT -DOOR LOCK	AMP MNL	4	561551	561668	C 355	INSTR PANEL RH-FR TEMP CTR	AMP MNL	3	561667	561550
C 291	LUGGAGE COMPT -DOOR LOCK	AMP MNL	4	561551	561668	C 356					
C 292	FR SERVICE COMPT-LEVEL LOW		2		641385	C 357	INSTR PANEL RH-WATER TEMP GA	AMP MNL	3	561667	561550
C 293	FR SERVICE COMPT-LEVEL LOW		2		641385	C 358	INSTR PANEL RH-FUEL LEVEL GA	AMP MNL	3	561667	561550
C 294	FR SERVICE COMPT-LEVEL LOW		2		641385	C 359					
C 295	FR SERVICE COMPT-LEVEL LOW		2		641385	C 360	INSTR PANEL RH-B/U MONITOR	AMP MNL	2	561248	561247
C 296	FR SERVICE COMPT-LEVEL LOW		2		641385	C 361	FR ROOF-WIPER MOTOR	AMP FF	6	-----	561186
C 297	INSTRUMENT PANEL RH -LTS	AMP MNL	2	560900	560898	C 362					
C 298						C 363					
C 299						C 364					
C 300						C 365					
C 301						C 366	RH DASH PANEL-GRN & RED LEDS	AMP MNL	3	560908	562006
C 302						C 367					
C 303						C 368					
C 304						C 369					
C 305						C 370					
C 306						C 371					
C 307						C 372	FR ROOF-DEST. SIGN SPEED SW	MOLEX	4	561477	561476
C 308	LH CONSOLE SW-RHEOSTAT	TC	2	561030	560997	C 373	FR ROOF-NO SMOKING LT	AMP MNL	2	561248	561247
C 309	DDEC ENGINE-ECM POWER CON.	PED MP	5	-----	562345	C 374	LH SWITCH PANEL	AMP MNL	6	561552	561515
C 310	LH CONSOLE SW-LUG. DOOR LOCK	EATON	10	-----	562763	C 375					
C 311						C 376	LH SWITCH PANEL	AMP CPC	37	561714	562005
C 312						C 377	LH SW PANEL-STOP ENG.OVERRIDE	EATON	10	-----	562763
C 313						C 378					
C 314						C 379					
C 315	LH CONSOLE SW-LH STORE	EATON	10	-----	562763	C 380	LH CONSOLE-DDR CONNECTOR	DEUTSCH	6	562360	-----

CONNECTORS CODE

NO	LOCATION	TYPE	CAVITY	#PIN HOUSING	#SOCKET HOUSING	NO	LOCATION	TYPE	CAVITY	#PIN HOUSING	#SOCKET HOUSING
C 381	INST. PANEL CENTER-ANTI-THEFT LED	AMP MNL	2	561248	561247	C 446					
C 382						C 447					
C 383						C 448					
C 384						C 449					
C 385	EVAP CPT - FULL AIR WATER PUMP	PED WP	2	561566	561690	C 450					
C 386						C 451					
C 387						C 452					
C 388						C 453					
C 389						C 454					
C 390						C 455					
C 391						C 456	WORLD TRANSM.-RETARDER ACCUM.	PED MP	2	-----	562427
C 392						C 457	WORLD TRANSM.-MAIN CONNECTOR	DEUTSCH	31	562572	562536
C 393						C 458	WORLD TRANSM.-TURBINE SP.SENS	PED MP	2	-----	562426
C 394						C 459	WORLD TRANSM.-ENGINE SP.SENS.	PED MP	2	-----	562426
C 395						C 460	WORLD TRANSM.-SPEED SENSOR	ITT	2	-----	562541
C 396						C 461	WORLD TRANSM.-RETARDER TEMP.	PED MP	2	561566	561590
C 397	ENGINE COMPT. CRADLE ACC.	DEUTSCH	40	562281	562284	C 462	WORLD TRANSM.-RETARD SOL."K"	PED MP	2	-----	562426
C 398						C 463	WORLD TRANSM.-SENSOR CONN.	DEUTSCH	16	562570	562571
C 399	ENGINE COMPT. - EXITING SIGNAL ALTERN.	PED WP	2	561566	561690	C 464	RR JCT BOX-DDL CONN W.T.	DEUTSCH	6	-----	562360
C 400	ENGINE COMPT. BLOCK HEATER	PED MP	3	561781	561782	C 465	LH CONSOLE-SHIFTER SELECTOR	PED	20	-----	562825
C 401						C 466	FR SERVICE CPT.-RESIS. MOD.	PED WP	3	-----	562428
C 402						C 467	FR SERVICE CPT.-RESIS. MOD.	PED WP	3	-----	562428
C 403						C 468					
C 404						C 469					
C 405						C 470	FR LH UPPER WHELL CPT-SILENT 1000	AMP MNL	2	561248	561247
C 406	FR JCT BOX COMPT.-ABS	AMP MNL	2	560900	560898	C 471	FR LH UPPER WHELL CPT-SILENT 1000	AMP MNL	2	561248	561247
C 407						C 472	FR LH UPPER WHELL CPT-SILENT 1000	PED WP	2	561566	561690
C 408						C 473	FR LH UPPER WHELL CPT-SILENT 1000	AMP MNL	3	561667	561550
C 409	ENGINE CPT -LOW COOL. LEVEL	PED MP	2	-----	562350	C 474	DRIVER'S.-TEMP. SENSOR	AMP MNL	2	561247	561248
C 410	FR JCT BOX-DIODE CONNECTOR	AMP MNL	15	561987	561986	C 475	RR JCT BOX-SPEED SIGN CONNECTOR	AMP MNL	2	561248	561247
C 411	FR JCT BOX-DIODE CONNECTOR	AMP MNL	15	561987	561986	C 475M	RR JCT BOX-SPEED SIGN MANUAL TR.	MOLEX	6	562070	562069
C 412	LH SW PANEL-MASTER SWITCH	EATON	10	-----	562763	C 475W	RR JCT BOX-SPEED SIGN WORLD TR.	MOLEX	6	562070	562069
C 413	ENG CPT-A/C HI UNLOAD PRS SW	PED WP	2	561566	561690	C 476					
C 414						C 477					
C 415	RR JCT BOX - ENGINE SIGNAL	DEUTSCH	24	562280	562783	C 478					
C 416	ENGINE CRADLE-ENGINE SIGNAL	FCI	10	563207	-----	C 479	HVAC MODULE	MOLEX	3	-----	562783
C 417	FRONT JCT BOX-DIODES	AMP MNL	15	561987	561986	C 480	UNDER DASH RH-DR'S FAN SPEED CTR MOD	PED	4	561889	561890
C 418	INSTR. PANEL LH-HTR WINDSH.SW	EATON	10	-----	562763	C 481	UNDER DASH RH-DR'S FAN SPEED CTR MOD	PED	3	561781	561782
C 419	FR JCT BOX-RETARDER OR JACOB	AMP MNL	3	561667	561550	C 482					
C 420	ENGINE COMPT. WEBASTO WATER HTR	TC	2	561597	-----	C 483	FR SERVICE CPT. -SEAT ELECTRICAL SEAT	PED PC	2	-----	562237
C 421	ENGINE COMPT. WEBASTO WATER HTR	TC	1	561073	-----	C 484	UNDER DASH LH-FOOT DAMPER MOTOR	PED PC	2	-----	562076
C 422	ENGINE COMPT. WEBASTO WATER HTR	TC	2	561597	-----	C 485	UNDER DASH LH-DASH & DEFROST DAMP.M.	AMP MNL	3	561667	561550
C 423						C 486					
C 424	UNDER INSTRUMENT PANEL CENTER	AMP MNL	3	561667	561550	C 487					
C 425	FR JCT BOX-DIODES	AMP MNL	15	561987	561986	C 488					
C 426	ENGINE COMPT. CLUTCH CTR FAN	PED WP	3	561781	561782	C 489					
C 427						C 490					
C 428						C 491					
C 429	FR JCT BOX COMPT.	AMP MNL	6	561552	561515	C 492					
C 430	LH CONSOLE-TIMER	AMP FF	8	561188	562363	C 493					
C 431	LH CONSOLE-PRE HEAT.	TAB AMP	1	561540	561539	C 494					
C 432	ENGINE CPT.-PROX. SW. DOOR AJAR	DEUTSCH	4	562479	562477	C 495					
C 433	FR SERVICE CPT. KNEEL. PRESS. SW	PED WP	2	561566	561690	C 496					
C 434	FRONT JCT. BOX-DIODES	AMP MNL	15	561987	561986	C 497					
C 435	FR SERVICE CPT.(RH) KNEEL. PIEZO	AMP MNL	2	560900	560898	C 498					
C 436	RH HAT RACK-WCL CENTER ROOF ACC	AMP CPC	16	561639	561640	C 499					
C 437						C 500	FR LH UPPER WHELL CPT -PRODRIVER	MOLEX	6	562070	562069
C 438	EVAP. COMPT.-COND.RELAY	AMP MNL	2	561248	561247	C 501	FR LH UPPER WHELL CPT -PRODRIVER MOD	PED MP	7	562433	-----
C 439	EVAP. COMPT.-COND.RELAY	AMP MNL	2	561248	561247	C 502	LH CONSOLE-PRE HEATER SW.	EATON	10	-----	562763
C 440	EVAP. COMPT.-EVAP.RELAY	DEUTSCH	4	562479	562477	C 503					
C 441						C 504	LH CONSOLE WEBASTO TIMER	AMP	8	-----	562852
C 442						C 505	LH CONSOLE ESPAR TIMER	AMP	12	-----	562681
C 443						C 506	LH CONSOLE-LEVEL LOW SW.	EATON	10	-----	562763
C 444						C 508	RR JCT BOX-FAN CLUTCH RETARDER	AMP MNL	6	561552	561515
C 445						C 509	FR LH UPPER WHELL CPT -DATA LOGGER	PED MP	16	-----	562530

CONNECTORS CODE

NO	LOCATION	TYPE	CAVITY	#PIN HOUSING	#SOCKET HOUSING	NO	LOCATION	TYPE	CAVITY	#PIN HOUSING	#SOCKET HOUSING
C 510	FR LH UPPER WHELL CPT -DATA LOGGER	DEUTSCH	9	562531	-----	C 575					
C 511	FR LH UPPER WHELL CPT -DATA LOGGER	PED MP	4	562532	-----	C 576					
C 512	FR LH UPPER WHELL CPT -DATA LOGGER	PED MP	10	562533	-----	C 577					
C 513	FR LH UPPER WHELL CPT -DATA LOGGER	AMP MNL	3	561667	561550	C 578					
C 514	FR LH UPPER WHELL CPT -DATA LOGGER	PED MP	6	562433	562417	C 579					
C 515						C 580					
C 516						C 581					
C 517						C 582	FRONT SERVICE CMPT. - WINDOWS AJAR	PED WP	2	561566	561690
C 518						C 583	L.H. DASH PANEL - MASTER KEY	DEUTSCH	2	562486	562485
C 519						C 584	FRONT SERVICE CMPT. - AIR HORH	HUMPHREY	3	-----	641385
C 520						C 585					
C 521						C 586					
C 522	FR JCT BOX-DAYTIME LTS MODULE	BOSCH	5	-----	561183	C 587					
C 523	FR JCT BOX-FUSE BLOCK	PED	8	562647	562646	C 588					
C 524	FR JCT BOX-FUSE BLOCK	PED	8	562647	562646	C 589	FR SERVICE ELECT MIRROR	CONXALL	5	563089	563088
C 525	FR JCT BOX-FUSE BLOCK	PED	8	562647	562646	C 590	UNDER DASH ELECT MIRROR	CONXALL	8	563089	563088
C 526	FR JCT BOX-FUSE BLOCK	PED	8	562647	562646	C 591	L.H.CONSOLE - MIRROR L.H.	EURAMTEC	8	-----	562799
C 527	FR JCT BOX-FUSE BLOCK	PED	8	562647	562646	C 592	L.H.CONSOLE - MIRROR R.H.	EURAMTEC	8	-----	562799
C 528						C 593					
C 529	FR JCT BOX-12V OUTLET	AMP MNL	2	561247	561248	C 594	FRONT ROOF - DRIVERS LIGHT	LEEKRAFT		-----	562803
C 530	RR JCT BOX-FUSE BLOCK	PED	8	562647	562646	C 595					
C 531	RR JCT BOX-FUSE BLOCK	PED	8	562647	562646	C 596					
C 532	RR JCT BOX-FUSE BLOCK	PED	8	562647	562646	C 597	L.H. DASH PANEL - DISPLAY SET SW.	MOLEX	5	-----	562812
C 533						C 598	L.H. DASH PANEL - DISPLAY SET SW.	MOLEX	5	-----	562812
C 534						C 599					
C 535	RR JCT BOX-FIRE MODULE DETECT.	AMP MNL	3	561667	561550	C 600	ENGINE CPT.-A/C LOW PRESS SW. UNLOAD	PED	2	562348	562471
C 536	UNDER DASH RH-DRIVER'S HTR TEMP. CTR	AMP MNL	6	561552	561515	C 601					
C 537	BATT. CPT.-A/C PRESS. SIGN. RLY	AMP MNL	2	561248	561247	C 602					
C 538	FR SERVICE CPT.-OUTSIDE TEMP. SENSOR	AMP MNL	2	561248	561247	C 603					
C 539	HVAC DASH MODULE OUTPUT CON	MOLEX	24		562780	C 604					
C 540	HVAC DASH MODULE INPUT CON	MOLEX	22		562781	C 605					
C 541						C 606					
C 542						C 607					
C 543						L 608	FRONT SERVICE CMPT. SPEED SIGNAL	PED WP	2	561566	561690
C 544						LX	CLUSTER	JAE	22	-----	562766
C 545						RY	CLUSTER	JAE	30	-----	562767
C 546	LH DASH PANEL-ACCESSORIES	AMP CPC	37	561645	561646	X	CLUSTER	JAE	22	-----	562764
C 547	RH DASH PANEL-ACCESSORIES	AMP CPC	37	561645	561646						
C 548	LH DASH PANEL-T.T. LT. TEST SW.	EATON	10	-----	562763						
C 549											
C 550	EVAPORATOR COMPARTIMENT	ITT	2	561813	562159						
C 551	RR JCT BOX - A/C PANEL	PED	2	561566	561690						
C 552											
C 553											
C 554											
C 555											
C 556											
C 557											
C 558											
C 559											
C 560											
C 561											
C 562											
C 563											
C 564											
C 565											
C 566											
C 567											
C 568											
C 569											
C 570	UNDER DASH PANEL TTLT MODULE	MOLEX	6		562464						
C 571	UNDER DASH PANEL TTLT MODULE	MOLEX	20		562778						
C 572	UNDER DASH PANEL TTLT MODULE	MOLEX	18		562779						
C 573	UNDER DASH PANEL TTLT MODULE	MOLEX	8		562465						
C 574											

CONNECTORS CODE

NO	LOCATION	TYPE	CAVITY	#PIN HOUSING	#SOCKET HOUSING	NO	LOCATION	TYPE	CAVITY	#PIN HOUSING	#SOCKET HOUSING
C X1	FR LH UPPER WHELL CPT-ABS	AMP	15		563200	C 59	RR JCT BOX - A/C PANEL	AMP CPC	14	561585	561583
C X2	FR LH UPPER WHELL CPT-ABS	AMP	18		563201	C 60	RR JCT BOX COMPT.-LT	AMP MNL	2	561248	561247
C TCI	DDEC ENGINE – TURBO TEMP	FCI	2		563404	C 61	LUGGAGE COMPARTMENT LTS	AMP MNL	2	561248	561247
C RXTX	HVAC MODULE COMMUNICATION	MOLEX	3	563206	562783	C 62	LUGGAGE COMPARTMENT LTS	AMP MNL	2	561248	561247
C S	RR JCT BOX ECU WORLD TR.	PED	32		562817	C 63	LUGGAGE COMPARTMENT LTS	AMP MNL	2	561248	561247
C T	RR JCT BOX ECU WORLD TR.	PED	32		562824	C 64	LUGGAGE COMPARTMENT LTS	AMP MNL	2	561248	561247
C V	RR JCT BOX ECU WORLD TR.	PED	32		562823	C 65	LUGGAGE COMPARTMENT LTS	AMP MNL	2	561248	561247
C Y	CLUSTER	JAE	30		562765	C 66	LUGGAGE COMPARTMENT LTS	AMP MNL	2	561248	561247
C 1	FR JCT BOX COMPARTMENT	AMP CPC	14	561585	561584	C 67	LUGGAGE COMPARTMENT LTS	AMP MNL	2	561248	561247
C 2	FR JCT BOX COMPARTMENT	AMP CPC	16	561639	561640	C 68	LUGGAGE COMPARTMENT LTS	AMP MNL	2	561248	561247
C 3	FR JCT BOX COMPARTMENT	AMP CPC	24	561641	561643	C 69	RR AXLE ACC-INSIDE PVC END	PED WP	6	561568	561578
C 4	FR JCT BOX COMPARTMENT	AMP CPC	37	561644	561646	C 70	LH CONSOLE	AMP CPC	24	561642	561643
C 5	FR SERVICE COMPT.-UNDERNEATH	AMP CPC	37	561644	561646	C 71	FR JCT BOX COMPARTMENT	AMP CPC	37	561645	561646
C 6	FR SERVICE COMPT.-UNDERNEATH	AMP CPC	16	561639	561640	C 72	FR JCT BOX COMPARTMENT	AMP CPC	24	561642	561643
C 8	FR SERVICE COMPT.-UNDERNEATH	AMP CPC	24	561641	561643	C 74	FR JCT BOX COMPARTMENT	AMP CPC	37	561645	561646
C 9	FR SERVICE COMPT.-UNDERNEATH	AMP CPC	37	561644	561646	C 75	LUGG. COMPT. – DOOR LOCK	AMP MNL	2	561551	561668
C 10						C 76	LUGGAGE COMPT.-AIR RET.SENS.	AMP MNL	2	561248	561247
C 11	FR SERVICE COMPARTMENT	AMP CPC	37	561644	561646	C 77	LUGGAGE COMPT.-DOOR LOCK		4	561551	561668
C 12	FR SERVICE COMPARTMENT	AMP CPC	16	561639	561640	C 78	LUGGAGE COMPT.-LTS - COND. CPT	AMP MNL	2	561248	561247
C 13	LH CONSOLE-CTR MIRROR	AMP MNL	6	561552	561515	C 79	LUGGAGE COMPT.-LTS - EVAP. CPT.	AMP MNL	2	561248	561247
C 14	UNDER DASH-LH MIRROR	AMP MNL	9	561661	561662	C 80	LUGGAGE COMPT.-AIR RET.SENS.	AMP MNL	2	561248	561247
C 15						C 80A	EVAPORATOR COMPT.-AIR RET.SENS.	AMP MNL	2	561248	561247
C 16	LH CONSOLE SW-CRUISE ON OFF	EATON	10	-----	562763	C 81	LUGGAGE COMPT.-DOOR LOCK	AMP MNL	2	561551	561668
C 17	LH CONSOLE SW-CRUISE RESUME	EATON	10	-----	562763	C 82	LUGGAGE COMPT.-DOOR LOCK	AMP MNL	2	561551	561668
C 18	LH CONSOLE SW-CRUISE SET	EATON	10	-----	562763	C 83	LUGGAGE COMPT.-DOOR LOCK	AMP MNL	2	561551	561668
C 19	LH CONSOLE DECEL SW	EATON	10	-----	562763	C 84	LUGGAGE COMPT.-DOOR LOCK	AMP MNL	2	561551	561668
C 20	RR JCT BOX	DEUTSCH	70	562282	562285	C 85	LUGGAGE COMPT.-DOOR LOCK	AMP MNL	2	561551	561668
C 21	RR JCT BOX	DEUTSCH	24	562281	562284	C 86	LUGGAGE COMPT.-DOOR LOCK	AMP MNL	2	561551	561668
C 22						C 87	RR END ROOF	AMP CPC	9	561636	561637
C 23						C 88	FR. SERV. COMPT.-PRESS SW. PARK BRAKE	PED WP	2	561566	561690
C 24						C 89	RR END ROOF-B/U NONITOR	AMP CPC	4	561582	561581
C 25						C 90	RR JCT BOX	AMP CPC	15	561987	561986
C 26						C 91	RR JCT BOX	AMP CPC	37	561714	561713
C 27						C 92	FR LH UPPER WHELL CPT-ABS	AMP CPC	9	561635	561637
C 28						C 93					
C 29						C 94					
C 30						C 95	CONDENSOR CPT. LIQ SOL VALVE	PED WP	2	561566	561690
C 31						C 96	FR AXLE ACCESSORIES	AMP CPC	14	561585	561585
C 32	DDEC ENGINE-ECM	AMP	68	-----	563403	C 97	RR AXLE ACC-INSIDE PVC END	PED WP	6	561568	561578
C 33						C 98	FR SERVICE COMPT-EL.FT.PEDAL	PED WP	3	561782	561781
C 34						C 99	FR SERVICE COMPT LTS	AMP MNL	2	561248	561247
C 35	RR JCT BOX	DEUTSCH	40	562281	562284	C 100					
C 36						C 101	FR SERVICE COMPT-ELEC. HORNS	PED WP	2	561566	561690
C 37						C 102	SIDE (LH/FR & CENTER) DIR. LTS	GROTE	2	-----	562155
C 38						C 103	SIDE (LH/FR & CENTER) MARKER LTS	GROTE	2	-----	562155
C 39						C 104	SIDE (RH/FR & CENTER) DIR. LTS	GROTE	2	-----	562155
C 40						C 105	FR SERVICE COMPT-LIQ.S.VALVE	PED WP	2	561566	561690
C 41						C 106	FR SERVICE COMPT-WATER VALVE	PED WP	2	561566	561690
C 42						C 107					
C 43						C 108					
C 44						C 109					
C 45	FR. JCT BOX COMPARTMENT	AMP CPC	24	561642	561643	C 110					
C 46						C 111	EVAPORATOR COMPT-DAMPER	DEUTSCH	2	562486	562485
C 47	FR SERVICE COMPARTMENT	AMP CPC	16	561694	561695	C 112	EVAPORATOR COMPT-SPEED MOT CTRL	DEUTSCH	5	-----	562566
C 48	FR. SERV. COMPT.-PRESS SW. PARK BRAKE	PED WP	2	561566	561690	C 113	SIDE (LH/RR) MARKER LTS	GROTE	2	-----	562155
C 49	BATTERIE COMPT.-LT	AMP MNL	2	561248	561247	C 114	SIDE (LH/RR) DIR LTS	GROTE	2	-----	562155
C 50						C 115					
C 51						C 116	ENGINE COMPT. LTS	GROTE	2	-----	563268
C 52	RR JCT BOX	AMP CPC	24	561642	561643	C 117	SIDE (RH/RR) MARKER LTS	GROTE	2	-----	562155
C 53						C 118					
C 54						C 119	ENGINE CPT RR DOOR RH LO LAMP	PED WP	6	561606	561607
C 55	RH SWITCH PANEL	AMP CPC	9	561636	561637	C 120	ENGINE CPT RR DOOR LH LO LAMP	PED WP	6	561606	561607
C 56						C 121	SIDE (RH/RR) DIR. LTS	GROTE	2	-----	562155
C 57						C 122	ENGINE CPT-CAMERA DOOR VALVE	PED WP	2	561566	561690
C 58	RR JCT BOX - A/C PANEL	AMP CPC	9	561636	561637	C 123					

CONNECTORS CODE

NO	LOCATION	TYPE	CAVITY	#PIN HOUSING	#SOCKET HOUSING	NO	LOCATION	TYPE	CAVITY	#PIN HOUSING	#SOCKET HOUSING
C 124	ENGINE CPT-ETHER SW	PED WP	2	561566	561690	C 187	FR JCT BOX-RPM RESISTOR CON.	AMP MNL	6	561552	561515
C 125	ENGINE CPT-B/U ALARM	PED WP	2	561566	561690	C 188					
C 126						C 189	ENGINE CPT RR DOOR B/U LT	PED WP	2	561566	561690
C 127	ENGINE CPT-FUEL FILTER	PED WP	2	561566	561690	C 190	ENGINE CPT RR DOOR TAIL/STOP LT	AMP SUPER S	3		562601
C 128	ENGINE CPT-A/C COMPR.CLUTCH	ITT SS	2	561813	561812	C 191	ENGINE CPT RR DOOR TAIL/STOP LT	AMP SUPER S	3		562601
C 129	ENGINE CPT-PRE-HEAT WATER	AMP FF	6	561672	561186	C 192	ENGINE CPT RR DOOR RH DIR. LT	PED WP	2	561566	561690
C 130	ENGINE CPT-UNLOADER	ITT SS	2	561813	561812	C 193					
C 131	ENGINE CPT-UNLOADER	ITT SS	2	561813	561812	C 194					
C 132	ENGINE CPT-A/C LO PRESS SW	PED WP	2	561566	561690	C 195					
C 133	ENGINE CPT-A/C HI PRESS SW	PED WP	2	561566	561690	C 196					
C 134	FR JCT BOX-LUGGAGE DIODE CON.	AMP MNL	15	561987	561986	C 197					
C 135	FR JCT BOX-LUGGAGE DIODE CON.	AMP MNL	15	561987	561986	C 198	ENGINE CPT RR DOOR LICENCE LT	PED WP	2	562348	562471
C 136	RR JCT BOX-A/C PANEL DIODE CON.	AMP MNL	15	561987	561986	C 199					
C 137	RR JCT BOX-TRANSMITTER	AMP MNL	2	560900	560898	C 200					
C 138	RR JCT BOX-CONTROL MODULE	AMP HDP	15	-----	562012	C 201	AUX. UNIT CONTROL	PED WP	4	561610	561611
C 139	RR JCT BOX-LOGIC MODULE	AMP HDP	15	562011	-----	C 202	AUX. UNIT CONTROL	PED WP	3	561781	561782
C 140	HVAC DASH MODULE THERMOMETER	MOLEX	4	562782	-----	C 203	AUX. UNIT CONTROL	PED WP	2	561566	561690
C 141	INSTRUMENT PANEL LH UNLOAD TAG	AMP	2	561248	561247	C 204	AUX. LIQUID SOL.VALVE	PED WP	2	561566	561690
C 142						C 205					
C 143						C 206					
C 144						C 207					
C 145	RR JCT BOX CPT-RR SIDE LTS	AMP MNL	9	561670	561669	C 208					
C 146	ENGINE CPT-MODULATOR VALVE	AMPHENOL	2	-----	560412	C 209					
C 147	BATT & RR J.B.CPT-DOCK.LTS	PED WP	2	561566	561690	C 210					
C 148						C 211	FR ROOF-STORE LH	AMP MNL	2	560900	560898
C 149	CONDENSER CPT-FAN MOTOR	ORDNANCE	3	562555	562001	C 212	FR ROOF-STORE RH	AMP MNL	2	560900	560898
C 150	ENGINE CPT. - FUEL FILTER	PED WP	1	561605	561577	C 213					
C 151	EVAPORATOR CPT-THERMOSTAT	ITT	2	561813	562159	C 214					
C 152	CONDENSER CPT-FUEL GAUGE	PED WP	4	561610	561611	C 215					
C 153	EVAPORATOR CPT-AIR AMB. SENS	AMP MNL	2	561248	561247	C 216					
C 154	EVAPORATOR CPT-FRESH AIR SENS	ITT SS	2	561813	561812	C 217					
C 155	EVAPORATOR CPT-WATER VALVE	PNEUMAC	4	563204	-----	C 218					
C 156	EVAPOR. CPT-BYPASS WATER VAL.	PED WP	2	561566	561690	C 219					
C 157	FRONT SER CPT-WATER PUMP	PED WP	2	561566	561690	C 220	RR.JCT.BOX-FUEL PRIME PUMP	TC	1	561070	561073
C 158	ENGINE CPT-A/C LO TEMP.	PED WP	2	561566	561690	C 221	BATTERY CMPT. FIRE DETECTOR	DEUTSCH	2	562486	562485
C 159	ENGINE CPT-A/C HI TEMP.	PED WP	2	561566	561690	C 222	ENGINE CMPT. FIRE DETECTOR	DEUTSCH	2	562486	562485
C 160	FR AXLE-ABS RH SENSOR	WABCO	2	641132	-----	C 223	ENGINE CMPT. FIRE DETECTOR	DEUTSCH	2	562486	562485
C 161	FR AXLE-ABS RH VALVE	WABCO	3	-----	641098	C 224					
C 162	FR AXLE-ABS LH VALVE	WABCO	3	-----	641098	C 225					
C 163	FR AXLE-ABS LH SENSOR	WABCO	2	641132	-----	C 226					
C 164	RR AXLE-ABS LH SENSOR	DEUTSCH	2	562486	562485	C 227					
C 165	RR AXLE-ABS LH VALVE	WABCO	3	-----	641098	C 228	ENG.CPT.-A/C COMPRESSOR	PED WP	2	561566	561690
C 166	RR AXLE-ABS RH VALVE	WABCO	3	-----	641098	C 229					
C 167	RR AXLE-ABS RH SENSOR	DEUTSCH	2	562486	562485	C 230	ENG.CPT.-FUEL PRIME PUMP FEED	DEUTSCH	2	562486	562485
C 168	RR AXLE-ABS OPT ATC	PED WP	2	561566	561690	C 231	ENG.CPT.-FUEL PRIME PUMP SW.	PED WP	2	561566	561690
C 169	RR JCT BOX-SPEED SW	AMP HDP	15	-----	562012	C 232	ENG.CPT.-FUEL PRIME PUMP	PED WP	2	561566	561690
C 170	FR JCT BOX-FLASHER UNIT	TC	2	-----	561940	C 233					
C 171	LH CONSOLE	AMP CPC	24	561642	561643	C 234					
C 172	FR SERV. COMPT.- LEVEL LOW	AMP CPC	9	561635	561637	C 235					
C 173	LAV.POTABLE-WATER TANK HEAT.	AMP MNL	2	560900	560898	C 236					
C 174	UNDER DASH RH-HTR MODULE	AMP MNL	9	561670	561669	C 237					
C 175	UNDER DASH RH-HTR MODULE	AMP MNL	9	561670	561669	C 238	UNDER DASH LH PASS REC DAMPER SW	EATON	8		562763
C 176	UNDER DASH RH-WIPER PULSE	AMP FF	6	-----	561186	C 239	RR I.D. LTS	PED WP	2	561566	561690
C 177	UNDER DASH RH-WIPER MOTOR	AMP FF	6	-----	561186	C 240	LUGG. CPT.-CO-PILOT SEAT HEATER	AMP MNL	2	560900	560898
C 178	UNDER DASH RH-LH FAN	TC	2	561030	560997	C 241	HEADLAMPS HI BEAM	HELLA	2		562623
C 179	UNDER DASH RH-RH FAN	TC	2	561030	560997	C 242	HEADLAMPS LO BEAM	HELLA	2		562623
C 181	RR JCT BOX-DIODE CONNECTOR	AMP MNL	15	561987	561986	C 242	HEADLAMPS LO BEAM (XENON OPTION)	PED MP	2		563366
C 180	RR JCT BOX-DIODE CONNECTOR	AMP MNL	15	561987	561986	C 243	FR SERVICE CPT-HEADLAMPS MAIN	DEUTSCH	6	565131	562789
C 182						C 244	FR SERVICE CPT-LH FOG LAMP	DEUTSCH	2	561813	561812
C 183						C 245	FR SERVICE CPT-RH FOG LAMP	DEUTSCH	2	561813	561812
C 184						C 246	FR SERVICE CPT-MARK & DIR LT	CONXALL	5	563091	563090
C 185						C 247	DIRECTIONNAL & HAZARD FR LTS	AMP SS	3		562601
C 186						C 248	FR JCT BOX-WIPER PULSE GEN	AMP FF	6	-----	561108
C 186M	RR JCT BOX CPT.-SPD SIGN. M.TR	PED WP	2	561566	561690	C 249					
C 186W	RR JCT BOX CPT.-SPD SIGN. WT	PED WP	2	561566	561690	C 250					

CONNECTORS CODE

NO	LOCATION	TYPE	CAVITY	#PIN HOUSING	#SOCKET HOUSING	NO	LOCATION	TYPE	CAVITY	#PIN HOUSING	#SOCKET HOUSING
C 251	LH SW PANEL-FAST IDLE	EATON	10	-----	562763	C 315	LH CONSOLE SW-LH STORE	EATON	10	-----	562763
C 252						C 316					
C 253	LH SW PANEL-ETHER	EATON	10	-----	562763	C 317	LH CONSOLE SW-RH STORE	EATON	10	-----	562763
C 254	INST. PANEL RH-ENTR.DOOR SW.	TORRIX	5	-----	562110	C 318	LH CONSOLE SW-DRV WINDOW LIFT	EATON	10	-----	562763
C 255	LH SW PANEL-JACOB	EATON	10	-----	562763	C 319					
C 256						C 320	RH SW PANEL-DRIVER'S LTS	EATON	10	-----	562763
C 257						C 321					
C 258	LH SW PANEL-MULTI FUNC. SW	AMP FF	8	561188	-----	C 322	LH CONSOLE DRV WIND LIFT MOT	PED PO	2	-----	561848
C 259	LH SW PANEL-MULTI FUNC. SW	AMP FF	6	-----	561108	C 323	LH CONSOLE CRUISE CTR SW PAN.	AMP CPC	9	561636	561637
C 260						C 324					
C 261						C 325	LH CONSOLE SW-KNEELING	EATON	8	-----	562763
C 262	UNDER DASH RH-KEYLESS MODULE	AMP MUL	22	-----	562675	C 326	LH CONSOLE SW-SPARE	EATON	8	-----	562763
C 263	UNDER DASH RH- KEYLESS MODULE	AMP MUL	26	-----	562676	C 327	ENGINE CONTROL	DEUTSCH	6	562583	562581
C 264	ENTRANCE DOOR-KEYPAD	AMP CPC	9	561536	561637	C 328					
C 265	RH SW PANEL -DRIVER'S DOOR SW.	EATON	10	-----	562763	C 329	ENGINE TACHO SIGNAL	PED WP	3	561781	561789
C 266	ENTRANCE DOOR-KEYLESS	AMP CPC	14	561585		C 330					
C 267	UNDER DASH RH	AMP CPC	24	561642	561643	C 331					
C 268						C 332					
C 269	UNDER DASH FLAT MIRROR	CONXALL	5	563091	563090	C 333					
C 270	LH MIRROR POST	MOLEX	6	562070	562069	C 334					
C 271	RH MIRROR POST	MOLEX	6	562070	562069	C 335					
C 272	LH MIRROR	SPARTAN	6	-----	990158	C 336					
C 273	RH MIRROR	SPARTAN	6	-----	990158	C 337	INSTR PANEL LH-UP WIPER SW	EATON	8	-----	562763
C 274	RR JCT BOX - ALT SIGNAL MODULE	AMP MNL	12	561735	561734	C 338	INSTR PANEL LH-UP DEFROST SW	EATON	8	-----	562763
C 275						C 339	INSTR PANEL LH-UP WASHER SW	EATON	8	-----	562763
C 276	UNDER DASH RH -3 WAY LTS	EATON	10	-----	562763	C 340	FR JCT. BOX FIRE PIEZO ALARM	AMP MNL	2	560900	560898
C 277	LH CONSOLE -DOCK. & CORN. SW.	EATON	10	-----	562763	C 341	INSTR PANEL LH-HEAT MIRROR SW	EATON	8	-----	562763
C 278	LH CONSOLE -BACK-UP CANCEL SW.	EATON	10	-----	562763	C 342	ENGINE RR START SW	DEUTSCH	2	562586	562585
C 279	FR SERVICE CPT- STEERING ZF	DEUTSCH	2	562485		C 343	INSTR PANEL LH-HEADLAMP SW	EATON	8	-----	562763
C 280	UNDER DASH RH -3 WAY LTS	EATON	10	-----	562763	C 344	INSTR PANEL LH-HAZARD LT SW	EATON	8	-----	562763
C 281	LH CONSOLE -LEVEL LOW	AMP MNL	4	560851	560852	C 345	INSTR PANEL LH-FOG LT SW	EATON	8	-----	562763
C 282	RH SW PANEL -MONITOR OPER. SW.	EATON	10	-----	562763	C 346	INSTR PANEL LH-SWITCH LTS	EATON	2	-----	561837
C 282	FR SERVICE CPT- STEERING GEAR BOX ZF	VOLVO	2	562928		C 347	INSTR PANEL LH-DASH LT SW	AMP MNL	2	560900	560898
C 283	LH CONSOLE -LOW DOCKING SW.	EATON	10	-----	562763	C 348	INSTR PANEL CENT-RACOR MODULE	MOLEX	6	562070	562067
C 284						C 349					
C 285	ENTRANCE DOOR -SOL. DOOR	PED PO	2	-----	562076	C 350	RH CONSOLE-THERMOMETER	AMP MNL	3	561667	561550
C 286	RH SW PANEL-A/C & HEAT	EATON	10	-----	562763	C 351					
C 287	ENGINE COMPT-LTS SW	PED WP	2	561566	561690	C 352	RH CONSOLE-DRV TEMP SENSOR	BURNDY	4	-----	561104
C 288	RH SW PANEL-FRESH AIR	EATON	10	-----	562763	C 353	INSTR PANEL RH-DRV FAN RHEOST	AMP MNL	6	561552	561515
C 289						C 354	INSTR PANEL RH-DRV TEMP CTR	AMP MNL	6	561552	561515
C 290	LUGGAGE COMPT -DOOR LOCK	AMP MNL	4	561551	561668	C 355	INSTR PANEL RH-FR TEMP CTR	AMP MNL	3	561667	561550
C 291	LUGGAGE COMPT -DOOR LOCK	AMP MNL	4	561551	561668	C 356					
C 292	FR SERVICE CMPT-LEVEL LOW		2	641385		C 357	INSTR PANEL RH-WATER TEMP GA	AMP MNL	3	561667	561550
C 293	FR SERVICE CMPT-LEVEL LOW		2	641385		C 358	INSTR PANEL RH-FUEL LEVEL GA	AMP MNL	3	561667	561550
C 294	FR SERVICE CMPT-LEVEL LOW		2	641385		C 359					
C 295	FR SERVICE CMPT-LEVEL LOW		2	641385		C 360	INSTR PANEL RH-B/U MONITOR	AMP MNL	2	561248	561247
C 296	FR SERVICE CMPT-LEVEL LOW		2	641385		C 361	FR ROOF-WIPER MOTOR	AMP FF	6	-----	561186
C 297	INSTRUMENT PANEL RH -LTS	AMP MNL	2	560900	560898	C 362					
C 298						C 363					
C 299						C 364					
C 300	FR SERVICE CPT- LOW BEAM RESISTORS	PED WP	2	561566	561690	C 365					
C 301						C 366	RH DASH PANEL-GRN & RED LEDS	AMP MNL	3	560908	562006
C 302						C 367					
C 303						C 368					
C 304						C 369					
C 305						C 370					
C 306						C 371					
C 307						C 372	FR ROOF-DEST. SIGN SPEED SW	MOLEX	4	561477	561476
C 308	LH CONSOLE SW-RHEOSTAT	TC	2	561030	560997	C 373	FR ROOF-NO SMOKING LT	AMP MNL	2	561248	561247
C 309						C 374	LH SWITCH PANEL	AMP MNL	6	561552	561515
C 310	LH CONSOLE SW-LUG. DOOR LOCK	EATON	10	-----	562763	C 375					
C 311						C 376	LH SWITCH PANEL	AMP CPC	37	561714	562005
C 312						C 377	LH SW PANEL-STOP ENG.OVERRIDE	EATON	10	-----	562763
C 313						C 378					
C 314						C 379					

CONNECTORS CODE

NO	LOCATION	TYPE	CAVITY	#PIN HOUSING	#SOCKET HOUSING	NO	LOCATION	TYPE	CAVITY	#PIN HOUSING	#SOCKET HOUSING
C 380	LH CONSOLE-DDR CONNECTOR	DEUTSCH	6	562360	-----	C 445					
C 381	INST. PANEL CENTER-ANTI-THEFT LED	AMP MNL	2	561248	561247	C 446					
C 382						C 447					
C 383						C 448					
C 384						C 449					
C 385	EVAP CPT - FULL AIR WATER PUMP	PED WP	2	561566	561690	C 450					
C 386						C 451					
C 387						C 452					
C 388						C 453					
C 389						C 454					
C 390						C 455					
C 391						C 456	WORLD TRANSM.-RETARDER ACCUM.	PED MP	2	-----	562427
C 392						C 457	WORLD TRANSM.-MAIN CONNECTOR	DEUTSCH	31	562572	562536
C 393						C 458	WORLD TRANSM.-TURBINE SP.SENS	PED MP	2	-----	562426
C 394						C 459	WORLD TRANSM.-ENGINE SP.SENS.	PED MP	2	-----	562426
C 395						C 460	WORLD TRANSM.-SPEED SENSOR	ITT	2	-----	562541
C 396						C 461	WORLD TRANSM.-RETARDER TEMP.	PED MP	2	561566	561590
C 397	ENGINE COMPT. CRADLE ACC.	DEUTSCH	40	562281	562284	C 462	WORLD TRANSM.-RETARD SOL."K"	PED MP	2	-----	562426
C 398	ENGINE COMPT. - EXITING SIGNAL ALTERN.	PED WP	2	561566	561690	C 463	WORLD TRANSM.-SENSOR CONN.	DEUTSCH	16	562570	562571
C 399	ENGINE COMPT. - EXITING SIGNAL ALTERN.	PED WP	2	561566	561690	C 464	RR JCT BOX-DDL CONN W.T.	DEUTSCH	6	-----	562360
C 400	ENGINE COMPT. BLOCK HEATER	PED MP	3	561781	561782	C 465	LH CONSOLE-SHIFTER SELECTOR	PED	20	-----	562825
C 401						C 466	FR SERVICE CPT.-RESIS. MOD.	PED WP	3	-----	562428
C 402						C 467	FR SERVICE CPT.-RESIS. MOD.	PED WP	3	-----	562428
C 403						C 468					
C 404						C 469					
C 405						C 470	FR LH UPPER WHELL CPT-SILENT 1000	AMP MNL	2	561248	561247
C 406	FR JCT BOX COMPT.-ABS	AMP MNL	2	560900	560898	C 471	FR LH UPPER WHELL CPT-SILENT 1000	AMP MNL	2	561248	561247
C 407						C 472	FR LH UPPER WHELL CPT-SILENT 1000	PED WP	2	561566	561690
C 408						C 473	FR LH UPPER WHELL CPT-SILENT 1000	AMP MNL	3	561667	561550
C 409	ENGINE CPT -LOW COOL. LEVEL	PED MP	2	-----	562350	C 474	DRIVER'S.-TEMP. SENSOR	AMP MNL	2	561247	561248
C 410	FR JCT BOX-DIODE CONNECTOR	AMP MNL	15	561987	561986	C 475	RR JCT BOX-SPEED SIGN CONNECTOR	AMP MNL	2	561248	561247
C 411	FR JCT BOX-DIODE CONNECTOR	AMP MNL	15	561987	561986	C 475M	RR JCT BOX-SPEED SIGN MANUAL TR.	MOLEX	6	562070	562069
C 412	LH SW PANEL-MASTER SWITCH	EATON	10	-----	562763	C 475W	RR JCT BOX-SPEED SIGN WORLD TR.	MOLEX	6	562070	562069
C 413	ENG CPT-A/C HI UNLOAD PRS SW	PED WP	2	561566	561690	C 476					
C 414						C 477					
C 415	RR JCT BOX - ENGINE SIGNAL	DEUTSCH	24	562280	562783	C 478					
C 416						C 479	HVAC MODULE	MOLEX	3	-----	562783
C 417	FRONT JCT BOX-DIODES	AMP MNL	15	561987	561986	C 480	UNDER DASH RH-DR'S FAN SPEED CTR MOD	PED	4	561889	561890
C 418	INSTR. PANEL LH-HTR WINDSH.SW	EATON	10	-----	562763	C 481	UNDER DASH RH-DR'S FAN SPEED CTR MOD	PED	3	561781	561782
C 419	FR JCT BOX-RETARDER OR JACOB	AMP MNL	3	561667	561550	C 482					
C 420	ENGINE COMPT. WEBASTO WATER HTR	TC	2	561597	-----	C 483	FR SERVICE CPT. -SEAT ELECTRICAL SEAT	PED PC	2	-----	562237
C 421	ENGINE COMPT. WEBASTO WATER HTR	TC	1	561073	-----	C 484	UNDER DASH LH-FOOT DAMPER MOTOR	PED PC	2	-----	562076
C 422	ENGINE COMPT. WEBASTO WATER HTR	TC	2	561597	-----	C 485	UNDER DASH LH-DASH & DEFROST DAMP.M.	AMP MNL	3	561667	561550
C 423						C 486					
C 424	UNDER INSTRUMENT PANEL CENTER	AMP MNL	3	561667	561550	C 487					
C 425	FR JCT BOX-DIODES	AMP MNL	15	561987	561986	C 488					
C 426	ENGINE COMPT. CLUTCH CTR FAN	PED WP	3	561781	561782	C 489					
C 427						C 490					
C 428						C 491					
C 429	FR JCT BOX COMPT.	AMP MNL	6	561552	561515	C 492					
C 430	LH CONSOLE-TIMER	AMP FF	8	561188	562363	C 493					
C 431	LH CONSOLE-PRE HEAT.	TAB AMP	1	561540	561539	C 494					
C 432	ENGINE CPT.-PROX. SW. DOOR AJAR	DEUTSCH	4	562479	562477	C 495					
C 433	FR SERVICE CPT. KNEEL. PRESS. SW	PED WP	2	561566	561690	C 496					
C 434	FRONT JCT. BOX-DIODES	AMP MNL	15	561987	561986	C 497					
C 435	FR SERVICE CPT.(RH) KNEEL. PIEZO	AMP MNL	2	560900	560898	C 498					
C 436	RH HAT RACK-WCL CENTER ROOF ACC	AMP CPC	16	561639	561640	C 499					
C 437						C 500	FR LH UPPER WHELL CPT -PRODRIVER	MOLEX	6	562070	562069
C 438	EVAP. COMPT.-COND.RELAY	AMP MNL	2	561248	561247	C 501	FR LH UPPER WHELL CPT -PRODRIVER MOD	PED MP	7	562433	-----
C 439	EVAP. COMPT.-COND.RELAY	AMP MNL	2	561248	561247	C 502	LH CONSOLE-PRE HEATER SW.	EATON	10	-----	562763
C 440	EVAP. COMPT.-EVAP.RELAY	DEUTSCH	4	562479	562477	C 503					
C 441						C 504	LH CONSOLE WEBASTO TIMER	AMP	8	-----	562852
C 442						C 505	LH CONSOLE ESPAR TIMER	AMP	12	-----	562681
C 443						C 506	LH CONSOLE-LEVEL LOW SW.	EATON	10	-----	562763
C 444						C 508	RR JCT BOX-FAN CLUTCH RETARDER	AMP MNL	6	561552	561515

CONNECTORS CODE

NO	LOCATION	TYPE	CAVITY	#PIN HOUSING	#SOCKET HOUSING	NO	LOCATION	TYPE	CAVITY	#PIN HOUSING	#SOCKET HOUSING
C 509	FR LH UPPER WHELL CPT -DATA LOGGER	PED MP	16	-----	562530	C 571	UNDER DASH PANEL TTLT MODULE	MOLEX	20	-----	562778
C 510	FR LH UPPER WHELL CPT -DATA LOGGER	DEUTSCH	9	562531	-----	C 572	UNDER DASH PANEL TTLT MODULE	MOLEX	18	-----	562779
C 511	FR LH UPPER WHELL CPT -DATA LOGGER	PED MP	4	562532	-----	C 573	UNDER DASH PANEL TTLT MODULE	MOLEX	8	-----	562465
C 512	FR LH UPPER WHELL CPT -DATA LOGGER	PED MP	10	562533	-----	C 574					
C 513	FR LH UPPER WHELL CPT -DATA LOGGER	AMP MNL	3	561667	561550	C 575					
C 514	FR LH UPPER WHELL CPT -DATA LOGGER	PED MP	6	562433	562417	C 576					
C 515						C 577					
C 516						C 578					
C 517						C 579					
C 518						C 580					
C 519						C 581					
C 520						C 582					
C 521						C 583	L.H. DASH PANEL - MASTER KEY	DEUTSCH	2	562486	562485
C 522	FR JCT BOX-DAYTIME LTS MODULE	BOSCH	5	-----	561183	C 584	FRONT SERVICE CMPT. - AIR HORH	HUMPHREY	3	-----	641385
C 523	FR JCT BOX-FUSE BLOCK	PED	8	562647	562646	C 585					
C 524	FR JCT BOX-FUSE BLOCK	PED	8	562647	562646	C 586					
C 525	FR JCT BOX-FUSE BLOCK	PED	8	562647	562646	C 587					
C 526	FR JCT BOX-FUSE BLOCK	PED	8	562647	562646	C 588					
C 527	FR JCT BOX-FUSE BLOCK	PED	8	562647	562646	C 589	FR SERVICE ELECT MIRROR	CONXALL	5	563089	563088
C 528						C 590	UNDER DASH ELECT MIRROR	CONXALL	8	563089	563088
C 529	FR JCT BOX-12V OUTLET	AMP MNL	2	561247	561248	C 591	L.H.CONSOLE - MIRROR L.H.	EURAMTEC	8	-----	562799
C 530	RR JCT BOX-FUSE BLOCK	PED	8	562647	562646	C 592	L.H.CONSOLE - MIRROR R.H.	EURAMTEC	8	-----	562799
C 531	RR JCT BOX-FUSE BLOCK	PED	8	562647	562646	C 593					
C 532	RR JCT BOX-FUSE BLOCK	PED	8	562647	562646	C 594	FRONT ROOF - DRIVERS LIGHT	LEEKRAFT		-----	562803
C 533						C 595					
C 534						C 596					
C 535	RR JCT BOX-FIRE MODULE DETECT.	AMP MNL	3	561667	561550	C 597	L.H. DASH PANEL - DISPLAY SET SW.	MOLEX	5	-----	562812
C 536	UNDER DASH RH-DRIVER'S HTR TEMP. CTR	AMP MNL	6	561552	561515	C 598	L.H. DASH PANEL - DISPLAY SET SW.	MOLEX	5	-----	562812
C 537	BATT. CPT.-A/C PRESS. SIGN. RLY	AMP MNL	2	561248	561247	C 599	UND.DASH-MAGN.SW.CTR.POS.DR'S AIR	AMP MNL	2	561248	561247
C 538	FR SERVICE CPT.-OUTSIDE TEMP. SENSOR	AMP MNL	2	561248	561247	C 600	ENGINE CPT.-A/C LOW PRESS SW. UNLOAD	PED	2	562348	562471
C 539	HVAC DASH MODULE OUTPUT CON	MOLEX	24		562780	C 601					
C 540	HVAC DASH MODULE INPUT CON	MOLEX	22		562781	C 602					
C 541						C 603					
C 542						C 604					
C 543						C 605					
C 544						C 606					
C 545						C 607					
C 546	LH DASH PANEL-ACCESSORIES	AMP CPC	37	561645	561646	CH 50	FRONT SERVICE COMP.- TRANS INHIBIT	PED WP	1	561605	561577
C 547	RH DASH PANEL-ACCESSORIES	AMP CPC	37	561645	561646	CH 51	FRONT SERVICE COMP.- TRANS INHIBIT	PED WP	1	561605	561577
C 548	LH DASH PANEL-T.T. LT. TEST SW.	EATON	10	-----	562763	L 608	FRONT SERVICE CMPT. SPEED SIGNAL	PED WP	2	561566	561690
C 549						LX	CLUSTER	JAE	22	-----	562766
C 550	EVAPORATOR COMPARTIMENT	ITT	2	561813	562159	RY	CLUSTER	JAE	30	-----	562767
C 551	RR JCT BOX - A/C PANEL	PED	2	561566	561690	X	CLUSTER	JAE	22	-----	562764
C 552											
C 553											
C 554											
C 555	LUGGAGES - AWNING WINDOWS	MOLEX	4	561477	561476						
C 555A	LUGGAGES-AWNING EXTENSION HARNESS	MOLEX	4	561477	561476						
C 555S1	FR SLIDE-OUT-AWNING WINDOW	MOLEX	4	561477	561476						
C 555S2	RR SLIDE-OUT-AWNING WINDOW	MOLEX	4	561477	561476						
C 556											
C 557											
C 558											
C 559											
C 560											
C 561											
C 562											
C 563											
C 564											
C 565											
C 566											
C 567											
C 568											
C 569											
C 570	UNDER DASH PANEL TTLT MODULE	MOLEX	6		562464						

CONNECTORS CODE

NO	LOCATION	TYPE	CAVITY	#PIN	#SOCKET	NO	LOCATION	TYPE	CAVITY	#PIN	#SOCKET
				HOUSING	HOUSING					HOUSING	HOUSING
C X1	FR LH UPPER WHELL CPT-ABS	AMP	15		563200	C 59	RR JCT BOX - A/C PANEL	AMP CPC	14	561585	561583
C X2	FR LH UPPER WHELL CPT-ABS	AMP	18		563201	C 60	RR JCT BOX COMPT.-LT	AMP MNL	2	561248	561247
C TCI	DDEC ENGINE – TURBO TEMP	FCI	2		563404	C 61	LUGGAGE COMPARTMENT LTS	AMP MNL	2	561248	561247
C RXTX	HVAC MODULE COMMUNICATION	MOLEX	3	563206	562783	C 62	LUGGAGE COMPARTMENT LTS	AMP MNL	2	561248	561247
C S	RR JCT BOX ECU WORLD TR.	PED	32		562817	C 63	LUGGAGE COMPARTMENT LTS	AMP MNL	2	561248	561247
C T	RR JCT BOX ECU WORLD TR.	PED	32		562824	C 64	LUGGAGE COMPARTMENT LTS	AMP MNL	2	561248	561247
C V	RR JCT BOX ECU WORLD TR.	PED	32		562823	C 65	LUGGAGE COMPARTMENT LTS	AMP MNL	2	561248	561247
C Y	CLUSTER	JAE	30		562765	C 66	LUGGAGE COMPARTMENT LTS	AMP MNL	2	561248	561247
C 1	FR JCT BOX COMPARTMENT	AMP CPC	14	561585	561584	C 67	LUGGAGE COMPARTMENT LTS	AMP MNL	2	561248	561247
C 2	FR JCT BOX COMPARTMENT	AMP CPC	16	561639	561640	C 68	LUGGAGE COMPARTMENT LTS	AMP MNL	2	561248	561247
C 3	FR JCT BOX COMPARTMENT	AMP CPC	24	561641	561643	C 69	RR AXLE ACC-INSIDE PVC END	PED WP	6	561568	561578
C 4	FR JCT BOX COMPARTMENT	AMP CPC	37	561644	561646	C 70	LH CONSOLE	AMP CPC	24	561642	561643
C 5	FR SERVICE COMPT.-UNDERNEATH	AMP CPC	37	561644	561646	C 71	FR JCT BOX COMPARTMENT	AMP CPC	37	561645	561646
C 6	FR SERVICE COMPT.-UNDERNEATH	AMP CPC	16	561639	561640	C 72	FR JCT BOX COMPARTMENT	AMP CPC	24	561642	561643
C 8	FR SERVICE COMPT.-UNDERNEATH	AMP CPC	24	561641	561643	C 74	FR JCT BOX COMPARTMENT	AMP CPC	37	561645	561646
C 9	FR SERVICE COMPT.-UNDERNEATH	AMP CPC	37	561644	561646	C 75	LUGG. COMPT. – DOOR LOCK	AMP MNL	2	561551	561668
C 10						C 76	LUGGAGE COMPT.-AIR RET.SENS.	AMP MNL	2	561248	561247
C 11	FR SERVICE COMPARTMENT	AMP CPC	37	561644	561646	C 77	LUGGAGE COMPT.-DOOR LOCK		4	561551	561668
C 12	FR SERVICE COMPARTMENT	AMP CPC	16	561639	561640	C 78	LUGGAGE COMPT.-LTS - COND. CPT	AMP MNL	2	561248	561247
C 13	LH CONSOLE-CTR MIRROR	AMP MNL	6	561552	561515	C 79	LUGGAGE COMPT.-LTS - EVAP. CPT.	AMP MNL	2	561248	561247
C 14	UNDER DASH-LH MIRROR	AMP MNL	9	561661	561662	C 80	LUGGAGE COMPT.-AIR RET.SENS.	AMP MNL	2	561248	561247
C 15						C 80A	EVAPORATOR COMPT.-AIR RET.SENS.	AMP MNL	2	561248	561247
C 16	LH CONSOLE SW-CRUISE ON OFF	EATON	10	-----	562763	C 81	LUGGAGE COMPT.-DOOR LOCK	AMP MNL	2	561551	561668
C 17	LH CONSOLE SW-CRUISE RESUME	EATON	10	-----	562763	C 82	LUGGAGE COMPT.-DOOR LOCK	AMP MNL	2	561551	561668
C 18	LH CONSOLE SW-CRUISE SET	EATON	10	-----	562763	C 83	LUGGAGE COMPT.-DOOR LOCK	AMP MNL	2	561551	561668
C 19	LH CONSOLE DECEL SW	EATON	10	-----	562763	C 84	LUGGAGE COMPT.-DOOR LOCK	AMP MNL	2	561551	561668
C 20	RR JCT BOX	DEUTSCH	70	562282	562285	C 85	LUGGAGE COMPT.-DOOR LOCK	AMP MNL	2	561551	561668
C 21	RR JCT BOX	DEUTSCH	24	562281	562284	C 86	LUGGAGE COMPT.-DOOR LOCK	AMP MNL	2	561551	561668
C 22						C 87	RR END ROOF	AMP CPC	9	561636	561637
C 23						C 88	FR. SERV. COMPT.-PRESS SW. PARK BRAKE	PED WP	2	561566	561690
C 24						C 89	RR END ROOF-B/U NONITOR	AMP CPC	4	561582	561581
C 25						C 90	RR JCT BOX	AMP CPC	15	561987	561986
C 26						C 91	RR JCT BOX	AMP CPC	37	561714	561713
C 27						C 92	FR LH UPPER WHELL CPT-ABS	AMP CPC	9	561635	561637
C 28						C 93					
C 29						C 94					
C 30						C 95	CONDENSOR CPT. LIQ SOL VALVE	PED WP	2	561566	561690
C 31						C 96	FR AXLE ACCESSORIES	AMP CPC	14	561585	561585
C 32	DDEC ENGINE-ECM	AMP	68	-----	563403	C 97	RR AXLE ACC-INSIDE PVC END	PED WP	6	561568	561578
C 33						C 98	FR SERVICE COMPT-EL.FT.PEDAL	PED WP	3	561782	561781
C 34						C 99	FR SERVICE COMPT LTS	AMP MNL	2	561248	561247
C 35	RR JCT BOX	DEUTSCH	40	562281	562284	C 100					
C 36						C 101	FR SERVICE COMPT-ELEC. HORNS	PED WP	2	561566	561690
C 37						C 102	SIDE (LH/FR & CENTER) DIR. LTS	GROTE	2	-----	562155
C 38						C 103	SIDE (LH/FR & CENTER) MARKER LTS	GROTE	2	-----	562155
C 39						C 104	SIDE (RH/FR & CENTER) DIR. LTS	GROTE	2	-----	562155
C 40						C 105	FR SERVICE COMPT-LIQ.S.VALVE	PED WP	2	561566	561690
C 41						C 106	FR SERVICE COMPT-WATER VALVE	PED WP	2	561566	561690
C 42						C 107					
C 43						C 108					
C 44						C 109					
C 45	FR. JCT BOX COMPARTMENT	AMP CPC	24	561642	561643	C 110					
C 46						C 111	EVAPORATOR COMPT-DAMPER	DEUTSCH	2	562486	562485
C 47	FR SERVICE COMPARTMENT	AMP CPC	16	561694	561695	C 112	EVAPORATOR COMPT-SPEED MOT CTRL	DEUTSCH	5	-----	562566
C 48	FR. SERV. COMPT.-PRESS SW. PARK BRAKE	PED WP	2	561566	561690	C 113	SIDE (LH/RR) MARKER LTS	GROTE	2	-----	562155
C 49	BATTERIE COMPT.-LT	AMP MNL	2	561248	561247	C 114	SIDE (LH/RR) DIR LTS	GROTE	2	-----	562155
C 50						C 115					
C 51						C 116	ENGINE COMPT. LTS	GROTE	2	-----	563268
C 52	RR JCT BOX	AMP CPC	24	561642	561643	C 117	SIDE (RH/RR) MARKER LTS	GROTE	2	-----	562155
C 53						C 118					
C 54						C 119	ENGINE CPT RR DOOR RH LO LAMP	PED WP	6	561606	561607
C 55	RH SWITCH PANEL	AMP CPC	9	561636	561637	C 120	ENGINE CPT RR DOOR LH LO LAMP	PED WP	6	561606	561607
C 56						C 121	SIDE (RH/RR) DIR. LTS	GROTE	2	-----	562155
C 57						C 122	ENGINE CPT-CAMERA DOOR VALVE	PED WP	2	561566	561690
C 58	LUGGAGE COMPT. - A/C PANEL	AMP CPC	9	561636	561637	C 123					

CONNECTORS CODE

NO	LOCATION	TYPE	CAVITY	#PIN HOUSING	#SOCKET HOUSING	NO	LOCATION	TYPE	CAVITY	#PIN HOUSING	#SOCKET HOUSING
C 124	ENGINE CPT-ETHER SW	PED WP	2	561566	561690	C 187	FR JCT BOX-RPM RESISTOR CON.	AMP MNL	6	561552	561515
C 125	ENGINE CPT-B/U ALARM	PED WP	2	561566	561690	C 188	LUGG. CPT. - MANUAL REMOTE SLIDE-OUT	AMP CPC	7	561772	561773
C 126						C 189	ENGINE CPT RR DOOR B/U LT	PED WP	2	561566	561690
C 127	ENGINE CPT-FUEL FILTER	PED WP	2	561566	561690	C 190	ENGINE CPT RR DOOR TAIL/STOP LT	AMP SUPER S	3		562601
C 128	ENGINE CPT-A/C COMPR.CLUTCH	ITT SS	2	561813	561812	C 191	ENGINE CPT RR DOOR TAIL/STOP LT	AMP SUPER S	3		562601
C 129	ENGINE CPT-PRE-HEAT WATER	AMP FF	6	561672	561186	C 192	ENGINE CPT RR DOOR RH DIR. LT	PED WP	2	561566	561690
C 130	ENGINE CPT-UNLOADER	ITT SS	2	561813	561812	C 193					
C 131	ENGINE CPT-UNLOADER	ITT SS	2	561813	561812	C 194					
C 132	ENGINE CPT-A/C LO PRESS SW	PED WP	2	561566	561690	C 195					
C 133	ENGINE CPT-A/C HI PRESS SW	PED WP	2	561566	561690	C 196					
C 134	FR JCT BOX-LUGGAGE DIODE CON.	AMP MNL	15	561987	561986	C 197					
C 135	FR JCT BOX-LUGGAGE DIODE CON.	AMP MNL	15	561987	561986	C 198	ENGINE CPT RR DOOR LICENCE LT	PED WP	2	562348	562471
C 136	RR JCT BOX-A/C PANEL DIODE CON.	AMP MNL	15	561987	561986	C 199					
C 137	RR JCT BOX-TRANSMITTER	AMP MNL	2	560900	560898	C 200					
C 138	RR JCT BOX-CONTROL MODULE	AMP HDP	15	-----	562012	C 201	AUX. UNIT CONTROL	PED WP	4	561610	561611
C 139	RR JCT BOX-LOGIC MODULE	AMP HDP	15	562011	-----	C 202	AUX. UNIT CONTROL	PED WP	3	561781	561782
C 140	HVAC DASH MODULE THERMOMETER	MOLEX	4	562782	-----	C 203	AUX. UNIT CONTROL	PED WP	2	561566	561690
C 141	INSTRUMENT PANEL LH UNLOAD TAG	AMP	2	561248	561247	C 204	AUX. LIQUID SOL.VALVE	PED WP	2	561566	561690
C 142						C 205					
C 143						C 206					
C 144						C 207					
C 145	RR JCT BOX CPT-RR SIDE LTS	AMP MNL	9	561670	561669	C 208					
C 146	ENGINE CPT-MODULATOR VALVE	AMPHENOL	2	-----	560412	C 209					
C 147	BATT & RR J.B.CPT-DOCK.LTS	PED WP	2	561566	561690	C 210					
C 148						C 211	FR ROOF-STORE LH	AMP MNL	2	560900	560898
C 149	CONDENSER CPT-FAN MOTOR	ORDNANCE	3	562555	562001	C 212	FR ROOF-STORE RH	AMP MNL	2	560900	560898
C 150	ENGINE CPT. - FUEL FILTER	PED WP	1	561605	561577	C 213					
C 151	EVAPORATOR CPT-THERMOSTAT	ITT	2	561813	562159	C 214					
C 152	CONDENSER CPT-FUEL GAUGE	PED WP	4	561610	561611	C 215					
C 153	EVAPORATOR CPT-AIR AMB. SENS	AMP MNL	2	561248	561247	C 216					
C 154	EVAPORATOR CPT-FRESH AIR SENS	ITT SS	2	561813	561812	C 217					
C 155	EVAPORATOR CPT-WATER VALVE	PNEUMAC	4	563204	-----	C 218					
C 156	EVAPOR. CPT-BYPASS WATER VAL.	PED WP	2	561566	561690	C 219					
C 157	FRONT SER. CPT-WATER PUMP	PED WP	2	561566	561690	C 220	RR.JCT.BOX-FUEL PRIME PUMP	TC	1	561070	561073
C 158	ENGINE CPT-A/C LO TEMP.	PED WP	2	561566	561690	C 221	BATTERY CMPT. FIRE DETECTOR	DEUTSCH	2	562486	562485
C 159	ENGINE CPT-A/C HI TEMP.	PED WP	2	561566	561690	C 222	ENGINE CMPT. FIRE DETECTOR	DEUTSCH	2	562486	562485
C 160	FR AXLE-ABS RH SENSOR	WABCO	2	641132	-----	C 223	ENGINE CMPT. FIRE DETECTOR	DEUTSCH	2	562486	562485
C 161	FR AXLE-ABS RH VALVE	WABCO	3	-----	641098	C 224					
C 162	FR AXLE-ABS LH VALVE	WABCO	3	-----	641098	C 225					
C 163	FR AXLE-ABS LH SENSOR	WABCO	2	641132	-----	C 226					
C 164	RR AXLE-ABS LH SENSOR	DEUTSCH	2	562486	562485	C 227					
C 165	RR AXLE-ABS LH VALVE	WABCO	3	-----	641098	C 228	ENG.CPT.-A/C COMPRESSOR	PED WP	2	561566	561690
C 166	RR AXLE-ABS RH VALVE	WABCO	3	-----	641098	C 229					
C 167	RR AXLE-ABS RH SENSOR	DEUTSCH	2	562486	562485	C 230	ENG.CPT.-FUEL PRIME PUMP FEED	DEUTSCH	2	562486	562485
C 168	RR AXLE-ABS OPT ATC	PED WP	2	561566	561690	C 231	ENG.CPT.-FUEL PRIME PUMP SW.	PED WP	2	561566	561690
C 169	RR JCT BOX-SPEED SW	AMP HDP	15	-----	562012	C 232	ENG.CPT.-FUEL PRIME PUMP	PED WP	2	561566	561690
C 170	FR JCT BOX-FLASHER UNIT	TC	2	-----	561940	C 233					
C 171	LH CONSOLE	AMP CPC	24	561642	561643	C 234					
C 172	FR SERV. COMPT.- LEVEL LOW	AMP CPC	9	561635	561637	C 235					
C 173	LAV.POTABLE-WATER TANK HEAT.	AMP MNL	2	560900	560898	C 236					
C 174	UNDER DASH RH-HTR MODULE	AMP MNL	9	561670	561669	C 237					
C 175	UNDER DASH RH-HTR MODULE	AMP MNL	9	561670	561669	C 238	UNDER DASH LH PASS REC DAMPER SW	EATON	8		562763
C 176	UNDER DASH RH-WIPER PULSE	AMP FF	6	-----	561186	C 239	RR I.D. LTS	PED WP	2	561566	561690
C 177	UNDER DASH RH-WIPER MOTOR	AMP FF	6	-----	561186	C 240	LUGG. CPT.-CO-PILOT SEAT HEATER	AMP MNL	2	560900	560898
C 178	UNDER DASH RH-LH FAN	TC	2	561030	560997	C 241	HEADLAMPS HI BEAM	HELLA	2		562623
C 179	UNDER DASH RH-RH FAN	TC	2	561030	560997	C 242	HEADLAMPS LO BEAM	HELLA	2		562623
C 181	RR JCT BOX-DIODE CONNECTOR	AMP MNL	15	561987	561986	C 243	HEADLAMPS LO BEAM (XENON OPTION)	PED MP	2		563366
C 180	RR JCT BOX-DIODE CONNECTOR	AMP MNL	15	561987	561986	C 244	FR SERVICE CPT-HEADLAMPS MAIN	DEUTSCH	6	565131	562789
C 182						C 244	FR SERVICE CPT-LH FOG LAMP	DEUTSCH	2	561813	561812
C 183						C 245	FR SERVICE CPT-RH FOG LAMP	DEUTSCH	2	561813	561812
C 184						C 246	FR SERVICE CPT-MARK & DIR LT	CONXALL	5	563091	563090
C 185						C 247	DIRECTIONAL & HAZARD FR LTS	AMP SS	3		562601
C 186						C 248	FR JCT BOX-WIPER PULSE GEN	AMP FF	6	-----	561108
C 186M	RR JCT BOX CPT.-SPD SIGN. M.TR	PED WP	2	561566	561690	C 249					
C 186W	RR JCT BOX CPT.-SPD SIGN. WT	PED WP	2	561566	561690	C 250					

CONNECTORS CODE

NO	LOCATION	TYPE	CAVITY	#PIN HOUSING	#SOCKET HOUSING	NO	LOCATION	TYPE	CAVITY	#PIN HOUSING	#SOCKET HOUSING
C 251	LH SW PANEL-FAST IDLE	EATON	10	-----	562763	C 315	LH CONSOLE SW-LH STORE	EATON	10	-----	562763
C 252						C 316					
C 253	LH SW PANEL-ETHER	EATON	10	-----	562763	C 317	LH CONSOLE SW-RH STORE	EATON	10	-----	562763
C 254	INST. PANEL RH-ENTR.DOOR SW.	TORRIX	5	-----	562110	C 318	LH CONSOLE SW-DRV WINDOW LIFT	EATON	10	-----	562763
C 255	LH SW PANEL-JACOB	EATON	10	-----	562763	C 319					
C 256						C 320	RH SW PANEL-DRIVER'S LTS	EATON	10	-----	562763
C 257						C 321					
C 258	LH SW PANEL-MULTI FUNC. SW	AMP FF	8	561188	-----	C 322	LH CONSOLE DRV WIND LIFT MOT	PED PO	2	-----	561848
C 259	LH SW PANEL-MULTI FUNC. SW	AMP FF	6	-----	561108	C 323	LH CONSOLE CRUISE CTR SW PAN.	AMP CPC	9	561636	561637
C 260						C 324					
C 261						C 325	LH CONSOLE SW-KNEELING	EATON	8	-----	562763
C 262	UNDER DASH RH-KEYLESS MODULE	AMP MUL	22	-----	562675	C 326	LH CONSOLE SW-SPARE	EATON	8	-----	562763
C 263	UNDER DASH RH- KEYLESS MODULE	AMP MUL	26	-----	562676	C 327	ENGINE CONTROL	DEUTSCH	6	562583	562581
C 264	ENTRANCE DOOR-KEYPAD	AMP CPC	9	561536	561637	C 328					
C 265	RH SW PANEL -DRIVER'S DOOR SW.	EATON	10	-----	562763	C 329	ENGINE TACHO SIGNAL	PED WP	3	561781	561789
C 266	ENTRANCE DOOR-KEYLESS	AMP CPC	14	561585		C 330					
C 267	UNDER DASH RH	AMP CPC	24	561642	561643	C 331					
C 268						C 332					
C 269	UNDER DASH FLAT MIRROR	CONXALL	5	563091	563090	C 333					
C 270	LH MIRROR POST	MOLEX	6	562070	562069	C 334					
C 271	RH MIRROR POST	MOLEX	6	562070	562069	C 335					
C 272	LH MIRROR	SPARTAN	6	-----	990158	C 336					
C 273	RH MIRROR	SPARTAN	6	-----	990158	C 337	INSTR PANEL LH-UP WIPER SW	EATON	8	-----	562763
C 274	RR JCT BOX - ALT SIGNAL MODULE	AMP MNL	12	561735	561734	C 338	INSTR PANEL LH-UP DEFROST SW	EATON	8	-----	562763
C 275						C 339	INSTR PANEL LH-UP WASHER SW	EATON	8	-----	562763
C 276	UNDER DASH RH -3 WAY LTS	EATON	10	-----	562763	C 340	FR JCT. BOX FIRE PIEZO ALARM	AMP MNL	2	560900	560898
C 277	LH CONSOLE -DOCK. & CORN. SW.	EATON	10	-----	562763	C 341	INSTR PANEL LH-HEAT MIRROR SW	EATON	8	-----	562763
C 278	LH CONSOLE -BACK-UP CANCEL SW.	EATON	10	-----	562763	C 342	ENGINE RR START SW	DEUTSCH	2	562586	562585
C 279	FR SERVICE CPT- STEERING ZF	DEUTSCH	2	562485		C 343	INSTR PANEL LH-HEADLAMP SW	EATON	8	-----	562763
C 280	UNDER DASH RH -3 WAY LTS	EATON	10	-----	562763	C 344	INSTR PANEL LH-HAZARD LT SW	EATON	8	-----	562763
C 281	LH CONSOLE -LEVEL LOW	AMP MNL	4	560851	560852	C 345	INSTR PANEL LH-FOG LT SW	EATON	8	-----	562763
C 282	RH SW PANEL -MONITOR OPER. SW.	EATON	10	-----	562763	C 346	INSTR PANEL LH-SWITCH LTS	EATON	2	-----	561837
C 282	FR SERVICE CPT- STEERING GEAR BOX ZF	VOLVO	2	562928		C 347	INSTR PANEL LH-DASH LT SW	AMP MNL	2	560900	560898
C 283	LH CONSOLE -LOW DOCKING SW.	EATON	10	-----	562763	C 348	INSTR PANEL CENT-RACOR MODULE	MOLEX	6	562070	562067
C 284						C 349					
C 285	ENTRANCE DOOR -SOL. DOOR	PED PO	2	-----	562076	C 350	RH CONSOLE-THERMOMETER	AMP MNL	3	561667	561550
C 286	RH SW PANEL-A/C & HEAT	EATON	10	-----	562763	C 351					
C 287	ENGINE COMPT-LTS SW	PED WP	2	561566	561690	C 352	RH CONSOLE-DRV TEMP SENSOR	BURNDY	4	-----	561104
C 288	RH SW PANEL-FRESH AIR	EATON	10	-----	562763	C 353	INSTR PANEL RH-DRV FAN RHEOST	AMP MNL	6	561552	561515
C 289						C 354	INSTR PANEL RH-DRV TEMP CTR	AMP MNL	6	561552	561515
C 290	LUGGAGE COMPT -DOOR LOCK	AMP MNL	4	561551	561668	C 355	INSTR PANEL RH-FR TEMP CTR	AMP MNL	3	561667	561550
C 291	LUGGAGE COMPT -DOOR LOCK	AMP MNL	4	561551	561668	C 356					
C 292	FR SERVICE CMPT-LEVEL LOW		2	641385		C 357	INSTR PANEL RH-WATER TEMP GA	AMP MNL	3	561667	561550
C 293	FR SERVICE CMPT-LEVEL LOW		2	641385		C 358	INSTR PANEL RH-FUEL LEVEL GA	AMP MNL	3	561667	561550
C 294	FR SERVICE CMPT-LEVEL LOW		2	641385		C 359					
C 295	FR SERVICE CMPT-LEVEL LOW		2	641385		C 360	INSTR PANEL RH-B/U MONITOR	AMP MNL	2	561248	561247
C 296	FR SERVICE CMPT-LEVEL LOW		2	641385		C 361	FR ROOF-WIPER MOTOR	AMP FF	6	-----	561186
C 297	INSTRUMENT PANEL RH -LTS	AMP MNL	2	560900	560898	C 362					
C 298						C 363					
C 299						C 364					
C 300	FR SERVICE CPT- LOW BEAM RESISTORS	PED WP	2	561566	561690	C 365					
C 301						C 366	RH DASH PANEL-GRN & RED LEDS	AMP MNL	3	560908	562006
C 302						C 367					
C 303						C 368					
C 304						C 369					
C 305						C 370					
C 306						C 371					
C 307						C 372	FR ROOF-DEST. SIGN SPEED SW	MOLEX	4	561477	561476
C 308	LH CONSOLE SW-RHEOSTAT	TC	2	561030	560997	C 373	FR ROOF-NO SMOKING LT	AMP MNL	2	561248	561247
C 309						C 374	LH SWITCH PANEL	AMP MNL	6	561552	561515
C 310	LH CONSOLE SW-LUG. DOOR LOCK	EATON	10	-----	562763	C 375					
C 311						C 376	LH SWITCH PANEL	AMP CPC	37	561714	562005
C 312						C 377	LH SW PANEL-STOP ENG.OVERRIDE	EATON	10	-----	562763
C 313						C 378					
C 314						C 379					

CONNECTORS CODE

NO	LOCATION	TYPE	CAVITY	#PIN HOUSING	#SOCKET HOUSING	NO	LOCATION	TYPE	CAVITY	#PIN HOUSING	#SOCKET HOUSING
C 380	LH CONSOLE-DDR CONNECTOR	DEUTSCH	6	562360	-----	C 445					
C 381	INST. PANEL CENTER-ANTI-THEFT LED	AMP MNL	2	561248	561247	C 446					
C 382						C 447					
C 383						C 448					
C 384						C 449					
C 385	EVAP CPT - FULL AIR WATER PUMP	PED WP	2	561566	561690	C 450					
C 386						C 451					
C 387						C 452					
C 388						C 453					
C 389						C 454					
C 390						C 455					
C 391						C 456	WORLD TRANSM.-RETARDER ACCUM.	PED MP	2	-----	562427
C 392						C 457	WORLD TRANSM.-MAIN CONNECTOR	DEUTSCH	31	562572	562536
C 393						C 458	WORLD TRANSM.-TURBINE SP.SENS	PED MP	2	-----	562426
C 394						C 459	WORLD TRANSM.-ENGINE SP.SENS.	PED MP	2	-----	562426
C 395						C 460	WORLD TRANSM.-SPEED SENSOR	ITT	2	-----	562541
C 396						C 461	WORLD TRANSM.-RETARDER TEMP.	PED MP	2	561566	561590
C 397	ENGINE COMPT. CRADLE ACC.	DEUTSCH	40	562281	562284	C 462	WORLD TRANSM.-RETARD SOL."K"	PED MP	2	-----	562426
C 398	ENGINE COMPT. - EXITING SIGNAL ALTERN.	PED WP	2	561566	561690	C 463	WORLD TRANSM.-SENSOR CONN.	DEUTSCH	16	562570	562571
C 399	ENGINE COMPT. - EXITING SIGNAL ALTERN.	PED WP	2	561566	561690	C 464	RR JCT BOX-DDL CONN W.T.	DEUTSCH	6	-----	562360
C 400	ENGINE COMPT. BLOCK HEATER	PED MP	3	561781	561782	C 465	LH CONSOLE-SHIFTER SELECTOR	PED	20	-----	562825
C 401						C 466	FR SERVICE CPT.-RESIS. MOD.	PED WP	3	-----	562428
C 402						C 467	FR SERVICE CPT.-RESIS. MOD.	PED WP	3	-----	562428
C 403						C 468					
C 404						C 469					
C 405						C 470	FR LH UPPER WHELL CPT-SILENT 1000	AMP MNL	2	561248	561247
C 406	FR JCT BOX COMPT.-ABS	AMP MNL	2	560900	560898	C 471	FR LH UPPER WHELL CPT-SILENT 1000	AMP MNL	2	561248	561247
C 407						C 472	FR LH UPPER WHELL CPT-SILENT 1000	PED WP	2	561566	561690
C 408						C 473	FR LH UPPER WHELL CPT-SILENT 1000	AMP MNL	3	561667	561550
C 409	ENGINE CPT -LOW COOL. LEVEL	PED MP	2	-----	562350	C 474	DRIVER'S.-TEMP. SENSOR	AMP MNL	2	561247	561248
C 410	FR JCT BOX-DIODE CONNECTOR	AMP MNL	15	561987	561986	C 475	RR JCT BOX-SPEED SIGN CONNECTOR	AMP MNL	2	561248	561247
C 411	FR JCT BOX-DIODE CONNECTOR	AMP MNL	15	561987	561986	C 475M	RR JCT BOX-SPEED SIGN MANUAL TR.	MOLEX	6	562070	562069
C 412	LH SW PANEL-MASTER SWITCH	EATON	10	-----	562763	C 475W	RR JCT BOX-SPEED SIGN WORLD TR.	MOLEX	6	562070	562069
C 413	ENG CPT-A/C HI UNLOAD PRS SW	PED WP	2	561566	561690	C 476					
C 414						C 477					
C 415	RR JCT BOX - ENGINE SIGNAL	DEUTSCH	24	562280	562783	C 478					
C 416						C 479	HVAC MODULE	MOLEX	3	-----	562783
C 417	FRONT JCT BOX-DIODES	AMP MNL	15	561987	561986	C 480	UNDER DASH RH-DR'S FAN SPEED CTR MOD	PED	4	561889	561890
C 418	INSTR. PANEL LH-HTR WINDSH.SW	EATON	10	-----	562763	C 481	UNDER DASH RH-DR'S FAN SPEED CTR MOD	PED	3	561781	561782
C 419	FR JCT BOX-RETARDER OR JACOB	AMP MNL	3	561667	561550	C 482					
C 420	ENGINE COMPT. WEBASTO WATER HTR	TC	2	561597	-----	C 483	FR SERVICE CPT. -SEAT ELECTRICAL SEAT	PED PC	2	-----	562237
C 421	ENGINE COMPT. WEBASTO WATER HTR	TC	1	561073	-----	C 484	UNDER DASH LH-FOOT DAMPER MOTOR	PED PC	2	-----	562076
C 422	ENGINE COMPT. WEBASTO WATER HTR	TC	2	561597	-----	C 485	UNDER DASH LH-DASH & DEFROST DAMP.M.	AMP MNL	3	561667	561550
C 423						C 486					
C 424	UNDER INSTRUMENT PANEL CENTER	AMP MNL	3	561667	561550	C 487					
C 425	FR JCT BOX-DIODES	AMP MNL	15	561987	561986	C 488					
C 426	ENGINE COMPT. CLUTCH CTR FAN	PED WP	3	561781	561782	C 489					
C 427						C 490					
C 428						C 491					
C 429	FR JCT BOX COMPT.	AMP MNL	6	561552	561515	C 492					
C 430	LH CONSOLE-TIMER	AMP FF	8	561188	562363	C 493					
C 431	LH CONSOLE-PRE HEAT.	TAB AMP	1	561540	561539	C 494					
C 432	ENGINE CPT.-PROX. SW. DOOR AJAR	DEUTSCH	4	562479	562477	C 495					
C 433	FR SERVICE CPT. KNEEL. PRESS. SW	PED WP	2	561566	561690	C 496					
C 434	FRONT JCT. BOX-DIODES	AMP MNL	15	561987	561986	C 497					
C 435	FR SERVICE CPT.(RH) KNEEL. PIEZO	AMP MNL	2	560900	560898	C 498					
C 436	RH HAT RACK-WCL CENTER ROOF ACC	AMP CPC	16	561639	561640	C 499					
C 437						C 500	FR LH UPPER WHELL CPT -PRODRIVER	MOLEX	6	562070	562069
C 438	EVAP. COMPT.-COND.RELAY	AMP MNL	2	561248	561247	C 501	FR LH UPPER WHELL CPT -PRODRIVER MOD	PED MP	7	562433	-----
C 439	EVAP. COMPT.-COND.RELAY	AMP MNL	2	561248	561247	C 502	LH CONSOLE-PRE HEATER SW.	EATON	10	-----	562763
C 440	EVAP. COMPT.-EVAP.RELAY	DEUTSCH	4	562479	562477	C 503					
C 441						C 504	LH CONSOLE WEBASTO TIMER	AMP	8	-----	562852
C 442						C 505	LH CONSOLE ESPAR TIMER	AMP	12	-----	562681
C 443						C 506	LH CONSOLE-LEVEL LOW SW.	EATON	10	-----	562763
C 444						C 508	RR JCT BOX-FAN CLUTCH RETARDER	AMP MNL	6	561552	561515

CONNECTORS CODE

NO	LOCATION	TYPE	CAVITY	#PIN HOUSING	#SOCKET HOUSING	NO	LOCATION	TYPE	CAVITY	#PIN HOUSING	#SOCKET HOUSING
C 509	FR LH UPPER WHELL CPT -DATA LOGGER	PED MP	16	-----	562530	C 571	UNDER DASH PANEL TTLT MODULE	MOLEX	20	-----	562778
C 510	FR LH UPPER WHELL CPT -DATA LOGGER	DEUTSCH	9	562531	-----	C 572	UNDER DASH PANEL TTLT MODULE	MOLEX	18	-----	562779
C 511	FR LH UPPER WHELL CPT -DATA LOGGER	PED MP	4	562532	-----	C 573	UNDER DASH PANEL TTLT MODULE	MOLEX	8	-----	562465
C 512	FR LH UPPER WHELL CPT -DATA LOGGER	PED MP	10	562533	-----	C 574					
C 513	FR LH UPPER WHELL CPT -DATA LOGGER	AMP MNL	3	561667	561550	C 575					
C 514	FR LH UPPER WHELL CPT -DATA LOGGER	PED MP	6	562433	562417	C 576					
C 515						C 577					
C 516						C 578					
C 517						C 579					
C 518						C 580					
C 519						C 581					
C 520						C 582					
C 521						C 583	L.H. DASH PANEL - MASTER KEY	DEUTSCH	2	562486	562485
C 522	FR JCT BOX-DAYTIME LTS MODULE	BOSCH	5	-----	561183	C 584	FRONT SERVICE CMPT. - AIR HORH	HUMPHREY	3	-----	641385
C 523	FR JCT BOX-FUSE BLOCK	PED	8	562647	562646	C 585					
C 524	FR JCT BOX-FUSE BLOCK	PED	8	562647	562646	C 586					
C 525	FR JCT BOX-FUSE BLOCK	PED	8	562647	562646	C 587					
C 526	FR JCT BOX-FUSE BLOCK	PED	8	562647	562646	C 588					
C 527	FR JCT BOX-FUSE BLOCK	PED	8	562647	562646	C 589	FR SERVICE ELECT MIRROR	CONXALL	5	563089	563088
C 528						C 590	UNDER DASH ELECT MIRROR	CONXALL	8	563089	563088
C 529	FR JCT BOX-12V OUTLET	AMP MNL	2	561247	561248	C 591	L.H.CONSOLE - MIRROR L.H.	EURAMTEC	8	-----	562799
C 530	RR JCT BOX-FUSE BLOCK	PED	8	562647	562646	C 592	L.H.CONSOLE - MIRROR R.H.	EURAMTEC	8	-----	562799
C 531	RR JCT BOX-FUSE BLOCK	PED	8	562647	562646	C 593					
C 532	RR JCT BOX-FUSE BLOCK	PED	8	562647	562646	C 594	FRONT ROOF - DRIVERS LIGHT	LEEKRAFT		-----	562803
C 533						C 595					
C 534						C 596					
C 535	RR JCT BOX-FIRE MODULE DETECT.	AMP MNL	3	561667	561550	C 597	L.H. DASH PANEL - DISPLAY SET SW.	MOLEX	5	-----	562812
C 536	UNDER DASH RH-DRIVER'S HTR TEMP. CTR	AMP MNL	6	561552	561515	C 598	L.H. DASH PANEL - DISPLAY SET SW.	MOLEX	5	-----	562812
C 537	BATT. CPT.-A/C PRESS. SIGN. RLY	AMP MNL	2	561248	561247	C 599	UND.DASH-MAGN.SW.CTR.POS.DR'S AIR	AMP MNL	2	561248	561247
C 538	FR SERVICE CPT.-OUTSIDE TEMP. SENSOR	AMP MNL	2	561248	561247	C 600	ENGINE CPT.-A/C LOW PRESS SW. UNLOAD	PED	2	562348	562471
C 539	HVAC DASH MODULE OUTPUT CON	MOLEX	24		562780	C 601					
C 540	HVAC DASH MODULE INPUT CON	MOLEX	22		562781	C 602					
C 541						C 603					
C 542						C 604					
C 543						C 605					
C 544						C 606					
C 545						C 607					
C 546	LH DASH PANEL-ACCESSORIES	AMP CPC	37	561645	561646	CH 50	FRONT SERVICE COMP.- TRANS INHIBIT	PED WP	1	561605	561577
C 547	RH DASH PANEL-ACCESSORIES	AMP CPC	37	561645	561646	CH 51	FRONT SERVICE COMP.- TRANS INHIBIT	PED WP	1	561605	561577
C 548	LH DASH PANEL-T.T. LT. TEST SW.	EATON	10	-----	562763	L 608	FRONT SERVICE CMPT. SPEED SIGNAL	PED WP	2	561566	561690
C 549						LX	CLUSTER	JAE	22	-----	562766
C 550	EVAPORATOR COMPARTIMENT	ITT	2	561813	562159	RY	CLUSTER	JAE	30	-----	562767
C 551	RR JCT BOX - A/C PANEL	PED	2	561566	561690	X	CLUSTER	JAE	22	-----	562764
C 552											
C 553											
C 554											
C 555	LUGGAGES - AWNING WINDOWS	MOLEX	4	561477	561476						
C 555A	LUGGAGES-AWNING EXTENSION HARNESS	MOLEX	4	561477	561476						
C 555S1	FR SLIDE-OUT-AWNING WINDOW	MOLEX	4	561477	561476						
C 555S2	RR SLIDE-OUT-AWNING WINDOW	MOLEX	4	561477	561476						
C 556											
C 557											
C 558											
C 559											
C 560											
C 561											
C 562											
C 563											
C 564											
C 565											
C 566											
C 567											
C 568											
C 569											
C 570	UNDER DASH PANEL TTLT MODULE	MOLEX	6		562464						

CONNECTORS CODE

NO	LOCATION	TYPE	CAVITY	#PIN HOUSING	#SOCKET HOUSING	NO	LOCATION	TYPE	CAVITY	#PIN HOUSING	#SOCKET HOUSING
C X1	FR LH UPPER WHELL CPT-ABS	AMP	15		563200	C 59	RR JCT BOX - A/C PANEL	AMP CPC	14	561585	561583
C X2	FR LH UPPER WHELL CPT-ABS	AMP	18		563201	C 60	RR JCT BOX COMPT.-LT	AMP MNL	2	561248	561247
C TCI	DDEC ENGINE – TURBO TEMP	FCI	2		563404	C 61	LUGGAGE COMPARTMENT LTS	AMP MNL	2	561248	561247
C RXTX	HVAC MODULE COMMUNICATION	MOLEX	3	563206	562783	C 62	LUGGAGE COMPARTMENT LTS	AMP MNL	2	561248	561247
C S	RR JCT BOX ECU WORLD TR.	PED	32		562817	C 63	LUGGAGE COMPARTMENT LTS	AMP MNL	2	561248	561247
C T	RR JCT BOX ECU WORLD TR.	PED	32		562824	C 64	LUGGAGE COMPARTMENT LTS	AMP MNL	2	561248	561247
C V	RR JCT BOX ECU WORLD TR.	PED	32		562823	C 65	LUGGAGE COMPARTMENT LTS	AMP MNL	2	561248	561247
C Y	CLUSTER	JAE	30		562765	C 66	LUGGAGE COMPARTMENT LTS	AMP MNL	2	561248	561247
C 1	FR JCT BOX COMPARTMENT	AMP CPC	14	561585	561584	C 67	LUGGAGE COMPARTMENT LTS	AMP MNL	2	561248	561247
C 2	FR JCT BOX COMPARTMENT	AMP CPC	16	561639	561640	C 68	LUGGAGE COMPARTMENT LTS	AMP MNL	2	561248	561247
C 3	FR JCT BOX COMPARTMENT	AMP CPC	24	561641	561643	C 69	RR AXLE ACC-INSIDE PVC END	PED WP	6	561568	561578
C 4	FR JCT BOX COMPARTMENT	AMP CPC	37	561644	561646	C 70	LH CONSOLE	AMP CPC	24	561642	561643
C 5	FR SERVICE COMPT.-UNDERNEATH	AMP CPC	37	561644	561646	C 71	FR JCT BOX COMPARTMENT	AMP CPC	37	561645	561646
C 6	FR SERVICE COMPT.-UNDERNEATH	AMP CPC	16	561639	561640	C 72	FR JCT BOX COMPARTMENT	AMP CPC	24	561642	561643
C 8	FR SERVICE COMPT.-UNDERNEATH	AMP CPC	24	561641	561643	C 74	FR JCT BOX COMPARTMENT	AMP CPC	37	561645	561646
C 9	FR SERVICE COMPT.-UNDERNEATH	AMP CPC	37	561644	561646	C 75	LUGG. COMPT. – DOOR LOCK	AMP MNL	2	561551	561668
C 10						C 76	LUGGAGE COMPT.-AIR RET.SENS.	AMP MNL	2	561248	561247
C 11	FR SERVICE COMPARTMENT	AMP CPC	37	561644	561646	C 77	LUGGAGE COMPT.-DOOR LOCK		4	561551	561668
C 12	FR SERVICE COMPARTMENT	AMP CPC	16	561639	561640	C 78	LUGGAGE COMPT.-LTS - COND. CPT	AMP MNL	2	561248	561247
C 13	LH CONSOLE-CTR MIRROR	AMP MNL	6	561552	561515	C 79	LUGGAGE COMPT.-LTS - EVAP. CPT.	AMP MNL	2	561248	561247
C 14	UNDER DASH-LH MIRROR	AMP MNL	9	561661	561662	C 80	LUGGAGE COMPT.-AIR RET.SENS.	AMP MNL	2	561248	561247
C 15						C 80A	EVAPORATOR COMPT.-AIR RET.SENS.	AMP MNL	2	561248	561247
C 16	LH CONSOLE SW-CRUISE ON OFF	EATON	10	-----	562763	C 81	LUGGAGE COMPT.-DOOR LOCK	AMP MNL	2	561551	561668
C 17	LH CONSOLE SW-CRUISE RESUME	EATON	10	-----	562763	C 82	LUGGAGE COMPT.-DOOR LOCK	AMP MNL	2	561551	561668
C 18	LH CONSOLE SW-CRUISE SET	EATON	10	-----	562763	C 83	LUGGAGE COMPT.-DOOR LOCK	AMP MNL	2	561551	561668
C 19	LH CONSOLE DECEL SW	EATON	10	-----	562763	C 84	LUGGAGE COMPT.-DOOR LOCK	AMP MNL	2	561551	561668
C 20	RR JCT BOX	DEUTSCH	70	562282	562285	C 85	LUGGAGE COMPT.-DOOR LOCK	AMP MNL	2	561551	561668
C 21	RR JCT BOX	DEUTSCH	24	562281	562284	C 86	LUGGAGE COMPT.-DOOR LOCK	AMP MNL	2	561551	561668
C 22						C 87	RR END ROOF	AMP CPC	9	561636	561637
C 23						C 88	FR. SERV. COMPT.-PRESS SW. PARK BRAKE	PED WP	2	561566	561690
C 24						C 89	RR END ROOF-B/U NONITOR	AMP CPC	4	561582	561581
C 25						C 90	RR JCT BOX	AMP CPC	15	561987	561986
C 26						C 91	RR JCT BOX	AMP CPC	37	561714	561713
C 27						C 92	FR LH UPPER WHELL CPT-ABS	AMP CPC	9	561635	561637
C 28						C 93					
C 29						C 94					
C 30						C 95	CONDENSOR CPT. LIQ SOL VALVE	PED WP	2	561566	561690
C 31						C 96	FR AXLE ACCESSORIES	AMP CPC	14	561585	561585
C 32	DDEC ENGINE-ECM	AMP	68	-----	563403	C 97	RR AXLE ACC-INSIDE PVC END	PED WP	6	561568	561578
C 33						C 98	FR SERVICE COMPT-EL.FT.PEDAL	PED WP	3	561782	561781
C 34						C 99	FR SERVICE COMPT LTS	AMP MNL	2	561248	561247
C 35	RR JCT BOX	DEUTSCH	40	562281	562284	C 100					
C 36						C 101	FR SERVICE COMPT-ELEC. HORNS	PED WP	2	561566	561690
C 37						C 102	SIDE (LH/FR & CENTER) DIR. LTS	GROTE	2	-----	562155
C 38						C 103	SIDE (LH/FR & CENTER) MARKER LTS	GROTE	2	-----	562155
C 39						C 104	SIDE (RH/FR & CENTER) DIR. LTS	GROTE	2	-----	562155
C 40						C 105	FR SERVICE COMPT-LIQ.S.VALVE	PED WP	2	561566	561690
C 41						C 106	FR SERVICE COMPT-WATER VALVE	PED WP	2	561566	561690
C 42						C 107					
C 43						C 108					
C 44						C 109					
C 45	FR. JCT BOX COMPARTMENT	AMP CPC	24	561642	561643	C 110					
C 46						C 111	EVAPORATOR COMPT-DAMPER	DEUTSCH	2	562486	562485
C 47	FR SERVICE COMPARTMENT	AMP CPC	16	561694	561695	C 112	EVAPORATOR COMPT-SPEED MOT CTRL	DEUTSCH	5	-----	562566
C 48	FR. SERV. COMPT.-PRESS SW. PARK BRAKE	PED WP	2	561566	561690	C 113	SIDE (LH/RR) MARKER LTS	GROTE	2	-----	562155
C 49	BATTERIE COMPT.-LT	AMP MNL	2	561248	561247	C 114	SIDE (LH/RR) DIR LTS	GROTE	2	-----	562155
C 50						C 115					
C 51						C 116	ENGINE COMPT. LTS	GROTE	2	-----	563268
C 52	RR JCT BOX	AMP CPC	24	561642	561643	C 117	SIDE (RH/RR) MARKER LTS	GROTE	2	-----	562155
C 53						C 118					
C 54						C 119	ENGINE CPT RR DOOR RH LO LAMP	PED WP	6	561606	561607
C 55	RH SWITCH PANEL	AMP CPC	9	561636	561637	C 120	ENGINE CPT RR DOOR LH LO LAMP	PED WP	6	561606	561607
C 56						C 121	SIDE (RH/RR) DIR. LTS	GROTE	2	-----	562155
C 57						C 122	ENGINE CPT-CAMERA DOOR VALVE	PED WP	2	561566	561690
C 58	LUGGAGE COMPT. - A/C PANEL	AMP CPC	9	561636	561637	C 123					

CONNECTORS CODE

NO	LOCATION	TYPE	CAVITY	#PIN HOUSING	#SOCKET HOUSING	NO	LOCATION	TYPE	CAVITY	#PIN HOUSING	#SOCKET HOUSING
C 124	ENGINE CPT-ETHER SW	PED WP	2	561566	561690	C 187	FR JCT BOX-RPM RESISTOR CON.	AMP MNL	6	561552	561515
C 125	ENGINE CPT-B/U ALARM	PED WP	2	561566	561690	C 188	LUGG. CPT. - MANUAL REMOTE SLIDE-OUT	AMP CPC	7	561772	561773
C 126						C 189	ENGINE CPT RR DOOR B/U LT	PED WP	2	561566	561690
C 127	ENGINE CPT-FUEL FILTER	PED WP	2	561566	561690	C 190	ENGINE CPT RR DOOR TAIL/STOP LT	AMP SUPER S	3		562601
C 128	ENGINE CPT-A/C COMPR.CLUTCH	ITT SS	2	561813	561812	C 191	ENGINE CPT RR DOOR TAIL/STOP LT	AMP SUPER S	3		562601
C 129	ENGINE CPT-PRE-HEAT WATER	AMP FF	6	561672	561186	C 192	ENGINE CPT RR DOOR RH DIR. LT	PED WP	2	561566	561690
C 130	ENGINE CPT-UNLOADER	ITT SS	2	561813	561812	C 193					
C 131	ENGINE CPT-UNLOADER	ITT SS	2	561813	561812	C 194					
C 132	ENGINE CPT-A/C LO PRESS SW	PED WP	2	561566	561690	C 195					
C 133	ENGINE CPT-A/C HI PRESS SW	PED WP	2	561566	561690	C 196					
C 134	FR JCT BOX-LUGGAGE DIODE CON.	AMP MNL	15	561987	561986	C 197					
C 135	FR JCT BOX-LUGGAGE DIODE CON.	AMP MNL	15	561987	561986	C 198	ENGINE CPT RR DOOR LICENCE LT	PED WP	2	562348	562471
C 136	RR JCT BOX-A/C PANEL DIODE CON.	AMP MNL	15	561987	561986	C 199					
C 137	RR JCT BOX-TRANSMITTER	AMP MNL	2	560900	560898	C 200					
C 138	RR JCT BOX-CONTROL MODULE	AMP HDP	15	-----	562012	C 201	AUX. UNIT CONTROL	PED WP	4	561610	561611
C 139	RR JCT BOX-LOGIC MODULE	AMP HDP	15	562011	-----	C 202	AUX. UNIT CONTROL	PED WP	3	561781	561782
C 140	HVAC DASH MODULE THERMOMETER	MOLEX	4		562782	C 203	AUX. UNIT CONTROL	PED WP	2	561566	561690
C 141	INSTRUMENT PANEL LH UNLOAD TAG	AMP	2	561248	561247	C 204	AUX. LIQUID SOL.VALVE	PED WP	2	561566	561690
C 142						C 205					
C 143						C 206					
C 144						C 207					
C 145	RR JCT BOX CPT-RR SIDE LTS	AMP MNL	9	561670	561669	C 208					
C 146	ENGINE CPT-MODULATOR VALVE	AMPHENOL	2	-----	560412	C 209					
C 147	BATT & RR J.B.CPT-DOCK.LTS	PED WP	2	561566	561690	C 210					
C 148						C 211	FR ROOF-STORE LH	AMP MNL	2	560900	560898
C 149	CONDENSER CPT-FAN MOTOR	ORDNANCE	3	562555	562001	C 212	FR ROOF-STORE RH	AMP MNL	2	560900	560898
C 150	ENGINE CPT. - FUEL FILTER	PED WP	1	561605	561577	C 213					
C 151	EVAPORATOR CPT-THERMOSTAT	ITT	2	561813	562159	C 214					
C 152	CONDENSER CPT-FUEL GAUGE	PED WP	4	561610	561611	C 215					
C 153	EVAPORATOR CPT-AIR AMB. SENS	AMP MNL	2	561248	561247	C 216					
C 154	EVAPORATOR CPT-FRESH AIR SENS	ITT SS	2	561813	561812	C 217					
C 155	EVAPORATOR CPT-WATER VALVE	PNEUMAC	4		563204	C 218					
C 156	EVAPOR. CPT-BYPASS WATER VAL.	PED WP	2	561566	561690	C 219					
C 157	FRONT SER CPT-WATER PUMP	PED WP	2	561566	561690	C 220	RR.JCT.BOX-FUEL PRIME PUMP	TC	1	561070	561073
C 158	ENGINE CPT-A/C LO TEMP.	PED WP	2	561566	561690	C 221	BATTERY CMPT. FIRE DETECTOR	DEUTSCH	2	562486	562485
C 159	ENGINE CPT-A/C HI TEMP.	PED WP	2	561566	561690	C 222	ENGINE CMPT. FIRE DETECTOR	DEUTSCH	2	562486	562485
C 160	FR AXLE-ABS RH SENSOR	WABCO	2	641132	-----	C 223	ENGINE CMPT. FIRE DETECTOR	DEUTSCH	2	562486	562485
C 161	FR AXLE-ABS RH VALVE	WABCO	3	-----	641098	C 224					
C 162	FR AXLE-ABS LH VALVE	WABCO	3	-----	641098	C 225					
C 163	FR AXLE-ABS LH SENSOR	WABCO	2	641132	-----	C 226					
C 164	RR AXLE-ABS LH SENSOR	DEUTSCH	2	562486	562485	C 227					
C 165	RR AXLE-ABS LH VALVE	WABCO	3	-----	641098	C 228	ENG.CPT.-A/C COMPRESSOR	PED WP	2	561566	561690
C 166	RR AXLE-ABS RH VALVE	WABCO	3	-----	641098	C 229					
C 167	RR AXLE-ABS RH SENSOR	DEUTSCH	2	562486	562485	C 230	ENG.CPT.-FUEL PRIME PUMP FEED	DEUTSCH	2	562486	562485
C 168	RR AXLE-ABS OPT ATC	PED WP	2	561566	561690	C 231	ENG.CPT.-FUEL PRIME PUMP SW.	PED WP	2	561566	561690
C 169	RR JCT BOX-SPEED SW	AMP HDP	15	-----	562012	C 232	ENG.CPT.-FUEL PRIME PUMP	PED WP	2	561566	561690
C 170	FR JCT BOX-FLASHER UNIT	TC	2	-----	561940	C 233					
C 171	LH CONSOLE	AMP CPC	24	561642	561643	C 234					
C 172	FR SERV. COMPT.- LEVEL LOW	AMP CPC	9	561635	561637	C 235					
C 173	LAV.POTABLE-WATER TANK HEAT.	AMP MNL	2	560900	560898	C 236					
C 174	UNDER DASH RH-HTR MODULE	AMP MNL	9	561670	561669	C 237					
C 175	UNDER DASH RH-HTR MODULE	AMP MNL	9	561670	561669	C 238	UNDER DASH LH PASS REC DAMPER SW	EATON	8		562763
C 176	UNDER DASH RH-WIPER PULSE	AMP FF	6	-----	561186	C 239	RR I.D. LTS	PED WP	2	561566	561690
C 177	UNDER DASH RH-WIPER MOTOR	AMP FF	6	-----	561186	C 240	LUGG. CPT.-CO-PILOT SEAT HEATER	AMP MNL	2	560900	560898
C 178	UNDER DASH RH-LH FAN	TC	2	561030	560997	C 241	HEADLAMPS HI BEAM	HELLA	2		562623
C 179	UNDER DASH RH-RH FAN	TC	2	561030	560997	C 242	HEADLAMPS LO BEAM	HELLA	2		562623
C 181	RR JCT BOX-DIODE CONNECTOR	AMP MNL	15	561987	561986	C 242	HEADLAMPS LO BEAM (XENON OPTION)	PED MP	2		563366
C 180	RR JCT BOX-DIODE CONNECTOR	AMP MNL	15	561987	561986	C 243	FR SERVICE CPT-HEADLAMPS MAIN	DEUTSCH	6	565131	562789
C 182						C 244	FR SERVICE CPT-LH FOG LAMP	DEUTSCH	2	561813	561812
C 183						C 245	FR SERVICE CPT-RH FOG LAMP	DEUTSCH	2	561813	561812
C 184						C 246	FR SERVICE CPT-MARK & DIR LT	CONXALL	5	563091	563090
C 185						C 247	DIRECTIONNAL & HAZARD FR LTS	AMP SS	3		562601
C 186						C 248	FR JCT BOX-WIPER PULSE GEN	AMP FF	6	-----	561108
C 186M	RR JCT BOX CPT.-SPD SIGN. M.TR	PED WP	2	561566	561690	C 249					
C 186W	RR JCT BOX CPT.-SPD SIGN. WT	PED WP	2	561566	561690	C 250					

CONNECTORS CODE

NO	LOCATION	TYPE	CAVITY	#PIN HOUSING	#SOCKET HOUSING	NO	LOCATION	TYPE	CAVITY	#PIN HOUSING	#SOCKET HOUSING
C 251	LH SW PANEL-FAST IDLE	EATON	10	-----	562763	C 315	LH CONSOLE SW-LH STORE	EATON	10	-----	562763
C 252						C 316					
C 253	LH SW PANEL-ETHER	EATON	10	-----	562763	C 317	LH CONSOLE SW-RH STORE	EATON	10	-----	562763
C 254	INST. PANEL RH-ENTR.DOOR SW.	TORRIX	5	-----	562110	C 318	LH CONSOLE SW-DRV WINDOW LIFT	EATON	10	-----	562763
C 255	LH SW PANEL-JACOB	EATON	10	-----	562763	C 319					
C 256						C 320	RH SW PANEL-DRIVER'S LTS	EATON	10	-----	562763
C 257						C 321					
C 258	LH SW PANEL-MULTI FUNC. SW	AMP FF	8	561188	-----	C 322	LH CONSOLE DRV WIND LIFT MOT	PED PO	2	-----	561848
C 259	LH SW PANEL-MULTI FUNC. SW	AMP FF	6	-----	561108	C 323	LH CONSOLE CRUISE CTR SW PAN.	AMP CPC	9	561636	561637
C 260						C 324					
C 261						C 325	LH CONSOLE SW-KNEELING	EATON	8	-----	562763
C 262	UNDER DASH RH-KEYLESS MODULE	AMP MUL	22	-----	562675	C 326	LH CONSOLE SW-SPARE	EATON	8	-----	562763
C 263	UNDER DASH RH- KEYLESS MODULE	AMP MUL	26	-----	562676	C 327	ENGINE CONTROL	DEUTSCH	6	562583	562581
C 264	ENTRANCE DOOR-KEYPAD	AMP CPC	9	561536	561637	C 328					
C 265	RH SW PANEL -DRIVER'S DOOR SW.	EATON	10	-----	562763	C 329	ENGINE TACHO SIGNAL	PED WP	3	561781	561789
C 266	ENTRANCE DOOR-KEYLESS	AMP CPC	14	561585		C 330					
C 267	UNDER DASH RH	AMP CPC	24	561642	561643	C 331					
C 268						C 332					
C 269	UNDER DASH FLAT MIRROR	CONXALL	5	563091	563090	C 333					
C 270	LH MIRROR POST	MOLEX	6	562070	562069	C 334					
C 271	RH MIRROR POST	MOLEX	6	562070	562069	C 335					
C 272	LH MIRROR	SPARTAN	6	-----	990158	C 336					
C 273	RH MIRROR	SPARTAN	6	-----	990158	C 337	INSTR PANEL LH-UP WIPER SW	EATON	8	-----	562763
C 274	RR JCT BOX - ALT SIGNAL MODULE	AMP MNL	12	561735	561734	C 338	INSTR PANEL LH-UP DEFROST SW	EATON	8	-----	562763
C 275						C 339	INSTR PANEL LH-UP WASHER SW	EATON	8	-----	562763
C 276	UNDER DASH RH -3 WAY LTS	EATON	10	-----	562763	C 340	FR JCT. BOX FIRE PIEZO ALARM	AMP MNL	2	560900	560898
C 277	LH CONSOLE -DOCK. & CORN. SW.	EATON	10	-----	562763	C 341	INSTR PANEL LH-HEAT MIRROR SW	EATON	8	-----	562763
C 278	LH CONSOLE -BACK-UP CANCEL SW.	EATON	10	-----	562763	C 342	ENGINE RR START SW	DEUTSCH	2	562586	562585
C 279	FR SERVICE CPT- STEERING ZF	DEUTSCH	2	562485		C 343	INSTR PANEL LH-HEADLAMP SW	EATON	8	-----	562763
C 280	UNDER DASH RH -3 WAY LTS	EATON	10	-----	562763	C 344	INSTR PANEL LH-HAZARD LT SW	EATON	8	-----	562763
C 281	LH CONSOLE -LEVEL LOW	AMP MNL	4	560851	560852	C 345	INSTR PANEL LH-FOG LT SW	EATON	8	-----	562763
C 282	RH SW PANEL -MONITOR OPER. SW.	EATON	10	-----	562763	C 346	INSTR PANEL LH-SWITCH LTS	EATON	2	-----	561837
C 282	FR SERVICE CPT- STEERING GEAR BOX ZF	VOLVO	2	562928		C 347	INSTR PANEL LH-DASH LT SW	AMP MNL	2	560900	560898
C 283	LH CONSOLE -LOW DOCKING SW.	EATON	10	-----	562763	C 348	INSTR PANEL CENT-RACOR MODULE	MOLEX	6	562070	562067
C 284						C 349					
C 285	ENTRANCE DOOR -SOL. DOOR	PED PO	2	-----	562076	C 350	RH CONSOLE-THERMOMETER	AMP MNL	3	561667	561550
C 286	RH SW PANEL-A/C & HEAT	EATON	10	-----	562763	C 351					
C 287	ENGINE COMPT-LTS SW	PED WP	2	561566	561690	C 352	RH CONSOLE-DRV TEMP SENSOR	BURNDY	4	-----	561104
C 288	RH SW PANEL-FRESH AIR	EATON	10	-----	562763	C 353	INSTR PANEL RH-DRV FAN RHEOST	AMP MNL	6	561552	561515
C 289						C 354	INSTR PANEL RH-DRV TEMP CTR	AMP MNL	6	561552	561515
C 290	LUGGAGE COMPT -DOOR LOCK	AMP MNL	4	561551	561668	C 355	INSTR PANEL RH-FR TEMP CTR	AMP MNL	3	561667	561550
C 291	LUGGAGE COMPT -DOOR LOCK	AMP MNL	4	561551	561668	C 356					
C 292	FR SERVICE CMPT-LEVEL LOW		2	641385		C 357	INSTR PANEL RH-WATER TEMP GA	AMP MNL	3	561667	561550
C 293	FR SERVICE CMPT-LEVEL LOW		2	641385		C 358	INSTR PANEL RH-FUEL LEVEL GA	AMP MNL	3	561667	561550
C 294	FR SERVICE CMPT-LEVEL LOW		2	641385		C 359					
C 295	FR SERVICE CMPT-LEVEL LOW		2	641385		C 360	INSTR PANEL RH-B/U MONITOR	AMP MNL	2	561248	561247
C 296	FR SERVICE CMPT-LEVEL LOW		2	641385		C 361	FR ROOF-WIPER MOTOR	AMP FF	6	-----	561186
C 297	INSTRUMENT PANEL RH -LTS	AMP MNL	2	560900	560898	C 362					
C 298						C 363					
C 299						C 364					
C 300	FR SERVICE CPT- LOW BEAM RESISTORS	PED WP	2	561566	561690	C 365					
C 301	FR SERVICE CPT.- DR'S FAN SPEED	PED WP	1	561605	561577	C 366	RH DASH PANEL-GRN & RED LEDS	AMP MNL	3	560908	562006
C 302						C 367					
C 303						C 368					
C 304						C 369					
C 305						C 370					
C 306						C 371					
C 307						C 372	FR ROOF-DEST. SIGN SPEED SW	MOLEX	4	561477	561476
C 308	LH CONSOLE SW-RHEOSTAT	TC	2	561030	560997	C 373	FR ROOF-NO SMOKING LT	AMP MNL	2	561248	561247
C 309						C 374	LH SWITCH PANEL	AMP MNL	6	561552	561515
C 310	LH CONSOLE SW-LUG. DOOR LOCK	EATON	10	-----	562763	C 375					
C 311						C 376	LH SWITCH PANEL	AMP CPC	37	561714	562005
C 312						C 377	LH SW PANEL-STOP ENG.OVERRIDE	EATON	10	-----	562763
C 313						C 378					
C 314						C 379					

CONNECTORS CODE

NO	LOCATION	TYPE	CAVITY	#PIN HOUSING	#SOCKET HOUSING	NO	LOCATION	TYPE	CAVITY	#PIN HOUSING	#SOCKET HOUSING
C 380	LH CONSOLE-DDR CONNECTOR	DEUTSCH	6	562360	-----	C 445					
C 381	INST. PANEL CENTER-ANTI-THEFT LED	AMP MNL	2	561248	561247	C 446					
C 382						C 447					
C 383						C 448					
C 384						C 449					
C 385	EVAP CPT - FULL AIR WATER PUMP	PED WP	2	561566	561690	C 450					
C 386						C 451					
C 387						C 452					
C 388						C 453					
C 389						C 454					
C 390						C 455					
C 391						C 456	WORLD TRANSM.-RETARDER ACCUM.	PED MP	2	-----	562427
C 392						C 457	WORLD TRANSM.-MAIN CONNECTOR	DEUTSCH	31	562572	562536
C 393						C 458	WORLD TRANSM.-TURBINE SP.SENS	PED MP	2	-----	562426
C 394						C 459	WORLD TRANSM.-ENGINE SP.SENS.	PED MP	2	-----	562426
C 395						C 460	WORLD TRANSM.-SPEED SENSOR	ITT	2	-----	562541
C 396						C 461	WORLD TRANSM.-RETARDER TEMP.	PED MP	2	561566	561590
C 397	ENGINE COMPT. CRADLE ACC.	DEUTSCH	40	562281	562284	C 462	WORLD TRANSM.-RETARD SOL."K"	PED MP	2	-----	562426
C 398	ENGINE COMPT. - EXITING SIGNAL ALTERN.	PED WP	2	561566	561690	C 463	WORLD TRANSM.-SENSOR CONN.	DEUTSCH	16	562570	562571
C 399	ENGINE COMPT. - EXITING SIGNAL ALTERN.	PED WP	2	561566	561690	C 464	RR JCT BOX-DDL CONN W.T.	DEUTSCH	6	-----	562360
C 400	ENGINE COMPT. BLOCK HEATER	PED MP	3	561781	561782	C 465	LH CONSOLE-SHIFTER SELECTOR	PED	20	-----	562825
C 401						C 466	FR SERVICE CPT.-RESIS. MOD.	PED WP	3	-----	562428
C 402						C 467	FR SERVICE CPT.-RESIS. MOD.	PED WP	3	-----	562428
C 403						C 468					
C 404						C 469					
C 405						C 470	FR LH UPPER WHELL CPT-SILENT 1000	AMP MNL	2	561248	561247
C 406	FR JCT BOX COMPT.-ABS	AMP MNL	2	560900	560898	C 471	FR LH UPPER WHELL CPT-SILENT 1000	AMP MNL	2	561248	561247
C 407						C 472	FR LH UPPER WHELL CPT-SILENT 1000	PED WP	2	561566	561690
C 408						C 473	FR LH UPPER WHELL CPT-SILENT 1000	AMP MNL	3	561667	561550
C 409	ENGINE CPT -LOW COOL. LEVEL	PED MP	2	-----	562350	C 474	DRIVER'S.-TEMP. SENSOR	AMP MNL	2	561247	561248
C 410	FR JCT BOX-DIODE CONNECTOR	AMP MNL	15	561987	561986	C 475	RR JCT BOX-SPEED SIGN CONNECTOR	AMP MNL	2	561248	561247
C 411	FR JCT BOX-DIODE CONNECTOR	AMP MNL	15	561987	561986	C 475M	RR JCT BOX-SPEED SIGN MANUAL TR.	MOLEX	6	562070	562069
C 412	LH SW PANEL-MASTER SWITCH	EATON	10	-----	562763	C 475W	RR JCT BOX-SPEED SIGN WORLD TR.	MOLEX	6	562070	562069
C 413	ENG CPT-A/C HI UNLOAD PRS SW	PED WP	2	561566	561690	C 476					
C 414						C 477					
C 415	RR JCT BOX - ENGINE SIGNAL	DEUTSCH	24	562280	562783	C 478					
C 416						C 479	HVAC MODULE	MOLEX	3	-----	562783
C 417	FRONT JCT BOX-DIODES	AMP MNL	15	561987	561986	C 480	UNDER DASH RH-DR'S FAN SPEED CTR MOD	PED	4	561889	561890
C 418	INSTR. PANEL LH-HTR WINDSH.SW	EATON	10	-----	562763	C 481	UNDER DASH RH-DR'S FAN SPEED CTR MOD	PED	3	561781	561782
C 419	FR JCT BOX-RETARDER OR JACOB	AMP MNL	3	561667	561550	C 482					
C 420	ENGINE COMPT. WEBASTO WATER HTR	TC	2	561597	-----	C 483	FR SERVICE CPT. -SEAT ELECTRICAL SEAT	PED PC	2	-----	562237
C 421	ENGINE COMPT. WEBASTO WATER HTR	TC	1	561073	-----	C 484	UNDER DASH LH-FOOT DAMPER MOTOR	PED PC	2	-----	562076
C 422	ENGINE COMPT. WEBASTO WATER HTR	TC	2	561597	-----	C 485	UNDER DASH LH-DASH & DEFROST DAMP.M.	AMP MNL	3	561667	561550
C 423						C 486					
C 424	UNDER INSTRUMENT PANEL CENTER	AMP MNL	3	561667	561550	C 487					
C 425	FR JCT BOX-DIODES	AMP MNL	15	561987	561986	C 488					
C 426	ENGINE COMPT. CLUTCH CTR FAN	PED WP	3	561781	561782	C 489					
C 427						C 490					
C 428						C 491					
C 429	FR JCT BOX COMPT.	AMP MNL	6	561552	561515	C 492					
C 430	LH CONSOLE-TIMER	AMP FF	8	561188	562363	C 493					
C 431	LH CONSOLE-PRE HEAT.	TAB AMP	1	561540	561539	C 494					
C 432	ENGINE CPT.-PROX. SW. DOOR AJAR	DEUTSCH	4	562479	562477	C 495					
C 433	FR SERVICE CPT. KNEEL. PRESS. SW	PED WP	2	561566	561690	C 496					
C 434	FRONT JCT. BOX-DIODES	AMP MNL	15	561987	561986	C 497					
C 435	FR SERVICE CPT.(RH) KNEEL. PIEZO	AMP MNL	2	560900	560898	C 498					
C 436	RH HAT RACK-WCL CENTER ROOF ACC	AMP CPC	16	561639	561640	C 499					
C 437						C 500	FR LH UPPER WHELL CPT -PRODRIVER	MOLEX	6	562070	562069
C 438	EVAP. COMPT.-COND.RELAY	AMP MNL	2	561248	561247	C 501	FR LH UPPER WHELL CPT -PRODRIVER MOD	PED MP	7	562433	-----
C 439	EVAP. COMPT.-COND.RELAY	AMP MNL	2	561248	561247	C 502	LH CONSOLE-PRE HEATER SW.	EATON	10	-----	562763
C 440	EVAP. COMPT.-EVAP.RELAY	DEUTSCH	4	562479	562477	C 503					
C 441						C 504	LH CONSOLE WEBASTO TIMER	AMP	8	-----	562852
C 442						C 505	LH CONSOLE ESPAR TIMER	AMP	12	-----	562681
C 443						C 506	LH CONSOLE-LEVEL LOW SW.	EATON	10	-----	562763
C 444						C 508	RR JCT BOX-FAN CLUTCH RETARDER	AMP MNL	6	561552	561515

CONNECTORS CODE

NO	LOCATION	TYPE	CAVITY	#PIN HOUSING	#SOCKET HOUSING	NO	LOCATION	TYPE	CAVITY	#PIN HOUSING	#SOCKET HOUSING
C 509	FR LH UPPER WHELL CPT -DATA LOGGER	PED MP	16	-----	562530	C 571	UNDER DASH PANEL TTLT MODULE	MOLEX	20	-----	562778
C 510	FR LH UPPER WHELL CPT -DATA LOGGER	DEUTSCH	9	562531	-----	C 572	UNDER DASH PANEL TTLT MODULE	MOLEX	18	-----	562779
C 511	FR LH UPPER WHELL CPT -DATA LOGGER	PED MP	4	562532	-----	C 573	UNDER DASH PANEL TTLT MODULE	MOLEX	8	-----	562465
C 512	FR LH UPPER WHELL CPT -DATA LOGGER	PED MP	10	562533	-----	C 574					
C 513	FR LH UPPER WHELL CPT -DATA LOGGER	AMP MNL	3	561667	561550	C 575					
C 514	FR LH UPPER WHELL CPT -DATA LOGGER	PED MP	6	562433	562417	C 576					
C 515						C 577					
C 516						C 578					
C 517						C 579					
C 518						C 580					
C 519						C 581					
C 520						C 582					
C 521						C 583	L.H. DASH PANEL - MASTER KEY	DEUTSCH	2	562486	562485
C 522	FR JCT BOX-DAYTIME LTS MODULE	BOSCH	5	-----	561183	C 584	FRONT SERVICE CMPT. - AIR HORH	HUMPHREY	3	-----	641385
C 523	FR JCT BOX-FUSE BLOCK	PED	8	562647	562646	C 585					
C 524	FR JCT BOX-FUSE BLOCK	PED	8	562647	562646	C 586					
C 525	FR JCT BOX-FUSE BLOCK	PED	8	562647	562646	C 587					
C 526	FR JCT BOX-FUSE BLOCK	PED	8	562647	562646	C 588					
C 527	FR JCT BOX-FUSE BLOCK	PED	8	562647	562646	C 589	FR SERVICE ELECT MIRROR	CONXALL	5	563089	563088
C 528						C 590	UNDER DASH ELECT MIRROR	CONXALL	8	563089	563088
C 529	FR JCT BOX-12V OUTLET	AMP MNL	2	561247	561248	C 591	L.H.CONSOLE - MIRROR L.H.	EURAMTEC	8	-----	562799
C 530	RR JCT BOX-FUSE BLOCK	PED	8	562647	562646	C 592	L.H.CONSOLE - MIRROR R.H.	EURAMTEC	8	-----	562799
C 531	RR JCT BOX-FUSE BLOCK	PED	8	562647	562646	C 593					
C 532	RR JCT BOX-FUSE BLOCK	PED	8	562647	562646	C 594	FRONT ROOF - DRIVERS LIGHT	LEEKRAFT		-----	562803
C 533						C 595					
C 534						C 596					
C 535	RR JCT BOX-FIRE MODULE DETECT.	AMP MNL	3	561667	561550	C 597	L.H. DASH PANEL - DISPLAY SET SW.	MOLEX	5	-----	562812
C 536	UNDER DASH RH-DRIVER'S HTR TEMP. CTR	AMP MNL	6	561552	561515	C 598	L.H. DASH PANEL - DISPLAY SET SW.	MOLEX	5	-----	562812
C 537	BATT. CPT.-A/C PRESS. SIGN. RLY	AMP MNL	2	561248	561247	C 599	UND.DASH-MAGN.SW.CTR.POS.DR'S AIR	AMP MNL	2	561248	561247
C 538	FR SERVICE CPT.-OUTSIDE TEMP. SENSOR	AMP MNL	2	561248	561247	C 600	ENGINE CPT.-A/C LOW PRESS SW. UNLOAD	PED	2	562348	562471
C 539	HVAC DASH MODULE OUTPUT CON	MOLEX	24		562780	C 601					
C 540	HVAC DASH MODULE INPUT CON	MOLEX	22		562781	C 602					
C 541						C 603					
C 542						C 604					
C 543						C 605					
C 544						C 606					
C 545						C 607					
C 546	LH DASH PANEL-ACCESSORIES	AMP CPC	37	561645	561646	CH 50	FRONT SERVICE COMP.- TRANS INHIBIT	PED WP	1	561605	561577
C 547	RH DASH PANEL-ACCESSORIES	AMP CPC	37	561645	561646	CH 51	FRONT SERVICE COMP.- TRANS INHIBIT	PED WP	1	561605	561577
C 548	LH DASH PANEL-T.T. LT. TEST SW.	EATON	10	-----	562763	L 608	FRONT SERVICE CMPT. SPEED SIGNAL	PED WP	2	561566	561690
C 549						LX	CLUSTER	JAE	22	-----	562766
C 550	EVAPORATOR COMPARTIMENT	ITT	2	561813	562159	RY	CLUSTER	JAE	30	-----	562767
C 551	RR JCT BOX - A/C PANEL	PED	2	561566	561690	X	CLUSTER	JAE	22	-----	562764
C 552											
C 553											
C 554											
C 555	LUGGAGES - AWNING WINDOWS	MOLEX	4	561477	561476						
C 555A	LUGGAGES-AWNING EXTENSION HARNESS	MOLEX	4	561477	561476						
C 555S1	FR SLIDE-OUT-AWNING WINDOW	MOLEX	4	561477	561476						
C 555S2	RR SLIDE-OUT-AWNING WINDOW	MOLEX	4	561477	561476						
C 556											
C 557											
C 558											
C 559											
C 560											
C 561											
C 562											
C 563											
C 564											
C 565											
C 566											
C 567											
C 568											
C 569											
C 570	UNDER DASH PANEL TTLT MODULE	MOLEX	6		562464						

CONNECTORS CODE

NO	LOCATION	TYPE	CAVITY	#PIN HOUSING	#SOCKET HOUSING	NO	LOCATION	TYPE	CAVITY	#PIN HOUSING	#SOCKET HOUSING
C X1	FR LH UPPER WHELL CPT-ABS	AMP	15		563200	C 59	RR JCT BOX - A/C PANEL	AMP CPC	14	561585	561583
C X2	FR LH UPPER WHELL CPT-ABS	AMP	18		563201	C 60	RR JCT BOX COMPT.-LT	AMP MNL	2	561248	561247
C TCI	DDEC ENGINE – TURBO TEMP	FCI	2		563404	C 61	LUGGAGE COMPARTMENT LTS	AMP MNL	2	561248	561247
C RXTX	HVAC MODULE COMMUNICATION	MOLEX	3	563206	562783	C 62	LUGGAGE COMPARTMENT LTS	AMP MNL	2	561248	561247
C S	RR JCT BOX ECU WORLD TR.	PED	32		562817	C 63	LUGGAGE COMPARTMENT LTS	AMP MNL	2	561248	561247
C T	RR JCT BOX ECU WORLD TR.	PED	32		562824	C 64	LUGGAGE COMPARTMENT LTS	AMP MNL	2	561248	561247
C V	RR JCT BOX ECU WORLD TR.	PED	32		562823	C 65	LUGGAGE COMPARTMENT LTS	AMP MNL	2	561248	561247
C Y	CLUSTER	JAE	30		562765	C 66	LUGGAGE COMPARTMENT LTS	AMP MNL	2	561248	561247
C 1	FR JCT BOX COMPARTMENT	AMP CPC	14	561585	561584	C 67	LUGGAGE COMPARTMENT LTS	AMP MNL	2	561248	561247
C 2	FR JCT BOX COMPARTMENT	AMP CPC	16	561639	561640	C 68	LUGGAGE COMPARTMENT LTS	AMP MNL	2	561248	561247
C 3	FR JCT BOX COMPARTMENT	AMP CPC	24	561641	561643	C 69	RR AXLE ACC-INSIDE PVC END	PED WP	6	561568	561578
C 4	FR JCT BOX COMPARTMENT	AMP CPC	37	561644	561646	C 70	LH CONSOLE	AMP CPC	24	561642	561643
C 5	FR SERVICE COMPT.-UNDERNEATH	AMP CPC	37	561644	561646	C 71	FR JCT BOX COMPARTMENT	AMP CPC	37	561645	561646
C 6	FR SERVICE COMPT.-UNDERNEATH	AMP CPC	16	561639	561640	C 72	FR JCT BOX COMPARTMENT	AMP CPC	24	561642	561643
C 8	FR SERVICE COMPT.-UNDERNEATH	AMP CPC	24	561641	561643	C 74	FR JCT BOX COMPARTMENT	AMP CPC	37	561645	561646
C 9	FR SERVICE COMPT.-UNDERNEATH	AMP CPC	37	561644	561646	C 75	LUGG. COMPT. - DOOR LOCK	AMP MNL	2	561551	561668
C 10						C 76	LUGGAGE COMPT.-AIR RET.SENS.	AMP MNL	2	561248	561247
C 11	FR SERVICE COMPARTMENT	AMP CPC	37	561644	561646	C 77	LUGGAGE COMPT.-DOOR LOCK		4	561551	561668
C 12	FR SERVICE COMPARTMENT	AMP CPC	16	561639	561640	C 78	LUGGAGE COMPT.-LTS - COND. CPT	AMP MNL	2	561248	561247
C 13	LH CONSOLE-CTR MIRROR	AMP MNL	6	561552	561515	C 79	LUGGAGE COMPT.-LTS - EVAP. CPT.	AMP MNL	2	561248	561247
C 14	UNDER DASH-LH MIRROR	AMP MNL	9	561661	561662	C 80	LUGGAGE COMPT.-AIR RET.SENS.	AMP MNL	2	561248	561247
C 15						C 80A	EVAPORATOR COMPT.-AIR RET.SENS.	AMP MNL	2	561248	561247
C 16	LH CONSOLE SW-CRUISE ON OFF	EATON	10	-----	562763	C 81	LUGGAGE COMPT.-DOOR LOCK	AMP MNL	2	561551	561668
C 17	LH CONSOLE SW-CRUISE RESUME	EATON	10	-----	562763	C 82	LUGGAGE COMPT.-DOOR LOCK	AMP MNL	2	561551	561668
C 18	LH CONSOLE SW-CRUISE SET	EATON	10	-----	562763	C 83	LUGGAGE COMPT.-DOOR LOCK	AMP MNL	2	561551	561668
C 19	LH CONSOLE DECEL SW	EATON	10	-----	562763	C 84	LUGGAGE COMPT.-DOOR LOCK	AMP MNL	2	561551	561668
C 20	RR JCT BOX	DEUTSCH	70	562282	562285	C 85	LUGGAGE COMPT.-DOOR LOCK	AMP MNL	2	561551	561668
C 21	RR JCT BOX	DEUTSCH	24	562281	562284	C 86	LUGGAGE COMPT.-DOOR LOCK	AMP MNL	2	561551	561668
C 22						C 87	RR END ROOF	AMP CPC	9	561636	561637
C 23						C 88	FR. SERV. COMPT.-PRESS SW. PARK BRAKE	PED WP	2	561566	561690
C 24						C 89	RR END ROOF-B/U NONITOR	AMP CPC	4	561582	561581
C 25						C 90	RR JCT BOX	AMP CPC	15	561987	561986
C 26						C 91	RR JCT BOX	AMP CPC	37	561714	561713
C 27						C 92	FR LH UPPER WHELL CPT-ABS	AMP CPC	9	561635	561637
C 28						C 93					
C 29						C 94					
C 30						C 95	CONDENSOR CPT. LIQ SOL VALVE	PED WP	2	561566	561690
C 31						C 96	FR AXLE ACCESSORIES	AMP CPC	14	561585	561585
C 32	DDEC ENGINE-ECM	AMP	68	-----	563403	C 97	RR AXLE ACC-INSIDE PVC END	PED WP	6	561568	561578
C 33						C 98	FR SERVICE COMPT-EL.FT.PEDAL	PED WP	3	561782	561781
C 34						C 99	FR SERVICE COMPT LTS	AMP MNL	2	561248	561247
C 35	RR JCT BOX	DEUTSCH	40	562281	562284	C 100					
C 36						C 101	FR SERVICE COMPT-ELEC. HORNS	PED WP	2	561566	561690
C 37						C 102	SIDE (LH/FR & CENTER) DIR. LTS	GROTE	2	-----	562155
C 38						C 103	SIDE (LH/FR & CENTER) MARKER LTS	GROTE	2	-----	562155
C 39						C 104	SIDE (RH/FR & CENTER) DIR. LTS	GROTE	2	-----	562155
C 40						C 105	FR SERVICE COMPT-LIQ.S.VALVE	PED WP	2	561566	561690
C 41						C 106	FR SERVICE COMPT-WATER VALVE	PED WP	2	561566	561690
C 42						C 107					
C 43						C 108					
C 44						C 109					
C 45	FR. JCT BOX COMPARTMENT	AMP CPC	24	561642	561643	C 110					
C 46						C 111	EVAPORATOR COMPT-DAMPER	DEUTSCH	2	562486	562485
C 47	FR SERVICE COMPARTMENT	AMP CPC	16	561694	561695	C 112	EVAPORATOR COMPT-SPEED MOT CTRL	DEUTSCH	5	-----	562566
C 48	FR. SERV. COMPT.-PRESS SW. PARK BRAKE	PED WP	2	561566	561690	C 113	SIDE (LH/RR) MARKER LTS	GROTE	2	-----	562155
C 49	BATTERIE COMPT.-LT	AMP MNL	2	561248	561247	C 114	SIDE (LH/RR) DIR LTS	GROTE	2	-----	562155
C 50						C 115					
C 51						C 116	ENGINE COMPT. LTS	GROTE	2	-----	563268
C 52	RR JCT BOX	AMP CPC	24	561642	561643	C 117	SIDE (RH/RR) MARKER LTS	GROTE	2	-----	562155
C 53						C 118					
C 54						C 119	ENGINE CPT RR DOOR RH LO LAMP	PED WP	6	561606	561607
C 55	RH SWITCH PANEL	AMP CPC	9	561636	561637	C 120	ENGINE CPT RR DOOR LH LO LAMP	PED WP	6	561606	561607
C 56						C 121	SIDE (RH/RR) DIR. LTS	GROTE	2	-----	562155
C 57						C 122	ENGINE CPT-CAMERA DOOR VALVE	PED WP	2	561566	561690
C 58	LUGGAGE COMPT. - A/C PANEL	AMP CPC	9	561636	561637	C 123					

CONNECTORS CODE

NO	LOCATION	TYPE	CAVITY	#PIN HOUSING	#SOCKET HOUSING	NO	LOCATION	TYPE	CAVITY	#PIN HOUSING	#SOCKET HOUSING
C 124	ENGINE CPT-ETHER SW	PED WP	2	561566	561690	C 187	FR JCT BOX-RPM RESISTOR CON.	AMP MNL	6	561552	561515
C 125	ENGINE CPT-B/U ALARM	PED WP	2	561566	561690	C 188	LUGG. CPT. - MANUAL REMOTE SLIDE-OUT	AMP CPC	7	561772	561773
C 126						C 189	ENGINE CPT RR DOOR B/U LT	PED WP	2	561566	561690
C 127	ENGINE CPT-FUEL FILTER	PED WP	2	561566	561690	C 190	ENGINE CPT RR DOOR TAIL/STOP LT	AMP SUPER S	3		562601
C 128	ENGINE CPT-A/C COMPR.CLUTCH	ITT SS	2	561813	561812	C 191	ENGINE CPT RR DOOR TAIL/STOP LT	AMP SUPER S	3		562601
C 129	ENGINE CPT-PRE-HEAT WATER	AMP FF	6	561672	561186	C 192	ENGINE CPT RR DOOR RH DIR. LT	PED WP	2	561566	561690
C 130	ENGINE CPT-UNLOADER	ITT SS	2	561813	561812	C 193					
C 131	ENGINE CPT-UNLOADER	ITT SS	2	561813	561812	C 194					
C 132	ENGINE CPT-A/C LO PRESS SW	PED WP	2	561566	561690	C 195					
C 133	ENGINE CPT-A/C HI PRESS SW	PED WP	2	561566	561690	C 196					
C 134	FR JCT BOX-LUGGAGE DIODE CON.	AMP MNL	15	561987	561986	C 197					
C 135	FR JCT BOX-LUGGAGE DIODE CON.	AMP MNL	15	561987	561986	C 198	ENGINE CPT RR DOOR LICENCE LT	PED WP	2	562348	562471
C 136	RR JCT BOX-A/C PANEL DIODE CON.	AMP MNL	15	561987	561986	C 199					
C 137	RR JCT BOX-TRANSMITTER	AMP MNL	2	560900	560898	C 200					
C 138	RR JCT BOX-CONTROL MODULE	AMP HDP	15	-----	562012	C 201	AUX. UNIT CONTROL	PED WP	4	561610	561611
C 139	RR JCT BOX-LOGIC MODULE	AMP HDP	15	562011	-----	C 202	AUX. UNIT CONTROL	PED WP	3	561781	561782
C 140	HVAC DASH MODULE THERMOMETER	MOLEX	4		562782	C 203	AUX. UNIT CONTROL	PED WP	2	561566	561690
C 141	INSTRUMENT PANEL LH UNLOAD TAG	AMP	2	561248	561247	C 204	AUX. LIQUID SOL.VALVE	PED WP	2	561566	561690
C 142						C 205					
C 143	TRAILER BRAKE PRESSURE SWITCH	PED	2	561566	561690	C 206					
C 144						C 207					
C 145	RR JCT BOX CPT-RR SIDE LTS	AMP MNL	9	561670	561669	C 208					
C 146	ENGINE CPT-MODULATOR VALVE	AMPHENOL	2	-----	560412	C 209					
C 147	BATT & RR J.B.CPT-DOCK.LTS	PED WP	2	561566	561690	C 210					
C 148	TRAILER PARKING BRAKE PRESSURE SW	PED	2	561690	561566	C 211	FR ROOF-STORE LH	AMP MNL	2	560900	560898
C 149	CONDENSER CPT-FAN MOTOR	ORDNANCE	3	562555	562001	C 212	FR ROOF-STORE RH	AMP MNL	2	560900	560898
C 150	ENGINE CPT. - FUEL FILTER	PED WP	1	561605	561577	C 213					
C 151	EVAPORATOR CPT-THERMOSTAT	ITT	2	561813	562159	C 214					
C 152	CONDENSER CPT-FUEL GAUGE	PED WP	4	561610	561611	C 215					
C 153	EVAPORATOR CPT-AIR AMB. SENS	AMP MNL	2	561248	561247	C 216					
C 154	EVAPORATOR CPT-FRESH AIR SENS	ITT SS	2	561813	561812	C 217					
C 155	EVAPORATOR CPT-WATER VALVE	PNEUMAC	4		563204	C 218					
C 156	EVAPOR. CPT-BYPASS WATER VAL.	PED WP	2	561566	561690	C 219					
C 157	FRONT SER CPT-WATER PUMP	PED WP	2	561566	561690	C 220	RR.JCT.BOX-FUEL PRIME PUMP	TC	1	561070	561073
C 158	ENGINE CPT-A/C LO TEMP.	PED WP	2	561566	561690	C 221	BATTERY CMPT. FIRE DETECTOR	DEUTSCH	2	562486	562485
C 159	ENGINE CPT-A/C HI TEMP.	PED WP	2	561566	561690	C 222	ENGINE CMPT. FIRE DETECTOR	DEUTSCH	2	562486	562485
C 160	FR AXLE-ABS RH SENSOR	WABCO	2	641132	-----	C 223	ENGINE CMPT. FIRE DETECTOR	DEUTSCH	2	562486	562485
C 161	FR AXLE-ABS RH VALVE	WABCO	3	-----	641098	C 224					
C 162	FR AXLE-ABS LH VALVE	WABCO	3	-----	641098	C 225					
C 163	FR AXLE-ABS LH SENSOR	WABCO	2	641132	-----	C 226					
C 164	RR AXLE-ABS LH SENSOR	DEUTSCH	2	562486	562485	C 227					
C 165	RR AXLE-ABS LH VALVE	WABCO	3	-----	641098	C 228	ENG.CPT.-A/C COMPRESSOR	PED WP	2	561566	561690
C 166	RR AXLE-ABS RH VALVE	WABCO	3	-----	641098	C 229					
C 167	RR AXLE-ABS RH SENSOR	DEUTSCH	2	562486	562485	C 230	ENG.CPT.-FUEL PRIME PUMP FEED	DEUTSCH	2	562486	562485
C 168	RR AXLE-ABS OPT ATC	PED WP	2	561566	561690	C 231	ENG.CPT.-FUEL PRIME PUMP SW.	PED WP	2	561566	561690
C 169	RR JCT BOX-SPEED SW	AMP HDP	15	-----	562012	C 232	ENG.CPT.-FUEL PRIME PUMP	PED WP	2	561566	561690
C 170	FR JCT BOX-FLASHER UNIT	TC	2	-----	561940	C 233					
C 171	LH CONSOLE	AMP CPC	24	561642	561643	C 234					
C 172	FR SERV. COMPT.- LEVEL LOW	AMP CPC	9	561635	561637	C 235					
C 173	LAV.POTABLE-WATER TANK HEAT.	AMP MNL	2	560900	560898	C 236					
C 174	UNDER DASH RH-HTR MODULE	AMP MNL	9	561670	561669	C 237					
C 175	UNDER DASH RH-HTR MODULE	AMP MNL	9	561670	561669	C 238	UNDER DASH LH PASS REC DAMPER SW	EATON	8		562763
C 176	UNDER DASH RH-WIPER PULSE	AMP FF	6	-----	561186	C 239	RR I.D. LTS	PED WP	2	561566	561690
C 177	UNDER DASH RH-WIPER MOTOR	AMP FF	6	-----	561186	C 240	LUGG. CPT.-CO-PILOT SEAT HEATER	AMP MNL	2	560900	560898
C 178	UNDER DASH RH-LH FAN	TC	2	561030	560997	C 241	HEADLAMPS HI BEAM	HELLA	2		562623
C 179	UNDER DASH RH-RH FAN	TC	2	561030	560997	C 242	HEADLAMPS LO BEAM	HELLA	2		562623
C 181	RR JCT BOX-DIODE CONNECTOR	AMP MNL	15	561987	561986	C 242	HEADLAMPS LO BEAM (XENON OPTION)	PED MP	2		563366
C 180	RR JCT BOX-DIODE CONNECTOR	AMP MNL	15	561987	561986	C 243	FR SERVICE CPT-HEADLAMPS MAIN	DEUTSCH	6	565131	562789
C 182						C 244	FR SERVICE CPT-LH FOG LAMP	DEUTSCH	2	561813	561812
C 183						C 245	FR SERVICE CPT-RH FOG LAMP	DEUTSCH	2	561813	561812
C 184						C 246	FR SERVICE CPT-MARK & DIR LT	CONXALL	5	563091	563090
C 185						C 247	DIRECTIONAL & HAZARD FR LTS	AMP SS	3		562601
C 186						C 248	FR JCT BOX-WIPER PULSE GEN	AMP FF	6	-----	561108
C 186M	RR JCT BOX CPT.-SPD SIGN. M.TR	PED WP	2	561566	561690	C 249					
C 186W	RR JCT BOX CPT.-SPD SIGN. WT	PED WP	2	561566	561690	C 250					

CONNECTORS CODE

NO	LOCATION	TYPE	CAVITY	#PIN HOUSING	#SOCKET HOUSING	NO	LOCATION	TYPE	CAVITY	#PIN HOUSING	#SOCKET HOUSING
C 251	LH SW PANEL-FAST IDLE	EATON	10	-----	562763	C 315	LH CONSOLE SW-LH STORE	EATON	10	-----	562763
C 252						C 316					
C 253	LH SW PANEL-ETHER	EATON	10	-----	562763	C 317	LH CONSOLE SW-RH STORE	EATON	10	-----	562763
C 254	INST. PANEL RH-ENTR.DOOR SW.	TORRIX	5	-----	562110	C 318	LH CONSOLE SW-DRV WINDOW LIFT	EATON	10	-----	562763
C 255	LH SW PANEL-JACOB	EATON	10	-----	562763	C 319					
C 256						C 320	RH SW PANEL-DRIVER'S LTS	EATON	10	-----	562763
C 257						C 321					
C 258	LH SW PANEL-MULTI FUNC. SW	AMP FF	8	561188	-----	C 322	LH CONSOLE DRV WIND LIFT MOT	PED PO	2	-----	561848
C 259	LH SW PANEL-MULTI FUNC. SW	AMP FF	6	-----	561108	C 323	LH CONSOLE CRUISE CTR SW PAN.	AMP CPC	9	561636	561637
C 260						C 324					
C 261						C 325	LH CONSOLE SW-KNEELING	EATON	8	-----	562763
C 262	UNDER DASH RH-KEYLESS MODULE	AMP MUL	22	-----	562675	C 326	LH CONSOLE SW-SPARE	EATON	8	-----	562763
C 263	UNDER DASH RH- KEYLESS MODULE	AMP MUL	26	-----	562676	C 327	ENGINE CONTROL	DEUTSCH	6	562583	562581
C 264	ENTRANCE DOOR-KEYPAD	AMP CPC	9	561536	561637	C 328					
C 265	RH SW PANEL -DRIVER'S DOOR SW.	EATON	10	-----	562763	C 329	ENGINE TACHO SIGNAL	PED WP	3	561781	561789
C 266	ENTRANCE DOOR-KEYLESS	AMP CPC	14	561585		C 330					
C 267	UNDER DASH RH	AMP CPC	24	561642	561643	C 331					
C 268						C 332					
C 269	UNDER DASH FLAT MIRROR	CONXALL	5	563091	563090	C 333					
C 270	LH MIRROR POST	MOLEX	6	562070	562069	C 334					
C 271	RH MIRROR POST	MOLEX	6	562070	562069	C 335					
C 272	LH MIRROR	SPARTAN	6	-----	990158	C 336					
C 273	RH MIRROR	SPARTAN	6	-----	990158	C 337	INSTR PANEL LH-UP WIPER SW	EATON	8	-----	562763
C 274	RR JCT BOX - ALT SIGNAL MODULE	AMP MNL	12	561735	561734	C 338	INSTR PANEL LH-UP DEFROST SW	EATON	8	-----	562763
C 275						C 339	INSTR PANEL LH-UP WASHER SW	EATON	8	-----	562763
C 276	UNDER DASH RH -3 WAY LTS	EATON	10	-----	562763	C 340	FR JCT. BOX FIRE PIEZO ALARM	AMP MNL	2	560900	560898
C 277	LH CONSOLE -DOCK. & CORN. SW.	EATON	10	-----	562763	C 341	INSTR PANEL LH-HEAT MIRROR SW	EATON	8	-----	562763
C 278	LH CONSOLE -BACK-UP CANCEL SW.	EATON	10	-----	562763	C 342	ENGINE RR START SW	DEUTSCH	2	562586	562585
C 279	FR SERVICE CPT- STEERING ZF	DEUTSCH	2	562485		C 343	INSTR PANEL LH-HEADLAMP SW	EATON	8	-----	562763
C 280	UNDER DASH RH -3 WAY LTS	EATON	10	-----	562763	C 344	INSTR PANEL LH-HAZARD LT SW	EATON	8	-----	562763
C 281	LH CONSOLE -LEVEL LOW	AMP MNL	4	560851	560852	C 345	INSTR PANEL LH-FOG LT SW	EATON	8	-----	562763
C 282	RH SW PANEL -MONITOR OPER. SW.	EATON	10	-----	562763	C 346	INSTR PANEL LH-SWITCH LTS	EATON	2	-----	561837
C 282	FR SERVICE CPT- STEERING GEAR BOX ZF	VOLVO	2	562928		C 347	INSTR PANEL LH-DASH LT SW	AMP MNL	2	560900	560898
C 283	LH CONSOLE -LOW DOCKING SW.	EATON	10	-----	562763	C 348	INSTR PANEL CENT-RACOR MODULE	MOLEX	6	562070	562067
C 284						C 349					
C 285	ENTRANCE DOOR -SOL. DOOR	PED PO	2	-----	562076	C 350	RH CONSOLE-THERMOMETER	AMP MNL	3	561667	561550
C 286	RH SW PANEL-A/C & HEAT	EATON	10	-----	562763	C 351					
C 287	ENGINE COMPT-LTS SW	PED WP	2	561566	561690	C 352	RH CONSOLE-DRV TEMP SENSOR	BURNDY	4	-----	561104
C 288	RH SW PANEL-FRESH AIR	EATON	10	-----	562763	C 353	INSTR PANEL RH-DRV FAN RHEOST	AMP MNL	6	561552	561515
C 289						C 354	INSTR PANEL RH-DRV TEMP CTR	AMP MNL	6	561552	561515
C 290	LUGGAGE COMPT -DOOR LOCK	AMP MNL	4	561551	561668	C 355	INSTR PANEL RH-FR TEMP CTR	AMP MNL	3	561667	561550
C 291	LUGGAGE COMPT -DOOR LOCK	AMP MNL	4	561551	561668	C 356					
C 292	FR SERVICE CMPT-LEVEL LOW		2	641385		C 357	INSTR PANEL RH-WATER TEMP GA	AMP MNL	3	561667	561550
C 293	FR SERVICE CMPT-LEVEL LOW		2	641385		C 358	INSTR PANEL RH-FUEL LEVEL GA	AMP MNL	3	561667	561550
C 294	FR SERVICE CMPT-LEVEL LOW		2	641385		C 359					
C 295	FR SERVICE CMPT-LEVEL LOW		2	641385		C 360	INSTR PANEL RH-B/U MONITOR	AMP MNL	2	561248	561247
C 296	FR SERVICE CMPT-LEVEL LOW		2	641385		C 361	FR ROOF-WIPER MOTOR	AMP FF	6	-----	561186
C 297	INSTRUMENT PANEL RH -LTS	AMP MNL	2	560900	560898	C 362					
C 298						C 363					
C 299						C 364					
C 300	FR SERVICE CPT- LOW BEAM RESISTORS	PED WP	2	561566	561690	C 365					
C 301	FR SERVICE CPT.- DR'S FAN SPEED	PED WP	1	561605	561577	C 366	RH DASH PANEL-GRN & RED LEDS	AMP MNL	3	560908	562006
C 302						C 367					
C 303						C 368					
C 304						C 369					
C 305						C 370					
C 306						C 371					
C 307						C 372	FR ROOF-DEST. SIGN SPEED SW	MOLEX	4	561477	561476
C 308	LH CONSOLE SW-RHEOSTAT	TC	2	561030	560997	C 373	FR ROOF-NO SMOKING LT	AMP MNL	2	561248	561247
C 309						C 374	LH SWITCH PANEL	AMP MNL	6	561552	561515
C 310	LH CONSOLE SW-LUG. DOOR LOCK	EATON	10	-----	562763	C 375					
C 311						C 376	LH SWITCH PANEL	AMP CPC	37	561714	562005
C 312						C 377	LH SW PANEL-STOP ENG.OVERRIDE	EATON	10	-----	562763
C 313						C 378					
C 314						C 379					

CONNECTORS CODE

NO	LOCATION	TYPE	CAVITY	#PIN HOUSING	#SOCKET HOUSING	NO	LOCATION	TYPE	CAVITY	#PIN HOUSING	#SOCKET HOUSING
C 380	LH CONSOLE-DDR CONNECTOR	DEUTSCH	6	562360	-----	C 445					
C 381	INST. PANEL CENTER-ANTI-THEFT LED	AMP MNL	2	561248	561247	C 446					
C 382						C 447					
C 383						C 448					
C 384						C 449					
C 385	EVAP CPT - FULL AIR WATER PUMP	PED WP	2	561566	561690	C 450					
C 386						C 451					
C 387						C 452					
C 388						C 453					
C 389						C 454					
C 390						C 455					
C 391						C 456	WORLD TRANSM.-RETARDER ACCUM.	PED MP	2	-----	562427
C 392						C 457	WORLD TRANSM.-MAIN CONNECTOR	DEUTSCH	31	562572	562536
C 393						C 458	WORLD TRANSM.-TURBINE SP.SENS	PED MP	2	-----	562426
C 394						C 459	WORLD TRANSM.-ENGINE SP.SENS.	PED MP	2	-----	562426
C 395						C 460	WORLD TRANSM.-SPEED SENSOR	ITT	2	-----	562541
C 396						C 461	WORLD TRANSM.-RETARDER TEMP.	PED MP	2	561566	561590
C 397	ENGINE COMPT. CRADLE ACC.	DEUTSCH	40	562281	562284	C 462	WORLD TRANSM.-RETARD SOL."K"	PED MP	2	-----	562426
C 398	ENGINE COMPT. - EXITING SIGNAL ALTERN.	PED WP	2	561566	561690	C 463	WORLD TRANSM.-SENSOR CONN.	DEUTSCH	16	562570	562571
C 399	ENGINE COMPT. - EXITING SIGNAL ALTERN.	PED WP	2	561566	561690	C 464	RR JCT BOX-DDL CONN W.T.	DEUTSCH	6	-----	562360
C 400	ENGINE COMPT. BLOCK HEATER	PED MP	3	561781	561782	C 465	LH CONSOLE-SHIFTER SELECTOR	PED	20	-----	562825
C 401						C 466	FR SERVICE CPT.-RESIS. MOD.	PED WP	3	-----	562428
C 402						C 467	FR SERVICE CPT.-RESIS. MOD.	PED WP	3	-----	562428
C 403						C 468					
C 404						C 469					
C 405						C 470	FR LH UPPER WHELL CPT-SILENT 1000	AMP MNL	2	561248	561247
C 406	FR JCT BOX COMPT.-ABS	AMP MNL	2	560900	560898	C 471	FR LH UPPER WHELL CPT-SILENT 1000	AMP MNL	2	561248	561247
C 407						C 472	FR LH UPPER WHELL CPT-SILENT 1000	PED WP	2	561566	561690
C 408						C 473	FR LH UPPER WHELL CPT-SILENT 1000	AMP MNL	3	561667	561550
C 409	ENGINE CPT -LOW COOL. LEVEL	PED MP	2	-----	562350	C 474	DRIVER'S.-TEMP. SENSOR	AMP MNL	2	561247	561248
C 410	FR JCT BOX-DIODE CONNECTOR	AMP MNL	15	561987	561986	C 475	RR JCT BOX-SPEED SIGN CONNECTOR	AMP MNL	2	561248	561247
C 411	FR JCT BOX-DIODE CONNECTOR	AMP MNL	15	561987	561986	C 475M	RR JCT BOX-SPEED SIGN MANUAL TR.	MOLEX	6	562070	562069
C 412	LH SW PANEL-MASTER SWITCH	EATON	10	-----	562763	C 475W	RR JCT BOX-SPEED SIGN WORLD TR.	MOLEX	6	562070	562069
C 413	ENG CPT-A/C HI UNLOAD PRS SW	PED WP	2	561566	561690	C 476					
C 414						C 477					
C 415	RR JCT BOX - ENGINE SIGNAL	DEUTSCH	24	562280	562783	C 478					
C 416						C 479	HVAC MODULE	MOLEX	3	-----	562783
C 417	FRONT JCT BOX-DIODES	AMP MNL	15	561987	561986	C 480	UNDER DASH RH-DR'S FAN SPEED CTR MOD	PED	4	561889	561890
C 418	INSTR. PANEL LH-HTR WINDSH.SW	EATON	10	-----	562763	C 481	UNDER DASH RH-DR'S FAN SPEED CTR MOD	PED	3	561781	561782
C 419	FR JCT BOX-RETARDER OR JACOB	AMP MNL	3	561667	561550	C 482					
C 420	ENGINE COMPT. WEBASTO WATER HTR	TC	2	561597	-----	C 483	FR SERVICE CPT. -SEAT ELECTRICAL SEAT	PED PC	2	-----	562237
C 421	ENGINE COMPT. WEBASTO WATER HTR	TC	1	561073	-----	C 484	UNDER DASH LH-FOOT DAMPER MOTOR	PED PC	2	-----	562076
C 422	ENGINE COMPT. WEBASTO WATER HTR	TC	2	561597	-----	C 485	UNDER DASH LH-DASH & DEFROST DAMP.M.	AMP MNL	3	561667	561550
C 423						C 486					
C 424	UNDER INSTRUMENT PANEL CENTER	AMP MNL	3	561667	561550	C 487					
C 425	FR JCT BOX-DIODES	AMP MNL	15	561987	561986	C 488					
C 426	ENGINE COMPT. CLUTCH CTR FAN	PED WP	3	561781	561782	C 489					
C 427						C 490					
C 428						C 491					
C 429	FR JCT BOX COMPT.	AMP MNL	6	561552	561515	C 492					
C 430	LH CONSOLE-TIMER	AMP FF	8	561188	562363	C 493					
C 431	LH CONSOLE-PRE HEAT.	TAB AMP	1	561540	561539	C 494					
C 432	ENGINE CPT.-PROX. SW. DOOR AJAR	DEUTSCH	4	562479	562477	C 495					
C 433	FR SERVICE CPT. KNEEL. PRESS. SW	PED WP	2	561566	561690	C 496					
C 434	FRONT JCT. BOX-DIODES	AMP MNL	15	561987	561986	C 497					
C 435	FR SERVICE CPT.(RH) KNEEL. PIEZO	AMP MNL	2	560900	560898	C 498					
C 436	RH HAT RACK-WCL CENTER ROOF ACC	AMP CPC	16	561639	561640	C 499					
C 437						C 500	FR LH UPPER WHELL CPT -PRODRIVER	MOLEX	6	562070	562069
C 438	EVAP. COMPT.-COND.RELAY	AMP MNL	2	561248	561247	C 501	FR LH UPPER WHELL CPT -PRODRIVER MOD	PED MP	7	562433	-----
C 439	EVAP. COMPT.-COND.RELAY	AMP MNL	2	561248	561247	C 502	LH CONSOLE-PRE HEATER SW.	EATON	10	-----	562763
C 440	EVAP. COMPT.-EVAP.RELAY	DEUTSCH	4	562479	562477	C 503					
C 441						C 504	LH CONSOLE WEBASTO TIMER	AMP	8	-----	562852
C 442						C 505	LH CONSOLE ESPAR TIMER	AMP	12	-----	562681
C 443						C 506	LH CONSOLE-LEVEL LOW SW.	EATON	10	-----	562763
C 444						C 508	RR JCT BOX-FAN CLUTCH RETARDER	AMP MNL	6	561552	561515

CONNECTORS CODE

NO	LOCATION	TYPE	CAVITY	#PIN HOUSING	#SOCKET HOUSING	NO	LOCATION	TYPE	CAVITY	#PIN HOUSING	#SOCKET HOUSING
C 509	FR LH UPPER WHELL CPT -DATA LOGGER	PED MP	16	-----	562530	C 571	UNDER DASH PANEL TTLT MODULE	MOLEX	20	-----	562778
C 510	FR LH UPPER WHELL CPT -DATA LOGGER	DEUTSCH	9	562531	-----	C 572	UNDER DASH PANEL TTLT MODULE	MOLEX	18	-----	562779
C 511	FR LH UPPER WHELL CPT -DATA LOGGER	PED MP	4	562532	-----	C 573	UNDER DASH PANEL TTLT MODULE	MOLEX	8	-----	562465
C 512	FR LH UPPER WHELL CPT -DATA LOGGER	PED MP	10	562533	-----	C 574					
C 513	FR LH UPPER WHELL CPT -DATA LOGGER	AMP MNL	3	561667	561550	C 575					
C 514	FR LH UPPER WHELL CPT -DATA LOGGER	PED MP	6	562433	562417	C 576					
C 515						C 577					
C 516						C 578					
C 517						C 579					
C 518						C 580					
C 519						C 581					
C 520						C 582					
C 521						C 583	L.H. DASH PANEL - MASTER KEY	DEUTSCH	2	562486	562485
C 522	FR JCT BOX-DAYTIME LTS MODULE	BOSCH	5	-----	561183	C 584	FRONT SERVICE CMPT. - AIR HORH	HUMPHREY	3	-----	641385
C 523	FR JCT BOX-FUSE BLOCK	PED	8	562647	562646	C 585					
C 524	FR JCT BOX-FUSE BLOCK	PED	8	562647	562646	C 586					
C 525	FR JCT BOX-FUSE BLOCK	PED	8	562647	562646	C 587					
C 526	FR JCT BOX-FUSE BLOCK	PED	8	562647	562646	C 588					
C 527	FR JCT BOX-FUSE BLOCK	PED	8	562647	562646	C 589	FR SERVICE ELECT MIRROR	CONXALL	5	563089	563088
C 528						C 590	UNDER DASH ELECT MIRROR	CONXALL	8	563089	563088
C 529	FR JCT BOX-12V OUTLET	AMP MNL	2	561247	561248	C 591	L.H.CONSOLE - MIRROR L.H.	EURAMTEC	8	-----	562799
C 530	RR JCT BOX-FUSE BLOCK	PED	8	562647	562646	C 592	L.H.CONSOLE - MIRROR R.H.	EURAMTEC	8	-----	562799
C 531	RR JCT BOX-FUSE BLOCK	PED	8	562647	562646	C 593					
C 532	RR JCT BOX-FUSE BLOCK	PED	8	562647	562646	C 594	FRONT ROOF - DRIVERS LIGHT	LEEKRAFT		-----	562803
C 533						C 595					
C 534						C 596					
C 535	RR JCT BOX-FIRE MODULE DETECT.	AMP MNL	3	561667	561550	C 597	L.H. DASH PANEL - DISPLAY SET SW.	MOLEX	5	-----	562812
C 536	UNDER DASH RH-DRIVER'S HTR TEMP. CTR	AMP MNL	6	561552	561515	C 598	L.H. DASH PANEL - DISPLAY SET SW.	MOLEX	5	-----	562812
C 537	BATT. CPT.-A/C PRESS. SIGN. RLY	AMP MNL	2	561248	561247	C 599	UND.DASH-MAGN.SW.CTR.POS.DR'S AIR	AMP MNL	2	561248	561247
C 538	FR SERVICE CPT.-OUTSIDE TEMP. SENSOR	AMP MNL	2	561248	561247	C 600	ENGINE CPT.-A/C LOW PRESS SW. UNLOAD	PED	2	562348	562471
C 539	HVAC DASH MODULE OUTPUT CON	MOLEX	24		562780	C 601					
C 540	HVAC DASH MODULE INPUT CON	MOLEX	22		562781	C 602					
C 541						C 603					
C 542						C 604					
C 543						C 605					
C 544						C 606					
C 545						C 607					
C 546	LH DASH PANEL-ACCESSORIES	AMP CPC	37	561645	561646	CH 50	FRONT SERVICE COMP.- TRANS INHIBIT	PED WP	1	561605	561577
C 547	RH DASH PANEL-ACCESSORIES	AMP CPC	37	561645	561646	CH 51	FRONT SERVICE COMP.- TRANS INHIBIT	PED WP	1	561605	561577
C 548	LH DASH PANEL-T.T. LT. TEST SW.	EATON	10	-----	562763	L 608	FRONT SERVICE CMPT. SPEED SIGNAL	PED WP	2	561566	561690
C 549						LX	CLUSTER	JAE	22	-----	562766
C 550	EVAPORATOR COMPARTIMENT	ITT	2	561813	562159	RY	CLUSTER	JAE	30	-----	562767
C 551	RR JCT BOX - A/C PANEL	PED	2	561566	561690	X	CLUSTER	JAE	22	-----	562764
C 552											
C 553											
C 554											
C 555	LUGGAGES - AWNING WINDOWS	MOLEX	4	561477	561476						
C 555A	LUGGAGES-AWNING EXTENSION HARNESS	MOLEX	4	561477	561476						
C 555S1	FR SLIDE-OUT-AWNING WINDOW	MOLEX	4	561477	561476						
C 555S2	RR SLIDE-OUT-AWNING WINDOW	MOLEX	4	561477	561476						
C 556											
C 557											
C 558											
C 559											
C 560											
C 561											
C 562											
C 563											
C 564											
C 565											
C 566											
C 567											
C 568											
C 569											
C 570	UNDER DASH PANEL TTLT MODULE	MOLEX	6		562464						

DIODES NUMBER CODE

No.	PAGE	AMP	#PREV.	LOCATION	FUNCTION	No.	PAGE	AMP	#PREV.	LOCATION	FUNCTION
D 1	15.2	3A	560931	EVAP. COMP.	BYPASS VALVE	D 60	15.1	3A	561740	RR JCT BOX	A/C COMPR.CLUTCH SUPPRESSOR
D 2						D 61					
D 3	1.1	3A	561740	RR JCT BOX	24 V. DISC, SWICH RELAY	D 62	15.2	3A	561740	RR JCT BOX	WATER PUMP FEED
D 4	9.2	3A	561740	FR JCT BOX	WARNING HAZARD-RH	D 63					
D 5	9.2	3A	561740	FR JCT BOX	WARNING HAZARD-LH	D 64					
D 6	12.2	3A	561740	KEYLESS-PANEL	ENTRANCE DOOR LOCK	D 65	15.2	3A	561740	RR JCT BOX	WATER PUMP - PRE-HEAT FEED
D 7	12.2	3A	561740	KEYLESS-PANEL	LUGGAGE DOOR LOCK	D 66	15.2	3A	561740	RR JCT BOX	WATER VALVE - HEAT SW. FEED
D 8	9.1	3A	561740	FR JCT BOX	HI/LO BEAMS	D 67	9.2	3A	561740	UNDER DASH	AUDIBLE FLASHER RLY - RH
D 9						D 68	9.2	3A	561740	UNDER DASH	AUDIBLE FLASHER RLY - LH
D 10						D 69					
D 11						D 70					
D 12						D 71					
D 13						D 72					
D 14						D 73					
D 15						D 74					
D 16						D 75	4.1	3A	560931	RR JCT BOX	STARTER-SUPPRESSOR COIL RLY
D 17	9.2	3A	561740	FR JCT BOX	WARNING HAZARD-LH	D 76	9.3	3A	561740	RR JCT BOX	STOP LIGHT RLY
D 18	9.2	3A	561740	FR JCT BOX	WARNING HAZARD-RH	D 77					
D 19	9.1	3A	561740	FR JCT BOX	DAYTIME RUN LTS-PARK BRK CALL SW.	D 78	14.1	3A	561740	LH CONSOLE	PRE-HEAT WATER HEATER SW.
D 20	9.1	3A	561740	FR JCT BOX	DAYTIME RUN LTS-HEAD LT SW	D 79	14.1	3A	561740	LH CONSOLE	PRE-HEAT WATER HEATER SW.
D 21						D 80					
D 22	18.1	3A	561740	FR SERVICE CPT	LEVEL LOW	D 81					
D 23	18.1	3A	561740	FR SERVICE CPT	LEVEL LOW	D 82	8.1	3A	561740	RR JCT BOX	FAN CLUTCH
D 25	11.1	3A	561740	FR JCT BOX	LUGGAGE DOOR AJAR T.T.LT.	D 83	8.1	3A	561740	RR JCT BOX	FAN CLUTCH W/RETARDER
D 26	11.1	3A	561740	FR JCT BOX	LUGGAGE DOOR AJAR T.T.LT.	D 84	15.2	3A	561740	RR JCT BOX	WATER VALVE
D 27	11.1	3A	561740	FR JCT BOX	LUGGAGE DOOR AJAR T.T.LT.	D 85					
D 28	11.1	3A	561740	FR JCT BOX	LUGGAGE DOOR AJAR T.T.LT.	DA1	4.2	3A	561740	RR JCT BOX	ALTERNATOR BOSCH
D 29	11.1	3A	561740	FR JCT BOX	LUGGAGE DOOR AJAR T.T.LT.	D A2	4.2	3A	561740	RR JCT BOX	ALTERNATOR BOSCH
D 30	11.1	3A	561740	FR JCT BOX	LUGGAGE DOOR AJAR T.T.LT.	D F1	8.1	3A	561740	RR JCT BOX	FAN CLUTCH - SUPRESSOR
D 31						D F2	8.1	3A	561740	RR JCT BOX	FAN CLUTCH - SUPRESSOR
D 32											
D 33											
D 34											
D 35											
D 36											
D 37											
D 38											
D 39	9.2	3A	561740	FR JCT BOX	CORNERING LT -LH						
D 40	9.2	3A	561740	FR JCT BOX	FR DOCKING LT LH -HI						
D 41	9.2	3A	561740	FR JCT BOX	FR DOCKING LT RH -HI						
D 42	9.2	3A	561740	FR JCT BOX	CORNERING LT -RH						
D 43	10.1	3A	561740	WIPER MOTOR	LOWER WIPER MOTOR SUPPRESSOR						
D 44	10.1	3A	561740	WIPER MOTOR	LOWER WIPER MOTOR SUPPRESSOR						
D 45	10.1	3A	561740	WIPER MOTOR	UPPER WIPER MOTOR SUPPRESSOR						
D 46	9.3	3A	561740	RR JCT BOX	PARK BRAKE STOP LIGHT						
D 47											
D 48											
D 49											
D 50											
D 51	11.2	3A	561740	FR JCT BOX	ENTRANCE DOOR -STEP LTS						
D 52											
D 53	9.3	3A	561740	FR JCT BOX	CORNERING LT -GROUND						
D 54	20.1	3A	561740	RR JCT BOX	BACK-UP MONITOR						
D 55											
D 56	9.2	12A	560863	FR JCT BOX	FR DOCKING LT LH -LOW						
D 57	9.2	12A	560863	FR JCT BOX	FR DOCKING LT RH -LOW						
D 58											
D 59	15.2	3A	561740	RR JCT BOX	A/C & HEAT WATER VALVE						

DIODES NUMBER CODE

No.	PAGE	AMP	#PREV.	LOCATION	FUNCTION	No.	PAGE	AMP	#PREV.	LOCATION	FUNCTION
D 1	15.2	3A	560931	EVAP. COMP.	BYPASS VALVE	D 60	15.1	3A	561740	RR JCT BOX	A/C COMPR.CLUTCH SUPPRESSOR
D 2						D 61					
D 3	1.1	3A	561740	RR JCT BOX	24 V. DISC, SWICH RELAY	D 62	15.2	3A	561740	RR JCT BOX	WATER PUMP FEED
D 4	9.2	3A	561740	FR JCT BOX	WARNING HAZARD-RH	D 63					
D 5	9.2	3A	561740	FR JCT BOX	WARNING HAZARD-LH	D 64					
D 6	12.2	3A	561740	KEYLESS-PANEL	ENTRANCE DOOR LOCK	D 65	15.2	3A	561740	RR JCT BOX	WATER PUMP - PRE-HEAT FEED
D 7	12.2	3A	561740	KEYLESS-PANEL	LUGGAGE DOOR LOCK	D 66	15.2	3A	561740	RR JCT BOX	WATER VALVE - HEAT SW. FEED
D 8	9.5	3A	561740	FR JCT BOX	HI / LO BEAMS	D 67	9.2	3A	561740	UNDER DASH	AUDIBLE FLASHER RLY - RH
D 9						D 68	9.2	3A	561740	UNDER DASH	AUDIBLE FLASHER RLY - LH
D 10						D 69	21.1	3A	561740	RR JCT BOX	ENGINE BRAKE - LEAKAGE SUPPRESSOR
D 11						D 70					
D 12						D 71					
D 13						D 72					
D 14						D 73					
D 15						D 74					
D 16						D 75	4.1	3A	560931	RR JCT BOX	STARTER-SUPPRESSOR COIL RLY
D 17	9.2	3A	561740	FR JCT BOX	WARNING HAZARD-LH	D 76	9.3	3A	561740	RR JCT BOX	STOP LIGHT RLY
D 18	9.2	3A	561740	FR JCT BOX	WARNING HAZARD-RH	D 77					
D 19	9.1	3A	561740	FR JCT BOX	DAYTIME RUN LTS-PARK BRK CALL SW.	D 78	14.1	3A	561740	LH CONSOLE	PRE-HEAT WATER HEATER SW.
D 20	9.1	3A	561740	FR JCT BOX	DAYTIME RUN LTS-HEAD LT SW	D 79	14.1	3A	561740	LH CONSOLE	PRE-HEAT WATER HEATER SW.
D 21						D 80					
D 22	18.1	3A	561740	FR SERVICE CPT	LEVEL LOW	D 81					
D 23	18.1	3A	561740	FR SERVICE CPT	LEVEL LOW	D 82	8.1	3A	561740	RR JCT BOX	FAN CLUTCH
D 25	11.1	3A	561740	FR JCT BOX	LUGGAGE DOOR AJAR T.T.LT.	D 83	8.1	3A	561740	RR JCT BOX	FAN CLUTCH W/RETARDER
D 26	11.1	3A	561740	FR JCT BOX	LUGGAGE DOOR AJAR T.T.LT.	D 84	15.2	3A	561740	RR JCT BOX	WATER VALVE
D 27	11.1	3A	561740	FR JCT BOX	LUGGAGE DOOR AJAR T.T.LT.	D 85					
D 28	11.1	3A	561740	FR JCT BOX	LUGGAGE DOOR AJAR T.T.LT.	DA1	4.2	3A	561740	RR JCT BOX	ALTERNATOR BOSCH
D 29	11.1	3A	561740	FR JCT BOX	LUGGAGE DOOR AJAR T.T.LT.	D A2	4.2	3A	561740	RR JCT BOX	ALTERNATOR BOSCH
D 30	11.1	3A	561740	FR JCT BOX	LUGGAGE DOOR AJAR T.T.LT.	DF1	8.1	3A	561740	RR JCT BOX	FAN CLUTCH - SUPRESSOR
D 31						DF2	8.1	3A	561740	RR JCT BOX	FAN CLUTCH - SUPRESSOR
D 32											
D 33											
D 34											
D 35											
D 36											
D 37											
D 38											
D 39	9.2	3A	561740	FR JCT BOX	CORNERING LT -LH						
D 40	9.2	3A	561740	FR JCT BOX	FR DOCKING LT LH -HI						
D 41	9.2	3A	561740	FR JCT BOX	FR DOCKING LT RH -HI						
D 42	9.2	3A	561740	FR JCT BOX	CORNERING LT -RH						
D 43	10.1	3A	561740	WIPER MOTOR	LOWER WIPER MOTOR SUPPRESSOR						
D 44	10.1	3A	561740	WIPER MOTOR	LOWER WIPER MOTOR SUPPRESSOR						
D 45	10.1	3A	561740	WIPER MOTOR	UPPER WIPER MOTOR SUPPRESSOR						
D 46	9.3	3A	561740	RR JCT BOX	PARK BRAKE STOP LIGHT						
D 47											
D 48											
D 49											
D 50											
D 51	11.2	3A	561740	FR JCT BOX	ENTRANCE DOOR -STEP LTS						
D 52											
D 53	9.3	3A	561740	FR JCT BOX	CORNERING LT -GROUND						
D 54	20.1	3A	561740	RR JCT BOX	BACK-UP MONITOR						
D 55	9.3	3A	561740	RR JCT BOX	PARK BRAKE STOP LIGHT						
D 56	9.2	12A	560863	FR JCT BOX	FR DOCKING LT LH -LOW						
D 57	9.2	12A	560863	FR JCT BOX	FR DOCKING LT RH -LOW						
D 58											
D 59	15.2	3A	561740	RR JCT BOX	A/C & HEAT WATER VALVE						

RELAYS NUMBER CODE

No.	PAGE	COIL V	#PREV.	LOCATION	FUNCTION	No.	PAGE	COIL V	#PREV.	LOCATION	FUNCTION
RF2	8.1	24V	561707	RR JCT BOX	FAN CLUTCH W/RET. SPEED 2	R 62	5.1	24V	561707	FR JCT BOX	DDEC PARK BRAKE SIGNAL
RF3	8.1	24V	560772	RR JCT BOX	TIME DELAY	R 63	15.3	24V	560772	EVAP. CPT.	TIME DELAY EVAP. FAN
R 1	1.1	24V	561991	FR JCT BOX	ENGINE RUN (24) FR	R 64	11.2	12V	562092	FR JCT BOX	ENTRANCE DOOR LTS
R 2	2.1	24V	561991	RR JCT BOX	ENGINE RUN (12) FR & RR	R 65	9.2	24V	561707	FR JCT BOX	CORNERING LTS CONTROL
R 3	12.2	12V	563054	UNDER DASH RH	KEYLESS SYSTEM	R 66	9.2	24V	561707	FR JCT BOX	LOW DOCKING LTS -FR CORNERING
R 4	4.1	24V	560407	RR JCT BOX	STARTING MOTOR	R 67	9.3	24V	561707	RR JCT BOX	LOW DOCKING LTS
R 5	5.1	24V	561707	FR JCT BOX	CRUISE CTR. STOP SIGN.	R 68					
R 6	9.3	24V	561707	RR JCT BOX	STOP LTS-PARKING BRAKE	R 69	12.1	12V	562092	RR JCT BOX	LUGGAGE DOOR LOCK
R 7	5.1	24V	561707	FR JCT BOX	FAST IDLE	R 70	12.1	12V	562092	RR JCT BOX	LUGGAGE DOOR UNLOCK
R 8	12.2	12V	563054	UNDER DASH RH	KEYLESS SYSTEM	R 71	12.1	24V	561707	RR JCT BOX	LUGGAGE DOOR UNLOCK T.T. LT.
R 9	9.3	24V	561707	RR JCT BOX	BACK-UP LTS	R 72					
R 10						R 73					
R 11						R 74	12.1	12V	562092	RR JCT BOX	LUGGAGE DOOR LOCK
R 12	7.1	12V	562092	FR JCT BOX	ELECTRICAL HORNS	R 75	12.1	12V	562092	RR JCT BOX	LUGGAGE DOOR UNLOCK
R 13	9.3	24V	561707	FR JCT BOX	FOG LTS	R 76					
R 14	9.1	24V	561707	FR JCT BOX	BLINKER	R 77					
R 15	9.1	24V	561707	FR JCT BOX	FR MARKER LTS	R 78	1.1	24V	561707	FR JCT BOX	MASTER SWITCH WITH ALT. BOSCH
R 16	9.1	24V	561707	FR JCT BOX	IDENT. & CLEARANCE LTS	R 78	1.1	12V	562092	FR JCT BOX	MASTER SWITCH WITH ALT. DELCO
R 17	9.1	24V	561707	RR JCT BOX	TAIL,LICENCE,MARKER-RR LTS	R 79					
R 18	9.1	24V	561707	FR JCT BOX	D R L-PARK BRK CUT-IN	R 80	11.1	24V	561707	RR JCT BOX	ENGINE COMPARTMENT LTS
R 19	9.1	24V	561707	FR JCT BOX	HEADLAMPS (HI)	R 81	15.3	24V	561707	RR JCT BOX	A/C COMPRESSOR CLUTCH
R 20	9.1	24V	561707	FR JCT BOX	HEADLAMPS (LO)	R 82	21.1	24V	561707	FR JCT BOX	RETARDER WT
R 21	9.2	24V	561707	FR JCT BOX	L.H. DIRECTIONAL LT	R 83	15.3	24V	561707	RR JCT BOX	A/C COMPRESSOR CLUTCH
R 22						R 84	8.1	24V	561707	RR JCT BOX	FAN CLUTCH-FIRST SPEED
R 23	9.2	24V	561707	FR JCT BOX	R.H. DIRECTIONAL LT	R 85	8.1	24V	561707	RR JCT BOX	FAN CLUTCH-SECOND SPEED
R 24	9.2	24V	561707	FR JCT BOX	R.H. CORNERING LT	R 86					
R 25	9.2	24V	561707	FR JCT BOX	L.H. CORNERING LT	R 87	21.1	24V	561707	RR JCT BOX	ENGINE BRAKE REQUEST WT
R 26	9.3	24V	561707	RR JCT BOX	STOP LTS	R 88					
R 27						R 89					
R 28	11.2	24V	561707	FR JCT BOX	DASH LTS RHEOSTAT	R 90					
R 29						R 91					
R 30						R 92					
R 31						R 93					
R 32						R 94					
R 33	4.1	12V	562092	FR JCT BOX	BLOWER CUT-IN RLY	R 95					
R 33	9.1	24V	561707	FR JCT BOX	DAYTIME RUNNING LIGHT	R 96					
R 34	15.1	24V	561707	RR JCT BOX	A/C CONTROL	R 97					
R 35	15.2	24V	561707	RR JCT BOX	WATER PUMP	R 98					
R 36	15.1	24V	561707	RR JCT BOX	A/C COMPRESSOR CLUTCH	R 99	8.1	24V	561707	RR JCT BOX	RADIATOR FAN CLUTCH
R 37						R 100	4.1	12V	561538	RR JCT BOX	GENERATOR SIGNAL
R 38	15.2	24V	561707	RR JCT BOX	A/C LIQ. SOL. VALVE	R 101					
R 39	15.2	24V	561005	EVAP. CPT.	CONDENSER FAN MOTOR	R 102	12.1	12V	562092	UNDER DASH RH	DRIVER'S DOOR UNLOCK
R 40	15.2	24V	561014	EVAP. CPT.	CONDENSER SPEED CTR HI	R 103					
R 41	15.2	24V	561005	EVAP. CPT.	CONDENSER SPEED CTR HI	R 104	4.1	12V	563054	UNDER DASH RH	ANTI-THEFT
R 42						R 105	12.1	12V	562092	UNDER DASH RH	DRIVER'S & LUGGAGE DOOR LOCK
R 43						R 106	11.2	24V	562341	UNDER DASH RH	TIME DELAY RLY DRIVER'S LTS
R 44						R 113	12.2	12V	563054	UNDER DASH RH	KEYLESS SYSTEM
R 45	15.2	24V	561707	RR JCT BOX	A/C SYS.	R 114	12.2	12V	563054	UNDER DASH RH	KEYLESS SYSTEM
R 46	20.1	12V	562092	FR JCT BOX	CAMERA DOOR	R 115	12.2	12V	563054	UNDER DASH RH	KEYLESS SYSTEM
R 47						R 116	12.2	12V	563054	UNDER DASH RH	KEYLESS SYSTEM
R 48						R 2010	14.2	24V	561230	WEBASTO PRE-HEAT	WEBASTO
R 49	22.1	12V	562092	FR JCT BOX	ABS - SERVICE BRK RLY	V IMN	6.1	12V	562092	RR JCT BOX	VIM WORLD TR.-NEUTRAL SIGNAL
R 50	15.2	24V	561005	EVAP.CPT.	EVAP. FAN 1 ST SPEED	V IMR	6.1	12V	562092	RR JCT BOX	VIM WORLD TR.-BU SIGNAL
R 51	11.2	24V	561707	FR JCT BOX	DRIVER'S LTS	V IM1	6.1	12V	562092	RR JCT BOX	VIM WORLD TR.-OUTPUT 1
R 52	22.1	12V	562092	FR JCT BOX	ABS SYSTEM	V IM2	6.1	12V	562092	RR JCT BOX	VIM WORLD TR.-OUTPUT 2 ENG. BRK DISABLE
R 53	1.1	24V	561991	RR JCT BOX	ENGINE RUN (24) RR	V IM3	6.1	12V	562092	RR JCT BOX	VIM WORLD TR.-OUTPUT 3 SPD SW. 5MPH NO NC
R 54	1.1	24V	561991	RR JCT BOX	12V CUT OUT RLY RR	V IM4	6.1	12V	562092	RR JCT BOX	VIM WORLD TR.-OUTPUT 4 RETARD. ON SIGNAL
R 55	1.1	24V	561991	RR JCT BOX	12V CUT OUT RLY FR	R A1	4.2	24V	561707	RR JCT BOX	EXCITING RELAY ALT. #1
R 56						R A2	4.2	24V	561707	RR JCT BOX	EXCITING RELAY ALT. #2
R 57	9.1	24V	561707	FR JCT BOX	DAY'S BLINKER	R A3	4.2	24V	561707	RR JCT BOX	RUN RELAY ALT. #1 OR ALT. #2
R 58						R A4	4.2	24V	561707	RR JCT BOX	RUN RELAY ALT.#1 AND ALT. #2
R 59	9.3	24V	561707	RR JCT BOX	DOCKING LTS						
R 60	15.2	24V	561707	EVAP. CPT.	EVAP. FAN SPEED #2						
R 61	9.3	24V	561707	RR JCT BOX	STOP LTS-JACOB & RET. SIGNAL						

RELAYS NUMBER CODE

No. PAGE COIL V #PREV. LOCATION FUNCTION

No. PAGE COIL V #PREV. LOCATION FUNCTION

RELAYS NUMBER CODE

No.	PAGE	COIL V	#PREV.	LOCATION	FUNCTION	No.	PAGE	COIL V	#PREV.	LOCATION	FUNCTION
RF2	8.1	24V	561707	RR JCT BOX	FAN CLUTCH W/RET. SPEED 2	R 62	5.1	24V	561707	FR JCT BOX	DDEC PARK BRAKE SIGNAL
RF3	8.1	24V	560772	RR JCT BOX	TIME DELAY	R 63	15.3	24V	560772	EVAP. CPT.	TIME DELAY EVAP. FAN
R 1	1.1	24V	561991	FR JCT BOX	ENGINE RUN (24) FR	R 64	11.2	12V	562092	FR JCT BOX	ENTRANCE DOOR LTS
R 2	2.1	24V	561991	RR JCT BOX	ENGINE RUN (12) FR & RR	R 65	9.2	24V	561707	FR JCT BOX	CORNERING LTS CONTROL
R 3	12.2	12V	563054	UNDER DASH RH	KEYLESS SYSTEM	R 66	9.2	24V	561707	FR JCT BOX	LOW DOCKING LTS -FR CORNERING
R 4	4.1	24V	560407	RR JCT BOX	STARTING MOTOR	R 67	9.3	24V	561707	RR JCT BOX	LOW DOCKING LTS
R 5	5.1	24V	561707	FR JCT BOX	CRUISE CTR. STOP SIGN.	R 68					
R 6	9.3	24V	561707	RR JCT BOX	STOP LTS-PARKING BRAKE	R 69	12.1	12V	562092	RR JCT BOX	LUGGAGE DOOR LOCK
R 7	5.1	24V	561707	FR JCT BOX	FAST IDLE	R 70	12.1	12V	562092	RR JCT BOX	LUGGAGE DOOR UNLOCK
R 8	12.2	12V	563054	UNDER DASH RH	KEYLESS SYSTEM	R 71	12.1	24V	561707	RR JCT BOX	LUGGAGE DOOR UNLOCK T.T. LT.
R 9	9.3	24V	561707	RR JCT BOX	BACK-UP LTS	R 72					
R 10						R 73					
R 11						R 74	12.1	12V	562092	RR JCT BOX	LUGGAGE DOOR LOCK
R 12	7.1	12V	562092	FR JCT BOX	ELECTRICAL HORNS	R 75	12.1	12V	562092	RR JCT BOX	LUGGAGE DOOR UNLOCK
R 13	9.3	24V	561707	FR JCT BOX	FOG LTS	R 76					
R 14	9.1	24V	561707	FR JCT BOX	BLINKER	R 77					
R 15	9.1	24V	561707	FR JCT BOX	FR MARKER LTS	R 78	1.1	24V	561707	FR JCT BOX	MASTER SWITCH WITH ALT. BOSCH
R 16	9.1	24V	561707	FR JCT BOX	IDENT. & CLEARANCE LTS	R 78	1.1	12V	562092	FR JCT BOX	MASTER SWITCH WITH ALT. DELCO
R 17	9.1	24V	561707	RR JCT BOX	TAIL,LICENCE,MARKER-RR LTS	R 79					
R 18	9.1	24V	561707	FR JCT BOX	D R L-PARK BRK CUT-IN	R 80	11.1	24V	561707	RR JCT BOX	ENGINE COMPARTMENT LTS
R 19	9.1	24V	561707	FR JCT BOX	HEADLAMPS (HI)	R 81	15.3	24V	561707	RR JCT BOX	A/C COMPRESSOR CLUTCH
R 20	9.1	24V	561707	FR JCT BOX	HEADLAMPS (LO)	R 82	21.1	24V	561707	FR JCT BOX	RETARDER WT
R 21	9.2	24V	561707	FR JCT BOX	L.H. DIRECTIONAL LT	R 83	15.3	24V	561707	RR JCT BOX	A/C COMPRESSOR CLUTCH
R 22						R 84	8.1	24V	561707	RR JCT BOX	FAN CLUTCH-FIRST SPEED
R 23	9.2	24V	561707	FR JCT BOX	R.H. DIRECTIONAL LT	R 85	8.1	24V	561707	RR JCT BOX	FAN CLUTCH-SECOND SPEED
R 24	9.2	24V	561707	FR JCT BOX	R.H. CORNERING LT	R 86					
R 25	9.2	24V	561707	FR JCT BOX	L.H. CORNERING LT	R 87	21.1	24V	561707	RR JCT BOX	ENGINE BRAKE REQUEST WT
R 26	9.3	24V	561707	RR JCT BOX	STOP LTS	R 88					
R 27						R 89					
R 28	11.2	24V	561707	FR JCT BOX	DASH LTS RHEOSTAT	R 90					
R 29						R 91					
R 30						R 92					
R 31						R 93					
R 32						R 94					
R 33	4.1	12V	562092	FR JCT BOX	BLOWER CUT-IN RLY	R 95					
R 33	9.1	24V	561707	FR JCT BOX	DAYTIME RUNNING LIGHT	R 96					
R 34	15.1	24V	561707	RR JCT BOX	A/C CONTROL	R 97					
R 35	15.2	24V	561707	RR JCT BOX	WATER PUMP	R 98					
R 36	15.1	24V	561707	RR JCT BOX	A/C COMPRESSOR CLUTCH	R 99	8.1	24V	561707	RR JCT BOX	RADIATOR FAN CLUTCH
R 37						R 100	4.1	12V	561538	RR JCT BOX	GENERATOR SIGNAL
R 38	15.2	24V	561707	RR JCT BOX	A/C LIQ. SOL. VALVE	R 101					
R 39	15.2	24V	561005	EVAP. CPT.	CONDENSER FAN MOTOR	R 102	12.1	12V	562092	UNDER DASH RH	DRIVER'S DOOR UNLOCK
R 40	15.2	24V	561014	EVAP. CPT.	CONDENSER SPEED CTR HI	R 103					
R 41	15.2	24V	561005	EVAP. CPT.	CONDENSER SPEED CTR HI	R 104	4.1	12V	563054	UNDER DASH RH	ANTI-THEFT
R 42						R 105	12.1	12V	562092	UNDER DASH RH	DRIVER'S & LUGGAGE DOOR LOCK
R 43						R 106	11.2	24V	562341	UNDER DASH RH	TIME DELAY RLY DRIVER'S LTS
R 44						R 113	12.2	12V	563054	UNDER DASH RH	KEYLESS SYSTEM
R 45	15.2	24V	561707	RR JCT BOX	A/C SYS.	R 114	12.2	12V	563054	UNDER DASH RH	KEYLESS SYSTEM
R 46	20.1	12V	562092	RR JCT BOX	CAMERA DOOR	R 115	12.2	12V	563054	UNDER DASH RH	KEYLESS SYSTEM
R 47						R 116	12.2	12V	563054	UNDER DASH RH	KEYLESS SYSTEM
R 48						R 2010	14.2	24V	561230	WEBASTO PRE-HEAT	WEBASTO
R 49	22.1	12V	562092	FR JCT BOX	ABS - SERVICE BRK RLY	V IMN	6.1	12V	562092	RR JCT BOX	VIM WORLD TR.-NEUTRAL SIGNAL
R 50	15.2	24V	561005	EVAP.CPT.	EVAP. FAN 1 ST SPEED	V IMR	6.1	12V	562092	RR JCT BOX	VIM WORLD TR.-BU SIGNAL
R 51	11.2	24V	561707	FR JCT BOX	DRIVER'S LTS	V IM1	6.1	12V	562092	RR JCT BOX	VIM WORLD TR.-OUTPUT 1
R 52	22.1	12V	562092	FR JCT BOX	ABS SYSTEM	V IM2	6.1	12V	562092	RR JCT BOX	VIM WORLD TR.-OUTPUT 2 ENG. BRK DISABLE
R 53	1.1	24V	561991	RR JCT BOX	ENGINE RUN (24) RR	V IM3	6.1	12V	562092	RR JCT BOX	VIM WORLD TR.-OUTPUT 3 SPD SW. 5MPH NO NC
R 54	1.1	24V	561991	RR JCT BOX	12V CUT OUT RLY RR	V IM4	6.1	12V	562092	RR JCT BOX	VIM WORLD TR.-OUTPUT 4 RETARD. ON SIGNAL
R 55	1.1	24V	561991	RR JCT BOX	12V CUT OUT RLY FR	R A1	4.2	24V	561707	RR JCT BOX	EXCITING RELAY ALT. #1
R 56						R A2	4.2	24V	561707	RR JCT BOX	EXCITING RELAY ALT. #2
R 57	9.1	24V	561707	FR JCT BOX	DAY'S BLINKER	R A3	4.2	24V	561707	RR JCT BOX	RUN RELAY ALT. #1 OR ALT. #2
R 58						R A4	4.2	24V	561707	RR JCT BOX	RUN RELAY ALT.#1 AND ALT. #2
R 59	9.3	24V	561707	RR JCT BOX	DOCKING LTS						
R 60	15.2	24V	561707	EVAP. CPT.	EVAP. FAN SPEED #2						
R 61	9.3	24V	561707	RR JCT BOX	STOP LTS-JACOB & RET. SIGNAL						

RELAYS NUMBER CODE

No. PAGE COIL V #PREV. LOCATION FUNCTION

No. PAGE COIL V #PREV. LOCATION FUNCTION

RELAYS NUMBER CODE

No.	PAGE	COIL V	#PREV.	LOCATION	FUNCTION	No.	PAGE	COIL V	#PREV.	LOCATION	FUNCTION
RF2	8.1	24V	561707	RR JCT BOX	FAN CLUTCH W/RET. SPEED 2	R 63	15.3	24V	560772	EVAP. CPT.	TIME DELAY EVAP. FAN
RF3	8.1	24V	560772	RR JCT BOX	TIME DELAY	R 64	11.2	12V	562092	FR JCT BOX	ENTRANCE DOOR LTS
R 1	1.1	24V	561991	FR JCT BOX	ENGINE RUN (24) FR	R 65	9.2	24V	561707	FR JCT BOX	CORNERING LTS CONTROL
R 2	2.1	24V	561991	RR JCT BOX	ENGINE RUN (12) FR & RR	R 66	9.2	24V	561707	FR JCT BOX	LOW DOCKING LTS -FR CORNERING
R 3	12.2	12V	563054	UNDER DASH RH	KEYLESS SYSTEM	R 67	9.3	24V	561707	RR JCT BOX	LOW DOCKING LTS
R 4	4.1	24V	560407	RR JCT BOX	STARTING MOTOR	R 68					
R 5	5.1	24V	561707	FR JCT BOX	CRUISE CTR. STOP SIGN.	R 69	12.1	12V	562092	RR JCT BOX	LUGGAGE DOOR LOCK
R 6	9.3	24V	561707	RR JCT BOX	STOP LTS-PARKING BRAKE	R 70	12.1	12V	562092	RR JCT BOX	LUGGAGE DOOR UNLOCK
R 7	5.1	24V	561707	FR JCT BOX	FAST IDLE	R 71	12.1	24V	561707	RR JCT BOX	LUGGAGE DOOR UNLOCK T.T. LT.
R 8	12.2	12V	563054	UNDER DASH RH	KEYLESS SYSTEM	R 72					
R 9	9.3	24V	561707	RR JCT BOX	BACK-UP LTS	R 73					
R 10						R 74	12.1	12V	562092	RR JCT BOX	LUGGAGE DOOR LOCK
R 11	6.1	24V	561707	RR JCT BOX	TRANS INHIBIT	R 75	12.1	12V	562092	RR JCT BOX	LUGGAGE DOOR UNLOCK
R 12	7.1	12V	562092	FR JCT BOX	ELECTRICAL HORNS	R 76					
R 13	9.3	24V	561707	FR JCT BOX	FOG LTS	R 77					
R 14	9.1	24V	561707	FR JCT BOX	BLINKER	R 78	1.1	24V	561707	FR JCT BOX	MASTER SWITCH WITH ALT. BOSCH
R 15	9.1	24V	561707	FR JCT BOX	FR MARKER LTS	R 78	1.1	12V	562092	FR JCT BOX	MASTER SWITCH WITH ALT. DELCO
R 16	9.1	24V	561707	FR JCT BOX	IDENT. & CLEARANCE LTS	R 79					
R 17	9.1	24V	561707	RR JCT BOX	TAIL,LICENCE,MARKER-RR LTS	R 80	11.1	24V	561707	RR JCT BOX	ENGINE COMPARTMENT LTS
R 18	9.1	24V	561707	FR JCT BOX	D R L-PARK BRK CUT-IN	R 81	15.3	24V	561707	RR JCT BOX	A/C COMPRESSOR CLUTCH
R 19	9.1	24V	561707	FR JCT BOX	HEADLAMPS (HI)	R 82	21.1	24V	561707	FR JCT BOX	RETARDER WT
R 20	9.1	24V	561707	FR JCT BOX	HEADLAMPS (LO)	R 83	15.3	24V	561707	RR JCT BOX	A/C COMPRESSOR CLUTCH
R 21	9.2	24V	561707	FR JCT BOX	L.H. DIRECTIONNAL LT	R 84	8.1	24V	561707	RR JCT BOX	FAN CLUTCH-FIRST SPEED
R 22						R 85	8.1	24V	561707	RR JCT BOX	FAN CLUTCH-SECOND SPEED
R 23	9.2	24V	561707	FR JCT BOX	R.H. DIRECTIONNAL LT	R 86					
R 24	9.2	24V	561707	FR JCT BOX	R.H. CORNERING LT	R 87	21.1	24V	561707	RR JCT BOX	ENGINE BRAKE REQUEST WT
R 25	9.2	24V	561707	FR JCT BOX	L.H. CORNERING LT	R 88					
R 26	9.3	24V	561707	RR JCT BOX	STOP LTS	R 89					
R 27						R 90					
R 28	11.2	24V	561707	FR JCT BOX	DASH LTS RHEOSTAT	R 91					
R 29						R 92					
R 30						R 93					
R 31						R 94					
R 32						R 95					
R 33	9.1	24V	561707	FR JCT BOX	DAYTIME RUNNING LIGHT	R 96					
R 34	15.1	24V	561707	RR JCT BOX	A/C CONTROL	R 97					
R 35	15.2	24V	561707	RR JCT BOX	WATER PUMP	R 98					
R 36	15.1	24V	561707	RR JCT BOX	A/C COMPRESSOR CLUTCH	R 99	8.1	24V	561707	RR JCT BOX	RADIATOR FAN CLUTCH
R 37						R 100	4.1	12V	561538	RR JCT BOX	GENERATOR SIGNAL
R 38	15.2	24V	561707	RR JCT BOX	A/C LIQ. SOL. VALVE	R 101					
R 39	15.2	24V	561005	EVAP. CPT.	CONDENSER FAN MOTOR	R 102	12.1	12V	562092	UNDER DASH RH	DRIVER'S DOOR UNLOCK
R 40	15.2	24V	561014	EVAP. CPT.	CONDENSER SPEED CTR HI	R 103					
R 41	15.2	24V	561005	EVAP. CPT.	CONDENSER SPEED CTR HI	R 104	4.1	12V	563054	UNDER DASH RH	ANTI-THEFT
R 42						R 105	12.1	12V	562092	UNDER DASH RH	DRIVER'S & LUGGAGE DOOR LOCK
R 43						R 106	11.2	24V	562341	UNDER DASH RH	TIME DELAY RLY DRIVER'S LTS
R 44						R 113	12.2	12V	563054	UNDER DASH RH	KEYLESS SYSTEM
R 45	15.2	24V	561707	RR JCT BOX	A/C SYS.	R 114	12.2	12V	563054	UNDER DASH RH	KEYLESS SYSTEM
R 46	20.1	12V	562092	FR JCT BOX	CAMERA DOOR	R 115	12.2	12V	563054	UNDER DASH RH	KEYLESS SYSTEM
R 47						R 116	12.2	12V	563054	UNDER DASH RH	KEYLESS SYSTEM
R 48						R 2010	14.2	24V	561230	WEBASTO PRE-HEAT	WEBASTO
R 49	22.1	12V	562092	FR JCT BOX	ABS - SERVICE BRK RLY	V IMN	6.1	12V	562092	RR JCT BOX	VIM WORLD TR.-NEUTRAL SIGNAL
R 50	15.2	24V	561005	EVAP.CPT.	EVAP. FAN 1 ST SPEED	V IMR	6.1	12V	562092	RR JCT BOX	VIM WORLD TR.-BUJ SIGNAL
R 51	11.2	24V	561707	FR JCT BOX	DRIVER'S LTS	V IM1	6.1	12V	562092	RR JCT BOX	VIM WORLD TR.-OUTPUT 1
R 52	22.1	12V	562092	FR JCT BOX	ABS SYSTEM	V IM2	6.1	12V	562092	RR JCT BOX	VIM WORLD TR.-OUTPUT 2 ENG. BRK DISABLE
R 53	1.1	24V	561991	RR JCT BOX	ENGINE RUN (24) RR	V IM3	6.1	12V	562092	RR JCT BOX	VIM WORLD TR.-OUTPUT 3 SPD SW. 5MPH NO NC
R 54	1.1	24V	561991	RR JCT BOX	12V CUT OUT RLY RR	V IM4	6.1	12V	562092	RR JCT BOX	VIM WORLD TR.-OUTPUT 4 RETARD. ON SIGNAL
R 55	1.1	24V	561991	RR JCT BOX	12V CUT OUT RLY FR	R A1	4.2	24V	561707	RR JCT BOX	EXCITING RELAY ALT. #1
R 56						R A2	4.2	24V	561707	RR JCT BOX	EXCITING RELAY ALT. #2
R 57	9.1	24V	561707	FR JCT BOX	DAY'S BLINKER	R A3	4.2	24V	561707	RR JCT BOX	RUN RELAY ALT. #1 OR ALT. #2
R 58						R A4	4.2	24V	561707	RR JCT BOX	RUN RELAY ALT.#1 AND ALT. #2
R 59	9.3	24V	561707	RR JCT BOX	DOCKING LTS						
R 60	15.2	24V	561707	EVAP. CPT.	EVAP. FAN SPEED #2						
R 61	9.3	24V	561707	RR JCT BOX	STOP LTS-JACOB & RET. SIGNAL						
R 62	5.1	24V	561707	FR JCT BOX	DDEC PARK BRAKE SIGNAL						

RELAYS NUMBER CODE

No. PAGE COIL V #PREV. LOCATION FUNCTION

No. PAGE COIL V #PREV. LOCATION FUNCTION

RELAYS NUMBER CODE

No.	PAGE	COIL V	#PREV.	LOCATION	FUNCTION	No.	PAGE	COIL V	#PREV.	LOCATION	FUNCTION
RF2	8.1	24V	563332	RR JCT BOX	FAN CLUTCH W/RET. SPEED 2	R 63	15.3	24V	560772	EVAP. CPT.	TIME DELAY EVAP. FAN
RF3	8.1	24V	560772	RR JCT BOX	TIME DELAY	R 64	11.2	12V	563337	FR JCT BOX	ENTRANCE DOOR LTS
R 1	1.1	24V	561991	FR JCT BOX	ENGINE RUN (24) FR	R 65	9.2	24V	563332	FR JCT BOX	CORNERING LTS CONTROL
R 2	2.1	24V	561991	RR JCT BOX	ENGINE RUN (12) FR & RR	R 66	9.2	24V	563332	FR JCT BOX	LOW DOCKING LTS -FR CORNERING
R 3	12.2	12V	563054	UNDER DASH RH	KEYLESS SYSTEM	R 67	9.3	24V	563332	RR JCT BOX	LOW DOCKING LTS
R 4	4.1	24V	560407	RR JCT BOX	STARTING MOTOR	R 68					
R 5	5.1	24V	563332	FR JCT BOX	CRUISE CTR. STOP SIGN.	R 69	12.1	12V	563337	RR JCT BOX	LUGGAGE DOOR LOCK
						R 70	12.1	12V	563337	RR JCT BOX	LUGGAGE DOOR UNLOCK
R 7	5.1	24V	563332	FR JCT BOX	FAST IDLE	R 71	12.1	24V	563332	RR JCT BOX	LUGGAGE DOOR UNLOCK T.T. LT.
R 8	12.2	12V	563054	UNDER DASH RH	KEYLESS SYSTEM	R 72					
R 9	9.3	24V	563332	RR JCT BOX	BACK-UP LTS	R 73					
R 10						R 74	12.1	12V	563337	RR JCT BOX	LUGGAGE DOOR LOCK
R 11	6.1	24V	563332	RR JCT BOX	TRANS INHIBIT	R 75	12.1	12V	563337	RR JCT BOX	LUGGAGE DOOR UNLOCK
R 12	7.2	12V	563337	FR JCT BOX	ELECTRICAL HORNS	R 76					
R 13	9.3	24V	563332	FR JCT BOX	FOG LTS	R 77					
R 14	9.1	24V	563332	FR JCT BOX	BLINKER	R 78	1.1	24V	563332	FR JCT BOX	MASTER SWITCH WITH ALT. BOSCH
R 15	9.1	24V	563332	FR JCT BOX	FR MARKER LTS	R 78	1.1	12V	561538	FR JCT BOX	MASTER SWITCH WITH ALT. DELCO
R 16	9.1	24V	563332	FR JCT BOX	IDENT. & CLEARANCE LTS	R 79					
R 17	9.1	24V	563332	RR JCT BOX	TAIL,LICENCE,MARKER-RR LTS	R 80	11.1	24V	563332	RR JCT BOX	ENGINE COMPARTMENT LTS
R 18	9.1	24V	563332	FR JCT BOX	D R L-PARK BRK CUT-IN	R 81	15.3	24V	563332	RR JCT BOX	A/C COMPRESSOR CLUTCH
R 19	9.1	24V	563332	FR JCT BOX	HEADLAMPS (HI)	R 82	21.1	24V	563332	FR JCT BOX	RETARDER WT
R 20	9.1	24V	563332	FR JCT BOX	HEADLAMPS (LO)	R 83	15.3	24V	563332	RR JCT BOX	A/C COMPRESSOR CLUTCH
R 21	9.2	24V	563332	FR JCT BOX	L.H. DIRECTIONNAL LT	R 84	8.1	24V	563332	RR JCT BOX	FAN CLUTCH-FIRST SPEED
R 22						R 85	8.1	24V	563332	RR JCT BOX	FAN CLUTCH-SECOND SPEED
R 23	9.2	24V	563332	FR JCT BOX	R.H. DIRECTIONNAL LT	R 86					
R 24	9.2	24V	563332	FR JCT BOX	R.H. CORNERING LT	R 87	21.1	24V	563332	RR JCT BOX	ENGINE BRAKE REQUEST WT
R 25	9.2	24V	563332	FR JCT BOX	L.H. CORNERING LT	R 88					
R 26	9.3	24V	563332	RR JCT BOX	STOP LTS	R 89					
R 27						R 90					
R 28	11.2	24V	563332	FR JCT BOX	DASH LTS RHEOSTAT	R 91					
R 29						R 92					
R 30						R 93					
R 31						R 94					
R 32						R 95					
						R 96					
R 34	15.1	24V	563332	RR JCT BOX	A/C CONTROL	R 97					
R 35	15.2	24V	563332	RR JCT BOX	WATER PUMP	R 98					
R 36	15.1	24V	563332	RR JCT BOX	A/C COMPRESSOR CLUTCH	R 99	8.1	24V	563332	RR JCT BOX	RADIATOR FAN CLUTCH
R 37						R 100	4.1	12V	561538	RR JCT BOX	GENERATOR SIGNAL
R 38	15.2	24V	563332	RR JCT BOX	A/C LIQ. SOL. VALVE	R 101					
R 39	15.2	24V	561005	EVAP. CPT.	CONDENSER FAN MOTOR	R 102	12.1	12V	563337	UNDER DASH RH	DRIVER'S DOOR UNLOCK
R 40	15.2	24V	561014	EVAP. CPT.	CONDENSER SPEED CTR HI	R 103					
R 41	15.2	24V	561005	EVAP. CPT.	CONDENSER SPEED CTR HI	R 104	4.1	12V	563054	UNDER DASH RH	ANTI-THEFT
R 42						R 105	12.1	12V	563337	UNDER DASH RH	DRIVER'S & LUGGAGE DOOR LOCK
R 43						R 106	11.2	24V	562341	UNDER DASH RH	TIME DELAY RLY DRIVER'S LTS
R 44						R 113	12.2	12V	563054	UNDER DASH RH	KEYLESS SYSTEM
R 45	15.2	24V	563332	RR JCT BOX	A/C SYS.	R 114	12.2	12V	563054	UNDER DASH RH	KEYLESS SYSTEM
R 46	20.1	12V	563337	FR JCT BOX	CAMERA DOOR	R 115	12.2	12V	563054	UNDER DASH RH	KEYLESS SYSTEM
R 47						R 116	12.2	12V	563054	UNDER DASH RH	KEYLESS SYSTEM
R 48						R 2010	14.2	24V	561230	WEBASTO PRE-HEAT	WEBASTO
R 49	22.1	12V	563337	FR JCT BOX	ABS - SERVICE BRK RLY	R AF	9.2	12V	563337	UNDER DASH	AUDIBLE FLASHER SIGNAL
R 50	15.2	24V	561005	EVAP.CPT.	EVAP. FAN 1 ST SPEED	R RJ	21.1SP	24V	563332	FR JCT BOX	ENGINE BRAKE SYSTEM JAKE & RETARDER OPT.
R 51	11.2	24V	563332	FR JCT BOX	DRIVER'S LTS	V IMN	6.1	12V	563337	RR JCT BOX	VIM WORLD TR.-NEUTRAL SIGNAL
R 52	22.1	12V	563337	FR JCT BOX	ABS SYSTEM	V IMR	6.1	12V	563337	RR JCT BOX	VIM WORLD TR.-B/U SIGNAL
R 53	1.1	24V	561991	RR JCT BOX	ENGINE RUN (24) RR	V IM1	6.1	12V	563337	RR JCT BOX	VIM WORLD TR.-OUTPUT 1
R 54	1.1	24V	561991	RR JCT BOX	12V CUT OUT RLY RR	V IM2	6.1	12V	563337	RR JCT BOX	VIM WORLD TR.-OUTPUT 2 ENG. BRK DISABLE
R 55	1.1	24V	561991	RR JCT BOX	12V CUT OUT RLY FR	V IM3	6.1	12V	563337	RR JCT BOX	VIM WORLD TR.-OUTPUT 3 SPD SW. 5MPH NO NC
R 56	22.1SP	12V	563337	FR JCT BOX	ACT T.T.LT. MODULE OPT.	V IM4	6.1	12V	563337	RR JCT BOX	VIM WORLD TR.-OUTPUT 4 RETARD ON SIGNAL
R 57	9.1	24V	563332	FR JCT BOX	DAY'S BLINKER						
R 58	22.1SP	24V	563332	FR JCT BOX	STOP LTS SW. OPT.						
R 59	9.3	24V	563332	RR JCT BOX	DOCKING LTS						
R 60	15.2	24V	563332	EVAP. CPT.	EVAP. FAN SPEED #2						
R 61	9.3	24V	563332	RR JCT BOX	STOP LTS-JACOB & RET. SIGNAL						
R 62	5.1	24V	563332	FR JCT BOX	DDEC PARK BRAKE SIGNAL						

RELAYS NUMBER CODE

No. PAGE COIL V #PREV. LOCATION FUNCTION

No. PAGE COIL V #PREV. LOCATION FUNCTION

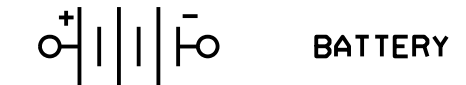
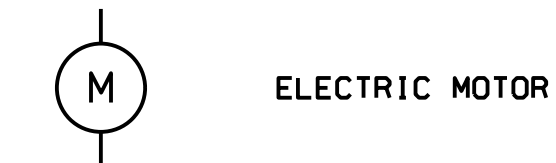
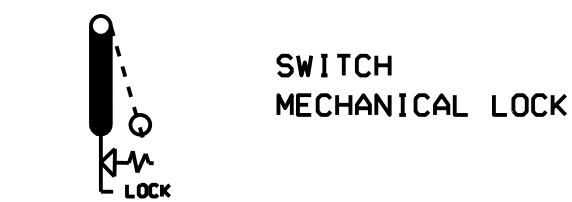
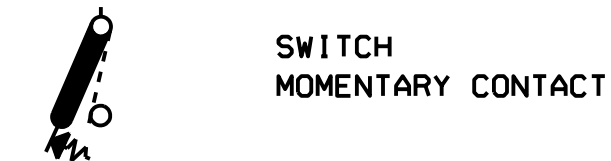
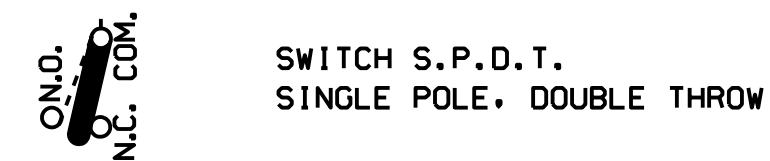
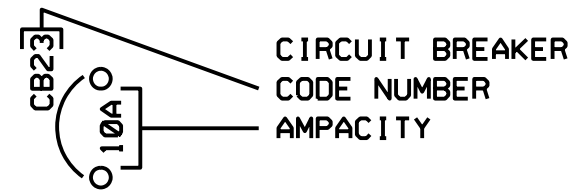
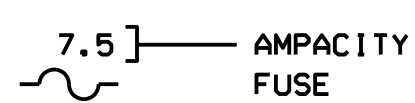
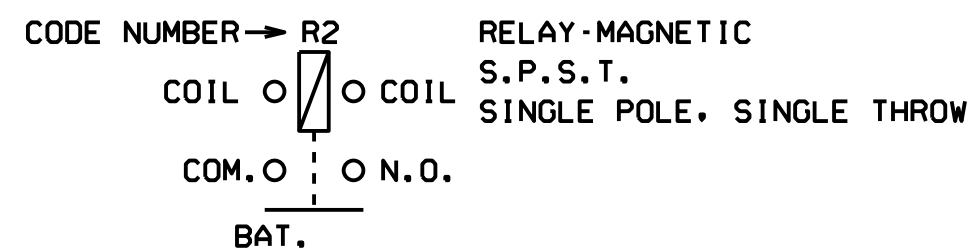
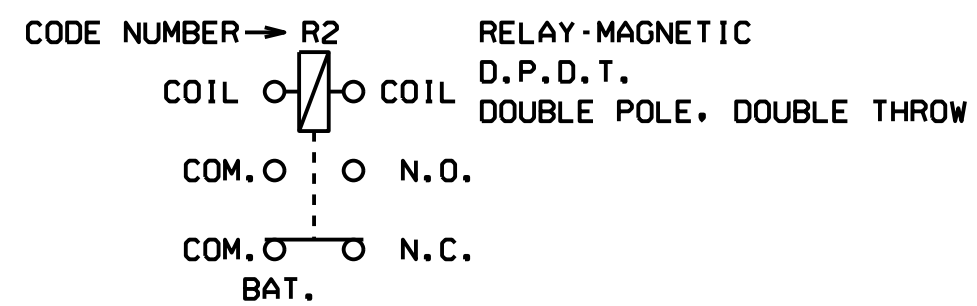
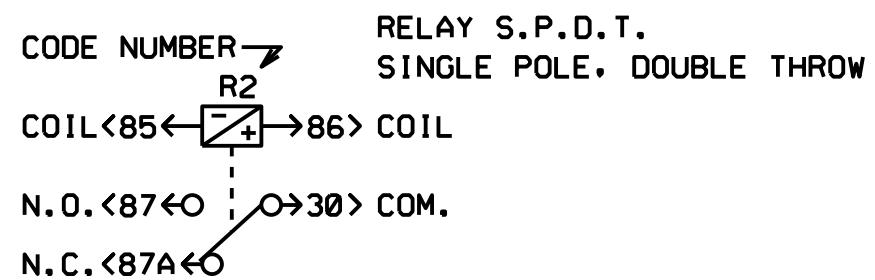
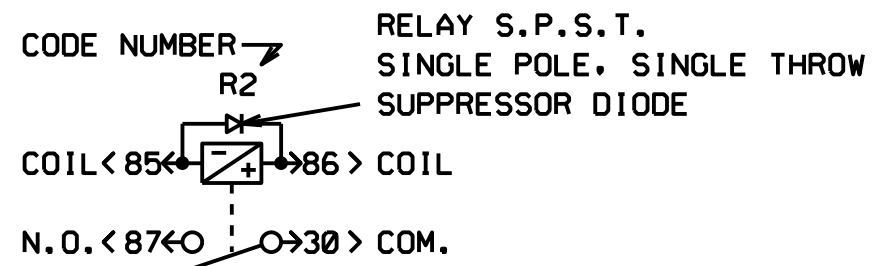
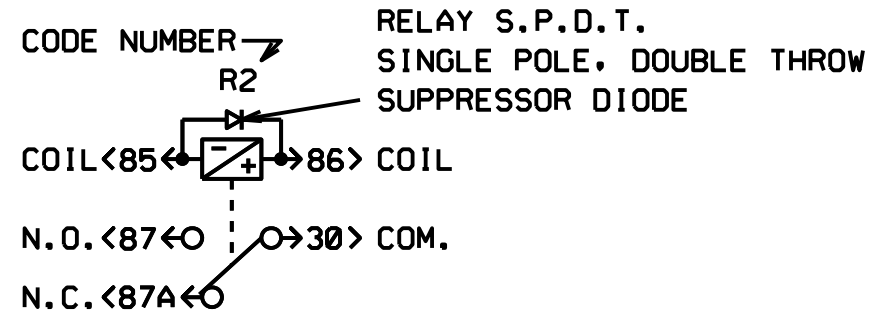
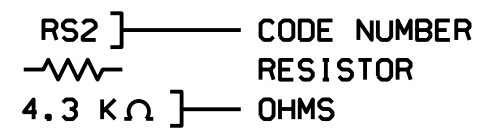
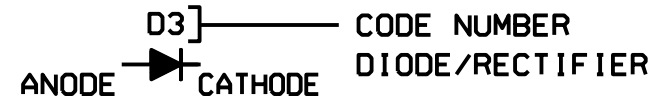
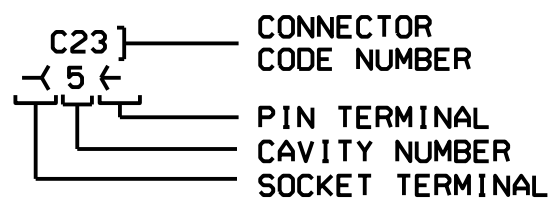
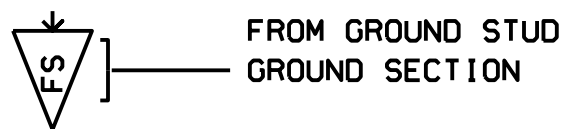
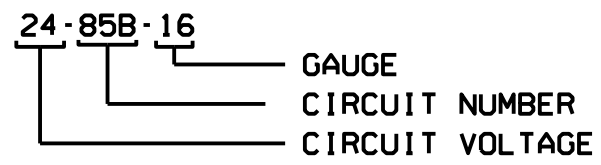
RESISTORS NUMBER CODE

No.	PAGE	OHM(S)	#PREV.	LOCATION	FUNCTION
RS 1	5.1	11 K	561898	FR JCT BOX	FAST IDLE DDEC CONTROL
RS 2	5.1	3.6 K	561897	FR JCT BOX	FAST IDLE DDEC CONTROL
RS 3	9.3	1 (2)	561537	FR JCT BOX	FOG LT - RH
RS 4	9.3	1 (2)	561537	FR JCT BOX	FOG LT - LH
RS 5	9.2	1 (2)	061976	FR JCT BOX	CORNERING LT - LH
RS 6					
RS 7	9.3	.82 (2)	060806	RR JCT BOX	PARKING BRAKE STOP LTS
RS 8	9.2	1 (2)	061976	FR JCT BOX	CORNERING LT - RH
RS 9	9.3	1 (2)	061976	RR JCT BOX	DOCKING LT - RH
RS 10	9.3	1 (2)	061976	RR JCT BOX	DOCKING LT - LH
RS 11					
RS 12					
RS 13					
RS 14					
RS 15	9.2	1 (3)	062925	FR JCT BOX	LO DOCKING LT - FRONT
RS 16	9.3	1 (3)	062925	RR JCT BOX	LO DOCKING LT - REAR
RS 17	7.1	220	562498	FR JCT BOX	FIRE ALARM
RS 18	8.1	75 K	064208	RR JCT BOX	FAN CLUTCH W/RETARDER
RS 19	15.2	330K	065755	EVAP. CPT.	TIME DELAY RELAY EVAP. FAN
RS 20	17.1	1 K	562470	RR JCT BOX	WORLD TR. SPEED TO DDEC III
RS 21					
RS 22	13.1	1K	562470	DASH	DIVIDER VOLTAGE FOR LED
RS 23					
RS 24	9.1	1K	562470	DASH	DIVIDER VOLTAGE FOR LED
RS 25	9.3	1K	562470	DASH	DIVIDER VOLTAGE FOR LED
RS 26	10.1	1K	562470	DASH	DIVIDER VOLTAGE FOR LED
RS 27					
RS 28	14.1	1K	562470	DASH	DIVIDER VOLTAGE FOR LED
RS 36	15.2	10	064907	RR JCT BOX	CURRENT LIMITER FOR RELAY
RS 37	15.2	5	064907	RR JCT BOX	CURRENT LIMITER FOR RELAY
RS 38	22.1	620	563205	FR. SERV. COMPT	ABS
RS 39	22.1	620	563205	FR. SERV. COMPT	TRAILER ABS

RESISTORS NUMBER CODE

No.	PAGE	OHM(S)	#PREV.	LOCATION	FUNCTION
RS 1	5.1	11 K	561898	FR JCT BOX	FAST IDLE DDEC CONTROL
RS 2	5.1	3.6 K	561897	FR JCT BOX	FAST IDLE DDEC CONTROL
RS 3	9.3	1 (2)	561537	FR JCT BOX	FOG LT - RH
RS 4	9.3	1 (2)	561537	FR JCT BOX	FOG LT - LH
RS 5	9.2	1 (2)	061976	FR JCT BOX	CORNERING LT - LH
RS 6					
RS 7	9.3	.82 (2)	060806	RR JCT BOX	PARKING BRAKE STOP LTS
RS 8	9.2	1 (2)	061976	FR JCT BOX	CORNERING LT - RH
RS 9	9.3	1 (2)	061976	RR JCT BOX	DOCKING LT - RH
RS 10	9.3	1 (2)	061976	RR JCT BOX	DOCKING LT - LH
RS 11					
RS 12					
RS 13					
RS 14					
RS 15	9.2	1 (3)	062925	FR JCT BOX	LO DOCKING LT - FRONT
RS 16	9.3	1 (3)	062925	RR JCT BOX	LO DOCKING LT - REAR
RS 17	7.1	220	562498	FR JCT BOX	FIRE ALARM
RS 18	8.1	75 K	064208	RR JCT BOX	FAN CLUTCH W/RETARDER
RS 19	15.2	330K	065755	EVAP. CPT.	TIME DELAY RELAY EVAP. FAN
RS 20	17.1	1 K	562470	RR JCT BOX	WORLD TR. SPEED TO DDEC III
RS 21					
RS 22	13.1	1K	562470	DASH	DIVIDER VOLTAGE FOR LED
RS 23					
RS 24	9.1	1K	562470	DASH	DIVIDER VOLTAGE FOR LED
RS 25	9.3	1K	562470	DASH	DIVIDER VOLTAGE FOR LED
RS 26	10.1	1K	562470	DASH	DIVIDER VOLTAGE FOR LED
RS 27					
RS 28	14.1	1K	562470	DASH	DIVIDER VOLTAGE FOR LED
RS 36	15.2	10	064907	RR JCT BOX	CURRENT LIMITER FOR RELAY
RS 37	15.2	5	064907	RR JCT BOX	CURRENT LIMITER FOR RELAY
RS 38	22.1	620	563205	FR. SERV. COMPT	ABS
RS 39	22.1	620	563205	FR. SERV. COMPT	TRAILER ABS
RS 42	9.5	0.2	066001	FR JCT BOX	RH LOW BEAM (HALOGEN ONLY)
RS 43	9.5	0.2	066001	FR JCT BOX	LH LOW BEAM (HALOGEN ONLY)

WIRING DIAGRAM KEYS



- BLK BLACK
- YEL YELLOW
- RED RED
- WH WHITE
- GRY GREY
- ORA ORANGE
- BLU BLUE
- GRN GREEN
- BRN BROWN
- PUR PURPLE
- PK PINK

FUSES CODE

No.	PAGE	AMP.	#PREV.	LOCATION	FUNCTION	No	PAGE	AMP.	#PREV	LOCATION	FUNCTION
F 1	6.1	10A	562407	RR. JCT. BOX	WORLD TRANSMISSION 12V BATTERY	F 62	2.1	3A	562599	RR. JCT. BOX	PRO LINK
F 2	6.1	10A	562407	RR. JCT. BOX	WORLD TRANSMISSION 12V IGNITION						
F 3	7.2	20A	562605	FR. JCT. BOX	ELECTRICAL HORNS						
F 4	7.2	5A	562259	FR. JCT. BOX	FIRE ALARM						
F 5											
F 6	5.1	5A	562602	FR. JCT. BOX	CRUISE DECEL SW.						
F 7	8.1	5A	562602	FR. JCT. BOX	PARKING BRAKE PRESSURE SW.						
F 8	9.2	10A	562407	FR. JCT. BOX	CORNERING LTS						
F 9	9.3	15A	562604	RR. JCT. BOX	DOCKING LTS						
F 10	9.3	15A	562604	FR. JCT. BOX	FOG LTS						
F 11	11.1	5A	562259	FR. JCT. BOX	FRONT SERVICE CPT LTS						
F 12	17.1	3A	560893	FR. JCT. BOX	STEERING CONTROL						
F 13											
F 14	11.2	15A	562602	FR. JCT. BOX	DRIVER'S LTS						
F 15											
F 16											
F 17											
F 18											
F 19											
F 20											
F 21	14.2	10A	560061	RR. JCT. BOX	FUEL PRIME PUMP						
F 22	19.1	10A	562407	FR. JCT. BOX	POWER 12V OUTLET						
F 23	19.1	15A	562604	FR. JCT. BOX	DRIVER'S WINDOW LIFTER						
F 24	19.1	15A	562407	FR. JCT. BOX	CIGAR LIGHTER						
F 25	19.1	3 A	562599	FR. JCT. BOX	SUN VISOR						
F 26	14.1	7.5A	562259	FR. JCT. BOX	WATER HTR TIMER						
F 27											
F 28											
F 29	15.3	15A	562604	FR. JCT BOX	AUX. A/C UNIT						
F 30											
F 31											
F 32											
F 33											
F 34											
F 35											
F 36											
F 37											
F 38											
F 39											
F 40											
F 41											
F 42											
F 43	1.2	3A	562599	BATT.CPT	12V SIGNAL TO BATT. MONITOR						
F 44	1.2	3A	562599	BATT.CPT	24V SIGNAL TO BATT. MONITOR						
F 45											
F 46	16.1	7.5A	562602	FR. JCT. BOX	MIRROR ADJUST & HEATED 24V SPARTAN						
F 47	16.2 16.3	7.5A	562602	FR. JCT. BOX	MIRROR ADJUST & HEATED 12V RAMCO						
F 48											
F 49											
F 50											
F 51											
F 52											
F 53	20.1	3A	560893	RR. JCT. BOX	BACK-UP MONITOR DOOR SOLENOID						
F 54											
F 55	20.1	7.5A	562602	RR. JCT. BOX	BACK-UP MONITOR CAMERA HEATER						
F 56	20.1	7.5A	562602	RR. JCT. BOX	BACK-UP MONITOR CAMERA						
F 57	4.1	1A	560893	RR. JCT. BOX	GENERATOR RUN RELAY						

FUSES CODE

No.	PAGE	AMP.	#PREV.	LOCATION	FUNCTION	No	PAGE	AMP.	#PREV	LOCATION	FUNCTION
F 1	6.1	10A	562407	RR. JCT. BOX	WORLD TRANSMISSION 12V BATTERY	F 62	2.1	3A	562599	RR. JCT. BOX	PRO LINK
F 2	6.1	10A	562407	RR. JCT. BOX	WORLD TRANSMISSION 12V IGNITION						
F 3	7.2	20A	562605	FR. JCT. BOX	ELECTRICAL HORNS						
F 4	7.2	5A	562259	FR. JCT. BOX	FIRE ALARM						
F 5											
F 6	5.1	5A	562602	FR. JCT. BOX	CRUISE DECEL SW.						
F 7	8.1	5A	562602	FR. JCT. BOX	PARKING BRAKE PRESSURE SW.						
F 7S	4.2	3A	560893	STARTER	STARTER « ON » TTLT						
F 8	9.2	10A	562407	FR. JCT. BOX	CORNERING LTS						
F 9	9.3	15A	562604	RR. JCT. BOX	DOCKING LTS						
F 10	9.3	15A	562604	FR. JCT. BOX	FOG LTS						
F 11	11.1	5A	562259	FR. JCT. BOX	FRONT SERVICE CPT LTS						
F 12	17.1	3A	560893	FR. JCT. BOX	STEERING CONTROL						
F 13											
F 14	11.2	15A	562602	FR. JCT. BOX	DRIVER'S LTS						
F 15											
F 16											
F 17											
F 18											
F 19											
F 20											
F 21	14.1	10A	560061	RR. JCT. BOX	FUEL PRIME PUMP						
F 22	19.1	10A	562407	FR. JCT. BOX	POWER 12V OUTLET						
F 23	19.1	15A	562604	FR. JCT. BOX	DRIVER'S WINDOW LIFTER						
F 24	19.1	15A	562407	FR. JCT. BOX	CIGAR LIGHTER						
F 25	19.1	3 A	562599	FR. JCT. BOX	SUN VISOR						
F 26											
F 27											
F 28											
F 29	15.3	15A	562604	FR. JCT BOX	AUX. A/C UNIT						
F 30											
F 31											
F 32											
F 33											
F 34											
F 35											
F 36											
F 37											
F 38											
F 39											
F 40											
F 41											
F 42											
F 43	1.2	3A	562599	BATT.CPT	12V SIGNAL TO BATT. MONITOR						
F 44	1.2	3A	562599	BATT.CPT	24V SIGNAL TO BATT. MONITOR						
F 45											
F 46											
F 47	16.2 16.3	7.5A	562602	FR. JCT. BOX	MIRROR ADJUST & HEATED 12V RAMCO						
F 48											
F 49											
F 50											
F 51											
F 52											
F 53	20.1	3A	562599	RR. JCT. BOX	BACK-UP MONITOR DOOR SOLENOID						
F 54											
F 55	20.1	7.5A	562602	RR. JCT. BOX	BACK-UP MONITOR CAMERA HEATER						
F 56	20.1	7.5A	562602	RR. JCT. BOX	BACK-UP MONITOR CAMERA						

FUSES CODE

No.	PAGE	AMP.	#PREV.	LOCATION	FUNCTION	No	PAGE	AMP.	#PREV	LOCATION	FUNCTION
F 1	6.1	10A	562407	RR. JCT. BOX	WORLD TRANSMISSION 12V BATTERY	F 62	2.1	3A	562599	RR. JCT. BOX	PRO LINK
F 2	6.1	10A	562407	RR. JCT. BOX	WORLD TRANSMISSION 12V IGNITION						
F 3	7.2	20A	562605	FR. JCT. BOX	ELECTRICAL HORNS						
F 4	7.2	5A	562259	FR. JCT. BOX	FIRE ALARM						
F 5											
F 6	5.1	5A	562602	FR. JCT. BOX	CRUISE DECEL SW.						
F 7	8.1	5A	562602	FR. JCT. BOX	PARKING BRAKE PRESSURE SW.						
F 7S	4.2	3A	560893	STARTER	STARTER « ON » TTLT						
F 8	9.2	10A	562407	FR. JCT. BOX	CORNERING LTS						
F 9	9.3	15A	562604	RR. JCT. BOX	DOCKING LTS						
F 10	9.3	15A	562604	FR. JCT. BOX	FOG LTS						
F 11	11.1	5A	562259	FR. JCT. BOX	FRONT SERVICE CPT LTS						
F 12	17.1	3A	560893	FR. JCT. BOX	STEERING CONTROL						
F 13											
F 14	11.2	15A	562602	FR. JCT. BOX	DRIVER'S LTS						
F 15											
F 16											
F 17											
F 18											
F 19											
F 20											
F 21	14.1	10A	560061	RR. JCT. BOX	FUEL PRIME PUMP						
F 22	19.1	10A	562407	FR. JCT. BOX	POWER 12V OUTLET						
F 23	19.1	15A	562604	FR. JCT. BOX	DRIVER'S WINDOW LIFTER						
F 24	19.1	15A	562407	FR. JCT. BOX	CIGAR LIGHTER						
F 25	19.1	3 A	562599	FR. JCT. BOX	SUN VISOR						
F 26											
F 27											
F 28											
F 29	15.3	15A	562604	FR. JCT BOX	AUX. A/C UNIT						
F 30											
F 31											
F 32											
F 33											
F 34											
F 35											
F 36											
F 37											
F 38											
F 39											
F 40											
F 41	7.3	10A	560061	FR. JCT. BOX	ELECTICAL AWNING WINDOWS – 24 V HOT WIRE						
F 42											
F 43	1.2	3A	562599	BATT.CPT	12V SIGNAL TO BATT. MONITOR						
F 44	1.2	3A	562599	BATT.CPT	24V SIGNAL TO BATT. MONITOR						
F 45											
F 46											
F 47	16.2 16.3	7.5A	562602	FR. JCT. BOX	MIRROR ADJUST & HEATED 12V RAMCO						
F 48											
F 49											
F 50											
F 51											
F 52											
F 53	20.1	3A	562599	RR. JCT. BOX	BACK-UP MONITOR DOOR SOLENOID						
F 54											
F 55	20.1	7.5A	562602	RR. JCT. BOX	BACK-UP MONITOR CAMERA HEATER						
F 56	20.1	7.5A	562602	RR. JCT. BOX	BACK-UP MONITOR CAMERA						

LOGIC GATE

TRUTH TABLE

AND GATE		
INPUT		OUT
A	B	C
0	0	0
0	1	0
1	0	0
1	1	1

• OUTPUT IS 1 WHEN ALL INPUT IS 1

NAND GATE		
INPUT		OUT
A	B	C
0	0	1
0	1	1
1	0	1
1	1	0

• OUTPUT IS 0 WHEN ALL INPUT IS 0

OR GATE		
INPUT		OUT
A	B	C
0	0	0
0	1	1
1	0	1
1	1	1

• OUTPUT IS 1 WHEN EITHER INPUT IS 1

NOR GATE		
INPUT		OUT
A	B	C
0	0	1
0	1	0
1	0	0
1	1	0

• OUTPUT IS 1 WHEN NONE INPUT IS 1

NOT GATE		
INPUT	OUT	
A	B	
0	1	
1	0	

• OUTPUT IS REVERSE OF INPUT

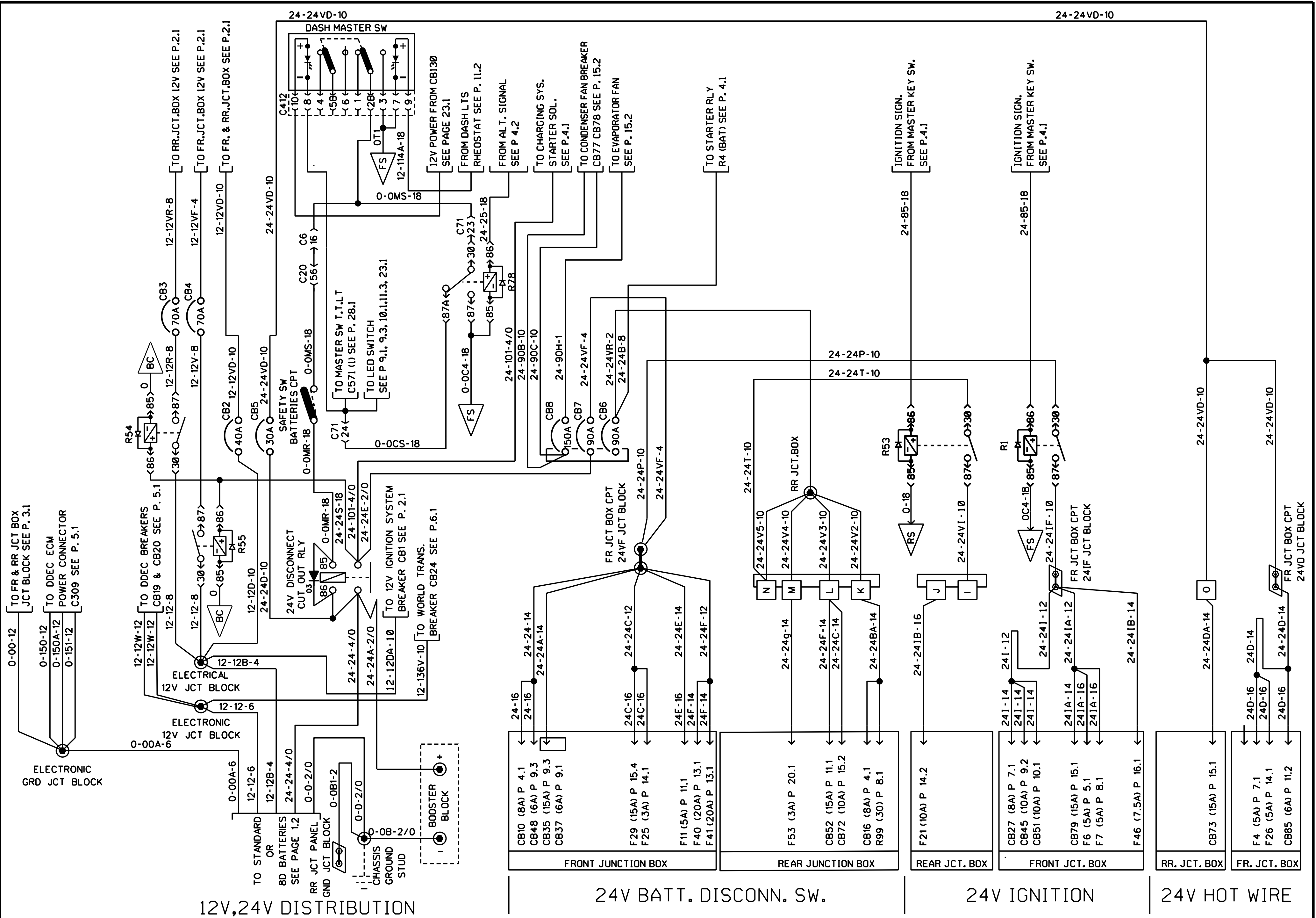
ON-DELAY	
XX SECOND AFTER A=1 THAN B=1	

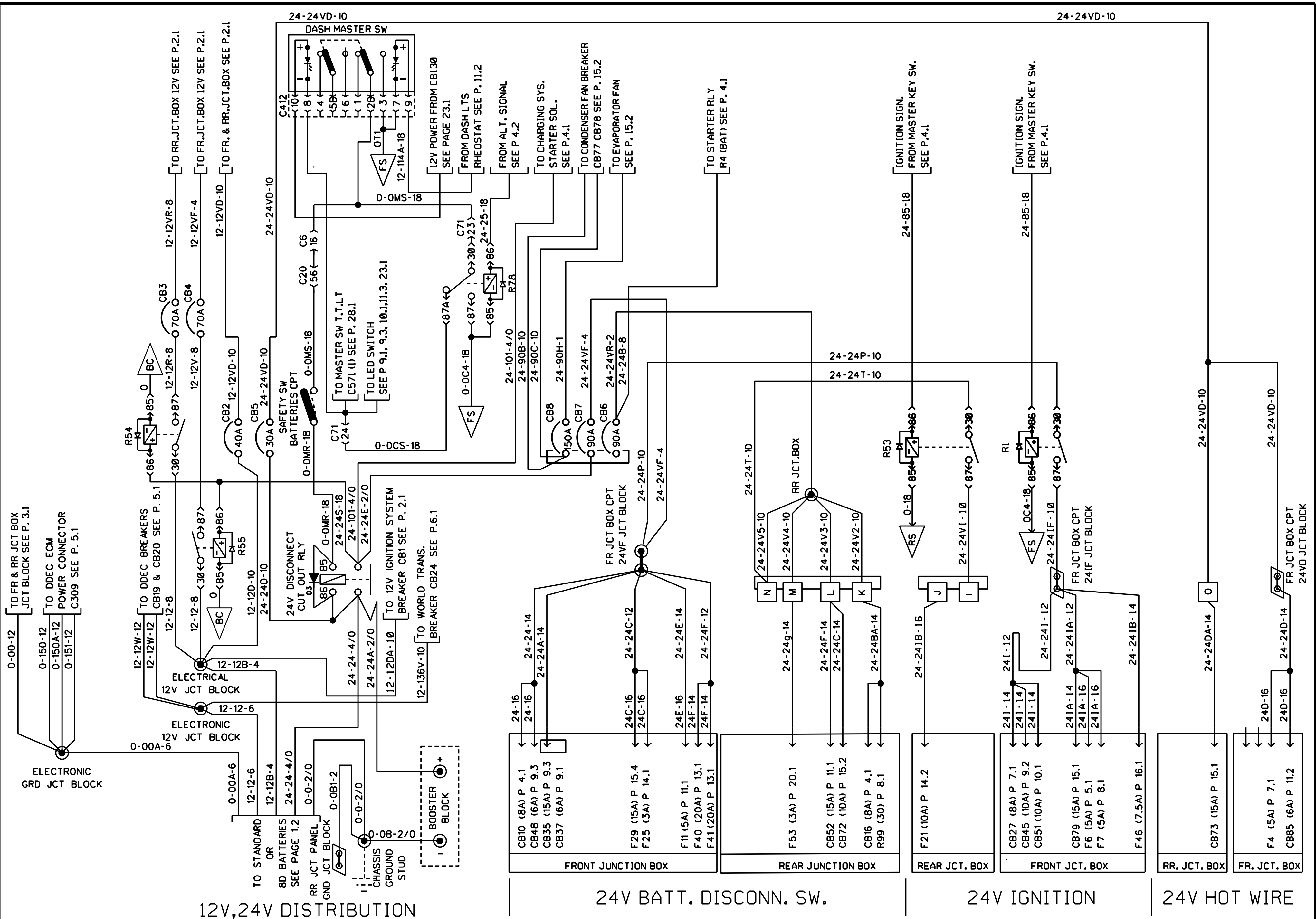
OFF-DELAY	
XX SECOND AFTER A=0 THAN B=0	

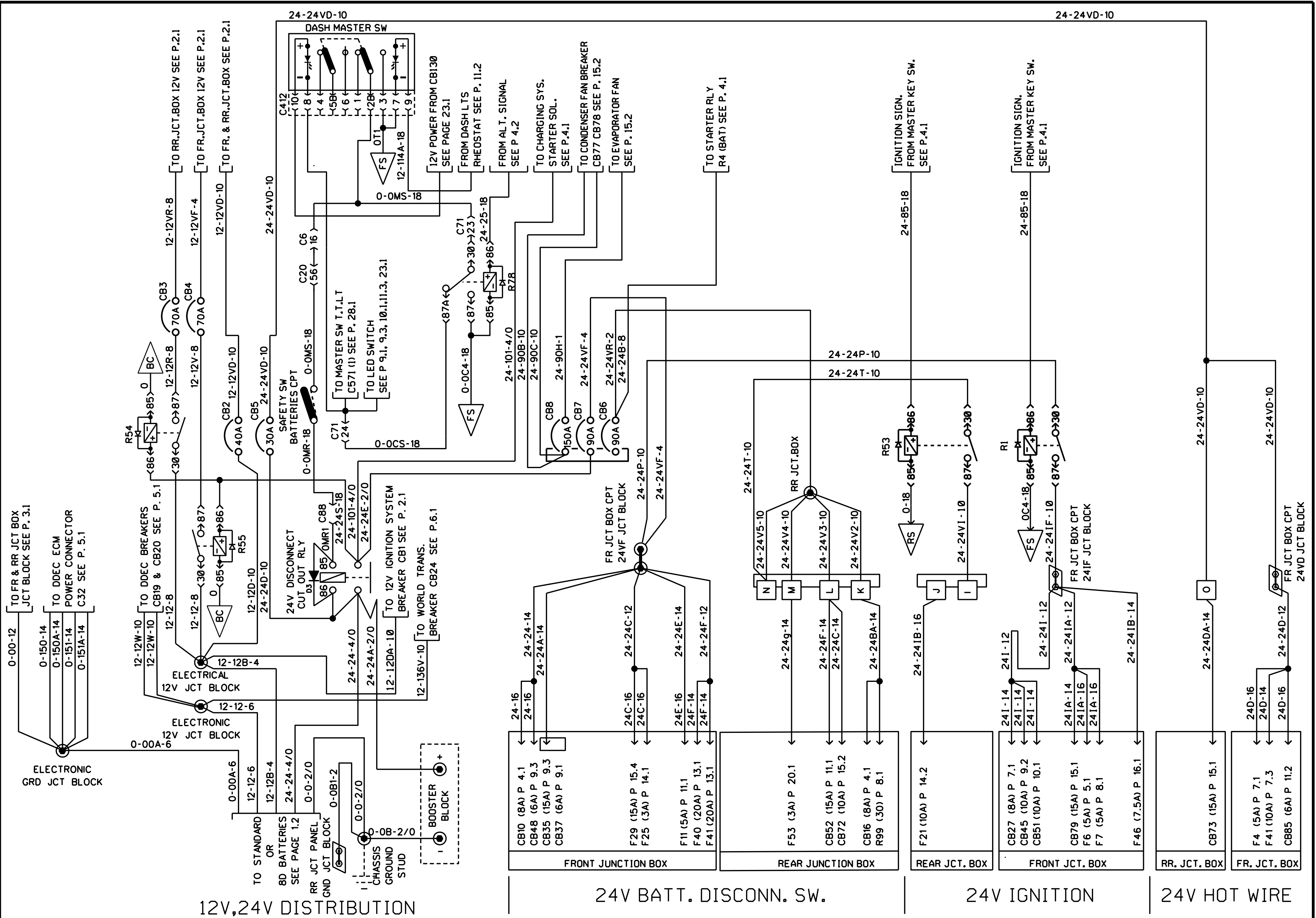
INPUT OR OUTPUT LEVEL

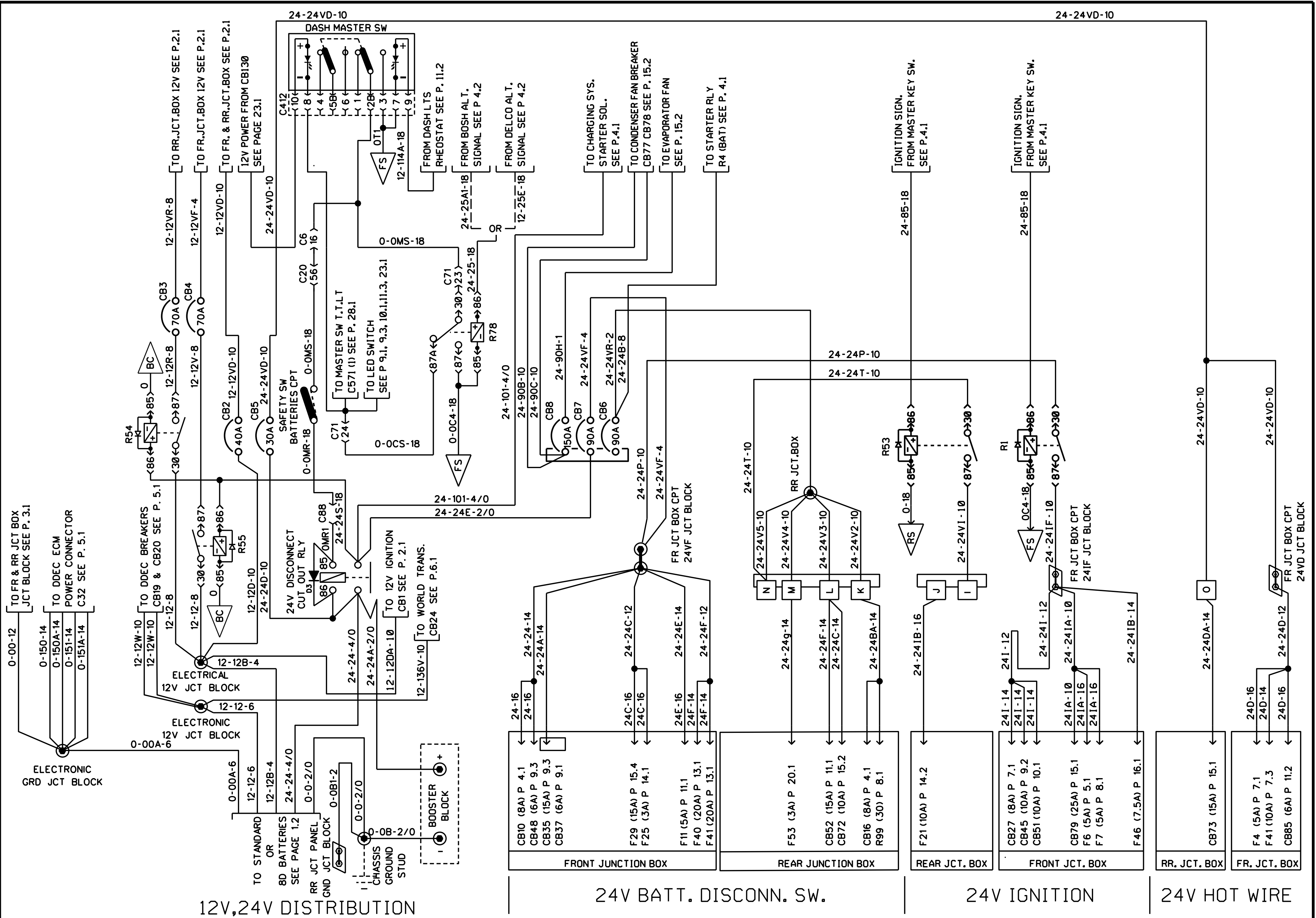
LEVEL 1 = 12 VOLTS OR 24 VOLTS

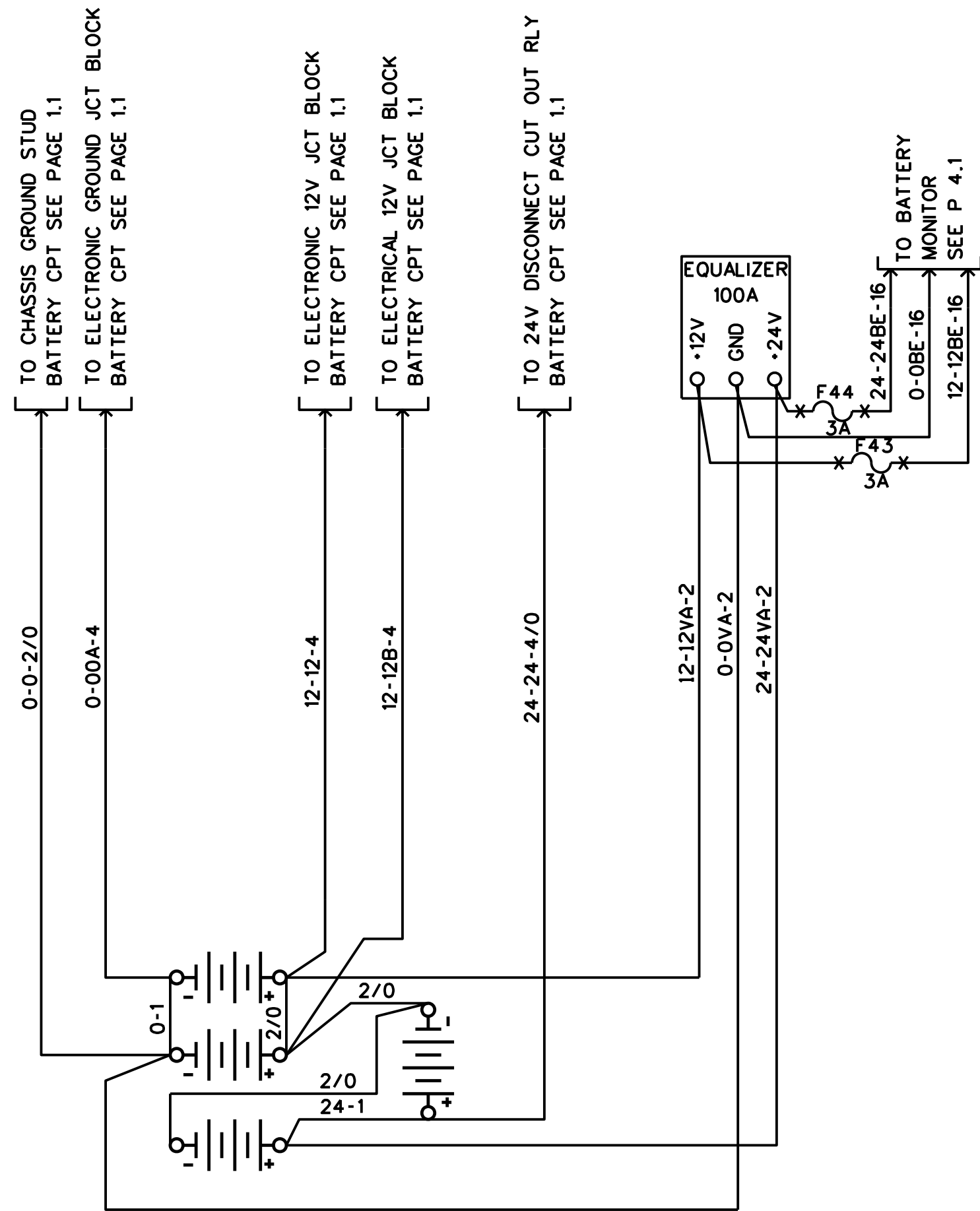
LEVEL 0 = 0 VOLT (TO GROUND)



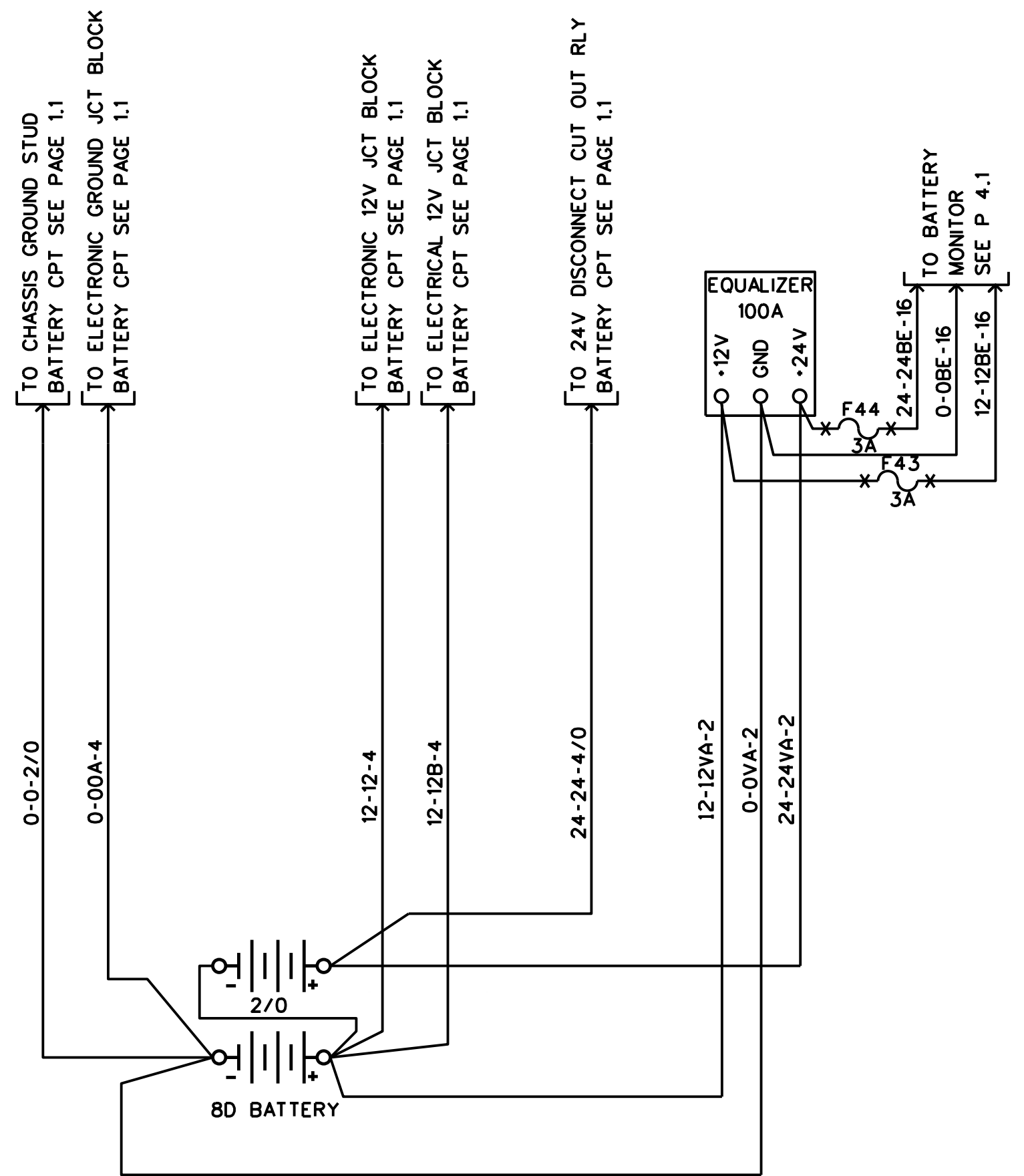




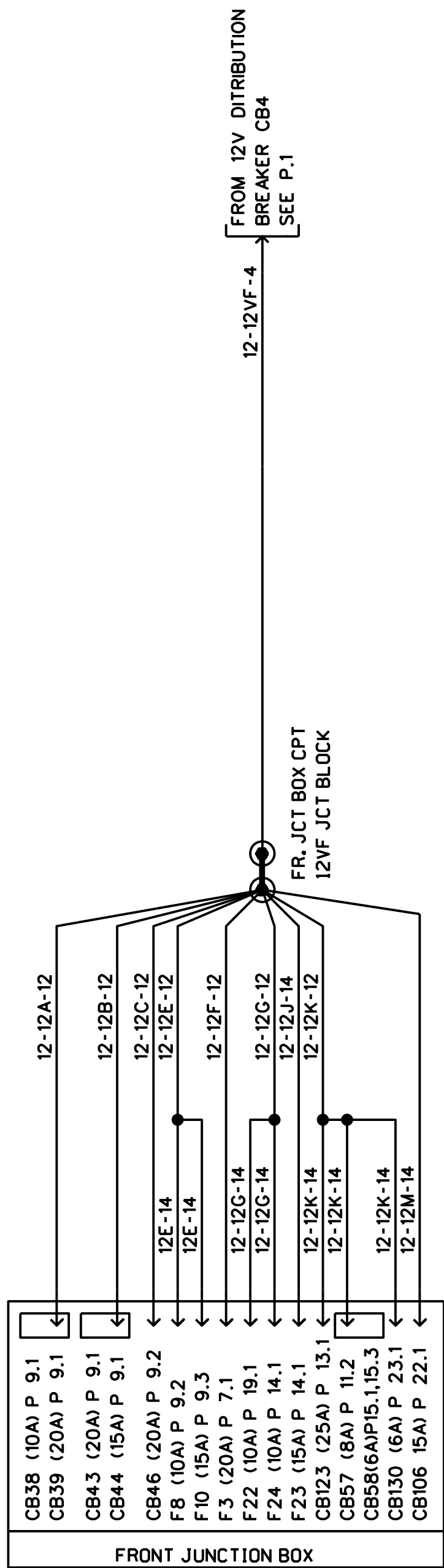




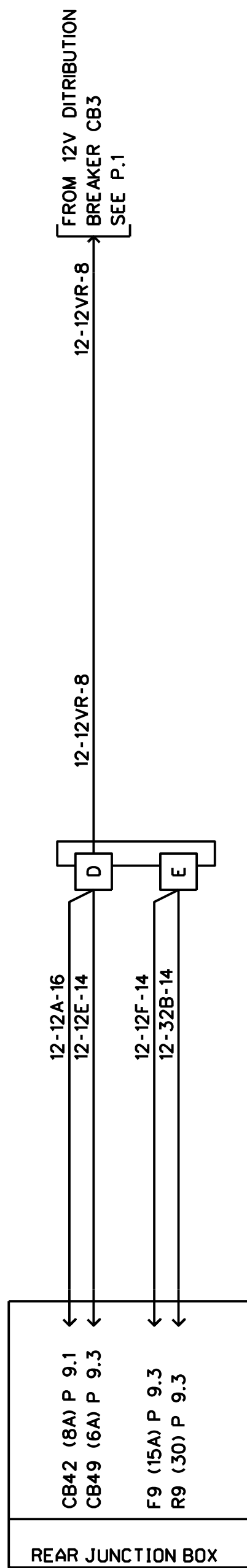
STANDARD BATTERIES



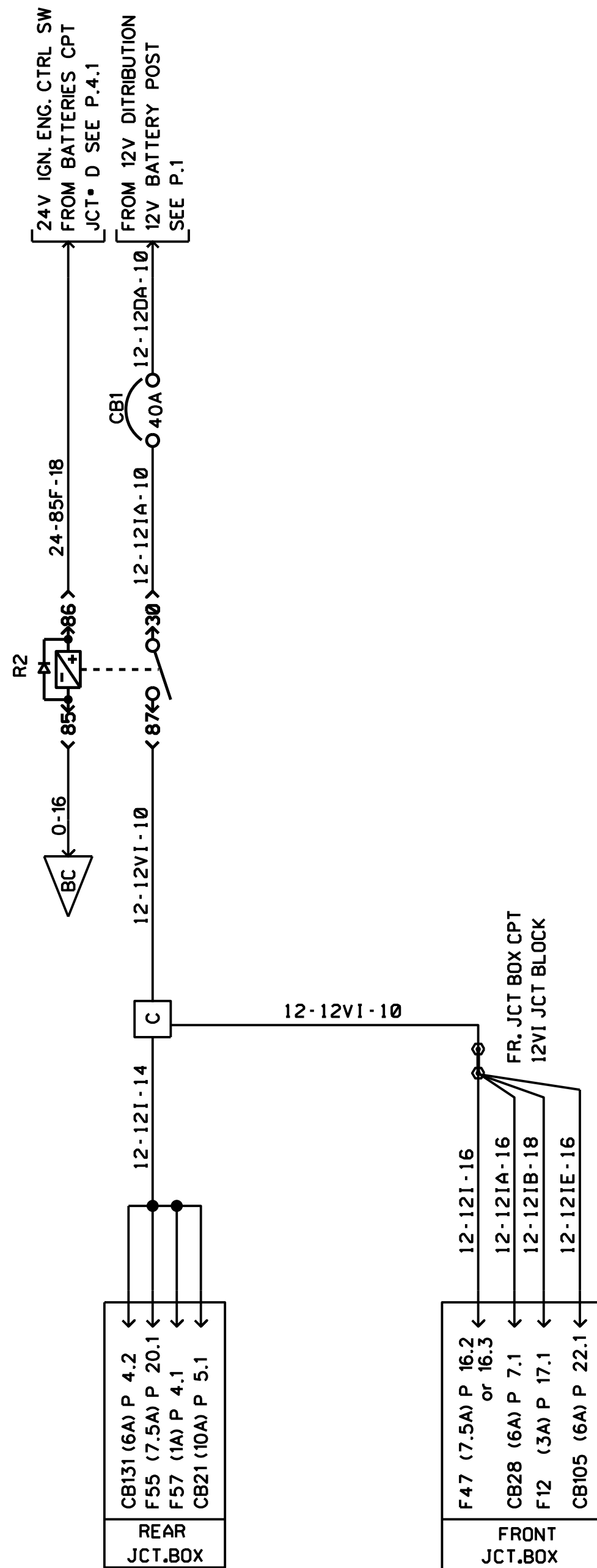
8D BATTERIES



12V BATT. DISCONN. SW.



12V IGNITION



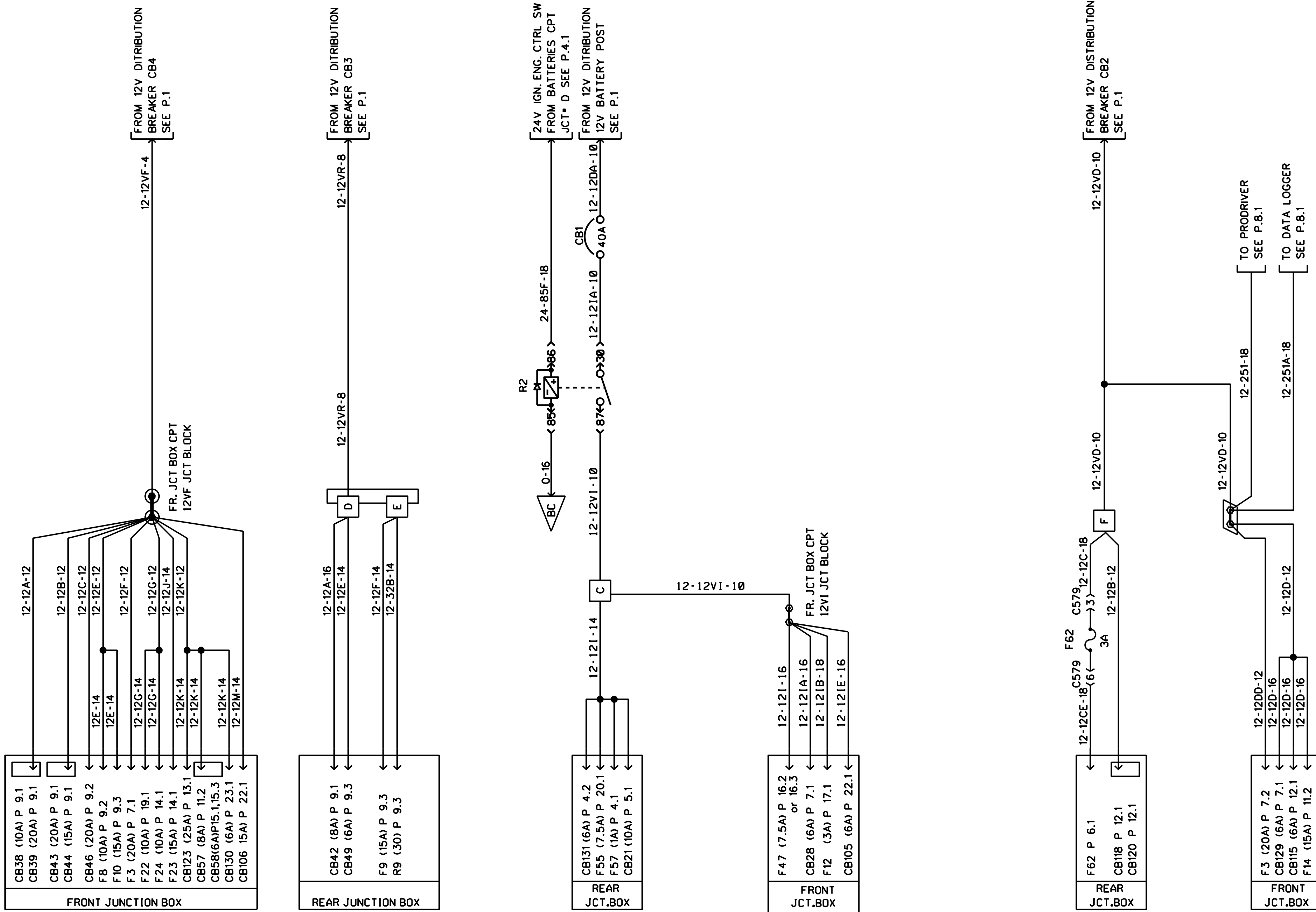
12V HOT WIRE

FROM 12V DITRIBUTION
BREAKER CB4
SEE P.1

FROM 12V DITRIBUTION
BREAKER CB3
SEE P.1

24V IGN. ENG. CTRL SW
FROM BATTERIES CPT
JCT* D SEE P.4.1
FROM 12V DITRIBUTION
12V BATTERY POST
SEE P.1

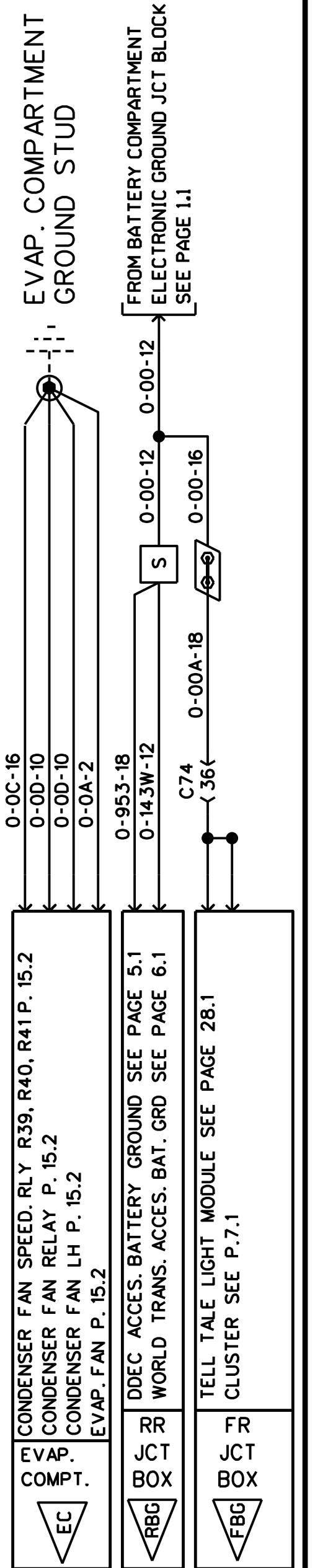
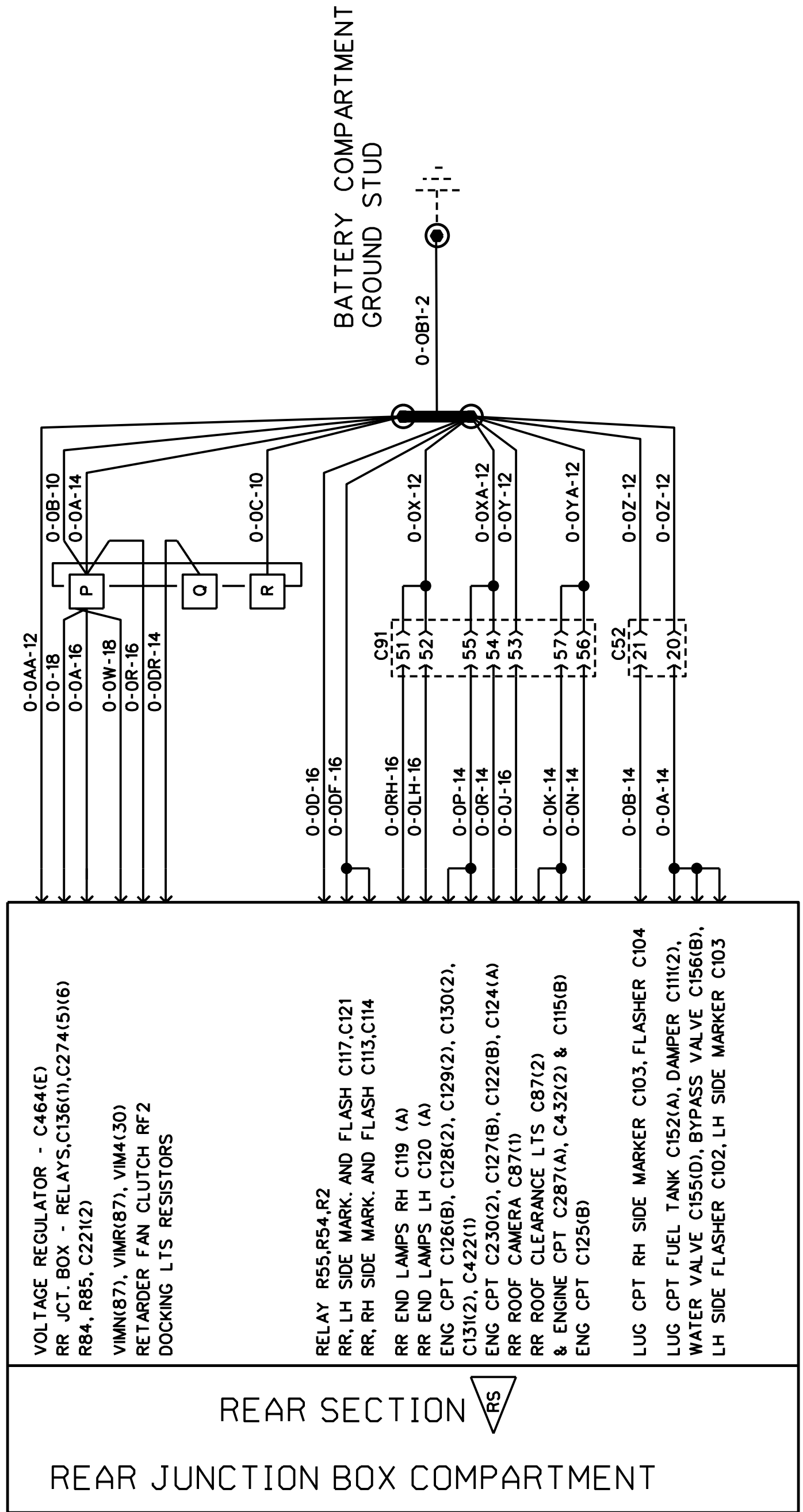
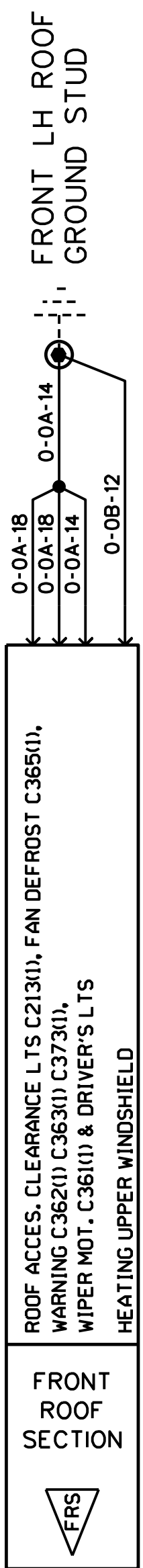
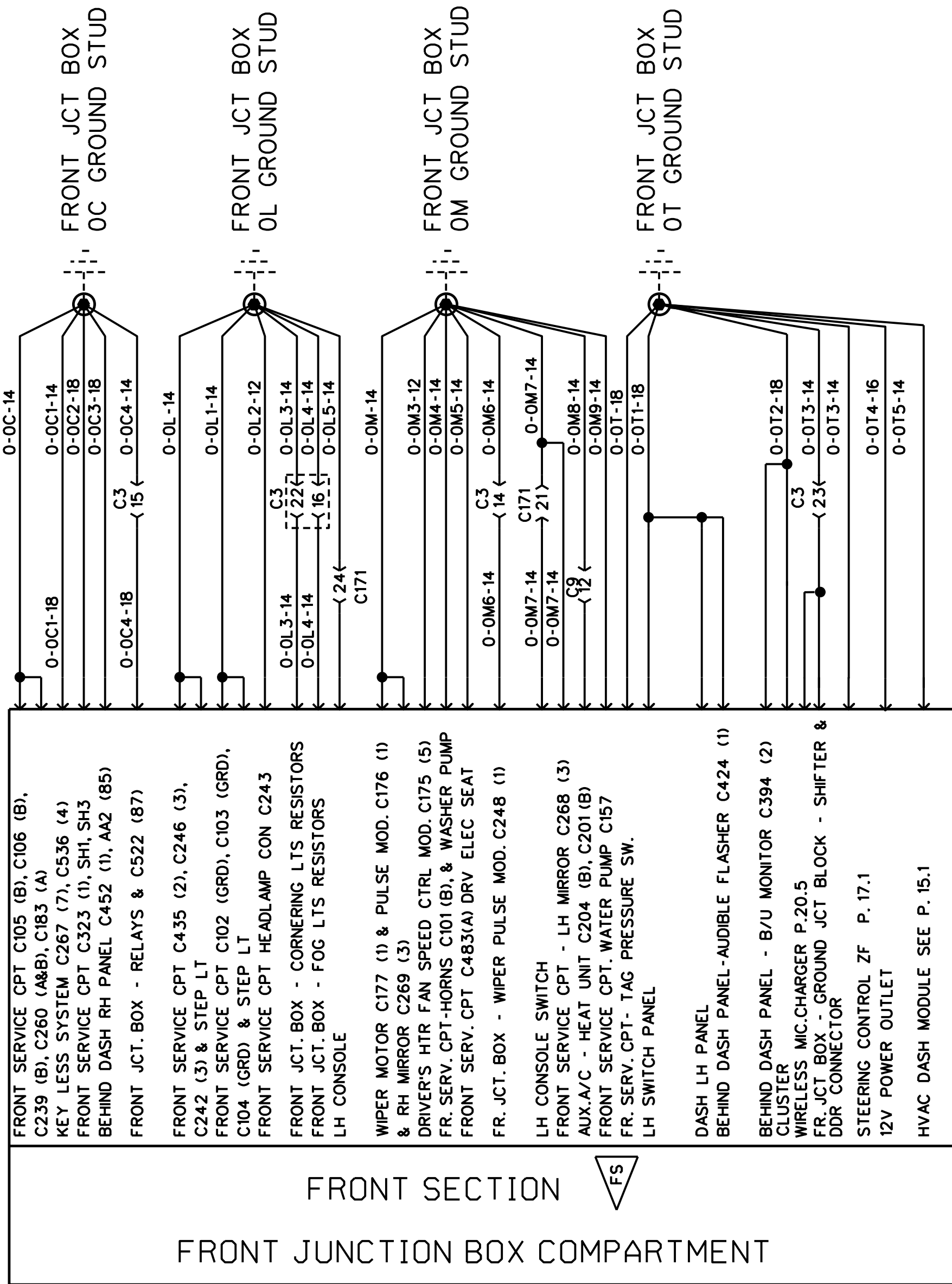
FROM 12V DITRIBUTION
BREAKER CB2
SEE P.1

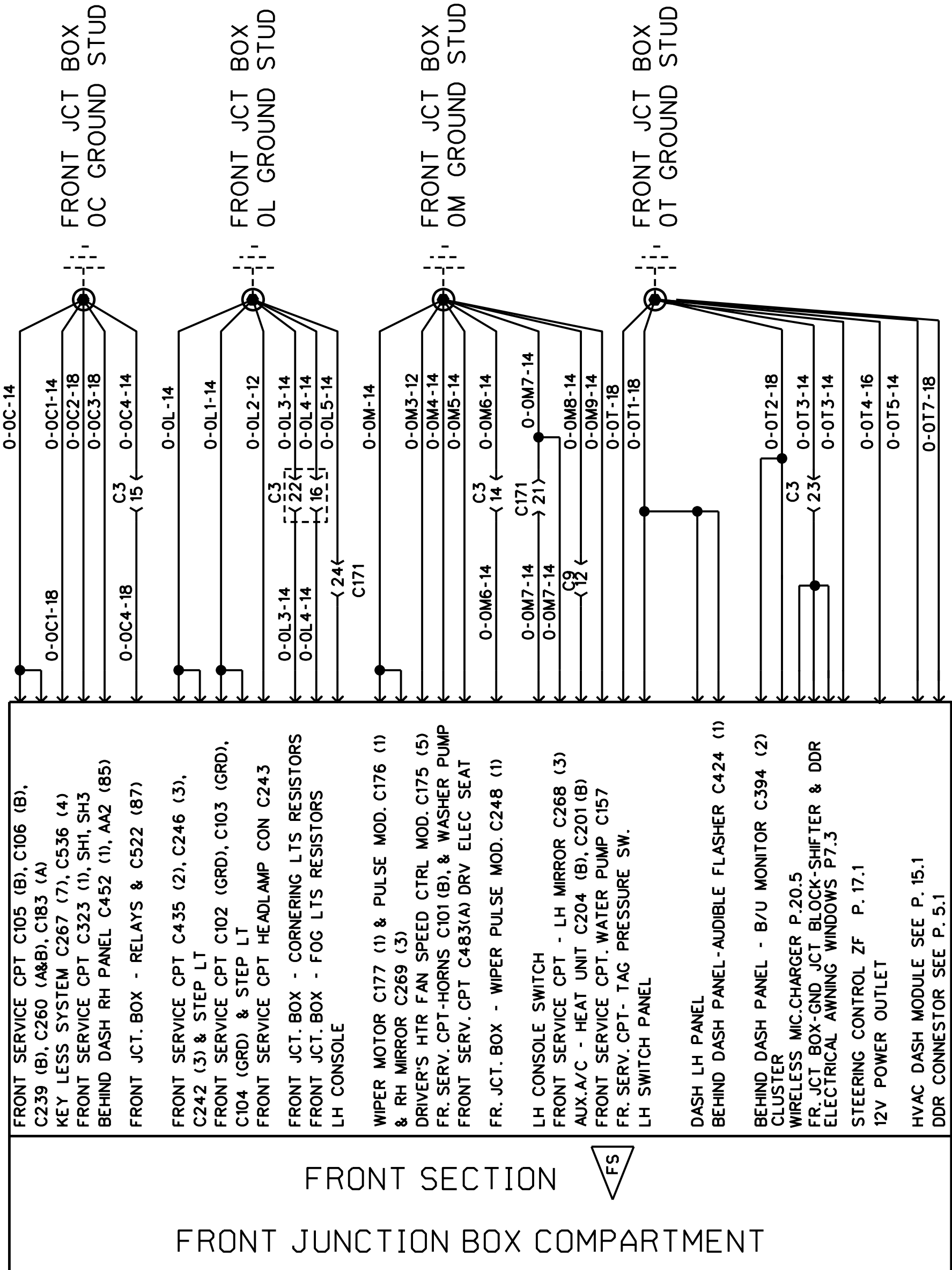


12V BATT. DISCONN. SW.

12V IGNITION

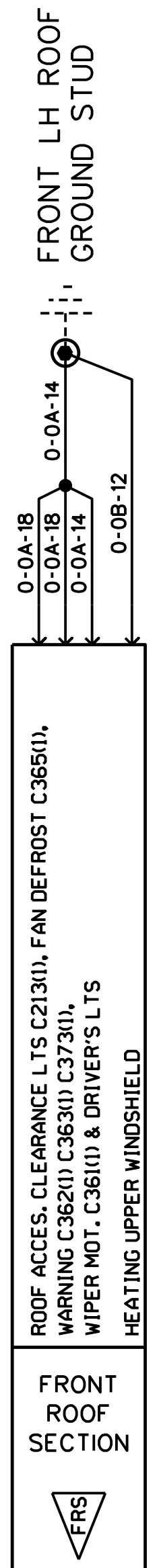
12V HOT WIRE



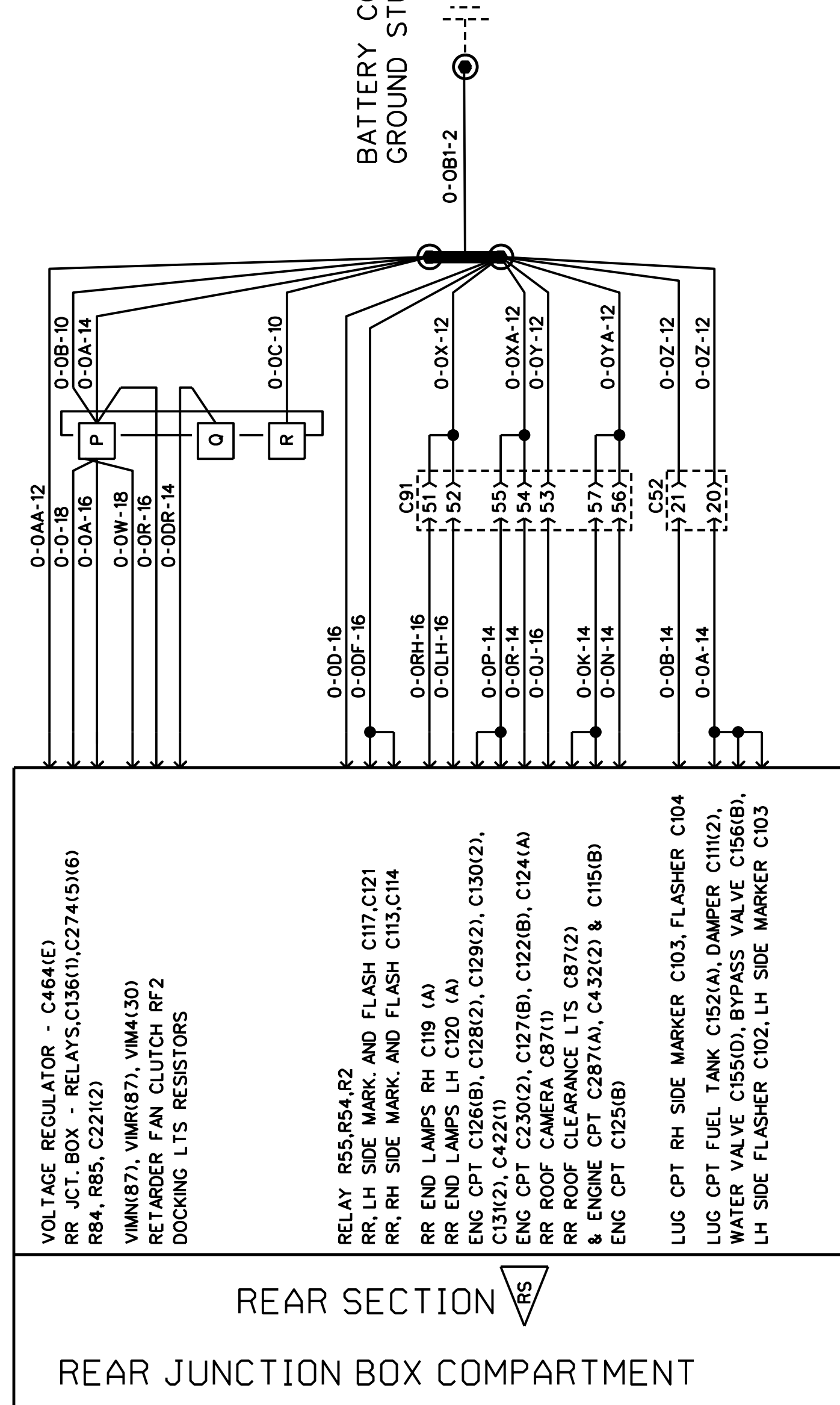


FRONT SECTION

FRONT JUNCTION BOX COMPARTMENT

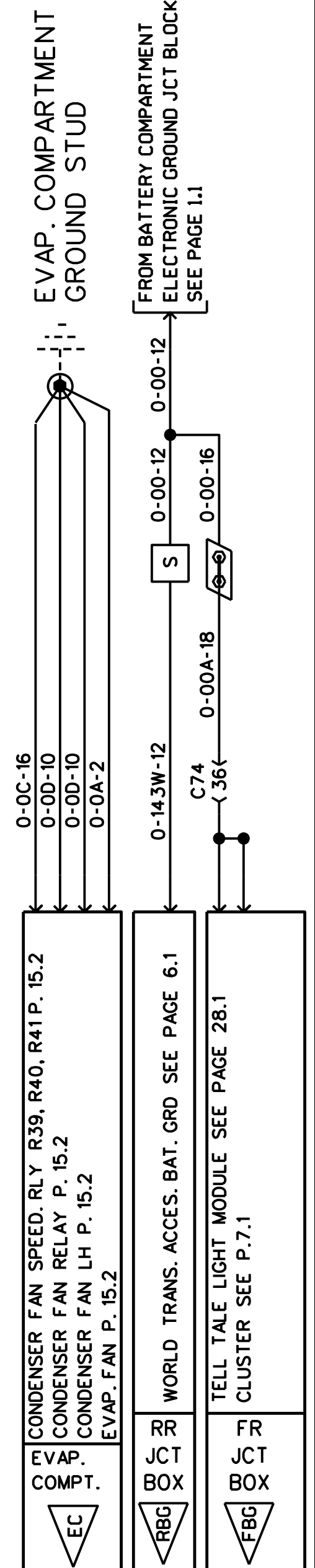


FRONT ROOF SECTION



REAR SECTION

REAR JUNCTION BOX COMPARTMENT



EVAP. COMP. SECTION

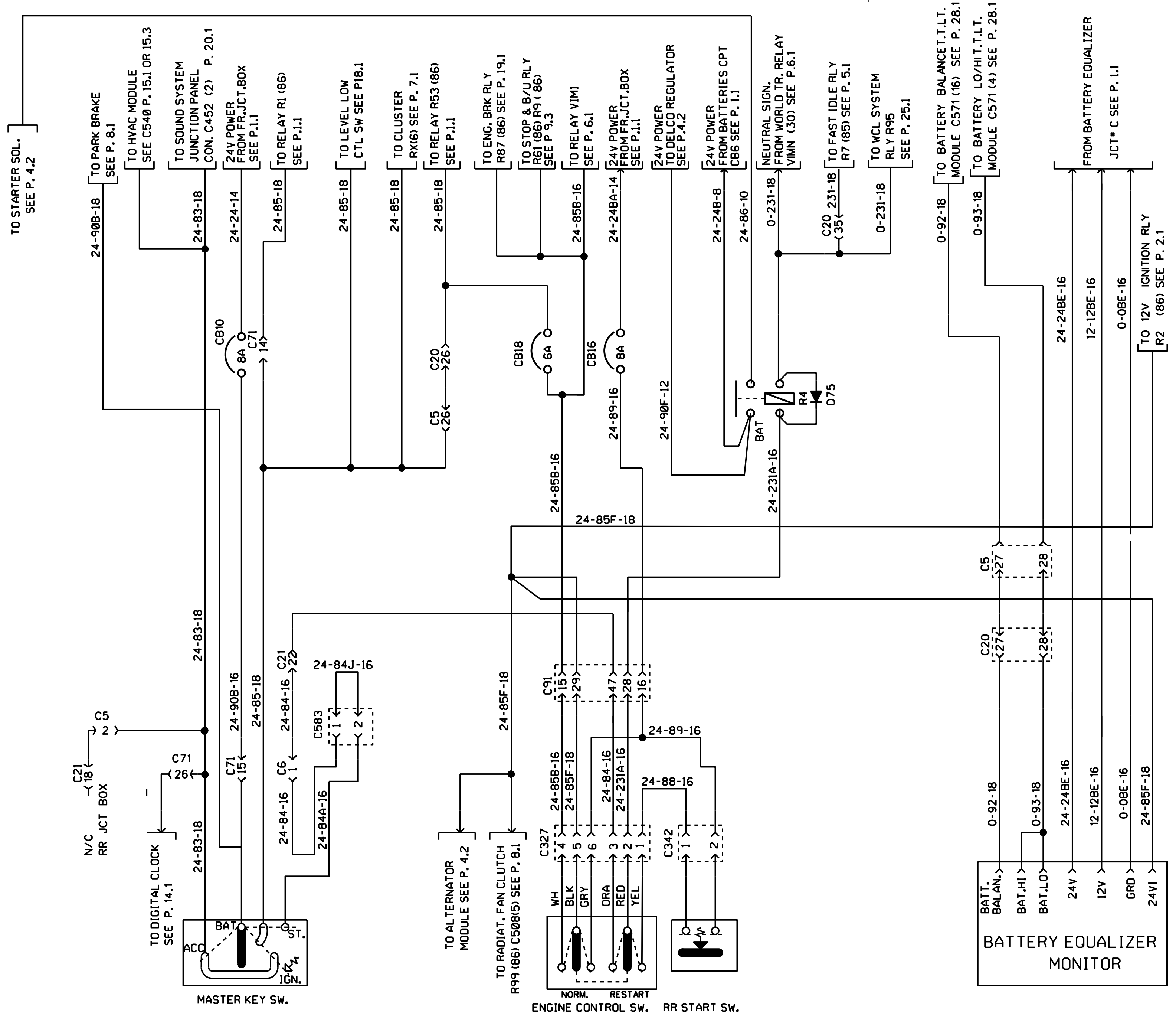
EVAP. COMPARTMENT

RR JCT BOX SECTION

RR JCT BOX SECTION

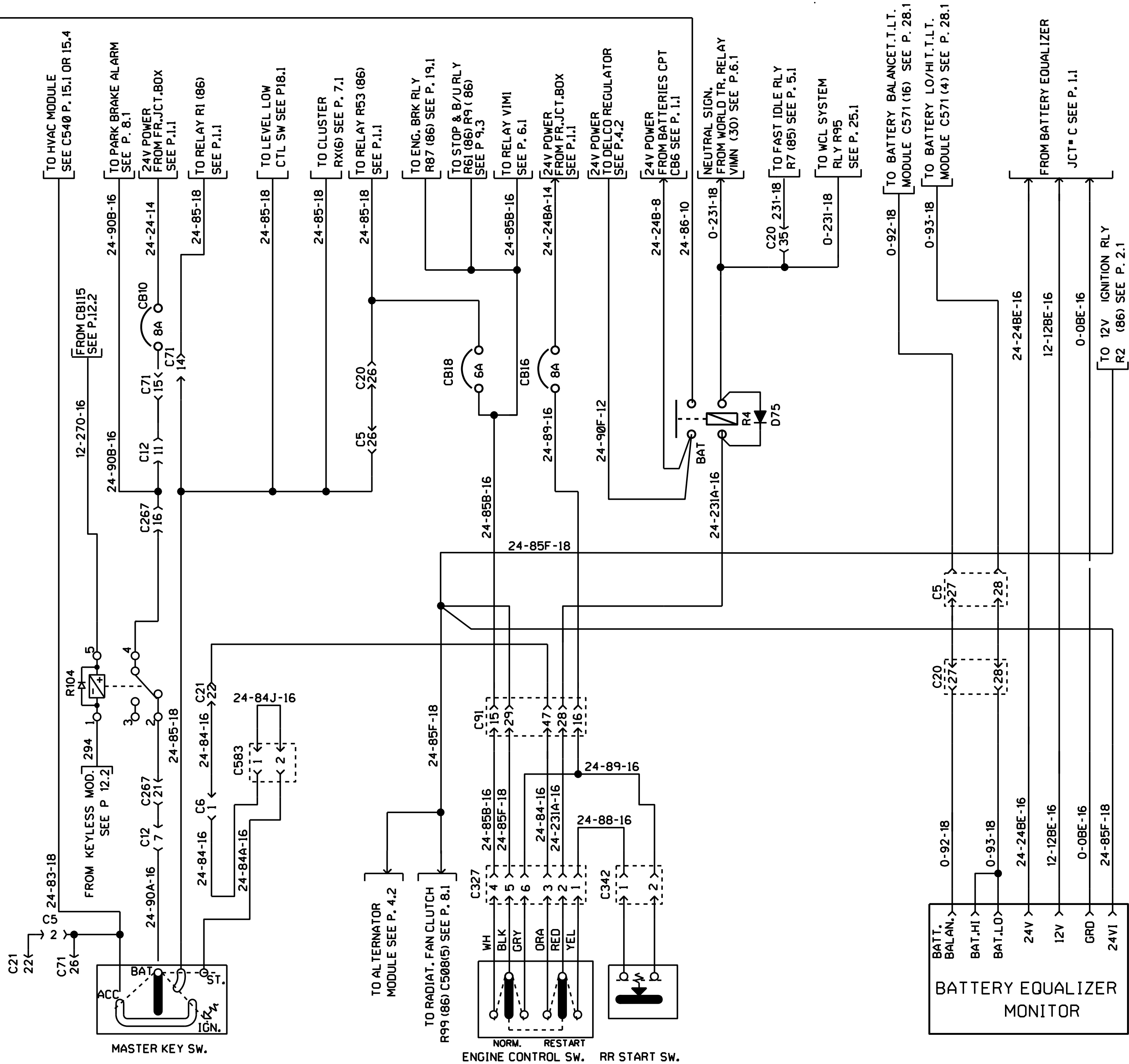
BATTERY GROUND

CHASSIS GROUND

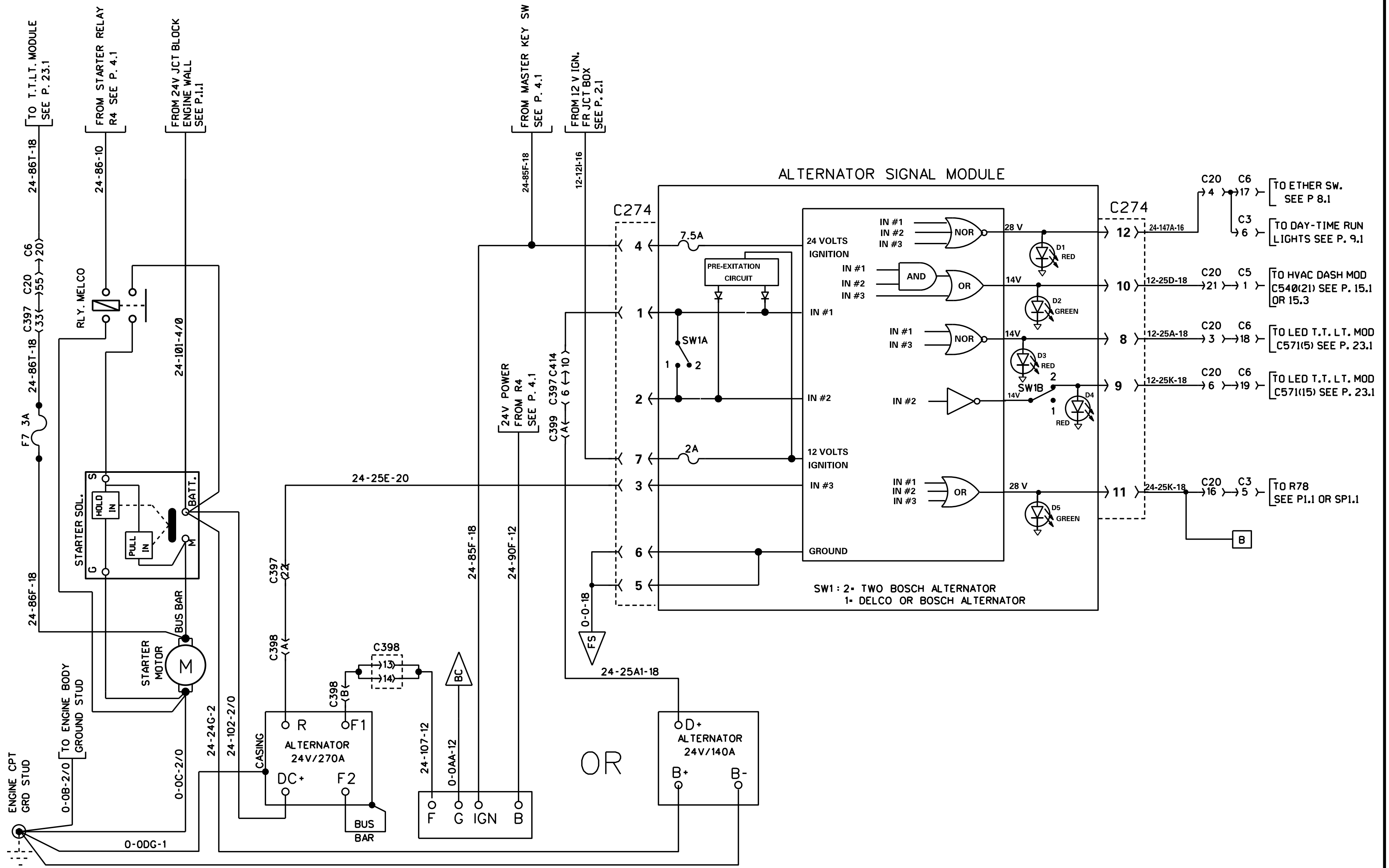


ENGINE CONTROL

TO STARTER SOL.
SEE P. 4.2

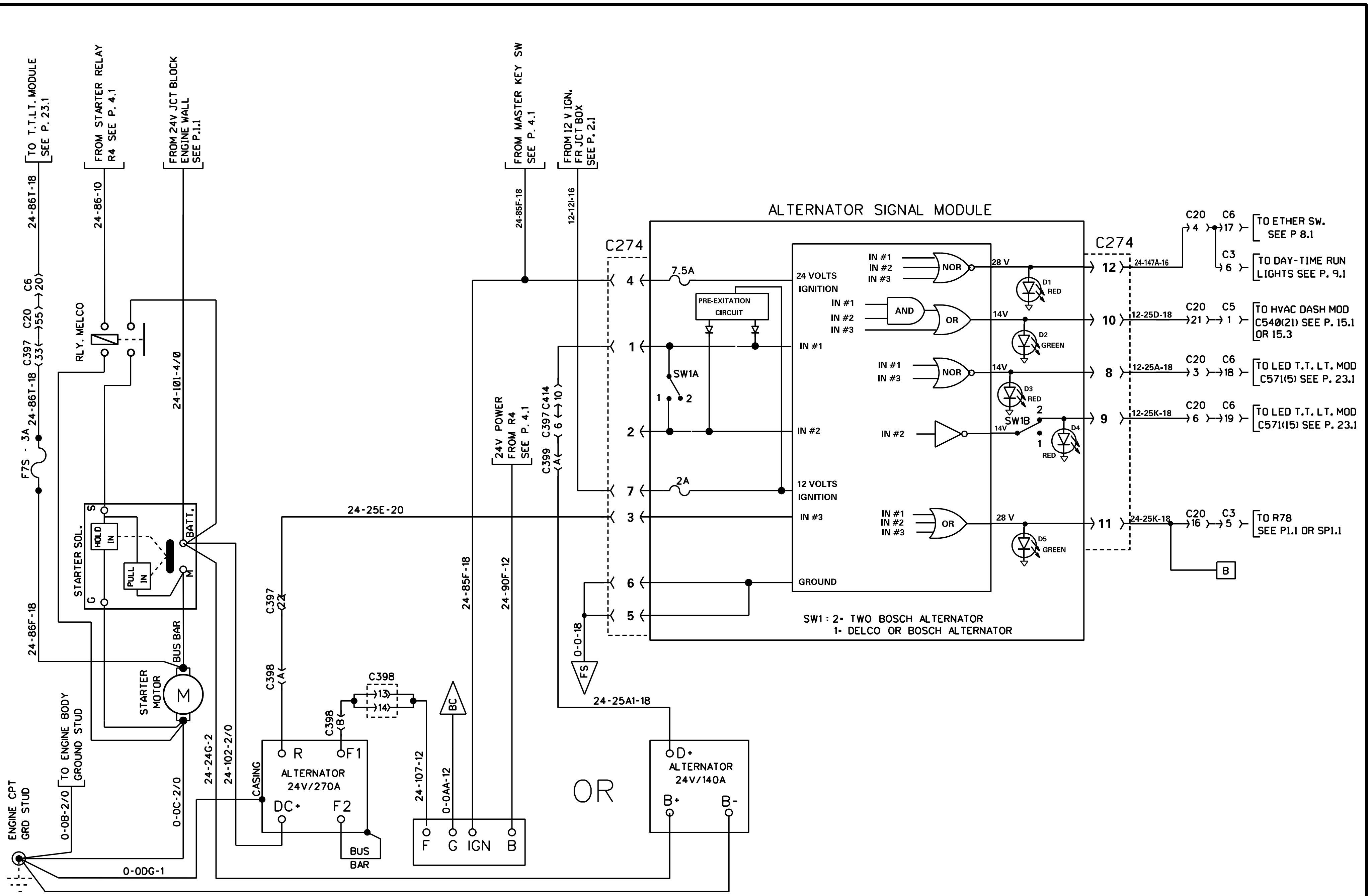


ENGINE CONTROL



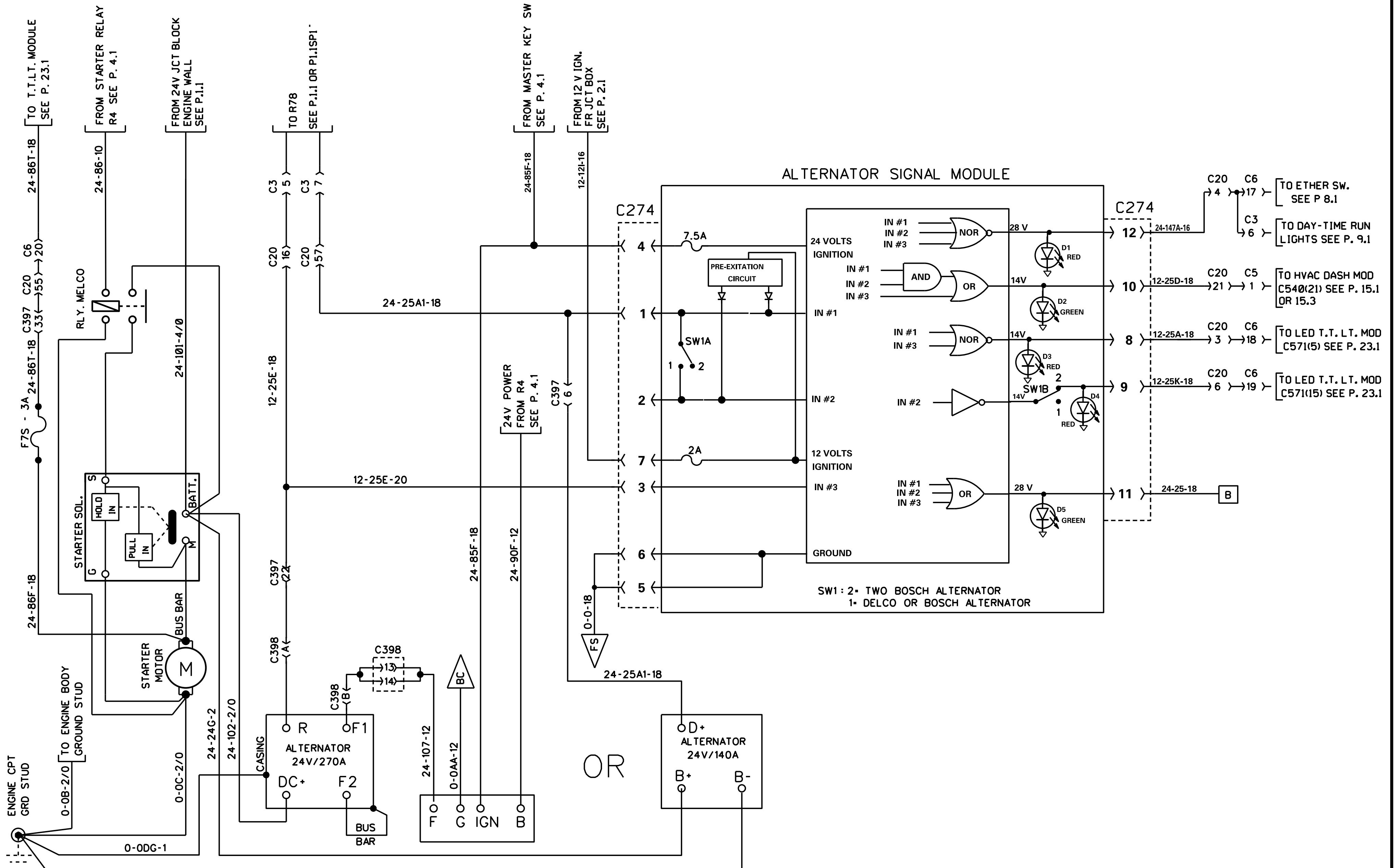
DELCO ALTERNATOR
24V/270A WITH FULL AIR

BOSCH ALTERNATOR
24V/140A WITH DRIVER'S AIR



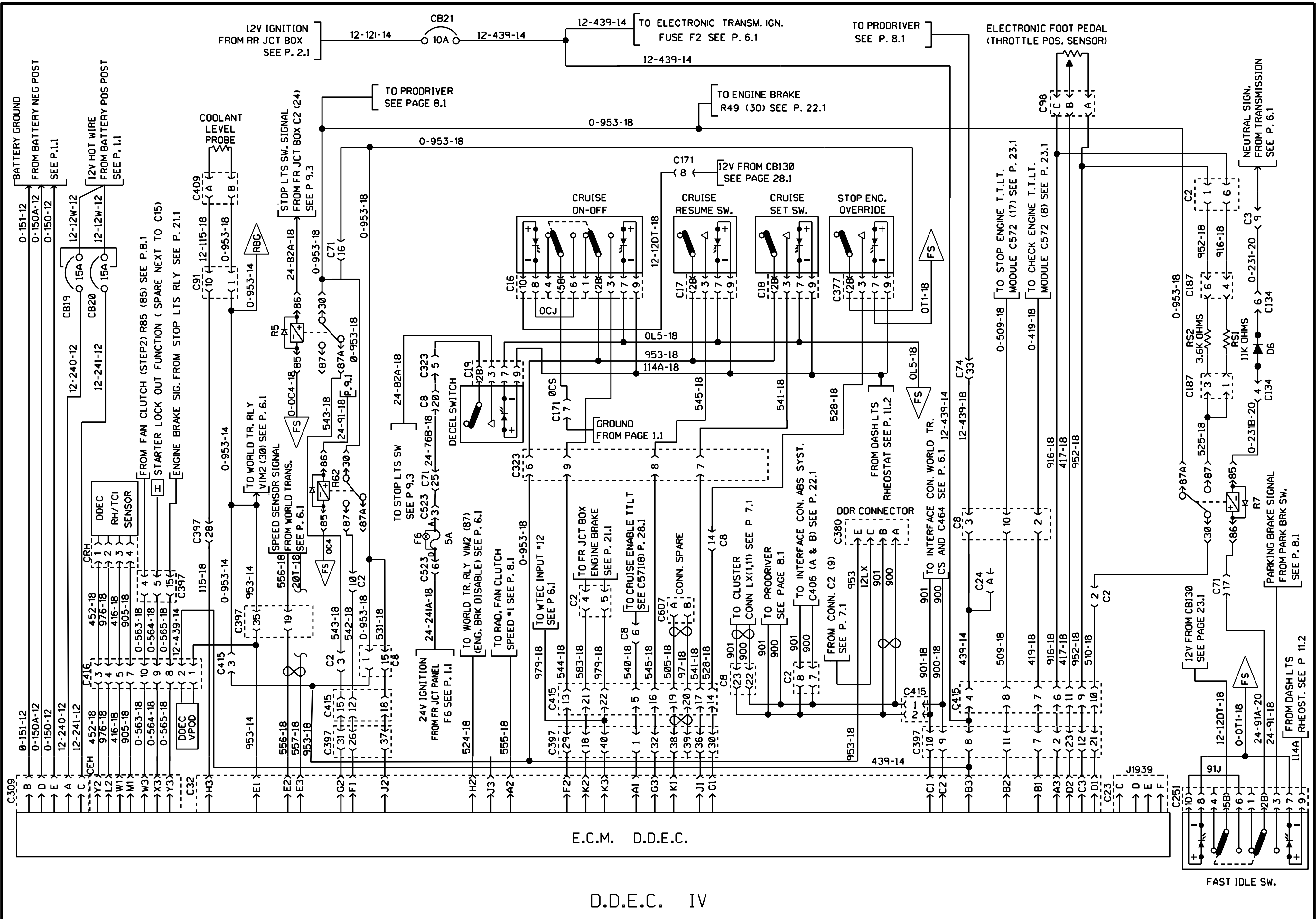
DELCO ALTERNATOR
24V/270A WITH FULL AIR

BOSCH ALTERNATOR
24V/140A WITH DRIVER'S AIR



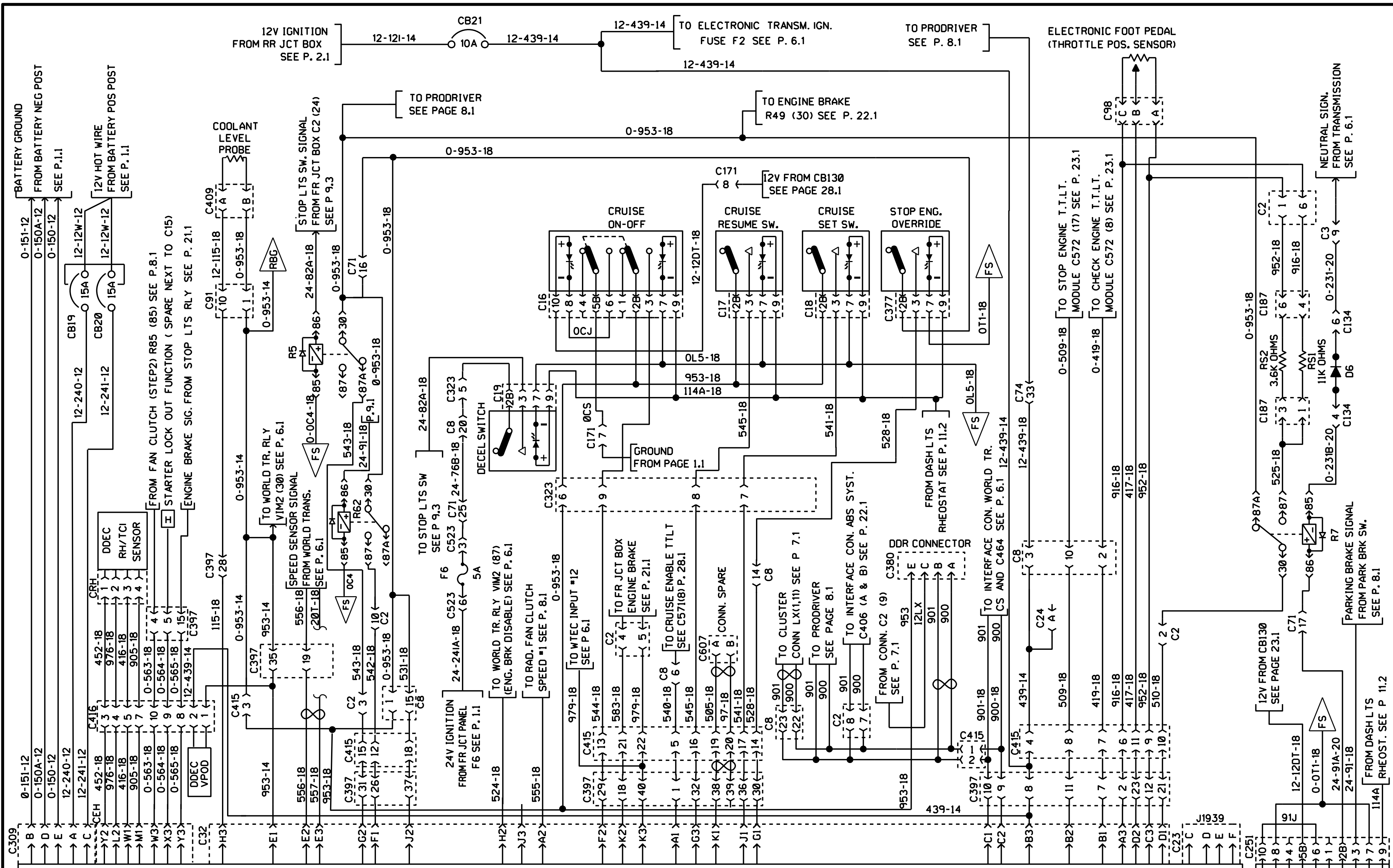
DELCO ALTERNATOR
24V/270A WITH FULL AIR

BOSCH ALTERNATOR
24V/140A WITH DRIVER'S AIR



E.C.M. D.D.E.C.

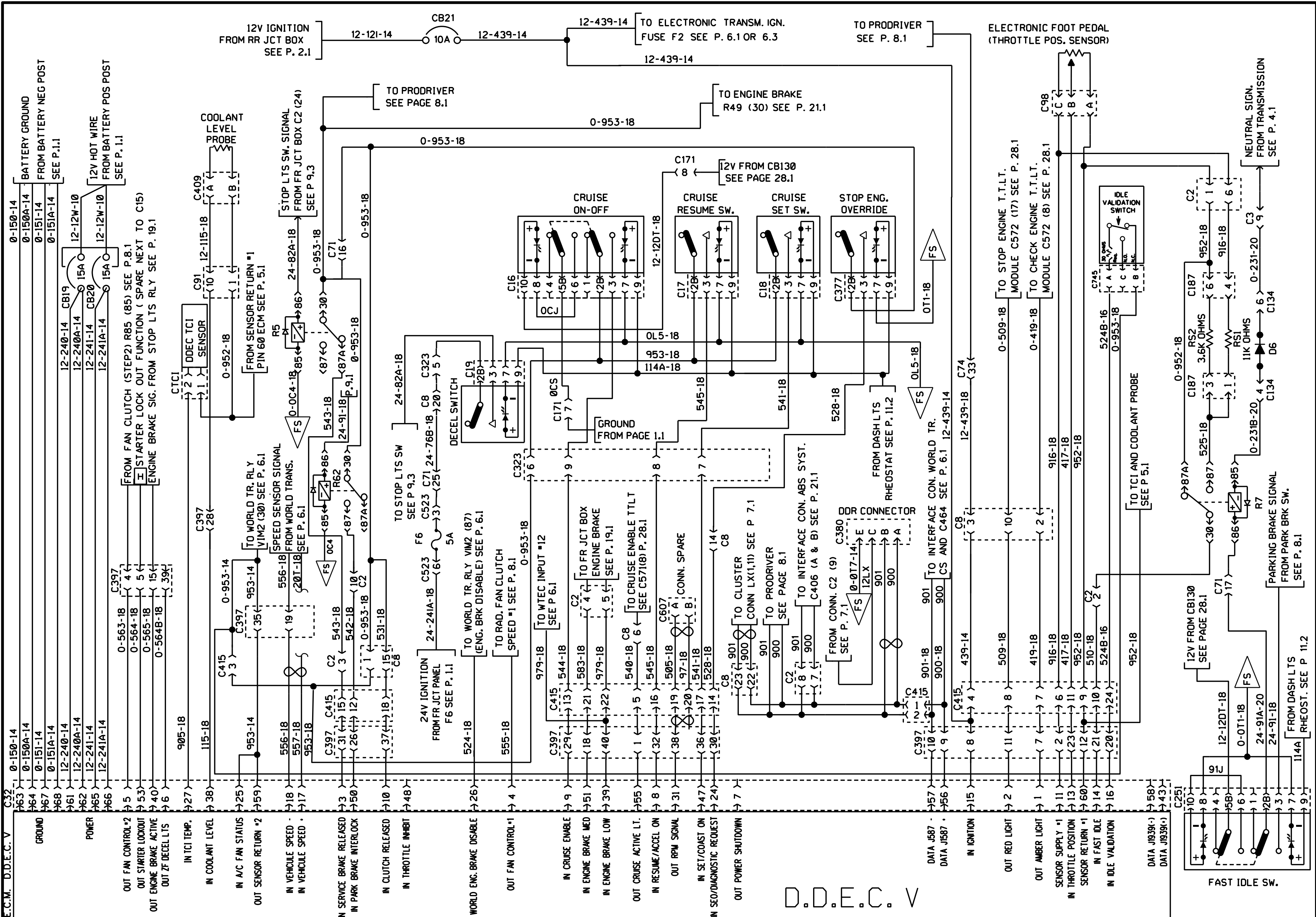
D.D.E.C. IV



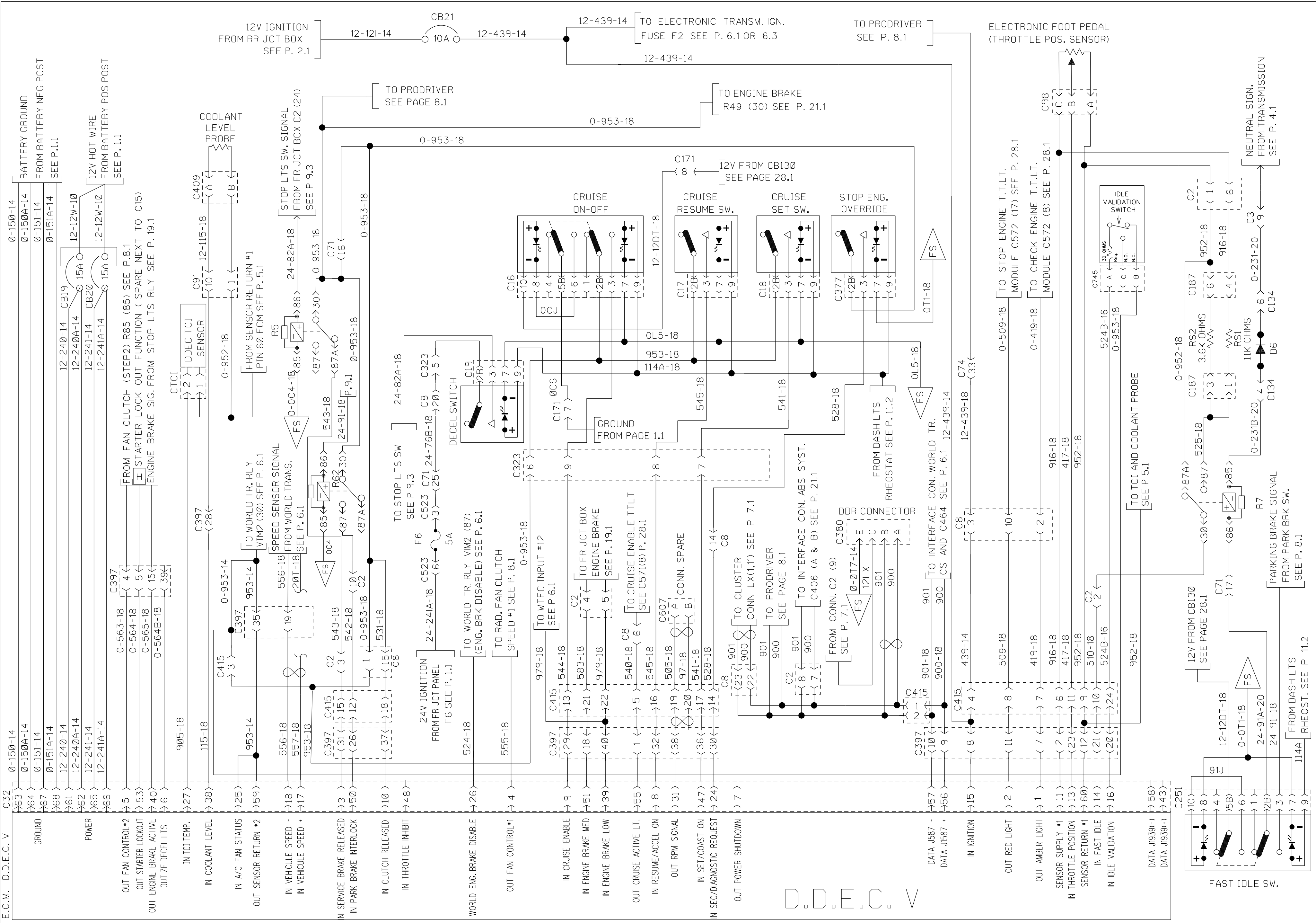
E.C.M. D.D.E.C.

D.D.E.C. IV

E.C.M. D.D.E.C.V

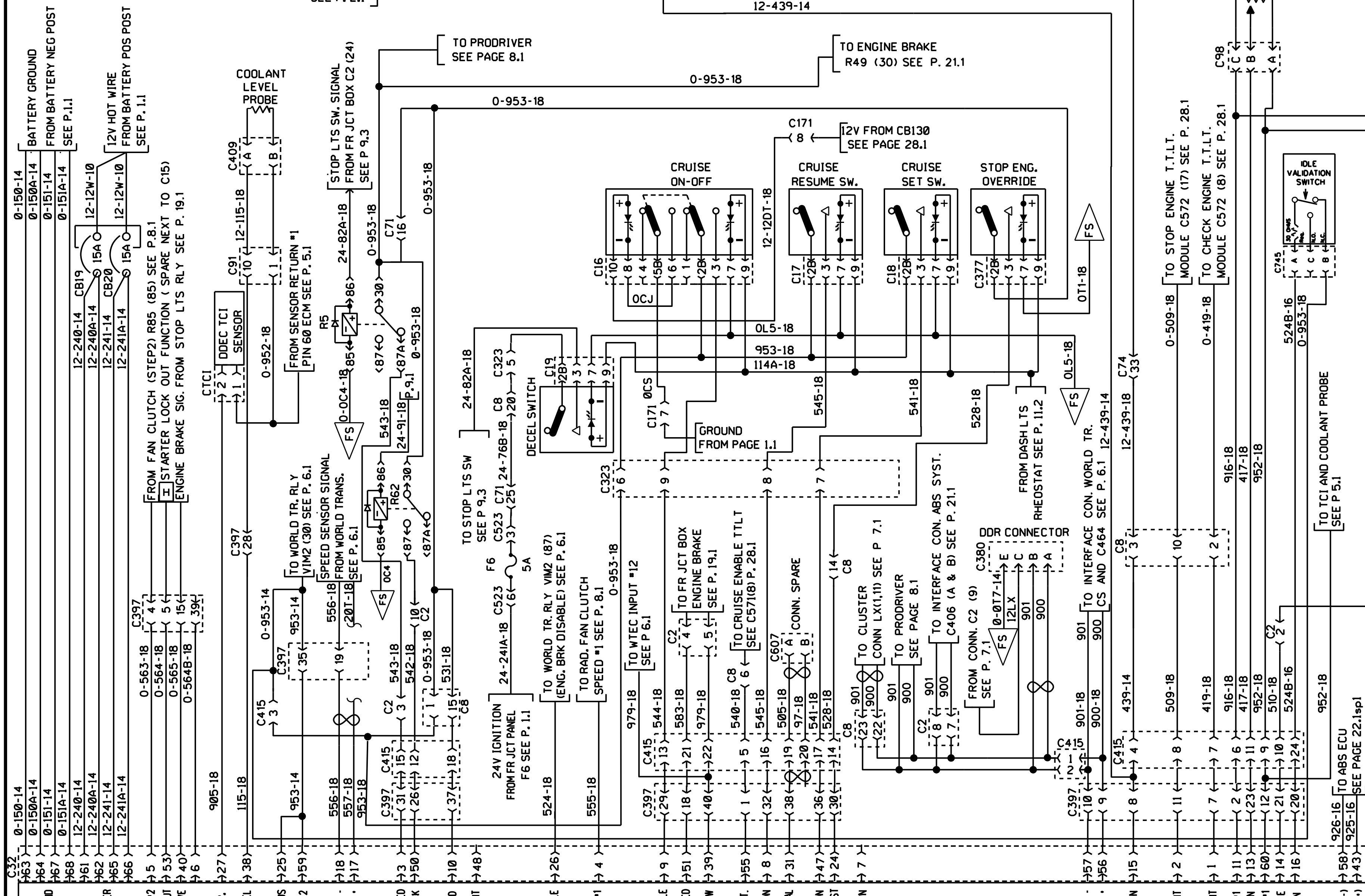


D.D.E.C.V

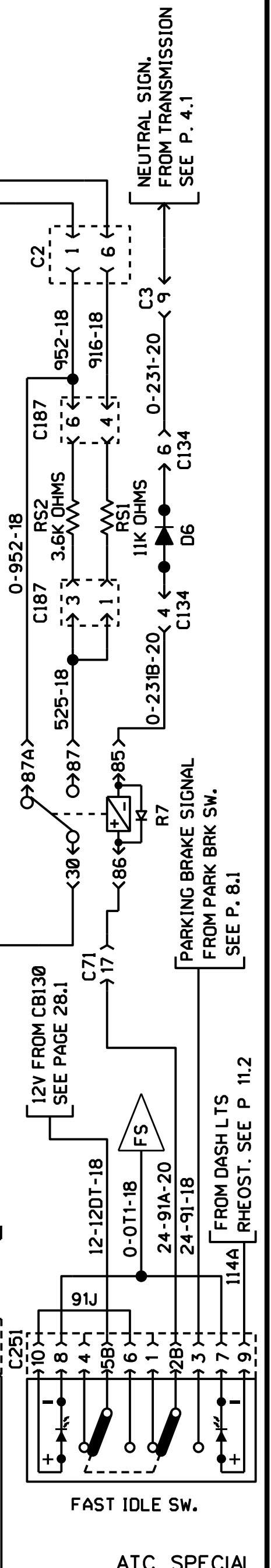


E.C.M. D.D.E.C.V

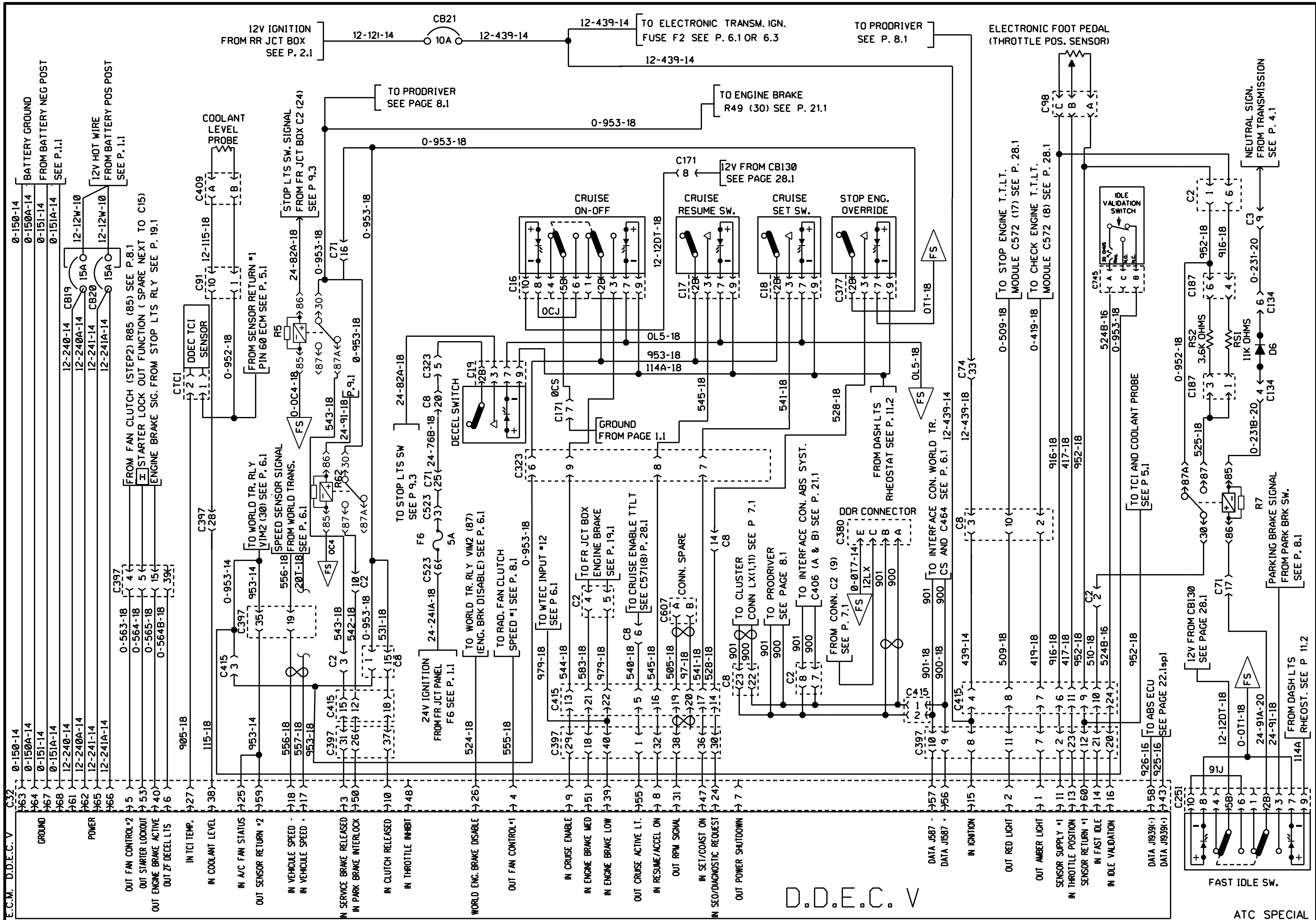
GROUND	POWER	OUT FAN CONTROL #2	IN COOLANT LEVEL	IN A/C FAN STATUS	OUT SENSOR RETURN #2	IN VEHICLE SPEED	IN VEHICLE SPEED	IN SERVICE BRAKE RELEASED	IN PARK BRAKE INTERLOCK	IN CLUTCH RELEASED	IN THROTTLE INHIBIT	WORLD ENG. BRAKE DISABLE	OUT FAN CONTROL #1	IN CRUISE ENABLE	IN ENGINE BRAKE MED	IN ENGINE BRAKE LOW	OUT CRUISE ACTIVE LT.	IN RESUME/ACCEL ON	OUT RPM SIGNAL	IN SET/COAST ON	IN SER/DIAGNOSTIC REQUEST	OUT POWER SHUTDOWN	DATA J587	DATA J587	IN IGNITION	OUT RED LIGHT	OUT AMBER LIGHT	SENSOR SUPPLY #1	IN THROTTLE POSITION	SENSOR RETURN #1	IN FAST IDLE	IN IDLE VALIDATION	DATA J1939(-)	DATA J1939(+)
--------	-------	--------------------	------------------	-------------------	----------------------	------------------	------------------	---------------------------	-------------------------	--------------------	---------------------	--------------------------	--------------------	------------------	---------------------	---------------------	-----------------------	--------------------	----------------	-----------------	---------------------------	--------------------	-----------	-----------	-------------	---------------	-----------------	------------------	----------------------	------------------	--------------	--------------------	---------------	---------------



D.D.E.C.V

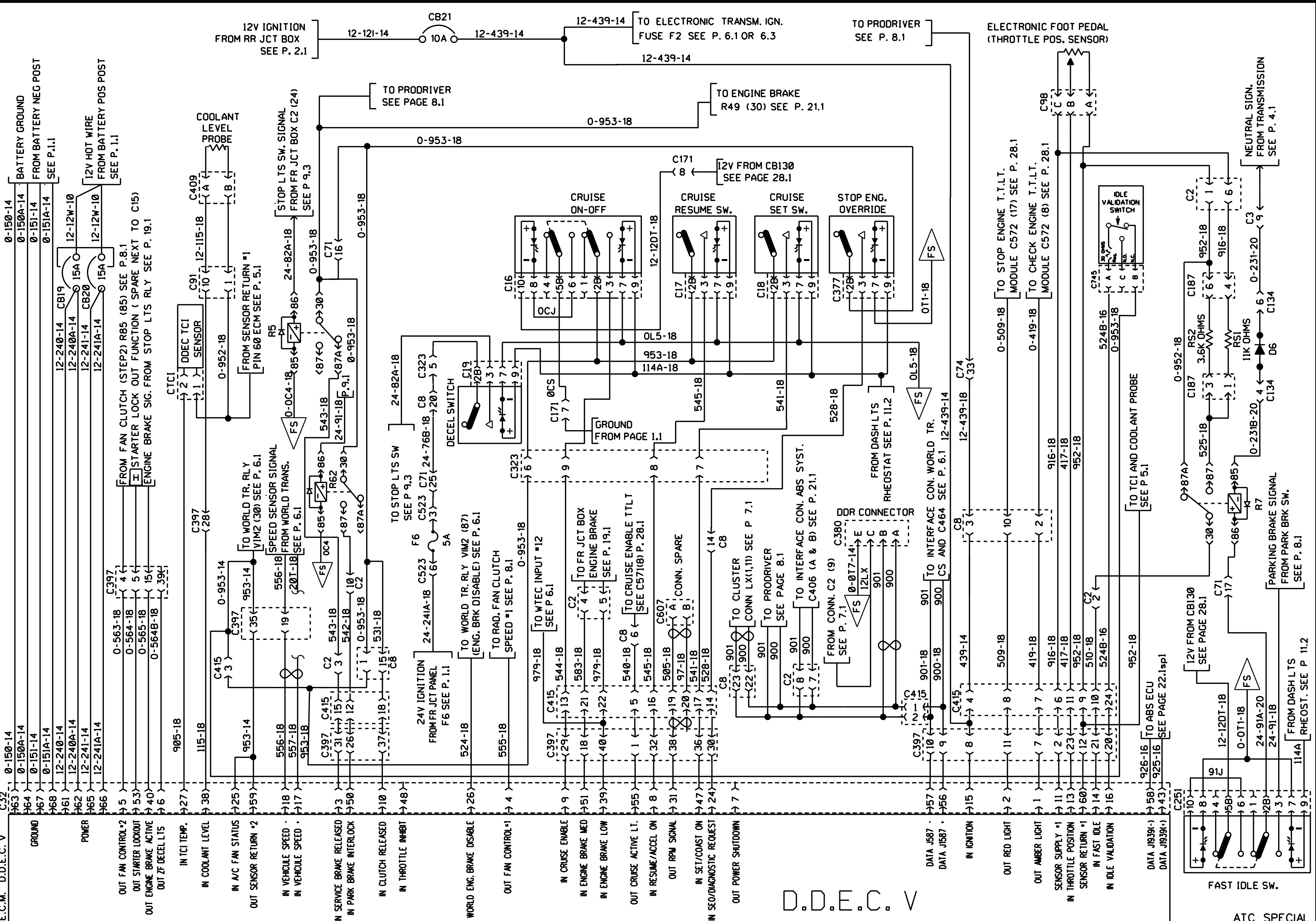


ATC SPECIAL



D.D.E.C. V

ATC SPECIAL



D.D.E.C. V

WORLD TRANSMISSION E.C.U.

PREVOST

WIRING DIAGRAM

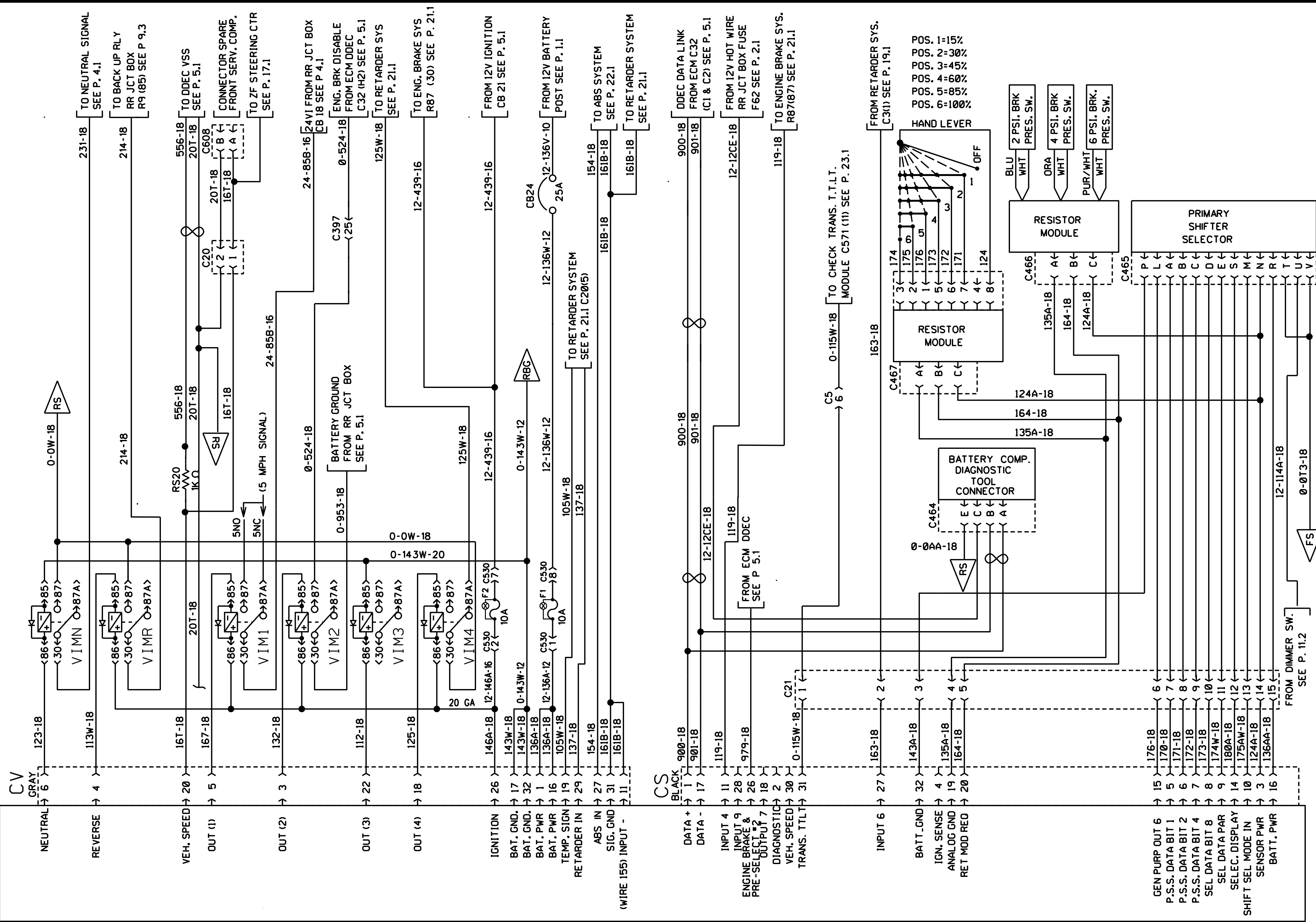
No:

0060978

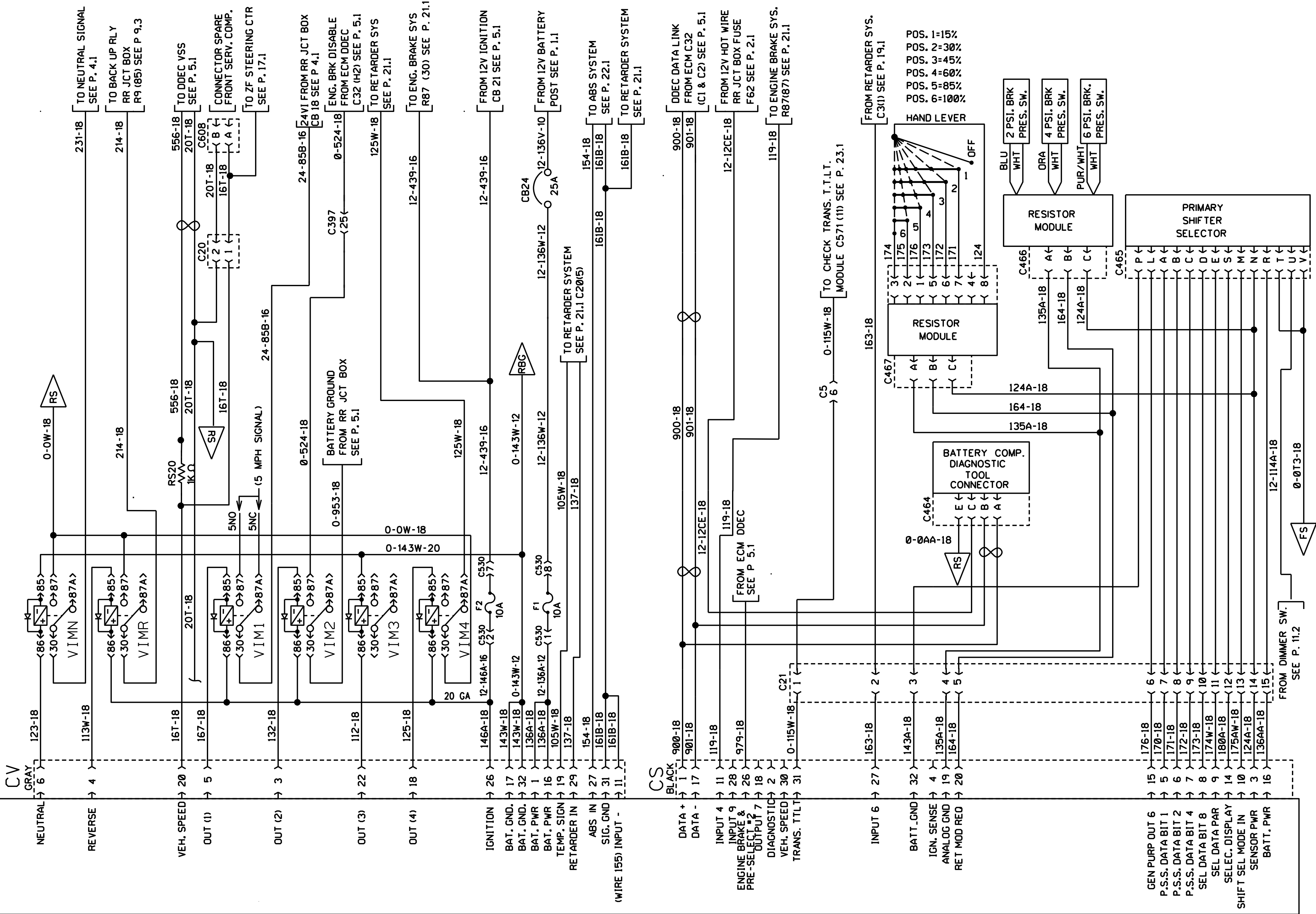
PAGE:

6.1

REVISION
00



CV



WORLD TRANSMISSION E.C.U.

PREVOST

WIRING DIAGRAM

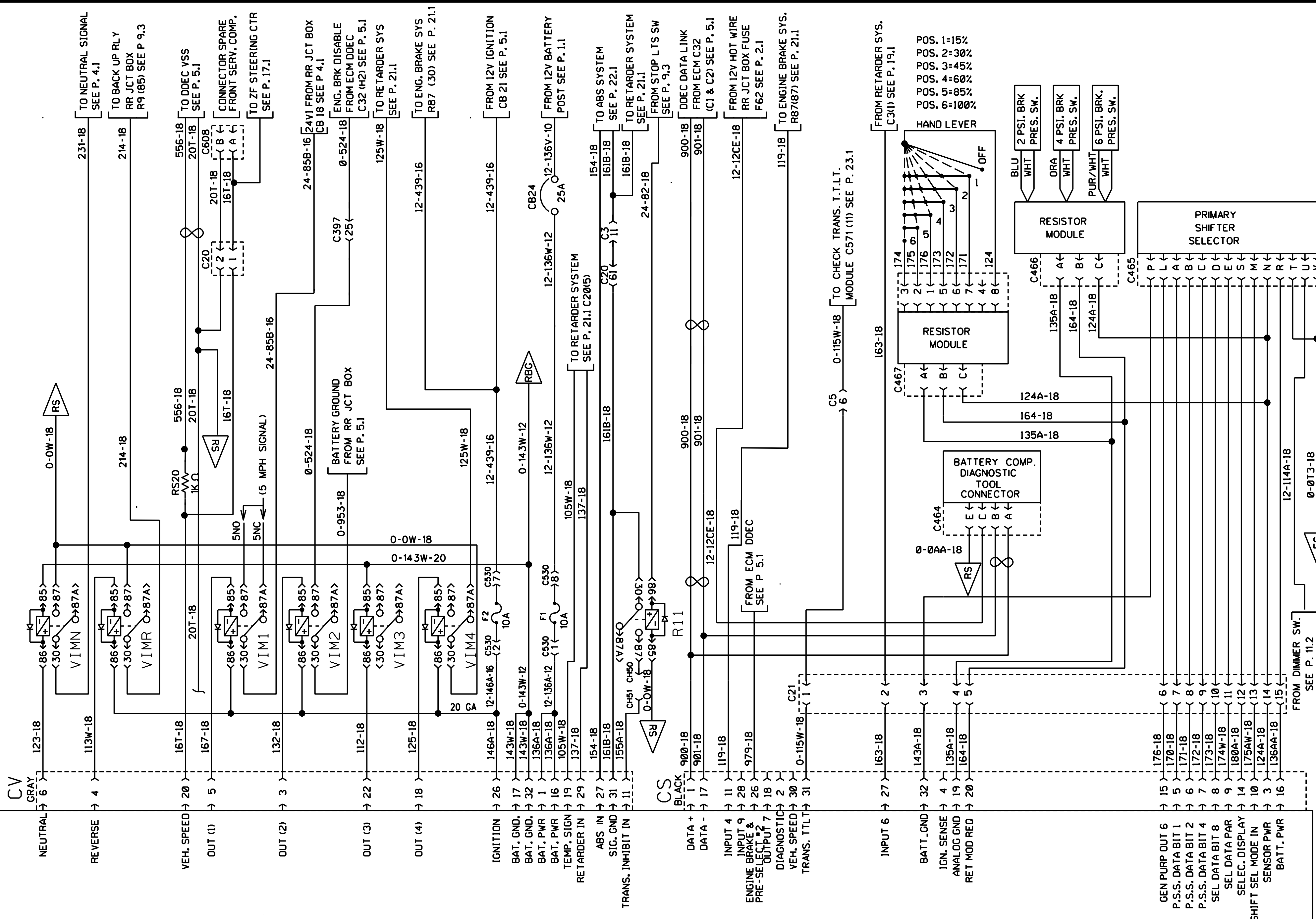
NO:

0060978

PAGE:

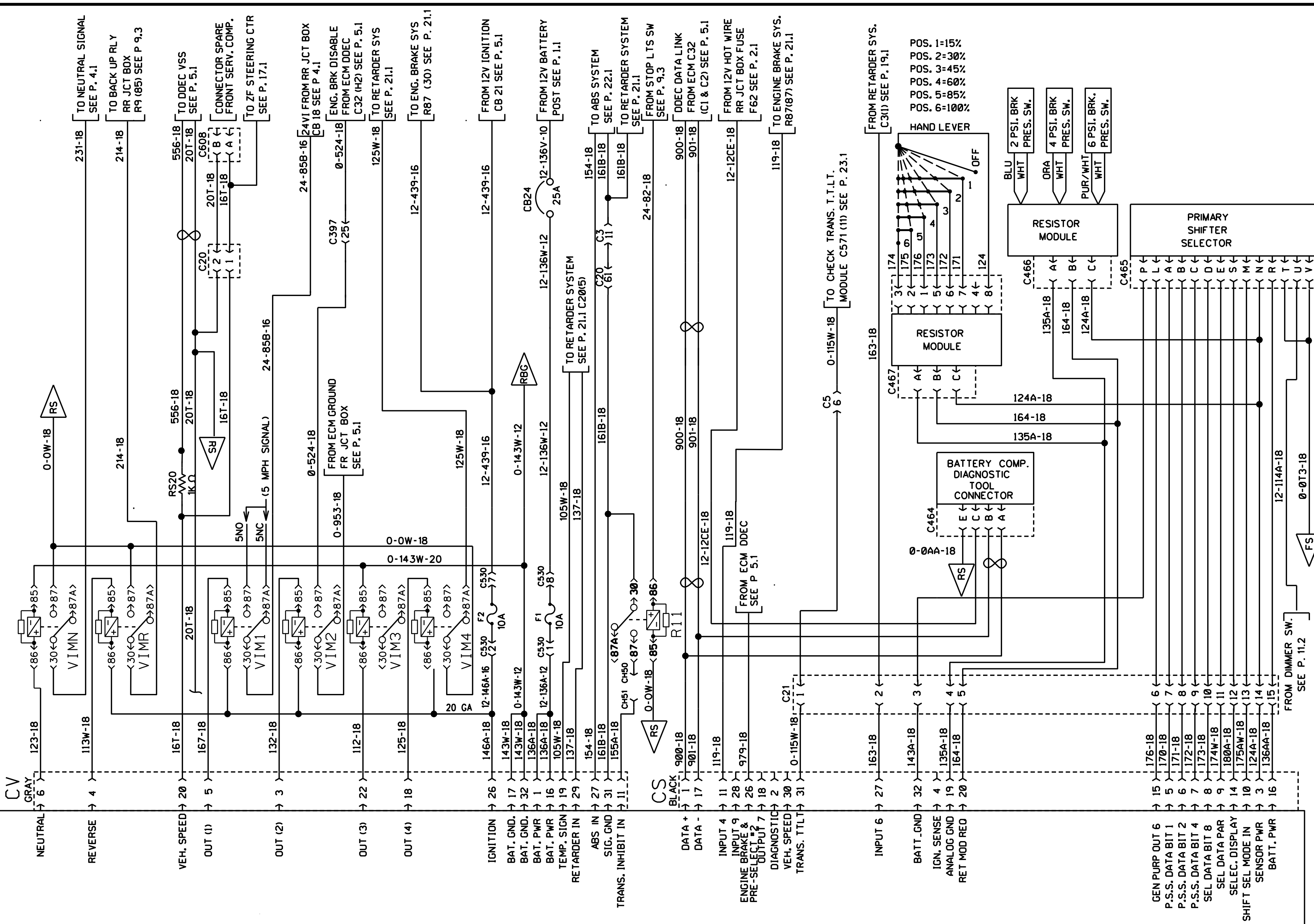
6.1

REVISION 02



WORLD TRANSMISSION E.C.U.

CV



WORLD TRANSMISSION E.C.U.

PREVOST

WIRING DIAGRAM

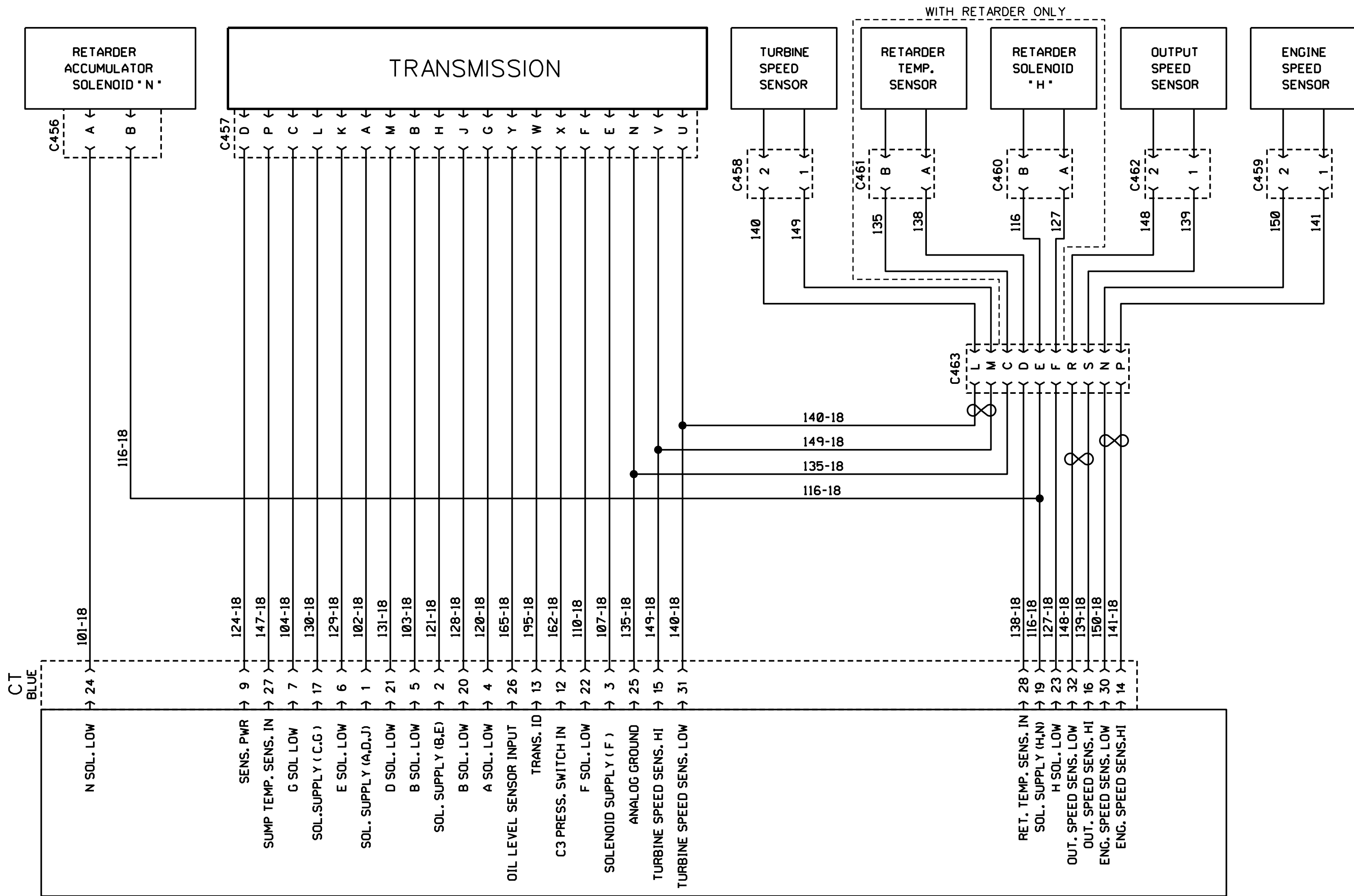
NO:

0060978

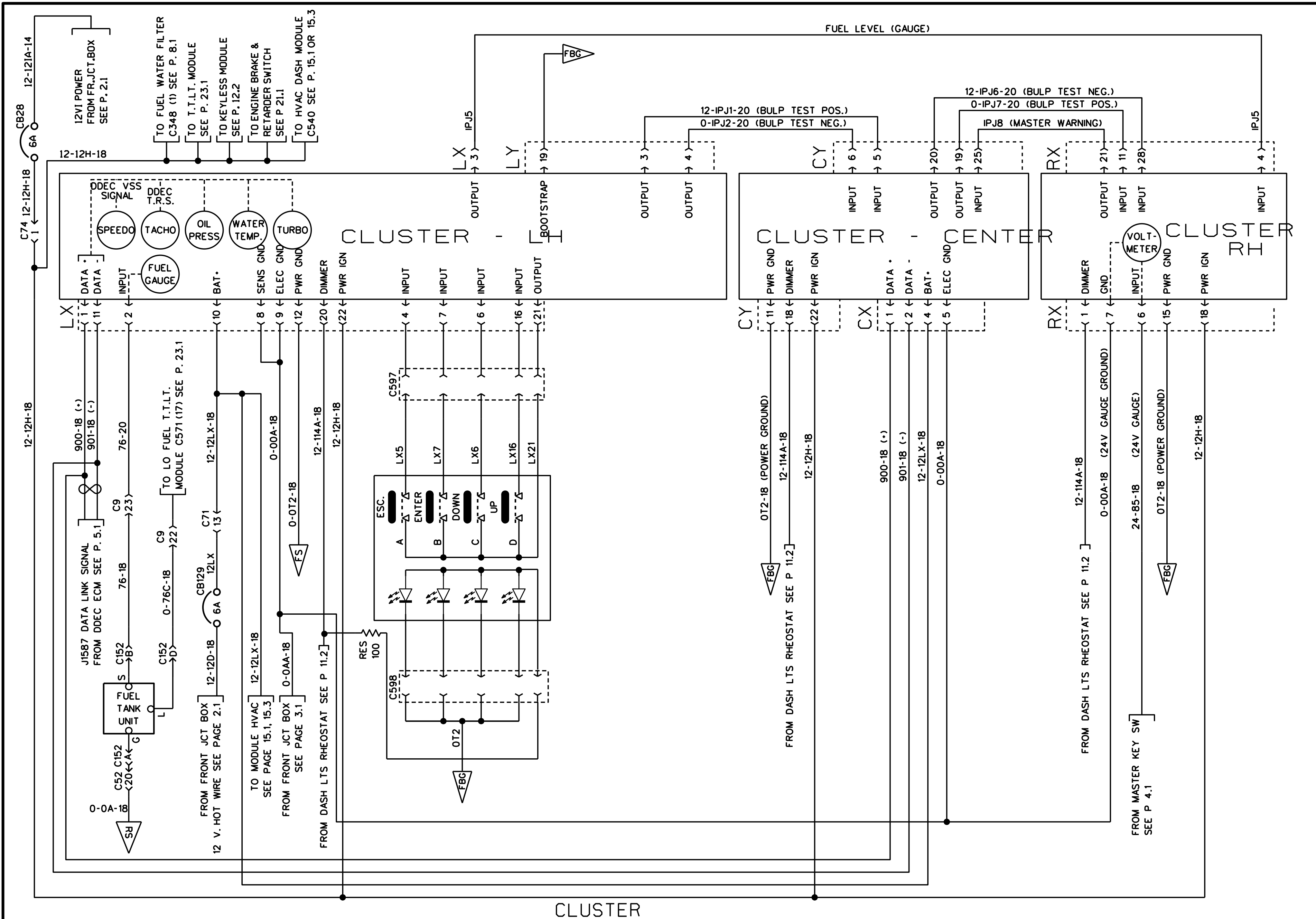
PAGE:

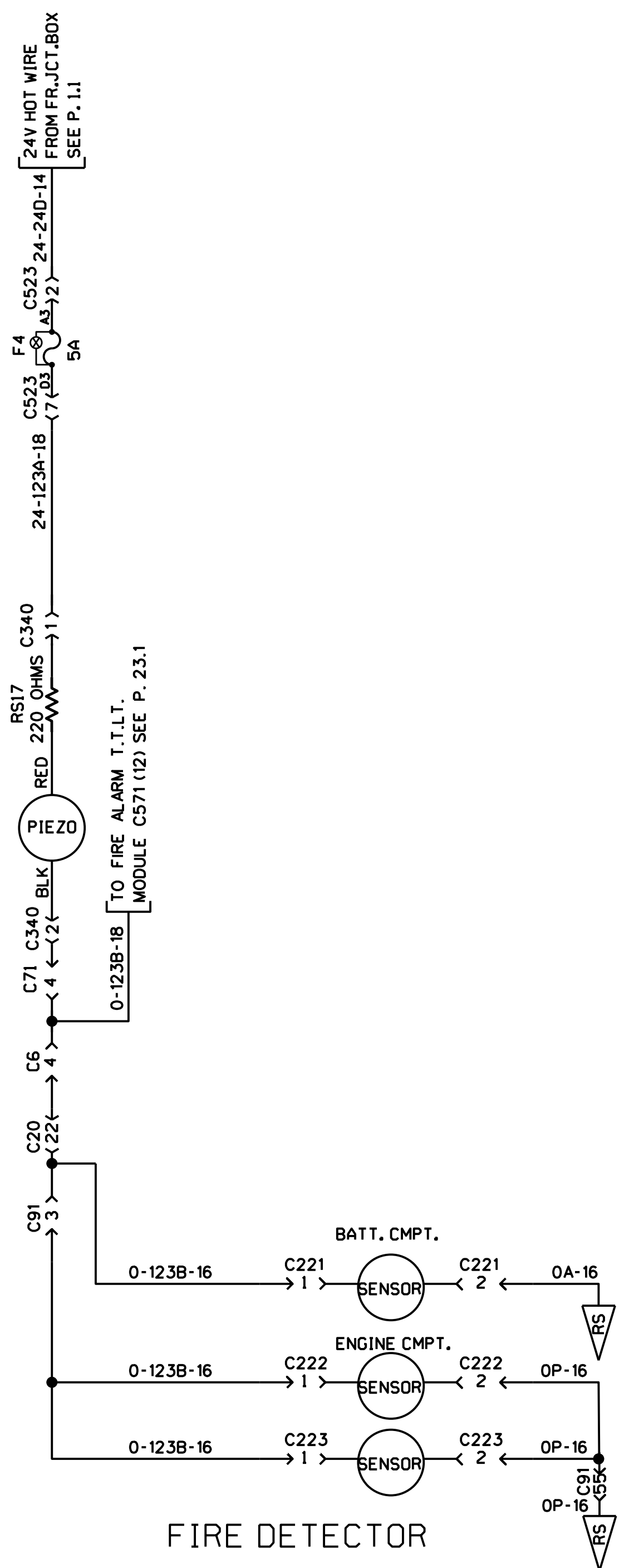
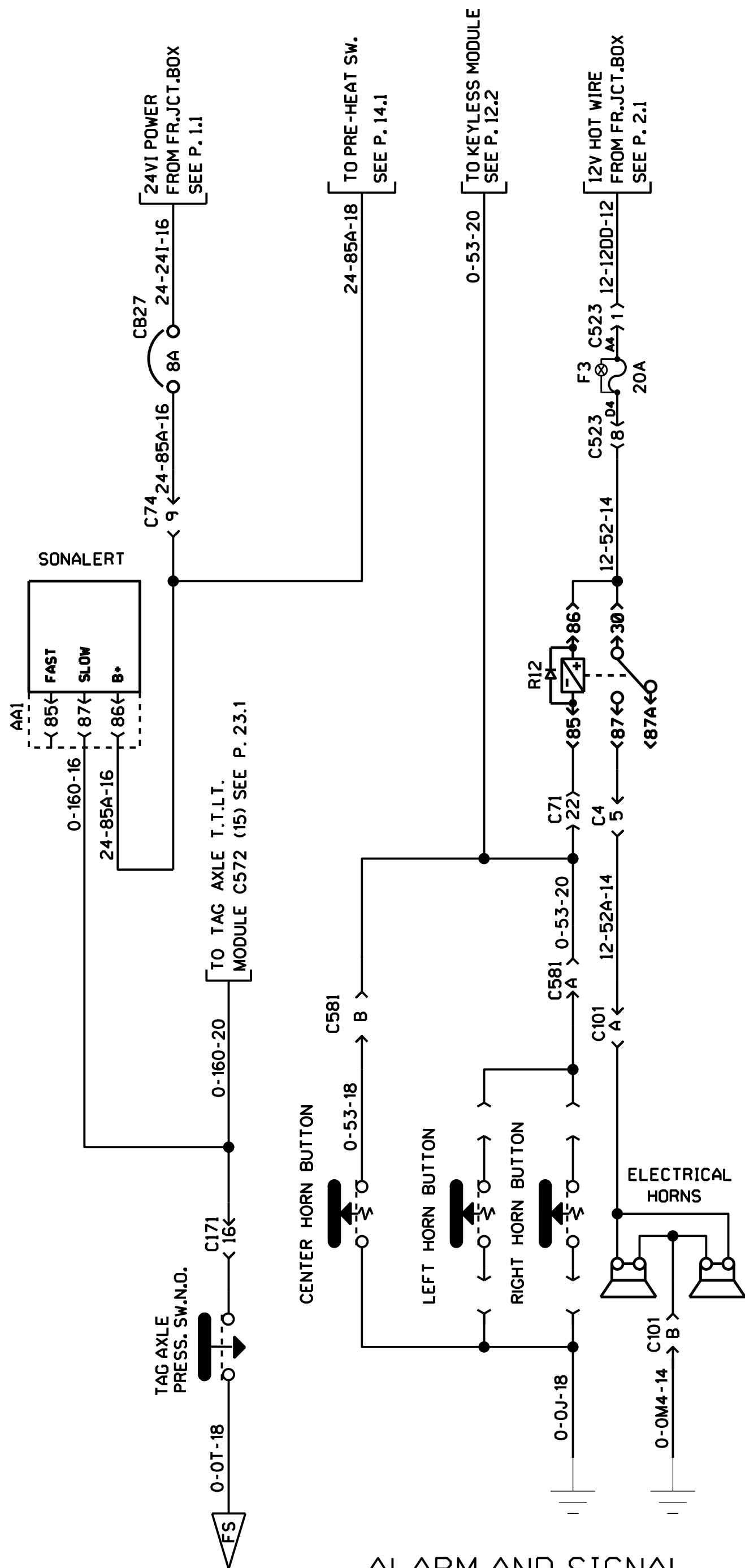
6.1

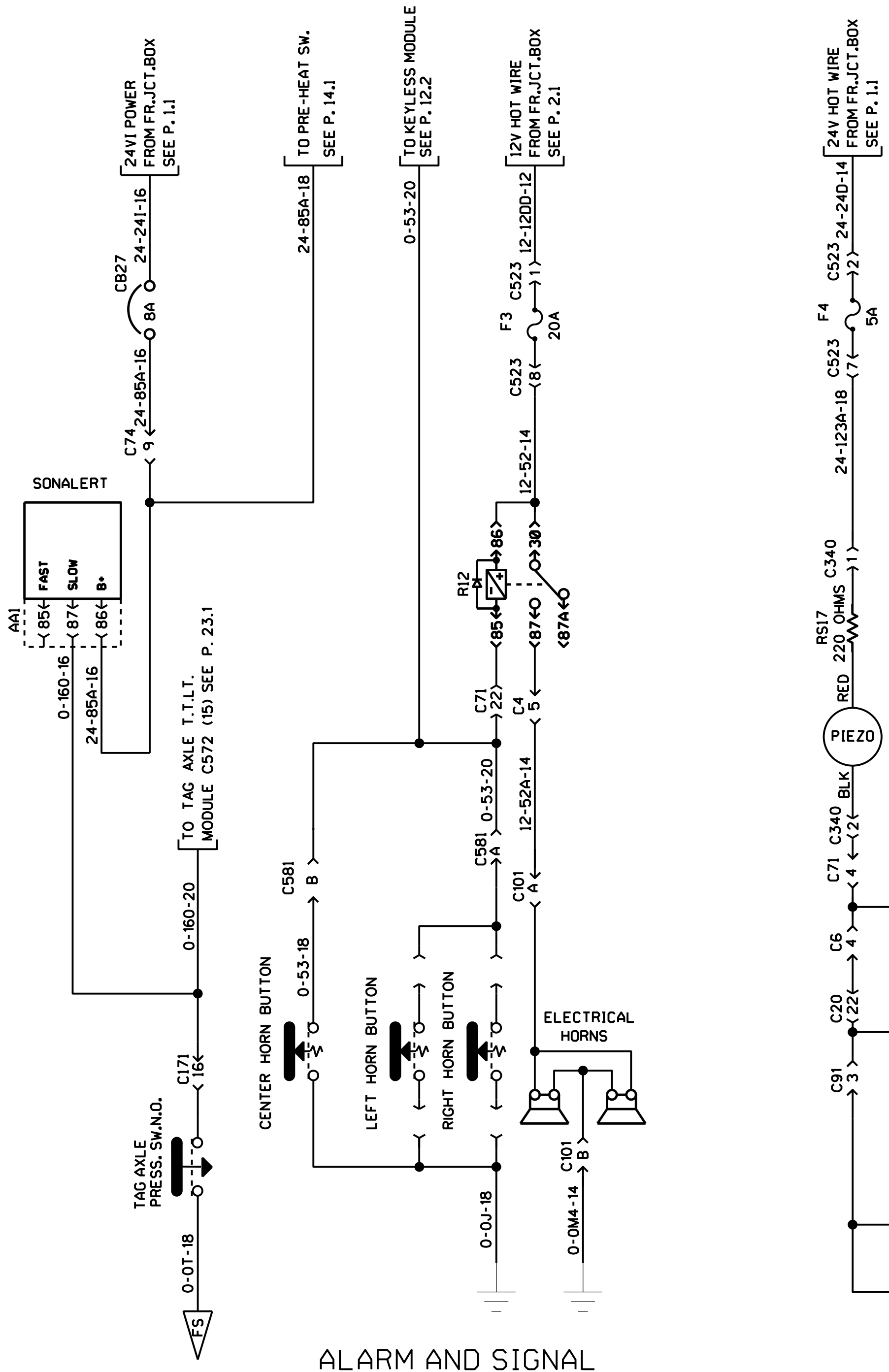
REVISION 08



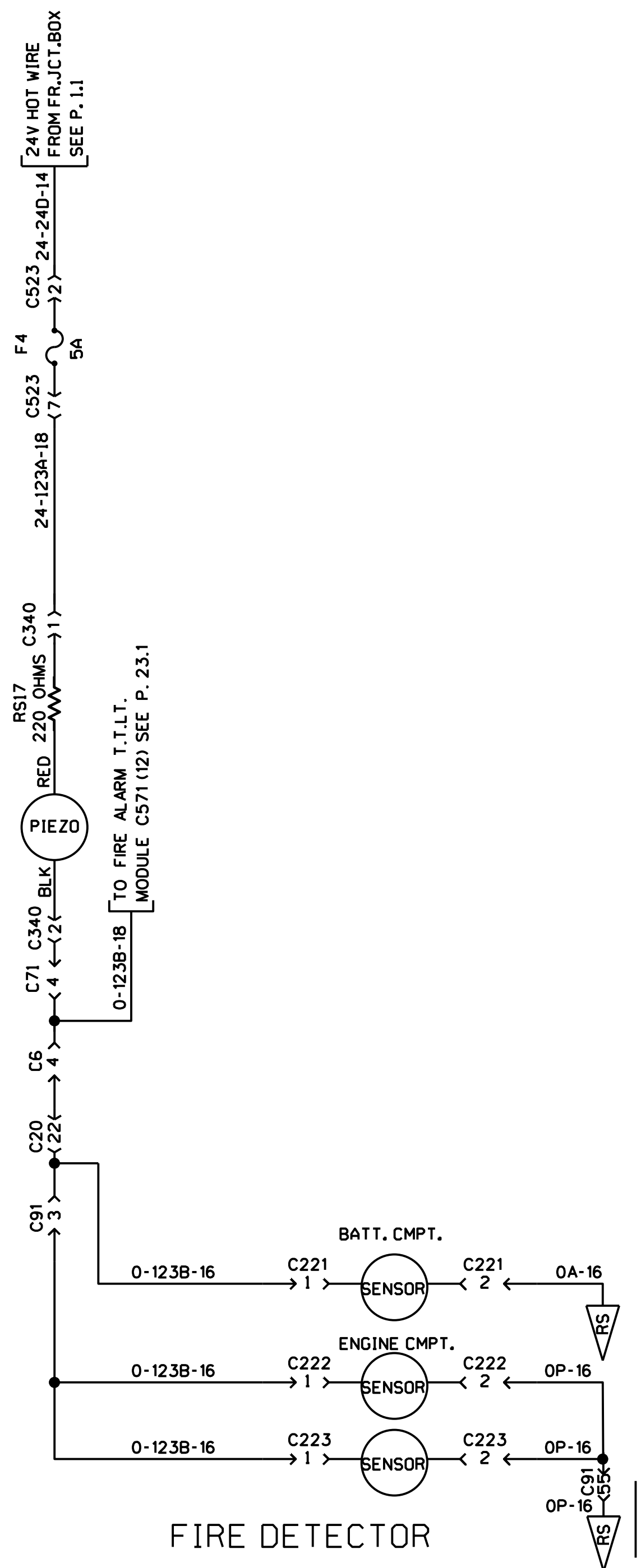
WORLD TRANSMISSION E.C.U. (SUITE)



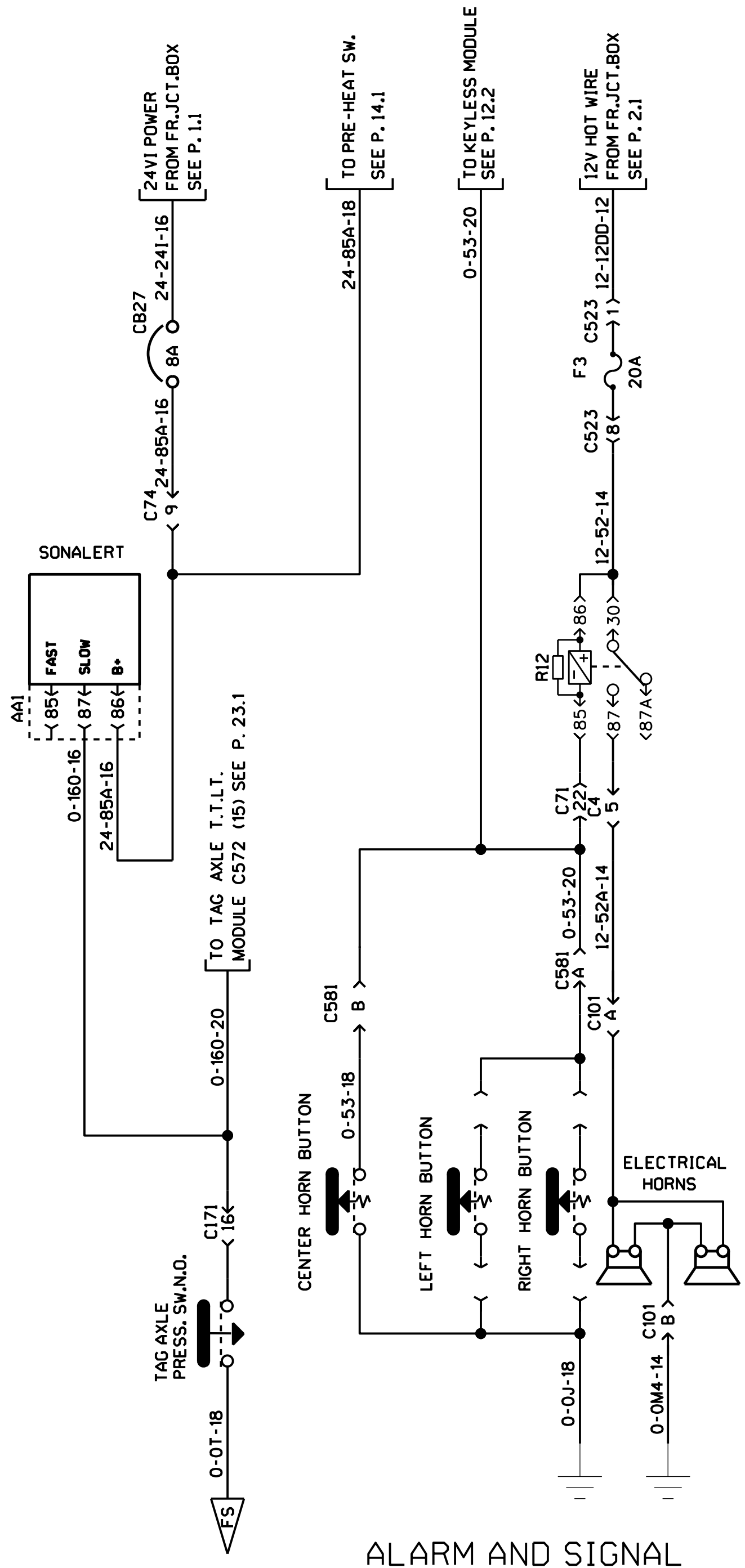




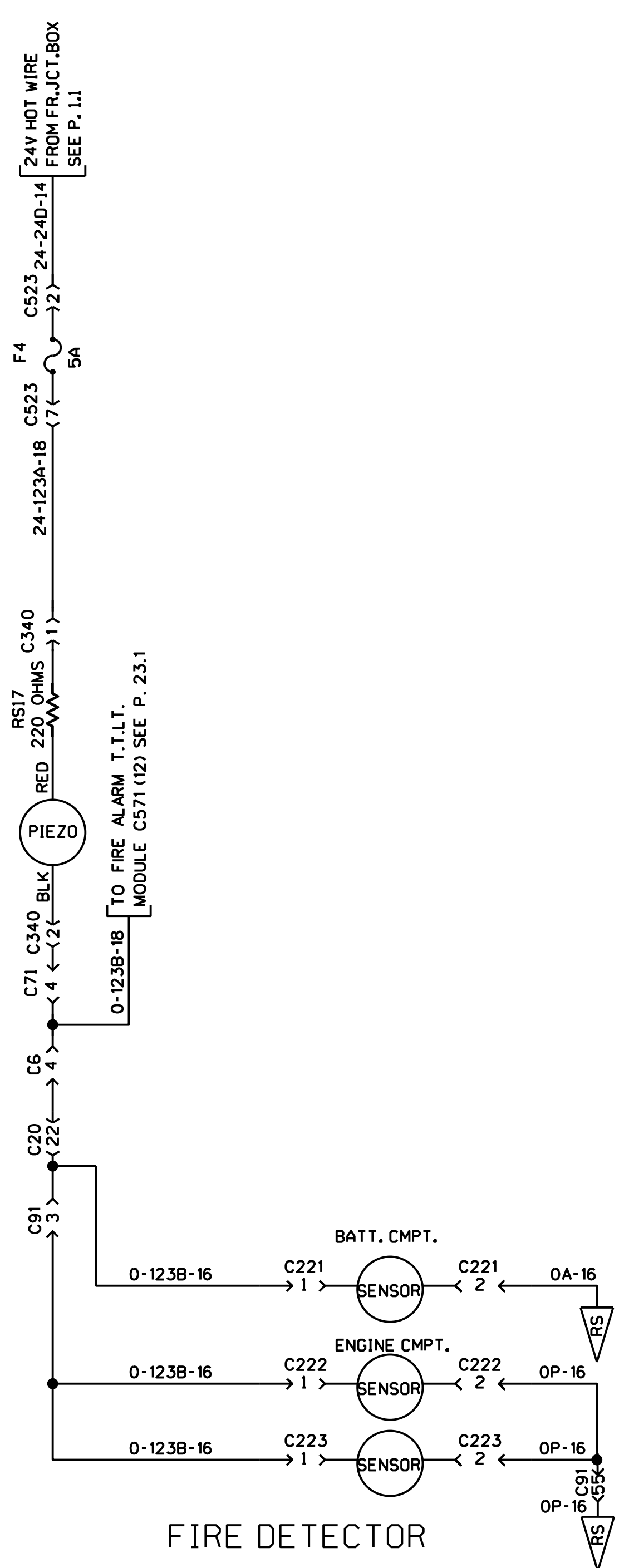
ALARM AND SIGNAL



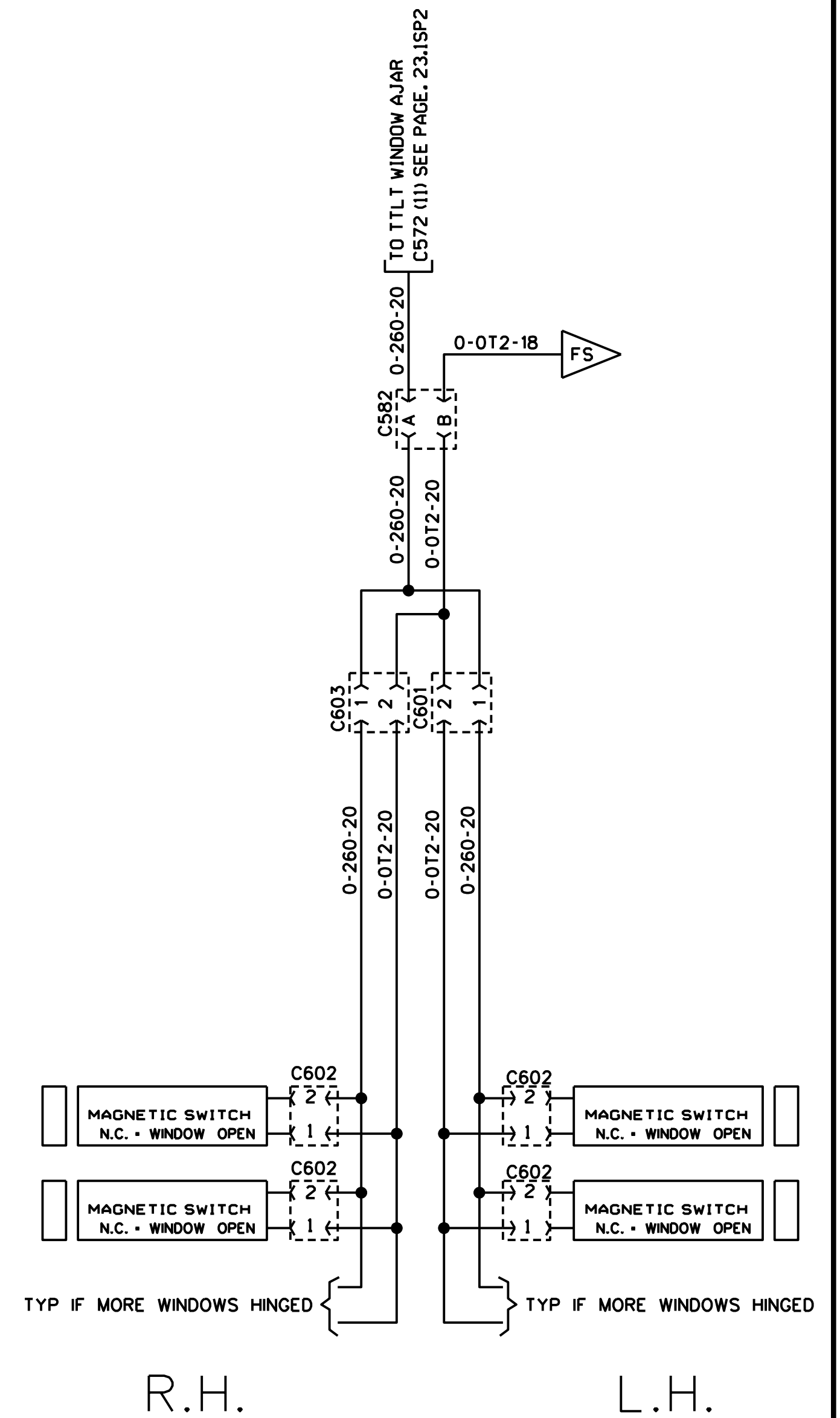
FIRE DETECTOR



ALARM AND SIGNAL

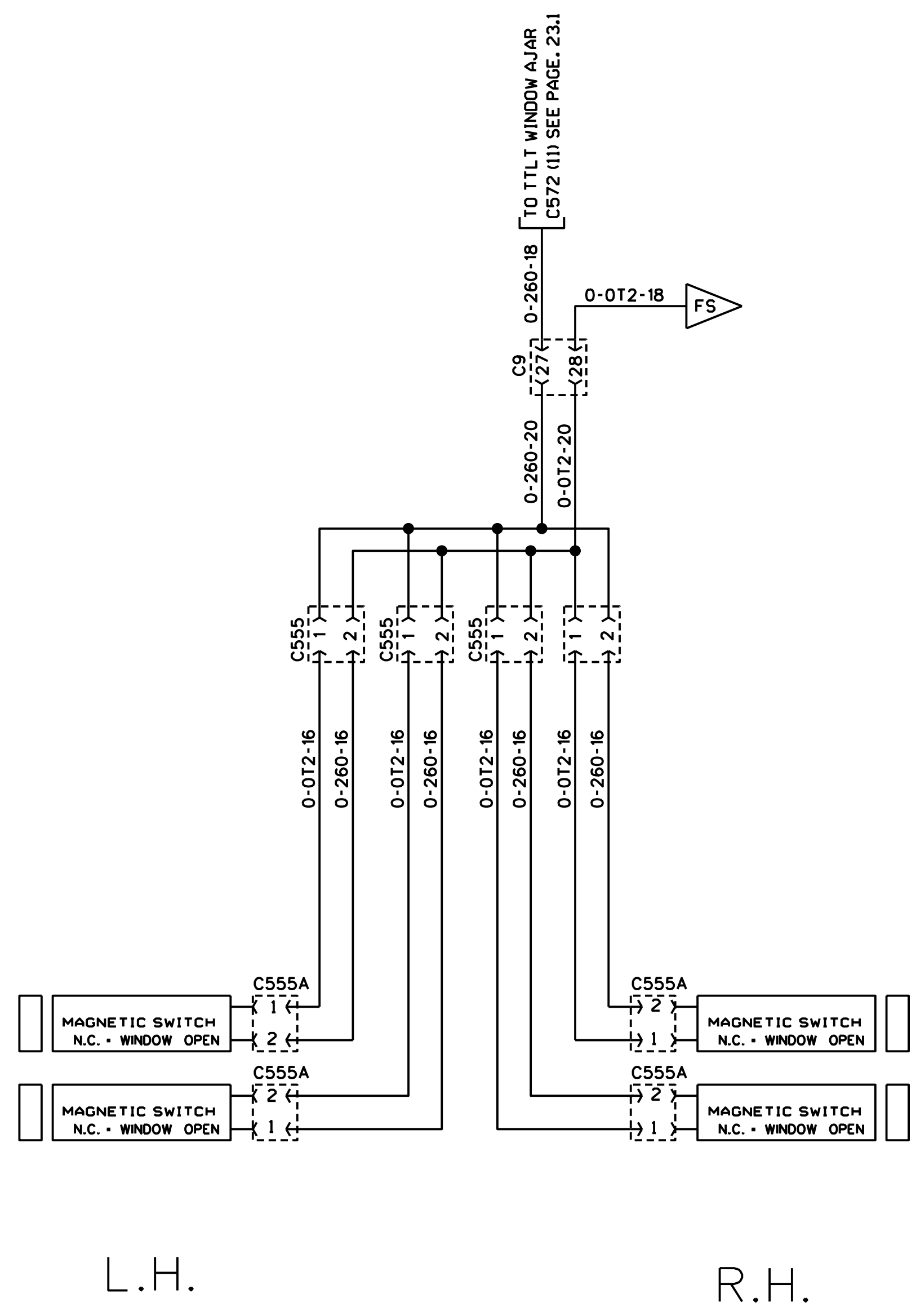


FIRE DETECTOR



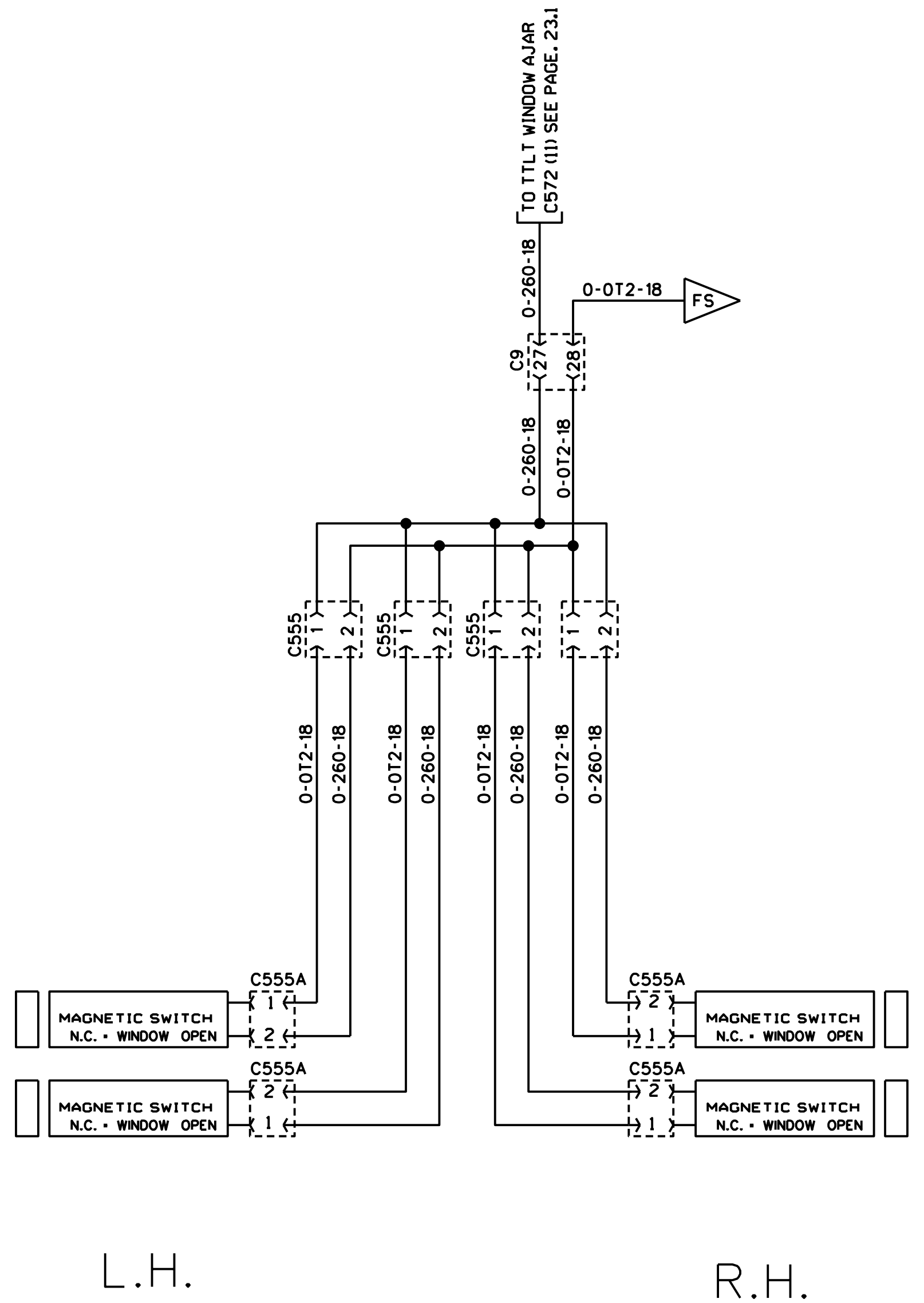
WINDOW AJAR

WINDOW AJAR SPECIAL



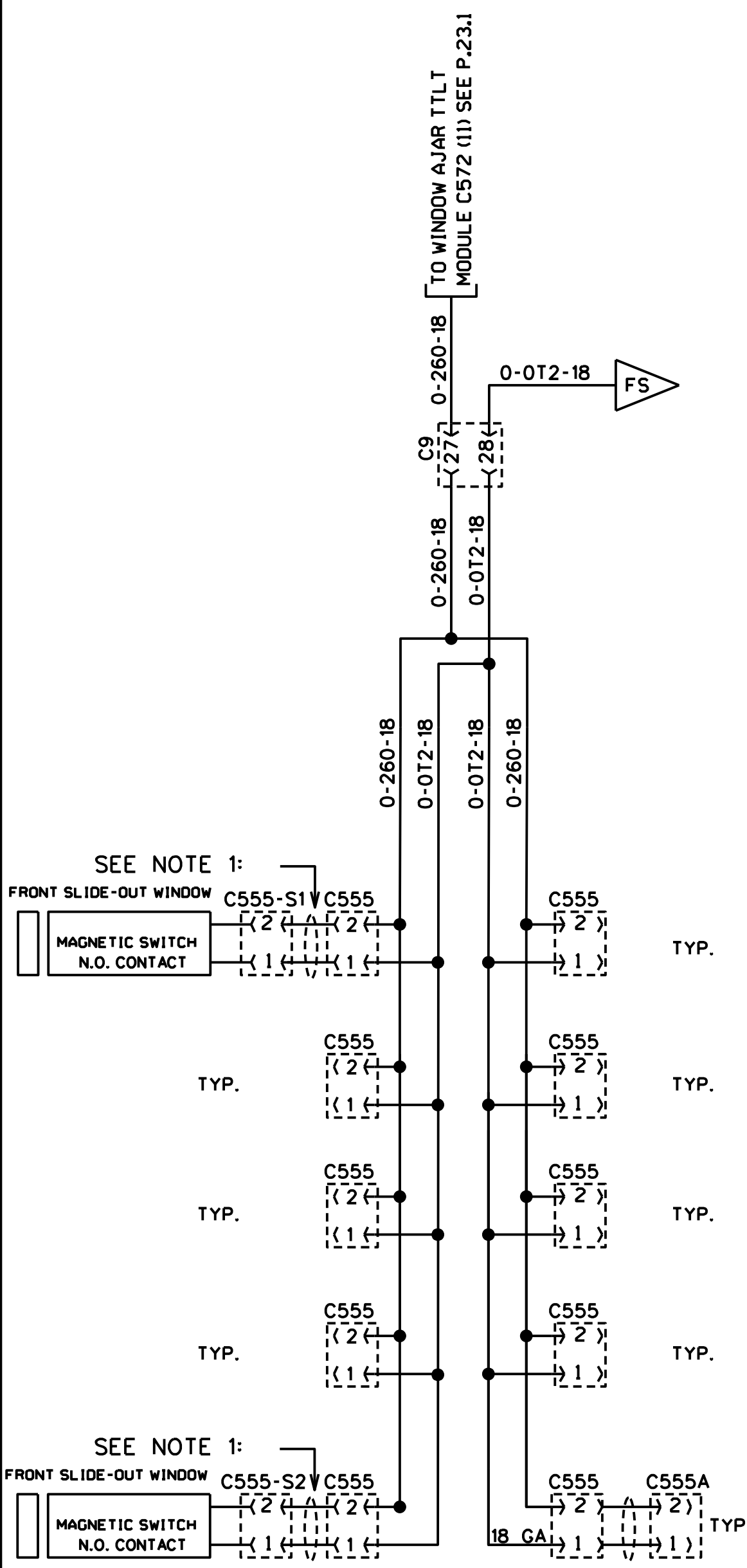
WINDOW AJAR

WINDOW AJAR SPECIAL

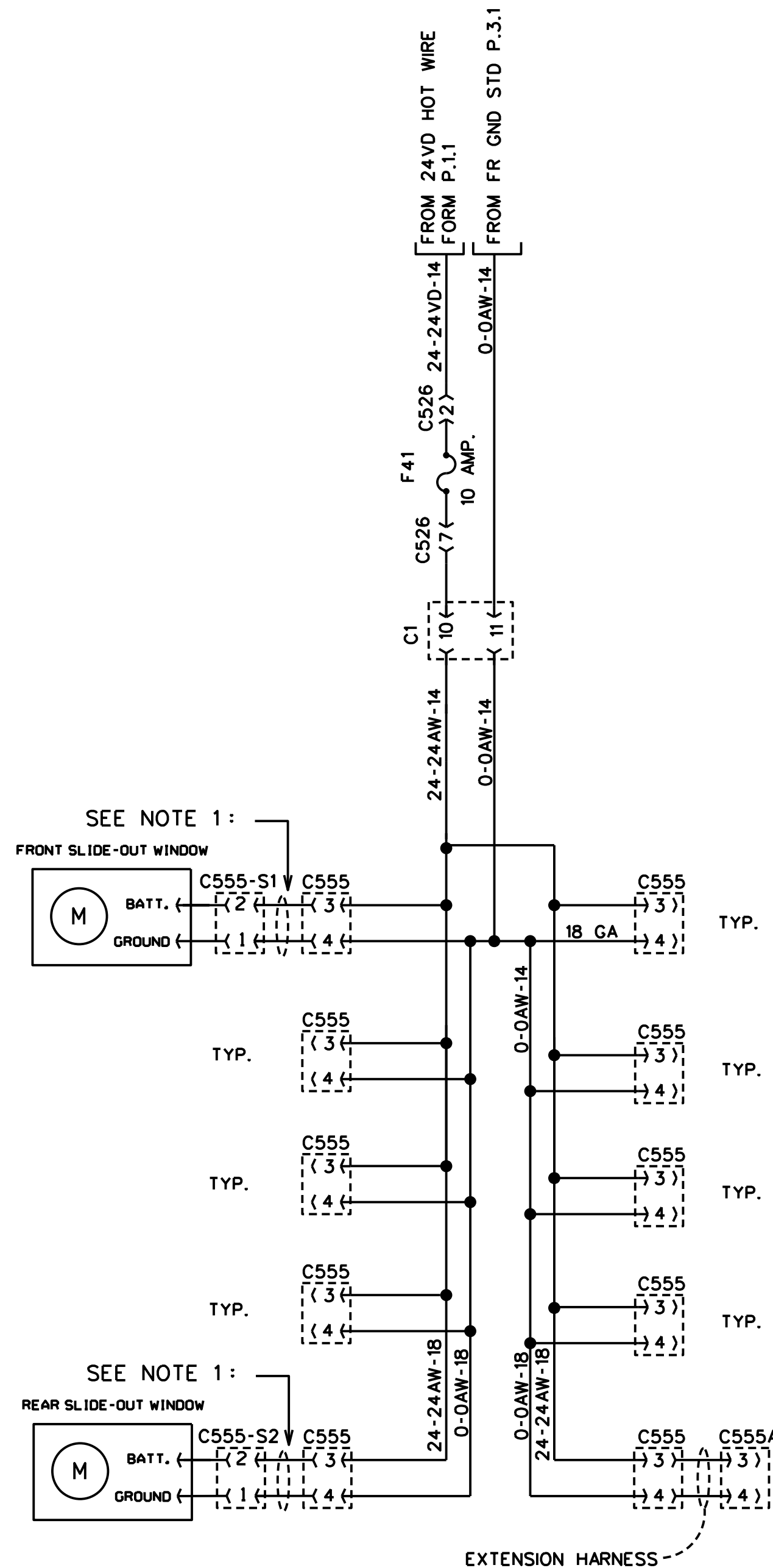


WINDOW AJAR
SPECIAL WINDOW- AJAR SENSOR

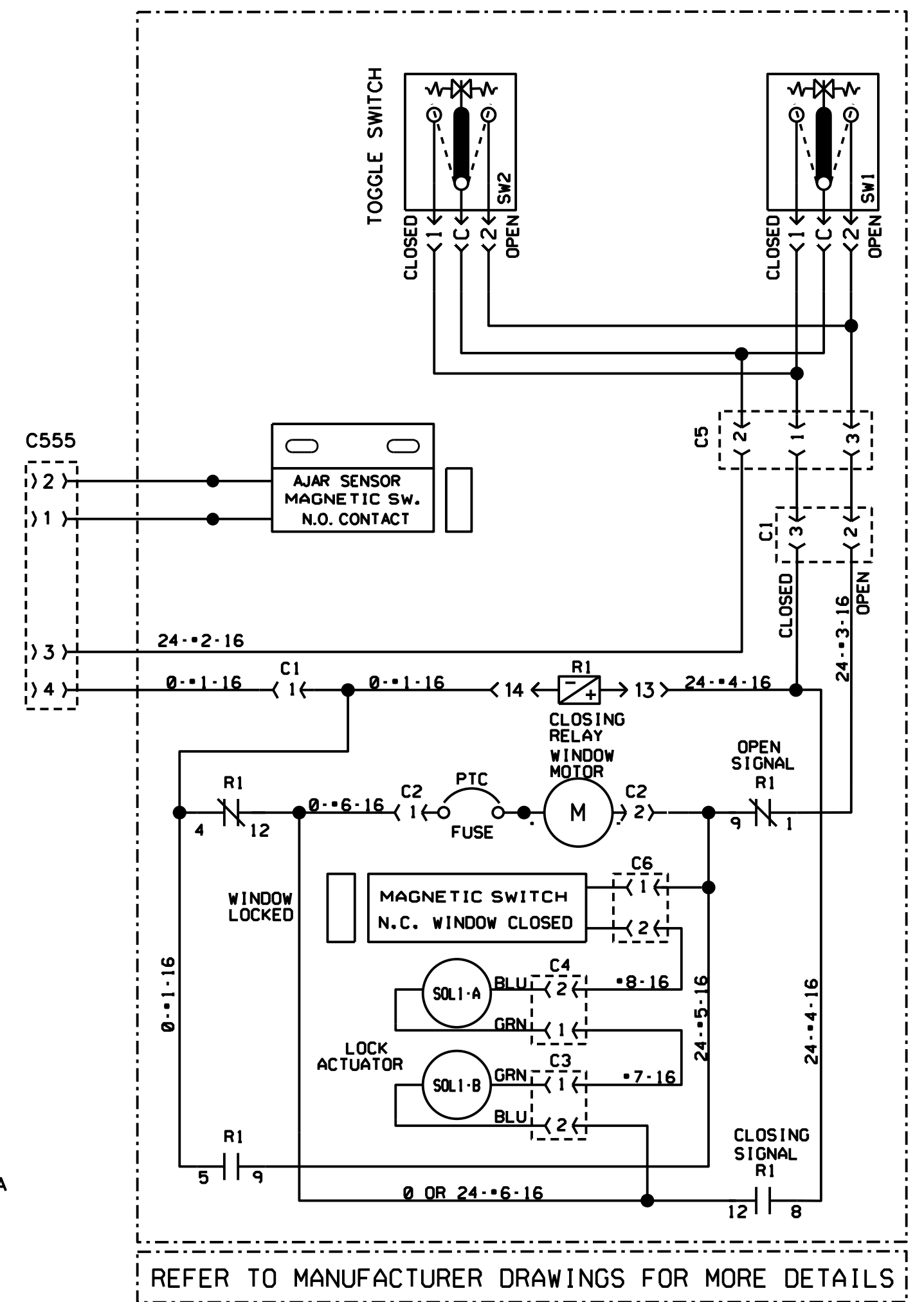
NOTE 1: SLIDE OUT WINDOW IS TEMPORARY CONNECTED AND HAS TO BE MODIFIED BY CONVERTER



L.H. WINDOW AJAR SENSING | R.H.



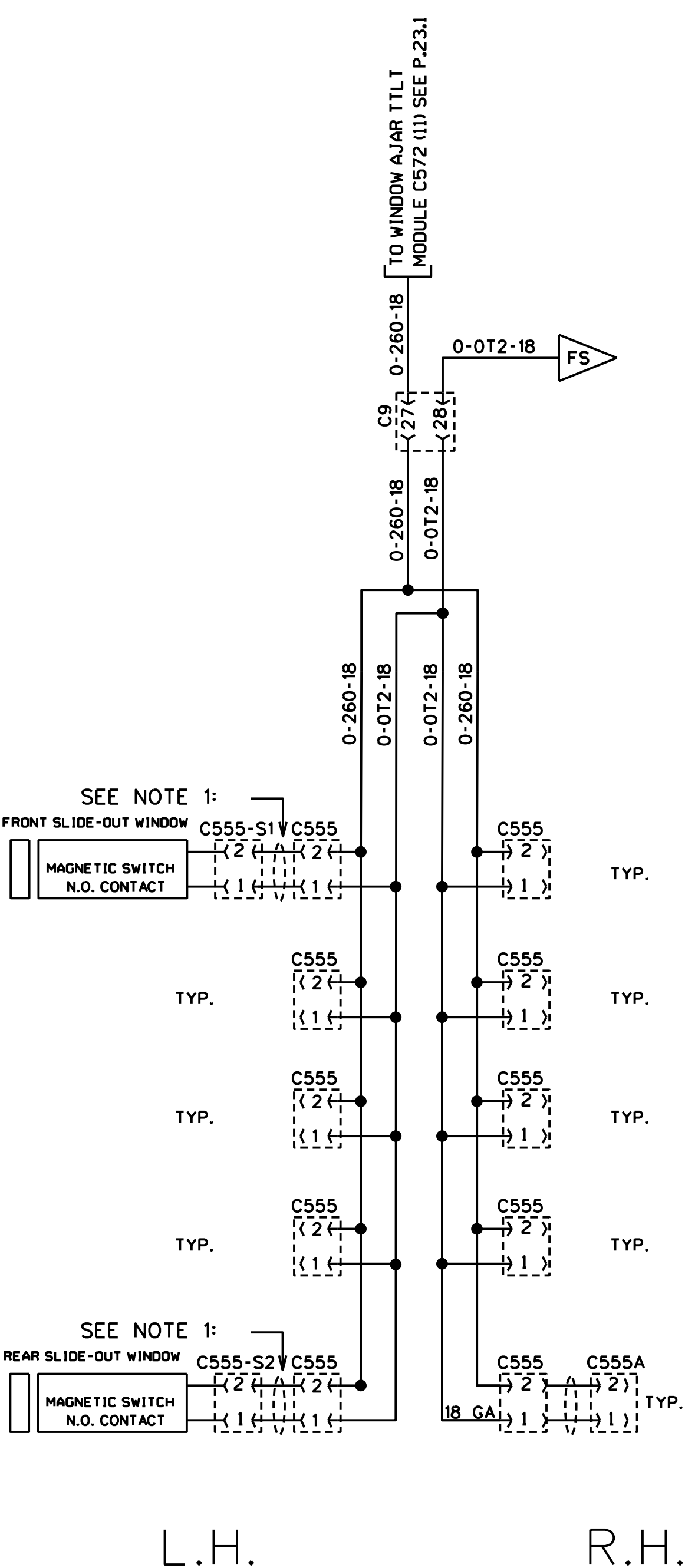
L.H. AWNING MECANISM | R.H.



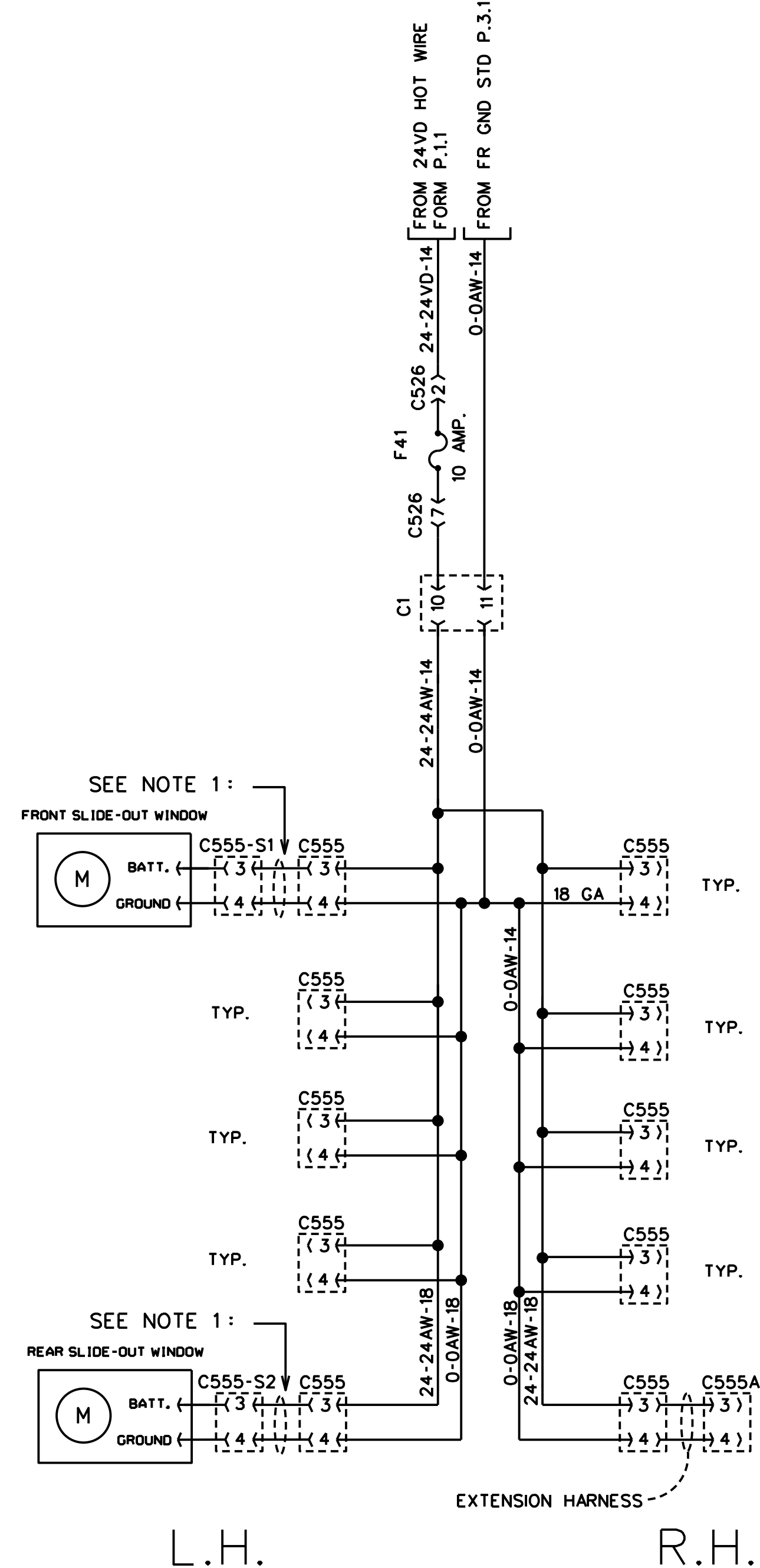
REFER TO MANUFACTURER DRAWINGS FOR MORE DETAILS

INTERNAL SCHEMATIC

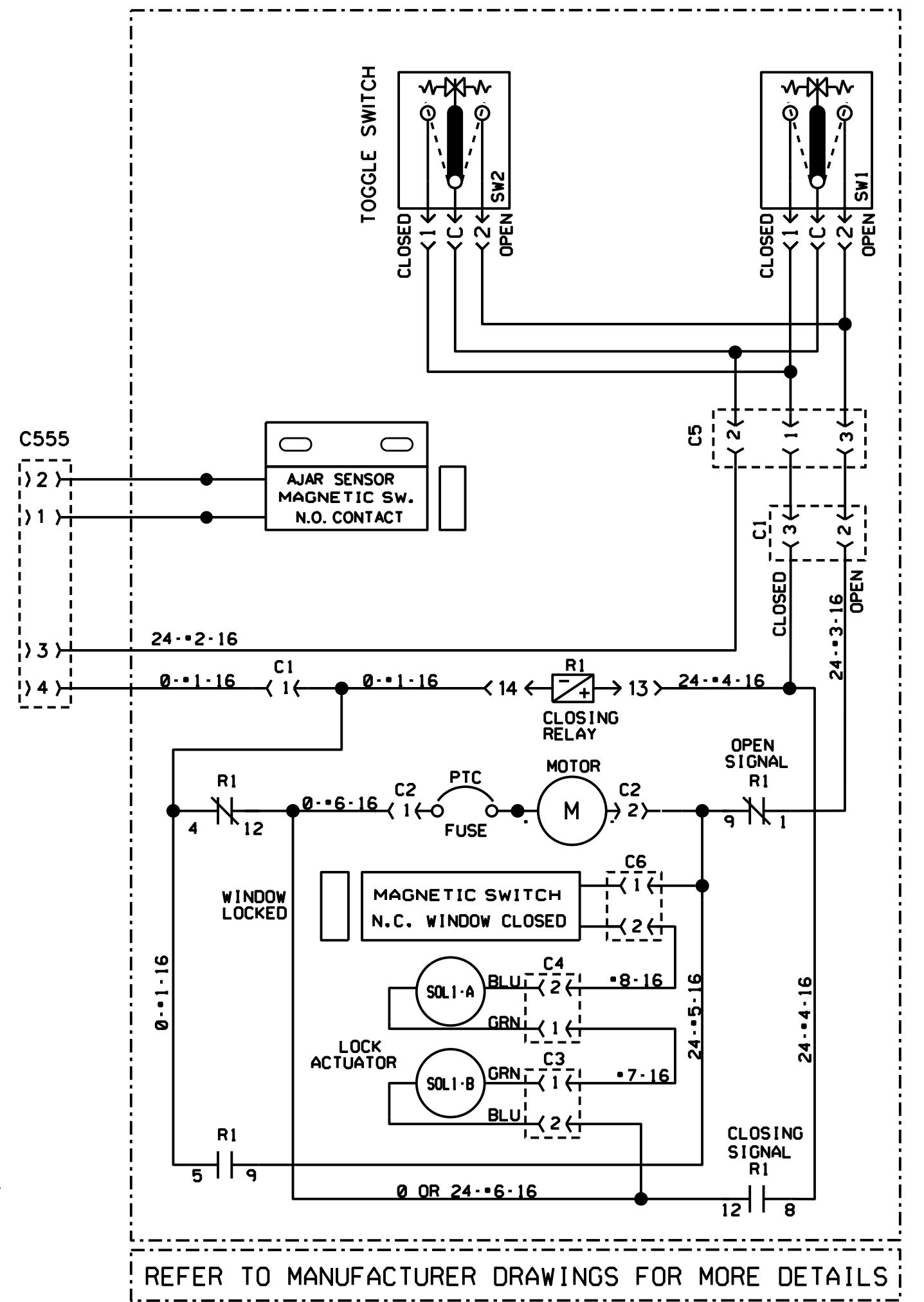
NOTE 1: SLIDE OUT WINDOW IS TEMPORARY CONNECTED AND HAS TO BE MODIFIED BY CONVERTER



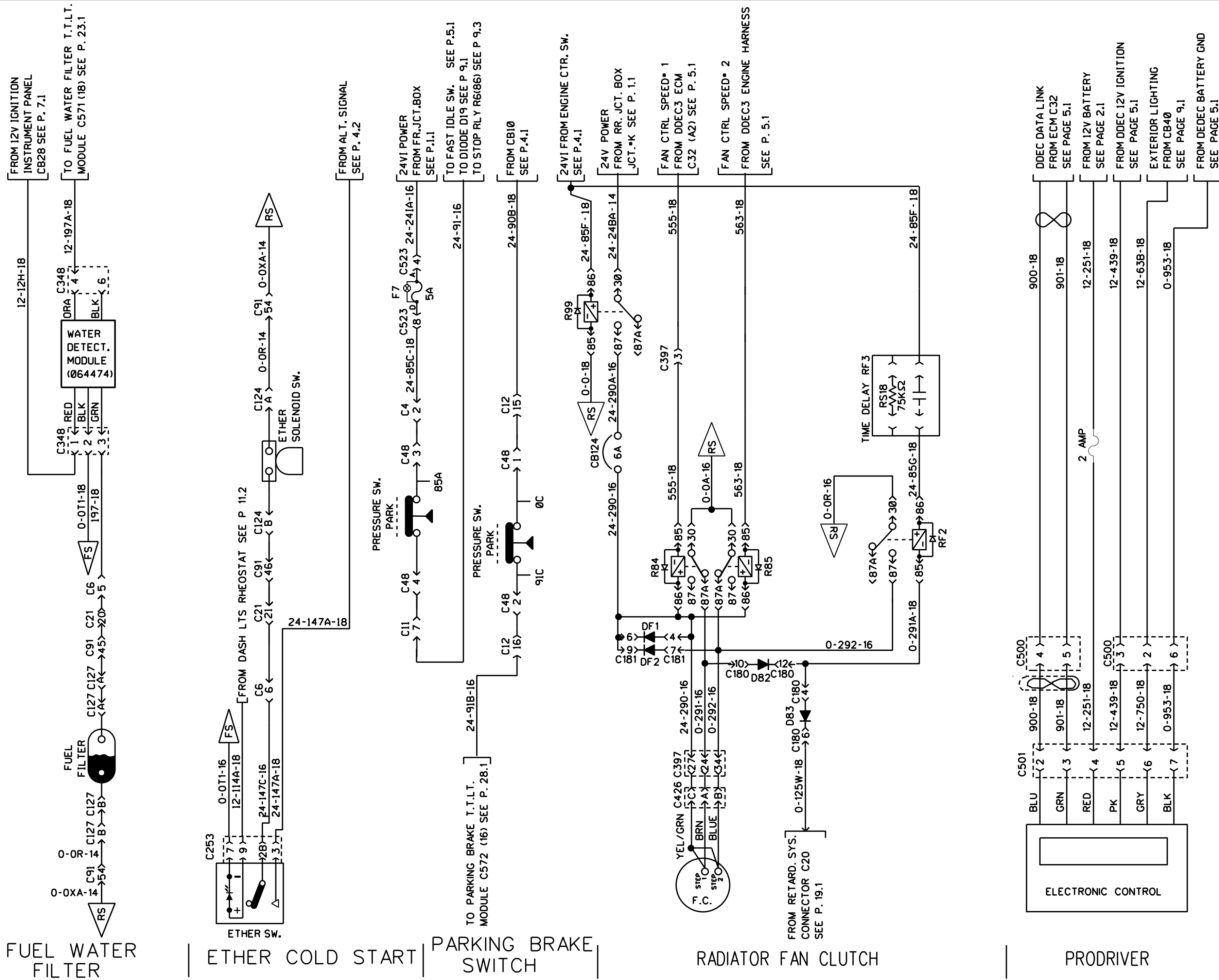
L.H. WINDOW AJAR SENSING | R.H.

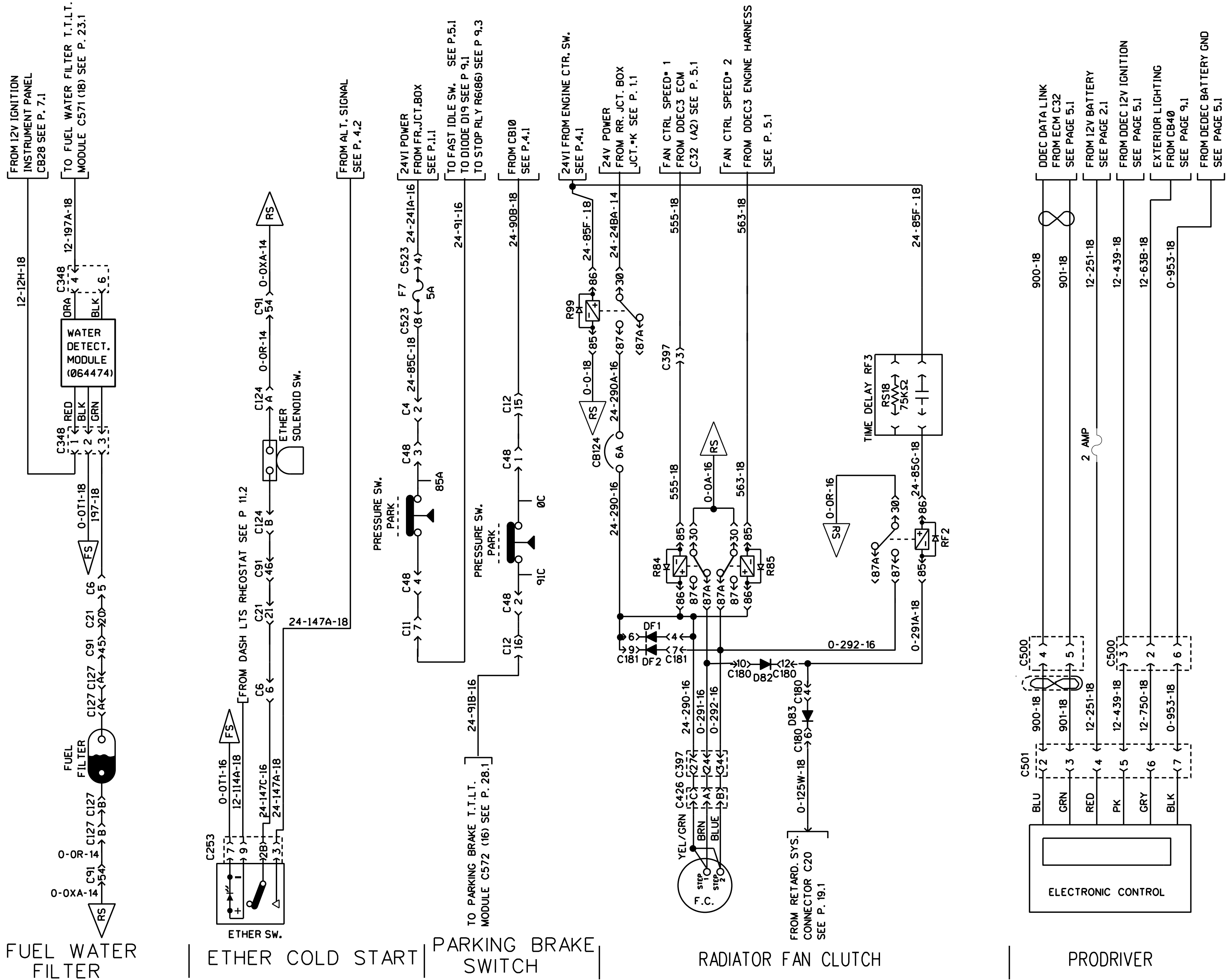


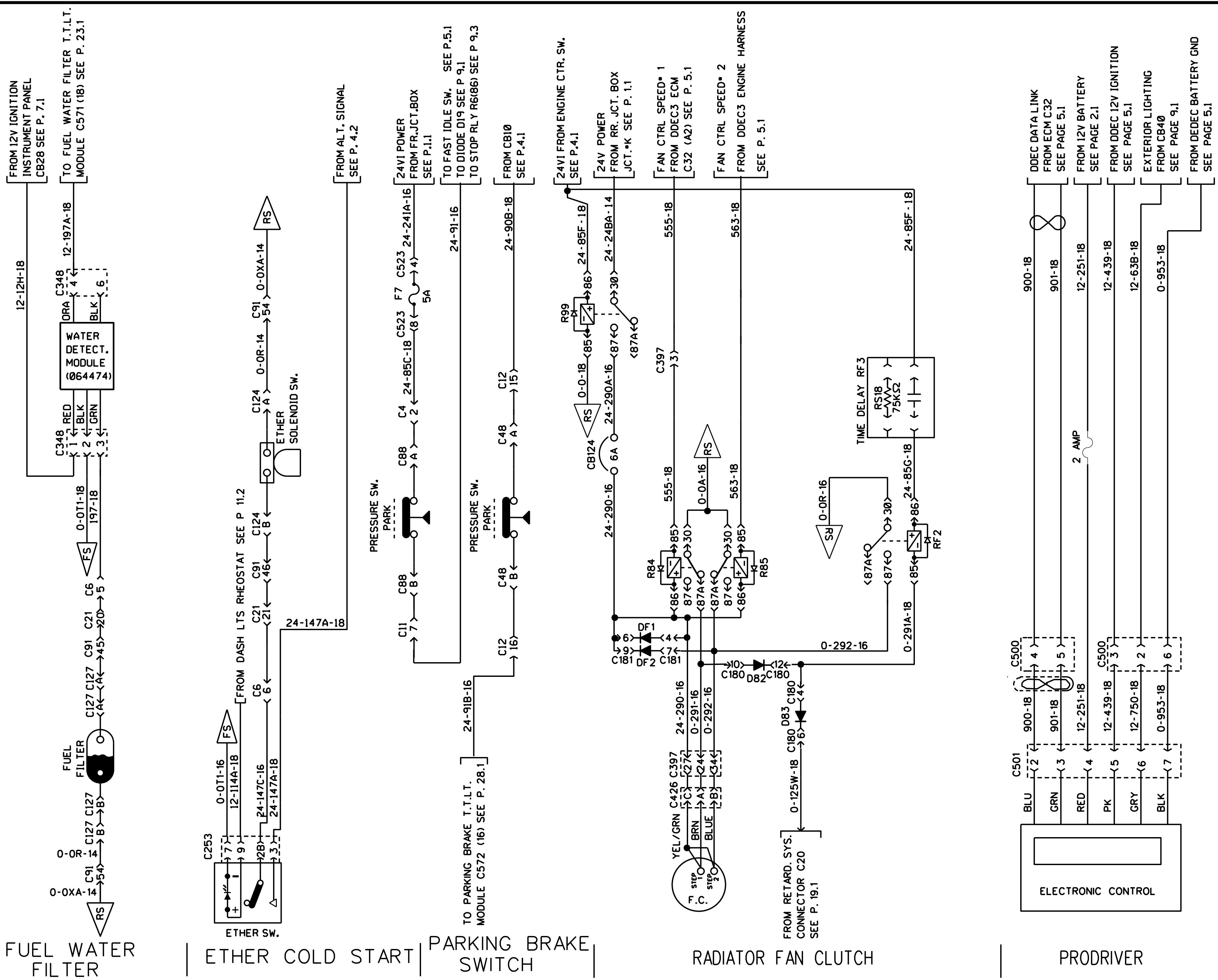
L.H. AWNING MECANISM | R.H.

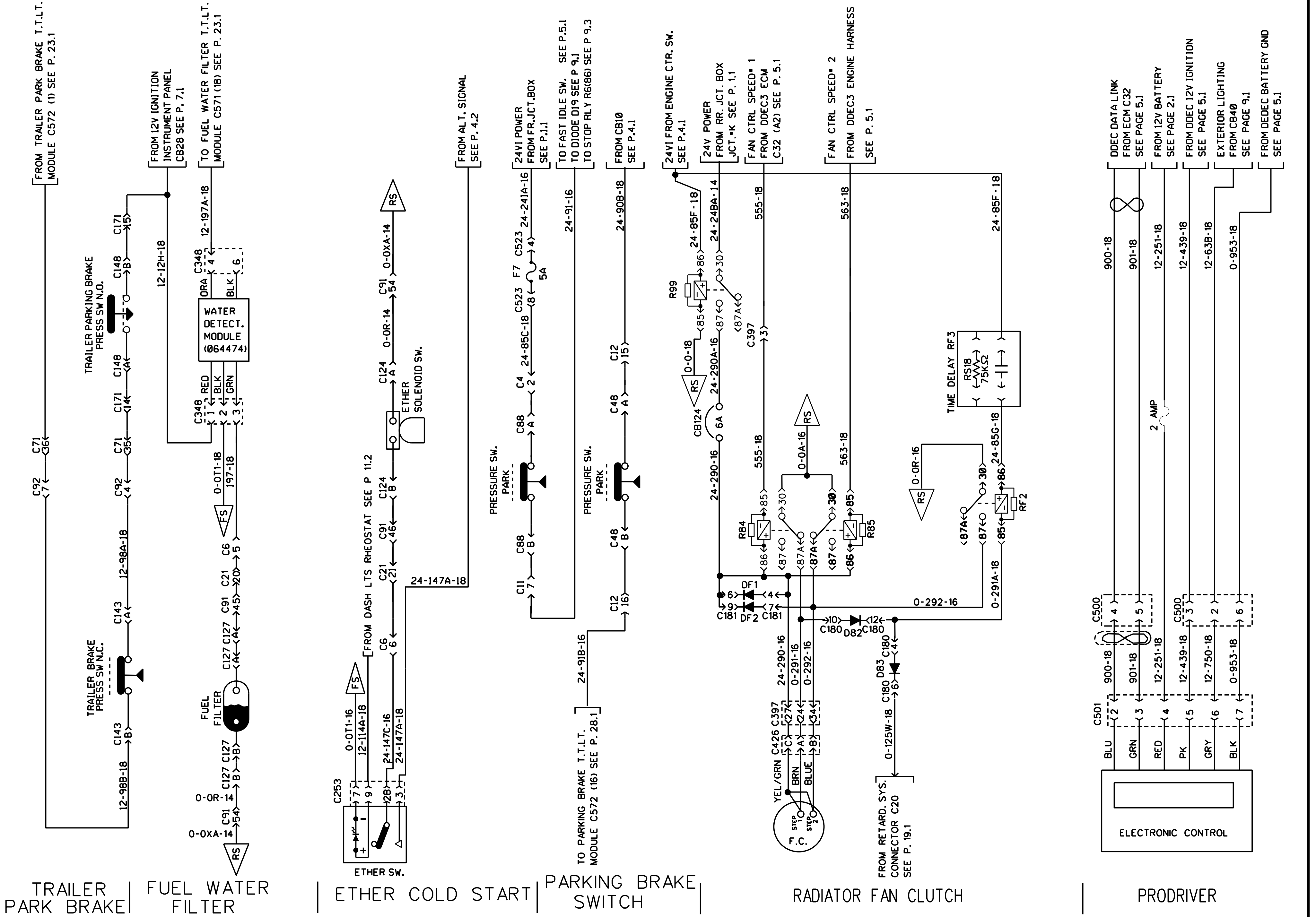


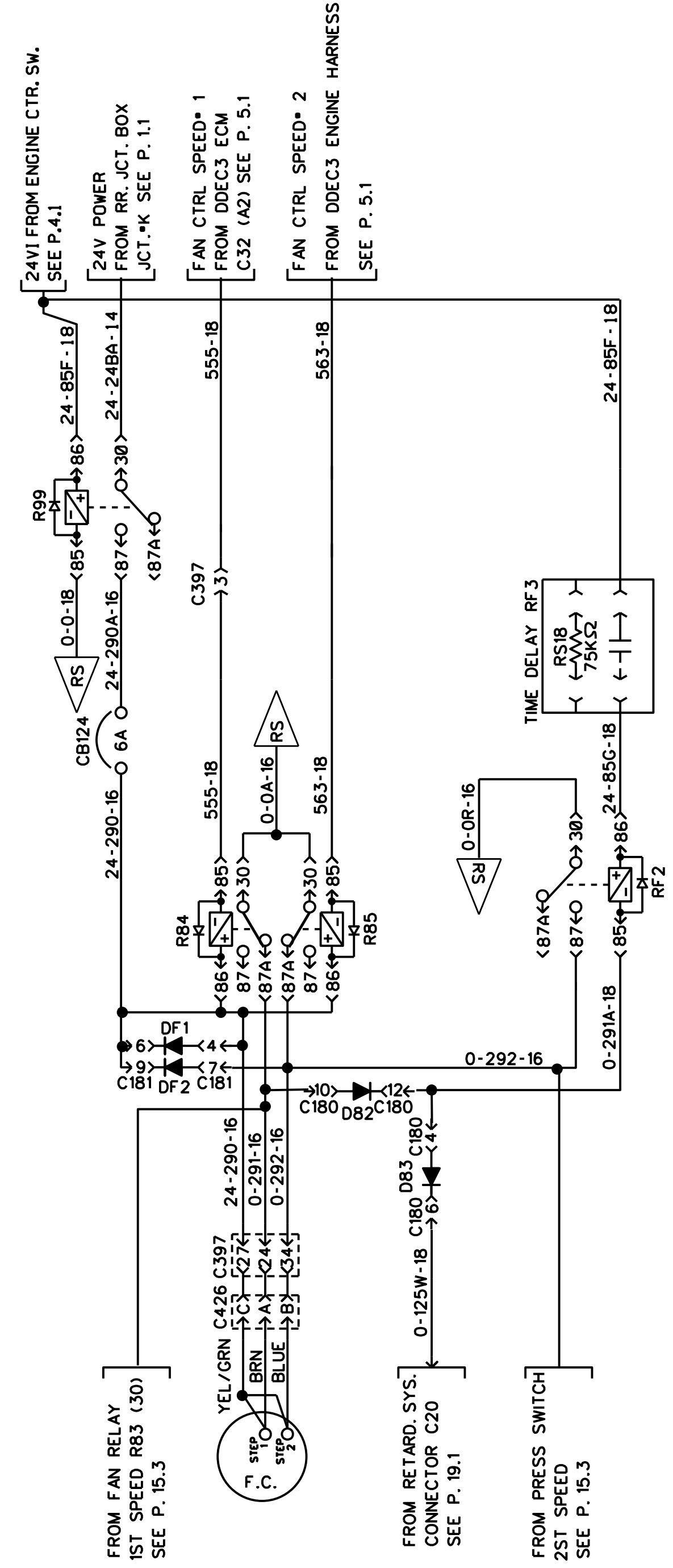
INTERNAL SCHEMATIC



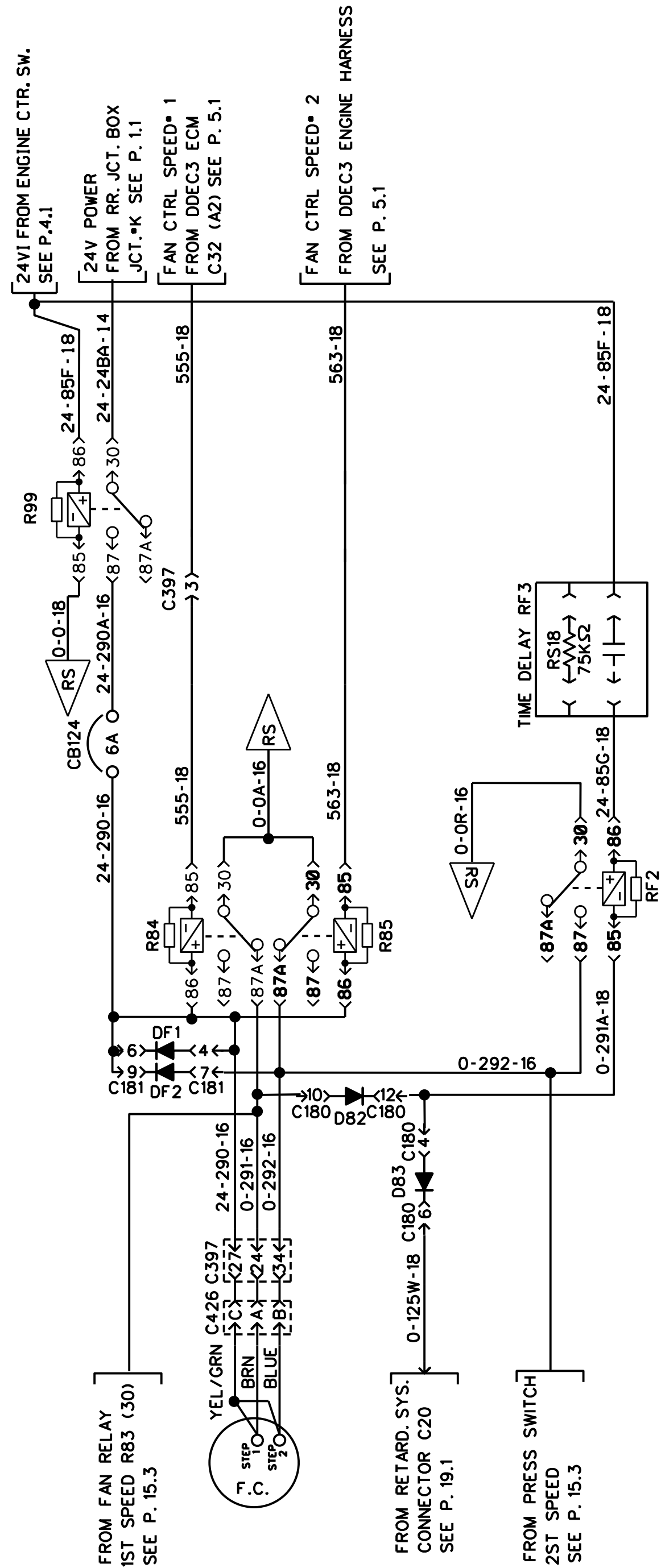




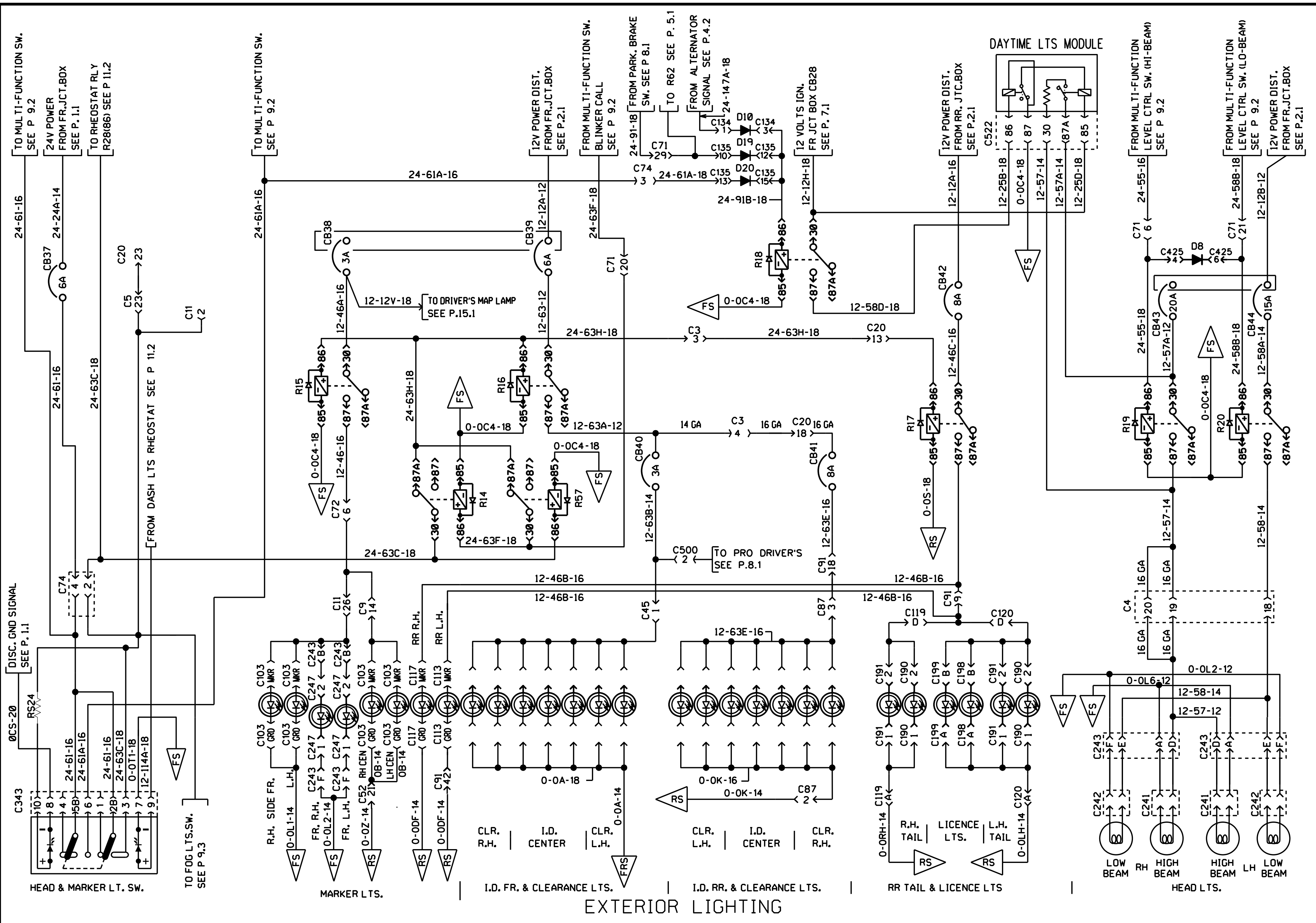


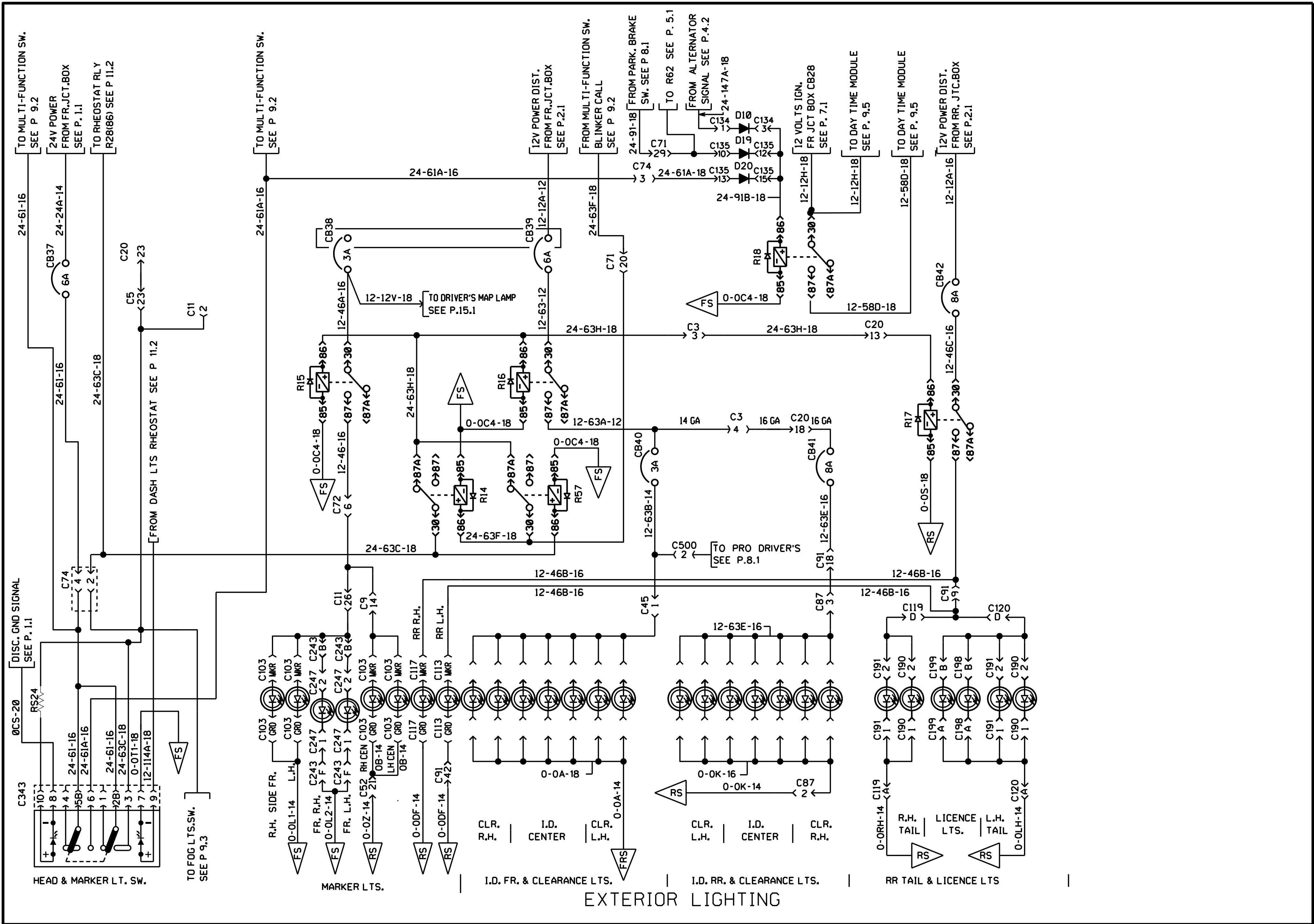


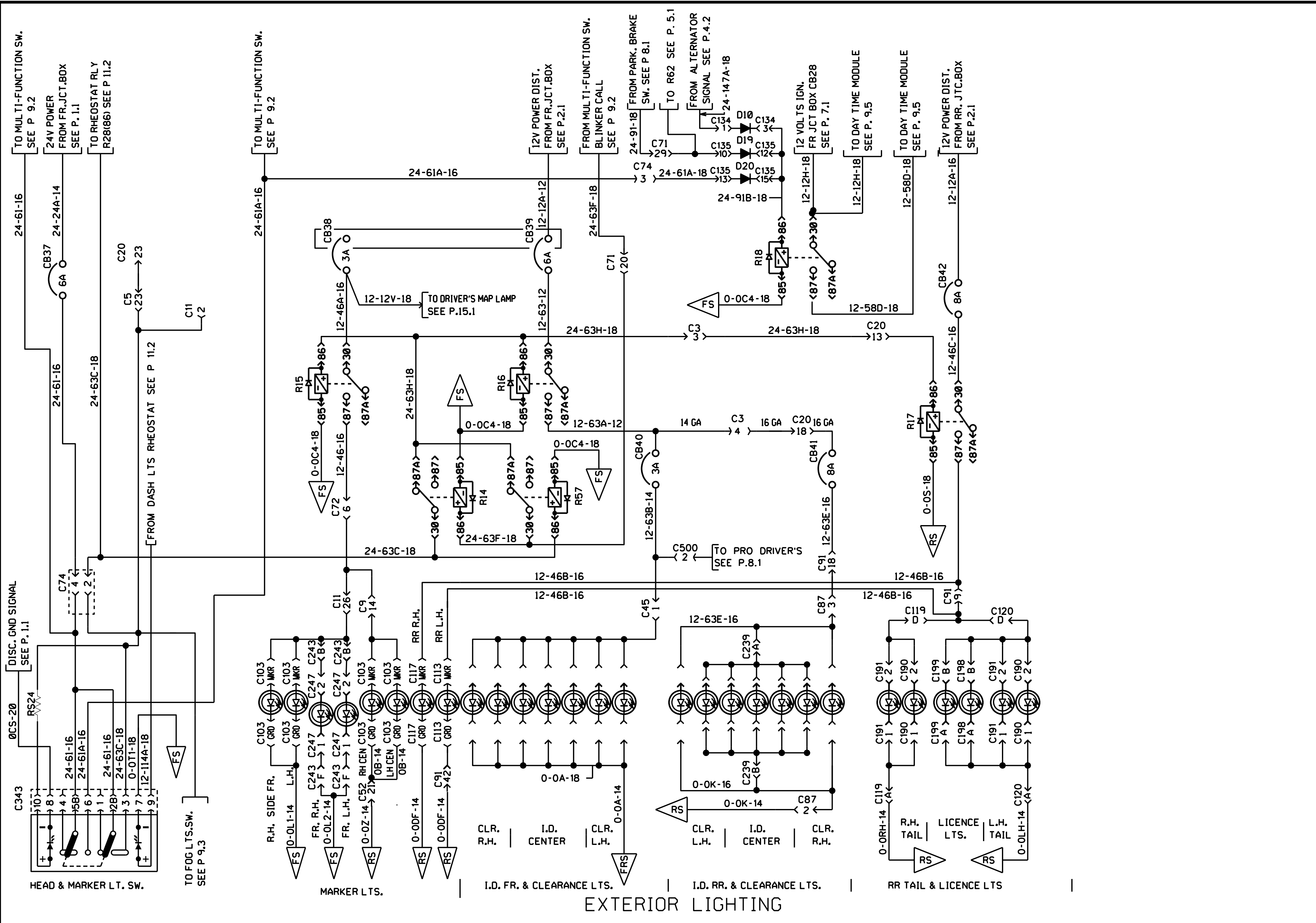
RADIATOR FAN CLUTCH WITH DRIVER'S AIR ONLY

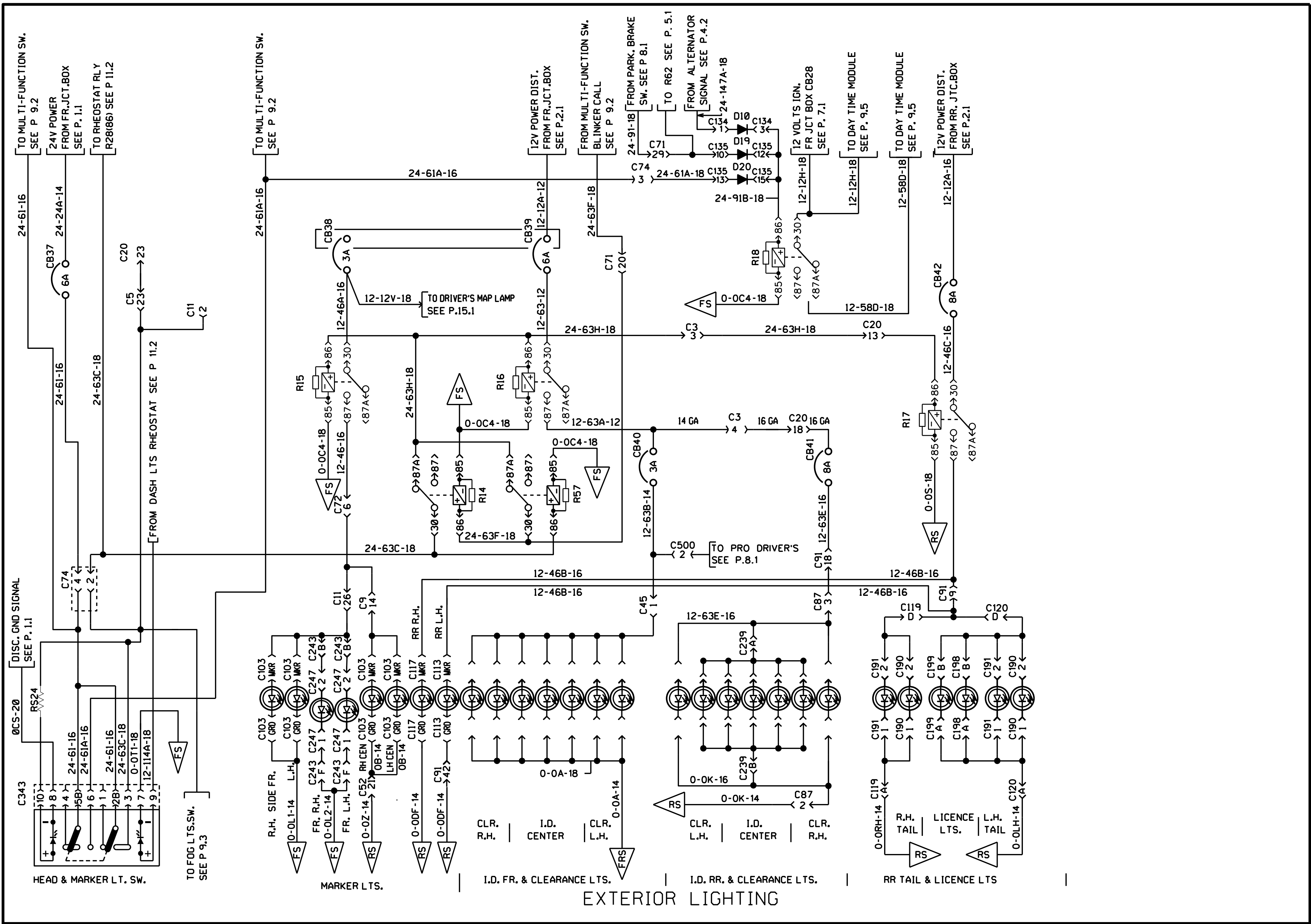


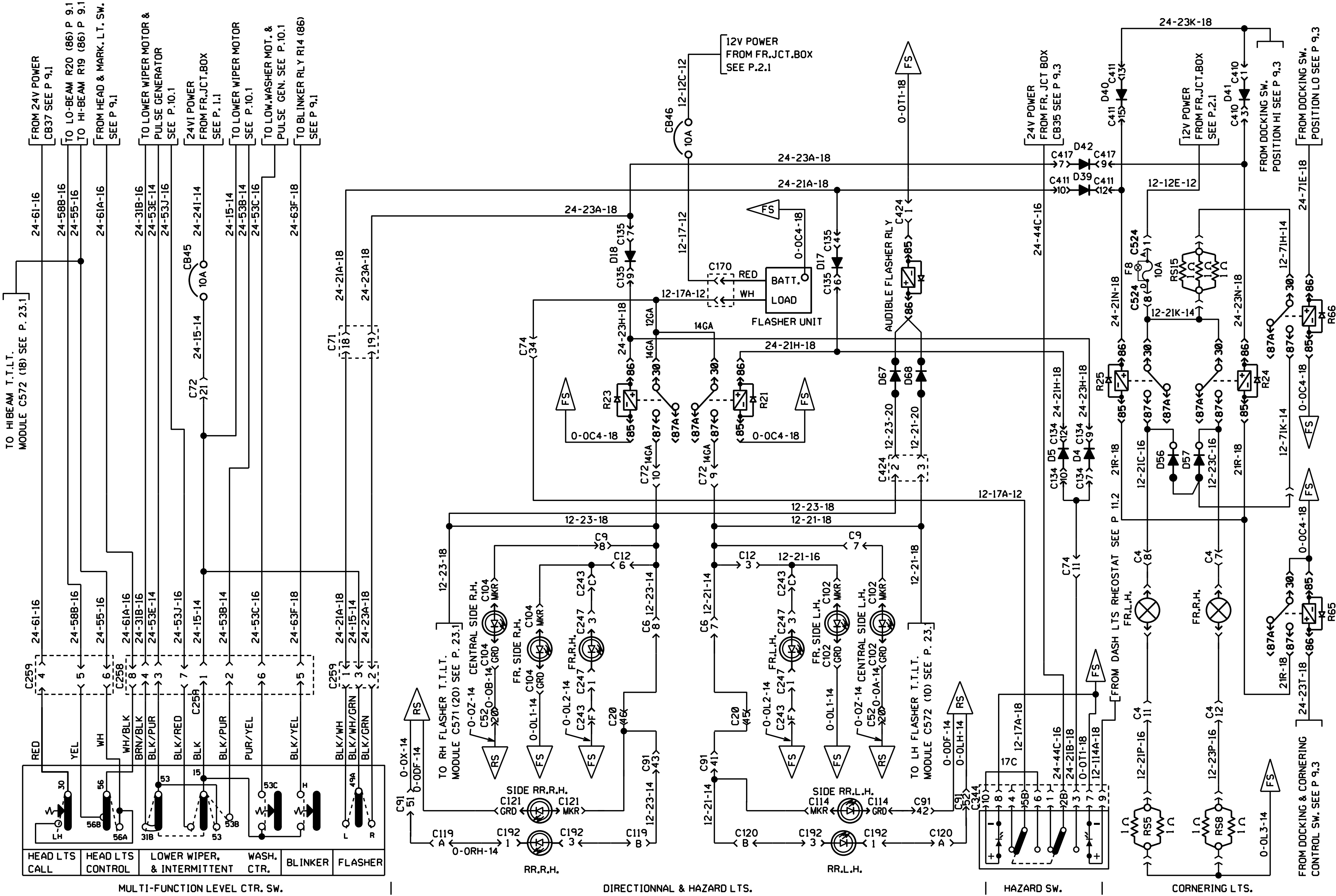
RADIATOR FAN CLUTCH WITH DRIVER'S AIR ONLY

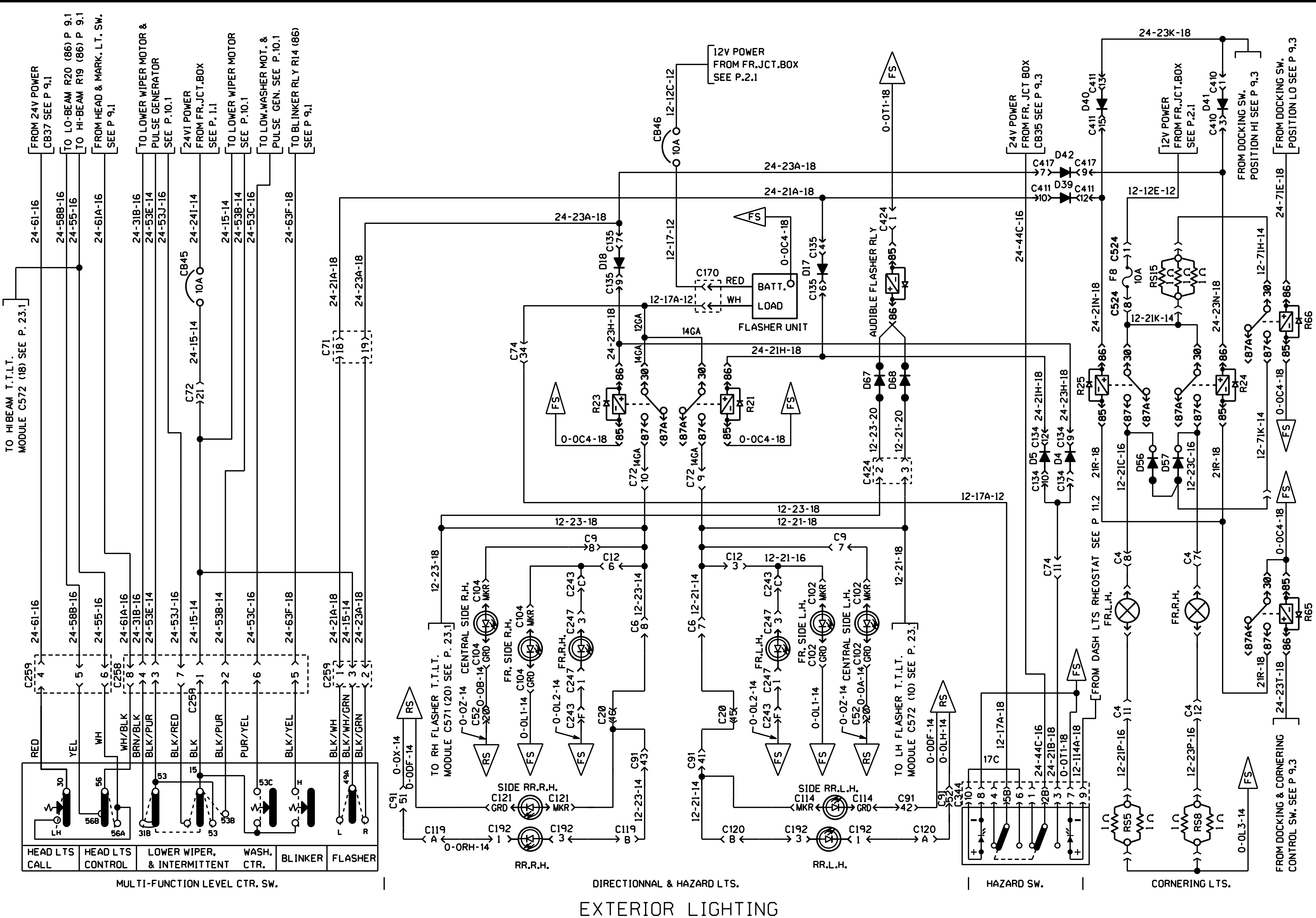


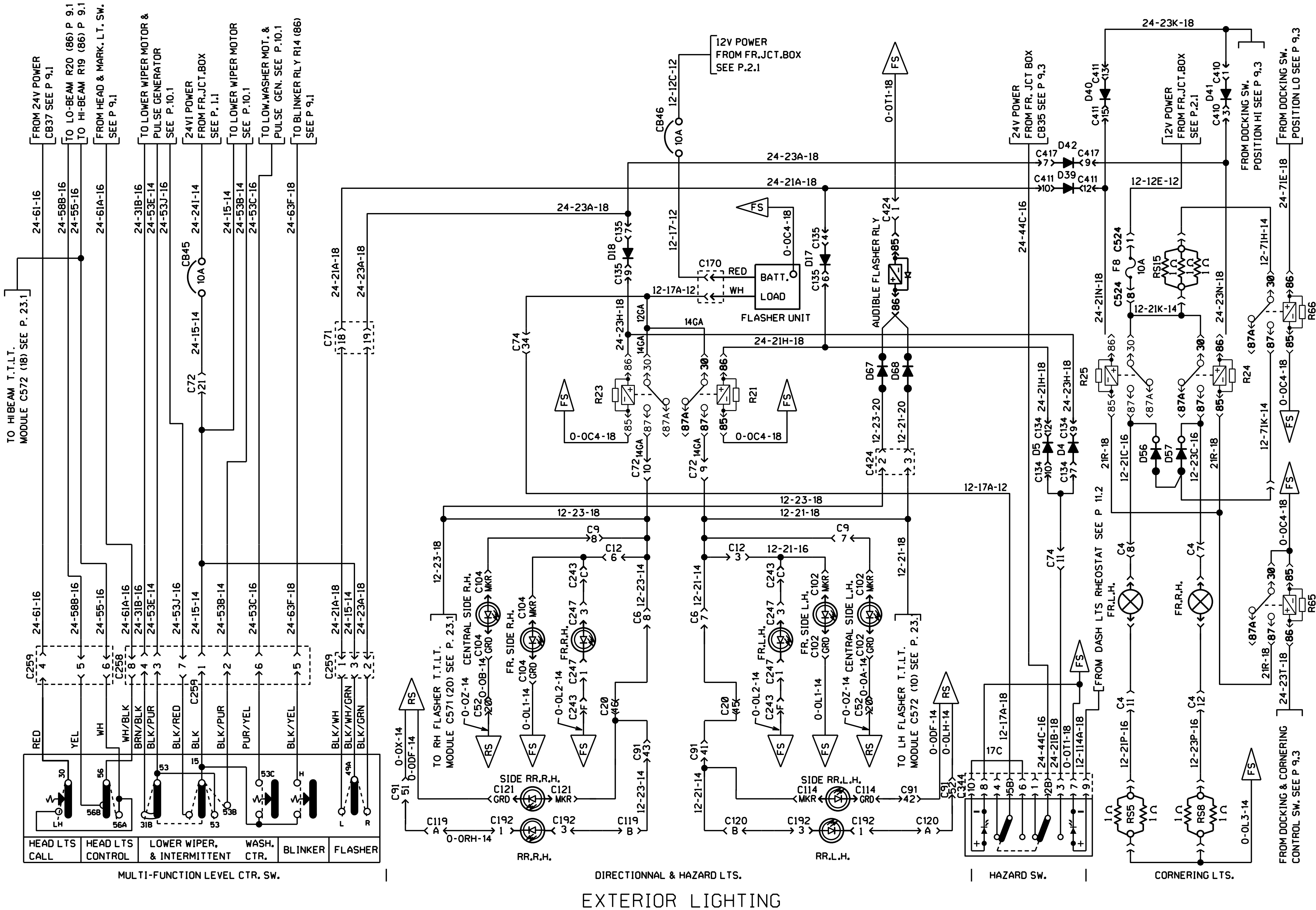


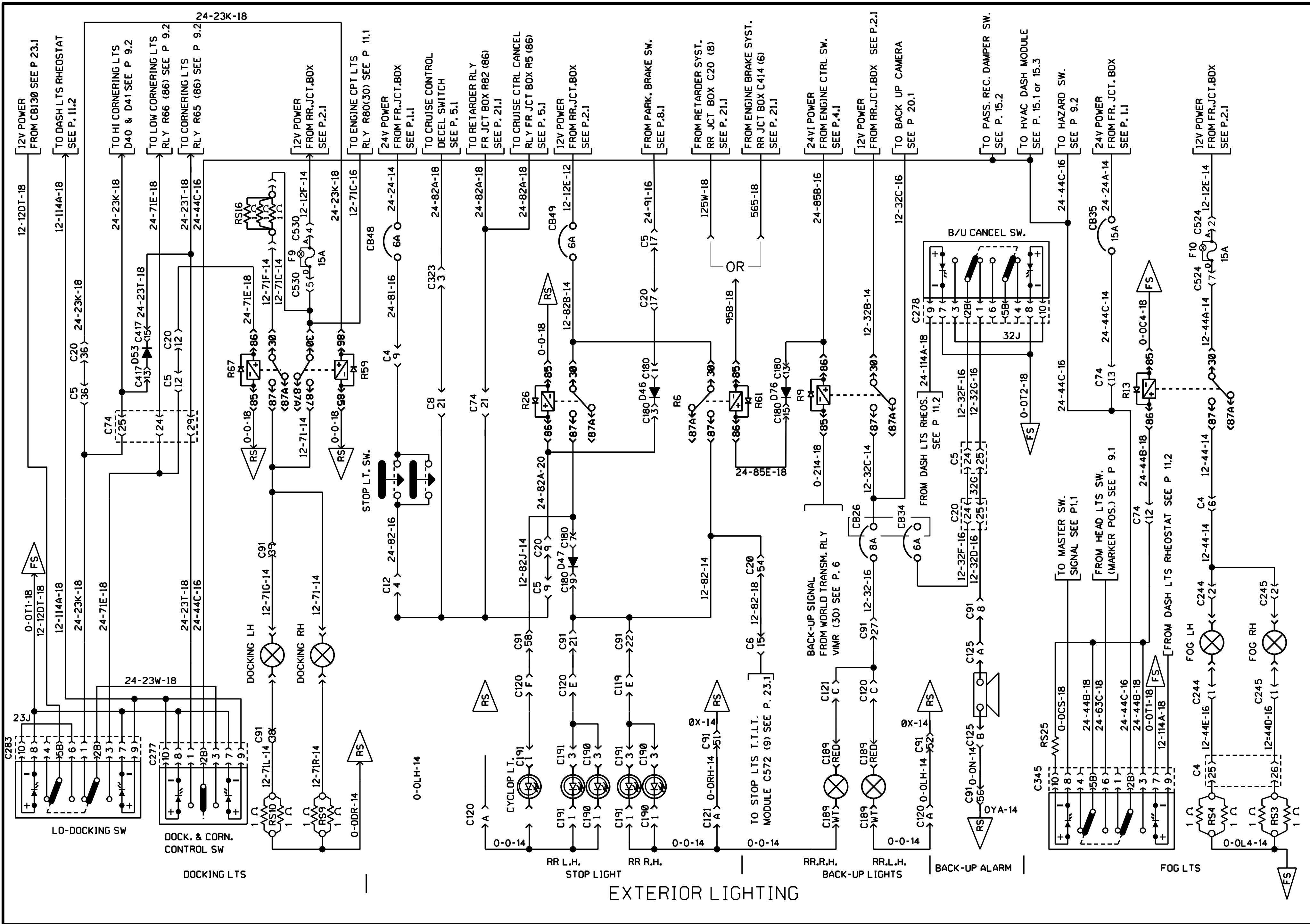


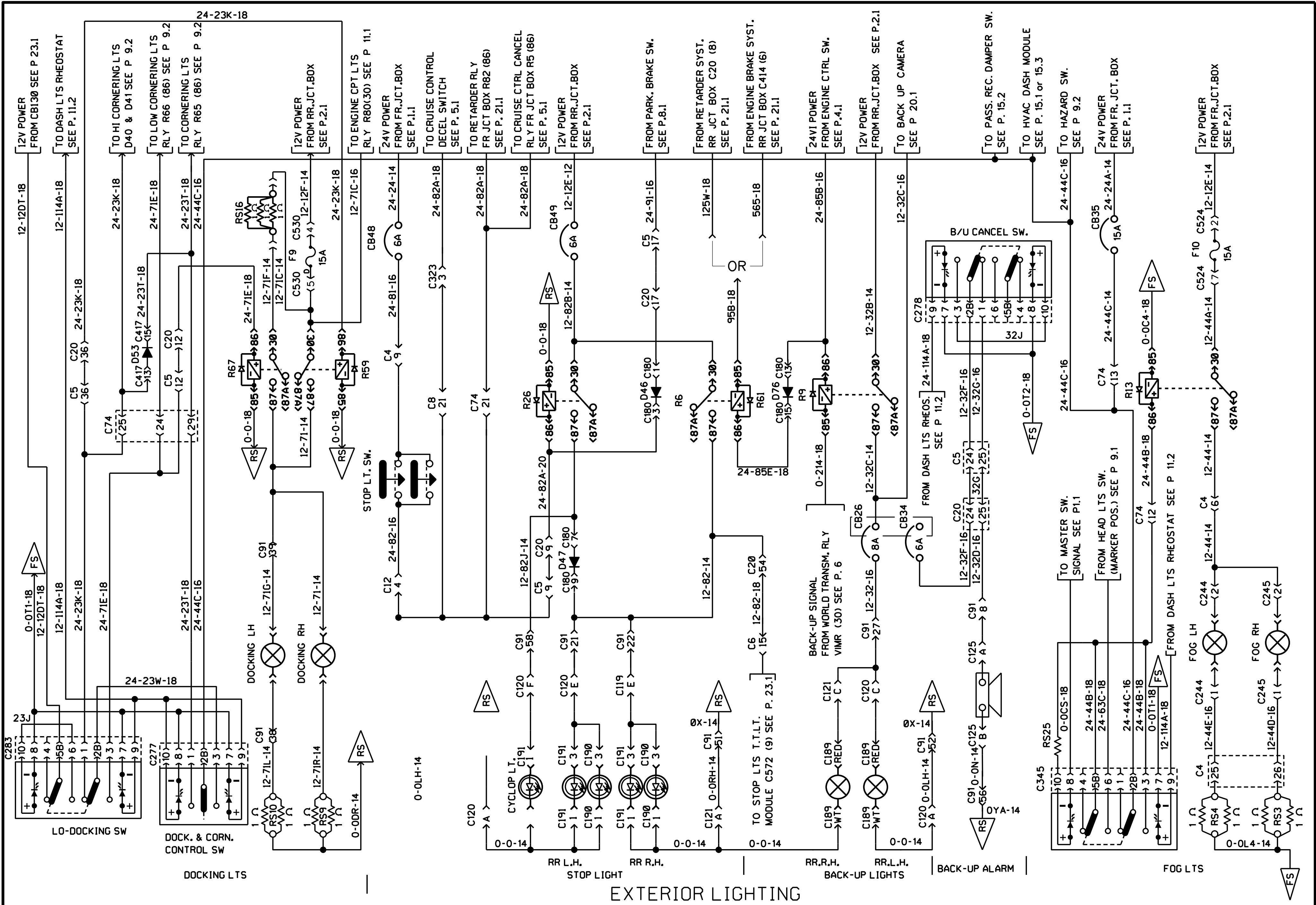


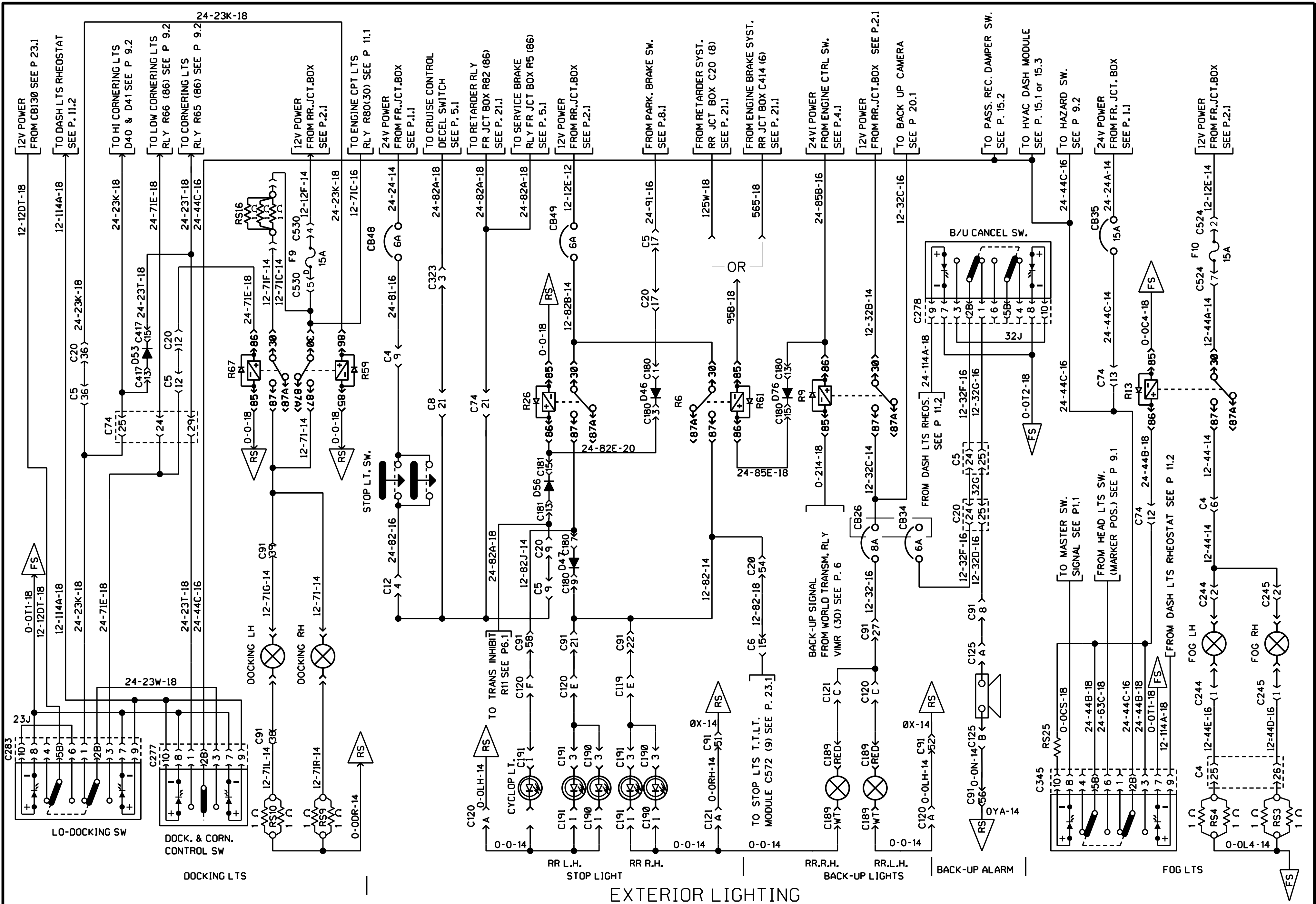


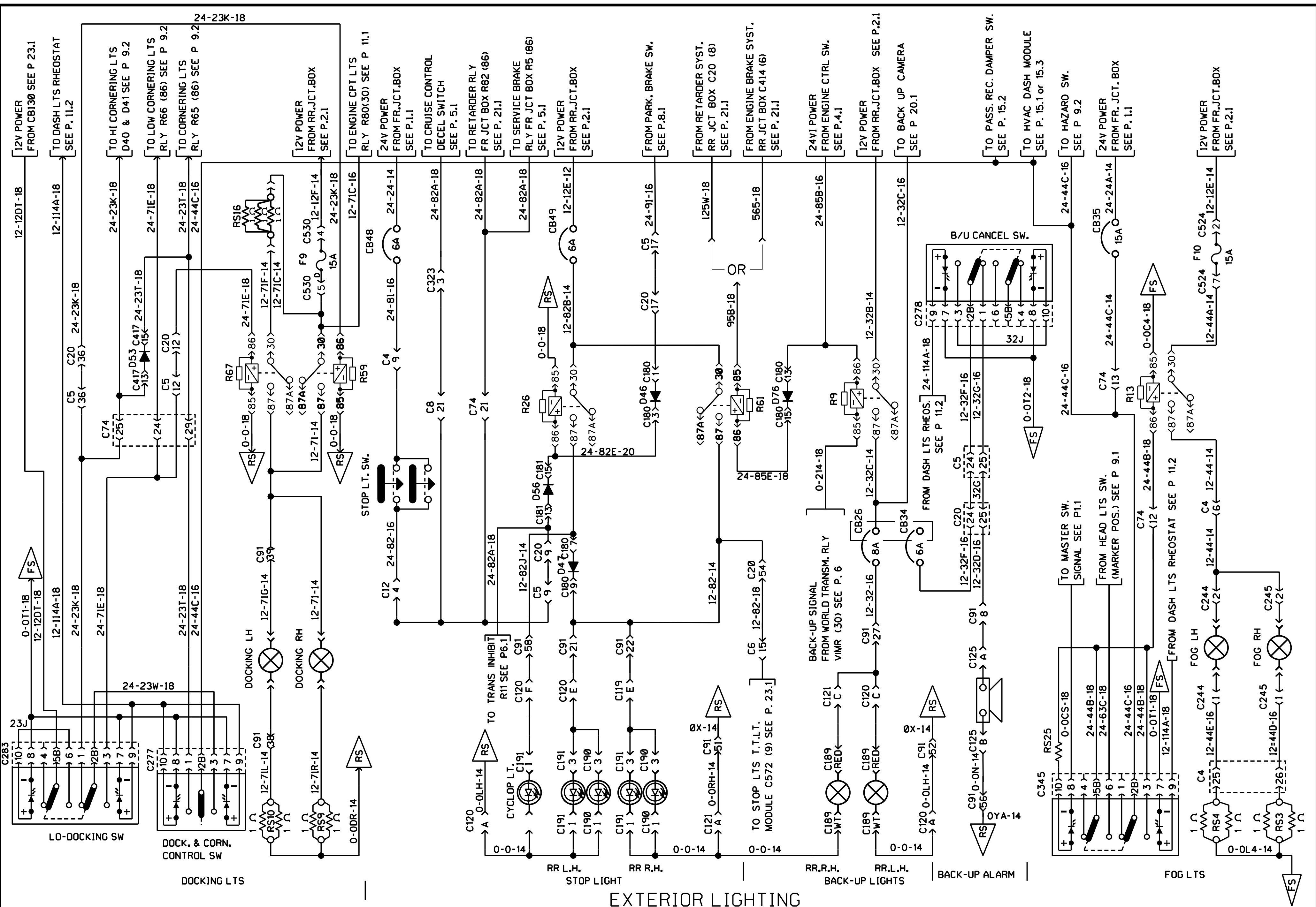




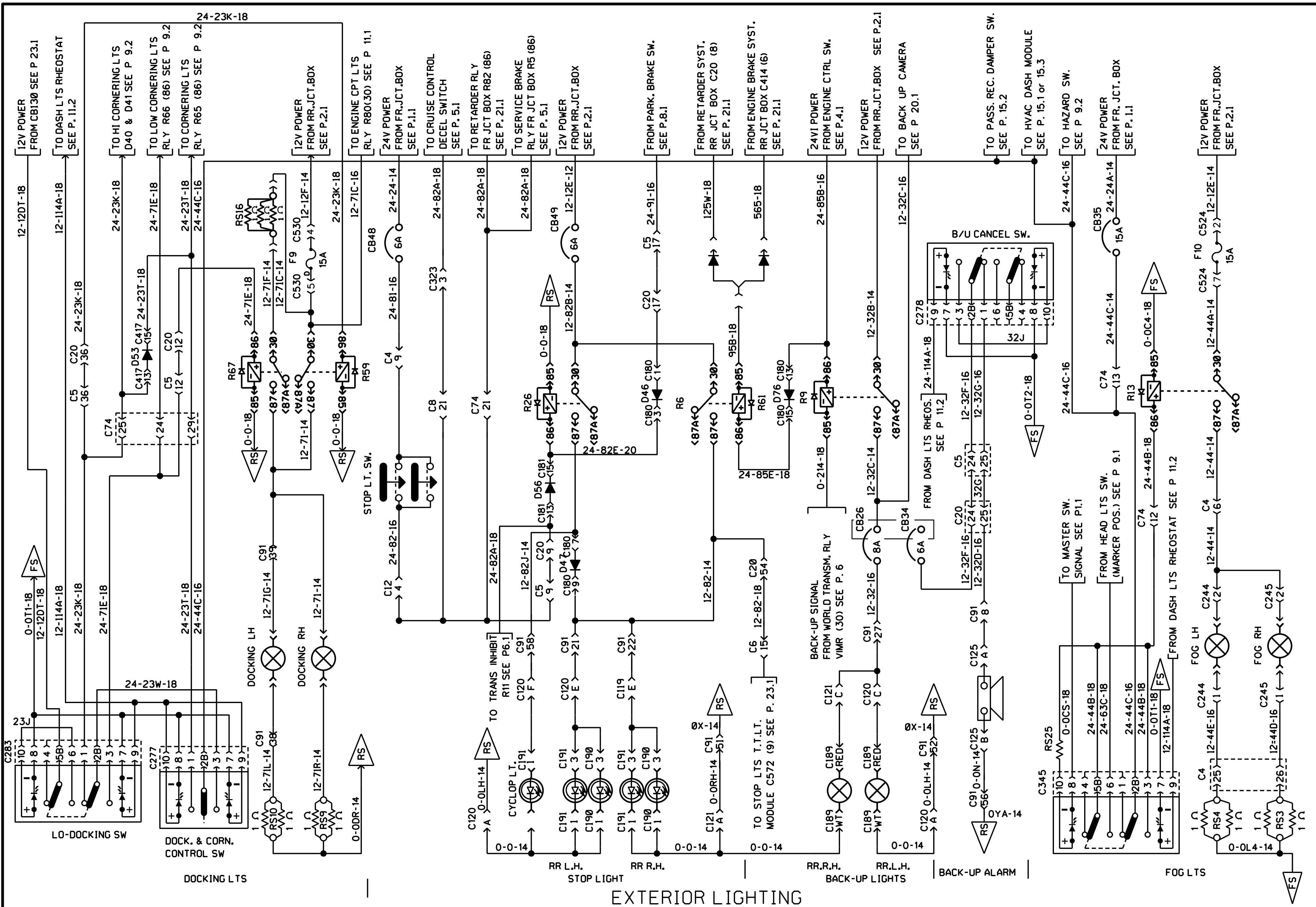


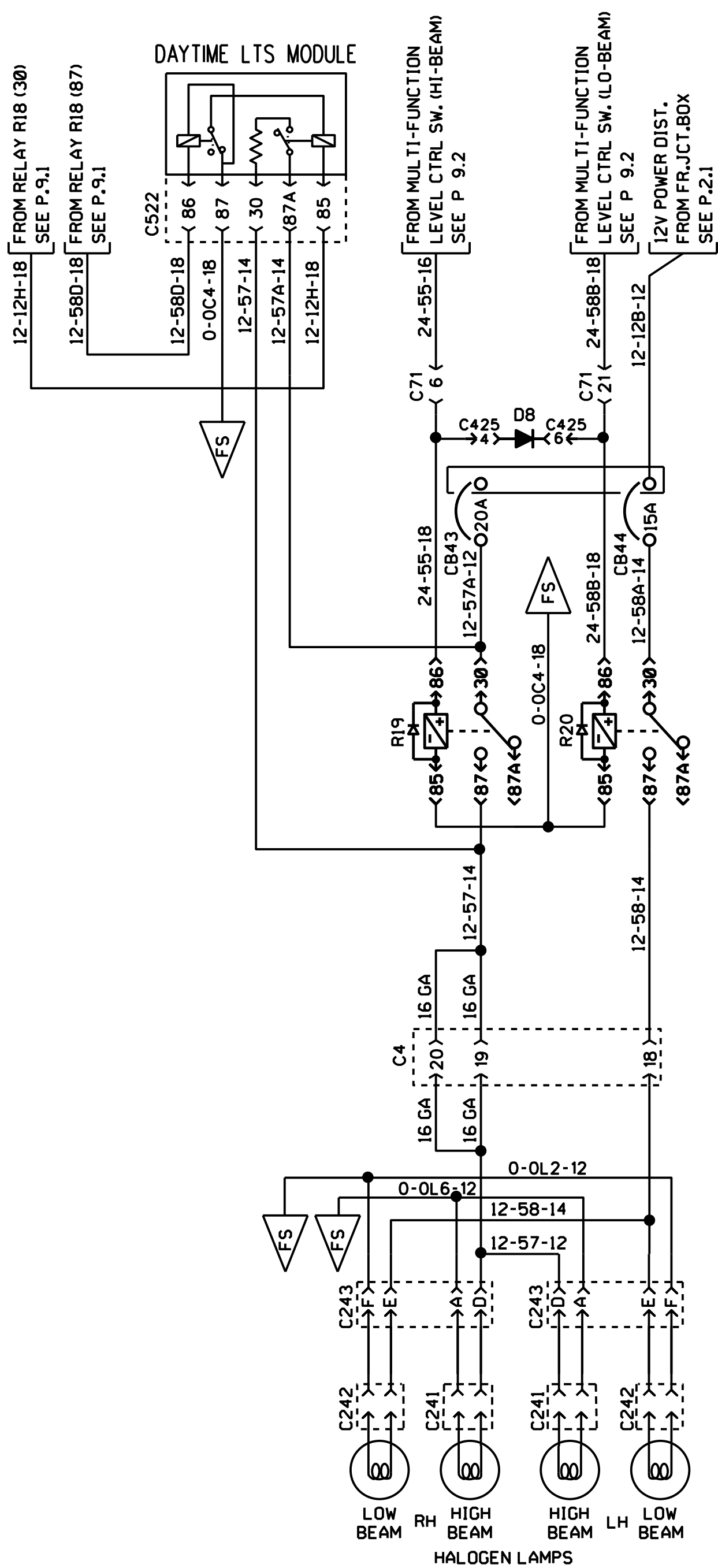




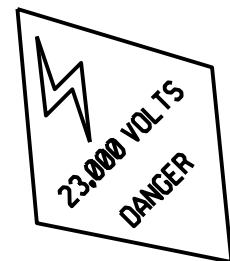
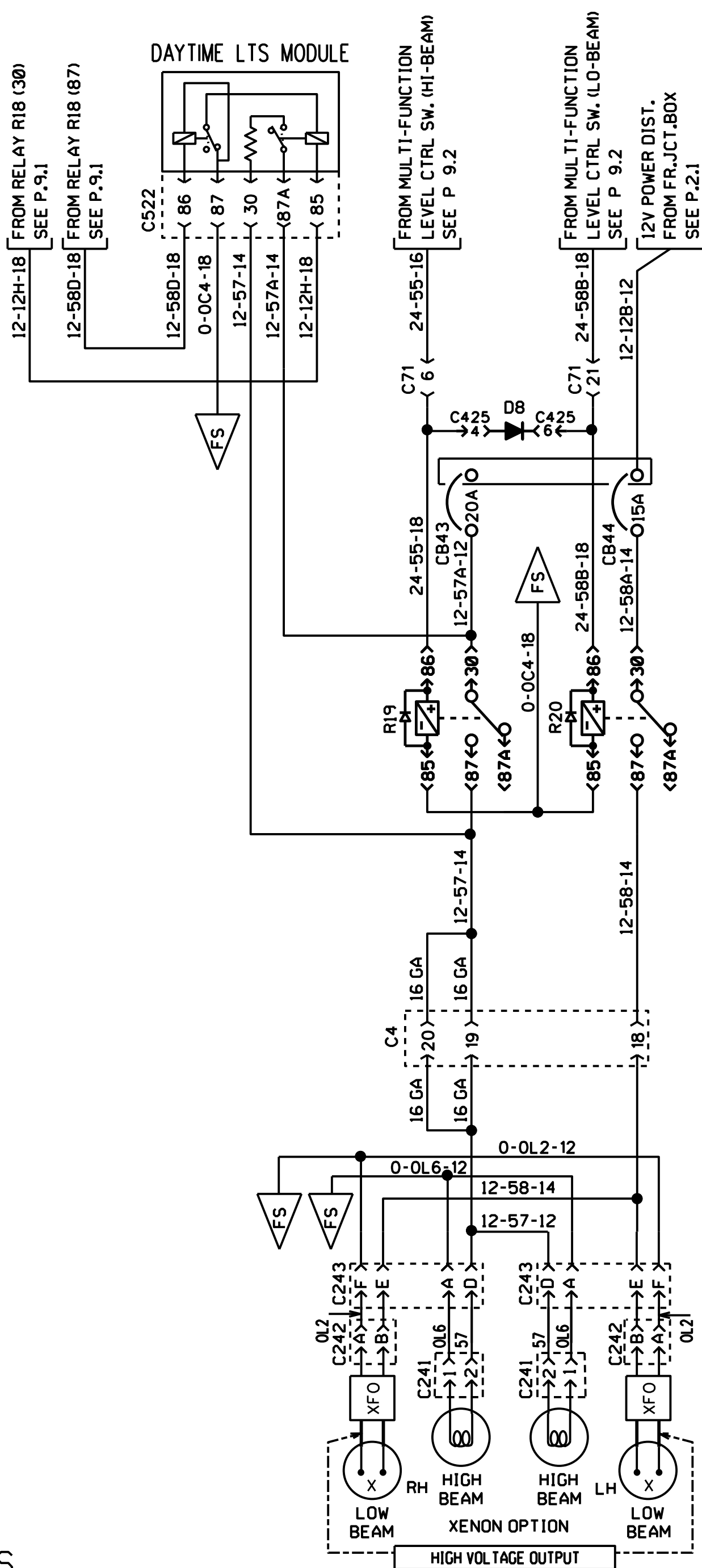


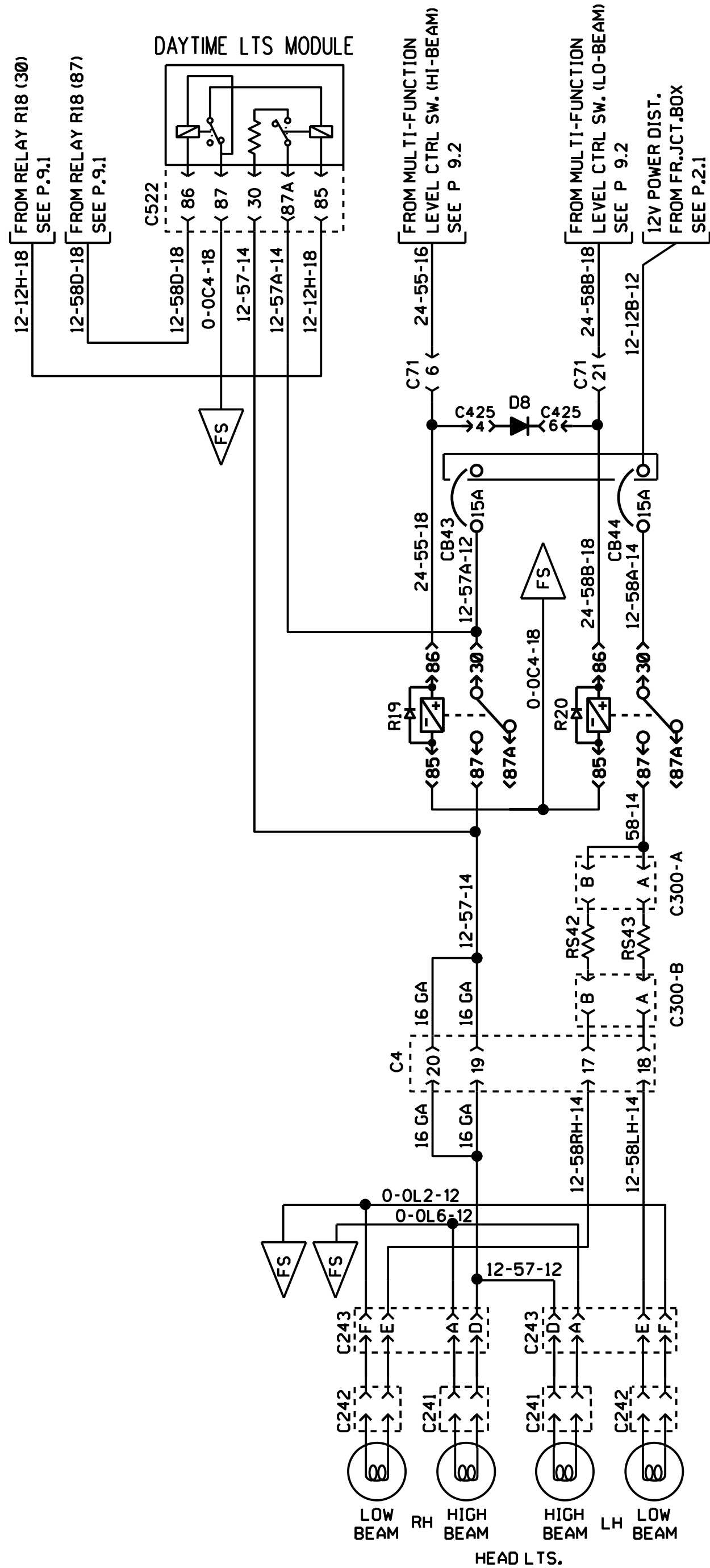
EXTERIOR LIGHTING



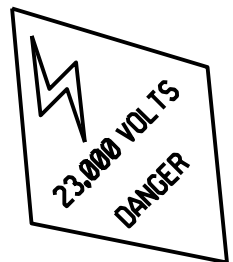
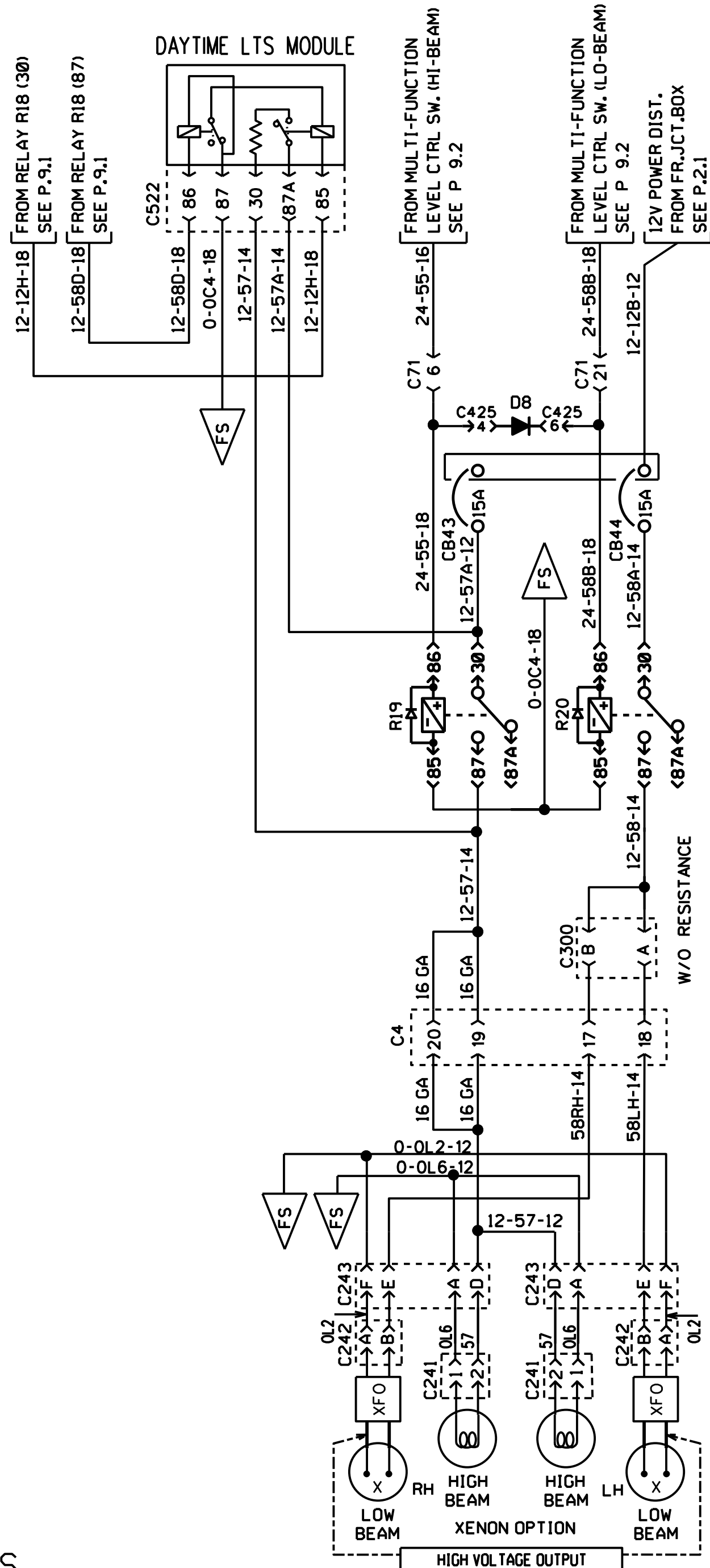


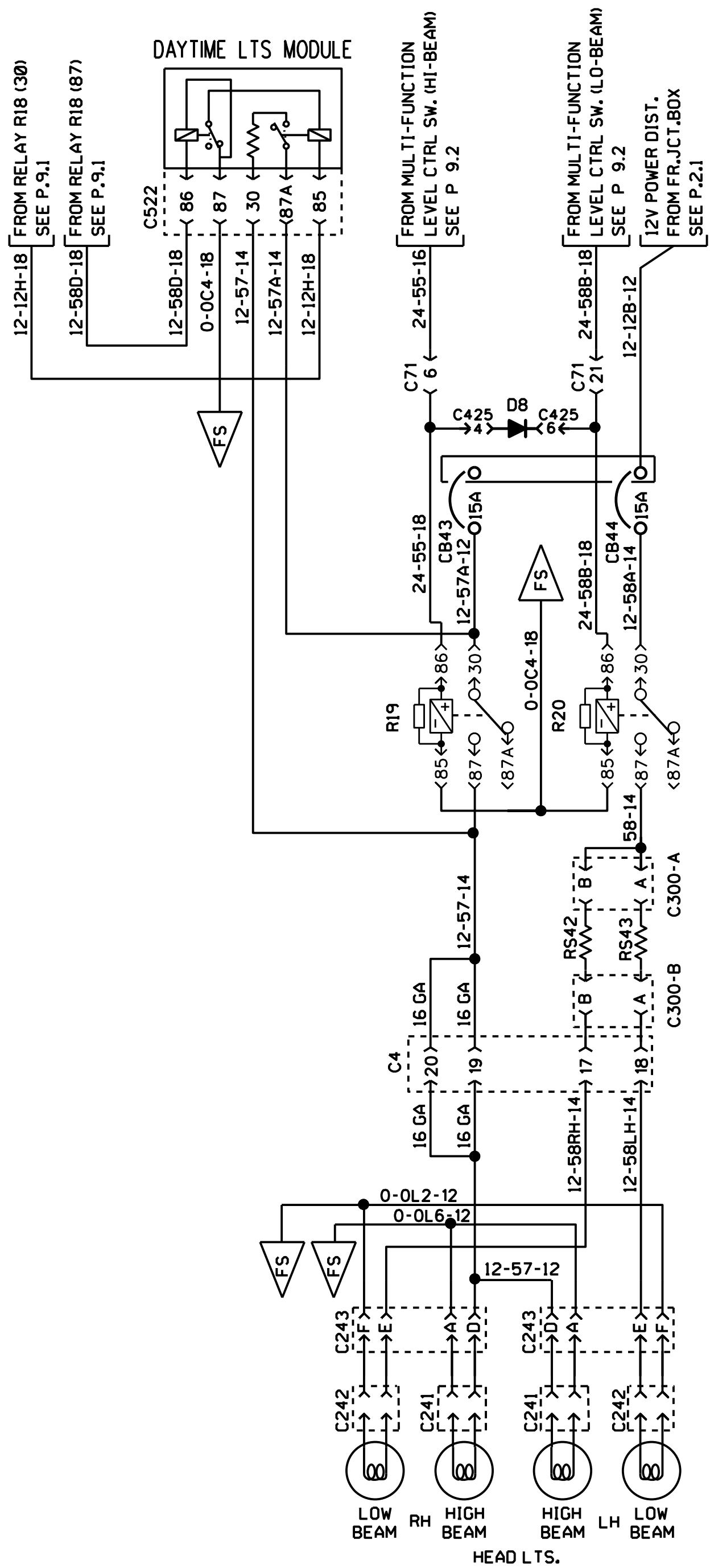
EXTERIOR HEADLIGHTS



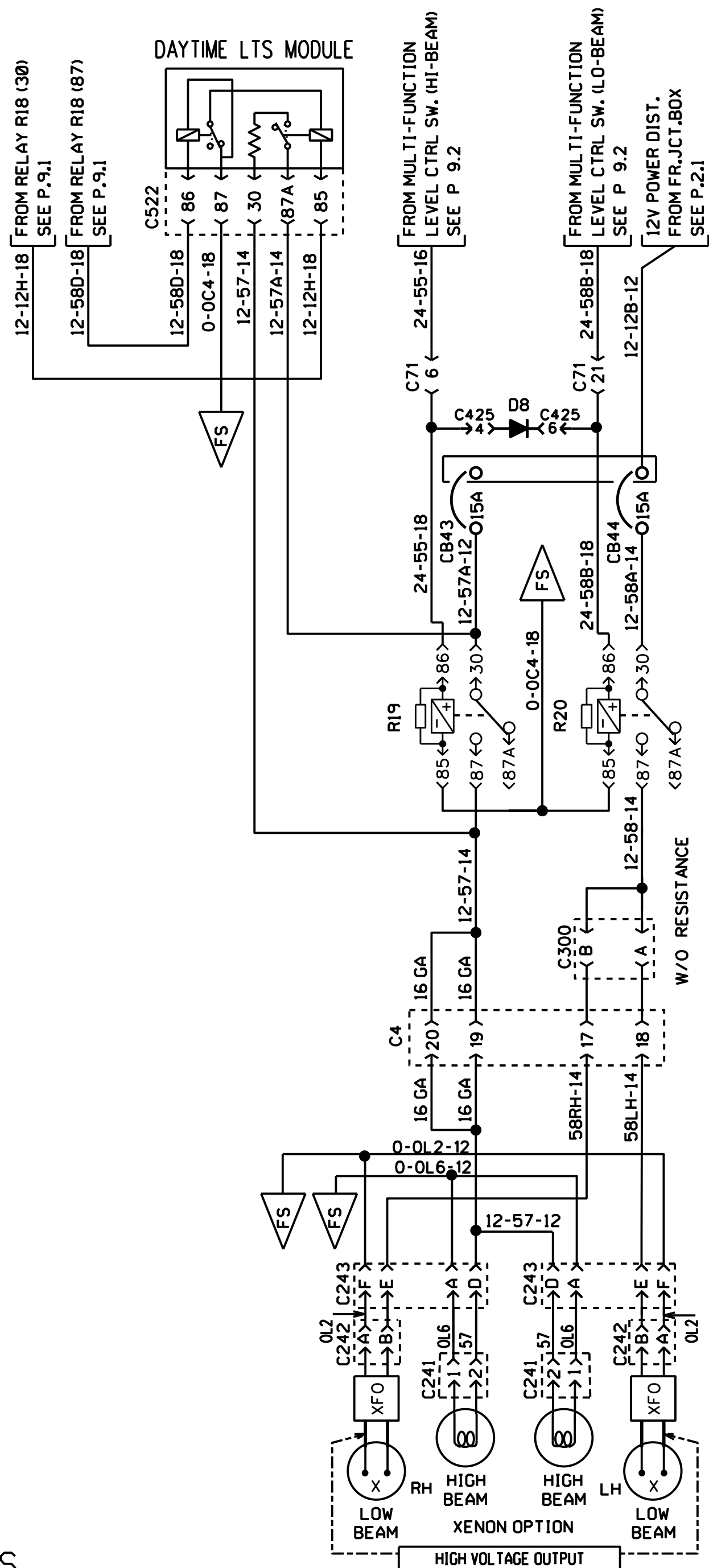


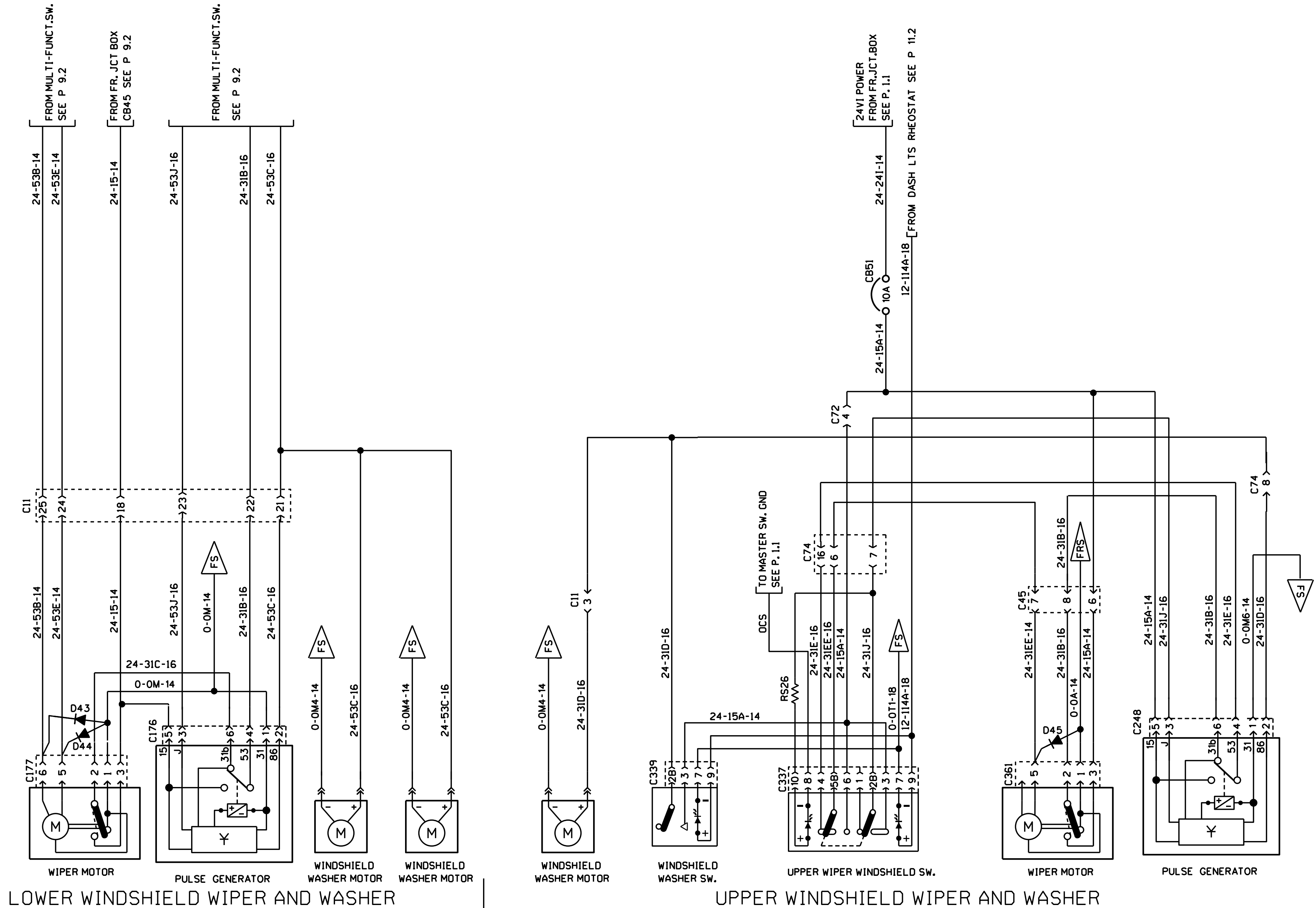
EXTERIOR HEADLIGHTS

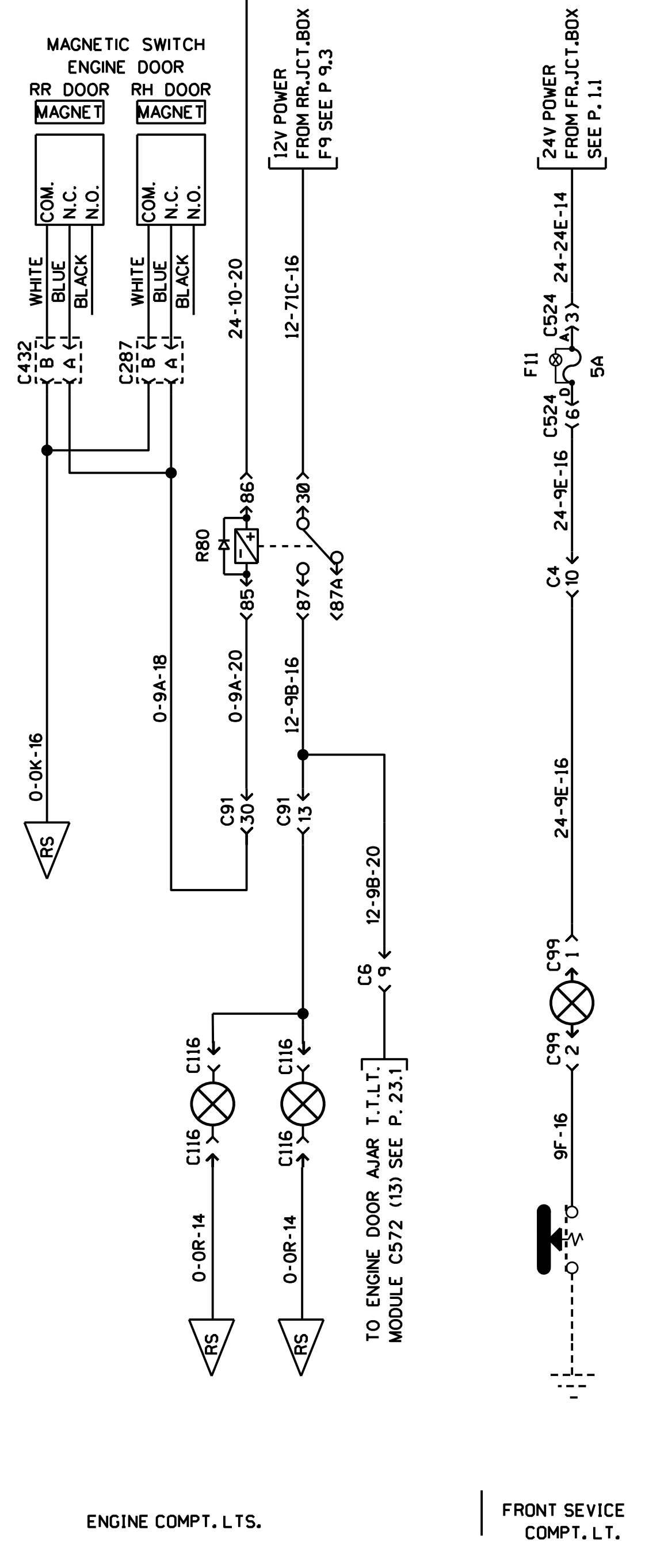
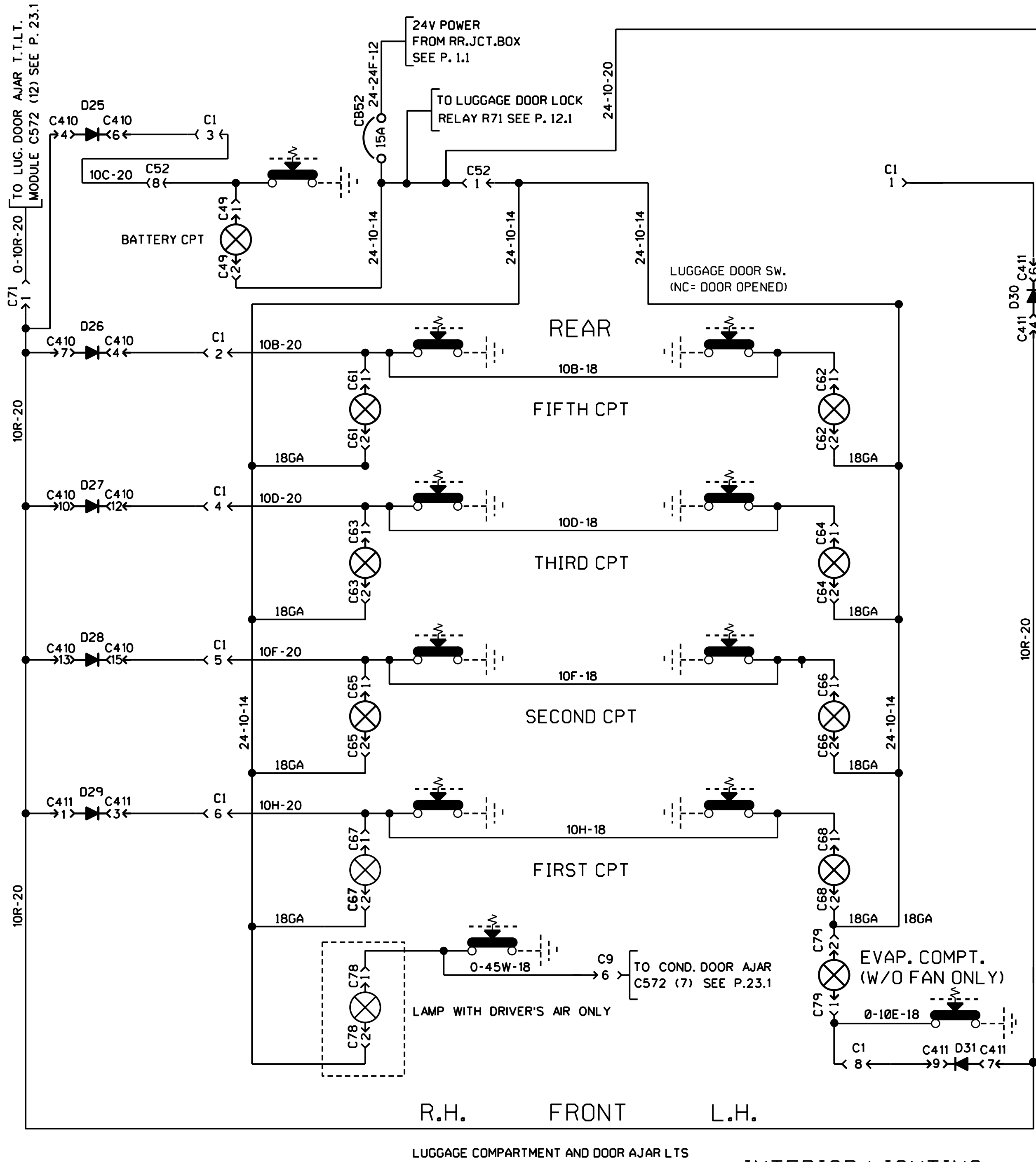


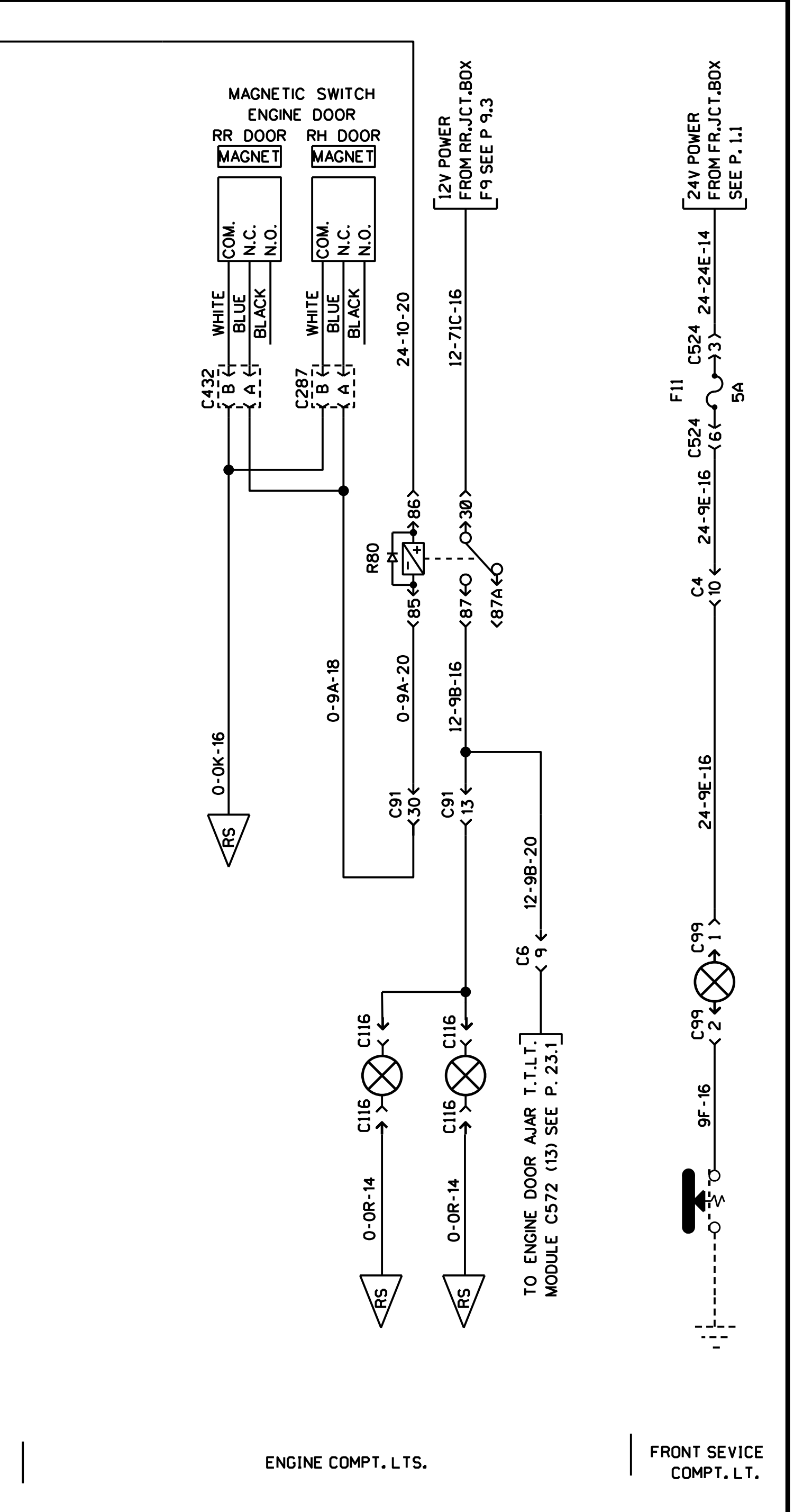
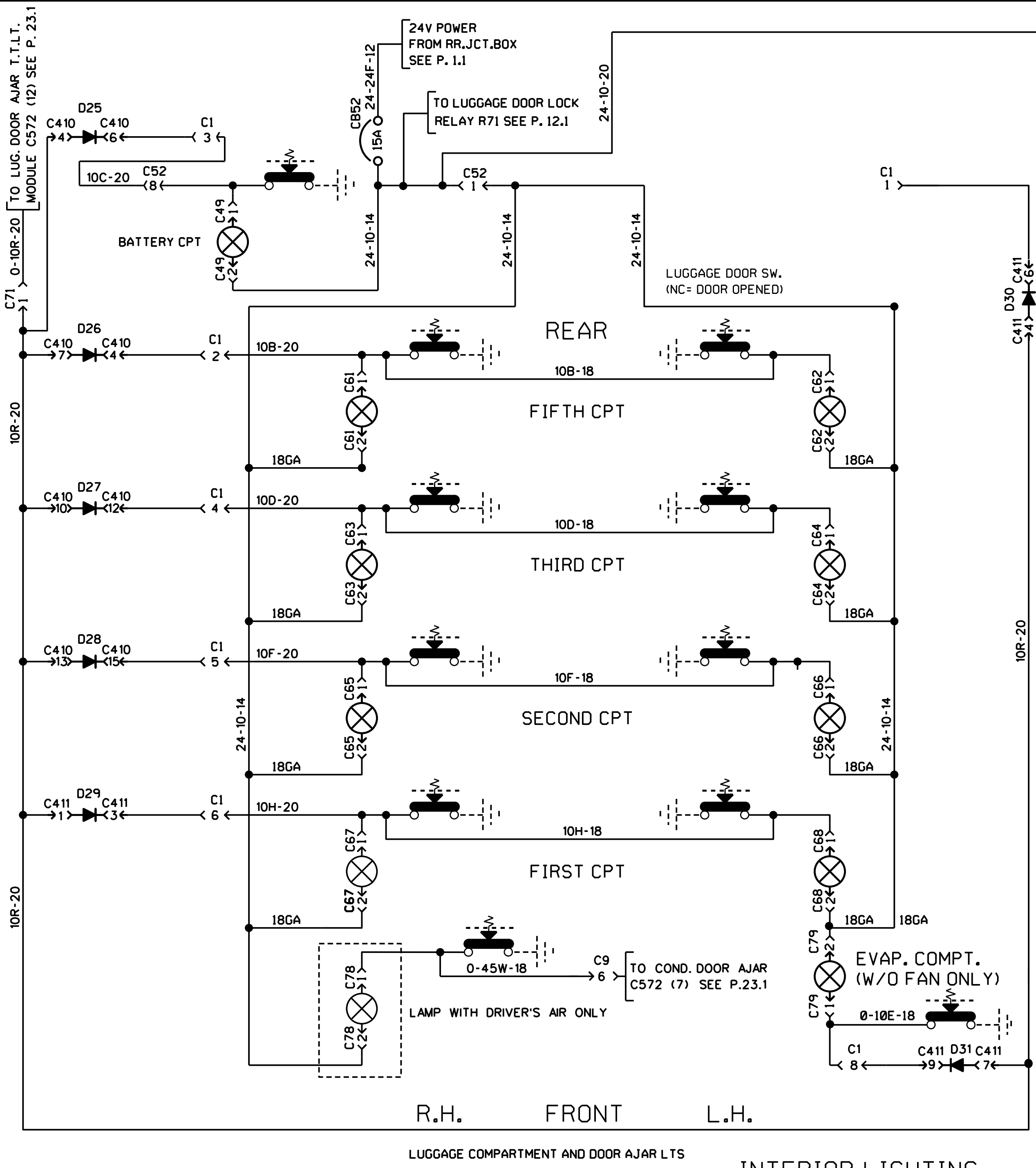


EXTERIOR HEADLIGHTS

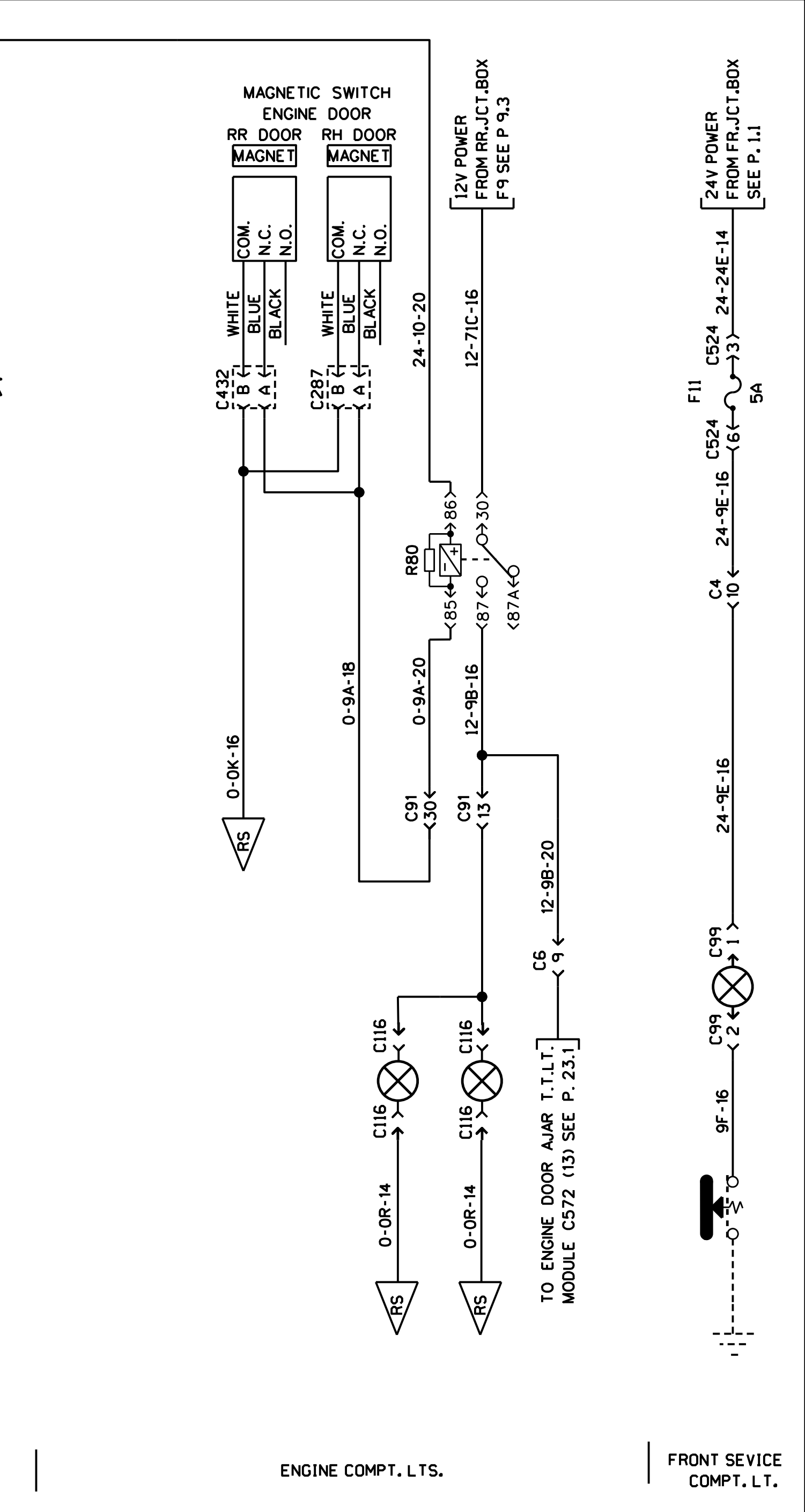
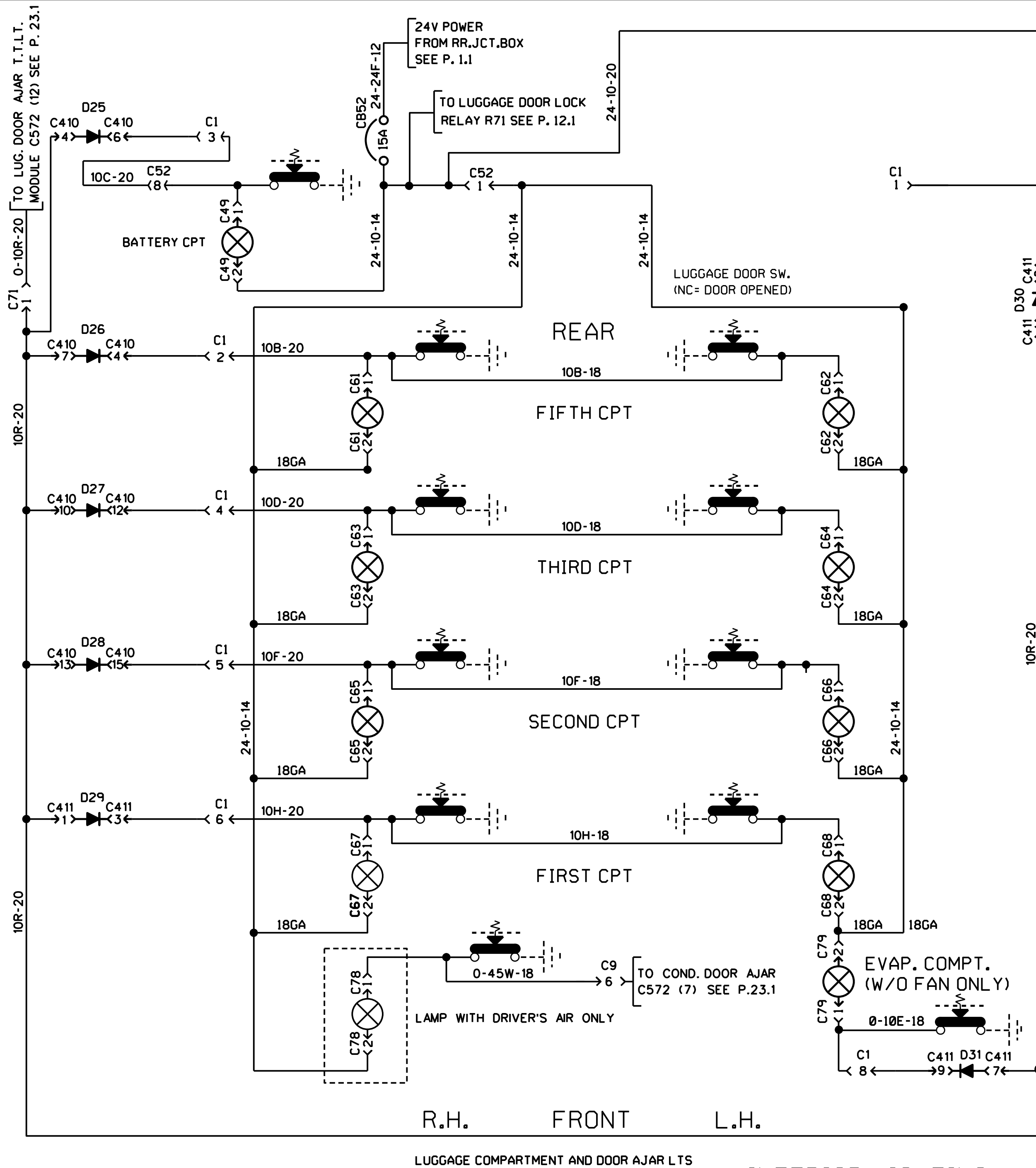


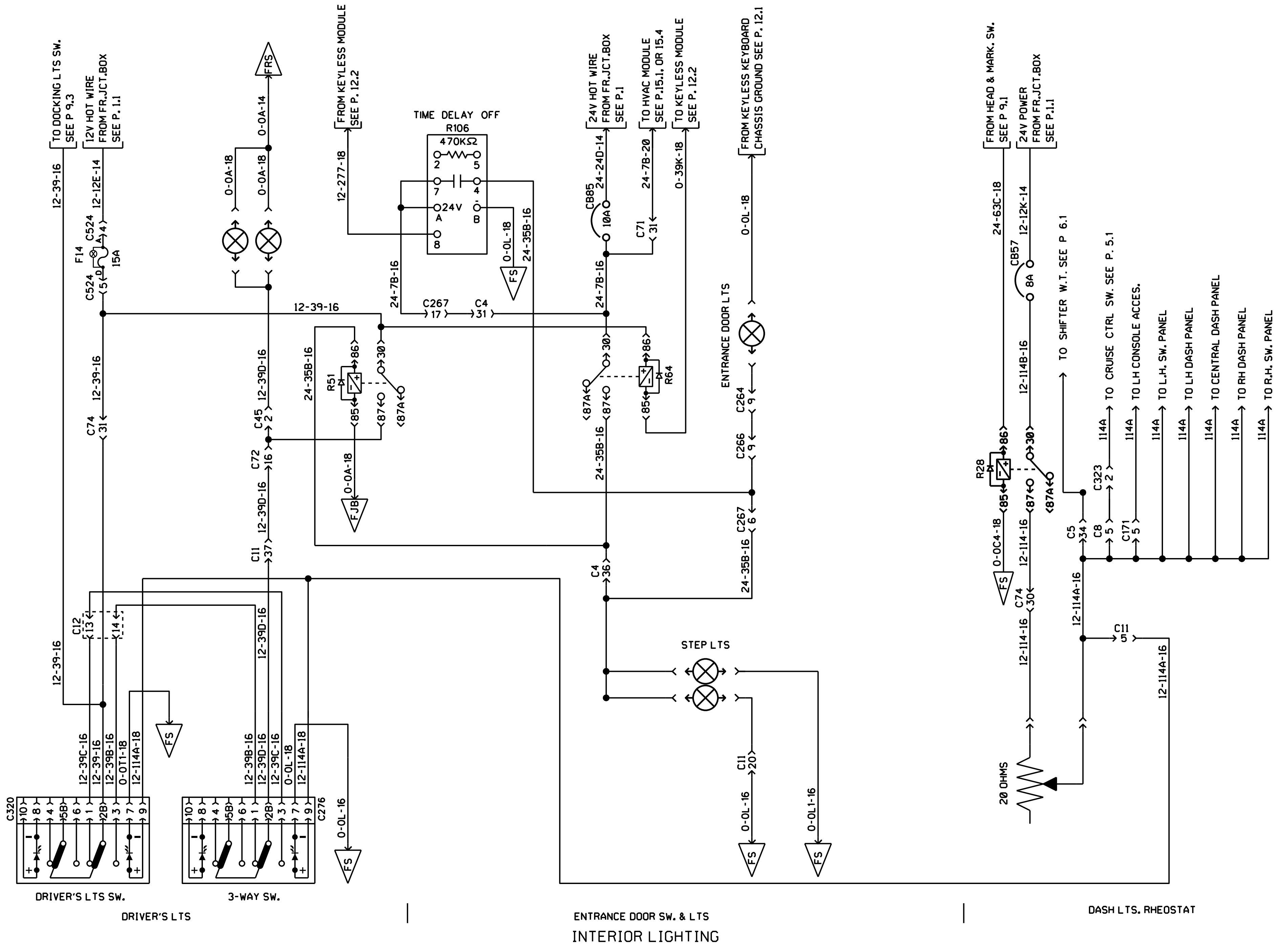


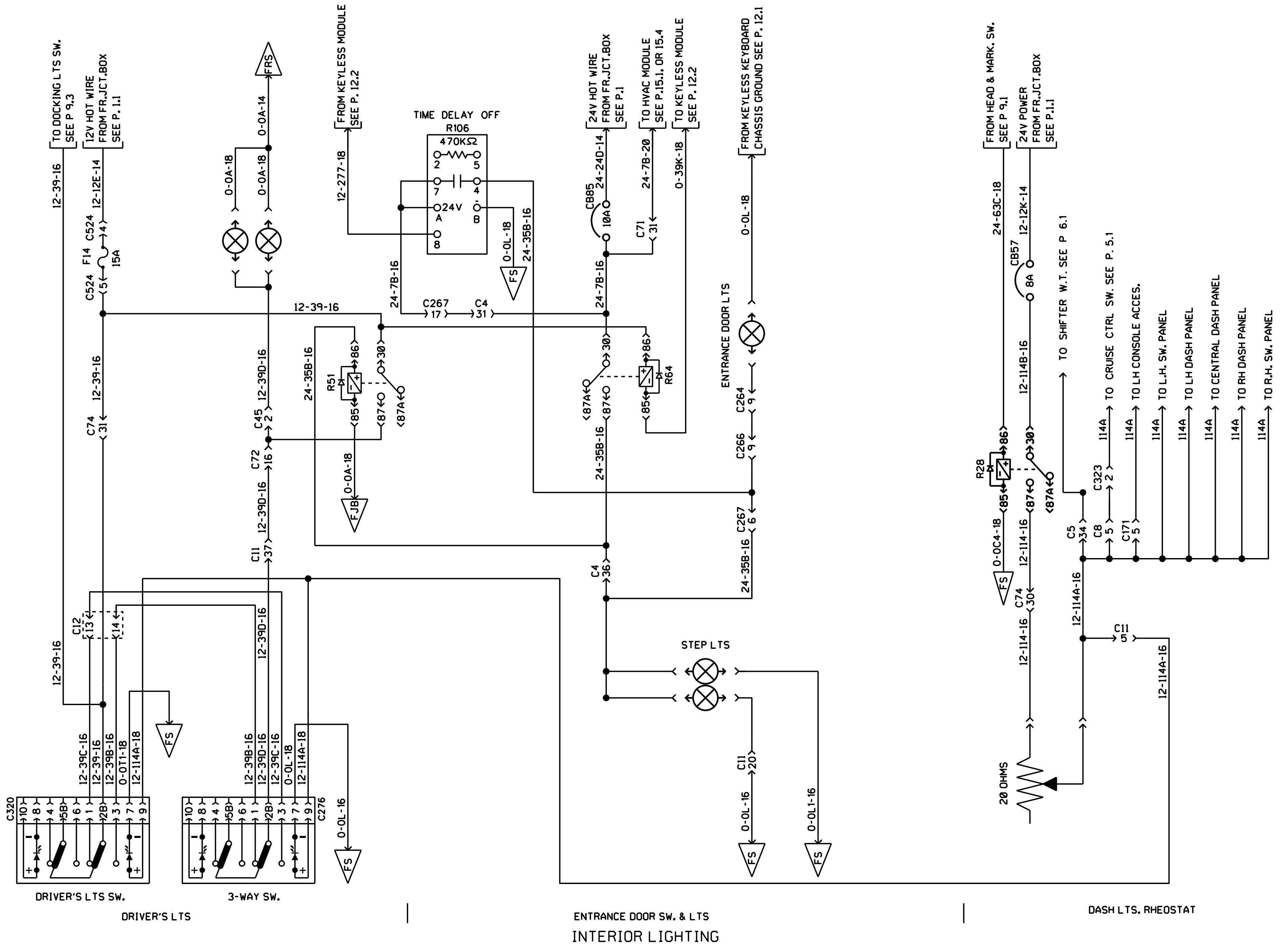


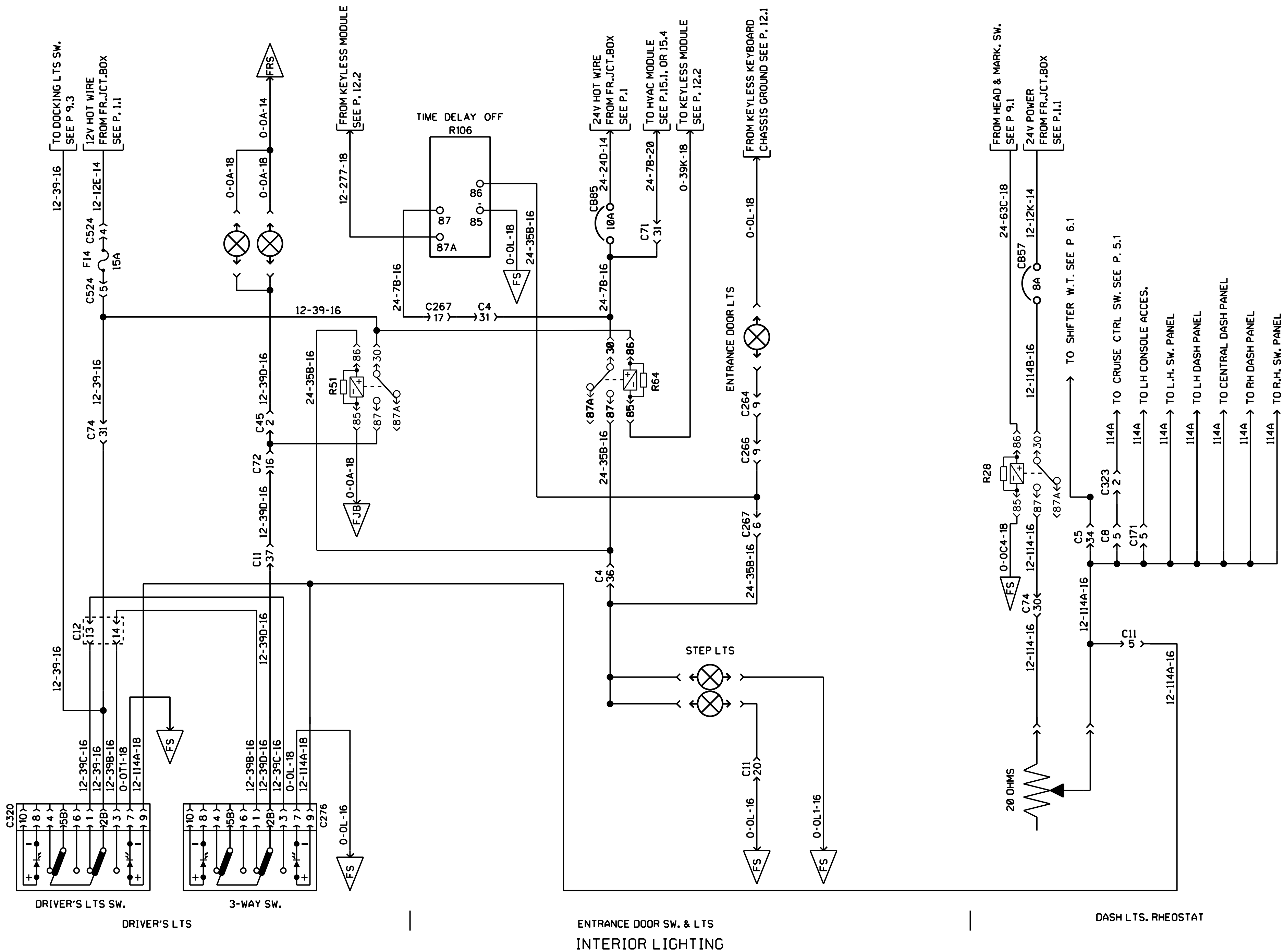


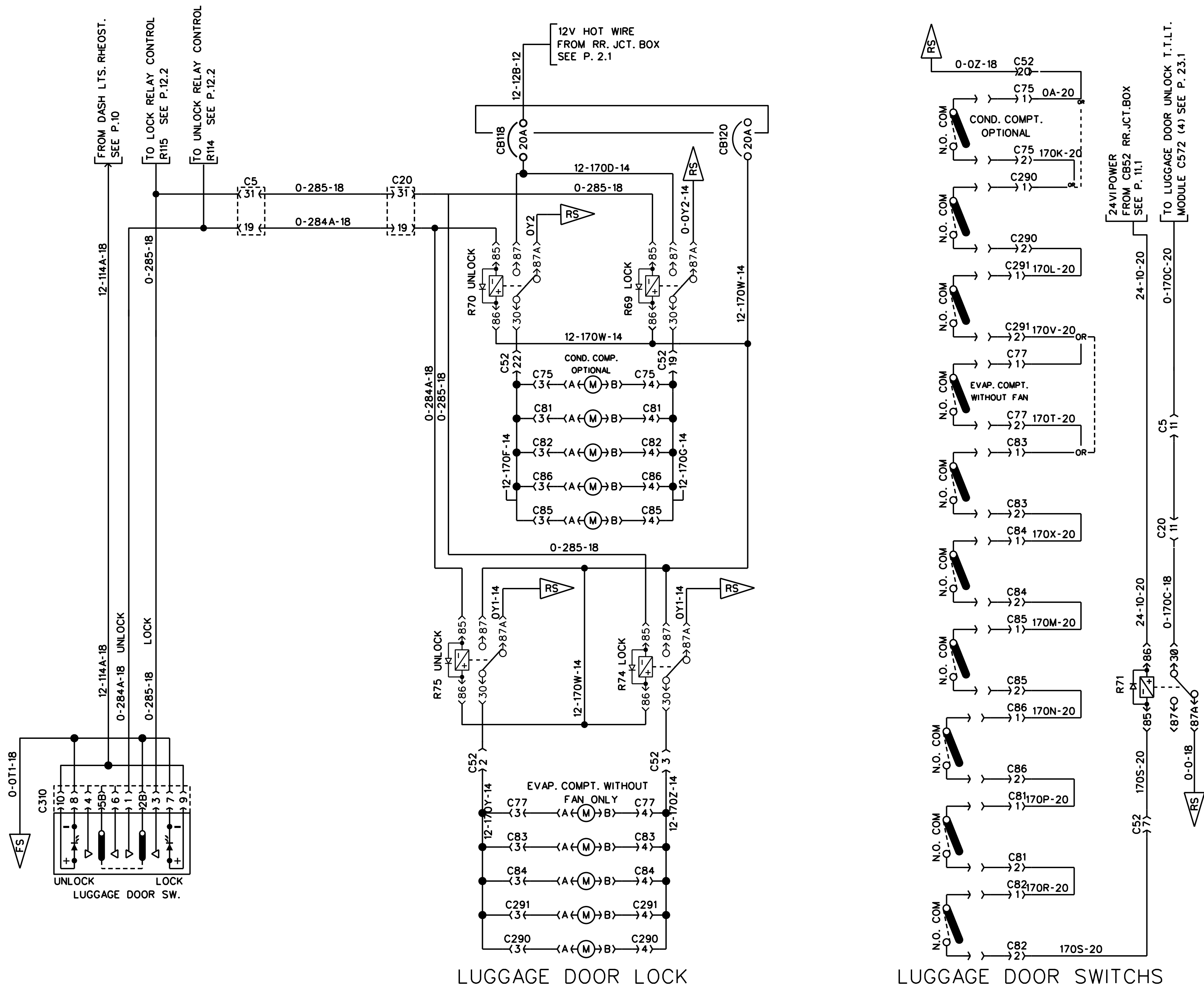
INTERIOR LIGHTING

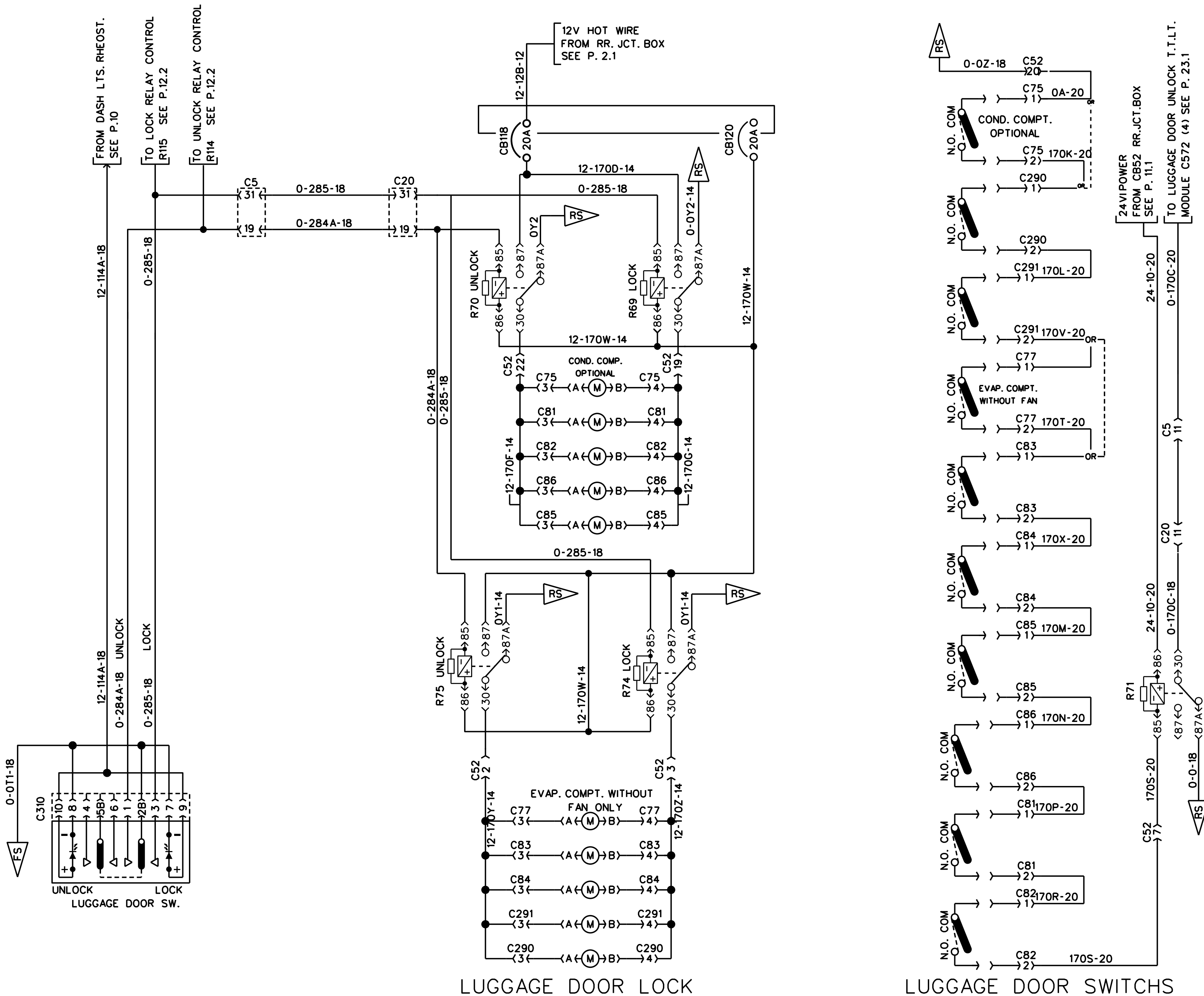


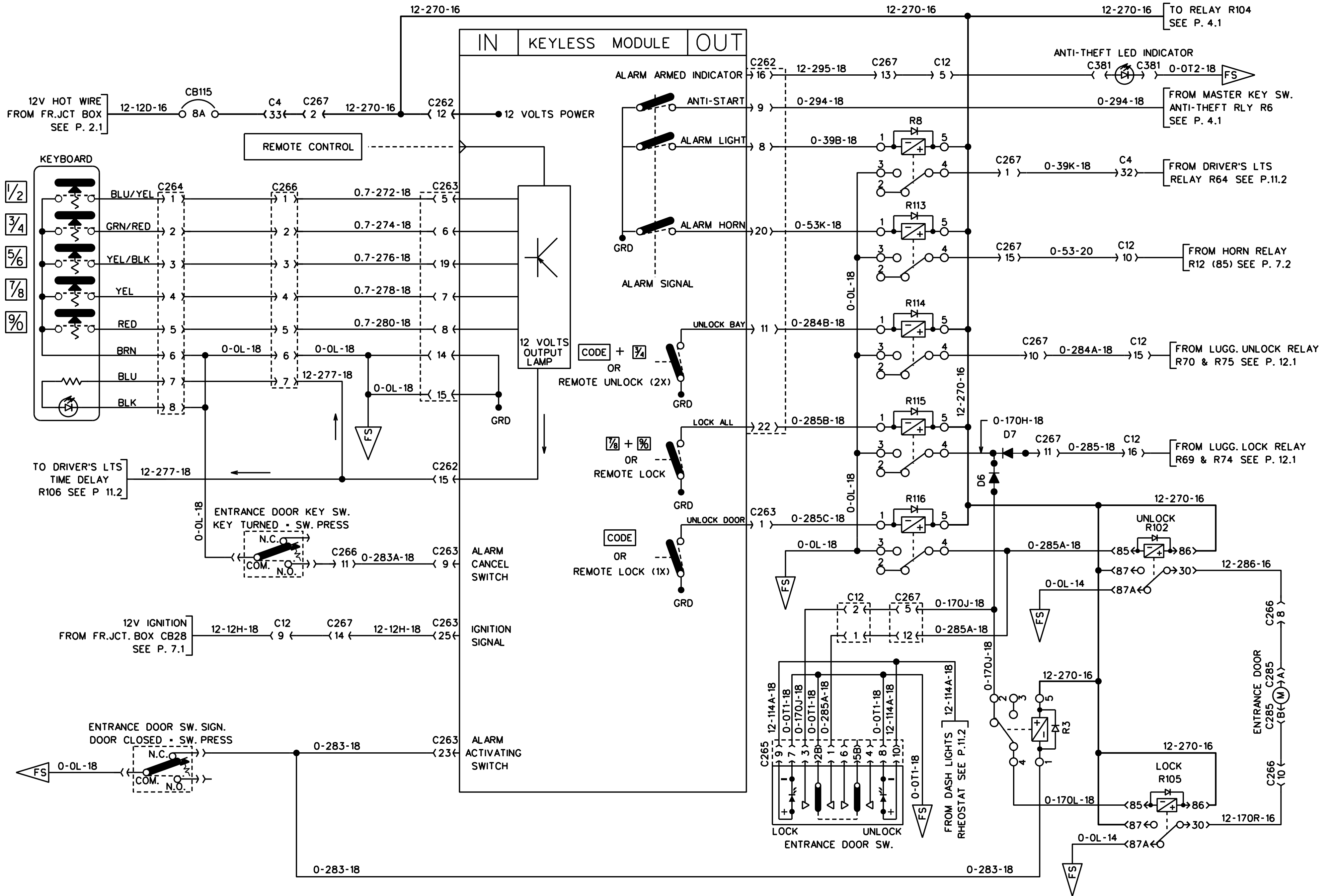




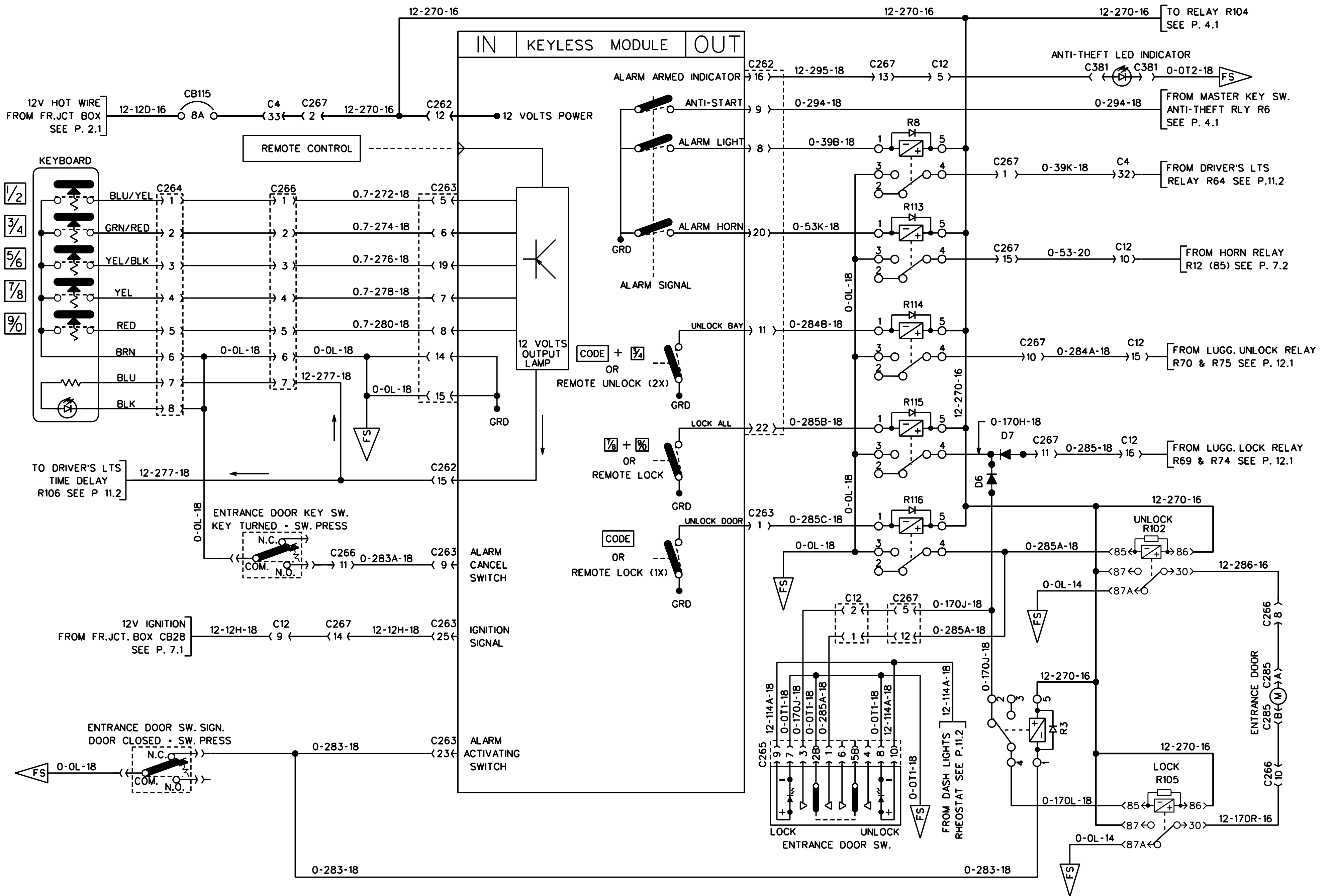




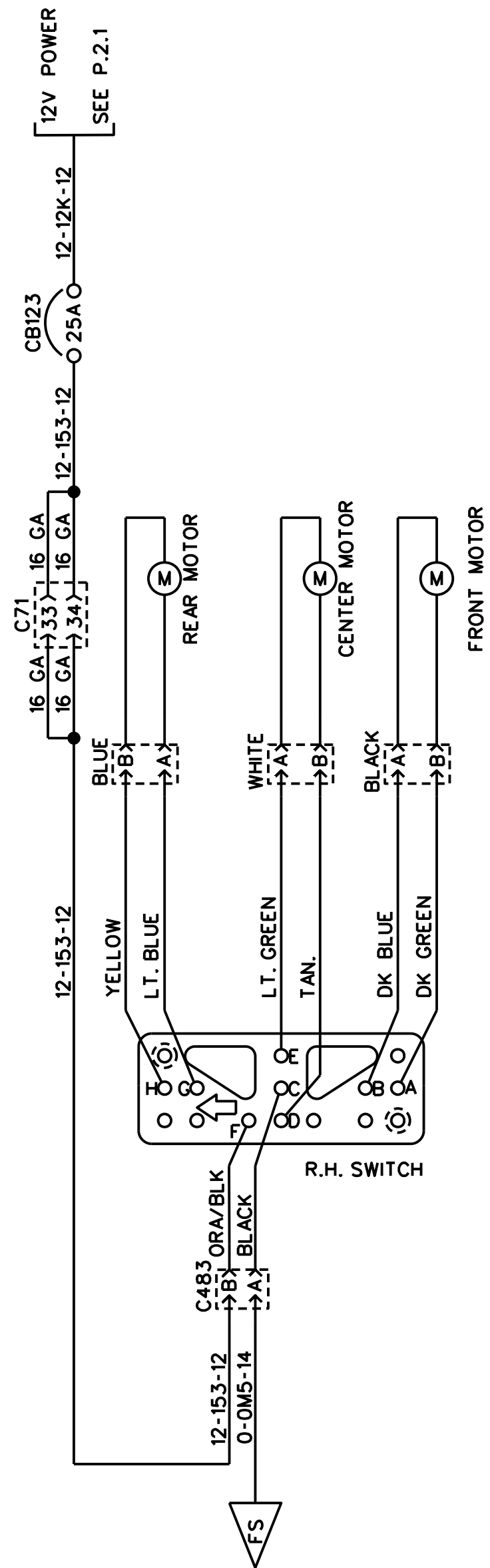




KEYLESS ENTRY SYSTEM

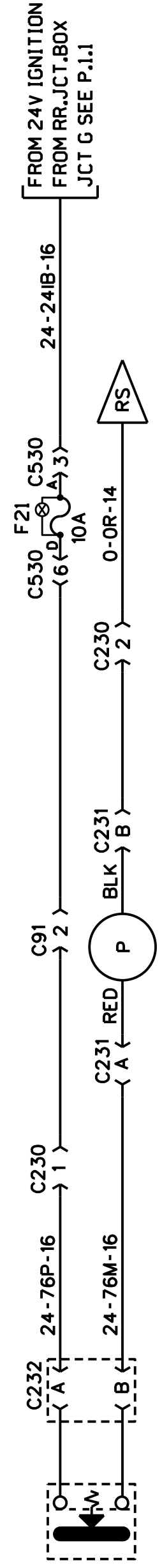
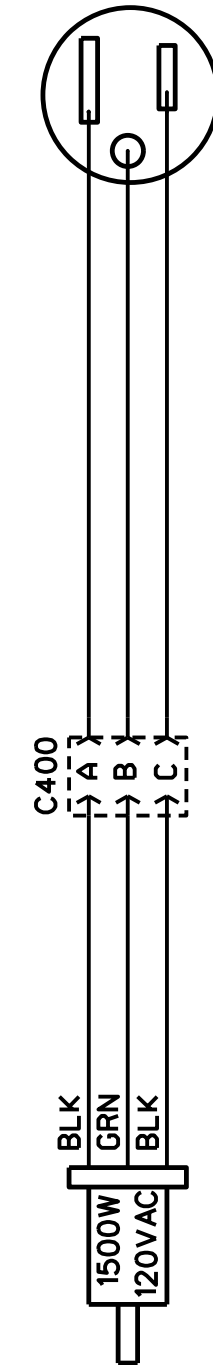


KEYLESS ENTRY SYSTEM



DRIVER'S SEAT ELECT. ADJ. |

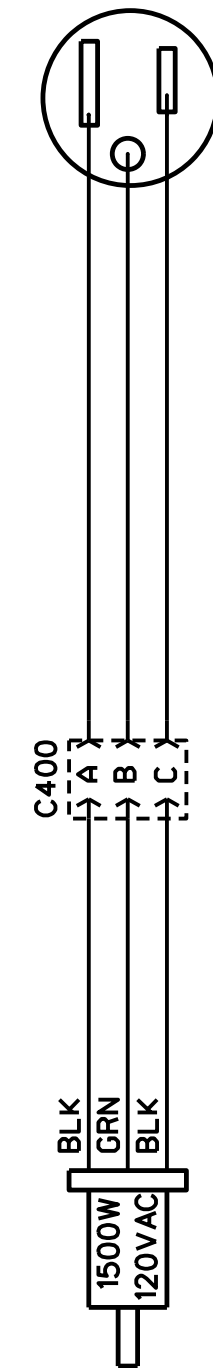
110V PLUG
RR ENGINE DOOR



ENGINE BLOCK
HEATER

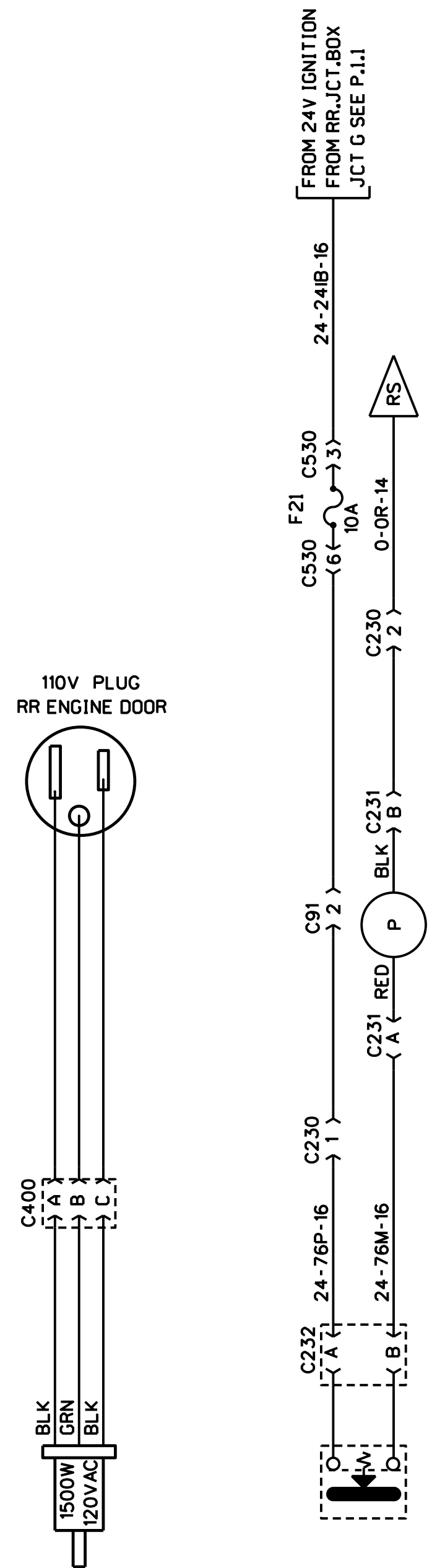
FUEL PRIME PUMP

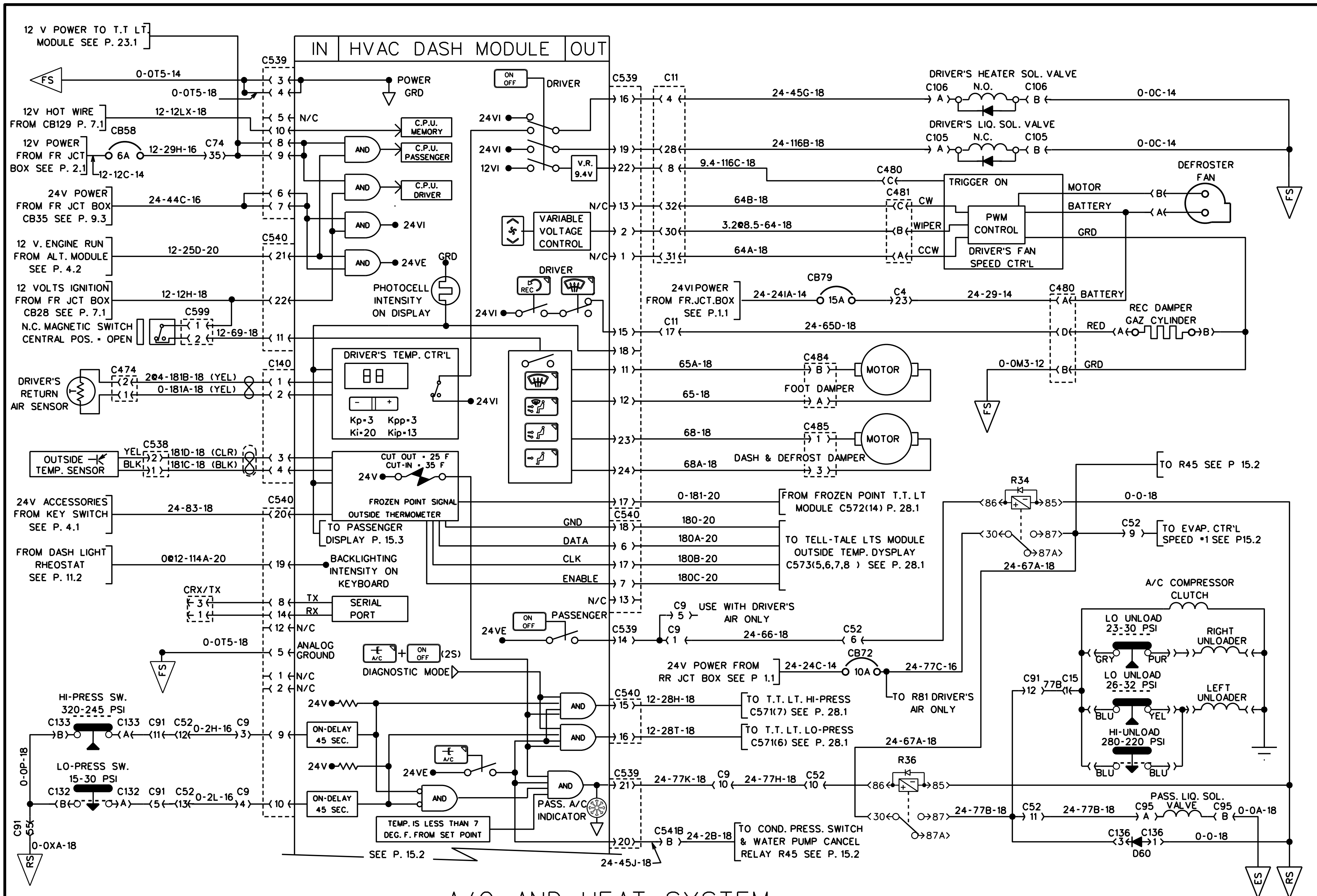
110V PLUG
RR ENGINE DOOR



ENGINE BLOCK
HEATER

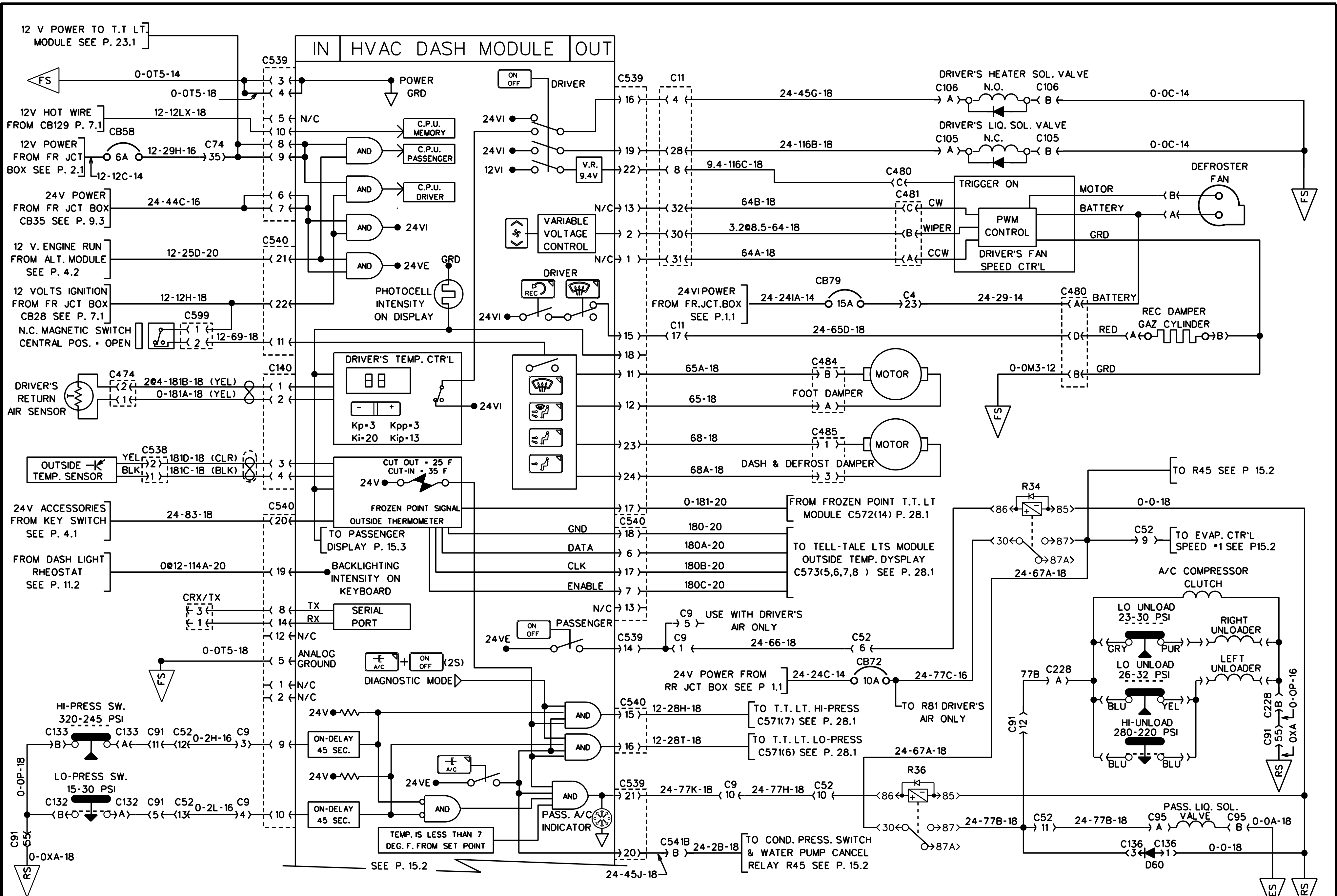
FUEL PRIME PUMP





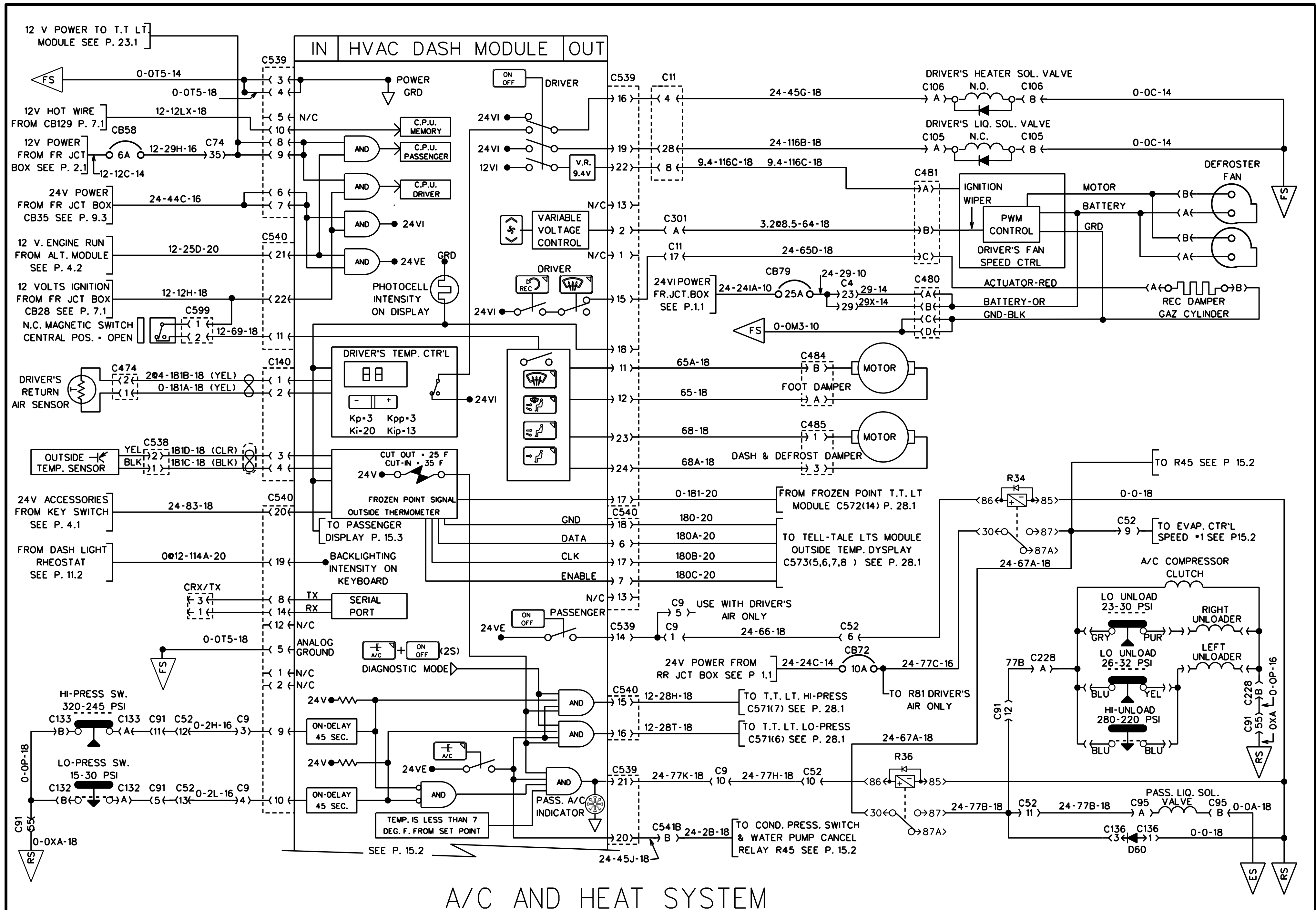
A/C AND HEAT SYSTEM

FAIT A PARTIR DE D060938 P15.2 REV 12



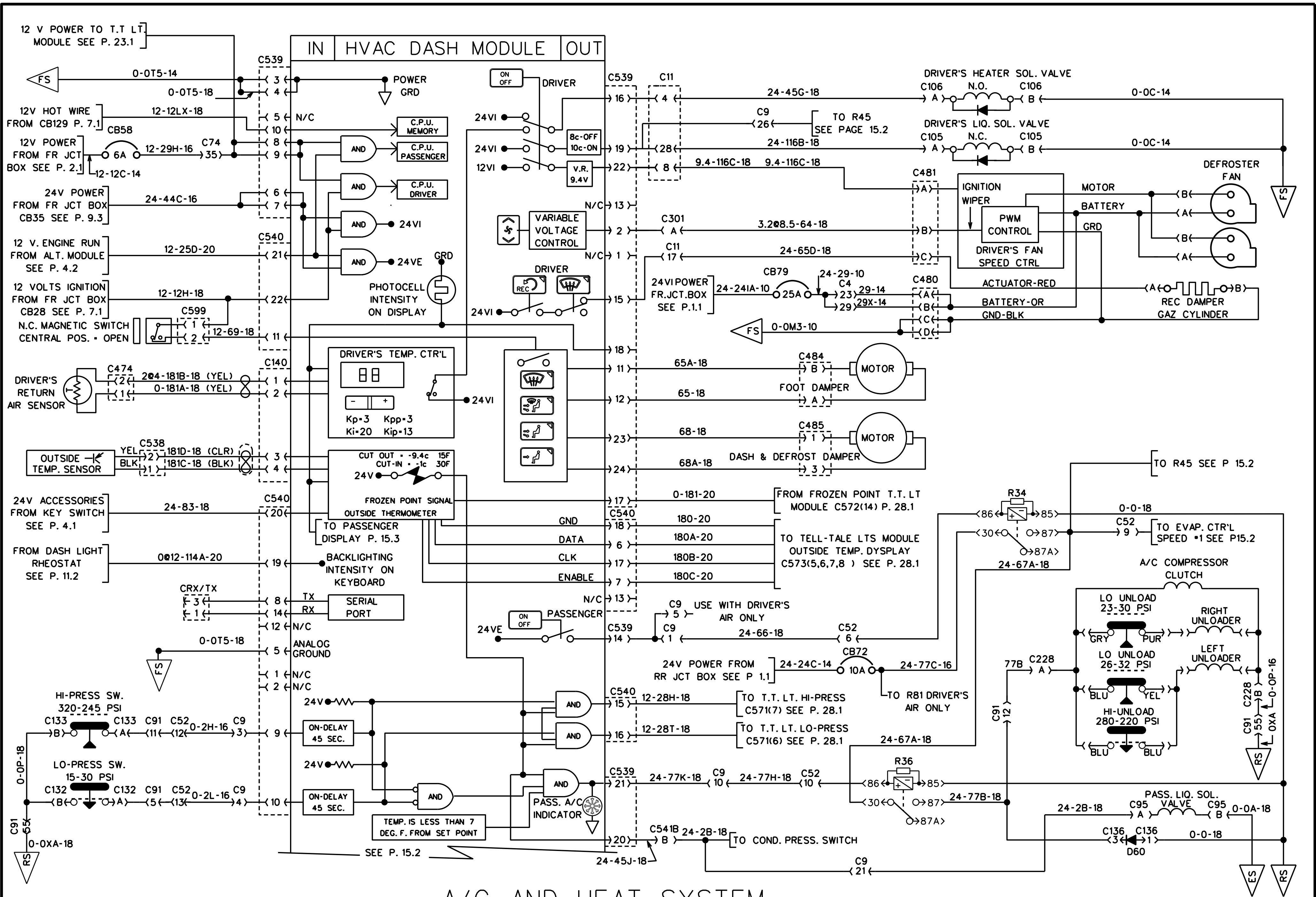
A/C AND HEAT SYSTEM

FAIT A PARTIR DE D060938 P15.2 REV 12



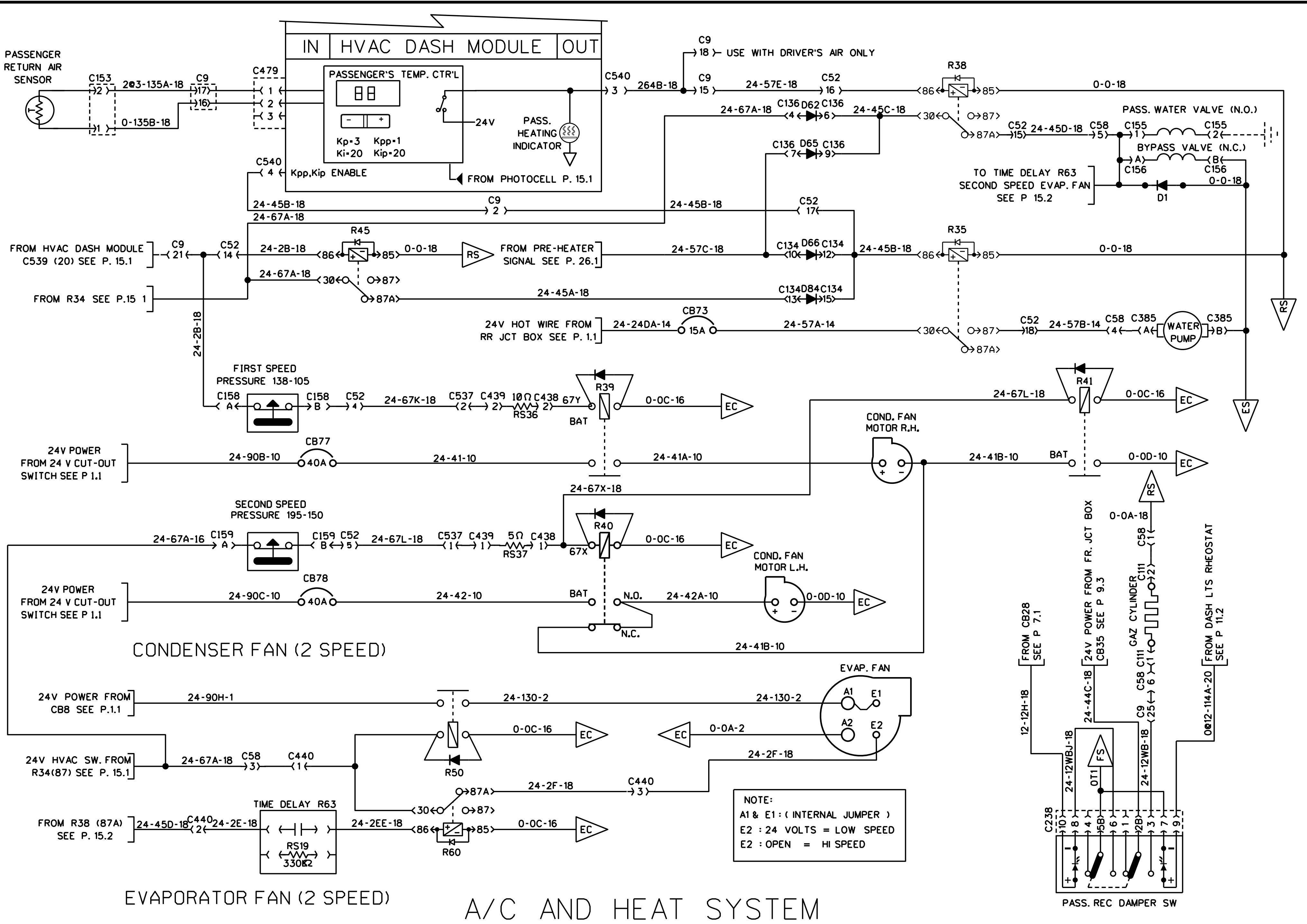
A/C AND HEAT SYSTEM

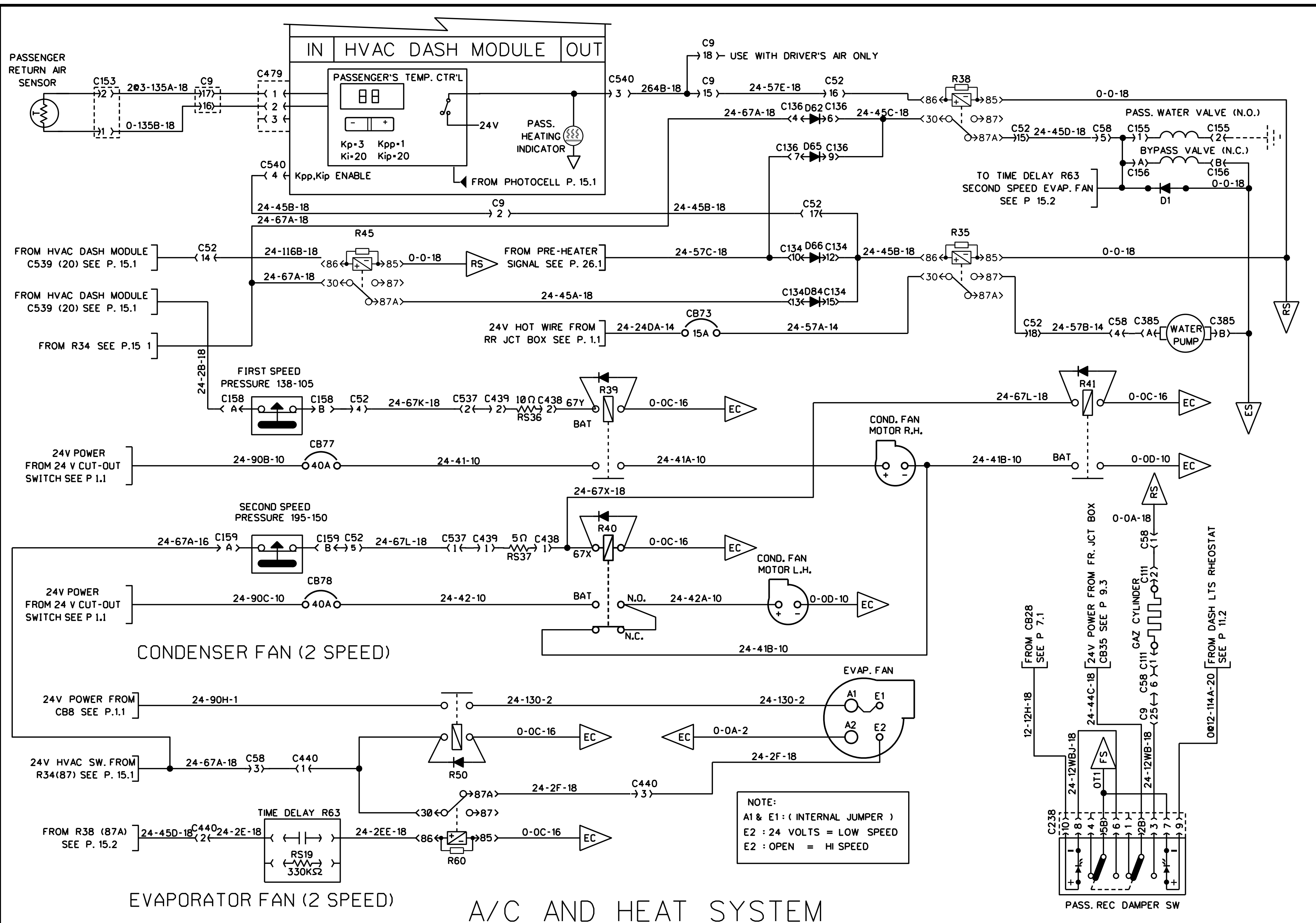
FAIT A PARTIR DE D060938 P15.2 REV 12

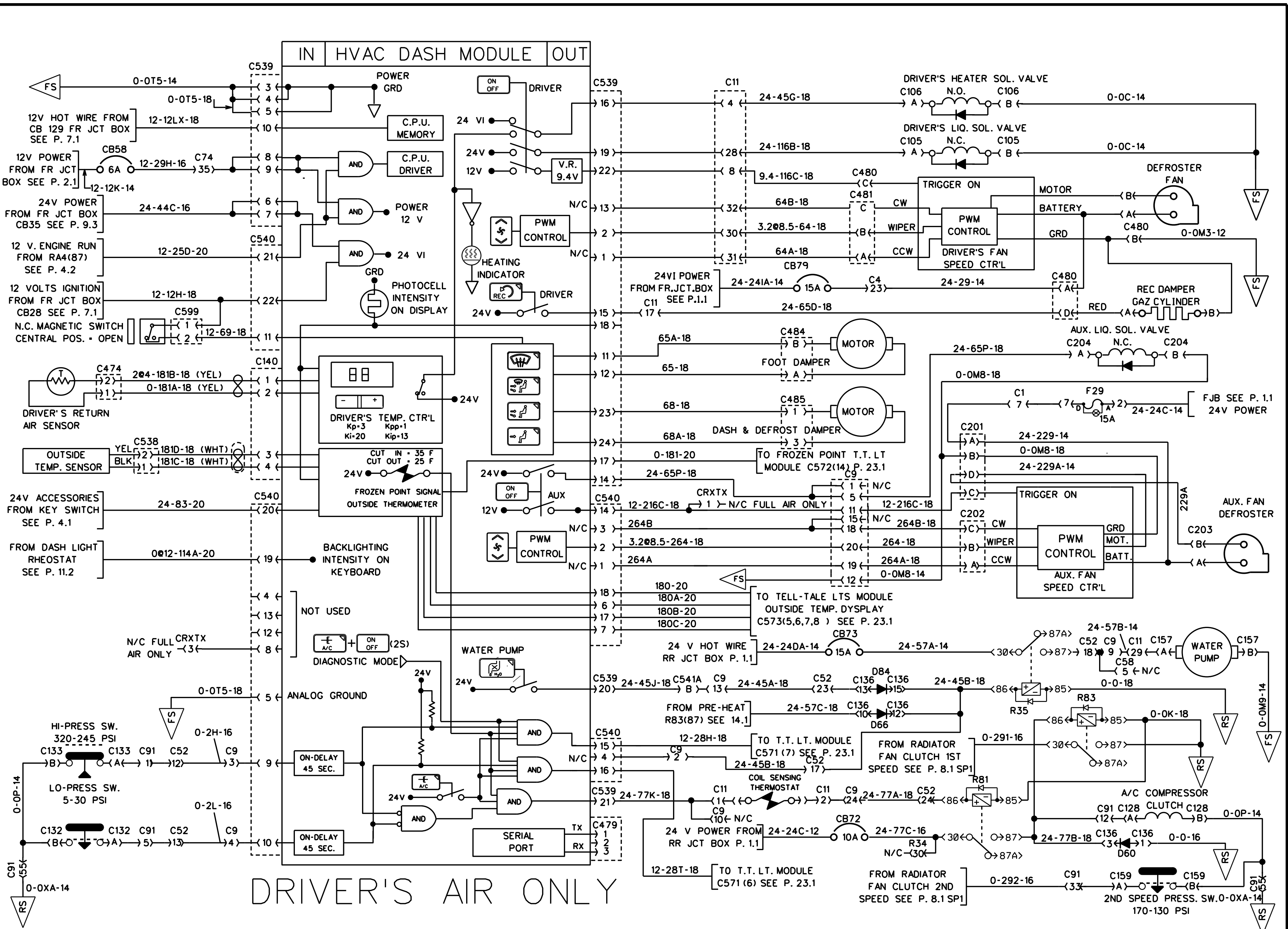


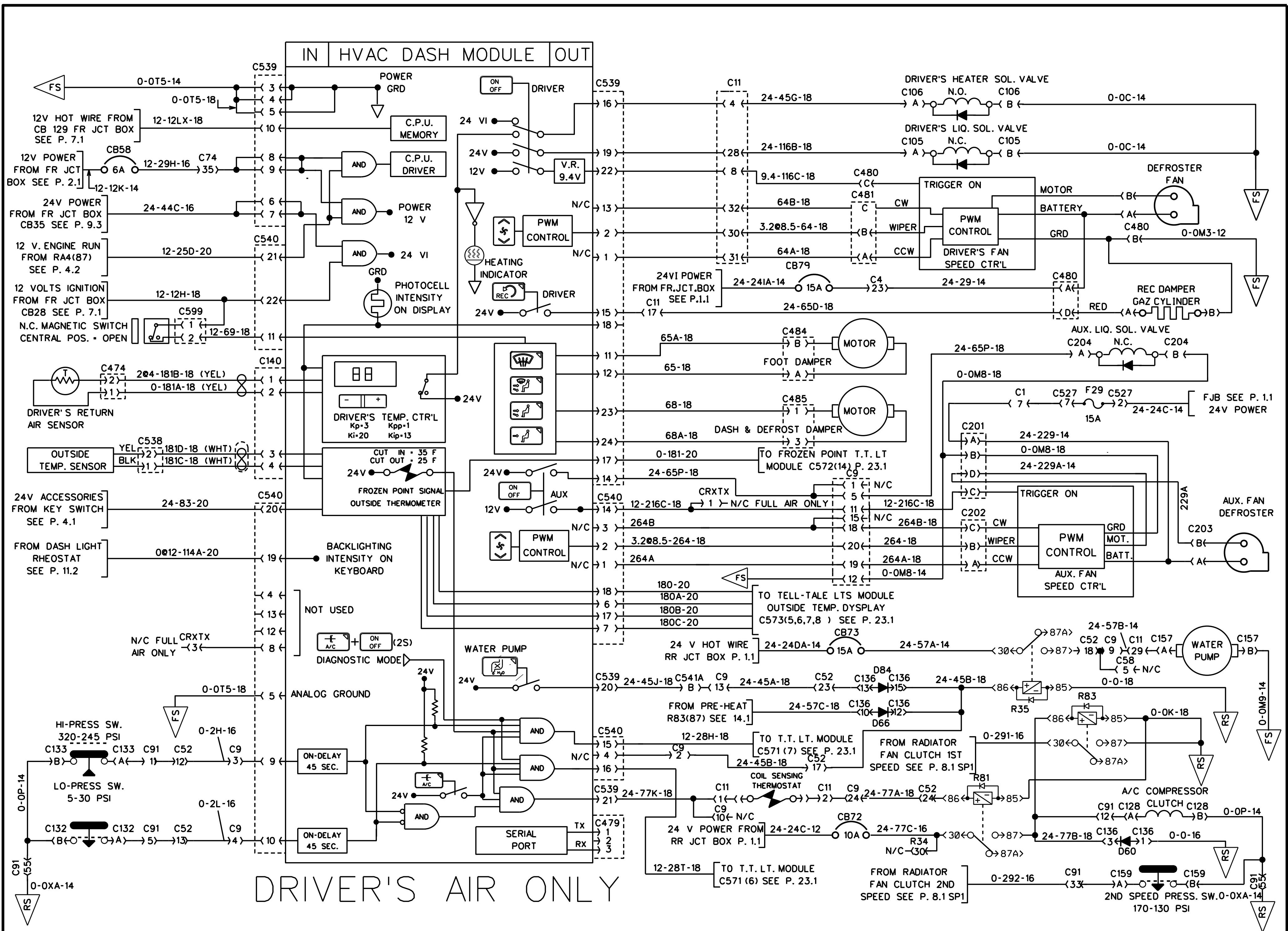
A/C AND HEAT SYSTEM

FAIT A PARTIR DE D060938 P15.2 REV 12

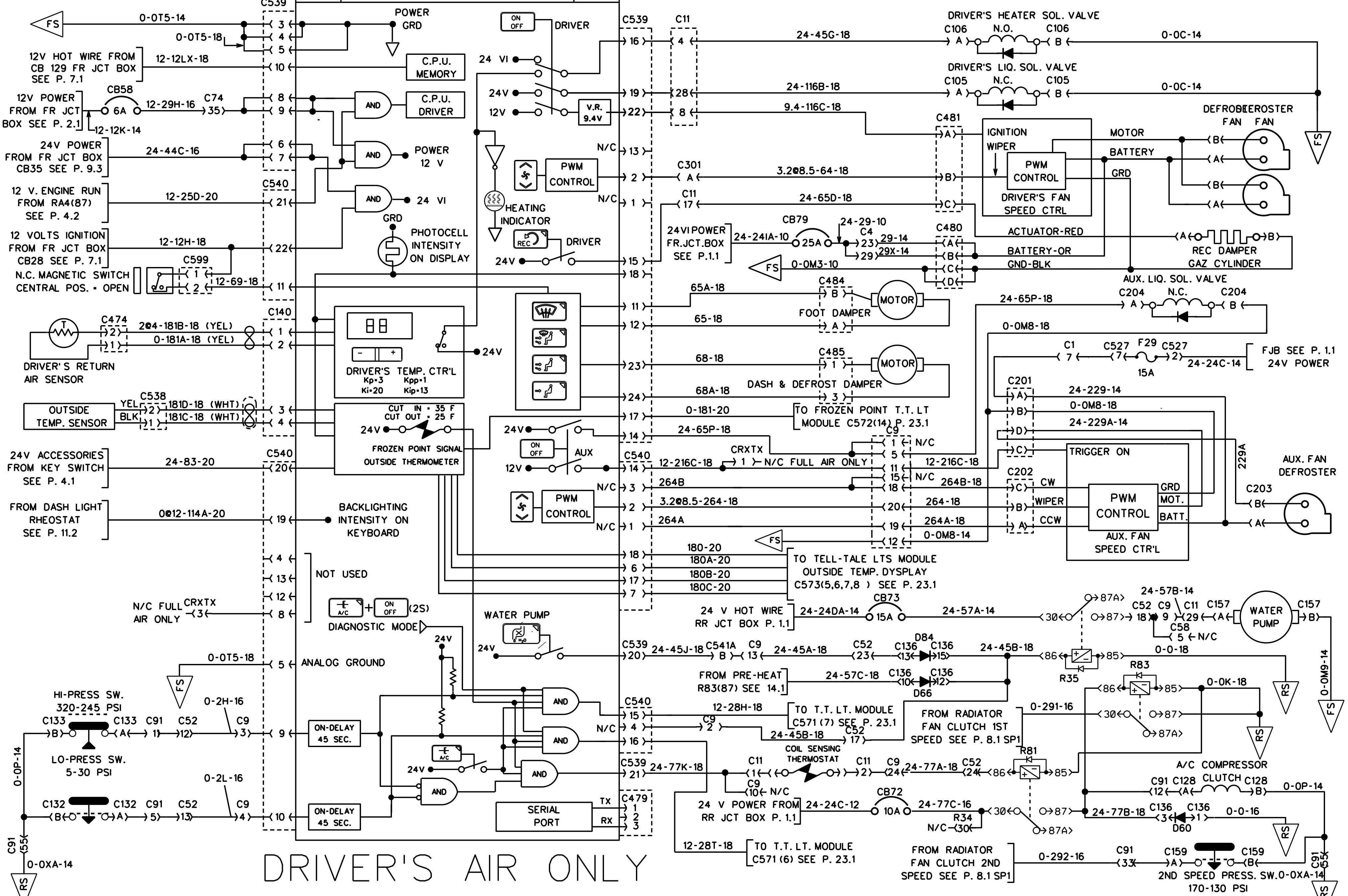




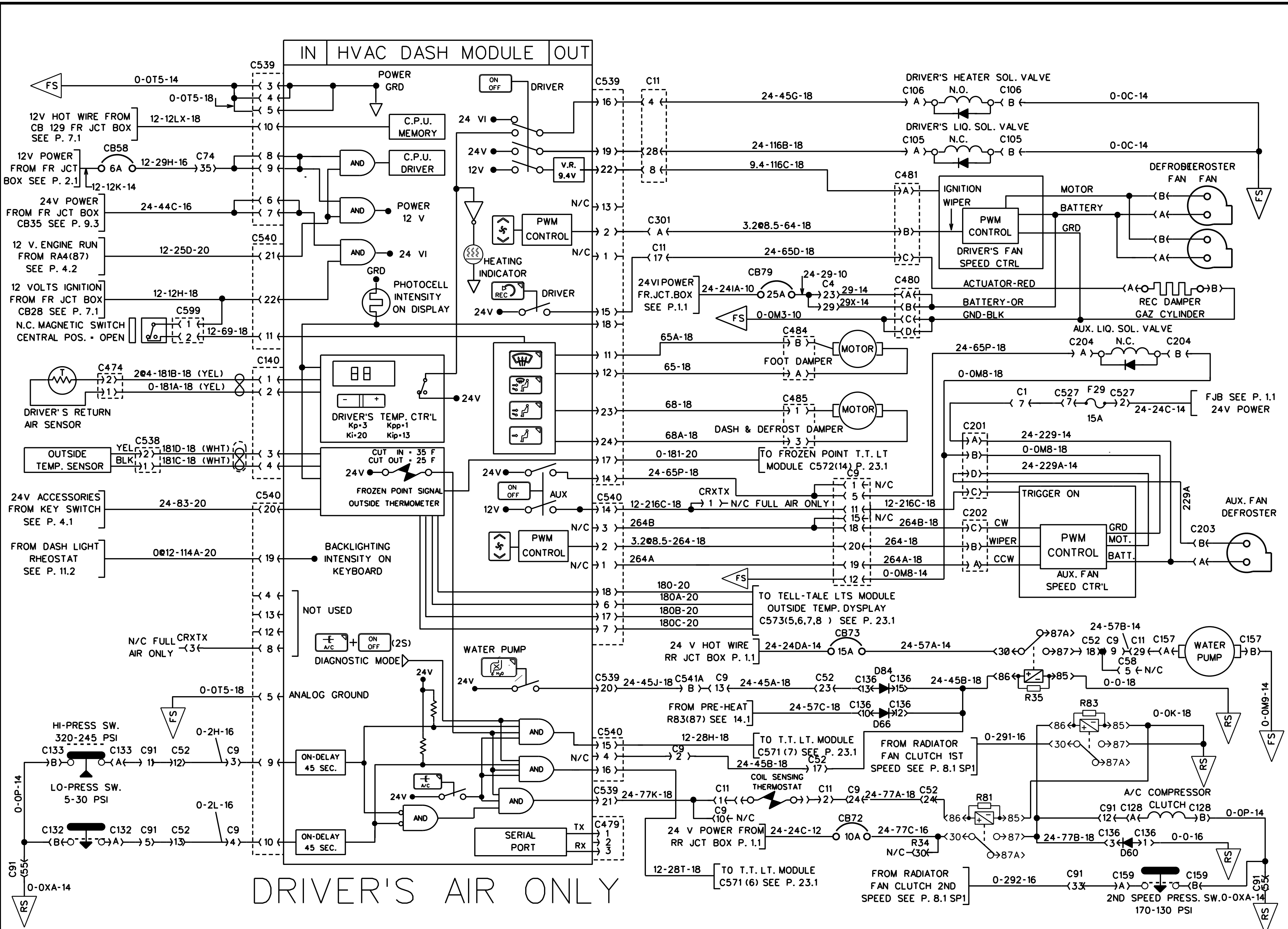




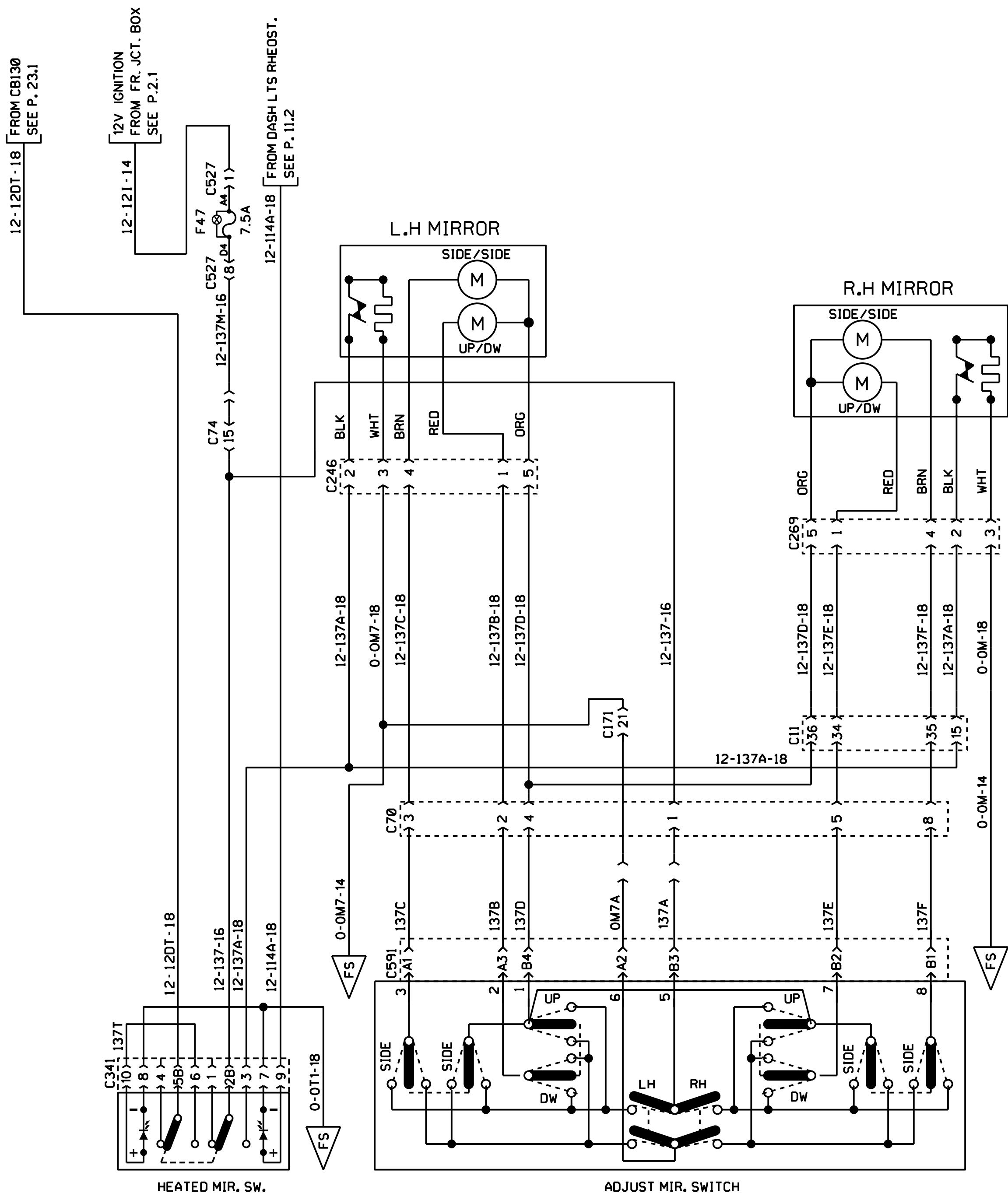
IN HVAC DASH MODULE OUT



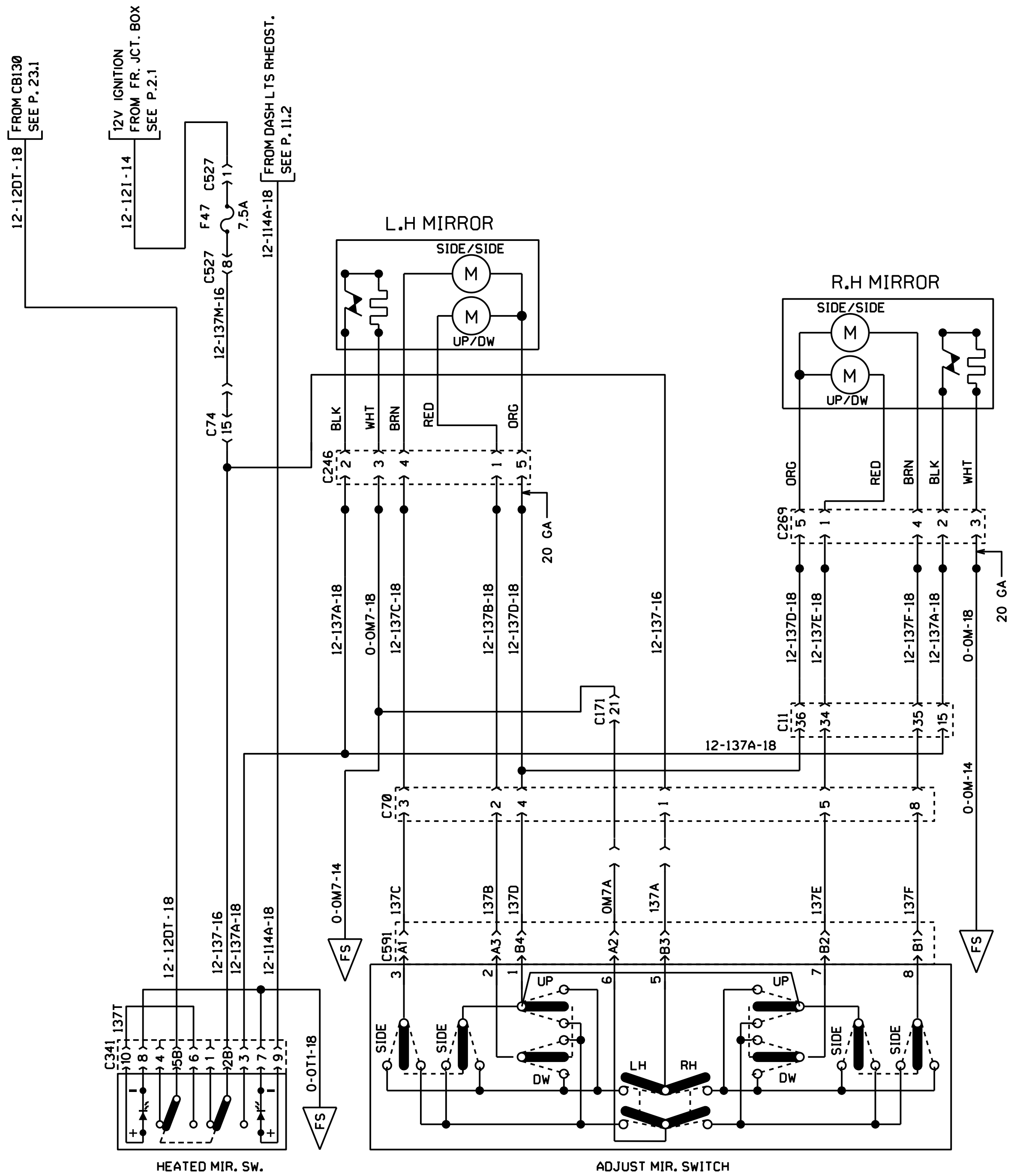
DRIVER'S AIR ONLY



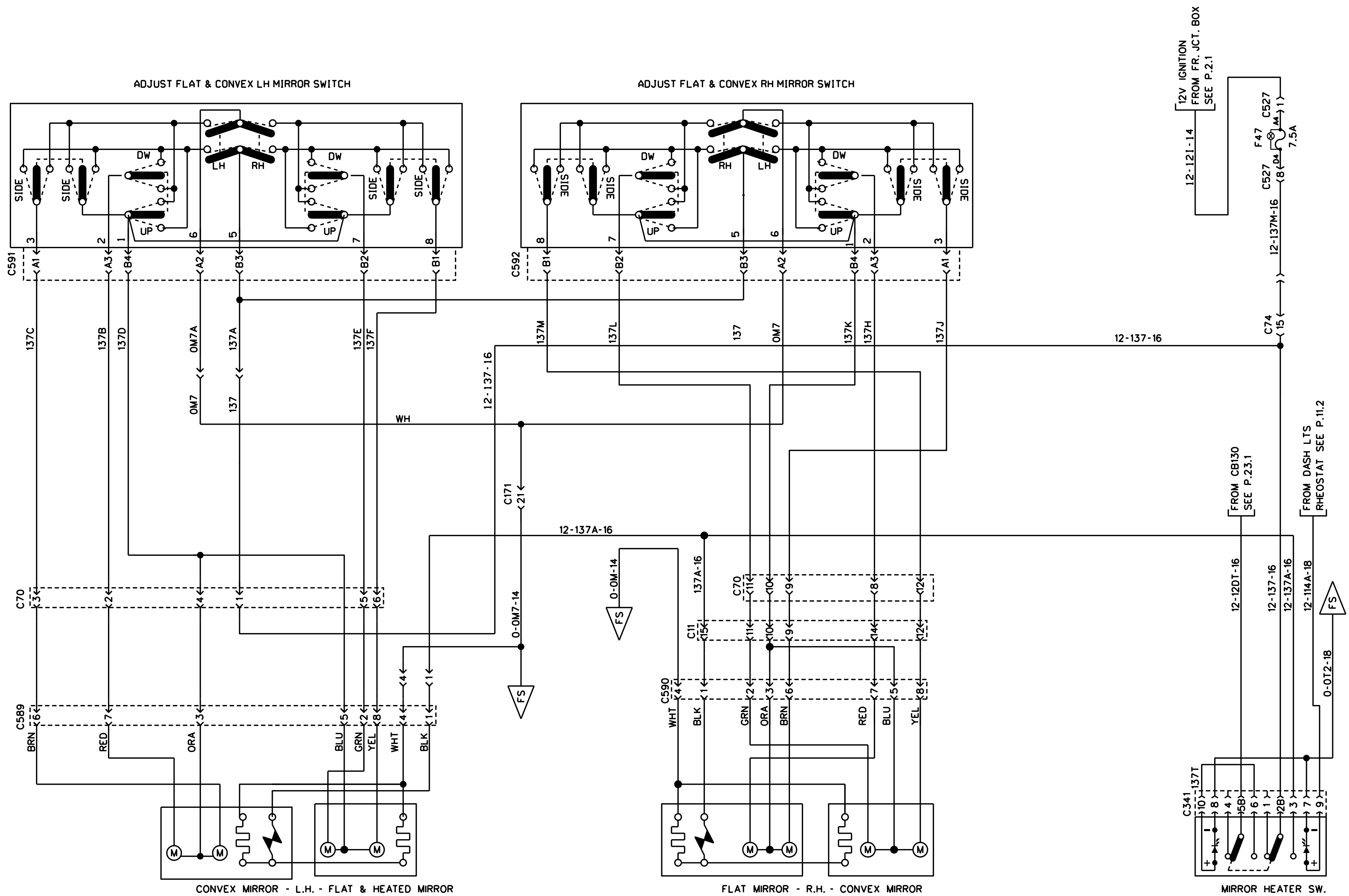
DRIVER'S AIR ONLY



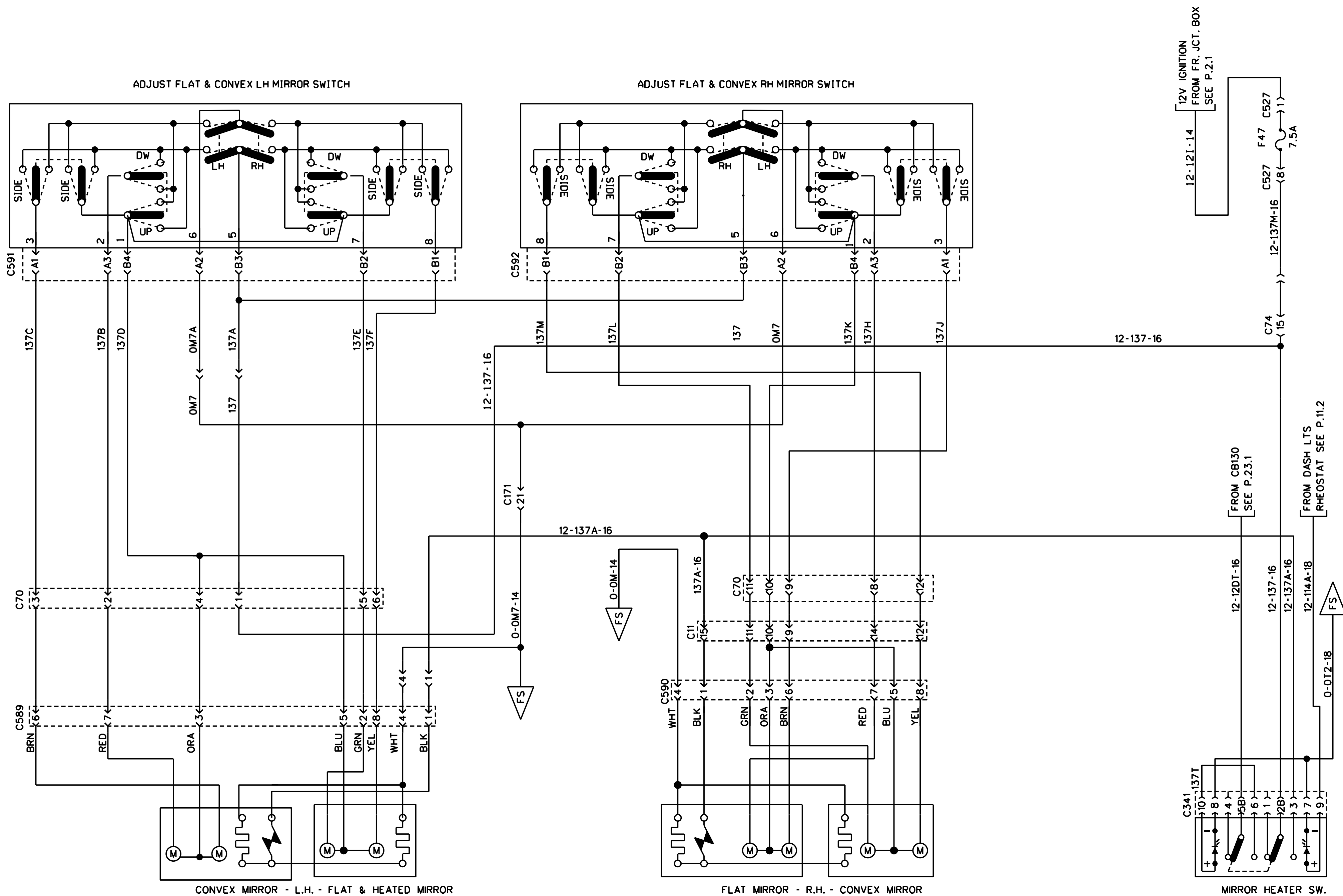
REAR VIEW MIRROR RAMCO FLAT - 1 ADJUSTMENT SW. & 1 HEATED SW.



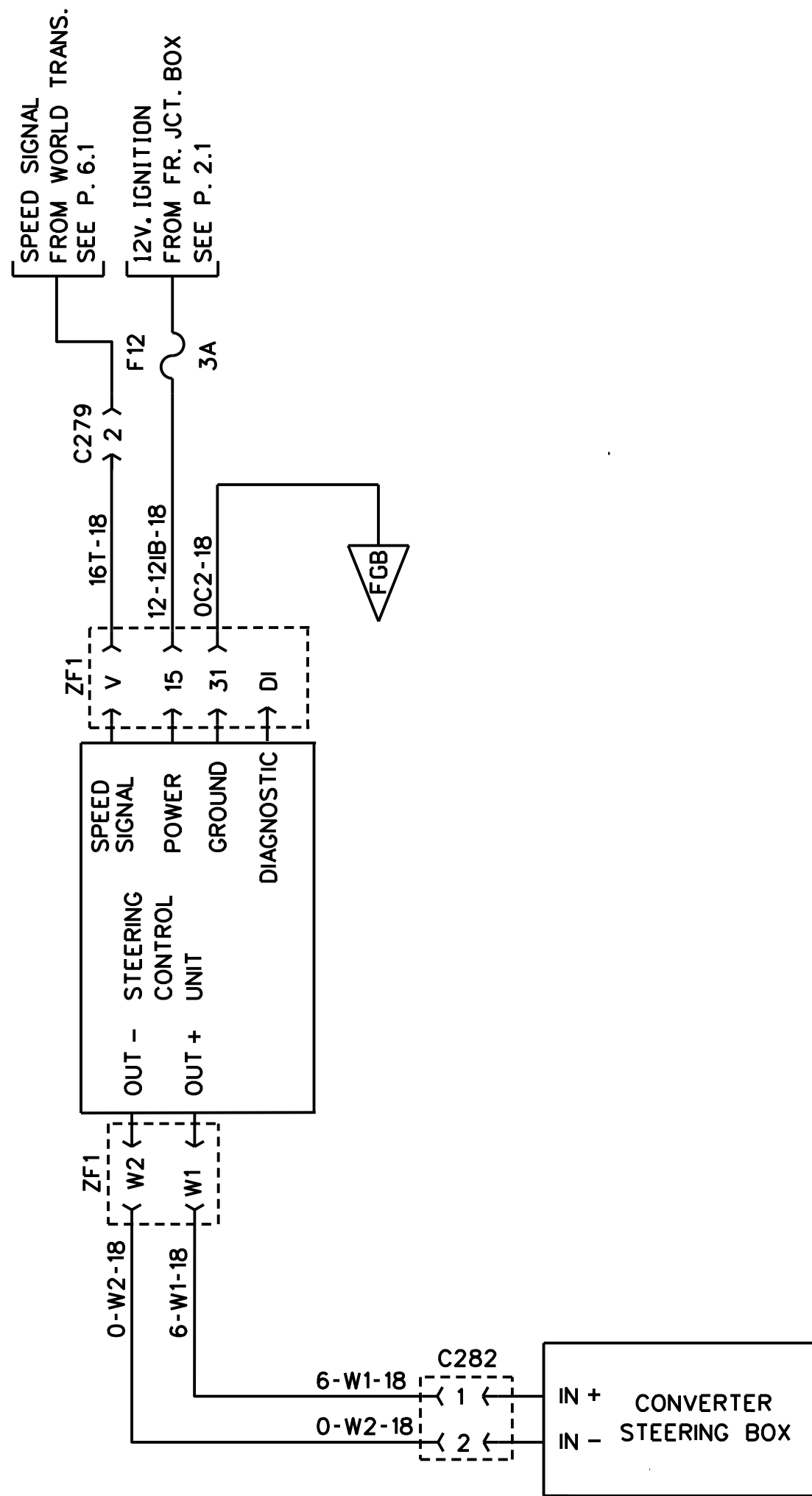
REAR VIEW MIRROR RAMCO FLAT - 1 ADJUSTMENT SW. & 1 HEATED SW.



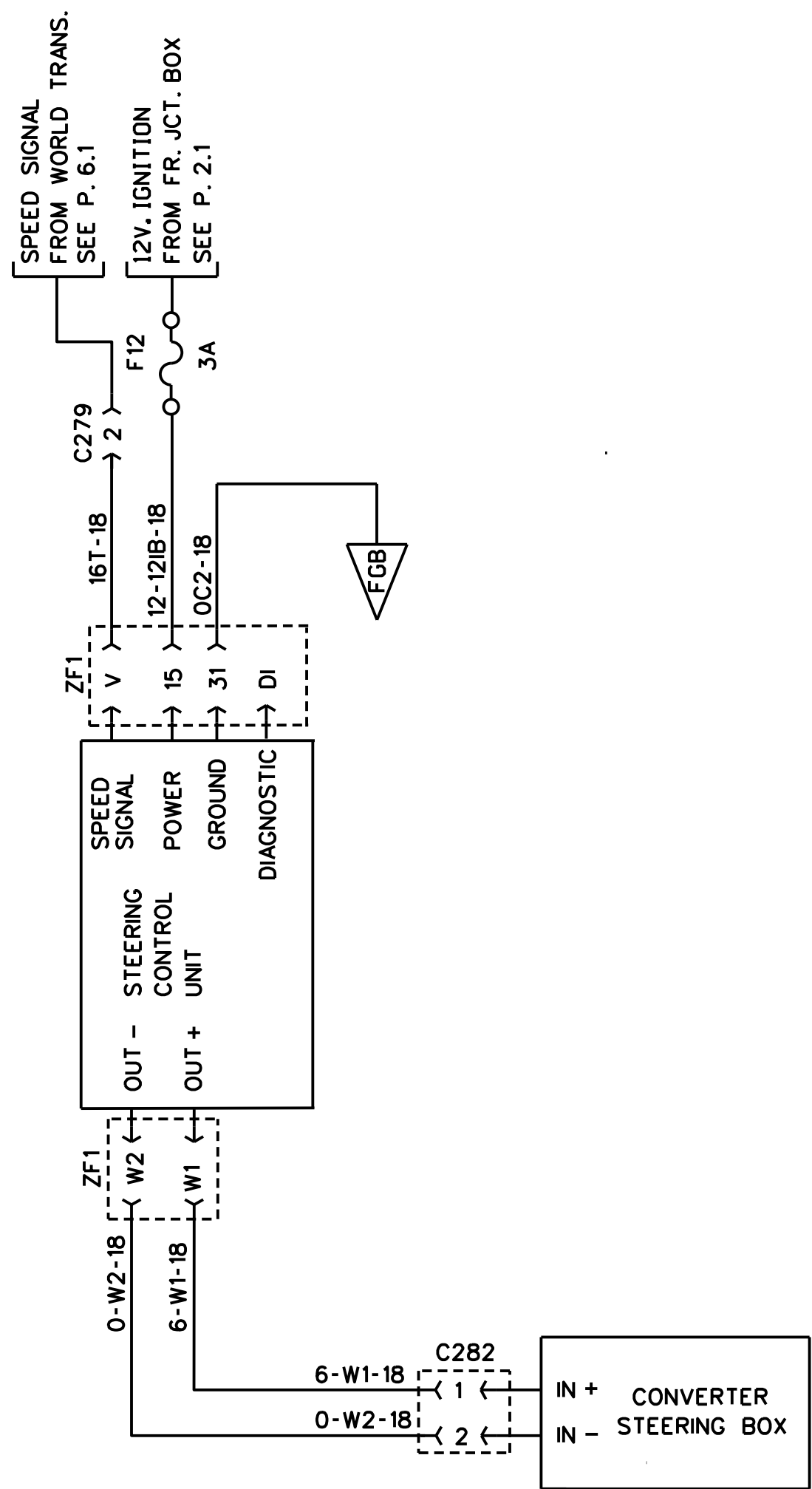
REAR VIEW MIRROR RAMCO FLAT & CONVEX - 2 ADJUSTMENT SW. & 1 HEATED SW.



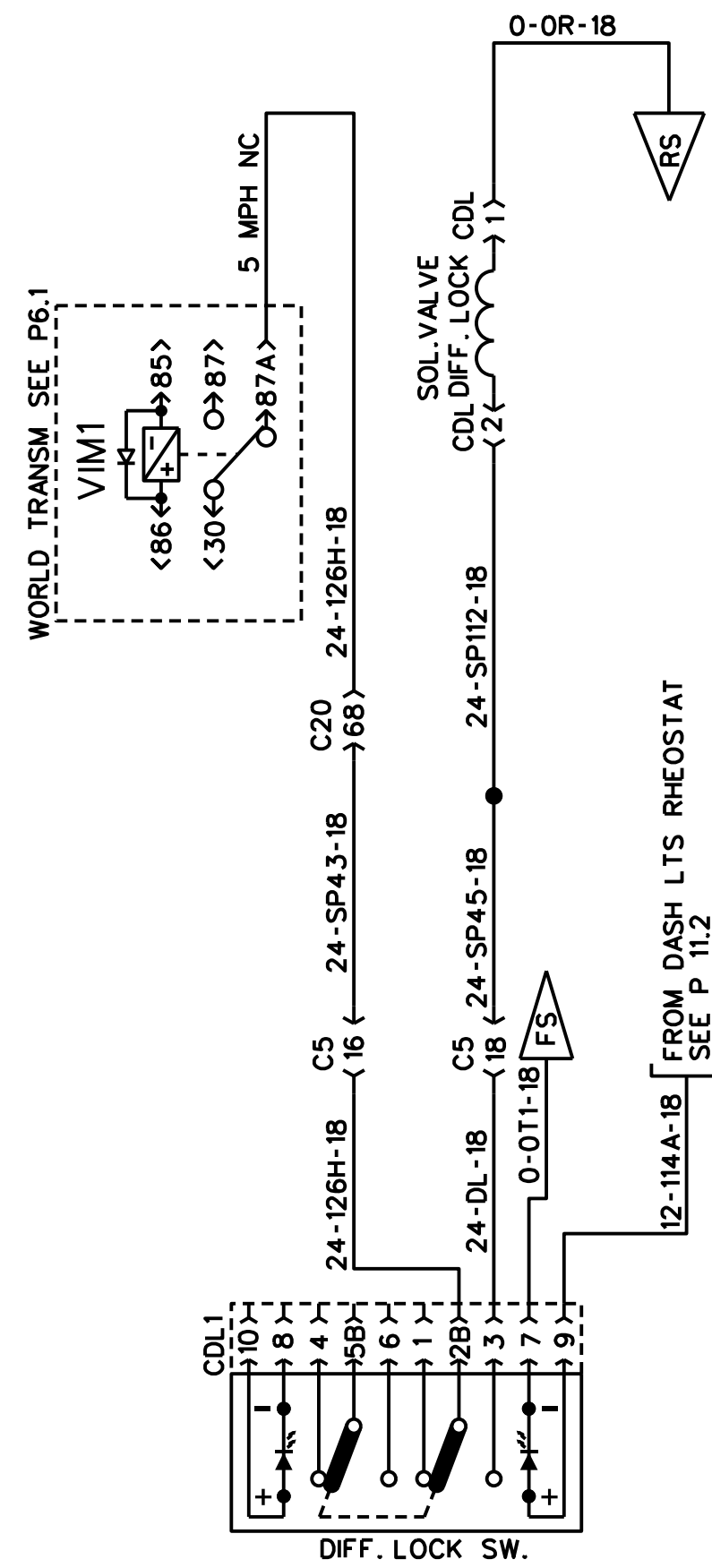
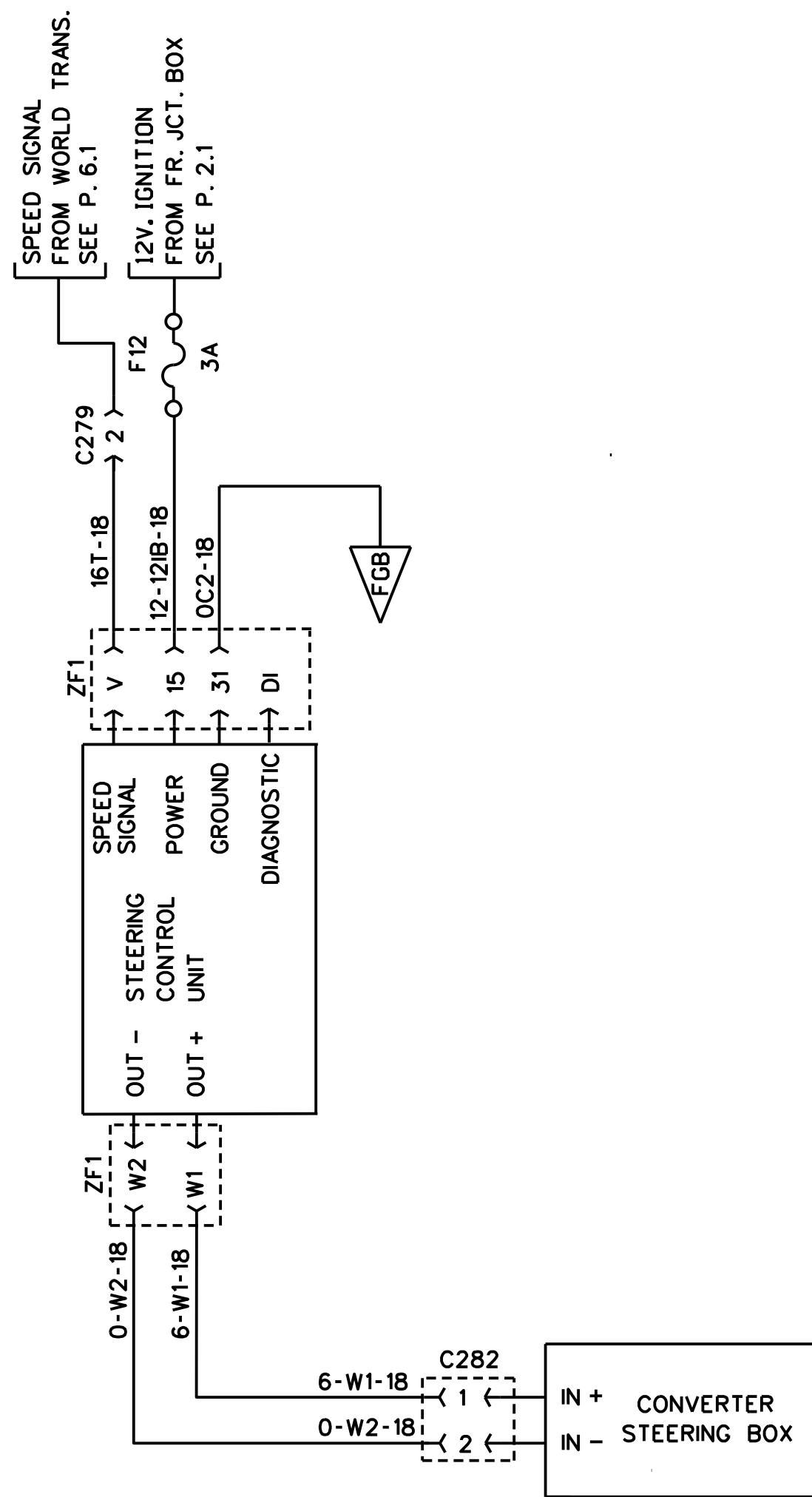
REAR VIEW MIRROR RAMCO FLAT & CONVEX - 2 ADJUSTMENT SW. & 1 HEATED SW.

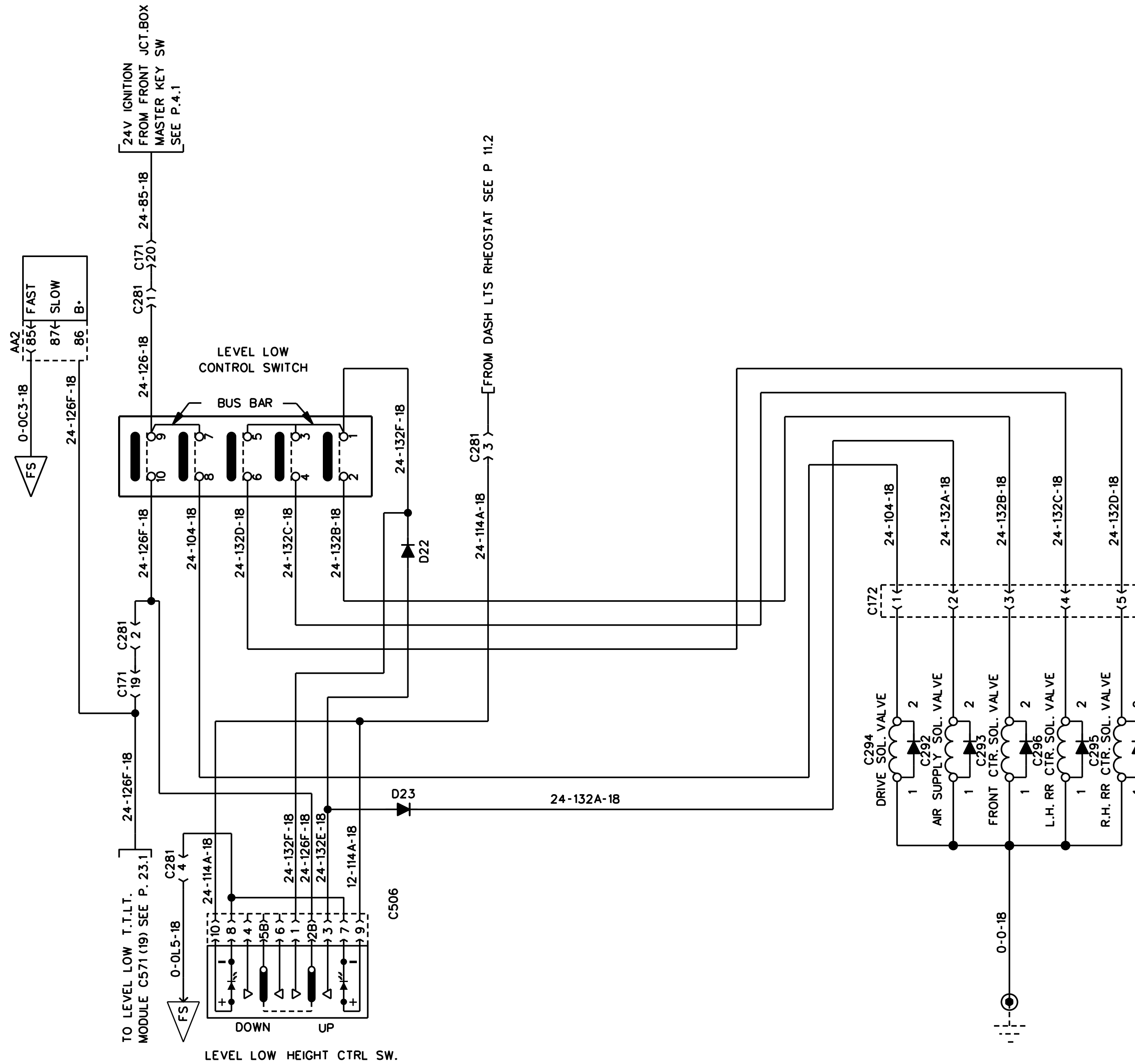


STEERING CONTROL ZF



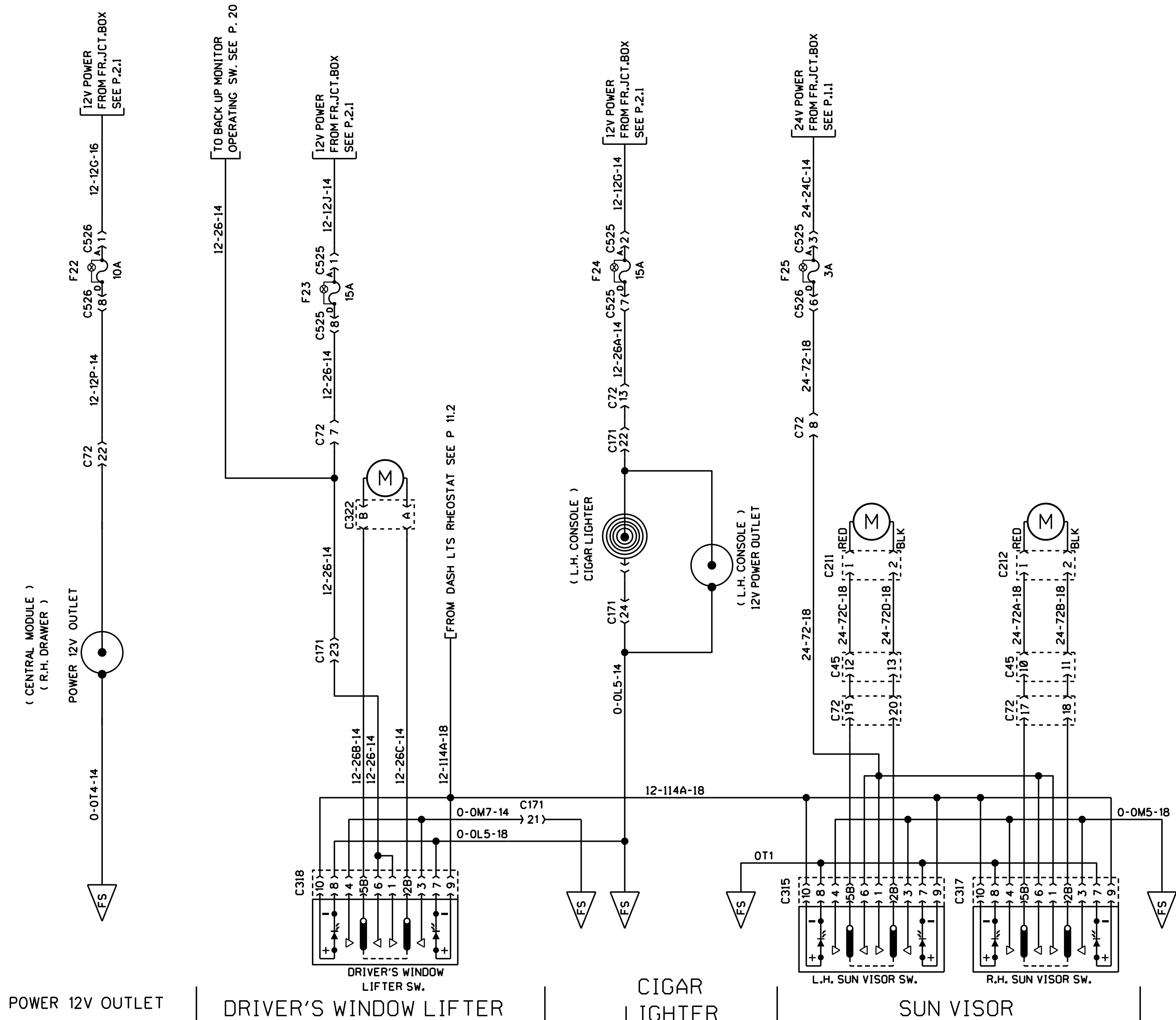
STEERING CONTROL ZF

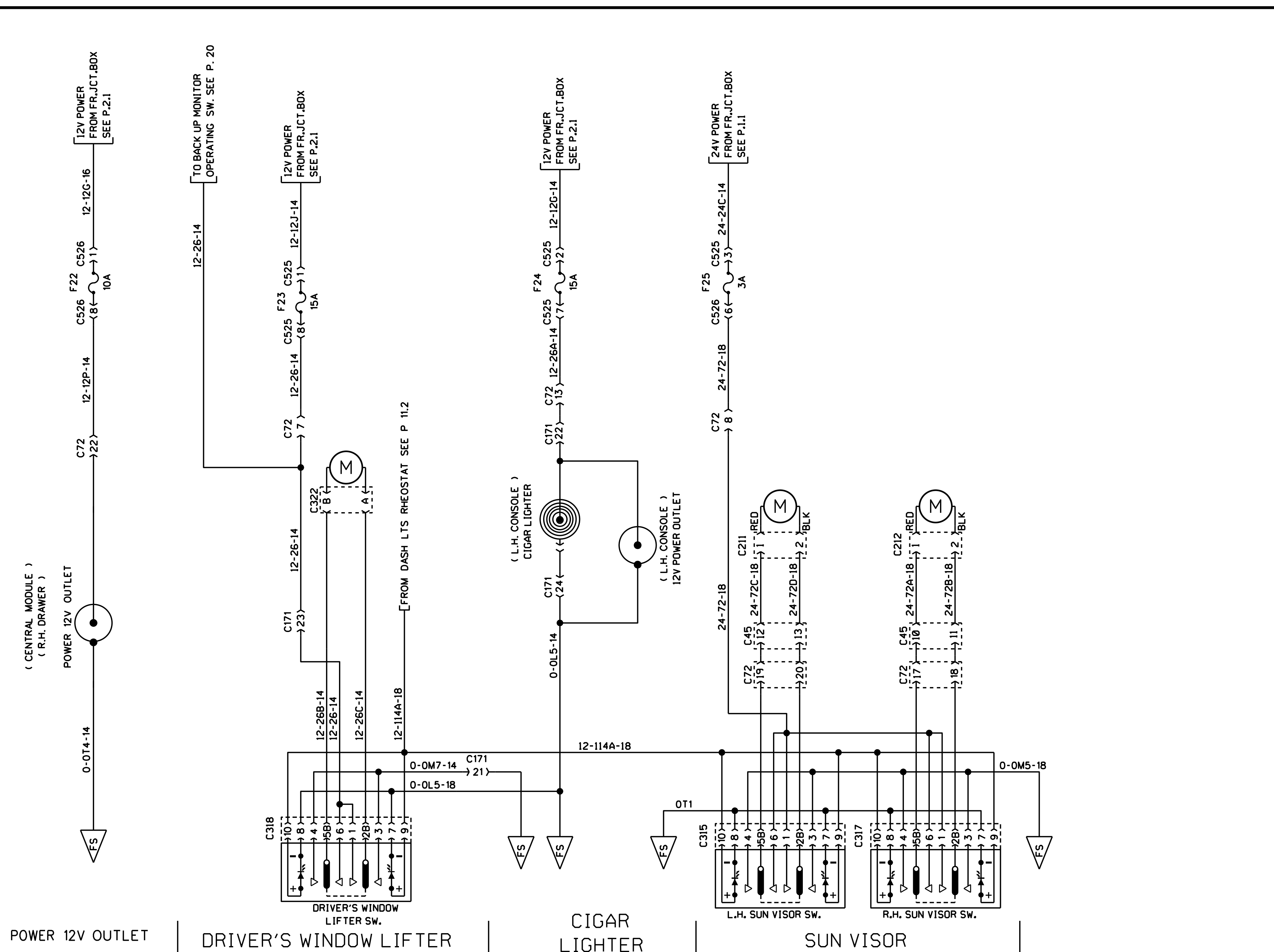




LEVEL - LOW CONTROL SWITCH			
DRIVE POSITION	FRONT	LEFT REAR	RIGHT REAR
1	1	1	1
2	2	2	2
3	3	3	3
4	4	4	4
5	5	5	5
6	6	6	6
7	7	7	7
8	8	8	8
9	9	9	9
10	10	10	10

LEVEL - LOW SYSTEM



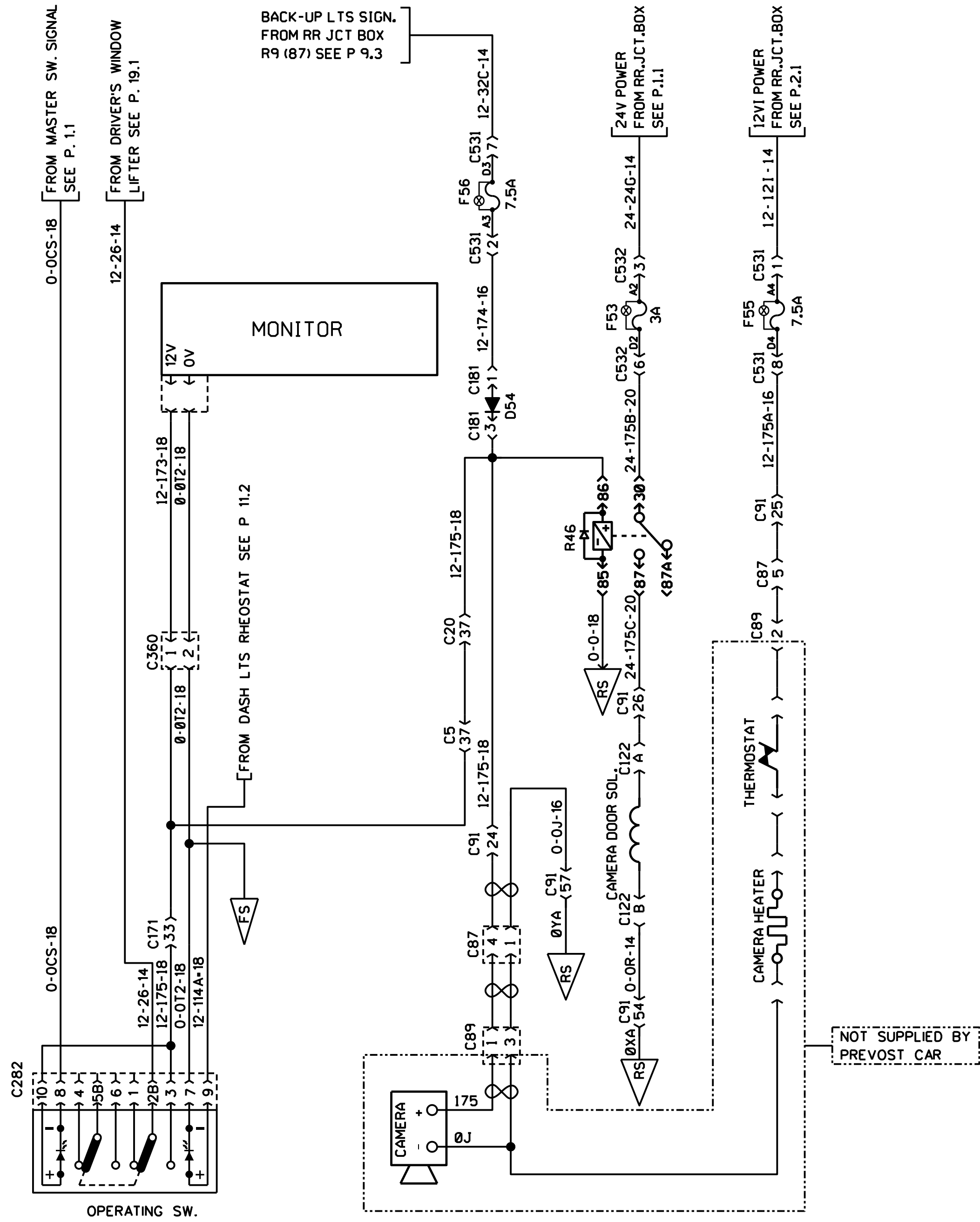


POWER 12V OUTLET

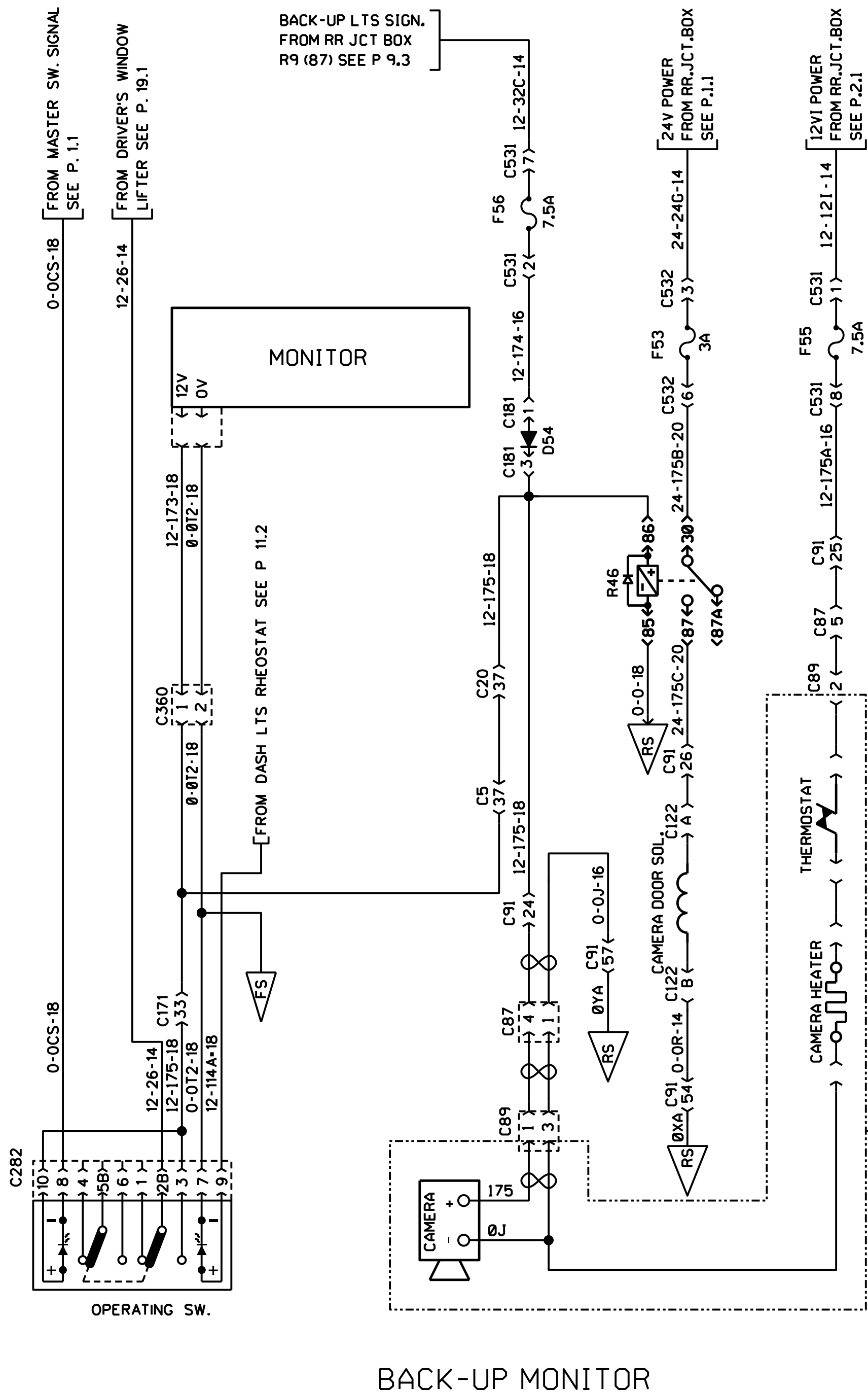
DRIVER'S WINDOW LIFTER

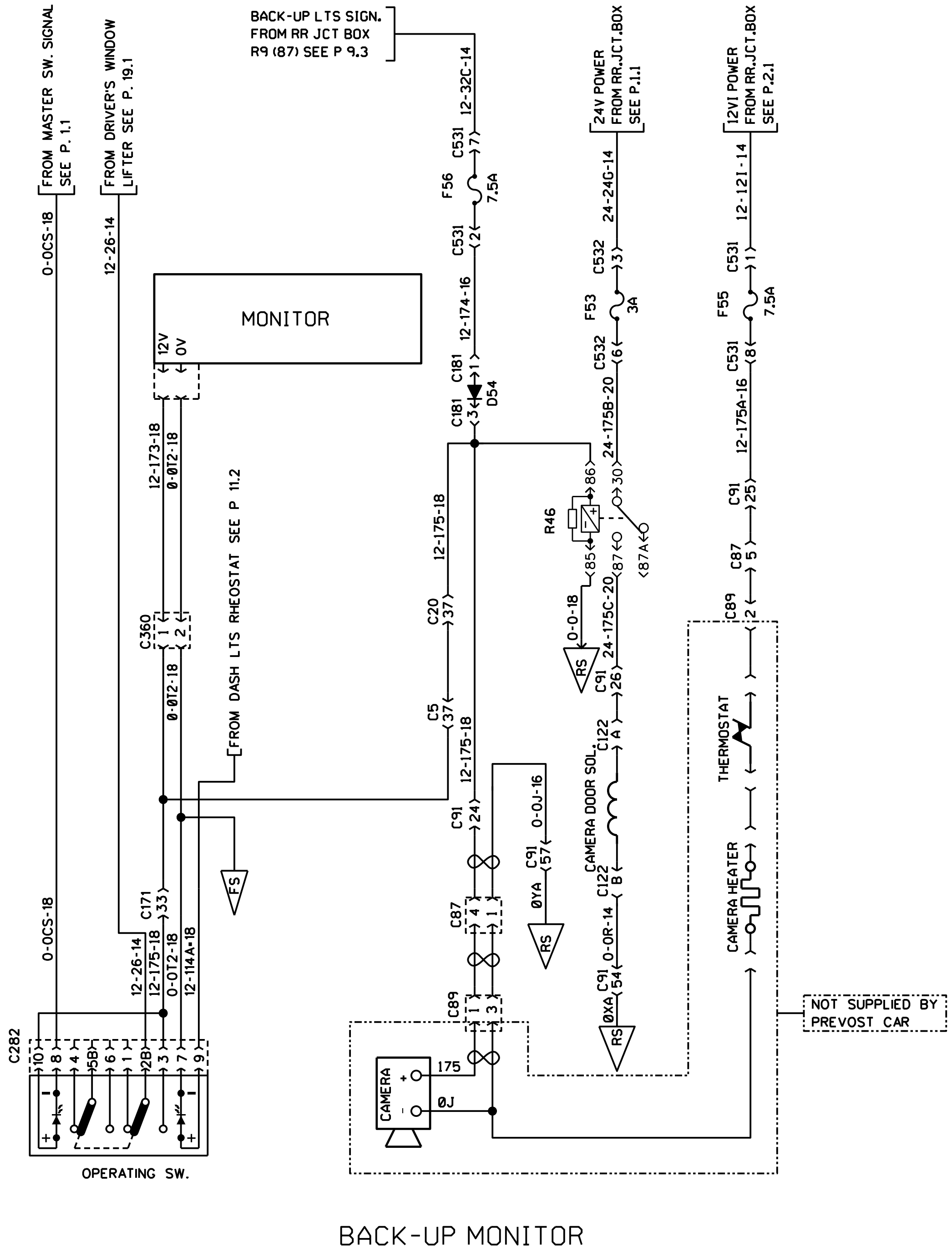
CIGAR LIGHTER

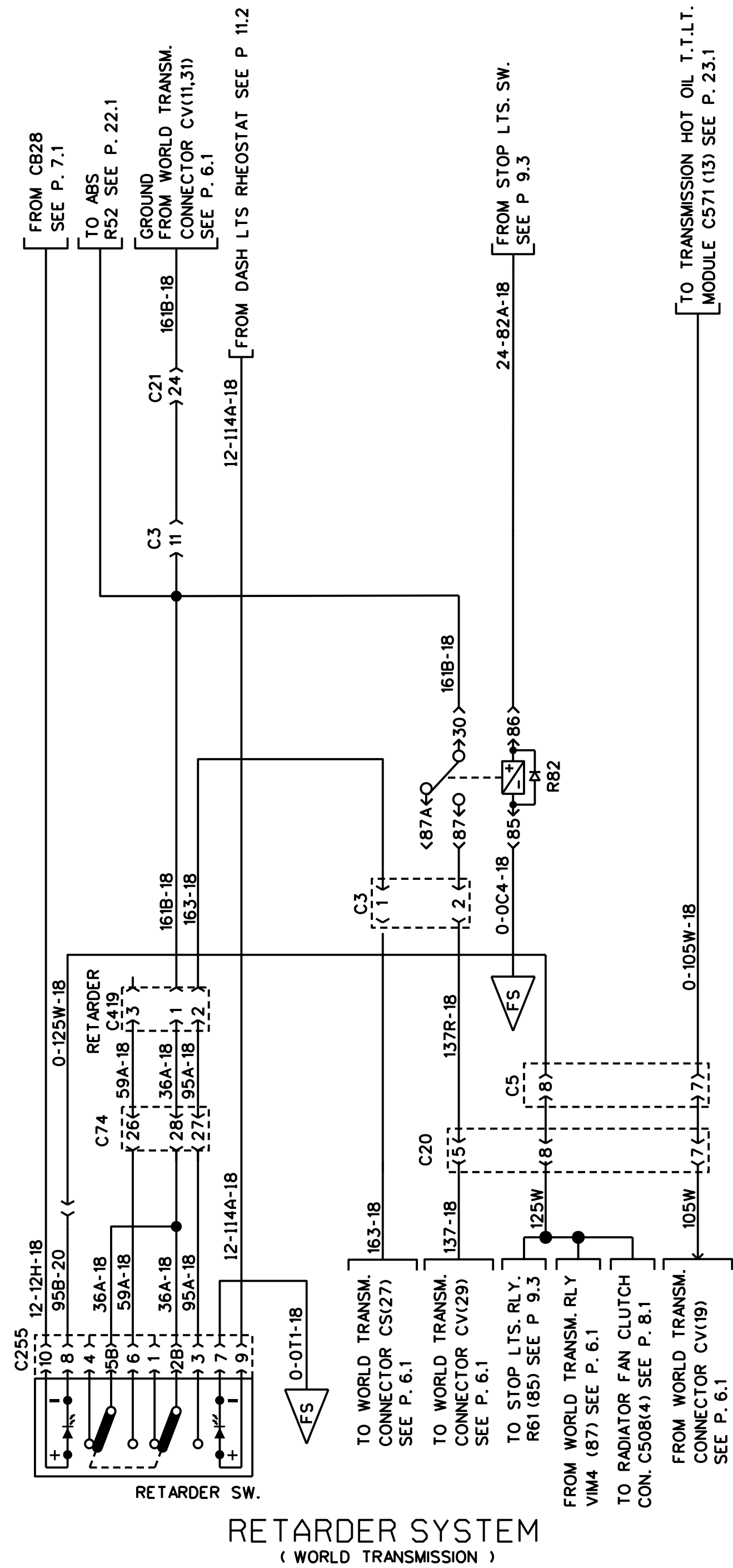
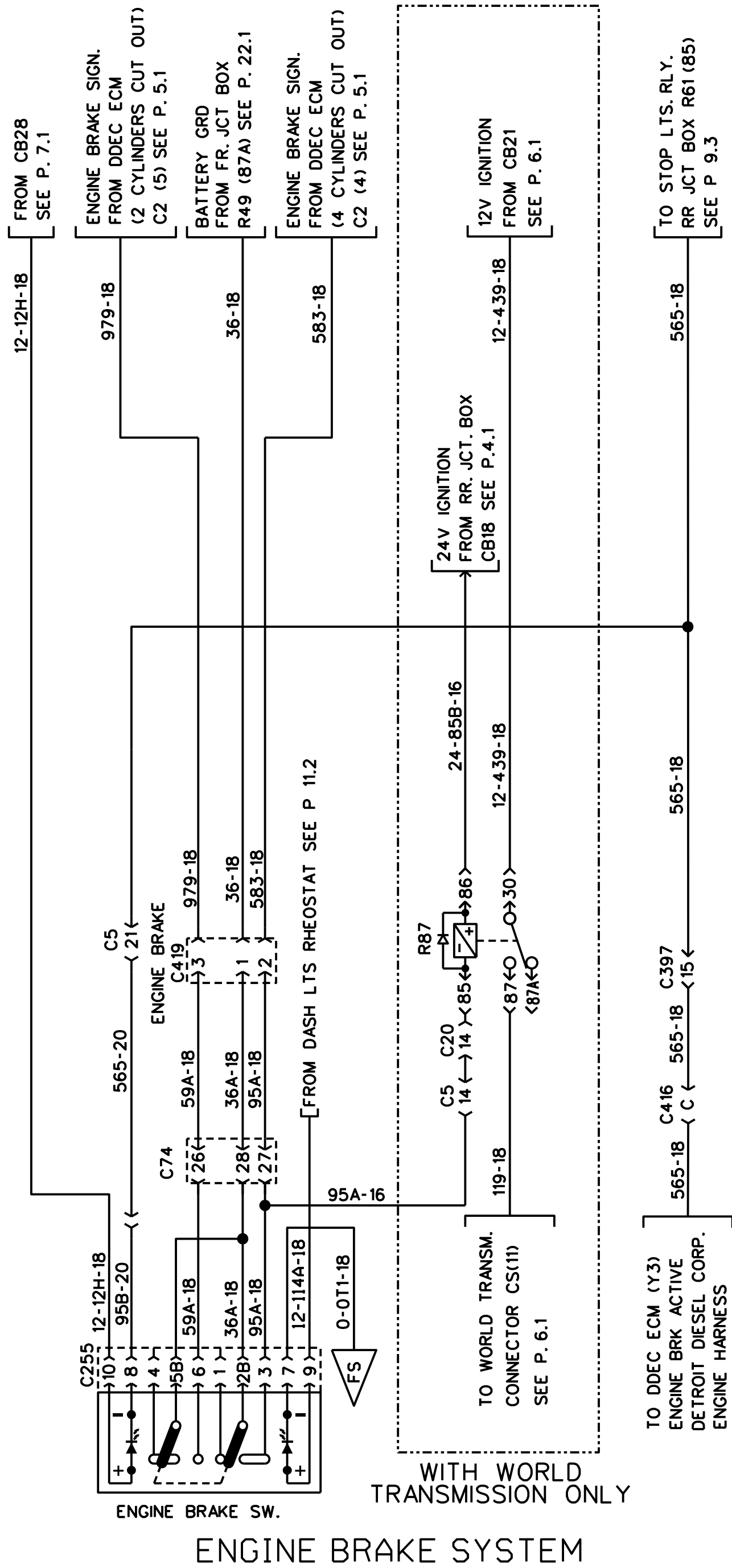
SUN VISOR

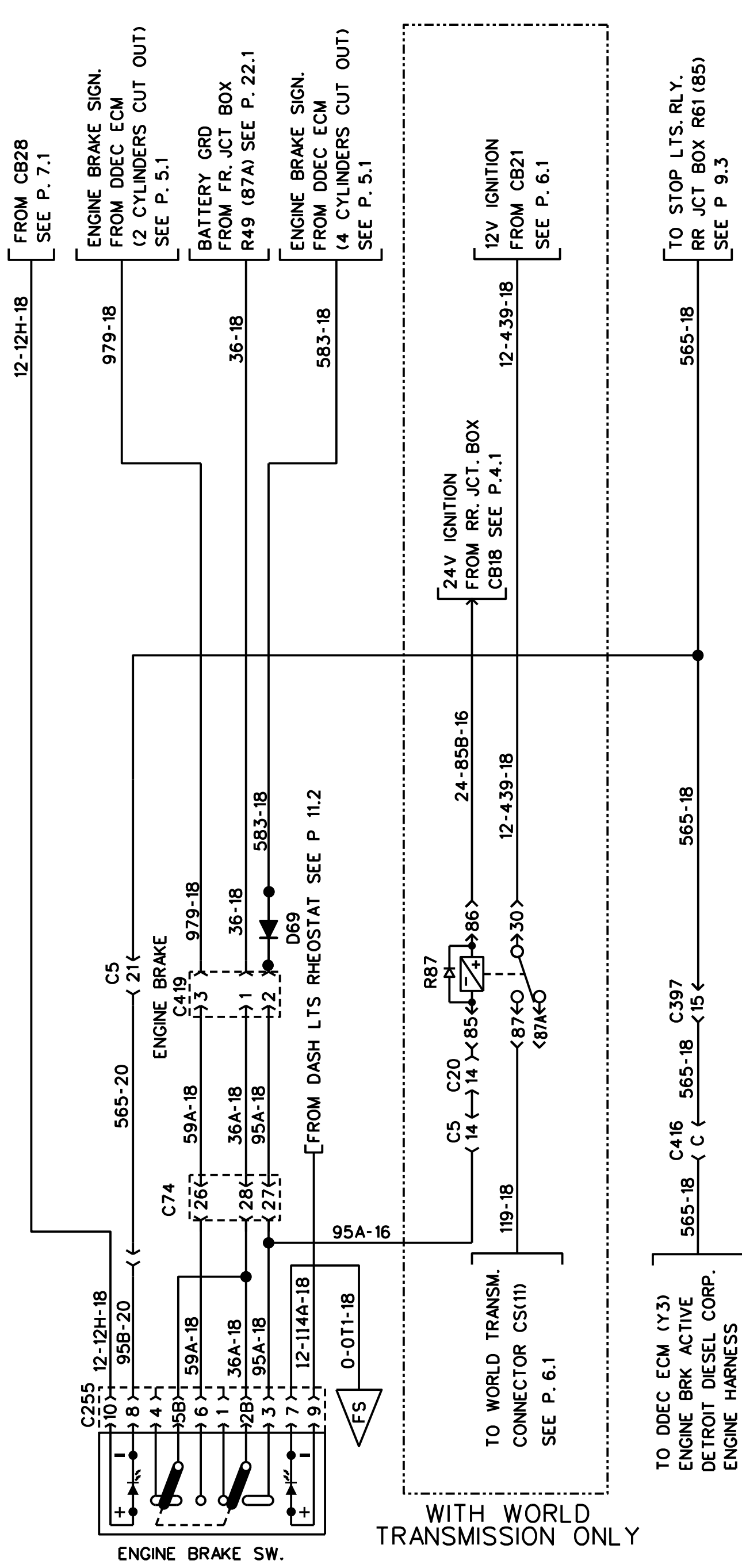


BACK-UP MONITOR

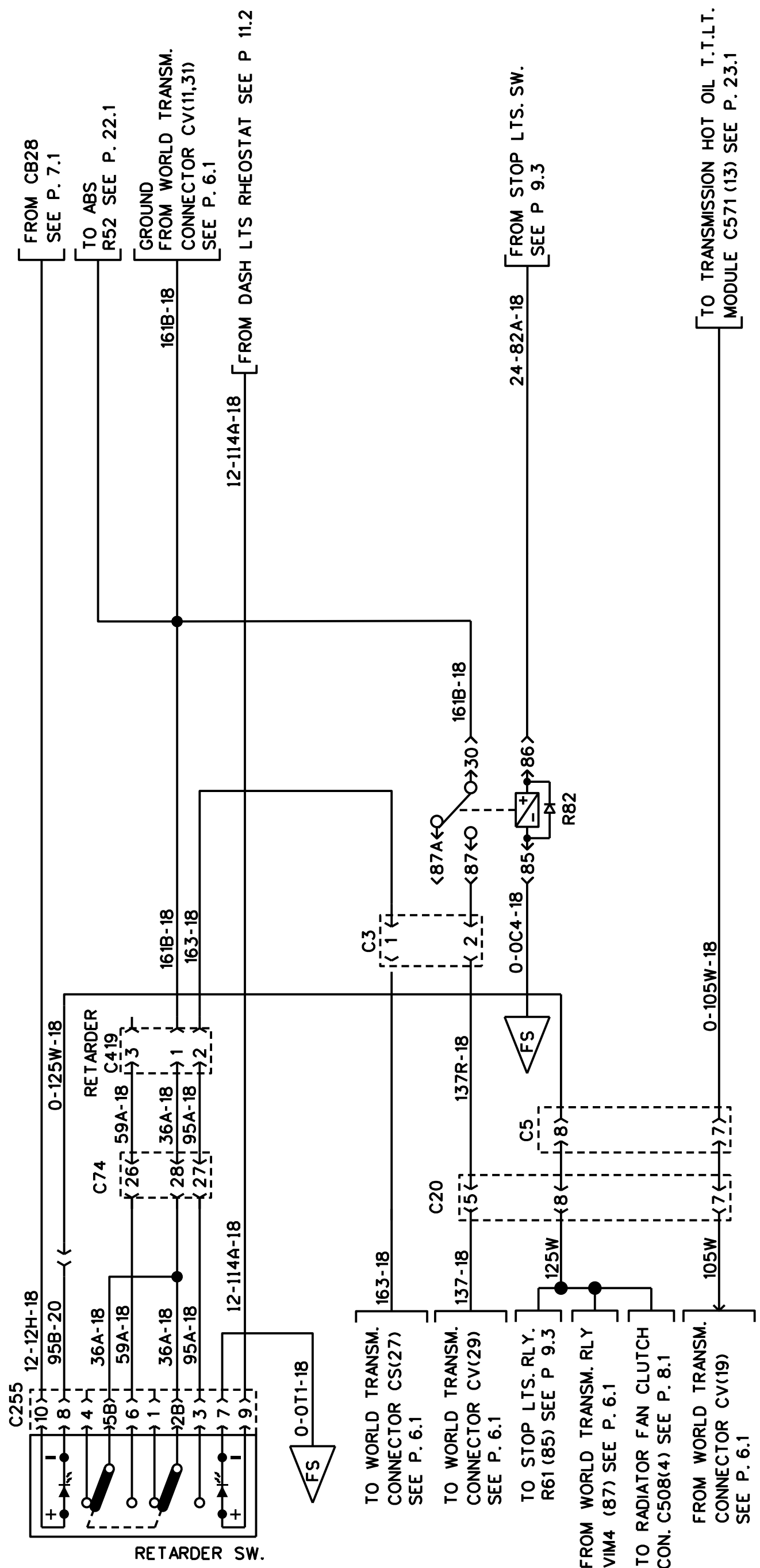




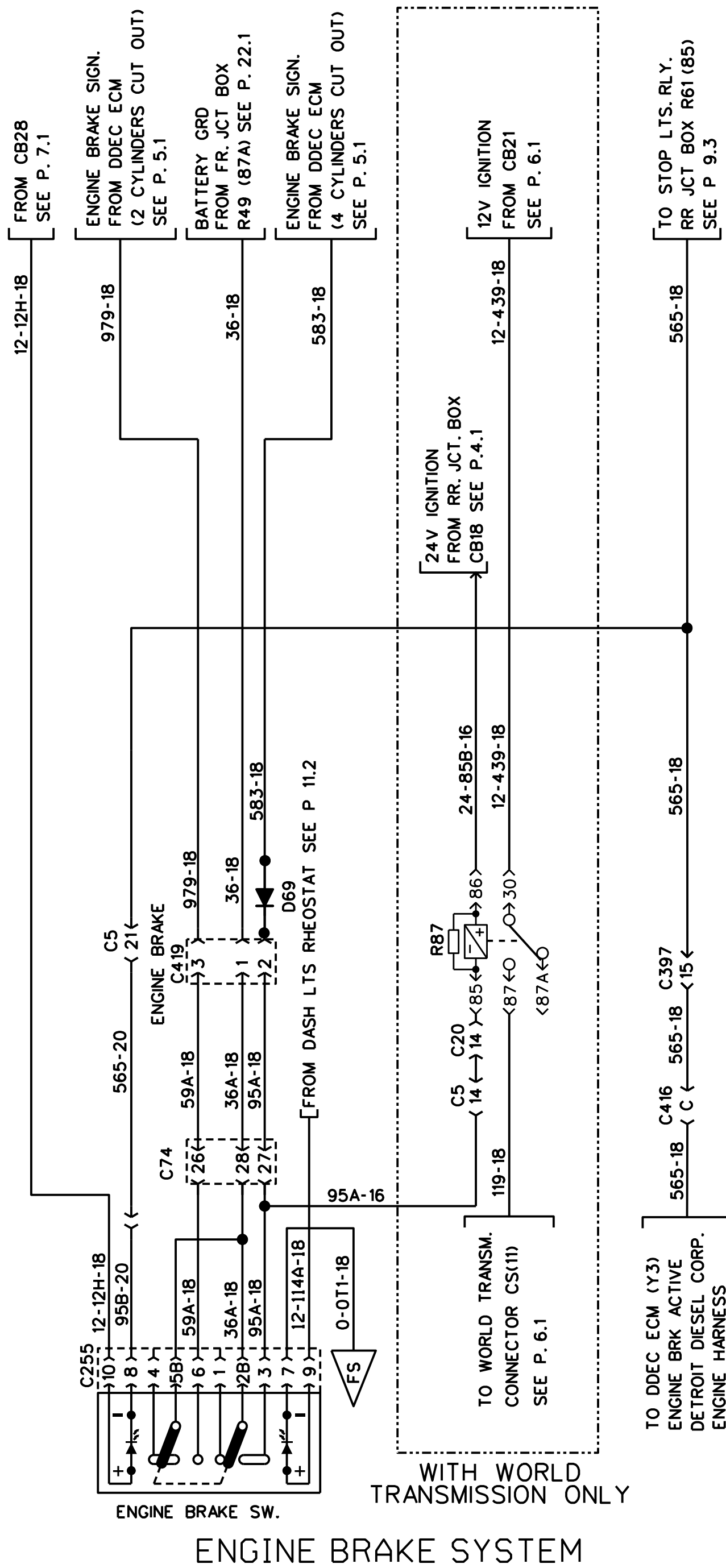




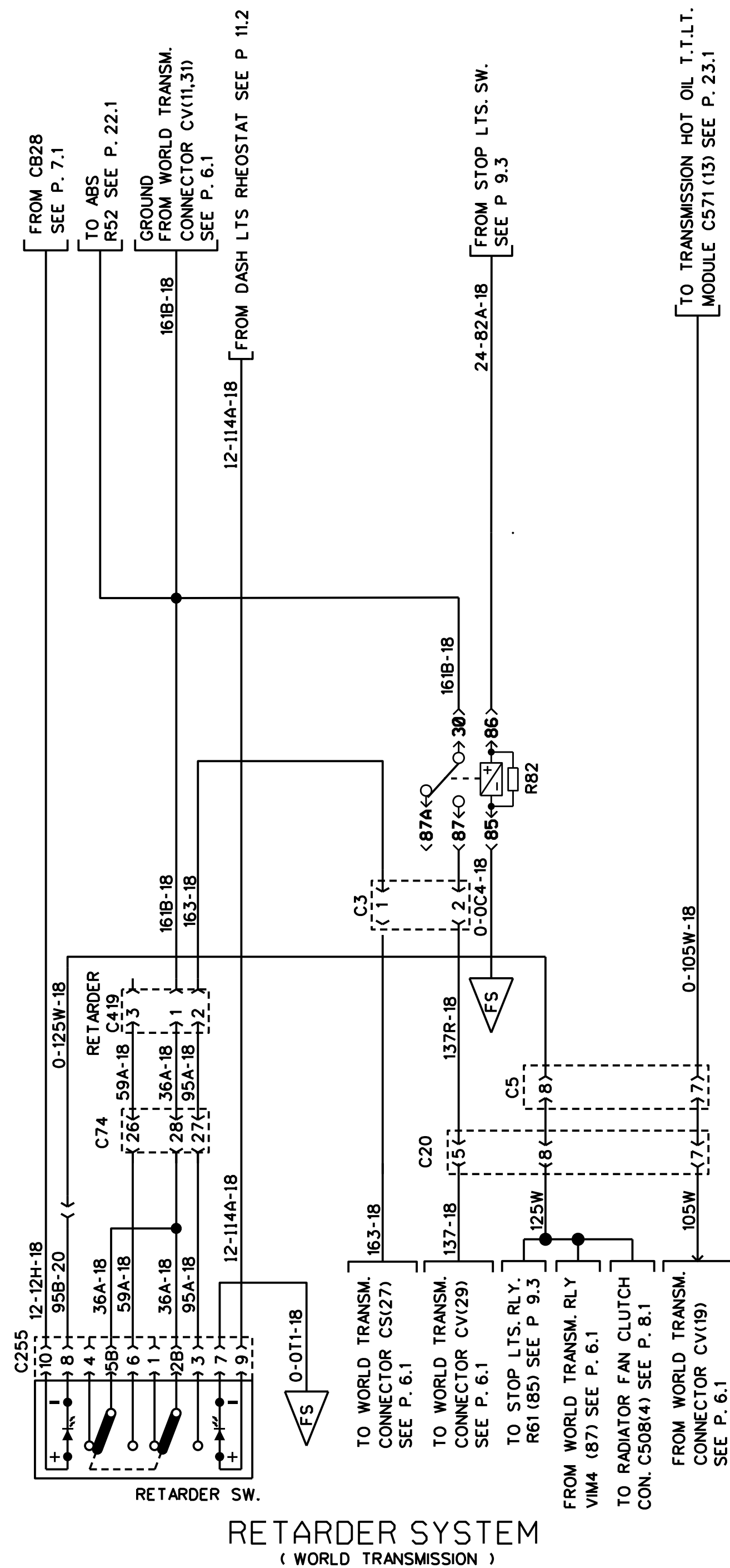
ENGINE BRAKE SYSTEM



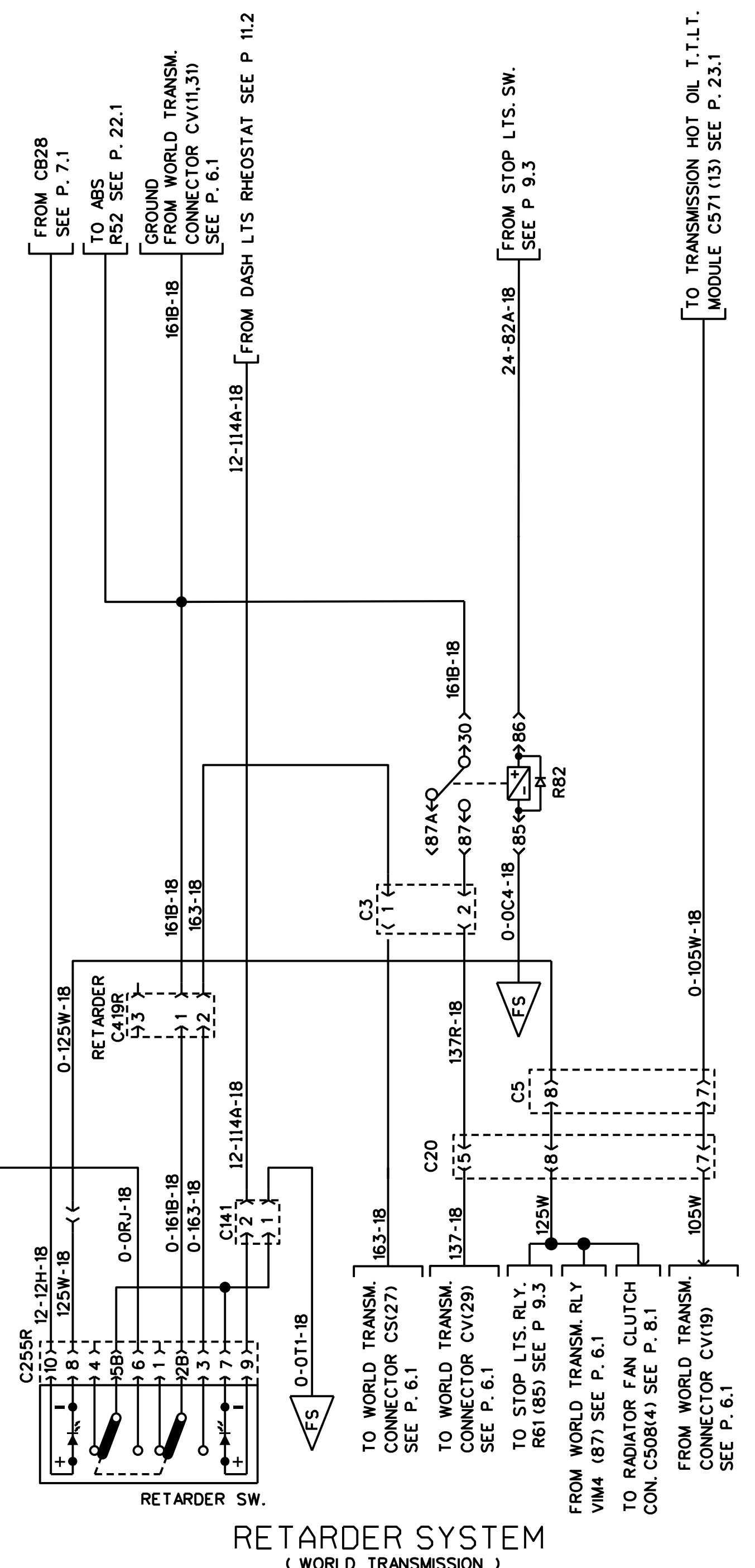
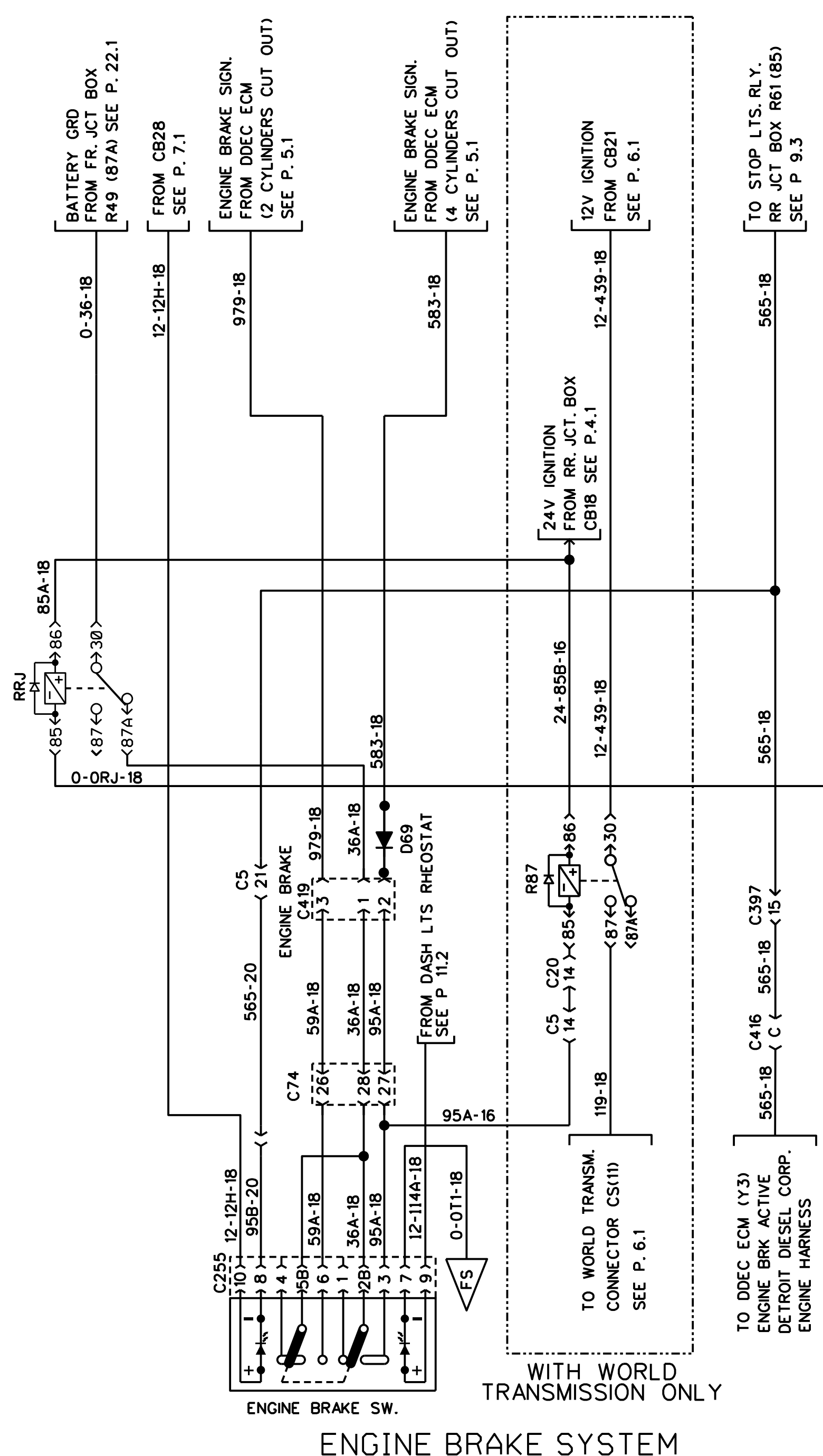
RETARDER SYSTEM (WORLD TRANSMISSION)

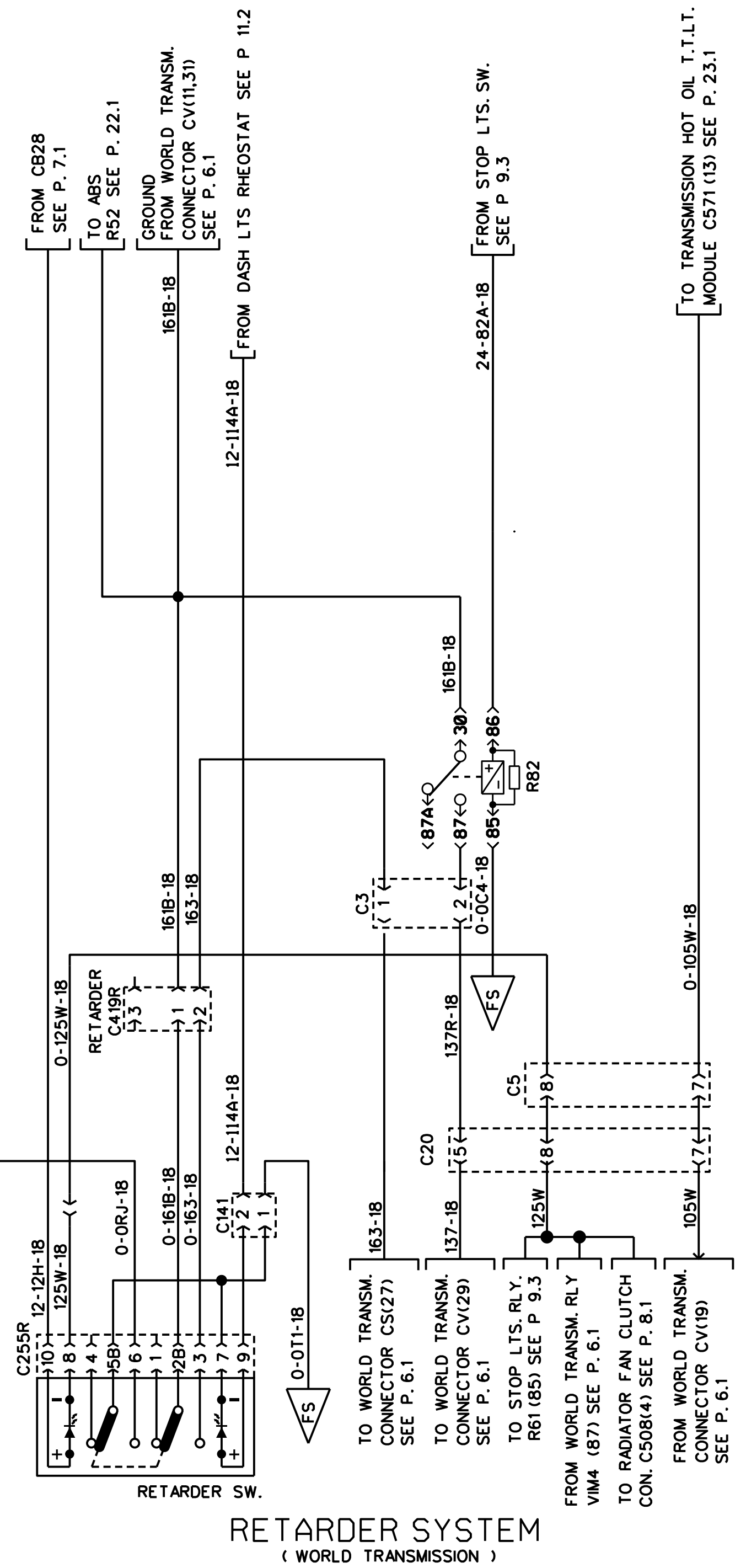
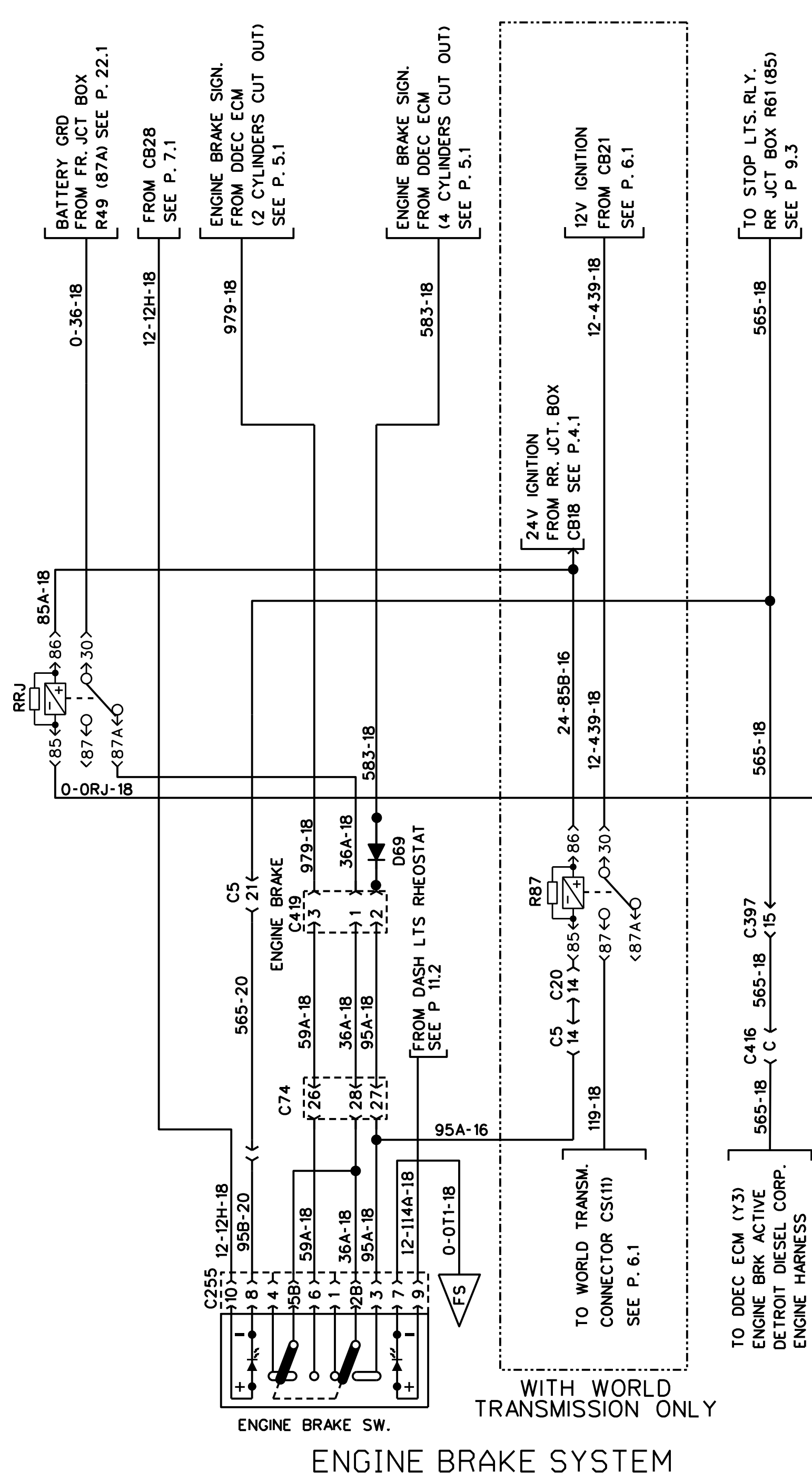


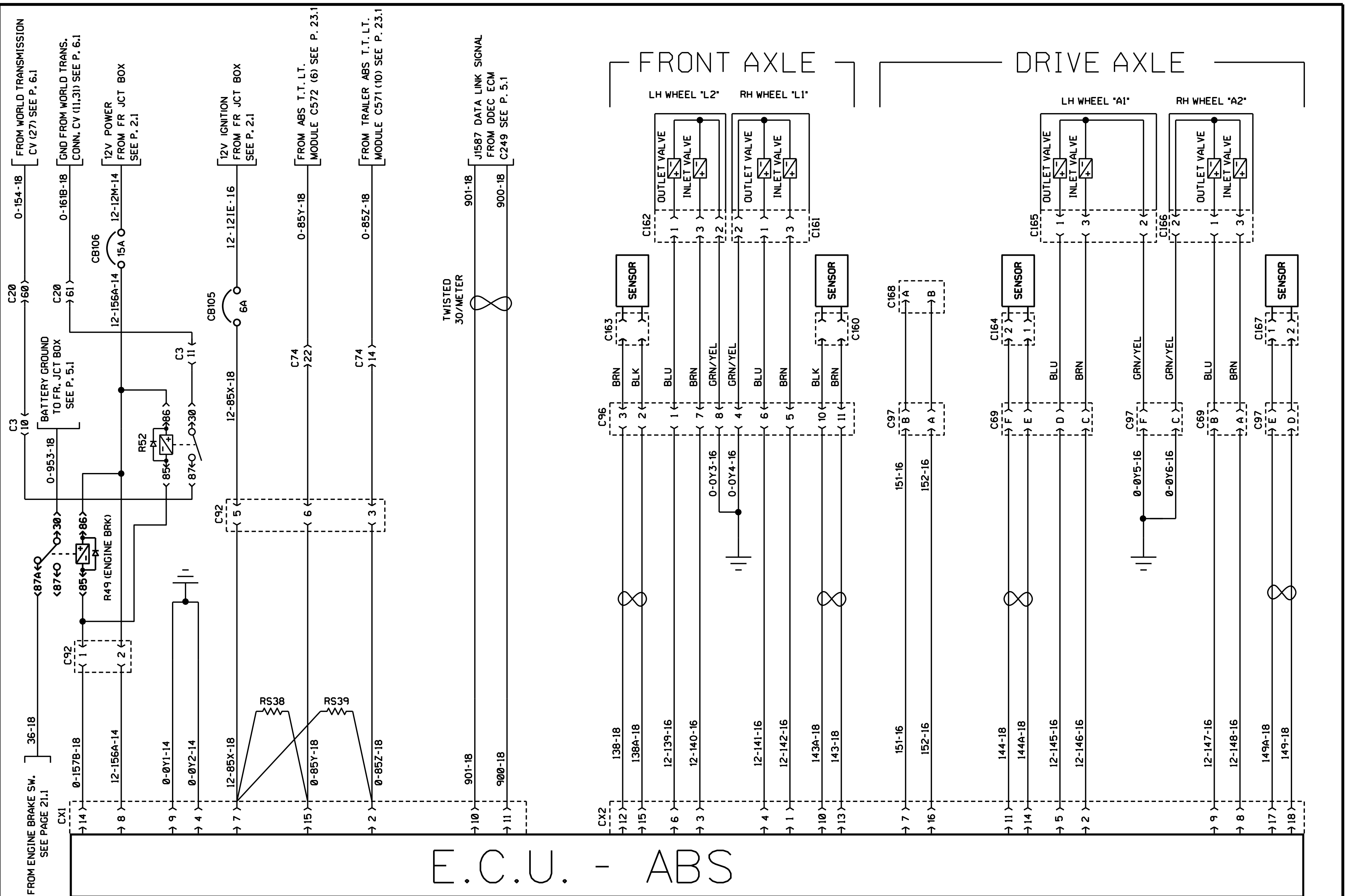
ENGINE BRAKE SYSTEM

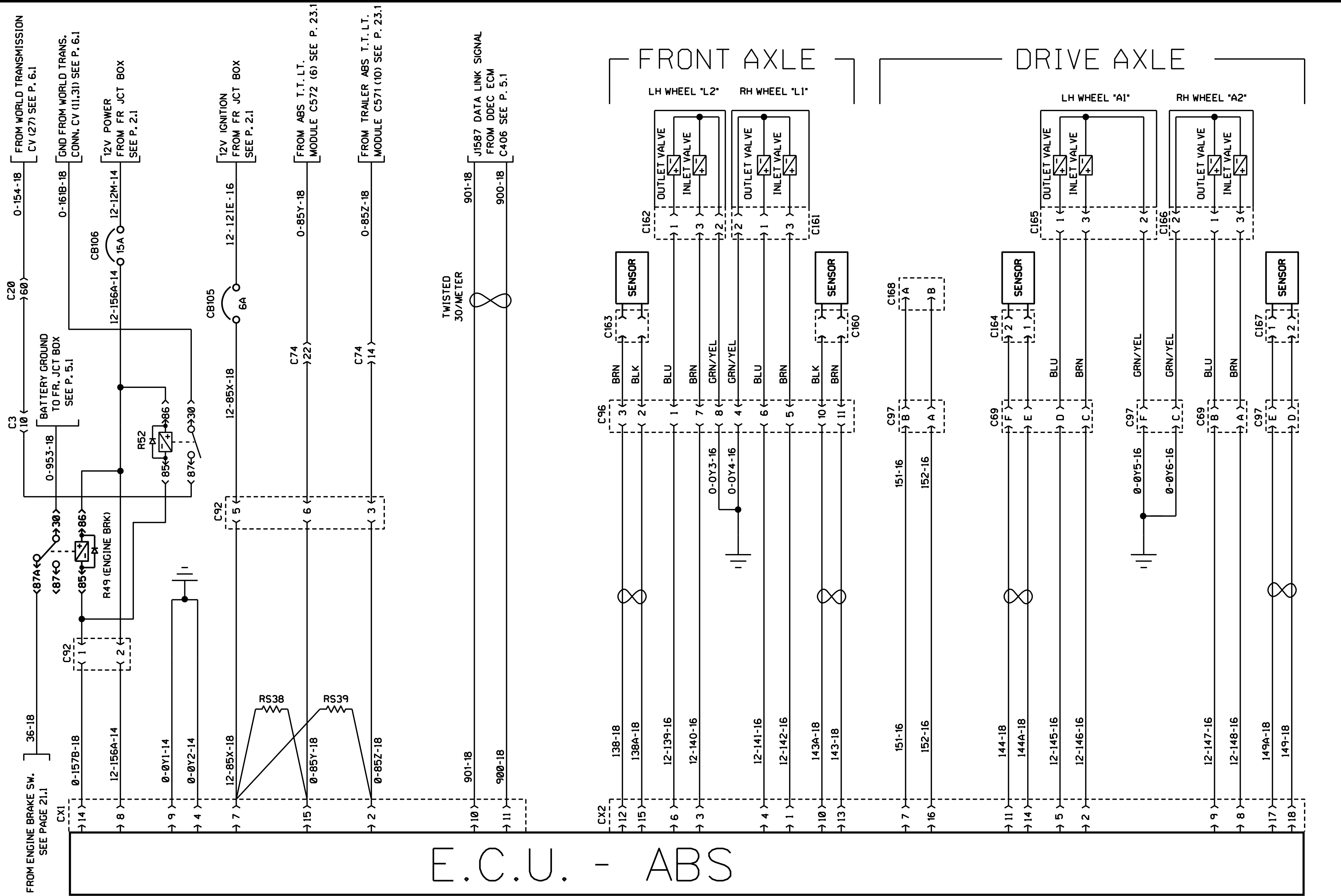


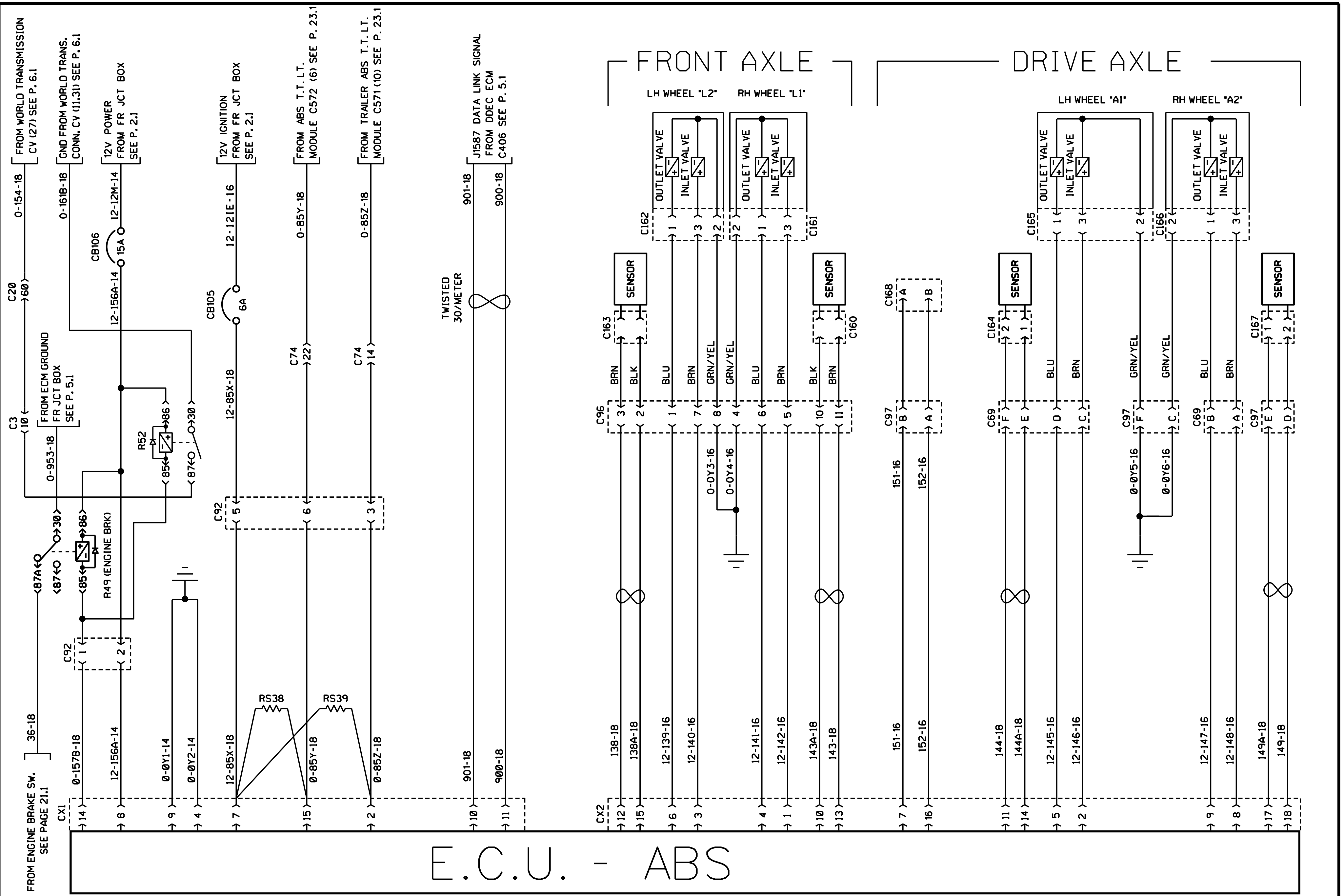
RETARDER SYSTEM (WORLD TRANSMISSION)

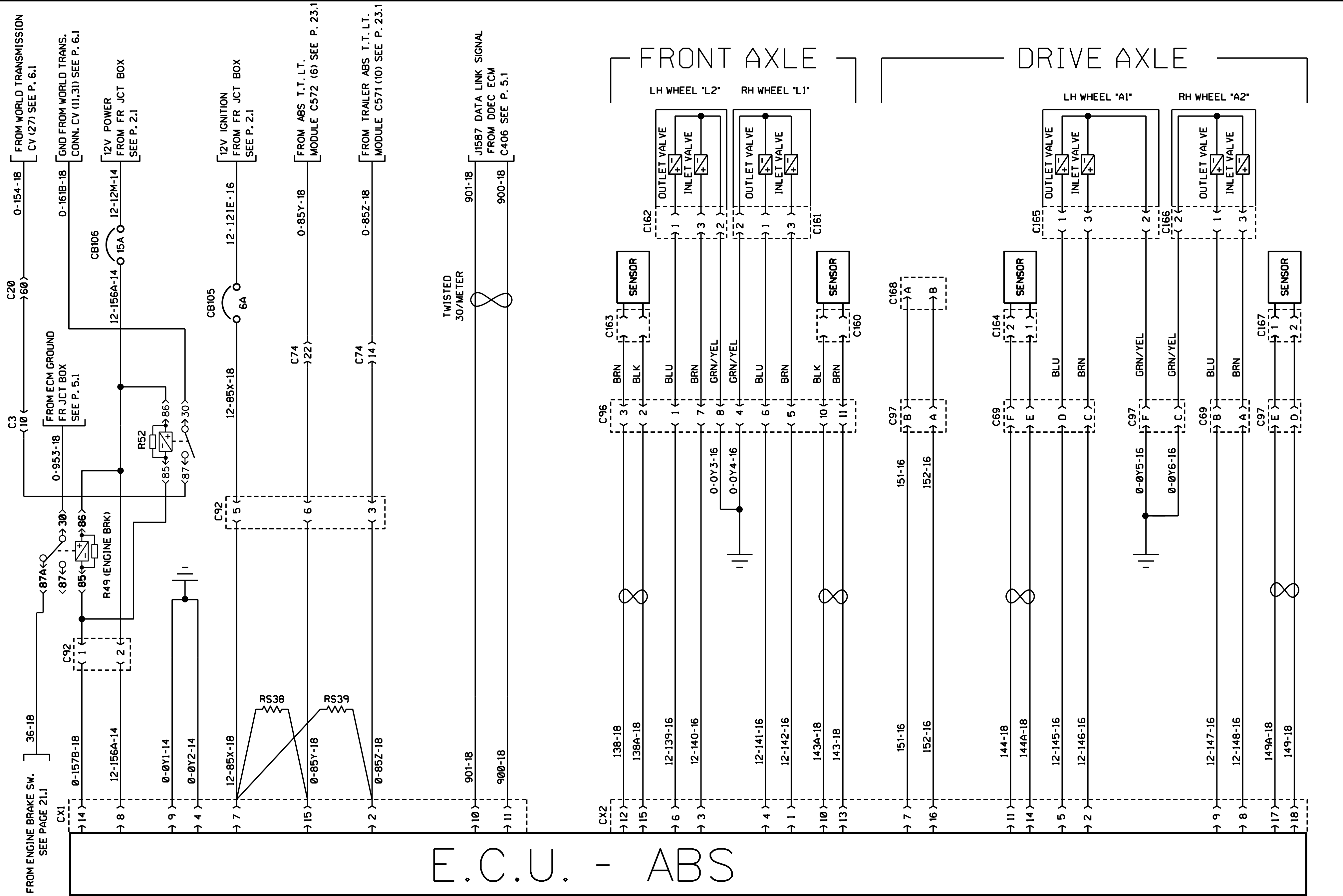


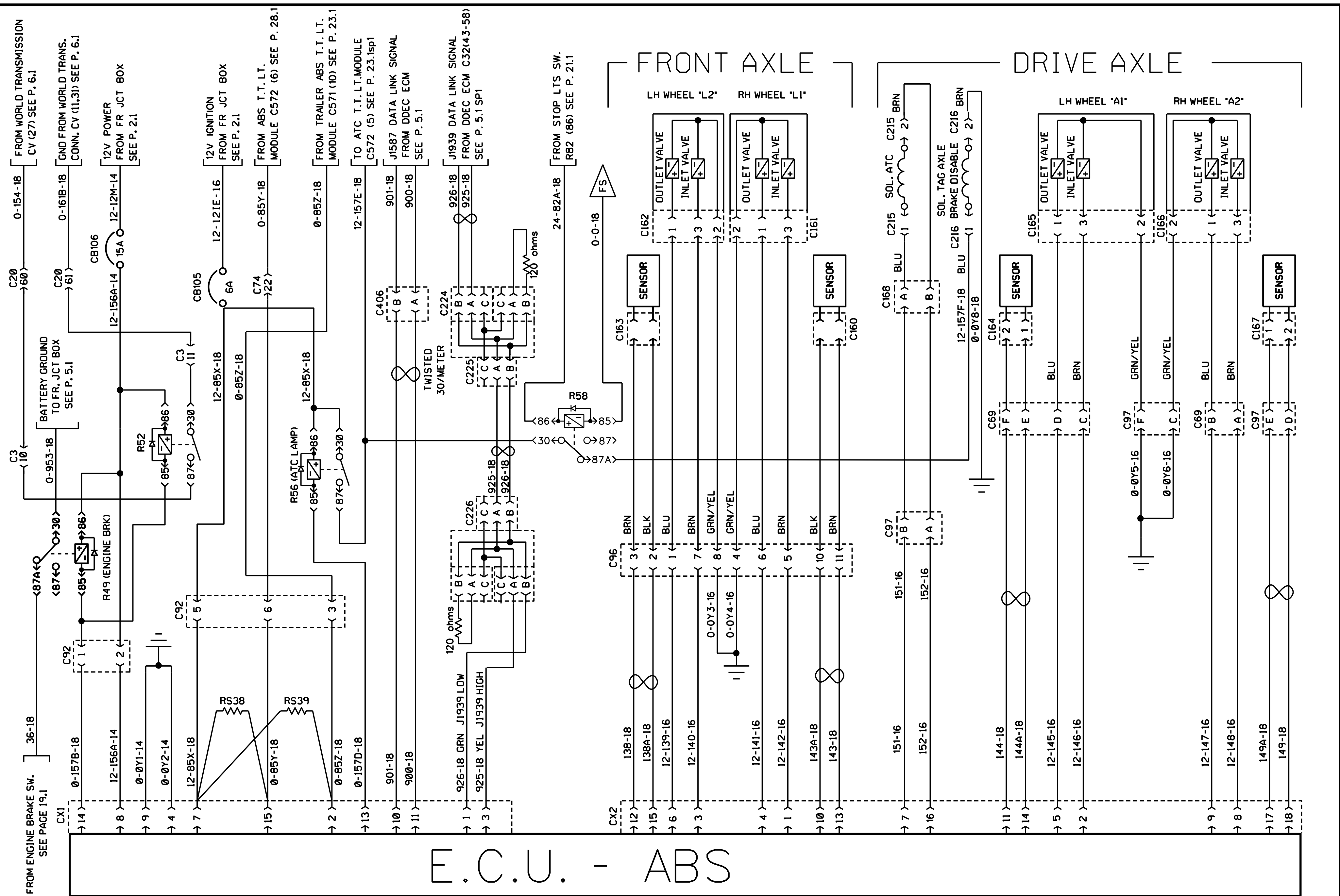






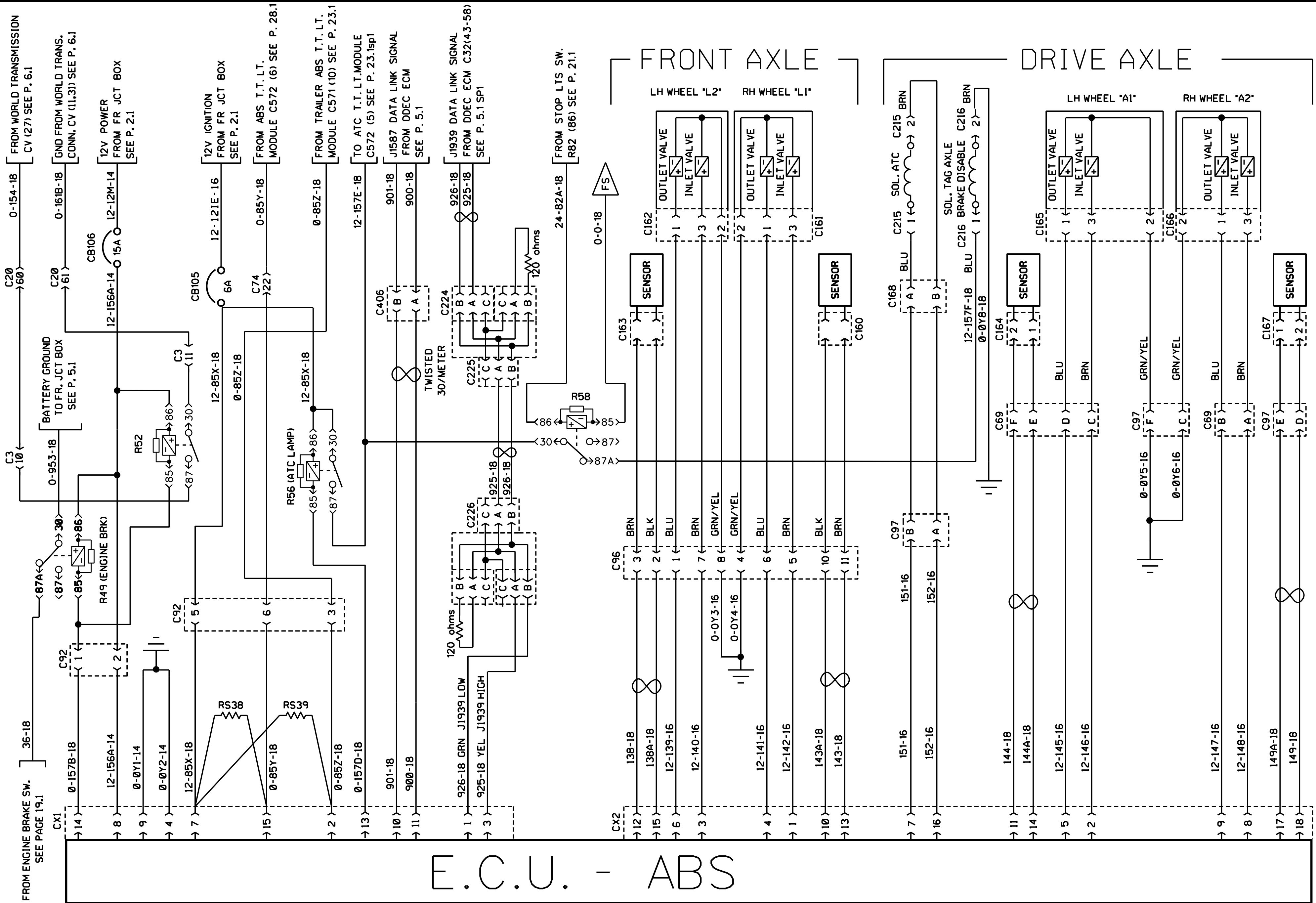


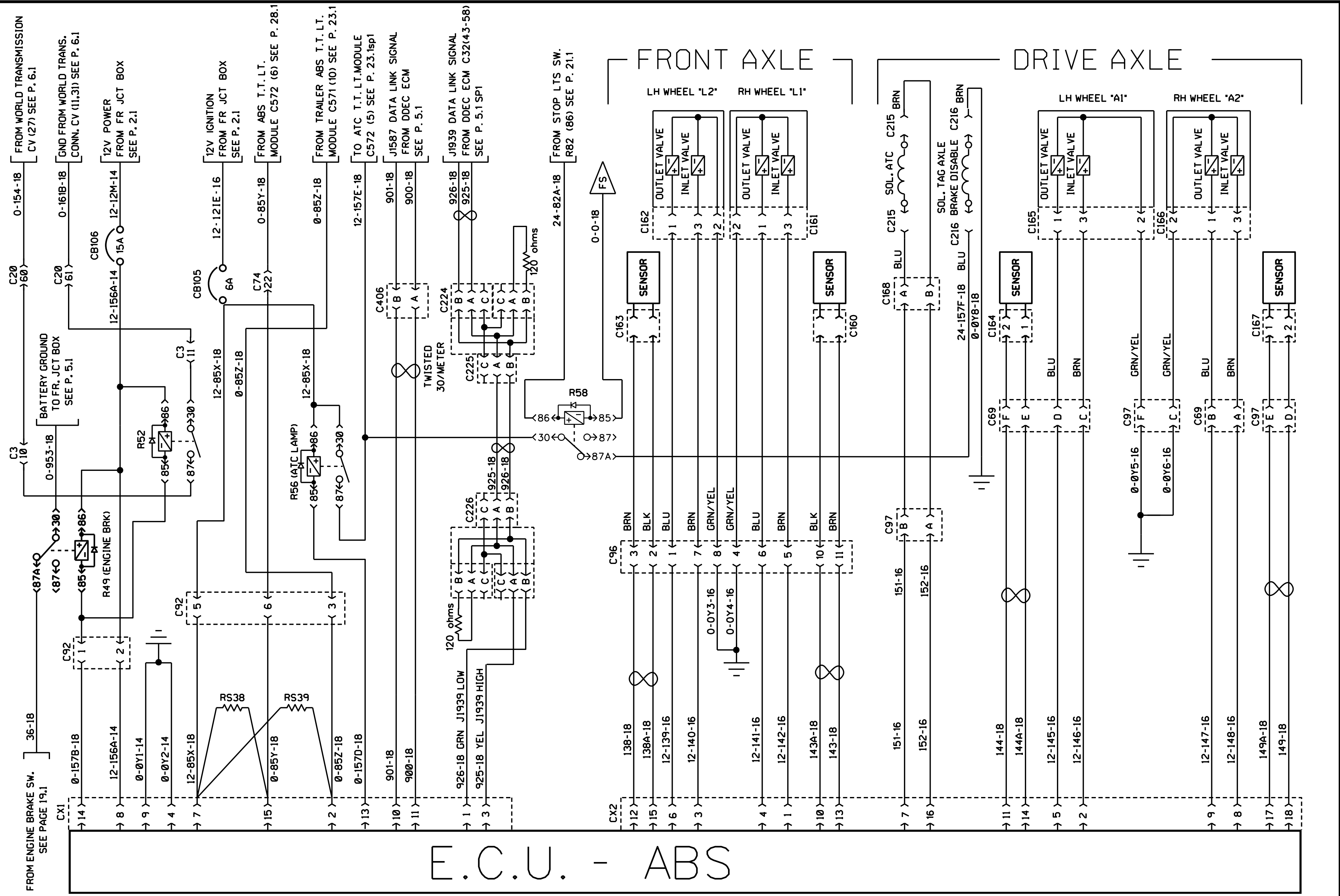


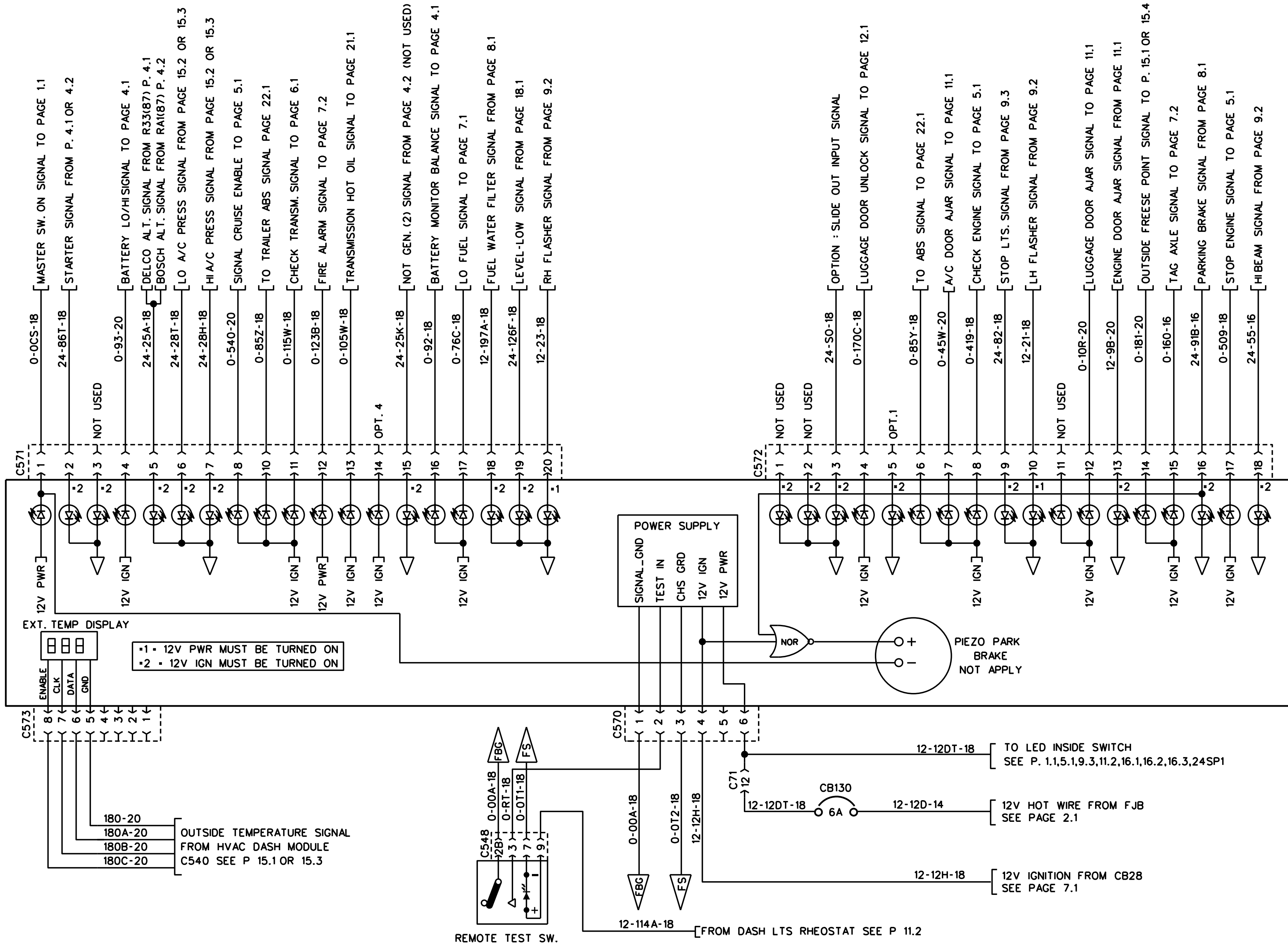


E.C.U. - ABS

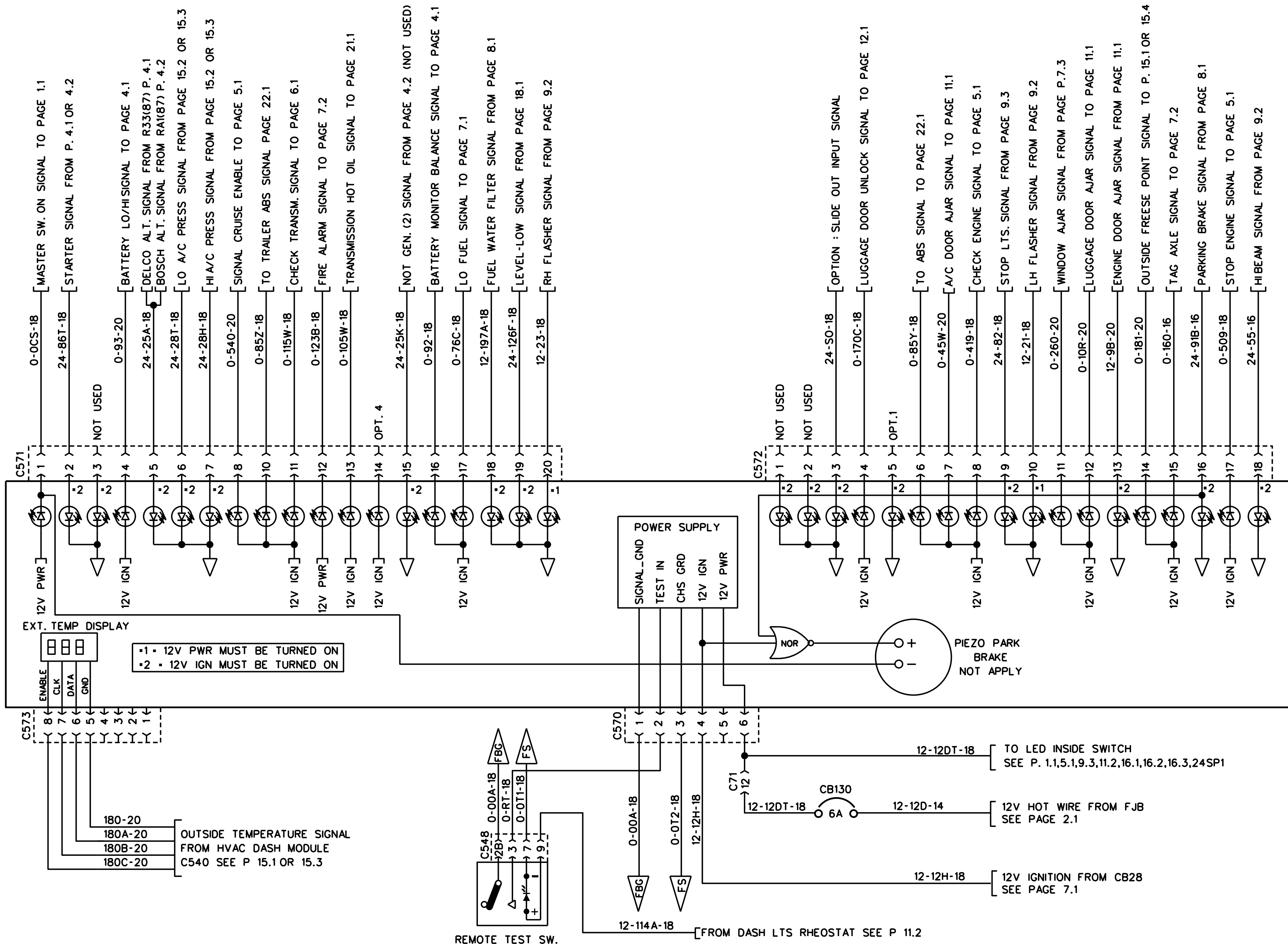
ATC SPECIAL



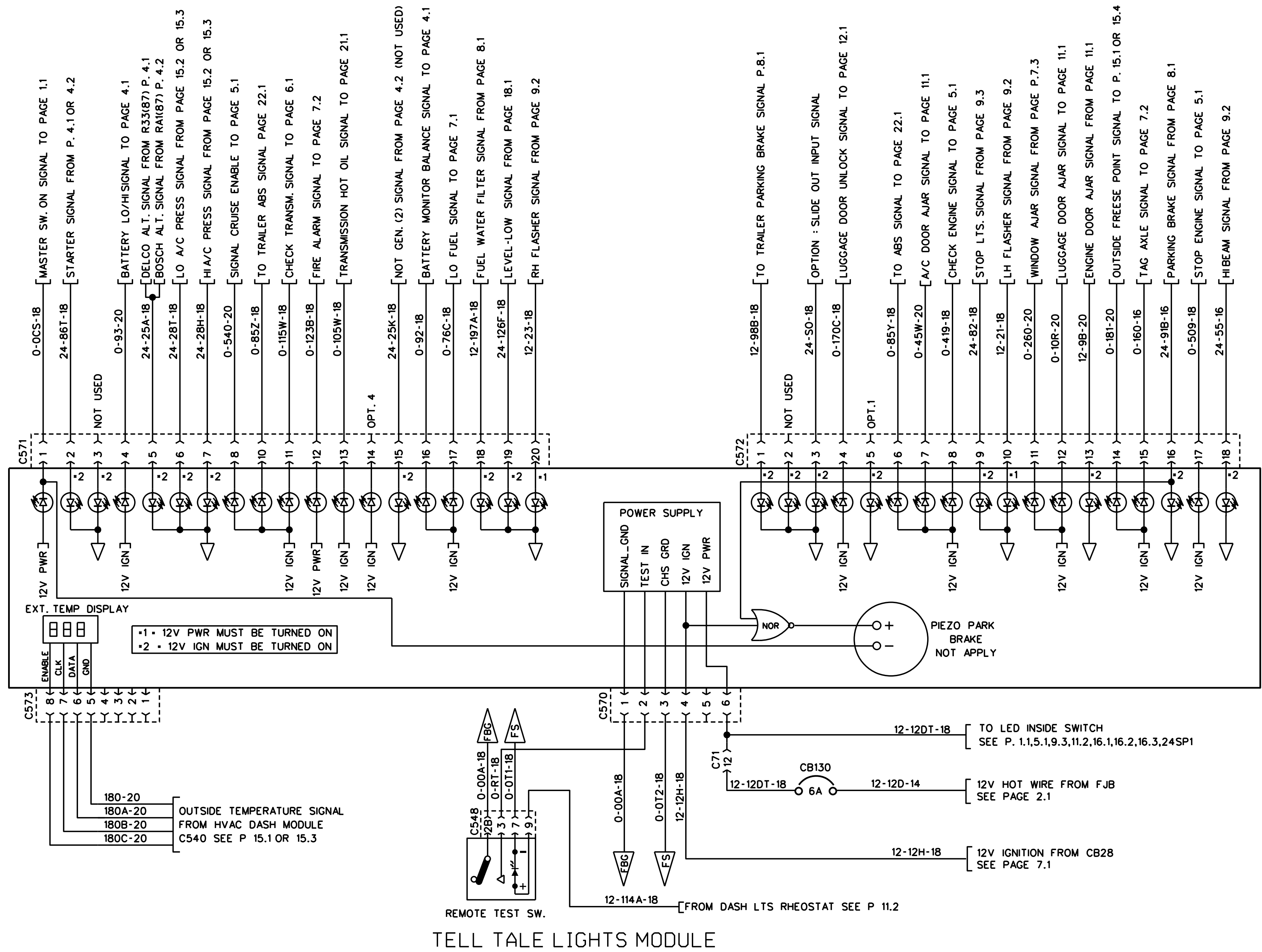


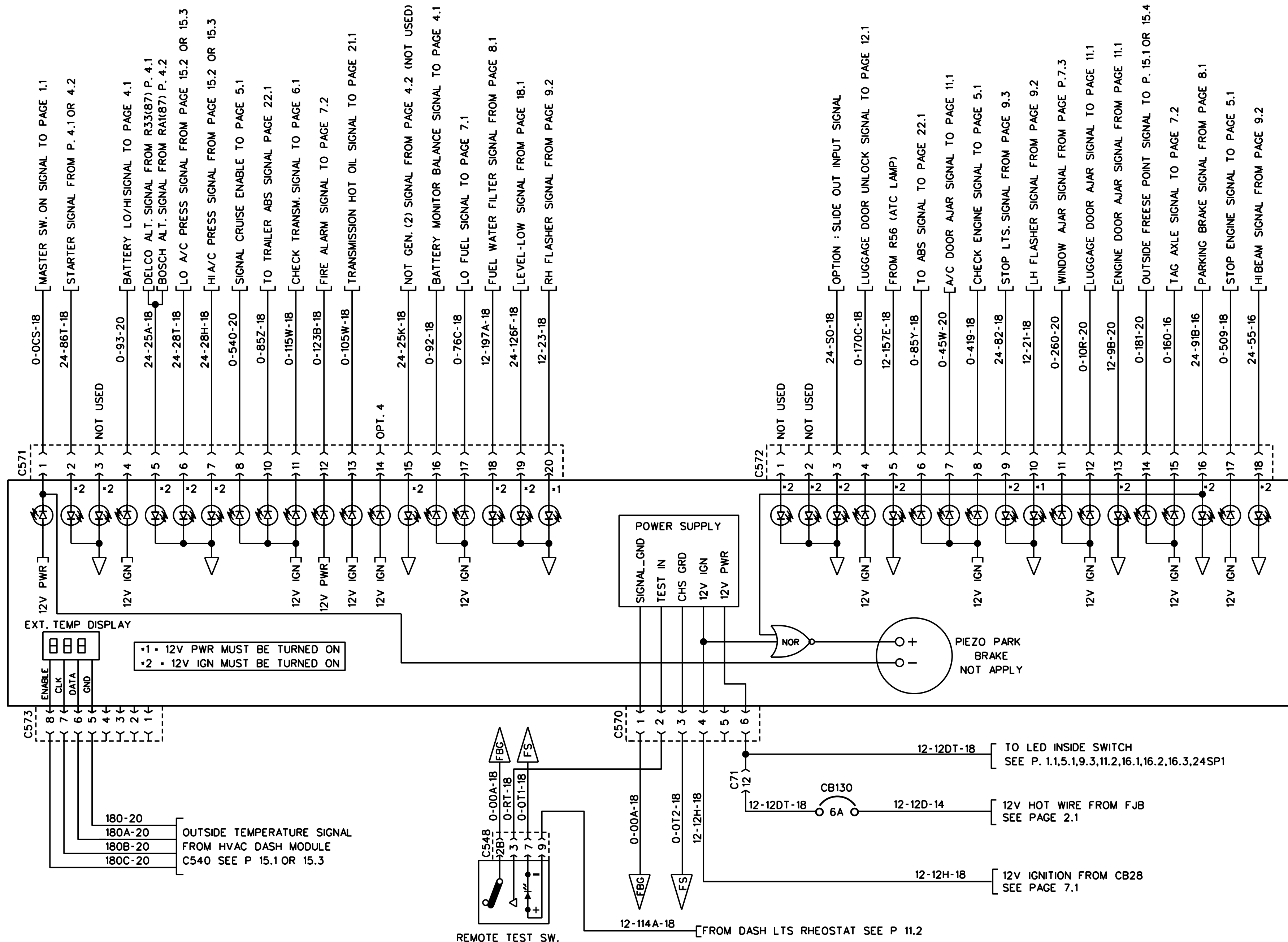


TELL TALE LIGHTS MODULE



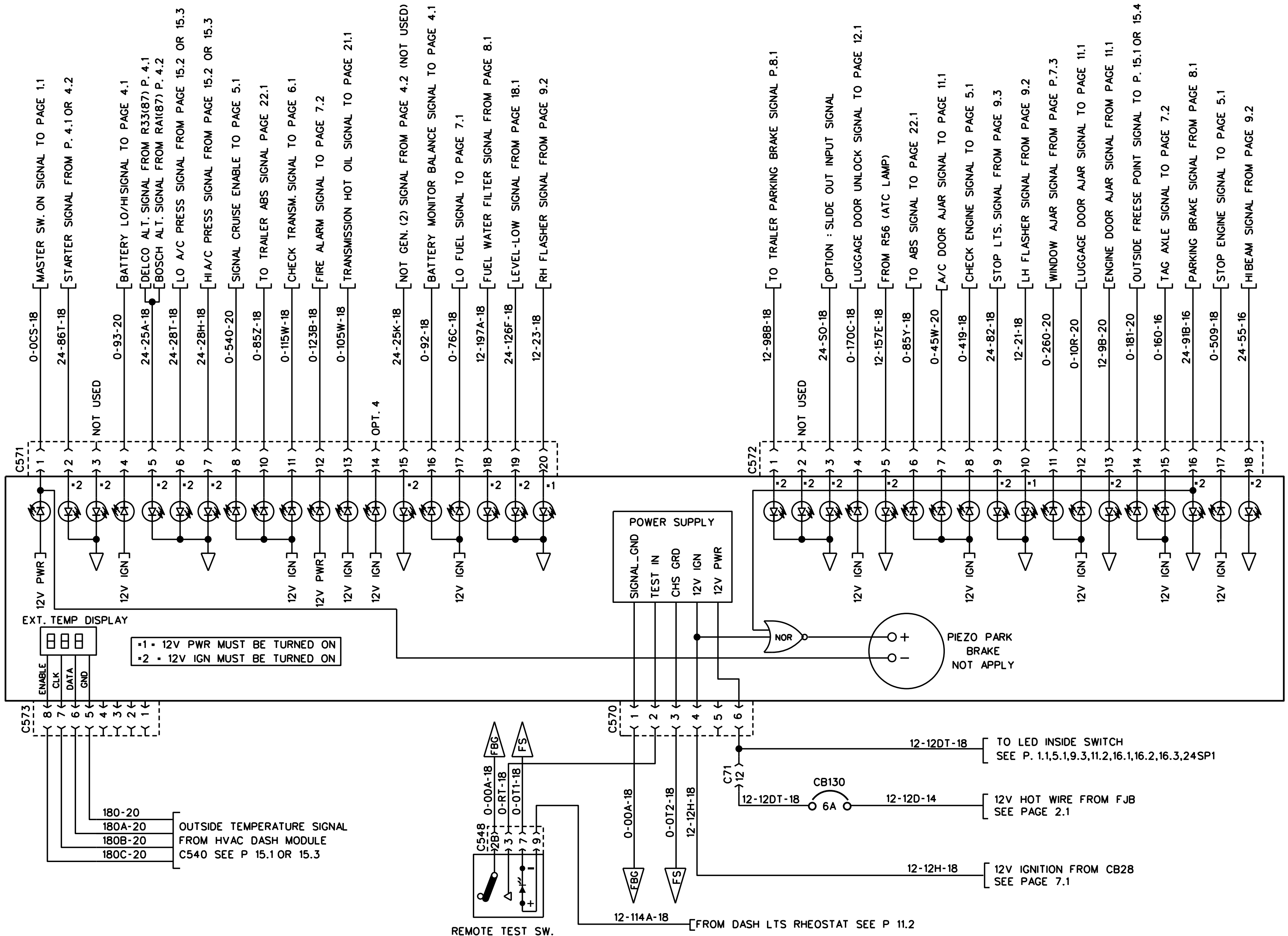
TELL TALE LIGHTS MODULE





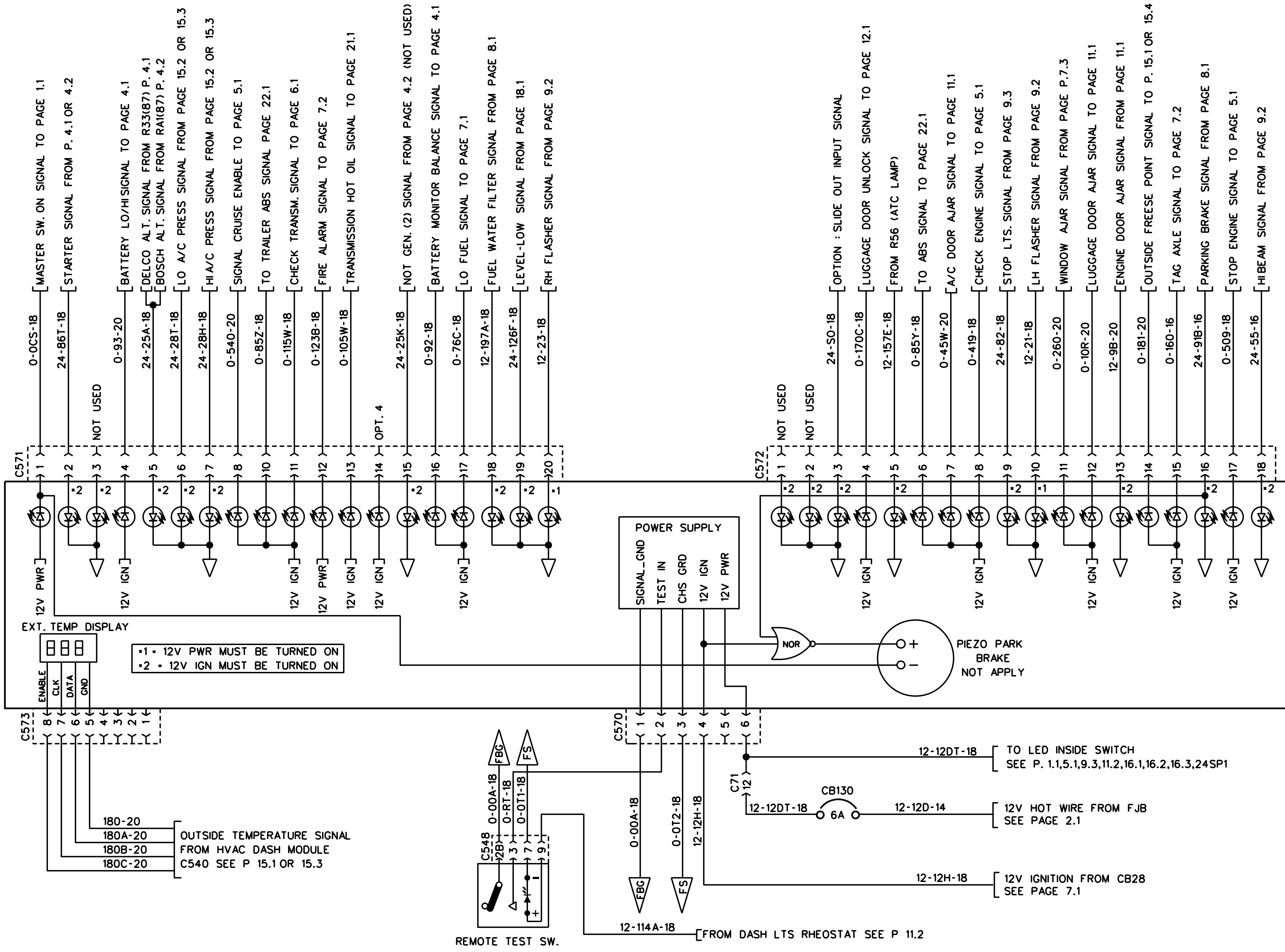
TELL TALE LIGHTS MODULE

ATC SPECIAL



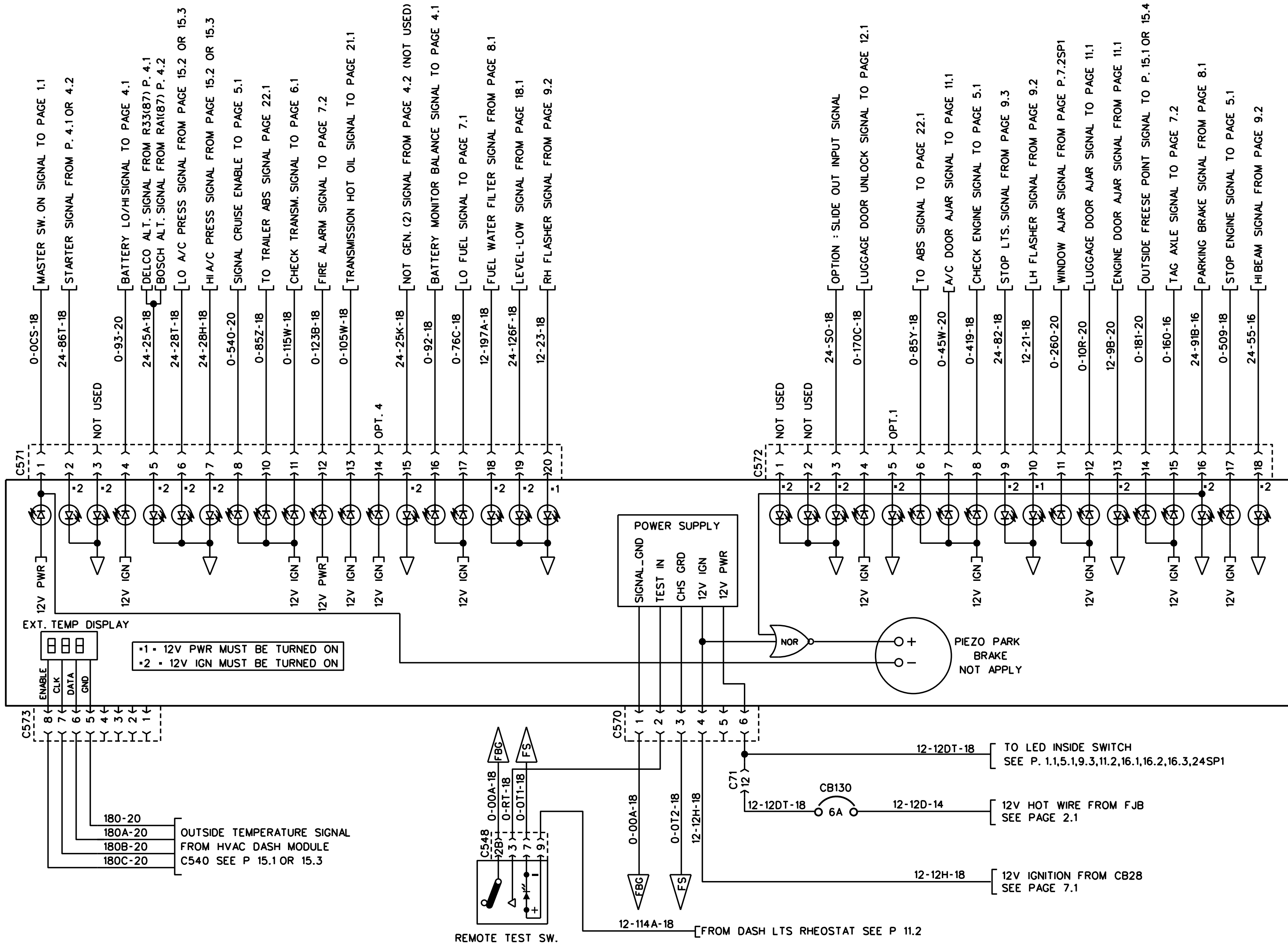
TELL TALE LIGHTS MODULE

ATC SPECIAL



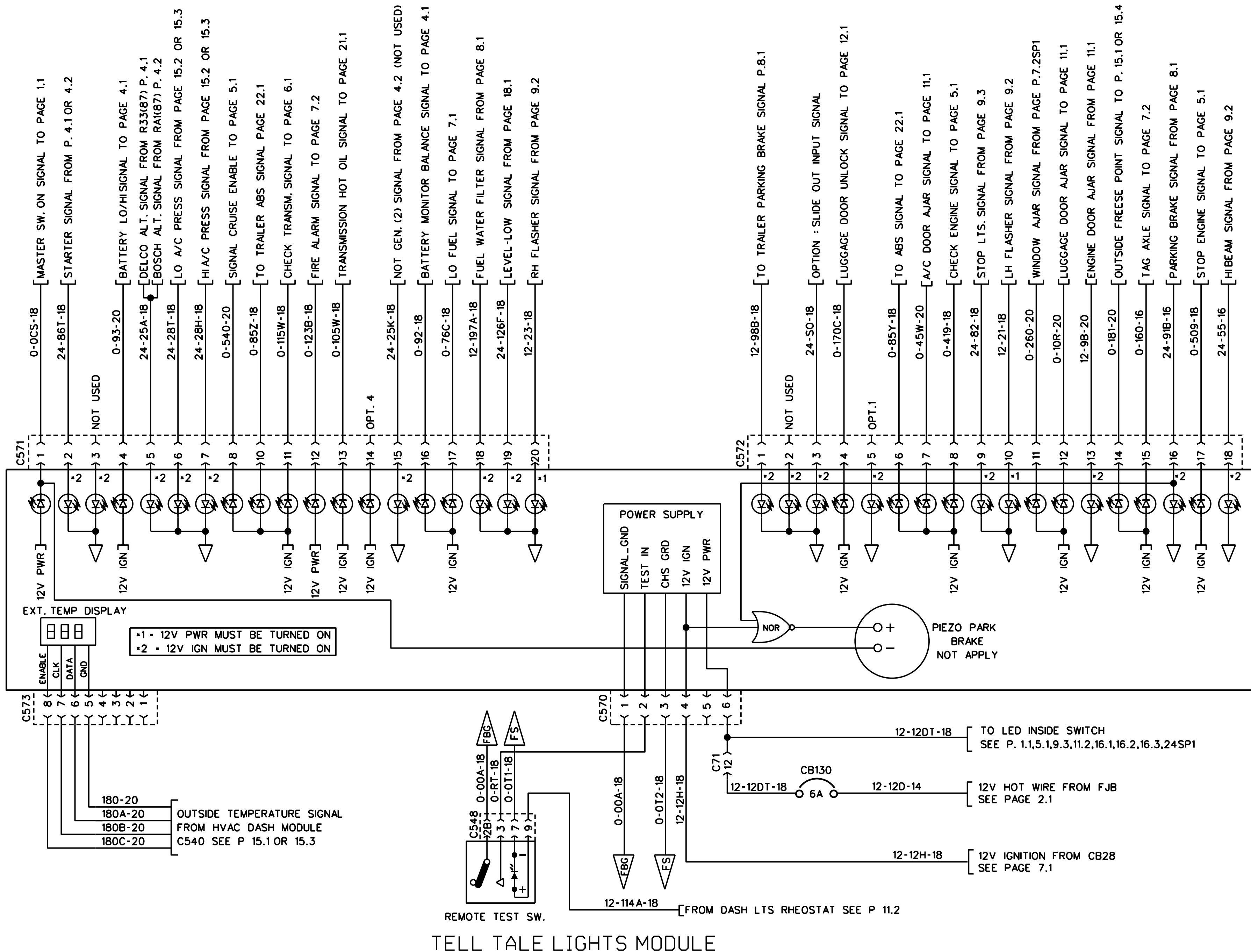
TELL TALE LIGHTS MODULE

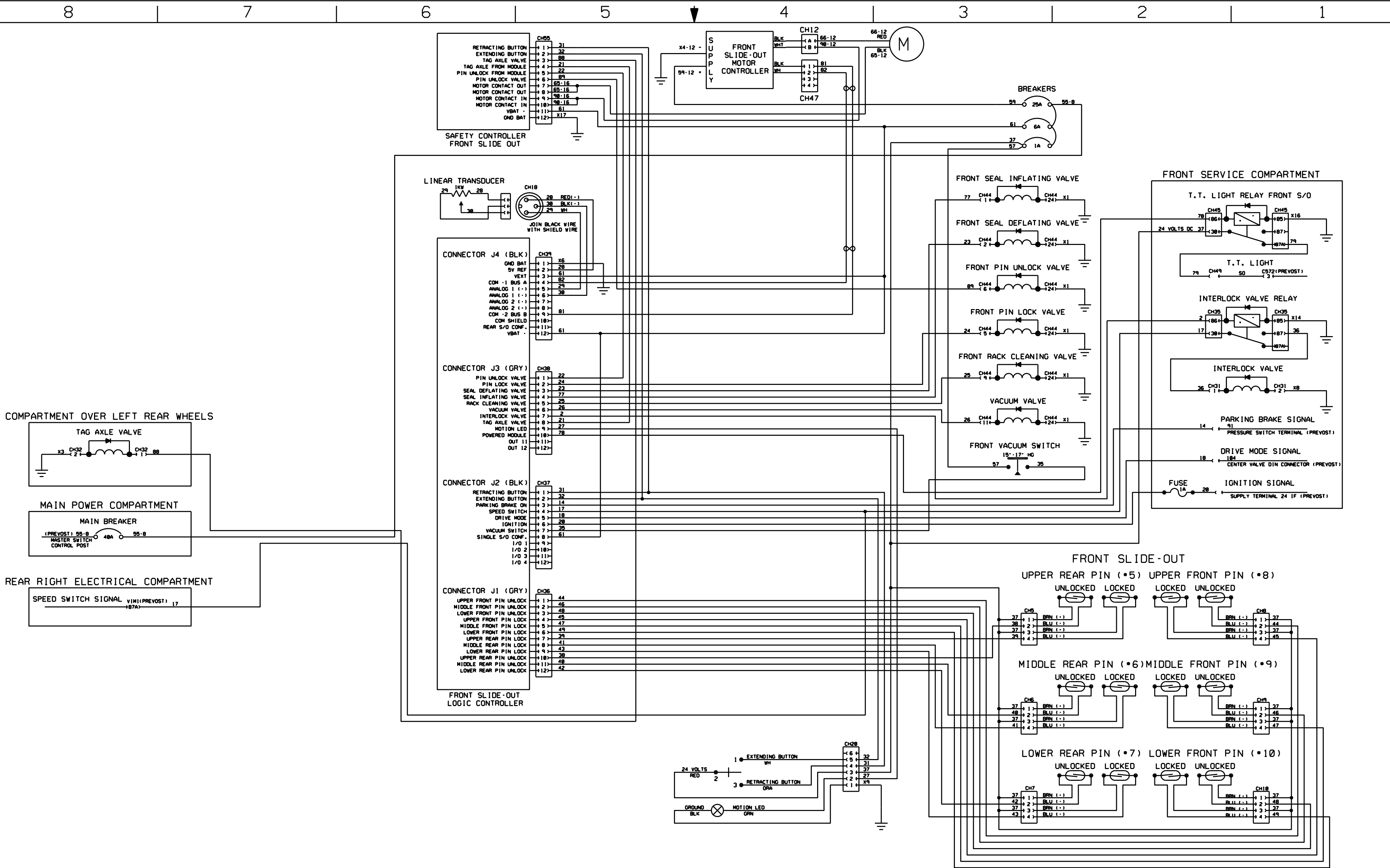
ATC SPECIAL



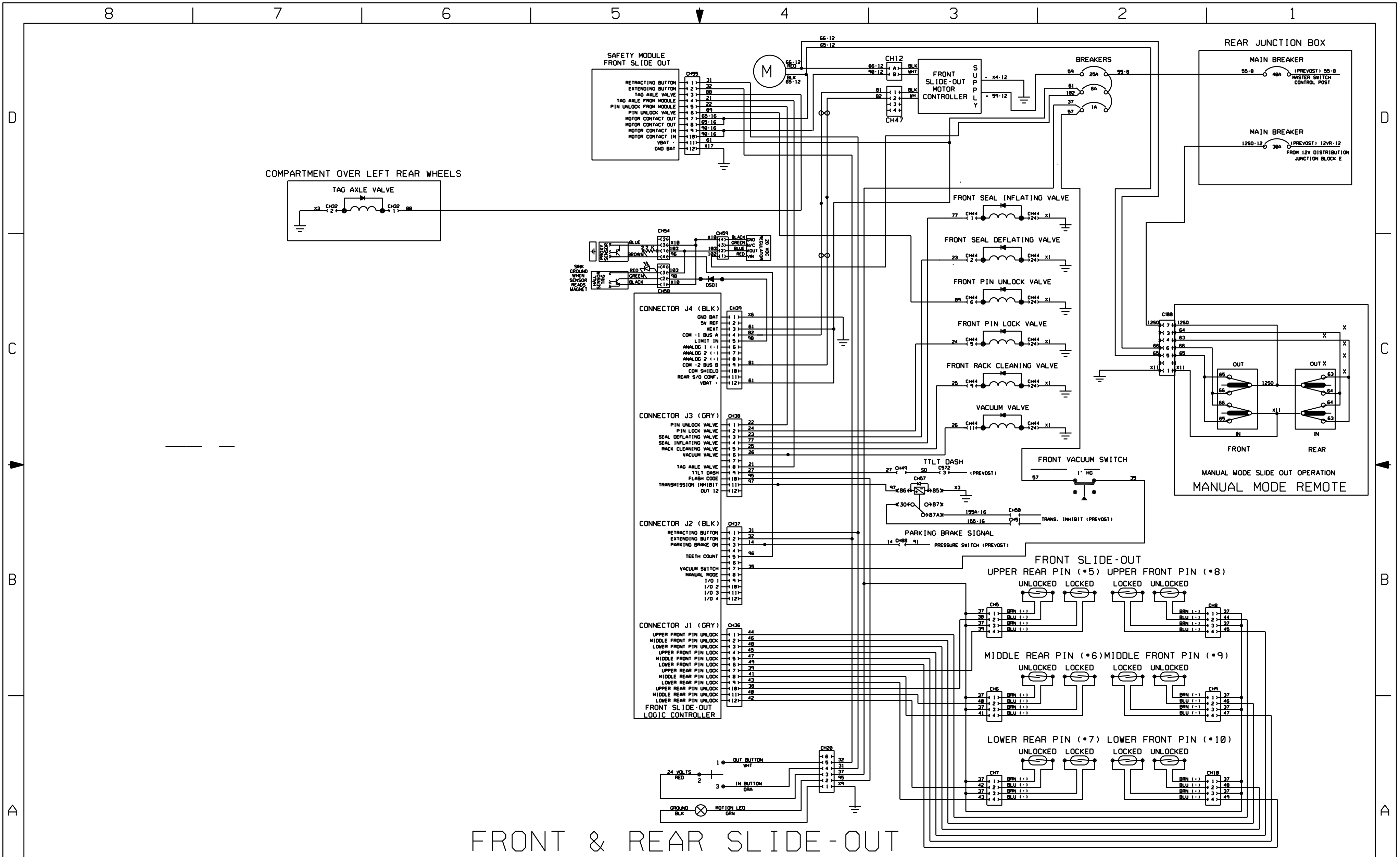
TELL TALE LIGHTS MODULE

WINDOW AJAR SPECIAL

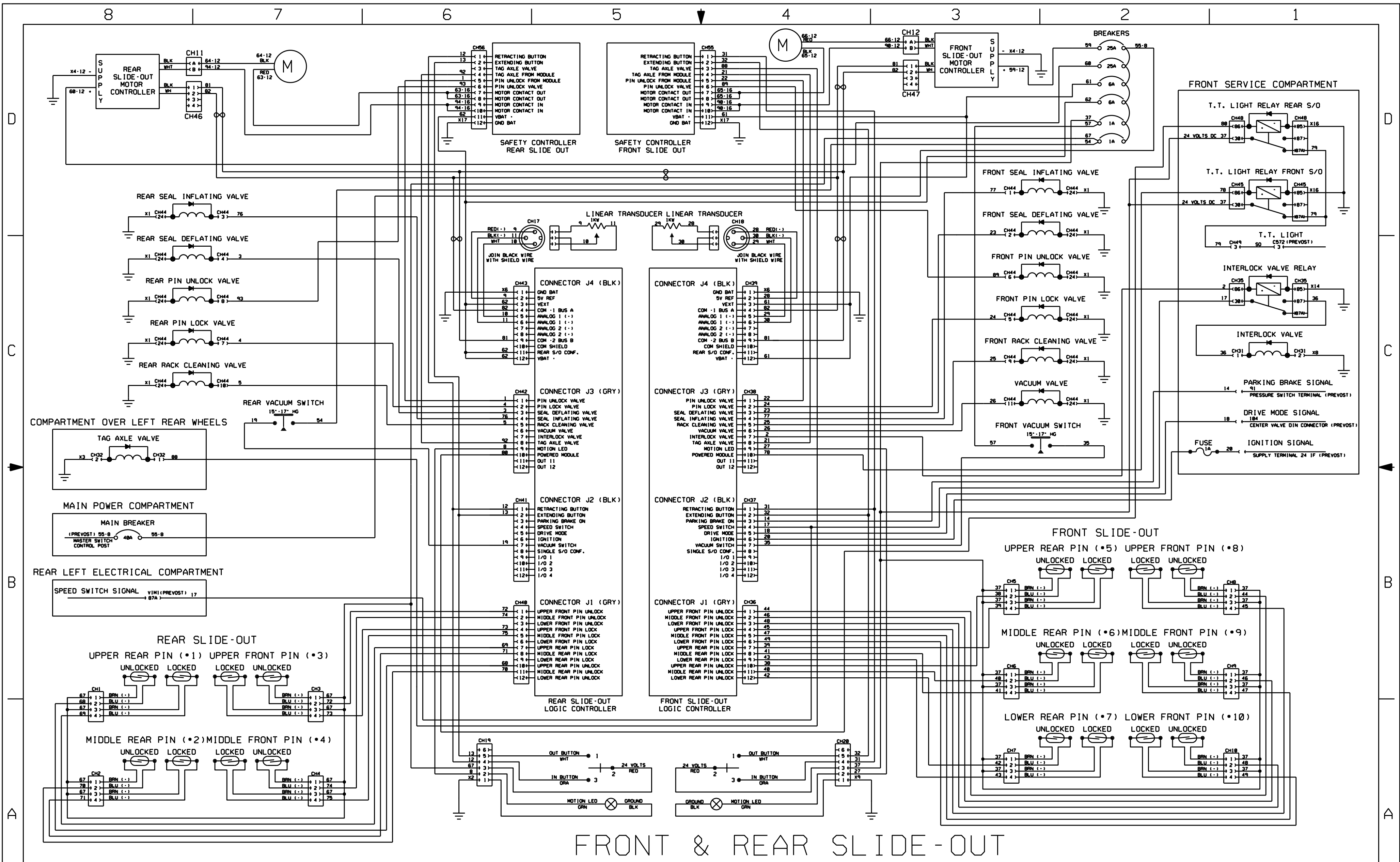




FRONT SLIDE-OUT



FRONT & REAR SLIDE-OUT



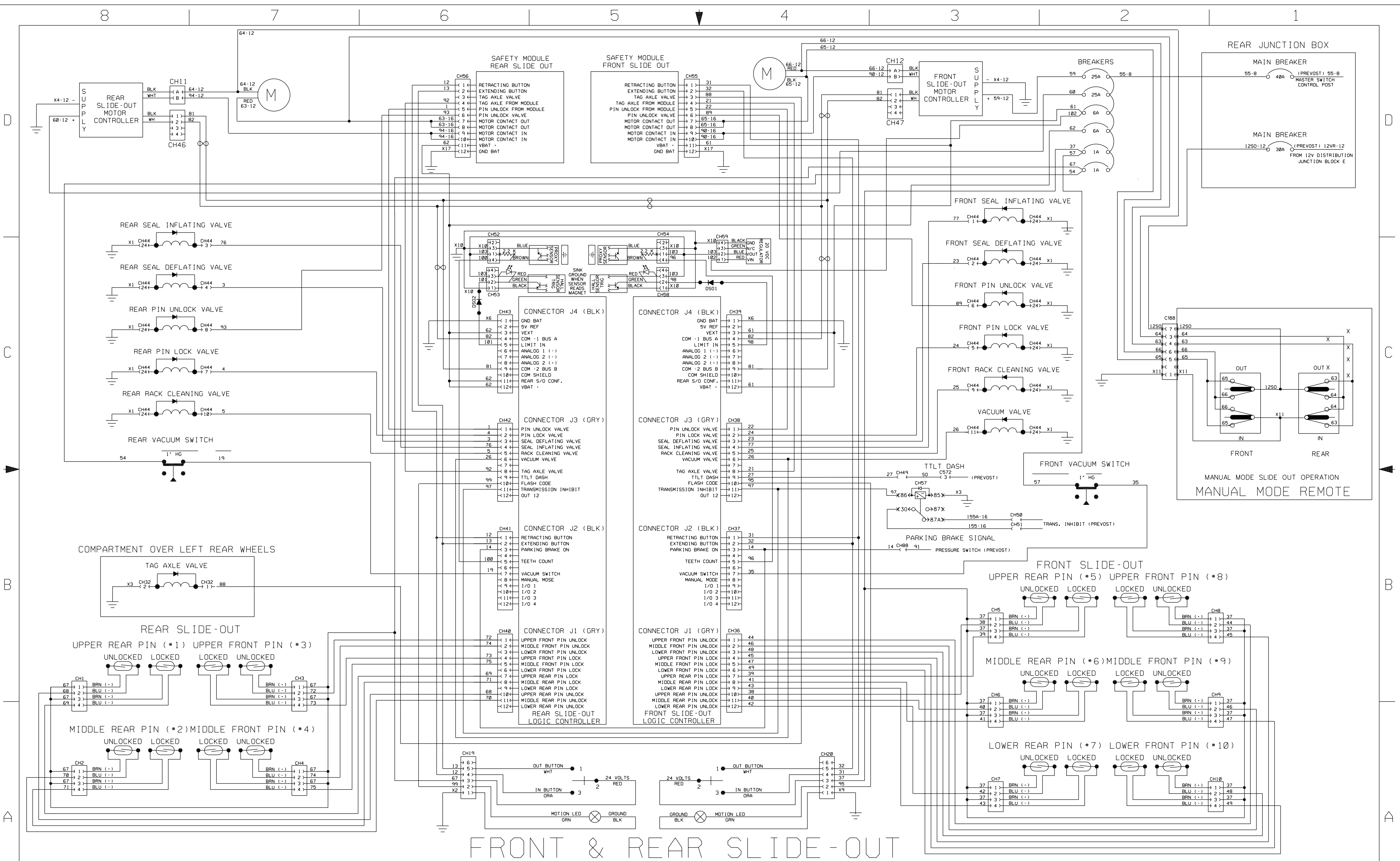
PREVOST

WIRING DIAGRAM

NO: D060978

PAGE: 24.2

REVISION 01



FRONT & REAR SLIDE-OUT

PREVOST

WIRING DIAGRAM

NO: 0060978

PAGE: 24.2

REVISION 05