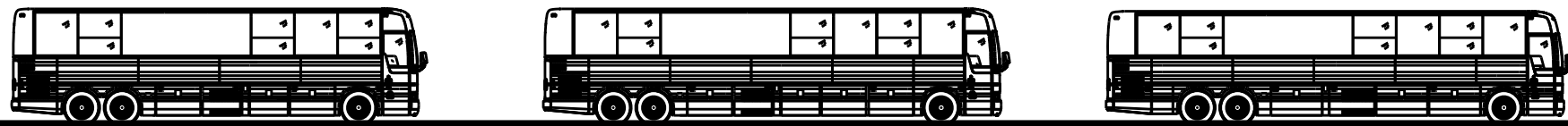


# WIRING DIAGRAM LE MIRAGE BUS SHELL XL2 PREVOST



REFERENCE: **STANDARD - MODEL 2003** NO: **D060994**

EFF. W/ OC# **2000090** PRIOR TO / OC# DR. **MARTIN LAFLAMME** DATE: **02-00-19**  
 EFF. W/ VEH.# **4-7937,4-7953,4-8009,4-8019,4-8084,4-8165** PRIOR TO / VEH.# CK. **SYLVAIN DESBIENS** APPR. **ROLAND LAPOINTE**

REV.	DATE	DESCRIPTION	PAGE	BY	CK.	APPR.
00	02-11-19	COOLING 2002 OC *2000090		S.D.	E.L.	<i>B</i>
01	03-03-10	GENERAL UPDATE	B,C,E,G,4,2,8,1,1,1	E.L.	S.D.	<i>B</i>
02	03-04-04	NEW EVAP. MOTOR - TWO SPEED OC*2002050 REV.B - EFF: 4-8213	C1,E,G,I,J,1,1,1,15,3	E.L.	S.D.	<i>B</i>
03	03-04-17	UPPER DEFROST CABLE MODIFICATIONS SEE OC*2002060 REV.B- EFF: 4-8213 TOO PAGE UPDATED	1,1,15,4 4,2	E.L.	S.D.	<i>B</i>
04	03-06-17	SLIDE-OUT PAGE ADDED O.C.*2003018 EFF: 4-8252	A, 24,1, 24,2	S.G.	S.D.	<i>B</i>
05	03-07-17	CHANGE FULL AIR HARNESS P/N O.C.*2002050 REV.C EFF: 4-8227	C	E.L.	E.L.	<i>B</i>
06	03-08-26	NEW FUSE BLOCK W/O LED OC*2003033 EFF: 4-8252	F, L, 4, 2, 4, 3, 6, 1, 7, 2 8, 1, 9, 1, 9, 2, 9, 3 9, 3SP1, 11, 2, 13, 1 15, 1, 15, 2, 15, 4, 16, 1 9, 1	E.L.	S.D.	<i>B</i>
	03-08-26	ENGINE CABLE SINGLE TO DOUBLE BRAID OC*2003075 EFF: 4-8279	C	A.S.	S.D.	<i>B</i>
07	03-12-11	NEW COOLING 2004 DDEC V OC*2003055 PRELIM:4-8279 EFF: 5-8359	B,C,E,G,H,I,1,1,3,1 4,1,5,1,5,2,6,1,9,3 9,3SP1,21,1,21,1SP1	S.D.		
		MARKER & DIRECTIONAL LTS CONNECTORS OC*2003079 EFF: 5-8359 A/C COMPRESSOR CONNECTOR OC*2003089 EFF: 5-8359	9,1,9,2 15,2	A.S.	<i>B</i>	<i>B</i>
		NEW HVAC PROGRAMMATION OC*2003120 EFF: 5-8359 ELECTRICAL AWNING WINDOWS OC*2003029 PRELIM: 8296,8325 EFF: 5-8380 FACE LIFT: NEW FOG & HEADLAMPS OC*2002132 PRELIM: 8279,8296 EFF: 5-8359 UPDATED PAGES	N/A A,7,3,20,1,23,1 F,J,2,1,9,5 7,2,8,1,12,1	E.L.	<i>B</i>	<i>B</i>

# WIRING DIAGRAM LE MIRAGE BUS SHELL XL2 D060994 P2

REV.	DATE	DESCRIPTION	PAGE	BY	CK.	APPR.
08	04-03-11	NEW SLIDE-OUT LOGIC CONTROL OC*2003078 EFF: 5-8385 CLEARANCE LTS W/JIFFY SPLICE OC*2003118 EFF: 5-8408 PAGES UPDATED →	G,24,1,24,2 C 1,6,1,7,3,15,4,22,1	S.D. A.S. E.L.	<i>B</i>	<i>B</i>
09	04-05-04	BOSCH ALT. C-399 ELIMINATED OC*20040200 EFF: 5-8426	C,G,4,3	E.L.	<i>B</i>	<i>B</i>
10	04-05-25	DRIVER'S DEFROST, DOUBLE MOTOR UNIT OC*2003144,OC*2003153 EFF: 5-8470 NEW HVAC CTRL MODULE - FULL AIR ONLY OC*2004041	C1,E,F,G,1,1,15,1,15,2	E.L.	<i>B</i>	<i>B</i>
11	05-01-14	OFF DELAY RELAY CHANGED OC*2004093 EFF:5-8518  REPLACE DOOR LACTCH'S SOLENOID VALVE OC*2004066 EFF:5-8610	11,2  C, G	E.O.  S.L.	<i>B</i>	<i>B</i>
12	05-01-17	24VDC MINI-RELAYS CHANGE TO VOLVO OC*2004108 EFF: 5-8578  TRAILER BRAKE PRESS. SW. OC*2003106 EFF:5-8645 CIRCULATORY CONTROL PUMP. MODIF. PASS. LIQ. SOL. OC*2004103 EFF: 5-8645	1, 2, 1, 4, 1, 5, 1, 5, 2, 6, 1, 7, 2, 9, 1, 9, 2, 9, 3, 9, 3SP1, 9, 5, 11, 2, 12, 1, 15, 1, 20, 1, 21, 1, 21, 1SP1, 22, 1	J.PRO.  E.O. J.PRO.	<i>B</i>	<i>B</i>
13	05-07-12	NEW PREVOST SLIDE-OUT OC*2003088 AND *2004031 EFF: 6-8806	C, E, F, G, H, I, 1, 6, 1 8, 1, 15, 2, 15, 3 23, 1, 24, 1, 24, 2 24, 3, 24, 4, 24, 5	S.D.	<i>B</i>	<i>B</i>
14	06-01-12	BOSH ALTERNATOR (OPTION) ,OC2004079 EFF:5-8795	C, 4, 3	J.PRO.	S.L.	<i>B</i>
15	06-03-24	HEAD LAMP WASHER CLEANING SYSTEM ,OC2005057 SLIDING WINDOW ,OC2005056	C, E, G, I, L 1,1, 10,1 7,3, 7,4, 7,5	MPOU	S.D.	
16	06-03-28	DAC*16642 ADD WIRE ON C390 FOR CONDENSOR MOTOR EFF:8942	15,3	MPOU	S.D.	
17	06-05-02	TRANSMISSION CHANGED TO GEN IV OC2006010 PRELIM:6-8966 EFF:6-9044	5,16,16,2 , C, G	E.O		D.G

## WIRING DIAGRAM INDEX

<b>A</b> A/C & HEAT – DRIVER'S AIR      Page: 15.1 A/C & HEAT – FULL AIR      Page: 15.2 A/C & HEAT – UPPER FAN DEFROST      Page: 15.4 ALARM & SIGNAL      Page: 7.2 ABS      Page: 22.1 ARRANGEMENT - CABLE      Page: B ARRANGEMENT - HARNESS      Page: C ARRANGEMENT - SPARE WIRE      Page: D ARRANGEMENT - SPARE WIRE      Page: D	<b>D</b> DASH INSTRUMENT      Page: 7.1 DDEC IV      Page: 5.1 DISCONNECT SWITCH 12V, 24V      Page: 1.1 DISTRIB. 24V DISC., IGN & HOT WIRE      Page: 1.1 DISTRIB. 12V DISC., IGN & HOT WIRE      Page: 2.1 DRIVER'S SEAT ADJUST      Page: 13.1	<b>L</b> LEVEL – LOW SYSTEM      Page: 18.1 LUGGAGE DOOR LOCK      Page: 12.1
<b>B</b> BACK-UP ALARM      Page: 9.3 BATTERY STANDARD      Page: 1.2	<b>E</b> ENGINE BLOCK HEATER      Page: 20.1 ENGINE BRAKE SYSTEM      Page: 21.1 ENGINE CONTROL      Page: 4.1 ENTRANCE DOOR ELCTRICAL LOCK      Page: 12.1 ENTRANCE DOOR AIR LOCK      Page: 20.1 ETHER COLD START      Page: 8.1 EXTERIOR LIGHTING      Page: 9.1	<b>M</b> MIRROR-REAR VIEW      Page: 16.1 <b>P</b> PARKING BRAKE SWITCH & ALARM      Page: 8.1 POWER 12V OUTLET      Page: 13.1
<b>C</b> CENTER DOOR-AIR LOCK      Page: 20.1 CHARGING SYSTEM      Page: 4.2 CIGAR LIGHTER & 12V OUTLET      Page: 13.1 CLUSTER      Page: 7.1 CODE - CIRCUIT NUMBER      Page: E CODE - CIRCUIT BREAKER      Page: F CODE - CONNECTOR      Page: G CODE - DIODE      Page: H CODE - FUSE      Page: L CODE - RELAY      Page: I CODE - RESISTOR      Page: J CODE – TRUTH TABLE      Page: M CODE - WIRING KEY      Page: K CRUISE CONTROL - DDEC      Page: 5.1	<b>F</b> FAN-CLUTCH RADIATOR      Page: 8.1 FAST IDLE - DDEC      Page: 5.1 FIRE DETECTOR      Page: 7.2 FUEL WATER FILTER      Page: 8.1 FUEL PRIME PUMP      Page: 19.1	<b>R</b> RETARDER - WORLD TRANSM.      Page: 21.1 <b>S</b> SPEED SIGNAL      Page: 17.1 SPEEDOMETER      Page: 7.1 STEERING CONTROL      Page: 17.1 SUN VISOR      Page: 19.1
	<b>G</b> GROUND SYSTEM      Page: 3.1	<b>T</b> TACHOMETER      Page: 7.1 TRANSMISSION – WTEC 3      Page: 6.1 TELL TALE LIGHT MODULES      Page: 23.1
	<b>H</b> HORN      Page: 7.2	<b>W</b> WINDOW AJAR      Page: 20.1 WINDOW LIFTER      Page: 19.1 WIPER & WASHER      Page: 10.1
	<b>I</b> INTERIOR LIGHTING      Page: 11.1	
	<b>K</b> KEYLESS ENTRY SYSTEM      Page: 12.1	

## WIRING DIAGRAM INDEX

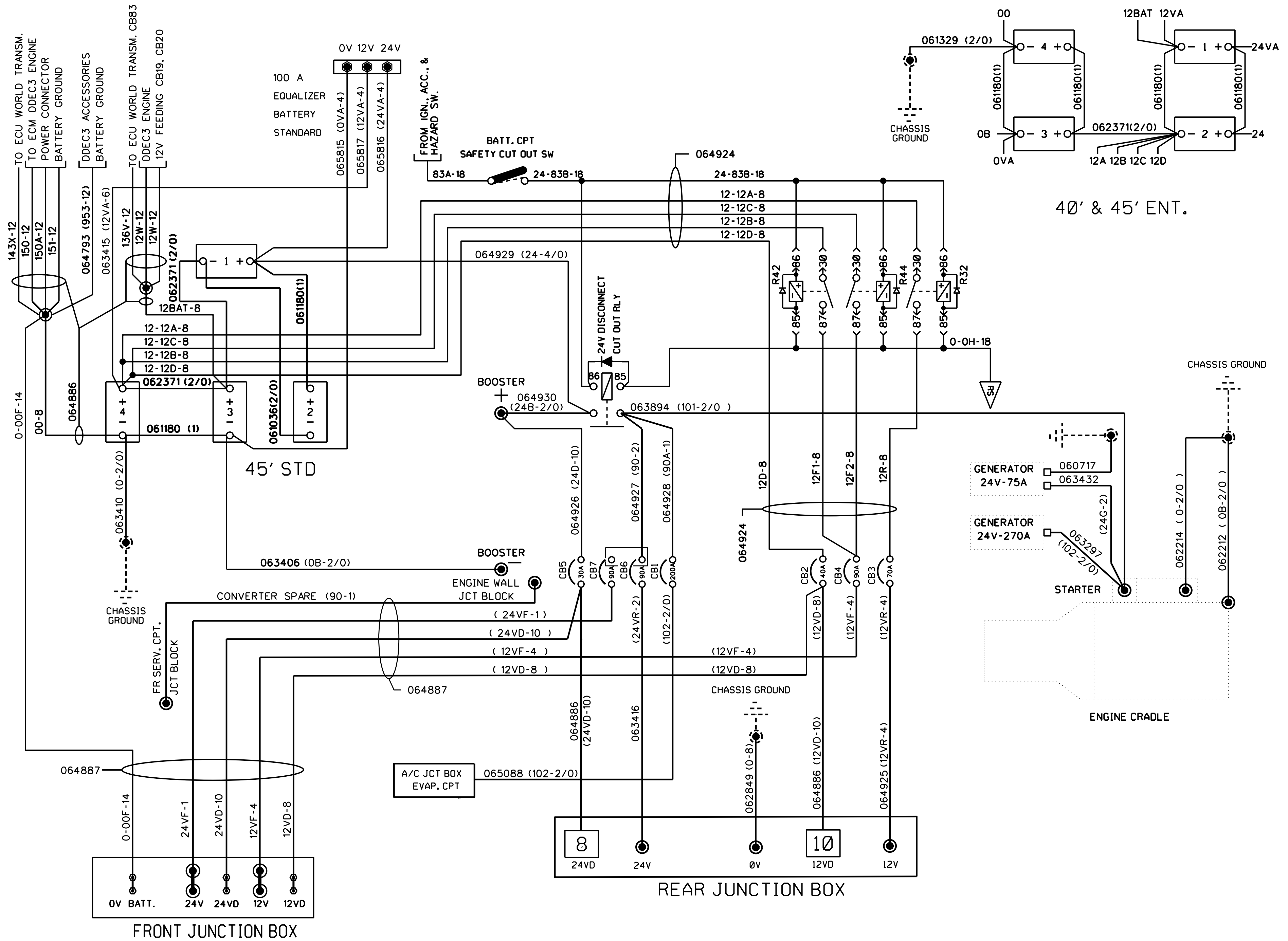
<b>A</b> A/C & HEAT – DRIVER'S AIR      Page: 15.1 A/C & HEAT – FULL AIR      Page: 15.2 A/C & HEAT – UPPER FAN DEFROST      Page: 15.4 ALARM & SIGNAL      Page: 7.2 ABS      Page: 22.1 ARRANGEMENT - CABLE      Page: B ARRANGEMENT - HARNESS      Page: C ARRANGEMENT - SPARE WIRE      Page: D ARRANGEMENT - SPARE WIRE      Page: D	<b>D</b> DASH INSTRUMENT      Page: 7.1 DDEC IV      Page: 5.1 DISCONNECT SWITCH 12V, 24V      Page: 1.1 DISTRIB. 24V DISC., IGN & HOT WIRE      Page: 1.1 DISTRIB. 12V DISC., IGN & HOT WIRE      Page: 2.1 DRIVER'S SEAT ADJUST      Page: 13.1	<b>L</b> LEVEL – LOW SYSTEM      Page: 18.1 LUGGAGE DOOR LOCK      Page: 12.1
<b>B</b> BACK-UP ALARM      Page: 9.3 BATTERY STANDARD      Page: 1.2	<b>E</b> ENGINE BLOCK HEATER      Page: 20.1 ENGINE BRAKE SYSTEM      Page: 21.1 ENGINE CONTROL      Page: 4.1 ENTRANCE DOOR ELCTRICAL LOCK      Page: 12.1 ENTRANCE DOOR AIR LOCK      Page: 20.1 ETHER COLD START      Page: 8.1 EXTERIOR LIGHTING      Page: 9.1	<b>M</b> MIRROR-REAR VIEW      Page: 16.1 <b>P</b> PARKING BRAKE SWITCH & ALARM      Page: 8.1 POWER 12V OUTLET      Page: 13.1
<b>C</b> CENTER DOOR-AIR LOCK      Page: 20.1 CHARGING SYSTEM      Page: 4.2 CIGAR LIGHTER & 12V OUTLET      Page: 13.1 CLUSTER      Page: 7.1 CODE - CIRCUIT NUMBER      Page: E CODE - CIRCUIT BREAKER      Page: F CODE - CONNECTOR      Page: G CODE - DIODE      Page: H CODE - FUSE      Page: L CODE - RELAY      Page: I CODE - RESISTOR      Page: J CODE – TRUTH TABLE      Page: M CODE - WIRING KEY      Page: K CRUISE CONTROL - DDEC      Page: 5.1	<b>F</b> FAN-CLUTCH RADIATOR      Page: 8.1 FAST IDLE - DDEC      Page: 5.1 FIRE DETECTOR      Page: 7.2 FUEL WATER FILTER      Page: 8.1 FUEL PRIME PUMP      Page: 19.1	<b>R</b> RETARDER - WORLD TRANSM.      Page: 21.1 <b>S</b> SLIDE-OUT      Page: 24 SPEED SIGNAL      Page: 17.1 SPEEDOMETER      Page: 7.1 STEERING CONTROL      Page: 17.1 SUN VISOR      Page: 19.1
	<b>G</b> GROUND SYSTEM      Page: 3.1	<b>T</b> TACHOMETER      Page: 7.1 TRANSMISSION – WTEC 3      Page: 6.1 TELL TALE LIGHT MODULES      Page: 23.1
	<b>H</b> HORN      Page: 7.2	<b>W</b> WINDOW AJAR      Page: 20.1 WINDOW LIFTER      Page: 19.1 WIPER & WASHER      Page: 10.1
	<b>I</b> INTERIOR LIGHTING      Page: 11.1	
	<b>K</b> KEYLESS ENTRY SYSTEM      Page: 12.2	

**WIRING DIAGRAM INDEX**

## WIRING DIAGRAM INDEX

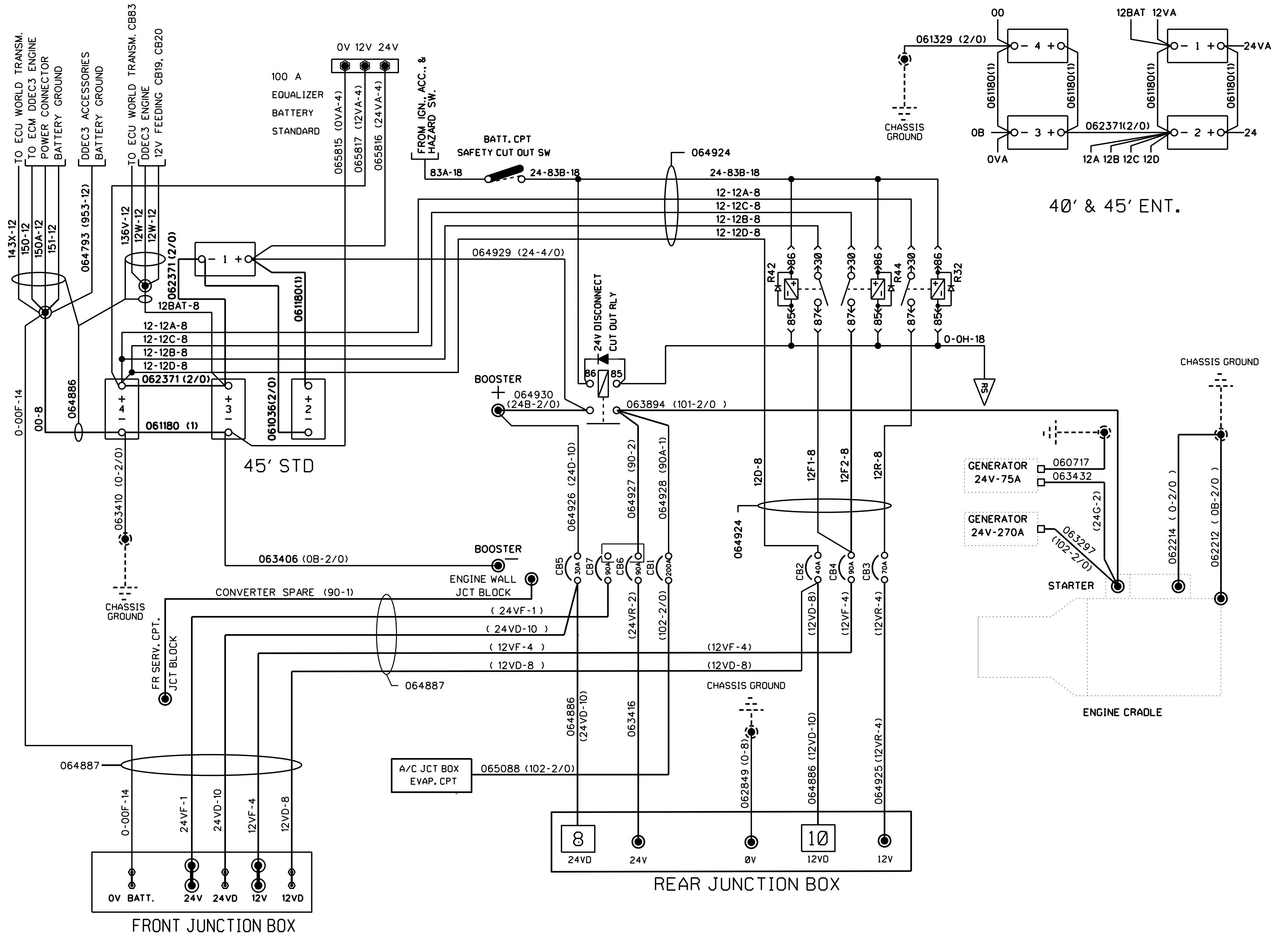
<b>A</b> A/C & HEAT – DRIVER'S AIR      Page: 15.1 A/C & HEAT – FULL AIR      Page: 15.2 A/C & HEAT – UPPER FAN DEFROST      Page: 15.4 ALARM & SIGNAL      Page: 7.2 ABS      Page: 22.1 ARRANGEMENT - CABLE      Page: B ARRANGEMENT - HARNESS      Page: C ARRANGEMENT - SPARE WIRE      Page: D ARRANGEMENT - SPARE WIRE      Page: D	<b>D</b> DASH INSTRUMENT      Page: 7.1 DDEC IV      Page: 5.1 DISCONNECT SWITCH 12V, 24V      Page: 1.1 DISTRIB. 24V DISC., IGN & HOT WIRE      Page: 1.1 DISTRIB. 12V DISC., IGN & HOT WIRE      Page: 2.1 DRIVER'S SEAT ADJUST      Page: 13.1	<b>L</b> LEVEL – LOW SYSTEM      Page: 18.1 LUGGAGE DOOR LOCK      Page: 12.1
<b>B</b> BACK-UP ALARM      Page: 9.3 BATTERY STANDARD      Page: 1.2	<b>E</b> ENGINE BLOCK HEATER      Page: 20.1 ENGINE BRAKE SYSTEM      Page: 21.1 ENGINE CONTROL      Page: 4.1 ENTRANCE DOOR ELCTRICAL LOCK      Page: 12.1 ENTRANCE DOOR AIR LOCK      Page: 20.1 ETHER COLD START      Page: 8.1 EXTERIOR LIGHTING      Page: 9.1	<b>M</b> MIRROR-REAR VIEW      Page: 16.1 <b>P</b> PARKING BRAKE SWITCH & ALARM      Page: 8.1 POWER 12V OUTLET      Page: 13.1
<b>C</b> CENTER DOOR-AIR LOCK      Page: 20.1 CHARGING SYSTEM      Page: 4.2 CIGAR LIGHTER & 12V OUTLET      Page: 13.1 CLUSTER      Page: 7.1 CODE - CIRCUIT NUMBER      Page: E CODE - CIRCUIT BREAKER      Page: F CODE - CONNECTOR      Page: G CODE - DIODE      Page: H CODE - FUSE      Page: L CODE - RELAY      Page: I CODE - RESISTOR      Page: J CODE – TRUTH TABLE      Page: M CODE - WIRING KEY      Page: K CRUISE CONTROL - DDEC      Page: 5.1	<b>F</b> FAN-CLUTCH RADIATOR      Page: 8.1 FAST IDLE - DDEC      Page: 5.1 FIRE DETECTOR      Page: 7.2 FUEL WATER FILTER      Page: 8.1 FUEL PRIME PUMP      Page: 19.1	<b>R</b> RETARDER - WORLD TRANSM.      Page: 21.1 <b>S</b> SLIDE-OUT      Page: 24 SPEED SIGNAL      Page: 17.1 SPEEDOMETER      Page: 7.1 STEERING CONTROL      Page: 17.1 SUN VISOR      Page: 19.1
	<b>G</b> GROUND SYSTEM      Page: 3.1	<b>T</b> TACHOMETER      Page: 7.1 TRANSMISSION – WTEC 3      Page: 6.1 TELL TALE LIGHT MODULES      Page: 23.1
	<b>H</b> HORN      Page: 7.2	<b>W</b> WINDOW AJAR      Page: 7.3 WINDOW LIFTER      Page: 19.1 WIPER & WASHER      Page: 10.1
	<b>I</b> INTERIOR LIGHTING      Page: 11.1	
	<b>K</b> KEYLESS ENTRY SYSTEM      Page: 12.2	

**WIRING DIAGRAM INDEX**

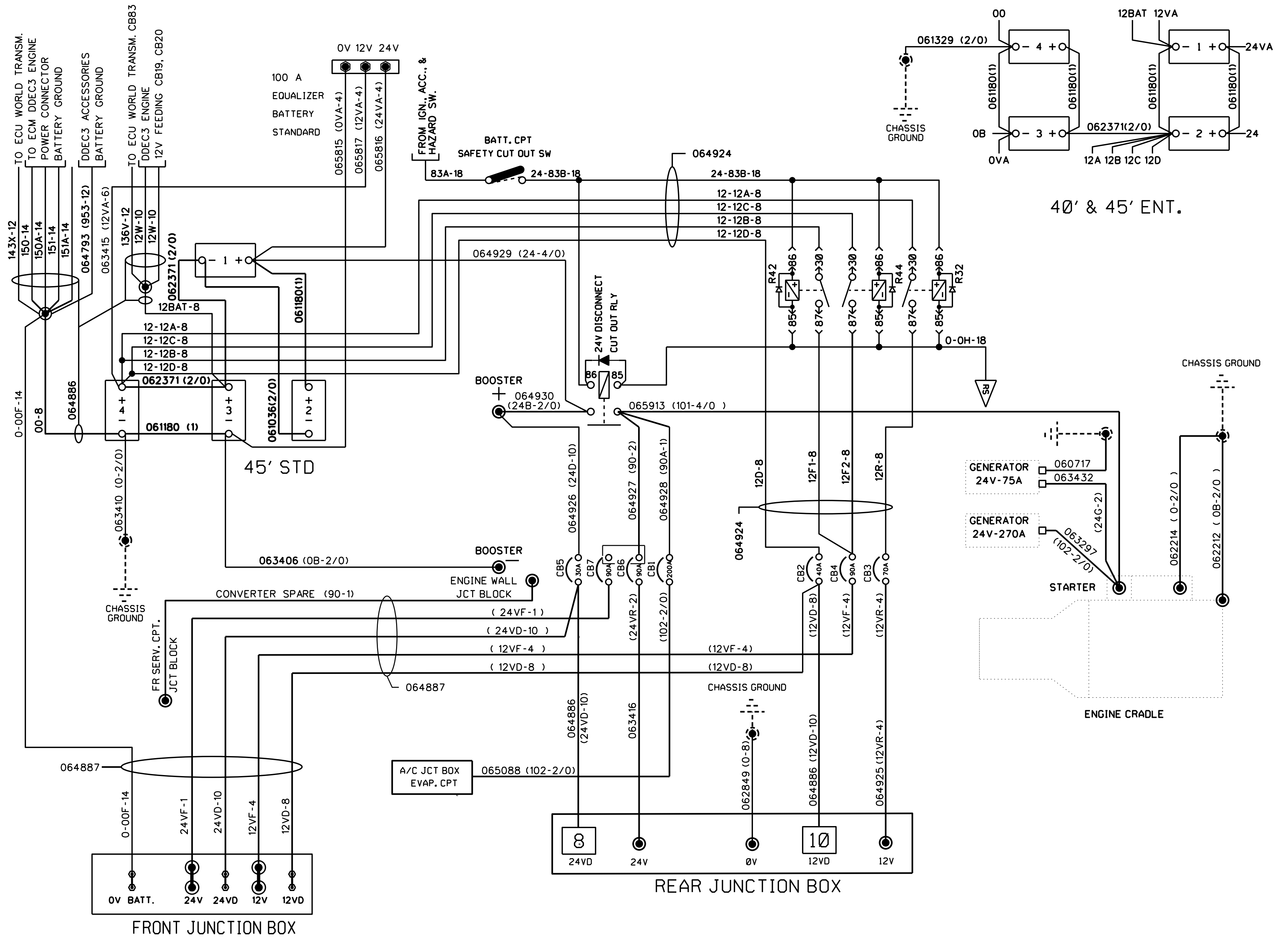


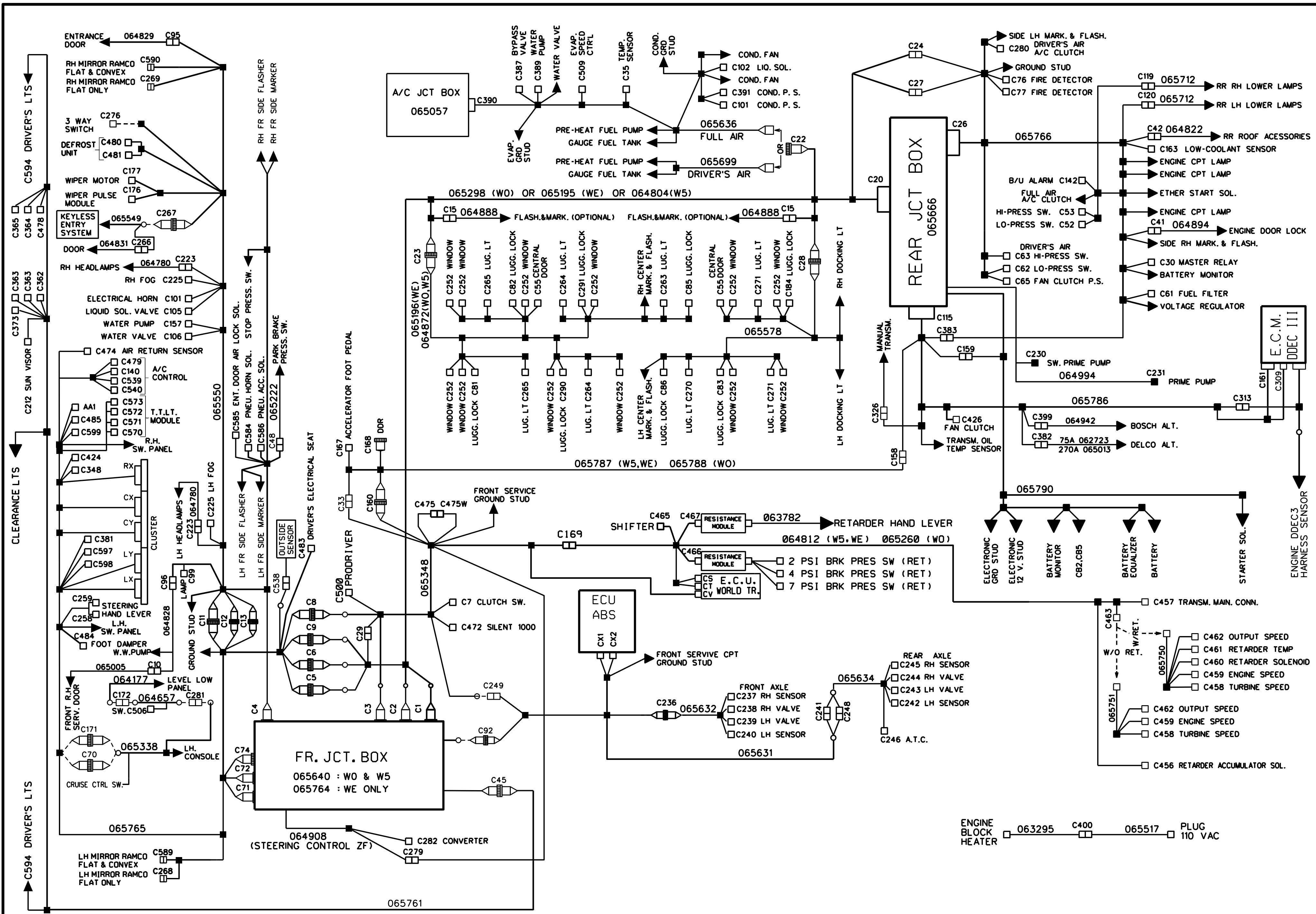
40' & 45' ENT.

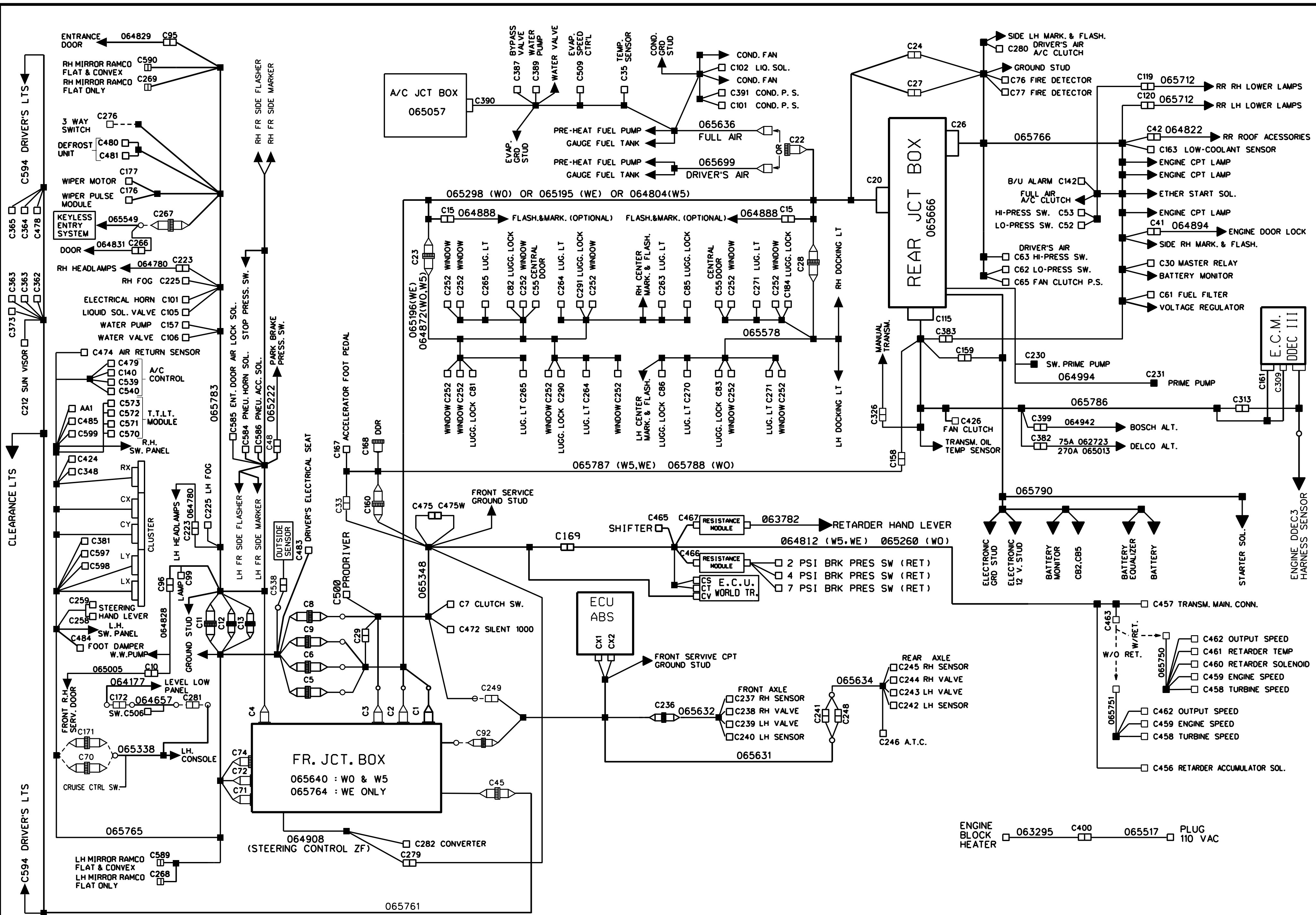
45' STD

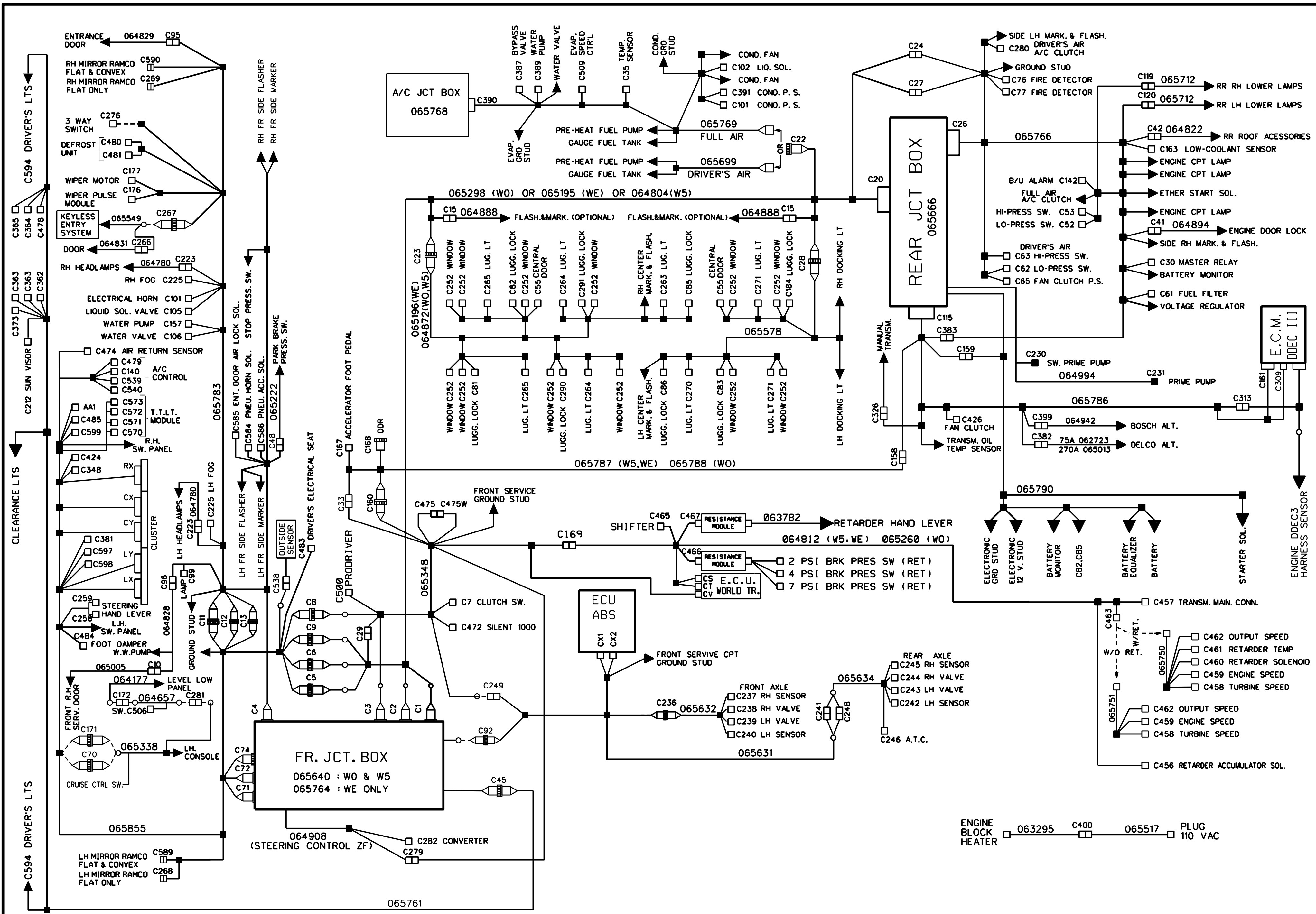


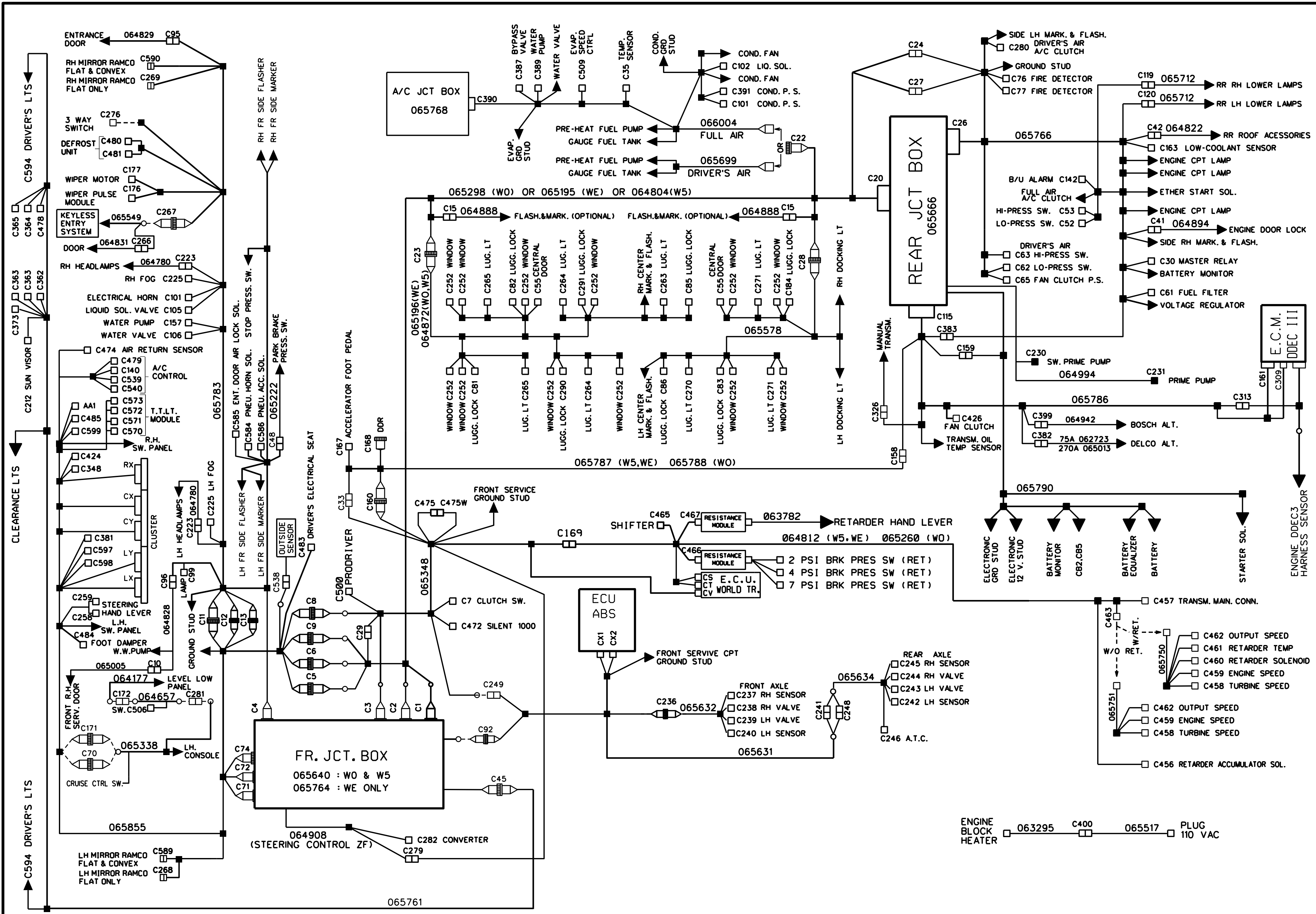


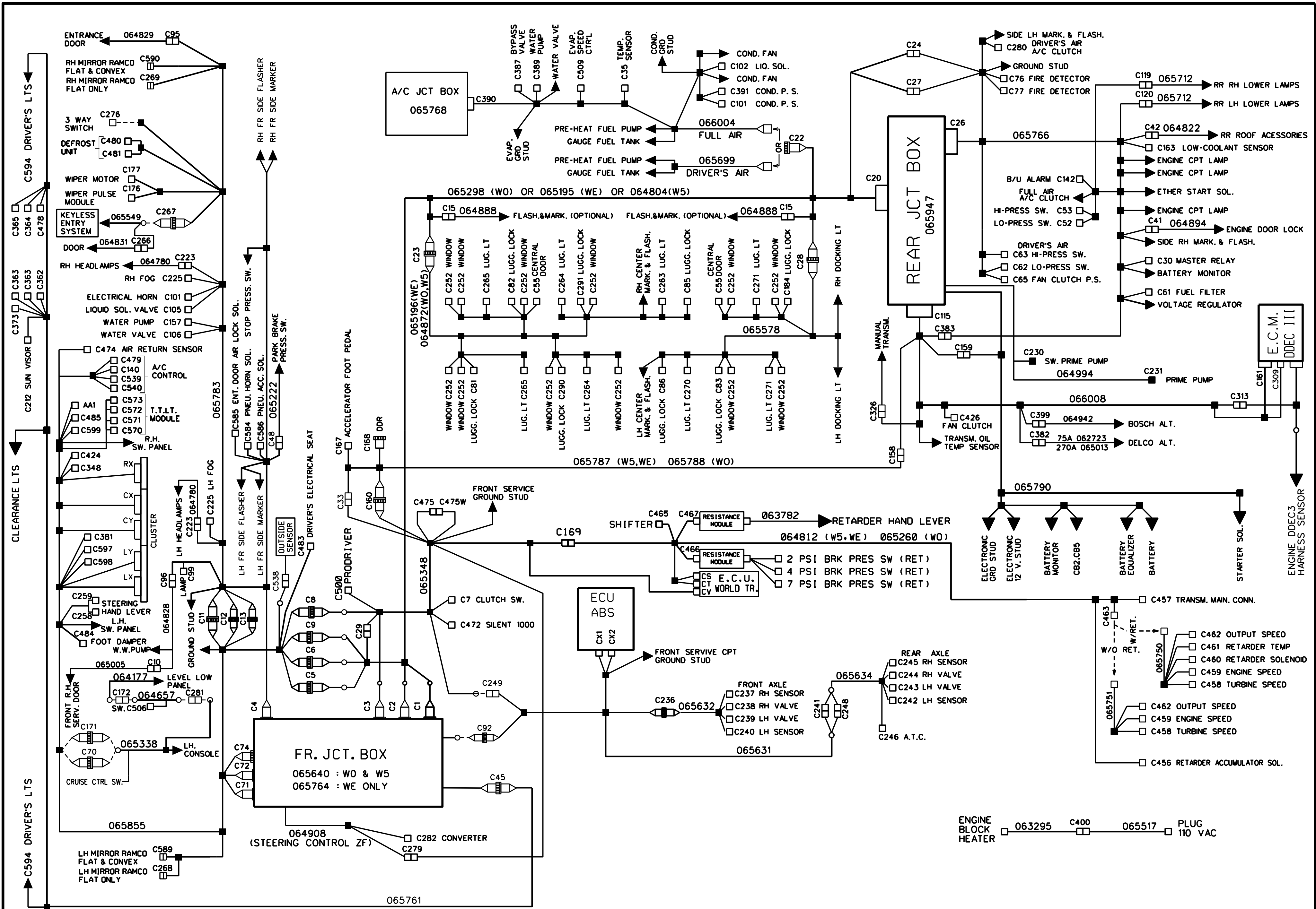


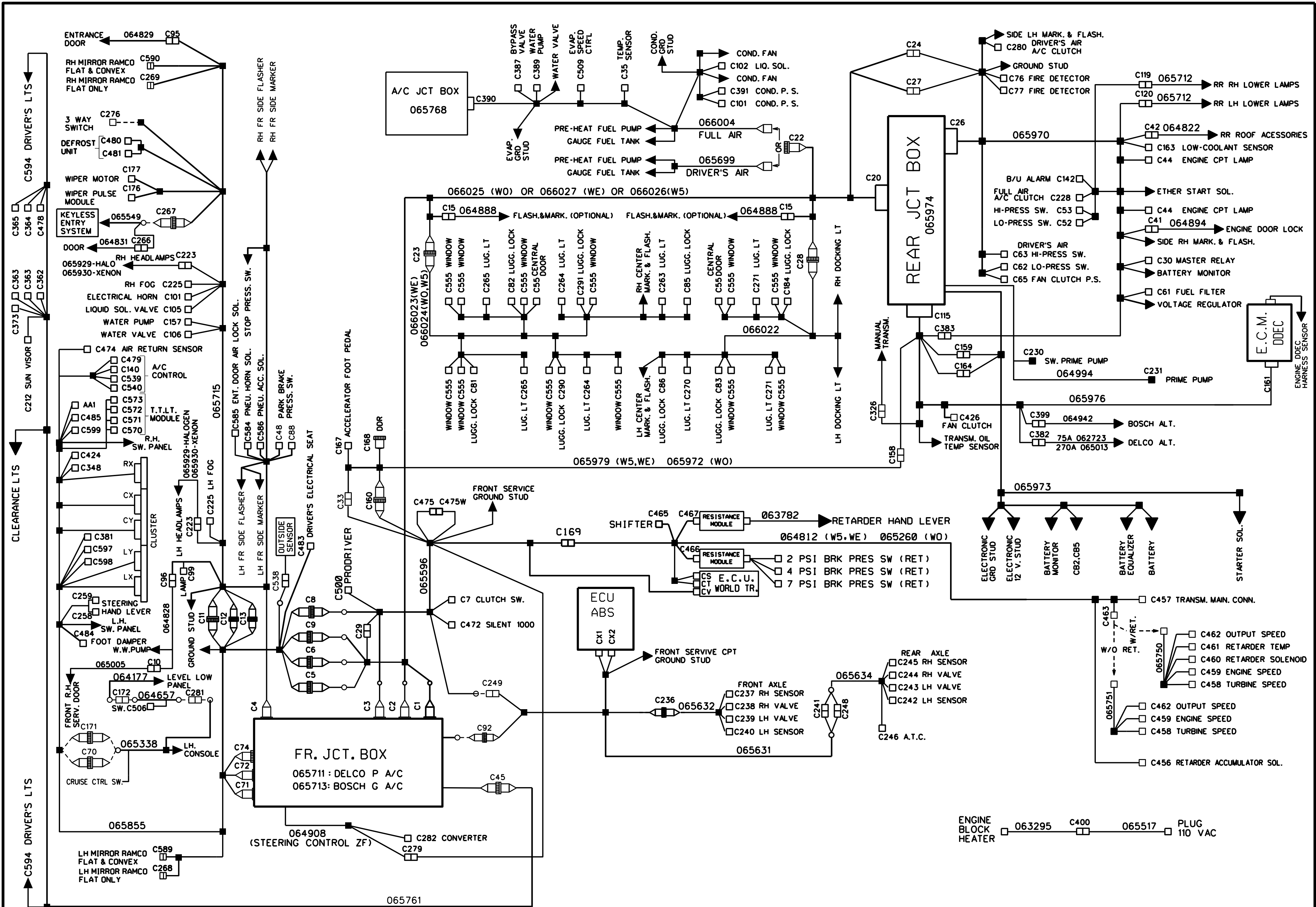


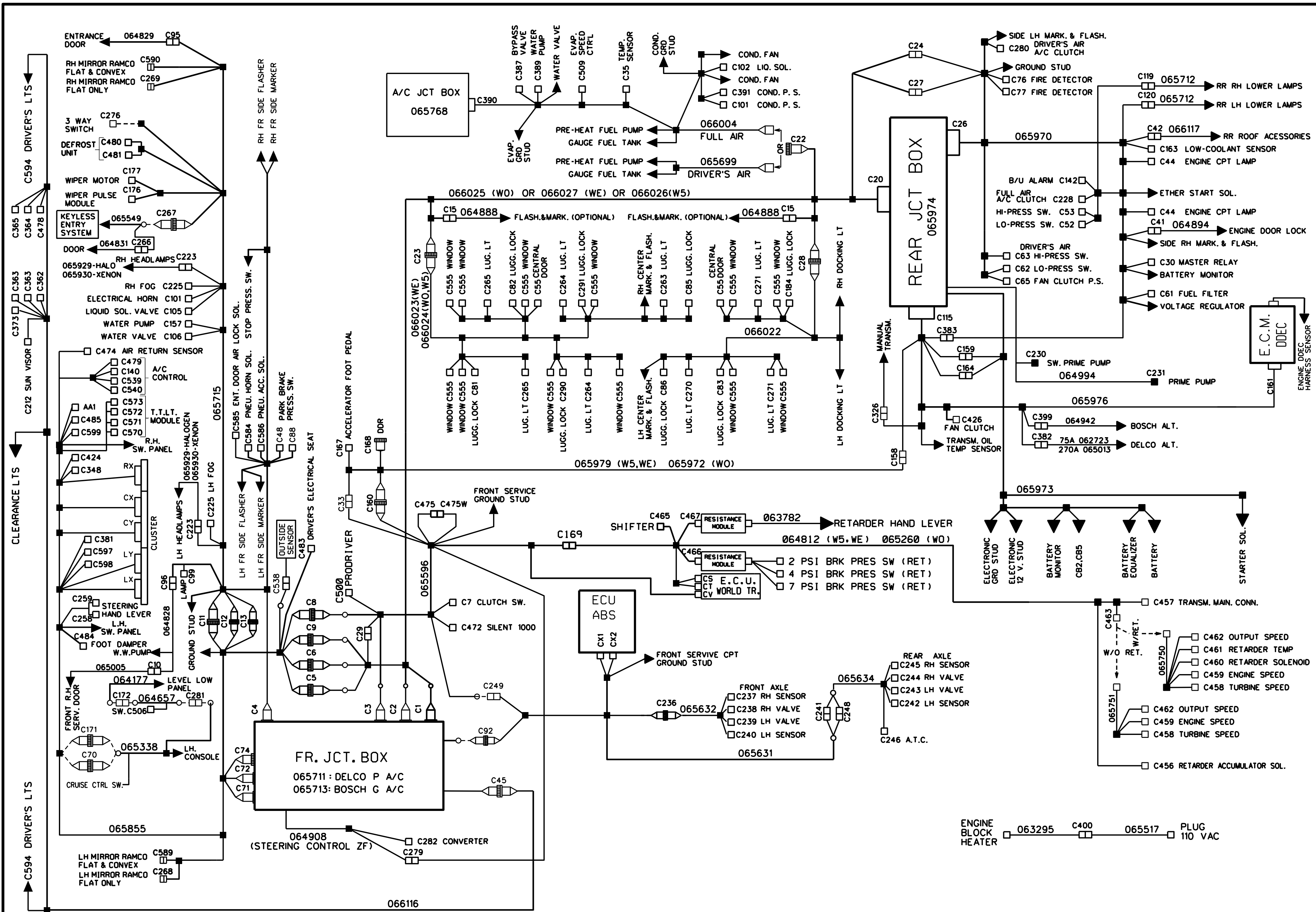




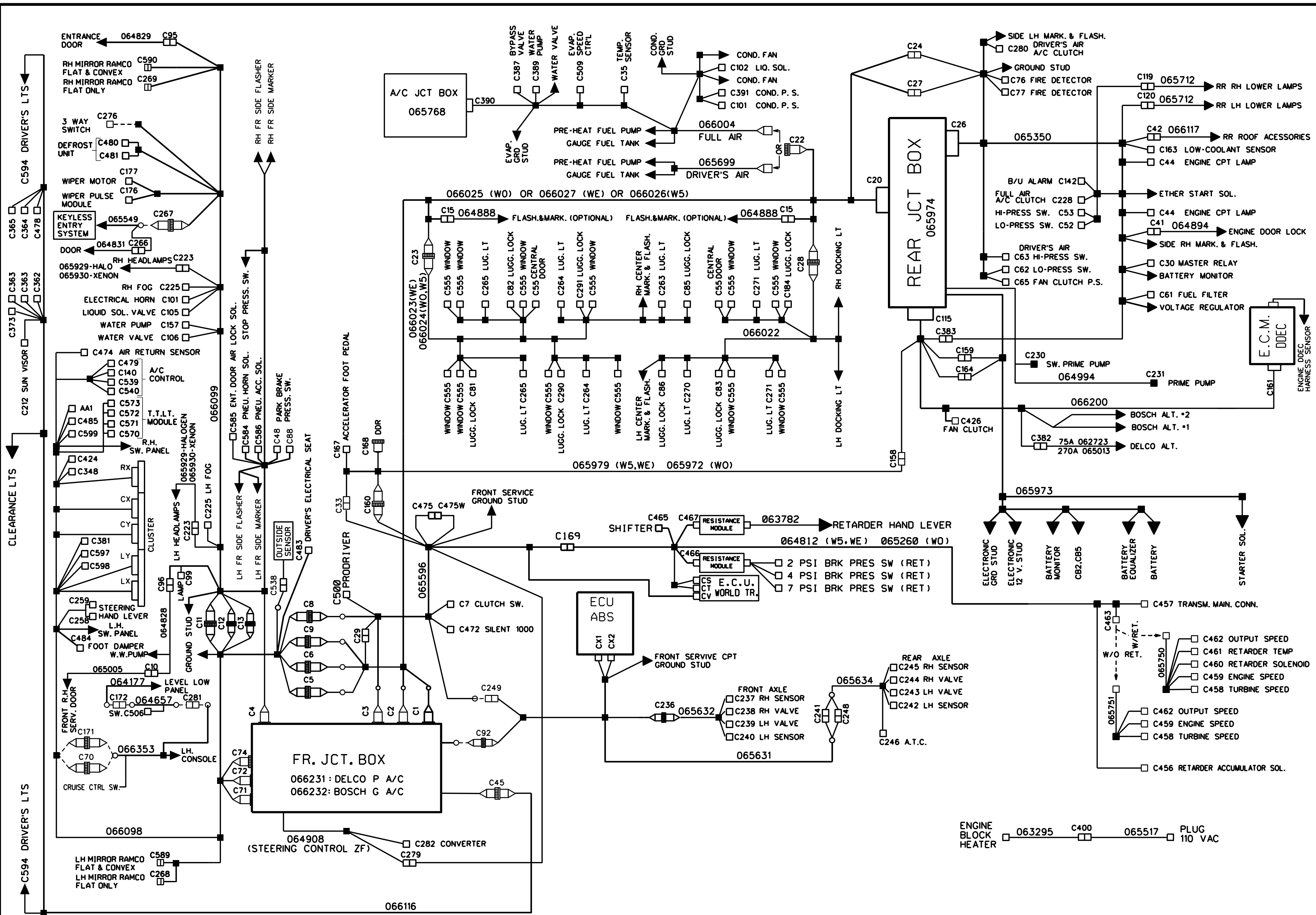


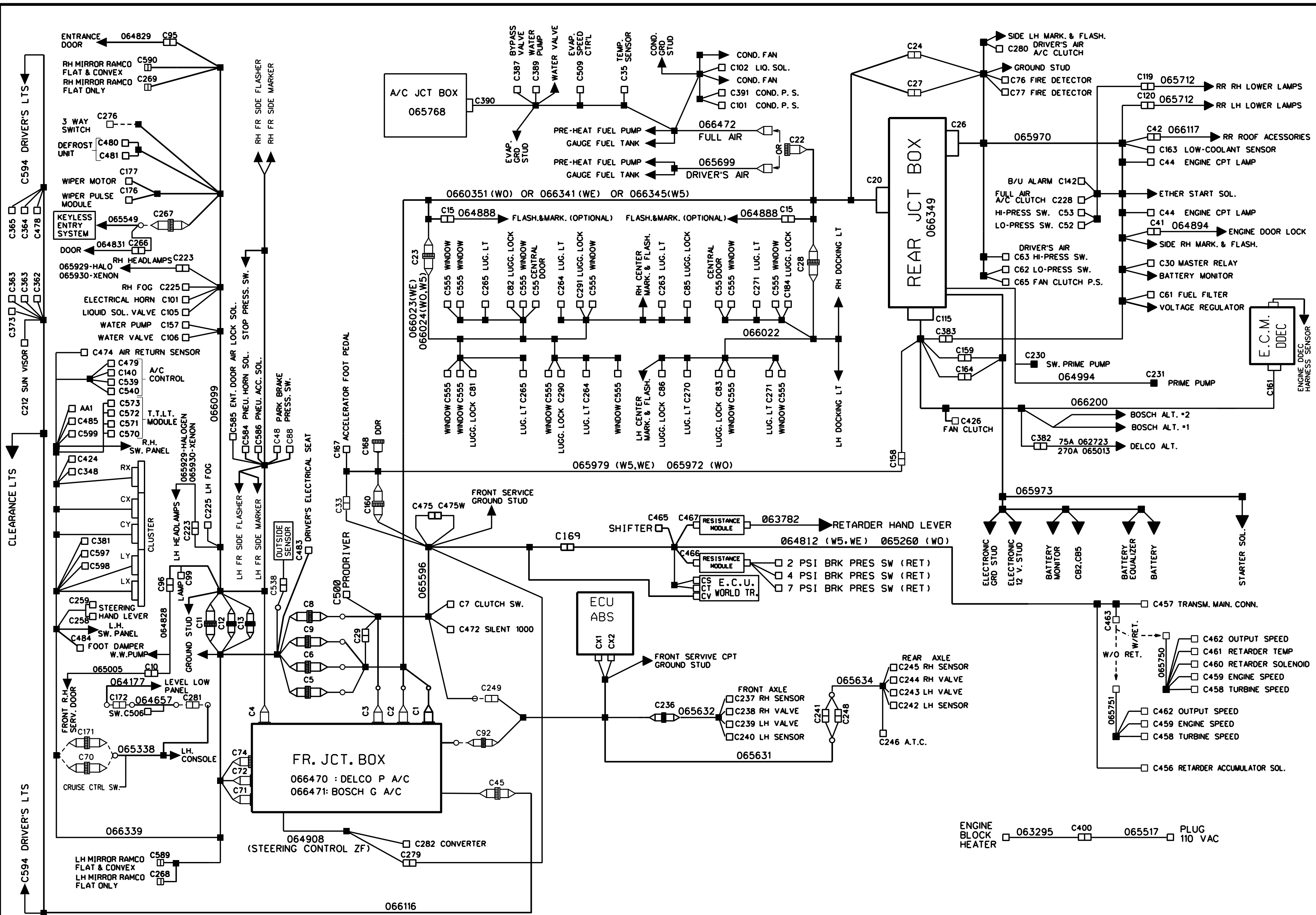


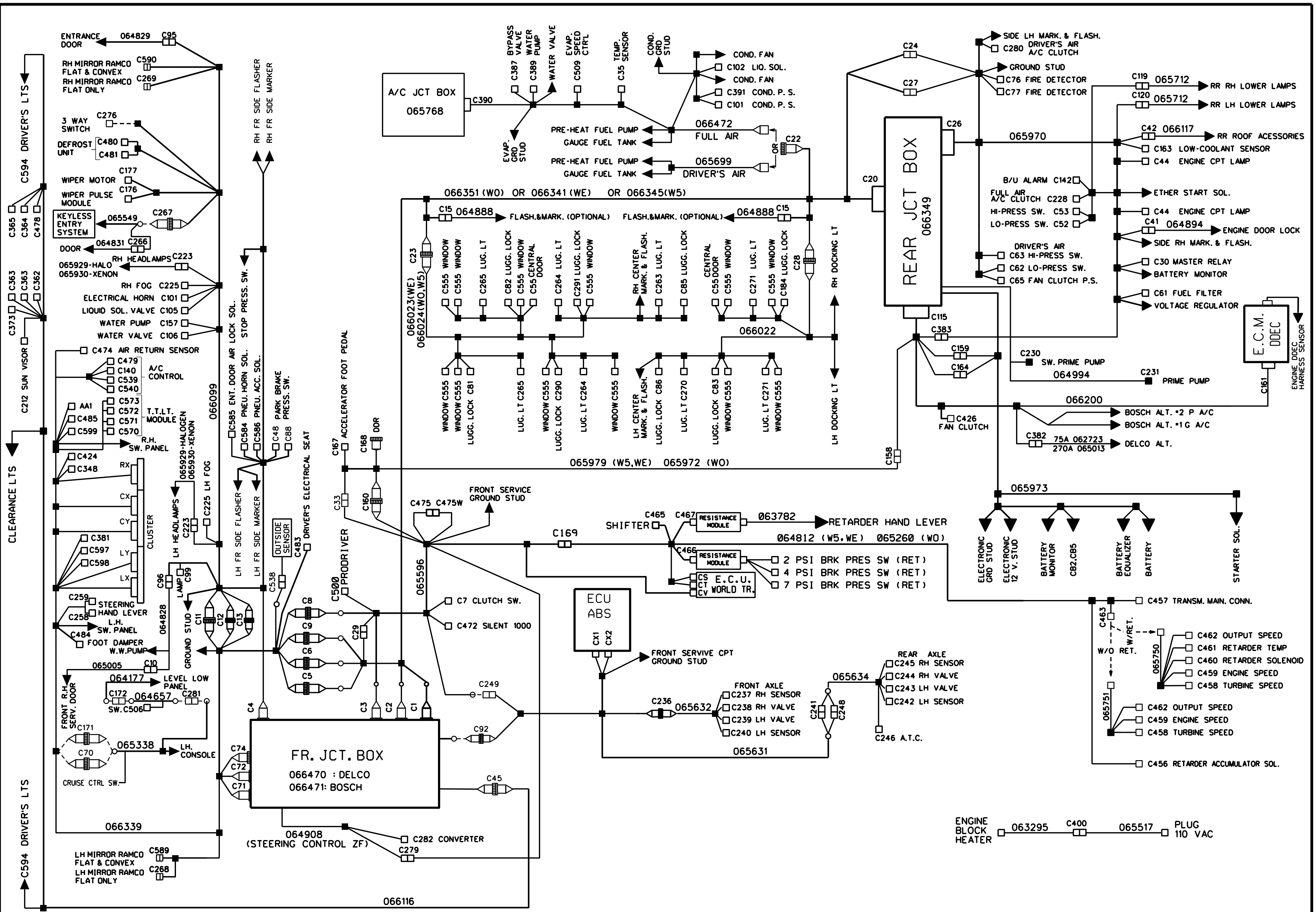


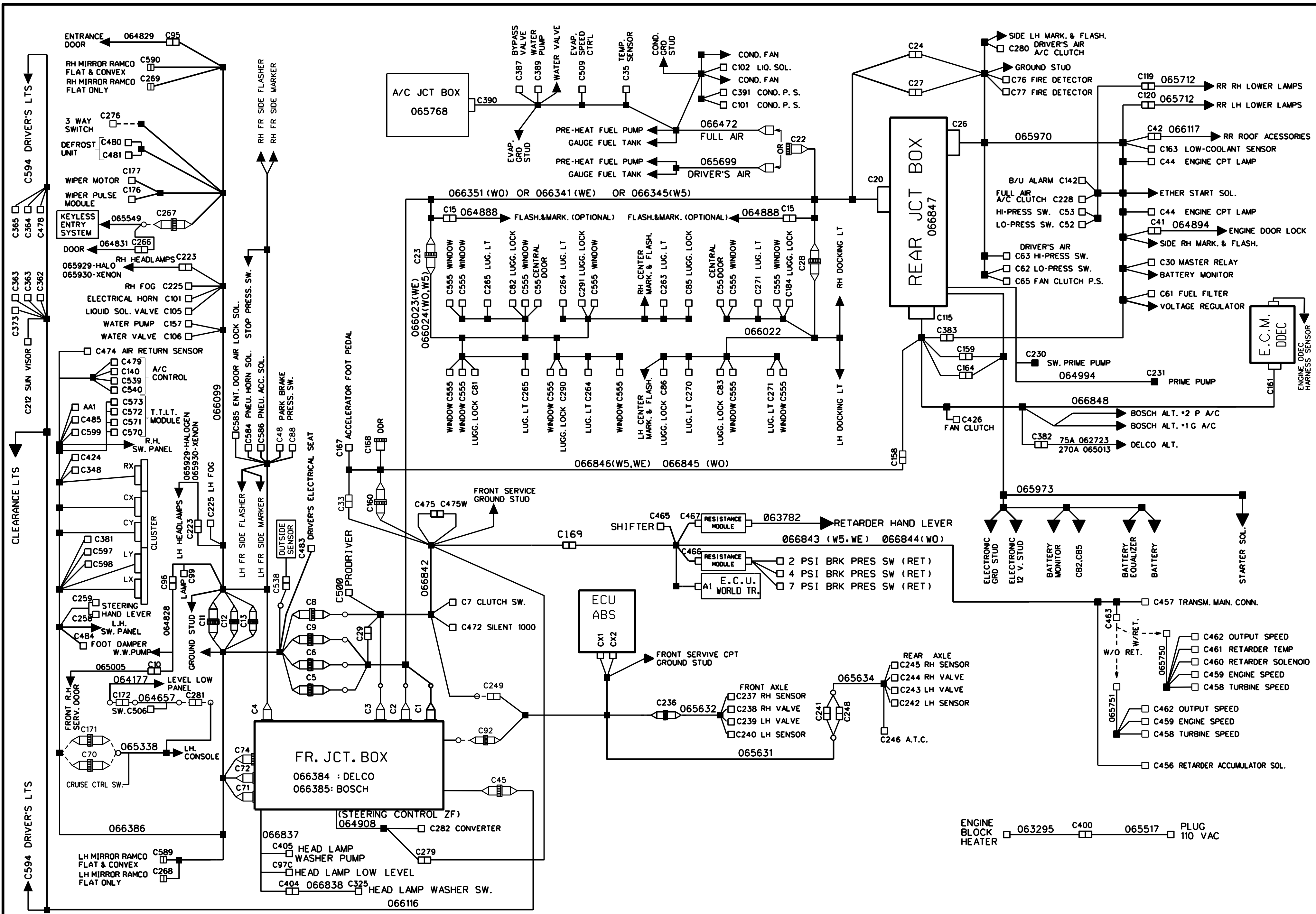


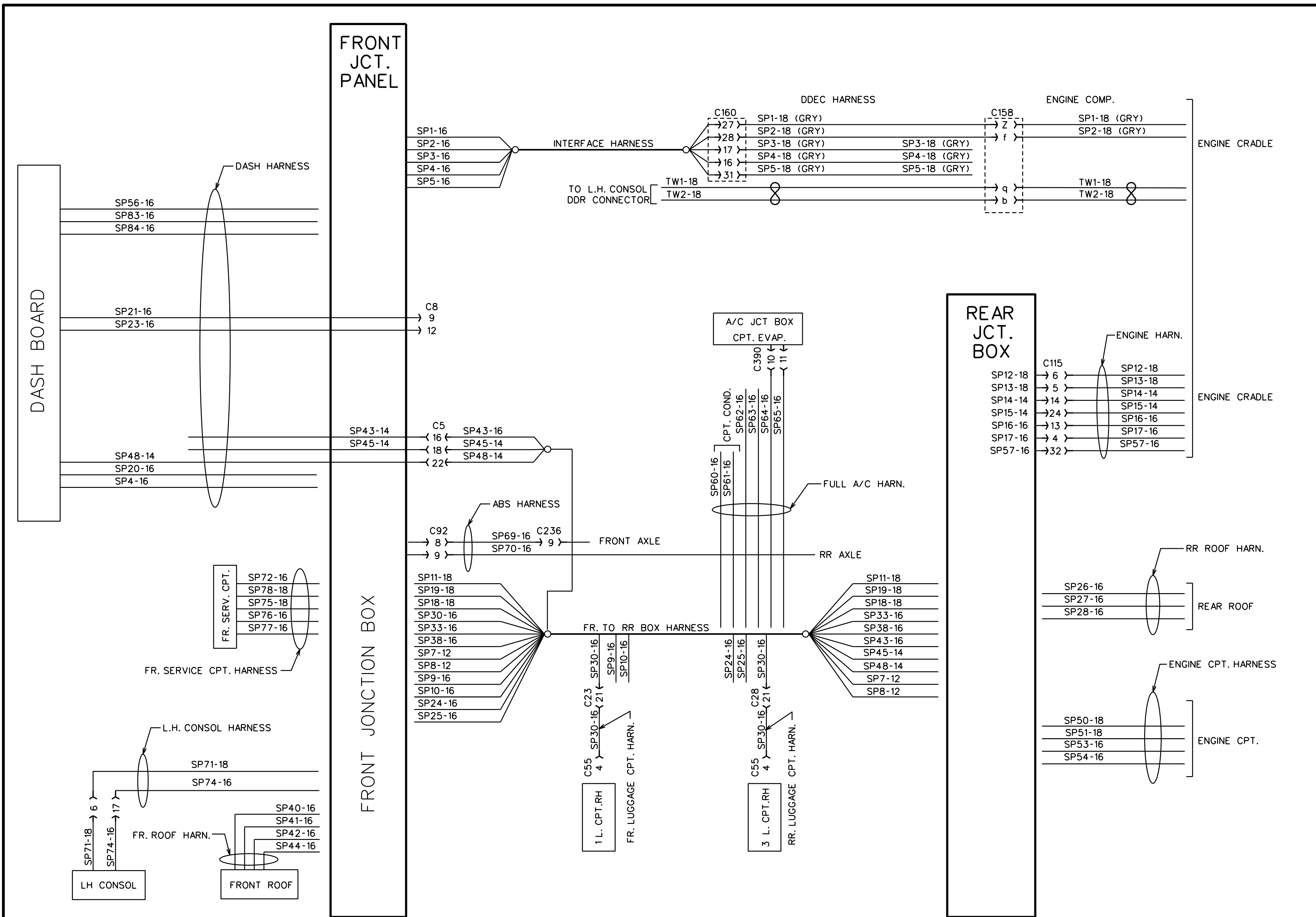












# CIRCUIT NUMBER CODE

NO.	DESCRIPTION	NO.	DESCRIPTION	NO.	DESCRIPTION	NO.	DESCRIPTION
IPJ1	CLUSTER - BULB TEST POS	SP62	SPARE WIRE	0T2	CLUSTER ACC.	12E	RR JCT BOX 12V DISC SW
IPJ2	CLUSTER - BULB TEST NEG.	SP63	SPARE WIRE	0T2	WINDOW AWNING	12F	FR JCT PANEL 12V DISC SW
IPJ3	CLUSTER - SV SIGNAL	SP69	SPARE WIRE	0T3	ALTERNATOR MODULE	12G	FR JCT PANEL 12V DISC SW
IPJ4	CLUSTER - RETURN TO ZERO	SP70	SPARE WIRE	0T4	12V OUTLET - CTR MODULE	12H	12V DASH ACCESS.
IPJ5	CLUSTER - FUEL LEVEL GAUGE	SP71	SPARE WIRE	0T5	FS-HVAC DASH MODULE. GND	12I	RR JCT BOX 12V IGNITION
IPJ6	CLUSTER - BULB TEST POS.	SP72	SPARE WIRE	0W	FJB - TRANSM. RLY GRD	12I	FR JCT PANEL 12V IGNITION
IPJ7	CLUSTER - BULB TEST NEG.	SP74	SPARE WIRE	0W	TRANSM ACC. - FR.SERV. CPT	12IA	FR JCT PANEL 12V IGNITION
IPJ8	CLUSTER - MASTER WARNING	SP83	SPARE WIRE	0Y1	ASB SYSTEM-GRD	12IA	RR JCT PANEL 12V IGNITION
LX5	CLUSTER - COMPUTER MODE	SP84	SPARE WIRE	0Y2	ASB SYSTEM-GRD	12IE	ABS-FR JCT PANEL 12V IGN.
LX6	CLUSTER - COMPUTER DOWN	SP114	SPARE WIRE	0Y3	ASB SYSTEM-GRD	12IF	FR JCT PANEL 12V IGNITION
LX7	CLUSTER - COMPUTER SET	SP115	SPARE WIRE	0Y4	ASB SYSTEM-GRD	12J	FR JCT PANEL 12V DISC.SW.
LX16	CLUSTER - COMPUTER UP	SP116	SPARE WIRE	0Y5	ASB SYSTEM-GRD	12JA	FR JCT PANEL 12V DISC.SW.
LX21	CLUSTER - COMPUTER COM.	SP117	SPARE WIRE	0Y6	ASB SYSTEM-GRD	12K	FR JCT PANEL 12V DISC.SW.
RT	T.T.L.T. MODULE - TEST SW.	TW1	SPR. W. TWISTER 50T/M WITH TW2	00A	BATTERY GRD-DASH ACC.	12LX	12V HOTWIRE CLUST.& MOD A/C
SP1	SPARE WIRE	TW2	SPR. W. TWISTER 50T/M WITH TW1	2A	A/C & HEAT SYSTEM	12LX	CLUSTER 12V HOT WIRE
SP2	SPARE WIRE	0	A/C EVAP. CPT GRD	2B	A/C & HEAT SYSTEM	12M	ABS-FR JCT PANEL 12V DISC.SW.
SP3	SPARE WIRE	0	JUMPER - CLUTCH SIGN.	2D	A/C & HEAT SYSTEM	12P	12V POWER OUTLET
SP4	SPARE WIRE	0	RJB - INSIDE GRD	2E	A/C & HEAT SYSTEM	12T	RR JCT BOX 12V DISC SW
SP5	SPARE WIRE	0A	FR. ROOF ACC. GRD	2H	A/C & HEAT SYS-LO-PRESS SW.	12VD	12V HOT WIRE
SP6	SPARE WIRE	0B	A/C - CONDENSER GRD	2L	A/C & HEAT SYS-HI-PRESS SW.	12VI	RR JCT PANEL 12V IGNITION
SP7	SPARE WIRE	0B	ENG. CPT ACC. GRD	3A	A/C & HEAT SYSTEM-EVAPORATOR	12W	12V HOT WIRE DDEC III FEED
SP8	SPARE WIRE	0BE	OV BATTERY MONITOR	5N0	SPEED SIGNAL HIGHER 5MPH	15	EXT. LTS-MULTI FUNC LEVEL
SP9	SPARE WIRE	0C	R.J.B. - GRB	5NC	SPEED SIGNAL LOWER 5MPH	15	WIPER & WASHER SYSTEM
SP10	SPARE WIRE	0C	F.R. SERV. CPT-ACCESSOIRIES	6	EXTERIOR LTS-DOCKING	16	SPEEDOMETER (+)
SP11	SPARE WIRE	0C1	ENTRANCE DOOR KEYLESS	6A	EXTERIOR LTS-CORNERING	16T	SPEED SW SIGNAL IN (+)
SP12	SPARE WIRE	0C4	F.J.B. GRD	6B1	EXTERIOR LTS-CORNERING RH	17	EXTERIOR LTS-FLASHER UNIT
SP13	SPARE WIRE	0CJ	CRUISE SW. JUMPER	6C1	EXTERIOR LTS-CORNERING RH	17A	EXTERIOR LTS-FLASHER UNIT
SP14	SPARE WIRE	0D	A/C JCT BOX - COND FAN GRD	6D	EXTERIOR LTS-DOCKING	17C	JUMPER LTS SW. - HAZARD
SP15	SPARE WIRE	0F	SILENT 1000	9	INTERIOR LTS-ENGINE CPT	18	UPPER FAN DEFROST
SP16	SPARE WIRE	0G	ABS GRD CX1	9	INTERIOR LTS-RR JCT BOX	19	UPPER FAN DEFROST
SP17	SPARE WIRE	0H	ENG. CPT. - ACC. GRD	9F	INTERIOR LTS - FR-SERV. CPT	20	SPEEDOMETER SIGNAL (-)
SP18	SPARE WIRE	0L	ENG.CPT -CLEAR.LTS RR ROOF	10	A/C & HEAT SYSTEM -LO PRES.	20T	SPEED SW SIGNAL IN (-)
SP19	SPARE WIRE	0L	R.J.B. - GRD	10	INTERIOR LTS-LUGGAGE CPT	21	EXTERIOR LTS-DIRECT. LH
SP21	SPARE WIRE	0L	FR - SIDE MARK. & FLASH GRD	10	INTERIOR LTS-FR SERV. CPT	21A	EXTERIOR LTS-LH
SP23	SPARE WIRE	0L1	ENG.CPT-SIDE MARK. & FL. GRD	10A	INTERIOR LTS-LUGGAGE CPT	21A	EXTERIOR LTS-CORNERING-LH
SP24	SPARE WIRE	0L2	HEAD LTS	10B	INTERIOR LTS-LUGGAGE CPT	21B	EXTERIOR LTS-DIRECT. LH
SP25	SPARE WIRE	0L3	FR.SERV.DR. & ENT.DOOR GRD ACC.	10C	INTERIOR LTS-LUGGAGE CPT	21BB	EXTERIOR LTS-DIRECT. LH
SP30	SPARE WIRE	0L4	FOG LTS RESISTOR GRD	10D	INTERIOR LTS-LUGGAGE CPT	21H	EXTERIOR LTS-HAZARD SIGNAL
SP33	SPARE WIRE	0L5	LH CONSOL - ACC. GRD	10E	INTERIOR LTS-LUGGAGE CPT	21M	AUX. LTS - DIRECTIONAL LH
SP38	SPARE WIRE	0L5	AIR DRYER GRD	10R	CENTER DOOR T.T.L.T.	21P	CORN. LTS - DIRECT. SIGN. LH
SP40	SPARE WIRE	0LV	WINDSHIELD WASHER LEVEL	12A	FR JCT PANEL 12V DISC SW	21	EXTERIOR LTS-DIRECT. RH
SP41	SPARE WIRE	0M	WIPER 2 MIRROR MOTOR	12B	FR JCT PANEL 12V DISC SW	23A	EXTERIOR LTS-DIRECT. RH
SP42	SPARE WIRE	0M3	DEFROST GRD	12BAT	12V HOT-WIRE ACC - JCT BLK	23A	EXTERIOR LTS - CORNER. LTS
SP43	SPARE WIRE	0M4	HORN & DR'S WINDOW LIFTER	12BE	12V BATTERY MONITOR	23BB	EXTERIOR LTS - DIRECT. RH
SP45	SPARE WIRE	0M5	SUN VISOR MOTOR	12C	FR JCT PANEL 12V DISC SW	23C	EXTERIOR LTS-CORNERING RH
SP48	SPARE WIRE	0M6	UPPER FAN DEFROST	12C	RR JCT BOX 12V DISC SW	23H	EXTERIOR LTS-HAZARD SIGNAL
SP56	SPARE WIRE	0M7	DR'S WIND.LIFT. & RH MIR. SW	12D	FR JCT PANEL 12V HOT WIRE	23M	AUX LTS - DIRECTIONAL RH
SP57	SPARE WIRE	0M7A	LH MIRROR SW.	12DD	FR JCT PANEL 12V HOT WIRE	23P	CORN. LTS - DIRECT SIGN RH
SP60	SPARE WIRE	0T	SPEED SW. CONNECTOR	12DDR	RR JCT BOX 12V HOT WIRE DDR CON	24	FR JCT PANEL 24V DISC. SW.
SP61	SPARE WIRE	0T1	DASH ACC.	12DT	T.T. LT MODULE	24A	RR JCT PANEL 24V DISC. SW

# CIRCUIT NUMBER CODE

NO.	DESCRIPTION	NO.	DESCRIPTION	NO.	DESCRIPTION	NO.	DESCRIPTION
24A	FR JCT PANEL 24V DISC. SW	42A	A/C SYS.-COND FAN MOTOR	65	FOOT DAMPER MOTOR	92	BATT. EQUAL.-CHECK BALANCE
24BE	BATTERY MONITOR	43	A/C & HEAT SYS. - FAN SPEED	65A	FOOT DAMPER MOTOR	93	BATT. EQUALIZ.-CHECK LO/HI
24C	FR JCT PANEL 24V DISC SW	44	EXTERIOR LTS-FOG	65D	DRIVER'S REC. DAMPER	95A	ENG. BRAKE & RETARDER SYS.
24D	FR JCT BOX 24V HOT WIRE	44A	EXTERIOR LTS-FOG	66	A/C PASSENGER - ON/OFF	95B	ENG. BRAKE & RETARDER SYS.
24F	RR JCT PANEL 24V DISC SW	44B	EXTERIOR LTS-FOG	67A	A/C & HEAT SYSTEM	97	TACHOMETER SIGN.-NOT USED
24G	RR JCT PANEL 24V DISC SW	44C	EXT. LTS-FOG,HVAC & HAZ. SW	68	DASH & DEFROST DAMPER MOT	101	WORLD TR.- LO SIGN SOL.LO
24I	FR JCT PANEL 24V IGNITION	44D	EXTERIOR LTS - FOG	68A	DASH & DEFROST DAMPER MOT	102	WORLD TRANSM.-SOL. SUPPLY
24I	RR JCT PANEL 24V IGNITION	44E	EXTERNAL LTS - FOG	72	SUN VISOR - FEED	103	WORLD TRANSM.- B.SOL.LO
24IA	FR JCT PANEL 24V IGNITION	45A	A/C & HEAT SYSTEM FULL AIR	72A	SUN VISOR RH	104	LEVEL-LOW SYS- DR'S SOL.
24IB	FR JCT PANEL 24V IGNITION	45B	A/C & HEAT SYS.-WATER PUMP	72B	SUN VISOR RH	104	WORLD TR. -SOL. FORWARD
24IF	FR JCT PANEL 24V IGNITION	45C	A/C & HEAT SYS.-WATER VALV	72C	SUN VISOR LH	105W	WORLD TR.-SOL.-RET.OIL TT.LT
24P	FR JCT PANEL 24V DISC SW	45D	A/C & HEAT SYS.-WATER VALV	72D	SUN VISOR LH	107	WORLD TR.-LOCKUP SOL. HI
24R	24V RR JCT BLK TO STARTER	45E	A/C & HEAT SYS.-WATER PUMP	76	FUEL TANK GAUGE	108	WORLD TR.-LOCKUP SOL.
24T	RR JCT PANEL 24V DISC SW	45G	A/C & HEAT SYS.-DR'S HTR	76C	LOW FUEL T.T.LT	110	WORLD TR.-LOCKUP SOL. LO
24VD	24V HOT WIRE FEED	45J	A/C & HEAT SYS.-WATER PUMP	76L	LOW FUEL T.T.LT	112	WORLD TR.-SPARE OUTPUT (+)
25A	TT.LT. MODULE - LED	46	EXTERIOR LTS-MARKER	77A	A/C & HEAT SYS. - THERMOST.	112	WORLD TR.-SPARE OUTPUT (+)
25A1	BOSCH ALTERNATOR - WE ONLY	46A	EXTERIOR LTS-AUX LTS RESIS.	77B	A/C SYS. - LIQ. SOL. VALVE	113W	WORLD TR.-REVERSE WARNING
25A2	BOSCH ALTERNATOR - WE ONLY	46C	EXTERIOR LTS-MARKER	77C	A/C & HEAT SYS.-COMPRESSOR	114	WORLD TR.-SPARE OUTPUT (-)
25B	EXT. LTS-DAYTIME RUN LTS	46D	EXTERIOR LTS-AUX LTS RESIS.	77H	A/C SYS.-LIQ. SOL. VALVE	114	INTERIOR LT-DASH LT RHEOS.
25D	GENERATOR SKTN. ON - HVAC	48A	ENTRANCE DOOR AIR LOCK	77H	A/C & HEAT SYS.-THEMOSTAT	114A	INTERIOR LT-DASH LT RHEOS.
25L	GENERATOR SIGNAL TO RLY R88	48B	ENTRANCE DOOR AIR LOCK	81	EXTERIOR LTS-STOP SW	114B	INT. LT-DASH LT RHEOST.FEED
26	DR'S & ENT. WINDOW LIFTER	48C	ENTRANCE DOOR AIR LOCK	82	EXTERIOR LTS-STOP SIGNAL	115	DDEC III-COOLANT LEVEL
26A	CIGAR LIGHT. & POW.OUTLET LH	50	AIR DRYER	82A	EXTERIOR LTS-STOP SIGNAL	115W	WORLD TR.-DO NOT SHIFT SIGN
26B	DRIVER'S WINDOW LIFTER	52	ALARM & SIGNAL-ELEC.HORN	82B	EXTERIOR LTS-STOP LTS	116	WORLD TR.-LO SIGNAL SOL. HI
26C	DRIVER'S WINDOW LIFTER	52A	ALARM & SIGNAL-ELEC.HORN	82L	EXT. LTS-STOP LTS & CYCLOP	116B	A/C & HEAT SYSTEM-DR'S HTR
26D	ENT. DOOR WINDOW LIFTER	53	ALARM & SIGNAL-ELEC.HORN	82R	EXTERIOR LTS-STOP LTS	116C	A/C SYS.-TRIG. DEFROST
26E	ENT. DOOR WINDOW LIFTER	53B	WIPER & WASHER SYSTEM	83	ENG. CTR-MAST. KEY SW ACC.	119	WORLD TRANSM-ENGINE BRAKE
26F	ENT. DOOR WINDOW LIFTER	53C	WIPER & WASHER SYSTEM	84	ENG. CTR-MAST KEY SW START	120	WORLD TRANSM-SOL. C1
28H	T.T.LT MODULE - HI A/C PRES.	53E	WIPER & WASHER SYSTEM	84A	ENG. CTR-MAST KEY SW START	121	WORLD TRANSM-SOL.GRD 2
28T	T.T.LT MODULE - LO A/C PRES.	53J	WIPER & WASHER SYSTEM	84J	ENG. CTR-MAST KEY SW START	123	WORLD TR.-NEUTRAL START
29	A/C & HEAT SYS.-DR'S HTR	53K	KEYLESS SYSTEM	85	24V IGNITION SIGNAL	123A	ALARM & SIGNAL-FIRE DETECT.
29H	HVAC DASH MODILE	55	EXTERIOR LTS-HI BEAM	85A	24V IGN DASH INSTRUMENT.	123B	ALARM & SIGNAL-FIRE DETECT.
31B	WIPER & WASHER SYSTEM	57	EXTERIOR LTS-HI BEAM	85C	24V IGNITION - FEED	124	WORLD TR.-THROTTLE (HI)
31C	WIPER & WASHER SYSTEM	57A	EXTERIOR LTS-HI BEAM	85W	WORLD TRANSM. - 24V IGN.	124A	WORLD TRANSM-SENSOR PWR
32	EXTERIOR LTS-BACK-UP	57B	A/C & HEAT SYS.-WATER PUMP	85X	ABS-12V IGN	125	WORLD TR-RETARDER INDICAT.
32B	EXTERIOR LTS-BACK-UP	57C	A/C & HEAT SYS.-WATER PUMP	85Y	ABS-12V IGN	125W	WORLD TR-RETARDER INDICAT.
32F	BACK-UP CANCEL SW.	57E	A/C & HEAT SYS.-WATER VALV	85Z	ABS-12V IGN	126	WORLD TR.-LUBE PRESS SW.
32G	BACK-UP ALARM	58	EXTERIOR LTS-LO BEAM	86	ENG. CTR-STARTER SOL SIGN	126	24VIGN-LEV.LOW & WORLD TR.
32J	BACK-UP SW. - JUMPER	58A	EXTERIOR LTS-LO BEAM	86A	ENG. CTR-STARTER SOL SIGN	126F	LEVEL LOW SYSTEM
35B	DRIVER'S LTS - KEYLESS SIGN	58B	EXTERIOR LTS-LO BEAM	87B	ENGINE CTR-24V IGNITION	126H	SPEED SIGN 5NC - NOT USED
36	ENGINE BRAKE SYSTEM	59A	ENGINE BRAKE SYSTEM	88	ENGINE CTR-RR START SIGNAL	126W	WORLD TRANSM-NOT USED
36A	ENGINE BRAKE SYSTEM & RET.	61	EXTERIOR LTS-24V FEED SW	89	ENGINE CTR-RR START SIGNAL	127	24HW DR'S LT PREHEAT & HVAC
39	INTERIOR LTS-DRIVER'S LTS	61A	EXTERIOR LTS-HEAD SIGNAL	90	CONVERTER - CABLE SPARG	128	WORLD TRANSM-SOL. C2
39B	INTERIOR LTS-DRIVER'S LTS	63	EXTERIOR LTS-CLEAR. FEED	90A	ENG. CTR-MAST KEY SW FEED	129	WORLD TRANSM-SOL. C5
39C	INTERIOR LTS-DRIVER'S LTS	63B	EXTERIOR LTS-CLEARANCE	90B	A/C & H. SYS.-COND FAN MOT	130	WORLD TRANSM-SOL. GRD 3
39D	INTERIOR LTS - FRIVER' LTS	63C	EXT. LTS-MARKER SIGNAL	90B	ENG. CTR-MAST KEY SW FEED	131	WORLD TRANSM-SOL.C4
39K	DR'S LTS - KEYLESS SIGN.	63F	EXT. LTS-MARKER BLINKER	91	PARKING BRAKE SW SIGNAL	132	WORLD TRANSM-ENGINE BRAKE
41	A/C SYS.-COND FAN MOTOR	64	DRIVER'S FAN SPEED CTR	91A	DDEC III-FAST IDLE SIGNAL	132A	LEVEL LOW SYSTEM
41A	A/C SYS.-COND FAN MOTOR	64A	DRIVER'S FAN SPEED CTR	91C	PARKING BRAKE - T.T.LT	132B	LEVEL LOW SYSTEM
41B	A/C SYS.-COND FAN MOTOR	64B	DRIVER'S FAN SPEED CTR	91J	FAST IDLE - JUMPER SW.	132C	LEVEL LOW SYSTEM

# CIRCUIT NUMBER CODE

NO.	DESCRIPTION	NO.	DESCRIPTION	NO.	DESCRIPTION	NO.	DESCRIPTION
132D	LEVEL LOW SYSTEM	147A	ETHER COLD START	171	WORLD TRANSM-SHIFTER	294	KEYLESS SYSTEM-ANTI-THEFT
132E	LEVEL LOW SYSTEM	147A	DAYTIME LST-ALT.SIGNAL	172	WORLD TRANSM-SHIFTER	295	KEYLESS SYS-LED INDICATOR
132F	LEVEL LOW SYSTEM	147C	ETHER COLD START	173	WORLD TRANSM-SHIFTER	417	DDEC-LIMIT SPEED GOVERNOR
135	WORLD TRANSM-RET.TEMP.	148	ABS SYSTEM-VALVE	174	WORLD TRANSM-SHIFTER	419	DDEC -CHEK ENGINE LIGHT
135A	WORLD TR.-RES MODULE RET.	148	WORLD TR.-OUTPUT SPEED LO	175A	WORLD TRANSM-SHIFTER	439	DDEC-12V IGNITION
135B	A/C & HEAT SYS.-AIR SENSOR	149	WORLD TR.-TURBINE SPEED HI	176	WORLD TRANSM-SHIFTER	451	DDEC-A/C FAN CLUTCH
135C	A/C & HEAT SYS.-AIR SENSOR	149	ABS SYSTEM-SENSOR	180	WORLD TRANSM-SHIFTER	505	DDEC-TACHOMETER DRIVE
136A	WORLD TRANSM-12V BATTERY	149A	ABS SYSTEM	180	OUTSIDE TEMP. DISPLAY	509	DDEC-STOP ENGINE LIGHT
136AA	WORLD TRANSM-SHIFTER PWR	150	WORLD TR.-ENGINE SPEED LO	180A	OUTSIDE TEMP. DISPLAY	510	DDEC-FAST IDLE SIGNAL
136V	WORLD TRANSM-12V BATTERY	150	DDEC III-ECM BATTERY GRD	180A	WORLD TRANSM-SHIFTER	524	DDEC-ENGINE BRAKEDISABLE
136W	WORLD TRANSM-12V BATTERY	150A	DDEC III-ECM BATTERY GRD	180B	OUTSIDE TEMP. DISPLAY	525	DDEC-FAST IDLE SIGNAL
137	WORLD TRANSM-RETARDER	151	DDEC III-ECM BATTERY GRD	180C	OUTSIDE TEMP. DISPLAY	528	DDEC-STOP ENG. OVERRIDE
137	RR VIEW MIRROR	151	ABS SYSTEM-SPARE	181	FROZEN POINT T.T.LT	531	DDEC-CRUISE CLUTCH CUT OUT
137A	RR VIEW MIRROR	152	ABS SYSTEM-SPARE	181A	THERMOMETER INSIDE SENSOR	540	DDEC-CRUISE ENABLE T.T.LT
137B	RR VIEW MIRROR	153	ELECTRICAL DRIVER'S SEAT	181B	THERMOMETER INSIDE SENSOR	541	DDEC-CRUISE SET SW
137C	RR VIEW MIRROR	154	WORLD TRANSM-ABS INPUT (-)	181C	THERMOMET. OUTSIDE SENSOR	542	INPUT PARK BRAKE INTERLOCK
137D	RR VIEW MIRROR	156A	ABS SYSTEM-FEED	181D	THERMOMET. OUTSIDE SENSOR	543	DDEC-CRUISE STOP SW CUT IN
137D	RR VIEW MIRROR	157B	ABS SYSTEM	195	WORLD TRANSM-TRANS ID	544	DDEC-CRUISE ON/OFF SW
137E	RR VIEW MIRROR	159	WORLD TRANSM-DIAGNOSTIC	197	FUEL WATER FILTER	545	DDEC-CRUISE RESUME SW
137F	RR VIEW MIRROR	160	ALARM & SIGN.-TAG PRESS SW	197A	FUEL WATER FILTER	555	DDEC-FAN CLUTCH SPEED#1
137H	RR VIEW MIRROR	161B	WORLD TRANSM-SIGNALGRD	201	WORLD TRANSM-SPARE	556	DDEC-VEHICULE SPEED (+)
137J	RR VIEW MIRROR	162	WORLD TRANSM-PRESS. SW C3	202	WORLD TRANSM-SPARE	557	DDEC-VEHICULE SPEED (-)
137K	RR VIEW MIRROR	163	WORLD TR.-RETARDER ENABLE	203	WORLD TRANSM-SPARE	563	DDEC-FAN CLUTCH SPEED#2
137L	RR VIEW MIRROR	164	WORLD TR.-RET. ACTUAT. SIGN	204	WORLD TRANSM-SPARE	564	DDEC-DIGTAL OUTPUT
137M	RR VIEW MIRROR FEED	165	WORLD TR.-OIL LEVEL SIGNAL	214	WORLD TR.-BACK-UP SIGNAL	565	DDEC-ENGINE BRAKE ACTIVE
137R	WORLD TRANSM-RETARDER	166B	A/C & HEAT SYS.-EVAP. MOD.	231	WORLD TR.-NEUTRAL SIGN GRD	583	DDEC-ENGINE BRAKE 4 CYL.
137T	MIRROR HEAT SW-JUMPER	167	WORLD TR.-SPEED 5N0, 5NC	240	DDEC III-ECM 12V FEEDING	900	DDEC-DATA LINK (+)
138	WORLD TR.-RETARDER TEMP	169	WORLD TRANSM-INPUT 12	241	DDEC III-ECM 12V FEEDING	901	DDEC-DATA LINK (-)
138	ABS SYSTEM-SENSOR	170	WORLD TRANSM-SHIFTER	260	WINDOW AJAR-T.T.LT	908	DDEC-HYDRAU. PWM#1 OUTPUT
138A	ABS SYSTEM-SENSOR	170C	LUGGAGE DOOR LOCK-T.T.LT	270	KEYLESS MODULE-FEED	916	DDEC-SENSOR SUPPLY (5VDC)
139	ABS SYSTEM-VALVE	170D	LUGGAGE DOOR LOCK-FEED	270A	ENTRANCE DOOR AIR LOCK	952	DDEC-SENSOR RETURN
139	WORLD TR.-OUTPUT SPEED HI	170E	LUG. DOOR LOCK-UNLOCK SIGN	272	KEYLESS SYSTEM-KEYBOARD	953	DDEC-BATTERY GRD
140	WORLD TR.-OUTPUT SPEED LO	170F	LUGGAGE DOOR LOCK-FEED	274	KEYLESS SYSTEM-KEYBOARD	979	DDEC-ENGINE BRAKE 2 CYL.
140	ABS SYSTEM-VALVE	170G	LUGGAGE DOOR LOCK-FEED	276	KEYLESS SYSTEM-KEYBOARD	2123	FLASHER SIGNAL LTS
141	ABS SYSTEM-VALVE	170H	LUGGAGE DOOR-LOCK SIGN	277	KEYLESS SYS-DR'V LTS SIGN		
141	WORLD TR.-ENGINE SPEED HI	170K	LUGGAGE DOOR-LOCK SIGN	278	KEYLESS SYSTEM-KEYBOARD		
142	ABS SYSTEM-VALVE	170LA	LUGG DOOR LOCK-T.T.LT WE	280	KEYLESS SYSTEM-KEYBOARD		
143	ABS SYSTEM-SENSOR	170LB	LUGG DOOR LOCK-T.T.LT WE	283	KEYLESS SYSTEM-ANTI-THEFT		
143A	ABS SYSTEM-SENSOR	170L	LUGG DOOR LOCK-SIGN T.T.LT	283A	KEYLESS SYS-ENT. DOOR SIGN		
143A	WORLD TRANS-BATERY GRD	170M	LUGG DOOR LOCK-SIGN T.T.LT	284A	KEYLESS SYSTEM		
143W	WORLD TRANSM-BATTERY GRD	170N	LUGG DOOR LOCK-SIGN T.T.LT	285	KEY. SYS-UNLOCK ENT. DOOR		
143X	WORLD TRANSM-BATTERY GRD	170P	LUGG DOOR LOCK-SIGN T.T.LT	285B	KEYLESS SYSTEM		
144	ABS SYSTEM-SENSOR	170R	LUGG DOOR LOCK-ENTR. DOOR	285C	KEYLESS SYSTEM		
144A	ABS SYSTEM-SENSOR	170S	LUGG DOOR LOCK-SIGN T.T.LT	286	LUGG DOOR LOCK-ENT. DOOR		
145	ABS SYSTEM-VALUE	170T	LUGG DOOR LOCK-SIGN T.T.LT	286A	KEYLESS SYS-CENTER DOOR		
146	ABS SYSTEM-VALUE	170V	LUGG DOOR LOCK-SIGN T.T.LT	290	FAN CLUTCH RADIATOR-FEED		
146A	WORLD TRANSM-12V IGNITION	170W	LUGGAGE DOOR LOCK-FEED	290A	FAN CLUTCH RADIATOR-FEED		
146AA	WORLD TRANSM-DIAGN.CONN.	170X	LUGG DOOR LOCK-SIGN T.T.LT	291	FAN CLUTCH RADIATOR SPD 1		
147	WORLD TRANSM-OIL TEMP	170Y	LUGGAGE DOOR LOCK-FEED	292	FAN CLUTCH RADIATOR SPD 2		
147	ABS SYSTEM-VALVE	170Z	LUGGAGE DOOR LOCK	292A	FAN CLUTCH RADIATOR SPD 2		



# CIRCUIT NUMBER CODE

NO. DESCRIPTION

NO. DESCRIPTION

NO. DESCRIPTION

NO. DESCRIPTION

# CIRCUIT NUMBER CODE

NO.	DESCRIPTION	NO.	DESCRIPTION	NO.	DESCRIPTION	NO.	DESCRIPTION
IPJ1	CLUSTER - BULB TEST POS	SP62	SPARE WIRE	0T2	CLUSTER ACC.	12E	RR JCT BOX 12V DISC SW
IPJ2	CLUSTER - BULB TEST NEG.	SP63	SPARE WIRE	0T2	WINDOW AWNING	12F	FR JCT PANEL 12V DISC SW
IPJ3	CLUSTER - SV SIGNAL	SP69	SPARE WIRE	0T3	ALTERNATOR MODULE	12G	FR JCT PANEL 12V DISC SW
IPJ4	CLUSTER - RETURN TO ZERO	SP70	SPARE WIRE	0T4	12V OUTLET - CTR MODULE	12H	12V DASH ACCESS.
IPJ5	CLUSTER - FUEL LEVEL GAUGE	SP71	SPARE WIRE	0T5	FS-HVAC DASH MODULE. GND	12I	RR JCT BOX 12V IGNITION
IPJ6	CLUSTER - BULB TEST POS.	SP72	SPARE WIRE	0W	FJB - TRANSM. RLY GRD	12I	FR JCT PANEL 12V IGNITION
IPJ7	CLUSTER - BULB TEST NEG.	SP74	SPARE WIRE	0W	TRANSM ACC. - FR.SERV. CPT	12IA	FR JCT PANEL 12V IGNITION
IPJ8	CLUSTER - MASTER WARNING	SP83	SPARE WIRE	0Y1	ASB SYSTEM-GRD	12IA	RR JCT PANEL 12V IGNITION
LX5	CLUSTER - COMPUTER MODE	SP84	SPARE WIRE	0Y2	ASB SYSTEM-GRD	12IE	ABS-FR JCT PANEL 12V IGN.
LX6	CLUSTER - COMPUTER DOWN	SP114	SPARE WIRE	0Y3	ASB SYSTEM-GRD	12IF	FR JCT PANEL 12V IGNITION
LX7	CLUSTER - COMPUTER SET	SP115	SPARE WIRE	0Y4	ASB SYSTEM-GRD	12J	FR JCT PANEL 12V DISC.SW.
LX16	CLUSTER - COMPUTER UP	SP116	SPARE WIRE	0Y5	ASB SYSTEM-GRD	12JA	FR JCT PANEL 12V DISC.SW.
LX21	CLUSTER - COMPUTER COM.	SP117	SPARE WIRE	0Y6	ASB SYSTEM-GRD	12K	FR JCT PANEL 12V DISC.SW.
RT	T.T.L.T. MODULE - TEST SW.	TW1	SPR. W. TWISTER 50T/M WITH TW2	00A	BATTERY GRD-DASH ACC.	12LX	12V HOTWIRE CLUST.& MOD A/C
SP1	SPARE WIRE	TW2	SPR. W. TWISTER 50T/M WITH TW1	2A	A/C & HEAT SYSTEM	12LX	CLUSTER 12V HOT WIRE
SP2	SPARE WIRE	0	A/C EVAP. CPT GRD	2B	A/C & HEAT SYSTEM	12M	ABS-FR JCT PANEL 12V DISC.SW.
SP3	SPARE WIRE	0	JUMPER - CLUTCH SIGN.	2D	A/C & HEAT SYSTEM	12P	12V POWER OUTLET
SP4	SPARE WIRE	0	RJB - INSIDE GRD	2E	A/C & HEAT SYSTEM	12T	RR JCT BOX 12V DISC SW
SP5	SPARE WIRE	0A	FR. ROOF ACC. GRD	2H	A/C & HEAT SYS-LO-PRESS SW.	12VD	12V HOT WIRE
SP6	SPARE WIRE	0B	A/C - CONDENSER GRD	2L	A/C & HEAT SYS-HI-PRESS SW.	12VI	RR JCT PANEL 12V IGNITION
SP7	SPARE WIRE	0B	ENG. CPT ACC. GRD	3A	A/C & HEAT SYSTEM-EVAPORATOR	12W	12V HOT WIRE DDEC III FEED
SP8	SPARE WIRE	0BE	OV BATTERY MONITOR	5N0	SPEED SIGNAL HIGHER 5MPH	15	EXT. LTS-MULTI FUNC LEVEL
SP9	SPARE WIRE	0C	R.J.B. - GRB	5NC	SPEED SIGNAL LOWER 5MPH	15	WIPER & WASHER SYSTEM
SP10	SPARE WIRE	0C	F.R. SERV. CPT-ACCESSOIRIES	6	EXTERIOR LTS-DOCKING	16	SPEEDOMETER (+)
SP11	SPARE WIRE	0C1	ENTRANCE DOOR KEYLESS	6A	EXTERIOR LTS-CORNERING	16T	SPEED SW SIGNAL IN (+)
SP12	SPARE WIRE	0C4	F.J.B. GRD	6B1	EXTERIOR LTS-CORNERING RH	17	EXTERIOR LTS-FLASHER UNIT
SP13	SPARE WIRE	0CJ	CRUISE SW. JUMPER	6C1	EXTERIOR LTS-CORNERING RH	17A	EXTERIOR LTS-FLASHER UNIT
SP14	SPARE WIRE	0D	A/C JCT BOX - COND FAN GRD	6D	EXTERIOR LTS-DOCKING	17C	JUMPER LTS SW. - HAZARD
SP15	SPARE WIRE	0F	SILENT 1000	9	INTERIOR LTS-ENGINE CPT	18	UPPER FAN DEFROST
SP16	SPARE WIRE	0G	ABS GRD CX1	9	INTERIOR LTS-RR JCT BOX	19	UPPER FAN DEFROST
SP17	SPARE WIRE	0H	ENG. CPT. - ACC. GRD	9F	INTERIOR LTS - FR-SERV. CPT	20	SPEEDOMETER SIGNAL (-)
SP18	SPARE WIRE	0L	ENG.CPT -CLEAR.LTS RR ROOF	10	A/C & HEAT SYSTEM -LO PRES.	20T	SPEED SW SIGNAL IN (-)
SP19	SPARE WIRE	0L	R.J.B. - GRD	10	INTERIOR LTS-LUGGAGE CPT	21	EXTERIOR LTS-DIRECT. LH
SP21	SPARE WIRE	0L	FR - SIDE MARK. & FLASH GRD	10	INTERIOR LTS-FR SERV. CPT	21A	EXTERIOR LTS-LH
SP23	SPARE WIRE	0L1	ENG.CPT-SIDE MARK. & FL. GRD	10A	INTERIOR LTS-LUGGAGE CPT	21A	EXTERIOR LTS-CORNERING-LH
SP24	SPARE WIRE	0L2	HEAD LTS	10B	INTERIOR LTS-LUGGAGE CPT	21B	EXTERIOR LTS-DIRECT. LH
SP25	SPARE WIRE	0L3	FR.SERV.DR. & ENT.DOOR GRD ACC.	10C	INTERIOR LTS-LUGGAGE CPT	21BB	EXTERIOR LTS-DIRECT. LH
SP30	SPARE WIRE	0L4	FOG LTS RESISTOR GRD	10D	INTERIOR LTS-LUGGAGE CPT	21H	EXTERIOR LTS-HAZARD SIGNAL
SP33	SPARE WIRE	0L5	LH CONSOL - ACC. GRD	10E	INTERIOR LTS-LUGGAGE CPT	21M	AUX. LTS - DIRECTIONAL LH
SP38	SPARE WIRE	0L5	AIR DRYER GRD	10R	CENTER DOOR T.T.L.T.	21P	CORN. LTS - DIRECT. SIGN. LH
SP40	SPARE WIRE	0LV	WINDSHIELD WASHER LEVEL	12A	FR JCT PANEL 12V DISC SW	21	EXTERIOR LTS-DIRECT. RH
SP41	SPARE WIRE	0M	WIPER 2 MIRROR MOTOR	12B	FR JCT PANEL 12V DISC SW	23A	EXTERIOR LTS-DIRECT. RH
SP42	SPARE WIRE	0M3	DEFROST GRD	12BAT	12V HOT-WIRE ACC - JCT BLK	23A	EXTERIOR LTS - CORNER. LTS
SP43	SPARE WIRE	0M4	HORN & DR'S WINDOW LIFTER	12BE	12V BATTERY MONITOR	23BB	EXTERIOR LTS - DIRECT. RH
SP45	SPARE WIRE	0M5	SUN VISOR MOTOR	12C	FR JCT PANEL 12V DISC SW	23C	EXTERIOR LTS-CORNERING RH
SP48	SPARE WIRE	0M6	UPPER FAN DEFROST	12C	RR JCT BOX 12V DISC SW	23H	EXTERIOR LTS-HAZARD SIGNAL
SP56	SPARE WIRE	0M7	DR'S WIND.LIFT. & RH MIR. SW	12D	FR JCT PANEL 12V HOT WIRE	23M	AUX LTS - DIRECTIONAL RH
SP57	SPARE WIRE	0M7A	LH MIRROR SW.	12DD	FR JCT PANEL 12V HOT WIRE	23P	CORN. LTS - DIRECT SIGN RH
SP60	SPARE WIRE	0T	SPEED SW. CONNECTOR	12DDR	RR JCT BOX 12V HOT WIRE DDR CON	24	FR JCT PANEL 24V DISC. SW.
SP61	SPARE WIRE	0T1	DASH ACC.	12DT	T.T. LT MODULE	24A	RR JCT PANEL 24V DISC. SW

# CIRCUIT NUMBER CODE

NO.	DESCRIPTION	NO.	DESCRIPTION	NO.	DESCRIPTION	NO.	DESCRIPTION
24A	FR JCT PANEL 24V DISC. SW	42A	A/C SYS.-COND FAN MOTOR	65A	FOOT DAMPER MOTOR	93	BATT. EQUALIZ.-CHECK LO/HI
24BE	BATTERY MONITOR	43	A/C & HEAT SYS. - FAN SPEED	65D	DRIVER'S REC. DAMPER	95A	ENG. BRAKE & RETARDER SYS.
24C	FR JCT PANEL 24V DISC SW	44	EXTERIOR LTS-FOG	66	A/C PASSENGER - ON/OFF	95B	ENG. BRAKE & RETARDER SYS.
24D	FR JCT BOX 24V HOT WIRE	44A	EXTERIOR LTS-FOG	67A	A/C & HEAT SYSTEM	97	TACHOMETER SIGN.-NOT USED
24F	RR JCT PANEL 24V DISC SW	44B	EXTERIOR LTS-FOG	68	DASH & DEFROST DAMPER MOT	101	WORLD TR.- LO SIGN SOL.LO
24G	RR JCT PANEL 24V DISC SW	44C	EXT. LTS-FOG,HVAC & HAZ. SW	68A	DASH & DEFROST DAMPER MOT	102	WORLD TRANSM.-SOL. SUPPLY
24I	FR JCT PANEL 24V IGNITION	44D	EXTERIOR LTS - FOG	72	SUN VISOR - FEED	103	WORLD TRANSM.- B.SOL.LO
24I	RR JCT PANEL 24V IGNITION	44E	EXTERNAL LTS - FOG	72A	SUN VISOR RH	104	LEVEL-LOW SYS- DR'S SOL.
24IA	FR JCT PANEL 24V IGNITION	45A	A/C & HEAT SYSTEM FULL AIR	72B	SUN VISOR RH	104	WORLD TR. -SOL. FORWARD
24IB	FR JCT PANEL 24V IGNITION	45B	A/C & HEAT SYS.-WATER PUMP	72C	SUN VISOR LH	105W	WORLD TR-SOL.-RET.OIL TT.LT
24IF	FR JCT PANEL 24V IGNITION	45C	A/C & HEAT SYS.-WATER VALV	72D	SUN VISOR LH	107	WORLD TR.-LOCKUP SOL. HI
24P	FR JCT PANEL 24V DISC SW	45D	A/C & HEAT SYS.-WATER VALV	76	FUEL TANK GAUGE	108	WORLD TR.-LOCKUP SOL.
24R	24V RR JCT BLK TO STARTER	45E	A/C & HEAT SYS.-WATER PUMP	76C	LOW FUEL T.T.LT	110	WORLD TR.-LOCKUP SOL. LO
24T	RR JCT PANEL 24V DISC SW	45G	A/C & HEAT SYS.-DR'S HTR	76L	LOW FUEL T.T.LT	112	WORLD TR.-SPARE OUTPUT (+)
24VD	24V HOT WIRE FEED	45J	A/C & HEAT SYS.-WATER PUMP	77A	A/C & HEAT SYS. - THERMOST.	112	WORLD TR.-SPARE OUTPUT (+)
25A	TT.LT. MODULE - LED	46	EXTERIOR LTS-MARKER	77B	A/C SYS. - LIQ. SOL. VALVE	113W	WORLD TR.-REVERSE WARNING
25A1	BOSCH ALTERNATOR - WE ONLY	46A	EXTERIOR LTS-AUX LTS RESIS.	77C	A/C & HEAT SYS.-COMPRESSOR	114	WORLD TR.-REVERSE OUTPUT (-)
25A2	BOSCH ALTERNATOR - WE ONLY	46C	EXTERIOR LTS-MARKER	77H	A/C SYS.-LIQ. SOL. VALVE	114	INTERIOR LT-DASH LT RHEOS.
25B	EXT. LTS-DAYTIME RUN LTS	46D	EXTERIOR LTS-AUX LTS RESIS.	77H	A/C & HEAT SYS.-THERMOSTAT	114A	INTERIOR LT-DASH LT RHEOS.
25D	GENERATOR SKTN. ON - HVAC	48A	ENTRANCE DOOR AIR LOCK	81	EXTERIOR LTS-STOP SW	114B	INT. LT-DASH LT RHEOST.FEED
25L	GENERATOR SIGNAL TO RLY R88	48B	ENTRANCE DOOR AIR LOCK	82	EXTERIOR LTS-STOP SIGNAL	115	DDEC III-COOLANT LEVEL
26	DR'S & ENT. WINDOW LIFTER	48C	ENTRANCE DOOR AIR LOCK	82A	EXTERIOR LTS-STOP SIGNAL	115W	WORLD TR.-DO NOT SHIFT SIGN
26A	CIGAR LIGHT. & POW.OUTLET LH	52	ALARM & SIGNAL-ELEC.HORN	82B	EXTERIOR LTS-STOP LTS	116	WORLD TR.-LO SIGNAL SOL. HI
26B	DRIVER'S WINDOW LIFTER	52A	ALARM & SIGNAL-ELEC.HORN	82L	EXT. LTS-STOP LTS & CYCLOP	116B	A/C & HEAT SYSTEM-DR'S HTR
26C	DRIVER'S WINDOW LIFTER	53	ALARM & SIGNAL-ELEC.HORN	82R	EXTERIOR LTS-STOP LTS	116C	A/C SYS.-TRIG. DEFROST
26D	ENT. DOOR WINDOW LIFTER	53B	WIPER & WASHER SYSTEM	83	ENG. CTR-MAST. KEY SW ACC.	119	WORLD TRANSM-ENGINE BRAKE
26E	ENT. DOOR WINDOW LIFTER	53C	WIPER & WASHER SYSTEM	84	ENG. CTR-MAST KEY SW START	120	WORLD TRANSM-SOL. C1
26F	ENT. DOOR WINDOW LIFTER	53E	WIPER & WASHER SYSTEM	84A	ENG. CTR-MAST KEY SW START	121	WORLD TRANSM-SOL.GRD 2
28H	T.T.LT MODULE - HI A/C PRES.	53J	WIPER & WASHER SYSTEM	84J	ENG. CTR-MAST KEY SW START	123	WORLD TR.-NEUTRAL START
28T	T.T.LT MODULE - LO A/C PRES.	53K	KEYLESS SYSTEM	85	24V IGNITION SIGNAL	123A	ALARM & SIGNAL-FIRE DETECT.
29	A/C & HEAT SYS.-DR'S HTR	55	EXTERIOR LTS-HI BEAM	85A	24V IGN DASH INSTRUMENT.	123B	ALARM & SIGNAL-FIRE DETECT.
29H	HVAC DASH MODILE	57	EXTERIOR LTS-HI BEAM	85C	24V IGNITION - FEED	124	WORLD TR.-THROTTLE (HI)
31B	WIPER & WASHER SYSTEM	57A	EXTERIOR LTS-HI BEAM	85W	WORLD TRANSM. - 24V IGN.	124A	WORLD TRANSM-SENSOR PWR
31C	WIPER & WASHER SYSTEM	57B	A/C & HEAT SYS.-WATER PUMP	85X	ABS-12V IGN	125	WORLD TR-RETARDER INDICAT.
32	EXTERIOR LTS-BACK-UP	57C	A/C & HEAT SYS.-WATER PUMP	85Y	ABS-12V IGN	125W	WORLD TR-RETARDER INDICAT.
32B	EXTERIOR LTS-BACK-UP	57E	A/C & HEAT SYS.-WATER VALV	85Z	ABS-12V IGN	126	WORLD TR.-LUBE PRESS SW.
32F	BACK-UP CANCEL SW.	58	EXTERIOR LTS-LO BEAM	86	ENG. CTR-STARTER SOL SIGN	126	24VIGN-LEV.LOW & WORLD TR.
32G	BACK-UP ALARM	58A	EXTERIOR LTS-LO BEAM	86A	ENG. CTR-STARTER SOL SIGN	126F	LEVEL LOW SYSTEM
32J	BACK-UP SW. - JUMPER	58B	EXTERIOR LTS-LO BEAM	87B	ENGINE CTR-24V IGNITION	126H	SPEED SIGN 5NC - NOT USED
35B	DRIVER'S LTS - KEYLESS SIGN	59A	ENGINE BRAKE SYSTEM	88	ENGINE CTR-RR START SIGNAL	126W	WORLD TRANSM-NOT USED
36	ENGINE BRAKE SYSTEM	61	EXTERIOR LTS-24V FEED SW	89	ENGINE CTR-RR START SIGNAL	127	24HW DR'S LT PREHEAT & HVAC
36A	ENGINE BRAKE SYSTEM & RET.	61A	EXTERIOR LTS-HEAD SIGNAL	90	CONVERTER - CABLE SPARG	128	WORLD TRANSM-SOL. C2
39	INTERIOR LTS-DRIVER'S LTS	63	EXTERIOR LTS-CLEAR. FEED	90A	ENG. CTR-MAST KEY SW FEED	129	WORLD TRANSM-SOL. C5
39B	INTERIOR LTS-DRIVER'S LTS	63B	EXTERIOR LTS-CLEARANCE	90B	A/C & H. SYS.-COND FAN MOT	130	WORLD TRANSM-SOL. GRD 3
39C	INTERIOR LTS-DRIVER'S LTS	63C	EXT. LTS-MARKER SIGNAL	90B	ENG. CTR-MAST KEY SW FEED	131	WORLD TRANSM-SOL.C4
39D	INTERIOR LTS - FRIVER' LTS	63F	EXT. LTS-MARKER BLINKER	91	PARKING BRAKE SW SIGNAL	132	WORLD TRANSM-ENGINE BRAKE
39K	DR'S LTS - KEYLESS SIGN.	64	DRIVER'S FAN SPEED CTR	91A	DDEC III-FAST IDLE SIGNAL	132A	LEVEL LOW SYSTEM
41	A/C SYS.-COND FAN MOTOR	64A	DRIVER'S FAN SPEED CTR	91C	PARKING BRAKE - T.T.LT	132B	LEVEL LOW SYSTEM
41A	A/C SYS.-COND FAN MOTOR	64B	DRIVER'S FAN SPEED CTR	91J	FAST IDLE - JUMPER SW.	132C	LEVEL LOW SYSTEM
41B	A/C SYS.-COND FAN MOTOR	65	FOOT DAMPER MOTOR	92	BATT. EQUAL.-CHECK BALANCE	132D	LEVEL LOW SYSTEM

# CIRCUIT NUMBER CODE

NO.	DESCRIPTION	NO.	DESCRIPTION	NO.	DESCRIPTION	NO.	DESCRIPTION
132E	LEVEL LOW SYSTEM	147A	DAYTIME LST-ALT.SIGNAL	172	WORLD TRANSM-SHIFTER	295	KEYLESS SYS-LED INDICATOR
132F	LEVEL LOW SYSTEM	147C	ETHER COLD START	173	WORLD TRANSM-SHIFTER	417	DDEC-LIMIT SPEED GOVERNOR
135	WORLD TRANSM-RET.TEMP.	148	ABS SYSTEM-VALVE	174	WORLD TRANSM-SHIFTER	419	DDEC -CHECK ENGINE LIGHT
135A	WORLD TR.-RES MODULE RET.	148	WORLD TR.-OUTPUT SPEED LO	175A	WORLD TRANSM-SHIFTER	439	DDEC-12V IGNITION
135B	A/C & HEAT SYS.-AIR SENSOR	149	WORLD TR.-TURBINE SPEED HI	176	WORLD TRANSM-SHIFTER	451	DDEC-A/C FAN CLUTCH
135C	A/C & HEAT SYS.-AIR SENSOR	149	ABS SYSTEM-SENSOR	180	WORLD TRANSM-SHIFTER	505	DDEC-TACHOMETER DRIVE
136A	WORLD TRANSM-12V BATTERY	149A	ABS SYSTEM	180	OUTSIDE TEMP. DISPLAY	509	DDEC-STOP ENGINE LIGHT
136AA	WORLD TRANSM-SHIFTER PWR	150	WORLD TR.-ENGINE SPEED LO	180A	OUTSIDE TEMP. DISPLAY	510	DDEC-FAST IDLE SIGNAL
136V	WORLD TRANSM-12V BATTERY	150	DDEC III-ECM BATTERY GRD	180A	WORLD TRANSM-SHIFTER	524	DDEC-ENGINE BRAKEDISABLE
136W	WORLD TRANSM-12V BATTERY	150A	DDEC III-ECM BATTERY GRD	180B	OUTSIDE TEMP. DISPLAY	525	DDEC-FAST IDLE SIGNAL
137	WORLD TRANSM-RETARDER	151	DDEC III-ECM BATTERY GRD	180C	OUTSIDE TEMP. DISPLAY	528	DDEC-STOP ENG. OVERRIDE
137	RR VIEW MIRROR	151	ABS SYSTEM-SPARE	181	FROZEN POINT T.T.LT	531	DDEC-CRUISE CLUTCH CUT OUT
137A	RR VIEW MIRROR	152	ABS SYSTEM-SPARE	181A	THERMOMETER INSIDE SENSOR	540	DDEC-CRUISE ENABLE T.T.LT
137B	RR VIEW MIRROR	153	ELECTRICAL DRIVER'S SEAT	181B	THERMOMETER INSIDE SENSOR	541	DDEC-CRUISE SET SW
137C	RR VIEW MIRROR	154	WORLD TRANSM-ABS INPUT (-)	181C	THERMOMET. OUTSIDE SENSOR	542	INPUT PARK BRAKE INTERLOCK
137D	RR VIEW MIRROR	156A	ABS SYSTEM-FEED	181D	THERMOMET. OUTSIDE SENSOR	543	DDEC-CRUISE STOP SW CUT IN
137D	RR VIEW MIRROR	157B	ABS SYSTEM	195	WORLD TRANSM-TRANS ID	544	DDEC-CRUISE ON/OFF SW
137E	RR VIEW MIRROR	159	WORLD TRANSM-DIAGNOSTIC	197	FUEL WATER FILTER	545	DDEC-CRUISE RESUME SW
137F	RR VIEW MIRROR	160	ALARM & SIGN.-TAG PRESS SW	197A	FUEL WATER FILTER	555	DDEC-FAN CLUTCH SPEED#1
137H	RR VIEW MIRROR	161B	WORLD TRANSM-SIGNALGRD	201	WORLD TRANSM-SPARE	556	DDEC-VEHICLE SPEED (+)
137J	RR VIEW MIRROR	162	WORLD TRANSM-PRESS. SW C3	202	WORLD TRANSM-SPARE	557	DDEC-VEHICLE SPEED (-)
137K	RR VIEW MIRROR	163	WORLD TR.-RETARDER ENABLE	203	WORLD TRANSM-SPARE	563	DDEC-FAN CLUTCH SPEED#2
137L	RR VIEW MIRROR	164	WORLD TR.-RET. ACTUAT. SIGN	204	WORLD TRANSM-SPARE	564	DDEC-DIGTAL OUTPUT
137M	RR VIEW MIRROR FEED	165	WORLD TR.-OIL LEVEL SIGNAL	214	WORLD TR.-BACK-UP SIGNAL	565	DDEC-ENGINE BRAKE ACTIVE
137R	WORLD TRANSM-RETARDER	166B	A/C & HEAT SYS.-EVAP. MOD.	231	WORLD TR.-NEUTRAL SIGN GRD	583	DDEC-ENGINE BRAKE 4 CYL.
137T	MIRROR HEAT SW-JUMPER	167	WORLD TR.-SPEED 5N0, 5NC	240	DDEC III-ECM 12V FEEDING	900	DDEC-DATA LINK (+)
138	WORLD TR.-RETARDER TEMP	169	WORLD TRANSM-INPUT 12	241	DDEC III-ECM 12V FEEDING	901	DDEC-DATA LINK (-)
138	ABS SYSTEM-SENSOR	170	WORLD TRANSM-SHIFTER	260	WINDOW AJAR-T.T.LT	908	DDEC-HYDRAU. PWM#1 OUTPUT
138A	ABS SYSTEM-SENSOR	170C	LUGGAGE DOOR LOCK-T.T.LT	270	KEYLESS MODULE-FEED	916	DDEC-SENSOR SUPPLY (5VDC)
139	ABS SYSTEM-VALVE	170D	LUGGAGE DOOR LOCK-FEED	270A	ENTRANCE DOOR AIR LOCK	952	DDEC-SENSOR RETURN
139	WORLD TR.-OUTPUT SPEED HI	170E	LUG. DOOR LOCK-UNLOCK SIGN	272	KEYLESS SYSTEM-KEYBOARD	953	DDEC-BATTERY GRD
140	WORLD TR.-OUTPUT SPEED LO	170F	LUGGAGE DOOR LOCK-FEED	274	KEYLESS SYSTEM-KEYBOARD	979	DDEC-ENGINE BRAKE 2 CYL.
140	ABS SYSTEM-VALVE	170G	LUGGAGE DOOR LOCK-FEED	276	KEYLESS SYSTEM-KEYBOARD	2123	FLASHER SIGNAL LTS
141	ABS SYSTEM-VALVE	170H	LUGGAGE DOOR-LOCK SIGN	277	KEYLESS SYS-DR'V LTS SIGN		
141	WORLD TR.-ENGINE SPEED HI	170K	LUGGAGE DOOR-LOCK SIGN	278	KEYLESS SYSTEM-KEYBOARD		
142	ABS SYSTEM-VALVE	170LA	LUGG DOOR LOCK-T.T.LT WE	280	KEYLESS SYSTEM-KEYBOARD		
143	ABS SYSTEM-SENSOR	170LB	LUGG DOOR LOCK-T.T.LT WE	283	KEYLESS SYSTEM-ANTI-THEFT		
143A	ABS SYSTEM-SENSOR	170L	LUGG DOOR LOCK-SIGN T.T.LT	283A	KEYLESS SYS-ENT. DOOR SIGN		
143A	WORLD TRANS-BATERY GRD	170M	LUGG DOOR LOCK-SIGN T.T.LT	284A	KEYLESS SYSTEM		
143W	WORLD TRANSM-BATTERY GRD	170N	LUGG DOOR LOCK-SIGN T.T.LT	285	KEY. SYS-UNLOCK ENT. DOOR		
143X	WORLD TRANSM-BATTERY GRD	170P	LUGG DOOR LOCK-SIGN T.T.LT	285B	KEYLESS SYSTEM		
144	ABS SYSTEM-SENSOR	170R	LUGG DOOR LOCK-ENTR. DOOR	285C	KEYLESS SYSTEM		
144A	ABS SYSTEM-SENSOR	170S	LUGG DOOR LOCK-SIGN T.T.LT	286	LUGG DOOR LOCK-ENT. DOOR		
145	ABS SYSTEM-VALUE	170T	LUGG DOOR LOCK-SIGN T.T.LT	286A	KEYLESS SYS-CENTER DOOR		
146	ABS SYSTEM-VALUE	170V	LUGG DOOR LOCK-SIGN T.T.LT	290	FAN CLUTCH RADIATOR-FEED		
146A	WORLD TRANSM-12V IGNITION	170W	LUGGAGE DOOR LOCK-FEED	290A	FAN CLUTCH RADIATOR-FEED		
146AA	WORLD TRANSM-DIAGN.CONN.	170X	LUGG DOOR LOCK-SIGN T.T.LT	291	FAN CLUTCH RADIATOR SPD 1		
147	WORLD TRANSM-OIL TEMP	170Y	LUGGAGE DOOR LOCK-FEED	292	FAN CLUTCH RADIATOR SPD 2		
147	ABS SYSTEM-VALVE	170Z	LUGGAGE DOOR LOCK	292A	FAN CLUTCH RADIATOR SPD 2		
147A	ETHER COLD START	171	WORLD TRANSM-SHIFTER	294	KEYLESS SYSTEM-ANTI-THEFT		

# CIRCUIT NUMBER CODE

NO. DESCRIPTION

NO. DESCRIPTION

NO. DESCRIPTION

NO. DESCRIPTION

# CIRCUIT NUMBER CODE

NO.	DESCRIPTION	NO.	DESCRIPTION	NO.	DESCRIPTION	NO.	DESCRIPTION
IPJ1	CLUSTER - BULB TEST POS	SP62	SPARE WIRE	0T1	DASH ACC.	12DDR	RR JCT BOX 12V HOT WIRE DDR CON
IPJ2	CLUSTER - BULB TEST NEG.	SP63	SPARE WIRE	0T2	CLUSTER ACC.	12DT	T.T. LT MODULE
IPJ3	CLUSTER - SV SIGNAL	SP69	SPARE WIRE	0T2	WINDOW AWNING	12E	RR JCT BOX 12V DISC SW
IPJ4	CLUSTER - RETURN TO ZERO	SP70	SPARE WIRE	0T3	ALTERNATOR MODULE	12F	FR JCT PANEL 12V DISC SW
IPJ5	CLUSTER - FUEL LEVEL GAUGE	SP71	SPARE WIRE	0T4	12V OUTLET - CTR MODULE	12G	FR JCT PANEL 12V DISC SW
IPJ6	CLUSTER - BULB TEST POS.	SP72	SPARE WIRE	0T5	FS-HVAC DASH MODULE. GND	12H	12V DASH ACCESS.
IPJ7	CLUSTER - BULB TEST NEG.	SP74	SPARE WIRE	0W	FJB - TRANSM. RLY GRD	12I	RR JCT BOX 12V IGNITION
IPJ8	CLUSTER - MASTER WARNING	SP83	SPARE WIRE	0W	TRANSM ACC. - FR.SERV. CPT	12I	FR JCT PANEL 12V IGNITION
LX5	CLUSTER - COMPUTER MODE	SP84	SPARE WIRE	0Y1	ASB SYSTEM-GRD	12IA	FR JCT PANEL 12V IGNITION
LX6	CLUSTER - COMPUTER DOWN	SP114	SPARE WIRE	0Y2	ASB SYSTEM-GRD	12IA	RR JCT PANEL 12V IGNITION
LX7	CLUSTER - COMPUTER SET	SP115	SPARE WIRE	0Y3	ASB SYSTEM-GRD	12IE	ABS-FR JCT PANEL 12V IGN.
LX16	CLUSTER - COMPUTER UP	SP116	SPARE WIRE	0Y4	ASB SYSTEM-GRD	12IF	FR JCT PANEL 12V IGNITION
LX21	CLUSTER - COMPUTER COM.	SP117	SPARE WIRE	0Y5	ASB SYSTEM-GRD	12J	FR JCT PANEL 12V DISC.SW.
RT	T.T.L.T. MODULE - TEST SW.	TW1	SPR. W. TWISTER 50T/M WITH TW2	0Y6	ASB SYSTEM-GRD	12JA	FR JCT PANEL 12V DISC.SW.
SP1	SPARE WIRE	TW2	SPR. W. TWISTER 50T/M WITH TW1	00A	BATTERY GRD-DASH ACC.	12K	FR JCT PANEL 12V DISC.SW.
SP2	SPARE WIRE	0	A/C EVAP.CPT - CPT GRD	2A	A/C & HEAT SYSTEM	12LX	12V HOTWIRE CLUST. & MOD A/C
SP3	SPARE WIRE	0	JUMPER - CLUTCH SIGN.	2B	A/C & HEAT SYSTEM	12LX	CLUSTER 12V HOT WIRE
SP4	SPARE WIRE	0	RJB - INSIDE GRD	2D	A/C & HEAT SYSTEM	12M	ABS-FR JCT PANEL 12V DISC.SW.
SP5	SPARE WIRE	0A	FR. ROOF ACC. GRD	2E	A/C & HEAT SYSTEM	12P	12V POWER OUTLET
SP6	SPARE WIRE	0A	W0,W5 EVAP. MOTOR FAN GRD	2F	A/C & HEAT SYSTEM - EVAP. FAN	12T	RR JCT BOX 12V DISC SW
SP7	SPARE WIRE	0B	A/C - CONDENSER GRD	2H	A/C & HEAT SYS-LO-PRESS SW.	12VD	12V HOT WIRE
SP8	SPARE WIRE	0B	ENG. CPT ACC. GRD	2L	A/C & HEAT SYS-HI-PRESS SW.	12VI	RR JCT PANEL 12V IGNITION
SP9	SPARE WIRE	0BE	OV BATTERY MONITOR	3A	A/C & HEAT SYSTEM-EVAPORATOR	12W	12V HOT WIRE DDEC III FEED
SP10	SPARE WIRE	0C	R.J.B. - GRB	5N0	SPEED SIGNAL HIGHER 5MPH	15	EXT. LTS-MULTI FUNC LEVEL
SP11	SPARE WIRE	0C	F.R. SERV. CPT-ACCESSOIRIES	5NC	SPEED SIGNAL LOWER 5MPH	15	WIPER & WASHER SYSTEM
SP12	SPARE WIRE	0C1	ENTRANCE DOOR KEYLESS	6	EXTERIOR LTS-DOCKING	16	SPEEDOMETER (+)
SP13	SPARE WIRE	0C4	F.J.B. GRD	6A	EXTERIOR LTS-CORNERING	16T	SPEED SW SIGNAL IN (+)
SP14	SPARE WIRE	0CJ	CRUISE SW. JUMPER	6B1	EXTERIOR LTS-CORNERING RH	17	EXTERIOR LTS-FLASHER UNIT
SP15	SPARE WIRE	0D	A/C JCT BOX - COND FAN GRD	6C1	EXTERIOR LTS-CORNERING RH	17A	EXTERIOR LTS-FLASHER UNIT
SP16	SPARE WIRE	0E	WE EVAP. MOTOR FAN GRD	6D	EXTERIOR LTS-DOCKING	17C	JUMPER LTS SW. - HAZARD
SP17	SPARE WIRE	0F	SILENT 1000	9	INTERIOR LTS-ENGINE CPT	18	UPPER FAN DEFROST
SP18	SPARE WIRE	0G	ABS GRD CX1	9	INTERIOR LTS-RR JCT BOX	19	UPPER FAN DEFROST
SP19	SPARE WIRE	0H	ENG. CPT. - ACC. GRD	9F	INTERIOR LTS - FR-SERV. CPT	20	SPEEDOMETER SIGNAL (-)
SP21	SPARE WIRE	0L	ENG.CPT -CLEAR.LTS RR ROOF	10	A/C & HEAT SYSTEM -LO PRES.	20T	SPEED SW SIGNAL IN (-)
SP23	SPARE WIRE	0L	R.J.B. - GRD	10	INTERIOR LTS-LUGGAGE CPT	21	EXTERIOR LTS-DIRECT. LH
SP24	SPARE WIRE	0L	FR - SIDE MARK. & FLASH GRD	10	INTERIOR LTS-FR SERV. CPT	21A	EXTERIOR LTS-LH
SP25	SPARE WIRE	0L1	ENG.CPT-SIDE MARK. & FL. GRD	10A	INTERIOR LTS-LUGGAGE CPT	21A	EXTERIOR LTS-CORNERING-LH
SP30	SPARE WIRE	0L2	HEAD LTS	10B	INTERIOR LTS-LUGGAGE CPT	21B	EXTERIOR LTS-DIRECT. LH
SP33	SPARE WIRE	0L3	FR.SERV.DR. & ENT.DOOR GRD ACC.	10C	INTERIOR LTS-LUGGAGE CPT	21BB	EXTERIOR LTS-DIRECT. LH
SP38	SPARE WIRE	0L4	FOG LTS RESISTOR GRD	10D	INTERIOR LTS-LUGGAGE CPT	21H	EXTERIOR LTS-HAZARD SIGNAL
SP40	SPARE WIRE	0L5	LH CONSOL - ACC. GRD	10E	INTERIOR LTS-LUGGAGE CPT	21M	AUX. LTS - DIRECTIONAL LH
SP41	SPARE WIRE	0LV	WINDSHIELD WASHER LEVEL	10R	CENTER DOOR T.T.L.T.	21P	CORN. LTS - DIRECT. SIGN. LH
SP42	SPARE WIRE	0M	WIPER 2 MIRROR MOTOR	12A	FR JCT PANEL 12V DISC SW	23	EXTERIOR LTS-DIRECT. RH
SP43	SPARE WIRE	0M3	DEFROST GRD	12B	FR JCT PANEL 12V DISC SW	23A	EXTERIOR LTS-DIRECT. RH
SP45	SPARE WIRE	0M4	HORN & DR'S WINDOW LIFTER	12BAT	12V HOT-WIRE ACC - JCT BLK	23A	EXTERIOR LTS - CORNER. LTS
SP48	SPARE WIRE	0M5	SUN VISOR MOTOR	12BE	12V BATTERY MONITOR	23BB	EXTERIOR LTS - DIRECT. RH
SP56	SPARE WIRE	0M6	UPPER FAN DEFROST	12C	FR JCT PANEL 12V DISC SW	23C	EXTERIOR LTS-CORNERING RH
SP57	SPARE WIRE	0M7	DR'S WIND.LIFT. & RH MIR. SW	12C	RR JCT BOX 12V DISC SW	23H	EXTERIOR LTS-HAZARD SIGNAL
SP60	SPARE WIRE	0M7A	LH MIRROR SW.	12D	FR JCT PANEL 12V HOT WIRE	23M	AUX LTS - DIRECTIONAL RH
SP61	SPARE WIRE	0T	SPEED SW. CONNECTOR	12DD	FR JCT PANEL 12V HOT WIRE	23P	CORN. LTS - DIRECT SIGN RH

# CIRCUIT NUMBER CODE

NO.	DESCRIPTION	NO.	DESCRIPTION	NO.	DESCRIPTION	NO.	DESCRIPTION
24	FR JCT PANEL 24V DISC. SW.	41A	A/C SYS.-COND FAN MOTOR	64A	DRIVER'S FAN SPEED CTR	91C	PARKING BRAKE - T.T.LT
24A	RR JCT PANEL 24V DISC. SW	41B	A/C SYS.-COND FAN MOTOR	64B	DRIVER'S FAN SPEED CTR	91J	FAST IDLE - JUMPER SW.
24A	FR JCT PANEL 24V DISC. SW	42A	A/C SYS.-COND FAN MOTOR	65	FOOT DAMPER MOTOR	92	BATT. EQUAL.-CHECK BALANCE
24BE	BATTERY MONITOR	43	A/C & HEAT SYS. - FAN SPEED	65A	FOOT DAMPER MOTOR	93	BATT. EQUALIZ.-CHECK LO/HI
24C	FR JCT PANEL 24V DISC SW	44	EXTERIOR LTS-FOG	65D	DRIVER'S REC. DAMPER	95A	ENG. BRAKE & RETARDER SYS.
24D	FR JCT BOX 24V HOT WIRE	44A	EXTERIOR LTS-FOG	66	A/C PASSENGER - ON/OFF	95B	ENG. BRAKE & RETARDER SYS.
24F	RR JCT PANEL 24V DISC SW	44B	EXTERIOR LTS-FOG	67A	A/C & HEAT SYSTEM	97	TACHOMETER SIGN.-NOT USED
24G	RR JCT PANEL 24V DISC SW	44C	EXT. LTS-FOG,HVAC & HAZ. SW	68	DASH & DEFROST DAMPER MOT	101	WORLD TR.- LO SIGN SOL.LO
24I	FR JCT PANEL 24V IGNITION	44D	EXTERIOR LTS - FOG	68A	DASH & DEFROST DAMPER MOT	102	WORLD TRANSM.-SOL. SUPPLY
24I	RR JCT PANEL 24V IGNITION	44E	EXTERNAL LTS - FOG	72	SUN VISOR - FEED	103	WORLD TRANSM.- B.SOL.LO
24IA	FR JCT PANEL 24V IGNITION	45A	A/C & HEAT SYSTEM FULL AIR	72A	SUN VISOR RH	104	LEVEL-LOW SYS- DR'S SOL.
24IB	FR JCT PANEL 24V IGNITION	45B	A/C & HEAT SYS.-WATER PUMP	72B	SUN VISOR RH	104	WORLD TR. -SOL. FORWARD
24IF	FR JCT PANEL 24V IGNITION	45C	A/C & HEAT SYS.-WATER VALV	72C	SUN VISOR LH	105W	WORLD TR.-SOL.-RET.OIL TT.LT
24P	FR JCT PANEL 24V DISC SW	45D	A/C & HEAT SYS.-WATER VALV	72D	SUN VISOR LH	107	WORLD TR.-LOCKUP SOL. HI
24R	24V RR JCT BLK TO STARTER	45E	A/C & HEAT SYS.-WATER PUMP	76	FUEL TANK GAUGE	108	WORLD TR.-LOCKUP SOL.
24T	RR JCT PANEL 24V DISC SW	45G	A/C & HEAT SYS.-DR'S HTR	76C	LOW FUEL T.T.LT	110	WORLD TR.-LOCKUP SOL. LO
24VD	24V HOT WIRE FEED	45H	A/C & HEAT SYS.- EVAP.FAN	76L	LOW FUEL T.T.LT	112	WORLD TR.-SPARE OUTPUT (+)
25A	TT.LT. MODULE - LED	45J	A/C & HEAT SYS.-WATER PUMP	77A	A/C & HEAT SYS. - THERMOST.	112	WORLD TR.-SPARE OUTPUT (+)
25A1	BOSCH ALTERNATOR - WE ONLY	46	EXTERIOR LTS-MARKER	77B	A/C SYS. - LIQ. SOL. VALVE	113W	WORLD TR.-REVERSE WARNING
25A2	BOSCH ALTERNATOR - WE ONLY	46A	EXTERIOR LTS-AUX LTS RESIS.	77C	A/C & HEAT SYS.-COMPRESSOR	114	WORLD TR.-SPARE OUTPUT (-)
25B	EXT. LTS-DAYTIME RUN LTS	46C	EXTERIOR LTS-MARKER	77H	A/C SYS.-LIQ. SOL. VALVE	114	INTERIOR LT-DASH LT RHEOS.
25D	GENERATOR SKTN. ON - HVAC	46D	EXTERIOR LTS-AUX LTS RESIS.	77H	A/C & HEAT SYS.-THERMOSTAT	114A	INTERIOR LT-DASH LT RHEOS.
25L	GENERATOR SIGNAL TO RLY R88	48A	ENTRANCE DOOR AIR LOCK	81	EXTERIOR LTS-STOP SW	114B	INT. LT-DASH LT RHEOST.FEED
26	DR'S & ENT. WINDOW LIFTER	48B	ENTRANCE DOOR AIR LOCK	82	EXTERIOR LTS-STOP SIGNAL	115	DDEC III-COOLANT LEVEL
26A	CIGAR LIGHT. & POW.OUTLET LH	48C	ENTRANCE DOOR AIR LOCK	82A	EXTERIOR LTS-STOP SIGNAL	115W	WORLD TR.-DO NOT SHIFT SIGN
26B	DRIVER'S WINDOW LIFTER	52	ALARM & SIGNAL-ELEC.HORN	82B	EXTERIOR LTS-STOP LTS	116	WORLD TR.-LO SIGNAL SOL. HI
26C	DRIVER'S WINDOW LIFTER	52A	ALARM & SIGNAL-ELEC.HORN	82L	EXT. LTS-STOP LTS & CYCLOP	116B	A/C & HEAT SYSTEM-DR'S HTR
26D	ENT. DOOR WINDOW LIFTER	53	ALARM & SIGNAL-ELEC.HORN	82R	EXTERIOR LTS-STOP LTS	116C	A/C SYS.-TRIG. DEFROST
26E	ENT. DOOR WINDOW LIFTER	53B	WIPER & WASHER SYSTEM	83	ENG. CTR-MAST. KEY SW ACC.	119	WORLD TRANSM-ENGINE BRAKE
26F	ENT. DOOR WINDOW LIFTER	53C	WIPER & WASHER SYSTEM	84	ENG. CTR-MAST KEY SW START	120	WORLD TRANSM-SOL. C1
28H	T.T.LT MODULE - HI A/C PRES.	53E	WIPER & WASHER SYSTEM	84A	ENG. CTR-MAST KEY SW START	121	WORLD TRANSM-SOL.GRD 2
28T	T.T.LT MODULE - LO A/C PRES.	53J	WIPER & WASHER SYSTEM	84J	ENG. CTR-MAST KEY SW START	123	WORLD TR.-NEUTRAL START
29	A/C & HEAT SYS.-DR'S HTR	53K	KEYLESS SYSTEM	85	24V IGNITION SIGNAL	123A	ALARM & SIGNAL-FIRE DETECT.
29H	HVAC DASH MODILE	55	EXTERIOR LTS-HI BEAM	85A	24V IGN DASH INSTRUMENT.	123B	ALARM & SIGNAL-FIRE DETECT.
31B	WIPER & WASHER SYSTEM	57	EXTERIOR LTS-HI BEAM	85C	24V IGNITION - FEED	124	WORLD TR.-THROTTLE (HI)
31C	WIPER & WASHER SYSTEM	57A	EXTERIOR LTS-HI BEAM	85W	WORLD TRANSM. - 24V IGN.	124A	WORLD TRANSM-SENSOR PWR
32	EXTERIOR LTS-BACK-UP	57B	A/C & HEAT SYS.-WATER PUMP	85X	ABS-12V IGN	125	WORLD TR-RETARDER INDICAT.
32B	EXTERIOR LTS-BACK-UP	57C	A/C & HEAT SYS.-WATER PUMP	85Y	ABS-12V IGN	125W	WORLD TR-RETARDER INDICAT.
32F	BACK-UP CANCEL SW.	57E	A/C & HEAT SYS.-WATER VALV	85Z	ABS-12V IGN	126	WORLD TR.-LUBE PRESS SW.
32G	BACK-UP ALARM	58	EXTERIOR LTS-LO BEAM	86	ENG. CTR-STARTER SOL SIGN	126	24VIGN-LEV.LOW & WORLD TR.
32J	BACK-UP SW. - JUMPER	58A	EXTERIOR LTS-LO BEAM	86A	ENG. CTR-STARTER SOL SIGN	126F	LEVEL LOW SYSTEM
35B	DRIVER'S LTS - KEYLESS SIGN	58B	EXTERIOR LTS-LO BEAM	87B	ENGINE CTR-24V IGNITION	126H	SPEED SIGN 5NC - NOT USED
36	ENGINE BRAKE SYSTEM	59A	ENGINE BRAKE SYSTEM	88	ENGINE CTR-RR START SIGNAL	126W	WORLD TRANSM-NOT USED
36A	ENGINE BRAKE SYSTEM & RET.	61	EXTERIOR LTS-24V FEED SW	89	ENGINE CTR-RR START SIGNAL	127	24HW DR'S LT PREHEAT & HVAC
39	INTERIOR LTS-DRIVER'S LTS	61A	EXTERIOR LTS-HEAD SIGNAL	90	CONVERTER - CABLE SPARG	128	WORLD TRANSM-SOL. C2
39B	INTERIOR LTS-DRIVER'S LTS	63	EXTERIOR LTS-CLEAR. FEED	90A	ENG. CTR-MAST KEY SW FEED	129	WORLD TRANSM-SOL. C5
39C	INTERIOR LTS-DRIVER'S LTS	63B	EXTERIOR LTS-CLEARANCE	90B	A/C & H. SYS.-COND FAN MOT	130	WORLD TRANSM-SOL. GRD 3
39D	INTERIOR LTS - FRIVER' LTS	63C	EXT. LTS-MARKER SIGNAL	90B	ENG. CTR-MAST KEY SW FEED	130	EVAP. FAN - POWER CABLE
39K	DR'S LTS - KEYLESS SIGN.	63F	EXT. LTS-MARKER BLINKER	91	PARKING BRAKE SW SIGNAL	130A	EVAP. FAN - POWER CABLE
41	A/C SYS.-COND FAN MOTOR	64	DRIVER'S FAN SPEED CTR	91A	DDEC III-FAST IDLE SIGNAL	131	WORLD TRANSM-SOL.C4

# CIRCUIT NUMBER CODE

NO.	DESCRIPTION	NO.	DESCRIPTION	NO.	DESCRIPTION	NO.	DESCRIPTION
132	WORLD TRANSM-ENGINE BRAKE	146A	WORLD TRANSM-12V IGNITION	170X	LUGG DOOR LOCK-SIGN T.T.LT	291	FAN CLUTCH RADIATOR SPD 1
132A	LEVEL LOW SYSTEM	146AA	WORLD TRANSM-DIAGN.CONN.	170Y	LUGGAGE DOOR LOCK-FEED	292	FAN CLUTCH RADIATOR SPD 2
132B	LEVEL LOW SYSTEM	147	WORLD TRANSM-OIL TEMP	170Z	LUGGAGE DOOR LOCK	292A	FAN CLUTCH RADIATOR SPD 2
132C	LEVEL LOW SYSTEM	147	ABS SYSTEM-VALVE	171	WORLD TRANSM-SHIFTER	294	KEYLESS SYSTEM-ANTI-THEFT
132D	LEVEL LOW SYSTEM	147A	ETHER COLD START	172	WORLD TRANSM-SHIFTER	295	KEYLESS SYS-LED INDICATOR
132E	LEVEL LOW SYSTEM	147A	DAYTIME LST-ALT.SIGNAL	173	WORLD TRANSM-SHIFTER	417	DDEC-LIMIT SPEED GOVERNOR
132F	LEVEL LOW SYSTEM	147C	ETHER COLD START	174	WORLD TRANSM-SHIFTER	419	DDEC -CHEK ENGINE LIGHT
135	WORLD TRANSM-RET.TEMP.	148	ABS SYSTEM-VALVE	175A	WORLD TRANSM-SHIFTER	439	DDEC-12V IGNITION
135A	WORLD TR.-RES MODULE RET.	148	WORLD TR.-OUTPUT SPEED LO	175A	WORLD TRANSM-SHIFTER	451	DDEC-A/C FAN CLUTCH
135B	A/C & HEAT SYS.-AIR SENSOR	149	WORLD TR.-TURBINE SPEED HI	180	WORLD TRANSM-SHIFTER	505	DDEC-TACHOMETER DRIVE
135C	A/C & HEAT SYS.-AIR SENSOR	149	ABS SYSTEM-SENSOR	180	OUTSIDE TEMP. DISPLAY	509	DDEC-STOP ENGINE LIGHT
136A	WORLD TRANSM-12V BATTERY	149A	ABS SYSTEM	180A	OUTSIDE TEMP. DISPLAY	510	DDEC-FAST IDLE SIGNAL
136AA	WORLD TRANSM-SHIFTER PWR	150	WORLD TR.-ENGINE SPEED LO	180A	WORLD TRANSM-SHIFTER	524	DDEC-ENGINE BRAKEDISABLE
136V	WORLD TRANSM-12V BATTERY	150	DDEC III-ECM BATTERY GRD	180B	OUTSIDE TEMP. DISPLAY	525	DDEC-FAST IDLE SIGNAL
136W	WORLD TRANSM-12V BATTERY	150A	DDEC III-ECM BATTERY GRD	180C	OUTSIDE TEMP. DISPLAY	528	DDEC-STOP ENG. OVERRIDE
137	WORLD TRANSM-RETARDER	151	DDEC III-ECM BATTERY GRD	181	FROZEN POINT T.T.LT	531	DDEC-CRUISE CLUTCH CUT OUT
137	RR VIEW MIRROR	151	ABS SYSTEM-SPARE	181A	THERMOMETER INSIDE SENSOR	540	DDEC-CRUISE ENABLE T.T.LT
137A	RR VIEW MIRROR	152	ABS SYSTEM-SPARE	181B	THERMOMETER INSIDE SENSOR	541	DDEC-CRUISE SET SW
137B	RR VIEW MIRROR	153	ELECTRICAL DRIVER'S SEAT	181C	THERMOMET. OUTSIDE SENSOR	542	INPUT PARK BRAKE INTERLOCK
137C	RR VIEW MIRROR	154	WORLD TRANSM-ABS INPUT (-)	181D	THERMOMET. OUTSIDE SENSOR	543	DDEC-CRUISE STOP SW CUT IN
137D	RR VIEW MIRROR	156A	ABS SYSTEM-FEED	195	WORLD TRANSM-TRANS ID	544	DDEC-CRUISE ON/OFF SW
137D	RR VIEW MIRROR	157B	ABS SYSTEM	197	FUEL WATER FILTER	545	DDEC-CRUISE RESUME SW
137E	RR VIEW MIRROR	159	WORLD TRANSM-DIAGNOSTIC	197A	FUEL WATER FILTER	555	DDEC-FAN CLUTCH SPEED#1
137F	RR VIEW MIRROR	160	ALARM & SIGN.-TAG PRESS SW	201	WORLD TRANSM-SPARE	556	DDEC-VEHICLE SPEED (+)
137H	RR VIEW MIRROR	161B	WORLD TRANSM-SIGNALGRD	202	WORLD TRANSM-SPARE	557	DDEC-VEHICLE SPEED (-)
137J	RR VIEW MIRROR	162	WORLD TRANSM-PRESS. SW C3	203	WORLD TRANSM-SPARE	563	DDEC-FAN CLUTCH SPEED#2
137K	RR VIEW MIRROR	163	WORLD TR.-RETARDER ENABLE	204	WORLD TRANSM-SPARE	564	DDEC-DIGTAL OUTPUT
137L	RR VIEW MIRROR	164	WORLD TR.-RET. ACTUAT. SIGN	214	WORLD TR.-BACK-UP SIGNAL	565	DDEC-ENGINE BRAKE ACTIVE
137M	RR VIEW MIRROR FEED	165	WORLD TR.-OIL LEVEL SIGNAL	231	WORLD TR.-NEUTRAL SIGN GRD	583	DDEC-ENGINE BRAKE 4 CYL.
137R	WORLD TRANSM-RETARDER	167	WORLD TR.-SPEED 5N0, 5NC	240	DDEC III-ECM 12V FEEDING	900	DDEC-DATA LINK (+)
137T	MIRROR HEAT SW-JUMPER	169	WORLD TRANSM-INPUT 12	241	DDEC III-ECM 12V FEEDING	901	DDEC-DATA LINK (-)
138	WORLD TR.-RETARDER TEMP	170	WORLD TRANSM-SHIFTER	260	WINDOW AJAR-T.T.LT	908	DDEC-HYDRAU. PWM#1 OUTPUT
138	ABS SYSTEM-SENSOR	170C	LUGGAGE DOOR LOCK-T.T.LT	270	KEYLESS MODULE-FEED	916	DDEC-SENSOR SUPPLY (5VDC)
138A	ABS SYSTEM-SENSOR	170D	LUGGAGE DOOR LOCK-FEED	270A	ENTRANCE DOOR AIR LOCK	952	DDEC-SENSOR RETURN
139	ABS SYSTEM-VALVE	170E	LUG. DOOR LOCK-UNLOCK SIGN	272	KEYLESS SYSTEM-KEYBOARD	953	DDEC-BATTERY GRD
139	WORLD TR.-OUTPUT SPEED HI	170F	LUGGAGE DOOR LOCK-FEED	274	KEYLESS SYSTEM-KEYBOARD	979	DDEC-ENGINE BRAKE 2 CYL.
140	WORLD TR.-OUTPUT SPEED LO	170G	LUGGAGE DOOR LOCK-FEED	276	KEYLESS SYSTEM-KEYBOARD	2123	FLASHER SIGNAL LTS
140	ABS SYSTEM-VALVE	170H	LUGGAGE DOOR-LOCK SIGN	277	KEYLESS SYS-DR'V LTS SIGN		
141	ABS SYSTEM-VALVE	170K	LUGGAGE DOOR-LOCK SIGN	278	KEYLESS SYSTEM-KEYBOARD		
141	WORLD TR.-ENGINE SPEED HI	170LA	LUGG DOOR LOCK-T.T.LT WE	280	KEYLESS SYSTEM-KEYBOARD		
142	ABS SYSTEM-VALVE	170LB	LUGG DOOR LOCK-T.T.LT WE	283	KEYLESS SYSTEM-ANTI-THEFT		
143	ABS SYSTEM-SENSOR	170L	LUGG DOOR LOCK-SIGN T.T.LT	283A	KEYLESS SYS-ENT. DOOR SIGN		
143A	ABS SYSTEM-SENSOR	170M	LUGG DOOR LOCK-SIGN T.T.LT	284A	KEYLESS SYSTEM		
143A	WORLD TRANS-BATERY GRD	170N	LUGG DOOR LOCK-SIGN T.T.LT	285	KEY. SYS-UNLOCK ENT. DOOR		
143W	WORLD TRANSM-BATTERY GRD	170P	LUGG DOOR LOCK-SIGN T.T.LT	285B	KEYLESS SYSTEM		
143X	WORLD TRANSM-BATTERY GRD	170R	LUGG DOOR LOCK-ENTR. DOOR	285C	KEYLESS SYSTEM		
144	ABS SYSTEM-SENSOR	170S	LUGG DOOR LOCK-SIGN T.T.LT	286	LUGG DOOR LOCK-ENT. DOOR		
144A	ABS SYSTEM-SENSOR	170T	LUGG DOOR LOCK-SIGN T.T.LT	286A	KEYLESS SYS-CENTER DOOR		
145	ABS SYSTEM-VALUE	170V	LUGG DOOR LOCK-SIGN T.T.LT	290	FAN CLUTCH RADIATOR-FEED		
146	ABS SYSTEM-VALUE	170W	LUGGAGE DOOR LOCK-FEED	290A	FAN CLUTCH RADIATOR-FEED		



# CIRCUIT NUMBER CODE

NO. DESCRIPTION

NO. DESCRIPTION

NO. DESCRIPTION

NO. DESCRIPTION

# CIRCUIT NUMBER CODE

NO.	DESCRIPTION	NO.	DESCRIPTION	NO.	DESCRIPTION	NO.	DESCRIPTION
IPJ1	CLUSTER - BULB TEST POS	SP62	SPARE WIRE	OP1	A/C COMPRESSOR GRD	12C	RR JCT BOX 12V DISC SW
IPJ2	CLUSTER - BULB TEST NEG.	SP63	SPARE WIRE	0T	SPEED SW. CONNECTOR	12D	FR JCT PANEL 12V HOT WIRE
IPJ3	CLUSTER - SV SIGNAL	SP69	SPARE WIRE	0T1	DASH ACC.	12DD	FR JCT PANEL 12V HOT WIRE
IPJ4	CLUSTER - RETURN TO ZERO	SP70	SPARE WIRE	0T2	CLUSTER ACC.	12DDR	RR JCT BOX 12V HOT WIRE DDR CON
IPJ5	CLUSTER - FUEL LEVEL GAUGE	SP71	SPARE WIRE	0T2	WINDOW AWNING	12DT	T.T. LT MODULE
IPJ6	CLUSTER - BULB TEST POS.	SP72	SPARE WIRE	0T3	ALTERNATOR MODULE	12E	RR JCT BOX 12V DISC SW
IPJ7	CLUSTER - BULB TEST NEG.	SP74	SPARE WIRE	0T4	12V OUTLET - CTR MODULE	12F	FR JCT PANEL 12V DISC SW
IPJ8	CLUSTER - MASTER WARNING	SP83	SPARE WIRE	0T5	FS-HVAC DASH MODULE. GND	12G	FR JCT PANEL 12V DISC SW
LX5	CLUSTER - COMPUTER MODE	SP84	SPARE WIRE	0T6	FS-DDR GROUND	12H	12V DASH ACCESS.
LX6	CLUSTER - COMPUTER DOWN	SP114	SPARE WIRE	0W	FJB - TRANSM. RLY GRD	12I	RR JCT BOX 12V IGNITION
LX7	CLUSTER - COMPUTER SET	SP115	SPARE WIRE	0W	TRANSM ACC. - FR.SERV. CPT	12I	FR JCT PANEL 12V IGNITION
LX16	CLUSTER - COMPUTER UP	SP116	SPARE WIRE	0Y1	ASB SYSTEM-GRD	12IA	FR JCT PANEL 12V IGNITION
LX21	CLUSTER - COMPUTER COM.	SP117	SPARE WIRE	0Y2	ASB SYSTEM-GRD	12IA	RR JCT PANEL 12V IGNITION
RT	T.T.L.T. MODULE - TEST SW.	TW1	SPR. W. TWISTER 50T/M WITH TW2	0Y3	ASB SYSTEM-GRD	12IE	ABS-FR JCT PANEL 12V IGN.
SP1	SPARE WIRE	TW2	SPR. W. TWISTER 50T/M WITH TW1	0Y4	ASB SYSTEM-GRD	12IF	FR JCT PANEL 12V IGNITION
SP2	SPARE WIRE	0	A/C EVAP.CPT - CPT GRD	0Y5	ASB SYSTEM-GRD	12J	FR JCT PANEL 12V DISC.SW.
SP3	SPARE WIRE	0	JUMPER - CLUTCH SIGN.	0Y6	ASB SYSTEM-GRD	12JA	FR JCT PANEL 12V DISC.SW.
SP4	SPARE WIRE	0	RJB - INSIDE GRD	00A	BATTERY GRD-DASH ACC.	12K	FR JCT PANEL 12V DISC.SW.
SP5	SPARE WIRE	0A	FR. ROOF ACC. GRD	2A	A/C & HEAT SYSTEM	12LX	12V HOTWIRE CLUST.& MOD A/C
SP6	SPARE WIRE	0A	W0,W5 EVAP. MOTOR FAN GRD	2B	A/C & HEAT SYSTEM	12LX	CLUSTER 12V HOT WIRE
SP7	SPARE WIRE	0AW	AWNING WINDOWS	2D	A/C & HEAT SYSTEM	12M	ABS-FR JCT PANEL 12V DISC.SW.
SP8	SPARE WIRE	0B	A/C - CONDENSER GRD	2E	A/C & HEAT SYSTEM	12P	12V POWER OUTLET
SP9	SPARE WIRE	0B	ENG. CPT ACC. GRD	2F	A/C & HEAT SYSTEM - EVAP. FAN	12T	RR JCT BOX 12V DISC SW
SP10	SPARE WIRE	0BE	OV BATTERY MONITOR	2H	A/C & HEAT SYS-LO-PRESS SW.	12VD	12V HOT WIRE
SP11	SPARE WIRE	0C	R.J.B. - GRB	2L	A/C & HEAT SYS-HI-PRESS SW.	12VI	RR JCT PANEL 12V IGNITION
SP12	SPARE WIRE	0C	F.R. SERV. CPT-ACCESSOIRES	3A	A/C & HEAT SYSTEM-EVAPORATOR	12W	12V HOT WIRE DDEC III FEED
SP13	SPARE WIRE	0C1	ENTRANCE DOOR KEYLESS	5N0	SPEED SIGNAL HIGHER 5MPH	15	EXT. LTS-MULTI FUNC LEVEL
SP14	SPARE WIRE	0C4	F.J.B. GRD	5NC	SPEED SIGNAL LOWER 5MPH	15	WIPER & WASHER SYSTEM
SP15	SPARE WIRE	0CJ	CRUISE SW. JUMPER	6	EXTERIOR LTS-DOCKING	16	SPEEDOMETER (+)
SP16	SPARE WIRE	0D	A/C JCT BOX - COND FAN GRD	6A	EXTERIOR LTS-CORNERING	16T	SPEED SW SIGNAL IN (+)
SP17	SPARE WIRE	0E	WE EVAP. MOTOR FAN GRD	6B1	EXTERIOR LTS-CORNERING RH	17	EXTERIOR LTS-FLASHER UNIT
SP18	SPARE WIRE	0F	SILENT 1000	6C1	EXTERIOR LTS-CORNERING RH	17A	EXTERIOR LTS-FLASHER UNIT
SP19	SPARE WIRE	0G	ABS GRD CX1	6D	EXTERIOR LTS-DOCKING	17C	JUMPER LTS SW. - HAZARD
SP21	SPARE WIRE	0H	ENG. CPT. - ACC. GRD	9	INTERIOR LTS-ENGINE CPT	18	UPPER FAN DEFROST
SP23	SPARE WIRE	0L	ENG.CPT -CLEAR.LTS RR ROOF	9	INTERIOR LTS-RR JCT BOX	19	UPPER FAN DEFROST
SP24	SPARE WIRE	0L	R.J.B. - GRD	9F	INTERIOR LTS - FR-SERV. CPT	20	SPEEDOMETER SIGNAL (-)
SP25	SPARE WIRE	0L	FR - SIDE MARK. & FLASH GRD	10	A/C & HEAT SYSTEM -LO PRES.	20T	SPEED SW SIGNAL IN (-)
SP30	SPARE WIRE	0L1	ENG.CPT-SIDE MARK. & FL. GRD	10	INTERIOR LTS-LUGGAGE CPT	21	EXTERIOR LTS-DIRECT. LH
SP33	SPARE WIRE	0L2	HEAD LTS	10	INTERIOR LTS-FR SERV. CPT	21A	EXTERIOR LTS-LH
SP38	SPARE WIRE	0L3	FR.SERV.DR. & ENT.DOOR GRD ACC.	10A	INTERIOR LTS-LUGGAGE CPT	21A	EXTERIOR LTS-CORNERING-LH
SP40	SPARE WIRE	0L4	FOG LTS RESISTOR GRD	10B	INTERIOR LTS-LUGGAGE CPT	21B	EXTERIOR LTS-DIRECT. LH
SP41	SPARE WIRE	0L5	LH CONSOL - ACC. GRD	10C	INTERIOR LTS-LUGGAGE CPT	21BB	EXTERIOR LTS-DIRECT. LH
SP42	SPARE WIRE	0LV	WINDSHIELD WASHER LEVEL	10D	INTERIOR LTS-LUGGAGE CPT	21H	EXTERIOR LTS-HAZARD SIGNAL
SP43	SPARE WIRE	0M	WIPER 2 MIRROR MOTOR	10E	INTERIOR LTS-LUGGAGE CPT	21M	AUX. LTS - DIRECTIONAL LH
SP45	SPARE WIRE	0M3	DEFROST GRD	10R	CENTER DOOR T.T.L.T.	21P	CORN. LTS - DIRECT. SIGN. LH
SP48	SPARE WIRE	0M4	HORN & DR'S WINDOW LIFTER	12A	FR JCT PANEL 12V DISC SW	23	EXTERIOR LTS-DIRECT. RH
SP56	SPARE WIRE	0M5	SUN VISOR MOTOR	12B	FR JCT PANEL 12V DISC SW	23A	EXTERIOR LTS-DIRECT. RH
SP57	SPARE WIRE	0M6	UPPER FAN DEFROST	12BAT	12V HOT-WIRE ACC - JCT BLK	23A	EXTERIOR LTS - CORNER. LTS
SP60	SPARE WIRE	0M7	DR'S WIND.LIFT. & RH MIR. SW	12BE	12V BATTERY MONITOR	23BB	EXTERIOR LTS - DIRECT. RH
SP61	SPARE WIRE	0M7A	LH MIRROR SW.	12C	FR JCT PANEL 12V DISC SW	23C	EXTERIOR LTS-CORNERING RH

# CIRCUIT NUMBER CODE

NO.	DESCRIPTION	NO.	DESCRIPTION	NO.	DESCRIPTION	NO.	DESCRIPTION
23H	EXTERIOR LTS-HAZARD SIGNAL	39C	INTERIOR LTS-DRIVER'S LTS	63B	EXTERIOR LTS-CLEARANCE	90B	A/C & H. SYS.-COND FAN MOT
23M	AUX LTS - DIRECTIONAL RH	39D	INTERIOR LTS - FRIVER' LTS	63C	EXT. LTS-MARKER SIGNAL	90B	ENG. CTR-MAST KEY SW FEED
23P	CORN. LTS - DIRECT SIGN RH	39K	DR'S LTS - KEYLESS SIGN.	63F	EXT. LTS-MARKER BLINKER	91	PARKING BRAKE SW SIGNAL
24	FR JCT PANEL 24V DISC. SW.	41	A/C SYS.-COND FAN MOTOR	64	DRIVER'S FAN SPEED CTR	91A	DDEC III-FAST IDLE SIGNAL
24A	RR JCT PANEL 24V DISC. SW	41A	A/C SYS.-COND FAN MOTOR	64A	DRIVER'S FAN SPEED CTR	91C	PARKING BRAKE - T.T.LT
24A	FR JCT PANEL 24V DISC. SW	41B	A/C SYS.-COND FAN MOTOR	64B	DRIVER'S FAN SPEED CTR	91J	FAST IDLE - JUMPER SW.
24AW	AWNING WINDOWS	42A	A/C SYS.-COND FAN MOTOR	65	FOOT DAMPER MOTOR	92	BATT. EQUAL.-CHECK BALANCE
24BE	BATTERY MONITOR	43	A/C & HEAT SYS. - FAN SPEED	65A	FOOT DAMPER MOTOR	93	BATT. EQUALIZ.-CHECK LO/HI
24C	FR JCT PANEL 24V DISC SW	44	EXTERIOR LTS-FOG	65D	DRIVER'S REC. DAMPER	95A	ENG. BRAKE & RETARDER SYS.
24D	FR JCT BOX 24V HOT WIRE	44A	EXTERIOR LTS-FOG	66	A/C PASSENGER - ON/OFF	95B	ENG. BRAKE & RETARDER SYS.
24F	RR JCT PANEL 24V DISC SW	44B	EXTERIOR LTS-FOG	67A	A/C & HEAT SYSTEM	97	TACHOMETER SIGN.-NOT USED
24G	RR JCT PANEL 24V DISC SW	44C	EXT. LTS-FOG,HVAC & HAZ. SW	68	DASH & DEFROST DAMPER MOT	101	WORLD TR.- LO SIGN SOL.LO
24I	FR JCT PANEL 24V IGNITION	44D	EXTERIOR LTS - FOG	68A	DASH & DEFROST DAMPER MOT	102	WORLD TR.-SOL.-RET. SUPPLY
24I	RR JCT PANEL 24V IGNITION	44E	EXTERNAL LTS - FOG	72	SUN VISOR - FEED	103	WORLD TRANSM.- B.SOL.LO
24IA	FR JCT PANEL 24V IGNITION	45A	A/C & HEAT SYSTEM FULL AIR	72A	SUN VISOR RH	104	LEVEL-LOW SYS- DR'S SOL.
24IB	FR JCT PANEL 24V IGNITION	45B	A/C & HEAT SYS.-WATER PUMP	72B	SUN VISOR RH	104	WORLD TR. -SOL. FORWARD
24IF	FR JCT PANEL 24V IGNITION	45C	A/C & HEAT SYS.-WATER VALV	72C	SUN VISOR LH	105W	WORLD TR.-SOL.-RET.OIL TT.LT
24P	FR JCT PANEL 24V DISC SW	45D	A/C & HEAT SYS.-WATER VALV	72D	SUN VISOR LH	107	WORLD TR.-LOCKUP SOL. HI
24R	24V RR JCT BLK TO STARTER	45E	A/C & HEAT SYS.-WATER PUMP	76	FUEL TANK GAUGE	108	WORLD TR.-LOCKUP SOL.
24T	RR JCT PANEL 24V DISC SW	45G	A/C & HEAT SYS.-DR'S HTR	76C	LOW FUEL T.T.LT	110	WORLD TR.-LOCKUP SOL. LO
24VD	24V HOT WIRE FEED	45H	A/C & HEAT SYS.- EVAP.FAN	76L	LOW FUEL T.T.LT	112	WORLD TR.-SPM. OUTPUT (+)
25A	TT.LT. MODULE - LED	45J	A/C & HEAT SYS.-WATER PUMP	77A	A/C & HEAT SYS. - THERMOST.	112	WORLD TR.-SPARE OUTPUT (+)
25A1	BOSCH ALTERNATOR - WE ONLY	46	EXTERIOR LTS-MARKER	77B	A/C SYS. - LIQ. SOL. VALVE	113W	WORLD TR.-REVERSE WARNING
25A2	BOSCH ALTERNATOR - WE ONLY	46A	EXTERIOR LTS-AUX LTS RESIS.	77C	A/C & HEAT SYS.-COMPRESSOR	114	WORLD TR.-SPARE OUTPUT (-)
25B	EXT. LTS-DAYTIME RUN LTS	46C	EXTERIOR LTS-MARKER	77H	A/C SYS.-LIQ. SOL. VALVE	114	INTERIOR LT-DASH LT RHEOS.
25D	GENERATOR SKTN. ON - HVAC	46D	EXTERIOR LTS-AUX LTS RESIS.	77H	A/C & HEAT SYS.-THERMOSTAT	114A	INTERIOR LT-DASH LT RHEOS.
25L	GENERATOR SIGNAL TO RLY R88	48A	ENTRANCE DOOR AIR LOCK	81	EXTERIOR LTS-STOP SW	114B	INT. LT-DASH LT RHEOST.FEED
26	DR'S & ENT. WINDOW LIFTER	48B	ENTRANCE DOOR AIR LOCK	82	EXTERIOR LTS-STOP SIGNAL	115	DDEC III-COOLANT LEVEL
26A	CIGAR LIGHT. & POW.OUTLET LH	48C	ENTRANCE DOOR AIR LOCK	82A	EXTERIOR LTS-STOP SIGNAL	115W	WORLD TR.-DO NOT SHIFT SIGN
26B	DRIVER'S WINDOW LIFTER	52	ALARM & SIGNAL-ELEC.HORN	82B	EXTERIOR LTS-STOP LTS	116	WORLD TR.-LO SIGNAL SOL. HI
26C	DRIVER'S WINDOW LIFTER	52A	ALARM & SIGNAL-ELEC.HORN	82L	EXT. LTS-STOP LTS & CYCLOP	116B	A/C & HEAT SYSTEM-DR'S HTR
26D	ENT. DOOR WINDOW LIFTER	53	ALARM & SIGNAL-ELEC.HORN	82R	EXTERIOR LTS-STOP LTS	116C	A/C SYS.-TRIG. DEFROST
26E	ENT. DOOR WINDOW LIFTER	53B	WIPER & WASHER SYSTEM	83	ENG. CTR-MAST. KEY SW ACC.	119	WORLD TRANSM-ENGINE BRAKE
26F	ENT. DOOR WINDOW LIFTER	53C	WIPER & WASHER SYSTEM	84	ENG. CTR-MAST KEY SW START	120	WORLD TRANSM-SOL. CI
28H	T.T.LT MODULE - HI A/C PRES.	53E	WIPER & WASHER SYSTEM	84A	ENG. CTR-MAST KEY SW START	121	WORLD TRANSM-SOL.GRD 2
28T	T.T.LT MODULE - LO A/C PRES.	53J	WIPER & WASHER SYSTEM	84J	ENG. CTR-MAST KEY SW START	123	WORLD TR.-NEUTRAL START
29	A/C & HEAT SYS.-DR'S HTR	53K	KEYLESS SYSTEM	85	24V IGNITION SIGNAL	123A	ALARM & SIGNAL-FIRE DETECT.
29H	HVAC DASH MODILE	55	EXTERIOR LTS-HI BEAM	85A	24V IGN DASH INSTRUMENT.	123B	ALARM & SIGNAL-FIRE DETECT.
31B	WIPER & WASHER SYSTEM	57	EXTERIOR LTS-HI BEAM	85C	24V IGNITION - FEED	124	WORLD TR.-THROTTLE (HI)
31C	WIPER & WASHER SYSTEM	57A	EXTERIOR LTS-HI BEAM	85W	WORLD TRANSM. - 24V IGN.	124A	WORLD TRANSM-SENSOR PWR
32	EXTERIOR LTS-BACK-UP	57B	A/C & HEAT SYS.-WATER PUMP	85X	ABS-12V IGN	125	WORLD TR-RETARDER INDICAT.
32B	EXTERIOR LTS-BACK-UP	57C	A/C & HEAT SYS.-WATER PUMP	85Y	ABS-12V IGN	125W	WORLD TR-RETARDER INDICAT.
32F	BACK-UP CANCEL SW.	57E	A/C & HEAT SYS.-WATER VALV	85Z	ABS-12V IGN	126	WORLD TR.-LUBE PRESS SW.
32G	BACK-UP ALARM	58	EXTERIOR LTS-LO BEAM	86	ENG. CTR-STARTER SOL SIGN	126	24VIGN-LEV.LOW & WORLD TR.
32J	BACK-UP SW. - JUMPER	58A	EXTERIOR LTS-LO BEAM	86A	ENG. CTR-STARTER SOL SIGN	126F	LEVEL LOW SYSTEM
35B	DRIVER'S LTS - KEYLESS SIGN	58B	EXTERIOR LTS-LO BEAM	87B	ENGINE CTR-24V IGNITION	126H	SPEED SIGN 5NC - NOT USED
36	ENGINE BRAKE SYSTEM	59A	ENGINE BRAKE SYSTEM	88	ENGINE CTR-RR START SIGNAL	126W	WORLD TRANSM-NOT USED
36A	ENGINE BRAKE SYSTEM & RET.	61	EXTERIOR LTS-24V FEED SW	89	ENGINE CTR-RR START SIGNAL	127	24HW DR'S LT PREHEAT & HVAC
39	INTERIOR LTS-DRIVER'S LTS	61A	EXTERIOR LTS-HEAD SIGNAL	90	CONVERTER - CABLE SPARG	128	WORLD TRANSM-SOL. C2
39B	INTERIOR LTS-DRIVER'S LTS	63	EXTERIOR LTS-CLEAR. FEED	90A	ENG. CTR-MAST KEY SW FEED	129	WORLD TRANSM-SOL. C5

# CIRCUIT NUMBER CODE

NO.	DESCRIPTION	NO.	DESCRIPTION	NO.	DESCRIPTION	NO.	DESCRIPTION
130	WORLD TRANSM-SOL. GRD 3	144	ABS SYSTEM-SENSOR	170S	LUGG DOOR LOCK-SIGN T.T.LT	286	LUGG DOOR LOCK-ENT. DOOR
130	EVAP. FAN - POWER CABLE	144A	ABS SYSTEM-SENSOR	170T	LUGG DOOR LOCK-SIGN T.T.LT	286A	KEYLESS SYS-CENTER DOOR
130A	EVAP. FAN - POWER CABLE	145	ABS SYSTEM-VALVE	170V	LUGG DOOR LOCK-SIGN T.T.LT	290	FAN CLUTCH RADIATOR-FEED
131	WORLD TRANSM-SOL.C4	146	ABS SYSTEM-VALVE	170W	LUGGAGE DOOR LOCK-FEED	290A	FAN CLUTCH RADIATOR-FEED
132	WORLD TRANSM-ENGINE BRAKE	146A	WORLD TRANSM-12V IGNITION	170X	LUGG DOOR LOCK-SIGN T.T.LT	291	FAN CLUTCH RADIATOR SPD 1
132A	LEVEL LOW SYSTEM	146AA	WORLD TRANSM-DIAGN.CONN.	170Y	LUGGAGE DOOR LOCK-FEED	292	FAN CLUTCH RADIATOR SPD 2
132B	LEVEL LOW SYSTEM	147	WORLD TRANSM-OIL TEMP	170Z	LUGGAGE DOOR LOCK	292A	FAN CLUTCH RADIATOR SPD 2
132C	LEVEL LOW SYSTEM	147	ABS SYSTEM-VALVE	171	WORLD TRANSM-SHIFTER	294	KEYLESS SYSTEM-ANTI-THEFT
132D	LEVEL LOW SYSTEM	147A	ETHER COLD START	172	WORLD TRANSM-SHIFTER	295	KEYLESS SYS-LED INDICATOR
132E	LEVEL LOW SYSTEM	147A	DAYTIME LST-ALT.SIGNAL	173	WORLD TRANSM-SHIFTER	417	DDEC-LIMIT SPEED GOVERNOR
132F	LEVEL LOW SYSTEM	147C	ETHER COLD START	174	WORLD TRANSM-SHIFTER	419	DDEC -CHEK ENGINE LIGHT
135	WORLD TRANSM-RET.TEMP.	148	ABS SYSTEM-VALVE	175A	WORLD TRANSM-SHIFTER	439	DDEC-12V IGNITION
135A	WORLD TR.-RES MODULE RET.	148	WORLD TR.-OUTPUT SPEED LO	176	WORLD TRANSM-SHIFTER	451	DDEC-A/C FAN CLUTCH
135B	A/C & HEAT SYS.-AIR SENSOR	149	WORLD TR.-TURBINE SPEED HI	180	WORLD TRANSM-SHIFTER	505	DDEC-TACHOMETER DRIVE
135C	A/C & HEAT SYS.-AIR SENSOR	149	ABS SYSTEM-SENSOR	180	OUTSIDE TEMP. DISPLAY	509	DDEC-STOP ENGINE LIGHT
136A	WORLD TRANSM-12V BATTERY	149A	ABS SYSTEM	180A	OUTSIDE TEMP. DISPLAY	510	DDEC-FAST IDLE SIGNAL
136AA	WORLD TRANSM-SHIFTER PWR	150	WORLD TR.-ENGINE SPEED LO	180A	WORLD TRANSM-SHIFTER	524	DDEC-ENGINE BRAKEDISABLE
136V	WORLD TRANSM-12V BATTERY	150	DDEC III-ECM BATTERY GRD	180B	OUTSIDE TEMP. DISPLAY	525	DDEC-FAST IDLE SIGNAL
136W	WORLD TRANSM-12V BATTERY	150A	DDEC III-ECM BATTERY GRD	180C	OUTSIDE TEMP. DISPLAY	528	DDEC-STOP ENG. OVERRIDE
137	WORLD TRANSM-RETARDER	151	DDEC III-ECM BATTERY GRD	181	FROZEN POINT T.T.LT	531	DDEC-CRUISE CLUTCH CUT OUT
137	RR VIEW MIRROR	151	ABS SYSTEM-SPARE	181A	THERMOMETER INSIDE SENSOR	540	DDEC-CRUISE ENABLE T.T.LT
137A	RR VIEW MIRROR	152	ABS SYSTEM-SPARE	181B	THERMOMETER INSIDE SENSOR	541	DDEC-CRUISE SET SW
137B	RR VIEW MIRROR	153	ELECTRICAL DRIVER'S SEAT	181C	THERMOMET. OUTSIDE SENSOR	542	INPUT PARK BRAKE INTERLOCK
137C	RR VIEW MIRROR	154	WORLD TRANSM-ABS INPUT (-)	181D	THERMOMET. OUTSIDE SENSOR	543	DDEC-CRUISE STOP SW CUT IN
137D	RR VIEW MIRROR	156A	ABS SYSTEM-FEED	195	WORLD TRANSM-TRANS ID	544	DDEC-CRUISE ON/OFF SW
137D	RR VIEW MIRROR	157B	ABS SYSTEM	197	FUEL WATER FILTER	545	DDEC-CRUISE RESUME SW
137E	RR VIEW MIRROR	159	WORLD TRANSM-DIAGNOSTIC	197A	FUEL WATER FILTER	555	DDEC-FAN CLUTCH SPEED#1
137F	RR VIEW MIRROR	160	ALARM & SIGN.-TAG PRESS SW	201	WORLD TRANSM-SPARE	556	DDEC-VEHICLE SPEED (+)
137H	RR VIEW MIRROR	161B	WORLD TRANSM-SIGNALGRD	202	WORLD TRANSM-SPARE	557	DDEC-VEHICLE SPEED (-)
137J	RR VIEW MIRROR	162	WORLD TRANSM-PRESS. SW C3	203	WORLD TRANSM-SPARE	563	DDEC-FAN CLUTCH SPEED#2
137K	RR VIEW MIRROR	163	WORLD TR.-RETARDER ENABLE	204	WORLD TRANSM-SPARE	564	DDEC-DIGTAL OUTPUT
137L	RR VIEW MIRROR	164	WORLD TR.-RET. ACTUAT. SIGN	214	WORLD TR.-BACK-UP SIGNAL	565	DDEC-ENGINE BRAKE ACTIVE
137M	RR VIEW MIRROR FEED	165	WORLD TR.-OIL LEVEL SIGNAL	231	WORLD TR.-NEUTRAL SIGN GRD	583	DDEC-ENGINE BRAKE 4 CYL.
137R	WORLD TRANSM-RETARDER	167	WORLD TR.-SPEED 5N0, 5NC	240	DDEC III-ECM 12V FEEDING	900	DDEC-DATA LINK (+)
137T	MIRROR HEAT SW-JUMPER	169	WORLD TRANSM-INPUT 12	241	DDEC III-ECM 12V FEEDING	901	DDEC-DATA LINK (-)
138	WORLD TR.-RETARDER TEMP	170	WORLD TRANSM-SHIFTER	260	WINDOW AJAR-T.T.LT	908	DDEC-HYDRAU. PWM#1 OUTPUT
138	ABS SYSTEM-SENSOR	170C	LUGGAGE DOOR LOCK-T.T.LT	270	KEYLESS MODULE-FEED	916	DDEC-SENSOR SUPPLY (5VDC)
138A	ABS SYSTEM-SENSOR	170D	LUGGAGE DOOR LOCK-FEED	270A	ENTRANCE DOOR AIR LOCK	952	DDEC-SENSOR RETURN #1
139	ABS SYSTEM-VALVE	170E	LUG. DOOR LOCK-UNLOCK SIGN	272	KEYLESS SYSTEM-KEYBOARD	953	DDEC-SENSOR RETURN #2
139	WORLD TR.-OUTPUT SPEED HI	170F	LUGGAGE DOOR LOCK-FEED	274	KEYLESS SYSTEM-KEYBOARD	979	DDEC-ENGINE BRAKE 2 CYL.
140	WORLD TR.-OUTPUT SPEED LO	170G	LUGGAGE DOOR LOCK-FEED	276	KEYLESS SYSTEM-KEYBOARD	2123	FLASHER SIGNAL LTS
140	ABS SYSTEM-VALVE	170H	LUGGAGE DOOR-LOCK SIGN	277	KEYLESS SYS-DR'V LTS SIGN		
141	ABS SYSTEM-VALVE	170K	LUGGAGE DOOR-LOCK SIGN	278	KEYLESS SYSTEM-KEYBOARD		
141	WORLD TR.-ENGINE SPEED HI	170LA	LUGG DOOR LOCK-T.T.LT WE	280	KEYLESS SYSTEM-KEYBOARD		
142	ABS SYSTEM-VALVE	170LB	LUGG DOOR LOCK-T.T.LT WE	283	KEYLESS SYSTEM-ANTI-THEFT		
143	ABS SYSTEM-SENSOR	170L	LUGG DOOR LOCK-SIGN T.T.LT	283A	KEYLESS SYS-ENT. DOOR SIGN		
143A	ABS SYSTEM-SENSOR	170M	LUGG DOOR LOCK-SIGN T.T.LT	284A	KEYLESS SYSTEM		
143A	WORLD TRANS-BATERY GRD	170N	LUGG DOOR LOCK-SIGN T.T.LT	285	KEY. SYS-UNLOCK ENT. DOOR		
143W	WORLD TRANSM-BATTERY GRD	170P	LUGG DOOR LOCK-SIGN T.T.LT	285B	KEYLESS SYSTEM		
143X	WORLD TRANSM-BATTERY GRD	170R	LUGG DOOR LOCK-ENTR. DOOR	285C	KEYLESS SYSTEM		

# CIRCUIT NUMBER CODE

NO. DESCRIPTION

NO. DESCRIPTION

NO. DESCRIPTION

NO. DESCRIPTION

# CIRCUIT NUMBER CODE

NO.	DESCRIPTION	NO.	DESCRIPTION	NO.	DESCRIPTION	NO.	DESCRIPTION
IPJ1	CLUSTER - BULB TEST POS	SP62	SPARE WIRE	OP1	A/C COMPRESSOR GRD	12C	RR JCT BOX 12V DISC SW
IPJ2	CLUSTER - BULB TEST NEG.	SP63	SPARE WIRE	0T	SPEED SW. CONNECTOR	12D	FR JCT PANEL 12V HOT WIRE
IPJ3	CLUSTER - SV SIGNAL	SP69	SPARE WIRE	0T1	DASH ACC.	12DD	FR JCT PANEL 12V HOT WIRE
IPJ4	CLUSTER - RETURN TO ZERO	SP70	SPARE WIRE	0T2	CLUSTER ACC.	12DDR	RR JCT BOX 12V HOT WIRE DDR CON
IPJ5	CLUSTER - FUEL LEVEL GAUGE	SP71	SPARE WIRE	0T2	WINDOW AWNING	12DT	T.T. LT MODULE
IPJ6	CLUSTER - BULB TEST POS.	SP72	SPARE WIRE	0T3	ALTERNATOR MODULE	12E	RR JCT BOX 12V DISC SW
IPJ7	CLUSTER - BULB TEST NEG.	SP74	SPARE WIRE	0T4	12V OUTLET - CTR MODULE	12F	FR JCT PANEL 12V DISC SW
IPJ8	CLUSTER - MASTER WARNING	SP83	SPARE WIRE	0T5	FS-HVAC DASH MODULE. GND	12G	FR JCT PANEL 12V DISC SW
LX5	CLUSTER - COMPUTER MODE	SP84	SPARE WIRE	0T6	FS-DDR GROUND	12H	12V DASH ACCESS.
LX6	CLUSTER - COMPUTER DOWN	SP114	SPARE WIRE	0W	FJB - TRANSM. RLY GRD	12I	RR JCT BOX 12V IGNITION
LX7	CLUSTER - COMPUTER SET	SP115	SPARE WIRE	0W	TRANSM ACC. - FR.SERV. CPT	12I	FR JCT PANEL 12V IGNITION
LX16	CLUSTER - COMPUTER UP	SP116	SPARE WIRE	0Y1	ASB SYSTEM-GRD	12IA	FR JCT PANEL 12V IGNITION
LX21	CLUSTER - COMPUTER COM.	SP117	SPARE WIRE	0Y2	ASB SYSTEM-GRD	12IA	RR JCT PANEL 12V IGNITION
RT	T.T.L.T. MODULE - TEST SW.	TW1	SPR. W. TWISTER 50T/M WITH TW2	0Y3	ASB SYSTEM-GRD	12IE	ABS-FR JCT PANEL 12V IGN.
SP1	SPARE WIRE	TW2	SPR. W. TWISTER 50T/M WITH TW1	0Y4	ASB SYSTEM-GRD	12IF	FR JCT PANEL 12V IGNITION
SP2	SPARE WIRE	0	A/C EVAP.CPT - CPT GRD	0Y5	ASB SYSTEM-GRD	12J	FR JCT PANEL 12V DISC.SW.
SP3	SPARE WIRE	0	JUMPER - CLUTCH SIGN.	0Y6	ASB SYSTEM-GRD	12JA	FR JCT PANEL 12V DISC.SW.
SP4	SPARE WIRE	0	RJB - INSIDE GRD	00A	BATTERY GRD-DASH ACC.	12K	FR JCT PANEL 12V DISC.SW.
SP5	SPARE WIRE	0A	FR. ROOF ACC. GRD	2A	A/C & HEAT SYSTEM	12LX	12V HOTWIRE CLUST.& MOD A/C
SP6	SPARE WIRE	0A	W0,W5 EVAP. MOTOR FAN GRD	2B	A/C & HEAT SYSTEM	12LX	CLUSTER 12V HOT WIRE
SP7	SPARE WIRE	0AW	AWNING WINDOWS	2D	A/C & HEAT SYSTEM	12M	ABS-FR JCT PANEL 12V DISC.SW.
SP8	SPARE WIRE	0B	A/C - CONDENSER GRD	2E	A/C & HEAT SYSTEM	12P	12V POWER OUTLET
SP9	SPARE WIRE	0B	ENG. CPT ACC. GRD	2F	A/C & HEAT SYSTEM - EVAP. FAN	12T	RR JCT BOX 12V DISC SW
SP10	SPARE WIRE	0BE	OV BATTERY MONITOR	2H	A/C & HEAT SYS-LO-PRESS SW.	12VD	12V HOT WIRE
SP11	SPARE WIRE	0C	R.J.B. - GRB	2L	A/C & HEAT SYS-HI-PRESS SW.	12VI	RR JCT PANEL 12V IGNITION
SP12	SPARE WIRE	0C	F.R. SERV. CPT-ACCESSOIRIES	3A	A/C & HEAT SYSTEM-EVAPORATOR	12W	12V HOT WIRE DDEC III FEED
SP13	SPARE WIRE	0C1	ENTRANCE DOOR KEYLESS	5N0	SPEED SIGNAL HIGHER 5MPH	15	EXT. LTS-MULTI FUNC LEVEL
SP14	SPARE WIRE	0C4	F.J.B. GRD	5NC	SPEED SIGNAL LOWER 5MPH	15	WIPER & WASHER SYSTEM
SP15	SPARE WIRE	0CJ	CRUISE SW. JUMPER	6	EXTERIOR LTS-DOCKING	16	SPEEDOMETER (+)
SP16	SPARE WIRE	0D	A/C JCT BOX - COND FAN GRD	6A	EXTERIOR LTS-CORNERING	16T	SPEED SW SIGNAL IN (+)
SP17	SPARE WIRE	0E	WE EVAP. MOTOR FAN GRD	6B1	EXTERIOR LTS-CORNERING RH	17	EXTERIOR LTS-FLASHER UNIT
SP18	SPARE WIRE	0F	SILENT 1000	6C1	EXTERIOR LTS-CORNERING RH	17A	EXTERIOR LTS-FLASHER UNIT
SP19	SPARE WIRE	0G	ABS GRD CX1	6D	EXTERIOR LTS-DOCKING	17C	JUMPER LTS SW. - HAZARD
SP21	SPARE WIRE	0H	ENG. CPT. - ACC. GRD	9	INTERIOR LTS-ENGINE CPT	18	UPPER FAN DEFROST
SP23	SPARE WIRE	0L	ENG.CPT -CLEAR.LTS RR ROOF	9	INTERIOR LTS-RR JCT BOX	19	UPPER FAN DEFROST
SP24	SPARE WIRE	0L	R.J.B. - GRD	9F	INTERIOR LTS - FR-SERV. CPT	20	SPEEDOMETER SIGNAL (-)
SP25	SPARE WIRE	0L	FR - SIDE MARK. & FLASH GRD	10	A/C & HEAT SYSTEM -LO PRES.	20T	SPEED SW SIGNAL IN (-)
SP30	SPARE WIRE	0L1	ENG.CPT-SIDE MARK. & FL. GRD	10	INTERIOR LTS-LUGGAGE CPT	21	EXTERIOR LTS-DIRECT. LH
SP33	SPARE WIRE	0L2	HEAD LTS	10	INTERIOR LTS-FR SERV. CPT	21A	EXTERIOR LTS-LH
SP38	SPARE WIRE	0L3	FR.SERV.DR. & ENT.DOOR GRD ACC.	10A	INTERIOR LTS-LUGGAGE CPT	21A	EXTERIOR LTS-CORNERING-LH
SP40	SPARE WIRE	0L4	FOG LTS RESISTOR GRD	10B	INTERIOR LTS-LUGGAGE CPT	21B	EXTERIOR LTS-DIRECT. LH
SP41	SPARE WIRE	0L5	LH CONSOL - ACC. GRD	10C	INTERIOR LTS-LUGGAGE CPT	21BB	EXTERIOR LTS-DIRECT. LH
SP42	SPARE WIRE	0LV	WINDSHIELD WASHER LEVEL	10D	INTERIOR LTS-LUGGAGE CPT	21H	EXTERIOR LTS-HAZARD SIGNAL
SP43	SPARE WIRE	0M	WIPER 2 MIRROR MOTOR	10E	INTERIOR LTS-LUGGAGE CPT	21M	AUX. LTS - DIRECTIONAL LH
SP45	SPARE WIRE	0M3	DEFROST GRD	10R	CENTER DOOR T.T.L.T.	21P	CORN. LTS - DIRECT. SIGN. LH
SP48	SPARE WIRE	0M4	HORN & DR'S WINDOW LIFTER	12A	FR JCT PANEL 12V DISC SW	23	EXTERIOR LTS-DIRECT. RH
SP56	SPARE WIRE	0M5	SUN VISOR MOTOR	12B	FR JCT PANEL 12V DISC SW	23A	EXTERIOR LTS-DIRECT. RH
SP57	SPARE WIRE	0M6	UPPER FAN DEFROST	12BAT	12V HOT-WIRE ACC - JCT BLK	23A	EXTERIOR LTS - CORNER. LTS
SP60	SPARE WIRE	0M7	DR'S WIND.LIFT. & RH MIR. SW	12BE	12V BATTERY MONITOR	23BB	EXTERIOR LTS - DIRECT. RH
SP61	SPARE WIRE	0M7A	LH MIRROR SW.	12C	FR JCT PANEL 12V DISC SW	23C	EXTERIOR LTS-CORNERING RH

# CIRCUIT NUMBER CODE

NO.	DESCRIPTION	NO.	DESCRIPTION	NO.	DESCRIPTION	NO.	DESCRIPTION
23H	EXTERIOR LTS-HAZARD SIGNAL	39B	INTERIOR LTS-DRIVER'S LTS	59A	ENGINE BRAKE SYSTEM	90	CONVERTER - CABLE SPARG
23M	AUX LTS - DIRECTIONAL RH	39C	INTERIOR LTS-DRIVER'S LTS	61	EXTERIOR LTS-24V FEED SW	90A	ENG. CTR-MAST KEY SW FEED
23P	CORN. LTS - DIRECT SIGN RH	39D	INTERIOR LTS - FRIVER' LTS	61A	EXTERIOR LTS-HEAD SIGNAL	90B	A/C & H. SYS.-COND FAN MOT
24	FR JCT PANEL 24V DISC. SW.	39K	DR'S LTS - KEYLESS SIGN.	63	EXTERIOR LTS-CLEAR. FEED	90B	ENG. CTR-MAST KEY SW FEED
24A	RR JCT PANEL 24V DISC. SW	41	A/C SYS.-COND FAN MOTOR	63B	EXTERIOR LTS-CLEARANCE	91	PARKING BRAKE SW SIGNAL
24A	FR JCT PANEL 24V DISC. SW	41A	A/C SYS.-COND FAN MOTOR	63C	EXT. LTS-MARKER SIGNAL	91A	DDEC III-FAST IDLE SIGNAL
24AW	AWNING WINDOWS	41B	A/C SYS.-COND FAN MOTOR	63F	EXT. LTS-MARKER BLINKER	91C	PARKING BRAKE - T.T.LT
24BE	BATTERY MONITOR	42A	A/C SYS.-COND FAN MOTOR	64	DRIVER'S FAN SPEED CTR	91J	FAST IDLE - JUMPER SW.
24C	FR JCT PANEL 24V DISC SW	43	A/C & HEAT SYS. - FAN SPEED	65	FOOT DAMPER MOTOR	92	BATT. EQUAL.-CHECK BALANCE
24D	FR JCT BOX 24V HOT WIRE	44	EXTERIOR LTS-FOG	65A	FOOT DAMPER MOTOR	93	BATT. EQUALIZ.-CHECK LO/HI
24F	RR JCT PANEL 24V DISC SW	44A	EXTERIOR LTS-FOG	65D	DRIVER'S REC. DAMPER	95A	ENG. BRAKE & RETARDER SYS.
24G	RR JCT PANEL 24V DISC SW	44B	EXTERIOR LTS-FOG	66	A/C PASSENGER - ON/OFF	95B	ENG. BRAKE & RETARDER SYS.
24I	FR JCT PANEL 24V IGNITION	44C	EXT. LTS-FOG,HVAC & HAZ. SW	67A	A/C & HEAT SYSTEM	97	TACHOMETER SIGN.-NOT USED
24I	RR JCT PANEL 24V IGNITION	44D	EXTERIOR LTS - FOG	68	DASH & DEFROST DAMPER MOT	98A	TRAIL PARK BRAKE PRESS SW
24IA	FR JCT PANEL 24V IGNITION	44E	EXTERNAL LTS - FOG	68A	DASH & DEFROST DAMPER MOT	98B	TRAIL BRAKE PRESS SW
24IB	FR JCT PANEL 24V IGNITION	45A	A/C & HEAT SYSTEM FULL AIR	72	SUN VISOR - FEED	101	WORLD TR.- LO SIGN SOL.LO
24IF	FR JCT PANEL 24V IGNITION	45B	A/C & HEAT SYS.-WATER PUMP	72A	SUN VISOR RH	102	WORLD TRANSM.-SOL. SUPPLY
24P	FR JCT PANEL 24V DISC SW	45C	A/C & HEAT SYS.-WATER VALV	72B	SUN VISOR RH	103	WORLD TRANSM.- B.SOL.LO
24R	24V RR JCT BLK TO STARTER	45D	A/C & HEAT SYS.-WATER VALV	72C	SUN VISOR LH	104	LEVEL-LOW SYS- DR'S SOL.
24T	RR JCT PANEL 24V DISC SW	45E	A/C & HEAT SYS.-WATER PUMP	72D	SUN VISOR LH	104	WORLD TR. -SOL. FORWARD
24VD	24V HOT WIRE FEED	45G	A/C & HEAT SYS.-DR'S HTR	76	FUEL TANK GAUGE	105W	WORLD TR.-SOL.-RET.OIL TT.LT
25A	TT.LT. MODULE - LED	45H	A/C & HEAT SYS.- EVAP.FAN	76C	LOW FUEL T.T.LT	107	WORLD TR.-LOCKUP SOL. HI
25A1	BOSCH ALTERNATOR - WE ONLY	45J	A/C & HEAT SYS.-WATER PUMP	76L	LOW FUEL T.T.LT	108	WORLD TR.-LOCKUP SOL.
25A2	BOSCH ALTERNATOR - WE ONLY	46	EXTERIOR LTS-MARKER	77A	A/C & HEAT SYS. - THERMOST.	110	WORLD TR.-LOCKUP SOL. LO
25B	EXT. LTS-DAYTIME RUN LTS	46A	EXTERIOR LTS-AUX LTS RESIS.	77B	A/C SYS. - LIQ. SOL. VALVE	112	WORLD TR.-SPARE OUTPUT (+)
25D	GENERATOR SKTN. ON - HVAC	46C	EXTERIOR LTS-MARKER	77C	A/C & HEAT SYS.-COMPRESSOR	112	WORLD TR.-SPARE OUTPUT (+)
25L	GENERATOR SIGNAL TO RLY R88	46D	EXTERIOR LTS-AUX LTS RESIS.	77H	A/C SYS.-LIQ. SOL. VALVE	113W	WORLD TR.-REVERSE WARNING
26	DR'S & ENT. WINDOW LIFTER	48A	ENTRANCE DOOR AIR LOCK	77H	A/C & HEAT SYS.-THEMOSTAT	114	WORLD TR.-SPARE OUTPUT (-)
26A	CIGAR LIGHT. & POW.OUTLET LH	48B	ENTRANCE DOOR AIR LOCK	81	EXTERIOR LTS-STOP SW	114	INTERIOR LT-DASH LT RHEOS.
26B	DRIVER'S WINDOW LIFTER	48C	ENTRANCE DOOR AIR LOCK	82	EXTERIOR LTS-STOP SIGNAL	114A	INTERIOR LT-DASH LT RHEOS.
26C	DRIVER'S WINDOW LIFTER	52	ALARM & SIGNAL-ELEC.HORN	82A	EXTERIOR LTS-STOP SIGNAL	114B	INT. LT-DASH LT RHEOST.FEED
26D	ENT. DOOR WINDOW LIFTER	52A	ALARM & SIGNAL-ELEC.HORN	82B	EXTERIOR LTS-STOP LTS	115	DDEC III-COOLANT LEVEL
26E	ENT. DOOR WINDOW LIFTER	53	ALARM & SIGNAL-ELEC.HORN	82L	EXT. LTS-STOP LTS & CYCLOP	115W	WORLD TR.-DO NOT SHIFT SIGN
26F	ENT. DOOR WINDOW LIFTER	53B	WIPER & WASHER SYSTEM	82R	EXTERIOR LTS-STOP LTS	116	WORLD TR.-LO SIGNAL SOL. HI
28H	T.T.LT MODULE - HI A/C PRES.	53C	WIPER & WASHER SYSTEM	83	ENG. CTR-MAST. KEY SW ACC.	116B	A/C & HEAT SYSTEM-DR'S HTR
28T	T.T.LT MODULE - LO A/C PRES.	53E	WIPER & WASHER SYSTEM	84	ENG. CTR-MAST KEY SW START	116C	A/C SYS.-TRIG. DEFROST
29	A/C & HEAT SYS.-DR'S HTR	53J	WIPER & WASHER SYSTEM	84A	ENG. CTR-MAST KEY SW START	119	WORLD TRANSM-ENGINE BRAKE
29H	HVAC DASH MODILE	53K	KEYLESS SYSTEM	84J	ENG. CTR-MAST KEY SW START	120	WORLD TRANSM-SOL. CI
29X	A/C & HEAT SYS.-DR'S HTR	55	EXTERIOR LTS-HI BEAM	85	24V IGNITION SIGNAL	121	WORLD TRANSM-SOL.GRD 2
31B	WIPER & WASHER SYSTEM	57	EXTERIOR LTS-HI BEAM	85A	24V IGN DASH INSTRUMENT.	123	WORLD TR.-NEUTRAL START
31C	WIPER & WASHER SYSTEM	57A	EXTERIOR LTS-HI BEAM	85C	24V IGNITION - FEED	123A	ALARM & SIGNAL-FIRE DETECT.
32	EXTERIOR LTS-BACK-UP	57B	A/C & HEAT SYS.-WATER PUMP	85W	WORLD TRANSM. - 24V IGN.	123B	ALARM & SIGNAL-FIRE DETECT.
32B	EXTERIOR LTS-BACK-UP	57C	A/C & HEAT SYS.-WATER PUMP	85X	ABS-12V IGN	124	WORLD TR.-THROTTLE (HI)
32F	BACK-UP CANCEL SW.	57E	A/C & HEAT SYS.-WATER VALV	85Y	ABS-12V IGN	124A	WORLD TRANSM-SENSOR PWR
32G	BACK-UP ALARM	57F	A/C & HEATSYS-PASS REC DAMPER	85Z	ABS-12V IGN	125	WORLD TR-RETARDER INDICAT.
32J	BACK-UP SW. - JUMPER	58	EXTERIOR LTS-SEAL BEAM	86	ENG. CTR-STARTER SOL SIGN	125W	WORLD TR-RETARDER INDICAT.
35B	DRIVER'S LTS - KEYLESS SIGN	58A	EXTERIOR LTS-SEAL BEAM	86A	ENG. CTR-STARTER SOL SIGN	126	WORLD TR.-LUBE PRESS SW.
36	ENGINE BRAKE SYSTEM	58B	EXTERIOR LTS-SEAL BEAM	87B	ENGINE CTR-24V IGNITION	126	24VIGN-LEV.LOW & WORLD TR.
36A	ENGINE BRAKE SYSTEM & RET.	58RH	EXTERIOR LTS-LO BEAM	88	ENGINE CTR-RR START SIGNAL	126F	LEVEL LOW SYSTEM
39	INTERIOR LTS-DRIVER'S LTS	58LH	EXTERIOR LTS-LO BEAM	89	ENGINE CTR-RR START SIGNAL	126H	SPEED SIGN 5NC - NOT USED

# CIRCUIT NUMBER CODE

NO.	DESCRIPTION	NO.	DESCRIPTION	NO.	DESCRIPTION	NO.	DESCRIPTION
126W	WORLD TRANSM-NOT USED	143A	ABS SYSTEM-SENSOR	170M	LUGG DOOR LOCK-SIGN T.T.LT	280	KEYLESS SYSTEM-KEYBOARD
127	24HW DR'S LT PREHEAT & HVAC	143A	WORLD TRANS-BATTERY GRD	170N	LUGG DOOR LOCK-SIGN T.T.LT	283	KEYLESS SYSTEM-ANTI-THEFT
128	WORLD TRANSM-SOL. C2	143W	WORLD TRANSM-BATTERY GRD	170P	LUGG DOOR LOCK-SIGN T.T.LT	283A	KEYLESS SYS-ENT. DOOR SIGN
129	WORLD TRANSM-SOL. C5	143X	WORLD TRANSM-BATTERY GRD	170R	LUGG DOOR LOCK-ENTR. DOOR	284A	KEYLESS SYSTEM
130	WORLD TRANSM-SOL. GRD 3	144	ABS SYSTEM-SENSOR	170S	LUGG DOOR LOCK-SIGN T.T.LT	285	KEY. SYS-UNLOCK ENT. DOOR
130	EVAP. FAN - POWER CABLE	144A	ABS SYSTEM-SENSOR	170T	LUGG DOOR LOCK-SIGN T.T.LT	285B	KEYLESS SYSTEM
130A	EVAP. FAN - POWER CABLE	145	ABS SYSTEM-VALVE	170V	LUGG DOOR LOCK-SIGN T.T.LT	285C	KEYLESS SYSTEM
131	WORLD TRANSM-SOL.C4	146	ABS SYSTEM-VALVE	170W	LUGGAGE DOOR LOCK-FEED	286	LUGG DOOR LOCK-ENT. DOOR
132	WORLD TRANSM-ENGINE BRAKE	146A	WORLD TRANSM-12V IGNITION	170X	LUGG DOOR LOCK-SIGN T.T.LT	286A	KEYLESS SYS-CENTER DOOR
132A	LEVEL LOW SYSTEM	146AA	WORLD TRANSM-DIAGN.CONN.	170Y	LUGGAGE DOOR LOCK-FEED	290	FAN CLUTCH RADIATOR-FEED
132B	LEVEL LOW SYSTEM	147	WORLD TRANSM-OIL TEMP	170Z	LUGGAGE DOOR LOCK	290A	FAN CLUTCH RADIATOR-FEED
132C	LEVEL LOW SYSTEM	147	ABS SYSTEM-VALVE	171	WORLD TRANSM-SHIFTER	291	FAN CLUTCH RADIATOR SPD 1
132D	LEVEL LOW SYSTEM	147A	ETHER COLD START	172	WORLD TRANSM-SHIFTER	292	FAN CLUTCH RADIATOR SPD 2
132E	LEVEL LOW SYSTEM	147A	DAYTIME LST-ALT.SIGNAL	173	WORLD TRANSM-SHIFTER	292A	FAN CLUTCH RADIATOR SPD 2
132F	LEVEL LOW SYSTEM	147C	ETHER COLD START	174	WORLD TRANSM-SHIFTER	294	KEYLESS SYSTEM-ANTI-THEFT
135	WORLD TRANSM-RET.TEMP.	148	ABS SYSTEM-VALVE	175A	WORLD TRANSM-SHIFTER	295	KEYLESS SYS-LED INDICATOR
135A	WORLD TR.-RES MODULE RET.	148	WORLD TR.-OUTPUT SPEED LO	176	WORLD TRANSM-SHIFTER	417	DDEC-LIMIT SPEED GOVERNOR
135B	A/C & HEAT SYS.-AIR SENSOR	149	WORLD TR.-TURBINE SPEED HI	180	WORLD TRANSM-SHIFTER	419	DDEC -CHEK ENGINE LIGHT
135C	A/C & HEAT SYS.-AIR SENSOR	149	ABS SYSTEM-SENSOR	180	OUTSIDE TEMP. DISPLAY	439	DDEC-12V IGNITION
136A	WORLD TRANSM-12V BATTERY	149A	ABS SYSTEM	180A	OUTSIDE TEMP. DISPLAY	451	DDEC-A/C FAN CLUTCH
136AA	WORLD TRANSM-SHIFTER PWR	150	WORLD TR.-ENGINE SPEED LO	180A	WORLD TRANSM-SHIFTER	505	DDEC-TACHOMETER DRIVE
136V	WORLD TRANSM-12V BATTERY	150	DDEC III-ECM BATTERY GRD	180B	OUTSIDE TEMP. DISPLAY	509	DDEC-STOP ENGINE LIGHT
136W	WORLD TRANSM-12V BATTERY	150A	DDEC III-ECM BATTERY GRD	180C	OUTSIDE TEMP. DISPLAY	510	DDEC-FAST IDLE SIGNAL
137	WORLD TRANSM-RETARDER	151	DDEC III-ECM BATTERY GRD	181	FROZEN POINT T.T.LT	524	DDEC-ENGINE BRAKEDISABLE
137	RR VIEW MIRROR	151	ABS SYSTEM-SPARE	181A	THERMOMETER INSIDE SENSOR	525	DDEC-FAST IDLE SIGNAL
137A	RR VIEW MIRROR	152	ABS SYSTEM-SPARE	181B	THERMOMETER INSIDE SENSOR	528	DDEC-STOP ENG. OVERRIDE
137B	RR VIEW MIRROR	153	ELECTRICAL DRIVER'S SEAT	181C	THERMOMET. OUTSIDE SENSOR	531	DDEC-CRUISE CLUTCH CUT OUT
137C	RR VIEW MIRROR	154	WORLD TRANSM-ABS INPUT (-)	181D	THERMOMET. OUTSIDE SENSOR	540	DDEC-CRUISE ENABLE T.T.LT
137D	RR VIEW MIRROR	156A	ABS SYSTEM-FEED	195	WORLD TRANSM-TRANS ID	541	DDEC-CRUISE SET SW
137D	RR VIEW MIRROR	157B	ABS SYSTEM	197	FUEL WATER FILTER	542	INPUT PARK BRAKE INTERLOCK
137E	RR VIEW MIRROR	159	WORLD TRANSM-DIAGNOSTIC	197A	FUEL WATER FILTER	543	DDEC-CRUISE STOP SW CUT IN
137F	RR VIEW MIRROR	160	ALARM & SIGN.-TAG PRESS SW	200S	POER SW. HEAD LAMP WASHER	544	DDEC-CRUISE ON/OFF SW
137H	RR VIEW MIRROR	161B	WORLD TRANSM-SIGNALGRD	201	WORLD TRANSM-SPARE	545	DDEC-CRUISE RESUME SW
137J	RR VIEW MIRROR	162	WORLD TRANSM-PRESS. SW C3	201S	SIGNAL SW. HEAD LAMP WASHER	555	DDEC-FAN CLUTCH SPEED#1
137K	RR VIEW MIRROR	163	WORLD TR.-RETARDER ENABLE	202	WORLD TRANSM-SPARE	556	DDEC-VEHICULE SPEED (+)
137L	RR VIEW MIRROR	164	WORLD TR.-RET. ACTUAT. SIGN	202S	HEAD LAMP WASHER PUMP	557	DDEC-VEHICULE SPEED (-)
137M	RR VIEW MIRROR FEED	165	WORLD TR.-OIL LEVEL SIGNAL	203	WORLD TRANSM-SPARE	563	DDEC-FAN CLUTCH SPEED#2
137R	WORLD TRANSM-RETARDER	167	WORLD TR.-SPEED 5N0, 5NC	204	WORLD TRANSM-SPARE	564	DDEC-DIGTAL OUTPUT
137T	MIRROR HEAT SW-JUMPER	169	WORLD TRANSM-INPUT 12	214	WORLD TR.-BACK-UP SIGNAL	565	DDEC-ENGINE BRAKE ACTIVE
138	WORLD TR.-RETARDER TEMP	170	WORLD TRANSM-SHIFTER	231	WORLD TR.-NEUTRAL SIGN GRD	583	DDEC-ENGINE BRAKE 4 CYCL.
138	ABS SYSTEM-SENSOR	170C	LUGGAGE DOOR LOCK-T.T.LT	240	DDEC III-ECM 12V FEEDING	900	DDEC-DATA LINK (+)
138A	ABS SYSTEM-SENSOR	170D	LUGGAGE DOOR LOCK-FEED	241	DDEC III-ECM 12V FEEDING	901	DDEC-DATA LINK (-)
139	ABS SYSTEM-VALVE	170E	LUG. DOOR LOCK-UNLOCK SIGN	260	WINDOW AJAR-T.T.LT	908	DDEC-HYDRAU. PWM#1 OUTPUT
139	WORLD TR.-OUTPUT SPEED HI	170F	LUGGAGE DOOR LOCK-FEED	270	KEYLESS MODULE-FEED	916	DDEC-SENSOR SUPPLY (5VDC)
140	WORLD TR.-OUTPUT SPEED LO	170G	LUGGAGE DOOR LOCK-FEED	270A	ENTRANCE DOOR AIR LOCK	952	DDEC-SENSOR RETURN #1
140	ABS SYSTEM-VALVE	170H	LUGGAGE DOOR-LOCK SIGN	272	KEYLESS SYSTEM-KEYBOARD	953	DDEC-SENSOR RETURN #2
141	ABS SYSTEM-VALVE	170K	LUGGAGE DOOR-LOCK SIGN	274	KEYLESS SYSTEM-KEYBOARD	979	DDEC-ENGINE BRAKE 2 CYCL.
141	WORLD TR.-ENGINE SPEED HI	170LA	LUGG DOOR LOCK-T.T.LT WE	276	KEYLESS SYSTEM-KEYBOARD	2123	FLASHER SIGNAL LTS
142	ABS SYSTEM-VALVE	170LB	LUGG DOOR LOCK-T.T.LT WE	277	KEYLESS SYS-DR'V LTS SIGN	So1	SLIDE-OUT #2 RLY & SOL GND
143	ABS SYSTEM-SENSOR	170L	LUGG DOOR LOCK-SIGN T.T.LT	278	KEYLESS SYSTEM-KEYBOARD	So2	SLIDE-OUT REMOTE#1 OUT



# CIRCUIT NUMBER CODE

NO.	DESCRIPTION	NO.	DESCRIPTION	NO.	DESCRIPTION	NO.	DESCRIPTION
So3	SLIDE-OUT REMOTE#1 IN						
So4	SLIDE-OUT ANA INPUT VAC						
So5	SLIDE-OUT IN PARK BRAKE						
So 6	SLIDE-OUT IN LIMIT IN#1						
So 7	SLIDE-OUT IN LIMIT OUT #1						
So 8	SLIDE-OUT 5V SUPPLY						
So 9	SLIDE-OUT OUT REMOTE LED						
So 10	SLIDE-OUT OUT RSO1 CTR						
So 11	SLIDE-OUT OUT RSO2 CTR						
So 12	SLIDE-OUT OUT SOSO5 CTR						
So 13	SLIDE-OUT OUT SOSO1 CTR						
So 14	SLIDE-OUT OUT SOSO2 CTR						
So 15	SLIDE-OUT OUT TRANS INHIBIT						
So 16	SLIDE-OUT SENSOR GND						
So 18	SLIDE-OUT GND MOSO1						
So 19	SLIDE-OUT MOSO1 CTR						
So 20	SLIDE-OUT MOSO1 CTR						
So 21	SLIDE-OUT OUT PWM MOSO1						
So 22	SLIDE-OUT CBSO1 24V OUT						
So 24	SLIDE-OUT FSO1 24V OUT						
So 25	SLIDE-OUT FSO2 24V OUT						
So 26	SLIDE-OUT CBSO POWER						
So 27	SLIDE-OUT CBSO POWER						
So 28	SLIDE-OUT CBSO2 24V OUT						
So 29	SLIDE-OUT FSO5 24V OUT						
So 30	SLIDE-OUT RLY & SOL GND						
So 31	SLIDE-OUT GND MOSO2						
So 32	SLIDE-OUT REMOTE#2 OUT						
So 33	SLIDE-OUT REMOTE#2 IN						
So 36	SLIDE-OUT IN LIMIT IN #2						
So 37	SLIDE-OUT IN LIMIT OUT #2						
So 38	SLIDE-OUT 5V SUPPLY						
So 39	SLIDE-OUT OUT REMOTE LED						
So 40	SLIDE-OUT OUT RSO3 CTR						
So 41	SLIDE-OUT OUT RSO4 CTR						
So 42	SLIDE-OUT OUT SOSO3 CTR						
So 46	SLIDE-OUT MOSO2 CTR						
So 47	SLIDE-OUT MOSO2 CTR						
So 48	SLIDE-OUT OUT PWM MOSO2						
So 55	SLIDE-OUT SECURITY PIN CTR						
So 60	SLIDE-OUT DASH LED OUT						
So 61	SLIDE-OUT OUT SOSO6 CTR						

# CIRCUIT BREAKERS CODE

No.	PAGE	AMP.	#PREV.	LOCATION	FUNCTION	No.	PAGE	AMP.	#PREV.	LOCATION	FUNCTION
CB 1	1.1	200A	560838	ENGINE CPT	A/C FULL AIR	CB 59					
CB 2	1.1	40A	870093	ENGINE CPT	12V HOT WIRE RR JCT BOX	CB 60					
CB 3	1.1	70A	562687	ENGINE CPT	12V FEDD RR JCT BOX	CB 61					
CB 4	1.1	90A	562683	ENGINE CPT	12V FEDD FR JCT BOX	CB 62					
CB 5	1.1	30A	870690	ENGINE CPT	24V HOT WIRE RR JCT BOX	CB 63					
CB 6	1.1	90A	562683	ENGINE CPT	24V FEED RR JCT BOX	CB 64					
CB 7	1.1	90A	562683	ENGINE CPT	24V FEED FR JCT BOX	CB 65					
CB 8	15.3	40A	562686	A/C JCT BOX	CONDENSER FAN MOTOR L.H.	CB 66					
CB 9	15.3	120A	562688	A/C JCT BOX	EVAPORATOR FAN MOTOR	CB 67					
CB 10	4.1	8A	561791	FR JCT BOX	MASTER SWITCH	CB 68					
CB 11	15.3	40A	562686	A/C JCT BOX	CONDENSER FAN MOTOR R.H.	CB 69					
CB 12						CB 70					
CB 13	6.1	3A	561797	RR JCT BOX	12V HOT WIRE DDR CONNECTOR	CB 71					
CB 14	15.4	25A	561795	FR JCT BOX	UPPER FAN DEFROST	CB 72	15.1,15.2	10A	561792	RR JCT BOX	A/C COMPRESSOR CLUTCH
CB 15						CB 73	15.1,15.3	15A	561793	FR JCT BOX	WATER PUMP
CB 16	4.1	8A	561791	RR JCT BOX	ENGINE-RR CTR & START SW	CB 74					
CB 17						CB 75					
CB 18	4.1	6A	561791	RR JCT BOX	ENGINE-FR CTR SW	CB 76					
CB 19	5.1	15A	561793	RR JCT BOX	DDEC III E.C.M. POWER	CB 77					
CB 20	5.1	15A	561793	RR JCT BOX	DDEC III E.C.M. POWER	CB 78					
CB 21	5.1	10A	561790	RR JCT BOX	DDEC III 12V IGNITION	CB 79	15.1,15.2	15A	561792	FR JCT BOX	DRIVER'S DEFROSTER FAN
CB 22						CB 80					
CB 23						CB 81					
CB 24						CB 82					
CB 25						CB 83	6.1	20A	561794	RR JCT BOX	WORLD TRANSMISSION VIM POWER
CB 26	9.3	10A	561792	RR JCT BOX	BACK-UP LTS & ALARM	CB 84					
CB 27	7.2	8A	561791	FR JCT BOX	24V IGN DASH ACCESSORIES	CB 85					
CB 28	7.1	6A	561790	FR JCT BOX	12V IGN. DASH ACCESSORIES	CB 86					
CB 29						CB 87					
CB 30						CB 88					
CB 31						CB 89					
CB 32						CB 90					
CB 33						CB 91					
CB 34						CB 92	17.1	6A	561790	FR JCT BOX	DECEL SW & LEVEL-LOW
CB 35	9.3	6A	561790	FR JCT BOX	FOG, HAZARD SW & A/C MODULE	CB 105	22.1	6A	561790	FR JCT BOX	ABS E . C . U .
CB 36						CB 106	22.1	15A	561793	FR JCT BOX	ABS E . C . U .
CB 37	9.1	8A	561791	FR JCT BOX	HEAD & MULTI-FUNC. SW	CB 107					
CB 38						CB 115	12.2	8A	561791	FR JCT BOX	KEYLESS ENTRY SYSTEM
CB 39						CB 118	12.1	20A	561794	RR JCT BOX	LUGGAGE DOOR LOCK MOTOR
CB 40	9.1	10A	561791	FR JCT BOX	MARKER CLEARANCE & ID. LTS	CB 120	12.1	20A	561794	RR JCT BOX	LUGGAGE DOOR LOCK MOTOR
CB 41						CB 123	13.1	25A	561795	FR JCT BOX	ELECTRIC DRIVER'S SEAT
CB 42	9.1	10A	561792	RR JCT BOX	RR TAIL & LICENCE LTS	CB 124	8.1	6A	561790	RR JCT BOX	FAN CLUTCH RADIATOR
CB 43	9.1	20A	561794	FR JCT BOX	HEADLAMP (HI)	CB 125	9.2	20A	561794	FR JCT BOX	DIRECTIONAL LTS LH
CB 44	9.1	20A	561794	FR JCT BOX	HEADLAMP (LO)	CB 126	9.2	20A	561794	FR JCT BOX	DIRECTIONAL LTS RH
CB 45	9.2	10A	561792	FR JCT BOX	MULTI-FUNC. SW ( WIPER CTR )	CB 129	7.1	6A	561790	FR JCT BOX	CLUSTER
CB 46						CB 130	23.1	6A	561790	FR JCT BOX	TT LT MODULE
CB 47						CB 132					
CB 48	9.3	6A	561790	FR JCT BOX	STOP SW	CB 138					
CB 49	9.3	15A	561793	RR JCT BOX	LH STOP LTS	CB 141	4.2	20A	561790	RR JCT BOX	ALT DELCO 24V-270A
CB 50						CB 142	2.1	15A	561790	RR JCT BOX	12V IGNITION FR. & RR. JCT. BOX
CB 51	9.3	15A	561793	RR JCT BOX	RH STOP LTS & TRAILER SIGN.						
CB 52	11.1	15A	561793	FR JCT BOX	LUGGAGE LTS						
CB 53											
CB 54											
CB 55											
CB 56											
CB 57	11.2	8A	561791	FR JCT BOX	DASH LTS RHEOSTAT						
CB 58	15.1,15.2	6A	561790	FR JCT BOX	HVAC DASH MODULE						

# CIRCUIT BREAKERS CODE

No.	PAGE	AMP.	#PREV.	LOCATION	FUNCTION	No.	PAGE	AMP.	#PREV.	LOCATION	FUNCTION
CB 1	1.1	200A	560838	ENGINE CPT	A/C FULL AIR	CB 59					
CB 2	1.1	40A	870093	ENGINE CPT	12V HOT WIRE RR JCT BOX	CB 60					
CB 3	1.1	70A	562687	ENGINE CPT	12V FEDD RR JCT BOX	CB 61					
CB 4	1.1	90A	562683	ENGINE CPT	12V FEDD FR JCT BOX	CB 62					
CB 5	1.1	30A	870690	ENGINE CPT	24V HOT WIRE RR JCT BOX	CB 63					
CB 6	1.1	90A	562683	ENGINE CPT	24V FEED RR JCT BOX	CB 64					
CB 7	1.1	90A	562683	ENGINE CPT	24V FEED FR JCT BOX	CB 65					
CB 8	15.3	40A	562686	A/C JCT BOX	CONDENSER FAN MOTOR L.H.	CB 66					
CB 9	15.3	120A	562688	A/C JCT BOX	EVAPORATOR FAN MOTOR	CB 67					
CB 10	4.1	8A	561791	FR JCT BOX	MASTER SWITCH	CB 68					
CB 11	15.3	40A	562686	A/C JCT BOX	CONDENSER FAN MOTOR R.H.	CB 69					
CB 12						CB 70					
CB 13	6.1	3A	561797	RR JCT BOX	12V HOT WIRE DDR CONNECTOR	CB 71					
CB 14	15.4	25A	561795	FR JCT BOX	UPPER FAN DEFROST	CB 72	15.1,15.2	15A	561793	RR JCT BOX	A/C COMPRESSOR CLUTCH
CB 15						CB 73	15.1,15.3	15A	561793	FR JCT BOX	WATER PUMP
CB 16	4.1	8A	561791	RR JCT BOX	ENGINE-RR CTR & START SW	CB 74					
CB 17						CB 75					
CB 18	4.1	6A	561791	RR JCT BOX	ENGINE-FR CTR SW	CB 76					
CB 19	5.1	15A	561793	RR JCT BOX	DDEC III E.C.M. POWER	CB 77					
CB 20	5.1	15A	561793	RR JCT BOX	DDEC III E.C.M. POWER	CB 78					
CB 21	5.1	10A	561790	RR JCT BOX	DDEC III 12V IGNITION	CB 79	15.1,15.2	15A	561792	FR JCT BOX	DRIVER'S DEFROSTER FAN
CB 22						CB 80					
CB 23						CB 81					
CB 24						CB 82					
CB 25						CB 83	6.1	20A	561794	RR JCT BOX	WORLD TRANSMISSION VIM POWER
CB 26	9.3	10A	561792	RR JCT BOX	BACK-UP LTS & ALARM	CB 84					
CB 27	7.2	8A	561791	FR JCT BOX	24V IGN DASH ACCESSORIES	CB 85					
CB 28	7.1	6A	561790	FR JCT BOX	12V IGN. DASH ACCESSORIES	CB 86					
CB 29						CB 87					
CB 30						CB 88					
CB 31						CB 89					
CB 32						CB 90					
CB 33						CB 91					
CB 34						CB 92	17.1	6A	561790	FR JCT BOX	DECEL SW & LEVEL-LOW
CB 35	9.3	6A	561790	FR JCT BOX	FOG, HAZARD SW & A/C MODULE	CB 105	22.1	6A	561790	FR JCT BOX	ABS E . C . U .
CB 36						CB 106	22.1	15A	561793	FR JCT BOX	ABS E . C . U .
CB 37	9.1	8A	561791	FR JCT BOX	HEAD & MULTI-FUNC. SW	CB 107					
CB 38						CB 115	12.2	8A	561791	FR JCT BOX	KEYLESS ENTRY SYSTEM
CB 39						CB 118	12.1	20A	561794	RR JCT BOX	LUGGAGE DOOR LOCK MOTOR
CB 40	9.1	10A	561791	FR JCT BOX	MARKER CLEARANCE & ID. LTS	CB 120	12.1	20A	561794	RR JCT BOX	LUGGAGE DOOR LOCK MOTOR
CB 41						CB 123	13.1	25A	561795	FR JCT BOX	ELECTRIC DRIVER'S SEAT
CB 42	9.1	10A	561792	RR JCT BOX	RR TAIL & LICENCE LTS	CB 124	8.1	8A	561791	RR JCT BOX	FAN CLUTCH RADIATOR
CB 43	9.1	20A	561794	FR JCT BOX	HEADLAMP (HI)	CB 125	9.2	20A	561794	FR JCT BOX	DIRECTIONAL LTS LH
CB 44	9.1	20A	561794	FR JCT BOX	HEADLAMP (LO)	CB 126	9.2	20A	561794	FR JCT BOX	DIRECTIONAL LTS RH
CB 45	9.2	10A	561792	FR JCT BOX	MULTI-FUNC. SW ( WIPER CTR )	CB 129	7.1	6A	561790	FR JCT BOX	CLUSTER
CB 46						CB 130	23.1	6A	561790	FR JCT BOX	TT LT MODULE
CB 47						CB 132					
CB 48	9.3	6A	561790	FR JCT BOX	STOP SW	CB 138					
CB 49	9.3	15A	561793	RR JCT BOX	LH STOP LTS	CB 141	4.2	20A	561790	RR JCT BOX	ALT DELCO 24V-270A
CB 50						CB 142	2.1	15A	561790	RR JCT BOX	12V IGNITION FR. & RR. JCT. BOX
CB 51	9.3	15A	561793	RR JCT BOX	RH STOP LTS & TRAILER SIGN.						
CB 52	11.1	15A	561793	FR JCT BOX	LUGGAGE LTS						
CB 53											
CB 54											
CB 55											
CB 56											
CB 57	11.2	8A	561791	FR JCT BOX	DASH LTS RHEOSTAT						
CB 58	15.1,15.2	6A	561790	FR JCT BOX	HVAC DASH MODULE						

# CIRCUIT BREAKERS CODE

No.	PAGE	AMP.	#PREV.	LOCATION	FUNCTION	No.	PAGE	AMP.	#PREV.	LOCATION	FUNCTION
CB 1	1.1	200A	560838	ENGINE CPT	A/C FULL AIR	CB 59					
CB 2	1.1	40A	870093	ENGINE CPT	12V HOT WIRE RR JCT BOX	CB 60					
CB 3	1.1	70A	562687	ENGINE CPT	12V FEDD RR JCT BOX	CB 61					
CB 4	1.1	90A	562683	ENGINE CPT	12V FEDD FR JCT BOX	CB 62					
CB 5	1.1	30A	870690	ENGINE CPT	24V HOT WIRE RR JCT BOX	CB 63					
CB 6	1.1	90A	562683	ENGINE CPT	24V FEED RR JCT BOX	CB 64					
CB 7	1.1	90A	562683	ENGINE CPT	24V FEED FR JCT BOX	CB 65					
CB 8	15.3	40A	562686	A/C JCT BOX	CONDENSER FAN MOTOR L.H.	CB 66					
CB 9	15.3	120A	562688	A/C JCT BOX	EVAPORATOR FAN MOTOR	CB 67					
CB 10	4.1	8A	561791	FR JCT BOX	MASTER SWITCH	CB 68					
CB 11	15.3	40A	562686	A/C JCT BOX	CONDENSER FAN MOTOR R.H.	CB 69					
CB 12						CB 70					
CB 13	6.1	3A	561797	RR JCT BOX	12V HOT WIRE DDR CONNECTOR	CB 71					
CB 14	15.4	25A	561795	FR JCT BOX	UPPER FAN DEFROST	CB 72	15.1,15.2	15A	561793	RR JCT BOX	A/C COMPRESSOR CLUTCH
CB 15						CB 73	15.1,15.3	15A	561793	FR JCT BOX	WATER PUMP
CB 16	4.1	8A	561791	RR JCT BOX	ENGINE-RR CTR & START SW	CB 74					
CB 17						CB 75					
CB 18	4.1	6A	561791	RR JCT BOX	ENGINE-FR CTR SW	CB 76					
CB 19	5.1	15A	561793	RR JCT BOX	DDEC III E.C.M. POWER	CB 77					
CB 20	5.1	15A	561793	RR JCT BOX	DDEC III E.C.M. POWER	CB 78					
CB 21	5.1	10A	561790	RR JCT BOX	DDEC III 12V IGNITION	CB 79	15.1,15.2	15A	561792	FR JCT BOX	DRIVER'S DEFROSTER FAN
CB 22						CB 80					
CB 23						CB 81					
CB 24						CB 82					
CB 25						CB 83	6.1	20A	561794	RR JCT BOX	WORLD TRANSMISSION VIM POWER
CB 26	9.3	10A	561792	RR JCT BOX	BACK-UP LTS & ALARM	CB 84					
CB 27	7.2	8A	561791	FR JCT BOX	24V IGN DASH ACCESSORIES	CB 85					
CB 28	7.1	6A	561790	FR JCT BOX	12V IGN. DASH ACCESSORIES	CB 86					
CB 29						CB 87					
CB 30						CB 88					
CB 31						CB 89					
CB 32						CB 90					
CB 33						CB 91					
CB 34						CB 92	17.1	6A	561790	FR JCT BOX	DECEL SW & LEVEL-LOW
CB 35	9.3	6A	561790	FR JCT BOX	FOG, HAZARD SW & A/C MODULE	CB 105	22.1	6A	561790	FR JCT BOX	ABS E . C . U .
CB 36						CB 106	22.1	15A	561793	FR JCT BOX	ABS E . C . U .
CB 37	9.1	8A	561791	FR JCT BOX	HEAD & MULTI-FUNC. SW	CB 107					
CB 38						CB 115	12.2	8A	561791	FR JCT BOX	KEYLESS ENTRY SYSTEM
CB 39						CB 118	12.1	20A	561794	RR JCT BOX	LUGGAGE DOOR LOCK MOTOR
CB 40	9.1	10A	561791	FR JCT BOX	MARKER CLEARANCE & ID. LTS	CB 120	12.1	20A	561794	RR JCT BOX	LUGGAGE DOOR LOCK MOTOR
CB 41						CB 123	13.1	25A	561795	FR JCT BOX	ELECTRIC DRIVER'S SEAT
CB 42	9.1	10A	561792	RR JCT BOX	RR TAIL & LICENCE LTS	CB 124	8.1	8A	561791	RR JCT BOX	FAN CLUTCH RADIATOR
CB 43	9.5	15A	561793	FR JCT BOX	HEADLAMP (HI)	CB 125	9.2	20A	561794	FR JCT BOX	DIRECTIONAL LTS LH
CB 44	9.5	15A	561793	FR JCT BOX	HEADLAMP (LO)	CB 126	9.2	20A	561794	FR JCT BOX	DIRECTIONAL LTS RH
CB 45	9.2	10A	561792	FR JCT BOX	MULTI-FUNC. SW ( WIPER CTR )	CB 129	7.1	6A	561790	FR JCT BOX	CLUSTER
CB 46						CB 130	23.1	6A	561790	FR JCT BOX	TT LT MODULE
CB 47						CB 132					
CB 48	9.3	6A	561790	FR JCT BOX	STOP SW	CB 138					
CB 49	9.3	15A	561793	RR JCT BOX	LH STOP LTS	CB 141	4.2	20A	561790	RR JCT BOX	ALT DELCO 24V-270A
CB 50						CB 142	2.1	15A	561790	RR JCT BOX	12V IGNITION FR. & RR. JCT. BOX
CB 51	9.3	15A	561793	RR JCT BOX	RH STOP LTS & TRAILER SIGN.						
CB 52	11.1	15A	561793	FR JCT BOX	LUGGAGE LTS						
CB 53											
CB 54											
CB 55											
CB 56											
CB 57	11.2	8A	561791	FR JCT BOX	DASH LTS RHEOSTAT						
CB 58	15.1,15.2	6A	561790	FR JCT BOX	HVAC DASH MODULE						

# CONNECTORS CODE

NO	LOCATION	TYPE	CAVITY	#PIN	#SOCKET	NO	LOCATION	TYPE	CAVITY	#PIN	#SOCKET
				HOUSING	HOUSING					HOUSING	HOUSING
AA 1	UNDER DASH PANEL-TAG AXLE SONALERT	BOSCH	5	-----	561183	C 65	ENGINE CPT - PRESS SW FAN CLUTCH	PED WP	2	561566	561690
C 1	FR JCT BOX COMPARTMENT	AMP CPC	14	561585	561584	C 66					
C 2	FR JCT BOX COMPARTIMENT	AMP CPC	16	561638	561640	C 67					
C 3	FR JCT BOX COMPARTIMENT	AMP CPC	37	561644	561646	C 68					
C 4	FR JCT BOX COMPARTIMENT	AMP CPC	24	561641	561643	C 69					
C 5	FR SERVICE COMPT. - UNDERNEATH	AMP CPC	37	561645	561646	C 70	LH CONSOLE	AMP CPC	16	561639	561640
C 6	FR SERVICE COMPT. - UNDERNEATH	AMP CPC	16	561639	561640	C 71	FR JCT BOX COMPT.	AMP CPC	37	561645	561646
C 7	FR SERVICE COMPT - CLUTCH SW	ITT SS	3	561080	561111	C 72	FR JCT BOX COMPT.	AMP CPC	24	561642	561643
C 8	FR SERVICE COMPT. - UNDERNEATH	AMP CPC	24	561642	561643	C 73					
C 9	FR SERVICE COMPT. - UNDERNEATH	AMP CPC	24	561642	561643	C 74	FR JCT BOX COMPT.	AMP CPC	37	561645	561646
C 10	FR SERVICE DOOR ACCESS.	DEUTSCH	5	562565	562566	C 75					
C 11	FR SERV. CPT ACCESS	AMP CPC	37	561645	561646	C 76	ENGINE CMPT. FIRE DETECTOR	DEUTSCH	2	562486	562485
C 12	FR SERV. CPT ACCESS	AMP CPC	16	561639	561640	C 77	ENGINE CMPT. FIRE DETECTOR	DEUTSCH	2	562486	562485
C 13	FR SERV. CPT ACCESS	AMP CPC	9	561635	561637	C 78					
C 14						C 79					
C 15	LUGGAGE CPT (184)-MARK. SUPPL.	DEUTSCH	4	562479	562477	C 80					
C 16	LH CONSOLE SW-CRUISE ON/OFF	EATON	12	-----	562763	C 81	LUGGAGE COMPT - DOOR LOCK	AMP MNL	4	560851	560852
C 17	LH CONSOLE SW-CRUISE RESUME	EATON	12		562763	C 82	LUGGAGE COMPT - DOOR LOCK	AMP MNL	4	560851	560852
C 18	LH CONSOLE SW-CRUISE SET	EATON	12		562763	C 83	LUGGAGE COMPT - DOOR LOCK	AMP MNL	4	560851	560852
C 19	LH CONSOLE SW-DECEL SW	EATON	12		562763	C 84	LUGGAGE COMPT - DOOR LOCK	AMP MNL	4	560851	560852
C 20	RR JCT BOX	DEUTSCH	70	562282	562285	C 85	LUGGAGE COMPT - DOOR LOCK	AMP MNL	4	560851	560852
C 21	ENGINE COMPT - LOCK DOOR MOT.	PED WP	2		562076	C 86	LUGGAGE COMPT - DOOR LOCK	AMP MNL	4	560851	560852
C 22	LUGGAGE COMPT (A) - A/C & FUEL TANK	AMP CPC	16	561639	561640	C 87					
C 23	LUGGAGE COMPT (1) - LUGG. ACCESS.	AMP CPC	24	561642	561643	C 88					
C 24	ENGINE COMPT. - INTERF RJB	PED WP	6	561606	561607	C 89					
C 25						C 90					
C 26	ENGINE COMPT. ACCESS	DEUTSCH	40	562281	562284	C 91					
C 27	ENGINE COMPT. - INTERF. RJB	DEUTSCH	6	562583	562581	C 92	FR JCT BOX COMPT - ABS	AMP CPC	9	561635	561637
C 28	LUGGAGE COMPT(4) - LUGG. ACCESS	AMP CPC	24	561642	561643	C 93					
C 29	FR SERVICE COMPT - E.C.U. FEED	PED WP	3	561781	561782	C 94					
C 30	ENGINE COMPT - MASTER SW. SIGN.	DEUTSCH	2	562486	562485	C 95	ENTRANCE DOOR ACCESS	DEUTSCH	6	562583	562581
C 31						C 96	FR SERVICE DOOR ACCESS	AMP MNL	9	561670	561669
C 32						C 97	FR SERVICE DOOR - WATER TANK	PED MP	20		562426
C 33	ENGINE DDEC II - SPEED SIGN SPARE	PED WP	2	561566	561690	C 98					
C 34						C 99	FR SERVICE CPT. LTS	AMP MNL	2	561248	561247
C 35	A/C COMPT - AIR RETURN SENSOR	AMP MNL	2	561248	561247	C 100					
C 36						C 101	FR SERVICE COMPT. ELEC. HORNS	PED WP	2	561566	561690
C 37						C 101	CONDENSER COMPT - A/C PRES. SW 1SP	PED WP	2	561566	561690
C 38						C 102	CONDENS. COMPT - LIQU. SOL. VAL. PRES.	PED WP	2	561566	561690
C 39						C 103					
C 40						C 104					
C 41	ENGINE COMPT - RH DOOR LOCK	DEUTSCH	4	562479	562477	C 105	UNDER DASH RH - DRV LIO SOL VL	PED WP	2	561566	561690
C 42	ENGINE COMPT - RR CAP LIGHTING	DEUTSCH	6	562583	562581	C 106	UNDER DASH RH - DRV WTR VALVE	PED WP	2	561566	561690
C 43	FR JCT BOX - ALT. MODULE	AMP MNL	12	561735	561734	C 107					
C 44	ENGINE COMPT - LIGHTS	PED WP	1	561605	561577	C 108					
C 45	FR JCT BOX COMPT - ROOF ACCESS	AMP CPC	24	561642	561643	C 109					
C 46						C 110					
C 47						C 111					
C 48	FR SERV. CPT. PRESS SW PARK BRAKE	DEUTSCH	4	562479	562477	C 112					
C 49						C 113					
C 50						C 114	ENGINE DDEC - SPEED SIGNAL (SPARG)	PED WP	2	561566	561690
C 51						C 115	RR JCT BOX - ENGINE ACCESS	DEUTSCH	40	562281	562284
C 52	ENGINE COMPT - COMPRESSOR	PED WP	2	561566	561690	C 116					
C 53	ENGINE COMPT - COMPRESSOR	PED WP	2	561566	561690	C 117					
C 54	FRONT ROOF - UPPER FAN DEFROST	AMP MNL	6	561552	561515	C 118	ENGINE COMPT - LICENCE	PED WP	2	930210	
C 55	CENTRAL DOOR LOCK	DEUTSCH	4	562479	562477	C 119	ENGINE COMPT - RH LOWER LAMP	PED WP	6	561606	561607
C 56						C 120	ENGINE COMPT - LH LOWER LAMP	PED WP	6	561606	561607
C 57						C 121					
C 58						C 122					
C 59						C 123					
C 60						C 124					
C 61	ENGINE COMPT - FUEL FILTER	PED WP	2	561566	561690	C 125					
C 62	ENGINE COMPT - COMPRESSOR STD	PED WP	2	561566	561690	C 126					
C 63	ENGINE COMPT - COMPRESSOR STD	PED WP	2	561566	561690	C 127					
C 64						C 128					

# CONNECTORS CODE

NO	LOCATION	TYPE	CAVITY	#PIN	#SOCKET	NO	LOCATION	TYPE	CAVITY	#PIN	#SOCKET
				HOUSING	HOUSING					HOUSING	HOUSING
C 129						C 194					
C 130						C 195					
C 131						C 196					
C 132						C 197					
C 133						C 198					
C 134	FR JCT BOX – DIODE CONN.	AMP MNL	15	561987	561986	C 199					
C 135	FR JCT BOX – DIODE CONN.	AMP MNL	15	561987	561986	C 200					
C 136	FR JCT BOX – DIODE CONN.	AMP MNL	15	561987	561986	C 201					
C 137						C 202					
C 138						C 203					
C 139						C 204					
C 140	HVAC DASH MODULE THERMOMETER	MOLEX	4		562782	C 205					
C 141	RR DASH PANEL – LTS CONN. (SPARE)	AMP MNL	2	561248	561247	C 206					
C 142	ENGINE COMPT. B/U ALARM	PED WP	2	561566	561690	C 207					
C 143						C 208					
C 144						C 209					
C 145						C 210					
C 146						C 211	FR ROOF – SUN VISOR LH	AMP MNL	2	560900	560898
C 147						C 212	FR ROOF – SUN VISOR RH	AMP MNL	2	560900	560898
C 148						C 213					
C 149						C 214					
C 150						C 215					
C 151						C 216					
C 152						C 217					
C 153						C 218					
C 154						C 219					
C 155	EVAPORATOR CPT – WATER VALVE	BURKERT	3		563204	C 220					
C 156						C 221					
C 157	FR SERV. CPT – WATER PUMP DR'S	PED WP	3	561781	561782	C 222					
C 158	ENGINE CPT – DDEC INTERFACE	DEUTSCH	31	562572	562536	C 223	HEAD LIGHTS - FLASHER	DEUTSCH	5	562565	562566
C 159	ENGINE CPT – DDEC FEED	PED WP	6	561606	561607	C 224	HEAD LIGHTS	PED MP	3		562099
C 160	FR SERVICE CPT - INTERFACE	AMP CPC	37	561644	561646	C 225	FOG LIGHTS	DEUTSCH	3	562902	562901
C 161	ENGINE DDEC - ECM	PED MP	30		561600	C 226	FLASHER – (FR)	PED	3	562137	
C 162	ENGINE DDEC - ACCESSORIES	PED WP	4	561610	561611	C 227					
C 163	ENGINE CPT - COOLANT PROBE	PED MP	2		562350	C 228					
C 164						C 229					
C 165						C 230					
C 166						C 231					
C 167	FR SERVICE CPT - EL. FOOT PEDAL	PED WP	3	561781	561782	C 232					
C 168	FR SERVICE CPT - DDR	DEUTSCH	6	562360		C 233					
C 169	FR SERVICE CPT - WORLD TR. INTERFACE	AMP CPC	16	561639	561640	C 234					
C 170	FR JCT BOX FLASHER UNIT	PED	2		561940	C 235					
C 171	LH CONSOLE	AMP CPC	24	561642	561643	C 236	FR SERVICE CPT CENTER - ABS	AMP CPC	14	561636	561637
C 172	FR SERVICE COMPT - LEVEL LOW	AMP CPC	9	561637		C 237	FR AXLE CPT - ABS RH SENSOR	WABCO	2	641132	
C 173						C 238	FR AXLE CPT - ABS RH VALVE	WABCO	3	641098	
C 174						C 239	FR AXLE CPT - ABS LH VALVE	WABCO	3	641098	
C 175						C 240	FR AXLE CPT - ABS LH SENSOR	WABCO	2	641132	
C 176	UNDER DASH RH – WIPER PULSE	AMP FF	6		561186	C 241	LAST LUGGAGE COMPT - ABS	PED WP	6	561606	561607
C 177	UNDER DASH RH – WIPER MOTOR	AMP FF	6		561186	C 242	DRIVE AXLE CPT - ABS LH SENSOR	WABCO	2	641132	
C 178						C 243	DRIVE AXLE CPT - ABS LH VALVE	WABCO	3	641098	
C 179						C 244	DRIVE AXLE CPT - ABS RH VALVE	WABCO	3	641098	
C 180						C 245	DRIVE AXLE CPT - ABS RH SENSOR	WABCO	2	641132	
C 181						C 246	DRIVE AXLE CPT - ABS SPARE	PED WP	2	561566	561690
C 182						C 247					
C 183						C 248	LAST LUGGAGE CPT - ABS	PED WP	6	561606	561607
C 184						C 249	FR SERVICE CPT - ABS/DDEC	PED WP	2	561566	561690
C 185						C 250					
C 186						C 251	LH SW PANEL – FAST IDLE	EATON	12		562763
C 187	FR SERVICE JCT BOX - RESISTORS	AMP MNL	6	561552	561515	C 252	LUGGAGE COMPT. – WINDOW AJAR	MOLEX	4	561477	561476
C 188						C 253	LH SWITCH PANEL - ETHER	EATON	12		562763
C 189	ENGINE COMPT – DOOR LIGHT BACK UP	TRUCK-LITE	2	562755		C 254					
C 190	ENGINE COMPT – DOOR LIGHT STOP/TURN	AMP SS	3		562601	C 255	LH SWITCH PANEL – ENGINE BRAKE	EATON	12		562763
C 191	ENGINE COMPT – DOOR LIGHT STOP/TURN	AMP SS	3		562601	C 256					
C 192	ENGINE COMPT – DOOR LIGHT PARKING	AMP SS	3		562601	C 257					
C 193						C 258					

# CONNECTORS CODE

NO	LOCATION	TYPE	CAVITY	#PIN	#SOCKET	NO	LOCATION	TYPE	CAVITY	#PIN	#SOCKET
				HOUSING	HOUSING					HOUSING	HOUSING
C 258	LH SWITCH PANEL – MULTI FUNC. SW	AMP FF	8	561188		C 322	UNDER DASH RH - KEYLESS MODULE	AMP COM	22		562675
C 259						C 323	DRIVER'S WINDOW MOTOR	PED	2		561848
C 259	LH SWITCH PANEL – MULTI FUNC. SW	AMP FF	6		561186	C 324	LH SWITCH PANEL - UPPER FAN DEFROST	EATON	12		562763
C 260						C 325					
C 261						C 326	ENGINE MANUEL TRANSM. (SPARC)	PED WP	4	561610	561611
C 262						C 327					
C 263	LUGGAGE COMPT. LTS COMPT #3	AMP MNL	2	561248	561247	C 328					
C 264	LUGGAGE COMPT. LTS COMPT #2	AMP MNL	2	561248	561247	C 329					
C 265	LUGGAGE COMPT. LTS COMPT #1	AMP MNL	2	561248	561247	C 330					
C 266	ENTRANCE DOOR KEYLESS	AMP CPC	14	561585	561583	C 331					
C 267	UNDER DASH RH – KEYLESS PANEL	AMP CPC	24	561642	561643	C 332					
C 268	FR MIRROR RH	CONXALL	5	563091	563090	C 333					
C 269	FR MIRROR LH	CONXALL	5	563091	563090	C 334					
C 270	LUGGAGE COMPT LTS - 3 LH	AMP MNL	2	561248	561247	C 335					
C 271	LUGGAGE COMPT LTS - 4	AMP MNL	2	561248	561247	C 336					
C 272						C 337					
C 273						C 338					
C 274						C 339					
C 275						C 340	FR JCT BOX – FIRE PIEZO ALARM	AMP MNL	2	560900	560898
C 276	UNDER DASH RH – 3 WAY LTS DR'S	EATON	12		562763	C 341	LH SWITCH PANEL – HEAT MIRROR SW.	EATON	12		562763
C 277	LH SWITCH PANEL DOCK & CORN. SW.	EATON	12		562763	C 342					
C 278	LH SWITCH PANEL – B/U CANCEL	EATON	12		562763	C 343	LH SWITCH PANEL – HEAD LAMP SW.	EATON	12		562763
C 279	FR SERVICE COMPT LH – STEERING ZF	DEUTSCH	2		562485	C 344	LH SWITCH PANEL – HAZARD LT SW.	EATON	12		562763
C 280	ENGINE COMPT - COMPRESSOR STD	PED WP	2	561566	561690	C 345	LH SWITCH PANEL – FOG LT SW.	EATON	12		562763
C 281	LH CONSOLE – LEVEL LOW	AMP MNL	4	560851	560852	C 346					
C 282	FR SERVICE COMPT – STEERING ZF	VOLVO	2		562928	C 347					
C 283						C 348	INSTR. PANEL CENT. – RACOR MODULE	MOLEX	6	562070	562069
C 284						C 349					
C 285						C 350					
C 286						C 351					
C 287						C 352					
C 288						C 353					
C 289						C 354					
C 290	LUGGAGE CPT - DOOR LOCK	AMP MNL	4	560851	560852	C 355					
C 291	LUGGAGE CPT - DOOR LOCK	AMP MNL	4	560851	560852	C 356					
C 292	FR SERVICE CPT LEVEL LOW	PNEUMAC	2		641385	C 357					
C 293	FR SERVICE CPT LEVEL LOW	PNEUMAC	2		641385	C 358					
C 294	FR SERVICE CPT LEVEL LOW	PNEUMAC	2		641385	C 359	RH SWITCH PANEL – ENT. DOOR WIND. SW.	EATON	12		562763
C 295	FR SERVICE CPT LEVEL LOW	PNEUMAC	2		641385	C 360	ENTRANCE WINDOW MOTOR	PED	2		561848
C 296	FR SERVICE CPT LEVEL LOW	PNEUMAC	2		641385	C 361					
C 297						C 362					
C 298						C 363					
C 299						C 364					
C 300						C 365					
C 301						C 366					
C 302						C 367					
C 303	RR JCT BOX - DIODES	AMP MNL	15	561987	561986	C 368					
C 304						C 369					
C 305						C 370					
C 306						C 371					
C 307						C 372					
C 308						C 373					
C 309	ENGINE DDEC - ECM POWER	PED	4	561610	561611	C 374					
C 310	LH CONSOLE SW – LUG. DOOR LOCK	EATON	12		562763	C 375					
C 311						C 376					
C 312	ENGINE DDEC - ACCESSORIES	PED WP	3	561781	561782	C 377	LH SWITCH PANEL – STOP ENGINE OVERRIDE	EATON	12		562763
C 313	ENGINE DDEC - INPUT	FCI	10	563207		C 378					
C 314						C 379					
C 315	LH SWITCH PANEL – LH SUN VISOR SW.	EATON	12		562763	C 380					
C 316						C 381	UNDER DASH PANEL – ANTI THILED	AMP MNL	2	561248	561247
C 317	LH SWITCH PANEL – RH SUN VISOR SW.	EATON	12		562763	C 382	ENGINE GENERATOR (1)	PED WP	1	561605	561577
C 318	LH CONSOLE SW – DR'S WINDOW SW.	EATON	12		562763	C 383	ENGINE COMPT – VOLTAGE REGULATOR	PED WP	1	561605	561577
C 319	ENGINE DDEC – ECM POWER	PED	4	561610	561611	C 384					
C 320	RT SWITCH PANEL – DRIVER'S LTS SW.	EATON	12		562763	C 385					
C 321	UNDER DASH RH - KEYLESS MODULE	AMP COM	26		562676	C 386					

# CONNECTORS CODE

NO	LOCATION	TYPE	CAVITY	#PIN	#SOCKET	NO	LOCATION	TYPE	CAVITY	#PIN	#SOCKET
				HOUSING	HOUSING					HOUSING	HOUSING
C 387	ENGINE COMPT. - BY-PASS VALVE	PED WP	2	561566	561690	C 452					
C 388						C 453					
C 389	ENGINE COMPT. - WATER PUMP	PED WP	2	561566	561690	C 454					
C 390	ENGINE COMPT. - A/C JCT. BOX	DEUTSCH	24	562280	562283	C 455					
C 391	CONDENSER COMPT. A/C PRESS SW 2 SP	PED WP	2	561566	561690	C 456	WORLD TRANS. - RETARDER ACCUM.	PED MP	2		562427
C 392						C 457	WORLD TRANS. - MAIN CONNECTOR	DEUTSCH	31	562572	562536
C 393						C 458	WORLD TRANS. - TURBINE SP. SENS.	PED MP	2		562426
C 394						C 459	WORLD TRANS. - ENGINE SP. SENS.	PED MP	2		562426
C 395						C 460	WORLD TRANS. - SPEED SENSOR	ITT	2		562541
C 396						C 461	WORLD TRANS. - RETARDER TEMP.	PED MP	2		562856
C 397						C 462	WORLD TRANS. - RETARDER SOL. "K"	PED MP	2		562426
C 398						C 463	WORLD TRANS. - SENSOR CONN.	DEUTSCH	16	562570	562571
C 399	ENGINE GENERATOR (2)	PED WP	2	561566	561690	C 464	RR JCT BOX - DDL CONN	DEUTSCH	6		565360
C 400	ENGINE COMPT. - BLOCK HEATER	PED WP	3	561781	561782	C 465	LH CONSOLE - SHIFTER SELECTOR	PED	20		562825
C 401						C 466	FR SERVICE CPT - RESIS. MOD.	PED WP	3		562428
C 402						C 467	FR SERVICE CPT - RESIS. MOD.	PED WP	3		562428
C 403						C 468	FR SERVICE CPT - RET. HAND LEVER	AMP FF	8	561188	562363
C 404						C 469	FR SERVICE CPT - RET. HAND LEVER	AMP FF	8	561188	562363
C 405						C 470					
C 406						C 471					
C 407						C 472	FR SERVICE CPT - SILENT 1000	PED WP	2	561566	561690
C 408						C 473					
C 409						C 474	DRIVER'S TEMP SENSOR	AMP MNL	2	561248	561247
C 410						C 475	FR SERVICE CPT - SPEED SIGN. CONNECT.	DEUTSCH	6	562583	562581
C 411						C 475W	FR SERVICE CPT - SPEED SIGN. W. TR.	DEUTSCH	6	562583	562581
C 412						C 476					
C 413						C 477					
C 414						C 478					
C 415						C 479	UNDER DASH - HVAC DASH MODULE	MOLEX	3		562783
C 416						C 480	UNDER DASH RH - DR'S FAN SPEED CTR	PED WP	4	561889	561890
C 417						C 481	UNDER DASH RH - DR'S FAN SPEED CTR	PED WP	3	561781	561782
C 418						C 482					
C 419						C 483	FR SERVICE CPT - ELECTRICAL SEAT	PED	2	562237	
C 420						C 484	UNDER DASH LH - FOOT DAMPER MOTOR	PED	2		562076
C 421						C 485	UNDER DASH LH - DASH & DEFR. DAMP. M.	AMP MNL	3	561667	561558
C 422						C 486					
C 423						C 487					
C 424	UNDER DASH- AUDIBLE FLASHER	AMP MNL	3	561667	561550	C 488					
C 425						C 489					
C 426	ENGINE S60 RAD. FAN CLUTCH	PED WP	3	561781	561782	C 490					
C 427						C 491					
C 428	RH SW PANEL - DASH LTS RHEOSTAT	AMP MNL	3	561667	561550	C 492					
C 429						C 493					
C 430						C 494					
C 431						C 495					
C 432						C 496					
C 433						C 497					
C 434						C 498					
C 435						C 499					
C 436						C 500	FR JCT PANEL - PRODRIVER	MOLEX	6	562070	562069
C 437						C 501					
C 438						C 502					
C 439						C 503					
C 440						C 504					
C 441						C 505					
C 442						C 506	LH CONSOLE - LEVEL LOW SW.	EATON	12		562763
C 443						C 507					
C 444						C 508	RR JCT BOX - FAN CLUTCH RETARDER	AMP MNL	6	561552	561515
C 445						C 509					
C 446						C 510					
C 447						C 511					
C 448						C 512					
C 449						C 513					
C 450						C 514					
C 451						C 515					



# CONNECTORS CODE

NO	LOCATION	TYPE	CAVITY	#PIN	#SOCKET	NO	LOCATION	TYPE	CAVITY	#PIN	#SOCKET
				HOUSING	HOUSING					HOUSING	HOUSING
C 516						C 581	LH DASH PANEL – ELECTRICAL HORN	PED MP	2		562777
C 517						C 582					
C 518						C 583	LH DASH PANEL – MASTER KEY SW.	DEUTSCH	2	562486	562485
C 519						C 584	FR. SERVICE COMPT – HORN PNEU. VALVE	PNEUMAC	3		562848
C 520						C 585	RH CONSOLE – ENT. DOOR LOCK VALVE	PNEUTECH	2		563147
C 521						C 586	FR SERVICE COMPT – ACC. PNEU.VALVE	PNEUMAC	3		562848
C 522	FR JCT BOX – DAYTIME LTS MODULE	BOSCH	5		561183	C 587					
C 523						C 588					
C 524	FR JCT BOX – FUSE BLOCK	PED	8	562647	562646	C 589	FR. MIRROR LH	CONXALL	8	563163	563088
C 525	FR JCT BOX – FUSE BLOCK	PED	8	562647	562646	C 590	FR. MIRROR RH	CONXALL	8	563163	563088
C 526	FR JCT BOX – FUSE BLOCK	PED	8	562647	562646	C 591	LH CONSOLE – LH MIRROR SW.	EURAMT.	8		562749
C 527	FR JCT BOX – FUSE BLOCK	PED	8	562647	562646	C 592	LH CONSOLE – RH MIRROR SW.	EURAMT.	8		562749
C 528						C 593					
C 529						C 594	FRONT ROOF – DRIVER'S LTS	LEEKRAFT	2	-----	562803
C 530						C 595					
C 531						C 596					
C 532						C 597	LH DASH PANEL – DISPLAY SET SW.	MOLEX	5		562905
C 533						C 598	LH DASH PANEL – DISPLAY SET SW.	MOLEX	5		562905
C 534						C 599	UND. DASH – MAGN. SW CTR POS. DR'S AIR	AMP MNL	2	561248	561247
C 535						C 600					
C 536						C 601					
C 537	A/C JCT BOX RESISTOR SIGN. RLY	AMP MNL	2	561248	561247	C 602					
C 538	FR SERV. CPT RH – OUTSIDE TEMP. SENS	AMP MNL	2	561248	561247	C 603					
C 539	HVAC DASH MODULE OUTPUT CONN.	MOLEY	24		562780	C 604					
C 540	HVAC DASH MODULE INPUT CONN.	MOLEY	22		562781	C 605					
C 541						C 606					
C 542						C 607	FR SERVICE COMPT – RPM SIGNAL (SPARE)	PED WP	2	561566	561690
C 543						C 608	FR SERV. COMPT – SPEED SIGNAL (SPARE)	PED WP	2	561566	561690
C 544						CS	FR SERVICE CPT - ECU WOLRD TR.	PED MP	32		562817
C 545						CT	FR SERVICE CPT - ECU WORLD TR.	PED MP	32		562824
C 546						CV	FR SERVICE CPT - ECU WORLD TR.	PED MP	32		562823
C 547						CX	CLUSTER	JAE	5		562957
C 548	LH DASH PANEL – T.T.LT TEST SW.	EATON	12		562763	CX 1	FR SERVICE CPT - ECU ABS	AMP JN	15		563200
C 549						CX 2	FR SERVICE CPT - ECU ABS	AMP JN	18		563201
C 550						CY	CLUSTER	JAE	30		562765
C 551						LX	CLUSTER	JAE	22		562766
C 552						LY	CLUSTER	JAE	30		562767
C 553						RX	CLUSTER	JAE	30		562767
C 554											
C 555											
C 556											
C 557											
C 558											
C 559											
C 560											
C 561											
C 562											
C 563											
C 564											
C 565											
C 566											
C 567											
C 568											
C 569											
C 570	UNDER DASH PANEL – T.T.LT MODULE	MOLEX	6		562464						
C 571	UNDER DASH PANEL – T.T.LT MODULE	MOLEX	20		562778						
C 572	UNDER DASH PANEL – T.T.LT MODULE	MOLEX	18		562779						
C 573	UNDER DASH PANEL – T.T.LT MODULE	MOLEX	8		562465						
C 574											
C 575											
C 576											
C 577											
C 578											
C 579											
C 580											

# CONNECTORS CODE

NO	LOCATION	TYPE	CAVITY	#PIN	#SOCKET	NO	LOCATION	TYPE	CAVITY	#PIN	#SOCKET
				HOUSING	HOUSING					HOUSING	HOUSING
AA 1	UNDER DASH PANEL-TAG AXLE SONALERT	BOSCH	5	-----	561183	C 65	ENGINE CPT - PRESS SW FAN CLUTCH	PED WP	2	561566	561690
C 1	FR JCT BOX COMPARTMENT	AMP CPC	14	561585	561584	C 66					
C 2	FR JCT BOX COMPARTIMENT	AMP CPC	16	561638	561640	C 67					
C 3	FR JCT BOX COMPARTIMENT	AMP CPC	37	561644	561646	C 68					
C 4	FR JCT BOX COMPARTIMENT	AMP CPC	24	561641	561643	C 69					
C 5	FR SERVICE COMPT. - UNDERNEATH	AMP CPC	37	561645	561646	C 70	LH CONSOLE	AMP CPC	16	561639	561640
C 6	FR SERVICE COMPT. - UNDERNEATH	AMP CPC	16	561639	561640	C 71	FR JCT BOX COMPT.	AMP CPC	37	561645	561646
C 7	FR SERVICE COMPT - CLUTCH SW	ITT SS	3	561080	561111	C 72	FR JCT BOX COMPT.	AMP CPC	24	561642	561643
C 8	FR SERVICE COMPT. - UNDERNEATH	AMP CPC	24	561642	561643	C 73					
C 9	FR SERVICE COMPT. - UNDERNEATH	AMP CPC	24	561642	561643	C 74	FR JCT BOX COMPT.	AMP CPC	37	561645	561646
C 10	FR SERVICE DOOR ACCESS.	DEUTSCH	5	562565	562566	C 75					
C 11	FR SERV. CPT ACCESS	AMP CPC	37	561645	561646	C 76	ENGINE CMPT. FIRE DETECTOR	DEUTSCH	2	562486	562485
C 12	FR SERV. CPT ACCESS	AMP CPC	16	561639	561640	C 77	ENGINE CMPT. FIRE DETECTOR	DEUTSCH	2	562486	562485
C 13	FR SERV. CPT ACCESS	AMP CPC	9	561635	561637	C 78					
C 14						C 79					
C 15	LUGGAGE CPT (184)-MARK. SUPPL.	DEUTSCH	4	562479	562477	C 80					
C 16	LH CONSOLE SW-CRUISE ON/OFF	EATON	12	-----	562763	C 81	LUGGAGE COMPT - DOOR LOCK	AMP MNL	4	560851	560852
C 17	LH CONSOLE SW-CRUISE RESUME	EATON	12		562763	C 82	LUGGAGE COMPT - DOOR LOCK	AMP MNL	4	560851	560852
C 18	LH CONSOLE SW-CRUISE SET	EATON	12		562763	C 83	LUGGAGE COMPT - DOOR LOCK	AMP MNL	4	560851	560852
C 19	LH CONSOLE SW-DECEL SW	EATON	12		562763	C 84	LUGGAGE COMPT - DOOR LOCK	AMP MNL	4	560851	560852
C 20	RR JCT BOX	DEUTSCH	70	562282	562285	C 85	LUGGAGE COMPT - DOOR LOCK	AMP MNL	4	560851	560852
C 21	ENGINE COMPT - LOCK DOOR MOT.	PED WP	2		562076	C 86	LUGGAGE COMPT - DOOR LOCK	AMP MNL	4	560851	560852
C 22	LUGGAGE COMPT (A) - A/C & FUEL TANK	AMP CPC	16	561639	561640	C 87					
C 23	LUGGAGE COMPT (1) - LUGG. ACCESS.	AMP CPC	24	561642	561643	C 88					
C 24	ENGINE COMPT. - INTERF RJB	PED WP	6	561606	561607	C 89					
C 25						C 90					
C 26	ENGINE COMPT. ACCESS	DEUTSCH	40	562281	562284	C 91					
C 27	ENGINE COMPT. - INTERF. RJB	DEUTSCH	6	562583	562581	C 92	FR JCT BOX COMPT - ABS	AMP CPC	9	561635	561637
C 28	LUGGAGE COMPT(4) - LUGG. ACCESS	AMP CPC	24	561642	561643	C 93					
C 29	FR SERVICE COMPT - E.C.U. FEED	PED WP	3	561781	561782	C 94					
C 30	ENGINE COMPT - MASTER SW. SIGN.	DEUTSCH	2	562486	562485	C 95	ENTRANCE DOOR ACCESS	DEUTSCH	6	562583	562581
C 31						C 96	FR SERVICE DOOR ACCESS	AMP MNL	9	561670	561669
C 32						C 97	FR SERVICE DOOR - WATER TANK	PED MP	20		562426
C 33	ENGINE DDEC II - SPEED SIGN SPARE	PED WP	2	561566	561690	C 98					
C 34						C 99	FR SERVICE CPT. LTS	AMP MNL	2	561248	561247
C 35	A/C COMPT - AIR RETURN SENSOR	AMP MNL	2	561248	561247	C 100					
C 36						C 101	FR SERVICE COMPT. ELEC. HORNS	PED WP	2	561566	561690
C 37						C 101	CONDENSER COMPT - A/C PRES. SW 1SP	PED WP	2	561566	561690
C 38						C 102	CONDENS. COMPT - LIQU. SOL. VAL. PRES.	PED WP	2	561566	561690
C 39						C 103					
C 40						C 104					
C 41	ENGINE COMPT - RH DOOR LOCK	DEUTSCH	4	562479	562477	C 105	UNDER DASH RH - DRV LIO SOL VL	PED WP	2	561566	561690
C 42	ENGINE COMPT - RR CAP LIGHTING	DEUTSCH	6	562583	562581	C 106	UNDER DASH RH - DRV WTR VALVE	PED WP	2	561566	561690
C 43	FR JCT BOX - ALT. MODULE	AMP MNL	12	561735	561734	C 107					
C 44	ENGINE COMPT - LIGHTS	GROTE	2	563268	-----	C 108					
C 45	FR JCT BOX COMPT - ROOF ACCESS	AMP CPC	24	561642	561643	C 109					
C 46						C 110					
C 47						C 111					
C 48	FR SERV. CPT. PRESS SW PARK BRAKE	DEUTSCH	4	562479	562477	C 112					
C 49						C 113					
C 50						C 114	ENGINE DDEC - SPEED SIGNAL (SPARG)	PED WP	2	561566	561690
C 51						C 115	RR JCT BOX - ENGINE ACCESS	DEUTSCH	40	562281	562284
C 52	ENGINE COMPT - COMPRESSOR	PED WP	2	561566	561690	C 116					
C 53	ENGINE COMPT - COMPRESSOR	PED WP	2	561566	561690	C 117					
C 54	FRONT ROOF - UPPER FAN DEFROST	AMP MNL	6	561552	561515	C 118	ENGINE COMPT - LICENCE	PED WP	2	930210	
C 55	CENTRAL DOOR LOCK	DEUTSCH	4	562479	562477	C 119	ENGINE COMPT - RH LOWER LAMP	PED WP	6	561606	561607
C 56						C 120	ENGINE COMPT - LH LOWER LAMP	PED WP	6	561606	561607
C 57						C 121					
C 58						C 122					
C 59						C 123					
C 60						C 124					
C 61	ENGINE COMPT - FUEL FILTER	PED WP	2	561566	561690	C 125					
C 62	ENGINE COMPT - COMPRESSOR STD	PED WP	2	561566	561690	C 126					
C 63	ENGINE COMPT - COMPRESSOR STD	PED WP	2	561566	561690	C 127					
C 64						C 128					

# CONNECTORS CODE

NO	LOCATION	TYPE	CAVITY	#PIN	#SOCKET	NO	LOCATION	TYPE	CAVITY	#PIN	#SOCKET
				HOUSING	HOUSING					HOUSING	HOUSING
C 129						C 194					
C 130						C 195					
C 131						C 196					
C 132						C 197					
C 133						C 198					
C 134	FR JCT BOX – DIODE CONN.	AMP MNL	15	561987	561986	C 199					
C 135	FR JCT BOX – DIODE CONN.	AMP MNL	15	561987	561986	C 200					
C 136	FR JCT BOX – DIODE CONN.	AMP MNL	15	561987	561986	C 201					
C 137						C 202					
C 138						C 203					
C 139						C 204					
C 140	HVAC DASH MODULE THERMOMETER	MOLEX	4		562782	C 205					
C 141	RR DASH PANEL – LTS CONN. (SPARE)	AMP MNL	2	561248	561247	C 206					
C 142	ENGINE COMPT. B/U ALARM	PED WP	2	561566	561690	C 207					
C 143						C 208					
C 144						C 209					
C 145						C 210					
C 146						C 211	FR ROOF – SUN VISOR LH	AMP MNL	2	560900	560898
C 147						C 212	FR ROOF – SUN VISOR RH	AMP MNL	2	560900	560898
C 148						C 213					
C 149						C 214					
C 150						C 215					
C 151						C 216					
C 152						C 217					
C 153						C 218					
C 154						C 219					
C 155	EVAPORATOR CPT – WATER VALVE	BURKERT	3		563204	C 220					
C 156						C 221					
C 157	FR SERV. CPT – WATER PUMP DR'S	PED WP	3	561781	561782	C 222					
C 158	ENGINE CPT – DDEC INTERFACE	DEUTSCH	31	562572	562536	C 223	HEAD LIGHTS - FLASHER	DEUTSCH	5	562565	562566
C 159	ENGINE CPT – DDEC FEED	PED WP	6	561606	561607	C 224	HEAD LIGHTS	PED MP	3		562099
C 160	FR SERVICE CPT - INTERFACE	AMP CPC	37	561644	561646	C 225	FOG LIGHTS	DEUTSCH	3	562902	562901
C 161	ENGINE DDEC - ECM	PED MP	30		561600	C 226	FLASHER – (FR)	PED	3	562137	
C 162	ENGINE DDEC - ACCESSORIES	PED WP	4	561610	561611	C 227					
C 163	ENGINE CPT - COOLANT PROBE	PED MP	2		562350	C 228					
C 164						C 229					
C 165						C 230					
C 166						C 231					
C 167	FR SERVICE CPT - EL. FOOT PEDAL	PED WP	3	561781	561782	C 232					
C 168	FR SERVICE CPT - DDR	DEUTSCH	6	562360		C 233					
C 169	FR SERVICE CPT - WORLD TR. INTERFACE	AMP CPC	16	561639	561640	C 234					
C 170	FR JCT BOX FLASHER UNIT	PED	2		561940	C 235					
C 171	LH CONSOLE	AMP CPC	24	561642	561643	C 236	FR SERVICE CPT CENTER - ABS	AMP CPC	14	561636	561637
C 172	FR SERVICE COMPT - LEVEL LOW	AMP CPC	9	561637		C 237	FR AXLE CPT - ABS RH SENSOR	WABCO	2	641132	
C 173						C 238	FR AXLE CPT - ABS RH VALVE	WABCO	3	641098	
C 174						C 239	FR AXLE CPT - ABS LH VALVE	WABCO	3	641098	
C 175						C 240	FR AXLE CPT - ABS LH SENSOR	WABCO	2	641132	
C 176	UNDER DASH RH – WIPER PULSE	AMP FF	6		561186	C 241	LAST LUGGAGE COMPT - ABS	PED WP	6	561606	561607
C 177	UNDER DASH RH – WIPER MOTOR	AMP FF	6		561186	C 242	DRIVE AXLE CPT - ABS LH SENSOR	WABCO	2	641132	
C 178						C 243	DRIVE AXLE CPT - ABS LH VALVE	WABCO	3	641098	
C 179						C 244	DRIVE AXLE CPT - ABS RH VALVE	WABCO	3	641098	
C 180						C 245	DRIVE AXLE CPT - ABS RH SENSOR	WABCO	2	641132	
C 181						C 246	DRIVE AXLE CPT - ABS SPARE	PED WP	2	561566	561690
C 182						C 247					
C 183						C 248	LAST LUGGAGE CPT - ABS	PED WP	6	561606	561607
C 184						C 249	FR SERVICE CPT - ABS/DDEC	PED WP	2	561566	561690
C 185						C 250					
C 186						C 251	LH SW PANEL – FAST IDLE	EATON	12		562763
C 187	FR SERVICE JCT BOX - RESISTORS	AMP MNL	6	561552	561515	C 252	LUGGAGE COMPT. – WINDOW AJAR	MOLEX	4	561477	561476
C 188						C 253	LH SWITCH PANEL - ETHER	EATON	12		562763
C 189	ENGINE COMPT – DOOR LIGHT BACK UP	TRUCK-LITE	2	562755		C 254					
C 190	ENGINE COMPT – DOOR LIGHT STOP/TURN	AMP SS	3		562601	C 255	LH SWITCH PANEL – ENGINE BRAKE	EATON	12		562763
C 191	ENGINE COMPT – DOOR LIGHT STOP/TURN	AMP SS	3		562601	C 256					
C 192	ENGINE COMPT – DOOR LIGHT PARKING	AMP SS	3		562601	C 257					
C 193						C 258					

# CONNECTORS CODE

NO	LOCATION	TYPE	CAVITY	#PIN	#SOCKET	NO	LOCATION	TYPE	CAVITY	#PIN	#SOCKET
				HOUSING	HOUSING					HOUSING	HOUSING
C 258	LH SWITCH PANEL – MULTI FUNC. SW	AMP FF	8	561188		C 322	UNDER DASH RH - KEYLESS MODULE	AMP COM	22		562675
C 259						C 323	DRIVER'S WINDOW MOTOR	PED	2		561848
C 259	LH SWITCH PANEL – MULTI FUNC. SW	AMP FF	6		561186	C 324	LH SWITCH PANEL - UPPER FAN DEFROST	EATON	12		562763
C 260						C 325					
C 261						C 326					
C 262						C 327					
C 263	LUGGAGE COMPT. LTS COMPT #3	AMP MNL	2	561248	561247	C 328					
C 264	LUGGAGE COMPT. LTS COMPT #2	AMP MNL	2	561248	561247	C 329					
C 265	LUGGAGE COMPT. LTS COMPT #1	AMP MNL	2	561248	561247	C 330					
C 266	ENTRANCE DOOR KEYLESS	AMP CPC	14	561585	561583	C 331					
C 267	UNDER DASH RH – KEYLESS PANEL	AMP CPC	24	561642	561643	C 332					
C 268	FR MIRROR RH	CONXALL	5	563091	563090	C 333					
C 269	FR MIRROR LH	CONXALL	5	563091	563090	C 334					
C 270	LUGGAGE COMPT LTS - 3 LH	AMP MNL	2	561248	561247	C 335					
C 271	LUGGAGE COMPT LTS - 4	AMP MNL	2	561248	561247	C 336					
C 272						C 337					
C 273						C 338					
C 274						C 339					
C 275						C 340	FR JCT BOX – FIRE PIEZO ALARM	AMP MNL	2	560900	560898
C 276	UNDER DASH RH – 3 WAY LTS DR'S	EATON	12		562763	C 341	LH SWITCH PANEL – HEAT MIRROR SW.	EATON	12		562763
C 277	LH SWITCH PANEL DOCK & CORN. SW.	EATON	12		562763	C 342					
C 278	LH SWITCH PANEL – B/U CANCEL	EATON	12		562763	C 343	LH SWITCH PANEL – HEAD LAMP SW.	EATON	12		562763
C 279	FR SERVICE COMPT LH – STEERING ZF	DEUTSCH	2		562485	C 344	LH SWITCH PANEL – HAZARD LT SW.	EATON	12		562763
C 280	ENGINE COMPT - COMPRESSOR STD	PED WP	2	561566	561690	C 345	LH SWITCH PANEL – FOG LT SW.	EATON	12		562763
C 281	LH CONSOLE – LEVEL LOW	AMP MNL	4	560851	560852	C 346					
C 282	FR SERVICE COMPT – STEERING ZF	VOLVO	2		562928	C 347					
C 283						C 348	INSTR. PANEL CENT. – RACOR MODULE	MOLEX	6	562070	562069
C 284						C 349					
C 285						C 350					
C 286						C 351					
C 287						C 352					
C 288						C 353					
C 289						C 354					
C 290	LUGGAGE CPT - DOOR LOCK	AMP MNL	4	560851	560852	C 355					
C 291	LUGGAGE CPT - DOOR LOCK	AMP MNL	4	560851	560852	C 356					
C 292	FR SERVICE CPT LEVEL LOW	PNEUMAC	2		641385	C 357					
C 293	FR SERVICE CPT LEVEL LOW	PNEUMAC	2		641385	C 358					
C 294	FR SERVICE CPT LEVEL LOW	PNEUMAC	2		641385	C 359	RH SWITCH PANEL – ENT. DOOR WIND. SW.	EATON	12		562763
C 295	FR SERVICE CPT LEVEL LOW	PNEUMAC	2		641385	C 360	ENTRANCE WINDOW MOTOR	PED	2		561848
C 296	FR SERVICE CPT LEVEL LOW	PNEUMAC	2		641385	C 361					
C 297						C 362					
C 298						C 363					
C 299						C 364					
C 300						C 365					
C 301						C 366					
C 302						C 367					
C 303	RR JCT BOX - DIODES	AMP MNL	15	561987	561986	C 368					
C 304						C 369					
C 305						C 370					
C 306						C 371					
C 307						C 372					
C 308						C 373					
C 309	ENGINE DDEC - ECM POWER	PED	4	561610	561611	C 374					
C 310	LH CONSOLE SW – LUG. DOOR LOCK	EATON	12		562763	C 375					
C 311						C 376					
C 312	ENGINE DDEC - ACCESSORIES	PED WP	3	561781	561782	C 377	LH SWITCH PANEL – STOP ENGINE OVERRIDE	EATON	12		562763
C 313	ENGINE DDEC - INPUT	FCI	10	563207		C 378					
C 314						C 379					
C 315	LH SWITCH PANEL – LH SUN VISOR SW.	EATON	12		562763	C 380					
C 316						C 381	UNDER DASH PANEL – ANTI THILED	AMP MNL	2	561248	561247
C 317	LH SWITCH PANEL – RH SUN VISOR SW.	EATON	12		562763	C 382	ENGINE GENERATOR (1)	PED WP	1	561605	561577
C 318	LH CONSOLE SW – DR'S WINDOW SW.	EATON	12		562763	C 383	ENGINE COMPT – VOLTAGE REGULATOR	PED WP	1	561605	561577
C 319	ENGINE DDEC – ECM POWER	PED	4	561610	561611	C 384					
C 320	RT SWITCH PANEL – DRIVER'S LTS SW.	EATON	12		562763	C 385					
C 321	UNDER DASH RH - KEYLESS MODULE	AMP COM	26		562676	C 386					

# CONNECTORS CODE

NO	LOCATION	TYPE	CAVITY	#PIN	#SOCKET	NO	LOCATION	TYPE	CAVITY	#PIN	#SOCKET
				HOUSING	HOUSING					HOUSING	HOUSING
C 387	ENGINE COMPT. - BY-PASS VALVE	PED WP	2	561566	561690	C 452					
C 388						C 453					
C 389	ENGINE COMPT. - WATER PUMP	PED WP	2	561566	561690	C 454					
C 390	ENGINE COMPT. - A/C JCT. BOX	DEUTSCH	24	562280	562283	C 455					
C 391	CONDENSER COMPT. A/C PRESS SW 2 SP	PED WP	2	561566	561690	C 456	WORLD TRANS. - RETARDER ACCUM.	PED MP	2		562427
C 392						C 457	WORLD TRANS. - MAIN CONNECTOR	DEUTSCH	31	562572	562536
C 393						C 458	WORLD TRANS. - TURBINE SP. SENS.	PED MP	2		562426
C 394						C 459	WORLD TRANS. - ENGINE SP. SENS.	PED MP	2		562426
C 395						C 460	WORLD TRANS. - SPEED SENSOR	ITT	2		562541
C 396						C 461	WORLD TRANS. - RETARDER TEMP.	PED MP	2		562856
C 397						C 462	WORLD TRANS. - RETARDER SOL. "K"	PED MP	2		562426
C 398						C 463	WORLD TRANS. - SENSOR CONN.	DEUTSCH	16	562570	562571
C 399	ENGINE GENERATOR (2)	PED WP	2	561566	561690	C 464	RR JCT BOX - DDL CONN	DEUTSCH	6		565360
C 400	ENGINE COMPT. - BLOCK HEATER	PED WP	3	561781	561782	C 465	LH CONSOLE - SHIFTER SELECTOR	PED	20		562825
C 401						C 466	FR SERVICE CPT - RESIS. MOD.	PED WP	3		562428
C 402						C 467	FR SERVICE CPT - RESIS. MOD.	PED WP	3		562428
C 403						C 468	FR SERVICE CPT - RET. HAND LEVER	AMP FF	8	561188	562363
C 404						C 469	FR SERVICE CPT - RET. HAND LEVER	AMP FF	8	561188	562363
C 405						C 470					
C 406						C 471					
C 407						C 472	FR SERVICE CPT - SILENT 1000	PED WP	2	561566	561690
C 408						C 473					
C 409						C 474	DRIVER'S TEMP SENSOR	AMP MNL	2	561248	561247
C 410						C 475	FR SERVICE CPT - SPEED SIGN. CONNECT.	DEUTSCH	6	562583	562581
C 411						C 475W	FR SERVICE CPT - SPEED SIGN. W. TR.	DEUTSCH	6	562583	562581
C 412						C 476					
C 413						C 477					
C 414						C 478					
C 415						C 479	UNDER DASH - HVAC DASH MODULE	MOLEX	3		562783
C 416						C 480	UNDER DASH RH - DR'S FAN SPEED CTR	PED WP	4	561889	561890
C 417						C 481	UNDER DASH RH - DR'S FAN SPEED CTR	PED WP	3	561781	561782
C 418						C 482					
C 419						C 483	FR SERVICE CPT - ELECTRICAL SEAT	PED	2	562237	
C 420						C 484	UNDER DASH LH - FOOT DAMPER MOTOR	PED	2		562076
C 421						C 485	UNDER DASH LH - DASH & DEFR. DAMP. M.	AMP MNL	3	561667	561558
C 422						C 486					
C 423						C 487					
C 424	UNDER DASH- AUDIBLE FLASHER	AMP MNL	3	561667	561550	C 488					
C 425						C 489					
C 426	ENGINE S60 RAD. FAN CLUTCH	PED WP	3	561781	561782	C 490					
C 427						C 491					
C 428	RH SW PANEL - DASH LTS RHEOSTAT	AMP MNL	3	561667	561550	C 492					
C 429						C 493					
C 430						C 494					
C 431						C 495					
C 432						C 496					
C 433						C 497					
C 434						C 498					
C 435						C 499					
C 436						C 500	FR JCT PANEL - PRODRIVER	MOLEX	6	562070	562069
C 437						C 501					
C 438						C 502					
C 439						C 503					
C 440						C 504					
C 441						C 505					
C 442						C 506	LH CONSOLE - LEVEL LOW SW.	EATON	12		562763
C 443						C 507					
C 444						C 508	RR JCT BOX - FAN CLUTCH RETARDER	AMP MNL	6	561552	561515
C 445						C 509					
C 446						C 510					
C 447						C 511					
C 448						C 512					
C 449						C 513					
C 450						C 514					
C 451						C 515					

# CONNECTORS CODE

NO	LOCATION	TYPE	CAVITY	#PIN	#SOCKET	NO	LOCATION	TYPE	CAVITY	#PIN	#SOCKET
				HOUSING	HOUSING					HOUSING	HOUSING
C 516						C 581	LH DASH PANEL – ELECTRICAL HORN	PED MP	2		562777
C 517						C 582					
C 518						C 583	LH DASH PANEL – MASTER KEY SW.	DEUTSCH	2	562486	562485
C 519						C 584	FR. SERVICE COMPT – HORN PNEU. VALVE	PNEUMAC	3		562848
C 520						C 585	RH CONSOLE – ENT. DOOR LOCK VALVE	PNEUTECH	2		563147
C 521						C 586	FR SERVICE COMPT – ACC. PNEU.VALVE	PNEUMAC	3		562848
C 522	FR JCT BOX – DAYTIME LTS MODULE	BOSCH	5		561183	C 587					
C 523						C 588					
C 524	FR JCT BOX – FUSE BLOCK	PED	8	562647	562646	C 589	FR. MIRROR LH	CONXALL	8	563163	563088
C 525	FR JCT BOX – FUSE BLOCK	PED	8	562647	562646	C 590	FR. MIRROR RH	CONXALL	8	563163	563088
C 526	FR JCT BOX – FUSE BLOCK	PED	8	562647	562646	C 591	LH CONSOLE – LH MIRROR SW.	EURAMT.	8		562749
C 527	FR JCT BOX – FUSE BLOCK	PED	8	562647	562646	C 592	LH CONSOLE – RH MIRROR SW.	EURAMT.	8		562749
C 528						C 593					
C 529						C 594	FRONT ROOF – DRIVER'S LTS	LEEKRAFT	2	-----	562803
C 530						C 595					
C 531						C 596					
C 532						C 597	LH DASH PANEL – DISPLAY SET SW.	MOLEX	5		562905
C 533						C 598	LH DASH PANEL – DISPLAY SET SW.	MOLEX	5		562905
C 534						C 599	UND. DASH – MAGN. SW CTR POS. DR'S AIR	AMP MNL	2	561248	561247
C 535						C 600					
C 536						C 601					
C 537	A/C JCT BOX RESISTOR SIGN. RLY	AMP MNL	2	561248	561247	C 602					
C 538	FR SERV. CPT RH – OUTSIDE TEMP. SENS	AMP MNL	2	561248	561247	C 603					
C 539	HVAC DASH MODULE OUTPUT CONN.	MOLEY	24		562780	C 604					
C 540	HVAC DASH MODULE INPUT CONN.	MOLEY	22		562781	C 605					
C 541						C 606					
C 542						C 607	FR SERVICE COMPT – RPM SIGNAL (SPARE)	PED WP	2	561566	561690
C 543						C 608	FR SERV. COMPT – SPEED SIGNAL (SPARE)	PED WP	2	561566	561690
C 544						CS	FR SERVICE CPT - ECU WOLRD TR.	PED MP	32		562817
C 545						CT	FR SERVICE CPT - ECU WORLD TR.	PED MP	32		562824
C 546						CV	FR SERVICE CPT - ECU WORLD TR.	PED MP	32		562823
C 547						CX	CLUSTER	JAE	5		562957
C 548	LH DASH PANEL – T.T.LT TEST SW.	EATON	12		562763	CX 1	FR SERVICE CPT - ECU ABS	AMP JN	15		563200
C 549						CX 2	FR SERVICE CPT - ECU ABS	AMP JN	18		563201
C 550						CY	CLUSTER	JAE	30		562765
C 551						LX	CLUSTER	JAE	22		562766
C 552						LY	CLUSTER	JAE	30		562767
C 553						RX	CLUSTER	JAE	30		562767
C 554											
C 555											
C 556											
C 557											
C 558											
C 559											
C 560											
C 561											
C 562											
C 563											
C 564											
C 565											
C 566											
C 567											
C 568											
C 569											
C 570	UNDER DASH PANEL – T.T.LT MODULE	MOLEX	6		562464						
C 571	UNDER DASH PANEL – T.T.LT MODULE	MOLEX	20		562778						
C 572	UNDER DASH PANEL – T.T.LT MODULE	MOLEX	18		562779						
C 573	UNDER DASH PANEL – T.T.LT MODULE	MOLEX	8		562465						
C 574											
C 575											
C 576											
C 577											
C 578											
C 579											
C 580											

# CONNECTORS CODE

NO	LOCATION	TYPE	CAVITY	#PIN	#SOCKET	NO	LOCATION	TYPE	CAVITY	#PIN	#SOCKET
				HOUSING	HOUSING					HOUSING	HOUSING
AA 1	UNDER DASH PANEL-TAG AXLE SONALERT	BOSCH	5	-----	561183	C 65	ENGINE CPT - PRESS SW FAN CLUTCH	PED WP	2	561566	561690
C 1	FR JCT BOX COMPARTIMENT	AMP CPC	14	561585	561584	C 66					
C 2	FR JCT BOX COMPARTIMENT	AMP CPC	16	561638	561640	C 67					
C 3	FR JCT BOX COMPARTIMENT	AMP CPC	37	561644	561646	C 68					
C 4	FR JCT BOX COMPARTIMENT	AMP CPC	24	561641	561643	C 69					
C 5	FR SERVICE COMPT. - UNDERNEATH	AMP CPC	37	561645	561646	C 70	LH CONSOLE	AMP CPC	16	561639	561640
C 6	FR SERVICE COMPT. - UNDERNEATH	AMP CPC	16	561639	561640	C 71	FR JCT BOX COMPT.	AMP CPC	37	561645	561646
C 7	FR SERVICE COMPT - CLUTCH SW	ITT SS	3	561080	561111	C 72	FR JCT BOX COMPT.	AMP CPC	24	561642	561643
C 8	FR SERVICE COMPT. - UNDERNEATH	AMP CPC	24	561642	561643	C 73					
C 9	FR SERVICE COMPT. - UNDERNEATH	AMP CPC	24	561642	561643	C 74	FR JCT BOX COMPT.	AMP CPC	37	561645	561646
C 10	FR SERVICE DOOR ACCESS.	DEUTSCH	5	562565	562566	C 75					
C 11	FR SERV. CPT ACCESS	AMP CPC	37	561645	561646	C 76	ENGINE CMPT. FIRE DETECTOR	DEUTSCH	2	562486	562485
C 12	FR SERV. CPT ACCESS	AMP CPC	16	561639	561640	C 77	ENGINE CMPT. FIRE DETECTOR	DEUTSCH	2	562486	562485
C 13	FR SERV. CPT ACCESS	AMP CPC	9	561635	561637	C 78					
C 14						C 79					
C 15	LUGGAGE CPT (184)-MARK. SUPPL.	DEUTSCH	4	562479	562477	C 80					
C 16	LH CONSOLE SW-CRUISE ON/OFF	EATON	12	-----	562763	C 81	LUGGAGE COMPT - DOOR LOCK	AMP MNL	4	560851	560852
C 17	LH CONSOLE SW-CRUISE RESUME	EATON	12		562763	C 82	LUGGAGE COMPT - DOOR LOCK	AMP MNL	4	560851	560852
C 18	LH CONSOLE SW-CRUISE SET	EATON	12		562763	C 83	LUGGAGE COMPT - DOOR LOCK	AMP MNL	4	560851	560852
C 19	LH CONSOLE SW-DECEL SW	EATON	12		562763	C 84	LUGGAGE COMPT - DOOR LOCK	AMP MNL	4	560851	560852
C 20	RR JCT BOX	DEUTSCH	70	562282	562285	C 85	LUGGAGE COMPT - DOOR LOCK	AMP MNL	4	560851	560852
C 21	ENGINE COMPT - LOCK DOOR MOT.	PED WP	2		562076	C 86	LUGGAGE COMPT - DOOR LOCK	AMP MNL	4	560851	560852
C 22	LUGGAGE COMPT (A) - A/C & FUEL TANK	AMP CPC	16	561639	561640	C 87					
C 23	LUGGAGE COMPT (1) - LUGG. ACCESS.	AMP CPC	24	561642	561643	C 88					
C 24	ENGINE COMPT. - INTERF RJB	PED WP	6	561606	561607	C 89					
C 25						C 90					
C 26	ENGINE COMPT. ACCESS	DEUTSCH	40	562281	562284	C 91					
C 27	ENGINE COMPT. - INTERF. RJB	DEUTSCH	6	562583	562581	C 92	FR JCT BOX COMPT - ABS	AMP CPC	9	561635	561637
C 28	LUGGAGE COMPT(4) - LUGG. ACCESS	AMP CPC	24	561642	561643	C 93					
C 29	FR SERVICE COMPT - E.C.U. FEED	PED WP	3	561781	561782	C 94					
C 30	ENGINE COMPT - MASTER SW. SIGN.	DEUTSCH	2	562486	562485	C 95	ENTRANCE DOOR ACCESS	DEUTSCH	6	562583	562581
C 31						C 96	FR SERVICE DOOR ACCESS	AMP MNL	9	561670	561669
C 32						C 97	FR SERVICE DOOR - WATER TANK	PED MP	20		562426
C 33	ENGINE DDEC II - SPEED SIGN SPARE	PED WP	2	561566	561690	C 98					
C 34						C 99	FR SERVICE CPT. LTS	AMP MNL	2	561248	561247
C 35	A/C COMPT - AIR RETURN SENSOR	AMP MNL	2	561248	561247	C 100					
C 36						C 101	FR SERVICE COMPT. ELEC. HORNS	PED WP	2	561566	561690
C 37						C 101	CONDENSER COMPT - A/C PRES. SW 1SP	PED WP	2	561566	561690
C 38						C 102	CONDENS. COMPT - LIQU. SOL. VAL. PRES.	PED WP	2	561566	561690
C 39						C 103					
C 40						C 104					
C 41	ENGINE COMPT - RH DOOR LOCK	DEUTSCH	4	562479	562477	C 105	UNDER DASH RH - DRV LIO SOL VL	PED WP	2	561566	561690
C 42	ENGINE COMPT - RR CAP LIGHTING	DEUTSCH	6	562583	562581	C 106	UNDER DASH RH - DRV WTR VALVE	PED WP	2	561566	561690
C 43	FR JCT BOX - ALT. MODULE	AMP MNL	12	561735	561734	C 107					
C 44	ENGINE COMPT - LIGHTS	GROTE	2	563268	-----	C 108					
C 45	FR JCT BOX COMPT - ROOF ACCESS	AMP CPC	24	561642	561643	C 109					
C 46						C 110					
C 47						C 111					
C 48	FR SERV. CPT. PRESS SW PARK BRAKE	DEUTSCH	4	562479	562477	C 112					
C 49						C 113					
C 50						C 114	ENGINE DDEC - SPEED SIGNAL (SPARG)	PED WP	2	561566	561690
C 51						C 115	RR JCT BOX - ENGINE ACCESS	DEUTSCH	40	562281	562284
C 52	ENGINE COMPT - COMPRESSOR	PED WP	2	561566	561690	C 116					
C 53	ENGINE COMPT - COMPRESSOR	PED WP	2	561566	561690	C 117					
C 54	FRONT ROOF - UPPER FAN DEFROST	AMP MNL	6	561552	561515	C 118	ENGINE COMPT - LICENCE	PED WP	2	930210	
C 55	CENTRAL DOOR LOCK	DEUTSCH	4	562479	562477	C 119	ENGINE COMPT - RH LOWER LAMP	PED WP	6	561606	561607
C 56						C 120	ENGINE COMPT - LH LOWER LAMP	PED WP	6	561606	561607
C 57						C 121					
C 58						C 122					
C 59						C 123					
C 60						C 124					
C 61	ENGINE COMPT - FUEL FILTER	PED WP	2	561566	561690	C 125					
C 62	ENGINE COMPT - COMPRESSOR STD	PED WP	2	561566	561690	C 126					
C 63	ENGINE COMPT - COMPRESSOR STD	PED WP	2	561566	561690	C 127					
C 64						C 128					

# CONNECTORS CODE

NO	LOCATION	TYPE	CAVITY	#PIN	#SOCKET	NO	LOCATION	TYPE	CAVITY	#PIN	#SOCKET
				HOUSING	HOUSING					HOUSING	HOUSING
C 129						C 194					
C 130						C 195					
C 131						C 196					
C 132						C 197					
C 133						C 198					
C 134	FR JCT BOX – DIODE CONN.	AMP MNL	15	561987	561986	C 199					
C 135	FR JCT BOX – DIODE CONN.	AMP MNL	15	561987	561986	C 200					
C 136	FR JCT BOX – DIODE CONN.	AMP MNL	15	561987	561986	C 201					
C 137						C 202					
C 138						C 203					
C 139						C 204					
C 140	HVAC DASH MODULE THERMOMETER	MOLEX	4		562782	C 205					
C 141	RR DASH PANEL – LTS CONN. (SPARE)	AMP MNL	2	561248	561247	C 206					
C 142	ENGINE COMPT. B/U ALARM	PED WP	2	561566	561690	C 207					
C 143						C 208					
C 144						C 209					
C 145						C 210					
C 146						C 211	FR ROOF – SUN VISOR LH	AMP MNL	2	560900	560898
C 147						C 212	FR ROOF – SUN VISOR RH	AMP MNL	2	560900	560898
C 148						C 213					
C 149						C 214					
C 150						C 215					
C 151						C 216					
C 152						C 217					
C 153						C 218					
C 154						C 219					
C 155	EVAPORATOR CPT – WATER VALVE	BURKERT	3		563204	C 220					
C 156						C 221					
C 157	FR SERV. CPT – WATER PUMP DR'S	PED WP	3	561781	561782	C 222					
C 158	ENGINE CPT – DDEC INTERFACE	DEUTSCH	31	562572	562536	C 223	HEAD LIGHTS - FLASHER	DEUTSCH	5	562565	562566
C 159	ENGINE CPT – DDEC FEED	PED WP	6	561606	561607	C 224	HEAD LIGHTS	PED MP	3		562099
C 160	FR SERVICE CPT - INTERFACE	AMP CPC	37	561644	561646	C 225	FOG LIGHTS	DEUTSCH	3	562902	562901
C 161	ENGINE DDEC - ECM	PED MP	30		561600	C 226	FLASHER – (FR)	PED	3	562137	
C 162	ENGINE DDEC - ACCESSORIES	PED WP	4	561610	561611	C 227					
C 163	ENGINE CPT - COOLANT PROBE	PED MP	2		562350	C 228					
C 164						C 229					
C 165						C 230					
C 166						C 231					
C 167	FR SERVICE CPT - EL. FOOT PEDAL	PED WP	3	561781	561782	C 232					
C 168	FR SERVICE CPT - DDR	DEUTSCH	6	562360		C 233					
C 169	FR SERVICE CPT - WORLD TR. INTERFACE	AMP CPC	16	561639	561640	C 234					
C 170	FR JCT BOX FLASHER UNIT	PED	2		561940	C 235					
C 171	LH CONSOLE	AMP CPC	24	561642	561643	C 236	FR SERVICE CPT CENTER - ABS	AMP CPC	14	561636	561637
C 172	FR SERVICE COMPT - LEVEL LOW	AMP CPC	9	561637		C 237	FR AXLE CPT - ABS RH SENSOR	WABCO	2	641132	
C 173						C 238	FR AXLE CPT - ABS RH VALVE	WABCO	3	641098	
C 174						C 239	FR AXLE CPT - ABS LH VALVE	WABCO	3	641098	
C 175						C 240	FR AXLE CPT - ABS LH SENSOR	WABCO	2	641132	
C 176	UNDER DASH RH – WIPER PULSE	AMP FF	6		561186	C 241	LAST LUGGAGE COMPT - ABS	PED WP	6	561606	561607
C 177	UNDER DASH RH – WIPER MOTOR	AMP FF	6		561186	C 242	DRIVE AXLE CPT - ABS LH SENSOR	WABCO	2	641132	
C 178						C 243	DRIVE AXLE CPT - ABS LH VALVE	WABCO	3	641098	
C 179						C 244	DRIVE AXLE CPT - ABS RH VALVE	WABCO	3	641098	
C 180						C 245	DRIVE AXLE CPT - ABS RH SENSOR	WABCO	2	641132	
C 181						C 246	DRIVE AXLE CPT - ABS SPARE	PED WP	2	561566	561690
C 182						C 247					
C 183						C 248	LAST LUGGAGE CPT - ABS	PED WP	6	561606	561607
C 184						C 249	FR SERVICE CPT - ABS/DDEC	PED WP	2	561566	561690
C 185						C 250					
C 186						C 251	LH SW PANEL – FAST IDLE	EATON	12		562763
C 187	FR SERVICE JCT BOX - RESISTORS	AMP MNL	6	561552	561515	C 252	LUGGAGE COMPT. – WINDOW AJAR	MOLEX	4	561477	561476
C 188						C 253	LH SWITCH PANEL - ETHER	EATON	12		562763
C 189	ENGINE COMPT – DOOR LIGHT BACK UP	TRUCK-LITE	2	562755		C 254					
C 190	ENGINE COMPT – DOOR LIGHT STOP/TURN	AMP SS	3		562601	C 255	LH SWITCH PANEL – ENGINE BRAKE	EATON	12		562763
C 191	ENGINE COMPT – DOOR LIGHT STOP/TURN	AMP SS	3		562601	C 256					
C 192	ENGINE COMPT – DOOR LIGHT PARKING	AMP SS	3		562601	C 257					
C 193						C 258					



# CONNECTORS CODE

NO	LOCATION	TYPE	CAVITY	#PIN	#SOCKET	NO	LOCATION	TYPE	CAVITY	#PIN	#SOCKET
				HOUSING	HOUSING					HOUSING	HOUSING
C 258	LH SWITCH PANEL – MULTI FUNC. SW	AMP FF	8	561188		C 322	UNDER DASH RH - KEYLESS MODULE	AMP COM	22		562675
C 259						C 323	DRIVER'S WINDOW MOTOR	PED	2		561848
C 259	LH SWITCH PANEL – MULTI FUNC. SW	AMP FF	6		561186	C 324	LH SWITCH PANEL - UPPER FAN DEFROST	EATON	12		562763
C 260						C 325					
C 261						C 326					
C 262						C 327					
C 263	LUGGAGE COMPT. LTS COMPT #3	AMP MNL	2	561248	561247	C 328					
C 264	LUGGAGE COMPT. LTS COMPT #2	AMP MNL	2	561248	561247	C 329					
C 265	LUGGAGE COMPT. LTS COMPT #1	AMP MNL	2	561248	561247	C 330					
C 266	ENTRANCE DOOR KEYLESS	AMP CPC	14	561585	561583	C 331					
C 267	UNDER DASH RH – KEYLESS PANEL	AMP CPC	24	561642	561643	C 332					
C 268	FR MIRROR RH	CONXALL	5	563091	563090	C 333					
C 269	FR MIRROR LH	CONXALL	5	563091	563090	C 334					
C 270	LUGGAGE COMPT LTS - 3 LH	AMP MNL	2	561248	561247	C 335					
C 271	LUGGAGE COMPT LTS - 4	AMP MNL	2	561248	561247	C 336					
C 272						C 337					
C 273						C 338					
C 274						C 339					
C 275						C 340	FR JCT BOX – FIRE PIEZO ALARM	AMP MNL	2	560900	560898
C 276	UNDER DASH RH – 3 WAY LTS DR'S	EATON	12		562763	C 341	LH SWITCH PANEL – HEAT MIRROR SW.	EATON	12		562763
C 277	LH SWITCH PANEL DOCK & CORN. SW.	EATON	12		562763	C 342					
C 278	LH SWITCH PANEL – B/U CANCEL	EATON	12		562763	C 343	LH SWITCH PANEL – HEAD LAMP SW.	EATON	12		562763
C 279	FR SERVICE COMPT LH – STEERING ZF	DEUTSCH	2		562485	C 344	LH SWITCH PANEL – HAZARD LT SW.	EATON	12		562763
C 280	ENGINE COMPT - COMPRESSOR STD	PED WP	2	561566	561690	C 345	LH SWITCH PANEL – FOG LT SW.	EATON	12		562763
C 281	LH CONSOLE – LEVEL LOW	AMP MNL	4	560851	560852	C 346					
C 282	FR SERVICE COMPT – STEERING ZF	VOLVO	2		562928	C 347					
C 283						C 348	INSTR. PANEL CENT. – RACOR MODULE	MOLEX	6	562070	562069
C 284						C 349					
C 285						C 350					
C 286						C 351					
C 287						C 352					
C 288						C 353					
C 289						C 354					
C 290	LUGGAGE CPT - DOOR LOCK	AMP MNL	4	560851	560852	C 355					
C 291	LUGGAGE CPT - DOOR LOCK	AMP MNL	4	560851	560852	C 356					
C 292	FR SERVICE CPT LEVEL LOW	PNEUMAC	2		641385	C 357					
C 293	FR SERVICE CPT LEVEL LOW	PNEUMAC	2		641385	C 358					
C 294	FR SERVICE CPT LEVEL LOW	PNEUMAC	2		641385	C 359	RH SWITCH PANEL – ENT. DOOR WIND. SW.	EATON	12		562763
C 295	FR SERVICE CPT LEVEL LOW	PNEUMAC	2		641385	C 360	ENTRANCE WINDOW MOTOR	PED	2		561848
C 296	FR SERVICE CPT LEVEL LOW	PNEUMAC	2		641385	C 361					
C 297						C 362					
C 298						C 363					
C 299						C 364					
C 300						C 365					
C 301						C 366					
C 302						C 367					
C 303	RR JCT BOX - DIODES	AMP MNL	15	561987	561986	C 368					
C 304						C 369					
C 305						C 370					
C 306						C 371					
C 307						C 372					
C 308						C 373					
C 309	ENGINE DDEC - ECM POWER	PED	4	561610	561611	C 374					
C 310	LH CONSOLE SW – LUG. DOOR LOCK	EATON	12		562763	C 375					
C 311						C 376					
C 312	ENGINE DDEC - ACCESSORIES	PED WP	3	561781	561782	C 377	LH SWITCH PANEL – STOP ENGINE OVERRIDE	EATON	12		562763
C 313	ENGINE DDEC - INPUT	FCI	10	563207		C 378					
C 314						C 379					
C 315	LH SWITCH PANEL – LH SUN VISOR SW.	EATON	12		562763	C 380					
C 316						C 381	UNDER DASH PANEL – ANTI THIELED	AMP MNL	2	561248	561247
C 317	LH SWITCH PANEL – RH SUN VISOR SW.	EATON	12		562763	C 382	ENGINE GENERATOR (1)	PED WP	1	561605	561577
C 318	LH CONSOLE SW – DR'S WINDOW SW.	EATON	12		562763	C 383	ENGINE COMPT – VOLTAGE REGULATOR	PED WP	1	561605	561577
C 319	ENGINE DDEC – ECM POWER	PED	4	561610	561611	C 384					
C 320	RT SWITCH PANEL – DRIVER'S LTS SW.	EATON	12		562763	C 385					
C 321	UNDER DASH RH - KEYLESS MODULE	AMP COM	26		562676	C 386					

# CONNECTORS CODE

NO	LOCATION	TYPE	CAVITY	#PIN	#SOCKET	NO	LOCATION	TYPE	CAVITY	#PIN	#SOCKET
				HOUSING	HOUSING					HOUSING	HOUSING
C 387	ENGINE COMPT. - BY-PASS VALVE	PED WP	2	561566	561690	C 452					
C 388						C 453					
C 389	ENGINE COMPT. - WATER PUMP	PED WP	2	561566	561690	C 454					
C 390	ENGINE COMPT. - A/C JCT. BOX	DEUTSCH	24	562280	562283	C 455					
C 391	CONDENSER COMPT. A/C PRESS SW 2 SP	PED WP	2	561566	561690	C 456	WORLD TRANS. - RETARDER ACCUM.	PED MP	2		562427
C 392						C 457	WORLD TRANS. - MAIN CONNECTOR	DEUTSCH	31	562572	562536
C 393						C 458	WORLD TRANS. - TURBINE SP. SENS.	PED MP	2		562426
C 394						C 459	WORLD TRANS. - ENGINE SP. SENS.	PED MP	2		562426
C 395						C 460	WORLD TRANS. - SPEED SENSOR	ITT	2		562541
C 396						C 461	WORLD TRANS. - RETARDER TEMP.	PED MP	2		562856
C 397						C 462	WORLD TRANS. - RETARDER SOL. "K"	PED MP	2		562426
C 398						C 463	WORLD TRANS. - SENSOR CONN.	DEUTSCH	16	562570	562571
C 399	ENGINE GENERATOR (2)	PED WP	2	561566	561690	C 464	RR JCT BOX - DDL CONN	DEUTSCH	6		565360
C 400	ENGINE COMPT. - BLOCK HEATER	PED WP	3	561781	561782	C 465	LH CONSOLE - SHIFTER SELECTOR	PED	20		562825
C 401						C 466	FR SERVICE CPT - RESIS. MOD.	PED WP	3		562428
C 402						C 467	FR SERVICE CPT - RESIS. MOD.	PED WP	3		562428
C 403						C 468	FR SERVICE CPT - RET. HAND LEVER	AMP FF	8	561188	562363
C 404						C 469	FR SERVICE CPT - RET. HAND LEVER	AMP FF	8	561188	562363
C 405						C 470					
C 406						C 471					
C 407						C 472	FR SERVICE CPT - SILENT 1000	PED WP	2	561566	561690
C 408						C 473					
C 409						C 474	DRIVER'S TEMP SENSOR	AMP MNL	2	561248	561247
C 410						C 475	FR SERVICE CPT - SPEED SIGN. CONNECT.	DEUTSCH	6	562583	562581
C 411						C 475W	FR SERVICE CPT - SPEED SIGN. W. TR.	DEUTSCH	6	562583	562581
C 412						C 476					
C 413						C 477					
C 414						C 478					
C 415						C 479	UNDER DASH - HVAC DASH MODULE	MOLEX	3		562783
C 416						C 480	UNDER DASH RH - DR'S FAN SPEED CTR	PED WP	4	561889	561890
C 417						C 481	UNDER DASH RH - DR'S FAN SPEED CTR	PED WP	3	561781	561782
C 418						C 482					
C 419						C 483	FR SERVICE CPT - ELECTRICAL SEAT	PED	2	562237	
C 420						C 484	UNDER DASH LH - FOOT DAMPER MOTOR	PED	2		562076
C 421						C 485	UNDER DASH LH - DASH & DEFR. DAMP. M.	AMP MNL	3	561667	561558
C 422						C 486					
C 423						C 487					
C 424	UNDER DASH- AUDIBLE FLASHER	AMP MNL	3	561667	561550	C 488					
C 425						C 489					
C 426	ENGINE S60 RAD. FAN CLUTCH	PED WP	3	561781	561782	C 490					
C 427						C 491					
C 428	RH SW PANEL - EVAP. FAN SPEED	EATON	12		562763	C 492					
C 429						C 493					
C 430						C 494					
C 431						C 495					
C 432						C 496					
C 433						C 497					
C 434						C 498					
C 435						C 499					
C 436						C 500	FR JCT PANEL - PRODRIVER	MOLEX	6	562070	562069
C 437						C 501					
C 438						C 502					
C 439						C 503					
C 440						C 504					
C 441						C 505					
C 442						C 506	LH CONSOLE - LEVEL LOW SW.	EATON	12		562763
C 443						C 507					
C 444						C 508	RR JCT BOX - FAN CLUTCH RETARDER	AMP MNL	6	561552	561515
C 445						C 509					
C 446						C 510					
C 447						C 511					
C 448						C 512					
C 449						C 513					
C 450						C 514					
C 451						C 515					

# CONNECTORS CODE

NO	LOCATION	TYPE	CAVITY	#PIN	#SOCKET	NO	LOCATION	TYPE	CAVITY	#PIN	#SOCKET
				HOUSING	HOUSING					HOUSING	HOUSING
C 516						C 581	LH DASH PANEL – ELECTRICAL HORN	PED MP	2		562777
C 517						C 582					
C 518						C 583	LH DASH PANEL – MASTER KEY SW.	DEUTSCH	2	562486	562485
C 519						C 584	FR. SERVICE COMPT – HORN PNEU. VALVE	PNEUMAC	3		562848
C 520						C 585	RH CONSOLE – ENT. DOOR LOCK VALVE	PNEUTECH	2		563147
C 521						C 586	FR SERVICE COMPT – ACC. PNEU.VALVE	PNEUMAC	3		562848
C 522	FR JCT BOX – DAYTIME LTS MODULE	BOSCH	5		561183	C 587					
C 523						C 588					
C 524	FR JCT BOX – FUSE BLOCK	PED	8	562647	562646	C 589	FR. MIRROR LH	CONXALL	8	563163	563088
C 525	FR JCT BOX – FUSE BLOCK	PED	8	562647	562646	C 590	FR. MIRROR RH	CONXALL	8	563163	563088
C 526	FR JCT BOX – FUSE BLOCK	PED	8	562647	562646	C 591	LH CONSOLE – LH MIRROR SW.	EURAMT.	8		562749
C 527	FR JCT BOX – FUSE BLOCK	PED	8	562647	562646	C 592	LH CONSOLE – RH MIRROR SW.	EURAMT.	8		562749
C 528						C 593					
C 529						C 594	FRONT ROOF – DRIVER'S LTS	LEEKRAFT	2	-----	562803
C 530						C 595					
C 531						C 596					
C 532						C 597	LH DASH PANEL – DISPLAY SET SW.	MOLEX	5		562905
C 533						C 598	LH DASH PANEL – DISPLAY SET SW.	MOLEX	5		562905
C 534						C 599	UND. DASH – MAGN. SW CTR POS. DR'S AIR	AMP MNL	2	561248	561247
C 535						C 600					
C 536						C 601					
C 537	A/C JCT BOX RESISTOR SIGN. RLY	AMP MNL	2	561248	561247	C 602					
C 538	FR SERV. CPT RH – OUTSIDE TEMP. SENS	AMP MNL	2	561248	561247	C 603					
C 539	HVAC DASH MODULE OUTPUT CONN.	MOLEY	24		562780	C 604					
C 540	HVAC DASH MODULE INPUT CONN.	MOLEY	22		562781	C 605					
C 541						C 606					
C 542						C 607	FR SERVICE COMPT – RPM SIGNAL (SPARE)	PED WP	2	561566	561690
C 543						C 608	FR SERV. COMPT – SPEED SIGNAL (SPARE)	PED WP	2	561566	561690
C 544						CS	FR SERVICE CPT - ECU WOLRD TR.	PED MP	32		562817
C 545						CT	FR SERVICE CPT - ECU WORLD TR.	PED MP	32		562824
C 546						CV	FR SERVICE CPT - ECU WORLD TR.	PED MP	32		562823
C 547						CX	CLUSTER	JAE	5		562957
C 548	LH DASH PANEL – T.T.LT TEST SW.	EATON	12		562763	CX 1	FR SERVICE CPT - ECU ABS	AMP JN	15		563200
C 549						CX 2	FR SERVICE CPT - ECU ABS	AMP JN	18		563201
C 550						CY	CLUSTER	JAE	30		562765
C 551						LX	CLUSTER	JAE	22		562766
C 552						LY	CLUSTER	JAE	30		562767
C 553						RX	CLUSTER	JAE	30		562767
C 554											
C 555											
C 556											
C 557											
C 558											
C 559											
C 560											
C 561											
C 562											
C 563											
C 564											
C 565											
C 566											
C 567											
C 568											
C 569											
C 570	UNDER DASH PANEL – T.T.LT MODULE	MOLEX	6		562464						
C 571	UNDER DASH PANEL – T.T.LT MODULE	MOLEX	20		562778						
C 572	UNDER DASH PANEL – T.T.LT MODULE	MOLEX	18		562779						
C 573	UNDER DASH PANEL – T.T.LT MODULE	MOLEX	8		562465						
C 574											
C 575											
C 576											
C 577											
C 578											
C 579											
C 580											

# CONNECTORS CODE

NO	LOCATION	TYPE	CAVITY	#PIN	#SOCKET	NO	LOCATION	TYPE	CAVITY	#PIN	#SOCKET
				HOUSING	HOUSING					HOUSING	HOUSING
AA 1	UNDER DASH PANEL-TAG AXLE SONALERT	BOSCH	5	-----	561183	C 65	ENGINE CPT - PRESS SW FAN CLUTCH	PED WP	2	561566	561690
C 1	FR JCT BOX COMPARTMENT	AMP CPC	14	561585	561584	C 66					
C 2	FR JCT BOX COMPARTIMENT	AMP CPC	16	561638	561640	C 67					
C 3	FR JCT BOX COMPARTIMENT	AMP CPC	37	561644	561646	C 68					
C 4	FR JCT BOX COMPARTIMENT	AMP CPC	24	561641	561643	C 69					
C 5	FR SERVICE COMPT. - UNDERNEATH	AMP CPC	37	561645	561646	C 70	LH CONSOLE	AMP CPC	16	561639	561640
C 6	FR SERVICE COMPT. - UNDERNEATH	AMP CPC	16	561639	561640	C 71	FR JCT BOX COMPT.	AMP CPC	37	561645	561646
C 7	FR SERVICE COMPT - CLUTCH SW	ITT SS	3	561080	561111	C 72	FR JCT BOX COMPT.	AMP CPC	24	561642	561643
C 8	FR SERVICE COMPT. - UNDERNEATH	AMP CPC	24	561642	561643	C 73					
C 9	FR SERVICE COMPT. - UNDERNEATH	AMP CPC	24	561642	561643	C 74	FR JCT BOX COMPT.	AMP CPC	37	561645	561646
C 10	FR SERVICE DOOR ACCESS.	DEUTSCH	5	562565	562566	C 75					
C 11	FR SERV. CPT ACCESS	AMP CPC	37	561645	561646	C 76	ENGINE CMPT. FIRE DETECTOR	DEUTSCH	2	562486	562485
C 12	FR SERV. CPT ACCESS	AMP CPC	16	561639	561640	C 77	ENGINE CMPT. FIRE DETECTOR	DEUTSCH	2	562486	562485
C 13	FR SERV. CPT ACCESS	AMP CPC	9	561635	561637	C 78					
C 14						C 79					
C 15	LUGGAGE CPT (184)-MARK. SUPPL.	DEUTSCH	4	562479	562477	C 80					
C 16	LH CONSOLE SW-CRUISE ON/OFF	EATON	12	-----	562763	C 81	LUGGAGE COMPT - DOOR LOCK	AMP MNL	4	560851	560852
C 17	LH CONSOLE SW-CRUISE RESUME	EATON	12		562763	C 82	LUGGAGE COMPT - DOOR LOCK	AMP MNL	4	560851	560852
C 18	LH CONSOLE SW-CRUISE SET	EATON	12		562763	C 83	LUGGAGE COMPT - DOOR LOCK	AMP MNL	4	560851	560852
C 19	LH CONSOLE SW-DECEL SW	EATON	12		562763	C 84	LUGGAGE COMPT - DOOR LOCK	AMP MNL	4	560851	560852
C 20	RR JCT BOX	DEUTSCH	70	562282	562285	C 85	LUGGAGE COMPT - DOOR LOCK	AMP MNL	4	560851	560852
C 21	ENGINE COMPT - LOCK DOOR MOT.	PED WP	2		562076	C 86	LUGGAGE COMPT - DOOR LOCK	AMP MNL	4	560851	560852
C 22	LUGGAGE COMPT (A) - A/C & FUEL TANK	AMP CPC	16	561639	561640	C 87					
C 23	LUGGAGE COMPT (1) - LUGG. ACCESS.	AMP CPC	24	561642	561643	C 88	FR SERV. CPT. PRESS SW PARK BRAKE	PED WP	2	561566	561690
C 24	ENGINE COMPT. - INTERF RJB	PED WP	6	561606	561607	C 89					
C 25						C 90					
C 26	ENGINE COMPT. ACCESS	DEUTSCH	40	562281	562284	C 91					
C 27	ENGINE COMPT. - INTERF. RJB	DEUTSCH	6	562583	562581	C 92	FR JCT BOX COMPT - ABS	AMP CPC	9	561635	561637
C 28	LUGGAGE COMPT(4) - LUGG. ACCESS	AMP CPC	24	561642	561643	C 93					
C 29	FR SERVICE COMPT - E.C.U. FEED	PED WP	3	561781	561782	C 94					
C 30	ENGINE COMPT - MASTER SW. SIGN.	DEUTSCH	2	562486	562485	C 95	ENTRANCE DOOR ACCESS	DEUTSCH	6	562583	562581
C 31						C 96	FR SERVICE DOOR ACCESS	AMP MNL	9	561670	561669
C 32						C 97	FR SERVICE DOOR - WATER TANK	PED MP	20		562426
C 33	ENGINE DDEC II - SPEED SIGN SPARE	PED WP	2	561566	561690	C 98					
C 34						C 99	FR SERVICE CPT. LTS	AMP MNL	2	561248	561247
C 35	A/C COMPT - AIR RETURN SENSOR	AMP MNL	2	561248	561247	C 100	SIDE (LH/FR & CTR) DIR LTS	GROTE	2	-----	562155
C 36						C 101	FR SERVICE COMPT. ELEC. HORNS	PED WP	2	561566	561690
C 37						C 101	CONDENSER COMPT - A/C PRES. SW 1SP	PED WP	2	561566	561690
C 38						C 102	CONDENS. COMPT - LIQU. SOL. VAL. PRES.	PED WP	2	561566	561690
C 39						C 103					
C 40						C 104					
C 41	ENGINE COMPT - RH DOOR LOCK	DEUTSCH	4	562479	562477	C 105	UNDER DASH RH - DRV LIO SOL VL	PED WP	2	561566	561690
C 42	ENGINE COMPT - RR CAP LIGHTING	DEUTSCH	6	562583	562581	C 106	UNDER DASH RH - DRV WTR VALVE	PED WP	2	561566	561690
C 43	FR JCT BOX - ALT. MODULE	AMP MNL	12	561735	561734	C 107					
C 44	ENGINE COMPT - LIGHTS	GROTE	2	563268	-----	C 108					
C 45	FR JCT BOX COMPT - ROOF ACCESS	AMP CPC	24	561642	561643	C 109	SIDE (RH/FR & CTR) DIR LTS	GROTE	2	-----	562155
C 46						C 110	SIDE (LH/FR) MARKER LTS	GROTE	2	-----	562155
C 47						C 111	SIDE (RH/FR) MARKER LTS	GROTE	2	-----	562155
C 48	FR SERV. CPT. PRESS SW PARK BRAKE	PED WP	2	561566	561690	C 112	SIDE (RH/CTR) MARKER LTS	GROTE	2	-----	562155
C 49						C 113	SIDE (LH/RR) MARKER LTS	GROTE	2	-----	562155
C 50						C 114	ENGINE DDEC - SPEED SIGNAL (SPARG)	PED WP	2	561566	561690
C 51						C 115	RR JCT BOX - ENGINE ACCESS	DEUTSCH	40	562281	562284
C 52	ENGINE COMPT - COMPRESSOR	PED WP	2	561566	561690	C 116	SIDE (LH/CTR) MARKER LTS	GROTE	2	-----	562155
C 53	ENGINE COMPT - COMPRESSOR	PED WP	2	561566	561690	C 117	SIDE (RH/RR) MARKER LTS	GROTE	2	-----	562155
C 54	FRONT ROOF - UPPER FAN DEFROST	AMP MNL	6	561552	561515	C 118	ENGINE COMPT - LICENCE	PED WP	2	930210	
C 55	CENTRAL DOOR LOCK	DEUTSCH	4	562479	562477	C 119	ENGINE COMPT - RH LOWER LAMP	PED WP	6	561606	561607
C 56						C 120	ENGINE COMPT - LH LOWER LAMP	PED WP	6	561606	561607
C 57						C 121	SIDE (RH/RR) DIR LTS	GROTE	2	-----	562155
C 58						C 122	SIDE (LH/RR) DIR LTS	GROTE	2	-----	562155
C 59						C 123					
C 60						C 124					
C 61	ENGINE COMPT - FUEL FILTER	PED WP	2	561566	561690	C 125					
C 62	ENGINE COMPT - COMPRESSOR STD	PED WP	2	561566	561690	C 126					
C 63	ENGINE COMPT - COMPRESSOR STD	PED WP	2	561566	561690	C 127					
C 64						C 128					

# CONNECTORS CODE

NO	LOCATION	TYPE	CAVITY	#PIN	#SOCKET	NO	LOCATION	TYPE	CAVITY	#PIN	#SOCKET
				HOUSING	HOUSING					HOUSING	HOUSING
C 129						C 194					
C 130						C 195					
C 131						C 196					
C 132						C 197					
C 133						C 198					
C 134	FR JCT BOX – DIODE CONN.	AMP MNL	15	561987	561986	C 199					
C 135	FR JCT BOX – DIODE CONN.	AMP MNL	15	561987	561986	C 200					
C 136	FR JCT BOX – DIODE CONN.	AMP MNL	15	561987	561986	C 201					
C 137	FR JCT BOX – DIODE CONN.	AMP MNL	15	561987	561986	C 202					
C 138						C 203					
C 139						C 204					
C 140	HVAC DASH MODULE THERMOMETER	MOLEX	4		562782	C 205					
C 141	RR DASH PANEL – LTS CONN. (SPARE)	AMP MNL	2	561248	561247	C 206					
C 142	ENGINE COMPT. B/U ALARM	PED WP	2	561566	561690	C 207					
C 143						C 208					
C 144						C 209					
C 145						C 210					
C 146						C 211	FR ROOF – SUN VISOR LH	AMP MNL	2	560900	560898
C 147						C 212	FR ROOF – SUN VISOR RH	AMP MNL	2	560900	560898
C 148						C 213					
C 149						C 214					
C 150						C 215					
C 151						C 216					
C 152						C 217					
C 153						C 218					
C 154						C 219					
C 155	EVAPORATOR CPT – WATER VALVE	BURKERT	3		563204	C 220					
C 156						C 221					
C 157	FR SERV. CPT – WATER PUMP DR'S	PED WP	3	561781	561782	C 222	HEADLAMPS – LOW BEAM	HELLA	2		562623
C 158	ENGINE CPT – DDEC INTERFACE	DEUTSCH	31	562572	562536	C 222	HEADLAMPS – LOW BEAM ( XENON OPTION)	PED MP	2		563366
C 159	ENGINE CPT – DDEC FEED	PED WP	4	561889	561890	C 223	FR AXLE CPT – HEADLAMPS MAIN CONN.	DEUTSCH	6	565131	562789
C 160	FR SERVICE CPT - INTERFACE	AMP CPC	37	561644	561646	C 224	HEADLAMPS – HI BEAM	HELLA	2		562623
C 161	ENGINE DDEC - ECM	AMP	68		563463	C 225	FOG LIGHTS	DEUTSCH	3	562902	562901
C 162	ENGINE DDEC - ACCESSORIES	PED WP	4	561610	561611	C 226	FLASHER – (FR)	PED	3	562137	
C 163	ENGINE CPT - COOLANT PROBE	PED MP	2		562350	C 227					
C 164	ENGINE CPT – DDEC FEED	PED WP	4	561889	561890	C 228	A/C COMPRESSOR	PED WP	2	561566	561690
C 165						C 229					
C 166						C 230					
C 167	FR SERVICE CPT - EL. FOOT PEDAL	PED WP	3	561781	561782	C 231					
C 168	FR SERVICE CPT - DDR	DEUTSCH	6	562360		C 232					
C 169	FR SERVICE CPT - WORLD TR. INTERFACE	AMP CPC	16	561639	561640	C 233					
C 170	FR JCT BOX FLASHER UNIT	PED	2		561940	C 234					
C 171	LH CONSOLE	AMP CPC	24	561642	561643	C 235					
C 172	FR SERVICE COMPT - LEVEL LOW	AMP CPC	9	561637		C 236	FR SERVICE CPT CENTER - ABS	AMP CPC	14	561636	561637
C 173						C 237	FR AXLE CPT - ABS RH SENSOR	WABCO	2	641132	
C 174						C 238	FR AXLE CPT - ABS RH VALVE	WABCO	3	641098	
C 175						C 239	FR AXLE CPT - ABS LH VALVE	WABCO	3	641098	
C 176	UNDER DASH RH – WIPER PULSE	AMP FF	6		561186	C 240	FR AXLE CPT - ABS LH SENSOR	WABCO	2	641132	
C 177	UNDER DASH RH – WIPER MOTOR	AMP FF	6		561186	C 241	LAST LUGGAGE COMPT - ABS	PED WP	6	561606	561607
C 178						C 242	DRIVE AXLE CPT - ABS LH SENSOR	WABCO	2	641132	
C 179						C 243	DRIVE AXLE CPT - ABS LH VALVE	WABCO	3	641098	
C 180						C 244	DRIVE AXLE CPT - ABS RH VALVE	WABCO	3	641098	
C 181						C 245	DRIVE AXLE CPT - ABS RH SENSOR	WABCO	2	641132	
C 182						C 246	DRIVE AXLE CPT - ABS SPARE	PED WP	2	561566	561690
C 183						C 247					
C 184						C 248	LAST LUGGAGE CPT - ABS	PED WP	6	561606	561607
C 185						C 249	FR SERVICE CPT - ABS/DDEC	PED WP	2	561566	561690
C 186						C 250					
C 187	FR SERVICE JCT BOX - RESISTORS	AMP MNL	6	561552	561515	C 251	LH SW PANEL – FAST IDLE	EATON	12		562763
C 188						C 252					
C 189	ENGINE COMPT – DOOR LIGHT BACK UP	TRUCK-LITE	2	562755		C 253	LH SWITCH PANEL - ETHER	EATON	12		562763
C 190	ENGINE COMPT – DOOR LIGHT STOP/TURN	AMP SS	3		562601	C 254					
C 191	ENGINE COMPT – DOOR LIGHT STOP/TURN	AMP SS	3		562601	C 255	LH SWITCH PANEL – ENGINE BRAKE	EATON	12		562763
C 192	ENGINE COMPT – DOOR LIGHT PARKING	AMP SS	3		562601	C 256					
C 193						C 257					

# CONNECTORS CODE

NO	LOCATION	TYPE	CAVITY	#PIN	#SOCKET	NO	LOCATION	TYPE	CAVITY	#PIN	#SOCKET
				HOUSING	HOUSING					HOUSING	HOUSING
C 258	LH SWITCH PANEL - MULTI FUNC. SW	AMP FF	8	561188		C 321	UNDER DASH RH - KEYLESS MODULE	AMP COM	26		562676
C 259	LH SWITCH PANEL - MULTI FUNC. SW	AMP FF	6		561186	C 322	UNDER DASH RH - KEYLESS MODULE	AMP COM	22		562675
C 260						C 323	DRIVER'S WINDOW MOTOR	PED	2		561848
C 261						C 324	LH SWITCH PANEL - UPPER FAN DEFROST	EATON	12		562763
C 262						C 325					
C 263	LUGGAGE COMPT. LTS COMPT #3	AMP MNL	2	561248	561247	C 326					
C 264	LUGGAGE COMPT. LTS COMPT #2	AMP MNL	2	561248	561247	C 327					
C 265	LUGGAGE COMPT. LTS COMPT #1	AMP MNL	2	561248	561247	C 328					
C 266	ENTRANCE DOOR KEYLESS	AMP CPC	14	561585	561583	C 329					
C 267	UNDER DASH RH - KEYLESS PANEL	AMP CPC	24	561642	561643	C 330					
C 268	FR MIRROR RH	CONXALL	5	563091	563090	C 331					
C 269	FR MIRROR LH	CONXALL	5	563091	563090	C 332					
C 270	LUGGAGE COMPT LTS - 3 LH	AMP MNL	2	561248	561247	C 333					
C 271	LUGGAGE COMPT LTS - 4	AMP MNL	2	561248	561247	C 334					
C 272						C 335					
C 273						C 336					
C 274						C 337					
C 275						C 338					
C 276	UNDER DASH RH - 3 WAY LTS DR'S	EATON	12		562763	C 339					
C 277	LH SWITCH PANEL DOCK & CORN. SW.	EATON	12		562763	C 340	FR JCT BOX - FIRE PIEZO ALARM	AMP MNL	2	560900	560898
C 278	LH SWITCH PANEL - BU CANCEL	EATON	12		562763	C 341	LH SWITCH PANEL - HEAT MIRROR SW.	EATON	12		562763
C 279	FR SERVICE COMPT LH - STEERING ZF	DEUTSCH	2		562485	C 342					
C 280	ENGINE COMPT - COMPRESSOR STD	PED WP	2	561566	561690	C 343	LH SWITCH PANEL - HEAD LAMP SW.	EATON	12		562763
C 281	LH CONSOLE - LEVEL LOW	AMP MNL	4	560851	560852	C 344	LH SWITCH PANEL - HAZARD LT SW.	EATON	12		562763
C 282	FR SERVICE COMPT - STEERING ZF	VOLVO	2		562928	C 345	LH SWITCH PANEL - FOG LT SW.	EATON	12		562763
C 283						C 346					
C 284						C 347					
C 285						C 348	INSTR. PANEL CENT. - RACOR MODULE	MOLEX	6	562070	562069
C 286						C 349					
C 287						C 350					
C 288						C 351					
C 289						C 352					
C 290	LUGGAGE CPT - DOOR LOCK	AMP MNL	4	560851	560852	C 353					
C 291	LUGGAGE CPT - DOOR LOCK	AMP MNL	4	560851	560852	C 354					
C 292	FR SERVICE CPT LEVEL LOW	PNEUMAC	2		641385	C 355					
C 293	FR SERVICE CPT LEVEL LOW	PNEUMAC	2		641385	C 356					
C 294	FR SERVICE CPT LEVEL LOW	PNEUMAC	2		641385	C 357					
C 295	FR SERVICE CPT LEVEL LOW	PNEUMAC	2		641385	C 358					
C 296	FR SERVICE CPT LEVEL LOW	PNEUMAC	2		641385	C 359	RH SWITCH PANEL - ENT. DOOR WIND. SW.	EATON	12		562763
C 297						C 360	ENTRANCE WINDOW MOTOR	PED	2		561848
C 298						C 361					
C 299						C 362					
C 300	FR SERVICE CPT - LOW BEAM RESISTORS	PED WP	2	561566	561690	C 363					
C 301						C 364					
C 302						C 365					
C 303	RR JCT BOX - DIODES	AMP MNL	15	561987	561986	C 366					
C 304						C 367					
C 305						C 368					
C 306						C 369					
C 307						C 370					
C 308						C 371					
C 309						C 372					
C 310	LH CONSOLE SW - LUG. DOOR LOCK	EATON	12		562763	C 373					
C 311						C 374					
C 312	ENGINE DDEC - ACCESSORIES	PED WP	3	561781	561782	C 375					
C 313						C 376					
C 314						C 377	LH SWITCH PANEL - STOP ENGINE OVERRIDE	EATON	12		562763
C 315	LH SWITCH PANEL - LH SUN VISOR SW.	EATON	12		562763	C 378					
C 316						C 379					
C 317	LH SWITCH PANEL - RH SUN VISOR SW.	EATON	12		562763	C 380					
C 318	LH CONSOLE SW - DR'S WINDOW SW.	EATON	12		562763	C 381	UNDER DASH PANEL - ANTI THIELED	AMP MNL	2	561248	561247
C 319	ENGINE DDEC - ECM POWER	PED	4	561610	561611	C 382	ENGINE GENERATOR (1)	PED WP	1	561605	561577
C 320	RT SWITCH PANEL - DRIVER'S LTS SW.	EATON	12		562763	C 383	ENGINE COMPT - VOLTAGE REGULATOR	PED WP	1	561605	561577
						C 384					
						C 385					

# CONNECTORS CODE

NO	LOCATION	TYPE	CAVITY	#PIN	#SOCKET	NO	LOCATION	TYPE	CAVITY	#PIN	#SOCKET
				HOUSING	HOUSING					HOUSING	HOUSING
C 386						C 451					
C 387	ENGINE COMPT. - BY-PASS VALVE	PED WP	2	561566	561690	C 452					
C 388						C 453					
C 389	ENGINE COMPT. - WATER PUMP	PED WP	2	561566	561690	C 454					
C 390	ENGINE COMPT. - A/C JCT. BOX	DEUTSCH	24	562280	562283	C 455					
C 391	CONDENSER COMPT. A/C PRESS SW 2 SP	PED WP	2	561566	561690	C 456	WORLD TRANS. - RETARDER ACCUM.	PED MP	2		562427
C 392						C 457	WORLD TRANS. - MAIN CONNECTOR	DEUTSCH	31	562572	562536
C 393						C 458	WORLD TRANS. - TURBINE SP. SENS.	PED MP	2		562426
C 394						C 459	WORLD TRANS. - ENGINE SP. SENS.	PED MP	2		562426
C 395						C 460	WORLD TRANS. - SPEED SENSOR	ITT	2		562541
C 396						C 461	WORLD TRANS. - RETARDER TEMP.	PED MP	2		562856
C 397						C 462	WORLD TRANS. - RETARDER SOL. "K"	PED MP	2		562426
C 398						C 463	WORLD TRANS. - SENSOR CONN.	DEUTSCH	16	562570	562571
C 399	ENGINE GENERATOR (2)	PED WP	2	561566	561690	C 464	RR JCT BOX - DDL CONN	DEUTSCH	6		565360
C 400	ENGINE COMPT. - BLOCK HEATER	PED WP	3	561781	561782	C 465	LH CONSOLE - SHIFTER SELECTOR	PED	20		562825
C 401						C 466	FR SERVICE CPT - RESIS. MOD.	PED WP	3		562428
C 402						C 467	FR SERVICE CPT - RESIS. MOD.	PED WP	3		562428
C 403						C 468	FR SERVICE CPT - RET. HAND LEVER	AMP FF	8	561188	562363
C 404						C 469	FR SERVICE CPT - RET. HAND LEVER	AMP FF	8	561188	562363
C 405						C 470					
C 406						C 471					
C 407						C 472	FR SERVICE CPT - SILENT 1000	PED WP	2	561566	561690
C 408						C 473					
C 409						C 474	DRIVER'S TEMP SENSOR	AMP MNL	2	561248	561247
C 410						C 475	FR SERVICE CPT - SPEED SIGN. CONNECT.	DEUTSCH	6	562583	562581
C 411						C 475W	FR SERVICE CPT - SPEED SIGN. W. TR.	DEUTSCH	6	562583	562581
C 412						C 476					
C 413						C 477					
C 414						C 478					
C 415						C 479	UNDER DASH - HVAC DASH MODULE	MOLEX	3		562783
C 416						C 480	UNDER DASH RH - DR'S FAN SPEED CTR	PED WP	4	561889	561890
C 417						C 481	UNDER DASH RH - DR'S FAN SPEED CTR	PED WP	3	561781	561782
C 418						C 482					
C 419						C 483	FR SERVICE CPT - ELECTRICAL SEAT	PED	2	562237	
C 420						C 484	UNDER DASH LH - FOOT DAMPER MOTOR	PED	2		562076
C 421						C 485	UNDER DASH LH - DASH & DEFR. DAMP. M.	AMP MNL	3	561667	561558
C 422						C 486					
C 423						C 487					
C 424	UNDER DASH- AUDIBLE FLASHER	AMP MNL	3	561667	561550	C 488					
C 425						C 489					
C 426	ENGINE S60 RAD. FAN CLUTCH	PED WP	3	561781	561782	C 490					
C 427						C 491					
C 428	RH SW PANEL - EVAP. FAN SPEED	EATON	12		562763	C 492					
C 429						C 493					
C 430						C 494					
C 431						C 495					
C 432						C 496					
C 433						C 497					
C 434						C 498					
C 435						C 499					
C 436						C 500	FR JCT PANEL - PRODRIVER	MOLEX	6	562070	562069
C 437						C 501					
C 438						C 502					
C 439						C 503					
C 440						C 504					
C 441						C 505					
C 442						C 506	LH CONSOLE - LEVEL LOW SW.	EATON	12		562763
C 443						C 507					
C 444						C 508	RR JCT BOX - FAN CLUTCH RETARDER	AMP MNL	6	561552	561515
C 445						C 509					
C 446						C 510					
C 447						C 511					
C 448						C 512					
C 449						C 513					
C 450						C 514					

# CONNECTORS CODE

NO	LOCATION	TYPE	CAVITY	#PIN	#SOCKET	NO	LOCATION	TYPE	CAVITY	#PIN	#SOCKET
				HOUSING	HOUSING					HOUSING	HOUSING
C 515						C 579					
C 516						C 580					
C 517						C 581	LH DASH PANEL – ELECTRICAL HORN	PED MP	2		562777
C 518						C 582					
C 519						C 583	LH DASH PANEL – MASTER KEY SW.	DEUTSCH	2	562486	562485
C 520						C 584	FR. SERVICE COMPT – HORN PNEU. VALVE	PNEUMAC	3		562848
C 521						C 585	RH CONSOLE – ENT. DOOR LOCK VALVE	PNEUTECH	2		563147
C 522	FR JCT BOX – DAYTIME LTS MODULE	BOSCH	5		561183	C 586	FR SERVICE COMPT – ACC. PNEU.VALVE	PNEUMAC	3		562848
C 523						C 587					
C 524	FR JCT BOX – FUSE BLOCK	PED	8	562647	562646	C 588					
C 525	FR JCT BOX – FUSE BLOCK	PED	8	562647	562646	C 589	FR. MIRROR LH	CONXALL	8	563163	563088
C 526	FR JCT BOX – FUSE BLOCK	PED	8	562647	562646	C 590	FR. MIRROR RH	CONXALL	8	563163	563088
C 527	FR JCT BOX – FUSE BLOCK	PED	8	562647	562646	C 591	LH CONSOLE – LH MIRROR SW.	EURAMT.	8		562749
C 528						C 592	LH CONSOLE – RH MIRROR SW.	EURAMT.	8		562749
C 529						C 593					
C 530						C 594	FRONT ROOF – DRIVER'S LTS	LEEKRAFT	2	-----	562803
C 531						C 595					
C 532						C 596					
C 533						C 597	LH DASH PANEL – DISPLAY SET SW.	MOLEX	5		562905
C 534						C 598	LH DASH PANEL – DISPLAY SET SW.	MOLEX	5		562905
C 535						C 599	UND. DASH – MAGN. SW CTR POS. DR'S AIR	AMP MNL	2	561248	561247
C 536						C 600					
C 537	A/C JCT BOX RESISTOR SIGN. RLY	AMP MNL	2	561248	561247	C 601					
C 538	FR SERV. CPT RH – OUTSIDE TEMP. SENS	AMP MNL	2	561248	561247	C 602					
C 539	HVAC DASH MODULE OUTPUT CONN.	MOLEY	24		562780	C 603					
C 540	HVAC DASH MODULE INPUT CONN.	MOLEY	22		562781	C 604					
C 541						C 605					
C 542						C 606					
C 543						C 607	FR SERVICE COMPT – RPM SIGNAL (SPARE)	PED WP	2	561566	561690
C 544						C 608	FR SERV. COMPT – SPEED SIGNAL (SPARE)	PED WP	2	561566	561690
C 545						CH 50	RR JCT BOX – TRANS. INHIBIT	PED WP	1	561605	561577
C 546						CH 51	RR JCT BOX – TRANS. INHIBIT	PED WP	1	561605	561577
C 547						CH 88	FR SERV. COMPT. – PARK BRAKR S.O.	PED WP	1	561605	561577
C 548	LH DASH PANEL – T.T.LT TEST SW.	EATON	12		562763	CS	FR SERVICE CPT - ECU WOLRD TR.	PED MP	32		562817
C 549						CT	FR SERVICE CPT - ECU WORLD TR.	PED MP	32		562824
C 550						CTCI	ENGINE CPT. – TURBO TEMP.	FCI	2		563404
C 551						CV	FR SERVICE CPT - ECU WORLD TR.	PED MP	32		562823
C 552						CX	CLUSTER	JAE	5		562957
C 553						CX 1	FR SERVICE CPT - ECU ABS	AMP JN	15		563200
C 554						CX 2	FR SERVICE CPT - ECU ABS	AMP JN	18		563201
C 555	LUGGAGE COMPT. – AWNING WINDOWS	MOLEX	4	561477	561476	CY	CLUSTER	JAE	30		562765
C 555A	LUGGAGES – AWNING EXT. HARNESS	MOLEX	4	561477	561476	LX	CLUSTER	JAE	22		562766
C 556						LY	CLUSTER	JAE	30		562767
C 557						RX	CLUSTER	JAE	30		562767
C 558											
C 559											
C 560											
C 561											
C 562											
C 563											
C 564											
C 565											
C 566											
C 567											
C 568											
C 569											
C 570	UNDER DASH PANEL – T.T.LT MODULE	MOLEX	6		562464						
C 571	UNDER DASH PANEL – T.T.LT MODULE	MOLEX	20		562778						
C 572	UNDER DASH PANEL – T.T.LT MODULE	MOLEX	18		562779						
C 573	UNDER DASH PANEL – T.T.LT MODULE	MOLEX	8		562465						
C 574											
C 575											
C 576											
C 577											
C 578											



# CONNECTORS CODE

NO	LOCATION	TYPE	CAVITY	#PIN	#SOCKET	NO	LOCATION	TYPE	CAVITY	#PIN	#SOCKET
				HOUSING	HOUSING					HOUSING	HOUSING
AA 1	UNDER DASH PANEL-TAG AXLE SONALERT	BOSCH	5	-----	561183	C 65	ENGINE CPT - PRESS SW FAN CLUTCH	PED WP	2	561566	561690
C 1	FR JCT BOX COMPARTMENT	AMP CPC	14	561585	561584	C 66					
C 2	FR JCT BOX COMPARTIMENT	AMP CPC	16	561638	561640	C 67					
C 3	FR JCT BOX COMPARTIMENT	AMP CPC	37	561644	561646	C 68					
C 4	FR JCT BOX COMPARTIMENT	AMP CPC	24	561641	561643	C 69					
C 5	FR SERVICE COMPT. - UNDERNEATH	AMP CPC	37	561645	561646	C 70	LH CONSOLE	AMP CPC	16	561639	561640
C 6	FR SERVICE COMPT. - UNDERNEATH	AMP CPC	16	561639	561640	C 71	FR JCT BOX COMPT.	AMP CPC	37	561645	561646
C 7	FR SERVICE COMPT - CLUTCH SW	ITT SS	3	561080	561111	C 72	FR JCT BOX COMPT.	AMP CPC	24	561642	561643
C 8	FR SERVICE COMPT. - UNDERNEATH	AMP CPC	24	561642	561643	C 73					
C 9	FR SERVICE COMPT. - UNDERNEATH	AMP CPC	24	561642	561643	C 74	FR JCT BOX COMPT.	AMP CPC	37	561645	561646
C 10	FR SERVICE DOOR ACCESS.	DEUTSCH	5	562565	562566	C 75					
C 11	FR SERV. CPT ACCESS	AMP CPC	37	561645	561646	C 76	ENGINE CMPT. FIRE DETECTOR	DEUTSCH	2	562486	562485
C 12	FR SERV. CPT ACCESS	AMP CPC	16	561639	561640	C 77	ENGINE CMPT. FIRE DETECTOR	DEUTSCH	2	562486	562485
C 13	FR SERV. CPT ACCESS	AMP CPC	9	561635	561637	C 78					
C 14						C 79					
C 15	LUGGAGE CPT (184)-MARK. SUPPL.	DEUTSCH	4	562479	562477	C 80					
C 16	LH CONSOLE SW-CRUISE ON/OFF	EATON	12	-----	562763	C 81	LUGGAGE COMPT - DOOR LOCK	AMP MNL	4	560851	560852
C 17	LH CONSOLE SW-CRUISE RESUME	EATON	12		562763	C 82	LUGGAGE COMPT - DOOR LOCK	AMP MNL	4	560851	560852
C 18	LH CONSOLE SW-CRUISE SET	EATON	12		562763	C 83	LUGGAGE COMPT - DOOR LOCK	AMP MNL	4	560851	560852
C 19	LH CONSOLE SW-DECEL SW	EATON	12		562763	C 84	LUGGAGE COMPT - DOOR LOCK	AMP MNL	4	560851	560852
C 20	RR JCT BOX	DEUTSCH	70	562282	562285	C 85	LUGGAGE COMPT - DOOR LOCK	AMP MNL	4	560851	560852
C 21	ENGINE COMPT - LOCK DOOR MOT.	PED WP	2		562076	C 86	LUGGAGE COMPT - DOOR LOCK	AMP MNL	4	560851	560852
C 22	LUGGAGE COMPT (A) - A/C & FUEL TANK	AMP CPC	16	561639	561640	C 87					
C 23	LUGGAGE COMPT (1) - LUGG. ACCESS.	AMP CPC	24	561642	561643	C 88	FR SERV. CPT. PRESS SW PARK BRAKE	PED WP	2	561566	561690
C 24	ENGINE COMPT. - INTERF RJB	PED WP	6	561606	561607	C 89					
C 25						C 90					
C 26	ENGINE COMPT. ACCESS	DEUTSCH	40	562281	562284	C 91					
C 27	ENGINE COMPT. - INTERF. RJB	DEUTSCH	6	562583	562581	C 92	FR JCT BOX COMPT - ABS	AMP CPC	9	561635	561637
C 28	LUGGAGE COMPT(4) - LUGG. ACCESS	AMP CPC	24	561642	561643	C 93					
C 29	FR SERVICE COMPT - E.C.U. FEED	PED WP	3	561781	561782	C 94					
C 30	ENGINE COMPT - MASTER SW. SIGN.	DEUTSCH	2	562486	562485	C 95	ENTRANCE DOOR ACCESS	DEUTSCH	6	562583	562581
C 31						C 96	FR SERVICE DOOR ACCESS	AMP MNL	9	561670	561669
C 32						C 97	FR SERVICE DOOR - WATER TANK	PED MP	20		562426
C 33	ENGINE DDEC II - SPEED SIGN SPARE	PED WP	2	561566	561690	C 98					
C 34						C 99	FR SERVICE CPT. LTS	AMP MNL	2	561248	561247
C 35	A/C COMPT - AIR RETURN SENSOR	AMP MNL	2	561248	561247	C 100	SIDE (LH/FR & CTR) DIR LTS	GROTE	2	-----	562155
C 36						C 101	FR SERVICE COMPT. ELEC. HORNS	PED WP	2	561566	561690
C 37						C 101	CONDENSER COMPT - A/C PRES. SW 1SP	PED WP	2	561566	561690
C 38						C 102	CONDENS. COMPT - LIQU. SOL. VAL. PRES.	PED WP	2	561566	561690
C 39						C 103					
C 40						C 104					
C 41	ENGINE COMPT - RH DOOR LOCK	DEUTSCH	4	562479	562477	C 105	UNDER DASH RH - DRV LIO SOL VL	PED WP	2	561566	561690
C 42	ENGINE COMPT - RR CAP LIGHTING	DEUTSCH	6	562583	562581	C 106	UNDER DASH RH - DRV WTR VALVE	PED WP	2	561566	561690
C 43	FR JCT BOX - ALT. MODULE	AMP MNL	12	561735	561734	C 107					
C 44	ENGINE COMPT - LIGHTS	GROTE	2	563268	-----	C 108					
C 45	FR JCT BOX COMPT - ROOF ACCESS	AMP CPC	24	561642	561643	C 109	SIDE (RH/FR & CTR) DIR LTS	GROTE	2	-----	562155
C 46						C 110	SIDE (LH/FR) MARKER LTS	GROTE	2	-----	562155
C 47						C 111	SIDE (RH/FR) MARKER LTS	GROTE	2	-----	562155
C 48	FR SERV. CPT. PRESS SW PARK BRAKE	PED WP	2	561566	561690	C 112	SIDE (RH/CTR) MARKER LTS	GROTE	2	-----	562155
C 49						C 113	SIDE (LH/RR) MARKER LTS	GROTE	2	-----	562155
C 50						C 114	ENGINE DDEC - SPEED SIGNAL (SPARG)	PED WP	2	561566	561690
C 51						C 115	RR JCT BOX - ENGINE ACCESS	DEUTSCH	40	562281	562284
C 52	ENGINE COMPT - COMPRESSOR	PED WP	2	561566	561690	C 116	SIDE (LH/CTR) MARKER LTS	GROTE	2	-----	562155
C 53	ENGINE COMPT - COMPRESSOR	PED WP	2	561566	561690	C 117	SIDE (RH/RR) MARKER LTS	GROTE	2	-----	562155
C 54	FRONT ROOF - UPPER FAN DEFROST	AMP MNL	6	561552	561515	C 118	ENGINE COMPT - LICENCE	PED WP	2	930210	
C 55	CENTRAL DOOR LOCK	DEUTSCH	4	562479	562477	C 119	ENGINE COMPT - RH LOWER LAMP	PED WP	6	561606	561607
C 56						C 120	ENGINE COMPT - LH LOWER LAMP	PED WP	6	561606	561607
C 57						C 121	SIDE (RH/RR) DIR LTS	GROTE	2	-----	562155
C 58						C 122	SIDE (LH/RR) DIR LTS	GROTE	2	-----	562155
C 59						C 123					
C 60						C 124					
C 61	ENGINE COMPT - FUEL FILTER	PED WP	2	561566	561690	C 125					
C 62	ENGINE COMPT - COMPRESSOR STD	PED WP	2	561566	561690	C 126					
C 63	ENGINE COMPT - COMPRESSOR STD	PED WP	2	561566	561690	C 127					
C 64						C 128					

# CONNECTORS CODE

NO	LOCATION	TYPE	CAVITY	#PIN	#SOCKET	NO	LOCATION	TYPE	CAVITY	#PIN	#SOCKET
				HOUSING	HOUSING					HOUSING	HOUSING
C 129						C 192	ENGINE COMPT – DOOR LIGHT PARKING	AMP SS	3		562601
C 130						C 193					
C 131						C 194					
C 132						C 195					
C 133						C 196					
C 134	FR JCT BOX – DIODE CONN.	AMP MNL	15	561987	561986	C 197					
C 135	FR JCT BOX – DIODE CONN.	AMP MNL	15	561987	561986	C 198					
C 136	FR JCT BOX – DIODE CONN.	AMP MNL	15	561987	561986	C 199					
C 137	FR JCT BOX – DIODE CONN.	AMP MNL	15	561987	561986	C 200					
C 138						C 201					
C 139						C 202					
C 140	HVAC DASH MODULE THERMOMETER	MOLEX	4		562782	C 203					
C 141	RR DASH PANEL – LTS CONN. (SPARE)	AMP MNL	2	561248	561247	C 204					
C 142	ENGINE COMPT. B/U ALARM	PED WP	2	561566	561690	C 205					
C 143						C 206					
C 144						C 207					
C 145						C 208					
C 146						C 209					
C 147						C 210					
C 148						C 211	FR ROOF – SUN VISOR LH	AMP MNL	2	560900	560898
C 149						C 212	FR ROOF – SUN VISOR RH	AMP MNL	2	560900	560898
C 150						C 213					
C 151						C 214					
C 152						C 215					
C 153						C 216					
C 154						C 217					
C 155	EVAPORATOR CPT – WATER VALVE	BURKERT	3		563204	C 218					
C 156						C 219					
C 157	FR SERV. CPT – WATER PUMP DR'S	PED WP	3	561781	561782	C 220					
C 158	ENGINE CPT – DDEC INTERFACE	DEUTSCH	31	562572	562536	C 221					
C 159	ENGINE CPT – DDEC FEED	PED WP	4	561889	561890	C 222	HEADLAMPS – LOW BEAM	HELLA	2		562623
C 160	FR SERVICE CPT - INTERFACE	AMP CPC	37	561644	561646	C 222	HEADLAMPS – LOW BEAM ( XENON OPTION)	PED MP	2		563366
C 161	ENGINE DDEC - ECM	AMP	68		563463	C 223	FR AXLE CPT – HEADLAMPS MAIN CONN.	DEUTSCH	6	565131	562789
C 162	ENGINE DDEC - ACCESSORIES	PED WP	4	561610	561611	C 224	HEADLAMPS – HI BEAM	HELLA	2		562623
C 163	ENGINE CPT - COOLANT PROBE	PED MP	2		562350	C 225	FOG LIGHTS	DEUTSCH	3	562902	562901
C 164	ENGINE CPT – DDEC FEED	PED WP	4	561889	561890	C 226	FLASHER – (FR)	PED	3	562137	
C 165						C 227					
C 166						C 228	A/C COMPRESSOR	PED WP	2	561566	561690
C 167	FR SERVICE CPT - EL. FOOT PEDAL	PED WP	3	561781	561782	C 229					
C 168	FR SERVICE CPT - DDR	DEUTSCH	6	562360		C 230					
C 169	FR SERVICE CPT - WORLD TR. INTERFACE	AMP CPC	16	561639	561640	C 231					
C 170	FR JCT BOX FLASHER UNIT	PED	2		561940	C 232					
C 171	LH CONSOLE	AMP CPC	24	561642	561643	C 233					
C 172	FR SERVICE COMPT - LEVEL LOW	AMP CPC	9	561637		C 234					
C 173						C 235					
C 174						C 236	FR SERVICE CPT CENTER - ABS	AMP CPC	14	561636	561637
C 175						C 237	FR AXLE CPT - ABS RH SENSOR	WABCO	2	641132	
C 176	UNDER DASH RH – WIPER PULSE	AMP FF	6		561186	C 238	FR AXLE CPT - ABS RH VALVE	WABCO	3	641098	
C 177	UNDER DASH RH – WIPER MOTOR	AMP FF	6		561186	C 239	FR AXLE CPT - ABS LH VALVE	WABCO	3	641098	
C 178						C 240	FR AXLE CPT - ABS LH SENSOR	WABCO	2	641132	
C 179						C 241	LAST LUGGAGE COMPT - ABS	PED WP	6	561606	561607
C 180						C 242	DRIVE AXLE CPT - ABS LH SENSOR	WABCO	2	641132	
C 181						C 243	DRIVE AXLE CPT - ABS LH VALVE	WABCO	3	641098	
C 182						C 244	DRIVE AXLE CPT - ABS RH VALVE	WABCO	3	641098	
C 183						C 245	DRIVE AXLE CPT - ABS RH SENSOR	WABCO	2	641132	
C 184						C 246	DRIVE AXLE CPT - ABS SPARE	PED WP	2	561566	561690
C 185						C 247					
C 186						C 248	LAST LUGGAGE CPT - ABS	PED WP	6	561606	561607
C 187	FR SERVICE JCT BOX - RESISTORS	AMP MNL	6	561552	561515	C 249	FR SERVICE CPT - ABS/DDEC	PED WP	2	561566	561690
C 188	LUGG COMPT –MANUAL REMOTE SLIDE-OUT	AMP CPC	7	561772	561773	C 250					
						C 251	LH SW PANEL – FAST IDLE	EATON	12		562763
						C 252					
C 189	ENGINE COMPT – DOOR LIGHT BACK UP	TRUCK-LITE	2	562755		C 253	LH SWITCH PANEL - ETHER	EATON	12		562763
C 190	ENGINE COMPT – DOOR LIGHT STOP/TURN	AMP SS	3		562601	C 254					
C 191	ENGINE COMPT – DOOR LIGHT STOP/TURN	AMP SS	3		562601	C 255	LH SWITCH PANEL – ENGINE BRAKE	EATON	12		562763

# CONNECTORS CODE

NO	LOCATION	TYPE	CAVITY	#PIN	#SOCKET	NO	LOCATION	TYPE	CAVITY	#PIN	#SOCKET
				HOUSING	HOUSING					HOUSING	HOUSING
C 256						C 319	ENGINE DDEC – ECM POWER	PED	4	561610	561611
C 257						C 320	RT SWITCH PANEL – DRIVER'S LTS SW.	EATON	12		562763
C 258						C 321	UNDER DASH RH - KEYLESS MODULE	AMP COM	26		562676
C 258	LH SWITCH PANEL – MULTI FUNC. SW	AMP FF	8	561188		C 322	UNDER DASH RH - KEYLESS MODULE	AMP COM	22		562675
C 259						C 323	DRIVER'S WINDOW MOTOR	PED	2		561848
C 259	LH SWITCH PANEL – MULTI FUNC. SW	AMP FF	6		561186	C 324	LH SWITCH PANEL - UPPER FAN DEFROST	EATON	12		562763
C 260						C 325					
C 261						C 326					
C 262						C 327					
C 263	LUGGAGE COMPT. LTS COMPT #3	AMP MNL	2	561248	561247	C 328					
C 264	LUGGAGE COMPT. LTS COMPT #2	AMP MNL	2	561248	561247	C 329					
C 265	LUGGAGE COMPT. LTS COMPT #1	AMP MNL	2	561248	561247	C 330					
C 266	ENTRANCE DOOR KEYLESS	AMP CPC	14	561585	561583	C 331					
C 267	UNDER DASH RH – KEYLESS PANEL	AMP CPC	24	561642	561643	C 332					
C 268	FR MIRROR RH	CONXALL	5	563091	563090	C 333					
C 269	FR MIRROR LH	CONXALL	5	563091	563090	C 334					
C 270	LUGGAGE COMPT LTS - 3 LH	AMP MNL	2	561248	561247	C 335					
C 271	LUGGAGE COMPT LTS - 4	AMP MNL	2	561248	561247	C 336					
C 272						C 337					
C 273						C 338					
C 274						C 339					
C 275						C 340	FR JCT BOX – FIRE PIEZO ALARM	AMP MNL	2	560900	560898
C 276	UNDER DASH RH – 3 WAY LTS DR'S	EATON	12		562763	C 341	LH SWITCH PANEL – HEAT MIRROR SW.	EATON	12		562763
C 277	LH SWITCH PANEL DOCK & CORN. SW.	EATON	12		562763	C 342					
C 278	LH SWITCH PANEL – B/U CANCEL	EATON	12		562763	C 343	LH SWITCH PANEL – HEAD LAMP SW.	EATON	12		562763
C 279	FR SERVICE COMPT LH – STEERING ZF	DEUTSCH	2		562485	C 344	LH SWITCH PANEL – HAZARD LT SW.	EATON	12		562763
C 280	ENGINE COMPT - COMPRESSOR STD	PED WP	2	561566	561690	C 345	LH SWITCH PANEL – FOG LT SW.	EATON	12		562763
C 281	LH CONSOLE – LEVEL LOW	AMP MNL	4	560851	560852	C 346					
C 282	FR SERVICE COMPT – STEERING ZF	VOLVO	2		562928	C 347					
C 283						C 348	INSTR. PANEL CENT. – RACOR MODULE	MOLEX	6	562070	562069
C 284						C 349					
C 285						C 350					
C 286						C 351					
C 287						C 352					
C 288						C 353					
C 289						C 354					
C 290	LUGGAGE CPT - DOOR LOCK	AMP MNL	4	560851	560852	C 355					
C 291	LUGGAGE CPT - DOOR LOCK	AMP MNL	4	560851	560852	C 356					
C 292	FR SERVICE CPT LEVEL LOW	PNEUMAC	2		641385	C 357					
C 293	FR SERVICE CPT LEVEL LOW	PNEUMAC	2		641385	C 358					
C 294	FR SERVICE CPT LEVEL LOW	PNEUMAC	2		641385	C 359	RH SWITCH PANEL – ENT. DOOR WIND. SW.	EATON	12		562763
C 295	FR SERVICE CPT LEVEL LOW	PNEUMAC	2		641385	C 360	ENTRANCE WINDOW MOTOR	PED	2		561848
C 296	FR SERVICE CPT LEVEL LOW	PNEUMAC	2		641385	C 361					
C 297						C 362					
C 298						C 363					
C 299						C 364					
C 300	FR SERVICE CPT – LOW BEAM RESISTORS	PED WP	2	561566	561690	C 365					
C 301						C 366					
C 302						C 367					
C 303	RR JCT BOX - DIODES	AMP MNL	15	561987	561986	C 368					
C 304						C 369					
C 305						C 370					
C 306						C 371					
C 307						C 372					
C 308						C 373					
C 309						C 374					
C 310	LH CONSOLE SW – LUG. DOOR LOCK	EATON	12		562763	C 375					
C 311						C 376					
C 312	ENGINE DDEC - ACCESSORIES	PED WP	3	561781	561782	C 377	LH SWITCH PANEL – STOP ENGINE OVERRIDE	EATON	12		562763
C 313						C 378					
C 314						C 379					
C 315	LH SWITCH PANEL – LH SUN VISOR SW.	EATON	12		562763	C 380					
C 316						C 381	UNDER DASH PANEL – ANTI THILED	AMP MNL	2	561248	561247
C 317	LH SWITCH PANEL – RH SUN VISOR SW.	EATON	12		562763	C 382	ENGINE GENERATOR (1)	PED WP	1	561605	561577
C 318	LH CONSOLE SW – DR'S WINDOW SW.	EATON	12		562763	C 383	ENGINE COMPT – VOLTAGE REGULATOR	PED WP	1	561605	561577

# CONNECTORS CODE

NO	LOCATION	TYPE	CAVITY	#PIN	#SOCKET	NO	LOCATION	TYPE	CAVITY	#PIN	#SOCKET
				HOUSING	HOUSING					HOUSING	HOUSING
C 384						C 449					
C 385						C 450					
C 386						C 451					
C 387	ENGINE COMPT. - BY-PASS VALVE	PED WP	2	561566	561690	C 452					
C 388						C 453					
C 389	ENGINE COMPT. - WATER PUMP	PED WP	2	561566	561690	C 454					
C 390	ENGINE COMPT. - A/C JCT. BOX	DEUTSCH	24	562280	562283	C 455					
C 391	CONDENSER COMPT. A/C PRESS SW 2 SP	PED WP	2	561566	561690	C 456	WORLD TRANS. - RETARDER ACCUM.	PED MP	2		562427
C 392						C 457	WORLD TRANS. - MAIN CONNECTOR	DEUTSCH	31	562572	562536
C 393						C 458	WORLD TRANS. - TURBINE SP. SENS.	PED MP	2		562426
C 394						C 459	WORLD TRANS. - ENGINE SP. SENS.	PED MP	2		562426
C 395						C 460	WORLD TRANS. - SPEED SENSOR	ITT	2		562541
C 396						C 461	WORLD TRANS. - RETARDER TEMP.	PED MP	2		562856
C 397						C 462	WORLD TRANS. - RETARDER SOL. "K"	PED MP	2		562426
C 398						C 463	WORLD TRANS. - SENSOR CONN.	DEUTSCH	16	562570	562571
C 399	ENGINE GENERATOR (2)	PED WP	2	561566	561690	C 464	RR JCT BOX - DDL CONN	DEUTSCH	6		565360
C 400	ENGINE COMPT. - BLOCK HEATER	PED WP	3	561781	561782	C 465	LH CONSOLE - SHIFTER SELECTOR	PED	20		562825
C 401						C 466	FR SERVICE CPT - RESIS. MOD.	PED WP	3		562428
C 402						C 467	FR SERVICE CPT - RESIS. MOD.	PED WP	3		562428
C 403						C 468	FR SERVICE CPT - RET. HAND LEVER	AMP FF	8	561188	562363
C 404						C 469	FR SERVICE CPT - RET. HAND LEVER	AMP FF	8	561188	562363
C 405						C 470					
C 406						C 471					
C 407						C 472	FR SERVICE CPT - SILENT 1000	PED WP	2	561566	561690
C 408						C 473					
C 409						C 474	DRIVER'S TEMP SENSOR	AMP MNL	2	561248	561247
C 410						C 475	FR SERVICE CPT - SPEED SIGN. CONNECT.	DEUTSCH	6	562583	562581
C 411						C 475W	FR SERVICE CPT - SPEED SIGN. W. TR.	DEUTSCH	6	562583	562581
C 412						C 476					
C 413						C 477					
C 414						C 478					
C 415						C 479	UNDER DASH - HVAC DASH MODULE	MOLEX	3		562783
C 416						C 480	UNDER DASH RH - DR'S FAN SPEED CTR	PED WP	4	561889	561890
C 417						C 481	UNDER DASH RH - DR'S FAN SPEED CTR	PED WP	3	561781	561782
C 418						C 482					
C 419						C 483	FR SERVICE CPT - ELECTRICAL SEAT	PED	2	562237	
C 420						C 484	UNDER DASH LH - FOOT DAMPER MOTOR	PED	2		562076
C 421						C 485	UNDER DASH LH - DASH & DEFR. DAMP. M.	AMP MNL	3	561667	561558
C 422						C 486					
C 423						C 487					
C 424	UNDER DASH- AUDIBLE FLASHER	AMP MNL	3	561667	561550	C 488					
C 425						C 489					
C 426	ENGINE S60 RAD. FAN CLUTCH	PED WP	3	561781	561782	C 490					
C 427						C 491					
C 428	RH SW PANEL - EVAP. FAN SPEED	EATON	12		562763	C 492					
C 429						C 493					
C 430						C 494					
C 431						C 495					
C 432						C 496					
C 433						C 497					
C 434						C 498					
C 435						C 499					
C 436						C 500	FR JCT PANEL - PRODRIVER	MOLEX	6	562070	562069
C 437						C 501					
C 438						C 502					
C 439						C 503					
C 440						C 504					
C 441						C 505					
C 442						C 506	LH CONSOLE - LEVEL LOW SW.	EATON	12		562763
C 443						C 507					
C 444						C 508	RR JCT BOX - FAN CLUTCH RETARDER	AMP MNL	6	561552	561515
C 445						C 509					
C 446						C 510					
C 447						C 511					
C 448						C 512					

# CONNECTORS CODE

NO	LOCATION	TYPE	CAVITY	#PIN HOUSING	#SOCKET HOUSING	NO	LOCATION	TYPE	CAVITY	#PIN HOUSING	#SOCKET HOUSING
C 513						C 577					
C 514						C 578					
C 515						C 579					
C 516						C 580					
C 517						C 581	LH DASH PANEL – ELECTRICAL HORN	PED MP	2		562777
C 518						C 582					
C 519						C 583	LH DASH PANEL – MASTER KEY SW.	DEUTSCH	2	562486	562485
C 520						C 584	FR. SERVICE COMPT – HORN PNEU. VALVE	PNEUMAC	3		562848
C 521						C 585	RH CONSOLE – ENT. DOOR LOCK VALVE	PNEUTECH	2		563147
C 522	FR JCT BOX – DAYTIME LTS MODULE	BOSCH	5		561183	C 586	FR SERVICE COMPT – ACC. PNEU.VALVE	PNEUMAC	3		562848
C 523						C 587					
C 524	FR JCT BOX – FUSE BLOCK	PED	8	562647	562646	C 588					
C 525	FR JCT BOX – FUSE BLOCK	PED	8	562647	562646	C 589	FR. MIRROR LH	CONXALL	8	563163	563088
C 526	FR JCT BOX – FUSE BLOCK	PED	8	562647	562646	C 590	FR. MIRROR RH	CONXALL	8	563163	563088
C 527	FR JCT BOX – FUSE BLOCK	PED	8	562647	562646	C 591	LH CONSOLE – LH MIRROR SW.	EURAMT.	8		562749
C 528						C 592	LH CONSOLE – RH MIRROR SW.	EURAMT.	8		562749
C 529						C 593					
C 530						C 594	FRONT ROOF – DRIVER'S LTS	LEEKRAFT	2	-----	562803
C 531						C 595					
C 532						C 596					
C 533						C 597	LH DASH PANEL – DISPLAY SET SW.	MOLEX	5		562905
C 534						C 598	LH DASH PANEL – DISPLAY SET SW.	MOLEX	5		562905
C 535						C 599	UND. DASH – MAGN. SW CTR POS. DR'S AIR	AMP MNL	2	561248	561247
C 536						C 600					
C 537	A/C JCT BOX RESISTOR SIGN. RLY	AMP MNL	2	561248	561247	C 601					
C 538	FR SERV. CPT RH – OUTSIDE TEMP. SENS	AMP MNL	2	561248	561247	C 602					
C 539	HVAC DASH MODULE OUTPUT CONN.	MOLEY	24		562780	C 603					
C 540	HVAC DASH MODULE INPUT CONN.	MOLEY	22		562781	C 604					
C 541						C 605					
C 542						C 606					
C 543						C 607					
C 544						C 608	FR SERVICE COMPT – RPM SIGNAL (SPARE)	PED WP	2	561566	561690
C 545							FR SERV. COMPT – SPEED SIGNAL (SPARE)	PED WP	2	561566	561690
C 546						CH 50	RR JCT BOX – TRANS. INHIBIT	PED WP	1	561605	561577
C 547						CH 51	RR JCT BOX – TRANS. INHIBIT	PED WP	1	561605	561577
C 548	LH DASH PANEL – T.T.LT TEST SW.	EATON	12		562763	CH 88	FR SERV. COMPT. – PARK BRAKR S.O.	PED WP	1	561605	561577
C 549						CS	FR SERVICE CPT - ECU WOLRD TR.	PED MP	32		562817
C 550						CT	FR SERVICE CPT - ECU WORLD TR.	PED MP	32		562824
C 551						CTCI	ENGINE CPT. – TURBO TEMP.	FCI	2		563404
C 552						CV	FR SERVICE CPT - ECU WORLD TR.	PED MP	32		562823
C 553						CX	CLUSTER	JAE	5		562957
C 554						CX 1	FR SERVICE CPT - ECU ABS	AMP JN	15		563200
C 555	LUGGAGE COMPT. – AWNING WINDOWS	MOLEX	4	561477	561476	CX 2	FR SERVICE CPT - ECU ABS	AMP JN	18		563201
C 555A	LUGGAGES – AWNING EXT. HARNESS	MOLEX	4	561477	561476	CY	CLUSTER	JAE	30		562765
C 556						LX	CLUSTER	JAE	22		562766
C 557						LY	CLUSTER	JAE	30		562767
C 558						RX	CLUSTER	JAE	30		562767
C 559											
C 560											
C 561											
C 562											
C 563											
C 564											
C 565											
C 566											
C 567											
C 568											
C 569											
C 570	UNDER DASH PANEL – T.T.LT MODULE	MOLEX	6		562464						
C 571	UNDER DASH PANEL – T.T.LT MODULE	MOLEX	20		562778						
C 572	UNDER DASH PANEL – T.T.LT MODULE	MOLEX	18		562779						
C 573	UNDER DASH PANEL – T.T.LT MODULE	MOLEX	8		562465						
C 574											
C 575											
C 576											

# CONNECTORS CODE

NO	LOCATION	TYPE	CAVITY	#PIN	#SOCKET	NO	LOCATION	TYPE	CAVITY	#PIN	#SOCKET
				HOUSING	HOUSING					HOUSING	HOUSING
AA 1	UNDER DASH PANEL-TAG AXLE SONALERT	BOSCH	5	-----	561183	C 65	ENGINE CPT - PRESS SW FAN CLUTCH	PED WP	2	561566	561690
C 1	FR JCT BOX COMPARTMENT	AMP CPC	14	561585	561584	C 66					
C 2	FR JCT BOX COMPARTIMENT	AMP CPC	16	561638	561640	C 67					
C 3	FR JCT BOX COMPARTIMENT	AMP CPC	37	561644	561646	C 68					
C 4	FR JCT BOX COMPARTIMENT	AMP CPC	24	561641	561643	C 69					
C 5	FR SERVICE COMPT. - UNDERNEATH	AMP CPC	37	561645	561646	C 70	LH CONSOLE	AMP CPC	16	561639	561640
C 6	FR SERVICE COMPT. - UNDERNEATH	AMP CPC	16	561639	561640	C 71	FR JCT BOX COMPT.	AMP CPC	37	561645	561646
C 7	FR SERVICE COMPT - CLUTCH SW	ITT SS	3	561080	561111	C 72	FR JCT BOX COMPT.	AMP CPC	24	561642	561643
C 8	FR SERVICE COMPT. - UNDERNEATH	AMP CPC	24	561642	561643	C 73					
C 9	FR SERVICE COMPT. - UNDERNEATH	AMP CPC	24	561642	561643	C 74	FR JCT BOX COMPT.	AMP CPC	37	561645	561646
C 10	FR SERVICE DOOR ACCESS.	DEUTSCH	5	562565	562566	C 75					
C 11	FR SERV. CPT ACCESS	AMP CPC	37	561645	561646	C 76	ENGINE CMPT. FIRE DETECTOR	DEUTSCH	2	562486	562485
C 12	FR SERV. CPT ACCESS	AMP CPC	16	561639	561640	C 77	ENGINE CMPT. FIRE DETECTOR	DEUTSCH	2	562486	562485
C 13	FR SERV. CPT ACCESS	AMP CPC	9	561635	561637	C 78					
C 14						C 79					
C 15	LUGGAGE CPT (184)-MARK. SUPPL.	DEUTSCH	4	562479	562477	C 80					
C 16	LH CONSOLE SW-CRUISE ON/OFF	EATON	12	-----	562763	C 81	LUGGAGE COMPT - DOOR LOCK	AMP MNL	4	560851	560852
C 17	LH CONSOLE SW-CRUISE RESUME	EATON	12		562763	C 82	LUGGAGE COMPT - DOOR LOCK	AMP MNL	4	560851	560852
C 18	LH CONSOLE SW-CRUISE SET	EATON	12		562763	C 83	LUGGAGE COMPT - DOOR LOCK	AMP MNL	4	560851	560852
C 19	LH CONSOLE SW-DECEL SW	EATON	12		562763	C 84	LUGGAGE COMPT - DOOR LOCK	AMP MNL	4	560851	560852
C 20	RR JCT BOX	DEUTSCH	70	562282	562285	C 85	LUGGAGE COMPT - DOOR LOCK	AMP MNL	4	560851	560852
C 21	ENGINE COMPT - LOCK DOOR MOT.	PED WP	2		562076	C 86	LUGGAGE COMPT - DOOR LOCK	AMP MNL	4	560851	560852
C 22	LUGGAGE COMPT (A) - A/C & FUEL TANK	AMP CPC	16	561639	561640	C 87					
C 23	LUGGAGE COMPT (1) - LUGG. ACCESS.	AMP CPC	24	561642	561643	C 88	FR SERV. CPT. PRESS SW PARK BRAKE	PED WP	2	561566	561690
C 24	ENGINE COMPT. - INTERF RJB	PED WP	6	561606	561607	C 89					
C 25						C 90					
C 26	ENGINE COMPT. ACCESS	DEUTSCH	40	562281	562284	C 91					
C 27	ENGINE COMPT. - INTERF. RJB	DEUTSCH	6	562583	562581	C 92	FR JCT BOX COMPT - ABS	AMP CPC	9	561635	561637
C 28	LUGGAGE COMPT(4) - LUGG. ACCESS	AMP CPC	24	561642	561643	C 93					
C 29	FR SERVICE COMPT - E.C.U. FEED	PED WP	3	561781	561782	C 94					
C 30	ENGINE COMPT - MASTER SW. SIGN.	DEUTSCH	2	562486	562485	C 95	ENTRANCE DOOR ACCESS	DEUTSCH	6	562583	562581
C 31						C 96	FR SERVICE DOOR ACCESS	AMP MNL	9	561670	561669
C 32						C 97	FR SERVICE DOOR - WATER TANK	PED MP	20		562426
C 33	ENGINE DDEC II - SPEED SIGN SPARE	PED WP	2	561566	561690	C 98					
C 34						C 99	FR SERVICE CPT. LTS	AMP MNL	2	561248	561247
C 35	A/C COMPT - AIR RETURN SENSOR	AMP MNL	2	561248	561247	C 100	SIDE (LH/FR & CTR) DIR LTS	GROTE	2	-----	562155
C 36						C 101	FR SERVICE COMPT. ELEC. HORNS	PED WP	2	561566	561690
C 37						C 101	CONDENSER COMPT - A/C PRES. SW 1SP	PED WP	2	561566	561690
C 38						C 102	CONDENS. COMPT - LIQU. SOL. VAL. PRES.	PED WP	2	561566	561690
C 39						C 103					
C 40						C 104					
C 41	ENGINE COMPT - RH DOOR LOCK	DEUTSCH	4	562479	562477	C 105	UNDER DASH RH - DRV LIO SOL VL	PED WP	2	561566	561690
C 42	ENGINE COMPT - RR CAP LIGHTING	DEUTSCH	6	562583	562581	C 106	UNDER DASH RH - DRV WTR VALVE	PED WP	2	561566	561690
C 43	FR JCT BOX - ALT. MODULE	AMP MNL	12	561735	561734	C 107					
C 44	ENGINE COMPT - LIGHTS	GROTE	2	563268	-----	C 108					
C 45	FR JCT BOX COMPT - ROOF ACCESS	AMP CPC	24	561642	561643	C 109	SIDE (RH/FR & CTR) DIR LTS	GROTE	2	-----	562155
C 46						C 110	SIDE (LH/FR) MARKER LTS	GROTE	2	-----	562155
C 47						C 111	SIDE (RH/FR) MARKER LTS	GROTE	2	-----	562155
C 48	FR SERV. CPT. PRESS SW PARK BRAKE	PED WP	2	561566	561690	C 112	SIDE (RH/CTR) MARKER LTS	GROTE	2	-----	562155
C 49						C 113	SIDE (LH/RR) MARKER LTS	GROTE	2	-----	562155
C 50						C 114	ENGINE DDEC - SPEED SIGNAL (SPARG)	PED WP	2	561566	561690
C 51						C 115	RR JCT BOX - ENGINE ACCESS	DEUTSCH	40	562281	562284
C 52	ENGINE COMPT - COMPRESSOR	PED WP	2	561566	561690	C 116	SIDE (LH/CTR) MARKER LTS	GROTE	2	-----	562155
C 53	ENGINE COMPT - COMPRESSOR	PED WP	2	561566	561690	C 117	SIDE (RH/RR) MARKER LTS	GROTE	2	-----	562155
C 54	FRONT ROOF - UPPER FAN DEFROST	AMP MNL	6	561552	561515	C 118	ENGINE COMPT - LICENCE	PED WP	2	930210	
C 55	CENTRAL DOOR LOCK	DEUTSCH	4	562479	562477	C 119	ENGINE COMPT - RH LOWER LAMP	PED WP	6	561606	561607
C 56						C 120	ENGINE COMPT - LH LOWER LAMP	PED WP	6	561606	561607
C 57						C 121	SIDE (RH/RR) DIR LTS	GROTE	2	-----	562155
C 58						C 122	SIDE (LH/RR) DIR LTS	GROTE	2	-----	562155
C 59						C 123					
C 60						C 124					
C 61	ENGINE COMPT - FUEL FILTER	PED WP	2	561566	561690	C 125					
C 62	ENGINE COMPT - COMPRESSOR STD	PED WP	2	561566	561690	C 126					
C 63	ENGINE COMPT - COMPRESSOR STD	PED WP	2	561566	561690	C 127					
C 64						C 128					

# CONNECTORS CODE

NO	LOCATION	TYPE	CAVITY	#PIN	#SOCKET	NO	LOCATION	TYPE	CAVITY	#PIN	#SOCKET
				HOUSING	HOUSING					HOUSING	HOUSING
C 129						C 192	ENGINE COMPT – DOOR LIGHT PARKING	AMP SS	3		562601
C 130						C 193					
C 131						C 194					
C 132						C 195					
C 133						C 196					
C 134	FR JCT BOX – DIODE CONN.	AMP MNL	15	561987	561986	C 197					
C 135	FR JCT BOX – DIODE CONN.	AMP MNL	15	561987	561986	C 198					
C 136	FR JCT BOX – DIODE CONN.	AMP MNL	15	561987	561986	C 199					
C 137	FR JCT BOX – DIODE CONN.	AMP MNL	15	561987	561986	C 200					
C 138						C 201					
C 139						C 202					
C 140	HVAC DASH MODULE THERMOMETER	MOLEX	4		562782	C 203					
C 141	RR DASH PANEL – LTS CONN. (SPARE)	AMP MNL	2	561248	561247	C 204					
C 142	ENGINE COMPT. B/U ALARM	PED WP	2	561566	561690	C 205					
C 143	TRAILER BRAKE PRESSURE SWITCH	PED	2	561566	561690	C 206					
C 144						C 207					
C 145						C 208					
C 146						C 209					
C 147						C 210					
C 148	TRAILER PARK BRAKE PRESSURE SWITCH	PED	2	561690	561566	C 211	FR ROOF – SUN VISOR LH	AMP MNL	2	560900	560898
C 149						C 212	FR ROOF – SUN VISOR RH	AMP MNL	2	560900	560898
C 150						C 213					
C 151						C 214					
C 152						C 215					
C 153						C 216					
C 154						C 217					
C 155	EVAPORATOR CPT – WATER VALVE	BURKERT	3		563204	C 218					
C 156						C 219					
C 157	FR SERV. CPT – WATER PUMP DR'S	PED WP	3	561781	561782	C 220					
C 158	ENGINE CPT – DDEC INTERFACE	DEUTSCH	31	562572	562536	C 221					
C 159	ENGINE CPT – DDEC FEED	PED WP	4	561889	561890	C 222	HEADLAMPS – LOW BEAM	HELLA	2		562623
C 160	FR SERVICE CPT - INTERFACE	AMP CPC	37	561644	561646	C 222	HEADLAMPS – LOW BEAM ( XENON OPTION)	PED MP	2		563366
C 161	ENGINE DDEC - ECM	AMP	68		563463	C 223	FR AXLE CPT – HEADLAMPS MAIN CONN.	DEUTSCH	6	565131	562789
C 162	ENGINE DDEC - ACCESSORIES	PED WP	4	561610	561611	C 224	HEADLAMPS – HI BEAM	HELLA	2		562623
C 163	ENGINE CPT - COOLANT PROBE	PED MP	2		562350	C 225	FOG LIGHTS	DEUTSCH	3	562902	562901
C 164	ENGINE CPT – DDEC FEED	PED WP	4	561889	561890	C 226	FLASHER – (FR)	PED	3	562137	
C 165						C 227					
C 166						C 228	A/C COMPRESSOR	PED WP	2	561566	561690
C 167	FR SERVICE CPT - EL. FOOT PEDAL	PED WP	3	561781	561782	C 229					
C 168	FR SERVICE CPT - DDR	DEUTSCH	6	562360		C 230					
C 169	FR SERVICE CPT - WORLD TR. INTERFACE	AMP CPC	16	561639	561640	C 231					
C 170	FR JCT BOX FLASHER UNIT	PED	2		561940	C 232					
C 171	LH CONSOLE	AMP CPC	24	561642	561643	C 233					
C 172	FR SERVICE COMPT - LEVEL LOW	AMP CPC	9	561637		C 234					
C 173						C 235					
C 174						C 236	FR SERVICE CPT CENTER - ABS	AMP CPC	14	561636	561637
C 175						C 237	FR AXLE CPT - ABS RH SENSOR	WABCO	2	641132	
C 176	UNDER DASH RH – WIPER PULSE	AMP FF	6		561186	C 238	FR AXLE CPT - ABS RH VALVE	WABCO	3	641098	
C 177	UNDER DASH RH – WIPER MOTOR	AMP FF	6		561186	C 239	FR AXLE CPT - ABS LH VALVE	WABCO	3	641098	
C 178						C 240	FR AXLE CPT - ABS LH SENSOR	WABCO	2	641132	
C 179						C 241	LAST LUGGAGE COMPT - ABS	PED WP	6	561606	561607
C 180						C 242	DRIVE AXLE CPT - ABS LH SENSOR	WABCO	2	641132	
C 181						C 243	DRIVE AXLE CPT - ABS LH VALVE	WABCO	3	641098	
C 182						C 244	DRIVE AXLE CPT - ABS RH VALVE	WABCO	3	641098	
C 183						C 245	DRIVE AXLE CPT - ABS RH SENSOR	WABCO	2	641132	
C 184						C 246	DRIVE AXLE CPT - ABS SPARE	PED WP	2	561566	561690
C 185						C 247					
C 186						C 248	LAST LUGGAGE CPT - ABS	PED WP	6	561606	561607
C 187	FR SERVICE JCT BOX - RESISTORS	AMP MNL	6	561552	561515	C 249	FR SERVICE CPT - ABS/DDEC	PED WP	2	561566	561690
C 188	LUGG COMPT –MANUAL REMOTE SLIDE-OUT	AMP CPC	7	561772	561773	C 250					
						C 251	LH SW PANEL – FAST IDLE	EATON	12		562763
						C 252					
C 189	ENGINE COMPT – DOOR LIGHT BACK UP	TRUCK-LITE	2	562755		C 253	LH SWITCH PANEL - ETHER	EATON	12		562763
C 190	ENGINE COMPT – DOOR LIGHT STOP/TURN	AMP SS	3		562601	C 254					
C 191	ENGINE COMPT – DOOR LIGHT STOP/TURN	AMP SS	3		562601	C 255	LH SWITCH PANEL – ENGINE BRAKE	EATON	12		562763

# CONNECTORS CODE

NO	LOCATION	TYPE	CAVITY	#PIN	#SOCKET	NO	LOCATION	TYPE	CAVITY	#PIN	#SOCKET
				HOUSING	HOUSING					HOUSING	HOUSING
C 256						C 319	ENGINE DDEC - ECM POWER	PED	4	561610	561611
C 257						C 320	RT SWITCH PANEL - DRIVER'S LTS SW.	EATON	12		562763
C 258	LH SWITCH PANEL - MULTI FUNC. SW	AMP FF	8	561188		C 321	UNDER DASH RH - KEYLESS MODULE	AMP COM	26		562676
C 259						C 322	UNDER DASH RH - KEYLESS MODULE	AMP COM	22		562675
C 259	LH SWITCH PANEL - MULTI FUNC. SW	AMP FF	6		561186	C 323	DRIVER'S WINDOW MOTOR	PED	2		561848
C 260						C 324	LH SWITCH PANEL - UPPER FAN DEFROST	EATON	12		562763
C 261						C 325					
C 262						C 326					
C 263	LUGGAGE COMPT. LTS COMPT #3	AMP MNL	2	561248	561247	C 327					
C 264	LUGGAGE COMPT. LTS COMPT #2	AMP MNL	2	561248	561247	C 328					
C 265	LUGGAGE COMPT. LTS COMPT #1	AMP MNL	2	561248	561247	C 329					
C 266	ENTRANCE DOOR KEYLESS	AMP CPC	14	561585	561583	C 330					
C 267	UNDER DASH RH - KEYLESS PANEL	AMP CPC	24	561642	561643	C 331					
C 268	FR MIRROR RH	CONXALL	5	563091	563090	C 332					
C 269	FR MIRROR LH	CONXALL	5	563091	563090	C 333					
C 270	LUGGAGE COMPT LTS - 3 LH	AMP MNL	2	561248	561247	C 334					
C 271	LUGGAGE COMPT LTS - 4	AMP MNL	2	561248	561247	C 335					
C 272						C 336					
C 273						C 337					
C 274						C 338					
C 275						C 339					
C 276	UNDER DASH RH - 3 WAY LTS DR'S	EATON	12		562763	C 340	FR JCT BOX - FIRE PIEZO ALARM	AMP MNL	2	560900	560898
C 277	LH SWITCH PANEL DOCK & CORN. SW.	EATON	12		562763	C 341	LH SWITCH PANEL - HEAT MIRROR SW.	EATON	12		562763
C 278	LH SWITCH PANEL - B/U CANCEL	EATON	12		562763	C 342					
C 279	FR SERVICE COMPT LH - STEERING ZF	DEUTSCH	2		562485	C 343	LH SWITCH PANEL - HEAD LAMP SW.	EATON	12		562763
C 280	ENGINE COMPT - COMPRESSOR STD	PED WP	2	561566	561690	C 344	LH SWITCH PANEL - HAZARD LT SW.	EATON	12		562763
C 281	LH CONSOLE - LEVEL LOW	AMP MNL	4	560851	560852	C 345	LH SWITCH PANEL - FOG LT SW.	EATON	12		562763
C 282	FR SERVICE COMPT - STEERING ZF	VOLVO	2		562928	C 346					
C 283						C 347					
C 284						C 348	INSTR. PANEL CENT. - RACOR MODULE	MOLEX	6	562070	562069
C 285						C 349					
C 286						C 350					
C 287						C 351					
C 288						C 352					
C 289						C 353					
C 290	LUGGAGE CPT - DOOR LOCK	AMP MNL	4	560851	560852	C 354					
C 291	LUGGAGE CPT - DOOR LOCK	AMP MNL	4	560851	560852	C 355					
C 292	FR SERVICE CPT LEVEL LOW	PNEUMAC	2		641385	C 356					
C 293	FR SERVICE CPT LEVEL LOW	PNEUMAC	2		641385	C 357					
C 294	FR SERVICE CPT LEVEL LOW	PNEUMAC	2		641385	C 358					
C 295	FR SERVICE CPT LEVEL LOW	PNEUMAC	2		641385	C 359	RH SWITCH PANEL - ENT. DOOR WIND. SW.	EATON	12		562763
C 296	FR SERVICE CPT LEVEL LOW	PNEUMAC	2		641385	C 360	ENTRANCE WINDOW MOTOR	PED	2		561848
C 297						C 361					
C 298						C 362					
C 299						C 363					
C 300	FR SERVICE CPT - LOW BEAM RESISTORS	PED WP	2	561566	561690	C 364					
C 301	FR SERV. CPT ACCESS - DR'S FAN SPEED	PED WP	1	561605	561577	C 365					
C 302						C 366					
C 303	RR JCT BOX - DIODES	AMP MNL	15	561987	561986	C 367					
C 304						C 368					
C 305						C 369					
C 306						C 370					
C 307						C 371					
C 308						C 372					
C 309						C 373					
C 310	LH CONSOLE SW - LUG. DOOR LOCK	EATON	12		562763	C 374					
C 311						C 375					
C 312	ENGINE DDEC - ACCESSORIES	PED WP	3	561781	561782	C 376					
C 313						C 377	LH SWITCH PANEL - STOP ENGINE OVERRIDE	EATON	12		562763
C 314						C 378					
C 315	LH SWITCH PANEL - LH SUN VISOR SW.	EATON	12		562763	C 379					
C 316						C 380					
C 317	LH SWITCH PANEL - RH SUN VISOR SW.	EATON	12		562763	C 381	UNDER DASH PANEL - ANTI THILED	AMP MNL	2	561248	561247
C 318	LH CONSOLE SW - DR'S WINDOW SW.	EATON	12		562763	C 382	ENGINE GENERATOR (1)	PED WP	1	561605	561577
						C 383	ENGINE COMPT - VOLTAGE REGULATOR	PED WP	1	561605	561577



# CONNECTORS CODE

NO	LOCATION	TYPE	CAVITY	#PIN	#SOCKET	NO	LOCATION	TYPE	CAVITY	#PIN	#SOCKET
				HOUSING	HOUSING					HOUSING	HOUSING
C 384						C 449					
C 385						C 450					
C 386						C 451					
C 387	ENGINE COMPT. - BY-PASS VALVE	PED WP	2	561566	561690	C 452					
C 388						C 453					
C 389	ENGINE COMPT. - WATER PUMP	PED WP	2	561566	561690	C 454					
C 390	ENGINE COMPT. - A/C JCT. BOX	DEUTSCH	24	562280	562283	C 455					
C 391	CONDENSER COMPT. A/C PRESS SW 2 SP	PED WP	2	561566	561690	C 456	WORLD TRANS. - RETARDER ACCUM.	PED MP	2		562427
C 392						C 457	WORLD TRANS. - MAIN CONNECTOR	DEUTSCH	31	562572	562536
C 393						C 458	WORLD TRANS. - TURBINE SP. SENS.	PED MP	2		562426
C 394						C 459	WORLD TRANS. - ENGINE SP. SENS.	PED MP	2		562426
C 395						C 460	WORLD TRANS. - SPEED SENSOR	ITT	2		562541
C 396						C 461	WORLD TRANS. - RETARDER TEMP.	PED MP	2		562856
C 397						C 462	WORLD TRANS. - RETARDER SOL. "K"	PED MP	2		562426
C 398						C 463	WORLD TRANS. - SENSOR CONN.	DEUTSCH	16	562570	562571
C 399						C 464	RR JCT BOX - DDL CONN	DEUTSCH	6		565360
C 400	ENGINE COMPT. - BLOCK HEATER	PED WP	3	561781	561782	C 465	LH CONSOLE - SHIFTER SELECTOR	PED	20		562825
C 401						C 466	FR SERVICE CPT - RESIS. MOD.	PED WP	3		562428
C 402						C 467	FR SERVICE CPT - RESIS. MOD.	PED WP	3		562428
C 403						C 468	FR SERVICE CPT - RET. HAND LEVER	AMP FF	8	561188	562363
C 404						C 469	FR SERVICE CPT - RET. HAND LEVER	AMP FF	8	561188	562363
C 405						C 470					
C 406						C 471					
C 407						C 472	FR SERVICE CPT - SILENT 1000	PED WP	2	561566	561690
C 408						C 473					
C 409						C 474	DRIVER'S TEMP SENSOR	AMP MNL	2	561248	561247
C 410						C 475	FR SERVICE CPT - SPEED SIGN. CONNECT.	DEUTSCH	6	562583	562581
C 411						C 475W	FR SERVICE CPT - SPEED SIGN. W. TR.	DEUTSCH	6	562583	562581
C 412						C 476					
C 413						C 477					
C 414						C 478					
C 415						C 479	UNDER DASH - HVAC DASH MODULE	MOLEX	3		562783
C 416						C 480	UNDER DASH RH - DR'S FAN SPEED CTR	PED WP	4	561889	561890
C 417						C 481	UNDER DASH RH - DR'S FAN SPEED CTR	PED WP	3	561781	561782
C 418						C 482					
C 419						C 483	FR SERVICE CPT - ELECTRICAL SEAT	PED	2	562237	
C 420						C 484	UNDER DASH LH - FOOT DAMPER MOTOR	PED	2		562076
C 421						C 485	UNDER DASH LH - DASH & DEFR. DAMP. M.	AMP MNL	3	561667	561558
C 422						C 486					
C 423						C 487					
C 424	UNDER DASH- AUDIBLE FLASHER	AMP MNL	3	561667	561550	C 488					
C 425						C 489					
C 426	ENGINE S60 RAD. FAN CLUTCH	PED WP	3	561781	561782	C 490					
C 427						C 491					
C 428	RH SW PANEL - EVAP. FAN SPEED	EATON	12		562763	C 492					
C 429						C 493					
C 430						C 494					
C 431						C 495					
C 432						C 496					
C 433						C 497					
C 434						C 498					
C 435						C 499					
C 436						C 500	FR JCT PANEL - PRODRIVER	MOLEX	6	562070	562069
C 437						C 501					
C 438						C 502					
C 439						C 503					
C 440						C 504					
C 441						C 505					
C 442						C 506	LH CONSOLE - LEVEL LOW SW.	EATON	12		562763
C 443						C 507					
C 444						C 508	RR JCT BOX - FAN CLUTCH RETARDER	AMP MNL	6	561552	561515
C 445						C 509					
C 446						C 510					
C 447						C 511					
C 448						C 512					

# CONNECTORS CODE

NO	LOCATION	TYPE	CAVITY	#PIN HOUSING	#SOCKET HOUSING	NO	LOCATION	TYPE	CAVITY	#PIN HOUSING	#SOCKET HOUSING
C 513						C 577					
C 514						C 578					
C 515						C 579					
C 516						C 580					
C 517						C 581	LH DASH PANEL – ELECTRICAL HORN	PED MP	2		562777
C 518						C 582					
C 519						C 583	LH DASH PANEL – MASTER KEY SW.	DEUTSCH	2	562486	562485
C 520						C 584	FR. SERVICE COMPT – HORN PNEU. VALVE	PNEUMAC	3		562848
C 521						C 585	RH CONSOLE – ENT. DOOR LOCK VALVE	PNEUTECH	2		563147
C 522	FR JCT BOX – DAYTIME LTS MODULE	BOSCH	5		561183	C 586	FR SERVICE COMPT – ACC. PNEU.VALVE	PNEUMAC	3		562848
C 523						C 587					
C 524	FR JCT BOX – FUSE BLOCK	PED	8	562647	562646	C 588					
C 525	FR JCT BOX – FUSE BLOCK	PED	8	562647	562646	C 589	FR. MIRROR LH	CONXALL	8	563163	563088
C 526	FR JCT BOX – FUSE BLOCK	PED	8	562647	562646	C 590	FR. MIRROR RH	CONXALL	8	563163	563088
C 527	FR JCT BOX – FUSE BLOCK	PED	8	562647	562646	C 591	LH CONSOLE – LH MIRROR SW.	EURAMT.	8		562749
C 528						C 592	LH CONSOLE – RH MIRROR SW.	EURAMT.	8		562749
C 529						C 593					
C 530						C 594	FRONT ROOF – DRIVER'S LTS	LEEKRAFT	2	-----	562803
C 531						C 595					
C 532						C 596					
C 533						C 597	LH DASH PANEL – DISPLAY SET SW.	MOLEX	5		562905
C 534						C 598	LH DASH PANEL – DISPLAY SET SW.	MOLEX	5		562905
C 535						C 599	UND. DASH – MAGN. SW CTR POS. DR'S AIR	AMP MNL	2	561248	561247
C 536						C 600					
C 537	A/C JCT BOX RESISTOR SIGN. RLY	AMP MNL	2	561248	561247	C 601					
C 538	FR SERV. CPT RH – OUTSIDE TEMP. SENS	AMP MNL	2	561248	561247	C 602					
C 539	HVAC DASH MODULE OUTPUT CONN.	MOLEY	24		562780	C 603					
C 540	HVAC DASH MODULE INPUT CONN.	MOLEY	22		562781	C 604					
C 541						C 605					
C 542						C 606					
C 543						C 607					
C 544						C 608	FR SERVICE COMPT – RPM SIGNAL (SPARE)	PED WP	2	561566	561690
C 545							FR SERV. COMPT – SPEED SIGNAL (SPARE)	PED WP	2	561566	561690
C 546						CH 50	RR JCT BOX – TRANS. INHIBIT	PED WP	1	561605	561577
C 547						CH 51	RR JCT BOX – TRANS. INHIBIT	PED WP	1	561605	561577
C 548	LH DASH PANEL – T.T.LT TEST SW.	EATON	12		562763	CH 88	FR SERV. COMPT. – PARK BRAKR S.O.	PED WP	1	561605	561577
C 549						CS	FR SERVICE CPT - ECU WOLRD TR.	PED MP	32		562817
C 550						CT	FR SERVICE CPT - ECU WORLD TR.	PED MP	32		562824
C 551						CTCI	ENGINE CPT. – TURBO TEMP.	FCI	2		563404
C 552						CV	FR SERVICE CPT - ECU WORLD TR.	PED MP	32		562823
C 553						CX	CLUSTER	JAE	5		562957
C 554						CX 1	FR SERVICE CPT - ECU ABS	AMP JN	15		563200
C 555	LUGGAGE COMPT. – AWNING WINDOWS	MOLEX	4	561477	561476	CX 2	FR SERVICE CPT - ECU ABS	AMP JN	18		563201
C 555A	LUGGAGES – AWNING EXT. HARNESS	MOLEX	4	561477	561476	CY	CLUSTER	JAE	30		562765
C 556						LX	CLUSTER	JAE	22		562766
C 557						LY	CLUSTER	JAE	30		562767
C 558						RX	CLUSTER	JAE	30		562767
C 559											
C 560											
C 561											
C 562											
C 563											
C 564											
C 565											
C 566											
C 567											
C 568											
C 569											
C 570	UNDER DASH PANEL – T.T.LT MODULE	MOLEX	6		562464						
C 571	UNDER DASH PANEL – T.T.LT MODULE	MOLEX	20		562778						
C 572	UNDER DASH PANEL – T.T.LT MODULE	MOLEX	18		562779						
C 573	UNDER DASH PANEL – T.T.LT MODULE	MOLEX	8		562465						
C 574											
C 575											
C 576											

# CONNECTORS CODE

NO	LOCATION	TYPE	CAVITY	#PIN HOUSING	#SOCKET HOUSING	NO	LOCATION	TYPE	CAVITY	#PIN HOUSING	#SOCKET HOUSING
A 1	TRANSMISSION MODULE	AFL	80		563975	C 64					
AA 1	UNDER DASH PANEL-TAG AXLE SONALERT	BOSCH	5	-----	561183	C 65	ENGINE CPT - PRESS SW FAN CLUTCH	PED WP	2	561566	561690
C 1	FR JCT BOX COMPARTIMENT	AMP CPC	14	561585	561584	C 66					
C 2	FR JCT BOX COMPARTIMENT	AMP CPC	16	561638	561640	C 67					
C 3	FR JCT BOX COMPARTIMENT	AMP CPC	37	561644	561646	C 68					
C 4	FR JCT BOX COMPARTIMENT	AMP CPC	24	561641	561643	C 69					
C 5	FR SERVICE COMPT. - UNDERNEATH	AMP CPC	37	561645	561646	C 70	LH CONSOLE	AMP CPC	16	561639	561640
C 6	FR SERVICE COMPT. - UNDERNEATH	AMP CPC	16	561639	561640	C 71	FR JCT BOX COMPT.	AMP CPC	37	561645	561646
C 7	FR SERVICE COMPT. - CLUTCH SW	ITT SS	3	561080	561111	C 72	FR JCT BOX COMPT.	AMP CPC	24	561642	561643
C 8	FR SERVICE COMPT. - UNDERNEATH	AMP CPC	24	561642	561643	C 73					
C 9	FR SERVICE COMPT. - UNDERNEATH	AMP CPC	24	561642	561643	C 74	FR JCT BOX COMPT.	AMP CPC	37	561645	561646
C 10	FR SERVICE DOOR ACCESS.	DEUTSCH	5	562565	562566	C 75					
C 11	FR SERV. CPT ACCESS	AMP CPC	37	561645	561646	C 76	ENGINE CMPT. FIRE DETECTOR	DEUTSCH	2	562486	562485
C 12	FR SERV. CPT ACCESS	AMP CPC	16	561639	561640	C 77	ENGINE CMPT. FIRE DETECTOR	DEUTSCH	2	562486	562485
C 13	FR SERV. CPT ACCESS	AMP CPC	9	561635	561637	C 78					
C 14						C 79					
C 15	LUGGAGE CPT (184)-MARK. SUPPL.	DEUTSCH	4	562479	562477	C 80					
C 16	LH CONSOLE SW-CRUISE ON/OFF	EATON	12	-----	562763	C 81	LUGGAGE COMPT - DOOR LOCK	AMP MNL	4	560851	560852
C 17	LH CONSOLE SW-CRUISE RESUME	EATON	12	-----	562763	C 82	LUGGAGE COMPT - DOOR LOCK	AMP MNL	4	560851	560852
C 18	LH CONSOLE SW-CRUISE SET	EATON	12	-----	562763	C 83	LUGGAGE COMPT - DOOR LOCK	AMP MNL	4	560851	560852
C 19	LH CONSOLE SW-DECEL SW	EATON	12	-----	562763	C 84	LUGGAGE COMPT - DOOR LOCK	AMP MNL	4	560851	560852
C 20	RR JCT BOX	DEUTSCH	70	562282	562285	C 85	LUGGAGE COMPT - DOOR LOCK	AMP MNL	4	560851	560852
C 21	ENGINE COMPT - LOCK DOOR MOT.	PED WP	2	-----	562076	C 86	LUGGAGE COMPT - DOOR LOCK	AMP MNL	4	560851	560852
C 22	LUGGAGE COMPT (A) - A/C & FUEL TANK	AMP CPC	16	561639	561640	C 87					
C 23	LUGGAGE COMPT (1) - LUGG. ACCESS.	AMP CPC	24	561642	561643	C 88	FR SERV. CPT. PRESS SW PARK BRAKE	PED WP	2	561566	561690
C 24	ENGINE COMPT. - INTERF RJB	PED WP	6	561606	561607	C 89					
C 25						C 90					
C 26	ENGINE COMPT. ACCESS	DEUTSCH	40	562281	562284	C 91					
C 27	ENGINE COMPT. - INTERF. RJB	DEUTSCH	6	562583	562581	C 92	FR JCT BOX COMPT - ABS	AMP CPC	9	561635	561637
C 28	LUGGAGE COMPT(4) - LUGG. ACCESS	AMP CPC	24	561642	561643	C 93					
C 29	FR SERVICE COMPT - E.C.U. FEED	PED WP	3	561781	561782	C 94					
C 30	ENGINE COMPT - MASTER SW. SIGN.	DEUTSCH	2	562486	562485	C 95	ENTRANCE DOOR ACCESS	DEUTSCH	6	562583	562581
C 31						C 96	FR SERVICE DOOR ACCESS	AMP MNL	9	561670	561669
C 32						C 97	FR SERVICE DOOR - WATER TANK	PED MP	20	562426	562425
C 33	ENGINE DDEC II - SPEED SIGN SPARE	PED WP	2	561566	561690	C 97B	FR SERV. D- HEAD LAMP W. TANK SPLICE				
C 34						C 97C	FR SERV. D- HEAD LAMP W. TANK L.LEVEL				
C 35	A/C COMPT - AIR RETURN SENSOR	AMP MNL	2	561248	561247	C 98	EVAPORATOR COMPT-DAMPER	DEUTSCH	2	562486	562485
C 36						C 99	FR SERVICE CPT. LTS	AMP MNL	2	561248	561247
C 37						C 100	SIDE (LH/FR & CTR) DIR LTS	GROTE	2	-----	562155
C 38						C 101	FR SERVICE COMPT. ELEC. HORNS	PED WP	2	561566	561690
C 39						C 101	CONDENSER COMPT - A/C PRES. SW 1SP	PED WP	2	561566	561690
C 40						C 102	CONDENS. COMPT - LIQU. SOL. VAL. PRES.	PED WP	2	561566	561690
C 41	ENGINE COMPT - RH DOOR LOCK	DEUTSCH	4	562479	562477	C 103					
C 42	ENGINE COMPT - RR CAP LIGHTING	DEUTSCH	6	562583	562581	C 104					
C 43	FR JCT BOX - ALT. MODULE	AMP MNL	12	561735	561734	C 105	UNDER DASH RH - DRV LIO SOL VL	PED WP	2	561566	561690
C 44	ENGINE COMPT - LIGHTS	GROTE	2	563268	-----	C 106	UNDER DASH RH - DRV WTR VALVE	PED WP	2	561566	561690
C 45	FR JCT BOX COMPT - ROOF ACCESS	AMP CPC	24	561642	561643	C 107					
C 46						C 108					
C 47						C 109	SIDE (RH/FR & CTR) DIR LTS	GROTE	2	-----	562155
C 48	FR SERV. CPT. PRESS SW PARK BRAKE	PED WP	2	561566	561690	C 110	SIDE (LH/FR) MARKER LTS	GROTE	2	-----	562155
C 49						C 111	SIDE (RH/FR) MARKER LTS	GROTE	2	-----	562155
C 50						C 112	SIDE (RH/CTR) MARKER LTS	GROTE	2	-----	562155
C 51						C 113	SIDE (RH/RR) MARKER LTS	GROTE	2	-----	562155
C 52	ENGINE COMPT - COMPRESSOR	PED WP	2	561566	561690	C 114	ENGINE DDEC - SPEED SIGNAL (SPARG)	PED WP	2	561566	561690
C 53	ENGINE COMPT - COMPRESSOR	PED WP	2	561566	561690	C 115	RR JCT BOX - ENGINE ACCESS	DEUTSCH	40	562281	562284
C 54	FRONT ROOF - UPPER FAN DEFROST	AMP MNL	6	561552	561515	C 116	SIDE (LH/CTR) MARKER LTS	GROTE	2	-----	562155
C 55	CENTRAL DOOR LOCK	DEUTSCH	4	562479	562477	C 117	SIDE (RH/RR) MARKER LTS	GROTE	2	-----	562155
C 56						C 118	ENGINE COMPT - LICENCE	PED WP	2	930210	930210
C 57						C 119	ENGINE COMPT - RH LOWER LAMP	PED WP	6	561606	561607
C 58						C 120	ENGINE COMPT - LH LOWER LAMP	PED WP	6	561606	561607
C 59						C 121	SIDE (RH/RR) DIR LTS	GROTE	2	-----	562155
C 60						C 122	SIDE (LH/RR) DIR LTS	GROTE	2	-----	562155
C 61	ENGINE COMPT - FUEL FILTER	PED WP	2	561566	561690	C 123					
C 62	ENGINE COMPT - COMPRESSOR STD	PED WP	2	561566	561690	C 124					
C 63	ENGINE COMPT - COMPRESSOR STD	PED WP	2	561566	561690	C 125					

# CONNECTORS CODE

NO	LOCATION	TYPE	CAVITY	#PIN	#SOCKET	NO	LOCATION	TYPE	CAVITY	#PIN	#SOCKET
				HOUSING	HOUSING					HOUSING	HOUSING
C 126						C 189	ENGINE COMPT – DOOR LIGHT BACK UP	TRUCK-LITE	2	562755	
C 127						C 190	ENGINE COMPT – DOOR LIGHT STOP/TURN	AMP SS	3		562601
C 128						C 191	ENGINE COMPT – DOOR LIGHT STOP/TURN	AMP SS	3		562601
C 129						C 192	ENGINE COMPT – DOOR LIGHT PARKING	AMP SS	3		562601
C 130						C 193					
C 131						C 194					
C 132						C 195					
C 133						C 196					
C 134	FR JCT BOX – DIODE CONN.	AMP MNL	15	561987	561986	C 197					
C 135	FR JCT BOX – DIODE CONN.	AMP MNL	15	561987	561986	C 198					
C 136	FR JCT BOX – DIODE CONN.	AMP MNL	15	561987	561986	C 199					
C 137	FR JCT BOX – DIODE CONN.	AMP MNL	15	561987	561986	C 200					
C 138						C 201					
C 139						C 202					
C 140	HVAC DASH MODULE THERMOMETER	MOLEX	4		562782	C 203					
C 141	RR DASH PANEL – LTS CONN. (SPARE)	AMP MNL	2	561248	561247	C 204					
C 142	ENGINE COMPT. B/U ALARM	PED WP	2	561566	561690	C 205					
C 143	TRAILER BRAKE PRESSURE SWITCH	PED	2	561566	561690	C 206					
C 144						C 207					
C 145						C 208					
C 146						C 209					
C 147						C 210					
C 148	TRAILER PARK BRAKE PRESSURE SWITCH	PED	2	561690	561566	C 211	FR ROOF – SUN VISOR LH	AMP MNL	2	560900	560898
C 149						C 212	FR ROOF – SUN VISOR RH	AMP MNL	2	560900	560898
C 150						C 213					
C 151						C 214					
C 152						C 215					
C 153						C 216					
C 154						C 217					
C 155	EVAPORATOR CPT – WATER VALVE	BURKERT	3		563204	C 218					
C 156						C 219					
C 157	FR SERV. CPT – WATER PUMP DR'S	PED WP	3	561781	561782	C 220					
C 158	ENGINE CPT – DDEC INTERFACE	DEUTSCH	31	562572	562536	C 221					
C 159	ENGINE CPT – DDEC FEED	PED WP	4	561889	561890	C 222	HEADLAMPS – LOW BEAM	HELLA	2		562623
C 160	FR SERVICE CPT - INTERFACE	AMP CPC	37	561644	561646	C 222	HEADLAMPS – LOW BEAM ( XENON OPTION)	PED MP	2		563366
C 161	ENGINE DDEC - ECM	AMP	68		563463	C 223	FR AXLE CPT – HEADLAMPS MAIN CONN.	DEUTSCH	6	565131	562789
C 162	ENGINE DDEC - ACCESSORIES	PED WP	4	561610	561611	C 224	HEADLAMPS – HI BEAM	HELLA	2		562623
C 163	ENGINE CPT - COOLANT PROBE	PED MP	2		562350	C 225	FOG LIGHTS	DEUTSCH	3	562902	562901
C 164	ENGINE CPT – DDEC FEED	PED WP	4	561889	561890	C 226	FLASHER – (FR)	PED	3		562137
C 165						C 227					
C 166						C 228	A/C COMPRESSOR	PED WP	2	561566	561690
C 167	FR SERVICE CPT - EL. FOOT PEDAL	PED WP	3	561781	561782	C 229					
C 168	FR SERVICE CPT - DDR	DEUTSCH	9	563180		C 230					
C 169	FR SERVICE CPT - WORLD TR. INTERFACE	AMP CPC	24	561642	561643	C 231					
C 170	FR JCT BOX FLASHER UNIT	PED	2		561940	C 232					
C 171	LH CONSOLE	AMP CPC	24	561642	561643	C 233					
C 172	FR SERVICE COMPT - LEVEL LOW	AMP CPC	9	561637		C 234					
C 173						C 235					
C 174						C 236	FR SERVICE CPT CENTER - ABS	AMP CPC	14	561636	561637
C 175						C 237	FR AXLE CPT - ABS RH SENSOR	WABCO	2		641132
C 176	UNDER DASH RH – WIPER PULSE	AMP FF	6		561186	C 238	FR AXLE CPT - ABS RH VALVE	WABCO	3		641098
C 177	UNDER DASH RH – WIPER MOTOR	AMP FF	6		561186	C 239	FR AXLE CPT - ABS LH VALVE	WABCO	3		641098
C 178						C 240	FR AXLE CPT - ABS LH SENSOR	WABCO	2		641132
C 179						C 241	LAST LUGGAGE COMPT - ABS	PED WP	6	561606	561607
C 180						C 242	DRIVE AXLE CPT - ABS LH SENSOR	WABCO	2		641132
C 181						C 243	DRIVE AXLE CPT - ABS LH VALVE	WABCO	3		641098
C 182						C 244	DRIVE AXLE CPT - ABS RH VALVE	WABCO	3		641098
C 183						C 245	DRIVE AXLE CPT - ABS RH SENSOR	WABCO	2		641132
C 184						C 246	DRIVE AXLE CPT - ABS SPARE	PED WP	2	561566	561690
C 185						C 247					
C 186						C 248	LAST LUGGAGE CPT - ABS	PED WP	6	561606	561607
C 187	FR SERVICE JCT BOX - RESISTORS	AMP MNL	6	561552	561515	C 249	FR SERVICE CPT - ABS/DDEC	PED WP	2	561566	561690
C 188	LUGG COMPT –MANUAL REMOTE SLIDE-OUT	AMP CPC	7	561772	561773	C 250					
						C 251	LH SW PANEL – FAST IDLE	EATON	12		562763
						C 252					

# CONNECTORS CODE

NO	LOCATION	TYPE	CAVITY	#PIN	#SOCKET	NO	LOCATION	TYPE	CAVITY	#PIN	#SOCKET
				HOUSING	HOUSING					HOUSING	HOUSING
C 253	LH SWITCH PANEL - ETHER	EATON	12		562763	C 316					
C 254						C 317	LH SWITCH PANEL – RH SUN VISOR SW.	EATON	12		562763
C 255	LH SWITCH PANEL – ENGINE BRAKE	EATON	12		562763	C 318	LH CONSOLE SW – DR'S WINDOW SW.	EATON	12		562763
C 256						C 319	ENGINE DDEC – ECM POWER	PED	4	561610	561611
C 257						C 320	RT SWITCH PANEL – DRIVER'S LTS SW.	EATON	12		562763
C 258	LH SWITCH PANEL – MULTI FUNC. SW	AMP FF	8	561188		C 321	UNDER DASH RH - KEYLESS MODULE	AMP COM	26		562676
C 259						C 322	UNDER DASH RH - KEYLESS MODULE	AMP COM	22		562675
C 259	LH SWITCH PANEL – MULTI FUNC. SW	AMP FF	6		561186	C 323	DRIVER'S WINDOW MOTOR	PED	2		561848
C 260						C 324	LH SWITCH PANEL - UPPER FAN DEFROST	EATON	12		562763
C 261						C 325					
C 262						C 326					
C 263	LUGGAGE COMPT. LTS COMPT #3	AMP MNL	2	561248	561247	C 327					
C 264	LUGGAGE COMPT. LTS COMPT #2	AMP MNL	2	561248	561247	C 328					
C 265	LUGGAGE COMPT. LTS COMPT #1	AMP MNL	2	561248	561247	C 329					
C 266	ENTRANCE DOOR KEYLESS	AMP CPC	14	561585	561583	C 330					
C 267	UNDER DASH RH – KEYLESS PANEL	AMP CPC	24	561642	561643	C 331					
C 268	FR MIRROR RH	CONXALL	5	563091	563090	C 332					
C 269	FR MIRROR LH	CONXALL	5	563091	563090	C 333					
C 270	LUGGAGE COMPT LTS - 3 LH	AMP MNL	2	561248	561247	C 334					
C 271	LUGGAGE COMPT LTS - 4	AMP MNL	2	561248	561247	C 335					
C 272						C 336					
C 273						C 337					
C 274						C 338					
C 275						C 339					
C 276	UNDER DASH RH – 3 WAY LTS DR'S	EATON	12		562763	C 340	FR JCT BOX – FIRE PIEZO ALARM	AMP MNL	2	560900	560898
C 277	LH SWITCH PANEL DOCK & CORN. SW.	EATON	12		562763	C 341	LH SWITCH PANEL – HEAT MIRROR SW.	EATON	12		562763
C 278	LH SWITCH PANEL – B/U CANCEL	EATON	12		562763	C 342					
C 279	FR SERVICE COMPT LH – STEERING ZF	DEUTSCH	2		562485	C 343	LH SWITCH PANEL – HEAD LAMP SW.	EATON	12		562763
C 280	ENGINE COMPT - COMPRESSOR STD	PED WP	2	561566	561690	C 344	LH SWITCH PANEL – HAZARD LT SW.	EATON	12		562763
C 281	LH CONSOLE – LEVEL LOW	AMP MNL	4	560851	560852	C 345	LH SWITCH PANEL – FOG LT SW.	EATON	12		562763
C 282	FR SERVICE COMPT – STEERING ZF	VOLVO	2		562928	C 346					
C 283						C 347					
C 284						C 348	INSTR. PANEL CENT. – RACOR MODULE	MOLEX	6	562070	562069
C 285						C 349					
C 286						C 350					
C 287						C 351					
C 288						C 352					
C 289						C 353					
C 290	LUGGAGE CPT - DOOR LOCK	AMP MNL	4	560851	560852	C 354					
C 291	LUGGAGE CPT - DOOR LOCK	AMP MNL	4	560851	560852	C 355					
C 292	FR SERVICE CPT LEVEL LOW	PNEUMAC	2		641385	C 356					
C 293	FR SERVICE CPT LEVEL LOW	PNEUMAC	2		641385	C 357					
C 294	FR SERVICE CPT LEVEL LOW	PNEUMAC	2		641385	C 358					
C 295	FR SERVICE CPT LEVEL LOW	PNEUMAC	2		641385	C 359	RH SWITCH PANEL – ENT. DOOR WIND. SW.	EATON	12		562763
C 296	FR SERVICE CPT LEVEL LOW	PNEUMAC	2		641385	C 360	ENTRANCE WINDOW MOTOR	PED	2		561848
C 297						C 361					
C 298						C 362					
C 299						C 363					
C 300	FR SERVICE CPT – LOW BEAM RESISTORS	PED WP	2	561566	561690	C 364					
C 301	FR SERV. CPT ACCESS – DR'S FAN SPEED	PED WP	1	561605	561577	C 365					
C 302						C 366					
C 303	RR JCT BOX - DIODES	AMP MNL	15	561987	561986	C 367					
C 304						C 368					
C 305						C 369					
C 306						C 370					
C 307						C 371					
C 308						C 372					
C 309						C 373					
C 310	LH CONSOLE SW – LUG. DOOR LOCK	EATON	12		562763	C 374					
C 311						C 375					
C 312	ENGINE DDEC - ACCESSORIES	PED WP	3	561781	561782	C 376					
C 313						C 377	LH SWITCH PANEL – STOP ENGINE OVERRIDE	EATON	12		562763
C 314						C 378					
C 315	LH SWITCH PANEL – LH SUN VISOR SW.	EATON	12		562763	C 379					
						C 380					

# CONNECTORS CODE

NO	LOCATION	TYPE	CAVITY	#PIN	#SOCKET	NO	LOCATION	TYPE	CAVITY	#PIN	#SOCKET
				HOUSING	HOUSING					HOUSING	HOUSING
C 381	UNDER DASH PANEL – ANTI THILED	AMP MNL	2	561248	561247	C 445					
C 382	ENGINE GENERATOR (1)	PED WP	1	561605	561577	C 446					
C 383	ENGINE COMPT – VOLTAGE REGULATOR	PED WP	1	561605	561577	C 447					
C 384						C 448					
C 385						C 449					
C 386						C 450					
C 387	EVAPORATOR COMPT. - BY-PASS VALVE	PED WP	2	561566	561690	C 451					
C 388						C 452					
C 389	EVAPORATOR COMPT. – WATER PUMP	PED WP	2	561566	561690	C 453					
C 390	EVAPORATOR COMPT. – A/C JCT. BOX	DEUTSCH	24	562280	562283	C 454					
C 391	CONDENSER COMPT. A/C PRESS SW 2 SP	PED WP	2	561566	561690	C 455					
C 392						C 456	WORLD TRANS. - RETARDER ACCUM.	PED MP	2		562427
C 393						C 457	WORLD TRANS. - MAIN CONNECTOR	AFL	20		563979
C 394						C 458	WORLD TRANS. - TURBINE SP. SENS.	PED MP	2		562426
C 395						C 459	WORLD TRANS. - ENGINE SP. SENS.	PED MP	2		562426
C 396						C 460	WORLD TRANS. - SPEED SENSOR	ITT	2		562541
C 397						C 461	WORLD TRANS. - RETARDER TEMP.	PED MP	2		562856
C 398						C 462	WORLD TRANS. - RETARDER SOL. "K"	PED MP	2		562426
C 399						C 463	WORLD TRANS. - SENSOR CONN.	DEUTSCH	16	562570	562571
C 400	ENGINE COMPT. – BLOCK HEATER	PED WP	3	561781	561782	C 464	RR JCT BOX - DDL CONN	DEUTSCH	9		563180
C 401						C 465	LH CONSOLE - SHIFTER SELECTOR	PED	16		563984
C 402						C 466	FR SERVICE CPT - RESIS. MOD.	PED WP	3		562428
C 403						C 467	FR SERVICE CPT - RESIS. MOD.	PED WP	3		562428
C 404	HEAD LAMP WASHER SWITCH EXTENSION	AMP	2	561248	561247	C 468	FR SERVICE CPT – RET. HAND LEVER	AMP FF	8	561188	562363
C 405	HEAD LAMP WASHER PUMP	AMP	2	562473	562474	C 469	FR SERVICE CPT - RET. HAND LEVER	AMP FF	8	561188	562363
C 406						C 470					
C 407						C 471					
C 408						C 472	FR SERVICE CPT – SILENT 1000	PED WP	2	561566	561690
C 409						C 473					
C 410						C 474	DRIVER'S TEMP SENSOR	AMP MNL	2	561248	561247
C 411						C 475	FR SERVICE CPT - SPEED SIGN. CONNECT.	DEUTSCH	6	562583	562581
C 412						C 475W	FR SERVICE CPT – SPEED SIGN. W. TR.	DEUTSCH	6	562583	562581
C 413						C 476					
C 414						C 477					
C 415						C 478					
C 416						C 479	UNDER DASH – HVAC DASH MODULE	MOLEX	3		562783
C 417						C 480	UNDER DASH RH – DR'S FAN SPEED CTR	PED WP	4	561889	561890
C 418						C 481	UNDER DASH RH – DR'S FAN SPEED CTR	PED WP	3	561781	561782
C 419						C 482					
C 420						C 483	FR SERVICE CPT – ELECTRICAL SEAT	PED	2	562237	
C 421						C 484	UNDER DASH LH – FOOT DAMPER MOTOR	PED	2		562076
C 422						C 485	UNDER DASH LH – DASH & DEFR. DAMP. M.	AMP MNL	3	561667	561558
C 423						C 486					
C 424	UNDER DASH– AUDIBLE FLASHER	AMP MNL	3	561667	561550	C 487					
C 425						C 488					
C 426	ENGINE S60 RAD. FAN CLUTCH	PED WP	3	561781	561782	C 489					
C 427						C 490					
C 428	RH SW PANEL – EVAP. FAN SPEED	EATON	12		562763	C 491					
C 429						C 492					
C 430						C 493					
C 431						C 494					
C 432						C 495					
C 433						C 496					
C 434						C 497					
C 435						C 498					
C 436						C 499					
C 437						C 500	FR JCT PANEL - PRODRIVER	MOLEX	6	562070	562069
C 438						C 501					
C 439						C 502					
C 440						C 503					
C 441						C 504					
C 442						C 505					
C 443						C 506	LH CONSOLE – LEVEL LOW SW.	EATON	12		562763
C 444						C 507					
						C 508	RR JCT BOX - FAN CLUTCH RETARDER	AMP MNL	6	561552	561515

# CONNECTORS CODE

NO	LOCATION	TYPE	CAVITY	#PIN	#SOCKET	NO	LOCATION	TYPE	CAVITY	#PIN	#SOCKET
				HOUSING	HOUSING					HOUSING	HOUSING
C 509						C 573	UNDER DASH PANEL – T.T.LT MODULE	MOLEX	8		562465
C 510						C 574					
C 511						C 575					
C 512						C 576					
C 513						C 577					
C 514						C 578					
C 515						C 579					
C 516						C 580					
C 517						C 581	LH DASH PANEL – ELECTRICAL HORN	PED MP	2		562777
C 518						C 582					
C 519						C 583	LH DASH PANEL – MASTER KEY SW.	DEUTSCH	2	562486	562485
C 520						C 584	FR. SERVICE COMPT – HORN PNEU. VALVE	PNEUMAC	3		562848
C 521						C 585	RH CONSOLE – ENT. DOOR LOCK VALVE	PNEUTECH	2		563147
C 522	FR JCT BOX – DAYTIME LTS MODULE	BOSCH	5		561183	C 586	FR SERVICE COMPT – ACC. PNEU.VALVE	PNEUMAC	3		562848
C 523						C 587					
C 524	FR JCT BOX – FUSE BLOCK	PED	8	562647	562646	C 588					
C 525	FR JCT BOX – FUSE BLOCK	PED	8	562647	562646	C 589	FR. MIRROR LH	CONXALL	8	563163	563088
C 526	FR JCT BOX – FUSE BLOCK	PED	8	562647	562646	C 590	FR. MIRROR RH	CONXALL	8	563163	563088
C 527	FR JCT BOX – FUSE BLOCK	PED	8	562647	562646	C 591	LH CONSOLE – LH MIRROR SW.	EURAMT.	8		562749
C 528						C 592	LH CONSOLE – RH MIRROR SW.	EURAMT.	8		562749
C 529						C 593					
C 530						C 594	FRONT ROOF – DRIVER'S LTS	LEEKRAFT	2	-----	562803
C 531						C 595					
C 532						C 596					
C 533						C 597	LH DASH PANEL – DISPLAY SET SW.	MOLEX	5		562905
C 534						C 598	LH DASH PANEL – DISPLAY SET SW.	MOLEX	5		562905
C 535						C 599	UND. DASH – MAGN. SW CTR POS. DR'S AIR	AMP MNL	2	561248	561247
C 536						C 600					
C 537	A/C JCT BOX RESISTOR SIGN. RLY	AMP MNL	2	561248	561247	C 601					
C 538	FR SERV. CPT RH – OUTSIDE TEMP. SENS	AMP MNL	2	561248	561247	C 602					
C 539	HVAC DASH MODULE OUTPUT CONN.	MOLEY	24		562780	C 603					
C 540	HVAC DASH MODULE INPUT CONN.	MOLEY	22		562781	C 604					
C 541						C 605					
C 542						C 606					
C 543						C 607	FR SERVICE COMPT – RPM SIGNAL (SPARE)	PED WP	2	561566	561690
C 544						C 608	FR SERV. COMPT – SPEED SIGNAL (SPARE)	PED WP	2	561566	561690
C 545						CS	FR SERVICE CPT - ECU WOLRD TR.	PED MP	32		562817
C 546						CT	FR SERVICE CPT - ECU WORLD TR.	PED MP	32		562824
C 547						CTCI	ENGINE CPT. – TURBO TEMP.	FCI	2		563404
C 548	LH DASH PANEL – T.T.LT TEST SW.	EATON	12		562763	CV	FR SERVICE CPT - ECU WORLD TR.	PED MP	32		562823
C 549						CX	CLUSTER	JAE	5		562957
C 550						CX 1	FR SERVICE CPT - ECU ABS	AMP JN	15		563200
C 551						CX 2	FR SERVICE CPT - ECU ABS	AMP JN	18		563201
C 552						CY	CLUSTER	JAE	30		562765
C 553						LX	CLUSTER	JAE	22		562766
C 554						LY	CLUSTER	JAE	30		562767
C 555	LUGGAGE COMPT. – AWNING WINDOWS	MOLEX	4	561477	561476	RX	CLUSTER	JAE	30		562767
C 555A	LUGGAGES – AWNING EXT. HARNESS	MOLEX	4	561477	561476	A13 .J1	MASTER ID				562794
C 556						A13 .J2	MASTER ID				562650
C 557						A36 .JA	CECM				562767
C 558						A36 .JB	CECM				562765
C 559						A36 .JC	CECM				562957
C 560						A56 .J1	IO-B FRONT SLIDE-OUT				563133
C 561						A56 .J2	IO-B FRONT SLIDE-OUT				563132
C 562						A56 .J3	IO-B FRONT SLIDE-OUT				562957
C 563						A57 .J1	IO-B REAR SLIDE-OUT				563133
C 564						A57 .J2	IO-B REAR SLIDE-OUT				563132
C 565						A57 .J3	IO-B REAR SLIDE-OUT				562957
C 566						CS 01	FR SERVICE CPT – INTERFACE SLIDE-OUT			562583	562581
C 567						CS 02	SLIDE-OUT BLOC VALVE INTERFACE			561641	561643
C 568						CS 07	SLIDE-OUT#1 INTERFACE TO SLIDE-OUT#2			562583	562581
C 569						RES 7	CAN NETWORK END OF LINE RESISTOR	DEUTSCH	2	563590	563593
C 570	UNDER DASH PANEL – T.T.LT MODULE	MOLEX	6		562464	RES 12	CAN NETWORK END OF LINE RESISTOR	DEUTSCH	2	563590	563593
C 571	UNDER DASH PANEL – T.T.LT MODULE	MOLEX	20		562778	SESO 1	SLIDE-OUT VACUUM SENSOR				563159
C 572	UNDER DASH PANEL – T.T.LT MODULE	MOLEX	18		562779	SESO 2	SLIDE-OUT#1 LIMIT IN				562479

# CONNECTORS CODE

NO	LOCATION	TYPE	CAVITY	#PIN HOUSING	#SOCKET HOUSING	NO	LOCATION	TYPE	CAVITY	#PIN HOUSING	#SOCKET HOUSING
SESO 3	SLIDE-OUT#1 LIMIT OUT			562479							
SESO 5	SLIDE-OUT#2 LIMIT IN			562479							
SESO 6	SLIDE-OUT#2 LIMIT OUT			562479							



# DIODES NUMBER CODE

No.	PAGE	AMP	#PREV.	LOCATION	FUNCTION	No.	PAGE	AMP	#PREV.	LOCATION	FUNCTION
D 1	20.1	3A	561740	FR JCT BOX	CENTER DOOR LOCK SIGNAL	D 58					
D 2	15.1	3A	063849	FR JCT BOX	WATER PUMP RRE-HEAT SIGN	D 59					
D 3	15.1	3A	063849	FR JCT BOX	WATER PUMP	D 60	15.1,15.2	3A	561740	RR JCT BOX	A/C COMPR. CLUTCH
D 4	9.2	3A	561740	FR JCT BOX	WARNING HAZARD -RH	D 61					
D 5	9.2	3A	561740	FR JCT BOX	WARNING HAZARD -LH	D 62					
D 6	12.1	3A	561740	KEYLESS MODULE PANEL	ENTRANCE DOOR LOCK	D 63					
D 7	12.1	3A	561740	KEYLESS MODULE PANEL	LUCKAGE DOOR LOCK	D 64					
D 8	12.1	3A	561740	KEYLESS MODULE PANEL	LUCKAGE DOOR LOCK	D 65					
D 9						D 66					
D 10						D 67					
D 11						D 68					
D 12						D 69					
D 13						D 70					
D 14						D 71					
D 15						D 72					
D 16	9.1	3A	561740	FR JCT BOX	DAYTIME RUNNING LTS	D 73					
D 17	9.2	3A	561740	FR JCT BOX	TURN SIGNAL LT-LH	D 74					
D 18	9.2	3A	561740	FR JCT BOX	TURN SIGNAL LT-RH	D 75					
D 19	9.1	3A	561740	FR JCT BOX	DAYTIME RUNNING LTS	D 76					
D 20	9.1	3A	561740	FR JCT BOX	DAYTIME RUNNING LTS	D 77					
D 21	9.2	3A	561740	UNDER DASH	AUDIBLE FLASHER RLY LH	D 78					
D 22	9.2	3A	561740	UNDER DASH	AUDIBLE FLASHER RLY RH	D 79					
D 23						D 80					
D 24	8.1	3A	561740	RR JCT BOX	FAN CLUTCH RADIATOR	D 81					
D 25	8.1	3A	561740	RR JCT BOX	FAN CLUTCH RADIATOR	D 82					
D 26	18.1	3A	560931	FR SERVICE CPT.	LEVEL LOW SYSTEM	D 83	8.1	3A	561740	RR JCT BOX	RAD. FAN CLUTCH W. A/C OR RETARDER
D 27	18.1	3A	560931	FR SERVICE CPT.	LEVEL LOW SYSTEM						
D 27	9.3	3A	561740	RR JCT BOX	AUX LTS-TAIL						
D 28	9.3	3A	561740	RR JCT BOX	AUX LTS-STOP						
D 29											
D 30	4.1	3A	561740	FR JCT BOX	MASTER KEY SW. CUT-OFF						
D 31	4.1	3A	561740	FR JCT BOX	MASTER KEY SW. CUT-OFF						
D 32	9.2	3A	561740	FR JCT BOX	HAZARD MASTER RLY CUT OUT						
D 33											
D 34	15.3	3A	561740	FR JCT BOX	A/C WATER VALVE						
D 35	15.3	3A	561740	FR JCT BOX	A/C WATER VALVE						
D 36	15.2	3A	561740	EVAP. CPT.	BY-PASS VALVE						
D 37											
D 38											
D 39											
D 40	9.1	3A	561740	FR JCT BOX	HI - LO BEAM						
D 41											
D 42											
D 43											
D 44											
D 45											
D 46											
D 47											
D 48											
D 49											
D 50											
D 51											
D 52											
D 53											
D 54											
D 55											
D 56											
D 57											

# DIODES NUMBER CODE

No.	PAGE	AMP	#PREV.	LOCATION	FUNCTION	No.	PAGE	AMP	#PREV.	LOCATION	FUNCTION
D 1	20.1	3A	561740	FR JCT BOX	CENTER DOOR LOCK SIGNAL	D 58					
D 2	15.1	3A	063849	FR JCT BOX	WATER PUMP RRE-HEAT SIGN	D 59					
D 3	15.1	3A	063849	FR JCT BOX	WATER PUMP	D 60	15.1,15.2	3A	561740	RR JCT BOX	A/C COMPR. CLUTCH
D 4	9.2	3A	561740	FR JCT BOX	WARNING HAZARD -RH	D 61					
D 5	9.2	3A	561740	FR JCT BOX	WARNING HAZARD -LH	D 62					
D 6	12.1	3A	561740	KEYLESS MODULE PANEL	ENTRANCE DOOR LOCK	D 63					
D 7	12.1	3A	561740	KEYLESS MODULE PANEL	LUCKAGE DOOR LOCK	D 64					
D 8	12.1	3A	561740	KEYLESS MODULE PANEL	LUCKAGE DOOR LOCK	D 65					
D 9	9.5	3A	561740	FR JCT BOX	HI / LOW BEAMS	D 66					
D 10						D 67					
D 11						D 68					
D 12						D 69	21.1	3A	561740	RR JCT BOX	ENGINE BREAKE – LEAKAGE SUPP.
D 13						D 70					
D 14						D 71					
D 15						D 72					
D 16	9.1	3A	561740	FR JCT BOX	DAYTIME RUNNING LTS	D 73					
D 17	9.2	3A	561740	FR JCT BOX	TURN SIGNAL LT-LH	D 74					
D 18	9.2	3A	561740	FR JCT BOX	TURN SIGNAL LT-RH	D 75					
D 19	9.1	3A	561740	FR JCT BOX	DAYTIME RUNNING LTS	D 76					
D 20	9.1	3A	561740	FR JCT BOX	DAYTIME RUNNING LTS	D 77					
D 21	9.2	3A	561740	UNDER DASH	AUDIBLE FLASHER RLY LH	D 78					
D 22	9.2	3A	561740	UNDER DASH	AUDIBLE FLASHER RLY RH	D 79					
D 23						D 80					
D 24	8.1	3A	561740	RR JCT BOX	FAN CLUTCH RADIATOR	D 81					
D 25	8.1	3A	561740	RR JCT BOX	FAN CLUTCH RADIATOR	D 82					
D 26	18.1	3A	560931	FR SERVICE CPT.	LEVEL LOW SYSTEM	D 83	8.1	3A	561740	RR JCT BOX	RAD. FAN CLUTCH W. A/C OR RETARDER
D 27	18.1	3A	560931	FR SERVICE CPT.	LEVEL LOW SYSTEM						
D 27	9.3	3A	561740	RR JCT BOX	AUX LTS-TAIL						
D 28	9.3	3A	561740	RR JCT BOX	AUX LTS-STOP						
D 29											
D 30	4.1	3A	561740	FR JCT BOX	MASTER KEY SW. CUT-OFF						
D 31	4.1	3A	561740	FR JCT BOX	MASTER KEY SW. CUT-OFF						
D 32	9.2	3A	561740	FR JCT BOX	HAZARD MASTER RLY CUT OUT						
D 33											
D 34	15.3	3A	561740	FR JCT BOX	A/C WATER VALVE						
D 35	15.3	3A	561740	FR JCT BOX	A/C WATER VALVE						
D 36	15.2	3A	561740	EVAP. CPT.	BY-PASS VALVE						
D 37											
D 38											
D 39											
D 40	9.1	3A	561740	FR JCT BOX	HI – LO BEAM						
D 41											
D 42											
D 43											
D 44											
D 45											
D 46											
D 47											
D 48											
D 49											
D 50											
D 51											
D 52											
D 53											
D 54											
D 55											
D 56											
D 57											

# RELAYS NUMBER CODE

No.	PAGE	COIL V	#PREV.	LOCATION	FUNCTION	No.	PAGE	COIL V	#PREV.	LOCATION	FUNCTION
R 1	1.1	24V	561991	FR JCT BOX	IGNITION ( 24 ) FR	R 63					
R 2	12.1	12V	562092	UNDER DASH R.H.	UNLOCK ENTRANCE DOOR	R 64					
R 3	12.1	12V	563054	UNDER DASH R.H.	ENTRANCE DOOR OPEN SIGNAL	R 65					
R 4	4.1	24V	560407	RR JCT BOX	STARTING MOTOR	R 66	11.2	24V	562341	UNDER DASH R.H.	DRIVER'S LIGHT TIME DELAY
R 5	5.1	24V	561707	FR JCT BOX	CRUISE CTR BRAKE CUT-OFF	R 67					
R 6						R 68					
R 7	5.1	24V	561707	FR JCT BOX	DDEC FAST IDLE SIGNAL	R 69	12.1	12V	562092	RR JCT BOX	LUGG DOOR LOCK
R 8	11.2	12V	563054	UNDER DASH R.H.	DRIVER'S LIGHT SIGNAL FROM KEYLESS	R 70	12.1	12V	562092	RR JCT BOX	LUGG DOOR UNLOCK
R 9	9.3	24V	561707	RR JCT BOX	BACK-UP LTS	R 71	12.1	24V	561707	FR JCT BOX	LUGG DOOR UNLOCK TT LT
R 10	12.1	12V	562092	UNDER DASH R.H.	LOCK ENTRANCE DOOR	R 72					
R 11						R 73					
R 12	7.2	12V	562092	FR JCT BOX	ELECTRICAL HORNS	R 74	12.1	12V	562092	RR JCT BOX	LUGG DOOR LOCK
R 13	9.3	24V	561707	FR JCT BOX	FOG LTS-12V	R 75	12.1	12V	562092	RR JCT BOX	LUGG DOOR UNLOCK
R 14	9.1	24V	561707	FR JCT BOX	BLINKER	R 76	9.3	24V	561707	RR JCT BOX	STOP LTS-ENGINE BRK & RETARDER SYST.
R 15	15.4	24V	561707	FR JCT BOX	UPPER FAN DEFROST	R 77	9.2	12V	562092	UNDER DASH	AUDIBLE FLASHER RLY
R 16	9.1	24V	561707	FR JCT BOX	FRONT CLEARANCE LIGHT	R 78	8.1	24V	561707	RR JCT BOX	DDEC FAN CONTROL SPEED#1
R 17	9.1	24V	561707	RR JCT BOX	TAIL.LICENCE. RR LTS	R 79	8.1	24V	561707	RR JCT BOX	DDEC FAN CONTROL SPEED#2
R 18	9.1	24V	561707	FR JCT BOX	DAYTIME RUN LTS-CUT-OUT	R 80	9.3	24V	561707	RR JCT BOX	CYCLOP LTS WITH BRAKE
R 19	9.1	24V	561707	FR JCT BOX	HI-BEAM	R 81					
R 20	9.1	24V	561707	FR JCT BOX	LO-BEAM	R 82	21.1	24V	561707	FR JCT BOX	RETARDER SYSTEM
R 21	9.2	24V	561707	FR JCT BOX	LH DIRECTIONNAL LTS	R 83					
R 22						R 84	15.2	24V	561707	RR JCT BOX	HVAC ON-OFF SIGNAL (FULL AIR)
R 23	9.2	24V	561707	FR JCT BOX	RH DIRECTIONNAL LTS	R 85					
R 24	9.2	24V	561707	FR JCT BOX	RH CORNERING	R 86	15.2	24V	561707	RR JCT BOX	HVAC MODE COOL/HEAT
R 25	9.2	24V	561707	FR JCT BOX	LH CORNERING	R 87	21.1	24V	561707	FR JCT BOX	ENGINE BRAKE PRESELECT #1
R 26	9.3	24V	561707	RR JCT BOX	STOP LTS	R 88	4.1	12V or	561538	FR JCT BOX	LATCHING 24V CUT OUT SW. ( DELCO ALT. )
R 27						R 88	4.1	24V	561707	FR JCT BOX	LATCHING 24V CUT OUT SW. ( TWIN BOSCH )
R 28	11.2	24V	561707	FR JCT BOX	DASH LTS RHEOSTAT	R 89	15.3	24V	561707	FR JCT BOX	WATER PUMP RELAY
R 29	15.3	24V	561005	A/C JCT BOX	CONDENSER FAN	R 90					
R 30						R 91					
R 31	15.3	24V	561707	FR JCT BOX	WATER VALVE & BYPASS (FULL AIR)	R 92					
R 32	1.1	24V	561991	POWER JCT BOX	12 V. CUT-OUT REAR	R 93					
R 33						R 94	9.3	24V	561707	RR JCT BOX	AUX READ LAMP-LH
R 34	15.1	24V	561707	RR JCT BOX	A/C RAD. FAN CLUTCH (DRIVER'S AIR)	R 95	9.3	24V	561707	RR JCT BOX	AUX READ LAMP-RH
R 35	15.1	24V	561707	FR JCT BOX	WATER PUMP (DRIVER'S AIR)	R 96					
R 35	15.3	24V	561707	FR JCT BOX	WATER PUMP (FULL AIR)	R 97					
R 36	15.1	24V	561707	RR JCT BOX	A/C COMPR. CLUTCH (DRIVER'S AIR)	R 98					
R 37						R 99	8.1	24V	561707	RR JCT BOX	RADIATOR FAN CLUTCH
R 38						R 104	4.1	12V	561707	UNDER DASH R.H.	KEYLESS SYSTEM
R 39						R 107	21.1	24V	561707	FR JCT BOX	ENGINE BRAKE PRESELECT #2
R 40	15.3	24V	561005	A/C JCT BOX	CONDENSER FAN	R 108	20.1	24V	561707	FR JCT BOX	ENTRANCE DOOR AIR LOCK
R 41	15.3	24V	561005	A/C JCT BOX	CONDENSER FAN	R 113	12.2	12V	563054	UNDER DASH R.H.	KEYLESS SYSTEM
R 42	1.1	24V	561991	POWER JCT BOX	12 V. CUT-OUT FRONT	R 114	12.2	12V	563054	UNDER DASH R.H.	KEYLESS SYSTEM
R 43						R 115	12.2	12V	563054	UNDER DASH R.H.	KEYLESS SYSTEM
R 44	1.1	24V	561991	POWER JCT BOX	12 V. CUT-OUT FRONT	R 116	12.2	12V	563054	UNDER DASH R.H.	KEYLESS SYSTEM
R 45						RF1	8.1	24V	561707	RR JCT BOX	FAN CLUTCH SP#1 OPT. RETARDER
R 46						RF2	8.1	24V	561707	RR JCT BOX	FAN CLUTCH SP#2 OPT. RETARDER
R 47						RF3	8.1	24V	560772	RR JCT BOX	TIME DELAY FAN CLUTCH
R 48						RF4	8.1	24V	561707	RR JCT BOX	FAN CLUTCH SP2- STD A/C NO RET
R 49	22.1	12V	562092	FR JCT BOX	12V ABS - ENGINE BRAKE	VIM1	6.1	12V	562092	FR JCT BOX	VIM WORLD TR.-OUTPUT 1 SPEED INTERLOCK
R 50						VIM2	6.1	12V	562092	FR JCT BOX	VIM WORLD TR.-OUTPUT 2 ENG. BRK DISABLE
R 51	11.2	24V	561707	FR JCT BOX	DRIVER'S LTS KEYLERSS ALARM	VIM3	6.1	12V	562092	FR JCT BOX	VIM WORLD TR.-OUTPUT 3
R 52	22.1	12V	562092	FR JCT BOX	12V ABS - RETARDER	VIM4	6.1	12V	562092	FR JCT BOX	VIM WORLD TR.-OUTPUT 4 RETARD. ON SIGNAL
R 53	1.1	24V	561991	RR JCT BOX	IGNITION 24V RR	VIMN	6.1	12V	562092	FR JCT BOX	VIM WORLD TR.-NEUTRAL SIGNAL
R 54	2.1	24V	561707	RR JCT BOX	IGNITION 12V RR	VIMR	6.1	12V	562092	FR JCT BOX	VIM WORLD TR.-B/U SIGNAL
R 55											
R 56											
R 57											
R 58											
R 59											
R 60											
R 61											
R 62	5.1	24V	561707	FR JCT BOX	DDEC PARK BRAKE S SIGNAL						

# RELAYS NUMBER CODE

No. PAGE COIL V #PREV. LOCATION FUNCTION

No. PAGE COIL V #PREV. LOCATION FUNCTION

# RELAYS NUMBER CODE

No.	PAGE	COIL V	#PREV.	LOCATION	FUNCTION	No.	PAGE	COIL V	#PREV.	LOCATION	FUNCTION
R 1	1.1	24V	561991	FR JCT BOX	IGNITION ( 24 ) FR	R 63	15.3	24V	560772	A/C JCT BOX	TIME DELAY - EVAPORATOR FAN
R 2	12.1	12V	562092	UNDER DASH R.H.	UNLOCK ENTRANCE DOOR	R 64					
R 3	12.1	12V	563054	UNDER DASH R.H.	ENTRANCE DOOR OPEN SIGNAL	R 65					
R 4	4.1	24V	560407	RR JCT BOX	STARTING MOTOR	R 66	11.2	24V	562341	UNDER DASH R.H.	DRIVER'S LIGHT TIME DELAY
R 5	5.1	24V	561707	FR JCT BOX	CRUISE CTR BRAKE CUT-OFF	R 67					
R 6						R 68					
R 7	5.1	24V	561707	FR JCT BOX	DDEC FAST IDLE SIGNAL	R 69	12.1	12V	562092	RR JCT BOX	LUGG DOOR LOCK
R 8	11.2	12V	563054	UNDER DASH R.H.	DRIVER'S LIGHT SIGNAL FROM KEYLESS	R 70	12.1	12V	562092	RR JCT BOX	LUGG DOOR UNLOCK
R 9	9.3	24V	561707	RR JCT BOX	BACK-UP LTS	R 71	12.1	24V	561707	FR JCT BOX	LUGG DOOR UNLOCK TT LT
R 10	12.1	12V	562092	UNDER DASH R.H.	LOCK ENTRANCE DOOR	R 72					
R 11						R 73					
R 12	7.2	12V	562092	FR JCT BOX	ELECTRICAL HORNS	R 74	12.1	12V	562092	RR JCT BOX	LUGG DOOR LOCK
R 13	9.3	24V	561707	FR JCT BOX	FOG LTS-12V	R 75	12.1	12V	562092	RR JCT BOX	LUGG DOOR UNLOCK
R 14	9.1	24V	561707	FR JCT BOX	BLINKER	R 76	9.3	24V	561707	RR JCT BOX	STOP LTS-ENGINE BRK & RETARDER SYST.
R 15	15.4	24V	561707	FR JCT BOX	UPPER FAN DEFROST	R 77	9.2	12V	562092	UNDER DASH	AUDIBLE FLASHER RLY
R 16	9.1	24V	561707	FR JCT BOX	FRONT CLEARANCE LIGHT	R 78	8.1	24V	561707	RR JCT BOX	DDEC FAN CONTROL SPEED#1
R 17	9.1	24V	561707	RR JCT BOX	TAIL.LICENCE. RR LTS	R 79	8.1	24V	561707	RR JCT BOX	DDEC FAN CONTROL SPEED#2
R 18	9.1	24V	561707	FR JCT BOX	DAYTIME RUN LTS-CUT-OUT	R 80	9.3	24V	561707	RR JCT BOX	CYCLOP LTS WITH BRAKE
R 19	9.1	24V	561707	FR JCT BOX	HI-BEAM	R 81					
R 20	9.1	24V	561707	FR JCT BOX	LO-BEAM	R 82	21.1	24V	561707	FR JCT BOX	RETARDER SYSTEM
R 21	9.2	24V	561707	FR JCT BOX	LH DIRECTIONNAL LTS	R 83					
R 22						R 84	15.2	24V	561707	RR JCT BOX	HVAC ON-OFF SIGNAL (FULL AIR)
R 23	9.2	24V	561707	FR JCT BOX	RH DIRECTIONNAL LTS	R 85					
R 24	9.2	24V	561707	FR JCT BOX	RH CORNERING	R 86	15.2	24V	561707	RR JCT BOX	HVAC MODE COOL/HEAT
R 25	9.2	24V	561707	FR JCT BOX	LH CORNERING	R 87	21.1	24V	561707	FR JCT BOX	ENGINE BRAKE PRESELECT #1
R 26	9.3	24V	561707	RR JCT BOX	STOP LTS	R 88	4.1	12V or	561538	FR JCT BOX	LATCHING 24V CUT OUT SW. ( DELCO ALT. )
R 27						R 88	4.1	24V	561707	FR JCT BOX	LATCHING 24V CUT OUT SW. ( TWIN BOSCH )
R 28	11.2	24V	561707	FR JCT BOX	DASH LTS RHEOSTAT	R 89	15.3	24V	561707	FR JCT BOX	WATER PUMP RELAY
R 29	15.3	24V	561005	A/C JCT BOX	CONDENSER FAN	R 90					
R 30	15.3	24V	561005	A/C JCT BOX	EVAPORATOR FAN	R 91					
R 31	15.3	24V	561707	FR JCT BOX	WATER VALVE & BYPASS (FULL AIR)	R 92					
R 32	1.1	24V	561991	POWER JCT BOX	12 V. CUT-OUT REAR	R 93					
R 33						R 94	9.3	24V	561707	RR JCT BOX	AUX READ LAMP-LH
R 34	15.1	24V	561707	RR JCT BOX	A/C RAD. FAN CLUTCH (DRIVER'S AIR)	R 95	9.3	24V	561707	RR JCT BOX	AUX READ LAMP-RH
R 35	15.1	24V	561707	FR JCT BOX	WATER PUMP (DRIVER'S AIR)	R 96					
R 35	15.3	24V	561707	FR JCT BOX	WATER PUMP (FULL AIR)	R 97					
R 36	15.1	24V	561707	RR JCT BOX	A/C COMPR. CLUTCH (DRIVER'S AIR)	R 98					
R 37						R 99	8.1	24V	561707	RR JCT BOX	RADIATOR FAN CLUTCH
R 38						R 104	4.1	12V	561707	UNDER DASH R.H.	KEYLESS SYSTEM
R 39						R 107	21.1	24V	561707	FR JCT BOX	ENGINE BRAKE PRESELECT #2
R 40	15.3	24V	561005	A/C JCT BOX	CONDENSER FAN	R 108	20.1	24V	561707	FR JCT BOX	ENTRANCE DOOR AIR LOCK
R 41	15.3	24V	561005	A/C JCT BOX	CONDENSER FAN	R 113	12.2	12V	563054	UNDER DASH R.H.	KEYLESS SYSTEM
R 42	1.1	24V	561991	POWER JCT BOX	12 V. CUT-OUT FRONT	R 114	12.2	12V	563054	UNDER DASH R.H.	KEYLESS SYSTEM
R 43						R 115	12.2	12V	563054	UNDER DASH R.H.	KEYLESS SYSTEM
R 44	1.1	24V	561991	POWER JCT BOX	12 V. CUT-OUT FRONT	R 116	12.2	12V	563054	UNDER DASH R.H.	KEYLESS SYSTEM
R 45						RF1	8.1	24V	561707	RR JCT BOX	FAN CLUTCH SP#1 OPT. RETARDER
R 46						RF2	8.1	24V	561707	RR JCT BOX	FAN CLUTCH SP#2 OPT. RETARDER
R 47						RF3	8.1	24V	560772	RR JCT BOX	TIME DELAY FAN CLUTCH
R 48						RF4	8.1	24V	561707	RR JCT BOX	FAN CLUTCH SP2- STD A/C NO RET
R 49	22.1	12V	562092	FR JCT BOX	12V ABS - ENGINE BRAKE	VIM1	6.1	12V	562092	FR JCT BOX	VIM WORLD TR.-OUTPUT 1 SPEED INTERLOCK
R 50						VIM2	6.1	12V	562092	FR JCT BOX	VIM WORLD TR.-OUTPUT 2 ENG. BRK DISABLE
R 51	11.2	24V	561707	FR JCT BOX	DRIVER'S LTS KEYLERSS ALARM	VIM3	6.1	12V	562092	FR JCT BOX	VIM WORLD TR.-OUTPUT 3
R 52	22.1	12V	562092	FR JCT BOX	12V ABS - RETARDER	VIM4	6.1	12V	562092	FR JCT BOX	VIM WORLD TR.-OUTPUT 4 RETARD. ON SIGNAL
R 53	1.1	24V	561991	RR JCT BOX	IGNITION 24V RR	VIMN	6.1	12V	562092	FR JCT BOX	VIM WORLD TR.-NEUTRAL SIGNAL
R 54	2.1	24V	561707	RR JCT BOX	IGNITION 12V RR	VIMR	6.1	12V	562092	FR JCT BOX	VIM WORLD TR.-B/U SIGNAL
R 55											
R 56											
R 57											
R 58											
R 59											
R 60											
R 61	15.3	24V	561707	A/C JCT BOX	EVAPORATOR FAN						
R 62	5.1	24V	561707	FR JCT BOX	DDEC PARK BRAKE S SIGNAL						

# RELAYS NUMBER CODE

No. PAGE COIL V #PREV. LOCATION FUNCTION

No. PAGE COIL V #PREV. LOCATION FUNCTION

## RELAYS NUMBER CODE

No.	PAGE	COIL V	#PREV.	LOCATION	FUNCTION	No.	PAGE	COIL V	#PREV.	LOCATION	FUNCTION
R 1	1.1	24V	561991	FR JCT BOX	IGNITION ( 24 ) FR	R 63	15.3	24V	560772	A/C JCT BOX	TIME DELAY - EVAPORATOR FAN
R 2	12.1	12V	562092	UNDER DASH R.H.	UNLOCK ENTRANCE DOOR	R 64					
R 3	12.1	12V	563054	UNDER DASH R.H.	ENTRANCE DOOR OPEN SIGNAL	R 65					
R 4	4.1	24V	560407	RR JCT BOX	STARTING MOTOR	R 66	11.2	24V	562341	UNDER DASH R.H.	DRIVER'S LIGHT TIME DELAY
R 5	5.1	24V	561707	FR JCT BOX	CRUISE CTR BRAKE CUT-OFF	R 67					
R 6						R 68					
R 7	5.1	24V	561707	FR JCT BOX	DDEC FAST IDLE SIGNAL	R 69	12.1	12V	562092	RR JCT BOX	LUGG DOOR LOCK
R 8	11.2	12V	563054	UNDER DASH R.H.	DRIVER'S LIGHT SIGNAL FROM KEYLESS	R 70	12.1	12V	562092	RR JCT BOX	LUGG DOOR UNLOCK
R 9	9.3	24V	561707	RR JCT BOX	BACK-UP LTS	R 71	12.1	24V	561707	FR JCT BOX	LUGG DOOR UNLOCK TT LT
R 10	12.1	12V	562092	UNDER DASH R.H.	LOCK ENTRANCE DOOR	R 72					
R 11	6.1	24V	561707	FR JCT BOX	TRANS. INHIBIT	R 73					
R 12	7.2	12V	562092	FR JCT BOX	ELECTRICAL HORNS	R 74	12.1	12V	562092	RR JCT BOX	LUGG DOOR LOCK
R 13	9.3	24V	561707	FR JCT BOX	FOG LTS-12V	R 75	12.1	12V	562092	RR JCT BOX	LUGG DOOR UNLOCK
R 14	9.1	24V	561707	FR JCT BOX	BLINKER	R 76	9.3	24V	561707	RR JCT BOX	STOP LTS-ENGINE BRK & RETARDER SYST.
R 15	15.4	24V	561707	FR JCT BOX	UPPER FAN DEFROST	R 77	9.2	12V	562092	UNDER DASH	AUDIBLE FLASHER RLY
R 16	9.1	24V	561707	FR JCT BOX	FRONT CLEARANCE LIGHT	R 78	8.1	24V	561707	RR JCT BOX	DDEC FAN CONTROL SPEED#1
R 17	9.1	24V	561707	FR JCT BOX	TAIL.LICENCE. RR LTS	R 79	8.1	24V	561707	RR JCT BOX	DDEC FAN CONTROL SPEED#2
R 18	9.1	24V	561707	FR JCT BOX	DAYTIME RUN LTS-CUT-OUT	R 80	9.3	24V	561707	RR JCT BOX	CYCLOP LTS WITH BRAKE
R 19	9.1	24V	561707	FR JCT BOX	HI-BEAM	R 81					
R 20	9.1	24V	561707	FR JCT BOX	LO-BEAM	R 82	21.1	24V	561707	FR JCT BOX	RETARDER SYSTEM
R 21	9.2	24V	561707	FR JCT BOX	LH DIRECTIONNAL LTS	R 83					
R 22						R 84	15.2	24V	561707	RR JCT BOX	HVAC ON-OFF SIGNAL (FULL AIR)
R 23	9.2	24V	561707	FR JCT BOX	RH DIRECTIONNAL LTS	R 85					
R 24	9.2	24V	561707	FR JCT BOX	RH CORNERING	R 86	15.2	24V	561707	RR JCT BOX	HVAC MODE COOL/HEAT
R 25	9.2	24V	561707	FR JCT BOX	LH CORNERING	R 87	21.1	24V	561707	FR JCT BOX	ENGINE BRAKE PRESELECT #1
R 26	9.3	24V	561707	RR JCT BOX	STOP LTS	R 88	4.1	12V or	561538	FR JCT BOX	LATCHING 24V CUT OUT SW. ( DELCO ALT. )
R 27						R 88	4.1	24V	561707	FR JCT BOX	LATCHING 24V CUT OUT SW. ( TWIN BOSCH )
R 28	11.2	24V	561707	FR JCT BOX	DASH LTS RHEOSTAT	R 89	15.3	24V	561707	FR JCT BOX	WATER PUMP RELAY
R 29	15.3	24V	561005	A/C JCT BOX	CONDENSER FAN	R 90					
R 30	15.3	24V	561005	A/C JCT BOX	EVAPORATOR FAN	R 91					
R 31	15.3	24V	561707	FR JCT BOX	WATER VALVE & BYPASS (FULL AIR)	R 92					
R 32	1.1	24V	561991	POWER JCT BOX	12 V. CUT-OUT REAR	R 93					
R 33						R 94	9.3	24V	561707	RR JCT BOX	AUX READ LAMP-LH
R 34	15.1	24V	561707	RR JCT BOX	A/C RAD. FAN CLUTCH (DRIVER'S AIR)	R 95	9.3	24V	561707	RR JCT BOX	AUX READ LAMP-RH
R 35	15.1	24V	561707	FR JCT BOX	WATER PUMP (DRIVER'S AIR)	R 96					
R 35	15.3	24V	561707	FR JCT BOX	WATER PUMP (FULL AIR)	R 97					
R 36	15.1	24V	561707	RR JCT BOX	A/C COMPR. CLUTCH (DRIVER'S AIR)	R 98					
R 37						R 99	8.1	24V	561707	RR JCT BOX	RADIATOR FAN CLUTCH
R 38						R 104	4.1	12V	561707	UNDER DASH R.H.	KEYLESS SYSTEM
R 39						R 107	21.1	24V	561707	FR JCT BOX	ENGINE BRAKE PRESELECT #2
R 40	15.3	24V	561005	A/C JCT BOX	CONDENSER FAN	R 108	20.1	24V	561707	FR JCT BOX	ENTRANCE DOOR AIR LOCK
R 41	15.3	24V	561005	A/C JCT BOX	CONDENSER FAN	R 113	12.2	12V	563054	UNDER DASH R.H.	KEYLESS SYSTEM
R 42	1.1	24V	561991	POWER JCT BOX	12 V. CUT-OUT FRONT	R 114	12.2	12V	563054	UNDER DASH R.H.	KEYLESS SYSTEM
R 43						R 115	12.2	12V	563054	UNDER DASH R.H.	KEYLESS SYSTEM
R 44	1.1	24V	561991	POWER JCT BOX	12 V. CUT-OUT FRONT	R 116	12.2	12V	563054	UNDER DASH R.H.	KEYLESS SYSTEM
R 45						R F1	8.1	24V	561707	RR JCT BOX	FAN CLUTCH SP#1 OPT. RETARDER
R 46						R F2	8.1	24V	561707	RR JCT BOX	FAN CLUTCH SP#2 OPT. RETARDER
R 47						R F3	8.1	24V	560772	RR JCT BOX	TIME DELAY FAN CLUTCH
R 48						R F4	8.1	24V	561707	RR JCT BOX	FAN CLUTCH SP2- STD A/C NO RET
R 49	22.1	12V	562092	FR JCT BOX	12V ABS - ENGINE BRAKE	V IM1	6.1	12V	562092	FR JCT BOX	VIM WORLD TR.-OUTPUT 1 SPEED INTERLOCK
R 50						V IM2	6.1	12V	562092	FR JCT BOX	VIM WORLD TR.-OUTPUT 2 ENG. BRK DISABLE
R 51	11.2	24V	561707	FR JCT BOX	DRIVER'S LTS KEYLERSS ALARM	V IM3	6.1	12V	562092	FR JCT BOX	VIM WORLD TR.-OUTPUT 3
R 52	22.1	12V	562092	FR JCT BOX	12V ABS - RETARDER	V IM4	6.1	12V	562092	FR JCT BOX	VIM WORLD TR.-OUTPUT 4 RETARD. ON SIGNAL
R 53	1.1	24V	561991	RR JCT BOX	IGNITION 24V RR	V IMN	6.1	12V	562092	FR JCT BOX	VIM WORLD TR.-NEUTRAL SIGNAL
R 54	2.1	24V	561707	RR JCT BOX	IGNITION 12V RR	V IMR	6.1	12V	562092	FR JCT BOX	VIM WORLD TR.-B/U SIGNAL
R 55											
R 56											
R 57											
R 58											
R 59											
R 60											
R 61	15.3	24V	561707	A/C JCT BOX	EVAPORATOR FAN						
R 62	5.1	24V	561707	FR JCT BOX	DDEC PARK BRAKE S SIGNAL						

# RELAYS NUMBER CODE

No. PAGE COIL V #PREV. LOCATION FUNCTION

No. PAGE COIL V #PREV. LOCATION FUNCTION



# RELAYS NUMBER CODE

No.	PAGE	COIL V	#PREV.	LOCATION	FUNCTION	No.	PAGE	COIL V	#PREV.	LOCATION	FUNCTION
R 1	1.1	24V	561991	FR JCT BOX	IGNITION ( 24 ) FR	R 63	15.3	24V	560772	A/C JCT BOX	TIME DELAY - EVAPORATOR FAN
R 2	12.1	12V	562092	UNDER DASH R.H.	UNLOCK ENTRANCE DOOR	R 64					
R 3	12.1	12V	563054	UNDER DASH R.H.	ENTRANCE DOOR OPEN SIGNAL	R 65					
R 4	4.1	24V	560407	RR JCT BOX	STARTING MOTOR	R 66	11.2	24V	562341	UNDER DASH R.H.	DRIVER'S LIGHT TIME DELAY
R 5	5.1	24V	561707	FR JCT BOX	CRUISE CTR BRAKE CUT-OFF	R 67					
R 6						R 68					
R 7	5.1	24V	561707	FR JCT BOX	DDEC FAST IDLE SIGNAL	R 69	12.1	12V	562092	RR JCT BOX	LUGG DOOR LOCK
R 8	11.2	12V	563054	UNDER DASH R.H.	DRIVER'S LIGHT SIGNAL FROM KEYLESS	R 70	12.1	12V	562092	RR JCT BOX	LUGG DOOR UNLOCK
R 9	9.3	24V	561707	RR JCT BOX	BACK-UP LTS	R 71	12.1	24V	561707	FR JCT BOX	LUGG DOOR UNLOCK TT LT
R 10	12.1	12V	562092	UNDER DASH R.H.	LOCK ENTRANCE DOOR	R 72					
R 11	6.1	24V	561707	FR JCT BOX	TRANS. INHIBIT	R 73					
R 12	7.2	12V	562092	FR JCT BOX	ELECTRICAL HORNS	R 74	12.1	12V	562092	RR JCT BOX	LUGG DOOR LOCK
R 13	9.3	24V	561707	FR JCT BOX	FOG LTS-12V	R 75	12.1	12V	562092	RR JCT BOX	LUGG DOOR UNLOCK
R 14	9.1	24V	561707	FR JCT BOX	BLINKER	R 76	9.3	24V	561707	RR JCT BOX	STOP LTS-ENGINE BRK & RETARDER SYST.
R 15	15.4	24V	561991	FR JCT BOX	UPPER FAN DEFROST	R 77	9.2	12V	562092	UNDER DASH	AUDIBLE FLASHER RLY
R 16	9.1	24V	561707	FR JCT BOX	FRONT CLEARANCE LIGHT	R 78	8.1	24V	561707	RR JCT BOX	DDEC FAN CONTROL SPEED#1
R 17	9.1	24V	561707	RR JCT BOX	TAIL.LICENCE. RR LTS	R 79	8.1	24V	561707	RR JCT BOX	DDEC FAN CONTROL SPEED#2
R 18	9.1	24V	561707	FR JCT BOX	DAYTIME RUN LTS-CUT-OUT	R 80	9.3	24V	561707	RR JCT BOX	CYCLOP LTS WITH BRAKE
R 19	9.1	24V	561707	FR JCT BOX	HI-BEAM	R 81					
R 20	9.1	24V	561707	FR JCT BOX	LO-BEAM	R 82	21.1	24V	561707	FR JCT BOX	RETARDER SYSTEM
R 21	9.2	24V	561707	FR JCT BOX	LH DIRECTIONNAL LTS	R 83					
R 22						R 84	15.2	24V	561707	RR JCT BOX	HVAC ON-OFF SIGNAL (FULL AIR)
R 23	9.2	24V	561707	FR JCT BOX	RH DIRECTIONNAL LTS	R 85					
R 24	9.2	24V	561707	FR JCT BOX	RH CORNERING	R 86	15.2	24V	561707	RR JCT BOX	HVAC MODE COOL/HEAT
R 25	9.2	24V	561707	FR JCT BOX	LH CORNERING	R 87	21.1	24V	561707	FR JCT BOX	ENGINE BRAKE PRESELECT #1
R 26	9.3	24V	561707	RR JCT BOX	STOP LTS	R 88	4.1	12V or	561538	FR JCT BOX	LATCHING 24V CUT OUT SW. ( DELCO ALT. )
R 27						R 88	4.1	24V	561707	FR JCT BOX	LATCHING 24V CUT OUT SW. ( TWIN BOSCH )
R 28	11.2	24V	561707	FR JCT BOX	DASH LTS RHEOSTAT	R 89	15.3	24V	561707	FR JCT BOX	WATER PUMP RELAY
R 29	15.3	24V	561005	A/C JCT BOX	CONDENSER FAN	R 90					
R 30	15.3	24V	561005	A/C JCT BOX	EVAPORATOR FAN	R 91					
R 31	15.3	24V	561707	FR JCT BOX	WATER VALVE & BYPASS (FULL AIR)	R 92					
R 32	1.1	24V	561991	POWER JCT BOX	12 V. CUT-OUT REAR	R 93					
R 33						R 94	9.3	24V	561707	RR JCT BOX	AUX READ LAMP-LH
R 34	15.1	24V	561707	RR JCT BOX	A/C RAD. FAN CLUTCH (DRIVER'S AIR)	R 95	9.3	24V	561707	RR JCT BOX	AUX READ LAMP-RH
R 35	15.1	24V	561707	FR JCT BOX	WATER PUMP (DRIVER'S AIR)	R 96					
R 35	15.3	24V	561707	FR JCT BOX	WATER PUMP (FULL AIR)	R 97					
R 36	15.1	24V	561707	RR JCT BOX	A/C COMPR. CLUTCH (DRIVER'S AIR)	R 98					
R 37						R 99	8.1	24V	561707	RR JCT BOX	RADIATOR FAN CLUTCH
R 38						R 104	4.1	12V	561707	UNDER DASH R.H.	KEYLESS SYSTEM
R 39						R 107	21.1	24V	561707	FR JCT BOX	ENGINE BRAKE PRESELECT #2
R 40	15.3	24V	561005	A/C JCT BOX	CONDENSER FAN	R 108	20.1	24V	561707	FR JCT BOX	ENTRANCE DOOR AIR LOCK
R 41	15.3	24V	561005	A/C JCT BOX	CONDENSER FAN	R 113	12.2	12V	563054	UNDER DASH R.H.	KEYLESS SYSTEM
R 42	1.1	24V	561991	POWER JCT BOX	12 V. CUT-OUT FRONT	R 114	12.2	12V	563054	UNDER DASH R.H.	KEYLESS SYSTEM
R 43						R 115	12.2	12V	563054	UNDER DASH R.H.	KEYLESS SYSTEM
R 44	1.1	24V	561991	POWER JCT BOX	12 V. CUT-OUT FRONT	R 116	12.2	12V	563054	UNDER DASH R.H.	KEYLESS SYSTEM
R 45						RF1	8.1	24V	561707	RR JCT BOX	FAN CLUTCH SP#1 OPT. RETARDER
R 46						RF2	8.1	24V	561707	RR JCT BOX	FAN CLUTCH SP#2 OPT. RETARDER
R 47						RF3	8.1	24V	560772	RR JCT BOX	TIME DELAY FAN CLUTCH
R 48						RF4	8.1	24V	561707	RR JCT BOX	FAN CLUTCH SP2- STD A/C NO RET
R 49	22.1	12V	562092	FR JCT BOX	12V ABS - ENGINE BRAKE	VIM1	6.1	12V	562092	FR JCT BOX	VIM WORLD TR.-OUTPUT 1 SPEED INTERLOCK
R 50						VIM2	6.1	12V	562092	FR JCT BOX	VIM WORLD TR.-OUTPUT 2 ENG. BRK DISABLE
R 51	11.2	24V	561707	FR JCT BOX	DRIVER'S LTS KEYLERSS ALARM	VIM3	6.1	12V	562092	FR JCT BOX	VIM WORLD TR.-OUTPUT 3
R 52	22.1	12V	562092	FR JCT BOX	12V ABS - RETARDER	VIM4	6.1	12V	562092	FR JCT BOX	VIM WORLD TR.-OUTPUT 4 RETARD. ON SIGNAL
R 53	1.1	24V	561991	RR JCT BOX	IGNITION 24V RR	VIMN	6.1	12V	562092	FR JCT BOX	VIM WORLD TR.-NEUTRAL SIGNAL
R 54	2.1	24V	561707	RR JCT BOX	IGNITION 12V RR	VIMR	6.1	12V	562092	FR JCT BOX	VIM WORLD TR.-B/U SIGNAL
R 55											
R 56											
R 57											
R 58											
R 59											
R 60											
R 61	15.3	24V	561707	A/C JCT BOX	EVAPORATOR FAN						
R 62	5.1	24V	561707	FR JCT BOX	DDEC PARK BRAKE S SIGNAL						

# RELAYS NUMBER CODE

No. PAGE COIL V #PREV. LOCATION FUNCTION

No. PAGE COIL V #PREV. LOCATION FUNCTION

## RELAYS NUMBER CODE

No.	PAGE	COIL V	#PREV.	LOCATION	FUNCTION	No.	PAGE	COIL V	#PREV.	LOCATION	FUNCTION
R 1	1.1	24V	561991	FR JCT BOX	IGNITION ( 24 ) FR	R 63	15.3	24V	560772	A/C JCT BOX	TIME DELAY - EVAPORATOR FAN
R 2	12.1	12V	563337	UNDER DASH R.H.	UNLOCK ENTRANCE DOOR	R 64					
R 3	12.1	12V	563054	UNDER DASH R.H.	ENTRANCE DOOR OPEN SIGNAL	R 65					
R 4	4.1	24V	560407	RR JCT BOX	STARTING MOTOR	R 66	11.2	24V	562341	UNDER DASH R.H.	DRIVER'S LIGHT TIME DELAY
R 5	5.1	24V	563332	FR JCT BOX	CRUISE CTR BRAKE CUT-OFF	R 67					
R 6						R 68					
R 7	5.1	24V	563332	FR JCT BOX	DDEC FAST IDLE SIGNAL	R 69	12.1	12V	563337	RR JCT BOX	LUGG DOOR LOCK
R 8	11.2	12V	563054	UNDER DASH R.H.	DRIVER'S LIGHT SIGNAL FROM KEYLESS	R 70	12.1	12V	563337	RR JCT BOX	LUGG DOOR UNLOCK
R 9	9.3	24V	563332	RR JCT BOX	BACK-UP LTS	R 71	12.1	24V	563332	FR JCT BOX	LUGG DOOR UNLOCK TT LT
R 10	12.1	12V	563337	UNDER DASH R.H.	LOCK ENTRANCE DOOR	R 72					
R 11	6.1	24V	563332	FR JCT BOX	TRANS. INHIBIT	R 73					
R 12	7.2	12V	563337	FR JCT BOX	ELECTRICAL HORNS	R 74	12.1	12V	563337	RR JCT BOX	LUGG DOOR LOCK
R 13	9.3	24V	563332	FR JCT BOX	FOG LTS-12V	R 75	12.1	12V	563337	RR JCT BOX	LUGG DOOR UNLOCK
R 14	9.1	24V	563332	FR JCT BOX	BLINKER	R 76	9.3	24V	563332	RR JCT BOX	STOP LTS-ENGINE BRK & RETARDER SYST.
R 15	15.4	24V	561991	FR JCT BOX	UPPER FAN DEFROST	R 77	9.2	12V	563337	UNDER DASH	AUDIBLE FLASHER RLY
R 16	9.1	24V	563332	FR JCT BOX	FRONT CLEARANCE LIGHT	R 78	8.1	24V	563332	RR JCT BOX	DDEC FAN CONTROL SPEED#1
R 17	9.1	24V	563332	RR JCT BOX	TAIL.LICENCE. RR LTS	R 79	8.1	24V	563332	RR JCT BOX	DDEC FAN CONTROL SPEED#2
R 18	9.1	24V	563332	FR JCT BOX	DAYTIME RUN LTS-CUT-OUT	R 80	9.3	24V	563332	RR JCT BOX	CYCLOP LTS WITH BRAKE
R 19	9.1	24V	563332	FR JCT BOX	HI-BEAM	R 81					
R 20	9.1	24V	563332	FR JCT BOX	LO-BEAM	R 82	21.1	24V	563332	FR JCT BOX	RETARDER SYSTEM
R 21	9.2	24V	563332	FR JCT BOX	LH DIRECTIONNAL LTS	R 83					
R 22						R 84	15.2	24V	563332	RR JCT BOX	HVAC ON-OFF SIGNAL (FULL AIR)
R 23	9.2	24V	563332	FR JCT BOX	RH DIRECTIONNAL LTS	R 85					
R 24	9.2	24V	563332	FR JCT BOX	RH CORNERING	R 86	15.2	24V	563332	RR JCT BOX	HVAC MODE COOL/HEAT
R 25	9.2	24V	563332	FR JCT BOX	LH CORNERING	R 87	21.1	24V	563332	FR JCT BOX	ENGINE BRAKE PRESELECT #1
R 26	9.3	24V	563332	RR JCT BOX	STOP LTS	R 88	4.1	12V or	561538	FR JCT BOX	LATCHING 24V CUT OUT SW. ( DELCO ALT. )
R 27						R 88	4.1	24V	563332	FR JCT BOX	LATCHING 24V CUT OUT SW. ( TWIN BOSCH )
R 28	11.2	24V	563332	FR JCT BOX	DASH LTS RHEOSTAT	R 89	15.3	24V	563332	FR JCT BOX	WATER PUMP RELAY
R 29	15.3	24V	561005	A/C JCT BOX	CONDENSER FAN	R 90					
R 30	15.3	24V	561005	A/C JCT BOX	EVAPORATOR FAN	R 91					
R 31	15.3	24V	563332	FR JCT BOX	WATER VALVE & BYPASS (FULL AIR)	R 92					
R 32	1.1	24V	561991	POWER JCT BOX	12 V. CUT-OUT REAR	R 93					
R 33						R 94	9.3	24V	563332	RR JCT BOX	AUX READ LAMP-LH
R 34	15.1	24V	563332	RR JCT BOX	A/C RAD. FAN CLUTCH (DRIVER'S AIR)	R 95	9.3	24V	563332	RR JCT BOX	AUX READ LAMP-RH
R 35	15.1	24V	563332	FR JCT BOX	WATER PUMP (DRIVER'S AIR)	R 96					
R 35	15.3	24V	563332	FR JCT BOX	WATER PUMP (FULL AIR)	R 97					
R 36	15.1	24V	563332	RR JCT BOX	A/C COMPR. CLUTCH (DRIVER'S AIR)	R 98					
R 37						R 99	8.1	24V	563332	RR JCT BOX	RADIATOR FAN CLUTCH
R 38						R 104	4.1	12V	563054	UNDER DASH R.H.	KEYLESS SYSTEM
R 39						R 108	20.1	24V	563332	FR JCT BOX	ENTRANCE DOOR AIR LOCK
R 40	15.3	24V	561005	A/C JCT BOX	CONDENSER FAN	R 113	12.2	12V	563054	UNDER DASH R.H.	KEYLESS SYSTEM
R 41	15.3	24V	561005	A/C JCT BOX	CONDENSER FAN	R 114	12.2	12V	563054	UNDER DASH R.H.	KEYLESS SYSTEM
R 42	1.1	24V	561991	POWER JCT BOX	12 V. CUT-OUT FRONT	R 115	12.2	12V	563054	UNDER DASH R.H.	KEYLESS SYSTEM
R 43						R 116	12.2	12V	563054	UNDER DASH R.H.	KEYLESS SYSTEM
R 44	1.1	24V	561991	POWER JCT BOX	12 V. CUT-OUT FRONT	R F1	8.1	24V	563332	RR JCT BOX	FAN CLUTCH SP#1 OPT. RETARDER
R 45						R F2	8.1	24V	563332	RR JCT BOX	FAN CLUTCH SP#2 OPT. RETARDER
R 46						R F3	8.1	24V	560772	RR JCT BOX	TIME DELAY FAN CLUTCH
R 47						R RJ	21.1SP	24V	563332	FR JCT BOX	ENGINE BRAKE SYSTEM JAKE & RETARDER OPT.
R 48						V IM1	6.1	12V	563337	FR JCT BOX	VIM WORLD TR.-OUTPUT 1 SPEED INTERLOCK
R 49	22.1	12V	563337	FR JCT BOX	12V ABS - ENGINE BRAKE	V IM2	6.1	12V	563337	FR JCT BOX	VIM WORLD TR.-OUTPUT 2 ENG. BRK DISABLE
R 50						V IM3	6.1	12V	563337	FR JCT BOX	VIM WORLD TR.-OUTPUT 3
R 51	11.2	24V	563332	FR JCT BOX	DRIVER'S LTS KEYLERSS ALARM	V IM4	6.1	12V	563337	FR JCT BOX	VIM WORLD TR.-OUTPUT 4 RETARD. ON SIGNAL
R 52	22.1	12V	563337	FR JCT BOX	12V ABS - RETARDER	V IMN	6.1	12V	563337	FR JCT BOX	VIM WORLD TR.-NEUTRAL SIGNAL
R 53	1.1	24V	561991	RR JCT BOX	IGNITION 24V RR	V IMR	6.1	12V	563337	FR JCT BOX	VIM WORLD TR.-B/U SIGNAL
R 54	2.1	24V	563332	RR JCT BOX	IGNITION 12V RR						
R 55											
R 56											
R 57											
R 58											
R 59											
R 60											
R 61	15.3	24V	563332	A/C JCT BOX	EVAPORATOR FAN						
R 62	5.1	24V	563332	FR JCT BOX	DDEC PARK BRAKE S SIGNAL						

# RELAYS NUMBER CODE

No. PAGE COIL V #PREV. LOCATION FUNCTION

No. PAGE COIL V #PREV. LOCATION FUNCTION

## RELAYS NUMBER CODE

No.	PAGE	COIL V	#PREV.	LOCATION	FUNCTION	No.	PAGE	COIL V	#PREV.	LOCATION	FUNCTION
R 1	1.1	24V	561991	FR JCT BOX	IGNITION ( 24 ) FR	R 63	15.3	24V	560772	A/C JCT BOX	TIME DELAY - EVAPORATOR FAN
R 2	12.1	12V	563337	UNDER DASH R.H.	UNLOCK ENTRANCE DOOR	R 64					
R 3	12.1	12V	563054	UNDER DASH R.H.	ENTRANCE DOOR OPEN SIGNAL	R 65					
R 4	4.1	24V	560407	RR JCT BOX	STARTING MOTOR	R 66	11.2	24V	562341	UNDER DASH R.H.	DRIVER'S LIGHT TIME DELAY
R 5	5.1	24V	563332	FR JCT BOX	CRUISE CTR BRAKE CUT-OFF	R 67					
R 6	15.3	24V	563332	FR JCT BOX	REC PASS DAMPER	R 68					
R 7	5.1	24V	563332	FR JCT BOX	DDEC FAST IDLE SIGNAL	R 69	12.1	12V	563337	RR JCT BOX	LUGG DOOR LOCK
R 8	11.2	12V	563054	UNDER DASH R.H.	DRIVER'S LIGHT SIGNAL FROM KEYLESS	R 70	12.1	12V	563337	RR JCT BOX	LUGG DOOR UNLOCK
R 9	9.3	24V	563332	RR JCT BOX	BACK-UP LTS	R 71	12.1	24V	563332	FR JCT BOX	LUGG DOOR UNLOCK TT LT
R 10	12.1	12V	563337	UNDER DASH R.H.	LOCK ENTRANCE DOOR	R 72					
R 11	6.1	24V	563332	FR JCT BOX	TRANS. INHIBIT	R 73					
R 12	7.2	12V	563337	FR JCT BOX	ELECTRICAL HORNS	R 74	12.1	12V	563337	RR JCT BOX	LUGG DOOR LOCK
R 13	9.3	24V	563332	FR JCT BOX	FOG LTS-12V	R 75	12.1	12V	563337	RR JCT BOX	LUGG DOOR UNLOCK
R 14	9.1	24V	563332	FR JCT BOX	BLINKER	R 76	9.3	24V	563332	RR JCT BOX	STOP LTS-ENGINE BRK & RETARDER SYST.
R 15	15.4	24V	561991	FR JCT BOX	UPPER FAN DEFROST	R 77	9.2	12V	563337	UNDER DASH	AUDIBLE FLASHER RLY
R 16	9.1	24V	563332	FR JCT BOX	FRONT CLEARANCE LIGHT	R 78	8.1	24V	563332	RR JCT BOX	DDEC FAN CONTROL SPEED#1
R 17	9.1	24V	563332	RR JCT BOX	TAIL.LICENCE. RR LTS	R 79	8.1	24V	563332	RR JCT BOX	DDEC FAN CONTROL SPEED#2
R 18	9.1	24V	563332	FR JCT BOX	DAYTIME RUN LTS-CUT-OUT	R 80	9.3	24V	563332	RR JCT BOX	CYCLOP LTS WITH BRAKE
R 19	9.1	24V	563332	FR JCT BOX	HI-BEAM	R 81					
R 20	9.1	24V	563332	FR JCT BOX	LO-BEAM	R 82	21.1	24V	563332	FR JCT BOX	RETARDER SYSTEM
R 21	9.2	24V	563332	FR JCT BOX	LH DIRECTIONNAL LTS	R 83					
R 22						R 84	15.2	24V	563332	RR JCT BOX	HVAC ON-OFF SIGNAL (FULL AIR)
R 23	9.2	24V	563332	FR JCT BOX	RH DIRECTIONNAL LTS	R 85					
R 24	9.2	24V	563332	FR JCT BOX	RH CORNERING	R 86	15.2	24V	563332	RR JCT BOX	HVAC MODE COOL/HEAT
R 25	9.2	24V	563332	FR JCT BOX	LH CORNERING	R 87	21.1	24V	563332	FR JCT BOX	ENGINE BRAKE PRESELECT #1
R 26	9.3	24V	563332	RR JCT BOX	STOP LTS	R 88	4.1	12V or	561538	FR JCT BOX	LATCHING 24V CUT OUT SW. ( DELCO ALT. )
R 27						R 88	4.1	24V	563332	FR JCT BOX	LATCHING 24V CUT OUT SW. ( TWIN BOSCH )
R 28	11.2	24V	563332	FR JCT BOX	DASH LTS RHEOSTAT	R 89	15.3	24V	563332	FR JCT BOX	WATER PUMP RELAY
R 29	15.3	24V	561005	A/C JCT BOX	CONDENSER FAN	R 90					
R 30	15.3	24V	561005	A/C JCT BOX	EVAPORATOR FAN	R 91					
R 31	15.3	24V	563332	FR JCT BOX	WATER VALVE & BYPASS (FULL AIR)	R 92					
R 32	1.1	24V	561991	POWER JCT BOX	12 V. CUT-OUT REAR	R 93					
R 33						R 94	9.3	24V	563332	RR JCT BOX	AUX READ LAMP-LH
R 34	15.1	24V	563332	RR JCT BOX	A/C RAD. FAN CLUTCH (DRIVER'S AIR)	R 95	9.3	24V	563332	RR JCT BOX	AUX READ LAMP-RH
R 35	15.1	24V	563332	FR JCT BOX	WATER PUMP (DRIVER'S AIR)	R 96					
R 35	15.3	24V	563332	FR JCT BOX	WATER PUMP (FULL AIR)	R 97					
R 36	15.1	24V	563332	RR JCT BOX	A/C COMPR. CLUTCH (DRIVER'S AIR)	R 98					
R 37						R 99	8.1	24V	563332	RR JCT BOX	RADIATOR FAN CLUTCH
R 38						R 104	4.1	12V	563054	UNDER DASH R.H.	KEYLESS SYSTEM
R 39						R 108	20.1	24V	563332	FR JCT BOX	ENTRANCE DOOR AIR LOCK
R 40	15.3	24V	561005	A/C JCT BOX	CONDENSER FAN	R 113	12.2	12V	563054	UNDER DASH R.H.	KEYLESS SYSTEM
R 41	15.3	24V	561005	A/C JCT BOX	CONDENSER FAN	R 114	12.2	12V	563054	UNDER DASH R.H.	KEYLESS SYSTEM
R 42	1.1	24V	561991	POWER JCT BOX	12 V. CUT-OUT FRONT	R 115	12.2	12V	563054	UNDER DASH R.H.	KEYLESS SYSTEM
R 43						R 116	12.2	12V	563054	UNDER DASH R.H.	KEYLESS SYSTEM
R 44	1.1	24V	561991	POWER JCT BOX	12 V. CUT-OUT FRONT	R 200	10.1	24V	565862	FR JCT BOX	HEAD LAMP WASHER TIMER/RELAY
R 45						R F1	8.1	24V	563332	RR JCT BOX	FAN CLUTCH SP#1 OPT. RETARDER
R 46						R F2	8.1	24V	563332	RR JCT BOX	FAN CLUTCH SP#2 OPT. RETARDER
R 47						R F3	8.1	24V	560772	RR JCT BOX	TIME DELAY FAN CLUTCH
R 48						R RJ	21.1SP	24V	563332	FR JCT BOX	ENGINE BRAKE SYSTEM JAKE & RETARDER OPT.
R 49	22.1	12V	563337	FR JCT BOX	12V ABS - ENGINE BRAKE	V IM1	6.1	12V	563337	FR JCT BOX	VIM WORLD TR.-OUTPUT 1 SPEED INTERLOCK
R 50						V IM2	6.1	12V	563337	FR JCT BOX	VIM WORLD TR.-OUTPUT 2 ENG. BRK DISABLE
R 51	11.2	24V	563332	FR JCT BOX	DRIVER'S LTS KEYLERSS ALARM	V IM3	6.1	12V	563337	FR JCT BOX	VIM WORLD TR.-OUTPUT 3
R 52	22.1	12V	563337	FR JCT BOX	12V ABS - RETARDER	V IM4	6.1	12V	563337	FR JCT BOX	VIM WORLD TR.-OUTPUT 4 RETARD. ON SIGNAL
R 53	1.1	24V	561991	RR JCT BOX	IGNITION 24V RR	V IMN	6.1	12V	563337	FR JCT BOX	VIM WORLD TR.-NEUTRAL SIGNAL
R 54	2.1	24V	563332	RR JCT BOX	IGNITION 12V RR	V IMR	6.1	12V	563337	FR JCT BOX	VIM WORLD TR.-B/U SIGNAL
R 55											
R 56											
R 57											
R 58											
R 59											
R 60											
R 61	15.3	24V	563332	A/C JCT BOX	EVAPORATOR FAN						
R 62	5.1	24V	563332	FR JCT BOX	DDEC PARK BRAKE S SIGNAL						

# RELAYS NUMBER CODE

No. PAGE COIL V #PREV. LOCATION FUNCTION

No. PAGE COIL V #PREV. LOCATION FUNCTION

## RESISTORS NUMBER CODE

No.	PAGE	OHM(S)	#PREV.	LOCATION	FUNCTION
RS1	5.1	11K	562307	FR JCT BOX	DDEC III-FAST IDLE
RS2	5.1	3.6K	562306	FR JCT BOX	DDEC III-FAST IDLE
RS3	9.3	1 ( 2 )	561537	FR JCT BOX	FOG LT - RH
RS4	9.3	1 ( 2 )	561537	FR JCT BOX	FOG LT - LH
RS5	22.1	620	563205	FR. SERV. COMPT.	ABS
RS6	22.1	620	563205	FR. SERV. COMPT.	TRAILER ABS
RS7					
RS8					
RS9					
RS10					
RS11					
RS12					
RS13					
RS14					
RS15					
RS16					
RS17	7.2	220	562498	UNDER DASH	FIRE ALARM
RS18	8.1	75K	064208	RR JCT BOX	FAN CLUTCH WITH A/C STD & OR RETARDER
RS19	9.3	24	562903	RR JCT BOX	CYCLOPS LTS - TAIL
RS40	15.4	1.5K	562908	UNDER DASH	UPPER FAN DEFROST LED SWITCH

## RESISTORS NUMBER CODE

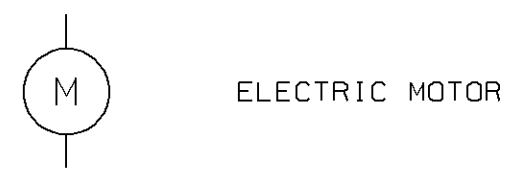
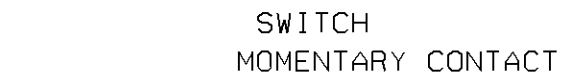
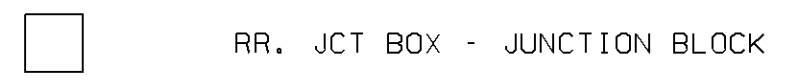
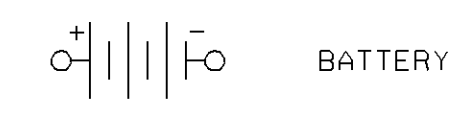
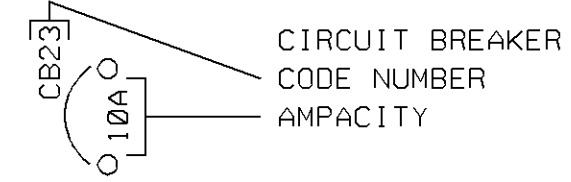
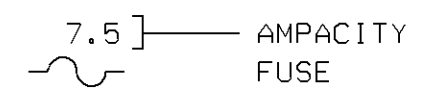
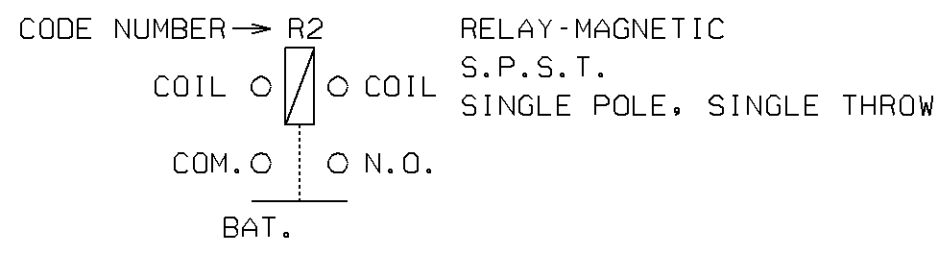
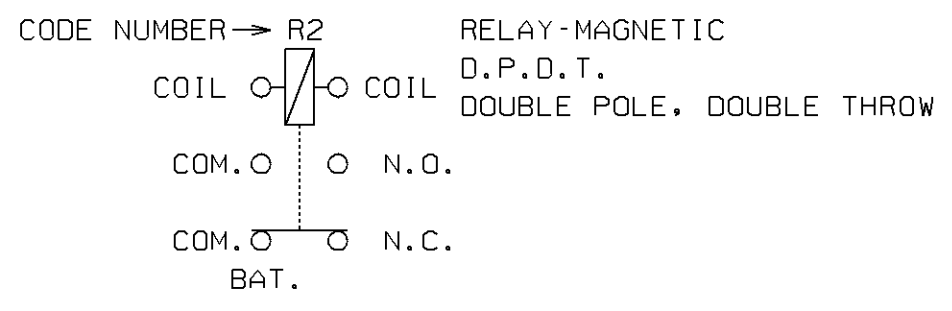
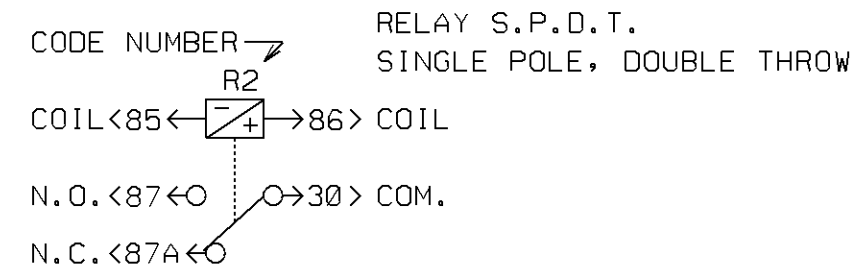
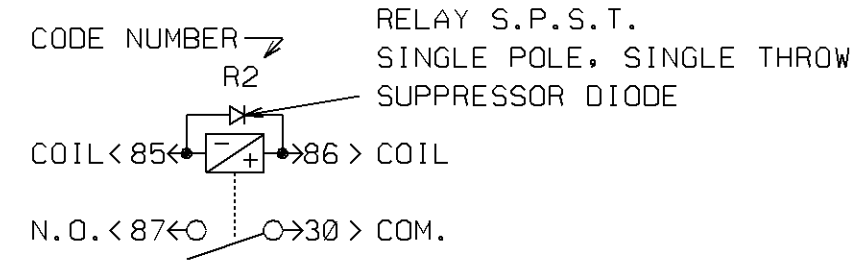
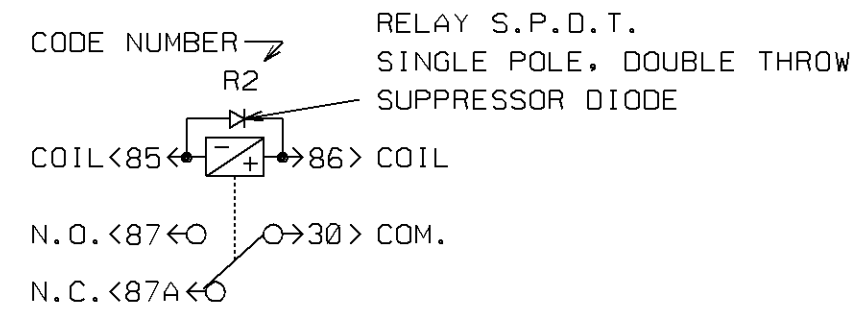
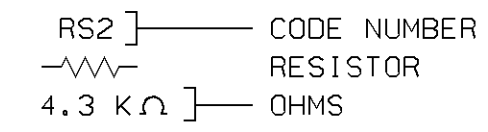
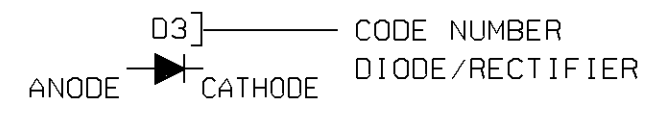
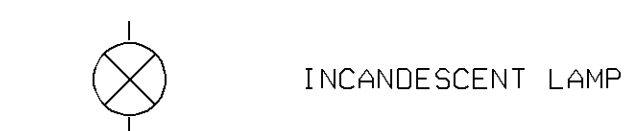
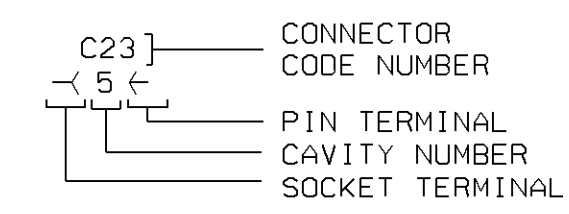
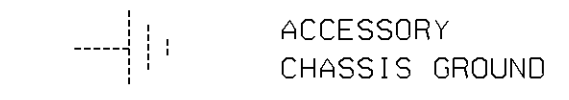
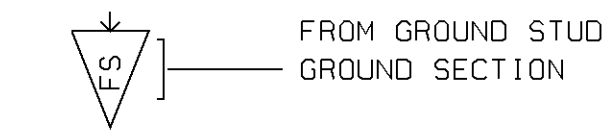
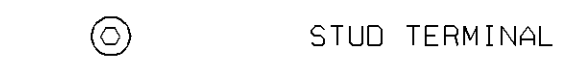
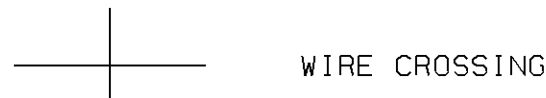
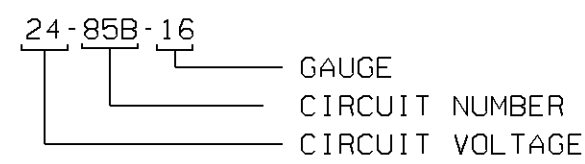
No.	PAGE	OHM(S)	#PREV.	LOCATION	FUNCTION
RS1	5.1	11K	562307	FR JCT BOX	DDEC III-FAST IDLE
RS2	5.1	3.6K	562306	FR JCT BOX	DDEC III-FAST IDLE
RS3	9.3	1 ( 2 )	561537	FR JCT BOX	FOG LT - RH
RS4	9.3	1 ( 2 )	561537	FR JCT BOX	FOG LT - LH
RS5	22.1	620	563205	FR. SERV. COMPT.	ABS
RS6	22.1	620	563205	FR. SERV. COMPT.	TRAILER ABS
RS7					
RS8					
RS9					
RS10					
RS11					
RS12					
RS13					
RS14					
RS15					
RS16					
RS17	7.2	220	562498	UNDER DASH	FIRE ALARM
RS18	8.1	75K	064208	RR JCT BOX	FAN CLUTCH WITH A/C STD & OR RETARDER
RS19	9.3	24	562903	RR JCT BOX	CYCLOPS LTS - TAIL
RS20					
RS21					
RS22					
RS23					
RS24	9.1	1.5K	562908	UNDER DASH	HEAD & MARKER LTS – LED SWITCH
RS25	9.3	1.5K	562908	UNDER DASH	FOG LTS – LED SWITCH
RS26					
RS27					
RS28	15.4	1.5K	562908	UNDER DASH	EVAP. FAN CONTROL - LED SWITCH
RS40	15.4	1.5K	562908	UNDER DASH	UPPER FAN DEFROST - LED SWITCH
RS63	15.3	30K	065613	A/C JCT BOX	EVAP. FAN - TIME DELAY RLY



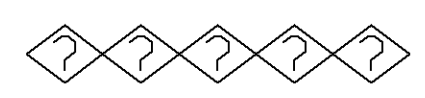
## RESISTORS NUMBER CODE

No.	PAGE	OHM(S)	#PREV.	LOCATION	FUNCTION
RS1	5.1	11K	562307	FR JCT BOX	DDEC III-FAST IDLE
RS2	5.1	3.6K	562306	FR JCT BOX	DDEC III-FAST IDLE
RS3	9.3	1 ( 2 )	561537	FR JCT BOX	FOG LT - RH
RS4	9.3	1 ( 2 )	561537	FR JCT BOX	FOG LT - LH
RS5	22.1	620	563205	FR. SERV. COMPT.	ABS
RS6	22.1	620	563205	FR. SERV. COMPT.	TRAILER ABS
RS7					
RS8					
RS9					
RS10					
RS11					
RS12					
RS13					
RS14					
RS15					
RS16					
RS17	7.2	220	562498	UNDER DASH	FIRE ALARM
RS18	8.1	75K	064208	RR JCT BOX	FAN CLUTCH WITH A/C STD & OR RETARDER
RS19	9.3	24	562903	RR JCT BOX	CYCLOPS LTS - TAIL
RS20					
RS21					
RS22					
RS23					
RS24	9.1	1.5K	562908	UNDER DASH	HEAD & MARKER LTS – LED SWITCH
RS25	9.3	1.5K	562908	UNDER DASH	FOG LTS – LED SWITCH
RS26					
RS27					
RS28	15.4	1.5K	562908	UNDER DASH	EVAP. FAN CONTROL - LED SWITCH
RS40	15.4	1.5K	562908	UNDER DASH	UPPER FAN DEFROST - LED SWITCH
RS42	9.5	0.2	066001	FR JCT BOX	RH LOW BEAM (HALOGEN ONLY)
RS43	9.5	0.2	066001	FR JCT BOX	LH LOW BEAM (HALOGEN ONLY)
RS63	15.3	30K	065613	A/C JCT BOX	EVAP. FAN - TIME DELAY RLY

# WIRING DIAGRAM KEYS



- BLK BLACK
- YEL YELLOW
- RED RED
- WH WHITE
- GRY GREY
- ORA ORANGE
- BLU BLUE
- GRN GREEN
- BRN BROWN
- PUR PURPLE
- PK PINK



NO: D060994

# FUSES CODE

No.	PAGE	AMP.	#PREV.	LOCATION	FUNCTION
F 1	6.1	10A	562407	FR JCT BOX	WORLD TRANSM 12V BATT
F 2	6.1	10A	562407	FR JCT BOX	WORLD TRANSM 12V IGN.
F 3	7.2	20A	562605	FR JCT BOX	ELECTRICAL HORNS
F 4	7.2	5A	562259	FR JCT BOX	FIRE ALARME
F 5					
F 6	17.1	3A	562599	FR JCT BOX	STEERING CONTROL
F 7	4.2	3A	560893	RH ENG.CPT.	STARTER ON T.T.LT.
F 8	9.2	15A	562604	FR JCT BOX	CORNERING LTS
F 9					
F 10	9.3	15A	562604	FR JCT BOX	FOG LTS
F 11					
F 12					
F 13					
F 14	11.2	15A	562604	FR JCT BOX	DRIVER'S LTS SW.
F 15					
F 16					
F 17					
F 18					
F 19					
F 20					
F 21					
F 22	13.1	10A	562407	FR JCT BOX	POWER OUTLET DASH R.H.
F 23	19.1	15A	562604	FR JCT BOX	DRIVER'S & WINDOW LIFTER
F 24	13.1	15A	562604	FR JCT BOX	CIGAR LIGHTER & POWER OUTLET L.H. CONSOL
F 25	19.1	3A	562599	FR JCT BOX	SUN VISOR
F 26	11.2	7.5A	562602	FR JCT BOX	DRIVER'S LIGHTS
F 27					
F 28					
F 29					
F 30					
F 31					
F 32	19.1	15A	562604	FR JCT BOX	ENTRANCE WINDOW LIFTER
F 33					
F 34					
F 35					
F 36					
F 37					
F 38					
F 39					
F 40					
F 41					
F 42					
F 43	1.2	3A	562599	ENGINE CPT.	12V SIGNAL TO BATT. MONITOR
F 44	1.2	3A	562599	ENGINE CPT.	24V SIGNAL TO BATT. MONITOR
F 45					
F 46					
F 47	16.1	7.5A	562602	FR JCT BOX	RR VIEW MIRROR

# FUSES CODE

No.	PAGE	AMP.	#PREV.	LOCATION	FUNCTION
F 1	6.1	10A	562407	FR JCT BOX	WORLD TRANSM 12V BATT
F 2	6.1	10A	562407	FR JCT BOX	WORLD TRANSM 12V IGN.
F 3	7.2	20A	562605	FR JCT BOX	ELECTRICAL HORNS
F 4	7.2	5A	562259	FR JCT BOX	FIRE ALARME
F 5					
F 6	17.1	3A	562599	FR JCT BOX	STEERING CONTROL
F 7S	4.2	3A	560893	RH ENG.CPT.	STARTER « ON » T.T.LT.
F 8	9.2	15A	562604	FR JCT BOX	CORNERING LTS
F 9					
F 10	9.3	15A	562604	FR JCT BOX	FOG LTS
F 11					
F 12					
F 13					
F 14	11.2	15A	562604	FR JCT BOX	DRIVER'S LTS SW.
F 15					
F 16					
F 17					
F 18					
F 19					
F 20					
F 21					
F 22	13.1	10A	562407	FR JCT BOX	POWER OUTLET DASH R.H.
F 23	19.1	15A	562604	FR JCT BOX	DRIVER'S & WINDOW LIFTER
F 24	13.1	15A	562604	FR JCT BOX	CIGAR LIGHTER & POWER OUTLET L.H. CONSOL
F 25	19.1	3A	562599	FR JCT BOX	SUN VISOR
F 26	11.2	7.5A	562602	FR JCT BOX	DRIVER'S LIGHTS
F 27					
F 28					
F 29					
F 30					
F 31					
F 32	19.1	15A	562604	FR JCT BOX	ENTRANCE WINDOW LIFTER
F 33					
F 34					
F 35					
F 36					
F 37					
F 38					
F 39					
F 40					
F 41					
F 42					
F 43	1.2	3A	562599	ENGINE CPT.	12V SIGNAL TO BATT. MONITOR
F 44	1.2	3A	562599	ENGINE CPT.	24V SIGNAL TO BATT. MONITOR
F 45					
F 46					
F 47	16.1	7.5A	562602	FR JCT BOX	RR VIEW MIRROR

# FUSES CODE

No.	PAGE	AMP.	#PREV.	LOCATION	FUNCTION
F 1	6.1	10A	562407	FR JCT BOX	WORLD TRANSM 12V BATT
F 2	6.1	10A	562407	FR JCT BOX	WORLD TRANSM 12V IGN.
F 3	7.2	20A	562605	FR JCT BOX	ELECTRICAL HORNS
F 4	7.2	5A	562259	FR JCT BOX	FIRE ALARME
F 5					
F 6	17.1	3A	562599	FR JCT BOX	STEERING CONTROL
F 7S	4.2	3A	560893	RH ENG.CPT.	STARTER « ON » T.T.LT.
F 8	9.2	15A	562604	FR JCT BOX	CORNERING LTS
F 9					
F 10	9.3	15A	562604	FR JCT BOX	FOG LTS
F 11					
F 12					
F 13					
F 14	11.2	15A	562604	FR JCT BOX	DRIVER'S LTS SW.
F 15					
F 16					
F 17					
F 18					
F 19					
F 20					
F 21					
F 22	13.1	10A	562407	FR JCT BOX	POWER OUTLET DASH R.H.
F 23	19.1	15A	562604	FR JCT BOX	DRIVER'S & WINDOW LIFTER
F 24	13.1	15A	562604	FR JCT BOX	CIGAR LIGHTER & POWER OUTLET L.H. CONSOL
F 25	19.1	3A	562599	FR JCT BOX	SUN VISOR
F 26	11.2	7.5A	562602	FR JCT BOX	DRIVER'S LIGHTS
F 27					
F 28					
F 29					
F 30					
F 31					
F 32	19.1	15A	562604	FR JCT BOX	ENTRANCE WINDOW LIFTER
F 33	10.1	15A	562604	FR JCT BOX	HEAD LAMP WASHER
F 34					
F 35					
F 36					
F 37					
F 38					
F 39					
F 40					
F 41					
F 42					
F 43	1.2	3A	562599	ENGINE CPT.	12V SIGNAL TO BATT. MONITOR
F 44	1.2	3A	562599	ENGINE CPT.	24V SIGNAL TO BATT. MONITOR
F 45					
F 46					
F 47	16.1	7.5A	562602	FR JCT BOX	RR VIEW MIRROR
F SO1	24.1	3A	563279	SLIDE-OUT BOX	LOGIC POWER MASTER-ID & CECM
F SO2	24.1	7.5A	563005	SLIDE-OUT BOX	LOGIC POWER IO-B SLIDE-OUT#1
F SO3	24.1	7.5A	563005	SLIDE-OUT BOX	LOGIC POWER IO-B SLIDE-OUT#2

# LOGIC GATE

## TRUTH TABLE

AND GATE		
INPUT		OUT
A	B	C
0	0	0
0	1	0
1	0	0
1	1	1

• OUTPUT IS 1 WHEN ALL INPUT IS 1

NAND GATE		
INPUT		OUT
A	B	C
0	0	1
0	1	1
1	0	1
1	1	0

• OUTPUT IS 0 WHEN ALL INPUT IS 1

OR GATE		
INPUT		OUT
A	B	C
0	0	0
0	1	1
1	0	1
1	1	1

• OUTPUT IS 1 WHEN AT LEAST INPUT IS 1

NOR GATE		
INPUT		OUT
A	B	C
0	0	1
0	1	0
1	0	0
1	1	0

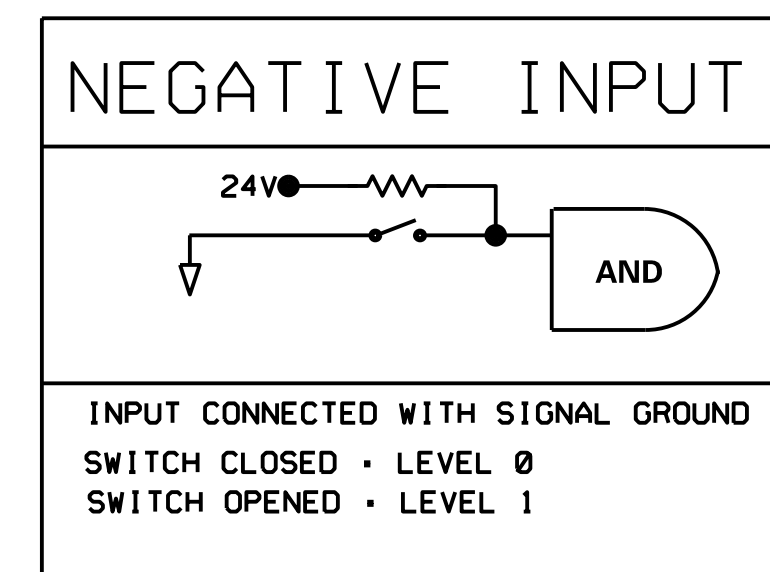
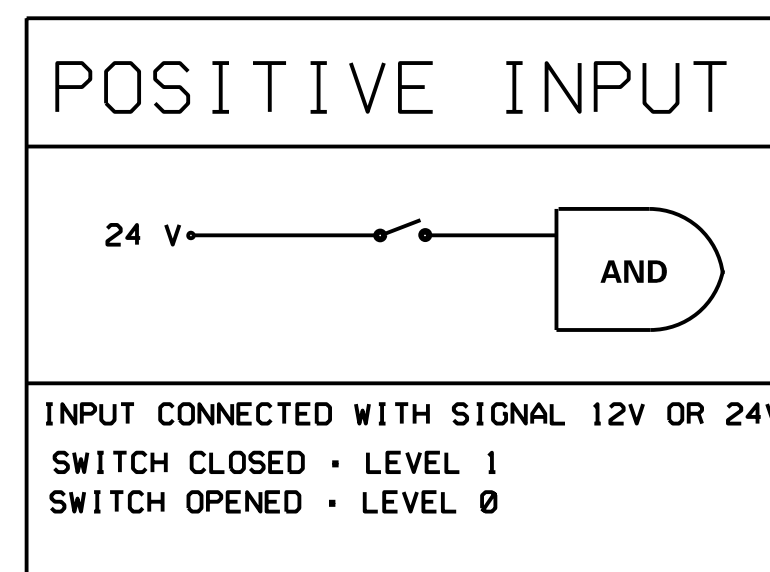
• OUTPUT IS 1 WHEN NONE INPUT IS 1

NOT GATE		
INPUT	OUT	
A	B	
0	1	
1	0	

• OUTPUT IS REVERSE OF INPUT

ON-DELAY	
XX SECOND AFTER A=1 THAN B=1	

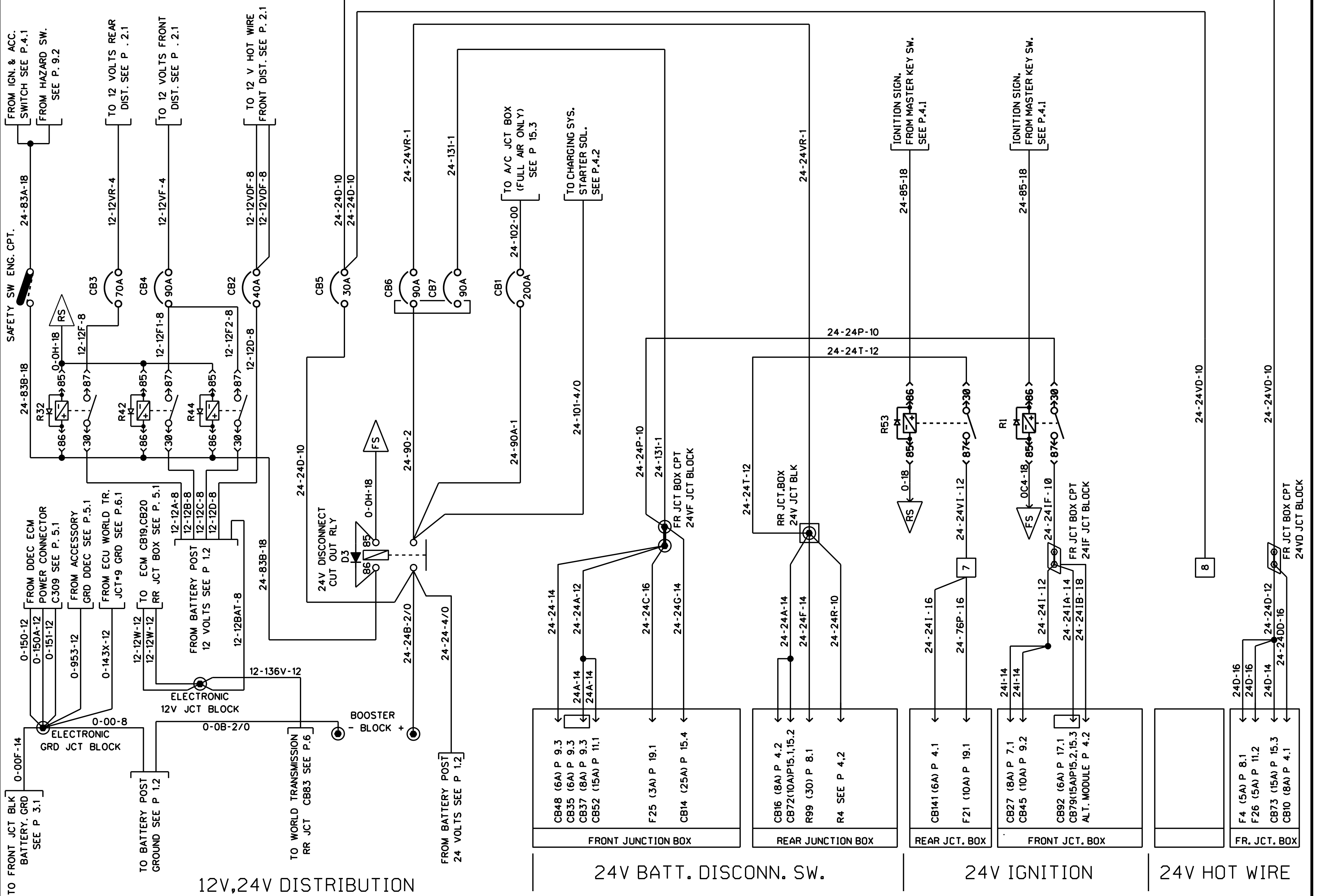
OFF-DELAY	
XX SECOND AFTER A=0 THAN B=0	

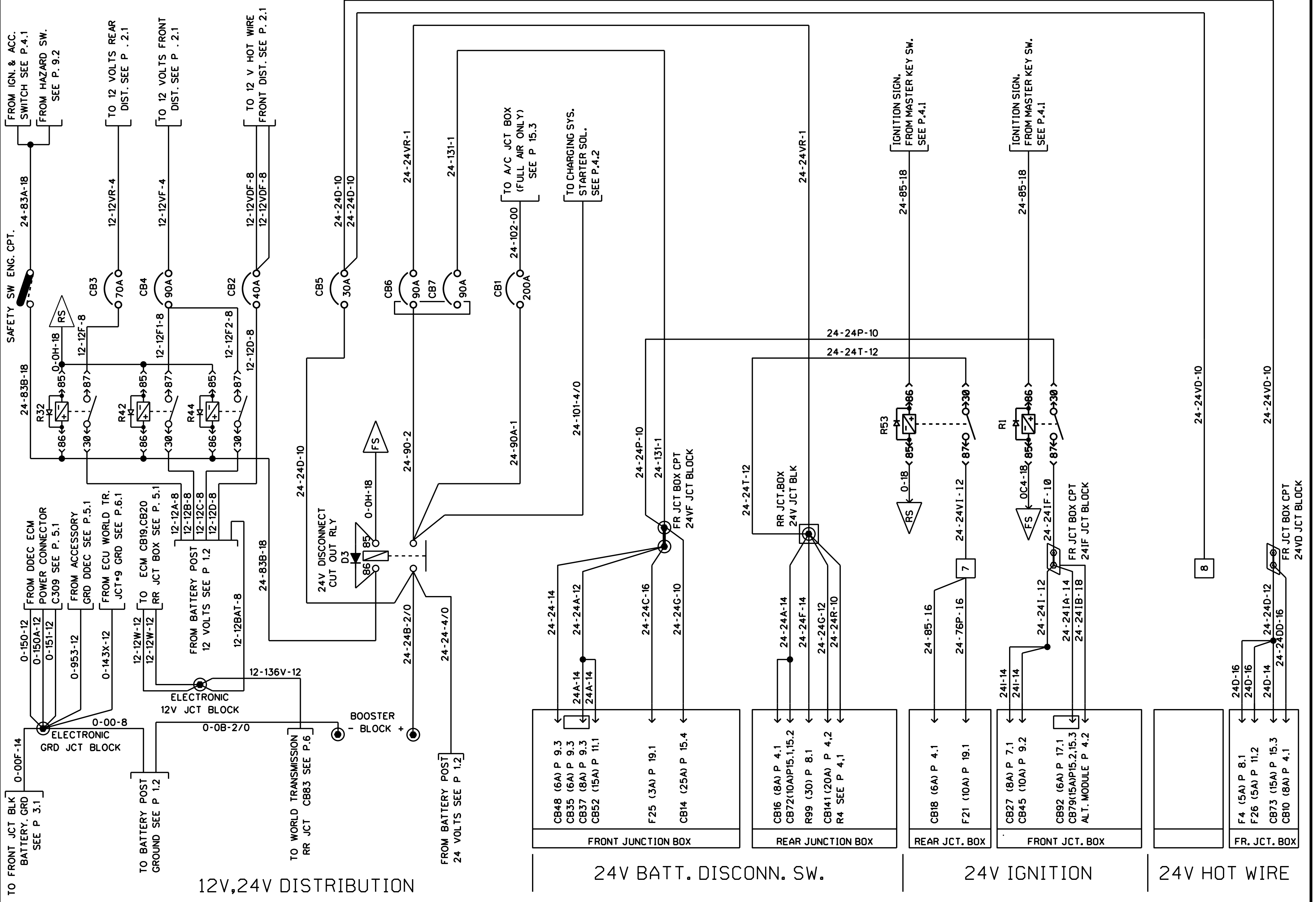


INPUT OR OUTPUT LEVEL

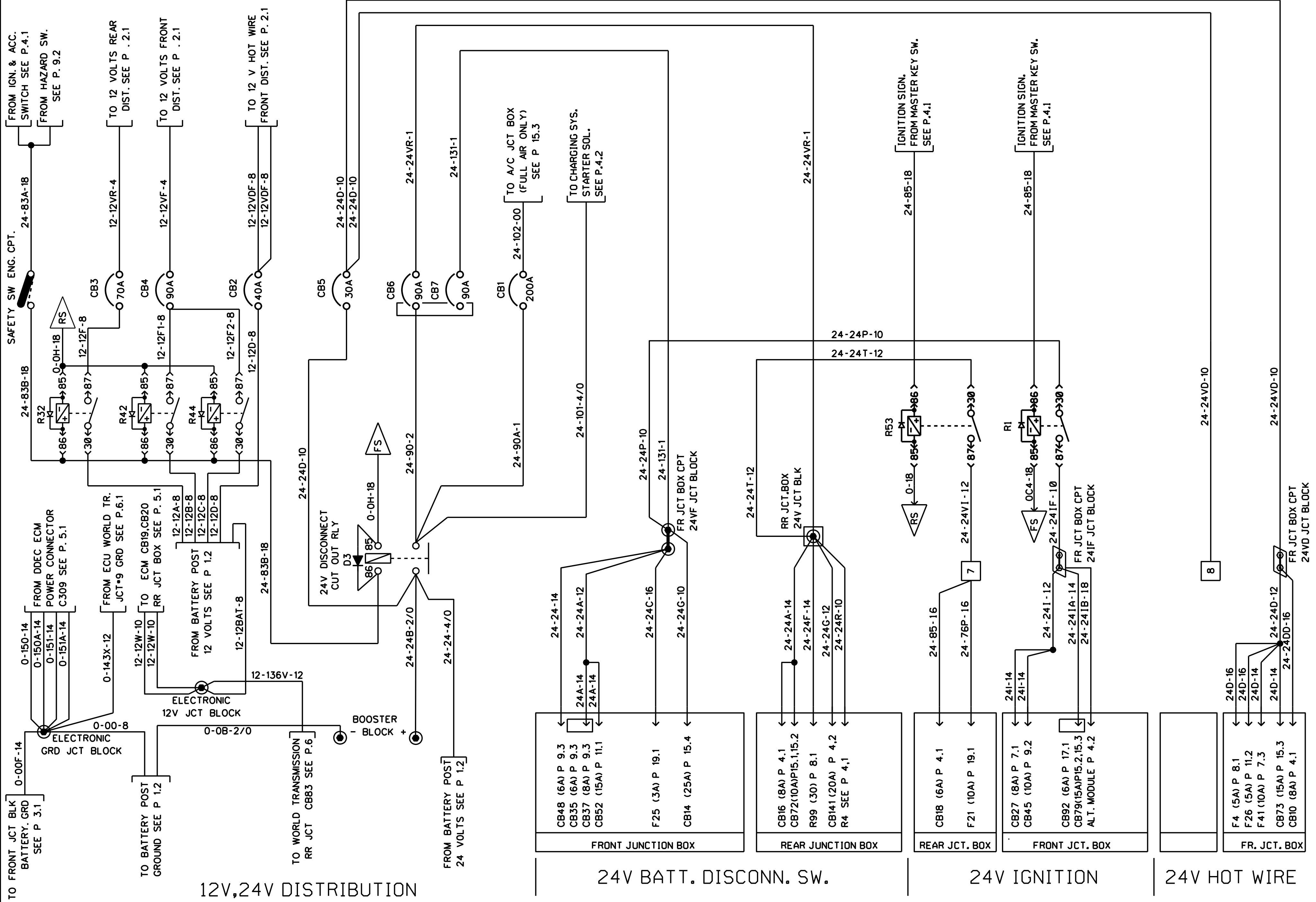
LEVEL 1 = 12 VOLTS OR 24 VOLTS

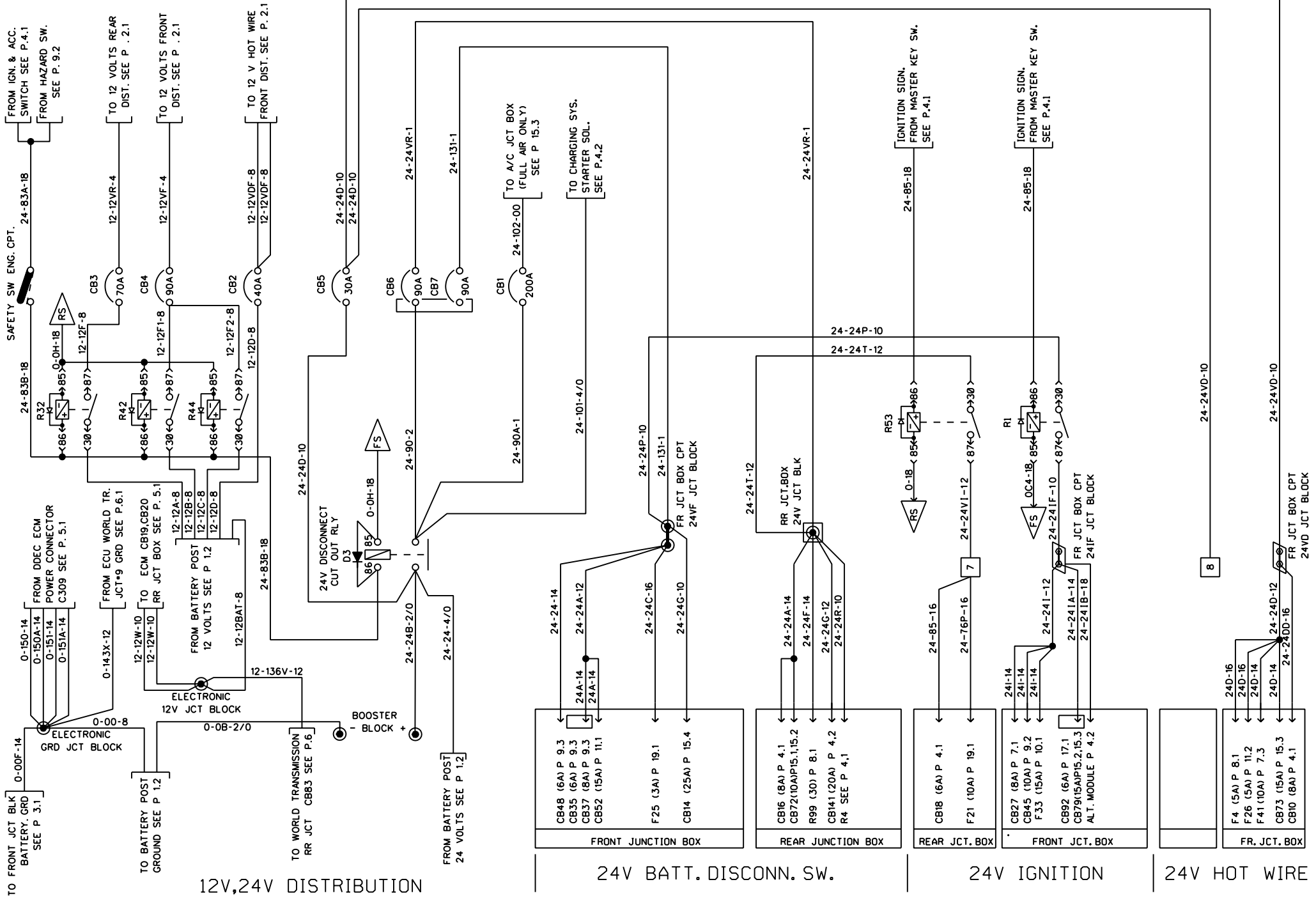
LEVEL 0 = 0 VOLT ( TO GROUND )

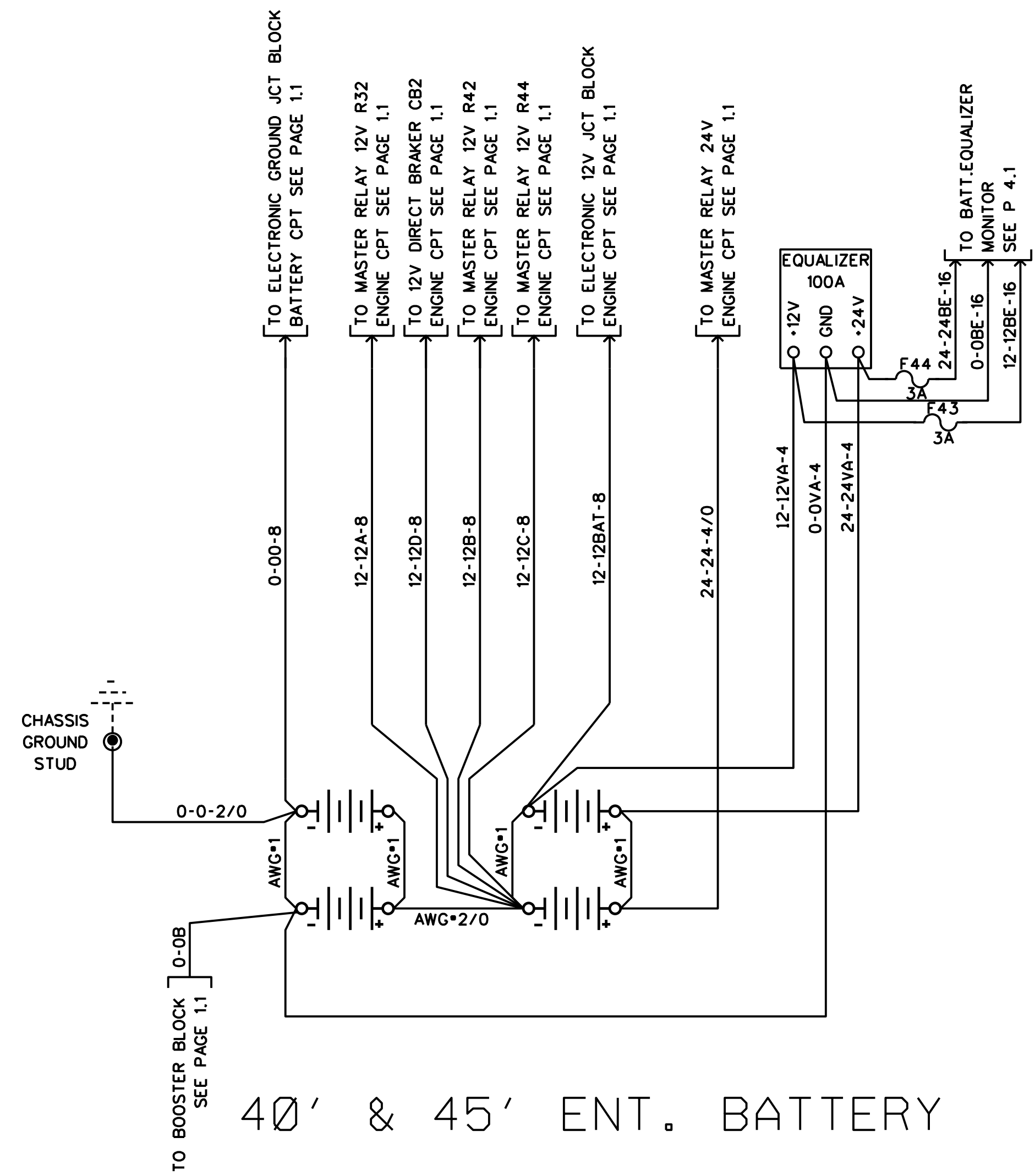
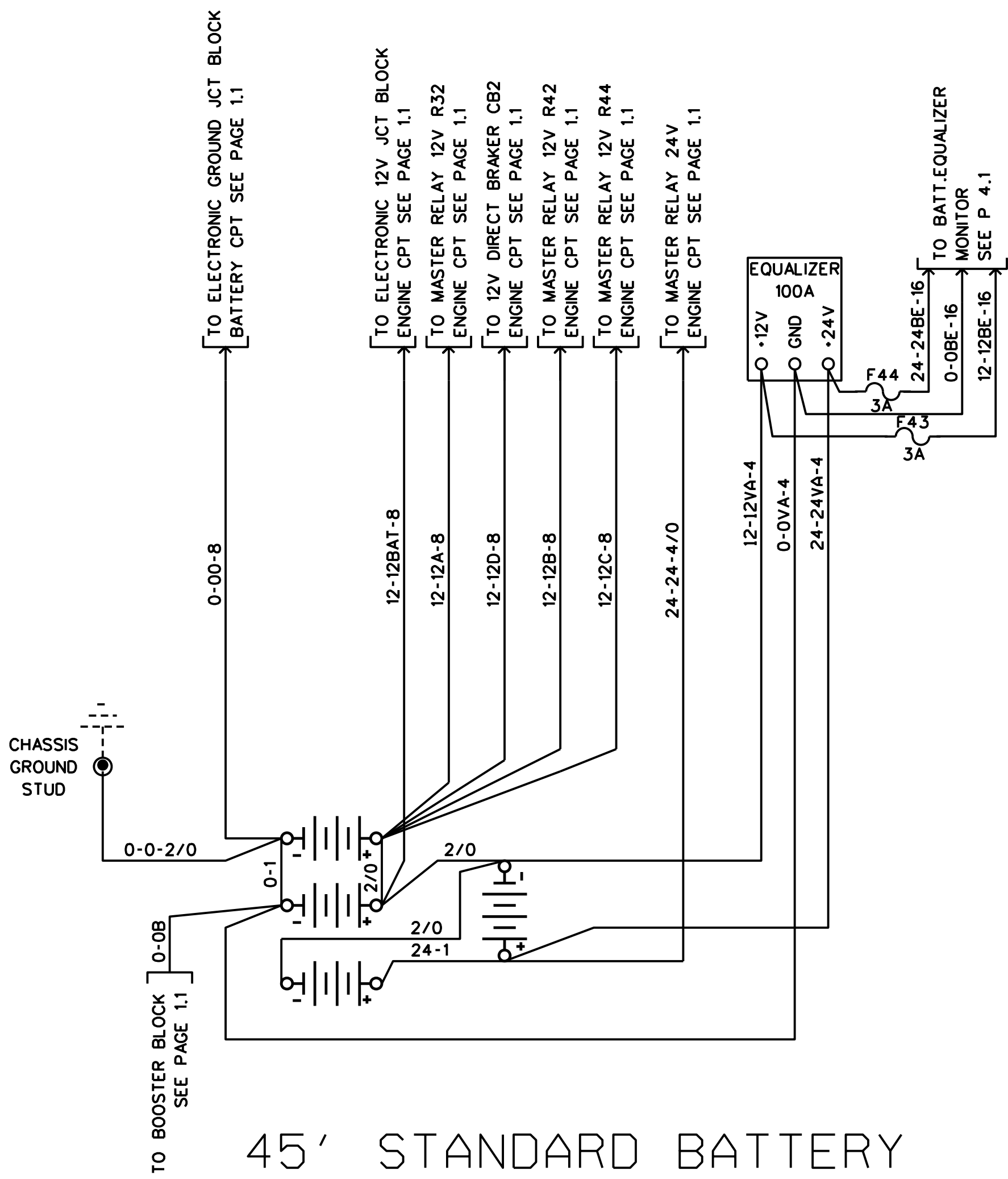


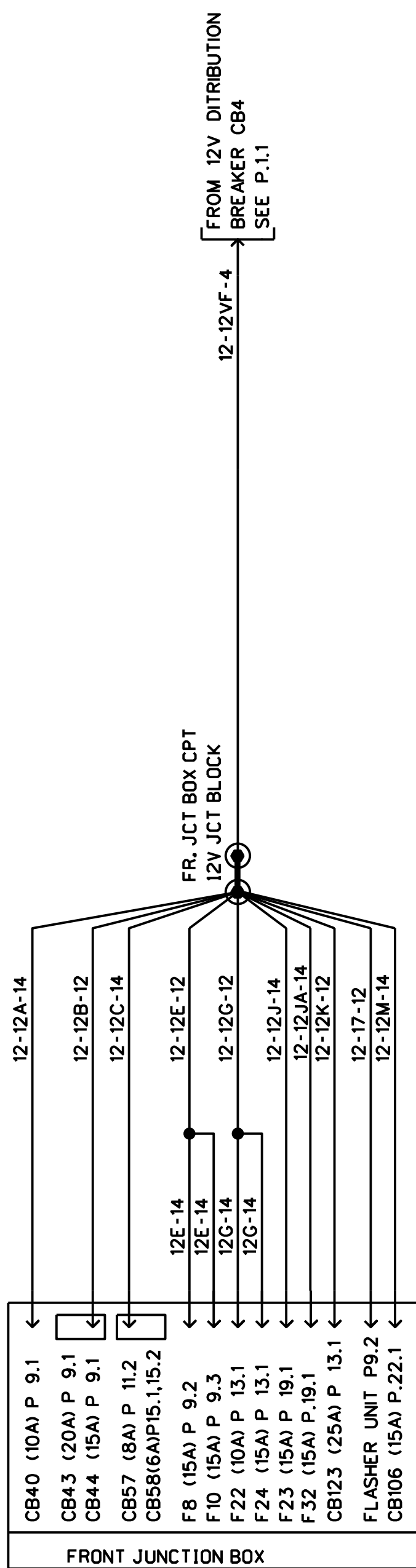




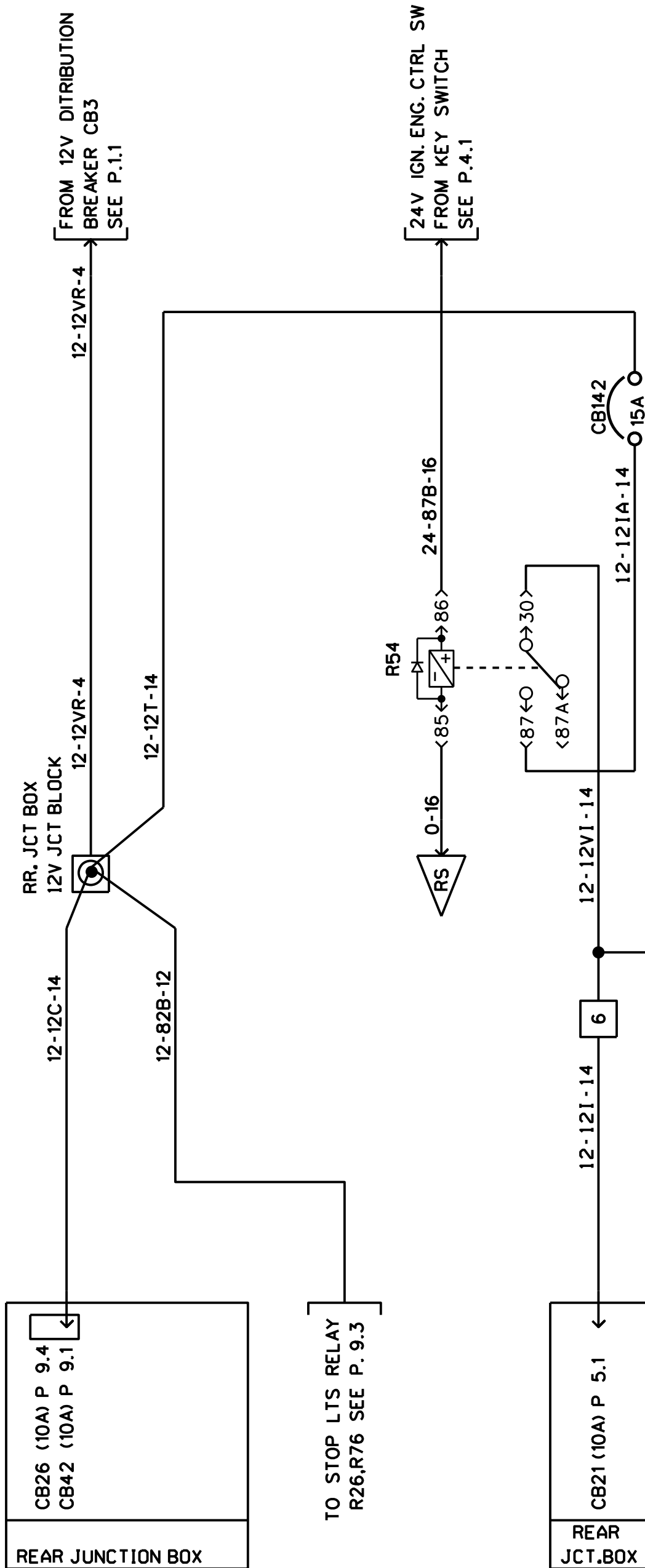




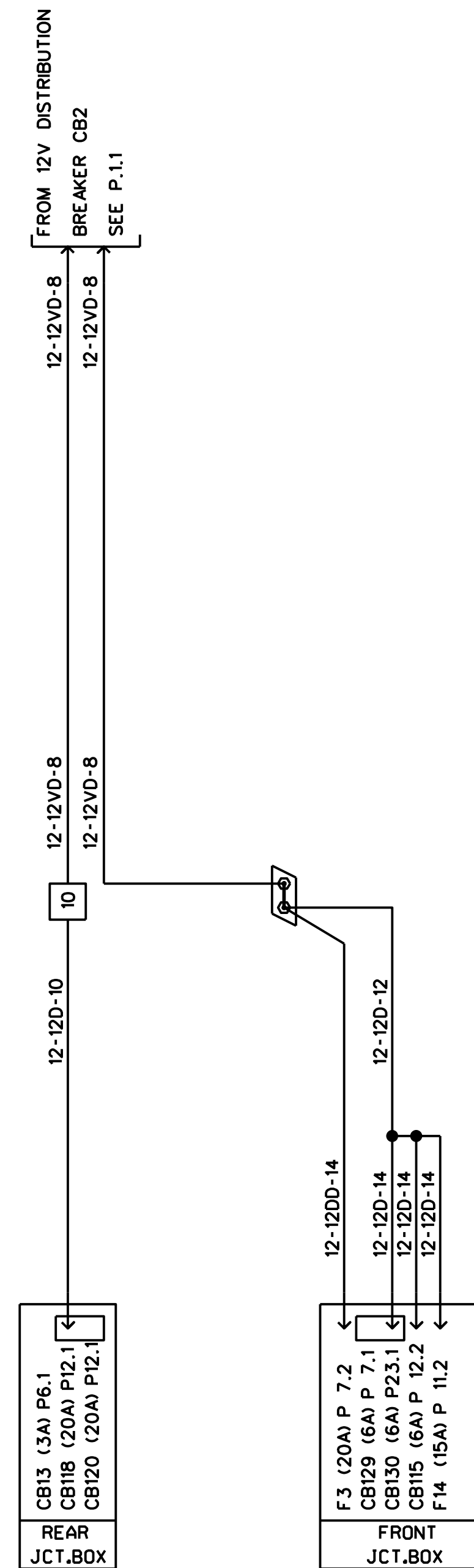




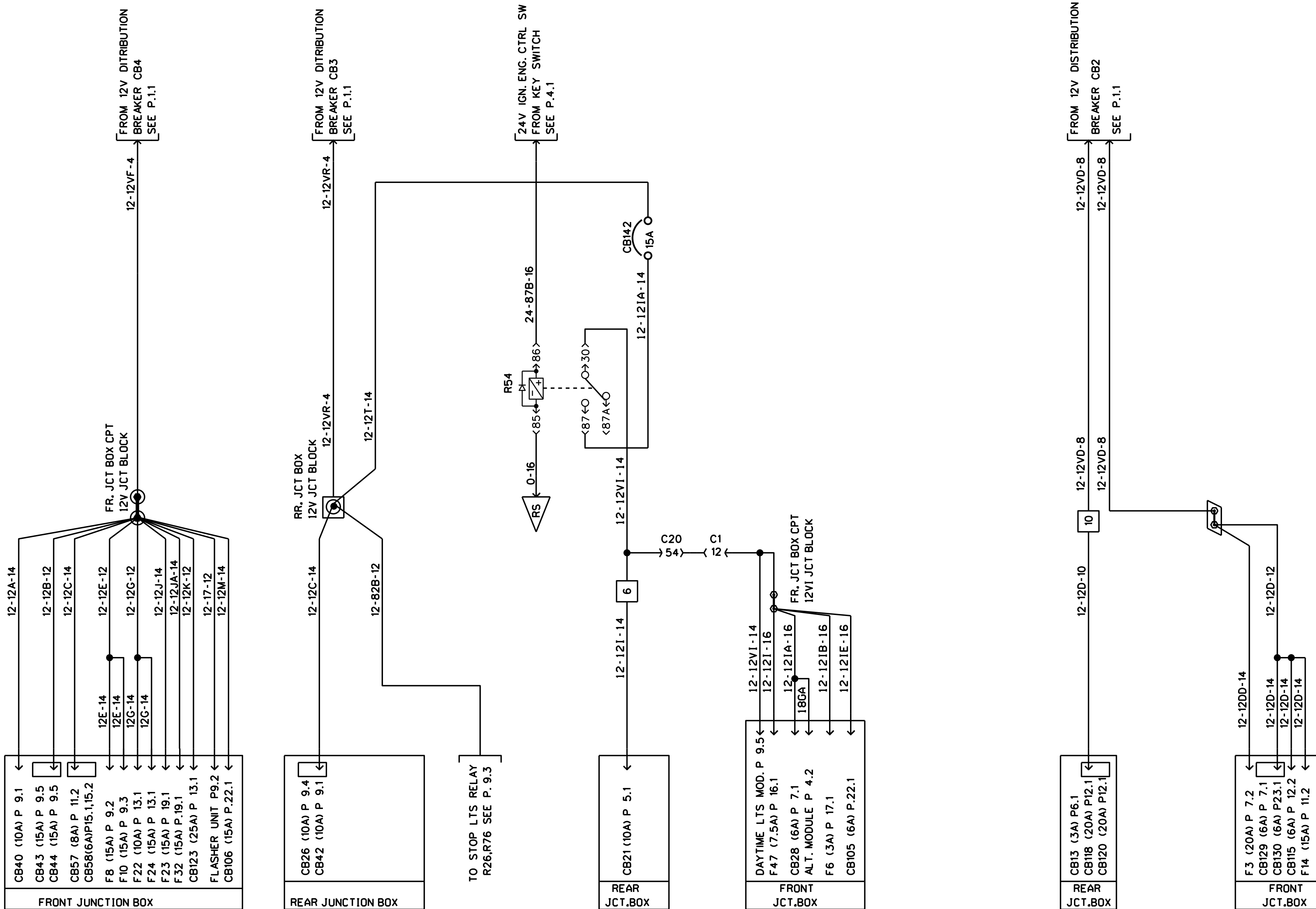
12V BATT. DISCONN. SW.

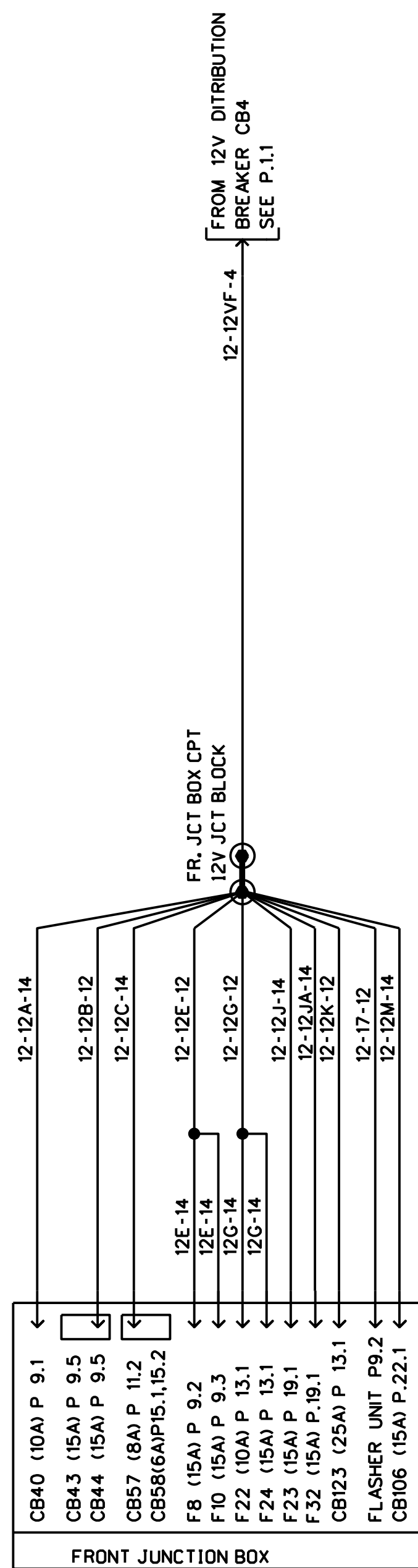


12V IGNITION

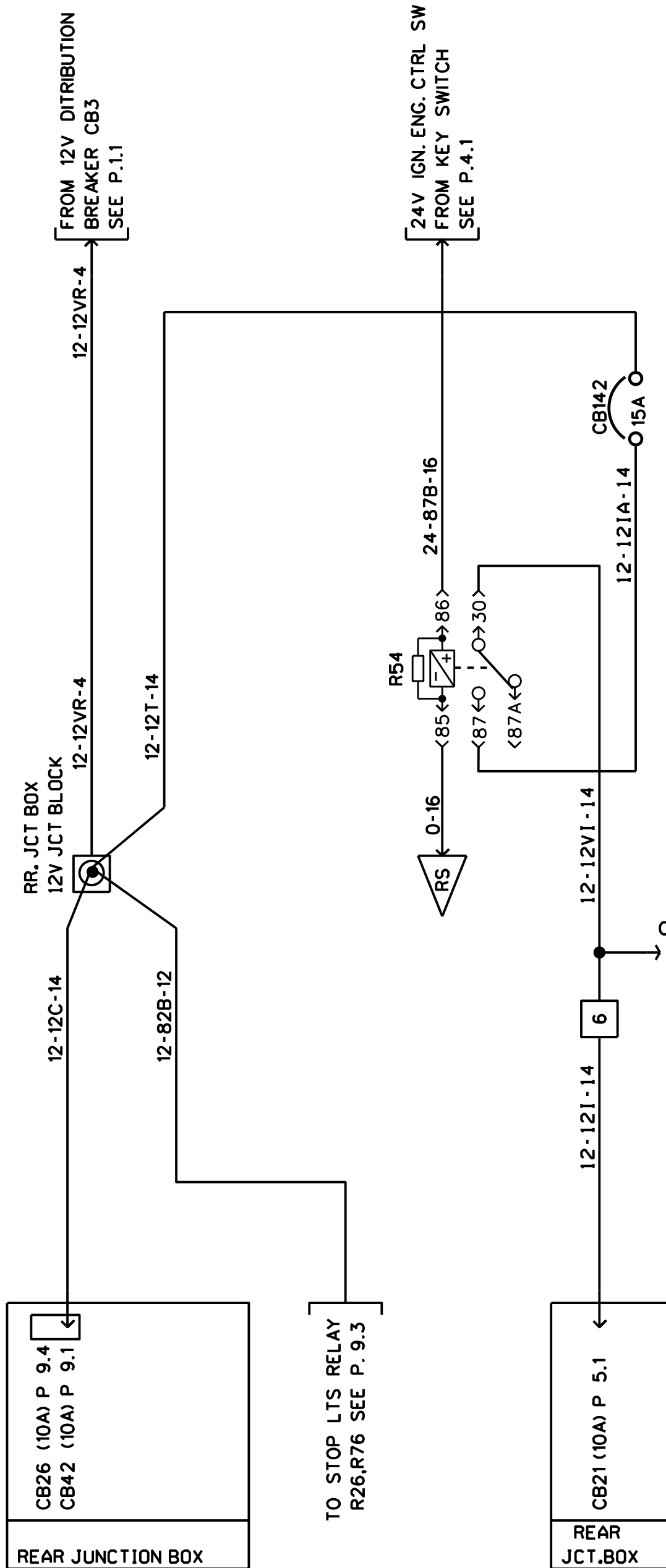


12V HOT WIRE

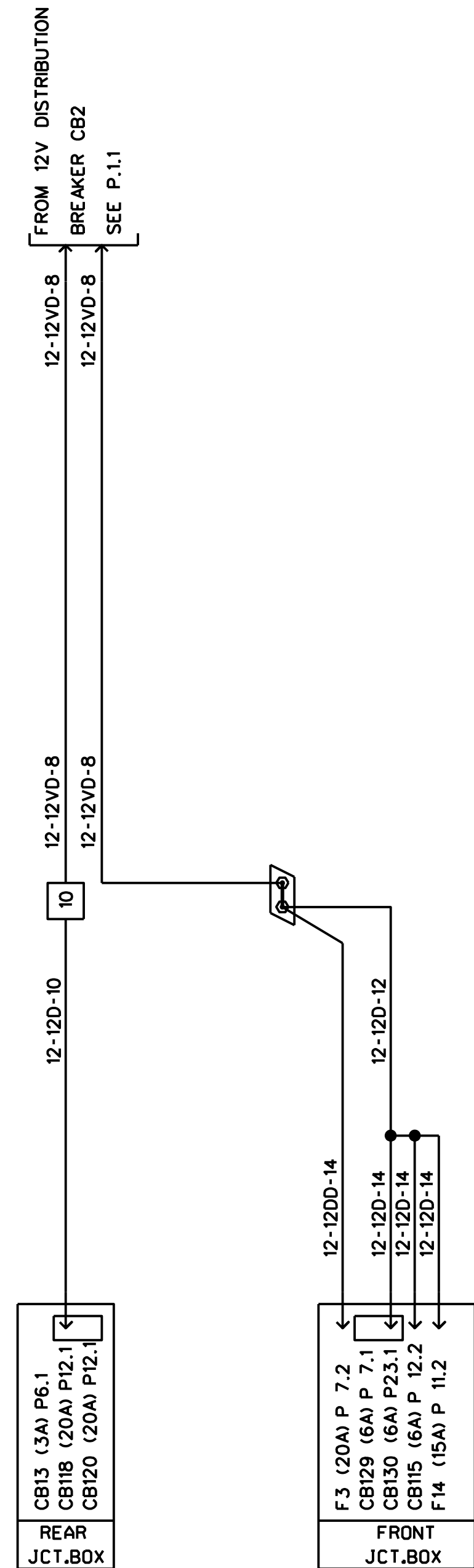




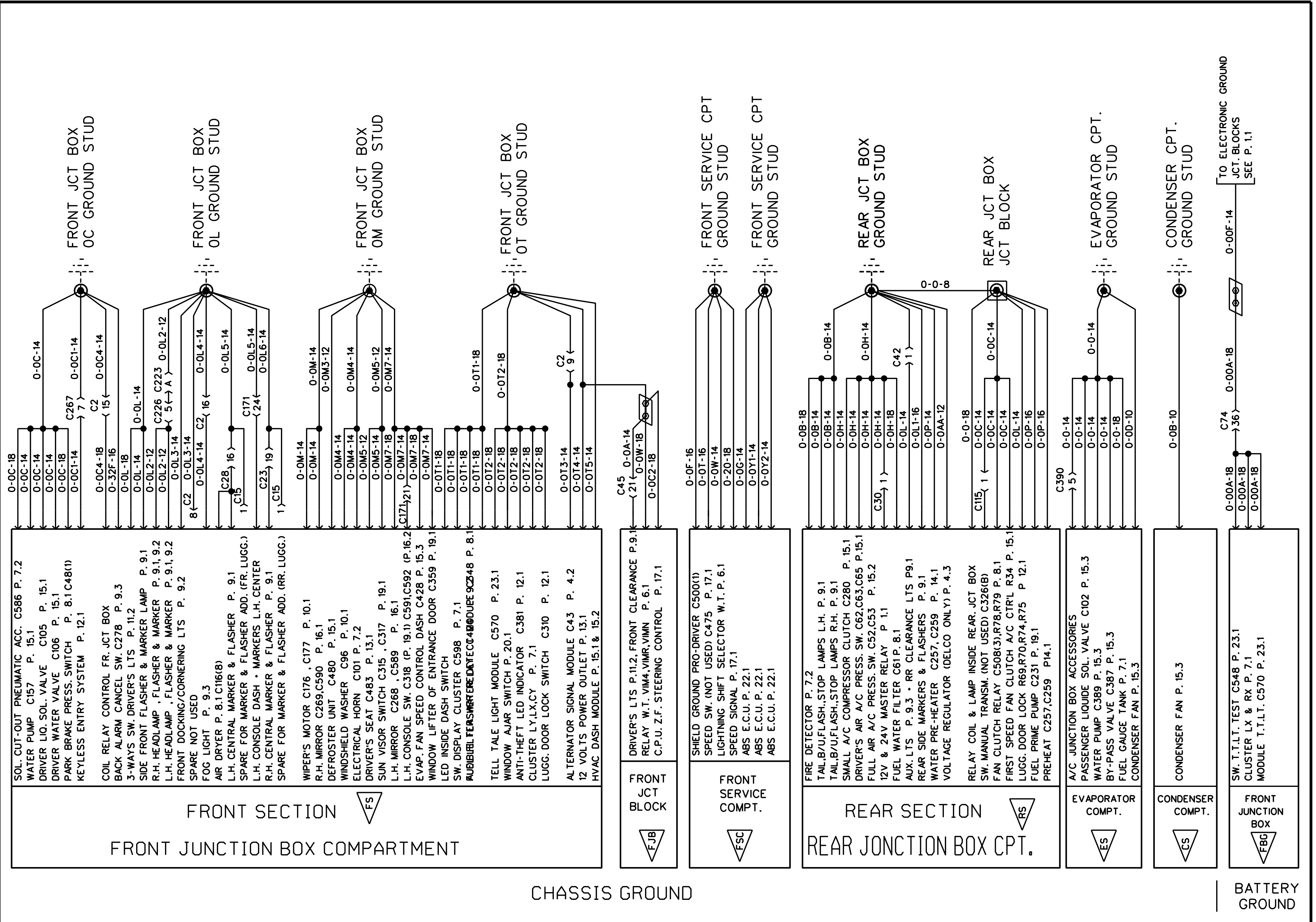
12V BATT. DISCONN. SW.





12V IGNITION




12V HOT WIRE




**FRONT SECTION** 

**FRONT JUNCTION BOX COMPARTMENT** 


SOL. CUT-OUT PNEUMATIC ACC. C586 P. 7.2  
 WATER PUMP C157 P. 15.1  
 DRIVER LIQ. SOL. VALVE C105 P. 15.1  
 DRIVER WATER VALVE C106 P. 15.1  
 PARK BRAKE PRESS. SWITCH P. 8.1C48(1)  
 KEYLESS ENTRY SYSTEM P. 12.1  
 COIL RELAY CONTROL FR. JCT BOX  
 BACK ALARM CANCEL SW. C278 P. 9.3  
 3-WAYS SW. DRIVER'S LTS P. 11.2  
 SIDE FRONT FLASHER & MARKER LAMP P. 9.1  
 R.H. HEADLAMP, FLASHER & MARKER P. 9.1, 9.2  
 L.H. HEADLAMP, FLASHER & MARKER P. 9.1, 9.2  
 FRONT DOCKING/CORNERING LTS P. 9.2  
 SPARE NOT USED  
 FOG LIGHT P. 9.3  
 AIR DRYER P. 8.1C116(8)  
 L.H. CENTRAL MARKER & FLASHER P. 9.1  
 SPARE FOR MARKER & FLASHER ADD. (FR. LUGG.)  
 L.H. CONSOLE DASH - MARKERS L.H. CENTER  
 R.H. CENTRAL MARKER & FLASHER P. 9.1  
 SPARE FOR MARKER & FLASHER ADD. (RR. LUGG.)  
 WIPER'S MOTOR C176, C177 P. 10.1  
 R.H. MIRROR C269, C590 P. 16.1  
 DEFROSTER UNIT C480 P. 15.1  
 WINDSHIELD WASHER C96 P. 10.1  
 ELECTRICAL HORN C101 P. 7.2  
 DRIVER'S SEAT C483 P. 13.1  
 SUN VISOR SWITCH C315, C317 P. 19.1  
 L.H. MIRROR C268, C589 P. 16.1  
 L.H. CONSOLE SW. C318 (P. 19.1) C591, C592 (P. 16.2)  
 EVAP. FAN SPEED CONTROL DASH C428 P. 15.3  
 WINDOW LIFTER OF ENTRANCE DOOR C359 P. 19.1  
 LED INSIDE DASH SWITCH  
 SW. DISPLAY CLUSTER C598 P. 7.1  
 RUBBER FEELERS W/REAR EYE DATE CODE 92348 P. 8.1  
 TELL TALE LIGHT MODULE C570 P. 23.1  
 WINDOW AJAR SWITCH P. 20.1  
 ANTI-THEFT LED INDICATOR C381 P. 12.1  
 CLUSTER LY. LX, CY P. 7.1  
 LUGG. DOOR LOCK SWITCH C310 P. 12.1  
 ALTERNATOR SIGNAL MODULE C43 P. 4.2  
 12 VOLTS POWER OUTLET P. 13.1  
 HVAC DASH MODULE P. 15.1 & 15.2


**FRONT JCT BLOCK** 

DRIVER'S LTS P. 11.2, FRONT CLEARANCE P. 9.1  
 RELAY W.T. VIM4, VIMR, VIMN P. 6.1  
 C.P.U. Z.F. STEERING CONTROL P. 17.1


**FRONT SERVICE COMPT.** 

SHIELD GROUND PRO-DRIVER C500(1)  
 SPEED SW. (NOT USED) C475 P. 17.1  
 LIGHTNING SHIFT SELECTOR W.T. P. 6.1  
 SPEED SIGNAL P. 17.1  
 ABS E.C.U. P. 22.1  
 ABS E.C.U. P. 22.1  
 ABS E.C.U. P. 22.1


**REAR SECTION** 

**REAR JUNCTION BOX CPT.** 


FIRE DETECTOR P. 7.2  
 TAIL/B/U. FLASH., STOP LAMPS L.H. P. 9.1  
 TAIL/B/U. FLASH., STOP LAMPS R.H. P. 9.1  
 SMALL A/C COMPRESSOR CLUTCH C280 P. 15.1  
 DRIVER'S AIR A/C PRESS. SW. C62, C63, C65 P. 15.1  
 FULL AIR A/C PRESS. SW. C52, C53 P. 15.2  
 12V & 24V MASTER RELAY P. 1.1  
 FUEL WATER FILTER C61 P. 8.1  
 AUX. LTS P. 9.3 - RR CLEARANCE LTS P. 9.1  
 REAR SIDE MARKERS & FLASHERS P. 9.1  
 WATER PRE-HEATER C257, C259 P. 14.1  
 VOLTAGE REGULATOR (DELCO ONLY) P. 4.3  
 RELAY COIL & LAMP INSIDE REAR, JCT BOX  
 SW. MANUAL TRANSM. (NOT USED) C326(B)  
 FAN CLUTCH RELAY C508(3), R78, R79 P. 8.1  
 FIRST SPEED FAN CLUTCH A/C CTRL R34 P. 15.1  
 LUGG. DOOR LOCK R69, R70, R74, R75 P. 12.1  
 FUEL PRIME PUMP C231 P. 19.1  
 PREHEAT C257, C259 P. 14.1

**EVAPORATOR COMPT.** 

A/C JUNCTION BOX ACCESSORIES  
 PASSENGER LIQUIDE SOL. VALVE C102 P. 15.3  
 WATER PUMP C389 P. 15.3  
 BY-PASS VALVE C387 P. 15.3  
 FUEL GAUGE TANK P. 7.1  
 CONDENSER FAN P. 15.3

**CONDENSER COMPT.** 

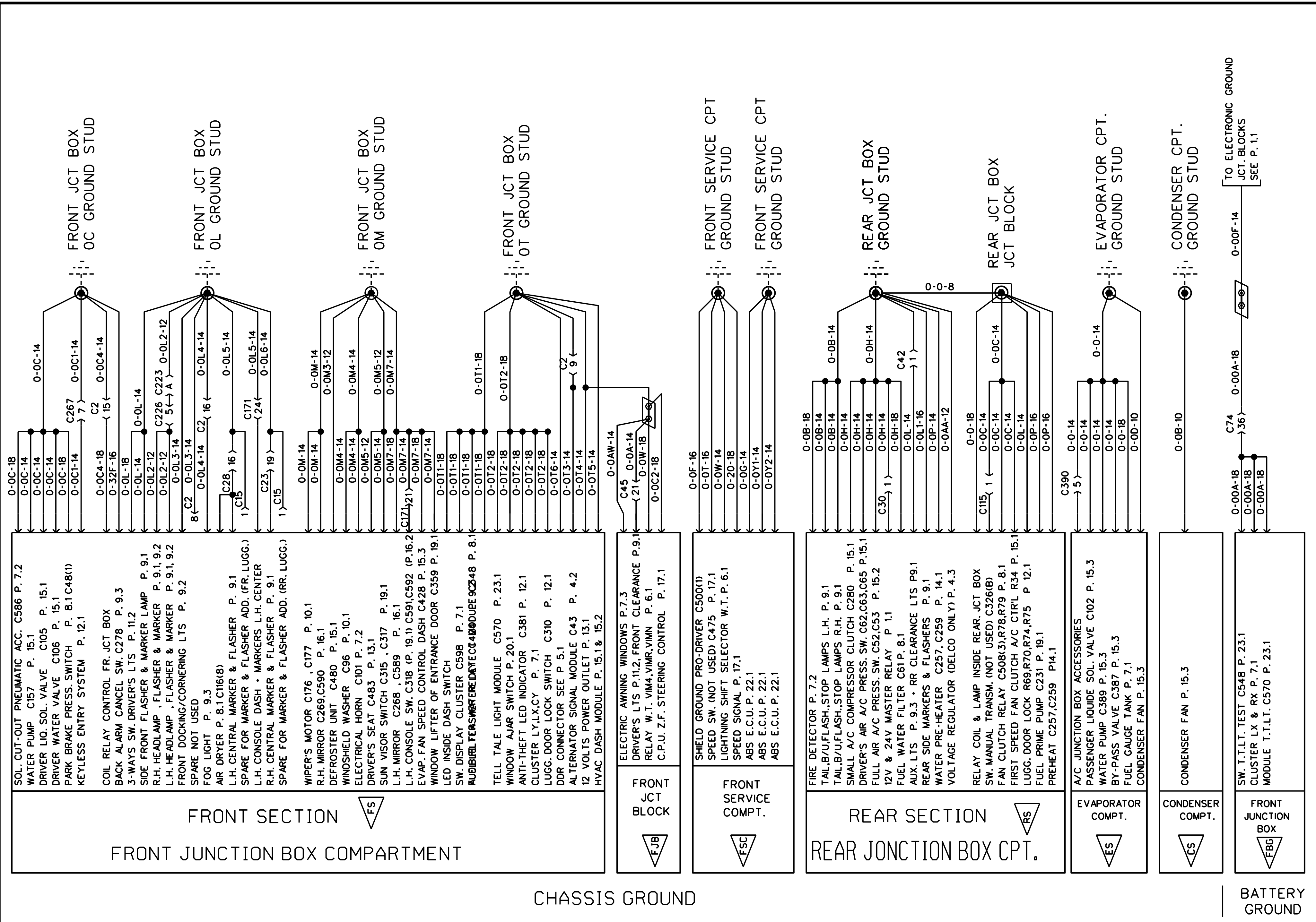
CONDENSER FAN P. 15.3

**FRONT JUNCTION BOX** 

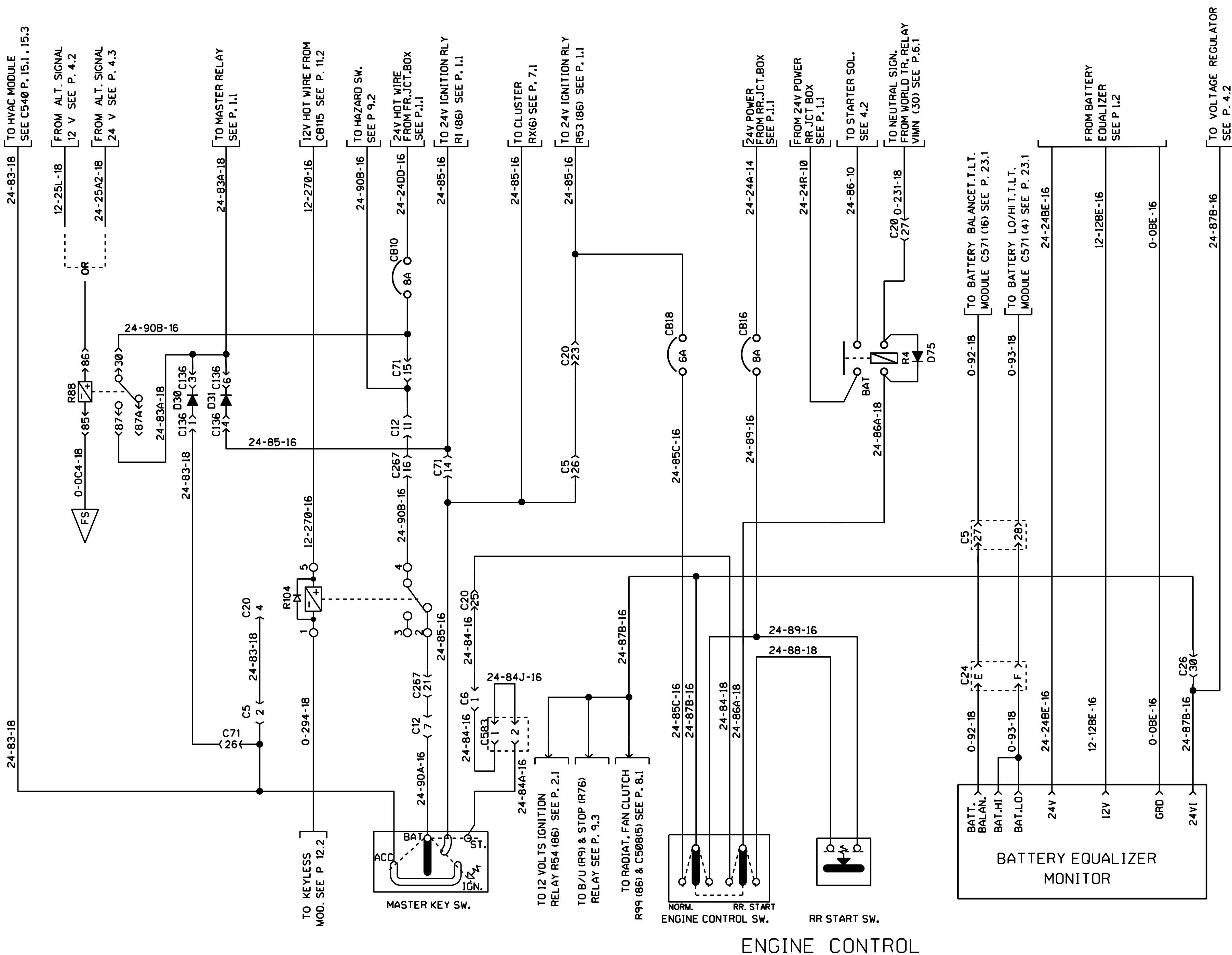
SW. T.T.L.T. TEST C548 P. 23.1  
 CLUSTER LX & RX P. 7.1  
 MODULE T.T.L.T. C570 P. 23.1

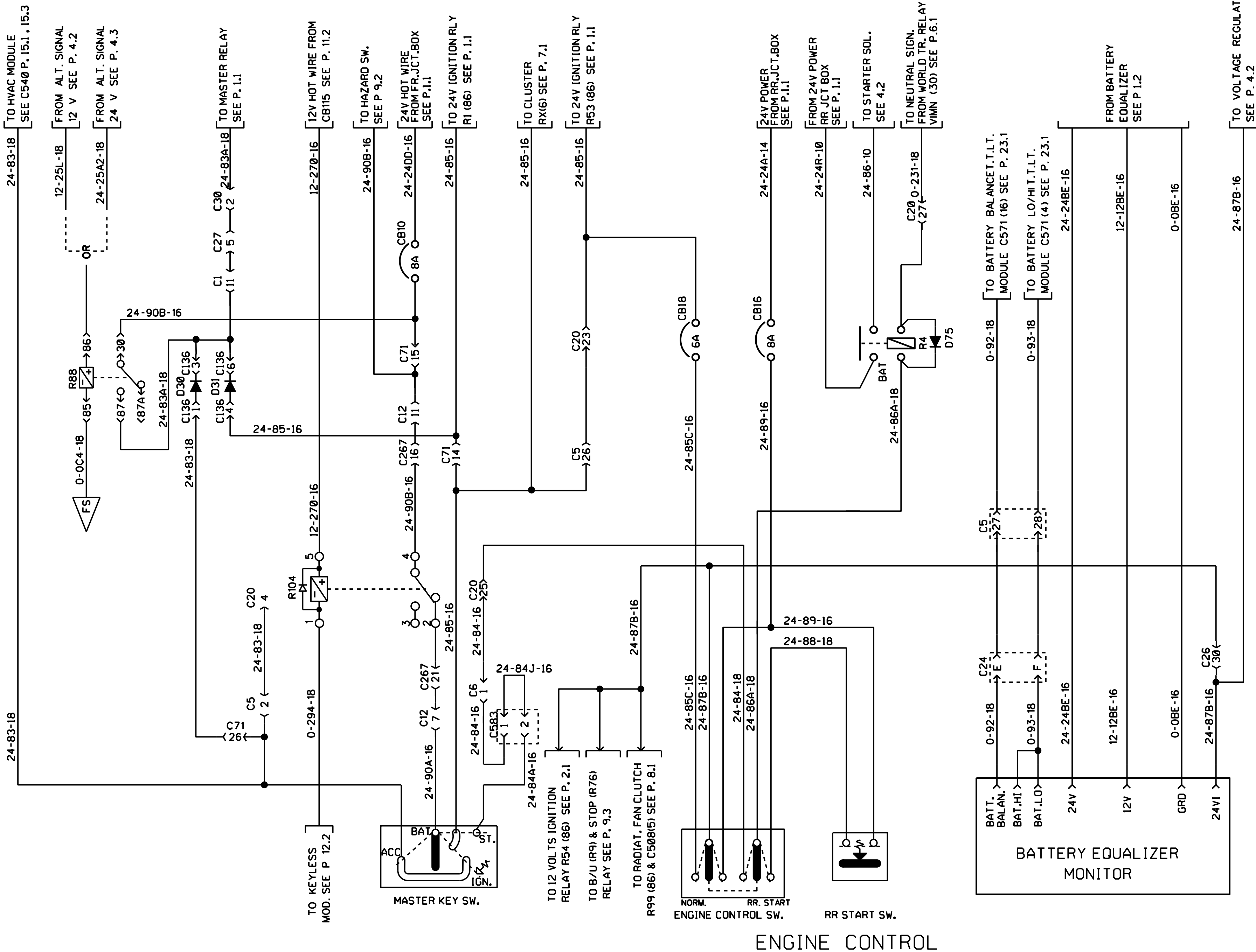
CHASSIS GROUND

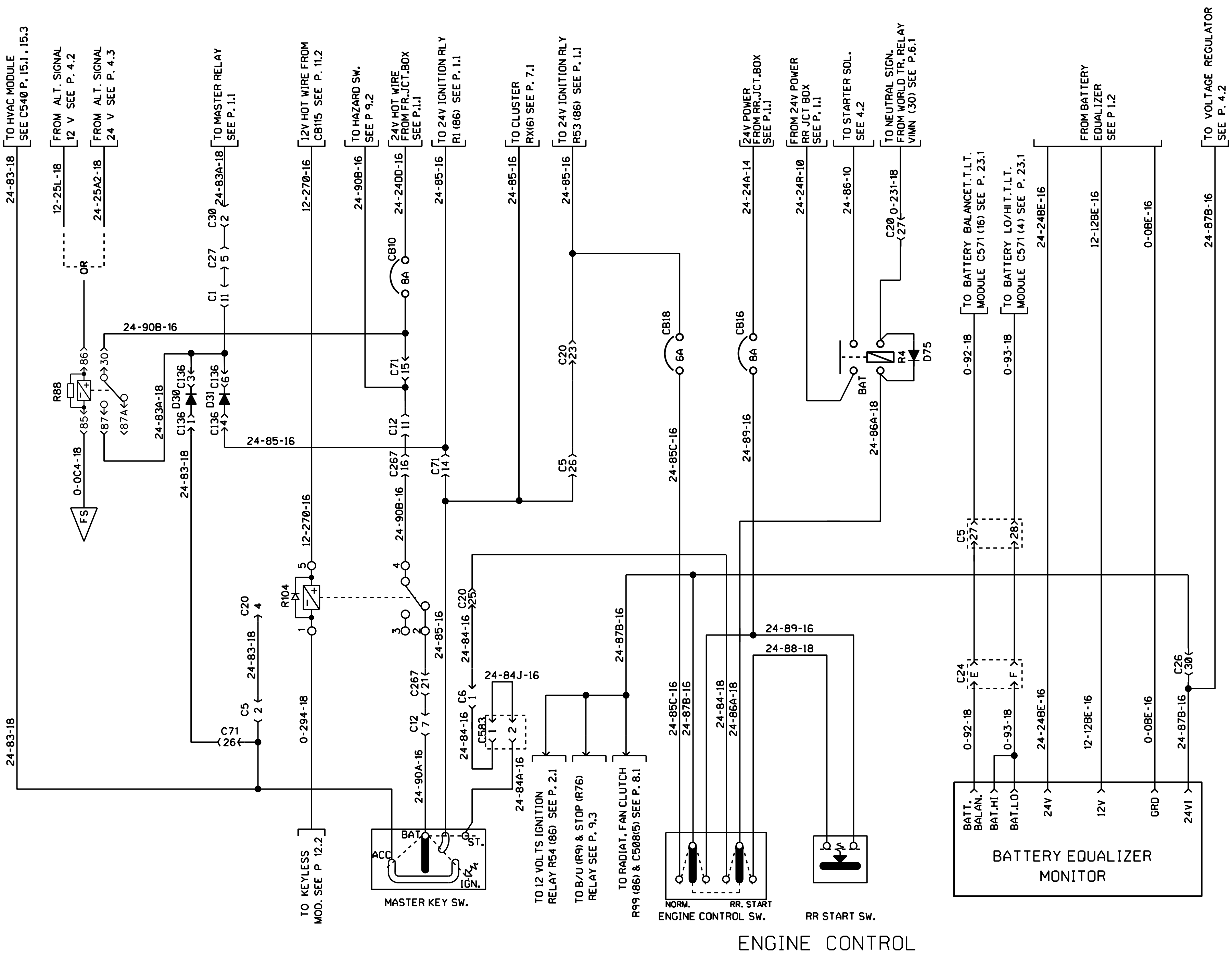
BATTERY GROUND

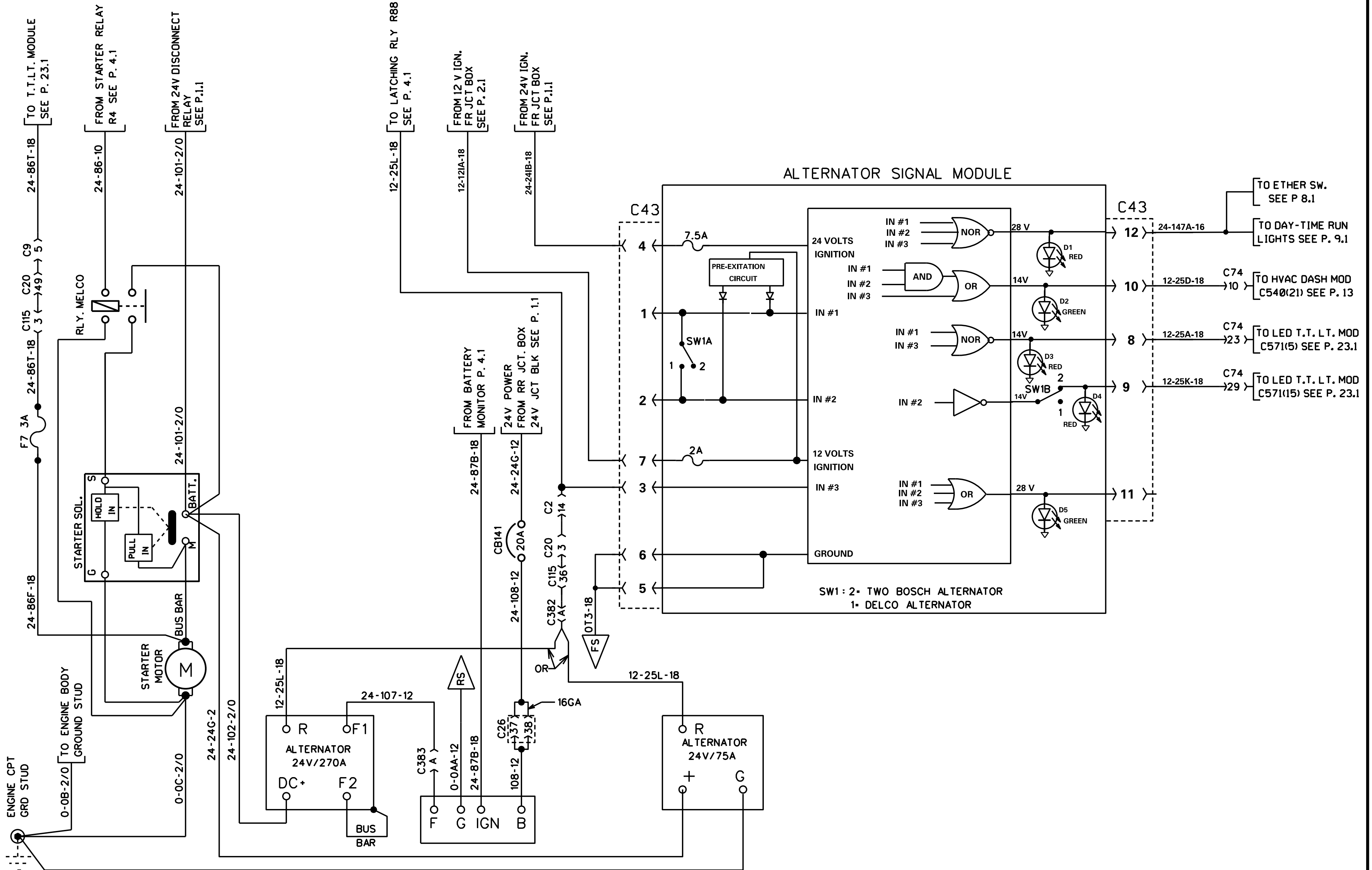






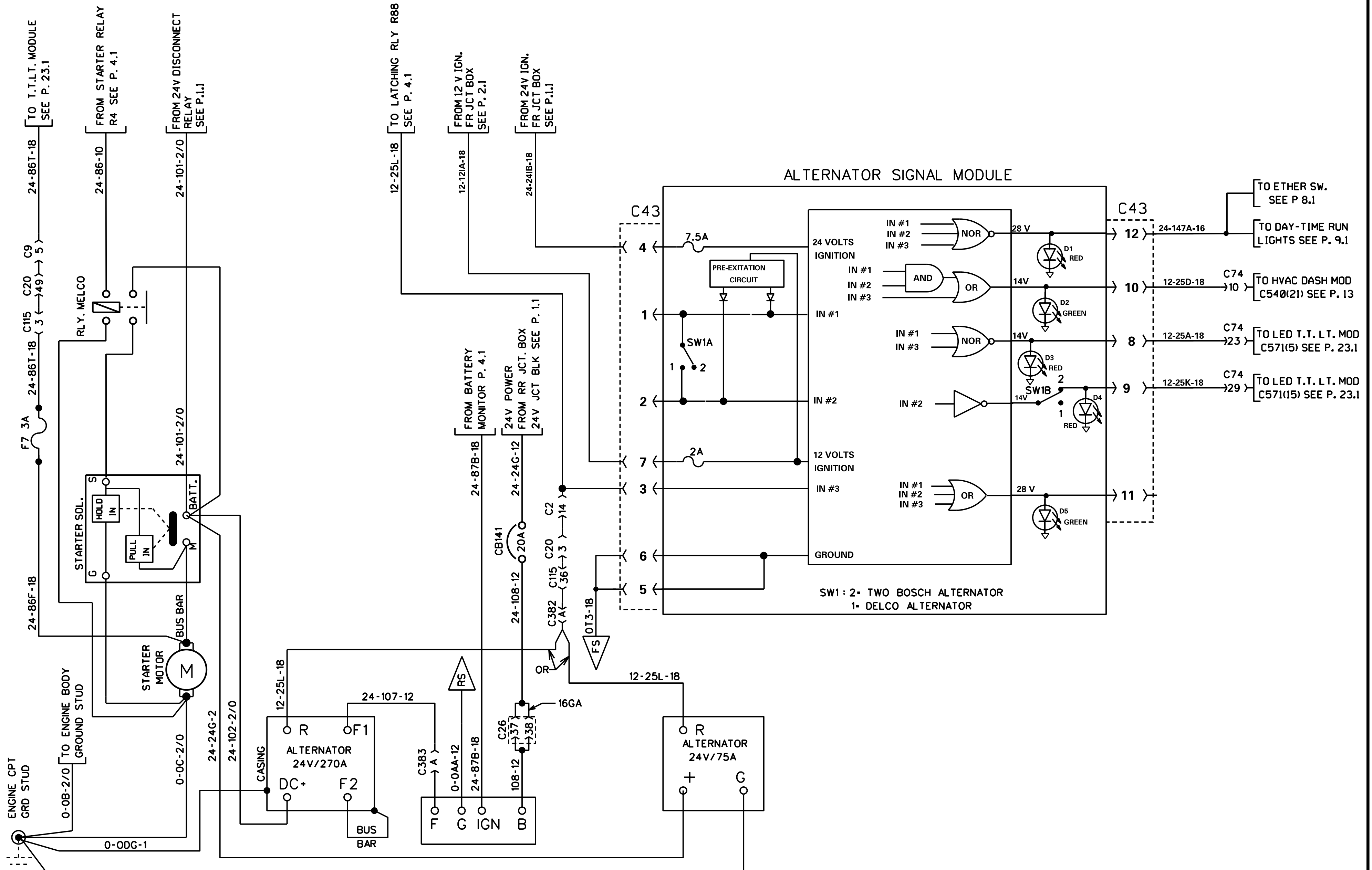






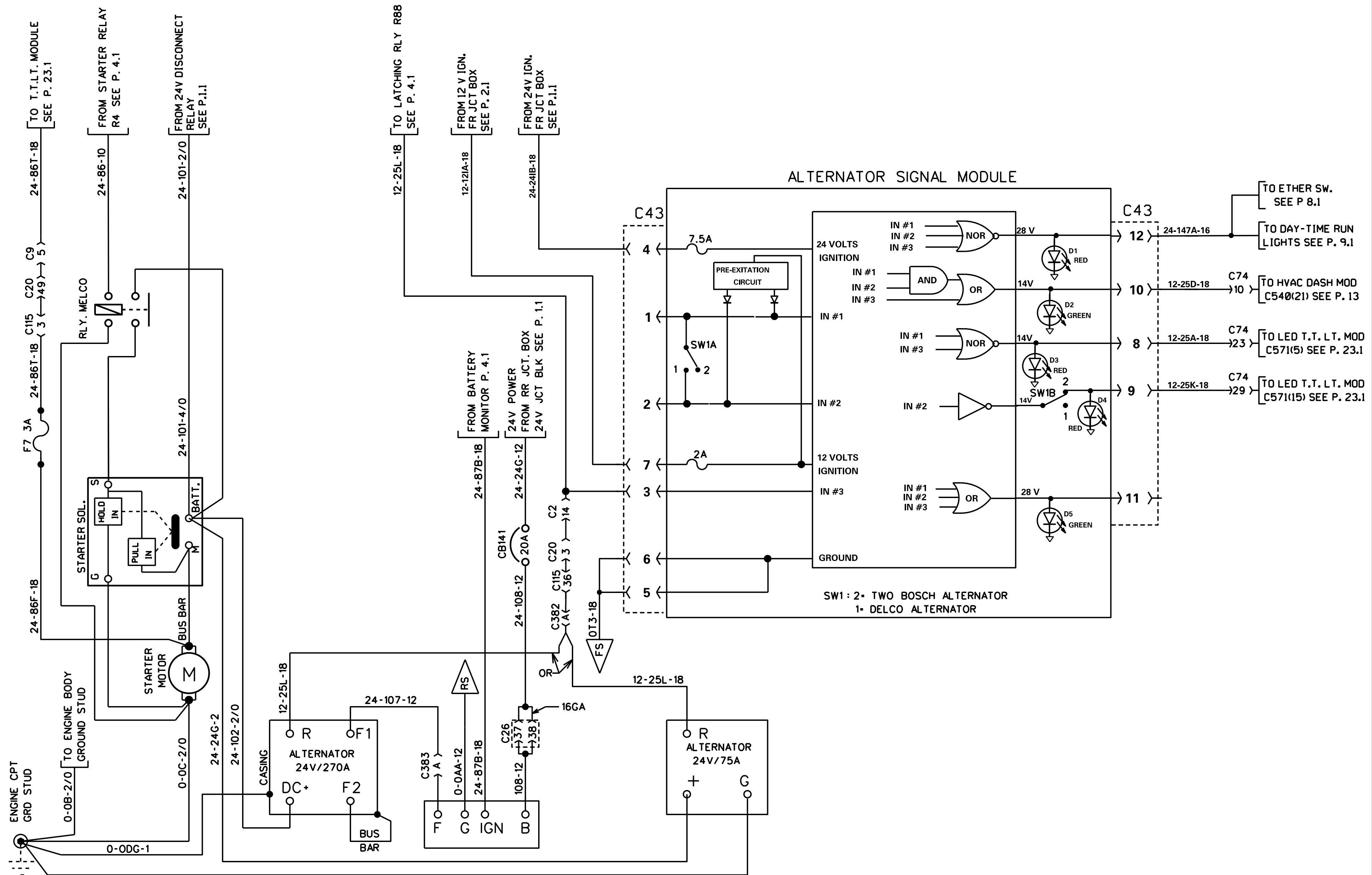
**DELCO ALTERNATOR**  
24V/270A WITH FULL AIR

**DELCO ALTERNATOR**  
24V/75A WITH DRIVER'S AIR



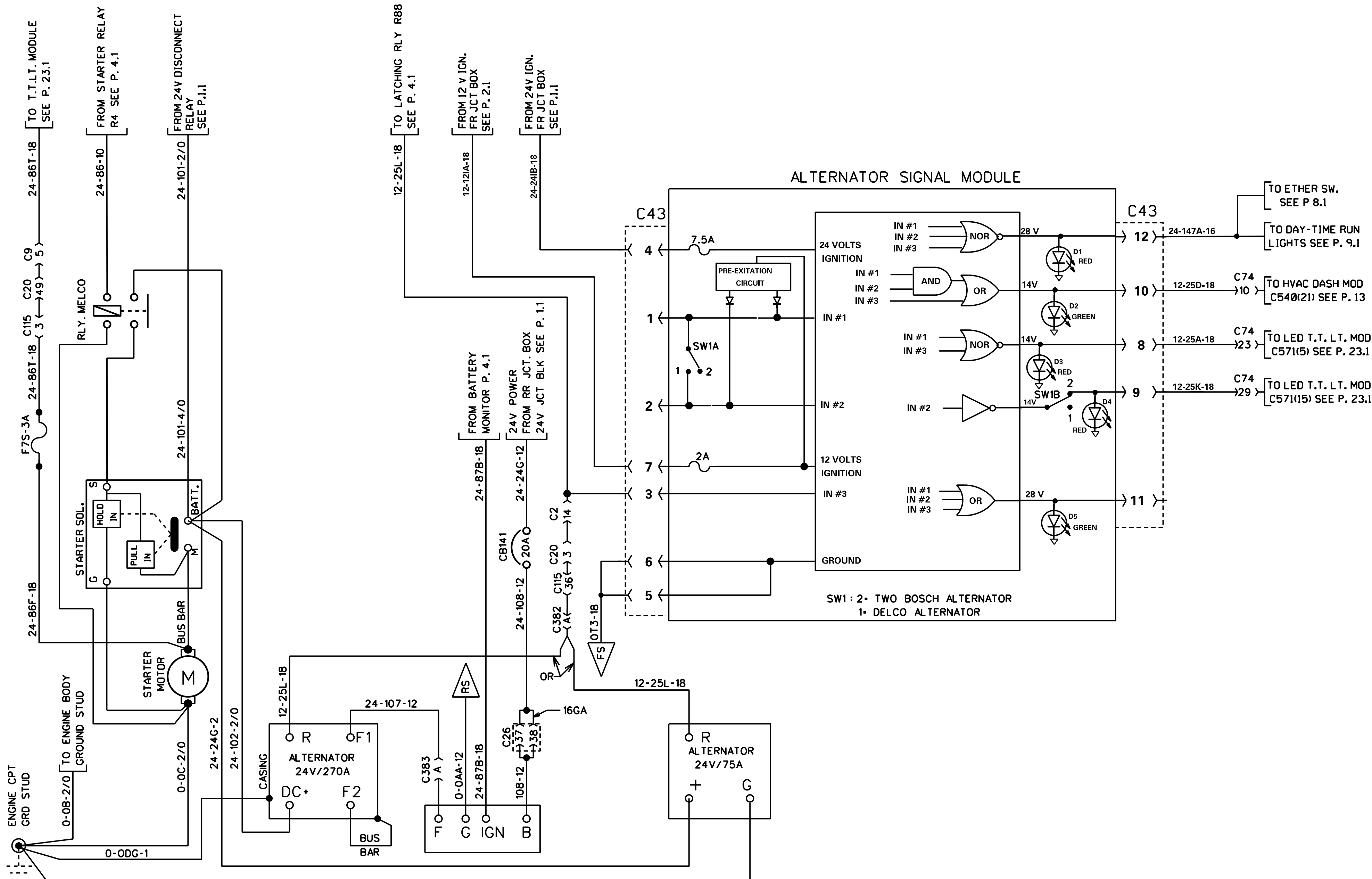
**DELCO ALTERNATOR**  
24V/270A WITH FULL AIR

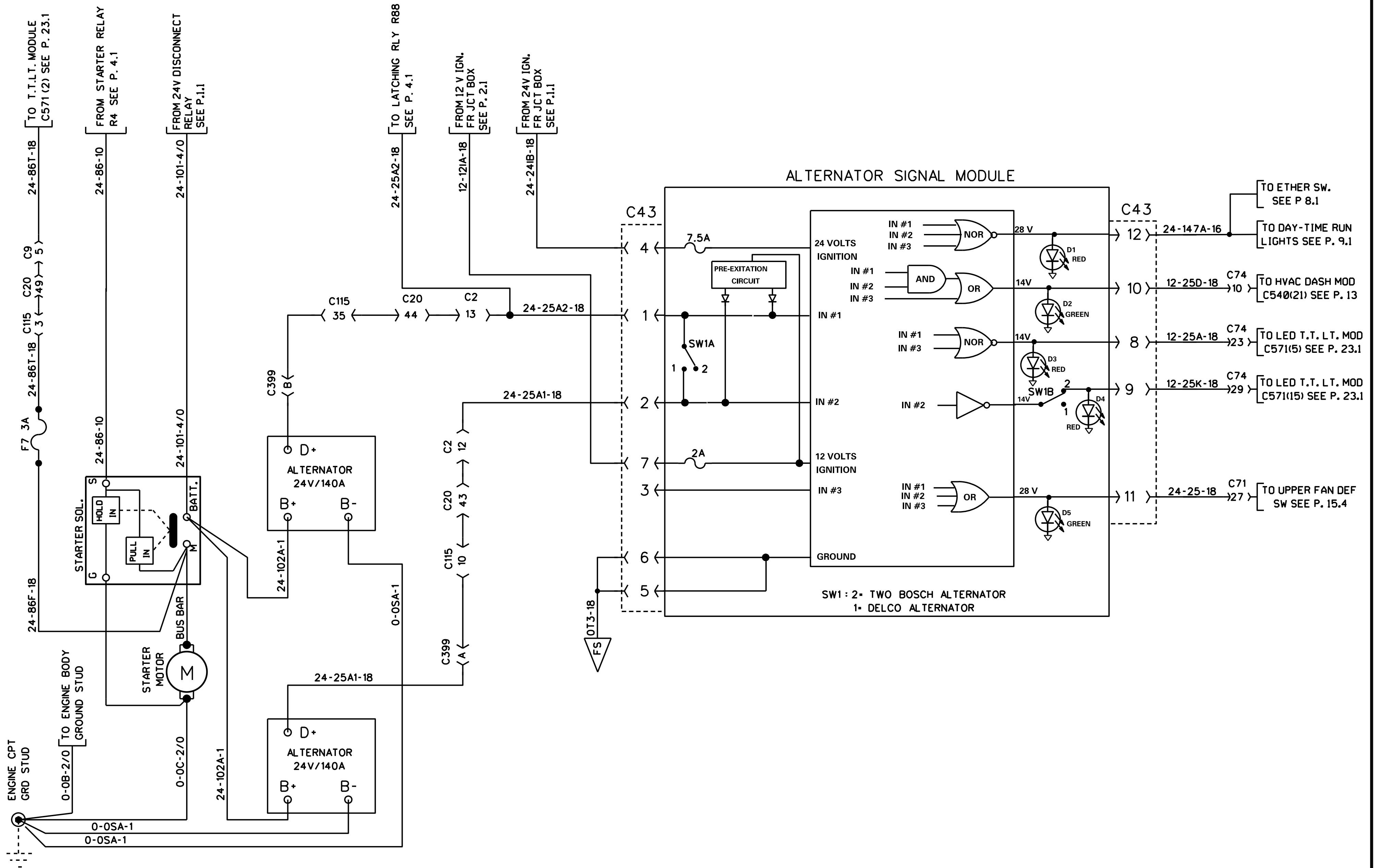
**DELCO ALTERNATOR**  
24V/75A WITH DRIVER'S AIR



**DELCO ALTERNATOR**  
24V/270A WITH FULL AIR

**DELCO ALTERNATOR**  
24V/75A WITH DRIVER'S AIR

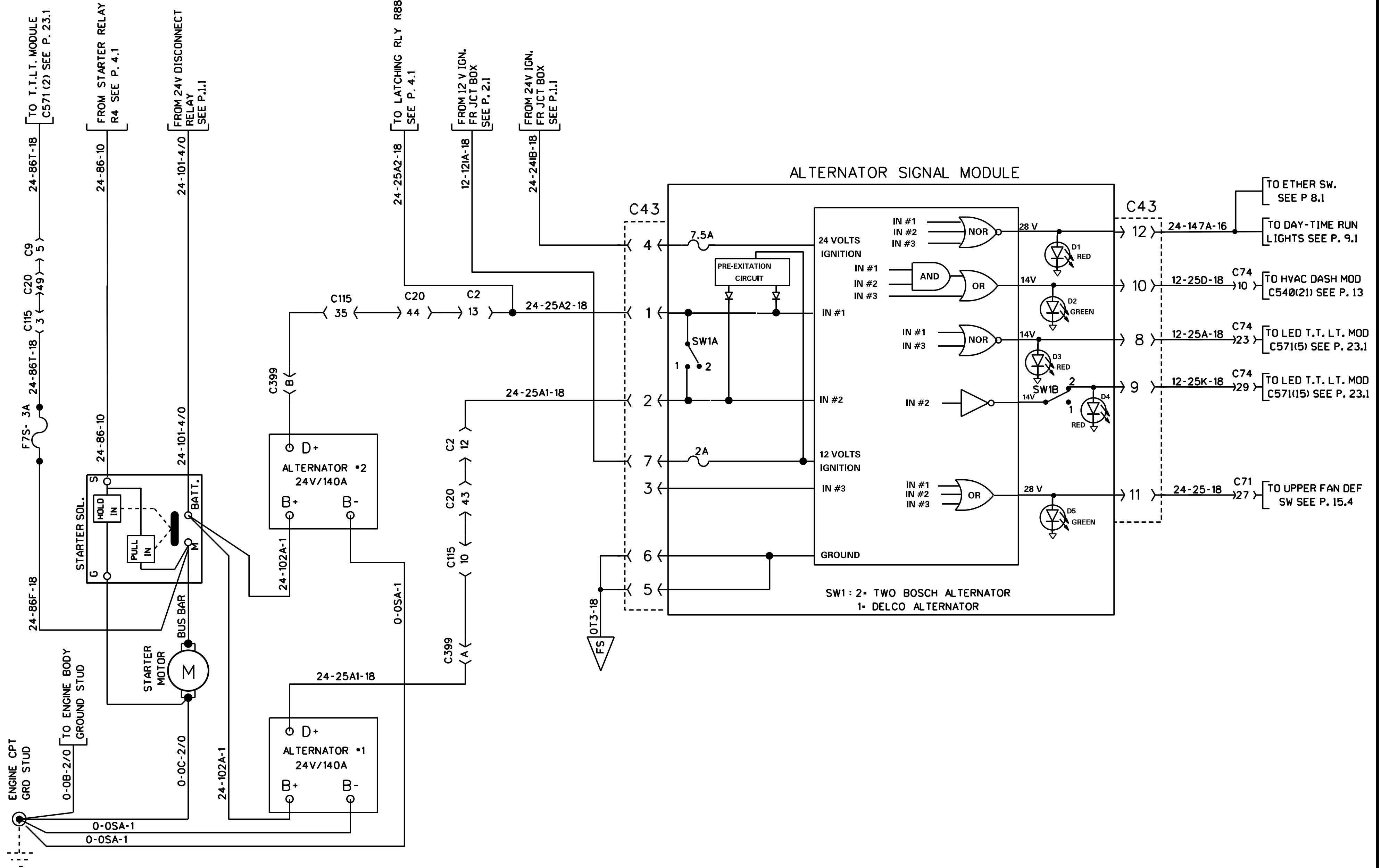




STARTER

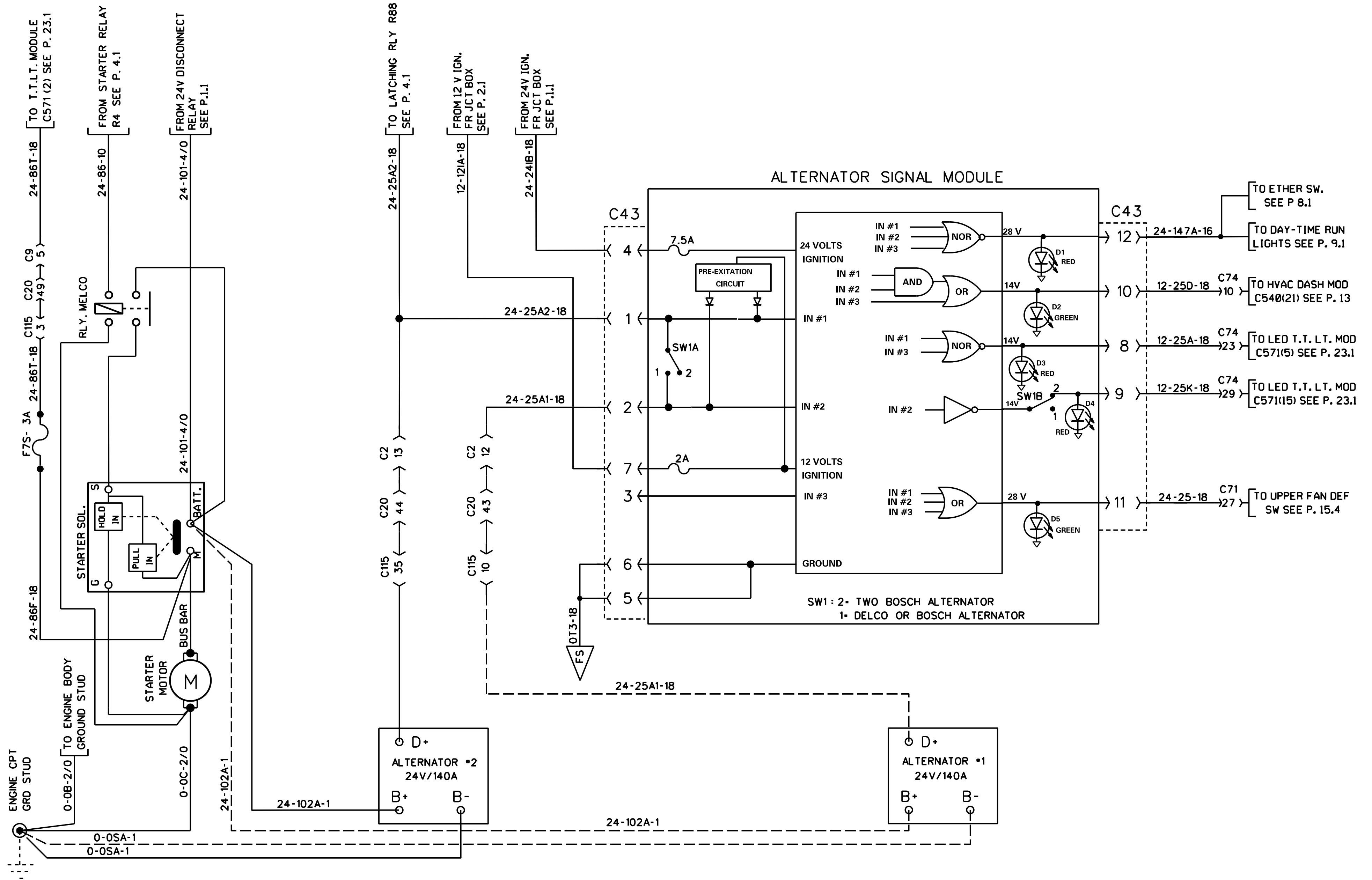
DUAL BOSCH ALTERNATOR - WE ENTERTAINER ONLY





STARTER

DUAL BOSCH ALTERNATOR - WE ENTERTAINER ONLY

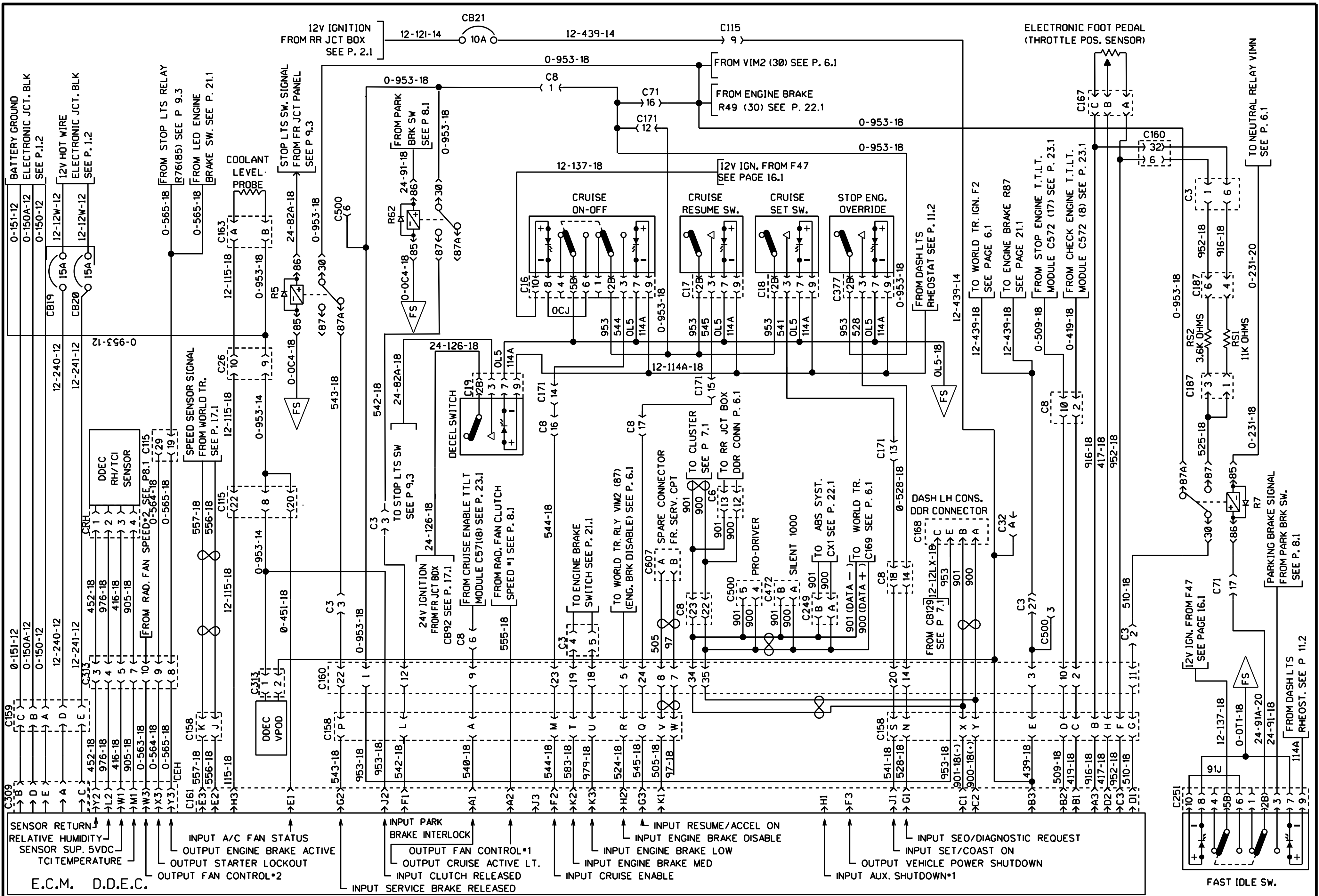


STARTER

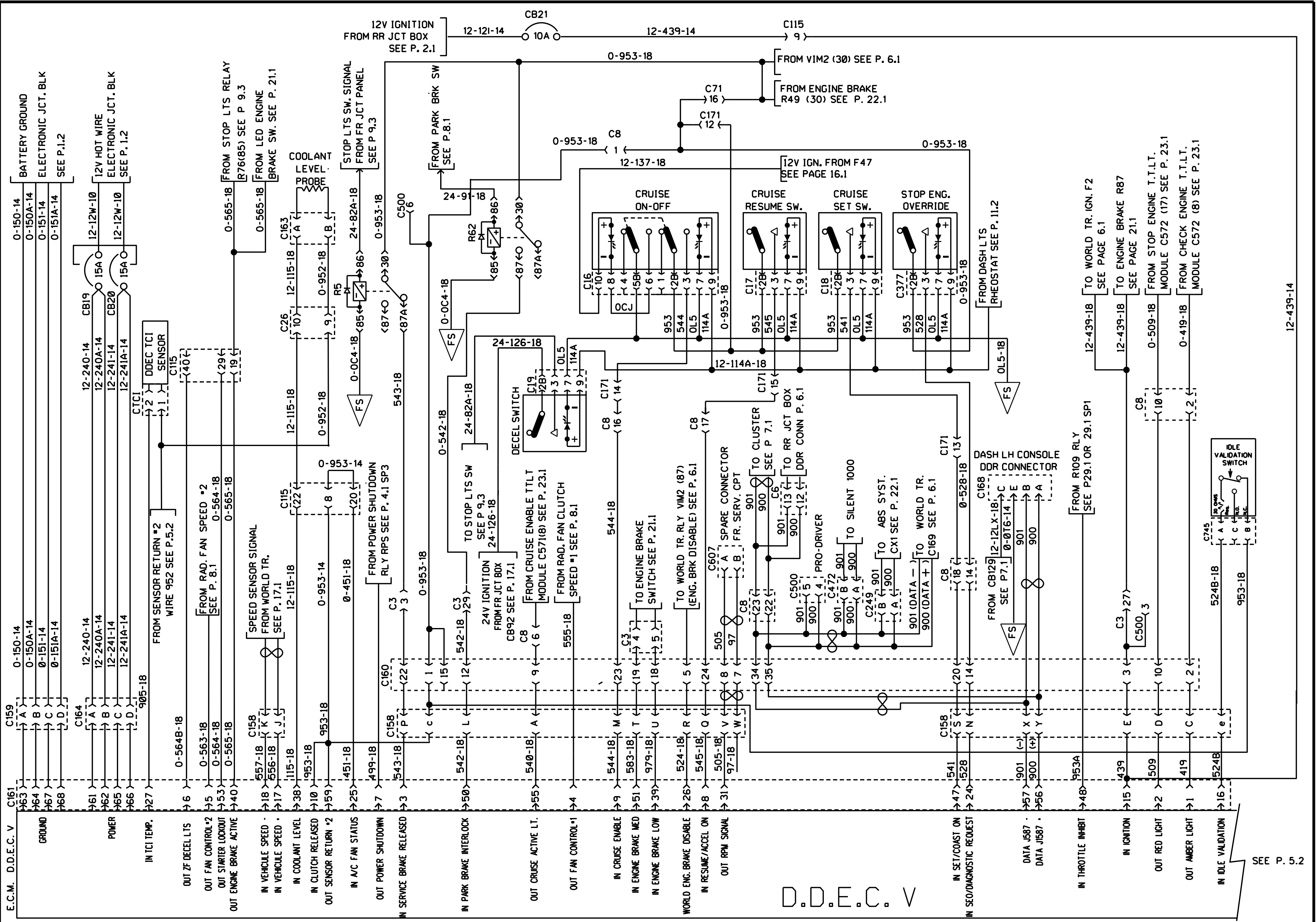
BOSCH ALTERNATOR  
24V/140A WITH DRIVER'S AIR

OR

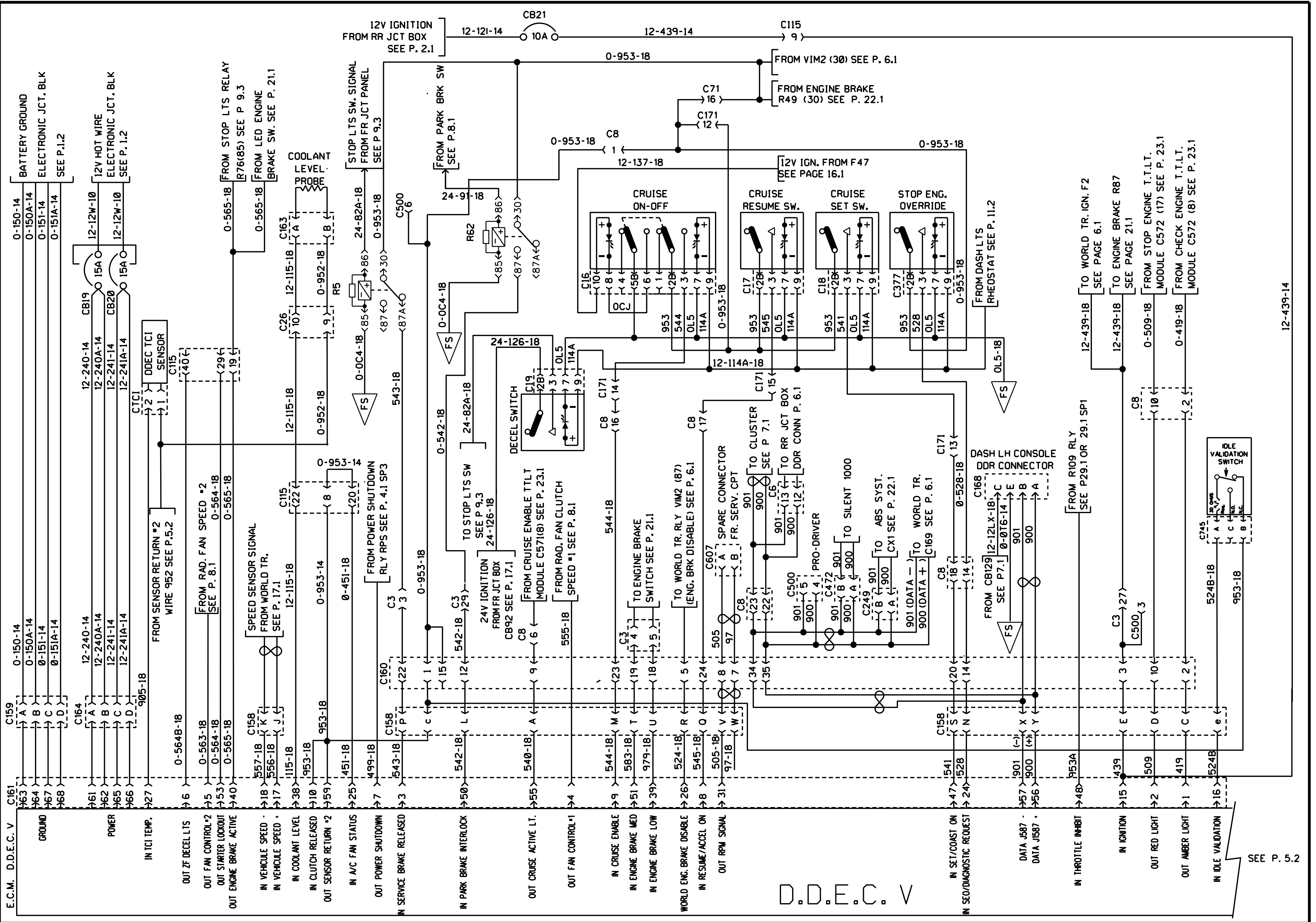
DUAL BOSCH ALTERNATOR  
24V/140A WITH FULL AIR



D.D.E.C.



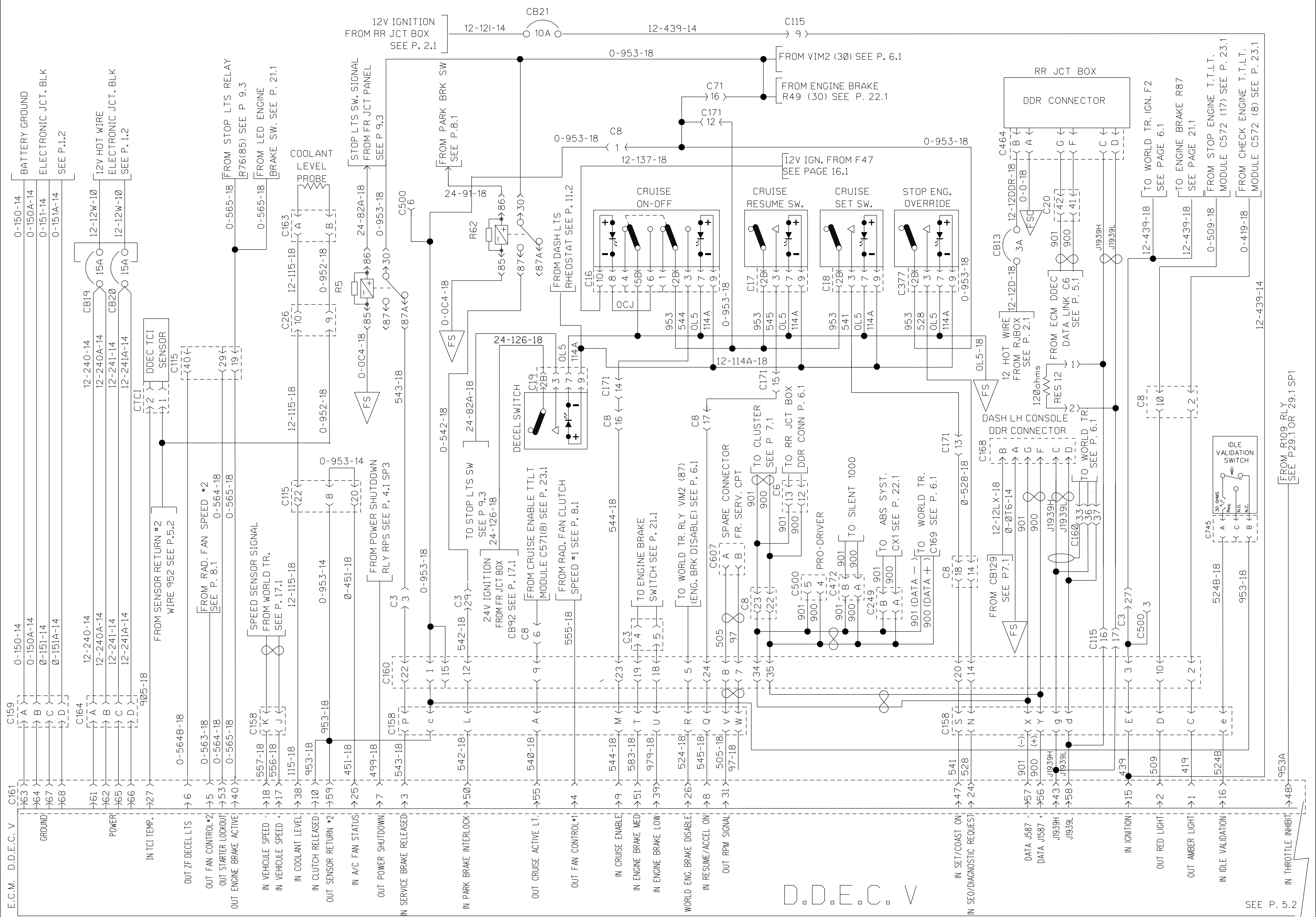
SEE P. 5.2



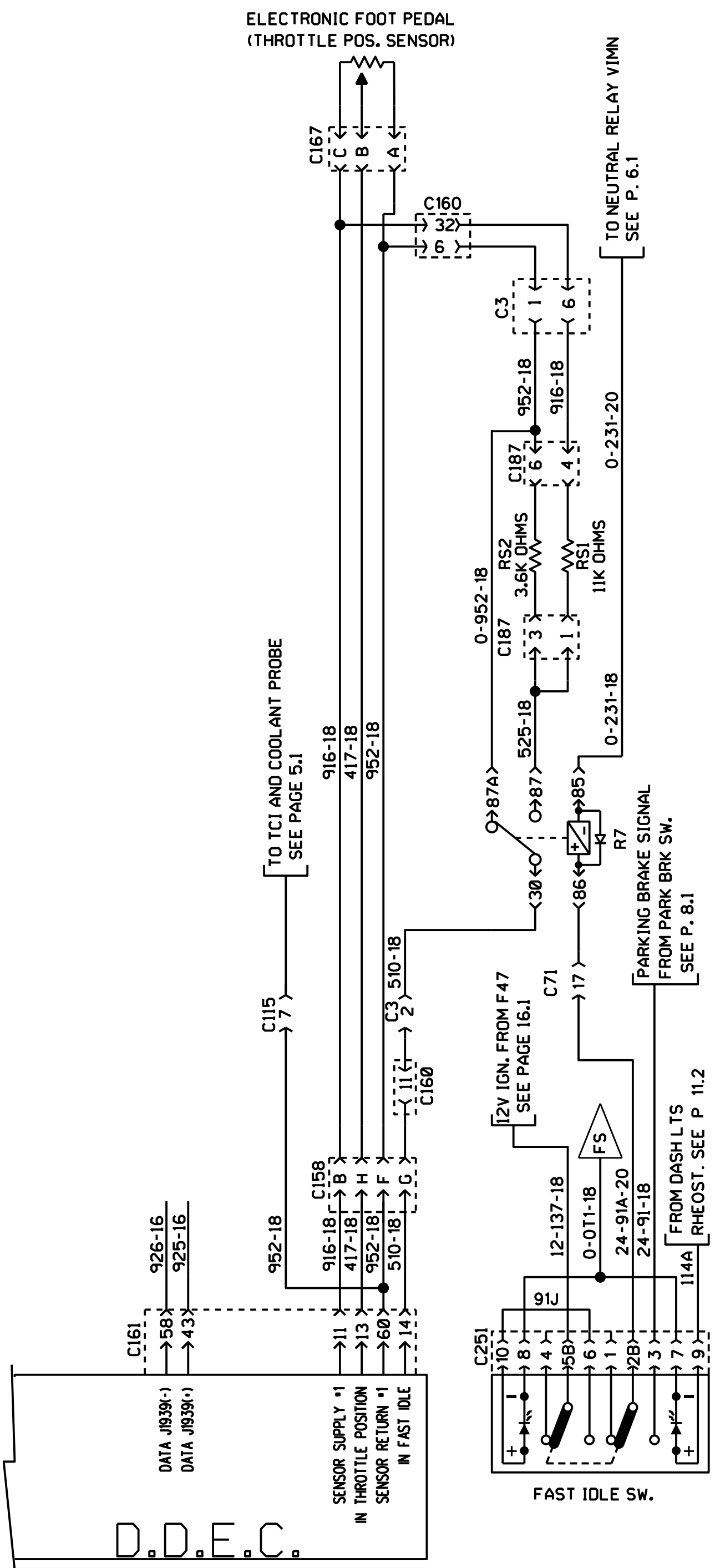
D.D.E.C. V

SEE P. 5.2

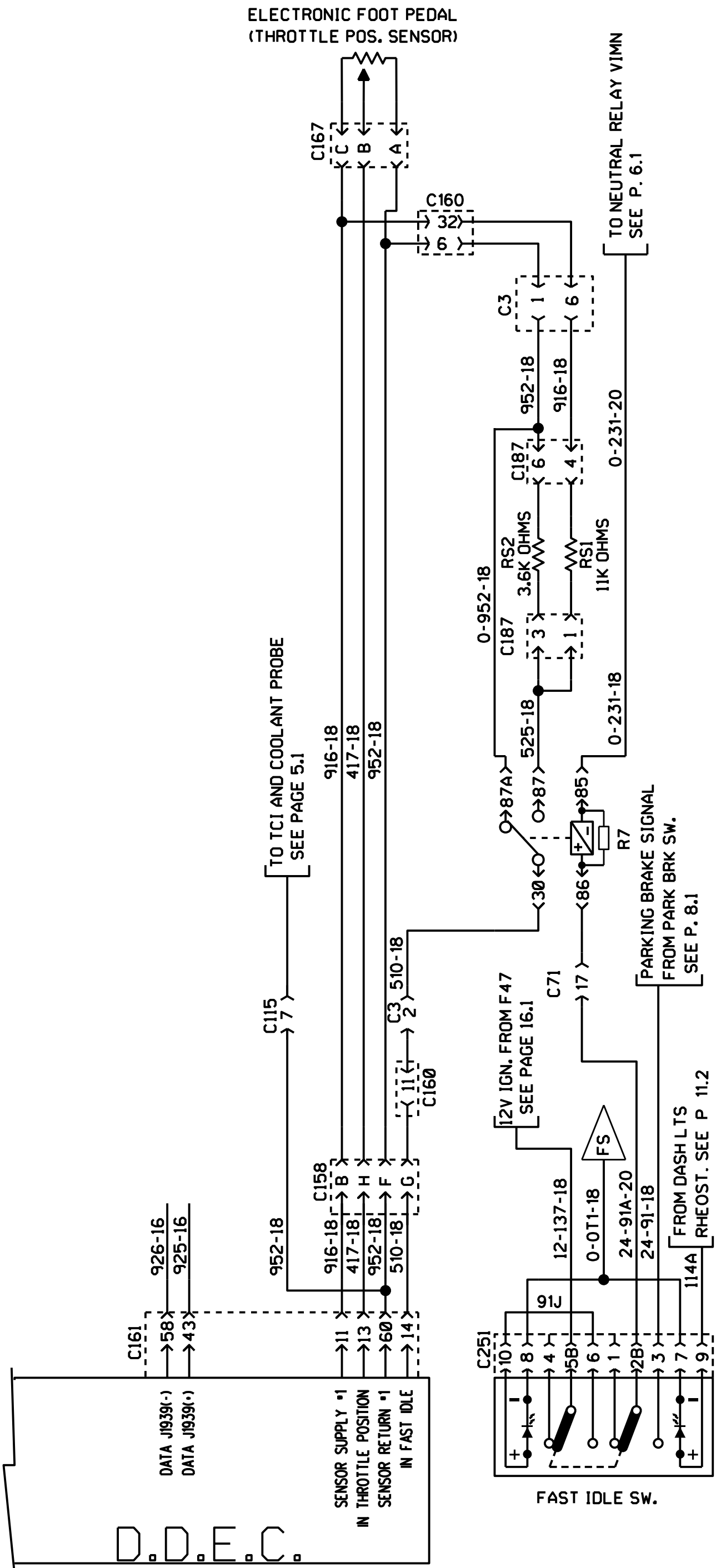
12-439-14



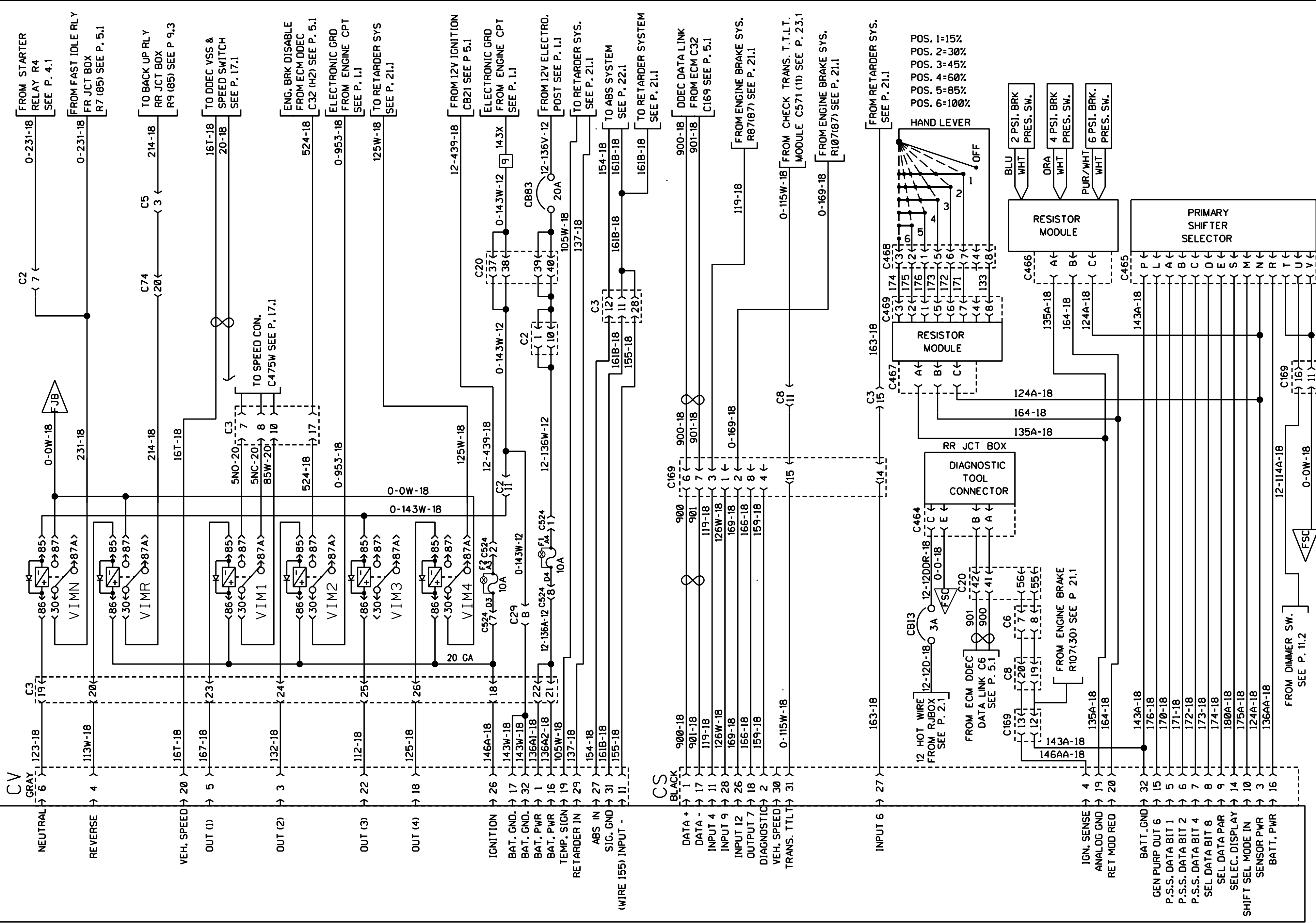
SEE P. 5.1



SEE P. 5.1

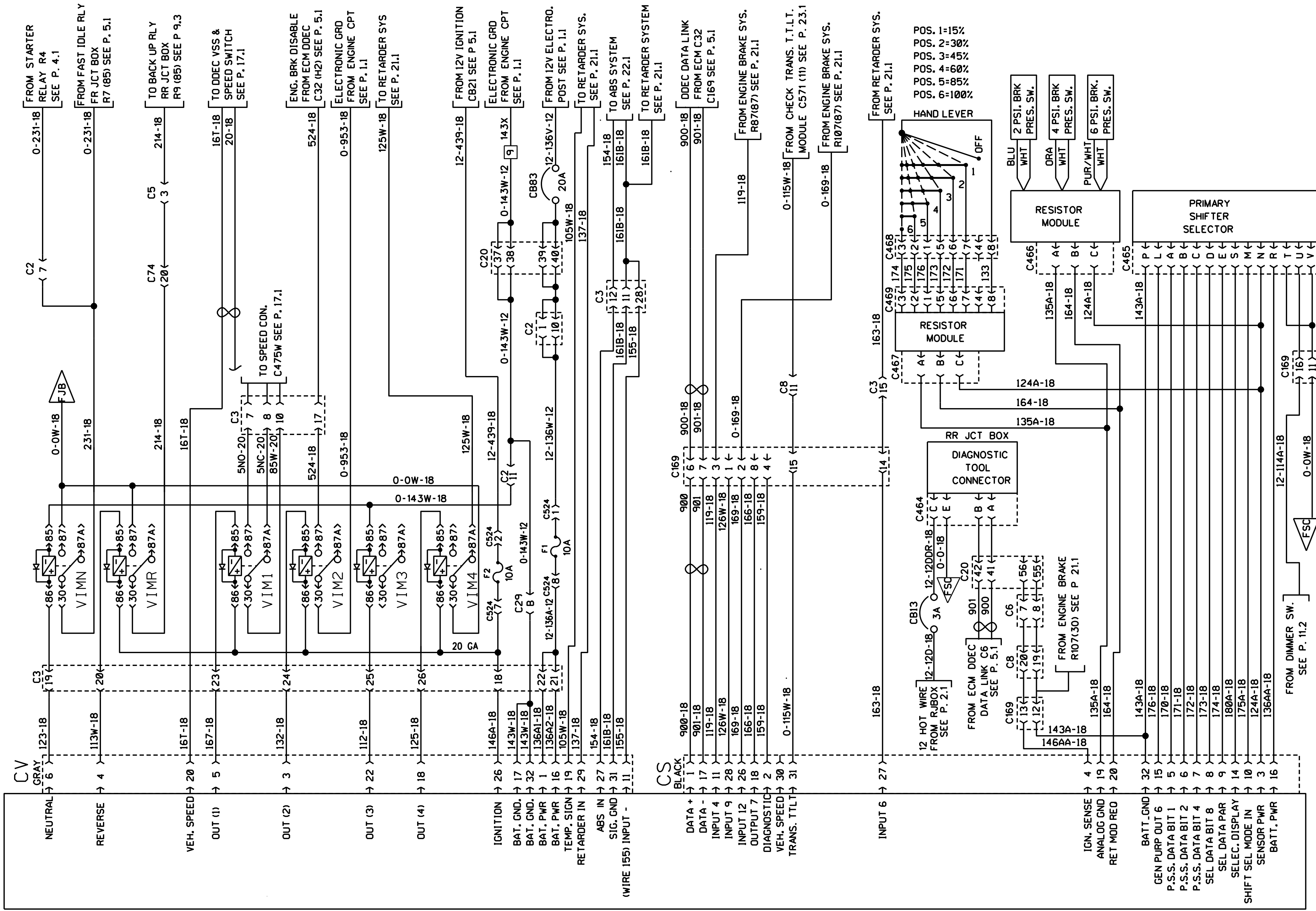






WORLD TRANSMISSION E.C.U.

WORLD TRANSMISSION E.C.U.



WORLD TRANSMISSION E.C.U.

**PREVOST**

**WIRING DIAGRAM**

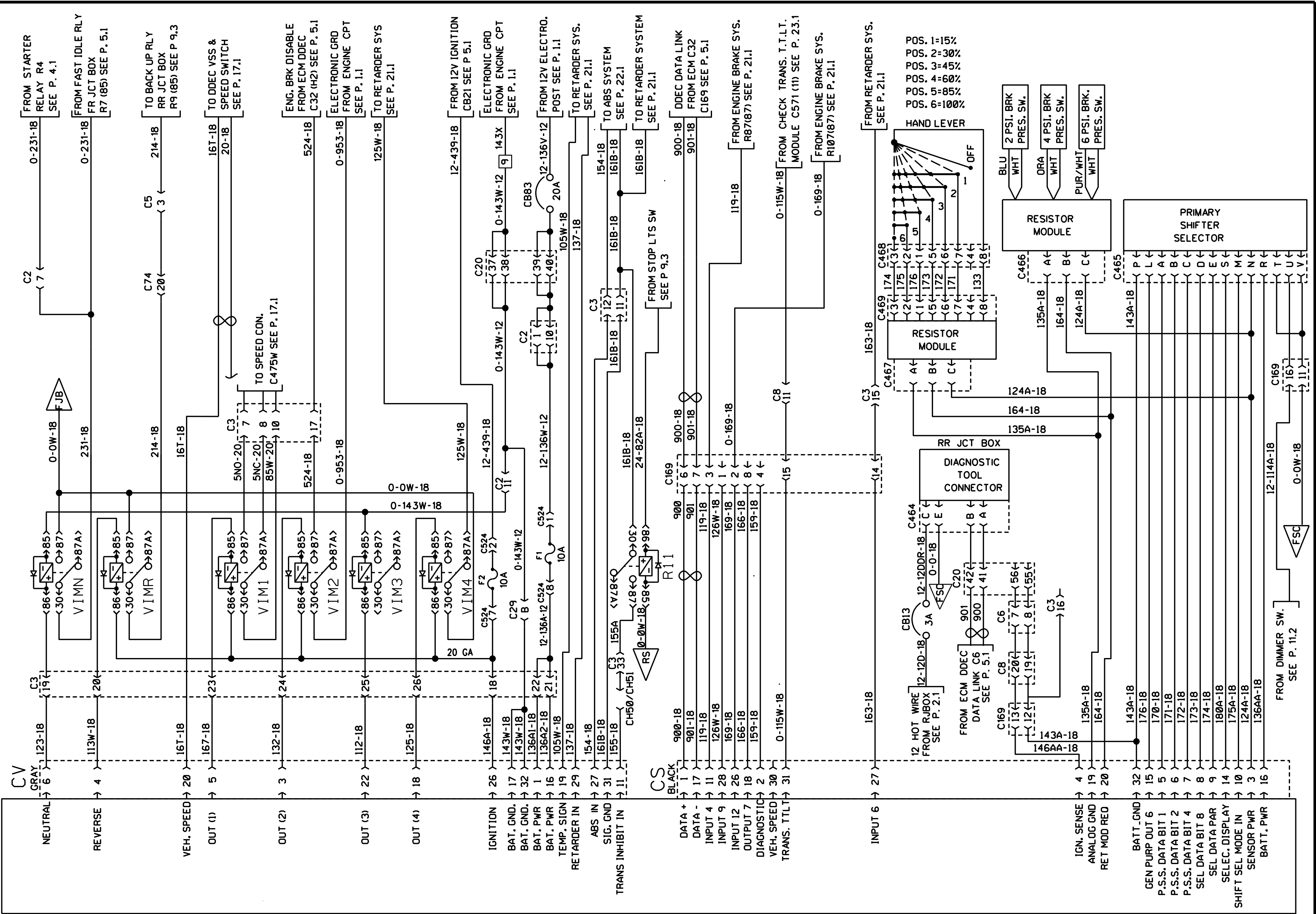
NO:

**0060994**

PAGE:

**6.1**

REVISION  
07



WORLD TRANSMISSION E.C.U.

**PREVOST**

**WIRING DIAGRAM**

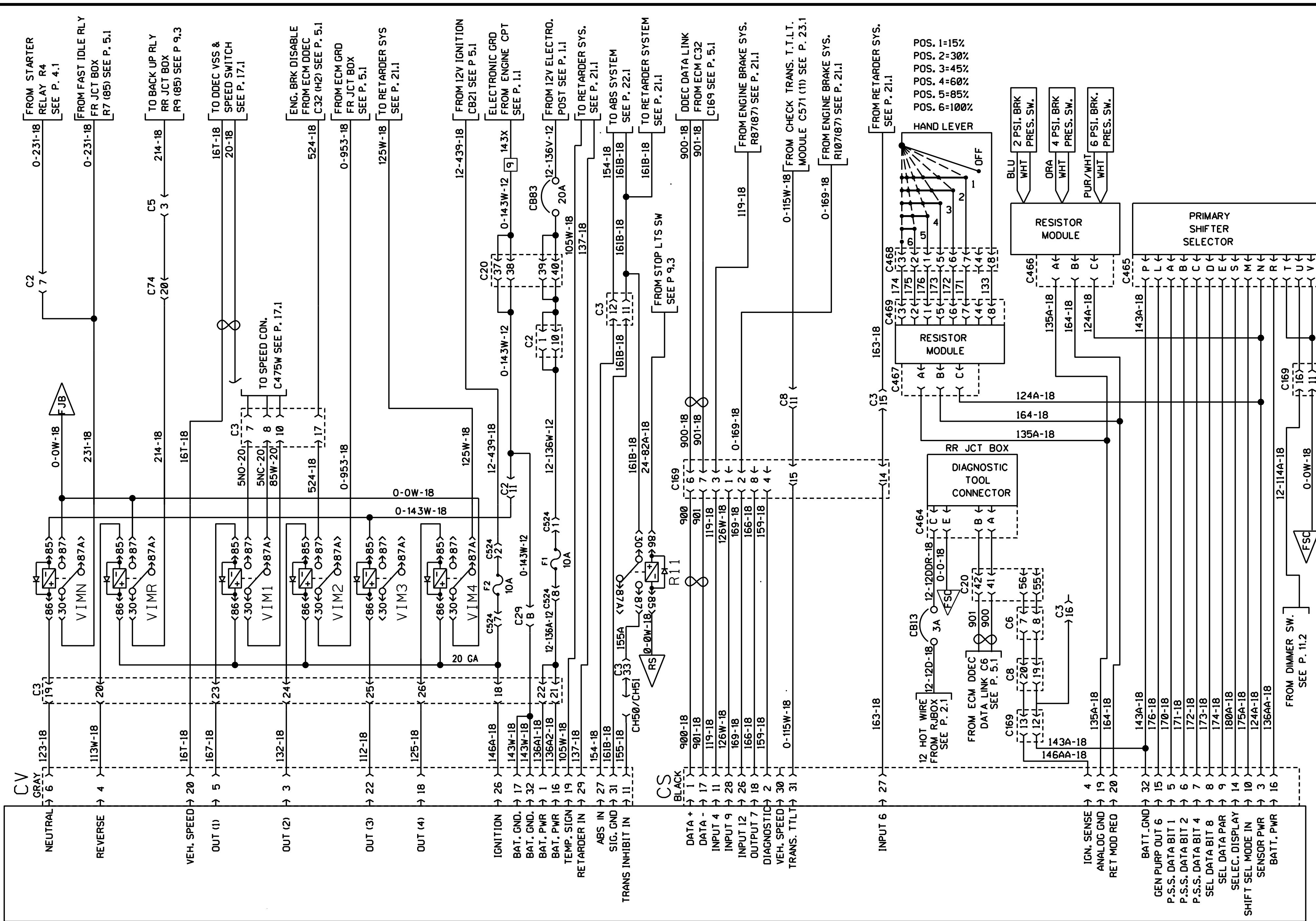
NO:

**0060994**

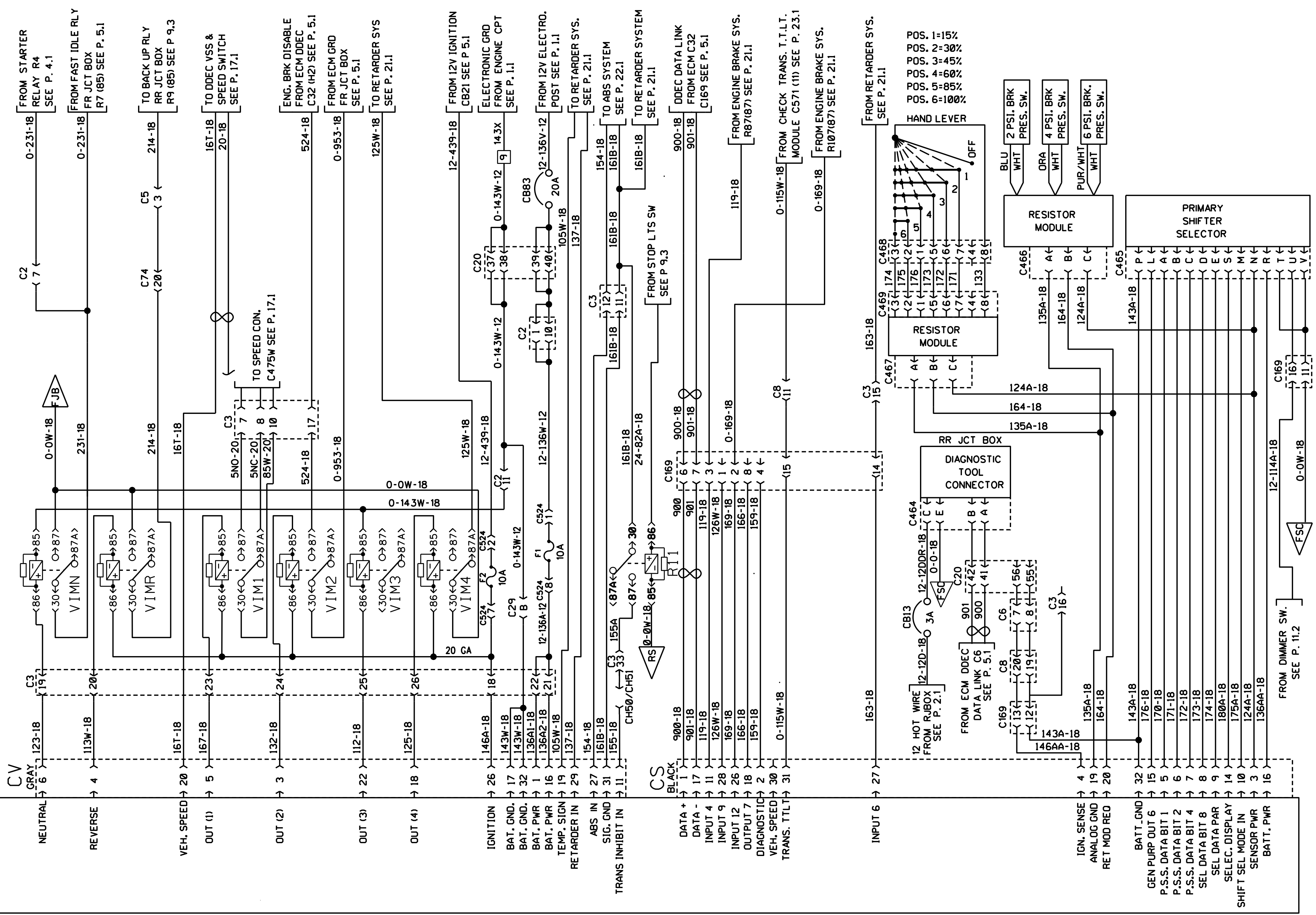
PAGE:

**6.1**

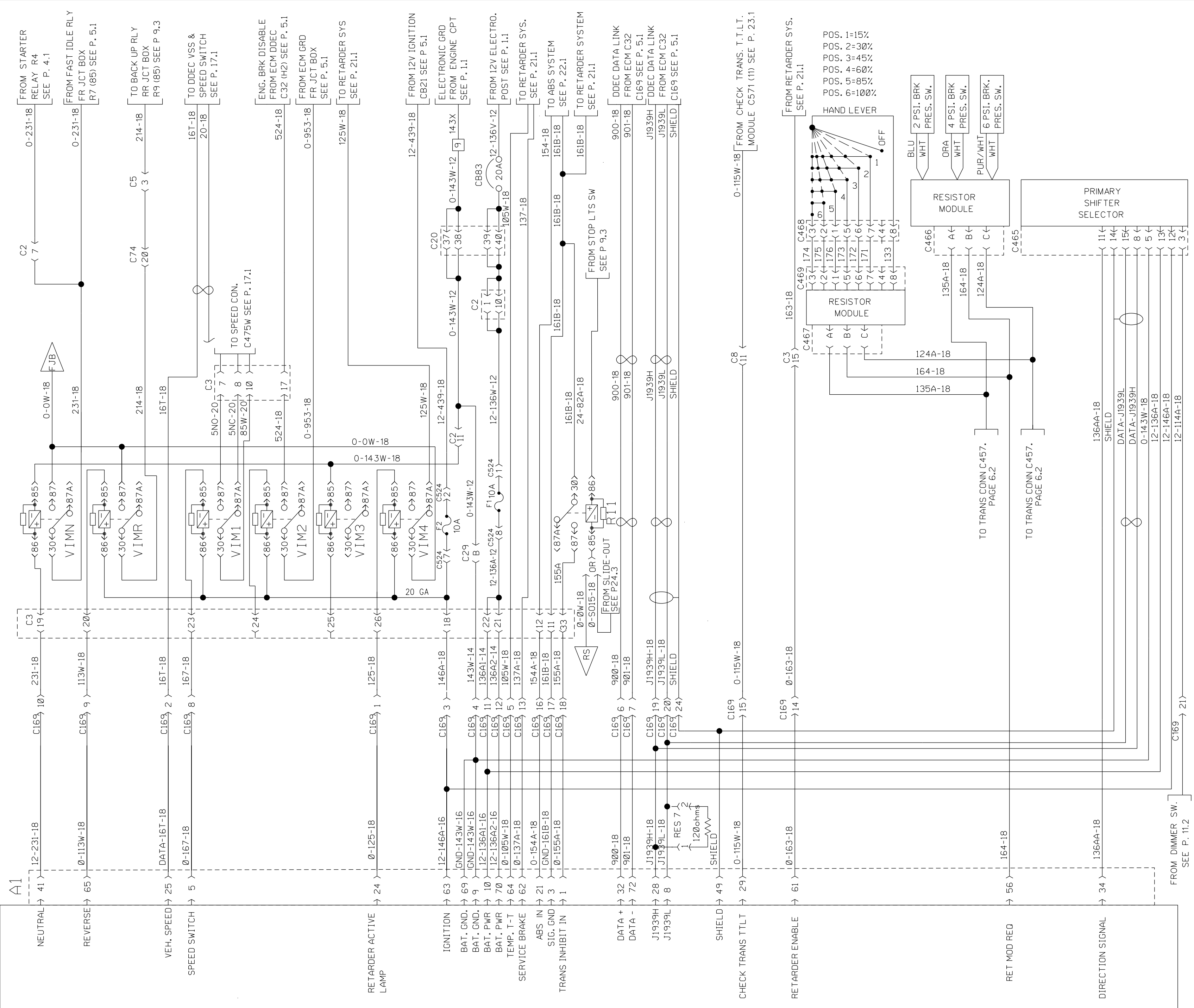
REVISION  
08



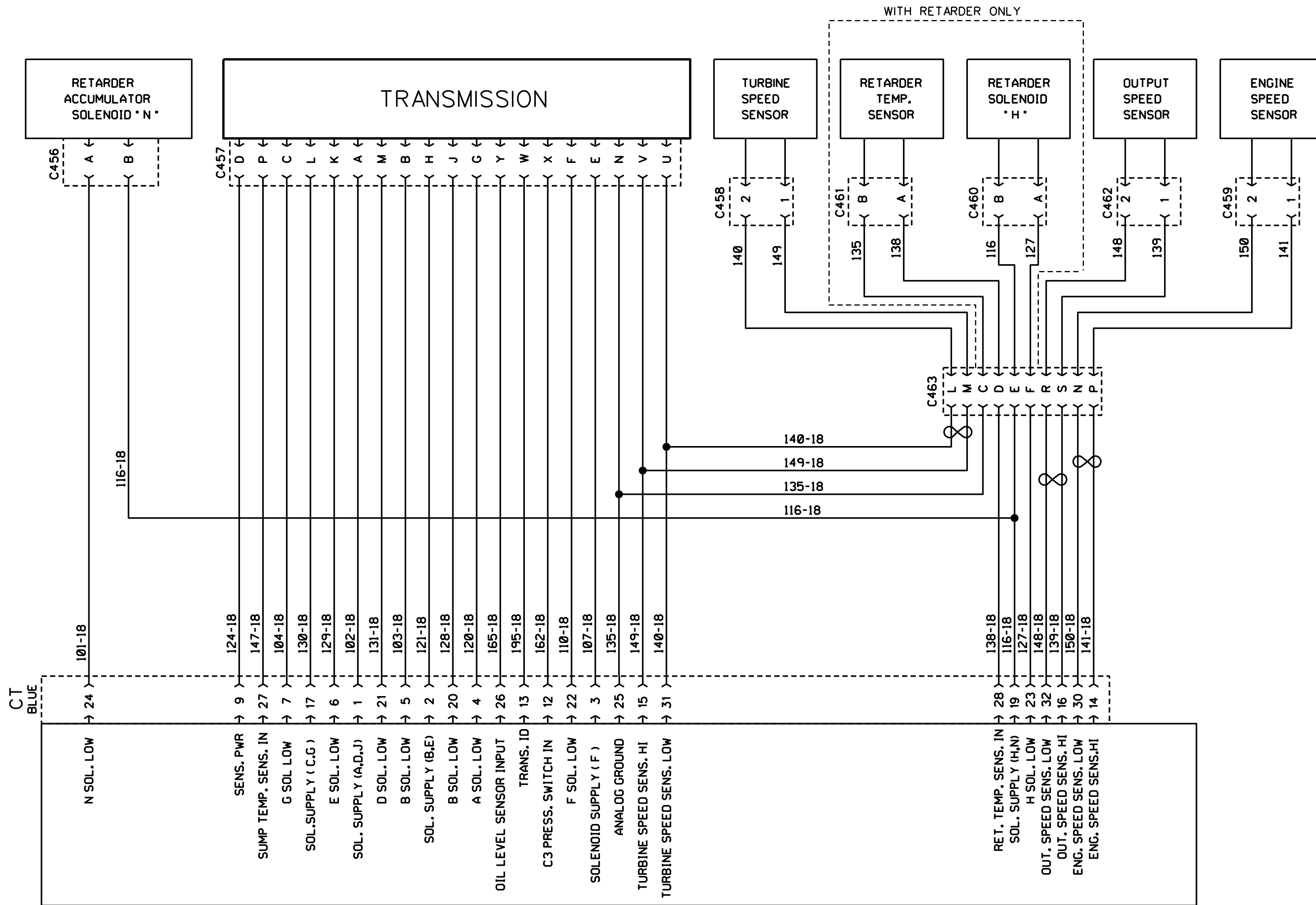
CV



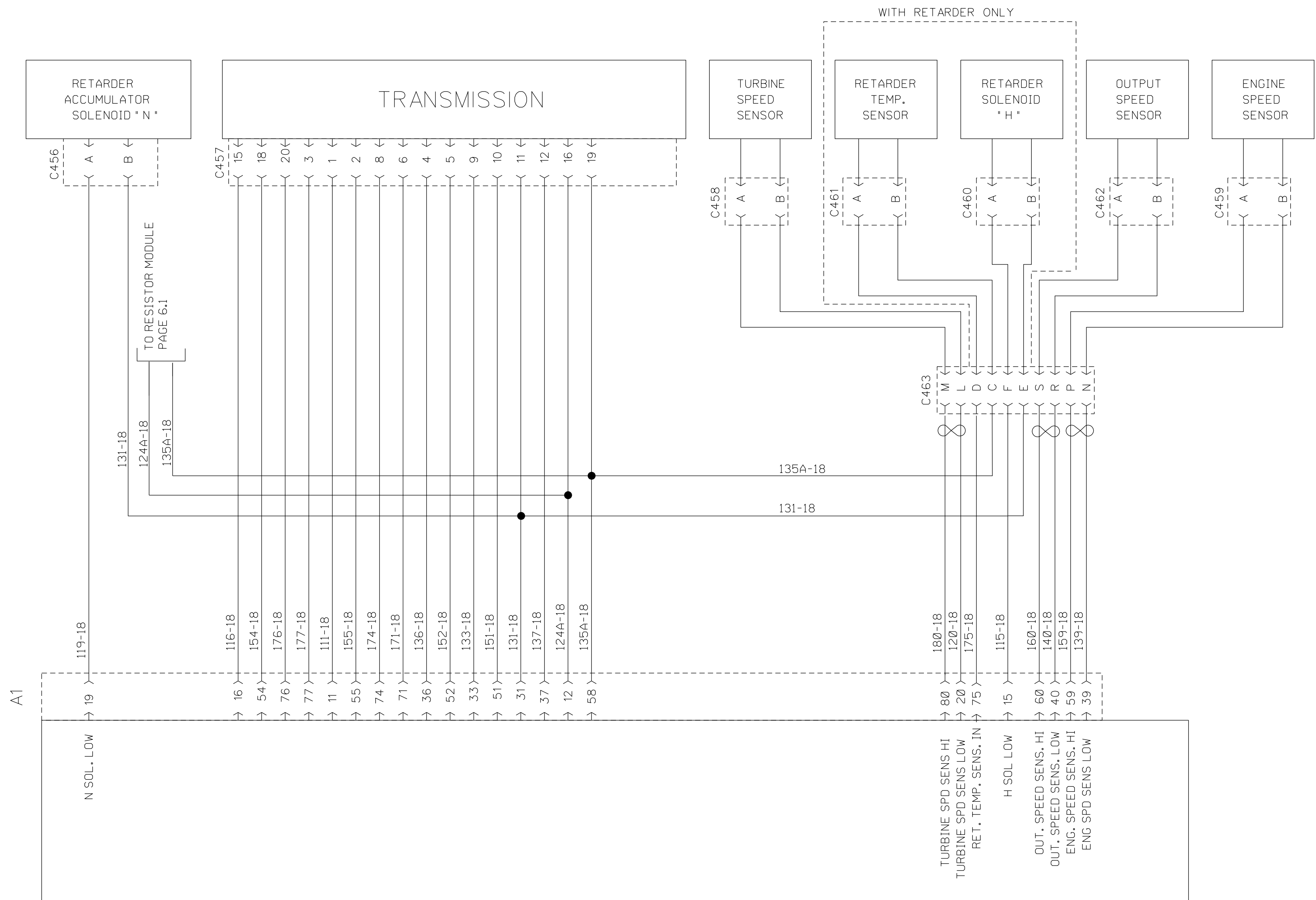
WORLD TRANSMISSION E.C.U.



WORLD TRANSMISSION E.C.U.

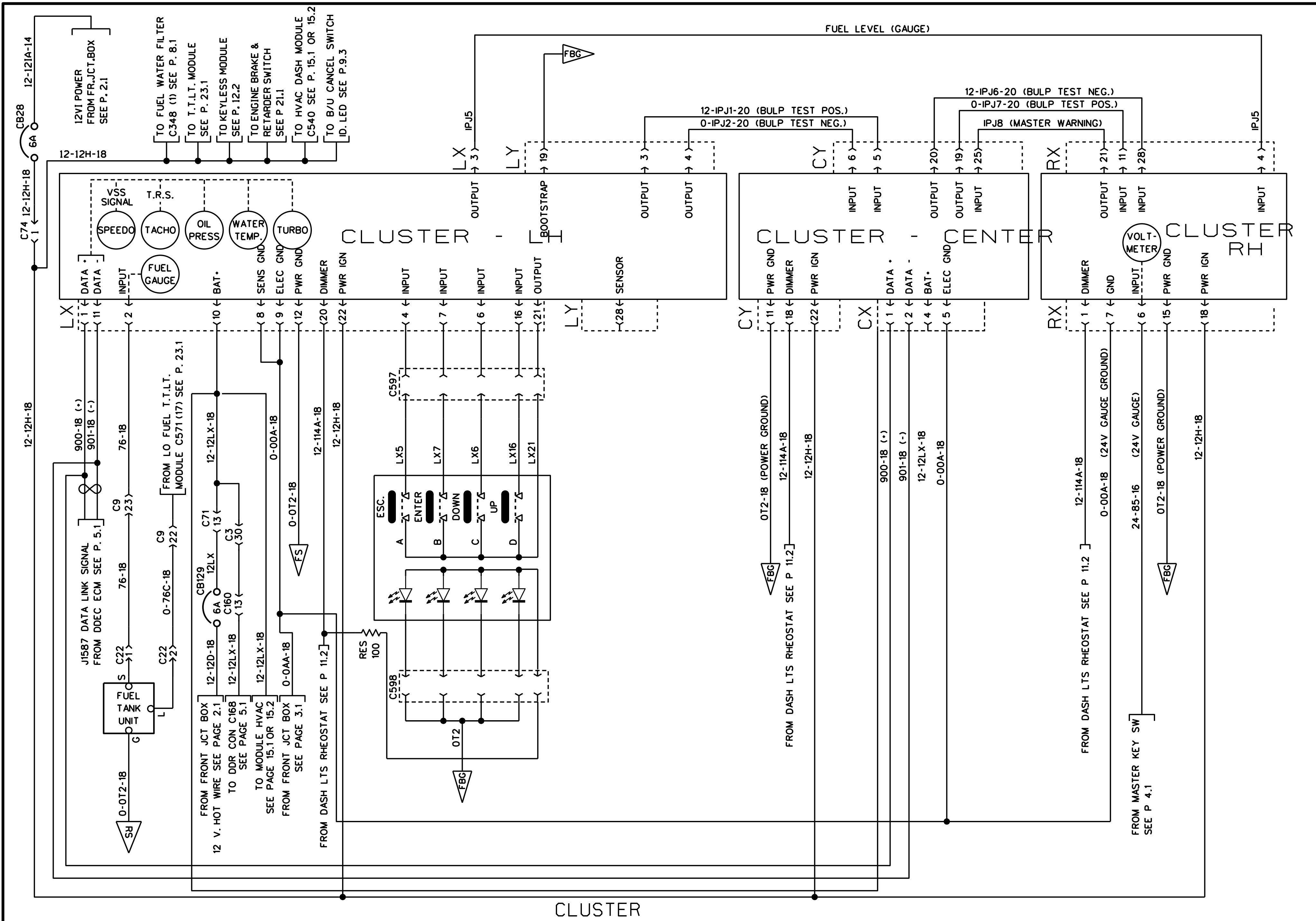


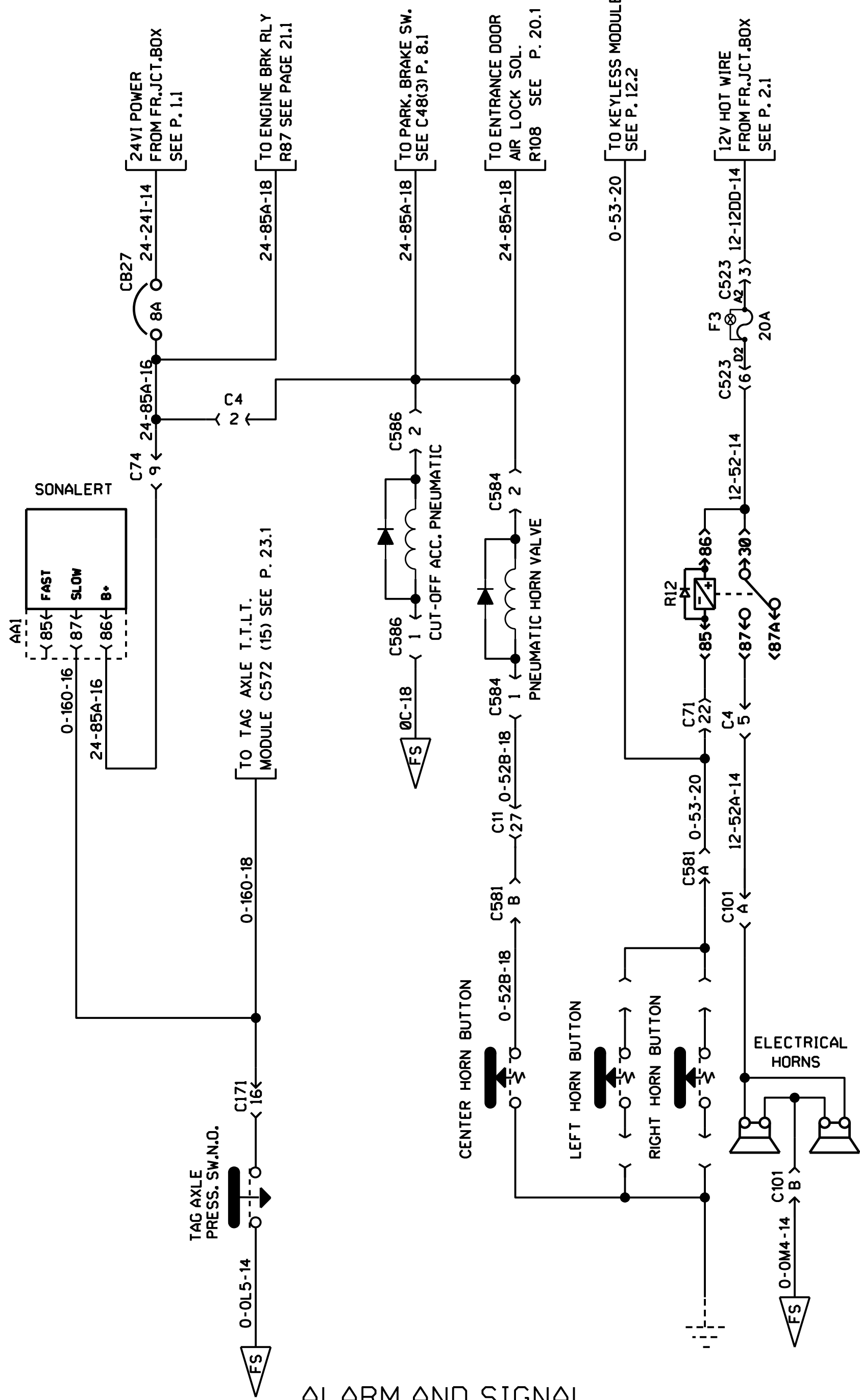
WORLD TRANSMISSION E.C.U. (SUITE)



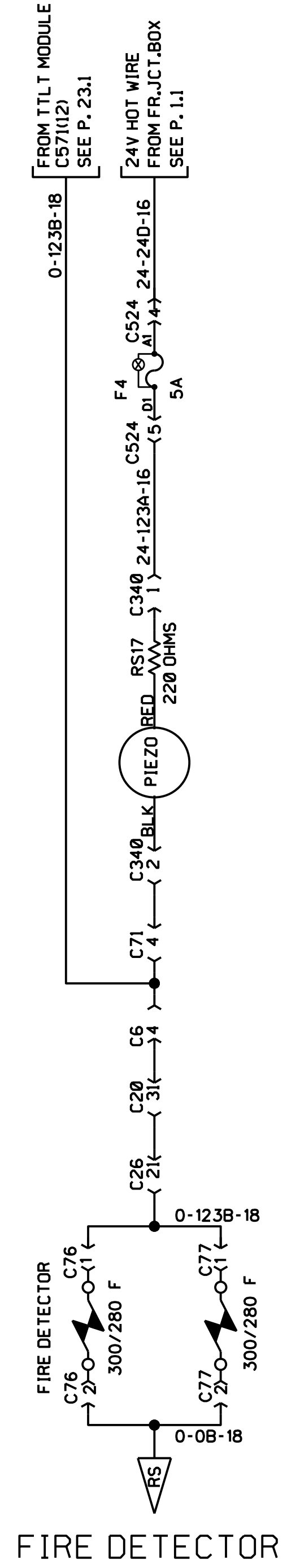
WORLD TRANSMISSION E.C.U. (SUITE)



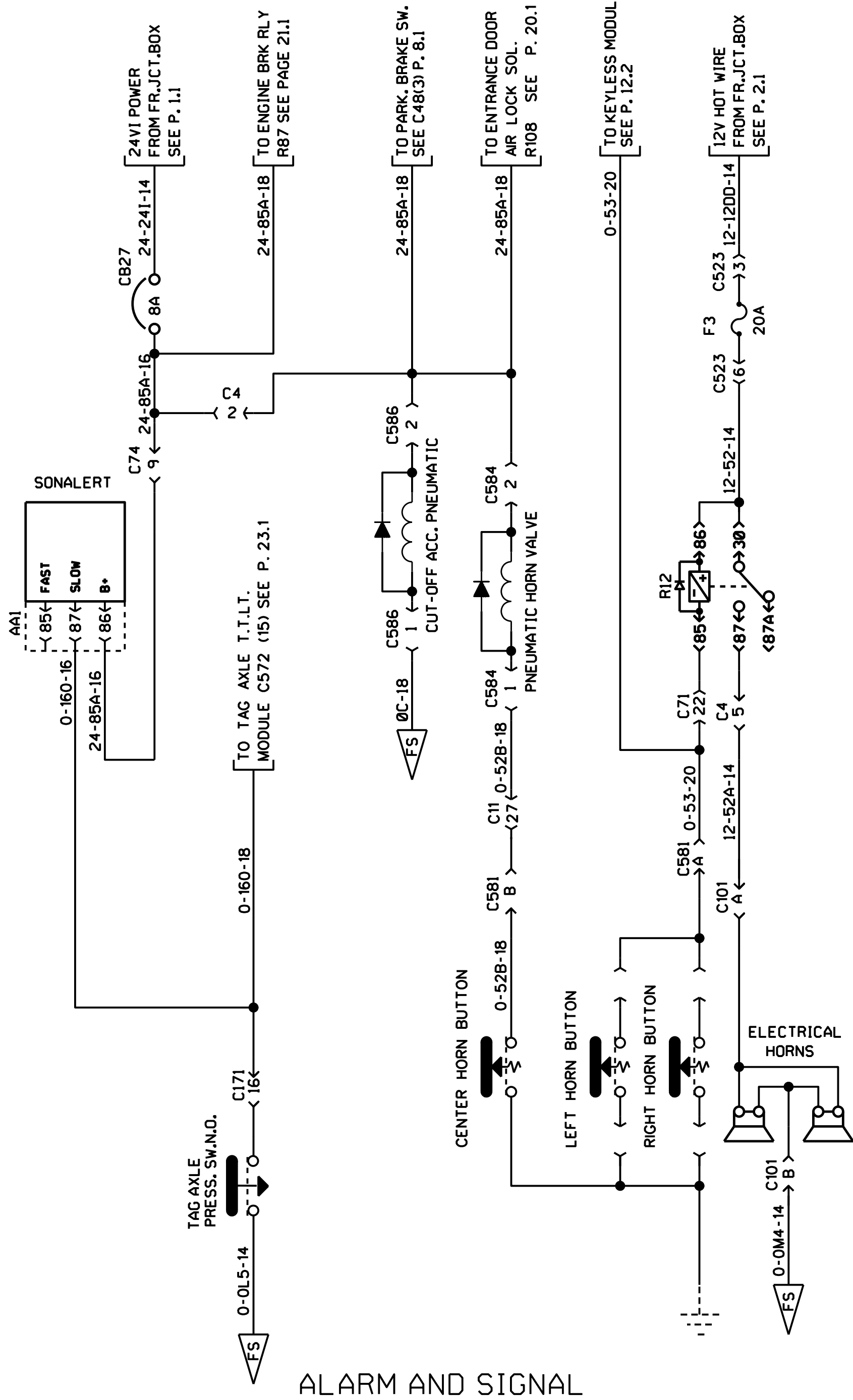




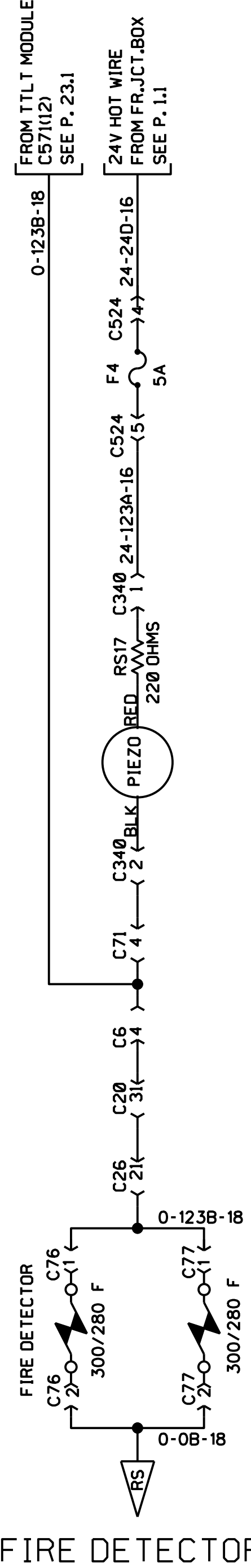
ALARM AND SIGNAL



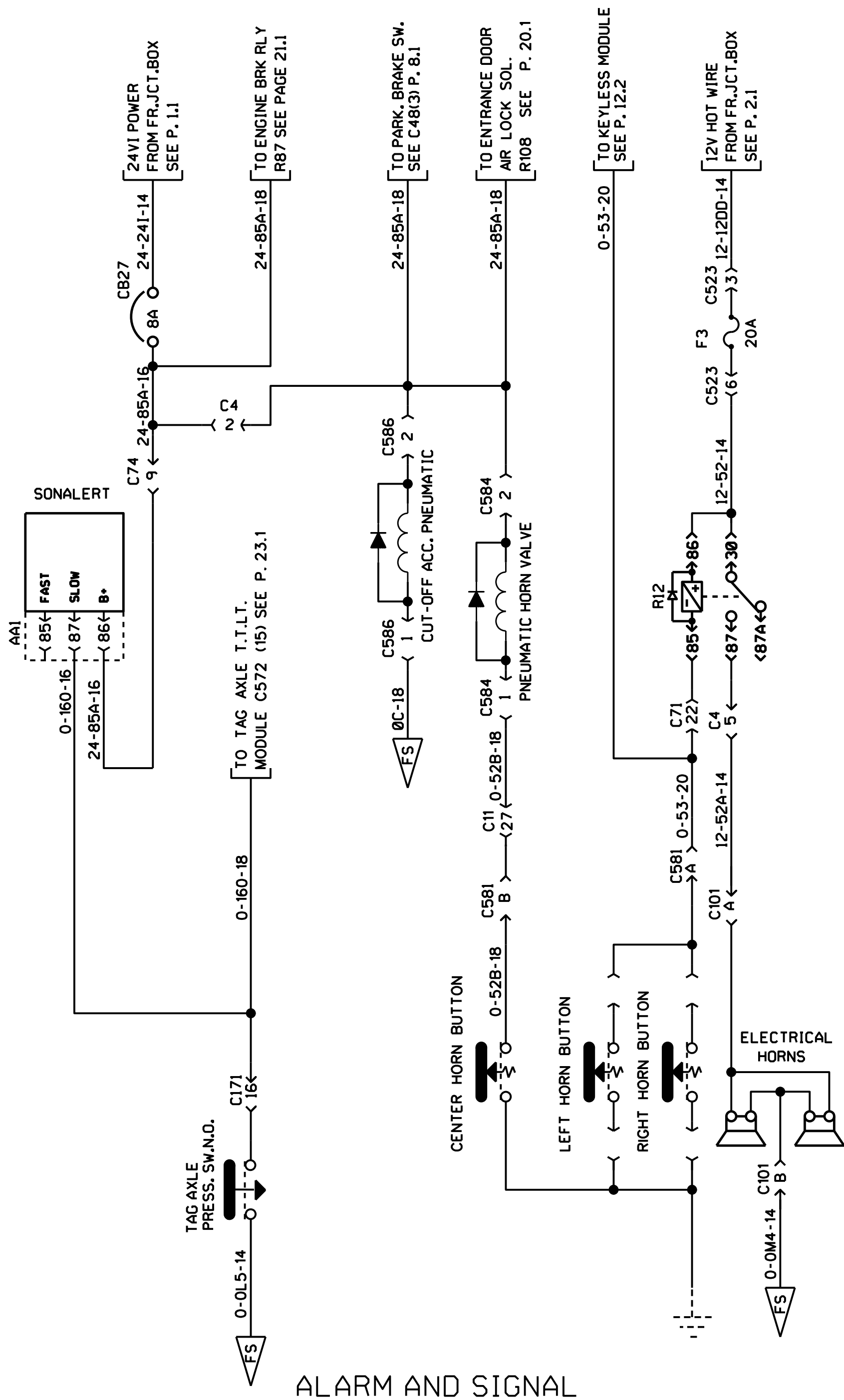
FIRE DETECTOR



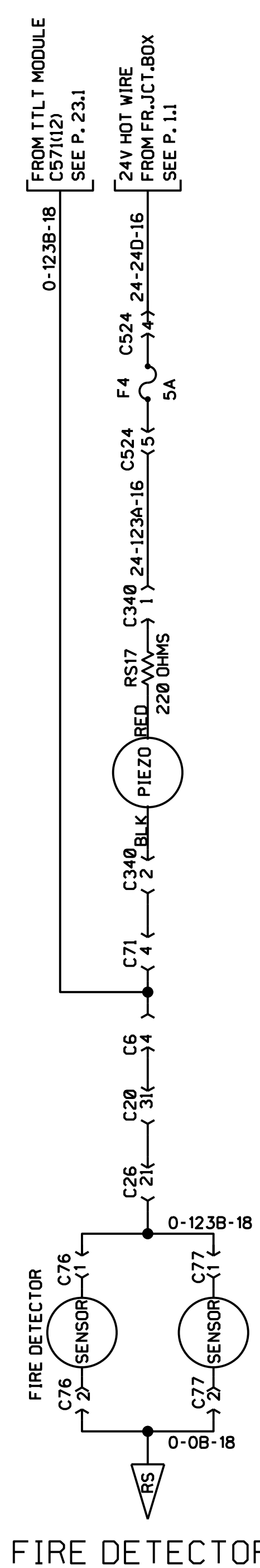
ALARM AND SIGNAL



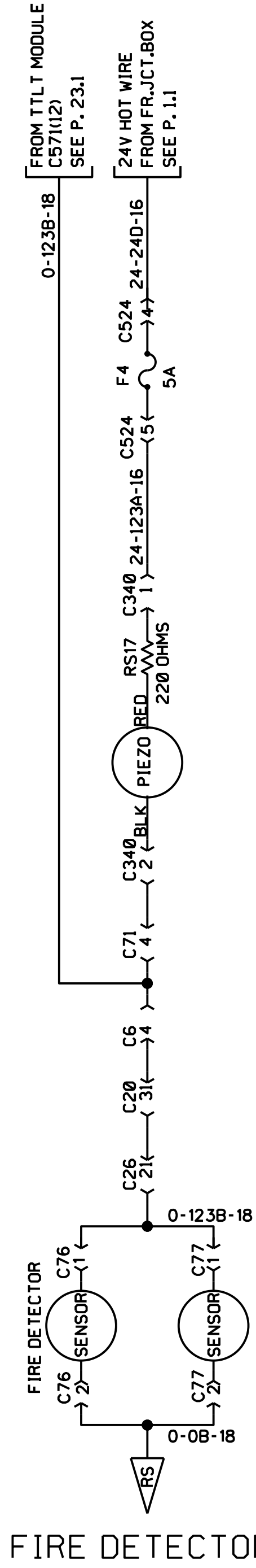
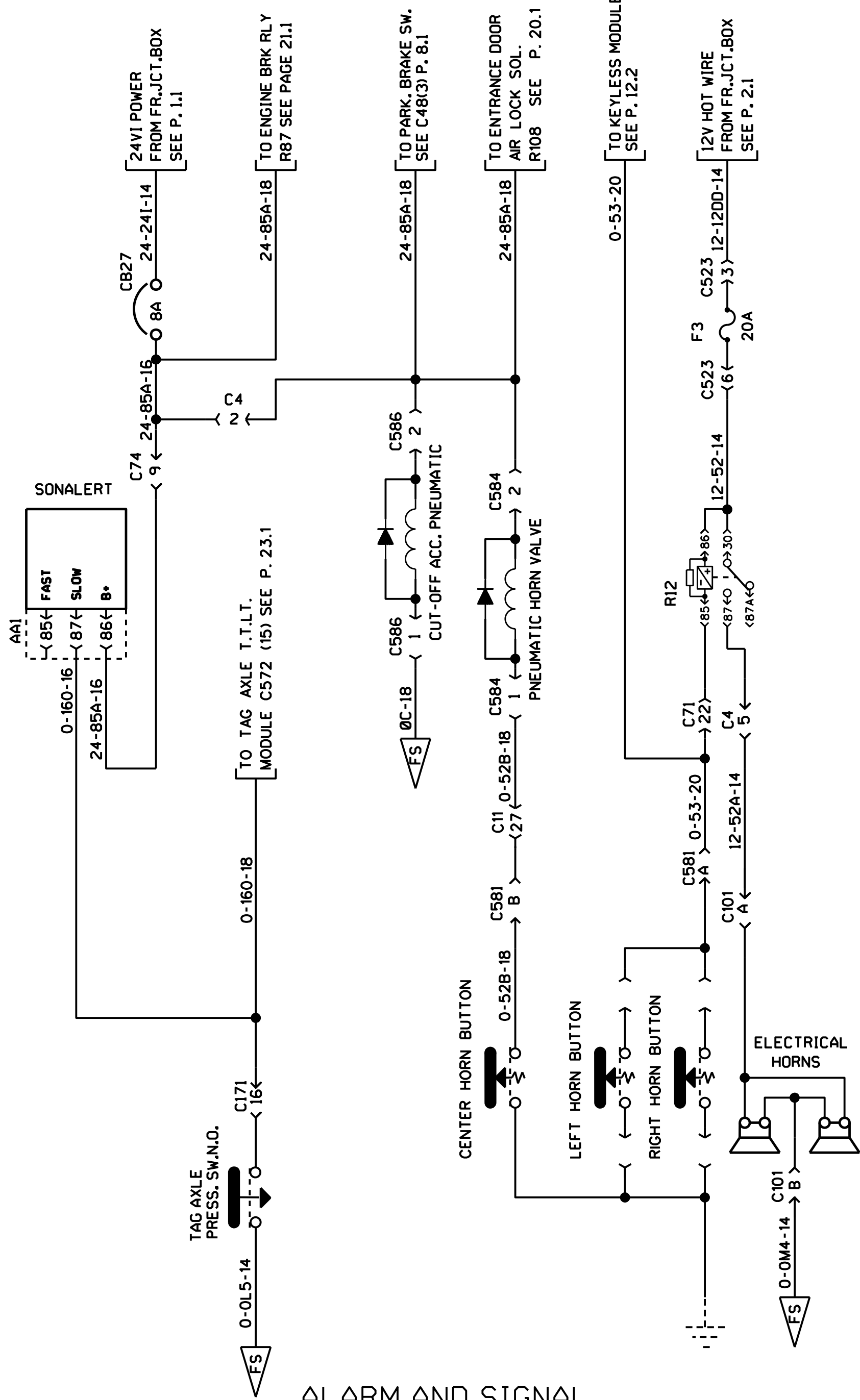
FIRE DETECTOR

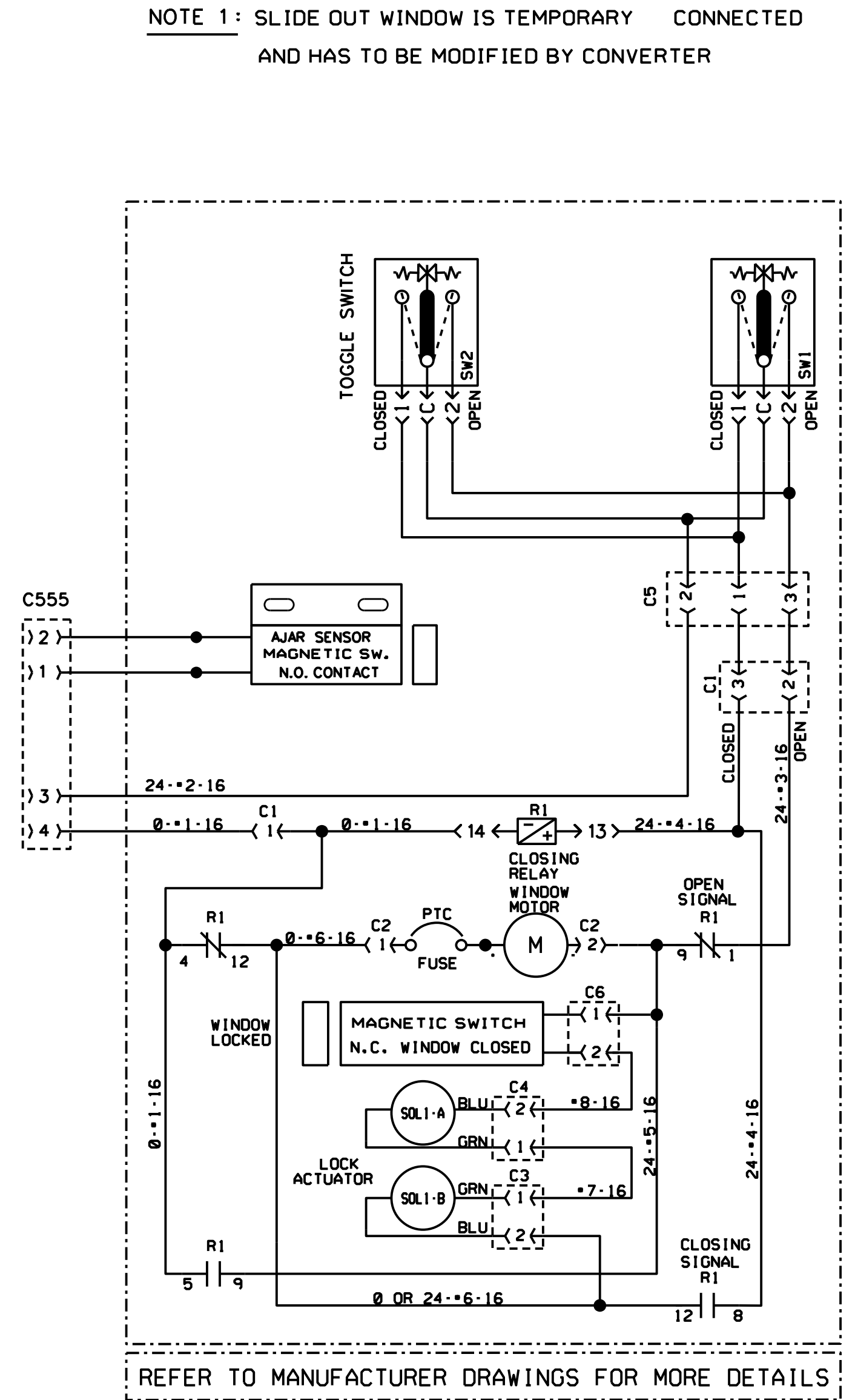
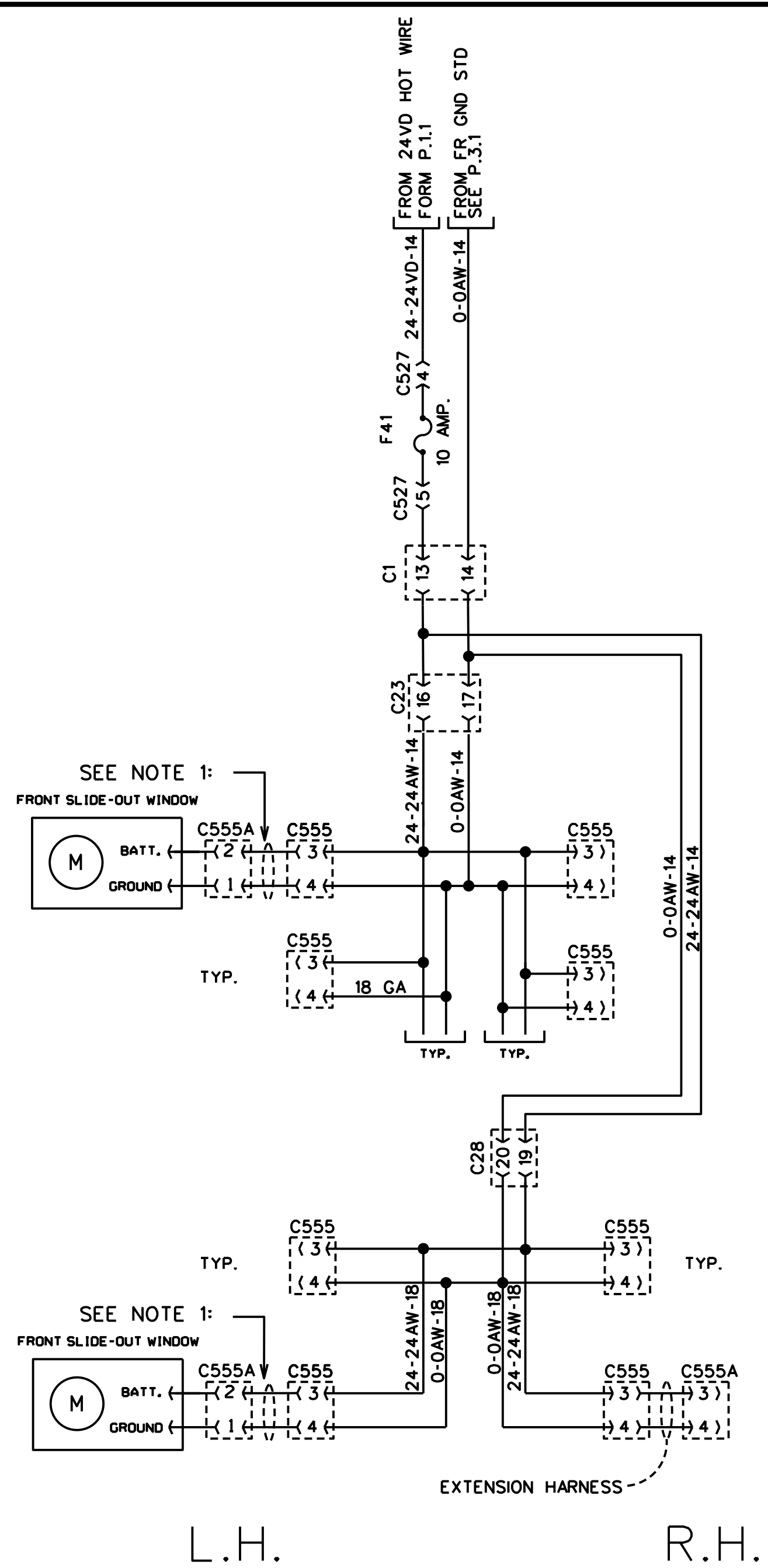
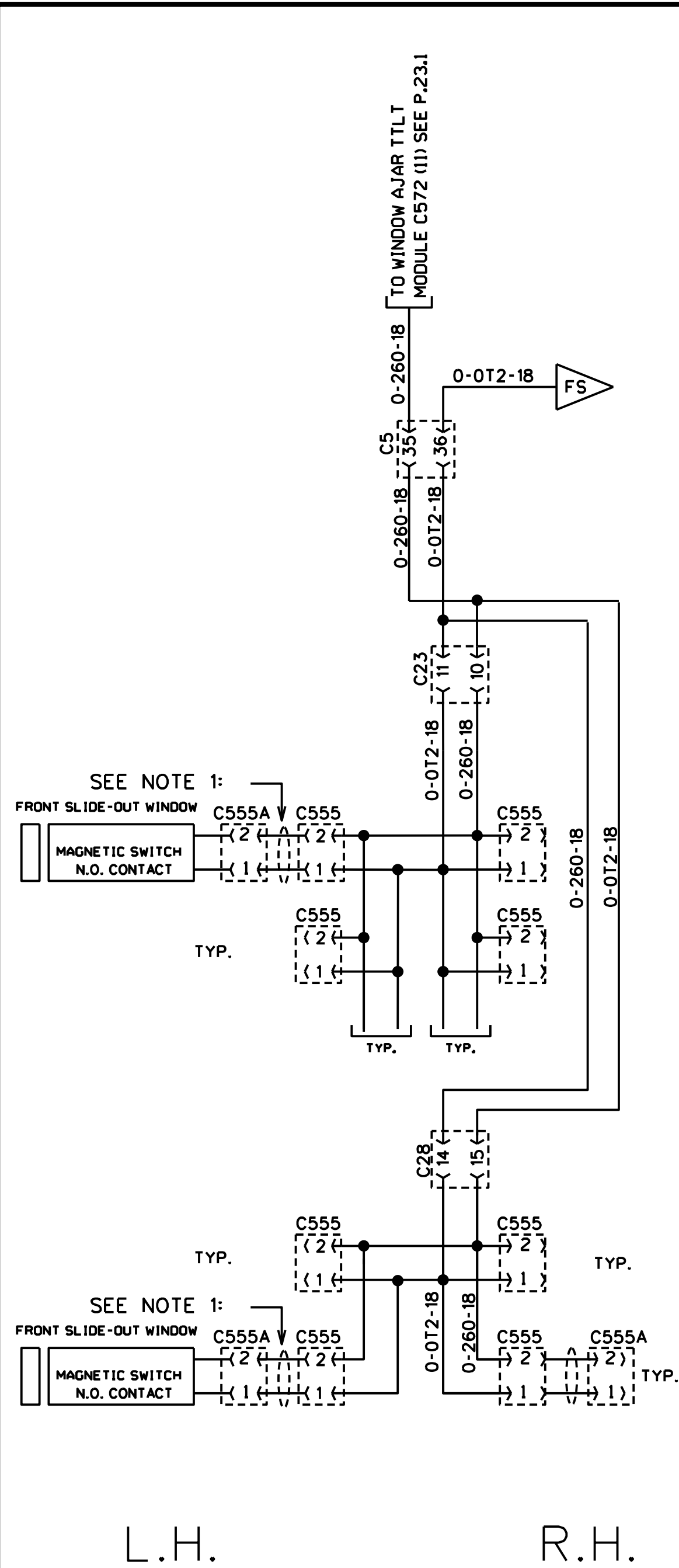


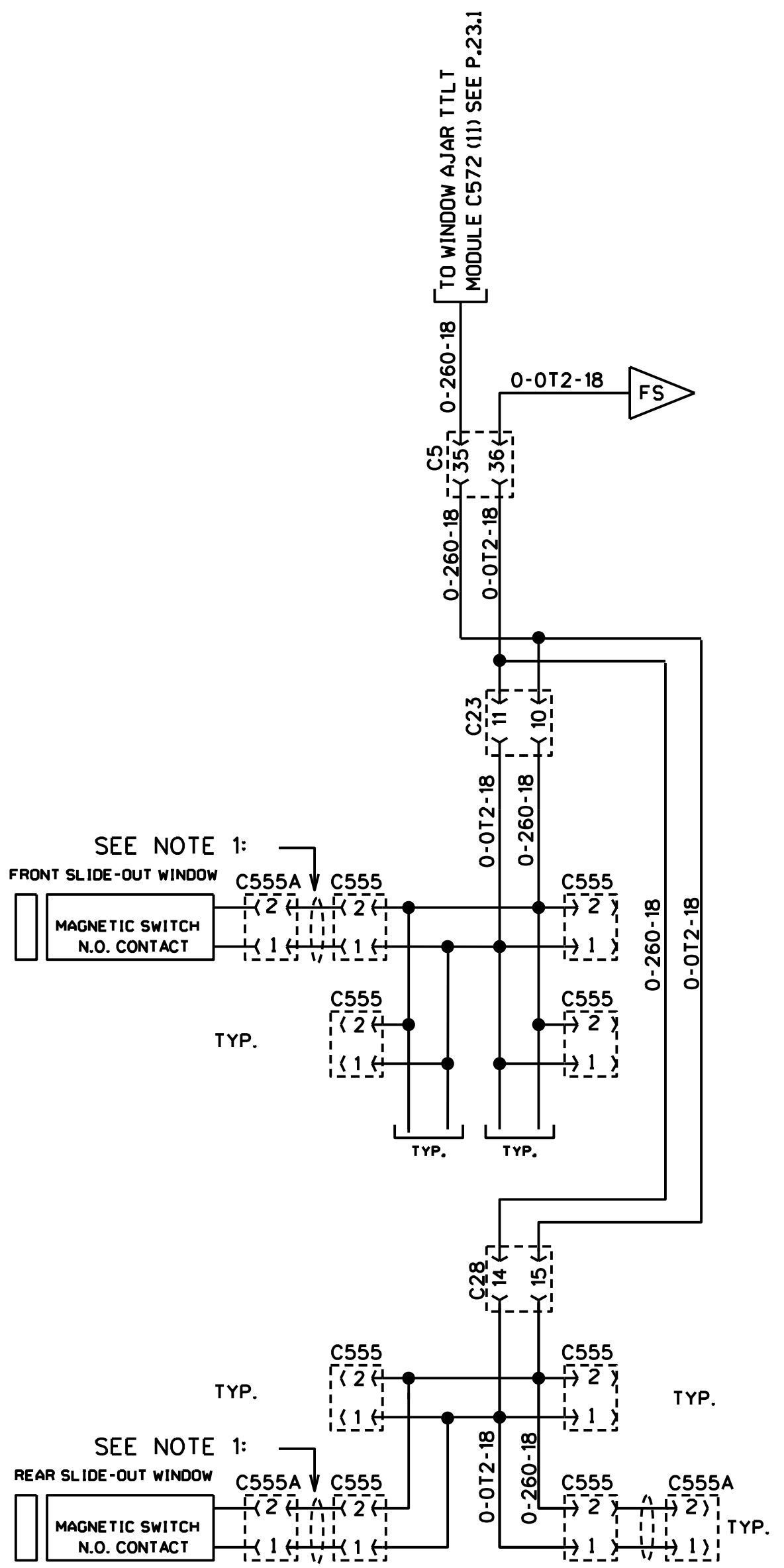
ALARM AND SIGNAL



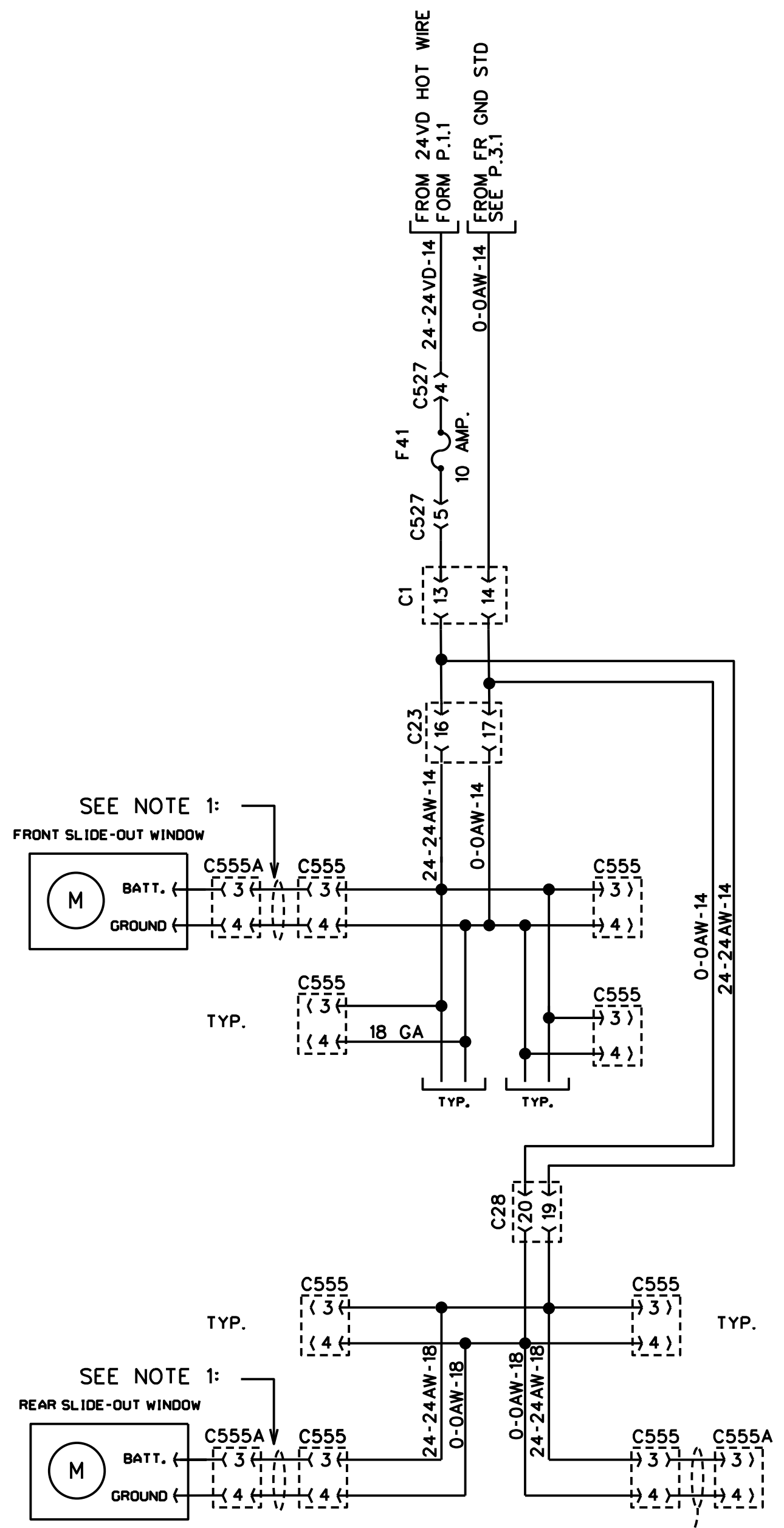
FIRE DETECTOR



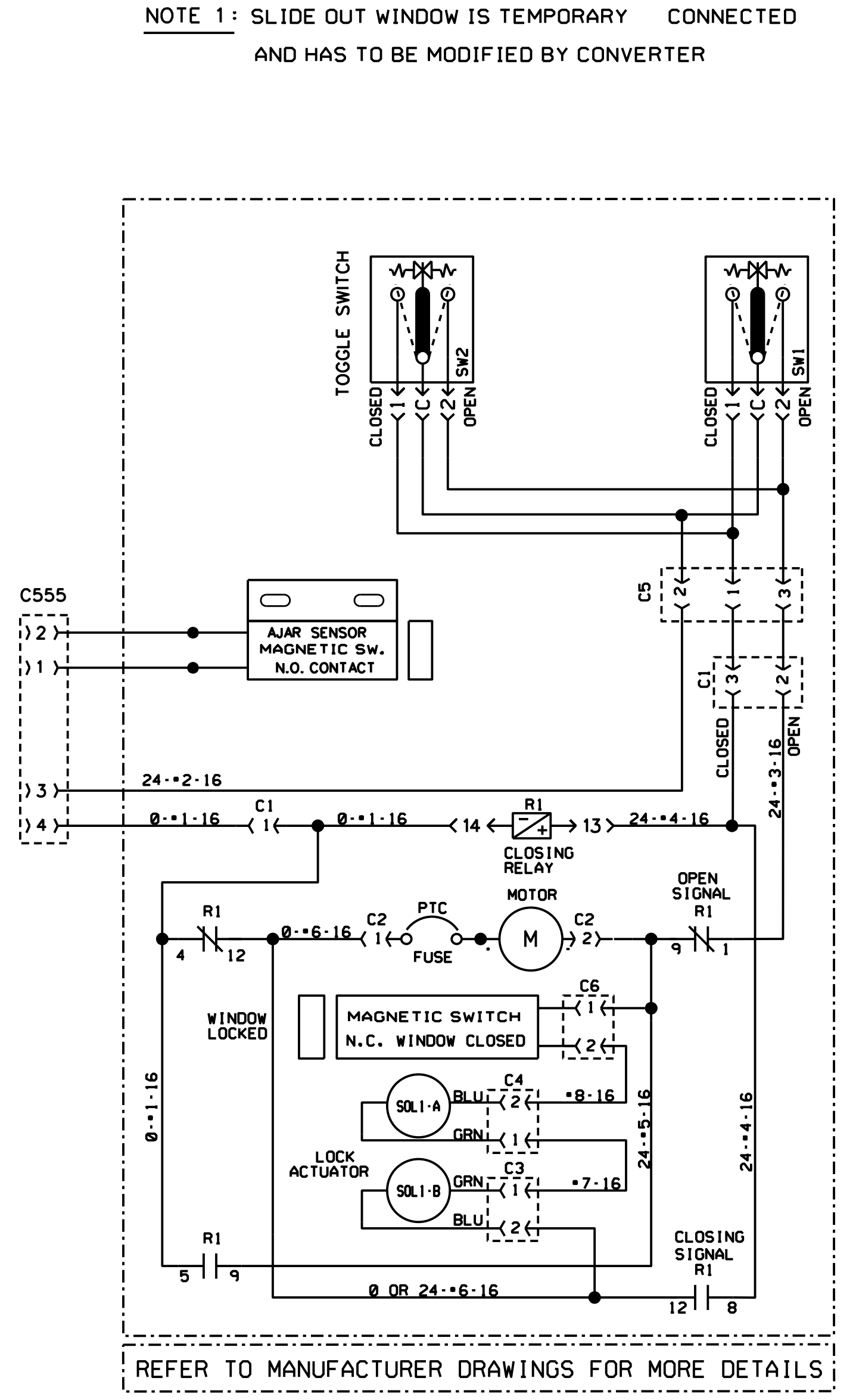




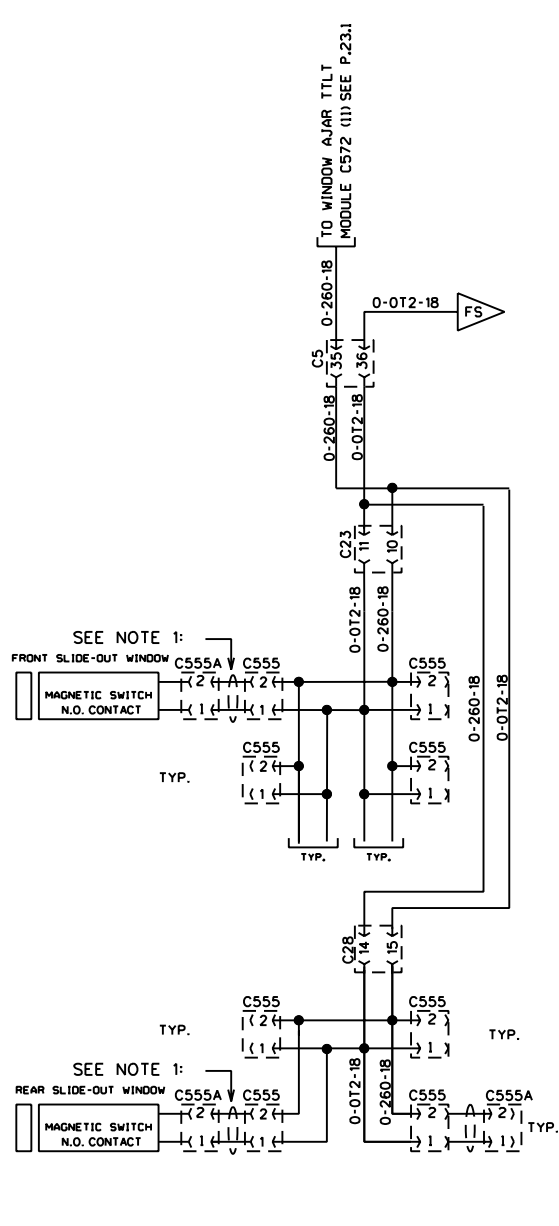
L.H. WINDOW AJAR SENSING



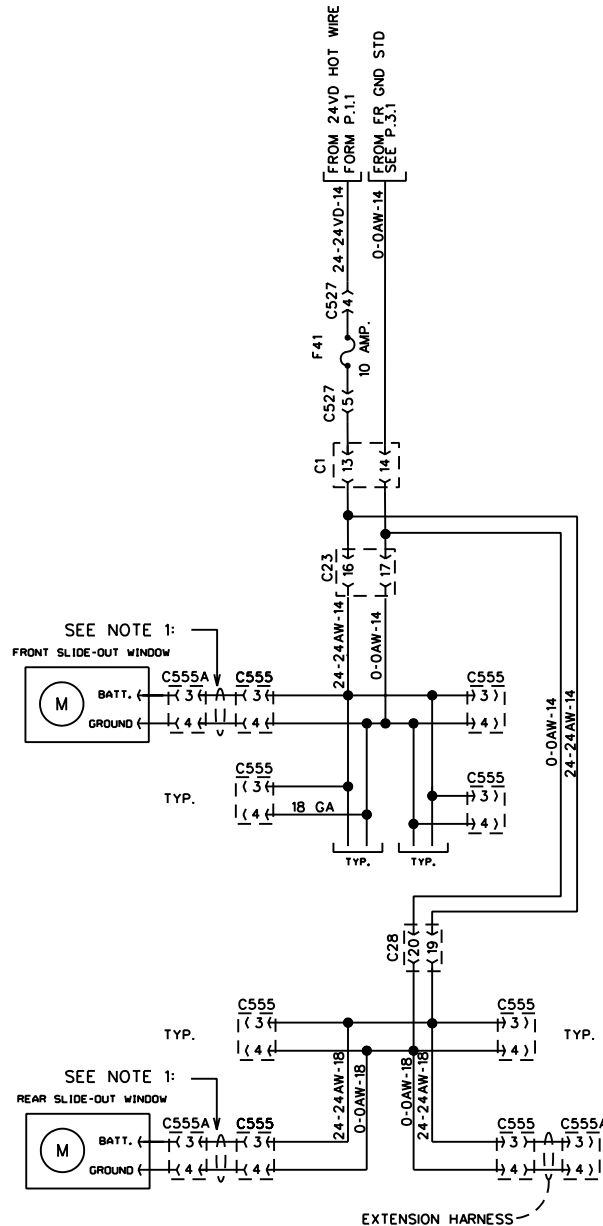
L.H. AWNING MECANISM



INTERNAL SCHEMATIC



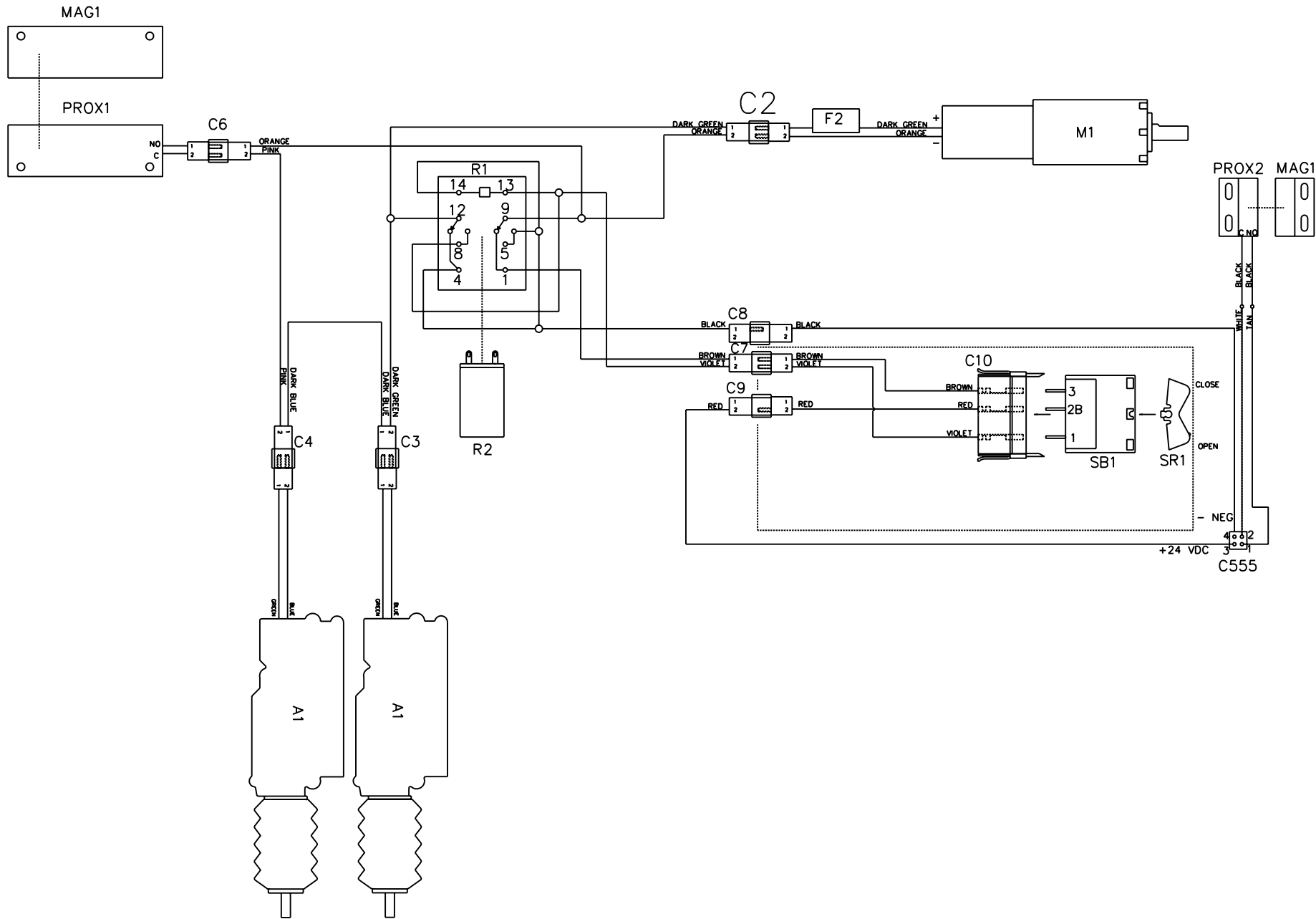
L.H. WINDOW AJAR SENSING ONLY AWNING



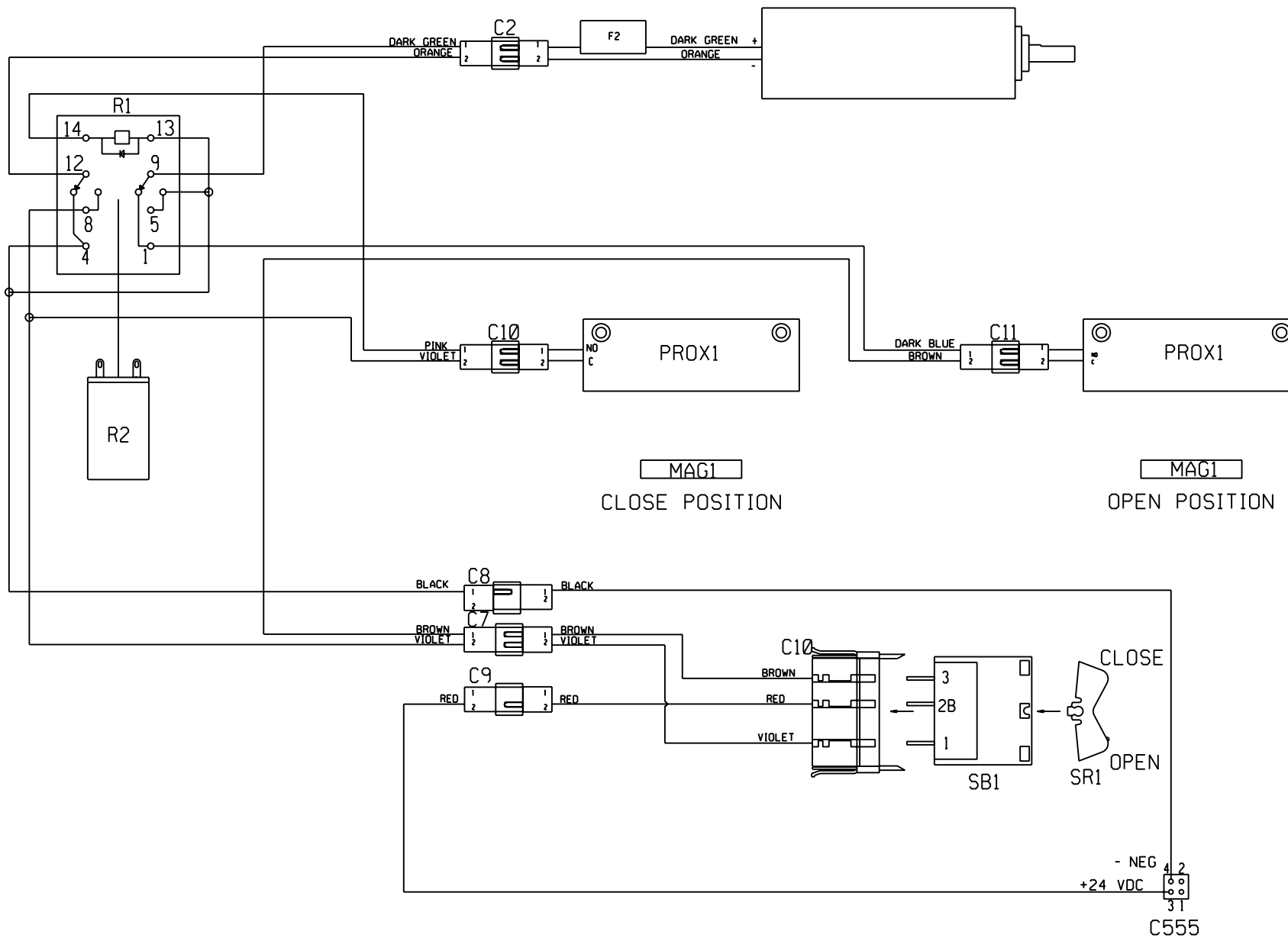
R.H. AWNING OR SLIDING MECANISM

FOR INTERNAL SCHEMATIC  
SEE P 7.4 FOR AWNING WINDOW  
P 7.5 FOR SLIDING WINDOW

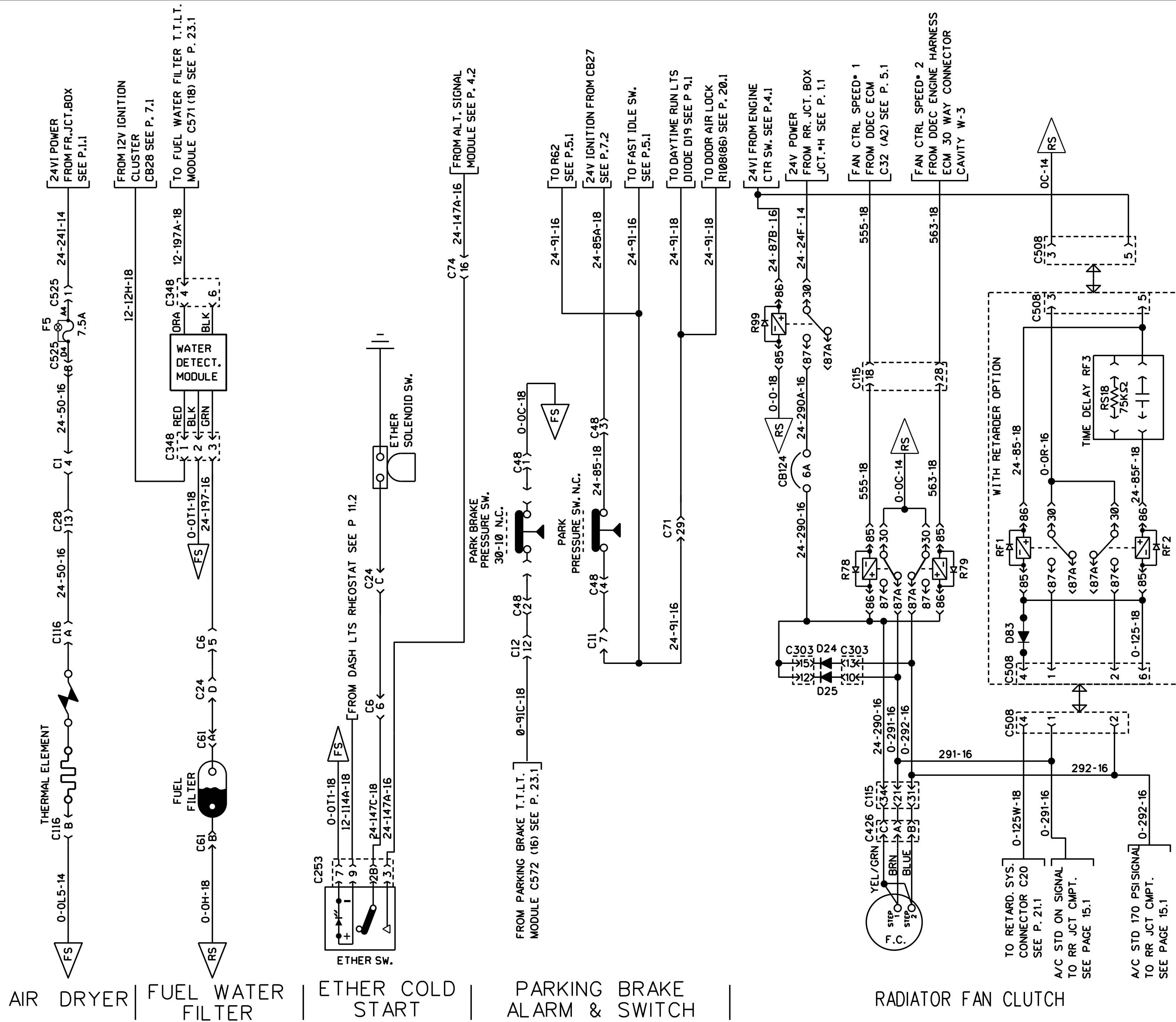


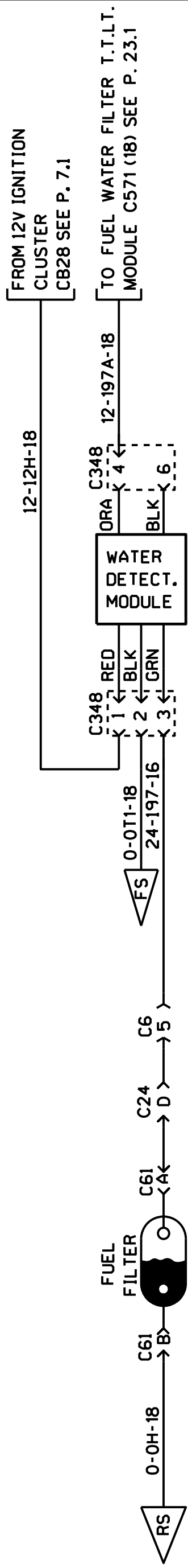


INTERNAL SCHEMATIC AWNING WINDOW

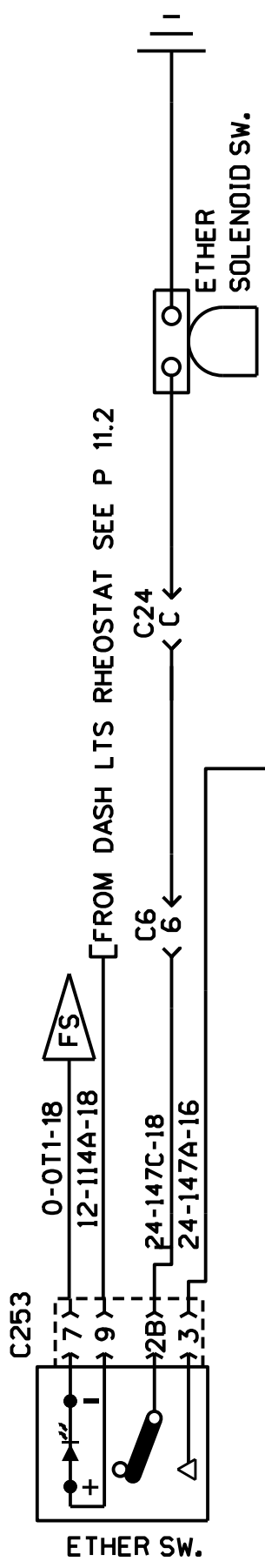


INTERNAL SCHEMATIC SLIDING WINDOW

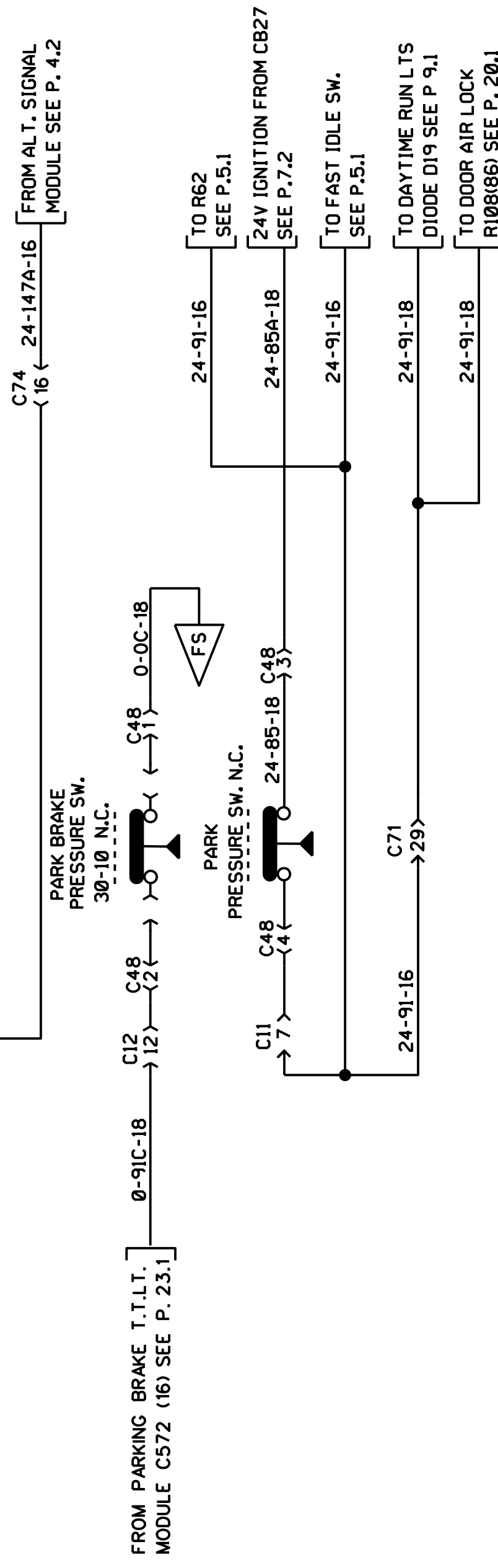




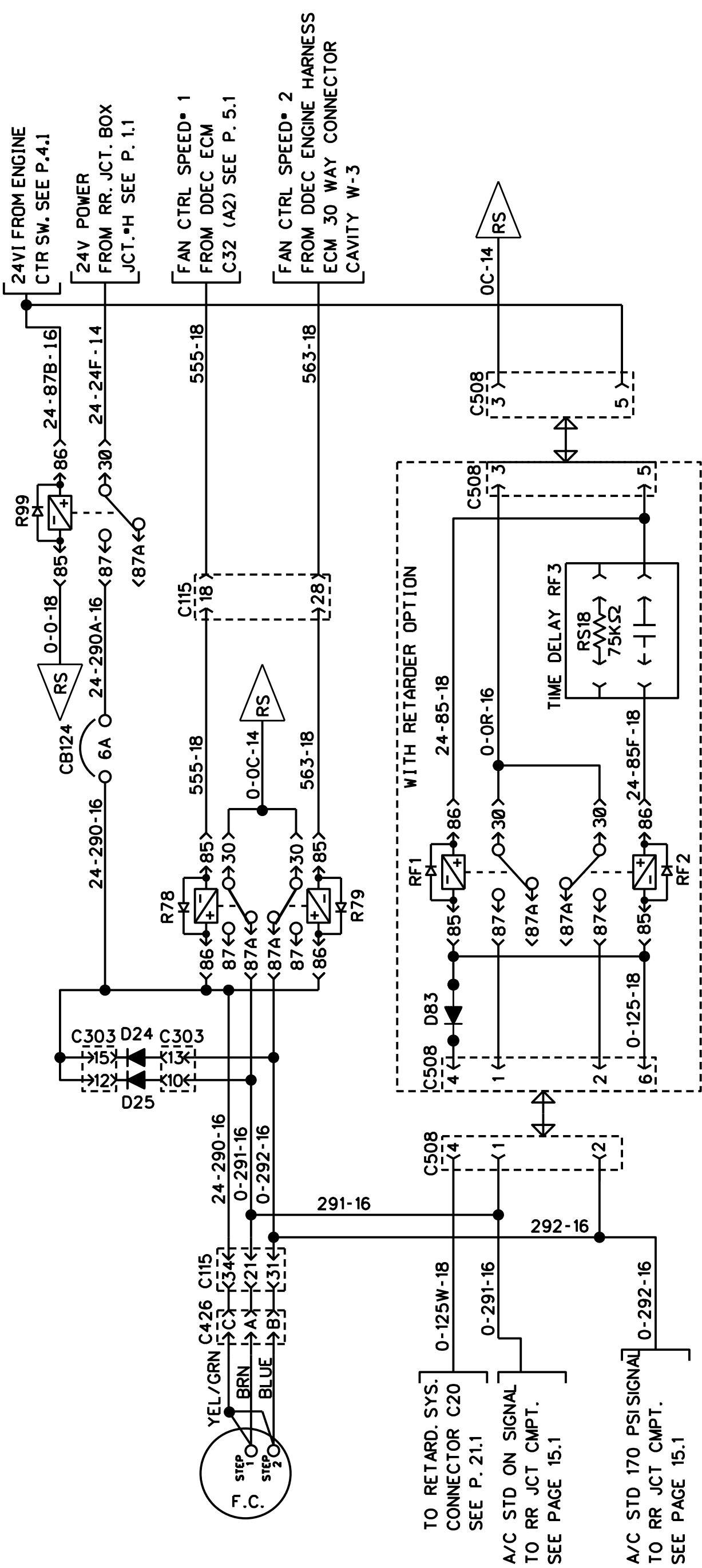
FUEL FILTER



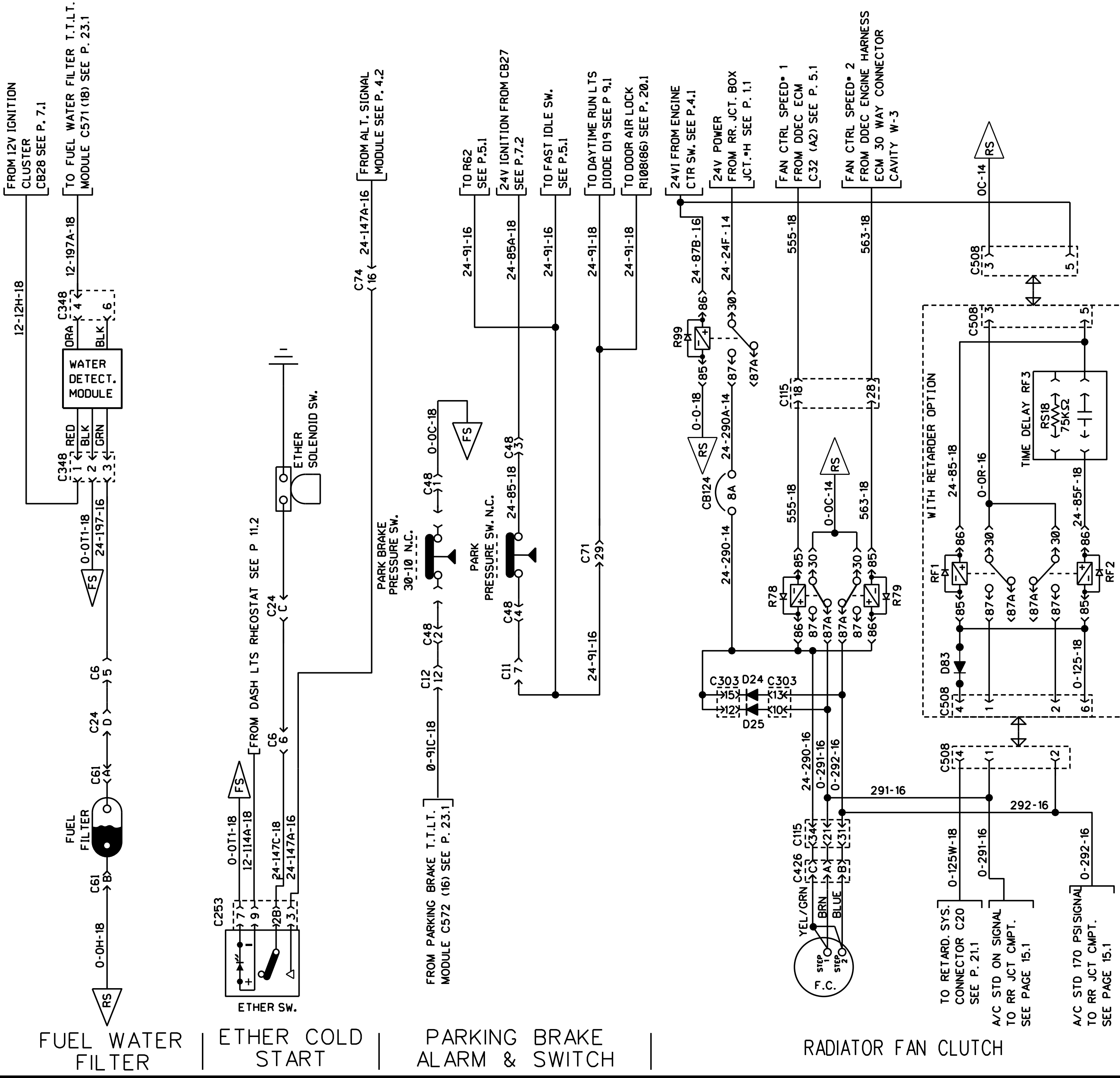
ETHER COLD START

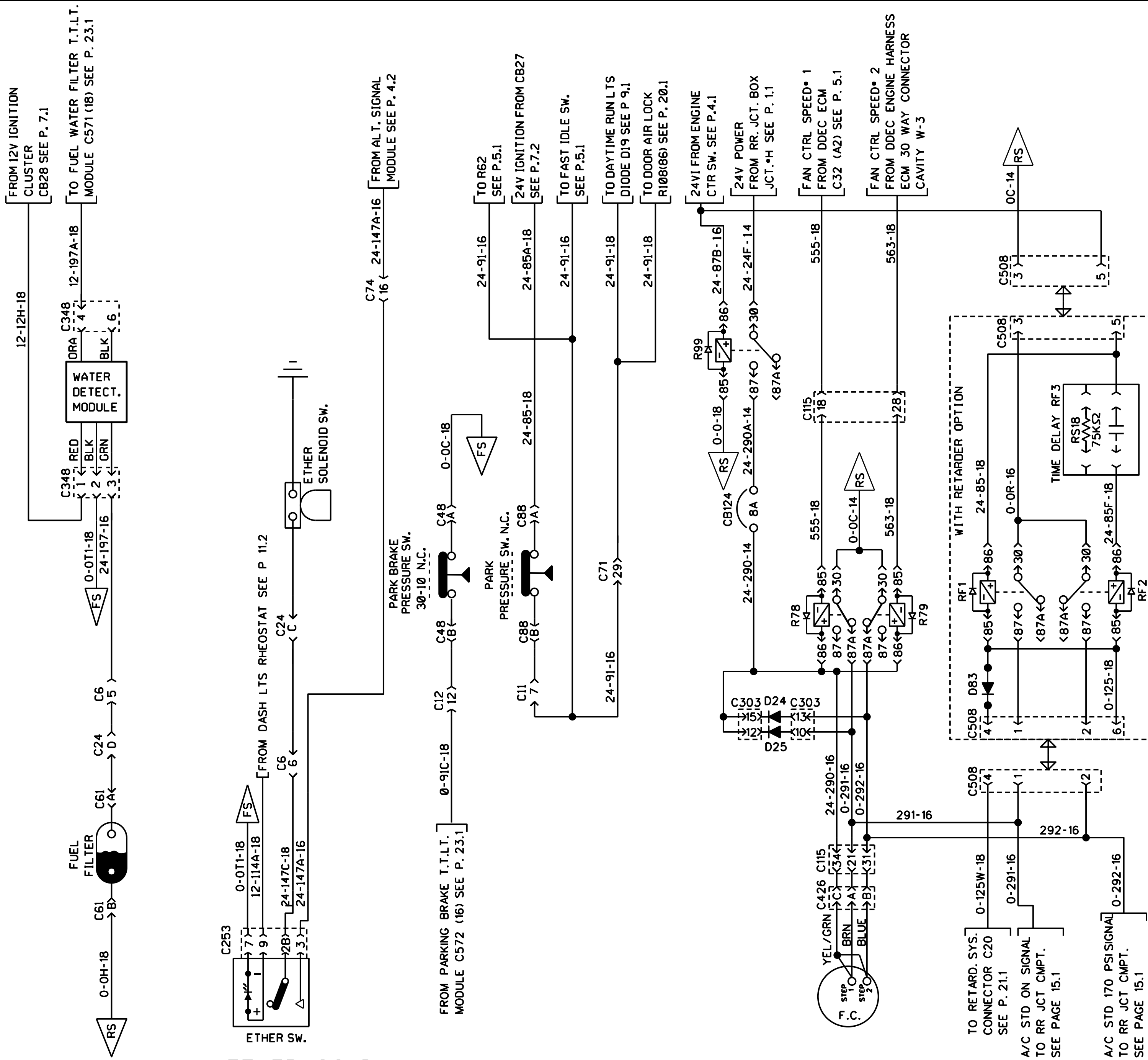


PARKING BRAKE ALARM & SWITCH



RADIATOR FAN CLUTCH





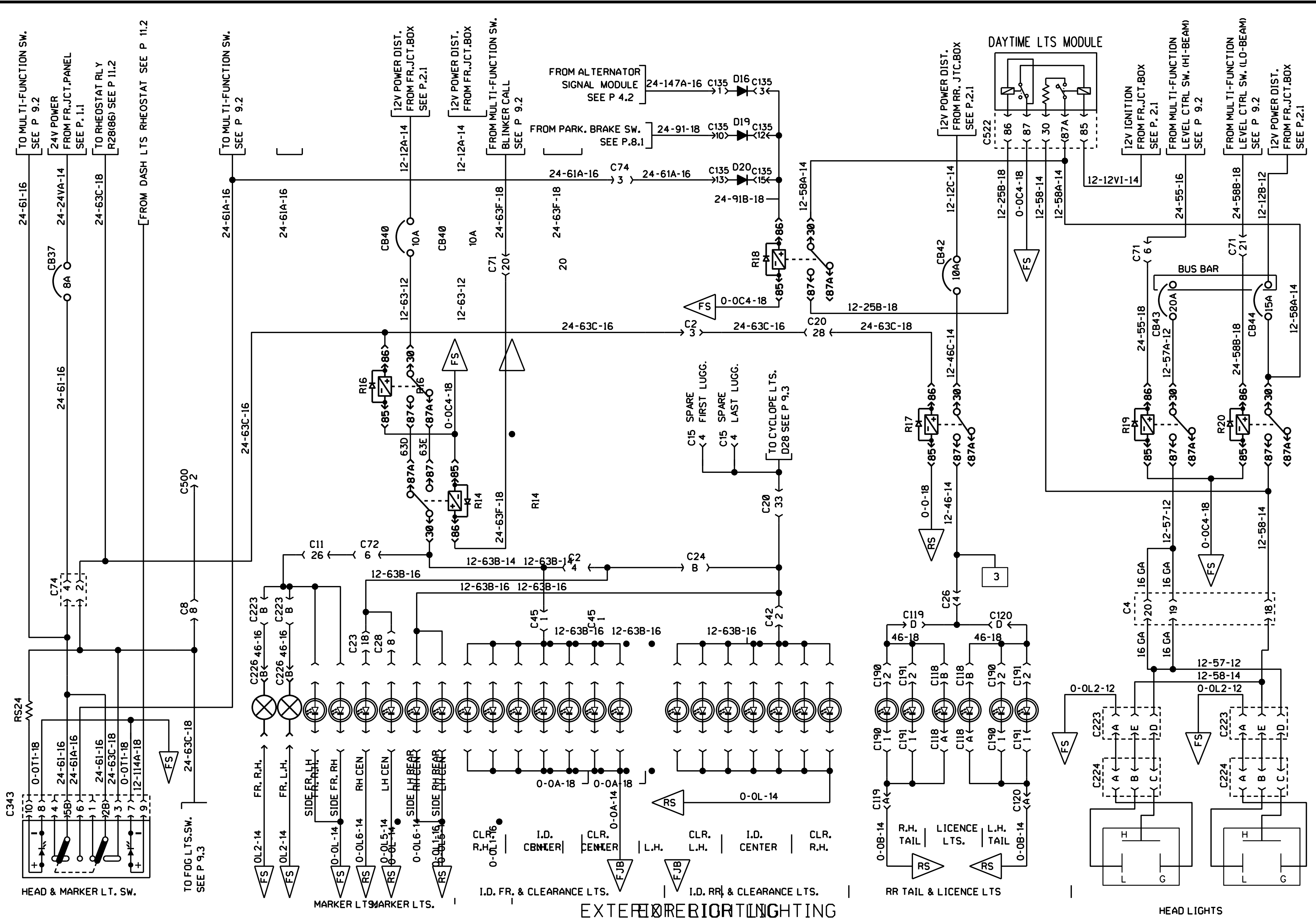
FUEL WATER FILTER

ETHER COLD START

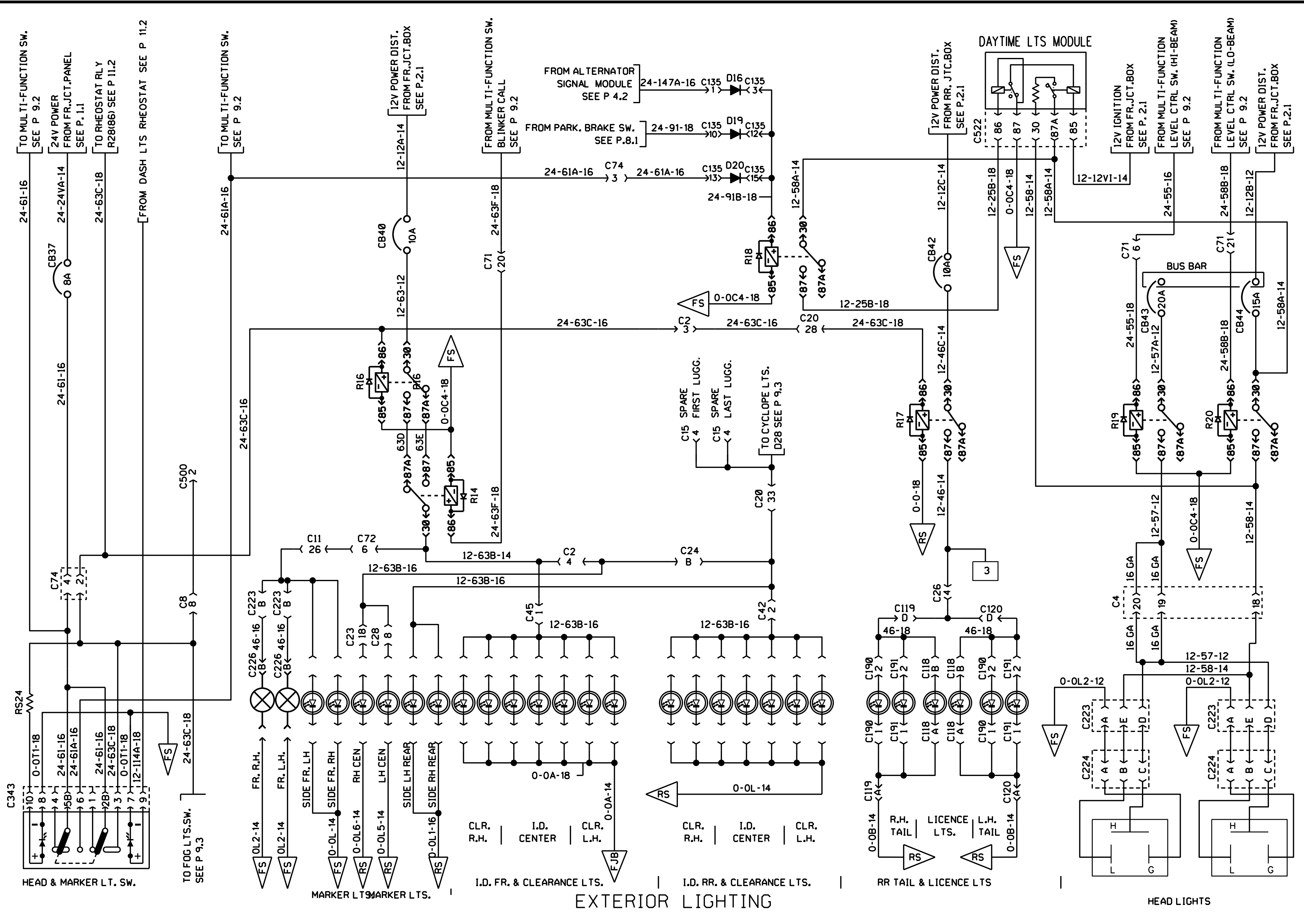
PARKING BRAKE ALARM & SWITCH

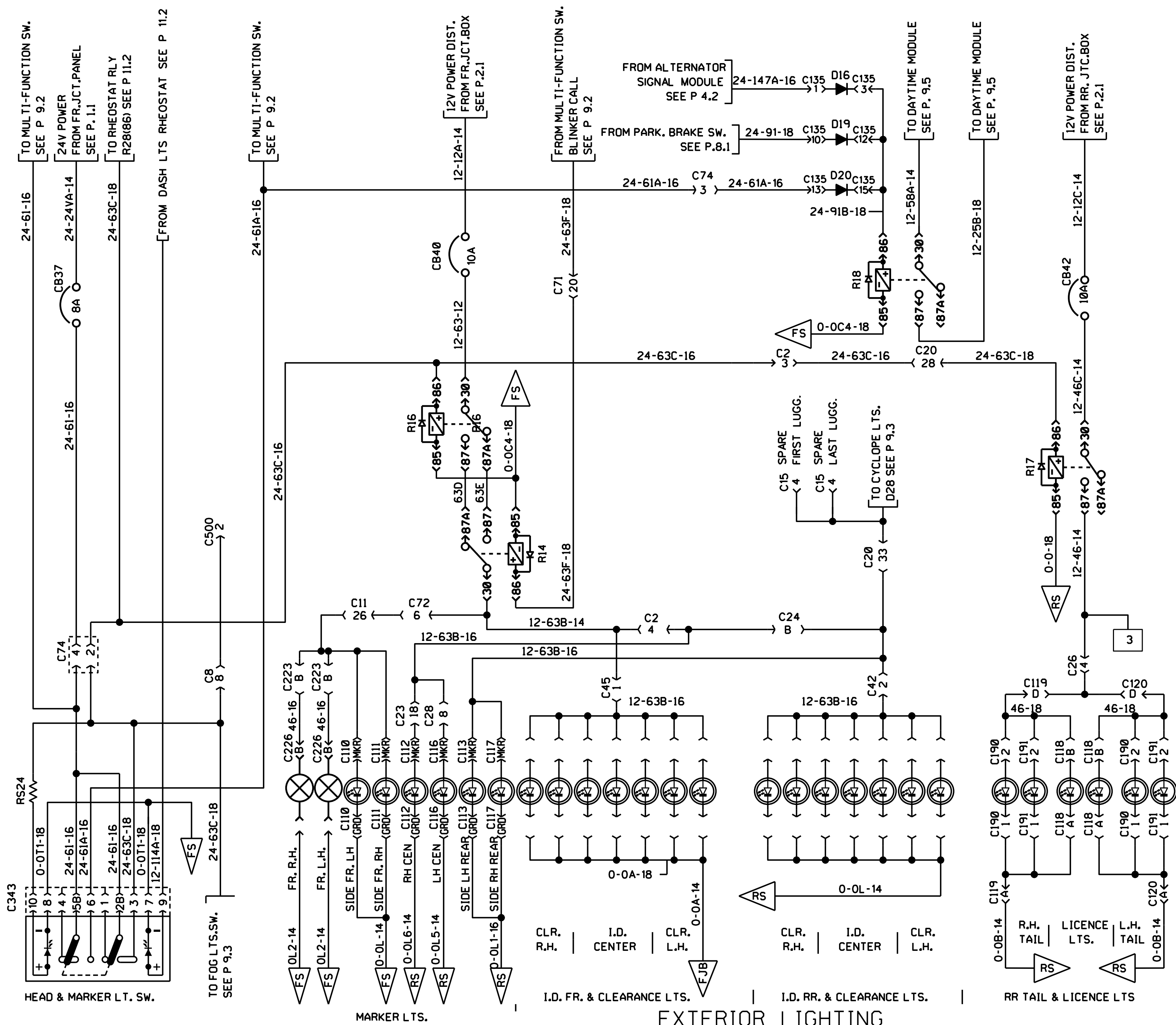
RADIATOR FAN CLUTCH

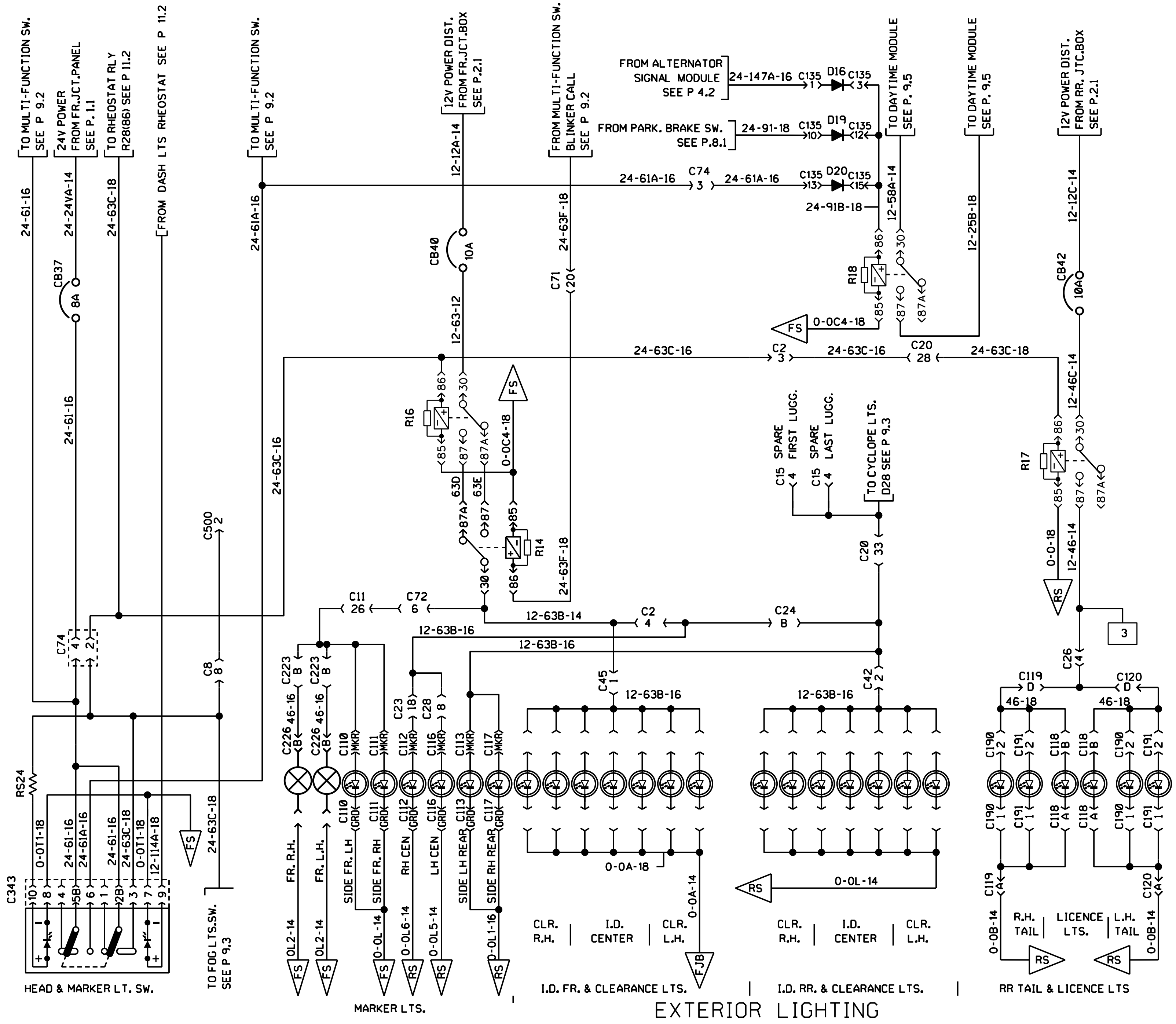




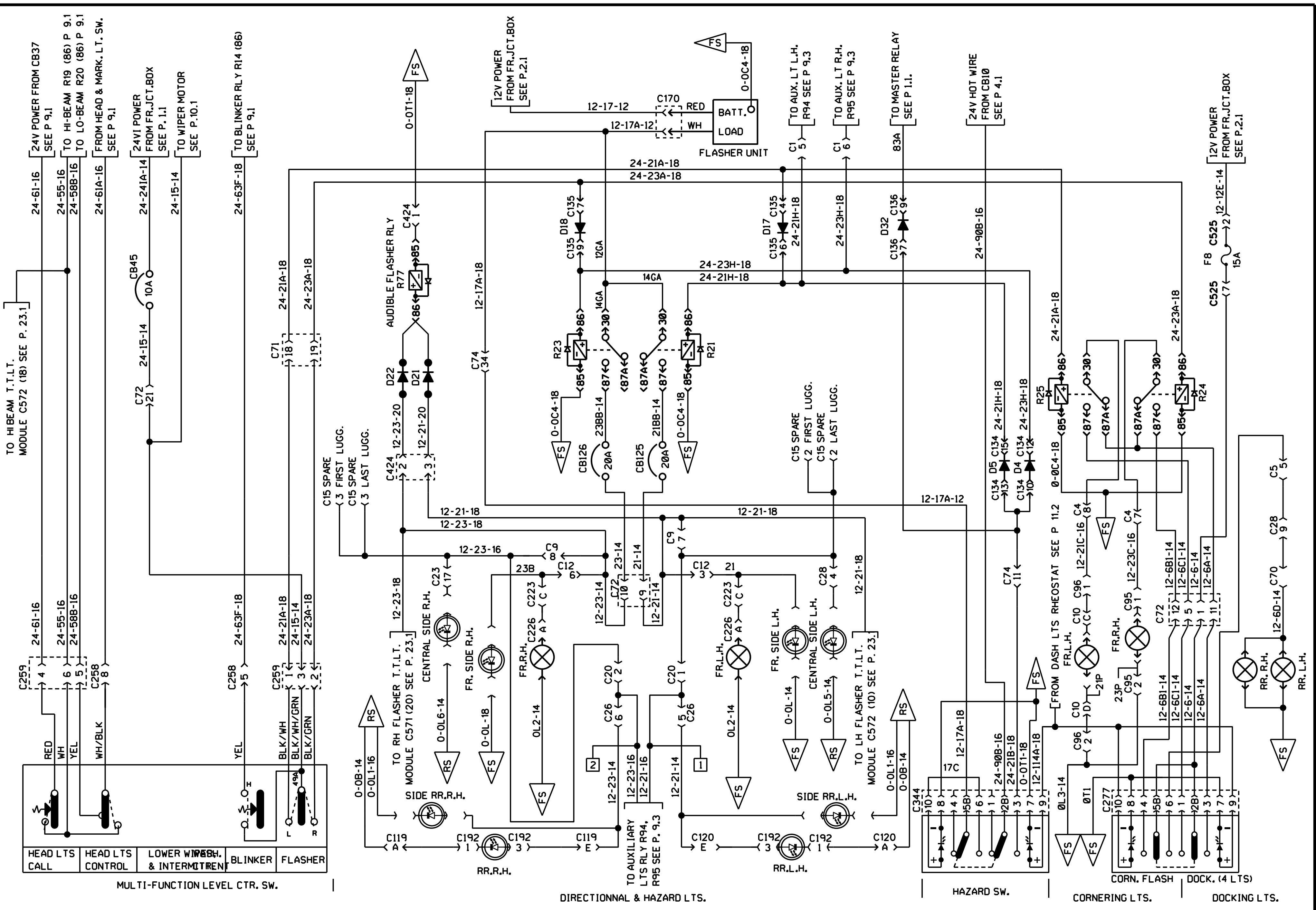


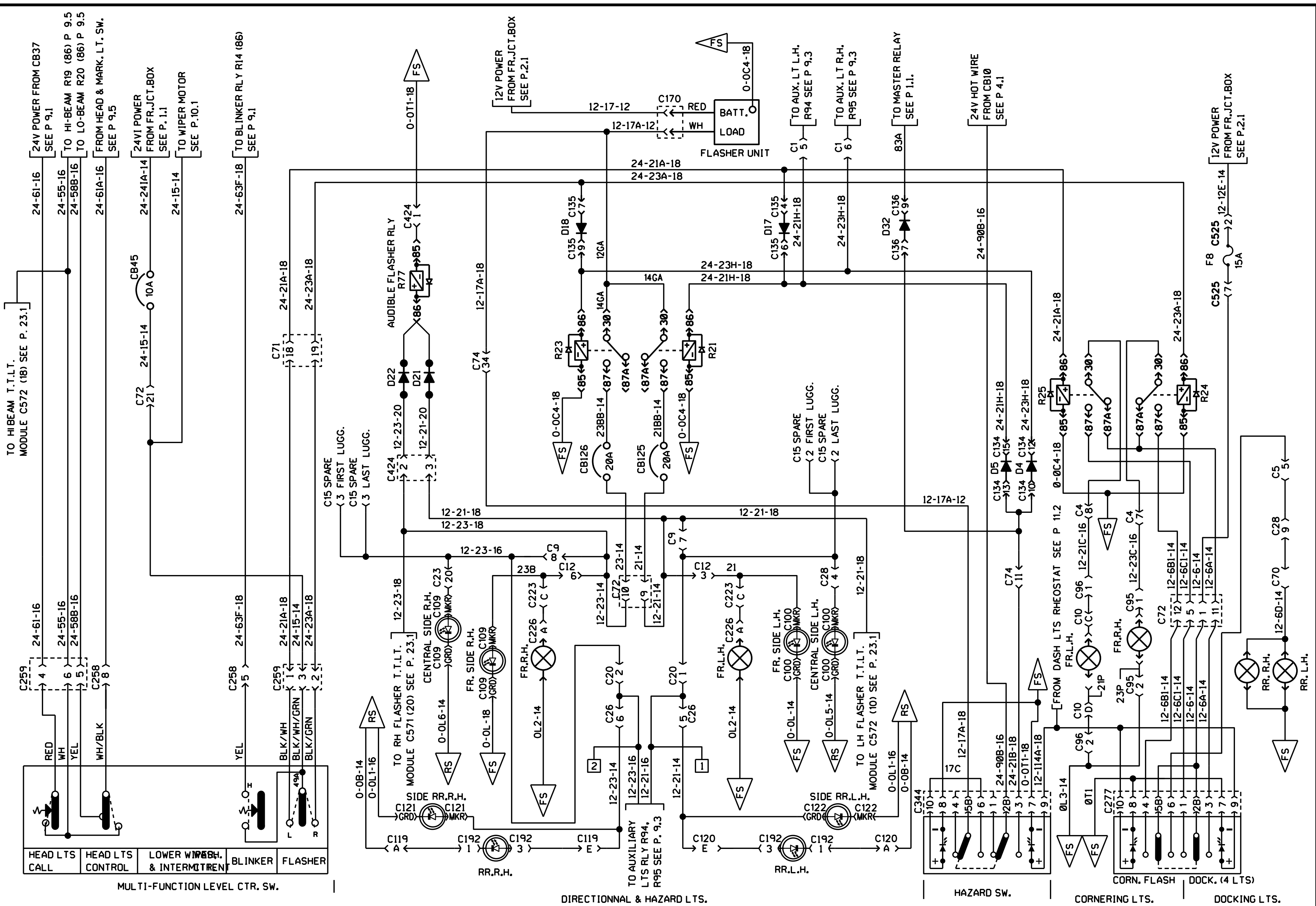






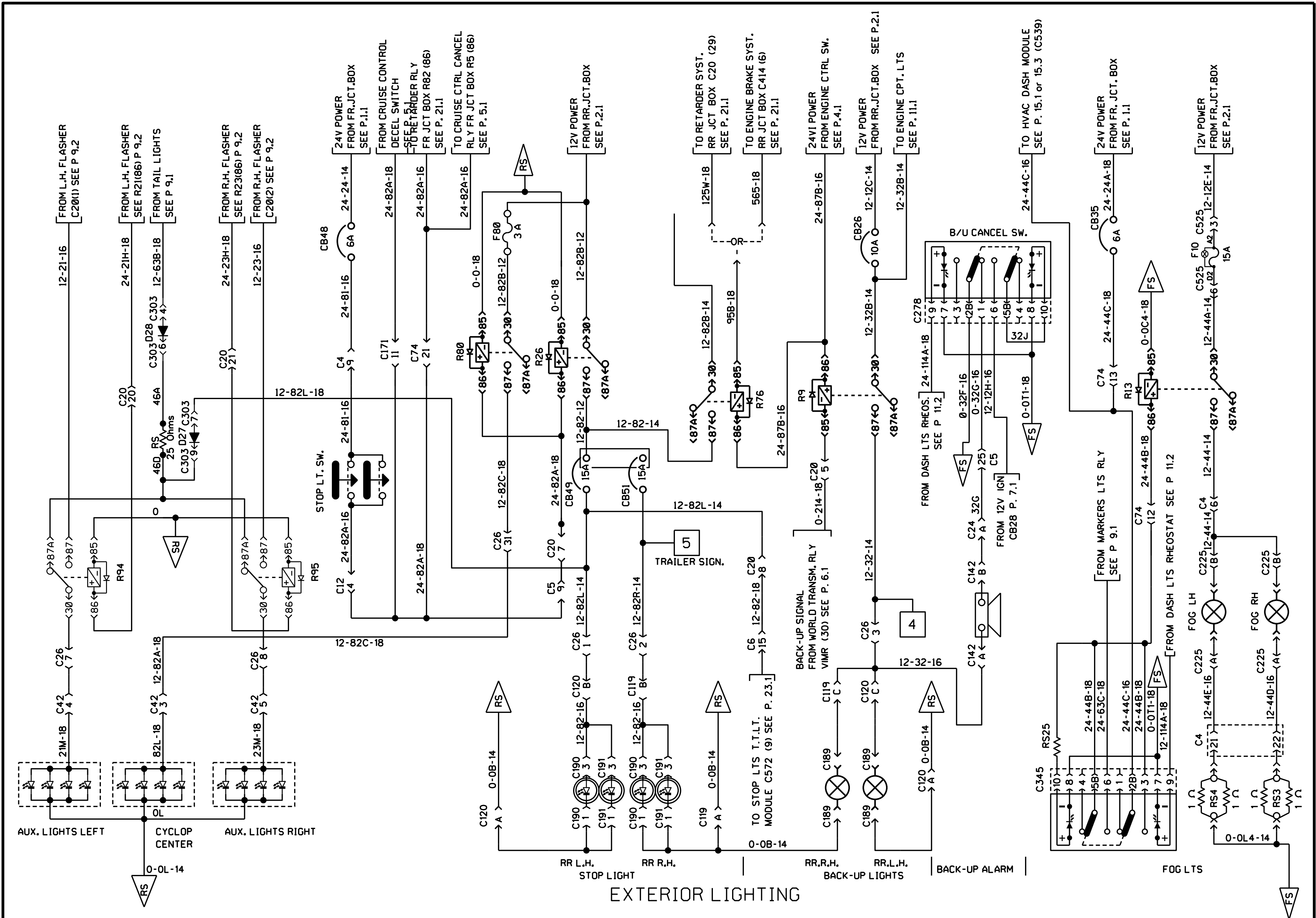






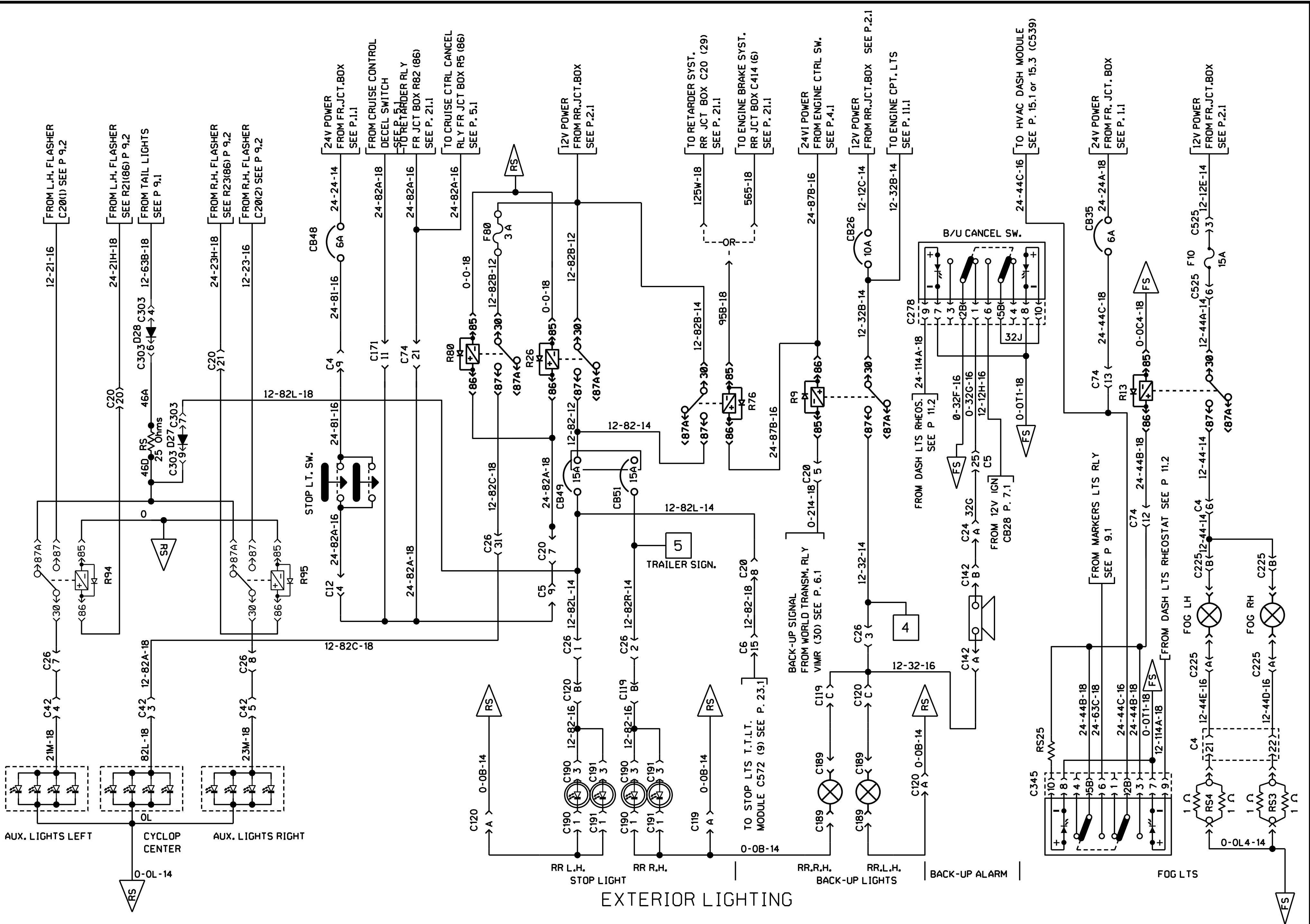
### EXTERIOR LIGHTING

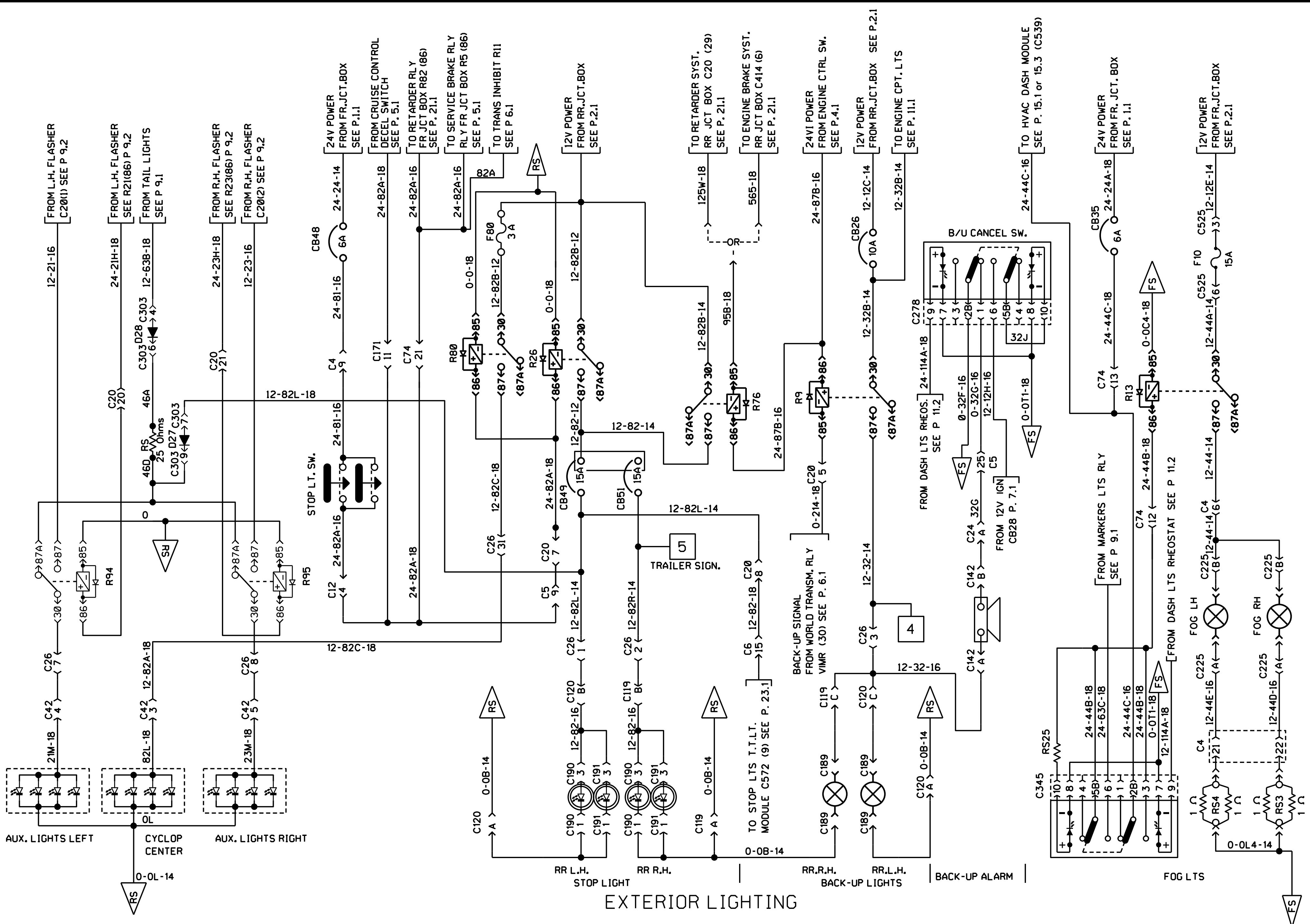


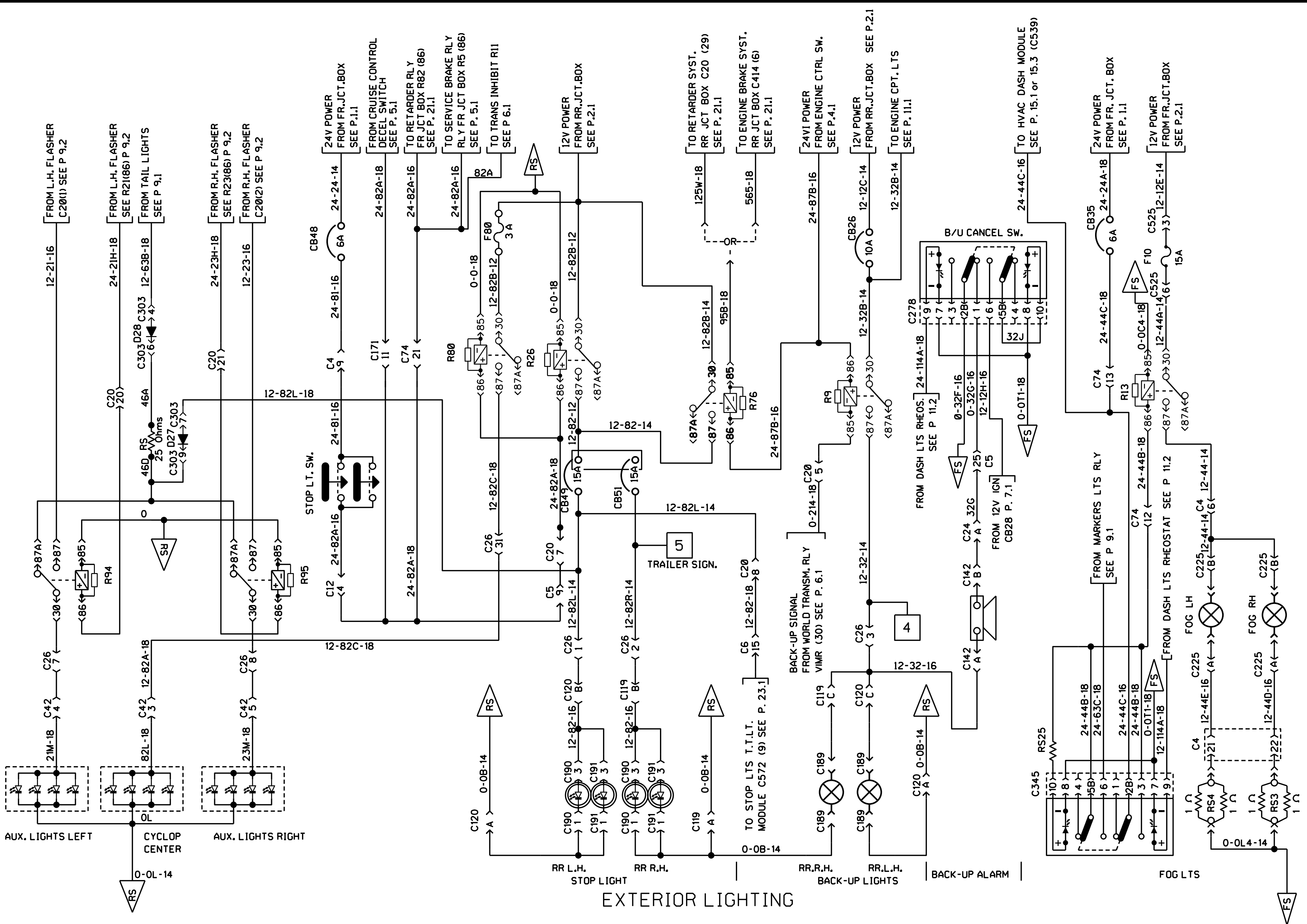


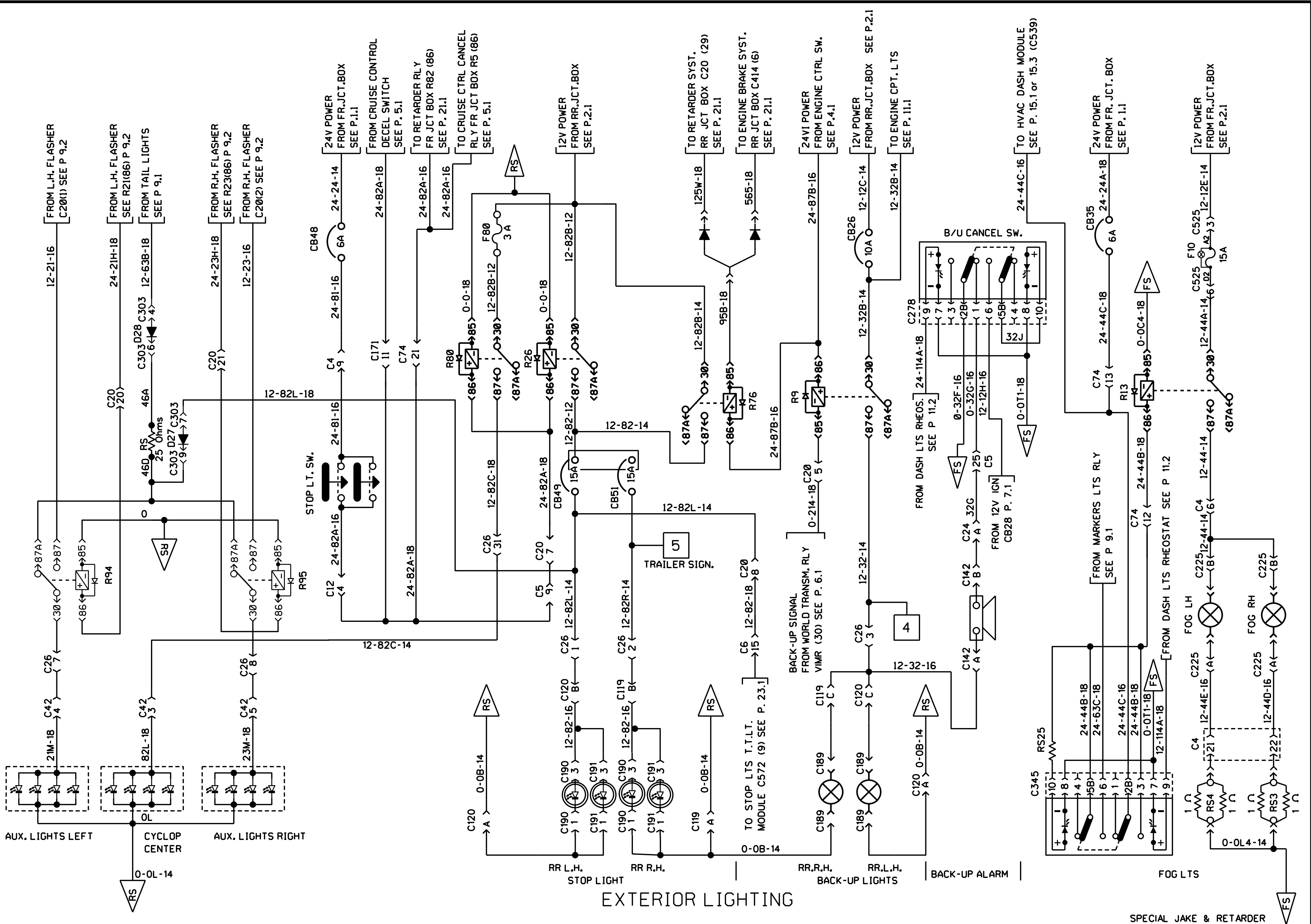
EXTERIOR LIGHTING

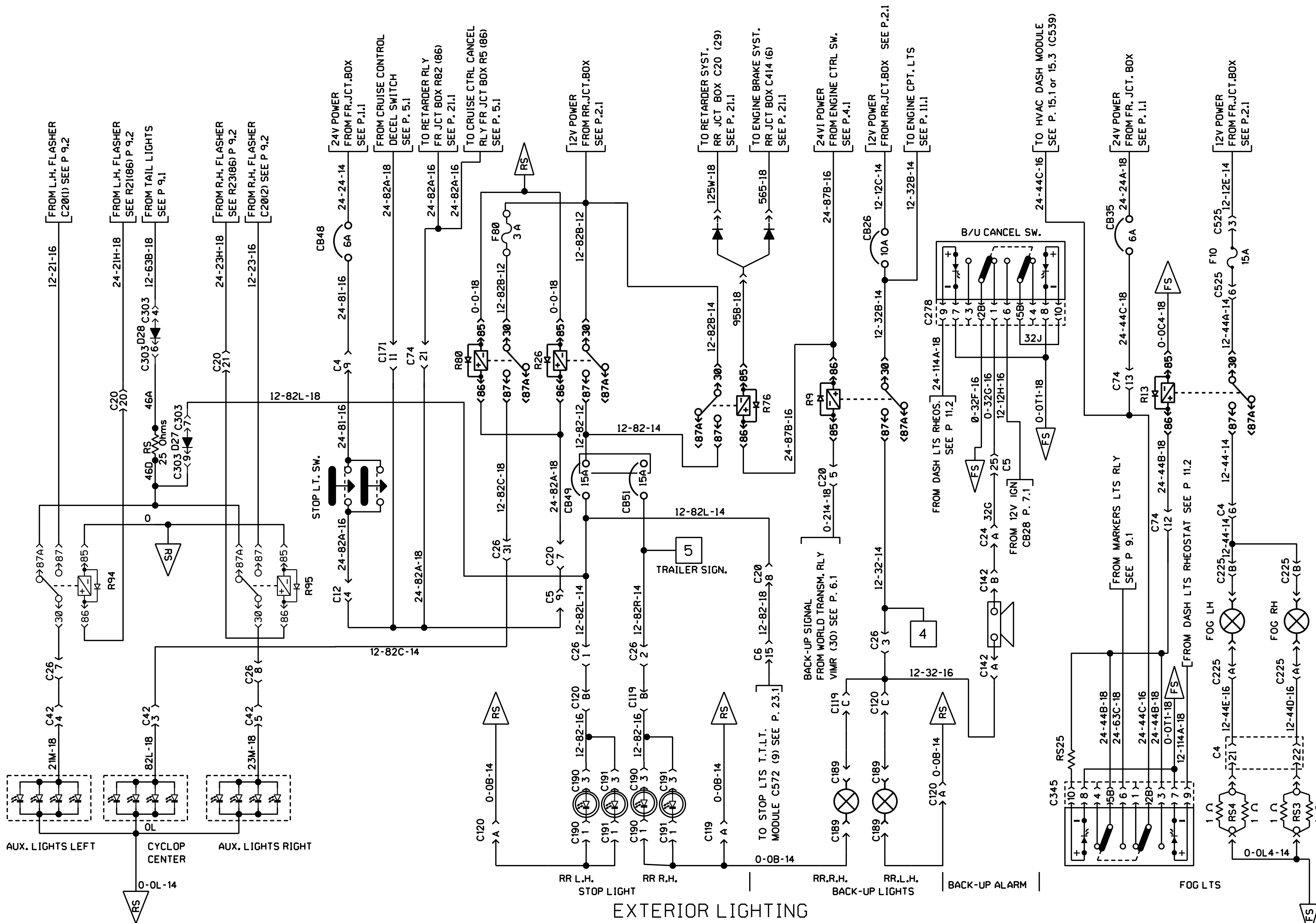


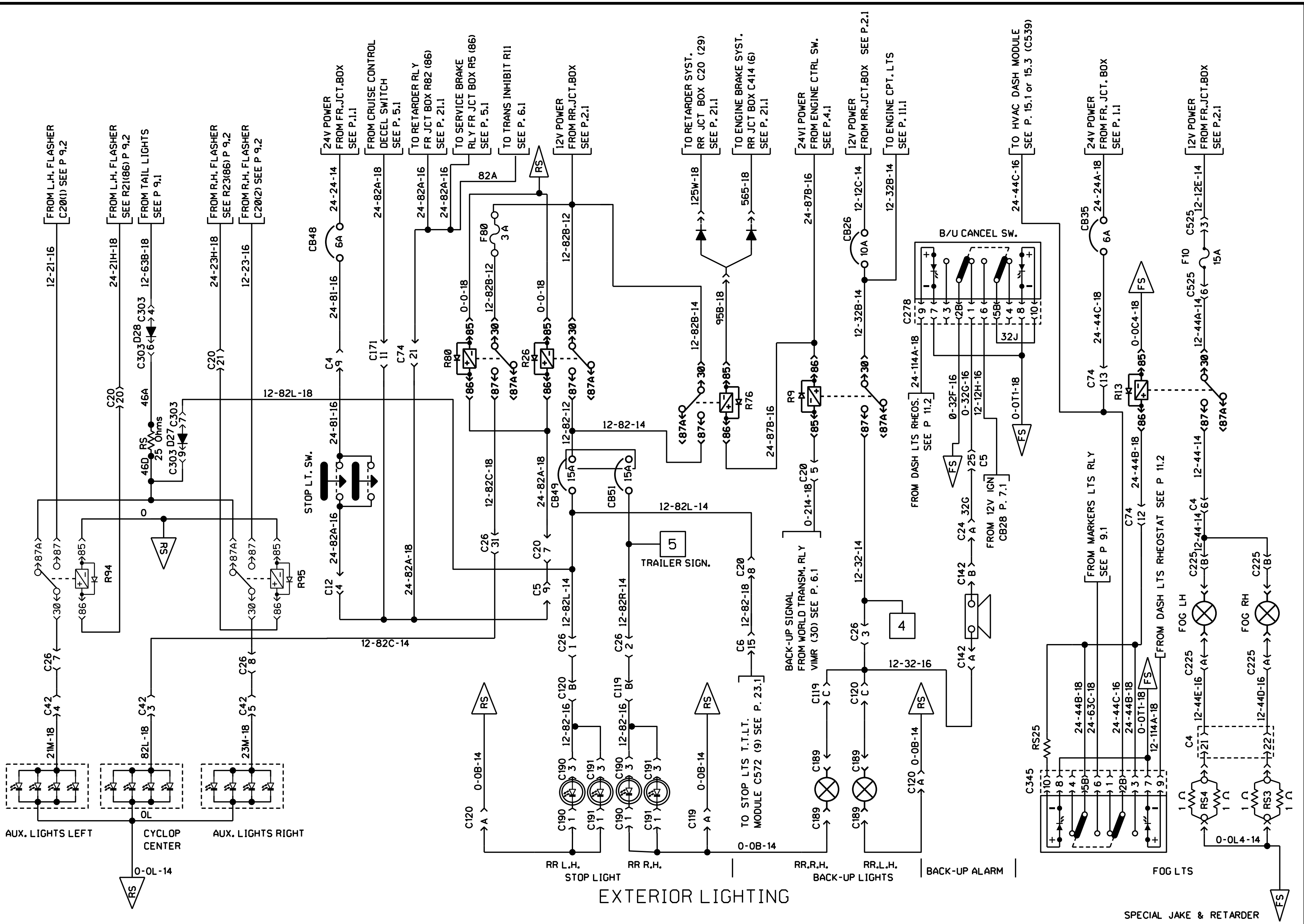




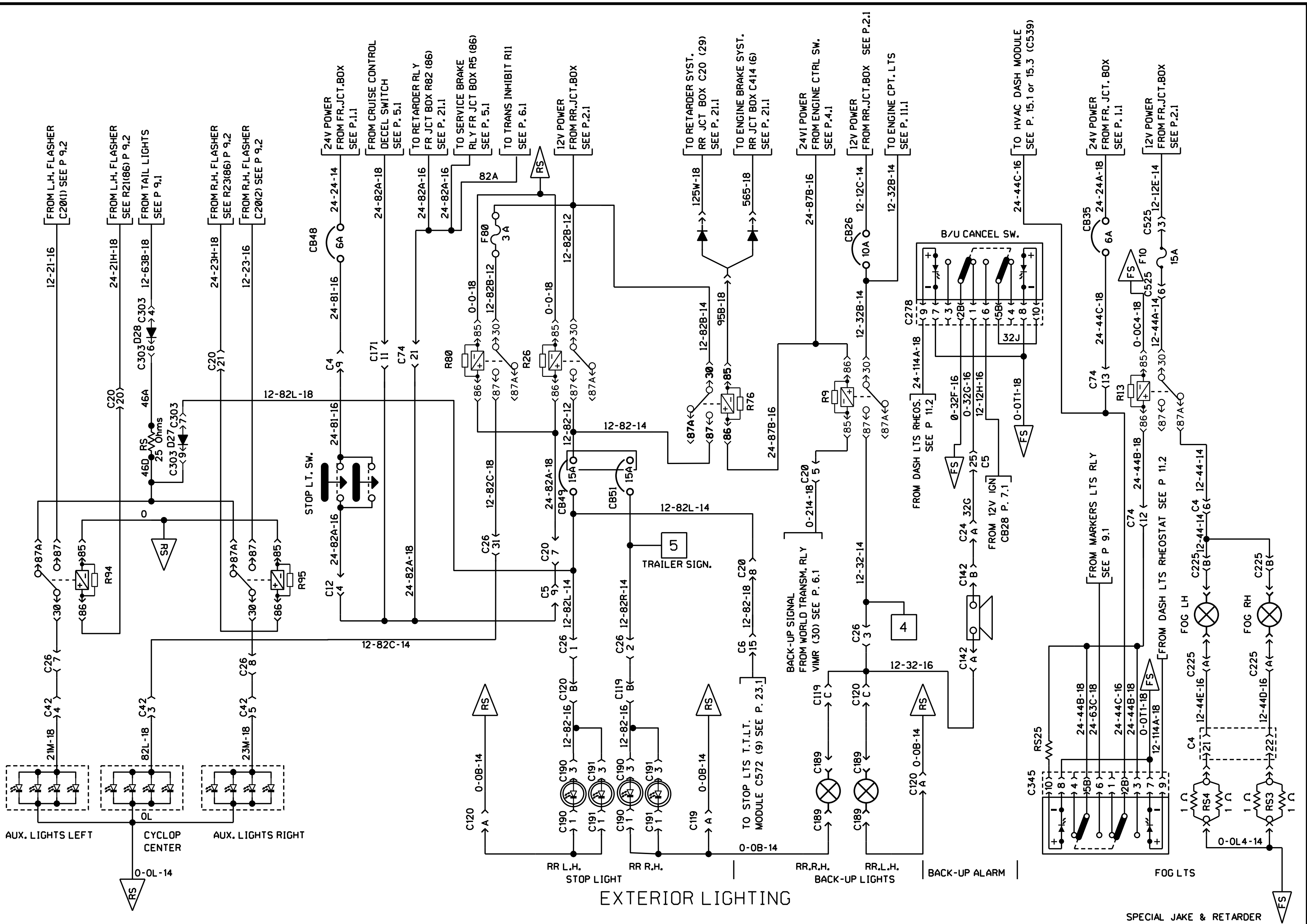


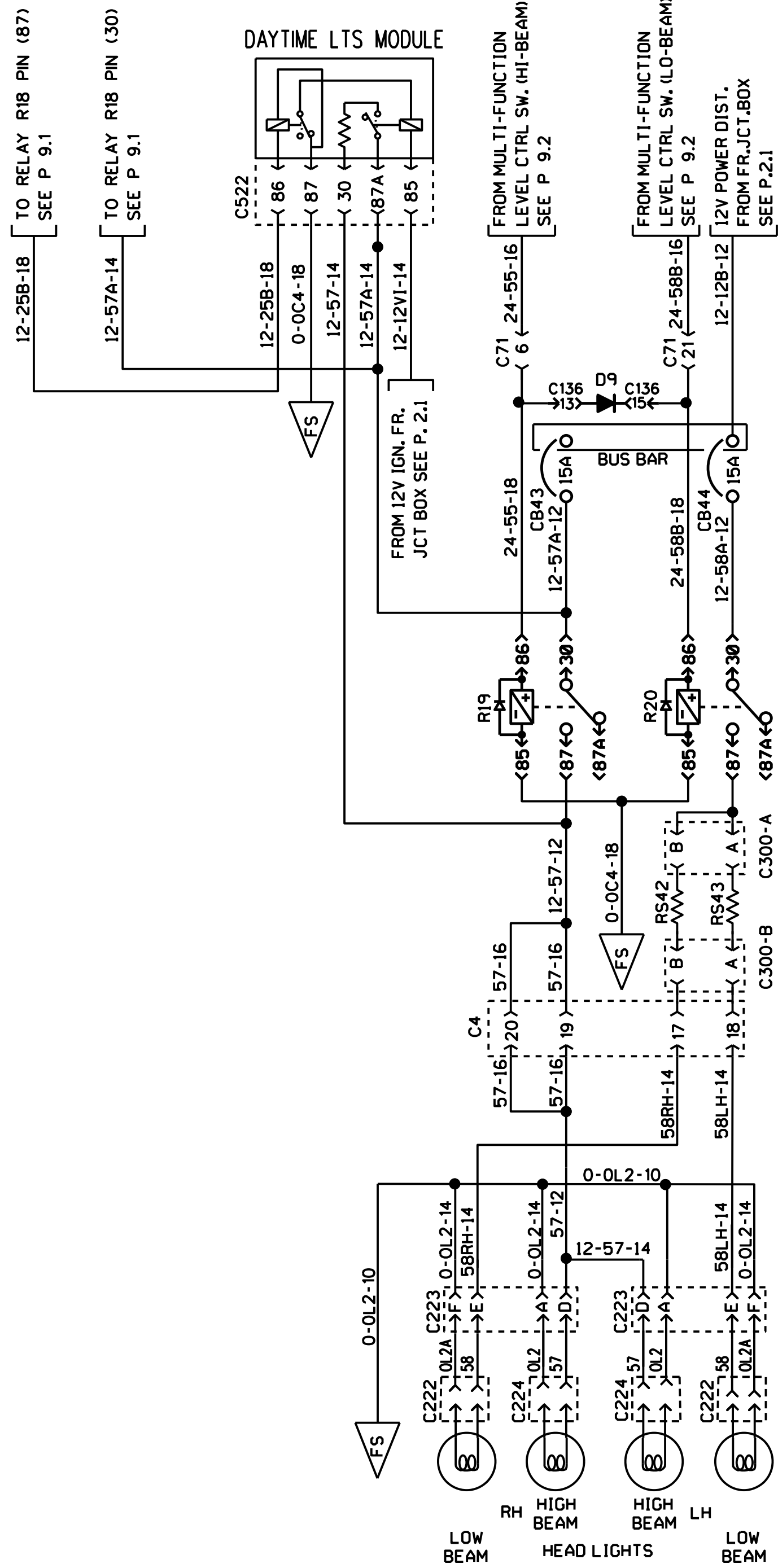






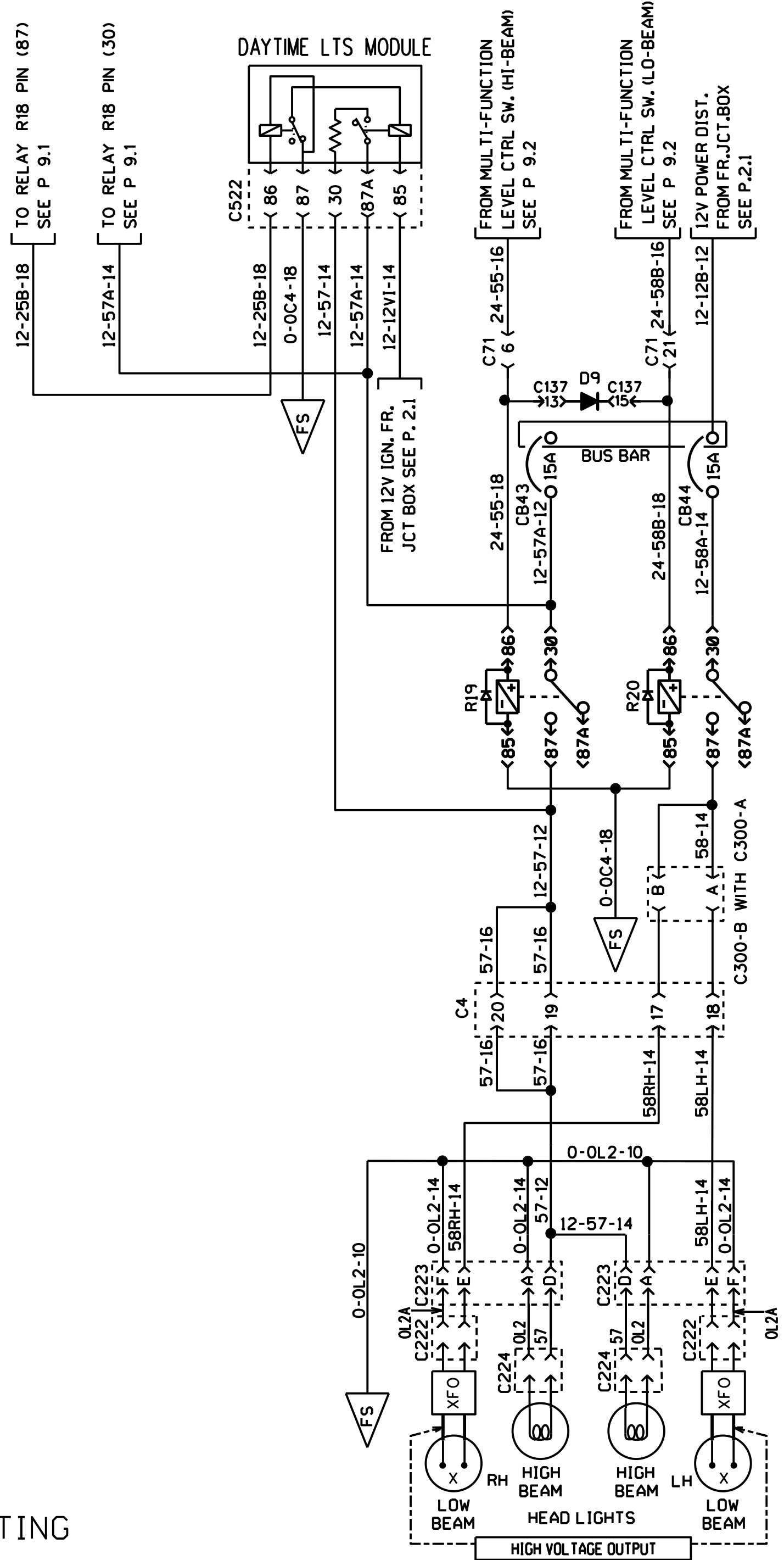
EXTERIOR LIGHTING





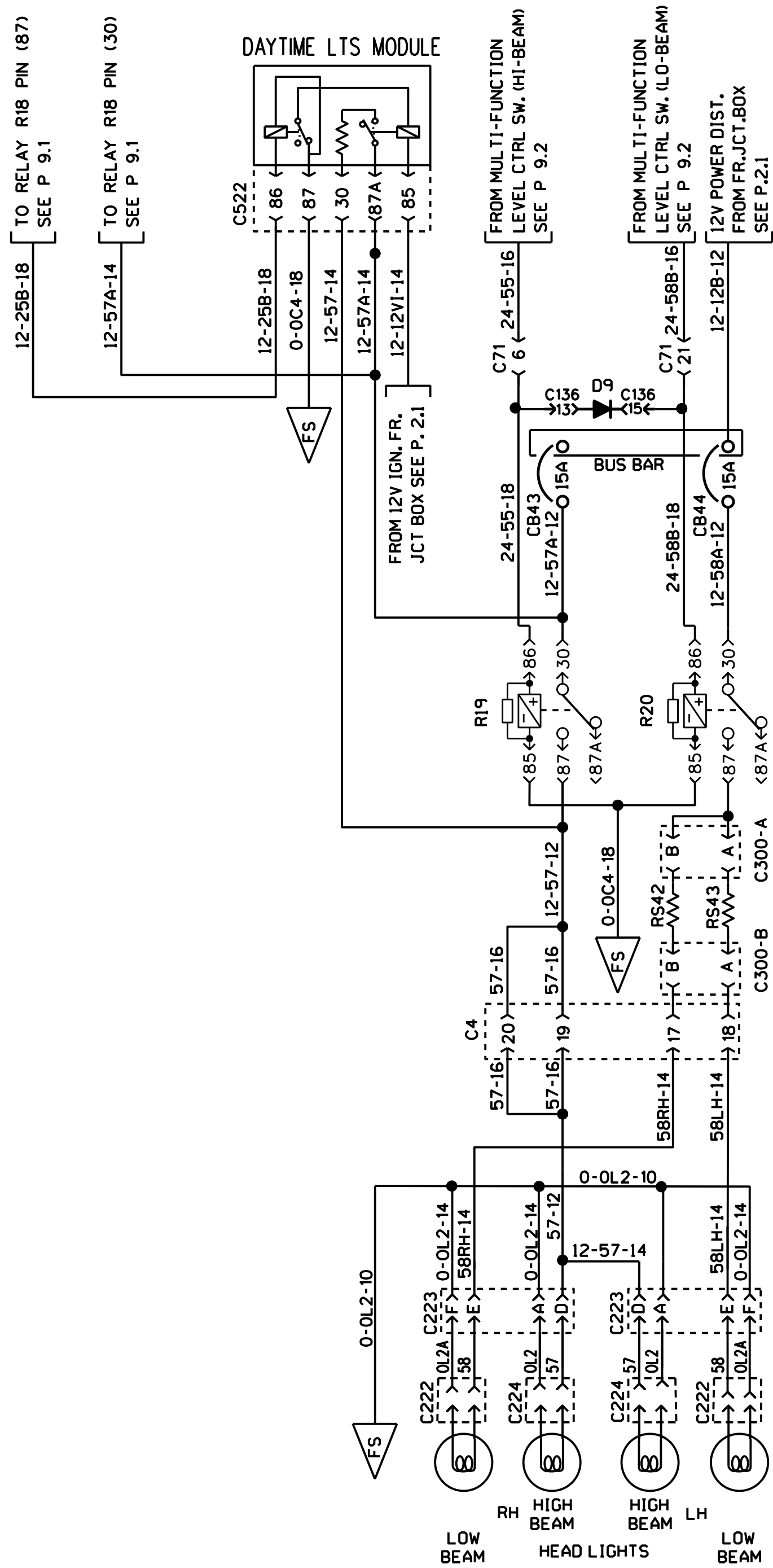
HALOGEN - STANDARD

EXTERIOR LIGHTING



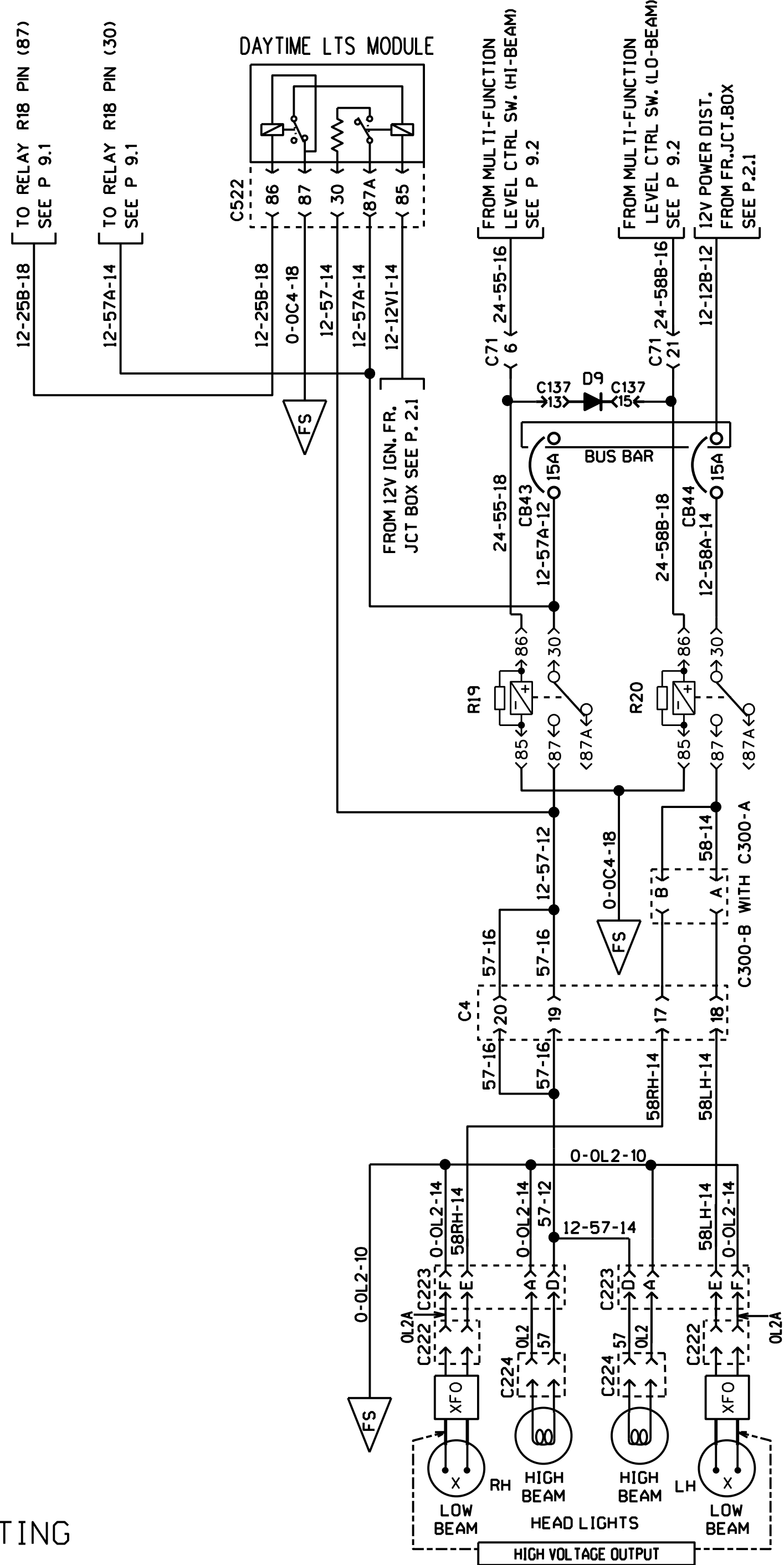
XENON LAMPS - OPTION



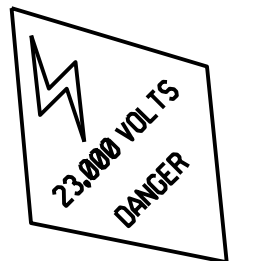


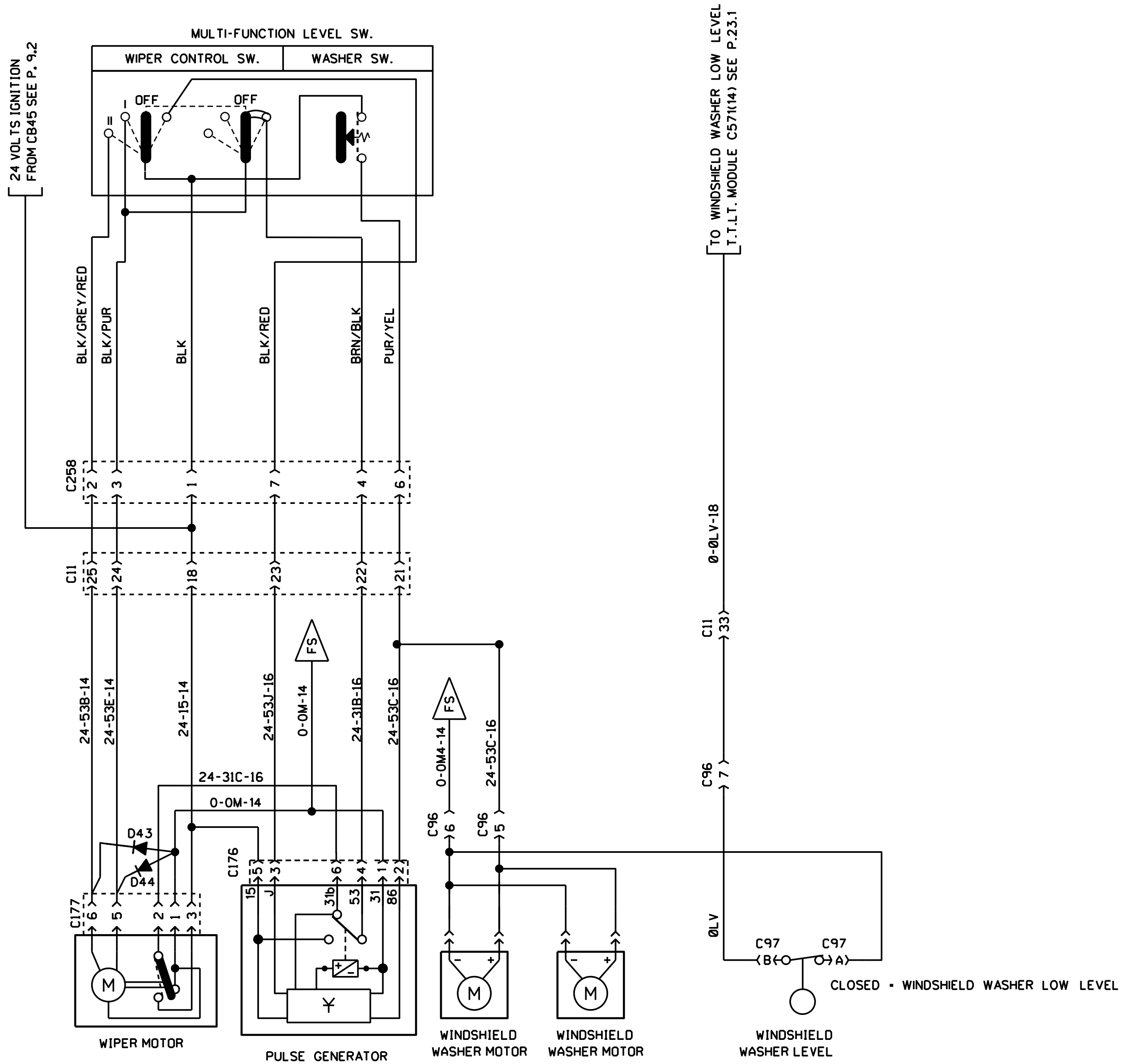
HALOGEN - STANDARD

EXTERIOR LIGHTING



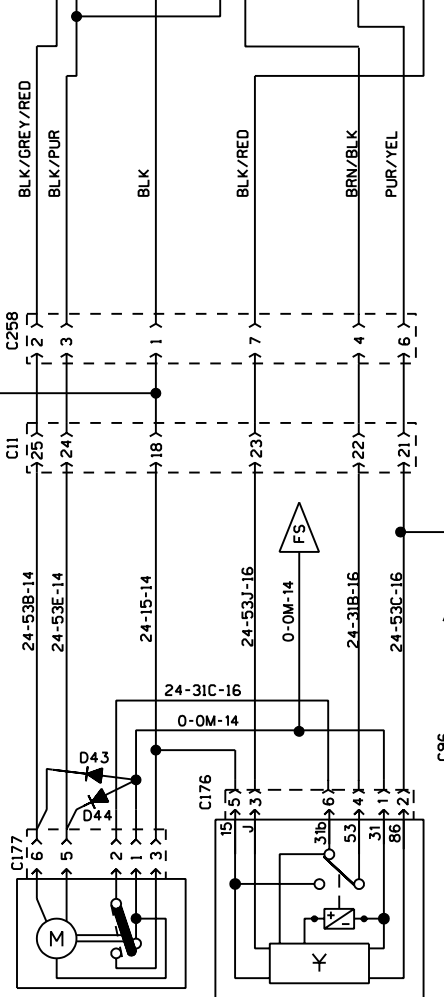
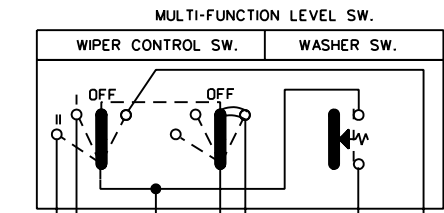
XENON LAMPS - OPTION





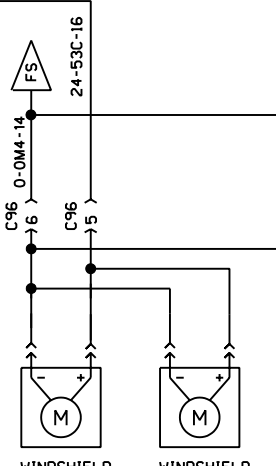
WINDSHIELD WIPER AND WASHER

24 VOLTS IGNITION  
FROM CB45 SEE P. 9.2



WIPER MOTOR

PULSE GENERATOR



WINDSHIELD WASHER MOTOR

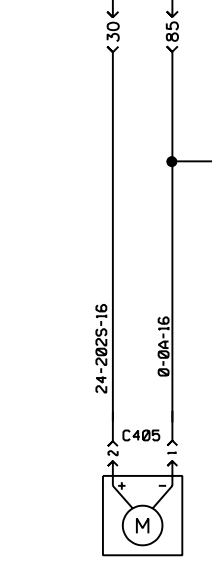
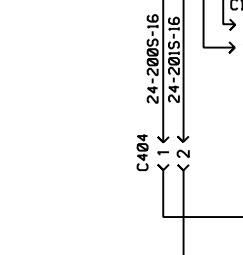
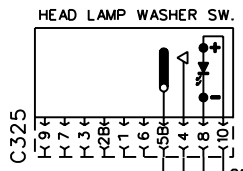
WINDSHIELD WASHER MOTOR

WINDSHIELD WASHER LEVEL

CLOSED - WINDSHIELD WASHER LOW LEVEL

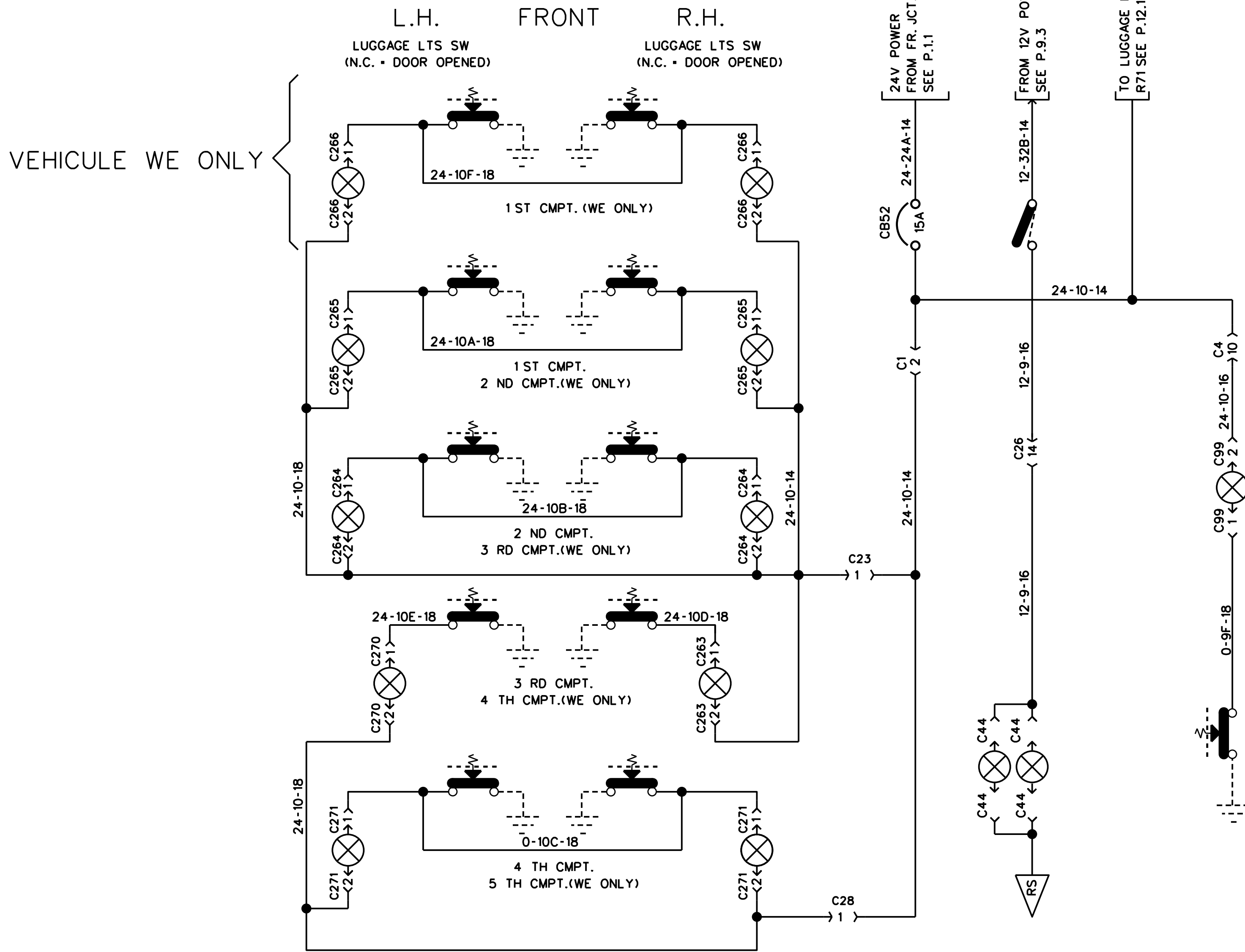
TO WINDSHIELD WASHER LOW LEVEL  
T.T.L.T. MODULE C57(14) SEE P.23.1

### WINDSHIELD WIPER AND WASHER



HEAD LAMP WASHER PUMP

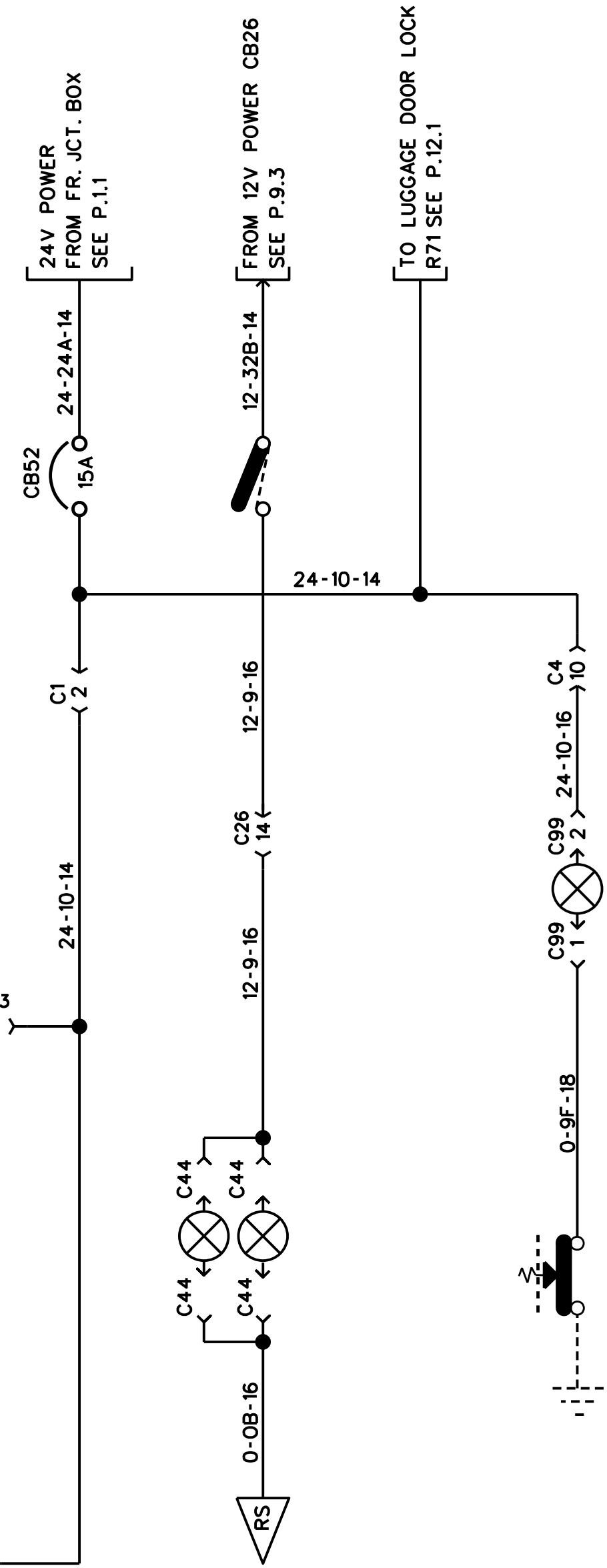
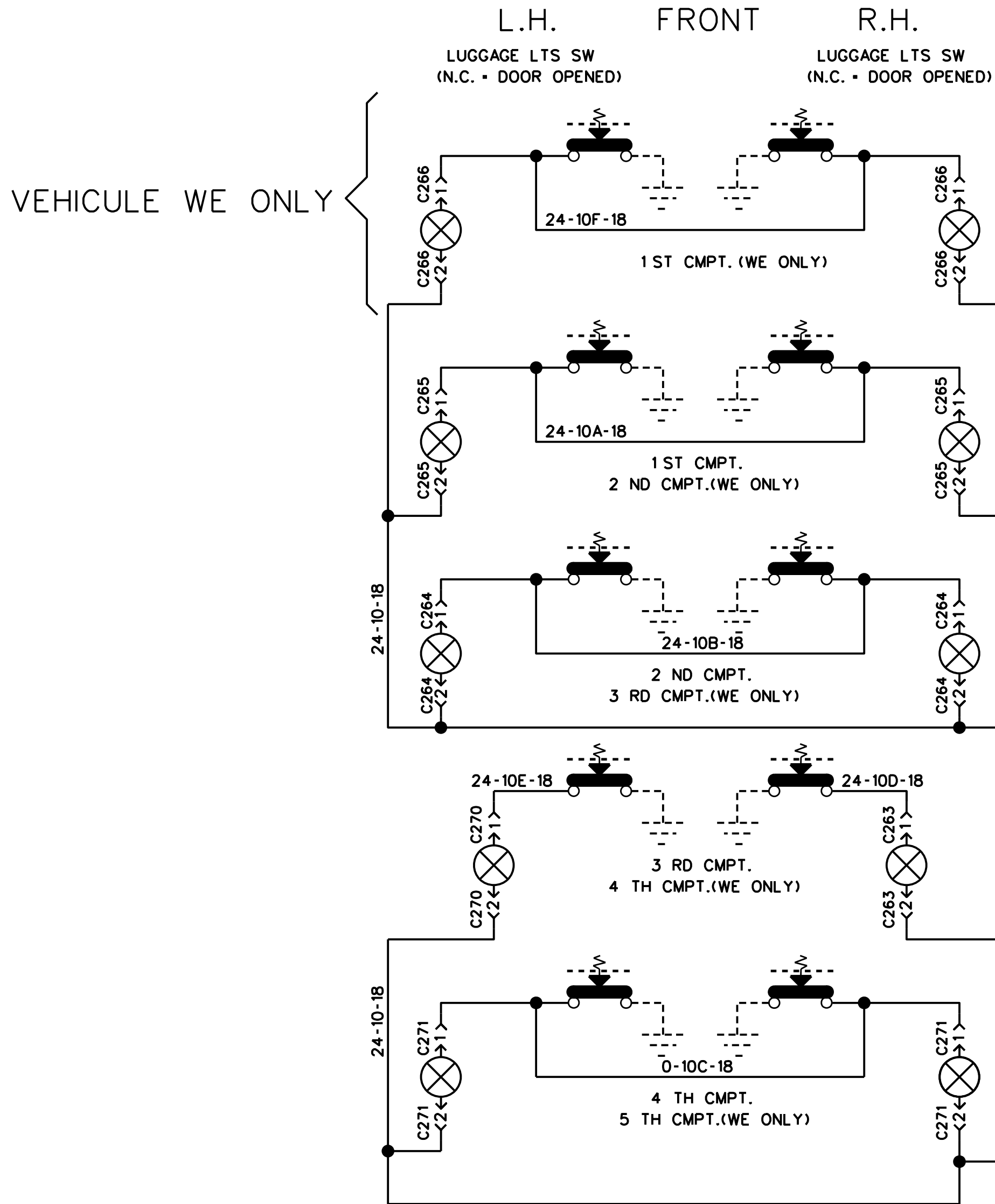
### HEAD LAMP CLEANING SYSTEM



LUGGAGE COMPARTMENT LTS.

ENGINE COMPT. LTS. FR. SERV. CPT. LT.

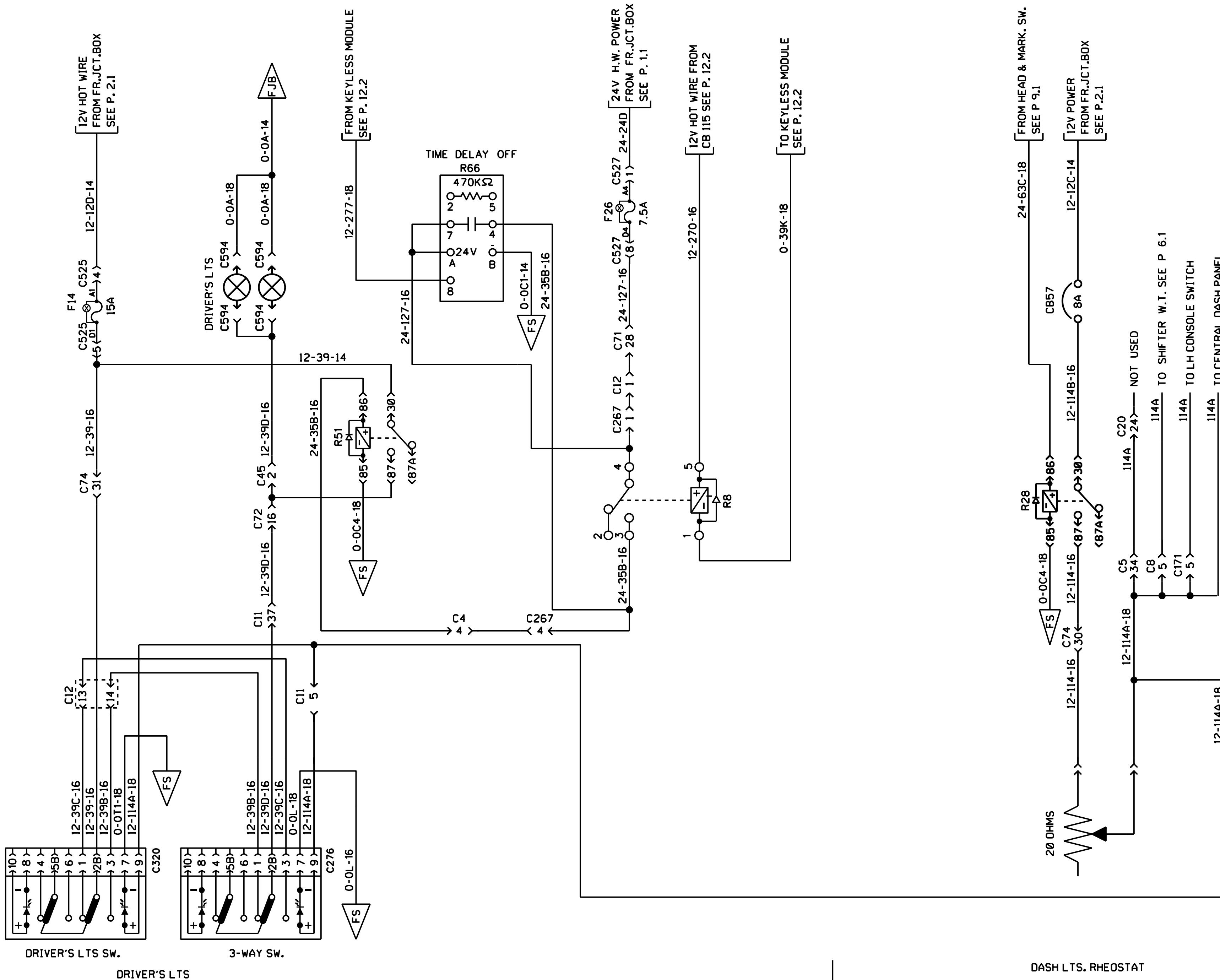
INTERIOR LIGHTING



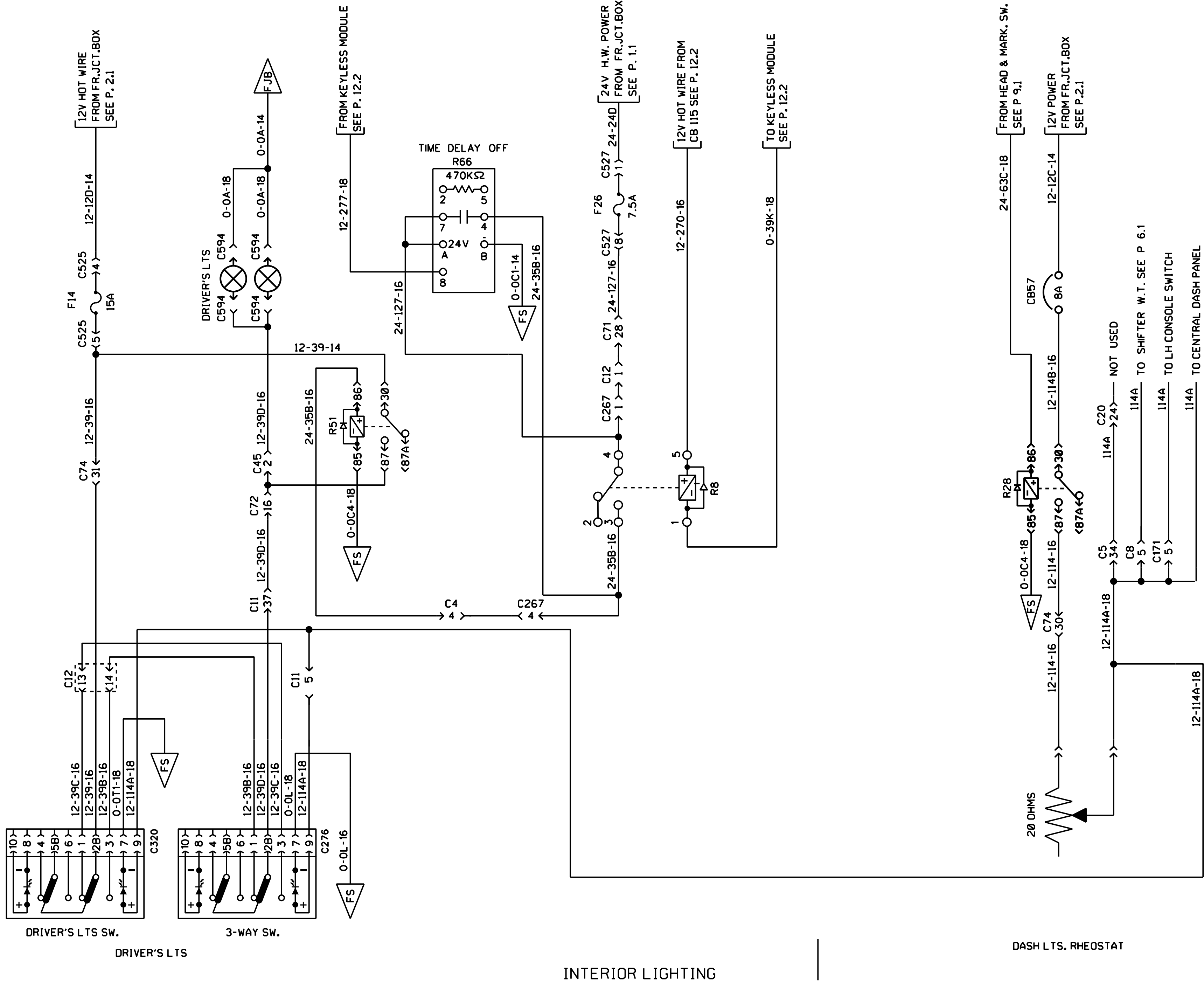
LUGGAGE COMPARTMENT LTS.

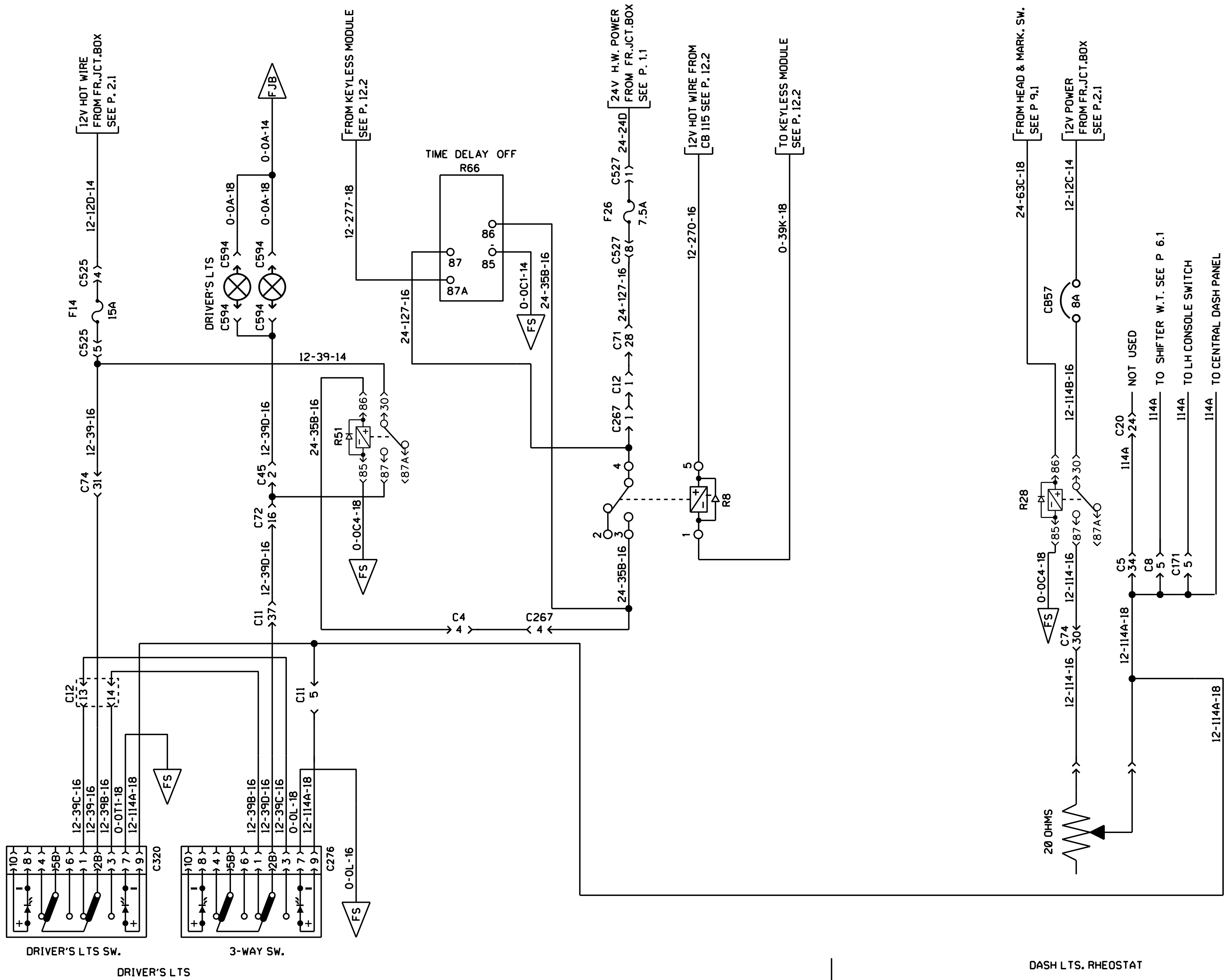
ENGINE COMPT. LTS. | FR. SERV. CPT. LT.

INTERIOR LIGHTING



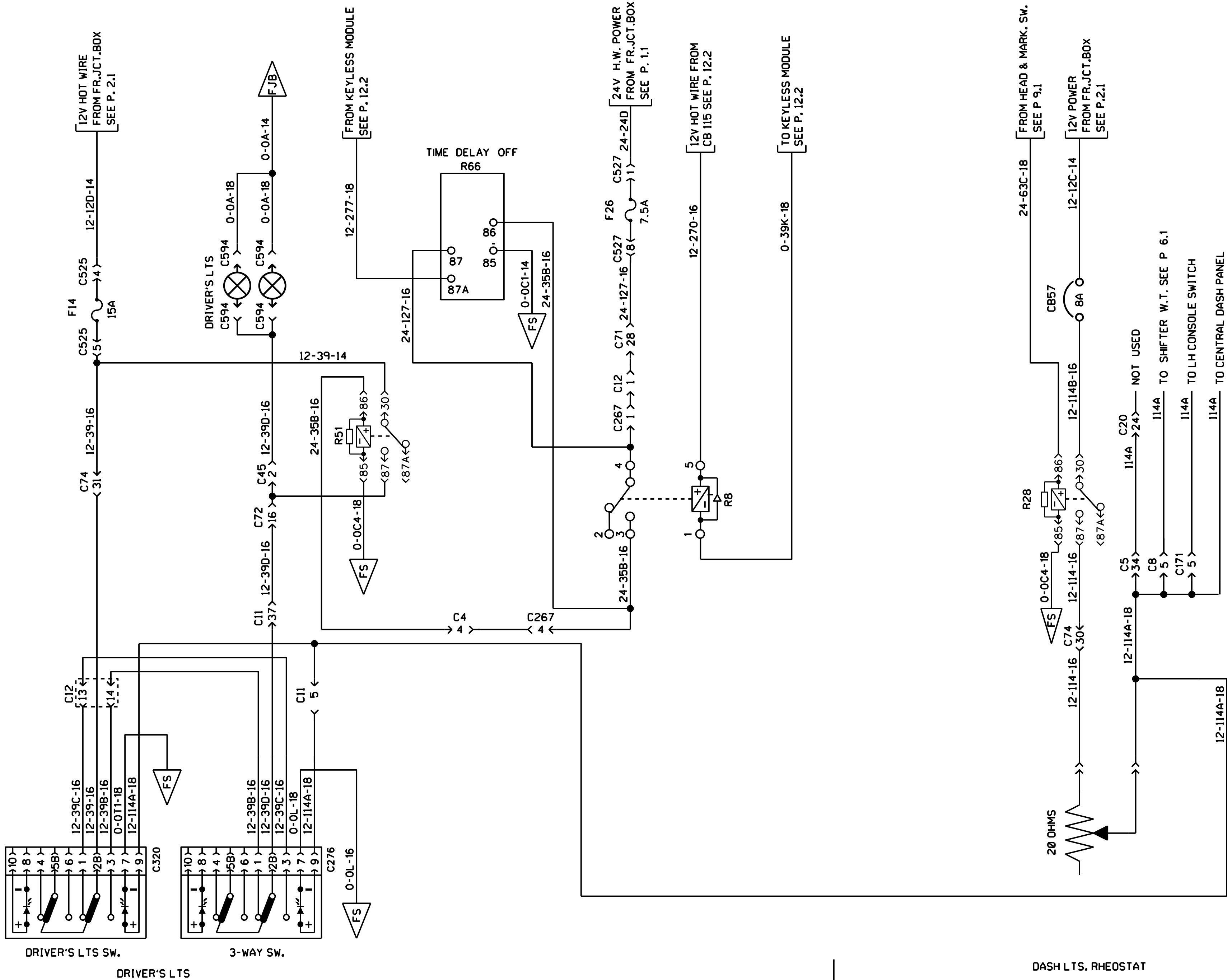
INTERIOR LIGHTING

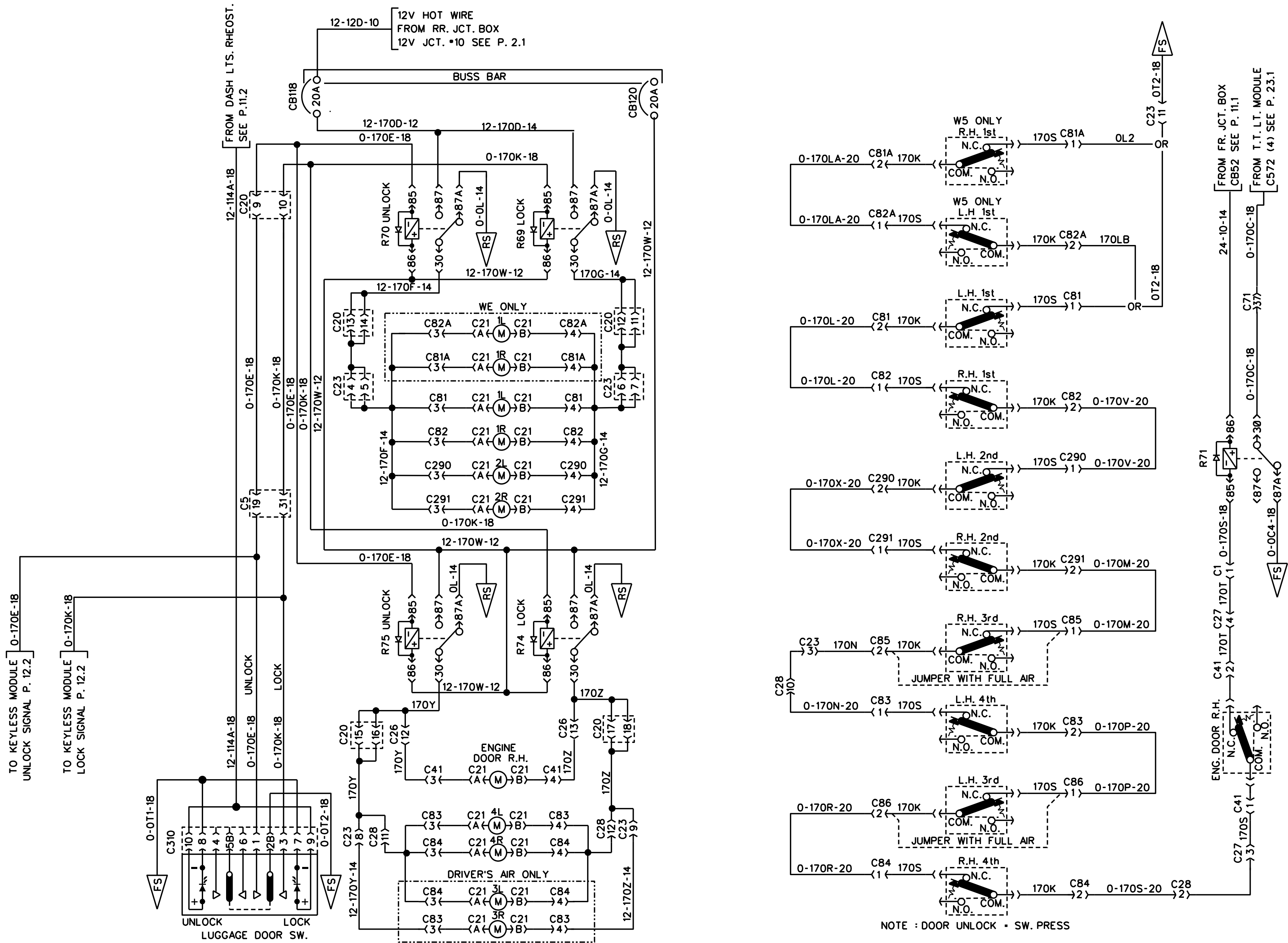




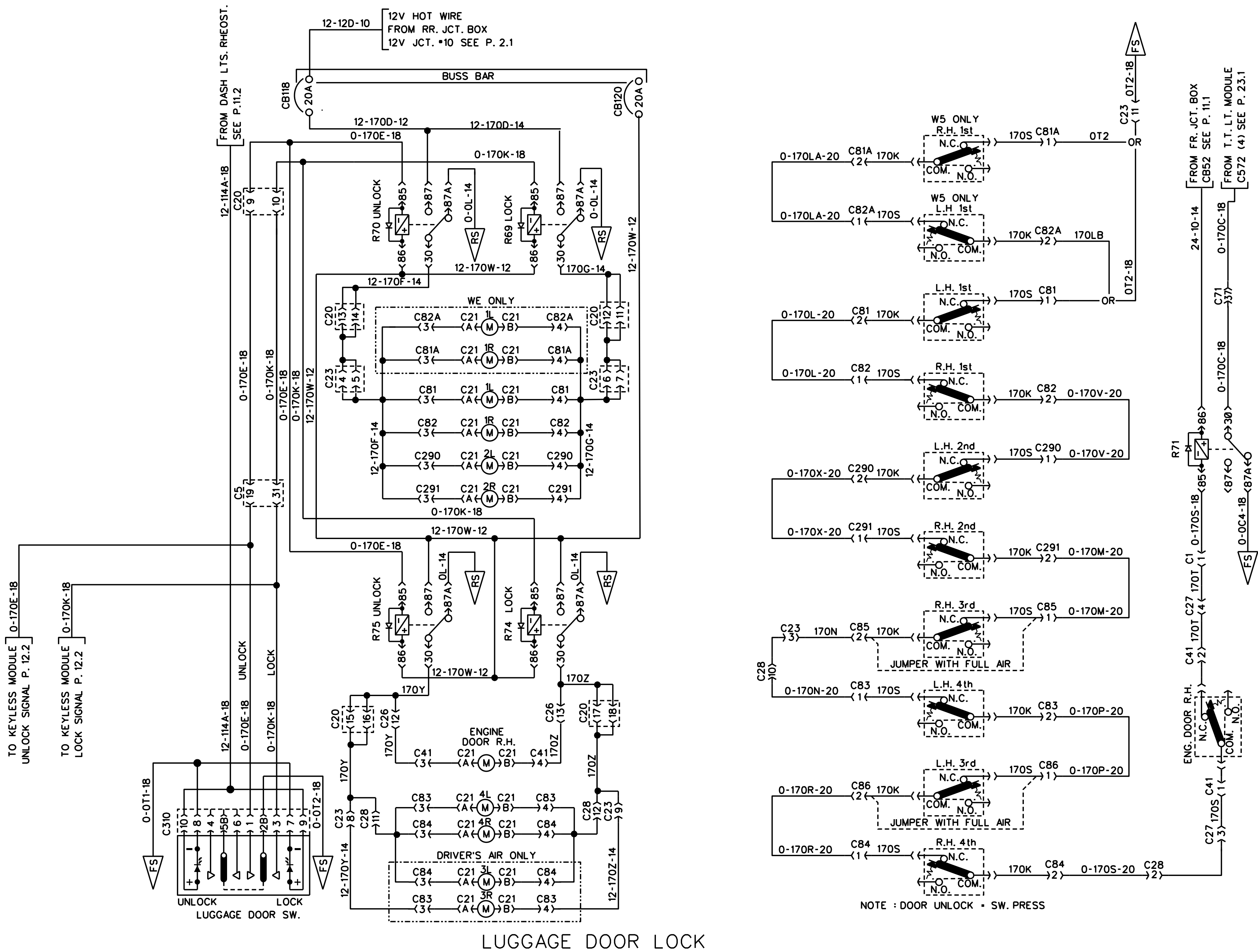
INTERIOR LIGHTING

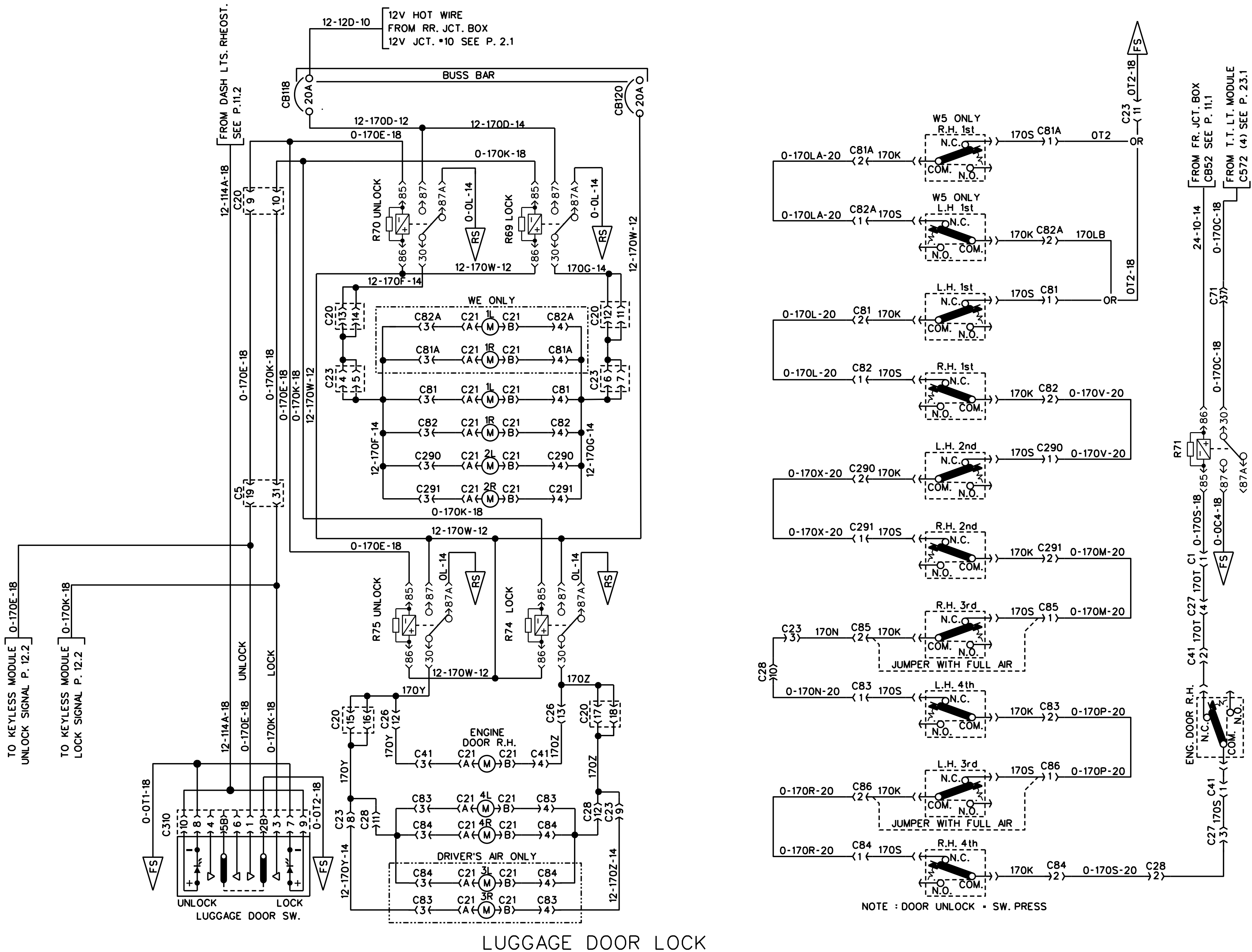


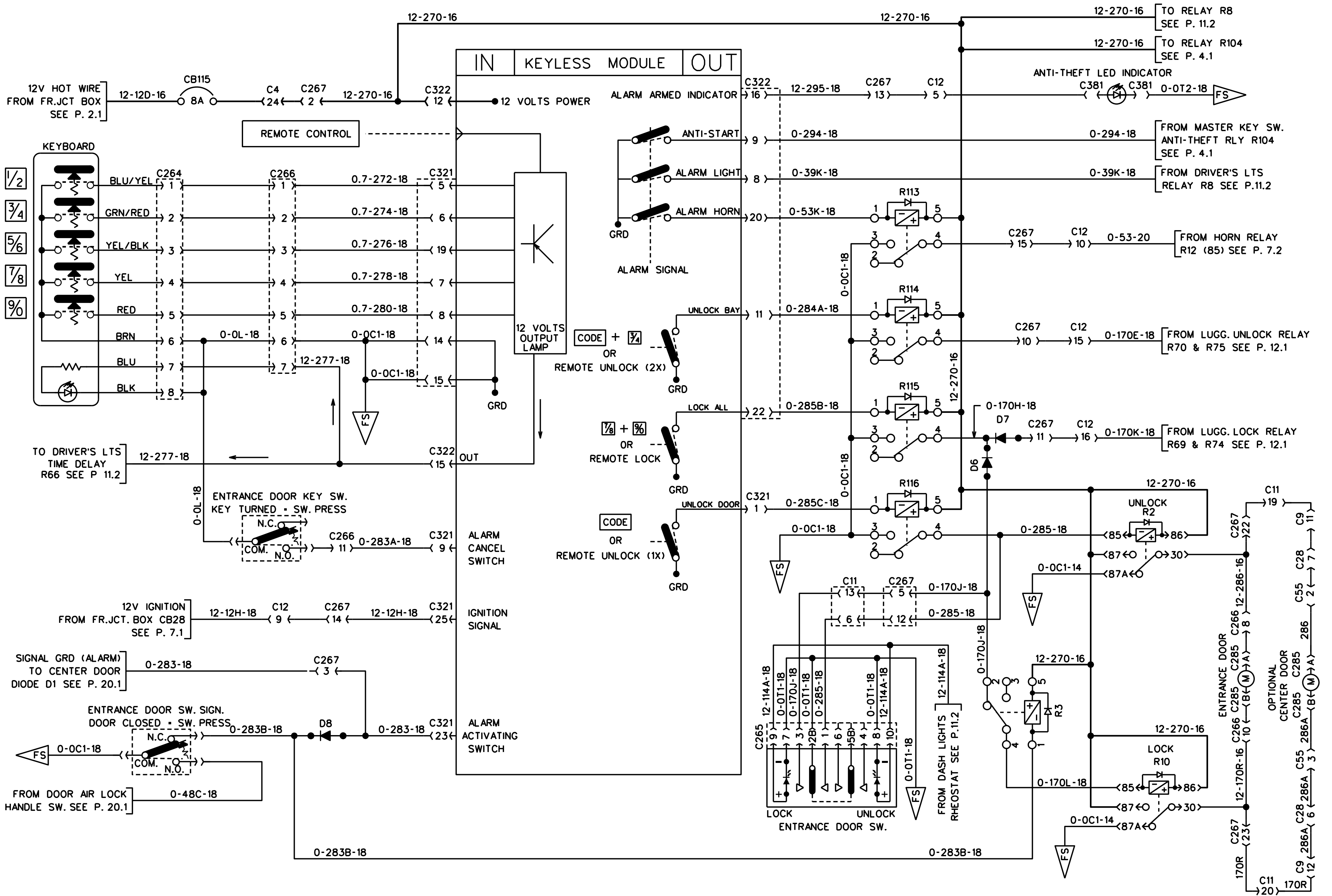




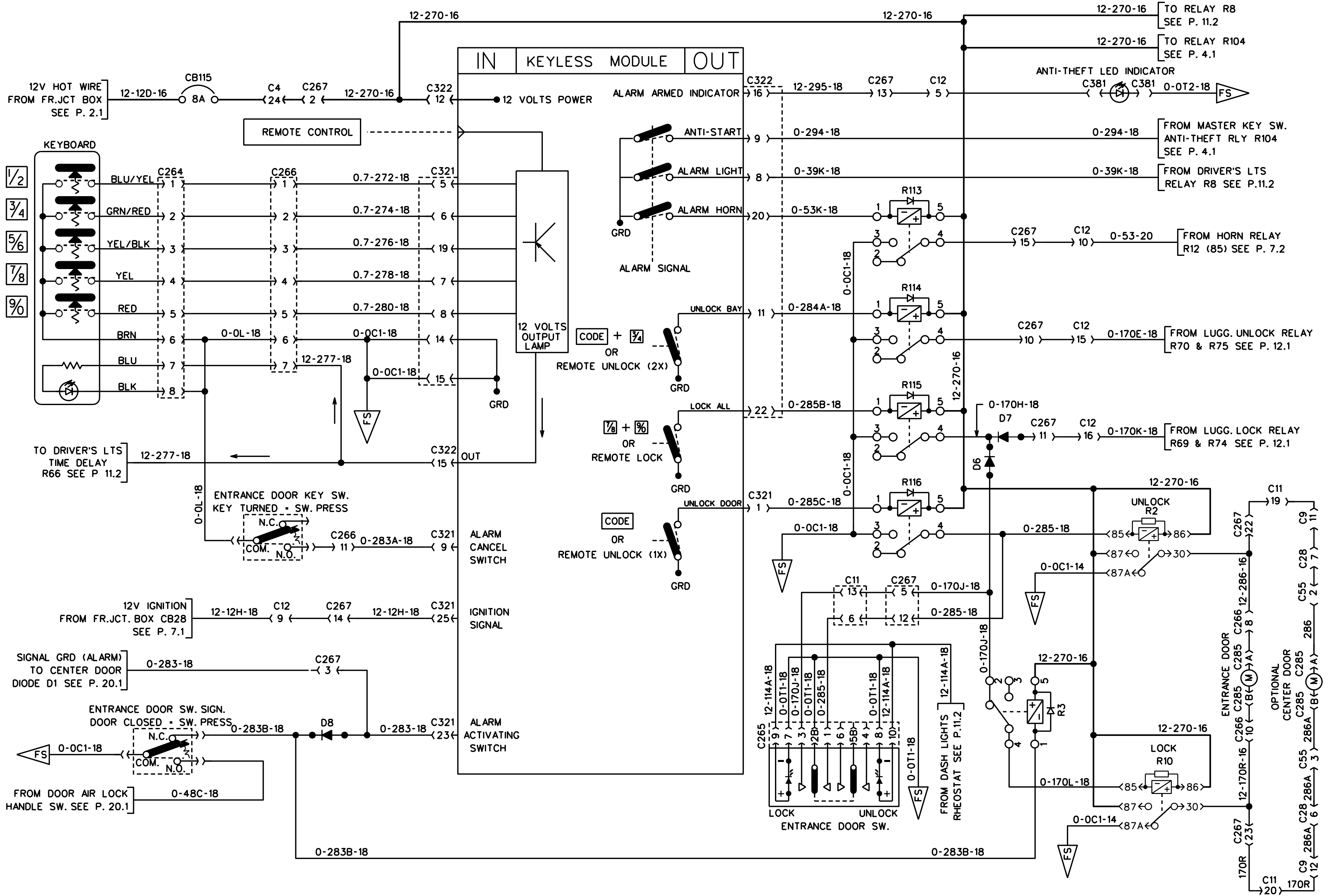
LUGGAGE DOOR LOCK



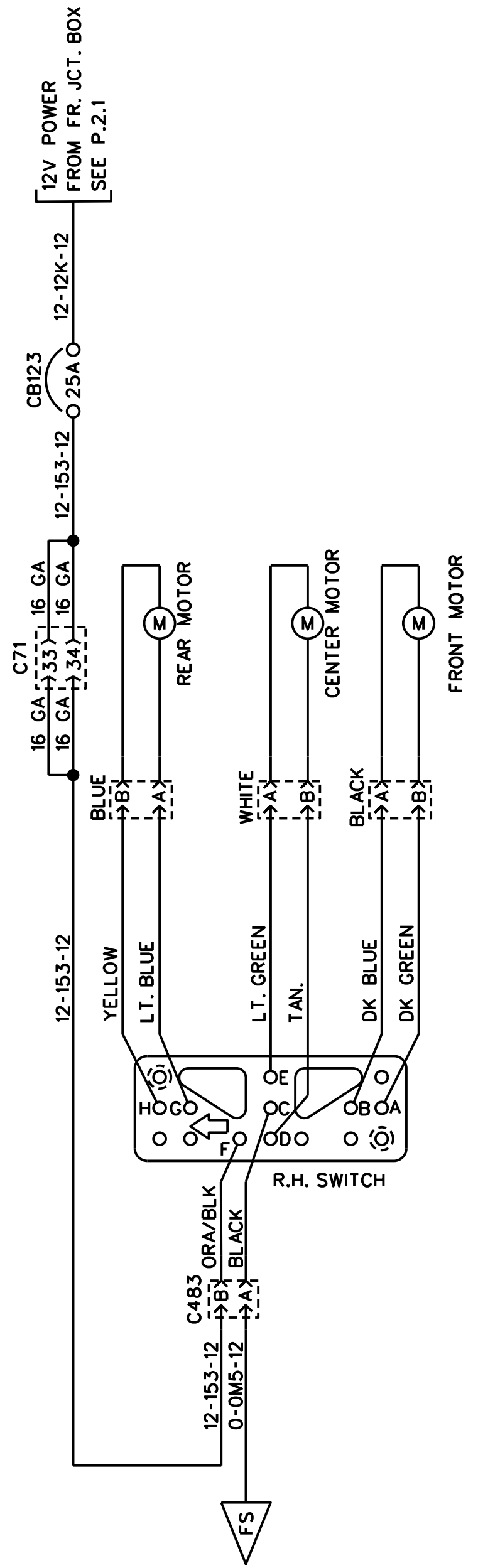




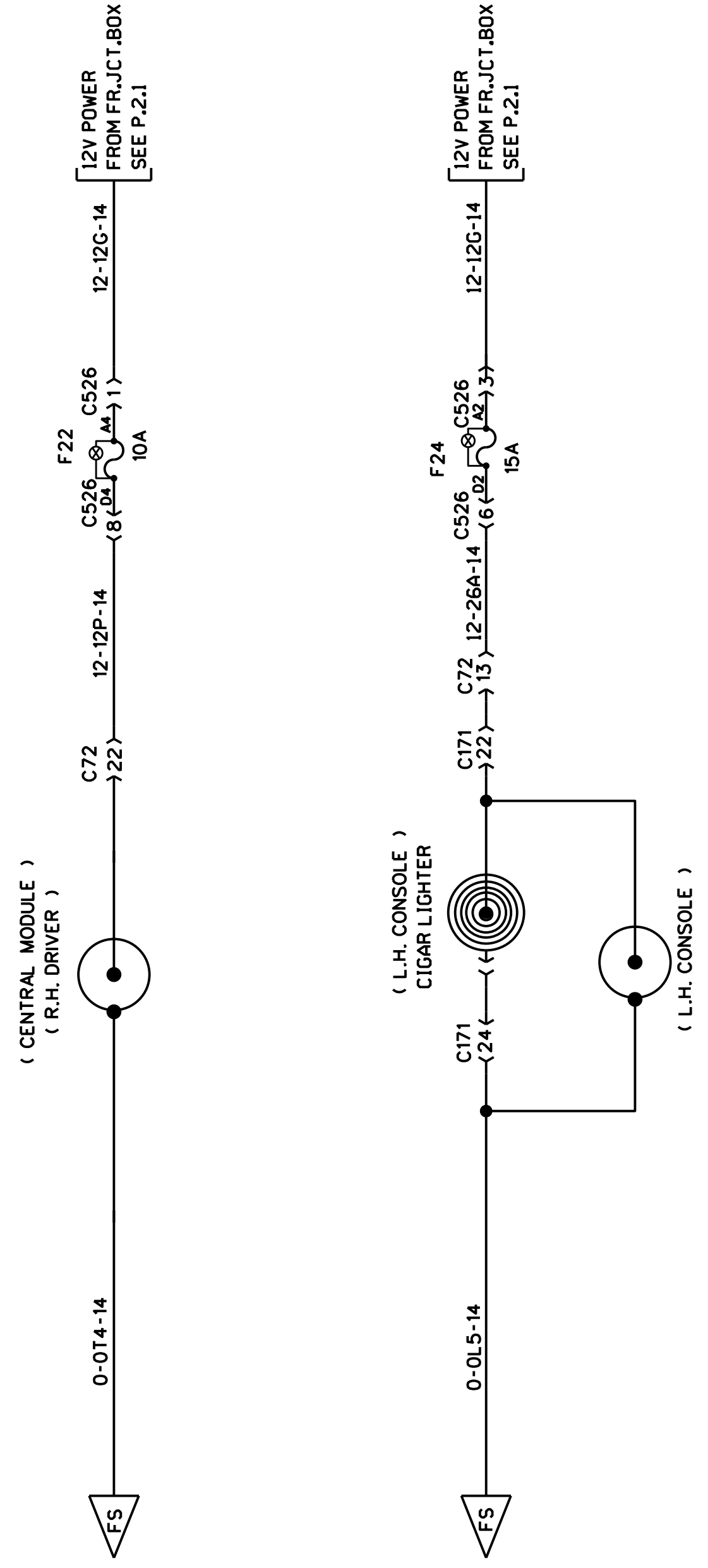
KEYLESS ENTRY SYSTEM



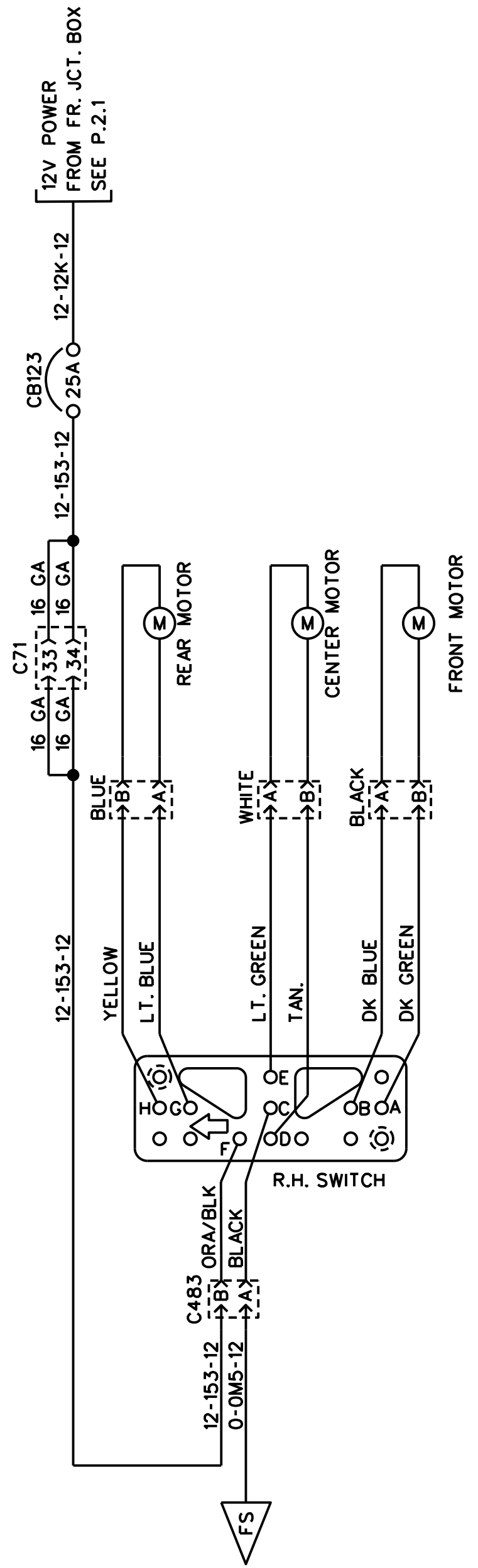
KEYLESS ENTRY SYSTEM



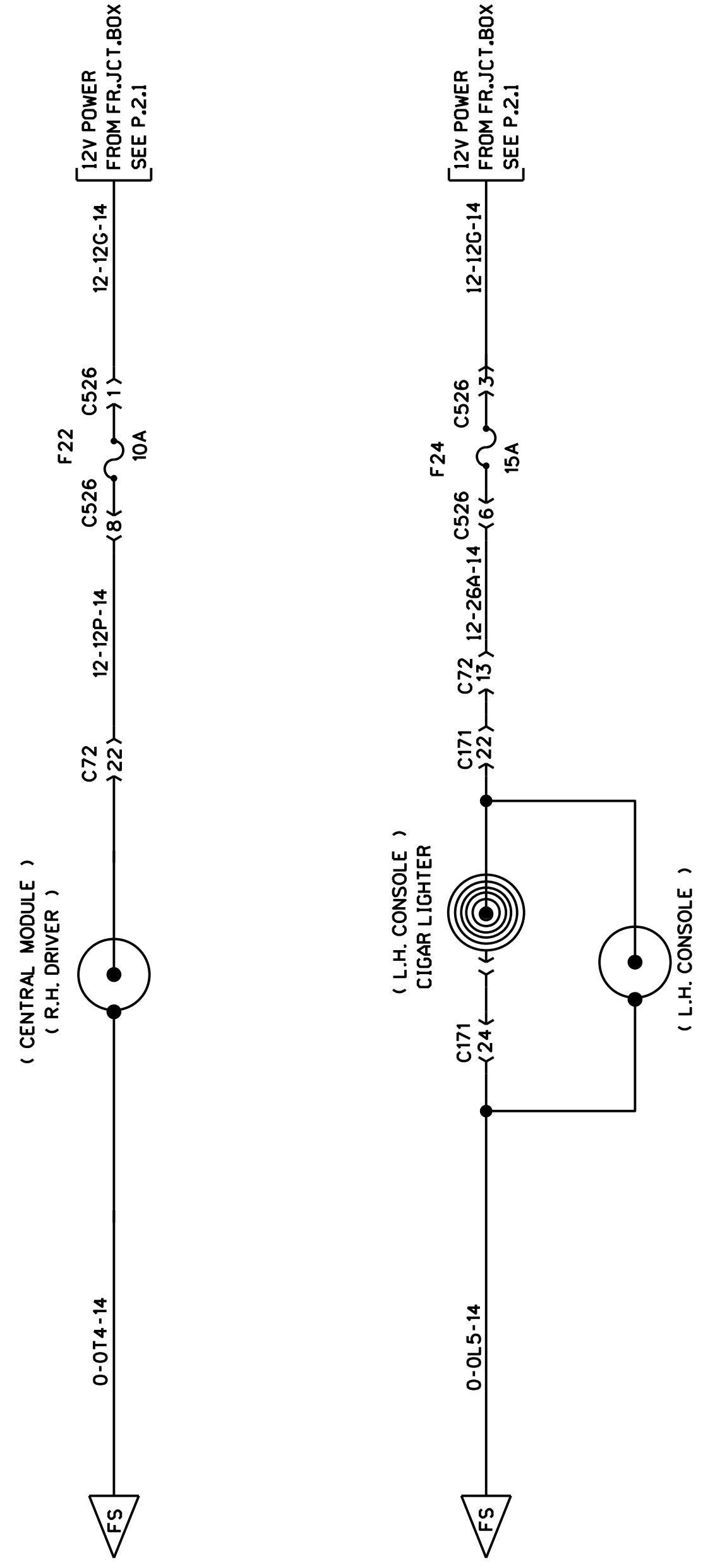
DRIVER'S SEAT ELECT. ADJ.



POWER 12 VOLT OUTLET

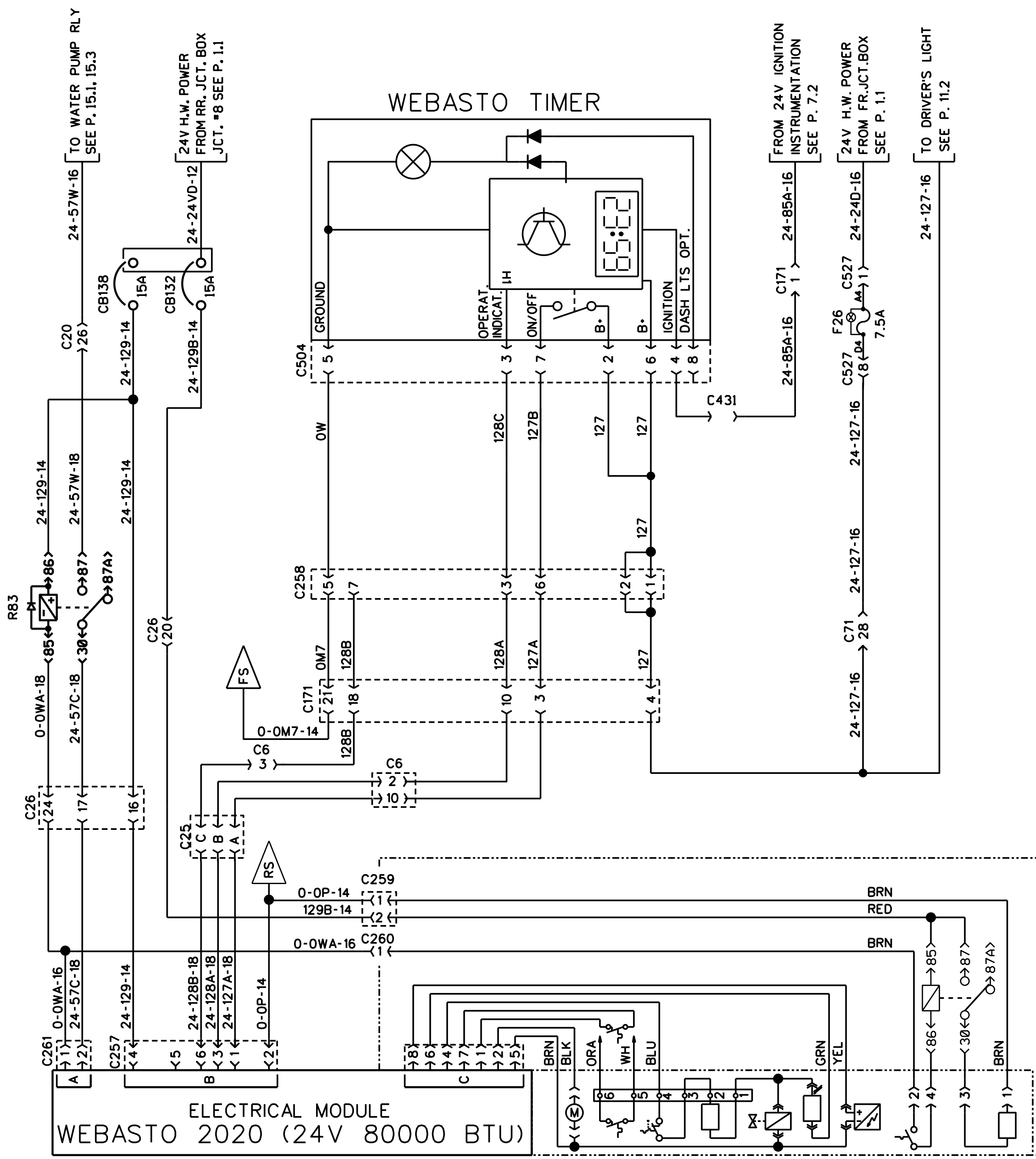


DRIVER'S SEAT ELECT. ADJ.

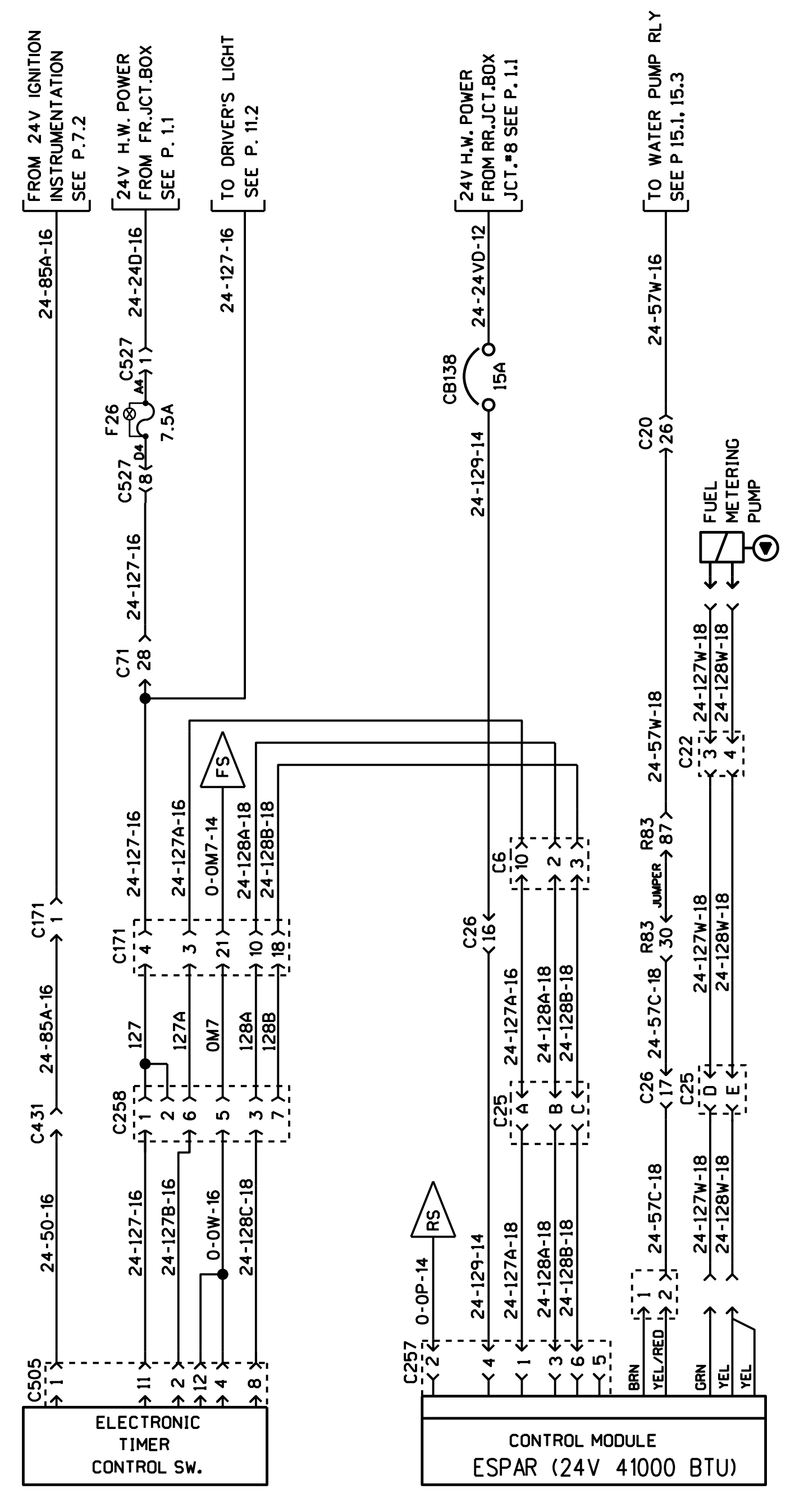


POWER 12 VOLT OUTLET

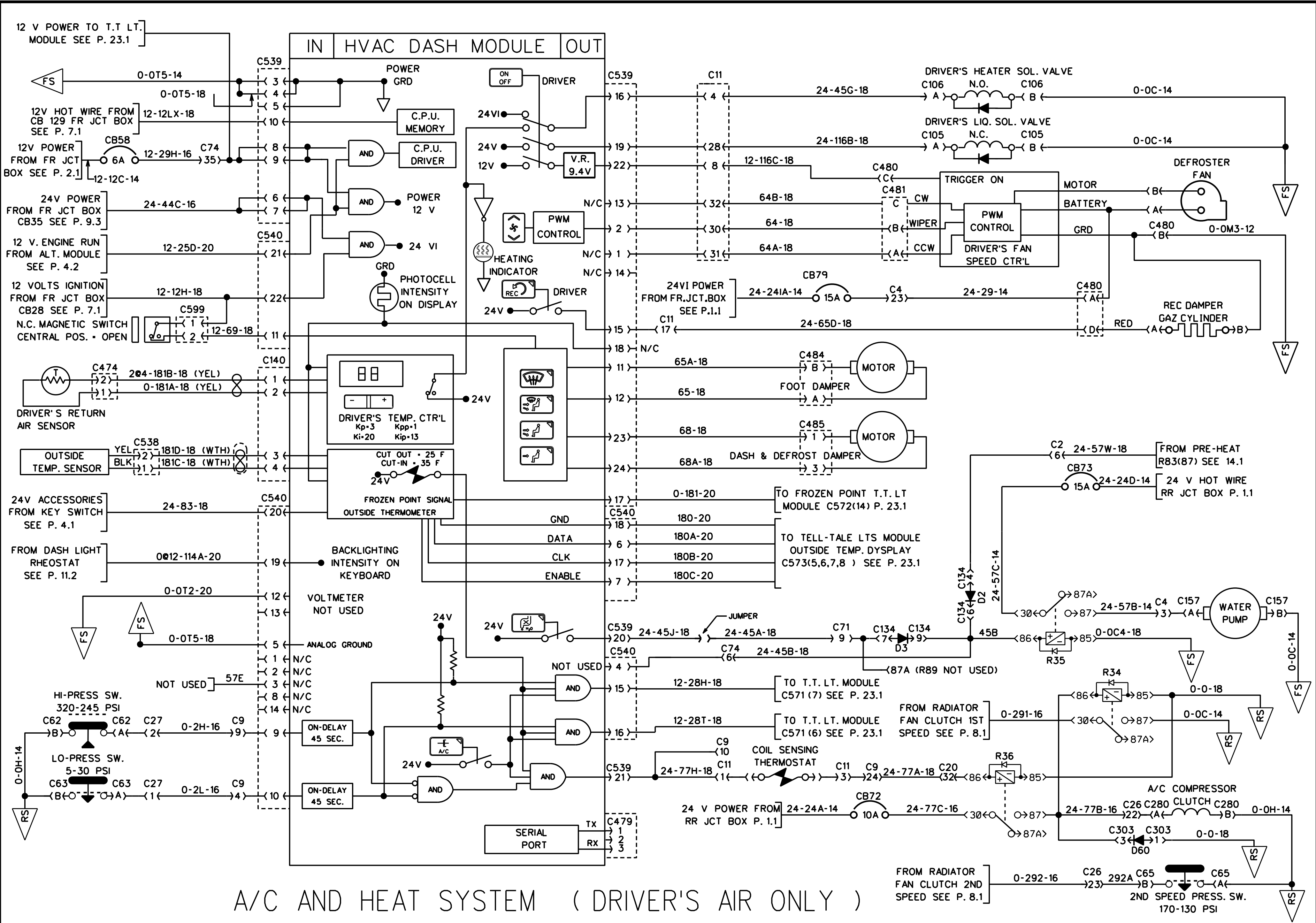




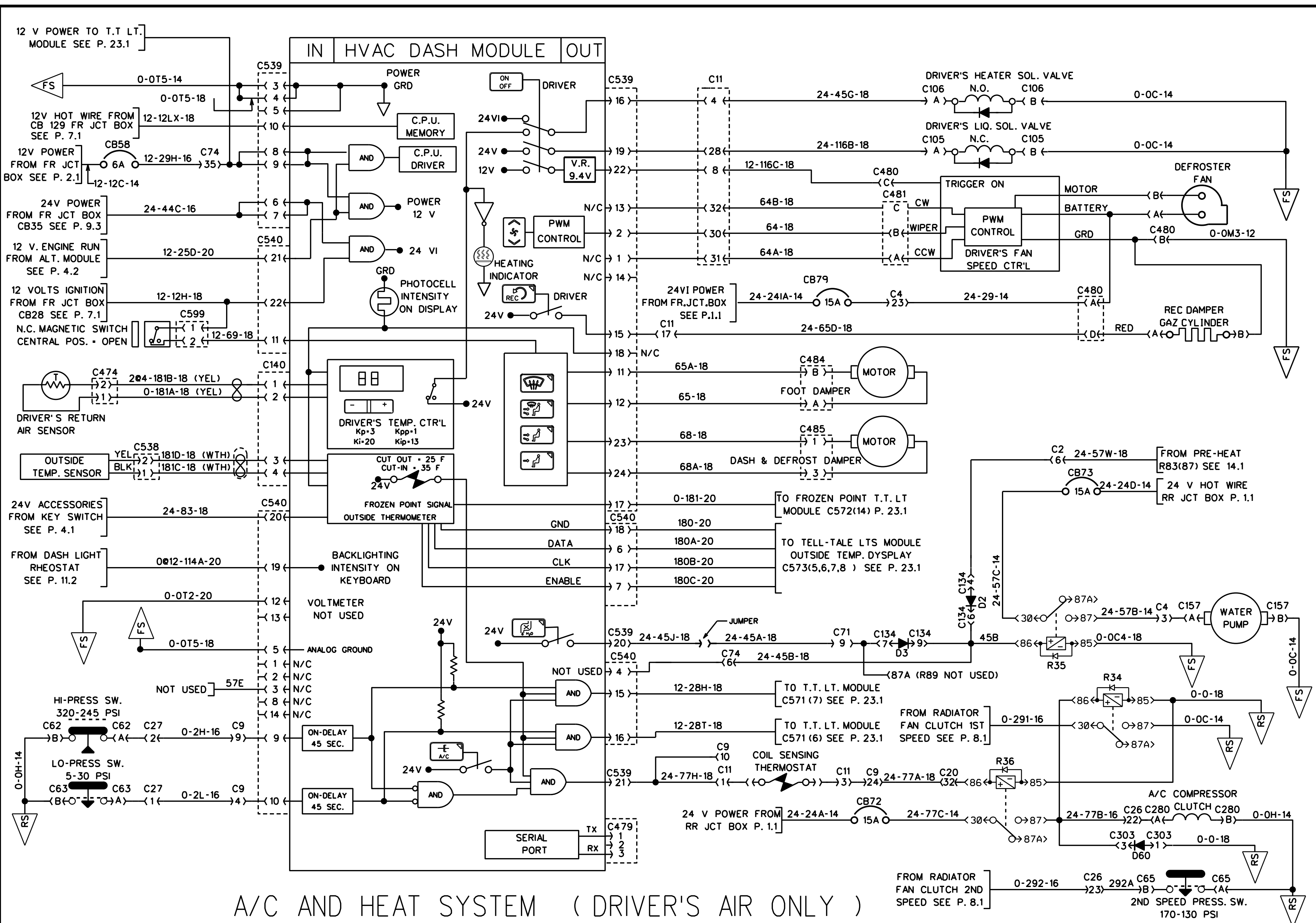
PRE-HEAT WATER HEATER (WEBASTO 2020)



PRE-HEAT WATER HEATER (ESPAR)

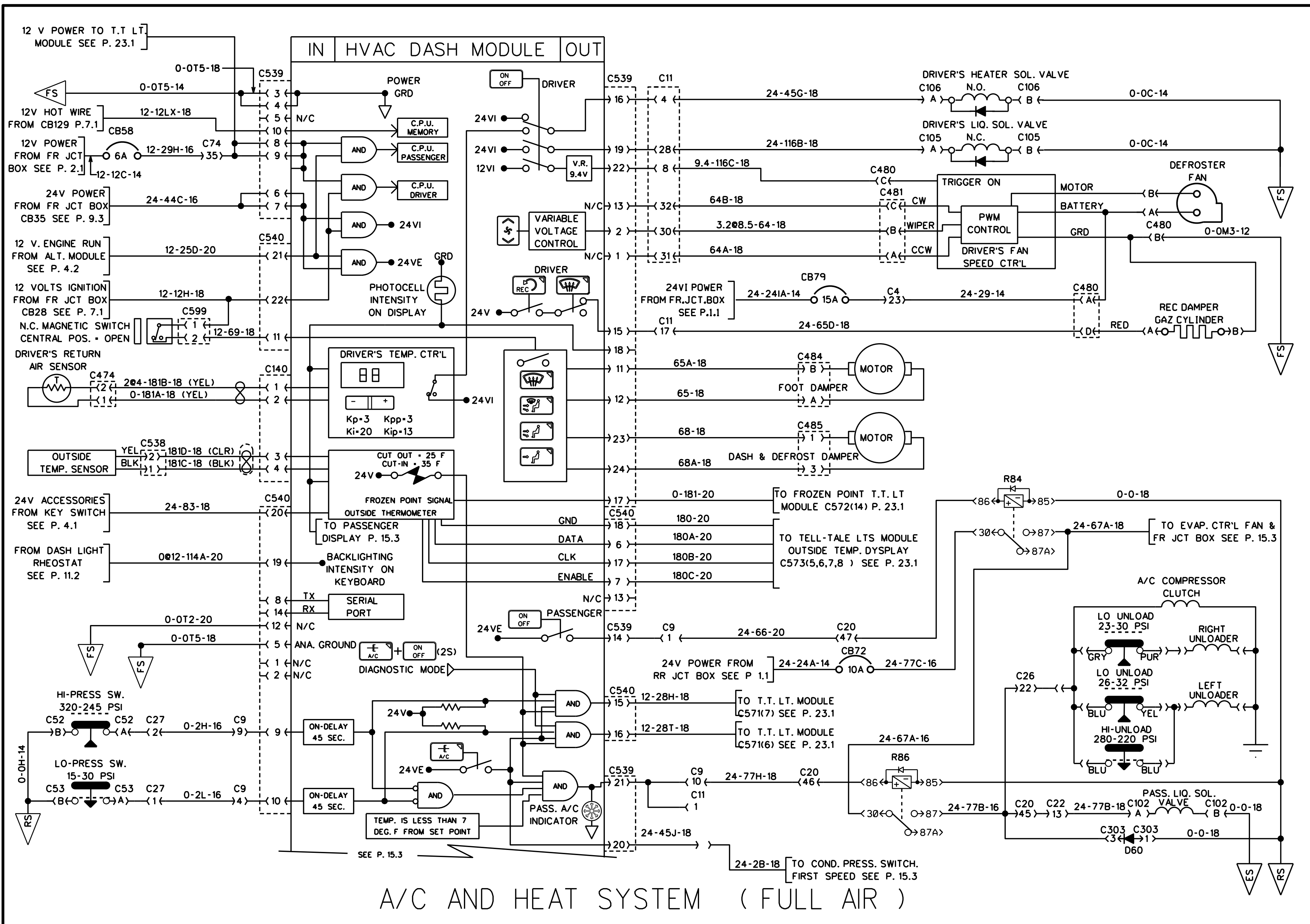


A/C AND HEAT SYSTEM ( DRIVER'S AIR ONLY )

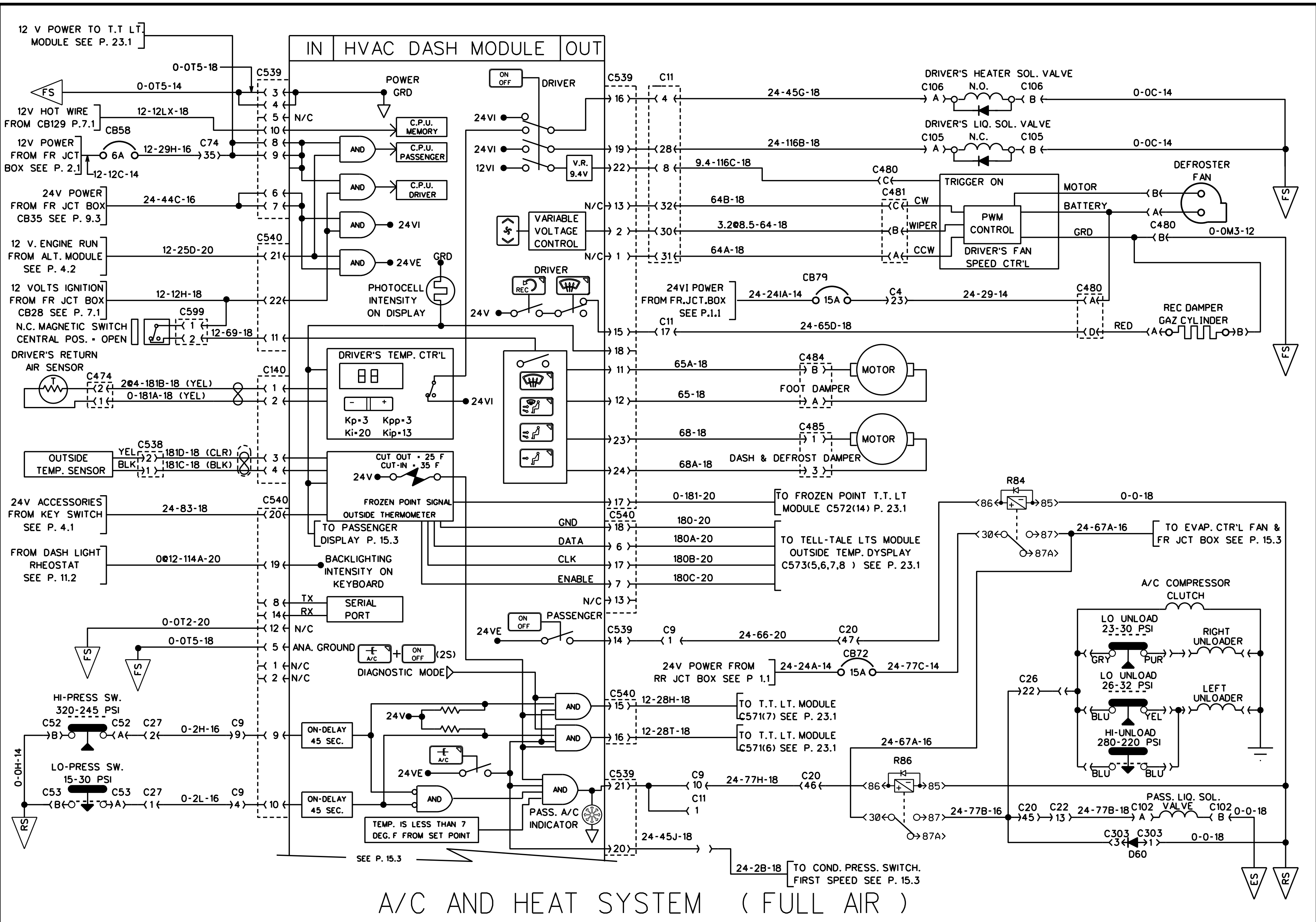


A/C AND HEAT SYSTEM ( DRIVER'S AIR ONLY )

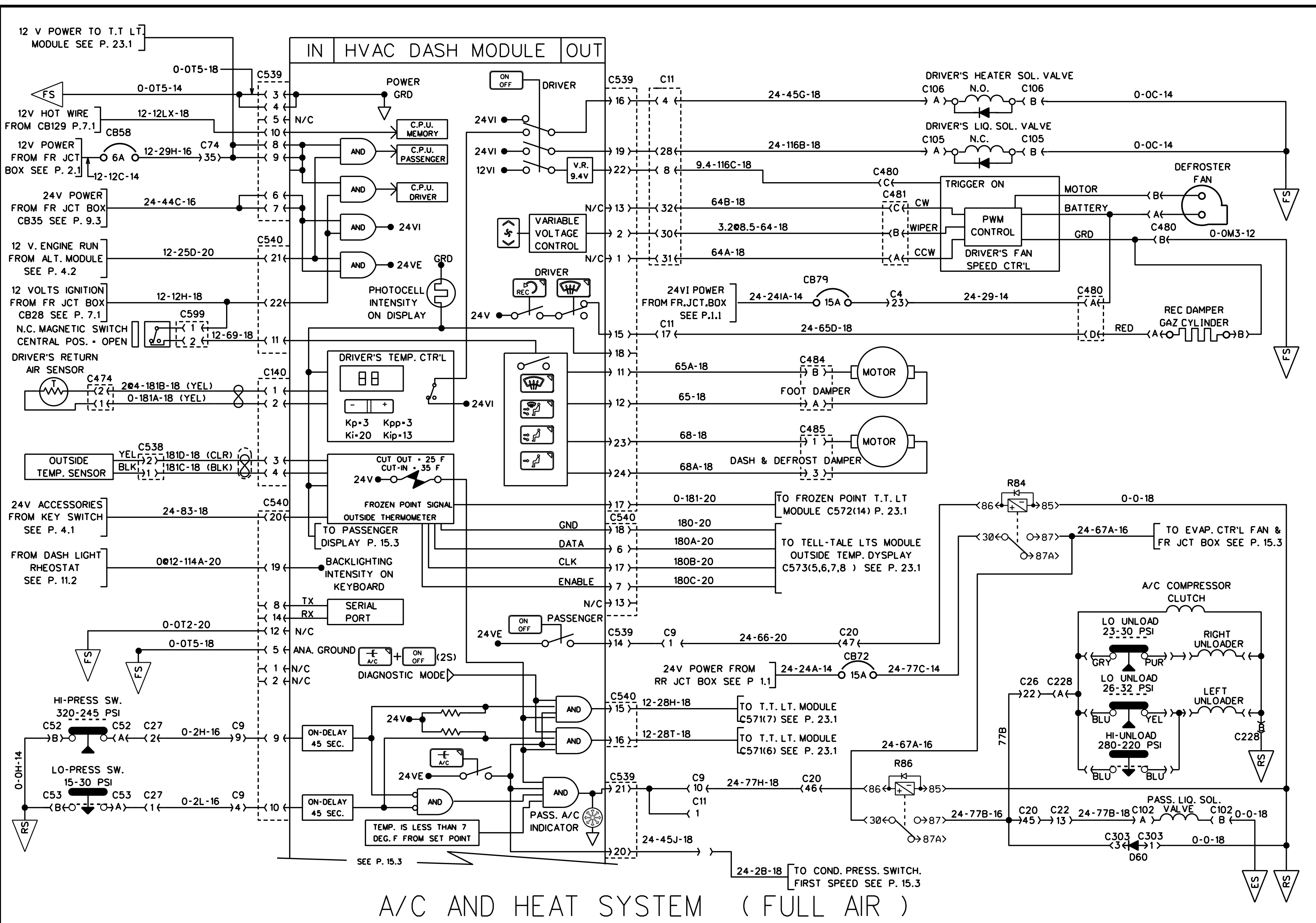




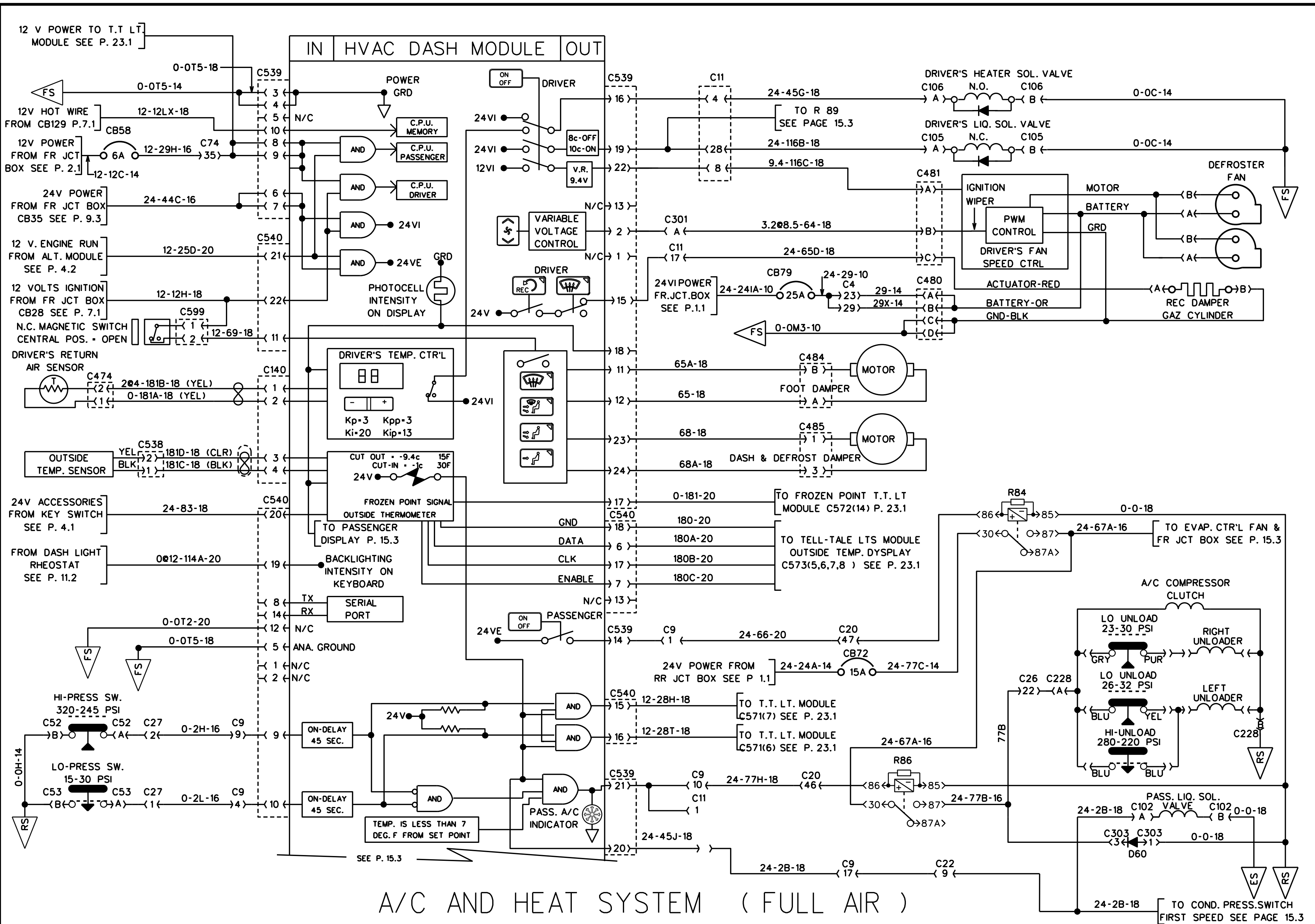
A/C AND HEAT SYSTEM (FULL AIR)



A/C AND HEAT SYSTEM (FULL AIR)

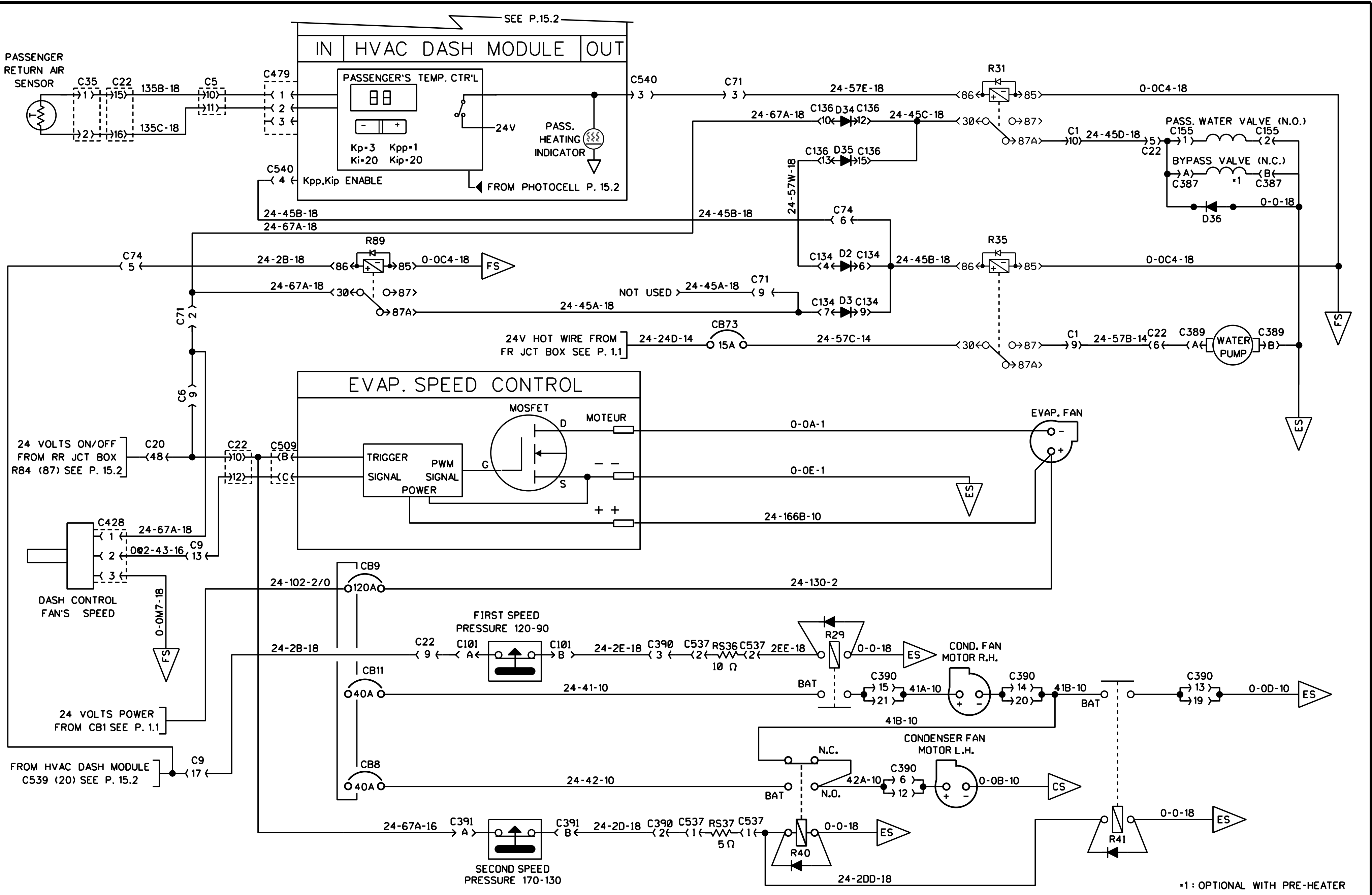


A/C AND HEAT SYSTEM ( FULL AIR )

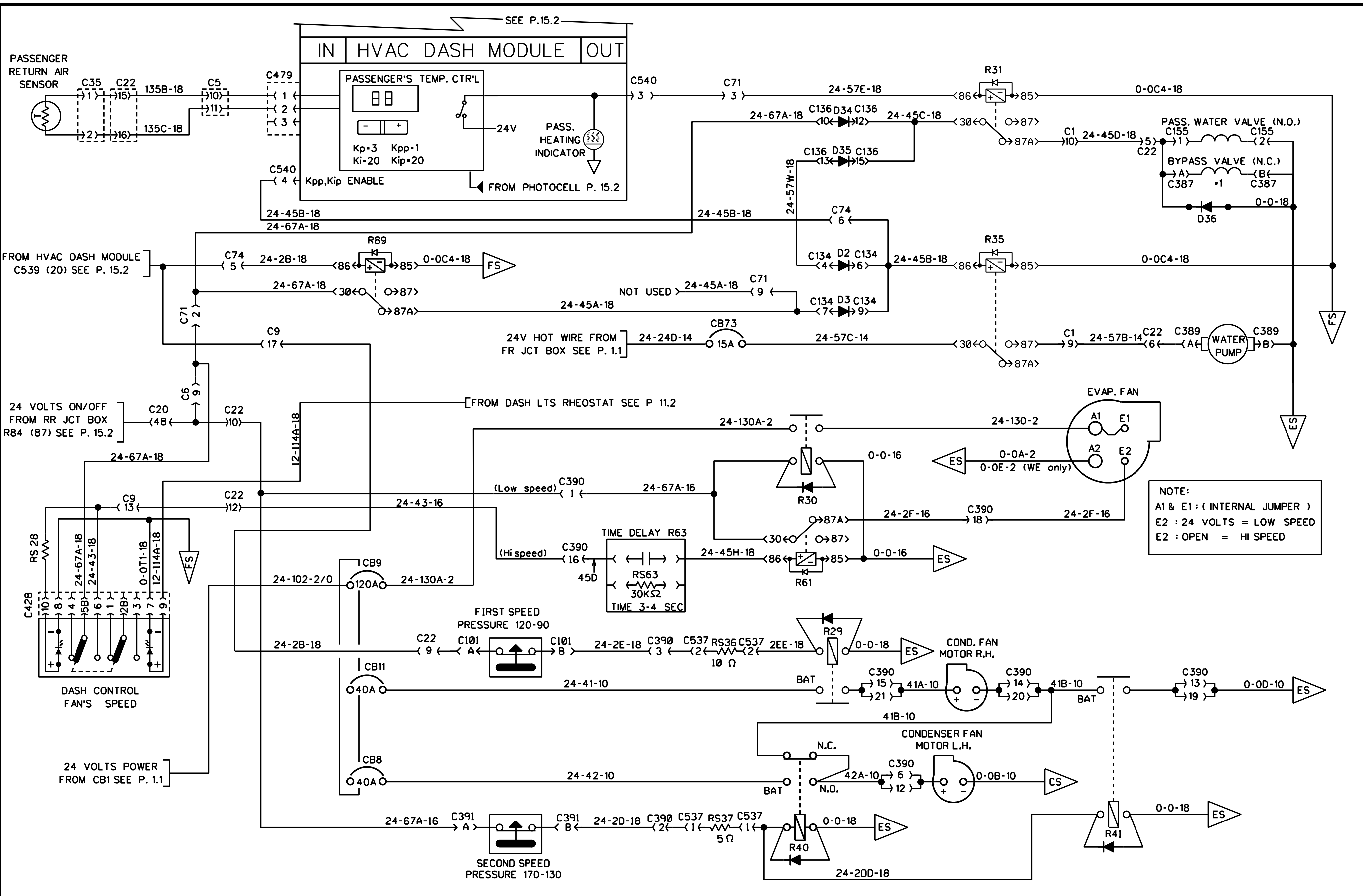


A/C AND HEAT SYSTEM ( FULL AIR )

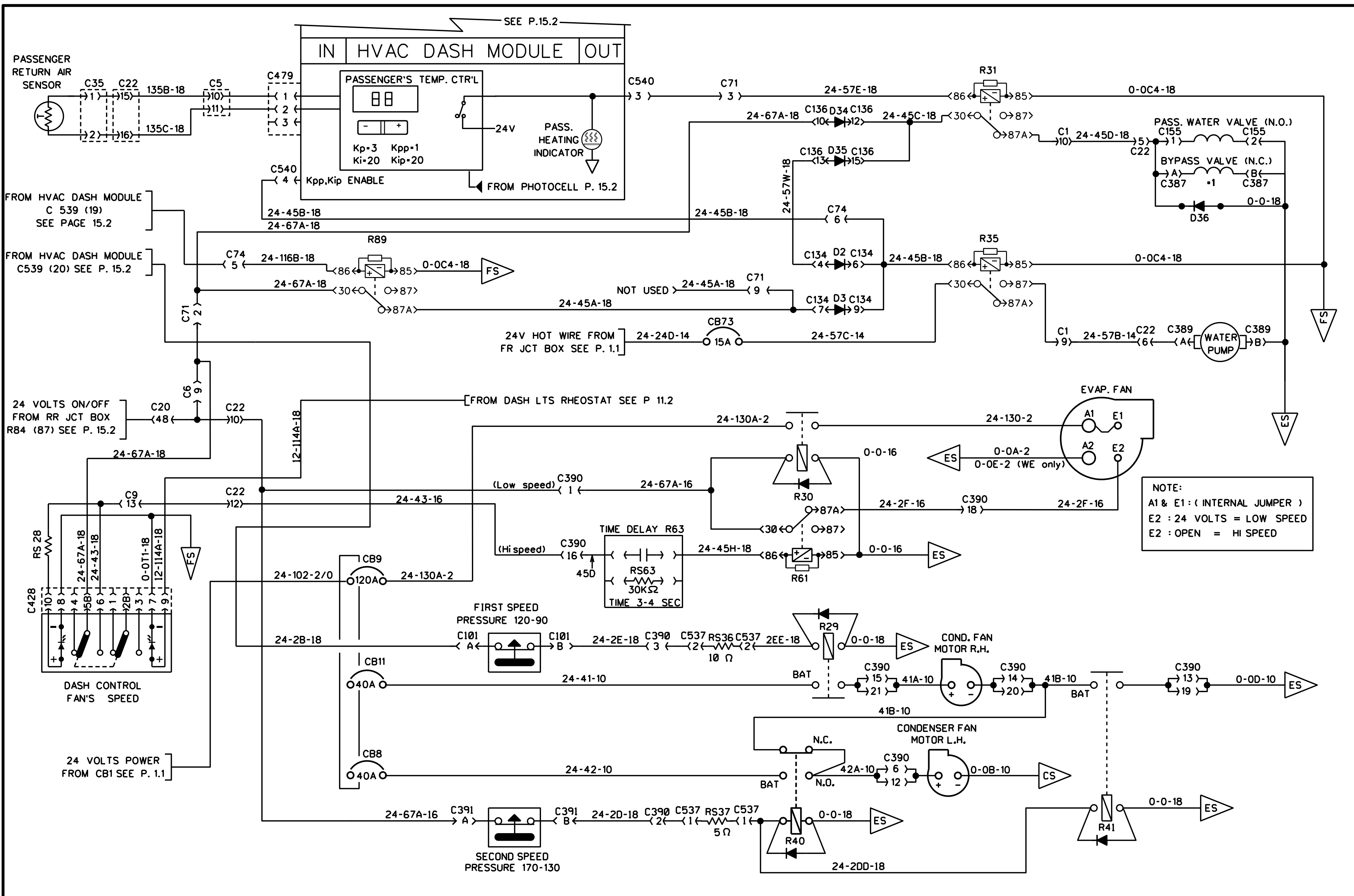




A/C AND HEAT SYSTEM ( FULL AIR )

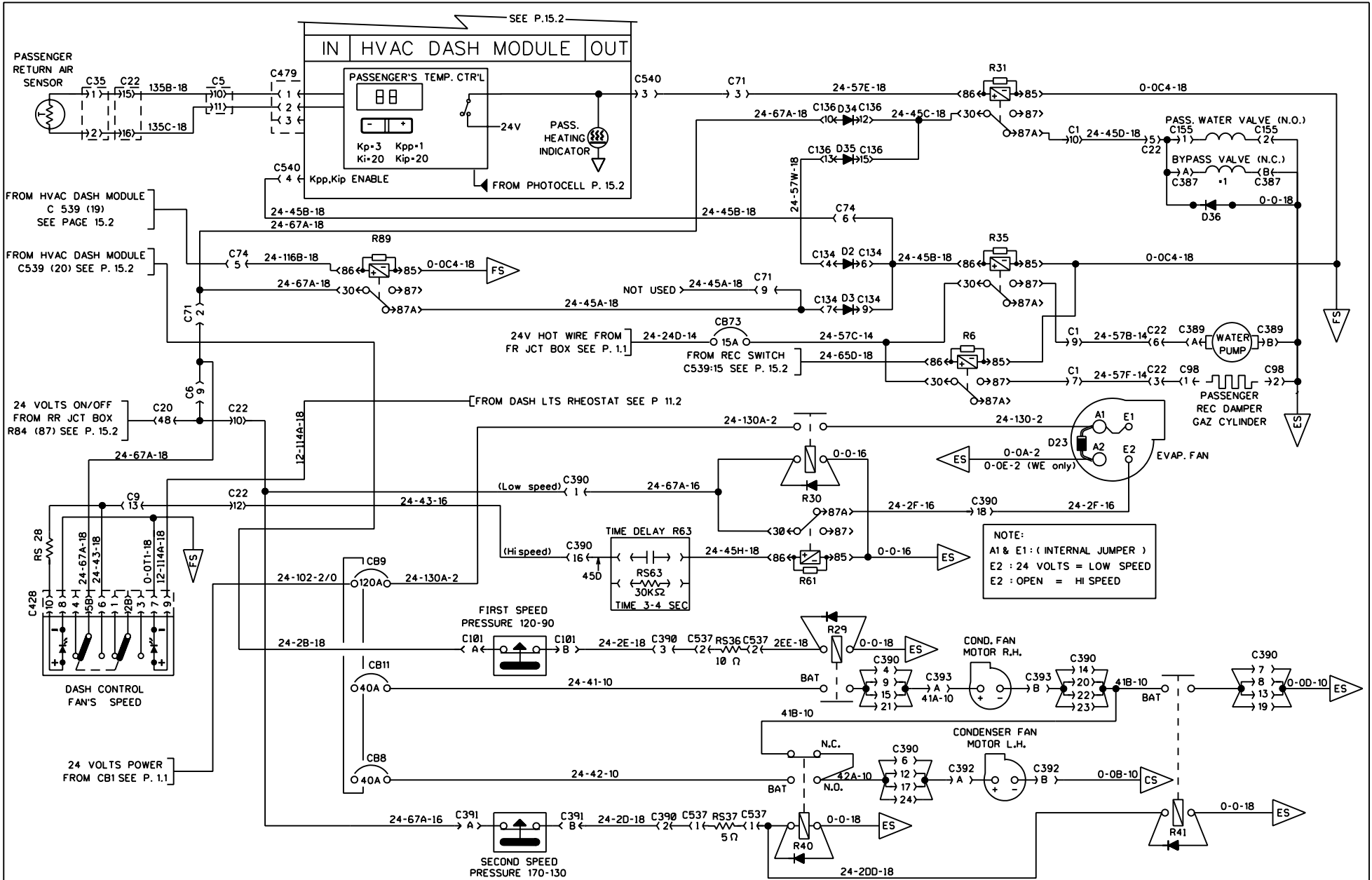


A/C AND HEAT SYSTEM ( FULL AIR )



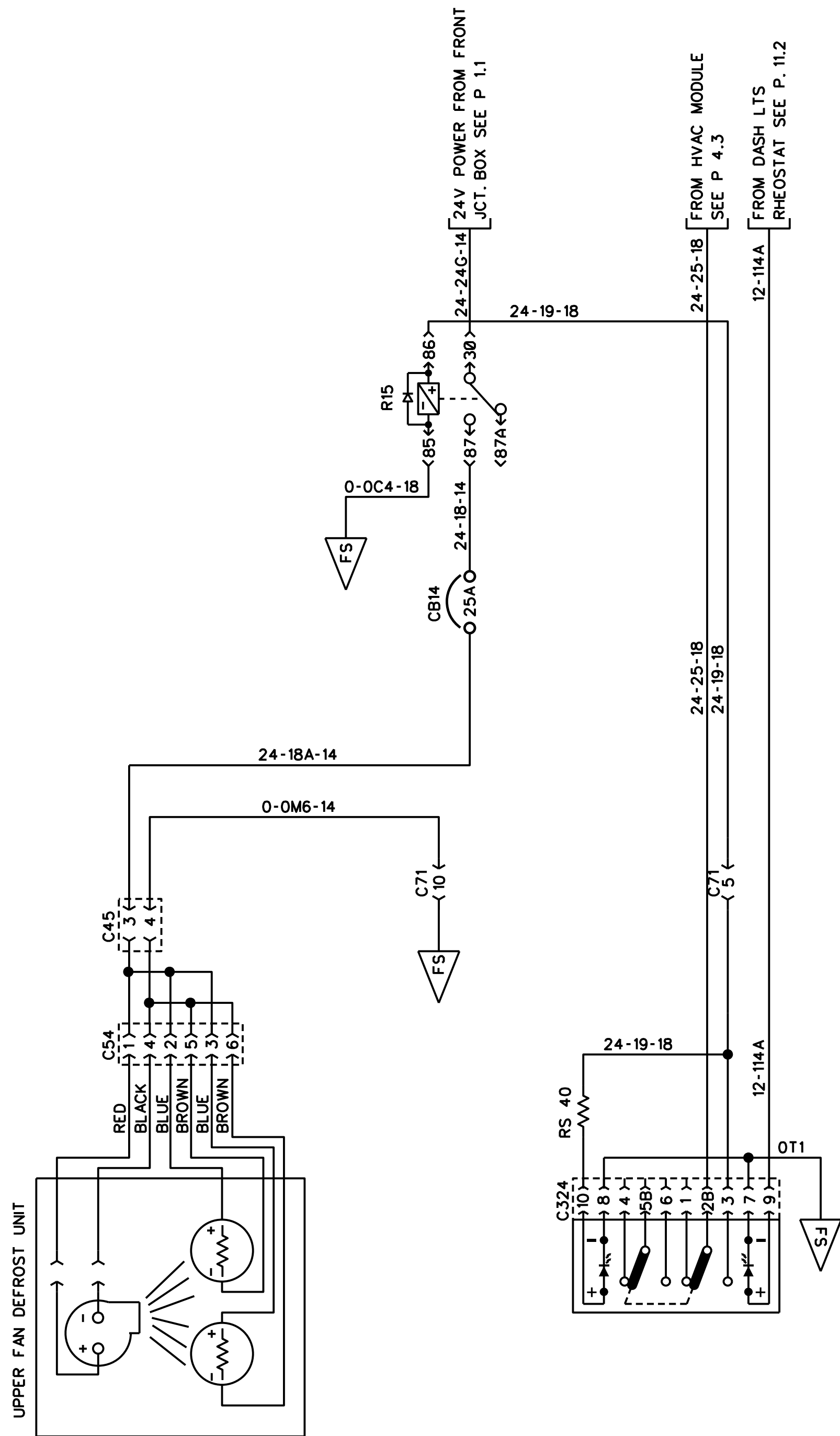
A/C AND HEAT SYSTEM ( FULL AIR )

\*1: OPTIONAL WITH PRE-HEATER

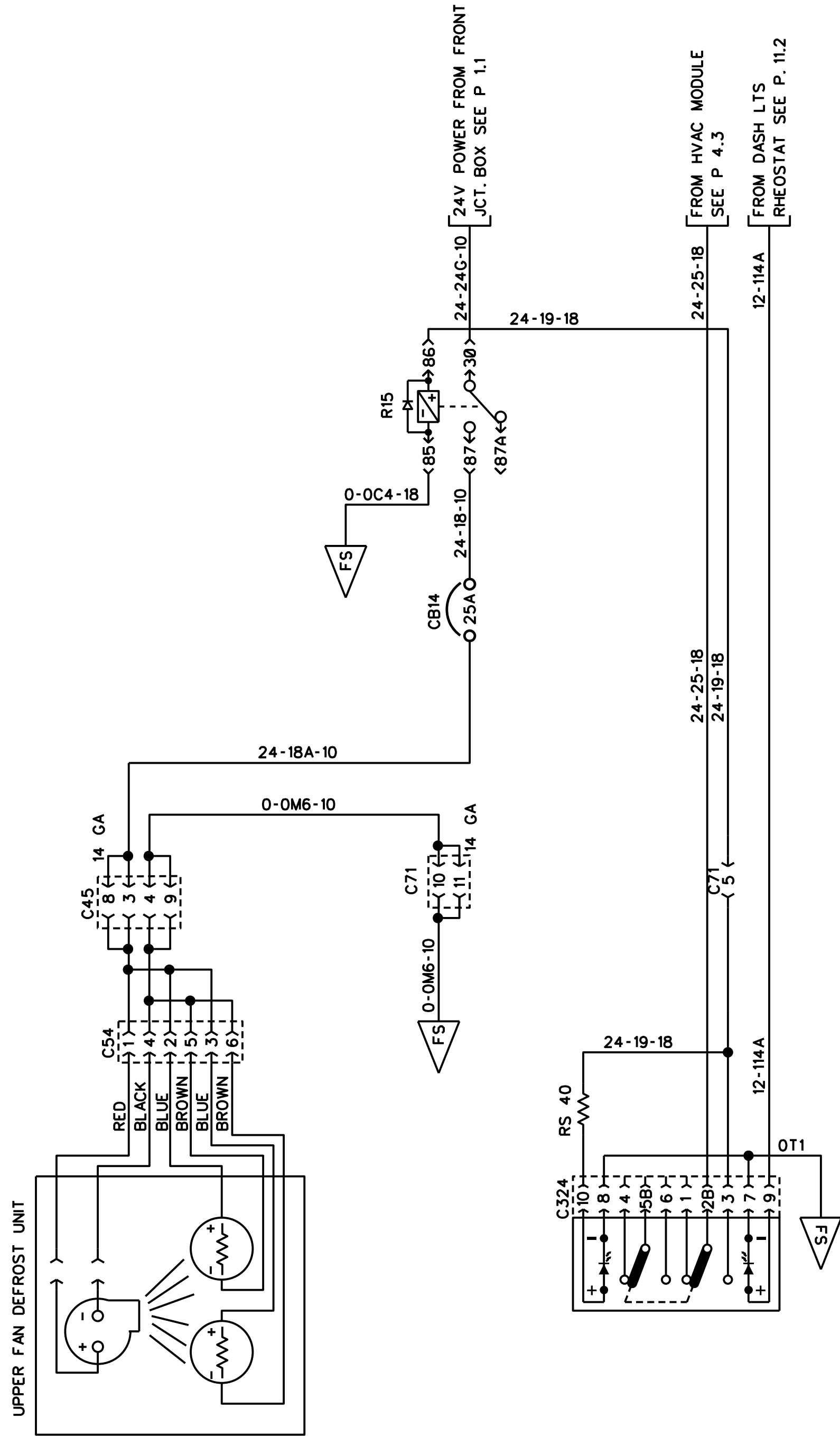


A/C AND HEAT SYSTEM ( FULL AIR )

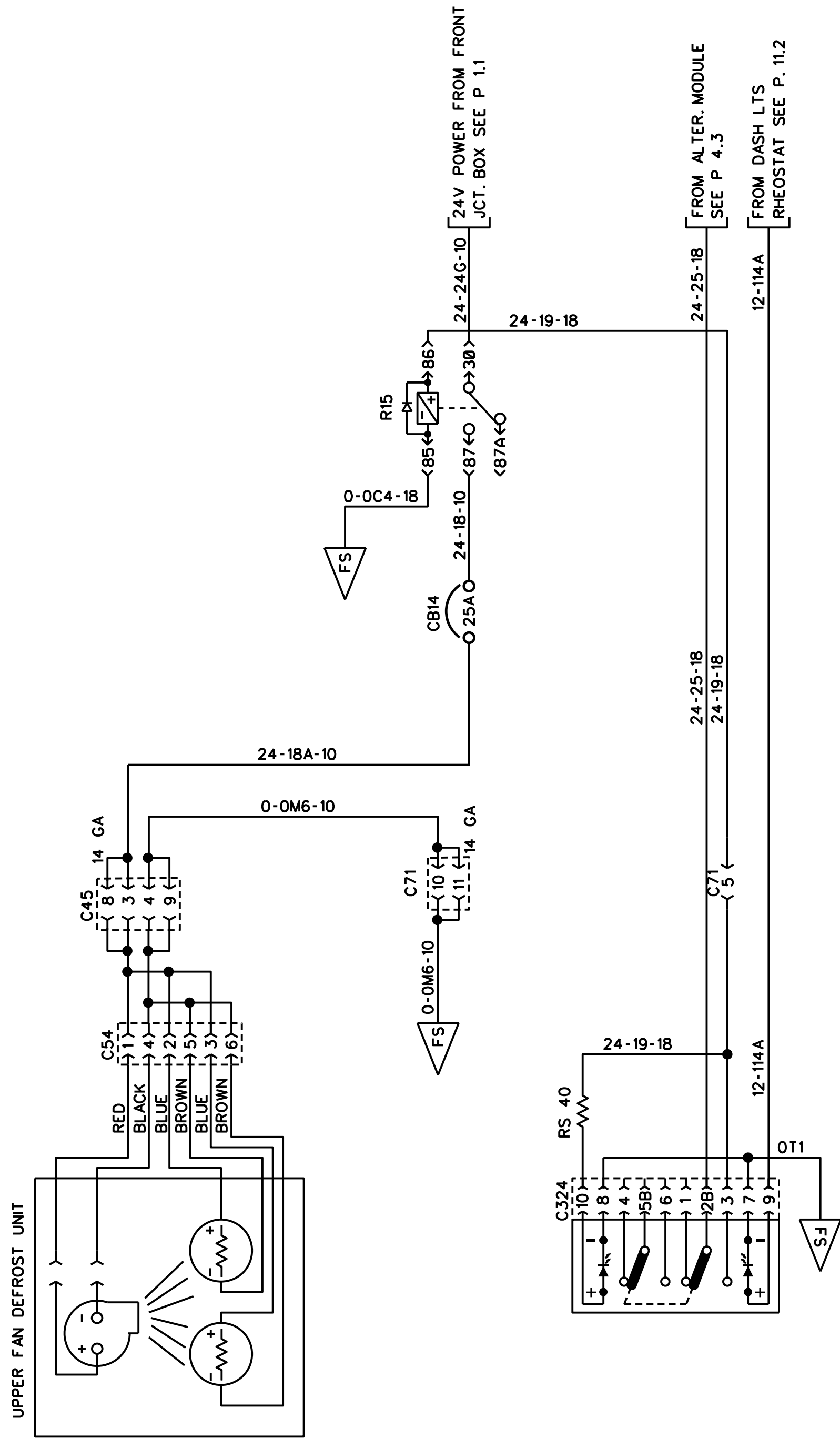
\*1: OPTIONAL WITH PRE-HEATER



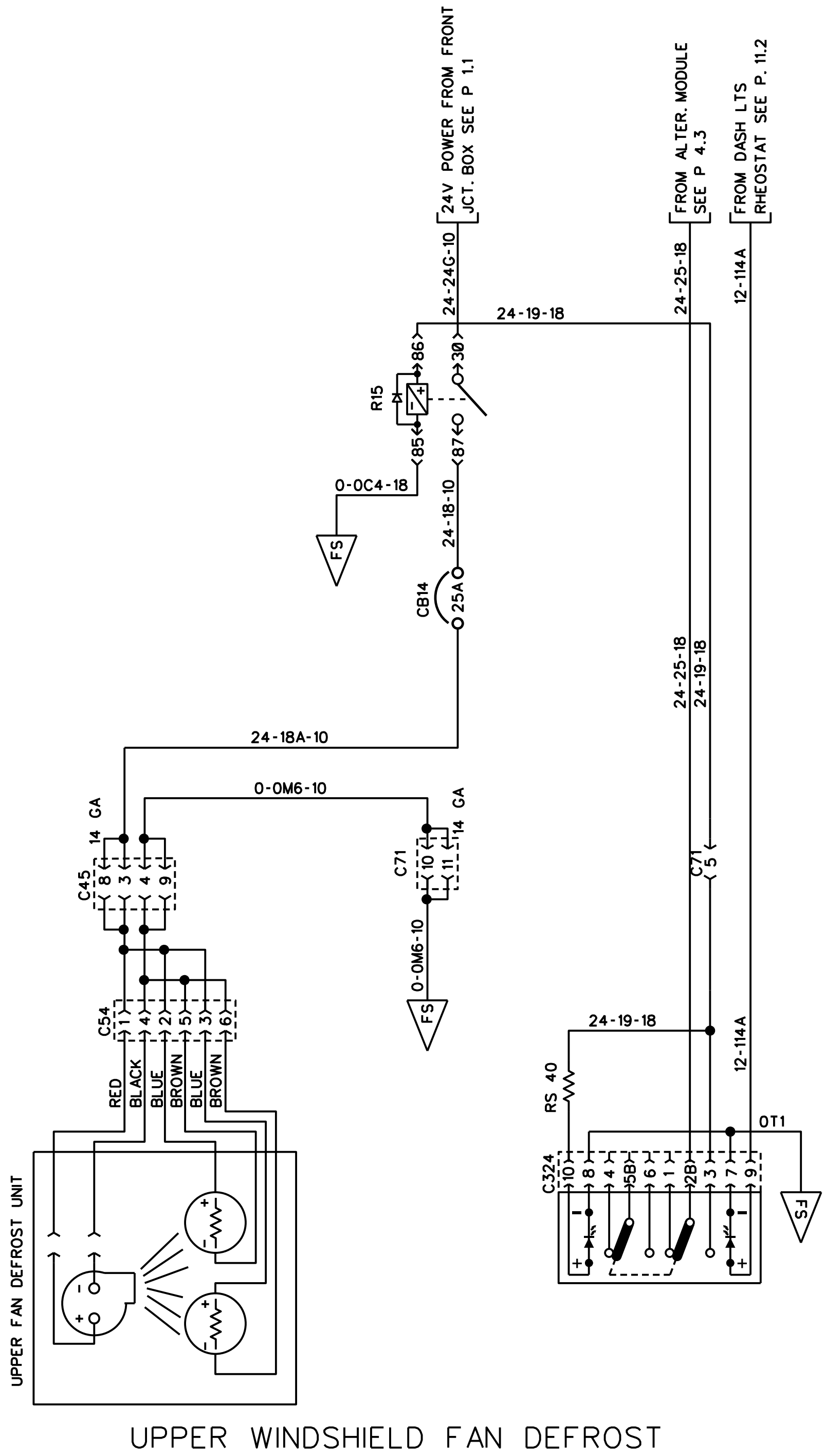
UPPER WINDSHIELD FAN DEFROST



UPPER WINDSHIELD FAN DEFROST



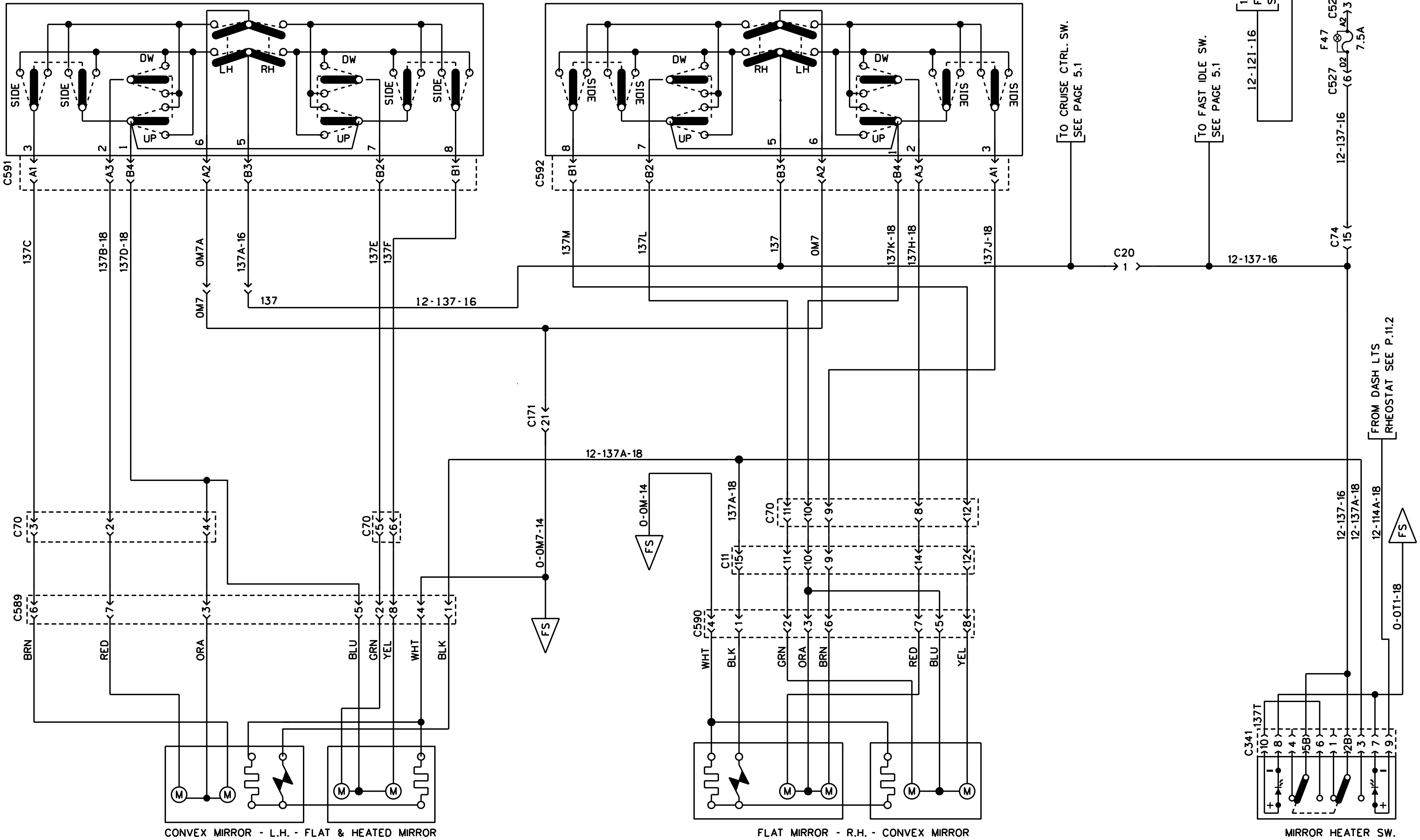
UPPER WINDSHIELD FAN DEFROST





ADJUST FLAT & CONVEX LH MIRROR SWITCH

ADJUST FLAT & CONVEX RH MIRROR SWITCH

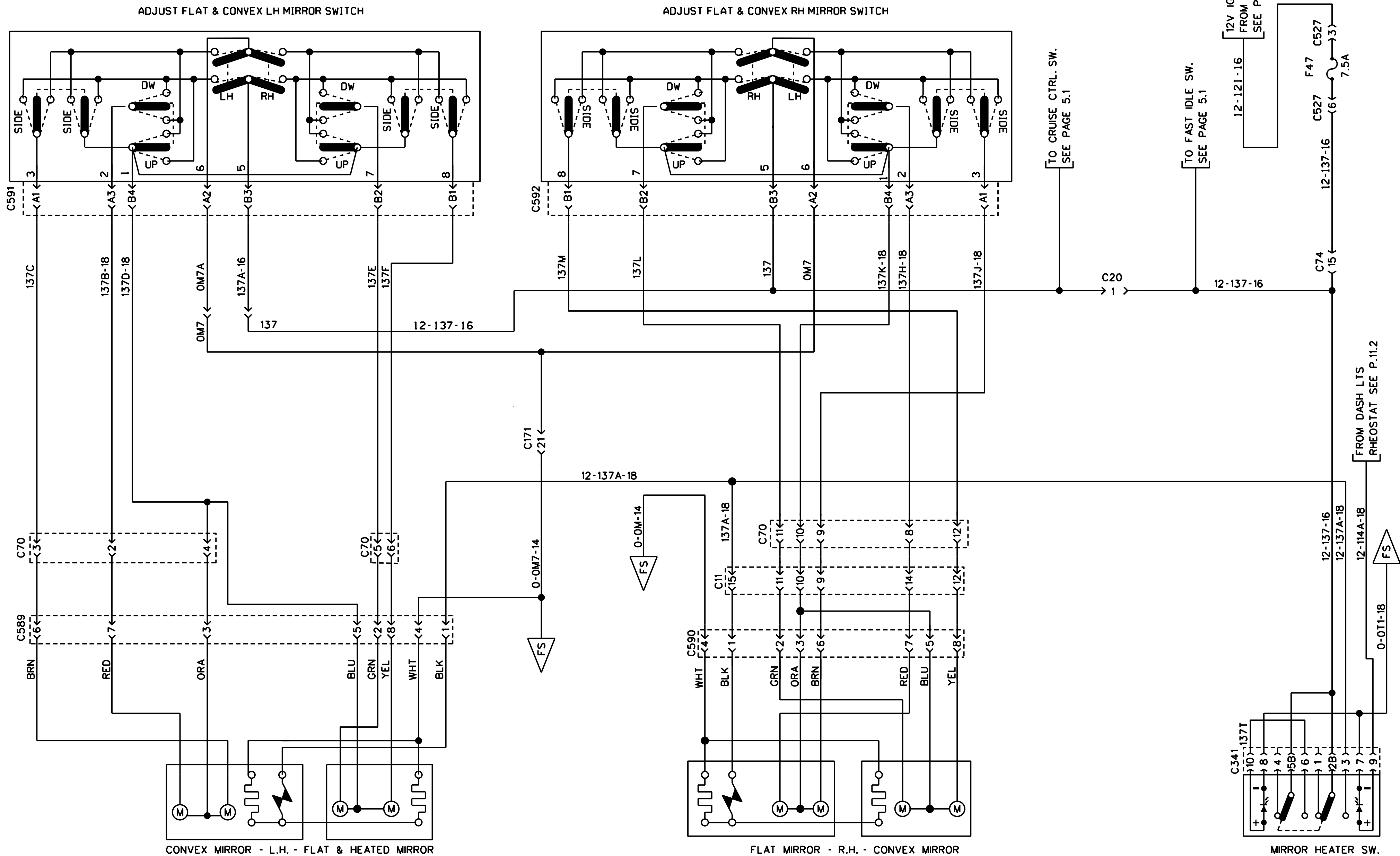


CONVEX MIRROR - L.H. - FLAT & HEATED MIRROR

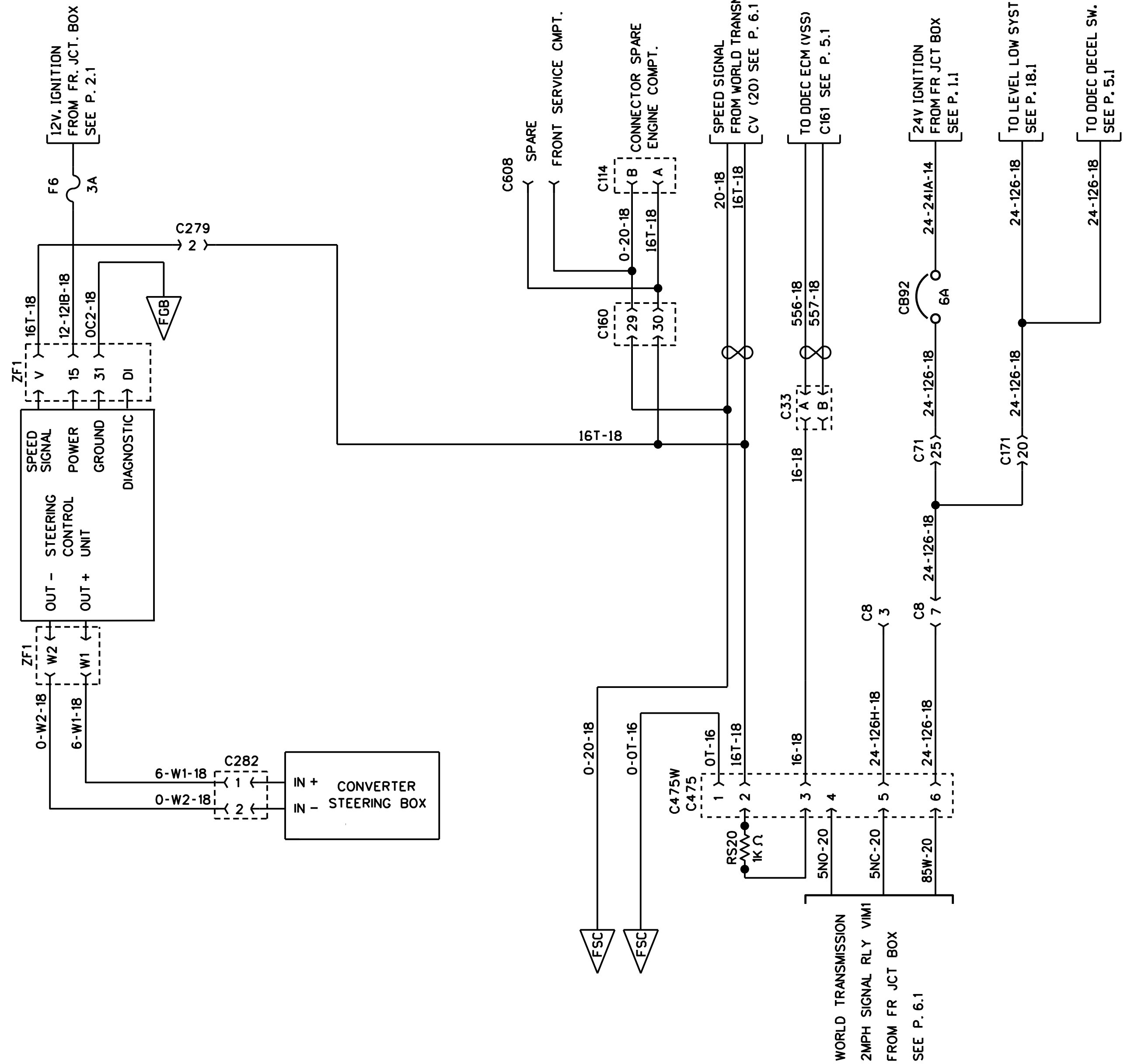
FLAT MIRROR - R.H. - CONVEX MIRROR

MIRROR HEATER SW.

REAR VIEW MIRROR RAMCO FLAT & CONVEX - 2 ADJUSTMENT SW. & 1 HEATED SW.

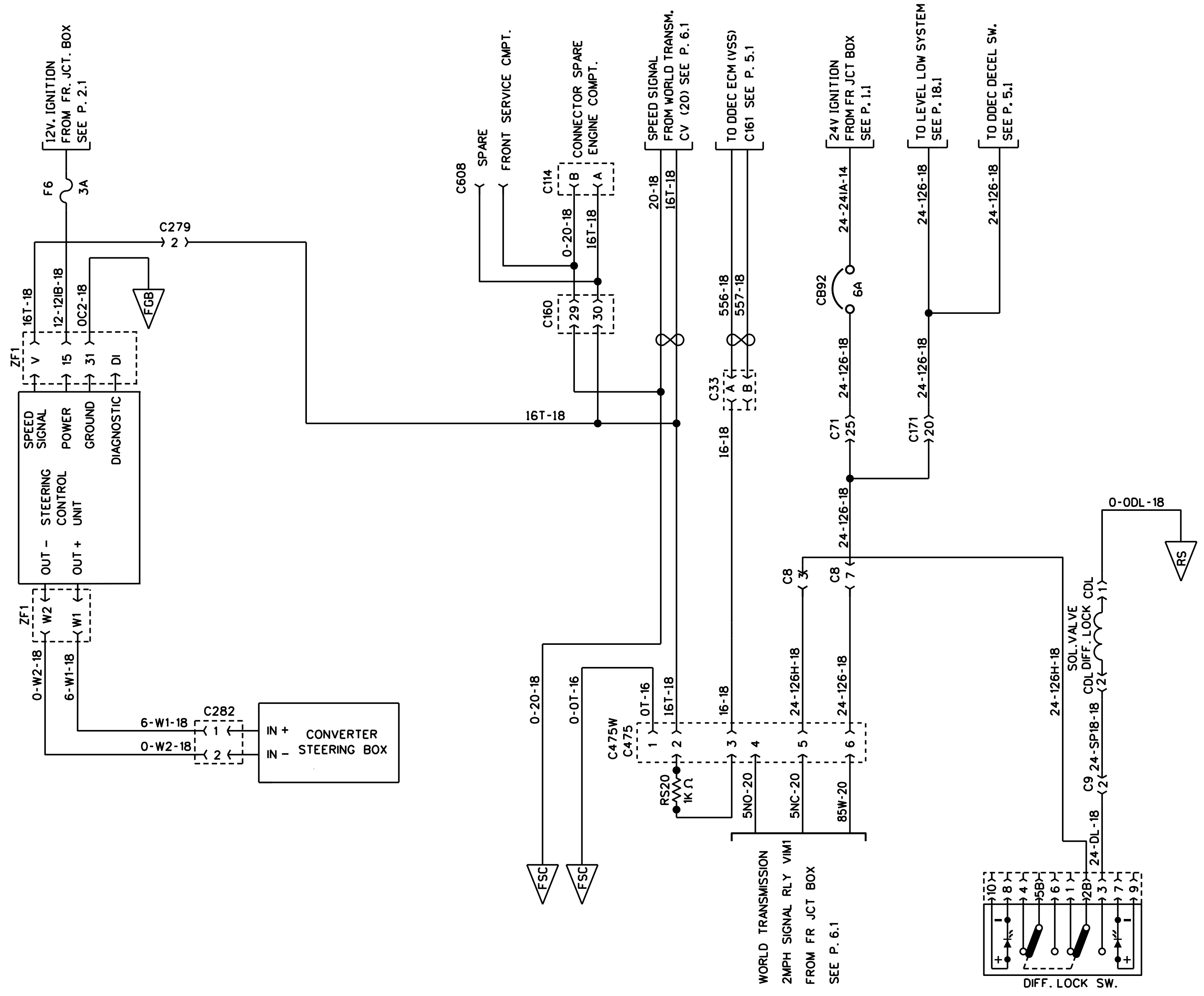


REAR VIEW MIRROR RAMCO FLAT & CONVEX - 2 ADJUSTMENT SW. & 1 HEATED SW.



STEERING CONTROL

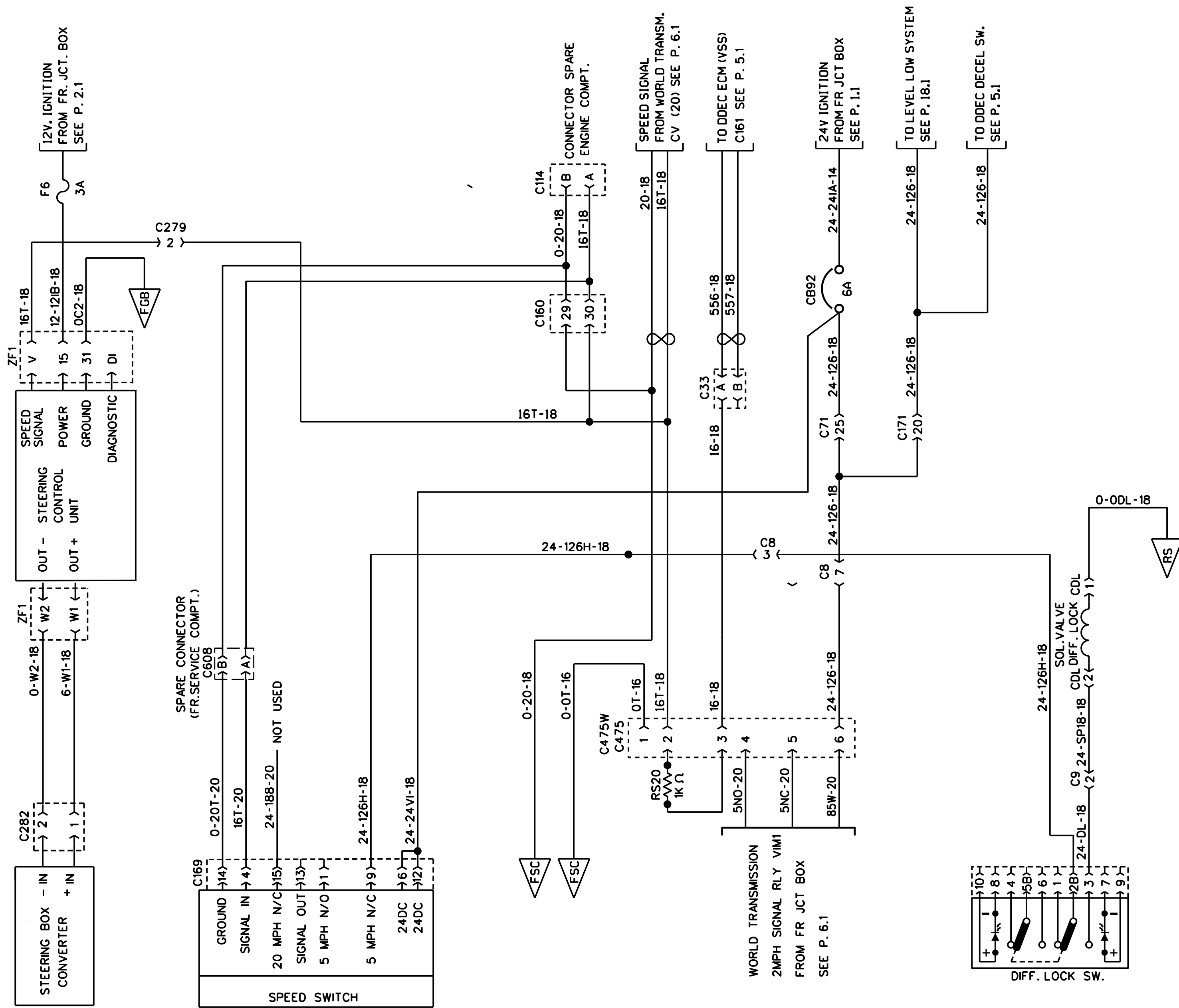
TRANSMISSION SPEED SIGNAL



STEERING CONTROL

TRANSMISSION SPEED SIGNAL

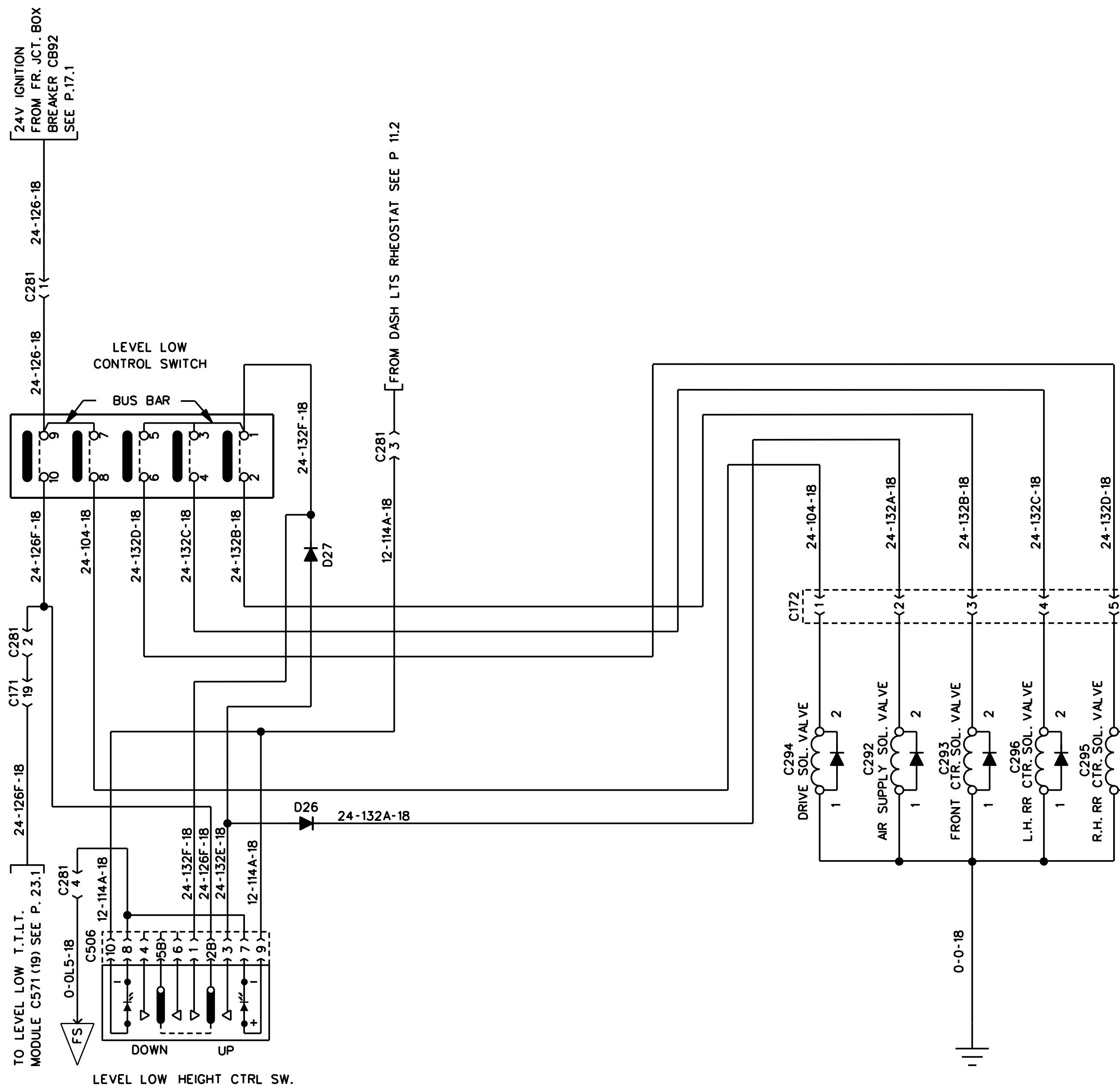
DIFFERENTIAL LOCK



STEERING CONTROL

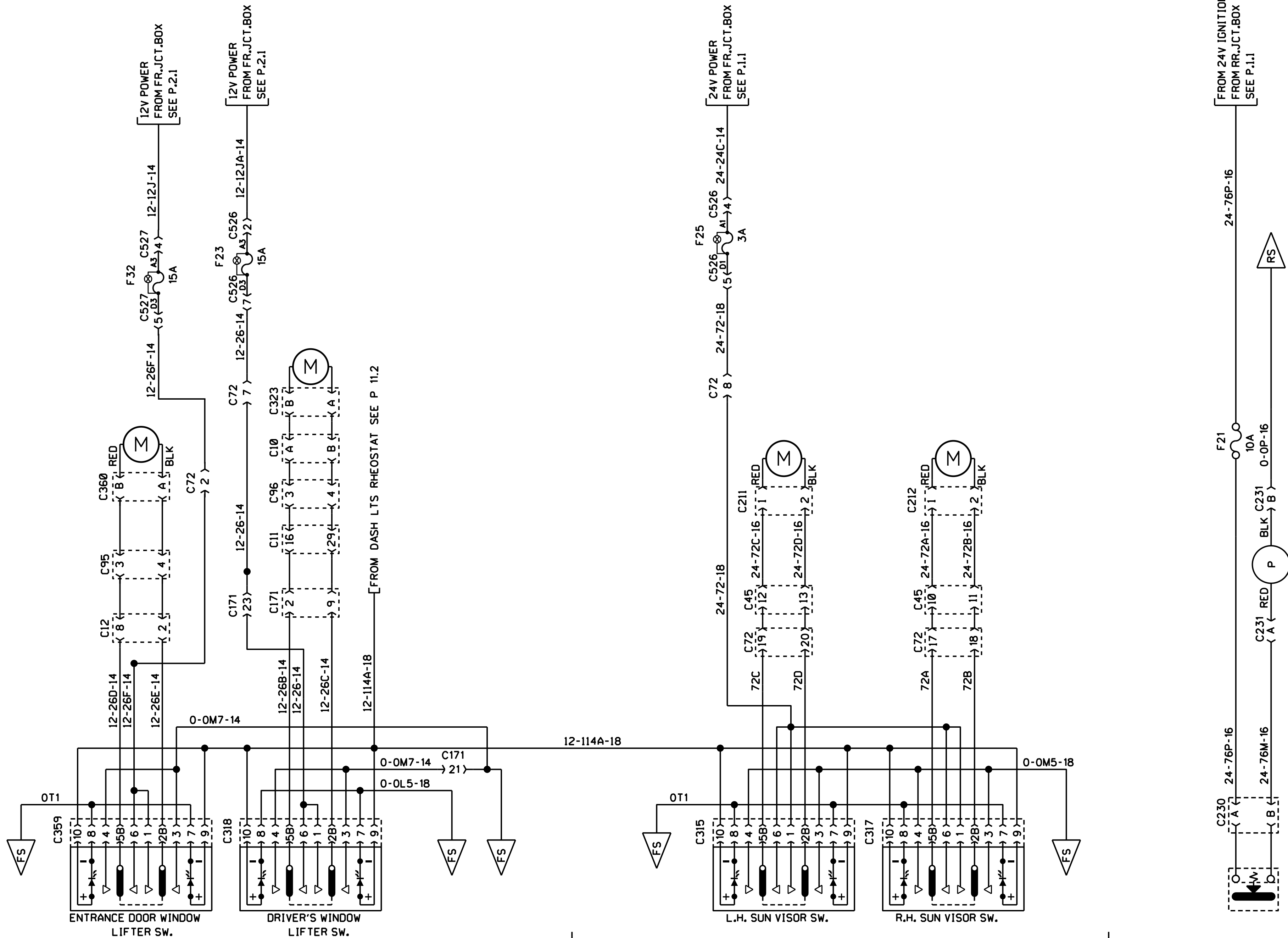
TRANSMISSION SPEED SIGNAL

DIFFERENTIAL LOCK



LEVEL - LOW CONTROL SWITCH			
DRIVE POSITION	FRONT	LEFT REAR	RIGHT REAR

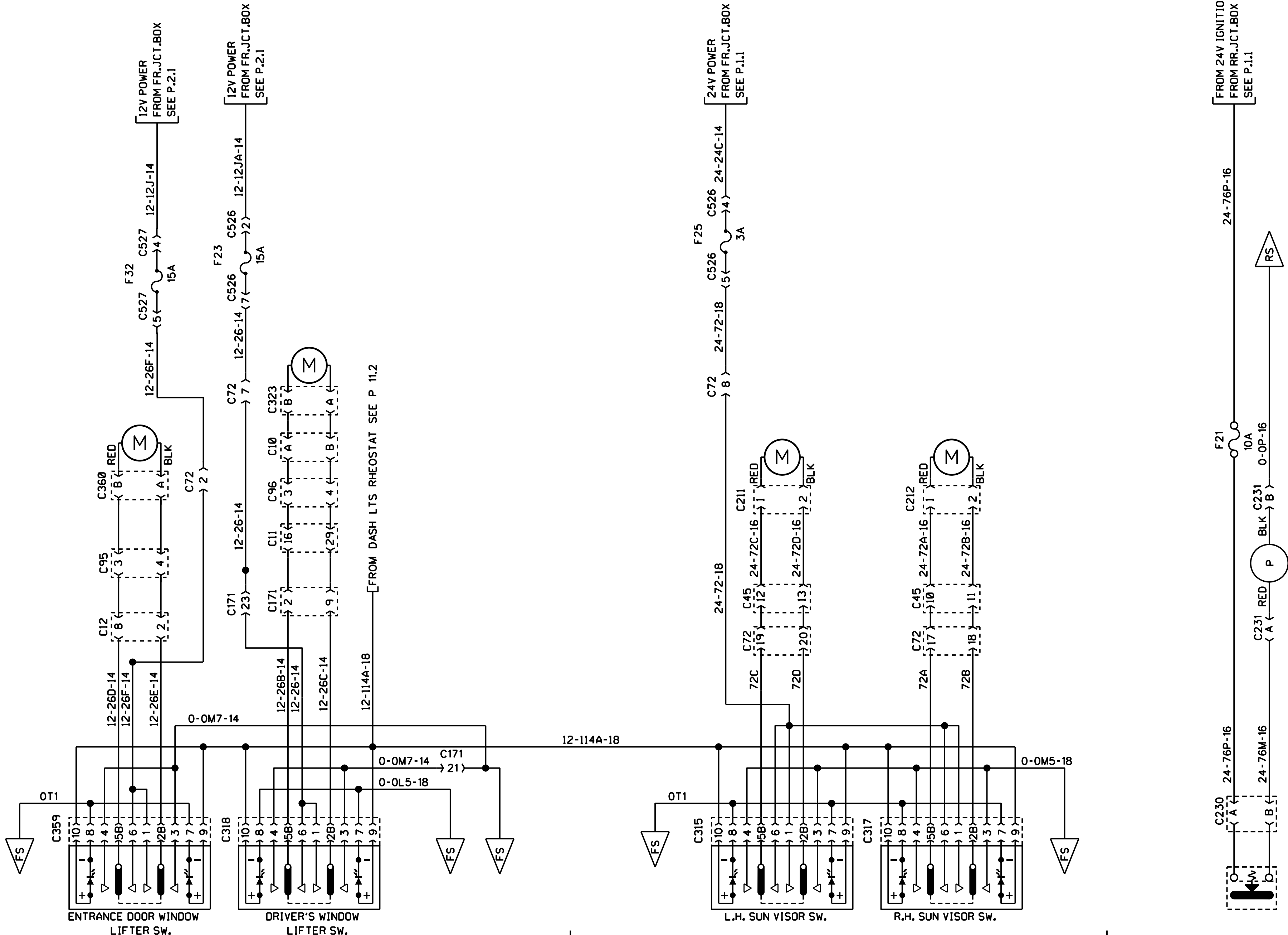
LEVEL - LOW SYSTEM



ENTRANCE DOOR AND DRIVER'S WINDOW LIFTER

SUN VISOR

FUEL PRIME PUMP



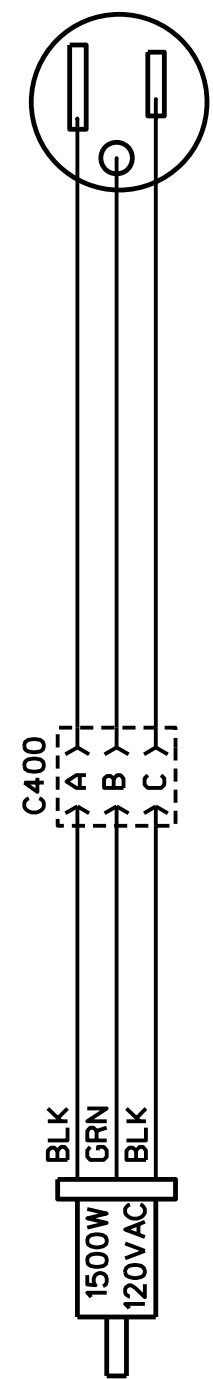
ENTRANCE DOOR AND DRIVER'S WINDOW LIFTER

SUN VISOR

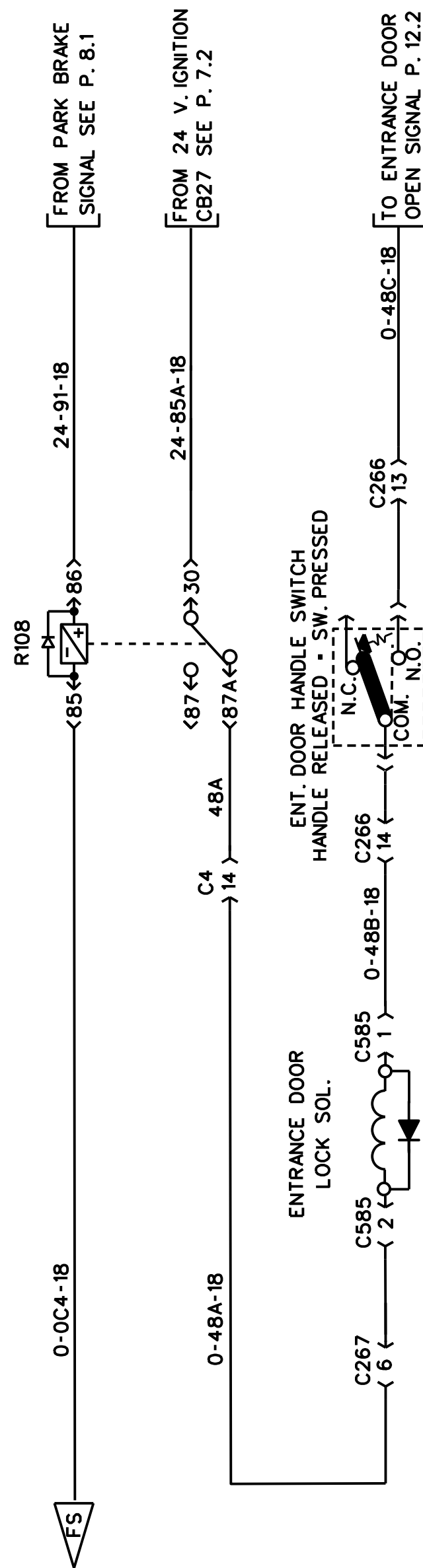
FUEL PRIME PUMP



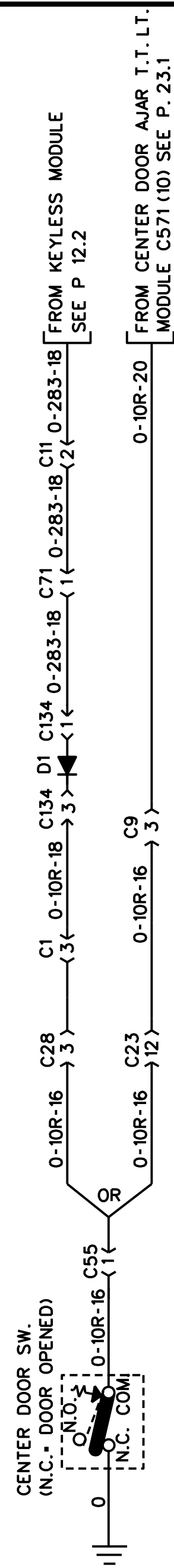
110V PLUG  
RR ENGINE DOOR



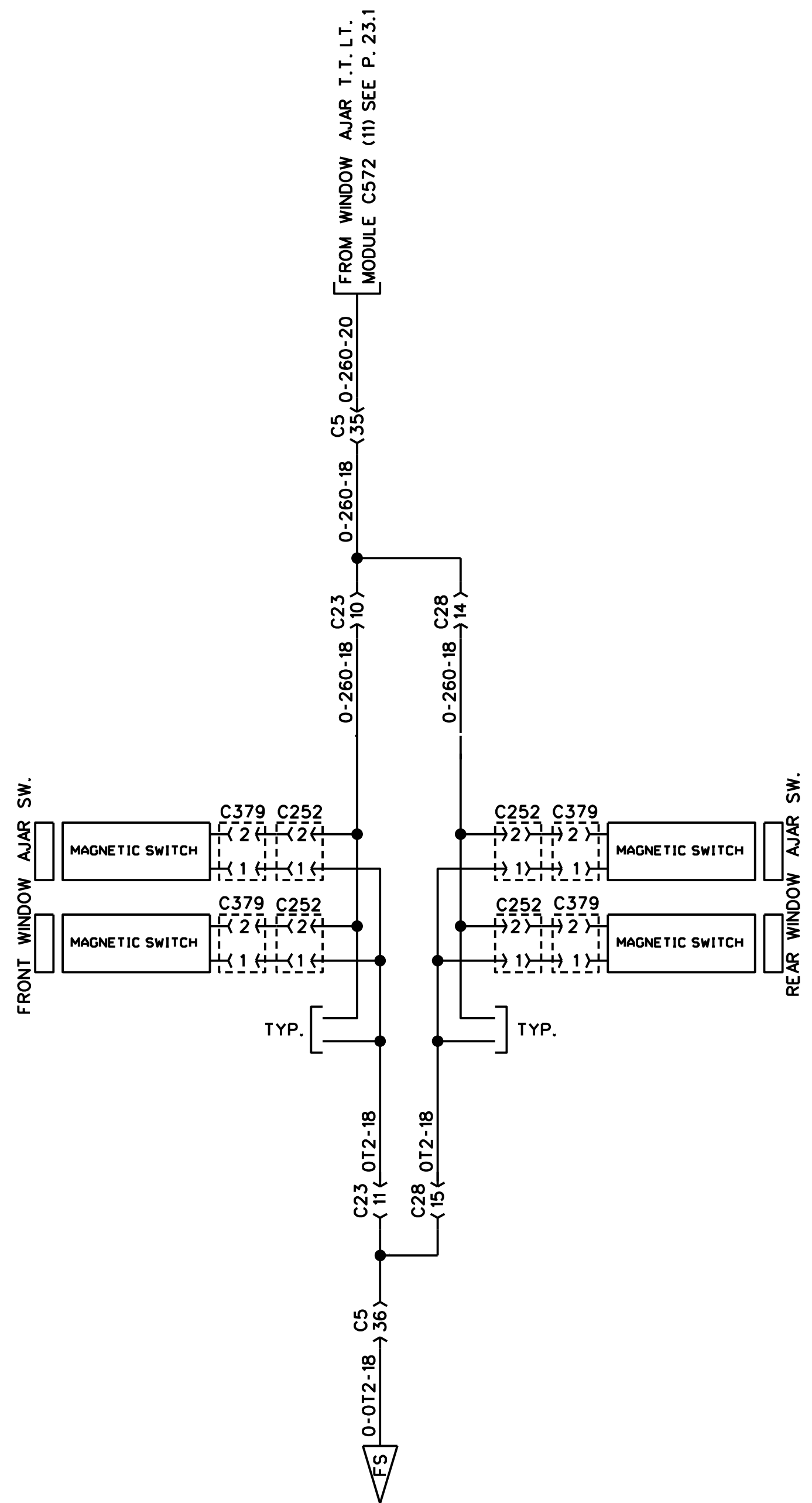
ENGINE BLOCK HEATER



ENTRANCE DOOR AIR LOCK

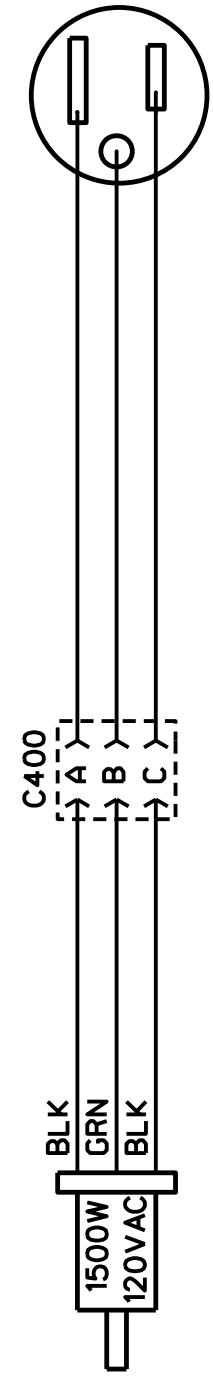


CENTER DOOR AIR LOCK

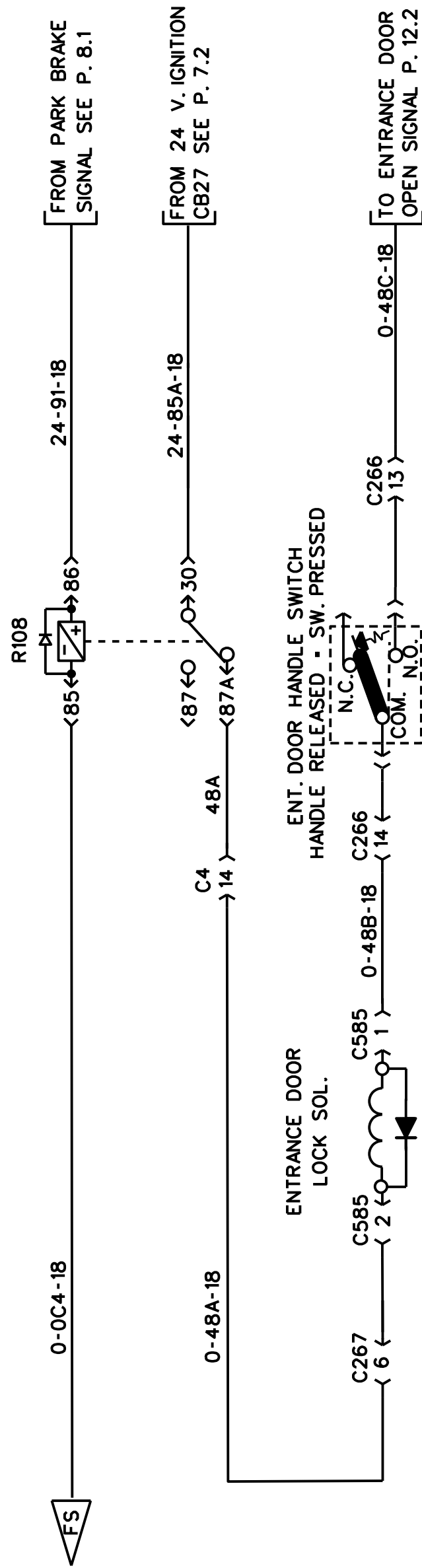


WINDOW AJAR

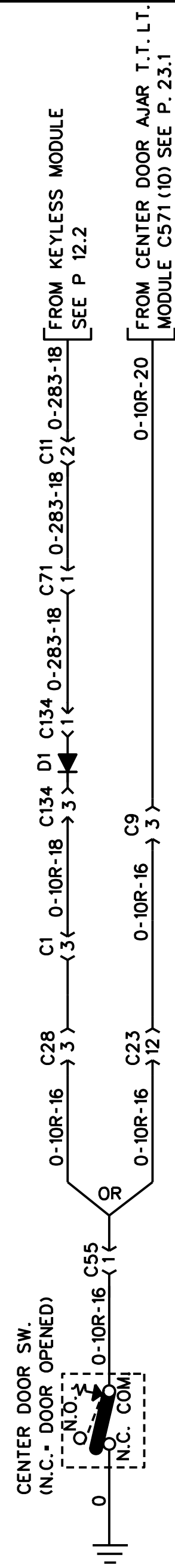
110V PLUG  
RR ENGINE DOOR



ENGINE BLOCK HEATER

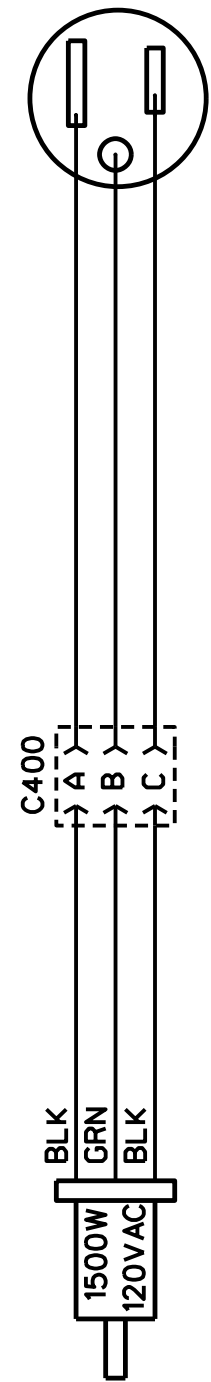


ENTRANCE DOOR AIR LOCK

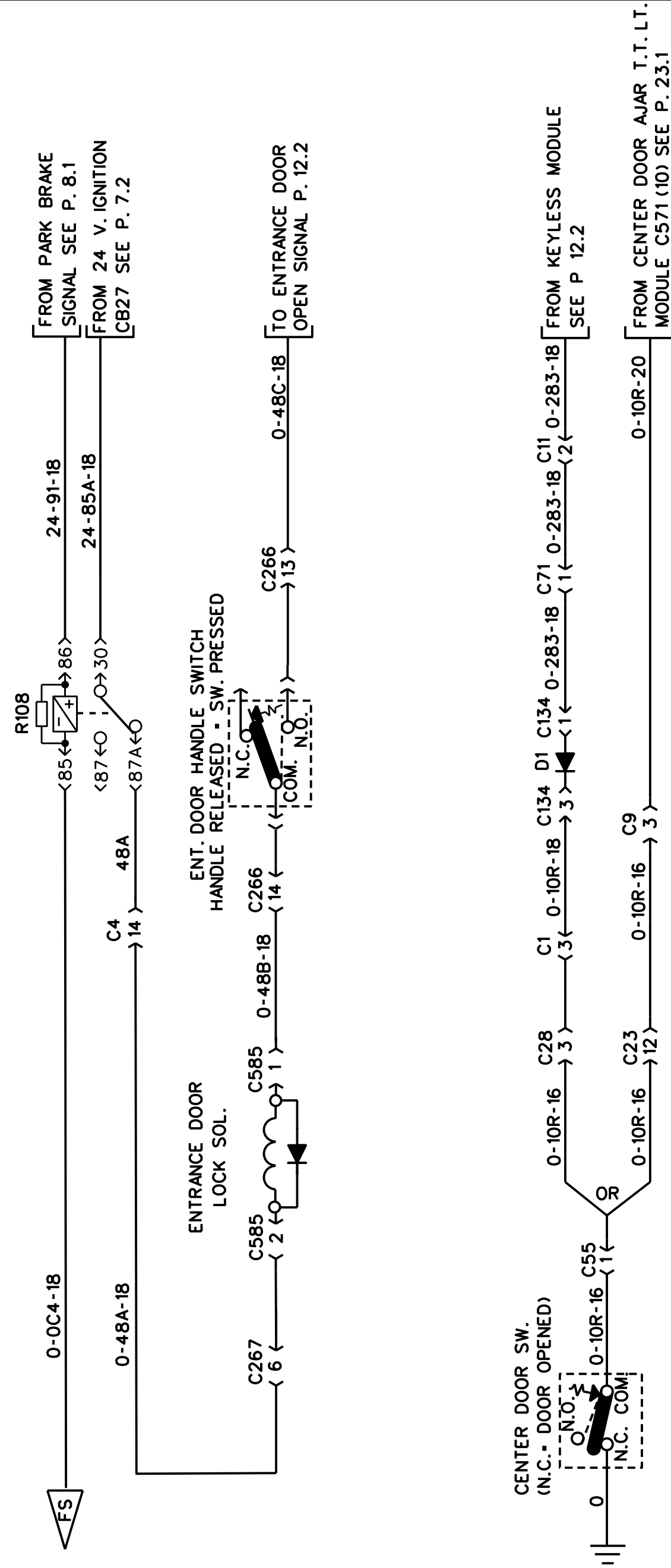


CENTER DOOR AIR LOCK

110V PLUG  
RR ENGINE DOOR

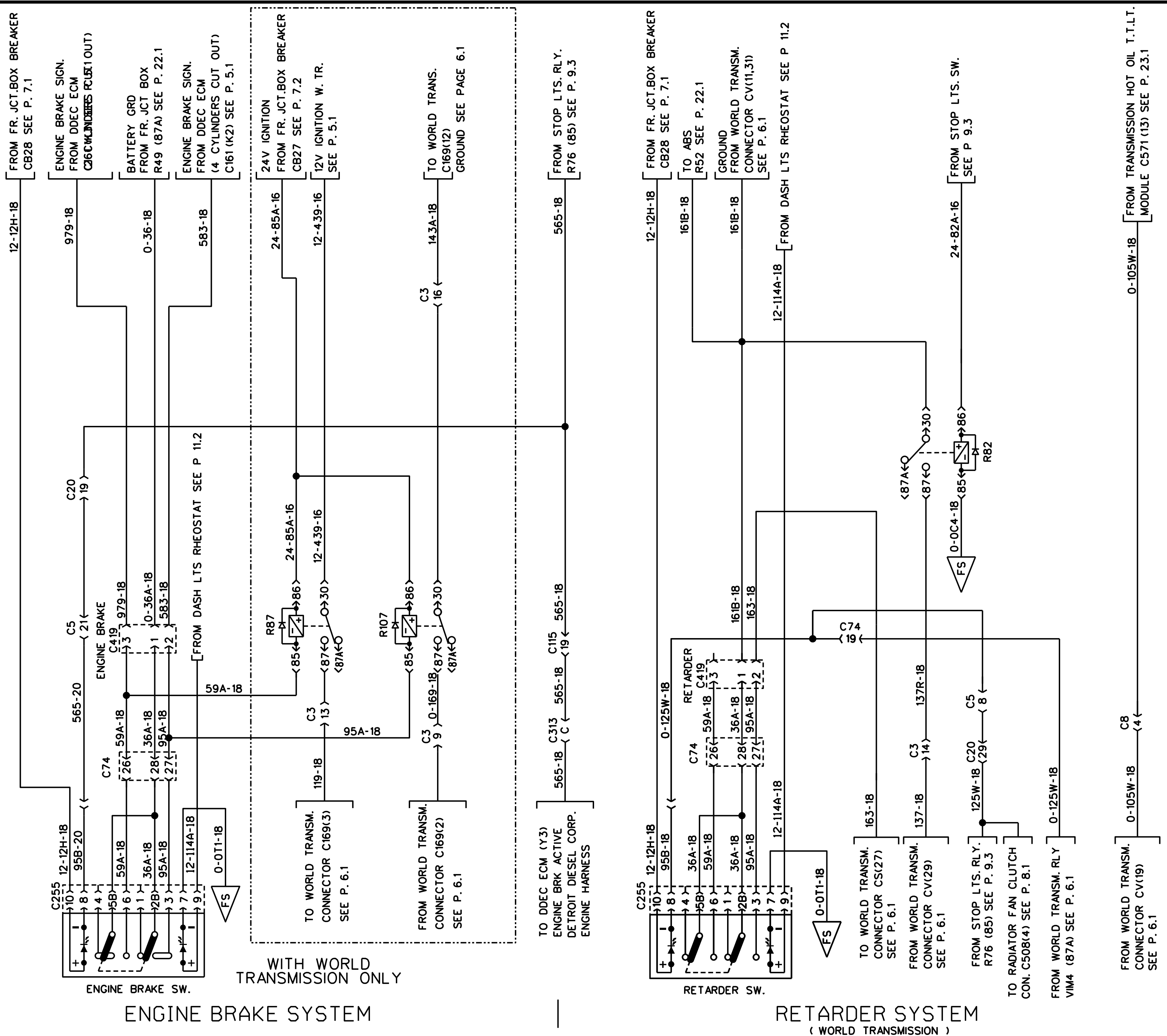


ENGINE BLOCK HEATER



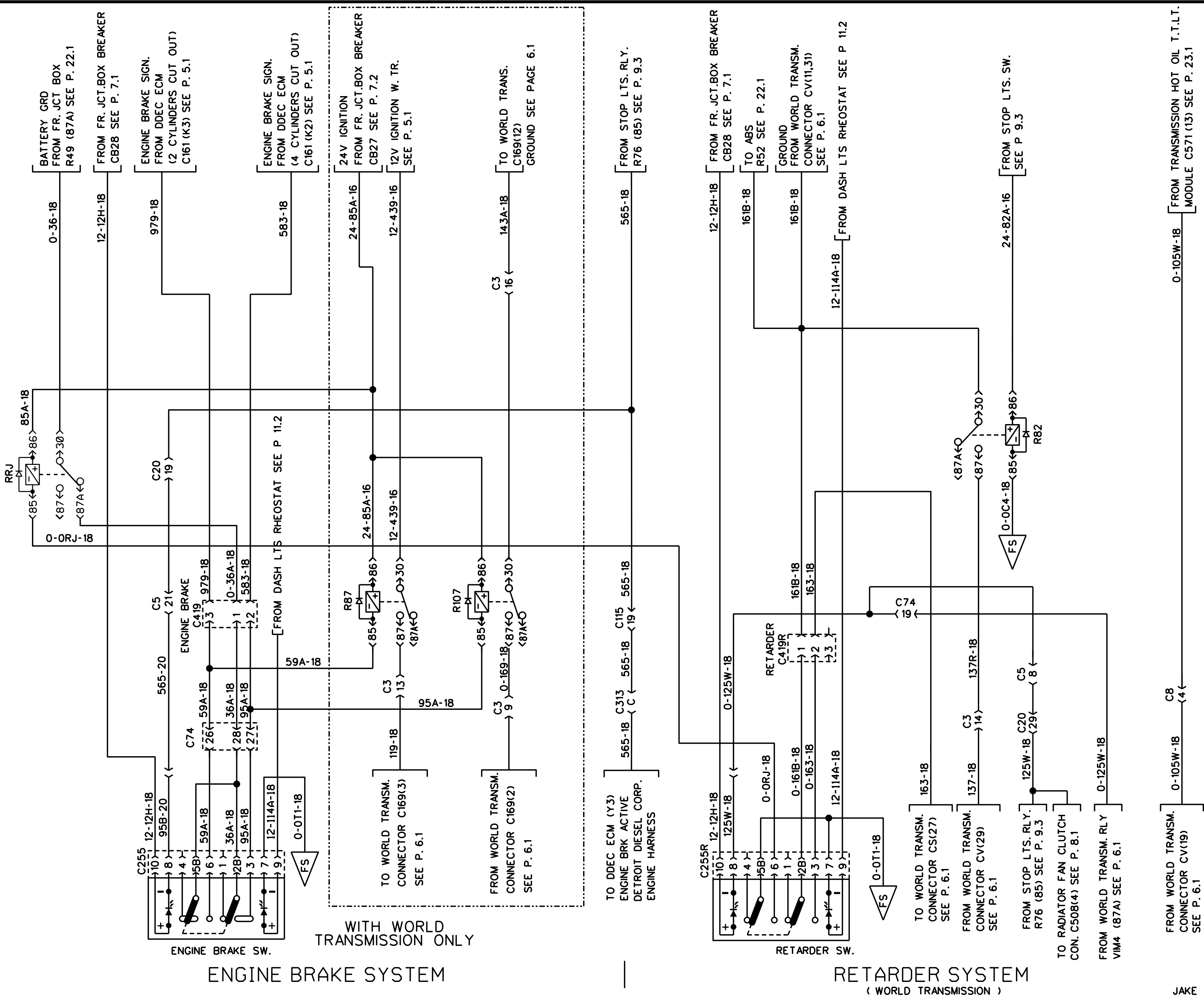
ENTRANCE DOOR AIR LOCK

CENTER DOOR  
AIR LOCK



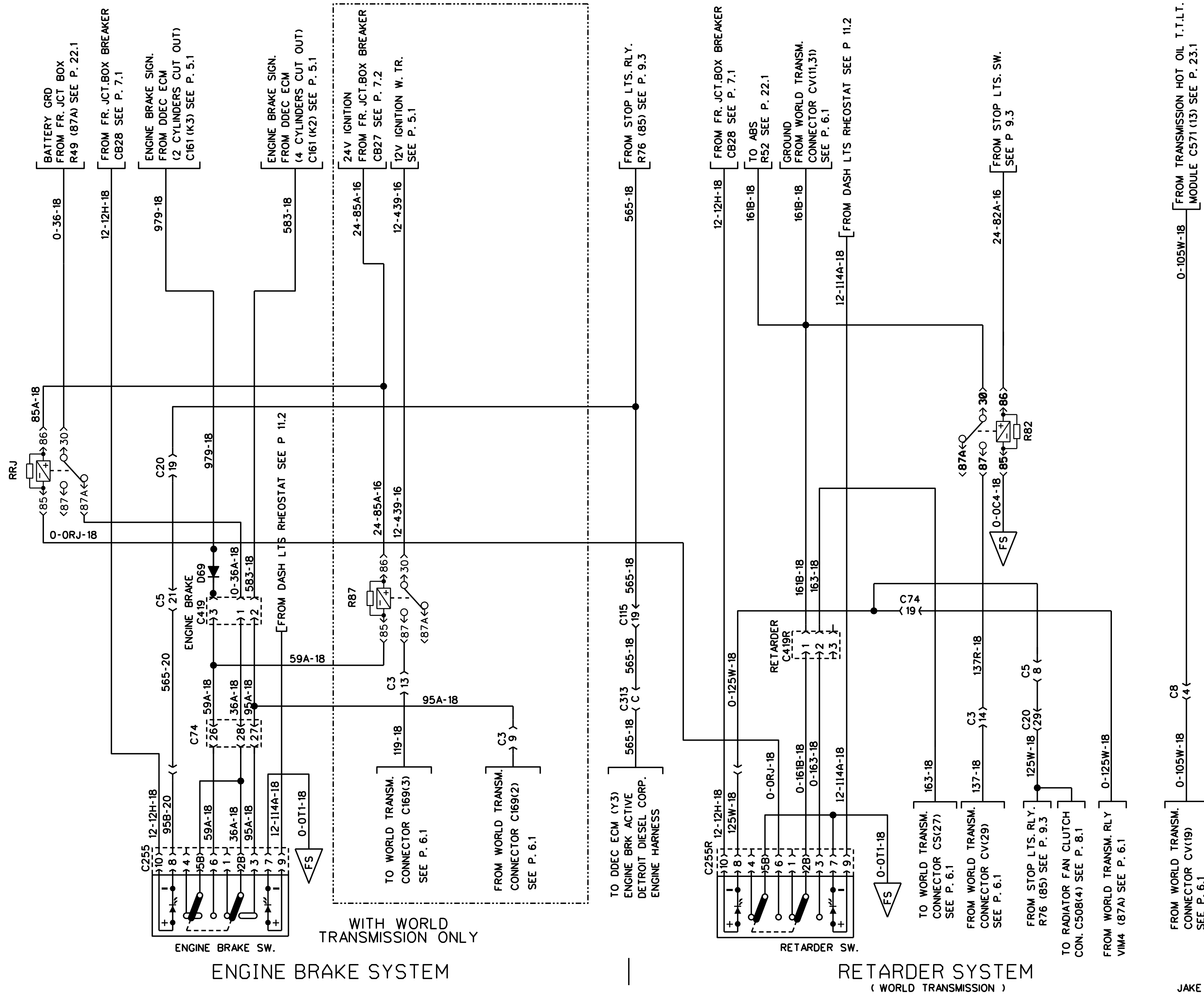


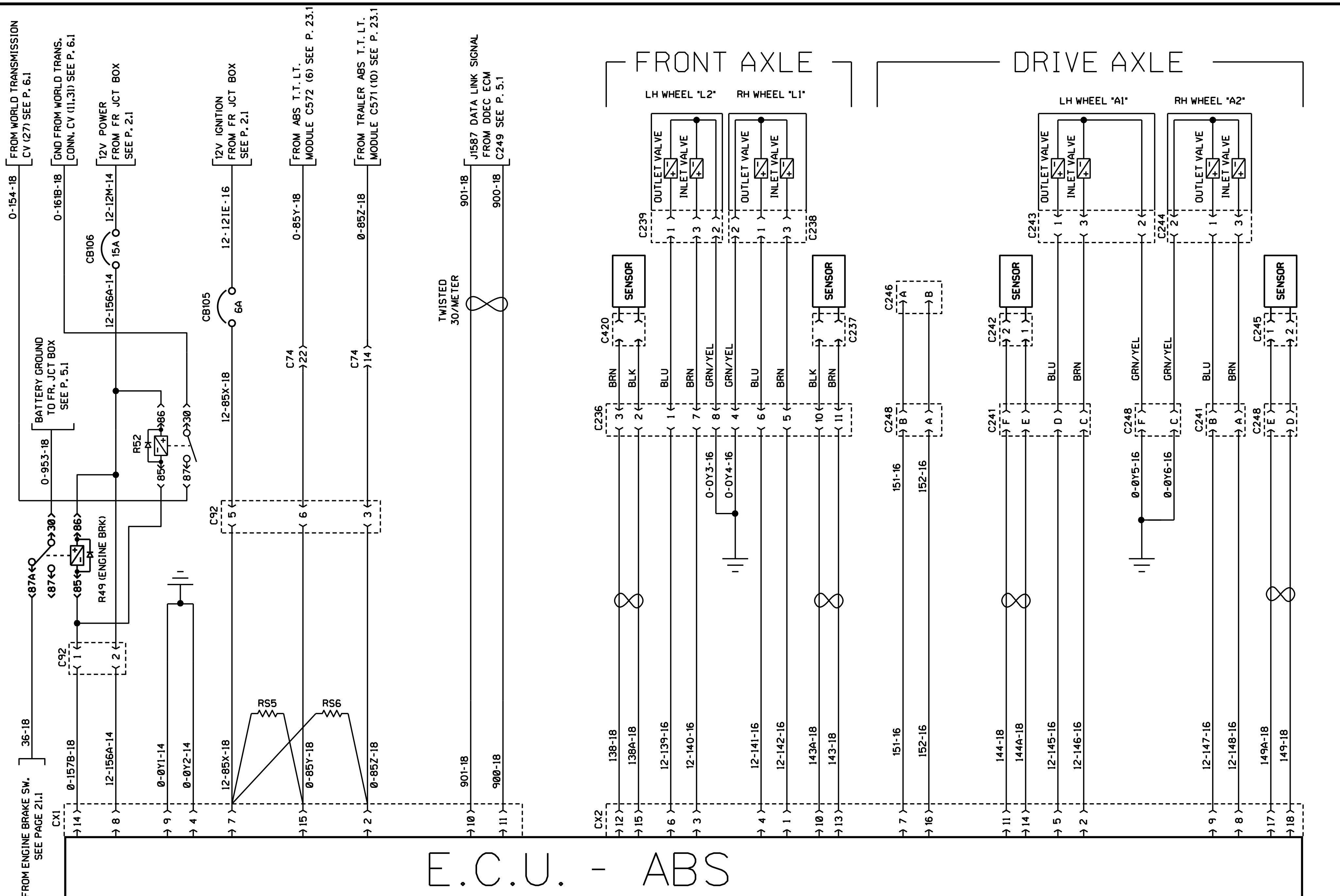


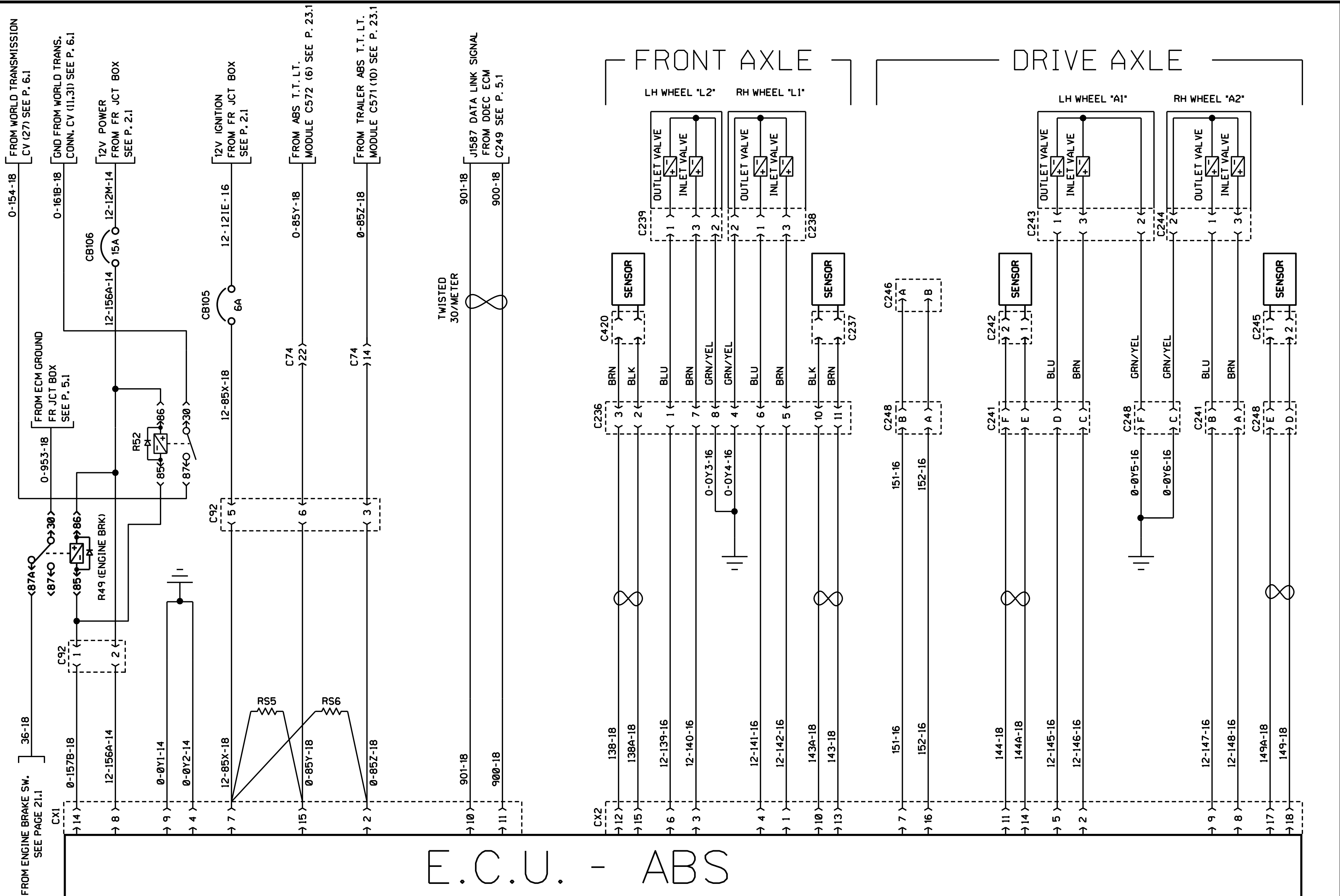


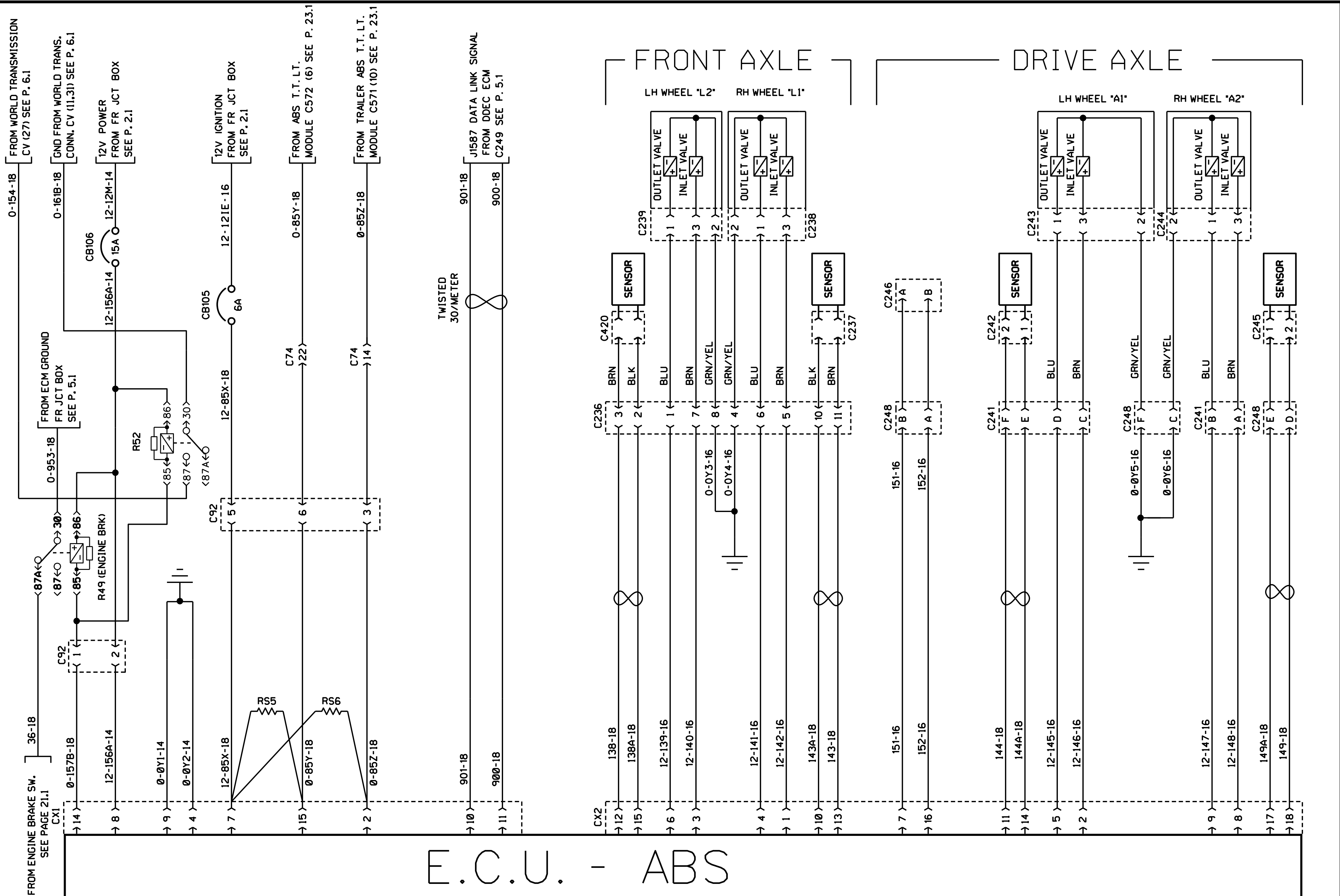








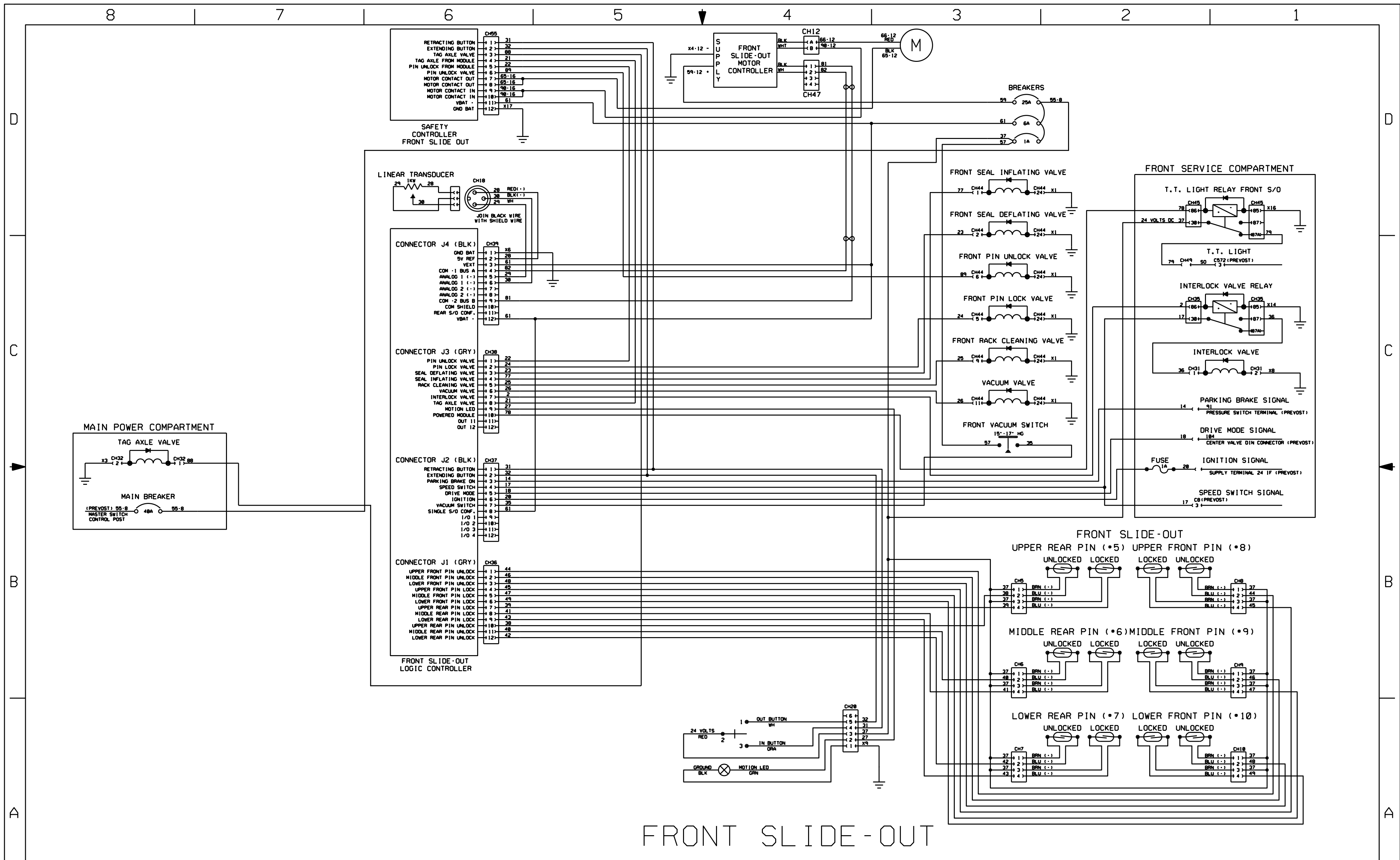






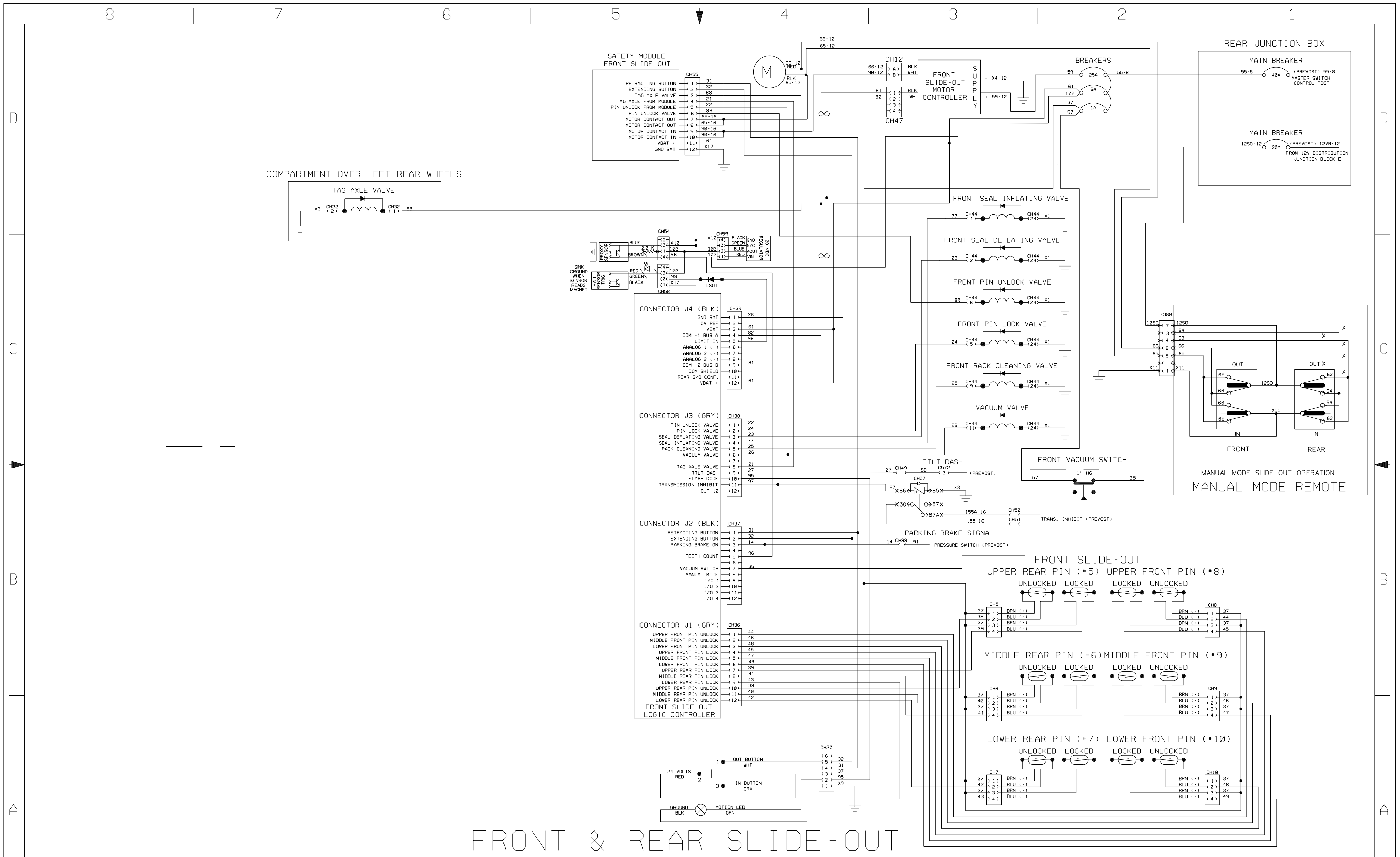




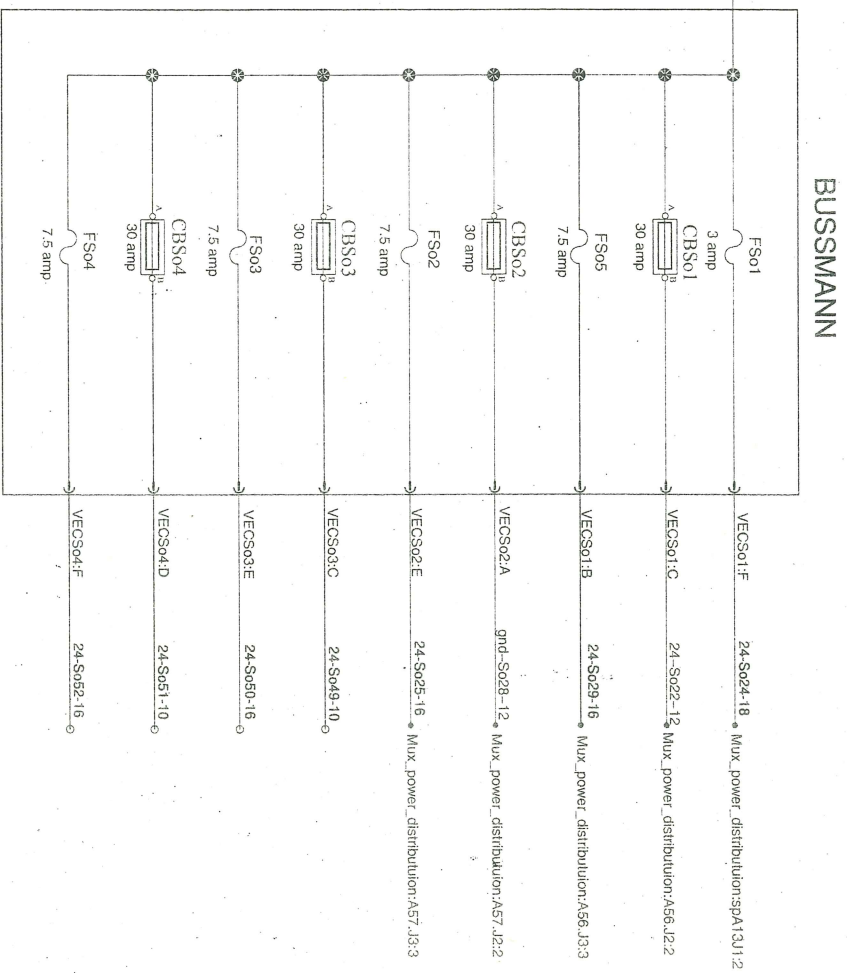
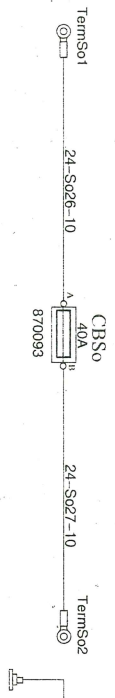


FRONT SLIDE-OUT





FRONT & REAR SLIDE-OUT



MULTIPLEX SLIDE-OUT 24V POWER DISTRIBUTION

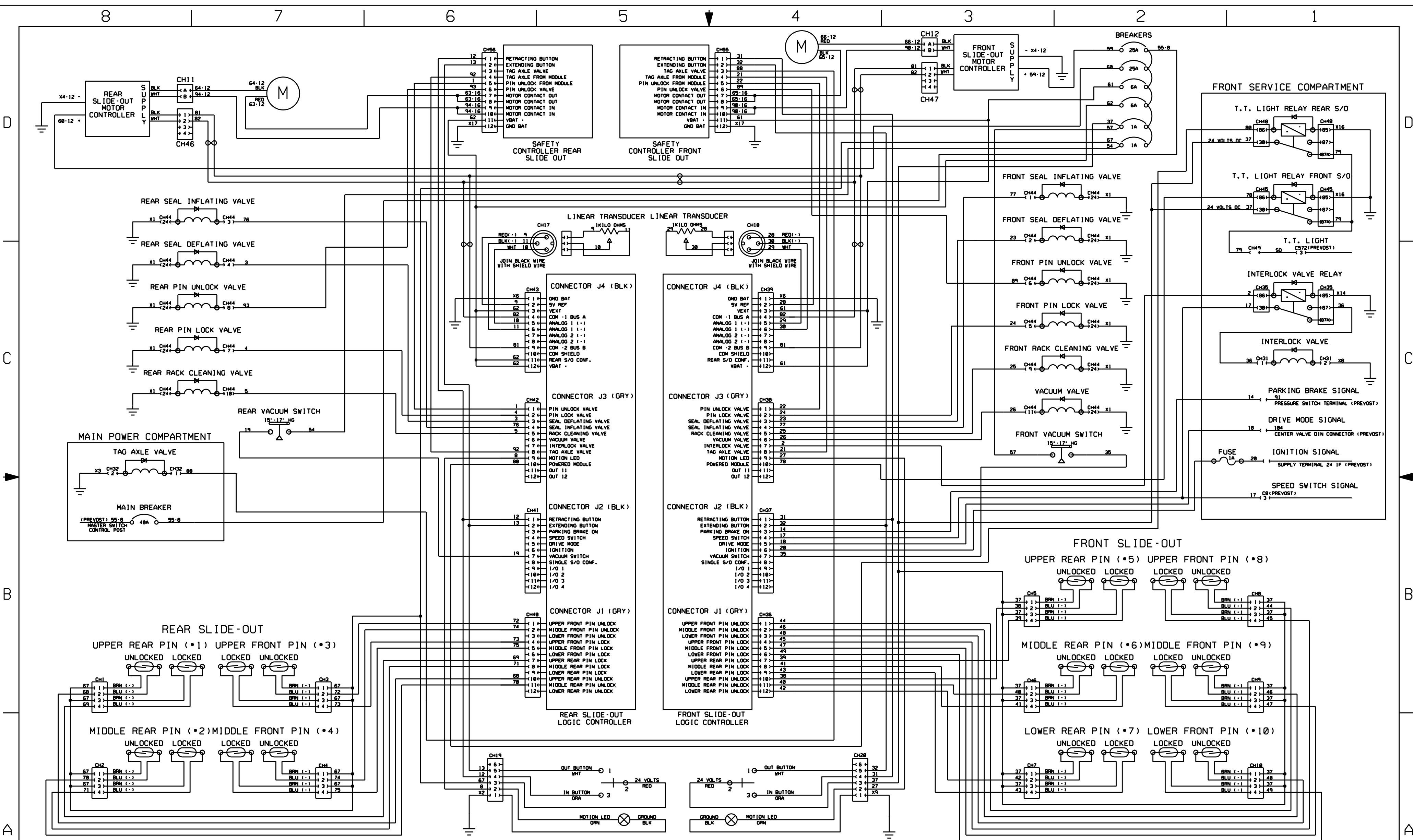
PREVOST®

WIRING DIAGRAM

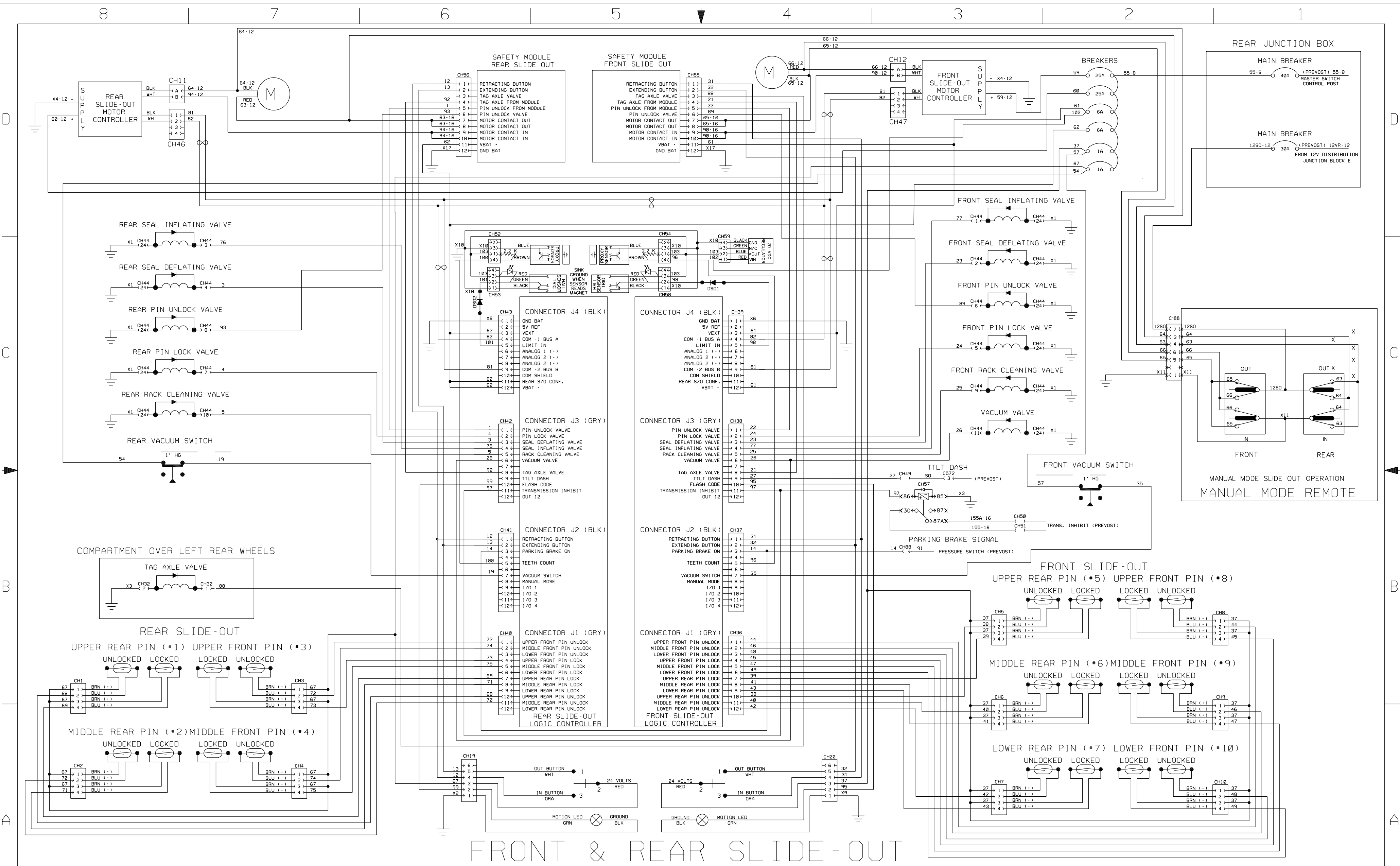
No: D060994

Page: 24.1

Rev: 13



FRONT & REAR SLIDE-OUT



FRONT & REAR SLIDE-OUT

PREVOST

WIRING DIAGRAM

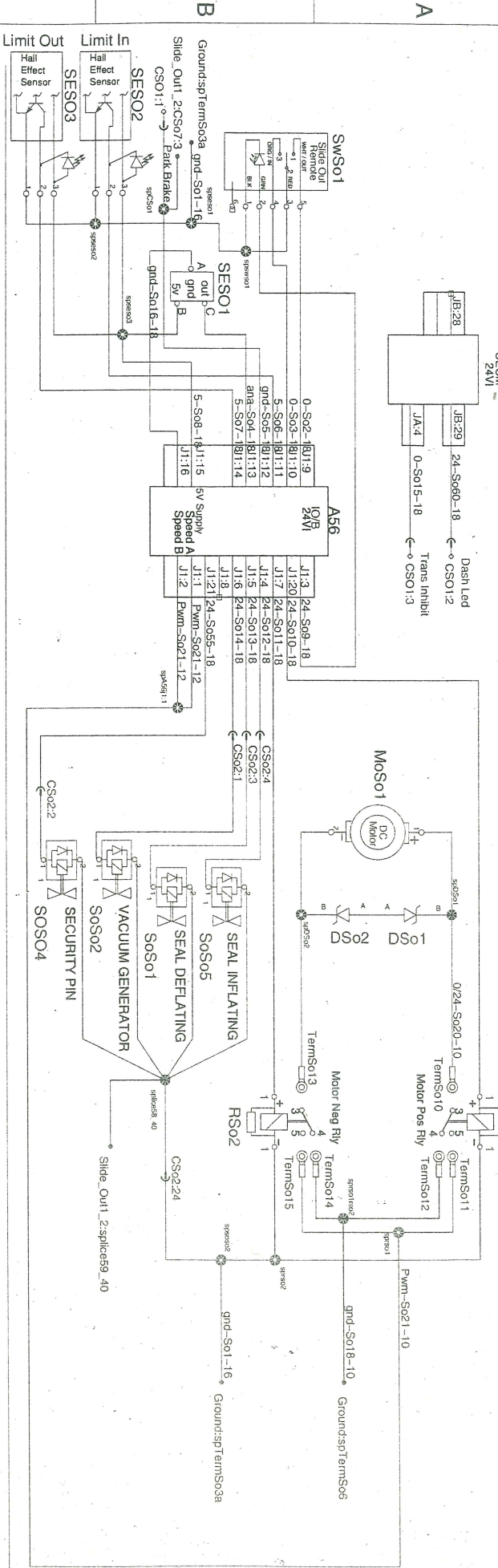
No: 0060994

PAGE: 24.2

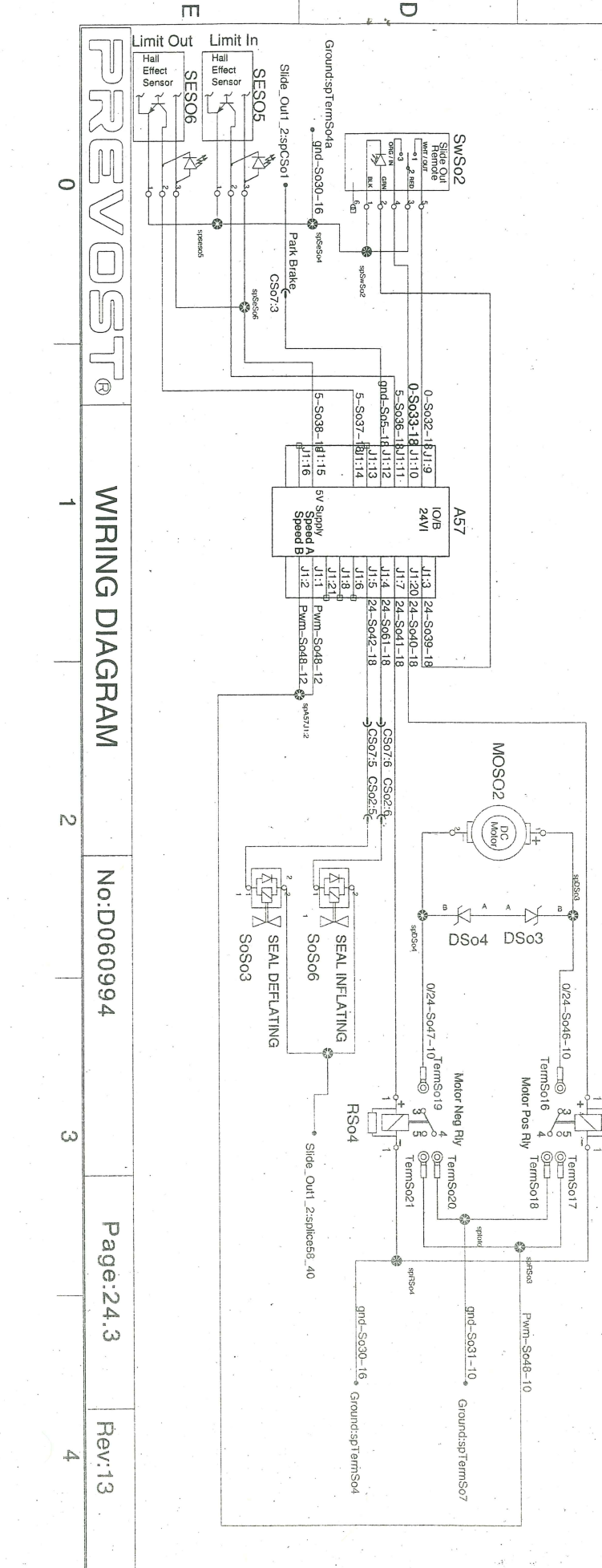
REVISION 08



### MULTIPLEX SLIDE OUT #1



### MULTIPLEX SLIDE OUT #2



PREVOST®

WIRING DIAGRAM

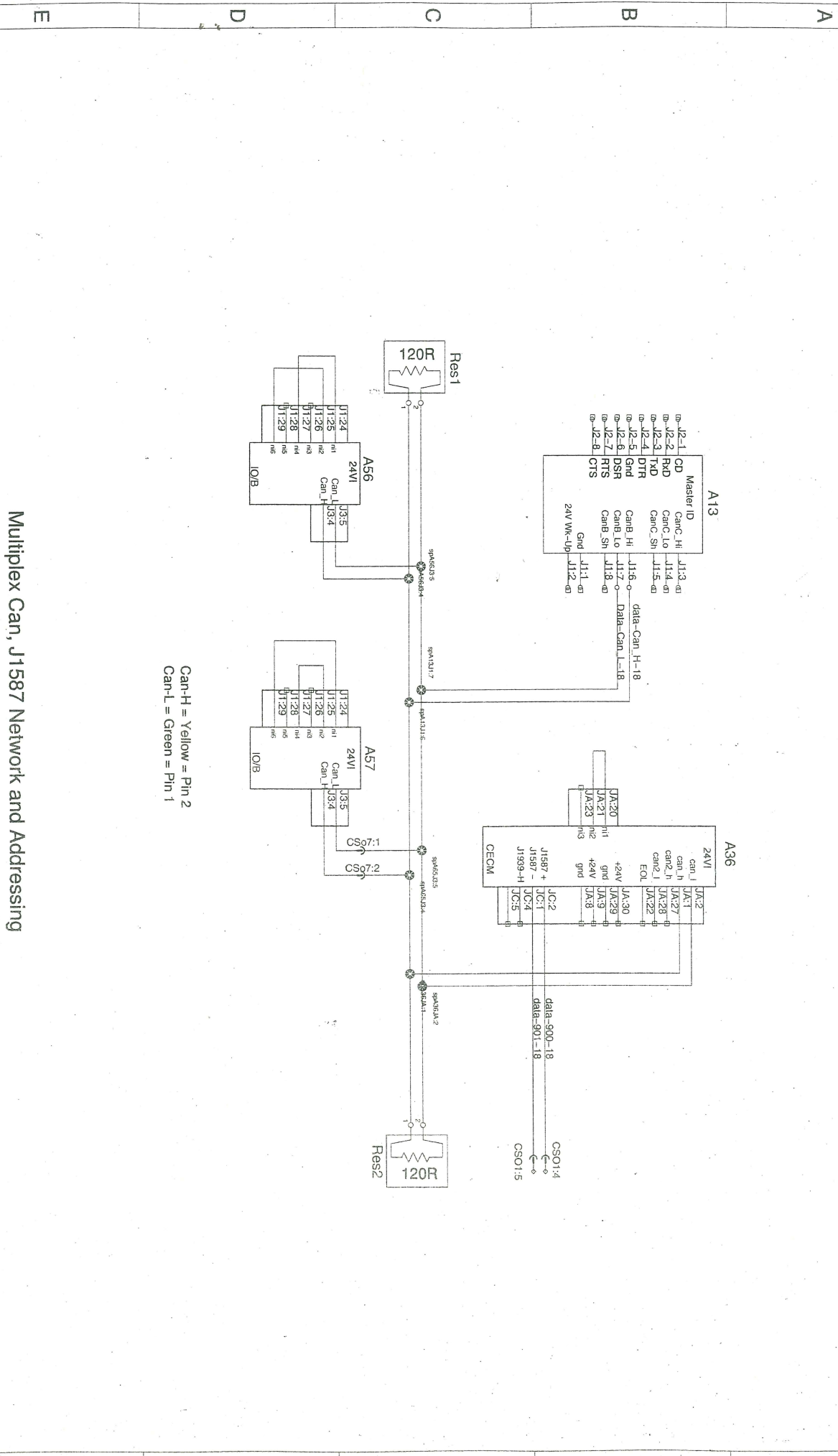
No: D060994

Page: 24.3

Rev: 13

0 1 2 3 4

0 1 2 3 4

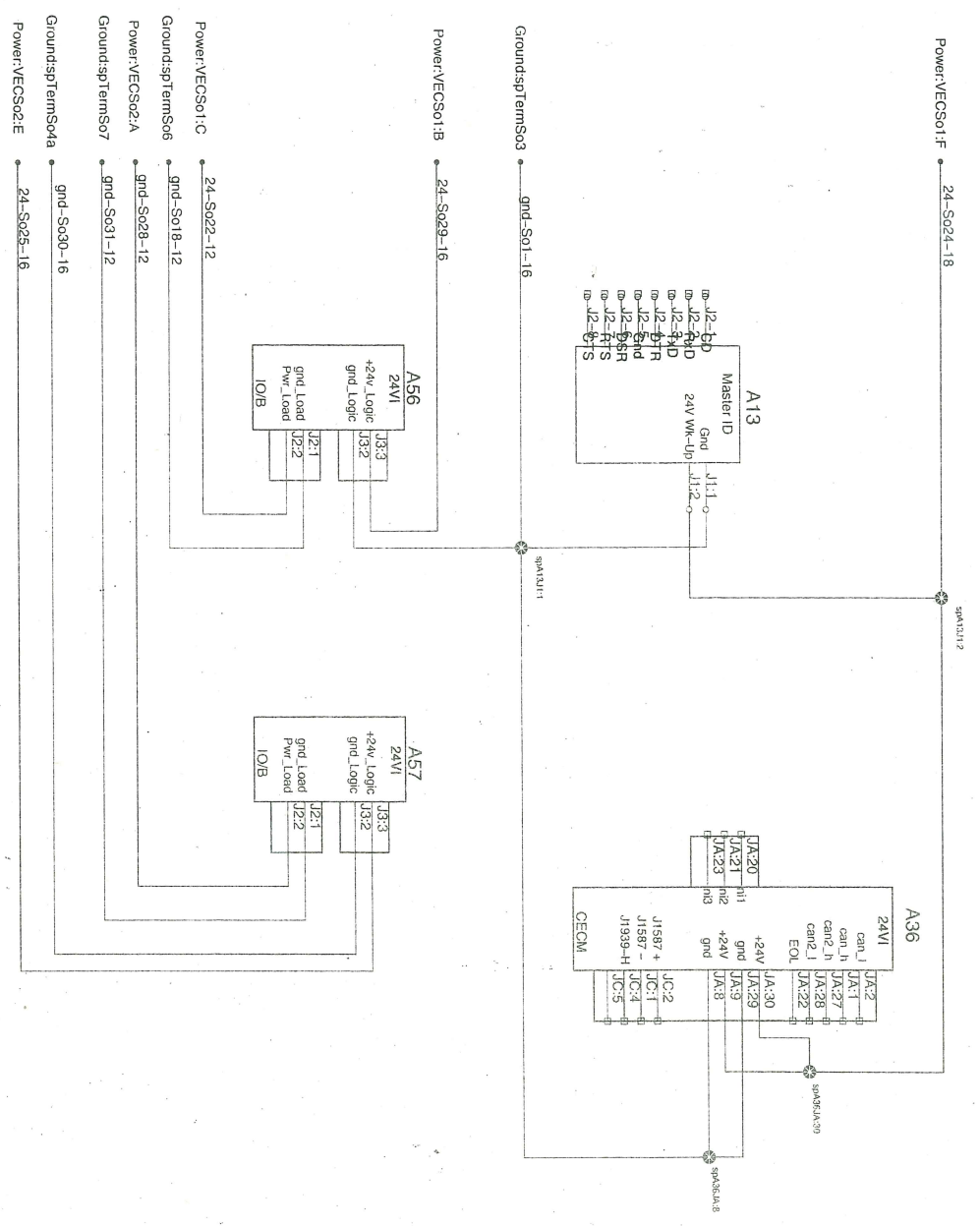


Can-H = Yellow = Pin 2  
 Can-L = Green = Pin 1

Multiplex Can, J1587 Network and Addressing

0 1 2 3 4

0 1 2 3 4



MULTIPLEX SIDE-OUT MODULES POWER DISTRIBUTION

PREVOST®

WIRING DIAGRAM

No: D060994

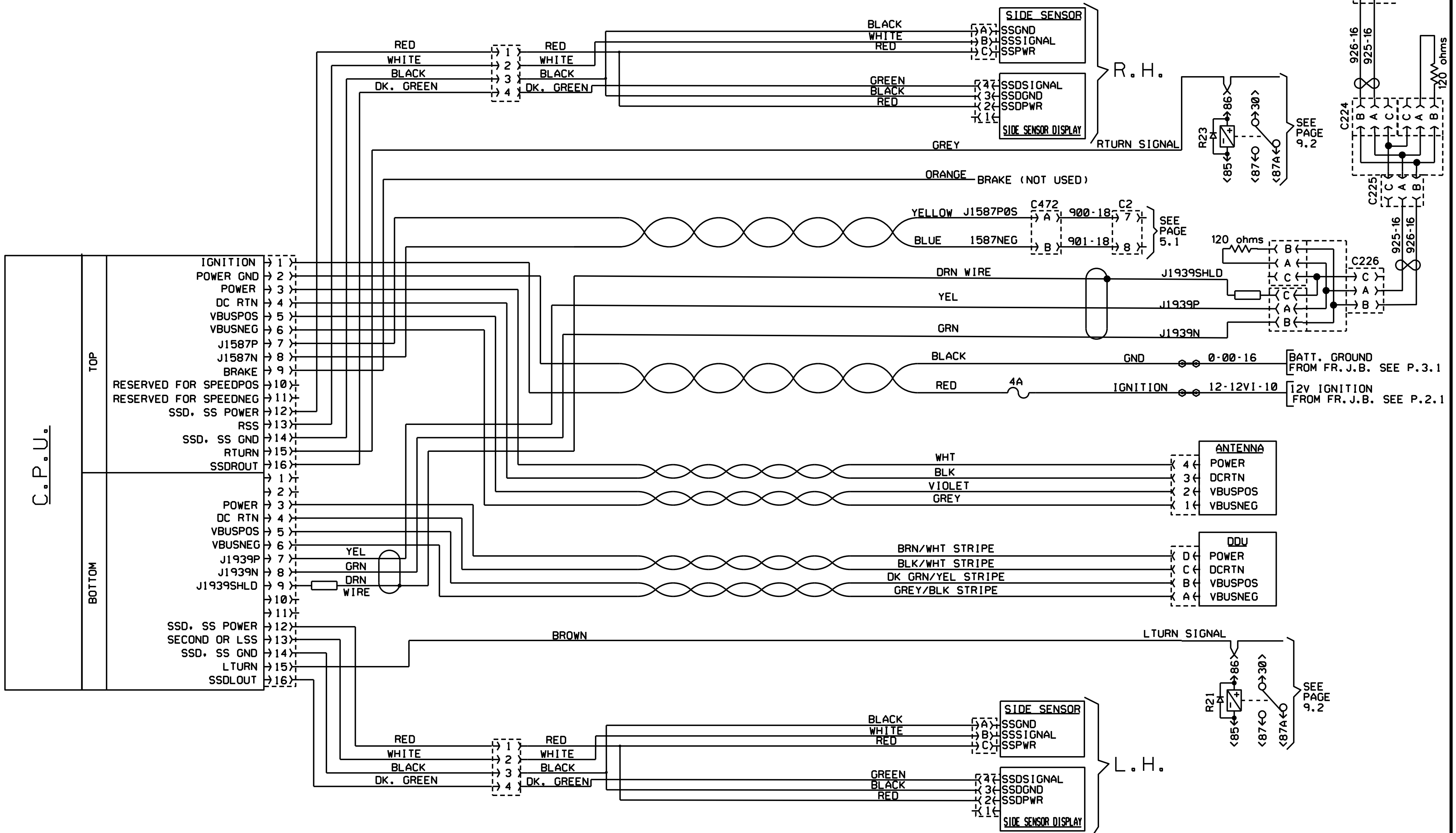
Page: 24.5

Rev: 13

0 1 2 3 4



E.C.M  
(SEE PAGE 5.2)



VORAD SMART CRUISE SYSTEM