



X3-45



REV.	DATE	O.C.	EFF.	DESCRIPTION	PAGE(S)	BY	CK.	APPR.
00	2006-03-03	2004015	7-8933	Preliminaries: 7-8754, 7-8821, 7-8863, 7-8883, 7-8904		ELAN	RLAP	RLAP
01	2006-04-26			Coach picture on this page	0	ELAN	RLAP	RLAP
02	2006-05-25	2005050	7-8933	Sound system update	C1, C2, E, F, G, H, J, K, L, 3.1, 3.2, 8.1, 30.1, 35.0, 35.1, 35.2, 35.3	SLEB	DGRA	DGRA
				Luggage door lock and ailes lights Parcel rack ventilation speed reduced	F, L, 5.1, 20.1 18.3	ELAN	DGRA	DGRA
03	2006-06-21	2006013	7-9048	Navigation system	C2,E,F,G,H,J,K,L,12.1,28.1, 35.0,35.1,35.4,37.1	MPOU	CLEM	CLEM
04	2006-09-01			Add diode D73 for preheat webasto	17.1,18.2	MPOU	CLEM	CLEM
05	20/9/2006	2005076	- 7-9001	Remove shield on J1939 trans. cable Allison Trans GenIV Update connection on remote control Input pin of trailer park prake switch change	0, 14.1, 15.1, 35.4 12.1	MPOU SDES MPOU MPOU	DGRA DGRA CLEM CLEM	DGRA DGRA CLEM CLEM
06	13/10/2006		-	Remove wire 113z on ZF Transmission	0, 15.2,	MPOU	DGRA	DGRA
07	25/10/2006	2006036	7-9134	Flip-down screen introductio (option). Preliminary 7-9083.	0, 35.0, 35.3, C2, E, G, K,	SLEB	CLEM	CLEM
08	2006-06-12	2006061	7-9151	Replace Hostess Chime by Volvo Hostess Chime.	0, 22.1sp1, 35.1, C2, E, G, K	SLEB	CLEM	CLEM
		2006048	7-9119	Standardisation of Front Clearance Harness with X3 and Mth Mux	18.1, 19.1,29.1	PGAG	DGRA	DGRA
09	2007-02-02		-	Add back up detection system	0, 28.1, A, C3, G,	MPOU	DGRA	DGRA
10	22/3/2007	2007023	-	New Color Backup Camera REI	0, 28.1, 30.1, 35.4, A	PGAG	CLEM	CLEM
11	30/3/2007	2007020	7-9277	Tag Valve Crane can be removed and replace by Valve Norgreen	0, 2.1, 32.1,	PGAG	DGRA	DGRA



X3-45



REV.	DATE	O.C.	EFF.	DESCRIPTION	PAGE(S)	BY	CK.	APPR.
12	05/04/2007	2005002	8-9277	Cooling 2007	0, 10.1, 12.1, 14.1, 14.2,18.1,19.1 15.1, 15.2, 16.1, 2.1, 26.1, 29.1, 3.1, 3.3, 32.1, 37.1, 4.1, 5.1, 6.1, 6.2, 7.1, C1, C3, E, F, G, H, J, K, L	SDES	DGRA	DGRA
13	17/05/2007	2007046	----	REI/VOLVO SOUND SYSTEM	0,A,22.1,35.0,35.2,35.5	MPOU	CLEM	CLEM
14	12/06/2007	2006038	8-9277	Abs Esp update	0,16.2	MPOU	CLEM	CLEM
15	20/07/2007	N/A N/A	8-9310 8-9310	Sound System Update Transm. Inhibit cir.renamed #185	C2,8,1,35,0,35,1,35,2,35,3,35,4,35,5 15.1	ELAN	CLEM	CLEM
16	02/10/2007	N/A	8-9344	Pages Updated	C1,F,L,4,1,5,1	ELAN	CLEM	CLEM
17	30/11/2007	N/A	8-9417	B Pages released	B1,B2,B3	ELAN	CLEM	CLEM
18	22/1/2008	2006025	8-9422	Introduction of Control on Steering Wheel and TPMS	10.1, 12.1, 13.1, 14.1, 14.2, 15.1, 17.1, 18.1, 19.1, 2.1, 26.3, 3.3, 30.1, 31.1, 32.1, 33.1, 34.1, 35.4, 38.1, 39.1, 4.1, 41.1, 6.1, 9.1, B1, B2, B3, E, F, G, H, J, K, L, 0,	PGAG	CLEM	CLEM
19	14/11/2008	2008083 2009003	9-9643	TTLT FOR VEHICUL WEIGHT DESTINATION SIGN AESYS STD OPT	2.1, 3.2, 32.1, 5.1, 0, 15.1, 26.2 28.1	SBEL	CLEM	CLEM
20	2009-11-02	2008080	-	NEW SOUND SYSTEM VSS05	29.1, 3.1, 3.3, 30.1, 35.2, 35.4, 35.6, 6.1, A, C2, G, 0,	MPOU	CLEM	CLEM
21	2009-11-03	2008080		SOUND SYSTEM UPGRADE	0, 26.1, 35.6	MPOU	CLEM	CLEM
22	16/4/2009		9-9795	ADD OPTION CANCEL CRUISE/WIPERS ACTIVED	34.1, 40.1, 0,	SBEL	CLEM	CLEM
23	14/05/2009	2009036		NEW DVD	0,8.1,35.6	MPOU	CLEM	CLEM
24	26/8/2009	2009043 2009044	-	ADD SW SNOW MUD AUX AUDIO VIDEO OPTION (USB/VGA)	16.1, 19.1, 2.1, A, 3.3, 35.6, 35.7	SBEL	CLEM	CLEM
25	15/12/2009	2009044		VGA CONVERTER PIN OUT CHANGE	0,35.3,35.6, 35.7	MPOU	CLEM	CLEM
26	02/04/2010			FLIP SCREEN WIRING	0, 3.3, 35.6	MPOU	CLEM	CLEM
	15/04/2010	2009088	9953	SOLOINOID VALVE REVISION	14.2,2.1,5.1, C1 17.1	SBEL	CLEM	CLEM
27	04/10/2010	n/a		VIDEO DISTRIBUTION NOTICE ADDED	35.3, 31.1	ELAN	CLEM	CLEM



X3-45



REV.	DATE	O.C.	EFF.	DESCRIPTION	PAGE(S)	BY	CK.	APPR.
28	12/05/2014	NA		Pages Updated	3.2, 0	SBEL	CLEM	CLEM

WIRING DIAGRAM INDEX

Information Pages		E	M	T			
Multiplexed Devices Index	B1 - B8	Emergency and Aisle lights	20.1	Main Distribution Ignition & Batt.	3.1	Tag Automatic unload system	32.1
Arrangement - Harness	C1	Engine brake and Retarder	12.1	Main Distribution Wake-Up	3.3	Tail and Licence Lights	26.2
Sound System	C2	Engine Start	3.2	Marker Lights	26.1,26.2	Test Switch	9.1
Can Configuration	C3	Engine ECM	14.1	Mirror Ramco	31.1	Transmission ECU	15.1-15.2
Glossary	D	Engine Override	14.1	Multiplexing Power	7.1	Trailer Package	26.4
Circuit Number Listing	E	Entrance door & Lights	29.1	Multiplexing Network	6.1		
Circuit Breaker code	F	Ether Start	13.1				
Connectors code	G						
Diode Number Code	H						
Resistors Number Code	J					U	
Fuses Code	L	F				Under Floor Lighting	25.1
Relay Code	K	Fast Idle	14.1				
		Fire Alarm	9.1				
		Flashers	26.1,26.2	P		W	
		Fog lights	26.3	Parcel Rack A/C system	18.2	Watch your step	29.1
		Fuel Gauge	10.1	Park Brake Sensor	12.1	Wheelchair Lift Ricon	36.1
Functions		Fuel Prime Pump	13.1	Park Brake Trailer Sensor	12.1	Window Ajar	27.1
A		Fuel water Filter	13.1	Parking Brake Release Switch	32.1	Wiper & Washer	34.1
Abs	16.1,16.2			Power Distribution FJB	4.1	Water Pre-Heater	17.1
Air Dryer (Optional)	38.1sp1	G		Power Distribution RJB	5.1		
		Grounds	2.1	Power Outlet	30.1		
		Galley	40.1	Prime Pump	13.1		
				Pneumatic Cut-Out Acc.	9.1		
		H					
		Hat Rack Lighting	21.1	R			
		Hazard	26.1	Radiator Fan Clutch	13.1		
		Head Lights	26.1	Reading Lamp	22.1		
		Horn	9.1				
		Hostess Chime	22.1	S			
		Hvac Defroster	18.1	Service Brake Relay	12.1		
		Hvac Passenger	18.2	Sound System	35.0-35.3		
				Spare Wires	8.1		
		I		Stop lights	26.2		
		Indirect lighting	23.1	Sun Visor	30.1		
				Steering Control ZF	37.1		
		K					
		Kneeling system	32.1				
		L					
		Lavatory	11.1				
		Low Buoy	32.1				
		Luggage Door Lock/Unlock	33.1, 33.2				

WIRING DIAGRAM INDEX

Information Pages		E	M	T			
Multiplexed Devices Index	B1 - B8	Emergency and Aisle lights	20,1	Main Distribution Ignition & Batt.	3,1	Tag Automatic unload system	32,1
Arrangement - Harness	C1	Engine brake and Retarder	12,1	Main Distribution Wake-Up	3,3	Tail and Licence Lights	26,2
Sound System	C2	Engine Start	3,2	Marker Lights	26.1,26.2	Test Switch	9,1
Can Configuration	C3	Engine ECM	14,1	Mirror Ramco	31,1	Transmission ECU	15.1-15.2
Glossary	D	Engine Override	14,1	Multiplexing Power	7,1	Trailer Package	26,4
Circuit Number Listing	E	Entrance door & Lights	29,1	Multiplexing Network	6,1		
Circuit Breaker code	F	Ether Start	13,1				
Connectors code	G						
Diode Number Code	H						
Resistors Number Code	J						
Fuses Code	L	F				U	
Relay Code	K	Fast Idle	14,1			Under Floor Lighting	25,1
		Fire Alarm	9,1				
		Flashers	26.1,26.2	P		W	
		Fog lights	26,3	Parcel Rack A/C system	18,2	Watch your step	29,1
		Fuel Gauge	10,1	Park Brake Sensor	12,1	Wheelchair Lift Ricon	36,1
A		Fuel Prime Pump	13,1	Park Brake Trailer Sensor	12,1	Window Ajar	27,1
Abs	16.1,16.2	Fuel water Filter	13,1	Parking Brake Release Switch	32,1	Wiper & Washer	34,1
Air Dryer (Optional)	38.1sp1			Power Distribution FJB	4,1	Water Pre-Heater	17,1
				Power Distribution RJB	5,1		
		G		Power Outlet	30,1		
B		Grounds	2,1	Prime Pump	13,1		
Back-up Camera	28,1	Galley	40,1	Pneumatic Cut-Out Acc.	9,1		
Back-up lights and alarm	26,3						
Battery and Equalizer	1,1						
Battery Charger	17,1	H					
Brake Pedal Sensor	12,1	Hat Rack Lighting	21,1				
		Hazard	26,1	R			
		Head Lights	26,1	Radiator Fan Clutch	13,1		
C		Horn	9,1	Reading Lamp	22,1		
Charging System	3,2	Hostess Chime	22,1				
Cigar lighter	30,1	Hvac Defroster	18,1				
Clearance lights rear & front	26.1,26.2	Hvac Passenger	18,2	S			
Cluster	10,1			Service Brake Relay	12,1		
Cornering Lights (Optional)	26,3			Sound System	35.0-35.4		
Cruise control	14,1	I		Spare Wires	8,1		
		Indirect lighting	23,1	Stop lights	26,2		
				Sun Visor	30,1		
D		K		Steering Control ZF	37,1		
Dash Lights	19,1	Kneeling system	32,1				
Destination Sign	28,1						
Direct Lighting	24,1						
Docking Lights (Optional)	26,3	L					
Driver's Light and Backlight	19,1	Lavatory	11,1				
Driver's Power Window	30,1	Low Buoy	32,1				
Digital Clock	28,1	Luggage Door Lock/Unlock	33.1, 33.2				

WIRING DIAGRAM PAGES LIST

Information pages		D		K		T	
Multiplex output list	B1	Dash Lights	19,1	Kneeling system	32,1	Tag Automatic unload system	32,1
Multiplex input list	B2	Destination Sign	28,1			Tail and Licence Lights	26,2
Multiplex error messages list	B3	Direct Lighting	24,1	L		Test Switch	9,1
Arrangement - Harness	C1	Docking Lights (Optional)	26,3	Lavatory	11,1	Transmission ECU	15.1-15.2
Sound System	C2	Driver's Light and Backlight	19,1	Low Buoy	32,1	Trailer Package	26,4
Can Configuration	C3	Driver's Power Window	30,1	Luggage Door Lock/Unlock	33.1, 33.2	TPMS	39,1
Glossary	D	Digital Clock	28,1			Tire Press. Monitoring Sys	39,1
Circuit Number Listing	E			M			
Circuit Breaker code	F	E		Main Distribution Ignition & Batt.	3,1	U	
Connectors code	G	Emergency and Aisle lights	20,1	Main Distribution Wake-Up	3,3	Under Floor Lighting	25,1
Diode Number Code	H	Engine brake and Retarder	12,1	Marker Lights	26.1,26.2		
Resistors Number Code	J	Engine Start	3,2	Mirror Ramco	31,1	V	
Fuses Code	L	Engine ECM	14,1	Multiplexing Power	7,1	Volvo Link	37,1
Relay Code	K	Engine Override	14,1	Multiplexing Network	6,1		
Multiplexed Devices Index	B1	Entrance door & Lights	29,1			W	
Multiplexed Devices Index	B2	Ether Start	13,1	P		Watch your step	29,1
Multiplexed Devices Index	B3			Parcel Rack A/C system	18,2	Wheelchair Lift Ricon	36,1
Multiplex Output List	B1	F		Park Brake Sensor	12,1	Window Ajar	27,1
Multiplex Input List	B2	Fast Idle	14,1	Park Brake Trailer Sensor	12,1	Wiper & Washer	34,1
Multiplex Error Messages List	B3	Fire Alarm	9,1	Parking Brake Release Switch	32,1	Water Pre-Heater	17,1
		Flashers	26.1,26.2	Power Distribution FJB	4,1		
A		Fog lights	26,3	Power Distribution RJB	5,1		
Abs	16.1,16.2	Fuel Gauge	10,1	Power Outlet	30,1		
Air Dryer (Optional)	38.1sp1	Fuel Prime Pump	13,1	Prime Pump	13,1		
		Fuel water Filter	13,1	Pneumatic Cut-Out Acc.	9,1		
B		Fire Suppression System	38,1				
Back-up Camera	28,1			R			
Back-up lights and alarm	26,3	G		Radiator Fan Clutch	13,1		
Battery and Equalizer	1,1	Grounds	2,1	Reading Lamp	22,1		
Battery Charger	17,1	Galley	40,1				
Brake Pedal Sensor	12,1			S			
		H		Service Brake Relay	12,1		
C		Hat Rack Lighting	21,1	Sound System	35.0-35.5		
Charging System	3,2	Hazard	26,1	Spare Wires	8,1		
Cigar lighter	30,1	Head Lights	26,1	Stop lights	26,2		
Clearance lights rear & front	26.1,26.2	Horn	9,1	Sun Visor	30,1		
Cluster	10,1	Hostess Chime	22,1	Steering Control ZF	37,1		
Cornering Lights (Optional)	26,3	Hvac Defroster	18,1	Steering Wheel Control	41,1		
Cruise control	14,1	Hvac Passenger	18,2	Steering Wheel Controls	41,1		
		I					
		Indirect lighting	23,1				

WIRING DIAGRAM PAGES LIST

Information pages		E	M	U
Multiplex output list	B1	Emergency and Aisle lights	20.1	Main Distribution Ignition & Batt. 3.1
Multiplex input list	B2	Engine brake and Retarder	12.1	Main Distribution Wake-Up 3.3
Multiplex error messages list	B3	Engine Start	3.2	Marker Lights 26.1,26.2
Arrangement - Harness	C1	Engine ECM	14.1	Mirror Ramco 31.1
Sound System	C2	Engine Override	14.1	Multiplexing Power 7.1
Can Configuration	C3	Entrance door & Lights	29.1	Multiplexing Network 6.1
Glossary	D	Ether Start	13.1	Watch your step 29.1
Circuit Number Listing	E			Wheelchair Lift Ricon 36.1
Circuit Breaker code	F	F		Parcel Rack A/C system 18.2
Connectors code	G	Fast Idle	14.1	Park Brake Sensor 12.1
Diode Number Code	H	Fire Alarm	9.1	Park Brake Trailer Sensor 12.1
Resistors Number Code	J	Flashers	26.1,26.2	Parking Brake Release Switch 32.1
Fuses Code	L	Fog lights	26.3	Power Distribution FJB 4.1
Relay Code	K	Fuel Gauge	10.1	Power Distribution RJB 5.1
		Fuel Prime Pump	13.1	Power Outlet 30.1
A		Fuel water Filter	13.1	Prime Pump 13.1
Abs	16.1,16.2	Fire Suppression System	38.1	Pneumatic Cut-Out Acc. 9.1
Air Dryer (Optional)	38.1sp1			
		G		R
B		Grounds	2.1	Radiator Fan Clutch 13.1
Back-up Camera	28.1	Galley	40.1	Reading Lamp 22.1
Back-up lights and alarm	26.3			
Battery and Equalizer	1.1	H		S
Battery Charger	17.1	Hat Rack Lighting	21.1	Service Brake Relay 12.1
Brake Pedal Sensor	12.1	Hazard	26.1	Sound System 35.0-35.6
		Head Lights	26.1	Spare Wires 8.1
C		Horn	9.1	Stop lights 26.2
Charging System	3.2	Hostess Chime	22.1	Sun Visor 30.1
Cigar lighter	30.1	Hvac Defroster	18.1	Steering Control ZF 37.1
Clearance lights rear & front	26.1,26.2	Hvac Passenger	18.2	Steering Wheel Control 41.1
Cluster	10.1			Steering Wheel Controls 41.1
Cornering Lights (Optional)	26.3	I		
Cruise control	14.1	Indirect lighting	23.1	
				T
D		K		Tag Automatic unload system 32.1
Dash Lights	19.1	Kneeling system	32.1	Tail and Licence Lights 26.2
Destination Sign	28.1			Test Switch 9.1
Direct Lighting	24.1	L		Transmission ECU 15.1-15.2
Docking Lights (Optional)	26.3	Lavatory	11.1	Trailer Package 26.4
Driver's Light and Backlight	19.1	Low Buoy	32.1	TPMS 39.1
Driver's Power Window	30.1	Luggage Door Lock/Unlock	33.1, 33.2	Tire Press. Monitoring Sys 39.1
Digital Clock	28.1			

MULTIPLEX OUTPUT LIST

O_xx... = Physical Output Pin ; I_xx... = Physical Input Pin ; D_xx... = CAN Network Signal from the HVAC control Head ; B_xx.. = Multiplex system global Network Variable

Module.Pin#	Signal name	Description	Page	Connected devices	Input involved		
A36.JA:11	O_CtrlHead	Control Head	28,1		I_HdLtPos1Sw	A43.J1:4	26,1
A36.JA:13	O_EngineRun	Engine Run Signal	3,2	A15:6	B_EngineRun	.	
					B_OneAltCharging	.	
					D_OnOffDrvSw	.	
					I_AccKeySw	A36.JB:6	3,2
					I_IgnKeySw	A36.JB:2	3,2
A36.JA:15	O_WakeUp	WakeUp Relay	3,3		I_AccKeySw	A36.JB:6	3,2
					I_EntDorOpSw	A36.JB:15	29,1
					I_FireSensorA36	A36.JB:5	9,1
					I_HazardSw	A36.JB:4	26,1
					I_IgnKeySw	A36.JB:2	3,2
					I_ParkBrSe	A36.JB:9	12,1
					I_RrCutOutSw	A36.JB:21	3,2
					I_WCLSmallLowDor	A49.J1:17	36,1
					I_WclSw	A42.J1:6	36,1
A36.JA:24	O_CutOutRel	Emergency CutOut Relay	3,2	R21:86	I_FireExt2ndAlm	A44.J1:10	
					I_IgnKeySw	A36.JB:2	3,2
A41.J1:12	O_KneeProxPwr	Kneeling Proximity Power	32,1	So16:1	I_IgnKeySw	A36.JB:2	3,2
A41.J1:14	O_KneeDwSol	Kneeling Down Solenoid	32,1	So16:2	I_EntDorClSe	A47.J1:10	29,1
					I_IgnKeySw	A36.JB:2	3,2
					I_KneeDwSw	A41.J1:7	32,1
					I_KneePressSe	A41.J1:18	32,1
					I_LwBuoySw	A36.JB:1	32,1
					I_ParkBrSe	A36.JB:9	12,1
					I_WCLSmallLowDor	A49.J1:17	36,1
					I_WclSw	A42.J1:6	36,1
A41.J1:15	O_KneeUpSol	Kneeling Up Solenoid	32,1	So15:2	I_IgnKeySw	A36.JB:2	3,2
					I_KneeUpSw	A41.J1:6	32,1
A41.J1:16	O_ReHiBoySolRtn	Rear Hi Buoy Solenoid Return	32,1	So14:1	I_IgnKeySw	A36.JB:2	3,2
A42.J1:12	O_ParkBrSolNeg	Park Brake Solenoid Return	32,1		I_EntDorClSe	A47.J1:10	29,1
					I_IgnKeySw	A36.JB:2	3,2
					I_KneeDwSw	A41.J1:7	32,1
					I_KneePressSe	A41.J1:18	32,1
					I_KneeProxSe	A41.J1:19	32,1
					I_LwBuoySw	A36.JB:1	32,1
					I_ParkBrSe	A36.JB:9	12,1
					I_PrkBrkRelSw	A42.J1:7	32,1
					I_WCLSmallLowDor	A49.J1:17	36,1
					I_WclSw	A42.J1:6	36,1
A42.J1:13	O_LugLkSol	Luggage Lock Solenoid	33,1		I_AccKeySw	A36.JB:6	3,2
					I_IgnKeySw	A36.JB:2	3,2
					I_LugDorLkSw	A46.J1:10	33,1
A42.J1:14	O_KneelingAlm	Kneeling Alarm	32,1	I188:1	I_EntDorClSe	A47.J1:10	29,1

MULTIPLEX OUTPUT LIST

O_xx... = Physical Output Pin ; L_xx... = Physical Input Pin ; D_xx... = CAN Network Signal from the HVAC control Head ; B_xx.. = Multiplex system global Network Variable

Module.Pin#	Signal name	Description	Page	Connected devices	Input involved		
A42.J1:14	O_KneelingAlm	Kneeling Alarm	32,1	L188:1	I_IgnKeySw	A36.JB:2	3,2
					I_KneeDwSw	A41.J1:7	32,1
					I_KneePressSe	A41.J1:18	32,1
					I_KneeUpSw	A41.J1:6	32,1
					I_LwBuoySw	A36.JB:1	32,1
					I_ParkBrSe	A36.JB:9	12,1
					I_WCLSmallLowDor	A49.J1:17	36,1
					I_WclSw	A42.J1:6	36,1
A42.J1:16	O_LugULkSol	Luggage Lock Solenoid	33,1		I_AccKeySw	A36.JB:6	3,2
					I_IgnKeySw	A36.JB:2	3,2
					I_LugDorULkSw	A46.J1:11	33,1
A42.J1:30	O_ParkBrSol	Park Brake Solenoid Valve	32,1	So17:2	I_EntDorClSe	A47.J1:10	29,1
					I_IgnKeySw	A36.JB:2	3,2
					I_KneeDwSw	A41.J1:7	32,1
					I_KneePressSe	A41.J1:18	32,1
					I_KneeProxSe	A41.J1:19	32,1
					I_LwBuoySw	A36.JB:1	32,1
					I_ParkBrSe	A36.JB:9	12,1
					I_PrkBrkRelSw	A42.J1:7	32,1
					I_WCLSmallLowDor	A49.J1:17	36,1
I_WclSw	A42.J1:6	36,1					
A44.J1:1	O_DashTrapPMo	Dash Trap Motor	18,1	Mo3:1	D_AirFlapBit0	.	
					D_AirFlapBit1	.	
					D_AirFlapBit2	.	
					I_IgnKeySw	A36.JB:2	3,2
A44.J1:2	O_DashTrapNMo	Dash Trap Motor Return	18,1	Mo3:3	D_AirFlapBit0	.	
					D_AirFlapBit1	.	
					D_AirFlapBit2	.	
					I_IgnKeySw	A36.JB:2	3,2
A44.J1:20	O_DashBackLit	Dash BackLighting	19,1	Pot1.C:1	I_HdLtPos1Sw	A43.J1:4	26,1
A44.J1:3	O_DriverLtLb	Driver Light Bulb	19,1	L16:1	B_BatterySaver	.	
					I_AccKeySw	A36.JB:6	3,2
					I_DrvLtSw	A43.J1:18	19,1
					I_IgnKeySw	A36.JB:2	3,2
A44.J1:4	O_BrakeRedundant	Brake Redundant For Volvo D13	14,2		I_BrkLtSeFrSig	A36.JB:13	12,1
					I_BrkLtSeRrSig	A51.J1:10	12,1
A44.J1:8	O_FrClearLb	Front Clearance Lights Bulb	26,1		B_BatterySaver	.	
					B_TstModExtLight	.	
					I_BlinkSwRetro	A43.J1:20	26,1
					I_HdLtPos1Sw	A43.J1:4	26,1
					I_HdLtPos2SwLH	A45.J1:12	26,1
A45.J1:1	O_FootTrpPSol	Foot Trap Solenoid	18,1	Mo4:A	D_AirFlapBit0	.	
					D_AirFlapBit1	.	

MULTIPLEX OUTPUT LIST

O_xx... = Physical Output Pin ; I_xx... = Physical Input Pin ; D_xx... = CAN Network Signal from the HVAC control Head ; B_xx.. = Multiplex system global Network Variable

Module.Pin#	Signal name	Description	Page	Connected devices	Input involved		
A45.J1:1	O_FootTrpPSol	Foot Trap Solenoid	18,1	Mo4:A	D_AirFlapBit2	.	
					I_IgnKeySw	A36.JB:2	3,2
A45.J1:2	O_FootTrpNSol	Foot Trap Solenoid	18,1	Mo4:B	D_AirFlapBit0	.	
					D_AirFlapBit1	.	
					D_AirFlapBit2	.	
					I_IgnKeySw	A36.JB:2	3,2
A45.J1:20	O_HornSol	Electric Horn	9,1		I_FireExt1stAl	A36.JB:23	
					I_FireExt2ndAlm	A44.J1:10	
					I_FireSensorA36	A36.JB:5	9,1
					I_HornSw	A45.J1:10	9,1
					I_IgnKeySw	A36.JB:2	3,2
A45.J1:21	O_LHFrMkrLb	Left Hand Front Markers Light Bulb	26,1		B_BatterySaver	.	
					B_TstModExtLight	.	
					I_BlinkSwRetro	A43.J1:20	26,1
					I_HdLtPos1Sw	A43.J1:4	26,1
					I_HdLtPos2SwLH	A45.J1:12	26,1
A45.J1:3	O_LHFrFlshLb	Left Hand Front Flasher Light Bulb	26,1		B_BatterySaver	.	
					B_TstModExtLight	.	
					I_HazardSw	A36.JB:4	26,1
					I_LHFlshSw	A45.J1:9	26,1
					I_LHFlshSwRrSig	A51.J1:9	26,2
					I_RHFlshSwRrSig	A51.J1:12	26,2
A45.J1:4	O_LHFogLb	Left Hand Fog Light Bulb	26,3	L95:A	B_BatterySaver	.	
					B_TstModExtLight	.	
					I_FogLightSw	A43.J1:10	26,3
A45.J1:5	O_LHCornerLmpX3		26,3		B_BatterySaver	.	
					B_TstModExtLight	.	
					I_CorneringLtSw	A43.J1:21	26,3
					I_LHFlshSw	A45.J1:9	26,1
A45.J1:6	O_LHHiBmLb	Left Hand Hi Beam Light Bulb	26,1	L60.B:1	B_BatterySaver	.	
					B_EngineRun	.	
					B_OneAltCharging	.	
					B_TstModExtLight	.	
					I_HdLtHiLowBmSw	A43.J1:8	26,1
					I_HdLtPos2SwLH	A45.J1:12	26,1
					I_HiBeamCallSw	A43.J1:3	26,1
A45.J1:7	O_LHLwBmLb	Left Hand Low Beam Light Bulb	26,1	L60.A:1	B_BatterySaver	.	
					B_TstModExtLight	.	
					I_HdLtPos2SwLH	A45.J1:12	26,1
A45.J1:8	O_FlshAudiRel	Flasher Audible Relay	26,1	R16:86	B_BatterySaver	.	
					I_HazardSw	A36.JB:4	26,1
					I_LHFlshSw	A45.J1:9	26,1
					I_LHFlshSwRrSig	A51.J1:9	26,2

MULTIPLEX OUTPUT LIST

O_xx... = Physical Output Pin ; I_xx... = Physical Input Pin ; D_xx... = CAN Network Signal from the HVAC control Head ; B_xx.. = Multiplex system global Network Variable

Module.Pin#	Signal name	Description	Page	Connected devices	Input involved		
A45.J1:8	O_FlshAudiRel	Flasher Audible Relay	26,1	R16:86	I_RHFishSw	A48.J1:12	26,1
					I_RHFishSwRrSig	A51.J1:12	26,2
A46.J1:1	O_UpDefHeater1	Upper Defroster Heater #1	18,1	Mo5:3	B_BatterySaver	.	
					B_EngineRun	.	
					B_OneAltCharging	.	
					D_OnOffDrvSw	.	
					I_BatMonMod47	A47.J1:24	6,1
					I_OutDoorTempSe	A54.J1:14	18,1
					I_UpperDefFanSw	A41.J1:17	18,1
A46.J1:21	O_HeadLmpWshM		34,1		I_HeadLmpWshSw	A45.J1:11	34,1
A46.J1:3	O_LwWshPmp	Lower Wiper Washer Pump	34,1		B_BatterySaver	.	
					I_LwWshSwRetro	A46.J1:9	34,1
A46.J1:4	O_AisleLb	Aisle and Emergency Lamps	20,1		B_BatterySaver	.	
					I_HdLtPos1Sw	A43.J1:4	26,1
A46.J1:5	O_DrvRfgSol	Driver refrigerent solenoid	18,1	D2:A	B_BatterySaver	.	
					B_EngineRun	.	
					B_OneAltCharging	.	
					B_TestMode	.	
					B_TstModHvac	.	
					I_AcPresHiSse	A52.J1:13	18,2
					I_AcPresLoSse	A52.J1:14	18,2
					I_BatMonMod47	A47.J1:24	6,1
					I_OutDoorTempSe	A54.J1:14	18,1
A46.J1:6	O_DrvHeatSol	Driver Heat Solenoid	18,1	So8:1	B_BatterySaver	.	
					B_EngineRun	.	
					B_OneAltCharging	.	
					B_TestMode	.	
					B_TstModHvac	.	
					D_AirFlapBit0	.	
					D_AirFlapBit1	.	
					D_AirFlapBit2	.	
					D_DriverSetPts	.	
					D_DrvFnSpdBit0	.	
					D_DrvFnSpdBit1	.	
					D_DrvFnSpdBit2	.	
					D_OnOffPassSw	.	
					D_PassSetPts	.	
					I_BatMonMod46	A46.J1:24	6,1
					I_BatMonMod47	A47.J1:24	6,1
					I_BatMonMod54	A54.J1:24	6,1
					I_DrvTempSe	A46.J1:13	18,1
					I_FireExt1stAl	A36.JB:23	
					I_FireExt2ndAlm	A44.J1:10	

MULTIPLEX OUTPUT LIST

O_xx... = Physical Output Pin ; L_xx... = Physical Input Pin ; D_xx... = CAN Network Signal from the HVAC control Head ; B_xx.. = Multiplex system global Network Variable

Module.Pin#	Signal name	Description	Page	Connected devices	Input involved		
A46.J1:6	O_DrvHeatSol	Driver Heat Solenoid	18,1	So8:1	I_FireSensorA36	A36.JB:5	9,1
					I_OutDoorTempSe	A54.J1:14	18,1
A46.J1:7	O_UpDefFanMo	Upper defroster Fan Motor	18,1		B_BatterySaver	.	
					B_EngineRun	.	
					B_OneAltCharging	.	
					B_TestMode	.	
					B_TstModHvac	.	
A46.J1:8	O_UpDefHeater2	Upper Defroster Heater #2	18,1	Mo5:2	B_BatterySaver	.	
					B_EngineRun	.	
					B_OneAltCharging	.	
					D_OnOffDrvSw	.	
					I_BatMonMod47	A47.J1:24	6,1
					I_OutDoorTempSe	A54.J1:14	18,1
					I_UpperDefFanSw	A41.J1:17	18,1
A47.J1:1	O_DrvDefFanMo	Driver Defroster Fan Motor	18,1	A24.B:B	B_BatterySaver	.	
					B_EngineRun	.	
					B_OneAltCharging	.	
					D_DrvFnSpdBit0	.	
					D_DrvFnSpdBit1	.	
					D_DrvFnSpdBit2	.	
					D_OnOffDrvSw	.	
					I_BatMonMod47	A47.J1:24	6,1
					I_IgnKeySw	A36.JB:2	3,2
A47.J1:3	O_LwWipSpd1	Lower Wiper Speed 1	34,1	R23:86	B_BatterySaver	.	
					I_LwWipIntSwRetr	A42.J1:8	34,1
					I_LwWshSwRetro	A46.J1:9	34,1
A47.J1:4	O_DrvRecTrap	Driver Recycle Trap	18,1		B_BatterySaver	.	
					B_EngineRun	.	
					B_OneAltCharging	.	
					B_TestMode	.	
					B_TstModHvac	.	
					D_OnOffPassSw	.	
					D_RecSw	.	
					I_EntDorClSe	A47.J1:10	29,1
					I_EntDorOpSw	A36.JB:15	29,1
					I_EntDorOpSw2	A47.J1:12	29,1
					I_FireExt1stAl	A36.JB:23	
					I_FireExt2ndAlm	A44.J1:10	
					I_FireSensorA36	A36.JB:5	9,1
A47.J1:5	O_EntDorStpLb	Entrance Door Step Light Bulb	29,1		B_BatterySaver	.	
					I_EntDorULkSe	A47.J1:11	29,1
A47.J1:6	O_EntDorClSol	Entrance Door Close Solenoid Valve	29,1	So6:2	I_EntDorClInSw	A36.JB:10	29,1
					I_EntDorClOutSw	A36.JB:17	29,1

MULTIPLEX OUTPUT LIST

O_xx... = Physical Output Pin ; I_xx... = Physical Input Pin ; D_xx... = CAN Network Signal from the HVAC control Head ; B_xx... = Multiplex system global Network Variable

Module.Pin#	Signal name	Description	Page	Connected devices	Input involved		
A47.J1:7	O_EntDorOpSol	Entrance Door Open Solenoid Valve	29,1	So5:2	I_EntDorOpSe	A48.J1:11	29,1
					I_EntDorOpSw	A36.JB:15	29,1
					I_EntDorOpSw2	A47.J1:12	29,1
					I_EntDorULkSe	A47.J1:11	29,1
A48.J1:20	O_RHFrSidFlshLb	RH Front Side Flasher L-Bulb	26,1	L64:1	B_BatterySaver	.	
					B_TstModExtLight	.	
					I_EntDorClSe	A47.J1:10	29,1
					I_HazardSw	A36.JB:4	26,1
					I_KneeDwSw	A41.J1:7	32,1
					I_KneePressSe	A41.J1:18	32,1
					I_KneeUpSw	A41.J1:6	32,1
					I_LHFfshSwRrSig	A51.J1:9	26,2
					I_LwBuoySw	A36.JB:1	32,1
					I_RHFfshSw	A48.J1:12	26,1
					I_RHFfshSwRrSig	A51.J1:12	26,2
					I_WCLsmallLowDor	A49.J1:17	36,1
					I_WclSw	A42.J1:6	36,1
A48.J1:3	O_RHHiBeamLb	Right Hand Hi Beam Light Bulb	26,1	L59.B:1	B_BatterySaver	.	
					B_EngineRun	.	
					B_OneAltCharging	.	
					B_TstModExtLight	.	
					I_HdLtHiLowBmSw	A43.J1:8	26,1
					I_HdLtPos2SwLH	A45.J1:12	26,1
					I_HiBeamCallSw	A43.J1:3	26,1
A48.J1:4	O_RHLwBeamLb	Right Hand Low Beam Light Bulb	26,1	L59.A:1	B_BatterySaver	.	
					B_TstModExtLight	.	
					I_HdLtPos2SwRH	A48.J1:10	26,1
A48.J1:5	O_RHCornerLmpX3		26,3	L98.B:1	B_BatterySaver	.	
					B_TstModExtLight	.	
					I_RHFfshSw	A48.J1:12	26,1
A48.J1:6	O_RHFrFlshLb	Right Hand Front Flasher Light Bulb	26,1	L61:2	B_BatterySaver	.	
					B_TstModExtLight	.	
					I_HazardSw	A36.JB:4	26,1
					I_LHFfshSwRrSig	A51.J1:9	26,2
					I_RHFfshSw	A48.J1:12	26,1
					I_RHFfshSwRrSig	A51.J1:12	26,2
A48.J1:7	O_RHFrMrkLb	Right Hand Front Markers Light Bulb	26,1		B_BatterySaver	.	
					B_TstModExtLight	.	
					I_BlinkSwRetro	A43.J1:20	26,1
					I_HdLtPos1Sw	A43.J1:4	26,1
					I_HdLtPos2SwLH	A45.J1:12	26,1
A49.J1:30	O_TagAxlValve	Tag Axle Valve	32,1		I_IgnKeySw	A36.JB:2	3,2
					I_TaaPitManSW	A43.J1:6	32,1

MULTIPLEX OUTPUT LIST

O_xx... = Physical Output Pin ; I_xx... = Physical Input Pin ; D_xx... = CAN Network Signal from the HVAC control Head ; B_xx.. = Multiplex system global Network Variable

Module.Pin#	Signal name	Description	Page	Connected devices	Input involved		
A50.J1:2	O_TransInhibit	Transmission Inhibit	15,1	A1:1	I_BrkLtSeFrSig	A36.JB:13	12,1
					I_BrkLtSeRrSig	A51.J1:10	12,1
					I_ParkBrSe	A36.JB:9	12,1
					I_WCLSmallLowDor	A49.J1:17	36,1
					I_WclSw	A42.J1:6	36,1
A50.J1:3	O_RevLbBuz	Reverse Alarm and Light Bulb	26,3		B_BatterySaver	.	
					B_EngineRun	.	
					B_OneAltCharging	.	
					B_TestMode	.	
					B_TestSwBuz2	.	
					B_TestSwBuzzer	.	
					B_TstModExtLight	.	
					B_TstModHvac	.	
					B_TstModHvacNext	.	
					B_TstSwBuz3	.	
A50.J1:4	O_ReClearLb	Rear Clearance Light Bulb	26,2		B_BatterySaver	.	
					B_TstModExtLight	.	
					I_BlinkSwRetro	A43.J1:20	26,1
					I_HdLtPos1Sw	A43.J1:4	26,1
					I_HdLtPos2SwLH	A45.J1:12	26,1
A50.J1:5	O_LHctrFishLb	Water Filter Indicator Warning	26,2		B_BatterySaver	.	
					B_TstModExtLight	.	
					I_HazardSw	A36.JB:4	26,1
					I_LHFishSwRrSig	A51.J1:9	26,2
					I_RHFishSwRrSig	A51.J1:12	26,2
A50.J1:6	O_BrLtLowerLb		12,1		B_BatterySaver	.	
					B_EngineRun	.	
					B_OneAltCharging	.	
					B_TstModExtLight	.	
					I_BrkLtSeFrSig	A36.JB:13	12,1
					I_BrkLtSeRrSig	A51.J1:10	12,1
					I_EngBrOnSe	A42.J1:18	
					I_IgnKeySw	A36.JB:2	3,2
					I_RetdrSig	A50.J1:12	12,1
A50.J1:7	O_RHctrFishLb	Wheel Chair Lift Warning Indicator	26,2		B_BatterySaver	.	
					B_TstModExtLight	.	
					I_HazardSw	A36.JB:4	26,1
					I_LHFishSwRrSig	A51.J1:9	26,2
					I_RHFishSwRrSig	A51.J1:12	26,2
A50.J1:8	O_CtrSdMrkLb	Tag Axle Warning Indicator	26,2	L67:1	B_BatterySaver	.	
					B_TstModExtLight	.	
					I_BlinkSwRetro	A43.J1:20	26,1
					I_HdLtPos1Sw	A43.J1:4	26,1

MULTIPLEX OUTPUT LIST

O_xx... = Physical Output Pin ; I_xx... = Physical Input Pin ; D_xx... = CAN Network Signal from the HVAC control Head ; B_xx.. = Multiplex system global Network Variable

Module.Pin#	Signal name	Description	Page	Connected devices	Input involved		
A50.J1:8	O_CtrSdMrkLb	Tag Axle Warning Indicator	26,2	L67:1	I_HdLtPos2SwLH	A45.J1:12	26,1
A51.J1:1	O_SerBrkTrans	Servise Brake Signal For	15,1	A1:62	I_BrkLtSeFrSig	A36.JB:13	12,1
A51.J1:21	O_LHReFlshLb	Left Hand Rear Flasher Light Bulb	26,2		B_BatterySaver	.	
					B_TstModExtLight	.	
					I_HazardSw	A36.JB:4	26,1
					I_LHFlshSwRrSig	A51.J1:9	26,2
					I_RHFlshSwRrSig	A51.J1:12	26,2
A51.J1:3	O_RHReFlshLb	Right Hand Rear Flasher Light Bulb	26,2	L73:3	B_BatterySaver	.	
					B_TstModExtLight	.	
					I_HazardSw	A36.JB:4	26,1
					I_LHFlshSwRrSig	A51.J1:9	26,2
					I_RHFlshSwRrSig	A51.J1:12	26,2
A51.J1:4	O_LHDockLbX3	Docking Light X3 pas PWM	26,3		B_BatterySaver	.	
					B_TstModExtLight	.	
					I_DockingLtSw	A43.J1:7	9,1
A51.J1:5	O_RHDockLbX3	Docking Light X3 pas PWM	26,3		B_BatterySaver	.	
					B_TstModExtLight	.	
					I_DockingLtSw	A43.J1:7	9,1
A51.J1:6	O_BrLtUpperLb		26,2		B_BatterySaver	.	
					B_EngineRun	.	
					B_OneAltCharging	.	
					B_TstModExtLight	.	
					I_BrkLtSeFrSig	A36.JB:13	12,1
					I_BrkLtSeRrSig	A51.J1:10	12,1
					I_EngBrOnSe	A42.J1:18	
					I_RetdrSig	A50.J1:12	12,1
A51.J1:7	O_CyclopeLt	Cyclope Brake Light	26,2	L81.A:1	B_BatterySaver	.	
					B_EngineRun	.	
					B_OneAltCharging	.	
					B_TstModExtLight	.	
					I_BrkLtSeFrSig	A36.JB:13	12,1
					I_BrkLtSeRrSig	A51.J1:10	12,1
A51.J1:8	O_ReTailMkLb	Rear Tail Markers Light Bulb	26,2		B_BatterySaver	.	
					B_TstModExtLight	.	
					I_BlinkSwRetro	A43.J1:20	26,1
					I_HdLtPos1Sw	A43.J1:4	26,1
					I_HdLtPos2SwLH	A45.J1:12	26,1
A52.J1:1	O_EngFanSpd1	Engine Fan Radiator Speed 1	13,1		B_BatterySaver	.	
					B_EngineRun	.	
					B_OneAltCharging	.	
					B_TestMode	.	
					B_TstModHvac	.	
					I_Alt2Voltage	A49.J1:9	3,2

MULTIPLEX OUTPUT LIST

O_xx... = Physical Output Pin ; L_xx... = Physical Input Pin ; D_xx... = CAN Network Signal from the HVAC control Head ; B_xx.. = Multiplex system global Network Variable

Module.Pin#	Signal name	Description	Page	Connected devices	Input involved		
A52.J1:1	O_EngFanSpd1	Engine Fan Radiator Speed 1	13,1		I_EngFanSpd1	A52.J1:9	13,1
					I_EngFanSw	A36.JB:14	13,1
					I_FireExt1stAl	A36.JB:23	
					I_FireExt2ndAlm	A44.J1:10	
					I_FireSensorA36	A36.JB:5	9,1
					I_OutDoorTempSe	A54.J1:14	18,1
					I_PRRackFanSw	A41.J1:20	18,2
A52.J1:2	O_EngFanSpd2	Engine Fan Radiator Speed 2	13,1		B_BatterySaver	.	
					B_EngineRun	.	
					B_OneAltCharging	.	
					B_TestMode	.	
					B_TstModHvac	.	
					I_Alt2Voltage	A49.J1:9	3,2
					I_EngFanSpd1	A52.J1:9	13,1
					I_EngFanSpd2	A52.J1:10	13,1
					I_EngFanSw	A36.JB:14	13,1
					I_FireExt1stAl	A36.JB:23	
					I_FireExt2ndAlm	A44.J1:10	
					I_FireSensorA36	A36.JB:5	9,1
					I_OutDoorTempSe	A54.J1:14	18,1
I_PRRackFan2ndSpd	A54.J1:12	18,3					
I_PRRackFanSw	A41.J1:20	18,2					
A52.J1:20	O_AcCluSol	Hvac AC Clutch Solenoid	18,2		B_BatterySaver	.	
					B_EngineRun	.	
					B_OneAltCharging	.	
					B_TestMode	.	
					B_TstModHvac	.	
					I_AcPresHiSSe	A52.J1:13	18,2
I_AcPresLoSSe	A52.J1:14	18,2					
A52.J1:21	O_AcUnldrH	Hvac Right Hand Cylinder Unloader	18,2		B_BatterySaver	.	
					B_EngineRun	.	
					B_OneAltCharging	.	
					B_TestMode	.	
					B_TstModHvac	.	
					D_PassSetPts	.	
					I_AcPresHiSSe	A52.J1:13	18,2
					I_AcPresLoSSe	A52.J1:14	18,2
A52.J1:4	O_LavFanMo	Lavatory Fan Motor	11,1		B_BatterySaver	.	
					B_EngineRun	.	
					B_OneAltCharging	.	
					B_TestMode	.	
					B_TstModHvac	.	
A52.J1:5	O_EngCmptl hZF	Engine Compartment Light Switch	25,1		I_EngCmptLtSw	A52.J1:11	25,1

MULTIPLEX OUTPUT LIST

O_xx... = Physical Output Pin ; L_xx... = Physical Input Pin ; D_xx... = CAN Network Signal from the HVAC control Head ; B_xx.. = Multiplex system global Network Variable

Module.Pin#	Signal name	Description	Page	Connected devices	Input involved		
A52.J1:5	O_EngCmptLbZF	Engine Compartment Light Switch	25,1		I_EngDoorSe	A52.J1:12	25,1
A52.J1:8	O_AcUnldLH	Hvac Left Hand Cylinder Unloader	18,2		B_BatterySaver	.	
					B_EngineRun	.	
					B_OneAltCharging	.	
					B_TestMode	.	
					B_TstModHvac	.	
					D_PassSetPts	.	
					I_AcPresHiSse	A52.J1:13	18,2
					I_AcPresLoSse	A52.J1:14	18,2
A53.J1:1	O_StarterRlyRtn	Starter Relay Return	3,2		I_IgnKeySw	A36.JB:2	3,2
A53.J1:2	O_ZFTranslnh		15,2		I_BrkLtSeFrSig	A36.JB:13	12,1
					I_BrkLtSeRrSig	A51.J1:10	12,1
					I_ParkBrSe	A36.JB:9	12,1
					I_WCLSmallLowDor	A49.J1:17	36,1
					I_WclSw	A42.J1:6	36,1
A53.J1:20	O_PrackACClth		18,3		B_BatterySaver	.	
					B_EngineRun	.	
					B_OneAltCharging	.	
					B_TestMode	.	
					B_TstModHvac	.	
					I_OutDoorTempSe	A54.J1:14	18,1
					I_P RackFanSw	A41.J1:20	18,2
					I_PrackLowPre	A54.J1:11	18,3
A53.J1:21	O_EvaSpd2Rel	Evaporator Fan Speed 2	18,2	TermMo9	B_BatterySaver	.	
					B_EngineRun	.	
					B_LowVoltage	.	
					B_OneAltCharging	.	
					B_TestMode	.	
					B_TstModHvac	.	
					D_OnOffPassSw	.	
					D_PassSetPts	.	
					I_BatMonMod54	A54.J1:24	6,1
					I_FireExt1stAl	A36.JB:23	
					I_FireExt2ndAlm	A44.J1:10	
					I_FireSensorA36	A36.JB:5	9,1
A53.J1:5	O_WCLOn	Wheel Chair Lift Enabled	36,1		I_ParkBrSe	A36.JB:9	12,1
					I_WCLSmallLowDor	A49.J1:17	36,1
					I_WclSw	A42.J1:6	36,1
A53.J1:6	O_StarterRel	Starter Relay	3,2		B_BatterySaver	.	
					B_EngineRun	.	
					B_OneAltCharging	.	
					B_TestMode	.	
					B_TstModHvac	.	

MULTIPLEX OUTPUT LIST

O_xx... = Physical Output Pin ; I_xx... = Physical Input Pin ; D_xx... = CAN Network Signal from the HVAC control Head ; B_xx.. = Multiplex system global Network Variable

Module.Pin#	Signal name	Description	Page	Connected devices	Input involved		
A53.J1:6	O_StarterRel	Starter Relay	3,2		I_EngStaRrSw	A53.J1:11	3,2
					I_FrEngStaSw	A36.JB:22	3,2
					I_FrStrtEnSw	A53.J1:9	3,2
					I_NeutralSe	A50.J1:11	3,2
					I_RrStrtEnSw	A53.J1:10	3,2
					I_ZFNeutralSig	A50.J1:14	15,2
A53.J1:8	O_CndSpd2Rel	Condensor Fan Speed 2 Relay	18,2		B_BatterySaver	.	
					B_EngineRun	.	
					B_LowVoltage	.	
					B_OneAltCharging	.	
					B_TestMode	.	
					B_TstModHvac	.	
					D_OnOffPassSw	.	
					D_PassSetPts	.	
					I_AcPresHiSse	A52.J1:13	18,2
					I_AcPresLoSse	A52.J1:14	18,2
					I_BatMonMod53	A53.J1:24	6,1
					I_FireExt1stAl	A36.JB:23	
					I_FireExt2ndAlm	A44.J1:10	
I_FireSensorA36	A36.JB:5	9,1					
I_OutDoorTempSe	A54.J1:14	18,1					
A54.J1:1	O_LHPRckFan	Left Hand Parcel Rack Fan	18,3		B_BatterySaver	.	
					B_EngineRun	.	
					B_OneAltCharging	.	
					B_TestMode	.	
					B_TstModHvac	.	
					I_PRackFanSw	A41.J1:20	18,2
A54.J1:2	O_RHPRckFan	Right Hand Parcel Rack Fan	18,3		B_BatterySaver	.	
					B_EngineRun	.	
					B_OneAltCharging	.	
					B_TestMode	.	
					B_TstModHvac	.	
					I_PRackFanSw	A41.J1:20	18,2
A54.J1:20	O_ACRecPass	A/C Pass. Gaz Cylinder Recycle	18,2	L205:1	B_BatterySaver	.	
					B_EngineRun	.	
					B_OneAltCharging	.	
					B_TestMode	.	
					B_TstModHvac	.	
					D_OnOffPassSw	.	
					D_RecSw	.	
					I_EntDorClSe	A47.J1:10	29,1
					I_EntDorOpSw	A36.JB:15	29,1
					I_EntDorOpSw2	A47.J1:12	29,1

MULTIPLEX OUTPUT LIST

O_xx... = Physical Output Pin ; I_xx... = Physical Input Pin ; D_xx... = CAN Network Signal from the HVAC control Head ; B_xx.. = Multiplex system global Network Variable

Module.Pin#	Signal name	Description	Page	Connected devices	Input involved		
A54.J1:20	O_ACRecPass	A/C Pass. Gaz Cylinder Recycle	18,2	L205:1	I_FireExt1stAl	A36.JB:23	
					I_FireExt2ndAlm	A44.J1:10	
					I_FireSensorA36	A36.JB:5	9,1
A54.J1:21	O_PassOnOff	Output HVAC Passenger ON/OFF	18,2	R26:85	B_BatterySaver	.	
					B_EngineRun	.	
					B_OneAltCharging	.	
					B_TestMode	.	
					B_TstModHvac	.	
					I_BatMonMod54	A54.J1:24	6,1
A54.J1:3	O_PasRfgSol	Passenger Refrigerent Solenoid	18,2	D11:A	B_BatterySaver	.	
					B_EngineRun	.	
					B_LowVoltage	.	
					B_OneAltCharging	.	
					B_TestMode	.	
					B_TstModHvac	.	
					D_OnOffPassSw	.	
					D_PassSetPts	.	
					I_BatMonMod54	A54.J1:24	6,1
					I_FireExt1stAl	A36.JB:23	
					I_FireExt2ndAlm	A44.J1:10	
					I_FireSensorA36	A36.JB:5	9,1
					I_OutDoorTempSe	A54.J1:14	18,1
A54.J1:4	O_ACWaterPmp	Hvac Water Pump	18,2	D9:A	B_BatterySaver	.	
					B_EngineRun	.	
					B_OneAltCharging	.	
					B_TestMode	.	
					B_TstModHvac	.	
					D_DrvFnSpdBit0	.	
					D_DrvFnSpdBit1	.	
					D_DrvFnSpdBit2	.	
					D_OnOffPassSw	.	
					D_PassSetPts	.	
					I_BatMonMod54	A54.J1:24	6,1
					I_FireExt1stAl	A36.JB:23	
					I_FireExt2ndAlm	A44.J1:10	
					I_FireSensorA36	A36.JB:5	9,1
					I_OutDoorTempSe	A54.J1:14	18,1
A54.J1:5	O_CndSpd1Rel	Condensor Fan Speed 1 Relay	18,2	R10:2	B_BatterySaver	.	
					B_EngineRun	.	
					B_LowVoltage	.	
					B_OneAltCharging	.	
					B_TestMode	.	
					B_TstModHvac	.	

MULTIPLEX OUTPUT LIST

O_xx... = Physical Output Pin ; I_xx... = Physical Input Pin ; D_xx... = CAN Network Signal from the HVAC control Head ; B_xx.. = Multiplex system global Network Variable

Module.Pin#	Signal name	Description	Page	Connected devices	Input involved		
A54.J1:5	O_CndSpd1Rel	Condensor Fan Speed 1 Relay	18,2	R10:2	D_OnOffPassSw	.	
					D_PassSetPts	.	
					I_AcPresHiSse	A52.J1:13	18,2
					I_AcPresLoSse	A52.J1:14	18,2
					I_BatMonMod54	A54.J1:24	6,1
					I_FireExt1stAl	A36.JB:23	
					I_FireExt2ndAlm	A44.J1:10	
					I_FireSensorA36	A36.JB:5	9,1
					I_OutDoorTempSe	A54.J1:14	18,1
A54.J1:7	O_EvaSpd1Rel	Evaporator Fan Speed 1 Relay	18,2	R12:2	B_BatterySaver	.	
					B_EngineRun	.	
					B_LowVoltage	.	
					B_OneAltCharging	.	
					B_TestMode	.	
					B_TstModHvac	.	
					D_OnOffPassSw	.	
					I_BatMonMod54	A54.J1:24	6,1
					I_FireExt1stAl	A36.JB:23	
					I_FireExt2ndAlm	A44.J1:10	
					I_FireSensorA36	A36.JB:5	9,1
A54.J1:8	O_PasHeatSol	Passenger Heat Solenoid Valve	18,2	R26:87	B_BatterySaver	.	
					B_EngineRun	.	
					B_OneAltCharging	.	
					B_TestMode	.	
					B_TstModHvac	.	
					D_DrvFnSpdBit0	.	
					D_DrvFnSpdBit1	.	
					D_DrvFnSpdBit2	.	
					D_OnOffPassSw	.	
					D_PassSetPts	.	
					I_BatMonMod54	A54.J1:24	6,1
					I_FireExt1stAl	A36.JB:23	
					I_FireExt2ndAlm	A44.J1:10	
					I_FireSensorA36	A36.JB:5	9,1
					I_OutDoorTempSe	A54.J1:14	18,1

MULTIPLEX OUTPUT LIST

O_xx... = Physical Output Pin ; I_xx... = Physical Input Pin ; D_xx... = CAN Network Signal from the HVAC control Head ; B_xx.. = Multiplex system global Network Variable

Module.Pin#	Signal name	Description	Page	Connected devices	Input involved		
A36.JA:11	O_CtrlHead	Control Head	28,1		I_HdLtPos1Sw	A43.J1:4	26,1
A36.JA:13	O_EngineRun	Engine Run Signal	3,2	A15:6	B_EngineRun	.	
					B_OneAltCharging	.	
					D_OnOffDrvSw	.	
					I_AccKeySw	A36.JB:6	3,2
					I_IgnKeySw	A36.JB:2	3,2
A36.JA:15	O_WakeUp	WakeUp Relay	3,3		I_AccKeySw	A36.JB:6	3,2
					I_EntDorOpSw	A36.JB:15	29,1
					I_FireSensorA36	A36.JB:5	9,1
					I_HazardSw	A36.JB:4	26,1
					I_IgnKeySw	A36.JB:2	3,2
					I_ParkBrSe	A36.JB:9	12,1
					I_RrCutOutSw	A36.JB:21	3,2
					I_WCLSmallLowDor	A49.J1:17	36,1
					I_WclSw	A42.J1:6	36,1
A36.JA:24	O_CutOutRel	Emergency CutOut Relay	3,2	R21:86	I_FireExt2ndAlm	A44.J1:10	38,1
					I_IgnKeySw	A36.JB:2	3,2
A41.J1:12	O_KneeProxPwr	Kneeling Proximity Power	32,1	So16:1	I_IgnKeySw	A36.JB:2	3,2
A41.J1:14	O_KneeDwSol	Kneeling Down Solenoid	32,1	So16:2	I_EntDorClSe	A47.J1:10	29,1
					I_IgnKeySw	A36.JB:2	3,2
					I_KneeDwSw	A41.J1:7	32,1
					I_KneePressSe	A41.J1:18	32,1
					I_LwBuoySw	A36.JB:1	32,1
					I_ParkBrSe	A36.JB:9	12,1
					I_WCLSmallLowDor	A49.J1:17	36,1
					I_WclSw	A42.J1:6	36,1
A41.J1:15	O_KneeUpSol	Kneeling Up Solenoid	32,1	So15:2	I_IgnKeySw	A36.JB:2	3,2
					I_KneeUpSw	A41.J1:6	32,1
A41.J1:16	O_ReHiBoySolRtn	Rear Hi Buoy Solenoid Return	32,1	So14:1	I_IgnKeySw	A36.JB:2	3,2
A42.J1:12	O_ParkBrSolNeg	Park Brake Solenoid Return	32,1		I_EntDorClSe	A47.J1:10	29,1
					I_IgnKeySw	A36.JB:2	3,2
					I_KneeDwSw	A41.J1:7	32,1
					I_KneePressSe	A41.J1:18	32,1
					I_KneeProxSe	A41.J1:19	32,1
					I_LwBuoySw	A36.JB:1	32,1
					I_ParkBrSe	A36.JB:9	12,1
					I_PrkBrkRelSw	A42.J1:7	32,1
					I_WCLSmallLowDor	A49.J1:17	36,1
					I_WclSw	A42.J1:6	36,1
A42.J1:13	O_LugLkSol	Luggage Lock Solenoid	33,1		I_AccKeySw	A36.JB:6	3,2
					I_IgnKeySw	A36.JB:2	3,2
					I_LugDorLkSw	A46.J1:10	33,1
A42.J1:14	O_KneelingAlm	Kneeling Alarm	32,1	I188:1	I_EntDorClSe	A47.J1:10	29,1

MULTIPLEX OUTPUT LIST

O_xx... = Physical Output Pin ; L_xx... = Physical Input Pin ; D_xx... = CAN Network Signal from the HVAC control Head ; B_xx.. = Multiplex system global Network Variable

Module.Pin#	Signal name	Description	Page	Connected devices	Input involved		
A42.J1:14	O_KneelingAlm	Kneeling Alarm	32,1	L188:1	I_IgnKeySw	A36.JB:2	3,2
					I_KneeDwSw	A41.J1:7	32,1
					I_KneePressSe	A41.J1:18	32,1
					I_KneeUpSw	A41.J1:6	32,1
					I_LwBuoySw	A36.JB:1	32,1
					I_ParkBrSe	A36.JB:9	12,1
					I_WCLSmallLowDor	A49.J1:17	36,1
					I_WclSw	A42.J1:6	36,1
A42.J1:16	O_LugULkSol	Luggage Lock Solenoid	33,1		I_AccKeySw	A36.JB:6	3,2
					I_IgnKeySw	A36.JB:2	3,2
					I_LugDorULkSw	A46.J1:11	33,1
A42.J1:30	O_ParkBrSol	Park Brake Solenoid Valve	32,1	So17:2	I_EntDorClSe	A47.J1:10	29,1
					I_IgnKeySw	A36.JB:2	3,2
					I_KneeDwSw	A41.J1:7	32,1
					I_KneePressSe	A41.J1:18	32,1
					I_KneeProxSe	A41.J1:19	32,1
					I_LwBuoySw	A36.JB:1	32,1
					I_ParkBrSe	A36.JB:9	12,1
					I_PrkBrkRelSw	A42.J1:7	32,1
					I_WCLSmallLowDor	A49.J1:17	36,1
I_WclSw	A42.J1:6	36,1					
A43.J1:13	O_HornSol	Electric Horn	9,1		I_FireExt1stAl	A36.JB:23	38,1
					I_FireExt2ndAlm	A44.J1:10	38,1
					I_FireSensorA36	A36.JB:5	9,1
					I_HornSelectSw	A43.J1:7	9,1
					I_HornSw	A45.J1:10	9,1
					I_IgnKeySw	A36.JB:2	3,2
A43.J1:16	O_BrkRedCompat	Brake Redundant Compatible	41,1	A72.J2:7	I_BrkLtSeFrSig	A36.JB:13	12,1
					I_BrkLtSeRrSig	A51.J1:10	12,1
					I_IgnKeySw	A36.JB:2	3,2
					I_VIPSteerWh1	A55.J1:3	41,1
					I_VIPSteerWh2	A55.J1:4	41,1
I_VIPSteerWh5V	A55.J1:2	41,1					
A44.J1:1	O_DashTrapPMo	Dash Trap Motor	18,1	Mo3:1	D_AirFlapBit0	.	
					D_AirFlapBit1	.	
					D_AirFlapBit2	.	
					I_IgnKeySw	A36.JB:2	3,2
A44.J1:2	O_DashTrapNMo	Dash Trap Motor Return	18,1	Mo3:3	D_AirFlapBit0	.	
					D_AirFlapBit1	.	
					D_AirFlapBit2	.	
					I_IgnKeySw	A36.JB:2	3,2
A44.J1:20	O_DashBackLit	Dash BackLighting	19,1	Pot1.C:1	I_HdLtPos1Sw	A43.J1:4	26,1
A44.J1:3	O_DriverLight	Driver Light Bulb	19,1	I16:1	I_BatterySaver	.	

MULTIPLEX OUTPUT LIST

O_xx... = Physical Output Pin ; I_xx... = Physical Input Pin ; D_xx... = CAN Network Signal from the HVAC control Head ; B_xx.. = Multiplex system global Network Variable

Module.Pin#	Signal name	Description	Page	Connected devices	Input involved		
A44.J1:3	O_DriverLtLb	Driver Light Bulb	19,1	L16:1	I_AccKeySw	A36.JB:6	3,2
					I_DrvLtSw	A55.J1:5	19,1
					I_IgnKeySw	A36.JB:2	3,2
A44.J1:8	O_FrClearLb	Front Clearance Lights Bulb	26,1		B_BatterySaver	.	
					B_TstModExtLight	.	
					I_BlinkSwRetro	A43.J1:20	26,1
					I_HdLtPos1Sw	A43.J1:4	26,1
					I_HdLtPos2SwLH	A45.J1:12	26,1
A45.J1:1	O_FootTrpPSol	Foot Trap Solenoid	18,1	Mo4:A	D_AirFlapBit0	.	
					D_AirFlapBit1	.	
					D_AirFlapBit2	.	
					I_IgnKeySw	A36.JB:2	3,2
A45.J1:2	O_FootTrpNSol	Foot Trap Solenoid	18,1	Mo4:B	D_AirFlapBit0	.	
					D_AirFlapBit1	.	
					D_AirFlapBit2	.	
					I_IgnKeySw	A36.JB:2	3,2
A45.J1:21	O_LHFrMkrLb	Left Hand Front Markers Light Bulb	26,1		B_BatterySaver	.	
					B_TstModExtLight	.	
					I_BlinkSwRetro	A43.J1:20	26,1
					I_HdLtPos1Sw	A43.J1:4	26,1
					I_HdLtPos2SwLH	A45.J1:12	26,1
A45.J1:3	O_LHFrFlshLb	Left Hand Front Flasher Light Bulb	26,1		B_BatterySaver	.	
					B_TstModExtLight	.	
					I_HazardSw	A36.JB:4	26,1
					I_LHFlshSw	A45.J1:9	26,1
					I_LHFlshSwRrSig	A51.J1:9	26,2
					I_RHFlshSwRrSig	A51.J1:12	26,2
A45.J1:4	O_LHFogLb	Left Hand Fog Light Bulb	26,3	L95:A	B_BatterySaver	.	
					B_TstModExtLight	.	
					I_FogLightSw	A55.J1:6	26,3
A45.J1:5	O_LHCornerLmpX3		26,3		B_BatterySaver	.	
					B_TstModExtLight	.	
					I_CorneringLtSw	A55.J1:8	26,3
					I_LHFlshSw	A45.J1:9	26,1
A45.J1:6	O_LHHiBmLb	Left Hand Hi Beam Light Bulb	26,1	L60.B:1	B_BatterySaver	.	
					B_EngineRun	.	
					B_OneAltCharging	.	
					B_TstModExtLight	.	
					I_HdLthiLowBmSw	A43.J1:8	26,1
					I_HdLtPos2SwLH	A45.J1:12	26,1
					I_HiBeamCallSw	A43.J1:3	26,1
A45.J1:7	O_LHLwBmLb	Left Hand Low Beam Light Bulb	26,1	L60.A:1	B_BatterySaver	.	
					B_TstModExtLight	.	

MULTIPLEX OUTPUT LIST

O_xx... = Physical Output Pin ; I_xx... = Physical Input Pin ; D_xx... = CAN Network Signal from the HVAC control Head ; B_xx.. = Multiplex system global Network Variable

Module.Pin#	Signal name	Description	Page	Connected devices	Input involved
A45.J1:7	O_LHLwBmLb	Left Hand Low Beam Light Bulb	26,1	L60.A:1	I_HdLtPos2SwLH A45.J1:12 26,1
A45.J1:8	O_FlshAudiRel	Flasher Audible Relay	26,1	R16:86	B_BatterySaver . I_HazardSw A36.JB:4 26,1 I_LHFishSw A45.J1:9 26,1 I_LHFishSwRrSig A51.J1:9 26,2 I_RHFishSw A48.J1:12 26,1 I_RHFishSwRrSig A51.J1:12 26,2
A46.J1:1	O_UpDefHeater1	Upper Defroster Heater #1	18,1	Mo5:3	B_BatterySaver . B_EngineRun . B_OneAltCharging . D_OnOffDrvSw . I_BatMonMod47 A47.J1:24 6,1 I_OutDoorTempSe A54.J1:14 18,1 I_UpperDefFanSw A41.J1:17 18,1 I_HeadLmpWshSw A55.J1:19 34,1
A46.J1:21	O_HeadLmpWshM		34,1		
A46.J1:3	O_LwWshPmp	Lower Wiper Washer Pump	34,1		B_BatterySaver . I_LwWshSwRetro A46.J1:9 34,1
A46.J1:4	O_AisleLb	Aisle and Emergency Lamps	20,1		B_BatterySaver . I_HdLtPos1Sw A43.J1:4 26,1
A46.J1:5	O_DrvRfgSol	Driver refrigerent solenoid	18,1	D2:A	B_BatterySaver . B_EngineRun . B_OneAltCharging . B_TestMode . B_TstModHvac . I_AcPresHiSSe A52.J1:13 18,2 I_AcPresLoSSe A52.J1:14 18,2 I_BatMonMod47 A47.J1:24 6,1 I_OutDoorTempSe A54.J1:14 18,1
A46.J1:6	O_DrvHeatSol	Driver Heat Solenoid	18,1	So8:1	B_BatterySaver . B_EngineRun . B_OneAltCharging . B_TestMode . B_TstModHvac . D_AirFlapBit0 . D_AirFlapBit1 . D_AirFlapBit2 . D_DriverSetPts . D_DrvFnSpdBit0 . D_DrvFnSpdBit1 . D_DrvFnSpdBit2 . D_OnOffPassSw . D_PassSetPts . I_BatMonMod46 A46.J1:24 6,1

MULTIPLEX OUTPUT LIST

O_xx... = Physical Output Pin ; L_xx... = Physical Input Pin ; D_xx... = CAN Network Signal from the HVAC control Head ; B_xx.. = Multiplex system global Network Variable

Module.Pin#	Signal name	Description	Page	Connected devices	Input involved		
A46.J1:6	O_DrvHeatSol	Driver Heat Solenoid	18,1	So8:1	I_BatMonMod47	A47.J1:24	6,1
					I_BatMonMod54	A54.J1:24	6,1
					I_DrvTempSe	A55.J1:1	18,1
					I_FireExt1stAl	A36.JB:23	38,1
					I_FireExt2ndAlm	A44.J1:10	38,1
					I_FireSensorA36	A36.JB:5	9,1
					I_OutDoorTempSe	A54.J1:14	18,1
A46.J1:7	O_UpDefFanMo	Upper defroster Fan Motor	18,1		B_BatterySaver	.	
					B_EngineRun	.	
					B_OneAltCharging	.	
					B_TestMode	.	
					B_TstModHvac	.	
A46.J1:8	O_UpDefHeater2	Upper Defroster Heater #2	18,1	Mo5:2	B_BatterySaver	.	
					B_EngineRun	.	
					B_OneAltCharging	.	
					D_OnOffDrvSw	.	
					I_BatMonMod47	A47.J1:24	6,1
					I_OutDoorTempSe	A54.J1:14	18,1
					I_UpperDefFanSw	A41.J1:17	18,1
A47.J1:1	O_DrvDefFanMo	Driver Defroster Fan Motor	18,1	A24.B:B	B_BatterySaver	.	
					B_EngineRun	.	
					B_OneAltCharging	.	
					D_DrvFnSpdBit0	.	
					D_DrvFnSpdBit1	.	
					D_DrvFnSpdBit2	.	
					D_OnOffDrvSw	.	
					I_BatMonMod47	A47.J1:24	6,1
					I_IgnKeySw	A36.JB:2	3,2
A47.J1:3	O_LwWipSpd1	Lower Wiper Speed 1	34,1	R23:86	B_BatterySaver	.	
					I_LwWipIntSwRetr	A42.J1:8	34,1
					I_LwWshSwRetro	A46.J1:9	34,1
A47.J1:4	O_DrvRecTrap	Driver Recycle Trap	18,1		B_BatterySaver	.	
					B_EngineRun	.	
					B_OneAltCharging	.	
					B_TestMode	.	
					B_TstModHvac	.	
					D_OnOffPassSw	.	
					D_RecSw	.	
					I_EntDorClSe	A47.J1:10	29,1
					I_EntDorOpSw	A36.JB:15	29,1
					I_EntDorOpSw2	A47.J1:12	29,1
					I_FireExt1stAl	A36.JB:23	38,1
					I_FireExt2ndAlm	A44.J1:10	38,1

MULTIPLEX OUTPUT LIST

O_xx... = Physical Output Pin ; I_xx... = Physical Input Pin ; D_xx... = CAN Network Signal from the HVAC control Head ; B_xx... = Multiplex system global Network Variable

Module.Pin#	Signal name	Description	Page	Connected devices	Input involved		
A47.J1:4	O_DrvRecTrap	Driver Recycle Trap	18,1		I_FireSensorA36	A36.JB:5	9,1
A47.J1:5	O_EntDorStpLb	Entrance Door Step Light Bulb	29,1		B_BatterySaver	.	
A47.J1:6	O_EntDorClSol	Entrance Door Close Solenoid Valve	29,1	So6:2	I_EntDorULkSe	A47.J1:11	29,1
A47.J1:7	O_EntDorOpSol	Entrance Door Open Solenoid Valve	29,1	So5:2	I_EntDorClInSw	A36.JB:10	29,1
					I_EntDorClOutSw	A36.JB:17	29,1
					I_EntDorOpSe	A48.J1:11	29,1
					I_EntDorOpSw	A36.JB:15	29,1
					I_EntDorOpSw2	A47.J1:12	29,1
					I_EntDorULkSe	A47.J1:11	29,1
A48.J1:20	O_RHFrSidFlshLb	RH Front Side Flasher L-Bulb	26,1	L64:1	B_BatterySaver	.	
					B_TstModExtLight	.	
					I_EntDorClSe	A47.J1:10	29,1
					I_HazardSw	A36.JB:4	26,1
					I_KneeDwSw	A41.J1:7	32,1
					I_KneePressSe	A41.J1:18	32,1
					I_KneeUpSw	A41.J1:6	32,1
					I_LHFflshSwRrSig	A51.J1:9	26,2
					I_LwBuoySw	A36.JB:1	32,1
					I_RHFflshSw	A48.J1:12	26,1
					I_RHFflshSwRrSig	A51.J1:12	26,2
					I_WCLSmallLowDor	A49.J1:17	36,1
					I_WclSw	A42.J1:6	36,1
A48.J1:3	O_RHHiBeamLb	Right Hand Hi Beam Light Bulb	26,1	L59.B:1	B_BatterySaver	.	
					B_EngineRun	.	
					B_OneAltCharging	.	
					B_TstModExtLight	.	
					I_HdLthiLowBmSw	A43.J1:8	26,1
					I_HdLtpos2SwLH	A45.J1:12	26,1
					I_HiBeamCallSw	A43.J1:3	26,1
A48.J1:4	O_RHLwBeamLb	Right Hand Low Beam Light Bulb	26,1	L59.A:1	B_BatterySaver	.	
					B_TstModExtLight	.	
					I_HdLtpos2SwRH	A48.J1:10	26,1
A48.J1:5	O_RHCornerLmpX3		26,3	L98.B:1	B_BatterySaver	.	
					B_TstModExtLight	.	
					I_RHFflshSw	A48.J1:12	26,1
A48.J1:6	O_RHFrFlshLb	Right Hand Front Flasher Light Bulb	26,1	L61:2	B_BatterySaver	.	
					B_TstModExtLight	.	
					I_HazardSw	A36.JB:4	26,1
					I_LHFflshSwRrSig	A51.J1:9	26,2
					I_RHFflshSw	A48.J1:12	26,1
					I_RHFflshSwRrSig	A51.J1:12	26,2
A48.J1:7	O_RHFrMrkLb	Right Hand Front Markers Light Bulb	26,1		B_BatterySaver	.	
					B_TstModExtLight	.	

MULTIPLEX OUTPUT LIST

O_xx... = Physical Output Pin ; I_xx... = Physical Input Pin ; D_xx... = CAN Network Signal from the HVAC control Head ; B_xx.. = Multiplex system global Network Variable

Module.Pin#	Signal name	Description	Page	Connected devices	Input involved		
A48.J1:7	O_RHFrMrkLb	Right Hand Front Markers Light Bulb	26,1		I_BlinkSwRetro	A43.J1:20	26,1
					I_HdLtPos1Sw	A43.J1:4	26,1
					I_HdLtPos2SwLH	A45.J1:12	26,1
A49.J1:30	O_TagAxlValve	Tag Axle Valve	32,1		I_IgnKeySw	A36.JB:2	3,2
					I_TagPitManSW	A43.J1:6	32,1
A50.J1:2	O_TransInhibit	Transmission Inhibit	15,1	A1:1	I_BrkLtSeFrSig	A36.JB:13	12,1
					I_BrkLtSeRrSig	A51.J1:10	12,1
					I_ParkBrSe	A36.JB:9	12,1
					I_WCLSmallLowDor	A49.J1:17	36,1
					I_WclSw	A42.J1:6	36,1
A50.J1:3	O_RevLbBuz	Reverse Alarm and Light Bulb	26,3		B_BatterySaver	.	
					B_EngineRun	.	
					B_OneAltCharging	.	
					B_TestMode	.	
					B_TestSwBuz2	.	
					B_TestSwBuzzer	.	
					B_TstModExtLight	.	
					B_TstModHvac	.	
					B_TstModHvacNext	.	
					B_TstSwBuz3	.	
D_NextWheel	.						
A50.J1:4	O_ReClearLb	Rear Clearance Light Bulb	26,2		B_BatterySaver	.	
					B_TstModExtLight	.	
					I_BlinkSwRetro	A43.J1:20	26,1
					I_HdLtPos1Sw	A43.J1:4	26,1
A50.J1:5	O_LHCFishLb	Water Filter Indicator Warning	26,2		I_HdLtPos2SwLH	A45.J1:12	26,1
					B_BatterySaver	.	
					B_TstModExtLight	.	
					I_HazardSw	A36.JB:4	26,1
A50.J1:6	O_BrLtLowerLb		12,1		I_LHFishSwRrSig	A51.J1:9	26,2
					I_RHFishSwRrSig	A51.J1:12	26,2
					B_BatterySaver	.	
					B_EngineRun	.	
					B_OneAltCharging	.	
A50.J1:7	O_RHCFishLb	Wheel Chair Lift Warning Indicator	26,2		B_TstModExtLight	.	
					I_BrkLtSeFrSig	A36.JB:13	12,1
					I_BrkLtSeRrSig	A51.J1:10	12,1
					I_EngBrOnSe	A42.J1:18	
					I_IgnKeySw	A36.JB:2	3,2
					I_RetdrSig	A50.J1:12	12,1
					B_BatterySaver	.	
					B_TstModExtLight	.	
					I_HazardSw	A36.JB:4	26,1

MULTIPLEX OUTPUT LIST

O_xx... = Physical Output Pin ; I_xx... = Physical Input Pin ; D_xx... = CAN Network Signal from the HVAC control Head ; B_xx.. = Multiplex system global Network Variable

Module.Pin#	Signal name	Description	Page	Connected devices	Input involved		
A50.J1:7	O_RHctrFishLb	Wheel Chair Lift Warning Indicator	26,2		I_LHFishSwRrSig	A51.J1:9	26,2
					I_RHFishSwRrSig	A51.J1:12	26,2
A50.J1:8	O_CtrSdMrkLb	Tag Axle Warning Indicator	26,2	L67:1	B_BatterySaver	.	
					B_TstModExtLight	.	
					I_BlinkSwRetro	A43.J1:20	26,1
					I_HdLtPos1Sw	A43.J1:4	26,1
					I_HdLtPos2SwLH	A45.J1:12	26,1
A51.J1:1	O_SerBrkTrans	Servise Brake Signal For	15,1	A1:62	I_BrkLtSeFrSig	A36.JB:13	12,1
A51.J1:21	O_LHReFishLb	Left Hand Rear Flasher Light Bulb	26,2		B_BatterySaver	.	
					B_TstModExtLight	.	
					I_HazardSw	A36.JB:4	26,1
					I_LHFishSwRrSig	A51.J1:9	26,2
					I_RHFishSwRrSig	A51.J1:12	26,2
A51.J1:3	O_RHReFishLb	Right Hand Rear Flasher Light Bulb	26,2	L73:3	B_BatterySaver	.	
					B_TstModExtLight	.	
					I_HazardSw	A36.JB:4	26,1
					I_LHFishSwRrSig	A51.J1:9	26,2
					I_RHFishSwRrSig	A51.J1:12	26,2
A51.J1:4	O_LHDockLbX3	Docking Light X3 pas PWM	26,3		B_BatterySaver	.	
					B_TstModExtLight	.	
					I_DockingLtSw	A55.J1:7	26,3
A51.J1:5	O_RHDockLbX3	Docking Light X3 pas PWM	26,3		B_BatterySaver	.	
					B_TstModExtLight	.	
					I_DockingLtSw	A55.J1:7	26,3
A51.J1:6	O_BrLtUpperLb		26,2		B_BatterySaver	.	
					B_EngineRun	.	
					B_OneAltCharging	.	
					B_TstModExtLight	.	
					I_BrkLtSeFrSig	A36.JB:13	12,1
					I_BrkLtSeRrSig	A51.J1:10	12,1
					I_EngBrOnSe	A42.J1:18	
					I_RetdrSig	A50.J1:12	12,1
A51.J1:7	O_CyclopeLt	Cyclope Brake Light	26,2	L81.A:1	B_BatterySaver	.	
					B_EngineRun	.	
					B_OneAltCharging	.	
					B_TstModExtLight	.	
					I_BrkLtSeFrSig	A36.JB:13	12,1
					I_BrkLtSeRrSig	A51.J1:10	12,1
A51.J1:8	O_ReTailMkLb	Rear Tail Markers Light Bulb	26,2		B_BatterySaver	.	
					B_TstModExtLight	.	
					I_BlinkSwRetro	A43.J1:20	26,1
					I_HdLtPos1Sw	A43.J1:4	26,1
					I_HdLtPos2SwLH	A45.J1:12	26,1

MULTIPLEX OUTPUT LIST

O_xx... = Physical Output Pin ; I_xx... = Physical Input Pin ; D_xx... = CAN Network Signal from the HVAC control Head ; B_xx.. = Multiplex system global Network Variable

Module.Pin#	Signal name	Description	Page	Connected devices	Input involved		
A52.J1:1	O_EngFanSpd1	Engine Fan Radiator Speed 1	13,1		B_BatterySaver	.	
					B_EngineRun	.	
					B_OneAltCharging	.	
					B_TestMode	.	
					B_TstModHvac	.	
					I_Alt2Voltage	A49.J1:9	3,2
					I_EngFanSpd1	A52.J1:9	13,1
					I_FireExt1stAl	A36.JB:23	38,1
					I_FireExt2ndAlm	A44.J1:10	38,1
					I_FireSensorA36	A36.JB:5	9,1
					I_OutDoorTempSe	A54.J1:14	18,1
I_PRRackFanSw	A41.J1:20	18,2					
A52.J1:2	O_EngFanSpd2	Engine Fan Radiator Speed 2	13,1		B_BatterySaver	.	
					B_EngineRun	.	
					B_OneAltCharging	.	
					B_TestMode	.	
					B_TstModHvac	.	
					I_Alt2Voltage	A49.J1:9	3,2
					I_EngFanSpd1	A52.J1:9	13,1
					I_EngFanSpd2	A52.J1:10	13,1
					I_FireExt1stAl	A36.JB:23	38,1
					I_FireExt2ndAlm	A44.J1:10	38,1
					I_FireSensorA36	A36.JB:5	9,1
I_OutDoorTempSe	A54.J1:14	18,1					
I_PRRackFan2ndSpd	A54.J1:12	18,3					
I_PRRackFanSw	A41.J1:20	18,2					
A52.J1:20	O_AcCluSol	Hvac AC Clutch Solenoid	18,2		B_BatterySaver	.	
					B_EngineRun	.	
					B_OneAltCharging	.	
					B_TestMode	.	
					B_TstModHvac	.	
					I_AcPresHiSSe	A52.J1:13	18,2
I_AcPresLoSSe	A52.J1:14	18,2					
A52.J1:21	O_AcUnldrH	Hvac Right Hand Cylinder Unloader	18,2		B_BatterySaver	.	
					B_EngineRun	.	
					B_OneAltCharging	.	
					B_TestMode	.	
					B_TstModHvac	.	
					D_PassSetPts	.	
					I_AcPresHiSSe	A52.J1:13	18,2
					I_AcPresLoSSe	A52.J1:14	18,2
A52.J1:4	O_LavFanMo	Lavatory Fan Motor	11,1		B_BatterySaver	.	
					B_EngineRun	.	

MULTIPLEX OUTPUT LIST

O_xx... = Physical Output Pin ; I_xx... = Physical Input Pin ; D_xx... = CAN Network Signal from the HVAC control Head ; B_xx.. = Multiplex system global Network Variable

Module.Pin#	Signal name	Description	Page	Connected devices	Input involved		
A52.J1:4	O_LavFanMo	Lavatory Fan Motor	11,1		B_OneAltCharging	.	
					B_TestMode	.	
					B_TstModHvac	.	
A52.J1:5	O_EngCmptLbZF	Engine Compartment Light Switch	25,1		I_EngCmptLtSw	A52.J1:11	25,1
					I_EngDoorSe	A52.J1:12	25,1
A52.J1:8	O_AcUnldLH	Hvac Left Hand Cylinder Unloader	18,2		B_BatterySaver	.	
					B_EngineRun	.	
					B_OneAltCharging	.	
					B_TestMode	.	
					B_TstModHvac	.	
					D_PassSetPts	.	
					I_AcPresHiSse	A52.J1:13	18,2
					I_AcPresLoSse	A52.J1:14	18,2
A53.J1:1	O_StarterRlyRtn	Starter Relay Return	3,2		I_IgnKeySw	A36.JB:2	3,2
A53.J1:2	O_ZFTranslnh		15,2		I_BrkLtSeFrSig	A36.JB:13	12,1
					I_BrkLtSeRrSig	A51.J1:10	12,1
					I_ParkBrSe	A36.JB:9	12,1
					I_WCLSmallLowDor	A49.J1:17	36,1
					I_WclSw	A42.J1:6	36,1
A53.J1:20	O_PrackACClch		18,3		B_BatterySaver	.	
					B_EngineRun	.	
					B_OneAltCharging	.	
					B_TestMode	.	
					B_TstModHvac	.	
					I_OutDoorTempSe	A54.J1:14	18,1
					I_P RackFanSw	A41.J1:20	18,2
					I_PrackLowPre	A54.J1:11	18,3
A53.J1:21	O_EvaSpd2Rel	Evaporator Fan Speed 2	18,2	TermMo9	B_BatterySaver	.	
					B_EngineRun	.	
					B_LowVoltage	.	
					B_OneAltCharging	.	
					B_TestMode	.	
					B_TstModHvac	.	
					D_OnOffPassSw	.	
					D_PassSetPts	.	
					I_BatMonMod54	A54.J1:24	6,1
					I_FireExt1stAl	A36.JB:23	38,1
					I_FireExt2ndAlm	A44.J1:10	38,1
					I_FireSensorA36	A36.JB:5	9,1
A53.J1:5	O_WCLOn	Wheel Chair Lift Enabled	36,1		I_ParkBrSe	A36.JB:9	12,1
					I_WCLSmallLowDor	A49.J1:17	36,1
					I_WclSw	A42.J1:6	36,1
A53.J1:6	O_StarterRel	Starter Relay	3,2		B_BatterySaver	.	

MULTIPLEX OUTPUT LIST

O_xx... = Physical Output Pin ; I_xx... = Physical Input Pin ; D_xx... = CAN Network Signal from the HVAC control Head ; B_xx.. = Multiplex system global Network Variable

Module.Pin#	Signal name	Description	Page	Connected devices	Input involved		
A53.J1:6	O_StarterRel	Starter Relay	3,2		B_EngineRun	.	
					B_OneAltCharging	.	
					B_TestMode	.	
					B_TstModHvac	.	
					I_EngStaRrSw	A53.J1:11	3,2
					I_FrEngStaSw	A36.JB:22	3,2
					I_FrStrtEnSw	A53.J1:9	3,2
					I_NeutralSe	A50.J1:11	3,2
					I_RrStrtEnSw	A53.J1:10	3,2
					I_ZFNeutralSig	A50.J1:14	15,2
A53.J1:8	O_CndSpd2Rel	Condensor Fan Speed 2 Relay	18,2		B_BatterySaver	.	
					B_EngineRun	.	
					B_LowVoltage	.	
					B_OneAltCharging	.	
					B_TestMode	.	
					B_TstModHvac	.	
					D_OnOffPassSw	.	
					D_PassSetPts	.	
					I_AcPresHiSSe	A52.J1:13	18,2
					I_AcPresLoSSe	A52.J1:14	18,2
					I_BatMonMod53	A53.J1:24	6,1
					I_FireExt1stAl	A36.JB:23	38,1
					I_FireExt2ndAlm	A44.J1:10	38,1
					I_FireSensorA36	A36.JB:5	9,1
					I_OutDoorTempSe	A54.J1:14	18,1
A54.J1:1	O_LHPRckFan	Left Hand Parcel Rack Fan	18,3		B_BatterySaver	.	
					B_EngineRun	.	
					B_OneAltCharging	.	
					B_TestMode	.	
					B_TstModHvac	.	
					I_P RackFanSw	A41.J1:20	18,2
A54.J1:2	O_RHPRckFan	Right Hand Parcel Rack Fan	18,3		B_BatterySaver	.	
					B_EngineRun	.	
					B_OneAltCharging	.	
					B_TestMode	.	
					B_TstModHvac	.	
					I_P RackFanSw	A41.J1:20	18,2
A54.J1:20	O_ACRecPass	A/C Pass. Gaz Cylinder Recycle	18,2	L205:1	B_BatterySaver	.	
					B_EngineRun	.	
					B_OneAltCharging	.	
					B_TestMode	.	
					B_TstModHvac	.	
					D_OnOffPassSw	.	

MULTIPLEX OUTPUT LIST

O_xx... = Physical Output Pin ; I_xx... = Physical Input Pin ; D_xx... = CAN Network Signal from the HVAC control Head ; B_xx.. = Multiplex system global Network Variable

Module.Pin#	Signal name	Description	Page	Connected devices	Input involved		
A54.J1:20	O_ACRecPass	A/C Pass. Gaz Cylinder Recycle	18,2	L205:1	D_RecSw	.	
					I_EntDorClSe	A47.J1:10	29,1
					I_EntDorOpSw	A36.JB:15	29,1
					I_EntDorOpSw2	A47.J1:12	29,1
					I_FireExt1stAl	A36.JB:23	38,1
					I_FireExt2ndAlm	A44.J1:10	38,1
					I_FireSensorA36	A36.JB:5	9,1
A54.J1:21	O_PassOnOff	Output HVAC Passenger ON/OFF	18,2	R26:85	B_BatterySaver	.	
					B_EngineRun	.	
					B_OneAltCharging	.	
					B_TestMode	.	
					B_TstModHvac	.	
					I_BatMonMod54	A54.J1:24	6,1
A54.J1:3	O_PasRfgSol	Passenger Refrigerent Solenoid	18,2	D11:A	B_BatterySaver	.	
					B_EngineRun	.	
					B_LowVoltage	.	
					B_OneAltCharging	.	
					B_TestMode	.	
					B_TstModHvac	.	
					D_OnOffPassSw	.	
					D_PassSetPts	.	
					I_BatMonMod54	A54.J1:24	6,1
					I_FireExt1stAl	A36.JB:23	38,1
					I_FireExt2ndAlm	A44.J1:10	38,1
					I_FireSensorA36	A36.JB:5	9,1
					I_OutDoorTempSe	A54.J1:14	18,1
A54.J1:4	O_ACWaterPmp	Hvac Water Pump	18,2	D9:A	B_BatterySaver	.	
					B_EngineRun	.	
					B_OneAltCharging	.	
					B_TestMode	.	
					B_TstModHvac	.	
					D_DrvFnSpdBit0	.	
					D_DrvFnSpdBit1	.	
					D_DrvFnSpdBit2	.	
					D_OnOffPassSw	.	
					D_PassSetPts	.	
					I_BatMonMod54	A54.J1:24	6,1
					I_FireExt1stAl	A36.JB:23	38,1
					I_FireExt2ndAlm	A44.J1:10	38,1
					I_FireSensorA36	A36.JB:5	9,1
					I_OutDoorTempSe	A54.J1:14	18,1
A54.J1:5	O_CndSpd1Rel	Condensor Fan Speed 1 Relay	18,2	R10:2	B_BatterySaver	.	
					B_EngineRun	.	

MULTIPLEX OUTPUT LIST

O_xx... = Physical Output Pin ; I_xx... = Physical Input Pin ; D_xx... = CAN Network Signal from the HVAC control Head ; B_xx.. = Multiplex system global Network Variable

Module.Pin#	Signal name	Description	Page	Connected devices	Input involved	
A54.J1:5	O_CndSpd1Rel	Condensor Fan Speed 1 Relay	18,2	R10:2	B_LowVoltage	.
					B_OneAltCharging	.
					B_TestMode	.
					B_TstModHvac	.
					D_OnOffPassSw	.
					D_PassSetPts	.
					I_AcPresHiSse	A52.J1:13 18,2
					I_AcPresLoSse	A52.J1:14 18,2
					I_BatMonMod54	A54.J1:24 6,1
					I_FireExt1stAl	A36.JB:23 38,1
					I_FireExt2ndAlm	A44.J1:10 38,1
					I_FireSensorA36	A36.JB:5 9,1
					I_OutDoorTempSe	A54.J1:14 18,1
A54.J1:7	O_EvaSpd1Rel	Evaporator Fan Speed 1 Relay	18,2	R12:2	B_BatterySaver	.
					B_EngineRun	.
					B_LowVoltage	.
					B_OneAltCharging	.
					B_TestMode	.
					B_TstModHvac	.
					D_OnOffPassSw	.
					I_BatMonMod54	A54.J1:24 6,1
					I_FireExt1stAl	A36.JB:23 38,1
					I_FireExt2ndAlm	A44.J1:10 38,1
					I_FireSensorA36	A36.JB:5 9,1
A54.J1:8	O_PasHeatSol	Passenger Heat Solenoid Valve	18,2	R26:87	B_BatterySaver	.
					B_EngineRun	.
					B_OneAltCharging	.
					B_TestMode	.
					B_TstModHvac	.
					D_DrvFnSpdBit0	.
					D_DrvFnSpdBit1	.
					D_DrvFnSpdBit2	.
					D_OnOffPassSw	.
					D_PassSetPts	.
					I_BatMonMod54	A54.J1:24 6,1
					I_FireExt1stAl	A36.JB:23 38,1
					I_FireExt2ndAlm	A44.J1:10 38,1
					I_FireSensorA36	A36.JB:5 9,1
					I_OutDoorTempSe	A54.J1:14 18,1
A55.J1:12	O_JacobBrk1	Jacob Brake 1	41,1		I_RetarderSel	A55.J1:10 12,1
A55.J1:13	O_SunVisorDown		41,1		I_VIPSteerWh1	A55.J1:3 41,1
					I_VIPSteerWh2	A55.J1:4 41,1
					I_VIPSteerWh5V	A55.J1:2 41,1

MULTIPLEX OUTPUT LIST

O_xx... = Physical Output Pin ; I_xx... = Physical Input Pin ; D_xx... = CAN Network Signal from the HVAC control Head ; B_xx.. = Multiplex system global Network Variable

Module.Pin#	Signal name	Description	Page	Connected devices	Input involved		
A55.J1:14	O_JacobBrk2	Jacob Brake 2	41,1		I_RetarderSel	A55.J1:10	12,1
A55.J1:30	O_SunVisrDrvPass		41,1	R45:86	I_VIPSteerWh1	A55.J1:3	41,1
					I_VIPSteerWh2	A55.J1:4	41,1
					I_VIPSteerWh5V	A55.J1:2	41,1

MULTIPLEX INPUT LIST

O_xx... = Physical Output Pin ; I_xx... = Physical Input Pin ; D_xx... = CAN Network Signal from the HVAC control Head ; B_xx.. = Multiplex system global Network Variable

Module.Pin#	Signal name	Description	Page	Connected devices
A36.JB:1	I_LwBuoySw	Low Buoy Signal From Pressure Switch	32,1	Sw43:B
A36.JB:10	I_EntDorClInSw	Entrance Door Close Inside Switch	29,1	Sw32:3
A36.JB:11	I_InputTest		9,1	Sw13:3
A36.JB:13	I_BrkLtSeFrSig	Brake Lights Sensor	12,1	
A36.JB:14	I_EngFanSw	Radiator Fan Switch	13,1	Sw22:3
A36.JB:15	I_EntDorOpSw	Entrance Door Open Switch	29,1	
A36.JB:17	I_EntDorClOutSw	Entrance Door Close Outside Switch	29,1	Sw34:1
A36.JB:2	I_IgnKeySw	Ignition Key switch	3,2	
A36.JB:21	I_RrCutOutSw	Rear Junction Box CutOut Switch	3,2	
A36.JB:22	I_FrEngStaSw	Front Engine Start Switch	3,2	
A36.JB:23	I_FireExt1stAl			
A36.JB:4	I_HazardSw	Hazard Switch	26,1	Sw4:3
A36.JB:5	I_FireSensorA36	Fire Sensor On A36	9,1	
A36.JB:6	I_AccKeySw	Accessories Key switch	3,2	
A36.JB:9	I_ParkBrSe	Parking Brake Sensor	12,1	
A41.J1:10	I_ReadLtsSw	Passenger Reading lights Switch	22,1	Sw26:3
A41.J1:17	I_UpperDefFanSw	Upper Defrost Dash Switch	18,1	Sw21:3
A41.J1:18	I_KneePressSe	Kneeling Pressure Sensor	32,1	
A41.J1:19	I_KneeProxSe	Kneeling Proximity Sensor	32,1	Se27:1
A41.J1:20	I_P RackFanSw		18,2	Sw27:3
A41.J1:3	I_InDirLtsSw	Passenger Indirect lightning Switch	23,1	
A41.J1:4	I_DirLtsSw	Passenger Direct Light Switch	24,1	Sw25:6
A41.J1:6	I_KneeUpSw	Kneeling Up Switch	32,1	Sw10:3
A41.J1:7	I_KneeDwSw	Kneeling Down Switch	32,1	Sw10:1
A42.J1:1	I_TrailerPrkBkSe		12,1	
A42.J1:18	I_EngBrOnSe	Engine Brake ACTIVE Sensor		
A42.J1:2	I_TrailerPrkBkSw		12,1	Sw40:A
A42.J1:5	I_EtherSw	Ether Switch	13,1	Sw23:3
A42.J1:6	I_WclSw	Wheel Chair Lift Dash Switch	36,1	Sw20:3
A42.J1:7	I_PrkBrkRelSw	Park Brake Release Switch	32,1	Sw28:3
A42.J1:8	I_LwWipIntSwRetr	Lower Wiper Intermitant Switch	34,1	Sw1.C258:7
A42.J1:9	I_StopEngSe	Stop Engine Sensor		
A43.J1:10	I_FogLightSw	Fog Lights Switch	26,3	Sw3:3
A43.J1:18	I_DrvLtSw	Driver Light Switch	19,1	Sw24:3
A43.J1:20	I_BlinkSwRetro	Courtesy Blink Switch	26,1	
A43.J1:21	I_CorneringLtSw	Cornering Light Switch	26,3	
A43.J1:3	I_HiBeamCallSw	Hi/Low Beam Switch	26,1	Sw1.C259:4
A43.J1:4	I_HdLtPos1Sw	Head Light Switch Position Markers	26,1	
A43.J1:6	I_TagPitManSW	Tag Automatic Unload PitMan Sw	32,1	Sw125.B:1
A43.J1:7	I_DockingLtSw	Docking Lights Switch	9,1	
A43.J1:8	I_HdLthiLowBmSw	Head Lights High and Low Beam Switch	26,1	
A44.J1:10	I_FireExt2ndAlm			
A45.J1:10	I_HornSw	Horn Switch	9,1	

MULTIPLEX INPUT LIST

O_xx... = Physical Output Pin ; I_xx... = Physical Input Pin ; D_xx... = CAN Network Signal from the HVAC control Head ; B_xx.. = Multiplex system global Network Variable

Module.Pin#	Signal name	Description	Page	Connected devices
A45.J1:11	I_HeadLmpWshSw		34,1	
A45.J1:12	I_HdLtPos2SwLH	Head Light Switch Beam Position 2 LH	26,1	
A45.J1:9	I_LHFfshSw	Left Hand Flasher Switch	26,1	
A46.J1:10	I_LugDorLkSw	Luggage Door Lock Switch	33,1	Sw18:3
A46.J1:11	I_LugDorULkSw	Luggage Door Unlock Switch	33,1	Sw18:1
A46.J1:13	I_DrvTempSe	Driver Temperature sensor	18,1	Se21:2
A46.J1:24	I_BatMonMod46		6,1	A46.J1:26
A46.J1:9	I_LwWshSwRetro	Lower Wiper Washer Switch	34,1	
A47.J1:10	I_EntDorClSe	Entrance Door Close Sensor	29,1	Se17:1
A47.J1:11	I_EntDorULkSe	Entrance Door UnLock Sensor	29,1	Se16:B
A47.J1:12	I_EntDorOpSw2		29,1	D7:B
A47.J1:24	I_BatMonMod47		6,1	A47.J1:27
A48.J1:10	I_HdLtPos2SwRH	Head Light Switch Beam Position 2 RH	26,1	
A48.J1:11	I_EntDorOpSe	Entrance Door Open Sensor	29,1	Se15:1
A48.J1:12	I_RHFfshSw	Right Hand Flasher Switch	26,1	
A49.J1:1	I_WCLDoorLtch	WCL Door firts latch detection door open	36,1	
A49.J1:17	I_WCLSmallLowDor	Wheel Chair Lift Small Low Door	36,1	
A49.J1:2	I_LavFfshSw	Lavatory Flushing Switch	11,1	
A49.J1:6	I_LavEmrgSw	Lavatory Emergency Switch	11,1	Sw55.A:1
A49.J1:9	I_Alt2Voltage		3,2	
A50.J1:11	I_NeutralSe	Neutral Signal Sensor	3,2	
A50.J1:12	I_RetdrSig	Retarder Signal	12,1	
A50.J1:14	I_ZFNeutralSig		15,2	RZF1:87, A23.B:1
A51.J1:10	I_BrkLtSeRrSig	Brake Lights Sensor	12,1	
A51.J1:12	I_RHFfshSwRrSig	RH FlasherSwitch Rear Signal	26,2	
A51.J1:9	I_LHFfshSwRrSig	LH FlasherSwitch Rear Signal	26,2	
A52.J1:10	I_EngFanSpd2	Engine Fan Signal Speed 2	13,1	A73.J2:9
A52.J1:11	I_EngCmptLtSw	Engine Compartment Light Switch	25,1	Sw84:B
A52.J1:12	I_EngDoorSe	Engine Door Sensor	25,1	
A52.J1:13	I_AcPresHiSse	Ac Pressure High Side Sensor	18,2	Se23:C
A52.J1:14	I_AcPresLoSse	Ac Pressure Low Side Sensor	18,2	Se24:C
A52.J1:24	I_BatMonMod52		6,1	A52.J1:25
A52.J1:9	I_EngFanSpd1	Engine Fan Signal Speed 1	13,1	A73.J2:10
A53.J1:10	I_RrStrtEnSw	Rear Start Enable Switch	3,2	
A53.J1:11	I_EngStaRrSw	Engine Start Rear Switch	3,2	Sw59:B
A53.J1:24	I_BatMonMod53		6,1	A53.J1:26
A53.J1:9	I_FrStrtEnSw	Front Start Enable Switch	3,2	Sw58:3
A54.J1:11	I_PrackLowPre	ParcelRack A/C Low Press	18,3	Se48:B
A54.J1:12	I_PrackFan2ndSpd	Parcel Rack 2nd Speed Pressure	18,3	
A54.J1:14	I_OutDoorTempSe	Outside Temperature Sensor	18,1	Se20:B
A54.J1:24	I_BatMonMod54		6,1	A54.J1:29

MULTIPLEX INPUT LIST

O_xx... = Physical Output Pin ; I_xx... = Physical Input Pin ; D_xx... = CAN Network Signal from the HVAC control Head ; B_xx.. = Multiplex system global Network Variable

Module.Pin#	Signal name	Description	Page	Connected devices
A36.JB:1	I_LwBuoySw	Low Buoy Signal From Pressure Switch	32,1	Sw43:B
A36.JB:10	I_EntDorClInSw	Entrance Door Close Inside Switch	29,1	Sw32:3
A36.JB:11	I_InputTest		9,1	Sw13:3
A36.JB:13	I_BrkLtSeFrSig	Brake Lights Sensor	12,1	
A36.JB:15	I_EntDorOpSw	Entrance Door Open Switch	29,1	
A36.JB:17	I_EntDorClOutSw	Entrance Door Close Outside Switch	29,1	Sw34:1
A36.JB:2	I_IgnKeySw	Ignition Key switch	3,2	
A36.JB:21	I_RrCutOutSw	Rear Junction Box CutOut Switch	3,2	
A36.JB:22	I_FrEngStaSw	Front Engine Start Switch	3,2	
A36.JB:23	I_FireExt1stAl		38,1	
A36.JB:4	I_HazardSw	Hazard Switch	26,1	Sw4:3
A36.JB:5	I_FireSensorA36	Fire Sensor On A36	9,1	
A36.JB:6	I_AccKeySw	Accessories Key switch	3,2	
A36.JB:9	I_ParkBrSe	Parking Brake Sensor	12,1	
A41.J1:10	I_ReadLtsSw	Passenger Reading lights Switch	22,1	Sw26:3
A41.J1:17	I_UpperDefFanSw	Upper Defrost Dash Switch	18,1	Sw21:3
A41.J1:18	I_KneePressSe	Kneeling Pressure Sensor	32,1	
A41.J1:19	I_KneeProxSe	Kneeling Proximity Sensor	32,1	Se27:1
A41.J1:20	I_P RackFanSw		18,2	Sw27:3
A41.J1:3	I_InDirLtsSw	Passenger Indirect lightning Switch	23,1	
A41.J1:4	I_DirLtsSw	Passenger Direct Light Switch	24,1	Sw25:6
A41.J1:6	I_KneeUpSw	Kneeling Up Switch	32,1	
A41.J1:7	I_KneeDwSw	Kneeling Down Switch	32,1	
A42.J1:1	I_TrailerPrkBkSe		12,1	
A42.J1:18	I_EngBrOnSe	Engine Brake ACTIVE Sensor		
A42.J1:2	I_TrailerPrkBkSw		12,1	Sw40:A
A42.J1:5	I_EtherSw	Ether Switch	13,1	Sw23:3
A42.J1:6	I_WclSw	Wheel Chair Lift Dash Switch	36,1	Sw20:3
A42.J1:7	I_PrkBrkRelSw	Park Brake Release Switch	32,1	
A42.J1:8	I_LwWipIntSwRetr	Lower Wiper Intermitant Switch	34,1	Sw1.C258:7
A42.J1:9	I_StopEngSe	Stop Engine Sensor		
A43.J1:20	I_BlinkSwRetro	Courtesy Blink Switch	26,1	
A43.J1:3	I_HiBeamCallSw	Hi/Low Beam Switch	26,1	Sw1.C259:4
A43.J1:4	I_HdLtPos1Sw	Head Light Switch Position Markers	26,1	
A43.J1:6	I_TagPitManSW	Tag Automatic Unload PitMan Sw	32,1	Sw125.B:1
A43.J1:7	I_HornSelectSw	Horn Select switch	9,1	
A43.J1:8	I_HdLtHiLowBmSw	Head Lights High and Low Beam Switch	26,1	
A44.J1:10	I_FireExt2ndAlm		38,1	A130:11
A45.J1:10	I_HornSw	Horn Switch	9,1	
A45.J1:12	I_HdLtPos2SwLH	Head Light Switch Beam Position 2 LH	26,1	
A45.J1:9	I_LHFIsHSw	Left Hand Flasher Switch	26,1	
A46.J1:10	I_LugDorLkSw	Luggage Door Lock Switch	33,1	
A46.J1:11	I_LuaDorULkSw	Luagaae Door Unlock Switch	33,1	

MULTIPLEX INPUT LIST

O_xx... = Physical Output Pin ; I_xx... = Physical Input Pin ; D_xx... = CAN Network Signal from the HVAC control Head ; B_xx.. = Multiplex system global Network Variable

Module.Pin#	Signal name	Description	Page	Connected devices
A46.J1:24	I_BatMonMod46		6,1	A46.J1:26
A46.J1:9	I_LwWshSwRetro	Lower Wiper Washer Switch	34,1	
A47.J1:10	I_EntDorClSe	Entrance Door Close Sensor	29,1	Se17:1
A47.J1:11	I_EntDorULkSe	Entrance Door UnLock Sensor	29,1	Se16:B
A47.J1:12	I_EntDorOpSw2		29,1	D7:B
A47.J1:24	I_BatMonMod47		6,1	A47.J1:27
A48.J1:10	I_HdLtPos2SwRH	Head Light Switch Beam Position 2 RH	26,1	
A48.J1:11	I_EntDorOpSe	Entrance Door Open Sensor	29,1	Se15:1
A48.J1:12	I_RHFishSw	Right Hand Flasher Switch	26,1	
A49.J1:1	I_WCLDoorLtch	WCL Door firts latch detection door open	36,1	
A49.J1:17	I_WCLSmallLowDor	Wheel Chair Lift Small Low Door	36,1	
A49.J1:2	I_LavFlshSw	Lavatory Flushing Switch	11,1	
A49.J1:6	I_LavEmrgSw	Lavatory Emergency Switch	11,1	Sw55.A:1
A49.J1:9	I_Alt2Voltage		3,2	
A50.J1:11	I_NeutralSe	Neutral Signal Sensor	3,2	
A50.J1:12	I_RetdrSig	Retarder Signal	12,1	
A50.J1:14	I_ZFNeutralSig		15,2	RZF1:87, A23.B:1
A51.J1:10	I_BrkLtSeRrSig	Brake Lights Sensor	12,1	
A51.J1:12	I_RHFishSwRrSig	RH FlasherSwitch Rear Signal	26,2	
A51.J1:9	I_LHFishSwRrSig	LH FlasherSwitch Rear Signal	26,2	
A52.J1:10	I_EngFanSpd2	Engine Fan Signal Speed 2	13,1	A73.J2:9
A52.J1:11	I_EngCmptLtSw	Engine Compartment Light Switch	25,1	Sw84:B
A52.J1:12	I_EngDoorSe	Engine Door Sensor	25,1	
A52.J1:13	I_AcPresHiSse	Ac Pressure High Side Sensor	18,2	Se23:C
A52.J1:14	I_AcPresLoSse	Ac Pressure Low Side Sensor	18,2	Se24:C
A52.J1:24	I_BatMonMod52		6,1	A52.J1:25
A52.J1:9	I_EngFanSpd1	Engine Fan Signal Speed 1	13,1	A73.J2:10
A53.J1:10	I_RrStrtEnSw	Rear Start Enable Switch	3,2	
A53.J1:11	I_EngStaRrSw	Engine Start Rear Switch	3,2	Sw59:B
A53.J1:24	I_BatMonMod53		6,1	A53.J1:26
A53.J1:9	I_FrStrtEnSw	Front Start Enable Switch	3,2	Sw58:3
A54.J1:11	I_PrackLowPre	ParcelRack A/C Low Press	18,3	Se48:B
A54.J1:12	I_PRackFan2ndSpd	Parcel Rack 2nd Speed Pressure	18,3	
A54.J1:14	I_OutDoorTempSe	Outside Temperature Sensor	18,1	Se20:B
A54.J1:24	I_BatMonMod54		6,1	A54.J1:29
A55.J1:1	I_DrvTempSe	Driver Temperature sensor	18,1	Se21:2
A55.J1:10	I_RetarderSel	Retarder Selected	12,1	Sw16:3
A55.J1:19	I_HeadLmpWshSw		34,1	Sw6:4
A55.J1:2	I_VIPSteerWh5V		41,1	
A55.J1:3	I_VIPSteerWh1		41,1	A103:1
A55.J1:4	I_VIPSteerWh2		41,1	A103:2
A55.J1:5	I_DrvLtSw	Driver Light Switch	19,1	Sw24:3
A55.J1:6	I_FoaLightSw	Foa Lights Switch	26,3	Sw3:3

MULTIPLEX ERROR MESSAGES LIST

FMI 3 = Shorted High ; FMI 4 = Shorted Low ; FMI 5 = Open Circuit ; FMI 6 = Current above Normal

Cluster message	SID/PSID	FMI	Module.Pin#	Page	Cluster message	SID/PSID	FMI	Module.Pin#	Page
A/C Clutch SO9	PSID #4	3, 4, 5, 6	A52.J1:20	18,2	Ent Close Sol SO6	PSID #65	3, 4, 5, 6	A47.J1:6	29,1
A/C Pres HiSd SE23	PSID #28	3, 4	A52.J1:13	18,2	Ent Door Close SW32	PSID #64	3, 4	A36.JB:10	29,1
A/C Pres LoSd SE24	PSID #29	3, 4	A52.J1:14	18,2	Ent Full Open SE15	PSID #66	3, 4	A48.J1:11	29,1
Backlit to CtrlHead	SID #32	3, 4	A36.JA:11	28,1	Ent open out SW34	PSID #71	3, 4	A36.JB:15	29,1
Backup Light & Alm	PSID #167	3, 4, 5, 6	A50.J1:3	26,3	Ent Open Sol SO5	PSID #67	3, 4, 5, 6	A47.J1:7	29,1
Brk Lts Sens SE19	PSID #119	3, 4	A36.JB:13	12,1	Ent Unlk Sens SE16	PSID #69	3, 4	A47.J1:11	29,1
Ceiling Door Lt L17	PSID #108	3, 4, 5, 6	A44.J1:5	29,1	Evap Motor Rly R12	PSID #77	3, 4, 5, 6	A54.J1:7	18,2
Center Flash LH L70	PSID #124	3, 4, 6	A50.J1:5	26,2	Evap Spd Ctrl MO9	PSID #78	4, 6	A53.J1:21	18,2
Center Flash RH L68	PSID #125	3, 4, 6	A50.J1:7	26,2	Fire Sensor	PSID #79	3, 4	A36.JB:5	9,1
Center Mkr L67-L70	PSID #27	3, 4, 6	A50.J1:8	26,2	Flash RH SW1	PSID #133	3, 4	A48.J1:12	26,1
Cond Rly spd1 R10	PSID #41	3, 4, 5, 6	A54.J1:5	18,2	Flasher LH Sw1	PSID #130	3, 4	A45.J1:9	26,1
Cond Rly spd2 R9	PSID #42	3, 4, 6	A53.J1:8	18,2	Flsh Audibl Rly R16	PSID #37	3, 4, 5, 6	A45.J1:8	26,1
Cornering Dash Sw30	PSID #200	3, 4	A43.J1:21	26,3	Fog's Lights LH L95	PSID #134	3, 4, 6	A45.J1:4	26,3
Cyclope Lt L81	PSID #116	3, 4, 6	A51.J1:7	26,2	Fog's lights RH L96	PSID #136	3, 4, 6	A48.J1:8	26,3
Direct Lts Relay R6	PSID #102	3, 4, 5, 6	A49.J1:11	24,1	Foot trap Mo4	PSID #14	3, 4, 6	A45.J1:2	18,1
Direct Lts Sw25	PSID #103	3, 4	A41.J1:4	24,1	FR Clearance lights	PSID #137	3, 4, 6	A44.J1:8	26,1
Docking Dash Sw31	PSID #3	3, 4	A43.J1:7	9,1	Fr Flsh-Mkr LH L62	PSID #128	3, 4, 6	A45.J1:3	26,1
Driver Def Fan L198	PSID #180	3, 4, 5, 6	A47.J1:1	18,1	Fr Side Flsh RH L64	PSID #10	3, 4, 6	A48.J1:20	26,1
Driver heat Sol SO8	PSID #16	3, 4, 5, 6	A46.J1:6	18,1	Fr Start Enable SW58	PSID #56	3, 4	A53.J1:9	3,2
Driver Light L16	PSID #104	3, 4, 5, 6	A44.J1:3	19,1	Fr Start SW83	PSID #58	3, 4	A36.JB:22	3,2
Driver Light SW24	PSID #105	3, 4	A43.J1:18	19,1	Front Flash RH L61	PSID #126	3, 4, 6	A48.J1:6	26,1
Driver Rfg Sol SO7	PSID #13	3, 4, 5, 6	A46.J1:5	18,1	Front Mkr Lts LH L62	PSID #148	3, 4, 6	A45.J1:21	26,1
Driver Sensor SE21	PSID #12	3, 4, 5	A46.J1:13	18,1	Front Mkr Lts RH L61	PSID #149	3, 4, 6	A48.J1:7	26,1
Drv air Trap MO3	PSID #5	3, 4, 6	A44.J1:2	18,1	Hazard Switch Sw4	PSID #138	3, 4	A36.JB:4	26,1
Drv Rec Cylind L203	PSID #30	3, 4, 5, 6	A47.J1:4	18,1	Hd Light Call SW1	PSID #140	3, 4	A43.J1:3	26,1
Elec Horn L185 L186	PSID #83	3, 4, 5, 6	A45.J1:20	9,1	HdLamp Wsh Pmp Mo54	SID #48	3, 4, 6	A46.J1:21	34,1
Elec. Horn SW61 SW62	PSID #82	3, 4	A45.J1:10	9,1	Head Lights Pos1 SW2	PSID #143	3, 4	A43.J1:4	26,1
Emergency Lt R15	SID #47	3, 4, 5, 6	A49.J1:13	20,1	Head Lt Sw Pos2 Sw2	PSID #11	3, 4	A45.J1:12	26,1
Emergency Relay R21	PSID #44	3, 4, 5, 6	A36.JA:24	3,2	Hi Low Beam Sw1	PSID #6	3, 4	A43.J1:8	26,1
Emgy & Aisle Lts R15	PSID #101	3, 4, 6	A46.J1:4	20,1	High Beam LH L60	PSID #141	3, 4, 5, 6	A45.J1:6	26,1
Eng Brk Active Sig	PSID #45	3, 4	A42.J1:18		High Beam RH L59	PSID #145	3, 4, 5, 6	A48.J1:3	26,1
Eng Cmpt Bulb L173	PSID #106	3, 4, 5, 6	A52.J1:5	25,1	Indir Lts Rly R13	PSID #110	3, 4, 5, 6	A49.J1:12	23,1
Eng Cmpt Sw	PSID #107	3, 4	A52.J1:11	25,1	Indirect Lts Sw25	PSID #111	3, 4	A41.J1:3	23,1
Eng Ether SW23	PSID #50	3, 4	A42.J1:5	13,1	Knee down Sol SO16	PSID #89	3, 4, 6	A41.J1:14	32,1
Eng Fan Dash SW22	PSID #55	3, 4	A36.JB:14	13,1	Knee Down Sw10	PSID #93	3, 4	A41.J1:7	32,1
Eng Fan Spd1 Req	PSID #51	3, 4	A52.J1:9	13,1	Knee Press Sens SE26	PSID #90	3, 4	A41.J1:18	32,1
Eng Fan Spd2 Req	PSID #52	3, 4	A52.J1:10	13,1	Knee Proxi Pwr SE27	PSID #92	3, 4, 6	A41.J1:12	32,1
Eng. Ether Sol SO1	PSID #49	3, 4, 6	A52.J1:6	13,1	Knee Proxi Sens SE27	PSID #91	3, 4	A41.J1:19	32,1
Engine Fan Spd1 MO2	PSID #53	3, 4, 5, 6	A52.J1:1	13,1	Knee Up Sol SO15	PSID #95	3, 4, 6	A41.J1:15	32,1
Engine Fan Spd2 MO2	PSID #54	3, 4, 5, 6	A52.J1:2	13,1	Knee Up SW10	PSID #94	3, 4	A41.J1:6	32,1
EngRun Sig Hvac A15	SID #31	3, 4, 5, 6	A36.JA:13	3,2	Kneeling Alm L188	PSID #85	3, 4, 5, 6	A42.J1:14	32,1
Ent Close Out SW34	PSID #70	3, 4	A36.JB:17	29,1	Lav Emgy SW55	PSID #97	3, 4	A49.J1:6	11,1
Ent close Sens SE17	PSID #63	3, 4	A47.J1:10	29,1	Lav Fluo L142	PSID #99	3, 4, 5, 6	A50.J1:20	11,1

MULTIPLEX ERROR MESSAGES LIST

FMI 3 = Shorted High ; FMI 4 = Shorted Low ; FMI 5 = Open Circuit ; FMI 6 = Current above Normal

Cluster message	SID/PSID	FMI	Module.Pin#	Page	Cluster message	SID/PSID	FMI	Module.Pin#	Page
Lav Flush Pump Mo13	PSID #9	4, 6	A52.J1:7	11,1	Trans Inh Sig A1	SID #25	3, 4, 5, 6	A50.J1:2	15,1
Lav Flush Sw56	PSID #8	3, 4, 5, 6	A49.J1:2	11,1	Trans Neutral Sens	PSID #168	3, 4	A50.J1:11	3,2
Lavatory Fan MO14	PSID #98	4, 6	A52.J1:4	11,1	Under Floor lights	PSID #112	4, 6	A46.J1:20	25,1
LH Corner Lts L97	PSID #120	3, 4, 6	A45.J1:5	26,3	Unloader LH L200	PSID #31	3, 4, 5, 6	A52.J1:8	18,2
LH Docking Light L93	PSID #122	3, 4, 6	A51.J1:4	26,3	Unloader RH L199	PSID #32	3, 4, 5, 6	A52.J1:21	18,2
Low Beam LH L60	PSID #142	3, 4, 6	A45.J1:7	26,1	Up Def Heater1 Mo5	SID #34	3, 4, 5, 6	A46.J1:1	18,1
Low Beam RH L59	PSID #146	3, 4, 6	A48.J1:4	26,1	Up Def Heater2 Mo5	SID #35	3, 4, 5, 6	A46.J1:8	18,1
Low Wip Spd1 Mo22	PSID #184	3, 4, 5, 6	A47.J1:3	34,1	Upper Brk Lamp	PSID #43	3, 4, 6	A51.J1:6	26,2
Lower Stop Lamps	PSID #153	3, 4, 6	A50.J1:6	12,1	Upper Def Fan MO5	PSID #33	4, 6	A46.J1:7	18,1
Lower Washer pmp	PSID #181	4, 6	A46.J1:3	34,1	WakeUp Relay R17-R19	SID #30	4, 5, 6	A36.JA:15	3,3
Lugg Lock Sol SO19	PSID #155	3, 4, 6	A42.J1:13	33,1	WCL Pump Rly L207	PSID #176	3, 4, 6	A53.J1:5	36,1
Lugg Lock SW18	PSID #156	3, 4	A46.J1:10	33,1	WCLDor Sig to USonic	SID #24	3, 4, 5, 6	A53.J1:7	36,1
Lugg Unlk SW18	PSID #159	3, 4	A46.J1:11	33,1	WCLSlid Door Lt L206	SID #33	3, 4, 6	A50.J1:1	36,1
Lugg unlock Sol SO18	PSID #158	3, 4, 6	A42.J1:16	33,1	ZF Trans Inh Sig A22	SID #26	3, 4, 5, 6	A53.J1:2	15,2
OutDoor Sens SE20	PSID #161	3, 4, 5	A54.J1:14	18,1					
P Rack Fan LH MO10	PSID #19	4, 6	A54.J1:1	18,3					
P Rack Fan RH MO11	PSID #20	4, 6	A54.J1:2	18,3					
P Rack Fan Sw SW27	PSID #21	3, 4	A41.J1:20	18,2					
P Rack Rfg sol SO10	PSID #22	3, 4, 6	A53.J1:20	18,3					
Park brake Sens Se18	PSID #162	3, 4	A36.JB:9	12,1					
Park brake Sol SO17	PSID #163	4, 6	A42.J1:30	32,1					
Pass Heat Sol SO13	PSID #24	3, 4, 6	A54.J1:8	18,2					
Pass On_Off Sig R26	SID #29	3, 4, 5, 6	A54.J1:21	18,2					
Pass Rfg Sol SO11	PSID #23	3, 4, 5, 6	A54.J1:3	18,2					
Pass. Wtr pump MO12	PSID #17	3, 4, 6	A54.J1:4	18,2					
Read Lts Rly R14	PSID #113	3, 4, 5, 6	A49.J1:15	22,1					
Read Lts SW26	PSID #114	3, 4	A41.J1:10	22,1					
Rear CutOut Sw82	PSID #18	3, 4	A36.JB:21	3,2					
Rear Flsh LH L71 L75	PSID #131	3, 4, 6	A51.J1:21	26,2					
Rear Flsh RH L73 L76	PSID #132	3, 4, 6	A51.J1:3	26,2					
Rear High Buoy Sol	PSID #197	4, 6	A41.J1:30	32,1					
Retarder signal	PSID #164	3, 4	A50.J1:12	12,1					
RH Corner Light L98	PSID #121	3, 4, 6	A48.J1:5	26,3					
RH Docking Light L94	PSID #123	3, 4, 6	A51.J1:5	26,3					
Rr Clearance lights	PSID #151	3, 4, 6	A50.J1:4	26,2					
Rr Start enable SW58	PSID #57	3, 4	A53.J1:10	3,2					
Rr Start SW59	PSID #59	3, 4	A53.J1:11	3,2					
Ser Brake Trans A1	SID #49	3, 4, 6	A51.J1:1	15,1					
Starter Relay SO2	PSID #60	4, 6	A53.J1:6	3,2					
Starter Relay SO2	PSID #60	3, 6	A53.J1:1	3,2					
Step Lts L18 L19 L20	PSID #117	3, 4, 5, 6	A47.J1:5	29,1					
Stop Eng Signal In	PSID #62		3 A42.J1:9						
Tail Lights	PSID #152	3, 4, 6	A51.J1:8	26,2					

MULTIPLEX ERROR MESSAGES LIST

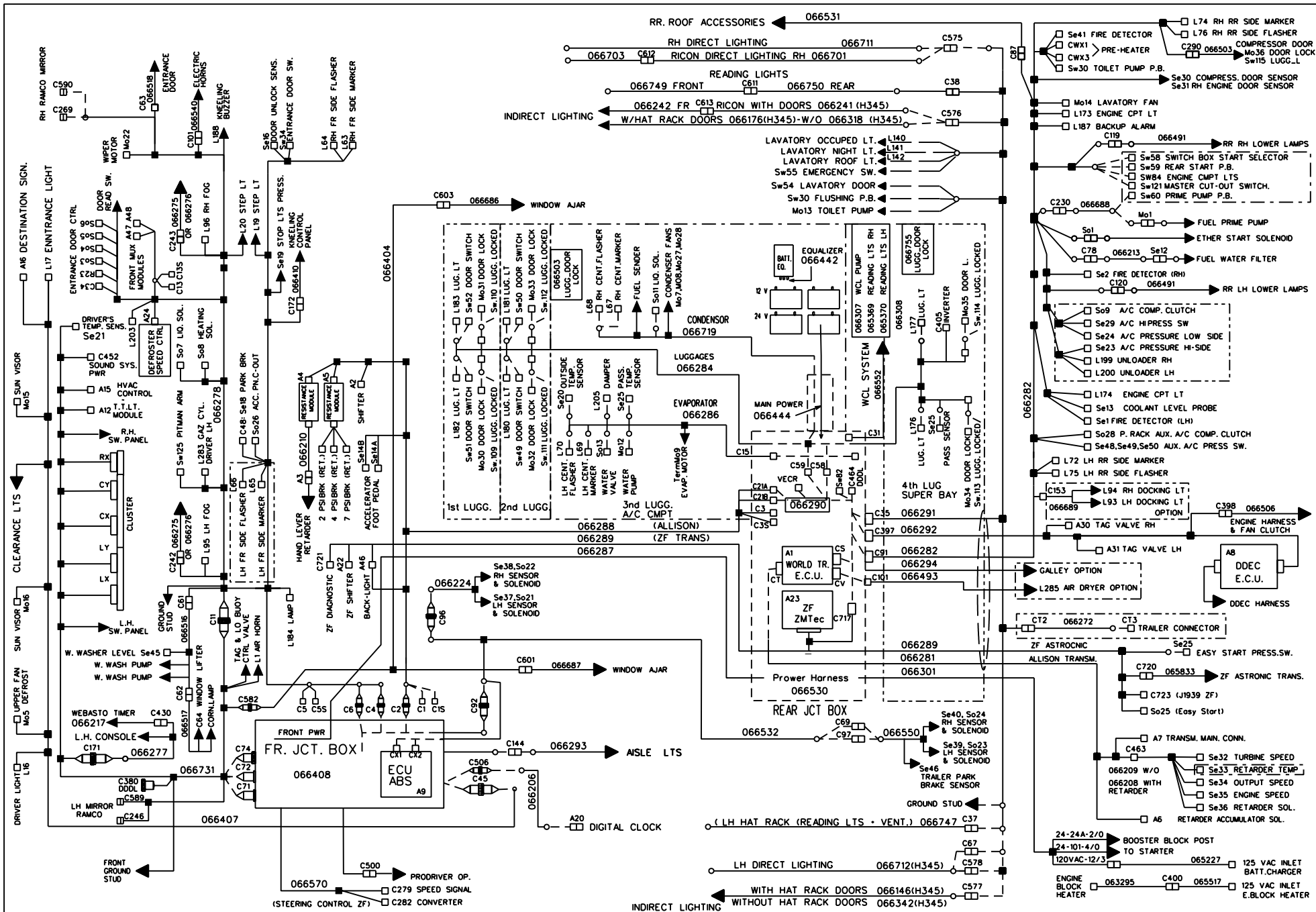
FMI 3 = Shorted High ; FMI 4 = Shorted Low ; FMI 5 = Open Circuit ; FMI 6 = Current above Normal

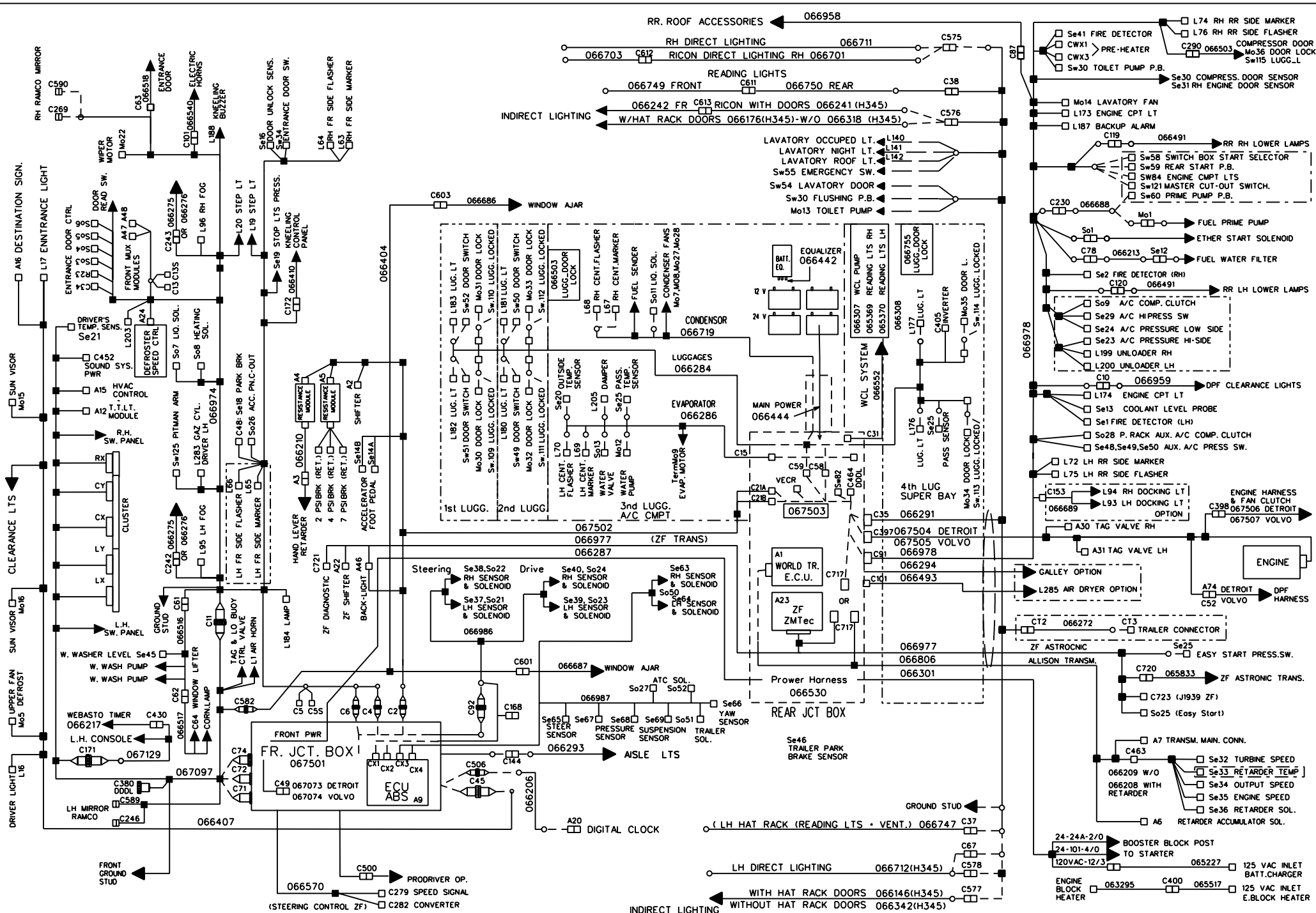
Cluster message	SID/PSID	FMI	Module.Pin#	Page	Cluster message	SID/PSID	FMI	Module.Pin#	Page
A/C Clutch SO9	PSID #4	3, 4, 5, 6	A52.J1:20	18,2	Ent Door Close SW32	PSID #64	3, 4	A36.JB:10	29,1
A/C Pres HiSd SE23	PSID #28	3, 4	A52.J1:13	18,2	Ent Full Open SE15	PSID #66	3, 4	A48.J1:11	29,1
A/C Pres LoSd SE24	PSID #29	3, 4	A52.J1:14	18,2	Ent open out SW34	PSID #71	3, 4	A36.JB:15	29,1
Backlit to CtrlHead	SID #32	3, 4	A36.JA:11	28,1	Ent Open Sol SO5	PSID #67	3, 4, 5, 6	A47.J1:7	29,1
Backup Light & Alm	PSID #167	3, 4, 5, 6	A50.J1:3	26,3	Ent Unlk Sens SE16	PSID #69	3, 4	A47.J1:11	29,1
Brk Lts Sens SE19	PSID #119	3, 4	A36.JB:13	12,1	Evap Motor Rly R12	PSID #77	3, 4, 5, 6	A54.J1:7	18,2
Ceiling Door Lt L17	PSID #108	3, 4, 5, 6	A44.J1:5	29,1	Evap Spd Ctrl MO9	PSID #78	4, 6	A53.J1:21	18,2
Center Flash LH L70	PSID #124	3, 4, 6	A50.J1:5	26,2	Fire Sensor	PSID #79	3, 4	A36.JB:5	9,1
Center Flash RH L68	PSID #125	3, 4, 6	A50.J1:7	26,2	Flash RH SW1	PSID #133	3, 4	A48.J1:12	26,1
Center Mkr L67-L70	PSID #27	3, 4, 6	A50.J1:8	26,2	Flasher LH Sw1	PSID #130	3, 4	A45.J1:9	26,1
Cond Rly spd1 R10	PSID #41	3, 4, 5, 6	A54.J1:5	18,2	Flsh Audibl Rly R16	PSID #37	3, 4, 5, 6	A45.J1:8	26,1
Cond Rly spd2 R9	PSID #42	3, 4, 6	A53.J1:8	18,2	Fog's Lights LH L95	PSID #134	3, 4, 6	A45.J1:4	26,3
Cornering Dash Sw30	PSID #200	3, 4	A55.J1:8	26,3	Fog's lights RH L96	PSID #136	3, 4, 6	A48.J1:8	26,3
Cyclope Lt L81	PSID #116	3, 4, 6	A51.J1:7	26,2	Foot trap Mo4	PSID #14	3, 4, 6	A45.J1:2	18,1
Direct Lts Relay R6	PSID #102	3, 4, 5, 6	A49.J1:11	24,1	FR Clearance lights	PSID #137	3, 4, 6	A44.J1:8	26,1
Direct Lts Sw25	PSID #103	3, 4	A41.J1:4	24,1	Fr Flsh-Mkr LH L62	PSID #128	3, 4, 6	A45.J1:3	26,1
Docking Dash Sw31	PSID #3	3, 4	A55.J1:7	26,3	Fr Side Flsh RH L64	PSID #10	3, 4, 6	A48.J1:20	26,1
Driver Def Fan L198	PSID #180	3, 4, 5, 6	A47.J1:1	18,1	Fr Start SW83	PSID #58	3, 4	A36.JB:22	3,2
Driver heat Sol SO8	PSID #16	3, 4, 5, 6	A46.J1:6	18,1	Front Flash RH L61	PSID #126	3, 4, 6	A48.J1:6	26,1
Driver Light L16	PSID #104	3, 4, 5, 6	A44.J1:3	19,1	FrontMkr Lts LH L62	PSID #148	3, 4, 6	A45.J1:21	26,1
Driver Light SW24	PSID #105	3, 4	A55.J1:5	19,1	FrontMkr Lts RH L61	PSID #149	3, 4, 6	A48.J1:7	26,1
Driver Rfg Sol SO7	PSID #13	3, 4, 5, 6	A46.J1:5	18,1	FrStart Enable SW58	PSID #56	3, 4	A53.J1:9	3,2
Driver Sensor SE21	PSID #12	3, 4, 5	A55.J1:1	18,1	Hazard Switch Sw4	PSID #138	3, 4	A36.JB:4	26,1
Drv air Trap MO3	PSID #5	3, 4, 6	A44.J1:2	18,1	Hd Light Call SW1	PSID #140	3, 4	A43.J1:3	26,1
Drv Rec Cylind L203	PSID #30	3, 4, 5, 6	A47.J1:4	18,1	HdLamp Wsh Pmp Mo54	SID #48	3, 4, 6	A46.J1:21	34,1
Elec Horn L185 L186	PSID #83	3, 4, 5, 6	A43.J1:13	9,1	Head Lights Pos1SW2	PSID #143	3, 4	A43.J1:4	26,1
Elec.Horn SW61 SW62	PSID #82	3, 4	A45.J1:10	9,1	Head Lt Sw Pos2 Sw2	PSID #11	3, 4	A45.J1:12	26,1
Emergency Lt R15	SID #47	3, 4, 5, 6	A49.J1:13	20,1	Hi Low Beam Sw1	PSID #6	3, 4	A43.J1:8	26,1
Emergency Relay R21	PSID #44	3, 4, 5, 6	A36.JA:24	3,2	High Beam LH L60	PSID #141	3, 4, 5, 6	A45.J1:6	26,1
Emgy & AisleLts R15	PSID #101	3, 4, 6	A46.J1:4	20,1	High Beam RH L59	PSID #145	3, 4, 5, 6	A48.J1:3	26,1
Eng Brk Active Sig	PSID #45	3, 4	A42.J1:18		Indir Lts Rly R13	PSID #110	3, 4, 5, 6	A49.J1:12	23,1
Eng Cmpt Bulb L173	PSID #106	3, 4, 5, 6	A52.J1:5	25,1	Indirect Lts Sw25	PSID #111	3, 4	A41.J1:3	23,1
Eng Cmpt Sw	PSID #107	3, 4	A52.J1:11	25,1	Knee Down Sol SO16	PSID #89	3, 4, 6	A41.J1:14	32,1
Eng Ether SW23	PSID #50	3, 4	A42.J1:5	13,1	Knee Down Sw10	PSID #93	3, 4	A41.J1:7	32,1
Eng Fan Spd1 Req	PSID #51	3, 4	A52.J1:9	13,1	Knee Proxi Pwr SE27	PSID #92	3, 4, 6	A41.J1:12	32,1
Eng Fan Spd2 Req	PSID #52	3, 4	A52.J1:10	13,1	Knee Up Sol SO15	PSID #95	3, 4, 6	A41.J1:15	32,1
Eng. Ether Sol SO1	PSID #49	3, 4, 6	A52.J1:6	13,1	Knee Up SW10	PSID #94	3, 4	A41.J1:6	32,1
Engine Fan Spd1 MO2	PSID #53	3, 4, 5, 6	A52.J1:1	13,1	Kneeling Alm L188	PSID #85	3, 4, 5, 6	A42.J1:14	32,1
Engine Fan Spd2 MO2	PSID #54	3, 4, 5, 6	A52.J1:2	13,1	KneePress Sens SE26	PSID #90	3, 4	A41.J1:18	32,1
EngRun Sig Hvac A15	SID #31	3, 4, 5, 6	A36.JA:13	3,2	KneeProxi Sens SE27	PSID #91	3, 4	A41.J1:19	32,1
Ent Close Out SW34	PSID #70	3, 4	A36.JB:17	29,1	Lav Emgy SW55	PSID #97	3, 4	A49.J1:6	11,1
Ent close Sens SE17	PSID #63	3, 4	A47.J1:10	29,1	Lav Fluo L142	PSID #99	3, 4, 5, 6	A50.J1:20	11,1
Ent Close Sol SO6	PSID #65	3, 4, 5, 6	A47.J1:6	29,1	Lav Flush Pump Mo13	PSID #9	4, 6	A52.J1:7	11,1

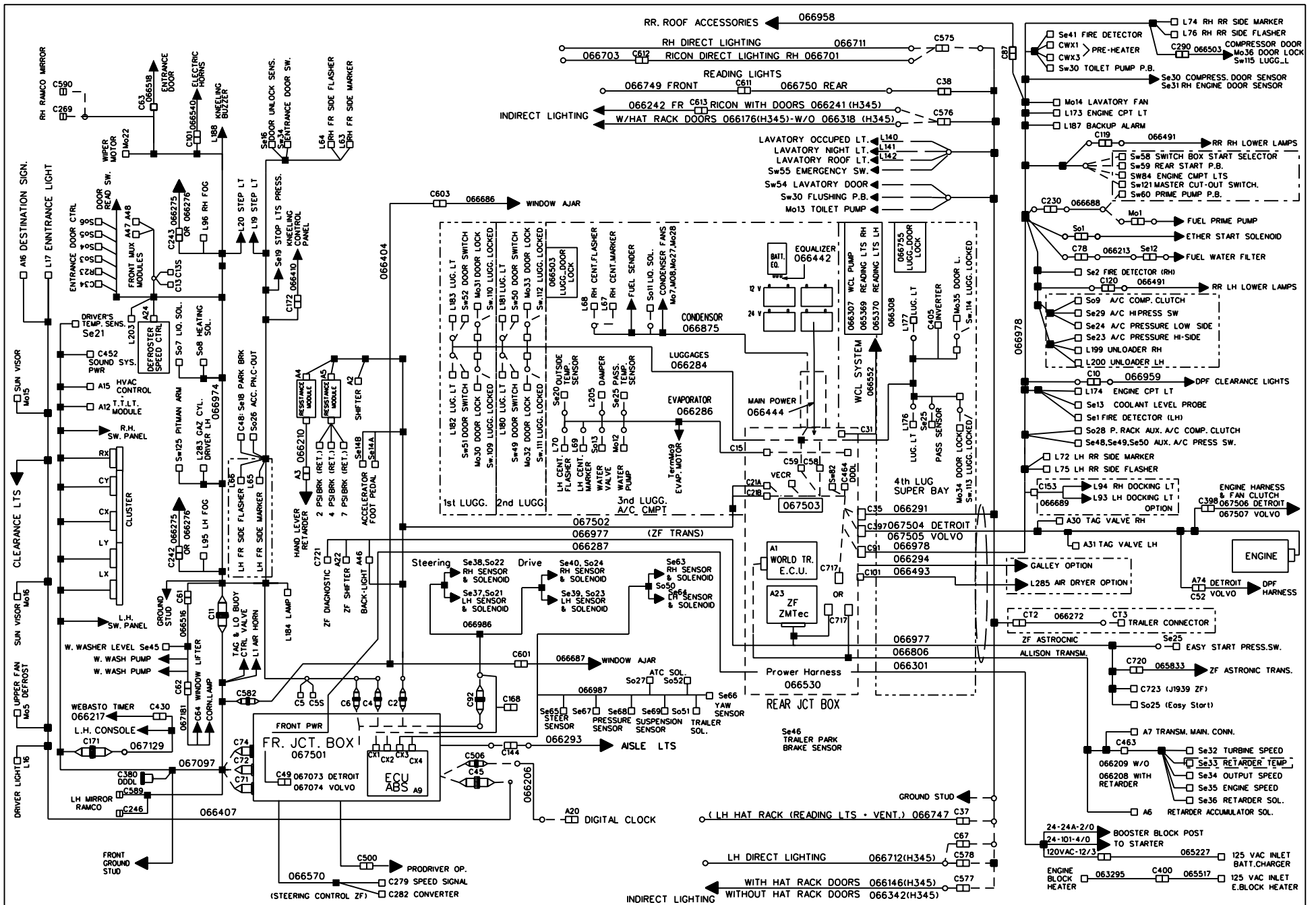
MULTIPLEX ERROR MESSAGES LIST

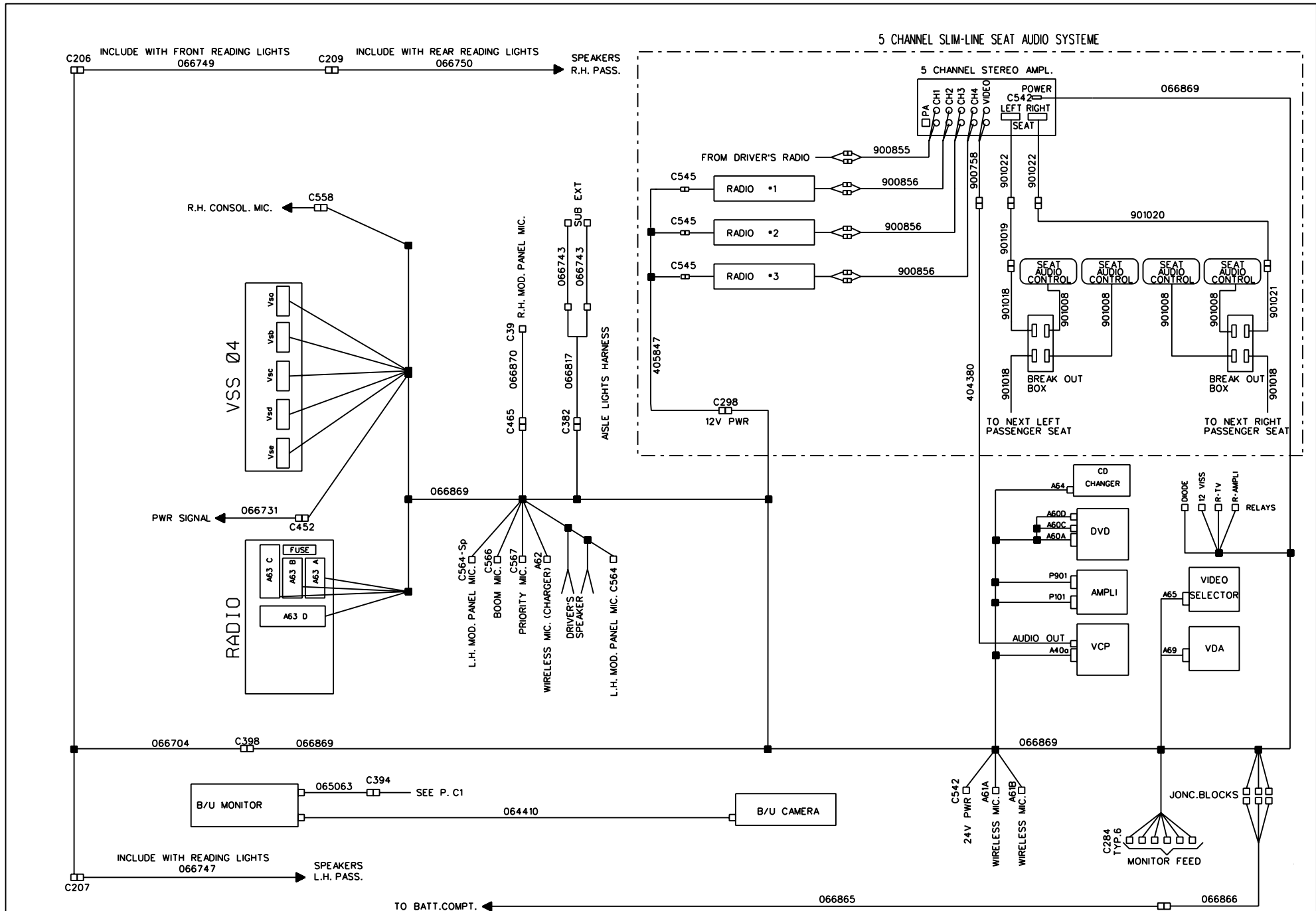
FMI 3 = Shorted High ; FMI 4 = Shorted Low ; FMI 5 = Open Circuit ; FMI 6 = Current above Normal

Cluster message	SID/PSID	FMI	Module.Pin#	Page	Cluster message	SID/PSID	FMI	Module.Pin#	Page
Lav Flush Sw56	PSID #8	3, 4, 5, 6	A49.J1:2	11,1	Trans Inh Sig A1	SID #25	3, 4, 5, 6	A50.J1:2	15,1
Lavatory Fan MO14	PSID #98	4, 6	A52.J1:4	11,1	Trans Neutral Sens	PSID #168	3, 4	A50.J1:11	3,2
LH Corner Lts L97	PSID #120	3, 4, 6	A45.J1:5	26,3	Under Floor lights	PSID #112	4, 6	A46.J1:20	25,1
LH Docking LightL93	PSID #122	3, 4, 6	A51.J1:4	26,3	Unloader LH L200	PSID #31	3, 4, 5, 6	A52.J1:8	18,2
Low Beam LH L60	PSID #142	3, 4, 6	A45.J1:7	26,1	Unloader RH L199	PSID #32	3, 4, 5, 6	A52.J1:21	18,2
Low Beam RH L59	PSID #146	3, 4, 6	A48.J1:4	26,1	Up Def Heater1 Mo5	SID #34	3, 4, 5, 6	A46.J1:1	18,1
Low Wip Spd1 Mo22	PSID #184	3, 4, 5, 6	A47.J1:3	34,1	Up Def Heater2 Mo5	SID #35	3, 4, 5, 6	A46.J1:8	18,1
Lower Stop Lamps	PSID #153	3, 4, 6	A50.J1:6	12,1	Upper Brk Lamp	PSID #43	3, 4, 6	A51.J1:6	26,2
Lower Washer pmp	PSID #181	4, 6	A46.J1:3	34,1	Upper Def Fan MO5	PSID #33	4, 6	A46.J1:7	18,1
Lugg Lock Sol SO19	PSID #155	3, 4, 6	A42.J1:13	33,1	WakeUp Rly R17-R19	SID #30	4, 5, 6	A36.JA:15	3,3
Lugg Lock SW18	PSID #156	3, 4	A46.J1:10	33,1	WCL Pump Rly L207	PSID #176	3, 4, 6	A53.J1:5	36,1
Lugg unlk Sol SO18	PSID #158	3, 4, 6	A42.J1:16	33,1	WCLDorSig to USonic	SID #24	3, 4, 5, 6	A53.J1:7	36,1
Lugg Unlk SW18	PSID #159	3, 4	A46.J1:11	33,1	WCLSlid DoorLt L206	SID #33	3, 4, 6	A50.J1:1	36,1
OutDoor Sens SE20	PSID #161	3, 4, 5	A54.J1:14	18,1	ZFTrans Inh Sig A22	SID #26	3, 4, 5, 6	A53.J1:2	15,2
P Rack Fan LH MO10	PSID #19	4, 6	A54.J1:1	18,3					
P Rack Fan RH MO11	PSID #20	4, 6	A54.J1:2	18,3					
P Rack Fan Sw SW27	PSID #21	3, 4	A41.J1:20	18,2					
P Rack Rfg sol SO10	PSID #22	3, 4, 6	A53.J1:20	18,3					
Park brak Sens Se18	PSID #162	3, 4	A36.JB:9	12,1					
Park brake Sol SO17	PSID #163	4, 6	A42.J1:30	32,1					
Pass Heat Sol SO13	PSID #24	3, 4, 6	A54.J1:8	18,2					
Pass On_Off Sig R26	SID #29	3, 4, 5, 6	A54.J1:21	18,2					
Pass Rfg Sol SO11	PSID #23	3, 4, 5, 6	A54.J1:3	18,2					
Pass. Wtr pump MO12	PSID #17	3, 4, 6	A54.J1:4	18,2					
Read Lts Rly R14	PSID #113	3, 4, 5, 6	A49.J1:15	22,1					
Read Lts SW26	PSID #114	3, 4	A41.J1:10	22,1					
Rear CutOut Sw82	PSID #18	3, 4	A36.JB:21	3,2					
Rear High Buoy Sol	PSID #197	4, 6	A41.J1:30	32,1					
RearFish LH L71 L75	PSID #131	3, 4, 6	A51.J1:21	26,2					
RearFish RH L73 L76	PSID #132	3, 4, 6	A51.J1:3	26,2					
Retarder signal	PSID #164	3, 4	A50.J1:12	12,1					
RH Corner Light L98	PSID #121	3, 4, 6	A48.J1:5	26,3					
RH Docking LightL94	PSID #123	3, 4, 6	A51.J1:5	26,3					
Rr Clearance lights	PSID #151	3, 4, 6	A50.J1:4	26,2					
Rr Start SW59	PSID #59	3, 4	A53.J1:11	3,2					
RrStart Enable SW58	PSID #57	3, 4	A53.J1:10	3,2					
Ser Brake Trans A1	SID #49	3, 4, 6	A51.J1:1	15,1					
Starter Relay SO2	PSID #60	4, 6	A53.J1:6	3,2					
Starter Relay SO2	PSID #60	3, 6	A53.J1:1	3,2					
StepLts L18 L19 L20	PSID #117	3, 4, 5, 6	A47.J1:5	29,1					
Stop Eng Signal In	PSID #62		3 A42.J1:9						
SunVisor RlyR41-R45	SID #54	3, 4, 5, 6	A55.J1:13	41,1					
Tail Lights	PSID #152	3, 4, 6	A51.J1:8	26,2					

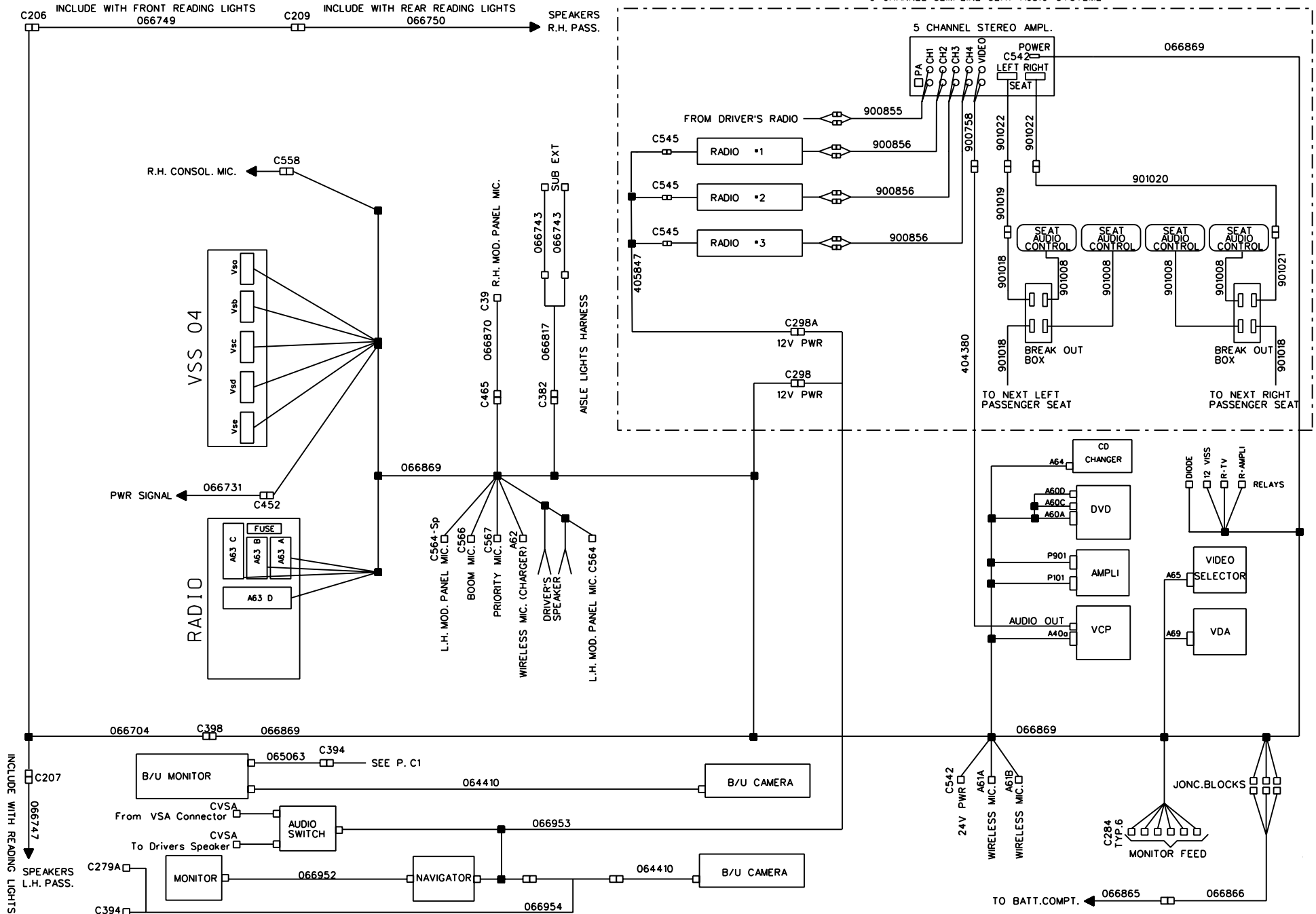


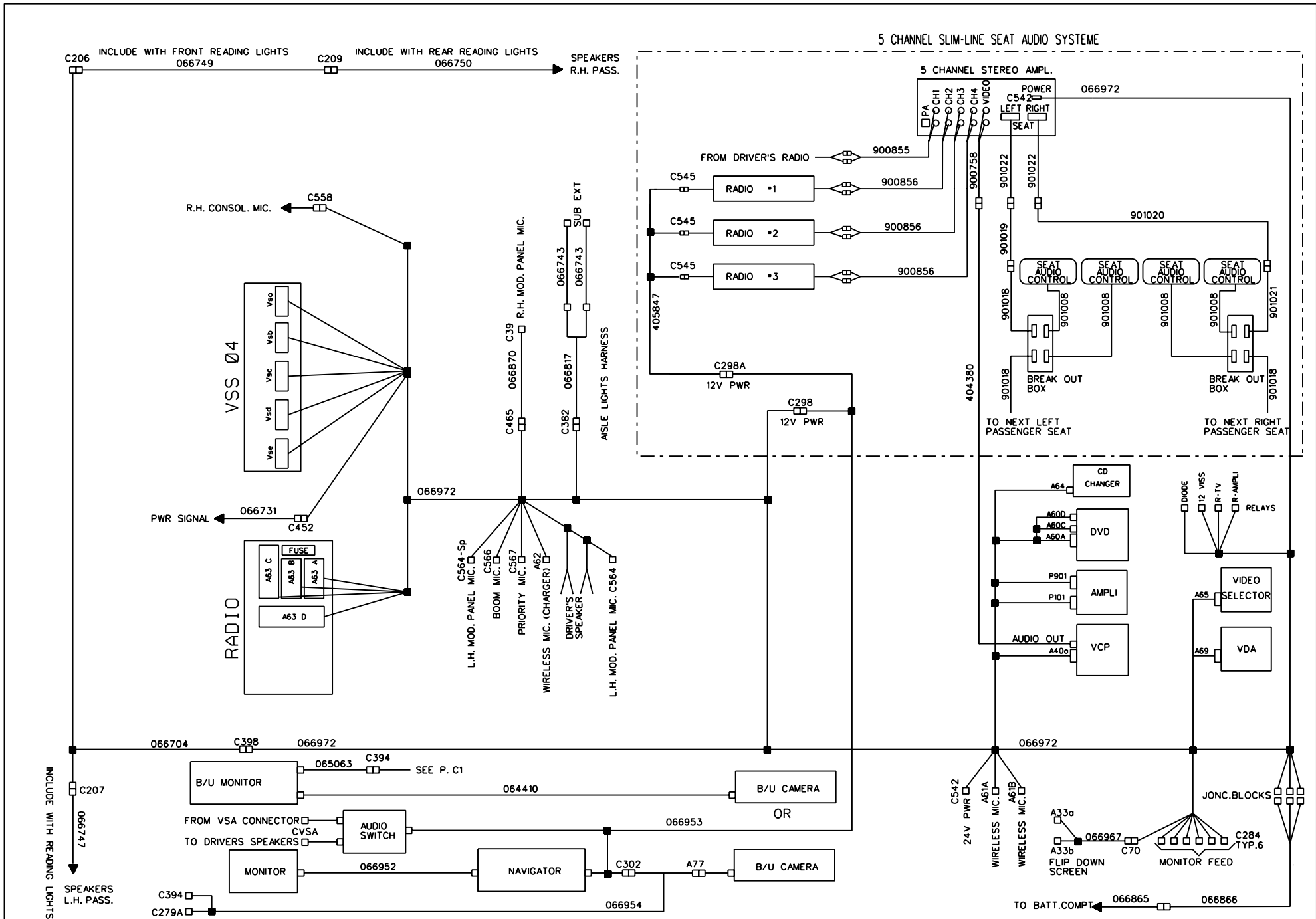




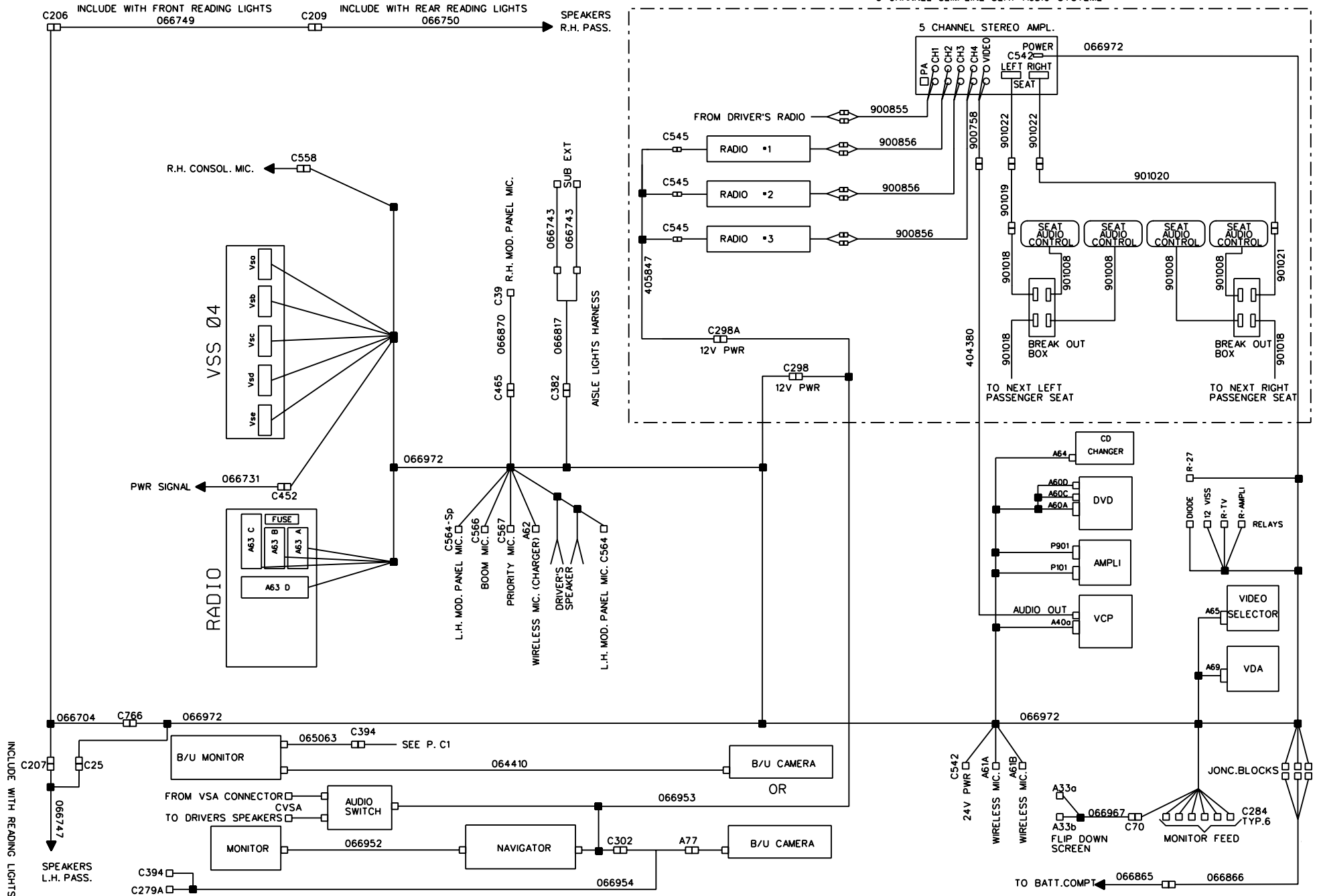


5 CHANNEL SLIM-LINE SEAT AUDIO SYSTEME



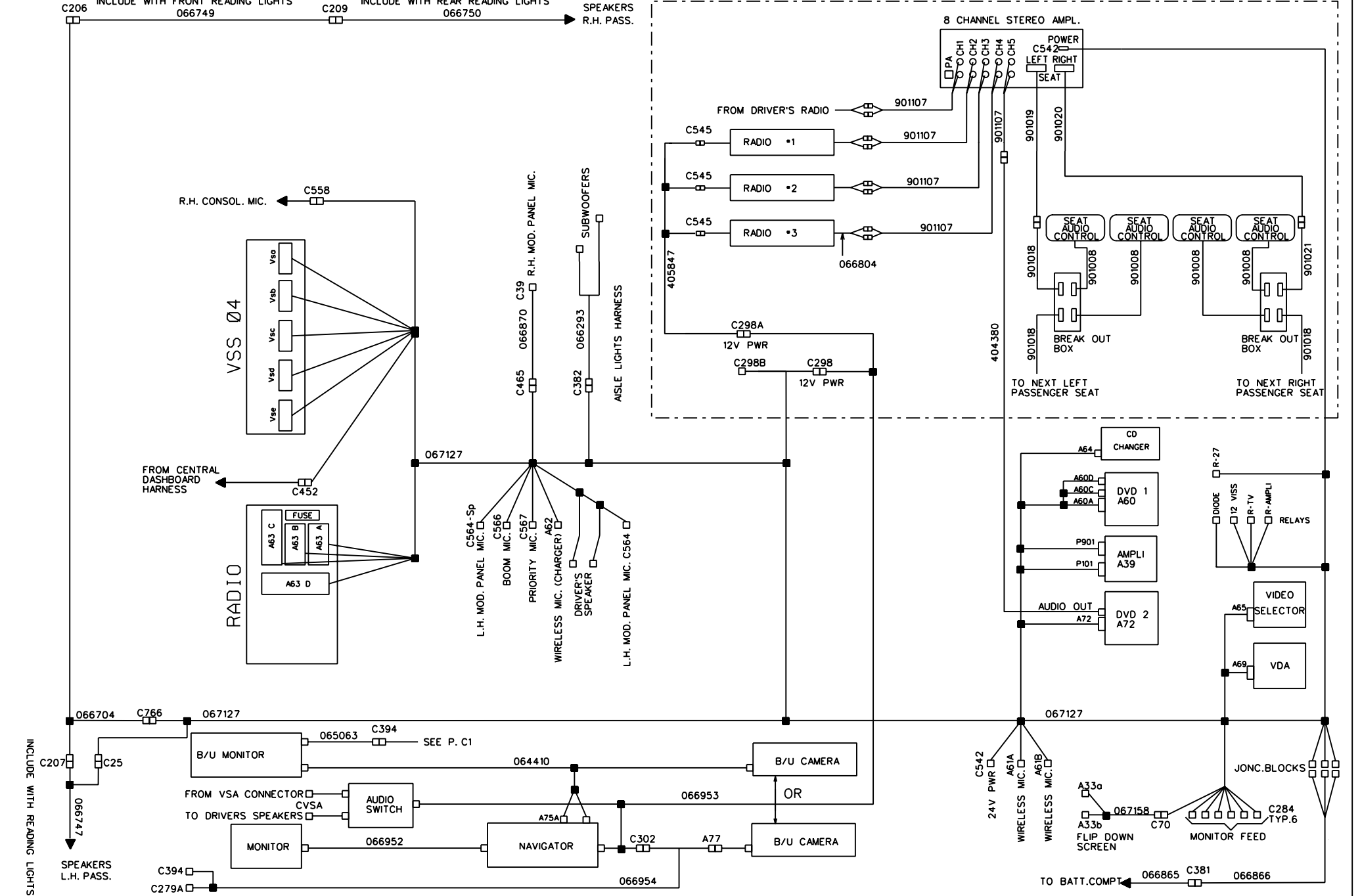


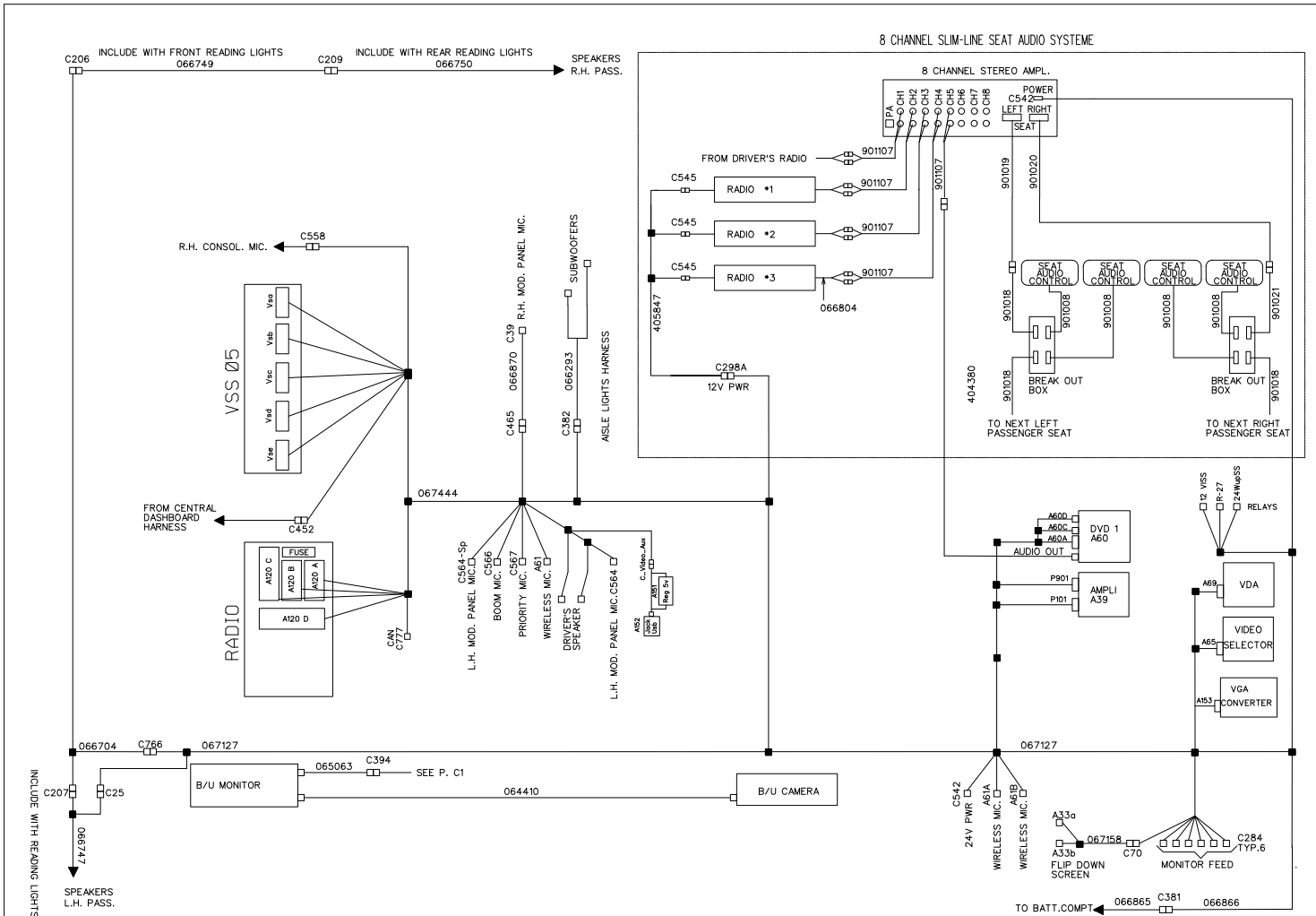
5 CHANNEL SLIM-LINE SEAT AUDIO SYSTEME



C206 INCLUDE WITH FRONT READING LIGHTS 066749
 C209 INCLUDE WITH REAR READING LIGHTS 066750
 SPEAKERS R.H. PASS.

8 CHANNEL SLIM-LINE SEAT AUDIO SYSTEM





PREVOST

WIRING DIAGRAM

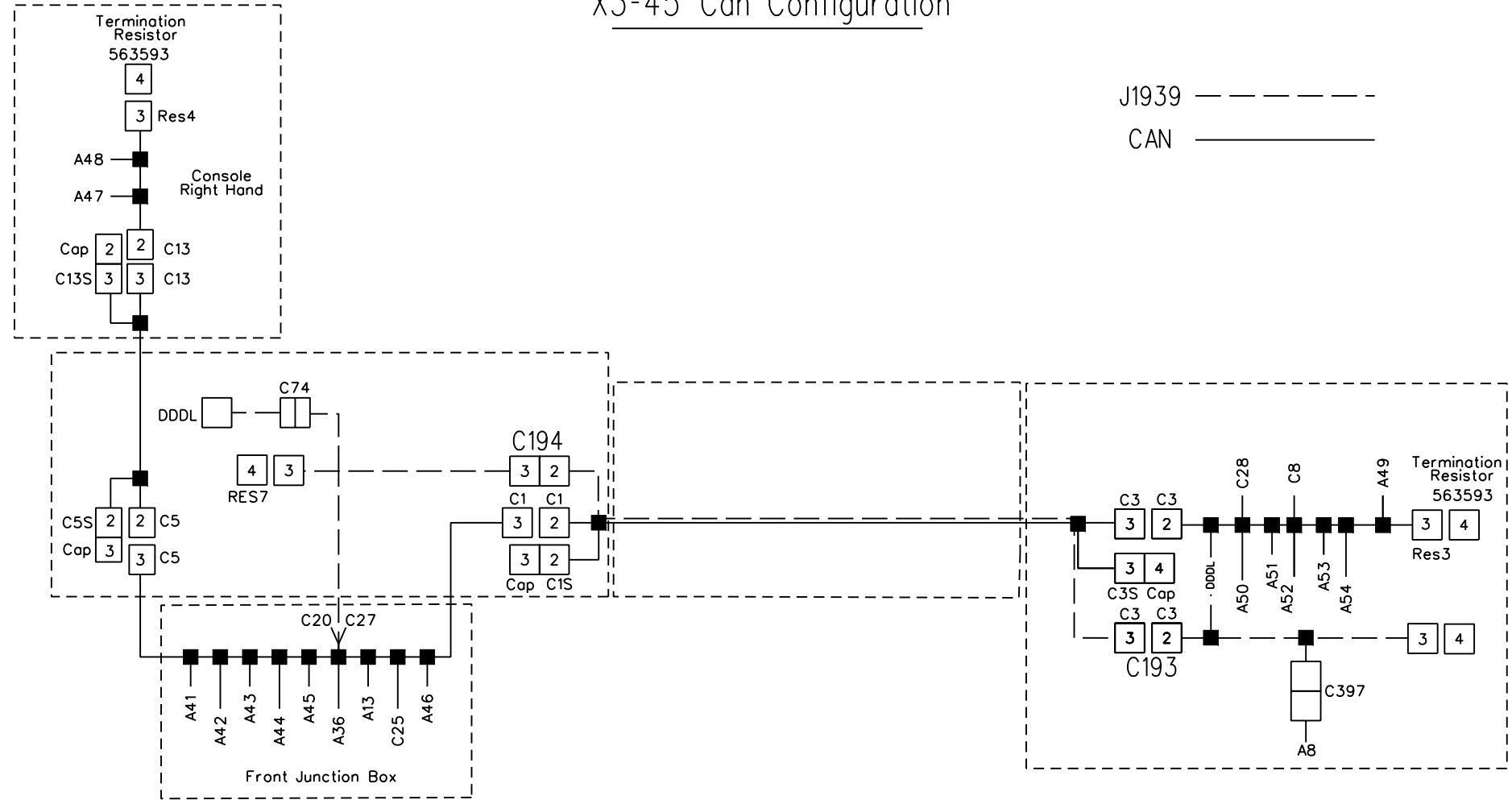
No:

D061030

PAGE: C2

REVISION 24

X3-45 Can Configuration



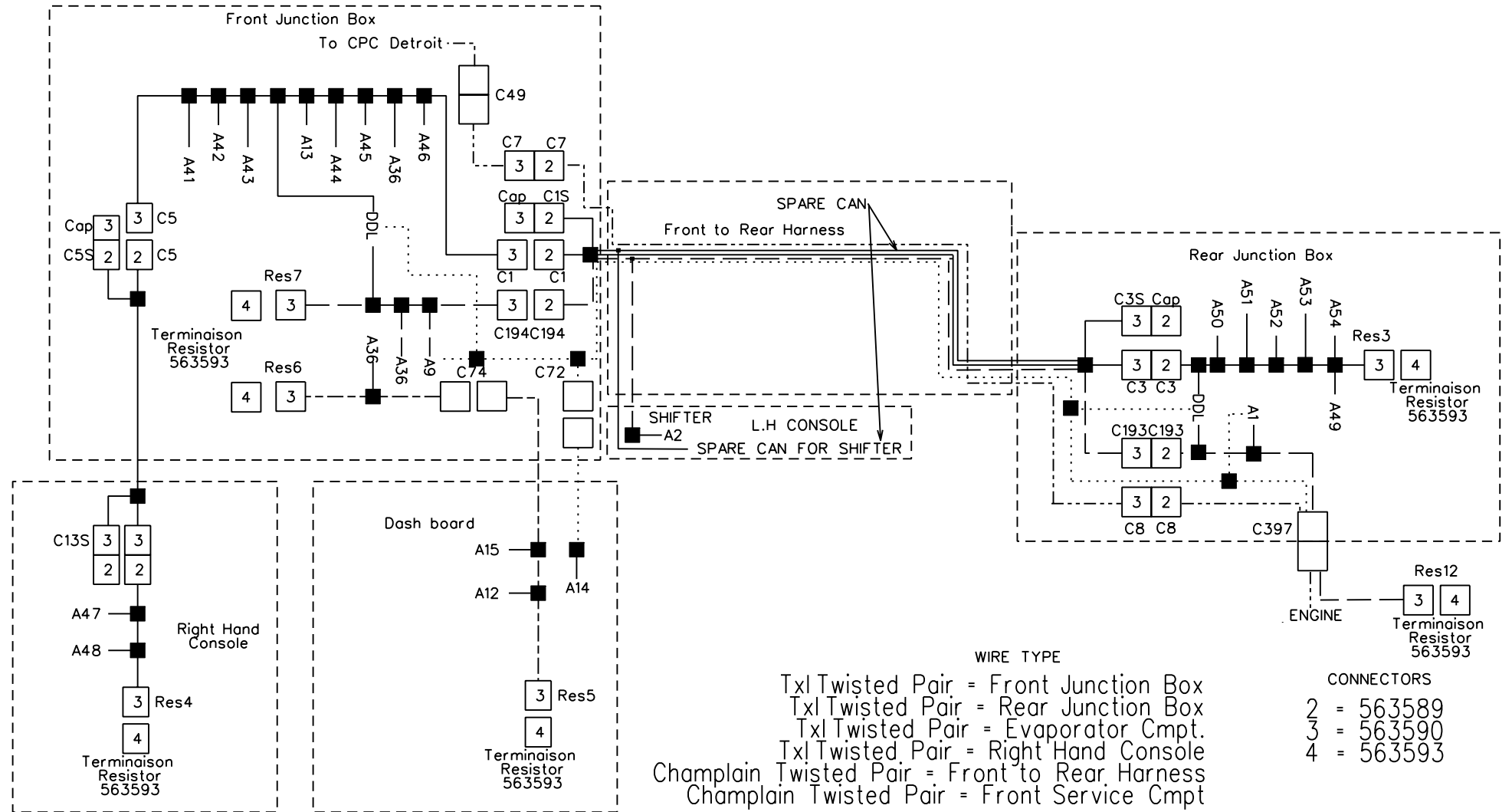
J1939 -----
 CAN -----

Champlain Twisted Pair = Front Service Cmpt
 Champlain Twisted Pair = Front to Rear Harness
 TxI Twisted Pair = Right Hand Console
 TxI Twisted Pair = Evaporator Cmpt.
 TxI Twisted Pair = Rear Junction Box
 TxI Twisted Pair = Front Junction Box

4 = 563593
 3 = 563590
 2 = 563589
 Res4 = 563593
 Res3 = 563593

NETWORKS LAYOUT

- I/O Modules ————— CAN
- Engine Transmission ——— J1939
- HVAC Instrument cluster Guages ——— DBUS
- ABS Engine J1587
- Detroit Engine CAN CPC to MCM ——— ENGINECAN



GLOSSARY

Abbreviation	Description	Abbreviation	Description
A	Electronic Module	T24VDF1	Terminal 24 Volt Direct Front #1
Alt	Alternator	T24VDR1	Terminal 24 Volt Direct Rear #1
Batt	Battery	T24VIF1	Terminal 24 Volt Ignition Front #1
C	Connector	T24VIR1	Terminal 24 Volt Ignition Rear #1
Can	Multiplex Network	Tab	Use for Spare wire
CB	Circuit Breaker	Term	Terminal
CECM	Multiplex Module Master	TGndF	Terminal Ground Front cmpt
Circuit ID	Circuit Number	TGndR	Terminal Ground Rear cmpt
Cond	Condensor	TTLT	TellTale Lights Module
D	Diode	VECF#	Veh. Electrical Center Front cmpt Conn number
Evap	Evaporator	VECR#	Veh. Electrical Center Rear cmpt Conn number
F	Fuse		
Fr	Front		
Hvac	Heat and A/C Controller		
I/O A	Multiplex Module Low Power		
I/O B	Multiplex Module High Power		
J1587	Drive Train Information Network		
J1939	Drive Train Control Network		
L	Lamp or Load		
Master ID	Multiplex Module Downloader		
Mo	Motor		
Pot	Potentiometer		
R	Relay		
Res	Resistor		
Rly	Relay		
Rr	Rear		
Se	Sensor		
So	Solenoid		
Spk	Speaker		
Sw	Switch		
T12VDF1	Terminal 12 Volt Direct Front #1		
T12VDR1	Terminal 12 Volt Direct Rear #1		
T12VIF1	Terminal 12 Volt Ignition Front #1		
T12VIR1	Terminal 12 Volt Ignition Rear #1		

CIRCUITNUMBERLISTING

CircuitID	Description	CircuitID	Description	CircuitID	Description
0	WCLRemoteCtrl	0Lav1	GndDirectLights	12H	Dest_Sign
2	DoorUnlockSig	0Lav2	PRackChassisGnd	12MEM	SOUND_SYSTEM
2B	CondensorLow	0Lav4	GndAisleLampsLH	12SS	12VISoundSystem
3	DoorLatchSig	0PR1	EntranceCeilingLtGnd	12SS1	SOUND_SYSTEM
4A	HostessChimeSig	0PR2	Gnd_Fr_Clearance_Lts	12SS2	SOUND_SYSTEM
4C	HostessChimeSig	0PR3	UpperDefrosterGnd	12VA	12vEqualizer
4c	wcl_extra_switch	0R	GndPrimePump	12VD	12VD_Battery
5	EmergandAisleLampsPwr	0RA2	GndR1-R3	12VD1	12VDFrontWake-up
5A	UpperDefrostfan	0RA3	GndR1-R3	12VD3	12vRearwake-up
5B	UpperDefrostfan	0RB1	RJB_Chassis_GND	12VD4	12vDDDR
5C	UpperDefrostfan	0RB3	gnd	12VDCust	12VDCustomer
6	GndWitnessSw24	0RB4	AirdryerGnd	12VDF	12VDtoFrontVec
7	GndDriverSensor	0RB5		12VI	12VIttoCB10
8	GndParkBrakeSol	0RB6	RJB_Chassis_Gnd	12VI1	12VlofA44
9	EngCmpt.LtsSwitch	0RC2	GndDriverCylinder	12VI2	MirrorPwr
9A	EngineDoorOpenSig	0RC3	GndR23	12VI3	PwrOutletDrawer
9B	EngineCmpt.Lt	0RC4	GndEntranceLights	12VI4	PwrOutletandCigarLighter
0A	Evap.Gnd	0SA1	GndAlternator	12VI5	12VIttoVECR
00A	GndElectronic	0SA2	GndAlternator	12VI6	PwrtoModuleA50
0B	EngineChassisGnd	0SS	SOUND_SYSTEM	12VI7	Lugg_Door_Lock
00B	ElectronicGndofMuxModules	0SS1	SOUND_SYSTEM	12VI8	Lugg_Door_Lock
0C	GndStarter	0SS2	SOUND_SYSTEM	12VI10	24VICustomer
0CD	SOUND_SYSTEM	0SS3	SOUND_SYSTEM	12VICust	12VICustomer
0CE		0SS4	SOUND_SYSTEM	12VIF	12VIttoFrontVec
0CG	Batteries_Chassis_Gnd	0V	LuggageDoorOpenSig	12VISS1	SOUND_SYSTEM
0EV1	CondensorGnd	0VE	GndEqualizer	12VISS2	SOUND_SYSTEM
0EV2	GndFlashersandMarkersCenter	0W	WCLGnd	12VISS3	SOUND_SYSTEM
0EV3	Evap_Cmpt_Gnd	0WC	WCLGnd	12VISS4	SOUND_SYSTEM
0EV6	PRackChassisGnd	0Y	GndChassistoABSModule	12VISS5	
0F	FJBDDoorOpenSig	0lav	wclextraswitch	12VIZF	ZFsterringControl
0FA1	GndofAccessoires	10	LuggageCmpt.LtsPwr	12W	DoorUnlockSol
0FA3	GndShifter	10A	LuggageCmpt.LtsPwr	12WA	DoorFullOpenSig
0FA4	GndPwrOutlet	10R	LuggageDoorOpenSig	12WUp1	12VWUptoA48
0FB1	GndMirrors	11	DestinationSignPwr	12Wup1	12WUpFront
0FB2	GndSw28	12	G12_To_G24	12Wup2	12WUptoDash
0FB3	GndMasterID	12A	12VDtoR3	12WUp5	PwrtoModuleA51
0FC1	Lugg_Door_Gnd	12B	12VD_Battery	13	SignalToPre-heatrelay
0FC4	ElectricalHorn	12CD	SOUND_SYSTEM	14A	FlushingPumpSig
0G	Refrigerator_Option	12DZ	ZFTransmission	15A	
0Lav	LavatoryGnd	12F	12VDto12PostRJB	16	

CIRCUITNUMBERLISTING

CircuitID	Description	CircuitID	Description	CircuitID	Description
18	Wip.WasherLevel	24VI	24VI	39	DriverLtSwSig
20	Airdryer	24VI1	24VItoRearVec	39D	DriverLt
21	FlasherLHSig	24VI2	24VItoSw1	40	WitnessGnd
21A	FrontFlasher	24VI4	SunVisorsPwr	41	24VCondensor
21AA	FlashersRearLH	24VI5	24VlofMuxmodules	41A	CondensorPwr
21B	CorneringLtsLH	24VI6	PwrtoDefrostUnit	41A1	CondensorFan
21C	ClearanceLts	24VI7	LowerWiperPwr	41B	CondensorPwr
21D	ClearanceLts	24VI8	24VItoMux	41Pwm	CondensorLow
22	HazardSwSig	24VI9	TrailerLlghtsPackage	42A	CondensorPwr
23	FlasherRHSig	24VI10	24VI	42B	CondensorPwr
23A	FrontFlasherRH	24VI12	HatRackLampsPwr	43	WCL
23AA	FrontFlasherRHSide	24VIA	Cut-outPneumaticAcc	43F	WitnessGndSw27
23B	CorneringLtsRH	24VICust	24VICustomer	43G	Parcel_Rack_Vent
23C	ClearanceLts	24VIF	24VItoFrontVEC	44	P-RackLHFan
23D	ClearanceLts	24WC	WCL24VIPower	45	UpperFanSig
24A	Booster_Block	24WL	WCLPowerFeed	45A	PassengerHeatSig
24CO	PwrtoExcitationResistor	24WUp1	24WUp_To_A47_A48	46	FrontFlasherRh
24D	24DtoCB6	24Wup1	For_Master_ID	46A	FrontMarkers
24DZ	ZFTtransmission	25	EngineRunSignal	47	DoorOpenSignal
2.40E+02	24VItoCB1	25A1	ExcitationSignal	47A	DoorOpenSignal
2.40E+03	24VItoCB1	25A2	ExcitationSignal	48A	DoorOpenSol
24IZ	ZFTtransmission	26	DriverWdoPwr	49	DoorCloseSignal
24SS	24VISoundSystem	26A	DriverWdo	49A	DoorCloseSol
24SS1	SOUND_SYSTEM	26B	DriverWdo	50	WitnessGndSig
24SS2	SOUND_SYSTEM	26C	DriverWdo	51	WitnessGnd
24SS11	SOUND_SYSTEM	27A	EmergencySwSig	52A	ElectricalHorn
24SS12	SOUND_SYSTEM	28	AudibleRlySig	52B	PneumaticHorn
24SS13	SOUND_SYSTEM	31	UnloaderRH	53	LowerWip1stSpd
24SS21	SOUND_SYSTEM	31B	WiperParkPwr	53B	LowerWip2ndSpd
24SS22	SOUND_SYSTEM	32A	TrailerLlghtsPackage	53C	LowerWip.IntSig
24VA	24vEquilizer	32D		53D	Washer_ctrl
24VD	24VD_Battery	33	UnloaderLH	53E	LowerWiper1stSpd
24VD1	24VDtoRearVec	34	ParkBrakeReleaseSignal	53F	LowerWasherPump
24VD2	24VDtoRearVec	35	EntranceDoorLlghts	53G	LowerWip1stSpd
24VD3	24VDofCECM	36	EngineBrake	53H	LowerWiper
24VD4	24VDFrontWake-up	38	DirectLlghts	54	TestSwitch
24VD5	24VDtoPre-Heat	38A	DirectLlghts	55	Lugg_Door_Lock_Signal
24VD6	24VDPre-Heat	38AA	DirectLlghtsRHRicon	57A	WaterPump
24VD7	PassandPRackPwr	38BB	DirectLlghtsLH	57G	Pre-HeatWebasto
24VDCust	24VDCustomer	38C	DirectLightSwSig	57GA	Pre-HeattoWtrPmpRly

CIRCUITNUMBERLISTING

CircuitID	Description	CircuitID	Description	CircuitID	Description
57H	Pre-HeattoWtrPmpRly	72D	SunVisorRHSig	85X	24VIgn
57L	Hi-Beam	72E	SunVisorRHSig	85Y	ABSTTLT
57R	HighBeamRH	72F	SunVisorSignal	85Z	AbsTrailerWarningSignal
57Rtn	SignalRtnHeadLtsLH	73	wclextraswitch	86	DefrostunitSpd
58L	LowBeam	73A	RearOccupiedSig	86Rtn	GndDefrostUnit
58R	LowBeamRH	74	ReadingLampSig	87	TrailerParkBrakeSig
58Rtn	SignalRtnHeadLtsRH	74A	wcl_extra_switch	88	TransducerPwr
59	Hi/LowBeamSignal	74B	ReadingLampsLH	89	DriverSensorSig
60	FogsLtsSwSig	74C	ReadingLamp	90H	Evap_Rly_Power
61	HeadLtsSig	74D	ReadingLamps	90H1	EvaporatorMain
62B	LavatoryLts	75	wcl_extra_switch	91	ParkBrakeSig
63	ClearanceLts	75A	ReadingLampsLH	91B	WitnessSigSw14
63A	FrontClearanceLts	76	FuelLevelSig	92	TrailerParkBrakeSig
63B	ClearanceLts	76C	FuelLowLevelSig	95	DockingLTSwSig
63C	CtrlHeadBacklight	76P	PrimePumpSig	96	CorneringLTSwSig
64	EmergencyLampsSig	77	TransducerHi-Side	97	E-RidePwr
64A	Blinker	77B	PassandPRackLiquidValve	99	Sw20Gnd
65	FootDamper	77BA	A/CClutch	00A1	GndElectronic
65A	FootDamper	77C	PassandPRackLiquidValve	00B1	GndEng.Start
65D	DriverCylinder	78	StopLightSensorSig	0V2	LuggageDoorOpenSig
65P	Pass.Cylinder	78BA		0V3	LuggageDoorOpenSig
66	MarkersSigSw2	79	DecelSignal	0Y2	GndChassisABSSol
67	EvaporatorPwr	80	StopLightSensorSig	0Y3	GndSignal
67A	Condensor1stSpdSig	81	HeadLtCallSw1	0Z0	ZFTtransmission
68	DashDamper	82A	CyclopeSignal	0Z1	ZFTtransmission
68A	DashDamper	82Low	StopRearLowerLamp	0Z2	ZFTtransmission
69	ElectricalHorn	82Up	TrailerLghtsPackage	100	IndirectLight
70A	HatRackLighting	83	24vAccessories	100A	IndirectLight
70B	HatRackLighting	84	StartSigSw83	100B	IndirectLightLH
70C	HatRackLighting	84A	StartSigSw83	100C	IndirectLightsSig
70D	HatRackLighting	84B	StartSigSw83	100D	IndirectLightPwr
70E	GndHatRackLamps	85	24VIgnition	101	R1toStarter
70F	GndHatRackLamps	85A	Ign-AccSignal	102	Transmission
70G	GndHatRackLamps	85B	Wake-upSig	102A	Alternator
70H	GndHatRackLamps	85BB		103	LowBuoySig
70J	GndHatRackLamps	85C	PositionNormalSw58	104	Transmission
71A	DockingLtsLH	85D	RearStartPwr	105	FogLtsLH
72A	DockingLtsRH	85E	RearStartSignal	106	FogLtsRH
72B	SunVisorRHSig	85F	EgnineStartPwrSw58	107	Transmission
72C	SunVisorSignal	85G	Ign-AccSignal	110	Transmission

CIRCUITNUMBERLISTING

CircuitID	Description	CircuitID	Description	CircuitID	Description
111	Transmission	136A	TransmissionPwr	155Z	WCLSignal
113Z	NeutralSigal	136AA	ShifterSignal	156A	12VtoABS
114	BacklightPwr	137	ServiceBrakeSig	157B	ABSActive
114A	Backlight	137A	MirrorPwrSig	157C	ABSActive
114AA	ClusterKeyPadBacklight	137B	Mirrors	157D	ATCTTLT
115	CoolantLevelSignal	137C	Mirrors	159	Transmission
115A	WitnessPwr	137D	Mirrors	160	TagSignal
115W	ZFTransmission	137E	Mirrors	162	Transmission
116	DriverLiq	137F	Mirrors	163	RetarderSig
116A	DriverLiq	137H	Mirrors	164	HandLevelSig
119	Eng.BrakeLow	137J	Mirrors	165	Transmission
120	Transmission	137K	Mirrors	166	WitnessSigSw16
121	Transmission	137L	Mirrors	167	Aux.A/CLowPressSig
122	DigitalClock	137M	Mirrors	168	Aux.A/CHighPressSig
123	FireAlarm	138	Transmission	170	ShifterSignal
124	Transmission	138A	ABSSensor	170A	Lugg_Door_Lock
124A	ShifterSignal	139	Transmission	170B	Lugg_Door_Lock
125	RetarderInd	140	Transmission	170D	Lugg_Door_Lock
126A	KneelingUpSwSig	141	Transmission	170E	Lugg_Door_Lock
126B	KneelingDownSwSig	142	ABSSolenoid	170F	Lugg_Door_Lock
126C	ProximitySwSig	143	ABSSensor	170G	Lugg_Door_Lock
126D	ProximitySwPwr	143A	ShifterSignal	170H	Lugg_Door_Lock_Signal
126E	Kneeling15PsiPress.Sw.	144	ABSSensor	170L	LuggageLock_UnlockSig
126F	KneelingDownSol	144A	ABSSensor	170M	LuggageLock_UnlockSig
126G	KneelingUpSol	145	ABSSolenoid	170N	LuggageLock_UnlockSig
126H	KneelingCtrl.Sol	146	ABSSolenoid	170P	LuggageLock_UnlockSig
126J	KneelingHi-BuoySol	146A	TransmissionIgn	170R	LuggageLock_UnlockSig
126JR	GndKneeling	147	EtherSignal	170S	ElectronicGnd
126P	KneelingBuzzer	147A	EtherSolenoid	170T	LuggageLock_UnlockSig
127	Transmission	148	Transmission	170V	LuggageLock_UnlockSig
127D	ChargerRlyGndSig	149	Transmission	170W	LuggageLock_UnlockSig
128	Transmission	149A	ABSSensor	170X	LuggageLock_UnlockSig
128B	Pre-HeatTTLT	150	Transmission	170Y	Lugg_Door_Lock
129	Transmission	151	GndtoEcm	170Z	Lugg_Door_Lock
130	Transmission	151A	GndToEcm	171	LuggageUnlockSwSig
131	Transmission	151B	GndToEcm	172	ShifterSignal
133	Transmission	151C	GndToEcm	173	ShifterSignal
135	Transmission	152	Transmission	174	ShifterSignal
135A	HandLevelSig	154	Transmission	175	Transmission
136	Transmission	155	WCLSignal	175A	ShifterSignal

CIRCUITNUMBERLISTING

CircuitID	Description	CircuitID	Description	CircuitID	Description
176	ShifterSignal	314	WCL_Se62	910	L_SPEAKER_HARNESS
177	Transmission	352	SigtoFireExtin.Sys	911	EmergencyCutoutRlySignal
180	Transmission	417	ThrottlePositionSignal	916	5VSensorPwr
180A	ShifterSignal	419	CheckEng.TTLLT	917	ZFTransmission
181	OutsideSensorSig	439	IgnitiontoEcm	918	ZFTransmission
188	AutomaticTagUnload	509	StopEng.TTLLT	919	ZFTransmission
195	Transmission	510	FastIdleSignal	930	ZFTransmission
197	FuelFilterSig	510A	FastIdleSignal	932	ZFTransmission
201	headlampwashersignal	524	EngBraketoEcm	952	GndSensorRtn
202	Headlampwasherpump	524B	IdleValidationSig	953	Gnd_ECM
214	Reverse	528	OverrideSignal	979	EngineBrakeLowSig
225	LavatoryFan	541	CruiseSetSig	979A	EngineBrakeLowSig
231	Neutral	542	ParkBrakeSig	ANT	SOUND_SYSTEM
231A	StarterRelay	544	CruiseEnableSig	AUX1	SOUND_SYSTEM
231B	StarterRelay	544A		Aux1_Gnd	SOUND_SYSTEM
240	PowertoEcm	545	CruiseResumeSig	Aux1_L+	SOUND_SYSTEM
240A	PowertoEcm	555	FanClutchSignal	Aux1_R+	SOUND_SYSTEM
240B	PowertoEcm	556	SpeedSignal	AUX2	SOUND_SYSTEM
241	PowertoEcm	563	FanClutchSignal	Aux2_Gnd	SOUND_SYSTEM
241A	PowertoEcm	564	StarterLockout	Aux2_L+	SOUND_SYSTEM
241B	PowertoEcm	564B	OutZFDecelSig	Aux_R+	SOUND_SYSTEM
254	Frigo	565	Eng.BrakeActive	B1A	DirectLighting
260	escape_Hatch_sensor	583	EngineBrakeHiSig	B1B	DirectLighting
290	GndFanClutch	700	ZFTransmission	B2A	DirectLighting
291	FanClutch	701	ZFTransmission	B2B	DirectLighting
292	FanClutch	705	ZFTransmission	B3A	DirectLighting
293	FanClutchSwSig	706	ZFTransmission	B3B	DirectLighting
300	WCLTopLightSliding	707	ZFTransmission	B4A	DirectLighting
301	WheelChairLiftSwitch	717	ZFTransmission	B4B	DirectLighting
302	WCLRicon	719	ZFTransmission	B5A	DirectLighting
303	WCL	723	ZFTransmission	B5B	DirectLighting
304	WheelChairLift	740	ZFTransmission	B6A	DirectLighting
305	ParkBrakeSol	761	ZFTransmission	B6B	DirectLighting
305A	WCLUpperDoorSignal	770	ZFTransmission	B7A	DirectLighting
306	WCLTopLights	900	J1587L	B7B	DirectLighting
307	WCL	901	J1587+	Black	
308	WCL	902	ZFTransmission	BLK1	SOUND_SYSTEM
309	WCL	905	TCISensorSig	BLK2	SOUND_SYSTEM
311	WCL	906	ZFTransmission	Bref1	PassengerSensor
313	WCL	907	ZFTransmission	CAM2	SOUND_SYSTEM

CIRCUITNUMBERLISTING

CircuitID	Description	CircuitID	Description	CircuitID	Description
CanH	CanHSignal	GndA	ComputerSignals	N10	A45Address
CanH1	SparesFr-to-RearHarness	Green		N11	A46Address
CanH2	SpareCan	GRN1	SOUND_SYSTEM	N12	A46Address
CanHERide		GRN2	SOUND_SYSTEM	N13	A47Address
CanL	CanLSignal	H1_L+	SOUND_SYSTEM	N14	A47Address
CanL1	SparesFr-to-RearHarness	H1_L-	SOUND_SYSTEM	N15	A48Address
CanL2	SpareCan	H1_R+	SOUND_SYSTEM	N16	A48Address
CanL_ERide		H1_R-	SOUND_SYSTEM	N17	A49Address
Cd	ComputerSignals	H2_L+	SOUND_SYSTEM	N18	A49Address
Cd1	ComputerSignals	H2_L-	SOUND_SYSTEM	N19	A50Address
Cd1_Gnd	SOUND_SYSTEM	H2_R+	SOUND_SYSTEM	N20	A50Address
Cd1_L+	SOUND_SYSTEM	H2_R-	SOUND_SYSTEM	N21	A51Address
Cd1_R+	SOUND_SYSTEM	HOSTESS	SOUND_SYSTEM	N22	A51Address
Cd2_Gnd	SOUND_SYSTEM	IPJ1	Cluster	N23	A52Address
Cd2_L+	SOUND_SYSTEM	IPJ2	Cluster	N24	A52Address
Cd2_R+	SOUND_SYSTEM	IPJ5	Cluster	N25	A53Address
CD3_Gnd	SOUND_SYSTEM	IPJ6	Cluster	N26	A53Address
CD3_L+	SOUND_SYSTEM	IPJ7	Cluster	N27	A54Address
CD3_R+	SOUND_SYSTEM	IPJ8	Cluster	N28	A54Address
Chgr	Battery_Charger_Gnd	J1939H	J1939Signals	N29	A36Address
Chgr_C	SOUND_SYSTEM	J1939L	J1939Signals	OP2	Inverter_Gnd
Chgr_L	SOUND_SYSTEM	LF+	PSRCEL_RACK_SOUND_HARNESS	ORA2	
Chgr_R	SOUND_SYSTEM	LF-	SOUND_SYSTEM	PP1	for_inverter
Cts	ComputerSignals	LR+	PSRCEL_RACK_SOUND_HARNESS	PV1	for_inverter
DATA	SOUND_SYSTEM	LR-	SOUND_SYSTEM	R1A	DirectLighting
DBusH	DBusSignal	LX5	ClusterKeyPad	R1B	DirectLighting
DBusL	DBusSignal	LX6	ClusterKeyPad	R2A	DirectLighting
DSL+++	DRIVER_SPEAKERS	LX7	ClusterKeyPad	R2B	DirectLighting
DSL---	DRIVER_SPEAKERS	LX16	ClusterKeyPad	RED	jack_3_5mm
DSR+++	DRIVER_SPEAKERS	LX21	ClusterKeyPad	RED1	SOUND_SYSTEM
DSR---	DRIVER_SPEAKERS	L_DRIVER	SOUND_SYSTEM	RED2	SOUND_SYSTEM
DVD1_Gnd	Sound_System	N1	A41Address	Ref1	GndPassengerSensor
DVD1_L+	Sound_System	N2	A41Address	RF+	SOUND_SYSTEM
DVD1_R+	Sound_System	N3	A42Address	RF-	SOUND_SYSTEM
Dvd2_Gnd	SOUND_SYSTEM	N4	A42Address	RR+	DISTRIBUTION_SOUND_HARNES
Dvd2_L+	SOUND_SYSTEM	N5	A43Address	RR-	SOUND_SYSTEM
Dvd2_R+	SOUND_SYSTEM	N6	A43Address	RT	ZFTtransmission
E3	Inv_MastrerrelayToBreaker	N7	A44Address	Rts	ComputerSignals
FAKE	L_SPEAKER_HARNESS	N8	A44Address	RTV	SOUND_SYSTEM
FAKE1	R_SPEAKER_HARNESS	N9	A45Address	R_DRIVER	SOUND_SYSTEM

CIRCUITNUMBERLISTING

CircuitID	Description	CircuitID	Description	CircuitID	Description
RxD	ComputerSignals	spare23	SparesClearanceLts	spare64	Spare_Transmission
SHD1	SOUND_SYSTEM	spare24	SparesClearanceLts	spare65	Spare_Transmission
SHD2	SOUND_SYSTEM	spare25	SparesClearanceLts	spare66	spare
SHIELD	jack_3_5mm	spare26	SparesFrontHarness	spare67	spare
Shield		spare27	SparesFrontHarness	spare68	SPARE_SOUND_SYST
SHLD	SOUND_SYSTEM	spare28	SparesFrontHarness	spare70	spare
SL13	L_SPEAKER_HARNESS	spare29	SparesFrontHarness	spare71	spare
SL24	L_SPEAKER_HARNESS	spare30	SparesFrontHarness	spare72	spare
SL35	L_SPEAKER_HARNESS	spare31	SparesFrontHarness	spare73	spare
SL46	L_SPEAKER_HARNESS	spare32	SparesFrontHarness	spare74	spare
SL57	L_SPEAKER_HARNESS	spare33	SparesFrontHarness	spare75	spare
SL68	L_SPEAKER_HARNESS	spare34	SparesFrontHarness	spare76	spare
SL1012	L_SPEAKER_HARNESS	spare35	SparesFrontHarness	spare77	spare
SL1113	L_SPEAKER_HARNESS	spare36	SparesFrontHarness	spare78	spare
SL1214	L_SPEAKER_HARNESS	spare37	SparesFrontHarness	spWcl1	SpareWCL
SL1315	L_SPEAKER_HARNESS	spare38	SparesFrontHarness	spWcl2	SpareWCL
SL1416	L_SPEAKER_HARNESS	spare39	SparesDash	SR13	FR_SPEAKER_HARNESS_
sp52		spare40	SparesDash	SR24	FR_SPEAKER_HARNESS_
SpareLock_UnlockHarn	SpareLock_UnlockHarn	spare41	SparesDash	SR35	FR_SPEAKER_HARNESS_
spare1	SpareLock_UnlockHarn	spare42	SparesDash	SR46	FR_SPEAKER_HARNESS_
spare2	SpareLock_UnlockHarn	spare43	SparesDash	SR57	FR_SPEAKER_HARNESS_
spare4	SparesEvap.Harness	spare44	SparesDash	SR68	FR_SPEAKER_HARNESS_
spare5	SparesEvap.Harness	spare45	SpareEvapCmpt.	SR911	R_SPEAKER_HARNESS_WCL
spare6	SparesCondHarness	spare46	SpareEvapCmpt.	SR1012	R_SPEAKER_HARNESS_WCL
spare7	SparesCondHarness	spare47	SpareEvapCmpt.	SR1113	R_SPEAKER_HARNESS_WCL
spare8	SparesEvap.Harness	spare49	SparesEngineCradle	SR1214	R_SPEAKER_HARNESS_WCL
spare9	SparesEvap.Harness	spare50	SparesEngineCradle	SR1315	R_SPEAKER_HARNESS_WCL
spare10	SparesInteriorLtsHarness	spare51	SparesEngineCradle	SR1416	R_SPEAKER_HARNESS_WCL
spare11	SparesInteriorLtsHarness	spare52	SparesEngineCradle	Sub1+	SUBWOOFER_HARNESS
spare12	SparesInteriorHarness	spare53	SparesEngineCradle	Sub1-	SUBWOOFER_HARNESS
spare13	SparesInteriorHarness	spare54	SparesEngineCradle	Sub2+	SUBWOOFER_HARNESS
spare14	SparesInteriorHarness	spare55	SparesEnginesAccessories	Sub2-	SUBWOOFER_HARNESS
spare15	SparesInteriorHarness	spare56	SparesEnginesAccessories	SW	ZFTransmission
spare16	SparesInteriorHarness	spare57	SparesEnginesAccessories	TRIG1	SOUND_SYSTEM
spare17	SparesFr-to-RearHarness	spare58	SparesEnginesAccessories	TRIG2	SOUND_SYSTEM
spare18	SparesFr-to-RearHarness	spare59	SparesEnginesAccessories	TRIG3	SOUND_SYSTEM
spare19	SparesFr-to-RearHarness	spare60	SparesEnginesAccessories	TRIG4	SOUND_SYSTEM
spare20	SparesClearanceLts	spare61	SparesEnginesAccessories	TRIG5	SOUND_SYSTEM
spare21	SparesClearanceLts	spare62	spareABSHarness	TxD	ComputerSignals
spare22	SparesClearanceLts	spare63	spareABSHarness	VHSRL+	Sound_System

CIRCUITNUMBERLISTING

CircuitID	Description	CircuitID	Description	CircuitID	Description
VHS_Gnd	Sound_System	WHT1	SOUND_SYSTEM	Y4B	DirectLighting
VHS_RL+	Sound_System	WHT2	SOUND_SYSTEM	Y5A	DirectLighting
WC2	WCLRemoteCtrl	Y1A		Y5B	DirectLighting
WC3	WCLRemoteCtrl	Y1B		Y6A	DirectLighting
WC4	WCLRemoteCtrl	Y2A		Y6B	DirectLighting
WC6	WCLRemoteCtrl	Y2B		Y7A	DirectLighting
WC7		Y3A	DirectLighting	Y7B	DirectLighting
WHITE	jack_3_5mm	Y3B	DirectLighting		
White		Y4A	DirectLighting		

CIRCUITS LIST

CircuitID	Description	CircuitID	Description	CircuitID	Description
0	WCLRemoteCtrl	0Lav	LavatoryGnd	12F	12VDto12PostRJB
2	DoorUnlockSig	0Lav1	GndDirectLights	12H	Dest_Sign
2B	CondensorLow	0Lav2	PRackChassisGnd	12MEM	SOUND_SYSTEM
3	DoorLatchSig	0Lav4	GndAisleLampsLH	12SS	12VISoundSystem
4A	HostessChimeSig	0PR1	EntranceCeilingLtGnd	12SS1	
4C	HostessChimeSig	0PR2	Gnd_Fr_Clearance_Lts	12SS2	SOUND_SYSTEM
4c	wcl_extra_switch	0PR3	UpperDefrosterGnd	12VA	12vEqualizer
5	EmergandAisleLampsPwr	0R	GndPrimePump	12VD	12VD_Battery
5A	UpperDefrostfan	0RA2	GndR1-R3	12VD1	12VDFrontWake-up
5B	UpperDefrostfan	0RA3	GndR1-R3	12VD3	12vRearwake-up
5C	UpperDefrostfan	0RB1	RJB_Chassis_GND	12VD4	12vDDDR
6	GndWitnessSw24	0RB3	gnd	12VDCust	12VDCustomer
7	GndDriverSensor	0RB4	AirdryerGnd	12VDF	12VDtoFrontVec
8	GndParkBrakeSol	0RB5		12VI	12VltoCB10
9	EngCmpt.LtsSwitch	0RB6	RJB_Chassis_Gnd	12VI1	12VltoA44
9A	EngineDoorOpenSig	0RC2	GndDriverCylinder	12VI2	MirrorPwr
9B	EngineCmpt.Lt	0RC3	GndR23	12VI3	PwrOutletDrawer
9H		0RC4	GndEntranceLights	12VI4	PwrOutletandCigarLighter
0A	Evap.Gnd	0SA1	GndAlternator	12VI5	12VltoVECR
00A	GndElectronic	0SA2	GndAlternator	12VI6	PwrtoModuleA50
0B	EngineChassisGnd	0SS	SOUND_SYSTEM	12VI7	Lugg_Door_Lock
00B	ElectronicGndofMuxModules	0SS1	SOUND_SYSTEM	12VI8	Lugg_Door_Lock
0C	GndStarter	0SS2		12VI10	24VICustomer
0CD	SOUND_SYSTEM	0SS3	SOUND_SYSTEM	12VICust	12VICustomer
0CE		0SS4	SOUND_SYSTEM	12VIF	12VltoFrontVec
0CG	Batteries_Chassis_Gnd	0V	LuggageDoorOpenSig	12VISS1	SOUND_SYSTEM
0EV1	CondensorGnd	0VE	GndEqualizer	12VISS2	SOUND_SYSTEM
0EV2	GndFlashersandMarkersCenter	0W	WCLGnd	12VISS3	SOUND_SYSTEM
0EV3	Evap_Cmpt_Gnd	0WC	WCLGnd	12VISS4	SOUND_SYSTEM
0EV6	PRackChassisGnd	0Y	GndChassistoABSModule	12VISS5	
0F	FJBDoorOpenSig	0lav	wclextraswitch	12VIZF	ZFsterringControl
0FA1	GndofAccessoires	10	LuggageCmpt.LtsPwr	12W	DoorUnlockSol
0FA3	GndShifter	10A	LuggageCmpt.LtsPwr	12WA	DoorFullOpenSig
0FA4	GndPwrOutlet	10R	LuggageDoorOpenSig	12WUp1	12VWUptoA48
0FB1	GndMirrors	11	DestinationSignPwr	12Wup1	12WUpFront
0FB2	GndSw28	12	G12_To_G24	12Wup2	12WUptoDash
0FB3	GndMasterID	12A	12VDtoR3	12WUp5	PwrtoModuleA51
0FC1	Lugg_Door_Gnd	12B	12VD_Battery	13	SignalToPre-heatrelay
0FC4	ElectricalHorn	12CD	SOUND_SYSTEM	14A	FlushingPumpSig
0G	Refrigerator_Option	12DZ	ZFTransmission	15A	

CIRCUITS LIST

CircuitID	Description	CircuitID	Description	CircuitID	Description
16		24VDCust	24VDCustomer	38C	DirectLightSwSig
18	Wip.WasherLevel	24VI	24VI	39	DriverLtSwSig
20	Airdryer	24VI1	24VItoRearVec	39D	DriverLt
21	FlasherLHSig	24VI2	24VItoSw1	40	WitnessGnd
21A	FrontFlasher	24VI4	SunVisorsPwr	41	24VCondensor
21AA	FlashersRearLH	24VI5	24VlofMuxmodules	41A	CondensorPwr
21B	CorneringLtsLH	24VI6	PwrtoDefrostUnit	41A1	CondensorFan
21C	ClearanceLts	24VI7	LowerWiperPwr	41B	CondensorPwr
21D	ClearanceLts	24VI8	24VItoMux	41Pwm	CondensorLow
22	HazardSwSig	24VI9	TrailerLlghtsPackage	42A	CondensorPwr
23	FlasherRHSig	24VI10	24VI	42B	CondensorPwr
23A	FrontFlasherRH	24VI12	HatRackLampsPwr	43	WCL
23AA	FrontFlasherRHSide	24VIA	Cut-outPneumaticAcc	43F	WitnessGndSw27
23B	CorneringLtsRH	24VICust	24VICustomer	43G	Parcel_Rack_Vent
23C	ClearanceLts	24VIF	24VItoFrontVEC	44	P-RackLHFan
23D	ClearanceLts	24WC	WCL24VIPower	45	UpperFanSig
24A	Booster_Block	24WL	WCLPowerFeed	45A	PassengerHeatSig
24CO	PwrtoExcitationResistor	24WUp1	24WUp_To_A47_A48	46	FrontFlasherRh
24D	24DtoCB6	24Wup1	For_Master_ID	46A	FrontMarkers
24DZ	ZFTransmission	25	EngineRunSignal	47	DoorOpenSignal
2.40E+02	24VItoCB1	25A1	ExcitationSignal	47A	DoorOpenSignal
2.40E+03	24VItoCB1	25A2	ExcitationSignal	48A	DoorOpenSol
24IZ	ZFTransmission	26	DriverWdoPwr	49	DoorCloseSignal
24SS	24VISoundSystem	26A	DriverWdo	49A	DoorCloseSol
24SS1	SOUND_SYSTEM	26B	DriverWdo	50	WitnessGndSig
24SS2	SOUND_SYSTEM	26C	DriverWdo	51	WitnessGnd
24SS11	SOUND_SYSTEM	27A	EmergencySwSig	52A	ElectricalHorn
24SS12	SOUND_SYSTEM	28	AudibleRlySig	52B	PneumaticHorn
24SS13	SOUND_SYSTEM	31	UnloaderRH	53	LowerWip1stSpd
24SS21	SOUND_SYSTEM	31B	WiperParkPwr	53B	LowerWip2ndSpd
24SS22	SOUND_SYSTEM	32A	TrailerLlghtsPackage	53C	LowerWip.IntSig
24VA	24vEquilizer	32D		53D	Washer_ctrl
24VD	24VD_Battery	33	UnloaderLH	53E	LowerWiper1stSpd
24VD1	24VDtoRearVec	34	ParkBrakeReleaseSignal	53F	LowerWasherPump
24VD2	24VDtoRearVec	35	EntranceDoorLights	53G	LowerWip1stSpd
24VD3	24VDofCECM	36	EngineBrake	53H	LowerWiper
24VD4	24VDFrontWake-up	38	DirectLights	54	TestSwitch
24VD5	24VDtoPre-Heat	38A	DirectLights	55	Lugg_Door_Lock_Signal
24VD6	24VDPre-Heat	38AA	DirectLightsRHRicon	57A	WaterPump
24VD7	PassandPRackPwr	38BB	DirectLightsLH	57G	Pre-HeatWebasto

CIRCUITS LIST

CircuitID	Description	CircuitID	Description	CircuitID	Description
57GA	Pre-HeattoWtrPmpRly	72C	SunVisorSignal	85G	Ign-AccSignal
57H	Pre-HeattoWtrPmpRly	72D	SunVisorRHSig	85X	24VIgn
57L	Hi-Beam	72E	SunVisorRHSig	85Y	ABSTTLT
57R	HighBeamRH	72F	SunVisorSignal	85Z	AbsTrailerWarningSignal
57Rtn	SignalRtnHeadLtsLH	73	wclextraswitch	86	DefrostunitSpd
58L	LowBeam	73A	RearOccupiedSig	86Rtn	GndDefrostUnit
58R	LowBeamRH	74	ReadingLampSig	87	TrailerParkBrakeSig
58Rtn	SignalRtnHeadLtsRH	74A	wcl_extra_switch	88	TransducerPwr
59	Hi/LowBeamSignal	74B	ReadingLampsLH	89	DriverSensorSig
60	FogsLtsSwSig	74C	ReadingLamp	90H	Evap_Rly_Power
61	HeadLtsSig	74D	ReadingLamps	90H1	EvaporatorMain
62B	LavatoryLts	75	wcl_extra_switch	91	
63	ClearanceLts	75A	ReadingLampsLH	91B	WitnessSigSw14
63A	FrontClearanceLts	76	FuelLevelSig	92	TrailerParkBrakeSig
63B	ClearanceLts	76C	FuelLowLevelSig	95	DockingLTSwSig
63C	CtrlHeadBacklight	76P	PrimePumpSig	96	CorneringLTSwSig
64	EmergencyLampsSig	77	TransducerHi-Side	97	E-RidePwr
64A	Blinker	77B	PassandPRackLiquidValve	99	Sw20Gnd
65	FootDamper	77BA	A/Cclutch	00A1	GndElectronic
65A	FootDamper	77C	PassandPRackLiquidValve	00B1	GndEng.Start
65D	DriverCylinder	78	StopLightSensorSig	0V2	LuggageDoorOpenSig
65P	Pass.Cylinder	78BA		0V3	LuggageDoorOpenSig
66	MarkersSigSw2	79	DecelSignal	0Y2	GndChassisABSSol
67	EvaporatorPwr	80	StopLightSensorSig	0Y3	GndSignal
67A	Condensor1stSpdSig	81	HeadLtCallSw1	0Z0	ZFTransmission
68	DashDamper	82A	CyclopeSignal	0Z1	ZFTransmission
68A	DashDamper	82Low	StopRearLowerLamp	0Z2	ZFTransmission
69	ElectricalHorn	82Up	TrailerLlghtsPackage	100	IndirectLight
70A	HatRackLighting	83	24vAccessories	100A	IndirectLight
70B	HatRackLighting	84	StartSigSw83	100B	IndirectLightLH
70C	HatRackLighting	84A	StartSigSw83	100C	IndirectLightsSig
70D	HatRackLighting	84B	StartSigSw83	100D	IndirectLightPwr
70E	GndHatRackLamps	85	24VIgnition	101	R1toStarter
70F	GndHatRackLamps	85A	Ign-AccSignal	102	Transmission
70G	GndHatRackLamps	85B	Wake-upSig	102A	Alternator
70H	GndHatRackLamps	85BB		103	LowBuoySig
70J	GndHatRackLamps	85C	PositionNormalSw58	104	Transmission
71A	DockingLtsLH	85D	RearStartPwr	105	FogLtsLH
72A	DockingLtsRH	85E	RearStartSignal	106	FogLtsRH
72B	SunVisorRHSig	85F	EgnineStartPwrSw58	107	Transmission

CIRCUITS LIST

CircuitID	Description	CircuitID	Description	CircuitID	Description
110	Transmission	136	Transmission	155	WCLSignal
111	Transmission	136A	TransmissionPwr	155Z	WCLSignal
113Z	NeutralSigal	136AA	ShifterSignal	156A	12V/ItoABS
114	BacklightPwr	137	ServiceBrakeSig	157B	ABSActive
114A	Backlight	137A	MirrorPwrSig	157C	ABSActive
114AA	ClusterKeyPadBacklight	137B	Mirrors	157D	ATCTTLT
115	CoolantLevelSignal	137C	Mirrors	159	Transmission
115A	WitnessPwr	137D	Mirrors	160	TagSignal
115W	ZFTransmission	137E	Mirrors	162	Transmission
116	DriverLiq	137F	Mirrors	163	RetarderSig
116A	DriverLiq	137H	Mirrors	164	HandLevelSig
119	Eng.BrakeLow	137J	Mirrors	165	Transmission
120	Transmission	137K	Mirrors	166	WitnessSigSw16
121	Transmission	137L	Mirrors	167	Aux.A/CLowPressSig
122	DigitalClock	137M	Mirrors	168	Aux.A/CHighPressSig
123	FireAlarm	138	Transmission	170	ShifterSignal
124	Transmission	138A	ABSSensor	170A	Lugg_Door_Lock
124A	ShifterSignal	139	Transmission	170B	Lugg_Door_Lock
125	RetarderInd	140	Transmission	170D	Lugg_Door_Lock
126A	KneelingUpSwSig	141	Transmission	170E	Lugg_Door_Lock
126B	KneelingDownSwSig	142	ABSSolenoid	170F	Lugg_Door_Lock
126C	ProximitySwSig	143	ABSSensor	170G	Lugg_Door_Lock
126D	ProximitySwPwr	143A	ShifterSignal	170H	Lugg_Door_Lock_Signal
126E	Kneeling15PsiPress.Sw.	144	ABSSensor	170L	LuggageLock_UnlockSig
126F	KneelingDownSol	144A	ABSSensor	170M	LuggageLock_UnlockSig
126G	KneelingUpSol	145	ABSSolenoid	170N	LuggageLock_UnlockSig
126H	KneelingCtrl.Sol	146	ABSSolenoid	170P	LuggageLock_UnlockSig
126J	KneelingHi-BuoySol	146A	TransmissionIgn	170R	LuggageLock_UnlockSig
126JR	GndKneeling	147	EtherSignal	170S	ElectronicGnd
126P	KneelingBuzzer	147A	EtherSolenoid	170T	LuggageLock_UnlockSig
127	Transmission	148	Transmission	170V	LuggageLock_UnlockSig
127D	ChargerRlyGndSig	149	Transmission	170W	LuggageLock_UnlockSig
128	Transmission	149A	ABSSensor	170X	LuggageLock_UnlockSig
128B	Pre-HeatTTLT	150	Transmission	170Y	Lugg_Door_Lock
129	Transmission	151	GndtoEcm	170Z	Lugg_Door_Lock
130	Transmission	151A	GndToEcm	171	LuggageUnlockSwSig
131	Transmission	151B	GndToEcm	172	ShifterSignal
133	Transmission	151C	GndToEcm	173	ShifterSignal
135	Transmission	152	Transmission	174	ShifterSignal
135A	HandLevelSig	154	Transmission	175	Transmission

CIRCUITS LIST

CircuitID	Description	CircuitID	Description	CircuitID	Description
175A	ShifterSignal	313	WCL	907	ZFTransmission
176	ShifterSignal	314	WCL_Se62	910	L_SPEAKER_HARNESS
177	Transmission	352	SigtoFireExtin.Sys	911	EmergencyCutoutRlySignal
180	Transmission	417	ThrottlePositionSignal	916	5VSensorPwr
180A	ShifterSignal	419	CheckEng.TTLT	917	ZFTransmission
181	OutsideSensorSig	439	IgnitiontoEcm	918	ZFTransmission
188	AutomaticTagUnload	509	StopEng.TTLT	919	ZFTransmission
195	Transmission	510	FastIdleSignal	930	ZFTransmission
197	FuelFilterSig	510A	FastIdleSignal	932	ZFTransmission
201	headlampwashersignal	524	EngBraketoEcm	952	GndSensorRtn
202	Headlampwasherpump	524B	IdleValidationSig	953	Gnd_ECM
214	Reverse	528	OverrideSignal	979	EngineBrakeLowSig
225	LavatoryFan	541	CruiseSetSig	979A	EngineBrakeLowSig
231	Neutral	542	ParkBrakeSig	ANT	
231A	StarterRelay	544	CruiseEnableSig	AUX1	SOUND_SYSTEM
231B	StarterRelay	544A		Aux1_Gnd	SOUND_SYSTEM
240	PowertoEcm	545	CruiseResumeSig	Aux1_L+	SOUND_SYSTEM
240A	PowertoEcm	555	FanClutchSignal	Aux1_R+	SOUND_SYSTEM
240B	PowertoEcm	556	SpeedSignal	AUX2	SOUND_SYSTEM
241	PowertoEcm	563	FanClutchSignal	Aux2_Gnd	SOUND_SYSTEM
241A	PowertoEcm	564	StarterLockout	Aux2_L+	SOUND_SYSTEM
241B	PowertoEcm	564B	OutZFDecelSig	Aux_R+	SOUND_SYSTEM
254	FriGo	565	Eng.BrakeActive	B1A	DirectLighting
260	escape_Hatch_sensor	583	EngineBrakeHiSig	B1B	DirectLighting
290	GndFanClutch	700	ZFTransmission	B2A	DirectLighting
291	FanClutch	701	ZFTransmission	B2B	DirectLighting
292	FanClutch	705	ZFTransmission	B3A	DirectLighting
293	FanClutchSwSig	706	ZFTransmission	B3B	DirectLighting
300	WCLTopLightSliding	707	ZFTransmission	B4A	DirectLighting
301	WheelChairLiftSwitch	717	ZFTransmission	B4B	DirectLighting
302	WCLRicon	719	ZFTransmission	B5A	DirectLighting
303	WCL	723	ZFTransmission	B5B	DirectLighting
304	WheelChairLift	740	ZFTransmission	B6A	DirectLighting
305	ParkBrakeSol	761	ZFTransmission	B6B	DirectLighting
305A	WCLUpperDoorSignal	770	ZFTransmission	B7A	DirectLighting
306	WCLTopLights	900	J1587L	B7B	DirectLighting
307	WCL	901	J1587+	Black	
308	WCL	902	ZFTransmission	BLK1	SOUND_SYSTEM
309	WCL	905	TCISensorSig	BLK2	SOUND_SYSTEM
311	WCL	906	ZFTransmission	Bref1	PassengerSensor

CIRCUITS LIST

CircuitID	Description	CircuitID	Description	CircuitID	Description
CAM2	SOUND_SYSTEM	FAKE	L_SPEAKER_HARNESS	N7	A44Address
CanH	CanHSignal	FAKE1	R_SPEAKER_HARNESS	N8	A44Address
CanH1	SparesFr-to-RearHarness	GndA	ComputerSignals	N9	A45Address
CanH2	SpareCan	Green		N10	A45Address
CanHERide		GRN1	SOUND_SYSTEM	N11	A46Address
CanL	CanLSignal	GRN2	SOUND_SYSTEM	N12	A46Address
CanL1	SparesFr-to-RearHarness	H1_L+	SOUND_SYSTEM	N13	A47Address
CanL2	SpareCan	H1_L-	SOUND_SYSTEM	N14	A47Address
CanL_ERide		H1_R+	SOUND_SYSTEM	N15	A48Address
Cd	ComputerSignals	H1_R-	SOUND_SYSTEM	N16	A48Address
Cd1	ComputerSignals	H2_L+	SOUND_SYSTEM	N17	A49Address
Cd1_Gnd	SOUND_SYSTEM	H2_L-	SOUND_SYSTEM	N18	A49Address
Cd1_L+	SOUND_SYSTEM	H2_R+	SOUND_SYSTEM	N19	A50Address
Cd1_R+	SOUND_SYSTEM	H2_R-	SOUND_SYSTEM	N20	A50Address
Cd2_Gnd	SOUND_SYSTEM	HOSTESS	SOUND_SYSTEM	N21	A51Address
Cd2_L+	SOUND_SYSTEM	IPJ1	Cluster	N22	A51Address
Cd2_R+	SOUND_SYSTEM	IPJ2	Cluster	N23	A52Address
CD3_Gnd	SOUND_SYSTEM	IPJ5	Cluster	N24	A52Address
CD3_L+	SOUND_SYSTEM	IPJ6	Cluster	N25	A53Address
CD3_R+	SOUND_SYSTEM	IPJ7	Cluster	N26	A53Address
Chgr	Battery_Charger_Gnd	IPJ8	Cluster	N27	A54Address
Chgr_C	SOUND_SYSTEM	J1939H	J1939Signals	N28	A54Address
Chgr_L	SOUND_SYSTEM	J1939L	J1939Signals	N29	A36Address
Chgr_R	SOUND_SYSTEM	LF+	PSRCEL_RACK_SOUND_HARNESS	NavSpk+++	
Cts	ComputerSignals	LF-	SOUND_SYSTEM	NavSpk---	
DATA	SOUND_SYSTEM	LR+	PSRCEL_RACK_SOUND_HARNESS	OP2	Inverter_Gnd
DBusH	DBusSignal	LR-	SOUND_SYSTEM	ORA2	
DBusL	DBusSignal	LX5	ClusterKeyPad	PP1	for_inverter
DRL+++		LX6	ClusterKeyPad	PV1	for_inverter
DSL+++	DRIVER_SPEAKERS	LX7	ClusterKeyPad	R1A	DirectLighting
DSL---		LX16	ClusterKeyPad	R1B	DirectLighting
DSR+++		LX21	ClusterKeyPad	R2A	DirectLighting
DSR---		L_DRIVER	SOUND_SYSTEM	R2B	DirectLighting
DVD1_Gnd	Sound_System	MUTE		RED	jack_3_5mm
DVD1_L+	Sound_System	N1	A41Address	RED1	SOUND_SYSTEM
DVD1_R+	Sound_System	N2	A41Address	RED2	SOUND_SYSTEM
Dvd2_Gnd	SOUND_SYSTEM	N3	A42Address	Ref1	GndPassengerSensor
Dvd2_L+	SOUND_SYSTEM	N4	A42Address	Rem1	
Dvd2_R+	SOUND_SYSTEM	N5	A43Address	Rem2	
E3	Inv_MastrelrelayToBreaker	N6	A43Address	Rem3	

CIRCUITS LIST

CircuitID	Description	CircuitID	Description	CircuitID	Description
RF+	SOUND_SYSTEM	spare15	SparesInteriorHarness	spare56	SparesEnginesAccessories
RF-	SOUND_SYSTEM	spare16	SparesInteriorHarness	spare57	SparesEnginesAccessories
RR+	DISTRIBUTION_SOUND_HARNESS	spare17	SparesFr-to-RearHarness	spare58	SparesEnginesAccessories
RR-	SOUND_SYSTEM	spare18	SparesFr-to-RearHarness	spare59	SparesEnginesAccessories
RT	ZFTtransmission	spare19	SparesFr-to-RearHarness	spare60	SparesEnginesAccessories
Rts	ComputerSignals	spare20	SparesClearanceLts	spare61	SparesEnginesAccessories
RTV	SOUND_SYSTEM	spare21	SparesClearanceLts	spare62	spareABSHarness
R_DRIVER	SOUND_SYSTEM	spare22	SparesClearanceLts	spare63	spareABSHarness
RxD	ComputerSignals	spare23	SparesClearanceLts	spare64	Spare_Transmission
SHD1	SOUND_SYSTEM	spare24	SparesClearanceLts	spare65	Spare_Transmission
SHD2	SOUND_SYSTEM	spare25	SparesClearanceLts	spare66	spare
SHIELD	jack_3_5mm	spare26	SparesFrontHarness	spare67	spare
Shield		spare27	SparesFrontHarness	spare68	SPARE_SOUND_SYST
SHLD	SOUND_SYSTEM	spare28	SparesFrontHarness	spare70	spare
SL13	L_SPEAKER_HARNESS	spare29	SparesFrontHarness	spare71	spare
SL24	L_SPEAKER_HARNESS	spare30	SparesFrontHarness	spare72	spare
SL35	L_SPEAKER_HARNESS	spare31	SparesFrontHarness	spare73	spare
SL46	L_SPEAKER_HARNESS	spare32	SparesFrontHarness	spare74	spare
SL57	L_SPEAKER_HARNESS	spare33	SparesFrontHarness	spare75	spare
SL68	L_SPEAKER_HARNESS	spare34	SparesFrontHarness	spare76	spare
SL1012	L_SPEAKER_HARNESS	spare35	SparesFrontHarness	spare77	spare
SL1113	L_SPEAKER_HARNESS	spare36	SparesFrontHarness	spare78	spare
SL1214	L_SPEAKER_HARNESS	spare37	SparesFrontHarness	spWcl1	SpareWCL
SL1315	L_SPEAKER_HARNESS	spare38	SparesFrontHarness	spWcl2	SpareWCL
SL1416	L_SPEAKER_HARNESS	spare39	SparesDash	SR13	FR_SPEAKER_HARNESS_
sp52		spare40	SparesDash	SR24	FR_SPEAKER_HARNESS_
SpareLock_UnlockHarn	SpareLock_UnlockHarn	spare41	SparesDash	SR35	FR_SPEAKER_HARNESS_
spare1	SpareLock_UnlockHarn	spare42	SparesDash	SR46	FR_SPEAKER_HARNESS_
spare2	SpareLock_UnlockHarn	spare43	SparesDash	SR57	FR_SPEAKER_HARNESS_
spare4	SparesEvap.Harness	spare44	SparesDash	SR68	FR_SPEAKER_HARNESS_
spare5	SparesEvap.Harness	spare45	SpareEvapCmpt.	SR911	R_SPEAKER_HARNESS_WCL
spare6	SparesCondHarness	spare46	SpareEvapCmpt.	SR1012	R_SPEAKER_HARNESS_WCL
spare7	SparesCondHarness	spare47	SpareEvapCmpt.	SR1113	R_SPEAKER_HARNESS_WCL
spare8	SparesEvap.Harness	spare49	SparesEngineCradle	SR1214	R_SPEAKER_HARNESS_WCL
spare9	SparesEvap.Harness	spare50	SparesEngineCradle	SR1315	R_SPEAKER_HARNESS_WCL
spare10	SparesInteriorLtsHarness	spare51	SparesEngineCradle	SR1416	R_SPEAKER_HARNESS_WCL
spare11	SparesInteriorLtsHarness	spare52	SparesEngineCradle	Sub1+	SUBWOOFER_HARNESS
spare12	SparesInteriorHarness	spare53	SparesEngineCradle	Sub1-	SUBWOOFER_HARNESS
spare13	SparesInteriorHarness	spare54	SparesEngineCradle	Sub2+	SUBWOOFER_HARNESS
spare14	SparesInteriorHarness	spare55	SparesEnginesAccessories	Sub2-	SUBWOOFER_HARNESS

CIRCUITS LIST

CircuitID	Description
SW	ZFTransmission
TRIG1	SOUND_SYSTEM
TRIG2	SOUND_SYSTEM
TRIG3	SOUND_SYSTEM
TRIG4	SOUND_SYSTEM
TRIG5	SOUND_SYSTEM
TxD	ComputerSignals
VHSRL+	Sound_System
VHS_Gnd	Sound_System
VHS_RL+	Sound_System
V_CAM+	
V_CAM-	
WC2	WCLRemoteCtrl
WC3	WCLRemoteCtrl
WC4	WCLRemoteCtrl
WC6	WCLRemoteCtrl
WC7	
WHITE	jack_3_5mm
White	
WHT1	SOUND_SYSTEM
WHT2	SOUND_SYSTEM
Y1A	
Y1B	
Y2A	
Y2B	
Y3A	DirectLighting
Y3B	DirectLighting
Y4A	DirectLighting
Y4B	DirectLighting
Y5A	DirectLighting
Y5B	DirectLighting
Y6A	DirectLighting
Y6B	DirectLighting
Y7A	DirectLighting
Y7B	DirectLighting

CIRCUITS LIST

CircuitID	Description	CircuitID	Description	CircuitID	Description
0	WCLRemoteCtrl	0Lav4	GndAisleLampsLH	12VA	12vEqualizer
2	DoorUnlockSig	0PR1	GndDestinationSign	12VD	12VD_Battery
2B	CondensorLow	0PR2	Gnd_Fr_Clearance_Lts	12VD1	12VDFrontWake-up
3	DoorLatchSig	0PR3	UpperDefrosterGnd	12VD3	12vRearwake-up
4A	HostessChimeSig	0R	GndPrimePump	12VD4	12vDDDR
4C	HostessChimeSig	0RA2	GndR1-R3	12VDCust	12VDCustomer
4c	wcl_extra_switch	0RA3	GndR1-R3	12VDF	12VDtoFrontVec
5	EmergandAisleLampsPwr	0RB1	RJB_Chassis_GND	12VI	12VItoCB10
5A	UpperDefrostfan	0RB3	gnd	12VI1	12VIofA44
5B	UpperDefrostfan	0RB4	AirdryerGnd	12VI2	MirrorPwr
5C	UpperDefrostfan	0RB5		12VI3	PwrOutletDrawer
6	GndWitnessSw24	0RB6	RJB_Chassis_Gnd	12VI4	PwrOutletandCigarLighter
7	GndDriverSensor	0RC2	GndDriverCylinder	12VI5	12VItoVECR
8	GndParkBrakeSol	0RC3	GndR23	12VI6	PwrtoModuleA50
9	EngCmpt.LtsSwitch	0RC4	GndEntranceLights	12VI7	Lugg_Door_Lock
9A	EngineDoorOpenSig	0SA1	GndAlternator	12VI8	Lugg_Door_Lock
9B	EngineCmpt.Lt	0SA2	GndAlternator	12VI10	24VICustomer
9H		0SS	SOUND_SYSTEM	12VICust	12VICustomer
0A	Evap.Gnd	0SS1	SOUND_SYSTEM	12VIF	12VItoFrontVec
00A	GndElectronic	0SS2	Flip_Down_Screen	12VISS1	SOUND_SYSTEM
0B	EngineChassisGnd	0SS3	SOUND_SYSTEM	12VISS2	SOUND_SYSTEM
00B	ElectronicGndofMuxModules	0SS4	SOUND_SYSTEM	12VISS3	SOUND_SYSTEM
0C	GndStarter	0V	LuggageDoorOpenSig	12VISS4	SOUND_SYSTEM
0CD	SOUND_SYSTEM	0VE	GndEqualizer	12VISS5	
0CE		0W	WCLGnd	12VIZF	ZFsterringControl
0CG	Batteries_Chassis_Gnd	0WC	WCLGnd	12W	DoorUnlockSol
0EV1	CondensorGnd	0Y	GndChassistoABSModule	12WA	DoorFullOpenSig
0EV2	GndFlashersandMarkersCenter	0lav	wclextraswitch	12WUp1	12VWUptoA48
0EV3	Evap_Cmpt_Gnd	10	LuggageCmpt.LtsPwr	12Wup1	12WUpFront
0EV6	PRackChassisGnd	10A	LuggageCmpt.LtsPwr	12Wup2	12WUptoDash
0F	FJBDdoorOpenSig	10R	LuggageDoorOpenSig	12Wup5	PwrtoModuleA51
0FA1	GndofAccessoires	11	DestinationSignPwr	13	SignalToPre-heatrelay
0FA3	GndShifter	12	G12_To_G24	14A	FlushingPumpSig
0FA4	GndPwrOutlet	12A	12VDtoR3	15A	
0FB1	GndMirrors	12B	12VD_Battery	16	
0FB2	GndSw28	12CD	SOUND_SYSTEM	18	Wip.WasherLevel
0FB3	GndMasterID	12DZ	ZFTransmission	20	Airdryer
0FC1	Lugg_Door_Gnd	12F	12VDto12PostRJB	21	FlasherLHSig
0FC4	ElectricalHorn	12H	Dest_Sign	21A	FrontFlasher
0G	Refrigerator_Option	12MEM	SOUND_SYSTEM	21AA	FlashersRearLH
0Lav	LavatoryGnd	12SS	12VISoundSystem	21B	CorneringLtsLH
0Lav1	GndDirectLights	12SS1		21C	ClearanceLts
0Lav2	PRackChassisGnd	12SS2	SOUND_SYSTEM	21D	ClearanceLts

CIRCUITS LIST

CircuitID	Description	CircuitID	Description	CircuitID	Description
22	HazardSwSig	24VIA	Cut-outPneumaticAcc	45	UpperFanSig
23	FlasherRHSig	24VICust	24VICustomer	45A	PassengerHeatSig
23A	FrontFlasherRH	24VIF	24VltoFrontVEC	46	FrontFlasherRh
23AA	FrontFlasherRHSide	24WC	WCL24VIPower	46A	FrontMarkers
23B	CorneringLtsRH	24WL	WCLPowerFeed	47	DoorOpenSignal
23C	ClearanceLts	24WUp1	24WUp_To_A47_A48	47A	DoorOpenSignal
23D	ClearanceLts	24Wup1	For_Master_ID	48A	DoorOpenSol
24A	Booster_Block	25	EngineRunSignal	49	DoorCloseSignal
24CO	PwrtoExcitationResistor	25A1	ExcitationSignal	49A	DoorCloseSol
24D	24DtoCB6	25A2	ExcitationSignal	50	WitnessGndSig
24DZ	ZFTransmission	26	DriverWdoPwr	51	WitnessGnd
2.40E+02	24VltoCB1	26A	DriverWdo	52A	ElectricalHorn
2.40E+03	24VltoCB1	26B	DriverWdo	52B	PneumaticHorn
24IZ	ZFTransmission	26C	DriverWdo	53	LowerWip1stSpd
24SS	24VISoundSystem	27A	EmergencySwSig	53B	LowerWip2ndSpd
24SS1	SOUND_SYSTEM	28	AudibleRlySig	53C	LowerWip.IntSig
24SS2	SOUND_SYSTEM	31	UnloaderRH	53D	Washer_ctrl
24SS11	SOUND_SYSTEM	31B	WiperParkPwr	53E	LowerWiper1stSpd
24SS12	SOUND_SYSTEM	32A	TrailerLlghtsPackage	53F	LowerWasherPump
24SS13	Flip_Down_Screen	32D		53G	LowerWip1stSpd
24SS21	SOUND_SYSTEM	33	UnloaderLH	53H	LowerWiper
24SS22	SOUND_SYSTEM	34	ParkBrakeReleaseSignal	54	TestSwitch
24VA	24vEquilizer	35	EntranceDoorLlghts	55	Lugg_Door_Lock_Signal
24VD	24VD_Battery	36	EngineBrake	57A	WaterPump
24VD1	24VDtoRearVec	38	DirectLlghts	57G	Pre-HeatWebasto
24VD2	24VDtoRearVec	38A	DirectLlghts	57GA	Pre-HeattoWtrPmpRly
24VD3	24VDofCECM	38AA	DirectLlghtsRHRicon	57H	Pre-HeattoWtrPmpRly
24VD4	24VDFrontWake-up	38BB	DirectLlghtsLH	57L	Hi-Beam
24VD5	24VDtoPre-Heat	38C	DirectLightSwSig	57R	HighBeamRH
24VD6	24VDPre-Heat	39	DriverLtSwSig	57Rtn	SignalRtnHeadLtsLH
24VD7	PassandPRackPwr	39D	DriverLt	58L	LowBeam
24VDCust	24VDCustomer	40	WitnessGnd	58R	LowBeamRH
24VI	24VI	41	24VCondensor	58Rtn	SignalRtnHeadLtsRH
24VI1	24VltoRearVec	41A	CondensorPwr	59	Hi/LowBeamSignal
24VI2	24VltoSw1	41A1	CondensorFan	60	FogsLtsSwSig
24VI4	SunVisorsPwr	41B	CondensorPwr	61	HeadLtsSig
24VI5	24VlofMuxmodules	41Pwm	CondensorLow	62B	LavatoryLts
24VI6	PwrtoDefrostUnit	42A	CondensorPwr	63	ClearanceLts
24VI7	LowerWiperPwr	42B	CondensorPwr	63A	FrontClearanceLts
24VI8	24VltoMux	43	WCL	63B	ClearanceLts
24VI9	TrailerLlghtsPackage	43F	WitnessGndSw27	63C	CtrlHeadBacklight
24VI10	24VI	43G	Parcel_Rack_Vent	64	EmergencyLampsSig
24VI12	HatRackLampsPwr	44	P-RackLHFan	64A	Blinker

CIRCUITS LIST

CircuitID	Description	CircuitID	Description	CircuitID	Description
65	FootDamper	78BA		0Y3	GndSignal
65A	FootDamper	79	DecelSignal	0Z0	ZFTransmission
65D	DriverCylinder	80	StopLightSensorSig	0Z1	ZFTransmission
65P	Pass.Cylinder	81	HeadLtCallSw1	0Z2	ZFTransmission
66	MarkersSigSw2	82A	CyclopeSignal	100	IndirectLight
67	EvaporatorPwr	82Low	StopRearLowerLamp	100A	IndirectLight
67A	Condensor1stSpdSig	82Up	TrailerLgthsPackage	100B	IndirectLightLH
68	DashDamper	83	24vAccessories	100C	IndirectLightsSig
68A	DashDamper	84	StartSigSw83	100D	IndirectLightPwr
69	ElectricalHorn	84A	StartSigSw83	101	R1toStarter
70A	HatRackLighting	84B	StartSigSw83	102	Transmission
70B	HatRackLighting	85	24VIgnition	102A	Alternator
70C	HatRackLighting	85A	Ign-AccSignal	103	LowBuoySig
70D	HatRackLighting	85B	Wake-upSig	104	Transmission
70E	GndHatRackLamps	85BB		105	FogLtsLH
70F	GndHatRackLamps	85C	PositionNormalSw58	106	FogLtrH
70G	GndHatRackLamps	85D	RearStartPwr	107	Transmission
70H	GndHatRackLamps	85E	RearStartSignal	110	Transmission
70J	GndHatRackLamps	85F	EgnineStartPwrSw58	111	Transmission
71A	DockingLtsLH	85G	Ign-AccSignal	114	BacklightPwr
72A	DockingLtsRH	85X	24VIgn	114A	Backlight
72B	SunVisorRHSig	85Y	ABSTTLT	114AA	ClusterKeyPadBacklight
72C	SunVisorSignal	85Z	AbsTrailerWarningSignal	115	CoolantLevelSignal
72D	SunVisorRHSig	86	DefrostunitSpd	115A	WitnessPwr
72E	SunVisorRHSig	86ARtn	EntranceCeilingLtGnd	115W	ZFTransmission
72F	SunVisorSignal	86Rtn	GndDriverLt	116	DriverLiq
73	wclextraswitch	87	TrailerParkBrakeSig	116A	DriverLiq
73A	RearOccupiedSig	88	TransducerPwr	119	Eng.BrakeLow
74	ReadingLampSig	89	DriverSensorSig	120	Transmission
74A	wcl_extra_switch	90H	Evap_Rly_Power	121	Transmission
74B	ReadingLampsLH	90H1	EvaporatorMain	122	DigitalClock
74C	ReadingLamp	91		123	FireAlarm
74D	ReadingLamps	91B	WitnessSigSw14	124	Transmission
75	wcl_extra_switch	92	TrailerParkBrakeSig	124A	ShifterSignal
75A	ReadingLampsLH	95	DockingLTSwSig	125	RetarderInd
76	FuelLevelSig	96	CorneringLTSwSig	126A	KneelingUpSwSig
76C	FuelLowLevelSig	97	E-RidePwr	126B	KneelingDownSwSig
76P	PrimePumpSig	99	Sw20Gnd	126C	ProximitySwSig
77	TransducerHi-Side	00A1	GndElectronic	126D	ProximitySwPwr
77B	PassandPRackLiquidValve	00B1	GndEng.Start	126E	Kneeling15PsiPress.Sw.
77BA	A/Cclutch	0V2	LuggageDoorOpenSig	126F	KneelingDownSol
77C	PassandPRackLiquidValve	0V3	LuggageDoorOpenSig	126G	KneelingUpSol
78	StoolLightSensorSig	0Y2	GndChassisABSSol	126H	KneelingCtrl.Sol

CIRCUITS LIST

CircuitID	Description	CircuitID	Description	CircuitID	Description
126J	KneelingHi-BuoySol	148	Transmission	170Y	Lugg_Door_Lock
126JR	GndKneeling	149	Transmission	170Z	Lugg_Door_Lock
126P	KneelingBuzzer	149A	ABSSensor	171	LuggageUnlockSwSig
127	Transmission	150	Transmission	172	ShifterSignal
127D	ChargerRlyGndSig	151	GndtoEcm	173	ShifterSignal
128	Transmission	151A	GndToEcm	174	ShifterSignal
128B	Pre-HeatTTLT	151B	GndToEcm	175	Transmission
129	Transmission	151C	GndToEcm	175A	ShifterSignal
130	Transmission	152	Transmission	176	ShifterSignal
131	Transmission	154	Transmission	177	Transmission
133	Transmission	155	WCLSignal	180	Transmission
135	Transmission	155Z	WCLSignal	180A	ShifterSignal
135A	HandLevelSig	156A	12VtoABS	181	OutsideSensorSig
136	Transmission	157B	ABSActive	188	AutomaticTagUnload
136A	TransmissionPwr	157C	ABSActive	195	Transmission
136AA	ShifterSignal	157D	ATCTTLT	197	FuelFilterSig
137	ServiceBrakeSig	159	Transmission	201	headlampwashersignal
137A	MirrorPwrSig	160	TagSignal	202	Headlampwasherpump
137B	Mirrors	162	Transmission	214	Reverse
137C	Mirrors	163	RetarderSig	225	LavatoryFan
137D	Mirrors	164	HandLevelSig	231	Neutral
137E	Mirrors	165	Transmission	231A	StarterRelay
137F	Mirrors	166	WitnessSigSw16	231B	StarterRelay
137H	Mirrors	167	Aux.A/CLowPressSig	240	PowertoEcm
137J	Mirrors	168	Aux.A/CHighPressSig	240A	PowertoEcm
137K	Mirrors	170	ShifterSignal	240B	PowertoEcm
137L	Mirrors	170A	Lugg_Door_Lock	241	PowertoEcm
137M	Mirrors	170B	Lugg_Door_Lock	241A	PowertoEcm
138	Transmission	170D	Lugg_Door_Lock	241B	PowertoEcm
138A	ABSSensor	170E	Lugg_Door_Lock	254	Frigo
139	Transmission	170F	Lugg_Door_Lock	260	escape_Hatch_sensor
140	Transmission	170G	Lugg_Door_Lock	290	GndFanClutch
141	Transmission	170H	Lugg_Door_Lock_Signal	291	FanClutch
142	ABSSolenoid	170L	LuggageLock_UnlockSig	292	FanClutch
143	ABSSensor	170M	LuggageLock_UnlockSig	293	FanClutchSwSig
143A	ShifterSignal	170N	LuggageLock_UnlockSig	300	WCLTopLightSliding
144	ABSSensor	170P	LuggageLock_UnlockSig	301	WheelChairLiftSwitch
144A	ABSSensor	170R	LuggageLock_UnlockSig	302	WCLRicon
145	ABSSolenoid	170S	ElectronicGnd	303	WCL
146	ABSSolenoid	170T	LuggageLock_UnlockSig	304	WheelChairLift
146A	TransmissionIgn	170V	LuggageLock_UnlockSig	305	ParkBrakeSol
147	EtherSignal	170W	LuggageLock_UnlockSig	305A	WCLUpperDoorSignal
147A	EtherSolenoid	170X	LuggageLock_UnlockSig	306	WCLTopLights

CIRCUITS LIST

CircuitID	Description	CircuitID	Description	CircuitID	Description
307	WCL	906	ZFTransmission	CanH1	SparesFr-to-RearHarness
308	WCL	907	ZFTransmission	CanH2	SpareCan
309	WCL	910	L_SPEAKER_HARNESS	CanHERide	
311	WCL	911	EmergencyCutoutRlySignal	CanL	CanLSignal
313	WCL	916	5VSensorPwr	CanL1	SparesFr-to-RearHarness
314	WCL_Se62	917	ZFTransmission	CanL2	SpareCan
352	SigtoFireExtin.Sys	918	ZFTransmission	CanL_ERide	
417	ThrottlePositionSignal	919	ZFTransmission	Cd	ComputerSignals
419	CheckEng.TTLT	930	ZFTransmission	Cd1	ComputerSignals
439	IgnitiontoEcm	932	ZFTransmission	Cd1_Gnd	SOUND_SYSTEM
509	StopEng.TTLT	952	GndSensorRtn	Cd1_L+	SOUND_SYSTEM
510	FastIdleSignal	953	Gnd_ECM	Cd1_R+	SOUND_SYSTEM
510A	FastIdleSignal	979	EngineBrakeLowSig	Cd2_Gnd	SOUND_SYSTEM
524	EngBraketoEcm	979A	EngineBrakeLowSig	Cd2_L+	SOUND_SYSTEM
524B	IdleValidationSig	ANT		Cd2_R+	SOUND_SYSTEM
528	OverrideSignal	AUX1	SOUND_SYSTEM	CD3_Gnd	SOUND_SYSTEM
541	CruiseSetSig	Aux1_Gnd	SOUND_SYSTEM	CD3_L+	SOUND_SYSTEM
542	ParkBrakeSig	Aux1_L+	SOUND_SYSTEM	CD3_R+	SOUND_SYSTEM
544	CruiseEnableSig	Aux1_R+	SOUND_SYSTEM	Chgr	Battery_Charger_Gnd
544A		AUX2	SOUND_SYSTEM	Chgr_C	SOUND_SYSTEM
545	CruiseResumeSig	Aux2_Gnd	SOUND_SYSTEM	Chgr_L	SOUND_SYSTEM
555	FanClutchSignal	Aux2_L+	SOUND_SYSTEM	Chgr_R	SOUND_SYSTEM
556	SpeedSignal	Aux_R+	SOUND_SYSTEM	Cts	ComputerSignals
563	FanClutchSignal	B1A	DirectLighting	DATA	SOUND_SYSTEM
564	StarterLockout	B1B	DirectLighting	DBusH	DBusSignal
564B	OutZFDecelSig	B2A	DirectLighting	DBusL	DBusSignal
565	Eng.BrakeActive	B2B	DirectLighting	DOWN	Flip_Down_Screen
583	EngineBrakeHiSig	B3A	DirectLighting	DRL+++	
700	ZFTransmission	B3B	DirectLighting	DSL+++	DRIVER_SPEAKERS
701	ZFTransmission	B4A	DirectLighting	DSL---	
705	ZFTransmission	B4B	DirectLighting	DSR+++	
706	ZFTransmission	B5A	DirectLighting	DSR---	
707	ZFTransmission	B5B	DirectLighting	DVD1_Gnd	Sound_System
717	ZFTransmission	B6A	DirectLighting	DVD1_L+	Sound_System
719	ZFTransmission	B6B	DirectLighting	DVD1_R+	Sound_System
723	ZFTransmission	B7A	DirectLighting	Dvd2_Gnd	SOUND_SYSTEM
740	ZFTransmission	B7B	DirectLighting	Dvd2_L+	SOUND_SYSTEM
761	ZFTransmission	Black		Dvd2_R+	SOUND_SYSTEM
770	ZFTransmission	BLK1	SOUND_SYSTEM	E3	Inv_MastrerelayToBreaker
900	J1587L	BLK2	SOUND_SYSTEM	FAKE	L_SPEAKER_HARNESS
901	J1587+	Bref1	PassengerSensor	FAKE1	R_SPEAKER_HARNESS
902	ZFTransmission	CAM2	SOUND_SYSTEM	FLIP	Flip_Down_Screen
905	TCISensorSig	CanH	CanHSignal	GndA	ComputerSignals

CIRCUITS LIST

CircuitID	Description	CircuitID	Description	CircuitID	Description
Green		N13	A47Address	SHD1	SOUND_SYSTEM
GRN1	SOUND_SYSTEM	N14	A47Address	SHD2	SOUND_SYSTEM
GRN2	SOUND_SYSTEM	N15	A48Address	SHIELD	jack_3_5mm
H1_L+	SOUND_SYSTEM	N16	A48Address	SHLD	SOUND_SYSTEM
H1_L-	SOUND_SYSTEM	N17	A49Address	SL13	L_SPEAKER_HARNESS
H1_R+	SOUND_SYSTEM	N18	A49Address	SL24	L_SPEAKER_HARNESS
H1_R-	SOUND_SYSTEM	N19	A50Address	SL35	L_SPEAKER_HARNESS
H2_L+	SOUND_SYSTEM	N20	A50Address	SL46	L_SPEAKER_HARNESS
H2_L-	SOUND_SYSTEM	N21	A51Address	SL57	L_SPEAKER_HARNESS
H2_R+	SOUND_SYSTEM	N22	A51Address	SL68	L_SPEAKER_HARNESS
H2_R-	SOUND_SYSTEM	N23	A52Address	SL1012	L_SPEAKER_HARNESS
HOSTESS	SOUND_SYSTEM	N24	A52Address	SL1113	L_SPEAKER_HARNESS
IPJ1	Cluster	N25	A53Address	SL1214	L_SPEAKER_HARNESS
IPJ2	Cluster	N26	A53Address	SL1315	L_SPEAKER_HARNESS
IPJ5	Cluster	N27	A54Address	SL1416	L_SPEAKER_HARNESS
IPJ6	Cluster	N28	A54Address	sp52	
IPJ7	Cluster	N29	A36Address	SpareLock_UnlockHarn	SpareLock_UnlockHarn
IPJ8	Cluster	NavSpk+++		spare1	SpareLock_UnlockHarn
J1939H	J1939Signals	NavSpk---		spare2	SpareLock_UnlockHarn
J1939L	J1939Signals	OP2	Inverter_Gnd	spare4	SparesEvap.Harness
LF+	PSRCEL_RACK_SOUND_HARNESS	ORA2		spare5	SparesEvap.Harness
LF-	SOUND_SYSTEM	PP1	for_inverter	spare6	SparesCondHarness
LR+	PSRCEL_RACK_SOUND_HARNESS	PV1	for_inverter	spare7	SparesCondHarness
LR-	SOUND_SYSTEM	R1A	DirectLighting	spare8	SparesEvap.Harness
LX5	ClusterKeyPad	R1B	DirectLighting	spare9	SparesEvap.Harness
LX6	ClusterKeyPad	R2A	DirectLighting	spare10	SparesInteriorLtsHarness
LX7	ClusterKeyPad	R2B	DirectLighting	spare11	SparesInteriorLtsHarness
LX16	ClusterKeyPad	RED	jack_3_5mm	spare12	SparesInteriorHarness
LX21	ClusterKeyPad	RED1	SOUND_SYSTEM	spare13	SparesInteriorHarness
L_DRIVER	SOUND_SYSTEM	RED2	SOUND_SYSTEM	spare14	SparesInteriorHarness
MUTE		Ref1	GndPassengerSensor	spare15	SparesInteriorHarness
N1	A41Address	Rem1		spare16	SparesInteriorHarness
N2	A41Address	Rem2		spare17	SparesFr-to-RearHarness
N3	A42Address	Rem3		spare18	SparesFr-to-RearHarness
N4	A42Address	RF+	SOUND_SYSTEM	spare19	SparesFr-to-RearHarness
N5	A43Address	RF-	SOUND_SYSTEM	spare20	SparesClearanceLts
N6	A43Address	RR+	DISTRIBUTION_SOUND_HARNESS	spare21	SparesClearanceLts
N7	A44Address	RR-	SOUND_SYSTEM	spare22	SparesClearanceLts
N8	A44Address	RT	ZFTransmission	spare23	SparesClearanceLts
N9	A45Address	Rts	ComputerSignals	spare24	SparesClearanceLts
N10	A45Address	RTV	SOUND_SYSTEM	spare25	SparesClearanceLts
N11	A46Address	R_DRIVER	SOUND_SYSTEM	spare26	SparesFrontHarness
N12	A46Address	RxD	ComputerSignals	spare27	SparesFrontHarness

CIRCUITS LIST

CircuitID	Description	CircuitID	Description	CircuitID	Description
spare28	SparesFrontHarness	spare73	spare	White	
spare29	SparesFrontHarness	spare74	spare	WHT1	SOUND_SYSTEM
spare30	SparesFrontHarness	spare75	spare	WHT2	SOUND_SYSTEM
spare31	SparesFrontHarness	spare76	spare	Y1A	
spare32	SparesFrontHarness	spare77	spare	Y1B	
spare33	SparesFrontHarness	spare78	spare	Y2A	
spare34	SparesFrontHarness	spWcl1	SpareWCL	Y2B	
spare35	SparesFrontHarness	spWcl2	SpareWCL	Y3A	DirectLighting
spare36	SparesFrontHarness	SR13	FR_SPEAKER_HARNESS_	Y3B	DirectLighting
spare37	SparesFrontHarness	SR24	FR_SPEAKER_HARNESS_	Y4A	DirectLighting
spare38	SparesFrontHarness	SR35	FR_SPEAKER_HARNESS_	Y4B	DirectLighting
spare39	SparesDash	SR46	FR_SPEAKER_HARNESS_	Y5A	DirectLighting
spare40	SparesDash	SR57	FR_SPEAKER_HARNESS_	Y5B	DirectLighting
spare41	SparesDash	SR68	FR_SPEAKER_HARNESS_	Y6A	DirectLighting
spare42	SparesDash	SR911	R_SPEAKER_HARNESS_WCL	Y6B	DirectLighting
spare43	SparesDash	SR1012	R_SPEAKER_HARNESS_WCL	Y7A	DirectLighting
spare44	SparesDash	SR1113	R_SPEAKER_HARNESS_WCL	Y7B	DirectLighting
spare45	SpareEvapCmpt.	SR1214	R_SPEAKER_HARNESS_WCL		
spare46	SpareEvapCmpt.	SR1315	R_SPEAKER_HARNESS_WCL		
spare47	SpareEvapCmpt.	SR1416	R_SPEAKER_HARNESS_WCL		
spare49	SparesEngineCradle	Sub1+	SUBWOOFER_HARNESS		
spare50	SparesEngineCradle	Sub1-	SUBWOOFER_HARNESS		
spare51	SparesEngineCradle	Sub2+	SUBWOOFER_HARNESS		
spare52	SparesEngineCradle	Sub2-	SUBWOOFER_HARNESS		
spare53	SparesEngineCradle	SW	ZFTransmission		
spare54	SparesEngineCradle	TRIG1	SOUND_SYSTEM		
spare55	SparesEnginesAccessories	TRIG2	SOUND_SYSTEM		
spare56	SparesEnginesAccessories	TRIG3	SOUND_SYSTEM		
spare57	SparesEnginesAccessories	TRIG4	SOUND_SYSTEM		
spare58	SparesEnginesAccessories	TRIG5	SOUND_SYSTEM		
spare59	SparesEnginesAccessories	TxD	ComputerSignals		
spare60	SparesEnginesAccessories	UP	Flip_Down_Screen		
spare61	SparesEnginesAccessories	VHSRL+	Sound_System		
spare62	spareABSHarness	VHS_Gnd	Sound_System		
spare63	spareABSHarness	VHS_RL+	Sound_System		
spare64	Spare_Transmission	V_CAM+			
spare65	Spare_Transmission	V_CAM-			
spare66	spare	WC2	WCLRemoteCtrl		
spare67	spare	WC3	WCLRemoteCtrl		
spare68	SPARE_SOUND_SYST	WC4	WCLRemoteCtrl		
spare70	spare	WC6	WCLRemoteCtrl		
spare71	spare	WC7			
spare72	spare	WHITE	jack 3 5mm		

CIRCUITS LIST

CircuitID	Description	CircuitID	Description	CircuitID	Description
0	GndLevelLow	10	LuggageCmpt.LtsPwr	23A	FrontFlasherRH
2B	CondSndSpdSig	10A	LuggageCmpt.LtsPwr	23AA	FrontFlasherRHSide
7	GndDriverSensor	12	RearSlideOutRetractingSignal	23B	CorneringLtsRH
9	EngCmpt.LtsSwitch	12B	12VDTOCB2	23BR	GndFogandCorneringLtsRH
9B	EngineCmpt.Lt	12C	12Direct	23C	UpperRearLights
9BRtn	GndEngineCmpt.Lts	12K	KeyLessIgn	24	MasterRelayPwr
0A	Evap.Gnd	12VB		24AW	AwiningWindowsPower
00A	GndElectronic	12VD1	12VDFrontWake-up	24CO	PwrtoExcitationResistor
0AA	RegulatorGnd	12VD2	12Direct	24D	24Direct
0B	GndEngineCmpt	12VD3	12vRearwake-up	24F	24Ignition
00B	ElectronicGndofMuxModules	12VD4	12vDDDR	24V1	ServiceBrake
0BR3	GndRearLighting	12VDCust	12VDCustomer	24VB	
0C	GndStarter062214	12VDF	12VDtoFrontVec	24VD	24VD
0CE	GND48A47	12VDF3	ProDriverBatteryPower	24VD1	24VDtoFront
0DG	GndAlternator	12VI	12VltoCB10	24VD2	24VDtoRearVec
0EV1	GndCondensor	12VI1	12VlOfA44	24VD3	24VDofCECM
0EV2	GndHvac	12VI2	MirrorPwr	24VD4	24VDFrontWake-up
0F	FJBDdoorOpenSig	12VI3	PwrOutletDrawer	24VD5	24VD
0FA1	GndofEntranceWdo	12VI4	PwrOutletandCigarLighter	24VD7	PassandPRackPwr
0FB1	GndMirrors	12VI5	12VltoVECR	24VDCust	24VDCustomer
0FB2	GndDriverWdo	12VI6	PwrtoModuleA50	24VI	
0FC1	Driverseat	12VI7	TrailerABSPower	24VI1	24VltoRearVec
0FC4	ElectricalHorn	12VI10	12Vlspare	24VI2	Multifunctionswitchpower
0FD1	GNDMuxpower	12VI11	12Vlspare	24VI4	SunVisorsPwr
0G	GndofA54	12VICust	12VICustomer	24VI5	24VlOfMuxmodules
0L	KeylessModuleKeypadGnd	12VIF	12VltoFrontVec	24VI6	PwrtoDefrostUnit
0PR2	GndFrontClearanceLts	12VIZF	ZFsterringControl	24VI7	WiperPower
0R	GndPrimePump	12WUp1	12VWUptoA48	24VI8	24VltoMux
0RA2	SignalGndR1	12Wup1	12WUpFront	24VI9	24VlOfA54
0RB3	Gnd	12Wup2	12WUptoDash	24VI9A	24VlOfA54
0RB4	Luggageslockunlockrelay	12Wup3	24WupLuggageslock	24VI9B	24VlOfA54
0RB5	Luggageslockunlockrelay	12Wup5	PwrtoModuleA51	24VI10	24VI
0RB6	GndCustomer	13	GndTransducer	24VI13	24Vlspare
0RB7	GndAwningWindow	16	SpeedSignal	24VI14	24Vlspare
0RB8	GndTrailerConnector	18	Wip.WasherLevel	24VIA	Cut-outPneumaticAcc
0RC1		21	FlasherLHSig	24VICust	24VICustomer
0RC2	GndDriverCylinder	21A	FrontFlasher	24VIF	24VltoFrontVEC
0RC3	Gnd	21AA	FlashersRearLH	24WUp1	24VWUptoA47
0RC4	Gnd	21B	CorneringLtsLH	24Wup1	24WUpFront
0SA1	GndAlternator	21BR	GndFoglights	25	EngineRunSignal
0SA2	GndAlternator	21C	UpperRearLights	25A1	ExcitationSignal
0VA		22	HazardSwSig	25A2	Alternator2Signal
0Y	GndChassistoABSModule	23	FlasherRHSig	25L	ExcitationSignal

CIRCUITS LIST

CircuitID	Description	CircuitID	Description	CircuitID	Description
26	DriverWdoPwr	53E	LowerWiper1stSpd	76P	PrimePumpSig
26A	DriverWdo	53F	LowerWasherPump	77	TransducerHi-Side
26B	DriverWdo	53H	LowerWiper	77B	PassandPRackLiquidValve
26C	DriverWdo	53K	KeyLessSig	77BA	A/CClutch
26D	EntranceWdo	54	TestSwitch	77BB	A/CClutchsmalla/c
26E	EntranceWdo	56	Sw103	77C	PassandPRackLiquidValve
27	PowerEntranceDoorWdo	57A		77K	CoilThermostatSignal
28	AudibleRlySig	57L	Hi-Beam	78	StopLightSensorSig
31	UnloaderRH	57R	HighBeamRH	79	DecelSignal
31B	WiperPower	57Rtn	SignalRtnHeadLtsLH	80	StopLightSensorSig
32	FrontSlideOutExtending	58L	LowBeam	81	HeadLtCallSw1
32A	BackupLtandalarm	58R	LowBeamRH	82A	CyclopeLamp
32D	BackupLtandalarm	58Rtn	HeadLampRHRtn	82Low	StopRearLowerLamp
33	UnloaderLH	59	Hi/LowBeamSignal	82Up	StopRearUpperLamps
35	EntranceDoorLights	60	FogsLtsSwSig	83	24vAccessories
35A	EntranceLight	61	HeadLtsSig	84B	StartSigSw83
35RTN	GndEntrancedoorLt	63	ClearanceLts	85	24VIgnition
39	DriverLtSwSig	63A	FrontClearanceLts	85A	Ign-AccSignal
39AA	GndElectronic	63AA	ClearanceLts	85B	Wake-upSig
39B	KeyLessSig	63BB	ClearanceLts	85C	PositionNormalSw58
39D	DriverLt	64A	Blinker	85D	RearStartPwr
39Rtn	GndDriverLt	65	FootDamper	85E	RearStartSignal
40	WitnessGnd	65A	FootDamper	85F	EgnineStartPwrSw58
41	24VCondensor	65D	DriverCylinder	85G	Ign-AccSignal
41A	CondensorPwr	65P	Pass.Cylinder	85Y	ABSTTLT
42A	12VCondensor	66	MarkersSigSw2	85Z	AbsTrailerWarningSignal
45	UpperdefrosterSwSig	67	EvaporatorPwr	86	DefrostunitSpd
45A	PassengerHeatSig	67A	Condensor1stSpdSig	86A	PassengerDefrosterControl
46	FrontFlasherRh	68	DashDamper	86ARtn	GndReturn
46A	FrontMarkers	68A	DashDamper	86Rtn	GndReturn
47	DoorOpenSignal	69	ElectricalHorn	87	TrailerParkBrakeSig
47A	DoorOpenSignal	69A	PneumaticHorn	88	CompressorPressureSignal
48A	DoorUpperPen	71A	DockingLtsLH	89	DriverSensorSig
48B	DoorUpperPenSig	72A	DockingLtsRH	90F	Regulatorbatt
48C	DoorUpperPenSig	72B	SunVisorRHSig	90H	24VtoEvap
49A	DoorInsideSwCloseSig	72C	SunVisorSignal	90H1	Evaporator
50	WitnessGndSig	72D	SunVisorRHSig	91	ParkBrakeSig
52	Sw102	72E	SunVisorRHSig	91B	WitnessSigSw14
53	LowerWip.Spd1Sig	72F	SunVisorSignal	92	TrailerParkBrakeSig
53A	ElectricalHorn	72R	GndRJB	93	PassengerDefrostSwitchUp
53B	Wiper	74D	SunVisorSignal	94	PassengerDefrostSwitchDown
53C	LowerWip.IntSig	76	FuelLevelSig	95	DockingLTSwSig
53D	LowerWip.WasherSwSig	76C	FuelLowLevelSig	96	CornerinLTSwSig

CIRCUITS LIST

CircuitID	Description	CircuitID	Description	CircuitID	Description
97	LowDockingLightsSwitchSignal	132F	LevelLowPower	157B	ABSActive
98	BackupCancelSwitch	133	Transmission	157D	ATCTTLT
00A1	GndElectronic	135	Transmission	159	Transmission
00B1	GndEng.Start	135A	Transmission	160	TagSignal
0V1	LuggageDoorOpenSig	136	Transmission	163	Transmission
0V2	LuggageDoorOpenSig	136A	TransmissionPwr	164	HandLevelSig
0V3	LuggageDoorOpenSig	136AA	ShifterSignal	166	WitnessSigSw16
0V4	EvaporatorLightSwitch	137	ServiceBrakeSig	170A	LuggagesLocks
0V4A	CondensorLightSwitch	137A	MirrorPwrSig	170B	LuggagesLocks
0V5	LuggageDoorOpenSig	137B	Mirrors	170D	Luggageslockrelay
0Y2	GndChassisABSSol	137C	Mirrors	170E	Luggagesdoorslockrelays
0Y3	GndChassisABSSol	137D	Mirrors	170F	LuggagesLocks
101	PwrtoStarter	137E	Mirrors	170G	LuggagesLocks
102	Cablealt065701	137F	Mirrors	170K	LuggagesLocksSwitch
102A	Alternator	137H	Mirrors	170KK	ElectronicGnd
104	LevelLowSo28	137J	Mirrors	170L	LuggagesLocksSwitch
105	FogLtsLH	137K	Mirrors	170M	LuggagesLocksSwitch
106	FogLtRH	137L	Mirrors	170N	LuggagesLocksSwitch
107	Regulatorfield	137M	Mirrors	170P	LuggagesLocksSwitch
111	Transmission	138	Transmission	170Q	LuggagesLocksSwitch
114	BacklightPwr	138A	ABSSensor	170R	LuggagesLocksSwitch
114A	Backlight	139	Transmission	170S	LuggagesLocksSwitch
114AA	ClusterKeyPadBacklight	140	Transmission	170SS	LuggagesLocksSwitch
115	CoolantLevelSignal	141	Transmission	170T	LuggagesLocksSwitch
115A	WitnessLampPwr	142	ABSSolenoid	170V	LuggagesLocksSwitch
115W	Transmission	143	ABSSensor	170W	Luggageslockrelay
116	DriverLiq	143A	ABSSensor	170X	LuggagesLocksSwitch
116A	DriverLiq	144	ABSSensor	170Y	LuggagesLocks
119	Transmission	144A	ABSSensor	170Z	LuggagesLocks
120	Transmission	145	ABSSolenoid	171	LuggageUnlockSwSig
123	FireAlarm	146	ABSSolenoid	174	Transmission
123A	WakeUpSignal	146A	TransmissionIgn	175	Transmission
124A	Transmission	147	EtherSignal	176	Transmission
125	RetarderSig	147A	Ether	177	Transmission
126F	LevelLowSignal	148	Transmission	180	Transmission
127	Transmission	149	Transmission	181	OutsideSensorSig
131	Transmission	149A	ABSSensor	181C	OutsideTemperatureSensor
132	DifferentialLockSignal	150	Transmission	181D	Outsidetempssensor
132A	LevelLowSo29	151	GndtoEcm	197	FuelFilterSig
132B	LevelLowSo30	152	Transmission	201	HeadLampSignal
132C	LevelLowSo31	154	Transmission	202	HeadLampWash.Pump
132D	LevelLowSo32	155	Transmission	231	NeutralSignal
132E	LevelLowPower	156A	12VtoABS	231A	StarterRelav

CIRCUITS LIST

CircuitID	Description	CircuitID	Description	CircuitID	Description
231B	StarterRelay	545	CruiseResumeSig	DbusH	DBusSignal
240	PowertoEcm	555	FanClutchSignal	DBusL	DBusSignal
241	PowertoEcm	556	SpeedSignal	DbusL	DBusSignal
260	WindowAjarSignal	563	FanClutchSignal	E	Trans.HandLever
272	KeylessModuleInput	564	StarterLockout	F	Trans.HandLever
274	KeylessModuleInput	564B	OutZFDecelSig	G	Trans.HandLever
276	KeylessModuleInput	565	Eng.BrakeActive	gnd0	ServiceBrake
277	KeylessModuleKeypadLt	583	EngineBrakeHiSig	GndA	ComputerSignals
278	KeylessModuleInput	900	J1587	GREEN	TrailerFlasherRH
280	KeylessModuleInput	901	J1587	H	Trans.HandLever
283	EntranceDoorHingeSignal	905	TCISensorSig	IPJ1	Cluster
283A	UnlockSig	911	EmergencyCutoutRlySignal	IPJ2	Cluster
283C	EntranceDoorHingeSignal	916	5VSensorPwr	IPJ5	Cluster
284A	LuggagesUnlockRelays	952	GndSensorRtn	IPJ6	Cluster
284B	KeyLessSig	953	GndEcm	IPJ7	Cluster
285	LuggagesLockRelays	979	EngineBrakeLowSig	IPJ8	Cluster
285B	KeyLessSig	A	Trans.HandLever	J1939H	J1939
286	EntranceDoorLock	B	Trans.HandLever	J1939L	J1939
286A	EntranceDoorLock	BLACK	TrailerBackupLights	LX5	ClusterKeyPad
286B	FrontDoorLock	BLUE	TrailerconnectorABSPower	LX6	ClusterKeyPad
287	KeyLessSig	Bref1	PassengerSensor	LX7	ClusterKeyPad
290	GndFanClutch	BROWN	TrailerMarkerlights	LX16	ClusterKeyPad
291	FanClutch	C	Trans.HandLever	LX21	ClusterKeyPad
292	FanClutch	CanH	CanHSignal	n/a	WireInsideFrontVec
293	FanClutchSwSig	CanH1	Sparefrttorr	N1	A41Address
294	KeyLessSig	CanL	CanLSignal	N2	A41Address
295	KeylessModuleOutput	CanL1	Sparefrttorr	N3	A42Address
296	RJBDoorFan	CC1	Converterinput1	N4	A42Address
296A	RJBTempSensor	CC2	ConverterInput2	N5	A43Address
296B	RJBTempSensor	CC3	ConverterInput3	N6	A43Address
417	ThrottlePositionSignal	CC4	ConverterInput4	N7	A44Address
419	CheckEng.TTLT	CC5	Converterinput5	N8	A44Address
439	IgnitiontoEcm	CC12	Converteroutput1	N9	A45Address
509	StopEng.TTLT	CC13	ConverterOutput3	N10	A45Address
510	FastIdleSignal	CC14	ConverterOutput2	N11	A46Address
510A	FastIdleSignal	CC15	Converteroutput4	N12	A46Address
524	EngBraketoEcm	CC16	Converteroutput5	N13	A47Address
524B	IdleValidationSig	CC17	ConverterOutput6	N14	A47Address
528	OverrideSignal	Cd	ComputerSignals	N15	A48Address
541	CruiseSetSig	Cd1	ComputerSignals	N16	A48Address
542	ParkBrakeSig	Cts	ComputerSignals	N17	A49Address
544	CruiseEnableSig	D	Trans.HandLever	N18	A49Address
544A	Sw35	DBusH	DBusSignal	N19	A50Address

CIRCUITS LIST

CircuitID	Description	CircuitID	Description	CircuitID	Description
N20	A50Address	So37	Proximitysignal	spare36	SparesFrontHarness
N21	A51Address	So38	PowerSldOut2Sensor	spare37	SparesFrontHarness
N22	A51Address	So39	SldOut2StatusLed	spare38	SparesFrontHarness
N23	A52Address	So40	SldOut2RelaySig	spare39	SparesDash
N24	A52Address	So41	SldOut2RelaySig	spare40	SparesDash
N25	A53Address	So42	SldOut2SealDeflatSig	spare41	SparesDash
N26	A53Address	So46	SldOutMotor2sig	spare42	SparesDash
N27	A54Address	So47	SldOutMotor2sig	spare43	SparesDash
N28	A54Address	So48	SldOut2MotorSig	spare44	SparesDash
N29	A36Address	So55	SecurityPinSol	spare45	SparesFr-to-RearHarness
N30	A56Address	So58	SldOutMotor1Sig	spare46	SparesFr-to-RearHarness
N31	A56Address	So59	SldOutMotor2sig	spare49	SparesEngineCradle
N32	A57Address	So61	SldOut2SealInflat	spare50	SparesEngineCradle
N33	A57Address	SP	ConverterVehicleSpeed	spare51	SparesEngineCradle
RED	TrailerStopLights	spare2	SparesFr-to-RearHarness	spare52	SparesEngineCradle
Ref1	GndPassengerSensor	spare3	SparesFr-to-RearHarness	spare53	SparesEngineCradle
Rts	ComputerSignals	spare4	SparesEvap.Harness	spare54	SparesEngineCradle
RxD	ComputerSignals	spare5	SparesEvap.Harness	spare55	SparesEnginesAccessories
shield	shieldtransmission	spare6	SparesEvap.Harness	spare57	SparesEnginesAccessories
So1	Gnd	spare7	SparesEvap.Harness	spare58	SparesEnginesAccessories
So2	SldOutRemoteSig	spare8	SparesEvap.Harness	spare59	SparesEnginesAccessories
So3	SldOutInSig	spare9	SparesEvap.Harness	spare60	SparesEnginesAccessories
So4	SignalOut	spare17	SparesFr-to-RearHarness	spare61	SparesEnginesAccessories
So6	Proximitysignal	spare18	SparesFr-to-RearHarness	spare62	spareABSHarness
So7	Proximitysignal	spare19	SparesFr-to-RearHarness	spare63	spareABSHarness
SO8	PowerSldOut1Sensor	spare20	SparesClearanceLts	spare94	SparesRearClearanceHarness
So8	PowerSldOut1Sensor	spare21	SparesClearanceLts	spare95	SparesRearClearanceHarness
So9	SldOut1StatusLed	spare22	SparesClearanceLts	spare96	spare
So10	SldOut1RelaySig	spare23	SparesClearanceLts	spare97	spare
So11	SldOut2RelaySig	spare24	SparesClearanceLts	spare98	spare
So12	SealInflating	spare24VI2	spare24	spr24VI1	spare24
So13	SldOut1SealDeflatSig	spare24VI3	spare	TxD	ComputerSignals
So14	SldOut1VacumGen	spare25	SparesClearanceLts	WHITE	TrailerConnectorGnd
So16	SensorGndRtn	spare26	SparesFrontHarness	YELLOW	TrailerFlasherLH
So18	GndSlideOut	spare27	SparesFrontHarness		
So19	SldOutMotor1Sig	spare28	SparesFrontHarness		
So20	SldOutMotor1Sig	spare29	SparesFrontHarness		
So21	SldOut1MotorSig	spare30	SparesFrontHarness		
So26	SlideOut	spare31	SparesFrontHarness		
So31	GndSlideOut	spare32	SparesFrontHarness		
So32	SldOut1SignalOut	spare33	SparesFrontHarness		
So33	SldOut2SignalIn	spare34	SparesFrontHarness		
So36	Proximitysignal	spare35	SparesFrontHarness		

CIRCUITS LIST

CircuitID	Description	CircuitID	Description	CircuitID	Description
0	WCLRemoteCtrl	0PR1	GndDestinationSign	12VA	12vEqualizer
2	DoorUnlockSig	0PR2	Gnd_Fr_Clearance_Lts	12VD	12VD_Battery
2B	CondensorLow	0PR3	UpperDefrosterGnd	12VD1	12VDFrontWake-up
3	DoorLatchSig	0R	GndPrimePump	12VD2	12VD_CPC
4A	SOUND_SYSTEM	0RA2	GndR1-R3	12VD3	12vRearwake-up
4C	HostessChimeSig	0RA3	GndR1-R3	12VD4	12vEngineEcu
4c	wcl_extra_switch	0RB1	RJB_Chassis_GND	12VDCust	12VDCustomer
5	EmergandAisleLampsPwr	0RB3	ChassisGnd	12VDF	12VDtoFrontVec
5A	UpperDefrostfan	0RB4	AirdryerGnd	12V1	12V1toCB10
5B	UpperDefrostfan	0RB5		12V11	12V1ofA44
5C	UpperDefrostfan	0RB6	RJB_Chassis_Gnd	12V12	MirrorPwr
6	GndWitnessSw24	0RC2	GndDriverCylinder	12V13	PwrOutletDrawer
7	GndDriverSensor	0RC3	GndR23	12V14	PwrOutletandCigarLighter
8	GndParkBrakeSol	0RC4	GndEntranceLights	12V15	12V1toVECR
9	EngCmpt.LtsSwitch	0SA1	GndAlternator	12V16	PwrtoModuleA50
9A	EngineDoorOpenSig	0SA2	GndAlternator	12V17	Lugg_Door_Lock
9B	EngineCmpt.Lt	0SS	Parcel_Rack_Pwr	12V18	Lugg_Door_Lock
0A	Evap.Gnd	0SS1	SOUND_SYSTEM	12VICust	12VICustomer
00A	GndElectronic	0SS2	Flip_Down_Screen	12VIF	12V1toFrontVec
0B	EngineChassisGnd	0SS3	SOUND_SYSTEM	12VIF19	12vDDDR
00B	ElectronicGndofMuxModules	0SS4	SOUND_SYSTEM	12VISS1	SOUND_SYSTEM
0C	GndStarter	0V	LuggageDoorOpenSig	12VISS2	SOUND_SYSTEM
0CD	SOUND_SYSTEM	0VE	GndEqualizer	12VISS3	SOUND_SYSTEM
0CE	Gnd	0W	WCLGnd	12VISS4	SOUND_SYSTEM
0CG	Batteries_Chassis_Gnd	0WC	WCLGnd	12VISS5	GPS
0EV1	CondensorGnd	0Y	GndSignal	12VIZF	ZFsterringControl
0EV2	GndFlashersandMarkersCenter	0lav	wclextraswitch	12W	DoorUnlockSol
0EV3	Evap_Cmpt_Gnd	10	LuggageCmpt.LtsPwr	12WA	DoorFullOpenSig
0EV6	PRackChassisGnd	10A	LuggageCmpt.LtsPwr	12WUp1	12VWUptoA48
0F	FJBDDoorOpenSig	10R	LuggageDoorOpenSig	12Wup1	12WUpFront
0FA1	GndofAccessoires	11	DestinationSignPwr	12Wup2	12WUptoDash
0FA4	GndPwrOutlet	12	G12_To_G24	12WUp5	PwrtoModuleA51
0FB1	GndMirrors	12A	12VDtoR3	13	SignalToPre-heatrelay
0FB2	GndSw28	12B	12VD_Battery	14A	FlushingPumpSig
0FB3	GndMasterID	12CD	SOUND_SYSTEM	15A	
0FC1	Lugg_Door_Gnd	12CPC	12VD_CPC	16	Speed_Signal
0FC4	ElectricalHorn	12Ecu	12vEngineEcu	18	Wip.WasherLevel
0G	Refrigerator_Option	12F	12VDto12PostRJB	20	Airdryer
0H	GroundCoolantSensor	12H	Dest_Sign	21	FlasherLHSig
0Lav	LavatoryGnd	12MEM	SOUND_SYSTEM	21A	FrontFlasher
0Lav1	GndDirectLights	12SS	12VISoundSystem	21AA	FlashersRearLH
0Lav2	PRackChassisGnd	12SS1	GPS	21B	CorneringLtsLH
0Lav4	GndAisleLampsLH	12SS2	SOUND_SYSTEM	21C	ClearanceLts

CIRCUITS LIST

CircuitID	Description	CircuitID	Description	CircuitID	Description
21D	ClearanceLts	24VI7	LowerWiperPwr	42B	CondensorPwr
22	HazardSwSig	24VI8	24VltoMux	43	WCL
23	FlasherRHSig	24VI9	TrailerLlghtsPackage	43F	WitnessGndSw27
23A	FrontFlasherRH	24VI10	24VI	43G	Parcel_Rack_Vent
23AA	FrontFlasherRHSide	24VI12	HatRackLampsPwr	44	P-RackLHFan
23B	CorneringLtsRH	24VI13	Volvo_Link	45	UpperFanSig
23C	ClearanceLts	24VIA	Cut-outPneumaticAcc	45A	PassengerHeatSig
23D	ClearanceLts	24VICust	24VICustomer	46	FrontFlasherRh
24A	Booster_Block	24VIF	24VltoFrontVEC	46A	FrontMarkers
24CO	PwrtoExcitationResistor	24WC	WCL24VIPower	47	DoorOpenSignal
24D	24DtoCB6	24WL	WCLPowerFeed	47A	DoorOpenSignal
24DZ	ZFTransmission	24WUp1	24WUp_To_A47_A48	48A	DoorOpenSol
2,40E+02	24VltoCB1	24Wup1	For_Master_ID	49	DoorCloseSignal
2,40E+03	24VltoCB1	25	EngineRunSignal	49A	DoorCloseSol
24IZ	ZFTransmission	25A1	ExcitationSignal	50	WitnessGndSig
24SS	24VISoundSystem	25A2	ExcitationSignal	51	WitnessGnd
24SS1	SOUND_SYSTEM	26	DriverWdoPwr	52A	ElectricalHorn
24SS2	SOUND_SYSTEM	26A	DriverWdo	52B	PneumaticHorn
24SS11	SOUND_SYSTEM	26B	DriverWdo	53	LowerWip1stSpd
24SS12	SOUND_SYSTEM	27A	EmergencySwSig	53B	LowerWip2ndSpd
24SS13	Flip_Down_Screen	28	AudibleRlySig	53C	LowerWip.IntSig
24SS21	SOUND_SYSTEM	29	TagAxleValveSig	53D	Washer_ctrl
24SS22	SOUND_SYSTEM	31	UnloaderRH	53E	LowerWiper1stSpd
24VA	24vEquilizer	31B	WiperParkPwr	53F	LowerWasherPump
24VB	24VEnginePreheater	32A	TrailerLlghtsPackage	53G	LowerWip1stSpd
24VB1	24VEnginePreheater	32D		53H	LowerWiper
24VB2	24VEnginePreheater	33	UnloaderLH	54	TestSwitch
24VD	24VD_Battery	34	ParkBrakeReleaseSignal	55	Lugg_Door_Lock_Signal
24VD1	24VDtoRearVec	35	EntranceDoorLlghts	57A	WaterPump
24VD2	24VDtoRearVec	38	DirectLlghts	57G	Pre-HeatWebasto
24VD3	24VDofCECM	38A	DirectLlghts	57GA	Pre-HeattoWtrPmpRly
24VD4	24VDFrontWake-up	38AA	DirectLlghtsRHRicon	57H	Pre-HeattoWtrPmpRly
24VD5	24VDtoPre-Heat	38BB	DirectLlghtsLH	57L	Hi-Beam
24VD6	24VDPre-Heat	38C	DirectLightSwSig	57R	HighBeamRH
24VD7	PassandPRackPwr	39	DriverLtSwSig	57Rtn	SignalRtnHeadLtsLH
24VD10	Volvo_Link	39D	DriverLt	58L	LowBeam
24VDCust	24VDCustomer	40	WitnessGnd	58R	LowBeamRH
24VI	24VI	41	24VCondensor	58Rtn	SignalRtnHeadLtsRH
24VI1	24VltoRearVec	41A	CondensorPwr	59	Hi/LowBeamSignal
24VI2	24VltoSw1	41A1	CondensorFan	60	FogsLtsSwSig
24VI4	SunVisorsPwr	41B	CondensorPwr	61	HeadLtsSig
24VI5	24VlofMuxmodules	41Pwm	CondensorLow	62B	LavatoryLts
24VI6	PwrtoDefrostUnit	42A	CondensorPwr	63	ClearanceLts

CIRCUITS LIST

CircuitID	Description	CircuitID	Description	CircuitID	Description
63A	FrontClearanceLts	77BA	A/Cclutch	0V2	LuggageDoorOpenSig
63B	ClearanceLts	77C	PassandPRackLiquidValve	0V3	LuggageDoorOpenSig
63C	CtrlHeadBacklight	78	StopLightSensorSig	0Y2	GndChassisABSSol
64	EmergencyLampsSig	78BA		0Y3	GndChassisABSSol
64A	Blinker	79	Decelsignal	0Z0	ZFTransmission
65	FootDamper	79A	StopLightSensorSig	0Z1	ZFTransmission
65A	FootDamper	81	HeadLtCallSw1	0Z2	ZFTransmission
65D	DriverCylinder	82A	CyclopeSignal	100	IndirectLight
65P	Pass.Cylinder	82Low	StopRearLowerLamp	100A	IndirectLight
66	MarkersSigSw2	82Up	TrailerLightsPackage	100B	IndirectLightLH
67	EvaporatorPwr	83	24vAccessories	100C	IndirectLightsSig
67A	Condensor1stSpdSig	84	StartSigSw83	100D	IndirectLightPwr
68	DashDamper	84A	StartSigSw83	101	R1toStarter
68A	DashDamper	84B	StartSigSw83	102A	Alternator
69	ElectricalHorn	85	24VIgnition	103	LowBuoySig
70A	HatRackLighting	85A	Ign-AccSignal	105	FogLtsLH
70B	HatRackLighting	85B	Wake-upSig	106	FogLtRH
70C	HatRackLighting	85BB	Ign-AccSignal	111	Transmission
70D	HatRackLighting	85C	PositionNormalSw58	114	BacklightPwr
70E	GndHatRackLamps	85D	RearStartPwr	114A	Backlight
70F	GndHatRackLamps	85E	RearStartSignal	114AA	ClusterKeyPadBacklight
70G	GndHatRackLamps	85F	EgnineStartPwrSw58	115	Transmission
70H	GndHatRackLamps	85G	Ign-AccSignal	115A	WitnessPwr
70J	GndHatRackLamps	85X	24VIgn	115W	ZF_Transmission
71A	DockingLtsLH	85Y	ABSTTLT	116	DriverLiq
72A	DockingLtsRH	85Z	AbsTrailerWarningSignal	116A	DriverLiq
72B	SunVisorRHSig	86	DefrostunitSpd	119	Transmission
72C	SunVisorSignal	86ARtn	EntranceCeilingLtGnd	120	Transmission
72D	SunVisorRHSig	86Rtn	Gnd	122	DigitalClock
73	wclextraswitch	87	GndSignal	123	FireAlarm
73A	RearOccupiedSig	88	TransducerPwr	124A	ShifterSignal
74	ReadingLampSig	89	DriverSensorSig	125	RetarderActiveLamp
74A	wcl_extra_switch	90H	Evap_Rly_Power	126A	KneelingUpSwSig
74B	ReadingLampsLH	90H1	EvaporatorMain	126B	KneelingDownSwSig
74C	ReadingLamp	91	ParkBrakeSig	126C	ProximitySwSig
74D	ReadingLamps	91B	WitnessSigSw14	126D	ProximitySwPwr
75	wcl_extra_switch	92	TrailerParkBrakeSig	126E	Kneeling15PsiPress.Sw.
75A	ReadingLampsLH	95	DockingLTswSig	126F	KneelingDownSol
76	FuelLevelSig	96	CorneringLTswSig	126G	KneelingUpSol
76C	FuelLowLevelSig	99	Sw20Gnd	126H	KneelingCtrl.Sol
76P	PrimePumpSig	00A1	GndElectronic	126J	KneelingHi-BuoySol
77	TransducerHi-Side	0B1	GndEnginePreheater	126JR	GndKneeling
77B	PassandPRackLiquidValve	00B1	GndEna.Start	126P	KneelinaBuzzer

CIRCUITS LIST

CircuitID	Description	CircuitID	Description	CircuitID	Description
127	Pre-HeatSignal	151A	GNDECM	181	OutsideSensorSig
127D	ChargerRlyGndSig	151B	GNDECM	188	AutomaticTagUnload
128		151C	GNDECM	197	FuelFilterSig
128B	Pre-HeatTTLT	151D	GNDECM	201	headlampwashersignal
131	Evaporator2ndSpd	152	Transmission	202	Headlampwasherpump
133	Transmission	154	Transmission	225	LavatoryFan
135	Transmission	155	TransmissionInhibitSig	231	
135A	Transmission	155Z	WCLSignal	231A	StarterRelay
136	Transmission	156A	12VltoABS	231B	StarterRelay
136A		157D	ATCTTLT	240A	ECMPOWER
136AA	ShifterSignal	159	Transmission	240B	ECMPOWER
137		160	TagSignal	241A	ECMPOWER
137A	MirrorPwrSig	163	Retarder_Sig	241B	ECMPOWER
137B	Mirrors	164	HandLevelSig	241C	WIF_Heater
137C	Mirrors	166	WitnessSigSw16	254	Frigo
137D	Mirrors	167	Aux.A/CLowPressSig	260	escape_Hatch_sensor
137E	Mirrors	168	Aux.A/CHighPressSig	290	GndFanClutch
137F	Mirrors	170	LuggageLock_UnlockSig	291	FanClutch
137H	Mirrors	170A	Lugg_Door_Lock	292	FanClutch
137J	Mirrors	170B	Lugg_Door_Lock	293	FanClutchSwSig
137K	Mirrors	170D	Lugg_Door_Lock	300	WCLTopLightSliding
137L	Mirrors	170E	Lugg_Door_Lock	301	WheelChairLiftSwitch
137M	Mirrors	170F	Lugg_Door_Lock	302	WCLRicon
138	ABSSensor	170G	Lugg_Door_Lock	303	WCL
138A	ABSSensor	170H	Lugg_Door_Lock_Signal	304	WheelChairLift
139	ABSSolenoid	170L	LuggageLock_UnlockSig	305	ParkBrakeSol
140	ABSSolenoid	170M	LuggageLock_UnlockSig	305A	WCLUpperDoorSignal
141	ABSSolenoid	170N	LuggageLock_UnlockSig	306	WCLTopLights
142	ABSSolenoid	170P	LuggageLock_UnlockSig	307	WCL
143	ABSSensor	170R	LuggageLock_UnlockSig	308	WCL
143A	ABSSensor	170S	ElectronicGnd	309	WCL
144	ABSSensor	170T	LuggageLock_UnlockSig	311	WCL
144A	ABSSensor	170V	LuggageLock_UnlockSig	313	WCL
145	ABSSolenoid	170W	LuggageLock_UnlockSig	314	WCL_Se62
146	ABSSolenoid	170X	LuggageLock_UnlockSig	352	OverrideSignal
146A		170Y	Lugg_Door_Lock	417	ThrottlePositionSignal
147	EtherSignal	170Z	Lugg_Door_Lock	439	12VltoABS
147A	EtherSolenoid	171	LuggageUnlockSwSig	500	Gnd/Supply_Detroit/Volvo
148	ABSSolenoid	174	Transmission	501	Control_Ground_Relay
149	ABSSensor	175	Transmission	502	IVSOut
149A	ABSSensor	176	Transmission	503	DPF_Malfunction
150	Transmission	177	Transmission	504	CrankSignal
151	GndtoEcm	180	Transmission	505	DPFSensor

CIRCUITS LIST

CircuitID	Description	CircuitID	Description	CircuitID	Description
506	DPFSensor	706	ZFTtransmission	B4B	DirectLighting
507	DPFSensor	707	ZFTtransmission	B5A	DirectLighting
508	DPFSensor	708	NeutralSignal	B5B	DirectLighting
510	FastIdleSignal	709	NeutralSignal	B6A	DirectLighting
511	DPFSensor	718	ZFTtransmission	B6B	DirectLighting
512	DPFSensor	719	ZFTtransmission	B7A	DirectLighting
513	DPFSensor	723	ZFTtransmission	B7B	DirectLighting
514	DPFSensor	740	ZFTtransmission	Black	
515	GroundPreheaterRelay	770	ZFTtransmission	Black1	
516	EngineBrakeLowSig	900	J1587	Black2	
517	EngineBrakeHiSig	901	J1587	Black3	
524B	IdleValidationSig	902	ZFTtransmission	BLK1	SOUND_SYSTEM
524C	IdleValidationSig	906	ZFTtransmission	BLK2	SOUND_SYSTEM
528	OverrideSignal	907	ZFTtransmission	Bref1	PassengerSensor
541	CruiseSetSig	910	L_SPEAKER_HARNESS	CAM2	SOUND_SYSTEM
544	CruiseOn_OffSignal	911	EmergencyCutoutRlySignal	CAN2-H	EngineCan2
544A	CruiseOn-OffLed	916	5VSensorPwr	CAN2-L	EngineCan2
545	CruiseResumeSig	917	ZFTtransmission	CanH	CanHSignal
555	FANCONTROL	919	ZFTtransmission	CanH1	SparesFr-to-RearHarness
563	FANCONTROL	925	ZFTtransmission	CanH2	SpareCan
564B	OutZFDecelSig	926	ZFTtransmission	CanL	CanLSignal
583	EngineBrakeHiSig	930	ZFTtransmission	CanL1	SparesFr-to-RearHarness
600	ABSSensor	932	ZFTtransmission	CanL2	SpareCan
600A	ABSSensor	952	GndSensorRtn	Cd	ComputerSignals
601	ABSSensor	953	GNDPCPC	Cd1	ComputerSignals
601A	ABSSensor	979	EngineBrakeLowSig	Cd1_Gnd	SOUND_SYSTEM
602	ABSSteering&Yawsensor	979A	EngineBrakeLowSig	Cd1_L+	SOUND_SYSTEM
603	ABSSteering&Yawsensor	ANT	GPS	Cd1_R+	SOUND_SYSTEM
604	ABSSteering&Yawsensor	AUX1	SOUND_SYSTEM	Cd2_Gnd	SOUND_SYSTEM
605	ABSSteering&Yawsensor	Aux1_Gnd	SOUND_SYSTEM	Cd2_L+	SOUND_SYSTEM
606	ABSPressuresensor	Aux1_L+	SOUND_SYSTEM	Cd2_R+	SOUND_SYSTEM
607	ABSPressuresensor	Aux1_R+	SOUND_SYSTEM	CD3_Gnd	SOUND_SYSTEM
608	ABSPressuresensor	AUX2	SOUND_SYSTEM	CD3_L+	SOUND_SYSTEM
609	ABSPressuresensor	Aux2_Gnd	SOUND_SYSTEM	CD3_R+	SOUND_SYSTEM
610	ABSPressuresensor	Aux2_L+	SOUND_SYSTEM	Chgr	Battery_Charger_Gnd
611	AbsTagSolenoid	Aux_R+	SOUND_SYSTEM	Chgr_C	SOUND_SYSTEM
612	AbsTagSolenoid	B1A	DirectLighting	Chgr_L	SOUND_SYSTEM
613	AbsTagSolenoid	B1B	DirectLighting	Chgr_R	SOUND_SYSTEM
614	ABSSteeringSolenoid	B2A	DirectLighting	Cts	ComputerSignals
615	ABStrailersolenoid	B2B	DirectLighting	DATA	SOUND_SYSTEM
616	ABStrailersolenoid	B3A	DirectLighting	DBusH	DBusSignal
617	ABStrailersolenoid	B3B	DirectLighting	DBusL	DBusSignal
705	ZFTtransmission	B4A	DirectLighting	DOWN	Flip Down Screen

CIRCUITS LIST

CircuitID	Description	CircuitID	Description	CircuitID	Description
DRL+++		LR-	SOUND_SYSTEM	R1A	DirectLighting
DSL+++	DRIVER_SPEAKERS	LX5	ClusterKeyPad	R1B	DirectLighting
DSL---		LX6	ClusterKeyPad	R2A	DirectLighting
DSR+++		LX7	ClusterKeyPad	R2B	DirectLighting
DSR---		LX16	ClusterKeyPad	RED	jack_3_5mm
DUMMY	INSINE_FUSE_BOX	LX21	ClusterKeyPad	RED1	SOUND_SYSTEM
DVD1_Gnd	Sound_System	L_DRIVER	SOUND_SYSTEM	Red1	
DVD1_L+	Sound_System	MUTE		RED2	SOUND_SYSTEM
DVD1_R+	Sound_System	N1	A41Address	Red2	
Dvd2_Gnd	SOUND_SYSTEM	N2	A41Address	Red3	
Dvd2_L+	SOUND_SYSTEM	N3	A42Address	Ref1	GndPassengerSensor
Dvd2_R+	SOUND_SYSTEM	N4	A42Address	Rem1	
E3	Inv_MastrerrelayToBreaker	N5	A43Address	Rem2	
Engine_Can+	EngineCan	N6	A43Address	Rem3	
Engine_Can-	EngineCan	N7	A44Address	RF+	SOUND_SYSTEM
FAKE	L_SPEAKER_HARNESS	N8	A44Address	RF-	SOUND_SYSTEM
FAKE1	R_SPEAKER_HARNESS	N9	A45Address	RR+	DISTRIBUTION_SOUND_HARNESS
FLIP	Flip_Down_Screen	N10	A45Address	RR-	SOUND_SYSTEM
fuilf	fake	N11	A46Address	RT	ZFTransmission
GndA	ComputerSignals	N12	A46Address	Rts	ComputerSignals
Green		N13	A47Address	RTV	SOUND_SYSTEM
GRN1	SOUND_SYSTEM	N14	A47Address	R_DRIVER	SOUND_SYSTEM
GRN2	SOUND_SYSTEM	N15	A48Address	RxD	ComputerSignals
H1_L+	SOUND_SYSTEM	N16	A48Address	SHD1	SOUND_SYSTEM
H1_L-	SOUND_SYSTEM	N17	A49Address	SHD2	SOUND_SYSTEM
H1_R+	SOUND_SYSTEM	N18	A49Address	SHIELD	jack_3_5mm
H1_R-	SOUND_SYSTEM	N19	A50Address	Shield1	
H2_L+	SOUND_SYSTEM	N20	A50Address	Shield2	
H2_L-	SOUND_SYSTEM	N21	A51Address	Shield3	
H2_R+	SOUND_SYSTEM	N22	A51Address	SHLD	SOUND_SYSTEM
H2_R-	SOUND_SYSTEM	N23	A52Address	SL13	L_SPEAKER_HARNESS
HOSTESS	SOUND_SYSTEM	N24	A52Address	SL24	L_SPEAKER_HARNESS
IPJ1	Cluster	N25	A53Address	SL35	L_SPEAKER_HARNESS
IPJ2	Cluster	N26	A53Address	SL46	L_SPEAKER_HARNESS
IPJ5	Cluster	N27	A54Address	SL57	L_SPEAKER_HARNESS
IPJ6	Cluster	N28	A54Address	SL68	L_SPEAKER_HARNESS
IPJ7	Cluster	N29	A36Address	SL1012	L_SPEAKER_HARNESS
IPJ8	Cluster	NavSpk+++		SL1113	L_SPEAKER_HARNESS
J1939H	J1939	NavSpk---		SL1214	L_SPEAKER_HARNESS
J1939L	J1939	OP2	Inverter_Gnd	SL1315	L_SPEAKER_HARNESS
LF+	PSRCEL_RACK_SOUND_HARNESS	ORA2		SL1416	L_SPEAKER_HARNESS
LF-	SOUND_SYSTEM	PP1	for_inverter	sp52	
LR+	PSRCEL_RACK_SOUND_HARNESS	PV1	for_inverter	SpareLock UnlockHarn	SpareLock UnlockHarn

CIRCUITS LIST

CircuitID	Description	CircuitID	Description	CircuitID	Description
spare1	SpareLock_UnlockHarn	spare45	SpareEvapCmpt.	Sub2+	SUBWOOFER_HARNESS
spare2	SpareLock_UnlockHarn	spare46	SpareEvapCmpt.	Sub2-	SUBWOOFER_HARNESS
spare4	SparesEvap.Harness	spare47	SpareEvapCmpt.	SW	ZFTransmission
spare5	SparesEvap.Harness	spare49	SparesEngineCradle	TRIG1	SOUND_SYSTEM
spare6	SparesCondHarness	spare50	SparesEngineCradle	TRIG2	SOUND_SYSTEM
spare7	SparesCondHarness	spare51	SparesEngineCradle	TRIG3	SOUND_SYSTEM
spare8	SparesEvap.Harness	spare52	SparesEngineCradle	TRIG4	SOUND_SYSTEM
spare9	SparesEvap.Harness	spare53	SparesEngineCradle	TRIG5	SOUND_SYSTEM
spare10	SparesInteriorLtsHarness	spare54	SparesEngineCradle	TxD	ComputerSignals
spare11	SparesInteriorLtsHarness	spare55	SparesEnginesAccessories	Unkn	ZFTransmission
spare12	SparesInteriorHarness	spare56	SparesEnginesAccessories	UP	Flip_Down_Screen
spare13	SparesInteriorHarness	spare57	SparesEnginesAccessories	V_CAM+	
spare14	SparesInteriorHarness	spare58	SparesEnginesAccessories	V_CAM-	
spare15	SparesInteriorHarness	spare59	SparesEnginesAccessories	WC2	WCLRemoteCtrl
spare16	SparesInteriorHarness	spare60	SparesEnginesAccessories	WC3	WCLRemoteCtrl
spare17	SparesFr-to-RearHarness	spare61	SparesEnginesAccessories	WC4	WCLRemoteCtrl
spare18	SparesFr-to-RearHarness	spare62	spareABSHarness	WC6	WCLRemoteCtrl
spare19	SparesFr-to-RearHarness	spare64	Spare_Transmission	WC7	
spare20	SparesClearanceLts	spare65	Spare_Transmission	WHITE	jack_3_5mm
spare21	SparesClearanceLts	spare68	SPARE_SOUND_SYST	White	
spare22	SparesClearanceLts	spare70	spare	white1	
spare23	SparesClearanceLts	spare71	spare	White2	
spare24	SparesClearanceLts	spare72	spare	White3	
spare25	SparesClearanceLts	spare73	spare	WHT1	SOUND_SYSTEM
spare26	SparesFrontHarness	spare74	spare	WHT2	SOUND_SYSTEM
spare27	SparesFrontHarness	spare75	spare	Y1A	
spare28	SparesFrontHarness	spare76	spare	Y1B	
spare29	SparesFrontHarness	spWcl1	SpareWCL	Y2A	
spare30	SparesFrontHarness	spWcl2	SpareWCL	Y2B	
spare31	SparesFrontHarness	SR13	FR_SPEAKER_HARNESS_	Y3A	DirectLighting
spare32	SparesFrontHarness	SR24	FR_SPEAKER_HARNESS_	Y3B	DirectLighting
spare33	SparesFrontHarness	SR35	FR_SPEAKER_HARNESS_	Y4A	DirectLighting
spare34	SparesFrontHarness	SR46	FR_SPEAKER_HARNESS_	Y4B	DirectLighting
spare35	SparesFrontHarness	SR57	FR_SPEAKER_HARNESS_	Y5A	DirectLighting
spare36	SparesFrontHarness	SR68	FR_SPEAKER_HARNESS_	Y5B	DirectLighting
spare37	SparesFrontHarness	SR911	R_SPEAKER_HARNESS_WCL	Y6A	DirectLighting
spare38	SparesFrontHarness	SR1012	R_SPEAKER_HARNESS_WCL	Y6B	DirectLighting
spare39	SparesDash	SR1113	R_SPEAKER_HARNESS_WCL	Y7A	DirectLighting
spare40	SparesDash	SR1214	R_SPEAKER_HARNESS_WCL	Y7B	DirectLighting
spare41	SparesDash	SR1315	R_SPEAKER_HARNESS_WCL	ZF_Can1_H	ZFTransmission
spare42	SparesDash	SR1416	R_SPEAKER_HARNESS_WCL	ZF_Can1_L	ZFTransmission
spare43	SparesDash	Sub1+	SUBWOOFER_HARNESS	ZF_Can2_H	ZFTransmission
spare44	SparesDash	Sub1-	SUBWOOFER_HARNESS	ZF_Can2_L	ZFTransmission

CIRCUITS LIST

CircuitID	Description	CircuitID	Description	CircuitID	Description
21AA	FlashersRearLH	24VI2	24VltoSw1	41B	CondensorPwr
21B	CorneringLtsLH	24VI4	SunVisorsPwr	41Pwm	CondensorLow
21C	ClearanceLts	24VI5	24VILogic	42A	CondensorPwr
21D	ClearanceLts	24VI6	PwrtoDefrostUnit	42B	CondensorPwr
22	HazardSwSig	24VI7	LowerWiperPwr	43	WCL
23	FlasherRHSig	24VI8	24VltoMux	43F	WitnessGndSw27
23A	FrontFlasherRH	24VI10	24VI	43G	Parcel_Rack_Vent
23AA	FrontFlasherRHSide	24VI12	HatRackLampsPwr	44	P-RackLHFan
23B	CorneringLtsRH	24VI13	Volvo_Link	45	UpperFanSig
23C	ClearanceLts	24VIA	Cut-outPneumaticAcc	45A	PassengerHeatSig
23D	ClearanceLts	24VICust	24VICustomer	46	FrontFlasherRh
24A	Booster_Block	24VIF	24VltoFrontVEC	46A	FrontMarkers
24CO	PwrtoExcitationResistor	24WC	WCL24VIPower	47	DoorOpenSignal
24D	24DtoCB6	24WL	WCLPowerFeed	47A	DoorOpenSignal
24DZ	ZFTransmission	24WUp1	24WUp_To_A47_A48	48A	DoorOpenSol
2,40E+02	24VltoCB1	24Wup1	For_Master_ID	49	DoorCloseSignal
2,40E+03	24VltoCB1	25	EngineRunSignal	49A	DoorCloseSol
24FPS		25A1	ExcitationSignal	50	WitnessGndSig
24IZ	ZFTransmission	25A2	ExcitationSignal	51	WitnessGnd
24SS	24VISoundSystem	26	DriverWdoPwr	52A	ElectricalHorn
24SS1	SOUND_SYSTEM	26A	DriverWdo	53	LowerWip1stSpd
24SS2	SOUND_SYSTEM	26B	DriverWdo	53B	Horn
24SS11	SOUND_SYSTEM	27A	EmergencySwSig	53C	LowerWip.IntSig
24SS12	SOUND_SYSTEM	28	AudibleRlySig	53D	Washer_ctrl
24SS13	Flip_Down_Screen	29	TagAxleValveSig	53E	LowerWiper1stSpd
24SS21	SOUND_SYSTEM	31	UnloaderRH	53F	LowerWasherPump
24SS22	SOUND_SYSTEM	31B	WiperParkPwr	53G	LowerWip1stSpd
24VA	24vEquilizer	32A	TrailerLightsPackage	53H	LowerWiper
24VB	24VEnginePreheater	32D		54	TestSwitch
24VB1	24VEnginePreheater	33	UnloaderLH	55	Lugg_Door_Lock_Signal
24VB2	24VEnginePreheater	34	ParkBrakeReleaseValve	57A	WaterPump
24VD	24VD_Battery	35	EntranceDoorLights	57G	Pre-HeatWebasto
24VD1	24VDtoRearVec	38	DirectLights	57GA	Pre-HeattoWtrPmpRly
24VD2	24VDtoRearVec	38A	DirectLights	57H	Pre-HeattoWtrPmpRly
24VD3	24VDofCECM	38AA	DirectLightsRHRicon	57L	Hi-Beam
24VD4	24VDFrontWake-up	38BB	DirectLightsLH	57R	HighBeamRH
24VD5	24VDtoPre-Heat	38C	DirectLightSwSig	57Rtn	SignalRtnHeadLtsLH
24VD6	24VDPre-Heat	39	DriverLtSwSig	58L	LowBeam
24VD7	PassandPRackPwr	39D	DriverLt	58R	LowBeamRH
24VD10	Volvo_Link	40	WitnessGnd	58Rtn	SignalRtnHeadLtsRH
24VDCust	24VDCustomer	41	24VCondensor	59	Hi/LowBeamSignal
24VI	24VI	41A	CondensorPwr	60	FogsLtsSwSig
24VI1	24VltoRearVec	41A1	CondensorFan	61	HeadLtsSig

CIRCUITS LIST

CircuitID	Description	CircuitID	Description	CircuitID	Description
62B	LavatoryLts	76C	FuelLowLevelSig	95A	DockingLTswSig
63	ClearanceLts	76P	PrimePumpSig	96A	CorneringLTswSig
63A	FrontClearanceLts	77	TransducerHi-Side	99	Sw20Gnd
63B	ClearanceLts	77B	PassandPRackLiquidValve	00A1	GndElectronic
63C	CtrlHeadBacklight	77BA	A/CClutch	0B1	GndEnginePreheater
64	EmergencyLampsSig	77C	PassandPRackLiquidValve	00B1	GndEng_Start
64A	Blinker	78	StopLightSensorSig	0V2	LuggageDoorOpenSig
65	FootDamper	78BA		0V3	LuggageDoorOpenSig
65A	FootDamper	79	TranducerLow-Side	0Y2	GndChassisABSSol
65D	DriverCylinder	79A	StopLightSensorSig	0Y3	GndChassisABSSol
65P	Pass.Cylinder	80	BrakeRedundant	0Z0	ZFTransmission
66	MarkersSigSw2	81	HeadLtCallSw1	0Z1	ZFTransmission
67	EvaporatorPwr	82A	CyclopeSignal	0Z2	ZFTransmission
67A	Condensor1stSpdSig	82Low	StopRearLowerLamp	100	IndirectLight
68	DashDamper	82Up	TrailerLightsPackage	100A	IndirectLight
68A	DashDamper	83	24vAccessories	100B	IndirectLightLH
69	HornSignal	84	StartSigSw83	100C	IndirectLightsSig
69A	HornSignal	84A	StartSigSw83	100D	IndirectLightPwr
70A	HatRackLighting	84B	StartSigSw83	101	R1toStarter
70B	HatRackLighting	85	24VIgnition	101A	
70C	HatRackLighting	85A	Ign-AccSignal	101B	
70D	HatRackLighting	85B	Wake-upSig	102A	Alternator
70E	GndHatRackLamps	85BB	Ign-AccSignal	103	LowBuoySig
70F	GndHatRackLamps	85C	PositionNormalSw58	105	FogLtsLH
70G	GndHatRackLamps	85D	RearStartPwr	106	FogLtRH
70H	GndHatRackLamps	85E	RearStartSignal	111	Transmission
70J	GndHatRackLamps	85F	EgnineStartPwrSw58	114	BacklightPwr
71A	DockingLtsLH	85G	Ign-AccSignal	114A	Backlight
72A	DockingLtsRH	85X	24VIgn	114AA	ClusterKeyPadBacklight
72B	SunVisorRHSig	85Y	ABSTTLT	115	Transmission
72C	SunVisorSignal	85Z	AbsTrailerWarningSignal	115A	WitnessPwr
72D	SunVisorRHSig	86	DefrostunitSpd	115W	ZF_Transmission
73	wclextraswitch	86ARtn	EntranceCeilingLtGnd	116	DriverLiq
73A	RearOccupiedSig	86BRtn	Gnd	116A	DriverLiq
74	ReadingLampSig	86Rtn	GndDefrostUnit	119	Transmission
74A	ReadingLampsRH	87	GndSignal	120	Transmission
74AB	Reading_Lamp_RH	88	TransducerPwr	121	SteeringOutSignal
74B	ReadingLampsLH	89	DriverSensorSig	122	DigitalClock
74C	ReadingLamp	90H	Evap_Rly_Power	123	FireAlarm
74D	ReadingLamps	90H1	EvaporatorMain	124A	ShifterSignal
75	wcl_extra_switch	91	ParkBrakeSig	125	RetarderActiveLamp
75A	ReadingLampsLH	91B	WitnessSigSw14	126A	KneelingUpSwSig
76	FuelLevelSig	92	TrailerParkBrakeSig	126B	KneelingDownSwSig

CIRCUITS LIST

CircuitID	Description	CircuitID	Description	CircuitID	Description
126C	ProximitySwSig	144A	ABSSensor	170S	ElectronicGnd
126D	ProximitySwPwr	145	ABSSolenoid	170T	LuggageLock_UnlockSig
126E	Kneeling15PsiPress.Sw.	146	ABSSolenoid	170V	LuggageLock_UnlockSig
126F	KneelingDownSol	146A		170W	LuggageLock_UnlockSig
126G	KneelingUpSol	147	EtherSignal	170X	LuggageLock_UnlockSig
126H	KneelingCtrl.Sol	147A	EtherSolenoid	170Y	Lugg_Door_Lock
126J	KneelingHi-BuoySol	148	ABSSolenoid	170Z	Lugg_Door_Lock
126JR	GndKneeling	149	ABSSensor	171	LuggageUnlockSwSig
126P	KneelingBuzzer	149A	ABSSensor	174	Transmission
127	Pre-HeatSignal	150	Transmission	175	Transmission
127D	ChargerRlyGndSig	151	GndtoEcm	176	Transmission
128		151A	GNDECM	177	Transmission
128B	Pre-HeatTTLT	151B	GNDECM	180	Transmission
129		151C	GNDECM	181	OutsideSensorSig
130		151D	GNDECM	182	SunVisor
131	Evaporator2ndSpd	152	Transmission	183	SunVisor
133	Transmission	154	Transmission	184	CustomerC
135	Transmission	155	Transmission	185	TransmissionInhibitSig
135A	Transmission	155Z	WCLSignal	188	AutomaticTagUnload
136	Transmission	156A	12VtoABS	197	FuelFilterSig
136A		157D	ATCTTLT	201	headlampwashersignal
136AA	ShifterSignal	159	Transmission	202	Headlampwasherpump
137		160	TagSignal	225	
137A	MirrorPwrSig	163		231	
137B	Mirrors	163A	RetarderSig	231A	CrankSignal
137C	Mirrors	163B	Retarder_Sig	231B	StarterRelay
137D	Mirrors	164	HandLevelSig	240A	ECMPOWER
137E	Mirrors	166	WitnessSigSw16	240B	ECMPOWER
137F	Mirrors	167	Aux.A/CLowPressSig	241A	ECMPOWER
137H	Mirrors	168	Aux.A/CHighPressSig	241B	ECMPOWER
137J	Mirrors	170	LuggageLock_UnlockSig	241C	WIF_Heater
137K	Mirrors	170A	Lugg_Door_Lock	254	Frigo
137L	Mirrors	170B	Lugg_Door_Lock	260	escape_Hatch_sensor
137M	Mirrors	170D	Lugg_Door_Lock	290	GndFanClutch
138	ABSSensor	170E	LuggageLockSwSig	291	FanClutch
138A	ABSSensor	170F	Lugg_Door_Lock	292	FanClutch
139	ABSSolenoid	170G	Lugg_Door_Lock	300	WCLTopLightSliding
140	ABSSolenoid	170H	Lugg_Door_Lock_Signal	301	WheelChairLiftSwitch
141	ABSSolenoid	170L	LuggageLock_UnlockSig	302	WCLRicon
142	ABSSolenoid	170M	LuggageLock_UnlockSig	303	WCL
143	ABSSensor	170N	LuggageLock_UnlockSig	304	WheelChairLift
143A	ABSSensor	170P	LuggageLock_UnlockSig	305	ParkBrakeSol
144	ABSSensor	170R	LuggageLock_UnlockSig	305A	WCLUpperDoorSignal

CIRCUITS LIST

CircuitID	Description	CircuitID	Description	CircuitID	Description
306	WCLTopLights	564B	OutZFDecelSig	919	ZFTransmission
307	WCL	583	EngineBrakeB	925	ZFTransmission
308	WCL	600	ABSSensor	926	ZFTransmission
309	WCL	600A	ABSSensor	930	ZFTransmission
311	WCL	601	ABSSensor	932	ZFTransmission
313	WCL	601A	ABSSensor	952	GndSensorRtn
314	WCL_Se62	602	ABSSteering&Yawsensor	953	GNDPCPC
341	Pwr_AFSS_Sys	603	ABSSteering&Yawsensor	979	EngineBrakeA
342	AFSS_Panel_Gnd	604	ABSSteering&Yawsensor	979A	EngineBrakeLowSig
343	Fire-EngineStopTTL	605	ABSSteering&Yawsensor	ANT	GPS
343A	See_H3_Design	606	ABSPressuresensor	Aux1_Gnd	SOUND_SYSTEM
344	ExtinguisherSignal	607	ABSPressuresensor	Aux1_L+	SOUND_SYSTEM
345	See_H3_Design	608	ABSPressuresensor	Aux2_Gnd	SOUND_SYSTEM
346	PowerSensors	609	ABSPressuresensor	Aux2_L+	SOUND_SYSTEM
347	Fire_Detect_Alarme	610	ABSPressuresensor	Aux_R+	SOUND_SYSTEM
348	See_H3_Design	611	AbsTagSolenoid	B1A	DirectLighting
351	EngineShout-downSignal	612	AbsTagSolenoid	B1B	DirectLighting
352		613	AbsTagSolenoid	B2A	DirectLighting
417	ThrottlePositionSignal	614	ABSSteeringSolenoid	B2B	DirectLighting
439		614A	ABSSteeringSolenoid	B3A	DirectLighting
500	Gnd/Supply_Detroit/Volvo	615	ABStrailersolenoid	B3B	DirectLighting
501	Control_Ground_Relay	616	ABStrailersolenoid	B4A	DirectLighting
502	IVSOut	617	ABStrailersolenoid	B4B	DirectLighting
503	DPF_Malfunction	705	ZFTransmission	B5A	DirectLighting
505	DPFSensor	705A	ZFTransmission	B5B	DirectLighting
506	DPFSensor	706	ZFTransmission	B6A	DirectLighting
507	DPFSensor	707	ZFTransmission	B6B	DirectLighting
508	DPFSensor	708	NeutralSignal	B7A	DirectLighting
510	FastIdleSignal	709	NeutralSignal	B7B	DirectLighting
511	DPFSensor	718	ZFTransmission	Black	
512	DPFSensor	719	ZFTransmission	Black1	
513	DPFSensor	723	ZFTransmission	Black2	
514	DPFSensor	740	ZFTransmission	Black3	
515	GroundPreheaterRelay	770	ZFTransmission	BLK1	SOUND_SYSTEM
524B	IdleValidationSig	900	J1587	BLK2	SOUND_SYSTEM
524C	IdleValidationSig	901	J1587	BlkFR	
528	OverrideSignal	902	ZFTransmission	BlkRL	
541	CruiseSetSig	906	ZFTransmission	BlkRR	
544	CruiseOn_OffSignal	907	ZFTransmission	Bref1	PassengerSensor
544A	CruiseOn-OffLed	910	L_SPEAKER_HARNES	CAN2-H	EngineCan2
545	CruiseResumeSig	911	EmergencyCutoutRlySignal	CAN2-L	EngineCan2
555	FANCONTROL	916	5VSensorPwr	CanH	CanHSignal
563	FANCONTROL	917	ZFTransmission	CanH1	SparesFr-to-RearHarness

CIRCUITS LIST

CircuitID	Description	CircuitID	Description	CircuitID	Description
CanH2	SpareCan	GndA	ComputerSignals	N12	A46Address
CanL	CanLSignal	Green		N13	A47Address
CanL1	SparesFr-to-RearHarness	GRN1	SOUND_SYSTEM	N14	A47Address
CanL2	SpareCan	GRN2	SOUND_SYSTEM	N15	A48Address
Cd	ComputerSignals	H1_L+	SOUND_SYSTEM	N16	A48Address
Cd1	ComputerSignals	H1_L-	SOUND_SYSTEM	N17	A49Address
Cd1_Gnd	SOUND_SYSTEM	H1_R+	SOUND_SYSTEM	N18	A49Address
Cd1_L+	SOUND_SYSTEM	H1_R-	SOUND_SYSTEM	N19	A50Address
Cd1_R+	SOUND_SYSTEM	H2_L+	SOUND_SYSTEM	N20	A50Address
Cd2_Gnd	SOUND_SYSTEM	H2_L-	SOUND_SYSTEM	N21	A51Address
Cd2_L+	SOUND_SYSTEM	H2_R+	SOUND_SYSTEM	N22	A51Address
Cd2_R+	SOUND_SYSTEM	H2_R-	SOUND_SYSTEM	N23	A52Address
CD3_Gnd	SOUND_SYSTEM	HOSTESS	SOUND_SYSTEM	N24	A52Address
CD3_L+	SOUND_SYSTEM	IPJ1	Cluster	N25	A53Address
CD3_R+	SOUND_SYSTEM	IPJ2	Cluster	N26	A53Address
Chgr	Battery_Charger_Gnd	IPJ5	Cluster	N27	A54Address
Chgr_C	SOUND_SYSTEM	IPJ6	Cluster	N28	A54Address
Chgr_L	SOUND_SYSTEM	IPJ7	Cluster	N29	A36Address
Chgr_R	SOUND_SYSTEM	IPJ8	Cluster	N30	A55address
Cts	ComputerSignals	J1939H	J1939	N31	A55address
DATA	SOUND_SYSTEM	J1939L	J1939	NavSpk+++	
DBusH		LF+	PSRCEL_RACK_SOUND_HARNESS	NavSpk---	
DBusL		LF-	SOUND_SYSTEM	OFB3	
DOWN	Flip_Down_Screen	LR+	PSRCEL_RACK_SOUND_HARNESS	OP2	Inverter_Gnd
DRL+++		LR-	SOUND_SYSTEM	ORA2	
DSL+++	DRIVER_SPEAKERS	LX5	ClusterKeyPad	PP1	for_inverter
DSL---		LX6	ClusterKeyPad	PV1	for_inverter
DSR+++		LX7	ClusterKeyPad	R1A	DirectLighting
DSR---		LX16	ClusterKeyPad	R1B	DirectLighting
DUMMY	INSINE_FUSE_BOX	LX21	ClusterKeyPad	R2A	DirectLighting
DVD1_Gnd	Sound_System	L_DRIVER	SOUND_SYSTEM	R2B	DirectLighting
DVD1_L+	Sound_System	MUTE		RED	jack_3_5mm
DVD1_R+	Sound_System	N1	A41Address	RED1	SOUND_SYSTEM
Dvd2_Gnd	SOUND_SYSTEM	N2	A41Address	Red1	
Dvd2_L+	SOUND_SYSTEM	N3	A42Address	RED2	SOUND_SYSTEM
Dvd2_R+	SOUND_SYSTEM	N4	A42Address	Red2	
E3	Inv_MastrerrelayToBreaker	N5	A43Address	Red3	
Engine_Can+	EngineCan	N6	A43Address	RedFR	
Engine_Can-	EngineCan	N7	A44Address	RedRL	
FAKE	L_SPEAKER_HARNESS	N8	A44Address	RedRR	
FAKE1	R_SPEAKER_HARNESS	N9	A45Address	Ref1	GndPassengerSensor
FLIP	Flip_Down_Screen	N10	A45Address	Rem1	
fuiif	fake	N11	A46Address	Rem2	

CIRCUITS LIST

CircuitID	Description	CircuitID	Description	CircuitID	Description
Rem3		spare14	SparesInteriorHarness	spare58	SparesEnginesAccessories
RF+	SOUND_SYSTEM	spare15	SparesInteriorHarness	spare59	SparesEnginesAccessories
RF-	SOUND_SYSTEM	spare16	SparesInteriorHarness	spare60	SparesEnginesAccessories
RR+	DISTRIBUTION_SOUND_HARNESS	spare17	SparesFr-to-RearHarness	spare61	SparesEnginesAccessories
RR-	SOUND_SYSTEM	spare18	SparesFr-to-RearHarness	spare62	spareABSHarness
RT	ZFTransmission	spare19	SparesFr-to-RearHarness	spare64	Spare_Transmission
Rts	ComputerSignals	spare20	SparesClearanceLts	spare65	Spare_Transmission
RTV	SOUND_SYSTEM	spare21	SparesClearanceLts	spare70	spare
RX		spare22	SparesClearanceLts	spare71	spare
R_DRIVER	SOUND_SYSTEM	spare23	SparesClearanceLts	spare72	spare
RxD	ComputerSignals	spare24	SparesClearanceLts	spare73	spare
SHD1	SOUND_SYSTEM	spare25	SparesClearanceLts	spare74	spare
SHD2		spare26	SparesFrontHarness	spare75	spare
SHIELD	jack_3_5mm	spare27	SparesFrontHarness	spare76	spare
Shield1		spare28	SparesFrontHarness	spWcl1	SpareWCL
Shield2		spare29	SparesFrontHarness	spWcl2	SpareWCL
Shield3		spare30	SparesFrontHarness	SR13	FR_SPEAKER_HARNESS_
SHLD	SOUND_SYSTEM	spare31	SparesFrontHarness	SR24	FR_SPEAKER_HARNESS_
SL13	L_SPEAKER_HARNESS	spare32	SparesFrontHarness	SR35	FR_SPEAKER_HARNESS_
SL24	L_SPEAKER_HARNESS	spare33	SparesFrontHarness	SR46	FR_SPEAKER_HARNESS_
SL35	L_SPEAKER_HARNESS	spare34	SparesFrontHarness	SR57	FR_SPEAKER_HARNESS_
SL46	L_SPEAKER_HARNESS	spare35	SparesFrontHarness	SR68	FR_SPEAKER_HARNESS_
SL57	L_SPEAKER_HARNESS	spare36	SparesFrontHarness	SR911	R_SPEAKER_HARNESS_WCL
SL68	L_SPEAKER_HARNESS	spare37	SparesFrontHarness	SR1012	R_SPEAKER_HARNESS_WCL
SL1012	L_SPEAKER_HARNESS	spare38	SparesFrontHarness	SR1113	R_SPEAKER_HARNESS_WCL
SL1113	L_SPEAKER_HARNESS	spare39	SparesDash	SR1214	R_SPEAKER_HARNESS_WCL
SL1214	L_SPEAKER_HARNESS	spare40	SparesDash	SR1315	R_SPEAKER_HARNESS_WCL
SL1315	L_SPEAKER_HARNESS	spare41	SparesDash	SR1416	R_SPEAKER_HARNESS_WCL
SL1416	L_SPEAKER_HARNESS	spare42	SparesDash	Sub1+	SUBWOOFER_HARNESS
sp52		spare43	SparesDash	Sub1-	SUBWOOFER_HARNESS
SpareLock_UnlockHarn	SpareLock_UnlockHarn	spare44	SparesDash	Sub2+	SUBWOOFER_HARNESS
spare1	SpareLock_UnlockHarn	spare45	SpareEvapCmpt.	Sub2-	SUBWOOFER_HARNESS
spare2	SpareLock_UnlockHarn	spare46	SpareEvapCmpt.	SW	ZFTransmission
spare4	SparesEvap.Harness	spare47	SpareEvapCmpt.	TRIG1	SOUND_SYSTEM
spare5	SparesEvap.Harness	spare49	SparesEngineCradle	TRIG2	SOUND_SYSTEM
spare6	SparesCondHarness	spare50	SparesEngineCradle	TRIG3	SOUND_SYSTEM
spare7	SparesCondHarness	spare51	SparesEngineCradle	TRIG4	SOUND_SYSTEM
spare8	SparesEvap.Harness	spare52	SparesEngineCradle	TRIG5	SOUND_SYSTEM
spare9	SparesEvap.Harness	spare53	SparesEngineCradle	TX	
spare10	SparesInteriorLtsHarness	spare54	SparesEngineCradle	TxD	ComputerSignals
spare11	SparesInteriorLtsHarness	spare55	SparesEnginesAccessories	Unkn	ZFTransmission
spare12	SparesInteriorHarness	spare56	SparesEnginesAccessories	UP	Flip_Down_Screen
spare13	SparesInteriorHarness	spare57	SparesEnginesAccessories	WC2	WCLRemoteCtrl

CIRCUITS LIST

CircuitID	Description				
WC3	WCLRemoteCtrl				
WC4	WCLRemoteCtrl				
WC6	WCLRemoteCtrl				
WC7					
WHITE	jack_3_5mm				
White					
white1					
White2					
White3					
WHT1	SOUND_SYSTEM				
WHT2	SOUND_SYSTEM				
WhtFR					
WhtRL					
WhtRR					
Y1A					
Y1B					
Y2A					
Y2B					
Y3A	DirectLighting				
Y3B	DirectLighting				
Y4A	DirectLighting				
Y4B	DirectLighting				
Y5A	DirectLighting				
Y5B	DirectLighting				
Y6A	DirectLighting				
Y6B	DirectLighting				
Y7A	DirectLighting				
Y7B	DirectLighting				
ZF_Can1_H	ZFTransmission				
ZF_Can1_L	ZFTransmission				
ZF_Can2_H	ZFTransmission				
ZF_Can2_L	ZFTransmission				

CIRCUIT BREAKERS CODE

No	Location	Part #	Function	Rating	Page
CB1	RJB	562683	24VIfront	90amp	3.1
CB2	RJB	563425	12VD	90amp	3.1
CB3	RJB	562683	24VIEvaporator	90amp	3.1
CB4	RJB	563418	12VDSoundSystem	30amp	3.1
CB5	RJB	562684	24VIRear	150amp	3.1
CB6	RJB	563424	24VD	70amp	3.1
CB7	RJB	562687	24VICondensor	70amp	3.1
CB8	RJB	562686	12VIRear	40amp	3.1
CB9	RJB	563355	WCL	50amp	3.1
CB10	RJB	562687	12VIFront	70amp	3.1
CB11	RJB	563355	24VDSoundSystem	50amp	3.1
CB13	RJB	562683	24VI_Option	90amp	3.1
CB14	RJB	562683	24VI_Option	90amp	3.1
CB87		563699	Luggagedoorlock		5.1
CB88		563699	Luggagedoorlock		5.1

BREAKERS LIST

No	Location	Part #	Function	Rating	Page
CB1	RJB	562683	24VIFront	90amp	3.1
CB2	RJB	563425	12VD	90amp	3.1
CB3	RJB	562683	24VIEvaporator	90amp	3.1
CB4	RJB	563418	12VDSoundSystem	30amp	3.1
CB5	RJB	562684	24VIRear	150amp	3.1
CB6	RJB	563424	24VD	70amp	3.1
CB7	RJB	562687	24VICondensor	70amp	3.1
CB8	RJB	562686	12VIRear	40amp	3.1
CB9	RJB	563355	WCL	50amp	3.1
CB10	RJB	562687	12VIFront	70amp	3.1
CB11	RJB	563355	24VDSoundSystem	50amp	3.1
CB13	RJB	562683	24VI_Option	90amp	3.1
CB14	RJB	562683	24VI_Option	90amp	3.1
CB87		563699	Luggagedoorlock		5.1
CB88		563699	Luggagedoorlock		5.1

BREAKERS LIST

No	Location	Part #	Function	Rating	Page						
CB1	RJB	562683	24VIfront	90amp	3,1						
CB2	RJB	563425	12VD	90amp	3,1						
CB3	RJB	562683	24VIEvaporator	90amp	3,1						
CB4	RJB	563418	12VDSoundSystem	30amp	3,1						
CB5	RJB	562684	24VIRear	150amp	3,1						
CB6	RJB	563424	24VD	70amp	3,1						
CB7	RJB	562687	24VICondensor	70amp	3,1						
CB8	RJB	562686	12VIRear	40amp	3,1						
CB9	RJB	563355	WCL	50amp	3,1						
CB10	RJB	562687	12VIFront	70amp	3,1						
CB11	RJB	563355	24VDSoundSystem	50amp	3,1						
CB13	RJB	562683	24VI_Option	90amp	3,1						
CB14	RJB	562683	24VI_Option	90amp	3,1						

BREAKERS LIST

No	Location	Part #	Function	Rating	Page						
CB1	RJB	562683	24VIFront	90amp	3.1						
CB2	RJB	563425	12VD	90amp	3.1						
CB3	RJB	562683	24VIEvaporator	90amp	3.1						
CB4	RJB	563418	12VDSoundSystem	30amp	3.1						
CB5	RJB	562684	24VIRear	150amp	3.1						
CB6	RJB	563424	24VD	70amp	3.1						
CB7	RJB	562687	24VICondensor	70amp	3.1						
CB8	RJB	562686	12VIRear	40amp	3.1						
CB9	RJB	563355	WCL	50amp	3.1						
CB10	RJB	562687	12VIFront	70amp	3.1						
CB11	RJB	563355	24VDSoundSystem	50amp	3.1						
CB13	RJB	562683	24VI_Option	90amp	3.1						
CB14	RJB	562683	24VI_Option	90amp	3.1						
CB82	FJB_VECF	564464	Lower_Wiper	20amp	4.1						
CB87	RJB_VECR	563699	Luggage_Door_Lock	20amp	5.1						
CB88	RJB_VECR	563699	Luggage_Door_Lock	20amp	5.1						

BREAKERS LIST

No	Location	Part #	Function	Rating	Page						
CB1	RJB	562683	24Vlfront	90amp	3,1						
CB2	RJB	563425	12VD	90amp	3,1						
CB3	RJB	562683	24VIEvaporator	90amp	3,1						
CB4	RJB	563418	12VDSoundSystem	30amp	3,1						
CB5	RJB	562684	24VIRear	150amp	3,1						
CB6	RJB	563424	24VD	70amp	3,1						
CB7	RJB	562687	24VICondensor	70amp	3,1						
CB8	RJB	562686	12VIRear	40amp	3,1						
CB9	RJB	563355	WCL	50amp	3,1						
CB10	RJB	562687	12VIFront	70amp	3,1						
CB11	RJB	563355	24VDSoundSystem	50amp	3,1						
CB13	RJB	562683	24VI_Option	90amp	3,1						
CB14	RJB	562683	24VI_Option	90amp	3,1						
CB82	FJB_VECEF	564464	Lower_Wiper	20amp	4,1						
CB87	RJB_VECCR	563699	Lugg_Door_Lock	20amp	5,1						
CB88	RJB_VECCR	563699	Lugg_Door_Lock	20amp	5,1						

CONNECTORS LIST

No	Location	Part #	Gender	No	Location	Part #	Gender
<Invalid>	Parcel_Rack_RH	561550	male	A19	LH_Console	562878	female
<Invalid>	Parcel_Rack_RH	561667	female	A20	Parcel_Rack_LH	561477	female
<Invalid>		563613	female	A21	Rear_Axle_Cmpt	kostalF	female
<Invalid>		563226	male	A22	LH_Console	563338	male
<Invalid>		563613	female	A23	RJB	563053	male
<Invalid>_0_1	Parcel_Rack_LH	561515	male	A24	RH_Console	561889	female
<Invalid>_0_1	Parcel_Rack_LH	561552	female	A24.A	RH_Console	561890	male
<Invalid>_0_2		563226	male	A24.B	RH_Console	561566	female
A1.CS	RJB	562817	male	A25		563025	male
A1.CT	RJB	562822	male	A27	Service_Cmpt	562929	male
A1.CV	RJB	562823	male	A28	Service_Cmpt	562928	male
A1Gen4.A		563975	male	A29	Dash	562465	male
A2	Service_Cmpt	562825	male	A30	Rear_Axle_Cmpt	563463	male
A2Gen4		563984	male	A31	Rear_Axle_Cmpt	563463	male
A3	Dash	562363	male	A36.JA	FJB	562767	male
A4.A	Service_Cmpt	562428	female	A36.JB	FJB	562765	male
A4.B	Service_Cmpt	561188	female	A36.JC	FJB	562957	male
A5	Service_Cmpt	562428	female	A39.P101		563201	male
A6	Engine_Cmpt	563628	female	A39.P901		563953	male
A7	Engine_Cmpt	562536	male	A40.A		563071	male
A7Gen4		563979	male	A40.B		562706	female
A8	Engine_Cmpt	563403	female	A40.C		562624	female
A9.Cx1	FJB	563200	male	A41.J1	FJB	562767	male
A9.Cx2	FJB	563201	male	A41.J2	FJB	563132	male
A10.X1	Engine_Cmpt	563135	male	A41.J3	FJB	562957	male
A10.X3	Engine_Cmpt	563134	female	A42.J1	FJB	562767	male
A11	LH_Console	563142	male	A42.J2	FJB	563132	male
A12	Dash	562464	male	A42.J3	FJB	562957	male
A13.J1	FJB	562794	male	A43.J1	FJB	562767	male
A13.J2	FJB	562650	male	A43.J2	FJB	563132	male
A14.CX	Dash	562957	male	A43.J3	FJB	562957	male
A14.CY	Dash	562765	male	A44.J1	FJB	563133	male
A14.LX	Dash	562766	male	A44.J2	FJB	563132	male
A14.LY	Dash	562767	male	A44.J3	FJB	562957	male
A14.RX	Dash	562767	male	A45.J1	FJB	563133	male
A15	Dash	562464	male	A45.J2	FJB	563132	male
A16	Front_Roof	561637	male	A45.J3	FJB	562957	male
A17	RJB	561932	male	A46.J1	FJB	563133	male
A18	FJB	562794	male	A46.J2	FJB	563132	male
A18.J2	FJB	562650	male	A46.J3	FJB	562957	male

CONNECTORS LIST

No	Location	Part #	Gender	No	Location	Part #	Gender
A47.J1	RH_Console	563133	male	A67.Vsd		563949	male
A47.J2	RH_Console	563132	male	A67.Vse		563951	male
A47.J3	RH_Console	562957	male	A68.A		563960	male
A48.J1	RH_Console	563133	male	A68.B		563962	male
A48.J2	RH_Console	563132	male	A68.C		564009	male
A48.J3	RH_Console	562957	male	A68.D		563961	male
A49.J1	RJB	562767	male	A69.A		563071	male
A49.J2	RJB	563132	male	A69.B		561716	female
A49.J3	RJB	562957	male	A69.C		561716	female
A50.J1	RJB	563133	male	A69.D		561716	female
A50.J2	RJB	563132	male	A69.E		561716	female
A50.J3	RJB	562957	male	A69.F		561716	female
A51.J1	RJB	563133	male	A69.G		561716	female
A51.J2	RJB	563132	male	A69.H		561716	female
A51.J3	RJB	562957	male	A70		563696	male
A52.J1	RJB	563133	male	A71.A		562464	male
A52.J2	RJB	563132	male	A71.B		562706	female
A52.J3	RJB	562957	male	A71.C		562706	female
A53.J1	RJB	563133	male	A71.D		562706	female
A53.J2	RJB	563132	male	A72.A		563960	male
A53.J3	RJB	562957	male	A72.B		563962	male
A54.J1	Evap_Cmpt	563133	male	A72.C		564009	male
A54.J2	Evap_Cmpt	563132	male	A72.D		563961	male
A54.J3	Evap_Cmpt	562957	male	A73.A		563960	male
A60.A		562464	male	A73.B		563962	male
A60.B		562706	female	A73.C		564009	male
A60.C		562706	female	A73.D		563961	male
A60.D		562706	female	Alt1.A	Engine_Cmpt	560815	female
A61.A		562464	male	Alt1.B	Engine_Cmpt	560815	female
A61.B		562465	male	Alt1.C	Engine_Cmpt	562862	female
A63.A		563960	male	Alt2.A	Engine_Cmpt	560815	female
A63.B		563962	male	Alt2.B	Engine_Cmpt	560815	female
A63.C		564009	male	Alt2.C	Engine_Cmpt	562862	female
A63.D		563961	male	C1	FJB	563589	male
A64		563954	male	C1	FJB	563590	female
A65		562465	male	C1S	FJB	563589	male
A66		561183	male	C1S	FJB	563590	female
A67.Vsa		563948	male	C2	Service_Cmpt	563580	male
A67.Vsb		563950	male	C2	Service_Cmpt	563581	female
A67.Vsc		563947	male	C3	RJB	563589	male

CONNECTORS LIST

No	Location	Part #	Gender	No	Location	Part #	Gender
C3	RJB	563590	female	C26_socket	RJB	562486	female
C3S	RJB	563593	male	C29	4rd_Lugg_Cmpt	563651	male
C3S	RJB	563590	female	C29	4rd_Lugg_Cmpt	563652	female
C4	FJB	563580	male	C30	4rd_Lugg_Cmpt	561710	male
C4	FJB	563581	female	C30	4rd_Lugg_Cmpt	561709	female
C5	FJB	563589	male	C31	RJB	561669	male
C5	FJB	563590	female	C31	RJB	561670	female
C5S	FJB	563589	male	C34	RH_Console	561986	male
C5S	FJB	563590	female	C34	RH_Console	561987	female
C6	FJB	563582	male	C35	RJB	561646	male
C6	FJB	563583	female	C35	RJB	561645	female
C9	RJB	561986	male	C36	FJB	561986	male
C9	RJB	561987	female	C36	FJB	561987	female
C11	Service_Cmpt	563580	male	C36.A	Engine_Cmpt	561701	female
C11	Service_Cmpt	563581	female	C36.B	Engine_Cmpt	561701	female
C12_plug	RJB	562485	male	C36.C	Engine_Cmpt	561701	female
C12_socket	RJB	562486	female	C37	Parcel_Rack_LH	562557	male
C13S	RH_Console	563589	male	C37	Parcel_Rack_LH	562558	female
C13S	RH_Console	563590	female	C38	Parcel_Rack_RH	561643	male
C13_plug	RH_Console	563589	male	C38	Parcel_Rack_RH	561642	female
C13_socket	RH_Console	563590	female	C39		562503	male
C14	RJB	561986	male	C39		562507	female
C14	RJB	561987	female	C40	Dash	562485	male
C15	RJB	561643	male	C40	Dash	562486	female
C15	RJB	561642	female	C41	RJB	561690	male
C16	RJB	561577	male	C41	RJB	561566	female
C16	RJB	561605	female	C42	Dash	561904	female
C17	RJB	561986	male	C42	Service_Cmpt	561626	female
C17	RJB	561987	female	C44_plug	FJB	561577	male
C18	FJB	561986	male	C44_socket	FJB	561605	female
C18	FJB	561987	female	C45	FJB	561643	male
C19	RJB	561986	male	C45	FJB	561642	female
C19	RJB	561987	female	C46	Service_Cmpt	561577	male
C21A	RJB	561646	male	C46	Service_Cmpt	561605	female
C21A	RJB	561645	female	C48	Service_Cmpt	561690	male
C21B	RJB	561646	male	C48	Service_Cmpt	561566	female
C21B	RJB	561645	female	C50	Engine_Cmpt	561932	male
C24_plug	Evap_Cmpt	561690	male	C50	Engine_Cmpt	560933	female
C24_socket	Evap_Cmpt	561566	female	C55	Evap_Cmpt	561577	male
C26_plug	RJB	562485	male	C55	Evap_Cmpt	561605	female

CONNECTORS LIST

No	Location	Part #	Gender	No	Location	Part #	Gender
C56	Parcel_Rack_LH	562557	male	C85	4rd_Lugg_Cmpt	562477	male
C56	Parcel_Rack_LH	562558	female	C85	2nd_Lugg_Cmpt	562479	female
C57	Parcel_Rack_RH	562557	male	C86	4rd_Lugg_Cmpt	562581	male
C57	Parcel_Rack_RH	562558	female	C86	4rd_Lugg_Cmpt	562583	female
C58	RJB	561640	male	C87	Engine_Cmpt	562581	male
C58	RJB	561639	female	C87	Engine_Cmpt	562583	female
C59	RJB	561643	male	C91	RJB	562285	male
C59	RJB	561642	female	C91	RJB	563671	female
C60	RJB	561986	male	C92	FJB	561643	male
C60	RJB	561987	female	C92	FJB	561642	female
C61	Fr_Service_Door	561669	male	C96	Front_Axle_Cmpt	561583	male
C61	Fr_Service_Door	561670	female	C96	Front_Axle_Cmpt	561585	female
C62	Fr_Service_Door	562566	male	C97	Rear_Axle_Cmpt	561607	male
C62	Fr_Service_Door	562565	female	C97	Rear_Axle_Cmpt	561606	female
C63	Entrance_Door	562477	male	C101	Service_Cmpt	561690	male
C63	Entrance_Door	562479	female	C101	Service_Cmpt	561566	female
C66	Engine_Cmpt	561577	male	C102	RJB	561690	male
C66	Engine_Cmpt	561605	female	C102	RJB	561566	female
C67	Parcel_Rack_LH	561247	male	C119	Rear_Engine_Door	561607	male
C67	Parcel_Rack_LH	561248	female	C119	Rear_Engine_Door	561606	female
C69	RrAxleInsidePVC	561607	male	C120	Rear_Engine_Door	561607	male
C69	RrAxleInsidePVC	561606	female	C120	Rear_Engine_Door	561606	female
C71	FJB	561646	male	C144	RJB	560852	male
C71	FJB	561645	female	C144	RJB	560851	female
C72	FJB	561646	male	C153	Rear_Axle_Cmpt	561611	male
C72	FJB	561645	female	C153	Rear_Axle_Cmpt	561610	female
C74	FJB	561645	female	C171	LH_Console	561646	male
C74	FJB	561646	male	C171	LH_Console	561645	female
C75_plug	Parcel_Rack_RH	562557	male	C172	Service_Cmpt	561640	male
C75_socket	Parcel_Rack_RH	562558	female	C172	Service_Cmpt	561638	female
C78	Engine_Cmpt	561690	male	C193		563589	male
C78	Engine_Cmpt	561566	female	C193		563590	female
C81	1st_Lugg_Cmpt	562477	male	C194		563589	male
C81	1st_Lugg_Cmpt	562479	female	C194		563590	female
C82	1st_Lugg_Cmpt	562477	male	C206		562503	male
C82	1st_Lugg_Cmpt	562479	female	C206		562507	female
C83	2nd_Lugg_Cmpt	562477	male	C207		562503	male
C83	2nd_Lugg_Cmpt	562479	female	C207		562507	female
C84	2nd_Lugg_Cmpt	562477	male	C209_plug		562503	male
C84	2nd_Lugg_Cmpt	562479	female	C209_socket		562507	female

CONNECTORS LIST

No	Location	Part #	Gender	No	Location	Part #	Gender
C211	Parcel_Rack_RH	561515	male	C394	Service_Cmpt	560852	male
C211	Parcel_Rack_RH	561552	female	C394	Service_Cmpt	560851	female
C213	Parcel_Rack_LH	561515	male	C397	RJB	562285	male
C213	Parcel_Rack_LH	561552	female	C397	RJB	563671	female
C230	Engine_Cmpt	562485	male	C398	Engine_Cmpt	563226	male
C230	Engine_Cmpt	562486	female	C398	Engine_Cmpt	563613	female
C242	Service_Cmpt	562789	male	C426	Engine_Cmpt	561782	male
C242	Service_Cmpt	565131	female	C426	Engine_Cmpt	561781	female
C243	Service_Cmpt	562789	male	C430	LH_Console	562363	male
C243	Service_Cmpt	565131	female	C430	LH_Console	561188	female
C246	Service_Cmpt	563090	male	C452		562549	male
C246	Service_Cmpt	563091	female	C452		562550	female
C269	RHConsole	563090	male	C463	Rear_Axle_Cmpt	562570	female
C269	RHConsole	563091	female	C463	Rear_Axle_Cmpt	562571	male
C279	Service_Cmpt	562477	male	C464	RJB	563180	male
C279	Service_Cmpt	562479	female	C464	RJB	563347	female
C284		561782	male	C465		562581	male
C284		561781	female	C465		562583	female
C284-1		561782	male	C506	FJB	561687	male
C284-1		561781	female	C506	FJB	561685	female
C284-2		561782	male	C542		561550	male
C284-2		561781	female	C542		561667	female
C284-3		561782	male	C558		562503	male
C284-3		561781	female	C558		562507	female
C284-4		561782	male	C564		562503	male
C284-4		561781	female	C564		562507	female
C284-5		561782	male	C564-Sp		562503	male
C284-5		561781	female	C564-Sp		562507	female
C290	Rear_Vehicle	562477	male	C566		562503	male
C290	Rear_Vehicle	562479	female	C566		562507	female
C298		561782	male	C567		562503	male
C298		561781	female	C567		562507	female
C328	Lavatory	561247	male	C575	Parcel_Rack_RH	562503	male
C328	Lavatory	561248	female	C575	Parcel_Rack_RH	562507	female
C380	Dash	563180	male	C576	Parcel_Rack_RH	561550	male
C380	Dash	563347	female	C576	Parcel_Rack_RH	561667	female
C381		561847	male	C577	Parcel_Rack_LH	561550	male
C381		561862	female	C577	Parcel_Rack_LH	561667	female
C382		561580	male	C578	Parcel_Rack_LH	562503	male
C382		561582	female	C578	Parcel_Rack_LH	562507	female

CONNECTORS LIST

No	Location	Part #	Gender	No	Location	Part #	Gender
C581	UnderdashBoard	562777	male	C758		562706	female
C582	FJB	561690	female	C759		562707	male
C582	FJB	561566	female	C759		562706	female
C589	Service_Cmpt	563088	male	C760		562707	male
C589	Service_Cmpt	563089	female	C760		562706	female
C590	RHConsole	563088	male	C761		562707	male
C590	RHConsole	563089	female	C761		562706	female
C601	LHRoofWinAjar	561476	male	C762		562707	male
C601	LHRoofWinAjar	561477	female	C762		562706	female
C603	RHRoofWinAjar	561476	male	C763		562707	male
C603	RHRoofWinAjar	561477	female	C763		562706	female
C611_plug	Parcel_Rack_RH	562557	male	C764		562707	male
C611_socket	Parcel_Rack_RH	562558	female	C764		562706	female
C612_plug	Parcel_Rack_RH	562555	male	C765		562707	male
C612_socket	Parcel_Rack_RH	562556	female	C765		562706	female
C614		563071	male	C766		561662	male
C614		563040	female	C766		561661	female
C615		563071	male	CSX1	Engine_Cmpt	563135	male
C615		563040	female	CSX1	Engine_Cmpt	563134	female
C717	RJB	561646	male	CSX3	Engine_Cmpt	563135	male
C717	RJB	561645	female	CSX3	Engine_Cmpt	563134	female
C720	Engine_Cmpt	563358	male	CT2	Engine_Cmpt	563226	male
C720	Engine_Cmpt	563359	female	CT2	Engine_Cmpt	563613	female
C721	RJB	561515	male	CT3	Rear_Vehicle	563224	male
C721	RJB	561552	female	FUSE_BOX_1.A		562610	male
C723	Rear_Axle_Cmpt	562877	female	FUSE_BOX_1.B		562610	male
C723	Rear_Axle_Cmpt	562884	female	FUSE_BOX_2.A		562610	male
C750		562707	male	FUSE_BOX_2.B		562610	male
C750		562706	female	JACK_1		560999	male
C751		562707	male	L1	Service_Cmpt	562848	male
C751		562706	female	L3.A	Parcel_Rack_RH	562758	male
C752		562707	male	L3.B	Parcel_Rack_RH	562759	male
C752		562706	female	L4.A	Parcel_Rack_RH	562758	male
C753		562707	male	L4.B	Parcel_Rack_RH	562759	male
C753		562706	female	L5.A	Parcel_Rack_RH	562758	male
C754		562707	male	L5.B	Parcel_Rack_RH	562759	male
C754		562706	female	L6.A	Parcel_Rack_RH	562758	male
C755		562707	male	L6.B	Parcel_Rack_RH	562759	male
C755		562706	female	L7.A	Parcel_Rack_RH	562758	male
C758		562707	male	L7.B	Parcel_Rack_RH	562759	male

CONNECTORS LIST

No	Location	Part #	Gender	No	Location	Part #	Gender
L8.A	Parcel_Rack_RH	562758	male	L30	Parcel_Rack_LH	560898	male
L8.B	Parcel_Rack_RH	562759	male	L31	Parcel_Rack_LH	560898	male
L9.A	Parcel_Rack_LH	562758	male	L32	Parcel_Rack_LH	560898	male
L9.B	Parcel_Rack_LH	562759	male	L33	Parcel_Rack_LH	560898	male
L10.A	Parcel_Rack_LH	562758	male	L34	Parcel_Rack_LH	560898	male
L10.B	Parcel_Rack_LH	562759	male	L35	Parcel_Rack_LH	560898	male
L11.A	Parcel_Rack_LH	562758	male	L36	Parcel_Rack_LH	560898	male
L11.B	Parcel_Rack_LH	562759	male	L37	Parcel_Rack_LH	560898	male
L12.A	Parcel_Rack_LH	562758	male	L38	Parcel_Rack_LH	560898	male
L12.B	Parcel_Rack_LH	562759	male	L39	Parcel_Rack_LH	560898	male
L13.A	Parcel_Rack_LH	562758	male	L40	Parcel_Rack_RH	560898	male
L13.B	Parcel_Rack_LH	562759	male	L41	Parcel_Rack_RH	560898	male
L14.A	Parcel_Rack_LH	562758	male	L42	Parcel_Rack_RH	560898	male
L14.B	Parcel_Rack_LH	562759	male	L43	Parcel_Rack_RH	560898	male
L15.A	Parcel_Rack_LH	562758	male	L44	Parcel_Rack_RH	560898	male
L15.B	Parcel_Rack_LH	562759	male	L45	Parcel_Rack_RH	560898	male
L16	Front_Roof	562803	male	L46	Parcel_Rack_RH	560898	male
L17	Front_Roof	562803	male	L47	Parcel_Rack_RH	560898	male
L18.A	Entrance_Door	561626	female	L48	Parcel_Rack_RH	560898	male
L18.B	Entrance_Door	561626	female	L49	Parcel_Rack_RH	560898	male
L19.A	Service_Cmpt	561626	female	L50	Parcel_Rack_RH	560898	male
L19.B	Service_Cmpt	561626	female	L51	Parcel_Rack_RH	560898	male
L20.A	Service_Cmpt	561626	female	L52		560898	male
L20.B	Service_Cmpt	561626	female	L53	Passenger_Area	560898	male
L21.A	Front_Roof	561608	female	L54	Passenger_Area	560898	male
L21.B	Front_Roof	562286	male	L55	Passenger_Area	560898	male
L22.A	Front_Roof	561608	female	L56	Passenger_Area	560898	male
L22.B	Front_Roof	562286	male	L57	Passenger_Area	560898	male
L23.A	Front_Roof	561608	female	L58	Passenger_Area	560898	male
L23.B	Front_Roof	562286	male	L59.A	Outside_Front_RH	562623	male
L24.A	Front_Roof	561608	female	L59.B	Outside_Front_RH	562623	male
L24.B	Front_Roof	562286	male	L60.A	Outside_Front_LH	562623	male
L25.A	Front_Roof	561608	female	L60.B	Outside_Front_LH	562623	male
L25.B	Front_Roof	562286	male	L61	Outside_Front_RH	562601	male
L26.A	Front_Roof	561608	female	L62	Outside_Front_LH	562601	male
L26.B	Front_Roof	562286	male	L63	Outside_Front_RH	562155	male
L27.A	Front_Roof	561608	female	L64	Outside_Front_RH	562155	male
L27.B	Front_Roof	562286	male	L65	Outside_Front_LH	562155	male
L28	Parcel_Rack_LH	560898	male	L66	Outside_Front_LH	562155	male
L29	Parcel_Rack_LH	560898	male	L67	4rd_Lugg_Cmpt	562155	male

CONNECTORS LIST

No	Location	Part #	Gender	No	Location	Part #	Gender
L68	4rd_Lugg_Cmpt	562155	male	L97.B	Outside_Front_LH	563069	female
L69	4rd_Lugg_Cmpt	562155	male	L98.A	Entrance_Door	563069	female
L70	4rd_Lugg_Cmpt	562155	male	L98.B	Outside_Front_RH	563069	female
L71	Rear_Engine_Door	562601	male	L99	Parcel_Rack_LH	560898	male
L72	Rear_Vehicle	562155	male	L100	Parcel_Rack_LH	560898	male
L73	Rear_Vehicle	562601	male	L101	Parcel_Rack_LH	560898	male
L74	Rear_Vehicle	562155	male	L102	Parcel_Rack_LH	560898	male
L75	Rear_Vehicle	562155	male	L103	Parcel_Rack_LH	560898	male
L76	Rear_Engine_Door	562155	male	L104	Parcel_Rack_LH	560898	male
L77	Rear_Engine_Door	562601	male	L105	Parcel_Rack_LH	560898	male
L78	Rear_Engine_Door	562601	male	L106	Parcel_Rack_LH	560898	male
L79	Rear_Engine_Door	562601	male	L107	Parcel_Rack_LH	560898	male
L80	Rear_Engine_Door	562601	male	L108	Parcel_Rack_LH	560898	male
L81.A	Rear_Vehicle	562835	female	L109	Parcel_Rack_LH	560898	male
L81.B	Rear_Vehicle	562834	male	L110	Parcel_Rack_LH	560898	male
L82	Rear_Engine_Door	562348	female	L111	Parcel_Rack_LH	560898	male
L83	Rear_Engine_Door	562348	female	L112	Parcel_Rack_LH	560898	male
L84.A	Rear_Roof	561608	female	L113	Parcel_Rack_RH	560898	male
L84.B	Rear_Roof	562286	male	L114	Parcel_Rack_RH	560898	male
L85.A	Rear_Roof	561608	female	L115	Parcel_Rack_RH	560898	male
L85.B	Rear_Roof	562286	male	L116	Parcel_Rack_RH	560898	male
L86.A	Rear_Roof	561608	female	L117	Parcel_Rack_RH	560898	male
L86.B	Rear_Roof	562286	male	L118	Parcel_Rack_RH	560898	male
L87.A	Rear_Roof	561608	female	L119	Parcel_Rack_RH	560898	male
L87.B	Rear_Roof	562286	male	L120	Parcel_Rack_RH	560898	male
L88.A	Rear_Roof	561608	female	L121	Parcel_Rack_RH	560898	male
L88.B	Rear_Roof	562286	male	L122	Parcel_Rack_RH	560898	male
L89.A	Rear_Roof	561608	female	L123	Parcel_Rack_RH	560898	male
L89.B	Rear_Roof	562286	male	L124	Parcel_Rack_RH	560898	male
L90.A	Rear_Roof	561608	female	L125	Parcel_Rack_RH	560898	male
L90.B	Rear_Roof	562286	male	L126	Parcel_Rack_RH	560898	male
L91	Rear_Engine_Door	562755	male	L127	Parcel_Rack_RH	562758	male
L92	Rear_Engine_Door	562755	male	L128	Parcel_Rack_RH	562758	male
L93.A	Rear_Axle_Cmpt	563069	female	L129	Parcel_Rack_RH	562758	male
L93.B	Rear_Axle_Cmpt	563069	female	L130	Parcel_Rack_RH	562758	male
L94.A	Rear_Axle_Cmpt	563069	female	L131	Parcel_Rack_RH	562758	male
L94.B	Rear_Axle_Cmpt	563069	female	L132	Parcel_Rack_RH	562758	male
L95	Outside_Front_LH	562902	female	L134	Parcel_Rack_LH	562758	male
L96	Outside_Front_RH	562902	female	L135	Parcel_Rack_LH	562758	male
L97.A	Outside_Front_LH	563069	female	L136	Parcel_Rack_LH	562758	male

CONNECTORS LIST

No	Location	Part #	Gender	No	Location	Part #	Gender
L137	Parcel_Rack_LH	562758	male	L160.B		562505	female
L138	Parcel_Rack_LH	562758	male	L161.A	Parcel_Rack_RH	562756	male
L139	Parcel_Rack_LH	562758	male	L161.B		562505	female
L140	Lavatory	561247	male	L162.A	Parcel_Rack_RH	562756	male
L141	Lavatory	560898	male	L162.B		562505	female
L142	Lavatory	562803	male	L163.A	Parcel_Rack_RH	562756	male
L142A	Lavatory	562803	male	L163.B		562505	female
L144.A	Parcel_Rack_LH	562756	male	L164.A	Parcel_Rack_RH	562756	male
L144.B	Parcel_Rack_LH	562505	female	L164.B		562505	female
L145.A	Parcel_Rack_LH	562756	male	L165.A	Parcel_Rack_RH	562756	male
L145.B	Parcel_Rack_LH	562505	female	L165.B		562505	female
L146.A	Parcel_Rack_LH	562756	male	L166.A	Parcel_Rack_RH	562756	male
L146.B	Parcel_Rack_LH	562505	female	L166.B		562505	female
L147.A	Parcel_Rack_LH	562756	male	L167.A	Parcel_Rack_RH	562756	male
L147.B	Parcel_Rack_LH	562505	female	L167.B		562505	female
L148.A	Parcel_Rack_LH	562756	male	L168.A	Parcel_Rack_RH	562756	male
L148.B	Parcel_Rack_LH	562505	female	L168.B		562505	female
L149.A	Parcel_Rack_LH	562756	male	L169.A	Parcel_Rack_RH	562756	male
L149.B	Parcel_Rack_LH	562505	female	L169.B		562505	female
L150.A	Parcel_Rack_LH	562756	male	L170.A	Parcel_Rack_RH	562756	male
L150.B	Parcel_Rack_LH	562505	female	L170.B		562505	female
L151.A	Parcel_Rack_LH	562756	male	L171.A	Parcel_Rack_RH	562756	male
L151.B	Parcel_Rack_LH	562505	female	L171.B		562505	female
L152.A	Parcel_Rack_LH	562756	male	L172.A	Parcel_Rack_RH	562756	male
L152.B	Parcel_Rack_LH	562505	female	L172.B		562505	female
L153.A	Parcel_Rack_LH	562756	male	L173	Engine_Cmpt	563268	male
L153.B	Parcel_Rack_LH	562505	female	L174	Engine_Cmpt	563268	male
L154.A	Parcel_Rack_LH	562756	male	L175	RJB	561247	male
L154.B	Parcel_Rack_LH	562505	female	L176	4rd_Lugg_Cmpt	561247	male
L155.A	Parcel_Rack_LH	562756	male	L177	4rd_Lugg_Cmpt	561247	male
L155.B	Parcel_Rack_LH	562505	female	L180	2nd_Lugg_Cmpt	561247	male
L156.A	Parcel_Rack_LH	562756	male	L181	2nd_Lugg_Cmpt	561247	male
L156.B	Parcel_Rack_LH	562505	female	L182	1st_Lugg_Cmpt	561247	male
L157.A	Parcel_Rack_LH	562756	male	L183	1st_Lugg_Cmpt	561247	male
L157.B	Parcel_Rack_LH	562505	female	L184	Service_Cmpt	561247	male
L158.A	Parcel_Rack_LH	562756	male	L187	Engine_Cmpt	561690	male
L158.B	Parcel_Rack_LH	562505	female	L187	Engine_Cmpt	561690	male
L159.A	Parcel_Rack_RH	562756	male	L188	Service_Cmpt	562486	female
L159.B		562505	female	L189	Outside_Front_RH	562069	male
L160.A	Parcel_Rack_RH	562756	male	L190	Outside_Front_LH	562069	male

CONNECTORS LIST

No	Location	Part #	Gender	No	Location	Part #	Gender
L191	Parcel_Rack_LH	561550	male	L221.A	Parcel_Rack_LH	561248	female
L192	Parcel_Rack_LH	560898	male	L221.B	Parcel_Rack_LH	561248	female
L193.A	Dash	560488	female	L222.A	Parcel_Rack_LH	561248	female
L193.B	Dash	560488	female	L222.B	Parcel_Rack_LH	561248	female
L194.A	Dash	562019	female	L223.A	Parcel_Rack_LH	561248	female
L194.B	Dash	560488	female	L223.B	Parcel_Rack_LH	561248	female
L195.A	Dash	560488	female	L224.A	Parcel_Rack_LH	561248	female
L195.B	Dash	560488	female	L224.B	Parcel_Rack_LH	561248	female
L199	Engine_Cmpt	562471	male	L225.A	Parcel_Rack_LH	561248	female
L200	Engine_Cmpt	562471	male	L225.B	Parcel_Rack_LH	561248	female
L203	RH_Console	561690	male	L226	Parcel_Rack_RH	562758	male
L205	Engine_Cmpt	562485	male	L227	Parcel_Rack_RH	562758	male
L206	Parcel_Rack_RH	562803	male	L228	Parcel_Rack_RH	562758	male
L207.A	4rd_Lugg_Cmpt	561699	female	L229	Parcel_Rack_RH	562758	male
L207.B	*opt*	561699	female	L230	Parcel_Rack_RH	562758	male
L207.C	*opt*	561701	female	L231	Parcel_Rack_RH	562758	male
L207.D	*opt*	561699	female	L232.A	Parcel_Rack_RH	562758	male
L207.E	*opt*	561701	female	L232.B	Parcel_Rack_RH	562759	male
L207.F	*opt*	561699	female	L233.A	Parcel_Rack_RH	562758	male
L207.G	*opt*	561699	female	L233.B	Parcel_Rack_RH	562759	male
L207.H	*opt*	560926	female	L234.A	Parcel_Rack_RH	562758	male
L207.I	*opt*	560926	female	L234.B	Parcel_Rack_RH	562759	male
L208	Outside_Front_LH	563088	male	L235.A	Parcel_Rack_RH	562758	male
L209	Outside_Front_RH	563088	male	L235.B	Parcel_Rack_RH	562759	male
L213.A	Parcel_Rack_RH	561248	female	L236.A	Parcel_Rack_RH	562758	male
L213.B	Parcel_Rack_RH	561248	female	L236.B	Parcel_Rack_RH	562759	male
L214.A	Parcel_Rack_RH	561248	female	L238.A	Parcel_Rack_RH	561248	female
L214.B	Parcel_Rack_RH	561248	female	L238.B	Parcel_Rack_RH	561248	female
L215.A	Parcel_Rack_RH	561248	female	L239.A	Parcel_Rack_RH	561248	female
L215.B	Parcel_Rack_RH	561248	female	L239.B	Parcel_Rack_RH	561248	female
L216.A	Parcel_Rack_RH	561248	female	L240.A	Parcel_Rack_RH	561248	female
L216.B	Parcel_Rack_RH	561248	female	L240.B	Parcel_Rack_RH	561248	female
L217.A	Parcel_Rack_RH	561248	female	L241.A	Parcel_Rack_RH	561248	female
L217.B	Parcel_Rack_RH	561248	female	L241.B	Parcel_Rack_RH	561248	female
L218.A	Outside_Front_RH	561248	female	L242.A	Parcel_Rack_RH	561248	female
L218.B	Parcel_Rack_RH	561248	female	L242.B	Parcel_Rack_RH	561248	female
L219.A	Parcel_Rack_LH	561248	female	L244.A	Parcel_Rack_RH	562756	male
L219.B	Parcel_Rack_LH	561248	female	L244.B	Parcel_Rack_RH	562505	female
L220.A	Parcel_Rack_LH	561248	female	L245.A	Parcel_Rack_RH	562756	male
L220.B	Parcel_Rack_LH	561248	female	L245.B	Parcel_Rack_RH	562505	female

CONNECTORS LIST

No	Location	Part #	Gender	No	Location	Part #	Gender
L246.A	Parcel_Rack_RH	562756	male	L273	Parcel_Rack_RH	560898	male
L246.B	Parcel_Rack_RH	562505	female	L274	Parcel_Rack_RH	560898	male
L247.A	Parcel_Rack_RH	562756	male	L275	Parcel_Rack_RH	560898	male
L247.B	Parcel_Rack_RH	562505	female	L276	Parcel_Rack_RH	560898	male
L248.A	Parcel_Rack_RH	562756	male	L277	Parcel_Rack_RH	560898	male
L248.B	Parcel_Rack_RH	562505	female	L278	Parcel_Rack_RH	560898	male
L249.A	Parcel_Rack_RH	562756	male	L279	Parcel_Rack_RH	560898	male
L249.B	Parcel_Rack_RH	562505	female	L280	Parcel_Rack_RH	560898	male
L250.A	Parcel_Rack_RH	562756	male	L281	Parcel_Rack_RH	560898	male
L250.B	Parcel_Rack_RH	562505	female	L283	Service_Cmpt	562485	male
L251.A	Parcel_Rack_RH	562756	male	L284	*opt*	562485	male
L251.B	Parcel_Rack_RH	562505	female	L285.A	Rear_Vehicle	562835	female
L252.A	Parcel_Rack_RH	562756	male	L285.B	Rear_Vehicle	562834	male
L252.B	Parcel_Rack_RH	562505	female	L286.A	Rear_Vehicle	562835	female
L253.A	Parcel_Rack_RH	562756	male	L286.B	Rear_Vehicle	562834	male
L253.B	Parcel_Rack_RH	562505	female	L287	Rear_Axle_Cmpt	562251	male
L254.A	Parcel_Rack_RH	562756	male	L290.A	Parcel_Rack_RH	561248	female
L254.B	Parcel_Rack_RH	562505	female	L290.B	Parcel_Rack_RH	561248	female
L255.A	Parcel_Rack_RH	562756	male	L291.A	Parcel_Rack_RH	561248	female
L255.B	Parcel_Rack_RH	562505	female	L291.B	Parcel_Rack_RH	561248	female
L256.A	Parcel_Rack_RH	562756	male	L292.A	Parcel_Rack_RH	562756	male
L256.B	Parcel_Rack_RH	562505	female	L292.B	Parcel_Rack_RH	562505	female
L257.A	Parcel_Rack_RH	562756	male	Mo1	Engine_Cmpt	561690	female
L257.B	Parcel_Rack_RH	562505	female	Mo2	Engine_Cmpt	561782	male
L258	Parcel_Rack_RH	560898	male	Mo3	Dash	561667	female
L259	Parcel_Rack_RH	560898	male	Mo4	Dash	562076	male
L260	Parcel_Rack_RH	560898	male	Mo5	Front_Roof	561515	male
L261	Parcel_Rack_RH	560898	male	Mo7		563691	male
L262	Parcel_Rack_RH	560898	male	Mo8		563691	male
L263	Parcel_Rack_RH	560898	male	Mo10.A	Parcel_Rack_LH	561515	male
L264	Parcel_Rack_RH	560898	male	Mo10.B	Parcel_Rack_LH	561247	male
L265.A	Parcel_Rack_RH	561248	female	Mo11.A	Parcel_Rack_RH	561515	male
L265.B	Parcel_Rack_RH	561248	female	Mo11.B	Parcel_Rack_RH	561247	male
L266	Parcel_Rack_RH	560898	male	Mo12	Engine_Cmpt	561690	male
L267	Parcel_Rack_RH	560898	male	Mo13	Engine_Cmpt	561690	female
L268	Parcel_Rack_RH	560898	male	Mo14	Lavatory	561690	male
L269	Parcel_Rack_RH	560898	male	Mo15	Front_Roof	560900	female
L270	Parcel_Rack_RH	560898	male	Mo16	Front_Roof	560900	female
L271	Parcel_Rack_RH	560898	male	Mo17	RH_Console	563626	male
L272	Parcel_Rack_RH	560898	male	Mo19	Fr_Service_Door	562474	male

CONNECTORS LIST

No	Location	Part #	Gender	No	Location	Part #	Gender
Mo20	Fr_Service_Door	562474	male	R32	RJB	561183	male
Mo22	RH_Console	561186	male	R33	RJB	561183	male
Mo24	RH_Console	562348	female	R_AMPLI		562367	male
Mo25	RH_Console	562348	female	R_Tv		561183	male
Mo27		563691	male	Res3		563590	female
Mo28		563691	male	Res3		563590	female
Mo30	1st_Lugg_Cmpt	562076	male	Res4		563590	female
Mo31		562076	male	Res4		563590	female
Mo32	2nd_Lugg_Cmpt	562076	male	Res5		563590	female
Mo33		562076	male	Res5		563590	female
Mo35	4rd_Lugg_Cmpt	562076	male	Res6		563590	female
Mo36	Engine_Cmpt	562076	male	Res6		563590	female
Mo54	Service_Cmpt	562474	male	Res7		563590	female
Pot1.A	Dash	560488	female	Res7.A		563590	female
Pot1.B	Dash	560488	female	Res8		563590	female
Pot1.C	Dash	560488	female	Res8		563590	female
R-12VISS		561183	male	Res11		563590	female
R2	RJB	561183	male	Res11		563590	female
R3	RJB	563409	male	Res12	Engine_Cmpt	563590	female
R5		561183	male	Res12		563590	female
R6		561183	male	Se1	Engine_Cmpt	562486	female
R8	RJB	561183	male	Se2	Engine_Cmpt	562486	female
R10	Evap_Cmpt	563409	male	Se3	RJB	562486	female
R11	RJB	561183	male	Se4	Window_RH	561477	female
R12	Evap_Cmpt	563409	male	Se5	Window_RH	561477	female
R13		561183	male	Se6	Window_RH	561477	female
R14	RJB	562367	male	Se7	Window_LH	561477	female
R15		561183	male	Se8	Window_LH	561477	female
R16	Dash	561183	male	Se9	Window_LH	561477	female
R17	RJB	562367	male	Se11.A	Cond_Cmpt	560082	female
R18	FJB	562367	male	Se11.B	Cond_Cmpt	560082	female
R19	FJB	562367	male	Se11.C	Cond_Cmpt	560082	female
R20		561183	male	Se12	Engine_Cmpt	561690	female
R21		561183	male	Se13	Engine_Cmpt	562350	male
R22	FJB_VECF	561183	male	Se14.A	Driver_Area	561782	male
R23	RH_Console	561183	male	Se14.B	Driver_Area	561781	female
R25	RJB	561183	male	Se15	RH_Console	560898	male
R26	Cond_Cmpt	561183	male	Se16	Entrance_Door	561566	female
R30	RJB	561183	male	Se17	RH_Console	560900	female
R31	RJB	561183	male	Se18.A	Service_Cmpt	560815	female

CONNECTORS LIST

No	Location	Part #	Gender	No	Location	Part #	Gender
Se18.B	Service_Cmpt	560815	female	So6	RH_Console	641385	male
Se19.A	Service_Cmpt	560082	female	So7	Service_Cmpt	561566	female
Se19.B	Service_Cmpt	560082	female	So8		563204	female
Se19.C	Service_Cmpt	560082	female	So9	Engine_Cmpt	561566	female
Se19.D	Service_Cmpt	560082	female	So11	Cond_Cmpt	561566	female
Se20	Evap_Cmpt	562426	male	So13	Evap_Cmpt	563204	female
Se21	Dash	561248	female	So14	Service_Cmpt	641385	male
Se22	Engine_Cmpt	563404	female	So15	Service_Cmpt	641385	male
Se23	Engine_Cmpt	563159	male	So16	Service_Cmpt	641385	male
Se24	Engine_Cmpt	563159	male	So17	Service_Cmpt	641385	male
Se25	Passenger_Area	561248	female	So20	Service_Cmpt	641385	male
Se26	Service_Cmpt	561690	female	So21	Front_Axle_Cmpt	561098	male
Se27	Front_Axle_Cmpt	561111	female	So22	Front_Axle_Cmpt	561098	male
Se29	Engine_Cmpt	561566	female	So23	Rear_Axle_Cmpt	641949	male
Se30	Engine_Cmpt	561690	female	So24	Rear_Axle_Cmpt	641949	male
Se31	Engine_Cmpt	561690	female	So25		641949	male
Se32	Rear_Axle_Cmpt	563057	male	So26		562848	male
Se33	Rear_Axle_Cmpt	562856	male	So28	Engine_Cmpt	561690	male
Se34	Rear_Axle_Cmpt	563057	male	Spk1_L		563994	male
Se35	Rear_Axle_Cmpt	563057	male	Spk1_R		563994	male
Se36	Rear_Axle_Cmpt	563629	female	Spk2_L		563994	male
Se37	Front_Axle_Cmpt	641132	female	Spk2_R		563994	male
Se38	Front_Axle_Cmpt	641132	female	Spk3_L		563994	male
Se39	Rear_Axle_Cmpt	641132	female	Spk3_R		563994	male
Se40	Rear_Axle_Cmpt	641132	female	Spk4_L		563994	male
Se43	Engine_Cmpt	563340	male	Spk4_R		563994	male
Se44.A	Above_Rear_Axle	560082	female	Spk5_L		563994	male
Se44.B	Above_Rear_Axle	560082	female	Spk5_R		563994	male
Se45	Fr_Service_Door	563409	male	Spk6_L		563994	male
Se46	Rear_Axle_Cmpt	562348	female	Spk6_R		563994	male
Se47	Engine_Cmpt	562486	female	Spk7_L		563994	male
Se48	Engine_Cmpt	561690	male	Spk7_R		563994	male
Se49	Engine_Cmpt	561690	male	Spk8_L		563994	male
Se50	Engine_Cmpt	561566	female	Spk8_R		563994	male
Se60	Service_Cmpt	563409	male	Spk9_L		563994	male
Se62	WCL_System	561690	male	Spk9_R		563994	male
So1	Engine_Cmpt	561566	female	Spk10_L		563994	male
So3	RH_Console	641385	male	Spk10_R		563994	male
So4	RH_Console	641385	male	Spk11_L		563994	male
So5	RH_Console	641385	male	Spk11_R		563994	male

CONNECTORS LIST

No	Location	Part #	Gender	No	Location	Part #	Gender
Spk12_L		563994	male	Sw27	Dash	562763	male
Spk12_R		563994	male	Sw28	LH_Console	562763	male
Spk13_L		563994	male	Sw29	Dash	562763	male
Spk13_R		563994	male	Sw30	Engine_Cmpt	561566	female
Spk14_L		563994	male	Sw31.A	WCL_System	562403	female
Spk14_R		563994	male	Sw31.B		562403	female
Spk15_L		563994	male	Sw32	Dash	561477	female
Spk15_R		563994	male	Sw33	Dash	561476	male
Spk16_L		563994	male	Sw34	Outside_Front_RH	562477	male
Spk16_R		563994	male	Sw35	Dash	562763	male
SpkDr_L.A		562651	female	Sw36	LH_Console	562763	male
SpkDr_L.B		562290	female	Sw37	LH_Console	562763	male
SpkDr_R.A		562651	female	Sw38	LH_Console	562763	male
SpkDr_R.B		562290	female	Sw40	LH_Console	561690	male
Sub1.A		564004	female	Sw41	LH_Console	562749	male
Sub2.A		564004	female	Sw42	*opt*	561636	female
Sw1.C258	Driver_Area	561188	female	Sw43		561690	male
Sw1.C259	Driver_Area	561186	male	Sw44	Service_Cmpt	562403	female
Sw2	Dash	562763	male	Sw44.B		562403	female
Sw3	Dash	562763	male	Sw45		562403	female
Sw4	Dash	562763	male	Sw45.B		562403	female
Sw6	Dash	562763	male	Sw46.A		562403	female
Sw8	Dash	562763	male	Sw46.B		562403	female
Sw9	Dash	562763	male	Sw49.A		562403	female
Sw10	Dash	562763	male	Sw49.B		562403	female
Sw11	Dash	562763	male	Sw50.A		562403	female
Sw12	Dash	562763	male	Sw50.B		562403	female
Sw13	Dash	562763	male	Sw51.A		562403	female
Sw14	Dash	562763	male	Sw51.B		562403	female
Sw15	Dash	562763	male	Sw52		562403	female
Sw16	Dash	562763	male	Sw52.B		562403	female
Sw17	Dash	562763	male	Sw53	Parcel_Rack_LH	562651	female
Sw18	Dash	562763	male	Sw54.A		562835	female
Sw20	Dash	562763	male	Sw54.B		562834	male
Sw21	Dash	562763	male	Sw55.A		560488	female
Sw22	Dash	562763	male	Sw55.B		560488	female
Sw23	Dash	562763	male	Sw56.A		560488	female
Sw24	Dash	562763	male	Sw56.B		560488	female
Sw25	Dash	562763	male	Sw58	Engine_Cmpt	562581	male
Sw26	Dash	562763	male	Sw59		561566	female

CONNECTORS LIST

No	Location	Part #	Gender	No	Location	Part #	Gender
Sw60		561566	female	Sw94.B	WCL_System	560079	female
Sw64.A	Service_Cmpt	560815	female	Sw94.C	WCL_System	560079	female
Sw64.B	Service_Cmpt	560815	female	Sw95.A		561626	female
Sw65	Parcel_Rack_LH	562651	female	Sw95.B		561626	female
Sw66	Parcel_Rack_LH	562651	female	Sw95.C		561626	female
Sw67	Parcel_Rack_LH	562651	female	Sw96.A		561626	female
Sw68	Parcel_Rack_LH	562651	female	Sw96.B		561626	female
Sw69	Parcel_Rack_LH	562651	female	Sw96.C		561626	female
Sw70	Parcel_Rack_LH	562651	female	Sw97.A	WCL_System	561626	female
Sw71	Parcel_Rack_LH	562651	female	Sw97.B	WCL_System	561626	female
Sw72	Parcel_Rack_LH	562651	female	Sw97.C	WCL_System	561626	female
Sw73	Parcel_Rack_RH	562651	female	Sw98.A	WCL_System	561626	female
Sw74	Parcel_Rack_RH	562651	female	Sw98.B	WCL_System	561626	female
Sw75	Parcel_Rack_RH	562651	female	Sw98.C	WCL_System	561626	female
Sw76	Parcel_Rack_RH	562651	female	Sw99	Dash	562763	male
Sw77	Parcel_Rack_RH	562651	female	Sw100	Dash	562763	male
Sw78	Parcel_Rack_RH	562651	female	Sw101		562763	male
Sw79	Parcel_Rack_RH	562651	female	Sw109.A		560079	female
Sw80	Parcel_Rack_RH	562651	female	Sw109.B		560079	female
Sw81.A	Dash	562905	male	Sw110.A		560079	female
Sw81.B	Dash	562905	male	Sw110.B		560079	female
Sw82.A		561457	female	Sw114.A		560079	female
Sw82.B		561457	female	Sw114.B		560079	female
Sw82.C		561457	female	Sw115.A		560079	female
Sw82.D		561457	female	Sw115.B		560079	female
Sw83.A	Dash	560082	female	Sw123		561566	female
Sw83.B	Dash	560815	female	Sw125.A	Service_Cmpt	561457	female
Sw83.C	Dash	560082	female	Sw125.B	Service_Cmpt	561457	female
Sw83.D	Dash	560815	female	sym1_136		560999	male
Sw84		561566	female	sym2_136		560999	male
Sw85	LH_Console	562749	male	sym4_136		560999	male
Sw86	Parcel_Rack_RH	562651	female	sym5_136		560999	male
Sw87	Parcel_Rack_RH	562651	female	sym6_136		560999	male
Sw88	Parcel_Rack_RH	562651	female	sym7_136		560999	male
Sw89	Parcel_Rack_RH	562651	female	VECF1	FJB	563186	male
Sw90	Parcel_Rack_RH	562651	female	VECF2	FJB	563183	male
Sw91	Parcel_Rack_RH	562651	female	VECF3	FJB	563185	male
Sw92	Parcel_Rack_RH	562651	female	VECF4	FJB	563182	male
Sw93	Parcel_Rack_RH	562651	female	VECF10	FJB	563181	male
Sw94.A	WCL_System	560079	female	VECF11	FJB	563184	male

CONNECTORS LIST

No	Location	Part #	Gender
VECF12	FJB	563187	male
VECR1	RJB	563186	male
VECR2	RJB	563183	male
VECR3	RJB	563185	male
VECR4	RJB	563182	male
VECR9	RJB	563448	male
VECR10	RJB	563181	male
VECR11	RJB	563184	male
VECR12	RJB	563187	male

CONNECTORS LIST

No	Location	Part #	Gender	No	Location	Part #	Gender
<Invalid>	Parcel_Rack_RH	561550	male	A29	Dash	562465	male
<Invalid>	Parcel_Rack_RH	561667	female	A2Gen4		563984	male
<Invalid>		563613	female	A3	Dash	562363	male
<Invalid>		563226	male	A30	Rear_Axle_Cmpt	563463	male
<Invalid>		563613	female	A31	Rear_Axle_Cmpt	563463	male
<Invalid>_0_1	Parcel_Rack_LH	561515	male	A36.JA	FJB	562767	male
<Invalid>_0_1	Parcel_Rack_LH	561552	female	A36.JB	FJB	562765	male
<Invalid>_0_2		563226	male	A36.JC	FJB	562957	male
A1.CS	RJB	562817	male	A39.P101		563201	male
A1.CT	RJB	562822	male	A39.P901		563953	male
A1.CV	RJB	562823	male	A4.A	Service_Cmpt	562428	female
A10.X1	Engine_Cmpt	563135	male	A4.B	Service_Cmpt	561188	female
A10.X3	Engine_Cmpt	563134	female	A40.A		563071	male
A11	LH_Console	563142	male	A40.B		562706	female
A12	Dash	562464	male	A40.C		562624	female
A13.J1	FJB	562794	male	A41.J1	FJB	562767	male
A13.J2	FJB	562650	male	A41.J2	FJB	563132	male
A14.CX	Dash	562957	male	A41.J3	FJB	562957	male
A14.CY	Dash	562765	male	A42.J1	FJB	562767	male
A14.LX	Dash	562766	male	A42.J2	FJB	563132	male
A14.LY	Dash	562767	male	A42.J3	FJB	562957	male
A14.RX	Dash	562767	male	A43.J1	FJB	562767	male
A15	Dash	562464	male	A43.J2	FJB	563132	male
A16	Front_Roof	561637	male	A43.J3	FJB	562957	male
A17	RJB	561932	male	A44.J1	FJB	563133	male
A18	FJB	562794	male	A44.J2	FJB	563132	male
A18.J2	FJB	562650	male	A44.J3	FJB	562957	male
A19	LH_Console	562878	female	A45.J1	FJB	563133	male
A1Gen4.A		563975	male	A45.J2	FJB	563132	male
A2	Service_Cmpt	562825	male	A45.J3	FJB	562957	male
A20	Parcel_Rack_LH	561477	female	A46.J1	FJB	563133	male
A21	Rear_Axle_Cmpt	kostalF	female	A46.J2	FJB	563132	male
A22	LH_Console	563338	male	A46.J3	FJB	562957	male
A23	RJB	563053	male	A47.J1	RH_Console	563133	male
A24	RH_Console	561889	female	A47.J2	RH_Console	563132	male
A24.A	RH_Console	561890	male	A47.J3	RH_Console	562957	male
A24.B	RH_Console	561566	female	A48.J1	RH_Console	563133	male
A25		563025	male	A48.J2	RH_Console	563132	male
A27	Service_Cmpt	562929	male	A48.J3	RH_Console	562957	male
A28	Service_Cmpt	562928	male	A49.J1	RJB	562767	male

CONNECTORS LIST

No	Location	Part #	Gender	No	Location	Part #	Gender
A49.J2	RJB	563132	male	A68.D		563961	male
A49.J3	RJB	562957	male	A69.A		563071	male
A5	Service_Cmpt	562428	female	A69.B		561716	female
A50.J1	RJB	563133	male	A69.C		561716	female
A50.J2	RJB	563132	male	A69.D		561716	female
A50.J3	RJB	562957	male	A69.E		561716	female
A51.J1	RJB	563133	male	A69.F		561716	female
A51.J2	RJB	563132	male	A69.G		561716	female
A51.J3	RJB	562957	male	A69.H		561716	female
A52.J1	RJB	563133	male	A7	Engine_Cmpt	562536	male
A52.J2	RJB	563132	male	A70		564011	male
A52.J3	RJB	562957	male	A71.A		562464	male
A53.J1	RJB	563133	male	A71.B		562706	female
A53.J2	RJB	563132	male	A71.C		562706	female
A53.J3	RJB	562957	male	A71.D		562706	female
A54.J1	Evap_Cmpt	563133	male	A72.A		563960	male
A54.J2	Evap_Cmpt	563132	male	A72.B		563962	male
A54.J3	Evap_Cmpt	562957	male	A72.C		564009	male
A6	Engine_Cmpt	563628	female	A72.D		563961	male
A60.A		562464	male	A73.A		563960	male
A60.B		562706	female	A73.B		563962	male
A60.C		562706	female	A73.C		564009	male
A60.D		562706	female	A73.D		563961	male
A61.A		562464	male	A7Gen4		563979	male
A61.B		562465	male	A8	Engine_Cmpt	563403	female
A63.A		563960	male	A9.Cx1	FJB	563200	male
A63.B		563962	male	A9.Cx2	FJB	563201	male
A63.C		564009	male	Alt1.A	Engine_Cmpt	560815	female
A63.D		563961	male	Alt1.B	Engine_Cmpt	560815	female
A64		563954	male	Alt1.C	Engine_Cmpt	562862	female
A65		562465	male	Alt2.A	Engine_Cmpt	560815	female
A66		561183	male	Alt2.B	Engine_Cmpt	560815	female
A67.Vsa		563948	male	Alt2.C	Engine_Cmpt	562862	female
A67.Vsb		563950	male	C1	FJB	563589	male
A67.Vsc		563947	male	C1	FJB	563590	female
A67.Vsd		563949	male	C101	Service_Cmpt	561690	male
A67.Vse		563951	male	C101	Service_Cmpt	561566	female
A68.A		563960	male	C102	RJB	561690	male
A68.B		563962	male	C102	RJB	561566	female
A68.C		564009	male	C11	Service_Cmpt	563580	male

CONNECTORS LIST

No	Location	Part #	Gender	No	Location	Part #	Gender
C11	Service_Cmpt	563581	female	C206		562507	female
C119	Rear_Engine_Door	561607	male	C207		562503	male
C119	Rear_Engine_Door	561606	female	C207		562507	female
C12_plug	RJB	562485	male	C209_plug		562503	male
C12_socket	RJB	562486	female	C209_socket		562507	female
C120	Rear_Engine_Door	561607	male	C211	Parcel_Rack_RH	561515	male
C120	Rear_Engine_Door	561606	female	C211	Parcel_Rack_RH	561552	female
C13_plug	RH_Console	563589	male	C213	Parcel_Rack_LH	561515	male
C13_socket	RH_Console	563590	female	C213	Parcel_Rack_LH	561552	female
C13S	RH_Console	563589	male	C21A	RJB	561646	male
C13S	RH_Console	563590	female	C21A	RJB	561645	female
C14	RJB	561986	male	C21B	RJB	561646	male
C14	RJB	561987	female	C21B	RJB	561645	female
C144	RJB	560852	male	C230	Engine_Cmpt	562485	male
C144	RJB	560851	female	C230	Engine_Cmpt	562486	female
C15	RJB	561643	male	C24_plug	Evap_Cmpt	561690	male
C15	RJB	561642	female	C24_socket	Evap_Cmpt	561566	female
C153	Rear_Axle_Cmpt	561611	male	C242	Service_Cmpt	562789	male
C153	Rear_Axle_Cmpt	561610	female	C242	Service_Cmpt	565131	female
C16	RJB	561577	male	C243	Service_Cmpt	562789	male
C16	RJB	561605	female	C243	Service_Cmpt	565131	female
C17	RJB	561986	male	C246	Service_Cmpt	563090	male
C17	RJB	561987	female	C246	Service_Cmpt	563091	female
C171	LH_Console	561646	male	C26_plug	RJB	562485	male
C171	LH_Console	561645	female	C26_socket	RJB	562486	female
C172	Service_Cmpt	561640	male	C269	RHConsole	563090	male
C172	Service_Cmpt	561638	female	C269	RHConsole	563091	female
C18	FJB	561986	male	C279	Service_Cmpt	562477	male
C18	FJB	561987	female	C279	Service_Cmpt	562479	female
C19	RJB	561986	male	C279A		561690	male
C19	RJB	561987	female	C279A		561566	female
C193		563589	male	C284		561782	male
C193		563590	female	C284		561781	female
C194		563589	male	C284-1		561782	male
C194		563590	female	C284-1		561781	female
C1S	FJB	563589	male	C284-2		561782	male
C1S	FJB	563590	female	C284-2		561781	female
C2	Service_Cmpt	563580	male	C284-3		561782	male
C2	Service_Cmpt	563581	female	C284-3		561781	female
C206		562503	male	C284-4		561782	male

CONNECTORS LIST

No	Location	Part #	Gender	No	Location	Part #	Gender
C284-4		561781	female	C39		562503	male
C284-5		561782	male	C39		562507	female
C284-5		561781	female	C394	Service_Cmpt	560852	male
C29	4rd_Lugg_Cmpt	563651	male	C394	Service_Cmpt	560851	female
C29	4rd_Lugg_Cmpt	563652	female	C397	RJB	562285	male
C290	Rear_Vehicle	562477	male	C397	RJB	563671	female
C290	Rear_Vehicle	562479	female	C398	Engine_Cmpt	563226	male
C298		561782	male	C398	Engine_Cmpt	563613	female
C298		561781	female	C3S	RJB	563593	male
C298A		561782	male	C3S	RJB	563590	female
C298A		561781	female	C4	FJB	563580	male
C3	RJB	563589	male	C4	FJB	563581	female
C3	RJB	563590	female	C40	Dash	562485	male
C30	4rd_Lugg_Cmpt	561710	male	C40	Dash	562486	female
C30	4rd_Lugg_Cmpt	561709	female	C41	RJB	561690	male
C302		563071	male	C41	RJB	561566	female
C302		563040	female	C42	Dash	561904	female
C31	RJB	561669	male	C42	Service_Cmpt	561626	female
C31	RJB	561670	female	C426	Engine_Cmpt	561782	male
C328	Lavatory	561247	male	C426	Engine_Cmpt	561781	female
C328	Lavatory	561248	female	C430	LH_Console	562363	male
C34	RH_Console	561986	male	C430	LH_Console	561188	female
C34	RH_Console	561987	female	C44_plug	FJB	561577	male
C35	RJB	561646	male	C44_socket	FJB	561605	female
C35	RJB	561645	female	C45	FJB	561643	male
C36	FJB	561986	male	C45	FJB	561642	female
C36	FJB	561987	female	C452		562549	male
C36.A	Engine_Cmpt	561701	female	C452		562550	female
C36.B	Engine_Cmpt	561701	female	C46	Service_Cmpt	561577	male
C36.C	Engine_Cmpt	561701	female	C46	Service_Cmpt	561605	female
C37	Parcel_Rack_LH	562557	male	C463	Rear_Axle_Cmpt	562570	female
C37	Parcel_Rack_LH	562558	female	C463	Rear_Axle_Cmpt	562571	male
C38	Parcel_Rack_RH	561643	male	C464	RJB	563180	male
C38	Parcel_Rack_RH	561642	female	C464	RJB	563347	female
C380	Dash	563180	male	C465		562581	male
C380	Dash	563347	female	C465		562583	female
C381		561847	male	C48	Service_Cmpt	561690	male
C381		561862	female	C48	Service_Cmpt	561566	female
C382		561580	male	C5	FJB	563589	male
C382		561582	female	C5	FJB	563590	female

CONNECTORS LIST

No	Location	Part #	Gender	No	Location	Part #	Gender
C50	Engine_Cmpt	561932	male	C590	RHConsole	563089	female
C50	Engine_Cmpt	560933	female	C5S	FJB	563589	male
C506	FJB	561687	male	C5S	FJB	563590	female
C506	FJB	561685	female	C6	FJB	563582	male
C542		561550	male	C6	FJB	563583	female
C542		561667	female	C60	RJB	561986	male
C55	Evap_Cmpt	561577	male	C60	RJB	561987	female
C55	Evap_Cmpt	561605	female	C601	LHRoofWinAjar	561476	male
C558		562503	male	C601	LHRoofWinAjar	561477	female
C558		562507	female	C603	RHRoofWinAjar	561476	male
C56	Parcel_Rack_LH	562557	male	C603	RHRoofWinAjar	561477	female
C56	Parcel_Rack_LH	562558	female	C61	Fr_Service_Door	561669	male
C564		562503	male	C61	Fr_Service_Door	561670	female
C564		562507	female	C611_plug	Parcel_Rack_RH	562557	male
C564-Sp		562503	male	C611_socket	Parcel_Rack_RH	562558	female
C564-Sp		562507	female	C612_plug	Parcel_Rack_RH	562555	male
C566		562503	male	C612_socket	Parcel_Rack_RH	562556	female
C566		562507	female	C614		563071	male
C567		562503	male	C614		563040	female
C567		562507	female	C615		563071	male
C57	Parcel_Rack_RH	562557	male	C615		563040	female
C57	Parcel_Rack_RH	562558	female	C62	Fr_Service_Door	562566	male
C575	Parcel_Rack_RH	562503	male	C62	Fr_Service_Door	562565	female
C575	Parcel_Rack_RH	562507	female	C63	Entrance_Door	562477	male
C576	Parcel_Rack_RH	561550	male	C63	Entrance_Door	562479	female
C576	Parcel_Rack_RH	561667	female	C66	Engine_Cmpt	561577	male
C577	Parcel_Rack_LH	561550	male	C66	Engine_Cmpt	561605	female
C577	Parcel_Rack_LH	561667	female	C67	Parcel_Rack_LH	561247	male
C578	Parcel_Rack_LH	562503	male	C67	Parcel_Rack_LH	561248	female
C578	Parcel_Rack_LH	562507	female	C69	RrAxleInsidePVC	561607	male
C58	RJB	561640	male	C69	RrAxleInsidePVC	561606	female
C58	RJB	561639	female	C71	FJB	561646	male
C581	UnderdashBoard	562777	male	C71	FJB	561645	female
C582	FJB	561690	female	C717	RJB	561646	male
C582	FJB	561566	female	C717	RJB	561645	female
C589	Service_Cmpt	563088	male	C72	FJB	561646	male
C589	Service_Cmpt	563089	female	C72	FJB	561645	female
C59	RJB	561643	male	C720	Engine_Cmpt	563358	male
C59	RJB	561642	female	C720	Engine_Cmpt	563359	female
C590	RHConsole	563088	male	C721	RJB	561515	male

CONNECTORS LIST

No	Location	Part #	Gender	No	Location	Part #	Gender
C721	RJB	561552	female	C81	1st_Lugg_Cmpt	562479	female
C723	Rear_Axle_Cmpt	562877	female	C82	1st_Lugg_Cmpt	562477	male
C723	Rear_Axle_Cmpt	562884	female	C82	1st_Lugg_Cmpt	562479	female
C74	FJB	561645	female	C83	2nd_Lugg_Cmpt	562477	male
C74	FJB	561646	male	C83	2nd_Lugg_Cmpt	562479	female
C75_plug	Parcel_Rack_RH	562557	male	C84	2nd_Lugg_Cmpt	562477	male
C75_socket	Parcel_Rack_RH	562558	female	C84	2nd_Lugg_Cmpt	562479	female
C750		562707	male	C85	4rd_Lugg_Cmpt	562477	male
C750		562706	female	C85	2nd_Lugg_Cmpt	562479	female
C751		562707	male	C86	4rd_Lugg_Cmpt	562581	male
C751		562706	female	C86	4rd_Lugg_Cmpt	562583	female
C752		562707	male	C87	Engine_Cmpt	562581	male
C752		562706	female	C87	Engine_Cmpt	562583	female
C753		562707	male	C9	RJB	561986	male
C753		562706	female	C9	RJB	561987	female
C754		562707	male	C91	RJB	562285	male
C754		562706	female	C91	RJB	563671	female
C755		562707	male	C92	FJB	561643	male
C755		562706	female	C92	FJB	561642	female
C758		562707	male	C96	Front_Axle_Cmpt	561583	male
C758		562706	female	C96	Front_Axle_Cmpt	561585	female
C759		562707	male	C97	Rear_Axle_Cmpt	561607	male
C759		562706	female	C97	Rear_Axle_Cmpt	561606	female
C760		562707	male	CSX1	Engine_Cmpt	563135	male
C760		562706	female	CSX1	Engine_Cmpt	563134	female
C761		562707	male	CSX3	Engine_Cmpt	563135	male
C761		562706	female	CSX3	Engine_Cmpt	563134	female
C762		562707	male	CT2	Engine_Cmpt	563226	male
C762		562706	female	CT2	Engine_Cmpt	563613	female
C763		562707	male	CT3	Rear_Vehicle	563224	male
C763		562706	female	CVSA_plug		562503	male
C764		562707	male	CVSA_socket		562507	female
C764		562706	female	FM_ANTENNA		564011	male
C765		562707	male	FUSE_BOX_1.A		562610	male
C765		562706	female	FUSE_BOX_1.B		562610	male
C766		561662	male	FUSE_BOX_2.A		562610	male
C766		561661	female	FUSE_BOX_2.B		562610	male
C78	Engine_Cmpt	561690	male	JACK_1		560999	male
C78	Engine_Cmpt	561566	female	L1	Service_Cmpt	562848	male
C81	1st_Lugg_Cmpt	562477	male	L10.A	Parcel_Rack_LH	562758	male

CONNECTORS LIST

No	Location	Part #	Gender	No	Location	Part #	Gender
L10.B	Parcel_Rack_LH	562759	male	L134	Parcel_Rack_LH	562758	male
L100	Parcel_Rack_LH	560898	male	L135	Parcel_Rack_LH	562758	male
L101	Parcel_Rack_LH	560898	male	L136	Parcel_Rack_LH	562758	male
L102	Parcel_Rack_LH	560898	male	L137	Parcel_Rack_LH	562758	male
L103	Parcel_Rack_LH	560898	male	L138	Parcel_Rack_LH	562758	male
L104	Parcel_Rack_LH	560898	male	L139	Parcel_Rack_LH	562758	male
L105	Parcel_Rack_LH	560898	male	L14.A	Parcel_Rack_LH	562758	male
L106	Parcel_Rack_LH	560898	male	L14.B	Parcel_Rack_LH	562759	male
L107	Parcel_Rack_LH	560898	male	L140	Lavatory	561247	male
L108	Parcel_Rack_LH	560898	male	L141	Lavatory	560898	male
L109	Parcel_Rack_LH	560898	male	L142	Lavatory	562803	male
L11.A	Parcel_Rack_LH	562758	male	L142A	Lavatory	562803	male
L11.B	Parcel_Rack_LH	562759	male	L144.A	Parcel_Rack_LH	562756	male
L110	Parcel_Rack_LH	560898	male	L144.B	Parcel_Rack_LH	562505	female
L111	Parcel_Rack_LH	560898	male	L145.A	Parcel_Rack_LH	562756	male
L112	Parcel_Rack_LH	560898	male	L145.B	Parcel_Rack_LH	562505	female
L113	Parcel_Rack_RH	560898	male	L146.A	Parcel_Rack_LH	562756	male
L114	Parcel_Rack_RH	560898	male	L146.B	Parcel_Rack_LH	562505	female
L115	Parcel_Rack_RH	560898	male	L147.A	Parcel_Rack_LH	562756	male
L116	Parcel_Rack_RH	560898	male	L147.B	Parcel_Rack_LH	562505	female
L117	Parcel_Rack_RH	560898	male	L148.A	Parcel_Rack_LH	562756	male
L118	Parcel_Rack_RH	560898	male	L148.B	Parcel_Rack_LH	562505	female
L119	Parcel_Rack_RH	560898	male	L149.A	Parcel_Rack_LH	562756	male
L12.A	Parcel_Rack_LH	562758	male	L149.B	Parcel_Rack_LH	562505	female
L12.B	Parcel_Rack_LH	562759	male	L15.A	Parcel_Rack_LH	562758	male
L120	Parcel_Rack_RH	560898	male	L15.B	Parcel_Rack_LH	562759	male
L121	Parcel_Rack_RH	560898	male	L150.A	Parcel_Rack_LH	562756	male
L122	Parcel_Rack_RH	560898	male	L150.B	Parcel_Rack_LH	562505	female
L123	Parcel_Rack_RH	560898	male	L151.A	Parcel_Rack_LH	562756	male
L124	Parcel_Rack_RH	560898	male	L151.B	Parcel_Rack_LH	562505	female
L125	Parcel_Rack_RH	560898	male	L152.A	Parcel_Rack_LH	562756	male
L126	Parcel_Rack_RH	560898	male	L152.B	Parcel_Rack_LH	562505	female
L127	Parcel_Rack_RH	562758	male	L153.A	Parcel_Rack_LH	562756	male
L128	Parcel_Rack_RH	562758	male	L153.B	Parcel_Rack_LH	562505	female
L129	Parcel_Rack_RH	562758	male	L154.A	Parcel_Rack_LH	562756	male
L13.A	Parcel_Rack_LH	562758	male	L154.B	Parcel_Rack_LH	562505	female
L13.B	Parcel_Rack_LH	562759	male	L155.A	Parcel_Rack_LH	562756	male
L130	Parcel_Rack_RH	562758	male	L155.B	Parcel_Rack_LH	562505	female
L131	Parcel_Rack_RH	562758	male	L156.A	Parcel_Rack_LH	562756	male
L132	Parcel_Rack_RH	562758	male	L156.B	Parcel_Rack_LH	562505	female

CONNECTORS LIST

No	Location	Part #	Gender	No	Location	Part #	Gender
L157.A	Parcel_Rack_LH	562756	male	L18.B	Entrance_Door	561626	female
L157.B	Parcel_Rack_LH	562505	female	L180	2nd_Lugg_Cmpt	561247	male
L158.A	Parcel_Rack_LH	562756	male	L181	2nd_Lugg_Cmpt	561247	male
L158.B	Parcel_Rack_LH	562505	female	L182	1st_Lugg_Cmpt	561247	male
L159.A	Parcel_Rack_RH	562756	male	L183	1st_Lugg_Cmpt	561247	male
L159.B		562505	female	L184	Service_Cmpt	561247	male
L16	Front_Roof	562803	male	L187	Engine_Cmpt	561690	male
L160.A	Parcel_Rack_RH	562756	male	L187	Engine_Cmpt	561690	male
L160.B		562505	female	L188	Service_Cmpt	562486	female
L161.A	Parcel_Rack_RH	562756	male	L189	Outside_Front_RH	562069	male
L161.B		562505	female	L19.A	Service_Cmpt	561626	female
L162.A	Parcel_Rack_RH	562756	male	L19.B	Service_Cmpt	561626	female
L162.B		562505	female	L190	Outside_Front_LH	562069	male
L163.A	Parcel_Rack_RH	562756	male	L191	Parcel_Rack_LH	561550	male
L163.B		562505	female	L192	Parcel_Rack_LH	560898	male
L164.A	Parcel_Rack_RH	562756	male	L193.A	Dash	560488	female
L164.B		562505	female	L193.B	Dash	560488	female
L165.A	Parcel_Rack_RH	562756	male	L194.A	Dash	562019	female
L165.B		562505	female	L194.B	Dash	560488	female
L166.A	Parcel_Rack_RH	562756	male	L195.A	Dash	560488	female
L166.B		562505	female	L195.B	Dash	560488	female
L167.A	Parcel_Rack_RH	562756	male	L199	Engine_Cmpt	562471	male
L167.B		562505	female	L20.A	Service_Cmpt	561626	female
L168.A	Parcel_Rack_RH	562756	male	L20.B	Service_Cmpt	561626	female
L168.B		562505	female	L200	Engine_Cmpt	562471	male
L169.A	Parcel_Rack_RH	562756	male	L203	RH_Console	561690	male
L169.B		562505	female	L205	Engine_Cmpt	562485	male
L17	Front_Roof	562803	male	L206	Parcel_Rack_RH	562803	male
L170.A	Parcel_Rack_RH	562756	male	L207.A	4rd_Lugg_Cmpt	561699	female
L170.B		562505	female	L207.B	*opt*	561699	female
L171.A	Parcel_Rack_RH	562756	male	L207.C	*opt*	561701	female
L171.B		562505	female	L207.D	*opt*	561699	female
L172.A	Parcel_Rack_RH	562756	male	L207.E	*opt*	561701	female
L172.B		562505	female	L207.F	*opt*	561699	female
L173	Engine_Cmpt	563268	male	L207.G	*opt*	561699	female
L174	Engine_Cmpt	563268	male	L207.H	*opt*	560926	female
L175	RJB	561247	male	L207.I	*opt*	560926	female
L176	4rd_Lugg_Cmpt	561247	male	L208	Outside_Front_LH	563088	male
L177	4rd_Lugg_Cmpt	561247	male	L209	Outside_Front_RH	563088	male
L18.A	Entrance_Door	561626	female	L21.A	Front_Roof	561608	female

CONNECTORS LIST

No	Location	Part #	Gender	No	Location	Part #	Gender
L21.B	Front_Roof	562286	male	L233.B	Parcel_Rack_RH	562759	male
L213.A	Parcel_Rack_RH	561248	female	L234.A	Parcel_Rack_RH	562758	male
L213.B	Parcel_Rack_RH	561248	female	L234.B	Parcel_Rack_RH	562759	male
L214.A	Parcel_Rack_RH	561248	female	L235.A	Parcel_Rack_RH	562758	male
L214.B	Parcel_Rack_RH	561248	female	L235.B	Parcel_Rack_RH	562759	male
L215.A	Parcel_Rack_RH	561248	female	L236.A	Parcel_Rack_RH	562758	male
L215.B	Parcel_Rack_RH	561248	female	L236.B	Parcel_Rack_RH	562759	male
L216.A	Parcel_Rack_RH	561248	female	L238.A	Parcel_Rack_RH	561248	female
L216.B	Parcel_Rack_RH	561248	female	L238.B	Parcel_Rack_RH	561248	female
L217.A	Parcel_Rack_RH	561248	female	L239.A	Parcel_Rack_RH	561248	female
L217.B	Parcel_Rack_RH	561248	female	L239.B	Parcel_Rack_RH	561248	female
L218.A	Outside_Front_RH	561248	female	L24.A	Front_Roof	561608	female
L218.B	Parcel_Rack_RH	561248	female	L24.B	Front_Roof	562286	male
L219.A	Parcel_Rack_LH	561248	female	L240.A	Parcel_Rack_RH	561248	female
L219.B	Parcel_Rack_LH	561248	female	L240.B	Parcel_Rack_RH	561248	female
L22.A	Front_Roof	561608	female	L241.A	Parcel_Rack_RH	561248	female
L22.B	Front_Roof	562286	male	L241.B	Parcel_Rack_RH	561248	female
L220.A	Parcel_Rack_LH	561248	female	L242.A	Parcel_Rack_RH	561248	female
L220.B	Parcel_Rack_LH	561248	female	L242.B	Parcel_Rack_RH	561248	female
L221.A	Parcel_Rack_LH	561248	female	L244.A	Parcel_Rack_RH	562756	male
L221.B	Parcel_Rack_LH	561248	female	L244.B	Parcel_Rack_RH	562505	female
L222.A	Parcel_Rack_LH	561248	female	L245.A	Parcel_Rack_RH	562756	male
L222.B	Parcel_Rack_LH	561248	female	L245.B	Parcel_Rack_RH	562505	female
L223.A	Parcel_Rack_LH	561248	female	L246.A	Parcel_Rack_RH	562756	male
L223.B	Parcel_Rack_LH	561248	female	L246.B	Parcel_Rack_RH	562505	female
L224.A	Parcel_Rack_LH	561248	female	L247.A	Parcel_Rack_RH	562756	male
L224.B	Parcel_Rack_LH	561248	female	L247.B	Parcel_Rack_RH	562505	female
L225.A	Parcel_Rack_LH	561248	female	L248.A	Parcel_Rack_RH	562756	male
L225.B	Parcel_Rack_LH	561248	female	L248.B	Parcel_Rack_RH	562505	female
L226	Parcel_Rack_RH	562758	male	L249.A	Parcel_Rack_RH	562756	male
L227	Parcel_Rack_RH	562758	male	L249.B	Parcel_Rack_RH	562505	female
L228	Parcel_Rack_RH	562758	male	L25.A	Front_Roof	561608	female
L229	Parcel_Rack_RH	562758	male	L25.B	Front_Roof	562286	male
L23.A	Front_Roof	561608	female	L250.A	Parcel_Rack_RH	562756	male
L23.B	Front_Roof	562286	male	L250.B	Parcel_Rack_RH	562505	female
L230	Parcel_Rack_RH	562758	male	L251.A	Parcel_Rack_RH	562756	male
L231	Parcel_Rack_RH	562758	male	L251.B	Parcel_Rack_RH	562505	female
L232.A	Parcel_Rack_RH	562758	male	L252.A	Parcel_Rack_RH	562756	male
L232.B	Parcel_Rack_RH	562759	male	L252.B	Parcel_Rack_RH	562505	female
L233.A	Parcel_Rack_RH	562758	male	L253.A	Parcel_Rack_RH	562756	male

CONNECTORS LIST

No	Location	Part #	Gender	No	Location	Part #	Gender
L253.B	Parcel_Rack_RH	562505	female	L284	*opt*	562485	male
L254.A	Parcel_Rack_RH	562756	male	L285.A	Rear_Vehicle	562835	female
L254.B	Parcel_Rack_RH	562505	female	L285.B	Rear_Vehicle	562834	male
L255.A	Parcel_Rack_RH	562756	male	L286.A	Rear_Vehicle	562835	female
L255.B	Parcel_Rack_RH	562505	female	L286.B	Rear_Vehicle	562834	male
L256.A	Parcel_Rack_RH	562756	male	L287	Rear_Axle_Cmpt	562251	male
L256.B	Parcel_Rack_RH	562505	female	L29	Parcel_Rack_LH	560898	male
L257.A	Parcel_Rack_RH	562756	male	L290.A	Parcel_Rack_RH	561248	female
L257.B	Parcel_Rack_RH	562505	female	L290.B	Parcel_Rack_RH	561248	female
L258	Parcel_Rack_RH	560898	male	L291.A	Parcel_Rack_RH	561248	female
L259	Parcel_Rack_RH	560898	male	L291.B	Parcel_Rack_RH	561248	female
L26.A	Front_Roof	561608	female	L292.A	Parcel_Rack_RH	562756	male
L26.B	Front_Roof	562286	male	L292.B	Parcel_Rack_RH	562505	female
L260	Parcel_Rack_RH	560898	male	L3.A	Parcel_Rack_RH	562758	male
L261	Parcel_Rack_RH	560898	male	L3.B	Parcel_Rack_RH	562759	male
L262	Parcel_Rack_RH	560898	male	L30	Parcel_Rack_LH	560898	male
L263	Parcel_Rack_RH	560898	male	L31	Parcel_Rack_LH	560898	male
L264	Parcel_Rack_RH	560898	male	L32	Parcel_Rack_LH	560898	male
L265.A	Parcel_Rack_RH	561248	female	L33	Parcel_Rack_LH	560898	male
L265.B	Parcel_Rack_RH	561248	female	L34	Parcel_Rack_LH	560898	male
L266	Parcel_Rack_RH	560898	male	L35	Parcel_Rack_LH	560898	male
L267	Parcel_Rack_RH	560898	male	L36	Parcel_Rack_LH	560898	male
L268	Parcel_Rack_RH	560898	male	L37	Parcel_Rack_LH	560898	male
L269	Parcel_Rack_RH	560898	male	L38	Parcel_Rack_LH	560898	male
L27.A	Front_Roof	561608	female	L39	Parcel_Rack_LH	560898	male
L27.B	Front_Roof	562286	male	L4.A	Parcel_Rack_RH	562758	male
L270	Parcel_Rack_RH	560898	male	L4.B	Parcel_Rack_RH	562759	male
L271	Parcel_Rack_RH	560898	male	L40	Parcel_Rack_RH	560898	male
L272	Parcel_Rack_RH	560898	male	L41	Parcel_Rack_RH	560898	male
L273	Parcel_Rack_RH	560898	male	L42	Parcel_Rack_RH	560898	male
L274	Parcel_Rack_RH	560898	male	L43	Parcel_Rack_RH	560898	male
L275	Parcel_Rack_RH	560898	male	L44	Parcel_Rack_RH	560898	male
L276	Parcel_Rack_RH	560898	male	L45	Parcel_Rack_RH	560898	male
L277	Parcel_Rack_RH	560898	male	L46	Parcel_Rack_RH	560898	male
L278	Parcel_Rack_RH	560898	male	L47	Parcel_Rack_RH	560898	male
L279	Parcel_Rack_RH	560898	male	L48	Parcel_Rack_RH	560898	male
L28	Parcel_Rack_LH	560898	male	L49	Parcel_Rack_RH	560898	male
L280	Parcel_Rack_RH	560898	male	L5.A	Parcel_Rack_RH	562758	male
L281	Parcel_Rack_RH	560898	male	L5.B	Parcel_Rack_RH	562759	male
L283	Service_Cmpt	562485	male	L50	Parcel_Rack_RH	560898	male

CONNECTORS LIST

No	Location	Part #	Gender	No	Location	Part #	Gender
L51	Parcel_Rack_RH	560898	male	L82	Rear_Engine_Door	562348	female
L52		560898	male	L83	Rear_Engine_Door	562348	female
L53	Passenger_Area	560898	male	L84.A	Rear_Roof	561608	female
L54	Passenger_Area	560898	male	L84.B	Rear_Roof	562286	male
L55	Passenger_Area	560898	male	L85.A	Rear_Roof	561608	female
L56	Passenger_Area	560898	male	L85.B	Rear_Roof	562286	male
L57	Passenger_Area	560898	male	L86.A	Rear_Roof	561608	female
L58	Passenger_Area	560898	male	L86.B	Rear_Roof	562286	male
L59.A	Outside_Front_RH	562623	male	L87.A	Rear_Roof	561608	female
L59.B	Outside_Front_RH	562623	male	L87.B	Rear_Roof	562286	male
L6.A	Parcel_Rack_RH	562758	male	L88.A	Rear_Roof	561608	female
L6.B	Parcel_Rack_RH	562759	male	L88.B	Rear_Roof	562286	male
L60.A	Outside_Front_LH	562623	male	L89.A	Rear_Roof	561608	female
L60.B	Outside_Front_LH	562623	male	L89.B	Rear_Roof	562286	male
L61	Outside_Front_RH	562601	male	L9.A	Parcel_Rack_LH	562758	male
L62	Outside_Front_LH	562601	male	L9.B	Parcel_Rack_LH	562759	male
L63	Outside_Front_RH	562155	male	L90.A	Rear_Roof	561608	female
L64	Outside_Front_RH	562155	male	L90.B	Rear_Roof	562286	male
L65	Outside_Front_LH	562155	male	L91	Rear_Engine_Door	562755	male
L66	Outside_Front_LH	562155	male	L92	Rear_Engine_Door	562755	male
L67	4rd_Lugg_Cmpt	562155	male	L93.A	Rear_Axle_Cmpt	563069	female
L68	4rd_Lugg_Cmpt	562155	male	L93.B	Rear_Axle_Cmpt	563069	female
L69	4rd_Lugg_Cmpt	562155	male	L94.A	Rear_Axle_Cmpt	563069	female
L7.A	Parcel_Rack_RH	562758	male	L94.B	Rear_Axle_Cmpt	563069	female
L7.B	Parcel_Rack_RH	562759	male	L95	Outside_Front_LH	562902	female
L70	4rd_Lugg_Cmpt	562155	male	L96	Outside_Front_RH	562902	female
L71	Rear_Engine_Door	562601	male	L97.A	Outside_Front_LH	563069	female
L72	Rear_Vehicle	562155	male	L97.B	Outside_Front_LH	563069	female
L73	Rear_Vehicle	562601	male	L98.A	Entrance_Door	563069	female
L74	Rear_Vehicle	562155	male	L98.B	Outside_Front_RH	563069	female
L75	Rear_Vehicle	562155	male	L99	Parcel_Rack_LH	560898	male
L76	Rear_Engine_Door	562155	male	Mo1	Engine_Cmpt	561690	female
L77	Rear_Engine_Door	562601	male	Mo10.A	Parcel_Rack_LH	561515	male
L78	Rear_Engine_Door	562601	male	Mo10.B	Parcel_Rack_LH	561247	male
L79	Rear_Engine_Door	562601	male	Mo11.A	Parcel_Rack_RH	561515	male
L8.A	Parcel_Rack_RH	562758	male	Mo11.B	Parcel_Rack_RH	561247	male
L8.B	Parcel_Rack_RH	562759	male	Mo12	Engine_Cmpt	561690	male
L80	Rear_Engine_Door	562601	male	Mo13	Engine_Cmpt	561690	female
L81.A	Rear_Vehicle	562835	female	Mo14	Lavatory	561690	male
L81.B	Rear_Vehicle	562834	male	Mo15	Front_Roof	560900	female

CONNECTORS LIST

No	Location	Part #	Gender	No	Location	Part #	Gender
Mo16	Front_Roof	560900	female	R21		561183	male
Mo17	RH_Console	563626	male	R22	FJB_VECF	561183	male
Mo19	Fr_Service_Door	562474	male	R23	RH_Console	561183	male
Mo2	Engine_Cmpt	561782	male	R25	RJB	561183	male
Mo20	Fr_Service_Door	562474	male	R26	Cond_Cmpt	561183	male
Mo22	RH_Console	561186	male	R3	RJB	563409	male
Mo24	RH_Console	562348	female	R30	RJB	561183	male
Mo25	RH_Console	562348	female	R31	RJB	561183	male
Mo27		563691	male	R32	RJB	561183	male
Mo28		563691	male	R33	RJB	561183	male
Mo3	Dash	561667	female	R5		561183	male
Mo30	1st_Lugg_Cmpt	562076	male	R6		561183	male
Mo31		562076	male	R8	RJB	561183	male
Mo32	2nd_Lugg_Cmpt	562076	male	Res11		563590	female
Mo33		562076	male	Res11		563590	female
Mo35	4rd_Lugg_Cmpt	562076	male	Res12	Engine_Cmpt	563590	female
Mo36	Engine_Cmpt	562076	male	Res12		563590	female
Mo4	Dash	562076	male	Res3		563590	female
Mo5	Front_Roof	561515	male	Res3		563590	female
Mo54	Service_Cmpt	562474	male	Res4		563590	female
Mo7		563691	male	Res4		563590	female
Mo8		563691	male	Res5		563590	female
Pot1.A	Dash	560488	female	Res5		563590	female
Pot1.B	Dash	560488	female	Res6		563590	female
Pot1.C	Dash	560488	female	Res6		563590	female
R_AMPLI		562367	male	Res7		563590	female
R_Tv		561183	male	Res7.A		563590	female
R10	Evap_Cmpt	563409	male	Res8		563590	female
R11	RJB	561183	male	Res8		563590	female
R12	Evap_Cmpt	563409	male	Se1	Engine_Cmpt	562486	female
R-12VISS		561183	male	Se11.A	Cond_Cmpt	560082	female
R13		561183	male	Se11.B	Cond_Cmpt	560082	female
R14	RJB	562367	male	Se11.C	Cond_Cmpt	560082	female
R15		561183	male	Se12	Engine_Cmpt	561690	female
R16	Dash	561183	male	Se13	Engine_Cmpt	562350	male
R17	RJB	562367	male	Se14.A	Driver_Area	561782	male
R18	FJB	562367	male	Se14.B	Driver_Area	561781	female
R19	FJB	562367	male	Se15	RH_Console	560898	male
R2	RJB	561183	male	Se16	Entrance_Door	561566	female
R20		561183	male	Se17	RH_Console	560900	female

CONNECTORS LIST

No	Location	Part #	Gender	No	Location	Part #	Gender
Se18.A	Service_Cmpt	560815	female	Se60	Service_Cmpt	563409	male
Se18.B	Service_Cmpt	560815	female	Se62	WCL_System	561690	male
Se19.A	Service_Cmpt	560082	female	Se7	Window_LH	561477	female
Se19.B	Service_Cmpt	560082	female	Se8	Window_LH	561477	female
Se19.C	Service_Cmpt	560082	female	Se9	Window_LH	561477	female
Se19.D	Service_Cmpt	560082	female	So1	Engine_Cmpt	561566	female
Se2	Engine_Cmpt	562486	female	So11	Cond_Cmpt	561566	female
Se20	Evap_Cmpt	562426	male	So13	Evap_Cmpt	563204	female
Se21	Dash	561248	female	So14	Service_Cmpt	641385	male
Se22	Engine_Cmpt	563404	female	So15	Service_Cmpt	641385	male
Se23	Engine_Cmpt	563159	male	So16	Service_Cmpt	641385	male
Se24	Engine_Cmpt	563159	male	So17	Service_Cmpt	641385	male
Se25	Passenger_Area	561248	female	So20	Service_Cmpt	641385	male
Se26	Service_Cmpt	561690	female	So21	Front_Axle_Cmpt	561098	male
Se27	Front_Axle_Cmpt	561111	female	So22	Front_Axle_Cmpt	561098	male
Se29	Engine_Cmpt	561566	female	So23	Rear_Axle_Cmpt	641949	male
Se3	RJB	562486	female	So24	Rear_Axle_Cmpt	641949	male
Se30	Engine_Cmpt	561690	female	So25		641949	male
Se31	Engine_Cmpt	561690	female	So26		562848	male
Se32	Rear_Axle_Cmpt	563057	male	So28	Engine_Cmpt	561690	male
Se33	Rear_Axle_Cmpt	562856	male	So3	RH_Console	641385	male
Se34	Rear_Axle_Cmpt	563057	male	So4	RH_Console	641385	male
Se35	Rear_Axle_Cmpt	563057	male	So5	RH_Console	641385	male
Se36	Rear_Axle_Cmpt	563629	female	So6	RH_Console	641385	male
Se37	Front_Axle_Cmpt	641132	female	So7	Service_Cmpt	561566	female
Se38	Front_Axle_Cmpt	641132	female	So8		563204	female
Se39	Rear_Axle_Cmpt	641132	female	So9	Engine_Cmpt	561566	female
Se4	Window_RH	561477	female	Spk1_L		563994	male
Se40	Rear_Axle_Cmpt	641132	female	Spk1_R		563994	male
Se43	Engine_Cmpt	563340	male	Spk10_L		563994	male
Se44.A	Above_Rear_Axle	560082	female	Spk10_R		563994	male
Se44.B	Above_Rear_Axle	560082	female	Spk11_L		563994	male
Se45	Fr_Service_Door	563409	male	Spk11_R		563994	male
Se46	Rear_Axle_Cmpt	562348	female	Spk12_L		563994	male
Se47	Engine_Cmpt	562486	female	Spk12_R		563994	male
Se48	Engine_Cmpt	561690	male	Spk13_L		563994	male
Se49	Engine_Cmpt	561690	male	Spk13_R		563994	male
Se5	Window_RH	561477	female	Spk14_L		563994	male
Se50	Engine_Cmpt	561566	female	Spk14_R		563994	male
Se6	Window_RH	561477	female	Spk15_L		563994	male

CONNECTORS LIST

No	Location	Part #	Gender	No	Location	Part #	Gender
Spk15_R		563994	male	Sw123		561566	female
Spk16_L		563994	male	Sw125.A	Service_Cmpt	561457	female
Spk16_R		563994	male	Sw125.B	Service_Cmpt	561457	female
Spk2_L		563994	male	Sw13	Dash	562763	male
Spk2_R		563994	male	Sw14	Dash	562763	male
Spk3_L		563994	male	Sw15	Dash	562763	male
Spk3_R		563994	male	Sw16	Dash	562763	male
Spk4_L		563994	male	Sw17	Dash	562763	male
Spk4_R		563994	male	Sw18	Dash	562763	male
Spk5_L		563994	male	Sw2	Dash	562763	male
Spk5_R		563994	male	Sw20	Dash	562763	male
Spk6_L		563994	male	Sw21	Dash	562763	male
Spk6_R		563994	male	Sw22	Dash	562763	male
Spk7_L		563994	male	Sw23	Dash	562763	male
Spk7_R		563994	male	Sw24	Dash	562763	male
Spk8_L		563994	male	Sw25	Dash	562763	male
Spk8_R		563994	male	Sw26	Dash	562763	male
Spk9_L		563994	male	Sw27	Dash	562763	male
Spk9_R		563994	male	Sw28	LH_Console	562763	male
SpkDr_L.A		562651	female	Sw29	Dash	562763	male
SpkDr_L.B		562290	female	Sw3	Dash	562763	male
SpkDr_R.A		562651	female	Sw30	Engine_Cmpt	561566	female
SpkDr_R.B		562290	female	Sw31.A	WCL_System	562403	female
Sub1.A		564004	female	Sw31.B		562403	female
Sub2.A		564004	female	Sw32	Dash	561477	female
Sw1.C258	Driver_Area	561188	female	Sw33	Dash	561476	male
Sw1.C259	Driver_Area	561186	male	Sw34	Outside_Front_RH	562477	male
Sw10	Dash	562763	male	Sw35	Dash	562763	male
Sw100	Dash	562763	male	Sw36	LH_Console	562763	male
Sw101		562763	male	Sw37	LH_Console	562763	male
Sw109.A		560079	female	Sw38	LH_Console	562763	male
Sw109.B		560079	female	Sw4	Dash	562763	male
Sw11	Dash	562763	male	Sw40	LH_Console	561690	male
Sw110.A		560079	female	Sw41	LH_Console	562749	male
Sw110.B		560079	female	Sw42	*opt*	561636	female
Sw114.A		560079	female	Sw43		561690	male
Sw114.B		560079	female	Sw44	Service_Cmpt	562403	female
Sw115.A		560079	female	Sw44.B		562403	female
Sw115.B		560079	female	Sw45		562403	female
Sw12	Dash	562763	male	Sw45.B		562403	female

CONNECTORS LIST

No	Location	Part #	Gender	No	Location	Part #	Gender
Sw46.A		562403	female	Sw81.A	Dash	562905	male
Sw46.B		562403	female	Sw81.B	Dash	562905	male
Sw49.A		562403	female	Sw82.A		561457	female
Sw49.B		562403	female	Sw82.B		561457	female
Sw50.A		562403	female	Sw82.C		561457	female
Sw50.B		562403	female	Sw82.D		561457	female
Sw51.A		562403	female	Sw83.A	Dash	560082	female
Sw51.B		562403	female	Sw83.B	Dash	560815	female
Sw52		562403	female	Sw83.C	Dash	560082	female
Sw52.B		562403	female	Sw83.D	Dash	560815	female
Sw53	Parcel_Rack_LH	562651	female	Sw84		561566	female
Sw54.A		562835	female	Sw85	LH_Console	562749	male
Sw54.B		562834	male	Sw86	Parcel_Rack_RH	562651	female
Sw55.A		560488	female	Sw87	Parcel_Rack_RH	562651	female
Sw55.B		560488	female	Sw88	Parcel_Rack_RH	562651	female
Sw56.A		560488	female	Sw89	Parcel_Rack_RH	562651	female
Sw56.B		560488	female	Sw9	Dash	562763	male
Sw58	Engine_Cmpt	562581	male	Sw90	Parcel_Rack_RH	562651	female
Sw59		561566	female	Sw91	Parcel_Rack_RH	562651	female
Sw6	Dash	562763	male	Sw92	Parcel_Rack_RH	562651	female
Sw60		561566	female	Sw93	Parcel_Rack_RH	562651	female
Sw64.A	Service_Cmpt	560815	female	Sw94.A	WCL_System	560079	female
Sw64.B	Service_Cmpt	560815	female	Sw94.B	WCL_System	560079	female
Sw65	Parcel_Rack_LH	562651	female	Sw94.C	WCL_System	560079	female
Sw66	Parcel_Rack_LH	562651	female	Sw95.A		561626	female
Sw67	Parcel_Rack_LH	562651	female	Sw95.B		561626	female
Sw68	Parcel_Rack_LH	562651	female	Sw95.C		561626	female
Sw69	Parcel_Rack_LH	562651	female	Sw96.A		561626	female
Sw70	Parcel_Rack_LH	562651	female	Sw96.B		561626	female
Sw71	Parcel_Rack_LH	562651	female	Sw96.C		561626	female
Sw72	Parcel_Rack_LH	562651	female	Sw97.A	WCL_System	561626	female
Sw73	Parcel_Rack_RH	562651	female	Sw97.B	WCL_System	561626	female
Sw74	Parcel_Rack_RH	562651	female	Sw97.C	WCL_System	561626	female
Sw75	Parcel_Rack_RH	562651	female	Sw98.A	WCL_System	561626	female
Sw76	Parcel_Rack_RH	562651	female	Sw98.B	WCL_System	561626	female
Sw77	Parcel_Rack_RH	562651	female	Sw98.C	WCL_System	561626	female
Sw78	Parcel_Rack_RH	562651	female	Sw99	Dash	562763	male
Sw79	Parcel_Rack_RH	562651	female	sym1_136		560999	male
Sw8	Dash	562763	male	sym2_136		560999	male
Sw80	Parcel_Rack_RH	562651	female	sym4_136		560999	male

CONNECTORS LIST

No	Location	Part #	Gender
sym5_136		560999	male
sym6_136		560999	male
sym7_136		560999	male
VECF1	FJB	563186	male
VECF10	FJB	563181	male
VECF11	FJB	563184	male
VECF12	FJB	563187	male
VECF2	FJB	563183	male
VECF3	FJB	563185	male
VECF4	FJB	563182	male
VECR1	RJB	563186	male
VECR10	RJB	563181	male
VECR11	RJB	563184	male
VECR12	RJB	563187	male
VECR2	RJB	563183	male
VECR3	RJB	563185	male
VECR4	RJB	563182	male
VECR9	RJB	563448	male

CONNECTORS LIST

No	Location	Part #	Gender	No	Location	Part #	Gender
<Invalid>	Parcel_Rack_RH	561550	male	A22	LH_Console	563338	male
<Invalid>	Parcel_Rack_RH	561667	female	A23	RJB	563053	male
<Invalid>		563226	male	A24	RH_Console	561889	female
<Invalid>		563613	female	A24.A	RH_Console	561890	male
<Invalid>_0_1	Parcel_Rack_LH	561515	male	A24.B	RH_Console	561566	female
<Invalid>_0_1	Parcel_Rack_LH	561552	female	A25		563025	male
<Invalid>_0_2		563226	male	A27	Service_Cmpt	562929	male
<Invalid>_0_2		563613	female	A28	Service_Cmpt	562928	male
A1.CS	RJB	562817	male	A29	Dash	562465	male
A1.CT	RJB	562822	male	A30	Rear_Axle_Cmpt	563463	male
A1.CV	RJB	562823	male	A31	Rear_Axle_Cmpt	563463	male
A1Gen4.A		563975	male	A33.A		564049	female
A2	Service_Cmpt	562825	male	A33.B		564048	male
A2Gen4		563984	male	A33.C		562330	female
A3	Dash	562363	male	A36.JA	FJB	562767	male
A4.A	Service_Cmpt	562428	female	A36.JB	FJB	562765	male
A4.B	Service_Cmpt	561188	female	A36.JC	FJB	562957	male
A5	Service_Cmpt	562428	female	A39.P101		563201	male
A6	Engine_Cmpt	563628	female	A39.P901		563953	male
A7	Engine_Cmpt	562536	male	A40.A		563071	male
A7Gen4		563979	male	A40.B		562706	female
A8	Engine_Cmpt	563403	female	A40.C		562624	female
A9.Cx1	FJB	563200	male	A41.J1	FJB	562767	male
A9.Cx2	FJB	563201	male	A41.J2	FJB	563132	male
A10.X1	Engine_Cmpt	563135	male	A41.J3	FJB	562957	male
A10.X3	Engine_Cmpt	563134	female	A42.J1	FJB	562767	male
A11	LH_Console	563142	male	A42.J2	FJB	563132	male
A12	Dash	562464	male	A42.J3	FJB	562957	male
A13.J1	FJB	562794	male	A43.J1	FJB	562767	male
A13.J2	FJB	562650	male	A43.J2	FJB	563132	male
A14.CX	Dash	562957	male	A43.J3	FJB	562957	male
A14.CY	Dash	562765	male	A44.J1	FJB	563133	male
A14.LX	Dash	562766	male	A44.J2	FJB	563132	male
A14.LY	Dash	562767	male	A44.J3	FJB	562957	male
A14.RX	Dash	562767	male	A45.J1	FJB	563133	male
A15	Dash	562464	male	A45.J2	FJB	563132	male
A16	Front_Roof	561637	male	A45.J3	FJB	562957	male
A17	RJB	561932	male	A46.J1	FJB	563133	male
A18	FJB	562794	male	A46.J2	FJB	563132	male
A18.J2	FJB	562650	male	A46.J3	FJB	562957	male
A19	LH_Console	562878	female	A47.J1	RH_Console	563133	male
A20	Parcel_Rack_LH	561477	female	A47.J2	RH_Console	563132	male
A21	Rear Axle Cmpt	kostalF	female	A47.J3	RH_Console	562957	male

CONNECTORS LIST

No	Location	Part #	Gender	No	Location	Part #	Gender
A48.J1	RH_Console	563133	male	A69.A		563071	male
A48.J2	RH_Console	563132	male	A69.B		561716	female
A48.J3	RH_Console	562957	male	A69.C		561716	female
A49.J1	RJB	562767	male	A69.D		561716	female
A49.J2	RJB	563132	male	A69.E		561716	female
A49.J3	RJB	562957	male	A69.F		561716	female
A50.J1	RJB	563133	male	A69.G		561716	female
A50.J2	RJB	563132	male	A69.H		561716	female
A50.J3	RJB	562957	male	A70		564011	male
A51.J1	RJB	563133	male	A71.A		562464	male
A51.J2	RJB	563132	male	A71.B		562706	female
A51.J3	RJB	562957	male	A71.C		562706	female
A52.J1	RJB	563133	male	A71.D		562706	female
A52.J2	RJB	563132	male	A72.A		563960	male
A52.J3	RJB	562957	male	A72.B		563962	male
A53.J1	RJB	563133	male	A72.C		564009	male
A53.J2	RJB	563132	male	A72.D		563961	male
A53.J3	RJB	562957	male	A73.A		563960	male
A54.J1	Evap_Cmpt	563133	male	A73.B		563962	male
A54.J2	Evap_Cmpt	563132	male	A73.C		564009	male
A54.J3	Evap_Cmpt	562957	male	A73.D		563961	male
A60.A		562464	male	Alt1.A	Engine_Cmpt	560815	female
A60.B		562706	female	Alt1.B	Engine_Cmpt	560815	female
A60.C		562706	female	Alt1.C	Engine_Cmpt	562862	female
A60.D		562706	female	Alt2.A	Engine_Cmpt	560815	female
A61.A		562464	male	Alt2.B	Engine_Cmpt	560815	female
A61.B		562465	male	Alt2.C	Engine_Cmpt	562862	female
A63.A		563960	male	C1	FJB	563589	male
A63.B		563962	male	C1	FJB	563590	female
A63.C		564009	male	C1S	FJB	563589	male
A63.D		563961	male	C1S	FJB	563590	female
A64		563954	male	C2	Service_Cmpt	563580	male
A65		562465	male	C2	Service_Cmpt	563581	female
A66		561183	male	C3	RJB	563589	male
A67.Vsa		563948	male	C3	RJB	563590	female
A67.Vsb		563950	male	C3S	RJB	563593	male
A67.Vsc		563947	male	C3S	RJB	563590	female
A67.Vsd		563949	male	C4	FJB	563580	male
A67.Vse		563951	male	C4	FJB	563581	female
A68.A		563960	male	C5	FJB	563589	male
A68.B		563962	male	C5	FJB	563590	female
A68.C		564009	male	C5S	FJB	563589	male
A68.D		563961	male	C5S	FJB	563590	female

CONNECTORS LIST

No	Location	Part #	Gender	No	Location	Part #	Gender
C6	FJB	563582	male	C35	RJB	561645	female
C6	FJB	563583	female	C36	FJB	561986	male
C9	RJB	561986	male	C36	FJB	561987	female
C9	RJB	561987	female	C36.A	Engine_Cmpt	561701	female
C11	Service_Cmpt	563580	male	C36.B	Engine_Cmpt	561701	female
C11	Service_Cmpt	563581	female	C36.C	Engine_Cmpt	561701	female
C12_plug	RJB	562485	male	C37	Parcel_Rack_LH	562557	male
C12_socket	RJB	562486	female	C37	Parcel_Rack_LH	562558	female
C13S	RH_Console	563589	male	C38	Parcel_Rack_RH	561643	male
C13S	RH_Console	563590	female	C38	Parcel_Rack_RH	561642	female
C13_plug	RH_Console	563589	male	C39		562503	male
C13_socket	RH_Console	563590	female	C39		562507	female
C14	RJB	561986	male	C40	Dash	562485	male
C14	RJB	561987	female	C40	Dash	562486	female
C15	RJB	561643	male	C41	RJB	561690	male
C15	RJB	561642	female	C41	RJB	561566	female
C16	RJB	561577	male	C42	Dash	561904	female
C16	RJB	561605	female	C42	Service_Cmpt	561626	female
C17	RJB	561986	male	C44_plug	FJB	561577	male
C17	RJB	561987	female	C44_socket	FJB	561605	female
C18	FJB	561986	male	C45	FJB	561643	male
C18	FJB	561987	female	C45	FJB	561642	female
C19	RJB	561986	male	C46	Service_Cmpt	561577	male
C19	RJB	561987	female	C46	Service_Cmpt	561605	female
C21A	RJB	561646	male	C48	Service_Cmpt	561690	male
C21A	RJB	561645	female	C48	Service_Cmpt	561566	female
C21B	RJB	561646	male	C50	Engine_Cmpt	561932	male
C21B	RJB	561645	female	C50	Engine_Cmpt	560933	female
C24_plug	Evap_Cmpt	561690	male	C55	Evap_Cmpt	561577	male
C24_socket	Evap_Cmpt	561566	female	C55	Evap_Cmpt	561605	female
C25		561550	male	C56	Parcel_Rack_LH	562557	male
C25		561667	female	C56	Parcel_Rack_LH	562558	female
C26_plug	RJB	562485	male	C57	Parcel_Rack_RH	562557	male
C26_socket	RJB	562486	female	C57	Parcel_Rack_RH	562558	female
C29	4rd_Lugg_Cmpt	563651	male	C58	RJB	561640	male
C29	4rd_Lugg_Cmpt	563652	female	C58	RJB	561639	female
C30	4rd_Lugg_Cmpt	561710	male	C59	RJB	561643	male
C30	4rd_Lugg_Cmpt	561709	female	C59	RJB	561642	female
C31	RJB	561669	male	C60	RJB	561986	male
C31	RJB	561670	female	C60	RJB	561987	female
C34	RH_Console	561986	male	C61	Fr_Service_Door	561669	male
C34	RH_Console	561987	female	C61	Fr_Service_Door	561670	female
C35	RJB	561646	male	C62	Fr_Service_Door	562566	male

CONNECTORS LIST

No	Location	Part #	Gender	No	Location	Part #	Gender
C62	Fr_Service_Door	562565	female	C101	Service_Cmpt	561690	male
C63	Entrance_Door	562477	male	C101	Service_Cmpt	561566	female
C63	Entrance_Door	562479	female	C102	RJB	561690	male
C66	Engine_Cmpt	561577	male	C102	RJB	561566	female
C66	Engine_Cmpt	561605	female	C119	Rear_Engine_Door	561607	male
C67	Parcel_Rack_LH	561247	male	C119	Rear_Engine_Door	561606	female
C67	Parcel_Rack_LH	561248	female	C120	Rear_Engine_Door	561607	male
C69	RrAxleInsidePVC	561607	male	C120	Rear_Engine_Door	561606	female
C69	RrAxleInsidePVC	561606	female	C144	RJB	560852	male
C70		562557	male	C144	RJB	560851	female
C70		562558	female	C153	Rear_Axle_Cmpt	561611	male
C71	FJB	561646	male	C153	Rear_Axle_Cmpt	561610	female
C71	FJB	561645	female	C171	LH_Console	561646	male
C72	FJB	561646	male	C171	LH_Console	561645	female
C72	FJB	561645	female	C172	Service_Cmpt	561640	male
C74	FJB	561645	female	C172	Service_Cmpt	561638	female
C74	FJB	561646	male	C193		563589	male
C75_plug	Parcel_Rack_RH	562557	male	C193		563590	female
C75_socket	Parcel_Rack_RH	562558	female	C194		563589	male
C78	Engine_Cmpt	561690	male	C194		563590	female
C78	Engine_Cmpt	561566	female	C206		562503	male
C81	1st_Lugg_Cmpt	562477	male	C206		562507	female
C81	1st_Lugg_Cmpt	562479	female	C207		562503	male
C82	1st_Lugg_Cmpt	562477	male	C207		562507	female
C82	1st_Lugg_Cmpt	562479	female	C209_plug		562503	male
C83	2nd_Lugg_Cmpt	562477	male	C209_socket		562507	female
C83	2nd_Lugg_Cmpt	562479	female	C211	Parcel_Rack_RH	561515	male
C84	2nd_Lugg_Cmpt	562477	male	C211	Parcel_Rack_RH	561552	female
C84	2nd_Lugg_Cmpt	562479	female	C213	Parcel_Rack_LH	561515	male
C85	4rd_Lugg_Cmpt	562477	male	C213	Parcel_Rack_LH	561552	female
C85	2nd_Lugg_Cmpt	562479	female	C230	Engine_Cmpt	562485	male
C86	4rd_Lugg_Cmpt	562581	male	C230	Engine_Cmpt	562486	female
C86	4rd_Lugg_Cmpt	562583	female	C242	Service_Cmpt	562789	male
C87	Engine_Cmpt	562581	male	C242	Service_Cmpt	565131	female
C87	Engine_Cmpt	562583	female	C243	Service_Cmpt	562789	male
C91	RJB	562285	male	C243	Service_Cmpt	565131	female
C91	RJB	563671	female	C246	Service_Cmpt	563090	male
C92	FJB	561643	male	C246	Service_Cmpt	563091	female
C92	FJB	561642	female	C269	RHConsole	563090	male
C96	Front_Axle_Cmpt	561583	male	C269	RHConsole	563091	female
C96	Front_Axle_Cmpt	561585	female	C279	Service_Cmpt	562477	male
C97	Rear_Axle_Cmpt	561607	male	C279	Service_Cmpt	562479	female
C97	Rear_Axle_Cmpt	561606	female	C279A		561690	male

CONNECTORS LIST

No	Location	Part #	Gender	No	Location	Part #	Gender
C279A		561566	female	C464	RJB	563180	male
C284		561782	male	C464	RJB	563347	female
C284		561781	female	C465		562581	male
C284-1		561782	male	C465		562583	female
C284-1		561781	female	C506	FJB	561687	male
C284-2		561782	male	C506	FJB	561685	female
C284-2		561781	female	C542		561550	male
C284-3		561782	male	C542		561667	female
C284-3		561781	female	C558		562503	male
C284-4		561782	male	C558		562507	female
C284-4		561781	female	C564		562503	male
C284-5		561782	male	C564		562507	female
C284-5		561781	female	C564-Sp		562503	male
C290	Rear_Vehicle	562477	male	C564-Sp		562507	female
C290	Rear_Vehicle	562479	female	C566		562503	male
C298		561782	male	C566		562507	female
C298		561781	female	C567		562503	male
C298A		561782	male	C567		562507	female
C298A		561781	female	C575	Parcel_Rack_RH	562503	male
C302		563071	male	C575	Parcel_Rack_RH	562507	female
C302		563040	female	C576	Parcel_Rack_RH	561550	male
C328	Lavatory	561247	male	C576	Parcel_Rack_RH	561667	female
C328	Lavatory	561248	female	C577	Parcel_Rack_LH	561550	male
C380	Dash	563180	male	C577	Parcel_Rack_LH	561667	female
C380	Dash	563347	female	C578	Parcel_Rack_LH	562503	male
C381		561847	male	C578	Parcel_Rack_LH	562507	female
C381		561862	female	C581	UnderdashBoard	562777	male
C382		561580	male	C582	FJB	561690	female
C382		561582	female	C582	FJB	561566	female
C394	Service_Cmpt	560852	male	C589	Service_Cmpt	563088	male
C394	Service_Cmpt	560851	female	C589	Service_Cmpt	563089	female
C397	RJB	562285	male	C590	RHConsole	563088	male
C397	RJB	563671	female	C590	RHConsole	563089	female
C398	Engine_Cmpt	563226	male	C601	LHRoofWinAjar	561476	male
C398	Engine_Cmpt	563613	female	C601	LHRoofWinAjar	561477	female
C426	Engine_Cmpt	561782	male	C603	RHRoofWinAjar	561476	male
C426	Engine_Cmpt	561781	female	C603	RHRoofWinAjar	561477	female
C430	LH_Console	562363	male	C611_plug	Parcel_Rack_RH	562557	male
C430	LH_Console	561188	female	C611_socket	Parcel_Rack_RH	562558	female
C452		562549	male	C612_plug	Parcel_Rack_RH	562555	male
C452		562550	female	C612_socket	Parcel_Rack_RH	562556	female
C463	Rear_Axle_Cmpt	562570	female	C614		563071	male
C463	Rear Axle Cmpt	562571	male	C614		563040	female

CONNECTORS LIST

No	Location	Part #	Gender	No	Location	Part #	Gender
C615		563071	male	CSX3	Engine_Cmpt	563134	female
C615		563040	female	CT2	Engine_Cmpt	563226	male
C717	RJB	561646	male	CT2	Engine_Cmpt	563613	female
C717	RJB	561645	female	CT3	Rear_Vehicle	563224	male
C720	Engine_Cmpt	563358	male	CVSA_plug		562503	male
C720	Engine_Cmpt	563359	female	CVSA_socket		562507	female
C721	RJB	561515	male	FM_ANTENNA		564011	male
C721	RJB	561552	female	FUSE_BOX_1.A		562610	male
C723	Rear_Axle_Cmpt	562877	female	FUSE_BOX_1.B		562610	male
C723	Rear_Axle_Cmpt	562884	female	FUSE_BOX_2.A		562610	male
C750		562707	male	FUSE_BOX_2.B		562610	male
C750		562706	female	JACK_1		560999	male
C751		562707	male	L1	Service_Cmpt	562848	male
C751		562706	female	L3.A	Parcel_Rack_RH	562758	male
C752		562707	male	L3.B	Parcel_Rack_RH	562759	male
C752		562706	female	L4.A	Parcel_Rack_RH	562758	male
C753		562707	male	L4.B	Parcel_Rack_RH	562759	male
C753		562706	female	L5.A	Parcel_Rack_RH	562758	male
C754		562707	male	L5.B	Parcel_Rack_RH	562759	male
C754		562706	female	L6.A	Parcel_Rack_RH	562758	male
C755		562707	male	L6.B	Parcel_Rack_RH	562759	male
C755		562706	female	L7.A	Parcel_Rack_RH	562758	male
C758		562707	male	L7.B	Parcel_Rack_RH	562759	male
C758		562706	female	L8.A	Parcel_Rack_RH	562758	male
C759		562707	male	L8.B	Parcel_Rack_RH	562759	male
C759		562706	female	L9.A	Parcel_Rack_LH	562758	male
C760		562707	male	L9.B	Parcel_Rack_LH	562759	male
C760		562706	female	L10.A	Parcel_Rack_LH	562758	male
C761		562707	male	L10.B	Parcel_Rack_LH	562759	male
C761		562706	female	L11.A	Parcel_Rack_LH	562758	male
C762		562707	male	L11.B	Parcel_Rack_LH	562759	male
C762		562706	female	L12.A	Parcel_Rack_LH	562758	male
C763		562707	male	L12.B	Parcel_Rack_LH	562759	male
C763		562706	female	L13.A	Parcel_Rack_LH	562758	male
C764		562707	male	L13.B	Parcel_Rack_LH	562759	male
C764		562706	female	L14.A	Parcel_Rack_LH	562758	male
C765		562707	male	L14.B	Parcel_Rack_LH	562759	male
C765		562706	female	L15.A	Parcel_Rack_LH	562758	male
C766		561662	male	L15.B	Parcel_Rack_LH	562759	male
C766		561661	female	L16	Front_Roof	562803	male
CSX1	Engine_Cmpt	563135	male	L17	Front_Roof	562803	male
CSX1	Engine_Cmpt	563134	female	L18.A	Entrance_Door	561626	female
CSX3	Engine_Cmpt	563135	male	L18.B	Entrance_Door	561626	female

CONNECTORS LIST

No	Location	Part #	Gender	No	Location	Part #	Gender
L19.A	Service_Cmpt	561626	female	L53	Passenger_Area	560898	male
L19.B	Service_Cmpt	561626	female	L54	Passenger_Area	560898	male
L20.A	Service_Cmpt	561626	female	L55	Passenger_Area	560898	male
L20.B	Service_Cmpt	561626	female	L56	Passenger_Area	560898	male
L21.A	Front_Roof	561608	female	L57	Passenger_Area	560898	male
L21.B	Front_Roof	562286	male	L58	Passenger_Area	560898	male
L22.A	Front_Roof	561608	female	L59.A	Outside_Front_RH	562623	male
L22.B	Front_Roof	562286	male	L59.B	Outside_Front_RH	562623	male
L23.A	Front_Roof	561608	female	L60.A	Outside_Front_LH	562623	male
L23.B	Front_Roof	562286	male	L60.B	Outside_Front_LH	562623	male
L24.A	Front_Roof	561608	female	L61	Outside_Front_RH	562601	male
L24.B	Front_Roof	562286	male	L62	Outside_Front_LH	562601	male
L25.A	Front_Roof	561608	female	L63	Outside_Front_RH	562155	male
L25.B	Front_Roof	562286	male	L64	Outside_Front_RH	562155	male
L26.A	Front_Roof	561608	female	L65	Outside_Front_LH	562155	male
L26.B	Front_Roof	562286	male	L66	Outside_Front_LH	562155	male
L27.A	Front_Roof	561608	female	L67	4rd_Lugg_Cmpt	562155	male
L27.B	Front_Roof	562286	male	L68	4rd_Lugg_Cmpt	562155	male
L28	Parcel_Rack_LH	560898	male	L69	4rd_Lugg_Cmpt	562155	male
L29	Parcel_Rack_LH	560898	male	L70	4rd_Lugg_Cmpt	562155	male
L30	Parcel_Rack_LH	560898	male	L71	Rear_Engine_Door	562601	male
L31	Parcel_Rack_LH	560898	male	L72	Rear_Vehicle	562155	male
L32	Parcel_Rack_LH	560898	male	L73	Rear_Vehicle	562601	male
L33	Parcel_Rack_LH	560898	male	L74	Rear_Vehicle	562155	male
L34	Parcel_Rack_LH	560898	male	L75	Rear_Vehicle	562155	male
L35	Parcel_Rack_LH	560898	male	L76	Rear_Engine_Door	562155	male
L36	Parcel_Rack_LH	560898	male	L77	Rear_Engine_Door	562601	male
L37	Parcel_Rack_LH	560898	male	L78	Rear_Engine_Door	562601	male
L38	Parcel_Rack_LH	560898	male	L79	Rear_Engine_Door	562601	male
L39	Parcel_Rack_LH	560898	male	L80	Rear_Engine_Door	562601	male
L40	Parcel_Rack_RH	560898	male	L81.A	Rear_Vehicle	562835	female
L41	Parcel_Rack_RH	560898	male	L81.B	Rear_Vehicle	562834	male
L42	Parcel_Rack_RH	560898	male	L82	Rear_Engine_Door	562348	female
L43	Parcel_Rack_RH	560898	male	L83	Rear_Engine_Door	562348	female
L44	Parcel_Rack_RH	560898	male	L84.A	Rear_Roof	561608	female
L45	Parcel_Rack_RH	560898	male	L84.B	Rear_Roof	562286	male
L46	Parcel_Rack_RH	560898	male	L85.A	Rear_Roof	561608	female
L47	Parcel_Rack_RH	560898	male	L85.B	Rear_Roof	562286	male
L48	Parcel_Rack_RH	560898	male	L86.A	Rear_Roof	561608	female
L49	Parcel_Rack_RH	560898	male	L86.B	Rear_Roof	562286	male
L50	Parcel_Rack_RH	560898	male	L87.A	Rear_Roof	561608	female
L51	Parcel_Rack_RH	560898	male	L87.B	Rear_Roof	562286	male
L52		560898	male	L88.A	Rear_Roof	561608	female

CONNECTORS LIST

No	Location	Part #	Gender	No	Location	Part #	Gender
L88.B	Rear_Roof	562286	male	L125	Parcel_Rack_RH	560898	male
L89.A	Rear_Roof	561608	female	L126	Parcel_Rack_RH	560898	male
L89.B	Rear_Roof	562286	male	L127	Parcel_Rack_RH	562758	male
L90.A	Rear_Roof	561608	female	L128	Parcel_Rack_RH	562758	male
L90.B	Rear_Roof	562286	male	L129	Parcel_Rack_RH	562758	male
L91	Rear_Engine_Door	562755	male	L130	Parcel_Rack_RH	562758	male
L92	Rear_Engine_Door	562755	male	L131	Parcel_Rack_RH	562758	male
L93.A	Rear_Axle_Cmpt	563069	female	L132	Parcel_Rack_RH	562758	male
L93.B	Rear_Axle_Cmpt	563069	female	L134	Parcel_Rack_LH	562758	male
L94.A	Rear_Axle_Cmpt	563069	female	L135	Parcel_Rack_LH	562758	male
L94.B	Rear_Axle_Cmpt	563069	female	L136	Parcel_Rack_LH	562758	male
L95	Outside_Front_LH	562902	female	L137	Parcel_Rack_LH	562758	male
L96	Outside_Front_RH	562902	female	L138	Parcel_Rack_LH	562758	male
L97.A	Outside_Front_LH	563069	female	L139	Parcel_Rack_LH	562758	male
L97.B	Outside_Front_LH	563069	female	L140	Lavatory	561247	male
L98.A	Entrance_Door	563069	female	L141	Lavatory	560898	male
L98.B	Outside_Front_RH	563069	female	L142	Lavatory	562803	male
L99	Parcel_Rack_LH	560898	male	L142A	Lavatory	562803	male
L100	Parcel_Rack_LH	560898	male	L144.A	Parcel_Rack_LH	562756	male
L101	Parcel_Rack_LH	560898	male	L144.B	Parcel_Rack_LH	562505	female
L102	Parcel_Rack_LH	560898	male	L145.A	Parcel_Rack_LH	562756	male
L103	Parcel_Rack_LH	560898	male	L145.B	Parcel_Rack_LH	562505	female
L104	Parcel_Rack_LH	560898	male	L146.A	Parcel_Rack_LH	562756	male
L105	Parcel_Rack_LH	560898	male	L146.B	Parcel_Rack_LH	562505	female
L106	Parcel_Rack_LH	560898	male	L147.A	Parcel_Rack_LH	562756	male
L107	Parcel_Rack_LH	560898	male	L147.B	Parcel_Rack_LH	562505	female
L108	Parcel_Rack_LH	560898	male	L148.A	Parcel_Rack_LH	562756	male
L109	Parcel_Rack_LH	560898	male	L148.B	Parcel_Rack_LH	562505	female
L110	Parcel_Rack_LH	560898	male	L149.A	Parcel_Rack_LH	562756	male
L111	Parcel_Rack_LH	560898	male	L149.B	Parcel_Rack_LH	562505	female
L112	Parcel_Rack_LH	560898	male	L150.A	Parcel_Rack_LH	562756	male
L113	Parcel_Rack_RH	560898	male	L150.B	Parcel_Rack_LH	562505	female
L114	Parcel_Rack_RH	560898	male	L151.A	Parcel_Rack_LH	562756	male
L115	Parcel_Rack_RH	560898	male	L151.B	Parcel_Rack_LH	562505	female
L116	Parcel_Rack_RH	560898	male	L152.A	Parcel_Rack_LH	562756	male
L117	Parcel_Rack_RH	560898	male	L152.B	Parcel_Rack_LH	562505	female
L118	Parcel_Rack_RH	560898	male	L153.A	Parcel_Rack_LH	562756	male
L119	Parcel_Rack_RH	560898	male	L153.B	Parcel_Rack_LH	562505	female
L120	Parcel_Rack_RH	560898	male	L154.A	Parcel_Rack_LH	562756	male
L121	Parcel_Rack_RH	560898	male	L154.B	Parcel_Rack_LH	562505	female
L122	Parcel_Rack_RH	560898	male	L155.A	Parcel_Rack_LH	562756	male
L123	Parcel_Rack_RH	560898	male	L155.B	Parcel_Rack_LH	562505	female
L124	Parcel_Rack_RH	560898	male	L156.A	Parcel_Rack_LH	562756	male

CONNECTORS LIST

No	Location	Part #	Gender	No	Location	Part #	Gender
L156.B	Parcel_Rack_LH	562505	female	L187	Engine_Cmpt	561690	male
L157.A	Parcel_Rack_LH	562756	male	L187	Engine_Cmpt	561690	male
L157.B	Parcel_Rack_LH	562505	female	L188	Service_Cmpt	562486	female
L158.A	Parcel_Rack_LH	562756	male	L189	Outside_Front_RH	562069	male
L158.B	Parcel_Rack_LH	562505	female	L190	Outside_Front_LH	562069	male
L159.A	Parcel_Rack_RH	562756	male	L192	Parcel_Rack_LH	560898	male
L159.B		562505	female	L193.A	Dash	560488	female
L160.A	Parcel_Rack_RH	562756	male	L193.B	Dash	560488	female
L160.B		562505	female	L194.A	Dash	562019	female
L161.A	Parcel_Rack_RH	562756	male	L194.B	Dash	560488	female
L161.B		562505	female	L195.A	Dash	560488	female
L162.A	Parcel_Rack_RH	562756	male	L195.B	Dash	560488	female
L162.B		562505	female	L199	Engine_Cmpt	562471	male
L163.A	Parcel_Rack_RH	562756	male	L200	Engine_Cmpt	562471	male
L163.B		562505	female	L203	RH_Console	561690	male
L164.A	Parcel_Rack_RH	562756	male	L205	Engine_Cmpt	562485	male
L164.B		562505	female	L206	Parcel_Rack_RH	562803	male
L165.A	Parcel_Rack_RH	562756	male	L207.A	4rd_Lugg_Cmpt	561699	female
L165.B		562505	female	L207.B	*opt*	561699	female
L166.A	Parcel_Rack_RH	562756	male	L207.C	*opt*	561701	female
L166.B		562505	female	L207.D	*opt*	561699	female
L167.A	Parcel_Rack_RH	562756	male	L207.E	*opt*	561701	female
L167.B		562505	female	L207.F	*opt*	561699	female
L168.A	Parcel_Rack_RH	562756	male	L207.G	*opt*	561699	female
L168.B		562505	female	L207.H	*opt*	560926	female
L169.A	Parcel_Rack_RH	562756	male	L207.I	*opt*	560926	female
L169.B		562505	female	L208	Outside_Front_LH	563088	male
L170.A	Parcel_Rack_RH	562756	male	L209	Outside_Front_RH	563088	male
L170.B		562505	female	L213.A	Parcel_Rack_RH	561248	female
L171.A	Parcel_Rack_RH	562756	male	L213.B	Parcel_Rack_RH	561248	female
L171.B		562505	female	L214.A	Parcel_Rack_RH	561248	female
L172.A	Parcel_Rack_RH	562756	male	L214.B	Parcel_Rack_RH	561248	female
L172.B		562505	female	L215.A	Parcel_Rack_RH	561248	female
L173	Engine_Cmpt	563268	male	L215.B	Parcel_Rack_RH	561248	female
L174	Engine_Cmpt	563268	male	L216.A	Parcel_Rack_RH	561248	female
L175	RJB	561247	male	L216.B	Parcel_Rack_RH	561248	female
L176	4rd_Lugg_Cmpt	561247	male	L217.A	Parcel_Rack_RH	561248	female
L177	4rd_Lugg_Cmpt	561247	male	L217.B	Parcel_Rack_RH	561248	female
L180	2nd_Lugg_Cmpt	561247	male	L218.A	Outside_Front_RH	561248	female
L181	2nd_Lugg_Cmpt	561247	male	L218.B	Parcel_Rack_RH	561248	female
L182	1st_Lugg_Cmpt	561247	male	L219.A	Parcel_Rack_LH	561248	female
L183	1st_Lugg_Cmpt	561247	male	L219.B	Parcel_Rack_LH	561248	female
L184	Service_Cmpt	561247	male	L220.A	Parcel_Rack_LH	561248	female

CONNECTORS LIST

No	Location	Part #	Gender	No	Location	Part #	Gender
L220.B	Parcel_Rack_LH	561248	female	L247.A	Parcel_Rack_RH	562756	male
L221.A	Parcel_Rack_LH	561248	female	L247.B	Parcel_Rack_RH	562505	female
L221.B	Parcel_Rack_LH	561248	female	L248.A	Parcel_Rack_RH	562756	male
L222.A	Parcel_Rack_LH	561248	female	L248.B	Parcel_Rack_RH	562505	female
L222.B	Parcel_Rack_LH	561248	female	L249.A	Parcel_Rack_RH	562756	male
L223.A	Parcel_Rack_LH	561248	female	L249.B	Parcel_Rack_RH	562505	female
L223.B	Parcel_Rack_LH	561248	female	L250.A	Parcel_Rack_RH	562756	male
L224.A	Parcel_Rack_LH	561248	female	L250.B	Parcel_Rack_RH	562505	female
L224.B	Parcel_Rack_LH	561248	female	L251.A	Parcel_Rack_RH	562756	male
L225.A	Parcel_Rack_LH	561248	female	L251.B	Parcel_Rack_RH	562505	female
L225.B	Parcel_Rack_LH	561248	female	L252.A	Parcel_Rack_RH	562756	male
L226	Parcel_Rack_RH	562758	male	L252.B	Parcel_Rack_RH	562505	female
L227	Parcel_Rack_RH	562758	male	L253.A	Parcel_Rack_RH	562756	male
L228	Parcel_Rack_RH	562758	male	L253.B	Parcel_Rack_RH	562505	female
L229	Parcel_Rack_RH	562758	male	L254.A	Parcel_Rack_RH	562756	male
L230	Parcel_Rack_RH	562758	male	L254.B	Parcel_Rack_RH	562505	female
L231	Parcel_Rack_RH	562758	male	L255.A	Parcel_Rack_RH	562756	male
L232.A	Parcel_Rack_RH	562758	male	L255.B	Parcel_Rack_RH	562505	female
L232.B	Parcel_Rack_RH	562759	male	L256.A	Parcel_Rack_RH	562756	male
L233.A	Parcel_Rack_RH	562758	male	L256.B	Parcel_Rack_RH	562505	female
L233.B	Parcel_Rack_RH	562759	male	L257.A	Parcel_Rack_RH	562756	male
L234.A	Parcel_Rack_RH	562758	male	L257.B	Parcel_Rack_RH	562505	female
L234.B	Parcel_Rack_RH	562759	male	L258	Parcel_Rack_RH	560898	male
L235.A	Parcel_Rack_RH	562758	male	L259	Parcel_Rack_RH	560898	male
L235.B	Parcel_Rack_RH	562759	male	L260	Parcel_Rack_RH	560898	male
L236.A	Parcel_Rack_RH	562758	male	L261	Parcel_Rack_RH	560898	male
L236.B	Parcel_Rack_RH	562759	male	L262	Parcel_Rack_RH	560898	male
L238.A	Parcel_Rack_RH	561248	female	L263	Parcel_Rack_RH	560898	male
L238.B	Parcel_Rack_RH	561248	female	L264	Parcel_Rack_RH	560898	male
L239.A	Parcel_Rack_RH	561248	female	L265.A	Parcel_Rack_RH	561248	female
L239.B	Parcel_Rack_RH	561248	female	L265.B	Parcel_Rack_RH	561248	female
L240.A	Parcel_Rack_RH	561248	female	L266	Parcel_Rack_RH	560898	male
L240.B	Parcel_Rack_RH	561248	female	L267	Parcel_Rack_RH	560898	male
L241.A	Parcel_Rack_RH	561248	female	L268	Parcel_Rack_RH	560898	male
L241.B	Parcel_Rack_RH	561248	female	L269	Parcel_Rack_RH	560898	male
L242.A	Parcel_Rack_RH	561248	female	L270	Parcel_Rack_RH	560898	male
L242.B	Parcel_Rack_RH	561248	female	L271	Parcel_Rack_RH	560898	male
L244.A	Parcel_Rack_RH	562756	male	L272	Parcel_Rack_RH	560898	male
L244.B	Parcel_Rack_RH	562505	female	L273	Parcel_Rack_RH	560898	male
L245.A	Parcel_Rack_RH	562756	male	L274	Parcel_Rack_RH	560898	male
L245.B	Parcel_Rack_RH	562505	female	L275	Parcel_Rack_RH	560898	male
L246.A	Parcel_Rack_RH	562756	male	L276	Parcel_Rack_RH	560898	male
L246.B	Parcel_Rack_RH	562505	female	L277	Parcel_Rack_RH	560898	male

CONNECTORS LIST

No	Location	Part #	Gender	No	Location	Part #	Gender
L278	Parcel_Rack_RH	560898	male	Mo32	2nd_Lugg_Cmpt	562076	male
L279	Parcel_Rack_RH	560898	male	Mo33		562076	male
L280	Parcel_Rack_RH	560898	male	Mo35	4rd_Lugg_Cmpt	562076	male
L281	Parcel_Rack_RH	560898	male	Mo36	Engine_Cmpt	562076	male
L283	Service_Cmpt	562485	male	Mo54	Service_Cmpt	562474	male
L284	*opt*	562485	male	Pot1.A	Dash	560488	female
L285.A	Rear_Vehicle	562835	female	Pot1.B	Dash	560488	female
L285.B	Rear_Vehicle	562834	male	Pot1.C	Dash	560488	female
L286.A	Rear_Vehicle	562835	female	R-12VISS		561183	male
L286.B	Rear_Vehicle	562834	male	R2	RJB	561183	male
L287	Rear_Axle_Cmpt	562251	male	R3	RJB	563409	male
L290.A	Parcel_Rack_RH	561248	female	R5		561183	male
L290.B	Parcel_Rack_RH	561248	female	R6		561183	male
L291.A	Parcel_Rack_RH	561248	female	R8	RJB	561183	male
L291.B	Parcel_Rack_RH	561248	female	R10	Evap_Cmpt	563409	male
L292.A	Parcel_Rack_RH	562756	male	R11	RJB	561183	male
L292.B	Parcel_Rack_RH	562505	female	R12	Evap_Cmpt	563409	male
Mo1	Engine_Cmpt	561690	female	R13		561183	male
Mo2	Engine_Cmpt	561782	male	R14	RJB	562367	male
Mo3	Dash	561667	female	R15		561183	male
Mo4	Dash	562076	male	R16	Dash	561183	male
Mo5	Front_Roof	561515	male	R17	RJB	562367	male
Mo7		563691	male	R18	FJB	562367	male
Mo8		563691	male	R19	FJB	562367	male
Mo10.A	Parcel_Rack_LH	561515	male	R20		561183	male
Mo10.B	Parcel_Rack_LH	561247	male	R21		561183	male
Mo11.A	Parcel_Rack_RH	561515	male	R22	FJB_VECF	561183	male
Mo11.B	Parcel_Rack_RH	561247	male	R23	RH_Console	561183	male
Mo12	Engine_Cmpt	561690	male	R25	RJB	561183	male
Mo13	Engine_Cmpt	561690	female	R26	Cond_Cmpt	561183	male
Mo14	Lavatory	561690	male	R27		561183	male
Mo15	Front_Roof	560900	female	R30	RJB	561183	male
Mo16	Front_Roof	560900	female	R31	RJB	561183	male
Mo17	RH_Console	563626	male	R32	RJB	561183	male
Mo19	Fr_Service_Door	562474	male	R33	RJB	561183	male
Mo20	Fr_Service_Door	562474	male	R_AMPLI		562367	male
Mo22	RH_Console	561186	male	R_Flip		561183	male
Mo24	RH_Console	562348	female	R_Tv		561183	male
Mo25	RH_Console	562348	female	Res3		563590	female
Mo27		563691	male	Res3		563590	female
Mo28		563691	male	Res4		563590	female
Mo30	1st_Lugg_Cmpt	562076	male	Res4		563590	female
Mo31		562076	male	Res5		563590	female

CONNECTORS LIST

No	Location	Part #	Gender	No	Location	Part #	Gender
Res5		563590	female	Se29	Engine_Cmpt	561566	female
Res6		563590	female	Se30	Engine_Cmpt	561690	female
Res6		563590	female	Se31	Engine_Cmpt	561690	female
Res7		563590	female	Se32	Rear_Axle_Cmpt	563057	male
Res7.A		563590	female	Se33	Rear_Axle_Cmpt	562856	male
Res8		563590	female	Se34	Rear_Axle_Cmpt	563057	male
Res8		563590	female	Se35	Rear_Axle_Cmpt	563057	male
Res11		563590	female	Se36	Rear_Axle_Cmpt	563629	female
Res11		563590	female	Se37	Front_Axle_Cmpt	641132	female
Res12	Engine_Cmpt	563590	female	Se38	Front_Axle_Cmpt	641132	female
Res12		563590	female	Se39	Rear_Axle_Cmpt	641132	female
Se1	Engine_Cmpt	562486	female	Se40	Rear_Axle_Cmpt	641132	female
Se2	Engine_Cmpt	562486	female	Se43	Engine_Cmpt	563340	male
Se3	RJB	562486	female	Se44.A	Above_Rear_Axle	560082	female
Se4	Window_RH	561477	female	Se44.B	Above_Rear_Axle	560082	female
Se5	Window_RH	561477	female	Se45	Fr_Service_Door	563409	male
Se6	Window_RH	561477	female	Se46	Rear_Axle_Cmpt	562348	female
Se7	Window_LH	561477	female	Se47	Engine_Cmpt	562486	female
Se8	Window_LH	561477	female	Se48	Engine_Cmpt	561690	male
Se9	Window_LH	561477	female	Se49	Engine_Cmpt	561690	male
Se11.A	Cond_Cmpt	560082	female	Se50	Engine_Cmpt	561566	female
Se11.B	Cond_Cmpt	560082	female	Se60	Service_Cmpt	563409	male
Se11.C	Cond_Cmpt	560082	female	Se62	WCL_System	561690	male
Se12	Engine_Cmpt	561690	female	So1	Engine_Cmpt	561566	female
Se13	Engine_Cmpt	562350	male	So3	RH_Console	641385	male
Se14.A	Driver_Area	561782	male	So4	RH_Console	641385	male
Se14.B	Driver_Area	561781	female	So5	RH_Console	641385	male
Se15	RH_Console	560898	male	So6	RH_Console	641385	male
Se16	Entrance_Door	561566	female	So7	Service_Cmpt	561566	female
Se17	RH_Console	560900	female	So8		563204	female
Se18.A	Service_Cmpt	560815	female	So9	Engine_Cmpt	561566	female
Se19.A	Service_Cmpt	560082	female	So11	Cond_Cmpt	561566	female
Se19.B	Service_Cmpt	560082	female	So13	Evap_Cmpt	563204	female
Se19.C	Service_Cmpt	560082	female	So14	Service_Cmpt	641385	male
Se19.D	Service_Cmpt	560082	female	So15	Service_Cmpt	641385	male
Se20	Evap_Cmpt	562426	male	So16	Service_Cmpt	641385	male
Se21	Dash	561248	female	So17	Service_Cmpt	641385	male
Se22	Engine_Cmpt	563404	female	So20	Service_Cmpt	641385	male
Se23	Engine_Cmpt	563159	male	So21	Front_Axle_Cmpt	561098	male
Se24	Engine_Cmpt	563159	male	So22	Front_Axle_Cmpt	561098	male
Se25	Passenger_Area	561248	female	So23	Rear_Axle_Cmpt	641949	male
Se26	Service_Cmpt	561690	female	So24	Rear_Axle_Cmpt	641949	male
Se27	Front Axle Cmpt	561111	female	So25		641949	male

CONNECTORS LIST

No	Location	Part #	Gender	No	Location	Part #	Gender
So26		562848	male	Sw3	Dash	562763	male
So28	Engine_Cmpt	561690	male	Sw4	Dash	562763	male
Spk1_L		563994	male	Sw6	Dash	562763	male
Spk1_R		563994	male	Sw8	Dash	562763	male
Spk2_L		563994	male	Sw9	Dash	562763	male
Spk2_R		563994	male	Sw10	Dash	562763	male
Spk3_L		563994	male	Sw11	Dash	562763	male
Spk3_R		563994	male	Sw12	Dash	562763	male
Spk4_L		563994	male	Sw13	Dash	562763	male
Spk4_R		563994	male	Sw14	Dash	562763	male
Spk5_L		563994	male	Sw15	Dash	562763	male
Spk5_R		563994	male	Sw16	Dash	562763	male
Spk6_L		563994	male	Sw17	Dash	562763	male
Spk6_R		563994	male	Sw18	Dash	562763	male
Spk7_L		563994	male	Sw20	Dash	562763	male
Spk7_R		563994	male	Sw21	Dash	562763	male
Spk8_L		563994	male	Sw22	Dash	562763	male
Spk8_R		563994	male	Sw23	Dash	562763	male
Spk9_L		563994	male	Sw24	Dash	562763	male
Spk9_R		563994	male	Sw25	Dash	562763	male
Spk10_L		563994	male	Sw26	Dash	562763	male
Spk10_R		563994	male	Sw27	Dash	562763	male
Spk11_L		563994	male	Sw28	LH_Console	562763	male
Spk11_R		563994	male	Sw29	Dash	562763	male
Spk12_L		563994	male	Sw30	Engine_Cmpt	561566	female
Spk12_R		563994	male	Sw31.A	WCL_System	562403	female
Spk13_L		563994	male	Sw31.B		562403	female
Spk13_R		563994	male	Sw32	Dash	561477	female
Spk14_L		563994	male	Sw33	Dash	561476	male
Spk14_R		563994	male	Sw34	Outside_Front_RH	562477	male
Spk15_L		563994	male	Sw35	Dash	562763	male
Spk15_R		563994	male	Sw36	LH_Console	562763	male
Spk16_L		563994	male	Sw37	LH_Console	562763	male
Spk16_R		563994	male	Sw38	LH_Console	562763	male
SpkDr_L.A		562651	female	Sw40	LH_Console	561690	male
SpkDr_L.B		562290	female	Sw41	LH_Console	562749	male
SpkDr_R.A		562651	female	Sw42	*opt*	561636	female
SpkDr_R.B		562290	female	Sw43		561690	male
Sub1.A		564004	female	Sw44	Service_Cmpt	562403	female
Sub2.A		564004	female	Sw44.B		562403	female
Sw1.C258	Driver_Area	561188	female	Sw45		562403	female
Sw1.C259	Driver_Area	561186	male	Sw45.B		562403	female
Sw2	Dash	562763	male	Sw46.A		562403	female

CONNECTORS LIST

No	Location	Part #	Gender	No	Location	Part #	Gender
Sw46.B		562403	female	Sw83.B	Dash	560815	female
Sw49.A		562403	female	Sw83.C	Dash	560082	female
Sw49.B		562403	female	Sw83.D	Dash	560815	female
Sw50.A		562403	female	Sw84		561566	female
Sw50.B		562403	female	Sw85	LH_Console	562749	male
Sw51.A		562403	female	Sw86	Parcel_Rack_RH	562651	female
Sw51.B		562403	female	Sw87	Parcel_Rack_RH	562651	female
Sw52		562403	female	Sw88	Parcel_Rack_RH	562651	female
Sw52.B		562403	female	Sw89	Parcel_Rack_RH	562651	female
Sw53	Parcel_Rack_LH	562651	female	Sw90	Parcel_Rack_RH	562651	female
Sw54.A		562835	female	Sw91	Parcel_Rack_RH	562651	female
Sw54.B		562834	male	Sw92	Parcel_Rack_RH	562651	female
Sw55.A		560488	female	Sw93	Parcel_Rack_RH	562651	female
Sw55.B		560488	female	Sw94.A	WCL_System	560079	female
Sw56.A		560488	female	Sw94.B	WCL_System	560079	female
Sw56.B		560488	female	Sw94.C	WCL_System	560079	female
Sw58	Engine_Cmpt	562581	male	Sw95.A		561626	female
Sw59		561566	female	Sw95.B		561626	female
Sw60		561566	female	Sw95.C		561626	female
Sw64.A	Service_Cmpt	560815	female	Sw96.A		561626	female
Sw65	Parcel_Rack_LH	562651	female	Sw96.B		561626	female
Sw66	Parcel_Rack_LH	562651	female	Sw96.C		561626	female
Sw67	Parcel_Rack_LH	562651	female	Sw97.A	WCL_System	561626	female
Sw68	Parcel_Rack_LH	562651	female	Sw97.B	WCL_System	561626	female
Sw69	Parcel_Rack_LH	562651	female	Sw97.C	WCL_System	561626	female
Sw70	Parcel_Rack_LH	562651	female	Sw98.A	WCL_System	561626	female
Sw71	Parcel_Rack_LH	562651	female	Sw98.B	WCL_System	561626	female
Sw72	Parcel_Rack_LH	562651	female	Sw98.C	WCL_System	561626	female
Sw73	Parcel_Rack_RH	562651	female	Sw99	Dash	562763	male
Sw74	Parcel_Rack_RH	562651	female	Sw100	Dash	562763	male
Sw75	Parcel_Rack_RH	562651	female	Sw101		562763	male
Sw76	Parcel_Rack_RH	562651	female	Sw109.A		560079	female
Sw77	Parcel_Rack_RH	562651	female	Sw109.B		560079	female
Sw78	Parcel_Rack_RH	562651	female	Sw110.A		560079	female
Sw79	Parcel_Rack_RH	562651	female	Sw110.B		560079	female
Sw80	Parcel_Rack_RH	562651	female	Sw114.A		560079	female
Sw81.A	Dash	562905	male	Sw114.B		560079	female
Sw81.B	Dash	562905	male	Sw115.A		560079	female
Sw82.A		561457	female	Sw115.B		560079	female
Sw82.B		561457	female	Sw123		561566	female
Sw82.C		561457	female	Sw125.A	Service_Cmpt	561457	female
Sw82.D		561457	female	Sw125.B	Service_Cmpt	561457	female
Sw83.A	Dash	560082	female	svm1	136	560999	male

CONNECTORS LIST

No	Location	Part #	Gender
sym2_136		560999	male
sym4_136		560999	male
sym5_136		560999	male
sym6_136		560999	male
sym7_136		560999	male
VECF1	FJB	563186	male
VECF2	FJB	563183	male
VECF3	FJB	563185	male
VECF4	FJB	563182	male
VECF10	FJB	563181	male
VECF11	FJB	563184	male
VECF12	FJB	563187	male
VECR1	RJB	563186	male
VECR2	RJB	563183	male
VECR3	RJB	563185	male
VECR4	RJB	563182	male
VECR9	RJB	563448	male
VECR10	RJB	563181	male
VECR11	RJB	563184	male
VECR12	RJB	563187	male

CONNECTORS LIST

No	Location	Part #	Gender	No	Location	Part #	Gender
<Invalid>	Parcel_Rack_RH	561550	male	A24.A	RH_Console	561890	male
<Invalid>	Parcel_Rack_RH	561667	female	A24.B	RH_Console	561566	female
<Invalid>_0_1	Parcel_Rack_LH	561515	male	A25		563025	male
<Invalid>_0_1	Parcel_Rack_LH	561552	female	A27	Service_Cmpt	562929	male
<Invalid>_0_2		563226	male	A28	Service_Cmpt	562928	male
<Invalid>_0_2		563613	female	A29	Dash	562465	male
<Invalid>_0_3		563226	male	A30	Rear_Axle_Cmpt	563463	male
<Invalid>_0_3		563613	female	A31	Rear_Axle_Cmpt	563463	male
A1.A		563975	male	A33.A		564049	female
A2		563984	male	A33.B		564048	male
A3	Dash	562363	male	A33.C		562330	female
A4.A	Service_Cmpt	562428	female	A36.JA	FJB	562767	male
A4.B	Service_Cmpt	561188	female	A36.JB	FJB	562765	male
A5	Service_Cmpt	562428	female	A36.JC	FJB	562957	male
A6	Engine_Cmpt	563628	female	A39.P101		563201	male
A7		563979	male	A39.P901		563953	male
A9.Cx1		564041	female	A41.J1	FJB	562767	male
A9.Cx2		563678	male	A41.J2	FJB	563132	male
A9.Cx3		564037	female	A41.J3	FJB	562957	male
A9.Cx4		564038	female	A42.J1	FJB	562767	male
A10.X1	Engine_Cmpt	563135	male	A42.J2	FJB	563132	male
A10.X3	Engine_Cmpt	563134	female	A42.J3	FJB	562957	male
A11	LH_Console	563142	male	A43.J1	FJB	562767	male
A12	Dash	562464	male	A43.J2	FJB	563132	male
A13.J1	FJB	562794	male	A43.J3	FJB	562957	male
A13.J2	FJB	562650	male	A44.J1	FJB	563133	male
A14.CX	Dash	562957	male	A44.J2	FJB	563132	male
A14.CY	Dash	562765	male	A44.J3	FJB	562957	male
A14.LX	Dash	562766	male	A45.J1	FJB	563133	male
A14.LY	Dash	562767	male	A45.J2	FJB	563132	male
A14.RX	Dash	562767	male	A45.J3	FJB	562957	male
A15	Dash	562464	male	A46.J1	FJB	563133	male
A16	Front_Roof	561637	male	A46.J2	FJB	563132	male
A17	RJB	561932	male	A46.J3	FJB	562957	male
A18	FJB	562794	male	A47.J1	RH_Console	563133	male
A18.J2	FJB	562650	male	A47.J2	RH_Console	563132	male
A19	LH_Console	562878	female	A47.J3	RH_Console	562957	male
A20	Parcel_Rack_LH	561477	female	A48.J1	RH_Console	563133	male
A21	Rear_Axle_Cmpt	kostalF	female	A48.J2	RH_Console	563132	male
A22	LH_Console	563338	male	A48.J3	RH_Console	562957	male
A23.A		563953	male	A49.J1	RJB	562767	male
A23.B		563697	male	A49.J2	RJB	563132	male
A24	RH_Console	561889	female	A49.J3	RJB	562957	male

CONNECTORS LIST

No	Location	Part #	Gender	No	Location	Part #	Gender
A50.J1	RJB	563133	male	A69.G		561716	female
A50.J2	RJB	563132	male	A69.H		561716	female
A50.J3	RJB	562957	male	A70		564011	male
A51.J1	RJB	563133	male	A70a.A		564011	male
A51.J2	RJB	563132	male	A71.A		562464	male
A51.J3	RJB	562957	male	A71.B		562706	female
A52.J1	RJB	563133	male	A71.C		562706	female
A52.J2	RJB	563132	male	A71.D		562706	female
A52.J3	RJB	562957	male	A72.J1		563675	male
A53.J1	RJB	563133	male	A72.J2		563678	male
A53.J2	RJB	563132	male	A72.J3		563679	male
A53.J3	RJB	562957	male	A72.J4		563680	male
A54.J1	Evap_Cmpt	563133	male	A73.J1		563681	male
A54.J2	Evap_Cmpt	563132	male	A73.J2		563684	male
A54.J3	Evap_Cmpt	562957	male	A74		563207	male
A60.A		562464	male	A81.A		563960	male
A60.B		562706	female	A81.B		563962	male
A60.C		562706	female	A81.C		564009	male
A60.D		562706	female	A81.D		563961	male
A61.A		562464	male	A82.A		563960	male
A61.B		562465	male	A82.B		563962	male
A63.A		563960	male	A82.C		564009	male
A63.B		563962	male	A82.D		563961	male
A63.C		564009	male	A84		562583	female
A63.D		563961	male	A85.A		561636	female
A64		563954	male	A85.B		562581	male
A65		562465	male	A86		562477	male
A66		561183	male	A87		562477	male
A67.Vsa		563948	male	Alt1.A	Engine_Cmpt	560815	female
A67.Vsb		563950	male	Alt1.B	Engine_Cmpt	560815	female
A67.Vsc		563947	male	Alt1.C	Engine_Cmpt	562862	female
A67.Vsd		563949	male	Alt2.A	Engine_Cmpt	560815	female
A67.Vse		563951	male	Alt2.B	Engine_Cmpt	560815	female
A68.A		563960	male	Alt2.C	Engine_Cmpt	562862	female
A68.B		563962	male	C1	FJB	563589	male
A68.C		564009	male	C1	FJB	563590	female
A68.D		563961	male	C1S	FJB	563589	male
A69.A		563071	male	C1S	FJB	563590	female
A69.B		561716	female	C2	Service_Cmpt	563580	male
A69.C		561716	female	C2	Service_Cmpt	563581	female
A69.D		561716	female	C3	RJB	563589	male
A69.E		561716	female	C3	RJB	563590	female
A69.F		561716	female	C3S	RJB	563593	male

CONNECTORS LIST

No	Location	Part #	Gender	No	Location	Part #	Gender
C3S	RJB	563590	female	C24_plug	Evap_Cmpt	561690	male
C4	FJB	563580	male	C24_socket	Evap_Cmpt	561566	female
C4	FJB	563581	female	C25		561550	male
C5	FJB	563589	male	C25		561667	female
C5	FJB	563590	female	C26_plug	RJB	562485	male
C5S	FJB	563589	male	C26_socket	RJB	562486	female
C5S	FJB	563590	female	C29	4rd_Lugg_Cmpt	563651	male
C6	FJB	563582	male	C29	4rd_Lugg_Cmpt	563652	female
C6	FJB	563583	female	C30	4rd_Lugg_Cmpt	561710	male
C7		562884	female	C30	4rd_Lugg_Cmpt	561709	female
C7		562877	female	C31	RJB	561669	male
C8		562884	female	C31	RJB	561670	female
C8		562877	female	C34	RH_Console	561986	male
C9	RJB	561986	male	C34	RH_Console	561987	female
C9	RJB	561987	female	C35	RJB	561646	male
C10		562477	male	C35	RJB	561645	female
C10		562479	female	C36	FJB	561986	male
C11	Service_Cmpt	563580	male	C36	FJB	561987	female
C11	Service_Cmpt	563581	female	C36.A	Engine_Cmpt	561701	female
C12_plug	RJB	562485	male	C36.B	Engine_Cmpt	561701	female
C12_socket	RJB	562486	female	C36.C	Engine_Cmpt	561701	female
C13S	RH_Console	563589	male	C37	Parcel_Rack_LH	562557	male
C13S	RH_Console	563590	female	C37	Parcel_Rack_LH	562558	female
C13_plug	RH_Console	563589	male	C38	Parcel_Rack_RH	561643	male
C13_socket	RH_Console	563590	female	C38	Parcel_Rack_RH	561642	female
C14	RJB	561986	male	C39		562503	male
C14	RJB	561987	female	C39		562507	female
C15	RJB	561643	male	C40	Dash	562485	male
C15	RJB	561642	female	C40	Dash	562486	female
C16	RJB	561577	male	C41	RJB	561690	male
C16	RJB	561605	female	C41	RJB	561566	female
C17	RJB	561986	male	C42	Dash	561904	female
C17	RJB	561987	female	C42	Service_Cmpt	561626	female
C18	FJB	561986	male	C44_plug	FJB	561577	male
C18	FJB	561987	female	C44_socket	FJB	561605	female
C19	RJB	561986	male	C45	FJB	561643	male
C19	RJB	561987	female	C45	FJB	561642	female
C21A	RJB	561646	male	C46	Service_Cmpt	561577	male
C21A	RJB	561645	female	C46	Service_Cmpt	561605	female
C21B	RJB	561646	male	C48	Service_Cmpt	561690	male
C21B	RJB	561645	female	C48	Service_Cmpt	561566	female
C22		563589	male	C50	Engine_Cmpt	561932	male
C22		563590	female	C50	Engine_Cmpt	560933	female

CONNECTORS LIST

No	Location	Part #	Gender	No	Location	Part #	Gender
C55	Evap_Cmpt	561577	male	C84	2nd_Lugg_Cmpt	562479	female
C55	Evap_Cmpt	561605	female	C85	4rd_Lugg_Cmpt	562477	male
C56	Parcel_Rack_LH	562557	male	C85	2nd_Lugg_Cmpt	562479	female
C56	Parcel_Rack_LH	562558	female	C86	4rd_Lugg_Cmpt	562581	male
C57	Parcel_Rack_RH	562557	male	C86	4rd_Lugg_Cmpt	562583	female
C57	Parcel_Rack_RH	562558	female	C87	Engine_Cmpt	562581	male
C58	RJB	561640	male	C87	Engine_Cmpt	562583	female
C58	RJB	561639	female	C91	RJB	562285	male
C59	RJB	561643	male	C91	RJB	563671	female
C59	RJB	561642	female	C92		561734	male
C60	RJB	561986	male	C92		561735	female
C60	RJB	561987	female	C96		561643	male
C61	Fr_Service_Door	561669	male	C96		561642	female
C61	Fr_Service_Door	561670	female	C97		561583	male
C62	Fr_Service_Door	562566	male	C97		561585	female
C62	Fr_Service_Door	562565	female	C101	Service_Cmpt	561690	male
C63	Entrance_Door	562477	male	C101	Service_Cmpt	561566	female
C63	Entrance_Door	562479	female	C102	RJB	561690	male
C66	Engine_Cmpt	561577	male	C102	RJB	561566	female
C66	Engine_Cmpt	561605	female	C119	Rear_Engine_Door	561607	male
C67	Parcel_Rack_LH	561247	male	C119	Rear_Engine_Door	561606	female
C67	Parcel_Rack_LH	561248	female	C120	Rear_Engine_Door	561607	male
C69		561583	male	C120	Rear_Engine_Door	561606	female
C69		561585	female	C144	RJB	560852	male
C70		562557	male	C144	RJB	560851	female
C70		562558	female	C153	Rear_Axle_Cmpt	561611	male
C71	FJB	561646	male	C153	Rear_Axle_Cmpt	561610	female
C71	FJB	561645	female	C168		561890	male
C72	FJB	561646	male	C168		561889	female
C72	FJB	561645	female	C171	LH_Console	561646	male
C74	FJB	561645	female	C171	LH_Console	561645	female
C74	FJB	561646	male	C172	Service_Cmpt	561640	male
C75_plug	Parcel_Rack_RH	562557	male	C172	Service_Cmpt	561638	female
C75_socket	Parcel_Rack_RH	562558	female	C193		563589	male
C78	Engine_Cmpt	561690	male	C193		563590	female
C78	Engine_Cmpt	561566	female	C194		563589	male
C81	1st_Lugg_Cmpt	562477	male	C194		563590	female
C81	1st_Lugg_Cmpt	562479	female	C206		562503	male
C82	1st_Lugg_Cmpt	562477	male	C206		562507	female
C82	1st_Lugg_Cmpt	562479	female	C207		562503	male
C83	2nd_Lugg_Cmpt	562477	male	C207		562507	female
C83	2nd_Lugg_Cmpt	562479	female	C209_plug		562503	male
C84	2nd_Lugg_Cmpt	562477	male	C209_socket		562507	female

CONNECTORS LIST

No	Location	Part #	Gender	No	Location	Part #	Gender
C211	Parcel_Rack_RH	561515	male	C381		561862	female
C211	Parcel_Rack_RH	561552	female	C382		561580	male
C213	Parcel_Rack_LH	561515	male	C382		561582	female
C213	Parcel_Rack_LH	561552	female	C394	Service_Cmpt	560852	male
C230	Engine_Cmpt	562485	male	C394	Service_Cmpt	560851	female
C230	Engine_Cmpt	562486	female	C397	RJB	562285	male
C242	Service_Cmpt	562789	male	C397	RJB	563671	female
C242	Service_Cmpt	565131	female	C398	Engine_Cmpt	563226	male
C243	Service_Cmpt	562789	male	C398	Engine_Cmpt	563613	female
C243	Service_Cmpt	565131	female	C426	Engine_Cmpt	561782	male
C246	Service_Cmpt	563090	male	C426	Engine_Cmpt	561781	female
C246	Service_Cmpt	563091	female	C430	LH_Console	562363	male
C269	RHConsole	563090	male	C430	LH_Console	561188	female
C269	RHConsole	563091	female	C452		562549	male
C279	Service_Cmpt	562477	male	C452		562550	female
C279	Service_Cmpt	562479	female	C463	Rear_Axle_Cmpt	562570	female
C279A		561690	male	C463	Rear_Axle_Cmpt	562571	male
C279A		561566	female	C464	RJB	563180	male
C284		561782	male	C464	RJB	563347	female
C284		561781	female	C465		562581	male
C284-1		561782	male	C465		562583	female
C284-1		561781	female	C506	FJB	561687	male
C284-2		561782	male	C506	FJB	561685	female
C284-2		561781	female	C542		561550	male
C284-3		561782	male	C542		561667	female
C284-3		561781	female	C558		562503	male
C284-4		561782	male	C558		562507	female
C284-4		561781	female	C564		562503	male
C284-5		561782	male	C564		562507	female
C284-5		561781	female	C564-Sp		562503	male
C290	Rear_Vehicle	562477	male	C564-Sp		562507	female
C290	Rear_Vehicle	562479	female	C566		562503	male
C298		561782	male	C566		562507	female
C298		561781	female	C567		562503	male
C298A		561782	male	C567		562507	female
C298A		561781	female	C575	Parcel_Rack_RH	562503	male
C302		563071	male	C575	Parcel_Rack_RH	562507	female
C302		563040	female	C576	Parcel_Rack_RH	561550	male
C328	Lavatory	561247	male	C576	Parcel_Rack_RH	561667	female
C328	Lavatory	561248	female	C577	Parcel_Rack_LH	561550	male
C380	Dash	563180	male	C577	Parcel_Rack_LH	561667	female
C380	Dash	563347	female	C578	Parcel_Rack_LH	562503	male
C381		561847	male	C578	Parcel_Rack_LH	562507	female

CONNECTORS LIST

No	Location	Part #	Gender	No	Location	Part #	Gender
C581	UnderdashBoard	562777	male	C760		562707	male
C582	FJB	561690	female	C760		562706	female
C582	FJB	561566	female	C761		562707	male
C589	Service_Cmpt	563088	male	C761		562706	female
C589	Service_Cmpt	563089	female	C762		562707	male
C590	RHConsole	563088	male	C762		562706	female
C590	RHConsole	563089	female	C763		562707	male
C601	LHRoofWinAjar	561476	male	C763		562706	female
C601	LHRoofWinAjar	561477	female	C764		562707	male
C603	RHRoofWinAjar	561476	male	C764		562706	female
C603	RHRoofWinAjar	561477	female	C765		562707	male
C611_plug	Parcel_Rack_RH	562557	male	C765		562706	female
C611_socket	Parcel_Rack_RH	562558	female	C766		561662	male
C612_plug	Parcel_Rack_RH	562555	male	C766		561661	female
C612_socket	Parcel_Rack_RH	562556	female	CSX1	Engine_Cmpt	563135	male
C614		563071	male	CSX1	Engine_Cmpt	563134	female
C614		563040	female	CSX3	Engine_Cmpt	563135	male
C615		563071	male	CSX3	Engine_Cmpt	563134	female
C615		563040	female	CT2	Engine_Cmpt	563226	male
C717	RJB	561646	male	CT2	Engine_Cmpt	563613	female
C717	RJB	561645	female	CT3	Rear_Vehicle	563224	male
C720	Engine_Cmpt	563358	male	CVSA_plug		562503	male
C720	Engine_Cmpt	563359	female	CVSA_socket		562507	female
C721	RJB	561515	male	FUSE_BOX_1.A		562610	male
C721	RJB	561552	female	FUSE_BOX_1.B		562610	male
C723	Rear_Axle_Cmpt	562877	female	FUSE_BOX_2.A		562610	male
C723	Rear_Axle_Cmpt	562884	female	FUSE_BOX_2.B		562610	male
C750		562707	male	JACK_1		560999	male
C750		562706	female	L1	Service_Cmpt	562848	male
C751		562707	male	L3.A	Parcel_Rack_RH	562758	male
C751		562706	female	L3.B	Parcel_Rack_RH	562759	male
C752		562707	male	L4.A	Parcel_Rack_RH	562758	male
C752		562706	female	L4.B	Parcel_Rack_RH	562759	male
C753		562707	male	L5.A	Parcel_Rack_RH	562758	male
C753		562706	female	L5.B	Parcel_Rack_RH	562759	male
C754		562707	male	L6.A	Parcel_Rack_RH	562758	male
C754		562706	female	L6.B	Parcel_Rack_RH	562759	male
C755		562707	male	L7.A	Parcel_Rack_RH	562758	male
C755		562706	female	L7.B	Parcel_Rack_RH	562759	male
C758		562707	male	L8.A	Parcel_Rack_RH	562758	male
C758		562706	female	L8.B	Parcel_Rack_RH	562759	male
C759		562707	male	L9.A	Parcel_Rack_LH	562758	male
C759		562706	female	L9.B	Parcel_Rack_LH	562759	male

CONNECTORS LIST

No	Location	Part #	Gender	No	Location	Part #	Gender
L10.A	Parcel_Rack_LH	562758	male	L37	Parcel_Rack_LH	560898	male
L10.B	Parcel_Rack_LH	562759	male	L38	Parcel_Rack_LH	560898	male
L11.A	Parcel_Rack_LH	562758	male	L39	Parcel_Rack_LH	560898	male
L11.B	Parcel_Rack_LH	562759	male	L40	Parcel_Rack_RH	560898	male
L12.A	Parcel_Rack_LH	562758	male	L41	Parcel_Rack_RH	560898	male
L12.B	Parcel_Rack_LH	562759	male	L42	Parcel_Rack_RH	560898	male
L13.A	Parcel_Rack_LH	562758	male	L43	Parcel_Rack_RH	560898	male
L13.B	Parcel_Rack_LH	562759	male	L44	Parcel_Rack_RH	560898	male
L14.A	Parcel_Rack_LH	562758	male	L45	Parcel_Rack_RH	560898	male
L14.B	Parcel_Rack_LH	562759	male	L46	Parcel_Rack_RH	560898	male
L15.A	Parcel_Rack_LH	562758	male	L47	Parcel_Rack_RH	560898	male
L15.B	Parcel_Rack_LH	562759	male	L48	Parcel_Rack_RH	560898	male
L16	Front_Roof	562803	male	L49	Parcel_Rack_RH	560898	male
L17	Front_Roof	562803	male	L50	Parcel_Rack_RH	560898	male
L18.A	Entrance_Door	561626	female	L51	Parcel_Rack_RH	560898	male
L18.B	Entrance_Door	561626	female	L52		560898	male
L19.A	Service_Cmpt	561626	female	L53	Passenger_Area	560898	male
L19.B	Service_Cmpt	561626	female	L54	Passenger_Area	560898	male
L20.A	Service_Cmpt	561626	female	L55	Passenger_Area	560898	male
L20.B	Service_Cmpt	561626	female	L56	Passenger_Area	560898	male
L21.A	Front_Roof	561608	female	L57	Passenger_Area	560898	male
L21.B	Front_Roof	562286	male	L58	Passenger_Area	560898	male
L22.A	Front_Roof	561608	female	L59.A	Outside_Front_RH	562623	male
L22.B	Front_Roof	562286	male	L59.B	Outside_Front_RH	562623	male
L23.A	Front_Roof	561608	female	L60.A	Outside_Front_LH	562623	male
L23.B	Front_Roof	562286	male	L60.B	Outside_Front_LH	562623	male
L24.A	Front_Roof	561608	female	L61	Outside_Front_RH	562601	male
L24.B	Front_Roof	562286	male	L62	Outside_Front_LH	562601	male
L25.A	Front_Roof	561608	female	L63	Outside_Front_RH	562155	male
L25.B	Front_Roof	562286	male	L64	Outside_Front_RH	562155	male
L26.A	Front_Roof	561608	female	L65	Outside_Front_LH	562155	male
L26.B	Front_Roof	562286	male	L66	Outside_Front_LH	562155	male
L27.A	Front_Roof	561608	female	L67	4rd_Lugg_Cmpt	562155	male
L27.B	Front_Roof	562286	male	L68	4rd_Lugg_Cmpt	562155	male
L28	Parcel_Rack_LH	560898	male	L69	4rd_Lugg_Cmpt	562155	male
L29	Parcel_Rack_LH	560898	male	L70	4rd_Lugg_Cmpt	562155	male
L30	Parcel_Rack_LH	560898	male	L71	Rear_Engine_Door	562601	male
L31	Parcel_Rack_LH	560898	male	L72	Rear_Vehicle	562155	male
L32	Parcel_Rack_LH	560898	male	L73	Rear_Vehicle	562601	male
L33	Parcel_Rack_LH	560898	male	L74	Rear_Vehicle	562155	male
L34	Parcel_Rack_LH	560898	male	L75	Rear_Vehicle	562155	male
L35	Parcel_Rack_LH	560898	male	L76	Rear_Engine_Door	562155	male
L36	Parcel_Rack_LH	560898	male	L77	Rear_Engine_Door	562601	male

CONNECTORS LIST

No	Location	Part #	Gender	No	Location	Part #	Gender
L78	Rear_Engine_Door	562601	male	L109	Parcel_Rack_LH	560898	male
L79	Rear_Engine_Door	562601	male	L110	Parcel_Rack_LH	560898	male
L80	Rear_Engine_Door	562601	male	L111	Parcel_Rack_LH	560898	male
L81.A	Rear_Vehicle	562835	female	L112	Parcel_Rack_LH	560898	male
L81.B	Rear_Vehicle	562834	male	L113	Parcel_Rack_RH	560898	male
L82	Rear_Engine_Door	562348	female	L114	Parcel_Rack_RH	560898	male
L83	Rear_Engine_Door	562348	female	L115	Parcel_Rack_RH	560898	male
L84.A	Rear_Roof	561608	female	L116	Parcel_Rack_RH	560898	male
L84.B	Rear_Roof	562286	male	L117	Parcel_Rack_RH	560898	male
L85.A	Rear_Roof	561608	female	L118	Parcel_Rack_RH	560898	male
L85.B	Rear_Roof	562286	male	L119	Parcel_Rack_RH	560898	male
L86.A	Rear_Roof	561608	female	L120	Parcel_Rack_RH	560898	male
L86.B	Rear_Roof	562286	male	L121	Parcel_Rack_RH	560898	male
L87.A	Rear_Roof	561608	female	L122	Parcel_Rack_RH	560898	male
L87.B	Rear_Roof	562286	male	L123	Parcel_Rack_RH	560898	male
L88.A	Rear_Roof	561608	female	L124	Parcel_Rack_RH	560898	male
L88.B	Rear_Roof	562286	male	L125	Parcel_Rack_RH	560898	male
L89.A	Rear_Roof	561608	female	L126	Parcel_Rack_RH	560898	male
L89.B	Rear_Roof	562286	male	L127	Parcel_Rack_RH	562758	male
L90.A	Rear_Roof	561608	female	L128	Parcel_Rack_RH	562758	male
L90.B	Rear_Roof	562286	male	L129	Parcel_Rack_RH	562758	male
L91	Rear_Engine_Door	562755	male	L130	Parcel_Rack_RH	562758	male
L92	Rear_Engine_Door	562755	male	L131	Parcel_Rack_RH	562758	male
L93.A	Rear_Axle_Cmpt	563069	female	L132	Parcel_Rack_RH	562758	male
L93.B	Rear_Axle_Cmpt	563069	female	L134	Parcel_Rack_LH	562758	male
L94.A	Rear_Axle_Cmpt	563069	female	L135	Parcel_Rack_LH	562758	male
L94.B	Rear_Axle_Cmpt	563069	female	L136	Parcel_Rack_LH	562758	male
L95	Outside_Front_LH	562902	female	L137	Parcel_Rack_LH	562758	male
L96	Outside_Front_RH	562902	female	L138	Parcel_Rack_LH	562758	male
L97.A	Outside_Front_LH	563069	female	L139	Parcel_Rack_LH	562758	male
L97.B	Outside_Front_LH	563069	female	L140	Lavatory	561247	male
L98.A	Entrance_Door	563069	female	L141	Lavatory	560898	male
L98.B	Outside_Front_RH	563069	female	L142	Lavatory	562803	male
L99	Parcel_Rack_LH	560898	male	L142A	Lavatory	562803	male
L100	Parcel_Rack_LH	560898	male	L144.A	Parcel_Rack_LH	562756	male
L101	Parcel_Rack_LH	560898	male	L144.B	Parcel_Rack_LH	562505	female
L102	Parcel_Rack_LH	560898	male	L145.A	Parcel_Rack_LH	562756	male
L103	Parcel_Rack_LH	560898	male	L145.B	Parcel_Rack_LH	562505	female
L104	Parcel_Rack_LH	560898	male	L146.A	Parcel_Rack_LH	562756	male
L105	Parcel_Rack_LH	560898	male	L146.B	Parcel_Rack_LH	562505	female
L106	Parcel_Rack_LH	560898	male	L147.A	Parcel_Rack_LH	562756	male
L107	Parcel_Rack_LH	560898	male	L147.B	Parcel_Rack_LH	562505	female
L108	Parcel_Rack_LH	560898	male	L148.A	Parcel_Rack_LH	562756	male

CONNECTORS LIST

No	Location	Part #	Gender	No	Location	Part #	Gender
L148.B	Parcel_Rack_LH	562505	female	L170.A	Parcel_Rack_RH	562756	male
L149.A	Parcel_Rack_LH	562756	male	L170.B		562505	female
L149.B	Parcel_Rack_LH	562505	female	L171.A	Parcel_Rack_RH	562756	male
L150.A	Parcel_Rack_LH	562756	male	L171.B		562505	female
L150.B	Parcel_Rack_LH	562505	female	L172.A	Parcel_Rack_RH	562756	male
L151.A	Parcel_Rack_LH	562756	male	L172.B		562505	female
L151.B	Parcel_Rack_LH	562505	female	L173	Engine_Cmpt	563268	male
L152.A	Parcel_Rack_LH	562756	male	L174	Engine_Cmpt	563268	male
L152.B	Parcel_Rack_LH	562505	female	L175	RJB	561247	male
L153.A	Parcel_Rack_LH	562756	male	L176	4rd_Lugg_Cmpt	561247	male
L153.B	Parcel_Rack_LH	562505	female	L177	4rd_Lugg_Cmpt	561247	male
L154.A	Parcel_Rack_LH	562756	male	L180	2nd_Lugg_Cmpt	561247	male
L154.B	Parcel_Rack_LH	562505	female	L181	2nd_Lugg_Cmpt	561247	male
L155.A	Parcel_Rack_LH	562756	male	L182	1st_Lugg_Cmpt	561247	male
L155.B	Parcel_Rack_LH	562505	female	L183	1st_Lugg_Cmpt	561247	male
L156.A	Parcel_Rack_LH	562756	male	L184	Service_Cmpt	561247	male
L156.B	Parcel_Rack_LH	562505	female	L187	Engine_Cmpt	561690	male
L157.A	Parcel_Rack_LH	562756	male	L187	Engine_Cmpt	561690	male
L157.B	Parcel_Rack_LH	562505	female	L188	Service_Cmpt	562486	female
L158.A	Parcel_Rack_LH	562756	male	L189	Outside_Front_RH	562069	male
L158.B	Parcel_Rack_LH	562505	female	L190	Outside_Front_LH	562069	male
L159.A	Parcel_Rack_RH	562756	male	L192	Parcel_Rack_LH	560898	male
L159.B		562505	female	L193.A	Dash	560488	female
L160.A	Parcel_Rack_RH	562756	male	L193.B	Dash	560488	female
L160.B		562505	female	L194.A	Dash	562019	female
L161.A	Parcel_Rack_RH	562756	male	L194.B	Dash	560488	female
L161.B		562505	female	L195.A	Dash	560488	female
L162.A	Parcel_Rack_RH	562756	male	L195.B	Dash	560488	female
L162.B		562505	female	L199	Engine_Cmpt	562471	male
L163.A	Parcel_Rack_RH	562756	male	L200	Engine_Cmpt	562471	male
L163.B		562505	female	L203	RH_Console	561690	male
L164.A	Parcel_Rack_RH	562756	male	L205	Engine_Cmpt	562485	male
L164.B		562505	female	L206	Parcel_Rack_RH	562803	male
L165.A	Parcel_Rack_RH	562756	male	L207.A	4rd_Lugg_Cmpt	561699	female
L165.B		562505	female	L207.B	*opt*	561699	female
L166.A	Parcel_Rack_RH	562756	male	L207.C	*opt*	561701	female
L166.B		562505	female	L207.D	*opt*	561699	female
L167.A	Parcel_Rack_RH	562756	male	L207.E	*opt*	561701	female
L167.B		562505	female	L207.F	*opt*	561699	female
L168.A	Parcel_Rack_RH	562756	male	L207.G	*opt*	561699	female
L168.B		562505	female	L207.H	*opt*	560926	female
L169.A	Parcel_Rack_RH	562756	male	L207.I	*opt*	560926	female
L169.B		562505	female	L208	Outside Front LH	563088	male

CONNECTORS LIST

No	Location	Part #	Gender	No	Location	Part #	Gender
L209	Outside_Front_RH	563088	male	L238.A	Parcel_Rack_RH	561248	female
L213.A	Parcel_Rack_RH	561248	female	L238.B	Parcel_Rack_RH	561248	female
L213.B	Parcel_Rack_RH	561248	female	L239.A	Parcel_Rack_RH	561248	female
L214.A	Parcel_Rack_RH	561248	female	L239.B	Parcel_Rack_RH	561248	female
L214.B	Parcel_Rack_RH	561248	female	L240.A	Parcel_Rack_RH	561248	female
L215.A	Parcel_Rack_RH	561248	female	L240.B	Parcel_Rack_RH	561248	female
L215.B	Parcel_Rack_RH	561248	female	L241.A	Parcel_Rack_RH	561248	female
L216.A	Parcel_Rack_RH	561248	female	L241.B	Parcel_Rack_RH	561248	female
L216.B	Parcel_Rack_RH	561248	female	L242.A	Parcel_Rack_RH	561248	female
L217.A	Parcel_Rack_RH	561248	female	L242.B	Parcel_Rack_RH	561248	female
L217.B	Parcel_Rack_RH	561248	female	L244.A	Parcel_Rack_RH	562756	male
L218.A	Outside_Front_RH	561248	female	L244.B	Parcel_Rack_RH	562505	female
L218.B	Parcel_Rack_RH	561248	female	L245.A	Parcel_Rack_RH	562756	male
L219.A	Parcel_Rack_LH	561248	female	L245.B	Parcel_Rack_RH	562505	female
L219.B	Parcel_Rack_LH	561248	female	L246.A	Parcel_Rack_RH	562756	male
L220.A	Parcel_Rack_LH	561248	female	L246.B	Parcel_Rack_RH	562505	female
L220.B	Parcel_Rack_LH	561248	female	L247.A	Parcel_Rack_RH	562756	male
L221.A	Parcel_Rack_LH	561248	female	L247.B	Parcel_Rack_RH	562505	female
L221.B	Parcel_Rack_LH	561248	female	L248.A	Parcel_Rack_RH	562756	male
L222.A	Parcel_Rack_LH	561248	female	L248.B	Parcel_Rack_RH	562505	female
L222.B	Parcel_Rack_LH	561248	female	L249.A	Parcel_Rack_RH	562756	male
L223.A	Parcel_Rack_LH	561248	female	L249.B	Parcel_Rack_RH	562505	female
L223.B	Parcel_Rack_LH	561248	female	L250.A	Parcel_Rack_RH	562756	male
L224.A	Parcel_Rack_LH	561248	female	L250.B	Parcel_Rack_RH	562505	female
L224.B	Parcel_Rack_LH	561248	female	L251.A	Parcel_Rack_RH	562756	male
L225.A	Parcel_Rack_LH	561248	female	L251.B	Parcel_Rack_RH	562505	female
L225.B	Parcel_Rack_LH	561248	female	L252.A	Parcel_Rack_RH	562756	male
L226	Parcel_Rack_RH	562758	male	L252.B	Parcel_Rack_RH	562505	female
L227	Parcel_Rack_RH	562758	male	L253.A	Parcel_Rack_RH	562756	male
L228	Parcel_Rack_RH	562758	male	L253.B	Parcel_Rack_RH	562505	female
L229	Parcel_Rack_RH	562758	male	L254.A	Parcel_Rack_RH	562756	male
L230	Parcel_Rack_RH	562758	male	L254.B	Parcel_Rack_RH	562505	female
L231	Parcel_Rack_RH	562758	male	L255.A	Parcel_Rack_RH	562756	male
L232.A	Parcel_Rack_RH	562758	male	L255.B	Parcel_Rack_RH	562505	female
L232.B	Parcel_Rack_RH	562759	male	L256.A	Parcel_Rack_RH	562756	male
L233.A	Parcel_Rack_RH	562758	male	L256.B	Parcel_Rack_RH	562505	female
L233.B	Parcel_Rack_RH	562759	male	L257.A	Parcel_Rack_RH	562756	male
L234.A	Parcel_Rack_RH	562758	male	L257.B	Parcel_Rack_RH	562505	female
L234.B	Parcel_Rack_RH	562759	male	L258	Parcel_Rack_RH	560898	male
L235.A	Parcel_Rack_RH	562758	male	L259	Parcel_Rack_RH	560898	male
L235.B	Parcel_Rack_RH	562759	male	L260	Parcel_Rack_RH	560898	male
L236.A	Parcel_Rack_RH	562758	male	L261	Parcel_Rack_RH	560898	male
L236.B	Parcel_Rack_RH	562759	male	L262	Parcel_Rack_RH	560898	male

CONNECTORS LIST

No	Location	Part #	Gender	No	Location	Part #	Gender
L263	Parcel_Rack_RH	560898	male	Mo11.B	Parcel_Rack_RH	561247	male
L264	Parcel_Rack_RH	560898	male	Mo12	Engine_Cmpt	561690	male
L265.A	Parcel_Rack_RH	561248	female	Mo13	Engine_Cmpt	561690	female
L265.B	Parcel_Rack_RH	561248	female	Mo14	Lavatory	561690	male
L266	Parcel_Rack_RH	560898	male	Mo15	Front_Roof	560900	female
L267	Parcel_Rack_RH	560898	male	Mo16	Front_Roof	560900	female
L268	Parcel_Rack_RH	560898	male	Mo17	RH_Console	563626	male
L269	Parcel_Rack_RH	560898	male	Mo19	Fr_Service_Door	562474	male
L270	Parcel_Rack_RH	560898	male	Mo20	Fr_Service_Door	562474	male
L271	Parcel_Rack_RH	560898	male	Mo22	RH_Console	561186	male
L272	Parcel_Rack_RH	560898	male	Mo24	RH_Console	562348	female
L273	Parcel_Rack_RH	560898	male	Mo25	RH_Console	562348	female
L274	Parcel_Rack_RH	560898	male	Mo27		563691	male
L275	Parcel_Rack_RH	560898	male	Mo28		563691	male
L276	Parcel_Rack_RH	560898	male	Mo30	1st_Lugg_Cmpt	562076	male
L277	Parcel_Rack_RH	560898	male	Mo31		562076	male
L278	Parcel_Rack_RH	560898	male	Mo32	2nd_Lugg_Cmpt	562076	male
L279	Parcel_Rack_RH	560898	male	Mo33		562076	male
L280	Parcel_Rack_RH	560898	male	Mo35	4rd_Lugg_Cmpt	562076	male
L281	Parcel_Rack_RH	560898	male	Mo36	Engine_Cmpt	562076	male
L283	Service_Cmpt	562485	male	Mo54	Service_Cmpt	562474	male
L284	*opt*	562485	male	Pot1.A	Dash	560488	female
L285.A	Rear_Vehicle	562835	female	Pot1.B	Dash	560488	female
L285.B	Rear_Vehicle	562834	male	Pot1.C	Dash	560488	female
L286.A	Rear_Vehicle	562835	female	R-12VISS		561183	male
L286.B	Rear_Vehicle	562834	male	R2	RJB	561183	male
L287	Rear_Axle_Cmpt	562251	male	R3	RJB	563409	male
L290.A	Parcel_Rack_RH	561248	female	R5		561183	male
L290.B	Parcel_Rack_RH	561248	female	R6		561183	male
L291.A	Parcel_Rack_RH	561248	female	R10	Evap_Cmpt	563409	male
L291.B	Parcel_Rack_RH	561248	female	R11	RJB	561183	male
L292.A	Parcel_Rack_RH	562756	male	R12	Evap_Cmpt	563409	male
L292.B	Parcel_Rack_RH	562505	female	R13		561183	male
Mo1	Engine_Cmpt	561690	female	R14	RJB	562367	male
Mo2	Engine_Cmpt	561782	male	R15		561183	male
Mo3	Dash	561667	female	R16	Dash	561183	male
Mo4	Dash	562076	male	R17	RJB	562367	male
Mo5	Front_Roof	561515	male	R18	FJB	562367	male
Mo7		563691	male	R19	FJB	562367	male
Mo8		563691	male	R20		561183	male
Mo10.A	Parcel_Rack_LH	561515	male	R21		561183	male
Mo10.B	Parcel_Rack_LH	561247	male	R22		561183	male
Mo11.A	Parcel_Rack_RH	561515	male	R23	RH_Console	561183	male

CONNECTORS LIST

No	Location	Part #	Gender	No	Location	Part #	Gender
R25	RJB	561183	male	Se16	Entrance_Door	561566	female
R26	Cond_Cmpt	561183	male	Se17	RH_Console	560900	female
R27		561183	male	Se18.A	Service_Cmpt	560815	female
R30	RJB	561183	male	Se18.B	Service_Cmpt	560815	female
R31	RJB	561183	male	Se19		563677	male
R32	RJB	561183	male	Se19A		563677	male
R33	RJB	561183	male	Se20	Evap_Cmpt	562426	male
R_AMPLI		562367	male	Se21	Dash	561248	female
R_Flip		561183	male	Se23	Engine_Cmpt	563159	male
R_Tv		561183	male	Se24	Engine_Cmpt	563159	male
Res3		563590	female	Se25	Passenger_Area	561248	female
Res3		563590	female	Se26	Service_Cmpt	561690	female
Res4		563590	female	Se27	Front_Axle_Cmpt	561111	female
Res4		563590	female	Se29	Engine_Cmpt	561566	female
Res5		563590	female	Se30	Engine_Cmpt	561690	female
Res5		563590	female	Se31	Engine_Cmpt	561690	female
Res6		563590	female	Se32	Rear_Axle_Cmpt	563057	male
Res6		563590	female	Se33	Rear_Axle_Cmpt	562856	male
Res7		563590	female	Se34	Rear_Axle_Cmpt	563057	male
Res7.A		563590	female	Se35	Rear_Axle_Cmpt	563057	male
Res8		563590	female	Se36	Rear_Axle_Cmpt	563629	female
Res8.A		563590	female	Se37		641132	female
Res11		563590	female	Se38		641132	female
Res11.A		563590	female	Se39		641132	female
Res12	Engine_Cmpt	563590	female	Se40		641132	female
Res12.A		563590	female	Se43	Engine_Cmpt	563340	male
Se1	Engine_Cmpt	562486	female	Se44.A	Above_Rear_Axle	560082	female
Se2	Engine_Cmpt	562486	female	Se44.B	Above_Rear_Axle	560082	female
Se3	RJB	562486	female	Se45	Service_Cmpt	562426	male
Se4	Window_RH	561477	female	Se46	Rear_Axle_Cmpt	562348	female
Se5	Window_RH	561477	female	Se47	Engine_Cmpt	562486	female
Se6	Window_RH	561477	female	Se48	Engine_Cmpt	561690	male
Se7	Window_LH	561477	female	Se49	Engine_Cmpt	561690	male
Se8	Window_LH	561477	female	Se50	Engine_Cmpt	561566	female
Se9	Window_LH	561477	female	Se60	Service_Cmpt	563409	male
Se11.A	Cond_Cmpt	560082	female	Se62	WCL_System	561690	male
Se11.B	Cond_Cmpt	560082	female	Se63		641132	female
Se11.C	Cond_Cmpt	560082	female	Se64		641132	female
Se12	Engine_Cmpt	561690	female	Se65		564042	female
Se13	Engine_Cmpt	562350	male	Se66		564039	female
Se14.A	Driver_Area	561782	male	Se67		563159	female
Se14.B	Driver_Area	561781	female	Se68		563159	female
Se15	RH_Console	560898	male	Se69		563159	female

CONNECTORS LIST

No	Location	Part #	Gender	No	Location	Part #	Gender
So1	Engine_Cmpt	561566	female	Spk9_R		563994	male
So3	RH_Console	641385	male	Spk10_L		563994	male
So4	RH_Console	641385	male	Spk10_R		563994	male
So5	RH_Console	641385	male	Spk11_L		563994	male
So6	RH_Console	641385	male	Spk11_R		563994	male
So7	Service_Cmpt	561566	female	Spk12_L		563994	male
So8		563204	female	Spk12_R		563994	male
So9	Engine_Cmpt	561566	female	Spk13_L		563994	male
So11	Cond_Cmpt	561566	female	Spk13_R		563994	male
So13	Evap_Cmpt	563204	female	Spk14_L		563994	male
So14	Service_Cmpt	641385	male	Spk14_R		563994	male
So15	Service_Cmpt	641385	male	Spk15_L		563994	male
So16	Service_Cmpt	641385	male	Spk15_R		563994	male
So17	Service_Cmpt	641385	male	Spk16_L		563994	male
So20	Service_Cmpt	641385	male	Spk16_R		563994	male
So21		564046	female	SpkDr_L		563994	male
So22		564046	female	SpkDr_R		563994	male
So23		564046	female	Sub1.A		564004	female
So24		564046	female	Sub2.A		564004	female
So25		641949	male	Sw1.C258	Driver_Area	561188	female
So26		562848	male	Sw1.C259	Driver_Area	561188	male
So27		564045	female	Sw2	Dash	562763	male
So28	Engine_Cmpt	561690	male	Sw3	Dash	562763	male
So50		564046	female	Sw4	Dash	562763	male
So51		564046	female	Sw6	Dash	562763	male
So52		564045	female	Sw8	Dash	562763	male
Spk1_L		563994	male	Sw9	Dash	562763	male
Spk1_R		563994	male	Sw10	Dash	562763	male
Spk2_L		563994	male	Sw11	Dash	562763	male
Spk2_R		563994	male	Sw12	Dash	562763	male
Spk3_L		563994	male	Sw13	Dash	562763	male
Spk3_R		563994	male	Sw14	Dash	562763	male
Spk4_L		563994	male	Sw15	Dash	562763	male
Spk4_R		563994	male	Sw16	Dash	562763	male
Spk5_L		563994	male	Sw17	Dash	562763	male
Spk5_R		563994	male	Sw18	Dash	562763	male
Spk6_L		563994	male	Sw20	Dash	562763	male
Spk6_R		563994	male	Sw21	Dash	562763	male
Spk7_L		563994	male	Sw22	Dash	562763	male
Spk7_R		563994	male	Sw23	Dash	562763	male
Spk8_L		563994	male	Sw24	Dash	562763	male
Spk8_R		563994	male	Sw25	Dash	562763	male
Spk9_L		563994	male	Sw26	Dash	562763	male

CONNECTORS LIST

No	Location	Part #	Gender	No	Location	Part #	Gender
Sw27	Dash	562763	male	Sw65	Parcel_Rack_LH	562651	female
Sw28	LH_Console	562763	male	Sw66	Parcel_Rack_LH	562651	female
Sw29	Dash	562763	male	Sw67	Parcel_Rack_LH	562651	female
Sw30	Engine_Cmpt	561566	female	Sw68	Parcel_Rack_LH	562651	female
Sw31.A	WCL_System	562403	female	Sw69	Parcel_Rack_LH	562651	female
Sw31.B		562403	female	Sw70	Parcel_Rack_LH	562651	female
Sw32	Dash	561477	female	Sw71	Parcel_Rack_LH	562651	female
Sw33	Dash	561476	male	Sw72	Parcel_Rack_LH	562651	female
Sw34	Outside_Front_RH	562477	male	Sw73	Parcel_Rack_RH	562651	female
Sw35	Dash	562763	male	Sw74	Parcel_Rack_RH	562651	female
Sw36	LH_Console	562763	male	Sw75	Parcel_Rack_RH	562651	female
Sw37	LH_Console	562763	male	Sw76	Parcel_Rack_RH	562651	female
Sw38	LH_Console	562763	male	Sw77	Parcel_Rack_RH	562651	female
Sw40	LH_Console	561690	male	Sw78	Parcel_Rack_RH	562651	female
Sw41	LH_Console	562749	male	Sw79	Parcel_Rack_RH	562651	female
Sw42	*opt*	561636	female	Sw80	Parcel_Rack_RH	562651	female
Sw43		561690	male	Sw81.A	Dash	562905	male
Sw44	Service_Cmpt	562403	female	Sw81.B	Dash	562905	male
Sw44.B		562403	female	Sw82.A		561457	female
Sw45		562403	female	Sw82.B		561457	female
Sw45.B		562403	female	Sw82.C		561457	female
Sw46.A		562403	female	Sw82.D		561457	female
Sw46.B		562403	female	Sw83.A	Dash	560082	female
Sw49.A		562403	female	Sw83.B	Dash	560815	female
Sw49.B		562403	female	Sw83.C	Dash	560082	female
Sw50.A		562403	female	Sw83.D	Dash	560815	female
Sw50.B		562403	female	Sw84		561566	female
Sw51.A		562403	female	Sw85	LH_Console	562749	male
Sw51.B		562403	female	Sw86	Parcel_Rack_RH	562651	female
Sw52		562403	female	Sw87	Parcel_Rack_RH	562651	female
Sw52.B		562403	female	Sw88	Parcel_Rack_RH	562651	female
Sw53	Parcel_Rack_LH	562651	female	Sw89	Parcel_Rack_RH	562651	female
Sw54.A		562835	female	Sw90	Parcel_Rack_RH	562651	female
Sw54.B		562834	male	Sw91	Parcel_Rack_RH	562651	female
Sw55.A		560488	female	Sw92	Parcel_Rack_RH	562651	female
Sw55.B		560488	female	Sw93	Parcel_Rack_RH	562651	female
Sw56.A		560488	female	Sw94.A	WCL_System	560079	female
Sw56.B		560488	female	Sw94.B	WCL_System	560079	female
Sw58	Engine_Cmpt	562581	male	Sw94.C	WCL_System	560079	female
Sw59		561566	female	Sw95.A		561626	female
Sw60		561566	female	Sw95.B		561626	female
Sw64.A	Service_Cmpt	560815	female	Sw95.C		561626	female
Sw64.B	Service Cmpt	560815	female	Sw96.A		561626	female

CONNECTORS LIST

No	Location	Part #	Gender	No	Location	Part #	Gender
Sw96.B		561626	female	VECR12	RJB	563187	male
Sw96.C		561626	female				
Sw97.A	WCL_System	561626	female				
Sw97.B	WCL_System	561626	female				
Sw97.C	WCL_System	561626	female				
Sw98.A	WCL_System	561626	female				
Sw98.B	WCL_System	561626	female				
Sw98.C	WCL_System	561626	female				
Sw99	Dash	562763	male				
Sw100	Dash	562763	male				
Sw101		562763	male				
Sw109.A		560079	female				
Sw109.B		560079	female				
Sw110.A		560079	female				
Sw110.B		560079	female				
Sw114.A		560079	female				
Sw114.B		560079	female				
Sw115.A		560079	female				
Sw115.B		560079	female				
Sw123		561566	female				
Sw125.A	Service_Cmpt	561457	female				
Sw125.B	Service_Cmpt	561457	female				
sym1_136		560999	male				
sym2_136		560999	male				
sym4_136		560999	male				
sym5_136		560999	male				
sym6_136		560999	male				
sym7_136		560999	male				
VECF1	FJB	563186	male				
VECF2	FJB	563183	male				
VECF3	FJB	563185	male				
VECF4	FJB	563182	male				
VECF9		563448	male				
VECF10	FJB	563181	male				
VECF11	FJB	563184	male				
VECF12	FJB	563187	male				
VECR1	RJB	563186	male				
VECR2	RJB	563183	male				
VECR3	RJB	563185	male				
VECR4	RJB	563182	male				
VECR9	RJB	563448	male				
VECR10	RJB	563181	male				
VECR11	RJB	563184	male				

CONNECTORS LIST

No	Location	Part #	Gender	No	Location	Part #	Gender
<Invalid>	Parcel_Rack_RH	561550	male	A25		563025	male
<Invalid>	Parcel_Rack_RH	561667	female	A27	Service_Cmpt	562929	male
<Invalid>_0_1	Parcel_Rack_LH	561515	male	A28	Service_Cmpt	562928	male
<Invalid>_0_1	Parcel_Rack_LH	561552	female	A29	Dash	562465	male
<Invalid>_0_2		563226	male	A33.A		564004	female
<Invalid>_0_2		563613	female	A33.B		562330	male
<Invalid>_0_3		563226	male	A36.JA	FJB	562767	male
<Invalid>_0_3		563613	female	A36.JB	FJB	562765	male
A1.A		563975	male	A36.JC	FJB	562957	male
A2		563984	male	A39.P101		563201	male
A3	Dash	562363	male	A39.P901		563953	male
A4.A	Service_Cmpt	562428	female	A41.J1	FJB	562767	male
A4.B	Service_Cmpt	561188	female	A41.J2	FJB	563132	male
A5	Service_Cmpt	562428	female	A41.J3	FJB	562957	male
A6	Engine_Cmpt	563628	female	A42.J1	FJB	562767	male
A7		563979	male	A42.J2	FJB	563132	male
A9.Cx1		564041	female	A42.J3	FJB	562957	male
A9.Cx2		563678	male	A43.J1	FJB	562767	male
A9.Cx3		564037	female	A43.J2	FJB	563132	male
A9.Cx4		564038	female	A43.J3	FJB	562957	male
A10.X1	Engine_Cmpt	563135	male	A44.J1	FJB	563133	male
A10.X3	Engine_Cmpt	563134	female	A44.J2	FJB	563132	male
A11	LH_Console	563142	male	A44.J3	FJB	562957	male
A12	Dash	562464	male	A45.J1	FJB	563133	male
A13.J1	FJB	562794	male	A45.J2	FJB	563132	male
A13.J2	FJB	562650	male	A45.J3	FJB	562957	male
A14.CX	Dash	562957	male	A46.J1	FJB	563133	male
A14.CY	Dash	562765	male	A46.J2	FJB	563132	male
A14.LX	Dash	562766	male	A46.J3	FJB	562957	male
A14.LY	Dash	562767	male	A47.J1	RH_Console	563133	male
A14.RX	Dash	562767	male	A47.J2	RH_Console	563132	male
A15	Dash	562464	male	A47.J3	RH_Console	562957	male
A16	Front_Roof	561637	male	A48.J1	RH_Console	563133	male
A17	RJB	561932	male	A48.J2	RH_Console	563132	male
A18	FJB	562794	male	A48.J3	RH_Console	562957	male
A18.J2	FJB	562650	male	A49.J1	RJB	562767	male
A19	LH_Console	562878	female	A49.J2	RJB	563132	male
A20	Parcel_Rack_LH	561477	female	A49.J3	RJB	562957	male
A21	Rear_Axle_Cmpt	kostalF	female	A50.J1	RJB	563133	male
A22	LH_Console	563338	male	A50.J2	RJB	563132	male
A24	RH_Console	561889	female	A50.J3	RJB	562957	male
A24.A	RH_Console	561890	male	A51.J1	RJB	563133	male
A24.B	RH_Console	561566	female	A51.J2	RJB	563132	male

CONNECTORS LIST

No	Location	Part #	Gender	No	Location	Part #	Gender
A51.J3	RJB	562957	male	A71.B		562706	female
A52.J1	RJB	563133	male	A71.C		562706	female
A52.J2	RJB	563132	male	A71.D		562706	female
A52.J3	RJB	562957	male	A72.J1		563675	male
A53.J1	RJB	563133	male	A72.J2		563678	male
A53.J2	RJB	563132	male	A72.J3		563679	male
A53.J3	RJB	562957	male	A72.J4		563680	male
A54.J1	Evap_Cmpt	563133	male	A73.J1		563681	male
A54.J2	Evap_Cmpt	563132	male	A73.J2		563684	male
A54.J3	Evap_Cmpt	562957	male	A74		563207	male
A60.A		562464	male	A77		565863	male
A60.B		562706	female	A81.JA		562767	male
A60.C		562706	female	A81.JB		562765	male
A60.D		562706	female	A81.JC		562957	male
A61.A		562464	male	A82		563739	male
A61.B		562465	male	A84		562583	female
A63.A		563960	male	A85.A		561636	female
A63.B		563962	male	A85.B		562581	male
A63.C		564009	male	A86		562477	male
A63.D		563961	male	A87		562477	male
A64		563954	male	A88		562767	male
A65		562465	male	A90.A		563960	male
A66		561183	male	A90.B		563962	male
A67.Vsa		563948	male	A90.C		564009	male
A67.Vsb		563950	male	A90.D		563961	male
A67.Vsc		563947	male	A91.A		563960	male
A67.Vsd		563949	male	A91.B		563962	male
A67.Vse		563951	male	A91.C		564009	male
A68.A		563960	male	A91.D		563961	male
A68.B		563962	male	Alt1.A	Engine_Cmpt	563746	female
A68.C		564009	male	Alt1.B	Engine_Cmpt	560815	female
A68.D		563961	male	Alt1.C	Engine_Cmpt	562862	female
A69.A		563071	male	Alt2.A	Engine_Cmpt	563746	female
A69.B		561716	female	Alt2.B	Engine_Cmpt	560815	female
A69.C		561716	female	Alt2.C	Engine_Cmpt	562862	female
A69.D		561716	female	C1	FJB	563589	male
A69.E		561716	female	C1	FJB	563590	female
A69.F		561716	female	C1S	FJB	563589	male
A69.G		561716	female	C1S	FJB	563590	female
A69.H		561716	female	C2	Service_Cmpt	563580	male
A70		564011	male	C2	Service_Cmpt	563581	female
A70a.A		564011	male	C3	RJB	563589	male
A71.A		562464	male	C3	RJB	563590	female

CONNECTORS LIST

No	Location	Part #	Gender	No	Location	Part #	Gender
C3S	RJB	563593	male	C22		563590	female
C3S	RJB	563590	female	C24_plug	Evap_Cmpt	561690	male
C4	FJB	563580	male	C24_socket	Evap_Cmpt	561566	female
C4	FJB	563581	female	C25		561550	male
C5	FJB	563589	male	C25		561667	female
C5	FJB	563590	female	C26_plug	RJB	562485	male
C5S	FJB	563589	male	C26_socket	RJB	562486	female
C5S	FJB	563590	female	C29	4rd_Lugg_Cmpt	563651	male
C6	FJB	563582	male	C29	4rd_Lugg_Cmpt	563652	female
C6	FJB	563583	female	C30	4rd_Lugg_Cmpt	561710	male
C7		563589	female	C30	4rd_Lugg_Cmpt	561709	female
C7		563590	female	C31	RJB	561669	male
C8		563589	female	C31	RJB	561670	female
C8		563590	female	C34	RH_Console	561986	male
C9	RJB	561986	male	C34	RH_Console	561987	female
C9	RJB	561987	female	C35	RJB	561646	male
C10		562477	male	C35	RJB	561645	female
C10		562479	female	C36	FJB	561986	male
C11	Service_Cmpt	563580	male	C36	FJB	561987	female
C11	Service_Cmpt	563581	female	C36.A	Engine_Cmpt	561701	female
C12_plug	RJB	562485	male	C36.B	Engine_Cmpt	561701	female
C12_socket	RJB	562486	female	C36.C	Engine_Cmpt	561701	female
C13S	RH_Console	563589	male	C37	Parcel_Rack_LH	562557	male
C13S	RH_Console	563590	female	C37	Parcel_Rack_LH	562558	female
C13_plug	RH_Console	563589	male	C38	Parcel_Rack_RH	561643	male
C13_socket	RH_Console	563590	female	C38	Parcel_Rack_RH	561642	female
C14	RJB	561986	male	C39		562503	male
C14	RJB	561987	female	C39		562507	female
C15	RJB	561643	male	C40	Dash	562485	male
C15	RJB	561642	female	C40	Dash	562486	female
C16	RJB	561577	male	C41	RJB	561690	male
C16	RJB	561605	female	C41	RJB	561566	female
C17	RJB	561986	male	C42	Dash	561904	female
C17	RJB	561987	female	C42	Service_Cmpt	561626	female
C18	FJB	561986	male	C44_plug	FJB	561577	male
C18	FJB	561987	female	C44_socket	FJB	561605	female
C19	RJB	561986	male	C45	FJB	561643	male
C19	RJB	561987	female	C45	FJB	561642	female
C21A	RJB	561646	male	C46	Service_Cmpt	561577	male
C21A	RJB	561645	female	C46	Service_Cmpt	561605	female
C21B	RJB	561646	male	C48	Service_Cmpt	561690	male
C21B	RJB	561645	female	C48	Service_Cmpt	561566	female
C22		563589	male	C49		562005	male

CONNECTORS LIST

No	Location	Part #	Gender	No	Location	Part #	Gender
C49		561714	female	C82	1st_Lugg_Cmpt	562479	female
C50	Engine_Cmpt	561932	male	C83	2nd_Lugg_Cmpt	562477	male
C50	Engine_Cmpt	560933	female	C83	2nd_Lugg_Cmpt	562479	female
C52		563735	male	C84	2nd_Lugg_Cmpt	562477	male
C55	Evap_Cmpt	561577	male	C84	2nd_Lugg_Cmpt	562479	female
C55	Evap_Cmpt	561605	female	C85	4rd_Lugg_Cmpt	562477	male
C56	Parcel_Rack_LH	562557	male	C85	2nd_Lugg_Cmpt	562479	female
C56	Parcel_Rack_LH	562558	female	C86	4rd_Lugg_Cmpt	562581	male
C57	Parcel_Rack_RH	562557	male	C86	4rd_Lugg_Cmpt	562583	female
C57	Parcel_Rack_RH	562558	female	C87	Engine_Cmpt	562581	male
C58	RJB	561640	male	C87	Engine_Cmpt	562583	female
C58	RJB	561639	female	C91	RJB	562285	male
C59	RJB	561643	male	C91	RJB	563671	female
C59	RJB	561642	female	C92		561734	male
C60	RJB	561986	male	C92		561735	female
C60	RJB	561987	female	C96		561643	male
C61	Fr_Service_Door	561669	male	C96		561642	female
C61	Fr_Service_Door	561670	female	C97		561583	male
C62	Fr_Service_Door	562566	male	C97		561585	female
C62	Fr_Service_Door	562565	female	C101	Service_Cmpt	561690	male
C63	Entrance_Door	562477	male	C101	Service_Cmpt	561566	female
C63	Entrance_Door	562479	female	C102	RJB	561690	male
C66	Engine_Cmpt	561577	male	C102	RJB	561566	female
C66	Engine_Cmpt	561605	female	C119	Rear_Engine_Door	561607	male
C67	Parcel_Rack_LH	561247	male	C119	Rear_Engine_Door	561606	female
C67	Parcel_Rack_LH	561248	female	C120	Rear_Engine_Door	561607	male
C69		561583	male	C120	Rear_Engine_Door	561606	female
C69		561585	female	C144	RJB	560852	male
C70		562557	male	C144	RJB	560851	female
C70		562558	female	C153	Rear_Axle_Cmpt	561611	male
C71	FJB	561646	male	C153	Rear_Axle_Cmpt	561610	female
C71	FJB	561645	female	C168		561890	male
C72	FJB	561646	male	C168		561889	female
C72	FJB	561645	female	C171	LH_Console	561646	male
C74	FJB	561645	female	C171	LH_Console	561645	female
C74	FJB	561646	male	C172	Service_Cmpt	561640	male
C75_plug	Parcel_Rack_RH	562557	male	C172	Service_Cmpt	561638	female
C75_socket	Parcel_Rack_RH	562558	female	C193		563589	male
C78	Engine_Cmpt	561690	male	C193		563590	female
C78	Engine_Cmpt	561566	female	C194		563589	male
C81	1st_Lugg_Cmpt	562477	male	C194		563590	female
C81	1st_Lugg_Cmpt	562479	female	C206		562503	male
C82	1st_Lugg_Cmpt	562477	male	C206		562507	female

CONNECTORS LIST

No	Location	Part #	Gender	No	Location	Part #	Gender
C207		562503	male	C302		563040	female
C207		562507	female	C328	Lavatory	561247	male
C209_plug		562503	male	C328	Lavatory	561248	female
C209_socket		562507	female	C380	Dash	563180	male
C211	Parcel_Rack_RH	561515	male	C380	Dash	563347	female
C211	Parcel_Rack_RH	561552	female	C381		561847	male
C213	Parcel_Rack_LH	561515	male	C381		561862	female
C213	Parcel_Rack_LH	561552	female	C382		561580	male
C230	Engine_Cmpt	562485	male	C382		561582	female
C230	Engine_Cmpt	562486	female	C394	Service_Cmpt	560852	male
C242	Service_Cmpt	562789	male	C394	Service_Cmpt	560851	female
C242	Service_Cmpt	565131	female	C397	RJB	562285	male
C243	Service_Cmpt	562789	male	C397	RJB	563671	female
C243	Service_Cmpt	565131	female	C398	Engine_Cmpt	563226	male
C246	Service_Cmpt	563090	male	C398	Engine_Cmpt	563613	female
C246	Service_Cmpt	563091	female	C426	Engine_Cmpt	561782	male
C269	RHConsole	563090	male	C426	Engine_Cmpt	561781	female
C269	RHConsole	563091	female	C430	LH_Console	562363	male
C279	Service_Cmpt	562477	male	C430	LH_Console	561188	female
C279	Service_Cmpt	562479	female	C452		562549	male
C279A		561690	male	C452		562550	female
C279A		561566	female	C463	Rear_Axle_Cmpt	562570	female
C284		561782	male	C463	Rear_Axle_Cmpt	562571	male
C284		561781	female	C464	RJB	563180	male
C284-1		561782	male	C464	RJB	563347	female
C284-1		561781	female	C465		562581	male
C284-2		561782	male	C465		562583	female
C284-2		561781	female	C506	FJB	561687	male
C284-3		561782	male	C506	FJB	561685	female
C284-3		561781	female	C542		561550	male
C284-4		561782	male	C542		561667	female
C284-4		561781	female	C558		562503	male
C284-5		561782	male	C558		562507	female
C284-5		561781	female	C564		562503	male
C290	Rear_Vehicle	562477	male	C564		562507	female
C290	Rear_Vehicle	562479	female	C564-Sp		562503	male
C298		561782	male	C564-Sp		562507	female
C298		561781	female	C566		562503	male
C298A		561782	male	C566		562507	female
C298A		561781	female	C567		562503	male
C300		563618	male	C567		562507	female
C300		563616	female	C575	Parcel_Rack_RH	562503	male
C302		563071	male	C575	Parcel_Rack_RH	562507	female

CONNECTORS LIST

No	Location	Part #	Gender	No	Location	Part #	Gender
C576	Parcel_Rack_RH	561550	male	C755		562707	male
C576	Parcel_Rack_RH	561667	female	C755		562706	female
C577	Parcel_Rack_LH	561550	male	C758		562707	male
C577	Parcel_Rack_LH	561667	female	C758		562706	female
C578	Parcel_Rack_LH	562503	male	C759		562707	male
C578	Parcel_Rack_LH	562507	female	C759		562706	female
C581	UnderdashBoard	562777	male	C760		562707	male
C582	FJB	561690	female	C760		562706	female
C582	FJB	561566	female	C761		562707	male
C589	Service_Cmpt	563088	male	C761		562706	female
C589	Service_Cmpt	563089	female	C762		562707	male
C590	RHConsole	563088	male	C762		562706	female
C590	RHConsole	563089	female	C763		562707	male
C601	LHRoofWinAjar	561476	male	C763		562706	female
C601	LHRoofWinAjar	561477	female	C764		562707	male
C603	RHRoofWinAjar	561476	male	C764		562706	female
C603	RHRoofWinAjar	561477	female	C765		562707	male
C611_plug	Parcel_Rack_RH	562557	male	C765		562706	female
C611_socket	Parcel_Rack_RH	562558	female	C766		561662	male
C612_plug	Parcel_Rack_RH	562555	male	C766		561661	female
C612_socket	Parcel_Rack_RH	562556	female	CSX1	Engine_Cmpt	563135	male
C614		563071	male	CSX1	Engine_Cmpt	563134	female
C614		563040	female	CSX3	Engine_Cmpt	563135	male
C615		563071	male	CSX3	Engine_Cmpt	563134	female
C615		563040	female	CT2	Engine_Cmpt	563226	male
C717	RJB	561646	male	CT2	Engine_Cmpt	563613	female
C717	RJB	561645	female	CT3	Rear_Vehicle	563224	male
C720	Engine_Cmpt	563358	male	CVSA_plug		562503	male
C720	Engine_Cmpt	563359	female	CVSA_socket		562507	female
C721	RJB	561515	male	FUSE_BOX_1.A		562610	male
C721	RJB	561552	female	FUSE_BOX_1.B		562610	male
C723	Rear_Axle_Cmpt	562877	female	FUSE_BOX_2.A		562610	male
C723	Rear_Axle_Cmpt	562884	female	FUSE_BOX_2.B		562610	male
C750		562707	male	JACK_1		560999	male
C750		562706	female	L1	Service_Cmpt	562848	male
C751		562707	male	L3.A	Parcel_Rack_RH	562758	male
C751		562706	female	L3.B	Parcel_Rack_RH	562759	male
C752		562707	male	L4.A	Parcel_Rack_RH	562758	male
C752		562706	female	L4.B	Parcel_Rack_RH	562759	male
C753		562707	male	L5.A	Parcel_Rack_RH	562758	male
C753		562706	female	L5.B	Parcel_Rack_RH	562759	male
C754		562707	male	L6.A	Parcel_Rack_RH	562758	male
C754		562706	female	L6.B	Parcel_Rack_RH	562759	male

CONNECTORS LIST

No	Location	Part #	Gender	No	Location	Part #	Gender
L7.A	Parcel_Rack_RH	562758	male	L31	Parcel_Rack_LH	560898	male
L7.B	Parcel_Rack_RH	562759	male	L32	Parcel_Rack_LH	560898	male
L8.A	Parcel_Rack_RH	562758	male	L33	Parcel_Rack_LH	560898	male
L8.B	Parcel_Rack_RH	562759	male	L34	Parcel_Rack_LH	560898	male
L9.A	Parcel_Rack_LH	562758	male	L35	Parcel_Rack_LH	560898	male
L9.B	Parcel_Rack_LH	562759	male	L36	Parcel_Rack_LH	560898	male
L10.A	Parcel_Rack_LH	562758	male	L37	Parcel_Rack_LH	560898	male
L10.B	Parcel_Rack_LH	562759	male	L38	Parcel_Rack_LH	560898	male
L11.A	Parcel_Rack_LH	562758	male	L39	Parcel_Rack_LH	560898	male
L11.B	Parcel_Rack_LH	562759	male	L40	Parcel_Rack_RH	560898	male
L12.A	Parcel_Rack_LH	562758	male	L41	Parcel_Rack_RH	560898	male
L12.B	Parcel_Rack_LH	562759	male	L42	Parcel_Rack_RH	560898	male
L13.A	Parcel_Rack_LH	562758	male	L43	Parcel_Rack_RH	560898	male
L13.B	Parcel_Rack_LH	562759	male	L44	Parcel_Rack_RH	560898	male
L14.A	Parcel_Rack_LH	562758	male	L45	Parcel_Rack_RH	560898	male
L14.B	Parcel_Rack_LH	562759	male	L46	Parcel_Rack_RH	560898	male
L15.A	Parcel_Rack_LH	562758	male	L47	Parcel_Rack_RH	560898	male
L15.B	Parcel_Rack_LH	562759	male	L48	Parcel_Rack_RH	560898	male
L16	Front_Roof	562803	male	L49	Parcel_Rack_RH	560898	male
L17	Front_Roof	562803	male	L50	Parcel_Rack_RH	560898	male
L18.A	Entrance_Door	561626	female	L51	Parcel_Rack_RH	560898	male
L18.B	Entrance_Door	561626	female	L52		560898	male
L19.A	Service_Cmpt	561626	female	L53	Passenger_Area	560898	male
L19.B	Service_Cmpt	561626	female	L54	Passenger_Area	560898	male
L20.A	Service_Cmpt	561626	female	L55	Passenger_Area	560898	male
L20.B	Service_Cmpt	561626	female	L56	Passenger_Area	560898	male
L21.A	Front_Roof	561608	female	L57	Passenger_Area	560898	male
L21.B	Front_Roof	562286	male	L58	Passenger_Area	560898	male
L22.A	Front_Roof	561608	female	L59.A	Outside_Front_RH	562623	male
L22.B	Front_Roof	562286	male	L59.B	Outside_Front_RH	562623	male
L23.A	Front_Roof	561608	female	L60.A	Outside_Front_LH	562623	male
L23.B	Front_Roof	562286	male	L60.B	Outside_Front_LH	562623	male
L24.A	Front_Roof	561608	female	L61	Outside_Front_RH	562601	male
L24.B	Front_Roof	562286	male	L62	Outside_Front_LH	562601	male
L25.A	Front_Roof	561608	female	L63	Outside_Front_RH	562155	male
L25.B	Front_Roof	562286	male	L64	Outside_Front_RH	562155	male
L26.A	Front_Roof	561608	female	L65	Outside_Front_LH	562155	male
L26.B	Front_Roof	562286	male	L66	Outside_Front_LH	562155	male
L27.A	Front_Roof	561608	female	L67	4rd_Lugg_Cmpt	562155	male
L27.B	Front_Roof	562286	male	L68	4rd_Lugg_Cmpt	562155	male
L28	Parcel_Rack_LH	560898	male	L69	4rd_Lugg_Cmpt	562155	male
L29	Parcel_Rack_LH	560898	male	L70	4rd_Lugg_Cmpt	562155	male
L30	Parcel_Rack_LH	560898	male	L71	Rear Engine Door	562601	male

CONNECTORS LIST

No	Location	Part #	Gender	No	Location	Part #	Gender
L72	Rear_Vehicle	562155	male	L103	Parcel_Rack_LH	560898	male
L73	Rear_Vehicle	562601	male	L104	Parcel_Rack_LH	560898	male
L74	Rear_Vehicle	562155	male	L105	Parcel_Rack_LH	560898	male
L75	Rear_Vehicle	562155	male	L106	Parcel_Rack_LH	560898	male
L76	Rear_Engine_Door	562155	male	L107	Parcel_Rack_LH	560898	male
L77	Rear_Engine_Door	562601	male	L108	Parcel_Rack_LH	560898	male
L78	Rear_Engine_Door	562601	male	L109	Parcel_Rack_LH	560898	male
L79	Rear_Engine_Door	562601	male	L110	Parcel_Rack_LH	560898	male
L80	Rear_Engine_Door	562601	male	L111	Parcel_Rack_LH	560898	male
L81.A	Rear_Vehicle	562835	female	L112	Parcel_Rack_LH	560898	male
L81.B	Rear_Vehicle	562834	male	L113	Parcel_Rack_RH	560898	male
L82	Rear_Engine_Door	562348	female	L114	Parcel_Rack_RH	560898	male
L83	Rear_Engine_Door	562348	female	L115	Parcel_Rack_RH	560898	male
L84.A	Rear_Roof	561608	female	L116	Parcel_Rack_RH	560898	male
L84.B	Rear_Roof	562286	male	L117	Parcel_Rack_RH	560898	male
L85.A	Rear_Roof	561608	female	L118	Parcel_Rack_RH	560898	male
L85.B	Rear_Roof	562286	male	L119	Parcel_Rack_RH	560898	male
L86.A	Rear_Roof	561608	female	L120	Parcel_Rack_RH	560898	male
L86.B	Rear_Roof	562286	male	L121	Parcel_Rack_RH	560898	male
L87.A	Rear_Roof	561608	female	L122	Parcel_Rack_RH	560898	male
L87.B	Rear_Roof	562286	male	L123	Parcel_Rack_RH	560898	male
L88.A	Rear_Roof	561608	female	L124	Parcel_Rack_RH	560898	male
L88.B	Rear_Roof	562286	male	L125	Parcel_Rack_RH	560898	male
L89.A	Rear_Roof	561608	female	L126	Parcel_Rack_RH	560898	male
L89.B	Rear_Roof	562286	male	L127	Parcel_Rack_RH	562758	male
L90.A	Rear_Roof	561608	female	L128	Parcel_Rack_RH	562758	male
L90.B	Rear_Roof	562286	male	L129	Parcel_Rack_RH	562758	male
L91	Rear_Engine_Door	562755	male	L130	Parcel_Rack_RH	562758	male
L92	Rear_Engine_Door	562755	male	L131	Parcel_Rack_RH	562758	male
L93.A	Rear_Axle_Cmpt	563069	female	L132	Parcel_Rack_RH	562758	male
L93.B	Rear_Axle_Cmpt	563069	female	L134	Parcel_Rack_LH	562758	male
L94.A	Rear_Axle_Cmpt	563069	female	L135	Parcel_Rack_LH	562758	male
L94.B	Rear_Axle_Cmpt	563069	female	L136	Parcel_Rack_LH	562758	male
L95	Outside_Front_LH	562902	female	L137	Parcel_Rack_LH	562758	male
L96	Outside_Front_RH	562902	female	L138	Parcel_Rack_LH	562758	male
L97.A	Outside_Front_LH	563069	female	L139	Parcel_Rack_LH	562758	male
L97.B	Outside_Front_LH	563069	female	L140	Lavatory	561247	male
L98.A	Entrance_Door	563069	female	L141	Lavatory	560898	male
L98.B	Outside_Front_RH	563069	female	L142	Lavatory	562803	male
L99	Parcel_Rack_LH	560898	male	L142A	Lavatory	562803	male
L100	Parcel_Rack_LH	560898	male	L144.A	Parcel_Rack_LH	562756	male
L101	Parcel_Rack_LH	560898	male	L144.B	Parcel_Rack_LH	562505	female
L102	Parcel_Rack_LH	560898	male	L145.A	Parcel_Rack_LH	562756	male

CONNECTORS LIST

No	Location	Part #	Gender	No	Location	Part #	Gender
L145.B	Parcel_Rack_LH	562505	female	L167.A	Parcel_Rack_RH	562756	male
L146.A	Parcel_Rack_LH	562756	male	L167.B		562505	female
L146.B	Parcel_Rack_LH	562505	female	L168.A	Parcel_Rack_RH	562756	male
L147.A	Parcel_Rack_LH	562756	male	L168.B		562505	female
L147.B	Parcel_Rack_LH	562505	female	L169.A	Parcel_Rack_RH	562756	male
L148.A	Parcel_Rack_LH	562756	male	L169.B		562505	female
L148.B	Parcel_Rack_LH	562505	female	L170.A	Parcel_Rack_RH	562756	male
L149.A	Parcel_Rack_LH	562756	male	L170.B		562505	female
L149.B	Parcel_Rack_LH	562505	female	L171.A	Parcel_Rack_RH	562756	male
L150.A	Parcel_Rack_LH	562756	male	L171.B		562505	female
L150.B	Parcel_Rack_LH	562505	female	L172.A	Parcel_Rack_RH	562756	male
L151.A	Parcel_Rack_LH	562756	male	L172.B		562505	female
L151.B	Parcel_Rack_LH	562505	female	L173	Engine_Cmpt	563268	male
L152.A	Parcel_Rack_LH	562756	male	L174	Engine_Cmpt	563268	male
L152.B	Parcel_Rack_LH	562505	female	L175	RJB	561247	male
L153.A	Parcel_Rack_LH	562756	male	L176	4rd_Lugg_Cmpt	561247	male
L153.B	Parcel_Rack_LH	562505	female	L177	4rd_Lugg_Cmpt	561247	male
L154.A	Parcel_Rack_LH	562756	male	L180	2nd_Lugg_Cmpt	561247	male
L154.B	Parcel_Rack_LH	562505	female	L181	2nd_Lugg_Cmpt	561247	male
L155.A	Parcel_Rack_LH	562756	male	L182	1st_Lugg_Cmpt	561247	male
L155.B	Parcel_Rack_LH	562505	female	L183	1st_Lugg_Cmpt	561247	male
L156.A	Parcel_Rack_LH	562756	male	L184	Service_Cmpt	561247	male
L156.B	Parcel_Rack_LH	562505	female	L187	Engine_Cmpt	561690	male
L157.A	Parcel_Rack_LH	562756	male	L187	Engine_Cmpt	561690	male
L157.B	Parcel_Rack_LH	562505	female	L188	Service_Cmpt	562486	female
L158.A	Parcel_Rack_LH	562756	male	L189	Outside_Front_RH	562069	male
L158.B	Parcel_Rack_LH	562505	female	L190	Outside_Front_LH	562069	male
L159.A	Parcel_Rack_RH	562756	male	L192	Parcel_Rack_LH	560898	male
L159.B		562505	female	L193.A	Dash	560488	female
L160.A	Parcel_Rack_RH	562756	male	L193.B	Dash	560488	female
L160.B		562505	female	L194.A	Dash	562019	female
L161.A	Parcel_Rack_RH	562756	male	L194.B	Dash	560488	female
L161.B		562505	female	L195.A	Dash	560488	female
L162.A	Parcel_Rack_RH	562756	male	L195.B	Dash	560488	female
L162.B		562505	female	L199	Engine_Cmpt	562471	male
L163.A	Parcel_Rack_RH	562756	male	L200	Engine_Cmpt	562471	male
L163.B		562505	female	L203	RH_Console	561690	male
L164.A	Parcel_Rack_RH	562756	male	L205	Engine_Cmpt	562485	male
L164.B		562505	female	L206	Parcel_Rack_RH	562803	male
L165.A	Parcel_Rack_RH	562756	male	L207.A	4rd_Lugg_Cmpt	561699	female
L165.B		562505	female	L207.B	*opt*	561699	female
L166.A	Parcel_Rack_RH	562756	male	L207.C	*opt*	561701	female
L166.B		562505	female	L207.D	*opt*	561699	female

CONNECTORS LIST

No	Location	Part #	Gender	No	Location	Part #	Gender
L207.E	*opt*	561701	female	L234.A	Parcel_Rack_RH	562758	male
L207.F	*opt*	561699	female	L234.B	Parcel_Rack_RH	562759	male
L207.G	*opt*	561699	female	L235.A	Parcel_Rack_RH	562758	male
L207.H	*opt*	560926	female	L235.B	Parcel_Rack_RH	562759	male
L207.I	*opt*	560926	female	L236.A	Parcel_Rack_RH	562758	male
L208	Outside_Front_LH	563088	male	L236.B	Parcel_Rack_RH	562759	male
L209	Outside_Front_RH	563088	male	L238.A	Parcel_Rack_RH	561248	female
L213.A	Parcel_Rack_RH	561248	female	L238.B	Parcel_Rack_RH	561248	female
L213.B	Parcel_Rack_RH	561248	female	L239.A	Parcel_Rack_RH	561248	female
L214.A	Parcel_Rack_RH	561248	female	L239.B	Parcel_Rack_RH	561248	female
L214.B	Parcel_Rack_RH	561248	female	L240.A	Parcel_Rack_RH	561248	female
L215.A	Parcel_Rack_RH	561248	female	L240.B	Parcel_Rack_RH	561248	female
L215.B	Parcel_Rack_RH	561248	female	L241.A	Parcel_Rack_RH	561248	female
L216.A	Parcel_Rack_RH	561248	female	L241.B	Parcel_Rack_RH	561248	female
L216.B	Parcel_Rack_RH	561248	female	L242.A	Parcel_Rack_RH	561248	female
L217.A	Parcel_Rack_RH	561248	female	L242.B	Parcel_Rack_RH	561248	female
L217.B	Parcel_Rack_RH	561248	female	L244.A	Parcel_Rack_RH	562756	male
L218.A	Outside_Front_RH	561248	female	L244.B	Parcel_Rack_RH	562505	female
L218.B	Parcel_Rack_RH	561248	female	L245.A	Parcel_Rack_RH	562756	male
L219.A	Parcel_Rack_LH	561248	female	L245.B	Parcel_Rack_RH	562505	female
L219.B	Parcel_Rack_LH	561248	female	L246.A	Parcel_Rack_RH	562756	male
L220.A	Parcel_Rack_LH	561248	female	L246.B	Parcel_Rack_RH	562505	female
L220.B	Parcel_Rack_LH	561248	female	L247.A	Parcel_Rack_RH	562756	male
L221.A	Parcel_Rack_LH	561248	female	L247.B	Parcel_Rack_RH	562505	female
L221.B	Parcel_Rack_LH	561248	female	L248.A	Parcel_Rack_RH	562756	male
L222.A	Parcel_Rack_LH	561248	female	L248.B	Parcel_Rack_RH	562505	female
L222.B	Parcel_Rack_LH	561248	female	L249.A	Parcel_Rack_RH	562756	male
L223.A	Parcel_Rack_LH	561248	female	L249.B	Parcel_Rack_RH	562505	female
L223.B	Parcel_Rack_LH	561248	female	L250.A	Parcel_Rack_RH	562756	male
L224.A	Parcel_Rack_LH	561248	female	L250.B	Parcel_Rack_RH	562505	female
L224.B	Parcel_Rack_LH	561248	female	L251.A	Parcel_Rack_RH	562756	male
L225.A	Parcel_Rack_LH	561248	female	L251.B	Parcel_Rack_RH	562505	female
L225.B	Parcel_Rack_LH	561248	female	L252.A	Parcel_Rack_RH	562756	male
L226	Parcel_Rack_RH	562758	male	L252.B	Parcel_Rack_RH	562505	female
L227	Parcel_Rack_RH	562758	male	L253.A	Parcel_Rack_RH	562756	male
L228	Parcel_Rack_RH	562758	male	L253.B	Parcel_Rack_RH	562505	female
L229	Parcel_Rack_RH	562758	male	L254.A	Parcel_Rack_RH	562756	male
L230	Parcel_Rack_RH	562758	male	L254.B	Parcel_Rack_RH	562505	female
L231	Parcel_Rack_RH	562758	male	L255.A	Parcel_Rack_RH	562756	male
L232.A	Parcel_Rack_RH	562758	male	L255.B	Parcel_Rack_RH	562505	female
L232.B	Parcel_Rack_RH	562759	male	L256.A	Parcel_Rack_RH	562756	male
L233.A	Parcel_Rack_RH	562758	male	L256.B	Parcel_Rack_RH	562505	female
L233.B	Parcel_Rack_RH	562759	male	L257.A	Parcel_Rack_RH	562756	male

CONNECTORS LIST

No	Location	Part #	Gender	No	Location	Part #	Gender
L257.B	Parcel_Rack_RH	562505	female	Mo5	Front_Roof	561515	male
L258	Parcel_Rack_RH	560898	male	Mo7		563691	male
L259	Parcel_Rack_RH	560898	male	Mo8		563691	male
L260	Parcel_Rack_RH	560898	male	Mo10.A	Parcel_Rack_LH	561515	male
L261	Parcel_Rack_RH	560898	male	Mo10.B	Parcel_Rack_LH	561247	male
L262	Parcel_Rack_RH	560898	male	Mo11.A	Parcel_Rack_RH	561515	male
L263	Parcel_Rack_RH	560898	male	Mo11.B	Parcel_Rack_RH	561247	male
L264	Parcel_Rack_RH	560898	male	Mo12	Engine_Cmpt	561690	male
L265.A	Parcel_Rack_RH	561248	female	Mo13	Engine_Cmpt	561690	female
L265.B	Parcel_Rack_RH	561248	female	Mo14	Lavatory	561690	male
L266	Parcel_Rack_RH	560898	male	Mo15	Front_Roof	560900	female
L267	Parcel_Rack_RH	560898	male	Mo16	Front_Roof	560900	female
L268	Parcel_Rack_RH	560898	male	Mo17	RH_Console	563626	male
L269	Parcel_Rack_RH	560898	male	Mo19	Fr_Service_Door	562474	male
L270	Parcel_Rack_RH	560898	male	Mo20	Fr_Service_Door	562474	male
L271	Parcel_Rack_RH	560898	male	Mo22	RH_Console	561186	male
L272	Parcel_Rack_RH	560898	male	Mo24	RH_Console	562348	female
L273	Parcel_Rack_RH	560898	male	Mo25	RH_Console	562348	female
L274	Parcel_Rack_RH	560898	male	Mo27		563691	male
L275	Parcel_Rack_RH	560898	male	Mo28		563691	male
L276	Parcel_Rack_RH	560898	male	Mo30	1st_Lugg_Cmpt	562076	male
L277	Parcel_Rack_RH	560898	male	Mo31		562076	male
L278	Parcel_Rack_RH	560898	male	Mo32	2nd_Lugg_Cmpt	562076	male
L279	Parcel_Rack_RH	560898	male	Mo33		562076	male
L280	Parcel_Rack_RH	560898	male	Mo35	4rd_Lugg_Cmpt	562076	male
L281	Parcel_Rack_RH	560898	male	Mo36	Engine_Cmpt	562076	male
L283	Service_Cmpt	562485	male	Mo54	Service_Cmpt	562474	male
L284	*opt*	562485	male	Pot1.A	Dash	560488	female
L285.A	Rear_Vehicle	562835	female	Pot1.B	Dash	560488	female
L285.B	Rear_Vehicle	562834	male	Pot1.C	Dash	560488	female
L286.A	Rear_Vehicle	562835	female	R-12VISS		561183	male
L286.B	Rear_Vehicle	562834	male	R2	RJB	561183	male
L287	Rear_Axle_Cmpt	562251	male	R3	RJB	563409	male
L290.A	Parcel_Rack_RH	561248	female	R5		561183	male
L290.B	Parcel_Rack_RH	561248	female	R6		561183	male
L291.A	Parcel_Rack_RH	561248	female	R10	Evap_Cmpt	563409	male
L291.B	Parcel_Rack_RH	561248	female	R11	RJB	561183	male
L292.A	Parcel_Rack_RH	562756	male	R12	Evap_Cmpt	563409	male
L292.B	Parcel_Rack_RH	562505	female	R13		561183	male
Mo1	Engine_Cmpt	561690	female	R14	RJB	562367	male
Mo2	Engine_Cmpt	561782	male	R15		561183	male
Mo3	Dash	561667	female	R16	Dash	561183	male
Mo4	Dash	562076	male	R17	RJB	562367	male

CONNECTORS LIST

No	Location	Part #	Gender	No	Location	Part #	Gender
R18	FJB	562367	male	Se11.B	Cond_Cmpt	560082	female
R19	FJB	562367	male	Se11.C	Cond_Cmpt	560082	female
R20		561183	male	Se12	Engine_Cmpt	561690	female
R21		561183	male	Se13	Engine_Cmpt	562350	male
R22		561183	male	Se14.A	Driver_Area	561782	male
R23	RH_Console	561183	male	Se14.B	Driver_Area	561781	female
R25	RJB	561183	male	Se15	RH_Console	560898	male
R26	Cond_Cmpt	561183	male	Se16	Entrance_Door	561566	female
R27		561183	male	Se17	RH_Console	560900	female
R29		563409	male	Se18.A	Service_Cmpt	560815	female
R30	RJB	561183	male	Se18.B	Service_Cmpt	560815	female
R31	RJB	561183	male	Se19		563677	male
R32	RJB	561183	male	Se19A		563677	male
R33	RJB	561183	male	Se20	Evap_Cmpt	562426	male
R34		562367	male	Se21	Dash	561248	female
R_AMPLI		562367	male	Se23	Engine_Cmpt	563159	male
R_Flip		561183	male	Se24	Engine_Cmpt	563159	male
R_Tv		561183	male	Se25	Passenger_Area	561248	female
Res3		563590	female	Se26	Service_Cmpt	561690	female
Res3.A		563590	female	Se27	Front_Axle_Cmpt	561111	female
Res4		563590	female	Se29	Engine_Cmpt	561566	female
Res4		563590	female	Se30	Engine_Cmpt	561690	female
Res5		563590	female	Se31	Engine_Cmpt	561690	female
Res5		563590	female	Se32	Rear_Axle_Cmpt	563057	male
Res6		563590	female	Se33	Rear_Axle_Cmpt	562856	male
Res6		563590	female	Se34	Rear_Axle_Cmpt	563057	male
Res7		563590	female	Se35	Rear_Axle_Cmpt	563057	male
Res7.A		563590	female	Se36	Rear_Axle_Cmpt	563629	female
Res8		563590	female	Se37		641132	female
Res11		563590	female	Se38		641132	female
Res12	Engine_Cmpt	563590	female	Se39		641132	female
Res12.A		563590	female	Se40		641132	female
RZF1		561183	male	Se43	Engine_Cmpt	563340	male
Se1	Engine_Cmpt	562486	female	Se44.A	Above_Rear_Axle	560082	female
Se2	Engine_Cmpt	562486	female	Se44.B	Above_Rear_Axle	560082	female
Se3	RJB	562486	female	Se45	Service_Cmpt	562426	male
Se4	Window_RH	561477	female	Se46	Rear_Axle_Cmpt	562348	female
Se5	Window_RH	561477	female	Se47	Engine_Cmpt	562486	female
Se6	Window_RH	561477	female	Se48	Engine_Cmpt	561690	male
Se7	Window_LH	561477	female	Se49	Engine_Cmpt	561690	male
Se8	Window_LH	561477	female	Se50	Engine_Cmpt	561566	female
Se9	Window_LH	561477	female	Se60	Service_Cmpt	563409	male
Se11.A	Cond Cmpt	560082	female	Se62	WCL Svstem	561690	male

CONNECTORS LIST

No	Location	Part #	Gender	No	Location	Part #	Gender
Se63		641132	female	Spk5_R		563994	male
Se64		641132	female	Spk6_L		563994	male
Se65		564042	female	Spk6_R		563994	male
Se66		564039	female	Spk7_L		563994	male
Se67		563159	female	Spk7_R		563994	male
Se68		563159	female	Spk8_L		563994	male
Se69		563159	female	Spk8_R		563994	male
So1	Engine_Cmpt	561566	female	Spk9_L		563994	male
So3	RH_Console	641385	male	Spk9_R		563994	male
So4	RH_Console	641385	male	Spk10_L		563994	male
So5	RH_Console	641385	male	Spk10_R		563994	male
So6	RH_Console	641385	male	Spk11_L		563994	male
So7	Service_Cmpt	561566	female	Spk11_R		563994	male
So8		563204	female	Spk12_L		563994	male
So9	Engine_Cmpt	561566	female	Spk12_R		563994	male
So11	Cond_Cmpt	561566	female	Spk13_L		563994	male
So13	Evap_Cmpt	563204	female	Spk13_R		563994	male
So14	Service_Cmpt	641385	male	Spk14_L		563994	male
So15	Service_Cmpt	641385	male	Spk14_R		563994	male
So16	Service_Cmpt	641385	male	Spk15_L		563994	male
So17	Service_Cmpt	641385	male	Spk15_R		563994	male
So20	Service_Cmpt	641385	male	Spk16_L		563994	male
So21		564046	female	Spk16_R		563994	male
So22		564046	female	SpkDr_L		563994	male
So23		564046	female	SpkDr_R		563994	male
So24		564046	female	Sub1.A		564004	female
So25		641949	male	Sub2.A		564004	female
So26		562848	male	Sw1.C258	Driver_Area	561188	female
So27		564045	female	Sw1.C259	Driver_Area	561186	male
So28	Engine_Cmpt	561690	male	Sw2	Dash	562763	male
So50		564046	female	Sw3	Dash	562763	male
So51		564046	female	Sw4	Dash	562763	male
So52		564045	female	Sw6	Dash	562763	male
So53		641385	male	Sw8	Dash	562763	male
Spk1_L		563994	male	Sw9	Dash	562763	male
Spk1_R		563994	male	Sw10	Dash	562763	male
Spk2_L		563994	male	Sw11	Dash	562763	male
Spk2_R		563994	male	Sw12	Dash	562763	male
Spk3_L		563994	male	Sw13	Dash	562763	male
Spk3_R		563994	male	Sw14	Dash	562763	male
Spk4_L		563994	male	Sw15	Dash	562763	male
Spk4_R		563994	male	Sw16	Dash	562763	male
Spk5_L		563994	male	Sw17	Dash	562763	male

CONNECTORS LIST

No	Location	Part #	Gender	No	Location	Part #	Gender
Sw18	Dash	562763	male	Sw55.B		560488	female
Sw20	Dash	562763	male	Sw56.A		560488	female
Sw21	Dash	562763	male	Sw56.B		560488	female
Sw22	Dash	562763	male	Sw58	Engine_Cmpt	562581	male
Sw23	Dash	562763	male	Sw59		561566	female
Sw24	Dash	562763	male	Sw60		561566	female
Sw25	Dash	562763	male	Sw64.A	Service_Cmpt	560815	female
Sw26	Dash	562763	male	Sw64.B	Service_Cmpt	560815	female
Sw27	Dash	562763	male	Sw65	Parcel_Rack_LH	562651	female
Sw28	LH_Console	562763	male	Sw66	Parcel_Rack_LH	562651	female
Sw29	Dash	562763	male	Sw67	Parcel_Rack_LH	562651	female
Sw30	Engine_Cmpt	561566	female	Sw68	Parcel_Rack_LH	562651	female
Sw31.A	WCL_System	562403	female	Sw69	Parcel_Rack_LH	562651	female
Sw31.B		562403	female	Sw70	Parcel_Rack_LH	562651	female
Sw32	Dash	561477	female	Sw71	Parcel_Rack_LH	562651	female
Sw33	Dash	561476	male	Sw72	Parcel_Rack_LH	562651	female
Sw34	Outside_Front_RH	562477	male	Sw73	Parcel_Rack_RH	562651	female
Sw35	Dash	562763	male	Sw74	Parcel_Rack_RH	562651	female
Sw36	LH_Console	562763	male	Sw75	Parcel_Rack_RH	562651	female
Sw37	LH_Console	562763	male	Sw76	Parcel_Rack_RH	562651	female
Sw38	LH_Console	562763	male	Sw77	Parcel_Rack_RH	562651	female
Sw40	LH_Console	561690	male	Sw78	Parcel_Rack_RH	562651	female
Sw41	LH_Console	562749	male	Sw79	Parcel_Rack_RH	562651	female
Sw42	*opt*	561636	female	Sw80	Parcel_Rack_RH	562651	female
Sw43		561690	male	Sw81.A	Dash	562905	male
Sw44	Service_Cmpt	562403	female	Sw81.B	Dash	562905	male
Sw44.B		562403	female	Sw82.A		561457	female
Sw45		562403	female	Sw82.B		561457	female
Sw45.B		562403	female	Sw82.C		561457	female
Sw46.A		562403	female	Sw82.D		561457	female
Sw46.B		562403	female	Sw83.A	Dash	560082	female
Sw49.A		562403	female	Sw83.B	Dash	560815	female
Sw49.B		562403	female	Sw83.C	Dash	560082	female
Sw50.A		562403	female	Sw83.D	Dash	560815	female
Sw50.B		562403	female	Sw84		561566	female
Sw51.A		562403	female	Sw85	LH_Console	562749	male
Sw51.B		562403	female	Sw86	Parcel_Rack_RH	562651	female
Sw52		562403	female	Sw87	Parcel_Rack_RH	562651	female
Sw52.B		562403	female	Sw88	Parcel_Rack_RH	562651	female
Sw53	Parcel_Rack_LH	562651	female	Sw89	Parcel_Rack_RH	562651	female
Sw54.A		562835	female	Sw90	Parcel_Rack_RH	562651	female
Sw54.B		562834	male	Sw91	Parcel_Rack_RH	562651	female
Sw55.A		560488	female	Sw92	Parcel_Rack_RH	562651	female

CONNECTORS LIST

No	Location	Part #	Gender	No	Location	Part #	Gender
Sw93	Parcel_Rack_RH	562651	female	T00SS2	Parcel_Rack_LH_1st_Cmpt_	561246	N/A
Sw94.A	WCL_System	560079	female	T00SS3	Parcel_Rack_LH_1st_Cmpt_	561246	N/A
Sw94.B	WCL_System	560079	female	T00SS4	Parcel_Rack_LH_1st_Cmpt_	560083	N/A
Sw94.C	WCL_System	560079	female	T12SS	RJBBreakersPanel	561246	N/A
Sw95.A		561626	female	T12SS1	Parcel_Rack_LH_1st_Cmpt_	561700	N/A
Sw95.B		561626	female	T12SSB2_8	Parcel_Rack_LH_1st_Cmpt_	561700	N/A
Sw95.C		561626	female	T12VDR1	RJB	560891	N/A
Sw96.A		561626	female	T12VDR2	RJB	561246	N/A
Sw96.B		561626	female	T12VDR3	RJB	560891	N/A
Sw96.C		561626	female	T12VDR4	RJB	561560	N/A
Sw97.A	WCL_System	561626	female	T24SS		560106	N/A
Sw97.B	WCL_System	561626	female	T24SSB2_6	Parcel_Rack_LH_1st_Cmpt_	560083	N/A
Sw97.C	WCL_System	561626	female	T24SSB2_7	Parcel_Rack_LH_1st_Cmpt_	561560	N/A
Sw98.A	WCL_System	561626	female	T24VIR5	RJB	563536	N/A
Sw98.B	WCL_System	561626	female	Tab128	RJB	562057	N/A
Sw98.C	WCL_System	561626	female	Tab129	RJB	562057	N/A
Sw99	Dash	562763	male	TBat1	RJB	560106	N/A
Sw100	Dash	562763	male	TBat2	RJB	560106	N/A
Sw101		562763	male	TBat3	RJB	560106	N/A
Sw103		562957	male	TBat4	RJB	560106	N/A
Sw104		562763	male	TBat5	RJB	560106	N/A
Sw109.A		560079	female	TBat6	RJB	560106	N/A
Sw109.B		560079	female	TBat7	RJB	560895	N/A
Sw110.A		560079	female	TBat8	RJB	560895	N/A
Sw110.B		560079	female	TBat9	RJB	560895	N/A
Sw114.A		560079	female	TBat10	RJB	560895	N/A
Sw114.B		560079	female	TBat11	RJB	560895	N/A
Sw115.A		560079	female	TBat12	RJB	560895	N/A
Sw115.B		560079	female	TBat13	RJB	560105	N/A
Sw123		561566	female	TBat14	RJB	560891	N/A
Sw125.A	Service_Cmpt	561457	female	TBat15	RJB	560891	N/A
Sw125.B	Service_Cmpt	561457	female	TBat18	RJB	560895	N/A
sym1_136		560999	male	TBat19	RJB	560894	N/A
sym2_136		560999	male	TBat20	RJB	560895	N/A
sym4_136		560999	male	TBat21	RJB	560895	N/A
sym5_136		560999	male	TBat22	RJB	560895	N/A
sym6_136		560999	male	TBat23	RJB	560895	N/A
sym7_136		560999	male	TBat24	RJB	560895	N/A
T0SS	Parcel_Rack_LH_1st_Cmpt	561725	N/A	TBat25	RJBMasterRelay	560894	N/A
T00SS	Parcel_Rack_LH_1st_Cmpt_	561246	N/A	TBat35	RJB	561696	N/A
T0SS1	Over_Head_Driver_Area	560104	N/A	TBat36	RJB	561789	N/A
T00SS1	Parcel_Rack_LH_1st_Cmpt_	561560	N/A	TBat39	RJB	560894	N/A
T0SS2	Parcel_Rack_LH_1st_Cmpt	560086	N/A	TBat40	RJB	560895	N/A

CONNECTORS LIST

No	Location	Part #	Gender	No	Location	Part #	Gender
Term1	FJBGndStud	560587	N/A	Term56	EvapCmpt.ChassisGndStud	562057	N/A
Term2	FJBGndStud	560587	N/A	Term57	EvapCmpt.ChassisGndStud	560586	N/A
Term3	RJBChassisGndStud	560586	N/A	Term59	EvapCmpt.ChassisGndStud	560892	N/A
Term4	FJBGndStud	560587	N/A	Term60	EvapCmpt.ChassisGndStud	561512	N/A
Term8	FJBGndStud	560587	N/A	Term61	EvapCmpt.ChassisGndStud	561512	N/A
Term11	FJBGndStud	560587	N/A	Term62	RJB	560103	N/A
Term12	FJB	560928	N/A	Term64	Evap_Cmpt	561696	N/A
Term13	LHP-RackGndStud	563354	N/A	Term66	RJBBreakersPanel	560103	N/A
Term15	RHConsoleGndStud	560587	N/A	Term67	LavatoryGndSud	561512	N/A
Term16	RHConsoleGndStud	560587	N/A	Term68	RJBChassisGndStud	560083	N/A
Term17	RHConsoleGndStud	560587	N/A	Term69	LavatoryGndSud	560586	N/A
Term18	RHConsoleGndStud	560587	N/A	Term70	LavatoryGndSud	561512	N/A
Term20	FJBGndStud	560894	N/A	term72	RJBBreakersPanel	561788	N/A
Term21	LHP-RackGndStud	560587	N/A	term74	RJB	561788	N/A
Term22	RJBMasterRelay	560815	N/A	term75	RJB(RelayR3)	561788	N/A
Term23	RJBMasterRelay	560082	N/A	Term78	LHP-RackGndStud	560587	N/A
Term24	Engine_Cmpt	560821	N/A	Term80	RJBBreakersPanel	561788	N/A
Term25	Engine_Cmpt	560892	N/A	Term82	FJBGndStud	560587	N/A
Term27	RJBChassisGndStud	560083	N/A	Term83	RJBBreakersPanel	560103	N/A
Term28	Evap_Cmpt	560587	N/A	Term83.1		560106	N/A
Term30	RJBChassisGndStud	560083	N/A	Term84	RJBBreakersPanel	560086	N/A
Term32	RJB	560895	N/A	Term84.1	RJBBreakersPanel	561246	N/A
Term33	RJBChassisGndStud	560083	N/A	Term85	RJBBreakersPanel	561788	N/A
Term35	RJBMasterRelay	561955	N/A	Term86	RJBBreakersPanel	561788	N/A
Term36	FJBGndStud	560894	N/A	Term87	RJBBreakersPanel	561788	N/A
Term37	FJBGndStud	560894	N/A	Term88	RJBBreakersPanel	561788	N/A
Term38	FJBGndStud	560892	N/A	Term89	RJBBreakersPanel	563354	N/A
Term40	RJBMasterRelay	560815	N/A	Term93	RJB(RelayR3)	561788	N/A
Term41	RJBMasterRelay	560082	N/A	Term94	RJBChassisGndStud	560083	N/A
Term42	RJBBreakersPanel	561789	N/A	Term95	RJBBreakersPanel	561560	N/A
Term43	FJBGndStud	560892	N/A	Term96	RJBBreakersPanel	560106	N/A
Term44	RJBBreakersPanel	561458	N/A	Term101	RJBMasterRelay	561788	N/A
Term45	RJBBreakersPanel	560086	N/A	Term102	RJBMasterRelay	561788	N/A
Term46	Evap_Cmpt	561696	N/A	Term103	RJBBreakersPanel	561788	N/A
Term47	RJB	562057	N/A	Term104	RJBBreakersPanel	561788	N/A
Term48	Engine_Cmpt	560082	N/A	Term105	RJBBreakersPanel	560105	N/A
Term49	Engine_Cmpt	560082	N/A	Term106	RJBBreakersPanel	560105	N/A
Term50	RJB	*opt*	N/A	Term108	RJBBreakersPanel	561788	N/A
Term51	Evap_Cmpt	560815	N/A	Term109	RJBBreakersPanel	561696	N/A
Term52	Evap_Cmpt	560082	N/A	Term111	RJBBreakersPanel	561246	N/A
Term53	RJBBreakersPanel	561788	N/A	Term112	RJBBreakersPanel	560105	N/A
Term54	RJB	560821	N/A	Term113	RJBBreakersPanel	560891	N/A
Term55	RJBMasterRelav	560892	N/A	Term115	RJBBreakersPanel	560106	N/A

CONNECTORS LIST

No	Location	Part #	Gender	No	Location	Part #	Gender
Term117	RJBBreakersPanel	560105	N/A	VECR3	RJB	563185	male
Term118	RJBChassisGndStud	560083	N/A	VECR4	RJB	563182	male
Term120	RJBBreakersPanel	561788	N/A	VECR9	RJB	563448	male
Term121	RJBBreakersPanel	560086	N/A	VECR10	RJB	563181	male
Term122	RJBBreakersPanel	561788	N/A	VECR11	RJB	563184	male
Term123	RJBBreakersPanel	561788	N/A	VECR12	RJB	563187	male
Term124	RJBBreakersPanel	561788	N/A				
Term125	RJBBreakersPanel	561788	N/A				
Term126	RJB(RelayR3)	563746	N/A				
Term127	RJB(RelayR3)	563123	N/A				
Term128	RJB(RelayR3)	563123	N/A				
Term129	RJB(RelayR3)	563746	N/A				
Term130	RJB(RelayR3)	563746	N/A				
Term131	RJB(RelayR3)	563746	N/A				
Term132	FJBGndStud	560894	N/A				
Term133	RJB(RelayR3)	561696	N/A				
TermGnd1	Driver_Area	560082	N/A				
TermMo9	Evap_Cmpt	560587	N/A				
TermR10-3	Evap_Cmpt	563354	N/A				
TermR10-5	Evap_Cmpt	560103	N/A				
TermR12-3	Evap_Cmpt	563551	N/A				
TermR12-5	Evap_Cmpt	561788	N/A				
TermStpG1		560082	N/A				
TermStpG2		560082	N/A				
TGNDF1	FJB	560106	N/A				
TGNDF2	FJB	561560	N/A				
TGNDF3	FJB	560083	N/A				
TGNDF4	FJB	561560	N/A				
TGNDF5	FJB	560083	N/A				
TGNDR1	RJB	561246	N/A				
TGNDR3	RJB	560106	N/A				
TGNDR4	RJB	560105	N/A				
TGNDR7	RJB	561725	N/A				
VECF1	FJB	563186	male				
VECF2	FJB	563183	male				
VECF3	FJB	563185	male				
VECF4	FJB	563182	male				
VECF9		563448	male				
VECF10	FJB	563181	male				
VECF11	FJB	563184	male				
VECF12	FJB	563187	male				
VECR1	RJB	563186	male				
VECR2	RJB	563183	male				

CONNECTORS LIST

No	Location	Part #	Gender	No	Location	Part #	Gender
<Invalid>	Parcel_Rack_RH	561550	male	A24.A	RH_Console	561890	male
<Invalid>	Parcel_Rack_RH	561667	female	A24.B	RH_Console	561566	female
<Invalid>_0_1	Parcel_Rack_LH	561515	male	A25		563025	male
<Invalid>_0_1	Parcel_Rack_LH	561552	female	A27	Service_Cmpt	562929	male
<Invalid>_0_2		563226	male	A28	Service_Cmpt	562928	male
<Invalid>_0_2		563613	female	A29	Dash	562465	male
<Invalid>_0_3		563226	male	A33.A		564004	female
<Invalid>_0_3		563613	female	A33.B		562330	male
A1		563975	male	A36.JA		562767	male
A2		563984	male	A36.JB		562765	male
A3	Dash	562363	male	A36.JC		562957	male
A4.A	Service_Cmpt	562428	female	A39.P101		563201	male
A4.B	Service_Cmpt	561188	female	A39.P901		563953	male
A5	Service_Cmpt	562428	female	A41.J1	FJB	562767	male
A6		562427	male	A41.J2	FJB	563132	male
A7		563979	male	A41.J3	FJB	562957	male
A9.Cx1		564041	female	A42.J1	FJB	562767	male
A9.Cx2		563678	male	A42.J2	FJB	563132	male
A9.Cx3		564037	female	A42.J3	FJB	562957	male
A9.Cx4		564038	female	A43.J1	FJB	562767	male
A10.X1	Engine_Cmpt	563135	male	A43.J2	FJB	563132	male
A10.X3	Engine_Cmpt	563134	female	A43.J3	FJB	562957	male
A11	LH_Console	563142	male	A44.J1	FJB	563133	male
A12	Dash	562464	male	A44.J2	FJB	563132	male
A13.J1	FJB	562794	male	A44.J3	FJB	562957	male
A13.J2	FJB	562650	male	A45.J1	FJB	563133	male
A14.CX	Dash	562957	male	A45.J2	FJB	563132	male
A14.CY	Dash	562765	male	A45.J3	FJB	562957	male
A14.LX	Dash	562766	male	A46.J1	FJB	563133	male
A14.LY	Dash	562767	male	A46.J2	FJB	563132	male
A14.RX	Dash	562767	male	A46.J3	FJB	562957	male
A15	Dash	562464	male	A47.J1	RH_Console	563133	male
A16	Front_Roof	561637	male	A47.J2	RH_Console	563132	male
A17	RJB	561932	male	A47.J3	RH_Console	562957	male
A18	FJB	562794	male	A48.J1	RH_Console	563133	male
A18.J2	FJB	562650	male	A48.J2	RH_Console	563132	male
A19	LH_Console	562878	female	A48.J3	RH_Console	562957	male
A20	Parcel_Rack_LH	561477	female	A49.J1	RJB	562767	male
A21	Rear_Axle_Cmpt	kostalF	female	A49.J2	RJB	563132	male
A22	LH_Console	563338	male	A49.J3	RJB	562957	male
A23.A		563678	male	A50.J1	RJB	563133	male
A23.B		563953	male	A50.J2	RJB	563132	male
A24	RH_Console	561889	female	A50.J3	RJB	562957	male

CONNECTORS LIST

No	Location	Part #	Gender	No	Location	Part #	Gender
A51.J1	RJB	563133	male	A69.G		561716	female
A51.J2	RJB	563132	male	A69.H		561716	female
A51.J3	RJB	562957	male	A70		564011	male
A52.J1	RJB	563133	male	A70a		564011	male
A52.J2	RJB	563132	male	A71.A		562464	male
A52.J3	RJB	562957	male	A71.B		562706	female
A53.J1	RJB	563133	male	A71.C		562706	female
A53.J2	RJB	563132	male	A71.D		562706	female
A53.J3	RJB	562957	male	A72.J1		563675	male
A54.J1	Evap_Cmpt	563133	male	A72.J2		563678	male
A54.J2	Evap_Cmpt	563132	male	A72.J3		563679	male
A54.J3	Evap_Cmpt	562957	male	A72.J4		563680	male
A55.J1		562767	male	A73.J1		563681	male
A55.J2		563132	male	A73.J2		563684	male
A55.J3		562957	male	A74		563207	male
A60.A		562464	male	A81.JA		562767	male
A60.B		562706	female	A81.JB		562765	male
A60.C		562706	female	A81.JC		562957	male
A60.D		562706	female	A82		563739	male
A61.A		562464	male	A84		562583	female
A61.B		562465	male	A85.A		561636	female
A63.A		563960	male	A85.B		562581	male
A63.B		563962	male	A86		562477	male
A63.C		564009	male	A87		562477	male
A63.D		563961	male	A88		562767	male
A64		563954	male	A90.A		563960	male
A65		562465	male	A90.B		563962	male
A66		561183	male	A90.C		564009	male
A67.Vsa		563948	male	A90.D		563961	male
A67.Vsb		563950	male	A91.A		563960	male
A67.Vsc		563947	male	A91.B		563962	male
A67.Vsd		563949	male	A91.C		564009	male
A67.Vse		563951	male	A91.D		563961	male
A68.A		563960	male	A96		564073	female
A68.B		563962	male	A97		563226	male
A68.C		564009	male	A100		563758	female
A68.D		563961	male	A101		563758	female
A69.A		563071	male	A102		563758	female
A69.B		561716	female	A103		562070	female
A69.C		561716	female	A130		563226	male
A69.D		561716	female	A131.A		561782	male
A69.E		561716	female	A131.B		561781	female
A69.F		561716	female	Alt1.A	Engine Cmpt	563746	female

CONNECTORS LIST

No	Location	Part #	Gender	No	Location	Part #	Gender
Alt1.B	Engine_Cmpt	560815	female	C17	RJB	561986	male
Alt1.C	Engine_Cmpt	562862	female	C17	RJB	561987	female
Alt2.A	Engine_Cmpt	563746	female	C18	FJB	561986	male
Alt2.B	Engine_Cmpt	560815	female	C18	FJB	561987	female
Alt2.C	Engine_Cmpt	562862	female	C19	RJB	561986	male
C1	FJB	563589	male	C19	RJB	561987	female
C1	FJB	563590	female	C21A	RJB	561646	male
C1S	FJB	563589	male	C21A	RJB	561645	female
C1S	FJB	563590	female	C21B	RJB	561646	male
C2	Service_Cmpt	563580	male	C21B	RJB	561645	female
C2	Service_Cmpt	563581	female	C22		563589	male
C3	RJB	563589	male	C22		563590	female
C3	RJB	563590	female	C24_plug	Evap_Cmpt	561690	male
C3S	RJB	563593	male	C24_socket	Evap_Cmpt	561566	female
C3S	RJB	563590	female	C25		561550	male
C4	FJB	563580	male	C25		561667	female
C4	FJB	563581	female	C29	4rd_Lugg_Cmpt	563651	male
C5	FJB	563589	male	C29	4rd_Lugg_Cmpt	563652	female
C5	FJB	563590	female	C30	4rd_Lugg_Cmpt	561710	male
C5S	FJB	563589	male	C30	4rd_Lugg_Cmpt	561709	female
C5S	FJB	563590	female	C31	RJB	561669	male
C6	FJB	563582	male	C31	RJB	561670	female
C6	FJB	563583	female	C34	RH_Console	561986	male
C7		563589	female	C34	RH_Console	561987	female
C7		563590	female	C35	RJB	561646	male
C8		563589	female	C35	RJB	561645	female
C8		563590	female	C36.A	Engine_Cmpt	561701	female
C9	RJB	561986	male	C36.B	Engine_Cmpt	561701	female
C9	RJB	561987	female	C36.C	Engine_Cmpt	561701	female
C10		562477	male	C37	Parcel_Rack_LH	562557	male
C10		562479	female	C37	Parcel_Rack_LH	562558	female
C11	Service_Cmpt	563580	male	C38	Parcel_Rack_RH	561643	male
C11	Service_Cmpt	563581	female	C38	Parcel_Rack_RH	561642	female
C13S	RH_Console	563589	male	C39		562503	male
C13S	RH_Console	563590	female	C39		562507	female
C13_plug	RH_Console	563589	male	C40	Dash	562485	male
C13_socket	RH_Console	563590	female	C40	Dash	562486	female
C14	RJB	561986	male	C41	RJB	561690	male
C14	RJB	561987	female	C41	RJB	561566	female
C15	RJB	561643	male	C44_plug	FJB	561577	male
C15	RJB	561642	female	C44_socket	FJB	561605	female
C16	RJB	561577	male	C45	FJB	561643	male
C16	RJB	561605	female	C45	FJB	561642	female

CONNECTORS LIST

No	Location	Part #	Gender	No	Location	Part #	Gender
C46	Service_Cmpt	561577	male	C78	Engine_Cmpt	561690	male
C46	Service_Cmpt	561605	female	C78	Engine_Cmpt	561566	female
C48	Service_Cmpt	561690	male	C81	1st_Lugg_Cmpt	562477	male
C48	Service_Cmpt	561566	female	C81	1st_Lugg_Cmpt	562479	female
C49		562005	male	C82	1st_Lugg_Cmpt	562477	male
C49		561714	female	C82	1st_Lugg_Cmpt	562479	female
C50	Engine_Cmpt	561932	male	C83	2nd_Lugg_Cmpt	562477	male
C50	Engine_Cmpt	560933	female	C83	2nd_Lugg_Cmpt	562479	female
C52		563735	male	C84	2nd_Lugg_Cmpt	562477	male
C55	Evap_Cmpt	561577	male	C84	2nd_Lugg_Cmpt	562479	female
C55	Evap_Cmpt	561605	female	C85	4rd_Lugg_Cmpt	562477	male
C56	Parcel_Rack_LH	562557	male	C85	2nd_Lugg_Cmpt	562479	female
C56	Parcel_Rack_LH	562558	female	C86	4rd_Lugg_Cmpt	562581	male
C57	Parcel_Rack_RH	562557	male	C86	4rd_Lugg_Cmpt	562583	female
C57	Parcel_Rack_RH	562558	female	C87	Engine_Cmpt	562581	male
C58	RJB	561640	male	C87	Engine_Cmpt	562583	female
C58	RJB	561639	female	C91	RJB	562285	male
C59	RJB	561643	male	C91	RJB	563671	female
C59	RJB	561642	female	C92		561734	male
C60	RJB	561986	male	C92		561735	female
C60	RJB	561987	female	C96		561643	male
C61	Fr_Service_Door	561669	male	C96		561642	female
C61	Fr_Service_Door	561670	female	C97		561583	male
C62	Fr_Service_Door	562566	male	C97		561585	female
C62	Fr_Service_Door	562565	female	C101	Service_Cmpt	561690	male
C63	Entrance_Door	562477	male	C101	Service_Cmpt	561566	female
C63	Entrance_Door	562479	female	C102		561690	male
C66	Engine_Cmpt	561577	male	C102		561566	female
C66	Engine_Cmpt	561605	female	C103		562485	male
C67	Parcel_Rack_LH	561247	male	C103		562486	female
C67	Parcel_Rack_LH	561248	female	C105		562581	male
C69		561583	male	C105		562583	female
C69		561585	female	C106_plug		562581	male
C70		562557	male	C106_socket		562583	female
C70		562558	female	C119	Rear_Engine_Door	561607	male
C71	FJB	561646	male	C119	Rear_Engine_Door	561606	female
C71	FJB	561645	female	C120	Rear_Engine_Door	561607	male
C72	FJB	561646	male	C120	Rear_Engine_Door	561606	female
C72	FJB	561645	female	C144	RJB	560852	male
C74	FJB	561645	female	C144	RJB	560851	female
C74	FJB	561646	male	C153	Rear_Axle_Cmpt	561611	male
C75_plug	Parcel_Rack_RH	562557	male	C153	Rear_Axle_Cmpt	561610	female
C75_socket	Parcel_Rack_RH	562558	female	C170		561637	male

CONNECTORS LIST

No	Location	Part #	Gender	No	Location	Part #	Gender
C170		561636	female	C284-1		561782	male
C171	LH_Console	561646	male	C284-1		561781	female
C171	LH_Console	561645	female	C284-2		561782	male
C172	Service_Cmpt	561640	male	C284-2		561781	female
C172	Service_Cmpt	561638	female	C284-3		561782	male
C193		563589	male	C284-3		561781	female
C193		563590	female	C284-4		561782	male
C194		563589	male	C284-4		561781	female
C194		563590	female	C284-5		561782	male
C206		562503	male	C284-5		561781	female
C206		562507	female	C290	Rear_Vehicle	562477	male
C207		562503	male	C290	Rear_Vehicle	562479	female
C207		562507	female	C298		561782	male
C209_plug		562503	male	C298		561781	female
C209_socket		562507	female	C298A		561782	male
C211	Parcel_Rack_RH	561515	male	C298A		561781	female
C211	Parcel_Rack_RH	561552	female	C298B		561782	male
C213	Parcel_Rack_LH	561515	male	C298B		561781	female
C213	Parcel_Rack_LH	561552	female	C300		563618	male
C222		562477	male	C300		563616	female
C222		562479	female	C302		563071	male
C223		563227	male	C302		563040	female
C223		563614	female	C328	Lavatory	561247	male
C224		561637	male	C328	Lavatory	561248	female
C224		561636	female	C380	Dash	563180	male
C225		562650	male	C380	Dash	563347	female
C225		562649	female	C381		561847	male
C230	Engine_Cmpt	562485	male	C381		561862	female
C230	Engine_Cmpt	562486	female	C382		561580	male
C242	Service_Cmpt	562789	male	C382		561582	female
C242	Service_Cmpt	565131	female	C397	RJB	562285	male
C243	Service_Cmpt	562789	male	C397	RJB	563671	female
C243	Service_Cmpt	565131	female	C398	Engine_Cmpt	563226	male
C246	Service_Cmpt	563090	male	C398	Engine_Cmpt	563613	female
C246	Service_Cmpt	563091	female	C426	Engine_Cmpt	561782	male
C269	RHConsole	563090	male	C426	Engine_Cmpt	561781	female
C269	RHConsole	563091	female	C430	LH_Console	562363	male
C279	Service_Cmpt	562477	male	C430	LH_Console	561188	female
C279	Service_Cmpt	562479	female	C452		562549	male
C279A		561782	male	C452		562550	female
C279A		561781	female	C463	Rear_Axle_Cmpt	562570	female
C284		561782	male	C463	Rear_Axle_Cmpt	562571	male
C284		561781	female	C464	RJB	563180	male

CONNECTORS LIST

No	Location	Part #	Gender	No	Location	Part #	Gender
C464	RJB	563347	female	C717	RJB	561646	male
C465		562581	male	C717	RJB	561645	female
C465		562583	female	C720	Engine_Cmpt	563358	male
C506	FJB	561687	male	C720	Engine_Cmpt	563359	female
C506	FJB	561685	female	C721	RJB	561515	male
C542		561550	male	C721	RJB	561552	female
C542		561667	female	C723	Rear_Axle_Cmpt	562877	female
C558		562503	male	C723	Rear_Axle_Cmpt	562884	female
C558		562507	female	C750		562707	male
C564		562503	male	C750		562706	female
C564		562507	female	C751		562707	male
C564-Sp		562503	male	C751		562706	female
C564-Sp		562507	female	C752		562707	male
C566		562503	male	C752		562706	female
C566		562507	female	C753		562707	male
C567		562503	male	C753		562706	female
C567		562507	female	C754		562707	male
C575	Parcel_Rack_RH	562503	male	C754		562706	female
C575	Parcel_Rack_RH	562507	female	C755		562707	male
C576	Parcel_Rack_RH	561550	male	C755		562706	female
C576	Parcel_Rack_RH	561667	female	C758		562707	male
C577	Parcel_Rack_LH	561550	male	C758		562706	female
C577	Parcel_Rack_LH	561667	female	C759		562707	male
C578	Parcel_Rack_LH	562503	male	C759		562706	female
C578	Parcel_Rack_LH	562507	female	C760		562707	male
C582	FJB	561690	female	C760		562706	female
C582	FJB	561566	female	C761		562707	male
C589	Service_Cmpt	563088	male	C761		562706	female
C589	Service_Cmpt	563089	female	C762		562707	male
C590	RHConsole	563088	male	C762		562706	female
C590	RHConsole	563089	female	C763		562707	male
C601	LHRoofWinAjar	561476	male	C763		562706	female
C601	LHRoofWinAjar	561477	female	C764		562707	male
C603	RHRoofWinAjar	561476	male	C764		562706	female
C603	RHRoofWinAjar	561477	female	C765		562707	male
C611_plug	Parcel_Rack_RH	562557	male	C765		562706	female
C611_socket	Parcel_Rack_RH	562558	female	C766		561662	male
C612_plug	Parcel_Rack_RH	562555	male	C766		561661	female
C612_socket	Parcel_Rack_RH	562556	female	CL1		562485	male
C614		563071	male	CL1		562486	female
C614		563040	female	CSX1	Engine_Cmpt	563135	male
C615		563071	male	CSX1	Engine_Cmpt	563134	female
C615		563040	female	CSX3	Engine Cmpt	563135	male

CONNECTORS LIST

No	Location	Part #	Gender	No	Location	Part #	Gender
CSX3	Engine_Cmpt	563134	female	L19.B		561626	female
CT2	Engine_Cmpt	563226	male	L20.A		561626	female
CT2	Engine_Cmpt	563613	female	L20.B		561626	female
CT3	Rear_Vehicle	563224	male	L21.A	Front_Roof	561608	female
CVSA_plug		562503	male	L21.B	Front_Roof	562286	male
CVSA_socket		562507	female	L22.A	Front_Roof	561608	female
FUSE_BOX_1.A		562610	male	L22.B	Front_Roof	562286	male
FUSE_BOX_1.B		562610	male	L23.A	Front_Roof	561608	female
FUSE_BOX_2.A		562610	male	L23.B	Front_Roof	562286	male
FUSE_BOX_2.B		562610	male	L24.A	Front_Roof	561608	female
JACK_1		560999	male	L24.B	Front_Roof	562286	male
L1A		564045	female	L25.A	Front_Roof	561608	female
L3.A	Parcel_Rack_RH	562758	male	L25.B	Front_Roof	562286	male
L3.B	Parcel_Rack_RH	562759	male	L26.A	Front_Roof	561608	female
L4.A	Parcel_Rack_RH	562758	male	L26.B	Front_Roof	562286	male
L4.B	Parcel_Rack_RH	562759	male	L27.A	Front_Roof	561608	female
L5.A	Parcel_Rack_RH	562758	male	L27.B	Front_Roof	562286	male
L5.B	Parcel_Rack_RH	562759	male	L28	Parcel_Rack_LH	560898	male
L6.A	Parcel_Rack_RH	562758	male	L29	Parcel_Rack_LH	560898	male
L6.B	Parcel_Rack_RH	562759	male	L30	Parcel_Rack_LH	560898	male
L7.A	Parcel_Rack_RH	562758	male	L31	Parcel_Rack_LH	560898	male
L7.B	Parcel_Rack_RH	562759	male	L32	Parcel_Rack_LH	560898	male
L8.A	Parcel_Rack_RH	562758	male	L33	Parcel_Rack_LH	560898	male
L8.B	Parcel_Rack_RH	562759	male	L34	Parcel_Rack_LH	560898	male
L9.A	Parcel_Rack_LH	562758	male	L35	Parcel_Rack_LH	560898	male
L9.B	Parcel_Rack_LH	562759	male	L36	Parcel_Rack_LH	560898	male
L10.A	Parcel_Rack_LH	562758	male	L37	Parcel_Rack_LH	560898	male
L10.B	Parcel_Rack_LH	562759	male	L38	Parcel_Rack_LH	560898	male
L11.A	Parcel_Rack_LH	562758	male	L39	Parcel_Rack_LH	560898	male
L11.B	Parcel_Rack_LH	562759	male	L40	Parcel_Rack_RH	560898	male
L12.A	Parcel_Rack_LH	562758	male	L41	Parcel_Rack_RH	560898	male
L12.B	Parcel_Rack_LH	562759	male	L42	Parcel_Rack_RH	560898	male
L13.A	Parcel_Rack_LH	562758	male	L43	Parcel_Rack_RH	560898	male
L13.B	Parcel_Rack_LH	562759	male	L44	Parcel_Rack_RH	560898	male
L14.A	Parcel_Rack_LH	562758	male	L45	Parcel_Rack_RH	560898	male
L14.B	Parcel_Rack_LH	562759	male	L46	Parcel_Rack_RH	560898	male
L15.A	Parcel_Rack_LH	562758	male	L47	Parcel_Rack_RH	560898	male
L15.B	Parcel_Rack_LH	562759	male	L48	Parcel_Rack_RH	560898	male
L16	Front_Roof	562803	male	L49	Parcel_Rack_RH	560898	male
L17	Front_Roof	562803	male	L50	Parcel_Rack_RH	560898	male
L18.A		561626	female	L51	Parcel_Rack_RH	560898	male
L18.B		561626	female	L52		560898	male
L19.A		561626	female	L53	Passenger Area	560898	male

CONNECTORS LIST

No	Location	Part #	Gender	No	Location	Part #	Gender
L54	Passenger_Area	560898	male	L89.B	Rear_Roof	562286	male
L55	Passenger_Area	560898	male	L90.A	Rear_Roof	561608	female
L56	Passenger_Area	560898	male	L90.B	Rear_Roof	562286	male
L57	Passenger_Area	560898	male	L91	Rear_Engine_Door	562755	male
L58	Passenger_Area	560898	male	L92	Rear_Engine_Door	562755	male
L59.A	Outside_Front_RH	562623	male	L93.A	Rear_Axle_Cmpt	563069	female
L59.B	Outside_Front_RH	562623	male	L93.B	Rear_Axle_Cmpt	563069	female
L60.A	Outside_Front_LH	562623	male	L94.A	Rear_Axle_Cmpt	563069	female
L60.B	Outside_Front_LH	562623	male	L94.B	Rear_Axle_Cmpt	563069	female
L61	Outside_Front_RH	562601	male	L95	Outside_Front_LH	562902	female
L62	Outside_Front_LH	562601	male	L96	Outside_Front_RH	562902	female
L63	Outside_Front_RH	562155	male	L97.A	Outside_Front_LH	563069	female
L64	Outside_Front_RH	562155	male	L97.B	Outside_Front_LH	563069	female
L65	Outside_Front_LH	562155	male	L98.A	Entrance_Door	563069	female
L66	Outside_Front_LH	562155	male	L98.B	Outside_Front_RH	563069	female
L67	4rd_Lugg_Cmpt	562155	male	L99	Parcel_Rack_LH	560898	male
L68	4rd_Lugg_Cmpt	562155	male	L100	Parcel_Rack_LH	560898	male
L69	4rd_Lugg_Cmpt	562155	male	L101	Parcel_Rack_LH	560898	male
L70	4rd_Lugg_Cmpt	562155	male	L102	Parcel_Rack_LH	560898	male
L71	Rear_Engine_Door	562601	male	L103	Parcel_Rack_LH	560898	male
L72	Rear_Vehicle	562155	male	L104	Parcel_Rack_LH	560898	male
L73	Rear_Vehicle	562601	male	L105	Parcel_Rack_LH	560898	male
L74	Rear_Vehicle	562155	male	L106	Parcel_Rack_LH	560898	male
L75	Rear_Vehicle	562155	male	L107	Parcel_Rack_LH	560898	male
L76	Rear_Engine_Door	562155	male	L108	Parcel_Rack_LH	560898	male
L77	Rear_Engine_Door	562601	male	L109	Parcel_Rack_LH	560898	male
L78	Rear_Engine_Door	562601	male	L110	Parcel_Rack_LH	560898	male
L79	Rear_Engine_Door	562601	male	L111	Parcel_Rack_LH	560898	male
L81.A	Rear_Vehicle	562835	female	L112	Parcel_Rack_LH	560898	male
L81.B	Rear_Vehicle	562834	male	L113	Parcel_Rack_RH	560898	male
L82	Rear_Engine_Door	562348	female	L114	Parcel_Rack_RH	560898	male
L83	Rear_Engine_Door	562348	female	L115	Parcel_Rack_RH	560898	male
L84.A	Rear_Roof	561608	female	L116	Parcel_Rack_RH	560898	male
L84.B	Rear_Roof	562286	male	L117	Parcel_Rack_RH	560898	male
L85.A	Rear_Roof	561608	female	L118	Parcel_Rack_RH	560898	male
L85.B	Rear_Roof	562286	male	L119	Parcel_Rack_RH	560898	male
L86.A	Rear_Roof	561608	female	L120	Parcel_Rack_RH	560898	male
L86.B	Rear_Roof	562286	male	L121	Parcel_Rack_RH	560898	male
L87.A	Rear_Roof	561608	female	L122	Parcel_Rack_RH	560898	male
L87.B	Rear_Roof	562286	male	L123	Parcel_Rack_RH	560898	male
L88.A	Rear_Roof	561608	female	L124	Parcel_Rack_RH	560898	male
L88.B	Rear_Roof	562286	male	L125	Parcel_Rack_RH	560898	male
L89.A	Rear_Roof	561608	female	L126	Parcel_Rack_RH	560898	male

CONNECTORS LIST

No	Location	Part #	Gender	No	Location	Part #	Gender
L127	Parcel_Rack_RH	562758	male	L171.A	Parcel_Rack_RH	562756	male
L128	Parcel_Rack_RH	562758	male	L172.A	Parcel_Rack_RH	562756	male
L129	Parcel_Rack_RH	562758	male	L173	Engine_Cmpt	563268	male
L130	Parcel_Rack_RH	562758	male	L174	Engine_Cmpt	563268	male
L131	Parcel_Rack_RH	562758	male	L175	RJB	561247	male
L132	Parcel_Rack_RH	562758	male	L176	4rd_Lugg_Cmpt	561247	male
L134	Parcel_Rack_LH	562758	male	L177	4rd_Lugg_Cmpt	561247	male
L135	Parcel_Rack_LH	562758	male	L180	2nd_Lugg_Cmpt	561247	male
L136	Parcel_Rack_LH	562758	male	L181	2nd_Lugg_Cmpt	561247	male
L137	Parcel_Rack_LH	562758	male	L182	1st_Lugg_Cmpt	561247	male
L138	Parcel_Rack_LH	562758	male	L183	1st_Lugg_Cmpt	561247	male
L139	Parcel_Rack_LH	562758	male	L184	Service_Cmpt	561247	male
L140	Lavatory	561247	male	L185.A		562651	female
L141	Lavatory	560898	male	L185.B		562290	female
L142	Lavatory	562803	male	L187	Engine_Cmpt	561690	male
L142A	Lavatory	562803	male	L188	Service_Cmpt	562486	female
L144.A	Parcel_Rack_LH	562756	male	L189	Outside_Front_RH	562069	male
L145.A	Parcel_Rack_LH	562756	male	L190	Outside_Front_LH	562069	male
L146.A	Parcel_Rack_LH	562756	male	L192	Parcel_Rack_LH	560898	male
L147.A	Parcel_Rack_LH	562756	male	L193.A	Dash	560488	female
L148.A	Parcel_Rack_LH	562756	male	L193.B	Dash	560488	female
L149.A	Parcel_Rack_LH	562756	male	L194.A	Dash	562019	female
L150.A	Parcel_Rack_LH	562756	male	L194.B	Dash	560488	female
L151.A	Parcel_Rack_LH	562756	male	L195.A	Dash	560488	female
L152.A	Parcel_Rack_LH	562756	male	L195.B	Dash	560488	female
L153.A	Parcel_Rack_LH	562756	male	L199	Engine_Cmpt	562471	male
L154.A	Parcel_Rack_LH	562756	male	L200	Engine_Cmpt	562471	male
L155.A	Parcel_Rack_LH	562756	male	L203	RH_Console	561690	male
L156.A	Parcel_Rack_LH	562756	male	L205	Engine_Cmpt	562485	male
L157.A	Parcel_Rack_LH	562756	male	L206	Parcel_Rack_RH	562803	male
L158.A	Parcel_Rack_LH	562756	male	L207.A	4rd_Lugg_Cmpt	561699	female
L159.A	Parcel_Rack_RH	562756	male	L207.B	*opt*	561699	female
L160.A	Parcel_Rack_RH	562756	male	L207.C	*opt*	561701	female
L161.A	Parcel_Rack_RH	562756	male	L207.D	*opt*	561699	female
L162.A	Parcel_Rack_RH	562756	male	L207.E	*opt*	561701	female
L163.A	Parcel_Rack_RH	562756	male	L207.F	*opt*	561699	female
L164.A	Parcel_Rack_RH	562756	male	L207.G	*opt*	561699	female
L165.A	Parcel_Rack_RH	562756	male	L207.H	*opt*	560926	female
L166.A	Parcel_Rack_RH	562756	male	L207.I	*opt*	560926	female
L167.A	Parcel_Rack_RH	562756	male	L208	Outside_Front_LH	563088	male
L168.A	Parcel_Rack_RH	562756	male	L209	Outside_Front_RH	563088	male
L169.A	Parcel_Rack_RH	562756	male	L213.A	Parcel_Rack_RH	561248	female
L170.A	Parcel_Rack_RH	562756	male	L213.B	Parcel_Rack_RH	561248	female

CONNECTORS LIST

No	Location	Part #	Gender	No	Location	Part #	Gender
L214.A	Parcel_Rack_RH	561248	female	L239.B	Parcel_Rack_RH	561248	female
L214.B	Parcel_Rack_RH	561248	female	L240.A	Parcel_Rack_RH	561248	female
L215.A	Parcel_Rack_RH	561248	female	L240.B	Parcel_Rack_RH	561248	female
L215.B	Parcel_Rack_RH	561248	female	L241.A	Parcel_Rack_RH	561248	female
L216.A	Parcel_Rack_RH	561248	female	L241.B	Parcel_Rack_RH	561248	female
L216.B	Parcel_Rack_RH	561248	female	L242.A	Parcel_Rack_RH	561248	female
L217.A	Parcel_Rack_RH	561248	female	L242.B	Parcel_Rack_RH	561248	female
L217.B	Parcel_Rack_RH	561248	female	L244.A	Parcel_Rack_RH	562756	male
L218.A	Outside_Front_RH	561248	female	L245.A	Parcel_Rack_RH	562756	male
L218.B	Parcel_Rack_RH	561248	female	L246.A	Parcel_Rack_RH	562756	male
L219.A	Parcel_Rack_LH	561248	female	L247.A	Parcel_Rack_RH	562756	male
L219.B	Parcel_Rack_LH	561248	female	L248.A	Parcel_Rack_RH	562756	male
L220.A	Parcel_Rack_LH	561248	female	L248.B		562505	female
L220.B	Parcel_Rack_LH	561248	female	L249.A	Parcel_Rack_RH	562756	male
L221.A	Parcel_Rack_LH	561248	female	L249.B		562505	female
L221.B	Parcel_Rack_LH	561248	female	L250.A	Parcel_Rack_RH	562756	male
L222.A	Parcel_Rack_LH	561248	female	L251.A	Parcel_Rack_RH	562756	male
L222.B	Parcel_Rack_LH	561248	female	L252.A	Parcel_Rack_RH	562756	male
L223.A	Parcel_Rack_LH	561248	female	L253.A	Parcel_Rack_RH	562756	male
L223.B	Parcel_Rack_LH	561248	female	L254.A	Parcel_Rack_RH	562756	male
L224.A	Parcel_Rack_LH	561248	female	L255.A	Parcel_Rack_RH	562756	male
L224.B	Parcel_Rack_LH	561248	female	L256.A	Parcel_Rack_RH	562756	male
L225.A	Parcel_Rack_LH	561248	female	L257.A	Parcel_Rack_RH	562756	male
L225.B	Parcel_Rack_LH	561248	female	L258	Parcel_Rack_RH	560898	male
L226	Parcel_Rack_RH	562758	male	L259	Parcel_Rack_RH	560898	male
L227	Parcel_Rack_RH	562758	male	L260	Parcel_Rack_RH	560898	male
L228	Parcel_Rack_RH	562758	male	L261	Parcel_Rack_RH	560898	male
L229	Parcel_Rack_RH	562758	male	L262	Parcel_Rack_RH	560898	male
L230	Parcel_Rack_RH	562758	male	L263	Parcel_Rack_RH	560898	male
L231	Parcel_Rack_RH	562758	male	L264	Parcel_Rack_RH	560898	male
L232.A	Parcel_Rack_RH	562758	male	L265.A	Parcel_Rack_RH	561248	female
L232.B	Parcel_Rack_RH	562759	male	L265.B	Parcel_Rack_RH	561248	female
L233.A	Parcel_Rack_RH	562758	male	L266	Parcel_Rack_RH	560898	male
L233.B	Parcel_Rack_RH	562759	male	L267	Parcel_Rack_RH	560898	male
L234.A	Parcel_Rack_RH	562758	male	L268	Parcel_Rack_RH	560898	male
L234.B	Parcel_Rack_RH	562759	male	L269	Parcel_Rack_RH	560898	male
L235.A	Parcel_Rack_RH	562758	male	L270	Parcel_Rack_RH	560898	male
L235.B	Parcel_Rack_RH	562759	male	L271	Parcel_Rack_RH	560898	male
L236.A	Parcel_Rack_RH	562758	male	L272	Parcel_Rack_RH	560898	male
L236.B	Parcel_Rack_RH	562759	male	L273	Parcel_Rack_RH	560898	male
L238.A	Parcel_Rack_RH	561248	female	L274	Parcel_Rack_RH	560898	male
L238.B	Parcel_Rack_RH	561248	female	L275	Parcel_Rack_RH	560898	male
L239.A	Parcel_Rack_RH	561248	female	L276	Parcel_Rack_RH	560898	male

CONNECTORS LIST

No	Location	Part #	Gender	No	Location	Part #	Gender
L277	Parcel_Rack_RH	560898	male	Mo28		563691	male
L278	Parcel_Rack_RH	560898	male	Mo30	1st_Lugg_Cmpt	562076	male
L279	Parcel_Rack_RH	560898	male	Mo31		562076	male
L280	Parcel_Rack_RH	560898	male	Mo32	2nd_Lugg_Cmpt	562076	male
L281	Parcel_Rack_RH	560898	male	Mo33		562076	male
L282		561690	male	Mo35	4rd_Lugg_Cmpt	562076	male
L283	Service_Cmpt	562485	male	Mo36	Engine_Cmpt	562076	male
L284	*opt*	562485	male	Mo54	Service_Cmpt	562474	male
L285.A	Rear_Vehicle	562835	female	Pot1.A	Dash	560488	female
L285.B	Rear_Vehicle	562834	male	Pot1.B	Dash	560488	female
L286.A	Rear_Vehicle	562835	female	Pot1.C	Dash	560488	female
L286.B	Rear_Vehicle	562834	male	R-12VISS		561183	male
L290.A	Parcel_Rack_RH	561248	female	R2	RJB	561183	male
L290.B	Parcel_Rack_RH	561248	female	R3	RJB	563409	male
L291.A	Parcel_Rack_RH	561248	female	R4		561183	male
L291.B	Parcel_Rack_RH	561248	female	R5		561183	male
L292.A	Parcel_Rack_RH	562756	male	R6		561183	male
L292.B		562505	female	R10	Evap_Cmpt	563409	male
L313_0_1		562549	male	R11	RJB	561183	male
L350		562350	male	R12	Evap_Cmpt	563409	male
Mo1	Engine_Cmpt	561690	female	R13		561183	male
Mo2	Engine_Cmpt	561782	male	R14	RJB	562367	male
Mo3	Dash	561667	female	R15		561183	male
Mo4	Dash	562076	male	R16	Dash	561183	male
Mo5	Front_Roof	561515	male	R17	RJB	562367	male
Mo7		563691	male	R18	FJB	562367	male
Mo8		563691	male	R19	FJB	562367	male
Mo10.A	Parcel_Rack_LH	561515	male	R20		561183	male
Mo10.B	Parcel_Rack_LH	561247	male	R21		561183	male
Mo11.A	Parcel_Rack_RH	561515	male	R22		561183	male
Mo11.B	Parcel_Rack_RH	561247	male	R23	RH_Console	561183	male
Mo12	Engine_Cmpt	561690	male	R25	RJB	561183	male
Mo13	Engine_Cmpt	561690	female	R26	Cond_Cmpt	561183	male
Mo14	Lavatory	561690	male	R27		561183	male
Mo15	Front_Roof	560900	female	R29		563409	male
Mo16	Front_Roof	560900	female	R30	RJB	561183	male
Mo17	RH_Console	563626	male	R31	RJB	561183	male
Mo19	Fr_Service_Door	562474	male	R32	RJB	561183	male
Mo20	Fr_Service_Door	562474	male	R33	RJB	561183	male
Mo22	RH_Console	561186	male	R34		562367	male
Mo24	RH_Console	562348	female	R41		561183	male
Mo25	RH_Console	562348	female	R42		561183	male
Mo27		563691	male	R43		561183	male

CONNECTORS LIST

No	Location	Part #	Gender	No	Location	Part #	Gender
R44		561183	male	Se31	Engine_Cmpt	561690	female
R45		561183	male	Se32	Rear_Axle_Cmpt	563057	male
R_AMPLI		562367	male	Se33	Rear_Axle_Cmpt	562856	male
R_Flip		561183	male	Se34	Rear_Axle_Cmpt	563057	male
R_Tv		561183	male	Se35	Rear_Axle_Cmpt	563057	male
Res3.A		563590	female	Se36	Rear_Axle_Cmpt	563629	female
Res4		563590	female	Se37		641132	female
Res5		563590	female	Se38		641132	female
Res6		563590	female	Se39		641132	female
Res7.A		563590	female	Se40		641132	female
Res12.A		563590	female	Se43	Engine_Cmpt	563340	male
Res15		561782	male	Se44.A	Above_Rear_Axle	560082	female
RZF1		561183	male	Se44.B	Above_Rear_Axle	560082	female
Se3	RJB	562486	female	Se45	Service_Cmpt	562426	male
Se4	Window_RH	561477	female	Se46	Rear_Axle_Cmpt	562348	female
Se5	Window_RH	561477	female	Se48	Engine_Cmpt	561690	male
Se6	Window_RH	561477	female	Se49	Engine_Cmpt	561690	male
Se7	Window_LH	561477	female	Se50	Engine_Cmpt	561566	female
Se8	Window_LH	561477	female	Se60	Service_Cmpt	563409	male
Se9	Window_LH	561477	female	Se62	WCL_System	561690	male
Se11.A	Cond_Cmpt	560082	female	Se63		641132	female
Se11.B	Cond_Cmpt	560082	female	Se64		641132	female
Se11.C	Cond_Cmpt	560082	female	Se65		564042	female
Se12	Engine_Cmpt	561690	female	Se66		564039	female
Se13		562350	male	Se67		563159	female
Se14.A	Driver_Area	561782	male	Se68		563159	female
Se14.B	Driver_Area	561781	female	Se69		563159	female
Se15	RH_Console	560898	male	So1	Engine_Cmpt	561566	female
Se16	Entrance_Door	561566	female	So3	RH_Console	641385	male
Se17	RH_Console	560900	female	So4	RH_Console	641385	male
Se18.A	Service_Cmpt	560815	female	So5	RH_Console	641385	male
Se18.B	Service_Cmpt	560815	female	So6	RH_Console	641385	male
Se19		563677	male	So7	Service_Cmpt	561566	female
Se19A		563677	male	So8		563204	female
Se20	Evap_Cmpt	562426	male	So9	Engine_Cmpt	561566	female
Se21	Dash	561248	female	So11	Cond_Cmpt	561566	female
Se23	Engine_Cmpt	563159	male	So13	Evap_Cmpt	563204	female
Se24	Engine_Cmpt	563159	male	So14	Service_Cmpt	641385	male
Se25	Passenger_Area	561248	female	So15	Service_Cmpt	641385	male
Se26	Service_Cmpt	561690	female	So16	Service_Cmpt	641385	male
Se27	Front_Axle_Cmpt	561111	female	So17	Service_Cmpt	641385	male
Se29	Engine_Cmpt	561566	female	So20	Service_Cmpt	641385	male
Se30	Engine_Cmpt	561690	female	So21		564046	female

CONNECTORS LIST

No	Location	Part #	Gender	No	Location	Part #	Gender
So22		564046	female	SpkDr_L		563994	male
So23		564046	female	SpkDr_R		563994	male
So24		564046	female	Sub1.A		564004	female
So25		641949	male	Sub2.A		564004	female
So26		562848	male	Sw1.C258	Driver_Area	561188	female
So27		564045	female	Sw1.C259	Driver_Area	561186	male
So28	Engine_Cmpt	561690	male	Sw2	Dash	562763	male
So50		564046	female	Sw3		562763	male
So51		564046	female	Sw4		562763	male
So52		564045	female	Sw6	Dash	562763	male
So53		641385	male	Sw10A		562763	male
Spk1_L		563994	male	Sw11A		562763	male
Spk1_R		563994	male	Sw12		562763	male
Spk2_L		563994	male	Sw13	Dash	562763	male
Spk2_R		563994	male	Sw14		562763	male
Spk3_L		563994	male	Sw16		562763	male
Spk3_R		563994	male	Sw17	Dash	562763	male
Spk4_L		563994	male	Sw18A		562763	male
Spk4_R		563994	male	Sw20		562763	male
Spk5_L		563994	male	Sw21		562763	male
Spk5_R		563994	male	Sw23	Dash	562763	male
Spk6_L		563994	male	Sw24		562763	male
Spk6_R		563994	male	Sw25	Dash	562763	male
Spk7_L		563994	male	Sw26		562763	male
Spk7_R		563994	male	Sw27		562763	male
Spk8_L		563994	male	Sw29		562763	male
Spk8_R		563994	male	Sw30	Engine_Cmpt	561566	female
Spk9_L		563994	male	Sw31.A	WCL_System	562403	female
Spk9_R		563994	male	Sw31.B		562403	female
Spk10_L		563994	male	Sw32	Dash	561477	female
Spk10_R		563994	male	Sw33	Dash	561476	male
Spk11_L		563994	male	Sw34	Outside_Front_RH	562477	male
Spk11_R		563994	male	Sw35		562763	male
Spk12_L		563994	male	Sw38	LH_Console	562763	male
Spk12_R		563994	male	Sw40	LH_Console	561690	male
Spk13_L		563994	male	Sw41	LH_Console	562749	male
Spk13_R		563994	male	Sw42	*opt*	561636	female
Spk14_L		563994	male	Sw43		561690	male
Spk14_R		563994	male	Sw44	Service_Cmpt	562403	female
Spk15_L		563994	male	Sw44.B		562403	female
Spk15_R		563994	male	Sw45		562403	female
Spk16_L		563994	male	Sw45.B		562403	female
Spk16_R		563994	male	Sw46.A		562403	female

CONNECTORS LIST

No	Location	Part #	Gender	No	Location	Part #	Gender
Sw46.B		562403	female	Sw82.D		561457	female
Sw49.A		562403	female	Sw83.A	Dash	560082	female
Sw49.B		562403	female	Sw83.B	Dash	560815	female
Sw50.A		562403	female	Sw83.C	Dash	560082	female
Sw50.B		562403	female	Sw83.D	Dash	560815	female
Sw51.A		562403	female	Sw84		561566	female
Sw51.B		562403	female	Sw85	LH_Console	562749	male
Sw52		562403	female	Sw86	Parcel_Rack_RH	562651	female
Sw52.B		562403	female	Sw87	Parcel_Rack_RH	562651	female
Sw53	Parcel_Rack_LH	562651	female	Sw88	Parcel_Rack_RH	562651	female
Sw54.A		562835	female	Sw89	Parcel_Rack_RH	562651	female
Sw54.B		562834	male	Sw90	Parcel_Rack_RH	562651	female
Sw55.A		560488	female	Sw91	Parcel_Rack_RH	562651	female
Sw55.B		560488	female	Sw92	Parcel_Rack_RH	562651	female
Sw56.A		560488	female	Sw93	Parcel_Rack_RH	562651	female
Sw56.B		560488	female	Sw94.A	WCL_System	560079	female
Sw58	Engine_Cmpt	562581	male	Sw94.B	WCL_System	560079	female
Sw59		561566	female	Sw94.C	WCL_System	560079	female
Sw60		561566	female	Sw95.A		561626	female
Sw63A		562763	male	Sw95.B		561626	female
Sw64.A	Service_Cmpt	560815	female	Sw96.A		561626	female
Sw64.B	Service_Cmpt	560815	female	Sw96.B		561626	female
Sw65	Parcel_Rack_LH	562651	female	Sw97.A	WCL_System	561626	female
Sw66	Parcel_Rack_LH	562651	female	Sw97.B	WCL_System	561626	female
Sw67	Parcel_Rack_LH	562651	female	Sw98.A	WCL_System	561626	female
Sw68	Parcel_Rack_LH	562651	female	Sw98.B	WCL_System	561626	female
Sw69	Parcel_Rack_LH	562651	female	Sw100A		562763	male
Sw70	Parcel_Rack_LH	562651	female	Sw103		562957	male
Sw71	Parcel_Rack_LH	562651	female	Sw109.A		560079	female
Sw72	Parcel_Rack_LH	562651	female	Sw109.B		560079	female
Sw73	Parcel_Rack_RH	562651	female	Sw110.A		560079	female
Sw74	Parcel_Rack_RH	562651	female	Sw110.B		560079	female
Sw75	Parcel_Rack_RH	562651	female	Sw114.A		560079	female
Sw76	Parcel_Rack_RH	562651	female	Sw114.B		560079	female
Sw77	Parcel_Rack_RH	562651	female	Sw115.A		560079	female
Sw78	Parcel_Rack_RH	562651	female	Sw115.B		560079	female
Sw79	Parcel_Rack_RH	562651	female	Sw123		561566	female
Sw80	Parcel_Rack_RH	562651	female	Sw125.A	Service_Cmpt	561457	female
Sw81.A	Dash	562905	male	Sw125.B	Service_Cmpt	561457	female
Sw81.B	Dash	562905	male	Sw135.A		562119	female
Sw82.A		561457	female	Sw135.B		562119	female
Sw82.B		561457	female	Sw152.A		562471	male
Sw82.C		561457	female	Sw313.A		562119	female

CONNECTORS LIST

No	Location	Part #	Gender				
Sw313.B		562119	female				
sym1_136		560999	male				
sym2_136		560999	male				
sym4_136		560999	male				
sym5_136		560999	male				
sym6_136		560999	male				
sym7_136		560999	male				
VECF1	FJB	563186	male				
VECF2	FJB	563183	male				
VECF3	FJB	563185	male				
VECF4	FJB	563182	male				
VECF9		563448	male				
VECF10	FJB	563181	male				
VECF11	FJB	563184	male				
VECF12	FJB	563187	male				
VECR1	RJB	563186	male				
VECR2	RJB	563183	male				
VECR3	RJB	563185	male				
VECR4	RJB	563182	male				
VECR9	RJB	563448	male				
VECR10	RJB	563181	male				
VECR11	RJB	563184	male				
VECR12	RJB	563187	male				

CONNECTORS LIST

No	Location	Part #	Gender	No	Location	Part #	Gender
<Invalid>	Parcel_Rack_RH	561550	male	A24.A	RH_Console	561890	male
<Invalid>	Parcel_Rack_RH	561667	female	A24.B	RH_Console	561566	female
<Invalid>_0_1	Parcel_Rack_LH	561515	male	A25		563025	male
<Invalid>_0_1	Parcel_Rack_LH	561552	female	A27	Service_Cmpt	562929	male
<Invalid>_0_2		563226	male	A28	Service_Cmpt	562928	male
<Invalid>_0_2		563613	female	A29		562464	male
<Invalid>_0_3		563226	male	A33.A		564004	female
<Invalid>_0_3		563613	female	A33.B		562330	male
A1		563975	male	A36.JA		562767	male
A2		563984	male	A36.JB		562765	male
A3	Dash	562363	male	A36.JC		562957	male
A4.A	Service_Cmpt	562428	female	A39.P101		563201	male
A4.B	Service_Cmpt	561188	female	A39.P901		563953	male
A5	Service_Cmpt	562428	female	A41.J1	FJB	562767	male
A6		562427	male	A41.J2	FJB	563132	male
A7		563979	male	A41.J3	FJB	562957	male
A9.Cx1		564041	female	A42.J1	FJB	562767	male
A9.Cx2		563678	male	A42.J2	FJB	563132	male
A9.Cx3		564037	female	A42.J3	FJB	562957	male
A9.Cx4		564038	female	A43.J1	FJB	562767	male
A10.X1	Engine_Cmpt	563135	male	A43.J2	FJB	563132	male
A10.X3	Engine_Cmpt	563134	female	A43.J3	FJB	562957	male
A11	LH_Console	563142	male	A44.J1		563133	male
A12	Dash	562464	male	A44.J2		563132	male
A13.J1	FJB	562794	male	A44.J3		562957	male
A13.J2	FJB	562650	male	A45.J1	FJB	563133	male
A14.CX	Dash	562957	male	A45.J2	FJB	563132	male
A14.CY	Dash	562765	male	A45.J3	FJB	562957	male
A14.LX	Dash	562766	male	A46.J1	FJB	563133	male
A14.LY	Dash	562767	male	A46.J2	FJB	563132	male
A14.RX	Dash	562767	male	A46.J3	FJB	562957	male
A15	Dash	562464	male	A47.J1	RH_Console	563133	male
A16	Front_Roof	561637	male	A47.J2	RH_Console	563132	male
A17	RJB	561932	male	A47.J3	RH_Console	562957	male
A18	FJB	562794	male	A48.J1	RH_Console	563133	male
A18.J2	FJB	562650	male	A48.J2	RH_Console	563132	male
A19	LH_Console	562878	female	A48.J3	RH_Console	562957	male
A20	Parcel_Rack_LH	561477	female	A49.J1	RJB	562767	male
A21	Rear_Axle_Cmpt	kostalF	female	A49.J2	RJB	563132	male
A22	LH_Console	563338	male	A49.J3	RJB	562957	male
A23.A		563678	male	A50.J1	RJB	563133	male
A23.B		563953	male	A50.J2	RJB	563132	male
A24	RH_Console	561889	female	A50.J3	RJB	562957	male

CONNECTORS LIST

No	Location	Part #	Gender	No	Location	Part #	Gender
A51.J1	RJB	563133	male	A69.G		561716	female
A51.J2	RJB	563132	male	A69.H		561716	female
A51.J3	RJB	562957	male	A70		564011	male
A52.J1	RJB	563133	male	A70a		564011	male
A52.J2	RJB	563132	male	A71.A		562464	male
A52.J3	RJB	562957	male	A71.B		562706	female
A53.J1	RJB	563133	male	A71.C		562706	female
A53.J2	RJB	563132	male	A71.D		562706	female
A53.J3	RJB	562957	male	A72.J1		563675	male
A54.J1	Evap_Cmpt	563133	male	A72.J2		563678	male
A54.J2	Evap_Cmpt	563132	male	A72.J3		563679	male
A54.J3	Evap_Cmpt	562957	male	A72.J4		563680	male
A55.J1		562767	male	A73.J1		563681	male
A55.J2		563132	male	A73.J2		563684	male
A55.J3		562957	male	A74		563207	male
A60.A		562464	male	A84		562583	female
A60.B		562706	female	A85.A		561636	female
A60.C		562706	female	A85.B		562581	male
A60.D		562706	female	A86		562477	male
A61.A		562464	male	A87		562477	male
A61.B		562465	male	A88		562767	male
A63.A		563960	male	A90.A		563960	male
A63.B		563962	male	A90.B		563962	male
A63.C		564009	male	A90.C		564009	male
A63.D		563961	male	A90.D		563961	male
A64		563954	male	A91.A		563960	male
A65		562465	male	A91.B		563962	male
A66		561183	male	A91.C		564009	male
A67.Vsa		563948	male	A91.D		563961	male
A67.Vsb		563950	male	A96		564073	female
A67.Vsc		563947	male	A97		563226	male
A67.Vsd		563949	male	A100		563758	female
A67.Vse		563951	male	A101		563758	female
A68.A		563960	male	A102		563758	female
A68.B		563962	male	A103		562070	female
A68.C		564009	male	A130		563226	male
A68.D		563961	male	A131.A		561782	male
A69.A		563071	male	A131.B		561781	female
A69.B		561716	female	Alt1.A	Engine_Cmpt	563746	female
A69.C		561716	female	Alt1.B	Engine_Cmpt	560815	female
A69.D		561716	female	Alt1.C	Engine_Cmpt	562862	female
A69.E		561716	female	Alt1D.A		563746	female
A69.F		561716	female	Alt1D.B		560815	female

CONNECTORS LIST

No	Location	Part #	Gender	No	Location	Part #	Gender
Alt1D.C		564469	female	C16	RJB	561577	male
Alt2.A	Engine_Cmpt	563746	female	C16	RJB	561605	female
Alt2.B	Engine_Cmpt	560815	female	C17	RJB	561986	male
Alt2.C	Engine_Cmpt	562862	female	C17	RJB	561987	female
Alt2D.A		563746	female	C18	FJB	561986	male
Alt2D.B		560815	female	C18	FJB	561987	female
Alt2D.C		564469	female	C19	RJB	561986	male
C1	FJB	563589	male	C19	RJB	561987	female
C1	FJB	563590	female	C21A	RJB	561646	male
C1S	FJB	563589	male	C21A	RJB	561645	female
C1S	FJB	563590	female	C21B	RJB	561646	male
C2	Service_Cmpt	563580	male	C21B	RJB	561645	female
C2	Service_Cmpt	563581	female	C22		563589	male
C3	RJB	563589	male	C22		563590	female
C3	RJB	563590	female	C24_plug	Evap_Cmpt	561690	male
C3S	RJB	563593	male	C24_socket	Evap_Cmpt	561566	female
C3S	RJB	563590	female	C25		561550	male
C4	FJB	563580	male	C25		561667	female
C4	FJB	563581	female	C26		563227	male
C5	FJB	563589	male	C26		563614	female
C5	FJB	563590	female	C29	4rd_Lugg_Cmpt	563651	male
C5S	FJB	563589	male	C29	4rd_Lugg_Cmpt	563652	female
C5S	FJB	563590	female	C30	4rd_Lugg_Cmpt	561710	male
C6	FJB	563582	male	C30	4rd_Lugg_Cmpt	561709	female
C6	FJB	563583	female	C31	RJB	561669	male
C7		563589	female	C31	RJB	561670	female
C7		563590	female	C34	RH_Console	561986	male
C8		563589	female	C34	RH_Console	561987	female
C8		563590	female	C35	RJB	561646	male
C9	RJB	561986	male	C35	RJB	561645	female
C9	RJB	561987	female	C36.A	Engine_Cmpt	561701	female
C10		562477	male	C36.B	Engine_Cmpt	561701	female
C10		562479	female	C36.C	Engine_Cmpt	561701	female
C11	Service_Cmpt	563580	male	C37	Parcel_Rack_LH	562557	male
C11	Service_Cmpt	563581	female	C37	Parcel_Rack_LH	562558	female
C13S	RH_Console	563589	male	C38	Parcel_Rack_RH	561643	male
C13S	RH_Console	563590	female	C38	Parcel_Rack_RH	561642	female
C13_plug	RH_Console	563589	male	C39		562503	male
C13_socket	RH_Console	563590	female	C39		562507	female
C14	RJB	561986	male	C40	Dash	562485	male
C14	RJB	561987	female	C40	Dash	562486	female
C15	RJB	561643	male	C41	RJB	561690	male
C15	RJB	561642	female	C41	RJB	561566	female

CONNECTORS LIST

No	Location	Part #	Gender	No	Location	Part #	Gender
C44_plug	FJB	561577	male	C72	FJB	561645	female
C44_socket	FJB	561605	female	C74	FJB	561645	female
C45	FJB	561643	male	C74	FJB	561646	male
C45	FJB	561642	female	C75_plug	Parcel_Rack_RH	562557	male
C46	Service_Cmpt	561577	male	C75_socket	Parcel_Rack_RH	562558	female
C46	Service_Cmpt	561605	female	C78	Engine_Cmpt	561690	male
C48	Service_Cmpt	561690	male	C78	Engine_Cmpt	561566	female
C48	Service_Cmpt	561566	female	C81	1st_Lugg_Cmpt	562477	male
C49		562005	male	C81	1st_Lugg_Cmpt	562479	female
C49		561714	female	C82	1st_Lugg_Cmpt	562477	male
C50	Engine_Cmpt	561932	male	C82	1st_Lugg_Cmpt	562479	female
C50	Engine_Cmpt	560933	female	C83	2nd_Lugg_Cmpt	562477	male
C52		563735	male	C83	2nd_Lugg_Cmpt	562479	female
C54		563804	male	C84	2nd_Lugg_Cmpt	562477	male
C55	Evap_Cmpt	561577	male	C84	2nd_Lugg_Cmpt	562479	female
C55	Evap_Cmpt	561605	female	C85	4rd_Lugg_Cmpt	562477	male
C56	Parcel_Rack_LH	562557	male	C85	2nd_Lugg_Cmpt	562479	female
C56	Parcel_Rack_LH	562558	female	C86	4rd_Lugg_Cmpt	562581	male
C57	Parcel_Rack_RH	562557	male	C86	4rd_Lugg_Cmpt	562583	female
C57	Parcel_Rack_RH	562558	female	C87	Engine_Cmpt	562581	male
C58	RJB	561640	male	C87	Engine_Cmpt	562583	female
C58	RJB	561639	female	C91	RJB	562285	male
C59	RJB	561643	male	C91	RJB	563671	female
C59	RJB	561642	female	C92		561734	male
C60	RJB	561986	male	C92		561735	female
C60	RJB	561987	female	C96		561643	male
C61	Fr_Service_Door	561669	male	C96		561642	female
C61	Fr_Service_Door	561670	female	C97		561583	male
C62	Fr_Service_Door	562566	male	C97		561585	female
C62	Fr_Service_Door	562565	female	C101	Service_Cmpt	561690	male
C63	Entrance_Door	562477	male	C101	Service_Cmpt	561566	female
C63	Entrance_Door	562479	female	C102		561690	male
C66	Engine_Cmpt	561577	male	C102		561566	female
C66	Engine_Cmpt	561605	female	C103		562485	male
C67	Parcel_Rack_LH	561247	male	C103		562486	female
C67	Parcel_Rack_LH	561248	female	C105		562581	male
C69		561583	male	C105		562583	female
C69		561585	female	C106_plug		562581	male
C70		562557	male	C106_socket		562583	female
C70		562558	female	C119	Rear_Engine_Door	561607	male
C71	FJB	561646	male	C119	Rear_Engine_Door	561606	female
C71	FJB	561645	female	C120	Rear_Engine_Door	561607	male
C72	FJB	561646	male	C120	Rear_Engine_Door	561606	female

CONNECTORS LIST

No	Location	Part #	Gender	No	Location	Part #	Gender
C144	RJB	560852	male	C269	RHConsole	563091	female
C144	RJB	560851	female	C279	Service_Cmpt	562477	male
C153	Rear_Axle_Cmpt	561611	male	C279	Service_Cmpt	562479	female
C153	Rear_Axle_Cmpt	561610	female	C279A		561782	male
C170		561637	male	C279A		561781	female
C170		561636	female	C284		561782	male
C171	LH_Console	561646	male	C284		561781	female
C171	LH_Console	561645	female	C284-1		561782	male
C172	Service_Cmpt	561640	male	C284-1		561781	female
C172	Service_Cmpt	561638	female	C284-2		561782	male
C193		563589	male	C284-2		561781	female
C193		563590	female	C284-3		561782	male
C194		563589	male	C284-3		561781	female
C194		563590	female	C284-4		561782	male
C200		562471	male	C284-4		561781	female
C200		562348	female	C284-5		561782	male
C206		562503	male	C284-5		561781	female
C206		562507	female	C290	Rear_Vehicle	562477	male
C207		562503	male	C290	Rear_Vehicle	562479	female
C207		562507	female	C298		561782	male
C209_plug		562503	male	C298		561781	female
C209_socket		562507	female	C298A		561782	male
C211	Parcel_Rack_RH	561515	male	C298A		561781	female
C211	Parcel_Rack_RH	561552	female	C298B		561782	male
C213	Parcel_Rack_LH	561515	male	C298B		561781	female
C213	Parcel_Rack_LH	561552	female	C300		563618	male
C222	FJB	562477	male	C300		563616	female
C222		562479	female	C302		563071	male
C223	FJB	563227	male	C302		563040	female
C223	FJB	563614	female	C328	Lavatory	561247	male
C224	FJB	561637	male	C328	Lavatory	561248	female
C224	FJB	561636	female	C380	Dash	563180	male
C225	FJB	562650	male	C380	Dash	563347	female
C225	FJB	562649	female	C381		561847	male
C230	Engine_Cmpt	562485	male	C381		561862	female
C230	Engine_Cmpt	562486	female	C382		561580	male
C242	Service_Cmpt	562789	male	C382		561582	female
C242	Service_Cmpt	565131	female	C397	RJB	562285	male
C243	Service_Cmpt	562789	male	C397	RJB	563671	female
C243	Service_Cmpt	565131	female	C398	Engine_Cmpt	563226	male
C246	Service_Cmpt	563090	male	C398	Engine_Cmpt	563613	female
C246	Service_Cmpt	563091	female	C426	Engine_Cmpt	561782	male
C269	RHConsole	563090	male	C426	Engine_Cmpt	561781	female

CONNECTORS LIST

No	Location	Part #	Gender	No	Location	Part #	Gender
C430	LH_Console	562363	male	C611_socket	Parcel_Rack_RH	562558	female
C430	LH_Console	561188	female	C612_plug	Parcel_Rack_RH	562555	male
C452		561580	male	C612_socket	Parcel_Rack_RH	562556	female
C452		561582	female	C614		563071	male
C463	Rear_Axle_Cmpt	562570	female	C614		563040	female
C463	Rear_Axle_Cmpt	562571	male	C615		563071	male
C464	RJB	563180	male	C615		563040	female
C464	RJB	563347	female	C617		563801	male
C465		562581	male	C617		563800	female
C465		562583	female	C618		563801	male
C506	FJB	561687	male	C618		563800	female
C506	FJB	561685	female	C717	RJB	561646	male
C542		561550	male	C717	RJB	561645	female
C542		561667	female	C720	Engine_Cmpt	563358	male
C558		562503	male	C720	Engine_Cmpt	563359	female
C558		562507	female	C721	RJB	561515	male
C564		562503	male	C721	RJB	561552	female
C564		562507	female	C723	Rear_Axle_Cmpt	562877	female
C564-Sp		562503	male	C723	Rear_Axle_Cmpt	562884	female
C564-Sp		562507	female	C750		562707	male
C566		562503	male	C750		562706	female
C566		562507	female	C751		562707	male
C567		562503	male	C751		562706	female
C567		562507	female	C752		562707	male
C575	Parcel_Rack_RH	562503	male	C752		562706	female
C575	Parcel_Rack_RH	562507	female	C753		562707	male
C576	Parcel_Rack_RH	561550	male	C753		562706	female
C576	Parcel_Rack_RH	561667	female	C754		562707	male
C577	Parcel_Rack_LH	561550	male	C754		562706	female
C577	Parcel_Rack_LH	561667	female	C755		562707	male
C578	Parcel_Rack_LH	562503	male	C755		562706	female
C578	Parcel_Rack_LH	562507	female	C758		562707	male
C582	FJB	561690	female	C758		562706	female
C582	FJB	561566	female	C759		562707	male
C589	Service_Cmpt	563088	male	C759		562706	female
C589	Service_Cmpt	563089	female	C760		562707	male
C590	RHConsole	563088	male	C760		562706	female
C590	RHConsole	563089	female	C761		562707	male
C601	LHRoofWinAjar	561476	male	C761		562706	female
C601	LHRoofWinAjar	561477	female	C762		562707	male
C603	RHRoofWinAjar	561476	male	C762		562706	female
C603	RHRoofWinAjar	561477	female	C763		562707	male
C611_plug	Parcel_Rack_RH	562557	male	C763		562706	female

CONNECTORS LIST

No	Location	Part #	Gender	No	Location	Part #	Gender
C764		562707	male	L5.B	Parcel_Rack_RH	562759	male
C764		562706	female	L6.A	Parcel_Rack_RH	562758	male
C765		562707	male	L6.B	Parcel_Rack_RH	562759	male
C765		562706	female	L7.A	Parcel_Rack_RH	562758	male
C766		561662	male	L7.B	Parcel_Rack_RH	562759	male
C766		561661	female	L8.A	Parcel_Rack_RH	562758	male
C777		562477	male	L8.B	Parcel_Rack_RH	562759	male
C777		562479	female	L9.A	Parcel_Rack_LH	562758	male
C800		561550	male	L9.B	Parcel_Rack_LH	562759	male
C800		561667	female	L10.A	Parcel_Rack_LH	562758	male
CL1		562485	male	L10.B	Parcel_Rack_LH	562759	male
CL1		562486	female	L11.A	Parcel_Rack_LH	562758	male
CP1		561781	female	L11.B	Parcel_Rack_LH	562759	male
CP1_0_1		561782	male	L12.A	Parcel_Rack_LH	562758	male
CP2		561782	male	L12.B	Parcel_Rack_LH	562759	male
CP2		561781	female	L13.A	Parcel_Rack_LH	562758	male
CPL1		561782	male	L13.B	Parcel_Rack_LH	562759	male
CPL1		561781	female	L14.A	Parcel_Rack_LH	562758	male
CPL2		561782	male	L14.B	Parcel_Rack_LH	562759	male
CPL2		561781	female	L15.A	Parcel_Rack_LH	562758	male
CPR2		561782	male	L15.B	Parcel_Rack_LH	562759	male
CPR2		561781	female	L16	Front_Roof	562803	male
CSX1	Engine_Cmpt	563135	male	L17	Front_Roof	562803	male
CSX1	Engine_Cmpt	563134	female	L18.A		561626	female
CSX3	Engine_Cmpt	563135	male	L18.B		561626	female
CSX3	Engine_Cmpt	563134	female	L19.A		561626	female
CT2	Engine_Cmpt	563226	male	L19.B		561626	female
CT2	Engine_Cmpt	563613	female	L20.A		561626	female
CT3	Rear_Vehicle	563224	male	L20.B		561626	female
CVSA_plug		562503	male	L21.A	Front_Roof	561608	female
CVSA_socket		562507	female	L21.B	Front_Roof	562286	male
EI		563739	male	L22.A	Front_Roof	561608	female
FUSE_BOX_1.A		562610	male	L22.B	Front_Roof	562286	male
FUSE_BOX_1.B		562610	male	L23.A	Front_Roof	561608	female
FUSE_BOX_2.A		562610	male	L23.B	Front_Roof	562286	male
FUSE_BOX_2.B		562610	male	L24.A	Front_Roof	561608	female
JACK_1		560999	male	L24.B	Front_Roof	562286	male
L1A		564045	female	L25.A	Front_Roof	561608	female
L3.A	Parcel_Rack_RH	562758	male	L25.B	Front_Roof	562286	male
L3.B	Parcel_Rack_RH	562759	male	L26.A	Front_Roof	561608	female
L4.A	Parcel_Rack_RH	562758	male	L26.B	Front_Roof	562286	male
L4.B	Parcel_Rack_RH	562759	male	L27.A	Front_Roof	561608	female
L5.A	Parcel_Rack_RH	562758	male	L27.B	Front_Roof	562286	male

CONNECTORS LIST

No	Location	Part #	Gender	No	Location	Part #	Gender
L28	Parcel_Rack_LH	560898	male	L69	4rd_Lugg_Cmpt	562155	male
L29	Parcel_Rack_LH	560898	male	L70	4rd_Lugg_Cmpt	562155	male
L30	Parcel_Rack_LH	560898	male	L71	Rear_Engine_Door	562601	male
L31	Parcel_Rack_LH	560898	male	L72	Rear_Vehicle	562155	male
L32	Parcel_Rack_LH	560898	male	L73	Rear_Vehicle	562601	male
L33	Parcel_Rack_LH	560898	male	L74	Rear_Vehicle	562155	male
L34	Parcel_Rack_LH	560898	male	L75	Rear_Vehicle	562155	male
L35	Parcel_Rack_LH	560898	male	L76	Rear_Engine_Door	562155	male
L36	Parcel_Rack_LH	560898	male	L77	Rear_Engine_Door	562601	male
L37	Parcel_Rack_LH	560898	male	L78	Rear_Engine_Door	562601	male
L38	Parcel_Rack_LH	560898	male	L79	Rear_Engine_Door	562601	male
L39	Parcel_Rack_LH	560898	male	L81.A	Rear_Vehicle	562835	female
L40	Parcel_Rack_RH	560898	male	L81.B	Rear_Vehicle	562834	male
L41	Parcel_Rack_RH	560898	male	L82	Rear_Engine_Door	562348	female
L42	Parcel_Rack_RH	560898	male	L83	Rear_Engine_Door	562348	female
L43	Parcel_Rack_RH	560898	male	L84.A	Rear_Roof	561608	female
L44	Parcel_Rack_RH	560898	male	L84.B	Rear_Roof	562286	male
L45	Parcel_Rack_RH	560898	male	L85.A	Rear_Roof	561608	female
L46	Parcel_Rack_RH	560898	male	L85.B	Rear_Roof	562286	male
L47	Parcel_Rack_RH	560898	male	L86.A	Rear_Roof	561608	female
L48	Parcel_Rack_RH	560898	male	L86.B	Rear_Roof	562286	male
L49	Parcel_Rack_RH	560898	male	L87.A	Rear_Roof	561608	female
L50	Parcel_Rack_RH	560898	male	L87.B	Rear_Roof	562286	male
L51	Parcel_Rack_RH	560898	male	L88.A	Rear_Roof	561608	female
L52		560898	male	L88.B	Rear_Roof	562286	male
L53	Passenger_Area	560898	male	L89.A	Rear_Roof	561608	female
L54	Passenger_Area	560898	male	L89.B	Rear_Roof	562286	male
L55	Passenger_Area	560898	male	L90.A	Rear_Roof	561608	female
L56	Passenger_Area	560898	male	L90.B	Rear_Roof	562286	male
L57	Passenger_Area	560898	male	L91	Rear_Engine_Door	562755	male
L58	Passenger_Area	560898	male	L92	Rear_Engine_Door	562755	male
L59.A	Outside_Front_RH	562623	male	L93.A	Rear_Axle_Cmpt	563069	female
L59.B	Outside_Front_RH	562623	male	L93.B	Rear_Axle_Cmpt	563069	female
L60.A	Outside_Front_LH	562623	male	L94.A	Rear_Axle_Cmpt	563069	female
L60.B	Outside_Front_LH	562623	male	L94.B	Rear_Axle_Cmpt	563069	female
L61	Outside_Front_RH	562601	male	L95	Outside_Front_LH	562902	female
L62	Outside_Front_LH	562601	male	L96	Outside_Front_RH	562902	female
L63	Outside_Front_RH	562155	male	L97.A	Outside_Front_LH	563069	female
L64	Outside_Front_RH	562155	male	L97.B	Outside_Front_LH	563069	female
L65	Outside_Front_LH	562155	male	L98.A	Entrance_Door	563069	female
L66	Outside_Front_LH	562155	male	L98.B	Outside_Front_RH	563069	female
L67	4rd_Lugg_Cmpt	562155	male	L99	Parcel_Rack_LH	560898	male
L68	4rd_Lugg_Cmpt	562155	male	L100	Parcel_Rack_LH	560898	male

CONNECTORS LIST

No	Location	Part #	Gender	No	Location	Part #	Gender
L101	Parcel_Rack_LH	560898	male	L145.A	Parcel_Rack_LH	562756	male
L102	Parcel_Rack_LH	560898	male	L146.A	Parcel_Rack_LH	562756	male
L103	Parcel_Rack_LH	560898	male	L147.A	Parcel_Rack_LH	562756	male
L104	Parcel_Rack_LH	560898	male	L148.A	Parcel_Rack_LH	562756	male
L105	Parcel_Rack_LH	560898	male	L149.A	Parcel_Rack_LH	562756	male
L106	Parcel_Rack_LH	560898	male	L150.A	Parcel_Rack_LH	562756	male
L107	Parcel_Rack_LH	560898	male	L151.A	Parcel_Rack_LH	562756	male
L108	Parcel_Rack_LH	560898	male	L152.A	Parcel_Rack_LH	562756	male
L109	Parcel_Rack_LH	560898	male	L153.A	Parcel_Rack_LH	562756	male
L110	Parcel_Rack_LH	560898	male	L154.A	Parcel_Rack_LH	562756	male
L111	Parcel_Rack_LH	560898	male	L155.A	Parcel_Rack_LH	562756	male
L112	Parcel_Rack_LH	560898	male	L156.A	Parcel_Rack_LH	562756	male
L113	Parcel_Rack_RH	560898	male	L157.A	Parcel_Rack_LH	562756	male
L114	Parcel_Rack_RH	560898	male	L158.A	Parcel_Rack_LH	562756	male
L115	Parcel_Rack_RH	560898	male	L159.A	Parcel_Rack_RH	562756	male
L116	Parcel_Rack_RH	560898	male	L160.A	Parcel_Rack_RH	562756	male
L117	Parcel_Rack_RH	560898	male	L161.A	Parcel_Rack_RH	562756	male
L118	Parcel_Rack_RH	560898	male	L162.A	Parcel_Rack_RH	562756	male
L119	Parcel_Rack_RH	560898	male	L163.A	Parcel_Rack_RH	562756	male
L120	Parcel_Rack_RH	560898	male	L164.A	Parcel_Rack_RH	562756	male
L121	Parcel_Rack_RH	560898	male	L165.A	Parcel_Rack_RH	562756	male
L122	Parcel_Rack_RH	560898	male	L166.A	Parcel_Rack_RH	562756	male
L123	Parcel_Rack_RH	560898	male	L167.A	Parcel_Rack_RH	562756	male
L124	Parcel_Rack_RH	560898	male	L168.A	Parcel_Rack_RH	562756	male
L125	Parcel_Rack_RH	560898	male	L169.A	Parcel_Rack_RH	562756	male
L126	Parcel_Rack_RH	560898	male	L170.A	Parcel_Rack_RH	562756	male
L127	Parcel_Rack_RH	562758	male	L171.A	Parcel_Rack_RH	562756	male
L128	Parcel_Rack_RH	562758	male	L172.A	Parcel_Rack_RH	562756	male
L129	Parcel_Rack_RH	562758	male	L173	Engine_Cmpt	563268	male
L130	Parcel_Rack_RH	562758	male	L174	Engine_Cmpt	563268	male
L131	Parcel_Rack_RH	562758	male	L175	RJB	561247	male
L132	Parcel_Rack_RH	562758	male	L176	4rd_Lugg_Cmpt	561247	male
L134	Parcel_Rack_LH	562758	male	L177	4rd_Lugg_Cmpt	561247	male
L135	Parcel_Rack_LH	562758	male	L180	2nd_Lugg_Cmpt	561247	male
L136	Parcel_Rack_LH	562758	male	L181	2nd_Lugg_Cmpt	561247	male
L137	Parcel_Rack_LH	562758	male	L182	1st_Lugg_Cmpt	561247	male
L138	Parcel_Rack_LH	562758	male	L183	1st_Lugg_Cmpt	561247	male
L139	Parcel_Rack_LH	562758	male	L184	Service_Cmpt	561247	male
L140	Lavatory	561247	male	L185.A		562651	female
L141	Lavatory	560898	male	L185.B		562290	female
L142	Lavatory	562803	male	L187	Engine_Cmpt	561690	male
L142A	Lavatory	562803	male	L188	Service_Cmpt	562486	female
L144.A	Parcel_Rack_LH	562756	male	L189	Outside_Front_RH	562069	male

CONNECTORS LIST

No	Location	Part #	Gender	No	Location	Part #	Gender
L190	Outside_Front_LH	562069	male	L222.B	Parcel_Rack_LH	561248	female
L192	Parcel_Rack_LH	560898	male	L223.A	Parcel_Rack_LH	561248	female
L193.A	Dash	560488	female	L223.B	Parcel_Rack_LH	561248	female
L193.B	Dash	560488	female	L224.A	Parcel_Rack_LH	561248	female
L194.A	Dash	562019	female	L224.B	Parcel_Rack_LH	561248	female
L194.B	Dash	560488	female	L225.A	Parcel_Rack_LH	561248	female
L195.A	Dash	560488	female	L225.B	Parcel_Rack_LH	561248	female
L195.B	Dash	560488	female	L226	Parcel_Rack_RH	562758	male
L199	Engine_Cmpt	562471	male	L227	Parcel_Rack_RH	562758	male
L200	Engine_Cmpt	562471	male	L228	Parcel_Rack_RH	562758	male
L203	RH_Console	561690	male	L229	Parcel_Rack_RH	562758	male
L205	Engine_Cmpt	562485	male	L230	Parcel_Rack_RH	562758	male
L206	Parcel_Rack_RH	562803	male	L231	Parcel_Rack_RH	562758	male
L207.A	4rd_Lugg_Cmpt	561699	female	L232.A	Parcel_Rack_RH	562758	male
L207.B	*opt*	561699	female	L232.B	Parcel_Rack_RH	562759	male
L207.C	*opt*	561701	female	L233.A	Parcel_Rack_RH	562758	male
L207.D	*opt*	561699	female	L233.B	Parcel_Rack_RH	562759	male
L207.E	*opt*	561701	female	L234.A	Parcel_Rack_RH	562758	male
L207.F	*opt*	561699	female	L234.B	Parcel_Rack_RH	562759	male
L207.G	*opt*	561699	female	L235.A	Parcel_Rack_RH	562758	male
L207.H	*opt*	560926	female	L235.B	Parcel_Rack_RH	562759	male
L207.I	*opt*	560926	female	L236.A	Parcel_Rack_RH	562758	male
L208	Outside_Front_LH	563088	male	L236.B	Parcel_Rack_RH	562759	male
L209	Outside_Front_RH	563088	male	L238.A	Parcel_Rack_RH	561248	female
L213.A	Parcel_Rack_RH	561248	female	L238.B	Parcel_Rack_RH	561248	female
L213.B	Parcel_Rack_RH	561248	female	L239.A	Parcel_Rack_RH	561248	female
L214.A	Parcel_Rack_RH	561248	female	L239.B	Parcel_Rack_RH	561248	female
L214.B	Parcel_Rack_RH	561248	female	L240.A	Parcel_Rack_RH	561248	female
L215.A	Parcel_Rack_RH	561248	female	L240.B	Parcel_Rack_RH	561248	female
L215.B	Parcel_Rack_RH	561248	female	L241.A	Parcel_Rack_RH	561248	female
L216.A	Parcel_Rack_RH	561248	female	L241.B	Parcel_Rack_RH	561248	female
L216.B	Parcel_Rack_RH	561248	female	L242.A	Parcel_Rack_RH	561248	female
L217.A	Parcel_Rack_RH	561248	female	L242.B	Parcel_Rack_RH	561248	female
L217.B	Parcel_Rack_RH	561248	female	L244.A	Parcel_Rack_RH	562756	male
L218.A	Outside_Front_RH	561248	female	L245.A	Parcel_Rack_RH	562756	male
L218.B	Parcel_Rack_RH	561248	female	L246.A	Parcel_Rack_RH	562756	male
L219.A	Parcel_Rack_LH	561248	female	L247.A	Parcel_Rack_RH	562756	male
L219.B	Parcel_Rack_LH	561248	female	L248.A	Parcel_Rack_RH	562756	male
L220.A	Parcel_Rack_LH	561248	female	L248.B		562505	female
L220.B	Parcel_Rack_LH	561248	female	L249.A	Parcel_Rack_RH	562756	male
L221.A	Parcel_Rack_LH	561248	female	L249.B		562505	female
L221.B	Parcel_Rack_LH	561248	female	L250.A	Parcel_Rack_RH	562756	male
L222.A	Parcel_Rack_LH	561248	female	L251.A	Parcel_Rack_RH	562756	male

CONNECTORS LIST

No	Location	Part #	Gender	No	Location	Part #	Gender
L252.A	Parcel_Rack_RH	562756	male	L292.B		562505	female
L253.A	Parcel_Rack_RH	562756	male	L313		562549	male
L254.A	Parcel_Rack_RH	562756	male	L350		562350	male
L255.A	Parcel_Rack_RH	562756	male	Mo1	Engine_Cmpt	561690	female
L256.A	Parcel_Rack_RH	562756	male	Mo2	Engine_Cmpt	561782	male
L257.A	Parcel_Rack_RH	562756	male	Mo3	Dash	561667	female
L258	Parcel_Rack_RH	560898	male	Mo4	Dash	562076	male
L259	Parcel_Rack_RH	560898	male	Mo5	Front_Roof	561515	male
L260	Parcel_Rack_RH	560898	male	Mo7		563691	male
L261	Parcel_Rack_RH	560898	male	Mo8		563691	male
L262	Parcel_Rack_RH	560898	male	Mo10.A	Parcel_Rack_LH	561515	male
L263	Parcel_Rack_RH	560898	male	Mo10.B	Parcel_Rack_LH	561247	male
L264	Parcel_Rack_RH	560898	male	Mo11.A	Parcel_Rack_RH	561515	male
L265.A	Parcel_Rack_RH	561248	female	Mo11.B	Parcel_Rack_RH	561247	male
L265.B	Parcel_Rack_RH	561248	female	Mo12	Engine_Cmpt	561690	male
L266	Parcel_Rack_RH	560898	male	Mo13	Engine_Cmpt	561690	female
L267	Parcel_Rack_RH	560898	male	Mo14	Lavatory	561690	male
L268	Parcel_Rack_RH	560898	male	Mo15	Front_Roof	560900	female
L269	Parcel_Rack_RH	560898	male	Mo16	Front_Roof	560900	female
L270	Parcel_Rack_RH	560898	male	Mo17	RH_Console	563626	male
L271	Parcel_Rack_RH	560898	male	Mo19	Fr_Service_Door	562474	male
L272	Parcel_Rack_RH	560898	male	Mo20	Fr_Service_Door	562474	male
L273	Parcel_Rack_RH	560898	male	Mo22	RH_Console	561186	male
L274	Parcel_Rack_RH	560898	male	Mo24	RH_Console	562348	female
L275	Parcel_Rack_RH	560898	male	Mo25	RH_Console	562348	female
L276	Parcel_Rack_RH	560898	male	Mo27		563691	male
L277	Parcel_Rack_RH	560898	male	Mo28		563691	male
L278	Parcel_Rack_RH	560898	male	Mo30	1st_Lugg_Cmpt	562076	male
L279	Parcel_Rack_RH	560898	male	Mo31		562076	male
L280	Parcel_Rack_RH	560898	male	Mo32	2nd_Lugg_Cmpt	562076	male
L281	Parcel_Rack_RH	560898	male	Mo33		562076	male
L282		561690	male	Mo35	4rd_Lugg_Cmpt	562076	male
L283	Service_Cmpt	562485	male	Mo36	Engine_Cmpt	562076	male
L284	*opt*	562485	male	Mo54	Service_Cmpt	562474	male
L285.A	Rear_Vehicle	562835	female	P1		561782	male
L285.B	Rear_Vehicle	562834	male	P2		561782	male
L286.A	Rear_Vehicle	562835	female	P3		561782	male
L286.B	Rear_Vehicle	562834	male	P4		561782	male
L290.A	Parcel_Rack_RH	561248	female	P5		561782	male
L290.B	Parcel_Rack_RH	561248	female	P6		561782	male
L291.A	Parcel_Rack_RH	561248	female	P7		561782	male
L291.B	Parcel_Rack_RH	561248	female	P8		561782	male
L292.A	Parcel_Rack_RH	562756	male	P9		561782	male

CONNECTORS LIST

No	Location	Part #	Gender	No	Location	Part #	Gender
P10		561782	male	Plug_2		560933	female
P11		561782	male	Pot1.A	Dash	560488	female
P12		561782	male	Pot1.B	Dash	560488	female
P13		561782	male	Pot1.C	Dash	560488	female
P14		561782	male	PR_0_1		561781	female
P15		561782	male	R-12VISS		561183	male
P16		561782	male	R2	RJB	561183	male
P17		561782	male	R3	RJB	563409	male
P18		561782	male	R4		561183	male
P19		561782	male	R5		561183	male
P20		561782	male	R6		561183	male
P21		561782	male	R10	Evap_Cmpt	563409	male
Pin		561782	male	R11	RJB	561183	male
PI1		561782	male	R12	Evap_Cmpt	563409	male
PI2		561782	male	R13		561183	male
PI3		561782	male	R14	RJB	562367	male
PI4		561782	male	R15		561183	male
PI5		561782	male	R16	Dash	561183	male
PI6		561782	male	R17	RJB	562367	male
PI7		561782	male	R18	FJB	562367	male
PI8		561782	male	R19	FJB	562367	male
PI9		561782	male	R20		561183	male
PI10		561782	male	R21		561183	male
PI11		561782	male	R22	FJB_VECF	561183	male
PI12		561782	male	R23	RH_Console	561183	male
PI13		561782	male	R25	RJB	561183	male
PI14		561782	male	R26	Cond_Cmpt	561183	male
PI15		561782	male	R27	Parcel_Rack_LH	561183	male
PI16		561782	male	R29		563409	male
PI17		561782	male	R30	RJB	561183	male
PI18		561782	male	R31	RJB	561183	male
PI19		561782	male	R32	RJB	561183	male
PI20		561782	male	R33	RJB	561183	male
PI21		561782	male	R34		562367	male
PI22		561782	male	R41	FJB	561183	male
PI23		561782	male	R42	FJB	561183	male
PI24		561782	male	R43	FJB	561183	male
PI25		561782	male	R44	FJB	561183	male
PI26		561782	male	R45	FJB	561183	male
PI27		561782	male	R_AMPLI		562367	male
Plug_1		561932	male	R_Flip		561183	male
Plug_1		560933	female	R_Tv		561183	male
Plug_2		561932	male	Res3.A		563590	female

CONNECTORS LIST

No	Location	Part #	Gender	No	Location	Part #	Gender
Res4		563590	female	Se36	Rear_Axle_Cmpt	563629	female
Res5		563590	female	Se37		641132	female
Res6		563590	female	Se38		641132	female
Res7.A		563590	female	Se39		641132	female
Res12.A		563590	female	Se40		641132	female
Res15		561782	male	Se43	Engine_Cmpt	563340	male
RZF1		561183	male	Se44.A	Above_Rear_Axle	560082	female
Se4	Window_RH	561477	female	Se44.B	Above_Rear_Axle	560082	female
Se5	Window_RH	561477	female	Se45	Service_Cmpt	562426	male
Se6	Window_RH	561477	female	Se46	Rear_Axle_Cmpt	562348	female
Se7	Window_LH	561477	female	Se48	Engine_Cmpt	561690	male
Se8	Window_LH	561477	female	Se49	Engine_Cmpt	561690	male
Se9	Window_LH	561477	female	Se50	Engine_Cmpt	561566	female
Se11.A		564460	female	Se60	Service_Cmpt	563409	male
Se11.B		564460	female	Se62	WCL_System	561690	male
Se11.C		564460	female	Se63		641132	female
Se12	Engine_Cmpt	561690	female	Se64		641132	female
Se13		562350	male	Se65		564042	female
Se14.A	Driver_Area	561782	male	Se66		564039	female
Se14.B	Driver_Area	561781	female	Se67		563159	female
Se15	RH_Console	560898	male	Se68		563159	female
Se16	Entrance_Door	561566	female	Se69		563159	female
Se17	RH_Console	560900	female	Se74		563159	female
Se18.A	Service_Cmpt	560815	female	So1	Engine_Cmpt	561566	female
Se18.B	Service_Cmpt	560815	female	So3	RH_Console	641385	male
Se19		563677	male	So4	RH_Console	641385	male
Se19A		563677	male	So5	RH_Console	641385	male
Se20		562426	male	So6	RH_Console	641385	male
Se20A		563236	female	So7	Service_Cmpt	561566	female
Se20B		562426	male	So8		563204	female
Se21	Dash	561248	female	So9	Engine_Cmpt	561566	female
Se23	Engine_Cmpt	563159	male	So11	Cond_Cmpt	561566	female
Se24	Engine_Cmpt	563159	male	So13	Evap_Cmpt	563204	female
Se25	Passenger_Area	561248	female	So14	Service_Cmpt	641385	male
Se26	Service_Cmpt	561690	female	So15	Service_Cmpt	641385	male
Se27	Front_Axle_Cmpt	561111	female	So16	Service_Cmpt	641385	male
Se29	Engine_Cmpt	561566	female	So17	Service_Cmpt	641385	male
Se30	Engine_Cmpt	561690	female	So20	Service_Cmpt	641385	male
Se31	Engine_Cmpt	561690	female	So21		564046	female
Se32	Rear_Axle_Cmpt	563057	male	So22		564046	female
Se33	Rear_Axle_Cmpt	562856	male	So23		564046	female
Se34	Rear_Axle_Cmpt	563057	male	So24		564046	female
Se35	Rear_Axle_Cmpt	563057	male	So25		641949	male

CONNECTORS LIST

No	Location	Part #	Gender	No	Location	Part #	Gender
So26		562848	male	Sw1.C258	Driver_Area	561188	female
So27		564045	female	Sw1.C259	Driver_Area	561186	male
So28	Engine_Cmpt	561690	male	Sw2	Dash	562763	male
So50		564046	female	Sw3		562763	male
So51		564046	female	Sw4		562763	male
So52		564045	female	Sw6	Dash	562763	male
So53		641385	male	Sw10A		562763	male
Spk1_L		563994	male	Sw11A		562763	male
Spk1_R		563994	male	Sw12		562763	male
Spk2_L		563994	male	Sw13	Dash	562763	male
Spk2_R		563994	male	Sw14		562763	male
Spk3_L		563994	male	Sw16		562763	male
Spk3_R		563994	male	Sw17	Dash	562763	male
Spk4_L		563994	male	Sw18A		562763	male
Spk4_R		563994	male	Sw20		562763	male
Spk5_L		563994	male	Sw21		562763	male
Spk5_R		563994	male	Sw23	Dash	562763	male
Spk6_L		563994	male	Sw24		562763	male
Spk6_R		563994	male	Sw25	Dash	562763	male
Spk7_L		563994	male	Sw26		562763	male
Spk7_R		563994	male	Sw27		562763	male
Spk8_L		563994	male	Sw29		562763	male
Spk8_R		563994	male	Sw30	Engine_Cmpt	561566	female
Spk9_L		563994	male	Sw31.A	WCL_System	562403	female
Spk9_R		563994	male	Sw31.B		562403	female
Spk10_L		563994	male	Sw32	Dash	561477	female
Spk10_R		563994	male	Sw33	Dash	561476	male
Spk11_L		563994	male	Sw34	Outside_Front_RH	562477	male
Spk11_R		563994	male	Sw35		562763	male
Spk12_L		563994	male	Sw38	LH_Console	562763	male
Spk12_R		563994	male	Sw40	LH_Console	561690	male
Spk13_L		563994	male	Sw41	LH_Console	562749	male
Spk13_R		563994	male	Sw42	*opt*	561636	female
Spk14_L		563994	male	Sw43		561690	male
Spk14_R		563994	male	Sw44	Service_Cmpt	562403	female
Spk15_L		563994	male	Sw44.B		562403	female
Spk15_R		563994	male	Sw45		562403	female
Spk16_L		563994	male	Sw45.B		562403	female
Spk16_R		563994	male	Sw46.A		562403	female
SpkDr_L		563994	male	Sw46.B		562403	female
SpkDr_R		563994	male	Sw49.A		562403	female
Sub1.A		564004	female	Sw49.B		562403	female
Sub2.A		564004	female	Sw50.A		562403	female

CONNECTORS LIST

No	Location	Part #	Gender	No	Location	Part #	Gender
Sw50.B		562403	female	Sw83.D	Dash	560815	female
Sw51.A		562403	female	Sw84		561566	female
Sw51.B		562403	female	Sw85	LH_Console	562749	male
Sw52		562403	female	Sw86	Parcel_Rack_RH	562651	female
Sw52.B		562403	female	Sw87	Parcel_Rack_RH	562651	female
Sw53	Parcel_Rack_LH	562651	female	Sw88	Parcel_Rack_RH	562651	female
Sw54.A		562835	female	Sw89	Parcel_Rack_RH	562651	female
Sw54.B		562834	male	Sw90	Parcel_Rack_RH	562651	female
Sw55.A		560488	female	Sw91	Parcel_Rack_RH	562651	female
Sw55.B		560488	female	Sw92	Parcel_Rack_RH	562651	female
Sw56.A		560488	female	Sw93	Parcel_Rack_RH	562651	female
Sw56.B		560488	female	Sw94.A	WCL_System	560079	female
Sw58	Engine_Cmpt	562581	male	Sw94.B	WCL_System	560079	female
Sw59		561566	female	Sw94.C	WCL_System	560079	female
Sw60		561566	female	Sw95.A		561626	female
Sw63A		562763	male	Sw95.B		561626	female
Sw64.A	Service_Cmpt	560815	female	Sw96.A		561626	female
Sw64.B	Service_Cmpt	560815	female	Sw96.B		561626	female
Sw65	Parcel_Rack_LH	562651	female	Sw97.A	WCL_System	561626	female
Sw66	Parcel_Rack_LH	562651	female	Sw97.B	WCL_System	561626	female
Sw67	Parcel_Rack_LH	562651	female	Sw98.A	WCL_System	561626	female
Sw68	Parcel_Rack_LH	562651	female	Sw98.B	WCL_System	561626	female
Sw69	Parcel_Rack_LH	562651	female	Sw100A		562763	male
Sw70	Parcel_Rack_LH	562651	female	Sw103		562957	male
Sw71	Parcel_Rack_LH	562651	female	Sw109.A		560079	female
Sw72	Parcel_Rack_LH	562651	female	Sw109.B		560079	female
Sw73	Parcel_Rack_RH	562651	female	Sw110.A		560079	female
Sw74	Parcel_Rack_RH	562651	female	Sw110.B		560079	female
Sw75	Parcel_Rack_RH	562651	female	Sw114.A		560079	female
Sw76	Parcel_Rack_RH	562651	female	Sw114.B		560079	female
Sw77	Parcel_Rack_RH	562651	female	Sw115.A		560079	female
Sw78	Parcel_Rack_RH	562651	female	Sw115.B		560079	female
Sw79	Parcel_Rack_RH	562651	female	Sw123		561566	female
Sw80	Parcel_Rack_RH	562651	female	Sw125.A	Service_Cmpt	561457	female
Sw81.A	Dash	562905	male	Sw125.B	Service_Cmpt	561457	female
Sw81.B	Dash	562905	male	Sw135.A		562119	female
Sw82.A		561457	female	Sw135.B		562119	female
Sw82.B		561457	female	Sw152.A		562471	male
Sw82.C		561457	female	Sw313.A		562615	female
Sw82.D		561457	female	Sw313.B		562615	female
Sw83.A	Dash	560082	female	sym1_136		560999	male
Sw83.B	Dash	560815	female	sym2_136		560999	male
Sw83.C	Dash	560082	female	sym4_136		560999	male

CONNECTORS LIST

No	Location	Part #	Gender				
sym5_136		560999	male				
sym6_136		560999	male				
sym7_136		560999	male				
VECF1	FJB	563186	male				
VECF2	FJB	563183	male				
VECF3	FJB	563185	male				
VECF4	FJB	563182	male				
VECF9		563448	male				
VECF10	FJB	563181	male				
VECF11	FJB	563184	male				
VECF12	FJB	563187	male				
VECR1	RJB	563186	male				
VECR2	RJB	563183	male				
VECR3	RJB	563185	male				
VECR4	RJB	563182	male				
VECR9	RJB	563448	male				
VECR10	RJB	563181	male				
VECR11	RJB	563184	male				
VECR12	RJB	563187	male				

DIODES NUMBER CODE

No	Location	Part #	Function	Page
D1	FJB	561740	AccessoriesDiode	3.2
D2	FJB	561740	DiodeDriverLiq.Sol.	18.1
D4	RHConsole	561740	SuppressorDiodeLowerWiper2ndSpd	34.1
D5	RHConsole	561740	SuppressorDiodeLowerWiper1stSpd	34.1
D6	RJB	561740	SuppressorDiodeMasterrelay	3.1
D7	RH_Console	561740	EntanceDoorDiode	29.1
D9	Evap_Cmpt	561740	HvacDiode	17.1
D10	Evap_Cmpt	561740	Pre-HeatDiode	17.1
D11	Evap_Cmpt	561740	DiodePass.Liq.Sol	18.2
D12	FJB	561740	EngineBrakediode	12.1
D13	FJB	561740	ABS	16.1
D15	RJB	561740	WakeUpDiode	3.2
D17	Evap_Cmpt	561740	LuggageDiode5thCmpt	25.1
D19	Evap_Cmpt	561740	LuggageDiode2ndCmpt	25.1
D20	Evap_Cmpt	561740	LuggageDiode1erCmpt	25.1
D22	RJB_VECR	561740	ServiceBrakeDiode	12.1
D24	RJB	561740	SuppressorDiodeCondensor	18.2
D25	Evap_Cmpt	561740	SuppressorDiodeEvaporatorFan	18.2
D26	LHP-Rack	561740	SuppressorDiodeP-RackFanLH	18.3
D27	RHP-Rack	561740	SuppressorDiodeP-RackFanRH	18.3
D28	RJB	561740	SuppressorDiodeUnloaderLH	18.2
D29	RJB	561740	SuppressorDiodeUnloaderRH	18.2
D30	Evap_Cmpt	561740	SuppressorDiodeWaterPump	18.2
D31	RJB	561740	SuppressorDiodeA/CClutch	18.2
D32	Engine_Cmpt	561740	SuppressorDiodeLavFan	11.1
D33	RJB	561740	SuppressorDiodeFlushPump	11.1
D34	EntranceDoorCeiling	561740	SuppressorDiodeUpperDefrosterFan	18.1
D36	RJB	561740	SuppressorDiodeRadiatorFanClutch2ndSpd	13.1
D37	RJB	561740	SuppressorDiodeRadiatorFanClutch1stSpd	13.1
D38	FrontCeiling	563375	SuppressorZenerDiodeSunVisorRH	30.1
D39	FrontCeiling	563375	SuppressorZenerDiodeSunVisorRH	30.1
D40	UpperFrontCap	563375	SuppressorZenerDiodeSunVisorLH	30.1
D41	UpperFrontCap	563375	SuppressorZenerDiodeSunVisorLH	30.1
D42	LHConsole	563374	SuppressorZenerDiodeDriverWdw	30.1
D43	LHConsole	563374	SuppressorZenerDiodeDriverWdw	30.1
D44	FJB	561740	IgnitionDiode	3.2
D45	Service_Cmpt	561740	SuppressorDiodeAirHorn	9.1
D46	FJB	563557	Diode	12.1
D49	RJB	561740	Aux_Parcel_Rack_Comp_Clutch	18.3
D67	RJB	561740	SuppressorDiodeRearLamps	26.2

DIODES NUMBER CODE

No	Location	Part #	Function	Page
D68	RJB	561740	SuppressorDiodeRearLamps	26.2
D69	RJB	561740	SuppressorDiodeRearLamps	26.2
D70	RJB	561740	SuppressorDiodeRearLamps	26.2
D72	Parcel_Rack_LH_1st_Cmpt_	561740	SOUND_SYSTEM	35.0

DIODES LIST

No	Location	Part #	Function	Page	No	Location	Part #	Function	Page
D1	FJB	561740	AccessoriesDiode	3.2	D68	RJB	561740	SuppressorDiodeRearLamps	26.2
D2	FJB	561740	DiodeDriverLiq.Sol.	18.1	D69	RJB	561740	SuppressorDiodeRearLamps	26.2
D4	RHConsole	561740	SuppressorDiodeLowerWiper2ndSpd	34.1	D70	RJB	561740	SuppressorDiodeRearLamps	26.2
D5	RHConsole	561740	SuppressorDiodeLowerWiper1stSpd	34.1	D72	Parcel_Rack_LH_1st_Cmpt_	561740	SOUND_SYSTEM	35
D6	RJB	561740	SuppressorDiodeMasterrelay	3.1					
D7	RH_Console	561740	EntanceDoorDiode	29.1					
D9	Evap_Cmpt	561740	HvacDiode	17.1					
D10	Evap_Cmpt	561740	Pre-HeatDiode	17.1					
D11	Evap_Cmpt	561740	DiodePass.Liq.Sol	18.2					
D12	FJB	561740	EngineBrakediode	12.1					
D13	FJB	561740	ABS	16.1					
D15	RJB	561740	WakeUpDiode	3.2					
D17	Evap_Cmpt	561740	LuggageDiode5thCmpt	25.1					
D19	Evap_Cmpt	561740	LuggageDiode2ndCmpt	25.1					
D20	Evap_Cmpt	561740	LuggageDiode1erCmpt	25.1					
D22	RJB_VECR	561740	ServiceBrakeDiode	12.1					
D24	RJB	561740	SuppressorDiodeCondensor	18.2					
D25	Evap_Cmpt	561740	SuppressorDiodeEvaporatorFan	18.2					
D26	LHP-Rack	561740	SuppressorDiodeP-RackFanLH	18.3					
D27	RHP-Rack	561740	SuppressorDiodeP-RackFanRH	18.3					
D28	RJB	561740	SuppressorDiodeUnloaderLH	18.2					
D29	RJB	561740	SuppressorDiodeUnloaderRH	18.2					
D30	Evap_Cmpt	561740	SuppressorDiodeWaterPump	18.2					
D31	RJB	561740	SuppressorDiodeA/Cclutch	18.2					
D32	Engine_Cmpt	561740	SuppressorDiodeLavFan	11.1					
D33	RJB	561740	SuppressorDiodeFlushPump	11.1					
D34	EntranceDoorCeiling	561740	SuppressorDiodeUpperDefrosterFan	18.1					
D36	RJB	561740	SuppressorDiodeRadiatorFanClutch2ndSpd	13.1					
D37	RJB	561740	SuppressorDiodeRadiatorFanClutch1stSpd	13.1					
D38	FrontCeiling	563375	SuppressorZenerDiodeSunVisorRH	30.1					
D39	FrontCeiling	563375	SuppressorZenerDiodeSunVisorRH	30.1					
D40	UpperFrontCap	563375	SuppressorZenerDiodeSunVisorLH	30.1					
D41	UpperFrontCap	563375	SuppressorZenerDiodeSunVisorLH	30.1					
D42	LHConsole	563374	SuppressorZenerDiodeDriverWdw	30.1					
D43	LHConsole	563374	SuppressorZenerDiodeDriverWdw	30.1					
D44	FJB	561740	IgnitionDiode	3.2					
D45	Service_Cmpt	561740	SuppressorDiodeAirHorn	9.1					
D46	FJB	563557	Diode	12.1					
D49	RJB	561740	Aux_Parcel_Rack_Comp_Clutch	18.3					
D67	RJB	561740	SuppressorDiodeRearLamps	26.2					

DIODES LIST

No	Location	Part #	Function	Page					
D1	FJB	561740	AccessoriesDiode	3,2					
D2	FJB	561740	DiodeDriverLiq.Sol.	18,1					
D4	RHConsole	561740	SuppressorDiodeLowerWiper2ndSpd	34,1					
D5	RHConsole	561740	SuppressorDiodeLowerWiper1stSpd	34,1					
D6	RJB	561740	SuppressorDiodeMasterrelay	3,1					
D7	RH_Console	561740	EntranceDoorDiode	29,1					
D9	Evap_Cmpt	561740	HvacDiode	17,1					
D10	Evap_Cmpt	561740	Pre-HeatDiode	17,1					
D11	Evap_Cmpt	561740	DiodePass.Liq.Sol	18,2					
D12		561740	*opt*	12,1					
D15	RJB	561740	WakeUpDiode	3,2					
D17	Evap_Cmpt	561740	LuggageDiode5thCmpt	25,1					
D19	Evap_Cmpt	561740	LuggageDiode2ndCmpt	25,1					
D20	Evap_Cmpt	561740	LuggageDiode1erCmpt	25,1					
D24	RJB	561740	SuppressorDiodeCondensor	18,2					
D25	Evap_Cmpt	561740	SuppressorDiodeEvaporatorFan	18,2					
D26	LHP-Rack	561740	SuppressorDiodeP-RackFanLH	18,3					
D27	RHP-Rack	561740	SuppressorDiodeP-RackFanRH	18,3					
D28	RJB	561740	SuppressorDiodeUnloaderLH	18,2					
D29	RJB	561740	SuppressorDiodeUnloaderRH	18,2					
D30	Evap_Cmpt	561740	SuppressorDiodeWaterPump	18,2					
D31	RJB	561740	SuppressorDiodeA/CClutch	18,2					
D32	Engine_Cmpt	561740	SuppressorDiodeLavFan	11,1					
D33	RJB	561740	SuppressorDiodeFlushPump	11,1					
D34	EntranceDoorCeiling	561740	SuppressorDiodeUpperDefrosterFan	18,1					
D36	RJB	561740	SuppressorDiodeRadiatorFanClutch2ndSpd	13,1					
D37	RJB	561740	SuppressorDiodeRadiatorFanClutch1stSpd	13,1					
D44	FJB	561740	IgnitionDiode	3,2					
D45	Service_Cmpt	561740	SuppressorDiodeAirHorn	9,1					
D49	RJB	561740	Aux_Parcel_Rack_Comp_Clutch	18,3					
D67	RJB	561740	SuppressorDiodeRearLamps	26,2					
D68	RJB	561740	SuppressorDiodeRearLamps	26,2					
D69	RJB	561740	SuppressorDiodeRearLamps	26,2					
D70	RJB	561740	SuppressorDiodeRearLamps	26,2					
D72	Parcel_Rack_LH_1st_Cmpt	561740	SOUND_SYSTEM	35,0					
D73	Evap_Cmpt	561740	*opt*	18,2					

DIODES LIST

No	Location	Part #	Function	Page															
D1	FJB	561740	AccessoriesDiode	3,2															
D2	FJB	561740	DiodeDriverLiq.Sol.	18,1															
D4	RHConsole	561740	SuppressorDiodeLowerWiper2ndSpd	34,1															
D5	RHConsole	561740	SuppressorDiodeLowerWiper1stSpd	34,1															
D6	RJB	561740	SuppressorDiodeMasterrelay	3,1															
D7	RH_Console	561740	EntanceDoorDiode	29,1															
D9	Evap_Cmpt	561740	HvacDiode	17,1															
D10	Evap_Cmpt	561740	Pre-HeatDiode	17,1															
D11	Evap_Cmpt	561740	DiodePass.Liq.Sol	18,2															
D15	RJB	561740	WakeUpDiode	3,2															
D17	Evap_Cmpt	561740	LuggageDiode5thCmpt	25,1															
D19	Evap_Cmpt	561740	LuggageDiode2ndCmpt	25,1															
D20	Evap_Cmpt	561740	LuggageDiode1erCmpt	25,1															
D24	RJB	561740	SuppressorDiodeCondensor	18,2															
D25	Evap_Cmpt	561740	SuppressorDiodeEvaporatorFan	18,2															
D26	LHP-Rack	561740	SuppressorDiodeP-RackFanLH	18,3															
D27	RHP-Rack	561740	SuppressorDiodeP-RackFanRH	18,3															
D28	RJB	561740	SuppressorDiodeUnloaderLH	18,2															
D29	RJB	561740	SuppressorDiodeUnloaderRH	18,2															
D30	Evap_Cmpt	561740	SuppressorDiodeWaterPump	18,2															
D31	RJB	561740	SuppressorDiodeA/CClutch	18,2															
D32	Engine_Cmpt	561740	SuppressorDiodeLavFan	11,1															
D33	RJB	561740	SuppressorDiodeFlushPump	11,1															
D34	EntranceDoorCeiling	561740	SuppressorDiodeUpperDefrosterFan	18,1															
D36	RJB	561740	SuppressorDiodeRadiatorFanClutch2ndSpd	13,1															
D37	RJB	561740	SuppressorDiodeRadiatorFanClutch1stSpd	13,1															
D44	FJB	561740	IgnitionDiode	3,2															
D49	RJB	561740	Aux_Parcel_Rack_Comp_Clutch	18,3															
D67	RJB	561740	SuppressorDiodeRearLamps	26,2															
D68	RJB	561740	SuppressorDiodeRearLamps	26,2															
D69	RJB	561740	SuppressorDiodeRearLamps	26,2															
D70	RJB	561740	SuppressorDiodeRearLamps	26,2															
D72	Parcel_Rack_LH_1st_Cmpt_	561740	SOUND_SYSTEM	35,0															
D73	Evap_Cmpt	561740	*opt*	18,2															
D80	Evap_Cmpt	561740	*opt*	38,1															

RESISTORS NUMBER CODE

No	Location	Part #	Function	Page
Res1	FJB	563205	ABS	16.1
Res2	FJB	563205	PullDownresistor	28.1
Res3	RJB	563593	CAN_Nertwork	6.1
Res4	FJB	563593	CAN_Nertwork	6.1
Res5	Dash	563593	DBus_Network	6.1
Res6	FJB	563593	DBus_Network	6.1
Res7	RJB	563593	J1939_Resistor	7.1
Res8	Rear_Axle_Cmpt	563593	TerminaisonResistor	32.1
Res9	DashBoard	100R	CurrentLimitRes	10.1
Res10	RJBCloseECU	562470	SignalDropRes	15.1
Res11	Rear_Axle_Cmpt	563593	TerminaisonResistor	32.1
Res12	Engine_Cmpt	563593	J1939_Resistor	14.1
Res13	RJB	563154	ExcitationresistorAlt.1	3.2
Res14	RJB	563154	ExcitationresistorAlt.2	3.2
Res16	RJB	563006	UpperRearLampRH	26.2
Res17	RJB	563006	UpperRearLampLH	26.2

RESISTORS LIST

No	Location	Part #	Function	Page
Res1	FJB	563205	ABS	16.1
Res2	FJB	563205	PullDownresistor	28.1
Res3	RJB	563593	CAN_Network	6.1
Res4	FJB	563593	CAN_Network	6.1
Res5	Dash	563593	DBus_Network	6.1
Res6	FJB	563593	DBus_Network	6.1
Res7	RJB	563593	J1939_Resistor	7.1
Res8	Rear_Axle_Cmpt	563593	TerminaisonResistor	32.1
Res9	DashBoard	100R	CurrentLimitRes	10.1
Res10	RJBcloseECU	562470	SignalDropRes	15.1
Res11	Rear_Axle_Cmpt	563593	TerminaisonResistor	32.1
Res12	Engine_Cmpt	563593	J1939_Resistor	14.1
Res13	RJB	563154	ExcitationresistorAlt.1	3.2
Res14	RJB	563154	ExcitationresistorAlt.2	3.2
Res16	RJB	563006	UpperRearLampRH	26.2
Res17	RJB	563006	UpperRearLampLH	26.2

RESISTORS LIST

No	Location	Part #	Function	Page				
Res1	FJB	563205	ABS	16,1				
Res2	FJB	563205	PullDownresistor	28,1				
Res3	RJB	563593	CAN_Network	6,1				
Res4	FJB	563593	CAN_Network	6,1				
Res5	Dash	563593	DBus_Network	6,1				
Res6	FJB	563593	DBus_Network	6,1				
Res7	Engine_Cmpt_	563593	*opt*	6,2				
Res9	DashBoard	100R	CurrentLimitRes	10,1				
Res12	Engine_Cmpt_	563593	*opt*	6,2				
Res13	RJB	563154	ExcitationresistorAlt.1	3,2				
Res14	RJB	563154	ExcitationresistorAlt.2	3,2				
Res15	*opt*	563587	ENDOFLINEDEVICE	38,1				
Res16	RJB	563006	UpperRearLampRH	26,2				
Res17	RJB	563006	UpperRearLampLH	26,2				
Res21	FJB	563205	ABS	16,1				
Res28	FJB	563205	*opt*	16,1				
Res16a		563267	330K	14,1				

RELAYS

No	Location	Part #	Function	Page
R1	RJB	562364	MasterRelay	3.1
R2	RJB	563332	ZF_Trans_Easy_Start_Sol	15.2
R3	RJB	563348	12vIgn&AccRelay	3.1
R5	RJB	563332	Charging_Relay_Optionnal	17.1
R6	RJB	563332	DirectLightsRelay	24.1
R8	FuseBoxRJB	563269	ServiceBrakeRelay	12.1
R10	Evap_Cmpt	563348	CondensorPowerRelay	18.2
R11	RJB_VECR	563332	ZFIgn	5.1
R12	RJB	563348	EvaporatorRelay	18.2
R13	RJB	563332	IndirectLightRelay	23.1
R14	RJB	561991	ReadingLampRelay	22.1
R15	RJB	563332	Aisle&Emerg.Lts	20.1
R16	DashBoard	561706	AudibleFlasherRelay	26.1
R17	RJB	561991	12vRrWUpRelay	3.3
R18	FJB	561991	24vFrWUpRelay	3.3
R19	FJB	561991	12vFrWUpRelay	3.3
R20	RJB	563332	WaterPumpRelay	17.1
R21	RJB	563269	EmergencyCutoutRelay	3.2
R22	FuseBoxFJB	563269	EngineBrakeRelay	12.1
R23	RHConsole	563332	LowerWiperRelay	34.1
R25	RJB_VECR	563332	Ecmlgn	5.1
R26	Evap_Cmpt	563332	Pre-HeatRelay	18.2
R30	RJB	563332	Lugg_Door_Lock	33.1
R31	RJB	563332	Lugg_Door_Lock	33.1
R32	RJB	563332	Lugg_Door_Unlock	33.1
R33	RJB	563332	Lugg_Door_Unlock	33.1
R_AMPLI	Parcel_Rack_LH_1st_Cmpt_	561991	SOUND_SYSTEM	35
R_Tv	Parcel_Rack_LH_1st_Cmpt_	563337	SOUND_SYSTEM	35
R-12VISS	Parcel_Rack_LH_1st_Cmpt_	563337	SOUND_SYSTEM	35

RELAYS LIST

No	Location	Part #	Function	Page	No	Location	Part #	Function	Page
R1	RJB	562364	MasterRelay	3.1	Res5	Dash	563593	DBus_Network	6.1
R2	RJB	563332	ZF_Trans_Easy_Start_Sol	15.2	Res6	FJB	563593	DBus_Network	6.1
R3	RJB	563348	12VIgn&AccRelay	3.1	Res7	RJB	563593	J1939_Resistor	7.1
R5	RJB	563332	Charging_Relay_Optionnal	17.1	Res8	Rear_Axle_Cmpt	563593	TerminaisonResistor	32.1
R6	RJB	563332	DirectLightsRelay	24.1	Res9	DashBoard	100R	CurrentLimitRes	10.1
R8	FuseBoxRJB	563269	ServiceBrakeRelay	12.1					
R10	Evap_Cmpt	563348	CondensorPowerRelay	18.2					
R11	RJB_VECR	563332	ZFIgn	5.1					
R12	RJB	563348	EvaporatorRelay	18.2					
R13	RJB	563332	IndirectLightRelay	23.1					
R14	RJB	561991	ReadingLampRelay	22.1					
R15	RJB	563332	Aisle&Emerg.Lts	20.1					
R16	DashBoard	561706	AudibleFlasherRelay	26.1					
R17	RJB	561991	12vRrWUpRelay	3.3					
R18	FJB	561991	24vFrWUpRelay	3.3					
R19	FJB	561991	12vFrWUpRelay	3.3					
R20	RJB	563332	WaterPumpRelay	17.1					
R21	RJB	563269	EmergencyCutoutRelay	3.2					
R22	FuseBoxFJB	563269	EngineBrakeRelay	12.1					
R23	RHConsole	563332	LowerWiperRelay	34.1					
R25	RJB_VECR	563332	Ecmlgn	5.1					
R26	Evap_Cmpt	563332	Pre-HeatRelay	18.2					
R30	RJB	563332	Lugg_Door_Lock	33.1					
R31	RJB	563332	Lugg_Door_Lock	33.1					
R32	RJB	563332	Lugg_Door_Unlock	33.1					
R33	RJB	563332	Lugg_Door_Unlock	33.1					
R_AMPLI	Parcel_Rack_LH_1st_Cmpt_	561991	SOUND_SYSTEM	35					
R_Tv	Parcel_Rack_LH_1st_Cmpt_	563337	SOUND_SYSTEM	35					
R-12VISS	Parcel_Rack_LH_1st_Cmpt_	563337	SOUND_SYSTEM	35					
Res1	FJB	563205	ABS	16.1					
Res10	RJBcloseECU	562470	SignalDropRes	15.1					
Res11	Rear_Axle_Cmpt	563593	TerminaisonResistor	32.1					
Res12	Engine_Cmpt	563593	J1939_Resistor	14.1					
Res13	RJB	563154	ExcitationresistorAlt.1	3.2					
Res14	RJB	563154	ExcitationresistorAlt.2	3.2					
Res16	RJB	563006	UpperRearLampRH	26.2					
Res17	RJB	563006	UpperRearLampLH	26.2					
Res2	FJB	563205	PullDownresistor	28.1					
Res3	RJB	563593	CAN_Network	6.1					
Res4	FJB	563593	CAN_Network	6.1					

RELAYS LIST

No	Location	Part #	Function	Page
R1	RJB	562364	MasterRelay	3.1
R2	RJB	563332	ZF_Trans_Easy_Start_Sol	15.2
R3	RJB	563348	12vIgn&AccRelay	3.1
R5	RJB	563332	Charging_Relay_Optionnal	17.1
R6	RJB	563332	DirectLightsRelay	24.1
R8	FuseBoxRJB	563269	ServiceBrakeRelay	12.1
R10	Evap_Cmpt	563348	CondensorPowerRelay	18.2
R11	RJB_VECR	563332	ZFIgn	5.1
R12	RJB	563348	EvaporatorRelay	18.2
R13	RJB	563332	IndirectLightRelay	23.1
R14	RJB	561991	ReadingLampRelay	22.1
R15	RJB	563332	Aisle&Emerg.Lts	20.1
R16	DashBoard	561706	AudibleFlasherRelay	26.1
R17	RJB	561991	12vRrWUpRelay	3.3
R18	FJB	561991	24vFrWUpRelay	3.3
R19	FJB	561991	12vFrWUpRelay	3.3
R20	RJB	563332	WaterPumpRelay	17.1
R21	RJB	563269	EmergencyCutoutRelay	3.2
R22	FuseBoxFJB	563269	EngineBrakeRelay	12.1
R23	RHConsole	563332	LowerWiperRelay	34.1
R25	RJB_VECR	563332	Ecmlgn	5.1
R26	Evap_Cmpt	563332	Pre-HeatRelay	18.2
R27			*opt*	22.1
R30	RJB	563332	Lugg_Door_Lock	33.1
R31	RJB	563332	Lugg_Door_Lock	33.1
R32	RJB	563332	Lugg_Door_Unlock	33.1
R33	RJB	563332	Lugg_Door_Unlock	33.1
R_AMPLI	Parcel_Rack_LH_1st_Cmpt_	561991	SOUND_SYSTEM	35
R_Flip		563337	Flip_Down_Screen	35
R_Tv	Parcel_Rack_LH_1st_Cmpt_	563337	SOUND_SYSTEM	35
R-12VISS	Parcel_Rack_LH_1st_Cmpt_	563337	SOUND_SYSTEM	35

RELAYS LIST

No	Location	Part #	Function	Page
R1	RJB	562364	MasterRelay	3.1
R2	RJB	563332	ZF_Trans_Easy_Start_Sol	15.2
R3	RJB	563348	12vIgn&AccRelay	3.1
R5	RJB	563332	Charging_Relay_Optionnal	17.1
R6	RJB	563332	DirectLightsRelay	24.1
R8	FuseBoxRJB	563269	ServiceBrakeRelay	12.1
R10	Evap_Cmpt	563348	CondensorPowerRelay	18.2
R11	RJB_VECR	563332	ZFIgn	5.1
R12	RJB	563348	EvaporatorRelay	18.2
R13	RJB	563332	IndirectLightRelay	23.1
R14	RJB	561991	ReadingLampRelay	22.1
R15	RJB	563332	Aisle&Emerg.Lts	20.1
R16	DashBoard	561706	AudibleFlasherRelay	26.1
R17	RJB	561991	12vRrWUpRelay	3.3
R18	FJB	561991	24vFrWUpRelay	3.3
R19	FJB	561991	12vFrWUpRelay	3.3
R20	RJB	563332	WaterPumpRelay	17.1
R21	RJB	563269	EmergencyCutoutRelay	3.2
R22	FuseBoxFJB	563269	EngineBrakeRelay	12.1
R23	RHConsole	563332	LowerWiperRelay	34.1
R25	RJB_VECR	563332	Ecmlgn	5.1
R26	Evap_Cmpt	563332	Pre-HeatRelay	18.2
R27	Parcel_Rack_LH_1st_Cmpt_	563332	Hostess	22.1
R30	RJB	563332	Lugg_Door_Lock	33.1
R31	RJB	563332	Lugg_Door_Lock	33.1
R32	RJB	563332	Lugg_Door_Unlock	33.1
R33	RJB	563332	Lugg_Door_Unlock	33.1
R_AMPLI	Parcel_Rack_LH_1st_Cmpt_	561991	SOUND_SYSTEM	35
R_Flip	Parcel_Rack_LH_1st_Cmpt_	563337	Flip_Down_Screen	35
R_Tv	Parcel_Rack_LH_1st_Cmpt_	563337	SOUND_SYSTEM	35
R-12VISS	Parcel_Rack_LH_1st_Cmpt_	563337	SOUND_SYSTEM	35

RELAYS LIST

No	Location	Part #	Function	Page					
R1	RJB	562364	MasterRelay	3,1					
R2	RJB	563332	ZF_Trans_Easy_Start_Sol	15,2					
R3	RJB	563348	12vIgn&AccRelay	3,1					
R5	RJB	563332	Charging_Relay_Optionnal	17,1					
R6	RJB	563332	DirectLightsRelay	24,1					
R10	Evap_Cmpt	563348	CondensorPowerRelay	18,2					
R11	RJB_VECR	563332	ZFIgn	5,1					
R12	RJB	563348	EvaporatorRelay	18,2					
R13	RJB	563332	IndirectLightRelay	23,1					
R14	RJB	561991	ReadingLampRelay	22,1					
R15	RJB	563332	Aisle&Emerg.Lts	20,1					
R16	DashBoard	561706	AudibleFlasherRelay	26,1					
R17	RJB	561991	12vRrWUpRelay	3,3					
R18	FJB	561991	24vFrWUpRelay	3,3					
R19	FJB	561991	12vFrWUpRelay	3,3					
R20	RJB	563332	WaterPumpRelay	17,1					
R21	RJB	563269	EmergencyCutoutRelay	3,2					
R22		563269	*opt*	4,1					
R23	RHConsole	563332	LowerWiperRelay	34,1					
R25	RJB_VECR	563332	Ecmlgn	5,1					
R26	Evap_Cmpt	563332	Pre-HeatRelay	18,2					
R27			Hostess_Gong_Relay	22,1					
R29	RJB	563348	Preheater_Volvo	14,2					
R30	RJB	563332	Lugg_Door_Lock	33,1					
R31	RJB	563332	Lugg_Door_Lock	33,1					
R32	RJB	563332	Lugg_Door_Unlock	33,1					
R33	RJB	563332	Lugg_Door_Unlock	33,1					
R34	RJB	561991	12vRrEngineEcu	3,3					
R_AMPLI	Parcel_Rack_LH_1st_Cmpt_	561991	SOUND_SYSTEM	35,0					
R_Flip		563337	Flip_Down_Screen	35,0					
R_Tv	Parcel_Rack_LH_1st_Cmpt_	563337	SOUND_SYSTEM	35,0					
R-12VISS	Parcel_Rack_LH_1st_Cmpt_	563337	SOUND_SYSTEM	35,0					
RZF1	RJB	563332	ZFNeutralSignal	15,2					

RELAYS LIST

No	Location	Part #	Function	Page					
R1	RJB	562364	MasterRelay	3,1					
R2	RJB	563332	ZF_Trans_Easy_Start_Sol	15,2					
R3	RJB	563348	12vIgn&AccRelay	3,1					
R4		563332	Cutoffwaterpreheater	38,1					
R5	RJB	563332	Charging_Relay_Optionnal	17,1					
R6	RJB	563332	DirectLightsRelay	24,1					
R10	Evap_Cmpt	563348	CondensorPowerRelay	18,2					
R11	RJB_VECR	563332	ZFIgn	5,1					
R12	RJB	563348	EvaporatorRelay	18,2					
R13	RJB	563332	IndirectLightRelay	23,1					
R14	RJB	561991	ReadingLampRelay	22,1					
R15	RJB	563332	Aisle&Emerg.Lts	20,1					
R16	DashBoard	561706	AudibleFlasherRelay	26,1					
R17	RJB	561991	12vRrWUpRelay	3,3					
R18	FJB	561991	24vFrWUpRelay	3,3					
R19	FJB	561991	12vFrWUpRelay	3,3					
R20	RJB	563332	WaterPumpRelay	17,1					
R21	RJB	563269	EmergencyCutoutRelay	3,2					
R22	FJB_VECF	563269	*opt*	4,1					
R23	RHConsole	563332	LowerWiperRelay	34,1					
R25	RJB_VECR	563332	Ecmlgn	5,1					
R26	Evap_Cmpt	563332	Pre-HeatRelay	18,2					
R27	ParcelRack_LH	563332	Hostess_Gong_Relay	22,1					
R29	RJB	563348	Preheater_Volvo	14,2					
R30	RJB	563332	Lugg_Door_Lock	33,1					
R31	RJB	563332	Lugg_Door_Lock	33,1					
R32	RJB	563332	Lugg_Door_Unlock	33,1					
R33	RJB	563332	Lugg_Door_Unlock	33,1					
R34	RJB	561991	12vRrEngineEcu	3,3					
R41	FJB	563332	SunVisor	41,1					
R42	FJB	563332	SunVisor	41,1					
R43	FJB	563332	SunVisor	41,1					
R44	FJB	563332	SunVisor	41,1					
R45	FJB	563332	SunVisor	41,1					
R_AMPLI	Parcel_Rack_LH_1st_Cmpt_	561991	SOUND_SYSTEM	35,0					
R_Flip		563337	Flip_Down_Screen	35,0					
R_Tv	Parcel_Rack_LH_1st_Cmpt_	563337	SOUND_SYSTEM	35,0					
R-12VISS	Parcel_Rack_LH_1st_Cmpt_	563337	SOUND_SYSTEM	35,0					
RZF1	RJB	563332	ZFNeutralSignal	15,2					

FUSES

No	Location	Part #	Function	Rating	Page
F1	FuseBoxFJB	563279	CecmPower	3amp	4.1
F2	FuseBoxFJB	563279	FrontStartMainSwitch	3amp	4.1
F3	FuseBoxFJB	563279	EnginePre-HeatH.W.+DrvLiq.Vlv	3amp	4.1
F4	FuseBoxFJB	563279	SpareFuse	3amp	4.1
F5	FuseBoxFJB	563165	24vtoWUp	30amp	4.1
F6	FuseBoxFJB	563005	Customer24VD	7.5amp	4.1
F7	FuseBoxFJB	563279	SpareFuse	3amp	4.1
F8	FuseBoxFJB	563279	AirHorn	3amp	4.1
F9	FuseBoxFJB	563284	SpareFuse	15amp	4.1
F10	FuseBoxFJB	563279	SpareFuse	3amp	4.1
F11	FuseBoxFJB	563279	SunVisor	3amp	4.1
F12	FuseBoxFJB	563282	PwrMuxModule	20amp	4.1
F13	FuseBoxFJB	563282	PwrMuxModule	20amp	4.1
F14	FuseBoxFJB	563284	Customer24VI	15amp	4.1
F15	FuseBoxFJB	563004	EngineBrakeRelay	2Amp	4.1
F16	FuseBoxFJB	563153	DefrosterUnit	25Amp	4.1
F17	FuseBoxFJB	563280	SpareFuse	5Amp	4.1
F18	FuseBoxFJB	563284	SpareFuse	15amp	4.1
F19	FuseBoxFJB	563279	Prodriver	3amp	4.1
F20	FuseBoxFJB	563279	WitnessRedLed	3amp	4.1
F21	FuseBoxFJB	563282	PwrMuxA44	20amp	4.1
F22	FuseBoxFJB	563279	SteeringCtrl	3amp	4.1
F23	FuseBoxFJB	563284	ABS	15amp	4.1
F24	FuseBoxFJB	563005	Mirror	7.5amp	4.1
F25	FuseBoxFJB	563280	BackupCamera	5Amp	4.1
F26	FuseBoxFJB	563279	SmartTireOption	3amp	4.1
F27	FuseBoxFJB	563284	Customer_12VI	15amp	4.1
F28	FuseBoxFJB	563282	DriverWindow	20amp	4.1
F29	FuseBoxFJB	563279	ClusterandDDDR	3amp	4.1
F30	FuseBoxFJB	563284	PwrOutletandCigarLighter	15amp	4.1
F31	FuseBoxFJB	563279	SpareFuse	3amp	4.1
F32	FuseBoxFJB	563282	SpareFuse	20amp	4.1
F33	FuseBoxFJB	563165	12VDtoWakeUp	30amp	4.1
F34	FuseBoxFJB	563165	12VDtoWakeUp	30amp	4.1
F35	FuseBoxFJB	563283	12vPwrOutlet	10amp	4.1
F36	FuseBoxFJB	563279	PwrHvacandTTItModule	3amp	4.1
F37	FuseBoxFJB	563283	SpareFuse	10amp	4.1
F38	FuseBoxFJB	563283	SpareFuse	10amp	4.1
F39	FuseBoxFJB	563283	SpareFuse	10amp	4.1
F40	FuseBoxFJB	563283	SpareFuse	10amp	4.1

FUSES

No	Location	Part #	Function	Rating	Page
F41	FuseBoxFJB	563283	SpareFuse	10amp	4.1
F42	Parcel_Rack_LH_1st_Cmpt_	562407	Memory	10Amp	35
F43	RJB	560893	Evap_Start_Pre_Heater_Option	3Amp	18.2
F44	FJB	560599	FuseDestinationSign	5Amp	3.3
F46	Parcel_Rack_LH_1st_Cmpt_	562396	Ampli_Pwr	30Amp	35
F50	FuseBoxRJB	563284	EnginePre-Heat	15amp	5.1
F51	FuseBoxRJB	563153	EnginePre-Heat	25Amp	5.1
F52	FuseBoxRJB	563284	SpareFuse	15amp	5.1
F53	FuseBoxRJB	563284	PwrMuxA54	15amp	5.1
F54	FuseBoxRJB	563284	Customer	15amp	5.1
F55	FuseBoxRJB	563283	EmergencyLts	10amp	5.1
F56	FuseBoxRJB	563283	IndirectLightingLH	10amp	5.1
F57	FuseBoxRJB	563283	IndirectLightingRH	10amp	5.1
F58	FuseBoxRJB	563283	DirectLightingLH	10amp	5.1
F59	FuseBoxRJB	563283	DirectLightingRH	10amp	5.1
F60	FuseBoxRJB	563283	ReadingLampRH	10amp	5.1
F61	FuseBoxRJB	563283	ReadingLampLH	10amp	5.1
F62	FuseBoxRJB	563283	LavatoryNightLight	10amp	5.1
F63	FuseBoxRJB	563283	EnginePre-Heat	10amp	5.1
F64	FuseBoxRJB	563283	GalleyOption	10amp	5.1
F65	FuseBoxRJB	563165	PwrMuxModuleRJB	30amp	5.1
F66	FuseBoxRJB	563279	RadiatorFanClutch	3amp	5.1
F67	FuseBoxRJB	563153	SpareFuse	25Amp	5.1
F68	FuseBoxRJB	563153	SpareFuse	25Amp	5.1
F69	FuseBoxRJB	563005	HatRackLightingLHandRH	7.5amp	5.1
F70	FuseBoxRJB	563005	Customer24VI	7.5amp	5.1
F71	FuseBoxRJB	563284	SpareFuse	15amp	5.1
F72	FuseBoxRJB	563153	PwrMuxA50	25Amp	5.1
F73	FuseBoxRJB	563282	Trailer_Option	20amp	5.1
F74	FuseBoxRJB	563283	EcuEngineIgnition	10amp	5.1
F75	FuseBoxRJB	563283	EcuTransmissionIgn	10amp	5.1
F76	FuseBoxRJB	563283	Customer	10amp	5.1
F77	FuseBoxRJB	563283	EcuTransmissionWakeUp	10amp	5.1
F78	FuseBoxRJB	563284	EcuEngineWakeUp	15amp	5.1
F79	FuseBoxRJB	563284	EcuEngineWakeUp	15amp	5.1
F80	FuseBoxRJB	563284	PwrMuxA51	15amp	5.1
F81	FuseBoxRJB	563004	PwrOfRearSwitchBox	2Amp	5.1
F82	FuseBoxFJB	563284	LowerWiper	20amp	4.1
F83	FuseBoxFJB	563005	SoundSystem	7.5amp	4.1
F84	FuseBoxFJB	563284	Customer	15amp	4.1

FUSES

No	Location	Part #	Function	Rating	Page
F85	FuseBoxRJB	563283	ZFTransmIgn	10amp	5.1
F86	FuseBoxRJB	563283	SpareFuse	10amp	5.1
F89	FuseBoxRJB	563284	SpareFuse	15amp	5.1
F90	FuseBoxRJB	563284	TagSystemControl	15amp	5.1
F91	FuseBoxRJB	563284	SpareFuse	15amp	5.1
F96	Parcel_Rack_LH_1st_Cmpt_	562605	Tv_Monitors	20Amp	35
F97	Parcel_Rack_LH_1st_Cmpt_	562407	Rad1_Vss04_Pwr	10Amp	35
F98	Parcel_Rack_LH_1st_Cmpt_	562407	Dvd1_Dvd2_Video_Selectr_Pwr	10Amp	35
F99	Parcel_Rack_LH_1st_Cmpt_	562407	Video_Rad2_Wireless_Pwr	10Amp	35
F100	Parcel_Rack_LH_1st_Cmpt_	562407	Add_12VI_Option	10Amp	35
F101	Parcel_Rack_LH_1st_Cmpt_	562407	Add_24V_option	10Amp	35

FUSES LIST

No	Location	Part #	Function	Rating	Page
F1	FuseBoxFJB	563279	CecmPower	3amp	4.1
F2	FuseBoxFJB	563279	FrontStartMainSwitch	3amp	4.1
F3	FuseBoxFJB	563279	EnginePre-HeatH.W.+DrvLiq.Vlv	3amp	4.1
F4	FuseBoxFJB	563279	SpareFuse	3amp	4.1
F5	FuseBoxFJB	563165	24vtoWUp	30amp	4.1
F6	FuseBoxFJB	563005	Customer24VD	7.5amp	4.1
F7	FuseBoxFJB	563279	SpareFuse	3amp	4.1
F8	FuseBoxFJB	563279	AirHorn	3amp	4.1
F9	FuseBoxFJB	563284	SpareFuse	15amp	4.1
F10	FuseBoxFJB	563279	SpareFuse	3amp	4.1
F11	FuseBoxFJB	563279	SunVisor	3amp	4.1
F12	FuseBoxFJB	563282	PwrMuxModule	20amp	4.1
F13	FuseBoxFJB	563282	PwrMuxModule	20amp	4.1
F14	FuseBoxFJB	563284	Customer24VI	15amp	4.1
F15	FuseBoxFJB	563004	EngineBrakeRelay	2Amp	4.1
F16	FuseBoxFJB	563153	DefrosterUnit	25Amp	4.1
F17	FuseBoxFJB	563280	SpareFuse	5Amp	4.1
F18	FuseBoxFJB	563284	SpareFuse	15amp	4.1
F19	FuseBoxFJB	563279	Prodriver	3amp	4.1
F20	FuseBoxFJB	563279	WitnessRedLed	3amp	4.1
F21	FuseBoxFJB	563282	PwrMuxA44	20amp	4.1
F22	FuseBoxFJB	563279	SteeringCtrl	3amp	4.1
F23	FuseBoxFJB	563284	ABS	15amp	4.1
F24	FuseBoxFJB	563005	Mirror	7.5amp	4.1
F25	FuseBoxFJB	563280	BackupCamera	5Amp	4.1
F26	FuseBoxFJB	563279	SmartTireOption	3amp	4.1
F27	FuseBoxFJB	563284	Customer_12VI	15amp	4.1
F28	FuseBoxFJB	563282	DriverWindow	20amp	4.1
F29	FuseBoxFJB	563279	ClusterandDDDR	3amp	4.1
F30	FuseBoxFJB	563284	PwrOutletandCigarLighter	15amp	4.1
F31	FuseBoxFJB	563279	SpareFuse	3amp	4.1
F32	FuseBoxFJB	563282	SpareFuse	20amp	4.1
F33	FuseBoxFJB	563165	12VDtoWakeUp	30amp	4.1
F34	FuseBoxFJB	563165	12VDtoWakeUp	30amp	4.1
F35	FuseBoxFJB	563283	12vPwrOutlet	10amp	4.1
F36	FuseBoxFJB	563279	PwrHvacandTTItModule	3amp	4.1
F37	FuseBoxFJB	563283	SpareFuse	10amp	4.1
F38	FuseBoxFJB	563283	SpareFuse	10amp	4.1
F39	FuseBoxFJB	563283	SpareFuse	10amp	4.1
F40	FuseBoxFJB	563283	SpareFuse	10amp	4.1

FUSES LIST

No	Location	Part #	Function	Rating	Page
F41	FuseBoxFJB	563283	SpareFuse	10amp	4.1
F42	Parcel_Rack_LH_1st_Cmpt_	562407	Memory	10Amp	35
F43	RJB	560893	Evap_Start_Pre_Heater_Option	3Amp	18.2
F44	FJB	560599	FuseDestinationSign	5Amp	3.3
F46	Parcel_Rack_LH_1st_Cmpt_	562396	Ampli_Pwr	30Amp	35
F50	FuseBoxRJB	563284	EnginePre-Heat	15amp	5.1
F51	FuseBoxRJB	563153	EnginePre-Heat	25Amp	5.1
F52	FuseBoxRJB	563284	SpareFuse	15amp	5.1
F53	FuseBoxRJB	563284	PwrMuxA54	15amp	5.1
F54	FuseBoxRJB	563284	Custumer	15amp	5.1
F55	FuseBoxRJB	563283	EmergencyLts	10amp	5.1
F56	FuseBoxRJB	563283	IndirectLightingLH	10amp	5.1
F57	FuseBoxRJB	563283	IndirectLightingRH	10amp	5.1
F58	FuseBoxRJB	563283	DirectLightingLH	10amp	5.1
F59	FuseBoxRJB	563283	DirectLightingRH	10amp	5.1
F60	FuseBoxRJB	563283	ReadingLampRH	10amp	5.1
F61	FuseBoxRJB	563283	ReadingLampLH	10amp	5.1
F62	FuseBoxRJB	563283	LavatoryNightLight	10amp	5.1
F63	FuseBoxRJB	563283	EnginePre-Heat	10amp	5.1
F64	FuseBoxRJB	563283	GalleyOption	10amp	5.1
F65	FuseBoxRJB	563165	PwrMuxModuleRJB	30amp	5.1
F66	FuseBoxRJB	563279	RadiatorFanClutch	3amp	5.1
F67	FuseBoxRJB	563153	SpareFuse	25Amp	5.1
F68	FuseBoxRJB	563153	SpareFuse	25Amp	5.1
F69	FuseBoxRJB	563005	HatRackLightingLHandRH	7.5amp	5.1
F70	FuseBoxRJB	563005	Custumer24VI	7.5amp	5.1
F71	FuseBoxRJB	563284	SpareFuse	15amp	5.1
F72	FuseBoxRJB	563153	PwrMuxA50	25Amp	5.1
F73	FuseBoxRJB	563282	Trailer_Option	20amp	5.1
F74	FuseBoxRJB	563283	EcuEngineIgnition	10amp	5.1
F75	FuseBoxRJB	563283	EcuTransmissionIgn	10amp	5.1
F76	FuseBoxRJB	563283	Custumer	10amp	5.1
F77	FuseBoxRJB	563283	EcuTransmissionWakeUp	10amp	5.1
F78	FuseBoxRJB	563284	EcuEngineWakeUp	15amp	5.1
F79	FuseBoxRJB	563284	EcuEngineWakeUp	15amp	5.1
F80	FuseBoxRJB	563284	PwrMuxA51	15amp	5.1
F81	FuseBoxRJB	563004	PwrOfRearSwitchBox	2Amp	5.1
F82	FuseBoxFJB	563284	LowerWiper	20amp	4.1
F83	FuseBoxFJB	563005	SoundSystem	7.5amp	4.1
F84	FuseBoxFJB	563284	Customer	15amp	4.1

FUSES LIST

No	Location	Part #	Function	Rating	Page
F85	FuseBoxRJB	563283	ZFTransmIgn	10amp	5.1
F86	FuseBoxRJB	563283	SpareFuse	10amp	5.1
F89	FuseBoxRJB	563284	SpareFuse	15amp	5.1
F90	FuseBoxRJB	563284	TagSystemControl	15amp	5.1
F91	FuseBoxRJB	563284	SpareFuse	15amp	5.1
F96	Parcel_Rack_LH_1st_Cmpt_	562605	Tv_Monitors	20Amp	35
F97	Parcel_Rack_LH_1st_Cmpt_	562407	Rad1_Vss04_Pwr	10Amp	35
F98	Parcel_Rack_LH_1st_Cmpt_	562407	Dvd1_Dvd2_Video_Selectr_Pwr	10Amp	35
F99	Parcel_Rack_LH_1st_Cmpt_	562407	Video_Rad2_Wireless_Pwr	10Amp	35
F100	Parcel_Rack_LH_1st_Cmpt_	562407	Add_12VI_Option	10Amp	35
F101	Parcel_Rack_LH_1st_Cmpt_	562407	Add_24V_option	10Amp	35
FM_ANTENNA	*opt*	*opt*	*opt*		35.4
FUSE_BOX_1	Parcel_Rack_LH_1st_Cmpt_	562610	Fuse_Box		35
FUSE_BOX_2	Parcel_Rack_LH_1st_Cmpt_	562610	Fuse_Box		35

FUSES LIST

No	Location	Part #	Function	Rating	Page
F1	FuseBoxFJB	563279	CecmPower	3amp	4,1
F2	FuseBoxFJB	563279	FrontStartMainSwitch	3amp	4,1
F3	FuseBoxFJB	563279	EnginePre-HeatH.W.+DrvLiq.Vlv	3amp	4,1
F4	FuseBoxFJB	563280	*opt*	5Amp	4,1
F5	FuseBoxFJB	563165	24vtoWUp	30amp	4,1
F6	FuseBoxFJB	563005	Customer24VD	7.5amp	4,1
F7	FuseBoxFJB	563279	SpareFuse	3amp	4,1
F8	FuseBoxFJB	563279	AirHorn	3amp	4,1
F9	FuseBoxFJB	563284	SpareFuse	15amp	4,1
F10	FuseBoxFJB	563279	SpareFuse	3amp	4,1
F11	FuseBoxFJB	563279	SunVisor	3amp	4,1
F12	FuseBoxFJB	563282	PwrMuxModule	20amp	4,1
F13	FuseBoxFJB	563282	PwrMuxModule	20amp	4,1
F14	FuseBoxFJB	563284	Customer24VI	15amp	4,1
F15	FuseBoxFJB	563004	EngineBrakeRelay	2Amp	4,1
F16	FuseBoxFJB	563153	DefrosterUnit	25Amp	4,1
F17	FuseBoxFJB	563280	SpareFuse	5Amp	4,1
F18	FuseBoxFJB	563284	SpareFuse	15amp	4,1
F19	FuseBoxFJB	563279	Prodriver	3amp	4,1
F20	FuseBoxFJB	563279	WitnessRedLed	7.5amp	4,1
F21	FuseBoxFJB	563282	PwrMuxA44	20amp	4,1
F22	FuseBoxFJB	563279	SteeringCtrl	3amp	4,1
F23	FuseBoxFJB	563284	ABS	30amp	4,1
F24	FuseBoxFJB	563005	Mirror	7.5amp	4,1
F25	FuseBoxFJB	563280	BackupCamera	5Amp	4,1
F26	FuseBoxFJB	563279	SmartTireOption	3amp	4,1
F27	FuseBoxFJB	563284	Customer_12VI	15amp	4,1
F28	FuseBoxFJB	563282	DriverWindow	20amp	4,1
F29	FuseBoxFJB	563279	ClusterandDDDR	3amp	4,1
F30	FuseBoxFJB	563284	PwrOutletandCigarLighter	15amp	4,1
F31	FuseBoxFJB	563279	SpareFuse	3amp	4,1
F32	FuseBoxFJB	563282	SpareFuse	20amp	4,1
F33	FuseBoxFJB	563165	12VDtoWakeUp	30amp	4,1
F34	FuseBoxFJB	563165	12VDtoWakeUp	30amp	4,1
F35	FuseBoxFJB	563283	12vPwrOutlet	10amp	4,1
F36	FuseBoxFJB	563279	PwrHvacandTTItModule	3amp	4,1
F37	FuseBoxFJB	563283	SpareFuse	10amp	4,1
F38	FuseBoxFJB	563283	SpareFuse	10amp	4,1
F39	FuseBoxFJB	563283	SpareFuse	10amp	4,1
F40	FuseBoxFJB	563283	SpareFuse	10amp	4,1
F41	FuseBoxFJB	563283	SpareFuse	10amp	4,1
F42	Parcel_Rack_LH_1st_Cmpt_	562407	Memory	10Amp	35,0
F43	RJB	560893	Evap Start Pre Heater Option	3Amp	18,2

FUSES LIST

No	Location	Part #	Function	Rating	Page
F44	FJB	560599	FuseDestinationSign	5Amp	3,3
F46	Parcel_Rack_LH_1st_Cmpt_	562396	Ampli_Pwr	30Amp	35,0
F50	FuseBoxRJB	563284	EnginePre-Heat	15amp	5,1
F51	FuseBoxRJB	563153	EnginePre-Heat	25Amp	5,1
F52	FuseBoxRJB	563284	SpareFuse	15amp	5,1
F53	FuseBoxRJB	563284	PwrMuxA54	15amp	5,1
F54	FuseBoxRJB	563284	Customer	15amp	5,1
F55	FuseBoxRJB	563283	EmergencyLts	10amp	5,1
F56	FuseBoxRJB	563283	IndirectLightingLH	20amp	5,1
F57	FuseBoxRJB	563283	IndirectLightingRH	10amp	5,1
F58	FuseBoxRJB	563283	DirectLightingLH	20amp	5,1
F59	FuseBoxRJB	563283	DirectLightingRH	10amp	5,1
F60	FuseBoxRJB	563283	ReadingLampRH	10amp	5,1
F61	FuseBoxRJB	563283	ReadingLampLH	10amp	5,1
F62	FuseBoxRJB	563283	LavatoryNightLight	10amp	5,1
F63	FuseBoxRJB	563283	EnginePre-Heat	10amp	5,1
F64	FuseBoxRJB	563283	GalleyOption	10amp	5,1
F65	FuseBoxRJB	563165	PwrMuxModuleRJB	30amp	5,1
F66	FuseBoxRJB	563279	RadiatorFanClutch	3amp	5,1
F67	FuseBoxRJB	563153	SpareFuse	25Amp	5,1
F68	FuseBoxRJB	563153	SpareFuse	25Amp	5,1
F69	FuseBoxRJB	563005	HatRackLightingLHandRH	3amp	5,1
F70	FuseBoxRJB	563005	Customer24VI	7.5amp	5,1
F71	FuseBoxRJB	563284	SpareFuse	15amp	5,1
F72	FuseBoxRJB	563153	PwrMuxA50	25Amp	5,1
F73	FuseBoxRJB	563282	Trailer_Option	20amp	5,1
F74	FuseBoxRJB	563283	EcuEngineIgnition	10amp	5,1
F75	FuseBoxRJB	563283	EcuTransmissionIgn	10amp	5,1
F76	FuseBoxRJB	563283	Customer	10amp	5,1
F77	FuseBoxRJB	563283	EcuTransmissionWakeUp	10amp	5,1
F78	FuseBoxRJB	563284	EcuEngineWakeUp	15amp	5,1
F79	FuseBoxRJB	563284	EcuEngineWakeUp	15amp	5,1
F80	FuseBoxRJB	563284	PwrMuxA51	15amp	5,1
F81	FuseBoxRJB	563004	PwrOfRearSwitchBox	2Amp	5,1
F82	FuseBoxFJB	563284	LowerWiper	20amp	4,1
F83	FuseBoxFJB	563005	SoundSystem	10amp	4,1
F84	FuseBoxFJB	563284	Customer	15amp	4,1
F85	FuseBoxRJB	563283	ZFTransmIgn	10amp	5,1
F86	FuseBoxRJB	563283	SpareFuse	10amp	5,1
F87	FuseBoxRJB	563282	*opt*	20amp	5,1
F88	FuseBoxRJB	563282	*opt*	20amp	5,1
F89	FuseBoxRJB	563284	SpareFuse	20amp	5,1
F90	FuseBoxRJB	563284	TaaSvstemControl	15amp	5,1

FUSES LIST

No	Location	Part #	Function	Rating	Page
F1	FuseBoxFJB	563279	CecmPower	3amp	4.1
F2	FuseBoxFJB	563279	FrontStartMainSwitch	3amp	4.1
F3	FuseBoxFJB	563279	EnginePre-HeatH.W.+DrvLiq.Vlv	3amp	4.1
F4	FuseBoxFJB	563280	*opt*	5Amp	4.1
F5	FuseBoxFJB	563165	24vtoWUp	30amp	4.1
F6	FuseBoxFJB	563005	Customer24VD	7.5amp	4.1
F7	FuseBoxFJB	563279	SpareFuse	3amp	4.1
F8	FuseBoxFJB	563279	AirHorn	3amp	4.1
F9	FuseBoxFJB	563284	SpareFuse	15amp	4.1
F10	FuseBoxFJB	563279	SpareFuse	3amp	4.1
F11	FuseBoxFJB	563279	SunVisor	3amp	4.1
F12	FuseBoxFJB	563282	PwrMuxModule	20amp	4.1
F13	FuseBoxFJB	563282	PwrMuxModule	20amp	4.1
F14	FuseBoxFJB	563284	Customer24VI	15amp	4.1
F15	FuseBoxFJB	563004	EngineBrakeRelay	2Amp	4.1
F16	FuseBoxFJB	563153	DefrosterUnit	25Amp	4.1
F17	FuseBoxFJB	563280	SpareFuse	5Amp	4.1
F18	FuseBoxFJB	563284	SpareFuse	15amp	4.1
F19	FuseBoxFJB	563279	Prodriver	3amp	4.1
F20	FuseBoxFJB	563279	WitnessRedLed	7.5amp	4.1
F21	FuseBoxFJB	563282	PwrMuxA44	20amp	4.1
F22	FuseBoxFJB	563279	SteeringCtrl	3amp	4.1
F23	FuseBoxFJB	563284	ABS	30amp	4.1
F24	FuseBoxFJB	563005	Mirror	7.5amp	4.1
F25	FuseBoxFJB	563280	BackupCamera	5Amp	4.1
F26	FuseBoxFJB	563279	SmartTireOption	3amp	4.1
F27	FuseBoxFJB	563284	Customer_12VI	15amp	4.1
F28	FuseBoxFJB	563282	DriverWindow	20amp	4.1
F29	FuseBoxFJB	563279	ClusterandDDDR	3amp	4.1
F30	FuseBoxFJB	563284	PwrOutletandCigarLighter	15amp	4.1
F31	FuseBoxFJB	563279	SpareFuse	3amp	4.1
F32	FuseBoxFJB	563282	SpareFuse	20amp	4.1
F33	FuseBoxFJB	563165	12VDtoWakeUp	30amp	4.1
F34	FuseBoxFJB	563165	12VDtoWakeUp	30amp	4.1
F35	FuseBoxFJB	563283	12vPwrOutlet	10amp	4.1
F36	FuseBoxFJB	563279	PwrHvacandTTItModule	3amp	4.1
F37	FuseBoxFJB	563283	SpareFuse	10amp	4.1
F38	FuseBoxFJB	563283	SpareFuse	10amp	4.1
F39	FuseBoxFJB	563283	SpareFuse	10amp	4.1
F40	FuseBoxFJB	563283	SpareFuse	10amp	4.1
F41	FuseBoxFJB	563283	SpareFuse	10amp	4.1
F42	Parcel_Rack_LH_1st_Cmpt_	562407	Memory	10Amp	35.0
F43	RJB	560893	Evap Start Pre Heater Option	3Amp	18.2

FUSES LIST

No	Location	Part #	Function	Rating	Page
F44	FJB	560599	FuseDestinationSign	5Amp	3.3
F46	Parcel_Rack_LH_1st_Cmpt_	562396	Ampli_Pwr	30Amp	35.0
F50	FuseBoxRJB	563284	EnginePre-Heat	15amp	5.1
F51	FuseBoxRJB	563153	EnginePre-Heat	25Amp	5.1
F52	FuseBoxRJB	563284	SpareFuse	15amp	5.1
F53	FuseBoxRJB	563284	PwrMuxA54	15amp	5.1
F54	FuseBoxRJB	563284	Customer	15amp	5.1
F55	FuseBoxRJB	563283	EmergencyLts	10amp	5.1
F56	FuseBoxRJB	563283	IndirectLightingLH	20amp	5.1
F57	FuseBoxRJB	563283	IndirectLightingRH	10amp	5.1
F58	FuseBoxRJB	563283	DirectLightingLH	20amp	5.1
F59	FuseBoxRJB	563283	DirectLightingRH	10amp	5.1
F60	FuseBoxRJB	563283	ReadingLampRH	10amp	5.1
F61	FuseBoxRJB	563283	ReadingLampLH	10amp	5.1
F62	FuseBoxRJB	563283	LavatoryNightLight	10amp	5.1
F63	FuseBoxRJB	563283	EnginePre-Heat	10amp	5.1
F64	FuseBoxRJB	563283	GalleyOption	10amp	5.1
F65	FuseBoxRJB	563165	PwrMuxModuleRJB	30amp	5.1
F66	FuseBoxRJB	563279	RadiatorFanClutch	3amp	5.1
F67	FuseBoxRJB	563153	SpareFuse	25Amp	5.1
F68	FuseBoxRJB	563153	SpareFuse	25Amp	5.1
F69	FuseBoxRJB	563005	HatRackLightingLHandRH	3amp	5.1
F70	FuseBoxRJB	563005	Customer24VI	7.5amp	5.1
F71	FuseBoxRJB	563284	SpareFuse	15amp	5.1
F72	FuseBoxRJB	563153	PwrMuxA50	25Amp	5.1
F73	FuseBoxRJB	563282	Trailer_Option	20amp	5.1
F74	FuseBoxRJB	563283	EcuEngineIgnition	10amp	5.1
F75	FuseBoxRJB	563283	EcuTransmissionIgn	10amp	5.1
F76	FuseBoxRJB	563283	Customer	10amp	5.1
F77	FuseBoxRJB	563283	EcuTransmissionWakeUp	10amp	5.1
F78	FuseBoxRJB	563284	EcuEngineWakeUp	15amp	5.1
F79	FuseBoxRJB	563284	EcuEngineWakeUp	15amp	5.1
F80	FuseBoxRJB	563284	PwrMuxA51	15amp	5.1
F81	FuseBoxRJB	563004	PwrOfRearSwitchBox	2Amp	5.1
F83	FuseBoxFJB	563005	SoundSystem	10amp	4.1
F84	FuseBoxFJB	563284	Customer	15amp	4.1
F85	FuseBoxRJB	563283	ZFTransmIgn	10amp	5.1
F86	FuseBoxRJB	563283	SpareFuse	10amp	5.1
F89	FuseBoxRJB	563284	SpareFuse	20amp	5.1
F90	FuseBoxRJB	563284	TagSystemControl	15amp	5.1
F91	FuseBoxRJB	563284	SpareFuse	15amp	5.1
F96	FuseBoxRJB	563284	*opt*	20amp	5.1
F96	Parcel Rack LH 1st Cmpt	562605	Tv Monitors	20Amp	35.0

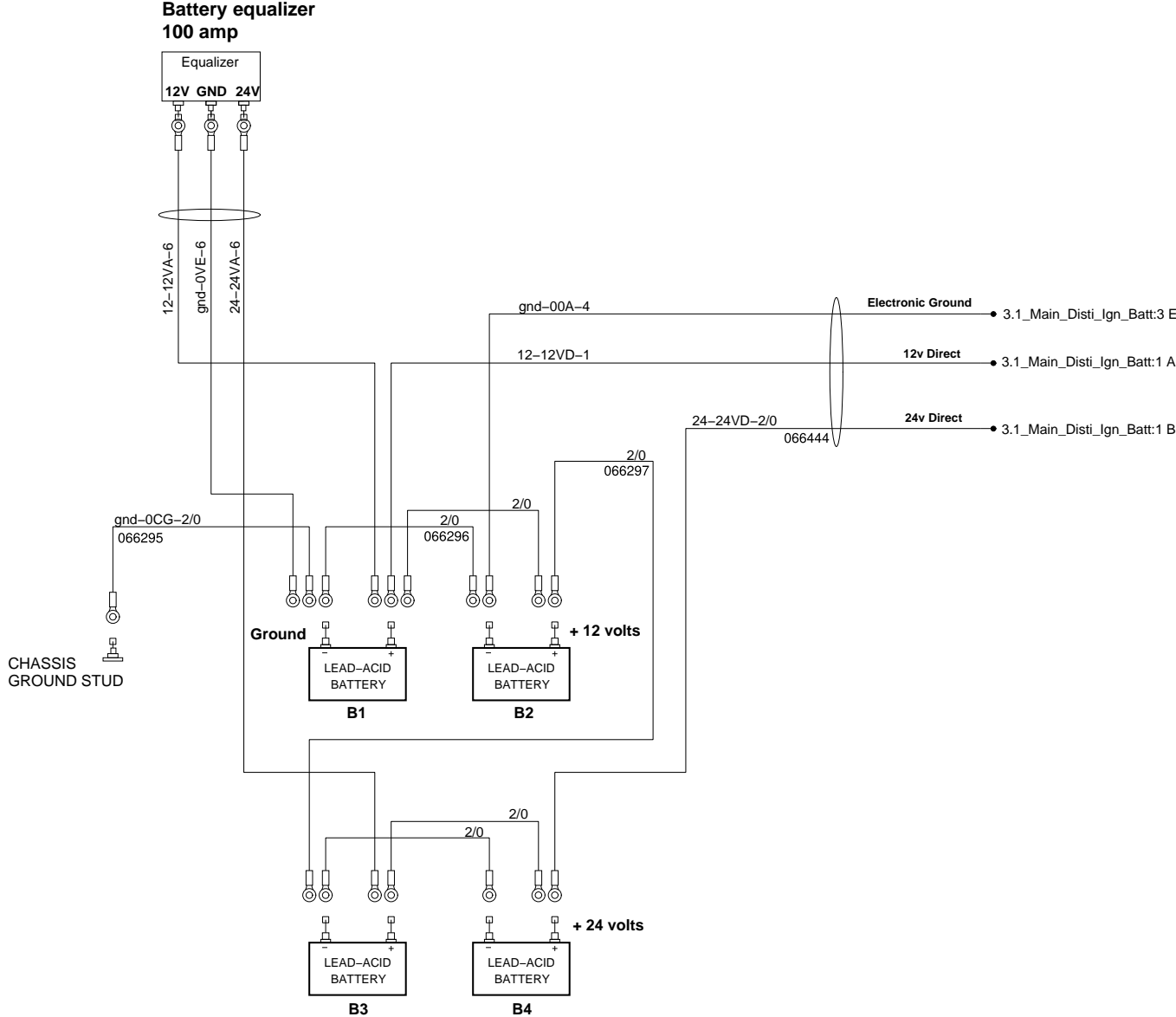
FUSES LIST

No	Location	Part #	Function	Rating	Page
F1	FuseBoxFJB	563279	CecmPower	3amp	4,1
F2	FuseBoxFJB	563279	FrontStartMainSwitch	3amp	4,1
F3	FuseBoxFJB	563279	EnginePre-HeatH.W.+DrvLiq.Vlv	3amp	4,1
F4	FuseBoxFJB	563280	*opt*	5Amp	4,1
F5	FuseBoxFJB	563165	24vtoWUp	30amp	4,1
F6	FuseBoxFJB	563005	Customer24VD	7.5amp	4,1
F7	FuseBoxFJB	563279	SpareFuse	3amp	4,1
F8	FuseBoxFJB	563279	AirHorn	3amp	4,1
F9	FuseBoxFJB	563284	SpareFuse	15amp	4,1
F10	FuseBoxFJB	563279	SpareFuse	3amp	4,1
F11	FuseBoxFJB	563279	SunVisor	3amp	4,1
F12	FuseBoxFJB	563282	PwrMuxModule	20amp	4,1
F13	FuseBoxFJB	563282	PwrMuxModule	20amp	4,1
F14	FuseBoxFJB	563284	Customer24VI	15amp	4,1
F15	FuseBoxFJB	563004	EngineBrakeRelay	2Amp	4,1
F16	FuseBoxFJB	563153	DefrosterUnit	25Amp	4,1
F17	FuseBoxFJB	563280	SpareFuse	5Amp	4,1
F18	FuseBoxFJB	563284	SpareFuse	15amp	4,1
F19	FuseBoxFJB	563279	Prodriver	3amp	4,1
F20	FuseBoxFJB	563279	WitnessRedLed	7.5amp	4,1
F21	FuseBoxFJB	563282	PwrMuxA44	20amp	4,1
F22	FuseBoxFJB	563279	SteeringCtrl	3amp	4,1
F23	FuseBoxFJB	563284	ABS	30amp	4,1
F24	FuseBoxFJB	563005	Mirror	7.5amp	4,1
F25	FuseBoxFJB	563280	BackupCamera	5Amp	4,1
F26	FuseBoxFJB	563279	SmartTireOption	3amp	4,1
F27	FuseBoxFJB	563284	Customer_12VI	15amp	4,1
F28	FuseBoxFJB	563282	DriverWindow	20amp	4,1
F29	FuseBoxFJB	563279	ClusterandDDDR	3amp	4,1
F30	FuseBoxFJB	563284	PwrOutletandCigarLighter	15amp	4,1
F31	FuseBoxFJB	563279	SpareFuse	3amp	4,1
F32	FuseBoxFJB	563282	SpareFuse	20amp	4,1
F33	FuseBoxFJB	563165	12VDtoWakeUp	30amp	4,1
F34	FuseBoxFJB	563165	12VDtoWakeUp	30amp	4,1
F35	FuseBoxFJB	563283	12vPwrOutlet	10amp	4,1
F36	FuseBoxFJB	563279	PwrHvacandTTItModule	3amp	4,1
F37	FuseBoxFJB	563283	SpareFuse	10amp	4,1
F38	FuseBoxFJB	563283	SpareFuse	10amp	4,1
F39	FuseBoxFJB	563283	SpareFuse	10amp	4,1
F40	FuseBoxFJB	563283	SpareFuse	10amp	4,1
F41	FuseBoxFJB	563283	SpareFuse	10amp	4,1
F42	Parcel_Rack_LH_1st_Cmpt_	562407	Memory	10Amp	35,0
F43	RJB	560893	Evap Start Pre Heater Option	3Amp	18,2

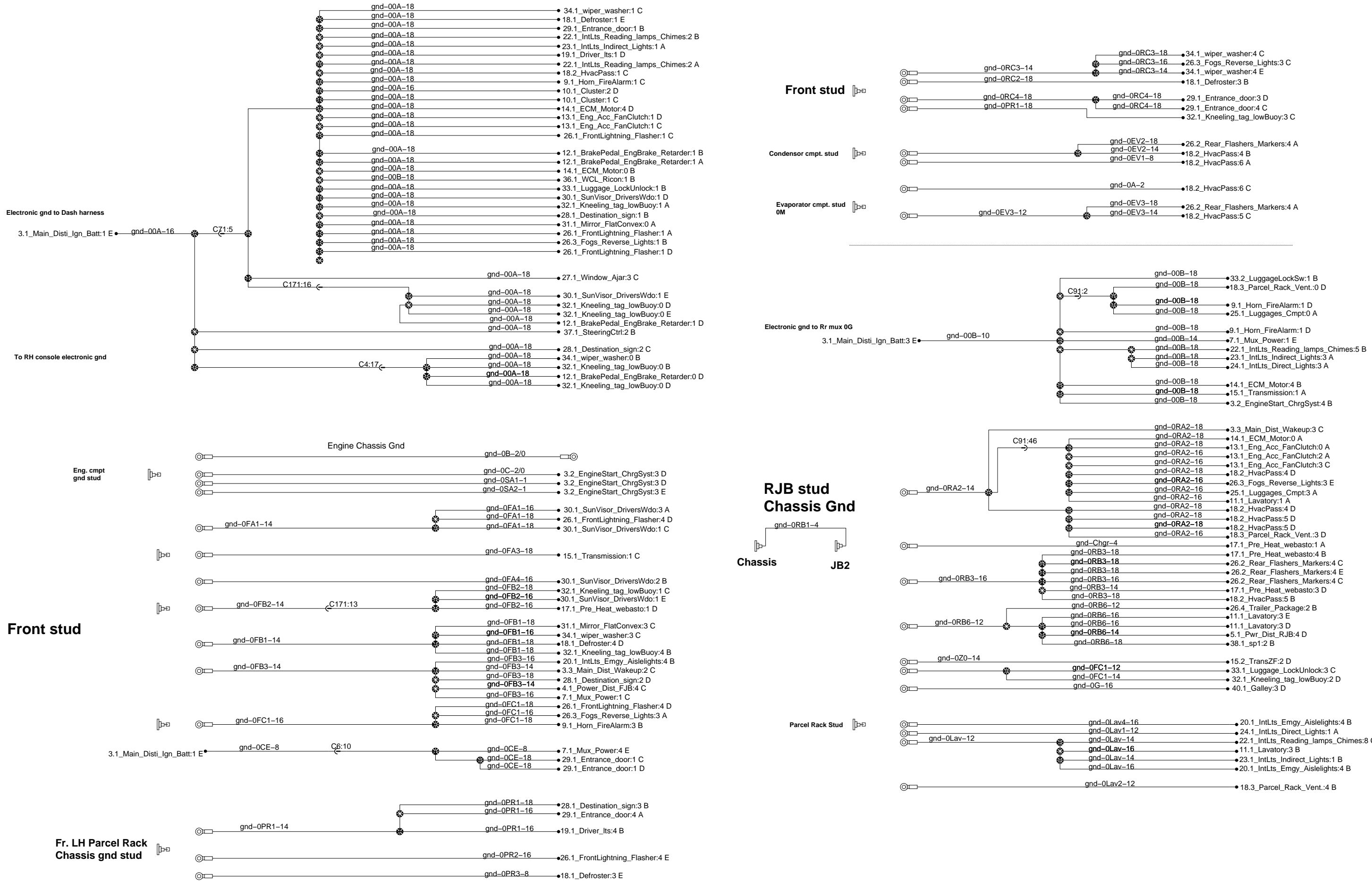
FUSES LIST

No	Location	Part #	Function	Rating	Page
F44	FJB	560599	FuseDestinationSign	5Amp	3,3
F45	FJB	560599	FireProtectionSys.	5Amp	3,3
F46	Parcel_Rack_LH_1st_Cmpt_	562396	Ampli_Pwr	30Amp	35,0
F50	FuseBoxRJB	563284	EnginePre-Heat	15amp	5,1
F51	FuseBoxRJB	563153	EnginePre-Heat	25Amp	5,1
F52	FuseBoxRJB	563284	SpareFuse	15amp	5,1
F53	FuseBoxRJB	563284	PwrMuxA54	15amp	5,1
F54	FuseBoxRJB	563284	Customer	15amp	5,1
F55	FuseBoxRJB	563283	EmergencyLts	10amp	5,1
F56	FuseBoxRJB	563283	IndirectLightingLH	20amp	5,1
F57	FuseBoxRJB	563283	IndirectLightingRH	10amp	5,1
F58	FuseBoxRJB	563283	DirectLightingLH	20amp	5,1
F59	FuseBoxRJB	563283	DirectLightingRH	10amp	5,1
F60	FuseBoxRJB	563283	ReadingLampRH	10amp	5,1
F61	FuseBoxRJB	563283	ReadingLampLH	10amp	5,1
F62	FuseBoxRJB	563283	LavatoryNightLight	10amp	5,1
F63	FuseBoxRJB	563283	EnginePre-Heat	10amp	5,1
F64	FuseBoxRJB	563283	GalleyOption	10amp	5,1
F65	FuseBoxRJB	563165	PwrMuxModuleRJB	30amp	5,1
F66	FuseBoxRJB	563279	RadiatorFanClutch	3amp	5,1
F67	FuseBoxRJB	563153	SpareFuse	25Amp	5,1
F68	FuseBoxRJB	563153	SpareFuse	25Amp	5,1
F69	FuseBoxRJB	563005	HatRackLightingLHandRH	3amp	5,1
F70	FuseBoxRJB	563005	Customer24Vl	7.5amp	5,1
F71	FuseBoxRJB	563284	SpareFuse	15amp	5,1
F72	FuseBoxRJB	563153	PwrMuxA50	25Amp	5,1
F73	FuseBoxRJB	563282	Trailer_Option	20amp	5,1
F74	FuseBoxRJB	563283	EcuEngineIgnition	10amp	5,1
F75	FuseBoxRJB	563283	EcuTransmissionIgn	10amp	5,1
F76	FuseBoxRJB	563283	Customer	10amp	5,1
F77	FuseBoxRJB	563283	EcuTransmissionWakeUp	10amp	5,1
F78	FuseBoxRJB	563284	EcuEngineWakeUp	15amp	5,1
F79	FuseBoxRJB	563284	EcuEngineWakeUp	15amp	5,1
F80	FuseBoxRJB	563284	PwrMuxA51	15amp	5,1
F81	FuseBoxRJB	563004	PwrOfRearSwitchBox	2Amp	5,1
F83	FuseBoxFJB	563005	SoundSystem	10amp	4,1
F84	FuseBoxFJB	563284	Customer	15amp	4,1
F85	FuseBoxRJB	563283	ZFTransmIgn	10amp	5,1
F86	FuseBoxRJB	563283	SpareFuse	10amp	5,1
F89	FuseBoxRJB	563284	SpareFuse	20amp	5,1
F90	FuseBoxRJB	563284	TagSystemControl	15amp	5,1
F91	FuseBoxRJB	563284	SpareFuse	15amp	5,1
F96	FuseBoxRJB	563284	*oot*	20amp	5,1

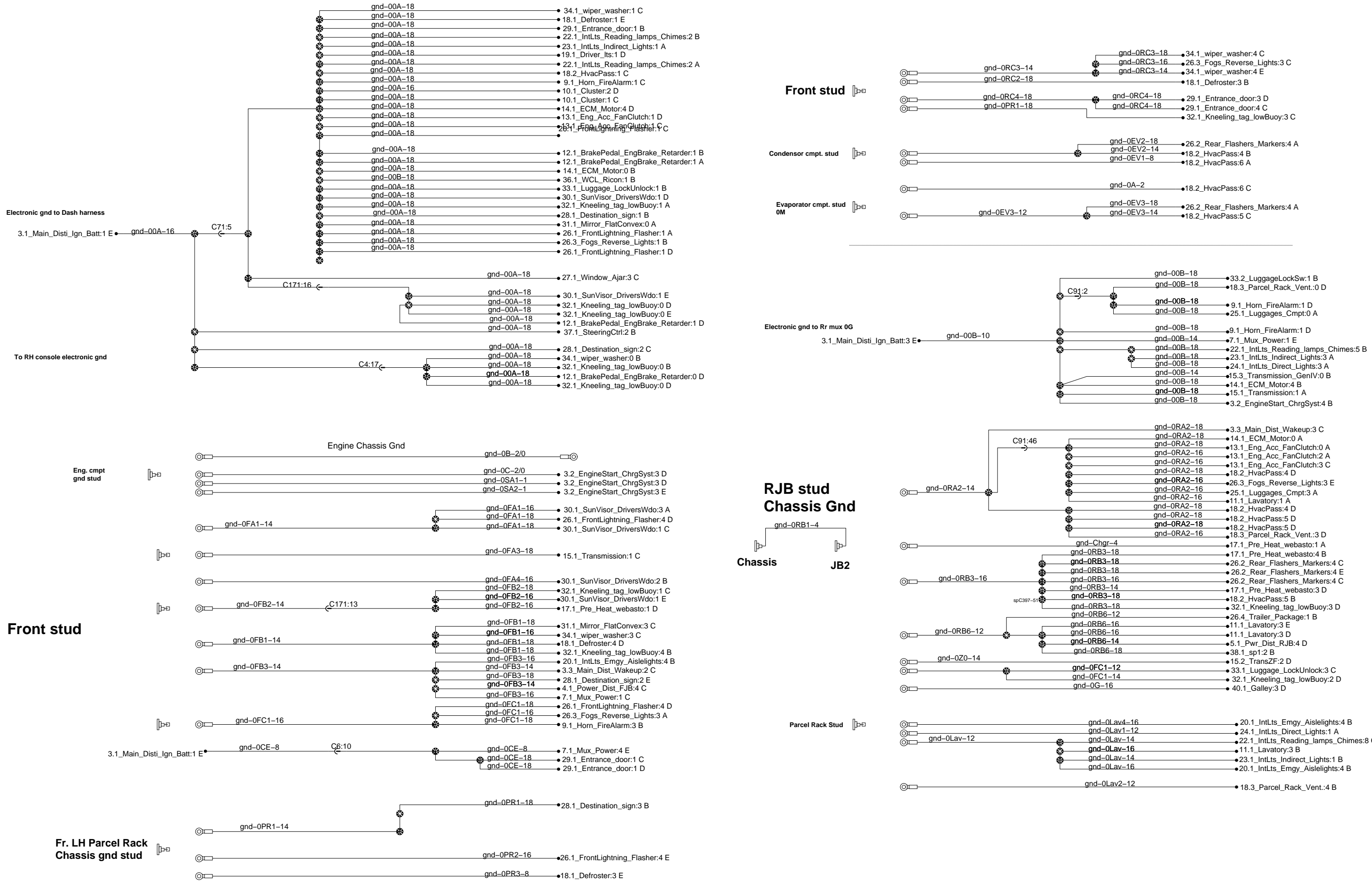
STANDARD BATTERIES (Only Group 31 available)



Ground Distribution



Ground Distribution



Rev:11

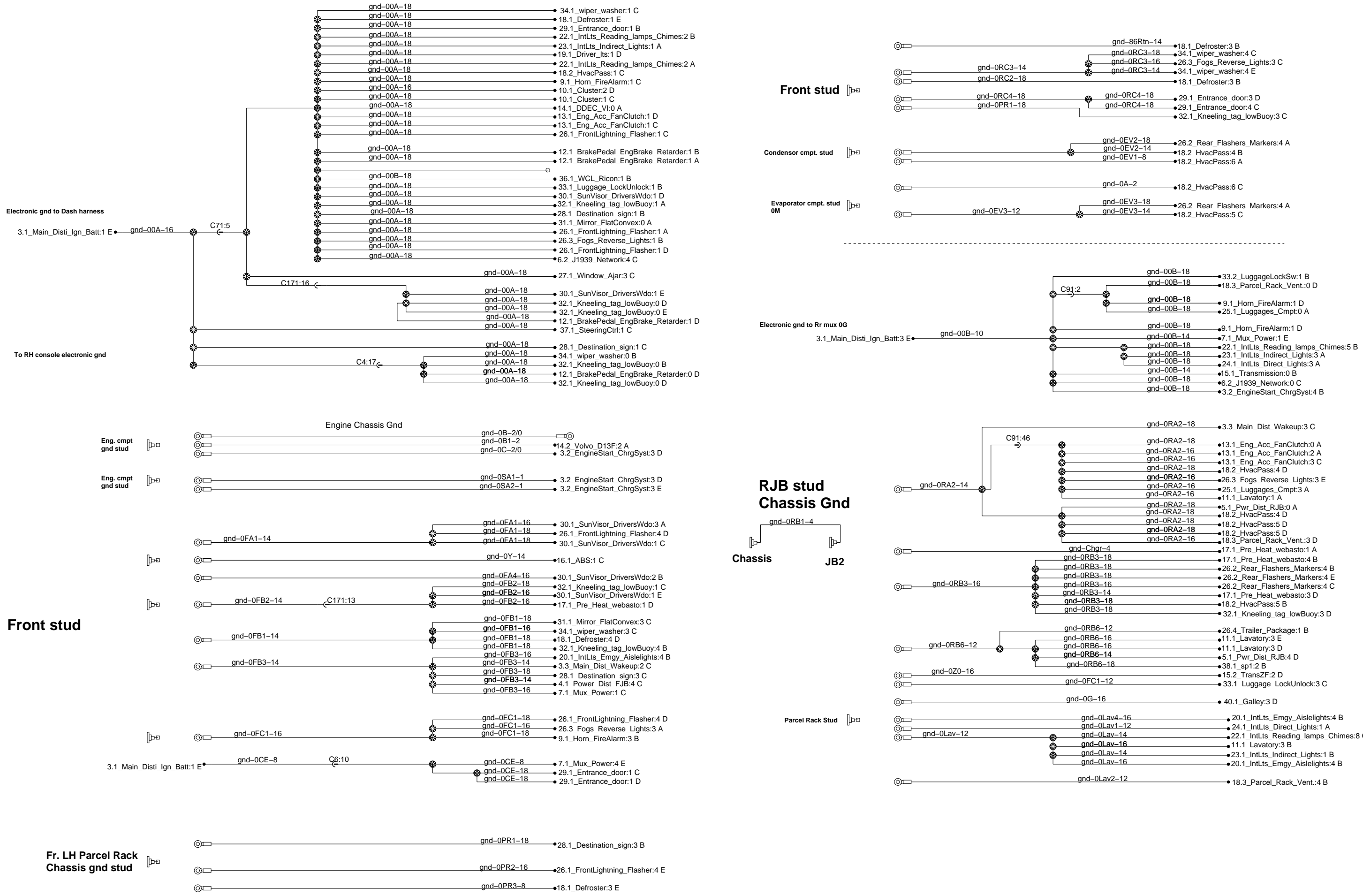
Page:2.1

No:D061030

WIRING DIAGRAM

PREVOST®

Ground Distribution



Rev:12

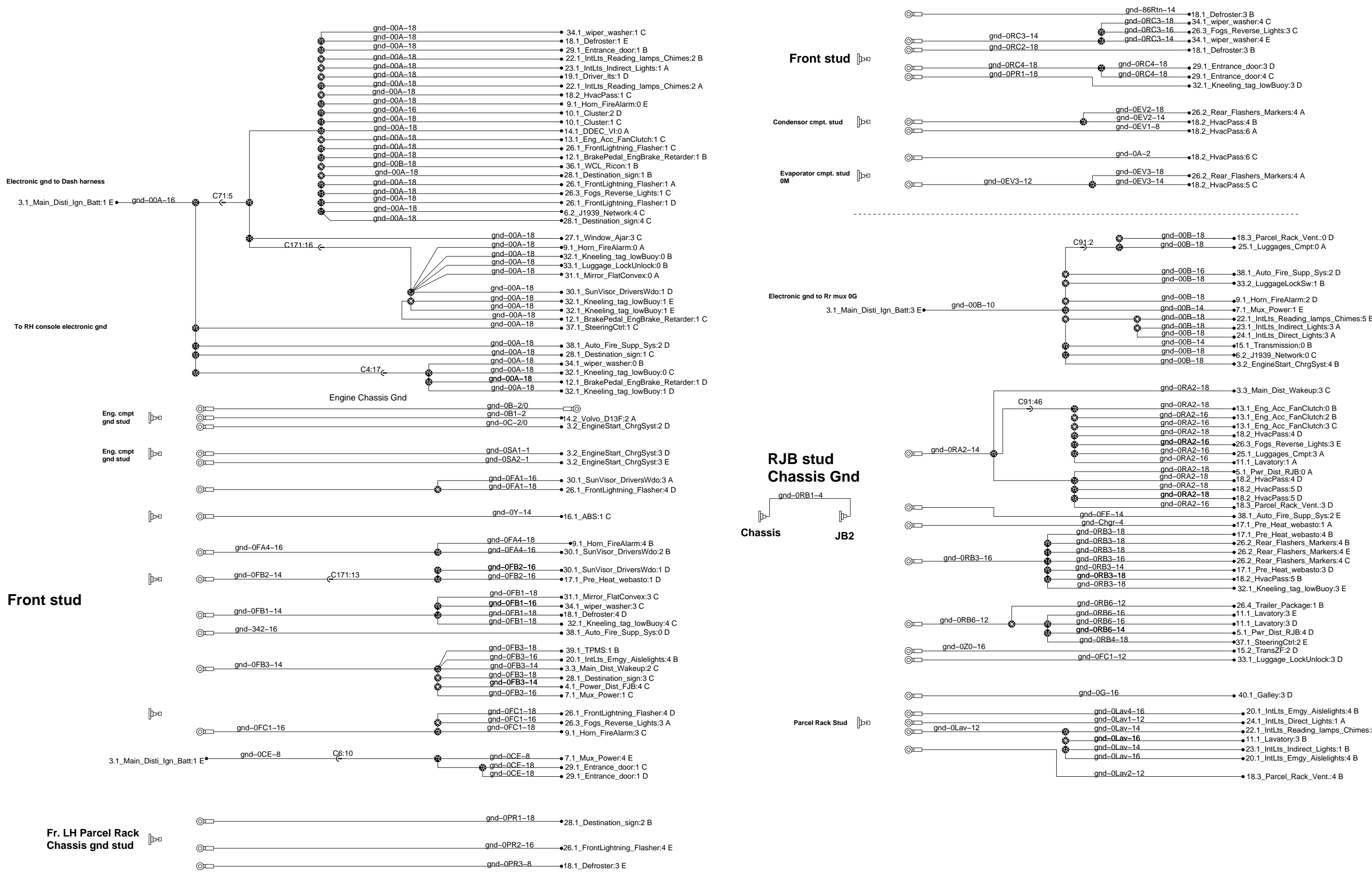
Page:2.1

No:D061030

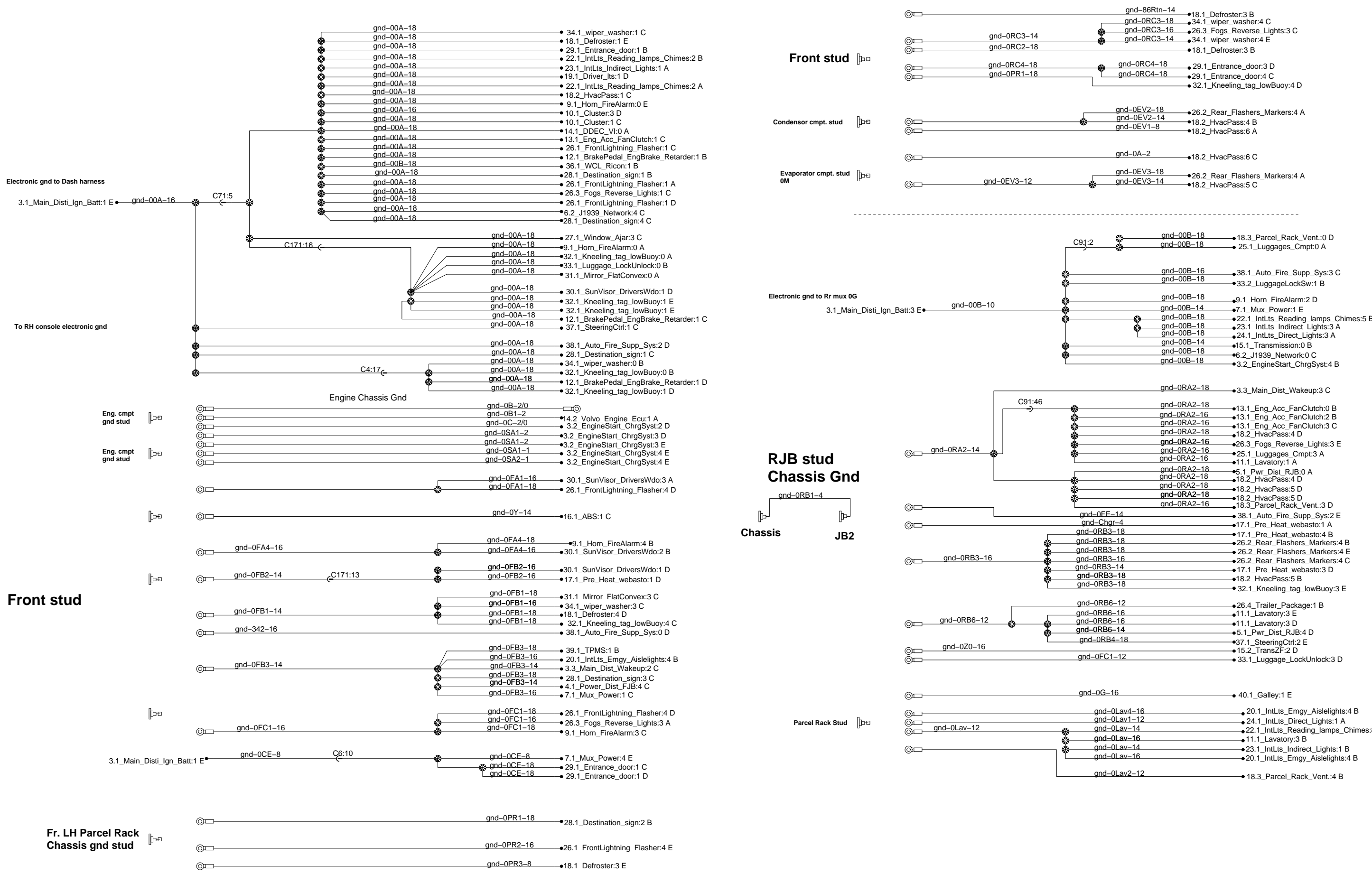
WIRING DIAGRAM

PREVOST®

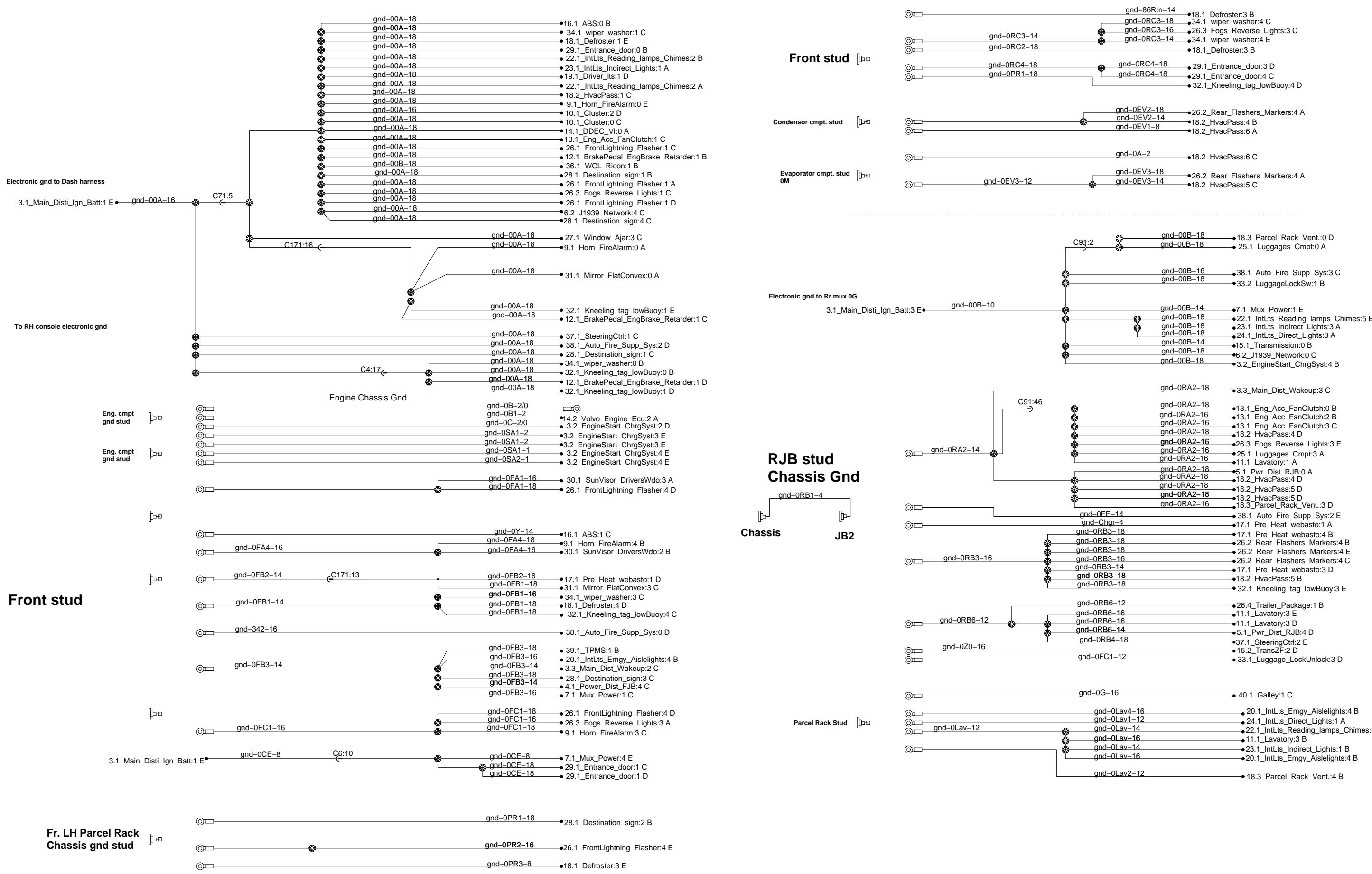
Ground Distribution



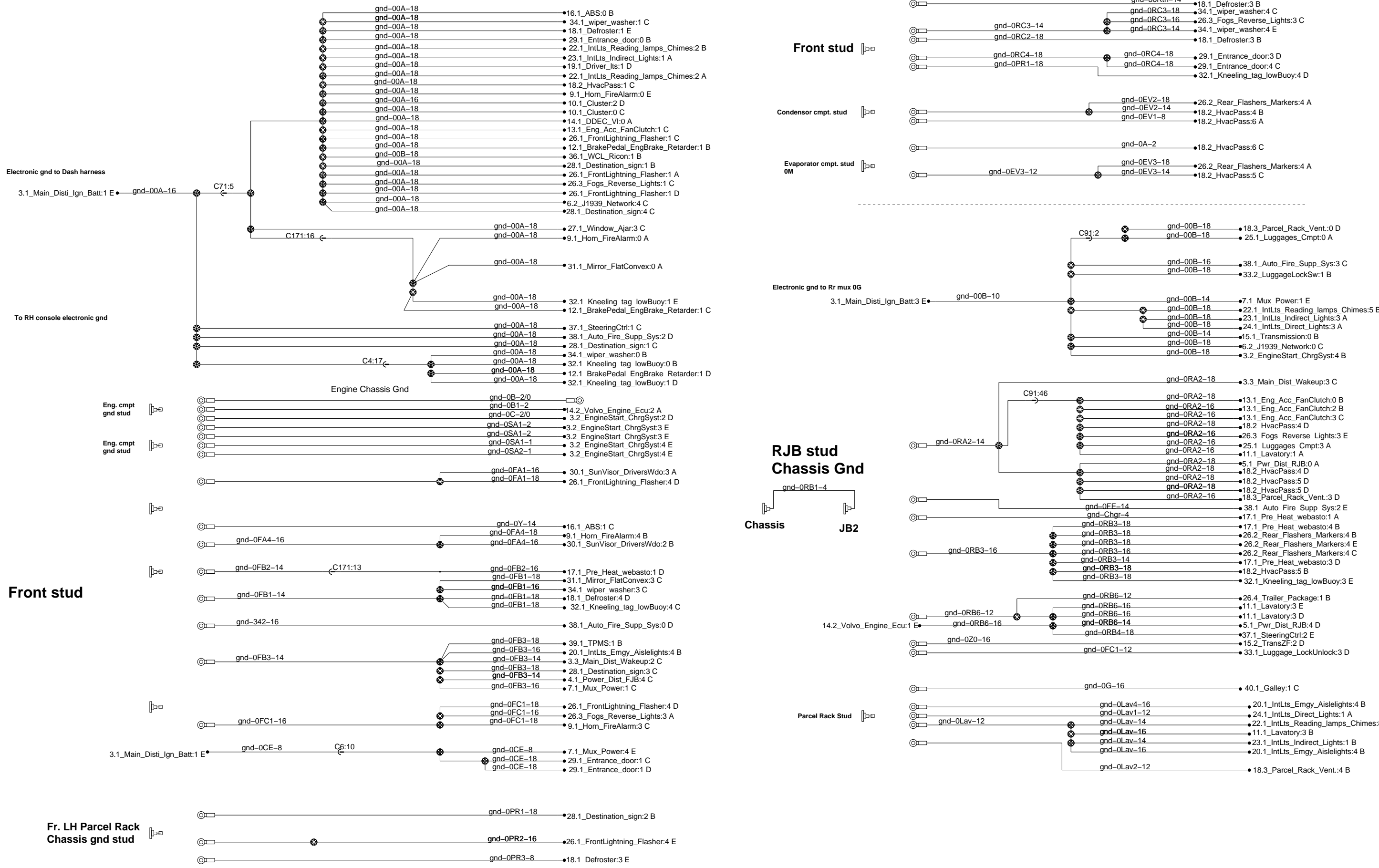
Ground Distribution



Ground Distribution



Ground Distribution



Rev:26

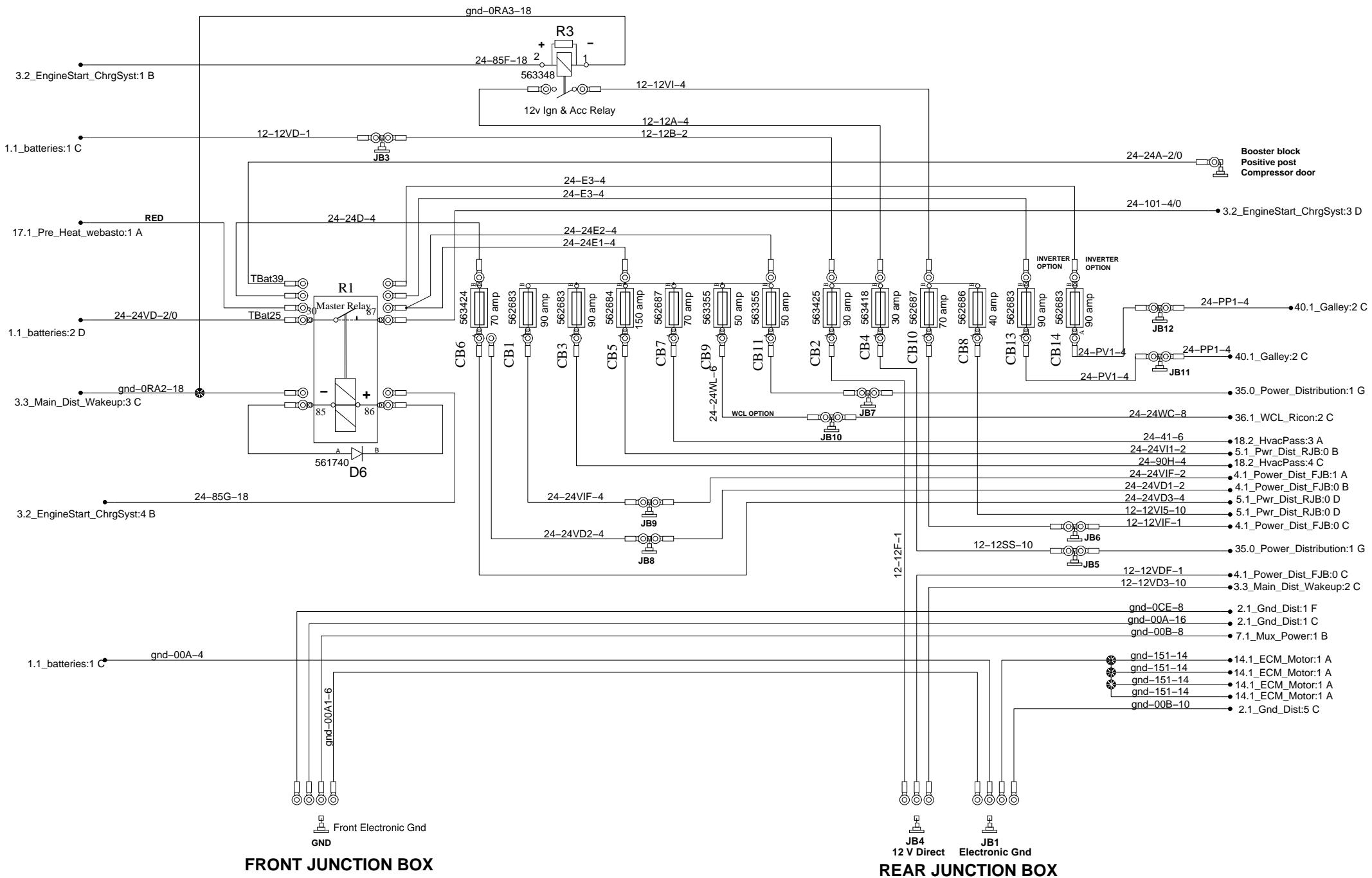
Page:2.1

No:D061030

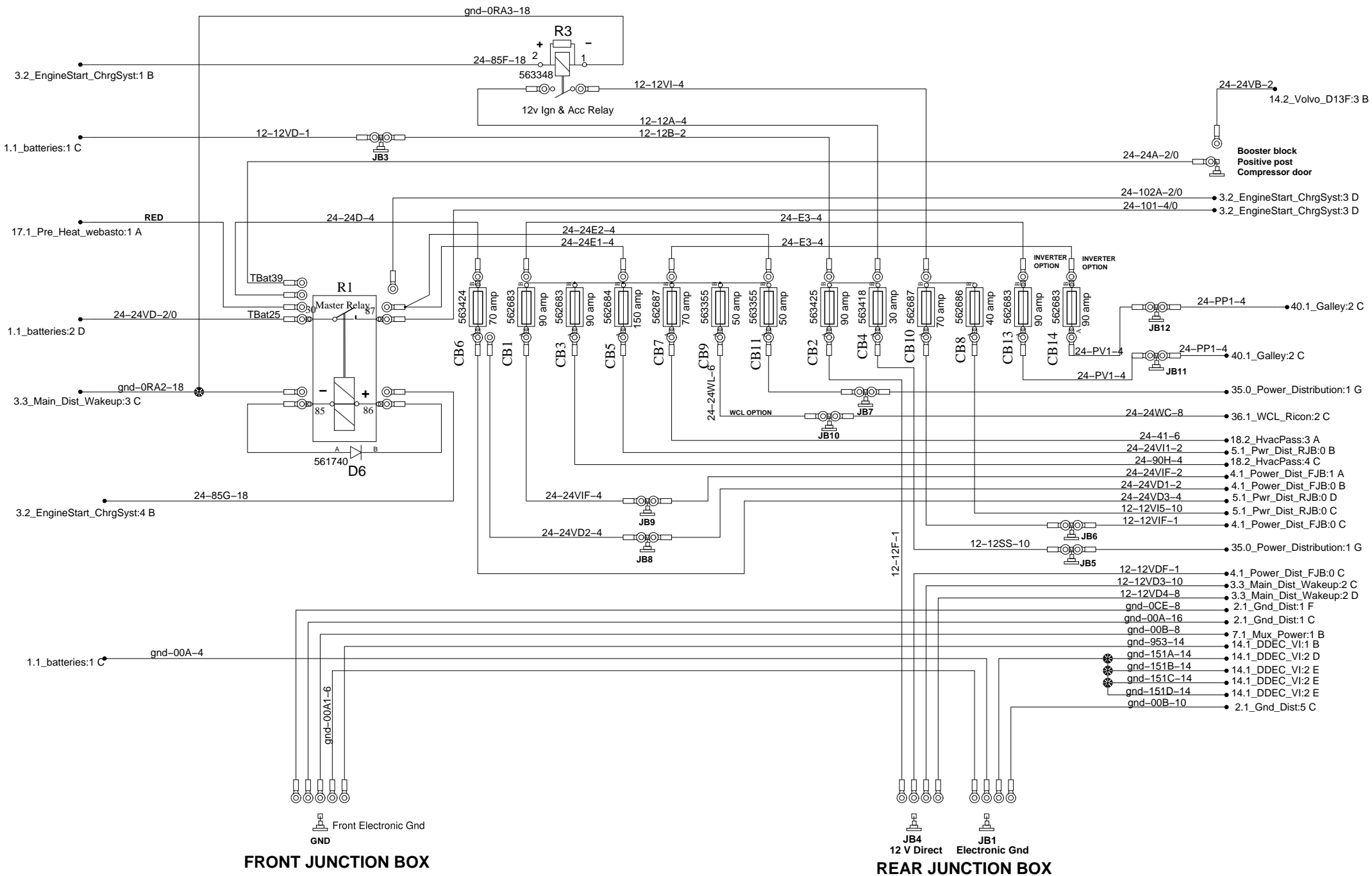
WIRING DIAGRAM

PREVOST®

MAIN DISTRIBUTION Batteries & Ignition



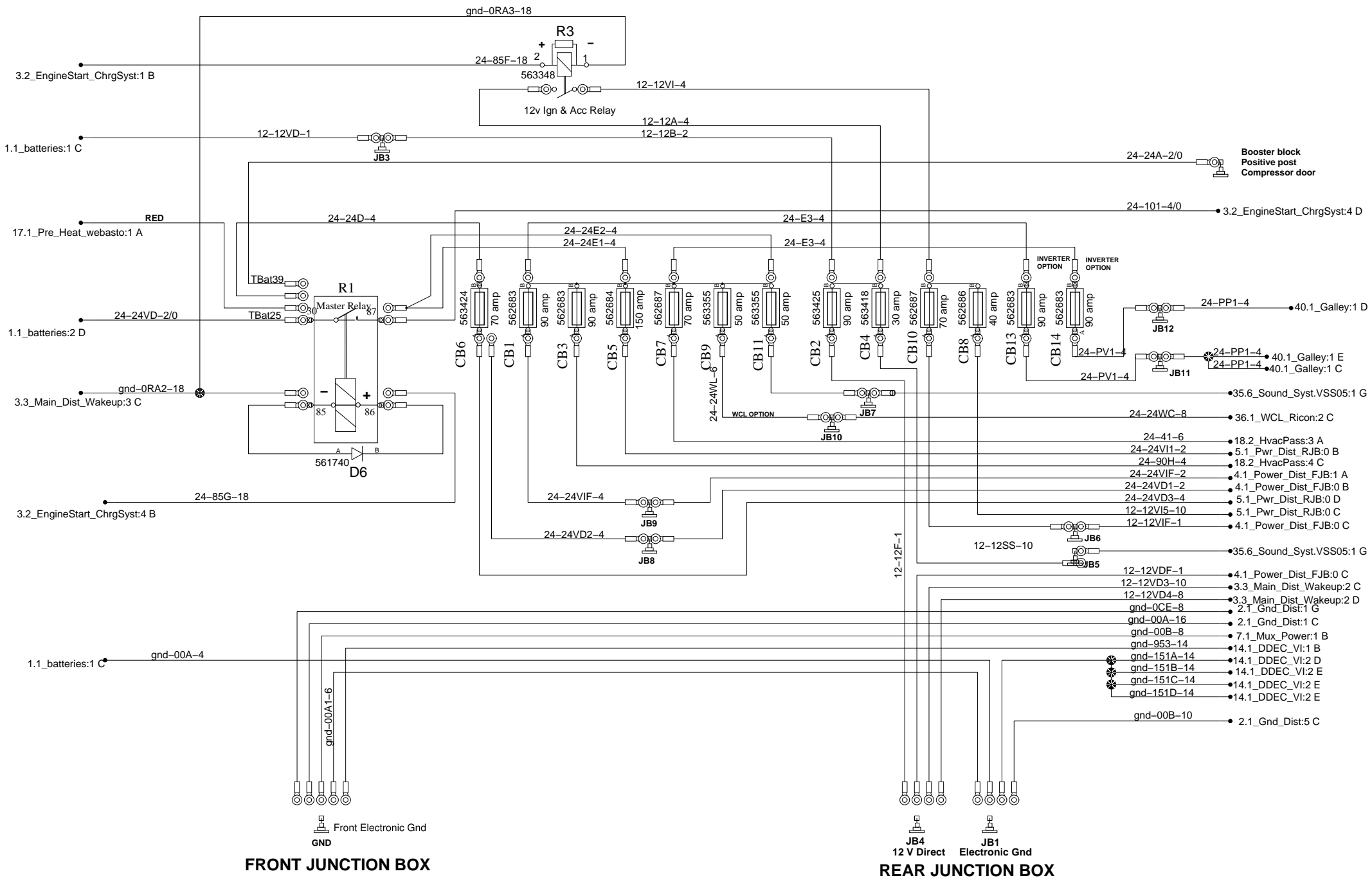
MAIN DISTRIBUTION Batteries & Ignition



FRONT JUNCTION BOX

REAR JUNCTION BOX

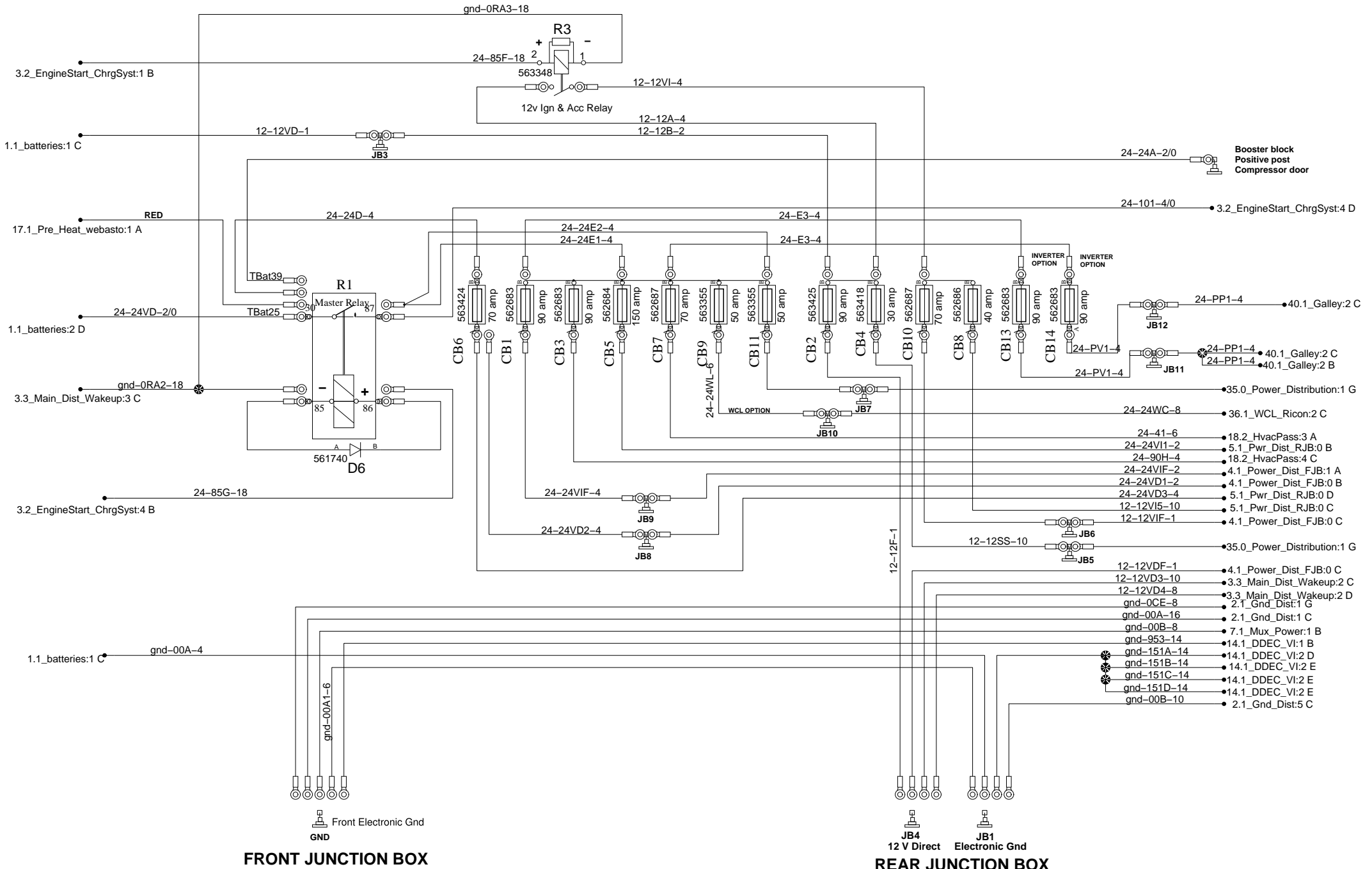
MAIN DISTRIBUTION Batteries & Ignition



FRONT JUNCTION BOX

REAR JUNCTION BOX

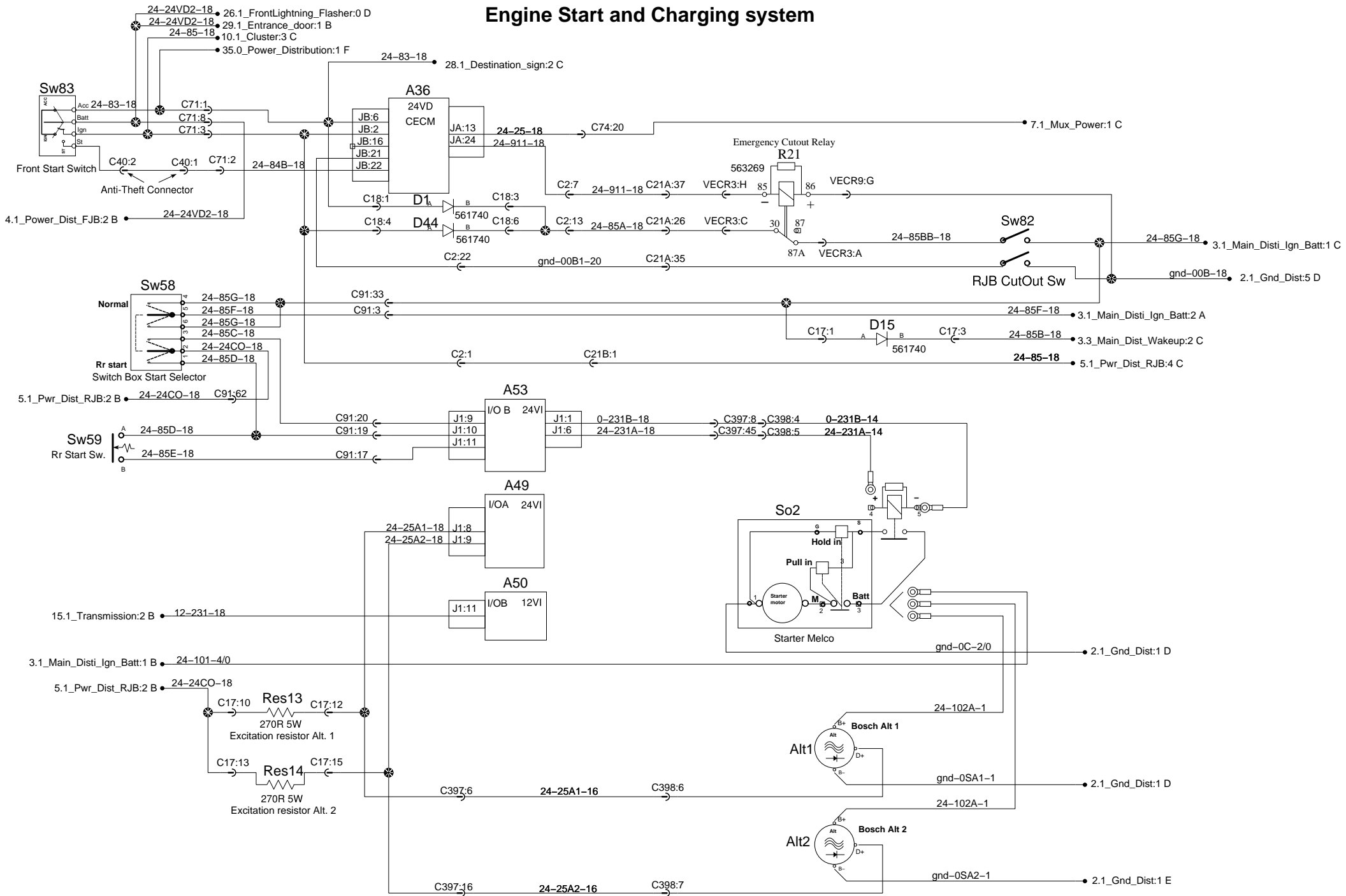
MAIN DISTRIBUTION Batteries & Ignition



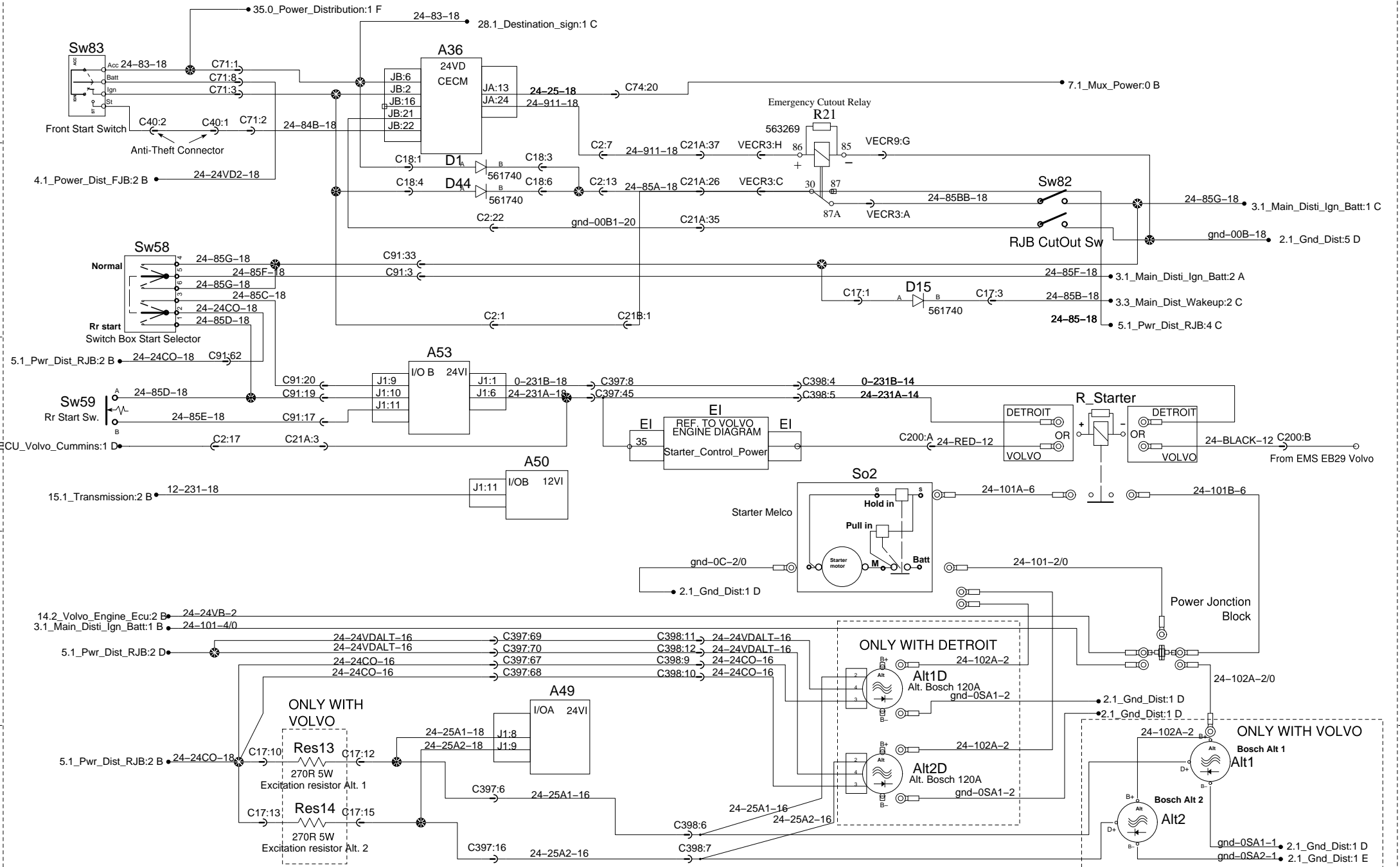
FRONT JUNCTION BOX

REAR JUNCTION BOX

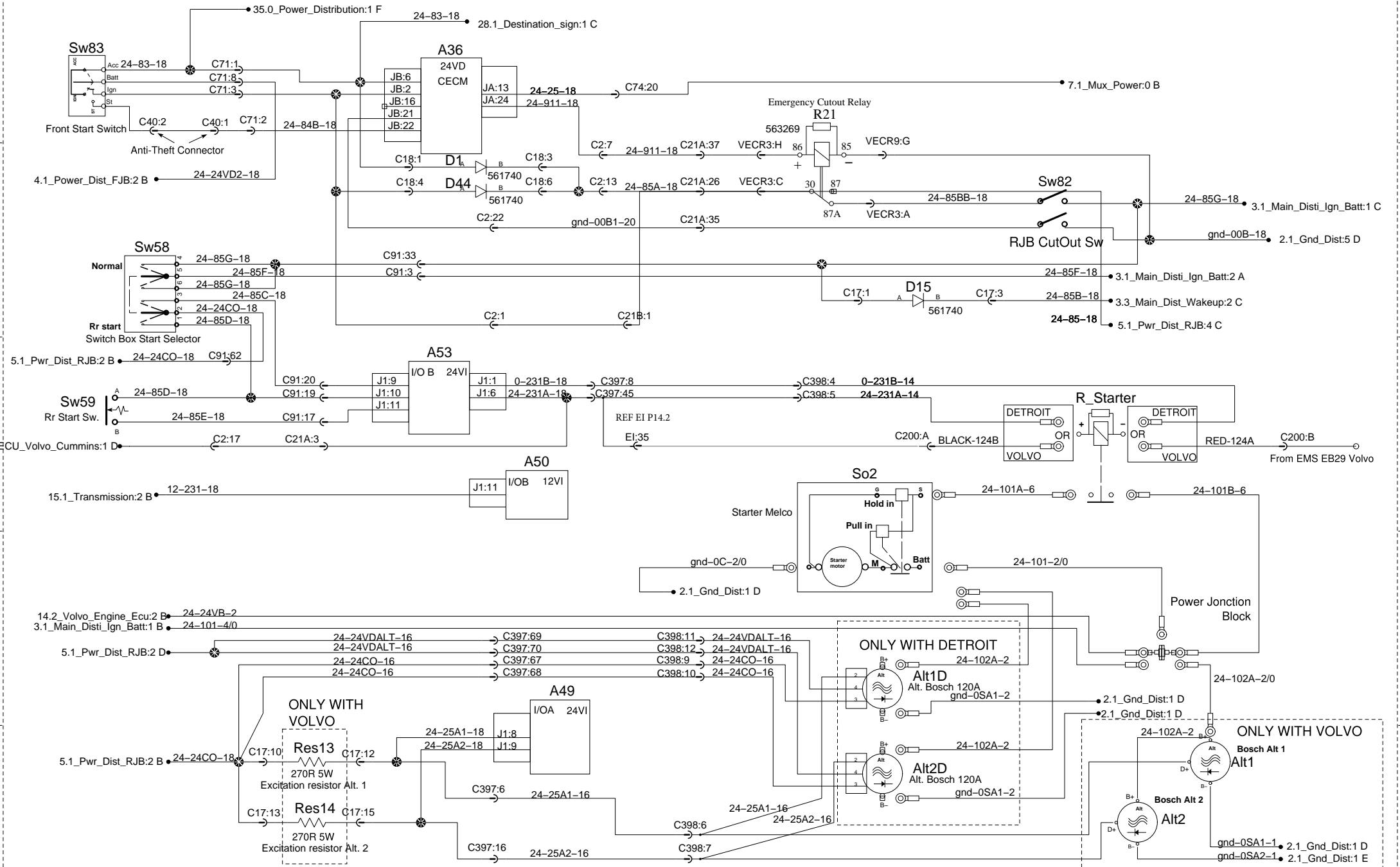
Engine Start and Charging system



Engine Start and Charging system



Engine Start and Charging system



0

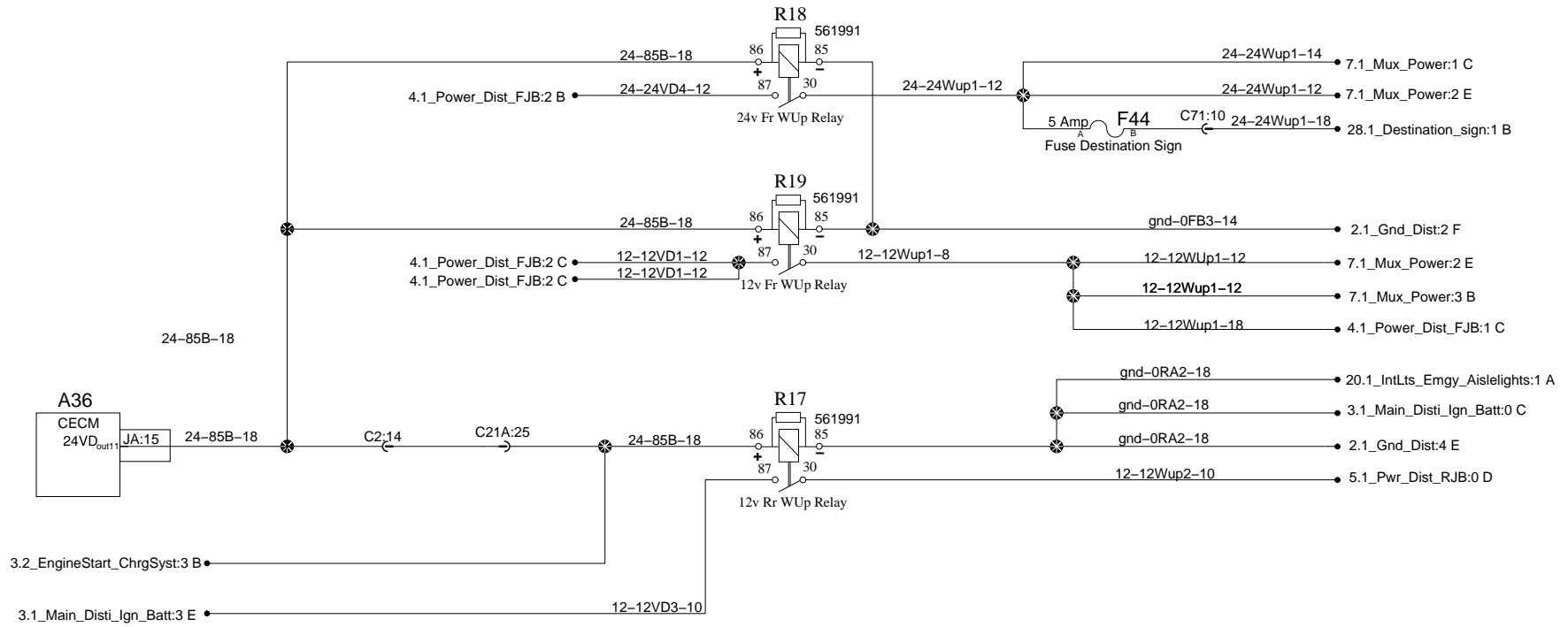
1

2

3

4

MAIN DISTRIBUTION Wake-Up



0

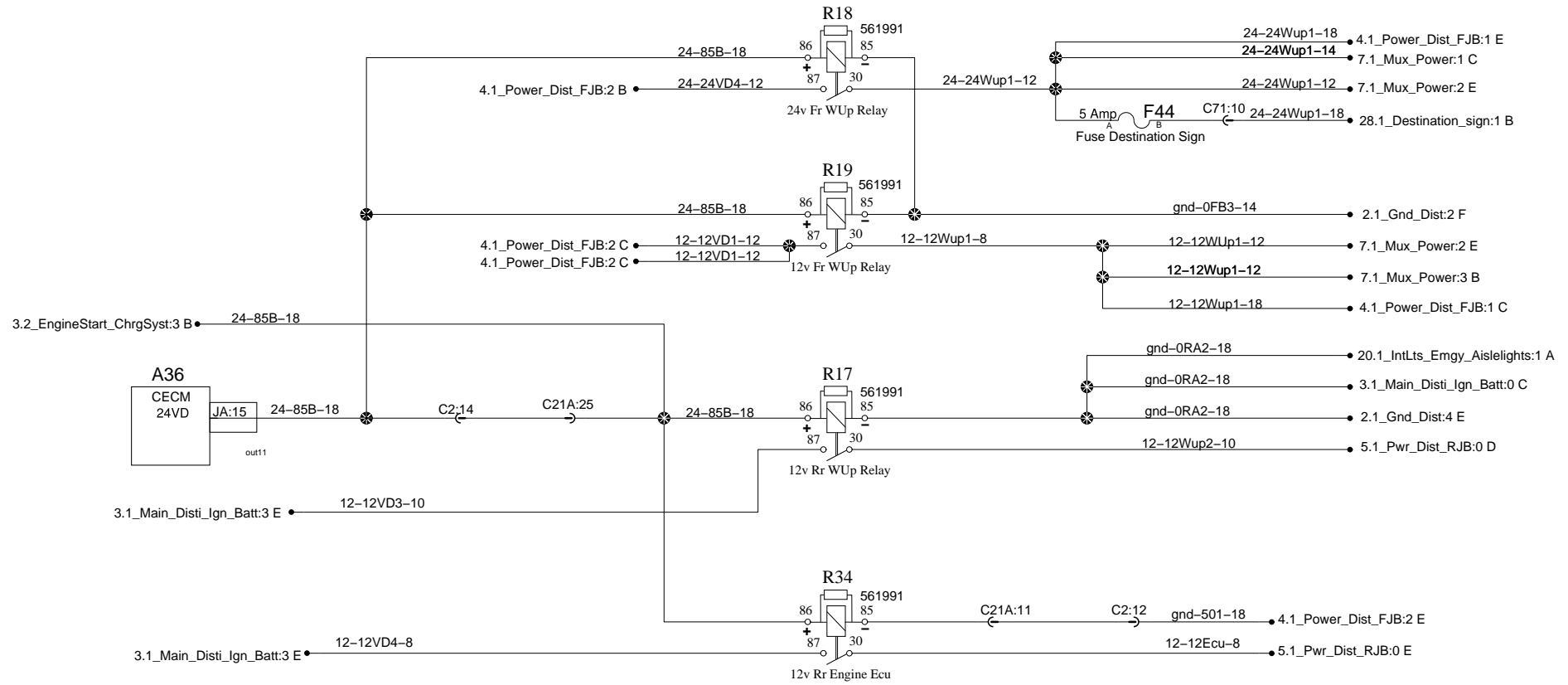
1

2

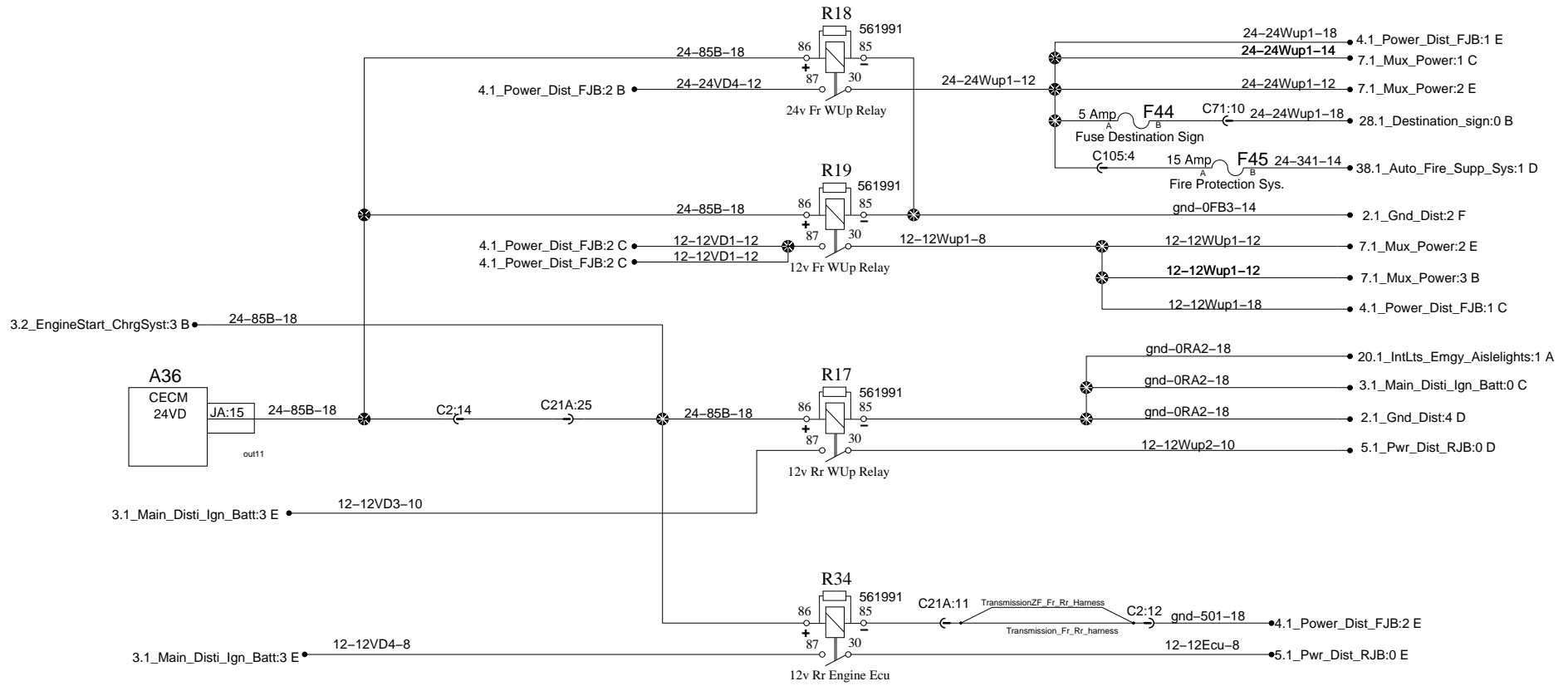
3

4

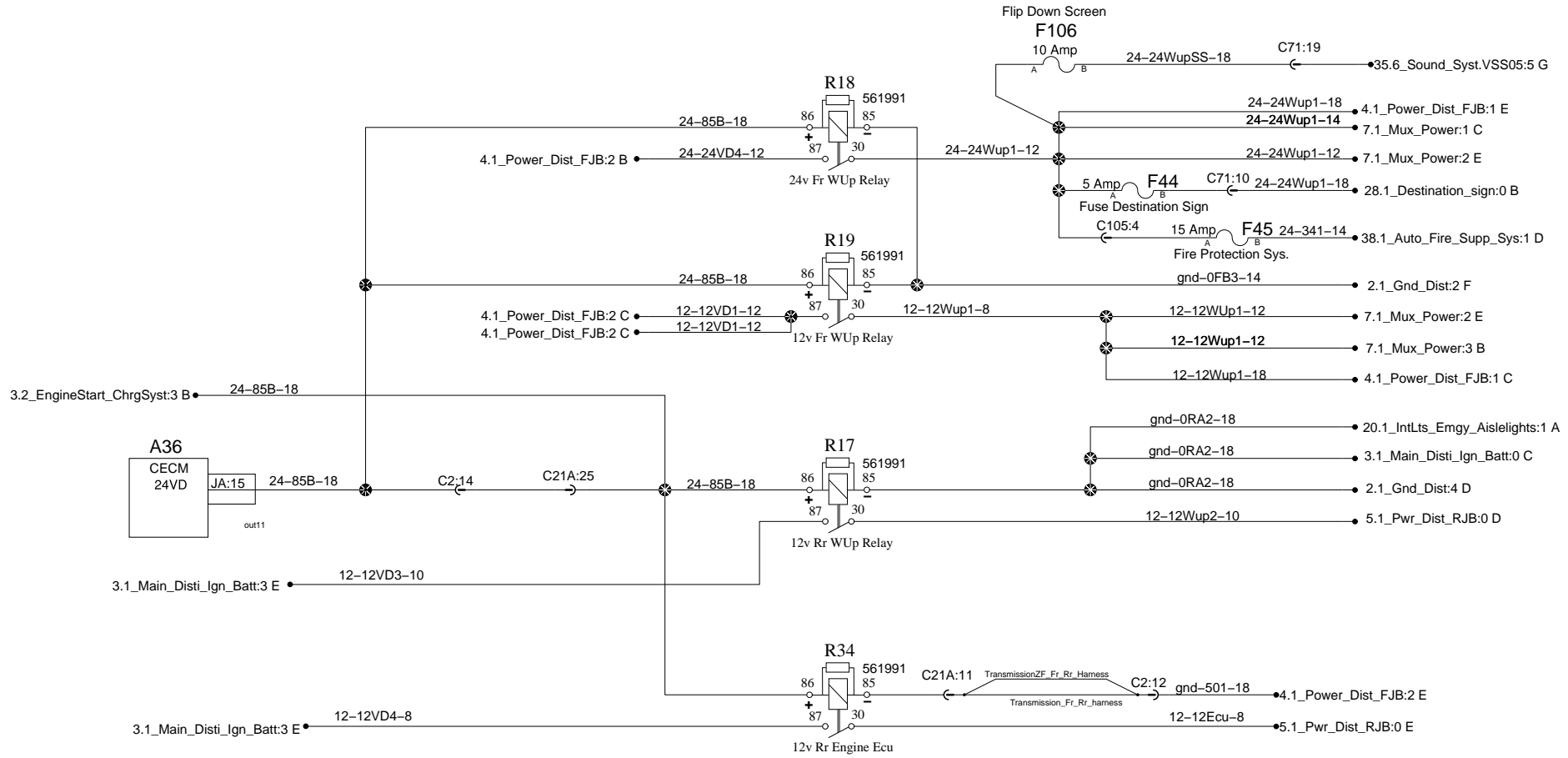
MAIN DISTRIBUTION Wake-Up



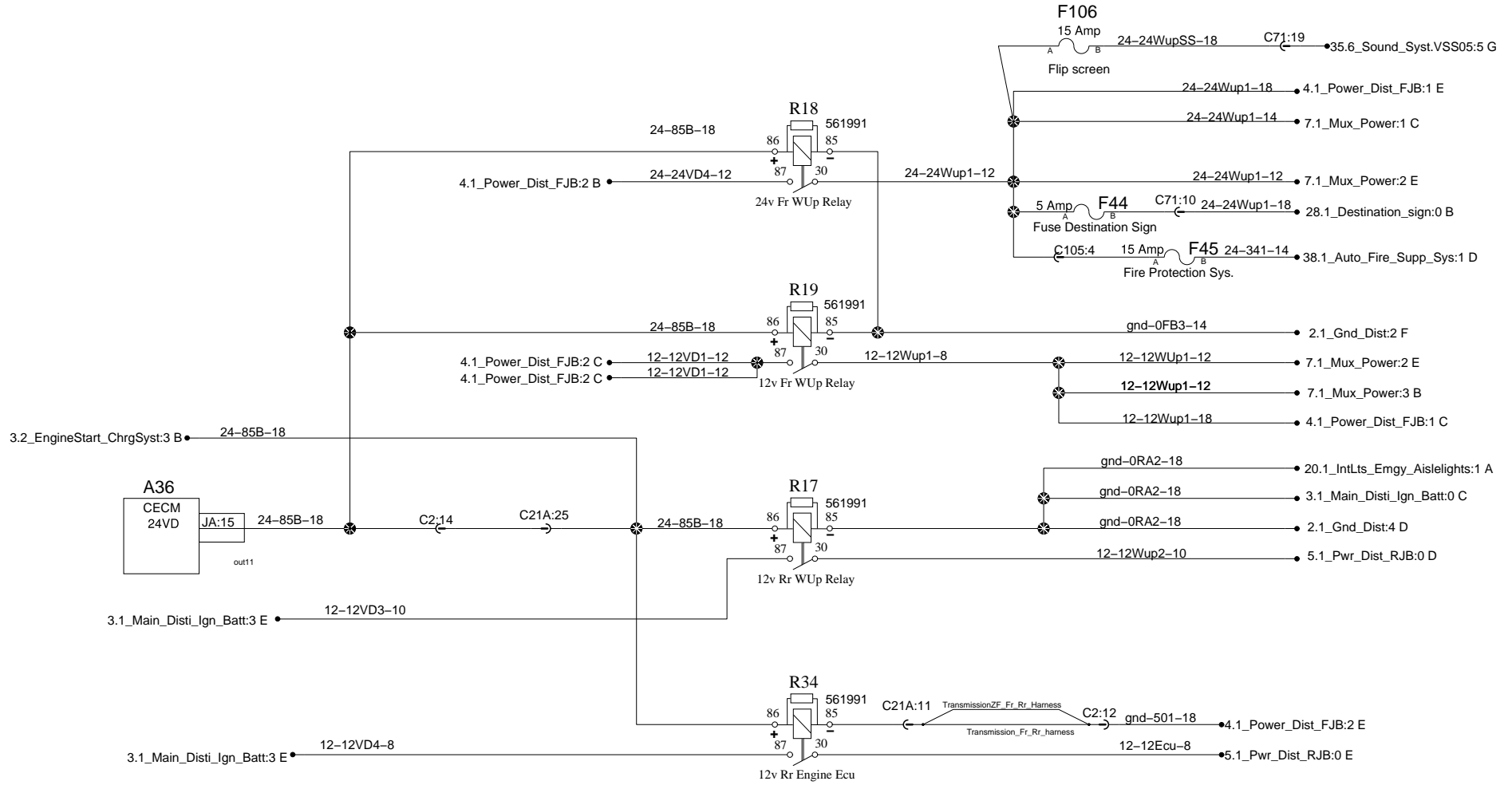
MAIN DISTRIBUTION Wake-Up



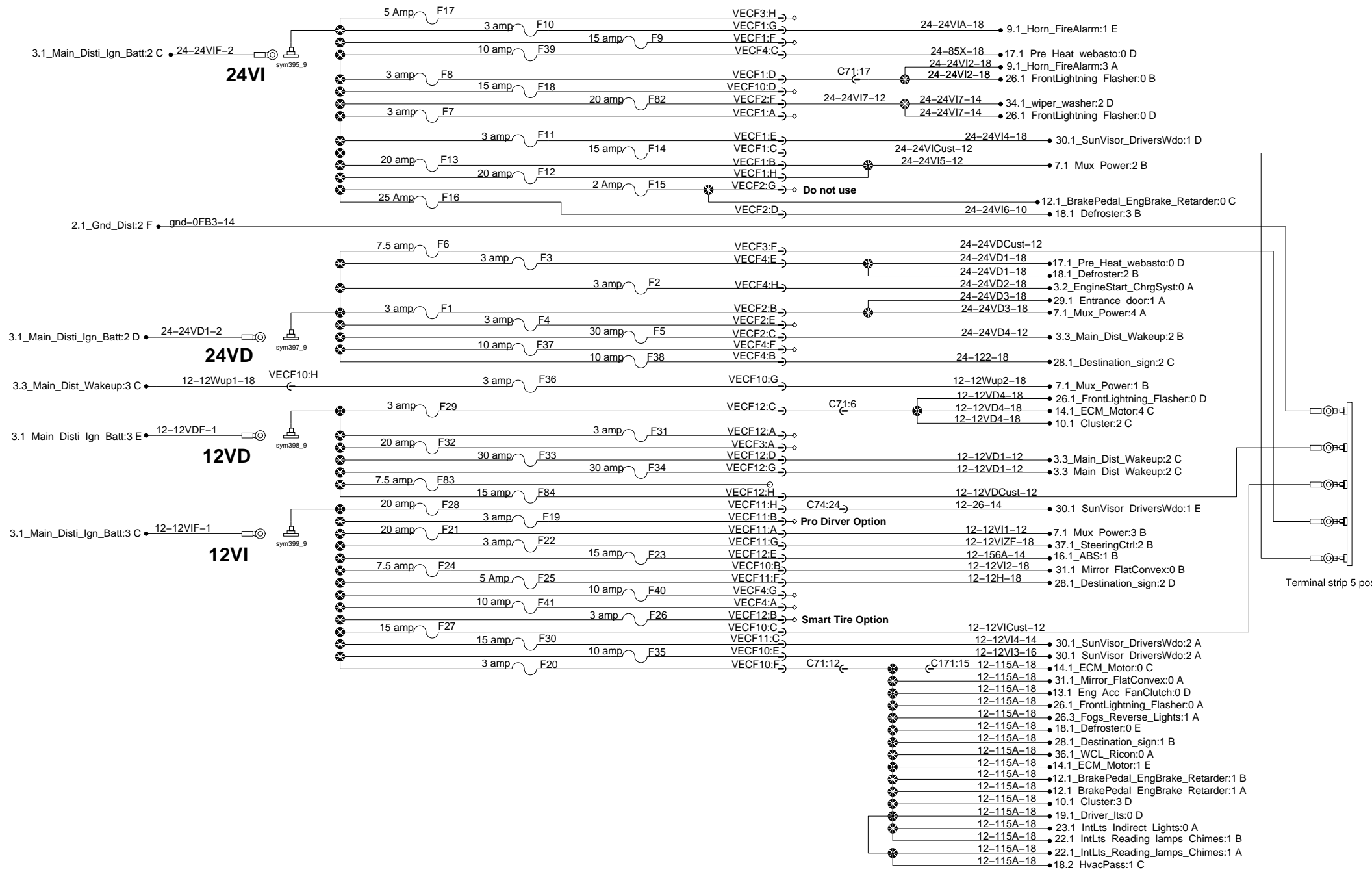
MAIN DISTRIBUTION Wake-Up



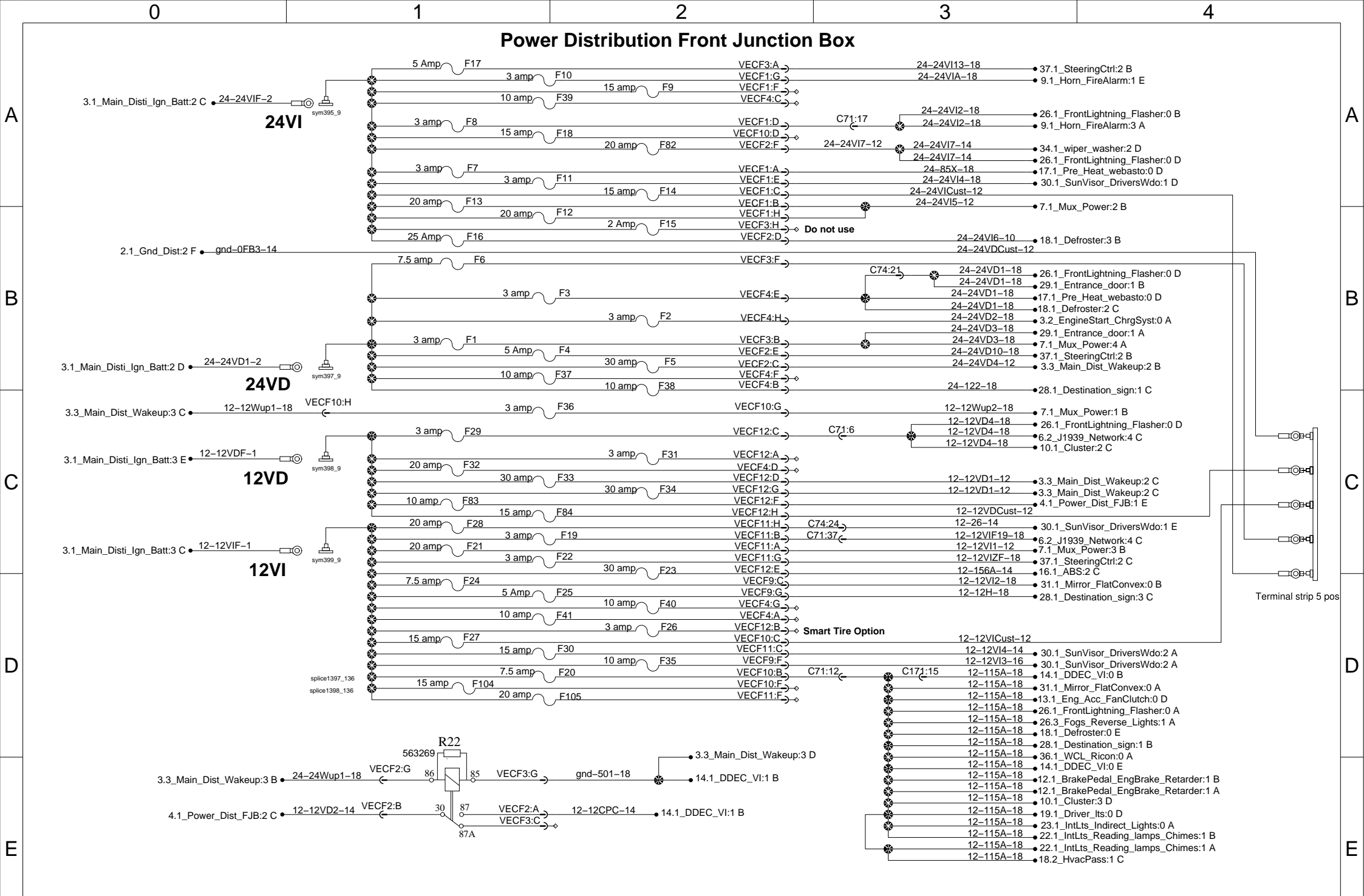
MAIN DISTRIBUTION Wake-Up



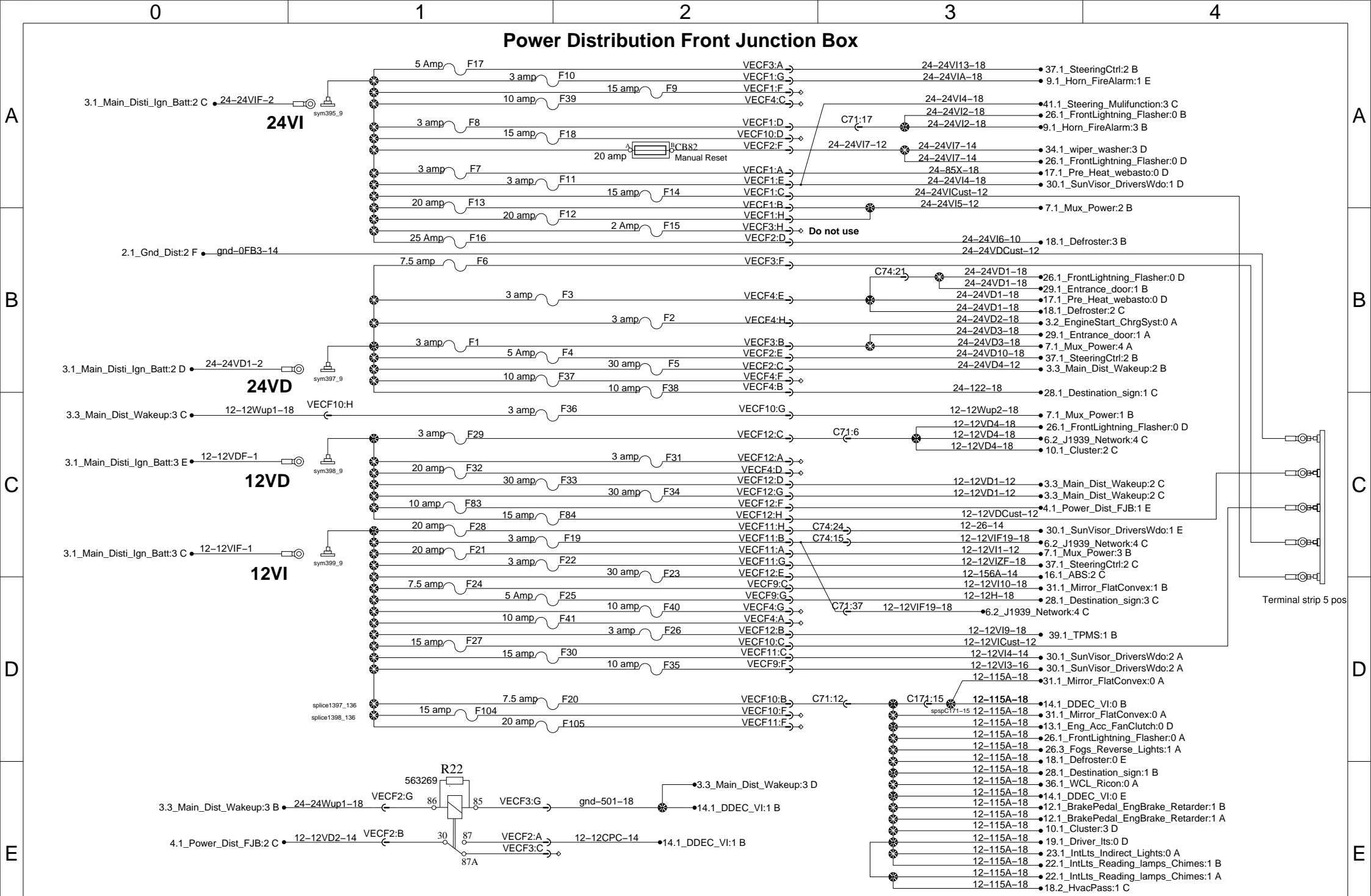
Power Distribution Front Junction Box



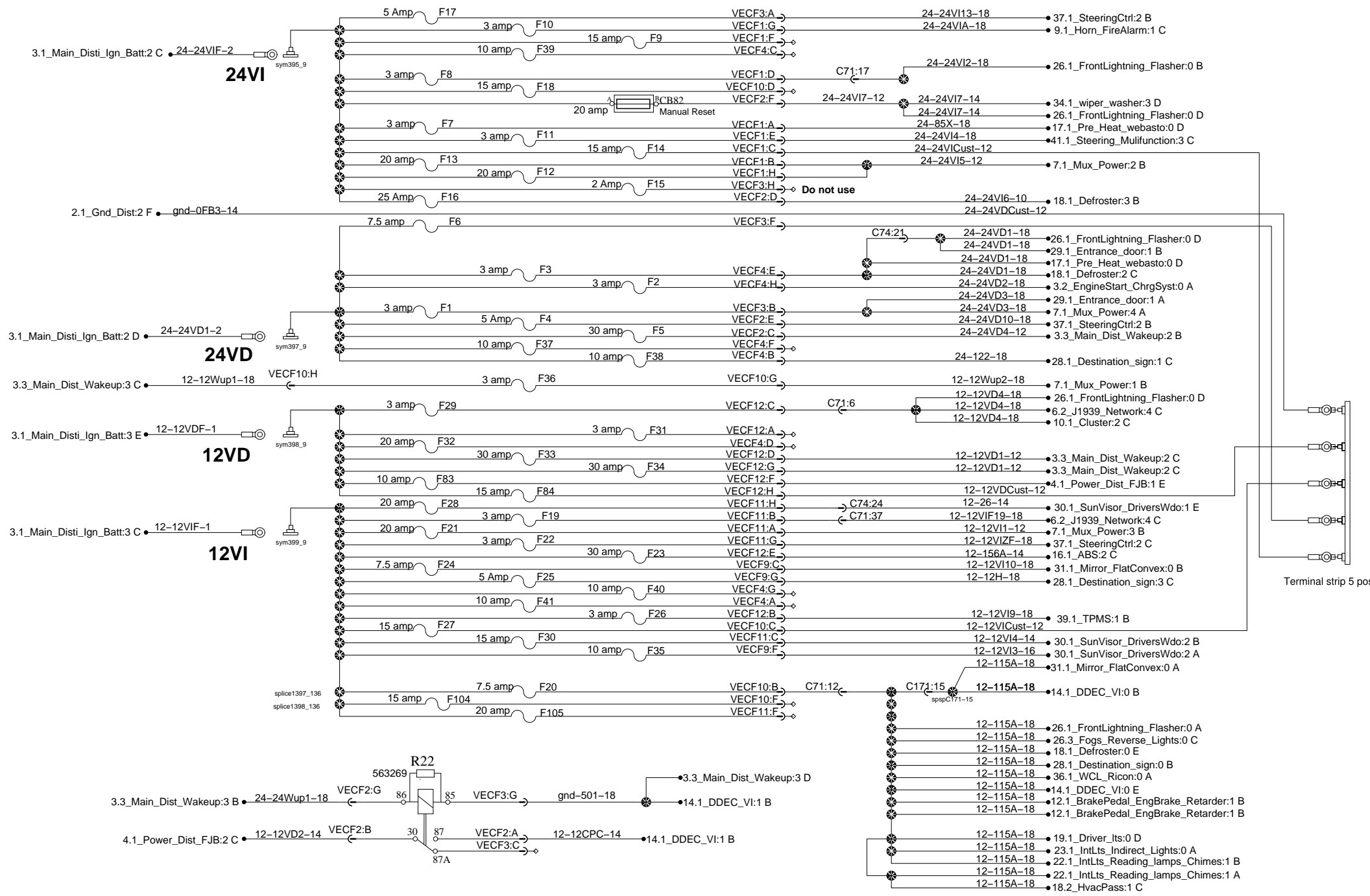
Power Distribution Front Junction Box



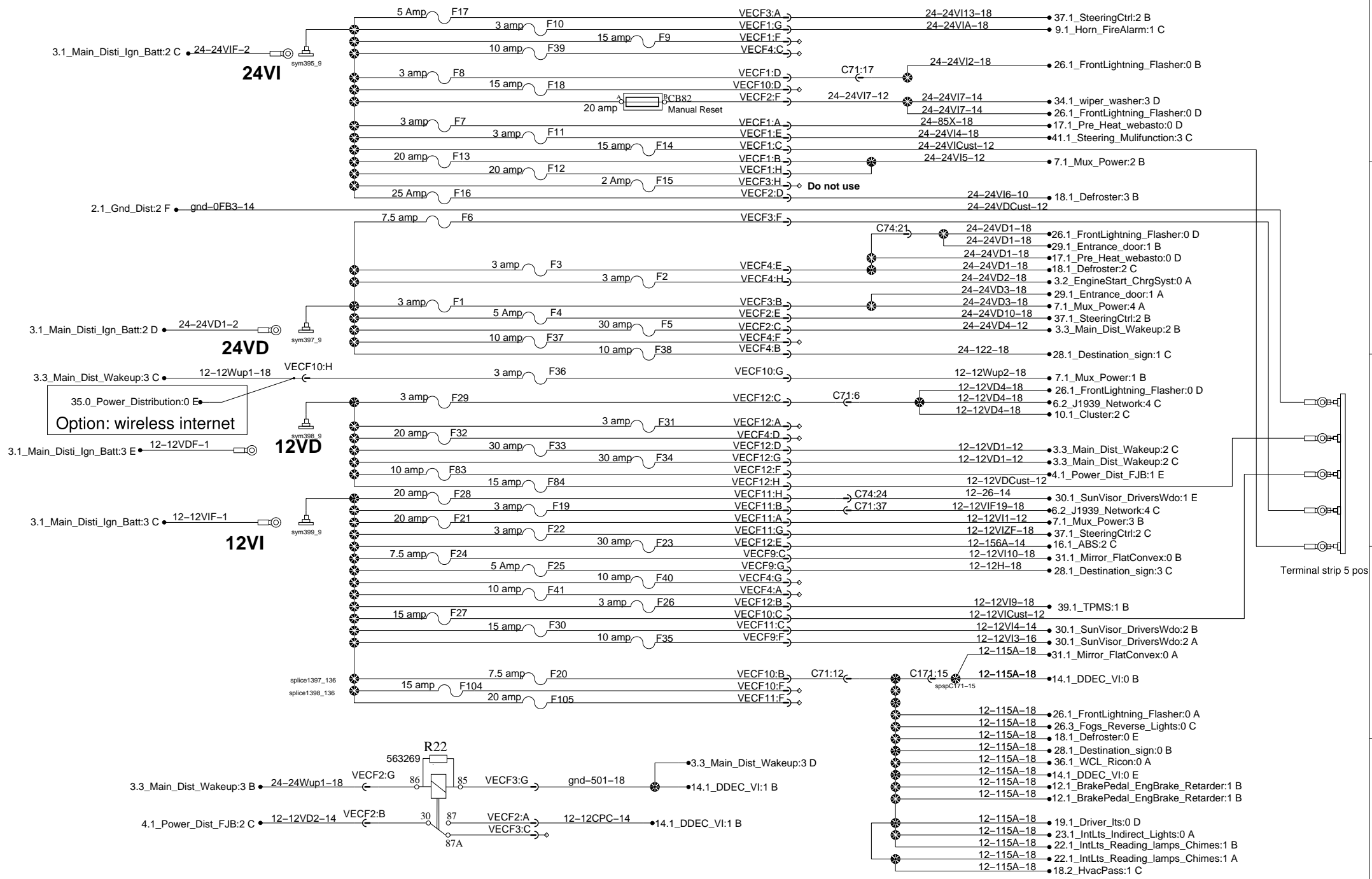
Power Distribution Front Junction Box



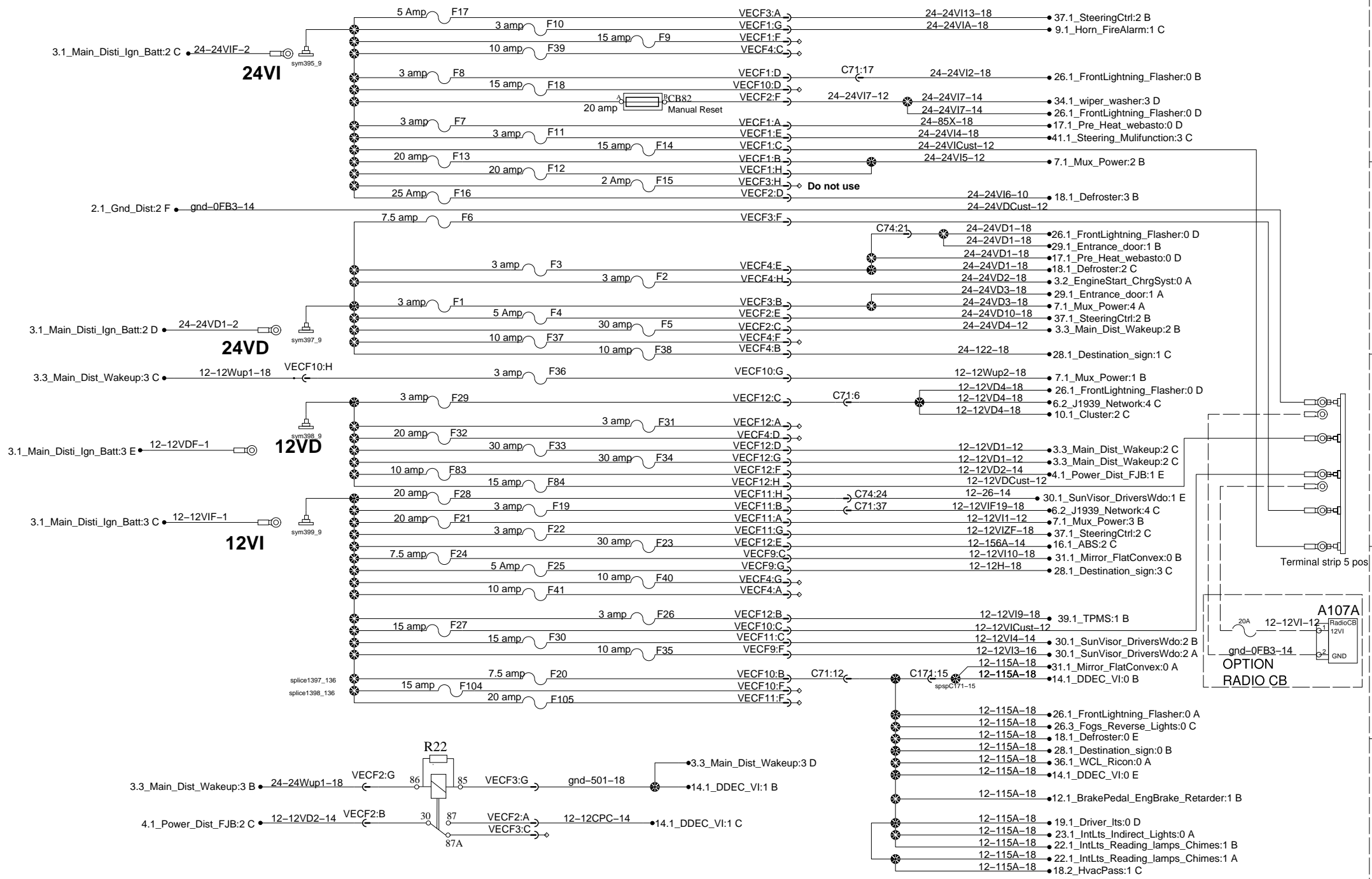
Power Distribution Front Junction Box



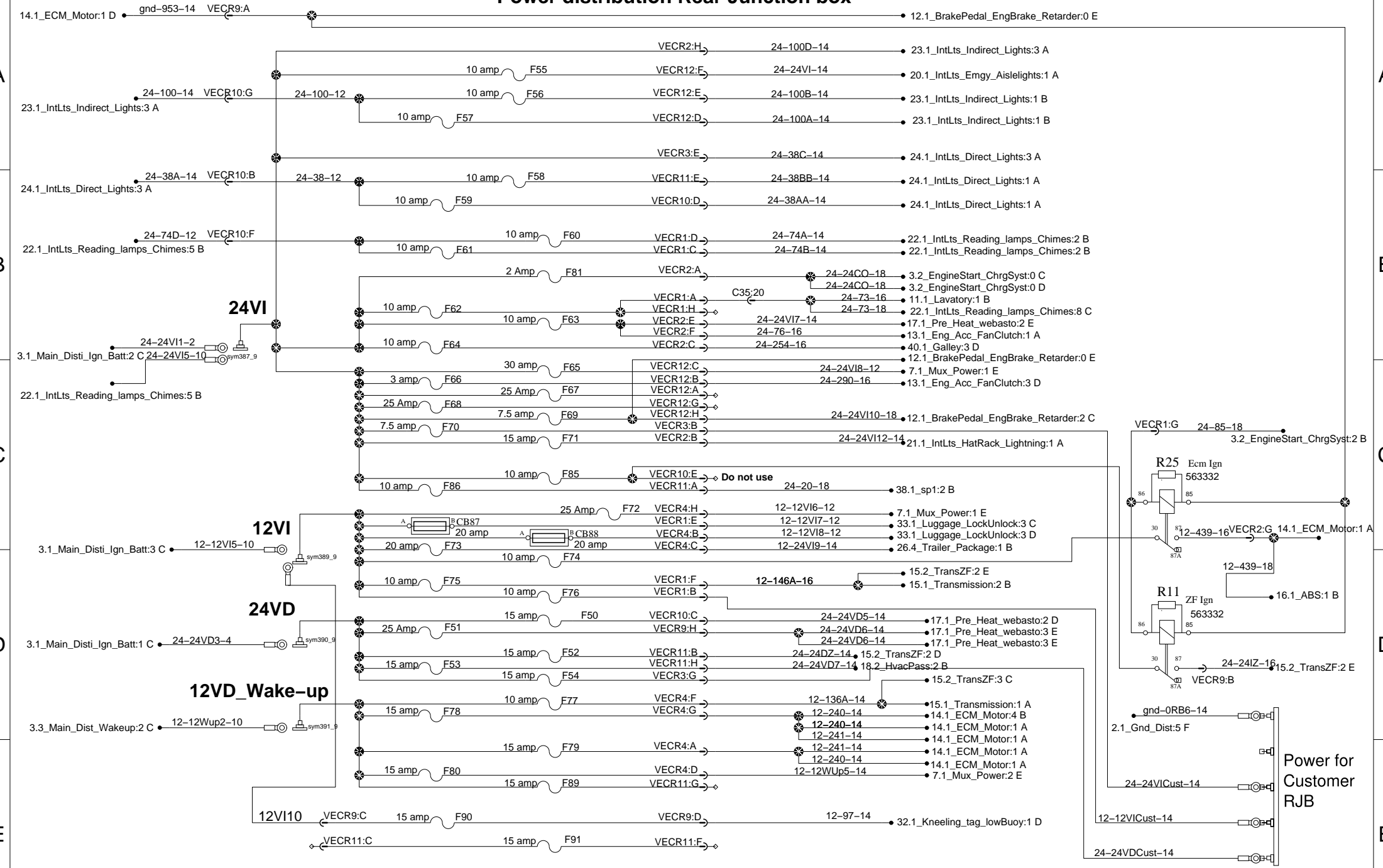
Power Distribution Front Junction Box



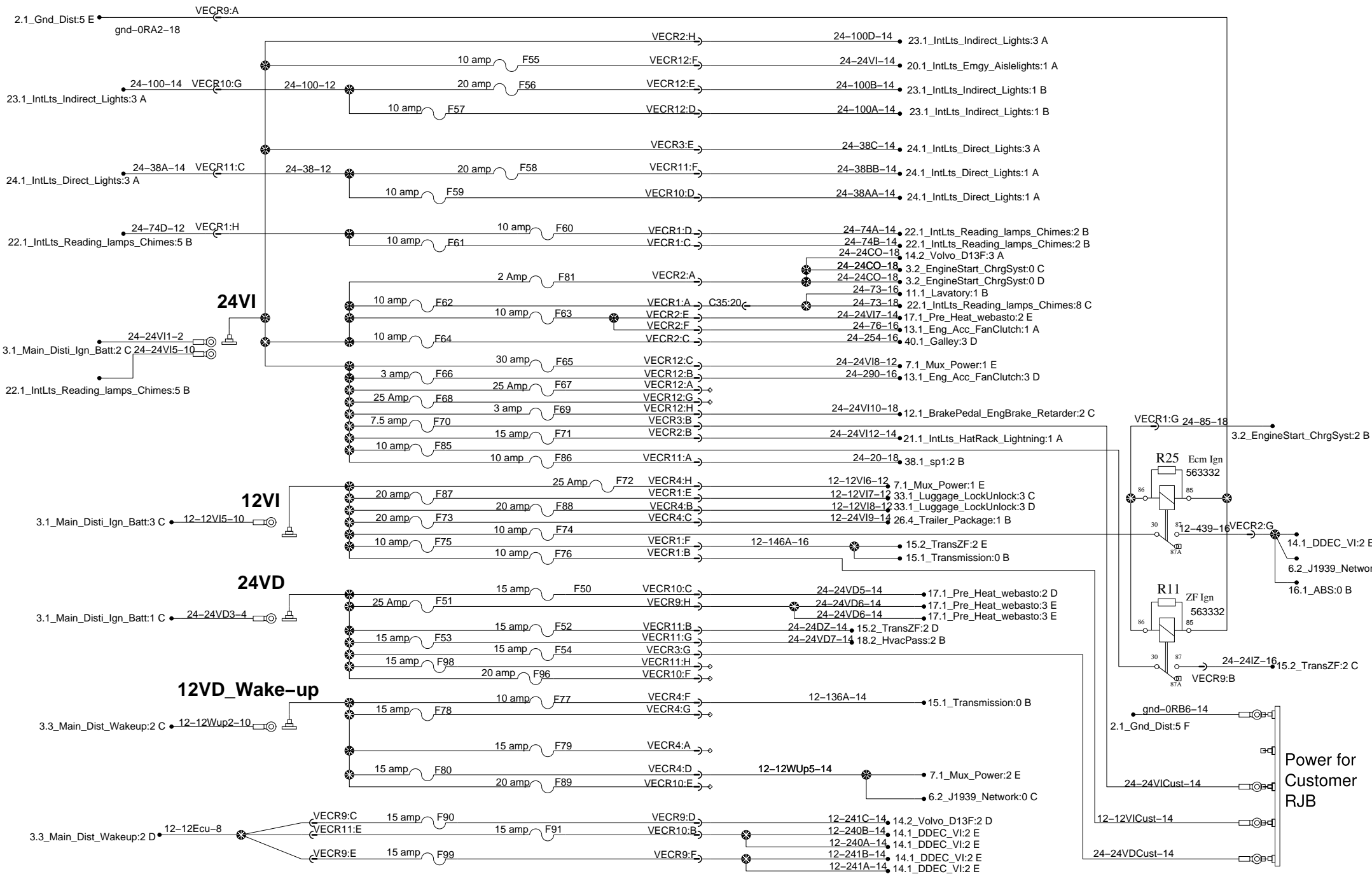
Power Distribution Front Junction Box



Power distribution Rear Junction box

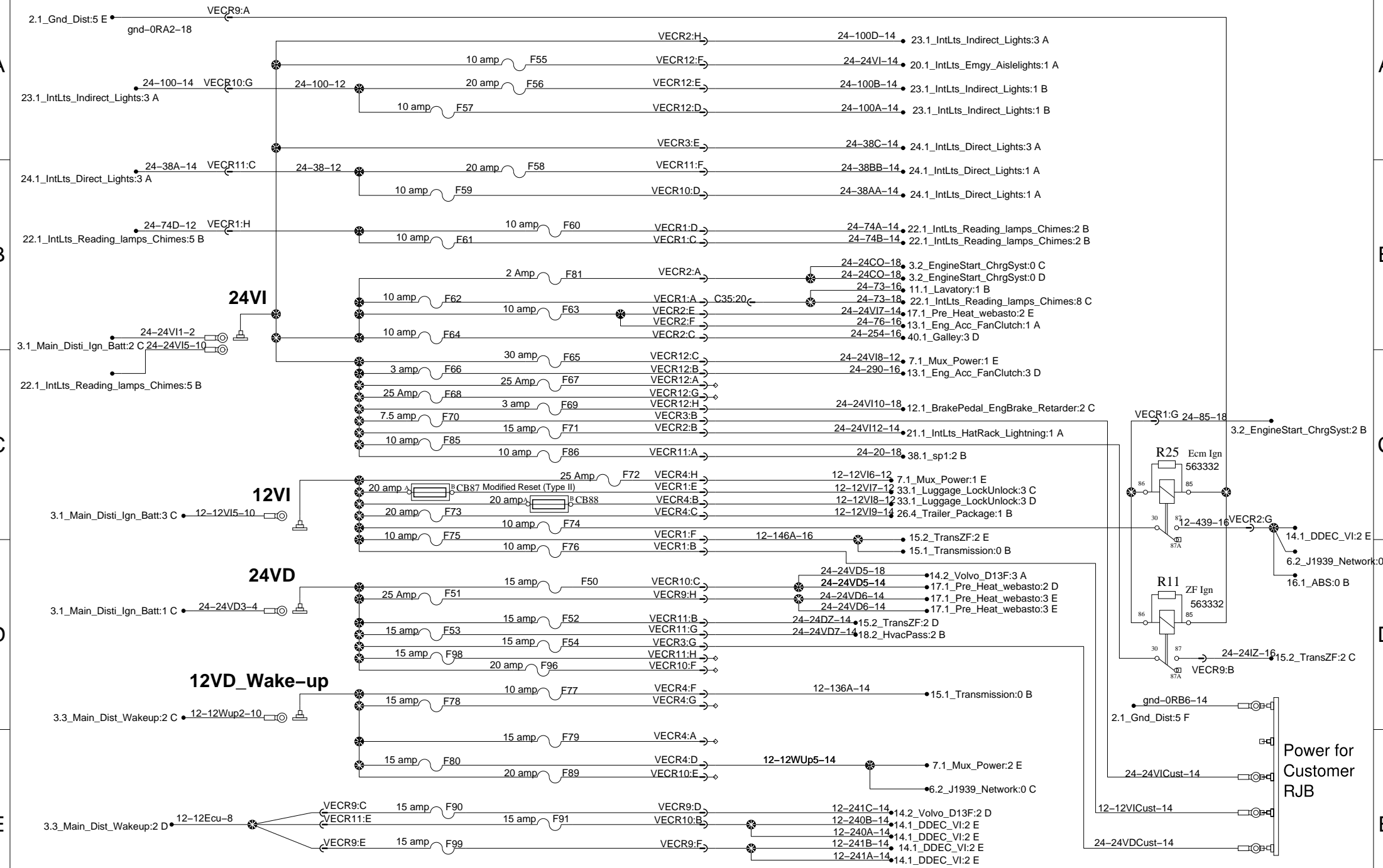


Power distribution Rear Junction box

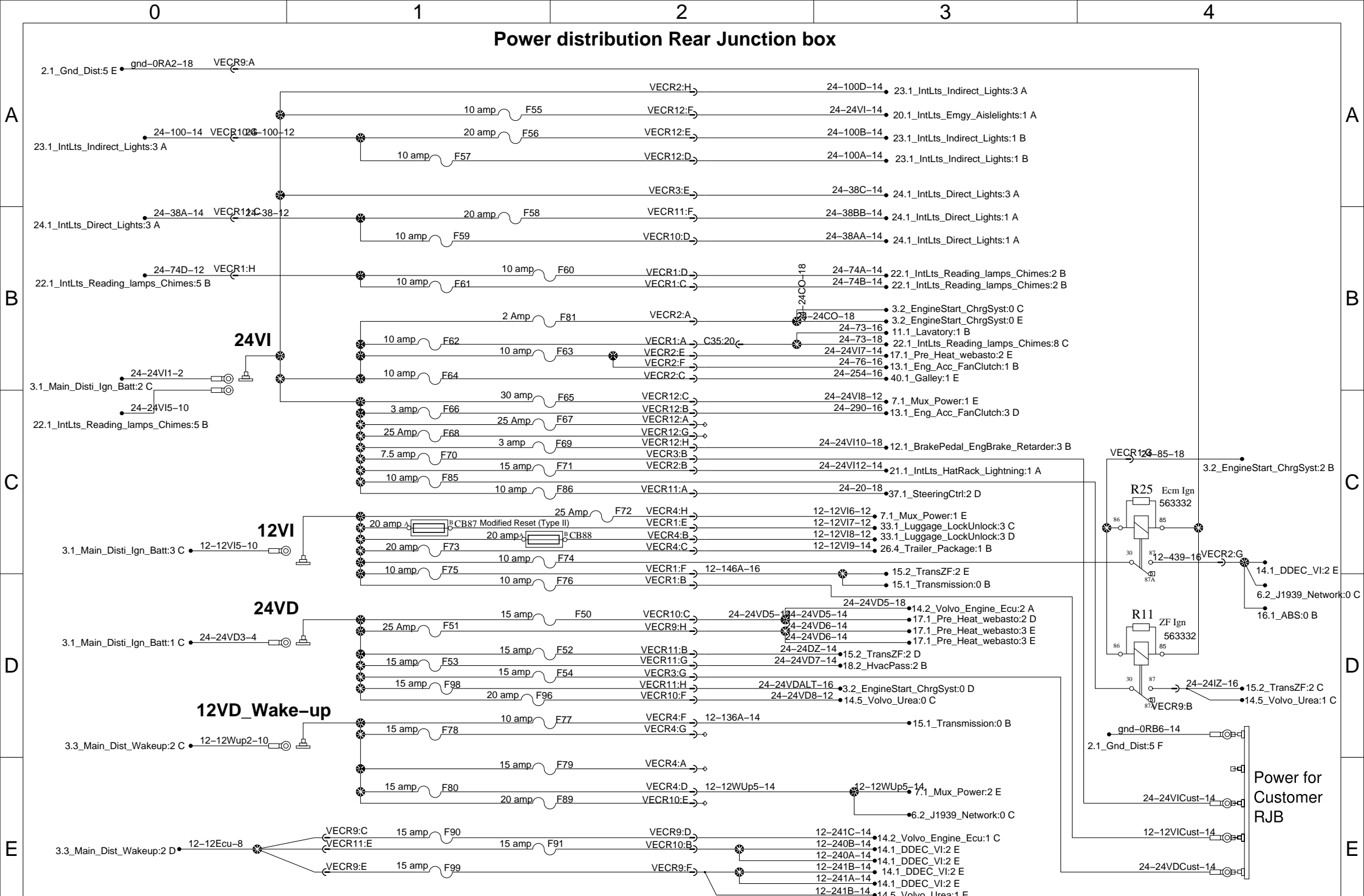


Power for
Customer
RJB

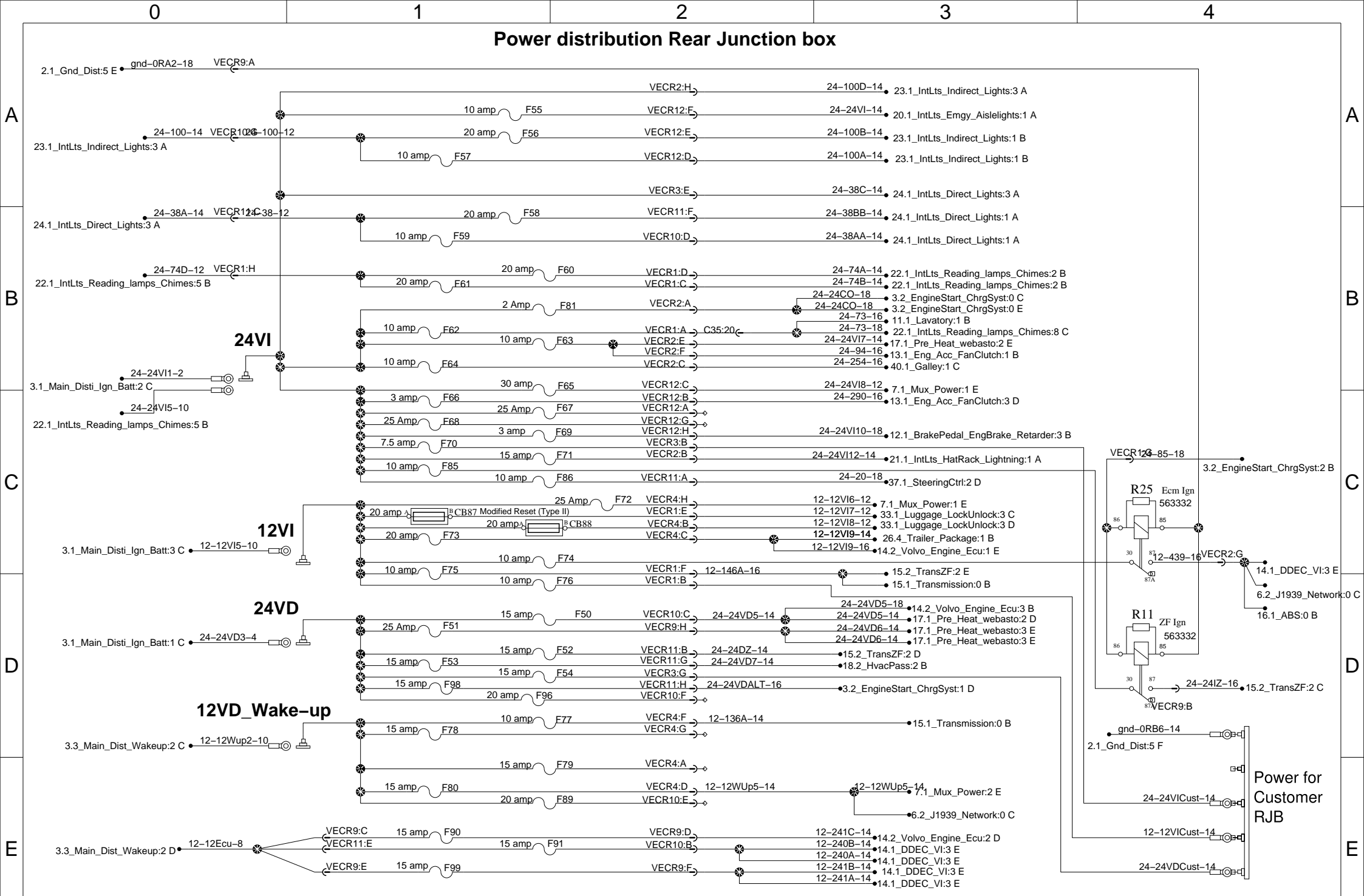
Power distribution Rear Junction box



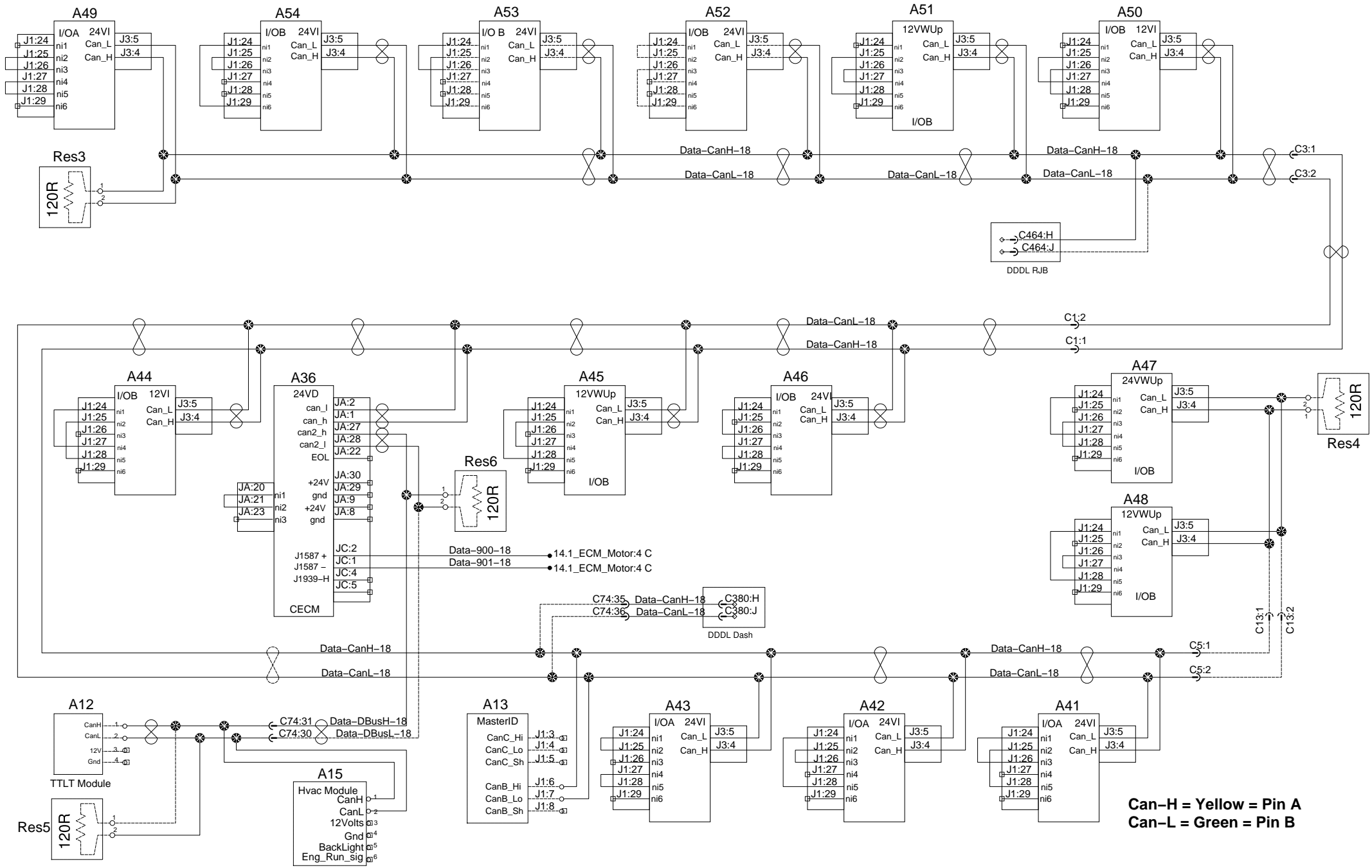
Power distribution Rear Junction box



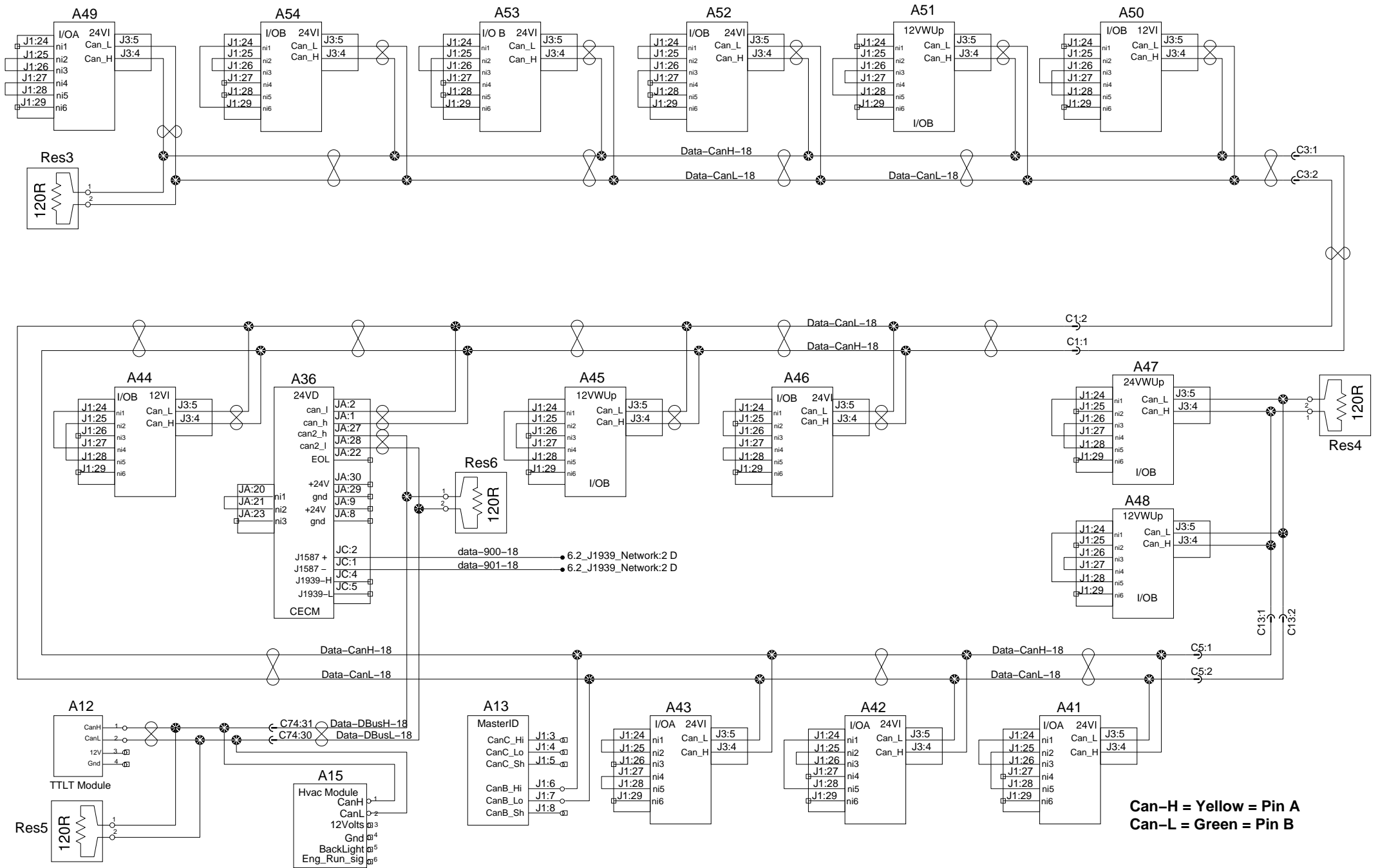
Power distribution Rear Junction box



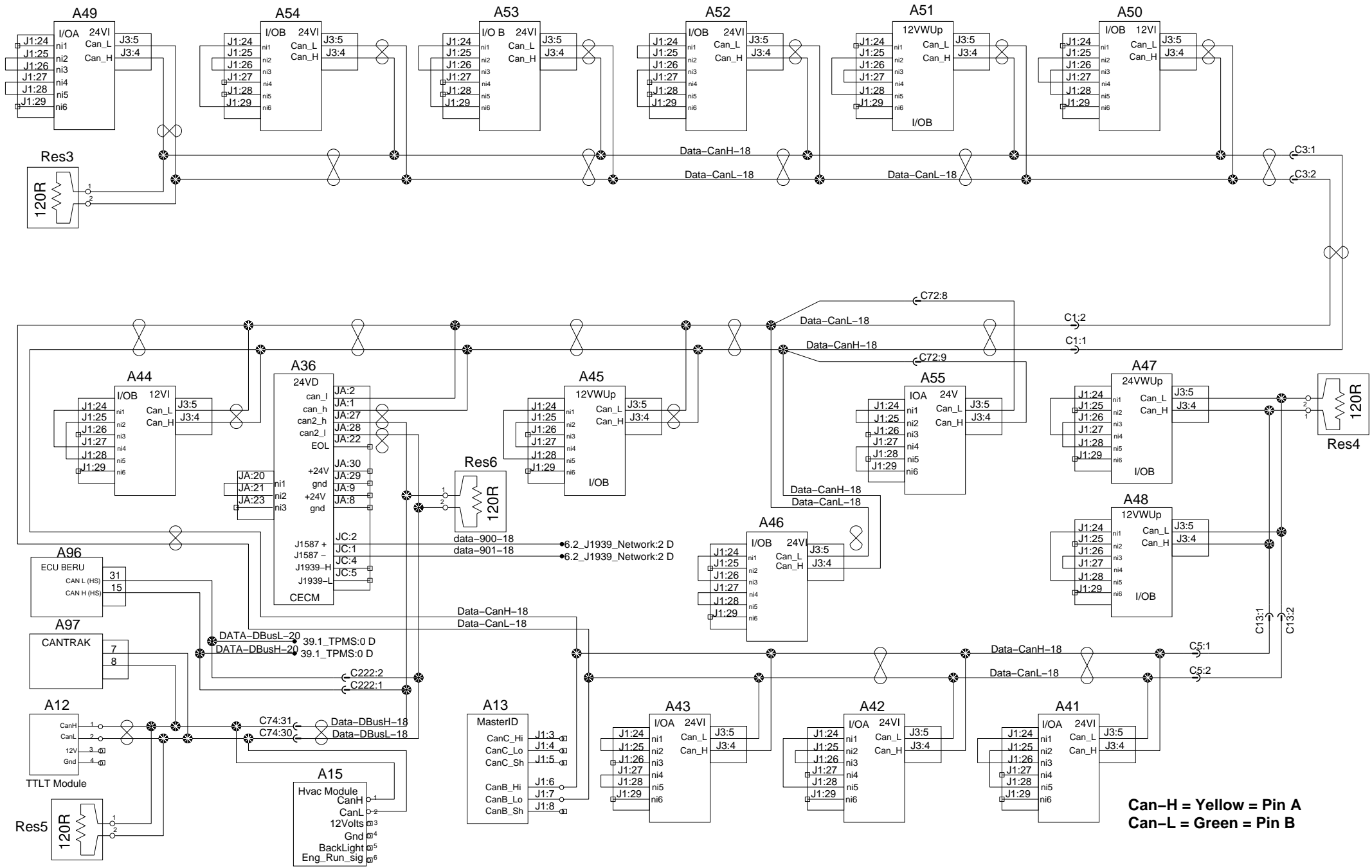
Multiplex Can, J1587 Network and Addressing



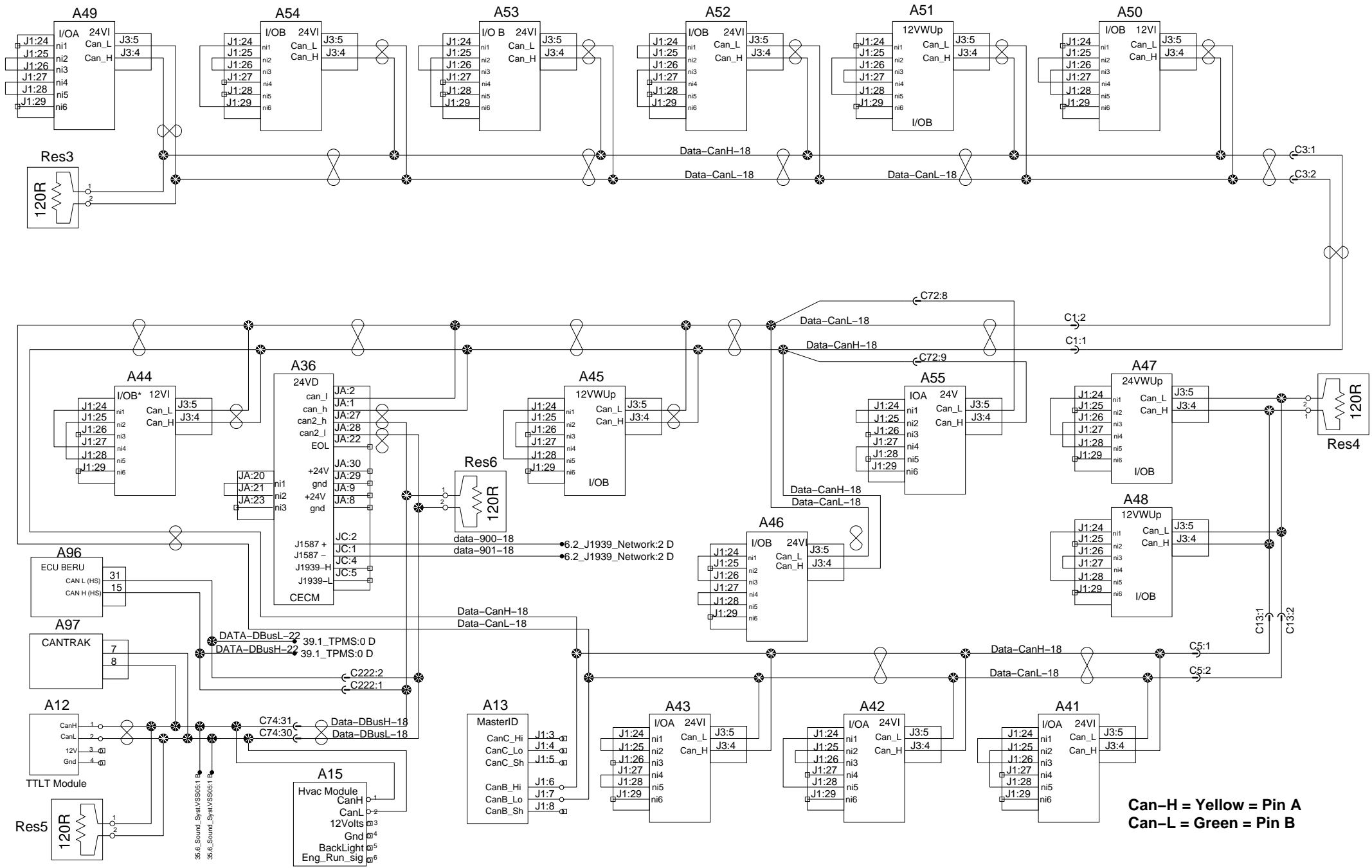
Multiplex Can, J1587 Network and Addressing

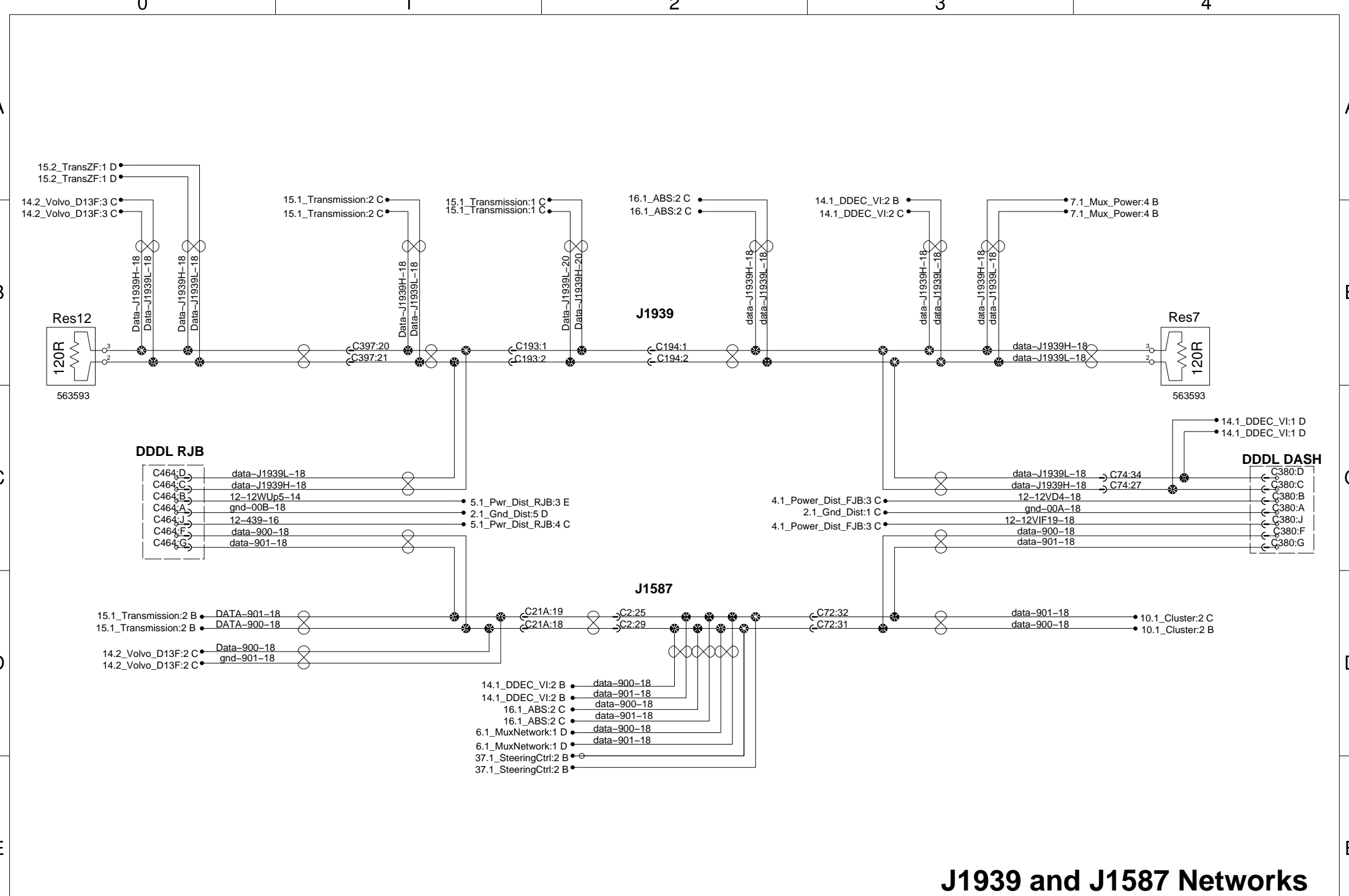


Multiplex Can, J1587 Network and Addressing



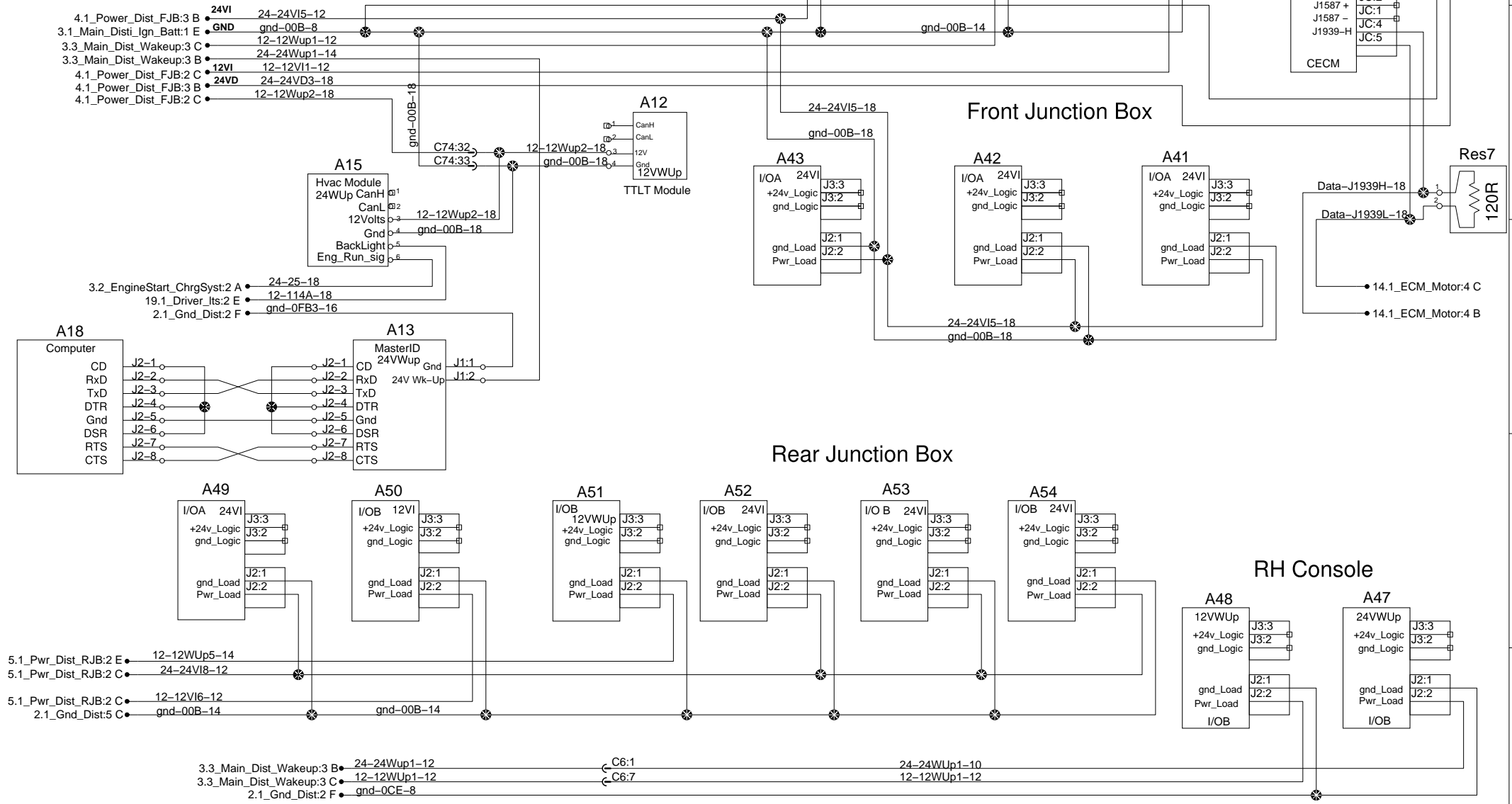
Multiplex Can, J1587 Network and Addressing



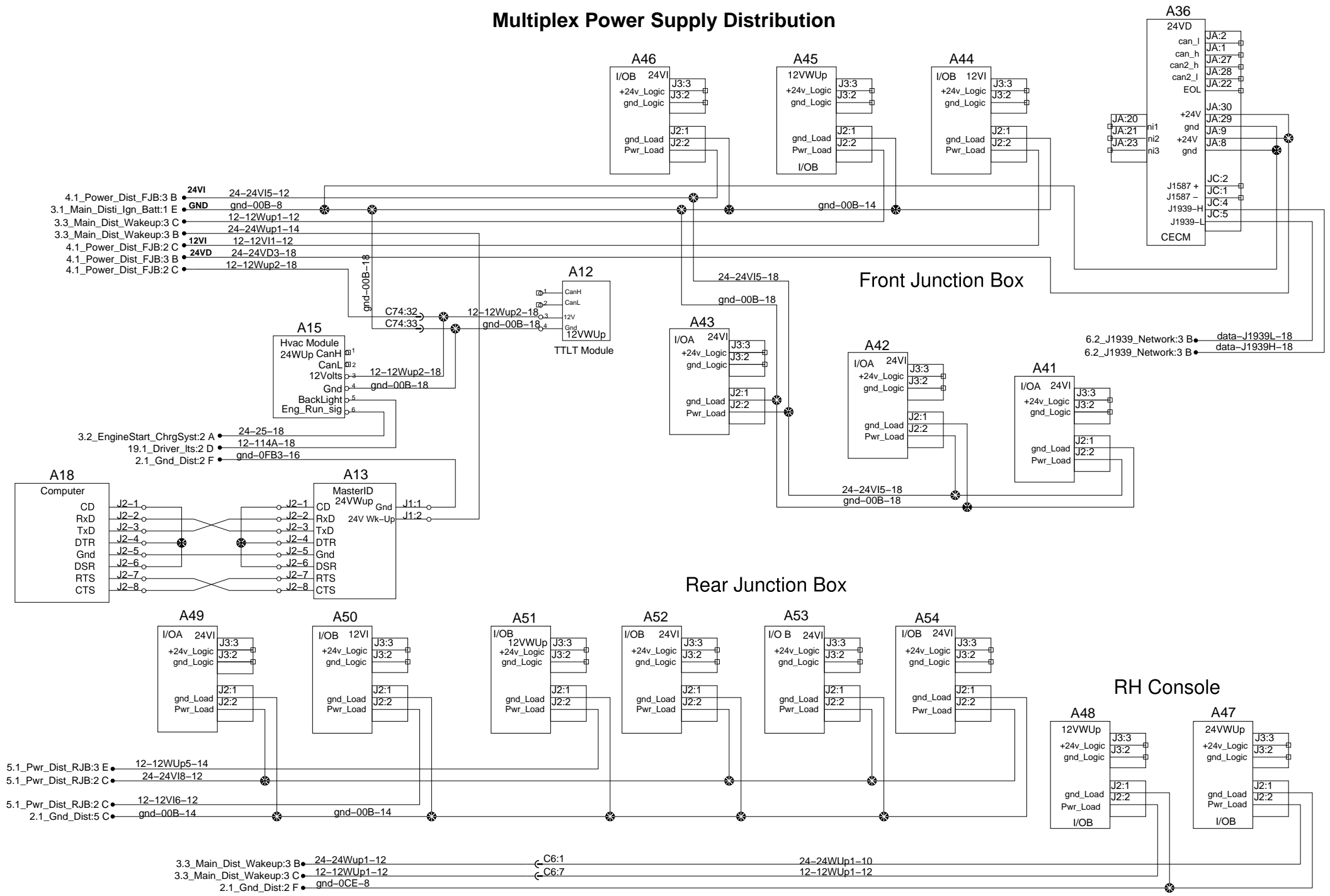


J1939 and J1587 Networks

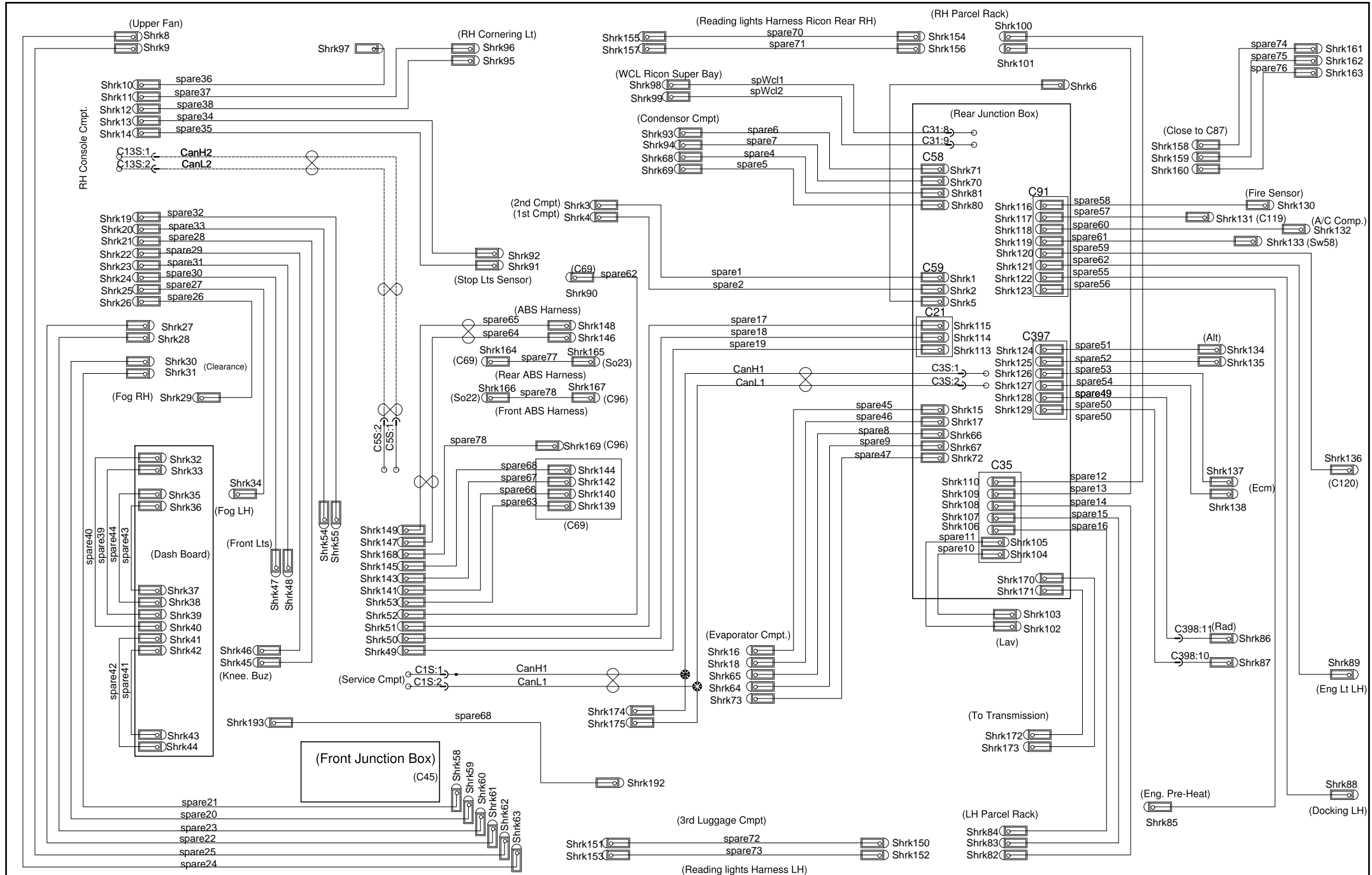
Multiplex Power Supply Distribution



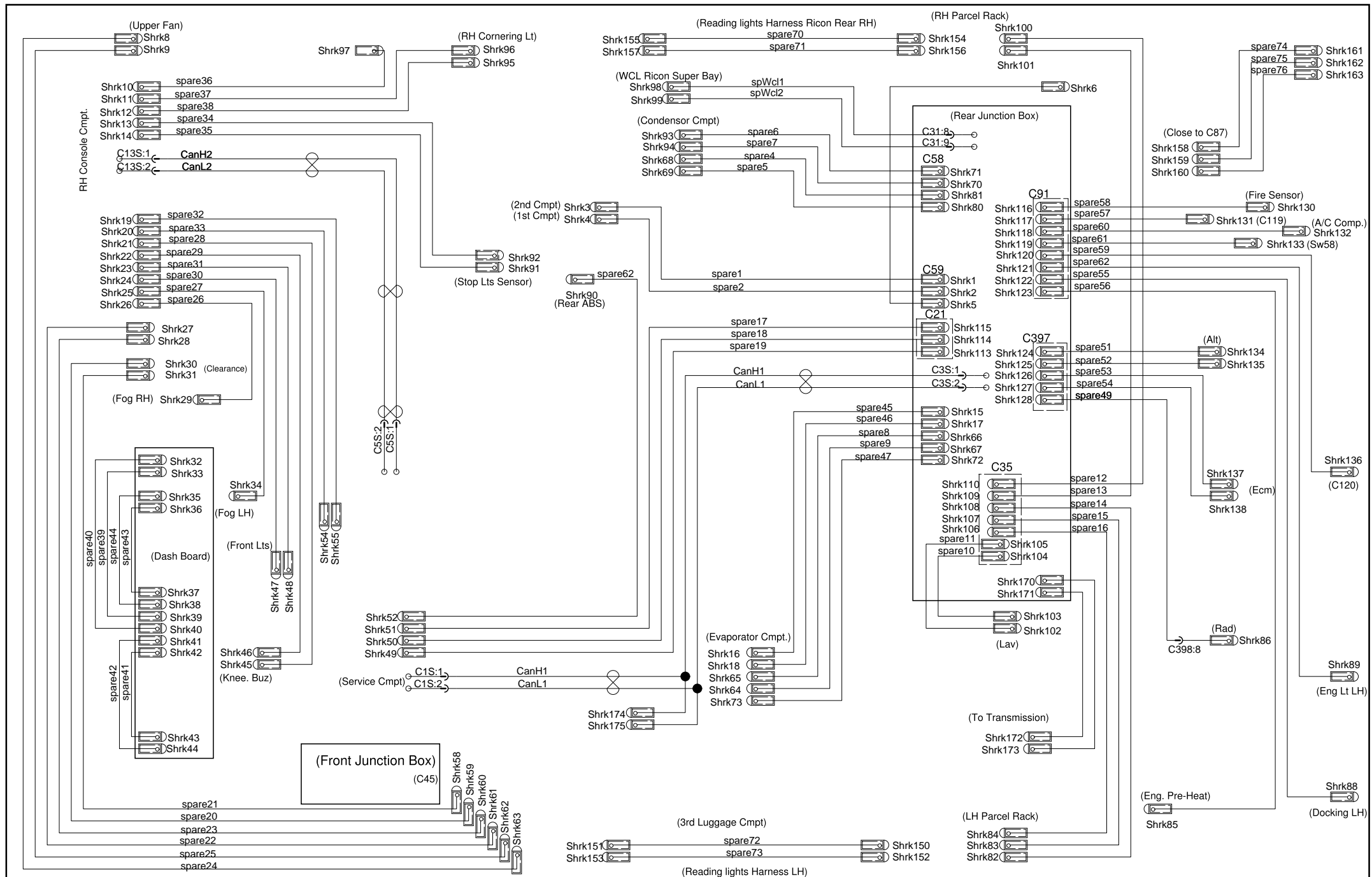
Multiplex Power Supply Distribution



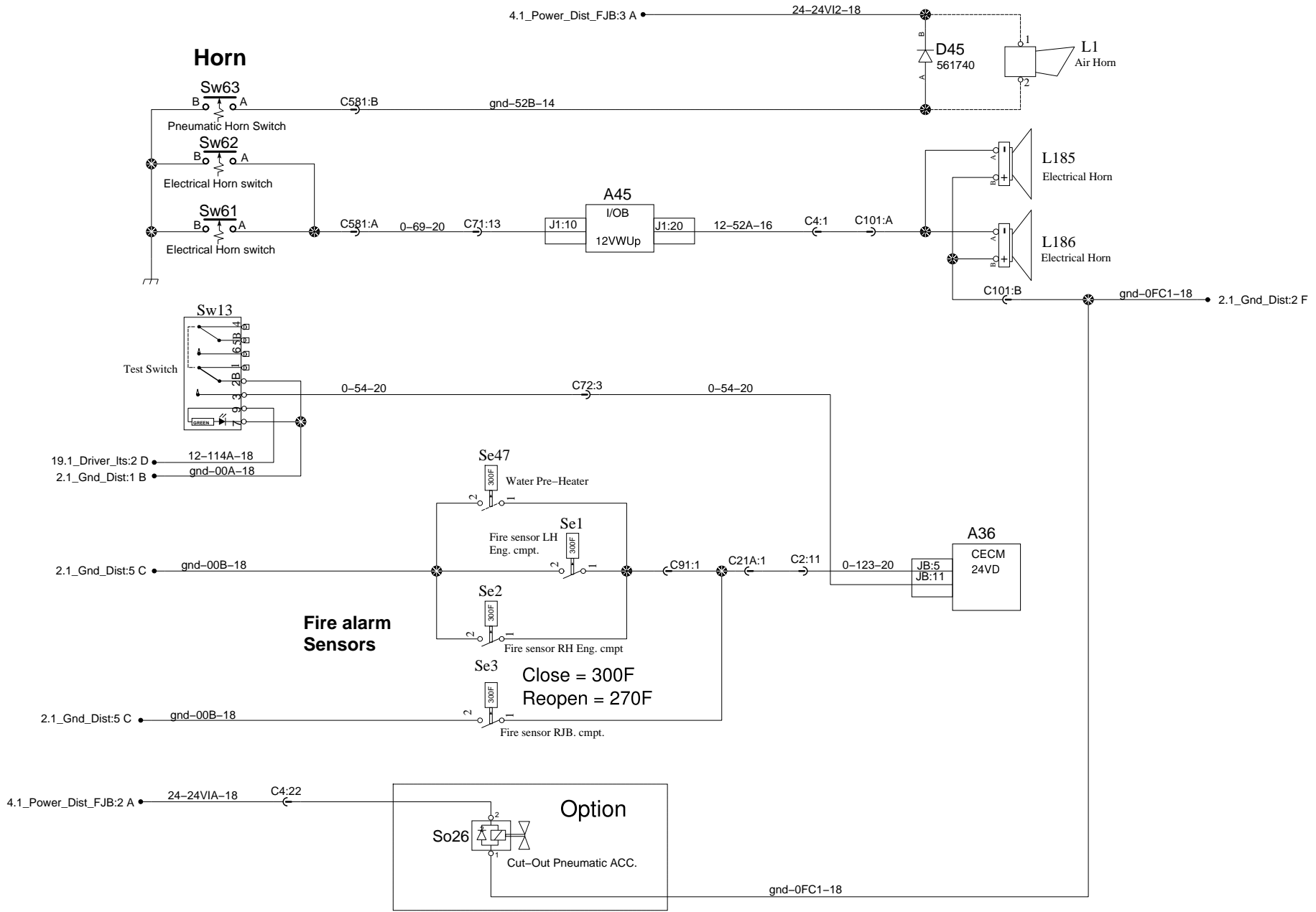
Spare Wires



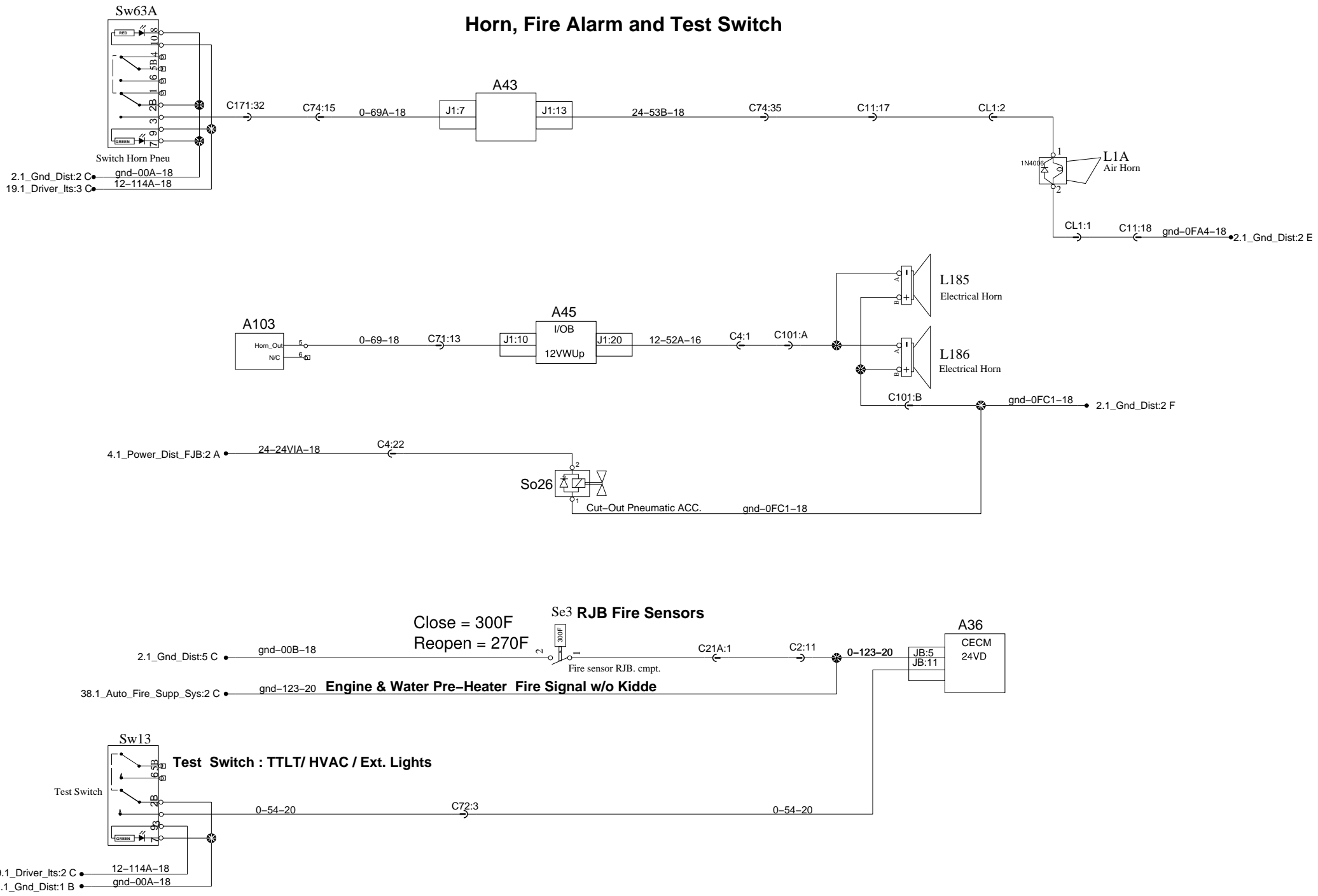
Spare Wires



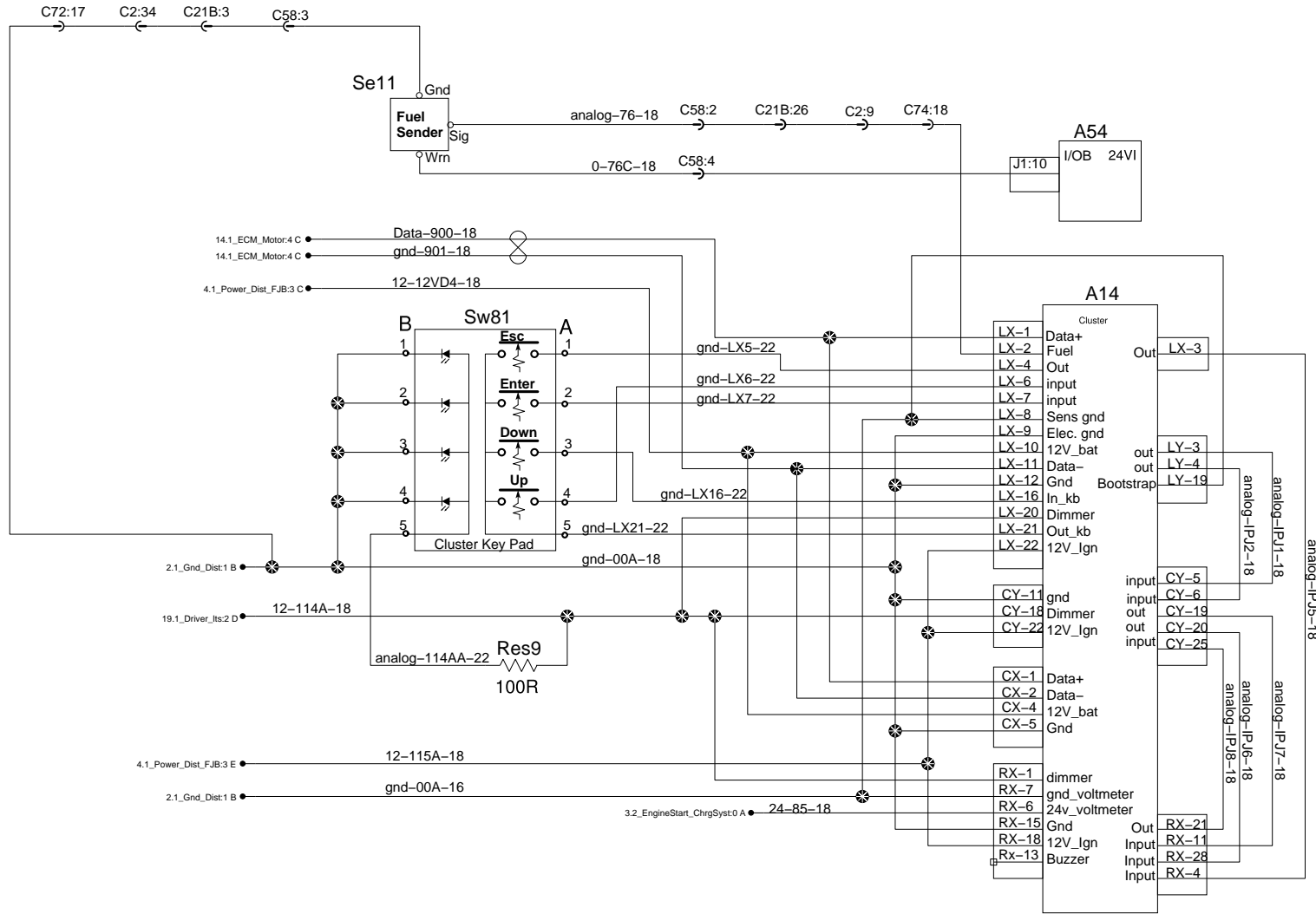
Horn, Fire Alarm and Test Switch



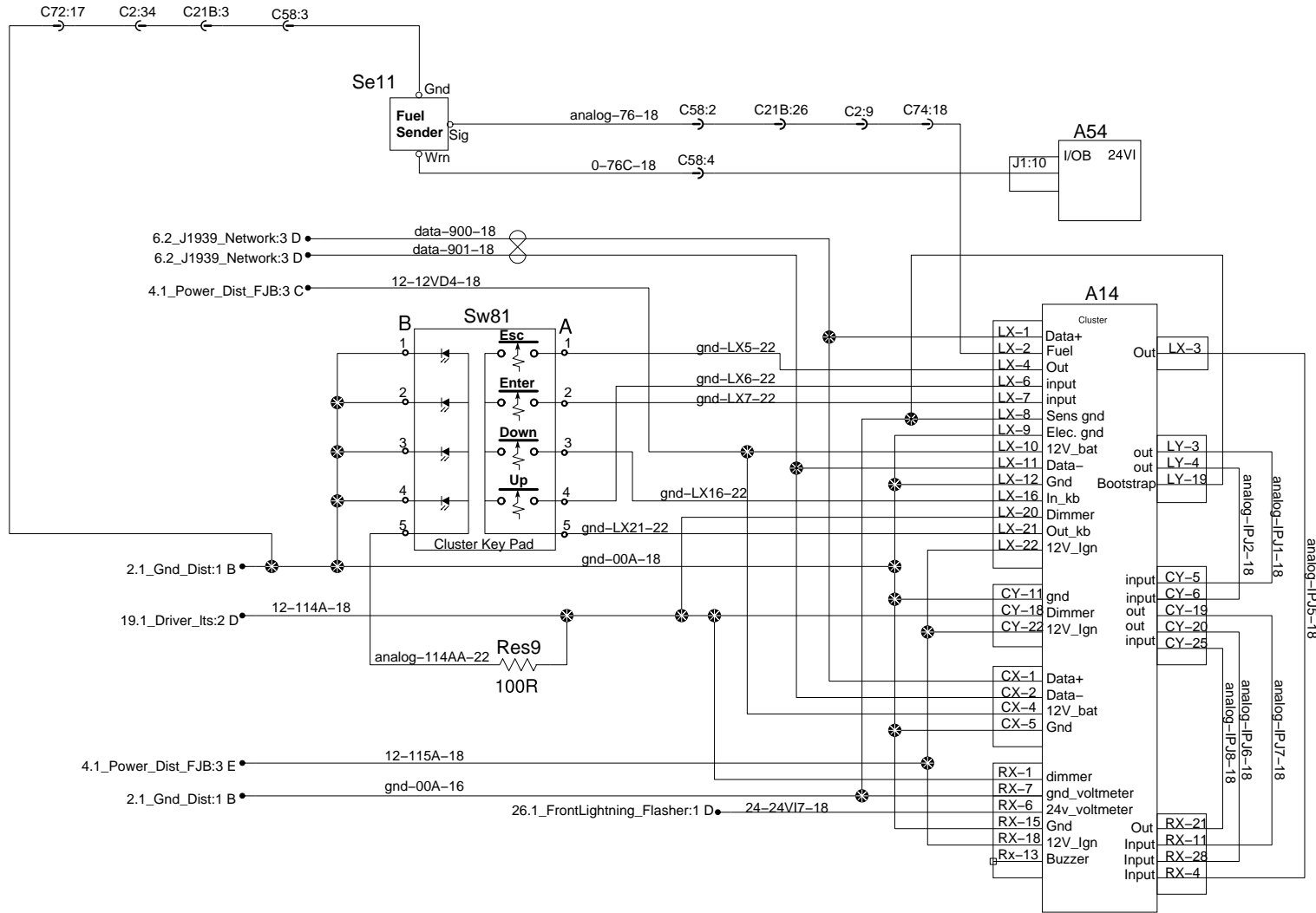
Horn, Fire Alarm and Test Switch



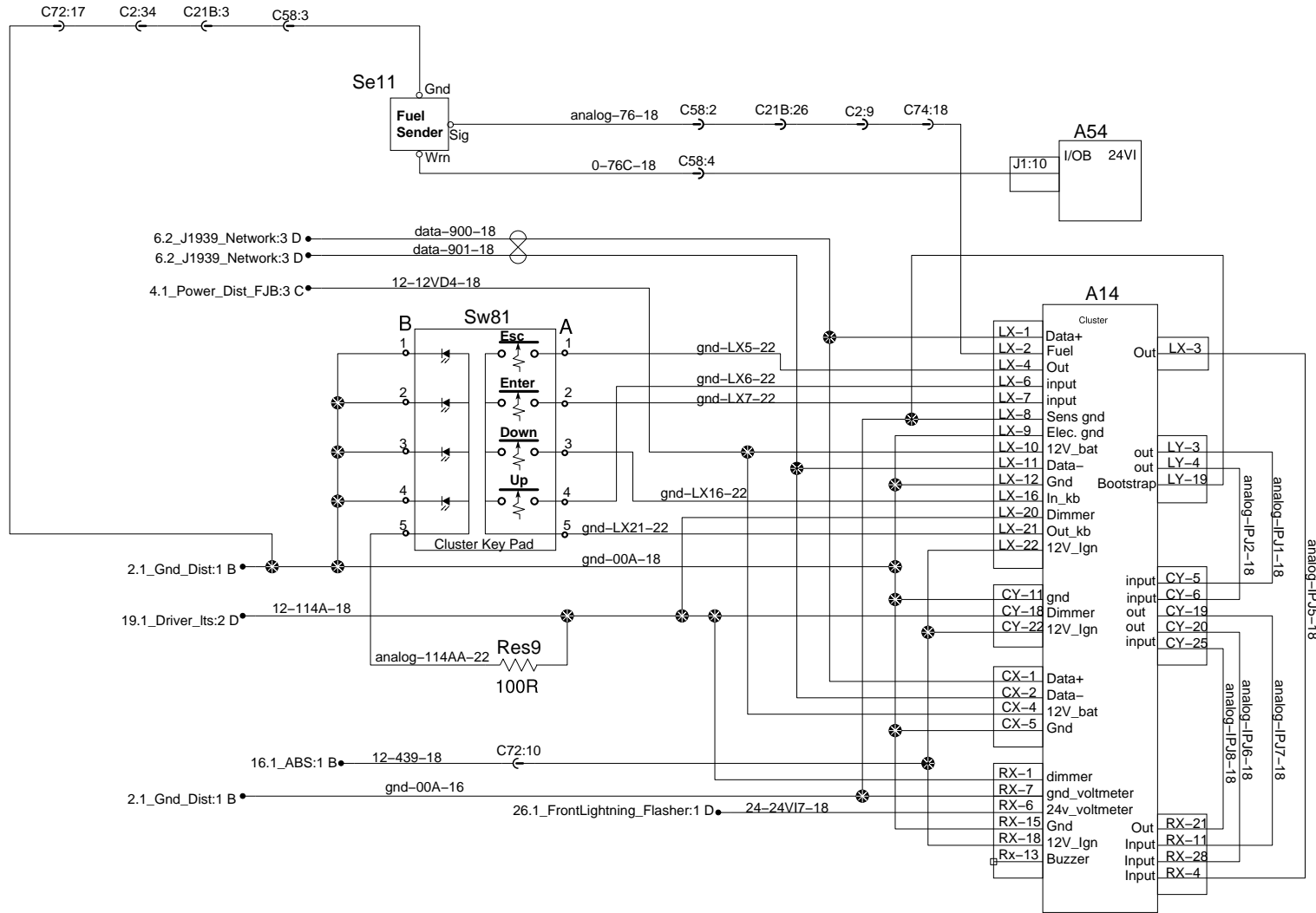
Cluster Pollak



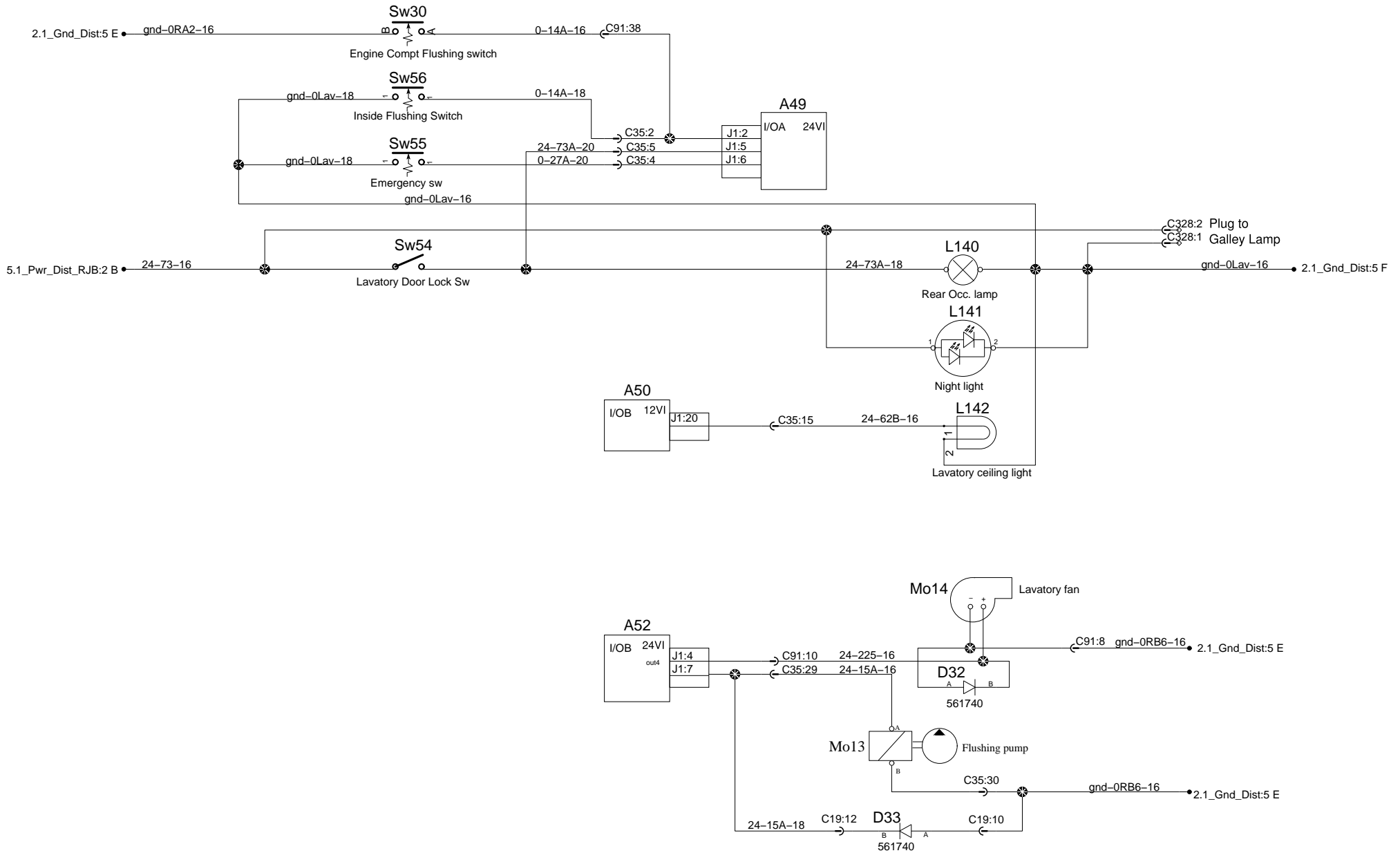
Cluster Pollak



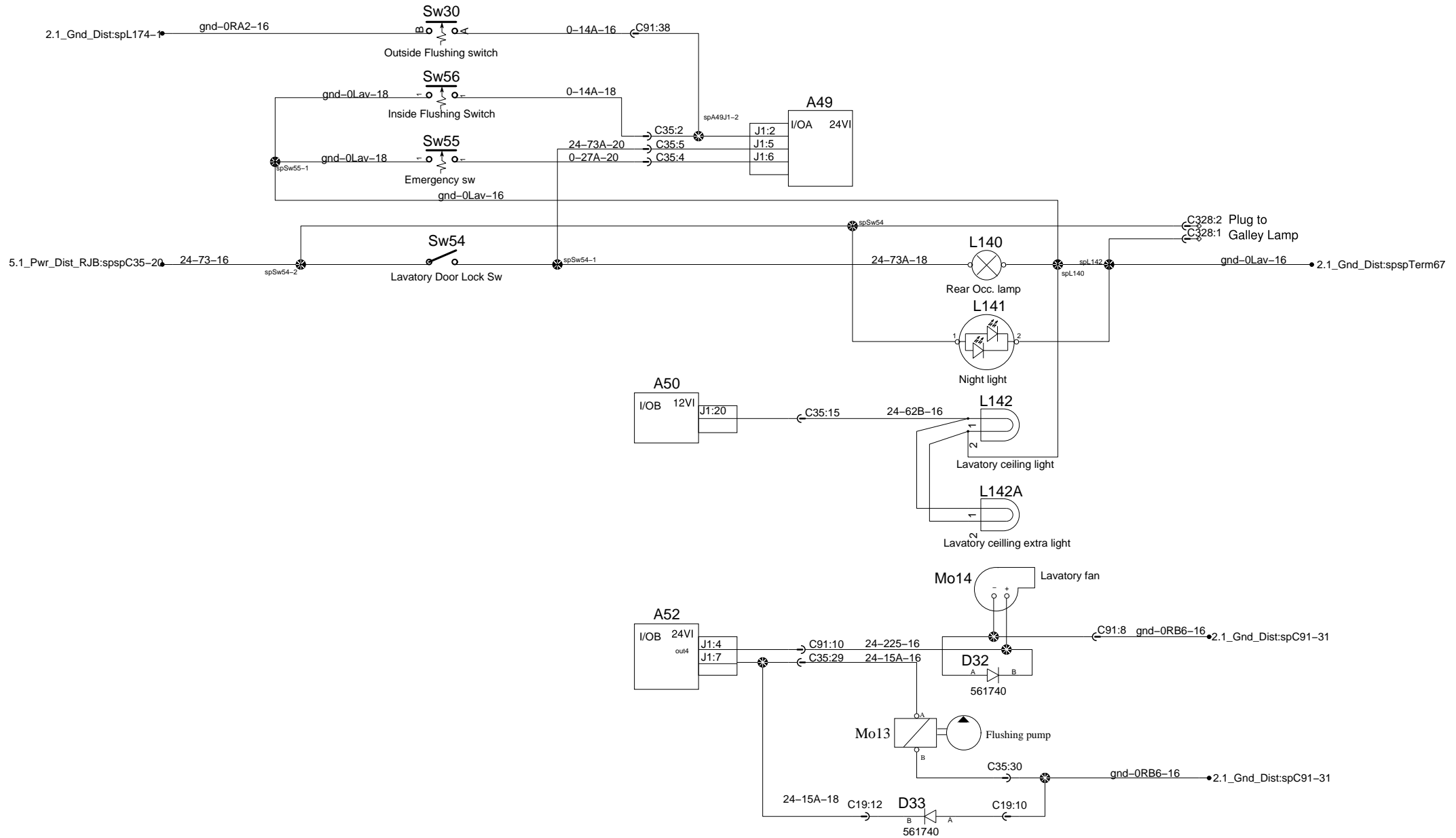
Cluster Pollak



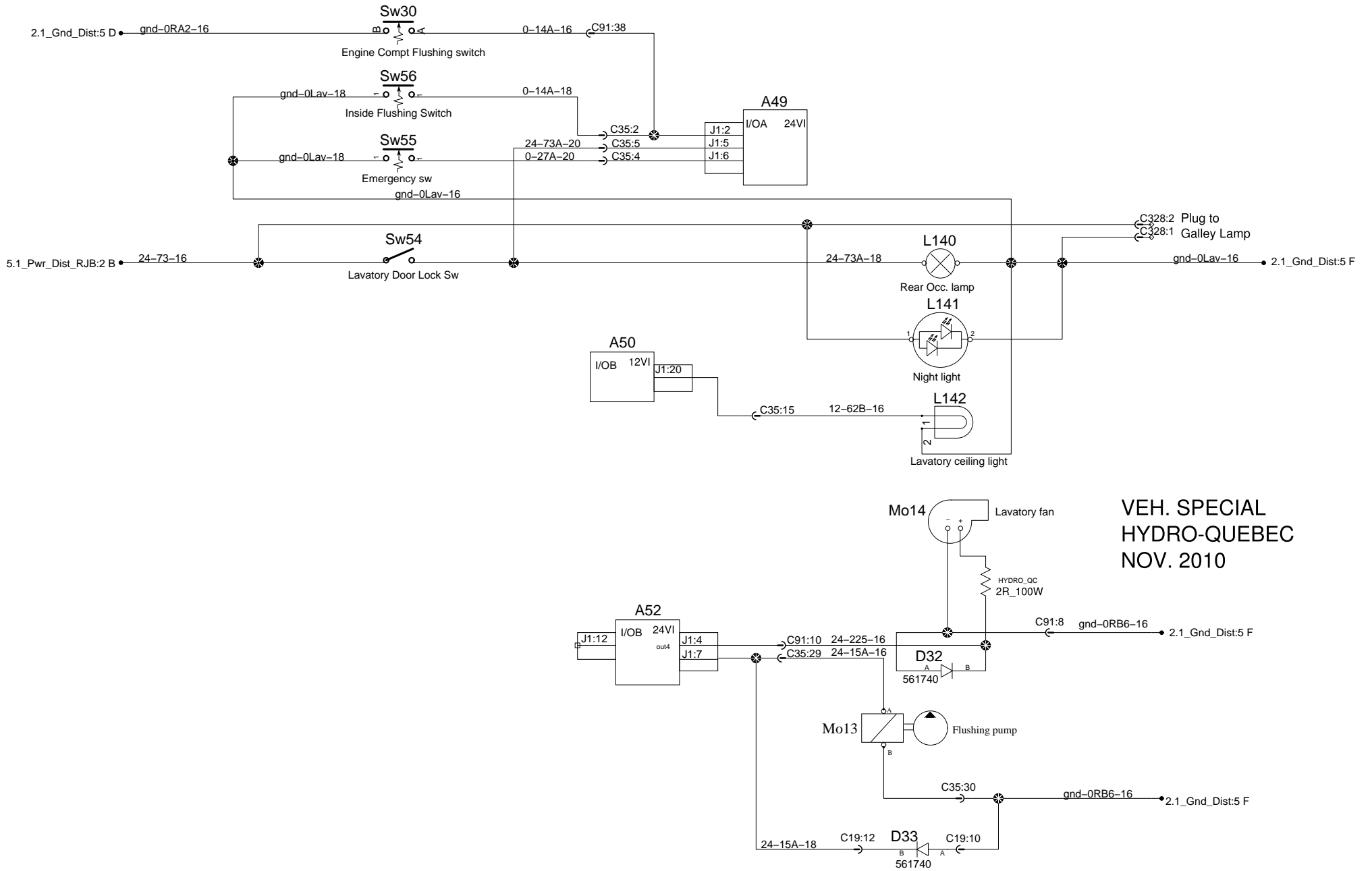
Lavatory and No Smoking Sign



Lavatory and No Smoking Sign

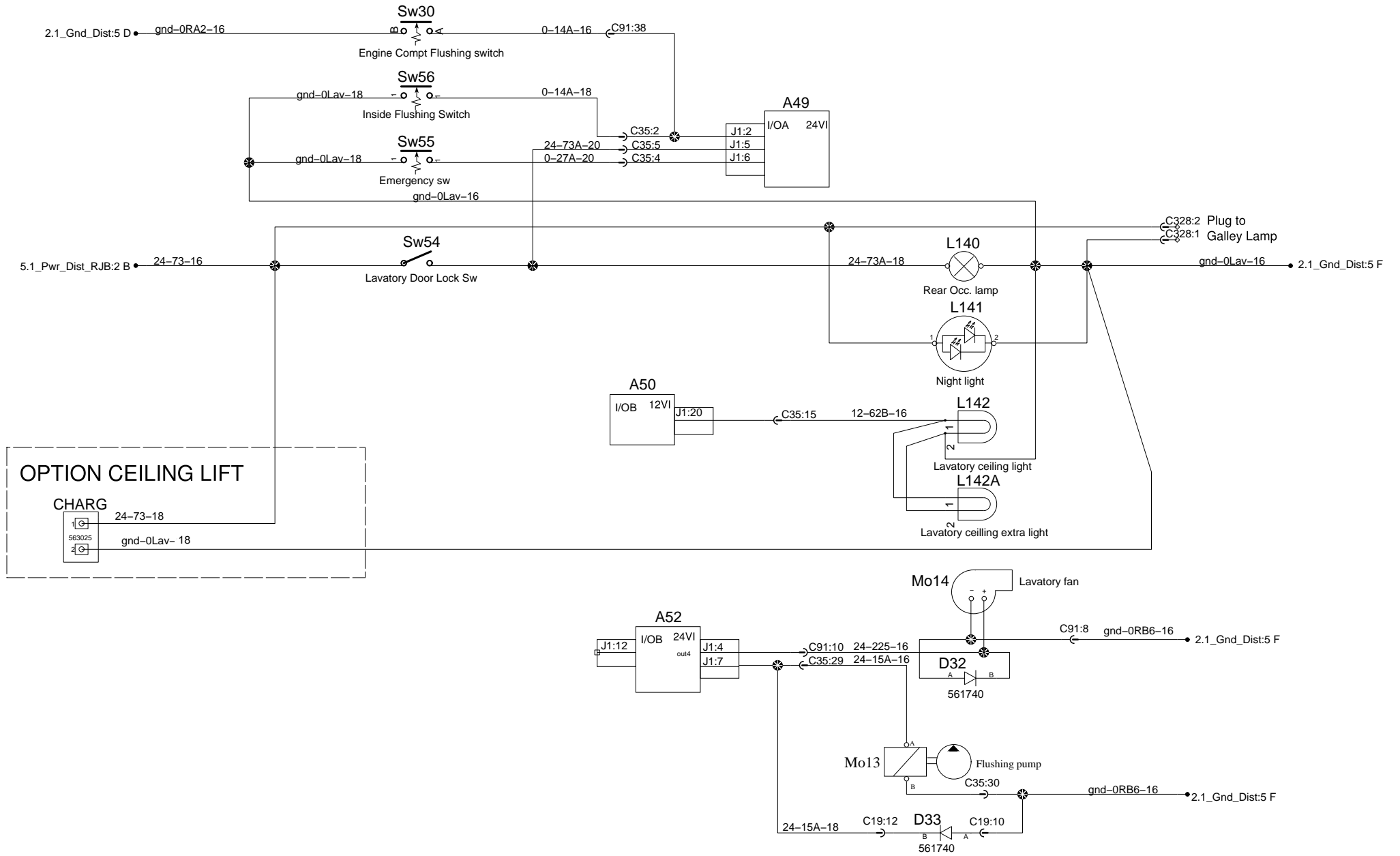


Lavatory and No Smoking Sign

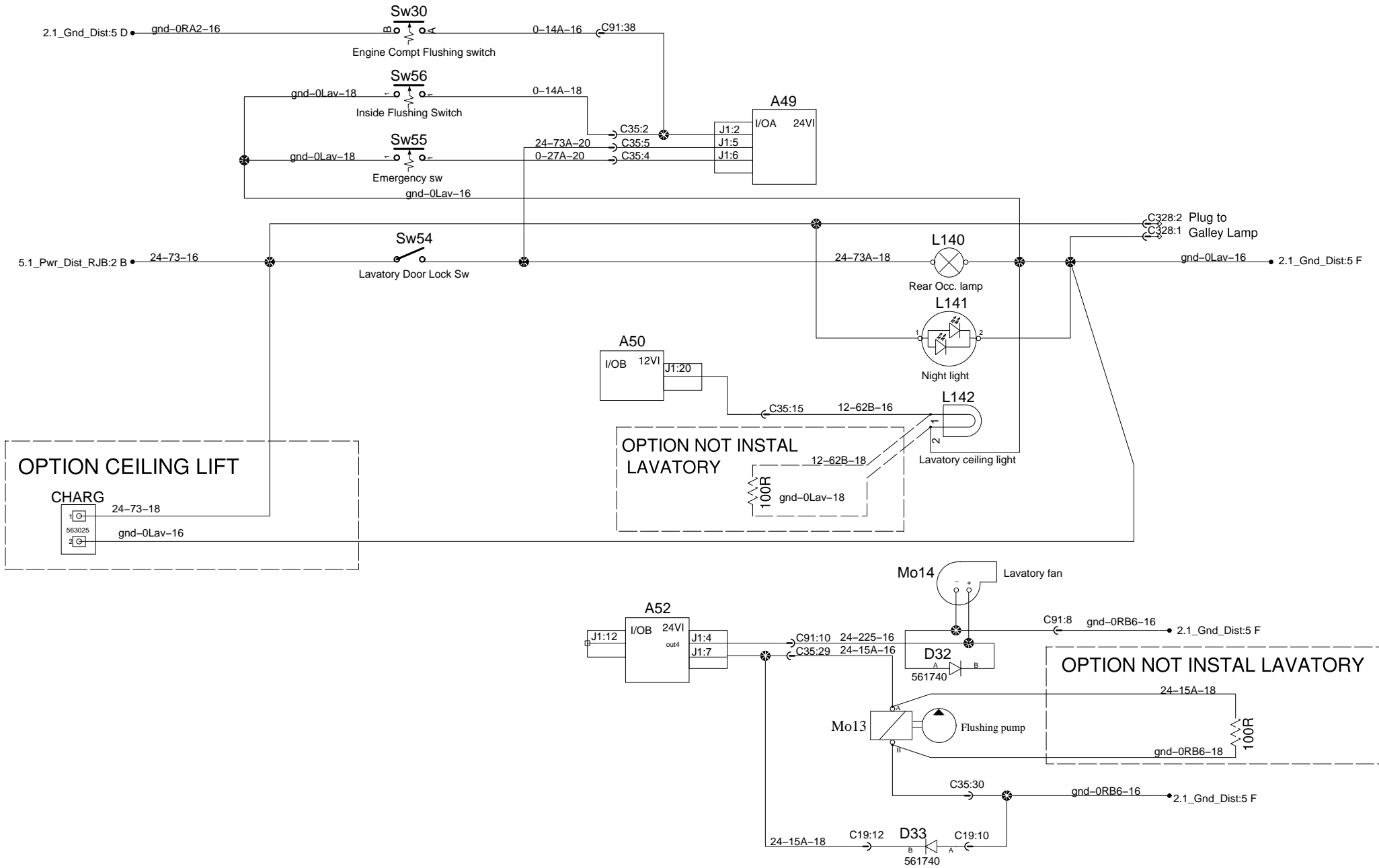


VEH. SPECIAL
HYDRO-QUEBEC
NOV. 2010

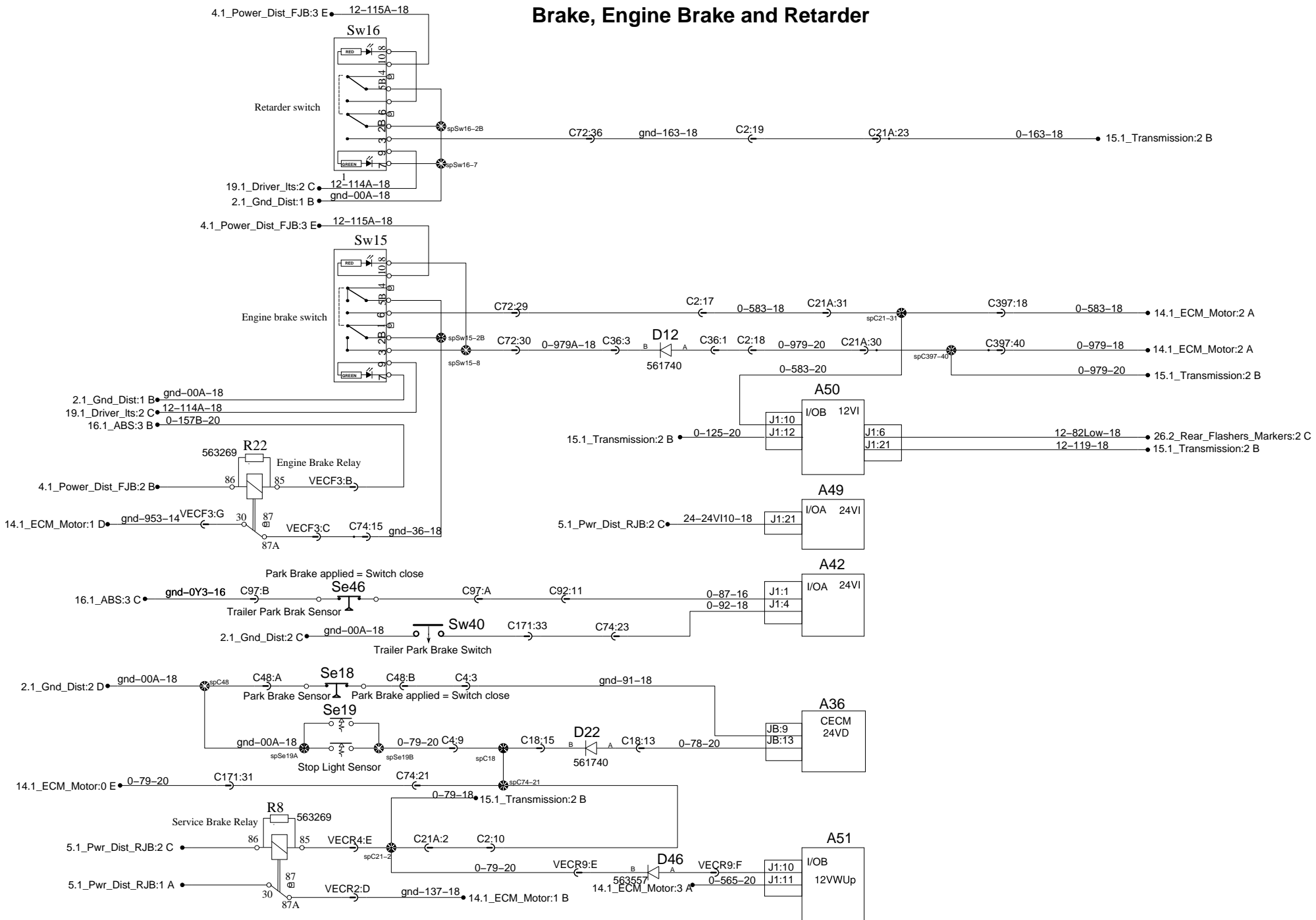
Lavatory and No Smoking Sign



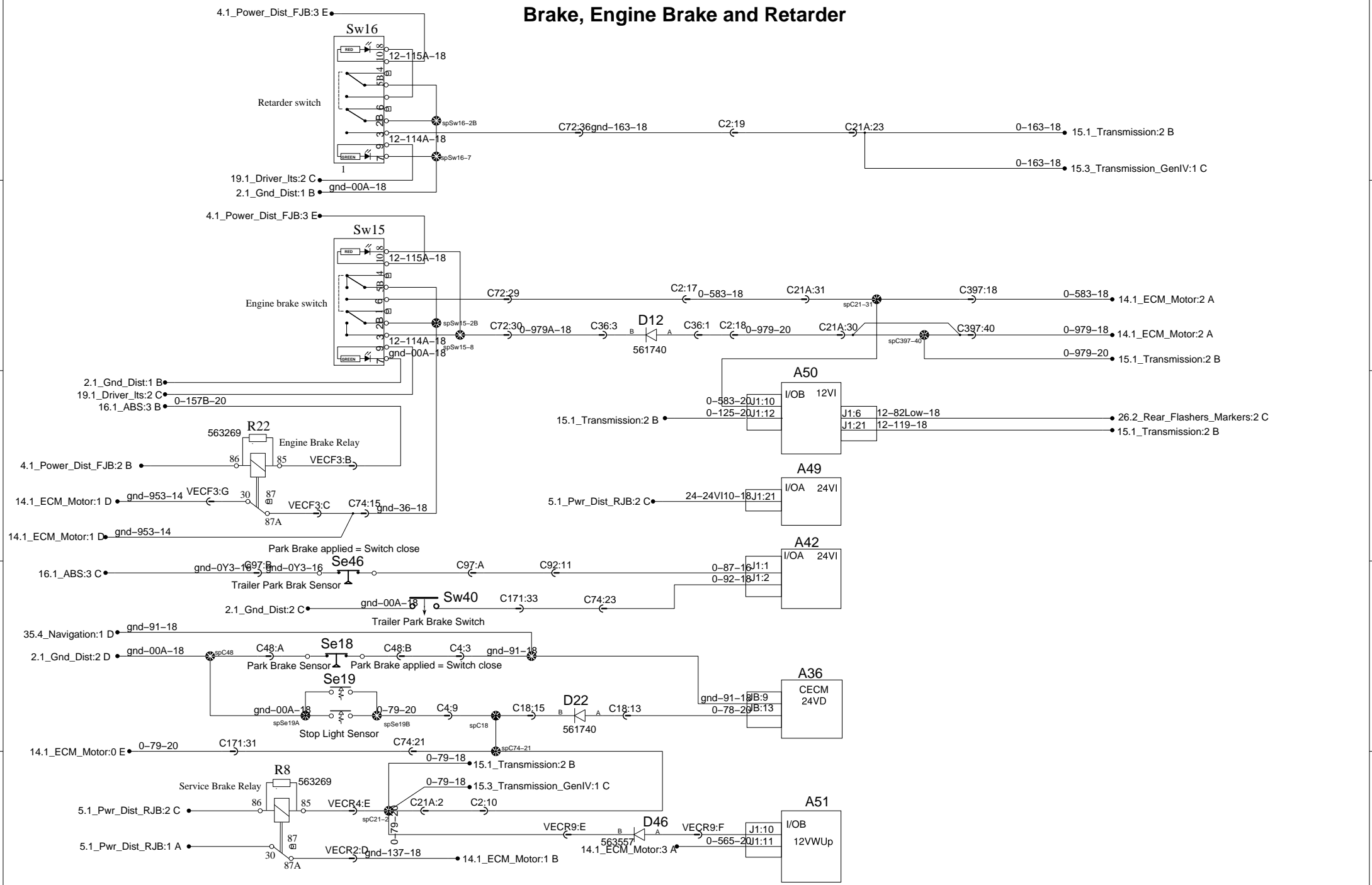
Lavatory and No Smoking Sign



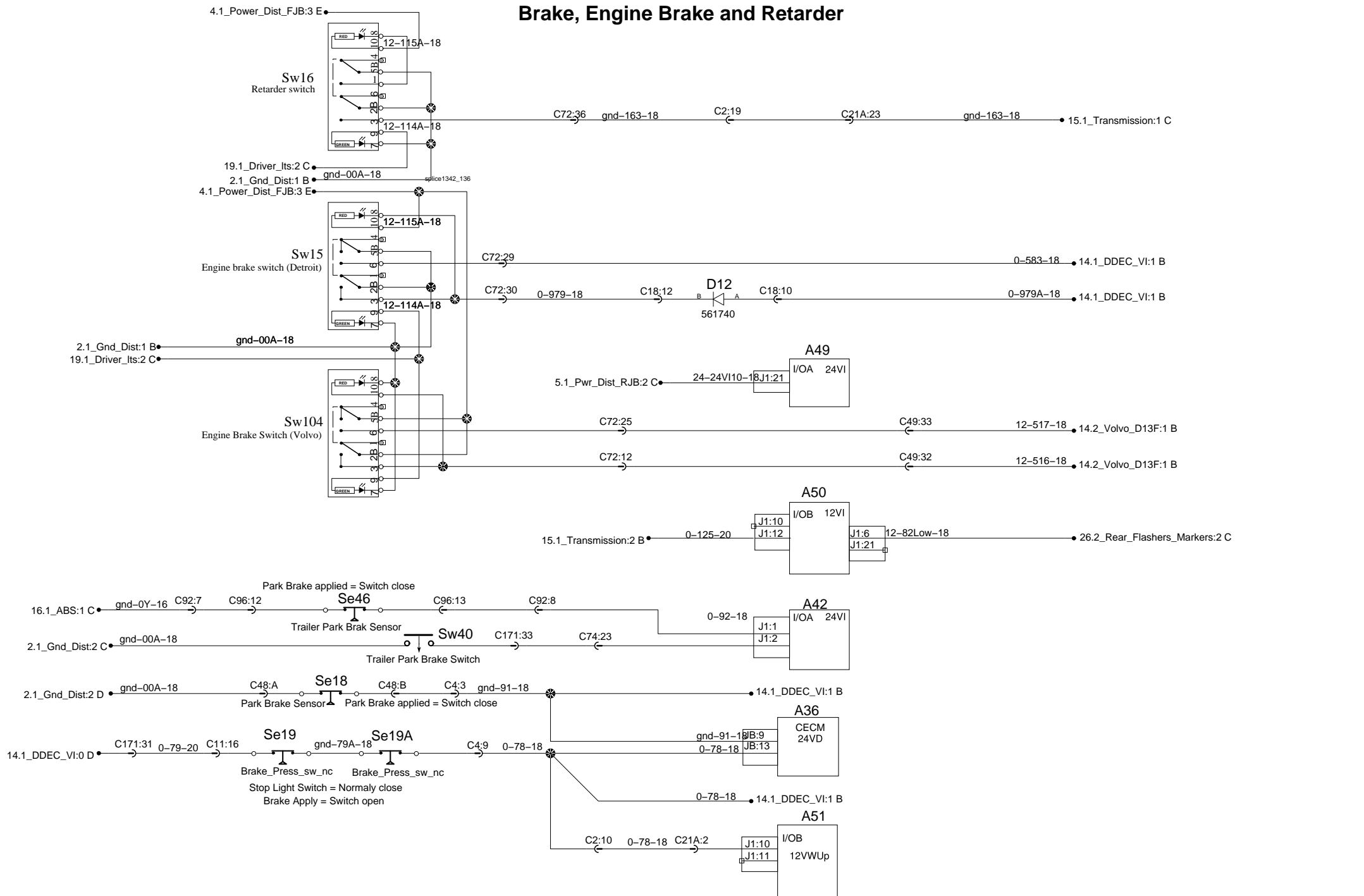
Brake, Engine Brake and Retarder



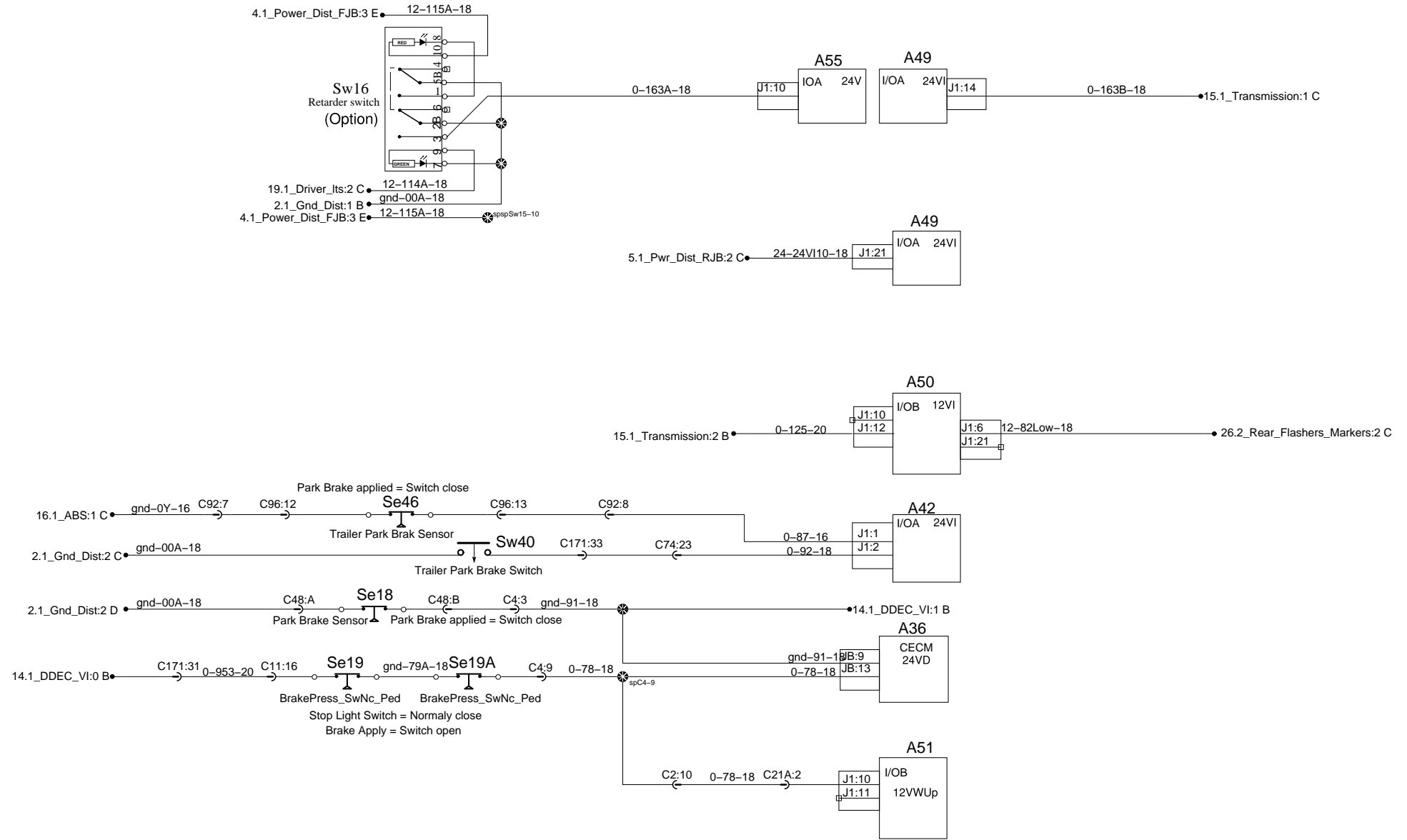
Brake, Engine Brake and Retarder



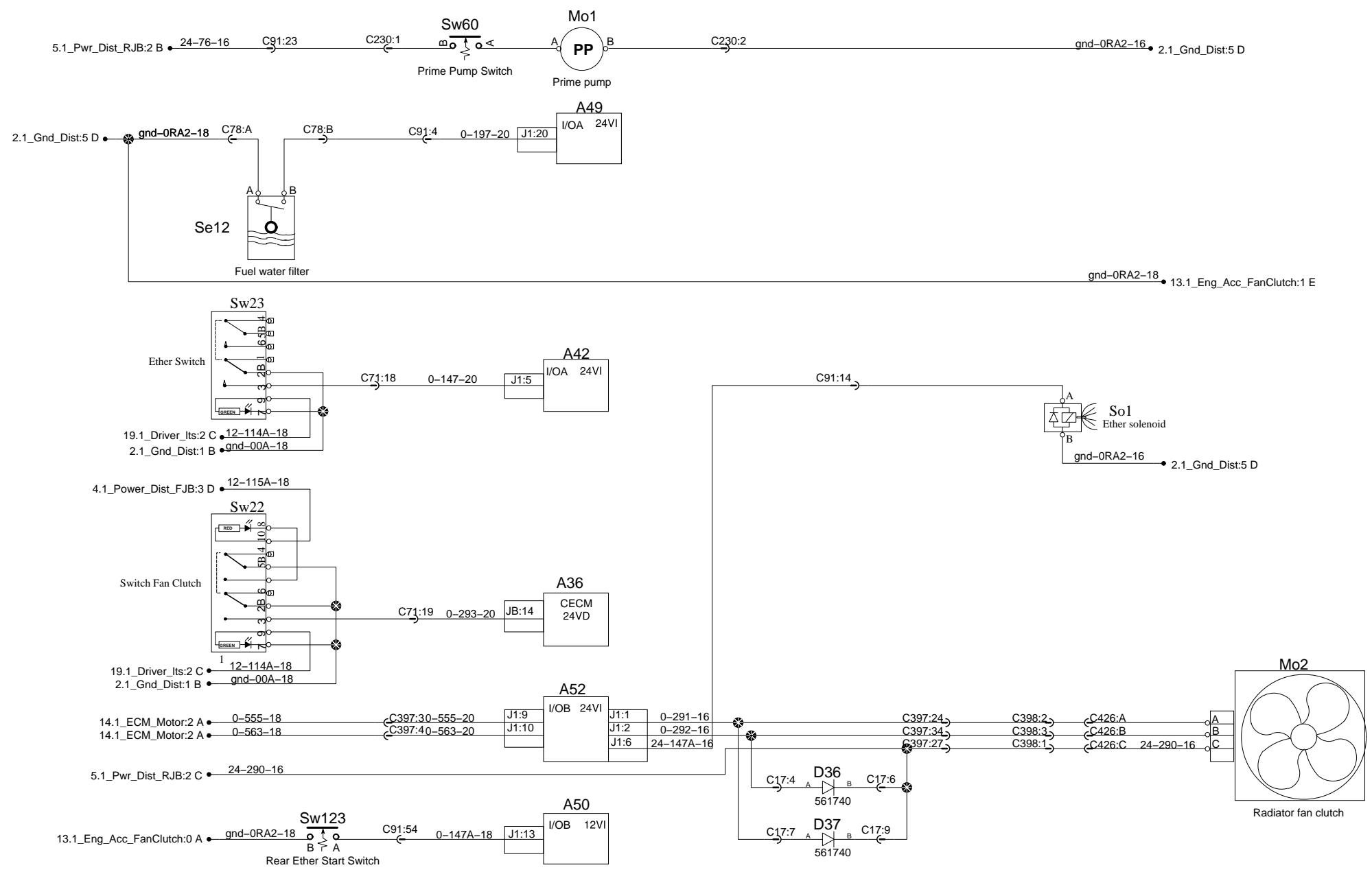
Brake, Engine Brake and Retarder



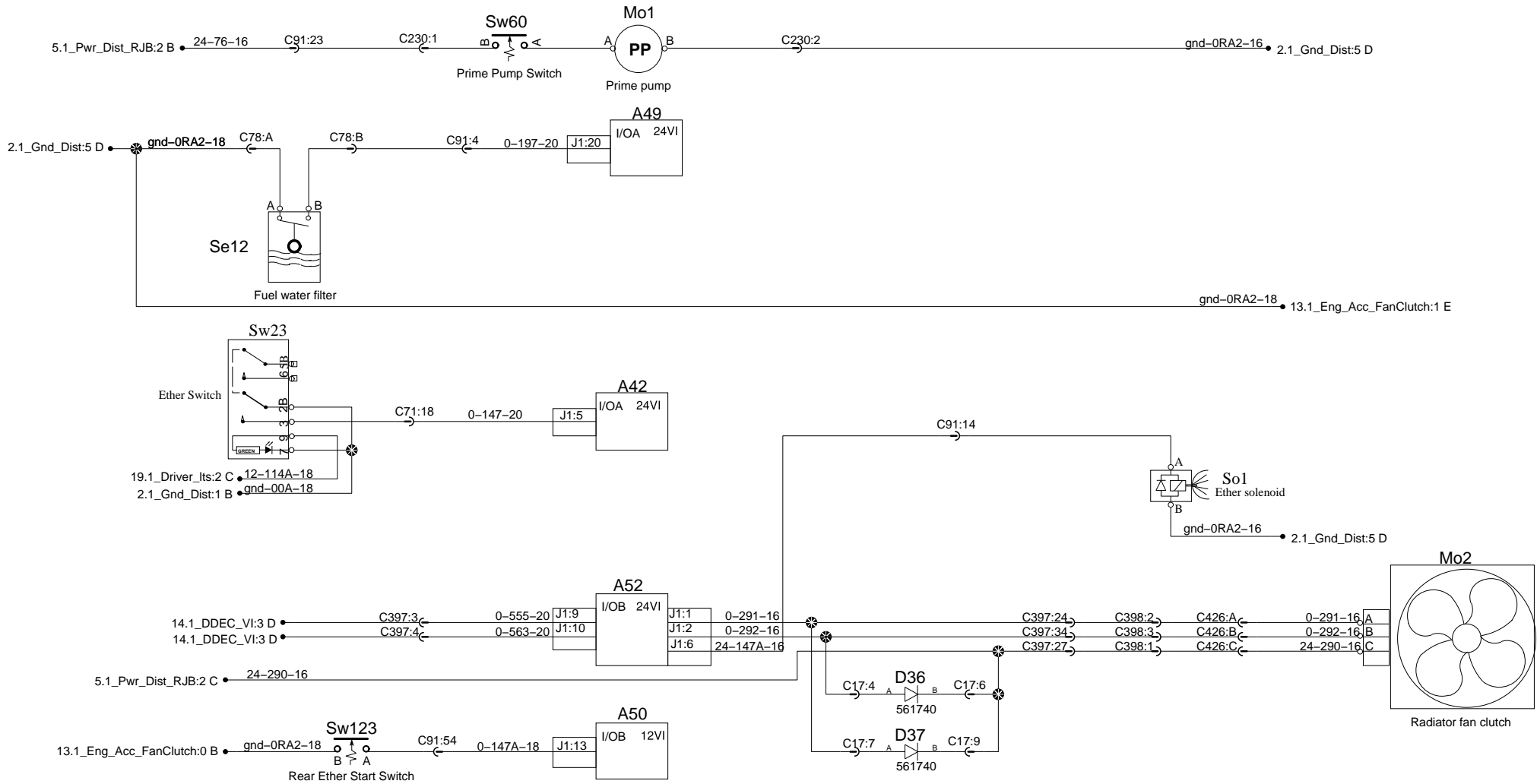
Brake, Engine Brake and Retarder



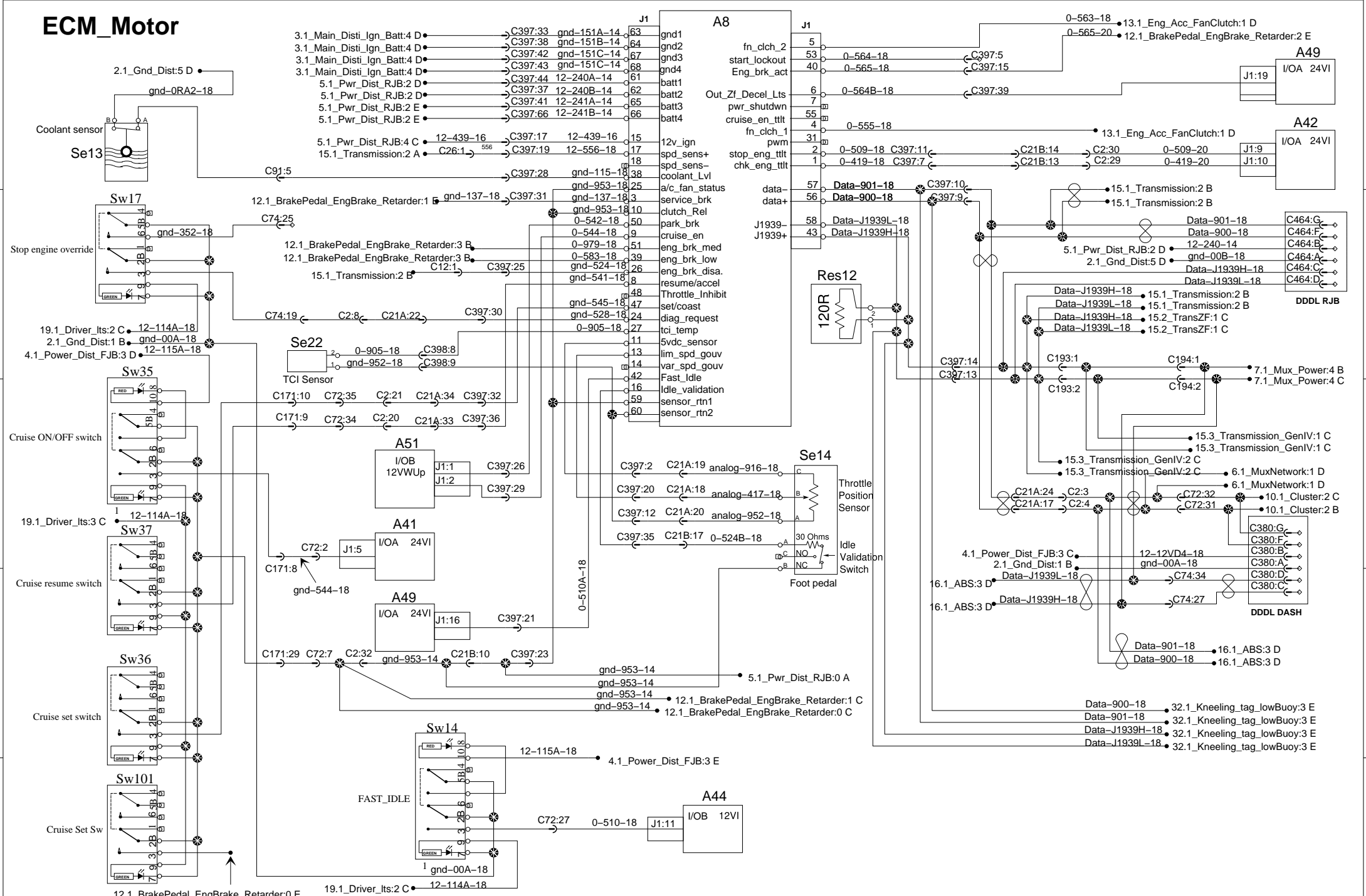
Prime Pump, Water Filter, Ether and Fan Clutch

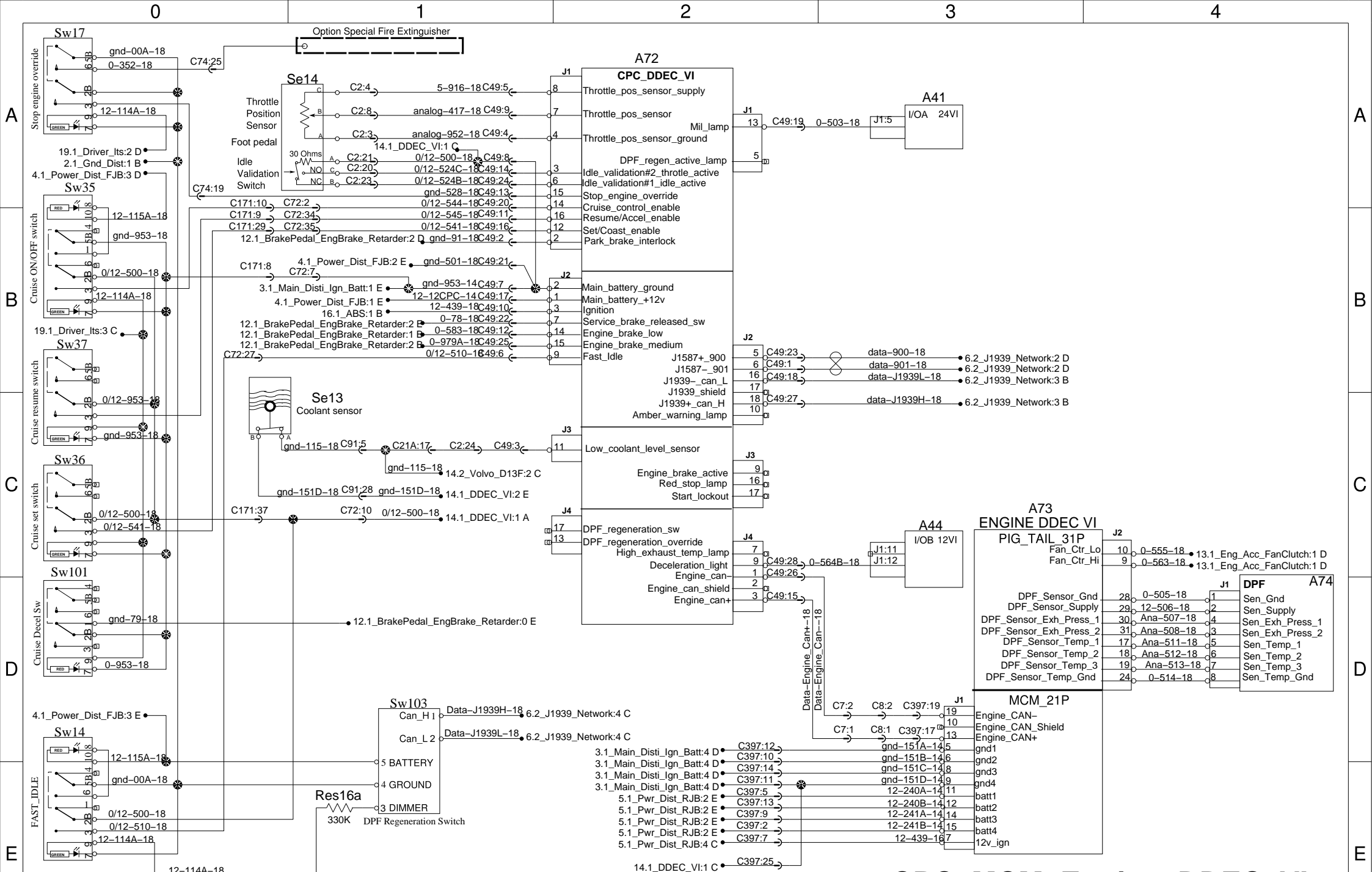


Prime Pump, Water Filter, Ether and Fan Clutch

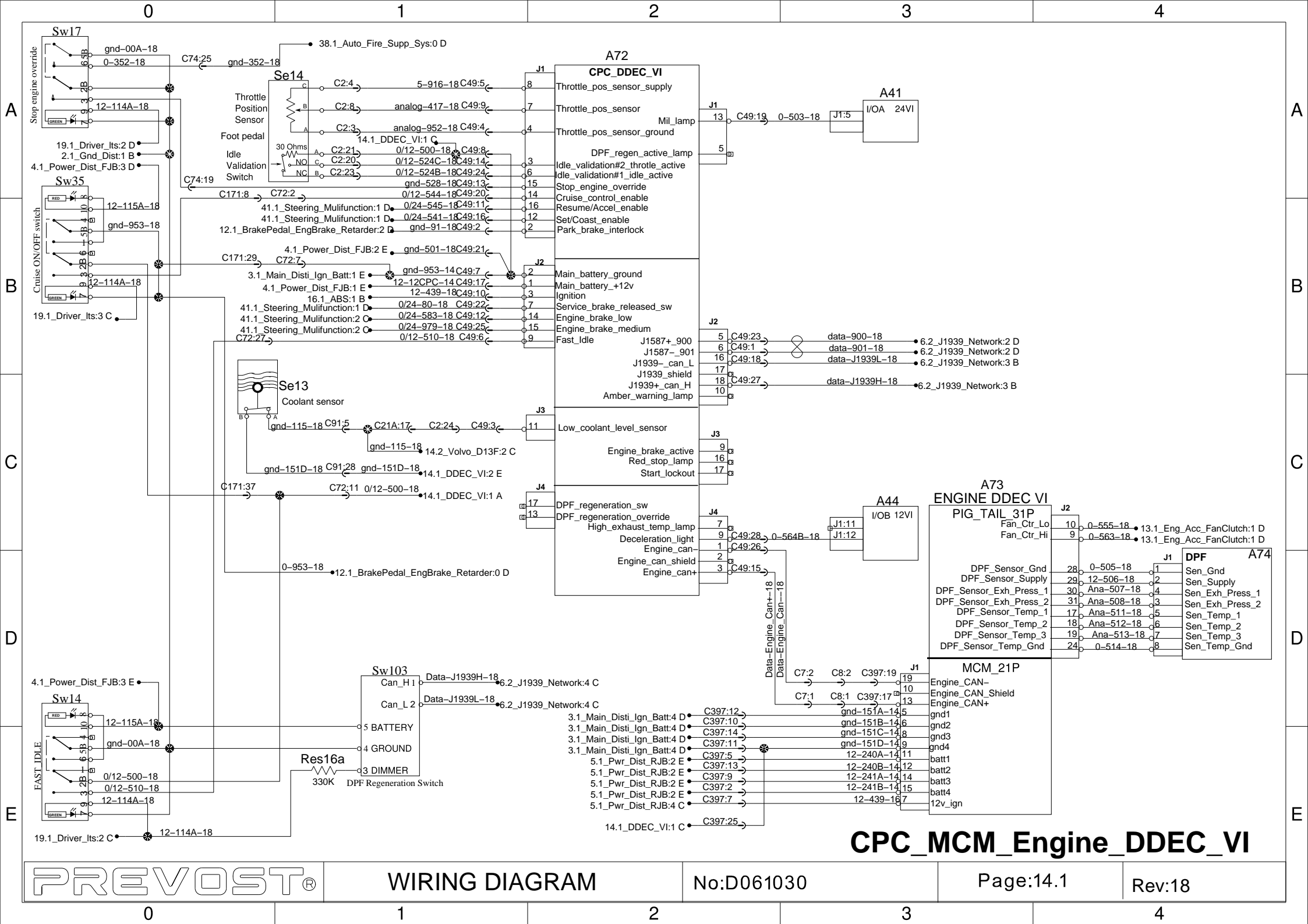


ECM_Motor

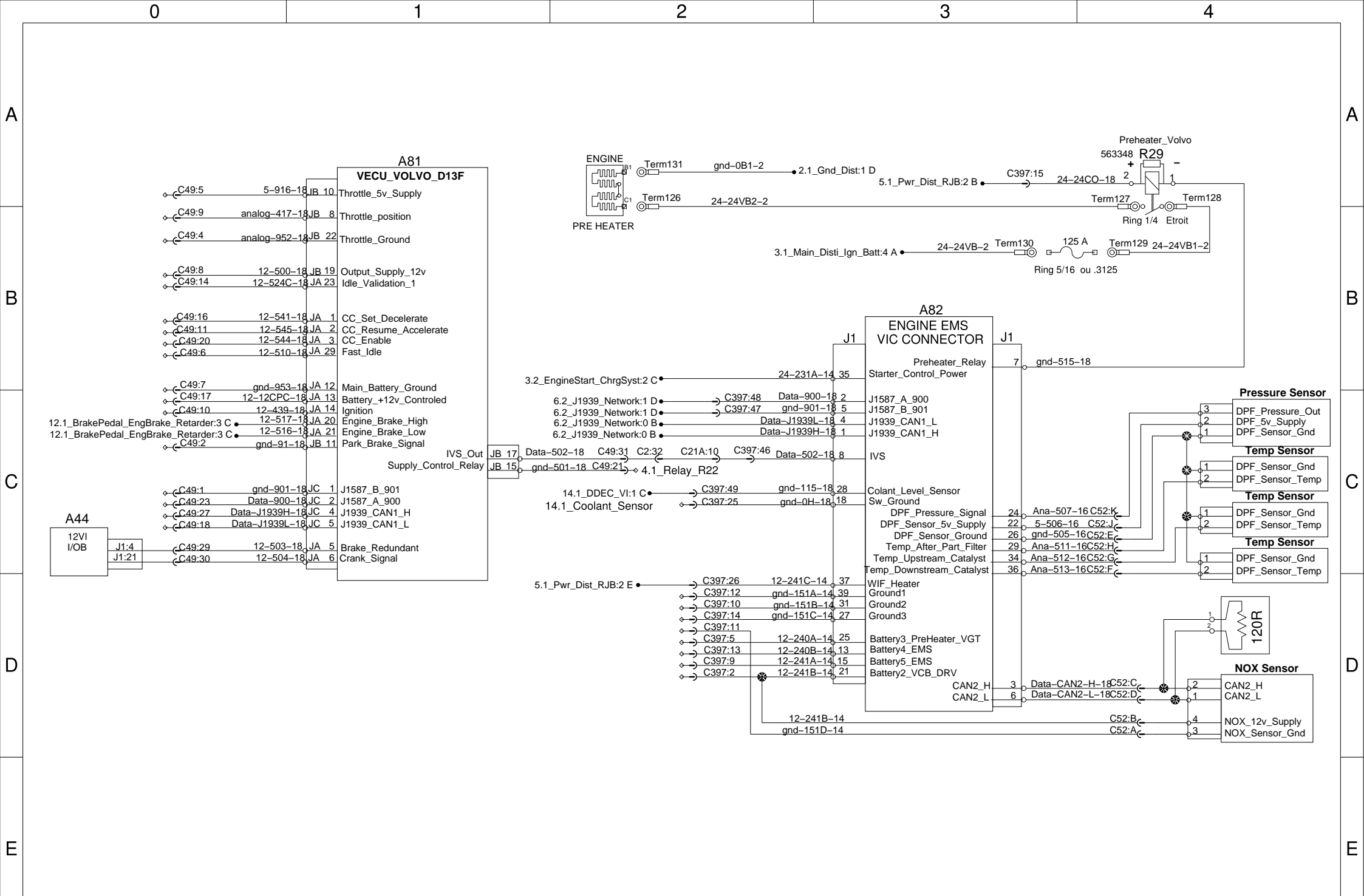


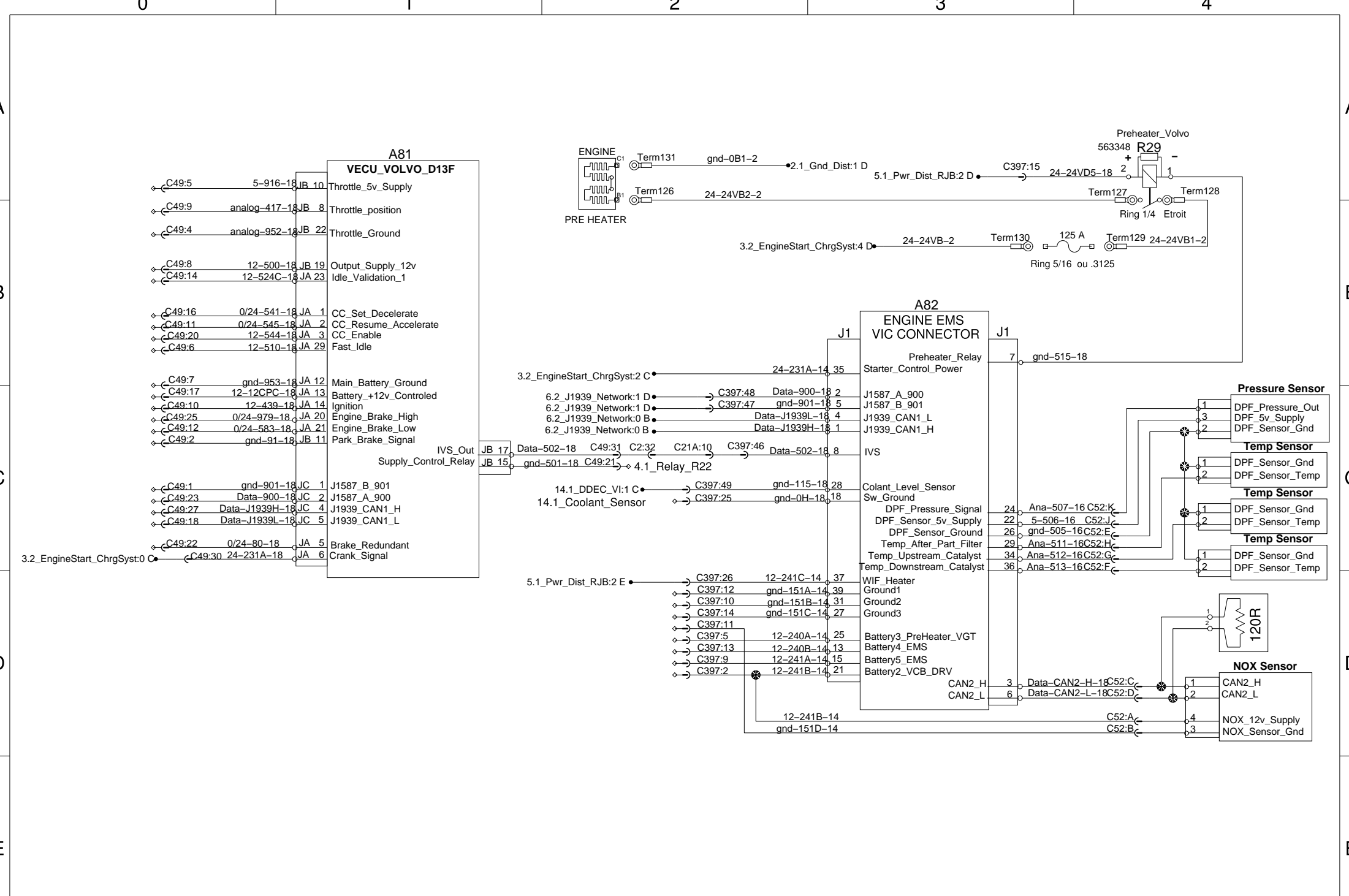


CPC_MCM_Engine_DDEC_VI

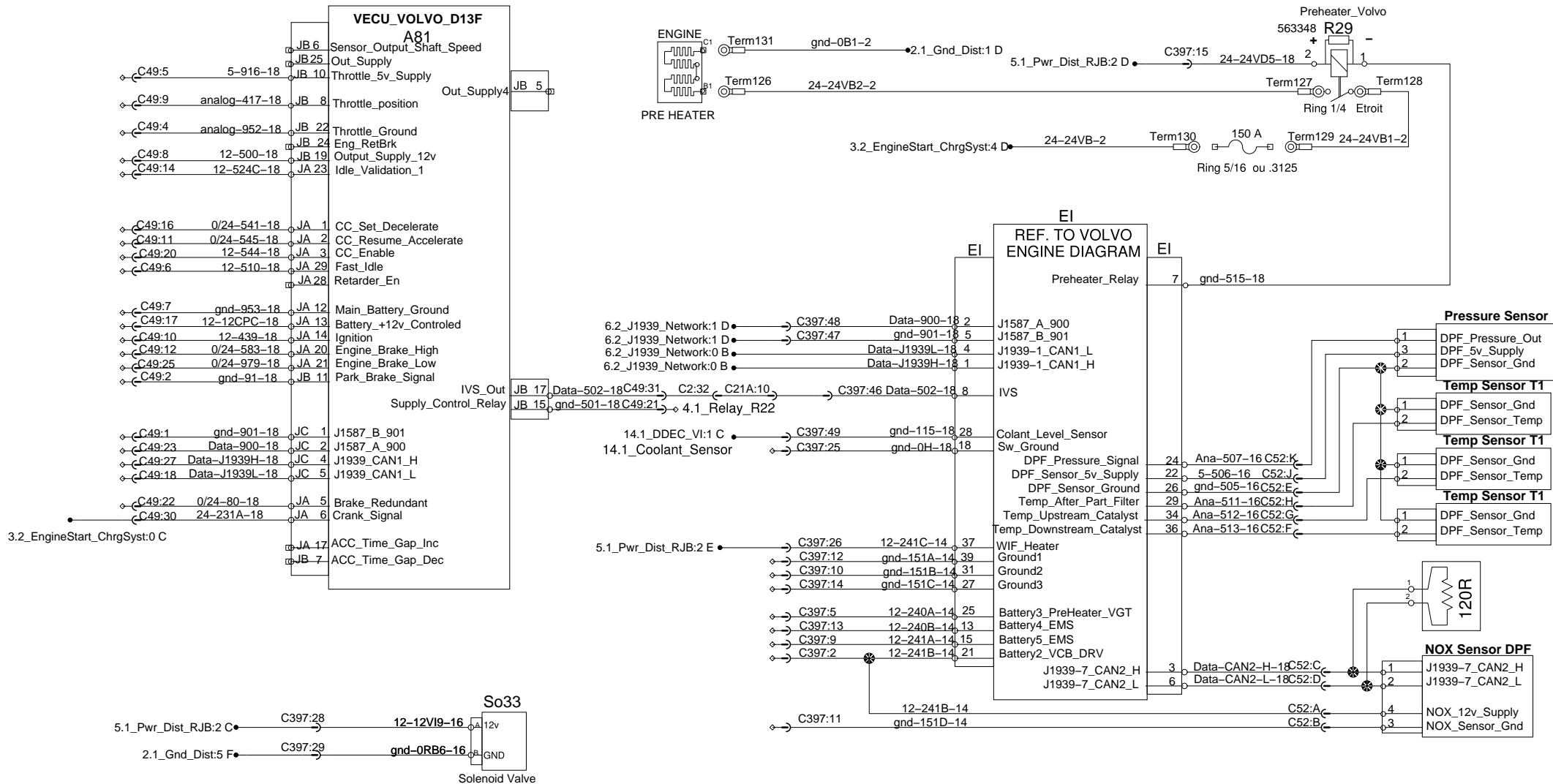


CPC_MCM_Engine_DDEC_VI

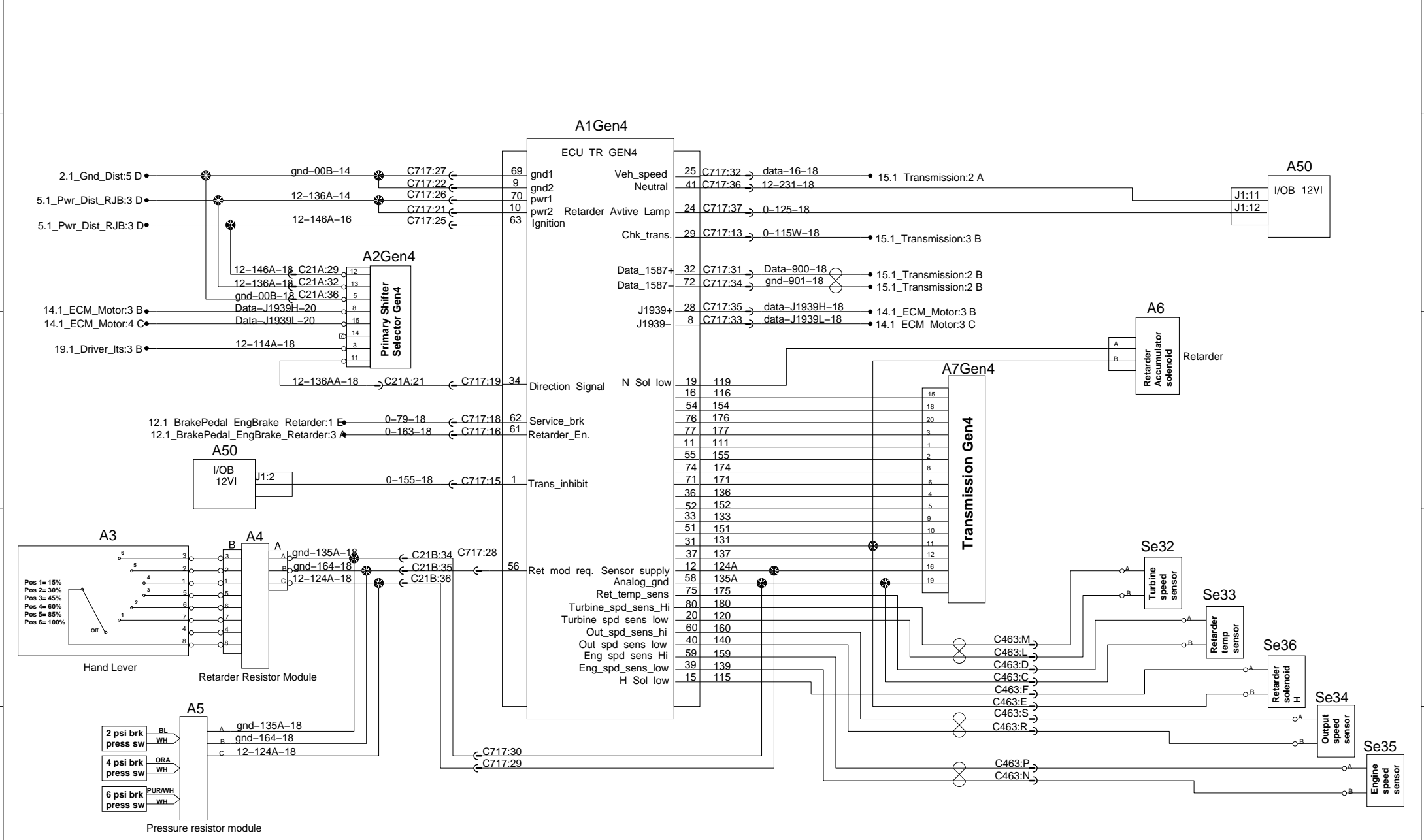




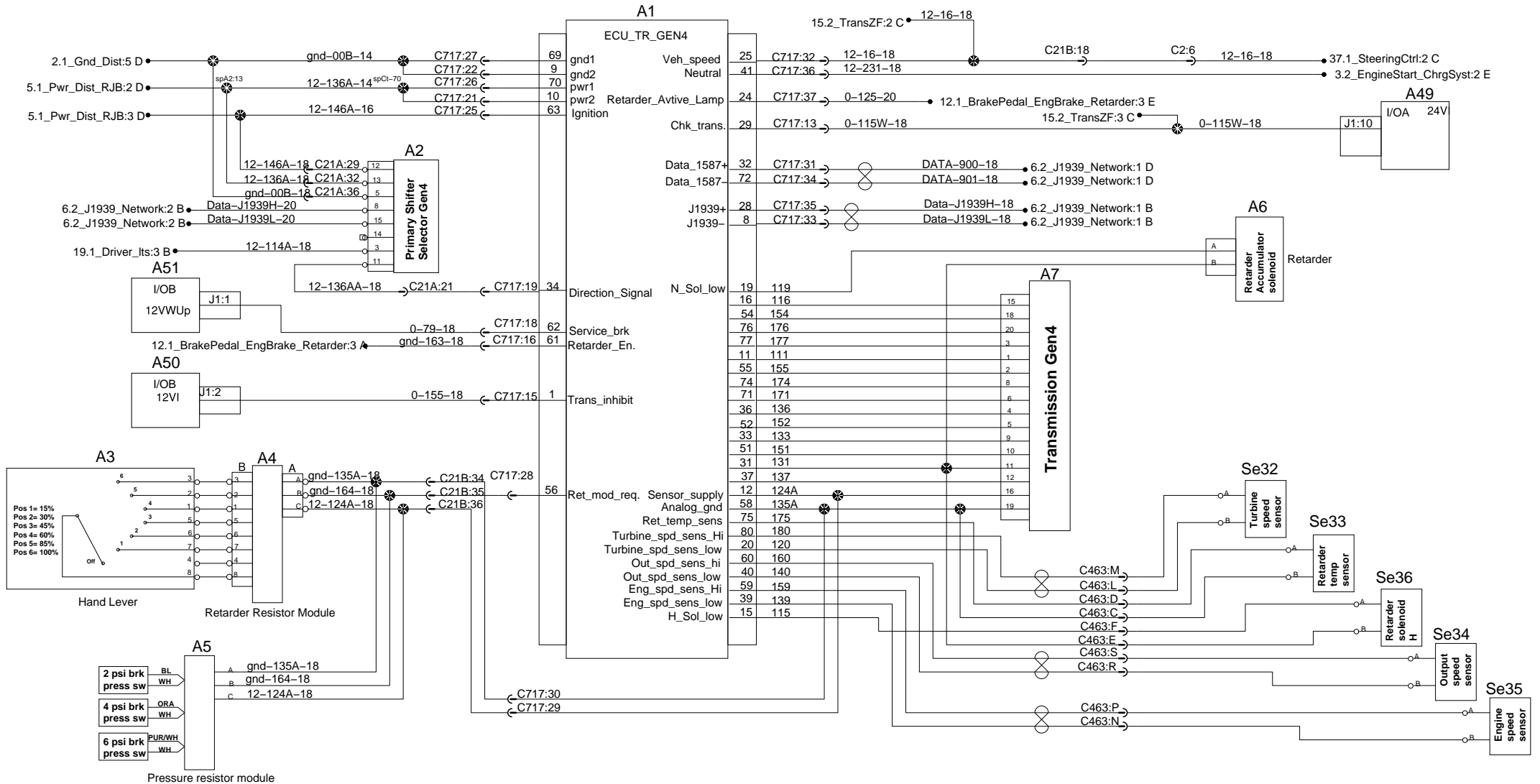
Engine ECU Volvo D13



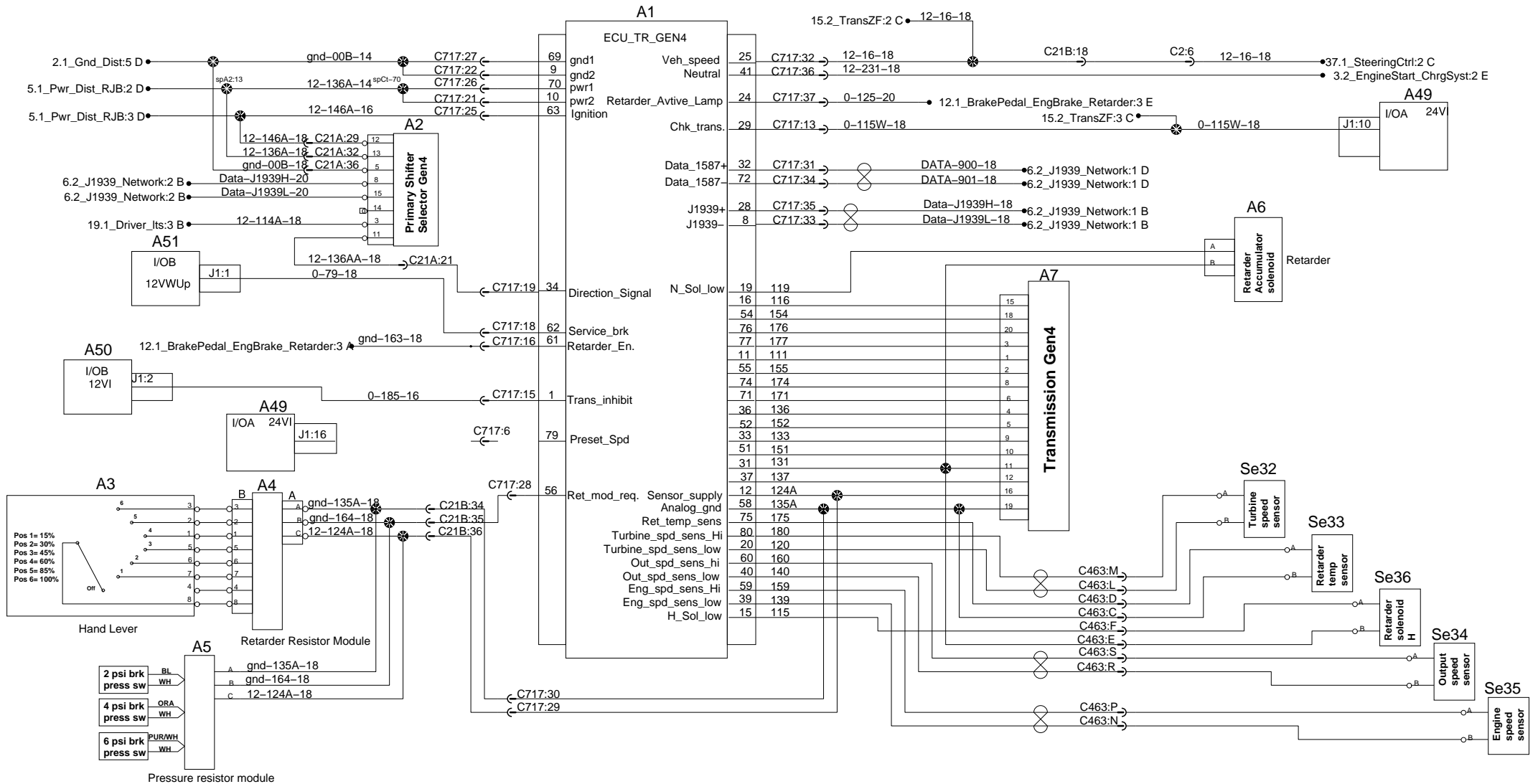
Transmission Allison Gen 4



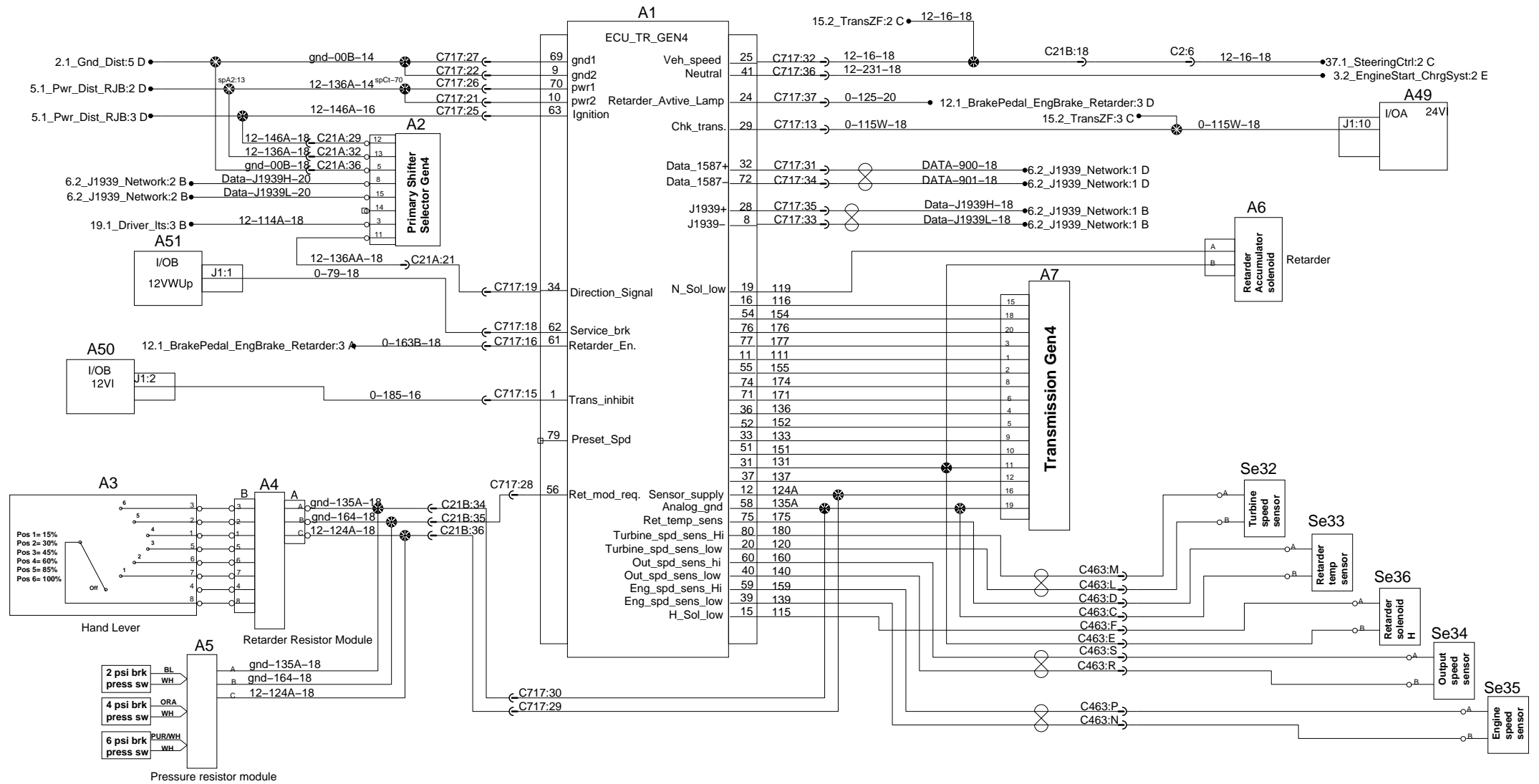
Transmission Allison Gen 4



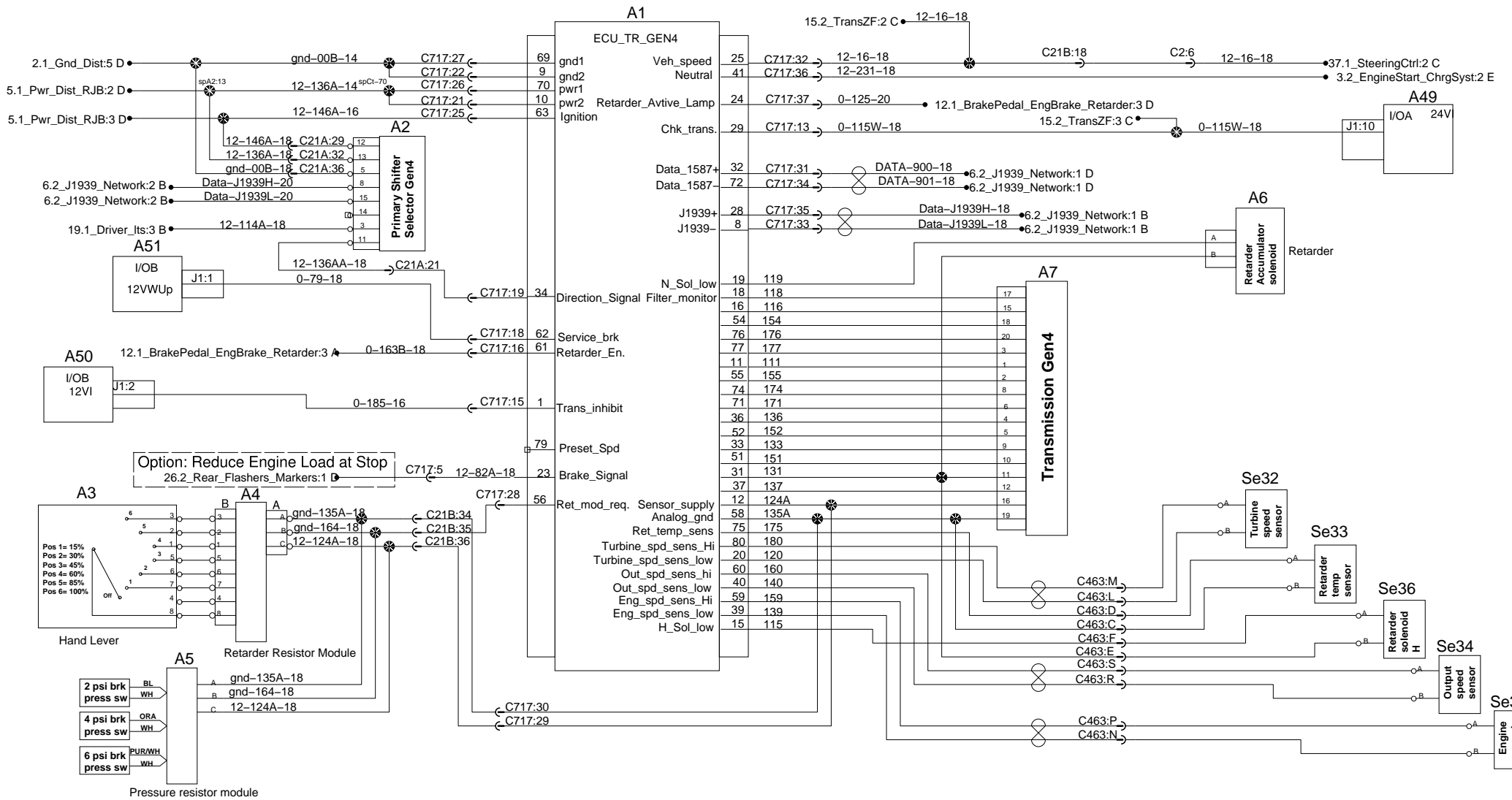
Transmission Allison Gen 4



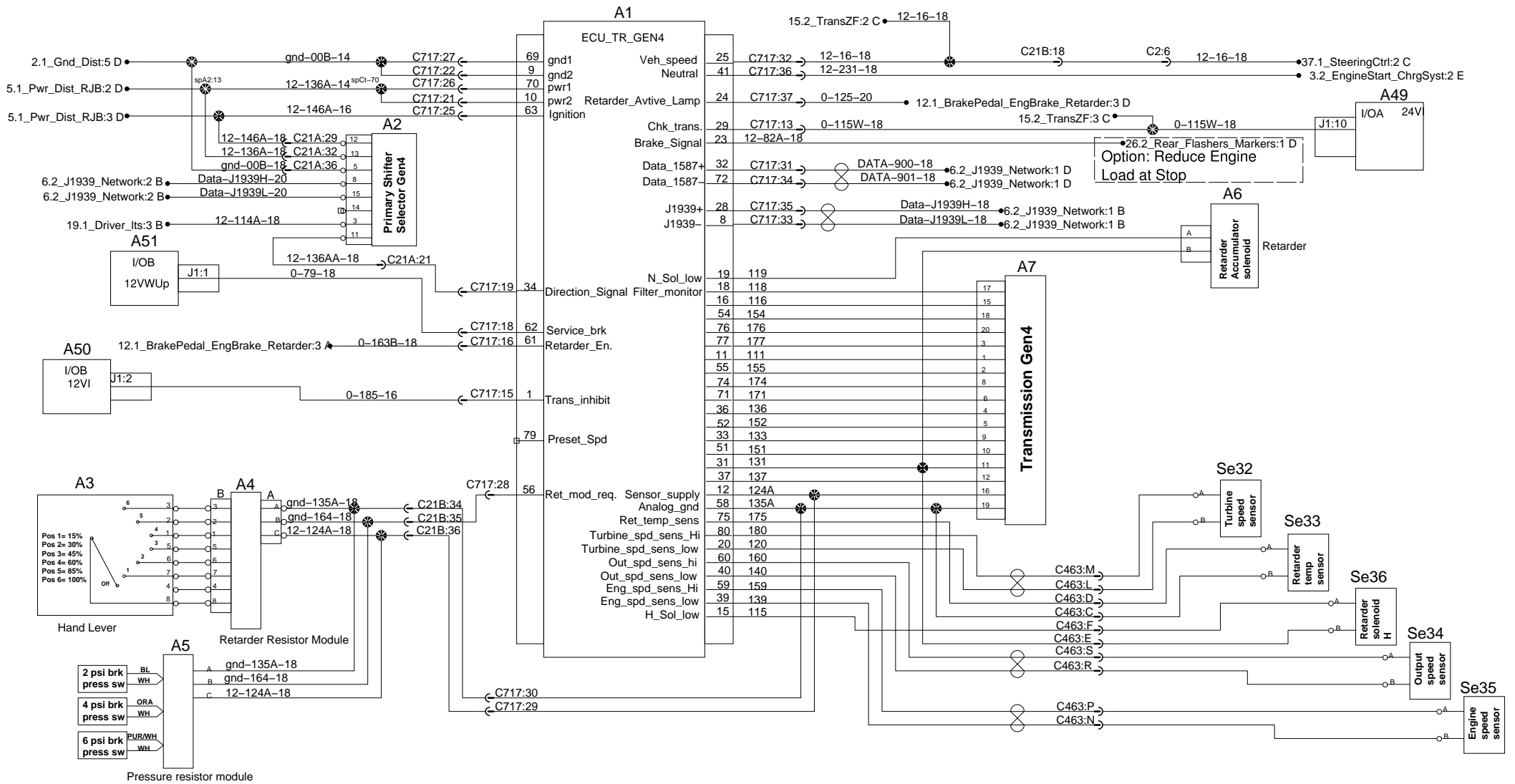
Transmission Allison Gen 4



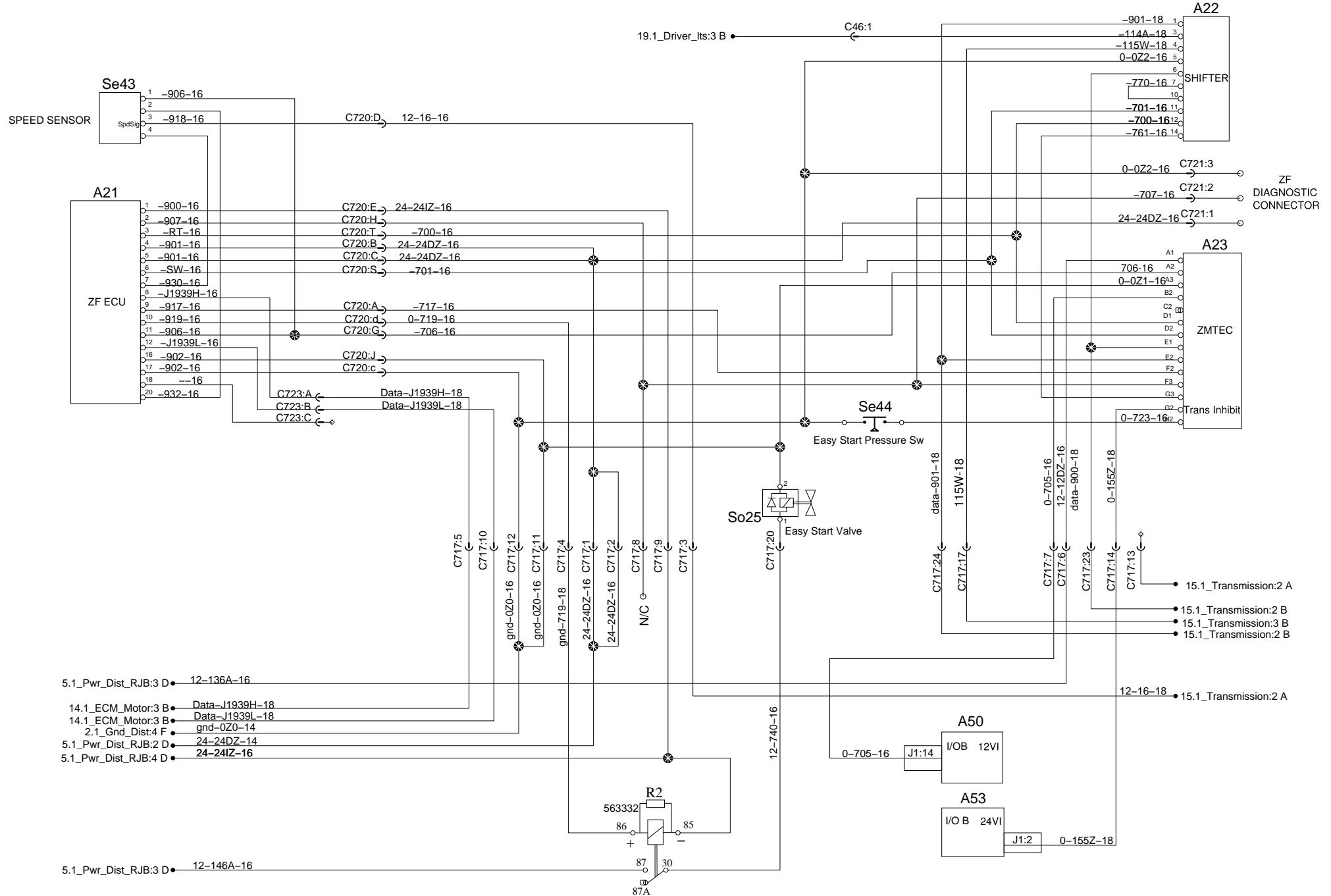
Transmission Allison Gen 4



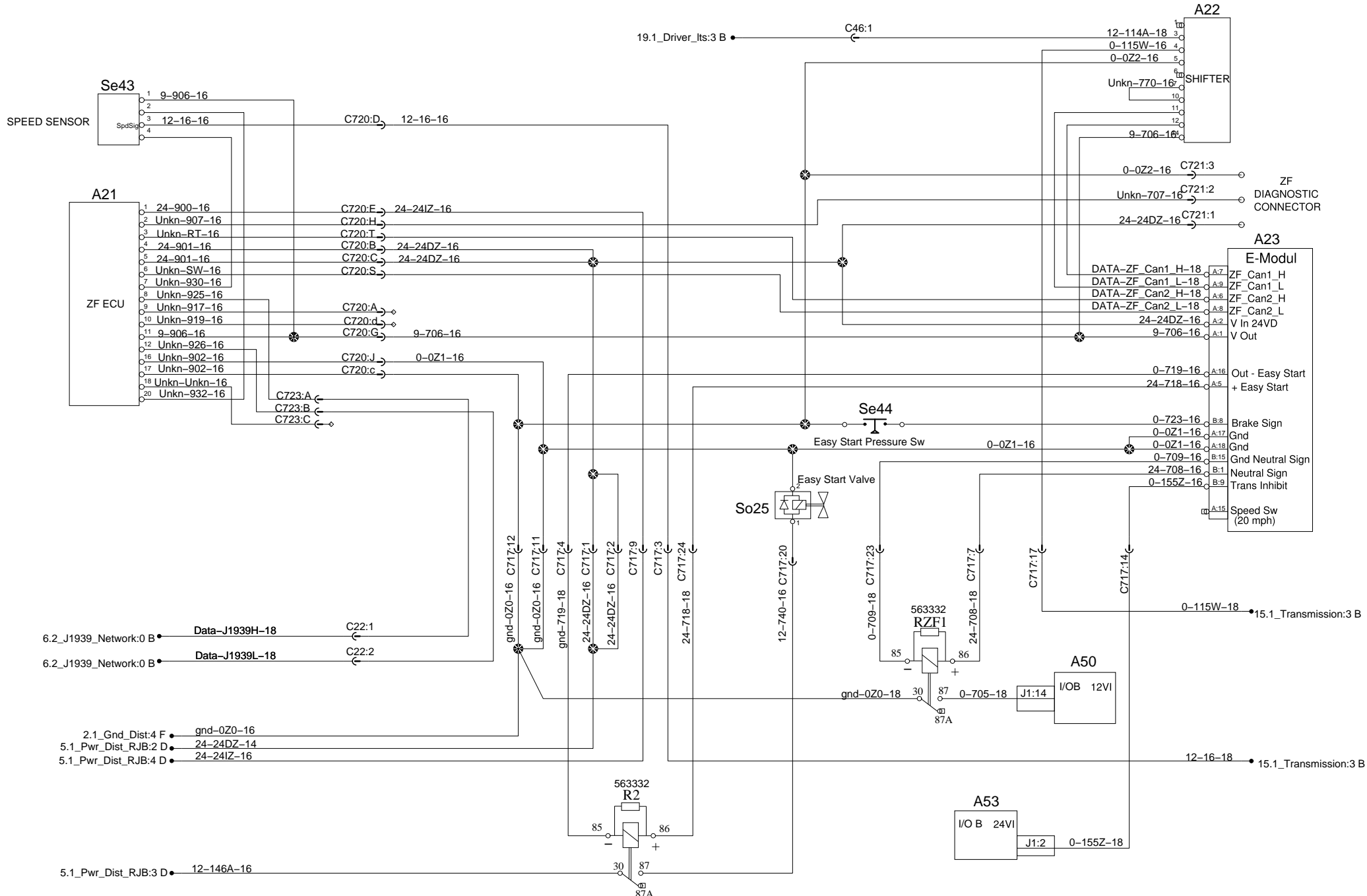
Transmission Allison Gen 4



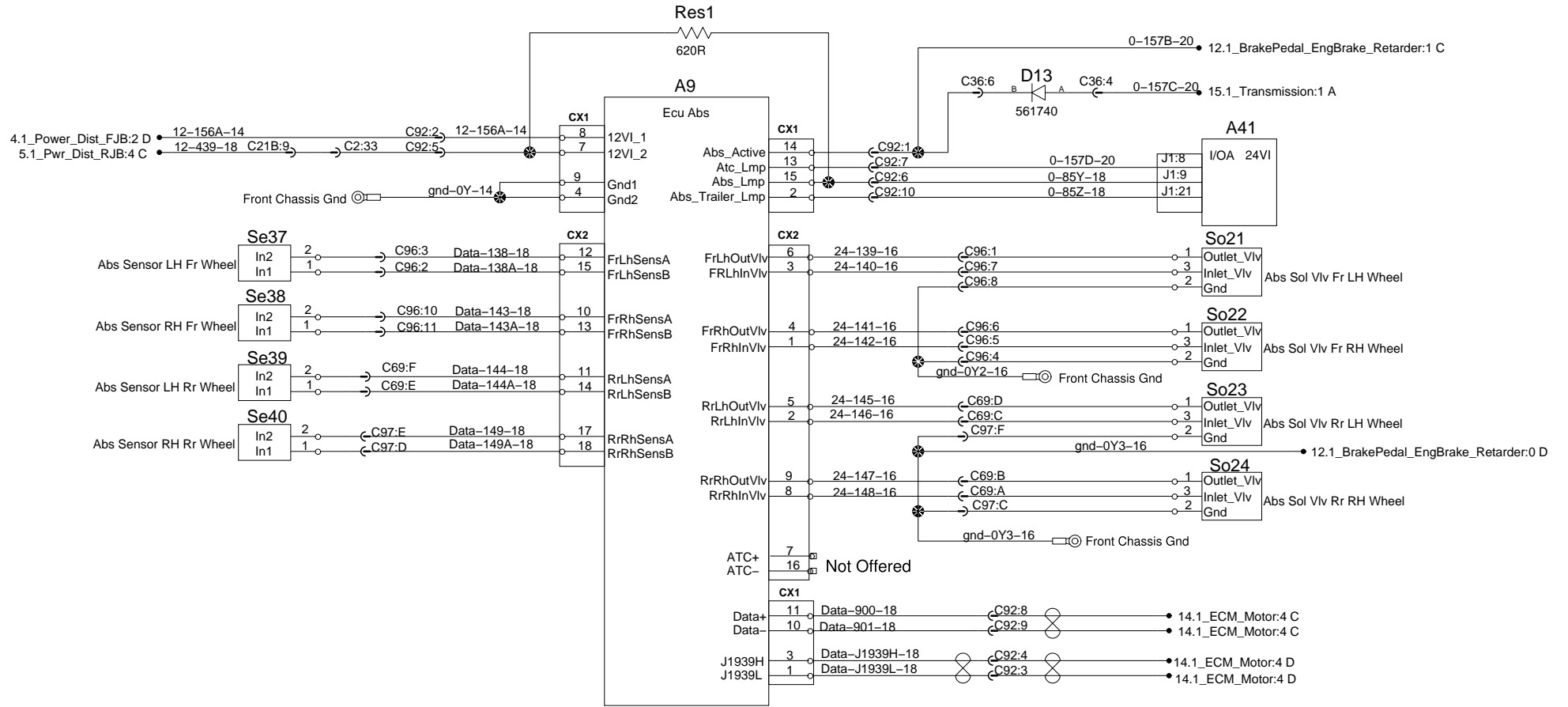
ZF Transmission



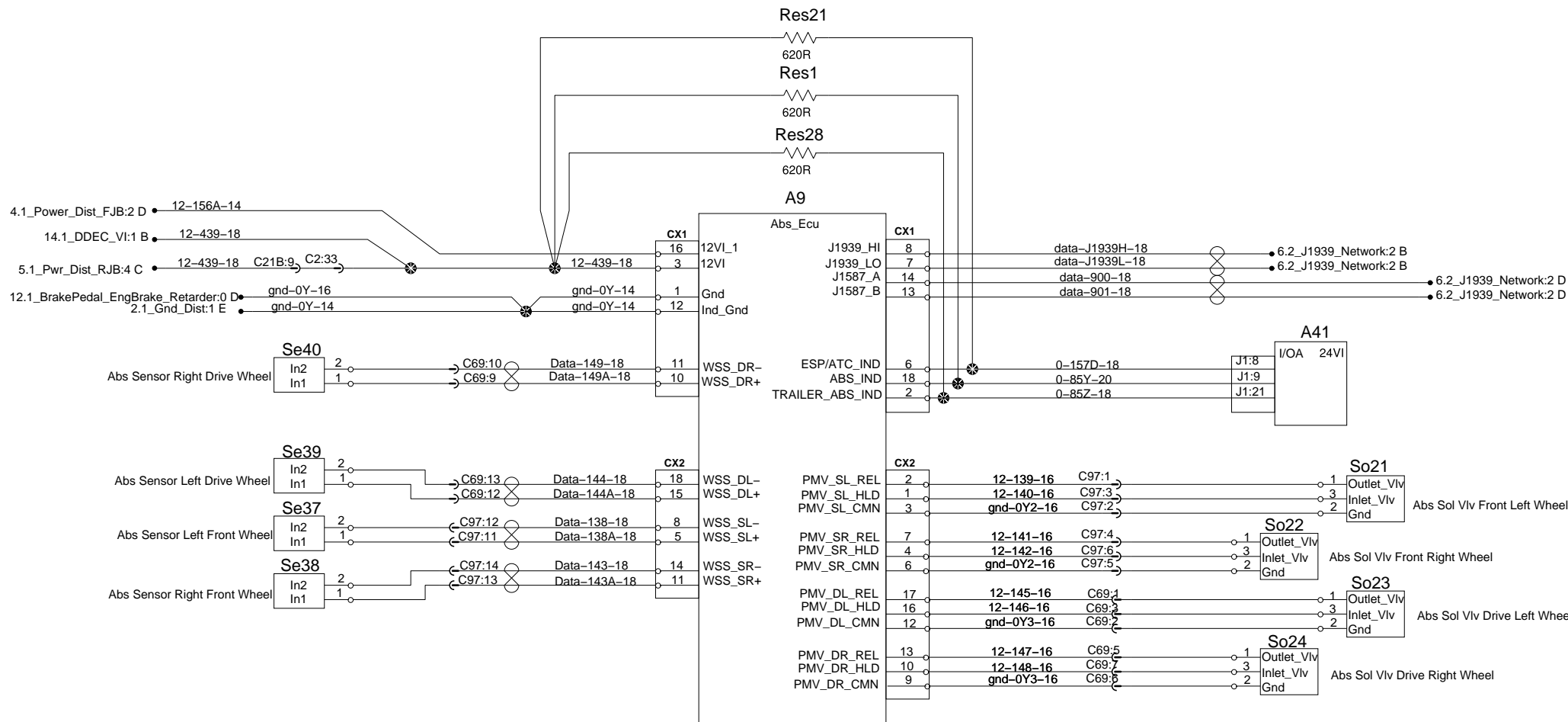
ZF Transmission



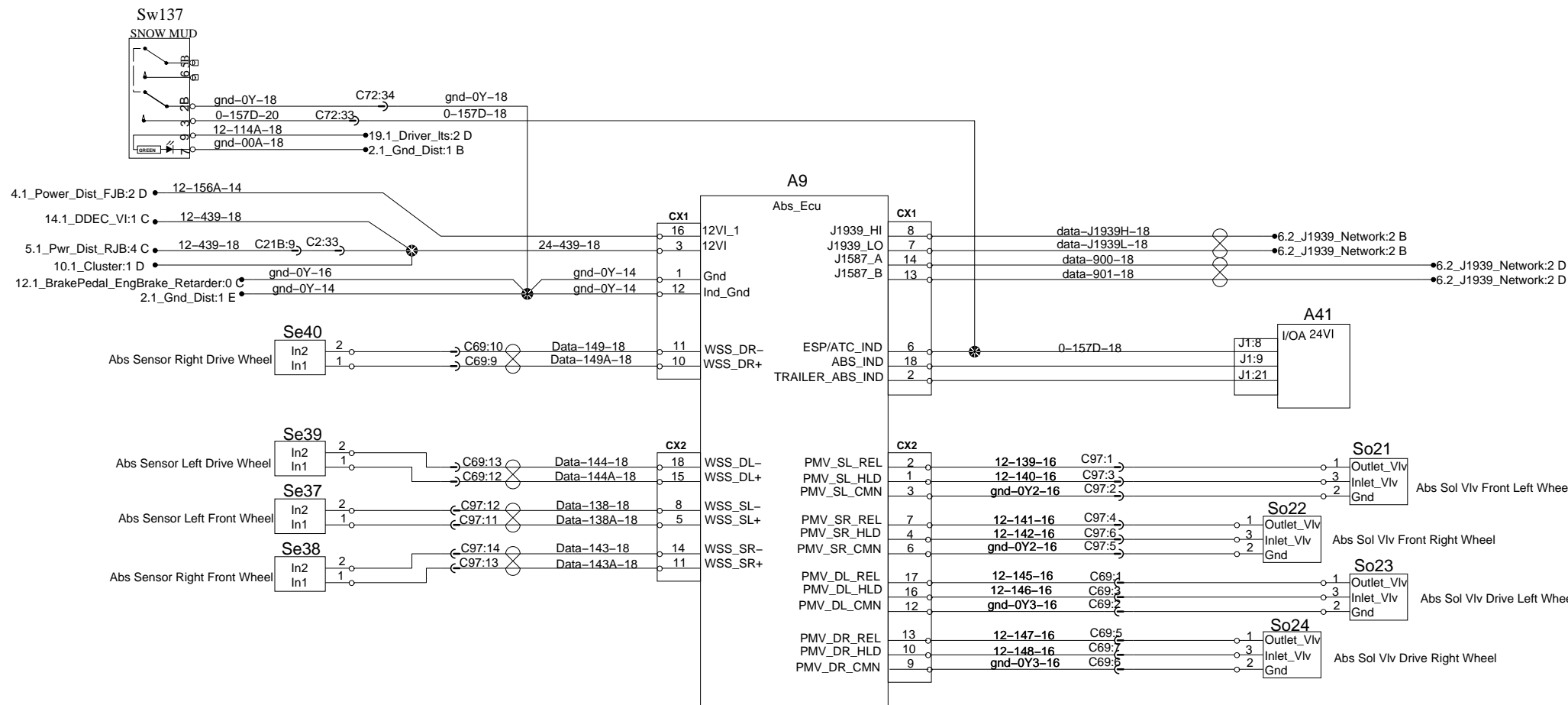
ABS System



ABS

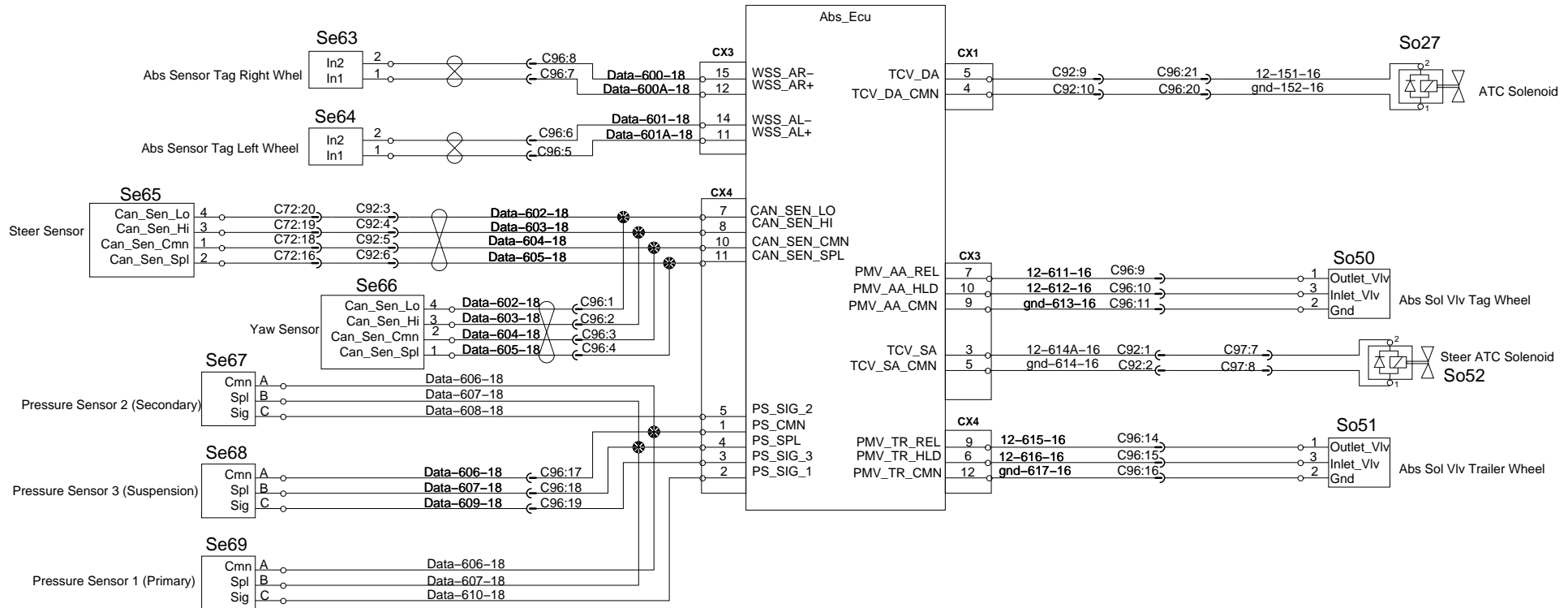


ABS

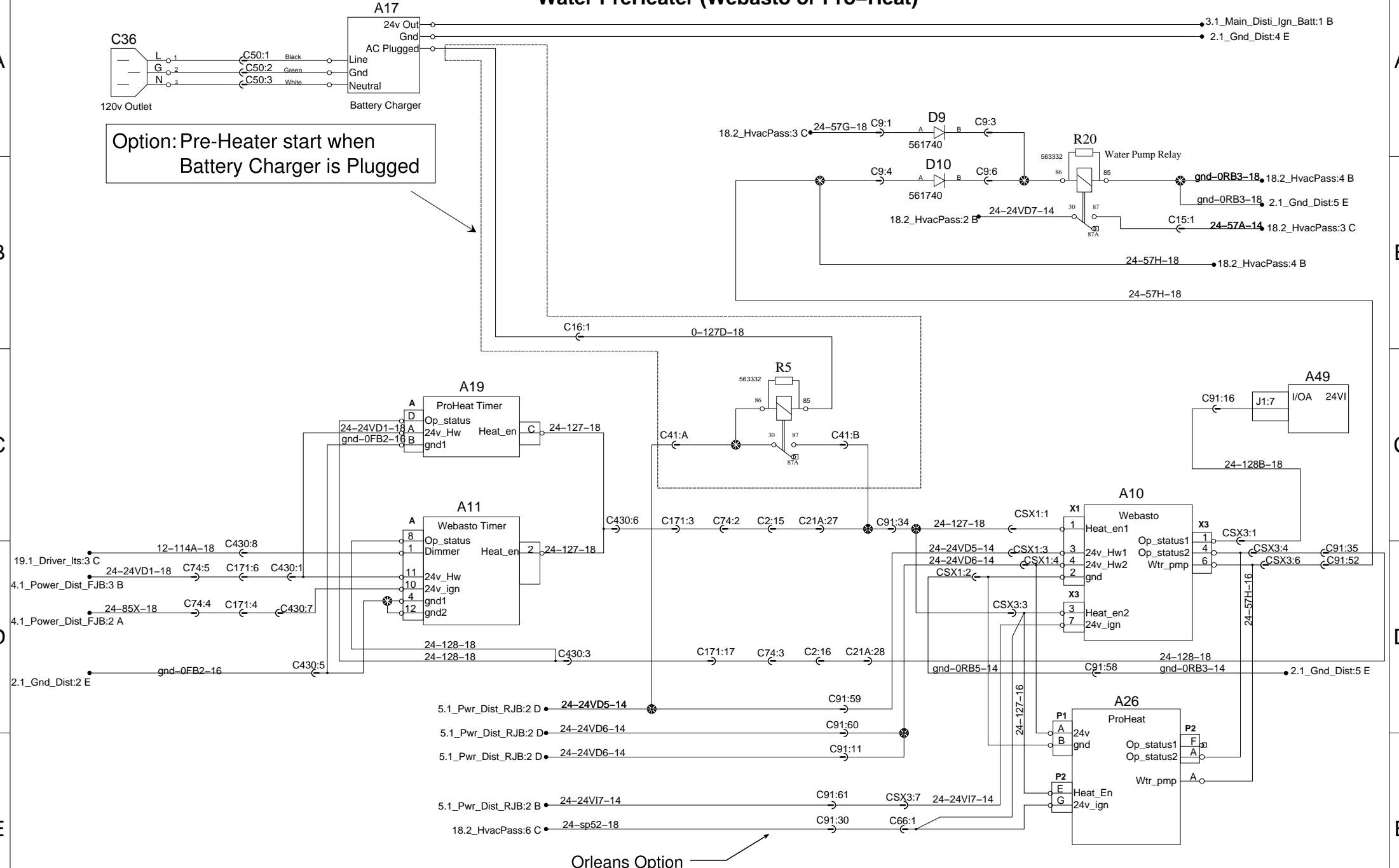


ABS ESP

A9



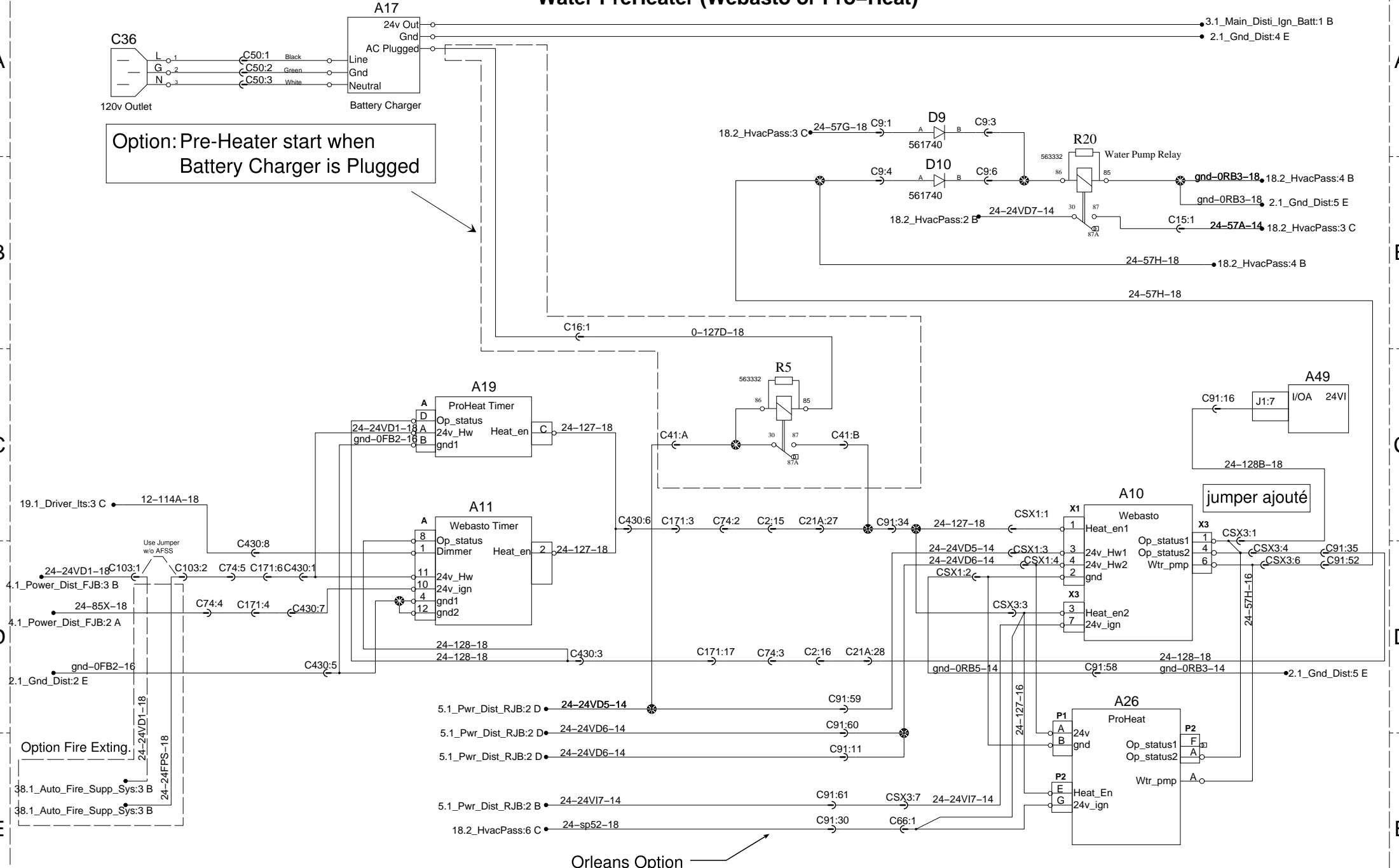
Water PreHeater (Webasto or Pro-Heat)



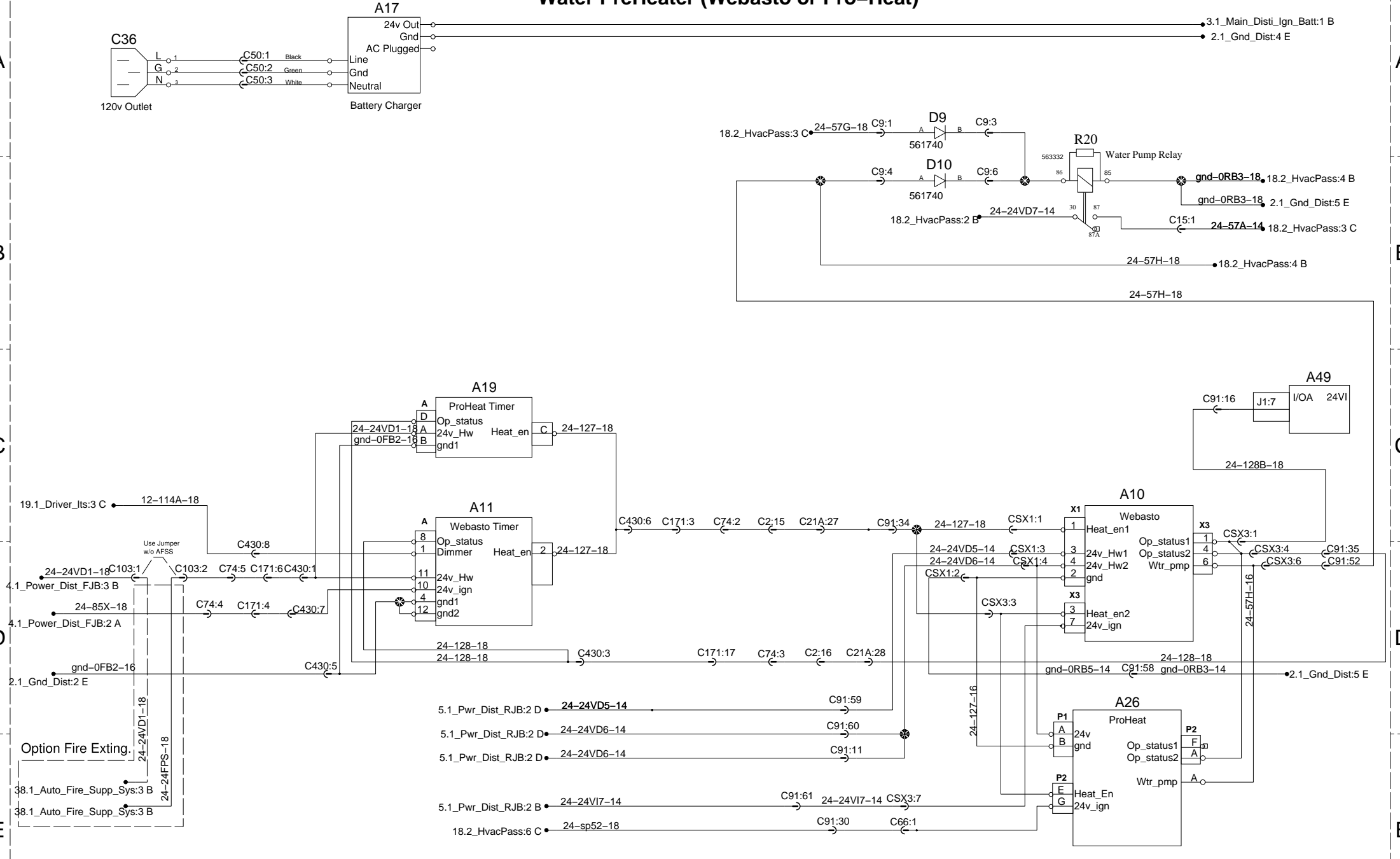
Option: Pre-Heater start when Battery Charger is Plugged

Orleans Option

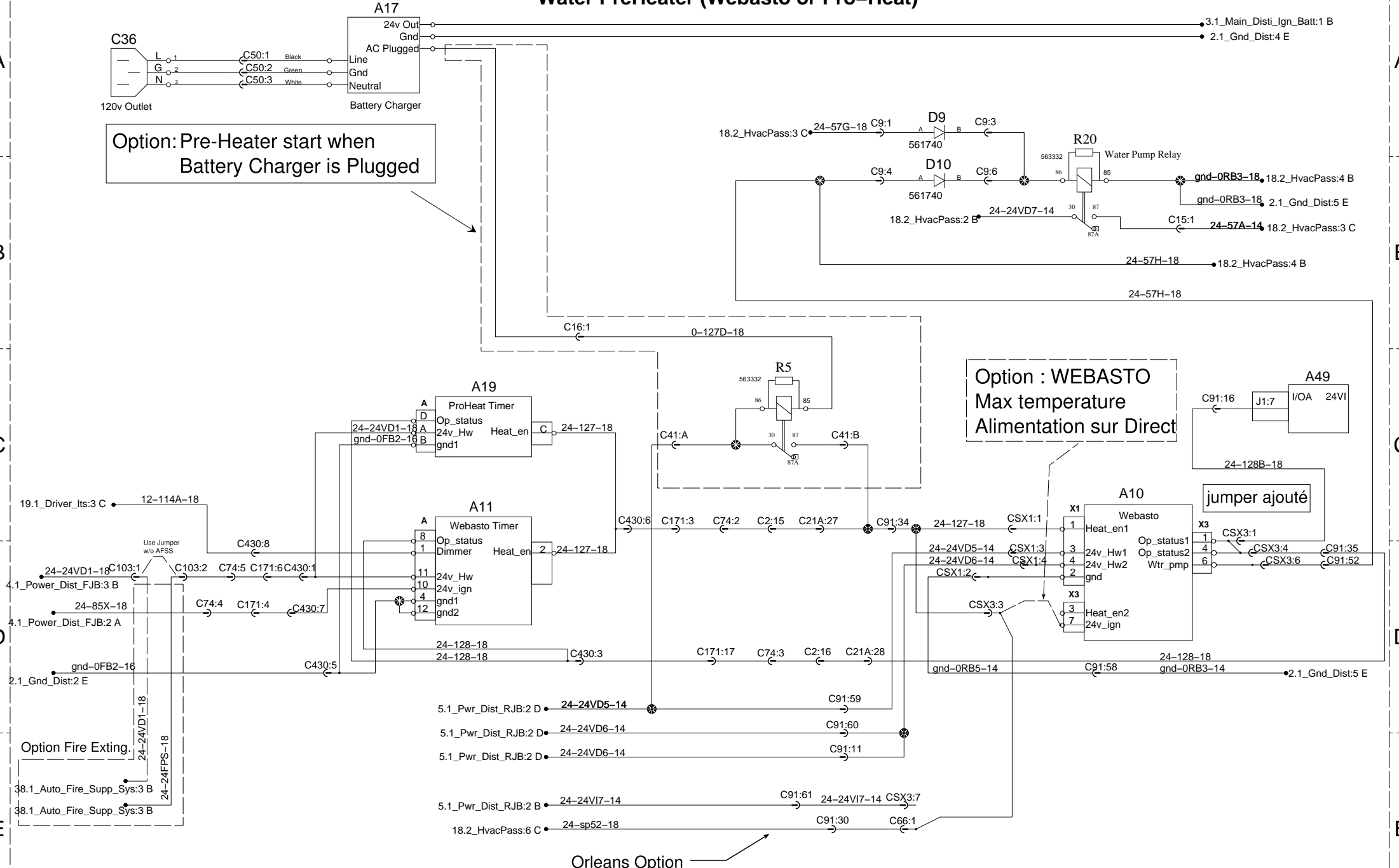
Water PreHeater (Webasto or Pro-Heat)



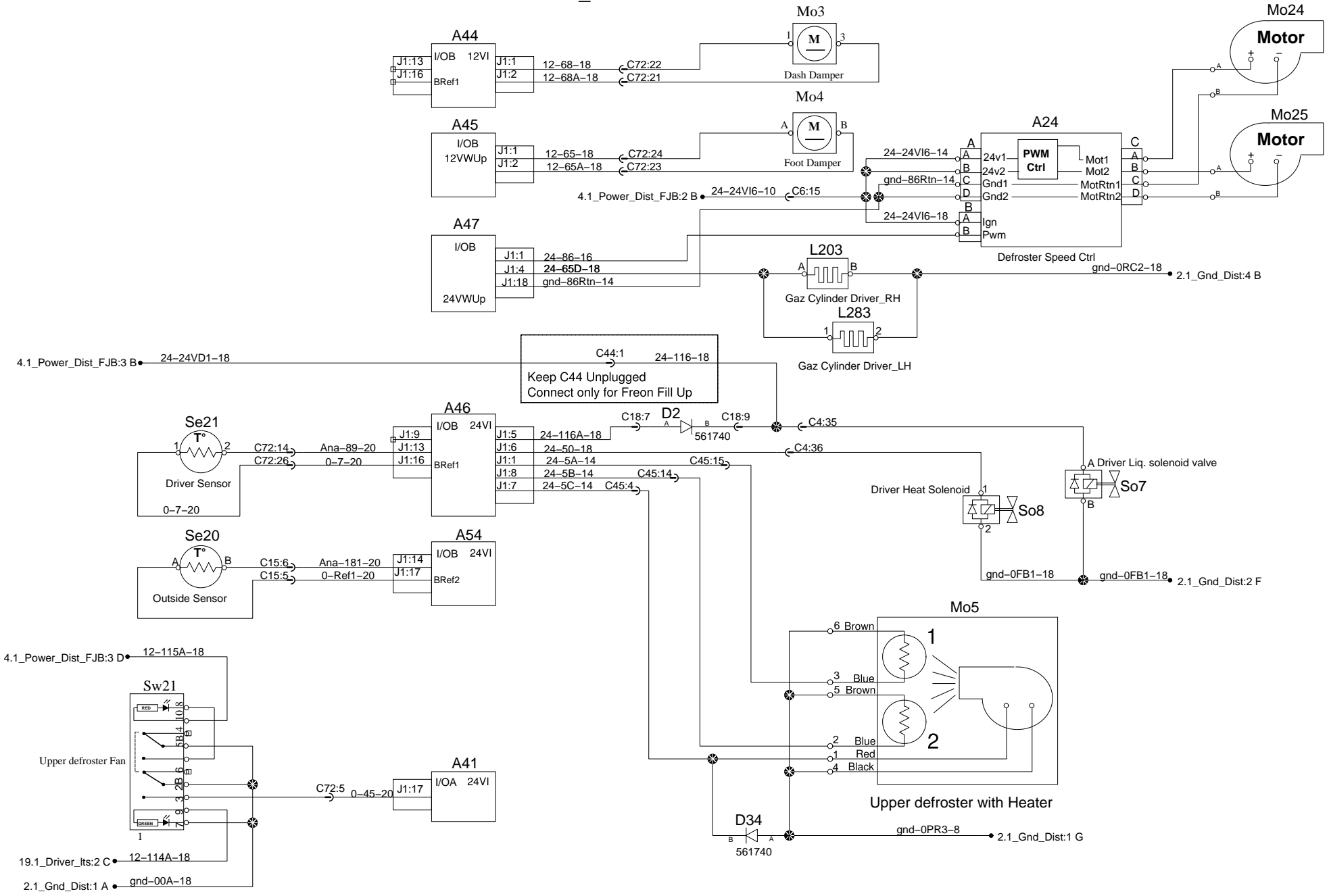
Water PreHeater (Webasto or Pro-Heat)

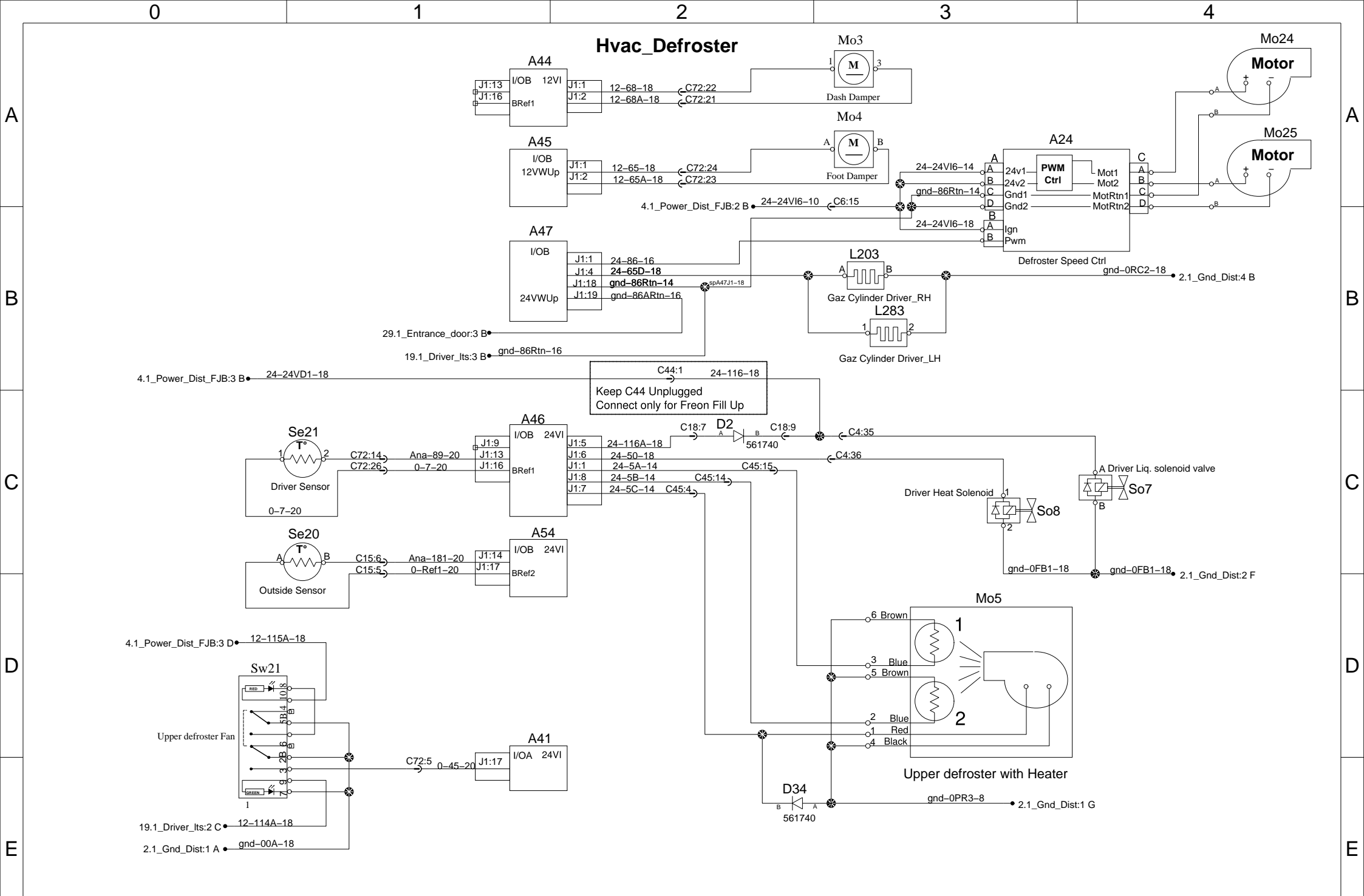


Water PreHeater (Webasto or Pro-Heat)

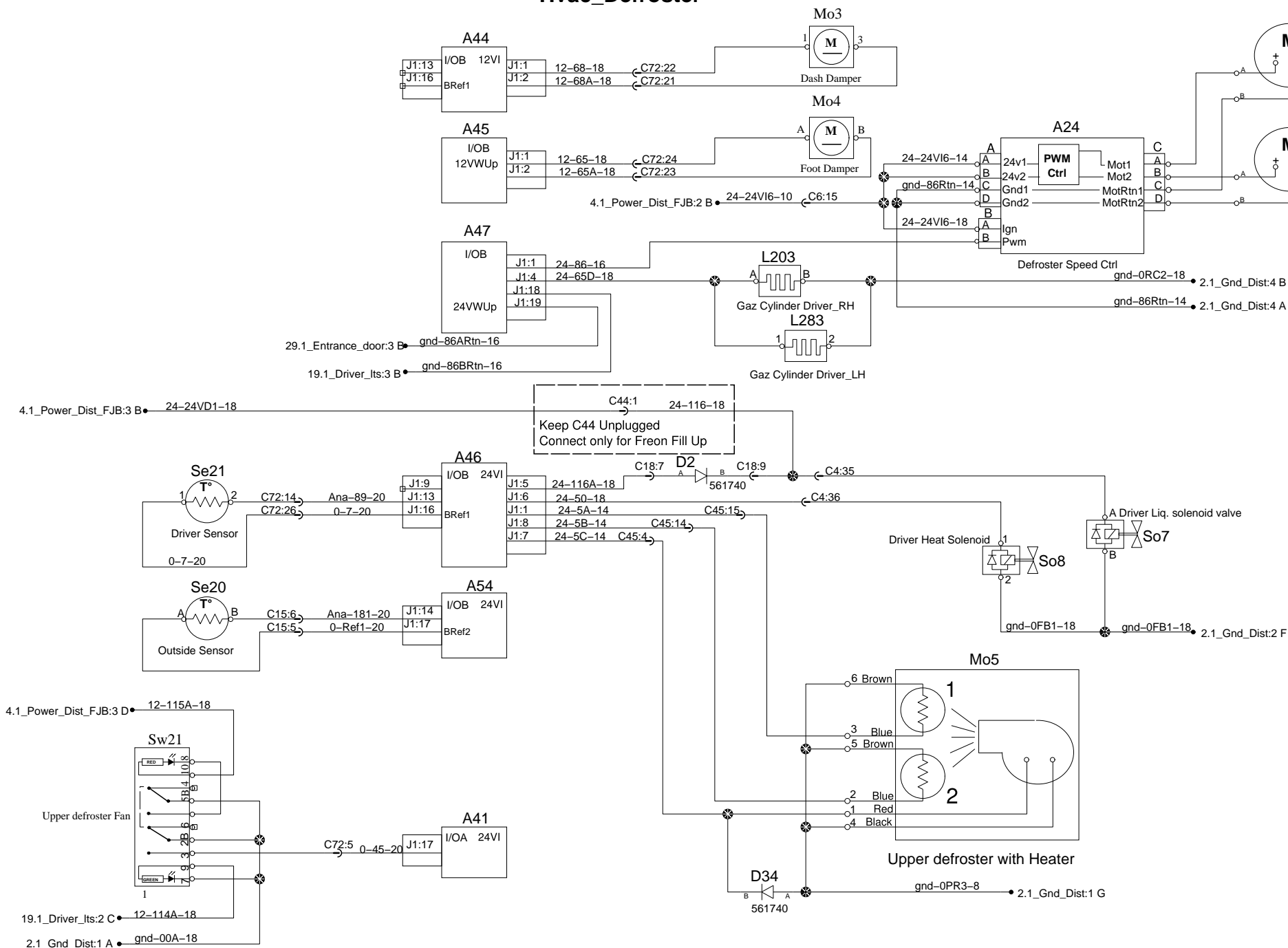


Hvac_Defroster

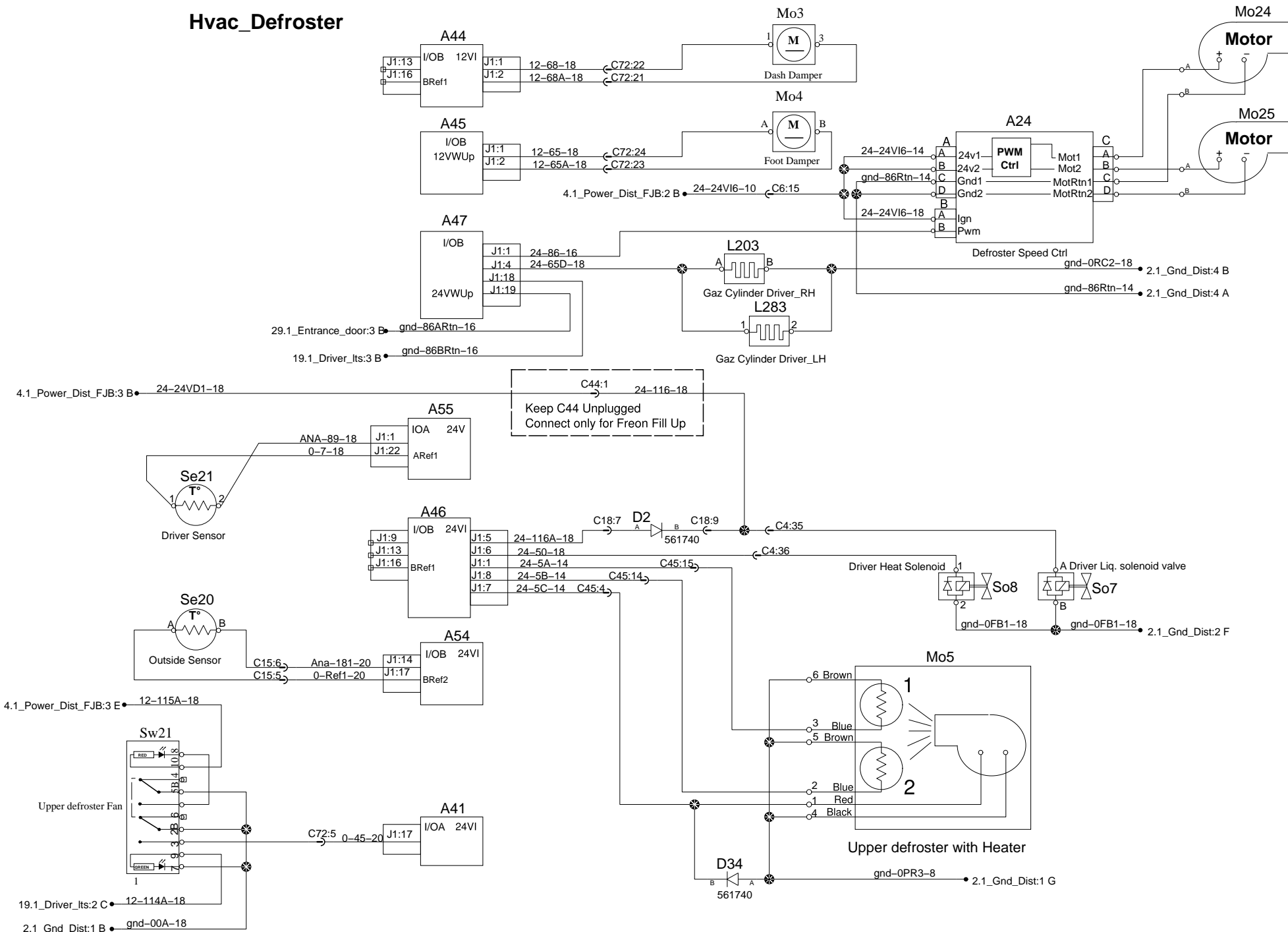




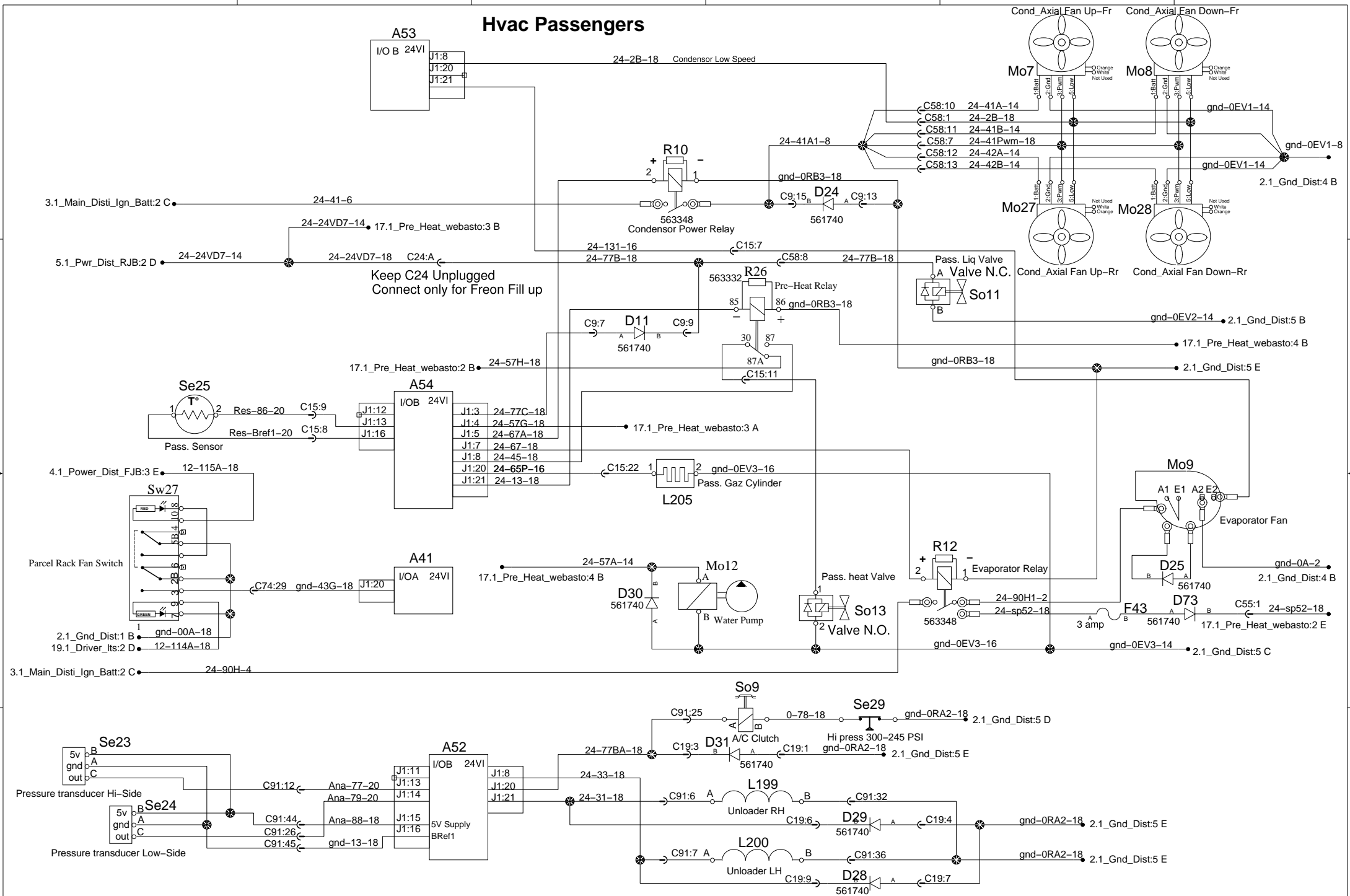
Hvac_Defroster



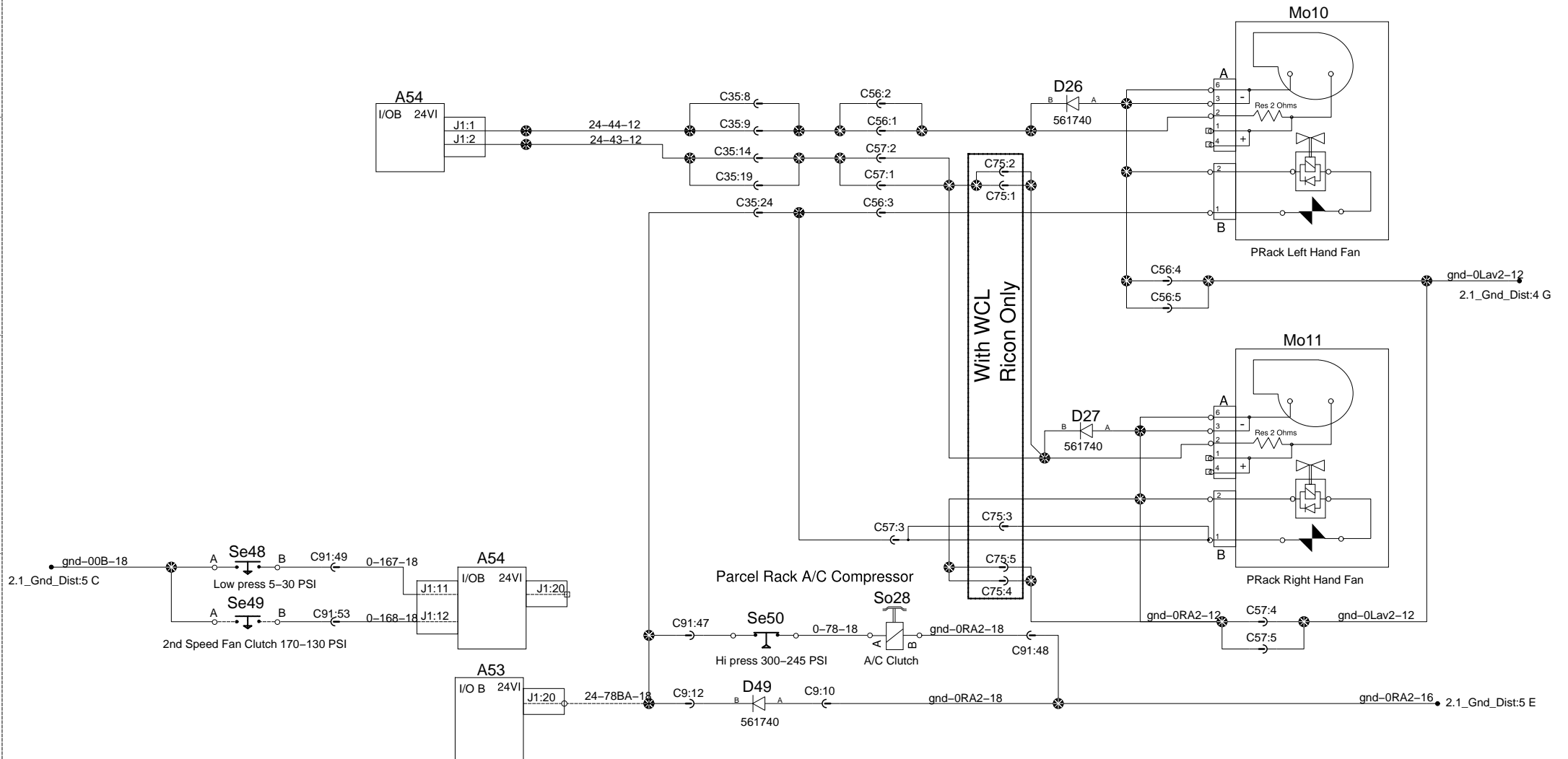
Hvac_Defroster



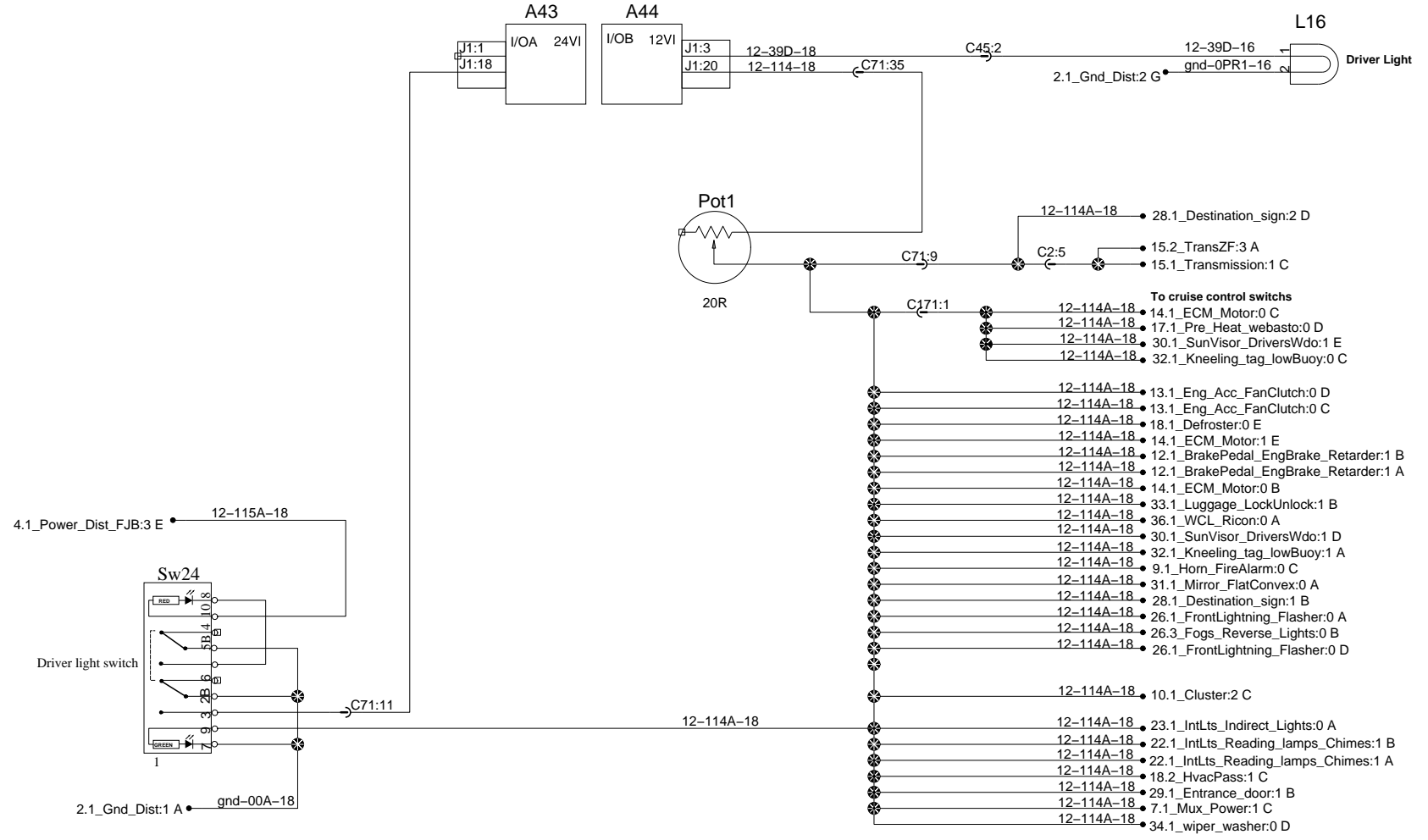
Hvac Passengers



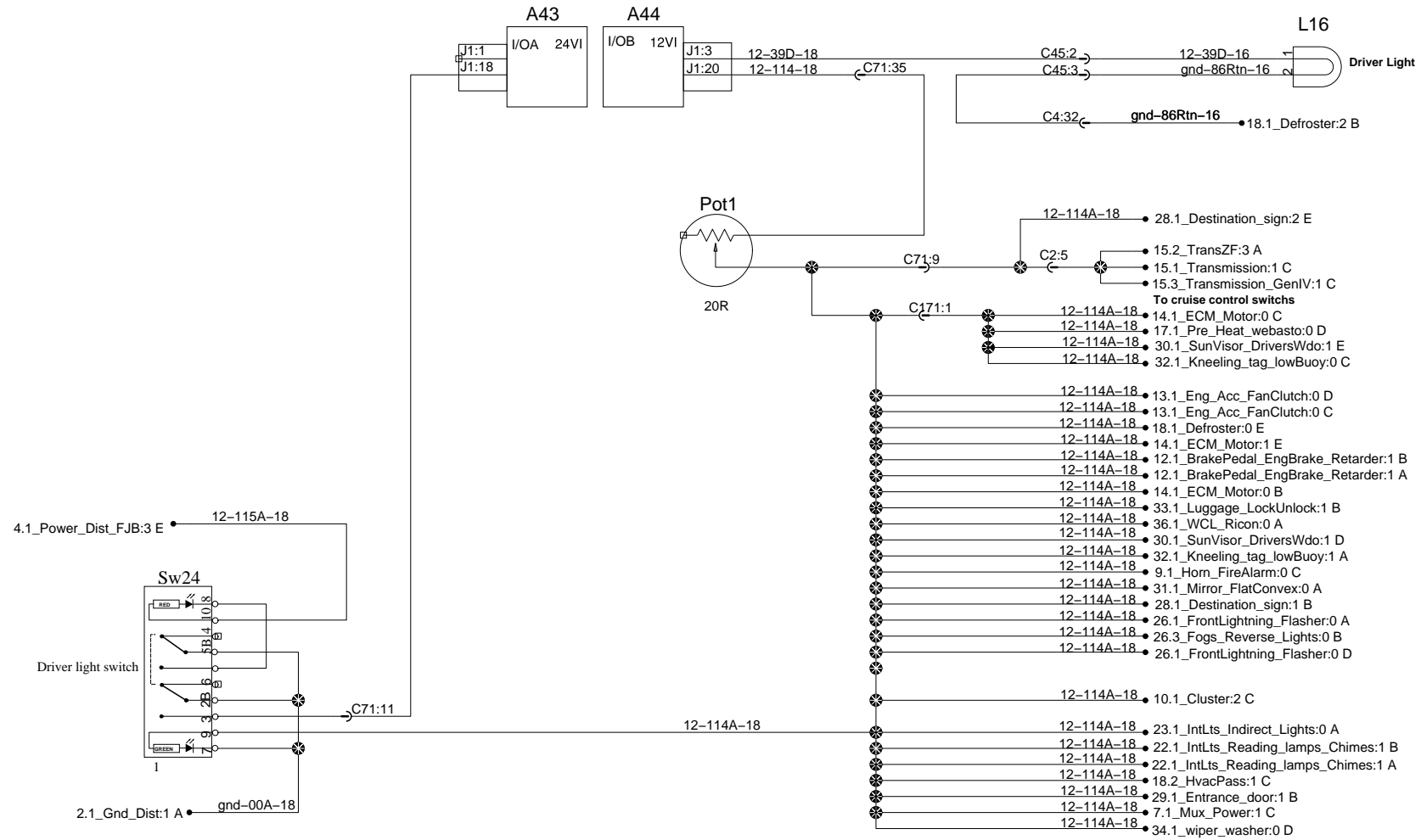
Parcel Rack A/C System



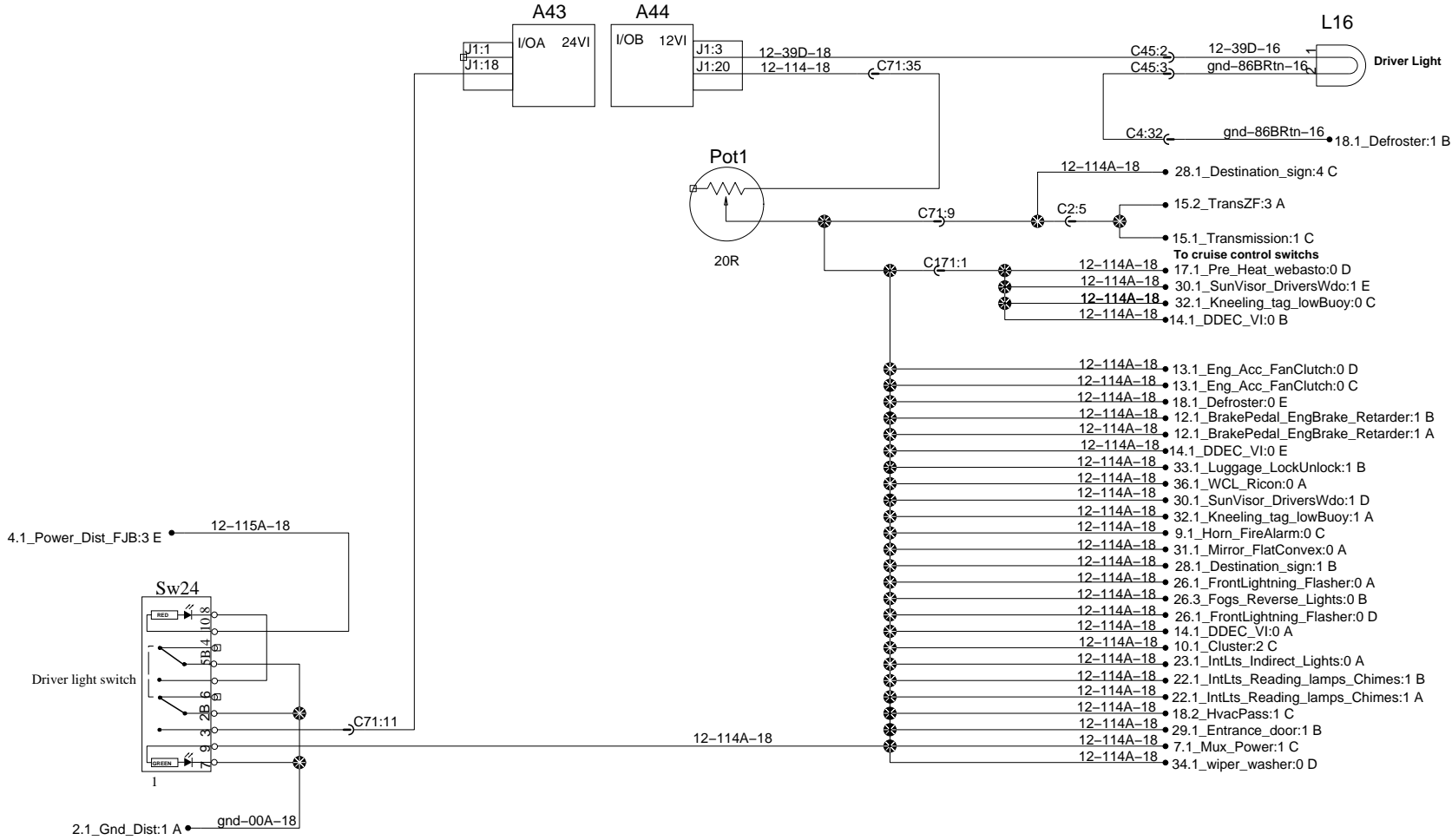
Driver lights



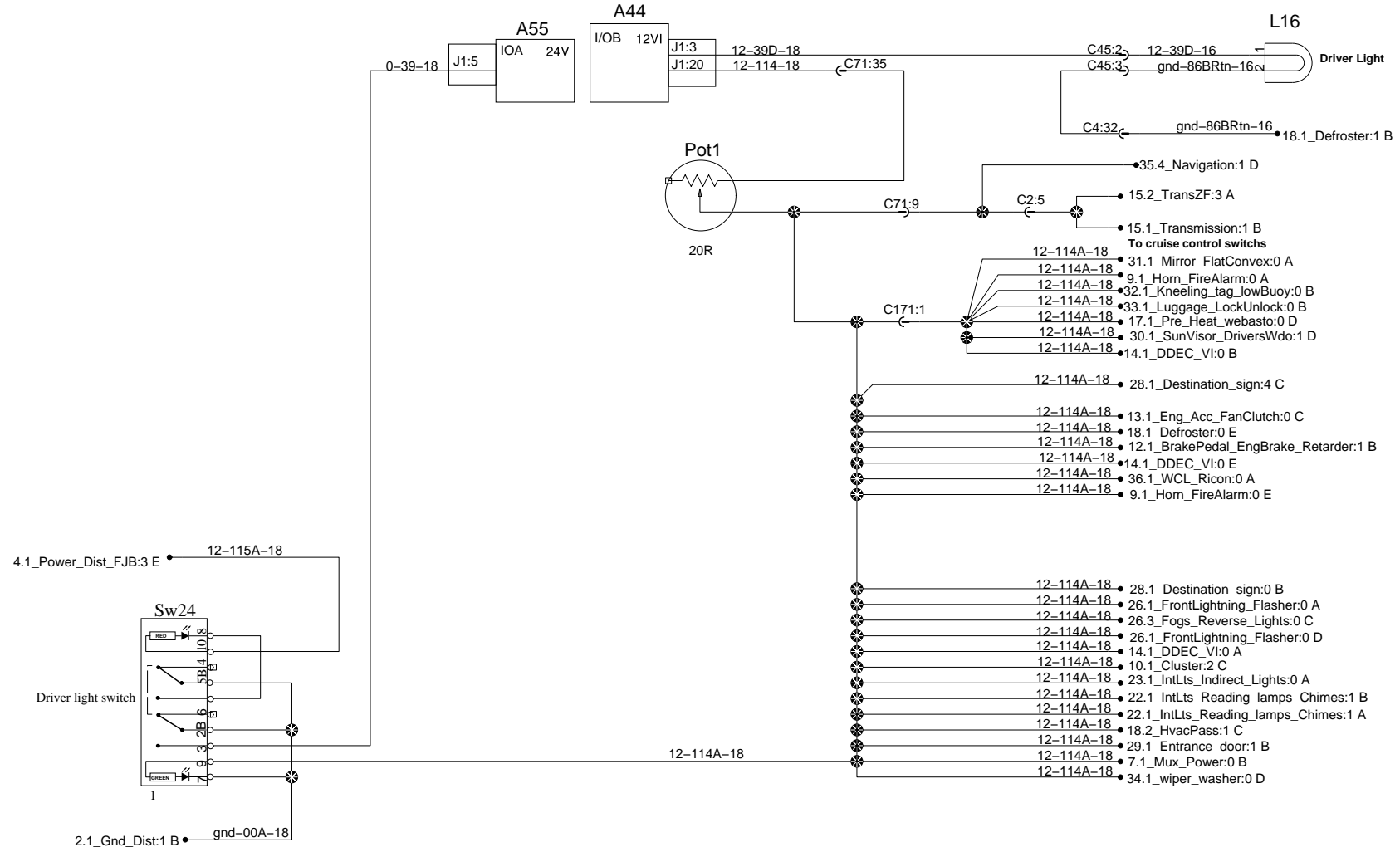
Driver lights



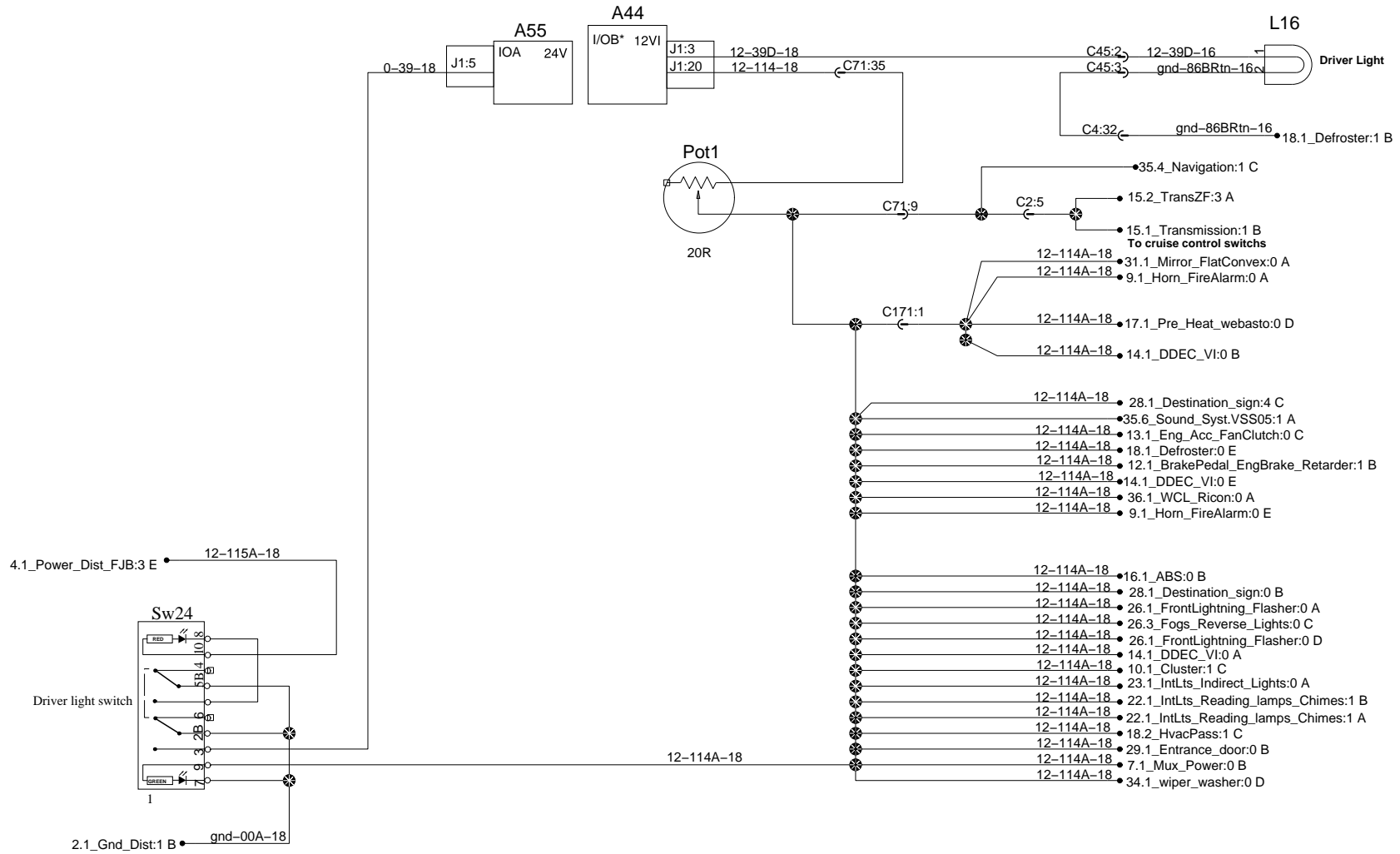
Driver lights



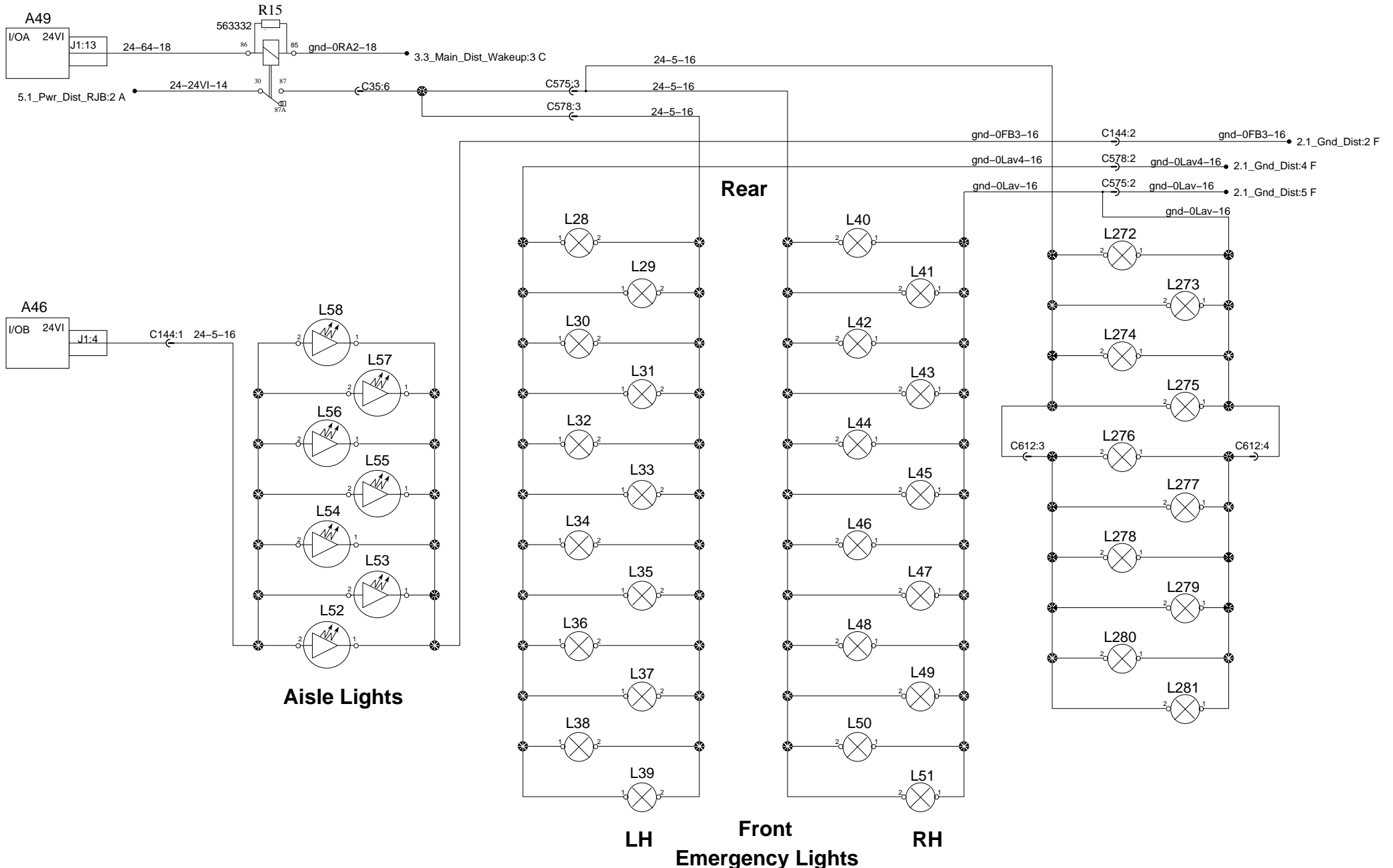
Driver lights



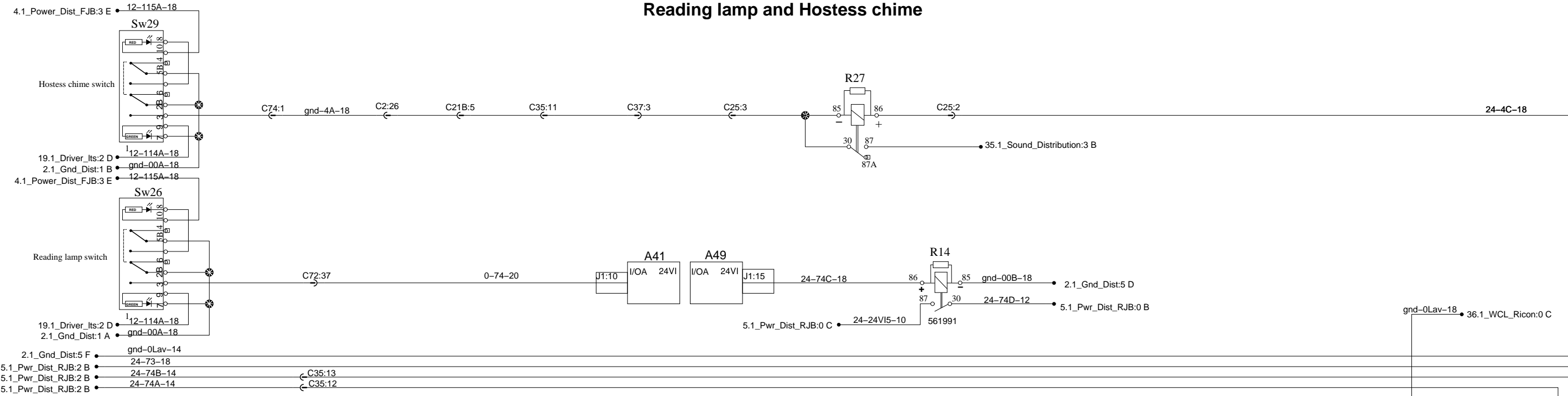
Driver lights



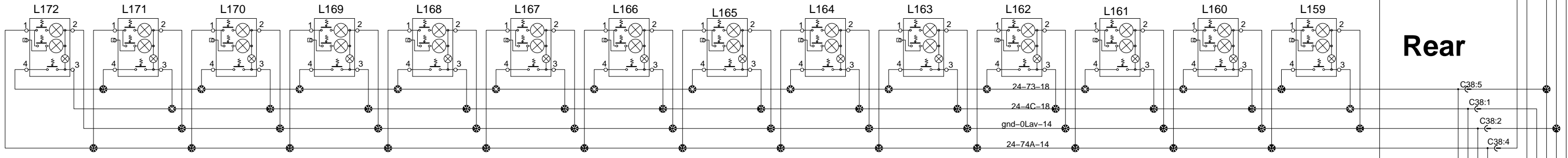
Emergency & Aisle lights



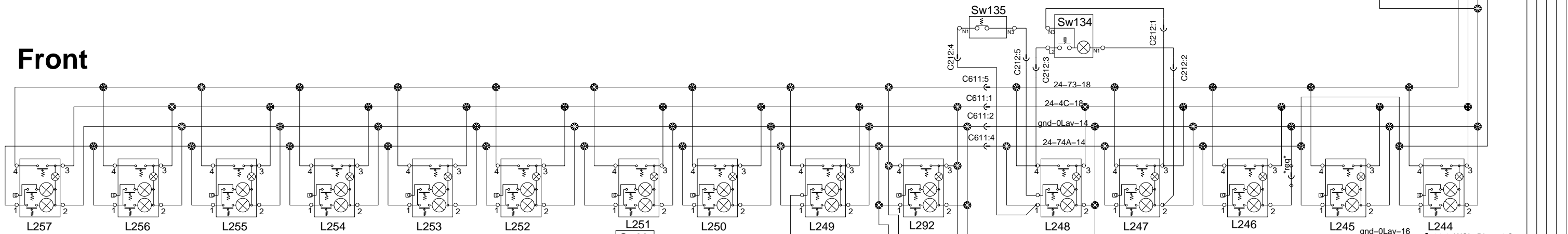
Reading lamp and Hostess chime



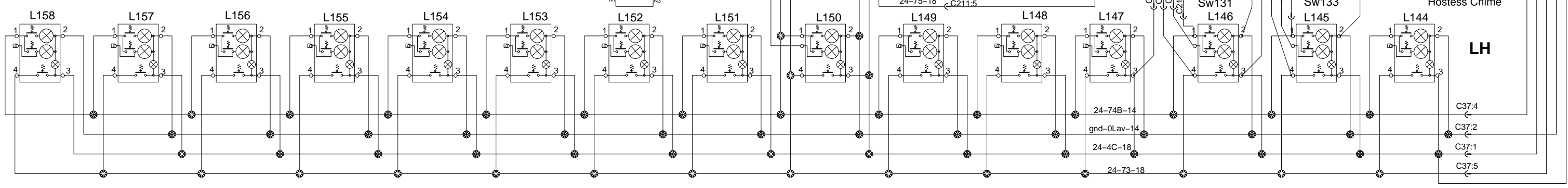
Reading lamp and Hostess Chime 45' RH



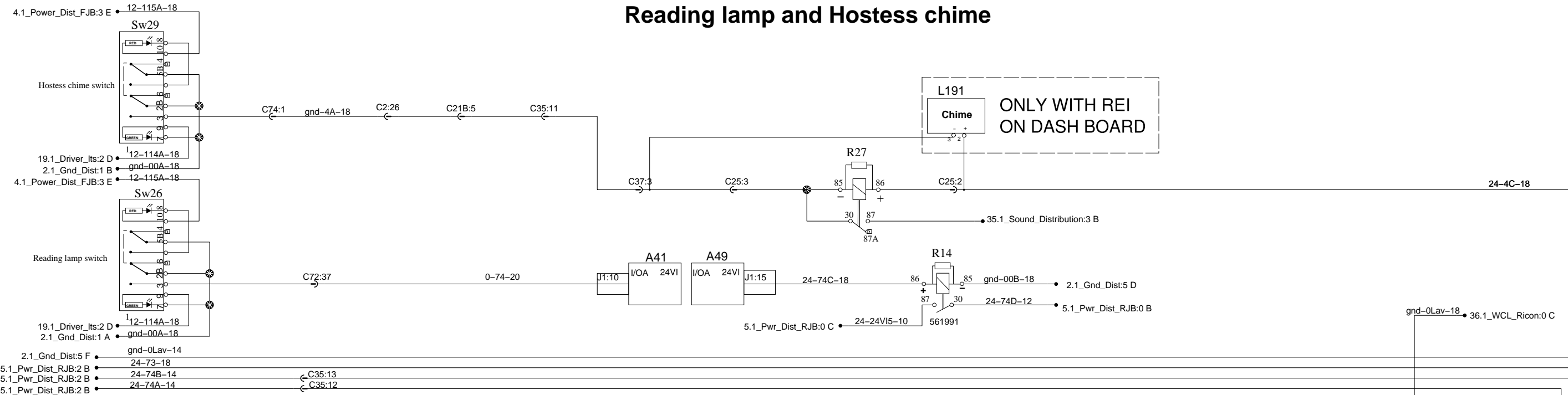
Reading lamp and Hostess Chime with WCL Ricon RH



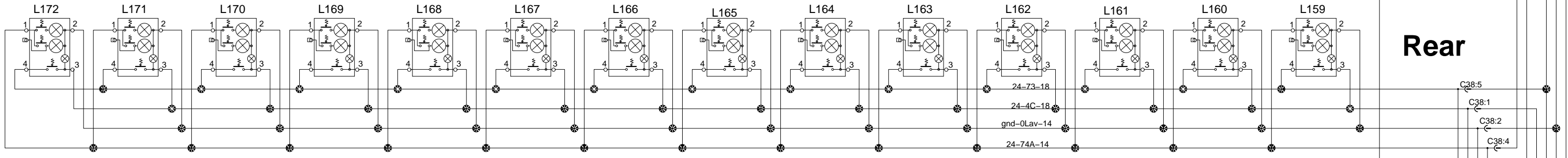
Reading lamp and Hostess Chime 45' LH



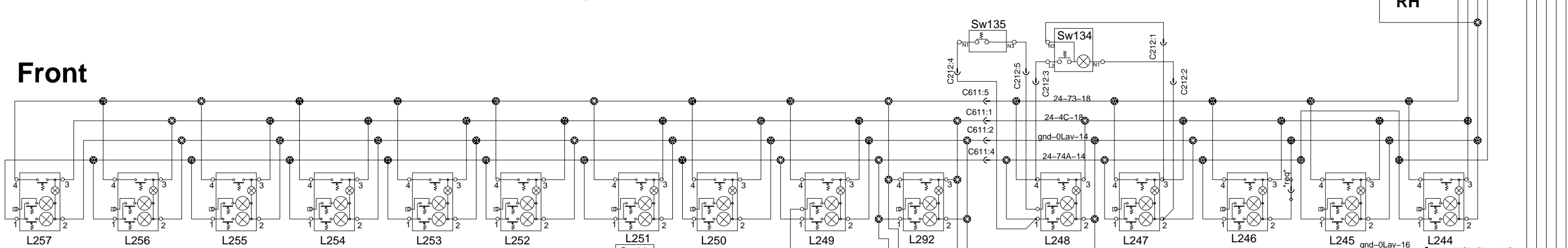
Reading lamp and Hostess chime



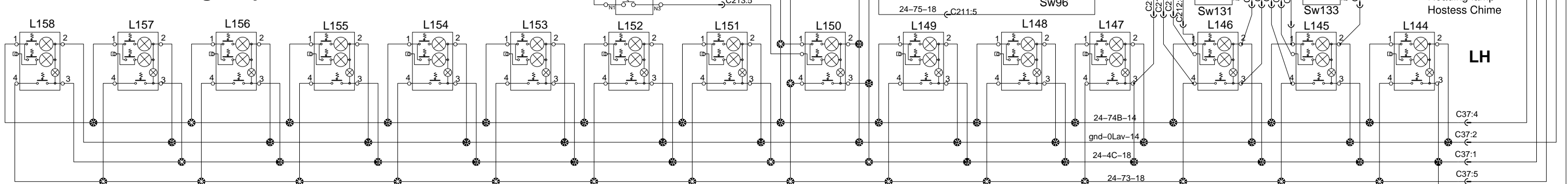
Reading lamp and Hostess Chime 45' RH



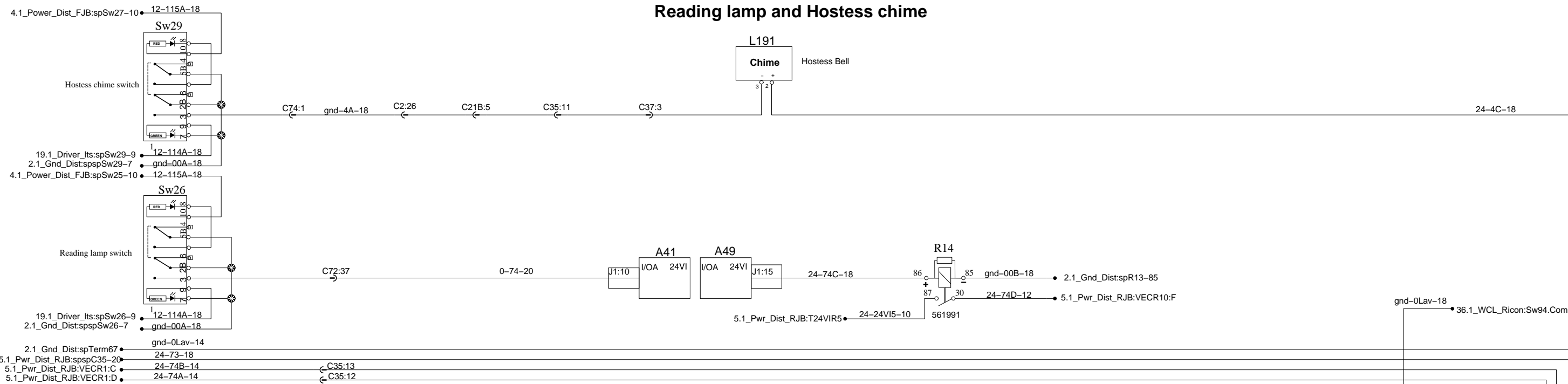
Reading lamp and Hostess Chime with WCL Ricon RH



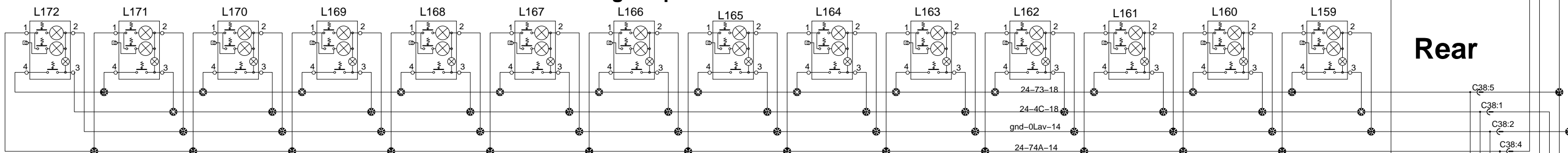
Front Reading lamp and Hostess Chime 45' LH



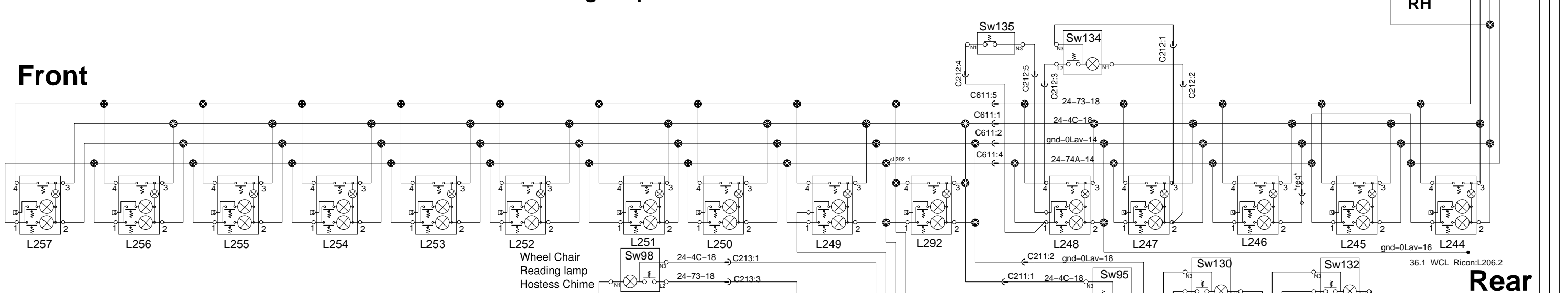
Reading lamp and Hostess chime



Reading lamp and Hostess Chime 45' RH



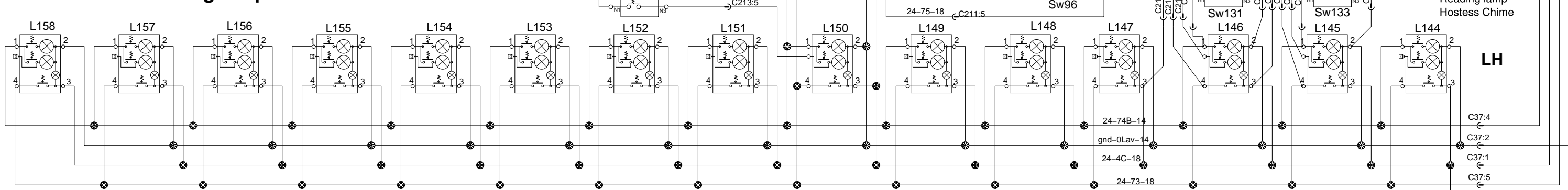
Reading lamp and Hostess Chime with WCL Ricon RH



Front

Front

Reading lamp and Hostess Chime 45' LH



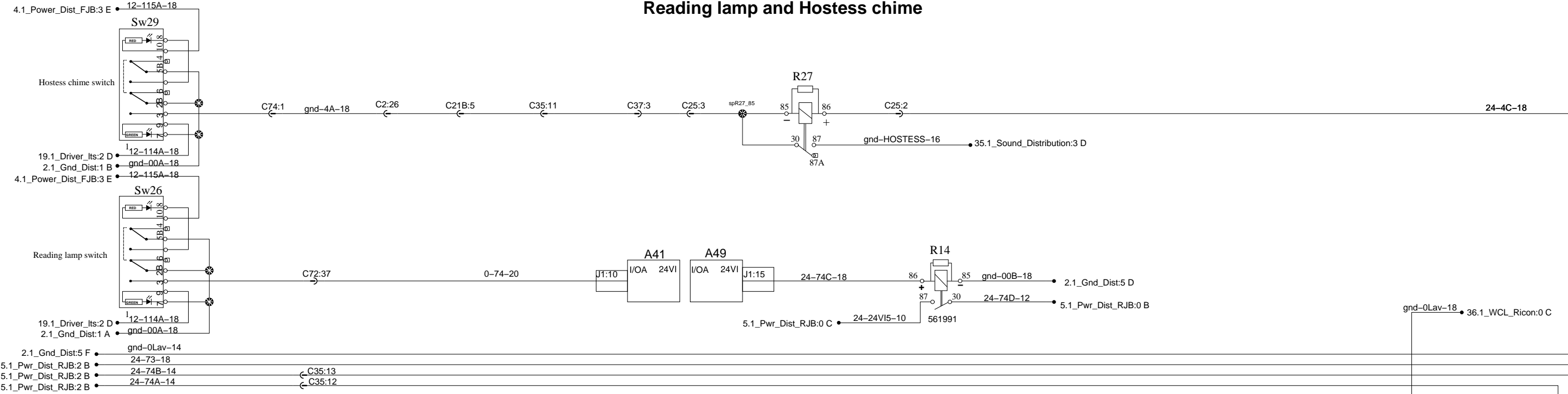
Rear

RH

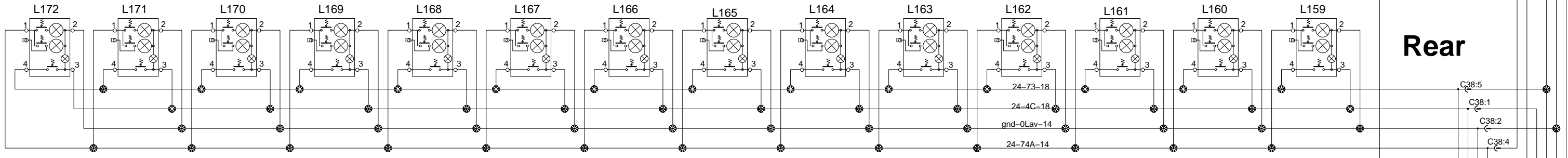
Rear

LH

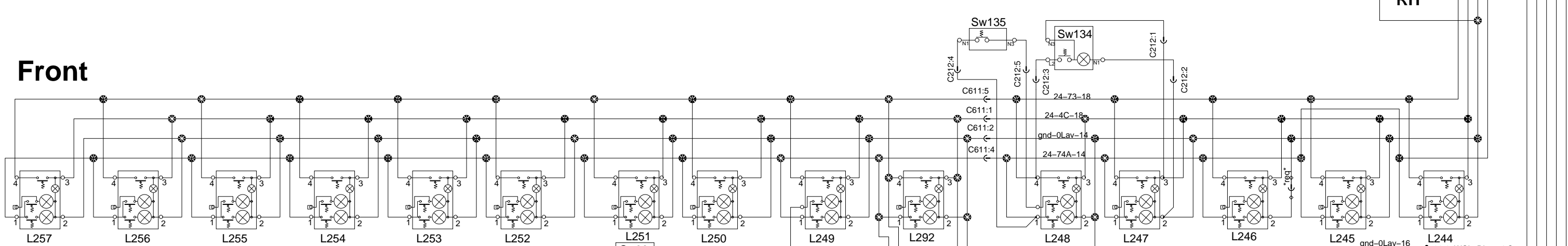
Reading lamp and Hostess chime



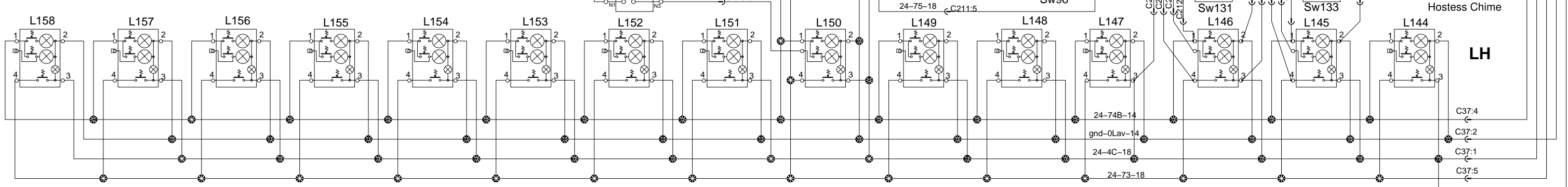
Reading lamp and Hostess Chime 45' RH

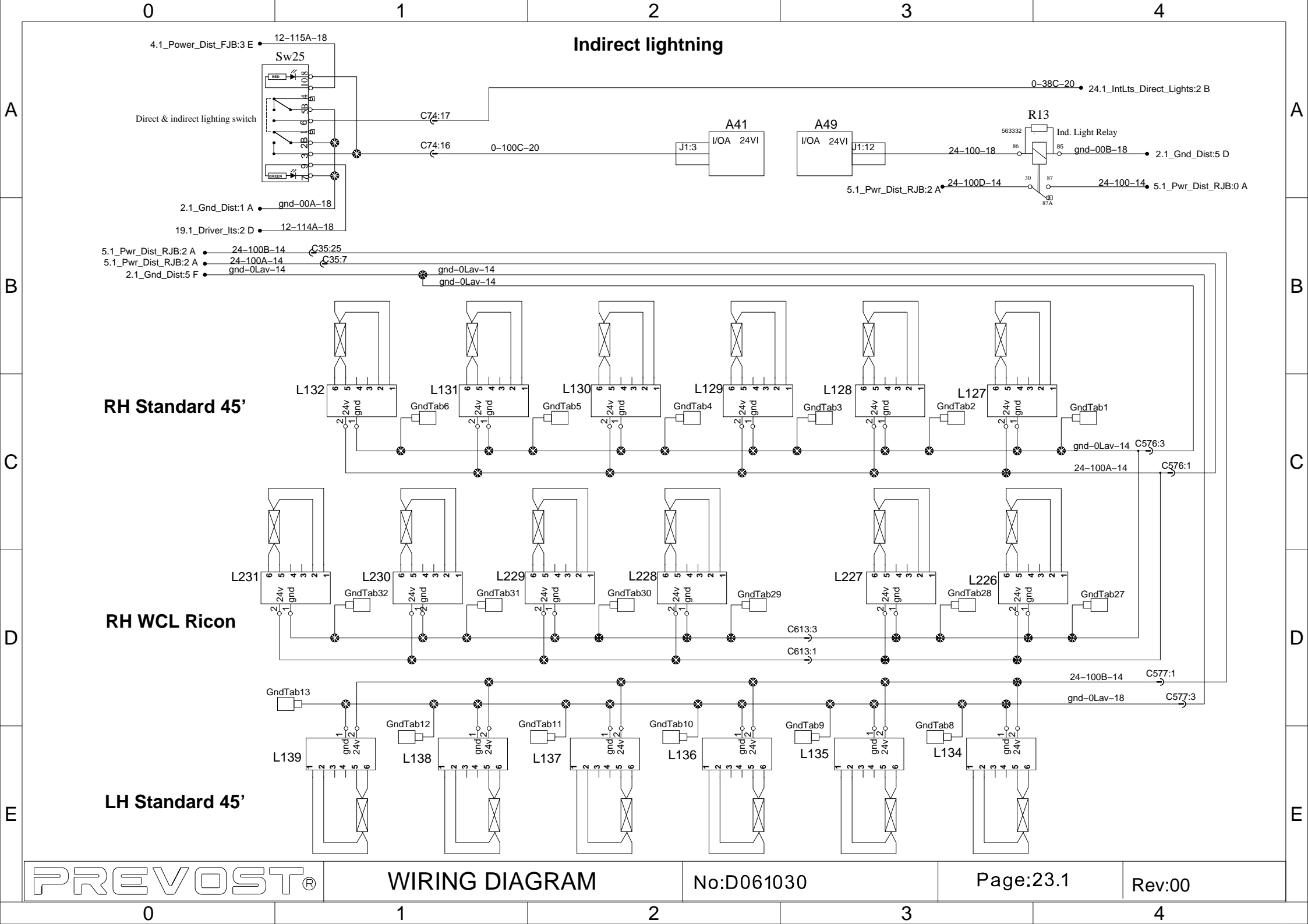


Reading lamp and Hostess Chime with WCL Ricon RH

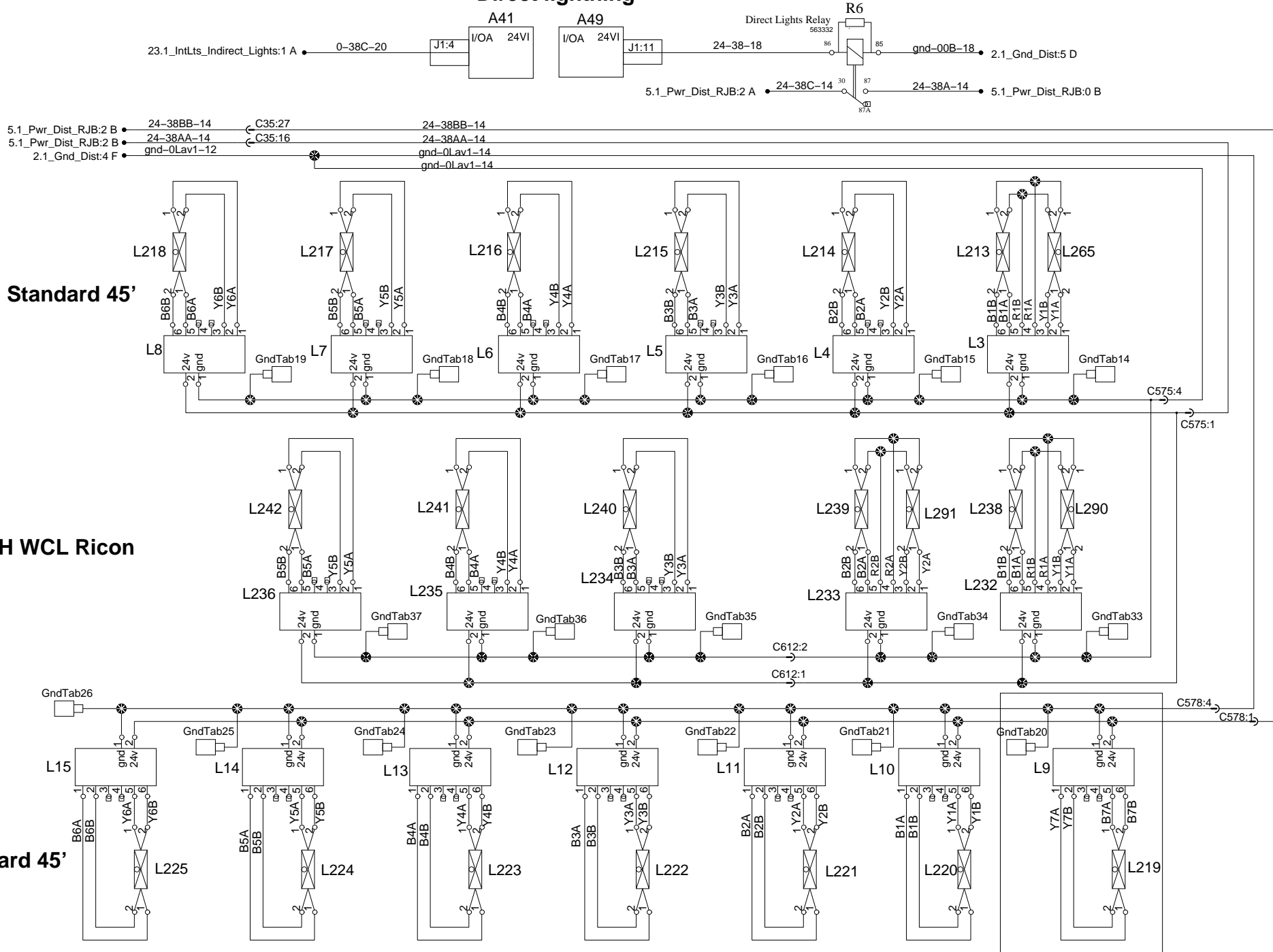


Front Reading lamp and Hostess Chime 45' LH





Direct lighting



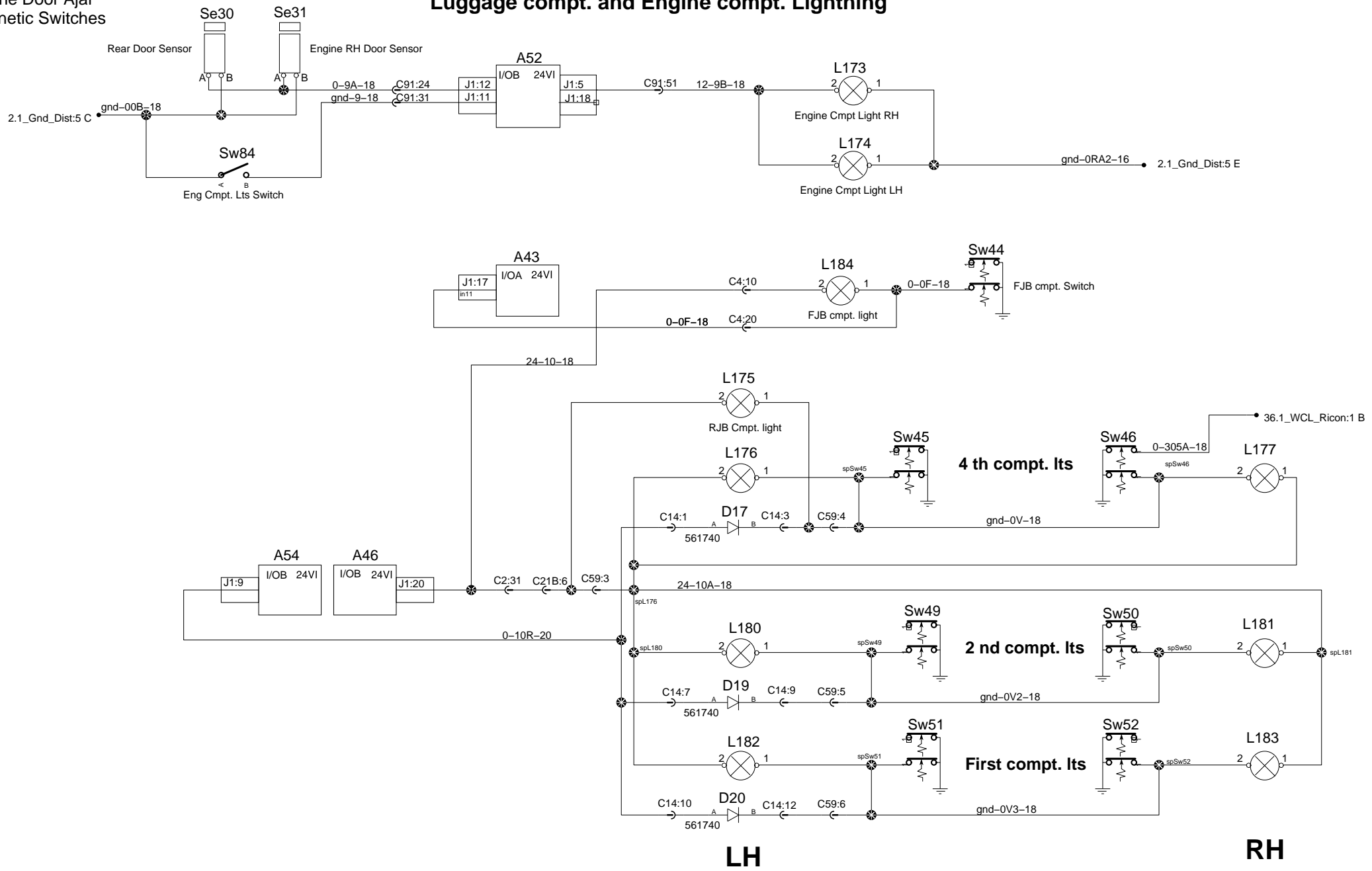
RH Standard 45'

RH WCL Ricon

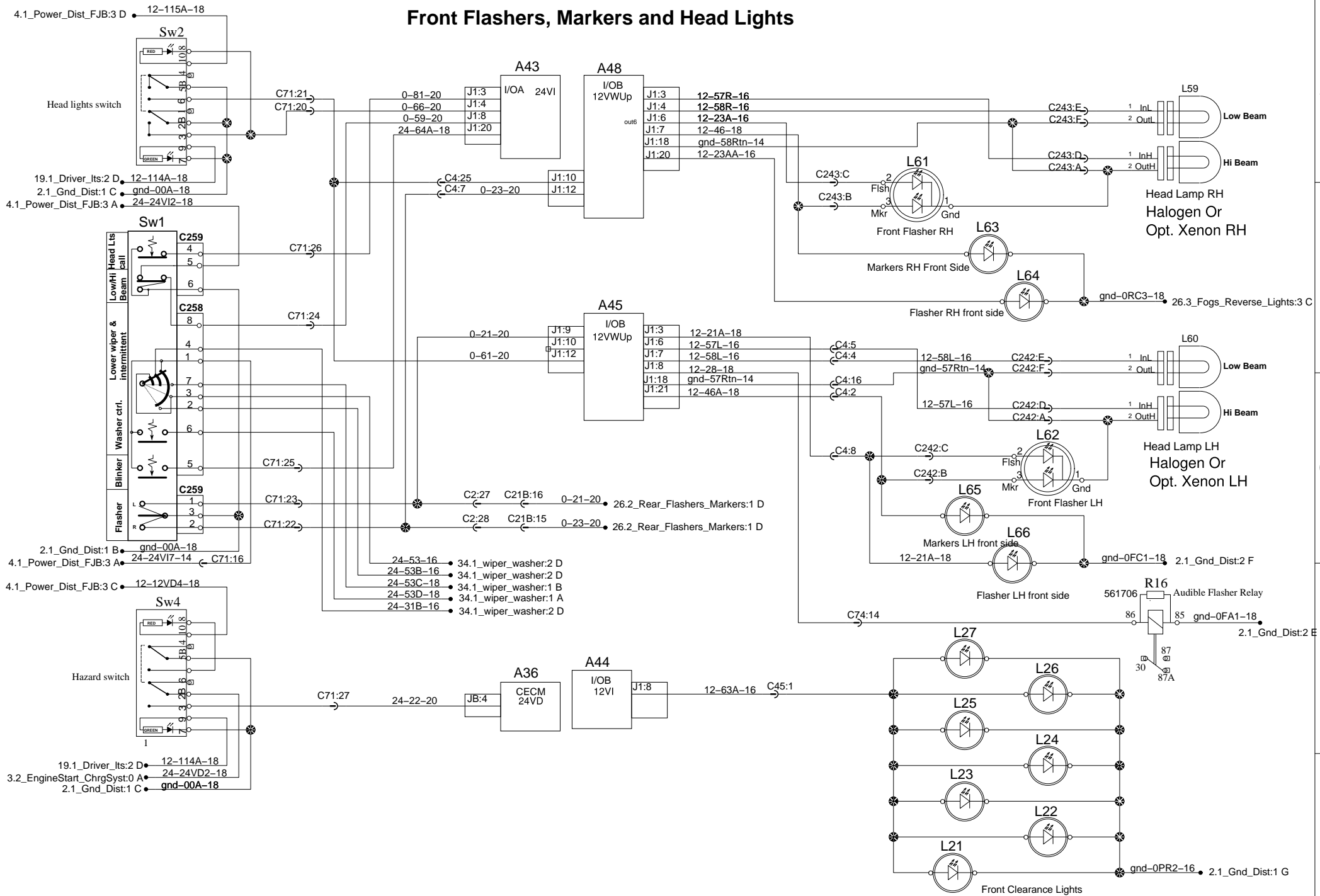
LH Standard 45'

Engine Door Ajar
Magnetic Switches

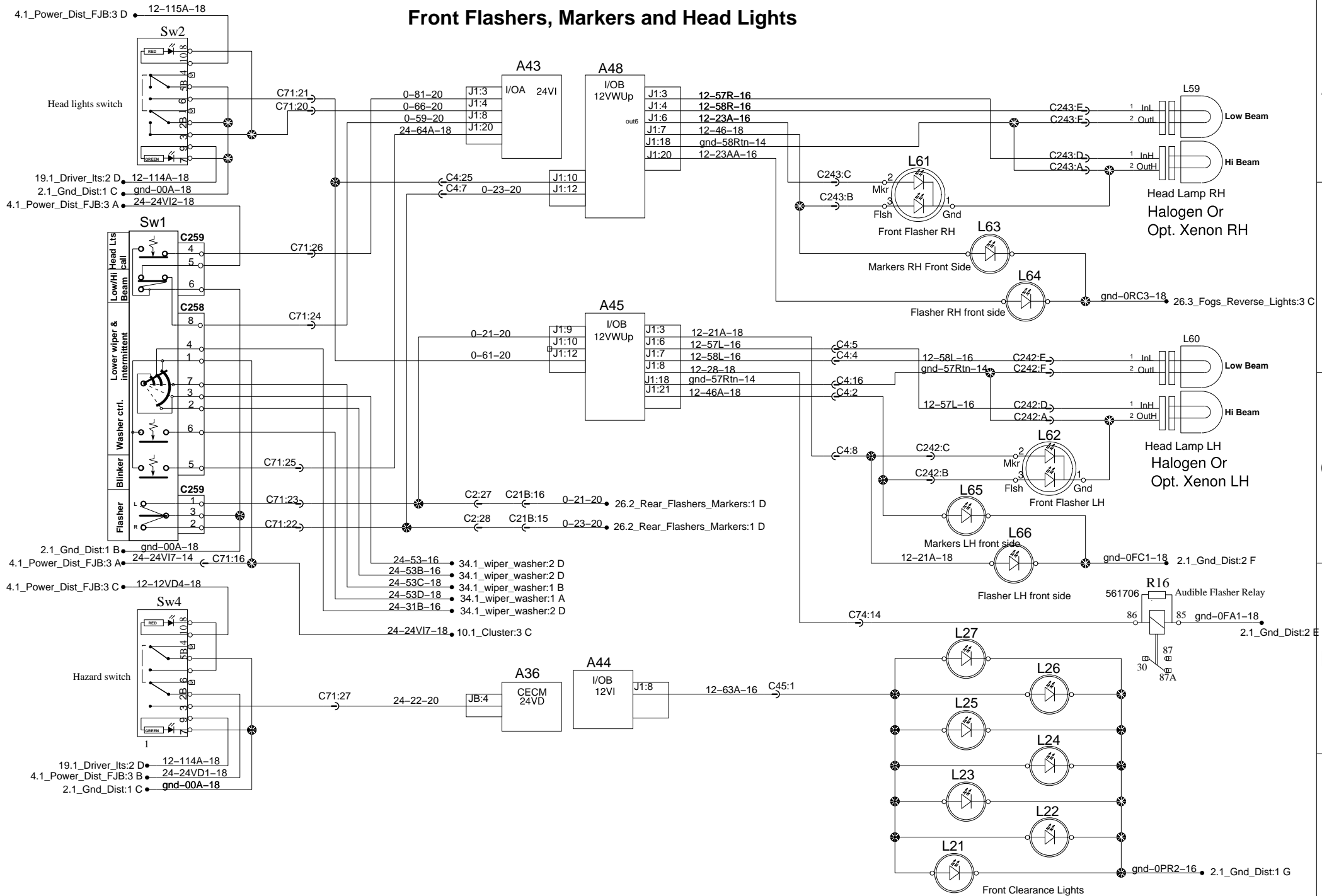
Luggage compt. and Engine compt. Lighting



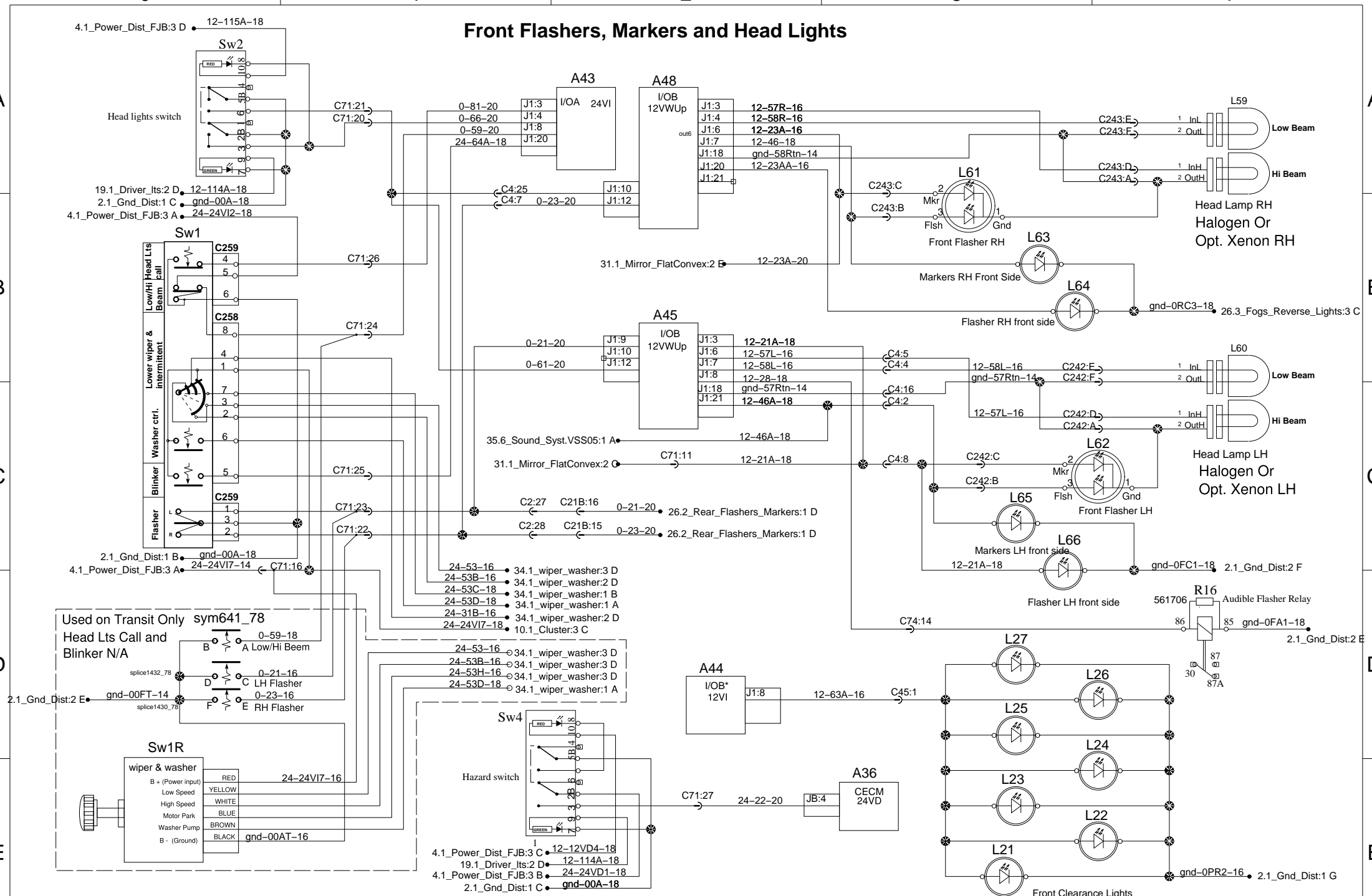
Front Flashers, Markers and Head Lights



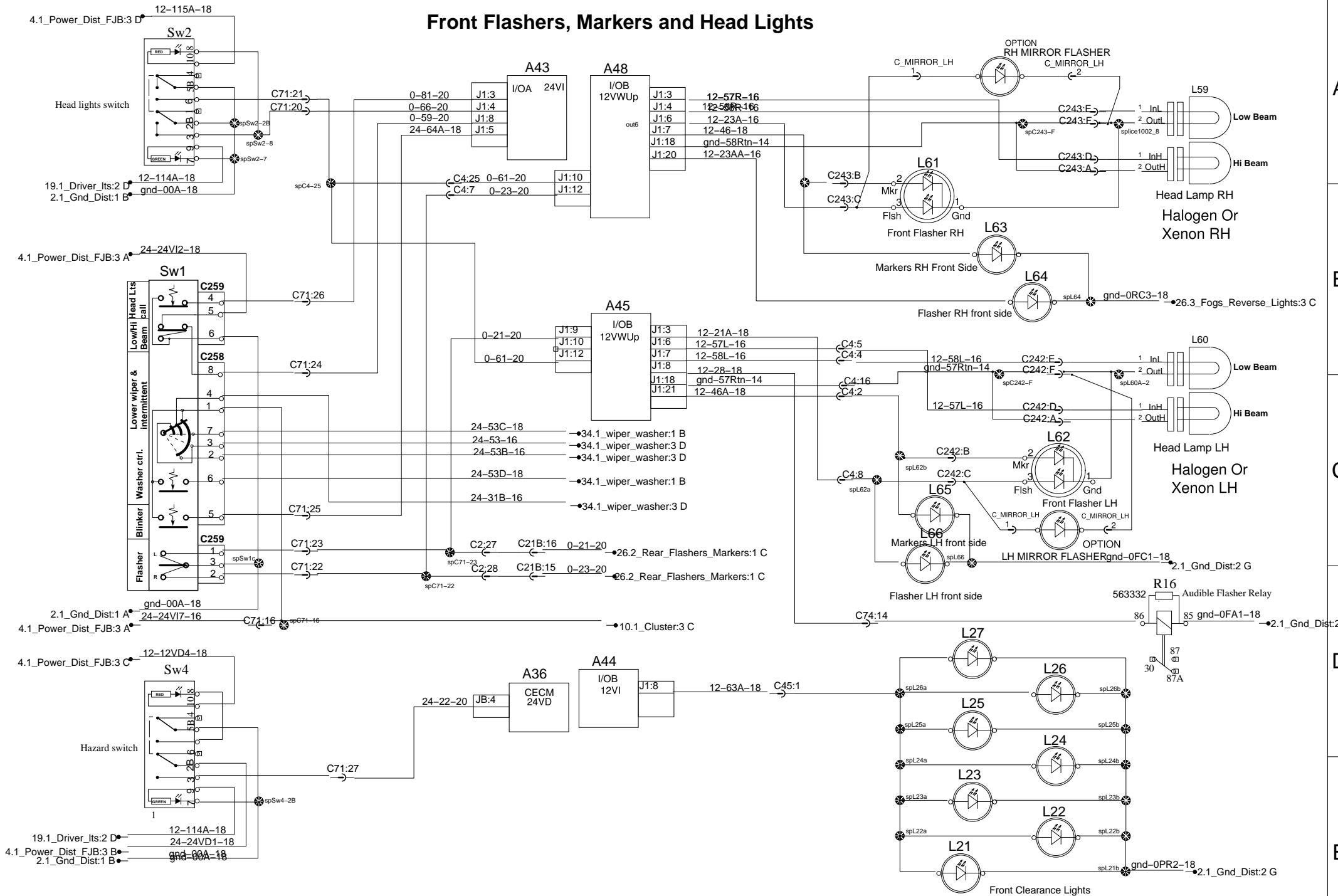
Front Flashers, Markers and Head Lights



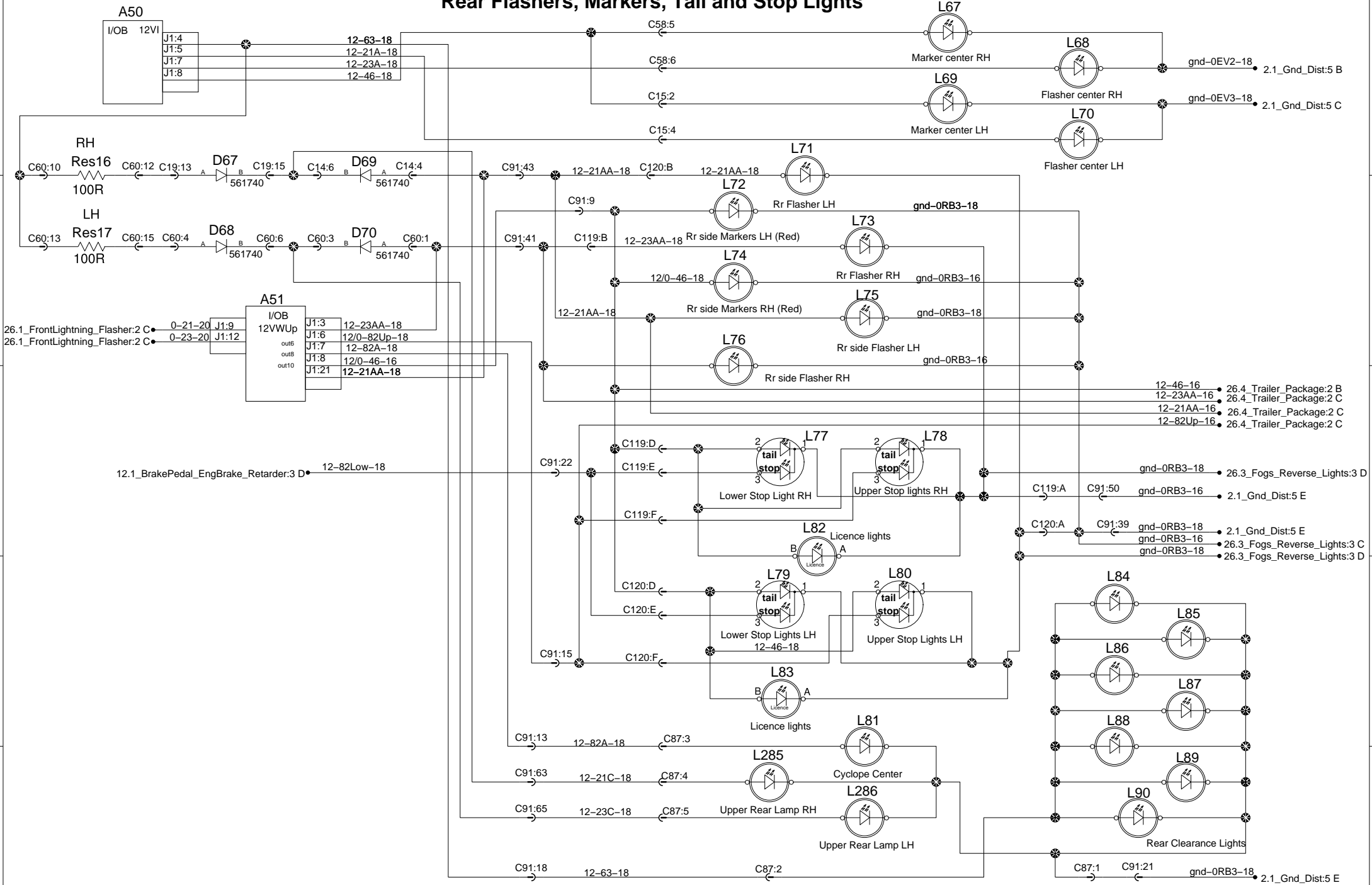
Front Flashers, Markers and Head Lights



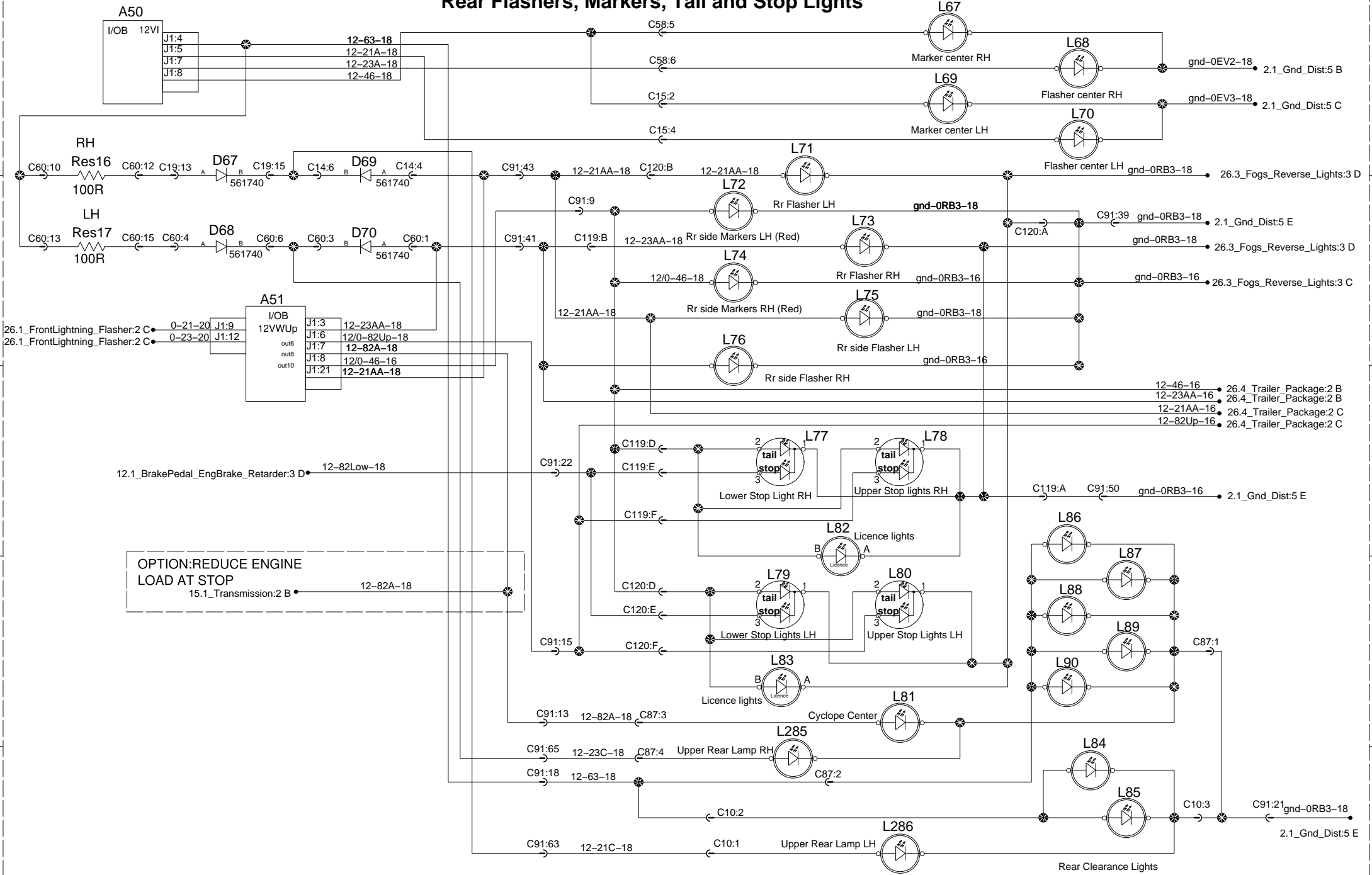
Front Flashers, Markers and Head Lights



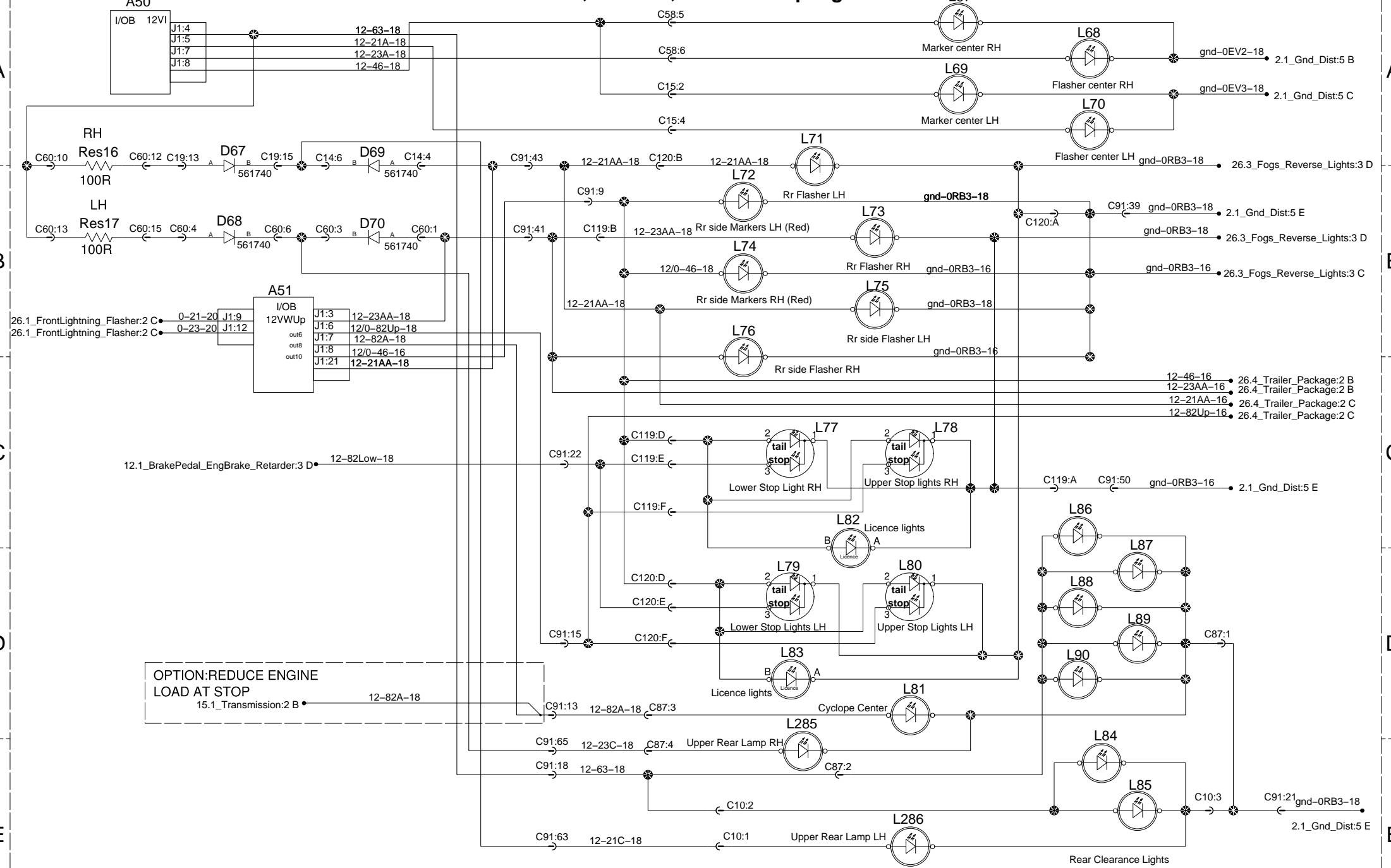
Rear Flashers, Markers, Tail and Stop Lights



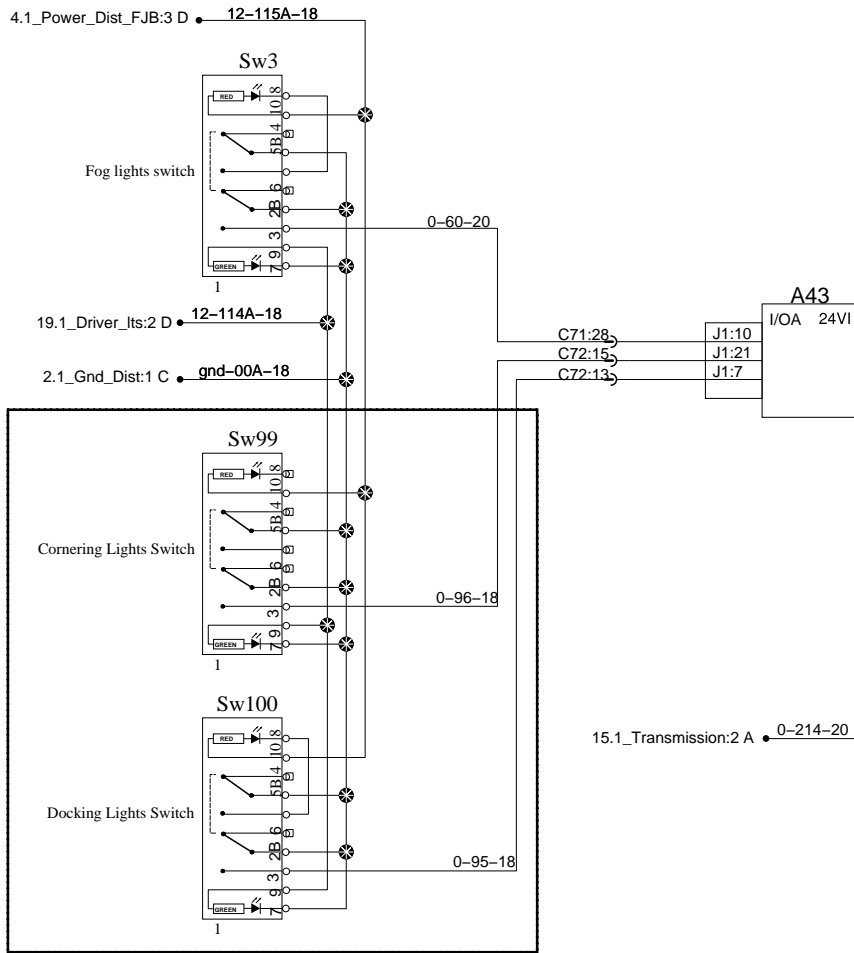
Rear Flashers, Markers, Tail and Stop Lights



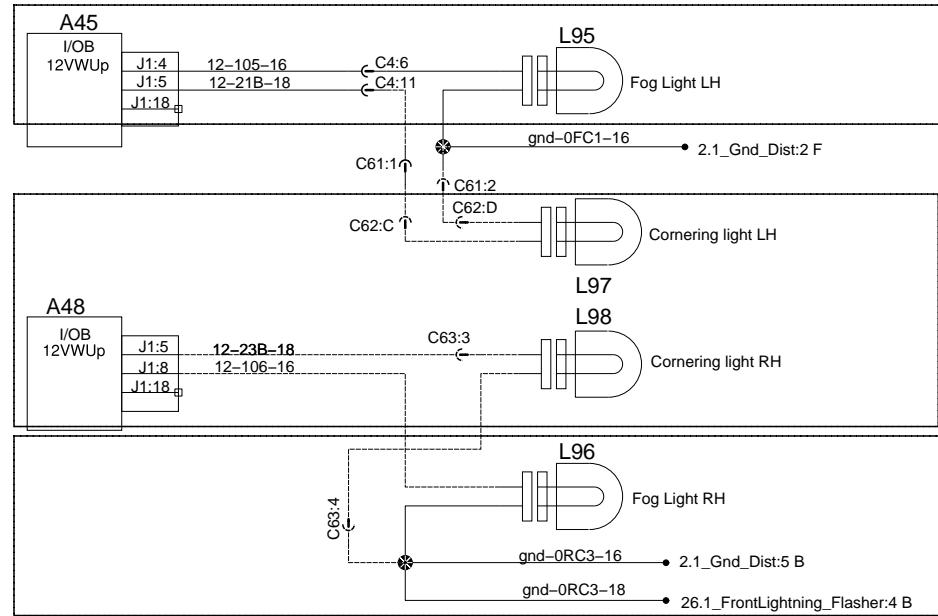
Rear Flashers, Markers, Tail and Stop Lights



Fog's Lights and Backup Lights and Alarm



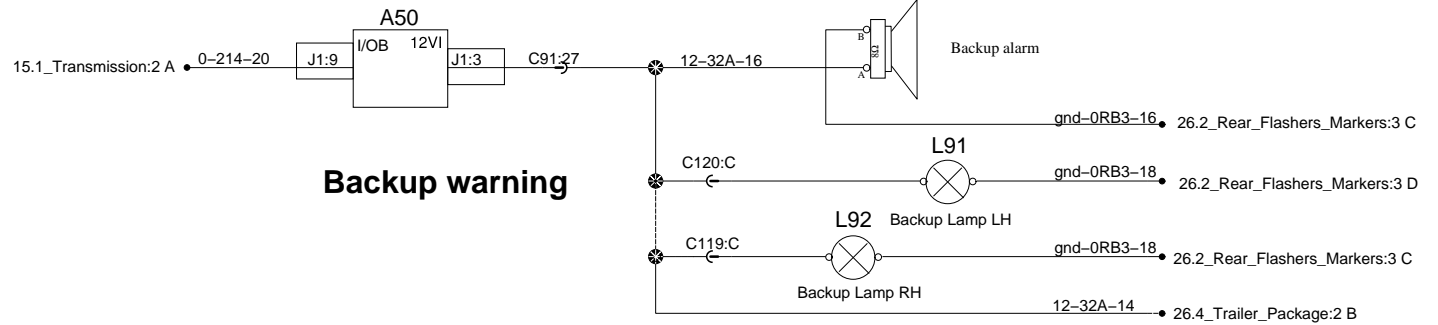
Option
Cornering and Docking Switchable



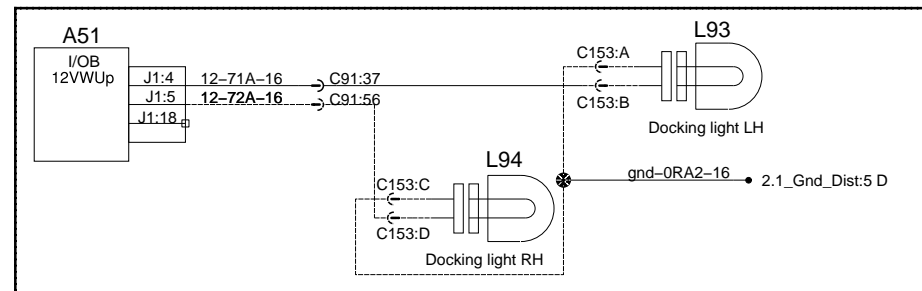
Option

Option

Option

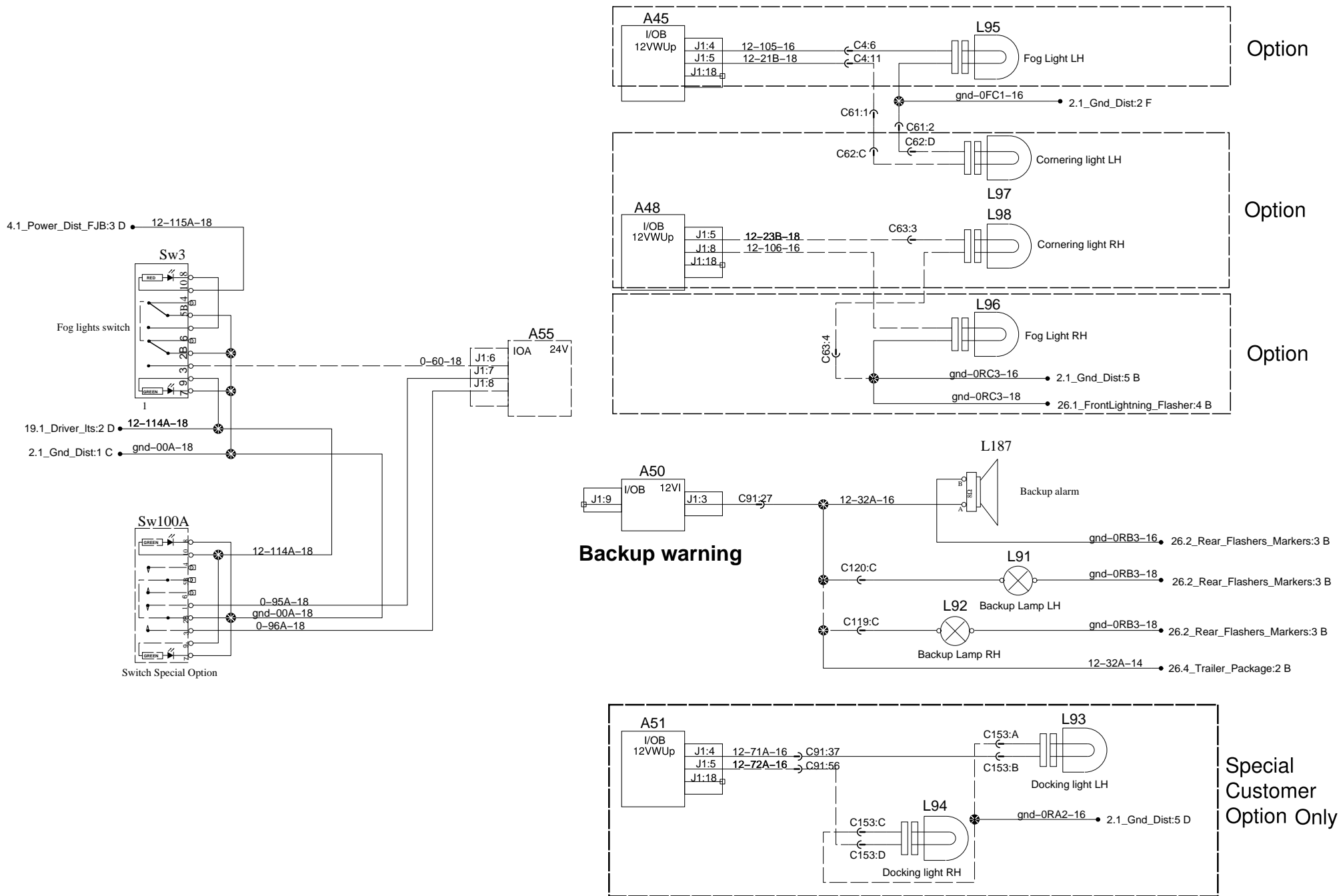


Backup warning

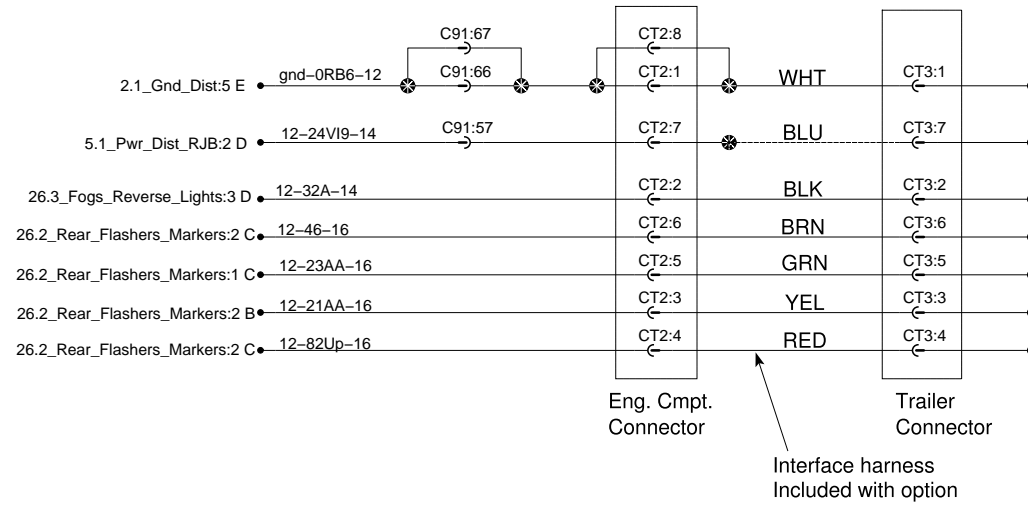


Special
Customer
Option Only

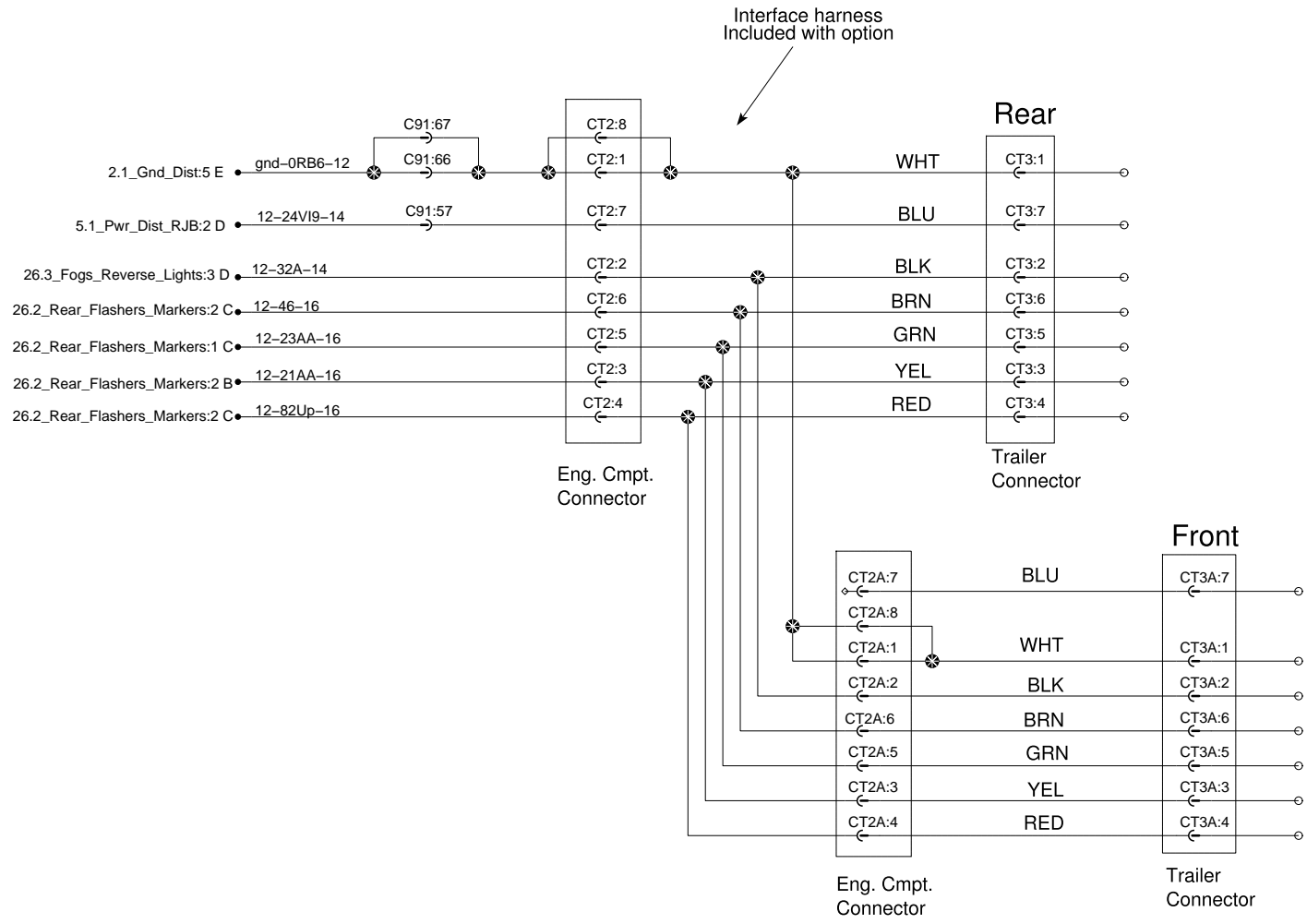
Fog's Lights and Backup Lights and Alarm



Trailer Interface



Trailer Interface



0

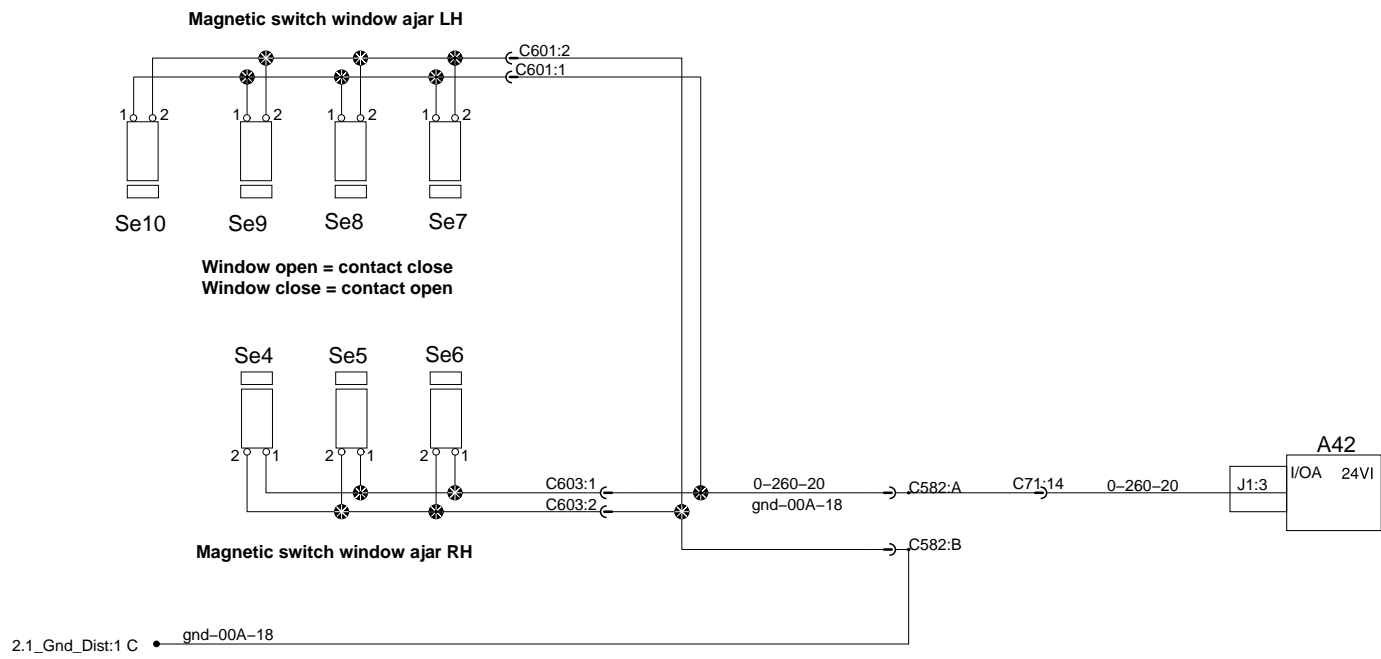
1

2

3

4

Window Ajar



0

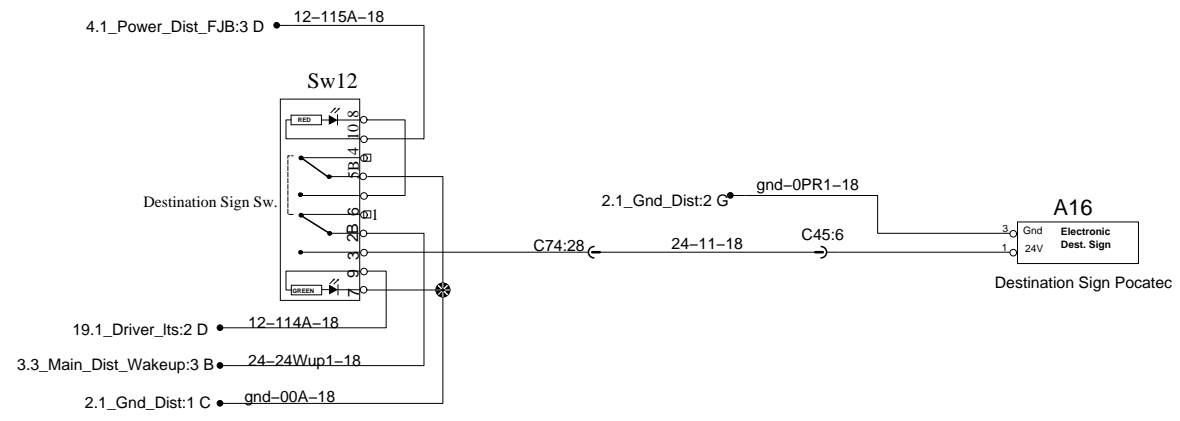
1

2

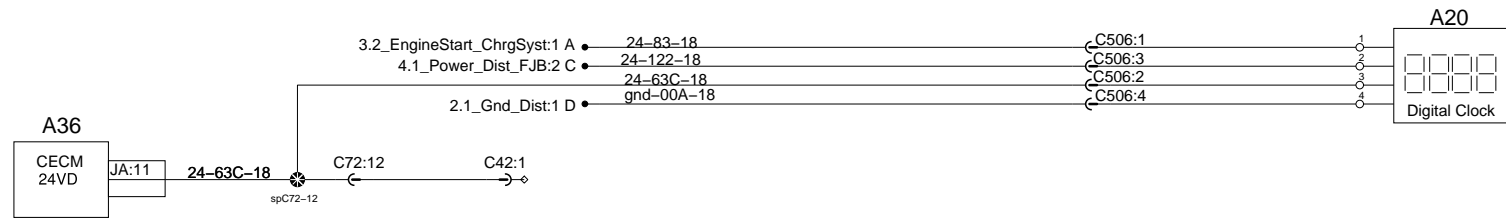
3

4

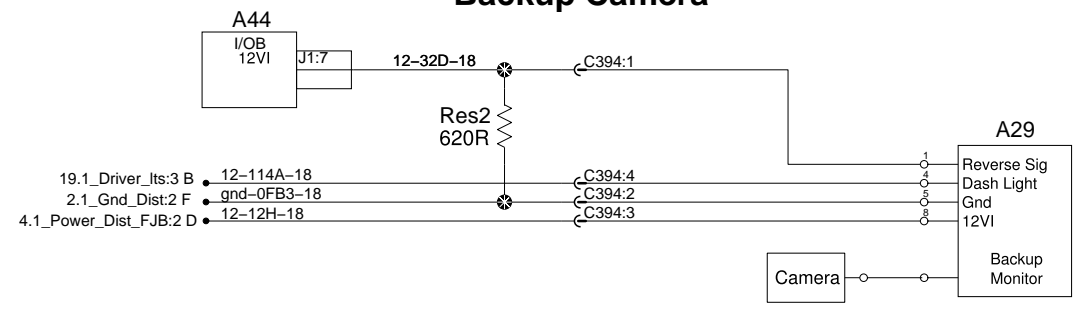
Electronic Destination Sign



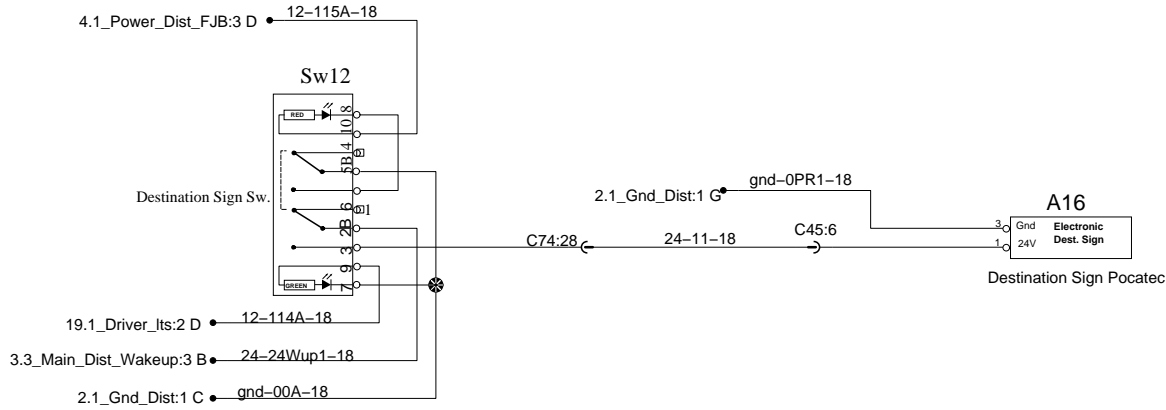
Digital Clock



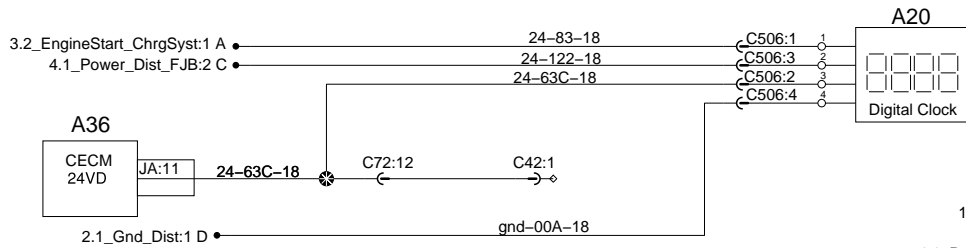
Backup Camera



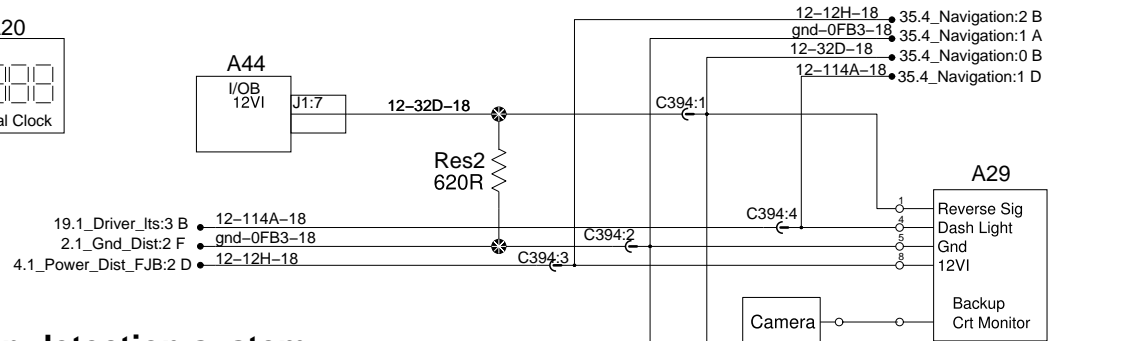
Electronic Destination Sign



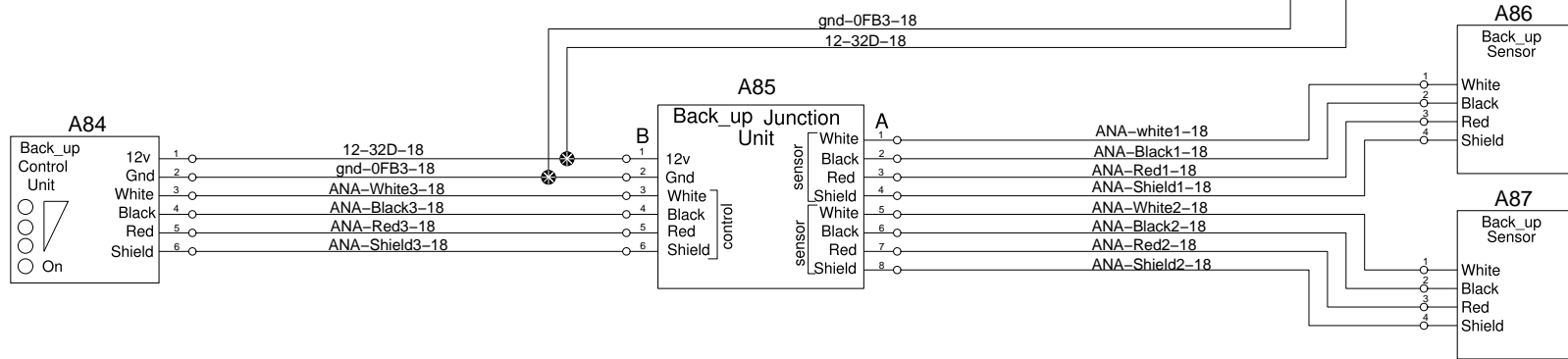
Digital Clock



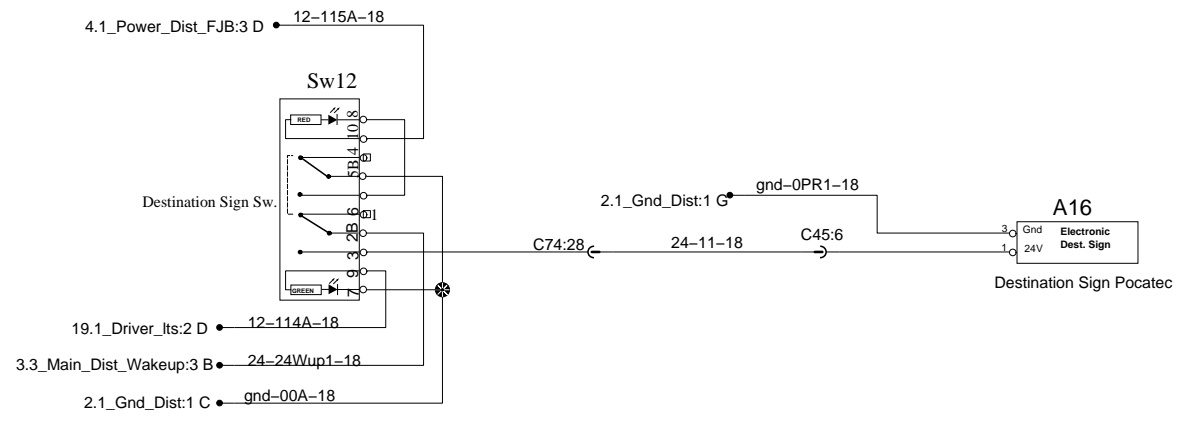
Back-up Camera (GPS)



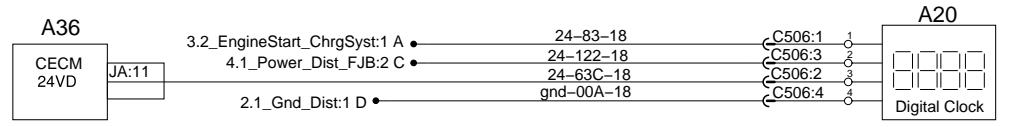
Back-up detection system



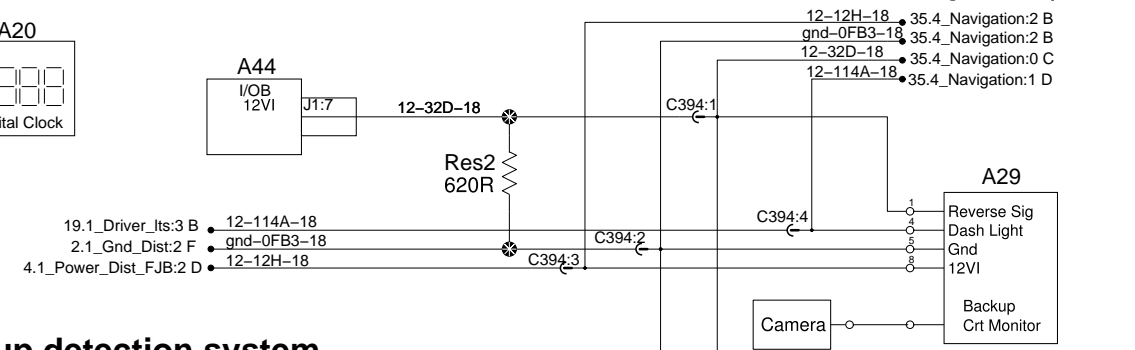
Electronic Destination Sign



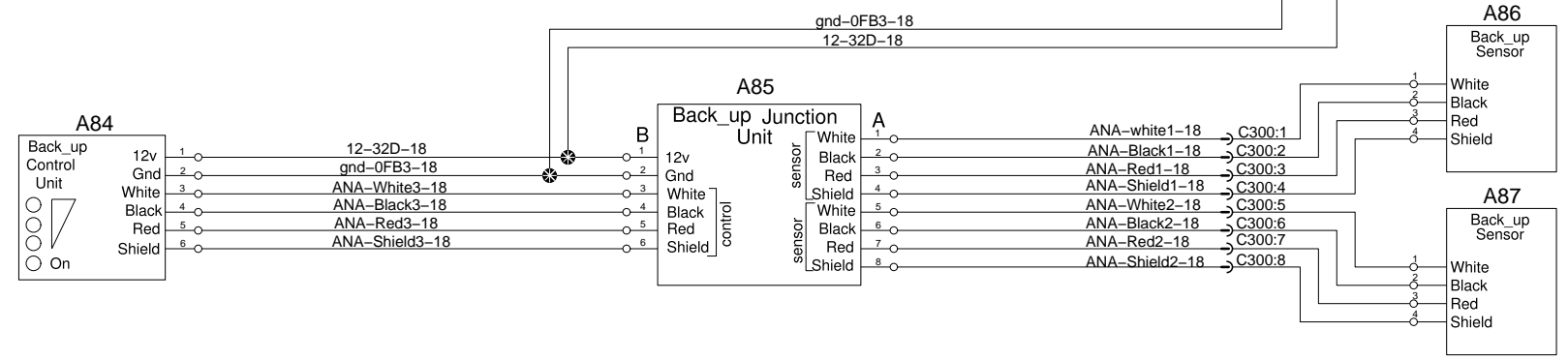
Digital Clock



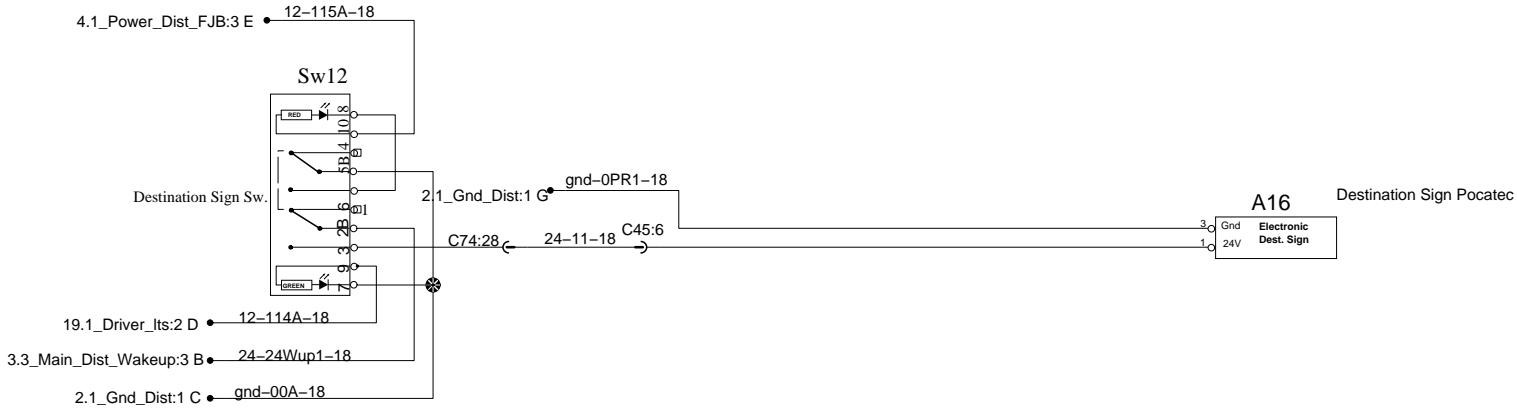
Back-up Camera (GPS)



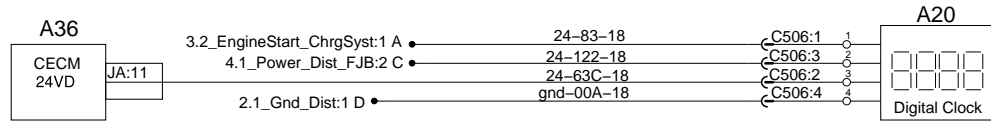
Back-up detection system



Electronic Destination Sign

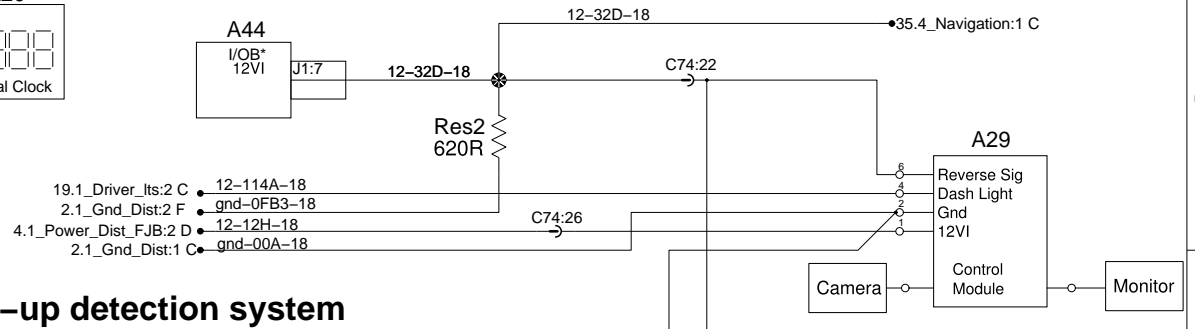


Digital Clock

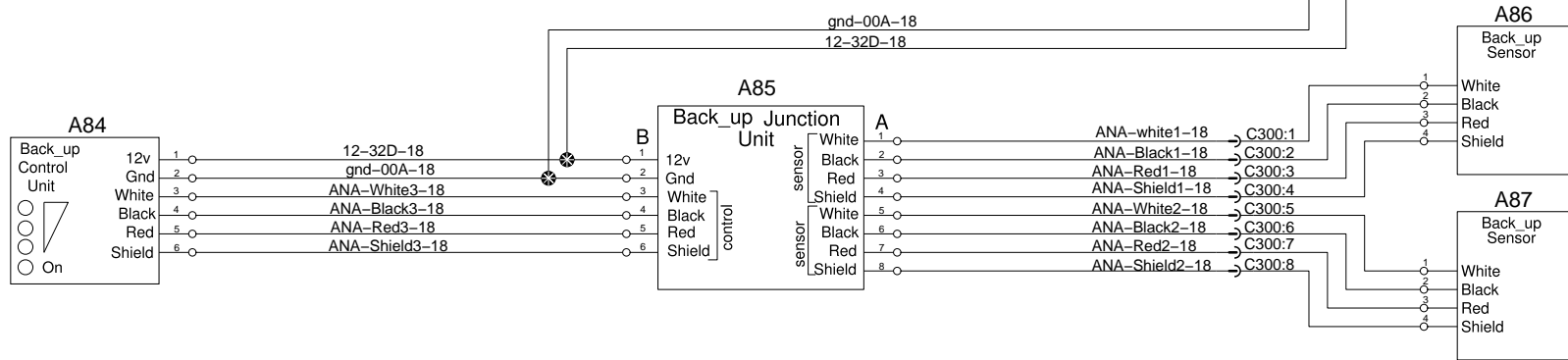


Back-up Camera (GPS)

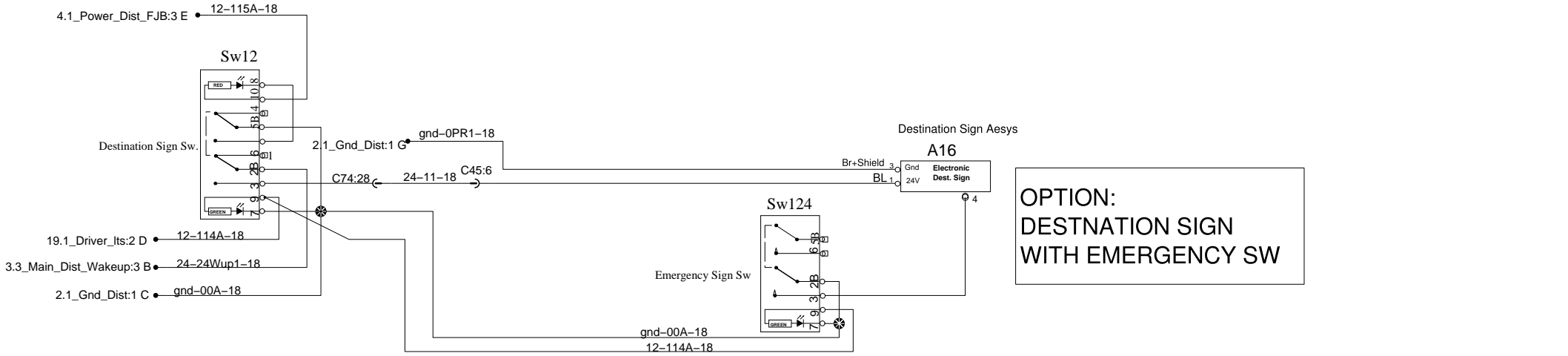
Navigator Option



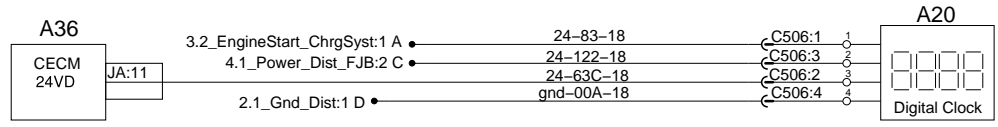
Back-up detection system



Electronic Destination Sign

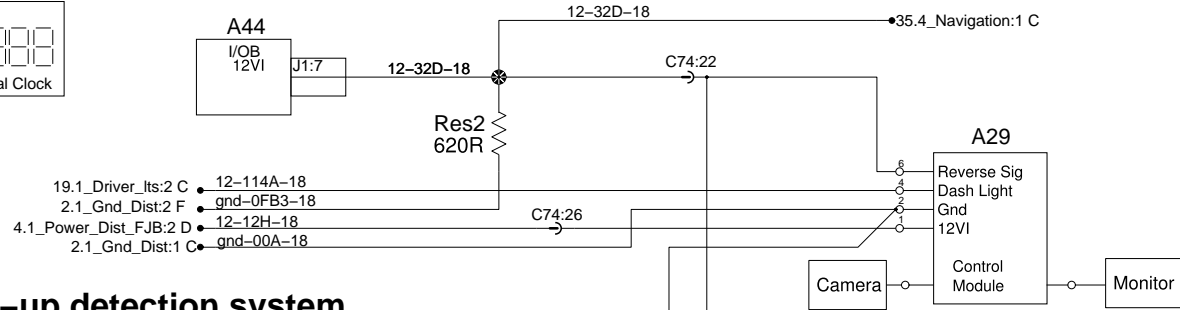


Digital Clock

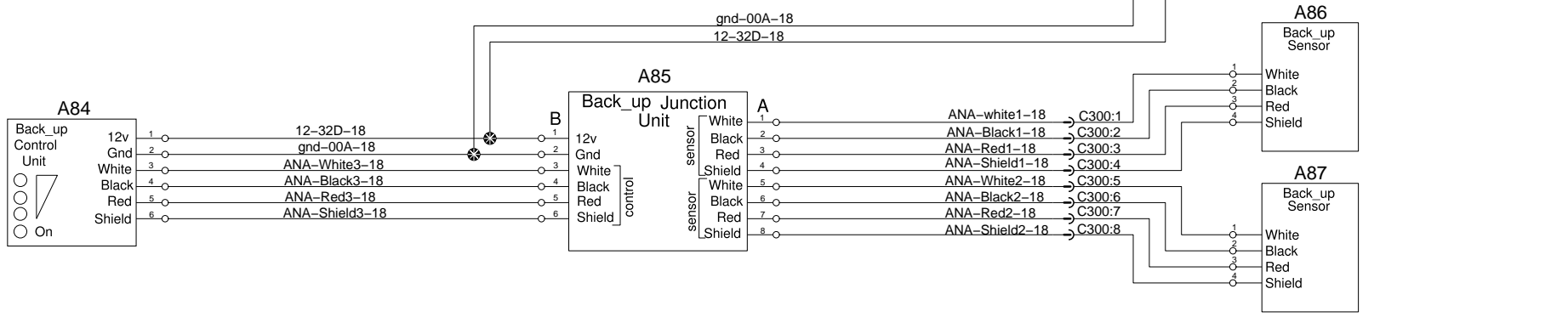


Back-up Camera (GPS)

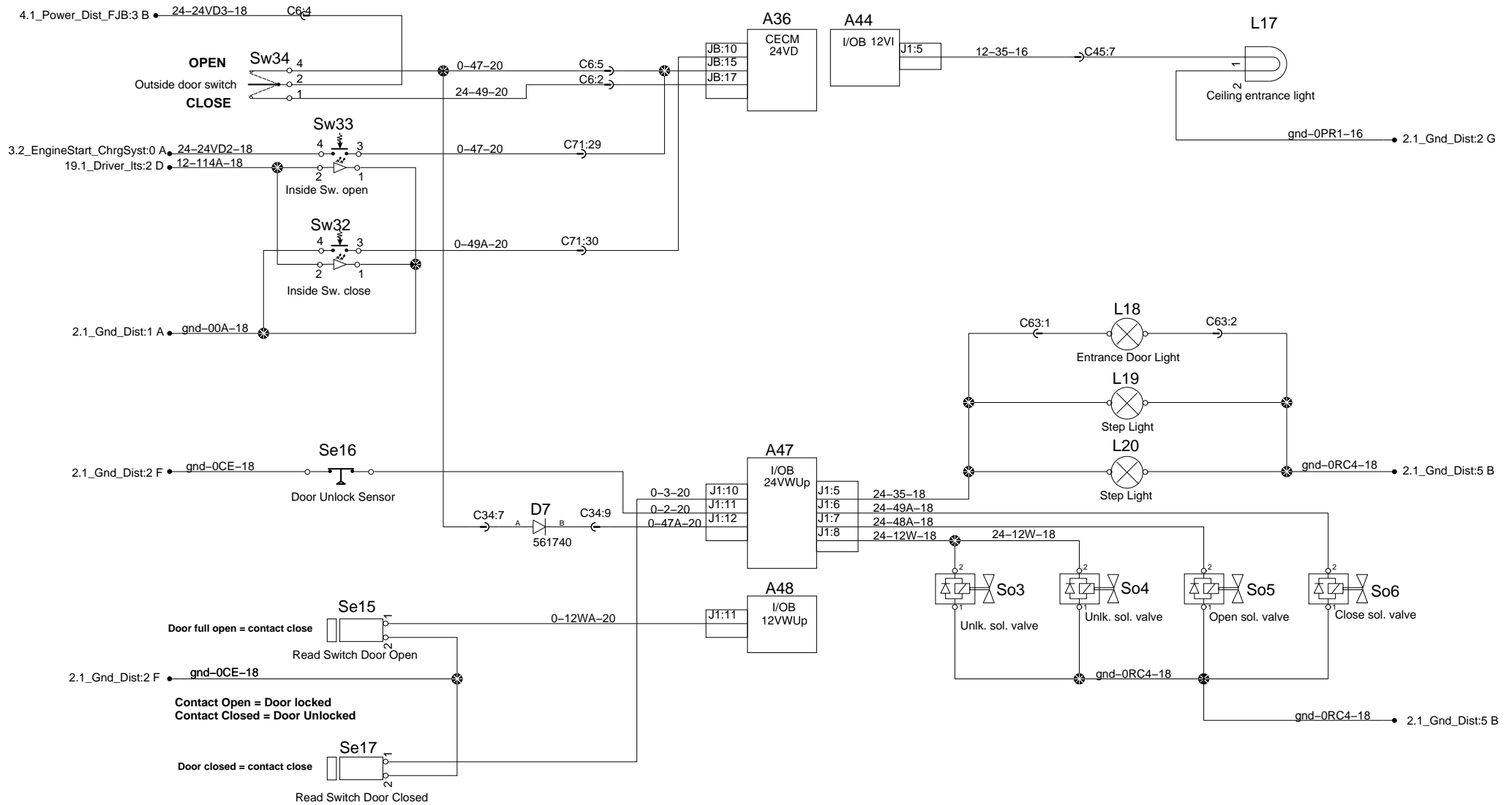
Navigator Option



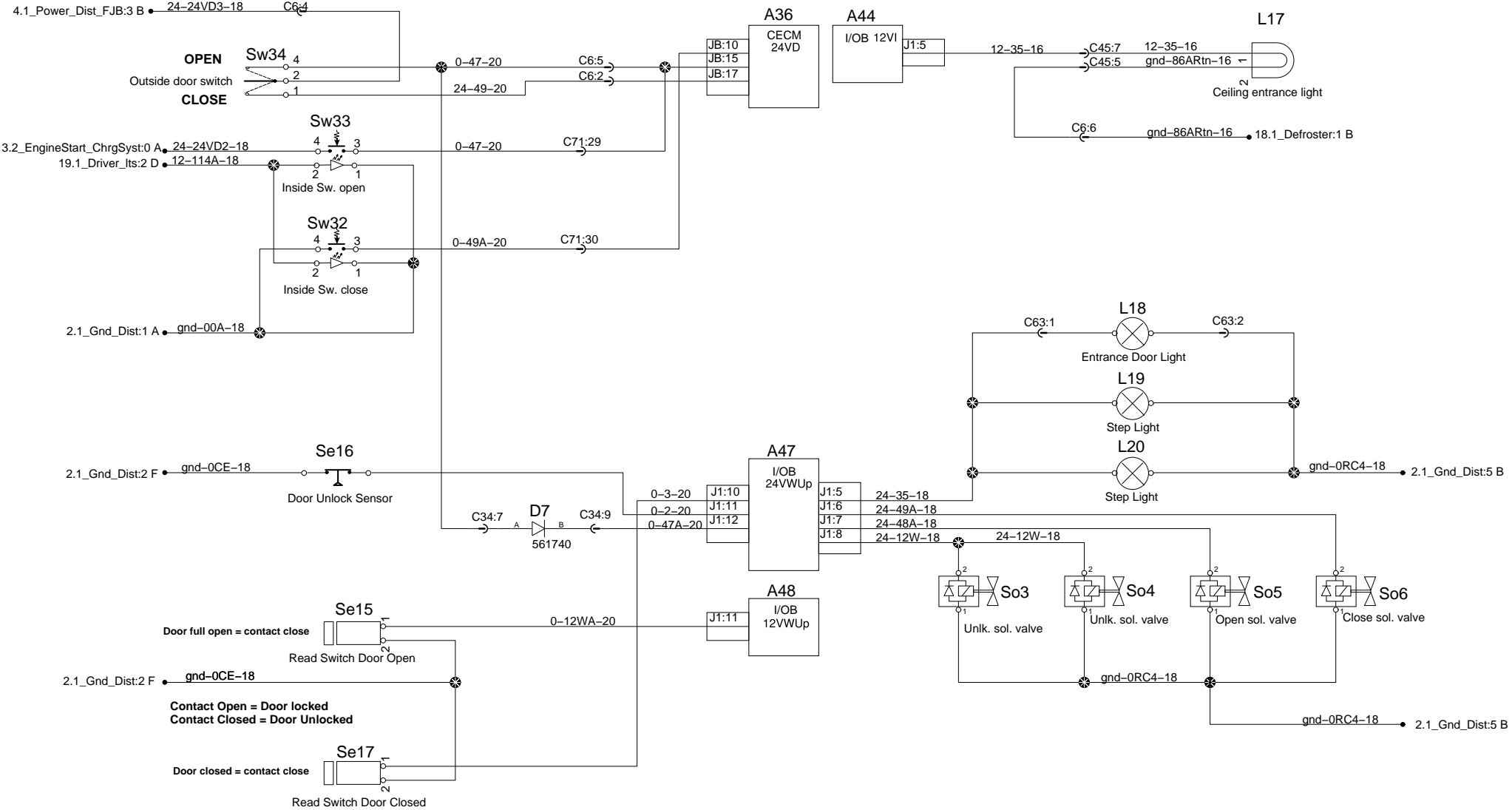
Back-up detection system



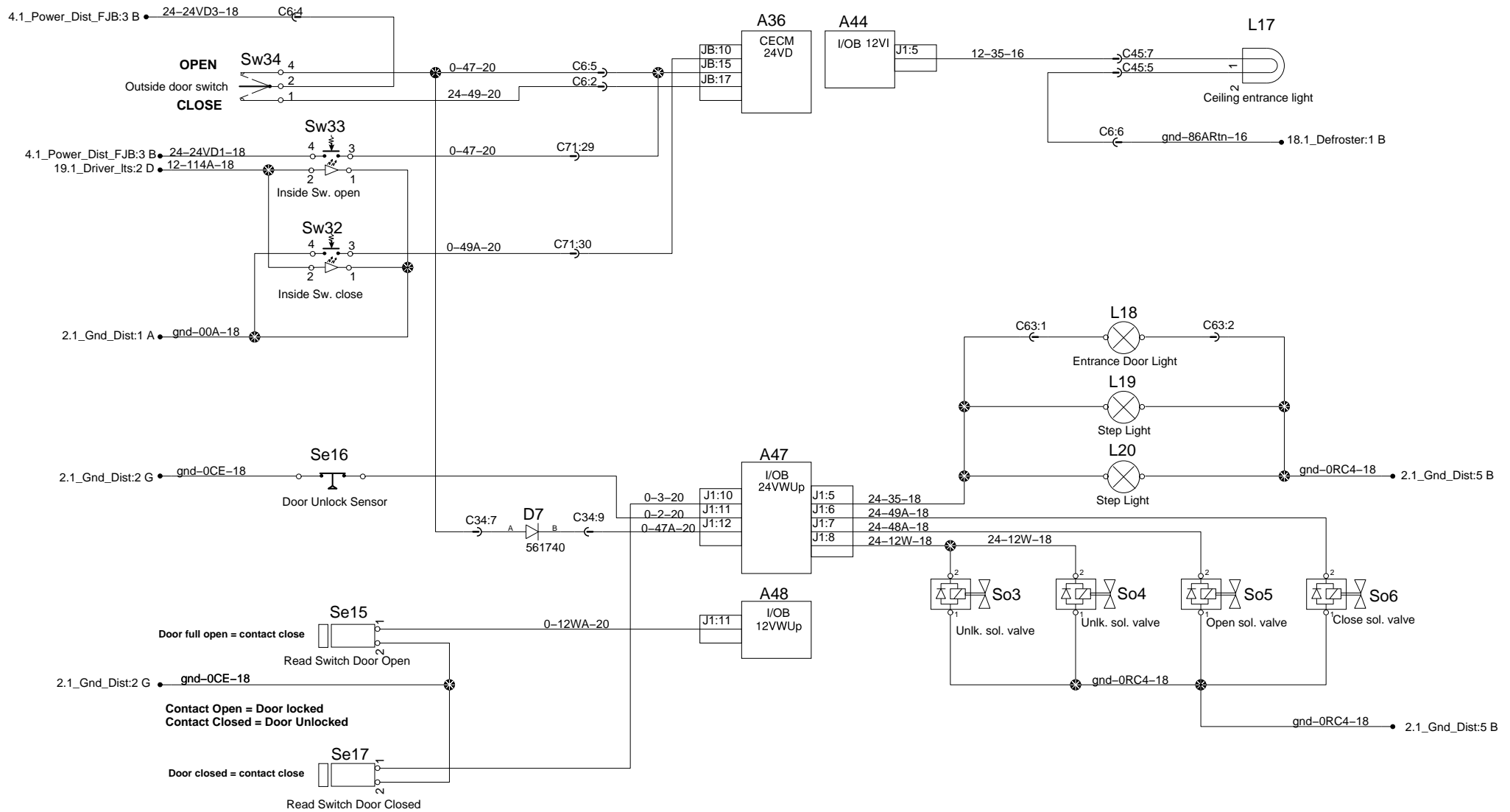
Entrance door



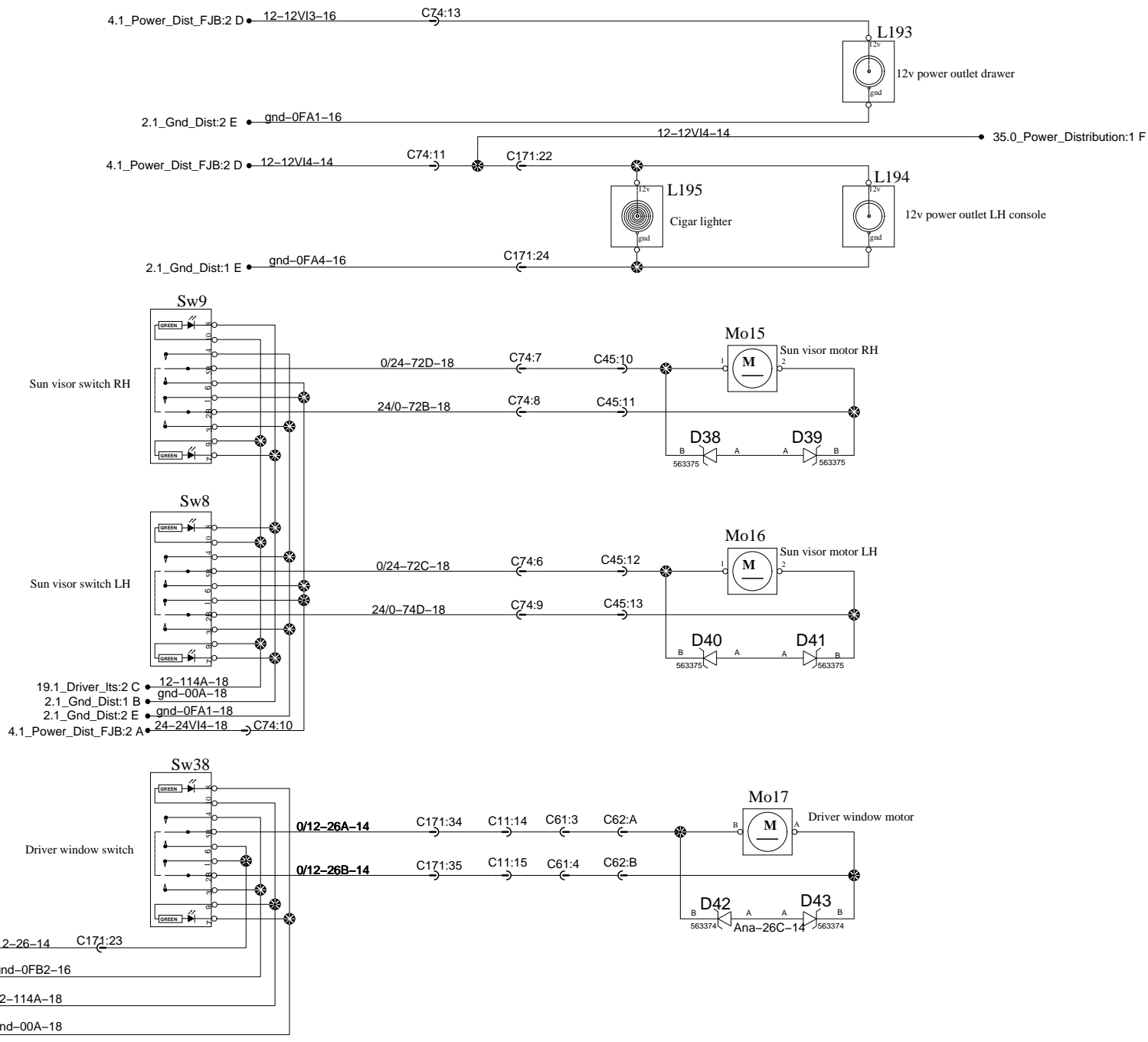
Entrance door



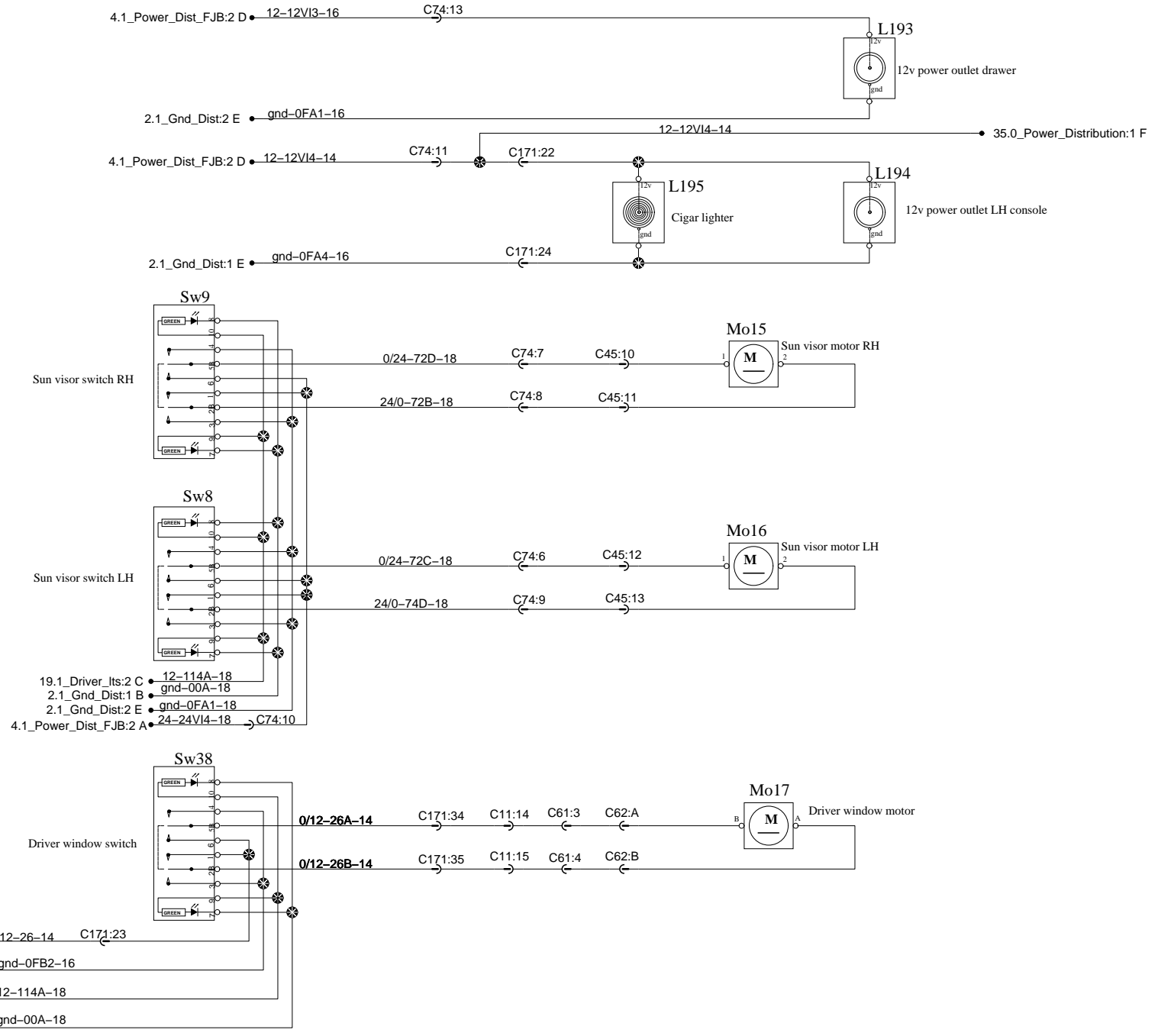
Entrance door



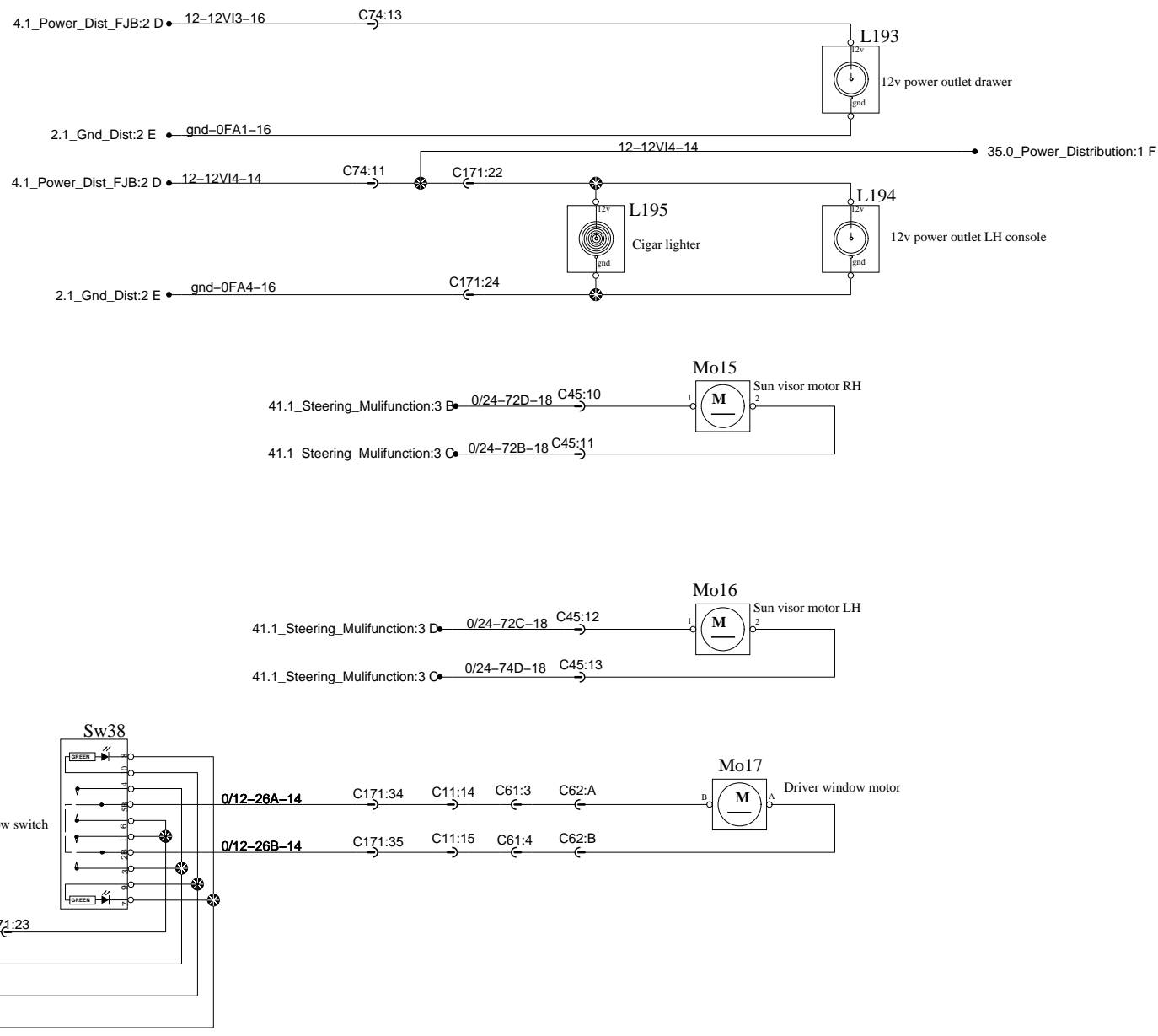
Sun Visor, Driver Window and 12V Outlet



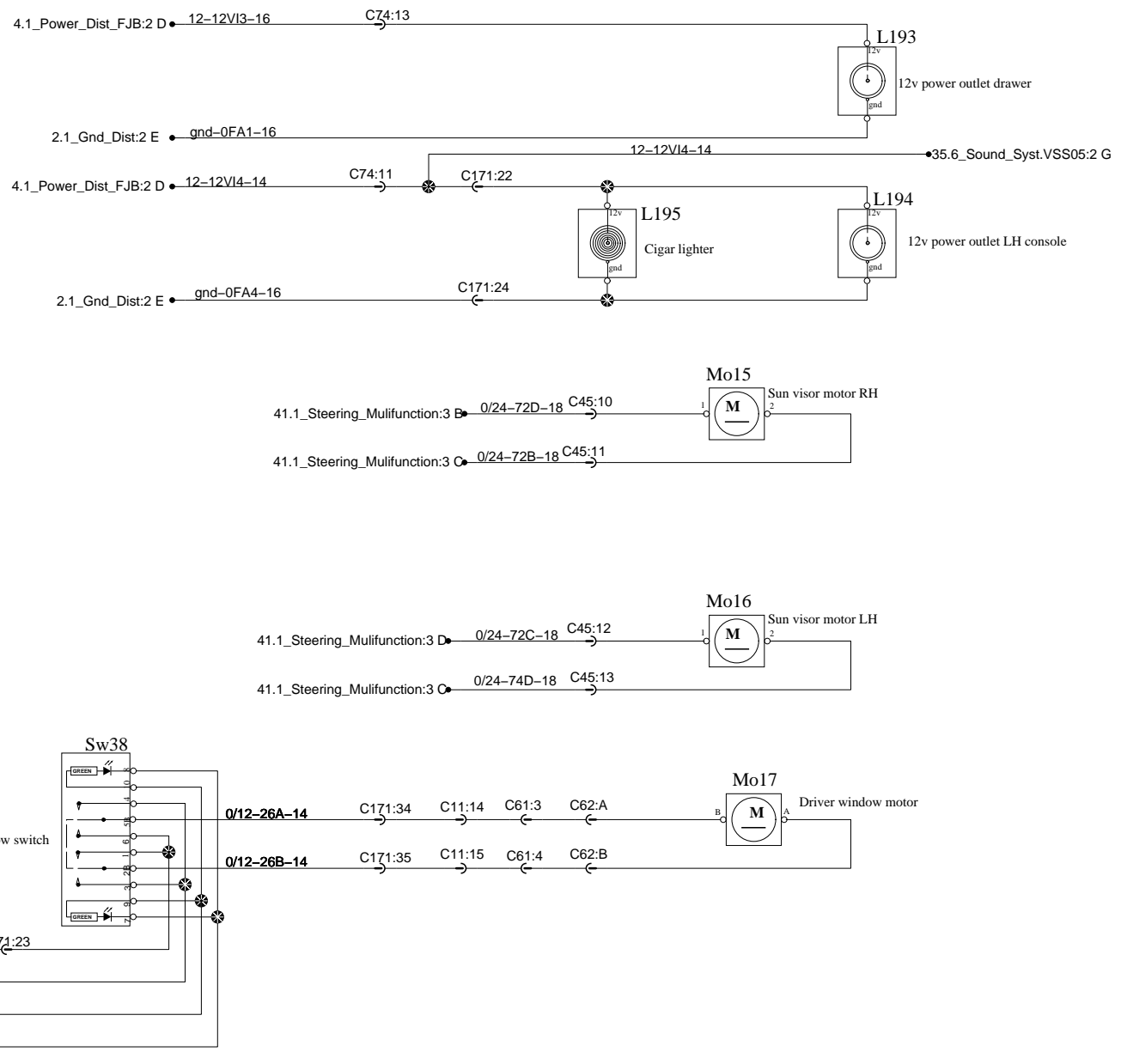
Sun Visor, Driver Window and 12V Outlet



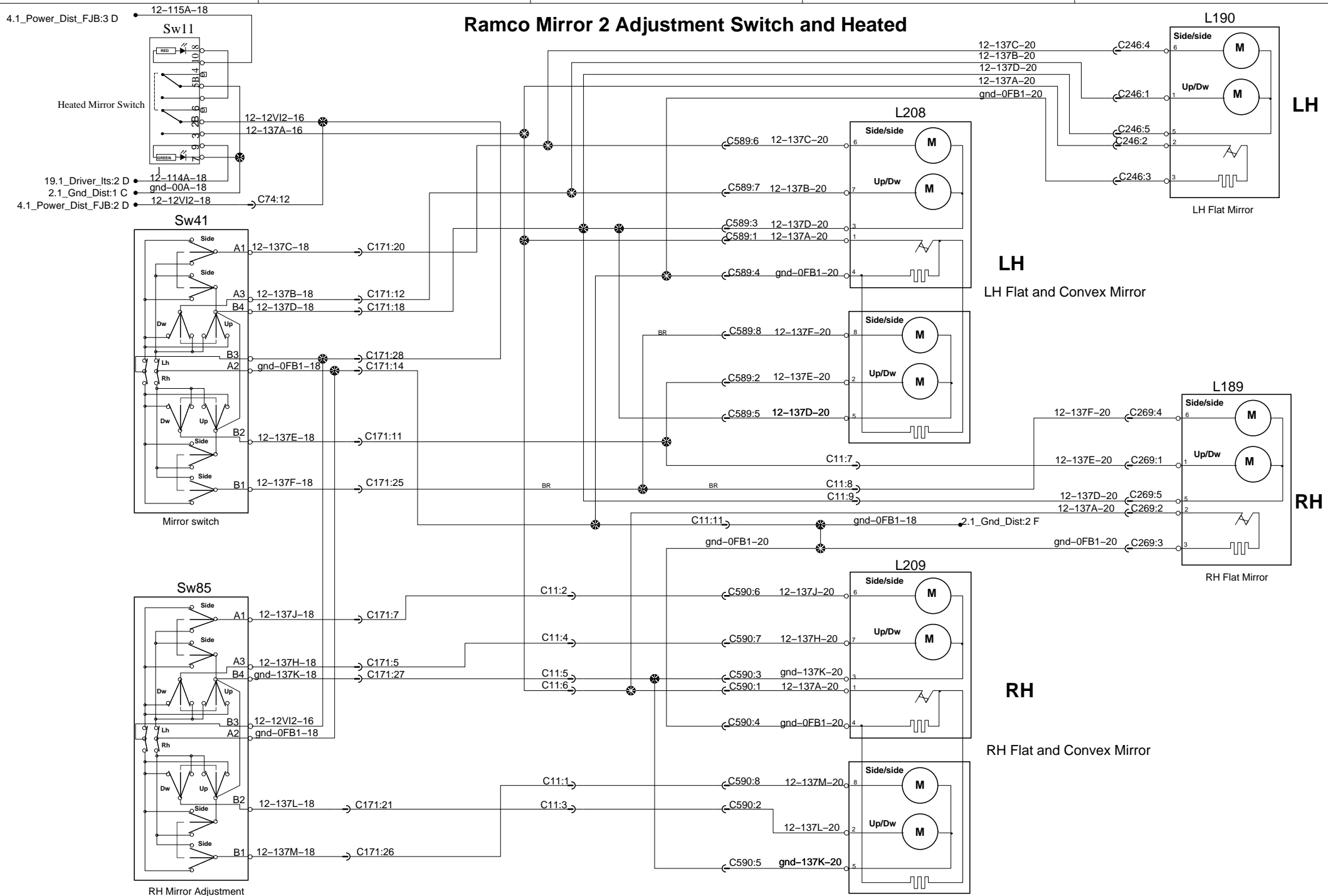
Sun Visor, Driver Window and 12V Outlet



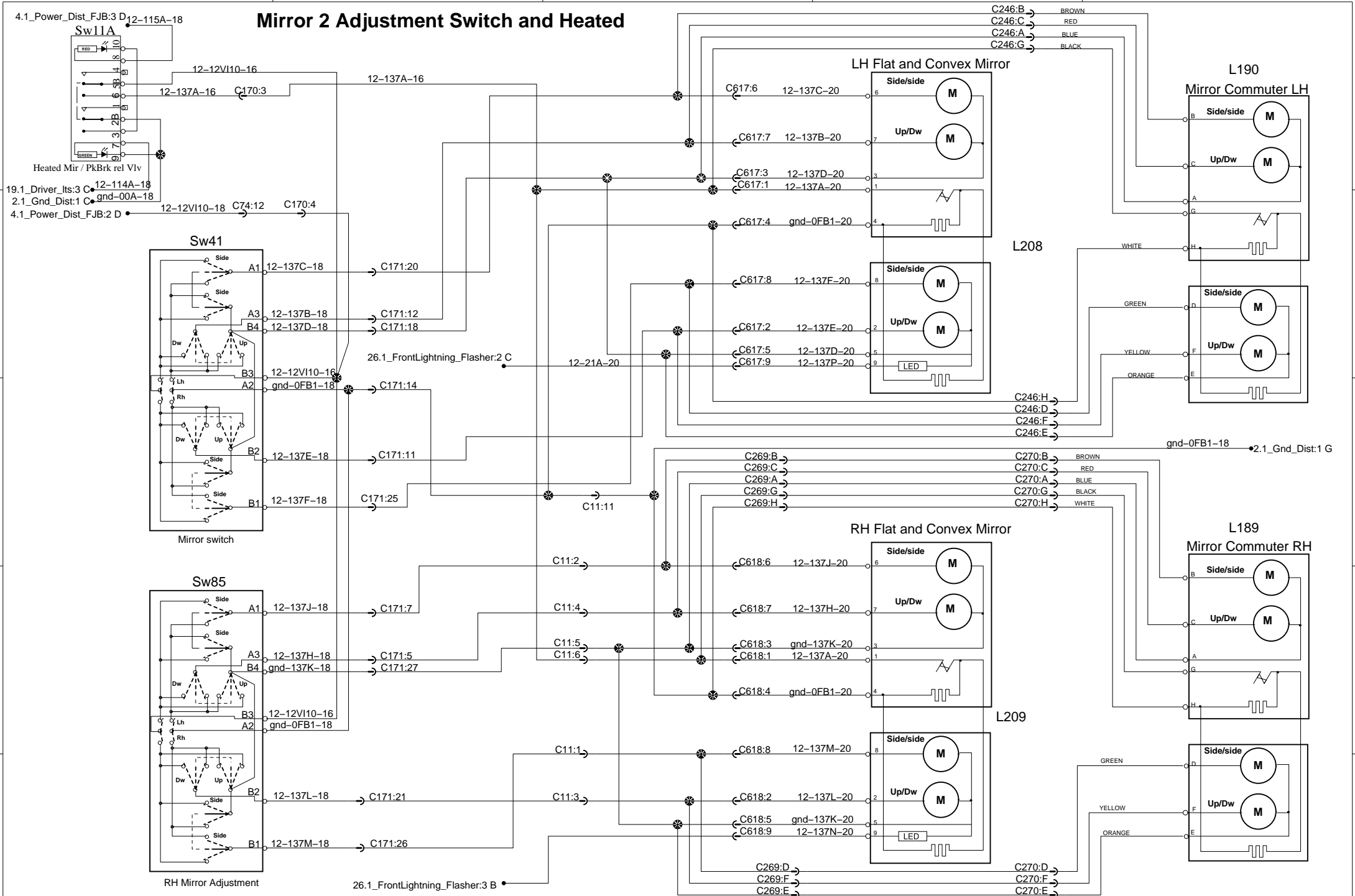
Sun Visor, Driver Window and 12V Outlet



Ramco Mirror 2 Adjustment Switch and Heated

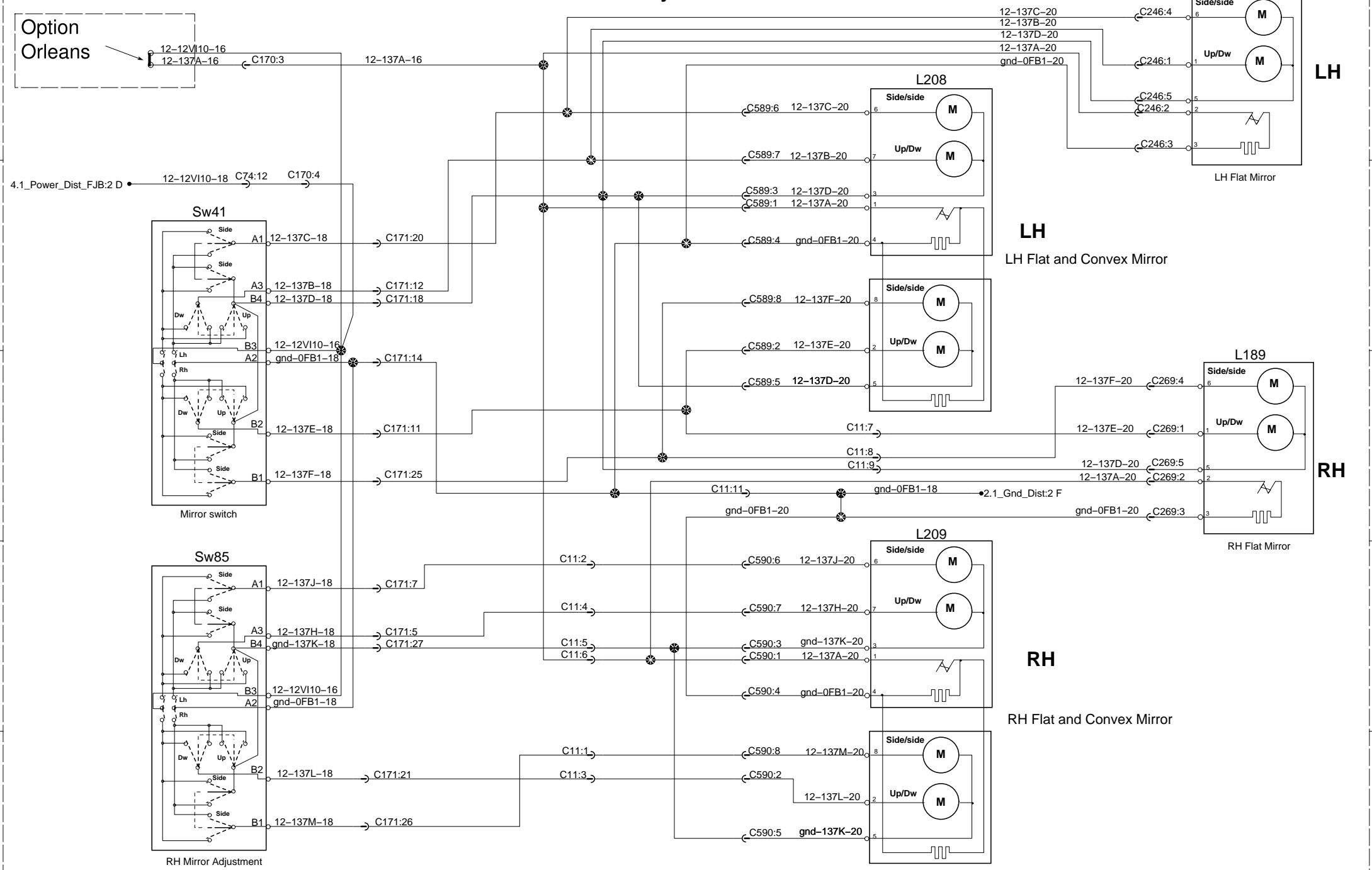


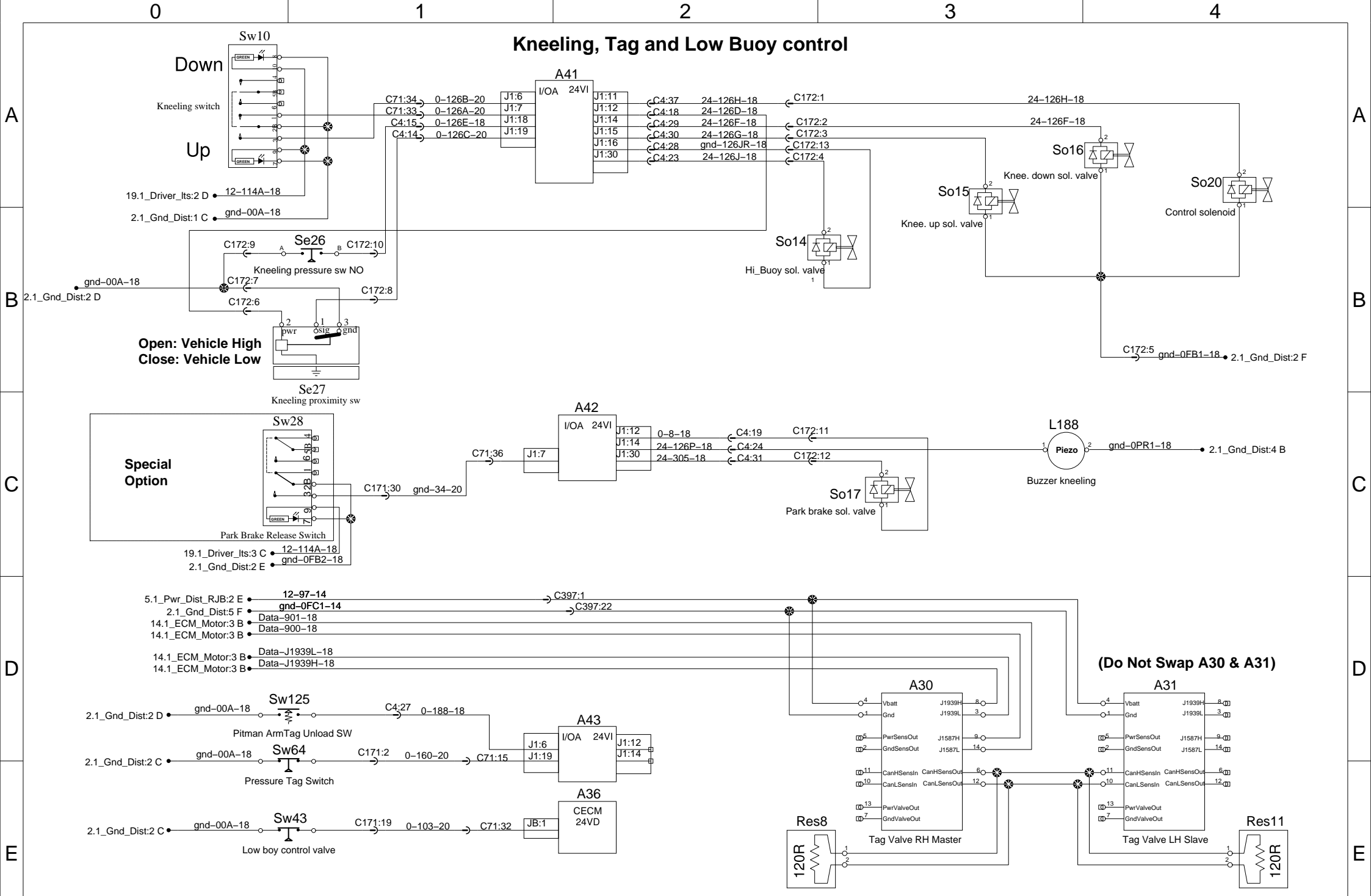
Mirror 2 Adjustment Switch and Heated



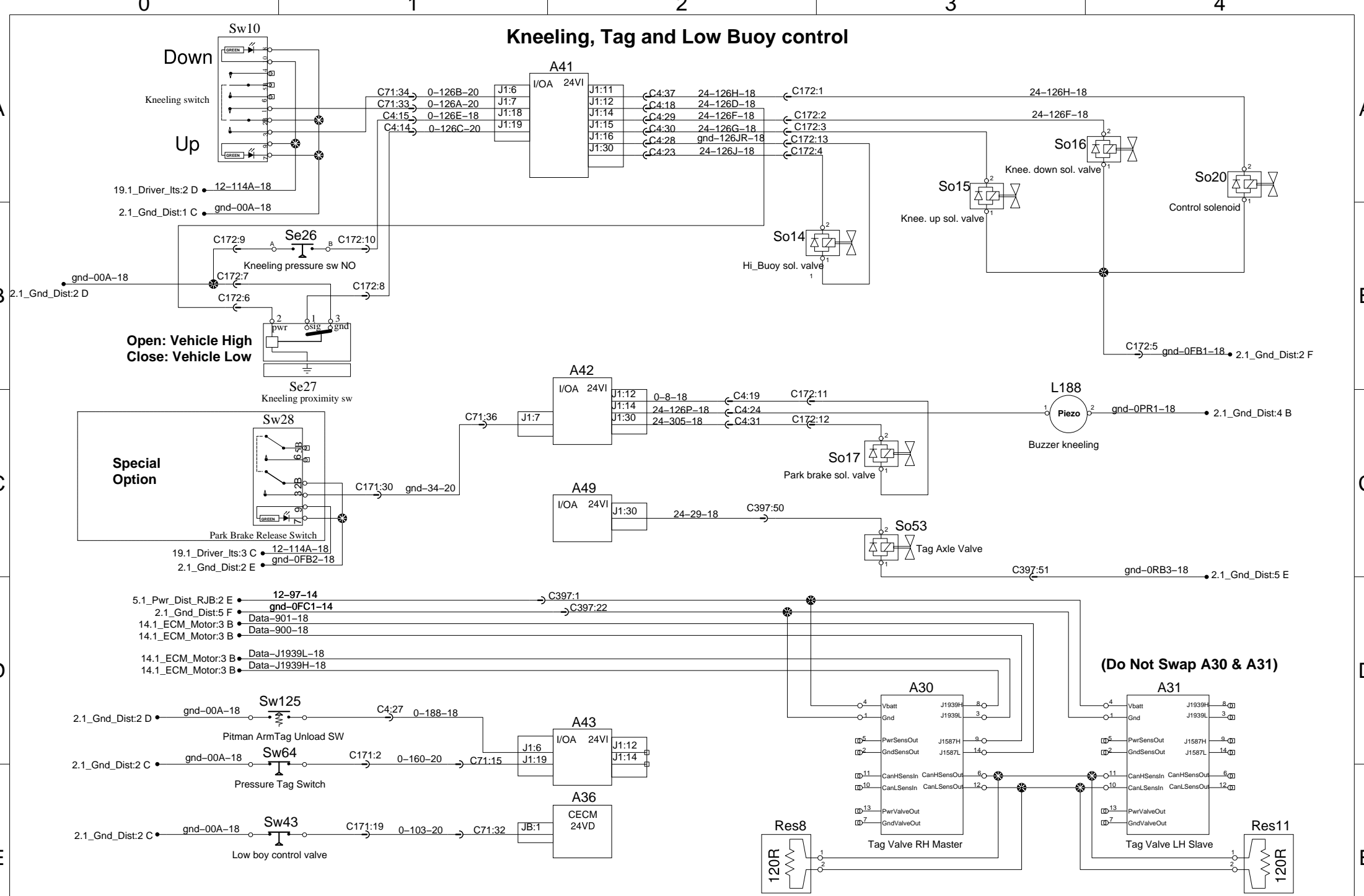
Ramco Mirror 2 Adjustment Switch and Heated

Option Orleans
 12-12V110-16
 12-137A-16

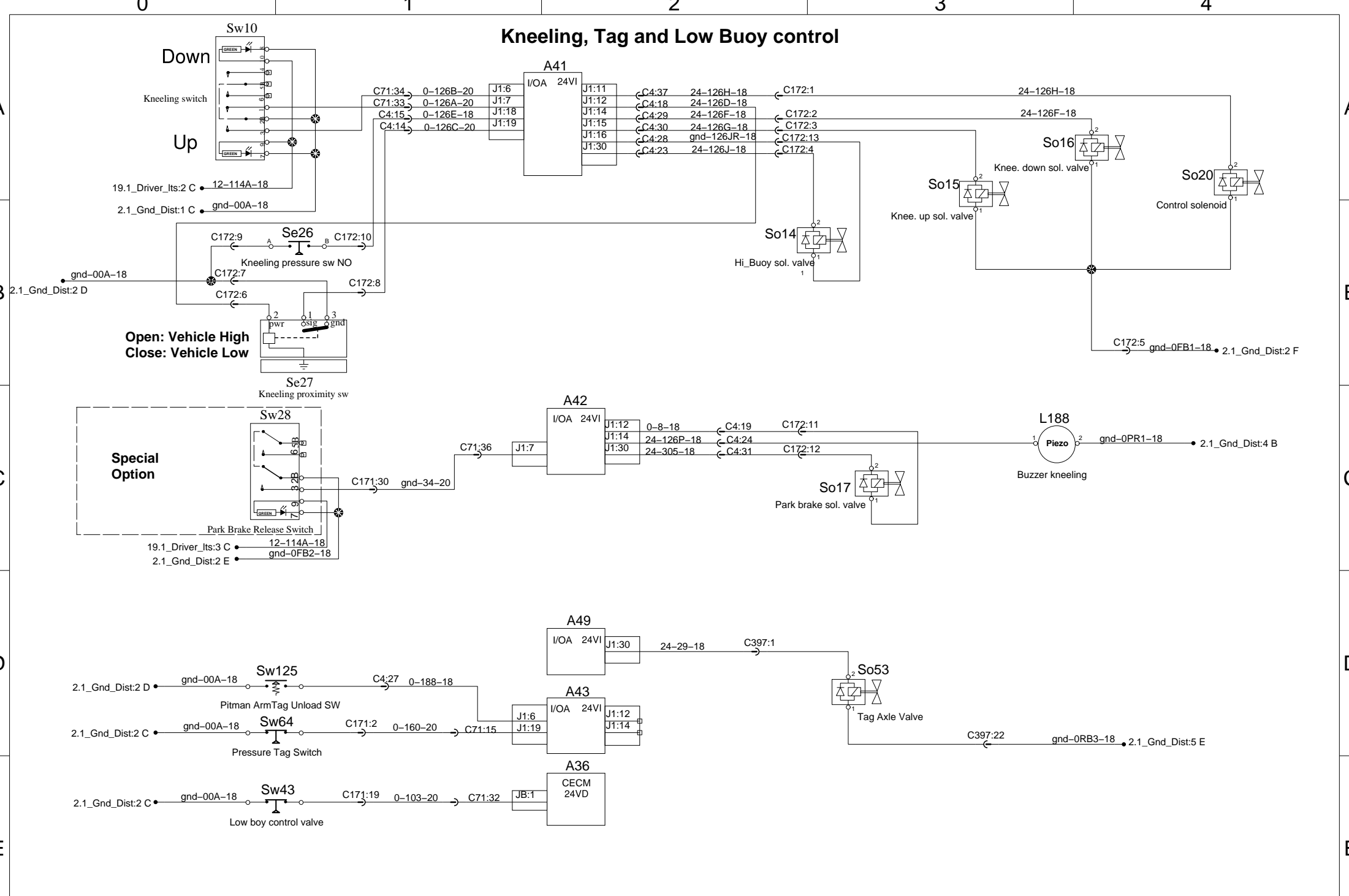




Kneeling, Tag and Low Buoy control

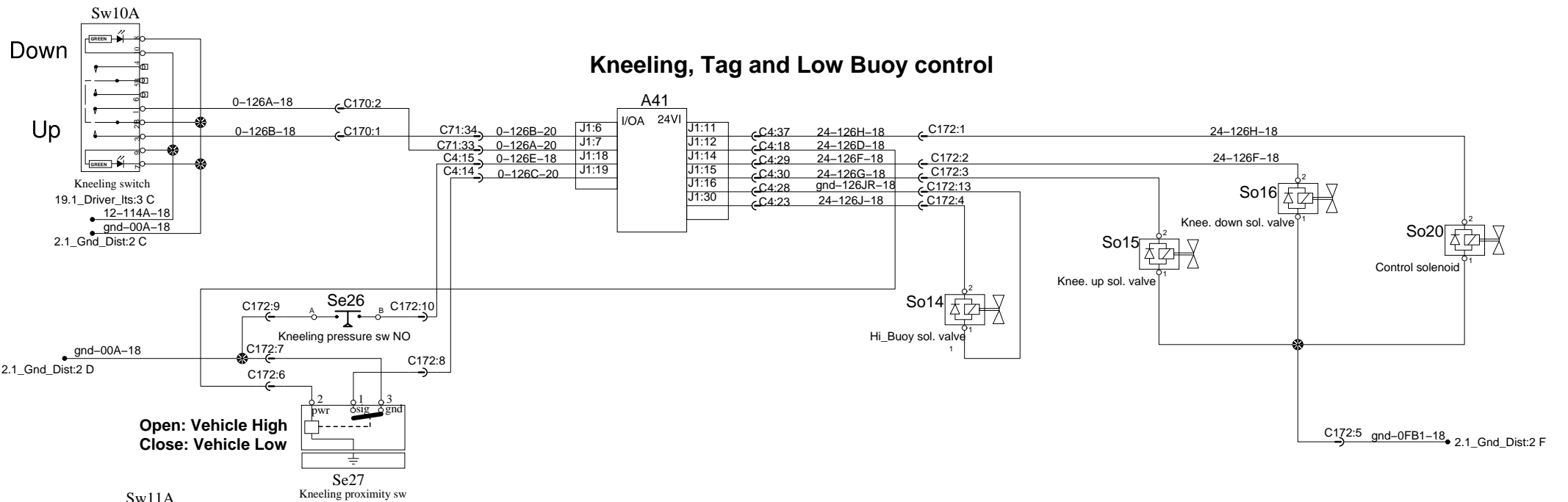


Kneeling, Tag and Low Buoy control



A

A



B

B

C

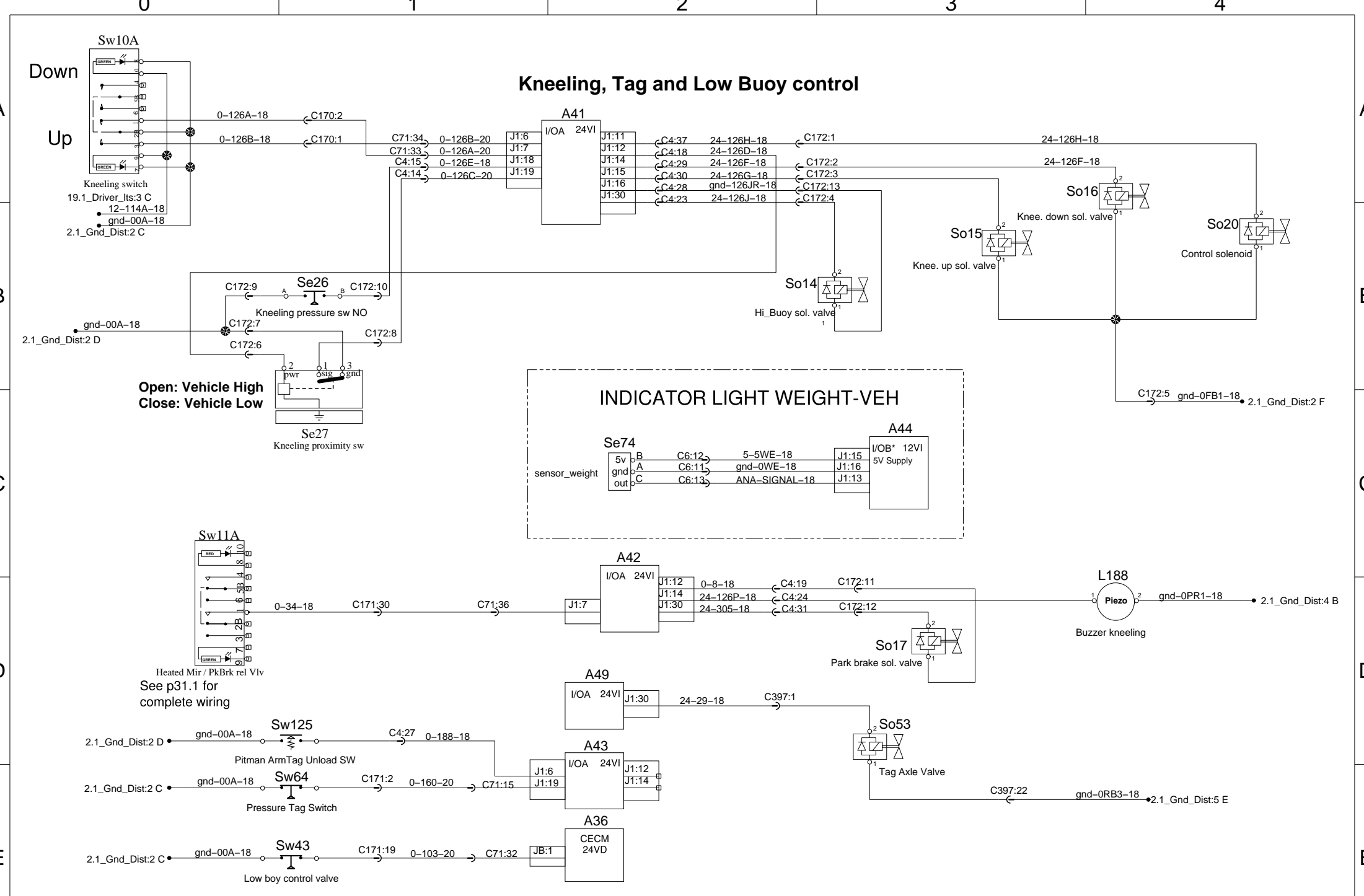
C

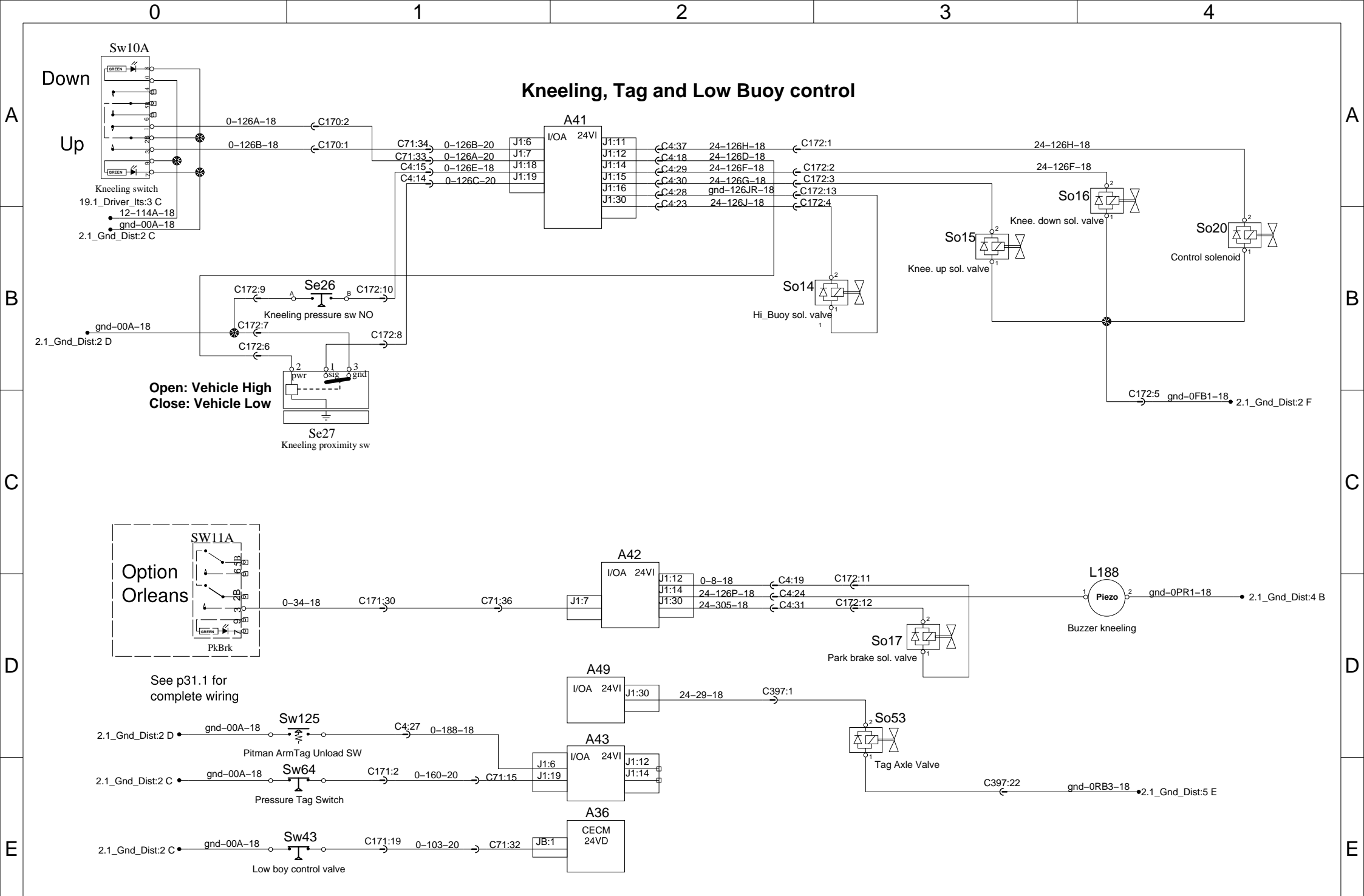
D

D

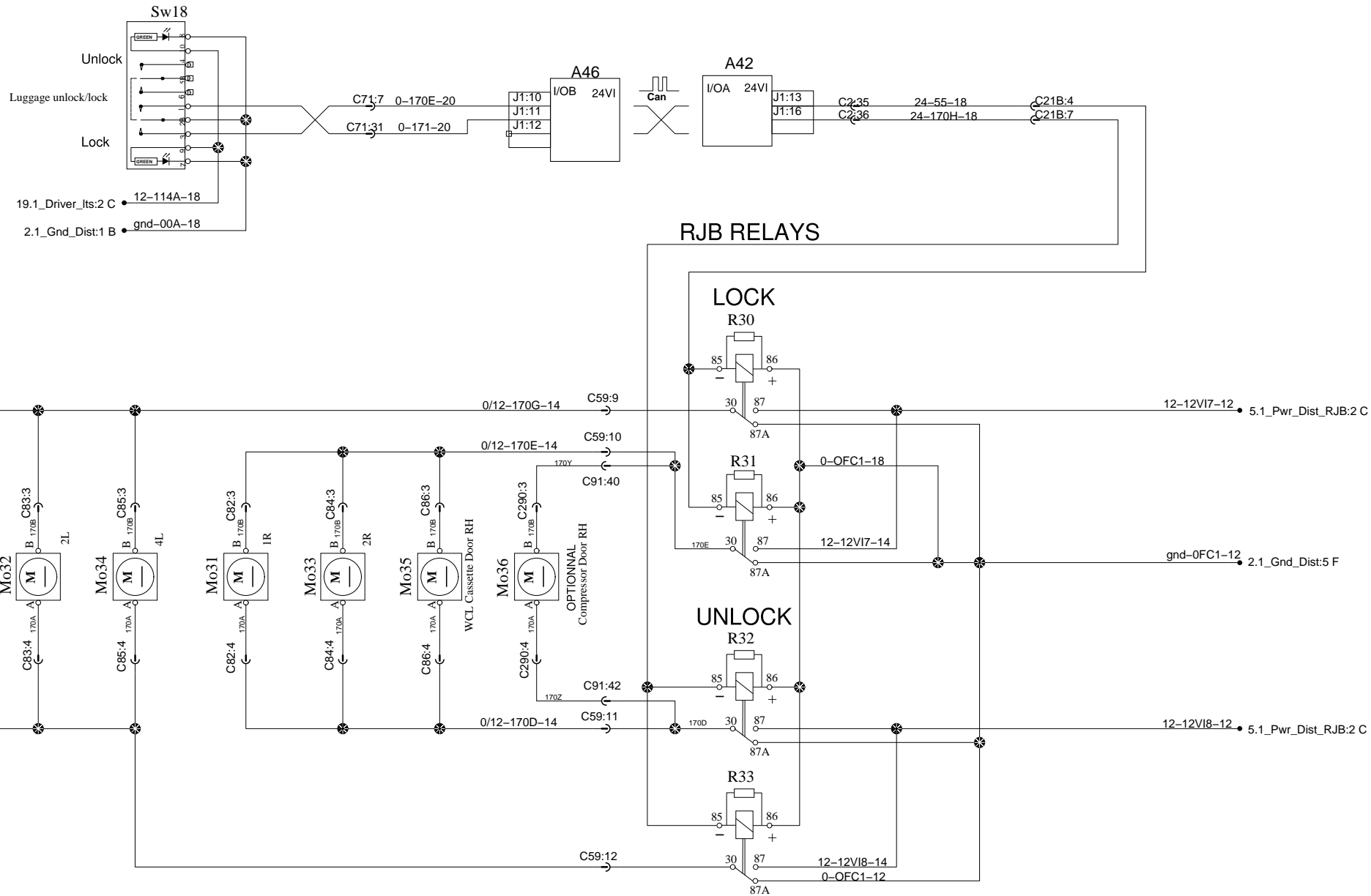
E

E

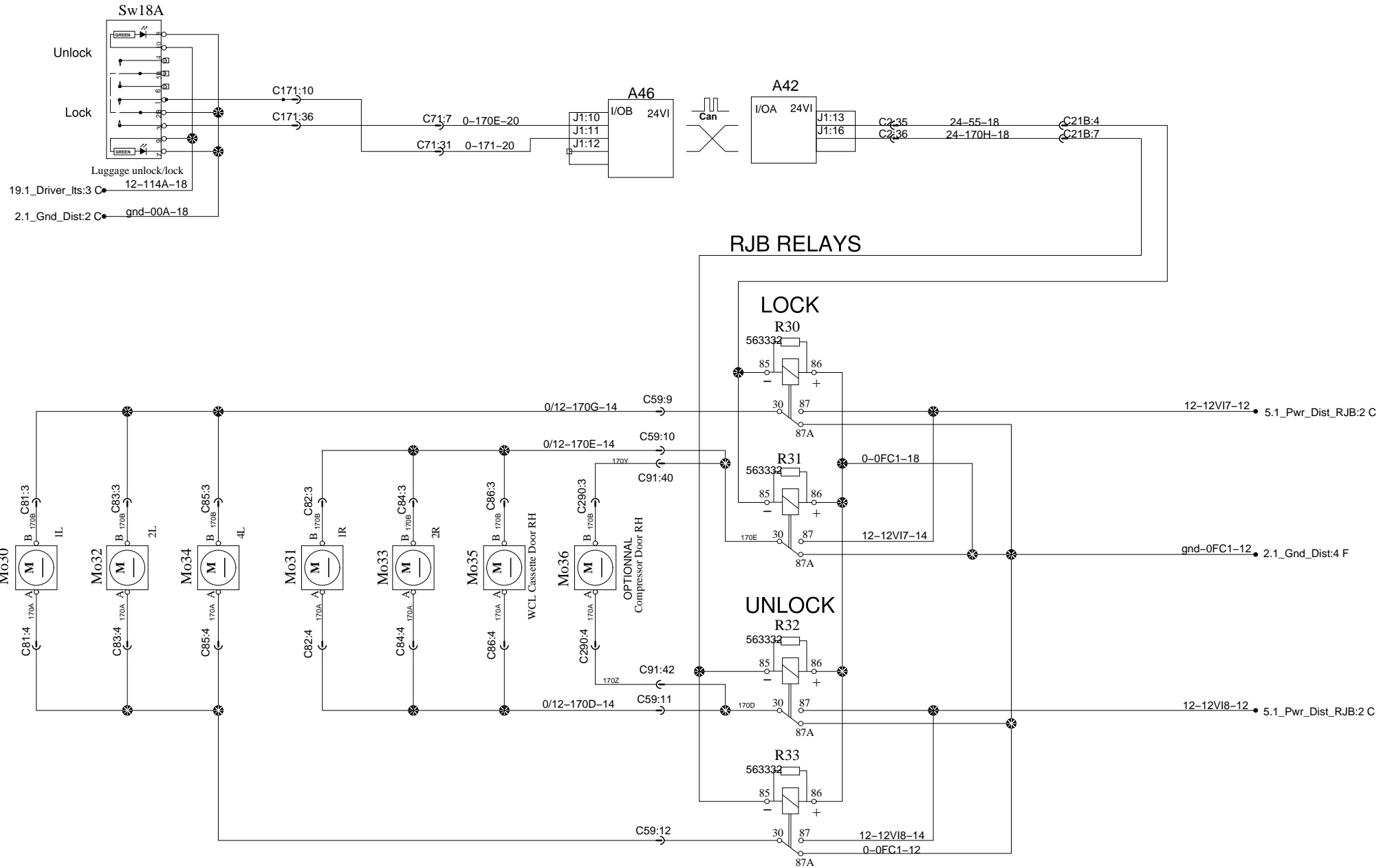




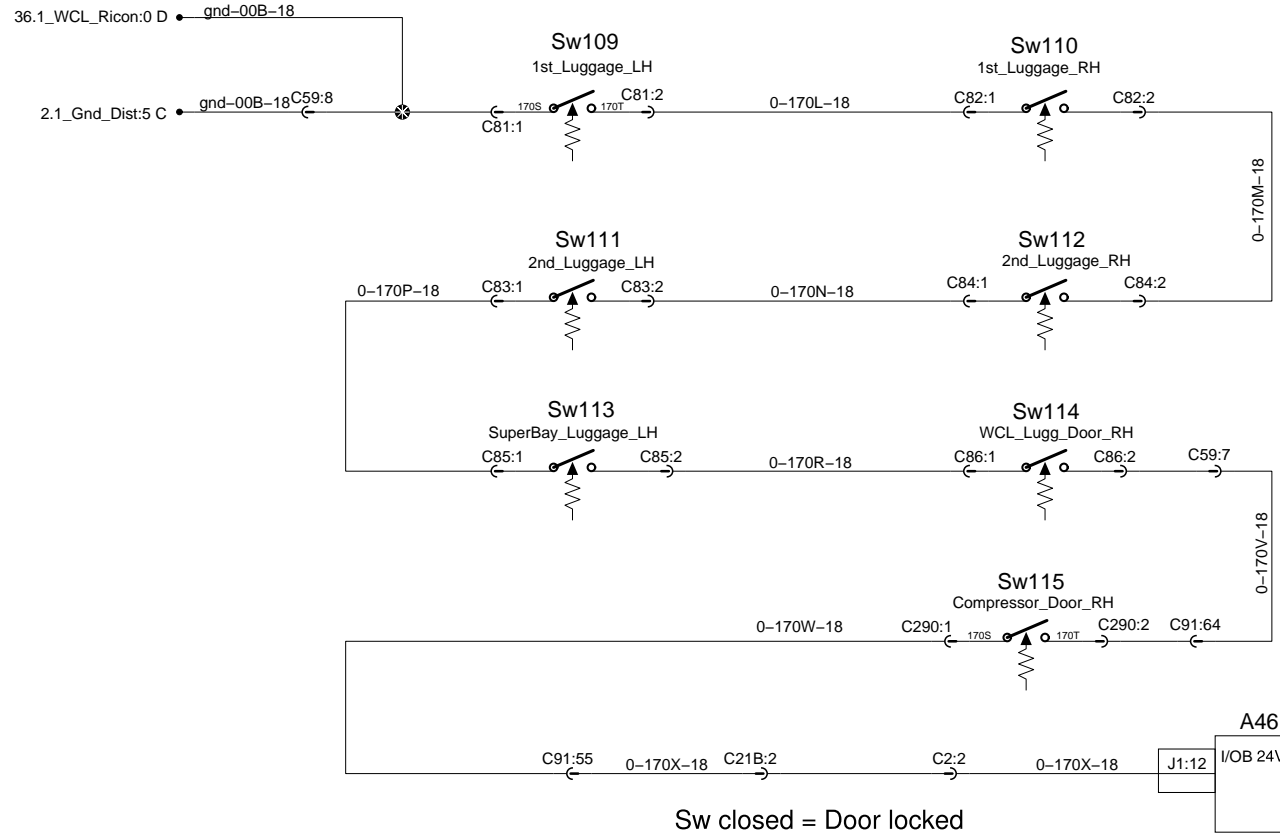
Luggage door Lock/Unlock



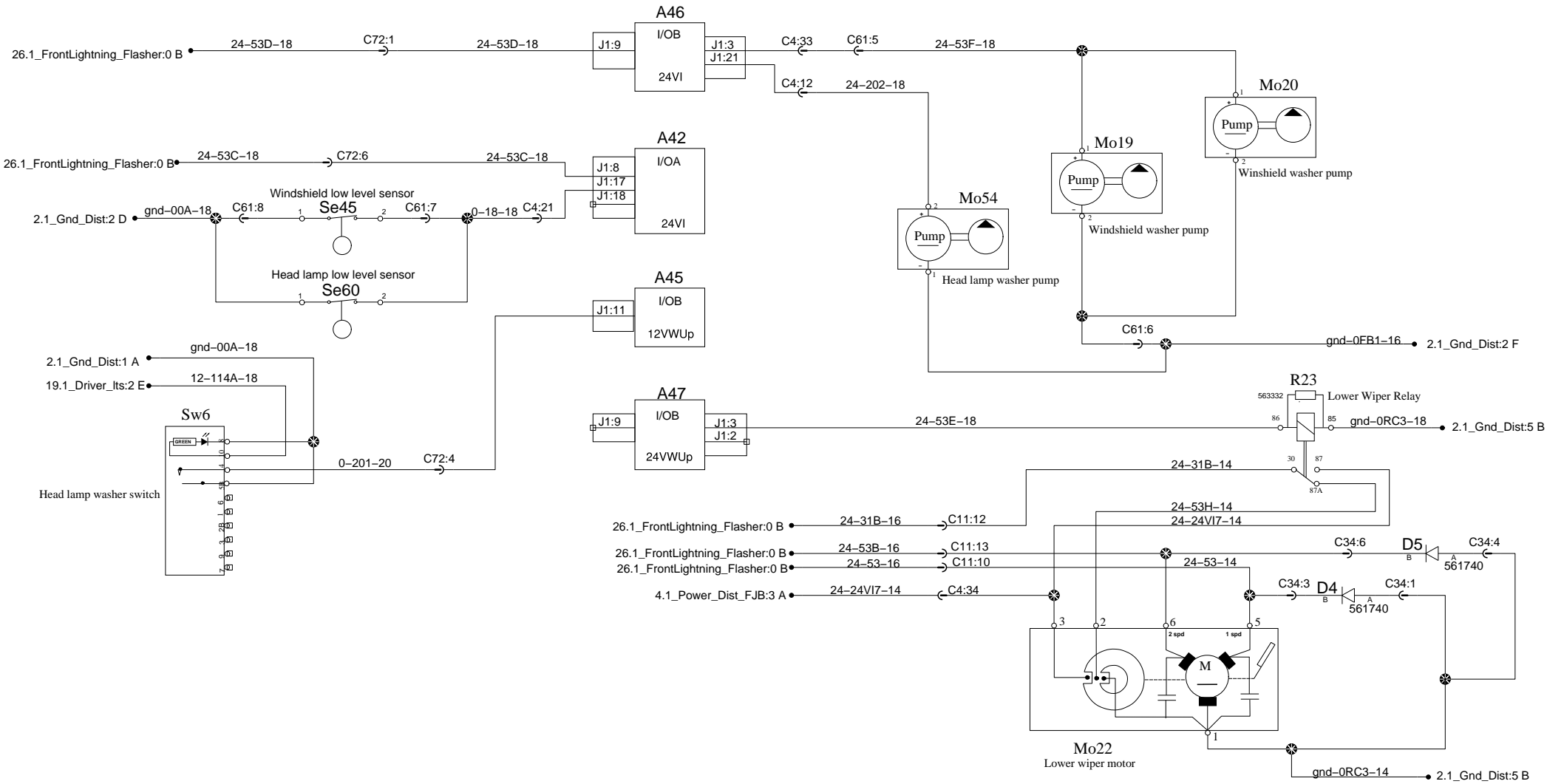
Luggage door Lock/Unlock



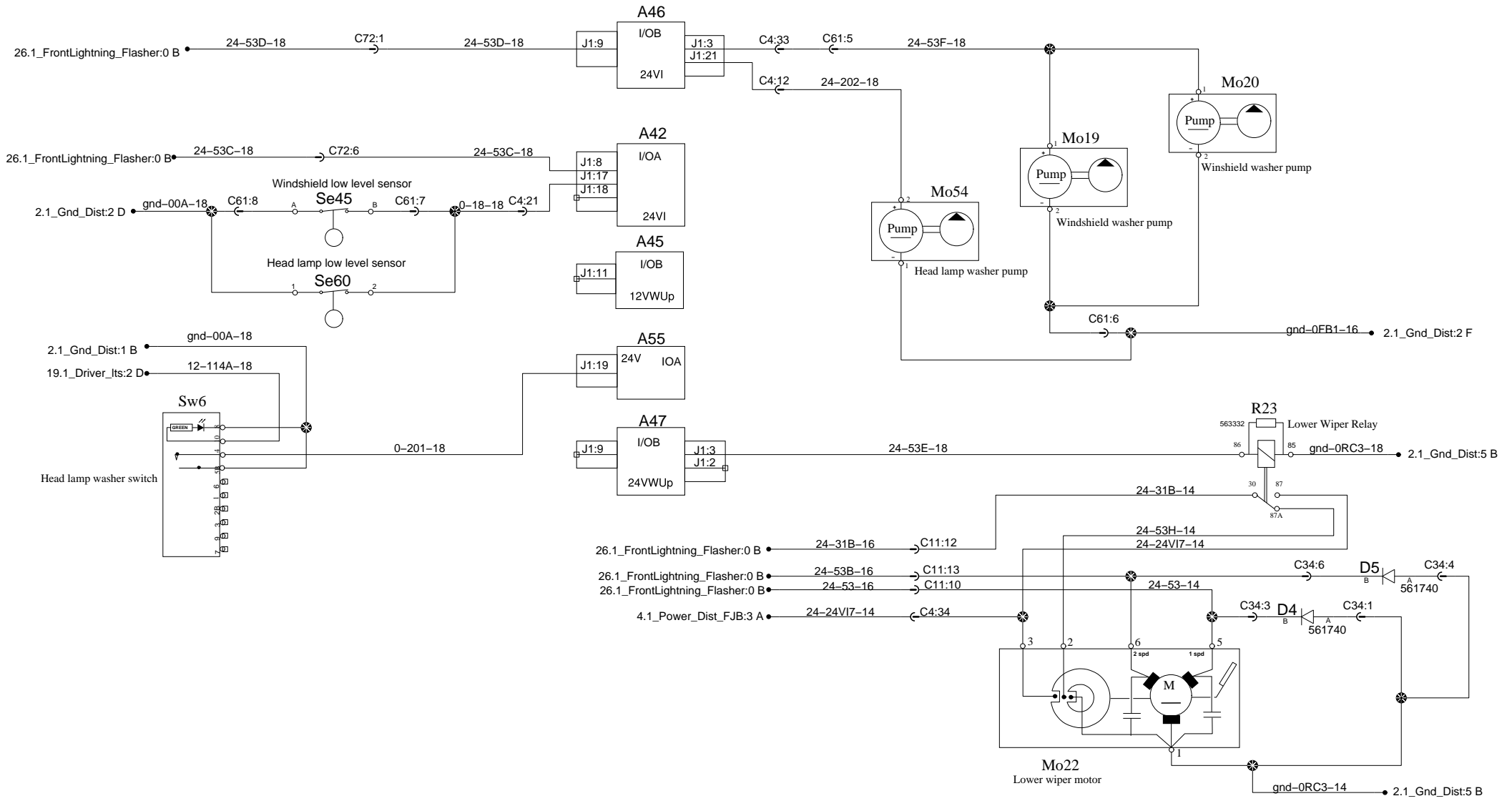
Luggage door lock switches



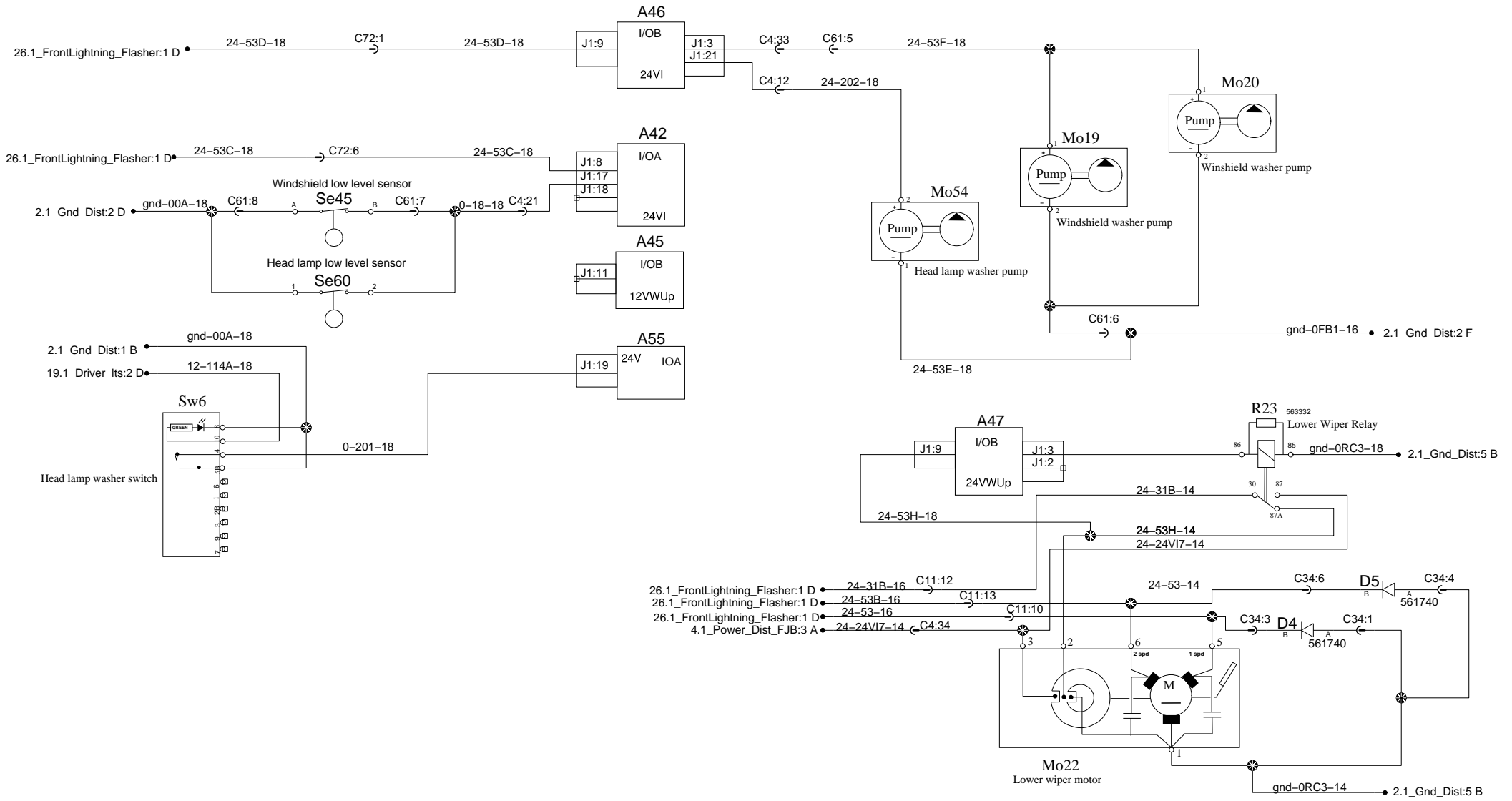
Wiper and washer



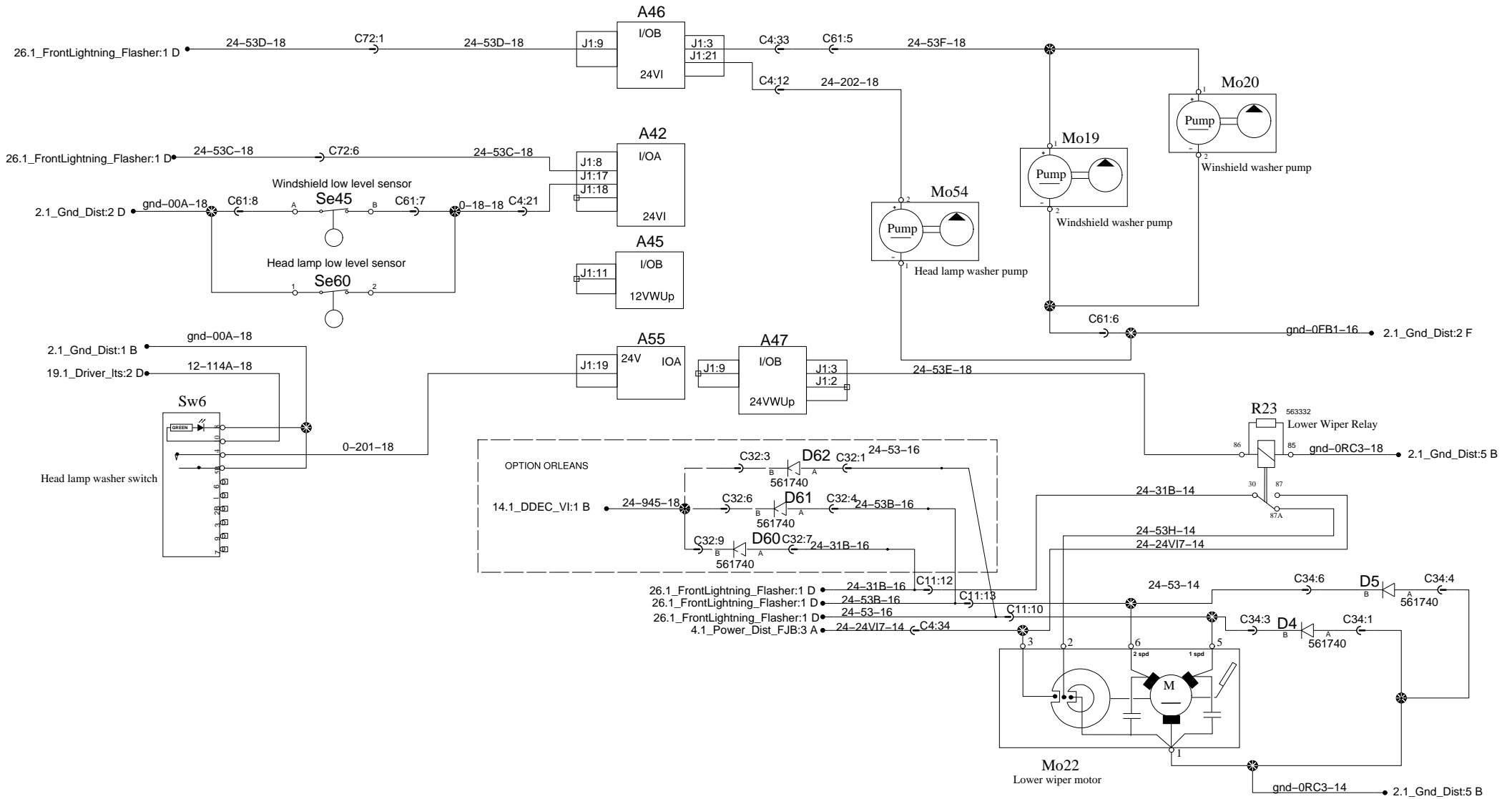
Wiper and washer

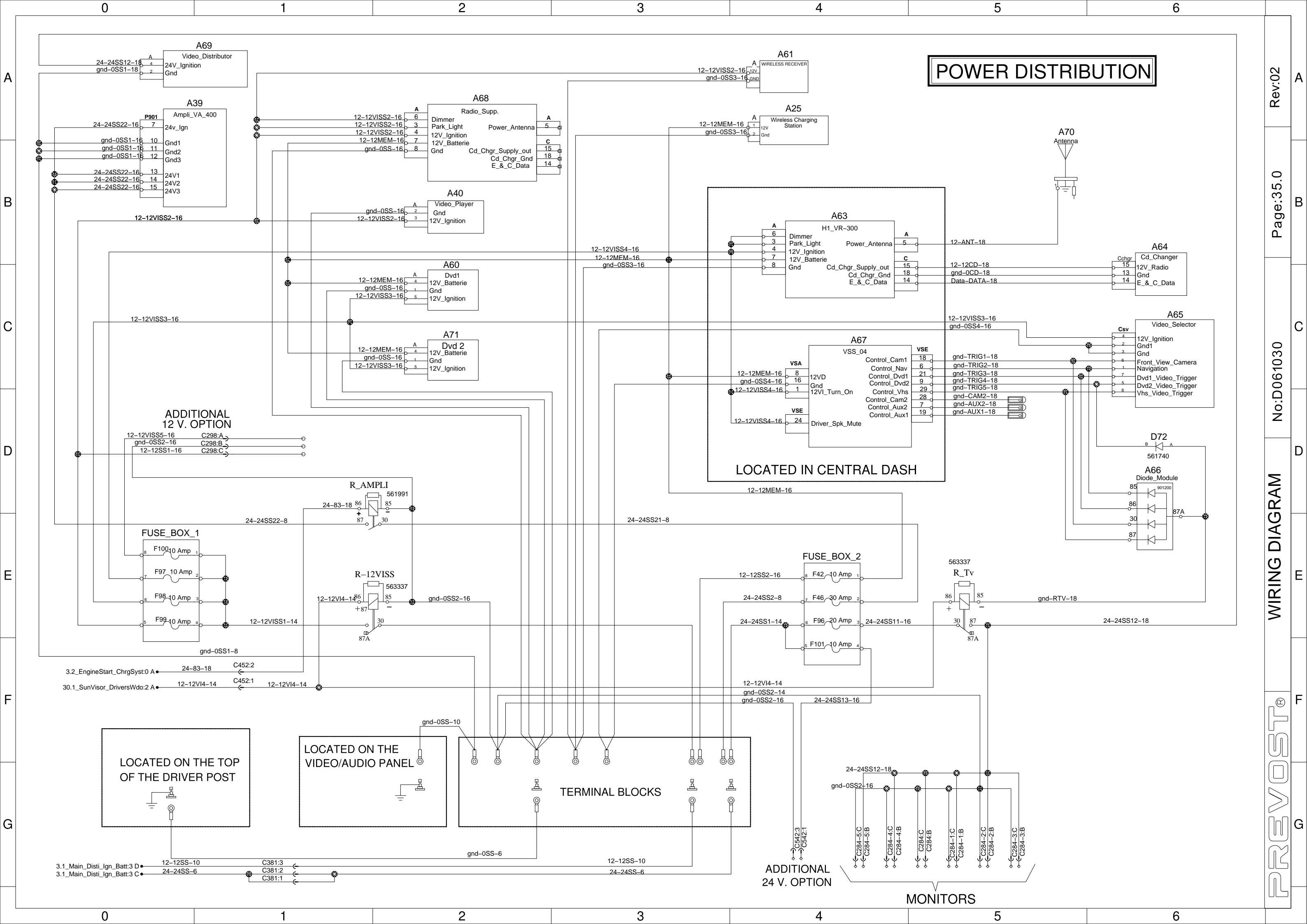


Wiper and washer



Wiper and washer





POWER DISTRIBUTION

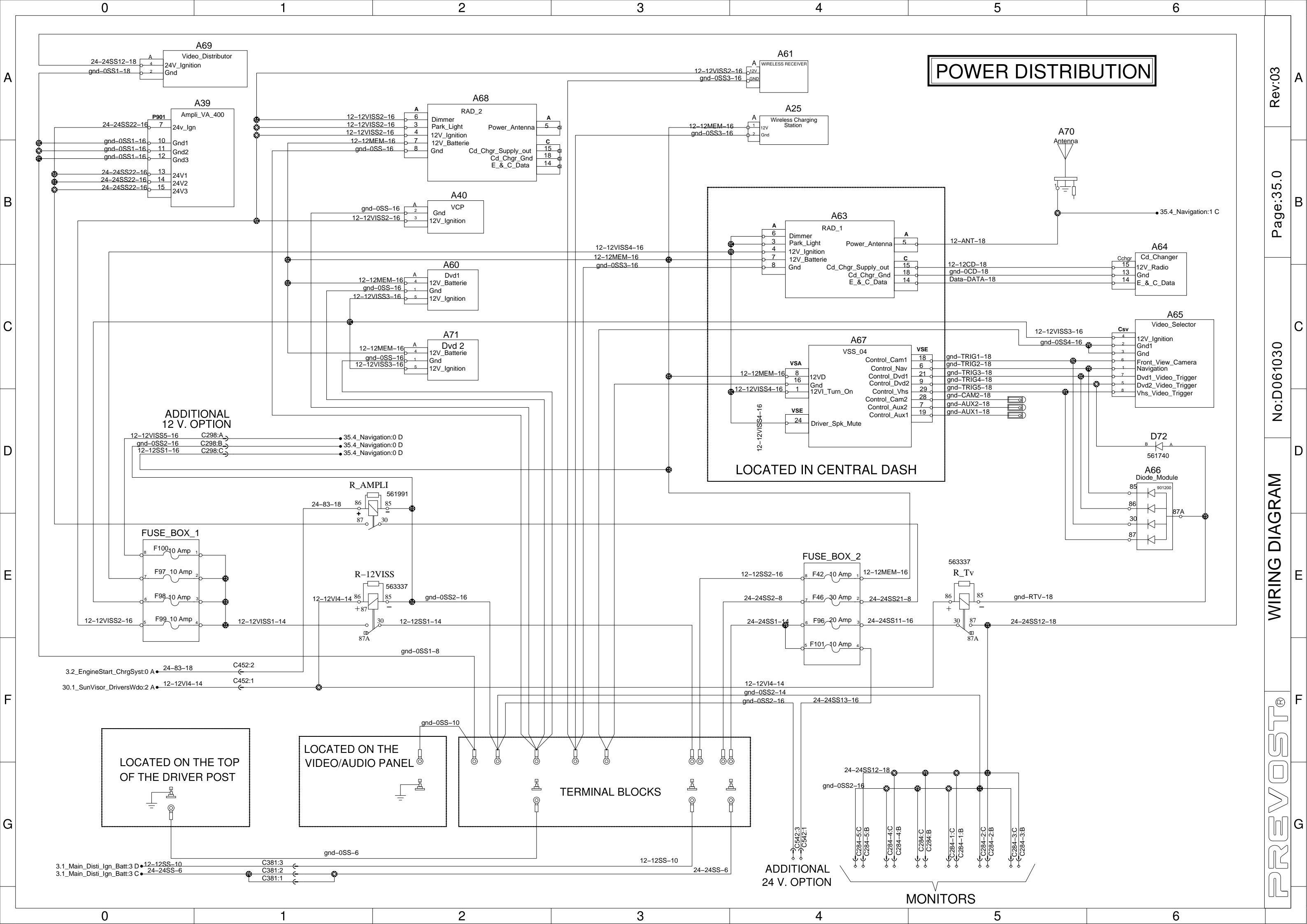
LOCATED IN CENTRAL DASH

LOCATED ON THE VIDEO/AUDIO PANEL

LOCATED ON THE TOP OF THE DRIVER POST

TERMINAL BLOCKS

MONITORS



POWER DISTRIBUTION

LOCATED IN CENTRAL DASH

LOCATED ON THE TOP OF THE DRIVER POST

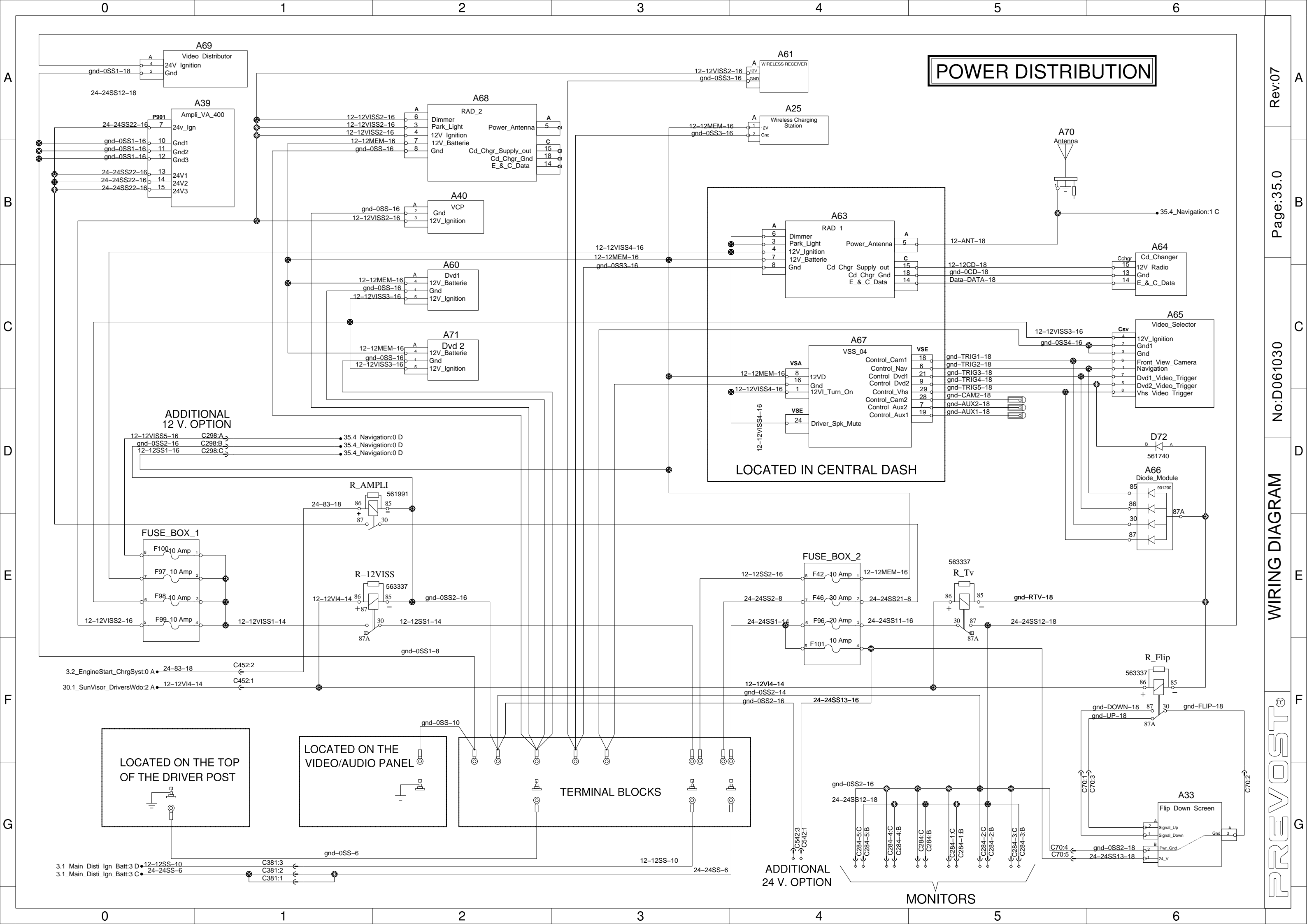
LOCATED ON THE VIDEO/AUDIO PANEL

TERMINAL BLOCKS

MONITORS

ADDITIONAL 12 V. OPTION

ADDITIONAL 24 V. OPTION



POWER DISTRIBUTION

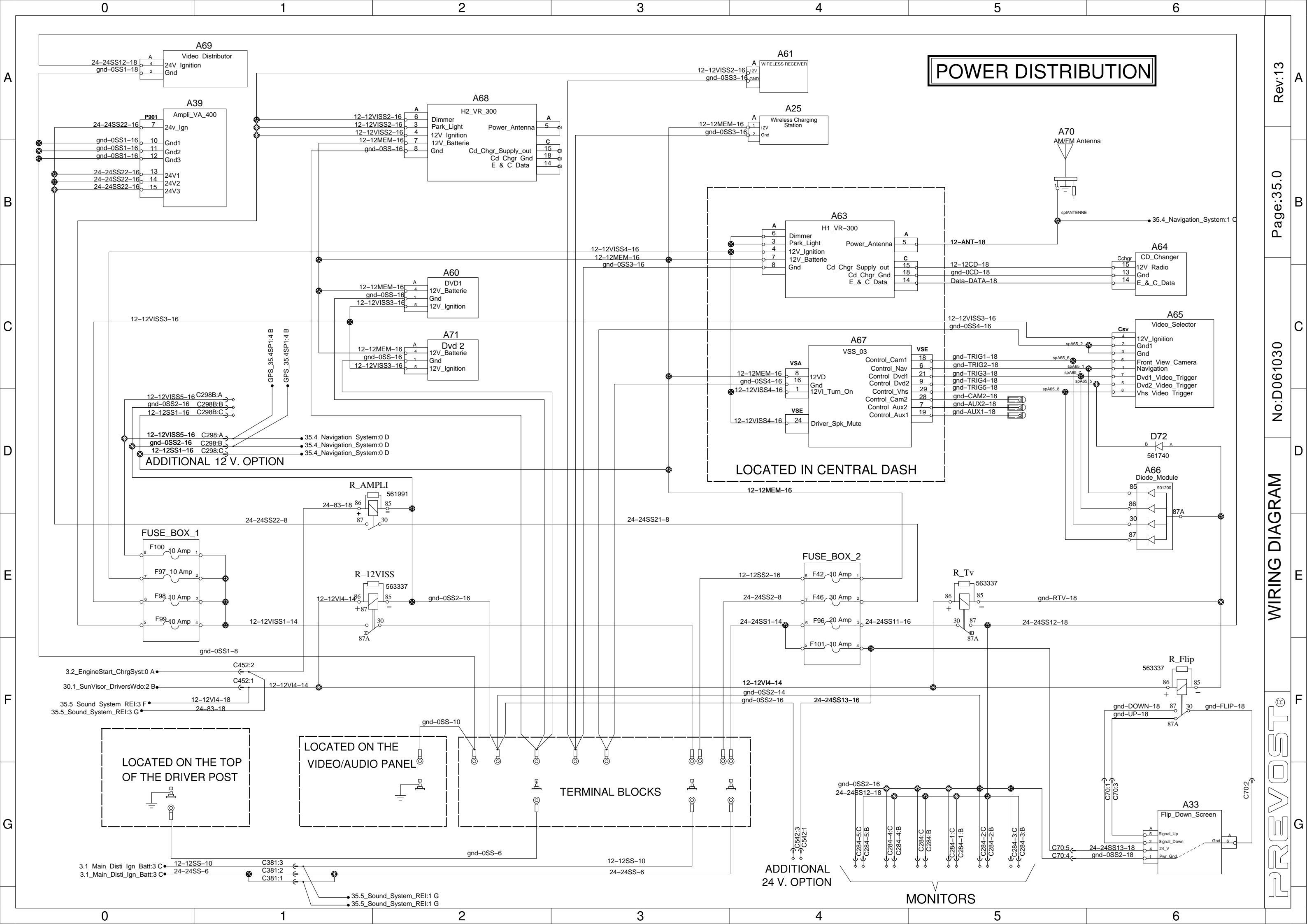
LOCATED IN CENTRAL DASH

LOCATED ON THE VIDEO/AUDIO PANEL

LOCATED ON THE TOP OF THE DRIVER POST

TERMINAL BLOCKS

MONITORS



POWER DISTRIBUTION

LOCATED IN CENTRAL DASH

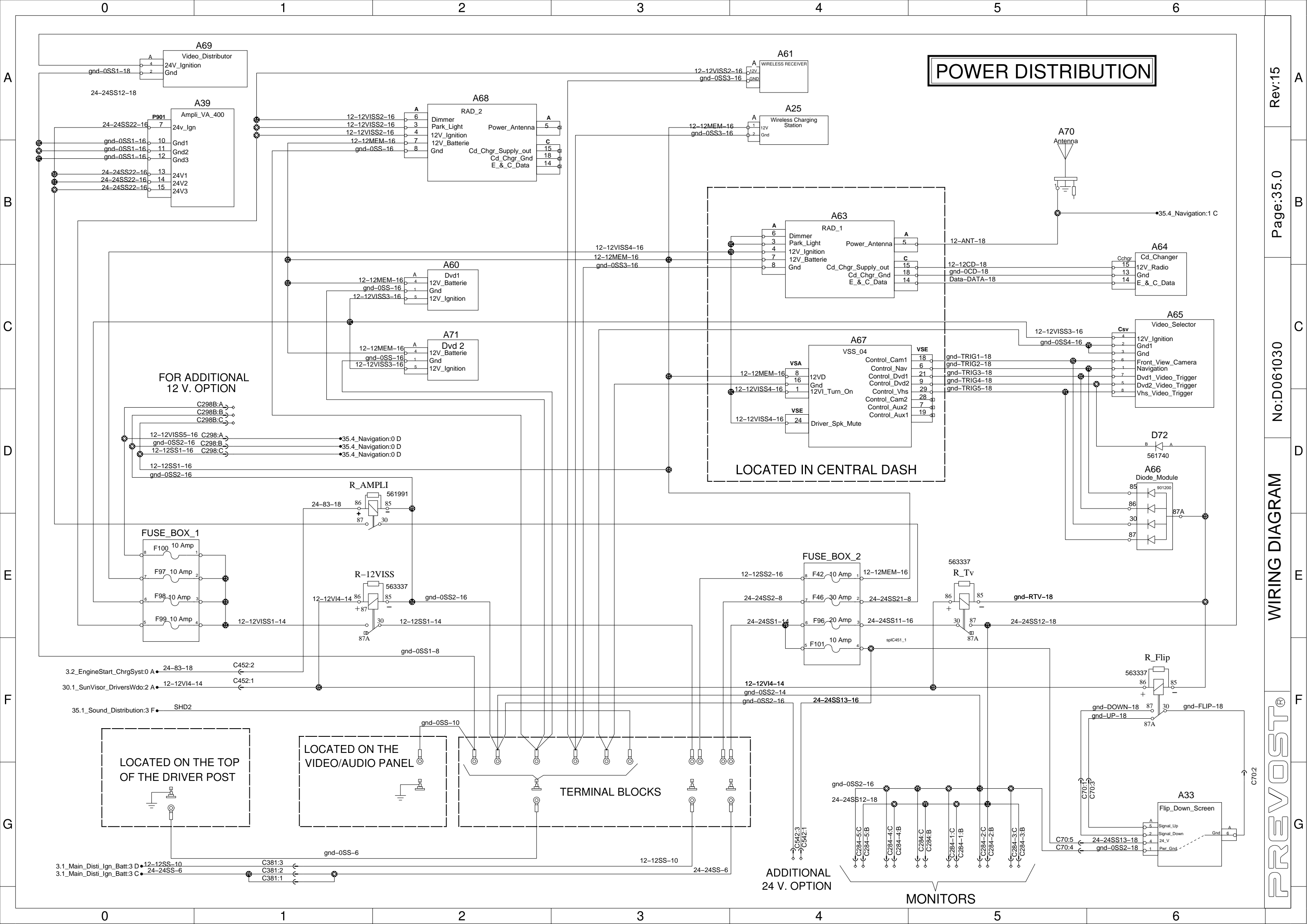
LOCATED ON THE VIDEO/AUDIO PANEL

LOCATED ON THE TOP OF THE DRIVER POST

ADDITIONAL 24 V. OPTION

MONITORS

ADDITIONAL 12 V. OPTION



POWER DISTRIBUTION

LOCATED IN CENTRAL DASH

FOR ADDITIONAL 12 V. OPTION

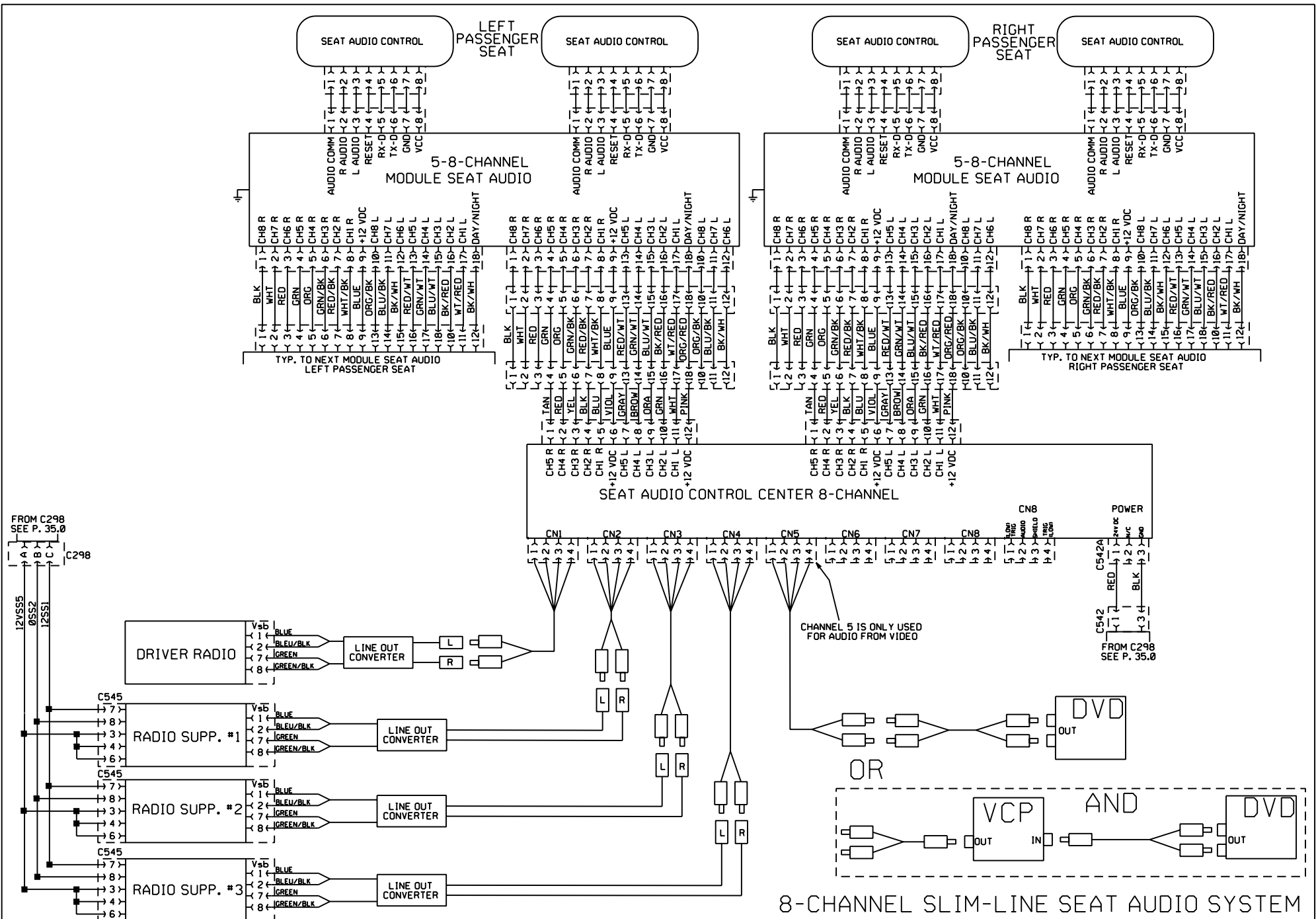
LOCATED ON THE VIDEO/AUDIO PANEL

LOCATED ON THE TOP OF THE DRIVER POST

TERMINAL BLOCKS

ADDITIONAL 24 V. OPTION

MONITORS



FROM C298
SEE P. 35.0

C298

12VSS5
Ø552
12SS1

C545

C545

C545

DRIVER RADIO

RADIO SUPP. #1

RADIO SUPP. #2

RADIO SUPP. #3

LINE OUT CONVERTER

LINE OUT CONVERTER

LINE OUT CONVERTER

LINE OUT CONVERTER

SEAT AUDIO CONTROL CENTER 8-CHANNEL

CH1R CH1L
CH2R CH2L
CH3R CH3L
CH4R CH4L
CH5R CH5L
CH6R CH6L
CH7R CH7L
CH8R CH8L
+12 VDC

CHANNEL 5 IS ONLY USED FOR AUDIO FROM VIDEO

CN1 CN2 CN3 CN4 CN5 CN6 CN7 CN8

POWER

C542 C542A

FROM C298 SEE P. 35.0

DVD

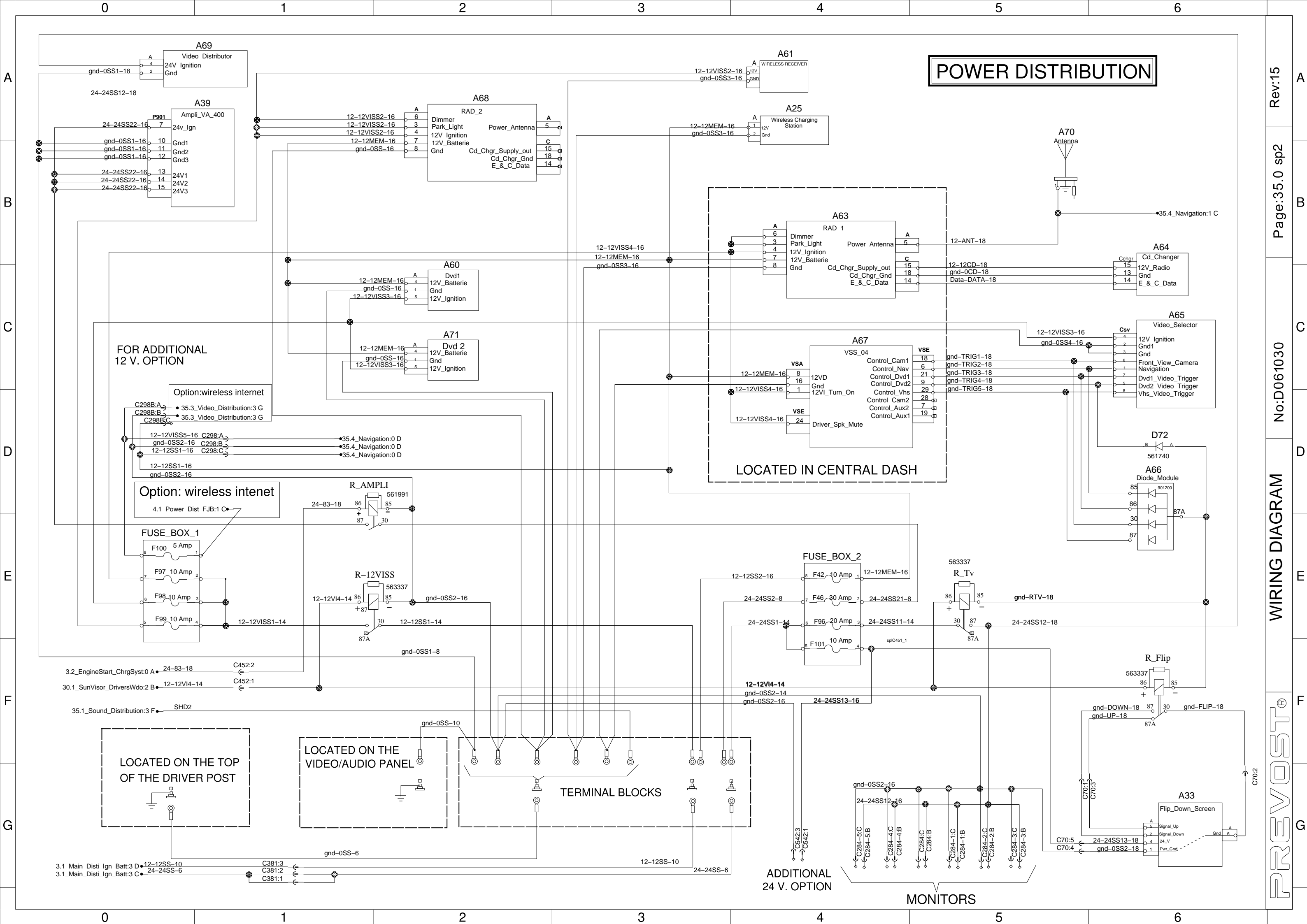
OUT

OR

VCP AND DVD

OUT IN OUT

8-CHANNEL SLIM-LINE SEAT AUDIO SYSTEM



POWER DISTRIBUTION

LOCATED IN CENTRAL DASH

FOR ADDITIONAL 12 V. OPTION

Option: wireless internet

Option: wireless internet
4.1_Power_Dist_FJB:1 C

LOCATED ON THE VIDEO/AUDIO PANEL

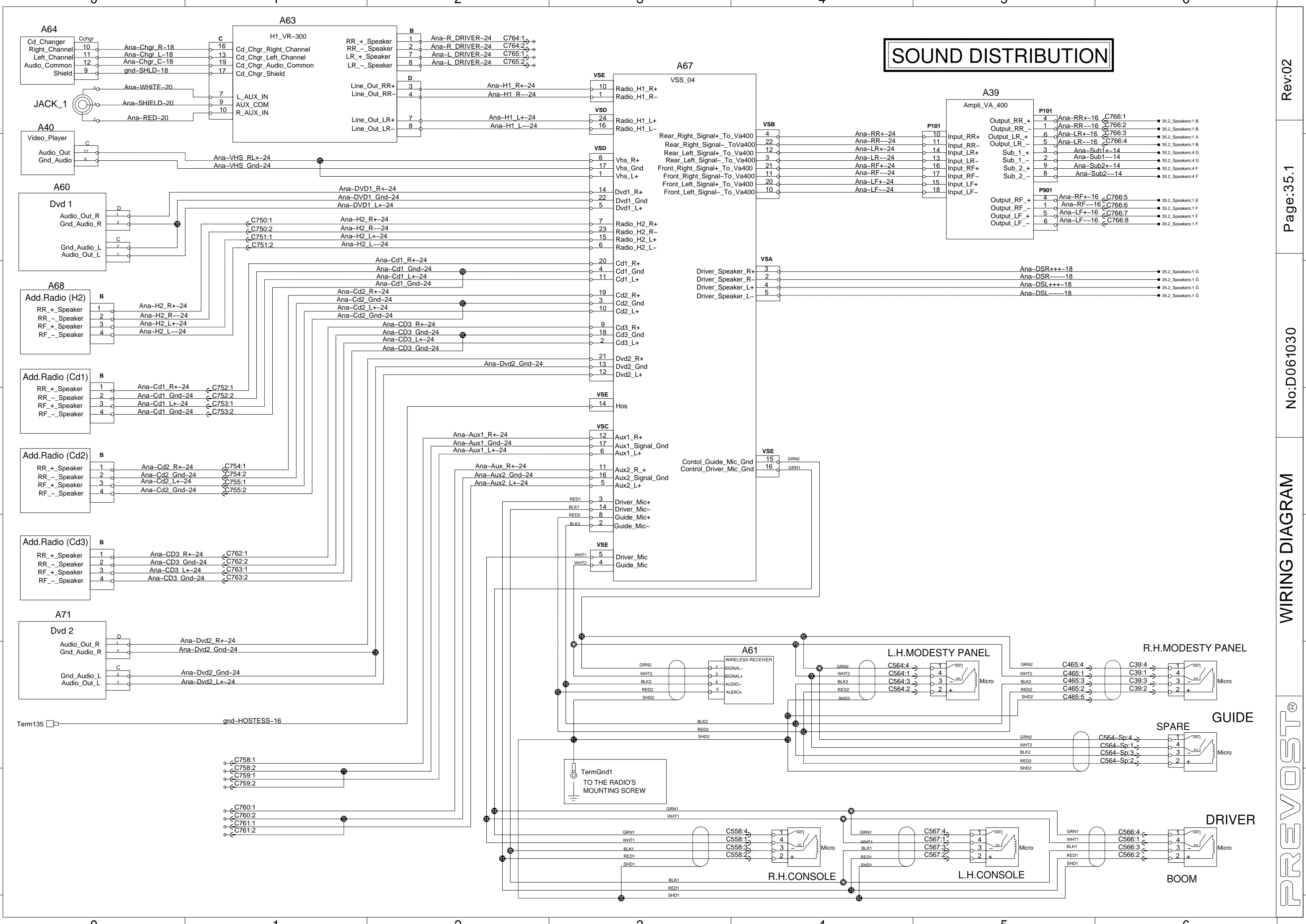
LOCATED ON THE TOP OF THE DRIVER POST

TERMINAL BLOCKS

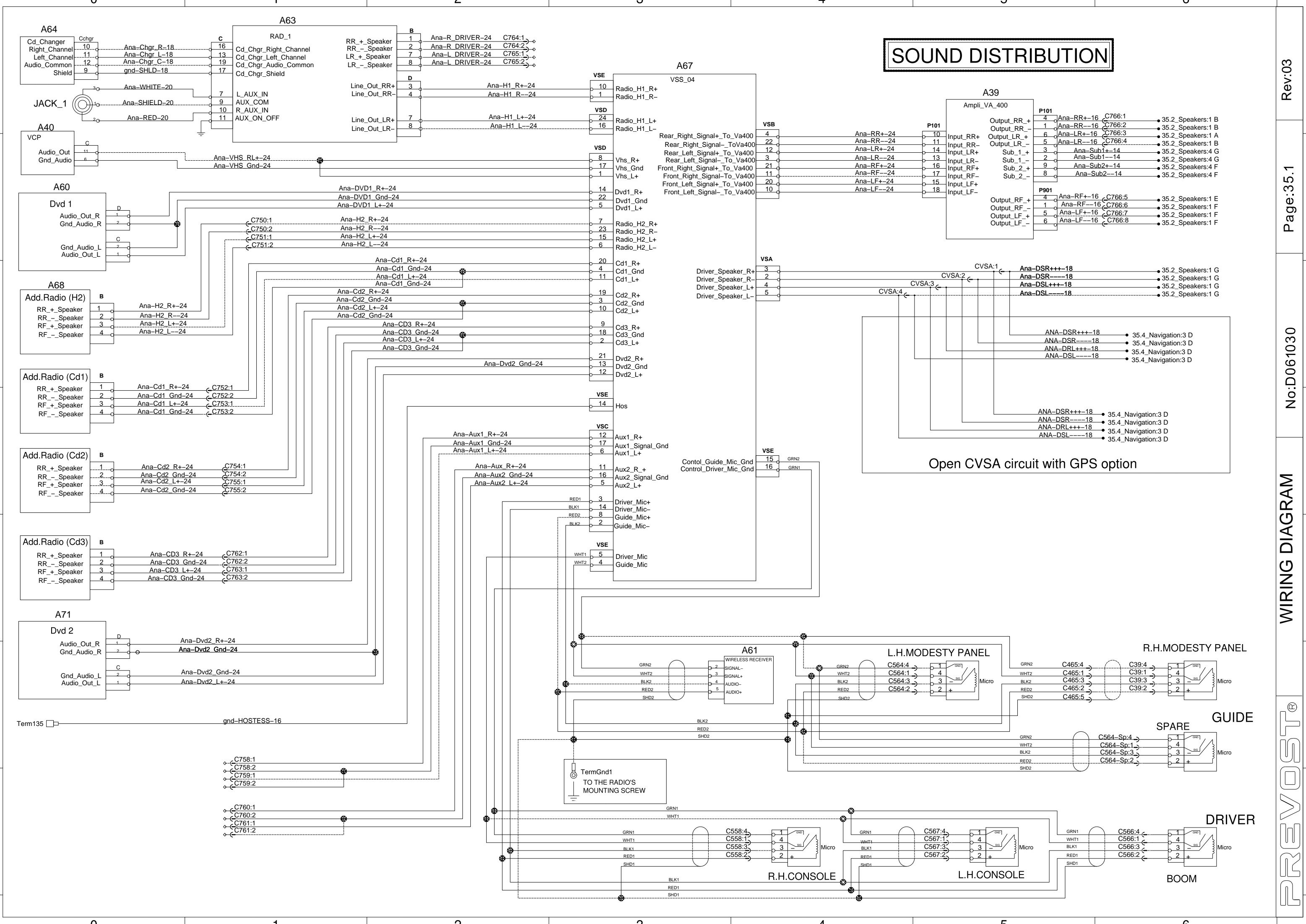
MONITORS

ADDITIONAL 24 V. OPTION

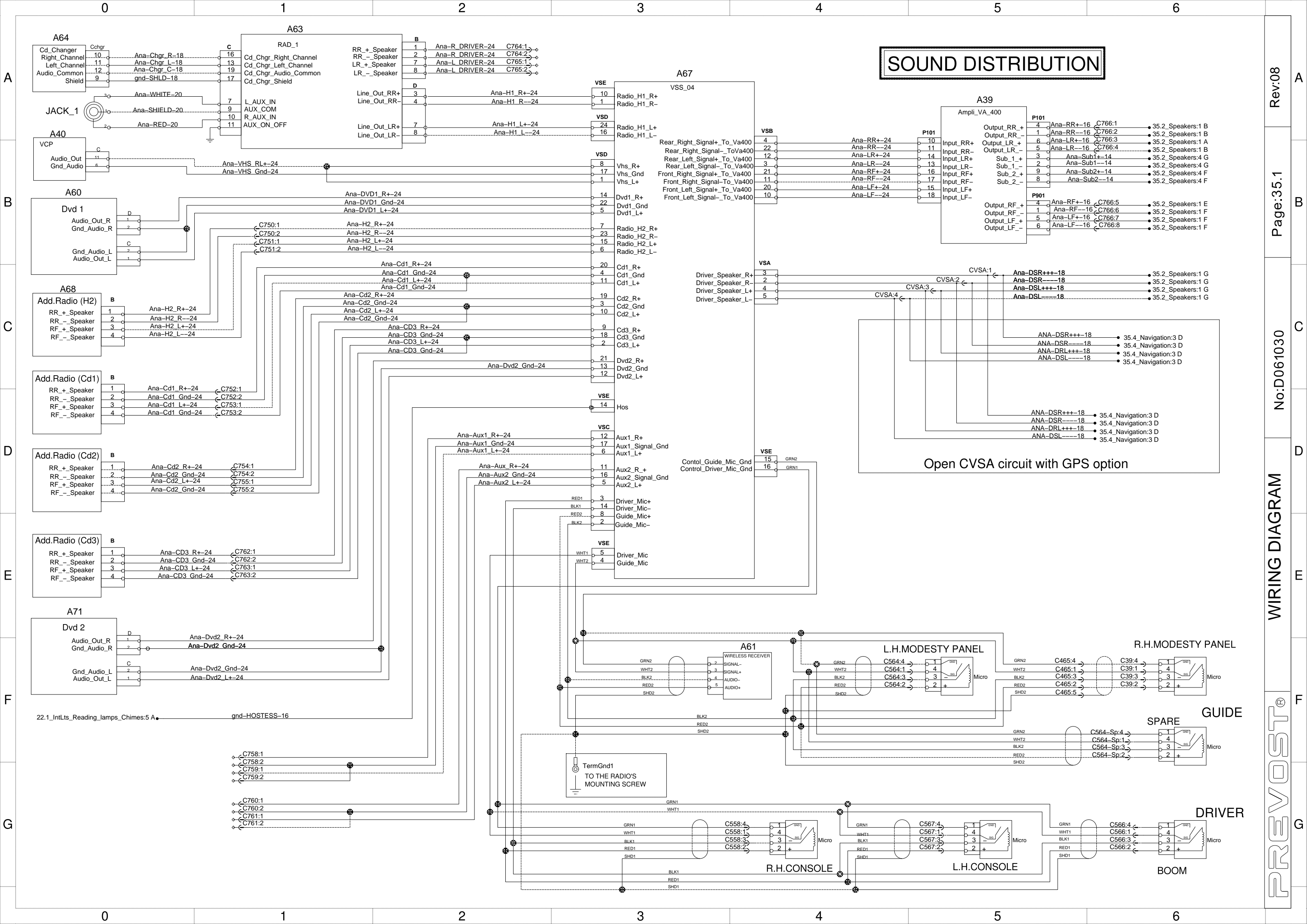
SOUND DISTRIBUTION



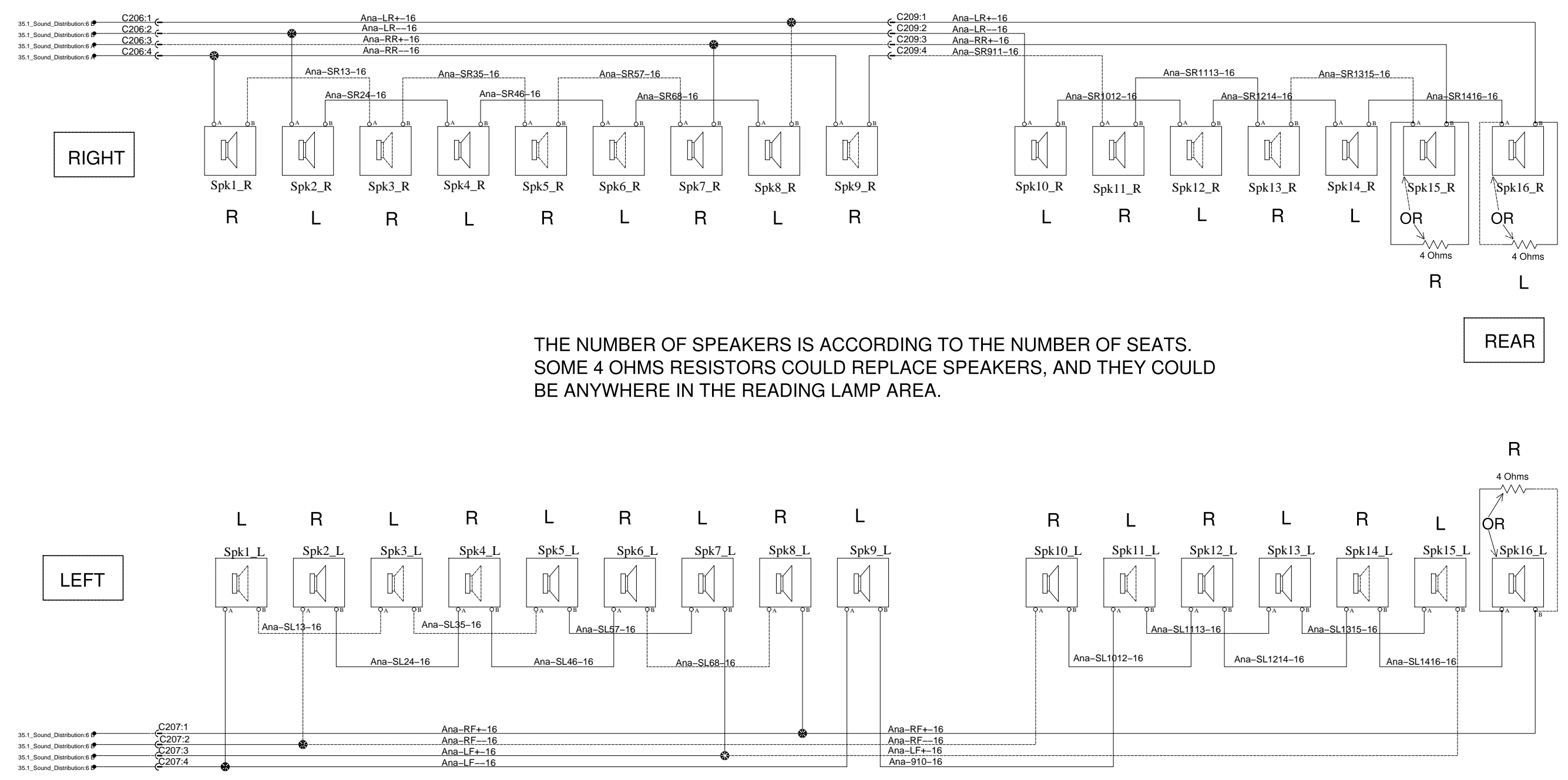
SOUND DISTRIBUTION



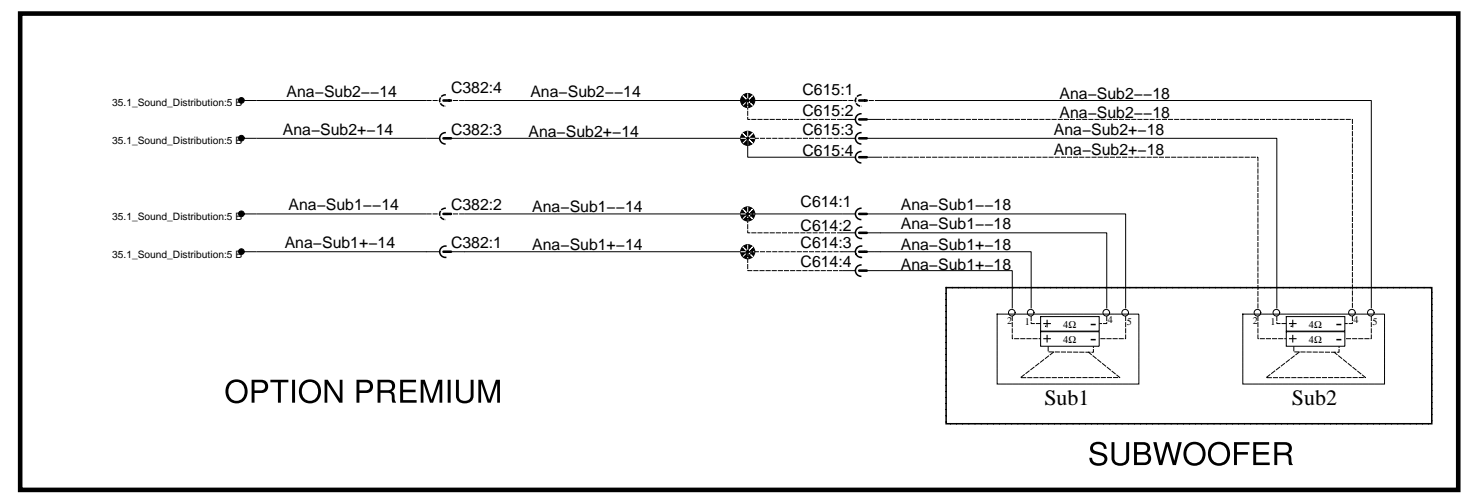
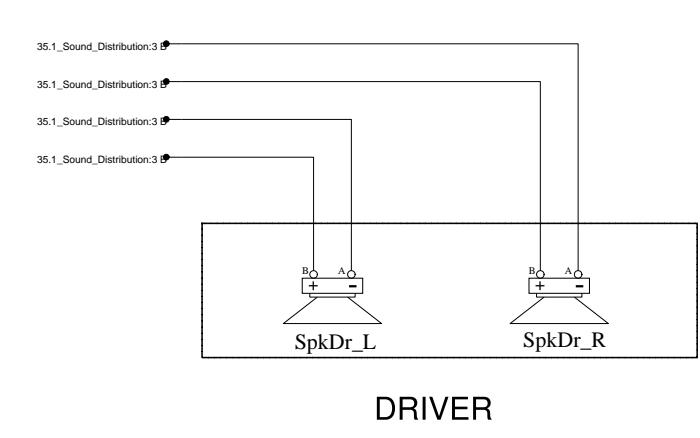
SOUND DISTRIBUTION



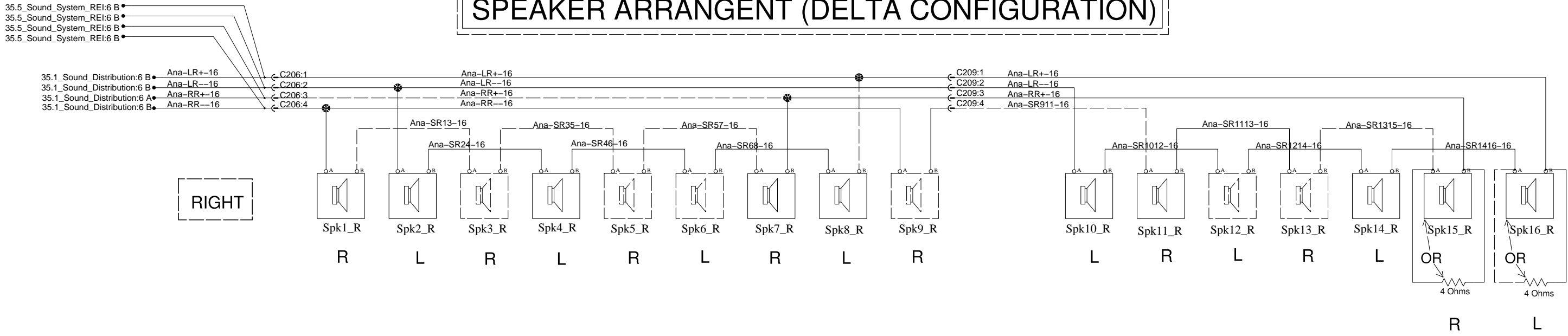
SPEAKERS ARRANGENT (DELTA CONFIGURATION)



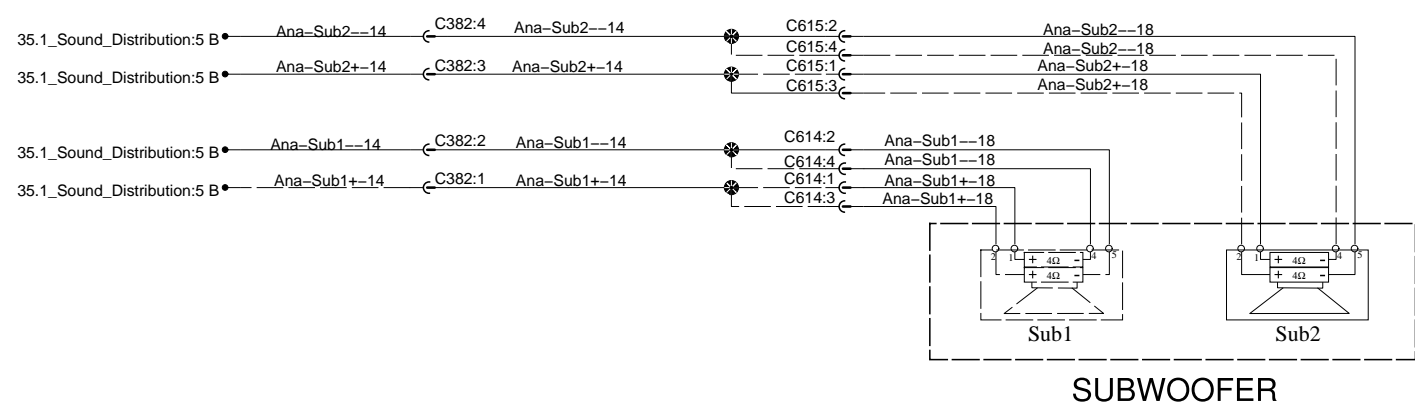
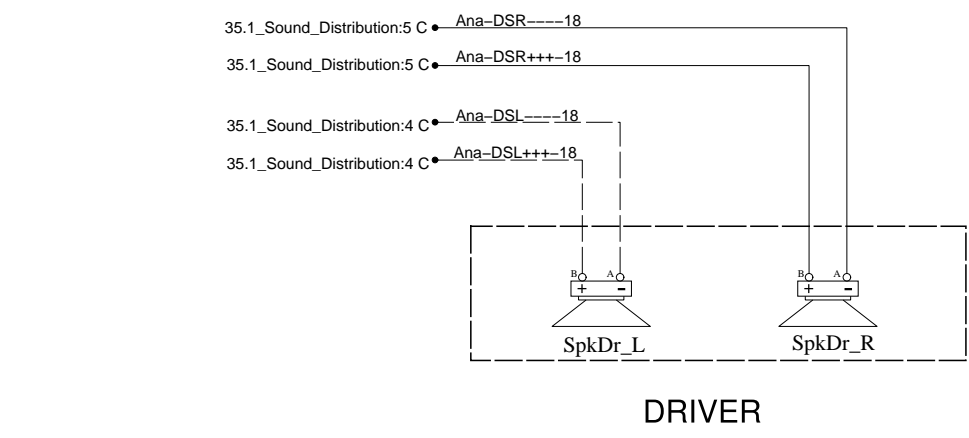
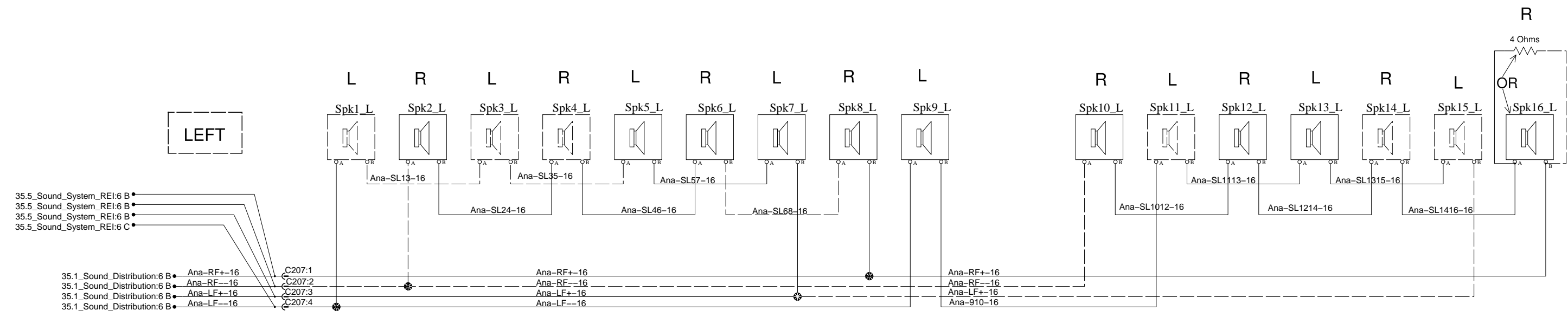
THE NUMBER OF SPEAKERS IS ACCORDING TO THE NUMBER OF SEATS.
SOME 4 OHMS RESISTORS COULD REPLACE SPEAKERS, AND THEY COULD BE ANYWHERE IN THE READING LAMP AREA.



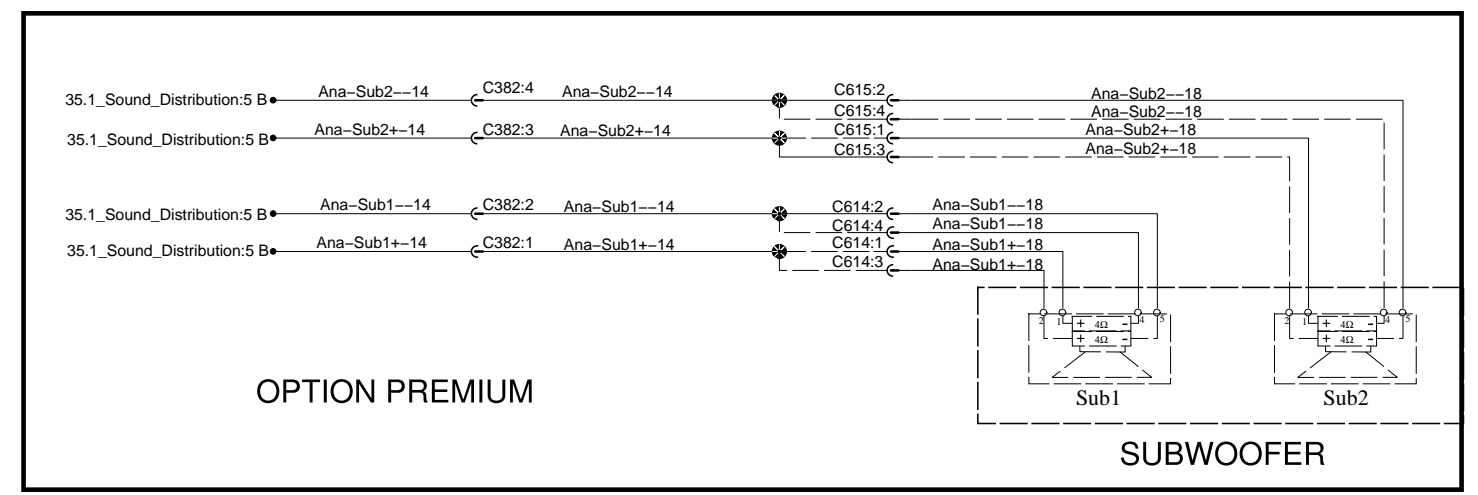
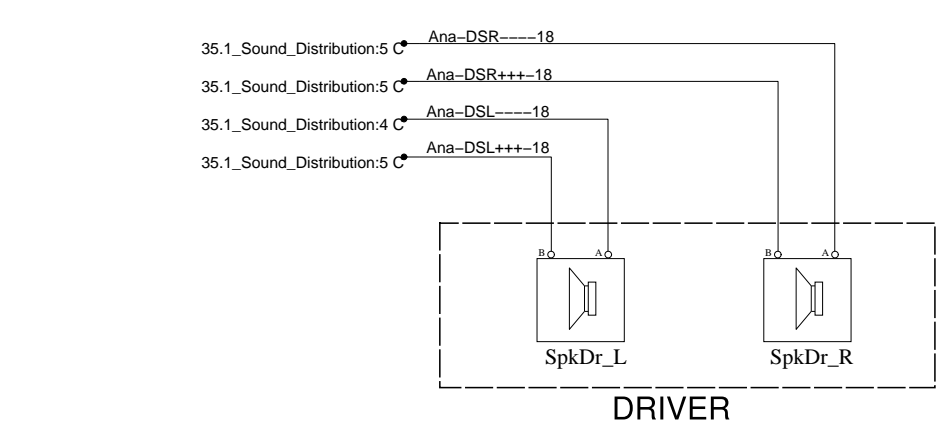
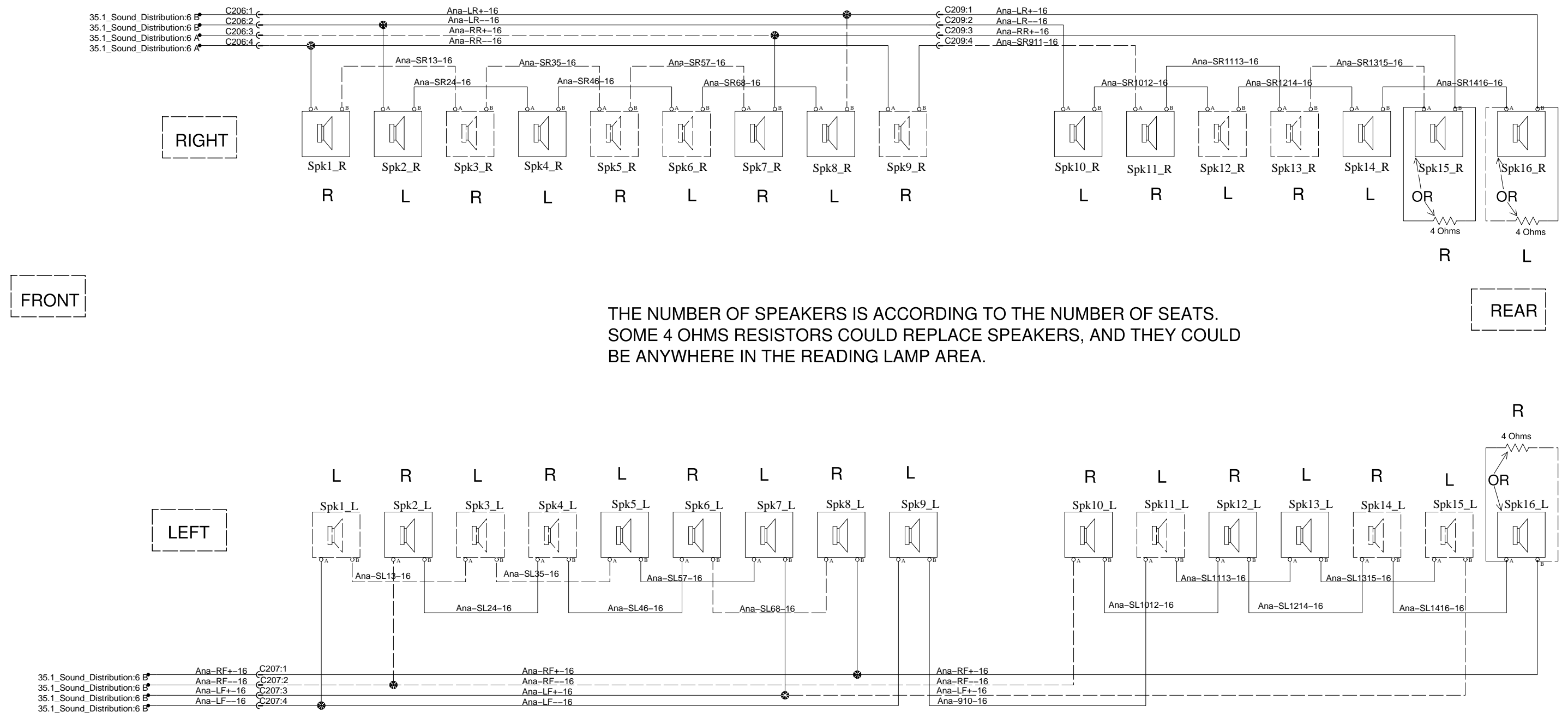
SPEAKER ARRANGENT (DELTA CONFIGURATION)



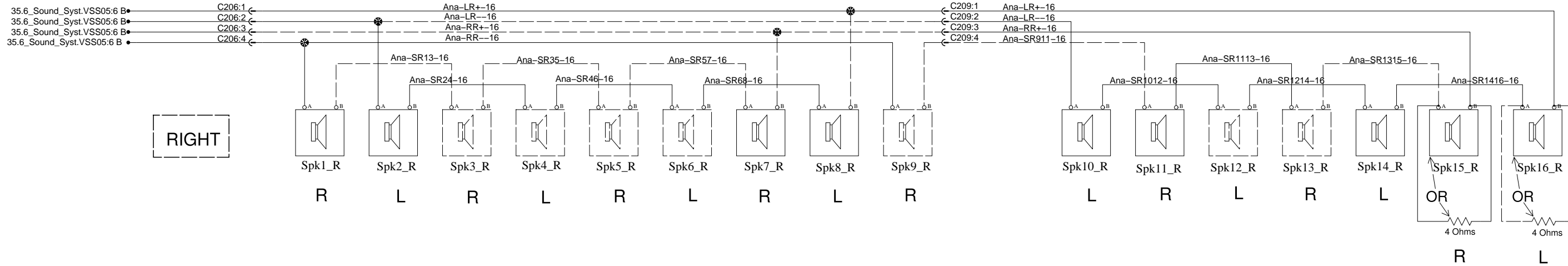
THE NUMBER OF SPEAKERS IS ACCORDING TO THE NUMBER OF SEATS.
SOME 4 OHMS RESISTORS COULD REPLACE SPEAKERS, AND THEY COULD BE ANYWHERE IN THE READING LAMP AREA.



SPEAKERS ARRANGENT (DELTA CONFIGURATION)



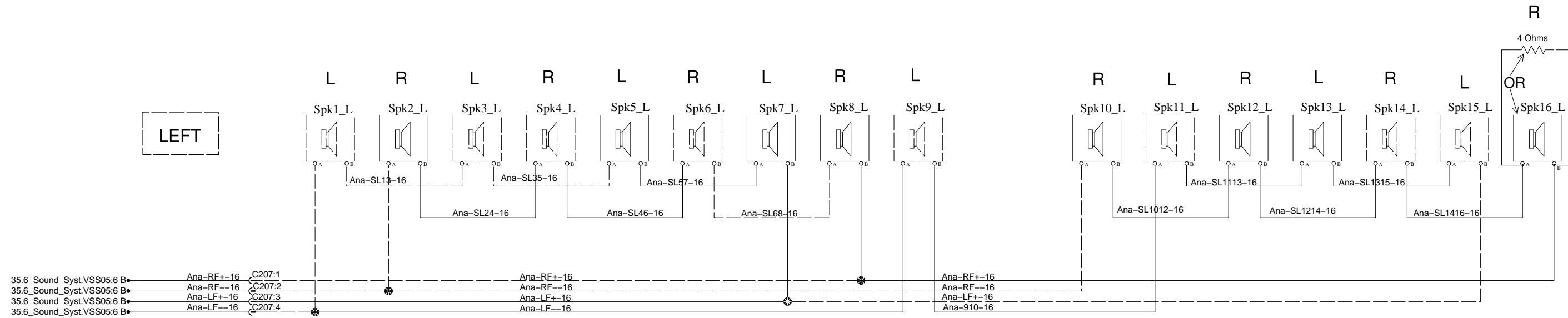
SPEAKERS ARRANGENT (DELTA CONFIGURATION)



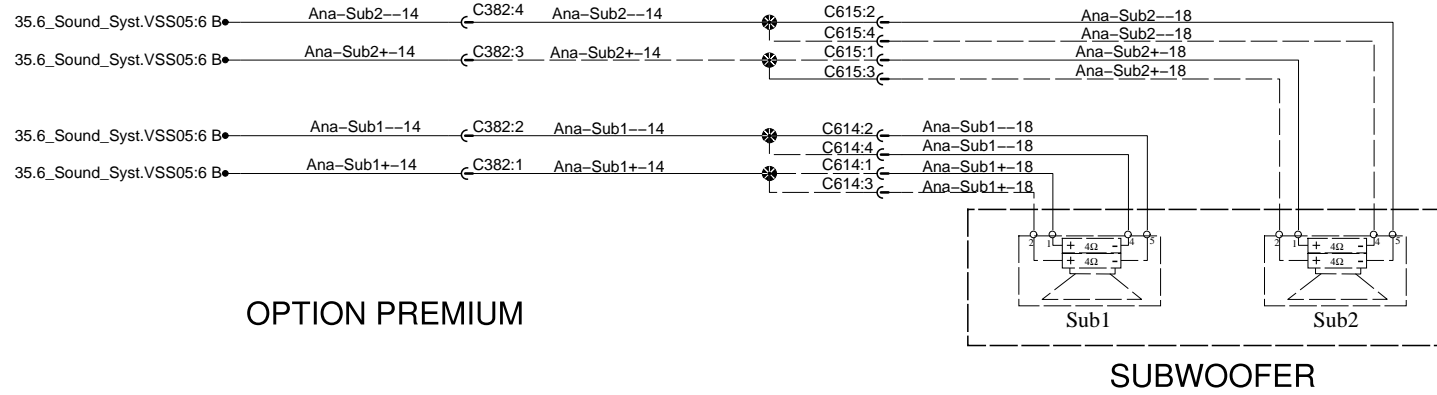
FRONT

THE NUMBER OF SPEAKERS IS ACCORDING TO THE NUMBER OF SEATS.
SOME 4 OHMS RESISTORS COULD REPLACE SPEAKERS, AND THEY COULD
BE ANYWHERE IN THE READING LAMP AREA.

REAR

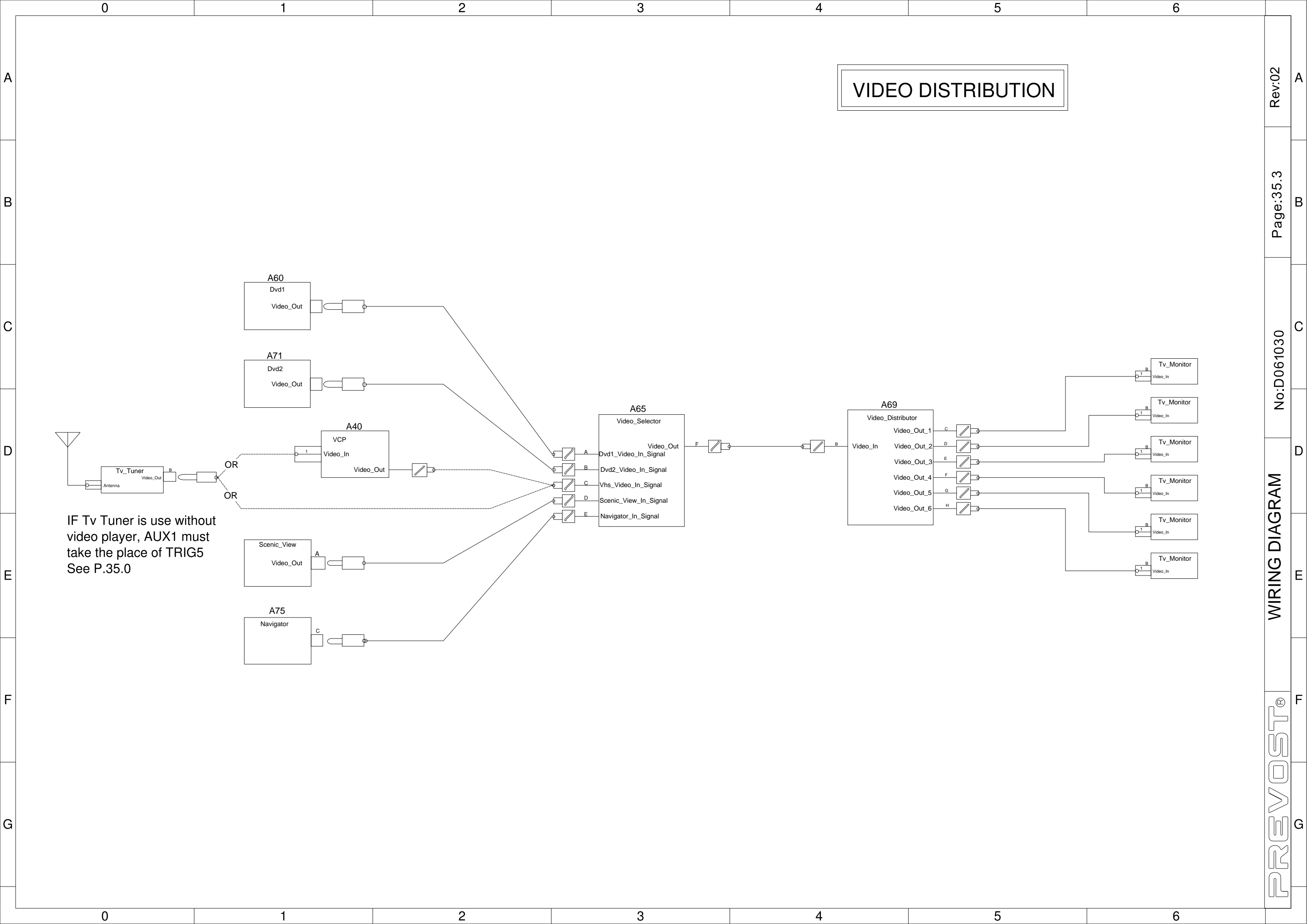


LEFT



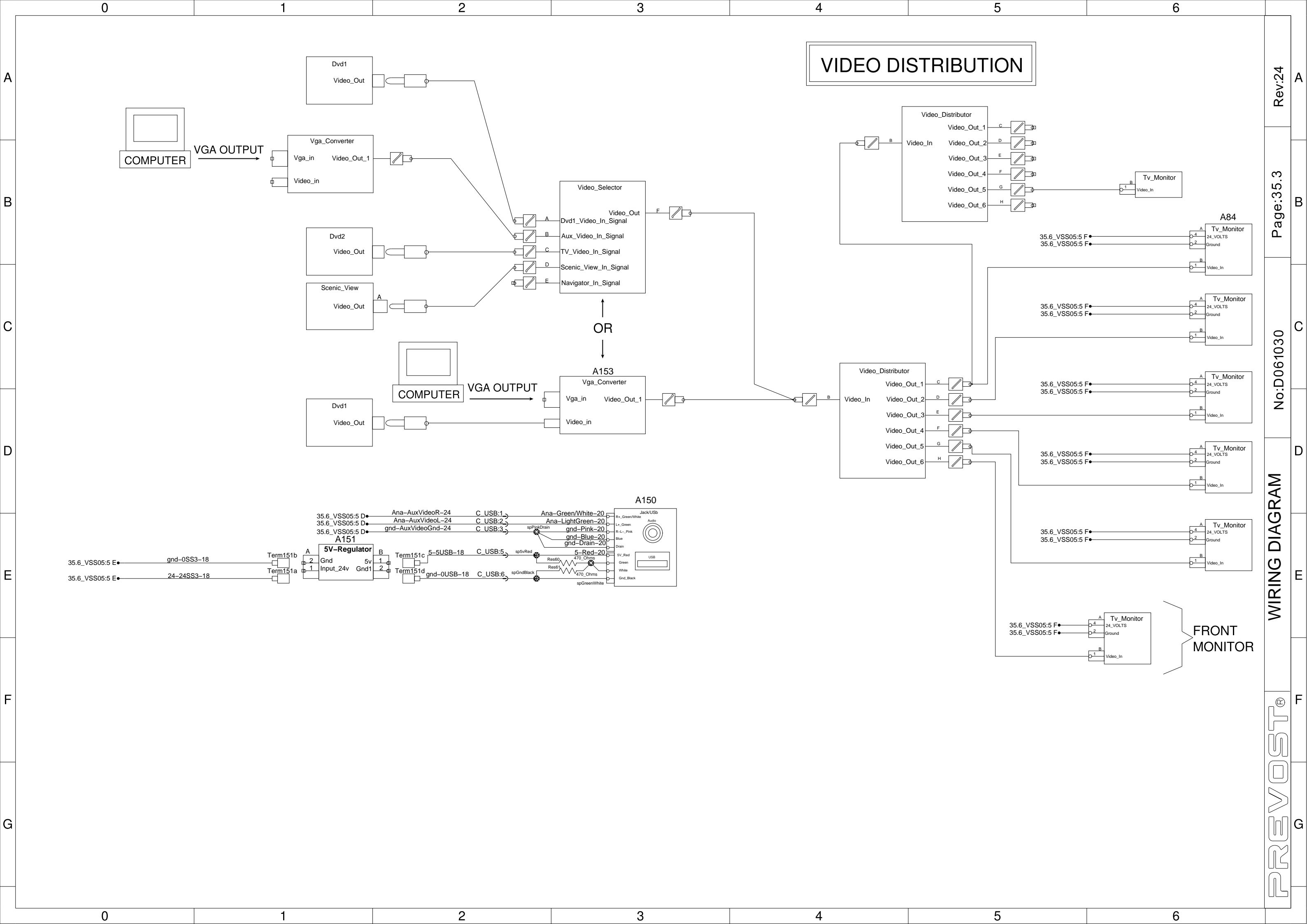
OPTION PREMIUM

SUBWOOFER



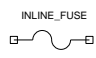
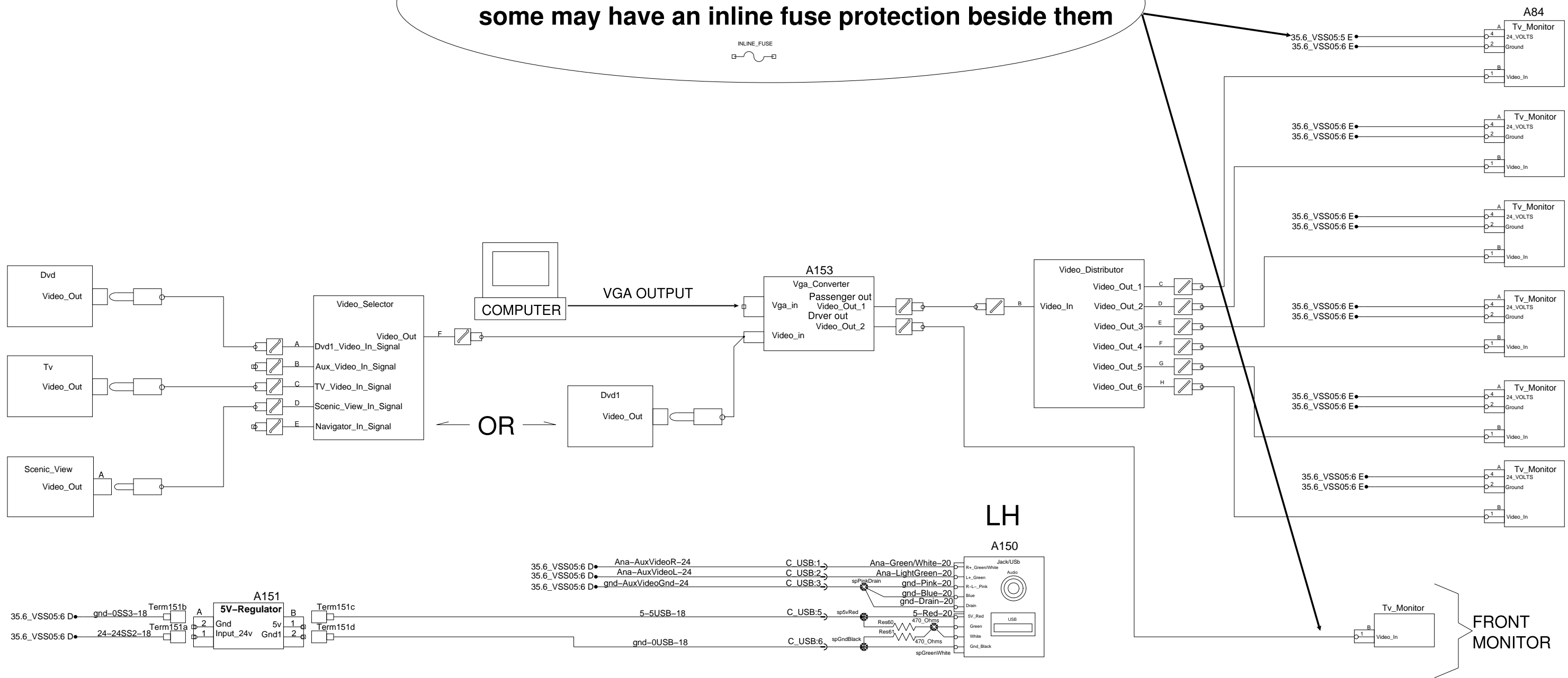
VIDEO DISTRIBUTION

IF Tv Tuner is use without video player, AUX1 must take the place of TRIG5 See P.35.0

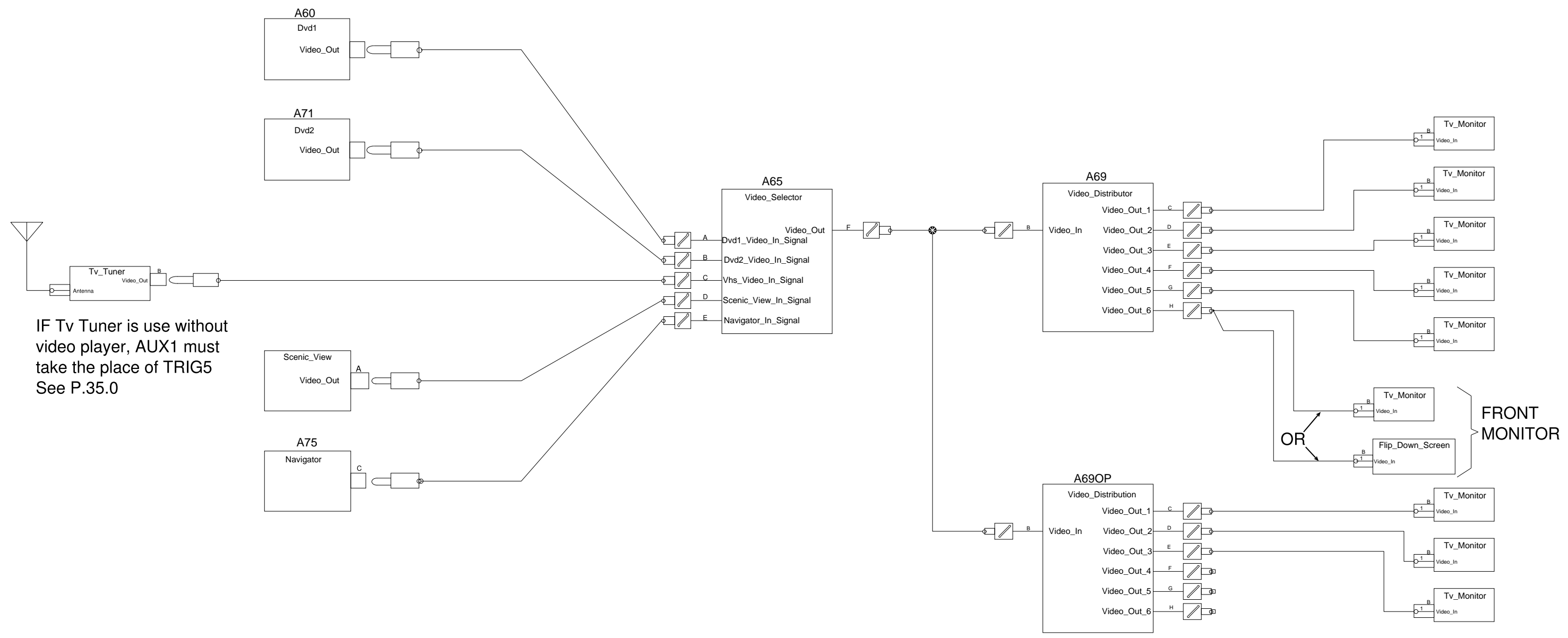


VIDEO DISTRIBUTION

Notice: Depend of model and type of monitors some may have an inline fuse protection beside them

VIDEO DISTRIBUTION

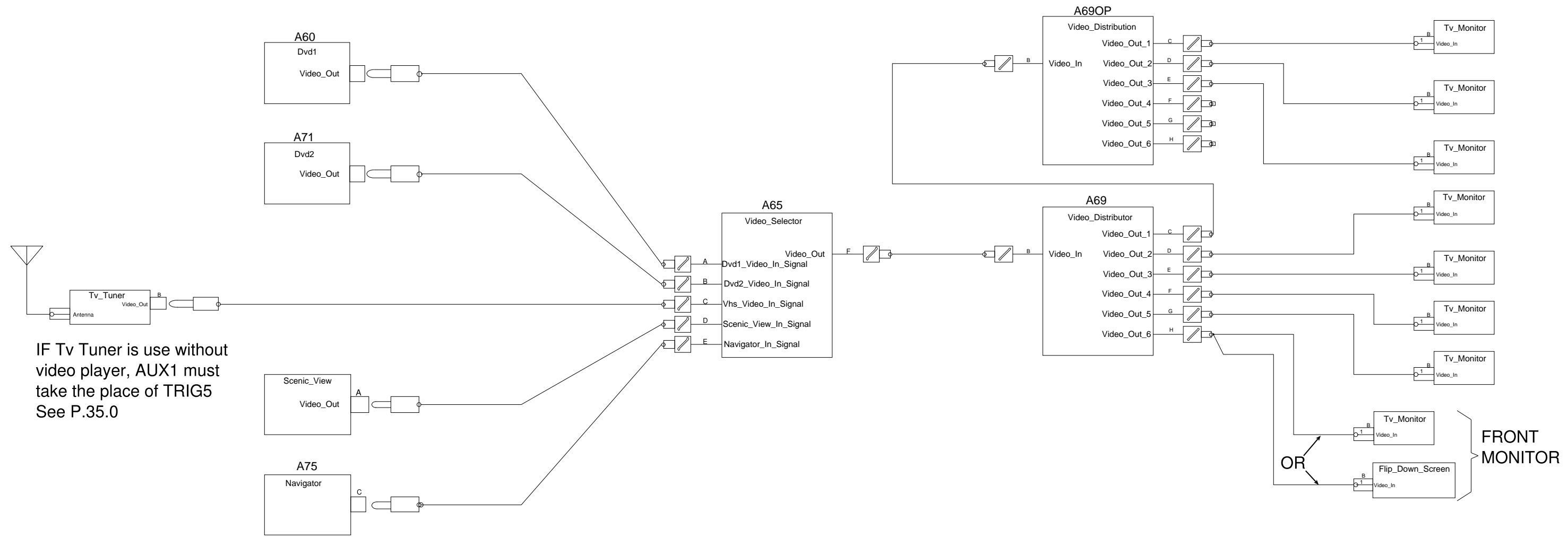


IF Tv Tuner is use without
video player, AUX1 must
take the place of TRIG5
See P.35.0

OR

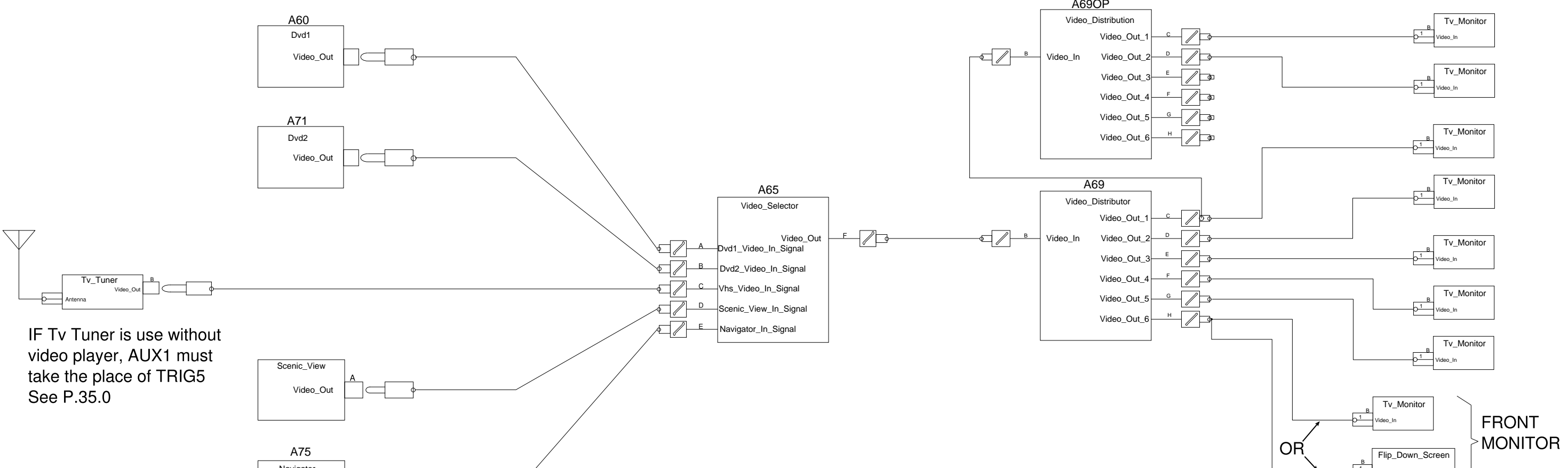
FRONT
MONITOR

VIDEO DISTRIBUTION



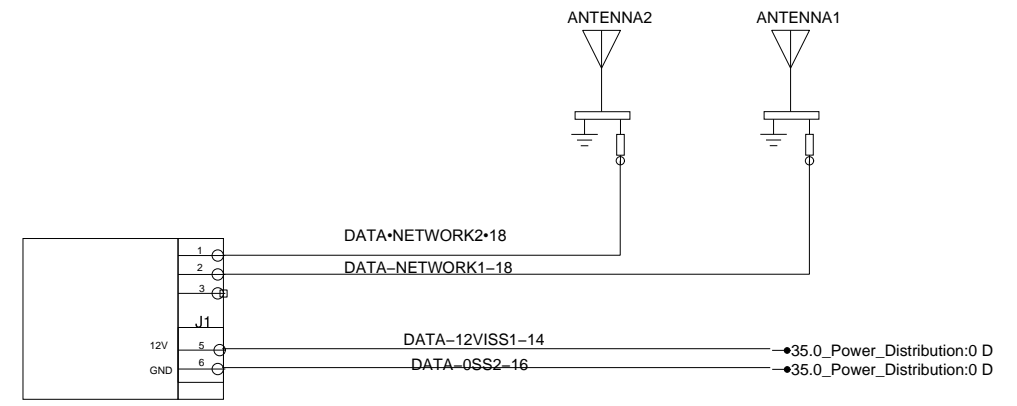
IF Tv Tuner is use without video player, AUX1 must take the place of TRIG5 See P.35.0

VIDEO DISTRIBUTION

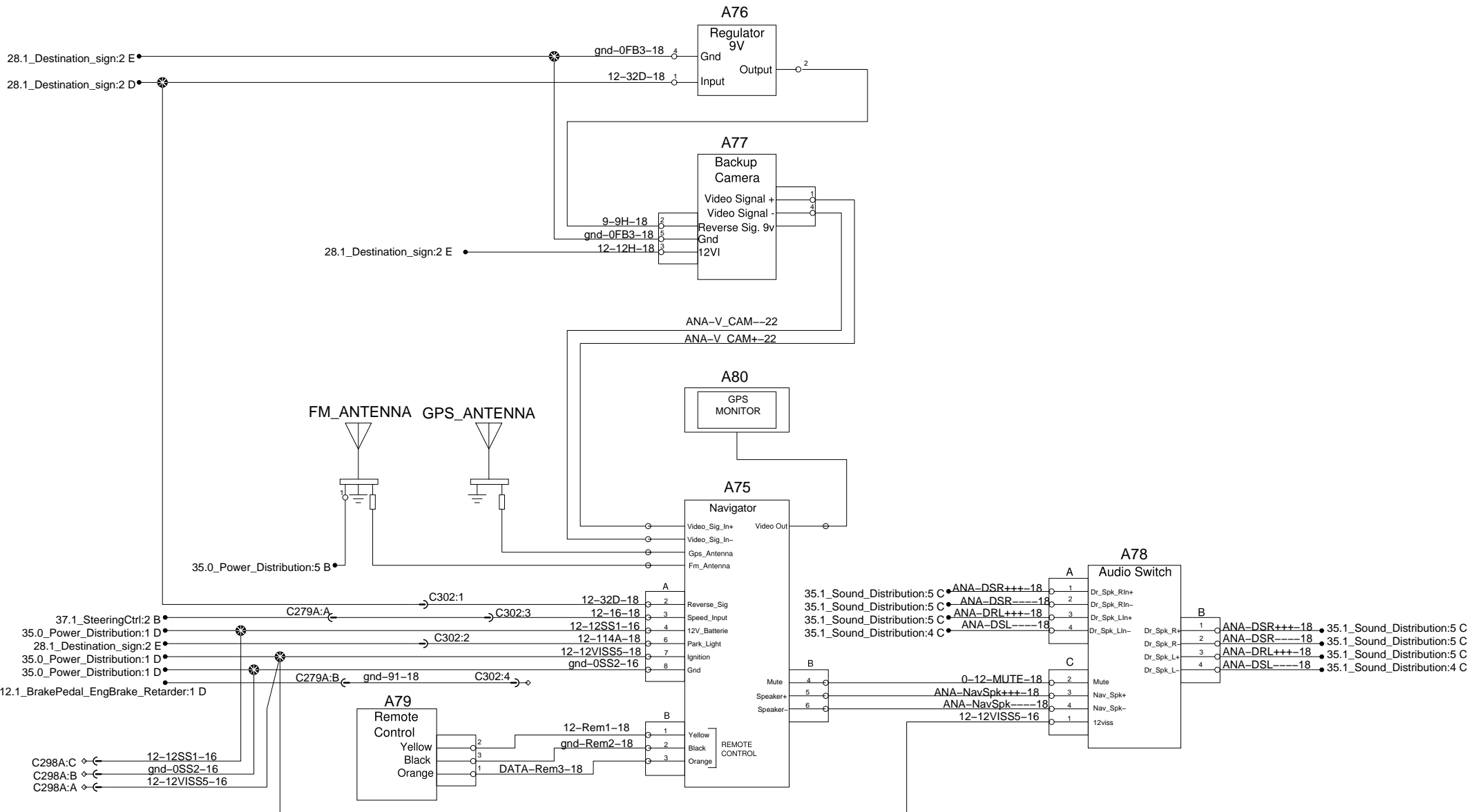


IF Tv Tuner is use without video player, AUX1 must take the place of TRIG5 See P.35.0

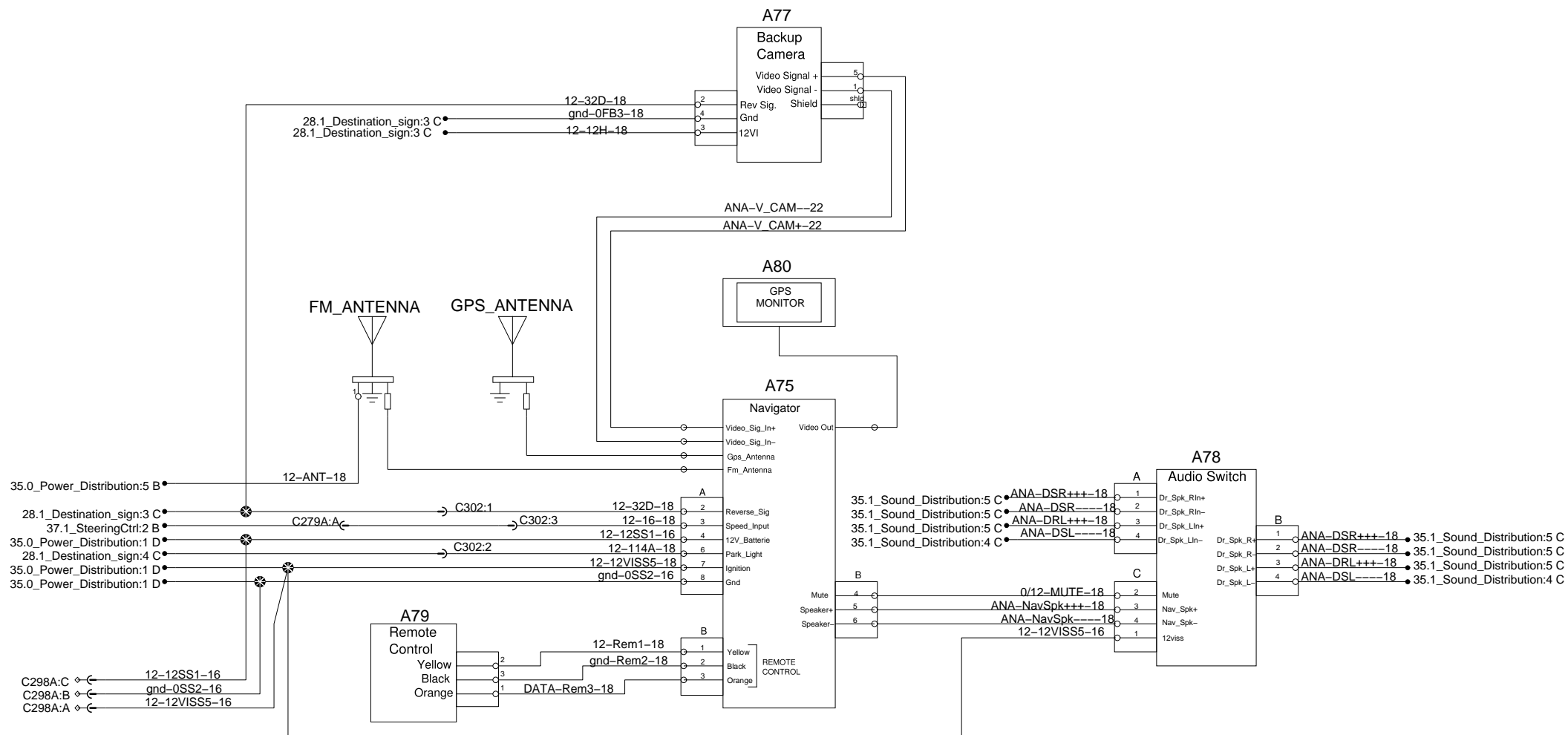
Option: WIRELESS INTERNET



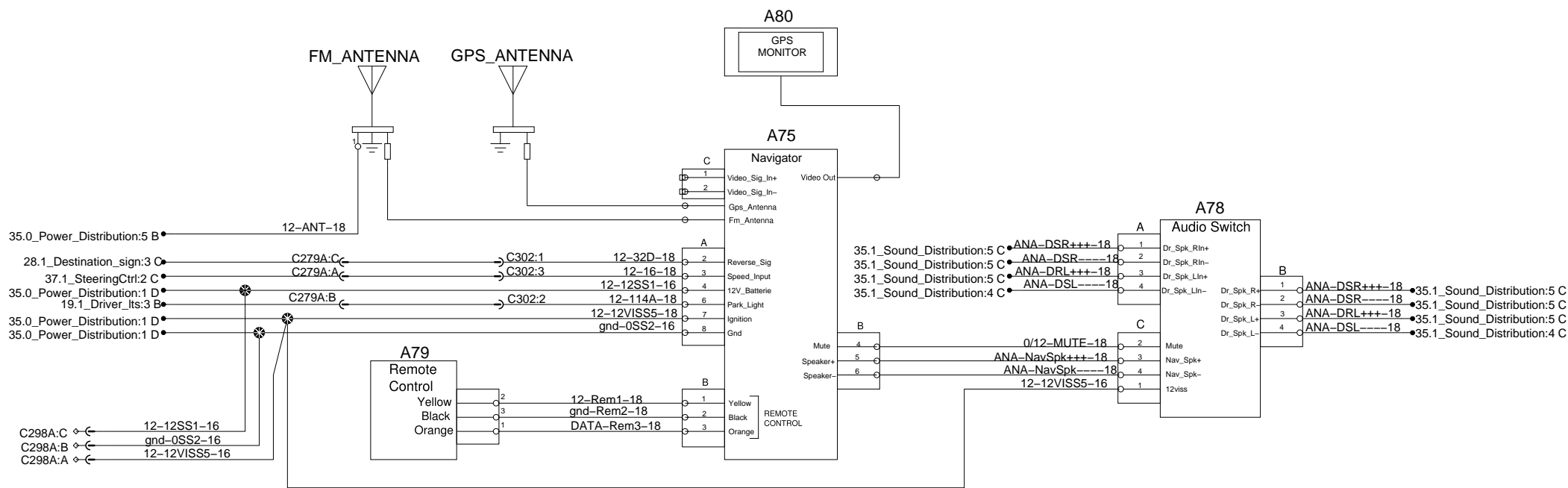
NAVIGATION SYSTEM WITH BACKUP CAMERA



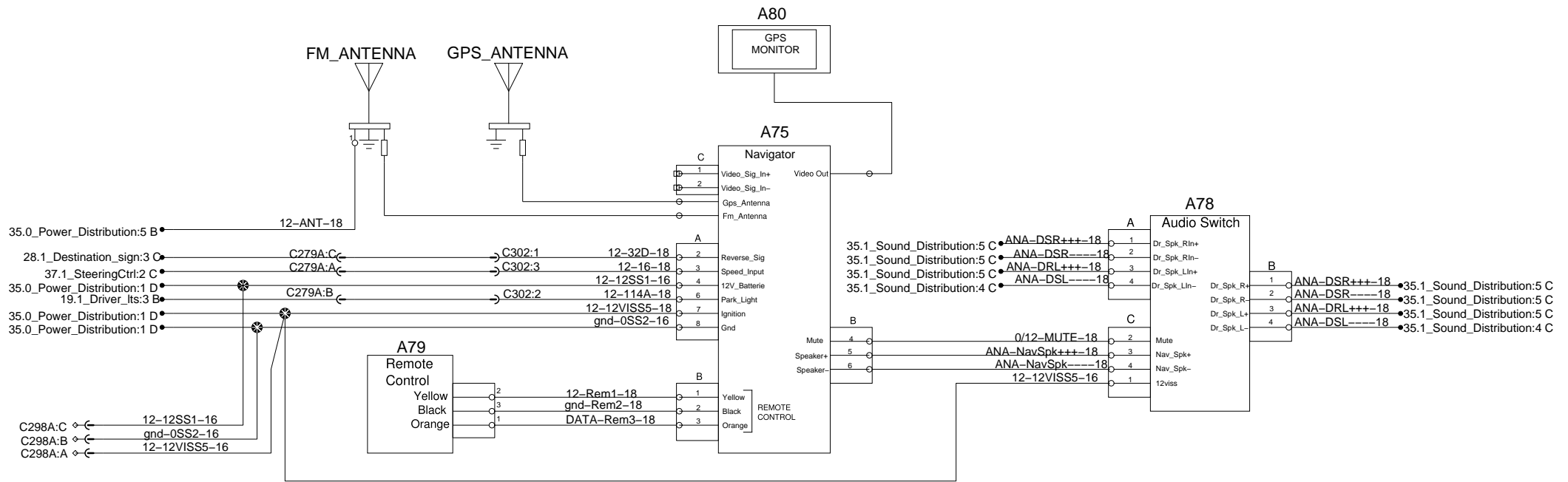
NAVIGATION SYSTEM WITH BACKUP CAMERA



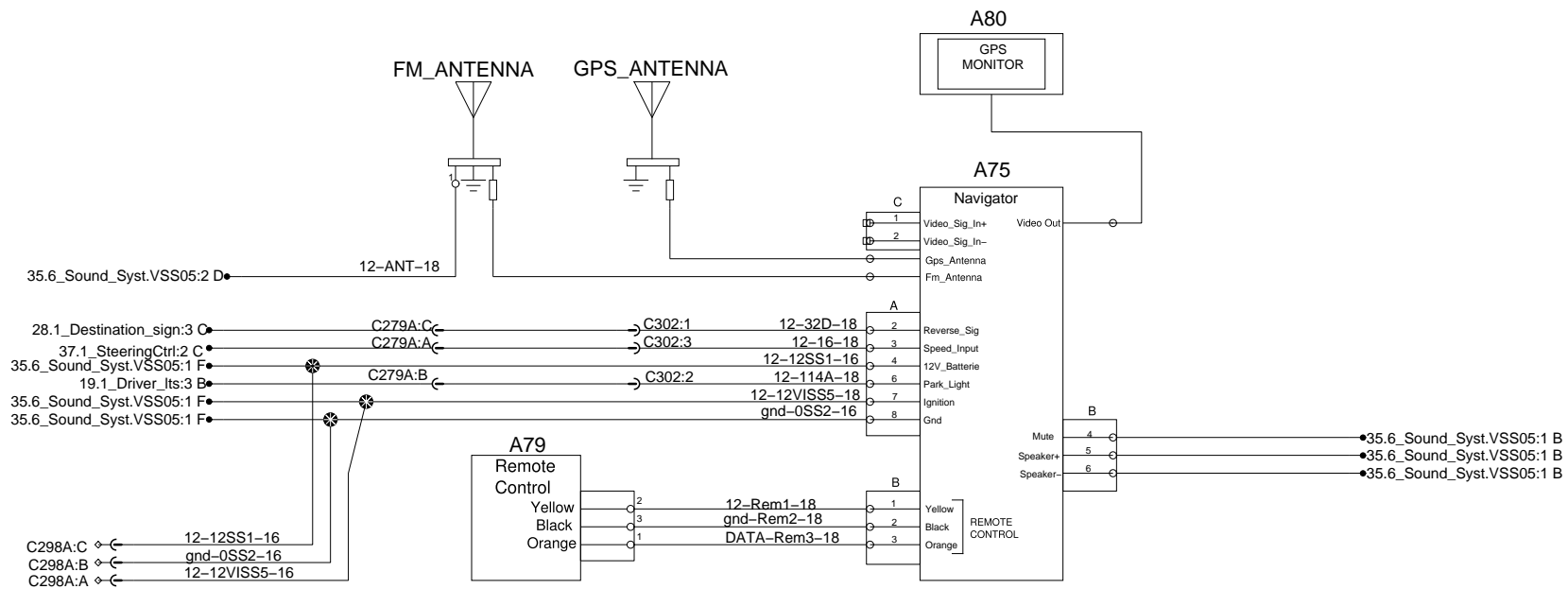
NAVIGATION SYSTEM WITH BACKUP CAMERA



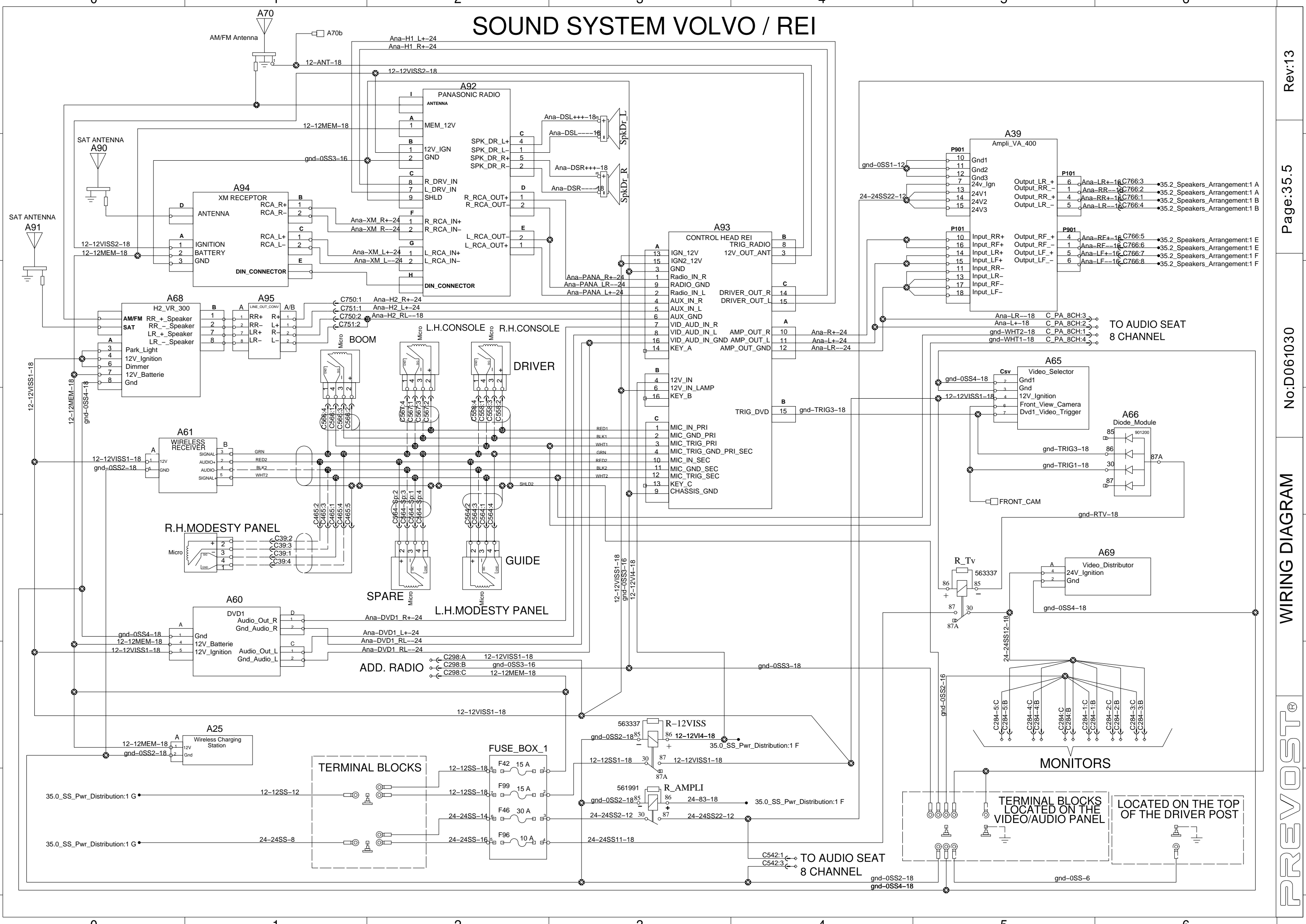
NAVIGATION SYSTEM WITH BACKUP CAMERA



NAVIGATION SYSTEM WITH BACKUP CAMERA



SOUND SYSTEM VOLVO / REI



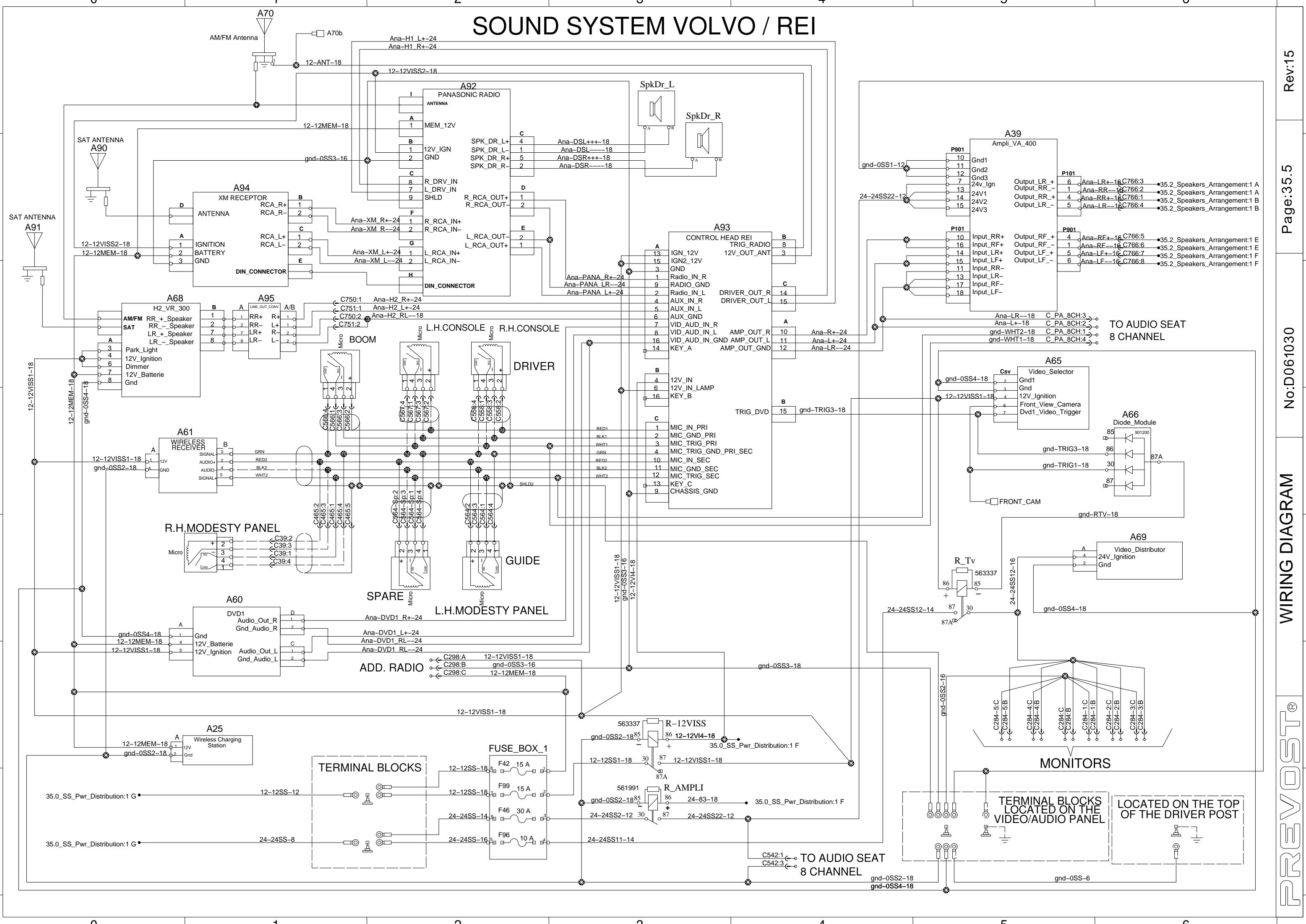
TO AUDIO SEAT
8 CHANNEL

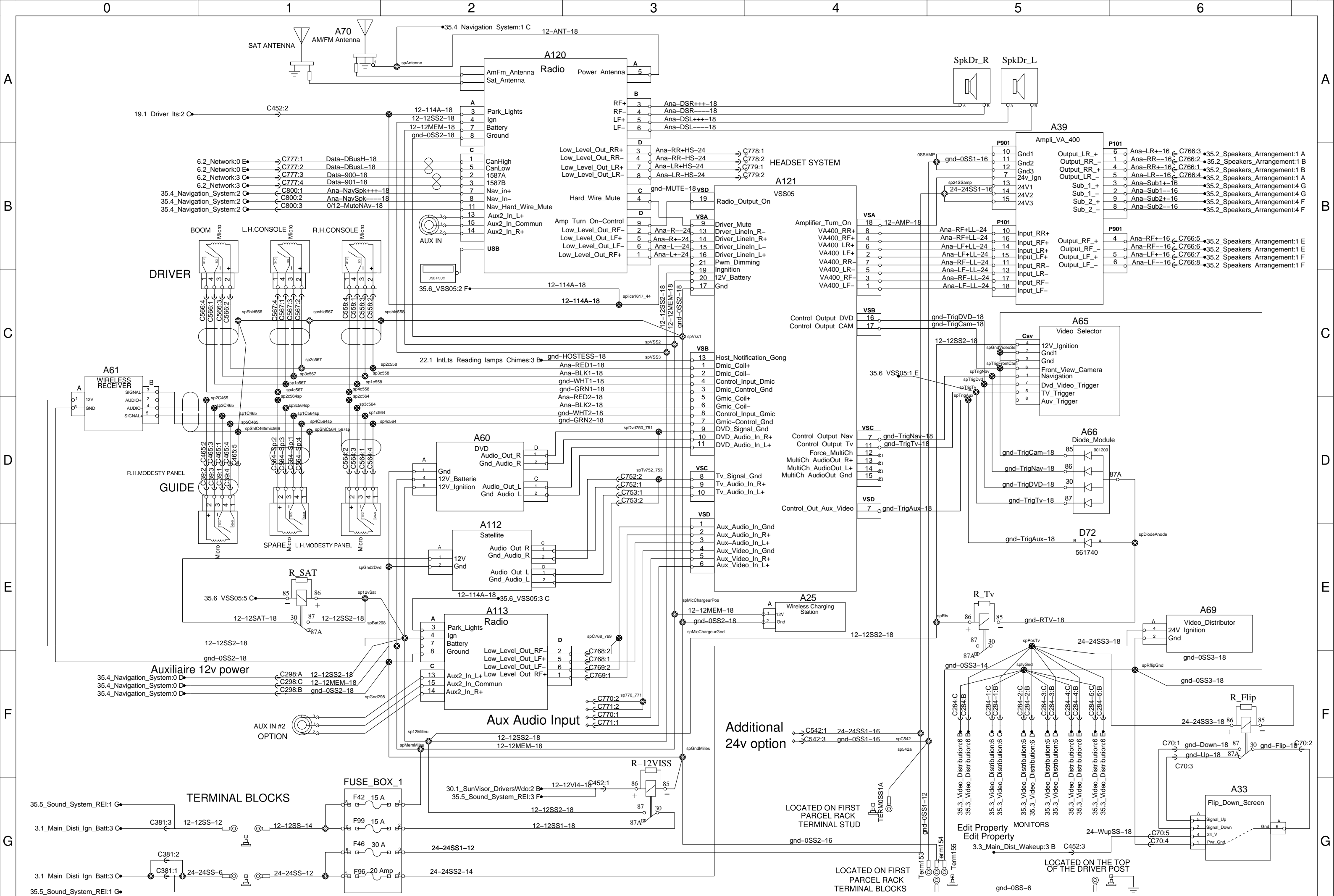
MONITORS

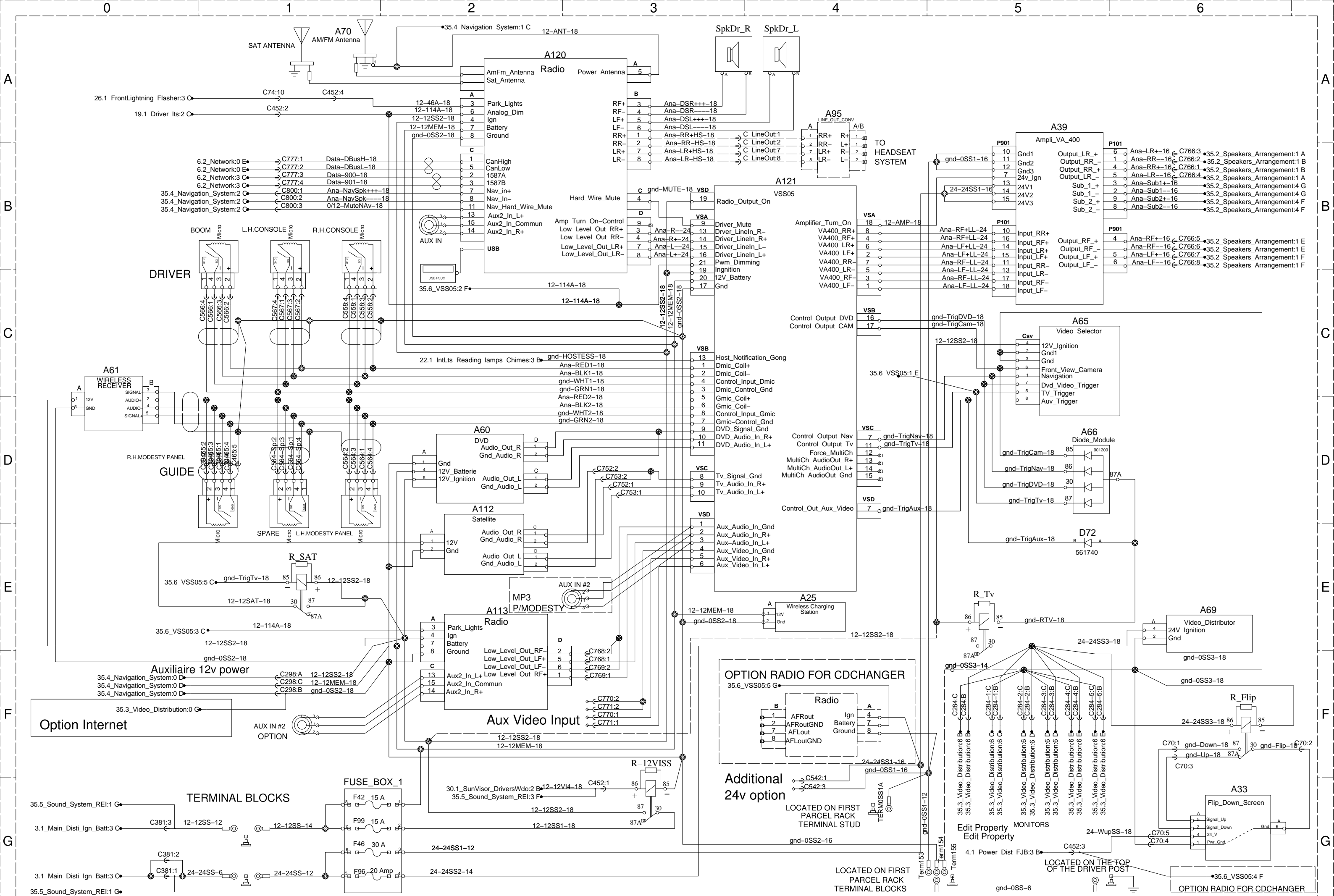
TERMINAL BLOCKS
LOCATED ON THE
VIDEO/AUDIO PANEL

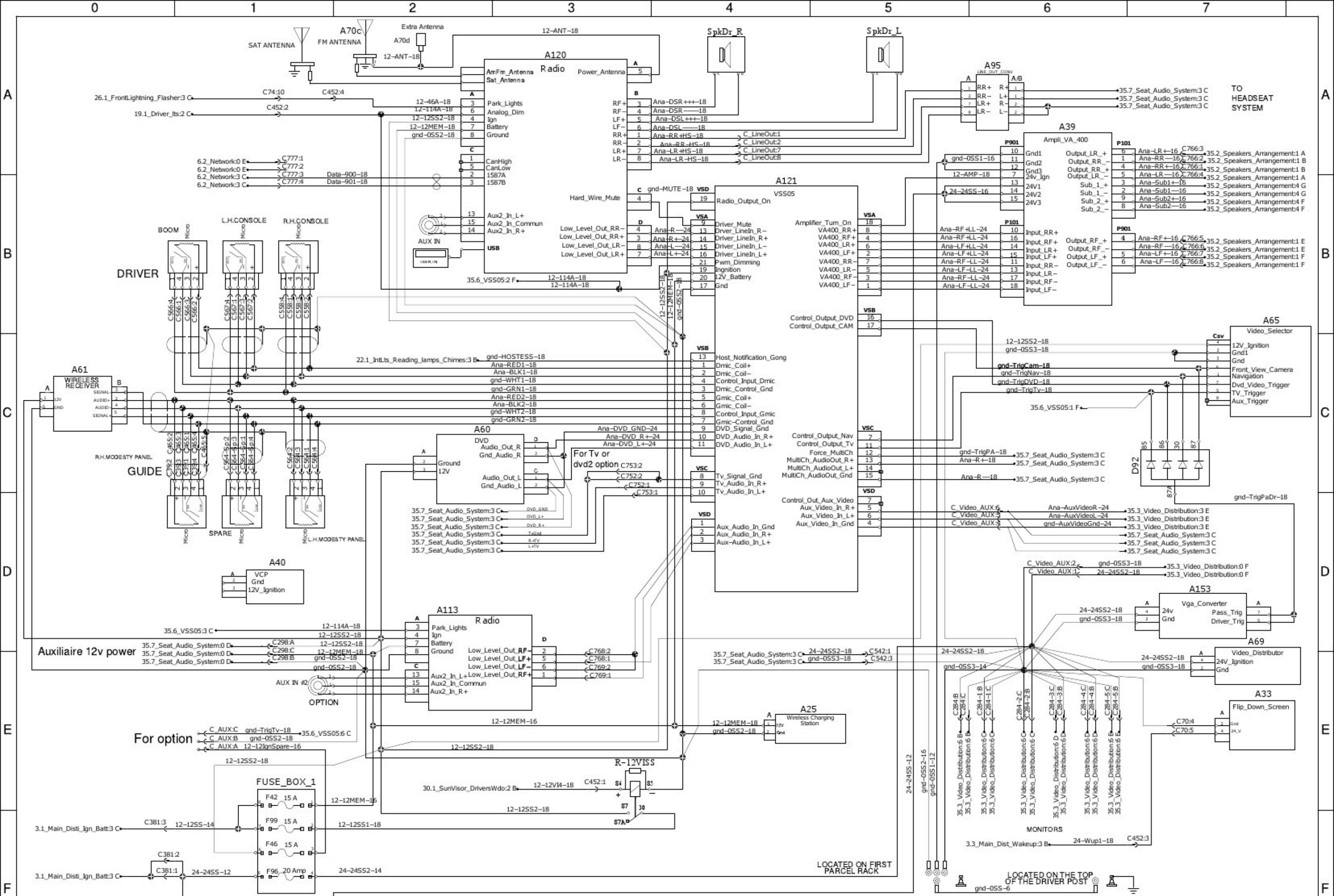
LOCATED ON THE TOP
OF THE DRIVER POST

SOUND SYSTEM VOLVO / REI

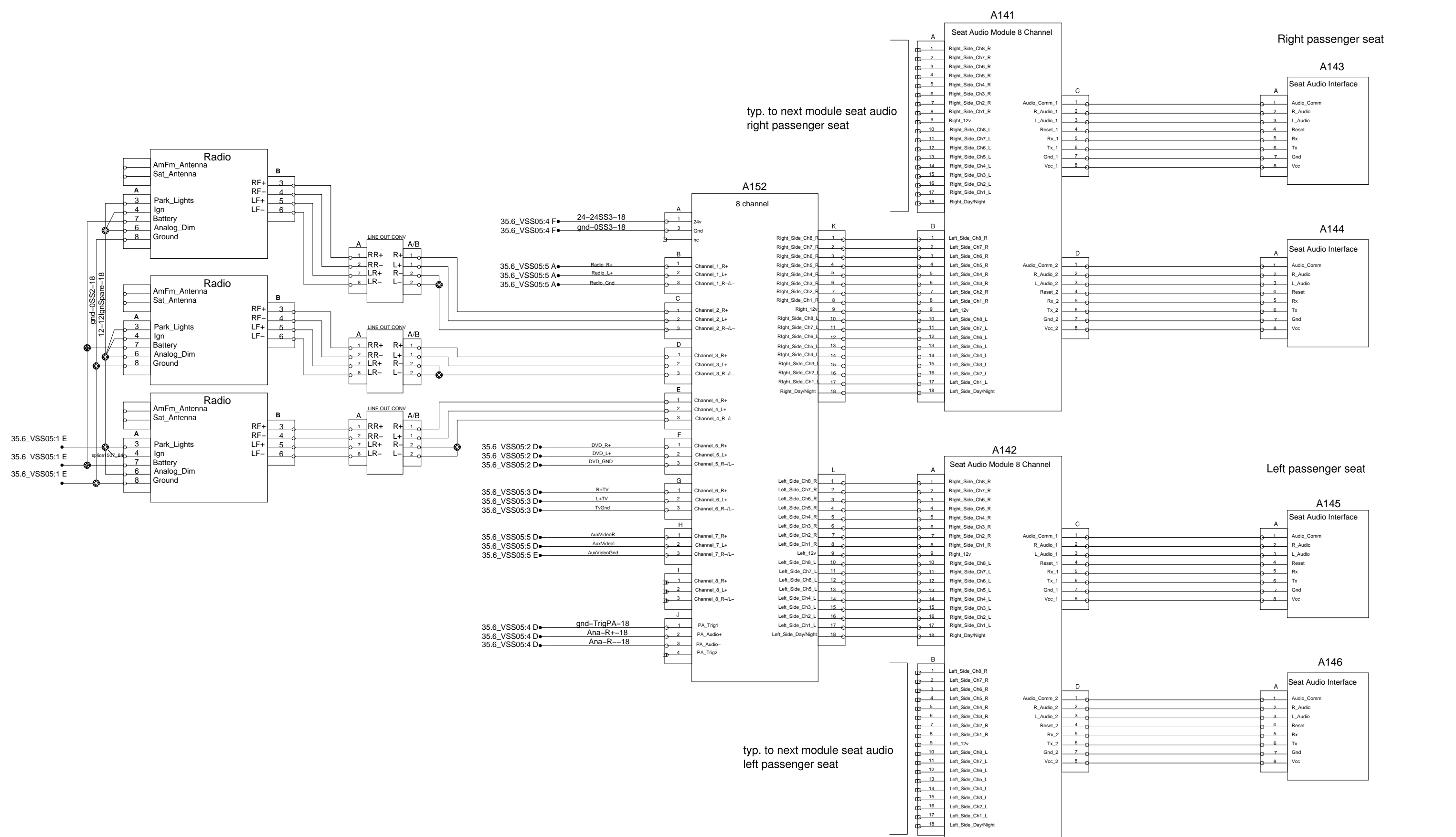








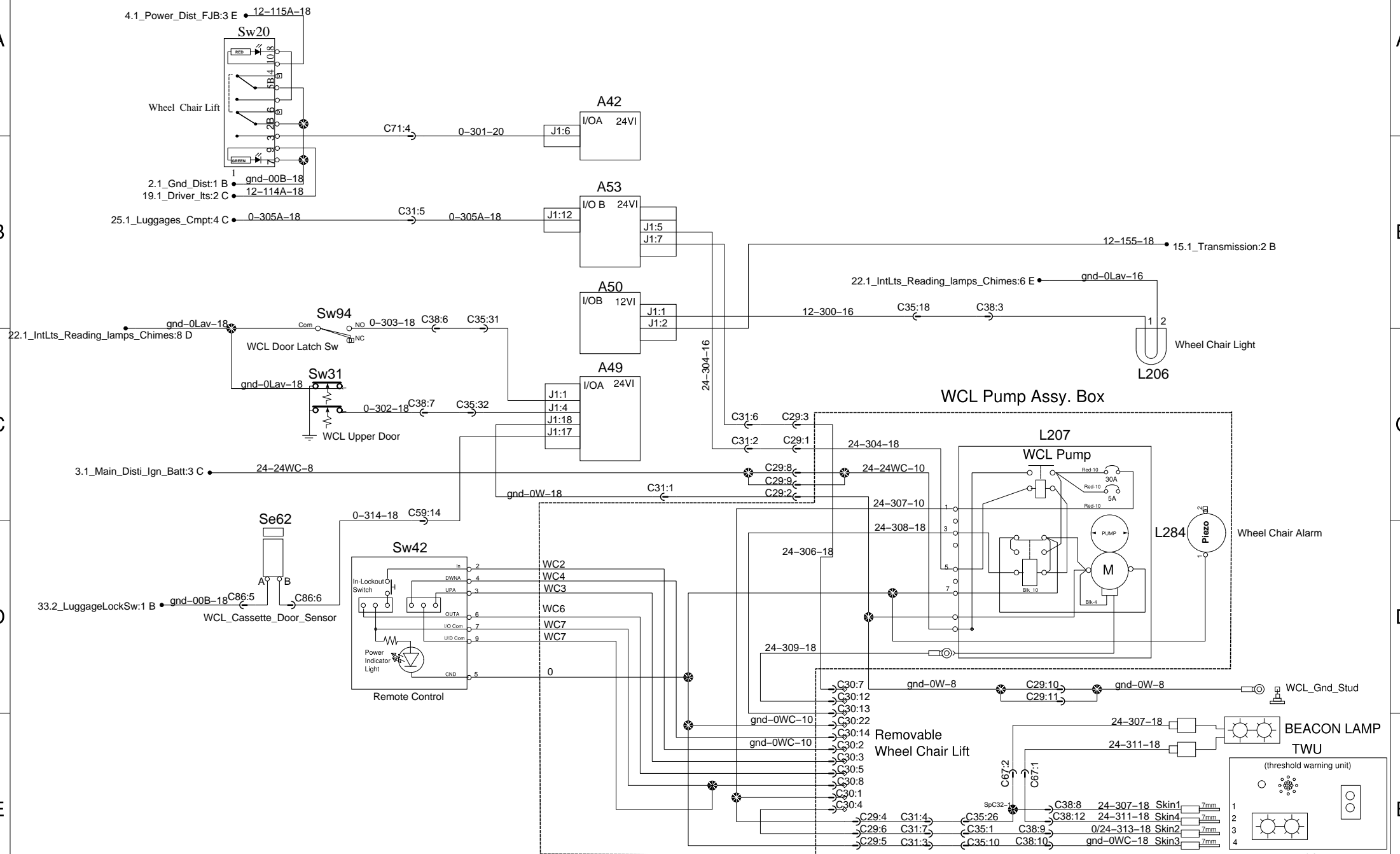
8 CHANNEL SEAT AUDIO SYSTEM



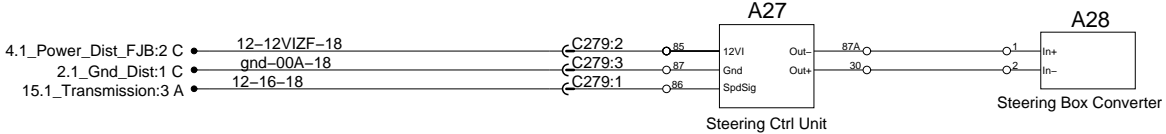
typ. to next module seat audio right passenger seat

typ. to next module seat audio left passenger seat

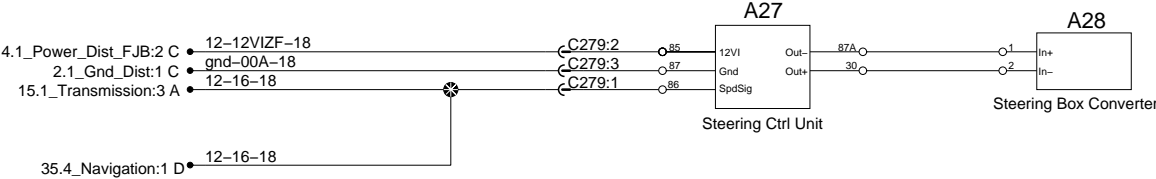
Wheel Chair Lift Ricon 9000



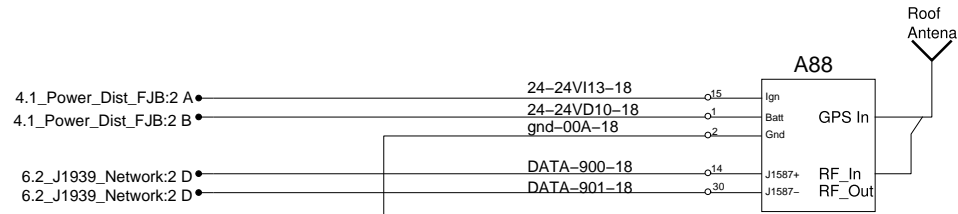
ZF Steering Control



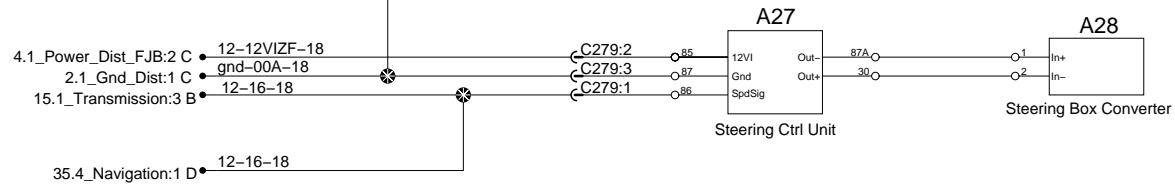
ZF Steering Control



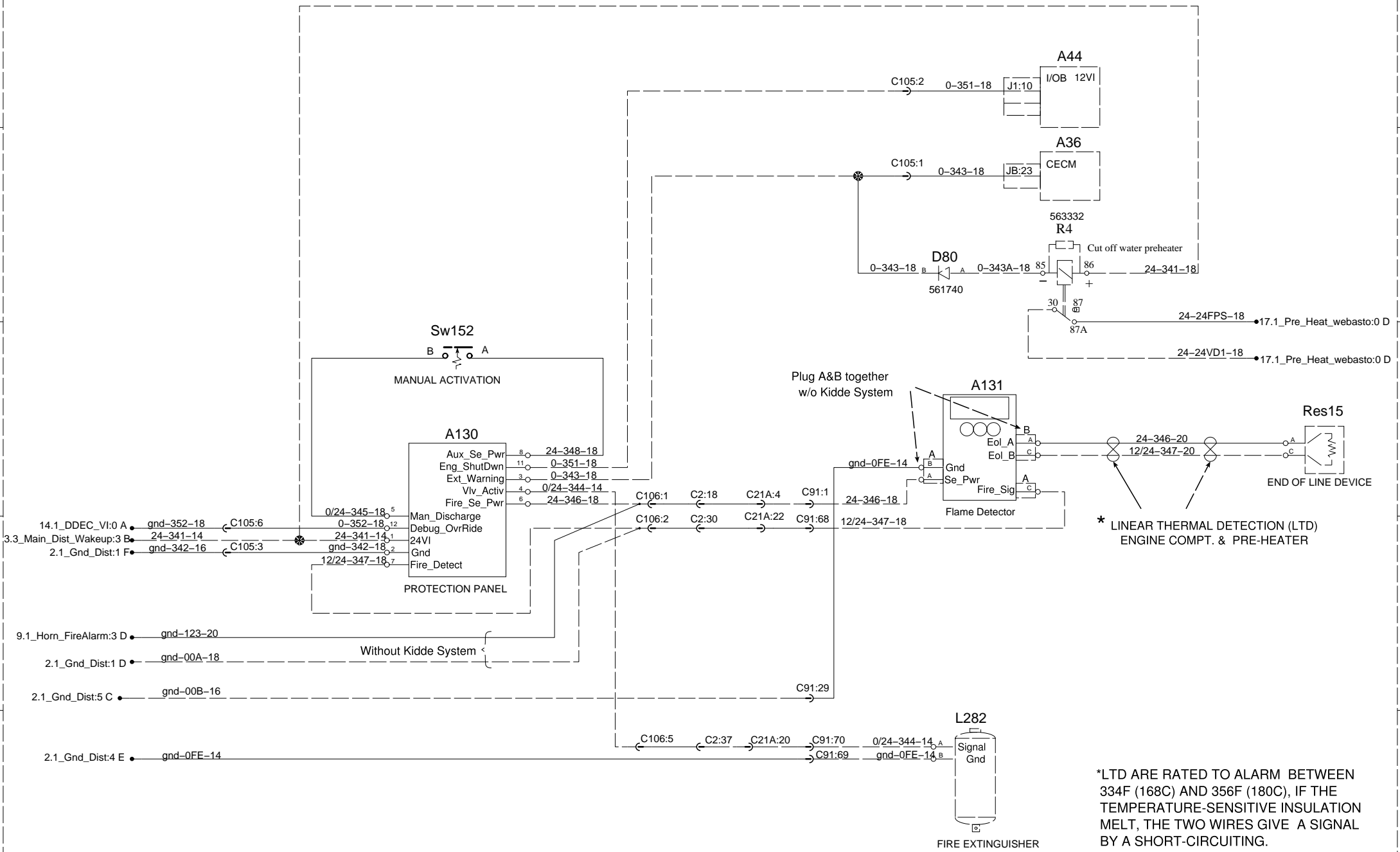
VOLVO LINK



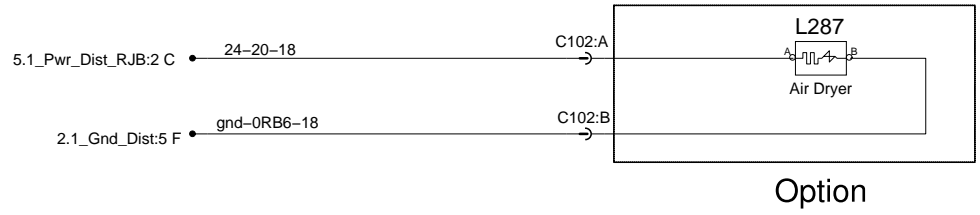
ZF Steering Control



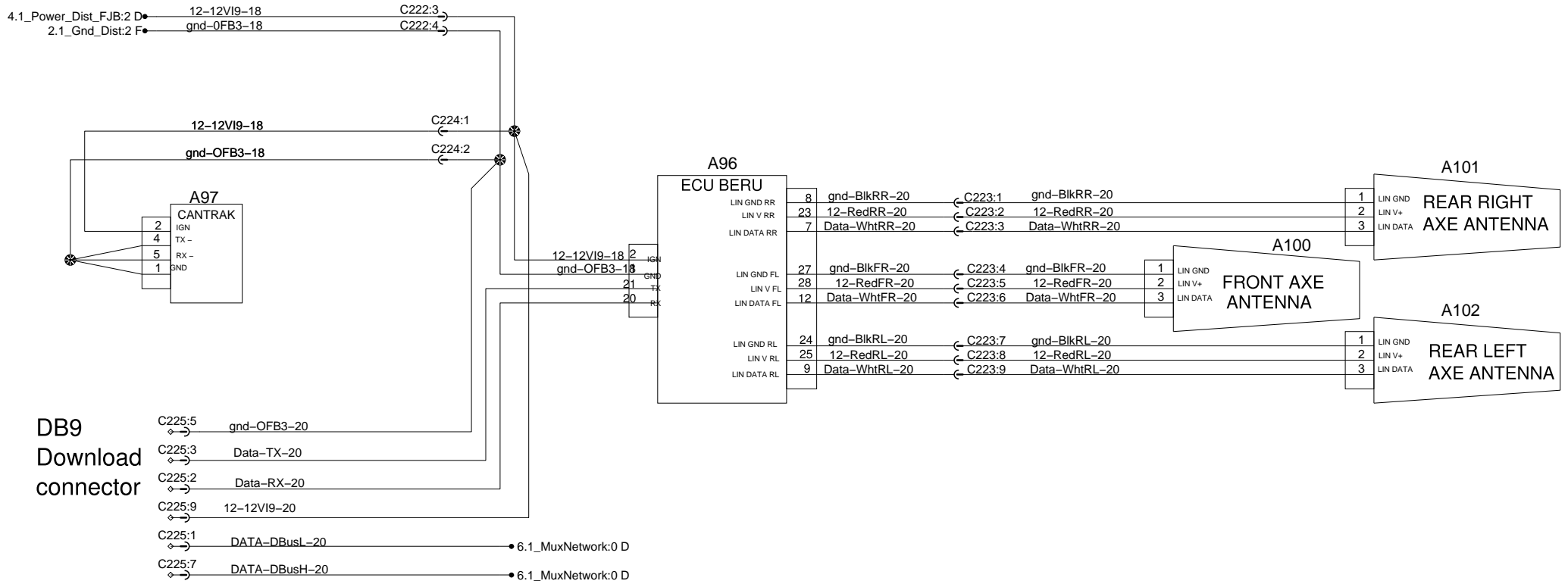
Automatic Fire Suppression System



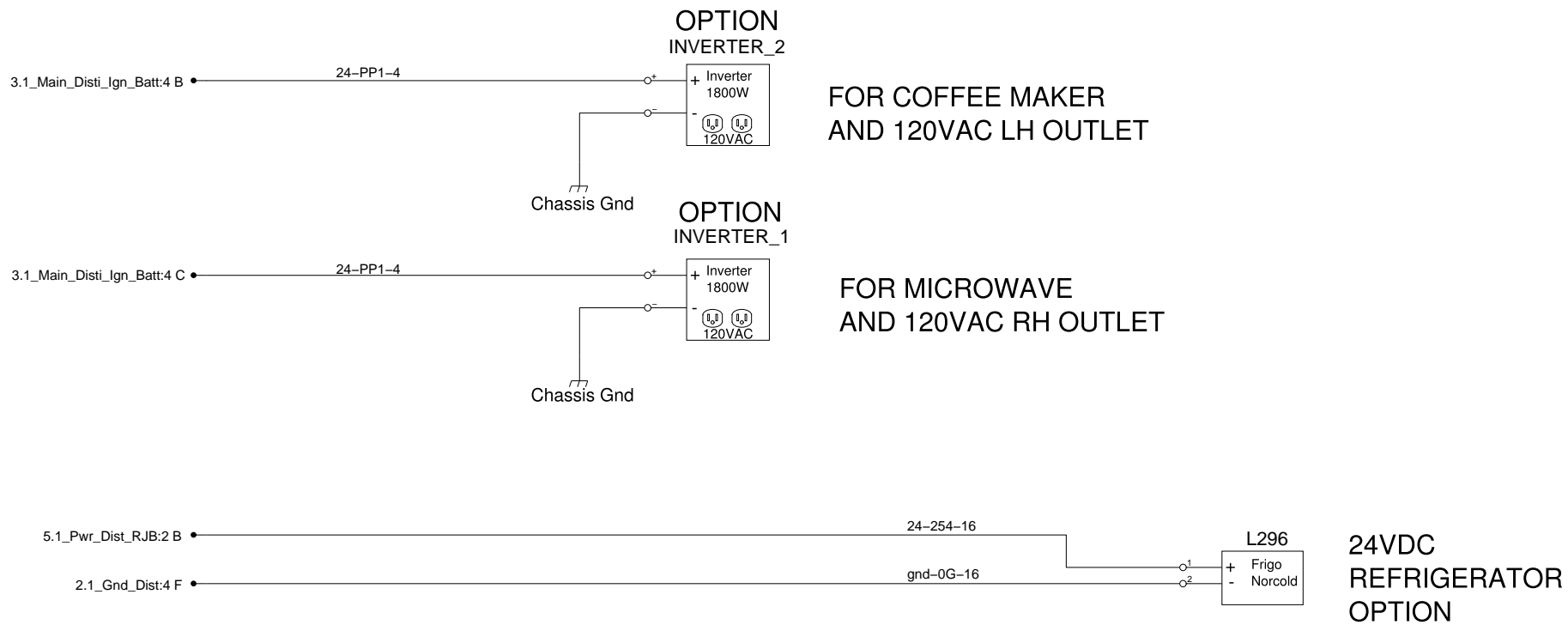
Electric Air Dryer



Tire Pressure Monitoring System



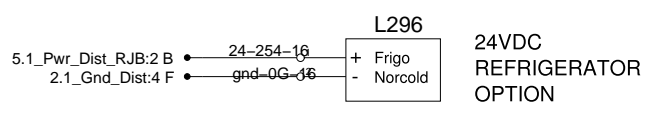
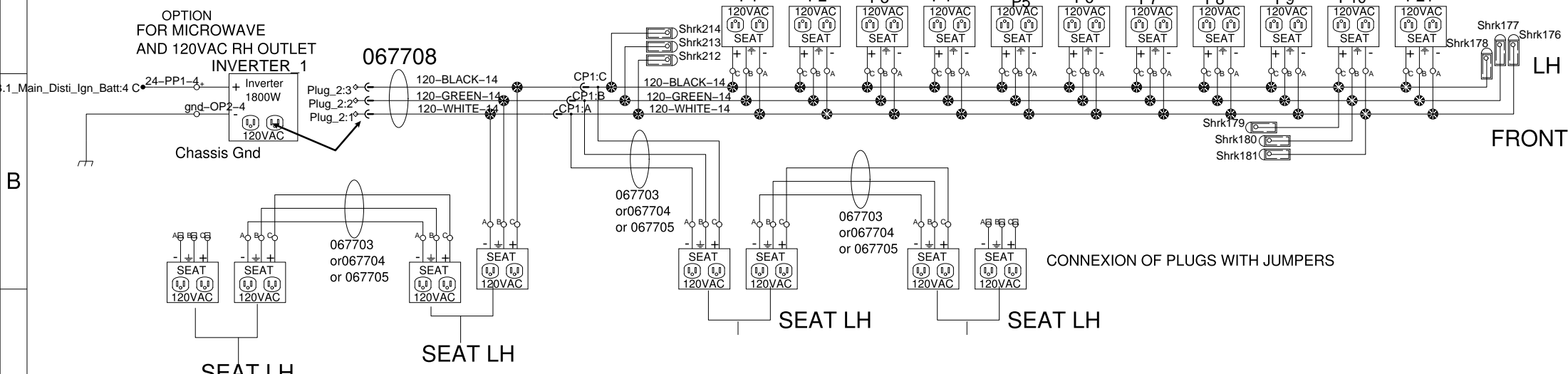
GALLEY



GALLEY AND 120VAC OUTLET

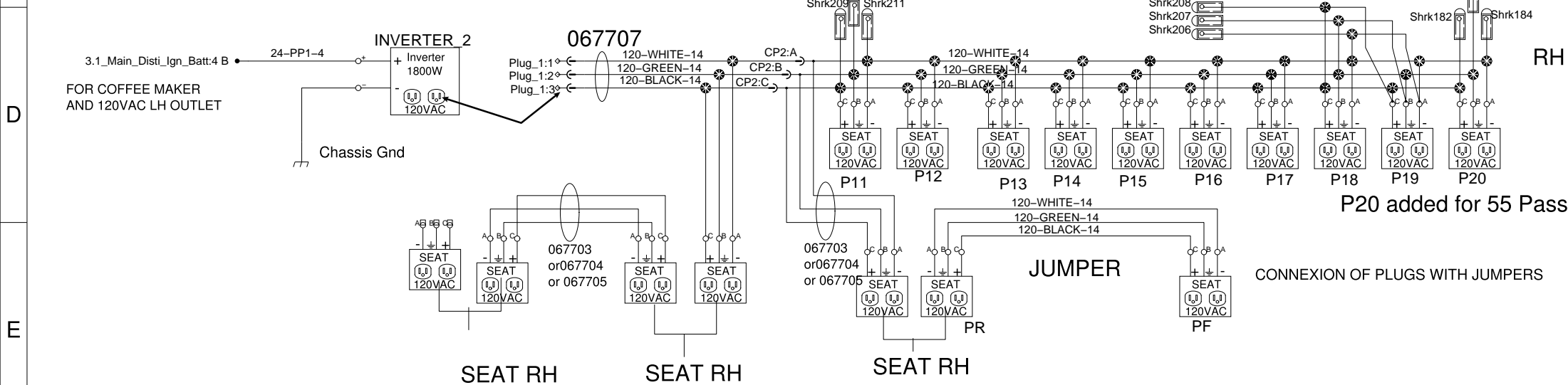
CONNEXION OF PLUGS WITH HARNESS

P21 added for 55 PASS



CONNEXION OF PLUGS WITH HARNESS

P20 added for 55 Pass



0

1

2

3

4

A

A

GALLEY

B

B

C

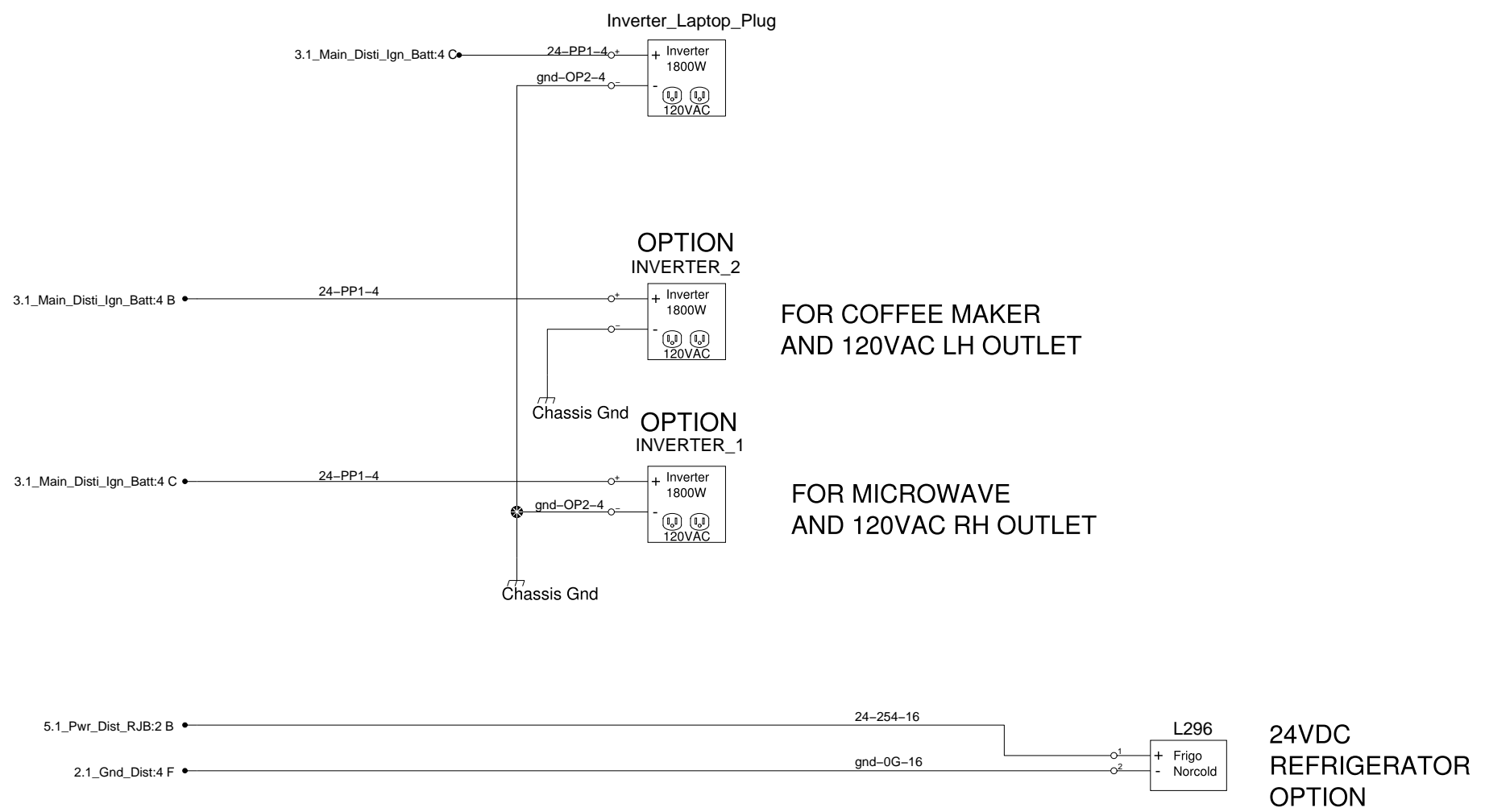
C

D

D

E

E



FOR COFFEE MAKER AND 120VAC LH OUTLET

FOR MICROWAVE AND 120VAC RH OUTLET

24VDC REFRIGERATOR OPTION

0

1

2

3

4

Steering Multifunctions

