



# H3-45 VIP



REV.	DATE	O.C.	EFF.	DESCRIPTION	PAGE(S)	BY	CK.	APPR.
00	2005-10-24	2005006	6-0436	First release		EOUE	DGRA	DGRA
01	2005-12-06		6-0436	General revision	C1,C3,E,F,G,H,J,K,L,2.1,3.2,4.1,5.1, 14.1,18.2,19.1,23.1,26.1,29.1, 34.1,37.1	EOUE	DGRA	DGRA
02	2006-03-13		6-0436	A/C clutch pressure switch	18.2	EOUE	DGRA	DGRA
03	2006-03-22	2005056		Sliding window	27.1, 27.2, 27.3	MPOU	DGRA	DGRA
04	2006-04-03	2005061	6-0589	Allision trans Gen IV Preliminary: 6-0551	C1,C3,E,F,G,H,J,K,L, 2.1, 3.2 4.1, 5.1,8.1,12.1,14.1,15.1,16.1,19.1,34.1	EOUE	DGRA	DGRA
05	2006-05-03		6-0436	lugg. Door lock protection F60 & F61 change to CB60 & CB61	26.1, 26.3, C1, G, 0,	ELAN	DGRA	DGRA
06	2006-06-09	2004080 2006038	7-0772	Slide-Out ABS 6	6.1, 7.1, 20.1 C1,E,F,G,J,L,4.1,12.1,16.1,16.2	SDES MPOU	DGRA DGRA	DGRA DGRA
07	2006-09-20		7-0772	Remove shield J1939 on transm. Cable	14.1,15.1	MPOU	DGRA	DGRA
08	2007-04-25	2005002	7-0939	Cooling 2007	0,1.1,10.1,11.1,12.1,13.1 14.1,14.2,15.1,16.1,16.2,18.1 18.2,18.3,19.1,2.1,20.1,20.2 24.1,25.1,26.1,26.2,26.3,27.1, 28.1,29.1,3.1,3.2,3.3,30.1 31.1,32.1,33.1,34.1,35.2,35.7, 36.1,37.1,4.1,5.1,6.1,6.2,7.1,8,1,9,1, A,B1,B2,B3,C1,C3,E,F,G,H,J,K,L	SDES	DGRA	DGRA
09	2007-06-12	2006038		ABS ESP Update	16.2	MPOU	CLEM	CLEM
10	2007-10-02		8-1092	Pages Updated	F,L,4.1,5.1	ELAN	CLEM	CLEM



# H3-45 VIP



REV.	DATE	O.C.	EFF.	DESCRIPTION	PAGE(S)	BY	CK.	APPR.
11	20/12/2007	2006025	8-1170	Introduction of Control on Steering Wheel and TPMS	10.1, 12.1, 13.1, 14.1, 14.2, 15.1, 18.1, 18.2, 18.3, 19.1, 2.1, 26.3, 28.1, 29.1, 3.2, 30.1, 31.1, 32.1, 33.1, 34.1, 36.1, 37.1, 38.1, 39.1, 4.1, 6.1, 7.1, 9.1, B1, B2, B3, E, F, G, H, J, K, L, A, 0,	PGAG	CLEM	CLEM
12	15/4/2008	2007078 2007087	8-1291 À venir	Brushless Axial Condensor Fans Pages seulement pour Prelim. 8-1302 Pages Updated	0, A, C1, E, F, G, 3.1, 18.2 H, J, K, L, 2.1, 3.3, 9.1, 14.1, 40.1 38.1, 39.1	ELAN ELAN SBEL	DGRA	DGRA
13	18/9/2008	2005063	9-1404	4 Slide out and Update	0,2.1,3.2,14.1,20.1,20.2	MPOU	DGRA	DGRA
14	2008-06-11	2007032	9-1512	New head lamp and front flasher	26.1, 26.3, C1, G, 0,	MPOU	CLEM	CLEM
15	2009-07-07	2009043		ADD SNOW MUD	16.1, 32.1, 0, 19.1,2.1,26.1,31.1	SBEL	DGRA	DGRA
16	2014-05-12	NA		Pages Updated	3.2, 0	SBEL	CLEM	CLEM



## WIRING DIAGRAM INDEX

Information Pages		Engine Detroit	14.1	P	
Multiplexed Devices Index	B1 – B8	Engine Volvo	14.2	Park Brake Sensor	12.1
Arrangement – Harness	C1	Entrance door	29.1	Trailer Brake Sensor	12.1
Glossary	D	Ether Switch	13.1	Parking Brake Release Switch	32.1
Circuit Number Listing	E	Engine bloc heater	11.1	Power Distribution FJB	4.1
Circuit Breaker code	F	F		Power Distribution RJB	5.1
Connectors code	G	Fast Idle	14.1	Power Outlet	30.1
Diode Number Code	H	Fire Alarm	9.1	Prime Pump	13.1
Resistors Number Code	J	Flashers	26.1,26.2	Prodriver	11.1
Fuses Code	L	Fog lights	26.3	Pneumatic Cut-Out Acc sol	9.1
Relay Code	K	Fuel Sender	10.1	R	
Functions		Fuel Prime Pump	13.1	Radiator Fan Clutch	13.1
A		Fuel water Filter	13.1	Rear junction box door fan	11.1
Abs	16.1	G		S	
B		Grounds	2.1	Service Brake Relay	12.1
Back-up Camera	28.1	H		Slide out	20.1
Back-up lights and alarm	26.3	Hazard	26.1	Spare Wires	8.1
Battery and Equalizer	1.1	Head Lights	26.1	Stop lights	26.2
Battery Charger	17.1	Horn	9.1	Sun Visor	30.1
Brake	12.1	Hvac Defroster	18.1	Steering Control ZF	37.1
C		Hvac Passenger	18.2	T	
Charging System	3.2	Hvac Driver onlyr	18.3	Tag	32.1
Clearance lights rear & front	26.1,26.2	J		Tail and Licence Lights	26.2
Cluster	10.1	J1939 Network	6.2	Test Switch	9.1
Converter interface	36.1	K		Transmission ECU	15.1-15.2
Cornering Lights	26.3	Keyless keypad	29.1	Trailer Package	26.4
Cruise control	14.1	L		W	
D		Level low	32.1	Window Ajar &Awning	27.1
Dash Lights	19.1	Luggage compt lighting	25.1	Wiper & Washer	34.1
Differential lock	37.1	Luggage door Lock/Unlock	33.1		
Docking Lights	26.3	Luggage door switches	24.1		
Driver's Light and Backlight	19.1	M			
Driver's Power Window	30.1	Main Distribution Ignition & Batt.	3.1		
Driver's seat	35.2	Main Distribution Wake-Up	3.3		
E		Marker Lights	26.1,26.2		
Engine brake and Retarder	12.1	Mirror Ramco	31.1		
Engine compt lighting	25.1	Multiplexing power distribution	7.1		
Engine Start	3.2	Multiplexing Network	6.1		

# WIRING DIAGRAM PAGES LIST

Information pages		E		M		W	
Multiplex output list	B1	Engine brake and Retarder	12.1	Main Distribution Ignition & Batt.	3.1	Window Ajar &Awning	27.1
Multiplex input list	B2	Engine compt lighting	25.1	Main Distribution Wake-Up	3.3	Wiper & Washer	34.1
Multiplex error messages list	B3	Engine Start	3.2	Marker Lights	26.1,26.2		
Arrangement - Harness	C1	Engine ECM	14.1	Mirror Ramco	31.1		
Can Configuration	C3	Engine Override	14.1	Multiplexing Power	7.1		
Glossary	D	Entrance door	29.1	Multiplexing Network	6.1		
Circuit Number Listing	E	Ether Switch	13.1				
Circuit Breaker code	F	Engine bloc heater	11.1	<b>P</b>			
Connectors code	G			Park Brake Sensor	12.1		
Diode Number Code	H	<b>F</b>		Trailer Brake Sensor	12.1		
Resistors Number Code	J	Fast Idle	14.1	Parking Brake Release Switch	32.1		
Fuses Code	L	Fire Alarm	9.1	Power Distribution FJB	4.1		
Relay Code	K	Flashers	26.1,26.2	Power Distribution RJB	5.1		
		Fog lights	26.3	Power Outlet	30.1		
<b>A</b>		Fuel Sender	10.1	Prime Pump	13.1		
Abs	16.1	Fuel Prime Pump	13.1	Prodriver	11.1		
Abs-Esp	16.2	Fuel water Filter	13.1	Pneumatic Cut-Out Acc sol	9.1		
<b>B</b>		<b>G</b>		<b>R</b>			
Back-up Camera	28.1	Grounds	2.1	Radiator Fan Clutch	13.1		
Back-up lights and alarm	26.3			Rear junction box door fan	11.1		
Battery and Equalizer	1.1	<b>H</b>					
Battery Charger	17.1	Hazard	26.1	<b>S</b>			
Brake Pedal Sensor	12.1	Head Lights	26.1	Service Brake Relay	12.1		
		Horn	9.1	Slide out	23.1		
<b>C</b>		Hvac Defroster	18.1	Slide out (single)	23.2		
Charging System	3.2	Hvac Passenger	18.2	Slide out (double)	23.3		
Clearance lights rear & front	26.1,26.2	Hvac Driver only	18.3	Spare Wires	8.1		
Cluster	10.1			Stop lights	26.2		
Cornering Lights (Optional)	26.3	<b>J</b>		Sun Visor	30.1		
Cruise control	14.1	J1939 Network	6.2	Steering Control ZF	37.1		
Converter interface	36.1			sjmatsyj	38.1		
		<b>K</b>		sfgnsrjh	39.1		
<b>D</b>		Keyless keypad	29.1	Steering Wheel Control	38.1		
Dash Lights	19.1						
Differential lock	37.1	<b>L</b>		<b>T</b>			
Docking Lights	26.3	Level low	32.1	Tag	32.1		
Driver's Light and Backlight	19.1	Luggage compt lighting	25.1	Tail and Licence Lights	26.2		
Driver's Power Window	30.1	Luggage door Lock/Unlock	33.1	Test Switch	9.1		
Driver's seat	35.2	Luggage door switches	24.1	Transmission ECU	15.1-15.2		
				Trailer Package	26.4		
				TPMS	39.1		



# MULTIPLEX OUTPUT LIST

O\_xx... = Physical Output Pin ; I\_xx... = Physical Input Pin ; D\_xx... = CAN Network Signal from the HVAC control Head ; B\_xx.. = Multiplex system global Network Variable

Module.Pin#	Signal name	Description	Page	Connected devices	Input involved		
A36.JA:13	O_EngineRun	Engine Run Signal	3,2	A15:6	B_EngineRun	.	
					D_OnOffDrvSw	.	
					I_AccKeySw	A36.JB:6	
					I_BatMonMod53	A53.J1:24	6,1
					I_BatMonMod54	A54.J1:24	6,1
					I_IgnKeySw	A36.JB:2	
A36.JA:14	O_MasterRlyLatch		3,2		B_EngineRun	.	
					I_IgnKeySw	A36.JB:2	
					I_RrCutOutSw	A36.JB:21	3,2
A36.JA:15	O_WakeUp	WakeUp Relay	3,3	R21:87a, D15.B:1, R17.A:2, R19:86, R18:86	I_AccKeySw	A36.JB:6	
					I_EntDrUnlockSw	A41.J1:8	29,1
					I_HazardSw	A36.JB:4	26,1
					I_IgnKeySw	A36.JB:2	
					I_RrCutOutSw	A36.JB:21	3,2
					I_WakeUp	A36.JB:5	9,1
A36.JA:24	O_CutOutRel	Emergency CutOut Relay	3,2		I_FireExt2ndAlm	A44.J1:10	
					I_IgnKeySw	A36.JB:2	
A36.JA:6	O_DrUnlockRly	Luggages doors unlocks relays	33,1	R33:86, R32:86	I_KeylessLuggUnl	A41.J1:18	29,1
					I_LugDorULkSw	A41.J1:20	33,1
A36.JA:7	O_DrLockRly	Luggages doors locks relays	33,1	R30:86, R31:86	I_AccKeySw	A36.JB:6	
					I_EntDrUnlockSw	A41.J1:8	29,1
					I_HazardSw	A36.JB:4	26,1
					I_IgnKeySw	A36.JB:2	
					I_KeylessLockAll	A41.J1:19	29,1
					I_LugDorLkSw	A41.J1:17	33,1
					I_RrCutOutSw	A36.JB:21	3,2
					I_WakeUp	A36.JB:5	9,1
A41.J1:11	O_ConvWakeUp	Converter wake up signal	36,1	CC2:1, FREE:FREE, CC2:1	I_AccKeySw	A36.JB:6	
					I_EntDrUnlockSw	A41.J1:8	29,1
					I_HazardSw	A36.JB:4	26,1
					I_IgnKeySw	A36.JB:2	
					I_RrCutOutSw	A36.JB:21	3,2
					I_WakeUp	A36.JB:5	9,1
A41.J1:15	O_ConvParkBrk	Converter park brake signal	36,1	CC2:4, FREE:FREE, CC2:4	I_ParkBrSe	A36.JB:9	
A41.J1:16	O_WakeUpA41		9,1	A36.JB:5	I_AccKeySw	A36.JB:6	
					I_DrvLtSw	A41.J1:2	19,1
					I_EntDorLockSw	A41.J1:9	29,1
					I_EntDorOpSe	A41.J1:5	29,1
					I_EntDrUnlockSw	A41.J1:8	29,1
					I_FireSensorA36	A41.J1:10	9,1
					I_HazardSw	A36.JB:4	26,1
					I_HornSw	A41.J1:3	9,1
					I_IanKeySw	A36.JB:2	

# MULTIPLEX OUTPUT LIST

O\_xx... = Physical Output Pin ; L\_xx... = Physical Input Pin ; D\_xx... = CAN Network Signal from the HVAC control Head ; B\_xx.. = Multiplex system global Network Variable

Module.Pin#	Signal name	Description	Page	Connected devices	Input involved		
A41.J1:16	O_WakeUpA41		9,1	A36.JB:5	I_KeylessDrUnl	A41.J1:4	29,1
					I_KeylessEntReq	A41.J1:21	29,1
					I_KeylessIntru	A41.J1:7	29,1
					I_KeylessLockAll	A41.J1:19	29,1
					I_KeylessLuggUnl	A41.J1:18	29,1
					I_LugDorLkSw	A41.J1:17	33,1
					I_LugDorULkSw	A41.J1:20	33,1
					I_RrCutOutSw	A36.JB:21	3,2
					I_WakeUp	A36.JB:5	9,1
A42.J1:11	O_ConvIgnition	Converter ignition signal	36,1	CC2:5, FREE:FREE, CC2:5	I_IgnKeySw	A36.JB:2	
A42.J1:12	O_ConvEngRun	Converter engine run signal	36,1	CC2:6, FREE:FREE, CC2:6	B_EngineRun	.	
A42.J1:13	O_SldO2MotIn	Rear Slide Out retracting	36,1	CC2:9, FREE:FREE, CC2:9	I_BatMonMod57	A57.J1:24	6,1
					I_SldO1VacPrSe	A56.J1:13	20,1
					I_SldO2CloseSw	A57.J1:10	20,1
					I_SldO2LimiOutSw	A57.J1:14	20,1
					I_SldO2LimitInSe	A57.J1:11	20,1
					I_SldO2OpenSw	A57.J1:9	20,1
					I_SldO2PBrakeSw	A57.J1:12	20,1
A42.J1:14	O_SldO1MotIn	Front Slide Out retracting	36,1	A52.J1:21, D29:B, L199:A, CC2:7, FREE:FREE, CC2:7	I_BatMonMod56	A56.J1:24	6,1
					I_SldO1CloseSw	A56.J1:10	20,1
					I_SldO1LimiOutSw	A56.J1:14	20,1
					I_SldO1LimitInSe	A56.J1:11	20,1
					I_SldO1OpenSw	A56.J1:9	20,1
					I_SldO1PBrakeSw	A56.J1:12	20,1
					I_SldO1VacPrSe	A56.J1:13	20,1
A42.J1:16	O_SldO1MotOut	Front Slide Out extending	36,1	CC2:8, FREE:FREE, CC2:8	I_BatMonMod56	A56.J1:24	6,1
					I_SldO1CloseSw	A56.J1:10	20,1
					I_SldO1LimiOutSw	A56.J1:14	20,1
					I_SldO1LimitInSe	A56.J1:11	20,1
					I_SldO1OpenSw	A56.J1:9	20,1
					I_SldO1PBrakeSw	A56.J1:12	20,1
					I_SldO1VacPrSe	A56.J1:13	20,1
A43.J1:11	O_SldO2MotOut	Rear Slide Out extending	36,1	Se23:A, A52.J1:16, Se24:A, CC2:10, FREE:FREE, CC2:10	I_BatMonMod57	A57.J1:24	6,1
					I_SldO1VacPrSe	A56.J1:13	20,1
					I_SldO2CloseSw	A57.J1:10	20,1
					I_SldO2LimiOutSw	A57.J1:14	20,1
					I_SldO2LimitInSe	A57.J1:11	20,1
					I_SldO2OpenSw	A57.J1:9	20,1
					I_SldO2PBrakeSw	A57.J1:12	20,1
A44.J1:1	O_DashTrapPMo	Dash Trap Motor	18,1	Mo3:1	D_AirFlapBit0	.	
					D_AirFlapBit1	.	
					D_AirFlapBit2	.	
					I_IanKevSw	A36.JB:2	



# MULTIPLEX OUTPUT LIST

O\_xx... = Physical Output Pin ; I\_xx... = Physical Input Pin ; D\_xx... = CAN Network Signal from the HVAC control Head ; B\_xx.. = Multiplex system global Network Variable

Module.Pin#	Signal name	Description	Page	Connected devices	Input involved
A44.J1:2	O_DashTrapNM0	Dash Trap Motor Return	18,1	Mo3:3	D_AirFlapBit0 D_AirFlapBit1 D_AirFlapBit2 I_IgnKeySw A36.JB:2
A44.J1:20	O_DashBackLit	Dash BackLighting		Pot1.C:1	I_HdLtPos1Sw A43.J1:4 26,1
A44.J1:4	O_BrakeRedundant	Brake Redundant For Volvo D13	14,2		I_BrkLtSeFrSig A36.JB:13 I_BrkLtSeRrSig A51.J1:10 12,1
A44.J1:7	O_BackUpMon	Backup Monitor Signal	28,1		I_BackUpCamSw A42.J1:6 28,1
A44.J1:8	O_FrClearLb	Front Clearance Lights Bulb	26,1	L26.A:1, L27.A:1, L21.A:1, L22.A:1, L23.A:1, L24.A:1, L25.A:1	B_BatterySaver B_TstModExtLight I_BlinkSw A43.J1:20 26,1 I_HdLtPos1Sw A43.J1:4 26,1 I_HdLtPos2SwLH A45.J1:12
A45.J1:1	O_FootTrpPSol	Foot Trap Solenoid	18,1	Mo4:A	D_AirFlapBit0 D_AirFlapBit1 D_AirFlapBit2 I_IgnKeySw A36.JB:2
A45.J1:2	O_FootTrpNSol	Foot Trap Solenoid	18,1	Mo4:B	D_AirFlapBit0 D_AirFlapBit1 D_AirFlapBit2 I_IgnKeySw A36.JB:2
A45.J1:20	O_HornSol	Electric Horn	9,1	L186:A, L185:A	I_AccKeySw A36.JB:6 I_EntDrUnlockSw A41.J1:8 29,1 I_FireExt1stAlm A36.JB:23 I_FireExt2ndAlm A44.J1:10 I_FireSensorA36 A41.J1:10 9,1 I_HazardSw A36.JB:4 26,1 I_HornSw A41.J1:3 9,1 I_IgnKeySw A36.JB:2 I_KeylessDrUnl A41.J1:4 29,1 I_KeylessIntru A41.J1:7 29,1 I_KeylessLockAll A41.J1:19 29,1 I_KeylessLuggUnl A41.J1:18 29,1 I_KeylessPanic A41.J1:6 29,1 I_LugDorLkSw A41.J1:17 33,1 I_RrCutOutSw A36.JB:21 3,2 I_WakeUp A36.JB:5 9,1
A45.J1:21	O_LHFrmkrLb	Left Hand Front Markers Light Bulb	26,1	L65:1, L62:3	B_BatterySaver B_TstModExtLight I_BlinkSw A43.J1:20 26,1 I_HdLtPos1Sw A43.J1:4 26,1 I_HdLtPos2SwLH A45.J1:12 I_IgnKeySw A36.JB:2

# MULTIPLEX OUTPUT LIST

O\_xx... = Physical Output Pin ; L\_xx... = Physical Input Pin ; D\_xx... = CAN Network Signal from the HVAC control Head ; B\_xx.. = Multiplex system global Network Variable

Module.Pin#	Signal name	Description	Page	Connected devices	Input involved		
A45.J1:21	O_LHFrMkrLb	Left Hand Front Markers Light Bulb	26,1	L65:1, L62:3	I_KeylessIntru	A41.J1:7	29,1
					I_KeylessPanic	A41.J1:6	29,1
A45.J1:3	O_LHFrFlshLb	Left Hand Front Flasher Light Bulb	26,1	L66:1, L62:2, L70:1, A50.J1:5, L300:1, L304:in	B_BatterySaver	.	
					B_TstModExtLight	.	
					I_LHFlshSw	A45.J1:9	26,1
					I_LHFlshSwRrSig	A51.J1:9	26,2
					I_RHFlshSwRrSig	A51.J1:12	26,2
A45.J1:4	O_LHFogLb	Left Hand Fog Light Bulb	26,3	L95:A	B_BatterySaver	.	
					B_TstModExtLight	.	
					I_FogLightSw	A43.J1:10	26,3
A45.J1:5	O_LHCornerLb	Left Hand Cornering Light Bulb	26,3	L97.A:1	B_BatterySaver	.	
					B_TstModExtLight	.	
					I_CorneringLtSw	A43.J1:21	26,3
					I_LHFlshSw	A45.J1:9	26,1
A45.J1:6	O_LHHiBmLb	Left Hand Hi Beam Light Bulb	26,1	L60.B:1	B_BatterySaver	.	
					B_EngineRun	.	
					B_OneAltCharging	.	
					B_TstModExtLight	.	
					I_HdLtHiLowBmSw	A43.J1:8	26,1
					I_HdLtPos2SwLH	A45.J1:12	
					I_HiBeamCallSw	A43.J1:3	26,1
A45.J1:7	O_LHLwBmLb	Left Hand Low Beam Light Bulb	26,1	L60.A:1	B_BatterySaver	.	
					B_TstModExtLight	.	
					I_HdLtPos2SwLH	A45.J1:12	
A45.J1:8	O_FlshAudiRel	Flasher Audible Relay	26,1	R16:86	I_HazardSw	A36.JB:4	26,1
					I_IgnKeySw	A36.JB:2	
					I_LHFlshSw	A45.J1:9	26,1
					I_LHFlshSwRrSig	A51.J1:9	26,2
					I_RHFlshSw	A48.J1:12	26,1
					I_RHFlshSwRrSig	A51.J1:12	26,2
A46.J1:1	O_AuxFanSpeed	Auxiliary fan speed control	18,3		B_BatterySaver	.	
					B_EngineRun	.	
					B_OneAltCharging	.	
					D_AuxFanSpdBit0	.	
					D_AuxFanSpdBit1	.	
					D_AuxFanSpdBit2	.	
					D_AuxFnOnOffSw	.	
					I_BatMonMod46	A46.J1:24	6,1
					I_IgnKeySw	A36.JB:2	
A46.J1:21	O_HeadLmpWshM		34,1	Mo54:2	I_HeadLmpWshSw	A45.J1:11	34,1
A46.J1:3	O_LwWshPmp	Lower Wiper Washer Pump	34,1	Mo19.B:1, Mo20.B:1	B_BatterySaver	.	
					I_LwWshSw	A46.J1:9	34,1
A46.J1:5	O_DrvRfdSol	Driver refrigerent solenoid	18 1		B_BatterySaver	.	

# MULTIPLEX OUTPUT LIST

O\_xx... = Physical Output Pin ; I\_xx... = Physical Input Pin ; D\_xx... = CAN Network Signal from the HVAC control Head ; B\_xx.. = Multiplex system global Network Variable

Module.Pin#	Signal name	Description	Page	Connected devices	Input involved		
A46.J1:5	O_DrvRfgSol	Driver refrigerent solenoid	18,1		B_EngineRun	.	
					B_LowVoltage	.	
					B_TestMode	.	
					B_TstModHvac	.	
					D_OnOffDrvSw	.	
					I_AcPresHiSse	A52.J1:13	18,2
					I_AcPresLoSse	A52.J1:14	18,2
					I_FrontOutTemp	A47.J1:14	18,3
					I_OutDoorTempSe	A54.J1:14	18,1
A46.J1:6	O_DrvHeatSol	Driver Heat Solenoid	18,1	Sw3:8, Sw3:6, So8:1	B_BatterySaver	.	
					B_EngineRun	.	
					B_LowVoltage	.	
					B_OneAltCharging	.	
					B_TestMode	.	
					B_TstModHvac	.	
					D_AirFlapBit0	.	
					D_AirFlapBit1	.	
					D_AirFlapBit2	.	
					D_AuxFanSpdBit0	.	
					D_AuxFanSpdBit1	.	
					D_AuxFanSpdBit2	.	
					D_DriverSetPts	.	
					D_DrvFnSpdBit0	.	
					D_DrvFnSpdBit1	.	
					D_DrvFnSpdBit2	.	
					D_OnOffDrvSw	.	
					D_OnOffPassSw	.	
					D_PassSetPts	.	
					I_BatMonMod46	A46.J1:24	6,1
					I_BatMonMod54	A54.J1:24	6,1
					I_DefrostHighSw	A47.J1:10	18,1
					I_DefrostLowSw	A47.J1:12	18,1
					I_DrvTempSe	A46.J1:13	18,1
					I_FireExt1stAl	A36.JB:23	
					I_FireExt2ndAlm	A44.J1:10	
					I_FireSensorA36	A41.J1:10	9,1
					I_FrontOutTemp	A47.J1:14	18,3
					I_OutDoorTempSe	A54.J1:14	18,1
A46.J1:8	O_AuxSolValve	Auxiliary refrigerant solenoid valve	18,3		B_BatterySaver	.	
					B_EngineRun	.	
					B_TestMode	.	
					D_AuxFnOnOffSw	.	
					D_OnOffDrvSw	.	

# MULTIPLEX OUTPUT LIST

O\_xx... = Physical Output Pin ; L\_xx... = Physical Input Pin ; D\_xx... = CAN Network Signal from the HVAC control Head ; B\_xx.. = Multiplex system global Network Variable

Module.Pin#	Signal name	Description	Page	Connected devices	Input involved		
A46.J1:8	O_AuxSolValve	Auxiliary refrigerant solenoid valve	18,3		I_AcPresHiSse	A52.J1:13	18,2
					I_AcPresLoSse	A52.J1:14	18,2
A47.J1:1	O_DrvDefFanMo	Driver Defroster Fan Motor	18,1	A24.B:B	B_BatterySaver	.	
					B_EngineRun	.	
					B_LowVoltage	.	
					D_DrvFnSpdBit0	.	
					D_DrvFnSpdBit1	.	
					D_DrvFnSpdBit2	.	
					D_OnOffDrvSw	.	
					I_BatMonMod47	A47.J1:24	6,1
					I_IgnKeySw	A36.JB:2	
A47.J1:2	O_DrvRecTrap	Driver Recycle Trap	18,1	L203:A	B_BatterySaver	.	
					B_EngineRun	.	
					B_TestMode	.	
					B_TstModHvac	.	
					D_OnOffDrvSw	.	
					D_RecSw	.	
A47.J1:20	O_AuxWaterPump	Auxiliary water pump	18,3	Mo50:A, A54.J1:4, D30.B:1, Mo12.A:A	B_BatterySaver	.	
					B_EngineRun	.	
					B_OneAltCharging	.	
					B_TestMode	.	
					D_AuxFanSpdBit0	.	
					D_AuxFanSpdBit1	.	
					D_AuxFanSpdBit2	.	
					D_DriverSetPts	.	
					D_DrvFnSpdBit0	.	
					D_DrvFnSpdBit1	.	
					D_DrvFnSpdBit2	.	
					D_OnOffDrvSw	.	
					I_DefrostHighSw	A47.J1:10	18,1
					I_DefrostLowSw	A47.J1:12	18,1
					I_FrontOutTemp	A47.J1:14	18,3
					I_OutDoorTempSe	A54.J1:14	18,1
A47.J1:3	O_LwWipSpd1	Lower Wiper Speed 1	34,1	R23:86	B_BatterySaver	.	
					I_LwWipIntSw	A42.J1:8	34,1
					I_LwWshSw	A46.J1:9	34,1
A47.J1:5	O_EntDorStpLb	Entrance Door Step Light Bulb	29,1	L18.A:1, L17:1	I_AccKeySw	A36.JB:6	
					I_EntDorOpSe	A41.J1:5	29,1
					I_EntDrUnlockSw	A41.J1:8	29,1
					I_HazardSw	A36.JB:4	26,1
					I_IgnKeySw	A36.JB:2	
					I_KeylessDrUnl	A41.J1:4	29,1
					I_KeylessLuadUnl	A41.J1:18	29,1

# MULTIPLEX OUTPUT LIST

O\_xx... = Physical Output Pin ; I\_xx... = Physical Input Pin ; D\_xx... = CAN Network Signal from the HVAC control Head ; B\_xx... = Multiplex system global Network Variable

Module.Pin#	Signal name	Description	Page	Connected devices	Input involved		
A47.J1:5	O_EntDorStpLb	Entrance Door Step Light Bulb	29,1	L18.A:1, L17:1	I_LugDorLkSw	A41.J1:17	33,1
					I_RrCutOutSw	A36.JB:21	3,2
					I_WakeUp	A36.JB:5	9,1
A47.J1:6	O_DriverLtLb	Driver Light Bulb	19,1	L16:1	B_BatterySaver	.	
					I_DrvLtSw	A41.J1:2	19,1
A47.J1:7	O_RHDefrostFan	Passenger defrost fan speed control	18,1	A30.A:D, Se25:2, A54.J1:13	B_BatterySaver	.	
					B_EngineRun	.	
					B_LowVoltage	.	
					D_DrvFnSpdBit0	.	
					D_DrvFnSpdBit1	.	
					D_DrvFnSpdBit2	.	
					D_OnOffDrvSw	.	
					I_BatMonMod47	A47.J1:24	6,1
					I_DefrostHighSw	A47.J1:10	18,1
					I_DefrostLowSw	A47.J1:12	18,1
					I_IgnKeySw	A36.JB:2	
A48.J1:1	O_DoorUnlockMo	Entrance door unlock motor	29,1	D71.B:1, Mo26:A	I_AccKeySw	A36.JB:6	
					I_EntDorOpSe	A41.J1:5	29,1
					I_EntDrUnlockSw	A41.J1:8	29,1
					I_EntDrUnSw	A48.J1:9	29,1
					I_HazardSw	A36.JB:4	26,1
					I_IgnKeySw	A36.JB:2	
					I_KeylessDrUnl	A41.J1:4	29,1
					I_RrCutOutSw	A36.JB:21	3,2
					I_WakeUp	A36.JB:5	9,1
A48.J1:2	O_DoorLockMo	Entrance door lock motor	29,1	D72.B:1, Mo26:B	I_AccKeySw	A36.JB:6	
					I_EntDorLockSw	A41.J1:9	29,1
					I_EntDorOpSe	A41.J1:5	29,1
					I_EntDrUnlockSw	A41.J1:8	29,1
					I_HazardSw	A36.JB:4	26,1
					I_IgnKeySw	A36.JB:2	
					I_KeylessLockAll	A41.J1:19	29,1
					I_RrCutOutSw	A36.JB:21	3,2
					I_WakeUp	A36.JB:5	9,1
A48.J1:20	O_RHFrSidFishLb	RH Front Side Flasher L-Bulb	26,1	L64:1, A51.J1:3, D70.A:1, L76:1, L73:3	B_BatterySaver	.	
					B_TstModExtLight	.	
					I_LHFlashSwRrSig	A51.J1:9	26,2
					I_RHFlashSw	A48.J1:12	26,1
					I_RHFlashSwRrSig	A51.J1:12	26,2
A48.J1:3	O_RHHiBeamLb	Right Hand Hi Beam Light Bulb	26,1	L57.B:1, L59.B:1	B_BatterySaver	.	
					B_EngineRun	.	
					B_OneAltCharging	.	
					B_TstModExtLight	.	

# MULTIPLEX OUTPUT LIST

O\_xx... = Physical Output Pin ; L\_xx... = Physical Input Pin ; D\_xx... = CAN Network Signal from the HVAC control Head ; B\_xx.. = Multiplex system global Network Variable

Module.Pin#	Signal name	Description	Page	Connected devices	Input involved		
A48.J1:3	O_RHHiBeamLb	Right Hand Hi Beam Light Bulb	26,1	L57.B:1, L59.B:1	I_HdLtHiLowBmSw	A43.J1:8	26,1
					I_HdLtPos2SwLH	A45.J1:12	
					I_HiBeamCallSw	A43.J1:3	26,1
A48.J1:4	O_RHLwBeamLb	Right Hand Low Beam Light Bulb	26,1	L57.A:B, L59.A:1	B_BatterySaver	.	
					B_TstModExtLight	.	
					I_HdLtPos2SwRH	A48.J1:10	26,1
A48.J1:5	O_RHCornerLb	Right Hand Cornering Light Bulb	26,3	L98.A:1	B_BatterySaver	.	
					B_TstModExtLight	.	
					I_CorneringLtSw	A43.J1:21	26,3
					I_RHFishSw	A48.J1:12	26,1
A48.J1:6	O_RHFrFishLb	Right Hand Front Flasher Light Bulb	26,1	L61:2, L68:1, L302:1, A50.J1:7, L306:in	B_BatterySaver	.	
					B_TstModExtLight	.	
					I_LHFishSwRrSig	A51.J1:9	26,2
					I_RHFishSw	A48.J1:12	26,1
					I_RHFishSwRrSig	A51.J1:12	26,2
A48.J1:7	O_RHFrMrkLb	Right Hand Front Markers Light Bulb	26,1	L63:1, L61:3, L67:1, L303:1, L301:1, L74:1, L80:2, A51.J1:8, L77:2, L78:2, L83:B, L72:1, L79:2, L82:B, A50.J1:8, L69:1, L307:in, L305:in	B_BatterySaver	.	
					B_TstModExtLight	.	
					I_BlinkSw	A43.J1:20	26,1
					I_HdLtPos1Sw	A43.J1:4	26,1
					I_HdLtPos2SwLH	A45.J1:12	
					I_KeylessIntru	A41.J1:7	29,1
A50.J1:2	O_TransInhibit	Transmission Inhibit	15,1	A1:55, A1:1, A7:2	I_BrkLtSeFrSig	A36.JB:13	
					I_BrkLtSeRrSig	A51.J1:10	12,1
					I_SldO1LimitInSe	A56.J1:11	20,1
					I_SldO2LimitInSe	A57.J1:11	20,1
					I_SldO3LimitInSe	A58.J1:11	20,2
A50.J1:20	O_RevAlarm	Back up alarm	26,3	L187:A, L92:1, L91:1	B_BatterySaver	.	
					B_EngineRun	.	
					B_TestMode	.	
					B_TestSwBuz2	.	
					B_TestSwBuzzer	.	
					B_TstModExtLight	.	
					B_TstModHvac	.	
					B_TstModHvacNext	.	
					B_TstModSACNext	.	
					B_TestSwBuz3	.	
A50.J1:3	O_RevLbBuz	Reverse Alarm and Light Bulb	26,3		B_BatterySaver	.	
					B_EngineRun	.	
					B_TestMode	.	
					B_TestSwBuz2	.	
					B_TestSwBuzzer	.	
					B_TstModExtLight	.	

# MULTIPLEX OUTPUT LIST

O\_xx... = Physical Output Pin ; I\_xx... = Physical Input Pin ; D\_xx... = CAN Network Signal from the HVAC control Head ; B\_xx.. = Multiplex system global Network Variable

Module.Pin#	Signal name	Description	Page	Connected devices	Input involved		
A50.J1:3	O_RevLbBuz	Reverse Alarm and Light Bulb	26,3		B_TstModHvac	.	
					B_TstModHvacNext	.	
					B_TstModSACNext	.	
					B_TstSwBuz3	.	
					I_RevAlrmSw	A43.J1:6	26,3
A50.J1:4	O_ReClearLb	Rear Clearance Light Bulb	26,2	Res17.A:1, Res16.A:1, L84.A:1, L87.A:1, L85.A:1, L88.A:1, L90.A:1, L89.A:1, L86.A:1	B_BatterySaver	.	
					B_TstModExtLight	.	
					I_BlinkSw	A43.J1:20	26,1
					I_HdLtPos1Sw	A43.J1:4	26,1
					I_HdLtPos2SwLH	A45.J1:12	
A50.J1:5	O_LHctrFlshLb	Water Filter Indicator Warning	26,2	L66:1, A45.J1:3, L62:2, L70:1, L300:1, L304:in	B_BatterySaver	.	
					B_TstModExtLight	.	
					I_LHFlshSwRrSig	A51.J1:9	26,2
					I_RHFlshSwRrSig	A51.J1:12	26,2
A50.J1:6	O_BrLtLowerLb		26,2	L77:3, L79:3	B_BatterySaver	.	
					B_EngineRun	.	
					B_TstModExtLight	.	
					I_BrkLtSeFrSig	A36.JB:13	
					I_BrkLtSeRrSig	A51.J1:10	12,1
					I_EngBrOnSe	A42.J1:18	
					I_IgnKeySw	A36.JB:2	
					I_RetdrSig	A50.J1:12	15,1
A50.J1:7	O_RHctrFlshLb	Wheel Chair Lift Warning Indicator	26,2	A48.J1:6, L61:2, L68:1, L302:1, L306:in	B_BatterySaver	.	
					B_TstModExtLight	.	
					I_LHFlshSwRrSig	A51.J1:9	26,2
					I_RHFlshSwRrSig	A51.J1:12	26,2
A50.J1:8	O_CtrSdMrkLb	Tag Axle Warning Indicator	26,2	A48.J1:7, L63:1, L61:3, L67:1, L303:1, L301:1, L74:1, L80:2, A51.J1:8, L77:2, L78:2, L83:B, L72:1, L79:2, L82:B, L69:1, L307:in, L305:in	B_BatterySaver	.	
					B_TstModExtLight	.	
					I_BlinkSw	A43.J1:20	26,1
					I_HdLtPos1Sw	A43.J1:4	26,1
					I_HdLtPos2SwLH	A45.J1:12	
A51.J1:1	O_SerBrkTrans	Servise Brake Signal For	15,1	A8:50	I_BrkLtSeFrSig	A36.JB:13	
A51.J1:21	O_LHRReFlshLb	Left Hand Rear Flasher Light Bulb	26,2	D69.A:1, L75:1, L71:3	B_BatterySaver	.	
					B_TstModExtLight	.	
					I_LHFlshSwRrSig	A51.J1:9	26,2
					I_RHFlshSwRrSig	A51.J1:12	26,2
A51.J1:3	O_RHRReFlshLb	Right Hand Rear Flasher Light Bulb		A48.J1:20, L64:1, D70.A:1, L76:1, L73:3	B_BatterySaver	.	
					B_TstModExtLight	.	
					I_LHFlshSwRrSig	A51.J1:9	26,2
					I_RHFlshSwRrSig	A51.J1:12	26,2
A51.J1:4	O_LHDockLb	Left Hand Docking Light Bulb	26,3	L93.A:1	B_BatterySaver	.	
					B_TstModExtLight	.	
					I_DockingLtSw	A43.J1:7	26,3

# MULTIPLEX OUTPUT LIST

O\_xx... = Physical Output Pin ; L\_xx... = Physical Input Pin ; D\_xx... = CAN Network Signal from the HVAC control Head ; B\_xx.. = Multiplex system global Network Variable

Module.Pin#	Signal name	Description	Page	Connected devices	Input involved
A51.J1:4	O_LHDockLb	Left Hand Docking Light Bulb	26,3	L93.A:1	I_LowDockLtsSw A43.J1:5 26,3
A51.J1:5	O_RHDockLb	Right Hand Docking Light Bulb	26,3	L94.A:1	B_BatterySaver . B_TstModExtLight . I_DockingLtSw A43.J1:7 26,3 I_LowDockLtsSw A43.J1:5 26,3
A51.J1:6	O_BrLtUpperLb		26,2	L80:3, L78:3	B_BatterySaver . B_EngineRun . B_TstModExtLight . I_BrkLtSeFrSig A36.JB:13 I_BrkLtSeRrSig A51.J1:10 12,1 I_EngBrOnSe A42.J1:18 I_RetdrSig A50.J1:12 15,1
A51.J1:7	O_CyclopeLt	Cyclope Brake Light	26,2	L81.A:1	B_BatterySaver . B_TstModExtLight . I_BrkLtSeFrSig A36.JB:13 I_BrkLtSeRrSig A51.J1:10 12,1
A51.J1:8	O_ReTailMkLb	Rear Tail Markers Light Bulb	26,2	A48.J1:7, L63:1, L61:3, L67:1, L303:1, L301:1, L74:1, L80:2, L77:2, L78:2, L83:B, L72:1, L79:2, L82:B, A50.J1:8, L69:1, L307:in, L305:in	B_BatterySaver . B_TstModExtLight . I_AccKeySw A36.JB:6 I_BlinkSw A43.J1:20 26,1 I_EntDrUnlockSw A41.J1:8 29,1 I_HazardSw A36.JB:4 26,1 I_HdLtPos1Sw A43.J1:4 26,1 I_HdLtPos2SwLH A45.J1:12 I_IgnKeySw A36.JB:2 I_KeylessDrUnl A41.J1:4 29,1 I_KeylessIntru A41.J1:7 29,1 I_KeylessPanic A41.J1:6 29,1 I_RrCutOutSw A36.JB:21 3,2 I_WakeUp A36.JB:5 9,1
A52.J1:1	O_EngFanSpd1	Engine Fan Radiator Speed 1	13,1	D37:A, Mo2:A	B_BatterySaver . B_EngineRun . B_TestMode . B_TstModHvac . D_OnOffDrvSw . I_AcPresHiSse A52.J1:13 18,2 I_EngFanSpd1 A52.J1:9 13,1 I_EngFanSw A36.JB:14 13,1 I_FireExt1stAl A36.JB:23 I_FireExt2ndAlm A44.J1:10 I_FireSensorA36 A41.J1:10 9,1
A52.J1:2	O_EngFanSpd2	Engine Fan Radiator Speed 2	13,1	D36:A, Mo2:B, Sw22:8, Sw22:6	B_BatterySaver . B_EngineRun .



# MULTIPLEX OUTPUT LIST

O\_xx... = Physical Output Pin ; L\_xx... = Physical Input Pin ; D\_xx... = CAN Network Signal from the HVAC control Head ; B\_xx.. = Multiplex system global Network Variable

Module.Pin#	Signal name	Description	Page	Connected devices	Input involved	
A52.J1:2	O_EngFanSpd2	Engine Fan Radiator Speed 2	13,1	D36:A, Mo2:B, Sw22:8, Sw22:6	B_TestMode	.
					B_TstModHvac	.
					D_OnOffDrvSw	.
					L_AcPresHiSSe	A52.J1:13 18,2
					L_EngFanSpd1	A52.J1:9 13,1
					L_EngFanSpd2	A52.J1:10 13,1
					L_EngFanSw	A36.JB:14 13,1
					L_FireExt1stAl	A36.JB:23
					L_FireExt2ndAlm	A44.J1:10
					L_FireSensorA36	A41.J1:10 9,1
A52.J1:20	O_AcCluSol	Hvac AC Clutch Solenoid		D31.B:1, Se29:B	B_BatterySaver	.
					B_EngineRun	.
					B_TestMode	.
					B_TstModHvac	.
					D_OnOffDrvSw	.
					L_AcPresHiSSe	A52.J1:13 18,2
					L_AcPresLoSSe	A52.J1:14 18,2
A52.J1:21	O_AcUnldRH	Hvac Right Hand Cylinder Unloader	18,2	D29:B, L199:A, CC2:7, FREE:FREE, CC2:7, A42.J1:14	B_BatterySaver	.
					B_EngineRun	.
					B_TestMode	.
					B_TstModHvac	.
					D_PassSetPts	.
					L_AcPresHiSSe	A52.J1:13 18,2
					L_AcPresLoSSe	A52.J1:14 18,2
A52.J1:5	O_EngCmptLbZF	Engine Compartment Light Switch	25,1	L173:1, L174:1	L_EngCmptLtSw	A52.J1:11 25,1
					L_EngDoorSe	A52.J1:12 25,1
A52.J1:8	O_AcUnldLH	Hvac Left Hand Cylinder Unloader		D28:B, L200:A	B_BatterySaver	.
					B_EngineRun	.
					B_TestMode	.
					B_TstModHvac	.
					D_PassSetPts	.
					L_AcPresHiSSe	A52.J1:13 18,2
					L_AcPresLoSSe	A52.J1:14 18,2
A53.J1:1	O_StarterRlyRtn	Starter Relay Return	3,2	Term49	L_IgnKeySw	A36.JB:2
A53.J1:5	O_RJBDoFanMo	Rear junction box door fan	11,1		B_BatterySaver	.
					B_EngineRun	.
					B_TestMode	.
					B_TstModHvac	.
					L_BatMonMod53	A53.J1:24 6,1
					L_FrontOutTemp	A47.J1:14 18,3
					L_OutDoorTempSe	A54.J1:14 18,1
A53.J1:6	O_StarterRel	Starter Relay	3,2	Term48	B_BatterySaver	.
					B_EngineRun	.

# MULTIPLEX OUTPUT LIST

O\_xx... = Physical Output Pin ; I\_xx... = Physical Input Pin ; D\_xx... = CAN Network Signal from the HVAC control Head ; B\_xx.. = Multiplex system global Network Variable

Module.Pin#	Signal name	Description	Page	Connected devices	Input involved																																																						
A53.J1:6	O_StarterRel	Starter Relay	3,2	Term48	<table border="1"> <tr><td>B_TestMode</td><td>.</td><td></td></tr> <tr><td>B_TstModHvac</td><td>.</td><td></td></tr> <tr><td>D_OnOffDrvSw</td><td>.</td><td></td></tr> <tr><td>I_AccKeySw</td><td>A36.JB:6</td><td></td></tr> <tr><td>I_EngStaRrSw</td><td>A53.J1:11</td><td>3,2</td></tr> <tr><td>I_EntDrUnlockSw</td><td>A41.J1:8</td><td>29,1</td></tr> <tr><td>I_FrEngStaSw</td><td>A36.JB:22</td><td>3,2</td></tr> <tr><td>I_FrStrtEnSw</td><td>A53.J1:9</td><td>3,2</td></tr> <tr><td>I_HazardSw</td><td>A36.JB:4</td><td>26,1</td></tr> <tr><td>I_IgnKeySw</td><td>A36.JB:2</td><td></td></tr> <tr><td>I_KeylessDrUnl</td><td>A41.J1:4</td><td>29,1</td></tr> <tr><td>I_KeylessIntru</td><td>A41.J1:7</td><td>29,1</td></tr> <tr><td>I_NeutralSe</td><td>A50.J1:11</td><td>15,1</td></tr> <tr><td>I_RrCutOutSw</td><td>A36.JB:21</td><td>3,2</td></tr> <tr><td>I_RrStrtEnSw</td><td>A53.J1:10</td><td>3,2</td></tr> <tr><td>I_StartLockOut</td><td>A53.J1:12</td><td></td></tr> <tr><td>I_WakeUp</td><td>A36.JB:5</td><td>9,1</td></tr> </table>	B_TestMode	.		B_TstModHvac	.		D_OnOffDrvSw	.		I_AccKeySw	A36.JB:6		I_EngStaRrSw	A53.J1:11	3,2	I_EntDrUnlockSw	A41.J1:8	29,1	I_FrEngStaSw	A36.JB:22	3,2	I_FrStrtEnSw	A53.J1:9	3,2	I_HazardSw	A36.JB:4	26,1	I_IgnKeySw	A36.JB:2		I_KeylessDrUnl	A41.J1:4	29,1	I_KeylessIntru	A41.J1:7	29,1	I_NeutralSe	A50.J1:11	15,1	I_RrCutOutSw	A36.JB:21	3,2	I_RrStrtEnSw	A53.J1:10	3,2	I_StartLockOut	A53.J1:12		I_WakeUp	A36.JB:5	9,1			
B_TestMode	.																																																										
B_TstModHvac	.																																																										
D_OnOffDrvSw	.																																																										
I_AccKeySw	A36.JB:6																																																										
I_EngStaRrSw	A53.J1:11	3,2																																																									
I_EntDrUnlockSw	A41.J1:8	29,1																																																									
I_FrEngStaSw	A36.JB:22	3,2																																																									
I_FrStrtEnSw	A53.J1:9	3,2																																																									
I_HazardSw	A36.JB:4	26,1																																																									
I_IgnKeySw	A36.JB:2																																																										
I_KeylessDrUnl	A41.J1:4	29,1																																																									
I_KeylessIntru	A41.J1:7	29,1																																																									
I_NeutralSe	A50.J1:11	15,1																																																									
I_RrCutOutSw	A36.JB:21	3,2																																																									
I_RrStrtEnSw	A53.J1:10	3,2																																																									
I_StartLockOut	A53.J1:12																																																										
I_WakeUp	A36.JB:5	9,1																																																									
A54.J1:1	O_CndSpd2Rel	Condensor Fan Speed 2 Relay	18,2	R9.A:2	<table border="1"> <tr><td>B_BatterySaver</td><td>.</td><td></td></tr> <tr><td>B_EngineRun</td><td>.</td><td></td></tr> <tr><td>B_LowVoltage</td><td>.</td><td></td></tr> <tr><td>B_TestMode</td><td>.</td><td></td></tr> <tr><td>B_TstModHvac</td><td>.</td><td></td></tr> <tr><td>D_DriverSetPts</td><td>.</td><td></td></tr> <tr><td>D_OnOffPassSw</td><td>.</td><td></td></tr> <tr><td>D_PassSetPts</td><td>.</td><td></td></tr> <tr><td>I_AcPresHiSSe</td><td>A52.J1:13</td><td>18,2</td></tr> <tr><td>I_AcPresLoSSe</td><td>A52.J1:14</td><td>18,2</td></tr> <tr><td>I_BatMonMod54</td><td>A54.J1:24</td><td>6,1</td></tr> <tr><td>I_CoilTherSe</td><td>A47.J1:11</td><td>18,3</td></tr> <tr><td>I_DrvTempSe</td><td>A46.J1:13</td><td>18,1</td></tr> <tr><td>I_FireExt1stAl</td><td>A36.JB:23</td><td></td></tr> <tr><td>I_FireExt2ndAlm</td><td>A44.J1:10</td><td></td></tr> <tr><td>I_FireSensorA36</td><td>A41.J1:10</td><td>9,1</td></tr> <tr><td>I_FrontOutTemp</td><td>A47.J1:14</td><td>18,3</td></tr> <tr><td>I_OutDoorTempSe</td><td>A54.J1:14</td><td>18,1</td></tr> </table>	B_BatterySaver	.		B_EngineRun	.		B_LowVoltage	.		B_TestMode	.		B_TstModHvac	.		D_DriverSetPts	.		D_OnOffPassSw	.		D_PassSetPts	.		I_AcPresHiSSe	A52.J1:13	18,2	I_AcPresLoSSe	A52.J1:14	18,2	I_BatMonMod54	A54.J1:24	6,1	I_CoilTherSe	A47.J1:11	18,3	I_DrvTempSe	A46.J1:13	18,1	I_FireExt1stAl	A36.JB:23		I_FireExt2ndAlm	A44.J1:10		I_FireSensorA36	A41.J1:10	9,1	I_FrontOutTemp	A47.J1:14	18,3	I_OutDoorTempSe	A54.J1:14	18,1
B_BatterySaver	.																																																										
B_EngineRun	.																																																										
B_LowVoltage	.																																																										
B_TestMode	.																																																										
B_TstModHvac	.																																																										
D_DriverSetPts	.																																																										
D_OnOffPassSw	.																																																										
D_PassSetPts	.																																																										
I_AcPresHiSSe	A52.J1:13	18,2																																																									
I_AcPresLoSSe	A52.J1:14	18,2																																																									
I_BatMonMod54	A54.J1:24	6,1																																																									
I_CoilTherSe	A47.J1:11	18,3																																																									
I_DrvTempSe	A46.J1:13	18,1																																																									
I_FireExt1stAl	A36.JB:23																																																										
I_FireExt2ndAlm	A44.J1:10																																																										
I_FireSensorA36	A41.J1:10	9,1																																																									
I_FrontOutTemp	A47.J1:14	18,3																																																									
I_OutDoorTempSe	A54.J1:14	18,1																																																									
A54.J1:2	O_EvaSpd2Rel	Evaporator Fan Speed 2	18,2	A1:31, A7:11, Se36:B, A6:B, TermMo9	<table border="1"> <tr><td>B_BatterySaver</td><td>.</td><td></td></tr> <tr><td>B_EngineRun</td><td>.</td><td></td></tr> <tr><td>B_LowVoltage</td><td>.</td><td></td></tr> <tr><td>B_TestMode</td><td>.</td><td></td></tr> <tr><td>B_TstModHvac</td><td>.</td><td></td></tr> <tr><td>D_OnOffPassSw</td><td>.</td><td></td></tr> <tr><td>D_PassSetPts</td><td>.</td><td></td></tr> <tr><td>I_Alt2Voltage</td><td>A49.J1:9</td><td></td></tr> </table>	B_BatterySaver	.		B_EngineRun	.		B_LowVoltage	.		B_TestMode	.		B_TstModHvac	.		D_OnOffPassSw	.		D_PassSetPts	.		I_Alt2Voltage	A49.J1:9																															
B_BatterySaver	.																																																										
B_EngineRun	.																																																										
B_LowVoltage	.																																																										
B_TestMode	.																																																										
B_TstModHvac	.																																																										
D_OnOffPassSw	.																																																										
D_PassSetPts	.																																																										
I_Alt2Voltage	A49.J1:9																																																										

# MULTIPLEX OUTPUT LIST

O\_xx... = Physical Output Pin ; I\_xx... = Physical Input Pin ; D\_xx... = CAN Network Signal from the HVAC control Head ; B\_xx.. = Multiplex system global Network Variable

Module.Pin#	Signal name	Description	Page	Connected devices	Input involved		
A54.J1:2	O_EvaSpd2Rel	Evaporator Fan Speed 2	18,2	A1:31, A7:11, Se36:B, A6:B, TermMo9	I_BatMonMod53	A53.J1:24	6,1
					I_BatMonMod54	A54.J1:24	6,1
					I_FireExt1stAl	A36.JB:23	
					I_FireExt2ndAlm	A44.J1:10	
					I_FireSensorA36	A41.J1:10	9,1
A54.J1:20	O_ACRecPass	A/C Pass. Gaz Cylinder Recycle	18,2	L205.A:1	B_BatterySaver	.	
					B_EngineRun	.	
					B_TestMode	.	
					B_TstModHvac	.	
					D_OnOffDrvSw	.	
					D_RecSw	.	
A54.J1:3	O_PasRfgSol	Passenger Refrigerent Solenoid	18,2	D11.A:1	B_BatterySaver	.	
					B_EngineRun	.	
					B_LowVoltage	.	
					B_TestMode	.	
					B_TstModHvac	.	
					D_DriverSetPts	.	
					D_OnOffPassSw	.	
					D_PassSetPts	.	
					I_BatMonMod54	A54.J1:24	6,1
					I_CoilTherSe	A47.J1:11	18,3
					I_DrvTempSe	A46.J1:13	18,1
					I_FireExt1stAl	A36.JB:23	
					I_FireExt2ndAlm	A44.J1:10	
					I_FireSensorA36	A41.J1:10	9,1
I_FrontOutTemp	A47.J1:14	18,3					
I_OutDoorTempSe	A54.J1:14	18,1					
A54.J1:4	O_ACWaterPmp	Hvac Water Pump		Mo50:A, A47.J1:20, D30.B:1, Mo12.A:A	B_BatterySaver	.	
					B_EngineRun	.	
					B_OneAltCharging	.	
					B_TestMode	.	
					B_TstModHvac	.	
					D_DrvFnSpdBit0	.	
					D_DrvFnSpdBit1	.	
					D_DrvFnSpdBit2	.	
					D_OnOffPassSw	.	
					D_PassSetPts	.	
					I_BatMonMod54	A54.J1:24	6,1
					I_FireExt1stAl	A36.JB:23	
					I_FireExt2ndAlm	A44.J1:10	
					I_FireSensorA36	A41.J1:10	9,1
I_FrontOutTemp	A47.J1:14	18,3					
I_OutDoorTempSe	A54.J1:14	18,1					

# MULTIPLEX OUTPUT LIST

O\_xx... = Physical Output Pin ; I\_xx... = Physical Input Pin ; D\_xx... = CAN Network Signal from the HVAC control Head ; B\_xx... = Multiplex system global Network Variable

Module.Pin#	Signal name	Description	Page	Connected devices	Input involved		
A54.J1:5	O_CndSpd1Rel	Condensor Fan Speed 1 Relay	18,2	R10.A:2	B_BatterySaver	.	
					B_EngineRun	.	
					B_LowVoltage	.	
					B_TestMode	.	
					B_TstModHvac	.	
					D_DriverSetPts	.	
					D_OnOffPassSw	.	
					D_PassSetPts	.	
					I_AcPresHiSse	A52.J1:13	18,2
					I_AcPresLoSse	A52.J1:14	18,2
					I_BatMonMod54	A54.J1:24	6,1
					I_CoilTherSe	A47.J1:11	18,3
					I_DrvTempSe	A46.J1:13	18,1
					I_FireExt1stAl	A36.JB:23	
					I_FireExt2ndAlm	A44.J1:10	
					I_FireSensorA36	A41.J1:10	9,1
					I_FrontOutTemp	A47.J1:14	18,3
					I_OutDoorTempSe	A54.J1:14	18,1
A54.J1:7	O_EvaSpd1Rel	Evaporator Fan Speed 1 Relay	18,2	R12.A:2	B_BatterySaver	.	
					B_EngineRun	.	
					B_LowVoltage	.	
					B_TestMode	.	
					B_TstModHvac	.	
					D_OnOffPassSw	.	
					I_BatMonMod54	A54.J1:24	6,1
					I_FireExt1stAl	A36.JB:23	
					I_FireExt2ndAlm	A44.J1:10	
					I_FireSensorA36	A41.J1:10	9,1
A54.J1:8	O_PasHeatSol	Passenger Heat Solenoid Valve	18,2	So13.A:1	B_BatterySaver	.	
					B_EngineRun	.	
					B_OneAltCharging	.	
					B_TestMode	.	
					B_TstModHvac	.	
					D_AuxFanSpdBit0	.	
					D_AuxFanSpdBit1	.	
					D_AuxFanSpdBit2	.	
					D_DriverSetPts	.	
					D_DrvFnSpdBit0	.	
					D_DrvFnSpdBit1	.	
					D_DrvFnSpdBit2	.	
					D_OnOffPassSw	.	
					D_PassSetPts	.	
					I_BatMonMod54	A54.J1:24	6,1

# MULTIPLEX OUTPUT LIST

O\_xx... = Physical Output Pin ; I\_xx... = Physical Input Pin ; D\_xx... = CAN Network Signal from the HVAC control Head ; B\_xx.. = Multiplex system global Network Variable

Module.Pin#	Signal name	Description	Page	Connected devices	Input involved		
A54.J1:8	O_PasHeatSol	Passenger Heat Solenoid Valve	18,2	So13.A:1	I_DefrostHighSw	A47.J1:10	18,1
					I_DefrostLowSw	A47.J1:12	18,1
					I_FireExt1stAl	A36.JB:23	
					I_FireExt2ndAlm	A44.J1:10	
					I_FireSensorA36	A41.J1:10	9,1
					I_FrontOutTemp	A47.J1:14	18,3
					I_OutDoorTempSe	A54.J1:14	18,1
A56.J1:1	O_SldO1MoSpeedA	Slide-Out 1 Motor Speed Control A		TermSo15, TermSo11, A56.J1:2	I_BatMonMod56	A56.J1:24	6,1
					I_SldO1CloseSw	A56.J1:10	20,1
					I_SldO1LimiOutSw	A56.J1:14	20,1
					I_SldO1LimitInSe	A56.J1:11	20,1
					I_SldO1OpenSw	A56.J1:9	20,1
					I_SldO1PBrakeSw	A56.J1:12	20,1
					I_SldO1VacPrSe	A56.J1:13	20,1
A56.J1:2	O_SldO1MoSpeedB	Slide-Out 1 Motor Speed Control B	20,1	TermSo15, TermSo11, A56.J1:1	I_BatMonMod56	A56.J1:24	6,1
					I_SldO1CloseSw	A56.J1:10	20,1
					I_SldO1LimiOutSw	A56.J1:14	20,1
					I_SldO1LimitInSe	A56.J1:11	20,1
					I_SldO1OpenSw	A56.J1:9	20,1
					I_SldO1PBrakeSw	A56.J1:12	20,1
					I_SldO1VacPrSe	A56.J1:13	20,1
A56.J1:20	O_SldO1Motpos	Slide_Out 1 Motor +	20,1	RSO1.B:1	I_BatMonMod56	A56.J1:24	6,1
					I_SldO1CloseSw	A56.J1:10	20,1
					I_SldO1LimiOutSw	A56.J1:14	20,1
					I_SldO1LimitInSe	A56.J1:11	20,1
					I_SldO1OpenSw	A56.J1:9	20,1
					I_SldO1PBrakeSw	A56.J1:12	20,1
					I_SldO1VacPrSe	A56.J1:13	20,1
A56.J1:21	O_SldO1SecuPinSo	Slide-Out 1 Security Pins	20,1	SOSO4.A:1	I_SldO1LimitInSe	A56.J1:11	20,1
					I_SldO1PBrakeSw	A56.J1:12	20,1
					I_SldO2LimitInSe	A57.J1:11	20,1
					I_SldO2PBrakeSw	A57.J1:12	20,1
					I_SldO3LimitInSe	A58.J1:11	20,2
					I_SldO3PBrakeSw	A58.J1:12	20,2
A56.J1:3	O_SldO1RemoteLed	Slide_Out 1 Remote Led	20,1	SwSo1.A:2	I_BatMonMod56	A56.J1:24	6,1
					I_SldO1CloseSw	A56.J1:10	20,1
					I_SldO1LimiOutSw	A56.J1:14	20,1
					I_SldO1LimitInSe	A56.J1:11	20,1
					I_SldO1OpenSw	A56.J1:9	20,1
					I_SldO1PBrakeSw	A56.J1:12	20,1
					I_SldO1Supply5v	A56.J1:15	20,1
					I_SldO1VacPrSe	A56.J1:13	20,1
A56.J1:4	O_SldO1SealInfSo	Slide_Out 1 Seal Inflating Valve	20,1	SoSo5:1	I_SldO1CloseSw	A56.J1:10	20,1

# MULTIPLEX OUTPUT LIST

O\_xx... = Physical Output Pin ; I\_xx... = Physical Input Pin ; D\_xx... = CAN Network Signal from the HVAC control Head ; B\_xx.. = Multiplex system global Network Variable

Module.Pin#	Signal name	Description	Page	Connected devices	Input involved																																																						
A56.J1:4	O_SldO1SealInfSo	Slide_Out 1 Seal Inflating Valve	20,1	SoSo5:1	<table border="1"> <tr><td>I_SldO1LimiOutSw</td><td>A56.J1:14</td><td>20,1</td></tr> <tr><td>I_SldO1LimitInSe</td><td>A56.J1:11</td><td>20,1</td></tr> <tr><td>I_SldO1OpenSw</td><td>A56.J1:9</td><td>20,1</td></tr> </table>	I_SldO1LimiOutSw	A56.J1:14	20,1	I_SldO1LimitInSe	A56.J1:11	20,1	I_SldO1OpenSw	A56.J1:9	20,1																																													
I_SldO1LimiOutSw	A56.J1:14	20,1																																																									
I_SldO1LimitInSe	A56.J1:11	20,1																																																									
I_SldO1OpenSw	A56.J1:9	20,1																																																									
A56.J1:5	O_SldO1SealDefSo	Slide_Out 1 Seal Deflating Valve	20,1	SoSo1:1	<table border="1"> <tr><td>I_BatMonMod56</td><td>A56.J1:24</td><td>6,1</td></tr> <tr><td>I_SldO1CloseSw</td><td>A56.J1:10</td><td>20,1</td></tr> <tr><td>I_SldO1LimiOutSw</td><td>A56.J1:14</td><td>20,1</td></tr> <tr><td>I_SldO1LimitInSe</td><td>A56.J1:11</td><td>20,1</td></tr> <tr><td>I_SldO1OpenSw</td><td>A56.J1:9</td><td>20,1</td></tr> <tr><td>I_SldO1PBrakeSw</td><td>A56.J1:12</td><td>20,1</td></tr> </table>	I_BatMonMod56	A56.J1:24	6,1	I_SldO1CloseSw	A56.J1:10	20,1	I_SldO1LimiOutSw	A56.J1:14	20,1	I_SldO1LimitInSe	A56.J1:11	20,1	I_SldO1OpenSw	A56.J1:9	20,1	I_SldO1PBrakeSw	A56.J1:12	20,1																																				
I_BatMonMod56	A56.J1:24	6,1																																																									
I_SldO1CloseSw	A56.J1:10	20,1																																																									
I_SldO1LimiOutSw	A56.J1:14	20,1																																																									
I_SldO1LimitInSe	A56.J1:11	20,1																																																									
I_SldO1OpenSw	A56.J1:9	20,1																																																									
I_SldO1PBrakeSw	A56.J1:12	20,1																																																									
A56.J1:6	O_SldO1VaccGenSo	Slide_Out 1 Seal Vaccum Generator	20,1	SoSo2:1	<table border="1"> <tr><td>I_BatMonMod56</td><td>A56.J1:24</td><td>6,1</td></tr> <tr><td>I_BatMonMod57</td><td>A57.J1:24</td><td>6,1</td></tr> <tr><td>I_BatMonMod58</td><td>A58.J1:24</td><td>6,1</td></tr> <tr><td>I_SldO1CloseSw</td><td>A56.J1:10</td><td>20,1</td></tr> <tr><td>I_SldO1LimiOutSw</td><td>A56.J1:14</td><td>20,1</td></tr> <tr><td>I_SldO1LimitInSe</td><td>A56.J1:11</td><td>20,1</td></tr> <tr><td>I_SldO1OpenSw</td><td>A56.J1:9</td><td>20,1</td></tr> <tr><td>I_SldO1PBrakeSw</td><td>A56.J1:12</td><td>20,1</td></tr> <tr><td>I_SldO2CloseSw</td><td>A57.J1:10</td><td>20,1</td></tr> <tr><td>I_SldO2LimiOutSw</td><td>A57.J1:14</td><td>20,1</td></tr> <tr><td>I_SldO2LimitInSe</td><td>A57.J1:11</td><td>20,1</td></tr> <tr><td>I_SldO2OpenSw</td><td>A57.J1:9</td><td>20,1</td></tr> <tr><td>I_SldO2PBrakeSw</td><td>A57.J1:12</td><td>20,1</td></tr> <tr><td>I_SldO3CloseSw</td><td>A58.J1:10</td><td>20,2</td></tr> <tr><td>I_SldO3LimiOutSw</td><td>A58.J1:14</td><td>20,2</td></tr> <tr><td>I_SldO3LimitInSe</td><td>A58.J1:11</td><td>20,2</td></tr> <tr><td>I_SldO3OpenSw</td><td>A58.J1:9</td><td>20,2</td></tr> <tr><td>I_SldO3PBrakeSw</td><td>A58.J1:12</td><td>20,2</td></tr> </table>	I_BatMonMod56	A56.J1:24	6,1	I_BatMonMod57	A57.J1:24	6,1	I_BatMonMod58	A58.J1:24	6,1	I_SldO1CloseSw	A56.J1:10	20,1	I_SldO1LimiOutSw	A56.J1:14	20,1	I_SldO1LimitInSe	A56.J1:11	20,1	I_SldO1OpenSw	A56.J1:9	20,1	I_SldO1PBrakeSw	A56.J1:12	20,1	I_SldO2CloseSw	A57.J1:10	20,1	I_SldO2LimiOutSw	A57.J1:14	20,1	I_SldO2LimitInSe	A57.J1:11	20,1	I_SldO2OpenSw	A57.J1:9	20,1	I_SldO2PBrakeSw	A57.J1:12	20,1	I_SldO3CloseSw	A58.J1:10	20,2	I_SldO3LimiOutSw	A58.J1:14	20,2	I_SldO3LimitInSe	A58.J1:11	20,2	I_SldO3OpenSw	A58.J1:9	20,2	I_SldO3PBrakeSw	A58.J1:12	20,2
I_BatMonMod56	A56.J1:24	6,1																																																									
I_BatMonMod57	A57.J1:24	6,1																																																									
I_BatMonMod58	A58.J1:24	6,1																																																									
I_SldO1CloseSw	A56.J1:10	20,1																																																									
I_SldO1LimiOutSw	A56.J1:14	20,1																																																									
I_SldO1LimitInSe	A56.J1:11	20,1																																																									
I_SldO1OpenSw	A56.J1:9	20,1																																																									
I_SldO1PBrakeSw	A56.J1:12	20,1																																																									
I_SldO2CloseSw	A57.J1:10	20,1																																																									
I_SldO2LimiOutSw	A57.J1:14	20,1																																																									
I_SldO2LimitInSe	A57.J1:11	20,1																																																									
I_SldO2OpenSw	A57.J1:9	20,1																																																									
I_SldO2PBrakeSw	A57.J1:12	20,1																																																									
I_SldO3CloseSw	A58.J1:10	20,2																																																									
I_SldO3LimiOutSw	A58.J1:14	20,2																																																									
I_SldO3LimitInSe	A58.J1:11	20,2																																																									
I_SldO3OpenSw	A58.J1:9	20,2																																																									
I_SldO3PBrakeSw	A58.J1:12	20,2																																																									
A56.J1:7	O_SldO1Motneg	Slide_Out 1 Motor -	20,1	RSo2.B:1	<table border="1"> <tr><td>I_BatMonMod56</td><td>A56.J1:24</td><td>6,1</td></tr> <tr><td>I_SldO1CloseSw</td><td>A56.J1:10</td><td>20,1</td></tr> <tr><td>I_SldO1LimiOutSw</td><td>A56.J1:14</td><td>20,1</td></tr> <tr><td>I_SldO1LimitInSe</td><td>A56.J1:11</td><td>20,1</td></tr> <tr><td>I_SldO1OpenSw</td><td>A56.J1:9</td><td>20,1</td></tr> <tr><td>I_SldO1PBrakeSw</td><td>A56.J1:12</td><td>20,1</td></tr> <tr><td>I_SldO1VacPrSe</td><td>A56.J1:13</td><td>20,1</td></tr> </table>	I_BatMonMod56	A56.J1:24	6,1	I_SldO1CloseSw	A56.J1:10	20,1	I_SldO1LimiOutSw	A56.J1:14	20,1	I_SldO1LimitInSe	A56.J1:11	20,1	I_SldO1OpenSw	A56.J1:9	20,1	I_SldO1PBrakeSw	A56.J1:12	20,1	I_SldO1VacPrSe	A56.J1:13	20,1																																	
I_BatMonMod56	A56.J1:24	6,1																																																									
I_SldO1CloseSw	A56.J1:10	20,1																																																									
I_SldO1LimiOutSw	A56.J1:14	20,1																																																									
I_SldO1LimitInSe	A56.J1:11	20,1																																																									
I_SldO1OpenSw	A56.J1:9	20,1																																																									
I_SldO1PBrakeSw	A56.J1:12	20,1																																																									
I_SldO1VacPrSe	A56.J1:13	20,1																																																									
A57.J1:1	O_SldO2MoSpeedA	Slide-Out 2 Motor Speed Control A	20,1	TermSo17, TermSo21, A57.J1:2	<table border="1"> <tr><td>I_BatMonMod57</td><td>A57.J1:24</td><td>6,1</td></tr> <tr><td>I_SldO1VacPrSe</td><td>A56.J1:13</td><td>20,1</td></tr> <tr><td>I_SldO2CloseSw</td><td>A57.J1:10</td><td>20,1</td></tr> <tr><td>I_SldO2LimiOutSw</td><td>A57.J1:14</td><td>20,1</td></tr> <tr><td>I_SldO2LimitInSe</td><td>A57.J1:11</td><td>20,1</td></tr> <tr><td>I_SldO2OpenSw</td><td>A57.J1:9</td><td>20,1</td></tr> <tr><td>I_SldO2PBrakeSw</td><td>A57.J1:12</td><td>20,1</td></tr> </table>	I_BatMonMod57	A57.J1:24	6,1	I_SldO1VacPrSe	A56.J1:13	20,1	I_SldO2CloseSw	A57.J1:10	20,1	I_SldO2LimiOutSw	A57.J1:14	20,1	I_SldO2LimitInSe	A57.J1:11	20,1	I_SldO2OpenSw	A57.J1:9	20,1	I_SldO2PBrakeSw	A57.J1:12	20,1																																	
I_BatMonMod57	A57.J1:24	6,1																																																									
I_SldO1VacPrSe	A56.J1:13	20,1																																																									
I_SldO2CloseSw	A57.J1:10	20,1																																																									
I_SldO2LimiOutSw	A57.J1:14	20,1																																																									
I_SldO2LimitInSe	A57.J1:11	20,1																																																									
I_SldO2OpenSw	A57.J1:9	20,1																																																									
I_SldO2PBrakeSw	A57.J1:12	20,1																																																									
A57.J1:2	O_SldO2MoSpeedB	Slide-Out 2 Motor Speed Control B	20,1	TermSo17, TermSo21, A57.J1:1	<table border="1"> <tr><td>I_BatMonMod57</td><td>A57.J1:24</td><td>6,1</td></tr> <tr><td>I_SldO1VacPrSe</td><td>A56.J1:13</td><td>20,1</td></tr> </table>	I_BatMonMod57	A57.J1:24	6,1	I_SldO1VacPrSe	A56.J1:13	20,1																																																
I_BatMonMod57	A57.J1:24	6,1																																																									
I_SldO1VacPrSe	A56.J1:13	20,1																																																									

# MULTIPLEX OUTPUT LIST

O\_xx... = Physical Output Pin ; I\_xx... = Physical Input Pin ; D\_xx... = CAN Network Signal from the HVAC control Head ; B\_xx.. = Multiplex system global Network Variable

Module.Pin#	Signal name	Description	Page	Connected devices	Input involved		
A57.J1:2	O_SldO2MoSpeedB	Slide-Out 2 Motor Speed Control B	20,1	TermSo17, TermSo21, A57.J1:1	I_SldO2CloseSw	A57.J1:10	20,1
					I_SldO2LimiOutSw	A57.J1:14	20,1
					I_SldO2LimitInSe	A57.J1:11	20,1
					I_SldO2OpenSw	A57.J1:9	20,1
					I_SldO2PBrakeSw	A57.J1:12	20,1
A57.J1:20	O_SldO2Motpos	Slide_Out 2 Motor +	20,1	RSo3.B:1	I_BatMonMod57	A57.J1:24	6,1
					I_SldO1VacPrSe	A56.J1:13	20,1
					I_SldO2CloseSw	A57.J1:10	20,1
					I_SldO2LimiOutSw	A57.J1:14	20,1
					I_SldO2LimitInSe	A57.J1:11	20,1
					I_SldO2OpenSw	A57.J1:9	20,1
					I_SldO2PBrakeSw	A57.J1:12	20,1
A57.J1:3	O_SldO2RemoteLed	Slide_Out 2 Remote Led	20,1	SwSo2.A:2	I_BatMonMod57	A57.J1:24	6,1
					I_SldO1VacPrSe	A56.J1:13	20,1
					I_SldO2CloseSw	A57.J1:10	20,1
					I_SldO2LimiOutSw	A57.J1:14	20,1
					I_SldO2LimitInSe	A57.J1:11	20,1
					I_SldO2OpenSw	A57.J1:9	20,1
					I_SldO2PBrakeSw	A57.J1:12	20,1
					I_SldO2Supply5v	A57.J1:15	20,1
A57.J1:4	O_SldO2SealInfSo	Slide_Out 2 Seal Inflating Valve	20,1	SoSo6:1	I_SldO2CloseSw	A57.J1:10	20,1
					I_SldO2LimiOutSw	A57.J1:14	20,1
					I_SldO2LimitInSe	A57.J1:11	20,1
					I_SldO2OpenSw	A57.J1:9	20,1
A57.J1:5	O_SldO2SealDefSo	Slide_Out 2 Seal Deflating Valve	20,1	SoSo3:1	I_BatMonMod57	A57.J1:24	6,1
					I_SldO2CloseSw	A57.J1:10	20,1
					I_SldO2LimiOutSw	A57.J1:14	20,1
					I_SldO2LimitInSe	A57.J1:11	20,1
					I_SldO2OpenSw	A57.J1:9	20,1
					I_SldO2PBrakeSw	A57.J1:12	20,1
A57.J1:7	O_SldO2Motneg	Slide_Out 2 Motor -	20,1	RSo4.B:1	I_BatMonMod57	A57.J1:24	6,1
					I_SldO1VacPrSe	A56.J1:13	20,1
					I_SldO2CloseSw	A57.J1:10	20,1
					I_SldO2LimiOutSw	A57.J1:14	20,1
					I_SldO2LimitInSe	A57.J1:11	20,1
					I_SldO2OpenSw	A57.J1:9	20,1
					I_SldO2PBrakeSw	A57.J1:12	20,1
A58.J1:1	O_SldO3MoSpeedA		20,2		I_BatMonMod58	A58.J1:24	6,1
					I_SldO1VacPrSe	A56.J1:13	20,1
					I_SldO3CloseSw	A58.J1:10	20,2
					I_SldO3LimiOutSw	A58.J1:14	20,2
					I_SldO3LimitInSe	A58.J1:11	20,2
					I_SldO3OpenSw	A58.J1:9	20,2

# MULTIPLEX OUTPUT LIST

O\_xx... = Physical Output Pin ; I\_xx... = Physical Input Pin ; D\_xx... = CAN Network Signal from the HVAC control Head ; B\_xx.. = Multiplex system global Network Variable

Module.Pin#	Signal name	Description	Page	Connected devices	Input involved		
A58.J1:1	O_SldO3MoSpeedA		20,2		I_SldO3PBrakeSw	A58.J1:12	20,2
A58.J1:2	O_SldO3MoSpeedB		20,2		I_BatMonMod58	A58.J1:24	6,1
					I_SldO1VacPrSe	A56.J1:13	20,1
					I_SldO3CloseSw	A58.J1:10	20,2
					I_SldO3LimiOutSw	A58.J1:14	20,2
					I_SldO3LimitInSe	A58.J1:11	20,2
					I_SldO3OpenSw	A58.J1:9	20,2
					I_SldO3PBrakeSw	A58.J1:12	20,2
A58.J1:20	O_SldO3Motpos		20,2		I_BatMonMod58	A58.J1:24	6,1
					I_SldO1VacPrSe	A56.J1:13	20,1
					I_SldO3CloseSw	A58.J1:10	20,2
					I_SldO3LimiOutSw	A58.J1:14	20,2
					I_SldO3LimitInSe	A58.J1:11	20,2
					I_SldO3OpenSw	A58.J1:9	20,2
					I_SldO3PBrakeSw	A58.J1:12	20,2
A58.J1:3	O_SldO3RemoteLed		20,2		I_BatMonMod58	A58.J1:24	6,1
					I_SldO1VacPrSe	A56.J1:13	20,1
					I_SldO3CloseSw	A58.J1:10	20,2
					I_SldO3LimiOutSw	A58.J1:14	20,2
					I_SldO3LimitInSe	A58.J1:11	20,2
					I_SldO3OpenSw	A58.J1:9	20,2
					I_SldO3PBrakeSw	A58.J1:12	20,2
					I_SldO3Supply5v	A58.J1:15	20,2
A58.J1:4	O_SldO3SealInfSo		20,2		I_SldO3CloseSw	A58.J1:10	20,2
					I_SldO3LimiOutSw	A58.J1:14	20,2
					I_SldO3LimitInSe	A58.J1:11	20,2
					I_SldO3OpenSw	A58.J1:9	20,2
A58.J1:5	O_SldO3SealDefSo		20,2		I_BatMonMod58	A58.J1:24	6,1
					I_SldO3CloseSw	A58.J1:10	20,2
					I_SldO3LimiOutSw	A58.J1:14	20,2
					I_SldO3LimitInSe	A58.J1:11	20,2
					I_SldO3OpenSw	A58.J1:9	20,2
					I_SldO3PBrakeSw	A58.J1:12	20,2
A58.J1:7	O_SldO3Motneg		20,2		I_BatMonMod58	A58.J1:24	6,1
					I_SldO1VacPrSe	A56.J1:13	20,1
					I_SldO3CloseSw	A58.J1:10	20,2
					I_SldO3LimiOutSw	A58.J1:14	20,2
					I_SldO3LimitInSe	A58.J1:11	20,2
					I_SldO3OpenSw	A58.J1:9	20,2
					I_SldO3PBrakeSw	A58.J1:12	20,2



# MULTIPLEX OUTPUT LIST

O\_xx... = Physical Output Pin ; I\_xx... = Physical Input Pin ; D\_xx... = CAN Network Signal from the HVAC control Head ; B\_xx.. = Multiplex system global Network Variable

Module.Pin#	Signal name	Description	Page	Connected devices	Input involved		
A41.J1:16	O_WakeUpA41		9,1	A36.JB:5	I_KeylessDrUnl	A41.J1:4	29,1
					I_KeylessEntReq	A41.J1:21	29,1
					I_KeylessIntru	A41.J1:7	29,1
					I_KeylessLockAll	A41.J1:19	29,1
					I_KeylessLuggUnl	A41.J1:18	29,1
					I_LugDorLkSw	A41.J1:17	33,1
					I_LugDorULkSw	A41.J1:20	33,1
					I_RrCutOutSw	A36.JB:21	3,2
					I_WakeUp	A36.JB:5	9,1
A42.J1:11	O_ConvIgnition	Converter ignition signal	36,1	CC2:5, FREE:FREE, CC2:5	I_IgnKeySw	A36.JB:2	3,2
A42.J1:12	O_ConvEngRun	Converter engine run signal	36,1	CC2:6, FREE:FREE, CC2:6	B_EngineRun		
A42.J1:13	O_SldO2MotIn	Rear Slide Out retracting	36,1	CC2:9, CC2:9, FREE:FREE	I_BatMonMod57	A57.J1:24	6,1
					I_SldO1VacPrSe	A56.J1:13	20,1
					I_SldO2CloseSw	A57.J1:10	20,1
					I_SldO2LimiOutSw	A57.J1:14	20,1
					I_SldO2LimitInSe	A57.J1:11	20,1
					I_SldO2OpenSw	A57.J1:9	20,1
					I_SldO2PBrakeSw	A57.J1:12	20,1
A42.J1:14	O_SldO1MotIn	Front Slide Out retracting	36,1	CC2:7, CC2:7, FREE:FREE	I_BatMonMod56	A56.J1:24	6,1
					I_SldO1CloseSw	A56.J1:10	20,1
					I_SldO1LimiOutSw	A56.J1:14	20,1
					I_SldO1LimitInSe	A56.J1:11	20,1
					I_SldO1OpenSw	A56.J1:9	20,1
					I_SldO1PBrakeSw	A56.J1:12	20,1
					I_SldO1VacPrSe	A56.J1:13	20,1
A42.J1:15	O_TransShftDown	Transmission Shift Down	38,1	CC1:6	I_VIPSteerWh1	A55.J1:3	38,1
					I_VIPSteerWh2	A55.J1:4	38,1
					I_VIPSteerWh5V	A55.J1:2	38,1
A42.J1:16	O_SldO1MotOut	Front Slide Out extending	36,1	CC2:8, CC2:8, FREE:FREE	I_BatMonMod56	A56.J1:24	6,1
					I_SldO1CloseSw	A56.J1:10	20,1
					I_SldO1LimiOutSw	A56.J1:14	20,1
					I_SldO1LimitInSe	A56.J1:11	20,1
					I_SldO1OpenSw	A56.J1:9	20,1
					I_SldO1PBrakeSw	A56.J1:12	20,1
					I_SldO1VacPrSe	A56.J1:13	20,1
A42.J1:30	O_TransShftUp	Transmission Shift Up	38,1	CC1:7	I_VIPSteerWh1	A55.J1:3	38,1
					I_VIPSteerWh2	A55.J1:4	38,1
					I_VIPSteerWh5V	A55.J1:2	38,1
A43.J1:11	O_SldO2MotOut	Rear Slide Out extending	36,1	CC2:10, CC2:10, FREE:FREE	I_BatMonMod57	A57.J1:24	6,1
					I_SldO1VacPrSe	A56.J1:13	20,1
					I_SldO2CloseSw	A57.J1:10	20,1
					I_SldO2LimiOutSw	A57.J1:14	20,1
					I_SldO2LimitInSe	A57.J1:11	20,1

# MULTIPLEX OUTPUT LIST

O\_xx... = Physical Output Pin ; L\_xx... = Physical Input Pin ; D\_xx... = CAN Network Signal from the HVAC control Head ; B\_xx.. = Multiplex system global Network Variable

Module.Pin#	Signal name	Description	Page	Connected devices	Input involved		
A43.J1:11	O_SldO2MotOut	Rear Slide Out extending	36,1	CC2:10, CC2:10, FREE:FREE	I_SldO2OpenSw	A57.J1:9	20,1
					I_SldO2PBrakeSw	A57.J1:12	20,1
A43.J1:16	O_BrkRedCompat	Brake Redundant Compatible	38,1	A72.J2:7	I_BrkLtSeFrSig	A36.JB:13	12,1
					I_BrkLtSeRrSig	A51.J1:10	12,1
					I_IgnKeySw	A36.JB:2	3,2
					I_VIPSteerWh1	A55.J1:3	38,1
					I_VIPSteerWh2	A55.J1:4	38,1
					I_VIPSteerWh5V	A55.J1:2	38,1
A44.J1:1	O_DashTrapPMo	Dash Trap Motor	18,1	Mo3:1	D_AirFlapBit0	.	
					D_AirFlapBit1	.	
					D_AirFlapBit2	.	
					I_IgnKeySw	A36.JB:2	3,2
A44.J1:2	O_DashTrapNMo	Dash Trap Motor Return	18,1	Mo3:3	D_AirFlapBit0	.	
					D_AirFlapBit1	.	
					D_AirFlapBit2	.	
					I_IgnKeySw	A36.JB:2	3,2
A44.J1:20	O_DashBackLit	Dash BackLighting	19,1		I_HdLtPos1Sw	A43.J1:4	26,1
A44.J1:7	O_BackUpMon	Backup Monitor Signal	28,1	MONITOR:1	I_BackUpCamSw	A55.J1:17	28,1
A44.J1:8	O_FrClearLb	Front Clearance Lights Bulb	26,1		B_BatterySaver	.	
					B_TstModExtLight	.	
					I_BlinkSw	A43.J1:20	26,1
					I_HdLtPos1Sw	A43.J1:4	26,1
					I_HdLtPos2SwLH	A45.J1:12	26,1
A45.J1:1	O_FootTrpPSol	Foot Trap Solenoid	18,1	Mo4:A	D_AirFlapBit0	.	
					D_AirFlapBit1	.	
					D_AirFlapBit2	.	
					I_IgnKeySw	A36.JB:2	3,2
A45.J1:2	O_FootTrpNSol	Foot Trap Solenoid	18,1	Mo4:B	D_AirFlapBit0	.	
					D_AirFlapBit1	.	
					D_AirFlapBit2	.	
					I_IgnKeySw	A36.JB:2	3,2
A45.J1:20	O_HornElectric	Horn Electric	9,1		I_AccKeySw	A36.JB:6	3,2
					I_EntDrUnlockSw	A41.J1:8	29,1
					I_FireExt1stAl	A36.JB:23	
					I_FireExt2ndAlm	A44.J1:10	
					I_FireSensorA36	A41.J1:10	9,1
					I_HazardSw	A36.JB:4	26,1
					I_HornSelectSw	A43.J1:7	9,1
					I_HornSw	A41.J1:3	9,1
					I_IgnKeySw	A36.JB:2	3,2
					I_KeylessDrUnl	A41.J1:4	29,1
					I_KeylessIntru	A41.J1:7	29,1
					I_KeylessLockAll	A41.J1:19	29,1

# MULTIPLEX OUTPUT LIST

O\_xx... = Physical Output Pin ; I\_xx... = Physical Input Pin ; D\_xx... = CAN Network Signal from the HVAC control Head ; B\_xx.. = Multiplex system global Network Variable

Module.Pin#	Signal name	Description	Page	Connected devices	Input involved		
A45.J1:20	O_HornElectric	Horn Electric	9,1		I_KeylessLuggUnl	A41.J1:18	29,1
					I_KeylessPanic	A41.J1:6	29,1
					I_LugDorLkSw	A41.J1:17	33,1
					I_RrCutOutSw	A36.JB:21	3,2
					I_WakeUp	A36.JB:5	9,1
A45.J1:21	O_LHFrMkrLb	Left Hand Front Markers Light Bulb	26,1		B_BatterySaver	.	
					B_TstModExtLight	.	
					I_BlinkSw	A43.J1:20	26,1
					I_HdLtPos1Sw	A43.J1:4	26,1
					I_HdLtPos2SwLH	A45.J1:12	26,1
					I_IgnKeySw	A36.JB:2	3,2
					I_KeylessIntru	A41.J1:7	29,1
					I_KeylessPanic	A41.J1:6	29,1
A45.J1:3	O_LHFrFlshLb	Left Hand Front Flasher Light Bulb	26,1		B_BatterySaver	.	
					B_TstModExtLight	.	
					I_LHFlshSw	A45.J1:9	26,1
					I_LHFlshSwRrSig	A51.J1:9	26,2
A45.J1:4	O_LHFogLb	Left Hand Fog Light Bulb	26,3	L95:A	B_BatterySaver	.	
					B_TstModExtLight	.	
					I_FogLightSw	A55.J1:6	26,3
A45.J1:5	O_LHCornerLb	Left Hand Cornering Light Bulb	26,3	L97.A:1	B_BatterySaver	.	
					B_TstModExtLight	.	
					I_CorneringLtSw	A55.J1:7	26,3
					I_LHFlshSw	A45.J1:9	26,1
A45.J1:6	O_LHHiBmLb	Left Hand Hi Beam Light Bulb	26,1	L60.B:1	B_BatterySaver	.	
					B_EngineRun	.	
					B_OneAltCharging	.	
					B_TstModExtLight	.	
					I_HdLthiLowBmSw	A43.J1:8	26,1
					I_HdLtPos2SwLH	A45.J1:12	26,1
					I_HiBeamCallSw	A43.J1:3	26,1
A45.J1:7	O_LHLwBmLb	Left Hand Low Beam Light Bulb	26,1	L60.A:1	B_BatterySaver	.	
					B_TstModExtLight	.	
					I_HdLtPos2SwLH	A45.J1:12	26,1
A45.J1:8	O_FlshAudiRel	Flasher Audible Relay	26,1	R16:86	I_HazardSw	A36.JB:4	26,1
					I_IgnKeySw	A36.JB:2	3,2
					I_LHFlshSw	A45.J1:9	26,1
					I_LHFlshSwRrSig	A51.J1:9	26,2
					I_RHFlshSw	A48.J1:12	26,1
					I_RHFlshSwRrSig	A51.J1:12	26,2
A46.J1:1	O_AuxFanSpeed	Auxiliary fan speed control	18,3	A32.A:D	B_BatterySaver	.	
					B_EngineRun	.	

# MULTIPLEX OUTPUT LIST

O\_xx... = Physical Output Pin ; I\_xx... = Physical Input Pin ; D\_xx... = CAN Network Signal from the HVAC control Head ; B\_xx.. = Multiplex system global Network Variable

Module.Pin#	Signal name	Description	Page	Connected devices	Input involved																																																																					
A46.J1:1	O_AuxFanSpeed	Auxiliary fan speed control	18,3	A32.A:D	<table border="1"> <tr><td>B_OneAltCharging</td><td>.</td><td></td></tr> <tr><td>D_AuxFanSpdBit0</td><td>.</td><td></td></tr> <tr><td>D_AuxFanSpdBit1</td><td>.</td><td></td></tr> <tr><td>D_AuxFanSpdBit2</td><td>.</td><td></td></tr> <tr><td>D_AuxFnOnOffSw</td><td>.</td><td></td></tr> <tr><td>I_BatMonMod46</td><td>A46.J1:24</td><td>6,1</td></tr> <tr><td>I_IgnKeySw</td><td>A36.JB:2</td><td>3,2</td></tr> </table>	B_OneAltCharging	.		D_AuxFanSpdBit0	.		D_AuxFanSpdBit1	.		D_AuxFanSpdBit2	.		D_AuxFnOnOffSw	.		I_BatMonMod46	A46.J1:24	6,1	I_IgnKeySw	A36.JB:2	3,2																																																
B_OneAltCharging	.																																																																									
D_AuxFanSpdBit0	.																																																																									
D_AuxFanSpdBit1	.																																																																									
D_AuxFanSpdBit2	.																																																																									
D_AuxFnOnOffSw	.																																																																									
I_BatMonMod46	A46.J1:24	6,1																																																																								
I_IgnKeySw	A36.JB:2	3,2																																																																								
A46.J1:21	O_HeadLmpWshM		34,1	Mo54:2	I_HeadLmpWshSw A55.J1:18 34,1																																																																					
A46.J1:3	O_LwWshPmp	Lower Wiper Washer Pump	34,1		<table border="1"> <tr><td>B_BatterySaver</td><td>.</td><td></td></tr> <tr><td>I_LwWshSw</td><td>A46.J1:9</td><td>34,1</td></tr> </table>	B_BatterySaver	.		I_LwWshSw	A46.J1:9	34,1																																																															
B_BatterySaver	.																																																																									
I_LwWshSw	A46.J1:9	34,1																																																																								
A46.J1:5	O_DrvRfgSol	Driver refrigerent solenoid	18,1	D2.A:1	<table border="1"> <tr><td>B_BatterySaver</td><td>.</td><td></td></tr> <tr><td>B_EngineRun</td><td>.</td><td></td></tr> <tr><td>B_LowVoltage</td><td>.</td><td></td></tr> <tr><td>B_TestMode</td><td>.</td><td></td></tr> <tr><td>B_TstModHvac</td><td>.</td><td></td></tr> <tr><td>B_TstModSAC</td><td>.</td><td></td></tr> <tr><td>I_AcPresHiSse</td><td>A52.J1:13</td><td>18,2</td></tr> <tr><td>I_AcPresLoSse</td><td>A52.J1:14</td><td>18,2</td></tr> <tr><td>I_FrontOutTemp</td><td>A47.J1:14</td><td>18,3</td></tr> <tr><td>I_OutDoorTempSe</td><td>A54.J1:14</td><td>18,1</td></tr> </table>	B_BatterySaver	.		B_EngineRun	.		B_LowVoltage	.		B_TestMode	.		B_TstModHvac	.		B_TstModSAC	.		I_AcPresHiSse	A52.J1:13	18,2	I_AcPresLoSse	A52.J1:14	18,2	I_FrontOutTemp	A47.J1:14	18,3	I_OutDoorTempSe	A54.J1:14	18,1																																							
B_BatterySaver	.																																																																									
B_EngineRun	.																																																																									
B_LowVoltage	.																																																																									
B_TestMode	.																																																																									
B_TstModHvac	.																																																																									
B_TstModSAC	.																																																																									
I_AcPresHiSse	A52.J1:13	18,2																																																																								
I_AcPresLoSse	A52.J1:14	18,2																																																																								
I_FrontOutTemp	A47.J1:14	18,3																																																																								
I_OutDoorTempSe	A54.J1:14	18,1																																																																								
A46.J1:6	O_DrvHeatSol	Driver Heat Solenoid	18,1	So8:1	<table border="1"> <tr><td>B_BatterySaver</td><td>.</td><td></td></tr> <tr><td>B_EngineRun</td><td>.</td><td></td></tr> <tr><td>B_LowVoltage</td><td>.</td><td></td></tr> <tr><td>B_OneAltCharging</td><td>.</td><td></td></tr> <tr><td>B_TestMode</td><td>.</td><td></td></tr> <tr><td>B_TstModHvac</td><td>.</td><td></td></tr> <tr><td>B_TstModSAC</td><td>.</td><td></td></tr> <tr><td>D_AirFlapBit0</td><td>.</td><td></td></tr> <tr><td>D_AirFlapBit1</td><td>.</td><td></td></tr> <tr><td>D_AirFlapBit2</td><td>.</td><td></td></tr> <tr><td>D_AuxFanSpdBit0</td><td>.</td><td></td></tr> <tr><td>D_AuxFanSpdBit1</td><td>.</td><td></td></tr> <tr><td>D_AuxFanSpdBit2</td><td>.</td><td></td></tr> <tr><td>D_DriverSetPts</td><td>.</td><td></td></tr> <tr><td>D_DrvFnSpdBit0</td><td>.</td><td></td></tr> <tr><td>D_DrvFnSpdBit1</td><td>.</td><td></td></tr> <tr><td>D_DrvFnSpdBit2</td><td>.</td><td></td></tr> <tr><td>D_OnOffPassSw</td><td>.</td><td></td></tr> <tr><td>D_PassSetPts</td><td>.</td><td></td></tr> <tr><td>I_BatMonMod46</td><td>A46.J1:24</td><td>6,1</td></tr> <tr><td>I_BatMonMod54</td><td>A54.J1:24</td><td>6,1</td></tr> <tr><td>I_DefrostHighSw</td><td>A47.J1:10</td><td>18,1</td></tr> <tr><td>I_DefrostLowSw</td><td>A47.J1:12</td><td>18,1</td></tr> </table>	B_BatterySaver	.		B_EngineRun	.		B_LowVoltage	.		B_OneAltCharging	.		B_TestMode	.		B_TstModHvac	.		B_TstModSAC	.		D_AirFlapBit0	.		D_AirFlapBit1	.		D_AirFlapBit2	.		D_AuxFanSpdBit0	.		D_AuxFanSpdBit1	.		D_AuxFanSpdBit2	.		D_DriverSetPts	.		D_DrvFnSpdBit0	.		D_DrvFnSpdBit1	.		D_DrvFnSpdBit2	.		D_OnOffPassSw	.		D_PassSetPts	.		I_BatMonMod46	A46.J1:24	6,1	I_BatMonMod54	A54.J1:24	6,1	I_DefrostHighSw	A47.J1:10	18,1	I_DefrostLowSw	A47.J1:12	18,1
B_BatterySaver	.																																																																									
B_EngineRun	.																																																																									
B_LowVoltage	.																																																																									
B_OneAltCharging	.																																																																									
B_TestMode	.																																																																									
B_TstModHvac	.																																																																									
B_TstModSAC	.																																																																									
D_AirFlapBit0	.																																																																									
D_AirFlapBit1	.																																																																									
D_AirFlapBit2	.																																																																									
D_AuxFanSpdBit0	.																																																																									
D_AuxFanSpdBit1	.																																																																									
D_AuxFanSpdBit2	.																																																																									
D_DriverSetPts	.																																																																									
D_DrvFnSpdBit0	.																																																																									
D_DrvFnSpdBit1	.																																																																									
D_DrvFnSpdBit2	.																																																																									
D_OnOffPassSw	.																																																																									
D_PassSetPts	.																																																																									
I_BatMonMod46	A46.J1:24	6,1																																																																								
I_BatMonMod54	A54.J1:24	6,1																																																																								
I_DefrostHighSw	A47.J1:10	18,1																																																																								
I_DefrostLowSw	A47.J1:12	18,1																																																																								

# MULTIPLEX OUTPUT LIST

O\_xx... = Physical Output Pin ; I\_xx... = Physical Input Pin ; D\_xx... = CAN Network Signal from the HVAC control Head ; B\_xx.. = Multiplex system global Network Variable

Module.Pin#	Signal name	Description	Page	Connected devices	Input involved		
A46.J1:6	O_DrvHeatSol	Driver Heat Solenoid	18,1	So8:1	I_DrvTempSe	A55.J1:1	18,1
					I_FireExt1stAl	A36.JB:23	
					I_FireExt2ndAlm	A44.J1:10	
					I_FireSensorA36	A41.J1:10	9,1
					I_FrontOutTemp	A47.J1:14	18,3
					I_OutDoorTempSe	A54.J1:14	18,1
A46.J1:8	O_AuxSolValve	Auxiliary refrigerant solenoid valve	18,3	So38:A	B_BatterySaver	.	
					B_EngineRun	.	
					B_TestMode	.	
					B_TstModSAC	.	
					D_AuxFnOnOffSw	.	
					I_AcPresHiSse	A52.J1:13	18,2
					I_AcPresLoSse	A52.J1:14	18,2
A47.J1:1	O_DrvDefFanMo	Driver Defroster Fan Motor	18,1	A24.B:B	B_BatterySaver	.	
					B_EngineRun	.	
					B_LowVoltage	.	
					D_DrvFnSpdBit0	.	
					D_DrvFnSpdBit1	.	
					D_DrvFnSpdBit2	.	
					D_OnOffDrvSw	.	
					I_BatMonMod47	A47.J1:24	6,1
					I_IgnKeySw	A36.JB:2	3,2
A47.J1:2	O_DrvRecTrap	Driver Recycle Trap	18,1	L203:A	B_BatterySaver	.	
					B_EngineRun	.	
					B_TestMode	.	
					B_TstModHvac	.	
					B_TstModSAC	.	
					D_RecSw	.	
A47.J1:20	O_AuxWaterPump	Auxiliary water pump	18,3		B_BatterySaver	.	
					B_EngineRun	.	
					B_OneAltCharging	.	
					B_TestMode	.	
					B_TstModSAC	.	
					D_AuxFanSpdBit0	.	
					D_AuxFanSpdBit1	.	
					D_AuxFanSpdBit2	.	
					D_DriverSetPts	.	
					D_DrvFnSpdBit0	.	
					D_DrvFnSpdBit1	.	
					D_DrvFnSpdBit2	.	
					I_DefrostHighSw	A47.J1:10	18,1
					I_DefrostLowSw	A47.J1:12	18,1
					I_FrontOutTemp	A47.J1:14	18,3

# MULTIPLEX OUTPUT LIST

O\_xx... = Physical Output Pin ; I\_xx... = Physical Input Pin ; D\_xx... = CAN Network Signal from the HVAC control Head ; B\_xx.. = Multiplex system global Network Variable

Module.Pin#	Signal name	Description	Page	Connected devices	Input involved		
A47.J1:20	O_AuxWaterPump	Auxiliary water pump	18,3		I_OutDoorTempSe	A54.J1:14	18,1
A47.J1:3	O_LwWipSpd1	Lower Wiper Speed 1	34,1	R23:86	B_BatterySaver	.	
					I_LwWipIntSw	A42.J1:8	34,1
					I_LwWshSw	A46.J1:9	34,1
A47.J1:5	O_EntDorStpLb	Entrance Door Step Light Bulb	29,1		I_AccKeySw	A36.JB:6	3,2
					I_EntDorOpSe	A41.J1:5	29,1
					I_EntDrUnlockSw	A41.J1:8	29,1
					I_HazardSw	A36.JB:4	26,1
					I_IgnKeySw	A36.JB:2	3,2
					I_KeylessDrUnl	A41.J1:4	29,1
					I_KeylessLuggUnl	A41.J1:18	29,1
					I_LugDorLkSw	A41.J1:17	33,1
					I_RrCutOutSw	A36.JB:21	3,2
					I_WakeUp	A36.JB:5	9,1
A47.J1:6	O_DriverLtLb	Driver Light Bulb	19,1		B_BatterySaver	.	
					I_DrvLtSw	A41.J1:2	19,1
A47.J1:7	O_RHDefrostFan	Passenger defrost fan speed control	18,1	A30.A:D	B_BatterySaver	.	
					B_EngineRun	.	
					B_LowVoltage	.	
					D_DrvFnSpdBit0	.	
					D_DrvFnSpdBit1	.	
					D_DrvFnSpdBit2	.	
					D_OnOffDrvSw	.	
					I_BatMonMod47	A47.J1:24	6,1
					I_DefrostHighSw	A47.J1:10	18,1
					I_DefrostLowSw	A47.J1:12	18,1
					I_IgnKeySw	A36.JB:2	3,2
A48.J1:1	O_DoorUnlockMo	Entrance door unlock motor	29,1		I_AccKeySw	A36.JB:6	3,2
					I_EntDorOpSe	A41.J1:5	29,1
					I_EntDrUnlockSw	A41.J1:8	29,1
					I_EntDrUnSw	A48.J1:9	29,1
					I_HazardSw	A36.JB:4	26,1
					I_IgnKeySw	A36.JB:2	3,2
					I_KeylessDrUnl	A41.J1:4	29,1
					I_RrCutOutSw	A36.JB:21	3,2
					I_WakeUp	A36.JB:5	9,1
A48.J1:2	O_DoorLockMo	Entrance door lock motor	29,1		I_AccKeySw	A36.JB:6	3,2
					I_EntDorLockSw	A41.J1:9	29,1
					I_EntDorOpSe	A41.J1:5	29,1
					I_EntDrUnlockSw	A41.J1:8	29,1
					I_HazardSw	A36.JB:4	26,1
					I_IgnKeySw	A36.JB:2	3,2
					I_KeylessLockAll	A41.J1:19	29,1

# MULTIPLEX OUTPUT LIST

O\_xx... = Physical Output Pin ; I\_xx... = Physical Input Pin ; D\_xx... = CAN Network Signal from the HVAC control Head ; B\_xx.. = Multiplex system global Network Variable

Module.Pin#	Signal name	Description	Page	Connected devices	Input involved		
A48.J1:2	O_DoorLockMo	Entrance door lock motor	29,1		I_RrCutOutSw	A36.JB:21	3,2
					I_WakeUp	A36.JB:5	9,1
A48.J1:20	O_RHFrSidFishLb	RH Front Side Flasher L-Bulb	26,1	L64:1	B_BatterySaver	.	
					B_TstModExtLight	.	
					I_LHFishSwRrSig	A51.J1:9	26,2
					I_RHFishSw	A48.J1:12	26,1
					I_RHFishSwRrSig	A51.J1:12	26,2
A48.J1:3	O_RHHiBeamLb	Right Hand Hi Beam Light Bulb	26,1	L59.B:1	B_BatterySaver	.	
					B_EngineRun	.	
					B_OneAltCharging	.	
					B_TstModExtLight	.	
					I_HdLtHiLowBmSw	A43.J1:8	26,1
					I_HdLtPos2SwLH	A45.J1:12	26,1
					I_HiBeamCallSw	A43.J1:3	26,1
A48.J1:4	O_RHLwBeamLb	Right Hand Low Beam Light Bulb	26,1	L59.A:1	B_BatterySaver	.	
					B_TstModExtLight	.	
					I_HdLtPos2SwRH	A48.J1:10	26,1
A48.J1:5	O_RHCornerLb	Right Hand Cornering Light Bulb	26,3	L98.A:1	B_BatterySaver	.	
					B_TstModExtLight	.	
					I_CorneringLtSw	A55.J1:7	26,3
					I_RHFishSw	A48.J1:12	26,1
A48.J1:6	O_RHFrFishLb	Right Hand Front Flasher Light Bulb	26,1	L61:3	B_BatterySaver	.	
					B_TstModExtLight	.	
					I_LHFishSwRrSig	A51.J1:9	26,2
					I_RHFishSw	A48.J1:12	26,1
					I_RHFishSwRrSig	A51.J1:12	26,2
A48.J1:7	O_RHFrMrkLb	Right Hand Front Markers Light Bulb	26,1		B_BatterySaver	.	
					B_TstModExtLight	.	
					I_BlinkSw	A43.J1:20	26,1
					I_HdLtPos1Sw	A43.J1:4	26,1
					I_HdLtPos2SwLH	A45.J1:12	26,1
					I_KeylessIntru	A41.J1:7	29,1
					I_KeylessPanic	A41.J1:6	29,1
A50.J1:2	O_TransInhibit	Transmission Inhibit	15,1		I_BrkLtSeFrSig	A36.JB:13	12,1
					I_BrkLtSeRrSig	A51.J1:10	12,1
					I_SldO1LimitInSe	A56.J1:11	20,1
					I_SldO2LimitInSe	A57.J1:11	20,1
					I_SldO3LimitInSe	A58.J1:11	20,2
A50.J1:20	O_RevLbBuz	Reverse Alarm and Light Bulb	26,3		B_BatterySaver	.	
					B_EngineRun	.	
					B_TestMode	.	
					B_TestSwBuz2	.	
					B_TestSwBuzzer	.	

# MULTIPLEX OUTPUT LIST

O\_xx... = Physical Output Pin ; I\_xx... = Physical Input Pin ; D\_xx... = CAN Network Signal from the HVAC control Head ; B\_xx.. = Multiplex system global Network Variable

Module.Pin#	Signal name	Description	Page	Connected devices	Input involved		
A50.J1:20	O_RevLbBuz	Reverse Alarm and Light Bulb	26,3		B_TstModExtLight	.	
					B_TstModHvac	.	
					B_TstModHvacNext	.	
					B_TstModSAC	.	
					B_TstModSACNext	.	
					B_TstSwBuz3	.	
A50.J1:3	O_RevAlarm	Back up alarm	26,3	L187.A:A	B_BatterySaver	.	
					B_EngineRun	.	
					B_TestMode	.	
					B_TestSwBuz2	.	
					B_TestSwBuzzer	.	
					B_TstModExtLight	.	
					B_TstModHvac	.	
					B_TstModHvacNext	.	
					B_TstModSAC	.	
					B_TstModSACNext	.	
					B_TstSwBuz3	.	
					D_NextWheel	.	
					I_RevAlrmSw	A43.J1:6	26,3
A50.J1:4	O_ReClearLb	Rear Clearance Light Bulb	26,2		B_BatterySaver	.	
					B_TstModExtLight	.	
					I_BlinkSw	A43.J1:20	26,1
					I_HdLtPos1Sw	A43.J1:4	26,1
					I_HdLtPos2SwLH	A45.J1:12	26,1
A50.J1:5	O_LHctrFlshLb	Water Filter Indicator Warning	26,2	L70:1	B_BatterySaver	.	
					B_TstModExtLight	.	
					I_LHFishSwRrSig	A51.J1:9	26,2
					I_RHFishSwRrSig	A51.J1:12	26,2
A50.J1:6	O_BrLtLowerLb		26,2		B_BatterySaver	.	
					B_EngineRun	.	
					B_TstModExtLight	.	
					I_BrkLtSeFrSig	A36.JB:13	12,1
					I_BrkLtSeRrSig	A51.J1:10	12,1
					I_EngBrOnSe	A42.J1:18	
					I_IgnKeySw	A36.JB:2	3,2
					I_RetdrSig	A50.J1:12	15,1
A50.J1:7	O_RHctrFlshLb	Wheel Chair Lift Warning Indicator	26,2	L68:1	B_BatterySaver	.	
					B_TstModExtLight	.	
					I_LHFishSwRrSig	A51.J1:9	26,2
					I_RHFishSwRrSig	A51.J1:12	26,2
A50.J1:8	O_CtrSdMrkLb	Tag Axle Warning Indicator	26,2		B_BatterySaver	.	
					B_TstModExtLight	.	
					I_BlinkSw	A43.J1:20	26,1



# MULTIPLEX OUTPUT LIST

O\_xx... = Physical Output Pin ; I\_xx... = Physical Input Pin ; D\_xx... = CAN Network Signal from the HVAC control Head ; B\_xx.. = Multiplex system global Network Variable

Module.Pin#	Signal name	Description	Page	Connected devices	Input involved		
A50.J1:8	O_CtrSdMrkLb	Tag Axle Warning Indicator	26,2		I_HdLtPos1Sw	A43.J1:4	26,1
					I_HdLtPos2SwLH	A45.J1:12	26,1
A51.J1:1	O_SerBrkTrans	Servise Brake Signal For	15,1	A1Gen4.A:62	I_BrkLtSeFrSig	A36.JB:13	12,1
A51.J1:21	O_LHReFlshLb	Left Hand Rear Flasher Light Bulb	26,2		B_BatterySaver	.	
					B_TstModExtLight	.	
					I_LHFlshSwRrSig	A51.J1:9	26,2
					I_RHFlshSwRrSig	A51.J1:12	26,2
A51.J1:3	O_RHReFlshLb	Right Hand Rear Flasher Light Bulb	26,2		B_BatterySaver	.	
					B_TstModExtLight	.	
					I_LHFlshSwRrSig	A51.J1:9	26,2
					I_RHFlshSwRrSig	A51.J1:12	26,2
A51.J1:4	O_LHDockLb	Left Hand Docking Light Bulb	26,3	L93.A:1	B_BatterySaver	.	
					B_TstModExtLight	.	
					I_DockingLtSw	A55.J1:8	26,3
					I_LowDockLtsSw	A55.J1:9	26,3
A51.J1:5	O_RHDockLb	Right Hand Docking Light Bulb	26,3	L94.A:1	B_BatterySaver	.	
					B_TstModExtLight	.	
					I_DockingLtSw	A55.J1:8	26,3
					I_LowDockLtsSw	A55.J1:9	26,3
A51.J1:6	O_BrLtUpperLb		26,2		B_BatterySaver	.	
					B_EngineRun	.	
					B_TstModExtLight	.	
					I_BrkLtSeFrSig	A36.JB:13	12,1
					I_BrkLtSeRrSig	A51.J1:10	12,1
					I_EngBrOnSe	A42.J1:18	
A51.J1:7	O_CyclopeLt	Cyclope Brake Light	26,2	L81.A:1	B_BatterySaver	.	
					B_TstModExtLight	.	
					I_BrkLtSeFrSig	A36.JB:13	12,1
					I_BrkLtSeRrSig	A51.J1:10	12,1
A51.J1:8	O_ReTailMkLb	Rear Tail Markers Light Bulb	26,2		B_BatterySaver	.	
					B_TstModExtLight	.	
					I_AccKeySw	A36.JB:6	3,2
					I_BlinkSw	A43.J1:20	26,1
					I_EntDrUnlockSw	A41.J1:8	29,1
					I_HazardSw	A36.JB:4	26,1
					I_HdLtPos1Sw	A43.J1:4	26,1
					I_HdLtPos2SwLH	A45.J1:12	26,1
					I_IgnKeySw	A36.JB:2	3,2
					I_KeylessDrUnl	A41.J1:4	29,1
					I_KeylessIntru	A41.J1:7	29,1
					I_KeylessPanic	A41.J1:6	29,1
					I_RrCutOutSw	A36.JB:21	3,2

# MULTIPLEX OUTPUT LIST

O\_xx... = Physical Output Pin ; L\_xx... = Physical Input Pin ; D\_xx... = CAN Network Signal from the HVAC control Head ; B\_xx.. = Multiplex system global Network Variable

Module.Pin#	Signal name	Description	Page	Connected devices	Input involved		
A51.J1:8	O_ReTailMkLb	Rear Tail Markers Light Bulb	26,2		I_WakeUp	A36.JB:5	9,1
A52.J1:1	O_EngFanSpd1	Engine Fan Radiator Speed 1	13,1		B_BatterySaver	.	
					B_EngineRun	.	
					B_TestMode	.	
					B_TstModHvac	.	
					B_TstModSAC	.	
					I_AcPresHiSse	A52.J1:13	18,2
					I_EngFanSpd1	A52.J1:9	13,1
					I_EngFanSw	A36.JB:14	
					I_FireExt1stAl	A36.JB:23	
					I_FireExt2ndAlm	A44.J1:10	
					I_FireSensorA36	A41.J1:10	9,1
A52.J1:2	O_EngFanSpd2	Engine Fan Radiator Speed 2	13,1		B_BatterySaver	.	
					B_EngineRun	.	
					B_TestMode	.	
					B_TstModHvac	.	
					B_TstModSAC	.	
					I_AcPresHiSse	A52.J1:13	18,2
					I_EngFanSpd1	A52.J1:9	13,1
					I_EngFanSpd2	A52.J1:10	13,1
					I_EngFanSw	A36.JB:14	
					I_FireExt1stAl	A36.JB:23	
					I_FireExt2ndAlm	A44.J1:10	
					I_FireSensorA36	A41.J1:10	9,1
A52.J1:20	O_AcCluSol	Hvac AC Clutch Solenoid	18,2		B_BatterySaver	.	
					B_EngineRun	.	
					B_TestMode	.	
					B_TstModHvac	.	
					B_TstModSAC	.	
					I_AcPresHiSse	A52.J1:13	18,2
					I_AcPresLoSse	A52.J1:14	18,2
A52.J1:21	O_AcUnldRH	Hvac Right Hand Cylinder Unloader	18,2		B_BatterySaver	.	
					B_EngineRun	.	
					B_TestMode	.	
					B_TstModHvac	.	
					D_PassSetPts	.	
					I_AcPresHiSse	A52.J1:13	18,2
					I_AcPresLoSse	A52.J1:14	18,2
A52.J1:5	O_EngCmptLbZF	Engine Compartment Light Switch	25,1		I_EngCmptLtSw	A52.J1:11	25,1
					I_EngDoorSe	A52.J1:12	25,1
A52.J1:8	O_AcUnldLH	Hvac Left Hand Cylinder Unloader	18,2		B_BatterySaver	.	
					B_EngineRun	.	
					B_TestMode	.	

# MULTIPLEX OUTPUT LIST

O\_xx... = Physical Output Pin ; L\_xx... = Physical Input Pin ; D\_xx... = CAN Network Signal from the HVAC control Head ; B\_xx.. = Multiplex system global Network Variable

Module.Pin#	Signal name	Description	Page	Connected devices	Input involved		
A52.J1:8	O_AcUnldLH	Hvac Left Hand Cylinder Unloader	18,2		B_TstModHvac	.	
					D_PassSetPts	.	
					I_AcPresHiSse	A52.J1:13	18,2
					I_AcPresLoSse	A52.J1:14	18,2
A53.J1:1	O_StarterRlyRtn	Starter Relay Return	3,2	Term49	I_IgnKeySw	A36.JB:2	3,2
A53.J1:5	O_RJBDoFanMo	Rear junction box door fan	11,1	Mo53:1	B_BatterySaver	.	
					B_EngineRun	.	
					B_TestMode	.	
					B_TstModHvac	.	
					B_TstModSAC	.	
					I_BatMonMod53	A53.J1:24	6,1
					I_FrontOutTemp	A47.J1:14	18,3
					I_OutDoorTempSe	A54.J1:14	18,1
A53.J1:6	O_StarterRel	Starter Relay	3,2		B_BatterySaver	.	
					B_EngineRun	.	
					B_TestMode	.	
					B_TstModHvac	.	
					B_TstModSAC	.	
					I_AccKeySw	A36.JB:6	3,2
					I_EngStaRrSw	A53.J1:11	3,2
					I_EntDrUnlockSw	A41.J1:8	29,1
					I_FrEngStaSw	A36.JB:22	3,2
					I_FrStrtEnSw	A53.J1:9	3,2
					I_HazardSw	A36.JB:4	26,1
					I_IgnKeySw	A36.JB:2	3,2
					I_KeylessDrUnl	A41.J1:4	29,1
					I_KeylessIntru	A41.J1:7	29,1
					I_NeutralSe	A50.J1:11	15,1
					I_RrCutOutSw	A36.JB:21	3,2
					I_RrStrtEnSw	A53.J1:10	3,2
I_StartLockOut	A53.J1:12						
I_WakeUp	A36.JB:5	9,1					
A54.J1:1	O_CndSpd2Rel	Condensor Fan Speed 2 Relay	18,2	R9:2	B_BatterySaver	.	
					B_EngineRun	.	
					B_LowVoltage	.	
					B_TestMode	.	
					B_TstModHvac	.	
					D_DriverSetPts	.	
					D_OnOffPassSw	.	
					D_PassSetPts	.	
					I_AcPresHiSse	A52.J1:13	18,2
					I_AcPresLoSse	A52.J1:14	18,2
					I_BatMonMod54	A54.J1:24	6,1

# MULTIPLEX OUTPUT LIST

O\_xx... = Physical Output Pin ; I\_xx... = Physical Input Pin ; D\_xx... = CAN Network Signal from the HVAC control Head ; B\_xx.. = Multiplex system global Network Variable

Module.Pin#	Signal name	Description	Page	Connected devices	Input involved		
A54.J1:1	O_CndSpd2Rel	Condensor Fan Speed 2 Relay	18,2	R9:2	I_CoilTherSe	A47.J1:11	18,3
					I_DrvTempSe	A55.J1:1	18,1
					I_FireExt1stAl	A36.JB:23	
					I_FireExt2ndAlm	A44.J1:10	
					I_FireSensorA36	A41.J1:10	9,1
					I_FrontOutTemp	A47.J1:14	18,3
					I_OutDoorTempSe	A54.J1:14	18,1
A54.J1:2	O_EvaSpd2Rel	Evaporator Fan Speed 2	18,2	TermMo9	B_BatterySaver	.	
					B_EngineRun	.	
					B_LowVoltage	.	
					B_TestMode	.	
					B_TstModHvac	.	
					D_OnOffPassSw	.	
					D_PassSetPts	.	
					I_Alt2Voltage	A49.J1:9	3,2
					I_BatMonMod53	A53.J1:24	6,1
					I_BatMonMod54	A54.J1:24	6,1
					I_FireExt1stAl	A36.JB:23	
					I_FireExt2ndAlm	A44.J1:10	
					I_FireSensorA36	A41.J1:10	9,1
A54.J1:20	O_ACRecPass	A/C Pass. Gaz Cylinder Recycle	18,2	L205:1	B_BatterySaver	.	
					B_EngineRun	.	
					B_TestMode	.	
					B_TstModHvac	.	
					B_TstModSAC	.	
					D_RecSw	.	
A54.J1:3	O_PasRfgSol	Passenger Refrigerent Solenoid	18,2	D11.A:1	B_BatterySaver	.	
					B_EngineRun	.	
					B_LowVoltage	.	
					B_TestMode	.	
					B_TstModHvac	.	
					D_DriverSetPts	.	
					D_OnOffPassSw	.	
					D_PassSetPts	.	
					I_BatMonMod54	A54.J1:24	6,1
					I_CoilTherSe	A47.J1:11	18,3
					I_DrvTempSe	A55.J1:1	18,1
					I_FireExt1stAl	A36.JB:23	
					I_FireExt2ndAlm	A44.J1:10	
					I_FireSensorA36	A41.J1:10	9,1
					I_FrontOutTemp	A47.J1:14	18,3
					I_OutDoorTempSe	A54.J1:14	18,1
A54.J1:4	O_ACWaterPmn	Hvac Water Pump	18,2		B_BatterySaver	.	

# MULTIPLEX OUTPUT LIST

O\_xx... = Physical Output Pin ; I\_xx... = Physical Input Pin ; D\_xx... = CAN Network Signal from the HVAC control Head ; B\_xx.. = Multiplex system global Network Variable

Module.Pin#	Signal name	Description	Page	Connected devices	Input involved		
A54.J1:4	O_ACWaterPmp	Hvac Water Pump	18,2		B_EngineRun	.	
					B_OneAltCharging	.	
					B_TestMode	.	
					B_TstModHvac	.	
					D_DrvFnSpdBit0	.	
					D_DrvFnSpdBit1	.	
					D_DrvFnSpdBit2	.	
					D_OnOffPassSw	.	
					D_PassSetPts	.	
					I_BatMonMod54	A54.J1:24	6,1
					I_FireExt1stAl	A36.JB:23	
					I_FireExt2ndAlm	A44.J1:10	
I_FireSensorA36	A41.J1:10	9,1					
I_FrontOutTemp	A47.J1:14	18,3					
I_OutDoorTempSe	A54.J1:14	18,1					
A54.J1:5	O_CndSpd1Rel	Condensor Fan Speed 1 Relay	18,2	R10:2	B_BatterySaver	.	
					B_EngineRun	.	
					B_LowVoltage	.	
					B_TestMode	.	
					B_TstModHvac	.	
					D_DriverSetPts	.	
					D_OnOffPassSw	.	
					D_PassSetPts	.	
					I_AcPresHiSse	A52.J1:13	18,2
					I_AcPresLoSse	A52.J1:14	18,2
					I_BatMonMod54	A54.J1:24	6,1
					I_CoilTherSe	A47.J1:11	18,3
					I_DrvTempSe	A55.J1:1	18,1
					I_FireExt1stAl	A36.JB:23	
					I_FireExt2ndAlm	A44.J1:10	
I_FireSensorA36	A41.J1:10	9,1					
I_FrontOutTemp	A47.J1:14	18,3					
I_OutDoorTempSe	A54.J1:14	18,1					
A54.J1:7	O_EvaSpd1Rel	Evaporator Fan Speed 1 Relay	18,2	R12:2	B_BatterySaver	.	
					B_EngineRun	.	
					B_LowVoltage	.	
					B_TestMode	.	
					B_TstModHvac	.	
					D_OnOffPassSw	.	
					I_BatMonMod54	A54.J1:24	6,1
					I_FireExt1stAl	A36.JB:23	
					I_FireExt2ndAlm	A44.J1:10	
					I_FireSensorA36	A41.J1:10	9,1

# MULTIPLEX OUTPUT LIST

O\_xx... = Physical Output Pin ; I\_xx... = Physical Input Pin ; D\_xx... = CAN Network Signal from the HVAC control Head ; B\_xx.. = Multiplex system global Network Variable

Module.Pin#	Signal name	Description	Page	Connected devices	Input involved		
A54.J1:8	O_PasHeatSol	Passenger Heat Solenoid Valve	18,2	So13:1	B_BatterySaver	.	
					B_EngineRun	.	
					B_OneAltCharging	.	
					B_TestMode	.	
					B_TstModHvac	.	
					B_TstModSAC	.	
					D_AuxFanSpdBit0	.	
					D_AuxFanSpdBit1	.	
					D_AuxFanSpdBit2	.	
					D_DriverSetPts	.	
					D_DrvFnSpdBit0	.	
					D_DrvFnSpdBit1	.	
					D_DrvFnSpdBit2	.	
					D_OnOffPassSw	.	
					D_PassSetPts	.	
					I_BatMonMod54	A54.J1:24	6,1
					I_DefrostHighSw	A47.J1:10	18,1
					I_DefrostLowSw	A47.J1:12	18,1
					I_FireExt1stAl	A36.JB:23	
					I_FireExt2ndAlm	A44.J1:10	
					I_FireSensorA36	A41.J1:10	9,1
					I_FrontOutTemp	A47.J1:14	18,3
					I_OutDoorTempSe	A54.J1:14	18,1
A55.J1:12	O_JacobBrk1	Jacob Brake 1	38,1		I_RetarderSel	A55.J1:10	12,1
A55.J1:13	O_SunVisorDown		38,1		I_VIPSteerWh1	A55.J1:3	38,1
					I_VIPSteerWh2	A55.J1:4	38,1
					I_VIPSteerWh5V	A55.J1:2	38,1
A55.J1:14	O_JacobBrk2	Jacob Brake 2	38,1		I_RetarderSel	A55.J1:10	12,1
A55.J1:30	O_SunVisrDrvPass		38,1	R45:86	I_VIPSteerWh1	A55.J1:3	38,1
					I_VIPSteerWh2	A55.J1:4	38,1
					I_VIPSteerWh5V	A55.J1:2	38,1
A56.J1:1	O_SldO1MoSpeedA	Slide-Out 1 Motor Speed Control A	20,1		I_BatMonMod56	A56.J1:24	6,1
					I_SldO1CloseSw	A56.J1:10	20,1
					I_SldO1LimiOutSw	A56.J1:14	20,1
					I_SldO1LimitInSe	A56.J1:11	20,1
					I_SldO1OpenSw	A56.J1:9	20,1
					I_SldO1PBrakeSw	A56.J1:12	20,1
					I_SldO1VacPrSe	A56.J1:13	20,1
A56.J1:2	O_SldO1MoSpeedB	Slide-Out 1 Motor Speed Control B	20,1		I_BatMonMod56	A56.J1:24	6,1
					I_SldO1CloseSw	A56.J1:10	20,1
					I_SldO1LimiOutSw	A56.J1:14	20,1
					I_SldO1LimitInSe	A56.J1:11	20,1
					I_SldO1OpenSw	A56.J1:9	20,1

# MULTIPLEX OUTPUT LIST

O\_xx... = Physical Output Pin ; I\_xx... = Physical Input Pin ; D\_xx... = CAN Network Signal from the HVAC control Head ; B\_xx.. = Multiplex system global Network Variable

Module.Pin#	Signal name	Description	Page	Connected devices	Input involved
A56.J1:2	O_SldO1MoSpeedB	Slide-Out 1 Motor Speed Control B	20,1		I_SldO1PBrakeSw A56.J1:12 20,1 I_SldO1VacPrSe A56.J1:13 20,1
A56.J1:20	O_SldO1Motpos	Slide_Out 1 Motor +	20,1	RSo1.B:1	I_BatMonMod56 A56.J1:24 6,1 I_SldO1CloseSw A56.J1:10 20,1 I_SldO1LimiOutSw A56.J1:14 20,1 I_SldO1LimitInSe A56.J1:11 20,1 I_SldO1OpenSw A56.J1:9 20,1 I_SldO1PBrakeSw A56.J1:12 20,1 I_SldO1VacPrSe A56.J1:13 20,1
A56.J1:21	O_SldO1SecuPinSo	Slide-Out 1 Security Pins	20,1	SOSO4:1	I_SldO1LimitInSe A56.J1:11 20,1 I_SldO1PBrakeSw A56.J1:12 20,1 I_SldO2LimitInSe A57.J1:11 20,1 I_SldO2PBrakeSw A57.J1:12 20,1 I_SldO3LimitInSe A58.J1:11 20,2 I_SldO3PBrakeSw A58.J1:12 20,2
A56.J1:3	O_SldO1RemoteLed	Slide_Out 1 Remote Led	20,1	SwSo1.A:2	I_BatMonMod56 A56.J1:24 6,1 I_SldO1CloseSw A56.J1:10 20,1 I_SldO1LimiOutSw A56.J1:14 20,1 I_SldO1LimitInSe A56.J1:11 20,1 I_SldO1OpenSw A56.J1:9 20,1 I_SldO1PBrakeSw A56.J1:12 20,1 I_SldO1Supply5v A56.J1:15 20,1 I_SldO1VacPrSe A56.J1:13 20,1
A56.J1:4	O_SldO1SealInfSo	Slide_Out 1 Seal Inflating Valve	20,1	SoSo5:1	I_SldO1CloseSw A56.J1:10 20,1 I_SldO1LimiOutSw A56.J1:14 20,1 I_SldO1LimitInSe A56.J1:11 20,1 I_SldO1OpenSw A56.J1:9 20,1
A56.J1:5	O_SldO1SealDefSo	Slide_Out 1 Seal Deflating Valve	20,1	SoSo1:1	I_BatMonMod56 A56.J1:24 6,1 I_SldO1CloseSw A56.J1:10 20,1 I_SldO1LimiOutSw A56.J1:14 20,1 I_SldO1LimitInSe A56.J1:11 20,1 I_SldO1OpenSw A56.J1:9 20,1 I_SldO1PBrakeSw A56.J1:12 20,1
A56.J1:6	O_SldO1VaccGenSo	Slide_Out 1 Seal Vaccum Generator	20,1	SoSo2:1	I_BatMonMod56 A56.J1:24 6,1 I_BatMonMod57 A57.J1:24 6,1 I_BatMonMod58 A58.J1:24 6,1 I_SldO1CloseSw A56.J1:10 20,1 I_SldO1LimiOutSw A56.J1:14 20,1 I_SldO1LimitInSe A56.J1:11 20,1 I_SldO1OpenSw A56.J1:9 20,1 I_SldO1PBrakeSw A56.J1:12 20,1 I_SldO2CloseSw A57.J1:10 20,1 I_SldO2LimiOutSw A57.J1:14 20,1

# MULTIPLEX OUTPUT LIST

O\_xx... = Physical Output Pin ; I\_xx... = Physical Input Pin ; D\_xx... = CAN Network Signal from the HVAC control Head ; B\_xx.. = Multiplex system global Network Variable

Module.Pin#	Signal name	Description	Page	Connected devices	Input involved		
A56.J1:6	O_SldO1VaccGenSo	Slide_Out 1 Seal Vaccum Generator	20,1	SoSo2:1	I_SldO2LimitInSe	A57.J1:11	20,1
					I_SldO2OpenSw	A57.J1:9	20,1
					I_SldO2PBrakeSw	A57.J1:12	20,1
					I_SldO3CloseSw	A58.J1:10	20,2
					I_SldO3LimiOutSw	A58.J1:14	20,2
					I_SldO3LimitInSe	A58.J1:11	20,2
					I_SldO3OpenSw	A58.J1:9	20,2
					I_SldO3PBrakeSw	A58.J1:12	20,2
A56.J1:7	O_SldO1Motneg	Slide_Out 1 Motor -	20,1	RSo2.B:1	I_BatMonMod56	A56.J1:24	6,1
					I_SldO1CloseSw	A56.J1:10	20,1
					I_SldO1LimiOutSw	A56.J1:14	20,1
					I_SldO1LimitInSe	A56.J1:11	20,1
					I_SldO1OpenSw	A56.J1:9	20,1
					I_SldO1PBrakeSw	A56.J1:12	20,1
					I_SldO1VacPrSe	A56.J1:13	20,1
					I_SldO1VacPrSe	A56.J1:13	20,1
A57.J1:1	O_SldO2MoSpeedA	Slide-Out 2 Motor Speed Control A	20,1	RSo3.B:1	I_BatMonMod57	A57.J1:24	6,1
					I_SldO1VacPrSe	A56.J1:13	20,1
					I_SldO2CloseSw	A57.J1:10	20,1
					I_SldO2LimiOutSw	A57.J1:14	20,1
					I_SldO2LimitInSe	A57.J1:11	20,1
					I_SldO2OpenSw	A57.J1:9	20,1
					I_SldO2PBrakeSw	A57.J1:12	20,1
					I_SldO2PBrakeSw	A57.J1:12	20,1
A57.J1:2	O_SldO2MoSpeedB	Slide-Out 2 Motor Speed Control B	20,1	RSo3.B:1	I_BatMonMod57	A57.J1:24	6,1
					I_SldO1VacPrSe	A56.J1:13	20,1
					I_SldO2CloseSw	A57.J1:10	20,1
					I_SldO2LimiOutSw	A57.J1:14	20,1
					I_SldO2LimitInSe	A57.J1:11	20,1
					I_SldO2OpenSw	A57.J1:9	20,1
					I_SldO2PBrakeSw	A57.J1:12	20,1
					I_SldO2PBrakeSw	A57.J1:12	20,1
A57.J1:20	O_SldO2Motpos	Slide_Out 2 Motor +	20,1	RSo3.B:1	I_BatMonMod57	A57.J1:24	6,1
					I_SldO1VacPrSe	A56.J1:13	20,1
					I_SldO2CloseSw	A57.J1:10	20,1
					I_SldO2LimiOutSw	A57.J1:14	20,1
					I_SldO2LimitInSe	A57.J1:11	20,1
					I_SldO2OpenSw	A57.J1:9	20,1
					I_SldO2PBrakeSw	A57.J1:12	20,1
					I_SldO2PBrakeSw	A57.J1:12	20,1
A57.J1:3	O_SldO2RemoteLed	Slide_Out 2 Remote Led	20,1	SwSo2:2	I_BatMonMod57	A57.J1:24	6,1
					I_SldO1VacPrSe	A56.J1:13	20,1
					I_SldO2CloseSw	A57.J1:10	20,1
					I_SldO2LimiOutSw	A57.J1:14	20,1
					I_SldO2LimitInSe	A57.J1:11	20,1
					I_SldO2OpenSw	A57.J1:9	20,1
					I_SldO2PBrakeSw	A57.J1:12	20,1
					I_SldO2PBrakeSw	A57.J1:12	20,1



# MULTIPLEX OUTPUT LIST

O\_xx... = Physical Output Pin ; L\_xx... = Physical Input Pin ; D\_xx... = CAN Network Signal from the HVAC control Head ; B\_xx.. = Multiplex system global Network Variable

Module.Pin#	Signal name	Description	Page	Connected devices	Input involved
A57.J1:3	O_SldO2RemoteLed	Slide_Out 2 Remote Led	20,1	SwSo2:2	I_SldO2Supply5v A57.J1:15 20,1
A57.J1:4	O_SldO2SealInfSo	Slide_Out 2 Seal Inflating Valve	20,1		I_SldO2CloseSw A57.J1:10 20,1 I_SldO2LimiOutSw A57.J1:14 20,1 I_SldO2LimitInSe A57.J1:11 20,1 I_SldO2OpenSw A57.J1:9 20,1
A57.J1:5	O_SldO2SealDefSo	Slide_Out 2 Seal Deflating Valve	20,1	SoSo3:1	I_BatMonMod57 A57.J1:24 6,1 I_SldO2CloseSw A57.J1:10 20,1 I_SldO2LimiOutSw A57.J1:14 20,1 I_SldO2LimitInSe A57.J1:11 20,1 I_SldO2OpenSw A57.J1:9 20,1 I_SldO2PBrakeSw A57.J1:12 20,1
A57.J1:7	O_SldO2Motneg	Slide_Out 2 Motor -	20,1	RSo4.B:1	I_BatMonMod57 A57.J1:24 6,1 I_SldO1VacPrSe A56.J1:13 20,1 I_SldO2CloseSw A57.J1:10 20,1 I_SldO2LimiOutSw A57.J1:14 20,1 I_SldO2LimitInSe A57.J1:11 20,1 I_SldO2OpenSw A57.J1:9 20,1 I_SldO2PBrakeSw A57.J1:12 20,1
A58.J1:1	O_SldO3MoSpeedA		20,2		I_BatMonMod58 A58.J1:24 6,1 I_SldO1VacPrSe A56.J1:13 20,1 I_SldO3CloseSw A58.J1:10 20,2 I_SldO3LimiOutSw A58.J1:14 20,2 I_SldO3LimitInSe A58.J1:11 20,2 I_SldO3OpenSw A58.J1:9 20,2 I_SldO3PBrakeSw A58.J1:12 20,2
A58.J1:2	O_SldO3MoSpeedB		20,2		I_BatMonMod58 A58.J1:24 6,1 I_SldO1VacPrSe A56.J1:13 20,1 I_SldO3CloseSw A58.J1:10 20,2 I_SldO3LimiOutSw A58.J1:14 20,2 I_SldO3LimitInSe A58.J1:11 20,2 I_SldO3OpenSw A58.J1:9 20,2 I_SldO3PBrakeSw A58.J1:12 20,2
A58.J1:20	O_SldO3Motpos		20,2	RSo5.B:1	I_BatMonMod58 A58.J1:24 6,1 I_SldO1VacPrSe A56.J1:13 20,1 I_SldO3CloseSw A58.J1:10 20,2 I_SldO3LimiOutSw A58.J1:14 20,2 I_SldO3LimitInSe A58.J1:11 20,2 I_SldO3OpenSw A58.J1:9 20,2 I_SldO3PBrakeSw A58.J1:12 20,2
A58.J1:3	O_SldO3RemoteLed		20,2	SwSo3:2	I_BatMonMod58 A58.J1:24 6,1 I_SldO1VacPrSe A56.J1:13 20,1 I_SldO3CloseSw A58.J1:10 20,2 I_SldO3LimiOutSw A58.J1:14 20,2



# MULTIPLEX INPUT LIST

O\_xx... = Physical Output Pin ; I\_xx... = Physical Input Pin ; D\_xx... = CAN Network Signal from the HVAC control Head ; B\_xx.. = Multiplex system global Network Variable

Module.Pin#	Signal name	Description	Page	Connected devices
.	I_LwWipSpd2Sw			
A36.JB:11	I_InputTest		9,1	Sw13:3
A36.JB:13	I_BrkLtSeFrSig	Brake Lights Sensor		D22.A:1
A36.JB:14	I_EngFanSw	Radiator Fan Switch	13,1	Sw22:3
A36.JB:2	I_IgnKeySw	Ignition Key switch		A14.RX:6, Sw83.C:1, R25:86
A36.JB:21	I_RrCutOutSw	Rear Junction Box CutOut Switch	3,2	
A36.JB:22	I_FrEngStaSw	Front Engine Start Switch	3,2	Sw83.D:1
A36.JB:23	I_FireExt1stAl			
A36.JB:4	I_HazardSw	Hazard Switch	26,1	Sw4:3
A36.JB:5	I_WakeUp	Wake up signal (Fire alarm, horn, keyless module)	9,1	A41.J1:16
A36.JB:6	I_AccKeySw	Accessories Key switch		Sw83.A:1
A36.JB:9	I_ParkBrSe	Paking Brake Sensor		D75.B:1, Se18:2, A56.J1:12, A57.J1:12, D75.A:1
A41.J1:10	I_FireSensorA36	Fire Sensor On A36	9,1	Se2:1, Se1:1
A41.J1:17	I_LugDorLkSw	Luggage Door Lock Switch	33,1	R31:85, R30:85, R32:85, R33:85, Sw18:3
A41.J1:18	I_KeylessLuggUnl	Keyless luggages doors unlock signal	29,1	A31.B:11, A31.A:1, A41.J1:4
A41.J1:19	I_KeylessLockAll	Keyless lock all doors signal	29,1	A31.B:22
A41.J1:2	I_DrvLtSw	Driver Light Switch	19,1	Sw24:3
A41.J1:20	I_LugDorULkSw	Luggage Door Unlock Switch	33,1	Sw18:1, A1:71, A7:6
A41.J1:21	I_KeylessEntReq		29,1	A31.B:10
A41.J1:3	I_HornSw	Horn Switch	9,1	Sw61:A, Sw62:A
A41.J1:4	I_KeylessDrUnl	Keyless door unlock signal	29,1	A31.B:11, A41.J1:18, A31.A:1
A41.J1:5	I_EntDorOpSe	Entrance Door Open Sensor	29,1	D73.A:1
A41.J1:6	I_KeylessPanic	Keyless panic button signal	29,1	A31.B:8
A41.J1:7	I_KeylessIntru	Keyless intrusion signal	29,1	A31.B:9
A41.J1:8	I_EntDrUnlockSw	Entrance door unlock switch	29,1	Sw104:4, D56.B:1
A41.J1:9	I_EntDorLockSw	VIP Entrance Door Lock Switch	29,1	Sw104:6
A42.J1:18	I_EngBrOnSe	Engine Brake ACTIVE Sensor		Sw6:4
A42.J1:19	I_UpWshSw	Upper Washer Wiper Switch	34,1	Sw21:6
A42.J1:20	I_UpWiplntSw	Upper Wiper Intermitant Switch	34,1	
A42.J1:21	I_UpWipSw	Upper Wiper Switch	34,1	
A42.J1:5	I_EtherSw	Ether Switch	13,1	Sw23:3, So24:1, A9.Cx2:9
A42.J1:6	I_BackUpCamSw	Back up camera switch	28,1	
A42.J1:7	I_LevelLowSw	Level low switch	32,1	Sw108:2B, Sw107.K:1
A42.J1:8	I_LwWiplntSw	Lower Wiper Intermitant Switch	34,1	Sw1.C258:7
A42.J1:9	I_StopEngSe	Stop Engine Sensor		A8:2
A43.J1:10	I_FogLightSw	Fog Lights Switch	26,3	Sw3:3
A43.J1:20	I_BlinkSw	Courtesy Blink Switch	26,1	Sw1.C258:5
A43.J1:21	I_CorneringLtSw	Cornering Light Switch	26,3	Sw99:1
A43.J1:3	I_HiBeamCallSw	Hi/Low Beam Switch	26,1	Sw1.C259:4
A43.J1:4	I_HdLtPos1Sw	Head Light Switch Position Markers	26,1	Sw2:3, Sw2:8
A43.J1:5	I_LowDockLtsSw	Low docking lights switch	26,3	Sw102:3
A43.J1:6	I_RevAlrmSw	Reverse alarm switch	26,3	Sw103:3
A43.J1:7	I_DockinaLtSw	Dockina Lights Switch	26,3	Sw99:3

# MULTIPLEX INPUT LIST

O\_xx... = Physical Output Pin ; I\_xx... = Physical Input Pin ; D\_xx... = CAN Network Signal from the HVAC control Head ; B\_xx.. = Multiplex system global Network Variable

Module.Pin#	Signal name	Description	Page	Connected devices
A43.J1:8	I_HdLtHiLowBmSw	Head Lights High and Low Beam Switch	26,1	Sw1.C258:8
A44.J1:10	I_FireExt2ndAlm			
A45.J1:11	I_HeadLmpWshSw		34,1	
A45.J1:12	I_HdLtPos2SwLH	Head Light Switch Beam Position 2 LH		A48.J1:10, Sw2:6
A45.J1:9	I_LHFfshSw	Left Hand Flasher Switch	26,1	A51.J1:9, Sw1.C259:1
A46.J1:13	I_DrvTempSe	Driver Temperature sensor	18,1	Se21:2
A46.J1:24	I_BatMonMod46		6,1	A46.J1:26
A46.J1:9	I_LwWshSw	Lower Wiper Washer Switch	34,1	Sw1.C258:6
A47.J1:10	I_DefrostHighSw	Passenger defrost speed increase switch	18,1	Sw122:4
A47.J1:11	I_CoilTherSe	Coil sensing thermostat	18,3	Se52.A:1
A47.J1:12	I_DefrostLowSw	Passenger defrost speed decrease switch	18,1	Sw122:3
A47.J1:14	I_FrontOutTemp	Front outside temperature sensor	18,3	Se50:B
A47.J1:24	I_BatMonMod47		6,1	A47.J1:27
A48.J1:10	I_HdLtPos2SwRH	Head Light Switch Beam Position 2 RH	26,1	A45.J1:12, Sw2:6
A48.J1:12	I_RHFfshSw	Right Hand Flasher Switch	26,1	A51.J1:12, Sw1.C259:2
A48.J1:9	I_EntDrUnSw	Entrance door unlock switch	29,1	D56.A:1
A49.J1:3	I_AcDorOpSe	Condensor Door Open Switch	25,1	
A49.J1:5	I_LuggDrUnSe	Luggages doors unlock sensor	24,1	Sw134.B:1
A49.J1:9	I_Alt2Voltage			Res13:2, Alt2.B:1
A50.J1:11	I_NeutralSe	Neutral Signal Sensor	15,1	A1:41
A50.J1:12	I_RetdrSig	Retarder Signal	15,1	A1:24
A51.J1:10	I_BrkLtSeRrSig	Brake Lights Sensor	12,1	D46.A:1, D46.B:1
A51.J1:12	I_RHFfshSwRrSig	RH FlasherSwitch Rear Signal	26,2	Sw1.C259:2, A48.J1:12
A51.J1:9	I_LHFfshSwRrSig	LH FlasherSwitch Rear Signal	26,2	A45.J1:9, Sw1.C259:1
A52.J1:10	I_EngFanSpd2	Engine Fan Signal Speed 2	13,1	A8:5
A52.J1:11	I_EngCmptLtSw	Engine Compartment Light Switch	25,1	Sw84:B
A52.J1:12	I_EngDoorSe	Engine Door Sensor	25,1	
A52.J1:13	I_AcPresHiSse	Ac Pressure High Side Sensor	18,2	Se23:C
A52.J1:14	I_AcPresLoSse	Ac Pressure Low Side Sensor	18,2	Sw101:3, A1:62, R8:85, D22.B:1, Se19.B:1, Se19.D:1, Se24:C
A52.J1:9	I_EngFanSpd1	Engine Fan Signal Speed 1	13,1	A8:4
A53.J1:10	I_RrStrtEnSw	Rear Start Enable Switch	3,2	Sw58:1, Sw59.A:A
A53.J1:11	I_EngStaRrSw	Engine Start Rear Switch	3,2	Sw59.A:B
A53.J1:12	I_StartLockOut			A8:53
A53.J1:24	I_BatMonMod53		6,1	A53.J1:26
A53.J1:9	I_FrStrtEnSw	Front Start Enable Switch	3,2	Sw58:3
A54.J1:14	I_OutDoorTempSe	Outside Temperature Sensor	18,1	Se20:B
A54.J1:24	I_BatMonMod54		6,1	A54.J1:29
A56.J1:10	I_SldO1CloseSw	Slide-Out 1 Close Sw	20,1	SwSo1.A:4
A56.J1:11	I_SldO1LimitInSe	Slide-Out 1 Limit In Detection Sw	20,1	SES02.A:2
A56.J1:12	I_SldO1PBrakeSw	Slide-Out 1 Parking Brake Sw	20,1	D75.B:1, A36.JB:9, Se18:2, A57.J1:12, D75.A:1
A56.J1:13	I_SldO1VacPrSe	Slide-Out 1 Vacuum Pressure Transducer	20,1	SES01.A:C
A56.J1:14	I_SldO1LimiOutSw	Slide-Out 1 Limit Out Detection Sw	20,1	SES03.A:2
A56.J1:15	I_SldO1Supplv5v	Slide Out 1 5v Supplv	20,1	



# MULTIPLEX INPUT LIST

O\_xx... = Physical Output Pin ; I\_xx... = Physical Input Pin ; D\_xx... = CAN Network Signal from the HVAC control Head ; B\_xx.. = Multiplex system global Network Variable

Module.Pin#	Signal name	Description	Page	Connected devices
.	I_LwWipSpd2Sw			
A36.JB:11	I_InputTest		9,1	Sw13:3
A36.JB:13	I_BrkLtSeFrSig	Brake Lights Sensor	12,1	
A36.JB:14	I_EngFanSw	Radiator Fan Switch		
A36.JB:2	I_IgnKeySw	Ignition Key switch	3,2	
A36.JB:21	I_RrCutOutSw	Rear Junction Box CutOut Switch	3,2	
A36.JB:22	I_FrEngStaSw	Front Engine Start Switch	3,2	
A36.JB:23	I_FireExt1stAl			
A36.JB:4	I_HazardSw	Hazard Switch	26,1	Sw4:3
A36.JB:5	I_WakeUp	Wake up signal (Fire alarm, horn, keyless module)	9,1	A41.J1:16
A36.JB:6	I_AccKeySw	Accessories Key switch	3,2	
A36.JB:9	I_ParkBrSe	Parking Brake Sensor	12,1	
A41.J1:10	I_FireSensorA36	Fire Sensor On A36	9,1	
A41.J1:17	I_LugDorLkSw	Luggage Door Lock Switch	33,1	
A41.J1:18	I_KeylessLuggUnl	Keyless luggages doors unlock signal	29,1	A31.B:11
A41.J1:19	I_KeylessLockAll	Keyless lock all doors signal	29,1	A31.B:22
A41.J1:2	I_DrvLtSw	Driver Light Switch	19,1	Sw24:3
A41.J1:20	I_LugDorULkSw	Luggage Door Unlock Switch	33,1	
A41.J1:21	I_KeylessEntReq		29,1	A31.B:10
A41.J1:3	I_HornSw	Horn Switch	9,1	
A41.J1:4	I_KeylessDrUnl	Keyless door unlock signal	29,1	A31.A:1
A41.J1:5	I_EntDorOpSe	Entrance Door Open Sensor	29,1	D73:A
A41.J1:6	I_KeylessPanic	Keyless panic button signal	29,1	A31.B:8
A41.J1:7	I_KeylessIntru	Keyless intrusion signal	29,1	A31.B:9
A41.J1:8	I_EntDrUnlockSw	Entrance door unlock switch	29,1	
A41.J1:9	I_EntDorLockSw	VIP Entrance Door Lock Switch	29,1	Sw104:6
A42.J1:18	I_EngBrOnSe	Engine Brake ACTIVE Sensor		
A42.J1:5	I_EtherSw	Ether Switch	13,1	Sw23:3
A42.J1:7	I_LevelLowSw	Level low switch	32,1	
A42.J1:8	I_LwWipIntSw	Lower Wiper Intermittant Switch	34,1	Sw1.C258:7
A42.J1:9	I_StopEngSe	Stop Engine Sensor		
A43.J1:20	I_BlinkSw	Courtesy Blink Switch	26,1	Sw1.C258:5
A43.J1:3	I_HiBeamCallSw	Hi/Low Beam Switch	26,1	Sw1.C259:4
A43.J1:4	I_HdLtPos1Sw	Head Light Switch Position Markers	26,1	
A43.J1:6	I_RevAlrmSw	Reverse alarm switch	26,3	
A43.J1:7	I_HornSelectSw	Horn Select switch	9,1	Sw63A:3
A43.J1:8	I_HdLtHiLowBmSw	Head Lights High and Low Beam Switch	26,1	Sw1.C258:8
A44.J1:10	I_FireExt2ndAlm			
A45.J1:12	I_HdLtPos2SwLH	Head Light Switch Beam Position 2 LH	26,1	
A45.J1:9	I_LHFIsHSw	Left Hand Flasher Switch	26,1	
A46.J1:24	I_BatMonMod46		6,1	A46.J1:26
A46.J1:9	I_LwWshSw	Lower Wiper Washer Switch	34,1	Sw1.C258:6
A47.J1:10	I_DefrostHighSw	Passenger defrost speed increase switch	18,1	Sw122:3

# MULTIPLEX INPUT LIST

O\_xx... = Physical Output Pin ; I\_xx... = Physical Input Pin ; D\_xx... = CAN Network Signal from the HVAC control Head ; B\_xx.. = Multiplex system global Network Variable

Module.Pin#	Signal name	Description	Page	Connected devices
A47.J1:11	I_CoilTherSe	Coil sensing thermostat	18,3	Se52.A:1
A47.J1:12	I_DefrostLowSw	Passenger defrost speed decrease switch	18,1	Sw122:4
A47.J1:14	I_FrontOutTemp	Front outside temperature sensor	18,3	Se50:B
A47.J1:24	I_BatMonMod47		6,1	A47.J1:27
A48.J1:10	I_HdLtPos2SwRH	Head Light Switch Beam Position 2 RH	26,1	
A48.J1:12	I_RHFlshSw	Right Hand Flasher Switch	26,1	
A48.J1:9	I_EntDrUnSw	Entrance door unlock switch	29,1	D56:A, D56:B
A49.J1:3	I_AcDorOpSe	Condensor Door Open Switch	25,1	
A49.J1:5	I_LuggDrUnSe	Luggages doors unlock sensor	24,1	Sw118:2
A49.J1:9	I_Alt2Voltage		3,2	
A50.J1:11	I_NeutralSe	Neutral Signal Sensor	15,1	A1Gen4.A:41
A50.J1:12	I_RetdrSig	Retarder Signal	15,1	A1Gen4.A:24
A51.J1:10	I_BrkLtSeRrSig	Brake Lights Sensor	12,1	
A51.J1:12	I_RHFlshSwRrSig	RH FlasherSwitch Rear Signal	26,2	
A51.J1:9	I_LHFlshSwRrSig	LH FlasherSwitch Rear Signal	26,2	
A52.J1:10	I_EngFanSpd2	Engine Fan Signal Speed 2	13,1	A73.J2:9
A52.J1:11	I_EngCmptLtSw	Engine Compartment Light Switch	25,1	Sw84.B:1
A52.J1:12	I_EngDoorSe	Engine Door Sensor	25,1	
A52.J1:13	I_AcPresHiSse	Ac Pressure High Side Sensor	18,2	Se23:C
A52.J1:14	I_AcPresLoSse	Ac Pressure Low Side Sensor	18,2	Se24:C
A52.J1:9	I_EngFanSpd1	Engine Fan Signal Speed 1	13,1	A73.J2:10
A53.J1:10	I_RrStrtEnSw	Rear Start Enable Switch	3,2	
A53.J1:11	I_EngStaRrSw	Engine Start Rear Switch	3,2	Sw59:2
A53.J1:12	I_StartLockOut			
A53.J1:24	I_BatMonMod53		6,1	A53.J1:26
A53.J1:9	I_FrStrtEnSw	Front Start Enable Switch	3,2	Sw58:3
A54.J1:14	I_OutDoorTempSe	Outside Temperature Sensor	18,1	Se20:B
A54.J1:24	I_BatMonMod54		6,1	A54.J1:29
A55.J1:1	I_DrvTempSe	Driver Temperature sensor	18,1	Se21:2
A55.J1:10	I_RetarderSel	Retarder Selected	12,1	Sw16:3
A55.J1:17	I_BackUpCamSw	Back up camera switch	28,1	Sw119:3
A55.J1:18	I_HeadLmpWshSw		34,1	Sw6:4
A55.J1:19	I_UpWshSw	Upper Washer Wiper Switch	34,1	Sw6:3
A55.J1:2	I_VIPSteerWh5V		38,1	
A55.J1:20	I_UpWipIntSw	Upper Wiper Intermitant Switch	34,1	
A55.J1:21	I_UpWipSw	Upper Wiper Switch	34,1	Sw5:6
A55.J1:3	I_VIPSteerWh1		38,1	A20.A:1
A55.J1:4	I_VIPSteerWh2		38,1	A20.A:2
A55.J1:6	I_FogLightSw	Fog Lights Switch	26,3	Sw3:3
A55.J1:7	I_CorneringLtSw	Cornering Light Switch	26,3	Sw99:3
A55.J1:8	I_DockingLtSw	Docking Lights Switch	26,3	Sw99:1
A55.J1:9	I_LowDockLtsSw	Low docking lights switch	26,3	Sw102:3
A56.J1:10	I_SldO1CloseSw	Slide-Out 1 Close Sw	20,1	SwSo1.A:4





# MULTIPLEX ERROR MESSAGES LIST

FMI 3 = Shorted High ; FMI 4 = Shorted Low ; FMI 5 = Open Circuit ; FMI 6 = Current above Normal

Cluster message	SID/PSID	FMI	Module.Pin#	Page	Cluster message	SID/PSID	FMI	Module.Pin#	Page
A/C Clutch SO9	PSID #4	3, 4, 5, 6	A52.J1:20		Flash RH SW1	PSID #133	3, 4	A48.J1:12	26,1
A/C Pres HiSd SE23	PSID #28	3, 4	A52.J1:13	18,2	Flasher LH Sw1	PSID #130	3, 4	A45.J1:9	26,1
A/C Pres LoSd SE24	PSID #29	3, 4	A52.J1:14	18,2	Fish Audibl Rly R16	PSID #37	3, 4, 5, 6	A45.J1:8	26,1
Aux AC fan Mo51	SID #39	3, 4, 6	A46.J1:1	18,3	Fog's Lights LH L95	PSID #134	3, 4, 6	A45.J1:4	26,3
Aux Refr sol So38	SID #46	3, 4, 6	A46.J1:8	18,3	Fog's lights RH L96	PSID #136	3, 4, 6	A48.J1:8	26,3
Backup Light & Alm	PSID #167	3, 4, 6	A50.J1:3	26,3	Foot trap Mo4	PSID #14	3, 4, 6	A45.J1:2	18,1
Blinker SW1	PSID #139	3, 4	A43.J1:20	26,1	FR Clearance lights	PSID #137	3, 4, 6	A44.J1:8	26,1
Brk Lts Sens SE19	PSID #119	3, 4	A36.JB:13		Fr Fish-Mkr LH L62	PSID #128	3, 4, 6	A45.J1:3	26,1
Center Flash LH L70	PSID #124	3, 4, 6	A50.J1:5	26,2	Fr Side Fish RH L64	PSID #10	3, 4, 6	A48.J1:20	26,1
Center Flash RH L68	PSID #125	3, 4, 6	A50.J1:7	26,2	Fr Start Enable SW58	PSID #56	3, 4	A53.J1:9	3,2
Center Mkr L67-L70	PSID #27	3, 4, 6	A50.J1:8	26,2	Fr Start SW83	PSID #58	3, 4	A36.JB:22	3,2
Cond Rly spd1 R10	PSID #41	3, 4, 5, 6	A54.J1:5	18,2	Front Flash RH L61	PSID #126	3, 4, 6	A48.J1:6	26,1
Cond Rly spd2 R9	PSID #42	3, 4, 5, 6	A54.J1:1	18,2	Front Mkr Lts LH L62	PSID #148	3, 4, 6	A45.J1:21	26,1
Condensor Door Sw7	PSID #7	3, 4	A49.J1:3	25,1	Front Mkr Lts RH L61	PSID #149	3, 4, 6	A48.J1:7	26,1
Cornering Dash Sw30	PSID #200	3, 4	A43.J1:21	26,3	Hazard Switch Sw4	PSID #138	3, 4	A36.JB:4	26,1
Cyclope Lt L81	PSID #116	3, 4, 6	A51.J1:7	26,2	Hd Light Call SW1	PSID #140	3, 4	A43.J1:3	26,1
Defr water Pmp Mo50	SID #41	3, 4	A47.J1:20	18,3	HdLamp Wsh Pmp Mo54	SID #48	3, 4, 6	A46.J1:21	34,1
Diff Lock sol So35	SID #36	3, 4, 6	A52.J1:4	37,1	Head Lights Pos1 SW2	PSID #143	3, 4	A43.J1:4	26,1
Docking Dash Sw31	PSID #3	3, 4	A43.J1:7	26,3	Head Lt Sw Pos2 Sw2	PSID #11	3, 4	A45.J1:12	
Driver Def Fan L198	PSID #180	3, 4, 5, 6	A47.J1:1	18,1	Hi Low Beam Sw1	PSID #6	3, 4	A43.J1:8	26,1
Driver heat Sol SO8	PSID #16	3, 4, 5, 6	A46.J1:6	18,1	High Beam LH L60	PSID #141	3, 4, 5, 6	A45.J1:6	26,1
Driver Light L16	PSID #104	3, 4, 5, 6	A47.J1:6	19,1	High Beam RH L59	PSID #145	3, 4, 5, 6	A48.J1:3	26,1
Driver Light SW24	PSID #105	3, 4	A41.J1:2	19,1	LH Corner Lts L97	PSID #120	3, 4, 5, 6	A45.J1:5	26,3
Driver Rfg Sol SO7	PSID #13	3, 4, 5, 6	A46.J1:5	18,1	LH Docking Light L93	PSID #122	3, 4, 5, 6	A51.J1:4	26,3
Driver Sensor SE21	PSID #12	3, 4, 5	A46.J1:13	18,1	Low Beam LH L60	PSID #142	3, 4, 6	A45.J1:7	26,1
Drv air Trap MO3	PSID #5	3, 4, 6	A44.J1:2	18,1	Low Beam RH L59	PSID #146	3, 4, 6	A48.J1:4	26,1
Drv Rec Cylind L203	PSID #30	3, 4, 5, 6	A47.J1:2	18,1	Low Wip Spd1 Mo22	PSID #184	3, 4, 5, 6	A47.J1:3	34,1
Elec Horn L185 L186	PSID #83	3, 4, 5, 6	A45.J1:20	9,1	Lower Stop Lamps	PSID #153	3, 4, 6	A50.J1:6	26,2
Elec. Horn SW61 SW62	PSID #82		4 A41.J1:3	9,1	Lower Washer pmp	PSID #181	4, 6	A46.J1:3	34,1
Emergency Relay R21	PSID #44	3, 4, 5, 6	A36.JA:24	3,2	Lower Washer SW1	PSID #188	3, 4	A46.J1:9	34,1
Eng Brk Active Sig	PSID #45	3, 4	A42.J1:18		Lower Wip Int SW1	PSID #183	3, 4	A42.J1:8	34,1
Eng Cmpt Bulb L173	PSID #106	3, 4, 5, 6	A52.J1:5	25,1	Lugg doors locks R30	SID #44	3, 4, 5, 6	A36.JA:7	33,1
Eng Cmpt Sw	PSID #107	3, 4	A52.J1:11	25,1	Lugg doors unl R32	SID #45	3, 4, 5, 6	A36.JA:6	33,1
Eng Ether SW23	PSID #50	3, 4	A42.J1:5	13,1	OutDoor Sens SE20	PSID #161	3, 4, 5	A54.J1:14	18,1
Eng Fan Dash SW22	PSID #55	3, 4	A36.JB:14	13,1	Park brake Sens Se18	PSID #162	3, 4	A36.JB:9	
Eng Fan Spd1 Req	PSID #51	3, 4	A52.J1:9	13,1	Pass def fan Mo25	SID #38	3, 4, 5, 6	A47.J1:7	18,1
Eng Fan Spd2 Req	PSID #52	3, 4	A52.J1:10	13,1	Pass Heat Sol SO13	PSID #24	3, 4, 6	A54.J1:8	18,2
Eng. Ether Sol SO1	PSID #49	3, 4, 6	A52.J1:6	13,1	Pass Rfg Sol SO11	PSID #23	3, 4, 5, 6	A54.J1:3	18,2
Engine Fan Spd1 MO2	PSID #53	3, 4, 5, 6	A52.J1:1	13,1	Pass. Wtr pump MO12	PSID #17	4, 6	A54.J1:4	
Engine Fan Spd2 MO2	PSID #54	3, 4, 5, 6	A52.J1:2	13,1	Rear CutOut Sw82	PSID #18	3, 4	A36.JB:21	3,2
Evap Motor Rly R12	PSID #77	3, 4, 5, 6	A54.J1:7	18,2	Rear Fish LH L71 L75	PSID #131	3, 4, 6	A51.J1:21	26,2
Evap Spd Ctrl MO9	PSID #78	4, 6	A54.J1:2	18,2	Rear Fish RH L73 L76	PSID #132	3, 4, 6	A51.J1:3	
Fire Sensor	PSID #79	3, 4	A41.J1:10	9,1	Retarder signal	PSID #164	3, 4	A50.J1:12	15,1

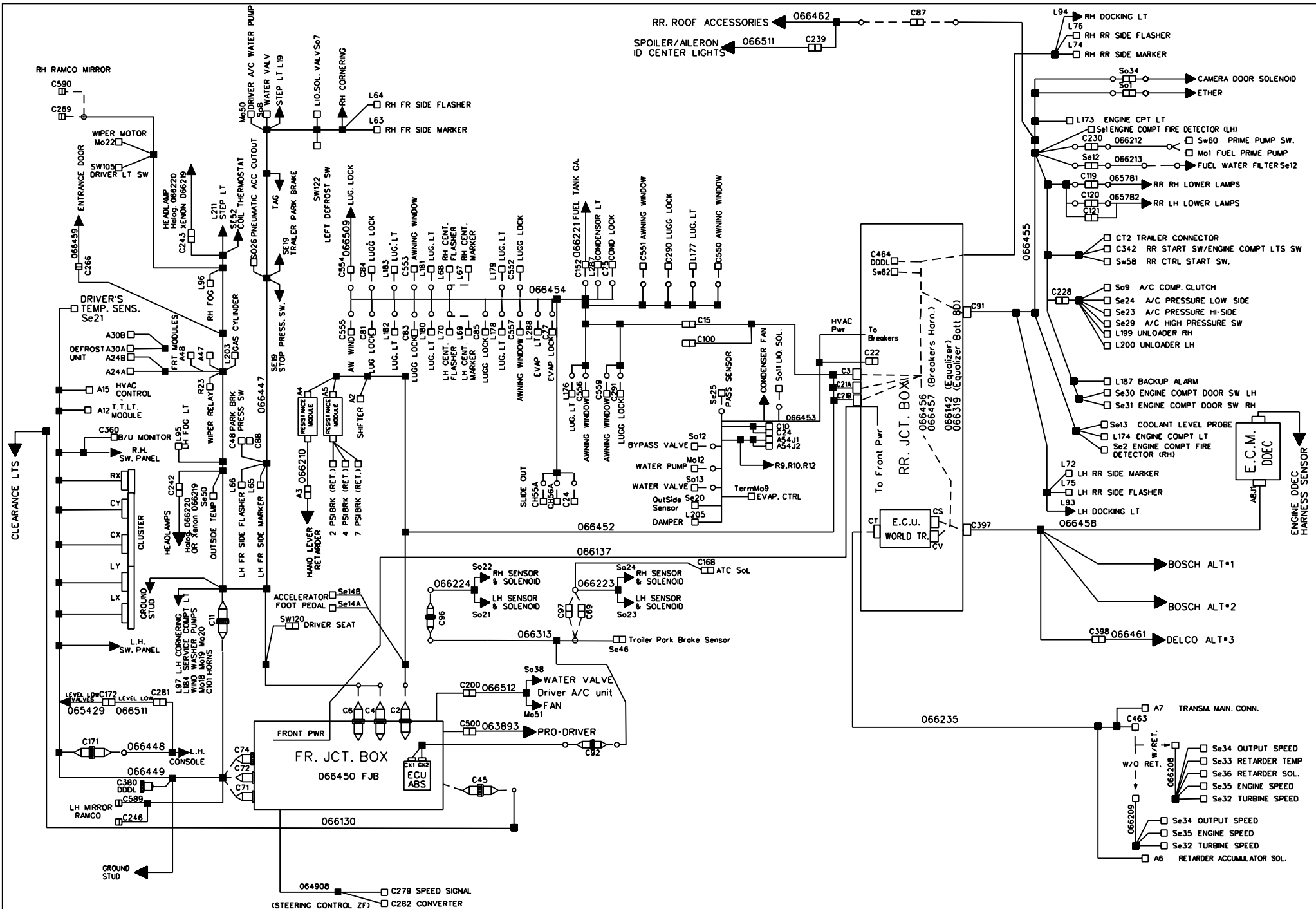


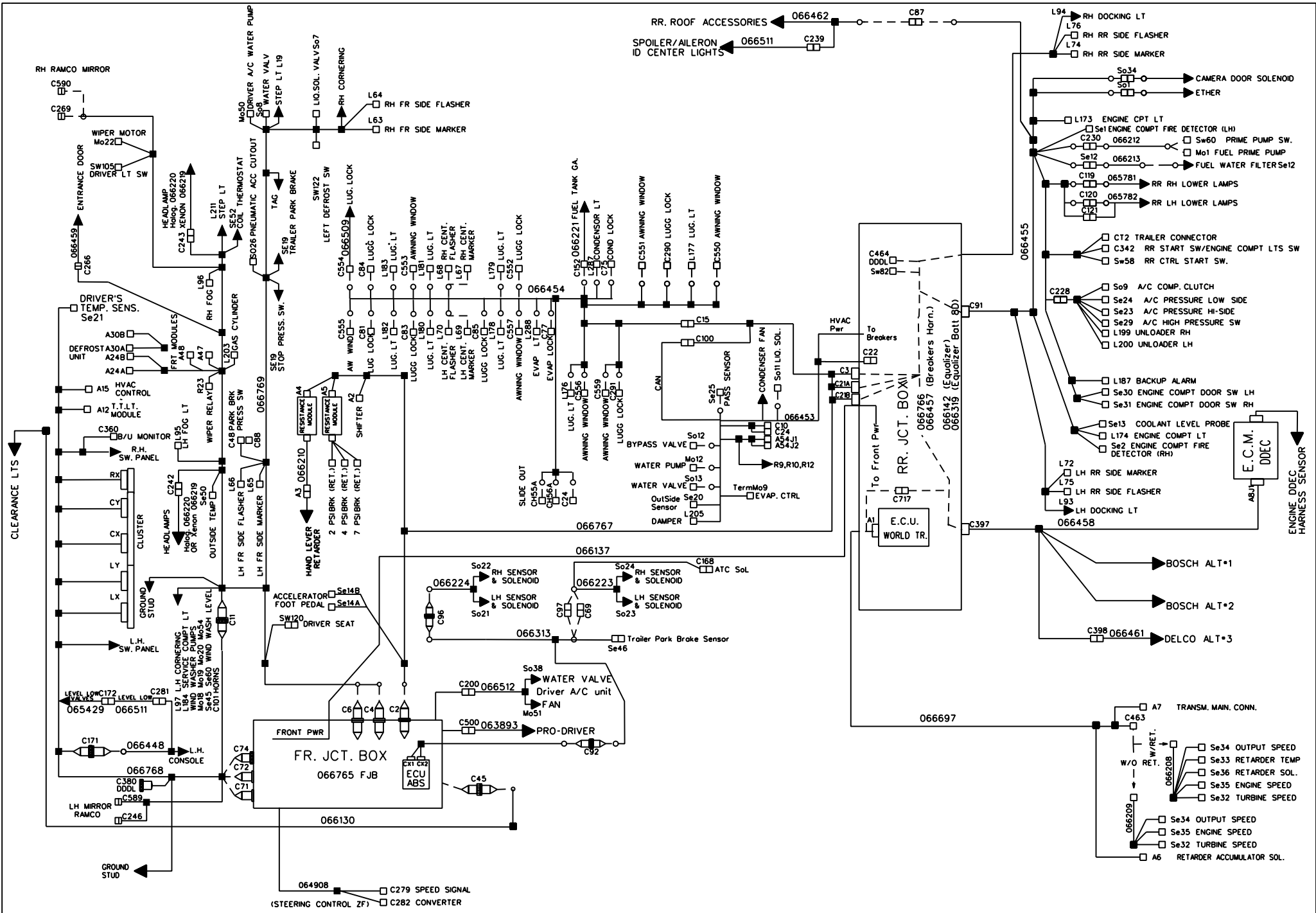
# MULTIPLEX ERROR MESSAGES LIST

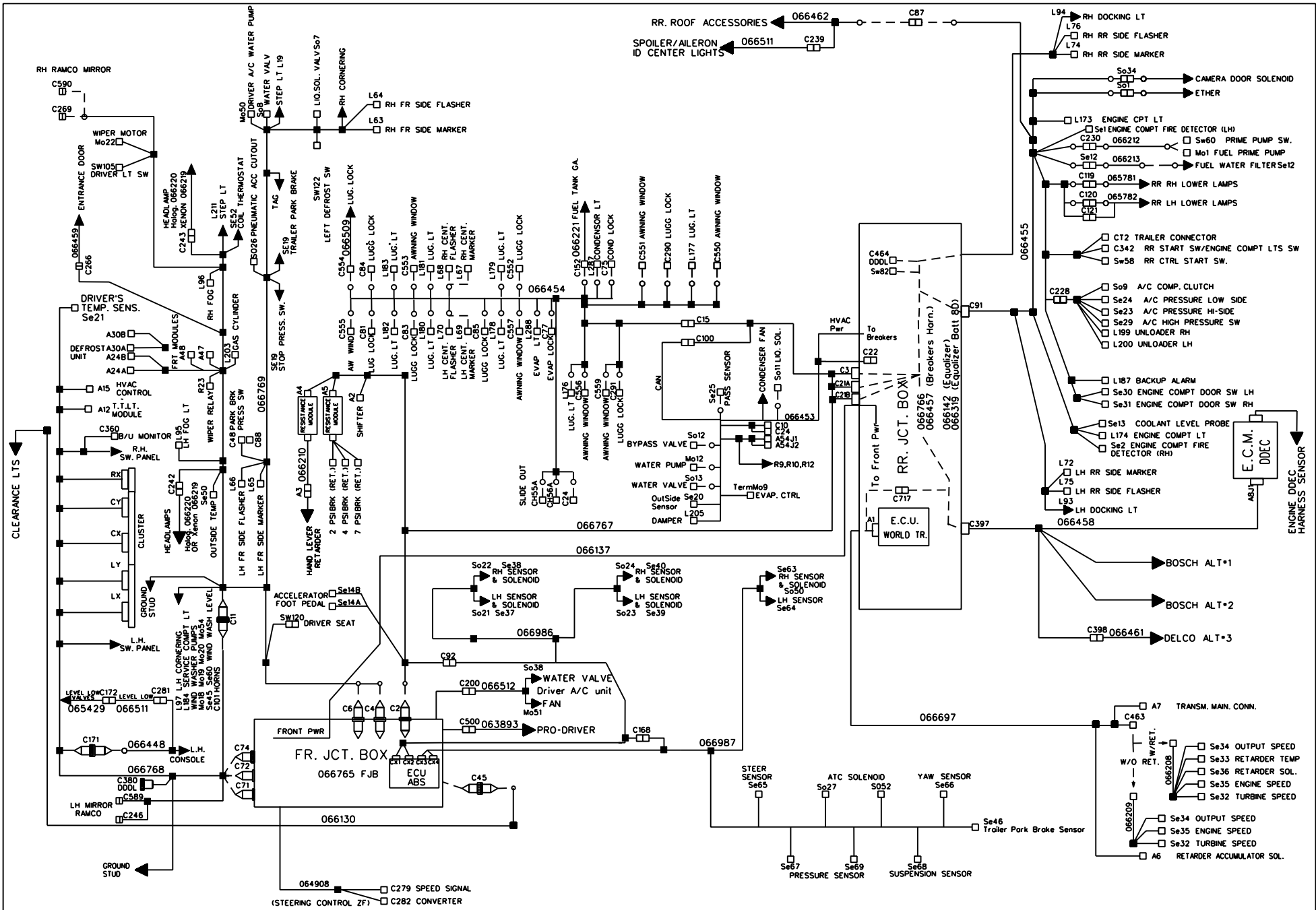
FMI 3 = Shorted High ; FMI 4 = Shorted Low ; FMI 5 = Open Circuit ; FMI 6 = Current above Normal

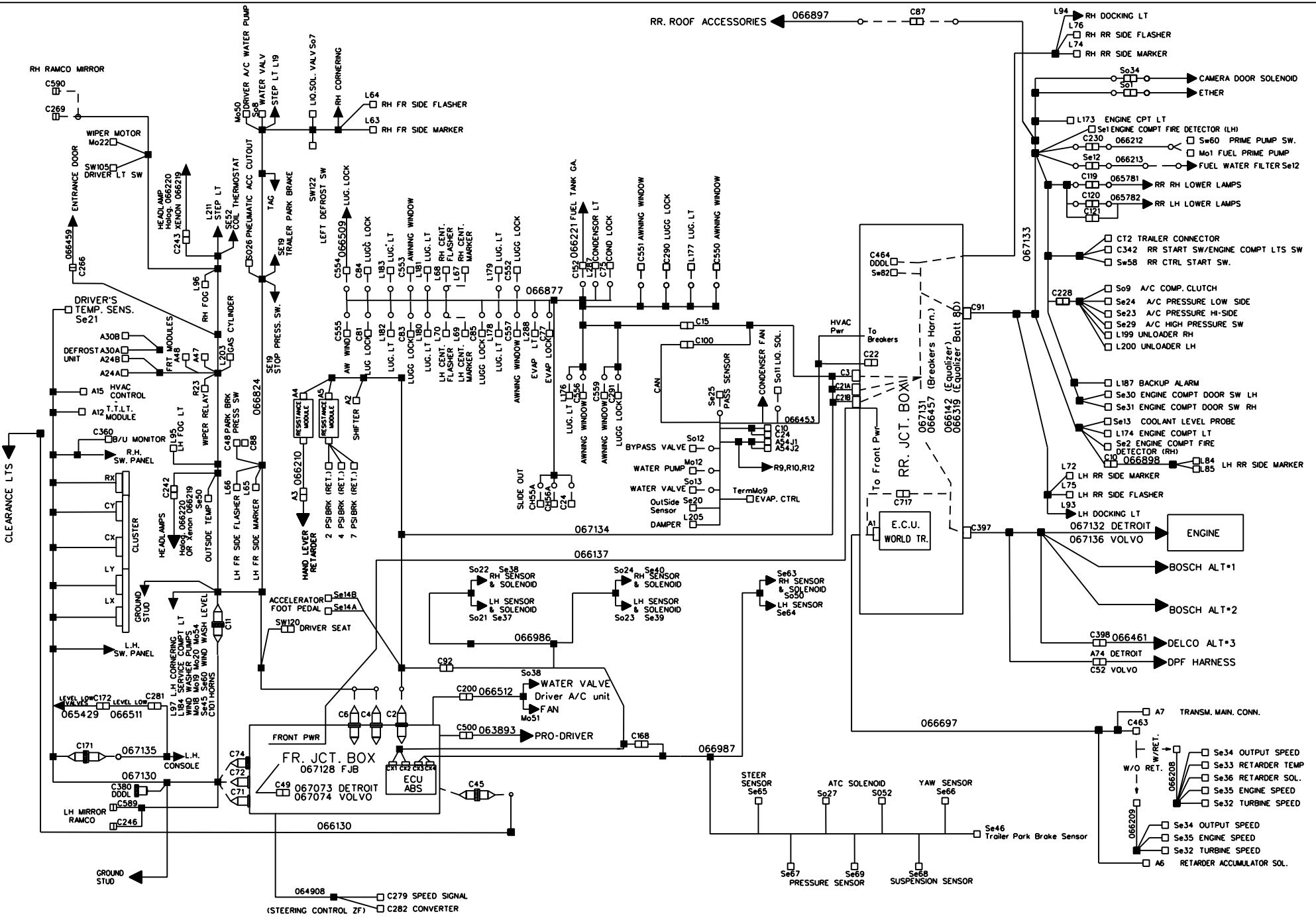
Cluster message	SID/PSID	FMI	Module.Pin#	Page	Cluster message	SID/PSID	FMI	Module.Pin#	Page
A/C Clutch SO9	PSID #4	3, 4, 5, 6	A52.J1:20	18,2	Flash RH SW1	PSID #133	3, 4	A48.J1:12	26,1
A/C Pres HiSd SE23	PSID #28	3, 4	A52.J1:13	18,2	Flasher LH Sw1	PSID #130	3, 4	A45.J1:9	26,1
A/C Pres LoSd SE24	PSID #29	3, 4	A52.J1:14	18,2	Flsh Audibl Rly R16	PSID #37	3, 4, 5, 6	A45.J1:8	26,1
Aux AC fan Mo51	SID #39	3, 4, 6	A46.J1:1	18,3	Fog's Lights LH L95	PSID #134	3, 4, 6	A45.J1:4	26,3
Aux Refr sol So38	SID #46	3, 4, 6	A46.J1:8	18,3	Fog's lights RH L96	PSID #136	3, 4, 6	A48.J1:8	26,3
Backup Light & Alm	PSID #167	3, 4, 6	A50.J1:20	26,3	Foot trap Mo4	PSID #14	3, 4, 6	A45.J1:2	18,1
Blinker SW1	PSID #139	3, 4	A43.J1:20	26,1	FR Clearance lights	PSID #137	3, 4, 6	A44.J1:8	26,1
Brk Lts Sens SE19	PSID #119	3, 4	A36.JB:13	12,1	Fr Flsh-Mkr LH L62	PSID #128	3, 4, 6	A45.J1:3	26,1
Center Flash LH L70	PSID #124	3, 4, 6	A50.J1:5	26,2	Fr Side Flsh RH L64	PSID #10	3, 4, 6	A48.J1:20	26,1
Center Flash RH L68	PSID #125	3, 4, 6	A50.J1:7	26,2	Fr Start SW83	PSID #58	3, 4	A36.JB:22	3,2
Center Mkr L67-L70	PSID #27	3, 4, 6	A50.J1:8	26,2	Front Flash RH L61	PSID #126	3, 4, 6	A48.J1:6	26,1
Cond Rly spd1 R10	PSID #41	3, 4, 5, 6	A54.J1:5	18,2	FrontMkr Lts LH L62	PSID #148	3, 4, 6	A45.J1:21	26,1
Cond Rly spd2 R9	PSID #42	3, 4, 5, 6	A54.J1:1	18,2	FrontMkr Lts RH L61	PSID #149	3, 4, 6	A48.J1:7	26,1
Condensor Door Sw7	PSID #7	3, 4	A49.J1:3	25,1	FrStart Enable SW58	PSID #56	3, 4	A53.J1:9	3,2
Cornering Dash Sw30	PSID #200	3, 4	A55.J1:7	26,3	Hazard Switch Sw4	PSID #138	3, 4	A36.JB:4	26,1
Cyclope Lt L81	PSID #116	3, 4, 6	A51.J1:7	26,2	Hd Light Call SW1	PSID #140	3, 4	A43.J1:3	26,1
Defr water Pmp Mo50	SID #41	3, 4	A47.J1:20	18,3	HdLamp Wsh Pmp Mo54	SID #48	3, 4, 6	A46.J1:21	34,1
Diff Lock sol So35	SID #36	3, 4, 6	A52.J1:4	37,1	Head Lights Pos1SW2	PSID #143	3, 4	A43.J1:4	26,1
Docking Dash Sw31	PSID #3	3, 4	A55.J1:8	26,3	Head Lt Sw Pos2 Sw2	PSID #11	3, 4	A45.J1:12	26,1
Driver Def Fan L198	PSID #180	3, 4, 5, 6	A47.J1:1	18,1	Hi Low Beam Sw1	PSID #6	3, 4	A43.J1:8	26,1
Driver heat Sol SO8	PSID #16	3, 4, 5, 6	A46.J1:6	18,1	High Beam LH L60	PSID #141	3, 4, 5, 6	A45.J1:6	26,1
Driver Light L16	PSID #104	3, 4, 5, 6	A47.J1:6	19,1	High Beam RH L59	PSID #145	3, 4, 5, 6	A48.J1:3	26,1
Driver Light SW24	PSID #105	3, 4	A41.J1:2	19,1	LH Corner Lts L97	PSID #120	3, 4, 5, 6	A45.J1:5	26,3
Driver Rfg Sol SO7	PSID #13	3, 4, 5, 6	A46.J1:5	18,1	LH Docking LightL93	PSID #122	3, 4, 5, 6	A51.J1:4	26,3
Driver Sensor SE21	PSID #12	3, 4, 5	A55.J1:1	18,1	Low Beam LH L60	PSID #142	3, 4, 6	A45.J1:7	26,1
Drv air Trap MO3	PSID #5	3, 4, 6	A44.J1:2	18,1	Low Beam RH L59	PSID #146	3, 4, 6	A48.J1:4	26,1
Drv Rec Cylind L203	PSID #30	3, 4, 5, 6	A47.J1:2	18,1	Low Wip Spd1 Mo22	PSID #184	3, 4, 5, 6	A47.J1:3	34,1
Elec Horn L185 L186	PSID #83	3, 4, 6	A43.J1:13	9,1	Lower Stop Lamps	PSID #153	3, 4, 6	A50.J1:6	26,2
Elec.Horn SW61 SW62	PSID #82	4	A41.J1:3	9,1	Lower Washer pmp	PSID #181	4, 6	A46.J1:3	34,1
Emergency Relay R21	PSID #44	3, 4, 5, 6	A36.JA:24	3,2	Lower Washer SW1	PSID #188	3, 4	A46.J1:9	34,1
Eng Brk Active Sig	PSID #45	3, 4	A42.J1:18		Lower Wip Int SW1	PSID #183	3, 4	A42.J1:8	34,1
Eng Cmpt Bulb L173	PSID #106	3, 4, 5, 6	A52.J1:5	25,1	Lugg doors lock R30	SID #44	3, 4, 5, 6	A36.JA:7	33,1
Eng Cmpt Sw	PSID #107	3, 4	A52.J1:11	25,1	Lugg doors unl R32	SID #45	3, 4, 5, 6	A36.JA:6	33,1
Eng Ether SW23	PSID #50	3, 4	A42.J1:5	13,1	OutDoor Sens SE20	PSID #161	3, 4, 5	A54.J1:14	18,1
Eng Fan Dash SW22	PSID #55	3, 4	A36.JB:14		Park brak Sens Se18	PSID #162	3, 4	A36.JB:9	12,1
Eng Fan Spd1 Req	PSID #51	3, 4	A52.J1:9	13,1	Pass def fan Mo25	SID #38	3, 4, 5, 6	A47.J1:7	18,1
Eng Fan Spd2 Req	PSID #52	3, 4	A52.J1:10	13,1	Pass Heat Sol SO13	PSID #24	3, 4, 6	A54.J1:8	18,2
Eng. Ether Sol SO1	PSID #49	3, 4, 6	A52.J1:6	13,1	Pass Rfg Sol SO11	PSID #23	3, 4, 5, 6	A54.J1:3	18,2
Engine Fan Spd1 MO2	PSID #53	3, 4, 5, 6	A52.J1:1	13,1	Pass. Wtr pump MO12	PSID #17	4, 6	A54.J1:4	18,2
Engine Fan Spd2 MO2	PSID #54	3, 4, 5, 6	A52.J1:2	13,1	Rear CutOut Sw82	PSID #18	3, 4	A36.JB:21	3,2
Evap Motor Rly R12	PSID #77	3, 4, 5, 6	A54.J1:7	18,2	RearFlsh LH L71 L75	PSID #131	3, 4, 6	A51.J1:21	26,2
Evap Spd Ctrl MO9	PSID #78	4, 6	A54.J1:2	18,2	RearFlsh RH L73 L76	PSID #132	3, 4, 6	A51.J1:3	26,2
Fire Sensor	PSID #79	3, 4	A41.J1:10	9,1	Retarder signal	PSID #164	3, 4	A50.J1:12	15,1











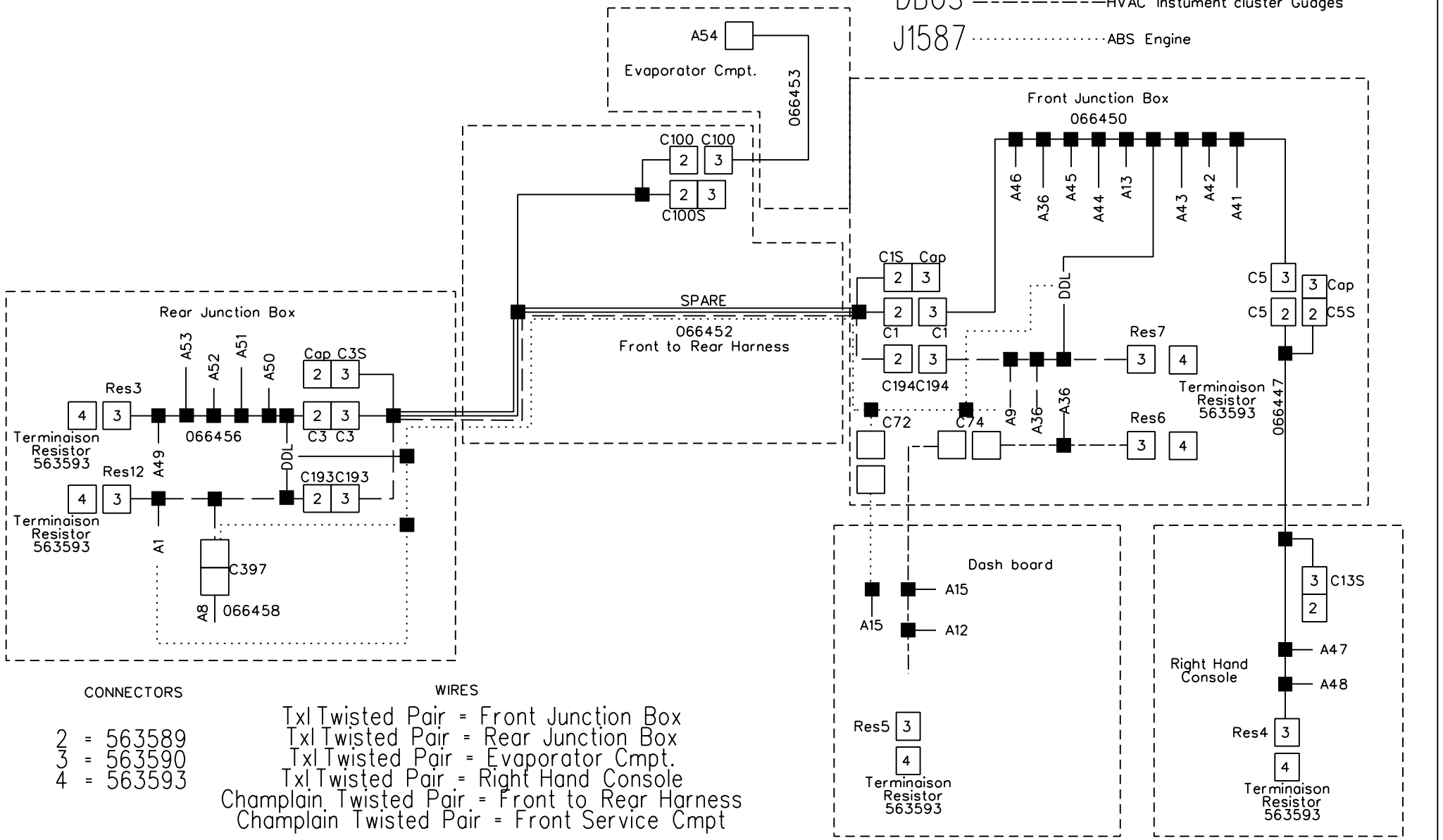






# NETWORKS LAYOUT

CAN ————— I/O Modules  
 J1939 - - - - - Engine Transmission  
 DBUS - - - - - HVAC Instrument cluster Guages  
 J1587 ······ ABS Engine



**CONNECTORS**

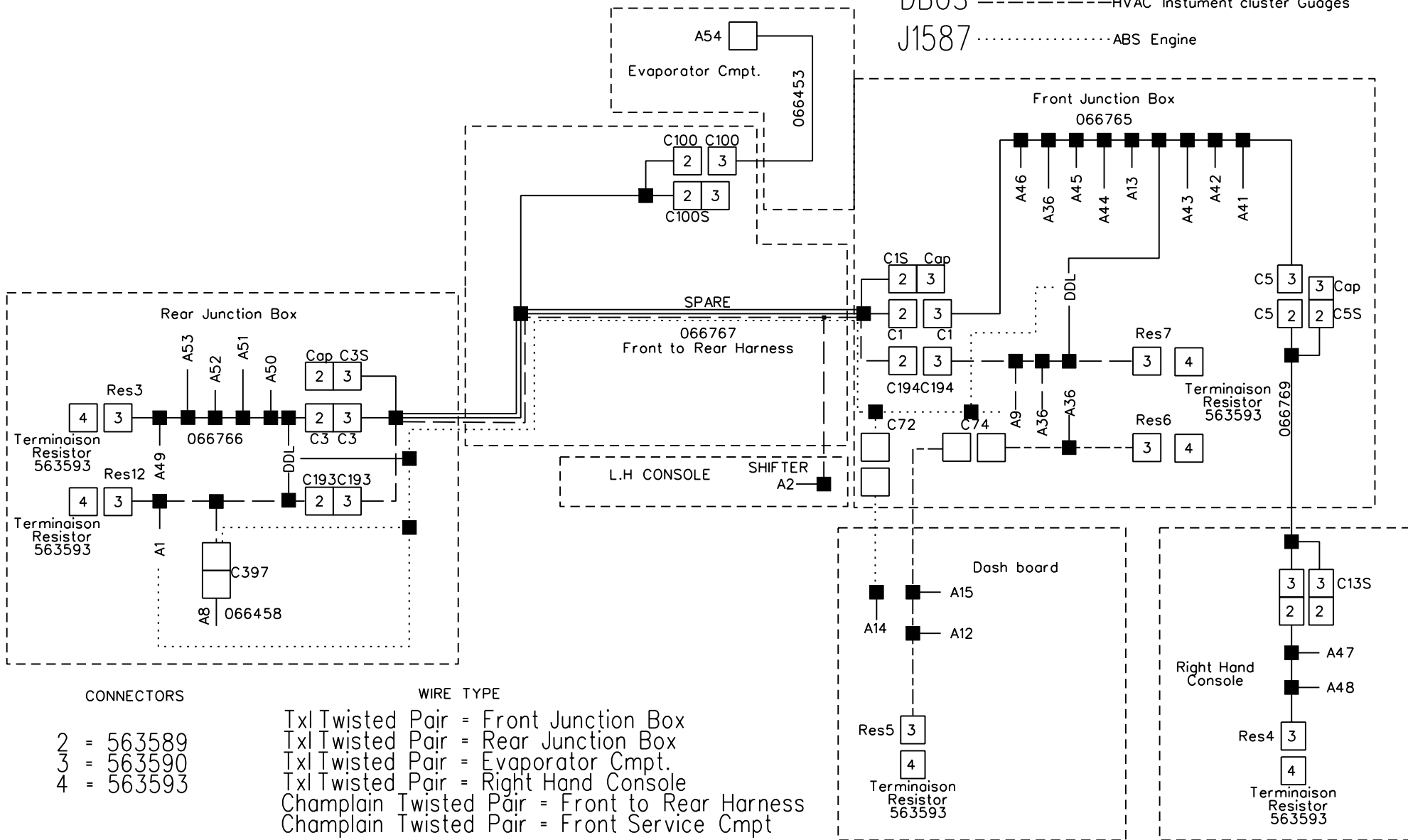
- 2 = 563589
- 3 = 563590
- 4 = 563593

**WIRES**

- Txl Twisted Pair = Front Junction Box
- Txl Twisted Pair = Rear Junction Box
- Txl Twisted Pair = Evaporator Cmpnt.
- Txl Twisted Pair = Right Hand Console
- Champlain Twisted Pair = Front to Rear Harness
- Champlain Twisted Pair = Front Service Cmpnt

# NETWORKS LAYOUT

CAN ————— I/O Modules  
 J1939 - - - - - Engine Transmission  
 DBUS - - - - - HVAC Instrument cluster Guages  
 J1587 ..... ABS Engine



**CONNECTORS**

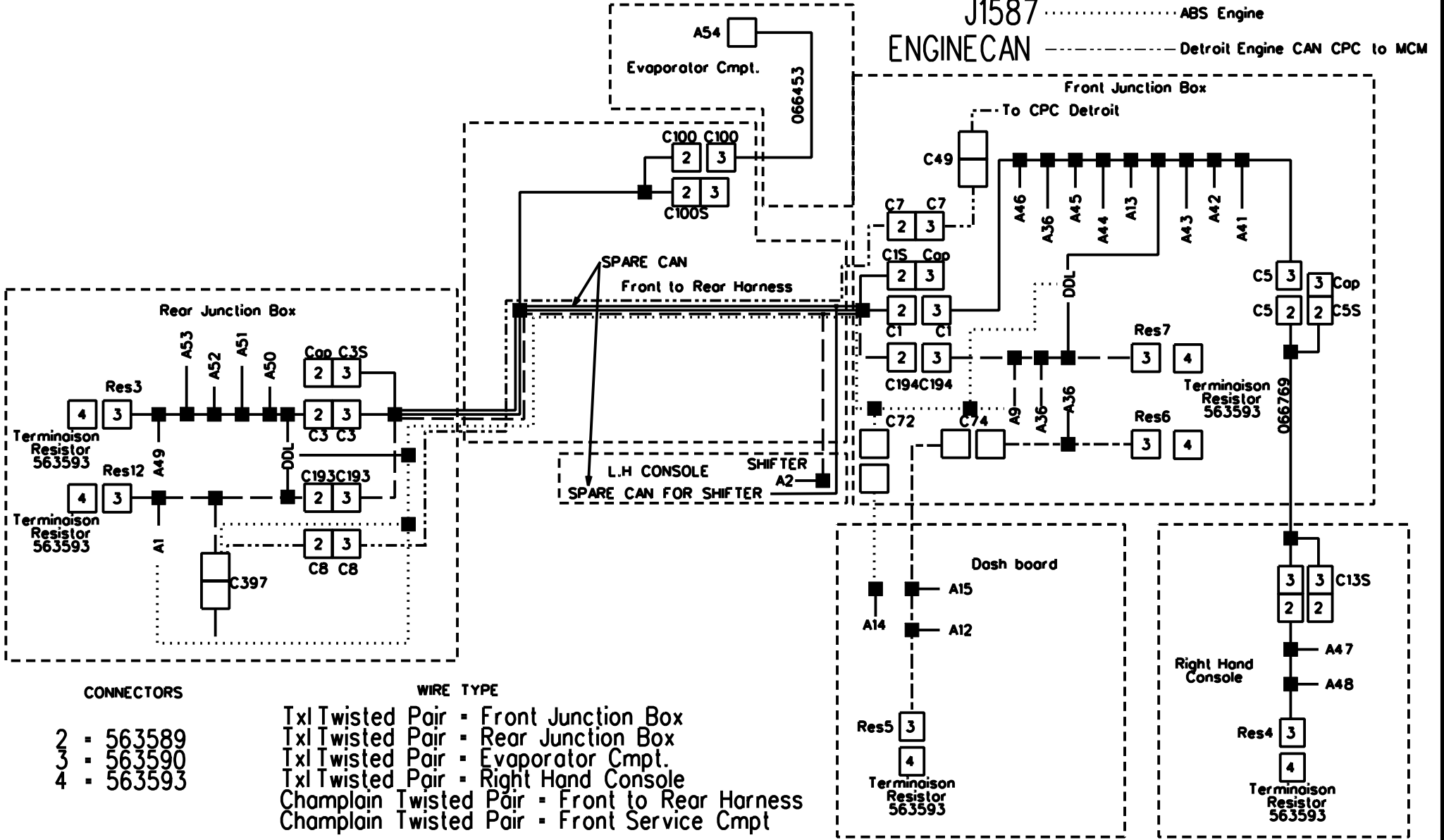
2 = 563589  
 3 = 563590  
 4 = 563593

**WIRE TYPE**

Txl Twisted Pair = Front Junction Box  
 Txl Twisted Pair = Rear Junction Box  
 Txl Twisted Pair = Evaporator Cmp.  
 Txl Twisted Pair = Right Hand Console  
 Champlain Twisted Pair = Front to Rear Harness  
 Champlain Twisted Pair = Front Service Cmp.

# NETWORKS LAYOUT

- CAN ————— I/O Modules
- J1939 - - - - - Engine Transmission
- DBUS - - - - - HVAC Instrument cluster Guages
- J1587 ..... ABS Engine
- ENGINE CAN - - - - - Detroit Engine CAN CPC to MCM



### CONNECTORS

- 2 = 563589
- 3 = 563590
- 4 = 563593

### WIRE TYPE

- Txl Twisted Pair - Front Junction Box
- Txl Twisted Pair - Rear Junction Box
- Txl Twisted Pair - Evaporator Cmp.
- Txl Twisted Pair - Right Hand Console
- Champlain Twisted Pair - Front to Rear Harness
- Champlain Twisted Pair - Front Service Cmp.

# GLOSSARY

Abbreviation	Description	Abbreviation	Description
A	Electronic Module	T24VDF1	Terminal 24 Volt Direct Front #1
Alt	Alternator	T24VDR1	Terminal 24 Volt Direct Rear #1
Batt	Battery	T24VIF1	Terminal 24 Volt Ignition Front #1
C	Connector	T24VIR1	Terminal 24 Volt Ignition Rear #1
Can	Multiplex Network	Tab	Use for Spare wire
CB	Circuit Breaker	Term	Terminal
CECM	Multiplex Module Master	TGndF	Terminal Ground Front cmpt
Circuit ID	Circuit Number	TGndR	Terminal Ground Rear cmpt
Cond	Condensor	TTLT	TellTale Lights Module
D	Diode	VECF#	Veh. Electrical Center Front cmpt Conn number
Evap	Evaporator	VECR#	Veh. Electrical Center Rear cmpt Conn number
F	Fuse		
Fr	Front		
Hvac	Heat and A/C Controller		
I/O A	Multiplex Module Low Power		
I/O B	Multiplex Module High Power		
J1587	Drive Train Information Network		
J1939	Drive Train Control Network		
L	Lamp		
Master ID	Multiplex Module Downloader		
Mo	Motor		
Pot	Potentiometer		
R	Relay		
Res	Resistor		
Rly	Relay		
Rr	Rear		
Se	Sensor		
So	Solenoid		
Spk	Speaker		
Sw	Switch		
T12VDF1	Terminal 12 Volt Direct Front #1		
T12VDR1	Terminal 12 Volt Direct Rear #1		
T12VIF1	Terminal 12 Volt Ignition Front #1		
T12VIR1	Terminal 12 Volt Ignition Rear #1		

## CIRCUITNUMBERLISTING

CircuitID	Description	CircuitID	Description	CircuitID	Description
0	BatteriesGND	53	LowerWip.Spd1Sig	101	PwrtoStarter
2	CondensorDoorOpenSig	54	TestSwitch	102	Cablealt065701
6	DriverLightSwitch	55	SlideOutPower	103	Transmission
7	GndDriverSensor	56	Sw103	104	LevelLowSo28
9	EngCmpt.LtsSwitch	59	Hi/LowBeamSignal	105	FogLtsLH
10	LuggageCmpt.LtsPwr	60	FogsLtsSwSig	106	FogLtRH
12	RearSlideOutRetractingSignal	61	HeadLtsSig	107	Regulatorfield
13	GndTransducer	63	ClearanceLts	110	Transmission
14	SlideoutTellTale	65	FootDamper	114	BacklightPwr
15	UpperWipInt.Signal	66	MarkersSigSw2	115	CoolantLevelSignal
16	SpeedSignal	67	EvaporatorPwr	116	DriverLiq
17	UpperWasherSwSignal	68	DashDamper	119	Eng.BrakeLow
18	Wip.WasherLevel	69	ElectricalHorn	120	Transmission
21	FlasherLHSig	76	FuelLevelSig	121	Transmission
22	HazardSwSig	77	TransducerHi-Side	123	FireAlarm
23	FlasherRHSig	78	StopLightSensorSig	124	Transmission
24	Battery24VMainPower	79	DecelSignal	125	RetarderInd
25	EngineRunSignal	80	StopLightSensorSig	127	Transmission
26	DriverWdoPwr	81	HeadLtCallSw1	128	Transmission
27	SlideOutParkingBrakeSignal	83	24vAccessories	129	Transmission
28	AudibleRlySig	84	StartSigSw83	130	Transmission
31	UnloaderRH	85	24VIgnition	131	Transmission
32	FrontSlideOutExtending	86	DefrostunitSpd	132	DifferentialLockSignal
33	UnloaderLH	87	TrailerParkBrakeSig	135	Transmission
35	EntranceDoorLights	88	CompressorPressureSignal	137	ServiceBrakeSig
36	EngineBrake	89	DriverSensorSig	138	Transmission
39	DriverLtSwSig	91	ParkBrakeSig	139	Transmission
40	WitnessGnd	92	TrailerParkBrakeSig	140	Transmission
41	24VCondensor	93	PassengerDefrostSwitchUp	141	Transmission
45	Pre-HeatSigRly	94	PassengerDefrostSwitchDown	142	ABSSolenoid
46	FrontFlasherRh	95	DockingLTswSig	143	ABSSensor
47	DoorOpenSignal	96	CorneringLTswSig	144	ABSSensor
50	WitnessGndSig	97	LowDockingLightsSwitchSignal	145	ABSSolenoid
52	Sw102	98	BackupCancelSwitch	146	ABSSolenoid

## CIRCUITNUMBERLISTING

CircuitID	Description	CircuitID	Description	CircuitID	Description
147	EtherSignal	278	KeylessModuleInput	916	5VSensorPwr
148	Transmission	280	KeylessModuleInput	952	GndSensorRtn
149	Transmission	283	EntranceDoorHingeSignal	953	GndEcm
150	Transmission	285	LuggagesLockRelays	979	EngineBrakeLowSig
151	GndtoEcm	286	EntranceDoorLock	00A	GndElectronic
152	ATCSignal	287	KeylessModuleOutput	00A1	GndElectronic
155	TransmissionInhibitSig	290	GndFanClutch	00B	ElectronicGndofMuxModules
160	TagSignal	291	FanClutch	00B1	GndEng.Start
162	Transmission	292	FanClutch	00D	RJBAjarSignal
163	RetarderSig	293	FanClutchSwSig	0A	Evap.Gnd
164	HandLevelSig	294	KeylessModuleOutput	0AA	Regulatorgnd
165	Transmission	295	KeylessModuleOutput	0B	GndEngineCompt
166	WitnessSigSw16	296	RJBDoorFan	0C	GndStarter062214
170	ShifterSignal	417	ThrottlePositionSignal	0CE	GND48A47
171	LuggageUnlockSwSig	419	CheckEng.TTLT	0DG	GndAlternator
172	ShifterSignal	439	IgnitiontoEcm	0EV1	GndCondensor
173	ShifterSignal	509	StopEng.TTLT	0EV2	GndHvac
174	ShifterSignal	510	FastIdleSignal	0F	FJBDoorOpenSig
175	BackUpCamera	524	EngBraketoEcm	0FA1	GndofAccessoires
176	ShifterSignal	528	OverrideSignal	0FA2	GndAuxLiqSolenoidValve
181	OutsideSensorSig	541	CruiseSetSig	0FA3	GndShifter
195	Transmission	542	ParkBrakeSig	0FA4	GndPwrOutlet
197	FuelFilterSig	544	CruiseEnableSig	0FB1	GNDBackupcamera
214	Reverse	545	CruiseResumeSig	0FB2	GndDriverWdo
229	Auxiliarydefrost	555	FanClutchSignal	0FB5	GNDMuxpower
231	Neutral	556	SpeedSignal	0FC1	GndHorns
240	PowertoEcm	563	FanClutchSignal	0FC4	ElectricalHorn
241	PowertoEcm	564	StarterLockout	0FD1	GNDCustomer
260	WindowAjarSignal	565	Eng.BrakeActive	0G	GndofA54
264	AuxiliaryFanSpeedControl	583	EngineBrakeHiSig	0L	KeylessModuleKeypadGnd
272	KeylessModuleInput	900	J1587	0PR1	EntranceCeilingLtGnd
274	KeylessModuleInput	901	J1587	0PR2	GndFrontClearanceLts
276	KeylessModuleInput	905	TCISensorSig	0R	GndPrimePump
277	KeylessModuleKeypadLt	911	EmergencyCutoutRlySignal	0RA2	GndRJB



## CIRCUITNUMBERLISTING

CircuitID	Description	CircuitID	Description	CircuitID	Description
0RA3	GndR1-R3	124A	ShifterSignal	132C	LevelLowSo31
0RB1	GndCameraDoorSolenoid	126F	LevelLowSignal	132D	LevelLowSo32
0RB2	GndBackUpCamera	12A	12VDtoR3	132E	LevelLowPower
0RB3	GndRearLighting	12B	12VDTOCB2	132F	LevelLowPower
0RB4	GndLuggagesLock	12F	12VDto12PostRJB	135A	HandLevelSig
0RB5	Luggageslockunlockrelay	12K	KeylessModule	136A	TransmissionPwr
0RB6	GndCustomer	12S0	Slideoutpower	136AA	ShifterSignal
0RB7	GndAwningWindow	12VA	12vEqualizer	137A	MirrorPwrSig
0RB8	GndTrailerConnector	12VD1	12VDFrontWake-up	137B	Mirrors
0RC1	GndS/ACWaterpump	12VD2	KeylessBatteryPower	137C	Mirrors
0RC2	GndDriverCylinder	12VD3	12vRearwake-up	137D	Mirrors
0RC3	GndR23	12VD4	12vDDDR	137E	Mirrors
0RC4	GndKeylessKeypad	12VDCust	12VDCustomer	137F	Mirrors
0SA1	GndAlternator	12VDF	12VDtoFrontVec	137H	Mirrors
0SA2	GndAlternator	12VDF3	ProDriverBatteryPower	137J	Mirrors
0V1	LuggageDoorOpenSig	12VI	12VItoCB10	137K	Mirrors
0V2	LuggageDoorOpenSig	12VI1	12VIofA44	137L	Mirrors
0V3	LuggageDoorOpenSig	12VI2	MirrorPwr	137M	Mirrors
0V4	EvaporatorLightSwitch	12VI3	PwrOutletDrawer	138A	ABSSensor
0V4A	Condensorlightswitch	12VI4	PwrOutletandCigarLighter	143A	ShifterSignal
0V5	LuggageDoorOpenSig	12VI5	12VItoVECR	144A	ABSSensor
0VE	EqualizerGnd	12VI6	PwrtoModuleA50	146A	TransmissionIgn
0Y	GndChassisToABSModule	12VI7	TrailerABSPower	147A	EtherSolenoid
0Y2	GndChassisABSSol	12VICust	12VICustomer	149A	ABSSensor
0Y3	GndChassisABSSol	12VIF	12VItoFrontVec	155A	SlideOutTransmissionInhibit
102A	Alternator	12VIZF	ZFsterringControl	156A	12VItoABS
10A	LuggageCmpt.LtsPwr	12VR	Slideout12Vpower	157B	ABSActive
10R	LuggageDoorOpenSig	12WUp1	12VWUptoA48	157C	ABSActive
114A	Backlight	12Wup1	12WUpFront	157D	ATCTTLT
114AA	ClusterKeyPadBacklight	12Wup2	12WUptoDash	15A	UpperWip.1StSpdSig
115A	WitnessPwr	12Wup3	24WupLuggageslock	16A	UpperWasherPump
115W	CheckTrans.TTLT	12WUp5	PwrtoModuleA51	170A	LuggagesLocks
116A	DriverLiq	132A	LevelLowSo29	170B	LuggagesLocks
123A	WakeUpSignal	132B	LevelLowSo30	170D	Luggageslockrelay

## CIRCUITNUMBERLISTING

CircuitID	Description	CircuitID	Description	CircuitID	Description
170E	Luggagesdoorslockrelays	24CO	PwrtoExcitationResistor	25E	ExcitationSignal
170F	LuggagesLocks	24D	24DtoCB6	264Rtn	AuxiliaryFanSpeedControl
170G	LuggagesLocks	24E	24VltoCB1	26A	DriverWdo
170K	LuggagesLocksSwitchesSignal	24VA	24vEquilizer	26B	DriverWdo
170L	LuggagesLocksSwitchesSignal	24VD	24VD	26C	DriverWdo
170M	LuggagesLocksSwitchesSignal	24VD1	24VDDriverLiq	283A	KeylessModuleInput
170N	LuggagesLocksSwitchesSignal	24VD2	24VDtoRearVec	283C	EntranceDoorHingeSignal
170P	LuggagesLocksSwitchesSignal	24VD3	24VDofCECM	284A	LuggagesUnlockRelays
170R	LuggagesLocksSwitchesSignal	24VD4	24VDFrontWake-up	284B	KeylessModuleOutput
170S	LuggagesLocksSwitchesSignal	24VD5	PowerModuleA41	285B	KeylessModuleOutput
170T	LuggagesLocksSwitchesSignal	24VD7	PassandPRackPwr	286A	EntranceDoorLock
170V	LuggagesLocksSwitchesSignal	24VDCust	24VDCustomer	286B	FrontDoorLock
170W	LuggagesLockPower	24VI	24VI	2B	CondSndSpdSig
170Y	LuggagesLocks	24VI1	24VltoRearVec	31B	LowerWip1stSpd
170Z	LuggagesLocks	24VI10	24VI	31EE	UpperWipSpd.1
175A	ShifterSignal	24VI12	RJBLightPwr	32A	BackupLtandalarm
175B	BackupCamSignal	24VI2	Multifunctionswitchpower	32D	TrailerBackupLights
175C	BackupCamDoor	24VI3	UpperWip.MotorPwr	32EE	UpperWiperMotor
175D	12VIBackupcamera	24VI4	SunVisorsPwr	35A	EntranceCeilingLight
175E	BackUpMonitor	24VI5	24Vl ofMuxmodules	39B	KeylessModuleOutput
180A	ShifterSignal	24VI6	PwrtoDefrostUnit	39D	DriverLt
181C	OutsideTemperatureSensor	24VI7	LowerWiperPower	41A	CondensorPwr
181D	Outsidetempssensor	24VI8	24VltoMux	42A	12VCondensor
21A	FrontFlasher	24VI9	24Vl ofA54	45A	PassengerHeatSig
21AA	FlashersRearLH	24VI9A	24Vl ofA54	46A	FrontMarkers
21B	CorneringLtsLH	24VI9B	24Vl ofA54	47A	EntranceDoorSwitch
229A	Auxiliarydefrost	24VIA	Cut-outPneumaticAcc	49A	DoorInsideSwCloseSig
231A	StarterRelay	24VICust	24VICustomer	510A	FastIdleSignal
231B	StarterRelay	24VIF	24VltoFrontVEC	524B	IdleValidationSig
23A	FrontFlasherRH	24WL	Slideout24Vpower	53A	ElectricalHorn
23AA	FrontFlasherRHSide	24WUp1	24VWUptoA47A48	53B	LowerWip.Spd2Sig
23B	CorneringLtsRH	24Wup1	24WUpFront	53C	LowerWip.IntSig
24A	BoosterBlock	25A1	ExcitationSignal	53D	LowerWip.WasherSwSig
24AW	AwiningWindowsPower	25A2	Alternator2Signal	53E	LowerWiper1stSpd

## CIRCUITNUMBERLISTING

CircuitID	Description	CircuitID	Description	CircuitID	Description
53F	LowerWasherPump	82A	CyclopeLamp	CC1	Converterinput1
53G	LowerWip1stSpd	82Low	StopRearLowerLamp	CC12	Converteroutput1
53H	LowerWiper	82Up	StopRearUpperLamps	CC13	ConverterOutput3
53K	KeylessModuleOutput	84A	StartSigSw83	CC14	ConverterOutput2
544A	Sw35	84B	StartSigSw83	CC15	Converteroutput4
564B	OutZFDecelSig	85A	Ign-AccSignal	CC16	Converteroutput5
57A	AuxiliaryWaterPump	85B	Ign-AccSignal	CC17	ConverterOutput6
57L	Hi-Beam	85C	PositionNormalSw58	CC2	ConverterInput2
57R	HighBeamRH	85D	RearStartPwr	CC3	ConverterInput3
57Rtn	SignalRtnHeadLtsLH	85E	RearStartSignal	CC4	ConverterInput4
58L	LowBeam	85F	EgnineStartPwrSw58	CC5	Converterinput5
58R	LowBeamRH	85G	Ign-AccSignal	Cd	ComputerSignals
58Rtn	HeadLampRHRtn	85H	Ign-AccSignal	Cd1	ComputerSignals
63A	FrontClearanceLts	85X	12VltoABS	Cts	ComputerSignals
64A	Blinker	85Y	ABSTTLT	D1	UpperWiperMotor
65A	FootDamper	85Z	AbsTrailerWarningSignal	DBusH	DBusSignal
65D	DriverCylinder	86A	PassengerDefrosterControl	DbusH	DBusSignal
65P	AuxiliaruLiqSolValve	86ARtn	GndPassengerDefrosterControl	DBusL	DBusSignal
67A	Condensor1stSpdSig	86Rtn	GndDefrostUnit	DbusL	DBusSignal
68A	DashDamper	90F	Regulatorbatt	GndA	ComputerSignals
71A	DockingLtsLH	90H	24VltoEvap	GREEN	TrailerFlasherRH
72A	DockingLtsRH	90H1	Evaporator	IPJ1	Cluster
72B	SunVisorRHSig	91B	WitnessSigSw14	IPJ2	Cluster
72C	SunVisorSignal	979A	EngineBrakeLowSig	IPJ5	Cluster
72D	SunVisorRHSig	9A	EngineDoorOpenSig	IPJ6	Cluster
72E	SunVisorRHSig	9B	EngineCmpt.Lt	IPJ7	Cluster
72F	SunVisorSignal	BLACK	TrailerBackupLights	IPJ8	Cluster
74D	SunVisorSignal	BLUE	TrailerconnectorABSPower	J1939H	J1939
76C	FuelLowLevelSig	Bref1	PassengerSensor	J1939L	J1939
76P	PrimePumpSig	BROWN	TrailerMarkerlights	LX16	ClusterKeyPad
77B	PassandPRackLiquidValve	CanH	CanHSignal	LX21	ClusterKeyPad
77BA	A/Cclutch	CanH1	Sparesfrttorr	LX5	ClusterKeyPad
77C	PassandPRackLiquidValve	CanL	CanLSignal	LX6	ClusterKeyPad
77K	CoilThermostatSignal	CanL1	Sparesfrttorr	LX7	ClusterKeyPad

## CIRCUITNUMBERLISTING

CircuitID	Description	CircuitID	Description	CircuitID	Description
N1	A41Adress	RxD	ComputerSignals	spare46	SparesFr-to-RearHarness
N10	A45Adress	SP	ConverterVehicleSpeed	spare49	SparesEngineCradle
N11	A46Adress	spare17	SparesFr-to-RearHarness	spare5	SparesEvap.Harness
N12	A46Adress	spare18	SparesFr-to-RearHarness	spare50	SparesEngineCradle
N13	A47Adress	spare19	SparesFr-to-RearHarness	spare51	SparesEngineCradle
N14	A47Adress	spare2	SparesFr-to-RearHarness	spare52	SparesEngineCradle
N15	A48Adress	spare20	SparesClearanceLts	spare53	SparesEngineCradle
N16	A48Adress	spare21	SparesClearanceLts	spare54	SparesEngineCradle
N17	A49Adress	spare22	SparesClearanceLts	spare55	SparesEnginesAccessories
N18	A49Adress	spare23	SparesClearanceLts	spare57	SparesEnginesAccessories
N19	A50Adress	spare24	SparesClearanceLts	spare58	SparesEnginesAccessories
N2	A41Adress	spare25	SparesClearanceLts	spare59	SparesEnginesAccessories
N20	A50Adress	spare26	SparesFrontHarness	spare6	SparesEvap.Harness
N21	A51Adress	spare27	SparesFrontHarness	spare60	SparesEnginesAccessories
N22	A51Adress	spare28	SparesFrontHarness	spare61	SparesEnginesAccessories
N23	A52Adress	spare29	SparesFrontHarness	spare62	spareABSHarness
N24	A52Adress	spare3	SparesFr-to-RearHarness	spare63	spareABSHarness
N25	A53Adress	spare30	SparesFrontHarness	spare7	SparesEvap.Harness
N26	A53Adress	spare31	SparesFrontHarness	spare8	SparesEvap.Harness
N27	A54Adress	spare32	SparesFrontHarness	spare9	SparesEvap.Harness
N28	A54Adress	spare33	SparesFrontHarness	spare94	SparesRearClearanceHarness
N29	A36Adress	spare34	SparesFrontHarness	spare95	SparesRearClearanceHarness
N3	A42Adress	spare35	SparesFrontHarness	TxD	ComputerSignals
N4	A42Adress	spare36	SparesFrontHarness	WHITE	TrailerConnectorGnd
N5	A43Adress	spare37	SparesFrontHarness	YELLOW	TrailerFlasherLH
N6	A43Adress	spare38	SparesFrontHarness		
N7	A44Adress	spare39	SparesDash		
N8	A44Adress	spare4	SparesEvap.Harness		
N9	A45Adress	spare40	SparesDash		
OFC1	Driverseat	spare41	SparesDash		
ORB5	GndLuggagesLock	spare42	SparesDash		
RED	TrailerStopLights	spare43	SparesDash		
Ref1	GndPassengerSensor	spare44	SparesDash		
Rts	ComputerSignals	spare45	SparesFr-to-RearHarness		

# CIRCUITNUMBERLISTING

CircuitID	Description	CircuitID	Description	CircuitID	Description	CircuitID	Description
0	BatteriesGND	0RB5	Luggageslockunlockrelay	12VR	Slideout12Vpower	24VI2	Multifunctionswitchpower
2	CondensorDoorOpenSig	0RB6	GndCustomer	12WUp1	12VWUptoA48	24VI3	UpperWip.MotorPwr
2B	CondSndSpdSig	0RB7	GndAwningWindow	12Wup1	12WUpFront	24VI4	SunVisorsPwr
6	DriverLightSwitch	0RB8	GndTrailerConnector	12Wup2	12WUptoDash	24VI5	24VlofMuxmodules
7	GndDriverSensor	0RC1	GndS/ACWaterpump	12Wup3	24WupLuggageslock	24VI6	PwrtoDefrostUnit
9	EngCmpt.LtsSwitch	0RC2	GndDriverCylinder	12WUp5	PwrtoModuleA51	24VI7	LowerWiperPower
9A	EngineDoorOpenSig	0RC3	GndR23	13	GndTransducer	24VI8	24VtoMux
9B	EngineCmpt.Lt	0RC4	GndKeylessKeypad	14	SlideoutTeilTale	24VI9	24VlofA54
0A	Evap.Gnd	0SA1	GndAlternator	15	UpperWipInt.Signal	24VI9A	24VlofA54
00A	GndElectronic	0SA2	GndAlternator	15A	UpperWip.1StSpdSig	24VI9B	24VlofA54
0AA	Regulatorgnd	0VE	EqualizerGnd	16	SpeedSignal	24VI10	24VI
0B	GndEngineCompt	0Y	GndChassistoABSModule	16A	UpperWasherPump	24VI12	RJBLightPwr
00B	ElectronicGndofMuxModules	10	LuggageCmpt.LtsPwr	17	UpperWasherSwSignal	24VIA	Cut-outPneumaticAcc
0C	GndStarter062214	10A	LuggageCmpt.LtsPwr	18	Wip.WasherLevel	24VICust	24VICustomer
0CE	GND48A47	10R	LuggageDoorOpenSig	21	FlasherLHSig	24VIF	24VtoFrontVEC
00D	RJBajarSignal	12	RearSlideOutRetractingSignal	21A	FrontFlasher	24WL	Slideout24Vpower
0DG	GndAlternator	12A	12VDtoR3	21AA	FlashersRearLH	24WUp1	24VWUptoA47
0EV1	GndCondensor	12B	12VDTOCB2	21B	CorneringLtsLH	24Wup1	24WUpFront
0EV2	GndHvac	12F	12VDto12PostRJB	22	HazardSwSig	25	EngineRunSignal
0F	FJBDoorOpenSig	12K	KeylessModule	23	FlasherRHSig	25A1	ExcitationSignal
0FA1	GndofAccessoires	12S0	Slideoutpower	23A	FrontFlasherRH	25A2	Alternator2Signal
0FA2	GndAuxLiqSolenoidValve	12VA	12vEqualizer	23AA	FrontFlasherRHSide	25E	ExcitationSignal
0FA4	GndPwrOutlet	12VD1	12VDFrontWake-up	23B	CorneringLtsRH	26	DriverWdoPwr
0FB1	GNDBackupcamera	12VD2	KeylessBatteryPower	24	Battery24VMainPower	26A	DriverWdo
0FB2	GndDriverWdo	12VD3	12vRearwake-up	24A	BoosterBlock	26B	DriverWdo
0FB5	GNDMuxpower	12VD4	12vDDDR	24AW	AwiningWindowsPower	26C	DriverWdo
0FC1	GndHorns	12VDCust	12VDCustomer	24CO	PwrtoExcitationResistor	27	SlideOutParkingBrakeSignal
0FC4	ElectricalHorn	12VDF	12VDtoFrontVec	24D	24DtoCB6	28	AudibleRlySig
0FD1	GNDCustomer	12VDF3	ProDriverBatteryPower	24E	24VtoCB1	31	UnloaderRH
0G	GndofA54	12VI	12VtoCB10	24VA	24vEquilizer	31B	LowerWip1stSpd
0L	KeylessModuleKeypadGnd	12VI1	12VlofA44	24VD	24VD	31EE	UpperWipSpd.1
0PR1	EntranceCeilingLtGnd	12VI2	MirrorPwr	24VD1	24VDDriverLiq	32	FrontSlideOutExtending
0PR2	GndFrontClearanceLts	12VI3	PwrOutletDrawer	24VD2	24VDtoRearVec	32A	BackupLtandalarm
0R	GndPrimePump	12VI4	PwrOutletandCigarLighter	24VD3	24VDofCECM	32D	TrailerBackupLights
0RA2	GndRJB	12VI5	12VtoVECR	24VD4	24VDFrontWake-up	32EE	UpperWiperMotor
0RA3	GndR1-R3	12VI6	PwrtoModuleA50	24VD5	PowerModuleA41	33	UnloaderLH
0RB1	GndCameraDoorSolenoid	12VI7	TrailerABSPower	24VD7	PassandPRackPwr	35	EntranceDoorLights
0RB2	GndBackUpCamera	12VICust	12VICustomer	24VDCust	24VDCustomer	35A	EntranceCeilingLight
0RB3	GndRearLighting	12VIF	12VtoFrontVec	24VI	24VI	36	EngineBrake
0RB4	GndLuggagesLock	12VIZF	ZFsterringControl	24VI1	24VtoRearVec	39	DriverLtsSwSig

# CIRCUITNUMBERLISTING

CircuitID	Description	CircuitID	Description	CircuitID	Description	CircuitID	Description
39B	KeylessModuleOutput	64A	Blinker	85B	Ign-AccSignal	102	Cablealt065701
39D	DriverLt	65	FootDamper	85C	PositionNormalSw58	102A	Alternator
40	WitnessGnd	65A	FootDamper	85D	RearStartPwr	104	LevelLowSo28
41	24VCondensor	65D	DriverCylinder	85E	RearStartSignal	105	FogLtsLH
41A	CondensorPwr	65P	AuxiliaruLiqSolValve	85F	EgnineStartPwrSw58	106	FogLtRH
42A	12VCondensor	66	MarkersSigSw2	85G	Ign-AccSignal	107	Regulatorfield
45	Pre-HeatSigRly	67	EvaporatorPwr	85H	Ign-AccSignal	111	Transmission
45A	PassengerHeatSig	67A	Condensor1stSpdSig	85X	12VltoABS	114	BacklightPwr
46	FrontFlasherRh	68	DashDamper	85Y	ABSTTLT	114A	Backlight
46A	FrontMarkers	68A	DashDamper	85Z	AbsTrailerWarningSignal	114AA	ClusterKeyPadBacklight
47	DoorOpenSignal	69	ElectricalHorn	86	DefrosterUnitSpd	115	CoolantLevelSignal
47A	EntranceDoorSwitch	71A	DockingLtsLH	86A	PassengerDefrosterControl	115A	WitnessPwr
49A	DoorInsideSwCloseSig	72A	DockingLtsRH	86ARtn	GndPassengerDefrosterControl	115W	CheckTrans
50	WitnessGndSig	72B	SunVisorRHSig	86Rtn	GndDefrostUnit	116	DriverLiq
52	Sw102	72C	SunVisorSignal	87	TrailerParkBrakeSig	116A	DriverLiq
53	LowerWip.Spd1Sig	72D	SunVisorRHSig	88	CompressorPressureSignal	119	Backupmonitor
53A	ElectricalHorn	72E	SunVisorRHSig	89	DriverSensorSig	120	Transmission
53B	LowerWip.Spd2Sig	72F	SunVisorSignal	90F	Regulatorbatt	123	FireAlarm
53C	LowerWip.IntSig	74D	SunVisorSignal	90H	24VltoEvap	123A	WakeUpSignal
53D	LowerWip.WasherSwSig	76	FuelLevelSig	90H1	Evaporator	124A	ShifterSignal
53E	LowerWiper1stSpd	76C	FuelLowLevelSig	91	ParkBrakeSig	125	Retarderactivelamp
53F	LowerWasherPump	76P	PrimePumpSig	91B	WitnessSigSw14	126F	LevelLowSignal
53G	LowerWip1stSpd	77	TransducerHi-Side	92	TrailerParkBrakeSig	127	Transmission
53H	LowerWiper	77B	PassandPRackLiquidValve	93	PassengerDefrostSwitchUp	131	Evaporator2ndSpd
53K	KeylessModuleOutput	77BA	A/CClutch	94	PassengerDefrostSwitchDown	132	DifferentialLockSignal
54	TestSwitch	77C	PassandPRackLiquidValve	95	DockingLTSwSig	132A	LevelLowSo29
55	SlideOutPower	77K	CoilThermostatSignal	96	CorneringLTSwSig	132B	LevelLowSo30
56	Sw103	78	StopLightSensorSig	97	LowDockingLightsSwitchSignal	132C	LevelLowSo31
57A	AuxiliaryWaterPump	79	DecelSignal	98	BackupCancelSwitch	132D	LevelLowSo32
57L	Hi-Beam	80	StopLightSensorSig	00A1	GndElectronic	132E	LevelLowPower
57R	HighBeamRH	81	HeadLtCallSw1	00B1	GndEng.Start	132F	LevelLowPower
57Rtn	SignalRtnHeadLtsLH	82A	CyclopeLamp	0V1	LuggageDoorOpenSig	133	Transmission
58L	LowBeam	82Low	Lowerstoptlights	0V2	LuggageDoorOpenSig	135	Transmission
58R	LowBeamRH	82Up	StopRearUpperLamps	0V3	LuggageDoorOpenSig	135A	Transmission
58Rtn	HeadLampRHRtn	83	24vAccessories	0V4	EvaporatorLightSwitch	136	Transmission
59	Hi/LowBeamSignal	84	StartSigSw83	0V4A	Condensorlightswitch	136A	TransmissionPwr
60	FogsLtsSwSig	84A	StartSigSw83	0V5	LuggageDoorOpenSig	136AA	ShifterSignal
61	HeadLtsSig	84B	StartSigSw83	0Y2	GndChassisABSSol	137	ServiceBrakeSig
63	ClearanceLts	85	24VIgnition	0Y3	GndChassisABSSol	137A	MirrorPwrSig
63A	FrontClearanceLts	85A	Ign-AccSignal	101	PwrtoStarter	137B	Mirrors

# CIRCUITNUMBERLISTING

CircuitID	Description	CircuitID	Description	CircuitID	Description	CircuitID	Description
137C	Mirrors	166	WitnessSigSw16	240	PowertoEcm	542	ParkBrakeSig
137D	Mirrors	170A	LuggagesLocks	241	PowertoEcm	544	CruiseEnableSig
137E	Mirrors	170B	LuggagesLocks	260	WindowAjarSignal	544A	Sw35
137F	Mirrors	170D	Luggageslockrelay	264	AuxiliaryFanSpeedControl	545	CruiseResumeSig
137H	Mirrors	170E	Luggagesdoorslockrelays	264Rtn	AuxiliaryFanSpeedControl	555	FanClutchSignal
137J	Mirrors	170F	LuggagesLocks	272	KeylessModuleInput	556	SpeedSignal
137K	Mirrors	170G	LuggagesLocks	274	KeylessModuleInput	563	FanClutchSignal
137L	Mirrors	170K	LuggagesLocksSwitchesSignal	276	KeylessModuleInput	564	StarterLockout
137M	Mirrors	170L	LuggagesLocksSwitchesSignal	277	KeylessModuleKeypadLt	564B	OutZFDecelSig
138	ABSSensor	170M	LuggagesLocksSwitchesSignal	278	KeylessModuleInput	565	Eng.BrakeActive
138A	ABSSensor	170N	LuggagesLocksSwitchesSignal	280	KeylessModuleInput	583	EngineBrakeHiSig
139	ABSSolenoid	170P	LuggagesLocksSwitchesSignal	283	EntranceDoorHingeSignal	900	J1587
140	ABSSolenoid	170R	LuggagesLocksSwitchesSignal	283A	KeylessModuleInput	901	J1587
141	ABSSolenoid	170S	LuggagesLocksSwitchesSignal	283C	EntranceDoorHingeSignal	905	TCISensorSig
142	ABSSolenoid	170T	LuggagesLocksSwitchesSignal	284A	LuggagesUnlockRelays	911	EmergencyCutoutRlySignal
143	ABSSensor	170V	LuggagesLocksSwitchesSignal	284B	KeylessModuleOutput	916	5VSensorPwr
143A	ABSSensor	170W	LuggagesLockPower	285	LuggagesLockRelays	952	GndSensorRtn
144	ABSSensor	170Y	LuggagesLocks	285B	KeylessModuleOutput	953	GndEcm
144A	ABSSensor	170Z	LuggagesLocks	285C	KeylessModuleOutput	953A	ThrottleInhibit
145	ABSSolenoid	171	LuggageUnlockSwSig	286	EntranceDoorLock	979	EngineBrakeLowSig
146	ABSSolenoid	174	Transmission	286A	EntranceDoorLock	979A	EngineBrakeLowSig
146A	TransmissionIgn	175	BackUpCamera	286B	FrontDoorLock	BLACK	TrailerBackupLights
147	EtherSignal	175B	BackupCamSignal	287	KeylessModuleOutput	BLUE	TrailerconnectorABSPower
147A	EtherSolenoid	175C	BackupCamDoor	290	GndFanClutch	Bref1	PassengerSensor
148	ABSSolenoid	175D	12VIBackupcamera	291	FanClutch	BROWN	TrailerMarkerlights
149	ABSSensor	175E	BackUpMonitor	292	FanClutch	CanH	CanHSignal
149A	ABSSensor	176	Transmission	293	FanClutchSwSig	CanH1	Sparefrttorr
150	Transmission	177	Transmission	294	KeylessModuleOutput	CanL	CanLSignal
151	GndtoEcm	180	Transmission	295	KeylessModuleOutput	CanL1	Sparefrttorr
152	ATCSignal	181	OutsideSensorSig	296	RJBDoorFan	CC1	Converterinput1
154	Transmission	181C	OutsideTemperatureSensor	417	ThrottlePositionSignal	CC2	ConverterInput2
155	SlideOutTransInh	181D	Outsidetempssensor	419	CheckEng.TTLT	CC3	ConverterInput3
155A	SlideOutTransmissionInhibit	197	FuelFilterSig	439	IgnitiontoEcm	CC4	ConverterInput4
156A	12VltoABS	201	Headlampswasher	509	StopEng.TTLT	CC5	Converterinput5
157B	RetarderSwitch	202	Headlampswasher	510	FastIdleSignal	CC12	Converteroutput1
157D	ATCTTLT	229	Auxiliarydefrost	510A	FastIdleSignal	CC13	ConverterOutput3
159	Transmission	229A	Auxiliarydefrost	524	EngBraketoEcm	CC14	ConverterOutput2
160	TagSignal	231	Neutral	524B	IdleValidationSig	CC15	Converteroutput4
163	Retarderenable	231A	StarterRelay	528	OverrideSignal	CC16	Converteroutput5
164	HandLevelSig	231B	StarterRelay	541	CruiseSetSig	CC17	ConverterOutput6

# CIRCUITNUMBERLISTING

CircuitID	Description	CircuitID	Description	CircuitID	Description	CircuitID	Description
Cd	ComputerSignals	N18	A49Address	So19	SldOutMotor1Sig	spare26	SparesFrontHarness
Cd1	ComputerSignals	N19	A50Address	So20	SldOutMotor1Sig	spare27	SparesFrontHarness
Cts	ComputerSignals	N20	A50Address	So21	SldOutMotorSig	spare28	SparesFrontHarness
D1	UpperWiperMotor	N21	A51Address	So28	SlideOutpower	spare29	SparesFrontHarness
DBusH	DBusSignal	N22	A51Address	So30	SlideOutGND	spare30	SparesFrontHarness
DbusH	DBusSignal	N23	A52Address	So31	SlideOutGND	spare31	SparesFrontHarness
DBusL	DBusSignal	N24	A52Address	So32	SldOut1SignalOut	spare32	SparesFrontHarness
DbusL	DBusSignal	N25	A53Address	So33	SldOut2SignalIn	spare33	SparesFrontHarness
GndA	ComputerSignals	N26	A53Address	So36	Proximitysignal	spare34	SparesFrontHarness
GREEN	TrailerFlasherRH	N27	A54Address	So37	Proximitysignal	spare35	SparesFrontHarness
IPJ1	Cluster	N28	A54Address	So38	PowerSldOut2Sensor	spare36	SparesFrontHarness
IPJ2	Cluster	N29	A36Address	So39	SldOut2StatusLed	spare37	SparesFrontHarness
IPJ5	Cluster	N56A	N56Address	So40	SldOut2RelaySig	spare38	SparesFrontHarness
IPJ6	Cluster	N56B	N56Address	So41	SldOut2RelaySig	spare39	SparesDash
IPJ7	Cluster	N57A	N57Address	So42	SldOut2SealDeflatSig	spare40	SparesDash
IPJ8	Cluster	N57B	N57Address	So46	SldOutMotor2sig	spare41	SparesDash
J1939H	J1939	OFC1	Driverseat	So47	SldOutMotor2sig	spare42	SparesDash
J1939L	J1939	ORB5	GndLuggagesLock	So48	SldOut2MotorSig	spare43	SparesDash
LX5	ClusterKeyPad	RED	TrailerStopLights	So55	SecurityPinSol	spare44	SparesDash
LX6	ClusterKeyPad	Ref1	GndPassengerSensor	So58	SldOutMotor1Sig	spare45	SparesFr-to-RearHarness
LX7	ClusterKeyPad	Rts	ComputerSignals	So59	SldOutMotor2sig	spare46	SparesFr-to-RearHarness
LX16	ClusterKeyPad	RxD	ComputerSignals	So61	SldOut2SealInflat	spare49	SparesEngineCradle
LX21	ClusterKeyPad	Shield	Shieldwire	SP	ConverterVehicleSpeed	spare50	SparesEngineCradle
N1	A41Address	So1	Gnd	spare2	SparesFr-to-RearHarness	spare51	SparesEngineCradle
N2	A41Address	So2	SldOutRemoteSig	spare3	SparesFr-to-RearHarness	spare52	SparesEngineCradle
N3	A42Address	So3	SldOutInSig	spare4	SparesEvap.Harness	spare53	SparesEngineCradle
N4	A42Address	So4	SignalOut	spare5	SparesEvap.Harness	spare54	SparesEngineCradle
N5	A43Address	So5	ParkBrakeSig	spare6	SparesEvap.Harness	spare55	SparesEnginesAccessories
N6	A43Address	So6	Proximitysignal	spare7	SparesEvap.Harness	spare57	SparesEnginesAccessories
N7	A44Address	So7	Proximitysignal	spare8	SparesEvap.Harness	spare58	SparesEnginesAccessories
N8	A44Address	SO8	PowerSldOut1Sensor	spare9	SparesEvap.Harness	spare59	SparesEnginesAccessories
N9	A45Address	So8	PowerSldOut1Sensor	spare17	SparesFr-to-RearHarness	spare60	SparesEnginesAccessories
N10	A45Address	So9	SldOut1StatusLed	spare18	SparesFr-to-RearHarness	spare61	SparesEnginesAccessories
N11	A46Address	So10	SldOut1RelaySig	spare19	SparesFr-to-RearHarness	spare62	spareABSHarness
N12	A46Address	So11	SldOut2RelaySig	spare20	SparesClearanceLts	spare63	spareABSHarness
N13	A47Address	So12	SealInflating	spare21	SparesClearanceLts	spare64	Spares
N14	A47Address	So13	SldOut1SealDeflatSig	spare22	SparesClearanceLts	Spare65	Spares
N15	A48Address	So14	SldOut1VacumGen	spare23	SparesClearanceLts	spare94	SparesRearClearanceHarness
N16	A48Address	So16	SensorGndRtn	spare24	SparesClearanceLts	spare95	SparesRearClearanceHarness
N17	A49Address	So18	SlideOutGND	spare25	SparesClearanceLts	TxD	ComputerSignals



# CIRCUITNUMBERLISTING

CircuitID	Description
WHITE	TrailerConnectorGnd
YELLOW	TrailerFlasherLH

# CIRCUITS LIST

CircuitID	Description	CircuitID	Description	CircuitID	Description
0	BatteriesGND	0RB7	GndAwningWindow	13	GndTransducer
2	CondensorDoorOpenSig	0RB8	GndTrailerConnector	15	UpperWipInt.Signal
2B	CondSndSpdSig	0RC1	GndS/ACWaterpump	15A	UpperWip.1StSpdSig
6	DriverLightSwitch	0RC2	GndDriverCylinder	16	SpeedSignal
7	GndDriverSensor	0RC3		16A	UpperWasherPump
9	EngCmpt.LtsSwitch	0RC4	GndKeylessKeypad	17	UpperWasherSwSignal
9A	EngineDoorOpenSig	0SA1	GndAlternator	18	Wip.WasherLevel
9B	EngineCmpt.Lt	0SA2	GndAlternator	21	FlasherLHSig
9BRtn	GndEngineCmpt.Lts	0VE	EqualizerGnd	21A	FrontFlasher
0A	Evap.Gnd	0Y		21AA	FlashersRearLH
00A	GndElectronic	10	LuggageCmpt.LtsPwr	21B	CorneringLtsLH
0AA	Regulatorgnd	10A	LuggageCmpt.LtsPwr	21BR	GndFoglights
0B	GndEngineCmpt	10R	LuggageDoorOpenSig	22	HazardSwSig
00B	ElectronicGndofMuxModules	12		23	FlasherRHSig
0C	GndStarter062214	12A	12VDtoR3	23A	FrontFlasherRH
0CE	GND48A47	12B	12VDTOCB2	23AA	FrontFlasherRHSide
00D	RJBajarSignal	12CPC		23B	CorneringLtsRH
0DG	GndAlternator	12F	12VDto12PostRJB	23BR	GndFogandCorneringLtsRH
0EV1	GndCondensor	12K	KeylessModule	24	Battery24VMainPower
0EV2	GndHvac	12VA	12vEqualizer	24A	BoosterBlock
0F	FJBDDoorOpenSig	12VD1	12VDFrontWake-up	24AW	AwiningWindowsPower
0FA1	GndofAccessoires	12VD2	KeylessBatteryPower	24CO	PwrtoExcitationResistor
0FA2	GndAuxLiqSolenoidValve	12VD3	12vRearwake-up	24D	24DtoCB6
0FA4	GndPwrOutlet	12VD4	12VDWitnessPwrSw4	24E	24VltoCB1
0FB1	GNDBackupcamera	12VDCust	12VDCustomer	24VA	24vEquilizer
0FB2	GndDriverWdo	12VDF	12VDtoFrontVec	24VD	24VD
0FB5	GNDMuxpower	12VDF3	ProDriverBatteryPower	24VD1	24VDDriverLiq
0FC1	GndHorns	12VI	12VltoCB10	24VD2	24VDtoRearVec
0FC4	ElectricalHorn	12VI1	12VltofA44	24VD3	24VDofCECM
0FD1	GNDCustomer	12VI2	MirrorPwr	24VD4	24VDFrontWake-up
0G	GndofA54	12VI3	PwrOutletDrawer	24VD5	PowerModuleA41
0L	KeylessModuleKeypadGnd	12VI4	PwrOutletandCigarLighter	24VD7	PassandPRackPwr
0PR1	GndUpperWiperMotor	12VI5	12VltoVECR	24VDCust	24VDCustomer
0PR2	GndFrontClearanceLts	12VI6	PwrtoModuleA50	24VI	24VI
0R	GndPrimePump	12VI7	TrailerABSPower	24VI1	24VltoRearVec
0RA2	GndCoolantsensor	12VICust	12VICustomer	24VI2	Multifunctionswitchpower
0RA3	GndR1-R3	12VIF	12VltoFrontVec	24VI3	UpperWip.MotorPwr
0RB1	GndCameraDoorSolenoid	12VIZF	ZFsterringControl	24VI4	SunVisorsPwr
0RB2	GndBackUpCamera	12WUp1	12WWUptoA48	24VI5	24VltofMuxmodules
0RB3	GndRearLighting	12Wup1	12WUpFront	24VI6	PwrtoDefrostUnit
0RB4	GndLuggagesLock	12Wup2	12WUptoDash	24VI7	LowerWiperPower
0RB5	Luggageslockunlockrelay	12Wup3	24WupLuggageslock	24VI8	24VltoMux
0RB6	GndCustomer	12WUp5	PwrtoModuleA51	24VI9	24VltofA54

# CIRCUITS LIST

CircuitID	Description	CircuitID	Description	CircuitID	Description
24VI9A	24VlofA54	47	DoorOpenSignal	72C	SunVisorSignal
24VI9B	24VlofA54	47A	EntranceDoorSwitch	72D	SunVisorRHSig
24VI10		49A	DoorInsideSwCloseSig	72E	SunVisorRHSig
24VI12	RJBLightPwr	50	WitnessGndSig	72F	SunVisorSignal
24VIA	Cut-outPneumaticAcc	52	Sw102	72R	GndMarkersandStopLts
24VICust	24VICustomer	53	LowerWip.Spd1Sig	74D	SunVisorSignal
24VIF	24VtoFrontVEC	53A	ElectricalHorn	76	FuelLevelSig
24WL	Slideout24Vpower	53B	LowerWip.Spd2Sig	76C	FuelLowLevelSig
24WUp1	24VWUptoA47	53C	LowerWip.IntSig	76P	PrimePumpSig
24Wup1	24WUpFront	53D	LowerWip.WasherSwSig	77	TransducerHi-Side
25	EngineRunSignal	53E	LowerWiper1stSpd	77B	PassandPRackLiquidValve
25A1	ExcitationSignal	53F	LowerWasherPump	77BA	A/Cclutch
25A2	Alternator2Signal	53G	LowerWip1stSpd	77C	PassandPRackLiquidValve
25E	ExcitationSignal	53H	LowerWiper	77K	CoilThermostatSignal
26	DriverWdoPwr	53K	KeylessModuleOutput	78	ServiceBrakeSignal
26A	DriverWdo	54	TestSwitch	79	DecelSignal
26B	DriverWdo	56	Sw103	79A	
26C	DriverWdo	57A	AuxiliaryWaterPump	79B	
28	AudibleRlySig	57L	Hi-Beam	81	HeadLtCallSw1
31	UnloaderRH	57R	HighBeamRH	82A	CyclopeLamp
31B	LowerWip1stSpd	57Rtn	SignalRtnHeadLtsLH	82Low	
31EE	UpperWipSpd.1	58L	LowBeam	82Up	StopRearUpperLamps
32		58R	LowBeamRH	83	24vAccessories
32A	BackupLtandalarm	58Rtn		84	StartSigSw83
32D	TrailerBackupLights	59	Hi/LowBeamSignal	84A	StartSigSw83
32EE	UpperWiperMotor	60	FogsLtsSwSig	84B	StartSigSw83
33	UnloaderLH	61	HeadLtsSig	85	24Vignition
35	EntranceDoorLights	63	ClearanceLts	85A	Ign-AccSignal
35A	EntranceCeilingLight	63A	FrontClearanceLts	85B	Ign-AccSignal
35RTN	EntranceCeilingLtGnd	64A	Blinker	85C	PositionNormalSw58
36	EngineBrake	65	FootDamper	85D	RearStartPwr
39	DriverLtSwSig	65A	FootDamper	85E	RearStartSignal
39B	KeylessModuleOutput	65D	DriverCylinder	85F	EgnineStartPwrSw58
39D	DriverLt	65P	AuxiliaruLiqSolValve	85G	Ign-AccSignal
39Rtn		66	MarkersSigSw2	85H	Ign-AccSignal
40	WitnessGnd	67	EvaporatorPwr	85Y	ABSTTLT
41	24VCondensor	67A	Condensor1stSpdSig	85Z	AbsTrailerWarningSignal
41A	CondensorPwr	68	DashDamper	86	DefrostunitSpd
42A	12VCondensor	68A	DashDamper	86A	PassengerDefrosterControl
45	Pre-HeatSigRly	69	ElectricalHorn	86Rtn	GndDefrostUnit
45A	PassengerHeatSig	71A	DockingLtsLH	87	
46	FrontFlasherRh	72A	DockingLtsRH	88	CompressorPressureSignal
46A	FrontMarkers	72B	SunVisorRHSig	89	DriverSensorSig

# CIRCUITS LIST

CircuitID	Description	CircuitID	Description	CircuitID	Description
90F	Regulatorbatt	125		147A	EtherSolenoid
90H	24VtoEvap	126F	LevelLowSignal	148	ABSSolenoid
90H1	Evaporator	127	Transmission	149	ABSSensor
91	ParkBrakeSig	131	Evaporator2ndSpd	149A	ABSSensor
91B	WitnessSigSw14	132	DifferentialLockSignal	150	Transmission
92	TrailerParkBrakeSig	132A	LevelLowSo29	151	GndtoEcm
93	PassengerDefrostSwitchUp	132B	LevelLowSo30	151A	GndtoEcm
94	PassengerDefrostSwitchDown	132C	LevelLowSo31	151B	GndtoEcm
95	DockingLTSwSig	132D	LevelLowSo32	151C	GndtoEcm
96	CorneringLTSwSig	132E	LevelLowPower	151D	GndtoEcm
97	LowDockingLightsSwitchSignal	132F	LevelLowPower	152	Transmission
98	BackupCancelSwitch	133	Transmission	154	Transmission
00A1	GndElectronic	135	Transmission	155	TransmissionInhibitSig
00B1	GndEng.Start	135A	Transmission	156A	12VtoABS
0V1	LuggageDoorOpenSig	136	Transmission	157B	
0V2	LuggageDoorOpenSig	136A		157D	ATCTTLT
0V3	LuggageDoorOpenSig	136AA	ShifterSignal	159	Transmission
0V4	EvaporatorLightSwitch	137		160	TagSignal
0V4A	Condensorlightswitch	137A	MirrorPwrSig	163	
0V5	LuggageDoorOpenSig	137B	Mirrors	164	HandLevelSig
0Y2	GndChassisABSSol	137C	Mirrors	166	WitnessSigSw16
0Y3	GndChassisABSSol	137D	Mirrors	170A	LuggagesLocks
101	PwrtoStarter	137E	Mirrors	170B	LuggagesLocks
102	Cablealt065701	137F	Mirrors	170D	Luggageslockrelay
102A	Alternator	137H	Mirrors	170E	Luggagesdoorslockrelays
104	LevelLowSo28	137J	Mirrors	170F	LuggagesLocks
105	FogLtsLH	137K	Mirrors	170G	LuggagesLocks
106	FogLtsRH	137L	Mirrors	170K	LuggagesLocksSwitchesSignal
107	Regulatorfield	137M	Mirrors	170L	LuggagesLocksSwitchesSignal
111	Transmission	138	ABSSensor	170M	LuggagesLocksSwitchesSignal
114	BacklightPwr	138A	ABSSensor	170N	LuggagesLocksSwitchesSignal
114A	Backlight	139	ABSSolenoid	170P	LuggagesLocksSwitchesSignal
114AA	ClusterKeyPadBacklight	140	ABSSolenoid	170R	LuggagesLocksSwitchesSignal
115	CoolantLevelSignal	141	ABSSolenoid	170S	LuggagesLocksSwitchesSignal
115A	WitnessPwr	142	ABSSolenoid	170T	LuggagesLocksSwitchesSignal
115W		143	ABSSensor	170V	LuggagesLocksSwitchesSignal
116	DriverLiq	143A	ABSSensor	170W	LuggagesLockPower
116A	DriverLiq	144	ABSSensor	170Y	LuggagesLocks
119		144A	ABSSensor	170Z	LuggagesLocks
120	Transmission	145	ABSSolenoid	171	LuggageUnlockSwSig
123	FireAlarm	146	ABSSolenoid	174	Transmission
123A	WakeUpSignal	146A		175	BackUpCamera
124A	ShifterSignal	147	EtherSignal	175B	BackupCamSignal

# CIRCUITS LIST

CircuitID	Description	CircuitID	Description	CircuitID	Description
175C	BackupCamDoor	287	KeylessModuleOutput	603	ABSSteering&Yawsensor
175D	12VIBackupcamera	290	GndFanClutch	604	ABSSteering&Yawsensor
175E	BackUpMonitor	291	FanClutch	605	ABSSteering&Yawsensor
176	Transmission	292	FanClutch	606	ABSPressuresensor
177	Transmission	293	FanClutchSwSig	607	ABSPressuresensor
180	Transmission	294	KeylessModuleOutput	608	ABSPressuresensor
181	OutsideSensorSig	295	KeylessModuleOutput	609	ABSPressuresensor
181C	OutsideTemperatureSensor	296	RJBDoorFan	610	ABSPressuresensor
181D	Outsidetempssensor	352	OverrideSignal	611	AbsTagSolenoid
197	FuelFilterSig	417	ThrottlePositionSignal	612	AbsTagSolenoid
201		419	CheckEng.TTLT	613	ABSSteeringSolenoid
202		439	12VltoCPC	614	ABSSteeringSolenoid
229	Auxiliarydefrost	500	DPFControl	615	ABStrailersolenoid
229A	Auxiliarydefrost	501	DPFControl	616	ABStrailersolenoid
231		502	DPFControl	617	ABStrailersolenoid
231A	StarterRelay	503	MILLamp	900	J1587
231B	StarterRelay	504	HiExhaustTempLamp	901	J1587
240	PowertoEcm	505	DPFSensor	911	EmergencyCutoutRlySignal
240A	PowertoEcm	506	DPFSensor	916	5VSensorPwr
240B	PowertoEcm	507	DPFSensor	952	GndSensorRtn
241	PowertoEcm	508	DPFSensor	953	Electronic_ground_DDEC_VI
241A	PowertoEcm	509	StopEng.TTLT	979	EngineBrake
241B	PowertoEcm	510	FastIdleSignal	979A	EngineBrakeLowSig
260	WindowAjarSignal	511	DPFSensor	BLACK	TrailerBackupLights
264	AuxiliaryFanSpeedControl	512	DPFSensor	BLUE	TrailerconnectorABSPower
264Rtn	AuxiliaryFanSpeedControl	513	DPFSensor	Bref1	PassengerSensor
272	KeylessModuleInput	524B	IdleValidationSig	BROWN	TrailerMarkerlights
274	KeylessModuleInput	524C	IdleValidationSig	CanH	CanHSignal
276	KeylessModuleInput	528	OverrideSignal	CanH1	Sparefrttorr
277	KeylessModuleKeypadLt	541	CruiseSetSig	CanL	CanLSignal
278	KeylessModuleInput	544	CruiseOn_OffSignal	CanL1	Sparefrttorr
280	KeylessModuleInput	544A	CruiseOn-OffLed	CC1	Converterinput1
283	EntranceDoorHingeSignal	545	CruiseResumeSig	CC2	ConverterInput2
283A	KeylessModuleInput	555	FanClutchSignal	CC3	ConverterInput3
283C	EntranceDoorHingeSignal	563	FanClutchSignal	CC4	ConverterInput4
284A	LuggagesUnlockRelays	564B	OutZFDecelSig	CC5	Converterinput5
284B	KeylessModuleOutput	565	Eng.BrakeActive	CC12	Converteroutput1
285	LuggagesLockRelays	583	EngineBrake	CC13	ConverterOutput3
285B	KeylessModuleOutput	600	ABSSensor	CC14	ConverterOutput2
285C	KeylessModuleOutput	600A	ABSSensor	CC15	Converteroutput4
286	EntranceDoorLock	601	ABSSensor	CC16	Converteroutput5
286A	EntranceDoorLock	601A	ABSSensor	CC17	ConverterOutput6
286B	FrontDoorLock	602	ABSSteering&Yawsensor	Cd	ComputerSignals

# CIRCUITS LIST

CircuitID	Description	CircuitID	Description	CircuitID	Description
Cd1	ComputerSignals	N19	A50Address	So37	Proximitysignal
Cts	ComputerSignals	N20	A50Address	So38	PowerSldOut2Sensor
D1	UpperWiperMotor	N21	A51Address	So39	SldOut2StatusLed
DBusH	DBusSignal	N22	A51Address	So40	SldOut2RelaySig
DbusH	DBusSignal	N23	A52Address	So41	SldOut2RelaySig
DBusL	DBusSignal	N24	A52Address	So42	SldOut2SealDeflatSig
DbusL	DBusSignal	N25	A53Address	So46	SldOutMotor2sig
Engine_Can+	EngineCan	N26	A53Address	So47	SldOutMotor2sig
Engine_Can-	EngineCan	N27	A54Address	So48	SldOut2MotorSig
Engine_Can_Shield	EngineCan	N28	A54Address	So55	SecurityPinSol
GndA	ComputerSignals	N29	A36Address	So58	SldOutMotor1Sig
GREEN	TrailerFlasherRH	OFC1	Driverseat	So59	SldOutMotor2sig
IPJ1	Cluster	ORB5	GndLuggagesLock	So61	SldOut2Seallnflat
IPJ2	Cluster	RED	TrailerStopLights	SP	ConverterVehicleSpeed
IPJ5	Cluster	Ref1	GndPassengerSensor	spare2	SparesFr-to-RearHarness
IPJ6	Cluster	Rts	ComputerSignals	spare3	SparesFr-to-RearHarness
IPJ7	Cluster	RxD	ComputerSignals	spare4	SparesEvap.Harness
IPJ8	Cluster	Shield		spare5	SparesEvap.Harness
J1939H		So1	Gnd	spare6	SparesEvap.Harness
J1939L		So2	SldOutRemoteSig	spare7	SparesEvap.Harness
LX5	ClusterKeyPad	So3	SldOutInSig	spare8	SparesEvap.Harness
LX6	ClusterKeyPad	So4	SignalOut	spare9	SparesEvap.Harness
LX7	ClusterKeyPad	So5	ParkBrakeSig	spare17	SparesFr-to-RearHarness
LX16	ClusterKeyPad	So6	Proximitysignal	spare18	SparesFr-to-RearHarness
LX21	ClusterKeyPad	So7	Proximitysignal	spare19	SparesFr-to-RearHarness
N1	A41Address	SO8	PowerSldOut1 Sensor	spare20	SparesClearanceLts
N2		So8	PowerSldOut1 Sensor	spare21	SparesClearanceLts
N3		So9	SldOut1StatusLed	spare22	SparesClearanceLts
N4		So10	SldOut1RelaySig	spare23	SparesClearanceLts
N5		So11	SldOut2RelaySig	spare24	SparesClearanceLts
N6	A43Address	So12	Seallnflating	spare25	SparesClearanceLts
N7	A44Address	So13	SldOut1SealDeflatSig	spare26	SparesFrontHarness
N8	A44Address	So14	SldOut1VacumGen	spare27	SparesFrontHarness
N9	A45Address	So16	SensorGndRtn	spare28	SparesFrontHarness
N10	A45Address	So18		spare29	SparesFrontHarness
N11	A46Address	So19	SldOutMotor1Sig	spare30	SparesFrontHarness
N12	A46Address	So20	SldOutMotor1Sig	spare31	SparesFrontHarness
N13	A47Address	So21	SldOutMotorSig	spare32	SparesFrontHarness
N14	A47Address	So28		spare33	SparesFrontHarness
N15	A48Address	So31		spare34	SparesFrontHarness
N16	A48Address	So32	SldOut1SignalOut	spare35	SparesFrontHarness
N17	A49Address	So33	SldOut2SignalIn	spare36	SparesFrontHarness
N18	A49Address	So36	Proximitysignal	soare37	SparesFrontHarness

# CIRCUITS LIST

CircuitID	Description
spare38	SparesFrontHarness
spare39	SparesDash
spare40	SparesDash
spare41	SparesDash
spare42	SparesDash
spare43	SparesDash
spare44	SparesDash
spare45	SparesFr-to-RearHarness
spare46	SparesFr-to-RearHarness
spare49	SparesEngineCradle
spare50	SparesEngineCradle
spare51	SparesEngineCradle
spare52	SparesEngineCradle
spare53	SparesEngineCradle
spare54	SparesEngineCradle
spare55	SparesEnginesAccessories
spare57	SparesEnginesAccessories
spare58	SparesEnginesAccessories
spare59	SparesEnginesAccessories
spare60	SparesEnginesAccessories
spare61	SparesEnginesAccessories
spare62	spareABSHarness
spare63	spareABSHarness
spare64	
Spare65	
spare94	SparesRearClearanceHarness
spare95	SparesRearClearanceHarness
TxD	ComputerSignals
WHITE	TrailerConnectorGnd
YELLOW	TrailerFlasherLH

# CIRCUITS LIST

CircuitID	Description	CircuitID	Description	CircuitID	Description
0	BatteriesGND	0RB6	GndCustomer	12Wup2	12WUptoDash
2	CondensorDoorOpenSig	0RB7	GndAwningWindow	12Wup3	24WupLuggageslock
2B	CondSndSpdSig	0RB8	GndTrailerConnector	12WUp5	PwrtoModuleA51
6	DriverLightSwitch	0RC1	GndS/ACWaterpump	13	GndTransducer
7	GndDriverSensor	0RC2	GndDriverCylinder	15	UpperWipInt.Signal
9	EngCmpt.LtsSwitch	0RC3		15A	UpperWip.1StSpdSig
9A	EngineDoorOpenSig	0RC4	GndKeylessKeypad	16	SpeedSignal
9B	EngineCmpt.Lt	0SA1	GndAlternator	16A	UpperWasherPump
9BRtn	GndEngineCmpt.Lts	0SA2	GndAlternator	17	UpperWasherSwSignal
0A	Evap.Gnd	0VE	EqualizerGnd	18	Wip.WasherLevel
00A	GndElectronic	0Y		21	FlasherLHSig
0AA	Regulatorgnd	10	LuggageCmpt.LtsPwr	21A	FrontFlasher
0B	GndEngineCompt	10A	LuggageCmpt.LtsPwr	21AA	FlashersRearLH
00B	ElectronicGndofMuxModules	10R	LuggageDoorOpenSig	21B	CorneringLtsLH
0C	GndStarter062214	12		21BR	GndFoglights
0CE	GND48A47	12A	12VDtoR3	22	HazardSwSig
00D	RJBajarSignal	12B	12VDTOCB2	23	FlasherRHSig
0DG	GndAlternator	12CPC	CPCSupply	23A	FrontFlasherRH
0EV1	GndCondensor	12Ecu	12v_Engine_Ecu	23AA	FrontFlasherRHSide
0EV2	GndHvac	12F	12VDto12PostRJB	23B	CorneringLtsRH
0F	FJBDoorOpenSig	12K	KeylessModule	23BR	GndFogandCorneringLtsRH
0FA1	GndofAccessoires	12VA	12vEqualizer	24	Battery24VMainPower
0FA2	GndAuxLiqSolenoidValve	12VD1	12VDFrontWake-up	24A	BoosterBlock
0FA4	GndPwrOutlet	12VD2	KeylessBatteryPower	24AW	AwiningWindowsPower
0FB1	GNDBackupcamera	12VD3	12vRearwake-up	24C0	Resistor_Pwr_Excitation
0FB2	GndDriverWdo	12VD4	12v_Engine_Ecu	24CO	PwrtoExcitationResistor
0FB5	GNDMuxpower	12VDCust	12VDCustomer	24D	24DtoCB6
0FC1	GndHorns	12VDF	12VDtoFrontVec	24E	24VltoCB1
0FC4	ElectricalHorn	12VDF3	ProDriverBatteryPower	24VA	24vEqualizer
0FD1	GNDCustomer	12VI	12VltoCB10	24VB	24VEnginePreheater
0G	GndofA54	12VI1	12VltofA44	24VB1	24VEnginePreheater
0H	GroundCoolantSensor	12VI2	MirrorPwr	24VB2	24VEnginePreheater
0L	KeylessModuleKeypadGnd	12VI3	PwrOutletDrawer	24VD	24VD
0PR1	GndUpperWiperMotor	12VI4	PwrOutletandCigarLighter	24VD1	24VD
0PR2	GndFrontClearanceLts	12VI5	12VltoVECR	24VD2	24VDtoRearVec
0R	GndPrimePump	12VI6	PwrtoModuleA50	24VD3	24VDofCECM
0RA2		12VI7	TrailerABSPower	24VD4	24VDFrontWake-up
0RA3	GndR1-R3	12VICust	12VICustomer	24VD5	PowerModuleA41
0RB1	GndCameraDoorSolenoid	12VIF	12VltoFrontVec	24VD7	PassandPRackPwr
0RB2	GndBackUpCamera	12VIF19	12VDdash	24VDCust	24VDCustomer
0RB3	GndRearLighting	12VIZF	ZFsterringControl	24VI	24VI
0RB4	GndLuggagesLock	12WUp1	12VWUptoA48	24VI1	24VltoRearVec
0RB5	Lugaageslockunlockrelav	12Wup1	12WUpFront	24VI2	Multifunctionswitchpower



# CIRCUITS LIST

CircuitID	Description	CircuitID	Description	CircuitID	Description
24VI3	UpperWip.MotorPwr	41	24VCondensor	67A	Condensor1stSpdSig
24VI4	SunVisorsPwr	41A	CondensorPwr	68	DashDamper
24VI5	24VlofMuxmodules	42A	12VCondensor	68A	DashDamper
24VI6	PwrtoDefrostUnit	45	Pre-HeatSigRly	69	ElectricalHorn
24VI7	LowerWiperPower	45A	PassengerHeatSig	71A	DockingLtsLH
24VI8	24VltoMux	46	FrontFlasherRh	72A	DockingLtsRH
24VI9	24VlofA54	46A	FrontMarkers	72B	SunVisorRHSig
24VI9A	24VlofA54	47	DoorOpenSignal	72C	SunVisorSignal
24VI9B	24VlofA54	47A	EntranceDoorSwitch	72D	SunVisorRHSig
24VI10	Engine-RetarderRelay	49A	DoorinsideSwCloseSig	72R	GndMarkersandStopLts
24VI12	RJBLightPwr	50	WitnessGndSig	74D	SunVisorSignal
24VI13		52	Sw102	76	FuelLevelSig
24VIA	Cut-outPneumaticAcc	53	LowerWip.Spd1Sig	76C	FuelLowLevelSig
24VICust	24VICustomer	53A	ElectricalHorn	76P	PrimePumpSig
24VIF	24VltoFrontVEC	53B	LowerWip.Spd2Sig	77	TransducerHi-Side
24WL	Slideout24Vpower	53C	LowerWip.IntSig	77B	PassandPRackLiquidValve
24WUp1	24VWUptoA47	53D	LowerWip.WasherSwSig	77BA	A/Cclutch
24Wup1	24WUpFront	53E	LowerWiper1stSpd	77C	PassandPRackLiquidValve
25	EngineRunSignal	53F	LowerWasherPump	77K	CoilThermostatSignal
25A1	ExcitationSignal	53G	LowerWip1stSpd	78	ServiceBrakeSignal
25A2	Alternator2Signal	53H	LowerWiper	79	DecelSignal
25E	ExcitationSignal	53K	KeylessModuleOutput	79A	StopLightSensorSig
26	DriverWdoPwr	54	TestSwitch	79B	
26A	DriverWdo	56	Sw103	81	HeadLtCallSw1
26B	DriverWdo	57A	AuxiliaryWaterPump	82A	CyclopeLamp
28	AudibleRlySig	57L	Hi-Beam	82Low	
31	UnloaderRH	57R	HighBeamRH	82Up	StopRearUpperLamps
31B	LowerWip1stSpd	57Rtn	SignalRtnHeadLtsLH	83	24vAccessories
31EE	UpperWipSpd.1	58L	LowBeam	84	StartSigSw83
32		58R	LowBeamRH	84A	Start_Sig_Sw83
32A	BackupLtandalarm	58Rtn		84B	StartSigSw83
32D	TrailerBackupLights	59	Hi/LowBeamSignal	85	24Vignition
32EE	UpperWiperMotor	60	FogsLtsSwSig	85A	Ign-AccSignal
33	UnloaderLH	61	HeadLtsSig	85B	Ign-AccSignal
35	EntranceDoorLights	63	ClearanceLts	85C	PositionNormalSw58
35A	EntranceCeilingLight	63A	FrontClearanceLts	85D	RearStartPwr
35RTN	EntranceCeilingLtGnd	64A	Blinker	85E	RearStartSignal
36	EngineBrake	65	FootDamper	85F	EgnineStartPwrSw58
39	DriverLtSwSig	65A	FootDamper	85G	Ign-AccSignal
39B	KeylessModuleOutput	65D	DriverCylinder	85H	Ign-AccSignal
39D	DriverLt	65P	AuxiliaruLiqSolValve	85Y	ABSTTLT
39Rtn		66	MarkersSigSw2	85Z	AbsTrailerWarningSignal
40	WitnessGnd	67	EvaporatorPwr	86	DefrostunitSod

# CIRCUITS LIST

CircuitID	Description	CircuitID	Description	CircuitID	Description
86A	PassengerDefrosterControl	116A	DriverLiq	144	ABSSensor
86Rtn	GndDefrostUnit	119		144A	ABSSensor
87	ESP	120	Transmission	145	ABSSolenoid
88	CompressorPressureSignal	123	FireAlarm	146	ABSSolenoid
89	DriverSensorSig	123A	WakeUpSignal	146A	
90F	Regulatorbatt	124A	ShifterSignal	147	EtherSignal
90H	24VltoEvap	125		147A	EtherSolenoid
90H1	Evaporator	126F	LevelLowSignal	148	ABSSolenoid
91	ParkBrakeSig	127	Transmission	149	ABSSensor
91B	WitnessSigSw14	131	Evaporator2ndSpd	149A	ABSSensor
92	TrailerParkBrakeSig	132	DifferentialLockSignal	150	Transmission
93	PassengerDefrostSwitchUp	132A	LevelLowSo29	151	GndtoEcm
94	PassengerDefrostSwitchDown	132B	LevelLowSo30	151A	GndtoEcm
95	DockingLTSwSig	132C	LevelLowSo31	151B	GndtoEcm
96	CorneringLTSwSig	132D	LevelLowSo32	151C	GndtoEcm
97	LowDockingLightsSwitchSignal	132E	LevelLowPower	151D	GndtoEcm
98	BackupCancelSwitch	132F	LevelLowPower	152	Transmission
00A1	GndElectronic	133	Transmission	154	Transmission
0B1	GndEnginePreheater	135	Transmission	155	TransmissionInhibitSig
00B1	GndEng.Start	135A	Transmission	156A	12VltoABS
0V1	LuggageDoorOpenSig	136	Transmission	157B	Engine-RetarderRelay
0V2	LuggageDoorOpenSig	136A		157D	ATCTTLT
0V3	LuggageDoorOpenSig	136AA	ShifterSignal	159	Transmission
0V4	EvaporatorLightSwitch	137		160	TagSignal
0V4A	Condensorlightswitch	137A	MirrorPwrSig	163	RetarderSig
0V5	LuggageDoorOpenSig	137B	Mirrors	164	HandLevelSig
0Y2	GndChassisABSSol	137C	Mirrors	166	WitnessSigSw16
0Y3	GndChassisABSSol	137D	Mirrors	170A	LuggagesLocks
101	PwrtoStarter	137E	Mirrors	170B	LuggagesLocks
102	Alternator	137F	Mirrors	170D	Luggageslockrelay
102A	Alternator	137H	Mirrors	170E	Luggagesdoorslockrelays
104	LevelLowSo28	137J	Mirrors	170F	LuggagesLocks
105	FogLtsLH	137K	Mirrors	170G	LuggagesLocks
106	FogLtsRH	137L	Mirrors	170K	LuggagesLocksSwitchesSignal
107	Regulatorfield	137M	Mirrors	170L	LuggagesLocksSwitchesSignal
111	Transmission	138	ABSSensor	170M	LuggagesLocksSwitchesSignal
114	BacklightPwr	138A	ABSSensor	170N	LuggagesLocksSwitchesSignal
114A	Backlight	139	ABSSolenoid	170P	LuggagesLocksSwitchesSignal
114AA	ClusterKeyPadBacklight	140	ABSSolenoid	170R	LuggagesLocksSwitchesSignal
115	CoolantLevelSignal	141	ABSSolenoid	170S	LuggagesLocksSwitchesSignal
115A	WitnessPwr	142	ABSSolenoid	170T	LuggagesLocksSwitchesSignal
115W		143	ABSSensor	170V	LuggagesLocksSwitchesSignal
116	DriverLia	143A	ABSSensor	170W	LuggagesLockPower

# CIRCUITS LIST

CircuitID	Description	CircuitID	Description	CircuitID	Description
170Y	LuggagesLocks	285	LuggagesLockRelays	564B	OutZFDecelSig
170Z	LuggagesLocks	285B	KeylessModuleOutput	583	EngineBrake
171	LuggageUnlockSwSig	285C	KeylessModuleOutput	600	ABSSensor
174	Transmission	286	EntranceDoorLock	600A	ABSSensor
175	BackUpCamera	286A	EntranceDoorLock	601	ABSSensor
175B	BackupCamSignal	286B	FrontDoorLock	601A	ABSSensor
175C	BackupCamDoor	287	KeylessModuleOutput	602	ABSSteering&Yawsensor
175D	12VIBackupcamera	290	GndFanClutch	603	ABSSteering&Yawsensor
175E	BackUpMonitor	291	FanClutch	604	ABSSteering&Yawsensor
176	Transmission	292	FanClutch	605	ABSSteering&Yawsensor
177	Transmission	293	FanClutchSwSig	606	ABSPressuresensor
180	Transmission	294	KeylessModuleOutput	607	ABSPressuresensor
181	OutsideSensorSig	295	KeylessModuleOutput	608	ABSPressuresensor
181C	OutsideTemperatureSensor	296	RJBDoorFan	609	ABSPressuresensor
181D	Outsidetempssensor	352	OverrideSignal	610	ABSPressuresensor
197	FuelFilterSig	417	ThrottlePositionSignal	611	AbsTagSolenoid
201		439	12VIttoCPC	612	AbsTagSolenoid
202		500	Ground/Supply_Detroit/Volvo	613	AbsTagSolenoid
229	Auxiliarydefrost	501	Control_Ground_Relay	614	ABSSteeringSolenoid
229A	Auxiliarydefrost	502	IVSOut	615	ABStrailersolenoid
231		503	DPF_Malfunction	616	ABStrailersolenoid
231A	StarterRelay	504	CrankSignal	617	ABStrailersolenoid
231B	Starter_Relay	505	DPFSensor	900	J1587
240	PowertoEcm	506	DPFSensor	901	J1587
240A	PowertoEcm	507	DPFSensor	911	EmergencyCutoutRlySignal
240B	PowertoEcm	508	DPFSensor	916	5VSensorPwr
241	PowertoEcm	510	FastIdleSignal	952	GndSensorRtn
241A	PowertoEcm	511	DPFSensor	953	Electronic_ground_DDEC_VI
241B	PowertoEcm	512	DPFSensor	979	EngineBrake
260	WindowAjarSignal	513	DPFSensor	979A	EngineBrake
264	AuxiliaryFanSpeedControl	514	DPFSensor	BLACK	TrailerBackupLights
264Rtn	AuxiliaryFanSpeedControl	515	GroundPreheaterRelay	BLUE	TrailerconnectorABSPower
272	KeylessModuleInput	516	EngineBrakeLowSig	Bref1	PassengerSensor
274	KeylessModuleInput	517	EngineBrakeHiSig	BROWN	TrailerMarkerlights
276	KeylessModuleInput	524B	IdleValidationSig	CAN2-H	EngineCan2
277	KeylessModuleKeypadLt	524C	IdleValidationSig	CAN2-L	EngineCan2
278	KeylessModuleInput	528	OverrideSignal	CanH	CanHSignal
280	KeylessModuleInput	541	CruiseSetSig	CanH1	Sparefrttorr
283	EntranceDoorHingeSignal	544	CruiseOn_OffSignal	CanL	CanLSignal
283A	KeylessModuleInput	544A	CruiseOn-OffLed	CanL1	Sparefrttorr
283C	EntranceDoorHingeSignal	545	CruiseResumeSig	CC1	Converterinput1
284A	LuggagesUnlockRelays	555	FanClutchSignal	CC2	ConverterInput2
284B	KeylessModuleOutput	563	FanClutchSignal	CC3	ConverterInput3

# CIRCUITS LIST

CircuitID	Description	CircuitID	Description	CircuitID	Description
CC4	ConverterInput4	N11	A46Adress	So18	
CC5	Converterinput5	N12	A46Adress	So19	SldOutMotor1Sig
CC12	Converteroutput1	N13	A47Adress	So20	SldOutMotor1Sig
CC13	ConverterOutput3	N14	A47Adress	So21	SldOutMotorSig
CC14	ConverterOutput2	N15	A48Adress	So28	PowerSlideOut
CC15	Converteroutput4	N16	A48Adress	So31	
CC16	Converteroutput5	N17	A49Adress	So32	SldOut1SignalOut
CC17	ConverterOutput6	N18	A49Adress	So33	SldOut2SignalIn
Cd	ComputerSignals	N19	A50Adress	So36	SldOut2LimitIn
Cd1	ComputerSignals	N20	A50Adress	So37	SldOut2LimitOut
Cts	ComputerSignals	N21	A51Adress	So38	PowerSldOut2Sensor
D1	UpperWiperMotor	N22	A51Adress	So39	SldOut2StatusLed
DBusH	DBusSignal	N23	A52Adress	So40	SldOut2RelaySig
DbusH	DBusSignal	N24	A52Adress	So41	SldOut2RelaySig
DBusL	DBusSignal	N25	A53Adress	So42	SldOut2SealDeflatSig
DbusL	DBusSignal	N26	A53Adress	So46	SldOutMotor2sig
Engine_Can+	EngineCan	N27	A54Adress	So47	SldOutMotor2sig
Engine_Can-	EngineCan	N28	A54Adress	So48	SldOut2MotorSig
GndA	ComputerSignals	N29	A36Adress	So55	SecurityPinSol
GREEN	TrailerFlasherRH	N31	A58Adress	So58	SldOutMotor1Sig
IPJ1	Cluster	N32	A58Adress	So59	SldOutMotor2sig
IPJ2	Cluster	OFC1	Driverseat	So61	SldOut2SealInflat
IPJ5	Cluster	ORB5	GndLuggagesLock	So62	SldOut1SignalOut
IPJ6	Cluster	RED	TrailerStopLights	So63	SldOut2SignalIn
IPJ7	Cluster	Ref1	GndPassengerSensor	So64	SldOut3LimitIn
IPJ8	Cluster	Rts	ComputerSignals	So65	SldOut3LimitOut
J1939H		RxD	ComputerSignals	So66	PowerSldOut2Sensor
J1939L		So1	Gnd	So67	SldOut2StatusLed
LX5	ClusterKeyPad	So2	SldOutRemoteSig	So68	SldOut2RelaySig
LX6	ClusterKeyPad	So3	SldOutInSig	So69	SldOut2RelaySig
LX7	ClusterKeyPad	So4	SignalOut	So70	SldOut2SealInflat
LX16	ClusterKeyPad	So5	ParkBrakeSig	So71	SldOut2SealDeflatSig
LX21	ClusterKeyPad	So6	SldOut1LimitIn	So72	SldOut2MotorSig
N1	A41Adress	So7	SldOut1LimitOut	So73	SldOutMotor2sig
N2	A56Adress	SO8	PowerSldOut1 Sensor	So74	SldOutMotor2sig
N3	A56Adress	So8	PowerSldOut1 Sensor	So76	GndSlideOutRearR
N4	A57Adress	So9	SldOut1StatusLed	SP	ConverterVehicleSpeed
N5	A57Adress	So10	SldOut1RelaySig	spare2	SparesFr-to-RearHarness
N6	A43Adress	So11	SldOut2RelaySig	spare3	SparesFr-to-RearHarness
N7	A44Adress	So12	SealInflating	spare4	SparesEvap.Harness
N8	A44Adress	So13	SldOut1 SealDeflatSig	spare5	SparesEvap.Harness
N9	A45Adress	So14	SldOut1VacumGen	spare6	SparesEvap.Harness
N10	A45Adress	So16	SensorGndRtn	spare7	SparesEvap.Harness

# CIRCUITS LIST

CircuitID	Description	CircuitID	Description		
spare8	SparesEvap.Harness	spare61	SparesEnginesAccessories		
spare9	SparesEvap.Harness	spare62	spareABSHarness		
spare17	SparesFr-to-RearHarness	spare63	spareABSHarness		
spare18	SparesFr-to-RearHarness	spare64			
spare19	SparesFr-to-RearHarness	Spare65			
spare20	SparesClearanceLts	spare94	SparesRearClearanceHarness		
spare21	SparesClearanceLts	spare95	SparesRearClearanceHarness		
spare22	SparesClearanceLts	TxD	ComputerSignals		
spare23	SparesClearanceLts	WHITE	TrailerConnectorGnd		
spare24	SparesClearanceLts	YELLOW	TrailerFlasherLH		
spare25	SparesClearanceLts				
spare26	SparesFrontHarness				
spare27	SparesFrontHarness				
spare28	SparesFrontHarness				
spare29	SparesFrontHarness				
spare30	SparesFrontHarness				
spare31	SparesFrontHarness				
spare32	SparesFrontHarness				
spare33	SparesFrontHarness				
spare34	SparesFrontHarness				
spare35	SparesFrontHarness				
spare36	SparesFrontHarness				
spare37	SparesFrontHarness				
spare38	SparesFrontHarness				
spare39	SparesDash				
spare40	SparesDash				
spare41	SparesDash				
spare42	SparesDash				
spare43	SparesDash				
spare44	SparesDash				
spare45	SparesFr-to-RearHarness				
spare46	SparesFr-to-RearHarness				
spare49	SparesEngineCradle				
spare50	SparesEngineCradle				
spare51	SparesEngineCradle				
spare52	SparesEngineCradle				
spare53	SparesEngineCradle				
spare54	SparesEngineCradle				
spare55	SparesEnginesAccessories				
spare57	SparesEnginesAccessories				
spare58	SparesEnginesAccessories				
spare59	SparesEnginesAccessories				
spare60	SparesEnginesAccessories				

# CIRCUITS LIST

CircuitID	Description	CircuitID	Description	CircuitID	Description
0	BatteriesGND	0RB7	GndAwningWindow	12Wup1	12WUpFront
2	CondensorDoorOpenSig	0RB8	GndTrailerConnector	12Wup2	12WUptoDash
2B	CondSndSpdSig	0RC1	GndS/ACWaterpump	12Wup3	24WupLuggageslock
6	DriverLightSwitch	0RC2	GndDriverCylinder	12Wup5	PwrtoModuleA51
7	GndDriverSensor	0RC3		13	GndTransducer
9	EngCmpt.LtsSwitch	0RC4	GndKeylessKeypad	15	UpperWipInt.Signal
9A	EngineDoorOpenSig	0SA1	GndAlternator	15A	UpperWip.1StSpdSig
9B	EngineCmpt.Lt	0SA2	GndAlternator	16	SpeedSignal
9BRtn	GndEngineCmpt.Lts	0ST	GndSteeringMultifuntion	16A	UpperWasherPump
0A	Evap.Gnd	0VE	EqualizerGnd	17	UpperWasherSwSignal
00A	GndElectronic	0Y		18	Wip.WasherLevel
0B	GndEngineCompt	10	LuggageCmpt.LtsPwr	18A	
00B	ElectronicGndofMuxModules	10A	LuggageCmpt.LtsPwr	20	AirDryer
0C	GndStarter062214	10R	LuggageDoorOpenSig	21	FlasherLHSig
0CE	GND48A47	12		21A	FrontFlasher
00D	RJBArSignal	12A	12VDtoR3	21AA	FlashersRearLH
0DG	GndAlternator	12B	12VDTOCB2	21B	CorneringLtsLH
0EV1	GndCondensor	12CPC	CPCSupply	21BR	GndFoglights
0EV2	GndHvac	12Ecu	12v_Engine_Ecu	22	HazardSwSig
0F	FJBDdoorOpenSig	12F	12VDto12PostRJB	23	FlasherRHSig
0FA1	GndofAccessoires	12K	KeylessModule	23A	FrontFlasherRH
0FA2	GndAuxLiqSolenoidValve	12VA	12vEqualizer	23AA	FrontFlasherRHSide
0FA4	gnd	12VD1	12VDFrontWake-up	23B	CorneringLtsRH
0FB1	GNDBackupcamera	12VD2	KeylessBatteryPower	23BR	GndFogandCorneringLtsRH
0FB2	GndDriverWdo	12VD3	12vRearwake-up	24	Battery24VMainPower
0FB5	GNDMuxpower	12VD4	12v_Engine_Ecu	24A	BoosterBlock
0FC1	GndHorns	12VDCust	12VDCustomer	24AW	AwiningWindowsPower
0FC4	ElectricalHorn	12VDF	12VDtoFrontVec	24C0	Resistor_Pwr_Excitation
0FD1	GNDCustomer	12VDF3	ProDriverBatteryPower	24CO	PwrtoExcitationResistor
0G	GndofA54	12VI	12VItoCB10	24D	24DtoCB6
0H	GroundCoolantSensor	12VI1	12VIofA44	24E	24VItoCB1
0L	KeylessModuleKeypadGnd	12VI2	MirrorPwr	24VA	24vEquilizer
0PR1	GndUpperWiperMotor	12VI3	PwrOutletDrawer	24VB	24VEnginePreheater
0PR2	GndFrontClearanceLts	12VI4	PwrOutletandCigarLighter	24VB1	24VEnginePreheater
0R	GndPrimePump	12VI5	12VItoVECR	24VB2	24VEnginePreheater
0RA2		12VI6	PwrtoModuleA50	24VD	24VD
0RA3	GndR1-R3	12VI7	TrailerABSPower	24VD1	24VD
0RB1	GndCameraDoorSolenoid	12VI9		24VD2	24VDtoRearVec
0RB2	GndBackUpCamera	12VICust	12VICustomer	24VD3	24VDofCECM
0RB3	GndRearLighting	12VIF	12VItoFrontVec	24VD4	24VDFrontWake-up
0RB4	GndLuggagesLock	12VIF19	12VDdash	24VD5	PowerModuleA41
0RB5	Luggageslockunlockrelay	12VIZF	ZFsteeringControl	24VD6	24VD
0RB6	GndCustomer	12WUp1	12VWUptoA48	24VD7	PassandPRackPwr

# CIRCUITS LIST

CircuitID	Description	CircuitID	Description	CircuitID	Description
24VDCust	24VDCustomer	39D	DriverLt	66	MarkersSigSw2
24VI	24VI	39Rtn		67	EvaporatorPwr
24VI1	24VItoRearVec	40	WitnessGnd	67A	Condensor1stSpdSig
24VI2	Multifunctionswitchpower	41	24VCondensor	68	DashDamper
24VI3	UpperWip.MotorPwr	41A	CondensorPwr	68A	DashDamper
24VI4	SunVisorsPwr	42A	12VCondensor	69	ElectricalHorn
24VI5	24VlofMuxmodules	45	Pre-HeatSigRly	69A	HornPneumatic
24VI6	PwrtoDefrostUnit	46	FrontFlasherRh	71A	DockingLtsLH
24VI7	LowerWiperPower	46A	FrontMarkers	72A	DockingLtsRH
24VI8	24VItoMux	47	DoorOpenSignal	72B	SunVisorRHSig
24VI9	24VlofA54	47A	EntranceDoorSwitch	72C	SunVisorLHSig
24VI9A	24VlofA54	49A	DoorInsideSwCloseSig	72D	SunVisorRHSig
24VI9B	24VlofA54	50	WitnessGndSig	72R	GndMarkersandStopLts
24VI12	RJBLightPwr	52	Sw102	74D	SunVisorLHSig
24VI13		53	LowerWip.Spd1Sig	76	FuelLevelSig
24VIA	Cut-outPneumaticAcc	53A	ElectricalHorn	76C	FuelLowLevelSig
24VICust	24VICustomer	53B	Air_Horn	76P	PrimePumpSig
24VIF	24VItoFrontVEC	53C	LowerWip.IntSig	77	TransducerHi-Side
24WL	Slideout24Vpower	53D	LowerWip.WasherSwSig	77B	PassandPRackLiquidValve
24WUp1	24VWUptoA47	53E	LowerWiper1stSpd	77BA	A/Cclutch
24Wup1	24WUpFront	53F	LowerWasherPump	77C	PassandPRackLiquidValve
25	EngineRunSignal	53G	LowerWip1stSpd	77K	CoilThermostatSignal
25A1	ExcitationSignal	53H	LowerWiper	78	ServiceBrakeSignal
25A2	Alternator2Signal	53K	KeylessModuleOutput	79	TranducerLow-Side
25E	75ADelcoAlt.signal	54	TestSwitch	79A	StopLightSensorSig
26	DriverWdoPwr	56	Sw103	79B	
26A	DriverWdo	57A	AuxiliaryWaterPump	80	BrakeRedundant
26B	DriverWdo	57L	Hi-Beam	81	HeadLtCallSw1
28	AudibleRlySig	57R	HighBeamRH	82A	CyclopeLamp
31	UnloaderRH	57Rtn	SignalRtnHeadLtsLH	82Low	
31B	LowerWip1stSpd	58L	LowBeam	82Up	StopRearUpperLamps
31EE	UpperWipSpd.1	58R	LowBeamRH	83	24vAccessories
32		58Rtn		84	StartSigSw83
32A	BackupLtandalarm	59	Hi/LowBeamSignal	84A	Start_Sig_Sw83
32D	BackupLtandalarm	60	FogsLtsSwSig	84B	StartSigSw83
32EE	UpperWiperMotor	61	HeadLtsSig	85	24VIgnition
33	UnloaderLH	63	ClearanceLts	85A	Ign-AccSignal
35	EntranceDoorLights	63A	FrontClearanceLts	85B	Ign-AccSignal
35A	EntranceCeilingLight	64A	Blinker	85C	PositionNormalSw58
35RTN	EntranceCeilingLtGnd	65	FootDamper	85D	RearStartPwr
36		65A	FootDamper	85E	RearStartSignal
39	DriverLtSwSig	65D	DriverCylinder	85F	24VIgnition
39B	KeylessModuleOutput	65P	AuxiliaruLiaSolValve	85G	EngineStartPwrSw58

# CIRCUITS LIST

CircuitID	Description	CircuitID	Description	CircuitID	Description
85H	Ign-AccSignal	115A	WitnessPwr	138	ABSSensor
85Y	ABSTTLT	115W		138A	ABSSensor
85Z	AbsTrailerWarningSignal	116	DriverLiq	139	ABSSolenoid
86	DefrostunitSpd	116A	DriverLiq	140	ABSSolenoid
86A	PassengerDefrosterControl	119		141	ABSSolenoid
86Rtn	GndDefrostUnit	120	Transmission	142	ABSSolenoid
87	ESP	121	SteeringOutSignal	143	ABSSensor
88	CompressorPressureSignal	122	SteeringOutSignal	143A	ABSSensor
89	DriverSensorSig	123	FireAlarm	144	ABSSensor
90H	24VtoEvap	123A	WakeUpSignal	144A	ABSSensor
90H1	Evaporator	124A	ShifterSignal	145	ABSSolenoid
91	ParkBrakeSig	125		146	ABSSolenoid
91B	WitnessSigSw14	126F	LevelLowSignal	146A	
92	TrailerParkBrakeSig	127	Transmission	147	EtherSignal
93	PassengerDefrostSwitchUp	128	SteeringMultifunctionPwr	147A	EtherSolenoid
94	PassengerDefrostSwitchDown	129		148	ABSSolenoid
95	DockingLTswSig	130		149	ABSSensor
96	CorneringLTswSig	131	Evaporator2ndSpd	149A	ABSSensor
97	LowDockingLightsSwitchSignal	132	DifferentialLockSignal	150	Transmission
97A	SpecialOption	132A	LevelLowSo29	151	GndtoEcm
98		132B	LevelLowSo30	151A	GndtoEcm
00A1	GndElectronic	132C	LevelLowSo31	151B	GndtoEcm
0B1	GndEnginePreheater	132D	LevelLowSo32	151C	GndtoEcm
00B1	GndEng.Start	132E	LevelLowPower	151D	GndtoEcm
0V1	LuggageDoorOpenSig	132F	LevelLowPower	152	Transmission
0V2	LuggageDoorOpenSig	133	Transmission	154	Transmission
0V3	LuggageDoorOpenSig	135	Transmission	155	TransmissionInhibitSig
0V4	EvaporatorLightSwitch	135A	Transmission	156A	12VtoABS
0V4A	Condensorlightswitch	136	Transmission	157D	ATCTTLT
0V5	LuggageDoorOpenSig	136A		159	Transmission
0Y2	GndChassisABSSol	136AA	ShifterSignal	160	TagSignal
0Y3	GndChassisABSSol	137		163	RetarderSig
101	PwrtoStarter	137A	MirrorPwrSig	163A	EngBrakeRetSignal
102	Alternator	137B	Mirrors	163B	RetarderEnSig
102A	Alternator	137C	Mirrors	164	HandLevelSig
104	LevelLowSo28	137D	Mirrors	166	WitnessSigSw16
105	FogLtsLH	137E	Mirrors	170A	LuggagesLocks
106	FogLtsRH	137F	Mirrors	170B	LuggagesLocks
111	Transmission	137H	Mirrors	170D	Luggageslockrelay
114	BacklightPwr	137J	Mirrors	170E	Luggagesdoorslockrelays
114A	Backlight	137K	Mirrors	170F	LuggagesLocks
114AA	ClusterKeyPadBacklight	137L	Mirrors	170G	LuggagesLocks
115	CoolantLevelSignal	137M	Mirrors	170K	LuqaqaesLocksSwitchesSignal



# CIRCUITS LIST

CircuitID	Description	CircuitID	Description	CircuitID	Description
170L	LuggagesLocksSwitchesSignal	264	AuxiliaryFanSpeedControl	514	DPFSensor
170M	LuggagesLocksSwitchesSignal	264Rtn	AuxiliaryFanSpeedControl	515	GroundPreheaterRelay
170N	LuggagesLocksSwitchesSignal	272	KeylessModuleInput	524B	IdleValidationSig
170P	LuggagesLocksSwitchesSignal	274	KeylessModuleInput	524C	IdleValidationSig
170R	LuggagesLocksSwitchesSignal	276	KeylessModuleInput	528	OverrideSignal
170S	LuggagesLocksSwitchesSignal	277	KeylessModuleKeypadLt	541	CruiseSetSig
170T	LuggagesLocksSwitchesSignal	278	KeylessModuleInput	544	CruiseOn_OffSignal
170V	LuggagesLocksSwitchesSignal	280	KeylessModuleInput	544A	CruiseOn-OffLed
170W	LuggagesLockPower	283	EntranceDoorHingeSignal	545	CruiseResumeSig
170Y	LuggagesLocks	283A	KeylessModuleInput	555	FanClutchSignal
170Z	LuggagesLocks	283C	EntranceDoorHingeSignal	563	FanClutchSignal
171	LuggageUnlockSwSig	284A	LuggagesUnlockRelays	564B	OutZFDecelSig
174	Transmission	284B	KeylessModuleOutput	583	EngineBrake
175	BackUpCamera	285	LuggagesLockRelays	600	ABSSensor
175B	BackupCamSignal	285B	KeylessModuleOutput	600A	ABSSensor
175C	BackupCamDoor	285C	KeylessModuleOutput	601	ABSSensor
175D	12VIBackupcamera	286	EntranceDoorLock	601A	ABSSensor
175E	BackUpMonitor	286A	EntranceDoorLock	602	ABSSteering&Yawsensor
176	Transmission	286B	FrontDoorLock	603	ABSSteering&Yawsensor
177	Transmission	287	KeylessModuleOutput	604	ABSSteering&Yawsensor
180	Transmission	290	GndFanClutch	605	ABSSteering&Yawsensor
181	OutsideSensorSig	291	FanClutch	606	ABSPressuresensor
181C	OutsideTemperatureSensor	292	FanClutch	607	ABSPressuresensor
181D	Outsidetempssensor	294	KeylessModuleOutput	608	ABSPressuresensor
182	SunVisor	295	KeylessModuleOutput	609	ABSPressuresensor
183	SunVisor	296	RJBDoorFan	610	ABSPressuresensor
184	CustomerC	297	TransShiftDown	611	AbsTagSolenoid
190	TransPresetSpd	298	TransShiftUp	612	AbsTagSolenoid
197	FuelFilterSig	352	OverrideSignal	613	AbsTagSolenoid
201	Upperwiper&HeadlampsWasher	417	ThrottlePositionSignal	614	ABSSteeringSolenoid
202		439	12VltoCPC	614A	ABSSteeringSolenoid
229	Auxiliarydefrost	500	DDECGND	615	ABStrailersolenoid
229A	Auxiliarydefrost	501	Control_Ground_Relay	616	ABStrailersolenoid
231		502	IVSOut	617	ABStrailersolenoid
231A	CrankSignal	503	DPF_Malfunction	900	J1587
231B	Starter_Relay	505	DPFSensor	901	J1587
240	PowertoEcm	506	DPFSensor	911	EmergencyCutoutRlySignal
240A	PowertoEcm	507	DPFSensor	916	5VSensorPwr
240B	PowertoEcm	508	DPFSensor	952	GndSensorRtn
241	PowertoEcm	510	FastIdleSignal	953	Electronic_ground_DDEC_VI
241A	PowertoEcm	511	DPFSensor	979	EngineBrakeA
241B	PowertoEcm	512	DPFSensor	979A	EngineBrake
260		513	DPFSensor	BLACK	TrailerBackupLights

# CIRCUITS LIST

CircuitID	Description	CircuitID	Description	CircuitID	Description
BikFR		LX5	ClusterKeyPad	ORB7	
BikRL		LX6	ClusterKeyPad	RED	TrailerStopLights
BikRR		LX7	ClusterKeyPad	RedFR	
BLUE	TrailerconnectorABSPower	LX16	ClusterKeyPad	RedRL	
Bref1	PassengerSensor	LX21	ClusterKeyPad	RedRR	
BROWN	TrailerMarkerlights	N1	A41Address	Ref1	GndPassengerSensor
CAN2-H	EngineCan2	N2	A56Address	Rts	ComputerSignals
CAN2-L	EngineCan2	N3	A56Address	RX	
CanH		N4	A57Address	RxD	ComputerSignals
CanH1	Sparefrttorr	N5	A57Address	S076A	
CanL	CanLSignal	N6	A43Address	So1	PowerSlideOut
CanL1	Sparefrttorr	N7	A44Address	So2	SldOutRemoteSig
CC1	Converterinput1	N8	A44Address	So3	SldOutInSig
CC2	ConverterInput2	N9	A45Address	So4	SignalOut
CC3	ConverterInput3	N10	A45Address	So5	
CC4	ConverterInput4	N11	A46Address	So6	SldOut1LimitIn
CC5	Converterinput5	N12	A46Address	So7	SldOut1LimitOut
CC12	Converteroutput1	N13	A47Address	SO8	PowerSldOut1Sensor
CC13	ConverterOutput3	N14	A47Address	So8	PowerSldOut1Sensor
CC14	ConverterOutput2	N15	A48Address	So9	SldOut1StatusLed
CC15	Converteroutput4	N16	A48Address	So10	SldOut1RelaySig
CC16	Converteroutput5	N17	A49Address	So11	SldOut2RelaySig
CC17	ConverterOutput6	N18	A49Address	So12	SealInflating
Cd	ComputerSignals	N19	A50Address	So13	SldOut1SealDeflatSig
Cd1	ComputerSignals	N20	A50Address	So14	SldOut1VacumGen
Cts	ComputerSignals	N21	A51Address	So16	SensorGndRtn
D1	UpperWiperMotor	N22	A51Address	So18	
DBusH		N23	A52Address	So18AA	Gnd
DbusH	DBusSignal	N24	A52Address	So19	SldOutMotor1Sig
DBusL		N25	A53Address	So20	SldOutMotor1Sig
DbusL	DBusSignal	N26	A53Address	So21	SldOutMotorSig
Engine_Can+	EngineCan	N27	A54Address	So28	PowerSlideOut
Engine_Can-	EngineCan	N28	A54Address	So31	
GndA	ComputerSignals	N29	A36Address	So31A	GndSlideOut
GREEN	TrailerFlasherRH	N31	A58Address	So31AA	Gnd
IPJ1	Cluster	N32	A58Address	So32	SldOut1SignalOut
IPJ2	Cluster	N33	A55Address	So33	SldOut2SignalIn
IPJ5	Cluster	N34	A55Address	So36	SldOut2LimitIn
IPJ6	Cluster	N35		So37	SldOut2LimitOut
IPJ7	Cluster	OFB3		So38	PowerSldOut2Sensor
IPJ8	Cluster	OFB5		So39	SldOut2StatusLed
J1939H		OFC1	Driverseat	So40	SldOut2RelaySig
J1939L		ORB5	GndLuggageLock	So41	SldOut2RelaySig

# CIRCUITS LIST

CircuitID	Description	CircuitID	Description	CircuitID	Description
So42	SldOut2SealDeflatSig	spare4	SparesEvap.Harness	spare57	SparesEnginesAccessories
So46	SldOutMotor2sig	spare5	SparesEvap.Harness	spare58	SparesEnginesAccessories
So47	SldOutMotor2sig	spare6	SparesEvap.Harness	spare59	SparesEnginesAccessories
So48	SldOut2MotorSig	spare7	SparesEvap.Harness	spare60	SparesEnginesAccessories
So55	SecurityPinSol	spare8	SparesEvap.Harness	spare61	SparesEnginesAccessories
So58	SldOutMotor1Sig	spare9	SparesEvap.Harness	spare62	spareABSHarness
So59	SldOutMotor2sig	spare17	SparesFr-to-RearHarness	spare63	spareABSHarness
So61	SldOut2SealInflat	spare18	SparesFr-to-RearHarness	spare64	
So62	SldOut1SignalOut	spare19	SparesFr-to-RearHarness	Spare65	
So63	SldOut2SignalIn	spare20	SparesClearanceLts	spare94	SparesRearClearanceHarness
So64	SldOut3LimitIn	spare21	SparesClearanceLts	spare95	SparesRearClearanceHarness
So65	SldOut3LimitOut	spare22	SparesClearanceLts	TX	
So66	PowerSldOut2Sensor	spare23	SparesClearanceLts	TxD	ComputerSignals
So67	SldOut2StatusLed	spare24	SparesClearanceLts	WHITE	TrailerConnectorGnd
So68	SldOut2RelaySig	spare25	SparesClearanceLts	WhtFR	
So69	SldOut2RelaySig	spare26	SparesFrontHarness	WhtRL	
So70	SldOut2SealInflat	spare27	SparesFrontHarness	WhtRR	
So71	SldOut2SealDeflatSig	spare28	SparesFrontHarness	YELLOW	TrailerFlasherLH
So72	SldOut2MotorSig	spare29	SparesFrontHarness		
So73	SldOutMotor2sig	spare30	SparesFrontHarness		
So74	SldOutMotor2sig	spare31	SparesFrontHarness		
So76		spare32	SparesFrontHarness		
So76AA	Gnd	spare33	SparesFrontHarness		
So82	SldOut1SignalOut	spare34	SparesFrontHarness		
So83	SldOut2SignalIn	spare35	SparesFrontHarness		
So84	SldOut3LimitIn	spare36	SparesFrontHarness		
So85	SldOut3LimitOut	spare37	SparesFrontHarness		
So86	PowerSldOut2Sensor	spare38	SparesFrontHarness		
So87	SldOut2StatusLed	spare39	SparesDash		
So88	SldOut2RelaySig	spare40	SparesDash		
So89	SldOut2RelaySig	spare41	SparesDash		
So90	SldOut2SealInflat	spare42	SparesDash		
So91	SldOut2SealDeflatSig	spare43	SparesDash		
So92	SldOut2MotorSig	spare44	SparesDash		
So93	SldOutMotor2sig	spare45	SparesFr-to-RearHarness		
So94	SldOutMotor2sig	spare46	SparesFr-to-RearHarness		
So95	SldOutMotor2sig	spare49	SparesEngineCradle		
So96		spare50	SparesEngineCradle		
So96A		spare51	SparesEngineCradle		
So96AA	Gnd	spare52	SparesEngineCradle		
SP	ConverterVehicleSpeed	spare53	SparesEngineCradle		
spare2	SparesFr-to-RearHarness	spare54	SparesEngineCradle		
spare3	SparesFr-to-RearHarness	spare55	SparesEnginesAccessories		

# CIRCUITS LIST

CircuitID	Description	CircuitID	Description	CircuitID	Description
0	BatteriesGND	0RB4	GndLuggagesLock	12VIF	12VltoFrontVec
2	CondensorDoorOpenSig	0RB5	Luggageslockunlockrelay	12VIF19	12VDdash
2B	CondSndSpdSig	0RB6	GndCustomer	12VIZF	ZFsterringControl
6	DriverLightSwitch	0RB7	GndAwningWindow	12WUp1	12VWUptoA48
7	GndDriverSensor	0RB8	GndTrailerConnector	12Wup1	12WUpFront
9	EngCmpt.LtsSwitch	0RC1	GndS/ACWaterpump	12Wup2	12WUptoDash
9A	EngineDoorOpenSig	0RC2	GndDriverCylinder	12Wup3	24WupLuggageslock
9B	EngineCmpt.Lt	0RC3		12WUp5	PwrtoModuleA51
9BRtn	GndEngineCmpt.Lts	0RC4	GndKeylessKeypad	13	GndTransducer
0A	Evap.Gnd	0SA1	GndAlternator	15	UpperWipInt.Signal
00A	GndElectronic	0SA2	GndAlternator	15A	UpperWip.1StSpdSig
0B	GndEngineCompt	0ST	GndSterringMultifuntion	16	SpeedSignal
00B	ElectronicGndofMuxModules	0VE	EqualizerGnd	16A	UpperWasherPump
0C	GndStarter062214	0Y		17	UpperWasherSwSignal
0CE	GNDA48A47	10	LuggageCmpt.LtsPwr	18	Wip.WasherLevel
00D	RJBArjarSignal	10A	LuggageCmpt.LtsPwr	18A	
0DG	GndAlternator	10R	LuggageDoorOpenSig	20	AirDryer
0EV1		12		21	FlasherLHSig
0EV2	GndHvac	12A	12VDtoR3	21A	
0F	FJBDDoorOpenSig	12B	12VDTOCB2	21AA	FlashersRearLH
0FA1	GndofAccessoires	12CPC	CPCSupply	21B	CorneringLtsLH
0FA2	GndAuxLiqSolenoidValve	12Ecu	12v_Engine_Ecu	21BR	GndFoglights
0FA4	gnd	12F	12VDto12PostRJB	22	HazardSwSig
0FB1	GNDBackupcamera	12H	Backupcolor	23	FlasherRHSig
0FB2	GndDriverWdo	12K	KeylessModule	23A	FrontFlasherRH
0FB5	GNDMuxpower	12VA	12vEqualizer	23AA	FrontFlasherRHSide
0FC1	GndHorns	12VD1	12VDFrontWake-up	23B	CorneringLtsRH
0FC4	ElectricalHorn	12VD2	KeylessBatteryPower	24	Battery24VMainPower
0FD1	GNDCustomer	12VD3	12vRearwake-up	24A	BoosterBlock
0FE		12VD4	12v_Engine_Ecu	24AW	AwiningWindowsPower
0FE4	Gnd_AFSS	12VDCust	12VDCustomer	24C0	Resistor_Pwr_Excitation
0FE5	Gnd_AFSS	12VDF	12VDtoFrontVec	24CO	PwrtoExcitationResistor
0G	GndofA54	12VDF3	ProDriverBatteryPower	24D	24DtoCB6
0H	GroundCoolantSensor	12VI	12VltoCB10	24E	24VltoCB1
0L	KeylessModuleKeypadGnd	12VI1	12VltoA44	24FPS	
0PR1	GndUpperWiperMotor	12VI2	MirrorPwr	24VA	24vEquilizer
0PR2	GndFrontClearanceLts	12VI3	PwrOutletDrawer	24VB	24VEnginePreheater
0R	GndPrimePump	12VI4	PwrOutletandCigarLighter	24VB1	24VEnginePreheater
0RA2		12VI5	12VltoVECR	24VB2	24VEnginePreheater
0RA3	GndR1-R3	12VI6	PwrtoModuleA50	24VD	24VD
0RB1	GndCameraDoorSolenoid	12VI7	TrailerABSPower	24VD1	24VD
0RB2	GndBackUpCamera	12VI9	TireMonitoringPwr	24VD2	24VDtoRearVec
0RB3	GndRearLighting	12VICust	12VICustomer	24VD3	24VDofCECM

# CIRCUITS LIST

CircuitID	Description	CircuitID	Description	CircuitID	Description
24VD4	24VDFrontWake-up	35A	EntranceCeilingLight	65	FootDamper
24VD5	PowerModuleA41	35RTN	EntranceCeilingLtGnd	65A	FootDamper
24VD6	24VD	36		65D	DriverCylinder
24VD7	PassandPRackPwr	39	DriverLtSwSig	65P	AuxiliaruLiqSolValve
24VDCust	24VDCustomer	39B	KeylessModuleOutput	66	MarkersSigSw2
24VI	24VI	39D	DriverLt	67	EvaporatorPwr
24VI1	24VItoRearVec	39Rtn		67A	Condensor1stSpdSig
24VI2	Multifunctionswitchpower	40	WitnessGnd	68	DashDamper
24VI3	UpperWip.MotorPwr	41A	24VCondensor	68A	DashDamper
24VI4	SunVisorsPwr	41A1	CondensorPwr	69	ElectricalHorn
24VI5	24VlofMuxmodules	45	Pre-HeatSigRly	69A	HornPneumatic
24VI6	PwrtoDefrostUnit	46	FrontFlasherRh	71A	DockingLtsLH
24VI7	LowerWiperPower	46A	FrontMarkers	72A	DockingLtsRH
24VI8	24VItoMux	47	DoorOpenSignal	72B	SunVisorRHSig
24VI9	24VlofA54	47A	EntranceDoorSwitch	72C	SunVisorLHSig
24VI9A	24VlofA54	49A	DoorInsideSwCloseSig	72D	SunVisorRHSig
24VI9B	24VlofA54	50	WitnessGndSig	72R	GndMarkersandStopLts
24VI12	RJBLightPwr	52	Sw102	74D	SunVisorLHSig
24VI13		53	LowerWip.Spd1 Sig	76	FuelLevelSig
24VIA	Cut-outPneumaticAcc	53A	ElectricalHorn	76C	FuelLowLevelSig
24VICust	24VICustomer	53B	Air_Horn	76P	PrimePumpSig
24VIF	24VItoFrontVEC	53C	LowerWip.IntSig	77	TransducerHi-Side
24WL	Slideout24Vpower	53D	LowerWip.WasherSwSig	77B	PassandPRackLiquidValve
24WUp1	24VWUptoA47	53E	LowerWiper1stSpd	77BA	A/Cclutch
24Wup1	24WUpFront	53F	LowerWasherPump	77C	PassandPRackLiquidValve
25	EngineRunSignal	53G	LowerWip1stSpd	77K	CoilThermostatSignal
25A1	ExcitationSignal	53H	LowerWiper	78	ServiceBrakeSignal
25A2	Alternator2Signal	53K	KeylessModuleOutput	79	TranducerLow-Side
25E	75ADelcoAlt.signal	54	TestSwitch	79A	StopLightSensorSig
26	DriverWdoPwr	56	Sw103	79B	
26A	DriverWdo	57A	AuxiliaryWaterPump	80	BrakeRedundant
26B	DriverWdo	57L		81	HeadLtCallSw1
28	AudibleRlySig	57R		82A	CyclopeLamp
28A		57Rtn		82Low	
31	UnloaderRH	58L		82Up	StopRearUpperLamps
31B	LowerWip1stSpd	58R		83	24vAccessories
31EE	UpperWipSpd.1	58Rtn	HeadLampRHRtn	84	StartSigSw83
32		59	Hi/LowBeamSignal	84A	Start_Sig_Sw83
32A	BackupLtandalarm	60	FogsLtsSwSig	84B	StartSigSw83
32D	BackupLtandalarm	61	HeadLtsSig	85	24VIgnition
32EE	UpperWiperMotor	63	ClearanceLts	85A	Ign-AccSignal
33	UnloaderLH	63A	FrontClearanceLts	85B	Ign-AccSignal
35	EntranceDoorLiahts	64A	Blinker	85C	PositionNormalSw58

# CIRCUITS LIST

CircuitID	Description	CircuitID	Description	CircuitID	Description
85D	RearStartPwr	105A		137	
85E	RearStartSignal	105ARtn		137A	MirrorPwrSig
85F	24VIgnition	105Rtn		137B	Mirrors
85G	EgnineStartPwrSw58	106		137C	Mirrors
85H	Ign-AccSignal	106A		137D	Mirrors
85Y	ABSTTLT	106Rtn		137E	Mirrors
85Z	AbsTrailerWarningSignal	111	Transmission	137F	Mirrors
86	DefrostunitSpd	114	BacklightPwr	137H	Mirrors
86A	PassengerDefrosterControl	114A	Backlight	137J	Mirrors
86Rtn	GndDefrostUnit	114AA	ClusterKeyPadBacklight	137K	Mirrors
87	ESP	115	CoolantLevelSignal	137L	Mirrors
88	CompressorPressureSignal	115A	WitnessPwr	137M	Mirrors
89	DriverSensorSig	115W		138	ABSSensor
90H	24VltoEvap	116	DriverLiq	138A	ABSSensor
90H1	Evaporator	116A	DriverLiq	139	ABSSolenoid
91	ParkBrakeSig	118	Transmission	140	ABSSolenoid
91B	WitnessSigSw14	119		141	ABSSolenoid
92	TrailerParkBrakeSig	120	Transmission	142	ABSSolenoid
93	PassengerDefrostSwitchUp	121	SteeringOutSignal	143	ABSSensor
94	PassengerDefrostSwitchDown	122	SteeringOutSignal	143A	ABSSensor
95	DockingLTSwSig	123	FireAlarm	144	ABSSensor
96	CorneringLTSwSig	123A	WakeUpSignal	144A	ABSSensor
97	LowDockingLightsSwitchSignal	124A	ShifterSignal	145	ABSSolenoid
97A	SpecialOption	125		146	ABSSolenoid
98		126F	LevelLowSignal	146A	
00A1	GndElectronic	127	Transmission	147	EtherSignal
0B1	GndEnginePreheater	128	SteeringMultifunctionPwr	147A	EtherSolenoid
00B1	GndEng.Start	129		148	ABSSolenoid
0V1	LuggageDoorOpenSig	130		149	ABSSensor
0V2	LuggageDoorOpenSig	131	Evaporator2ndSpd	149A	ABSSensor
0V3	LuggageDoorOpenSig	132	DifferentialLockSignal	150	Transmission
0V4	EvaporatorLightSwitch	132A	LevelLowSo29	151	GndtoEcm
0V4A	Condensorlightswitch	132B	LevelLowSo30	151A	GndtoEcm
0V5	LuggageDoorOpenSig	132C	LevelLowSo31	151B	GndtoEcm
0Y2	GndChassisABSSol	132D	LevelLowSo32	151C	GndtoEcm
0Y3	GndChassisABSSol	132E	LevelLowPower	151D	GndtoEcm
101	PwrtoStarter	132F	LevelLowPower	152	Transmission
101A		133	Transmission	154	Transmission
101B		135	Transmission	155	TransmissionInhibitSig
102	Alternator	135A	Transmission	156A	12VltoABS
102A	Alternator	136	Transmission	157D	ATCTTLT
104	LevelLowSo28	136A		159	Transmission
105	FoaLtsLH	136AA	ShifterSignal	160	TaaSignal

# CIRCUITS LIST

CircuitID	Description	CircuitID	Description	CircuitID	Description
163	RetarderSig	229A	Auxiliarydefrost	344	ExtinguisherSignal
163A	EngBrakeRetSignal	231		345	See_H3_Design
163B	RetarderEnSig	231A	CrankSignal	346	See_H3_Design
164	HandLevelSig	231B	StarterRelay	347	Fire_Detect_Alarme
166	WitnessSigSw16	240	PowertoEcm	348	See_H3_Design
170A	LuggagesLocks	240A	PowertoEcm	351	EngineShout-downSignal
170B	LuggagesLocks	240B	PowertoEcm	352	
170D	Luggageslockrelay	241	PowertoEcm	417	ThrottlePositionSignal
170E	Luggagesdoorslockrelays	241A	PowertoEcm	439	12VltoCPC
170F	LuggagesLocks	241B	PowertoEcm	500	DDECGND
170G	LuggagesLocks	260		501	Control_Ground_Relay
170K	LuggagesLocksSwitchesSignal	264	AuxiliaryFanSpeedControl	502	IVSOut
170L	LuggagesLocksSwitchesSignal	264Rtn	AuxiliaryFanSpeedControl	503	DPF_Malfunction
170M	LuggagesLocksSwitchesSignal	272	KeylessModuleInput	505	DPFSensor
170N	LuggagesLocksSwitchesSignal	274	KeylessModuleInput	506	DPFSensor
170P	LuggagesLocksSwitchesSignal	276	KeylessModuleInput	507	DPFSensor
170R	LuggagesLocksSwitchesSignal	277	KeylessModuleKeypadLt	508	DPFSensor
170S	LuggagesLocksSwitchesSignal	278	KeylessModuleInput	510	FastIdleSignal
170T	LuggagesLocksSwitchesSignal	280	KeylessModuleInput	511	DPFSensor
170V	LuggagesLocksSwitchesSignal	283	EntranceDoorHingeSignal	512	DPFSensor
170W	LuggagesLockPower	283A	KeylessModuleInput	513	DPFSensor
170Y	LuggagesLocks	283C	EntranceDoorHingeSignal	514	DPFSensor
170Z	LuggagesLocks	284A	LuggagesUnlockRelays	515	GroundPreheaterRelay
171	LuggageUnlockSwSig	284B	KeylessModuleOutput	524B	IdleValidationSig
174	Transmission	285	LuggagesLockRelays	524C	IdleValidationSig
175	BackUpCamera	285B	KeylessModuleOutput	528	OverrideSignal
175B	BackupCamSignal	285C	KeylessModuleOutput	541	CruiseSetSig
175C	BackupCamDoor	286	EntranceDoorLock	544	CruiseOn_OffSignal
175D	12VlBackupcamera	286A	EntranceDoorLock	544A	CruiseOn-OffLed
175E	Backupcolor	286B	FrontDoorLock	545	CruiseResumeSig
176	Transmission	287	KeylessModuleOutput	555	FanClutchSignal
177	Transmission	290	GndFanClutch	563	FanClutchSignal
180	Transmission	291	FanClutch	564B	OutZFDecelSig
181	OutsideSensorSig	292	FanClutch	583	EngineBrake
181C	OutsideTemperatureSensor	294	KeylessModuleOutput	600	ABSSensor
181D	Outsidetempssensor	295	KeylessModuleOutput	600A	ABSSensor
182	SunVisor	296	RJBDDoorFan	601	ABSSensor
183	SunVisor	297	TransShiftDown	601A	ABSSensor
190	TransPresetSpd	298	TransShiftUp	602	ABSSteering&Yawsensor
197	FuelFilterSig	341		603	ABSSteering&Yawsensor
201	Upperwiper&HeadlampsWasher	342	AFSS_Panel_Gnd	604	ABSSteering&Yawsensor
202		343	See_H3_Design	605	ABSSteering&Yawsensor
229	Auxiliarvdefrost	343A	See H3 Desian	606	ABSPressuresensor

# CIRCUITS LIST

CircuitID	Description	CircuitID	Description	CircuitID	Description
607	ABSPressuresensor	CC17	ConverterOutput6	N18	A49Address
608	ABSPressuresensor	Cd	ComputerSignals	N19	A50Address
609	ABSPressuresensor	Cd1	ComputerSignals	N20	A50Address
610	ABSPressuresensor	Cts	ComputerSignals	N21	A51Address
611	AbsTagSolenoid	D1	UpperWiperMotor	N22	A51Address
612	AbsTagSolenoid	DBusH		N23	A52Address
613	AbsTagSolenoid	DbusH	DBusSignal	N24	A52Address
614	ABSSteeringSolenoid	DBusL		N25	A53Address
614A	ABSSteeringSolenoid	DbusL	DBusSignal	N26	A53Address
615	ABStrailersolenoid	Engine_Can+	EngineCan	N27	A54Address
616	ABStrailersolenoid	Engine_Can-	EngineCan	N28	A54Address
617	ABStrailersolenoid	GndA	ComputerSignals	N29	A36Address
900	J1587	GREEN	TrailerFlasherRH	N31	A58Address
901	J1587	IPJ1	Cluster	N32	A58Address
911	EmergencyCutoutRlySignal	IPJ2	Cluster	N33	A55Address
916	5VSensorPwr	IPJ5	Cluster	N34	A55Address
952	GndSensorRtn	IPJ6	Cluster	N35	
953	Electronic_ground_DDEC_VI	IPJ7	Cluster	OFB3	
979	EngineBrakeA	IPJ8	Cluster	OFB5	TireMonitoringGND
979A	EngineBrake	J1939H		OFC1	Driverseat
BLACK	Starter_Relay	J1939L		ORB5	GndLuggagesLock
BikFR	TPMS	LX5	ClusterKeyPad	ORB7	
BikRL	TPMS	LX6	ClusterKeyPad	RED	StarterRelay
BikRR	TPMS	LX7	ClusterKeyPad	RedFR	TPMS
BLUE	TrailerconnectorABSPower	LX16	ClusterKeyPad	RedRL	TPMS
Bref1	PassengerSensor	LX21	ClusterKeyPad	RedRR	TPMS
BROWN	TrailerMarkerlights	N1	A41Adress	Ref1	GndPassengerSensor
CAN2-H	EngineCan2	N2	A56Address	Rts	ComputerSignals
CAN2-L	EngineCan2	N3	A56Address	RX	TPMS
CanH		N4	A57Address	RxD	ComputerSignals
CanH1		N5	A57Address	S076A	
CanL	CanLSignal	N6	A43Address	So1	PowerSlideOut
CanL1		N7	A44Address	So1A	PowerSlideOut
CC1	Converterinput1	N8	A44Address	So1B	PowerSlideOut
CC2	ConverterInput2	N9	A45Address	So1C	
CC3	ConverterInput3	N10	A45Address	So2	SldOutRemoteSig
CC4	ConverterInput4	N11	A46Address	So3	SldOutInSig
CC5	Converterinput5	N12	A46Address	So4	SignalOut
CC12	Converteroutput1	N13	A47Address	So5	
CC13	ConverterOutput3	N14	A47Address	So6	SldOut1LimitIn
CC14	ConverterOutput2	N15	A48Address	So7	SldOut1LimitOut
CC15	Converteroutput4	N16	A48Address	SO8	PowerSldOut1Sensor
CC16	Converteroutput5	N17	A49Address	So8	PowerSldOut1Sensor



# CIRCUITS LIST

CircuitID	Description	CircuitID	Description	CircuitID	Description
So9	SldOut1StatusLed	So74	SldOutMotor2sig	spare31	SparesFrontHarness
So10	SldOut1RelaySig	So76		spare32	SparesFrontHarness
So11	SldOut2RelaySig	So76AA	Gnd	spare33	SparesFrontHarness
So12	SeallInflating	So82	SldOut1SignalOut	spare34	SparesFrontHarness
So13	SldOut1SealDeflatSig	So83	SldOut2SignalIn	spare35	SparesFrontHarness
So14	SldOut1VacumGen	So84	SldOut3LimitIn	spare36	SparesFrontHarness
So16	SensorGndRtn	So85	SldOut3LimitOut	spare37	SparesFrontHarness
So18		So86	PowerSldOut2Sensor	spare38	SparesFrontHarness
So18AA	Gnd	So87	SldOut2StatusLed	spare39	SparesDash
So19	SldOutMotor1Sig	So88	SldOut2RelaySig	spare40	SparesDash
So20	SldOutMotor1Sig	So89	SldOut2RelaySig	spare41	SparesDash
So21	SldOutMotorSig	So90	SldOut2SeallInflat	spare42	SparesDash
So31		So91	SldOut2SealDeflatSig	spare43	SparesDash
So31A	GndSlideOut	So92	SldOut2MotorSig	spare44	SparesDash
So31AA	Gnd	So93	SldOutMotor2sig	spare45	SparesFr-to-RearHarness
So32	SldOut1SignalOut	So94	SldOutMotor2sig	spare46	SparesFr-to-RearHarness
So33	SldOut2SignalIn	So95	SldOutMotor2sig	spare49	SparesEngineCradle
So36	SldOut2LimitIn	So96		spare50	SparesEngineCradle
So37	SldOut2LimitOut	So96A		spare51	SparesEngineCradle
So38	PowerSldOut2Sensor	So96AA	Gnd	spare52	SparesEngineCradle
So39	SldOut2StatusLed	SP	ConverterVehicleSpeed	spare53	SparesEngineCradle
So40	SldOut2RelaySig	spare2	SparesFr-to-RearHarness	spare54	SparesEngineCradle
So41	SldOut2RelaySig	spare3	SparesFr-to-RearHarness	spare55	SparesEnginesAccessories
So42	SldOut2SealDeflatSig	spare4	SparesEvap.Harness	spare57	SparesEnginesAccessories
So46	SldOutMotor2sig	spare5	SparesEvap.Harness	spare58	SparesEnginesAccessories
So47	SldOutMotor2sig	spare6	SparesEvap.Harness	spare59	SparesEnginesAccessories
So48	SldOut2MotorSig	spare7	SparesEvap.Harness	spare60	SparesEnginesAccessories
So55	SecurityPinSol	spare8	SparesEvap.Harness	spare61	SparesEnginesAccessories
So58	SldOutMotor1Sig	spare9	SparesEvap.Harness	spare62	spareABSHarness
So59	SldOutMotor2sig	spare17	SparesFr-to-RearHarness	spare63	spareABSHarness
So61	SldOut2SeallInflat	spare18	SparesFr-to-RearHarness	spare64	
So62	SldOut1SignalOut	spare19	SparesFr-to-RearHarness	spare65	
So63	SldOut2SignalIn	spare20	SparesClearanceLts	spare94	SparesRearClearanceHarness
So64	SldOut3LimitIn	spare21	SparesClearanceLts	spare95	SparesRearClearanceHarness
So65	SldOut3LimitOut	spare22	SparesClearanceLts	TX	TPMS
So66	PowerSldOut2Sensor	spare23	SparesClearanceLts	TxD	ComputerSignals
So67	SldOut2StatusLed	spare24	SparesClearanceLts	WHITE	TrailerConnectorGnd
So68	SldOut2RelaySig	spare25	SparesClearanceLts	WhtFR	TPMS
So69	SldOut2RelaySig	spare26	SparesFrontHarness	WhtRL	TPMS
So70	SldOut2SeallInflat	spare27	SparesFrontHarness	WhtRR	TPMS
So71	SldOut2SealDeflatSig	spare28	SparesFrontHarness	YELLOW	TrailerFlasherLH
So72	SldOut2MotorSig	spare29	SparesFrontHarness		
So73	SldOutMotor2sig	spare30	SparesFrontHarness		

## CIRCUIT BREAKERS CODE

No	Location	Part #	Function	Rating	Page
CB1	RJB	562683	24VIfont	90amp	3.1
CB2	RJB	563425	12VDFront	90amp	3.1
CB3	RJB	562683	HVAC	90amp	3.1
CB4	RJB	563424	WakeUpR17	70amp	3.1
CB5	RJB	562684	24VIRear	150amp	3.1
CB6	RJB	563424	24VDRear	70amp	3.1
CB7	RJB	562687	24VICondensor	70amp	3.1
CB8	RJB	562686	12VIRear	40amp	3.1
CB9	RJB	562686	Slideout	40amp	3.1
CB10	RJB	562687	12VIFront	70amp	3.1
CB11	RJB	563594	Slideout	35amp	3.1
CB12	RJB	562686	12VICondensor	40amp	3.1

# CIRCUIT BREAKERS CODE

No	Location	Part #	Function	Rating	Page
CB1	RJB	562683	24VIFront	90amp	3.1
CB2	RJB	563425	12VDFront	90amp	3.1
CB3	RJB	562683	HVAC	90amp	3.1
CB4	RJB	563424	WakeUpR17	70amp	3.1
CB5	RJB	562684	24VIRear	150amp	3.1
CB6	RJB	563424	24VDRear	70amp	3.1
CB7	RJB	562687	24VICondensor	70amp	3.1
CB8	RJB	562686	12VIRear	40amp	3.1
CB9	RJB	562686	Slideout	40amp	3.1
CB10	RJB	562687	12VIFront	70amp	3.1
CB11	RJB	563594	Slideout	35amp	3.1
CB12	RJB	562686	12VICondensor	40amp	3.1
CB60	RJB	563699	Lugg. Door Lock	20amp	3.1
CB61	RJB	563699	Lugg. Door Lock	20amp	3.1









## CONNECTORS LIST

No	Location	Part #	Gender	No	Location	Part #	Gender
A1.CS	RJB	562817	male	A41.J2	FJB	563132	male
A1.CT	RJB	562822	male	A41.J3	FJB	562957	male
A1.CV	RJB	562823	male	A42	FJB	562957	male
A12	Dash	562464	male	A42.J1	FJB	562767	male
A13.J1	FJB	562794	male	A42.J2	FJB	563132	male
A13.J2	FJB	562650	male	A42.J3	FJB	562957	male
A14.CX	Dash	562957	male	A43	FJB	562957	male
A14.CY	Dash	562765	male	A43.J1	FJB	562767	male
A14.LX	Dash	562766	male	A43.J2	FJB	563132	male
A14.LY	Dash	562767	male	A43.J3	FJB	562957	male
A14.RX	Dash	562767	male	A44	FJB	562957	male
A15	Dash	562464	male	A44.J1	FJB	563133	male
A18	FJB	562794	male	A44.J2	FJB	563132	male
A18.J2	FJB	562650	male	A44.J3	FJB	562957	male
A2	ServiceCmpt.	562825	male	A45	FJB	562957	male
A24	RightHandConsole	561889	female	A45.J1	FJB	563133	male
A24.A	RightHandConsole	561890	male	A45.J2	FJB	563132	male
A24.B	RightHandConsole	561566	female	A45.J3	FJB	562957	male
A27	ServiceCmpt.	562929	male	A46	FJB	562957	male
A28	ServiceCmpt.	562928	male	A46.J1	FJB	563133	male
A3	Dash	562363	male	A46.J2	FJB	563132	male
A30	RightHandConsole	561889	female	A46.J3	FJB	562957	male
A30.A	RightHandConsole	561611	male	A47	RightHandConsole	562957	male
A31.A	FJB	562676	male	A47.J1	RightHandConsole	563133	male
A31.B	FJB	562675	male	A47.J2	RightHandConsole	563132	male
A32.A	1stLuggCmpt.	561611	male	A47.J3	RightHandConsole	562957	male
A32.C	1stLuggCmpt.	561566	female	A48	RightHandConsole	562957	male
A36.JA	FJB	562767	male	A48.J1	RightHandConsole	563133	male
A36.JB	FJB	562765	male	A48.J2	RightHandConsole	563132	male
A36.JC	FJB	562957	male	A48.J3	RightHandConsole	562957	male
A4.A	ServiceCmpt.	562428	female	A49	RJB	562957	male
A4.B	ServiceCmpt.	561188	female	A49.J1	RJB	562767	male
A41	FJB	562957	male	A49.J2	RJB	563132	male
A41.J1	FJB	562767	male	A49.J3	RJB	562957	male



## CONNECTORS LIST

No	Location	Part #	Gender	No	Location	Part #	Gender
A5	ServiceCmpt.	562428	female	Alt3.C	EngineCmpt.	562862	female
A50	RJB	562957	male	Alt3.D	EngineCmpt.	560587	female
A50.J1	RJB	563133	male	C1	FJB	563589	male
A50.J2	RJB	563132	male	C1	FJB	563590	female
A50.J3	RJB	562957	male	C100	5thLuggCmpt.	563589	male
A51	RJB	562957	male	C100	5thLuggCmpt.	563590	female
A51.J1	RJB	563133	male	C100S	5thLuggCmpt.	563589	male
A51.J2	RJB	563132	male	C100S	5thLuggCmpt.	563590	female
A51.J3	RJB	562957	male	C101	ServiceCmpt.	561690	male
A52	RJB	562957	male	C101	ServiceCmpt.	561566	female
A52.J1	RJB	563133	male	C11	ServiceCmpt.	563580	male
A52.J2	RJB	563132	male	C11	ServiceCmpt.	563581	female
A52.J3	RJB	562957	male	C119	EngineDoor	561607	male
A53	RJB	562957	male	C119	EngineDoor	561606	female
A53.J1	RJB	563133	male	C12_plug	RJB	562485	male
A53.J2	RJB	563132	male	C12_socket	RJB	562486	female
A53.J3	RJB	562957	male	C120	EngineDoor	561607	male
A54.J1	Evap.Cmpt.	563133	male	C120	EngineDoor	561606	female
A54.J2	Evap.Cmpt.	563132	male	C121	EngineDoor	561690	male
A54.J3	Evap.Cmpt.	562957	male	C121	EngineDoor	561566	female
A56	FJB	562464	male	C13S	RightHandConsole	563593	male
A6	EngineCmpt.	562427	male	C13S	RightHandConsole	563590	female
A7	EngineCmpt.	562536	male	C15	5thLuggCmpt.	561646	male
A8	EngineCmpt.	563403	female	C15	5thLuggCmpt.	561645	female
A9.Cx1	FJB	563200	male	C152	CondensorCmpt.	561611	male
A9.Cx2	FJB	563201	male	C152	CondensorCmpt.	561610	female
Alt1.A	EngineCmpt.	560815	female	C168	AboveRearAxle	561690	male
Alt1.B	EngineCmpt	560815	female	C168	AboveRearAxle	561566	female
Alt1.C	EngineCmpt.	562862	female	C17	RJB	561986	male
Alt2.A	EngineCmpt.	560815	female	C17	RJB	561987	female
Alt2.B	EngineCmpt	560815	female	C171	FJB	561646	male
Alt2.C	EngineCmpt.	562862	female	C171	FJB	561645	female
Alt3.A	EngineCmpt.	560815	female	C172	ServiceCmpt.	561637	male
Alt3.B	EngineCmpt.	560086	female	C172	ServiceCmpt.	561635	female

## CONNECTORS LIST

No	Location	Part #	Gender	No	Location	Part #	Gender
C18	FJB	561986	male	C26_plug	RJB	562485	male
C18	FJB	561987	female	C26_socket	RJB	562486	female
C19	RJB	561986	male	C264	Entrance_Door	561637	male
C19	RJB	561987	female	C264	Entrance_Door	561636	female
C193	RJB	563589	male	C266	RightHandConsole	561583	male
C193	RJB	563590	female	C266	RightHandConsole	561585	female
C194	FJB	563589	male	C269	RHConsole	563090	male
C194	FJB	563590	female	C269	RHConsole	563091	female
C1S	FJB	563589	male	C279	FJB	562477	male
C1S	FJB	563590	female	C279	FJB	562479	female
C2	ServiceCmpt.	563580	male	C281	LeftHandConsole	560852	male
C2	ServiceCmpt.	563581	female	C281	LeftHandConsole	560851	female
C200	FJB	561607	male	C290	5thLuggCmpt.	561668	male
C200	FJB	561606	female	C290	5thLuggCmpt.	561551	female
C21A	RJB	561646	male	C291	5thLuggCmpt.	561668	male
C21A	RJB	561645	female	C291	5thLuggCmpt.	561551	female
C21B	RJB	561646	male	C3	RJB	563589	male
C21B	RJB	561645	female	C3	RJB	563590	female
C22	RJB	561847	male	C34	RightHandConsole	561986	male
C22	RJB	561862	female	C34	RightHandConsole	561987	female
C228	EngineCmpt.	563227	male	C342	EngineCmpt.	562477	male
C228	EngineCmpt.	563614	female	C342	EngineCmpt.	562479	female
C230	EngineCmpt.	562485	male	C36	FJB	561986	male
C230	EngineCmpt.	562486	female	C36	FJB	561987	female
C239	FJB	561690	male	C360	Dash	561247	male
C239	FJB	561566	female	C360	Dash	561248	female
C24	Evap.Cmpt.	561690	male	C380	Dash	563180	male
C24	Evap.Cmpt.	561566	female	C380	Dash	563347	female
C242	ServiceCmpt.	562789	male	C397	RJB	562285	male
C242	ServiceCmpt.	565131	female	C397	RJB	562282	female
C243	ServiceCmpt.	562789	male	C398	EngineCmpt.	561690	male
C243	ServiceCmpt.	565131	female	C398	EngineCmpt.	561566	female
C246	ServiceCmpt.	563090	male	C3S	RJB	563593	male
C246	ServiceCmpt.	563091	female	C3S	RJB	563590	female

## CONNECTORS LIST

No	Location	Part #	Gender	No	Location	Part #	Gender
C4	ServiceCmpt.	563580	male	C553	2ndLuggCmpt.	561476	male
C4	ServiceCmpt.	563581	female	C553	2ndLuggCmpt.	561477	female
C40	Dash	562485	male	C554	1stLuggCmpt.	561476	male
C40	Dash	562486	female	C554	1stLuggCmpt.	561477	female
C400_plug	EngineCmpt.	561782	male	C555	1stLuggCmpt.	561476	male
C400_socket	EngineCmpt.	561781	female	C555	1stLuggCmpt.	561477	female
C426	EngineCmpt	561782	male	C556	5thLuggCmpt.	561476	male
C426	EngineCmpt	561781	female	C556	5thLuggCmpt.	561477	female
C44_plug	FJB	561577	male	C557	3rdLuggCmpt.	561476	male
C44_socket	FJB	561605	female	C557	3rdLuggCmpt.	561477	female
C45	FJB	561643	male	C558	4thLuggCmpt	561476	male
C45	FJB	561642	female	C558	4thLuggCmpt	561477	female
C463	EngineCmpt.	562570	female	C559	5thLuggCmpt.	561476	male
C463	EngineCmpt.	562571	male	C559	5thLuggCmpt.	561477	female
C464	RJB	563180	male	C581	UnderdashBoard	562777	male
C464	RJB	563347	female	C589	ServiceCmpt.	563088	male
C48	ServiceCmpt.	561690	male	C589	ServiceCmpt.	563089	female
C48	ServiceCmpt.	561566	female	C590	RHConsole	563088	male
C49	ServiceCmpt.	561577	male	C590	RHConsole	563089	female
C49	ServiceCmpt.	561605	female	C5S	FJB	563589	male
C5	FJB	563589	male	C5S	FJB	563590	female
C5	FJB	563590	female	C6	ServiceCmpt.	563582	male
C50	RJB	561577	male	C6	ServiceCmpt.	563583	female
C50	RJB	561605	female	C69	RrAxleInsidePVC	561607	male
C500	FJB	562069	male	C69	RrAxleInsidePVC	561606	female
C500	FJB	562070	female	C71	FJB	561646	male
C51	RJB	561577	male	C71	FJB	561645	female
C51	RJB	561605	female	C72	ServiceCmpt.	561646	male
C550	5thLuggCmpt.	561476	male	C72	ServiceCmpt.	561645	female
C550	5thLuggCmpt.	561477	female	C74	ServiceCmpt.	561645	female
C551	5thLuggCmpt.	561476	male	C74	ServiceCmpt.	561646	male
C551	5thLuggCmpt.	561477	female	C75	4thLuggCmpt	561668	male
C552	3rdLuggCmpt.	561476	male	C75	4thLuggCmpt	561551	female
C552	3rdLuggCmpt.	561477	female	C77	4thLuggCmpt	561668	male

## CONNECTORS LIST

No	Location	Part #	Gender	No	Location	Part #	Gender
C77	4thLuggCmpt	561551	female	CH55A	Evap.Cmpt.	562486	female
C78	EngineCmpt.	561690	male	CH56A	Evap.Cmpt.	562485	male
C78	EngineCmpt.	561566	female	CH56A	Evap.Cmpt.	562486	female
C81	1stLuggCmpt.	561668	male	CT2	EngineCmpt.	563226	male
C81	4thLuggCmpt	561551	female	CT2	EngineCmpt.	563613	female
C82	1stLuggCmpt.	561668	male	L16	FrontRoof	562803	male
C82	1stLuggCmpt.	561551	female	L17	FrontRoof	562803	male
C83	2ndLuggCmpt.	561668	male	L173	EngineCmpt.	563268	male
C83	2ndLuggCmpt.	561551	female	L174	EngineCmpt.	563268	male
C84	2ndLuggCmpt.	561668	male	L175	RJB	561247	male
C84	2ndLuggCmpt.	561551	female	L176	5thLuggCmpt.	561247	male
C85	3rdLuggCmpt.	561668	male	L177	5thLuggCmpt.	561247	male
C85	3rdLuggCmpt.	561551	female	L178	3rdLuggCmpt.	561247	male
C86	3rdLuggCmpt.	561668	male	L179	3rdLuggCmpt.	561247	male
C86	3rdLuggCmpt.	561551	female	L18.B	Entrance_Door	561539	male
C87	RearRoof	561637	male	L180	2ndLuggCmpt.	561247	male
C87	RearRoof	561636	female	L181	2ndLuggCmpt.	561247	male
C88	ServiceCmpt.	561577	male	L182	1stLuggCmpt.	561247	male
C88	ServiceCmpt.	561605	female	L183	1stLuggCmpt.	561247	male
C89	RearRoof	561581	male	L184	ServiceCmpt.	561247	male
C89	RearRoof	561582	female	L187	EngineCmpt.	561690	male
C91	RJB	562285	male	L189	Outside_Front_RH	562069	male
C91	RJB	562282	female	L19.A	RightHandConsole	560488	female
C92	FJB	561640	male	L19.B	RightHandConsole	560488	female
C92	FJB	561639	female	L190	Outside_Front_LH	562069	male
C96	FrAxleAccessories	561583	male	L193.A	Dash	560488	female
C96	FrAxleAccessories	561585	female	L193.B	Dash	560488	female
C97	RrAxleAcclInsidePVC	561607	male	L194.A	Dash	562019	female
C97	RrAxleAcclInsidePVC	561606	female	L194.B	Dash	560488	female
CC1	ServiceCmpt.	563227	male	L195.A	Dash	560488	female
CC1	ServiceCmpt.	563614	female	L195.B	Dash	560488	female
CC2	ServiceCmpt.	563226	male	L199	EngineCmpt.	562471	male
CC2	ServiceCmpt	563613	female	L200	EngineCmpt.	562471	male
CH55A	Evap.Cmpt.	562485	male	L203	RightHandConsole	561690	male

## CONNECTORS LIST

No	Location	Part #	Gender	No	Location	Part #	Gender
L205	Evap.Cmpt.	562485	male	L69	3rdLuggCmpt.	562155	male
L208	Outside_Front_LH	563088	male	L70	3rdLuggCmpt.	562155	male
L209	Outside_Front_RH	563088	male	L71	Rear_Engine_Door	562601	male
L21.A	FrontRoof	561608	female	L72	Rear_Vehicle	562155	male
L21.B	FrontRoof	562286	male	L73	Rear_Vehicle	562601	male
L211.A	RightHandConsole	560488	female	L74	Rear_Vehicle	562155	male
L211.B	RightHandConsole	560488	female	L75	Rear_Vehicle	562155	male
L22.A	FrontRoof	561608	female	L76	Rear_Engine_Door	562155	male
L22.B	FrontRoof	562286	male	L77	Rear_Engine_Door	562601	male
L23.A	FrontRoof	561608	female	L78	Rear_Engine_Door	562601	male
L23.B	FrontRoof	562286	male	L79	Rear_Engine_Door	562601	male
L24.A	FrontRoof	561608	female	L80	Rear_Engine_Door	562601	male
L24.B	FrontRoof	562286	male	L81.A	Rear_Engine_Door	562835	female
L25.A	FrontRoof	561608	female	L81.B	Rear_Engine_Door	562834	male
L25.B	FrontRoof	562286	male	L82	Rear_Engine_Door	562348	female
L26.A	FrontRoof	561608	female	L83	Rear_Engine_Door	562348	female
L26.B	FrontRoof	562286	male	L84.A	RearRoof	561608	female
L27.A	FrontRoof	561608	female	L84.B	RearRoof	562286	male
L27.B	FrontRoof	562286	male	L85.A	RearRoof	561608	female
L285	Dash	561247	male	L85.B	RearRoof	562286	male
L287	4thLuggCmpt	561247	male	L86.A	RearRoof	561608	female
L288	4thLuggCmpt	561247	male	L86.B	RearRoof	562286	male
L59.A	Outside_Front_RH	562623	male	L87.A	RearRoof	561608	female
L59.B	Outside_Front_RH	562623	male	L87.B	RearRoof	562286	male
L60.A	Outside_Front_LH	562623	male	L88.A	RearRoof	561608	female
L60.B	Outside_Front_LH	562623	male	L88.B	RearRoof	562286	male
L61	Outside_Front_RH	562601	male	L89.A	RearRoof	561608	female
L62	Outside_Front_LH	562601	male	L89.B	RearRoof	562286	male
L63	Outside_Front_RH	562155	male	L90.A	RearRoof	561608	female
L64	Outside_Front_RH	562155	male	L90.B	RearRoof	562286	male
L65	Outside_Front_LH	562155	male	L91	EngineCmpt.	562755	male
L66	Outside_Front_LH	562155	male	L92	EngineCmpt.	562755	male
L67	3rdLuggCmpt.	562155	male	L93.A	Rear_Vehicle	563069	female
L68	3rdLuggCmpt.	562155	male	L93.B	Rear_Vehicle	563069	female

## CONNECTORS LIST

No	Location	Part #	Gender	No	Location	Part #	Gender
L94.A	EngineCmpt.	563069	female	Mo51	1stLuggCmpt.	561690	male
L94.B	EngineCmpt.	563069	female	Mo53	RJB	561248	female
L95	Outside_Front_LH	562902	female	Mo7	Cond.Cmpt.	563600	female
L96	Outside_Front_RH	562902	female	Mo8	Cond.Cmpt.	563600	female
L97.A	Outside_Front_LH	563069	female	MONITOR	Dash	561247	male
L97.B	Outside_Front_LH	563069	female	Pot1.A	Dash	560488	female
L98.A	Entrance_Door	563069	female	Pot1.B	Dash	560488	female
L98.B	Outside_Front_RH	563069	female	Pot1.C	Dash	560488	female
Mo1	EngineCmpt.	561690	female	R10	Evap.Cmpt.	563409	male
Mo12	Evap.Cmpt.	561690	male	R12	Evap.Cmpt.	563409	male
Mo15	FrontRoof	560900	female	R16	Dash	561183	male
Mo16	FrontRoof	560900	female	R17	RJB	562367	male
Mo17	LeftHandConsole	563626	male	R18	FJB	562367	male
Mo18.A	ServiceCmpt.	560488	female	R19	FJB	562367	male
Mo18.B	ServiceCmpt.	560488	female	R22	FJBVECF	561183	male
Mo19.A	ServiceCmpt.	560488	female	R23	RightHandConsole	561183	male
Mo19.B	ServiceCmpt.	560488	female	R24	FJB	561183	male
Mo2	EngineCmpt.	561782	male	R25	RJB	561183	male
Mo20.A	ServiceCmpt.	560488	female	R3	RJB	563409	male
Mo20.B	ServiceCmpt.	560488	female	R30	RJB	561183	male
Mo21	FrontRoof	561186	male	R31	RJB	561183	male
Mo22	RightHandConsole	561186	male	R32	RJB	561183	male
Mo24	RightHandConsole	562348	female	R33	RJB	561183	male
Mo25	RightHandConsole	562348	female	R8	RJB	561183	male
Mo26	Entrance_Door	562076	male	R9	Evap.Cmpt.	563409	male
Mo3	Dash	561667	female	Reg.A	RJB	560815	female
Mo35	3rdLuggCmpt.	562076	male	Reg.B	RJB	560085	female
Mo36	4thLuggCmpt	562076	male	Reg.C	RJB	560085	female
Mo37	4thLuggCmpt	562076	male	Reg.D	RJB	560085	female
Mo38	5thLuggCmpt.	562076	male	Res12	RJB	563590	female
Mo39	5thLuggCmpt.	562076	male	Res3	RJB	563590	female
Mo4	Dash	562076	male	Res4	RightHandConsole	563590	female
Mo40	1stLuggCmpt.	561477	female	Res5	Dash	563590	female
Mo50	ServiceCmpt.	561782	male	Res6	FJB	563590	female

## CONNECTORS LIST

No	Location	Part #	Gender	No	Location	Part #	Gender
Res7	FJB	563590	female	Se37	Front_Axle_Cmpt.	561132	female
Se1	EngineCmpt.	562486	female	Se38	Front_Axle_Cmpt.	561132	female
Se11.A	Cond.Cmpt.	560082	male	Se39	RearAxleCmpt.	561132	female
Se11.B	Cond.Cmpt.	560082	male	Se40	RearAxleCmpt.	561132	female
Se11.C	Cond.Cmpt.	560082	male	Se45	ServiceCmpt.	563409	male
Se12	EngineCmpt.	561690	female	Se46	AboveRearAxle	562348	female
Se13	EngineCmpt.	562350	male	Se50	ServiceCmpt.	562426	male
Se14.A	DriverArea	561782	male	Se52.A	RightHandConsole	560488	female
Se14.B	DriverArea	561781	female	Se52.B	RightHandConsole	560488	female
Se16.A	Entrance_Door	562651	female	So1	EngineCmpt.	561566	female
Se16.B	Entrance_Door	562651	female	So11	Cond.Cmpt.	561566	female
Se17.A	RightHandConsole	562019	female	So12	Evap.Cmpt.	561566	female
Se17.B	RightHandConsole	562019	female	So13	Evap.Cmpt.	563204	female
Se18.A	ServiceCmpt.	560815	female	So21	Front_Axle_Cmpt.	561098	male
Se18.B	ServiceCmpt.	560815	female	So22	Front_Axle_Cmpt.	561098	male
Se19.A	ServiceCmpt.	560082	female	So23	RearAxleCmpt.	561098	male
Se19.B	ServiceCmpt.	560082	female	So24	RearAxleCmpt.	561098	male
Se19.C	ServiceCmpt.	560082	female	So26	ServiceCmpt.	641385	male
Se19.D	ServiceCmpt.	560082	female	So34	EngineCmpt.	561690	male
Se2	EngineCmpt.	562486	female	So38	1stLuggCmpt.	561566	female
Se20	Evap.Cmpt.	562426	male	So7	ServiceCmpt.	561566	male
Se21	Dash	561248	female	So8	ServiceCmpt.	563204	female
Se22	EngineCmpt.	563404	female	So9	EngineCmpt.	561566	female
Se23	EngineCmpt.	563159	male	Sw1.C258	Dash	561188	female
Se24	EngineCmpt.	563159	male	Sw1.C259	Dash	561186	male
Se25	PassengerArea	561248	female	Sw101	LeftHandConsole	562763	male
Se29	EngineCmpt.	561566	female	Sw102	Dash	562763	male
Se3	RJB	562486	female	Sw103	Dash	562763	male
Se30	EngineCmpt.	561690	female	Sw104	Dash	562763	male
Se31	EngineCmpt.	561690	female	Sw106	Entrance_Door	561637	male
Se32	EngineCmpt.	563057	male	Sw107.A	LeftHandConsole	561190	female
Se33	EngineCmpt.	562856	male	Sw107.B	LeftHandConsole	561190	female
Se34	EngineCmpt.	563057	male	Sw107.C	LeftHandConsole	561190	female
Se35	EngineCmpt.	563057	male	Sw107.D	LeftHandConsole	561190	female

## CONNECTORS LIST

No	Location	Part #	Gender	No	Location	Part #	Gender
Sw107.E	LeftHandConsole	561190	female	Sw39.B	RJB	562403	female
Sw107.F	LeftHandConsole	561190	female	Sw4	Dash	562763	male
Sw107.G	LeftHandConsole	561190	female	Sw40	LeftHandConsole	561690	male
Sw107.H	LeftHandConsole	561190	female	Sw41	LeftHandConsole	562749	male
Sw107.J	LeftHandConsole	561190	female	Sw44.A	FJB	562403	female
Sw107.K	LeftHandConsole	561190	female	Sw44.B	FJB	562403	female
Sw108	LeftHandConsole	562763	male	Sw45.A	5thLuggCmpt.	562403	female
Sw11	Dash	562763	male	Sw45.B	5thLuggCmpt.	562403	female
Sw116.A	4thLuggCmpt	560079	female	Sw46.A	5thLuggCmpt.	562403	female
Sw116.B	4thLuggCmpt	560079	female	Sw46.B	5thLuggCmpt.	562403	female
Sw117.A	5thLuggCmpt.	560079	female	Sw47.A	3rdLuggCmpt.	562403	female
Sw117.B	5thLuggCmpt.	560079	female	Sw47.B	3rdLuggCmpt.	562403	female
Sw119	Dash	562763	male	Sw48.A	3rdLuggCmpt.	562403	female
Sw120	DriverArea	562237	female	Sw48.B	3rdLuggCmpt.	562403	female
Sw121	Dash	562763	male	Sw49.A	2ndLuggCmpt.	562403	female
Sw122	PassengerArea	562763	male	Sw49.B	2ndLuggCmpt.	562403	female
Sw128.A	4thLuggCmpt	562403	female	Sw5	Dash	562763	male
Sw128.B	4thLuggCmpt	562403	female	Sw50.A	2ndLuggCmpt.	562403	female
Sw13	Dash	562763	male	Sw50.B	2ndLuggCmpt.	562403	female
Sw14	Dash	562763	male	Sw51.A	1stLuggCmpt.	562403	female
Sw15	Dash	562763	male	Sw51.B	1stLuggCmpt.	562403	female
Sw16	Dash	562763	male	Sw52	1stLuggCmpt.	562403	female
Sw17	Dash	562763	male	Sw52.B	1stLuggCmpt.	562403	female
Sw18	Dash	562763	male	Sw58	EngineCmpt.	562581	male
Sw2	Dash	562763	male	Sw59	EngineCmpt.	562485	male
Sw22	Dash	562763	male	Sw6	Dash	562763	male
Sw23	Dash	562763	male	Sw60	EngineCmpt.	561566	female
Sw24	Dash	562763	male	Sw64.A	ServiceCmpt.	560815	female
Sw3	Dash	562763	male	Sw64.B	ServiceCmpt.	560815	female
Sw35	Dash	562763	male	Sw7.A	Cond.Cmpt.	562403	female
Sw36	LeftHandConsole	562763	male	Sw7.B	Cond.Cmpt.	562403	female
Sw37	LeftHandConsole	562763	male	Sw8	Dash	562763	male
Sw38	LeftHandConsole	562763	male	Sw81.A	Dash	562905	male
Sw39.A	RJB	562403	female	Sw81.B	Dash	562905	male



## CONNECTORS LIST

No	Location	Part #	Gender
Sw82.A	RJB	561457	female
Sw82.B	RJB	561457	female
Sw82.C	RJB	561457	female
Sw82.D	RJB	561457	female
Sw83.A	Dash	560082	female
Sw83.B	Dash	560815	female
Sw83.C	Dash	560082	female
Sw83.D	Dash	560815	female
Sw84.A	EngineCmpt.	560488	female
Sw84.B	EngineCmpt.	560488	female
Sw85	LeftHandConsole	562749	male
Sw9	Dash	562763	male
Sw99	Dash	562763	male
VECF1	FJB	563186	male
VECF10	FJB	563181	male
VECF11	FJB	563184	male
VECF12	FJB	563187	male
VECF2	FJB	563183	male
VECF3	FJB	563185	male
VECF4	FJB	563182	male
VECR1	RJB	563186	male
VECR10	RJB	563181	male
VECR11	RJB	563184	male
VECR12	RJB	563187	male
VECR2	RJB	563183	male
VECR3	RJB	563185	male
VECR4	RJB	563182	male
VECR9	RJB	563448	male

# CONNECTORS LIST

No	Location	Part #	Gender:	No	Location	Part #	Gender:
A1Gen4.A	RJB	563975	male	A42		562957	male
A2Gen4	LeftHandConsole	563984	male	A42.J1	FJB	562767	male
A3	Dash	562363	male	A42.J2	FJB	563132	male
A4.A	ServiceCmpt.	562428	female	A42.J3	FJB	562957	male
A4.B	ServiceCmpt.	561188	female	A43		562957	male
A5	ServiceCmpt.	562428	female	A43.J1	FJB	562767	male
A6	EngineCmpt.	563629	female	A43.J2	FJB	563132	male
A7Gen4	EngineCmpt.	563979	male	A43.J3	FJB	562957	male
A8	EngineCmpt.	563403	female	A44		562957	male
A9.Cx1	FJB	563200	male	A44.J1	FJB	563133	male
A9.Cx2	FJB	563201	male	A44.J2	FJB	563132	male
A12	Dash	562464	male	A44.J3	FJB	562957	male
A13.J1	FJB	562794	male	A45		562957	male
A13.J2	FJB	562650	male	A45.J1	FJB	563133	male
A14.CX	Dash	562957	male	A45.J2	FJB	563132	male
A14.CY	Dash	562765	male	A45.J3	FJB	562957	male
A14.LX	Dash	562766	male	A46		562957	male
A14.LY	Dash	562767	male	A46.J1	FJB	563133	male
A14.RX	Dash	562767	male	A46.J2	FJB	563132	male
A15	Dash	562464	male	A46.J3	FJB	562957	male
A18	FJB	562794	male	A47		562957	male
A18.J2	FJB	562650	male	A47.J1	RightHandConsole	563133	male
A24	RightHandConsole	561889	female	A47.J2	RightHandConsole	563132	male
A24.A	RightHandConsole	561890	male	A47.J3	RightHandConsole	562957	male
A24.B	RightHandConsole	561566	female	A48		562957	male
A27	ServiceCmpt.	562929	male	A48.J1	RightHandConsole	563133	male
A28	ServiceCmpt.	562928	male	A48.J2	RightHandConsole	563132	male
A30	RightHandConsole	561889	female	A48.J3	RightHandConsole	562957	male
A30.A	RightHandConsole	561611	male	A49		562957	male
A31.A	FJB	562676	male	A49.J1	RJB	562767	male
A31.B	FJB	562675	male	A49.J2	RJB	563132	male
A32.A	1stLuggCmpt.	561611	male	A49.J3	RJB	562957	male
A32.C	1stLuggCmpt.	561566	female	A50		562957	male
A36.JA	FJB	562767	male	A50.J1	RJB	563133	male
A36.JB	FJB	562765	male	A50.J2	RJB	563132	male
A36.JC	FJB	562957	male	A50.J3	RJB	562957	male
A41		562957	male	A51		562957	male
A41.J1	FJB	562767	male	A51.J1	RJB	563133	male
A41.J2	FJB	563132	male	A51.J2	RJB	563132	male
A41.J3	FJB	562957	male	A51.J3	RJB	562957	male

# CONNECTORS LIST

No	Location	Part #	Gender:	No	Location	Part #	Gender:
A52		562957	male	C4	ServiceCmpt.	563580	male
A52.J1	RJB	563133	male	C4	ServiceCmpt.	563581	female
A52.J2	RJB	563132	male	C5	FJB	563589	male
A52.J3	RJB	562957	male	C5	FJB	563590	female
A53		562957	male	C5S	FJB	563589	male
A53.J1	RJB	563133	male	C5S	FJB	563590	female
A53.J2	RJB	563132	male	C6	ServiceCmpt.	563582	male
A53.J3	RJB	562957	male	C6	ServiceCmpt.	563583	female
A54.J1	Evap.Cmpt.	563133	male	C11	ServiceCmpt.	563580	male
A54.J2	Evap.Cmpt.	563132	male	C11	ServiceCmpt.	563581	female
A54.J3	Evap.Cmpt.	562957	male	C12_plug	RJB	562485	male
A56.J1	1stLuggCmpt.	563133	male	C12_socket	RJB	562486	female
A56.J2	1stLuggCmpt.	563132	male	C13S	RightHandConsole	563593	male
A56.J3	1stLuggCmpt.	562957	male	C13S	RightHandConsole	563590	female
A57.J1	1stLuggCmpt.	563133	male	C13_plug	Dash	563589	male
A57.J2	1stLuggCmpt.	563132	male	C13_socket	Dash	563590	female
A57.J3	1stLuggCmpt.	562957	male	C15	5thLuggCmpt.	561646	male
A58	FJB	562464	male	C15	5thLuggCmpt.	561645	female
Alt1.A	EngineCmpt.	560815	female	C17	RJB	561986	male
Alt1.B		560815	female	C17	RJB	561987	female
Alt1.B		560815	female	C18	FJB	561986	male
Alt1.C	EngineCmpt.	562862	female	C18	FJB	561987	female
Alt2.A	EngineCmpt.	560815	female	C19	RJB	561986	male
Alt2.B		560815	female	C19	RJB	561987	female
Alt2.B		560815	female	C21A	RJB	561646	male
Alt2.C	EngineCmpt.	562862	female	C21A	RJB	561645	female
Alt3.A	EngineCmpt.	560815	female	C21B	RJB	561646	male
Alt3.B	EngineCmpt.	560086	female	C21B	RJB	561645	female
Alt3.C	EngineCmpt.	562862	female	C22	RJB	561847	male
Alt3.D	EngineCmpt.	560587	female	C22	RJB	561862	female
C1	FJB	563589	male	C24	Evap.Cmpt.	561690	male
C1	FJB	563590	female	C24	Evap.Cmpt.	561566	female
C1S	FJB	563589	male	C26_plug	RJB	562485	male
C1S	FJB	563590	female	C26_socket	RJB	562486	female
C2	ServiceCmpt.	563580	male	C34	RightHandConsole	561986	male
C2	ServiceCmpt.	563581	female	C34	RightHandConsole	561987	female
C3	RJB	563589	male	C36	FJB	561986	male
C3	RJB	563590	female	C36	FJB	561987	female
C3S	RJB	563593	male	C40	Dash	562485	male
C3S	RJB	563590	female	C40	Dash	562486	female

# CONNECTORS LIST

No	Location	Part #	Gender:	No	Location	Part #	Gender:
C44_plug	FJB	561577	male	C88	ServiceCmpt.	561577	male
C44_socket	FJB	561605	female	C88	ServiceCmpt.	561605	female
C45	FJB	561643	male	C89	RearRoof	561581	male
C45	FJB	561642	female	C89	RearRoof	561582	female
C48	ServiceCmpt.	561690	male	C91	RJB	562285	male
C48	ServiceCmpt.	561566	female	C91	RJB	562282	female
C49	ServiceCmpt.	561577	male	C92	FJB	561640	male
C49	ServiceCmpt.	561605	female	C92	FJB	561639	female
C50	RJB	561577	male	C96	FrAxleAccessories	561583	male
C50	RJB	561605	female	C96	FrAxleAccessories	561585	female
C51	RJB	561577	male	C97	RrAxleAccInsidePVC	561607	male
C51	RJB	561605	female	C97	RrAxleAccInsidePVC	561606	female
C69	RrAxleInsidePVC	561607	male	C100	5thLuggCmpt.	563589	male
C69	RrAxleInsidePVC	561606	female	C100	5thLuggCmpt.	563590	female
C71	FJB	561646	male	C100S	5thLuggCmpt.	563589	male
C71	FJB	561645	female	C100S	5thLuggCmpt.	563590	female
C72	ServiceCmpt.	561646	male	C101	ServiceCmpt.	561690	male
C72	ServiceCmpt.	561645	female	C101	ServiceCmpt.	561566	female
C74	ServiceCmpt.	561645	female	C119	EngineDoor	561607	male
C74	ServiceCmpt.	561646	male	C119	EngineDoor	561606	female
C75	4thLuggCmpt	561668	male	C120	EngineDoor	561607	male
C75	4thLuggCmpt	561551	female	C120	EngineDoor	561606	female
C77	4thLuggCmpt	561668	male	C121	EngineDoor	561690	male
C77	4thLuggCmpt	561551	female	C121	EngineDoor	561566	female
C78	EngineCmpt.	561690	male	C152	CondensorCmpt.	561611	male
C78	EngineCmpt.	561566	female	C152	CondensorCmpt.	561610	female
C81	1stLuggCmpt.	561668	male	C168	AboveRearAxle	561690	male
C81	4thLuggCmpt	561551	female	C168	AboveRearAxle	561566	female
C82	1stLuggCmpt.	561668	male	C171	FJB	561646	male
C82	1stLuggCmpt.	561551	female	C171	FJB	561645	female
C83	2ndLuggCmpt.	561668	male	C172	ServiceCmpt.	561637	male
C83	2ndLuggCmpt.	561551	female	C172	ServiceCmpt.	561635	female
C84	2ndLuggCmpt.	561668	male	C193	RJB	563589	male
C84	2ndLuggCmpt.	561551	female	C193	RJB	563590	female
C85	3rdLuggCmpt.	561668	male	C194	FJB	563589	male
C85	3rdLuggCmpt.	561551	female	C194	FJB	563590	female
C86	3rdLuggCmpt.	561668	male	C200	FJB	561607	male
C86	3rdLuggCmpt.	561551	female	C200	FJB	561606	female
C87	RearRoof	561637	male	C228	EngineCmpt.	563227	male
C87	RearRoof	561636	female	C228	EngineCmpt.	563614	female

# CONNECTORS LIST

No	Location	Part #	Gender:	No	Location	Part #	Gender:
C230	EngineCmpt.	562485	male	C464	RJB	563180	male
C230	EngineCmpt.	562486	female	C464	RJB	563347	female
C239	FJB	561690	male	C500	FJB	562069	male
C239	FJB	561566	female	C500	FJB	562070	female
C242	ServiceCmpt.	562789	male	C550	5thLuggCmpt.	561476	male
C242	ServiceCmpt.	565131	female	C550	5thLuggCmpt.	561477	female
C243	ServiceCmpt.	562789	male	C551	5thLuggCmpt.	561476	male
C243	ServiceCmpt.	565131	female	C551	5thLuggCmpt.	561477	female
C246	ServiceCmpt.	563090	male	C552	3rdLuggCmpt.	561476	male
C246	ServiceCmpt.	563091	female	C552	3rdLuggCmpt.	561477	female
C264	Entrance_Door	561637	male	C553	2ndLuggCmpt.	561476	male
C264	Entrance_Door	561636	female	C553	2ndLuggCmpt.	561477	female
C266	RightHandConsole	561583	male	C554	1stLuggCmpt.	561476	male
C266	RightHandConsole	561585	female	C554	1stLuggCmpt.	561477	female
C269	RHConsole	563090	male	C555	1stLuggCmpt.	561476	male
C269	RHConsole	563091	female	C555	1stLuggCmpt.	561477	female
C279	FJB	562477	male	C556	5thLuggCmpt.	561476	male
C279	FJB	562479	female	C556	5thLuggCmpt.	561477	female
C281	LeftHandConsole	560852	male	C557	3rdLuggCmpt.	561476	male
C281	LeftHandConsole	560851	female	C557	3rdLuggCmpt.	561477	female
C290	5thLuggCmpt.	561668	male	C558	4thLuggCmpt	561476	male
C290	5thLuggCmpt.	561551	female	C558	4thLuggCmpt	561477	female
C291	5thLuggCmpt.	561668	male	C559	5thLuggCmpt.	561476	male
C291	5thLuggCmpt.	561551	female	C559	5thLuggCmpt.	561477	female
C342	EngineCmpt.	562477	male	C581	UnderdashBoard	562777	male
C342	EngineCmpt.	562479	female	C589	ServiceCmpt.	563088	male
C360	Dash	561247	male	C589	ServiceCmpt.	563089	female
C360	Dash	561248	female	C590	RHConsole	563088	male
C380	Dash	563180	male	C590	RHConsole	563089	female
C380	Dash	563347	female	C717	RJB	561646	male
C397	RJB	562285	male	C717	RJB	561645	female
C397	RJB	562282	female	CC1	ServiceCmpt.	563227	male
C398	EngineCmpt.	561690	male	CC1	ServiceCmpt.	563614	female
C398	EngineCmpt.	561566	female	CC2	ServiceCmpt.	563226	male
C400_plug	EngineCmpt.	561782	male	CC2	ServiceCmpt.	563613	female
C400_socket	EngineCmpt.	561781	female	CH55A	Evap.Cmpt.	562485	male
C426	EngineCmpt	561782	male	CH55A	Evap.Cmpt.	562486	female
C426	EngineCmpt	561781	female	CH56A	Evap.Cmpt.	562485	male
C463	EngineCmpt.	562570	female	CH56A	Evap.Cmpt.	562486	female
C463	EngineCmpt.	562571	male	CS01	1stLuggCmpt.	562581	male

# CONNECTORS LIST

No	Location	Part #	Gender:	No	Location	Part #	Gender:
CS01		562583	female	L67	3rdLuggCmpt.	562155	male
CS01S	1stLuggCmpt.	562581	male	L68	3rdLuggCmpt.	562155	male
CS01S		562583	female	L69	3rdLuggCmpt.	562155	male
CS02	1stLuggCmpt.	561643	male	L70	3rdLuggCmpt.	562155	male
CS02		561641	female	L71	Rear_Engine_Door	562601	male
CS05	1stLuggCmpt.	561847	male	L72	Rear_Vehicle	562155	male
CS05		561862	female	L73	Rear_Vehicle	562601	male
CS07	1stLuggCmpt.	561695	male	L74	Rear_Vehicle	562155	male
CS07		561694	female	L75	Rear_Vehicle	562155	male
CT2	EngineCmpt.	563226	male	L76	Rear_Engine_Door	562155	male
CT2	EngineCmpt.	563613	female	L77	Rear_Engine_Door	562601	male
L16	FrontRoof	562803	male	L78	Rear_Engine_Door	562601	male
L17	FrontRoof	562803	male	L79	Rear_Engine_Door	562601	male
L18.B	Entrance_Door	561539	male	L80	Rear_Engine_Door	562601	male
L19.A	RightHandConsole	560488	female	L81.A	Rear_Engine_Door	562835	female
L19.B	RightHandConsole	560488	female	L81.B	Rear_Engine_Door	562834	male
L21.A	FrontRoof	561608	female	L82	Rear_Engine_Door	562348	female
L21.B	FrontRoof	562286	male	L83	Rear_Engine_Door	562348	female
L22.A	FrontRoof	561608	female	L84.A	RearRoof	561608	female
L22.B	FrontRoof	562286	male	L84.B	RearRoof	562286	male
L23.A	FrontRoof	561608	female	L85.A	RearRoof	561608	female
L23.B	FrontRoof	562286	male	L85.B	RearRoof	562286	male
L24.A	FrontRoof	561608	female	L86.A	RearRoof	561608	female
L24.B	FrontRoof	562286	male	L86.B	RearRoof	562286	male
L25.A	FrontRoof	561608	female	L87.A	RearRoof	561608	female
L25.B	FrontRoof	562286	male	L87.B	RearRoof	562286	male
L26.A	FrontRoof	561608	female	L88.A	RearRoof	561608	female
L26.B	FrontRoof	562286	male	L88.B	RearRoof	562286	male
L27.A	FrontRoof	561608	female	L89.A	RearRoof	561608	female
L27.B	FrontRoof	562286	male	L89.B	RearRoof	562286	male
L59.A	Outside_Front_RH	562623	male	L90.A	RearRoof	561608	female
L59.B	Outside_Front_RH	562623	male	L90.B	RearRoof	562286	male
L60.A	Outside_Front_LH	562623	male	L91	EngineCmpt.	562755	male
L60.B	Outside_Front_LH	562623	male	L92	EngineCmpt.	562755	male
L61	Outside_Front_RH	562601	male	L93.A	Rear_Vehicle	563069	female
L62	Outside_Front_LH	562601	male	L93.B	Rear_Vehicle	563069	female
L63	Outside_Front_RH	562155	male	L94.A	EngineCmpt.	563069	female
L64	Outside_Front_RH	562155	male	L94.B	EngineCmpt.	563069	female
L65	Outside_Front_LH	562155	male	L95	Outside_Front_LH	562902	female
L66	Outside_Front_LH	562155	male	L96	Outside_Front_RH	562902	female

# CONNECTORS LIST

No	Location	Part #	Gender:	No	Location	Part #	Gender:
L97.A	Outside_Front_LH	563069	female	Mo7	Cond.Cmpt.	563600	female
L97.B	Outside_Front_LH	563069	female	Mo8	Cond.Cmpt.	563600	female
L98.A	Entrance_Door	563069	female	Mo12	Evap.Cmpt.	561690	male
L98.B	Outside_Front_RH	563069	female	Mo15	FrontRoof	560900	female
L173	EngineCmpt.	563268	male	Mo16	FrontRoof	560900	female
L174	EngineCmpt.	563268	male	Mo17	LeftHandConsole	563626	male
L175	RJB	561247	male	Mo18	ServiceCmpt.	562474	male
L176	5thLuggCmpt.	561247	male	Mo19	ServiceCmpt.	562474	male
L177	5thLuggCmpt.	561247	male	Mo20	ServiceCmpt.	562474	male
L178	3rdLuggCmpt.	561247	male	Mo21	FrontRoof	561186	male
L179	3rdLuggCmpt.	561247	male	Mo22	RightHandConsole	561186	male
L180	2ndLuggCmpt.	561247	male	Mo24	RightHandConsole	562348	female
L181	2ndLuggCmpt.	561247	male	Mo25	RightHandConsole	562348	female
L182	1stLuggCmpt.	561247	male	Mo26	Entrance_Door	562076	male
L183	1stLuggCmpt.	561247	male	Mo35	3rdLuggCmpt.	562076	male
L184	ServiceCmpt.	561247	male	Mo36	4thLuggCmpt	562076	male
L187	EngineCmpt.	561690	male	Mo37	4thLuggCmpt	562076	male
L189	Outside_Front_RH	562069	male	Mo38	5thLuggCmpt.	562076	male
L190	Outside_Front_LH	562069	male	Mo39	5thLuggCmpt.	562076	male
L193.A	Dash	560488	female	Mo40	1stLuggCmpt.	561477	female
L193.B	Dash	560488	female	Mo44	5thLuggCmpt.	561477	female
L194.A	Dash	562019	female	Mo50	ServiceCmpt.	561782	male
L194.B	Dash	560488	female	Mo51	1stLuggCmpt.	561690	male
L195.A	Dash	560488	female	Mo53	RJB	561248	female
L195.B	Dash	560488	female	Mo54	ServiceCmpt.	562474	male
L199	EngineCmpt.	562471	male	MONITOR	Dash	561247	male
L200	EngineCmpt.	562471	male	MoSo1.A	2ndLuggCmpt.	561967	male
L203	RightHandConsole	561690	male	MOSO2.A	PassengerArea	561967	male
L205	Evap.Cmpt.	562485	male	Pot1.A	Dash	560488	female
L208	Outside_Front_LH	563088	male	Pot1.B	Dash	560488	female
L209	Outside_Front_RH	563088	male	Pot1.C	Dash	560488	female
L211.A	RightHandConsole	560488	female	R3	RJB	563409	male
L211.B	RightHandConsole	560488	female	R8	RJB	561183	male
L285	Dash	561247	male	R9	Evap.Cmpt.	563409	male
L287	4thLuggCmpt	561247	male	R10	Evap.Cmpt.	563409	male
L288	4thLuggCmpt	561247	male	R12	Evap.Cmpt.	563409	male
Mo1	EngineCmpt.	561690	female	R16	Dash	561183	male
Mo2	EngineCmpt.	561782	male	R17	RJB	562367	male
Mo3	Dash	561667	female	R18	FJB	562367	male
Mo4	Dash	562076	male	R19	FJB	562367	male

# CONNECTORS LIST

No	Location	Part #	Gender:	No	Location	Part #	Gender:
R21	RJB	561183	male	Se17.B	RightHandConsole	562019	female
R22	FJBVECF	561183	male	Se18.A	ServiceCmpt.	560815	female
R23	RightHandConsole	561183	male	Se18.B	ServiceCmpt.	560815	female
R24	FJB	561183	male	Se19.A	ServiceCmpt.	560082	female
R25	RJB	561183	male	Se19.B	ServiceCmpt.	560082	female
R30	RJB	561183	male	Se19.C	ServiceCmpt.	560082	female
R31	RJB	561183	male	Se19.D	ServiceCmpt.	560082	female
R32	RJB	561183	male	Se20	Evap.Cmpt.	562426	male
R33	RJB	561183	male	Se21	Dash	561248	female
Regulator.A	RJB	560815	female	Se22	EngineCmpt.	563404	female
Regulator.B	RJB	560085	female	Se23	EngineCmpt.	563159	male
Regulator.C	RJB	560085	female	Se24	EngineCmpt.	563159	male
Regulator.D	RJB	560085	female	Se25	PassengerArea	561248	female
Res3	RJB	563590	female	Se29	EngineCmpt.	561566	female
Res4	RightHandConsole	563590	female	Se30	EngineCmpt.	561690	female
Res5	Dash	563590	female	Se31	EngineCmpt.	561690	female
Res6	FJB	563590	female	Se32	EngineCmpt.	563057	male
Res7	FJB	563590	female	Se33	EngineCmpt.	562856	male
Res12	RJB	563590	female	Se34	EngineCmpt.	563057	male
RSo1.A	1stLuggCmpt.	561626	female	Se35	EngineCmpt.	563057	male
RSo1.B	1stLuggCmpt.	561626	female	Se36	EngineCmpt.	563628	female
RSo2.A	1stLuggCmpt.	561626	female	Se37	Front_Axle_Cmpt.	561132	female
RSo2.B	1stLuggCmpt.	561626	female	Se38	Front_Axle_Cmpt.	561132	female
RSo3.A	1stLuggCmpt.	561626	female	Se39	RearAxleCmpt.	641132	female
RSo3.B	1stLuggCmpt.	561626	female	Se40	RearAxleCmpt.	641132	female
RSo4.A	1stLuggCmpt.	561626	female	Se45	ServiceCmpt.	563409	male
RSo4.B	1stLuggCmpt.	561626	female	Se46	AboveRearAxle	562348	female
Se1	EngineCmpt.	562486	female	Se50	ServiceCmpt.	562426	male
Se2	EngineCmpt.	562486	female	Se52.A	RightHandConsole	560488	female
Se3	RJB	562486	female	Se52.B	RightHandConsole	560488	female
Se11.A	Cond.Cmpt.	560082	male	Se60	ServiceCmpt.	563409	male
Se11.B	Cond.Cmpt.	560082	male	SES01	2ndLuggCmpt.	563159	male
Se11.C	Cond.Cmpt.	560082	male	SES02	2ndLuggCmpt.	562479	female
Se12	EngineCmpt.	561690	female	SES03	2ndLuggCmpt.	562479	female
Se13	EngineCmpt.	562350	male	SES05	PassengerArea	562479	female
Se14.A	DriverArea	561782	male	SES06	PassengerArea	562479	female
Se14.B	DriverArea	561781	female	So1	EngineCmpt.	561566	female
Se16.A	Entrance_Door	562651	female	So7	ServiceCmpt.	561566	male
Se16.B	Entrance_Door	562651	female	So8	ServiceCmpt.	563204	female
Se17.A	RightHandConsole	562019	female	So9	EngineCmpt.	561566	female



# CONNECTORS LIST

No	Location	Part #	Gender:	No	Location	Part #	Gender:
So11	Cond.Cmpt.	561566	female	Sw37	LeftHandConsole	562763	male
So12	Evap.Cmpt.	561566	female	Sw38	LeftHandConsole	562763	male
So13	Evap.Cmpt.	563204	female	Sw39.A	RJB	562403	female
So21	Front_Axle_Cmpt.	561098	male	Sw39.B	RJB	562403	female
So22	Front_Axle_Cmpt.	561098	male	Sw40	LeftHandConsole	561690	male
So23	RearAxleCmpt.	561098	male	Sw41	LeftHandConsole	562749	male
So24	RearAxleCmpt.	561098	male	Sw44.A	FJB	562403	female
So26	ServiceCmpt.	641385	male	Sw44.B	FJB	562403	female
So27	AboveRearAxle	641385	male	Sw45.A	5thLuggCmpt.	562403	female
So34	EngineCmpt.	561690	male	Sw45.B	5thLuggCmpt.	562403	female
So38	1stLuggCmpt.	561566	female	Sw46.A	5thLuggCmpt.	562403	female
SoSo1.A	1stLuggCmpt.	641385	male	Sw46.B	5thLuggCmpt.	562403	female
SoSo2.A	1stLuggCmpt.	641385	male	Sw47.A	3rdLuggCmpt.	562403	female
SoSo3	1stLuggCmpt.	641385	male	Sw47.B	3rdLuggCmpt.	562403	female
SOSO4.A	1stLuggCmpt.	641385	male	Sw48.A	3rdLuggCmpt.	562403	female
SoSo5.A	1stLuggCmpt.	641385	male	Sw48.B	3rdLuggCmpt.	562403	female
SoSo6	1stLuggCmpt.	641385	male	Sw49.A	2ndLuggCmpt.	562403	female
Sw1.C258	Dash	561188	female	Sw49.B	2ndLuggCmpt.	562403	female
Sw1.C259	Dash	561186	male	Sw50.A	2ndLuggCmpt.	562403	female
Sw2	Dash	562763	male	Sw50.B	2ndLuggCmpt.	562403	female
Sw3	Dash	562763	male	Sw51.A	1stLuggCmpt.	562403	female
Sw4	Dash	562763	male	Sw51.B	1stLuggCmpt.	562403	female
Sw5	Dash	562763	male	Sw52	1stLuggCmpt.	562403	female
Sw6	Dash	562763	male	Sw52.B	1stLuggCmpt.	562403	female
Sw7.A	Cond.Cmpt.	562403	female	Sw58	EngineCmpt.	562581	male
Sw7.B	Cond.Cmpt.	562403	female	Sw59	EngineCmpt.	562485	male
Sw8	Dash	562763	male	Sw60	EngineCmpt.	561566	female
Sw9	Dash	562763	male	Sw64.A	ServiceCmpt.	560815	female
Sw11	Dash	562763	male	Sw64.B	ServiceCmpt.	560815	female
Sw13	Dash	562763	male	Sw81.A	Dash	562905	male
Sw14	Dash	562763	male	Sw81.B	Dash	562905	male
Sw15	Dash	562763	male	Sw82.A	RJB	561457	female
Sw16	Dash	562763	male	Sw82.B	RJB	561457	female
Sw17	Dash	562763	male	Sw82.C	RJB	561457	female
Sw18	Dash	562763	male	Sw82.D	RJB	561457	female
Sw22	Dash	562763	male	Sw83.A	Dash	560082	female
Sw23	Dash	562763	male	Sw83.B	Dash	560815	female
Sw24	Dash	562763	male	Sw83.C	Dash	560082	female
Sw35	Dash	562763	male	Sw83.D	Dash	560815	female
Sw36	LeftHandConsole	562763	male	Sw84.A	EngineCmpt.	560488	female

# CONNECTORS LIST

No	Location	Part #	Gender:	No	Location	Part #	Gender:
Sw84.B	EngineCmpt.	560488	female	VECR3	RJB	563185	male
Sw85	LeftHandConsole	562749	male	VECR4	RJB	563182	male
Sw99	Dash	562763	male	VECR9	RJB	563448	male
Sw101	LeftHandConsole	562763	male	VECR10	RJB	563181	male
Sw102	Dash	562763	male	VECR11	RJB	563184	male
Sw103	Dash	562763	male	VECR12	RJB	563187	male
Sw104	Dash	562763	male				
Sw106	Entrance_Door	561637	male				
Sw107.A	LeftHandConsole	561457	female				
Sw107.B	LeftHandConsole	561457	female				
Sw107.C	LeftHandConsole	561457	female				
Sw107.D	LeftHandConsole	561457	female				
Sw107.E	LeftHandConsole	561457	female				
Sw107.F	LeftHandConsole	561457	female				
Sw107.G	LeftHandConsole	561457	female				
Sw107.H	LeftHandConsole	561457	female				
Sw107.J	ServiceCmpt.	561457	female				
Sw107.K	ServiceCmpt.	561457	female				
Sw108	LeftHandConsole	562763	male				
Sw116.A	4thLuggCmpt	560079	female				
Sw116.B	4thLuggCmpt	560079	female				
Sw117.A	5thLuggCmpt.	560079	female				
Sw117.B	5thLuggCmpt.	560079	female				
Sw119	Dash	562763	male				
Sw120	DriverArea	562237	female				
Sw121	Dash	562763	male				
Sw122	PassengerArea	562763	male				
Sw128.A	4thLuggCmpt	562403	female				
Sw128.B	4thLuggCmpt	562403	female				
SwSo1.A	PassengerArea	561552	female				
SwSo2	PassengerArea	561552	female				
VECF1	FJB	563186	male				
VECF2	FJB	563183	male				
VECF3	FJB	563185	male				
VECF4	FJB	563182	male				
VECF10	FJB	563181	male				
VECF11	FJB	563184	male				
VECF12	FJB	563187	male				
VECR1	RJB	563186	male				
VECR2	RJB	563183	male				

# CONNECTORS LIST

No	Location	Part #	Gender	No	Location	Part #	Gender
C71	FJB	561646	male	A45.J1	FJB	563133	male
C71	FJB	561645	female	L94.A	EngineCmpt.	563069	female
C397	RJB	562285	male	L94.B	EngineCmpt.	563069	female
C397	RJB	562282	female	A46.J2	FJB	563132	male
A36.JC	FJB	562957	male	A46.J3	FJB	562957	male
A36.JA	FJB	562767	male	A46.J1	FJB	563133	male
Sw59	EngineCmpt.	562485	male	C72	ServiceCmpt.	561646	male
C152	CondensorCmpt.	561611	male	C72	ServiceCmpt.	561645	female
C152	CondensorCmpt.	561610	female	Sw5	Dash	562763	male
A54.J2	Evap.Cmpt.	563132	male	Mo21	FrontRoof	561186	male
A54.J3	Evap.Cmpt.	562957	male	Mo22	RightHandConsole	561186	male
A54.J1	Evap.Cmpt.	563133	male	A47.J2	RightHandConsole	563132	male
C171	FJB	561646	male	A47.J3	RightHandConsole	562957	male
C171	FJB	561645	female	A47.J1	RightHandConsole	563133	male
A43.J1	FJB	562767	male	Mo3	Dash	561667	female
A44.J2	FJB	563132	male	C2	ServiceCmpt.	563580	male
A44.J3	FJB	562957	male	C2	ServiceCmpt.	563581	female
A44.J1	FJB	563133	male	C100	5thLuggCmpt.	563589	male
C45	FJB	561643	male	C100	5thLuggCmpt.	563590	female
C45	FJB	561642	female	C101	ServiceCmpt.	561690	male
C4	ServiceCmpt.	563580	male	C101	ServiceCmpt.	561566	female
C4	ServiceCmpt.	563581	female	C581	UnderdashBoard	562777	male
A41.J1	FJB	562767	male	Sw81.A	Dash	562905	male
C91	RJB	562285	male	Sw81.B	Dash	562905	male
C91	RJB	562282	female	Sw24	Dash	562763	male
Se2	EngineCmpt.	562486	female	Pot1.A	Dash	560488	female
Se1	EngineCmpt.	562486	female	Pot1.B	Dash	560488	female
Se3	RJB	562486	female	Pot1.C	Dash	560488	female
A52.J2	RJB	563132	male	Sw15	Dash	562763	male
A52.J3	RJB	562957	male	Mo2	EngineCmpt.	561782	male
A52.J1	RJB	563133	male	L65	Outside_Front_LH	562155	male
A42.J1	FJB	562767	male	L66	Outside_Front_LH	562155	male
Sw22	Dash	562763	male	L64	Outside_Front_RH	562155	male
Sw2	Dash	562763	male	L63	Outside_Front_RH	562155	male
A51.J2	RJB	563132	male	Sw3	Dash	562763	male
A51.J3	RJB	562957	male	Mo4	Dash	562076	male
A51.J1	RJB	563133	male	Sw18	Dash	562763	male
C119	EngineDoor	561607	male	C21A	RJB	561646	male
C119	EngineDoor	561606	female	C21A	RJB	561645	female
C120	EngineDoor	561607	male	A5	ServiceCmpt.	562428	female
C120	EngineDoor	561606	female	C463	EngineCmpt.	562570	female
A45.J2	FJB	563132	male	C463	EngineCmpt.	562571	male
A45.J3	FJB	562957	male	Se32	EngineCmpt.	563057	male

# CONNECTORS LIST

No	Location	Part #	Gender	No	Location	Part #	Gender
Se33	EngineCmpt.	562856	male	C1	FJB	563590	female
Se34	EngineCmpt.	563057	male	C3	RJB	563589	male
Se35	EngineCmpt.	563057	male	C3	RJB	563590	female
L175	RJB	561247	male	C87	RearRoof	561637	male
Se30	EngineCmpt.	561690	female	C87	RearRoof	561636	female
Se31	EngineCmpt.	561690	female	C426	EngineCmpt	561782	male
L176	5thLuggCmpt.	561247	male	C426	EngineCmpt	561781	female
L177	5thLuggCmpt.	561247	male	C12_plug	RJB	562485	male
L178	3rdLuggCmpt.	561247	male	C12_socket	RJB	562486	female
L179	3rdLuggCmpt.	561247	male	C96	FrAxleAccessories	561583	male
L180	2ndLuggCmpt.	561247	male	C96	FrAxleAccessories	561585	female
L181	2ndLuggCmpt.	561247	male	C97	RrAxleAccInsidePVC	561607	male
L182	1stLuggCmpt.	561247	male	C97	RrAxleAccInsidePVC	561606	female
L183	1stLuggCmpt.	561247	male	C69	RrAxleInsidePVC	561607	male
L184	ServiceCmpt.	561247	male	C69	RrAxleInsidePVC	561606	female
C74	ServiceCmpt.	561645	female	C15	5thLuggCmpt.	561646	male
C74	ServiceCmpt.	561646	male	C15	5thLuggCmpt.	561645	female
C230	EngineCmpt.	562485	male	C17	RJB	561986	male
C230	EngineCmpt.	562486	female	C17	RJB	561987	female
Sw60	EngineCmpt.	561566	female	C18	FJB	561986	male
Se12	EngineCmpt.	561690	female	C18	FJB	561987	female
So1	EngineCmpt.	561566	female	C19	RJB	561986	male
Mo16	FrontRoof	560900	female	C19	RJB	561987	female
Mo15	FrontRoof	560900	female	Se23	EngineCmpt.	563159	male
Sw8	Dash	562763	male	Se24	EngineCmpt.	563159	male
Sw9	Dash	562763	male	A36.JB	FJB	562765	male
Sw38	LeftHandConsole	562763	male	Se21	Dash	561248	female
Sw41	LeftHandConsole	562749	male	A50.J2	RJB	563132	male
Sw4	Dash	562763	male	A50.J3	RJB	562957	male
C6	ServiceCmpt.	563582	male	A50.J1	RJB	563133	male
C6	ServiceCmpt.	563583	female	L76	Rear_Engine_Door	562155	male
A3	Dash	562363	male	L74	Rear_Vehicle	562155	male
Sw23	Dash	562763	male	L75	Rear_Vehicle	562155	male
Sw58	EngineCmpt.	562581	male	L72	Rear_Vehicle	562155	male
L193.B	Dash	560488	female	L71	Rear_Engine_Door	562601	male
L194.A	Dash	562019	female	L77	Rear_Engine_Door	562601	male
L194.B	Dash	560488	female	L78	Rear_Engine_Door	562601	male
L195.B	Dash	560488	female	L79	Rear_Engine_Door	562601	male
Sw16	Dash	562763	male	L80	Rear_Engine_Door	562601	male
So7	ServiceCmpt.	561566	male	L82	Rear_Engine_Door	562348	female
L187	EngineCmpt.	561690	male	C22	RJB	561847	male
Mo1	EngineCmpt.	561690	female	C22	RJB	561862	female
C1	FJB	563589	male	C48	ServiceCmpt.	561690	male

# CONNECTORS LIST

No	Location	Part #	Gender	No	Location	Part #	Gender
C48	ServiceCmpt.	561566	female	L81.A	Rear_Engine_Door	562835	female
Se18.A	ServiceCmpt.	560815	female	L81.B	Rear_Engine_Door	562834	male
Se18.B	ServiceCmpt.	560815	female	L73	Rear_Vehicle	562601	male
VECF1	FJB	563186	male	C589	ServiceCmpt.	563088	male
VECF2	FJB	563183	male	C589	ServiceCmpt.	563089	female
VECF3	FJB	563185	male	C590	RHConsole	563088	male
VECF4	FJB	563182	male	C590	RHConsole	563089	female
VECF10	FJB	563181	male	R3	RJB	563409	male
VECF11	FJB	563184	male	R12	Evap.Cmpt.	563409	male
VECF12	FJB	563187	male	R9	Evap.Cmpt.	563409	male
VECR1	RJB	563186	male	R10	Evap.Cmpt.	563409	male
VECR2	RJB	563183	male	R24	FJB	561183	male
VECR3	RJB	563185	male	C246	ServiceCmpt.	563090	male
VECR4	RJB	563182	male	C246	ServiceCmpt.	563091	female
VECR10	RJB	563181	male	C269	RHConsole	563090	male
VECR11	RJB	563184	male	C269	RHConsole	563091	female
VECR12	RJB	563187	male	R16	Dash	561183	male
C24	Evap.Cmpt.	561690	male	Sw11	Dash	562763	male
C24	Evap.Cmpt.	561566	female	A15	Dash	562464	male
Sw64.A	ServiceCmpt.	560815	female	Sw13	Dash	562763	male
Sw64.B	ServiceCmpt.	560815	female	A14.LX	Dash	562766	male
C380	Dash	563180	male	A14.CY	Dash	562765	male
C380	Dash	563347	female	A14.LY	Dash	562767	male
C464	RJB	563180	male	A14.RX	Dash	562767	male
C464	RJB	563347	female	A14.CX	Dash	562957	male
C26_plug	RJB	562485	male	Se11.A	Cond.Cmpt.	560082	male
C26_socket	RJB	562486	female	Se11.B	Cond.Cmpt.	560082	male
C11	ServiceCmpt.	563580	male	Se11.C	Cond.Cmpt.	560082	male
C11	ServiceCmpt.	563581	female	L98.A	Entrance_Door	563069	female
Sw85	LeftHandConsole	562749	male	L98.B	Outside_Front_RH	563069	female
A12	Dash	562464	male	L97.A	Outside_Front_LH	563069	female
L208	Outside_Front_LH	563088	male	L97.B	Outside_Front_LH	563069	female
L209	Outside_Front_RH	563088	male	L27.B	FrontRoof	562286	male
L67	3rdLuggCmpt.	562155	male	L27.A	FrontRoof	561608	female
L68	3rdLuggCmpt.	562155	male	L26.B	FrontRoof	562286	male
L69	3rdLuggCmpt.	562155	male	L26.A	FrontRoof	561608	female
L70	3rdLuggCmpt.	562155	male	L25.B	FrontRoof	562286	male
Mo12	Evap.Cmpt.	561690	male	L25.A	FrontRoof	561608	female
So12	Evap.Cmpt.	561566	female	L24.B	FrontRoof	562286	male
So13	Evap.Cmpt.	563204	female	L24.A	FrontRoof	561608	female
C121	EngineDoor	561690	male	L23.B	FrontRoof	562286	male
C121	EngineDoor	561566	female	L23.A	FrontRoof	561608	female
L83	Rear Engine Door	562348	female	L22.B	FrontRoof	562286	male

# CONNECTORS LIST

No	Location	Part #	Gender	No	Location	Part #	Gender
L22.A	FrontRoof	561608	female	C34	RightHandConsole	561986	male
L21.B	FrontRoof	562286	male	C34	RightHandConsole	561987	female
L21.A	FrontRoof	561608	female	Sw83.D	Dash	560815	female
L88.B	RearRoof	562286	male	Sw83.A	Dash	560082	female
L84.A	RearRoof	561608	female	Sw83.B	Dash	560815	female
L90.A	RearRoof	561608	female	Sw83.C	Dash	560082	female
L86.A	RearRoof	561608	female	C44_plug	FJB	561577	male
L89.A	RearRoof	561608	female	C44_socket	FJB	561605	female
L85.A	RearRoof	561608	female	R18	FJB	562367	male
L88.A	RearRoof	561608	female	R19	FJB	562367	male
L87.A	RearRoof	561608	female	A18.J2	FJB	562650	male
L96	Outside_Front_RH	562902	female	A18	FJB	562794	male
L95	Outside_Front_LH	562902	female	L173	EngineCmpt.	563268	male
C243	ServiceCmpt.	562789	male	L174	EngineCmpt.	563268	male
C243	ServiceCmpt.	565131	female	So8	ServiceCmpt.	563204	female
C242	ServiceCmpt.	562789	male	L205	Evap.Cmpt.	562485	male
C242	ServiceCmpt.	565131	female	Se25	PassengerArea	561248	female
L59.A	Outside_Front_RH	562623	male	L199	EngineCmpt.	562471	male
L59.B	Outside_Front_RH	562623	male	L200	EngineCmpt.	562471	male
L60.A	Outside_Front_LH	562623	male	L193.A	Dash	560488	female
L60.B	Outside_Front_LH	562623	male	L195.A	Dash	560488	female
L92	EngineCmpt.	562755	male	So11	Cond.Cmpt.	561566	female
L91	EngineCmpt.	562755	male	R17	RJB	562367	male
L84.B	RearRoof	562286	male	A13.J2	FJB	562650	male
L85.B	RearRoof	562286	male	A13.J1	FJB	562794	male
L86.B	RearRoof	562286	male	Sw52	1stLuggCmpt.	562403	female
L87.B	RearRoof	562286	male	Sw44.A	FJB	562403	female
L89.B	RearRoof	562286	male	Se20	Evap.Cmpt.	562426	male
L90.B	RearRoof	562286	male	C21B	RJB	561646	male
R23	RightHandConsole	561183	male	C21B	RJB	561645	female
L62	Outside_Front_LH	562601	male	Sw46.A	5thLuggCmpt.	562403	female
L61	Outside_Front_RH	562601	male	Sw46.B	5thLuggCmpt.	562403	female
C40	Dash	562485	male	Sw45.A	5thLuggCmpt.	562403	female
C40	Dash	562486	female	Sw45.B	5thLuggCmpt.	562403	female
R25	RJB	561183	male	Sw44.B	FJB	562403	female
A53.J2	RJB	563132	male	Sw39.A	RJB	562403	female
A53.J3	RJB	562957	male	Sw39.B	RJB	562403	female
A53.J1	RJB	563133	male	Sw47.A	3rdLuggCmpt.	562403	female
Sw82.A	RJB	561457	female	Sw47.B	3rdLuggCmpt.	562403	female
Sw82.B	RJB	561457	female	Sw48.A	3rdLuggCmpt.	562403	female
Sw82.C	RJB	561457	female	Sw48.B	3rdLuggCmpt.	562403	female
Sw82.D	RJB	561457	female	Sw49.A	2ndLuggCmpt.	562403	female
Se29	EnaineCmpt.	561566	female	Sw49.B	2ndLuggCmpt.	562403	female

# CONNECTORS LIST

No	Location	Part #	Gender	No	Location	Part #	Gender
Sw50.A	2ndLuggCmpt.	562403	female	Reg.D	RJB	560085	female
Sw50.B	2ndLuggCmpt.	562403	female	Reg.C	RJB	560085	female
Sw51.A	1stLuggCmpt.	562403	female	Sw102	Dash	562763	male
Sw51.B	1stLuggCmpt.	562403	female	Sw103	Dash	562763	male
Sw7.A	Cond.Cmpt.	562403	female	C75	4thLuggCmpt	561668	male
Sw7.B	Cond.Cmpt.	562403	female	C75	4thLuggCmpt	561551	female
VECR9	RJB	563448	male	Mo39	5thLuggCmpt.	562076	male
C92	FJB	561640	male	C82	1stLuggCmpt.	561668	male
C92	FJB	561639	female	C82	1stLuggCmpt.	561551	female
Sw52.B	1stLuggCmpt.	562403	female	Mo38	5thLuggCmpt.	562076	male
C279	FJB	562477	male	Mo37	4thLuggCmpt	562076	male
C279	FJB	562479	female	Mo36	4thLuggCmpt	562076	male
L17	FrontRoof	562803	male	Mo35	3rdLuggCmpt.	562076	male
L16	FrontRoof	562803	male	C81	1stLuggCmpt.	561668	male
Mo24	RightHandConsole	562348	female	C81	4thLuggCmpt	561551	female
Mo25	RightHandConsole	562348	female	C86	3rdLuggCmpt.	561668	male
R40	FJBVECF	561183	male	C86	3rdLuggCmpt.	561551	female
A27	ServiceCmpt.	562929	male	C85	3rdLuggCmpt.	561668	male
A28	ServiceCmpt.	562928	male	C85	3rdLuggCmpt.	561551	female
L190	Outside_Front_LH	562069	male	C77	4thLuggCmpt	561668	male
L189	Outside_Front_RH	562069	male	C77	4thLuggCmpt	561551	female
Sw84.A	EngineCmpt.	560488	female	C83	2ndLuggCmpt.	561668	male
Sw84.B	EngineCmpt.	560488	female	C83	2ndLuggCmpt.	561551	female
Sw40	LeftHandConsole	561690	male	C84	2ndLuggCmpt.	561668	male
C398	EngineCmpt.	561690	male	C84	2ndLuggCmpt.	561551	female
C398	EngineCmpt.	561566	female	C291	5thLuggCmpt.	561668	male
C266	RightHandConsole	561583	male	C291	5thLuggCmpt.	561551	female
C266	RightHandConsole	561585	female	C290	5thLuggCmpt.	561668	male
A41.J3		562957	male	C290	5thLuggCmpt.	561551	female
A41.J2		563132	male	Mo26	Entrance_Door	562076	male
A42.J3		562957	male	C360	Dash	561247	male
A42.J2		563132	male	C360	Dash	561248	female
A43.J3		562957	male	C89	RearRoof	561581	male
A43.J2		563132	male	C89	RearRoof	561582	female
Sw106	Entrance_Door	561637	male	So34	EngineCmpt.	561690	male
C281	LeftHandConsole	560852	male	C555	1stLuggCmpt.	561476	male
C281	LeftHandConsole	560851	female	C555	1stLuggCmpt.	561477	female
C172	ServiceCmpt.	561637	male	C556	5thLuggCmpt.	561476	male
C172	ServiceCmpt.	561635	female	C556	5thLuggCmpt.	561477	female
Sw108	LeftHandConsole	562763	male	C500	FJB	562069	male
Sw104	Dash	562763	male	C500	FJB	562070	female
Reg.A	RJB	560815	female	C342	EngineCmpt.	562477	male
Reg.B	RJB	560085	female	C342	EngineCmpt.	562479	female

# CONNECTORS LIST

No	Location	Part #	Gender	No	Location	Part #	Gender
A49.J2	RJB	563132	male	CC1	ServiceCmpt.	563227	male
A49.J3	RJB	562957	male	CC1	ServiceCmpt.	563614	female
A49.J1	RJB	562767	male	CC2	ServiceCmpt.	563226	male
A24.A	RightHandConsole	561890	male	CC2	ServiceCmpt.	563613	female
A24.B	RightHandConsole	561566	female	Se17.A	RightHandConsole	562019	female
A24	RightHandConsole	561889	female	Se17.B	RightHandConsole	562019	female
Sw122	PassengerArea	562763	male	Se16.A	Entrance_Door	562651	female
C264	Entrance_Door	561637	male	Se16.B	Entrance_Door	562651	female
C264	Entrance_Door	561636	female	L285	Dash	561247	male
CT2	EngineCmpt.	563226	male	A31.A	FJB	562676	male
CT2	EngineCmpt.	563613	female	A31.B	FJB	562675	male
C5	FJB	563589	male	L18.B	Entrance_Door	561539	male
C5	FJB	563590	female	L19.A	RightHandConsole	560488	female
Res3	RJB	563590	female	L19.B	RightHandConsole	560488	female
C3S	RJB	563593	male	L211.A	RightHandConsole	560488	female
C3S	RJB	563590	female	L211.B	RightHandConsole	560488	female
C100S	5thLuggCmpt.	563589	male	Sw99	Dash	562763	male
C100S	5thLuggCmpt.	563590	female	Sw116.A	4thLuggCmpt	560079	female
C1S	FJB	563589	male	Sw116.B	4thLuggCmpt	560079	female
C1S	FJB	563590	female	L287	4thLuggCmpt	561247	male
C5S	FJB	563589	male	Sw128.A	4thLuggCmpt	562403	female
C5S	FJB	563590	female	Sw128.B	4thLuggCmpt	562403	female
C13S	RightHandConsole	563593	male	L288	4thLuggCmpt	561247	male
C13S	RightHandConsole	563590	female	C550	5thLuggCmpt.	561476	male
Res4	RightHandConsole	563590	female	C550	5thLuggCmpt.	561477	female
Res6	FJB	563590	female	C551	5thLuggCmpt.	561476	male
Res5	Dash	563590	female	C551	5thLuggCmpt.	561477	female
A58	FJB	562464	male	C552	3rdLuggCmpt.	561476	male
Sw119	Dash	562763	male	C552	3rdLuggCmpt.	561477	female
MONITOR	Dash	561247	male	C553	2ndLuggCmpt.	561476	male
R30	RJB	561183	male	C553	2ndLuggCmpt.	561477	female
R31	RJB	561183	male	C554	1stLuggCmpt.	561476	male
R32	RJB	561183	male	C554	1stLuggCmpt.	561477	female
R33	RJB	561183	male	C557	3rdLuggCmpt.	561476	male
Sw120	DriverArea	562237	female	C557	3rdLuggCmpt.	561477	female
Sw117.A	5thLuggCmpt.	560079	female	C558	4thLuggCmpt	561476	male
Sw117.B	5thLuggCmpt.	560079	female	C558	4thLuggCmpt	561477	female
L93.A	Rear_Vehicle	563069	female	C559	5thLuggCmpt.	561476	male
L93.B	Rear_Vehicle	563069	female	C559	5thLuggCmpt.	561477	female
A48.J2	RightHandConsole	563132	male	C193	RJB	563589	male
A48.J3	RightHandConsole	562957	male	C193	RJB	563590	female
A48.J1	RightHandConsole	563133	male	C194	FJB	563589	male
Sw121	Dash	562763	male	C194	FJB	563590	female



# CONNECTORS LIST

No	Location	Part #	Gender	No	Location	Part #	Gender
Se50	ServiceCmpt.	562426	male	Mo17	LeftHandConsole	563626	male
C200	FJB	561607	male	A30	RightHandConsole	561889	female
C200	FJB	561606	female	A30.A	RightHandConsole	561611	male
Se52.A	RightHandConsole	560488	female	A32.A	1stLuggCmpt.	561611	male
Se52.B	RightHandConsole	560488	female	Se46	AboveRearAxle	562348	female
Mo51	1stLuggCmpt.	561690	male	A32.C	1stLuggCmpt.	561566	female
So26	ServiceCmpt.	641385	male	So38	1stLuggCmpt.	561566	female
So9	EngineCmpt.	561566	female	Mo50	ServiceCmpt.	561782	male
Mo53	RJB	561248	female	C228	EngineCmpt.	563227	male
C400_plug	EngineCmpt.	561782	male	C228	EngineCmpt.	563614	female
C400_socket	EngineCmpt.	561781	female	C78	EngineCmpt.	561690	male
Mo40	1stLuggCmpt.	561477	female	C78	EngineCmpt.	561566	female
Se45	ServiceCmpt.	563409	male	L203	RightHandConsole	561690	male
C1P		563589	male	Sw1.C258	Dash	561188	female
C1P		563590	female	Sw1.C259	Dash	561186	male
C5P		563589	male	Mo7	Cond.Cmpt.	563600	female
C5P		563590	female	Mo8	Cond.Cmpt.	563600	female
A41		562957	male	R21		561183	male
A42		562957	male	So27		641385	male
A43		562957	male	A1Gen4.A		563975	male
A44		562957	male	A7Gen4		563979	male
A45		562957	male	C717		561646	male
A46		562957	male	C717		561645	female
A47		562957	male	A2Gen4		563984	male
A48		562957	male	Alt2.B		560815	female
A49		562957	male	Alt1.B		560815	female
A53		562957	male	Mo18		562474	male
A52		562957	male	Mo19		562474	male
A50		562957	male	Mo20		562474	male
C3P		563589	male	Mo54		562474	male
C3P		563590	female	Se60		563409	male
A4.A	ServiceCmpt.	562428	female	Sw6		562763	male
A4.B	ServiceCmpt.	561188	female	SwSo1.A		561552	female
Alt1.A	EngineCmpt.	560815	female	SESO1		563159	male
Alt1.B		560815	female	SESO2		562479	female
Alt1.C	EngineCmpt.	562862	female	SESO3		562479	female
Alt2.A	EngineCmpt.	560815	female	A56.J2		563132	male
Alt2.B		560815	female	A56.J3		562957	male
Alt2.C	EngineCmpt.	562862	female	A56.J1		563133	male
Alt3.D	EngineCmpt.	560587	female	SoSo5		641385	male
Alt3.A	EngineCmpt.	560815	female	SoSo1		641385	male
Alt3.B	EngineCmpt.	560086	female	SoSo2		641385	male
Alt3.C	EnaineCmot.	562862	female	SOSO4		641385	male

# CONNECTORS LIST

No	Location	Part #	Gender	No	Location	Part #	Gender
MoSo1.A		561967	male	A73.J1		563681	male
RSO1.A		561626	female	A74		563207	male
RSO1.B		561626	female	Res7.A		563590	female
RSO2.A		561626	female	Sw103		562763	male
RSO2.B		561626	female	C13_plug		563589	male
CS02		561643	male	C13_socket		563590	female
CS02		561641	female	Res12.A		563590	female
SwSo2		561552	female	L187.A		561690	male
CS07		561695	male	Sw107.A		561457	female
CS07		561694	female	Sw107.B		561457	female
SES05		562479	female	Sw107.C		561457	female
SES06		562479	female	Sw107.D		561457	female
A57.J2		563132	male	Sw107.E		561457	female
A57.J3		562957	male	Sw107.F		561457	female
A57.J1		563133	male	Sw107.G		561457	female
MOSO2.A		561967	male	Sw107.H		561457	female
RSO3.A		561626	female	Sw107.J		561457	female
RSO3.B		561626	female	Sw107.K		561457	female
RSO4.A		561626	female	CS01		562581	male
RSO4.B		561626	female	CS01		562583	female
CS05		561847	male	CS01S		562581	male
CS05		561862	female	CS01S		562583	female
A6		563629	female	SoSo6		641385	male
Se36		563628	female	SoSo3		641385	male
C8		562884	female	Mo44		561477	female
C8		562877	female	C10		562477	male
C7		562884	female	C10		562479	female
C7		562877	female	VECF9		563448	male
A72.J2		563678	male	Se19.A		563677	male
A72.J3		563679	male	Se49.A		563677	male
A72.J4		563680	male	C168		561890	male
A72.J1		563675	male	C168		561889	female
Se14.A		561782	male				
Se14.B		561781	female				
Sw17		562763	male				
Sw35		562763	male				
Sw37		562763	male				
Sw36		562763	male				
Sw101		562763	male				
Sw14		562763	male				
Se13		562350	male				
Sw124		562763	male				
A73.J2		563684	male				

# CONNECTORS LIST

No	Location	Part #	Gender	No	Location	Part #	Gender
A1Gen4.A		563975	male	A43.J1	FJB	562767	male
A2Gen4		563984	male	A43.J2		563132	male
A3	Dash	562363	male	A43.J3		562957	male
A4.A	ServiceCmpt.	562428	female	A44.J1	FJB	563133	male
A4.B	ServiceCmpt.	561188	female	A44.J2	FJB	563132	male
A5	ServiceCmpt.	562428	female	A44.J3	FJB	562957	male
A6		563629	female	A45.J1	FJB	563133	male
A7Gen4		563979	male	A45.J2	FJB	563132	male
A9.Cx1		564041	female	A45.J3	FJB	562957	male
A9.Cx2		563678	male	A46.J1	FJB	563133	male
A9.Cx3		564037	female	A46.J2	FJB	563132	male
A9.Cx4		564038	female	A46.J3	FJB	562957	male
A12	Dash	562464	male	A47.J1	RightHandConsole	563133	male
A13.J1	FJB	562794	male	A47.J2	RightHandConsole	563132	male
A13.J2	FJB	562650	male	A47.J3	RightHandConsole	562957	male
A14.CX	Dash	562957	male	A48.J1	RightHandConsole	563133	male
A14.CY	Dash	562765	male	A48.J2	RightHandConsole	563132	male
A14.LX	Dash	562766	male	A48.J3	RightHandConsole	562957	male
A14.LY	Dash	562767	male	A49.J1	RJB	562767	male
A14.RX	Dash	562767	male	A49.J2	RJB	563132	male
A15	Dash	562464	male	A49.J3	RJB	562957	male
A18	FJB	562794	male	A50.J1	RJB	563133	male
A18.J2	FJB	562650	male	A50.J2	RJB	563132	male
A24	RightHandConsole	561889	female	A50.J3	RJB	562957	male
A24.A	RightHandConsole	561890	male	A51.J1	RJB	563133	male
A24.B	RightHandConsole	561566	female	A51.J2	RJB	563132	male
A27	ServiceCmpt.	562929	male	A51.J3	RJB	562957	male
A28	ServiceCmpt.	562928	male	A52.J1	RJB	563133	male
A30	RightHandConsole	561889	female	A52.J2	RJB	563132	male
A30.A	RightHandConsole	561611	male	A52.J3	RJB	562957	male
A31.A	FJB	562676	male	A53.J1	RJB	563133	male
A31.B	FJB	562675	male	A53.J2	RJB	563132	male
A32.A	1stLuggCmpt.	561611	male	A53.J3	RJB	562957	male
A32.C	1stLuggCmpt.	561566	female	A54.J1	Evap.Cmpt.	563133	male
A36.JA	FJB	562767	male	A54.J2	Evap.Cmpt.	563132	male
A36.JB	FJB	562765	male	A54.J3	Evap.Cmpt.	562957	male
A36.JC	FJB	562957	male	A56.J1	Slide-OutPanel	563133	male
A41.J1	FJB	562767	male	A56.J2	Slide-OutPanel	563132	male
A41.J2		563132	male	A56.J3	Slide-OutPanel	562957	male
A41.J3		562957	male	A57.J1		563133	male
A42.J1	FJB	562767	male	A57.J2		563132	male
A42.J2		563132	male	A57.J3		562957	male
A42.J3		562957	male	A58.J1		563133	male

# CONNECTORS LIST

No	Location	Part #	Gender	No	Location	Part #	Gender
A58.J2		563132	male	C7		563589	female
A58.J3		562957	male	C7		563590	female
A60		562767	male	C8		563589	female
A65	FJB	562464	male	C8		563590	female
A72.J1		563675	male	C10		562477	male
A72.J2		563678	male	C10		562479	female
A72.J3		563679	male	C11	ServiceCmpt.	563580	male
A72.J4		563680	male	C11	ServiceCmpt.	563581	female
A73.J1		563681	male	C13S	RightHandConsole	563593	male
A73.J2		563684	male	C13S	RightHandConsole	563590	female
A74		563207	male	C13_plug		563589	male
A81.JA		562767	male	C13_socket		563590	female
A81.JB		562765	male	C15	5thLuggCmpt.	561646	male
A81.JC		562957	male	C15	5thLuggCmpt.	561645	female
A82		563739	male	C17	RJB	561986	male
Alt1.A	EngineCmpt.	563746	female	C17	RJB	561987	female
Alt1.B		560815	female	C18	FJB	561986	male
Alt1.C	EngineCmpt.	562862	female	C18	FJB	561987	female
Alt2.A	EngineCmpt.	563746	female	C19	RJB	561986	male
Alt2.B		560815	female	C19	RJB	561987	female
Alt2.C	EngineCmpt.	562862	female	C21A	RJB	561646	male
Alt3.A	EngineCmpt.	560815	female	C21A	RJB	561645	female
Alt3.B	EngineCmpt.	560086	female	C21B	RJB	561646	male
Alt3.C	EngineCmpt.	562862	female	C21B	RJB	561645	female
Alt3.D	EngineCmpt.	560587	female	C22	RJB	561847	male
C1	FJB	563589	male	C22	RJB	561862	female
C1	FJB	563590	female	C24	Evap.Cmpt.	561690	male
C1S	FJB	563589	male	C24	Evap.Cmpt.	561566	female
C1S	FJB	563590	female	C34	RightHandConsole	561986	male
C2	ServiceCmpt.	563580	male	C34	RightHandConsole	561987	female
C2	ServiceCmpt.	563581	female	C40	Dash	562485	male
C3	RJB	563589	male	C40	Dash	562486	female
C3	RJB	563590	female	C44_plug	FJB	561577	male
C3S	RJB	563593	male	C44_socket	FJB	561605	female
C3S	RJB	563590	female	C45	FJB	561643	male
C4	ServiceCmpt.	563580	male	C45	FJB	561642	female
C4	ServiceCmpt.	563581	female	C48	ServiceCmpt.	561690	male
C5	FJB	563589	male	C48	ServiceCmpt.	561566	female
C5	FJB	563590	female	C49		562005	male
C5S	FJB	563589	male	C49		561714	female
C5S	FJB	563590	female	C52		563735	male
C6	ServiceCmpt.	563582	male	C69		561583	male
C6	ServiceCmpt.	563583	female	C69		561585	female

# CONNECTORS LIST

No	Location	Part #	Gender	No	Location	Part #	Gender
C71	FJB	561646	male	C119	EngineDoor	561606	female
C71	FJB	561645	female	C120	EngineDoor	561607	male
C72	ServiceCmpt.	561646	male	C120	EngineDoor	561606	female
C72	ServiceCmpt.	561645	female	C121	EngineDoor	561690	male
C74	ServiceCmpt.	561645	female	C121	EngineDoor	561566	female
C74	ServiceCmpt.	561646	male	C152	CondensorCmpt.	561611	male
C75	4thLuggCmpt	561668	male	C152	CondensorCmpt.	561610	female
C75	4thLuggCmpt	561551	female	C171	FJB	561646	male
C77	4thLuggCmpt	561668	male	C171	FJB	561645	female
C77	4thLuggCmpt	561551	female	C172	ServiceCmpt.	561637	male
C78	EngineCmpt.	561690	male	C172	ServiceCmpt.	561635	female
C78	EngineCmpt.	561566	female	C193	RJB	563589	male
C81	1stLuggCmpt.	561668	male	C193	RJB	563590	female
C81	4thLuggCmpt	561551	female	C194	FJB	563589	male
C82	1stLuggCmpt.	561668	male	C194	FJB	563590	female
C82	1stLuggCmpt.	561551	female	C200	FJB	561607	male
C83	2ndLuggCmpt.	561668	male	C200	FJB	561606	female
C83	2ndLuggCmpt.	561551	female	C228	EngineCmpt.	563227	male
C84	2ndLuggCmpt.	561668	male	C228	EngineCmpt.	563614	female
C84	2ndLuggCmpt.	561551	female	C230	EngineCmpt.	562485	male
C85	3rdLuggCmpt.	561668	male	C230	EngineCmpt.	562486	female
C85	3rdLuggCmpt.	561551	female	C242	ServiceCmpt.	562789	male
C86	3rdLuggCmpt.	561668	male	C242	ServiceCmpt.	565131	female
C86	3rdLuggCmpt.	561551	female	C243	ServiceCmpt.	562789	male
C87	RearRoof	561637	male	C243	ServiceCmpt.	565131	female
C87	RearRoof	561636	female	C246	ServiceCmpt.	563090	male
C89	RearRoof	561581	male	C246	ServiceCmpt.	563091	female
C89	RearRoof	561582	female	C264	Entrance_Door	561637	male
C91	RJB	562285	male	C264	Entrance_Door	561636	female
C91	RJB	562282	female	C266	RightHandConsole	561583	male
C92		561734	male	C266	RightHandConsole	561585	female
C92		561735	female	C269	RHConsole	563090	male
C96		561643	male	C269	RHConsole	563091	female
C96		561642	female	C279	FJB	562477	male
C97		561583	male	C279	FJB	562479	female
C97		561585	female	C281	LeftHandConsole	560852	male
C100	5thLuggCmpt.	563589	male	C281	LeftHandConsole	560851	female
C100	5thLuggCmpt.	563590	female	C290	5thLuggCmpt.	561668	male
C100S	5thLuggCmpt.	563589	male	C290	5thLuggCmpt.	561551	female
C100S	5thLuggCmpt.	563590	female	C291	5thLuggCmpt.	561668	male
C101	ServiceCmpt.	561690	male	C291	5thLuggCmpt.	561551	female
C101	ServiceCmpt.	561566	female	C342	EngineCmpt.	562477	male
C119	EnaineDoor	561607	male	C342	EnaineCmot.	562479	female

# CONNECTORS LIST

No	Location	Part #	Gender	No	Location	Part #	Gender
C360	Dash	561247	male	C717		561646	male
C360	Dash	561248	female	C717		561645	female
C380	Dash	563180	male	CC1	ServiceCmpt.	563227	male
C380	Dash	563347	female	CC1	ServiceCmpt.	563614	female
C397	RJB	562285	male	CC2	ServiceCmpt.	563226	male
C397	RJB	562282	female	CC2	ServiceCmpt.	563613	female
C398	EngineCmpt.	561690	male	CS01		563226	male
C398	EngineCmpt.	561566	female	CS01		563613	female
C400_plug	EngineCmpt.	561782	male	CS01S		563226	male
C400_socket	EngineCmpt.	561781	female	CS01S		563613	female
C426	EngineCmpt	561782	male	CS02		561643	male
C426	EngineCmpt	561781	female	CS02		561641	female
C463	EngineCmpt.	562570	female	CS05		561847	male
C463	EngineCmpt.	562571	male	CS05		561862	female
C464	RJB	563180	male	CS07		561695	male
C464	RJB	563347	female	CS07		561694	female
C500	FJB	562069	male	CS08		561695	male
C500	FJB	562070	female	CS08		561694	female
C550	5thLuggCmpt.	561476	male	CT2	EngineCmpt.	563226	male
C550	5thLuggCmpt.	561477	female	CT2	EngineCmpt.	563613	female
C551	5thLuggCmpt.	561476	male	L16	FrontRoof	562803	male
C551	5thLuggCmpt.	561477	female	L17	FrontRoof	562803	male
C552	3rdLuggCmpt.	561476	male	L18.B	Entrance_Door	561539	male
C552	3rdLuggCmpt.	561477	female	L19.A	RightHandConsole	560488	female
C553	2ndLuggCmpt.	561476	male	L19.B	RightHandConsole	560488	female
C553	2ndLuggCmpt.	561477	female	L21.A	FrontRoof	561608	female
C554	1stLuggCmpt.	561476	male	L21.B	FrontRoof	562286	male
C554	1stLuggCmpt.	561477	female	L22.A	FrontRoof	561608	female
C555	1stLuggCmpt.	561476	male	L22.B	FrontRoof	562286	male
C555	1stLuggCmpt.	561477	female	L23.A	FrontRoof	561608	female
C556	5thLuggCmpt.	561476	male	L23.B	FrontRoof	562286	male
C556	5thLuggCmpt.	561477	female	L24.A	FrontRoof	561608	female
C557	3rdLuggCmpt.	561476	male	L24.B	FrontRoof	562286	male
C557	3rdLuggCmpt.	561477	female	L25.A	FrontRoof	561608	female
C558	4thLuggCmpt	561476	male	L25.B	FrontRoof	562286	male
C558	4thLuggCmpt	561477	female	L26.A	FrontRoof	561608	female
C559	5thLuggCmpt.	561476	male	L26.B	FrontRoof	562286	male
C559	5thLuggCmpt.	561477	female	L27.A	FrontRoof	561608	female
C581	UnderdashBoard	562777	male	L27.B	FrontRoof	562286	male
C589	ServiceCmpt.	563088	male	L59.A	Outside_Front_RH	562623	male
C589	ServiceCmpt.	563089	female	L59.B	Outside_Front_RH	562623	male
C590	RHConsole	563088	male	L60.A	Outside_Front_LH	562623	male
C590	RHConsole	563089	female	L60.B	Outside Front LH	562623	male

# CONNECTORS LIST

No	Location	Part #	Gender	No	Location	Part #	Gender
L61	Outside_Front_RH	562601	male	L94.B	EngineCmpt.	563069	female
L62	Outside_Front_LH	562601	male	L95	Outside_Front_LH	562902	female
L63	Outside_Front_RH	562155	male	L96	Outside_Front_RH	562902	female
L64	Outside_Front_RH	562155	male	L97.A	Outside_Front_LH	563069	female
L65	Outside_Front_LH	562155	male	L97.B	Outside_Front_LH	563069	female
L66	Outside_Front_LH	562155	male	L98.A	Entrance_Door	563069	female
L67	3rdLuggCmpt.	562155	male	L98.B	Outside_Front_RH	563069	female
L68	3rdLuggCmpt.	562155	male	L173	EngineCmpt.	563268	male
L69	3rdLuggCmpt.	562155	male	L174	EngineCmpt.	563268	male
L70	3rdLuggCmpt.	562155	male	L175	RJB	561247	male
L71	Rear_Engine_Door	562601	male	L176	5thLuggCmpt.	561247	male
L72	Rear_Vehicle	562155	male	L177	5thLuggCmpt.	561247	male
L73	Rear_Vehicle	562601	male	L178	3rdLuggCmpt.	561247	male
L74	Rear_Vehicle	562155	male	L179	3rdLuggCmpt.	561247	male
L75	Rear_Vehicle	562155	male	L180	2ndLuggCmpt.	561247	male
L76	Rear_Engine_Door	562155	male	L181	2ndLuggCmpt.	561247	male
L77	Rear_Engine_Door	562601	male	L182	1stLuggCmpt.	561247	male
L78	Rear_Engine_Door	562601	male	L183	1stLuggCmpt.	561247	male
L79	Rear_Engine_Door	562601	male	L184	ServiceCmpt.	561247	male
L80	Rear_Engine_Door	562601	male	L187.A		561690	male
L81.A	Rear_Engine_Door	562835	female	L189	Outside_Front_RH	562069	male
L81.B	Rear_Engine_Door	562834	male	L190	Outside_Front_LH	562069	male
L82	Rear_Engine_Door	562348	female	L193.A	Dash	560488	female
L83	Rear_Engine_Door	562348	female	L193.B	Dash	560488	female
L84.A	RearRoof	561608	female	L194.A	Dash	562019	female
L84.B	RearRoof	562286	male	L194.B	Dash	560488	female
L85.A	RearRoof	561608	female	L195.A	Dash	560488	female
L85.B	RearRoof	562286	male	L195.B	Dash	560488	female
L86.A	RearRoof	561608	female	L199	EngineCmpt.	562471	male
L86.B	RearRoof	562286	male	L200	EngineCmpt.	562471	male
L87.A	RearRoof	561608	female	L203	RightHandConsole	561690	male
L87.B	RearRoof	562286	male	L205	Evap.Cmpt.	562485	male
L88.A	RearRoof	561608	female	L208	Outside_Front_LH	563088	male
L88.B	RearRoof	562286	male	L209	Outside_Front_RH	563088	male
L89.A	RearRoof	561608	female	L211.A	RightHandConsole	560488	female
L89.B	RearRoof	562286	male	L211.B	RightHandConsole	560488	female
L90.A	RearRoof	561608	female	L285	Dash	561247	male
L90.B	RearRoof	562286	male	L287	4thLuggCmpt	561247	male
L91	EngineCmpt.	562755	male	L288	4thLuggCmpt	561247	male
L92	EngineCmpt.	562755	male	Mo1	EngineCmpt.	561690	female
L93.A	Rear_Vehicle	563069	female	Mo2	EngineCmpt.	561782	male
L93.B	Rear_Vehicle	563069	female	Mo3	Dash	561667	female
L94.A	EngineCmpt.	563069	female	Mo4	Dash	562076	male

# CONNECTORS LIST

No	Location	Part #	Gender	No	Location	Part #	Gender
Mo7	Cond.Cmpt.	563600	female	R24	FJB	561183	male
Mo8	Cond.Cmpt.	563600	female	R25	RJB	561183	male
Mo12	Evap.Cmpt.	561690	male	R29		563409	male
Mo15	FrontRoof	560900	female	R30	RJB	561183	male
Mo16	FrontRoof	560900	female	R31	RJB	561183	male
Mo17	LeftHandConsole	563626	male	R32	RJB	561183	male
Mo18		562474	male	R33	RJB	561183	male
Mo19		562474	male	R34.A		562367	male
Mo20		562474	male	R40	FJBVECF	561183	male
Mo21	FrontRoof	561186	male	Reg.A	RJB	560815	female
Mo22	RightHandConsole	561186	male	Reg.B	RJB	560085	female
Mo24	RightHandConsole	562348	female	Reg.C	RJB	560085	female
Mo25	RightHandConsole	562348	female	Reg.D	RJB	560085	female
Mo26	Entrance_Door	562076	male	Res3	RJB	563590	female
Mo35	3rdLuggCmpt.	562076	male	Res4	RightHandConsole	563590	female
Mo36	4thLuggCmpt	562076	male	Res5	Dash	563590	female
Mo37	4thLuggCmpt	562076	male	Res6	FJB	563590	female
Mo38	5thLuggCmpt.	562076	male	Res7.A		563590	female
Mo39	5thLuggCmpt.	562076	male	Res12.A		563590	female
Mo40	1stLuggCmpt.	561477	female	RSo1.A		561626	female
Mo44		561477	female	RSo1.B		561626	female
Mo50	ServiceCmpt.	561782	male	RSo2.A		561626	female
Mo51	1stLuggCmpt.	561690	male	RSo2.B		561626	female
Mo53	RJB	561248	female	RSo3.A		561626	female
Mo54		562474	male	RSo3.B		561626	female
Mo55.A		561967	male	RSo4.A		561626	female
Mo56		561477	female	RSo4.B		561626	female
MONITOR	Dash	561247	male	RSo5.A		561626	female
MoSo1.A		561967	male	RSo5.B		561626	female
MOSO2.A		561967	male	RSo6.A		561626	female
Pot1.A	Dash	560488	female	RSo6.B		561626	female
Pot1.B	Dash	560488	female	Se1	EngineCmpt.	562486	female
Pot1.C	Dash	560488	female	Se2	EngineCmpt.	562486	female
R3	RJB	563409	male	Se3	RJB	562486	female
R9	Evap.Cmpt.	563409	male	Se11.A	Cond.Cmpt.	560082	male
R10	Evap.Cmpt.	563409	male	Se11.B	Cond.Cmpt.	560082	male
R12	Evap.Cmpt.	563409	male	Se11.C	Cond.Cmpt.	560082	male
R16	Dash	561183	male	Se12	EngineCmpt.	561690	female
R17	RJB	562367	male	Se13		562350	male
R18	FJB	562367	male	Se14.A		561782	male
R19	FJB	562367	male	Se14.B		561781	female
R21		561183	male	Se16.A	Entrance_Door	562651	female
R23	RightHandConsole	561183	male	Se16.B	Entrance_Door	562651	female



# CONNECTORS LIST

No	Location	Part #	Gender	No	Location	Part #	Gender
Se17.A	RightHandConsole	562019	female	So8	ServiceCmpt.	563204	female
Se17.B	RightHandConsole	562019	female	So9	EngineCmpt.	561566	female
Se19.A		563677	male	So11	Cond.Cmpt.	561566	female
Se20	Evap.Cmpt.	562426	male	So12	Evap.Cmpt.	561566	female
Se21	Dash	561248	female	So13	Evap.Cmpt.	563204	female
Se23	EngineCmpt.	563159	male	So21		564046	female
Se24	EngineCmpt.	563159	male	So22		564046	female
Se25	PassengerArea	561248	female	So23		564046	female
Se29	EngineCmpt.	561566	female	So24		564046	female
Se30	EngineCmpt.	561690	female	So26	ServiceCmpt.	641385	male
Se31	EngineCmpt.	561690	female	So27		564045	male
Se32	EngineCmpt.	563057	male	So34	EngineCmpt.	561690	male
Se33	EngineCmpt.	562856	male	So38	1stLuggCmpt.	561566	female
Se34	EngineCmpt.	563057	male	So50		564046	female
Se35	EngineCmpt.	563057	male	So51		564046	female
Se36		563628	female	So52		564045	female
Se37		641132	female	SoSo1		641385	male
Se38		641132	female	SoSo2		641385	male
Se39		641132	female	SoSo3		641385	male
Se40		641132	female	SOSO4		641385	male
Se45	ServiceCmpt.	563409	male	SoSo5		641385	male
Se46	AboveRearAxle	562348	female	SoSo6		641385	male
Se49.A		563677	male	SoSo7		564045	female
Se50	ServiceCmpt.	562426	male	SoSo8		564045	female
Se52.A	RightHandConsole	560488	female	Sw1.C258	Dash	561188	female
Se52.B	RightHandConsole	560488	female	Sw1.C259	Dash	561186	male
Se60		563409	male	Sw2	Dash	562763	male
Se63		641132	female	Sw3	Dash	562763	male
Se64		641132	female	Sw4	Dash	562763	male
Se65		564042	female	Sw5	Dash	562763	male
Se66		564039	female	Sw6		562763	male
Se67		563159	female	Sw7.A	Cond.Cmpt.	562403	female
Se68		563159	female	Sw7.B	Cond.Cmpt.	562403	female
Se69		563159	female	Sw8	Dash	562763	male
SES01		563159	male	Sw9	Dash	562763	male
SES02		562479	female	Sw11	Dash	562763	male
SES03		562479	female	Sw13	Dash	562763	male
SES05		562479	female	Sw14		562763	male
SES06		562479	female	Sw15	Dash	562763	male
SeSo7		562479	female	Sw16	Dash	562763	male
SeSo8		562479	female	Sw17		562763	male
So1	EngineCmpt.	561566	female	Sw18	Dash	562763	male
So7	ServiceCmpt.	561566	male	Sw22	Dash	562763	male

# CONNECTORS LIST

No	Location	Part #	Gender	No	Location	Part #	Gender
Sw23	Dash	562763	male	Sw84.A	EngineCmpt.	560488	female
Sw24	Dash	562763	male	Sw84.B	EngineCmpt.	560488	female
Sw35		562763	male	Sw85	LeftHandConsole	562749	male
Sw36		562763	male	Sw99	Dash	562763	male
Sw37		562763	male	Sw101		562763	male
Sw38	LeftHandConsole	562763	male	Sw102	Dash	562763	male
Sw39.A	RJB	562403	female	Sw103		562763	male
Sw39.B	RJB	562403	female	Sw104	Dash	562763	male
Sw40	LeftHandConsole	561690	male	Sw106	Entrance_Door	561637	male
Sw41	LeftHandConsole	562749	male	Sw107.A		561457	female
Sw44.A	FJB	562403	female	Sw107.B		561457	female
Sw44.B	FJB	562403	female	Sw107.C		561457	female
Sw45.A	5thLuggCmpt.	562403	female	Sw107.D		561457	female
Sw45.B	5thLuggCmpt.	562403	female	Sw107.E		561457	female
Sw46.A	5thLuggCmpt.	562403	female	Sw107.F		561457	female
Sw46.B	5thLuggCmpt.	562403	female	Sw107.G		561457	female
Sw47.A	3rdLuggCmpt.	562403	female	Sw107.H		561457	female
Sw47.B	3rdLuggCmpt.	562403	female	Sw107.J		561457	female
Sw48.A	3rdLuggCmpt.	562403	female	Sw107.K		561457	female
Sw48.B	3rdLuggCmpt.	562403	female	Sw108	LeftHandConsole	562763	male
Sw49.A	2ndLuggCmpt.	562403	female	Sw116.A	4thLuggCmpt	560079	female
Sw49.B	2ndLuggCmpt.	562403	female	Sw116.B	4thLuggCmpt	560079	female
Sw50.A	2ndLuggCmpt.	562403	female	Sw117.A	5thLuggCmpt.	560079	female
Sw50.B	2ndLuggCmpt.	562403	female	Sw117.B	5thLuggCmpt.	560079	female
Sw51.A	1stLuggCmpt.	562403	female	Sw119	Dash	562763	male
Sw51.B	1stLuggCmpt.	562403	female	Sw120	DriverArea	562237	female
Sw52	1stLuggCmpt.	562403	female	Sw121	Dash	562763	male
Sw52.B	1stLuggCmpt.	562403	female	Sw122	PassengerArea	562763	male
Sw58	EngineCmpt.	562581	male	Sw124		562957	male
Sw59	EngineCmpt.	562485	male	Sw128.A	4thLuggCmpt	562403	female
Sw60	EngineCmpt.	561566	female	Sw128.B	4thLuggCmpt	562403	female
Sw64.A		560815	female	Sw130		562763	male
Sw64.B		560815	female	SwSo1.A		561552	female
Sw81.A	Dash	562905	male	SwSo2		561552	female
Sw81.B	Dash	562905	male	SwSo3		561552	female
Sw82.A	RJB	561457	female	sym409_156.J1		561017	female
Sw82.B	RJB	561457	female	sym410_156.J1		560900	female
Sw82.C	RJB	561457	female	sym414_156.J1		560900	female
Sw82.D	RJB	561457	female	sym415_156.J1		560852	male
Sw83.A	Dash	560082	female	sym416_156.J1		560900	female
Sw83.B	Dash	560815	female	sym417_156.A		563590	female
Sw83.C	Dash	560082	female	T12VDF3		560083	N/A
Sw83.D	Dash	560815	female	T12VDR1	RJB	560891	N/A

# CONNECTORS LIST

No	Location	Part #	Gender	No	Location	Part #	Gender
T12VDR2	RJB	563354	N/A	Term2	FJBGndStud	560587	N/A
T12VDR3	RJB	560891	N/A	Term3	RJBChassisGndStud	561246	N/A
T12VDR4	RJB	563536	N/A	Term4	FJBGndStud	560587	N/A
T12VDR5	RJB	561246	N/A	Term8	FJBGndStud	560587	N/A
T24VDR2	RJB	563537	N/A	Term11	FJBGndStud	560587	N/A
TBat1	RJB	560106	N/A	Term12	FJB	560928	N/A
TBat2	RJB	560106	N/A	Term15	RHConsoleGndStud	560083	N/A
TBat3	RJB	560106	N/A	Term16	RHConsoleGndStud	561964	N/A
TBat4	RJB	560106	N/A	Term17	RHConsoleGndStud	560083	N/A
TBat5	RJB	560106	N/A	Term20	FJBGndStud	560894	N/A
TBat6	RJB	560106	N/A	Term21	LHP-RackGndStud	560587	N/A
TBat7	RJB	560895	N/A	Term22	RJBMasterRelay	560815	N/A
TBat8	RJB	560895	N/A	Term23	RJBMasterRelay	560082	N/A
TBat9	RJB	560895	N/A	Term24	EngineCmpt.	560821	N/A
TBat10	RJB	560895	N/A	Term25	EngineCmpt.	560892	N/A
TBat11	RJB	560891	N/A	Term26	Engine_Cmpt	563661	N/A
TBat12	RJB	560891	N/A	Term27	RJBChassisGndStud	560083	N/A
TBat13	RJB	560106	N/A	Term29	RJBChassisGndStud	560083	N/A
TBat14	RJBBreakersPanel	561458	N/A	Term30	RJBChassisGndStud	560083	N/A
TBat15	RJB	560892	N/A	Term31	RJBChassisGndStud	561246	N/A
TBat18	RJB	560895	N/A	Term33	RJBChassisGndStud	561246	N/A
TBat19	RJB	560894	N/A	Term34	RJB	560895	N/A
TBat20	RJB	560895	N/A	Term35	RJBMasterRelay	563662	N/A
TBat21	RJB	560895	N/A	Term36	FJBGndStud	560894	N/A
TBat22	RJB	560891	N/A	Term37	FJBGndStud	560894	N/A
TBat23	RJB	560891	N/A	Term38	FJBGndStud	560892	N/A
TBat24	RJB	*opt*	N/A	Term39	RJBMasterRelay	563661	N/A
TBat25	RJBMasterRelay	560820	N/A	Term40	RJBMasterRelay	560815	N/A
TBat27	RJB	560894	N/A	Term41	RJBMasterRelay	560082	N/A
TBat28	RJB	561850	N/A	Term42	RJBBreakersPanel	561789	N/A
TBat29	RJB	560107	N/A	Term43	FJBGndStud	560892	N/A
TBat30	RJB	560106	N/A	Term44	RJBBreakersPanel	561458	N/A
TBat31	RJB	560107	N/A	Term45	RJBBreakersPanel	560086	N/A
TBat32	RJB	560106	N/A	Term46	Evap.Cmpt.	561696	N/A
TBat33	RJB	560106	N/A	Term48	EngineCmpt.	560082	N/A
TBat34	RJB	560106	N/A	Term49	EngineCmpt.	560082	N/A
TBat41	RJB	560820	N/A	Term51	Evap.Cmpt.	560815	N/A
TBat42	RJB	560821	N/A	Term52	Evap.Cmpt.	560082	N/A
TBat43	RJB	560105	N/A	Term53	RJBBreakersPanel	561788	N/A
TBat44	RJB	560105	N/A	Term54	RJBMasterRelay	560820	N/A
TBat45	RJB	560894	N/A	Term55	RJBMasterRelay	563661	N/A
TBat46	RJB	561850	N/A	Term56	EvapCmpt.ChassisGndStud	562057	N/A
Term1	FJBGndStud	560587	N/A	Term57	EvapCmpt.ChassisGndStud	560586	N/A

# CONNECTORS LIST

No	Location	Part #	Gender	No	Location	Part #	Gender
Term59	EvapCmpt.ChassisGndStud	560892	N/A	TermSo7	RJBChassisGndStud	562037	N/A
Term62	RJBBreakersPanel	563354	N/A	TermSo9	FJB	560083	N/A
Term63	RJBChassisGndStud	561964	N/A	TermSo10		560086	N/A
Term64	Evap.Cmpt.	561696	N/A	TermSo11		560086	N/A
Term65	RJBBreakersPanel	563354	N/A	TermSo12		560086	N/A
Term66	RJBBreakersPanel	560103	N/A	TermSo13		560086	N/A
Term67	RJBChassisGndStud	561246	N/A	TermSo14		560086	N/A
term72	RJBBreakersPanel	561789	N/A	TermSo15		560086	N/A
term74	RJB	561788	N/A	TermSo16		560086	N/A
term75	RJB(RelayR3)	563123	N/A	TermSo17		560086	N/A
Term78	LHP-RackGndStud	560587	N/A	TermSo18		560086	N/A
Term85	RJBBreakersPanel	561789	N/A	TermSo19		560086	N/A
Term86	RJBBreakersPanel	561789	N/A	TermSo20		560086	N/A
Term87	RJBBreakersPanel	561458	N/A	TermSo21		560086	N/A
Term88	RJBBreakersPanel	561789	N/A	TermSo22	RJBBreakersPanel	563354	N/A
Term89	RJBBreakersPanel	561966	N/A	TermSo23		560086	N/A
Term90	FJBGndStud	560587	N/A	TermSo24		560086	N/A
Term91	RJBChassisGndStud	561246	N/A	TermSo25		560086	N/A
Term93	RJB(RelayR3)	563123	N/A	TermSo26		560086	N/A
Term96	RJBMasterRelay	561560	N/A	TermSo27		560086	N/A
Term101	RJBChassisGndStud	560083	N/A	TermSo28		560086	N/A
Term102	RJBChassisGndStud	560083	N/A	TermSo29	RJBChassisGndStud	562037	N/A
Term103	FJBGndStud	560587	N/A	TermStpG1	FJB	560085	N/A
Term104	RJB(RelayR3)	563746	N/A	TermStpG2	RJB	560085	N/A
Term105	RJB(RelayR3)	563746	N/A	TGDNDF1	FJB	560106	N/A
Term106	RJB(RelayR3)	561696	N/A	TGDNDF2	FJB	561560	N/A
Term107	Engine_Cmpt	561852	N/A	TGDNDF3	FJB	560083	N/A
Term108	RJB(RelayR3)	563746	N/A	TGDNDF4	FJB	561560	N/A
Term109	RJB(RelayR3)	563123	N/A	TGDNDF6	FJB	560083	N/A
Term110	RJB(RelayR3)	563746	N/A	TGNDR1	RJB	561246	N/A
Term111	RJB(RelayR3)	563123	N/A	TGNDR2	RJB	561246	N/A
Term118	FJBGndStud	560892	N/A	TGNDR3	RJB	560106	N/A
Term119	FJBGndStud	560587	N/A	TGNDR4	RJB	560105	N/A
Term121	RHConsoleGndStud	560083	N/A	TGNDR7	RJB	561725	N/A
Term123	Engine_Cmpt	563661	N/A	VECF1	FJB	563186	male
TermMo9	Evap.Cmpt.	560587	N/A	VECF2	FJB	563183	male
TermR9-3	Evap.Cmpt.	563354	N/A	VECF3	FJB	563185	male
TermR9-5	Evap.Cmpt.	560103	N/A	VECF4	FJB	563182	male
TermR10-3	Evap.Cmpt.	563354	N/A	VECF9		563448	male
TermR10-5	Evap.Cmpt.	563354	N/A	VECF10	FJB	563181	male
TermR12-3	Evap.Cmpt.	563551	N/A	VECF11	FJB	563184	male
TermR12-5	Evap.Cmpt.	563551	N/A	VECF12	FJB	563187	male
TermSo6	RJBChassisGndStud	562037	N/A	VECR1	RJB	563186	male



# CONNECTORS LIST

No	Location	Part #	Gender	No	Location	Part #	Gender
A1Gen4.A		563975	male	A42.J3		562957	male
A2Gen4		563984	male	A43.J1	FJB	562767	male
A3	Dash	562363	male	A43.J2		563132	male
A4.A	ServiceCmpt.	562428	female	A43.J3		562957	male
A4.B	ServiceCmpt.	561188	female	A44.J1	FJB	563133	male
A5	ServiceCmpt.	562428	female	A44.J2	FJB	563132	male
A6		562427	male	A44.J3	FJB	562957	male
A7Gen4		563979	male	A45.J1	FJB	563133	male
A9.Cx1		564041	female	A45.J2	FJB	563132	male
A9.Cx2		563678	male	A45.J3	FJB	562957	male
A9.Cx3		564037	female	A46.J1	FJB	563133	male
A9.Cx4		564038	female	A46.J2	FJB	563132	male
A12	Dash	562464	male	A46.J3	FJB	562957	male
A13.J1	FJB	562794	male	A47.J1	RightHandConsole	563133	male
A13.J2	FJB	562650	male	A47.J2	RightHandConsole	563132	male
A14.CX	Dash	562957	male	A47.J3	RightHandConsole	562957	male
A14.CY	Dash	562765	male	A48.J1	RightHandConsole	563133	male
A14.LX	Dash	562766	male	A48.J2	RightHandConsole	563132	male
A14.LY	Dash	562767	male	A48.J3	RightHandConsole	562957	male
A14.RX	Dash	562767	male	A49.J1	RJB	562767	male
A15	Dash	562464	male	A49.J2	RJB	563132	male
A18	FJB	562794	male	A49.J3	RJB	562957	male
A18.J2	FJB	562650	male	A50.J1	RJB	563133	male
A20.A		562070	female	A50.J2	RJB	563132	male
A24	RightHandConsole	561889	female	A50.J3	RJB	562957	male
A24.A	RightHandConsole	561890	male	A51.J1	RJB	563133	male
A24.B	RightHandConsole	561566	female	A51.J2	RJB	563132	male
A27	ServiceCmpt.	562929	male	A51.J3	RJB	562957	male
A28	ServiceCmpt.	562928	male	A52.J1	RJB	563133	male
A30	RightHandConsole	561889	female	A52.J2	RJB	563132	male
A30.A	RightHandConsole	561611	male	A52.J3	RJB	562957	male
A31.A	FJB	562676	male	A53.J1	RJB	563133	male
A31.B	FJB	562675	male	A53.J2	RJB	563132	male
A32.A	1stLuggCmpt.	561611	male	A53.J3	RJB	562957	male
A32.C	1stLuggCmpt.	561566	female	A54.J1	Evap.Cmpt.	563133	male
A36.JA	FJB	562767	male	A54.J2	Evap.Cmpt.	563132	male
A36.JB	FJB	562765	male	A54.J3	Evap.Cmpt.	562957	male
A36.JC	FJB	562957	male	A55.J1		562767	male
A41.J1	FJB	562767	male	A55.J2		563132	male
A41.J2		563132	male	A55.J3		562957	male
A41.J3		562957	male	A56.J1	Slide-OutPanel	563133	male
A42.J1	FJB	562767	male	A56.J2	Slide-OutPanel	563132	male
A42.J2		563132	male	A56.J3	Slide-OutPanel	562957	male

# CONNECTORS LIST

No	Location	Part #	Gender	No	Location	Part #	Gender
A57.J1		563133	male	C3	RJB	563589	male
A57.J2		563132	male	C3	RJB	563590	female
A57.J3		562957	male	C3S	RJB	563593	male
A58.J1		563133	male	C3S	RJB	563590	female
A58.J2		563132	male	C4	ServiceCmpt.	563580	male
A58.J3		562957	male	C4	ServiceCmpt.	563581	female
A59.J1		563133	male	C5	FJB	563589	male
A59.J2		563132	male	C5	FJB	563590	female
A59.J3		562957	male	C5S	FJB	563589	male
A60		562767	male	C5S	FJB	563590	female
A65	FJB	562464	male	C6	ServiceCmpt.	563582	male
A72.J1		563675	male	C6	ServiceCmpt.	563583	female
A72.J2		563678	male	C7		563589	female
A72.J3		563679	male	C7		563590	female
A72.J4		563680	male	C8		563589	female
A73.J1		563681	male	C8		563590	female
A73.J2		563684	male	C10		562477	male
A74		563207	male	C10		562479	female
A81.JA		562767	male	C11	ServiceCmpt.	563580	male
A81.JB		562765	male	C11	ServiceCmpt.	563581	female
A81.JC		562957	male	C13S	RightHandConsole	563593	male
A82		563739	male	C13S	RightHandConsole	563590	female
A96		564073	female	C13_plug		563589	male
A97		563226	male	C13_socket		563590	female
A100		563758	female	C15	5thLuggCmpt.	561646	male
A101		563758	female	C15	5thLuggCmpt.	561645	female
A102		563758	female	C17	RJB	561986	male
Alt1.A	EngineCmpt.	563746	female	C17	RJB	561987	female
Alt1.B		560815	female	C18	FJB	561986	male
Alt1.C	EngineCmpt.	562862	female	C18	FJB	561987	female
Alt2.A	EngineCmpt.	563746	female	C19	RJB	561986	male
Alt2.B		560815	female	C19	RJB	561987	female
Alt2.C	EngineCmpt.	562862	female	C21A	RJB	561646	male
Alt3.A	EngineCmpt.	560815	female	C21A	RJB	561645	female
Alt3.B	EngineCmpt.	560086	female	C21B	RJB	561646	male
Alt3.C	EngineCmpt.	562862	female	C21B	RJB	561645	female
Alt3.D	EngineCmpt.	560587	female	C22	RJB	561847	male
C1	FJB	563589	male	C22	RJB	561862	female
C1	FJB	563590	female	C24	Evap.Cmpt.	561690	male
C1S	FJB	563589	male	C24	Evap.Cmpt.	561566	female
C1S	FJB	563590	female	C34	RightHandConsole	561986	male
C2	ServiceCmpt.	563580	male	C34	RightHandConsole	561987	female
C2	ServiceCmpt.	563581	female	C40	Dash	562485	male

# CONNECTORS LIST

No	Location	Part #	Gender	No	Location	Part #	Gender
C40	Dash	562486	female	C92		561735	female
C44_plug	FJB	561577	male	C96		561643	male
C44_socket	FJB	561605	female	C96		561642	female
C45	FJB	561643	male	C97		561583	male
C45	FJB	561642	female	C97		561585	female
C48	ServiceCmpt.	561690	male	C100	5thLuggCmpt.	563589	male
C48	ServiceCmpt.	561566	female	C100	5thLuggCmpt.	563590	female
C49		562005	male	C100S	5thLuggCmpt.	563589	male
C49		561714	female	C100S	5thLuggCmpt.	563590	female
C52		563735	male	C101	ServiceCmpt.	561690	male
C69		561583	male	C101	ServiceCmpt.	561566	female
C69		561585	female	C102		561690	male
C71	FJB	561646	male	C102		561566	female
C71	FJB	561645	female	C119	EngineDoor	561607	male
C72	ServiceCmpt.	561646	male	C119	EngineDoor	561606	female
C72	ServiceCmpt.	561645	female	C120	EngineDoor	561607	male
C74	ServiceCmpt.	561645	female	C120	EngineDoor	561606	female
C74	ServiceCmpt.	561646	male	C121	EngineDoor	561690	male
C75	4thLuggCmpt	561668	male	C121	EngineDoor	561566	female
C75	4thLuggCmpt	561551	female	C152	CondensorCmpt.	561611	male
C77	4thLuggCmpt	561668	male	C152	CondensorCmpt.	561610	female
C77	4thLuggCmpt	561551	female	C171	FJB	561646	male
C78	EngineCmpt.	561690	male	C171	FJB	561645	female
C78	EngineCmpt.	561566	female	C172	ServiceCmpt.	561637	male
C81	1stLuggCmpt.	561668	male	C172	ServiceCmpt.	561635	female
C81	4thLuggCmpt	561551	female	C193	RJB	563589	male
C82	1stLuggCmpt.	561668	male	C193	RJB	563590	female
C82	1stLuggCmpt.	561551	female	C194	FJB	563589	male
C83	2ndLuggCmpt.	561668	male	C194	FJB	563590	female
C83	2ndLuggCmpt.	561551	female	C200	FJB	561607	male
C84	2ndLuggCmpt.	561668	male	C200	FJB	561606	female
C84	2ndLuggCmpt.	561551	female	C223		563227	male
C85	3rdLuggCmpt.	561668	male	C223		563614	female
C85	3rdLuggCmpt.	561551	female	C225		562650	male
C86	3rdLuggCmpt.	561668	male	C225		562649	female
C86	3rdLuggCmpt.	561551	female	C228	EngineCmpt.	563227	male
C87	RearRoof	561637	male	C228	EngineCmpt.	563614	female
C87	RearRoof	561636	female	C230	EngineCmpt.	562485	male
C89	RearRoof	561581	male	C230	EngineCmpt.	562486	female
C89	RearRoof	561582	female	C242	ServiceCmpt.	562789	male
C91	RJB	562285	male	C242	ServiceCmpt.	565131	female
C91	RJB	562282	female	C243	ServiceCmpt.	562789	male
C92		561734	male	C243	ServiceCmpt.	565131	female



# CONNECTORS LIST

No	Location	Part #	Gender	No	Location	Part #	Gender
C246	ServiceCmpt.	563090	male	C553	2ndLuggCmpt.	561477	female
C246	ServiceCmpt.	563091	female	C554	1stLuggCmpt.	561476	male
C264	Entrance_Door	561637	male	C554	1stLuggCmpt.	561477	female
C264	Entrance_Door	561636	female	C555	1stLuggCmpt.	561476	male
C266	RightHandConsole	561583	male	C555	1stLuggCmpt.	561477	female
C266	RightHandConsole	561585	female	C556	5thLuggCmpt.	561476	male
C269	RHConsole	563090	male	C556	5thLuggCmpt.	561477	female
C269	RHConsole	563091	female	C557	3rdLuggCmpt.	561476	male
C279	FJB	562477	male	C557	3rdLuggCmpt.	561477	female
C279	FJB	562479	female	C558	4thLuggCmpt	561476	male
C281	LeftHandConsole	560852	male	C558	4thLuggCmpt	561477	female
C281	LeftHandConsole	560851	female	C559	5thLuggCmpt.	561476	male
C290	5thLuggCmpt.	561668	male	C559	5thLuggCmpt.	561477	female
C290	5thLuggCmpt.	561551	female	C581	UnderdashBoard	562777	male
C291	5thLuggCmpt.	561668	male	C589	ServiceCmpt.	563088	male
C291	5thLuggCmpt.	561551	female	C589	ServiceCmpt.	563089	female
C342	EngineCmpt.	562477	male	C590	RHConsole	563088	male
C342	EngineCmpt.	562479	female	C590	RHConsole	563089	female
C360	Dash	561247	male	C717		561646	male
C360	Dash	561248	female	C717		561645	female
C380	Dash	563180	male	CC1	ServiceCmpt.	563227	male
C380	Dash	563347	female	CC1	ServiceCmpt.	563614	female
C397	RJB	562285	male	CC2	ServiceCmpt.	563226	male
C397	RJB	562282	female	CC2	ServiceCmpt.	563613	female
C398	EngineCmpt.	561690	male	CS01		563226	male
C398	EngineCmpt.	561566	female	CS01		563613	female
C400_plug	EngineCmpt.	561782	male	CS01S		563226	male
C400_socket	EngineCmpt.	561781	female	CS01S		563613	female
C426	EngineCmpt	561782	male	CS02		561643	male
C426	EngineCmpt	561781	female	CS02		561641	female
C463	EngineCmpt.	562570	female	CS05		561847	male
C463	EngineCmpt.	562571	male	CS05		561862	female
C464	RJB	563180	male	CS07		562581	male
C464	RJB	563347	female	CS07		562583	female
C500	FJB	562069	male	CSo8		562581	male
C500	FJB	562070	female	CSo8		562583	female
C550	5thLuggCmpt.	561476	male	CSo9		561695	male
C550	5thLuggCmpt.	561477	female	CSo9		561694	female
C551	5thLuggCmpt.	561476	male	CT2	EngineCmpt.	563226	male
C551	5thLuggCmpt.	561477	female	CT2	EngineCmpt.	563613	female
C552	3rdLuggCmpt.	561476	male	L1		562848	male
C552	3rdLuggCmpt.	561477	female	L16	FrontRoof	562803	male
C553	2ndLuggCmpt.	561476	male	L17	FrontRoof	562803	male

# CONNECTORS LIST

No	Location	Part #	Gender	No	Location	Part #	Gender
L18.B	Entrance_Door	561539	male	L82	Rear_Engine_Door	562348	female
L19.A	RightHandConsole	560488	female	L83	Rear_Engine_Door	562348	female
L19.B	RightHandConsole	560488	female	L84.A	RearRoof	561608	female
L21.A	FrontRoof	561608	female	L84.B	RearRoof	562286	male
L21.B	FrontRoof	562286	male	L85.A	RearRoof	561608	female
L22.A	FrontRoof	561608	female	L85.B	RearRoof	562286	male
L22.B	FrontRoof	562286	male	L86.A	RearRoof	561608	female
L23.A	FrontRoof	561608	female	L86.B	RearRoof	562286	male
L23.B	FrontRoof	562286	male	L87.A	RearRoof	561608	female
L24.A	FrontRoof	561608	female	L87.B	RearRoof	562286	male
L24.B	FrontRoof	562286	male	L88.A	RearRoof	561608	female
L25.A	FrontRoof	561608	female	L88.B	RearRoof	562286	male
L25.B	FrontRoof	562286	male	L89.A	RearRoof	561608	female
L26.A	FrontRoof	561608	female	L89.B	RearRoof	562286	male
L26.B	FrontRoof	562286	male	L90.A	RearRoof	561608	female
L27.A	FrontRoof	561608	female	L90.B	RearRoof	562286	male
L27.B	FrontRoof	562286	male	L91	EngineCmpt.	562755	male
L59.A	Outside_Front_RH	562623	male	L92	EngineCmpt.	562755	male
L59.B	Outside_Front_RH	562623	male	L93.A	Rear_Vehicle	563069	female
L60.A	Outside_Front_LH	562623	male	L93.B	Rear_Vehicle	563069	female
L60.B	Outside_Front_LH	562623	male	L94.A	EngineCmpt.	563069	female
L61	Outside_Front_RH	562601	male	L94.B	EngineCmpt.	563069	female
L62	Outside_Front_LH	562601	male	L95	Outside_Front_LH	562902	female
L63	Outside_Front_RH	562155	male	L96	Outside_Front_RH	562902	female
L64	Outside_Front_RH	562155	male	L97.A	Outside_Front_LH	563069	female
L65	Outside_Front_LH	562155	male	L97.B	Outside_Front_LH	563069	female
L66	Outside_Front_LH	562155	male	L98.A	Entrance_Door	563069	female
L67	3rdLuggCmpt.	562155	male	L98.B	Outside_Front_RH	563069	female
L68	3rdLuggCmpt.	562155	male	L173	EngineCmpt.	563268	male
L69	3rdLuggCmpt.	562155	male	L174	EngineCmpt.	563268	male
L70	3rdLuggCmpt.	562155	male	L175	RJB	561247	male
L71	Rear_Engine_Door	562601	male	L176	5thLuggCmpt.	561247	male
L72	Rear_Vehicle	562155	male	L177	5thLuggCmpt.	561247	male
L73	Rear_Vehicle	562601	male	L178	3rdLuggCmpt.	561247	male
L74	Rear_Vehicle	562155	male	L179	3rdLuggCmpt.	561247	male
L75	Rear_Vehicle	562155	male	L180	2ndLuggCmpt.	561247	male
L76	Rear_Engine_Door	562155	male	L181	2ndLuggCmpt.	561247	male
L77	Rear_Engine_Door	562601	male	L182	1stLuggCmpt.	561247	male
L78	Rear_Engine_Door	562601	male	L183	1stLuggCmpt.	561247	male
L79	Rear_Engine_Door	562601	male	L184	ServiceCmpt.	561247	male
L80	Rear_Engine_Door	562601	male	L185.A		562651	female
L81.A	Rear_Engine_Door	562835	female	L185.B		562290	female
L81.B	Rear_Engine_Door	562834	male	L186.A		562651	female

# CONNECTORS LIST

No	Location	Part #	Gender	No	Location	Part #	Gender
L186.B		562290	female	Mo38	5thLuggCmpt.	562076	male
L187.A		561690	male	Mo39	5thLuggCmpt.	562076	male
L189	Outside_Front_RH	562069	male	Mo40	1stLuggCmpt.	561477	female
L190	Outside_Front_LH	562069	male	Mo44		561477	female
L193.A	Dash	560488	female	Mo50	ServiceCmpt.	561782	male
L193.B	Dash	560488	female	Mo51	1stLuggCmpt.	561690	male
L194.A	Dash	562019	female	Mo53	RJB	561248	female
L194.B	Dash	560488	female	Mo54		562474	male
L195.A	Dash	560488	female	Mo55.A		561967	male
L195.B	Dash	560488	female	Mo56		561477	female
L199	EngineCmpt.	562471	male	Mo57.A		561967	male
L200	EngineCmpt.	562471	male	Mo58		561477	female
L203	RightHandConsole	561690	male	MONITOR	Dash	561247	male
L205	Evap.Cmpt.	562485	male	MoSo1.A		561967	male
L208	Outside_Front_LH	563088	male	MOSO2.A		561967	male
L209	Outside_Front_RH	563088	male	Pot1.A	Dash	560488	female
L211.A	RightHandConsole	560488	female	Pot1.B	Dash	560488	female
L211.B	RightHandConsole	560488	female	Pot1.C	Dash	560488	female
L285	Dash	561247	male	R3	RJB	563409	male
L287	4thLuggCmpt	561247	male	R9	Evap.Cmpt.	563409	male
L288	4thLuggCmpt	561247	male	R10	Evap.Cmpt.	563409	male
L350		562350	male	R12	Evap.Cmpt.	563409	male
Mo1	EngineCmpt.	561690	female	R16	Dash	561183	male
Mo2	EngineCmpt.	561782	male	R17	RJB	562367	male
Mo3	Dash	561667	female	R18	FJB	562367	male
Mo4	Dash	562076	male	R19	FJB	562367	male
Mo7	Cond.Cmpt.	563600	female	R21		561183	male
Mo8	Cond.Cmpt.	563600	female	R23	RightHandConsole	561183	male
Mo12	Evap.Cmpt.	561690	male	R24	FJB	561183	male
Mo15	FrontRoof	560900	female	R25	RJB	561183	male
Mo16	FrontRoof	560900	female	R29		563409	male
Mo17	LeftHandConsole	563626	male	R30	RJB	561183	male
Mo18		562474	male	R31	RJB	561183	male
Mo19		562474	male	R32	RJB	561183	male
Mo20		562474	male	R33	RJB	561183	male
Mo21	FrontRoof	561186	male	R34.A		562367	male
Mo22	RightHandConsole	561186	male	R41		561183	male
Mo24	RightHandConsole	562348	female	R42		561183	male
Mo25	RightHandConsole	562348	female	R43		561183	male
Mo26	Entrance_Door	562076	male	R44		561183	male
Mo35	3rdLuggCmpt.	562076	male	R45		561183	male
Mo36	4thLuggCmpt	562076	male	Res3	RJB	563590	female
Mo37	4thLuggCmpt	562076	male	Res4	RightHandConsole	563590	female

# CONNECTORS LIST

No	Location	Part #	Gender	No	Location	Part #	Gender
Res5	Dash	563590	female	Se32	EngineCmpt.	563057	male
Res6	FJB	563590	female	Se33	EngineCmpt.	562856	male
Res7.A		563590	female	Se34	EngineCmpt.	563057	male
Res12.A		563590	female	Se35	EngineCmpt.	563057	male
RSo1.A		561626	female	Se36		563628	female
RSo1.B		561626	female	Se37		641132	female
RSo2.A		561626	female	Se38		641132	female
RSo2.B		561626	female	Se39		641132	female
RSo3.A		561626	female	Se40		641132	female
RSo3.B		561626	female	Se45	ServiceCmpt.	563409	male
RSo4.A		561626	female	Se46	AboveRearAxle	562348	female
RSo4.B		561626	female	Se49		563677	male
RSo5.A		561626	female	Se50	ServiceCmpt.	562426	male
RSo5.B		561626	female	Se52.A	RightHandConsole	560488	female
RSo6.A		561626	female	Se52.B	RightHandConsole	560488	female
RSo6.B		561626	female	Se60		563409	male
RSo7.A		561626	female	Se63		641132	female
RSo7.B		561626	female	Se64		641132	female
RSo8.A		561626	female	Se65		564042	female
RSo8.B		561626	female	Se66		564039	female
Se1	EngineCmpt.	562486	female	Se67		563159	female
Se2	EngineCmpt.	562486	female	Se68		563159	female
Se3	RJB	562486	female	Se69		563159	female
Se11.A	Cond.Cmpt.	560082	male	SES01		563159	male
Se11.B	Cond.Cmpt.	560082	male	SES02		562479	female
Se11.C	Cond.Cmpt.	560082	male	SES03		562479	female
Se12	EngineCmpt.	561690	female	SES05		562479	female
Se13		562350	male	SES06		562479	female
Se14.A		561782	male	SeSo7		562479	female
Se14.B		561781	female	SeSo8		562479	female
Se16.A	Entrance_Door	562651	female	SeSo9		562479	female
Se16.B	Entrance_Door	562651	female	SeSo10		562479	female
Se17.A	RightHandConsole	562019	female	So1	EngineCmpt.	561566	female
Se17.B	RightHandConsole	562019	female	So7	ServiceCmpt.	561566	male
Se19		563677	male	So8	ServiceCmpt.	563204	female
Se20	Evap.Cmpt.	562426	male	So9	EngineCmpt.	561566	female
Se21	Dash	561248	female	So11	Cond.Cmpt.	561566	female
Se23	EngineCmpt.	563159	male	So13	Evap.Cmpt.	563204	female
Se24	EngineCmpt.	563159	male	So21		564046	female
Se25	PassengerArea	561248	female	So22		564046	female
Se29	EngineCmpt.	561566	female	So23		564046	female
Se30	EngineCmpt.	561690	female	So24		564046	female
Se31	EngineCmpt.	561690	female	So26	ServiceCmpt.	641385	male

# CONNECTORS LIST

No	Location	Part #	Gender	No	Location	Part #	Gender
So27		564045	male	Sw47.A	3rdLuggCmpt.	562403	female
So34	EngineCmpt.	561690	male	Sw47.B	3rdLuggCmpt.	562403	female
So38	1stLuggCmpt.	561566	female	Sw48.A	3rdLuggCmpt.	562403	female
So50		564046	female	Sw48.B	3rdLuggCmpt.	562403	female
So51		564046	female	Sw49.A	2ndLuggCmpt.	562403	female
So52		564045	female	Sw49.B	2ndLuggCmpt.	562403	female
SoSo1		641385	male	Sw50.A	2ndLuggCmpt.	562403	female
SoSo2		641385	male	Sw50.B	2ndLuggCmpt.	562403	female
SoSo3		641385	male	Sw51.A	1stLuggCmpt.	562403	female
SOSO4		641385	male	Sw51.B	1stLuggCmpt.	562403	female
SoSo5		641385	male	Sw52	1stLuggCmpt.	562403	female
SoSo6		641385	male	Sw52.B	1stLuggCmpt.	562403	female
SoSo7		564045	female	Sw58	EngineCmpt.	562581	male
SoSo8		564045	female	Sw59	EngineCmpt.	562485	male
Sw1.C258	Dash	561188	female	Sw60	EngineCmpt.	561566	female
Sw1.C259	Dash	561186	male	Sw63A		562763	male
Sw2	Dash	562763	male	Sw64.A		560815	female
Sw3		562763	male	Sw64.B		560815	female
Sw4		562763	male	Sw81.A	Dash	562905	male
Sw5	Dash	562763	male	Sw81.B	Dash	562905	male
Sw6		562763	male	Sw82.A	RJB	561457	female
Sw7.A	Cond.Cmpt.	562403	female	Sw82.B	RJB	561457	female
Sw7.B	Cond.Cmpt.	562403	female	Sw82.C	RJB	561457	female
Sw11A		562763	male	Sw82.D	RJB	561457	female
Sw13	Dash	562763	male	Sw83.A	Dash	560082	female
Sw14		562763	male	Sw83.B	Dash	560815	female
Sw16		562763	male	Sw83.C	Dash	560082	female
Sw17		562763	male	Sw83.D	Dash	560815	female
Sw18A	Dash	562763	male	Sw84.A	EngineCmpt.	560488	female
Sw23	Dash	562763	male	Sw84.B	EngineCmpt.	560488	female
Sw24		562763	male	Sw85	LeftHandConsole	562749	male
Sw35		562763	male	Sw99		562763	male
Sw38	LeftHandConsole	562763	male	Sw100		562763	male
Sw39.A	RJB	562403	female	Sw102		562763	male
Sw39.B	RJB	562403	female	Sw103A		562763	male
Sw40	LeftHandConsole	561690	male	Sw104	Dash	562763	male
Sw41	LeftHandConsole	562749	male	Sw106	Entrance_Door	561637	male
Sw44.A	FJB	562403	female	Sw107.A		561457	female
Sw44.B	FJB	562403	female	Sw107.B		561457	female
Sw45.A	5thLuggCmpt.	562403	female	Sw107.C		561457	female
Sw45.B	5thLuggCmpt.	562403	female	Sw107.D		561457	female
Sw46.A	5thLuggCmpt.	562403	female	Sw107.E		561457	female
Sw46.B	5thLuggCmpt.	562403	female	Sw107.F		561457	female

# CONNECTORS LIST

No	Location	Part #	Gender				
Sw107.G		561457	female				
Sw107.H		561457	female				
Sw107.J		561457	female				
Sw107.K		561457	female				
Sw108	LeftHandConsole	562763	male				
Sw116.A	4thLuggCmpt	560079	female				
Sw116.B	4thLuggCmpt	560079	female				
Sw117.A	5thLuggCmpt.	560079	female				
Sw117.B	5thLuggCmpt.	560079	female				
Sw119		562763	male				
Sw120	DriverArea	562237	female				
Sw122	PassengerArea	562763	male				
Sw124		562957	male				
Sw128.A	4thLuggCmpt	562403	female				
Sw128.B	4thLuggCmpt	562403	female				
SwSo1.A		561552	female				
SwSo2		561552	female				
SwSo3		561552	female				
SwSo4		561552	female				
sym409_156.J1		561017	female				
sym410_156.J1		560900	female				
sym414_156.J1		560900	female				
sym415_156.J1		560852	male				
sym416_156.J1		560900	female				
sym417_156.A		563590	female				
VECF1	FJB	563186	male				
VECF2	FJB	563183	male				
VECF3	FJB	563185	male				
VECF4	FJB	563182	male				
VECF9		563448	male				
VECF10	FJB	563181	male				
VECF11	FJB	563184	male				
VECF12	FJB	563187	male				
VECR1	RJB	563186	male				
VECR2	RJB	563183	male				
VECR3	RJB	563185	male				
VECR4	RJB	563182	male				
VECR9	RJB	563448	male				
VECR10	RJB	563181	male				
VECR11	RJB	563184	male				
VECR12	RJB	563187	male				

# CONNECTORS LIST

No	Location	Part #	Gender	No	Location	Part #	Gender
A50.J2	RJB	563132	male	A69.C		561716	female
A50.J3	RJB	562957	male	A69.D		561716	female
A51.J1	RJB	563133	male	A69.E		561716	female
A51.J2	RJB	563132	male	A69.F		561716	female
A51.J3	RJB	562957	male	A69.G		561716	female
A52.J1	RJB	563133	male	A69.H		561716	female
A52.J2	RJB	563132	male	A70		564011	female
A52.J3	RJB	562957	male	A70a		564011	male
A53.J1	RJB	563133	male	A71.A		562464	male
A53.J2	RJB	563132	male	A71.B		562706	female
A53.J3	RJB	562957	male	A71.C		562706	female
A54.J1	Evap_Cmpt_	563133	male	A71.D		562706	female
A54.J2	Evap_Cmpt_	563132	male	A72.J1		563675	male
A54.J3	Evap_Cmpt_	562957	male	A72.J2		563678	male
A55.J1		562767	male	A72.J3		563679	male
A55.J2		563132	male	A72.J4		563680	male
A55.J3		562957	male	A73.J1		563681	male
A60.A		562464	male	A73.J2		563684	male
A60.B		562706	female	A74		563207	male
A60.C		562706	female	A75.A		563960	male
A60.D		562706	female	A75.B		563962	male
A60.E		562706	female	A75.C		901135	male
A60.F		562706	female	A79		564033	female
A61.A		562464	male	A81.JA		562767	male
A61.B		562465	male	A81.JB		562765	male
A63.A		563960	male	A81.JC		562957	male
A63.B		563962	male	A82		563739	male
A63.C		564009	male	A83		562767	male
A63.D		563961	male	A92.A		561626	female
A64		563954	male	A92.B		562549	male
A65		562465	male	A92.C		562556	female
A66		561183	male	A92.D		562706	female
A67.Vsa		563948	male	A92.E		562706	female
A67.Vsb		563950	male	A92.F		562706	female
A67.Vsc		563947	male	A92.G		562706	female
A67.Vsd		563949	male	A93.A		562559	female
A67.Vse		563951	male	A93.B		562559	female
A68.A		563960	male	A93.C		562559	female
A68.B		563962	male	A94.A		560852	male
A68.C		564009	male	A94.B		562706	female
A68.D		563961	male	A94.C		562706	female
A69.A		563071	male	A96		564073	female
A69.B		561716	female	A96 0 2		564073	female

# CONNECTORS LIST

No	Location	Part #	Gender	No	Location	Part #	Gender
A97		563226	male	C13S	Right_Hand_Console	563589	male
A100		563758	female	C13S	Right_Hand_Console	563590	female
A101		563758	female	C14	Evap_Cmpt_	561986	male
A102		563758	female	C14	Evap_Cmpt_	561987	female
A103		562070	female	C15		561643	male
A104		562649	female	C15		561642	female
A105		562649	female	C16	RJB	561577	male
A106		562649	female	C16	RJB	561605	female
Alt1.A		563746	female	C17	RJB	561986	male
Alt1.B		560815	female	C17	RJB	561987	female
Alt1.C		563746	female	C18	FJB	561986	male
Alt2.A		563746	female	C18	FJB	561987	female
Alt2.B		560815	female	C19	RJB	561986	male
Alt2.C		563746	female	C19	RJB	561987	female
BOOM		560999	male	C20		561668	male
C1	Service_Cmpt_	563589	male	C20		561551	female
C1	Service_Cmpt_	563590	female	C21A	RJB	561646	male
C1S	Service_Cmpt_	563589	male	C21A	RJB	561645	female
C1S	Service_Cmpt_	563590	female	C21B	RJB	561646	male
C2		563580	male	C21B	RJB	561645	female
C2		563581	female	C22	RJB	561847	male
C3	RJB	563589	male	C22	RJB	561862	female
C3	RJB	563590	female	C23	5thLugg.Cmpt	561847	male
C3S		563589	male	C23	5thLugg.Cmpt	561862	female
C3S		563590	female	C24_plug	Evap_Cmpt_	561690	male
C4	Service_Cmpt_	563580	male	C24_socket	Evap_Cmpt_	561566	female
C4	Service_Cmpt_	563581	female	C25		561550	male
C5	Service_Cmpt_	563589	male	C25		561667	female
C5	Service_Cmpt_	563590	female	C29	5th_Lugg_Cmpt_	563651	male
C5S	Service_Cmpt_	563589	male	C29	5th_Lugg_Cmpt_	563652	female
C5S	Service_Cmpt_	563590	female	C30	5th_Lugg_Cmpt_	561710	male
C6	Service_Cmpt_	563582	male	C30	5th_Lugg_Cmpt_	561709	female
C6	Service_Cmpt_	563583	female	C31		561734	male
C7		563589	female	C31		561735	female
C7		563590	female	C32	5th_Lugg_Cmpt_	561550	male
C8		563589	female	C32	5th_Lugg_Cmpt_	561667	female
C8		563590	female	C33	RHFrontRoof	561550	male
C9	Evap_Cmpt_	561986	male	C33	RHFrontRoof	561667	female
C9	Evap_Cmpt_	561987	female	C34	Right_Hand_Console	561986	male
C10		562477	male	C34	Right_Hand_Console	561987	female
C10		562479	female	C35	RJB	562283	male
C11	Service_Cmpt_	563580	male	C35	RJB	562280	female
C11	Service_Cmpt	563581	female	C37	Parcel Rack LH	562557	male



# CONNECTORS LIST

No	Location	Part #	Gender	No	Location	Part #	Gender
C37	Parcel_Rack_LH	562558	female	C74		561646	male
C38	Parcel_Rack_RH	562555	male	C78		561690	male
C38	Parcel_Rack_RH	562556	female	C78		561566	female
C39		562503	male	C82		562581	male
C39		562507	female	C82		562583	female
C40	Dash	562485	male	C87	Lavatory	561637	male
C40	Dash	562486	female	C87	Lavatory	561636	female
C41	RJB	561690	male	C91		562285	male
C41	RJB	561566	female	C91		562282	female
C43	Lavatory	561661	female	C92		561734	male
C43	Lavatory	561662	male	C92		561735	female
C44_plug	FJB	561577	male	C96		561643	male
C44_socket	FJB	561605	female	C96		561642	female
C45	FJB	561643	male	C97		561583	male
C45	FJB	561642	female	C97		561585	female
C46	FJB	561577	male	C100	5th_Lugg_Cmpt_	563589	male
C46	FJB	561605	female	C100	5th_Lugg_Cmpt_	563590	female
C47		561247	male	C100S	5th_Lugg_Cmpt_	563589	male
C47		561248	female	C100S	5th_Lugg_Cmpt_	563590	female
C48	Service_Cmpt_	561690	male	C101	Service_Cmpt_	561690	male
C48	Service_Cmpt_	561566	female	C101	Service_Cmpt_	561566	female
C49		562005	male	C102		561690	male
C49		561714	female	C102		561566	female
C51		562477	male	C103		562485	male
C51		562479	female	C103		562486	female
C52		563735	male	C105		562581	male
C53		561539	male	C105		562583	female
C53		561540	female	C106		562581	male
C55	Evap_Cmpt_	561577	male	C106		562583	female
C55	Evap_Cmpt_	561605	female	C119	EngineDoor	561607	male
C66		561577	male	C119	EngineDoor	561606	female
C66		561605	female	C120	EngineDoor	561607	male
C67		561247	male	C120	EngineDoor	561606	female
C67		561248	female	C121	EngineDoor	561690	male
C69		561583	male	C121	EngineDoor	561566	female
C69		561585	female	C122		561690	male
C70		562557	male	C122		561566	female
C70		562558	female	C123		561690	male
C71	Service_Cmpt_	561646	male	C123		561566	female
C71	Service_Cmpt_	561645	female	C124		561577	male
C72		561646	male	C124		561605	female
C72		561645	female	C125	Service_Cmpt_	562503	male
C74		561645	female	C125	Service Cmpt	562507	female

# CONNECTORS LIST

No	Location	Part #	Gender	No	Location	Part #	Gender
C126		562581	male	C206		562507	female
C126		562583	female	C207		562503	male
C127		563412	male	C207		562507	female
C127		563413	female	C209		562503	male
C128		563412	male	C209		562507	female
C128		563413	female	C212	WCL_Door	561515	male
C129		563412	male	C212	WCL_Door	561552	female
C129		563413	female	C222		562477	male
C130		563412	male	C222		562479	female
C130		563413	female	C223		563227	male
C131		563412	male	C223		563614	female
C131		563413	female	C224		561637	male
C132		563412	male	C224		561636	female
C132		563413	female	C225		562650	male
C133		563412	male	C225		562649	female
C133		563413	female	C230	Engine_Cmpt_	562485	male
C134		563412	male	C230	Engine_Cmpt_	562486	female
C134		563413	female	C239	Service_Cmpt_	561690	male
C141		561247	male	C239	Service_Cmpt_	561566	female
C141		561248	female	C240	Service_Cmpt_	561607	male
C144	UnderLHSeat	560852	male	C240	Service_Cmpt_	561606	female
C144	UnderLHSeat	560851	female	C242	Service_Cmpt_	562789	male
C150		561515	male	C242	Service_Cmpt_	565131	female
C150		561552	female	C243	Service_Cmpt_	562789	male
C152	CondensorCmpt.	561611	male	C243	Service_Cmpt_	565131	female
C152	CondensorCmpt.	561610	female	C246	Service_Cmpt_	563090	male
C155		561626	female	C246	Service_Cmpt_	563091	female
C155		561904	female	C260	Service_Cmpt_	561607	male
C171	Service_Cmpt_	561646	male	C260	Service_Cmpt_	561606	female
C171	Service_Cmpt_	561645	female	C269	RHConsole	563090	male
C183	Service_Cmpt_	561611	male	C269	RHConsole	563091	female
C183	Service_Cmpt_	561610	female	C279	Service_Cmpt_	562477	male
C184_plug		561566	female	C279	Service_Cmpt_	562479	female
C184_socket		561690	male	C279A		561690	male
C185_plug		561782	male	C279A		561566	female
C185_socket		561781	female	C284		561782	male
C186_plug		561782	male	C284		561781	female
C186_socket		561781	female	C284-1		561782	male
C193		563589	male	C284-1		561781	female
C193		563590	female	C284-2		561782	male
C194		563589	male	C284-2		561781	female
C194		563590	female	C284-3		561782	male
C206		562503	male	C284-3		561781	female

# CONNECTORS LIST

No	Location	Part #	Gender	No	Location	Part #	Gender
C284-4		561782	male	C542		561667	female
C284-4		561781	female	C558		562503	male
C284-5		561782	male	C558		562507	female
C284-5		561781	female	C564		562503	male
C298		561782	male	C564		562507	female
C298		561781	female	C564-Sp		562503	male
C298A		561782	male	C564-Sp		562507	female
C298A		561781	female	C566		562503	male
C298B		561782	male	C566		562507	female
C298B		561781	female	C567		562503	male
C302		563071	male	C567		562507	female
C302		563040	female	C575	RrSectionRHHatRack	562503	male
C380	Dash	563180	male	C575	RrSectionRHHatRack	562507	female
C380	Dash	563347	female	C576	RrSectionRHHatRack	561550	male
C381		561847	male	C576	RrSectionRHHatRack	561667	female
C381		561862	female	C577	RrSectionLHHatRack	561550	male
C382		561580	male	C577	RrSectionLHHatRack	561667	female
C382		561582	female	C578	RrSectionLHHatRack	562503	male
C394	FJB	560852	male	C578	RrSectionLHHatRack	562507	female
C394	FJB	560851	female	C581	UnderdashBoard	562777	male
C397	RJB	562285	male	C582	FJB	561690	female
C397	RJB	562282	female	C582	FJB	561566	female
C403		561247	male	C589	Service_Cmpt_	563088	male
C403		561248	female	C589	Service_Cmpt_	563089	female
C404		561247	male	C590	RHConsole	563088	male
C404		561248	female	C590	RHConsole	563089	female
C405		561247	male	C601	LHRoofWinAjar	561476	male
C405		561248	female	C601	LHRoofWinAjar	561477	female
C426	EngineCmpt	561782	male	C602		561476	male
C426	EngineCmpt	561781	female	C602		561477	female
C430	LHConsole	562363	male	C603	RHRoofWinAjar	561476	male
C430	LHConsole	561188	female	C603	RHRoofWinAjar	561477	female
C452	Dash	562549	male	C611	Parcel_Rack_RH	562557	male
C452	Dash	562550	female	C611	Parcel_Rack_RH	562558	female
C463	Engine_Cmpt_	562570	female	C612_plug	Parcel_Rack_RH	562555	male
C463	Engine_Cmpt_	562571	male	C612_socket	Parcel_Rack_RH	562556	female
C464	RJB	563180	male	C613_plug	Parcel_Rack_RH	561550	male
C464	RJB	563347	female	C613_socket	Parcel_Rack_RH	561667	female
C465		562581	male	C614		563071	male
C465		562583	female	C614		563040	female
C506	FJB	561687	male	C615		563071	male
C506	FJB	561685	female	C615		563040	female
C542		561550	male	C717		561646	male

# CONNECTORS LIST

No	Location	Part #	Gender	No	Location	Part #	Gender
C717		561645	female	CT2		563226	male
C720	Rear_Axle_Cmpt_	563358	male	CT2		563613	female
C720	Rear_Axle_Cmpt_	563359	female	CT2A_plug		561607	male
C721	RJB	561515	male	CT2A_socket		561606	female
C721	RJB	561552	female	CT3		563224	male
C723	Rear_Axle_Cmpt_	562877	female	CTF_plug		563224	male
C723	Rear_Axle_Cmpt_	562884	female	CVSA_plug		562503	male
C750		562707	male	CVSA_socket		562507	female
C750		562706	female	C_PA_8CH		562507	female
C751		562707	male	C_PA_8CH_0_1		562503	male
C751		562706	female	FUSE_BOX_1.A		562610	male
C752		562707	male	FUSE_BOX_1.B		562610	male
C752		562706	female	FUSE_BOX_2.A		562610	male
C753		562707	male	FUSE_BOX_2.B		562610	male
C753		562706	female	L.H.CONSOLE		560999	male
C754		562707	male	L.H.MODESTYPANEL		560999	male
C754		562706	female	L1	Service_Cmpt_	562848	male
C755		562707	male	L2	Front_Roof	561247	male
C755		562706	female	L3.A	Parcel_Rack_RH	562758	male
C758		562707	male	L3.B	Parcel_Rack_RH	562759	male
C758		562706	female	L4.A	Parcel_Rack_RH	562758	male
C759		562707	male	L4.B	Parcel_Rack_RH	562759	male
C759		562706	female	L5.A	Parcel_Rack_RH	562758	male
C760		562707	male	L5.B	Parcel_Rack_RH	562759	male
C760		562706	female	L6.A	Parcel_Rack_RH	562758	male
C761		562707	male	L6.B	Parcel_Rack_RH	562759	male
C761		562706	female	L7.A	Parcel_Rack_RH	562758	male
C762		562707	male	L7.B	Parcel_Rack_RH	562759	male
C762		562706	female	L8.A	Parcel_Rack_RH	562758	male
C763		562707	male	L8.B	Parcel_Rack_RH	562759	male
C763		562706	female	L9.A	Parcel_Rack_LH	562758	male
C764		562707	male	L9.B	Parcel_Rack_LH	562759	male
C764		562706	female	L10.A	Parcel_Rack_LH	562758	male
C765		562707	male	L10.B	Parcel_Rack_LH	562759	male
C765		562706	female	L11.A	Parcel_Rack_LH	562758	male
C766		561662	male	L11.B	Parcel_Rack_LH	562759	male
C766		561661	female	L12.A	Parcel_Rack_LH	562758	male
C767		563409	male	L12.B	Parcel_Rack_LH	562759	male
C767		563410	female	L13.A	Parcel_Rack_LH	562758	male
CSX1	Engine_Cmpt_	563135	male	L13.B	Parcel_Rack_LH	562759	male
CSX1	Engine_Cmpt_	563134	female	L14.A	Parcel_Rack_LH	562758	male
CSX3	Engine_Cmpt_	563135	male	L14.B	Parcel_Rack_LH	562759	male
CSX3	Engine_Cmpt	563134	female	L15.A	Parcel_Rack_LH	562758	male

# CONNECTORS LIST

No	Location	Part #	Gender	No	Location	Part #	Gender
L15.B	Parcel_Rack_LH	562759	male	L51	Parcel_Rack_RH	560898	male
L16	Front_Roof	562803	male	L52	Driver_Area	560898	male
L17	Front_Roof	562803	male	L53	Passenger_Area	560898	male
L18		562486	female	L54	Passenger_Area	560898	male
L19	Entrance_Door	562486	female	L55	Passenger_Area	560898	male
L20	Entrance_Door	562486	female	L56	Passenger_Area	560898	male
L21.A	Front_Roof	561608	female	L57	Passenger_Area	560898	male
L21.B	Front_Roof	562286	male	L58	Passenger_Area	560898	male
L22.A	Front_Roof	561608	female	L59.A	Outside_Front_RH	562623	male
L22.B	Front_Roof	562286	male	L59.B	Outside_Front_RH	562623	male
L23.A	Front_Roof	561608	female	L60.A	Outside_Front_LH	562623	male
L23.B	Front_Roof	562286	male	L60.B	Outside_Front_LH	562623	male
L24.A	Front_Roof	561608	female	L61	Outside_Front_RH	562601	male
L24.B	Front_Roof	562286	male	L62	Outside_Front_LH	562601	male
L25.A	Front_Roof	561608	female	L63	Outside_Front_RH	562155	male
L25.B	Front_Roof	562286	male	L64	Outside_Front_RH	562155	male
L26.A	Front_Roof	561608	female	L65	Outside_Front_LH	562155	male
L26.B	Front_Roof	562286	male	L66	Outside_Front_LH	562155	male
L27.A	Front_Roof	561608	female	L67	3rd_Lugg_Cmpt_	562155	male
L27.B	Front_Roof	562286	male	L68	3rd_Lugg_Cmpt_	562155	male
L28	Parcel_Rack_LH	560898	male	L69	3rd_Lugg_Cmpt_	562155	male
L29	Parcel_Rack_LH	560898	male	L70	3rd_Lugg_Cmpt_	562155	male
L30	Parcel_Rack_LH	560898	male	L71	Rear_Engine_Door	562601	male
L31	Parcel_Rack_LH	560898	male	L72	Rear_Vehicle	562155	male
L32	Parcel_Rack_LH	560898	male	L73	Rear_Vehicle	562601	male
L33	Parcel_Rack_LH	560898	male	L74	Rear_Vehicle	562155	male
L34	Parcel_Rack_LH	560898	male	L75	Rear_Vehicle	562155	male
L35	Parcel_Rack_LH	560898	male	L76	Rear_Engine_Door	562155	male
L36	Parcel_Rack_LH	560898	male	L77	Rear_Engine_Door	562601	male
L37	Parcel_Rack_LH	560898	male	L78	Rear_Engine_Door	562601	male
L38	Parcel_Rack_LH	560898	male	L79	Rear_Engine_Door	562601	male
L39	Parcel_Rack_LH	560898	male	L80	Rear_Engine_Door	562601	male
L40	Parcel_Rack_RH	560898	male	L81.A	Rear_Engine_Door	562835	female
L41	Parcel_Rack_RH	560898	male	L81.B	Rear_Engine_Door	562834	male
L42	Parcel_Rack_RH	560898	male	L82	Rear_Engine_Door	562348	female
L43	Parcel_Rack_RH	560898	male	L83	Rear_Engine_Door	562348	female
L44	Parcel_Rack_RH	560898	male	L84.A	Rear_Roof	561608	female
L45	Parcel_Rack_RH	560898	male	L84.B	Rear_Roof	562286	male
L46	Parcel_Rack_RH	560898	male	L85.A	Rear_Roof	561608	female
L47	Parcel_Rack_RH	560898	male	L85.B	Rear_Roof	562286	male
L48	Parcel_Rack_RH	560898	male	L86.A	Rear_Roof	561608	female
L49	Parcel_Rack_RH	560898	male	L86.B	Rear_Roof	562286	male
L50	Parcel_Rack_RH	560898	male	L87.A	Rear_Roof	561608	female

# CONNECTORS LIST

No	Location	Part #	Gender	No	Location	Part #	Gender
L87.B	Rear_Roof	562286	male	L123	Parcel_Rack_RH	560898	male
L88.A	Rear_Roof	561608	female	L124	Parcel_Rack_RH	560898	male
L88.B	Rear_Roof	562286	male	L125	Parcel_Rack_RH	560898	male
L89.A	Rear_Roof	561608	female	L126	Parcel_Rack_RH	560898	male
L89.B	Rear_Roof	562286	male	L127	Parcel_Rack_RH	562758	male
L90.A	Rear_Roof	561608	female	L128	Parcel_Rack_RH	562758	male
L90.B	Rear_Roof	562286	male	L129	Parcel_Rack_RH	562758	male
L91	Engine_Cmpt_	562755	male	L130	Parcel_Rack_RH	562758	male
L92	Engine_Cmpt_	562755	male	L131	Parcel_Rack_RH	562758	male
L93.A		563069	female	L132	Parcel_Rack_RH	562758	male
L93.B		563069	female	L134	Parcel_Rack_LH	562758	male
L94.A		563069	female	L135	Parcel_Rack_LH	562758	male
L94.B		563069	female	L136	Parcel_Rack_LH	562758	male
L95	Outside_Front_LH	562902	female	L137	Parcel_Rack_LH	562758	male
L96	Outside_Front_RH	562902	female	L138	Parcel_Rack_LH	562758	male
L97.A		563069	female	L139	Parcel_Rack_LH	562758	male
L97.B		563069	female	L140	Lavatory	561247	male
L98.A		563069	female	L142	Lavatory	562803	male
L98.B		563069	female	L143	Front_Roof	561247	male
L99	Parcel_Rack_LH	560898	male	L144.A	Parcel_Rack_LH	562756	male
L100	Parcel_Rack_LH	560898	male	L144.B	Parcel_Rack_LH	562505	female
L101	Parcel_Rack_LH	560898	male	L145.A	Parcel_Rack_LH	562756	male
L102	Parcel_Rack_LH	560898	male	L145.B	Parcel_Rack_LH	562505	female
L103	Parcel_Rack_LH	560898	male	L146.A	Parcel_Rack_LH	562756	male
L104	Parcel_Rack_LH	560898	male	L146.B	Parcel_Rack_LH	562505	female
L105	Parcel_Rack_LH	560898	male	L147.A	Parcel_Rack_LH	562756	male
L106	Parcel_Rack_LH	560898	male	L147.B	Parcel_Rack_LH	562505	female
L107	Parcel_Rack_LH	560898	male	L148.A	Parcel_Rack_LH	562756	male
L108	Parcel_Rack_LH	560898	male	L148.B		562505	female
L109	Parcel_Rack_LH	560898	male	L149.A	Parcel_Rack_LH	562756	male
L110	Parcel_Rack_LH	560898	male	L149.B	Parcel_Rack_LH	562505	female
L111	Parcel_Rack_LH	560898	male	L150.A	Parcel_Rack_LH	562756	male
L112	Parcel_Rack_LH	560898	male	L150.B	Parcel_Rack_LH	562505	female
L113	Parcel_Rack_RH	560898	male	L151.A	Parcel_Rack_LH	562756	male
L114	Parcel_Rack_RH	560898	male	L151.B	Parcel_Rack_LH	562505	female
L115	Parcel_Rack_RH	560898	male	L152.A	Parcel_Rack_LH	562756	male
L116	Parcel_Rack_RH	560898	male	L152.B	Parcel_Rack_LH	562505	female
L117	Parcel_Rack_RH	560898	male	L153.A	Parcel_Rack_LH	562756	male
L118	Parcel_Rack_RH	560898	male	L153.B	Parcel_Rack_LH	562505	female
L119	Parcel_Rack_RH	560898	male	L154.A	Parcel_Rack_LH	562756	male
L120	Parcel_Rack_RH	560898	male	L154.B	Parcel_Rack_LH	562505	female
L121	Parcel_Rack_RH	560898	male	L155.A	Parcel_Rack_LH	562756	male
L122	Parcel_Rack_RH	560898	male	L155.B	Parcel_Rack_LH	562505	female

# CONNECTORS LIST

No	Location	Part #	Gender	No	Location	Part #	Gender
L156.A	Parcel_Rack_LH	562756	male	L182	1st_Lugg_Cmpt_	561247	male
L156.B	Parcel_Rack_LH	562505	female	L183	1st_Lugg_Cmpt_	561247	male
L157.A	Parcel_Rack_LH	562756	male	L184	Service_Cmpt_	561247	male
L157.B	Parcel_Rack_LH	562505	female	L187	Engine_Cmpt_	561690	male
L158.A	Parcel_Rack_LH	562756	male	L188	Service_Cmpt_	562486	female
L158.B	Parcel_Rack_LH	562505	female	L189	Outside_Front_RH	562069	male
L159.A	Parcel_Rack_RH	562756	male	L190	Outside_Front_LH	562069	male
L159.B		562505	female	L192	Parcel_Rack_LH	560898	male
L160.A	Parcel_Rack_RH	562756	male	L193.A	Dash	560488	female
L160.B	Parcel_Rack_RH	562505	female	L193.B	Dash	560488	female
L161.A	Parcel_Rack_RH	562756	male	L194.A	Left_Hand_Console	562019	female
L161.B	Parcel_Rack_RH	562505	female	L194.B	Left_Hand_Console	560488	female
L162.A	Parcel_Rack_RH	562756	male	L195.A	Dash	560488	female
L162.B	Parcel_Rack_RH	562505	female	L195.B	Dash	560488	female
L163.A	Parcel_Rack_RH	562756	male	L199	Engine_Cmpt_	562471	male
L163.B	Parcel_Rack_RH	562505	female	L200	Engine_Cmpt_	562471	male
L164.A	Parcel_Rack_RH	562756	male	L201	Front_Roof	561247	male
L164.B	Parcel_Rack_RH	562505	female	L202	Front_Roof	561247	male
L165.A	Parcel_Rack_RH	562756	male	L203		561690	male
L165.B	Parcel_Rack_RH	562505	female	L205	Evap_Cmpt_	562485	male
L166.A	Parcel_Rack_RH	562756	male	L206	Parcel_Rack_RH	562803	male
L166.B	Parcel_Rack_RH	562505	female	L207.A	5th_Lugg_Cmpt_	561699	female
L167.A	Parcel_Rack_RH	562756	male	L207.B	5th_Lugg_Cmpt_	561699	female
L167.B	Parcel_Rack_RH	562505	female	L207.C	5th_Lugg_Cmpt_	561701	female
L168.A	Parcel_Rack_RH	562756	male	L207.D	5th_Lugg_Cmpt_	561699	female
L168.B	Parcel_Rack_RH	562505	female	L207.E	5th_Lugg_Cmpt_	561701	female
L169.A	Parcel_Rack_RH	562756	male	L207.F	5th_Lugg_Cmpt_	561699	female
L169.B	Parcel_Rack_RH	562505	female	L207.G	5th_Lugg_Cmpt_	561699	female
L170.A	Parcel_Rack_RH	562756	male	L207.H	5th_Lugg_Cmpt_	560926	female
L170.B	Parcel_Rack_RH	562505	female	L207.I	5th_Lugg_Cmpt_	560926	female
L171.A	Parcel_Rack_RH	562756	male	L208	Outside_Front_LH	563088	male
L171.B	Parcel_Rack_RH	562505	female	L209	Outside_Front_RH	563088	male
L172	Parcel_Rack_RH	562756	male	L211	Entrance_Door	562486	female
L172.B	Parcel_Rack_RH	562505	female	L213.A	Parcel_Rack_RH	561248	female
L173	Engine_Cmpt_	563268	male	L213.B	Parcel_Rack_RH	561248	female
L174	Engine_Cmpt_	563268	male	L214.A	Parcel_Rack_RH	561248	female
L175	RJB	561247	male	L214.B	Parcel_Rack_RH	561248	female
L176	5th_Lugg_Cmpt_	561247	male	L215.A	Parcel_Rack_RH	561248	female
L177	5th_Lugg_Cmpt_	561247	male	L215.B	Parcel_Rack_RH	561248	female
L178	3rd_Lugg_Cmpt_	561247	male	L216.A	Parcel_Rack_RH	561248	female
L179	3rd_Lugg_Cmpt_	561247	male	L216.B	Parcel_Rack_RH	561248	female
L180	2nd_Lugg_Cmpt_	561247	male	L217.A	Parcel_Rack_RH	561248	female
L181	2nd_Luga_Cmpt	561247	male	L217.B	Parcel_Rack_RH	561248	female

# CONNECTORS LIST

No	Location	Part #	Gender	No	Location	Part #	Gender
L218.A	Parcel_Rack_RH	561248	female	L244.B		562505	female
L218.B	Parcel_Rack_RH	561248	female	L245.A	Parcel_Rack_RH	562756	male
L219.A	Parcel_Rack_LH	561248	female	L245.B		562505	female
L219.B	Parcel_Rack_LH	561248	female	L246.A	Parcel_Rack_RH	562756	male
L220.A	Parcel_Rack_LH	561248	female	L246.B		562505	female
L220.B	Parcel_Rack_LH	561248	female	L247.A	Parcel_Rack_RH	562756	male
L221.A	Parcel_Rack_LH	561248	female	L247.B		562505	female
L221.B	Parcel_Rack_LH	561248	female	L248.A	Parcel_Rack_RH	562756	male
L222.A	Parcel_Rack_LH	561248	female	L248.B		562505	female
L222.B	Parcel_Rack_LH	561248	female	L249.A		562756	male
L223.A	Parcel_Rack_LH	561248	female	L249.B		562505	female
L223.B	Parcel_Rack_LH	561248	female	L250.A		562756	male
L224.A	Parcel_Rack_LH	561248	female	L250.B		562505	female
L224.B	Parcel_Rack_LH	561248	female	L251.A		562756	male
L225.A	Parcel_Rack_LH	561248	female	L251.B		562505	female
L225.B	Parcel_Rack_LH	561248	female	L252.A		562756	male
L226	Parcel_Rack_RH	562758	male	L252.B		562505	female
L227	Parcel_Rack_RH	562758	male	L253.A		562756	male
L228	Parcel_Rack_RH	562758	male	L253.B		562505	female
L229	Parcel_Rack_RH	562758	male	L254.A		562756	male
L230	Parcel_Rack_RH	562758	male	L254.B		562505	female
L231	Parcel_Rack_RH	562758	male	L255.A		562756	male
L232.A	Parcel_Rack_RH	562758	male	L255.B		562505	female
L232.B	Parcel_Rack_RH	562759	male	L256.A		562756	male
L233.A	Parcel_Rack_RH	562758	male	L256.B		562505	female
L233.B	Parcel_Rack_RH	562759	male	L257.A		562756	male
L234.A	Parcel_Rack_RH	562758	male	L257.B		562505	female
L234.B	Parcel_Rack_RH	562759	male	L258	Parcel_Rack_RH	560898	male
L235.A	Parcel_Rack_RH	562758	male	L259	Parcel_Rack_RH	560898	male
L235.B	Parcel_Rack_RH	562759	male	L260	Parcel_Rack_RH	560898	male
L236.A	Parcel_Rack_RH	562758	male	L261	Parcel_Rack_RH	560898	male
L236.B	Parcel_Rack_RH	562759	male	L262	Parcel_Rack_RH	560898	male
L238.A	Parcel_Rack_RH	561248	female	L263	Parcel_Rack_RH	560898	male
L238.B	Parcel_Rack_RH	561248	female	L264	Parcel_Rack_RH	560898	male
L239.A	Parcel_Rack_RH	561248	female	L266	Parcel_Rack_RH	560898	male
L239.B	Parcel_Rack_RH	561248	female	L267	Parcel_Rack_RH	560898	male
L240.A	Parcel_Rack_RH	561248	female	L268	Parcel_Rack_RH	560898	male
L240.B	Parcel_Rack_RH	561248	female	L269	Parcel_Rack_RH	560898	male
L241.A	Parcel_Rack_RH	561248	female	L270	Parcel_Rack_RH	560898	male
L241.B	Parcel_Rack_RH	561248	female	L271	Parcel_Rack_RH	560898	male
L242.A	Parcel_Rack_RH	561248	female	L272	Parcel_Rack_RH	560898	male
L242.B	Parcel_Rack_RH	561248	female	L273	Parcel_Rack_RH	560898	male
L244.A	Parcel_Rack_RH	562756	male	L274	Parcel_Rack_RH	560898	male



# CONNECTORS LIST

No	Location	Part #	Gender	No	Location	Part #	Gender
L275	Parcel_Rack_RH	560898	male	Pot1.B	Dash	560488	female
L276	Parcel_Rack_RH	560898	male	Pot1.C	Dash	560488	female
L277	Parcel_Rack_RH	560898	male	R-12VISS		561183	male
L278	Parcel_Rack_RH	560898	male	R.H.CONSOLE		560999	male
L279	Parcel_Rack_RH	560898	male	R.H.MODESTYPANEL		560999	male
L280	Parcel_Rack_RH	560898	male	R2	RJB	561183	male
L281	Parcel_Rack_RH	560898	male	R3	RJB	563409	male
L282	Rear_Axle_Cmpt_	561690	male	R4		561183	male
L285		562251	male	R5	RJB	561183	male
L293.A		560081	female	R6	RJB	561183	male
L293.B		560081	female	R9	Evap_Cmpt_	563409	male
L294.A		560081	female	R10	Evap_Cmpt_	563409	male
L294.B		560081	female	R11	RJB	561183	male
L295		562251	male	R12	Evap_Cmpt_	563409	male
Mo1	Engine_Cmpt_	561690	female	R13	RJB	561183	male
Mo2	Engine_Cmpt_	561782	male	R14	RJB	562367	male
Mo3	Dash	561667	female	R15	RJB	561183	male
Mo4	Dash	562076	male	R16	Dash	561183	male
Mo5	Front_Roof	561550	female	R17	RJB	562367	male
Mo6	Service_Cmpt_	561690	male	R18	FJB	562367	male
Mo7		563600	female	R19	FJB	562367	male
Mo8		563600	female	R20	Evap_Cmpt_	561183	male
Mo10		561515	male	R22		561183	male
Mo11		561515	male	R23	Right_Hand_Console	561183	male
Mo12	Evap_Cmpt_	561690	male	R24	FJB	561183	male
Mo13	Engine_Cmpt_	561690	female	R25	RJB	561183	male
Mo14	Parcel_Rack_RH	561566	female	R26	Cond_Cmpt_	561183	male
Mo15	Front_Roof	560900	female	R27		561183	male
Mo16	Front_Roof	560900	female	R29		563409	male
Mo17		563626	male	R31.A		562367	male
Mo18		562474	male	R35		561183	male
Mo19		562474	male	R36		561183	male
Mo20		562474	male	R37		561183	male
Mo21	Front_Roof	561186	male	R41		561183	male
Mo22	Right_Hand_Console	561186	male	R42		561183	male
Mo24	Right_Hand_Console	562348	female	R43		561183	male
Mo25	Right_Hand_Console	562348	female	R44		561183	male
Mo54		562474	male	R45		561183	male
Mo61		561248	female	R73		563409	male
P36.A	Engine_Cmpt_	561701	female	R_AMPLI		562367	male
P36.B	Engine_Cmpt_	561701	female	R_Flip		561183	male
P36.C	Engine_Cmpt_	561701	female	R_Tv		561183	male
Pot1.A	Dash	560488	female	Res3		563590	female

# CONNECTORS LIST

No	Location	Part #	Gender	No	Location	Part #	Gender
Res4		563590	female	Se35	Engine_Cmpt_	563057	male
Res5	Dash	563590	female	Se36		563629	female
Res6		563590	female	Se37		641132	female
Res7	FJB	563590	female	Se38		641132	female
Res12	Engine_Cmpt_	563590	female	Se39		641132	female
Res15	RJB	561782	male	Se40		641132	female
RZF1		561183	male	Se41	Engine_Cmpt_	562486	female
Se1	Engine_Cmpt_	562486	female	Se43		563340	male
Se2	Engine_Cmpt_	562486	female	Se44.A		560082	female
Se3	RJB	562486	female	Se44.B		560082	female
Se4	Window_RH	561477	female	Se45		563409	male
Se5	Window_RH	561477	female	Se46		562348	female
Se6	Window_RH	561477	female	Se60		563409	male
Se7	Window_LH	561477	female	Se63		641132	female
Se8	Window_LH	561477	female	Se64		641132	female
Se9	Window_LH	561477	female	Se65		564042	female
Se10	Window_LH	561477	female	Se66		564039	female
Se11.A	Cond_Cmpt_	560082	male	Se67		563159	female
Se11.B	Cond_Cmpt_	560082	male	Se68		563159	female
Se11.C	Cond_Cmpt_	560082	male	Se69		563159	female
Se12	Engine_Cmpt_	561690	female	So1	Engine_Cmpt_	561566	female
Se13	Engine_Cmpt_	562350	male	So3		641385	male
Se14.A	Driver_Area	561782	male	So4		641385	male
Se14.B	Driver_Area	561781	female	So5		641385	male
Se15	Right_Hand_Console	560898	male	So6		641385	male
Se16	Entrance_Door	562348	female	So7	Service_Cmpt_	561566	male
Se17	Entrance_Door	560081	female	So8	Service_Cmpt_	563204	female
Se19		563677	male	So9	Engine_Cmpt_	561566	female
Se19A		563677	male	So10	Cond_Cmpt_	562485	male
Se20	Evap_Cmpt_	562426	male	So11	Cond_Cmpt_	561566	female
Se21	Dash	561248	female	So12	Evap_Cmpt_	561566	female
Se23	Engine_Cmpt_	563159	male	So13	Evap_Cmpt_	563204	female
Se24	Engine_Cmpt_	563159	male	So14		564045	female
Se25	Passenger_Area	561248	female	So15		564045	female
Se26	Service_Cmpt_	561690	female	So16		564045	female
Se27	Front_Axle_Cmpt_	561111	female	So17		564045	female
Se28		561690	male	So18		641385	male
Se29		561566	female	So19		641385	male
Se30	Engine_Cmpt_	561690	female	So20		564045	female
Se31	Engine_Cmpt_	561690	female	So21		564046	female
Se32	Engine_Cmpt_	563057	male	So22		564046	female
Se33	Engine_Cmpt_	562856	male	So23		564046	female
Se34	Enaine Cmpt	563057	male	So24		564046	female

# CONNECTORS LIST

No	Location	Part #	Gender	No	Location	Part #	Gender
So25		641949	male	Sw1.C259		561186	male
So26		564045	female	Sw2	Dash	562763	male
So27		564045	female	Sw3		562763	male
So50		564046	female	Sw4		562763	male
So51		564046	female	Sw5	Dash	562763	male
So52		564045	female	Sw6		562763	male
Spk1_L		563994	male	Sw7.A	Cond_Cmpt_	562403	female
Spk1_R		563994	male	Sw7.B	Cond_Cmpt_	562403	female
Spk2_L		563994	male	Sw8	Dash	562763	male
Spk2_R		563994	male	Sw9	Dash	562763	male
Spk3_L		563994	male	Sw10	Dash	562763	male
Spk3_R		563994	male	Sw10A		562763	male
Spk4_L		563994	male	Sw11		562763	male
Spk4_R		563994	male	Sw11A		562763	male
Spk5_L		563994	male	Sw12		562763	male
Spk5_R		563994	male	Sw13	Dash	562763	male
Spk6_L		563994	male	Sw14		562763	male
Spk6_R		563994	male	Sw15	Dash	562763	male
Spk7_L		563994	male	Sw16		562763	male
Spk7_R		563994	male	Sw17	Dash	562763	male
Spk8_L		563994	male	Sw18	Dash	562763	male
Spk8_R		563994	male	Sw18A		562763	male
Spk9_L		563994	male	Sw20		562763	male
Spk9_R		563994	male	Sw21		562763	male
Spk10_L		563994	male	Sw22		562763	male
Spk10_R		563994	male	Sw23	Dash	562763	male
Spk11_L		563994	male	Sw24		562763	male
Spk11_R		563994	male	Sw25	Dash	562763	male
Spk12_L		563994	male	Sw26		562763	male
Spk12_R		563994	male	Sw27		562763	male
Spk13_L		563994	male	Sw28		562763	male
Spk13_R		563994	male	Sw29		562763	male
Spk14_L		563994	male	Sw30		561566	female
Spk14_R		563994	male	Sw31	WCL_Door	563543	male
Spk15_L		563994	male	Sw32	Dash	561477	female
Spk15_R		563994	male	Sw33	Dash	561476	male
Spk16_L		563994	male	Sw34	Outside_Front_RH	562477	male
Spk16_R		563994	male	Sw35		562763	male
SpkDr_L		563994	male	Sw36	Left_Hand_Console	562763	male
SpkDr_R		563994	male	Sw37	Left_Hand_Console	562763	male
Sub1.A		564004	female	Sw38	Left_Hand_Console	562763	male
Sub2		564004	female	Sw39.A		562403	female
Sw1.C258		561188	female	Sw39.B		562403	female

# CONNECTORS LIST

No	Location	Part #	Gender	No	Location	Part #	Gender
Sw40	Left_Hand_Console	561690	male	Sw74	Parcel_Rack_RH	562651	female
Sw41	Left_Hand_Console	562749	male	Sw75	Parcel_Rack_RH	562651	female
Sw42	5th_Lugg_Cmpt_	561635	female	Sw76	Parcel_Rack_RH	562651	female
Sw43	Service_Cmpt_	561690	male	Sw77	Parcel_Rack_RH	562651	female
Sw44.A		562403	female	Sw78	Parcel_Rack_RH	562651	female
Sw44.B		562403	female	Sw79	Parcel_Rack_RH	562651	female
Sw45.A	5th_Lugg_Cmpt_	562403	female	Sw80	Parcel_Rack_RH	562651	female
Sw45.B	5th_Lugg_Cmpt_	562403	female	Sw81.A	Dash	562905	male
Sw46.A	5th_Lugg_Cmpt_	562403	female	Sw81.B	Dash	562905	male
Sw46.B	5th_Lugg_Cmpt_	562403	female	Sw82.A	RJB	561457	female
Sw47.A	3rd_Lugg_Cmpt_	562403	female	Sw82.B	RJB	561457	female
Sw47.B	3rd_Lugg_Cmpt_	562403	female	Sw82.C	RJB	561457	female
Sw48.A	3rd_Lugg_Cmpt_	562403	female	Sw82.D	RJB	561457	female
Sw48.B	3rd_Lugg_Cmpt_	562403	female	Sw83.A	Dash	560082	female
Sw49.A	2nd_Lugg_Cmpt_	562403	female	Sw83.B	Dash	560815	female
Sw49.B	2nd_Lugg_Cmpt_	562403	female	Sw83.C	Dash	560082	female
Sw50.A	2nd_Lugg_Cmpt_	562403	female	Sw83.D	Dash	560815	female
Sw50.B	2nd_Lugg_Cmpt_	562403	female	Sw84.A	Service_Cmpt_	562477	male
Sw51.A	1st_Lugg_Cmpt_	562403	female	Sw84.B	Service_Cmpt_	560488	female
Sw51.B	1st_Lugg_Cmpt_	562403	female	Sw85	Left_Hand_Console	562749	male
Sw52	1st_Lugg_Cmpt_	562403	female	Sw86	Parcel_Rack_RH	562651	female
Sw52.B	1st_Lugg_Cmpt_	562403	female	Sw87	Parcel_Rack_RH	562651	female
Sw53	Parcel_Rack_LH	562651	female	Sw88	Parcel_Rack_RH	562651	female
Sw55.A	Lavatory	560488	female	Sw89	Parcel_Rack_RH	562651	female
Sw55.B	Lavatory	560488	female	Sw90	Parcel_Rack_RH	562651	female
Sw56.A	Lavatory	560488	female	Sw91	Parcel_Rack_RH	562651	female
Sw56.B	Lavatory	560488	female	Sw92	Parcel_Rack_RH	562651	female
Sw57	WCL_Door	563543	male	Sw93	Parcel_Rack_RH	562651	female
Sw58	Engine_Cmpt_	562581	male	Sw94.A		562403	female
Sw59	Engine_Cmpt_	562485	male	Sw94.B		562403	female
Sw60	Engine_Cmpt_	561566	female	Sw95.A	WCL_Door	561626	female
Sw63A		562763	male	Sw95.B	WCL_Door	561626	female
Sw64.A		560815	female	Sw95.C	WCL_Door	561626	female
Sw64.B		560815	female	Sw96.A	WCL_Door	561626	female
Sw65	Parcel_Rack_LH	562651	female	Sw96.B	WCL_Door	561626	female
Sw66	Parcel_Rack_LH	562651	female	Sw96.C	WCL_Door	561626	female
Sw67	Parcel_Rack_LH	562651	female	Sw101.A		562763	male
Sw68	Parcel_Rack_LH	562651	female	Sw102	Left_Hand_Console	562471	male
Sw69	Parcel_Rack_LH	562651	female	Sw103		562957	male
Sw70	Parcel_Rack_LH	562651	female	Sw104		562763	male
Sw71	Parcel_Rack_LH	562651	female	Sw125.A		561457	female
Sw72	Parcel_Rack_LH	562651	female	Sw125.B		561457	female
Sw73	Parcel_Rack_RH	562651	female	Sw299		562763	male



# CONNECTORS LIST

No	Location	Part #	Gender	No	Location	Part #	Gender
A1.A		563975	male	A36.JB	FJB	562765	male
A2A		563984	male	A36.JC	FJB	562957	male
A2Gen4		563984	male	A41.J1	FJB	562767	male
A3	Dash	562363	male	A41.J2		563132	male
A4.A	ServiceCmpt.	562428	female	A41.J3		562957	male
A4.B	ServiceCmpt.	561188	female	A42.J1	FJB	562767	male
A4A.A		562428	female	A42.J2		563132	male
A4A.B		561188	female	A42.J3		562957	male
A5	ServiceCmpt.	562428	female	A43.J1	FJB	562767	male
A5A		562428	female	A43.J2		563132	male
A6		562427	male	A43.J3		562957	male
A7		563979	male	A44.J1	FJB	563133	male
A9.Cx1		564041	female	A44.J2	FJB	563132	male
A9.Cx2		563678	male	A44.J3	FJB	562957	male
A9.Cx3		564037	female	A45.J1	FJB	563133	male
A9.Cx4		564038	female	A45.J2	FJB	563132	male
A12	Dash	562464	male	A45.J3	FJB	562957	male
A13.J1	FJB	562794	male	A46.J1	FJB	563133	male
A13.J2	FJB	562650	male	A46.J2	FJB	563132	male
A14.CX	Dash	562957	male	A46.J3	FJB	562957	male
A14.CY	Dash	562765	male	A47.J1	RightHandConsole	563133	male
A14.LX	Dash	562766	male	A47.J2	RightHandConsole	563132	male
A14.LY	Dash	562767	male	A47.J3	RightHandConsole	562957	male
A14.RX	Dash	562767	male	A48.J1	RightHandConsole	563133	male
A14A.A		562766	male	A48.J2	RightHandConsole	563132	male
A14A.B		562767	male	A48.J3	RightHandConsole	562957	male
A14A.C		562765	male	A49.J1	RJB	562767	male
A15	Dash	562464	male	A49.J2	RJB	563132	male
A18	FJB	562794	male	A49.J3	RJB	562957	male
A18.J2	FJB	562650	male	A50.J1	RJB	563133	male
A24	RightHandConsole	561889	female	A50.J2	RJB	563132	male
A24.A	RightHandConsole	561890	male	A50.J3	RJB	562957	male
A24.B	RightHandConsole	561566	female	A51.J1	RJB	563133	male
A27	ServiceCmpt.	562929	male	A51.J2	RJB	563132	male
A28	ServiceCmpt.	562928	male	A51.J3	RJB	562957	male
A29		562464	male	A52.J1	RJB	563133	male
A30	RightHandConsole	561889	female	A52.J2	RJB	563132	male
A30.A	RightHandConsole	561611	male	A52.J3	RJB	562957	male
A31.A	FJB	562676	male	A53.J1	RJB	563133	male
A31.B	FJB	562675	male	A53.J2	RJB	563132	male
A32.A	1stLuggCmpt.	561611	male	A53.J3	RJB	562957	male
A32.C	1stLuggCmpt.	561566	female	A54.J1	Evap.Cmpt.	563133	male
A36.JA	FJB	562767	male	A54.J2	Evap.Cmpt.	563132	male

# CONNECTORS LIST

No	Location	Part #	Gender	No	Location	Part #	Gender
A54.J3	Evap.Cmpt.	562957	male	A138A		563787	male
A55.J1		562767	male	Alt1.A	EngineCmpt.	563746	female
A55.J2		563132	male	Alt1.B		560815	female
A55.J3		562957	male	Alt1.C	EngineCmpt.	562862	female
A56.J1	Slide-OutPanel	563133	male	Alt2.A	EngineCmpt.	563746	female
A56.J2	Slide-OutPanel	563132	male	Alt2.B		560815	female
A56.J3	Slide-OutPanel	562957	male	Alt2.C	EngineCmpt.	562862	female
A57.J1		563133	male	Alt3.A	EngineCmpt.	560815	female
A57.J2		563132	male	Alt3.B	EngineCmpt.	560086	female
A57.J3		562957	male	Alt3.C	EngineCmpt.	562862	female
A58.J1		563133	male	Alt3.D	EngineCmpt.	560587	female
A58.J2		563132	male	B142C		563793	male
A58.J3		562957	male	C1	FJB	563589	male
A59.J1		563133	male	C1	FJB	563590	female
A59.J2		563132	male	C1S	FJB	563589	male
A59.J3		562957	male	C1S	FJB	563590	female
A60		562767	male	C2	ServiceCmpt.	563580	male
A65	FJB	562464	male	C2	ServiceCmpt.	563581	female
A72.J1		563675	male	C2A		563580	male
A72.J2		563678	male	C2A		563581	female
A72.J3		563679	male	C3	RJB	563589	male
A72.J4		563680	male	C3	RJB	563590	female
A73.J1		563681	male	C3S	RJB	563593	male
A73.J2		563684	male	C3S	RJB	563590	female
A74		563207	male	C4	ServiceCmpt.	563580	male
A81.JA		562767	male	C4	ServiceCmpt.	563581	female
A81.JB		562765	male	C5	FJB	563589	male
A81.JC		562957	male	C5	FJB	563590	female
A81A.JA		562767	male	C5S	FJB	563589	male
A81A.JB		562765	male	C5S	FJB	563590	female
A81A.JC		562957	male	C6	ServiceCmpt.	563582	male
A96	FJB	564073	female	C6	ServiceCmpt.	563583	female
A97	Dash	563226	male	C7		563589	female
A100		563758	female	C7		563590	female
A101		563758	female	C8		563589	female
A102		563758	female	C8		563590	female
A103.A		562070	female	C10		562477	male
A104.J2		563489	male	C10		562479	female
A104.J3		563803	male	C11	ServiceCmpt.	563580	male
A131.A		561782	male	C11	ServiceCmpt.	563581	female
A131.B		561781	female	C13S	RightHandConsole	563593	male
A137A.J1		563470	male	C13S	RightHandConsole	563590	female
A137A.J2		563471	male	C13_plug		563589	male

# CONNECTORS LIST

No	Location	Part #	Gender	No	Location	Part #	Gender
C13_socket		563590	female	C71	FJB	561645	female
C15	5thLuggCmpt.	561646	male	C72	ServiceCmpt.	561646	male
C15	5thLuggCmpt.	561645	female	C72	ServiceCmpt.	561645	female
C17	RJB	561986	male	C74	ServiceCmpt.	561645	female
C17	RJB	561987	female	C74	ServiceCmpt.	561646	male
C18	FJB	561986	male	C75	4thLuggCmpt	561668	male
C18	FJB	561987	female	C75	4thLuggCmpt	561551	female
C19	RJB	561986	male	C77	4thLuggCmpt	561668	male
C19	RJB	561987	female	C77	4thLuggCmpt	561551	female
C21A	RJB	561646	male	C78	EngineCmpt.	561690	male
C21A	RJB	561645	female	C78	EngineCmpt.	561566	female
C21B	RJB	561646	male	C81	1stLuggCmpt.	561668	male
C21B	RJB	561645	female	C81	4thLuggCmpt	561551	female
C22	RJB	561847	male	C82	1stLuggCmpt.	561668	male
C22	RJB	561862	female	C82	1stLuggCmpt.	561551	female
C24	Evap.Cmpt.	561690	male	C83	2ndLuggCmpt.	561668	male
C24	Evap.Cmpt.	561566	female	C83	2ndLuggCmpt.	561551	female
C26		562005	male	C84	2ndLuggCmpt.	561668	male
C26		561714	female	C84	2ndLuggCmpt.	561551	female
C27		562005	male	C85	3rdLuggCmpt.	561668	male
C27		561714	female	C85	3rdLuggCmpt.	561551	female
C34	RightHandConsole	561986	male	C86	3rdLuggCmpt.	561668	male
C34	RightHandConsole	561987	female	C86	3rdLuggCmpt.	561551	female
C40	Dash	562485	male	C87	RearRoof	561637	male
C40	Dash	562486	female	C87	RearRoof	561636	female
C44_plug	FJB	561577	male	C89	RearRoof	561581	male
C44_socket	FJB	561605	female	C89	RearRoof	561582	female
C45	FJB	561643	male	C91	RJB	562285	male
C45	FJB	561642	female	C91	RJB	562282	female
C48	ServiceCmpt.	561690	male	C92		561734	male
C48	ServiceCmpt.	561566	female	C92		561735	female
C49		562005	male	C94		561577	male
C49		561714	female	C94		561605	female
C49A		562005	male	C96		561643	male
C49A		561714	female	C96		561642	female
C52		563735	male	C97		561583	male
C54		563580	male	C97		561585	female
C54		563581	female	C99		561782	male
C54A		563580	male	C99		561781	female
C54A		563581	female	C100	5thLuggCmpt.	563589	male
C69		561583	male	C100	5thLuggCmpt.	563590	female
C69		561585	female	C100S	5thLuggCmpt.	563589	male
C71	FJB	561646	male	C100S	5thLuggCmpt.	563590	female



# CONNECTORS LIST

No	Location	Part #	Gender	No	Location	Part #	Gender
C101	ServiceCmpt.	561690	male	C242	ServiceCmpt.	565131	female
C101	ServiceCmpt.	561566	female	C243	ServiceCmpt.	562789	male
C102		561690	male	C243	ServiceCmpt.	565131	female
C102		561566	female	C246	ServiceCmpt.	563090	male
C103		562485	male	C246	ServiceCmpt.	563091	female
C103		562486	female	C264	Entrance_Door	561637	male
C105		562581	male	C264	Entrance_Door	561636	female
C105		562583	female	C266	RightHandConsole	561583	male
C106_plug		562581	male	C266	RightHandConsole	561585	female
C106_socket		562583	female	C269	RHConsole	563090	male
C119	EngineDoor	561607	male	C269	RHConsole	563091	female
C119	EngineDoor	561606	female	C279	FJB	562477	male
C120	EngineDoor	561607	male	C279	FJB	562479	female
C120	EngineDoor	561606	female	C281	LeftHandConsole	560852	male
C121	EngineDoor	561690	male	C281	LeftHandConsole	560851	female
C121	EngineDoor	561566	female	C290	5thLuggCmpt.	561668	male
C152	CondensorCmpt.	561611	male	C290	5thLuggCmpt.	561551	female
C152	CondensorCmpt.	561610	female	C291	5thLuggCmpt.	561668	male
C171	FJB	561646	male	C291	5thLuggCmpt.	561551	female
C171	FJB	561645	female	C342	EngineCmpt.	562477	male
C172	ServiceCmpt.	561637	male	C342	EngineCmpt.	562479	female
C172	ServiceCmpt.	561635	female	C360	Dash	561247	male
C193	RJB	563589	male	C360	Dash	561248	female
C193	RJB	563590	female	C380	Dash	563180	male
C194	FJB	563589	male	C380	Dash	563347	female
C194	FJB	563590	female	C397	RJB	562285	male
C200	FJB	561607	male	C397	RJB	562282	female
C200	FJB	561606	female	C398	EngineCmpt.	561690	male
C200B		562471	male	C398	EngineCmpt.	561566	female
C200B		562348	female	C400_plug	EngineCmpt.	561782	male
C222	FJB	562477	male	C400_socket	EngineCmpt.	561781	female
C222	FJB	562479	female	C426	EngineCmpt	561782	male
C223		563227	male	C426	EngineCmpt	561781	female
C223	FJB	563614	female	C463	EngineCmpt.	562570	female
C224	Dash	561637	male	C463	EngineCmpt.	562571	male
C224	Dash	561636	female	C464	RJB	563180	male
C225	FJB	562650	male	C464	RJB	563347	female
C225	FJB	562649	female	C500	FJB	562069	male
C228	EngineCmpt.	563227	male	C500	FJB	562070	female
C228	EngineCmpt.	563614	female	C550	5thLuggCmpt.	561476	male
C230	EngineCmpt.	562485	male	C550	5thLuggCmpt.	561477	female
C230	EngineCmpt.	562486	female	C551	5thLuggCmpt.	561476	male
C242	ServiceCmpt.	562789	male	C551	5thLuggCmpt.	561477	female

# CONNECTORS LIST

No	Location	Part #	Gender	No	Location	Part #	Gender
C552	3rdLuggCmpt.	561476	male	CT2	EngineCmpt.	563226	male
C552	3rdLuggCmpt.	561477	female	CT2	EngineCmpt.	563613	female
C553	2ndLuggCmpt.	561476	male	EI		563739	male
C553	2ndLuggCmpt.	561477	female	J14		563808	male
C554	1stLuggCmpt.	561476	male	J25		563277	female
C554	1stLuggCmpt.	561477	female	J26		563488	female
C555	1stLuggCmpt.	561476	male	L1		562848	male
C555	1stLuggCmpt.	561477	female	L1_0_1		561566	female
C556	5thLuggCmpt.	561476	male	L16	FrontRoof	562803	male
C556	5thLuggCmpt.	561477	female	L17	FrontRoof	562803	male
C557	3rdLuggCmpt.	561476	male	L18.B	Entrance_Door	561539	male
C557	3rdLuggCmpt.	561477	female	L19.A	RightHandConsole	560488	female
C558	4thLuggCmpt	561476	male	L19.B	RightHandConsole	560488	female
C558	4thLuggCmpt	561477	female	L21.A	FrontRoof	561608	female
C559	5thLuggCmpt.	561476	male	L21.B	FrontRoof	562286	male
C559	5thLuggCmpt.	561477	female	L22.A	FrontRoof	561608	female
C581	UnderdashBoard	562777	male	L22.B	FrontRoof	562286	male
C589	ServiceCmpt.	563088	male	L23.A	FrontRoof	561608	female
C589	ServiceCmpt.	563089	female	L23.B	FrontRoof	562286	male
C590	RHConsole	563088	male	L24.A	FrontRoof	561608	female
C590	RHConsole	563089	female	L24.B	FrontRoof	562286	male
C717		561646	male	L25.A	FrontRoof	561608	female
C717		561645	female	L25.B	FrontRoof	562286	male
CC1	ServiceCmpt.	563227	male	L26.A	FrontRoof	561608	female
CC1	ServiceCmpt.	563614	female	L26.B	FrontRoof	562286	male
CC2	ServiceCmpt.	563226	male	L27.A	FrontRoof	561608	female
CC2	ServiceCmpt.	563613	female	L27.B	FrontRoof	562286	male
CS01		563226	male	L61	Outside_Front_RH	562601	male
CS01		563613	female	L63	Outside_Front_RH	562155	male
CS01S		563226	male	L64	Outside_Front_RH	562155	male
CS01S		563613	female	L65	Outside_Front_LH	562155	male
CS02		561643	male	L66	Outside_Front_LH	562155	male
CS02		561641	female	L67	3rdLuggCmpt.	562155	male
CS05		561847	male	L68	3rdLuggCmpt.	562155	male
CS05		561862	female	L69	3rdLuggCmpt.	562155	male
CS07		562581	male	L70	3rdLuggCmpt.	562155	male
CS07		562583	female	L71	Rear_Engine_Door	562601	male
CS124_plug		562485	male	L72	Rear_Vehicle	562155	male
CS124_socket		562486	female	L73	Rear_Vehicle	562601	male
CSo8		562581	male	L74	Rear_Vehicle	562155	male
CSo8		562583	female	L75	Rear_Vehicle	562155	male
CSo9		562581	male	L76	Rear_Engine_Door	562155	male
CSo9		562583	female	L77	Rear_Engine_Door	562601	male

# CONNECTORS LIST

No	Location	Part #	Gender	No	Location	Part #	Gender
L78	Rear_Engine_Door	562601	male	L181	2ndLuggCmpt.	561247	male
L79	Rear_Engine_Door	562601	male	L182	1stLuggCmpt.	561247	male
L80	Rear_Engine_Door	562601	male	L183	1stLuggCmpt.	561247	male
L81.A	Rear_Engine_Door	562835	female	L184	ServiceCmpt.	561247	male
L81.B	Rear_Engine_Door	562834	male	L185.A		562651	female
L82	Rear_Engine_Door	562348	female	L185.B		562290	female
L83	Rear_Engine_Door	562348	female	L186.A		562651	female
L84.A	RearRoof	561608	female	L186.B		562290	female
L84.B	RearRoof	562286	male	L187.A		561690	male
L85.A	RearRoof	561608	female	L189	Outside_Front_RH	562069	male
L85.B	RearRoof	562286	male	L190	Outside_Front_LH	562069	male
L86.A	RearRoof	561608	female	L193.A	Dash	560488	female
L86.B	RearRoof	562286	male	L193.B	Dash	560488	female
L87.A	RearRoof	561608	female	L194.A	Dash	562019	female
L87.B	RearRoof	562286	male	L194.B	Dash	560488	female
L88.A	RearRoof	561608	female	L195.A	Dash	560488	female
L88.B	RearRoof	562286	male	L195.B	Dash	560488	female
L89.A	RearRoof	561608	female	L199	EngineCmpt.	562471	male
L89.B	RearRoof	562286	male	L199OP.A		564128	female
L90.A	RearRoof	561608	female	L200	EngineCmpt.	562471	male
L90.B	RearRoof	562286	male	L200_OP.A		564128	female
L91	EngineCmpt.	562755	male	L203	RightHandConsole	561690	male
L92	EngineCmpt.	562755	male	L205	Evap.Cmpt.	562485	male
L93.A	Rear_Vehicle	563069	female	L208	Outside_Front_LH	563088	male
L93.B	Rear_Vehicle	563069	female	L209	Outside_Front_RH	563088	male
L94.A	EngineCmpt.	563069	female	L211.A	RightHandConsole	560488	female
L94.B	EngineCmpt.	563069	female	L211.B	RightHandConsole	560488	female
L95A		562485	male	L282		561690	male
L95B		562485	male	L285	Dash	561247	male
L96A		562485	male	L287	4thLuggCmpt	561247	male
L96B		562485	male	L288	4thLuggCmpt	561247	male
L97.A	Outside_Front_LH	563069	female	L302		562789	male
L97.B	Outside_Front_LH	563069	female	L303		562789	male
L98.A	Entrance_Door	563069	female	L350		562350	male
L98.B	Outside_Front_RH	563069	female	Mo1	EngineCmpt.	561690	female
L173	EngineCmpt.	563268	male	Mo2	EngineCmpt.	561782	male
L174	EngineCmpt.	563268	male	Mo3	Dash	561667	female
L175	RJB	561247	male	Mo4	Dash	562076	male
L176	5thLuggCmpt.	561247	male	Mo7		563691	male
L177	5thLuggCmpt.	561247	male	Mo8		563691	male
L178	3rdLuggCmpt.	561247	male	Mo12	Evap.Cmpt.	561690	male
L179	3rdLuggCmpt.	561247	male	Mo15	FrontRoof	560900	female
L180	2ndLuggCmpt.	561247	male	Mo16	FrontRoof	560900	female

# CONNECTORS LIST

No	Location	Part #	Gender	No	Location	Part #	Gender
Mo17	LeftHandConsole	563626	male	R29		563409	male
Mo18		562474	male	R30	RJB	561183	male
Mo19		562474	male	R31	RJB	561183	male
Mo20		562474	male	R32	RJB	561183	male
Mo21	FrontRoof	561186	male	R33	RJB	561183	male
Mo22	RightHandConsole	561186	male	R34.A		562367	male
Mo24	RightHandConsole	562348	female	R41		561183	male
Mo25	RightHandConsole	562348	female	R42		561183	male
Mo26	Entrance_Door	562076	male	R43		561183	male
Mo27		563691	male	R44		561183	male
Mo28		563691	male	R45		561183	male
Mo35	3rdLuggCmpt.	562076	male	R46		563409	male
Mo36	4thLuggCmpt	562076	male	Res3	RJB	563590	female
Mo37	4thLuggCmpt	562076	male	Res4	RightHandConsole	563590	female
Mo38	5thLuggCmpt.	562076	male	Res5	Dash	563590	female
Mo39	5thLuggCmpt.	562076	male	Res6	FJB	563590	female
Mo40	1stLuggCmpt.	561477	female	Res7.A		563590	female
Mo44		561477	female	Res12.A		563590	female
Mo50	ServiceCmpt.	561782	male	Res15		561782	male
Mo51	1stLuggCmpt.	561690	male	Res31A		563795	female
Mo53	RJB	561248	female	Res32A		563796	female
Mo54		562474	male	Res42.A		563590	female
Mo55.A		561967	male	RS01.A		562168	female
Mo56		561477	female	RS01.B		562168	female
Mo57.A		561967	male	RS02.A		562168	female
Mo58		561477	female	RS02.B		562168	female
MONITOR	Dash	561247	male	RS03.A		562168	female
MoSo1.A		561967	male	RS03.B		562168	female
MOSO2.A		561967	male	RS04.A		562168	female
Pot1.A	Dash	560488	female	RS04.B		562168	female
Pot1.B	Dash	560488	female	RS05.A		562168	female
Pot1.C	Dash	560488	female	RS05.B		562168	female
R3	RJB	563409	male	RS06.A		562168	female
R10	Evap.Cmpt.	563409	male	RS06.B		562168	female
R12	Evap.Cmpt.	563409	male	RS07.A		562168	female
R16	Dash	561183	male	RS07.B		562168	female
R17	RJB	562367	male	RS08.A		562168	female
R18	FJB	562367	male	RS08.B		562168	female
R19	FJB	562367	male	Se11.A	Cond.Cmpt.	560082	male
R21		561183	male	Se11.B	Cond.Cmpt.	560082	male
R23	RightHandConsole	561183	male	Se11.C	Cond.Cmpt.	560082	male
R24	FJB	561183	male	Se12	EngineCmpt.	561690	female
R25	RJB	561183	male	Se13		562350	male

# CONNECTORS LIST

No	Location	Part #	Gender	No	Location	Part #	Gender
Se13A		561782	male	SES01		563159	male
Se14.A		561782	male	SES02_SESO3		562479	female
Se14.B		561781	female	SES05_SESO6		562479	female
Se16.A	Entrance_Door	562651	female	SES07_SESO8		562479	female
Se16.B	Entrance_Door	562651	female	SES09_SESO10		562479	female
Se17.A	RightHandConsole	562019	female	So1	EngineCmpt.	561566	female
Se17.B	RightHandConsole	562019	female	So7	ServiceCmpt.	561566	male
Se19		563677	male	So8	ServiceCmpt.	563204	female
Se20	Evap.Cmpt.	562426	male	So9	EngineCmpt.	561566	female
Se21	Dash	561248	female	So9OP.A		564127	female
Se23	EngineCmpt.	563159	male	So11	Cond.Cmpt.	561566	female
Se24	EngineCmpt.	563159	male	So13	Evap.Cmpt.	563204	female
Se25	PassengerArea	561248	female	So21		564046	female
Se29	EngineCmpt.	561566	female	So22		564046	female
Se30	EngineCmpt.	561690	female	So23		564046	female
Se31	EngineCmpt.	561690	female	So24		564046	female
Se32	EngineCmpt.	563057	male	So26	ServiceCmpt.	641385	male
Se33	EngineCmpt.	562856	male	So27		564045	male
Se34	EngineCmpt.	563057	male	So34	EngineCmpt.	561690	male
Se35	EngineCmpt.	563057	male	So38	1stLuggCmpt.	561566	female
Se36		563628	female	So50		564046	female
Se37		641132	female	So51		564046	female
Se38		641132	female	So52		564045	female
Se39		641132	female	SoSo1		641385	male
Se40		641132	female	SoSo2		641385	male
Se45	ServiceCmpt.	563409	male	SoSo3		641385	male
Se46	AboveRearAxle	562348	female	SOSO4		641385	male
Se49		563677	male	SoSo5		641385	male
Se50	ServiceCmpt.	562426	male	SoSo6		641385	male
Se52.A	RightHandConsole	560488	female	SoSo7		564045	female
Se52.B	RightHandConsole	560488	female	SoSo8		564045	female
Se53		563159	female	Sw1.C258	Dash	561188	female
Se54		563159	female	Sw1.C259	Dash	561186	male
Se55		563159	female	Sw2	Dash	562763	male
Se60		563409	male	Sw3		562763	male
Se63		641132	female	Sw4		562763	male
Se64		641132	female	Sw5	Dash	562763	male
Se65		564042	female	Sw6		562763	male
Se66		564039	female	Sw7.A	Cond.Cmpt.	562403	female
Se67		563159	female	Sw7.B	Cond.Cmpt.	562403	female
Se68		563159	female	Sw11A		562763	male
Se69		563159	female	Sw13	Dash	562763	male
Se80		560852	male	Sw14		562763	male

# CONNECTORS LIST

No	Location	Part #	Gender	No	Location	Part #	Gender
Sw16		562763	male	Sw83.C	Dash	560082	female
Sw17		562763	male	Sw83.D	Dash	560815	female
Sw18A	Dash	562763	male	Sw84.A	EngineCmpt.	560488	female
Sw23	Dash	562763	male	Sw84.B	EngineCmpt.	560488	female
Sw24		562763	male	Sw85	LeftHandConsole	562749	male
Sw35		562763	male	Sw99		562763	male
Sw38	LeftHandConsole	562763	male	Sw100		562763	male
Sw39.A	RJB	562403	female	Sw102		562763	male
Sw39.B	RJB	562403	female	Sw103A		562763	male
Sw40	LeftHandConsole	561690	male	Sw104	Dash	562763	male
Sw41	LeftHandConsole	562749	male	Sw106	Entrance_Door	561637	male
Sw44.A	FJB	562403	female	Sw107.A		561457	female
Sw44.B	FJB	562403	female	Sw107.B		561457	female
Sw45.A	5thLuggCmpt.	562403	female	Sw107.C		561457	female
Sw45.B	5thLuggCmpt.	562403	female	Sw107.D		561457	female
Sw46.A	5thLuggCmpt.	562403	female	Sw107.E		561457	female
Sw46.B	5thLuggCmpt.	562403	female	Sw107.F		561457	female
Sw47.A	3rdLuggCmpt.	562403	female	Sw107.G		561457	female
Sw47.B	3rdLuggCmpt.	562403	female	Sw107.H		561457	female
Sw48.A	3rdLuggCmpt.	562403	female	Sw107.J		561457	female
Sw48.B	3rdLuggCmpt.	562403	female	Sw107.K		561457	female
Sw49.A	2ndLuggCmpt.	562403	female	Sw108	LeftHandConsole	562763	male
Sw49.B	2ndLuggCmpt.	562403	female	Sw116.A	4thLuggCmpt	560079	female
Sw50.A	2ndLuggCmpt.	562403	female	Sw116.B	4thLuggCmpt	560079	female
Sw50.B	2ndLuggCmpt.	562403	female	Sw117.A	5thLuggCmpt.	560079	female
Sw51.A	1stLuggCmpt.	562403	female	Sw117.B	5thLuggCmpt.	560079	female
Sw51.B	1stLuggCmpt.	562403	female	Sw119		562763	male
Sw52	1stLuggCmpt.	562403	female	Sw120	DriverArea	562237	female
Sw52.B	1stLuggCmpt.	562403	female	Sw122	PassengerArea	562763	male
Sw58	EngineCmpt.	562581	male	Sw124		562957	male
Sw59	EngineCmpt.	562485	male	Sw128.A	4thLuggCmpt	562403	female
Sw60	EngineCmpt.	561566	female	Sw128.B	4thLuggCmpt	562403	female
Sw63A		562763	male	SwSo1.A		561552	female
Sw64.A		560815	female	SwSo2		561552	female
Sw64.B		560815	female	SwSo3		561552	female
Sw81.A	Dash	562905	male	SwSo4		561552	female
Sw81.B	Dash	562905	male	sym409_156		561017	female
Sw82.A	RJB	561457	female	sym410_156		560900	female
Sw82.B	RJB	561457	female	sym414_156		560900	female
Sw82.C	RJB	561457	female	sym415_156		560852	male
Sw82.D	RJB	561457	female	sym416_156		560900	female
Sw83.A	Dash	560082	female	sym417_156		563590	female
Sw83.B	Dash	560815	female	VECF1	FJB	563186	male



## DIODES NUMBER CODE

No	Location	Part #	Function	Page
D1	FJB	561740	AccessoriesDiode	3.2
D2	FJB	561740	DiodeDriverLiq.Sol.	18.1
D3	UpperFrontCap	561740	SuppressorDiodeUpperWiper	34.1
D4	RHConsole	561740	SuppressorDiodeLowerWiper2ndSpd	34.1
D5	RHConsole	561740	SuppressorDiodeLowerWiper1stSpd	34.1
D6	RJB	561740	SuppressorDiodeMasterrelay	3.1
D11	Evap.Cmpt.	561740	DiodePass.Liq.Sol	18.2
D12	FJB	561740	EngineBrakediode	12.1
D13	FJB	561740	ABS	16.1
D15	RJB	561740	WakeUpDiode	3.2
D22	RJBVECR	561740	ServiceBrakeDiode	12.1
D25	Evap.Cmpt.	561740	SuppressorDiodeEvaporatorFan	18.2
D28	RJB	561740	SuppressorDiodeUnloaderLH	18.2
D29	RJB	561740	SuppressorDiodeUnloaderRH	18.2
D30	Evap.Cmpt.	561740	SuppressorDiodeWaterPump	18.2
D31	RJB	561740	SuppressorDiodeA/Cclutch	18.2
D36	RJB	561740	SuppressorDiodeRadiatorFanClutch2ndSpd	13.1
D37	RJB	561740	SuppressorDiodeRadiatorFanClutch1stSpd	13.1
D38	FrontCeiling	563375	SuppressorZenerDiodeSunVisorRH	30.1
D39	FrontCeiling	563375	SuppressorZenerDiodeSunVisorRH	30.1
D40	UpperFrontCap	563375	SuppressorZenerDiodeSunVisorLH	30.1
D41	UpperFrontCap	563375	SuppressorZenerDiodeSunVisorLH	30.1
D42	LHConsole	563374	SuppressorZenerDiodeDriverWdw	30.1
D43	LHConsole	563374	SuppressorZenerDiodeDriverWdw	30.1
D44	FJB	561740	IgnitionDiode	3.2
D46	FJB	563557	ServiceBrakeDiode	12.1
D47	RJBVECR	563557	SpareDiode	5.1
D48	RJBVECR	563557	SpareDiode	5.1
D50	ServiceCmpt.	561740	LevelLowDiode	32.1
D51	ServiceCmpt.	561740	LevelLowDiode	32.1
D56	Dash	561740	Entrancedoorswitch	29.1
D62	FJB	561740	MasterRelay	3.2
D66	ServiceCmpt.	561740	SuppressorDiodeWaterPump	18.3
D71	LHConsole	563374	Entrancedoorlock	29.1



## DIODES NUMBER CODE

No	Location	Part #	Function	Page
D72	LHConsole	563374	Entrancedoorlock	29.1
D73	Dash	561740	EntranceDoorHingeSwitch	29.1

## DIODES NUMBER CODE

No	Location	Part #	Function	Page
D1	FJB	561740	AccessoriesDiode	3.2
D2	FJB	561740	DiodeDriverLiq.Sol.	18.1
D3	UpperFrontCap	561740	SuppressorDiodeUpperWiper	34.1
D4	RHConsole	561740	SuppressorDiodeLowerWiper2ndSpd	34.1
D5	RHConsole	561740	SuppressorDiodeLowerWiper1stSpd	34.1
D6	RJB	561740	SuppressorDiodeMasterrelay	3.1
D11	Evap.Cmpt.	561740	DiodePass.Liq.Sol	18.2
D12	FJB	561740	EngineBrakediode	12.1
D15	RJB	561740	WakeUpDiode	3.2
D22	RJBVECR	561740	ServiceBrakeDiode	12.1
D25	Evap.Cmpt.	561740	SuppressorDiodeEvaporatorFan	18.2
D28	RJB	561740	SuppressorDiodeUnloaderLH	18.2
D29	RJB	561740	SuppressorDiodeUnloaderRH	18.2
D30	Evap.Cmpt.	561740	SuppressorDiodeWaterPump	18.2
D31	RJB	561740	SuppressorDiodeA/CClutch	18.2
D36	RJB	561740	SuppressorDiodeRadiatorFanClutch2ndSpd	13.1
D37	RJB	561740	SuppressorDiodeRadiatorFanClutch1stSpd	13.1
D38	FrontCeiling	563375	SuppressorZenerDiodeSunVisorRH	30.1
D39	FrontCeiling	563375	SuppressorZenerDiodeSunVisorRH	30.1
D40	UpperFrontCap	563375	SuppressorZenerDiodeSunVisorLH	30.1
D41	UpperFrontCap	563375	SuppressorZenerDiodeSunVisorLH	30.1
D42	LHConsole	563374	SuppressorZenerDiodeDriverWdw	30.1
D43	LHConsole	563374	SuppressorZenerDiodeDriverWdw	30.1
D44	FJB	561740	IgnitionDiode	3.2
D46	FJB	563557	ServiceBrakeDiode	12.1
D47	RJBVECR	563557	SpareDiode	5.1
D48	RJBVECR	563557	SpareDiode	5.1
D50	ServiceCmpt.	561740	LevelLowDiode	32.1
D51	ServiceCmpt.	561740	LevelLowDiode	32.1
D56	Dash	561740	Entrancedoorswitch	29.1
D62	FJB	561740	MasterRelay	3.2
D66	ServiceCmpt.	561740	SuppressorDiodeWaterPump	18.3
D71	LHConsole	563374	Entrancedoorlock	29.1
D72	LHConsole	563374	Entrancedoorlock	29.1
D73	Dash	561740	EntranceDoorHingeSwitch	29.1
DS01	Luggagescmpt	563375	SlideOutMotor	20.1
DS02	Luggagescmpt	563375	SlideOutMotor	20.1
DS03	Luggagescmpt	563375	SlideOutMotor	20.1
DS04	Luggagescmpt	563375	SlideOutMotor	20.1







## RESISTORS NUMBER CODE

No	Location	Part #	Function	Page
Res1	FJB	563205	ABS	16.1
Res3	RJB	563593	CANNetwork	6.1
Res4	Dash	563593	CANNetwork	6.1
Res5	Dash	563593	CANNetwork	6.1
Res6	FJB	563593	CANNetwork	6.1
Res7	FJB	563593	CANNetwork	7.1
Res9	DashBoard	100R	CurrentLimitRes	10.1
Res10	RJBCloseECU	562470	SignalDropRes	15.1
Res12	RJB	563593	CANNetwork	14.1
Res13	RJB	563154	ExitationresistorAlt1	3.2
Res14	RJB	563154	ExitationresistorAlt2	3.2

# RESISTORS NUMBER CODE

No	Location	Part #	Function	Page
Res1	FJB	563205	ABS	16.1
Res3	RJB	563593	CANNetwork	6.1
Res4	Dash	563593	CANNetwork	6.1
Res5	Dash	563593	CANNetwork	6.1
Res6	FJB	563593	CANNetwork	6.1
Res7	FJB	563593	CANNetwork	7.1
Res9	DashBoard	100R	CurrentLimitRes	10.1
Res12	RJB	563593	CANNetwork	14.1
Res13	RJB	563154	ExitationresistorAlt1	3.2
Res14	RJB	563154	ExitationresistorAlt2	3.2

# RESISTORS LIST

No	Location	Part #	Function	Page
Res1	FJB	563205	ABS	16.1
Res3	RJB	563593	CANNetwork	6.1
Res4	Dash	563593	CANNetwork	6.1
Res5	Dash	563593	CANNetwork	6.1
Res6	FJB	563593	CANNetwork	6.1
Res7	Engine_Cmpt_	563593	*opt*	J1939
Res9	DashBoard	100R	CurrentLimitRes	10.1
Res12	Engine_Cmpt_	563593	*opt*	J1939
Res13	RJB	563154	ExitationresistorAlt1	3.2
Res14	RJB	563154	ExitationresistorAlt2	3.2
Res21	FJB	563205	ABS	16.1
Res28	FJB	563205	ABS	16.1









## RELAYS

No	Location	Part #	Function	Page
R1	RJB	562364	MasterRelay	3.1
R3	RJB	563348	12vIgn&AccRelay	3.1
R8	FuseBoxRJB	563269	ServiceBrakeRelay	12.1
R9	Evap.Cmpt.	563348	CondensorRelay2stSpeed	18.2
R10	Evap.Cmpt.	563348	CondensorRelay1stSpeed	18.2
R12	Evap.Cmpt.	563348	EvaporatorRelay	18.2
R16	DashBoard	563332	AudibleFlasherRelay	26.1
R17	RJB	561991	12vRrWUpRelay	3.3
R18	FJB	561991	24vFrWUpRelay	3.3
R19	FJB	561991	12vFrWUpRelay	3.3
R21	RJB	563269	EmergencyCutoutRelay	3.2
R22	FuseBoxFJB	563269	EngineBrakeRelay	12.1
R23	RHConsole	563332	LowerWiperRelay	34.1
R24	FJB	563332	UpperWiperRelay	34.1
R25	RJBVECR	563332	Ecmlgn	5.1
R30	RJB	563332	LuggagesDoorsLocksRelay	33.1
R31	RJB	563332	LuggagesDoorsLocksRelay	33.1
R32	RJB	563332	LuggagesDoorsLocksRelay	33.1
R33	RJB	563332	LuggagesDoorsLocksRelay	33.1

# RELAYS

No	Location	Part #	Function	Page
R1	RJB	562364	MasterRelay	3.1
R3	RJB	563348	12vIgn&AccRelay	3.1
R8	FuseBoxRJB	563269	ServiceBrakeRelay	12.1
R9	Evap.Cmpt.	563348	CondensorRelay2stSpeed	18.2
R10	Evap.Cmpt.	563348	CondensorRelay1stSpeed	18.2
R12	Evap.Cmpt.	563348	EvaporatorRelay	18.2
R16	DashBoard	563332	AudibleFlasherRelay	26.1
R17	RJB	561991	12vRrWUpRelay	3.3
R18	FJB	561991	24vFrWUpRelay	3.3
R19	FJB	561991	12vFrWUpRelay	3.3
R21	RJB	563269	EmergencyCutoutRelay	3.2
R22	FuseBoxFJB	563269	EngineBrakeRelay	12.1
R23	RHConsole	563332	LowerWiperRelay	34.1
R24	FJB	563332	UpperWiperRelay	34.1
R25	RJBVECR	563332	Ecmlgn	5.1
R30	RJB	563332	LuggagesDoorsLocksRelay	33.1
R31	RJB	563332	LuggagesDoorsLocksRelay	33.1
R32	RJB	563332	LuggagesDoorsLocksRelay	33.1
R33	RJB	563332	LuggagesDoorsLocksRelay	33.1
Regulator	RJB	563381	*opt*	3.2
RSo1	Luggagescmpt	563445	Slideoutrelay	20.1
RSo2	Luggagescmpt	563445	Slideoutrelay	20.1
RSo3	Luggagescmpt	563445	Slideoutrelay	20.1
RSo4	Luggagescmpt	563445	Slideoutrelay	20.1





# RELAYS LIST

No	Location	Part #	Function	Page					
R1	RJB	562364	MasterRelay	3.1					
r1				36.1					
r2				36.1					
R3	RJB	563348	12vIgn&AccRelay	3.1					
r3				36.1					
r4				36.1					
R4		563332	Cutoffwaterpreheater	40.1					
r5				36.1					
r6				36.1					
R10	Evap.Cmpt.	563348	CondensorPowerRelay	18.2					
R11	RJBVECR	563332	ZF	5.1					
R12	Evap.Cmpt.	563348	EvaporatorRelay	18.2					
R16	DashBoard	563332	AudibleFlasherRelay	26.1					
R17	RJB	561991	12vRrWUpRelay	3.3					
R18	FJB	561991	24vFrWUpRelay	3.3					
R19	FJB	561991	12vFrWUpRelay	3.3					
R21	RJB	563269	EmergencyCutoutRelay	3.2					
R22		563269	*opt*	3.3					
R23	RHConsole	563332	LowerWiperRelay	34.1					
R24	FJB	563332	UpperWiperRelay	34.1					
R25	RJBVECR	563332	Ecmlgn	5.1					
R29	RJB	563348	Preheater	14.2					
R30	RJB	563332	LuggagesDoorsLocksRelay	33.1					
R31	RJB	563332	LuggagesDoorsLocksRelay	33.1					
R32	RJB	563332	LuggagesDoorsLocksRelay	33.1					
R33	RJB	563332	LuggagesDoorsLocksRelay	33.1					
R34	RJB	561991	12v	3.3					
R41			*opt*	38.1					
R42			*opt*	38.1					
R43			*opt*	38.1					
R44			*opt*	38.1					
R45			*opt*	38.1					
RSo1		563445	RlyCloseSlide-Out1	20.1					
RSo2		563445	RlyOpenSlide-Out1	20.1					
RSo3		563445	RlyCloseSlide-Out2	20.1					
RSo4		563445	RlyOpenSlide-Out2	20.1					
RSo5	Luggagescmpt	563445	RlyCloseSlide-Out3	20.2					
RSo6	Luggagescmpt	563445	RlyOpenSlide-Out3	20.2					
RSo7	Luggagescmpt	563445	*opt*	20.2					
RSo8	Luggagescmpt	563445	*opt*	20.2					
R		*opt*	*opt*	3.2					



## FUSES

No	Location	Part #	Function	Rating	Page	No	Location	Part #	Function	Rating	Page
F1	FuseBoxFJB	563279	CecmPower	3amp	4.1	F35	FuseBoxFJB	563283	12vPwrOutlet	10amp	4.1
F2	FuseBoxFJB	563279	FrontStartSwitch	3amp	4.1	F36	FuseBoxFJB	563279	PwrHvacandTtItModule	3amp	4.1
F3	FuseBoxFJB	563279	DrvLiq.Vlv	3amp	4.1	F37	FuseBoxFJB	563283	Spare	10amp	4.1
F4	FuseBoxFJB	563279	Spare	3amp	4.1	F38	FuseBoxFJB	563283	PwrMuxA41	10amp	4.1
F5	FuseBoxFJB	563165	FrontWakeUpRelay	30amp	4.1	F39	FuseBoxFJB	563283	Spare	10amp	4.1
F6	FuseBoxFJB	563005	Custumer24VD	7.5amp	4.1	F40	FuseBoxFJB	563283	Spare	10amp	4.1
F7	FuseBoxFJB	563279	Spare	3amp	4.1	F41	FuseBoxFJB	563283	12vPowerOutlet	10amp	4.1
F8	FuseBoxFJB	563279	HeadlightsSwitch	3amp	4.1	F50	FuseBoxRJB	563284	DelcoVoltageRegulator	15amp	5.1
F9	FuseBoxFJB	563284	AuxFanCtrl	15amp	4.1	F51	FuseBoxRJB	563284	Customer	25Amp	5.1
F10	FuseBoxFJB	563279	PneumaticSol	3amp	4.1	F52	FuseBoxRJB	563284	LuggagesLocksRelays	15amp	5.1
F11	FuseBoxFJB	563279	SunVisor	3amp	4.1	F53	FuseBoxRJB	563284	PassLiqValve	15amp	5.1
F12	FuseBoxFJB	563282	PwrMuxModule	20amp	4.1	F54	FuseBoxRJB	563284	WindowAjarAwning	15amp	5.1
F13	FuseBoxFJB	563282	PwrMuxModule	20amp	4.1	F55	FuseBoxRJB	563283	Spare	10amp	5.1
F14	FuseBoxFJB	563284	Customer24VI	15amp	4.1	F56	FuseBoxRJB	563283	Spare	10amp	5.1
F15	FuseBoxFJB	563004	EngineBrake	2Amp	4.1	F57	FuseBoxRJB	563283	Spare	10amp	5.1
F16	FuseBoxFJB	563153	DefrosterUnit	25Amp	4.1	F58	FuseBoxRJB	563283	Spare	10amp	5.1
F17	FuseBoxFJB	563280	LevelLow	5Amp	4.1	F59	FuseBoxRJB	563283	Spare	10amp	5.1
F18	FuseBoxFJB	563284	UpperWiper	15amp	4.1	F60	FuseBoxRJB	563284	Luggagedoorslocks	15amp	5.1
F19	FuseBoxFJB	563279	Spare	3amp	4.1	F61	FuseBoxRJB	563284	Luggagesdoorslocks	15amp	5.1
F20	FuseBoxFJB	563279	WitnessRedLed	3amp	4.1	F62	FuseBoxRJB	563283	Spare	10amp	5.1
F21	FuseBoxFJB	563282	PwrMuxA44	20amp	4.1	F63	FuseBoxRJB	563283	PrimePump	10amp	5.1
F22	FuseBoxFJB	563279	SteeringCtrl	3amp	4.1	F64	FuseBoxRJB	563283	Spare	10amp	5.1
F23	FuseBoxFJB	563284	ABS	15amp	4.1	F65	FuseBoxRJB	563165	PwrMuxModuleRJB	30amp	5.1
F24	FuseBoxFJB	563005	Mirror	7.5amp	4.1	F66	FuseBoxRJB	563279	RadiatorFanClutch	3amp	5.1
F25	FuseBoxFJB	563280	Spare	5Amp	4.1	F67	FuseBoxRJB	563153	PwrMuxA54	25Amp	5.1
F26	FuseBoxFJB	563279	Spare	3amp	4.1	F68	FuseBoxRJB	563153	PwmMuxA54	25Amp	5.1
F27	FuseBoxFJB	563284	Customer	15amp	4.1	F69	FuseBoxRJB	563005	ServiceBrakeRelay	7.5amp	5.1
F28	FuseBoxFJB	563282	DriverSeat	20amp	4.1	F70	FuseBoxRJB	563005	Custumer24VI	7.5amp	5.1
F29	FuseBoxFJB	563279	ClusterandDDDR	3amp	4.1	F71	FuseBoxRJB	563284	RJBComptLight	15amp	5.1
F30	FuseBoxFJB	563284	Driverwindow	15amp	4.1	F72	FuseBoxRJB	563153	PwrMuxA50	25Amp	5.1
F31	FuseBoxFJB	563279	KeylessModule	3amp	4.1	F73	FuseBoxRJB	563282	Spare	20amp	5.1
F32	FuseBoxFJB	563282	Spare	20amp	4.1	F74	FuseBoxRJB	563283	EcuEngineIgnition	10amp	5.1
F33	FuseBoxFJB	563165	FrontWakeUpRelay	30amp	4.1	F75	FuseBoxRJB	563283	EcuTransmissionIgn	10amp	5.1
F34	FuseBoxFJB	563165	FrontWakeUpRelay	30amp	4.1	F76	FuseBoxRJB	563283	Customer	10amp	5.1

# FUSES

No	Location	Part #	Function	Rating	Page
F77	FuseBoxRJB	563283	EcuTransmissionWakeUp	10amp	5.1
F78	FuseBoxRJB	563284	EcuEngineWakeUp	15amp	5.1
F79	FuseBoxRJB	563284	EcuEngineWakeUp	15amp	5.1
F80	FuseBoxRJB	563284	PwrMuxA51	15amp	5.1
F81	FuseBoxRJB	563004	Alternators	2Amp	5.1
F82	FuseBoxFJB	563284	LowerWipers	15amp	4.1
F83	FuseBoxFJB	563005	Spare	7.5amp	4.1
F84	FuseBoxFJB	563284	Customer	15amp	4.1
F85	FuseBoxRJB	563283	Spare	10amp	5.1
F86	FuseBoxRJB	563283	Spare	10amp	5.1
F87	FuseBoxRJB	563283	Trailerconnector	10amp	5.1
F88	FuseBoxRJB	563283	BackupCamera	10amp	5.1
F89	FuseBoxRJB	563282	Spare	20amp	5.1

# FUSES

No	Location	Part #	Function	Rating	Page	No	Location	Part #	Function	Rating	Page
F1	FuseBoxFJB	563279	CecmPower	3amp	4.1	F41	FuseBoxFJB	563283	12vPowerOutlet	10amp	4.1
F2	FuseBoxFJB	563279	FrontStartSwitch	3amp	4.1	F50	FuseBoxRJB	563284	DelcoVoltageRegulator	15amp	5.1
F3	FuseBoxFJB	563279	DrvLiq.Vlv	3amp	4.1	F51	FuseBoxRJB	563284	Customer	25Amp	5.1
F4	FuseBoxFJB	563279	Spare	3amp	4.1	F52	FuseBoxRJB	563284	LuggagesLocksRelays	15amp	5.1
F5	FuseBoxFJB	563165	FrontWakeUpRelay	30amp	4.1	F53	FuseBoxRJB	563284	PassLiqValve	15amp	5.1
F6	FuseBoxFJB	563005	Customer24VD	7.5amp	4.1	F54	FuseBoxRJB	563284	WindowAjarAwning	15amp	5.1
F7	FuseBoxFJB	563279	Spare	3amp	4.1	F55	FuseBoxRJB	563283	Spare	10amp	5.1
F8	FuseBoxFJB	563279	HeadlightsSwitch	3amp	4.1	F56	FuseBoxRJB	563283	Spare	10amp	5.1
F9	FuseBoxFJB	563284	AuxFanCtrl	15amp	4.1	F57	FuseBoxRJB	563283	Spare	10amp	5.1
F10	FuseBoxFJB	563279	PneumaticSol	3amp	4.1	F58	FuseBoxRJB	563283	Spare	10amp	5.1
F11	FuseBoxFJB	563279	SunVisor	3amp	4.1	F59	FuseBoxRJB	563283	Spare	10amp	5.1
F12	FuseBoxFJB	563282	PwrMuxModule	20amp	4.1	F62	FuseBoxRJB	563283	Spare	10amp	5.1
F13	FuseBoxFJB	563282	PwrMuxModule	20amp	4.1	F63	FuseBoxRJB	563283	PrimePump	10amp	5.1
F14	FuseBoxFJB	563284	Customer24VI	15amp	4.1	F64	FuseBoxRJB	563283	Spare	10amp	5.1
F15	FuseBoxFJB	563004	EngineBrake	2Amp	4.1	F65	FuseBoxRJB	563165	PwrMuxModuleRJB	30amp	5.1
F16	FuseBoxFJB	563153	DefrosterUnit	25Amp	4.1	F66	FuseBoxRJB	563279	RadiatorFanClutch	3amp	5.1
F17	FuseBoxFJB	563280	LevelLow	5Amp	4.1	F67	FuseBoxRJB	563153	PwrMuxA54	25Amp	5.1
F18	FuseBoxFJB	563284	UpperWiper	15amp	4.1	F68	FuseBoxRJB	563153	PwmMuxA54	25Amp	5.1
F19	FuseBoxFJB	563279	Spare	3amp	4.1	F69	FuseBoxRJB	563005	ServiceBrakeRelay	7.5amp	5.1
F20	FuseBoxFJB	563279	WitnessRedLed	3amp	4.1	F70	FuseBoxRJB	563005	Customer24VI	7.5amp	5.1
F21	FuseBoxFJB	563282	PwrMuxA44	20amp	4.1	F71	FuseBoxRJB	563284	RJBCompLight	15amp	5.1
F22	FuseBoxFJB	563279	SteeringCtrl	3amp	4.1	F72	FuseBoxRJB	563153	PwrMuxA50	25Amp	5.1
F23	FuseBoxFJB	563284	ABS	15amp	4.1	F73	FuseBoxRJB	563282	Spare	20amp	5.1
F24	FuseBoxFJB	563005	Mirror	7.5amp	4.1	F74	FuseBoxRJB	563283	EcuEngineIgnition	10amp	5.1
F25	FuseBoxFJB	563280	Spare	5Amp	4.1	F75	FuseBoxRJB	563283	EcuTransmissionIgn	10amp	5.1
F26	FuseBoxFJB	563279	Spare	3amp	4.1	F76	FuseBoxRJB	563283	Customer	10amp	5.1
F27	FuseBoxFJB	563284	Customer	15amp	4.1	F77	FuseBoxRJB	563283	EcuTransmissionWakeUp	10amp	5.1
F28	FuseBoxFJB	563282	DriverSeat	20amp	4.1	F78	FuseBoxRJB	563284	EcuEngineWakeUp	15amp	5.1
F29	FuseBoxFJB	563279	ClusterandDDDR	3amp	4.1	F79	FuseBoxRJB	563284	EcuEngineWakeUp	15amp	5.1
F30	FuseBoxFJB	563284	Driverwindow	15amp	4.1	F80	FuseBoxRJB	563284	PwrMuxA51	15amp	5.1
F31	FuseBoxFJB	563279	KeylessModule	3amp	4.1	F81	FuseBoxRJB	563004	Alternators	2Amp	5.1
F32	FuseBoxFJB	563282	Spare	20amp	4.1	F82	FuseBoxFJB	563284	LowerWipers	20amp	4.1
F33	FuseBoxFJB	563165	FrontWakeUpRelay	30amp	4.1	F83	FuseBoxFJB	563005	Spare	7.5amp	4.1
F34	FuseBoxFJB	563165	FrontWakeUpRelay	30amp	4.1	F84	FuseBoxFJB	563284	Customer	15amp	4.1
F35	FuseBoxFJB	563283	12vPwrOutlet	10amp	4.1	F85	FuseBoxRJB	563283	Spare	10amp	5.1
F36	FuseBoxFJB	563279	PwrHvacandTTLtModule	3amp	4.1	F86	FuseBoxRJB	563283	Spare	10amp	5.1
F37	FuseBoxFJB	563283	Spare	10amp	4.1	F87	FuseBoxRJB	563283	Trailerconnector	10amp	5.1
F38	FuseBoxFJB	563283	PwrMuxA41	10amp	4.1	F88	FuseBoxRJB	563283	BackupCamera	10amp	5.1
F39	FuseBoxFJB	563283	Spare	10amp	4.1	F89	FuseBoxRJB	563282	Spare	20amp	5.1
F40	FuseBoxFJB	563283	Spare	10amp	4.1						

# FUSES LIST

No	Location	Part #	Function	Rating	Page
F1	FuseBoxFJB	563279	CecmPower	3amp	4.1
F2	FuseBoxFJB	563279	FrontStartSwitch	3amp	4.1
F3	FuseBoxFJB	563279	DrvLiq.Vlv	3amp	4.1
F4	FuseBoxFJB	563279	Spare	3amp	4.1
F5	FuseBoxFJB	563165	FrontWakeUpRelay	30amp	4.1
F6	FuseBoxFJB	563005	Customer24VD	7.5amp	4.1
F7	FuseBoxFJB	563279	Spare	3amp	4.1
F8	FuseBoxFJB	563279	HeadlightsSwitch	3amp	4.1
F9	FuseBoxFJB	563284	AuxFanCtrl	15amp	4.1
F10	FuseBoxFJB	563279	PneumaticSol	3amp	4.1
F11	FuseBoxFJB	563279	SunVisor	3amp	4.1
F12	FuseBoxFJB	563282	PwrMuxModule	20amp	4.1
F13	FuseBoxFJB	563282	PwrMuxModule	20amp	4.1
F14	FuseBoxFJB	563284	Customer24VI	15amp	4.1
F15	FuseBoxFJB	563004	EngineBrake	2Amp	4.1
F16	FuseBoxFJB	563153	DefrosterUnit	25Amp	4.1
F17	FuseBoxFJB	563280	LevelLow	5Amp	4.1
F18	FuseBoxFJB	563284	UpperWiper	15amp	4.1
F19	FuseBoxFJB	563279	Spare	3amp	4.1
F20	FuseBoxFJB	563279	WitnessRedLed	3amp	4.1
F21	FuseBoxFJB	563282	PwrMuxA44	20amp	4.1
F22	FuseBoxFJB	563279	SteeringCtrl	3amp	4.1
F23	FuseBoxFJB	563284	ABS	30amp	4.1
F24	FuseBoxFJB	563005	Mirror	7.5amp	4.1
F25	FuseBoxFJB	563280	Spare	5Amp	4.1
F26	FuseBoxFJB	563279	Spare	3amp	4.1
F27	FuseBoxFJB	563284	Customer	15amp	4.1
F28	FuseBoxFJB	563282	DriverSeat	20amp	4.1
F29	FuseBoxFJB	563279	ClusterandDDDR	3amp	4.1
F30	FuseBoxFJB	563284	Driverwindow	15amp	4.1
F31	FuseBoxFJB	563279	KeylessModule	3amp	4.1
F32	FuseBoxFJB	563282	Spare	20amp	4.1
F33	FuseBoxFJB	563165	FrontWakeUpRelay	30amp	4.1
F34	FuseBoxFJB	563165	FrontWakeUpRelay	30amp	4.1
F35	FuseBoxFJB	563283	12vPwrOutlet	10amp	4.1
F36	FuseBoxFJB	563279	PwrHvacandTTItModule	3amp	4.1
F37	FuseBoxFJB	563283	Spare	10amp	4.1
F38	FuseBoxFJB	563283	PwrMuxA41	10amp	4.1
F39	FuseBoxFJB	563283	Spare	10amp	4.1
F40	FuseBoxFJB	563283	Spare	10amp	4.1
F41	FuseBoxFJB	563283	12vPowerOutlet	10amp	4.1
F50	FuseBoxRJB	563284	DelcoVoltageRegulator	15amp	5.1
F51	FuseBoxRJB	563284	Customer	25Amp	5.1

# FUSES LIST

No	Location	Part #	Function	Rating	Page
F52	FuseBoxRJB	563284	LuggagesLocksRelays	15amp	5.1
F53	FuseBoxRJB	563284	PassLiqValve	15amp	5.1
F54	FuseBoxRJB	563284	WindowAjarAwning	15amp	5.1
F55	FuseBoxRJB	563283	Spare	10amp	5.1
F56	FuseBoxRJB	563283	Spare	10amp	5.1
F57	FuseBoxRJB	563283	Spare	10amp	5.1
F58	FuseBoxRJB	563283	Spare	10amp	5.1
F59	FuseBoxRJB	563283	Spare	10amp	5.1
F60	FuseBoxRJB	563284	Luggagedoorslocks	15amp	5.1
F61	FuseBoxRJB	563284	Luggagesdoorslocks	15amp	5.1
F62	FuseBoxRJB	563283	Spare	10amp	5.1
F63	FuseBoxRJB	563283	PrimePump	10amp	5.1
F64	FuseBoxRJB	563283	Spare	10amp	5.1
F65	FuseBoxRJB	563165	PwrMuxModuleRJB	30amp	5.1
F66	FuseBoxRJB	563279	RadiatorFanClutch	3amp	5.1
F67	FuseBoxRJB	563153	PwrMuxA54	25Amp	5.1
F68	FuseBoxRJB	563153	PwmMuxA54	25Amp	5.1
F69	FuseBoxRJB	563005	ServiceBrakeRelay	7.5amp	5.1
F70	FuseBoxRJB	563005	Customer24Vl	7.5amp	5.1
F71	FuseBoxRJB	563284	RJBComptLight	15amp	5.1
F72	FuseBoxRJB	563153	PwrMuxA50	25Amp	5.1
F73	FuseBoxRJB	563282	Spare	20amp	5.1
F74	FuseBoxRJB	563283	EcuEngineIgnition	10amp	5.1
F75	FuseBoxRJB	563283	EcuTransmissionIgn	10amp	5.1
F76	FuseBoxRJB	563283	Customer	10amp	5.1
F77	FuseBoxRJB	563283	EcuTransmissionWakeUp	10amp	5.1
F78	FuseBoxRJB	563284	EcuEngineWakeUp	15amp	5.1
F79	FuseBoxRJB	563284	EcuEngineWakeUp	15amp	5.1
F80	FuseBoxRJB	563284	PwrMuxA51	15amp	5.1
F81	FuseBoxRJB	563004	Alternators	2Amp	5.1
F82	FuseBoxFJB	563284	LowerWipers	20amp	4.1
F83	FuseBoxFJB	563005	Spare	10amp	4.1
F84	FuseBoxFJB	563284	Customer	15amp	4.1
F85	FuseBoxRJB	563283	Spare	10amp	5.1
F86	FuseBoxRJB	563283	Spare	10amp	5.1
F87	FuseBoxRJB	563283	Trailerconnector	10amp	5.1
F88	FuseBoxRJB	563283	BackupCamera	10amp	5.1
F89	FuseBoxRJB	563282	Spare	20amp	5.1
F20_2_64	FuseBoxFJB	563284	*opt*	15amp	4.1
F20_3_64	FuseBoxFJB	563282	*opt*	20amp	4.1

# FUSES LIST

No	Location	Part #	Function	Rating	Page
F1	FuseBoxFJB	563279	CecmPower	3amp	4.1
F2	FuseBoxFJB	563279	FrontStartSwitch	3amp	4.1
F3	FuseBoxFJB	563279	DrvLiq.Vlv	3amp	4.1
F4	FuseBoxFJB	563280	*opt*	5Amp	4.1
F5	FuseBoxFJB	563165	FrontWakeUpRelay	30amp	4.1
F6	FuseBoxFJB	563005	Customer24VD	7.5amp	4.1
F7	FuseBoxFJB	563279	Spare	3amp	4.1
F8	FuseBoxFJB	563279	HeadlightsSwitch	3amp	4.1
F9	FuseBoxFJB	563284	AuxFanCtrl	15amp	4.1
F10	FuseBoxFJB	563279	PneumaticSol	3amp	4.1
F11	FuseBoxFJB	563279	SunVisor	3amp	4.1
F12	FuseBoxFJB	563282	PwrMuxModule	20amp	4.1
F13	FuseBoxFJB	563282	PwrMuxModule	20amp	4.1
F14	FuseBoxFJB	563284	Customer24VI	15amp	4.1
F15	FuseBoxFJB	563004	EngineBrake	2Amp	4.1
F16	FuseBoxFJB	563153	DefrosterUnit	25Amp	4.1
F17	FuseBoxFJB	563280	LevelLow	5Amp	4.1
F18	FuseBoxFJB	563284	UpperWiper	15amp	4.1
F19	FuseBoxFJB	563279	Spare	3amp	4.1
F20	FuseBoxFJB	563279	WitnessRedLed	3amp	4.1
F21	FuseBoxFJB	563282	PwrMuxA44	20amp	4.1
F22	FuseBoxFJB	563279	SteeringCtrl	3amp	4.1
F23	FuseBoxFJB	563284	ABS	30amp	4.1
F24	FuseBoxFJB	563005	Mirror	7.5amp	4.1
F25	FuseBoxFJB	563280	Spare	5Amp	4.1
F26	FuseBoxFJB	563279	Spare	3amp	4.1
F27	FuseBoxFJB	563284	Customer	15amp	4.1
F28	FuseBoxFJB	563282	DriverSeat	20amp	4.1
F29	FuseBoxFJB	563279	ClusterandDDDR	3amp	4.1
F30	FuseBoxFJB	563284	Driverwindow	15amp	4.1
F31	FuseBoxFJB	563279	KeylessModule	3amp	4.1
F32	FuseBoxFJB	563282	Spare	20amp	4.1
F33	FuseBoxFJB	563165	FrontWakeUpRelay	30amp	4.1
F34	FuseBoxFJB	563165	FrontWakeUpRelay	30amp	4.1
F35	FuseBoxFJB	563283	12vPwrOutlet	10amp	4.1
F36	FuseBoxFJB	563279	PwrHvacandTlTtModule	3amp	4.1
F37	FuseBoxFJB	563283	Spare	10amp	4.1
F38	FuseBoxFJB	563283	PwrMuxA41	10amp	4.1
F39	FuseBoxFJB	563283	Spare	10amp	4.1
F40	FuseBoxFJB	563283	Spare	10amp	4.1
F41	FuseBoxFJB	563283	12vPowerOutlet	10amp	4.1
F50	FuseBoxRJB	563284	DelcoVoltageRegulator	15amp	5.1
F51	FuseBoxRJB	563284	Customer	25Amp	5.1

# FUSES LIST

No	Location	Part #	Function	Rating	Page
F52	FuseBoxRJB	563284	LuggagesLocksRelays	15amp	5.1
F53	FuseBoxRJB	563284	PassLiqValve	15amp	5.1
F54	FuseBoxRJB	563153	WindowAjarAwning	25amp	5.1
F55	FuseBoxRJB	563283	Spare	10amp	5.1
F56	FuseBoxRJB	563282	Spare	20amp	5.1
F57	FuseBoxRJB	563283	Spare	10amp	5.1
F58	FuseBoxRJB	563282	Spare	20amp	5.1
F59	FuseBoxRJB	563283	Spare	10amp	5.1
F60	FuseBoxRJB	563282	Luggagedoorslocks	20amp	5.1
F61	FuseBoxRJB	563282	Luggagesdoorslocks	20amp	5.1
F62	FuseBoxRJB	563283	Spare	10amp	5.1
F63	FuseBoxRJB	563283	PrimePump	10amp	5.1
F64	FuseBoxRJB	563283	Spare	10amp	5.1
F65	FuseBoxRJB	563165	PwrMuxModuleRJB	30amp	5.1
F66	FuseBoxRJB	563279	RadiatorFanClutch	3amp	5.1
F67	FuseBoxRJB	563153	PwrMuxA54	25Amp	5.1
F68	FuseBoxRJB	563153	PwmMuxA54	25Amp	5.1
F69	FuseBoxRJB	563005	ServiceBrakeRelay	7.5amp	5.1
F70	FuseBoxRJB	563005	Customer24Vl	7.5amp	5.1
F71	FuseBoxRJB	563284	RJBComptLight	15amp	5.1
F72	FuseBoxRJB	563153	PwrMuxA50	25Amp	5.1
F73	FuseBoxRJB	563282	Spare	20amp	5.1
F74	FuseBoxRJB	563283	EcuEngineIgnition	10amp	5.1
F75	FuseBoxRJB	563283	EcuTransmissionIgn	10amp	5.1
F76	FuseBoxRJB	563283	Customer	10amp	5.1
F77	FuseBoxRJB	563283	EcuTransmissionWakeUp	10amp	5.1
F78	FuseBoxRJB	563284	EcuEngineWakeUp	15amp	5.1
F79	FuseBoxRJB	563284	EcuEngineWakeUp	15amp	5.1
F80	FuseBoxRJB	563284	PwrMuxA51	15amp	5.1
F81	FuseBoxRJB	563004	Alternators	2Amp	5.1
F82	FuseBoxFJB	563284	LowerWipers	20amp	4.1
F83	FuseBoxFJB	563005	Spare	10amp	4.1
F84	FuseBoxFJB	563284	Customer	15amp	4.1
F85	FuseBoxRJB	563283	Spare	10amp	5.1
F86	FuseBoxRJB	563283	Spare	10amp	5.1
F87	FuseBoxRJB	563282	Trailerconnector	20amp	5.1
F88	FuseBoxRJB	563282	BackupCamera	20amp	5.1
F89	FuseBoxRJB	563282	Spare	20amp	5.1
F90	FuseBoxRJB	563153	*opt*	25amp	5.1
F91	FuseBoxRJB	563284	*opt*	15amp	5.1
F96	FuseBoxRJB	563282	SPARE	20amp	5.1
F98	FuseBoxRJB	563284	SPARE	15amp	5.1
F99	FuseBoxRJB	563284	*oot*	15amp	5.1





# FUSES LIST

No	Location	Part #	Function	Rating	Page
F1	FuseBoxFJB	563279	CecmPower	3amp	4.1
F2	FuseBoxFJB	563279	FrontStartSwitch	3amp	4.1
F3	FuseBoxFJB	563279	DrvLiq.Vlv	3amp	4.1
F4	FuseBoxFJB	563280	*opt*	5Amp	4.1
F5	FuseBoxFJB	563165	FrontWakeUpRelay	30amp	4.1
F6	FuseBoxFJB	563005	Customer24VD	7.5amp	4.1
F7	FuseBoxFJB	563279	Spare	3amp	4.1
F8	FuseBoxFJB	563279	HeadlightsSwitch	3amp	4.1
F9	FuseBoxFJB	563284	AuxFanCtrl	15amp	4.1
F10	FuseBoxFJB	563279	PneumaticSol	3amp	4.1
F11	FuseBoxFJB	563279	SunVisor	3amp	4.1
F12	FuseBoxFJB	563282	PwrMuxModule	20amp	4.1
F13	FuseBoxFJB	563282	PwrMuxModule	20amp	4.1
F14	FuseBoxFJB	563284	Customer24VI	15amp	4.1
F15	FuseBoxFJB	563004	EngineBrake	2Amp	4.1
F16	FuseBoxFJB	563153	DefrosterUnit	25Amp	4.1
F17	FuseBoxFJB	563280	LevelLow	5Amp	4.1
F18	FuseBoxFJB	563284	UpperWiper	15amp	4.1
F19	FuseBoxFJB	563279	Spare	3amp	4.1
F20	FuseBoxFJB	563279	WitnessRedLed	3amp	4.1
F21	FuseBoxFJB	563282	PwrMuxA44	20amp	4.1
F22	FuseBoxFJB	563279	SteeringCtrl	3amp	4.1
F23	FuseBoxFJB	563284	ABS	30amp	4.1
F24	FuseBoxFJB	563005	Mirror	7.5amp	4.1
F25	FuseBoxFJB	563280	Spare	5Amp	4.1
F26	FuseBoxFJB	563279	Spare	3amp	4.1
F27	FuseBoxFJB	563284	Customer	15amp	4.1
F28	FuseBoxFJB	563282	DriverSeat	20amp	4.1
F29	FuseBoxFJB	563279	ClusterandDDDR	3amp	4.1
F30	FuseBoxFJB	563284	Driverwindow	15amp	4.1
F31	FuseBoxFJB	563279	KeylessModule	3amp	4.1
F32	FuseBoxFJB	563282	Spare	20amp	4.1
F33	FuseBoxFJB	563165	FrontWakeUpRelay	30amp	4.1
F34	FuseBoxFJB	563165	FrontWakeUpRelay	30amp	4.1
F35	FuseBoxFJB	563283	12vPwrOutlet	10amp	4.1
F36	FuseBoxFJB	563279	PwrHvacandTlTtModule	3amp	4.1
F37	FuseBoxFJB	563283	Spare	10amp	4.1
F38	FuseBoxFJB	563283	PwrMuxA41	10amp	4.1
F39	FuseBoxFJB	563283	Spare	10amp	4.1
F40	FuseBoxFJB	563283	Spare	10amp	4.1
F41	FuseBoxFJB	563283	12vPowerOutlet	10amp	4.1
F50	FuseBoxRJB	563284	DelcoVoltageRegulator	15amp	5.1
F51	FuseBoxRJB	563284	Customer	25Amp	5.1

# FUSES LIST

No	Location	Part #	Function	Rating	Page
F52	FuseBoxRJB	563284	LuggagesLocksRelays	15amp	5.1
F53	FuseBoxRJB	563284	PassLiqValve	15amp	5.1
F54	FuseBoxRJB	563153	WindowAjarAwning	25amp	5.1
F55	FuseBoxRJB	563283	Spare	10amp	5.1
F56	FuseBoxRJB	563282	Spare	20amp	5.1
F57	FuseBoxRJB	563283	Spare	10amp	5.1
F58	FuseBoxRJB	563282	Spare	20amp	5.1
F59	FuseBoxRJB	563283	Spare	10amp	5.1
F62	FuseBoxRJB	563283	Spare	10amp	5.1
F63	FuseBoxRJB	563283	PrimePump	10amp	5.1
F64	FuseBoxRJB	563283	Spare	10amp	5.1
F65	FuseBoxRJB	563165	PwrMuxModuleRJB	30amp	5.1
F66	FuseBoxRJB	563279	RadiatorFanClutch	3amp	5.1
F67	FuseBoxRJB	563153	PwrMuxA54	25Amp	5.1
F68	FuseBoxRJB	563153	PwmMuxA54	25Amp	5.1
F69	FuseBoxRJB	563005	ServiceBrakeRelay	7.5amp	5.1
F70	FuseBoxRJB	563005	Customer24Vl	7.5amp	5.1
F71	FuseBoxRJB	563284	RJBComptLight	15amp	5.1
F72	FuseBoxRJB	563153	PwrMuxA50	25Amp	5.1
F73	FuseBoxRJB	563282	Spare	20amp	5.1
F74	FuseBoxRJB	563283	EcuEngineIgnition	10amp	5.1
F75	FuseBoxRJB	563283	EcuTransmissionIgn	10amp	5.1
F76	FuseBoxRJB	563283	Customer	10amp	5.1
F77	FuseBoxRJB	563283	EcuTransmissionWakeUp	10amp	5.1
F78	FuseBoxRJB	563284	EcuEngineWakeUp	15amp	5.1
F79	FuseBoxRJB	563284	EcuEngineWakeUp	15amp	5.1
F80	FuseBoxRJB	563284	PwrMuxA51	15amp	5.1
F81	FuseBoxRJB	563004	Alternators	2Amp	5.1
F83	FuseBoxFJB	563005	Spare	10amp	4.1
F84	FuseBoxFJB	563284	Customer	15amp	4.1
F85	FuseBoxRJB	563283	Spare	10amp	5.1
F86	FuseBoxRJB	563283	Spare	10amp	5.1
F87	FuseBoxRJB	563282	Trailerconnector	20amp	5.1
F88	FuseBoxRJB	563282	BackupCamera	20amp	5.1
F89	FuseBoxRJB	563282	Spare	20amp	5.1
F90	FuseBoxRJB	563153	*opt*	25amp	5.1
F91	FuseBoxRJB	563284	*opt*	15amp	5.1
F96	FuseBoxRJB	563282	SPARE	20amp	5.1
F98	FuseBoxRJB	563284	SPARE	15amp	5.1
F99	FuseBoxRJB	563284	*opt*	15amp	5.1
F20_2_64	FuseBoxFJB	563284	*opt*	15amp	4.1
F20_3_64	FuseBoxFJB	563282	*opt*	20amp	4.1
Fuse ATO 1A 191724 156 1 156		562597		125A	14.2

# FUSES LIST

No	Location	Part #	Function	Rating	Page
F1	FuseBoxFJB	563279	CecmPower	3amp	4,1
F2	FuseBoxFJB	563279	FrontStartSwitch	3amp	4,1
F3	FuseBoxFJB	563279	DrvLiq.Vlv	3amp	4,1
F4	FuseBoxFJB	563280	*opt*	5Amp	4,1
F5	FuseBoxFJB	563165	FrontWakeUpRelay	30amp	4,1
F6	FuseBoxFJB	563005	Customer24VD	7.5amp	4,1
F7	FuseBoxFJB	563279	Spare	3amp	4,1
F8	FuseBoxFJB	563279	HeadlightsSwitch	3amp	4,1
F9	FuseBoxFJB	563284	AuxFanCtrl	15amp	4,1
F10	FuseBoxFJB	563279	PneumaticSol	3amp	4,1
F11	FuseBoxFJB	563279	SunVisor	3amp	4,1
F12	FuseBoxFJB	563282	PwrMuxModule	20amp	4,1
F13	FuseBoxFJB	563282	PwrMuxModule	20amp	4,1
F14	FuseBoxFJB	563284	Customer24VI	15amp	4,1
F15	FuseBoxFJB	563004	EngineBrake	2Amp	4,1
F16	FuseBoxFJB	563153	DefrosterUnit	25Amp	4,1
F17	FuseBoxFJB	563280	LevelLow	5Amp	4,1
F18	FuseBoxFJB	563284	UpperWiper	15amp	4,1
F19	FuseBoxFJB	563279	Spare	3amp	4,1
F20	FuseBoxFJB	563279	WitnessRedLed	3amp	4,1
F21	FuseBoxFJB	563282	PwrMuxA44	20amp	4,1
F22	FuseBoxFJB	563279	SteeringCtrl	3amp	4,1
F23	FuseBoxFJB	563284	ABS	30amp	4,1
F24	FuseBoxFJB	563005	Mirror	7.5amp	4,1
F25	FuseBoxFJB	563280	Spare	5Amp	4,1
F26	FuseBoxFJB	563279	Spare	3amp	4,1
F27	FuseBoxFJB	563284	Customer	15amp	4,1
F28	FuseBoxFJB	563282	DriverSeat	20amp	4,1
F29	FuseBoxFJB	563279	ClusterandDDDR	3amp	4,1
F30	FuseBoxFJB	563284	Driverwindow	15amp	4,1
F31	FuseBoxFJB	563279	KeylessModule	3amp	4,1
F32	FuseBoxFJB	563282	Spare	20amp	4,1
F33	FuseBoxFJB	563165	FrontWakeUpRelay	30amp	4,1
F34	FuseBoxFJB	563165	FrontWakeUpRelay	30amp	4,1
F35	FuseBoxFJB	563283	12vPwrOutlet	10amp	4,1
F36	FuseBoxFJB	563279	PwrHvacandTlTtModule	3amp	4,1
F37	FuseBoxFJB	563283	Spare	10amp	4,1
F38	FuseBoxFJB	563283	PwrMuxA41	10amp	4,1
F39	FuseBoxFJB	563283	Spare	10amp	4,1
F40	FuseBoxFJB	563283	Spare	10amp	4,1
F41	FuseBoxFJB	563283	12vPowerOutlet	10amp	4,1
F50	FuseBoxRJB	563284	DelcoVoltageRegulator	15amp	5,1
F51	FuseBoxRJB	563284	Customer	25Amp	5,1

# FUSES LIST

No	Location	Part #	Function	Rating	Page
F52	FuseBoxRJB	563284	LuggagesLocksRelays	15amp	5,1
F53	FuseBoxRJB	563284	PassLiqValve	15amp	5,1
F54	FuseBoxRJB	563153	WindowAjarAwning	25amp	5,1
F55	FuseBoxRJB	563283	Spare	10amp	5,1
F56	FuseBoxRJB	563282	Spare	20amp	5,1
F57	FuseBoxRJB	563283	Spare	10amp	5,1
F58	FuseBoxRJB	563282	Spare	20amp	5,1
F59	FuseBoxRJB	563283	Spare	10amp	5,1
F62	FuseBoxRJB	563283	Spare	10amp	5,1
F63	FuseBoxRJB	563283	PrimePump	10amp	5,1
F64	FuseBoxRJB	563283	Spare	10amp	5,1
F65	FuseBoxRJB	563165	PwrMuxModuleRJB	30amp	5,1
F66	FuseBoxRJB	563279	RadiatorFanClutch	3amp	5,1
F67	FuseBoxRJB	563153	PwrMuxA54	25Amp	5,1
F68	FuseBoxRJB	563153	PwmMuxA54	25Amp	5,1
F69	FuseBoxRJB	563005	ServiceBrakeRelay	7.5amp	5,1
F70	FuseBoxRJB	563005	Custumer24VI	7.5amp	5,1
F71	FuseBoxRJB	563284	RJBComptLight	15amp	5,1
F72	FuseBoxRJB	563153	PwrMuxA50	25Amp	5,1
F73	FuseBoxRJB	563282	Spare	20amp	5,1
F74	FuseBoxRJB	563283	EcuEngineIgnition	10amp	5,1
F75	FuseBoxRJB	563283	EcuTransmissionIgn	10amp	5,1
F76	FuseBoxRJB	563283	Customer	10amp	5,1
F77	FuseBoxRJB	563283	EcuTransmissionWakeUp	10amp	5,1
F78	FuseBoxRJB	563284	EcuEngineWakeUp	15amp	5,1
F79	FuseBoxRJB	563284	EcuEngineWakeUp	15amp	5,1
F80	FuseBoxRJB	563284	PwrMuxA51	15amp	5,1
F81	FuseBoxRJB	563004	Alternators	2Amp	5,1
F83	FuseBoxFJB	563005	Spare	10amp	4,1
F84	FuseBoxFJB	563284	Customer	15amp	4,1
F85	FuseBoxRJB	563283	Spare	10amp	5,1
F86	FuseBoxRJB	563283	Spare	10amp	5,1
F87	FuseBoxRJB	563282	Trailerconnector	20amp	5,1
F88	FuseBoxRJB	563282	BackupCamera	20amp	5,1
F89	FuseBoxRJB	563282	Spare	20amp	5,1
F90	FuseBoxRJB	563153	*opt*	25amp	5,1
F91	FuseBoxRJB	563284	*opt*	15amp	5,1
F96	FuseBoxRJB	563282	SPARE	20amp	5,1
F98	FuseBoxRJB	563284	SPARE	15amp	5,1
F99	FuseBoxRJB	563284	*opt*	15amp	5,1
F20_2_64	FuseBoxFJB	563284	*opt*	15amp	4,1
F20_3_64	FuseBoxFJB	563282	*opt*	20amp	4,1
Fuse ATO 1A 191724 156 1 156		562597		125A	14.2

# FUSES LIST

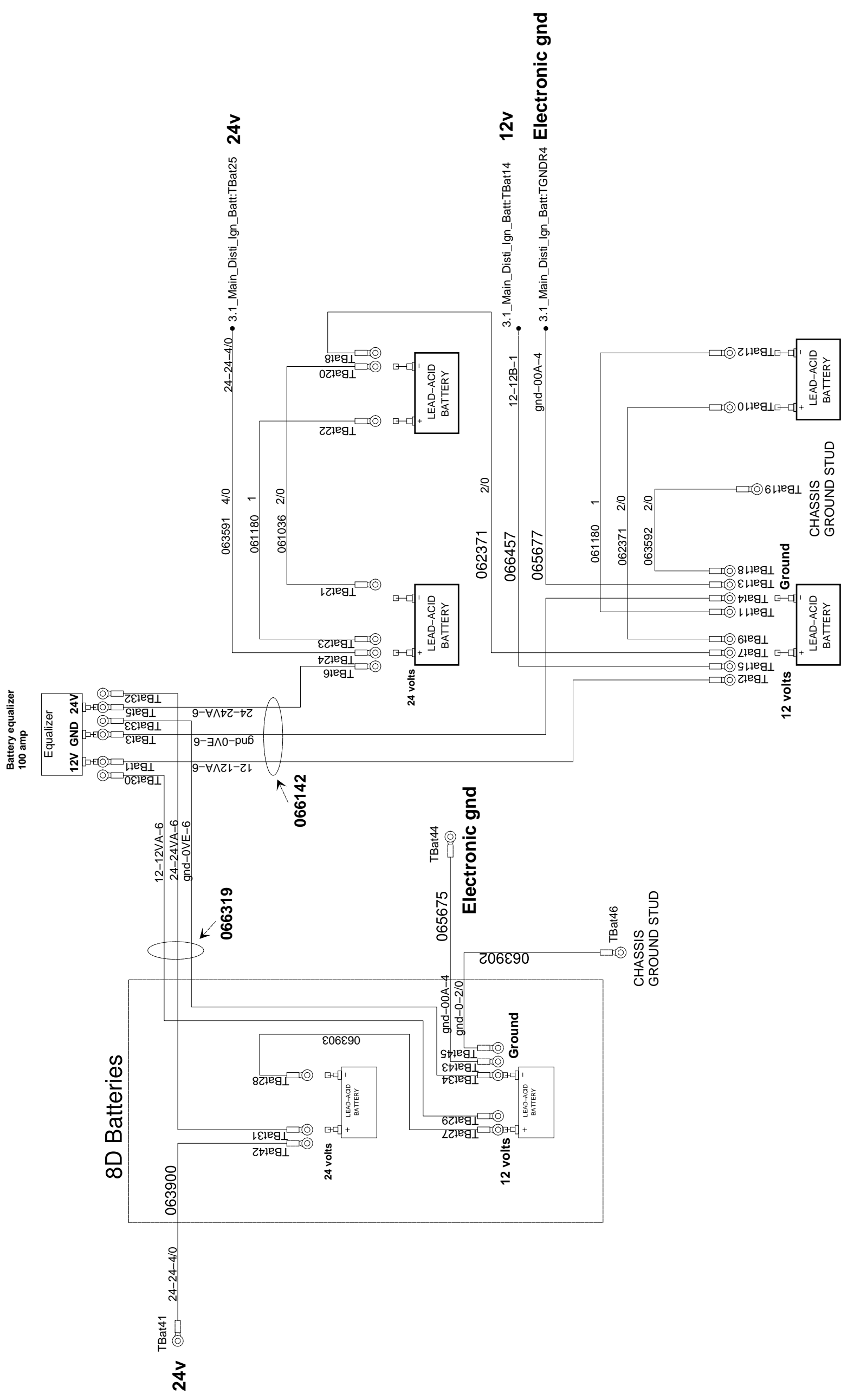
No	Location	Part #	Function	Rating	Page
F1	FuseBoxFJB	563279	CecmPower	3amp	4.1
F2	FuseBoxFJB	563279	FrontStartSwitch	3amp	4.1
F3	FuseBoxFJB	563279	DrvLiq.Vlv	3amp	4.1
F4	FuseBoxFJB	563280	*opt*	5Amp	4.1
F5	FuseBoxFJB	563165	FrontWakeUpRelay	30amp	4.1
F6	FuseBoxFJB	563005	Customer24VD	7.5amp	4.1
F7	FuseBoxFJB	563279	Spare	3amp	4.1
F8	FuseBoxFJB	563279	HeadlightsSwitch	3amp	4.1
F9	FuseBoxFJB	563284	AuxFanCtrl	15amp	4.1
F10	FuseBoxFJB	563279	PneumaticSol	3amp	4.1
F11	FuseBoxFJB	563279	SunVisor	3amp	4.1
F12	FuseBoxFJB	563282	PwrMuxModule	20amp	4.1
F13	FuseBoxFJB	563282	PwrMuxModule	20amp	4.1
F14	FuseBoxFJB	563284	Customer24VI	15amp	4.1
F15	FuseBoxFJB	563004	EngineBrake	2Amp	4.1
F16	FuseBoxFJB	563153	DefrosterUnit	25Amp	4.1
F17	FuseBoxFJB	563280	LevelLow	5Amp	4.1
F18	FuseBoxFJB	563284	UpperWiper	15amp	4.1
F19	FuseBoxFJB	563279	Spare	3amp	4.1
F20	FuseBoxFJB	563279	WitnessRedLed	3amp	4.1
F20	FuseBoxFJB	563284	*opt*	15amp	4.1
F20	FuseBoxFJB	563282	*opt*	20amp	4.1
F21	FuseBoxFJB	563282	PwrMuxA44	20amp	4.1
F22	FuseBoxFJB	563279	SteeringCtrl	3amp	4.1
F23	FuseBoxFJB	563284	ABS	30amp	4.1
F24	FuseBoxFJB	563005	Mirror	7.5amp	4.1
F25	FuseBoxFJB	563280	Spare	5Amp	4.1
F26	FuseBoxFJB	563279	Spare	3amp	4.1
F27	FuseBoxFJB	563284	Customer	15amp	4.1
F28	FuseBoxFJB	563282	DriverSeat	20amp	4.1
F29	FuseBoxFJB	563279	ClusterandDDDR	3amp	4.1
F30	FuseBoxFJB	563284	Driverwindow	15amp	4.1
F31	FuseBoxFJB	563279	KeylessModule	3amp	4.1
F32	FuseBoxFJB	563282	Spare	20amp	4.1
F33	FuseBoxFJB	563165	FrontWakeUpRelay	30amp	4.1
F34	FuseBoxFJB	563165	FrontWakeUpRelay	30amp	4.1
F35	FuseBoxFJB	563283	12vPwrOutlet	10amp	4.1
F36	FuseBoxFJB	563279	PwrHvacandTiltModule	3amp	4.1
F37	FuseBoxFJB	563283	Spare	10amp	4.1
F38	FuseBoxFJB	563283	PwrMuxA41	10amp	4.1
F39	FuseBoxFJB	563283	Spare	10amp	4.1
F40	FuseBoxFJB	563283	Spare	10amp	4.1
F41	FuseBoxFJB	563283	12vPowerOutlet	10amp	4.1

# FUSES LIST

No	Location	Part #	Function	Rating	Page
F50	FuseBoxRJB	563284	DelcoVoltageRegulator	15amp	5.1
F51	FuseBoxRJB	563284	Customer	25Amp	5.1
F52	FuseBoxRJB	563284	LuggagesLocksRelays	15amp	5.1
F53	FuseBoxRJB	563284	PassLiqValve	15amp	5.1
F54	FuseBoxRJB	563153	WindowAjarAwning	25amp	5.1
F55	FuseBoxRJB	563283	Spare	10amp	5.1
F56	FuseBoxRJB	563282	Spare	20amp	5.1
F57	FuseBoxRJB	563283	Spare	10amp	5.1
F58	FuseBoxRJB	563282	Spare	20amp	5.1
F59	FuseBoxRJB	563283	Spare	10amp	5.1
F62	FuseBoxRJB	563283	Spare	10amp	5.1
F63	FuseBoxRJB	563283	PrimePump	10amp	5.1
F64	FuseBoxRJB	563283	Spare	10amp	5.1
F65	FuseBoxRJB	563165	PwrMuxModuleRJB	30amp	5.1
F66	FuseBoxRJB	563279	RadiatorFanClutch	3amp	5.1
F67	FuseBoxRJB	563153	PwrMuxA54	25Amp	5.1
F68	FuseBoxRJB	563153	PwmMuxA54	25Amp	5.1
F69	FuseBoxRJB	563005	ServiceBrakeRelay	7.5amp	5.1
F70	FuseBoxRJB	563005	Customer24VI	7.5amp	5.1
F71	FuseBoxRJB	563284	RJBComptLight	15amp	5.1
F72	FuseBoxRJB	563153	PwrMuxA50	25Amp	5.1
F73	FuseBoxRJB	563282	Spare	20amp	5.1
F74	FuseBoxRJB	563283	EcuEngineIgnition	10amp	5.1
F75	FuseBoxRJB	563283	EcuTransmissionIgn	10amp	5.1
F76	FuseBoxRJB	563283	Customer	10amp	5.1
F77	FuseBoxRJB	563283	EcuTransmissionWakeUp	10amp	5.1
F78	FuseBoxRJB	563284	EcuEngineWakeUp	15amp	5.1
F79	FuseBoxRJB	563284	EcuEngineWakeUp	15amp	5.1
F80	FuseBoxRJB	563284	PwrMuxA51	15amp	5.1
F81	FuseBoxRJB	563004	Alternators	2Amp	5.1
F83	FuseBoxFJB	563005	Spare	10amp	4.1
F84	FuseBoxFJB	563284	Customer	15amp	4.1
F85	FuseBoxRJB	563283	Spare	10amp	5.1
F86	FuseBoxRJB	563283	Spare	10amp	5.1
F87	FuseBoxRJB	563282	Trailerconnector	20amp	5.1
F88	FuseBoxRJB	563282	BackupCamera	20amp	5.1
F89	FuseBoxRJB	563282	Spare	20amp	5.1
F90	FuseBoxRJB	563153	*opt*	25amp	5.1
F91	FuseBoxRJB	563284	*opt*	15amp	5.1
F96	FuseBoxRJB	563282	SPARE	20amp	5.1
F98	FuseBoxRJB	563284	SPARE	15amp	5.1
F99	FuseBoxRJB	563284	*opt*	15amp	5.1
Fuse		562604	F45	15Amp	3.3

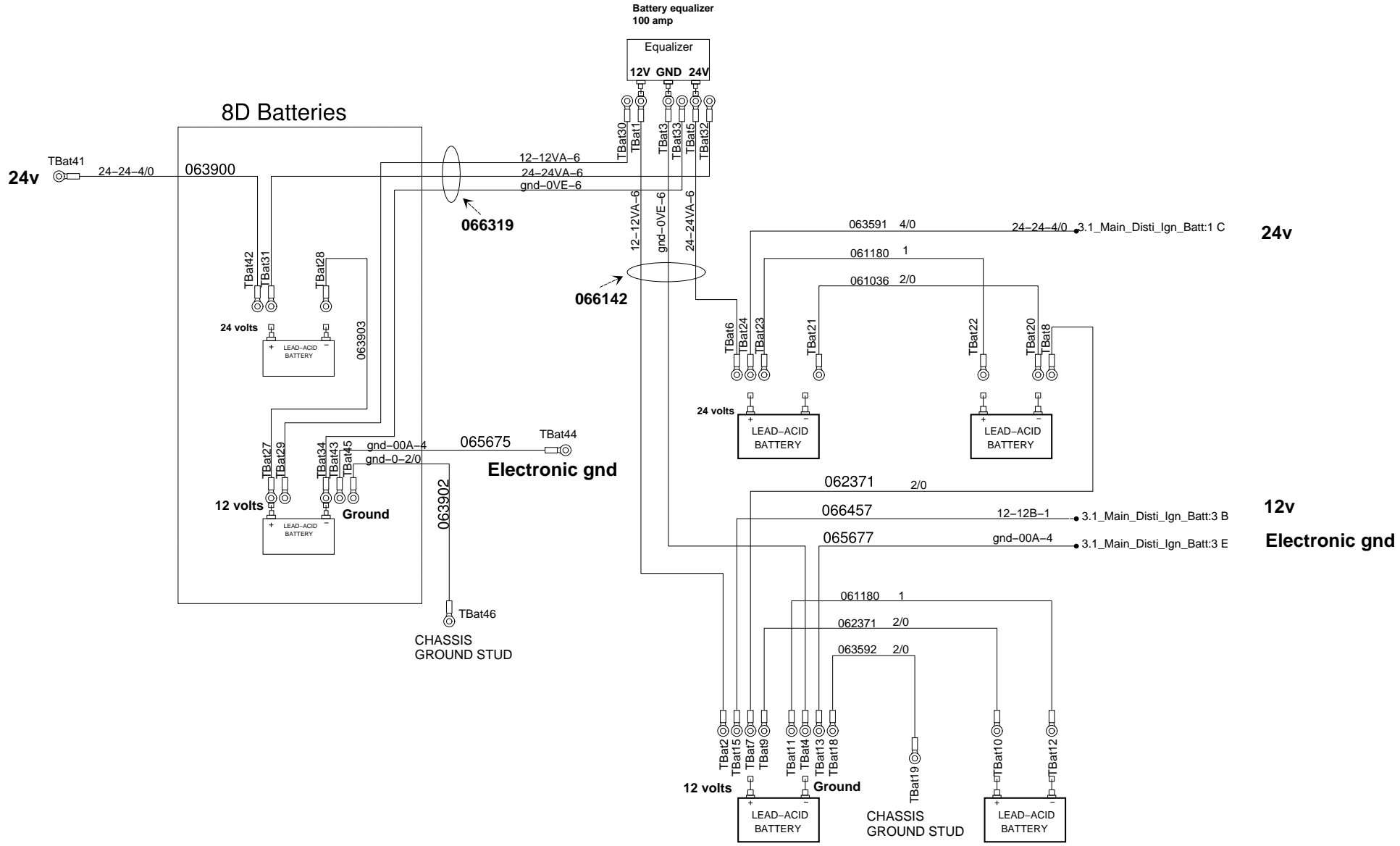


# BATTERIES STANDARD AND 8D





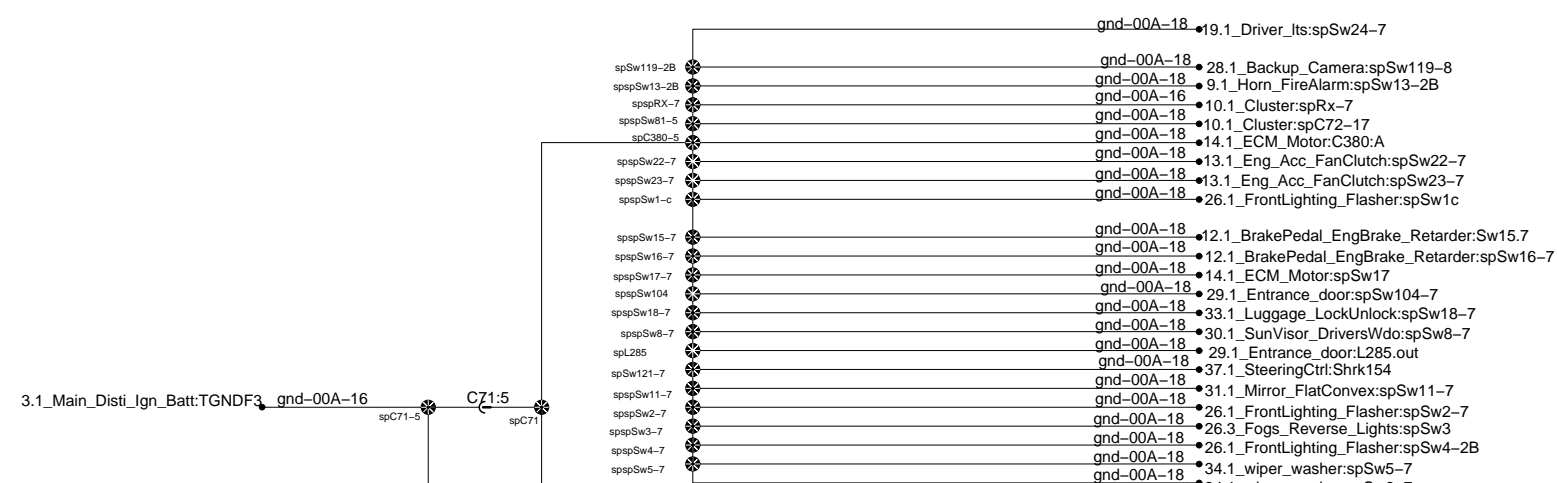
# BATTERIES STANDARD AND 8D



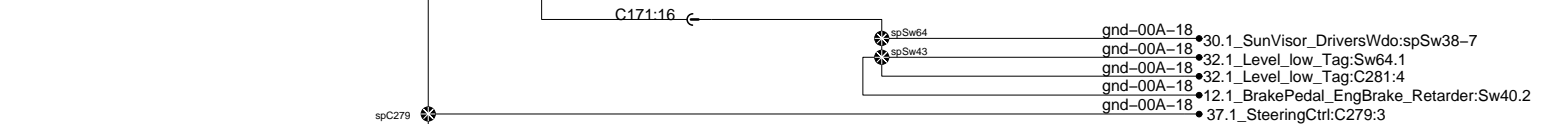


# Ground Distribution

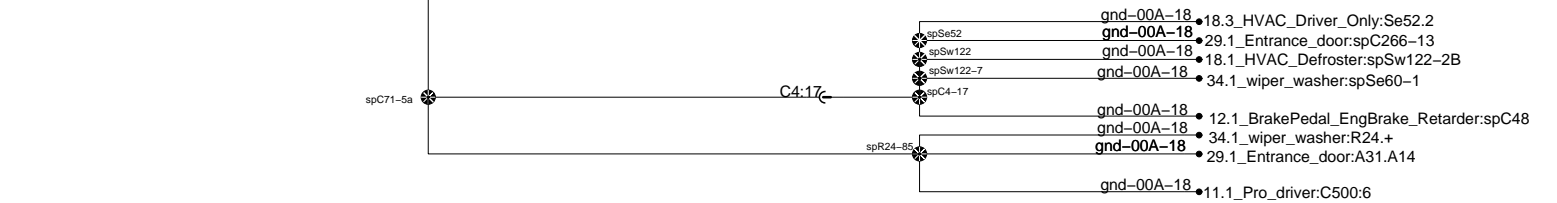
## Electronic gnd to Dash harness



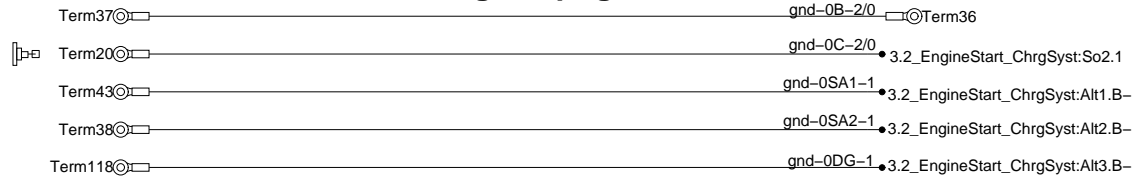
## To LH console electronic gnd



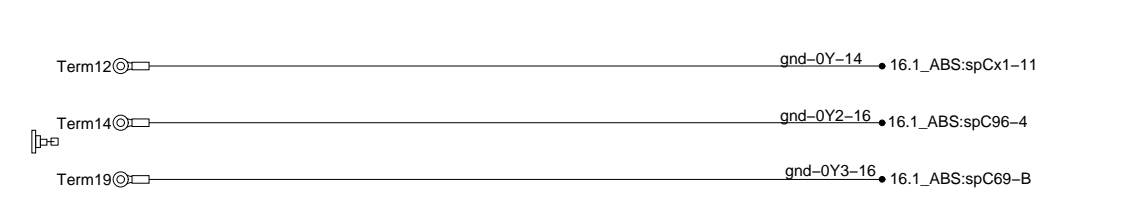
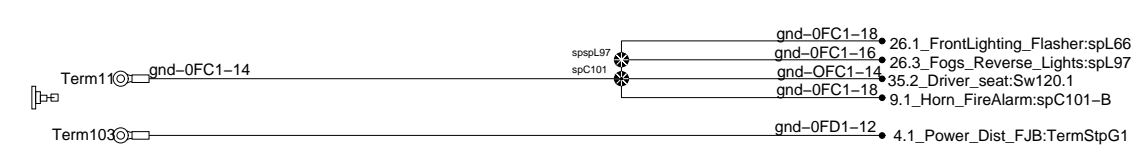
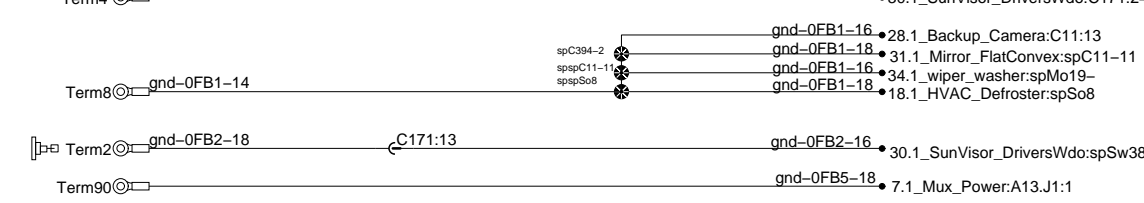
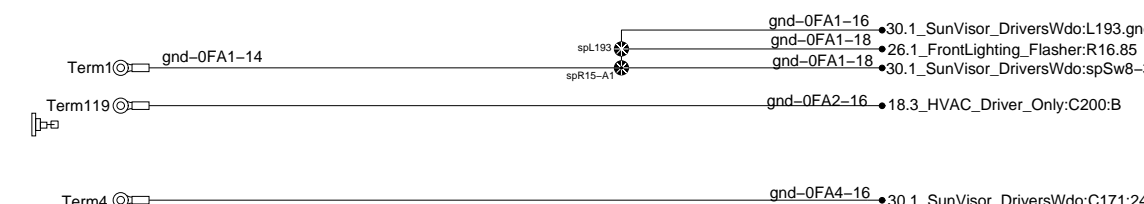
## To RH console electronic gnd



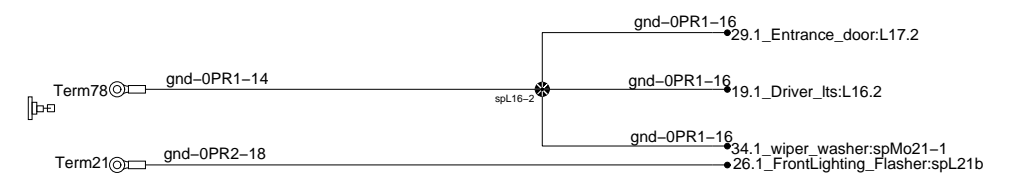
## Eng. cmpt gnd stud



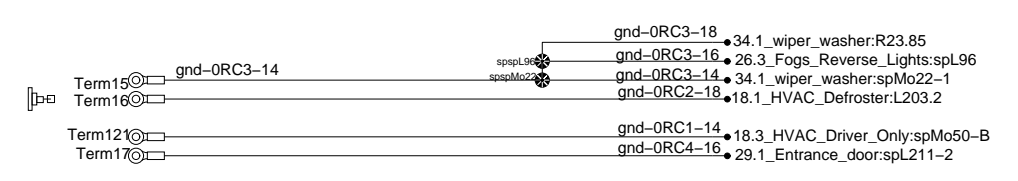
## FJB gnd stud



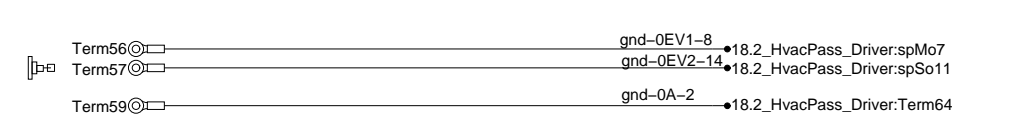
## Front Top gnd stud



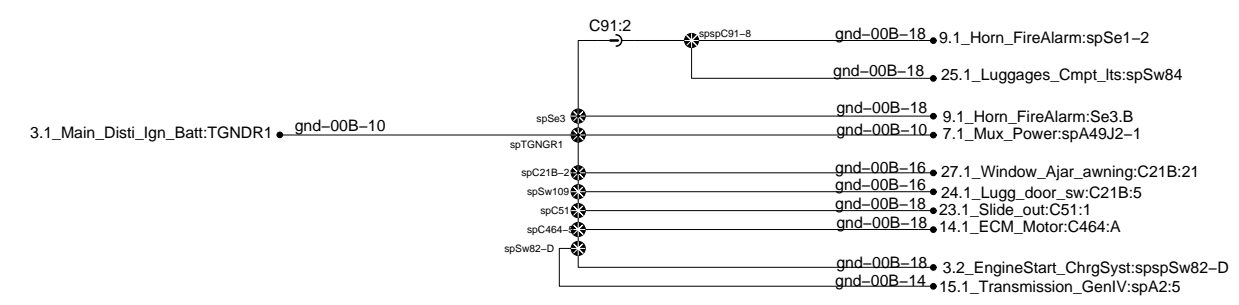
## RH Console gnd stud



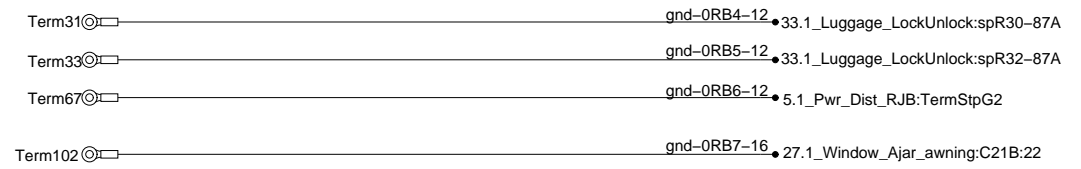
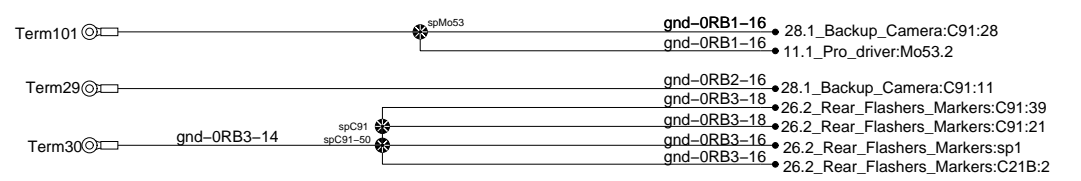
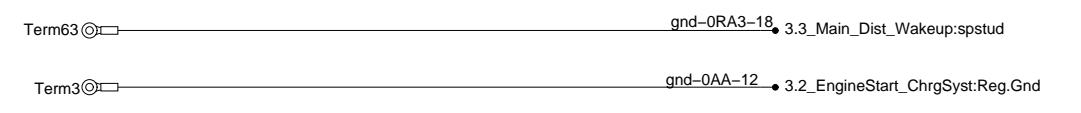
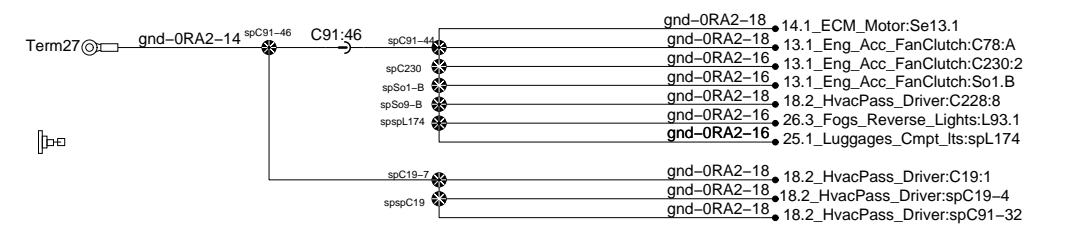
## Evaporator cmpt gnd stud



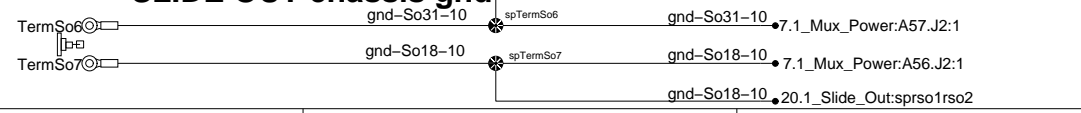
## Engine cmpt electronic gnd



## RJB gnd stud



## SLIDE OUT chassis gnd



Rev:4

Page:2.1

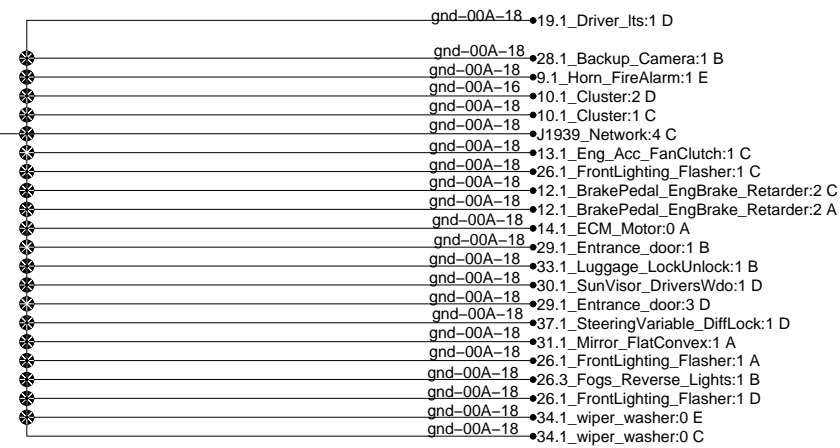
No:0061040

WIRING DIAGRAM

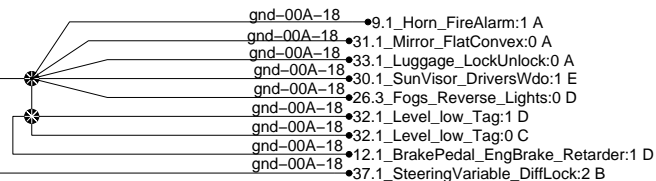
PREVOST®

# Ground Distribution

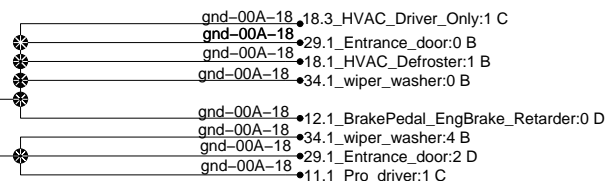
## Electronic gnd to Dash harness



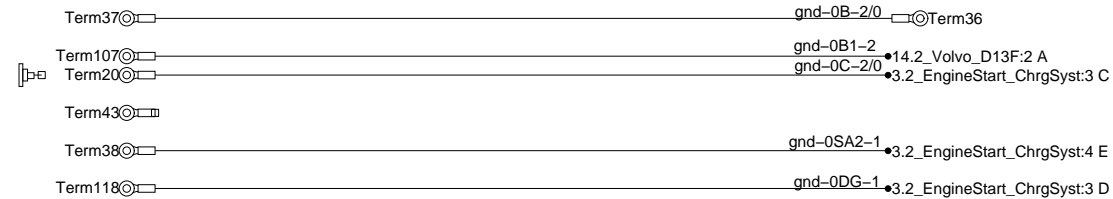
## To LH console electronic gnd



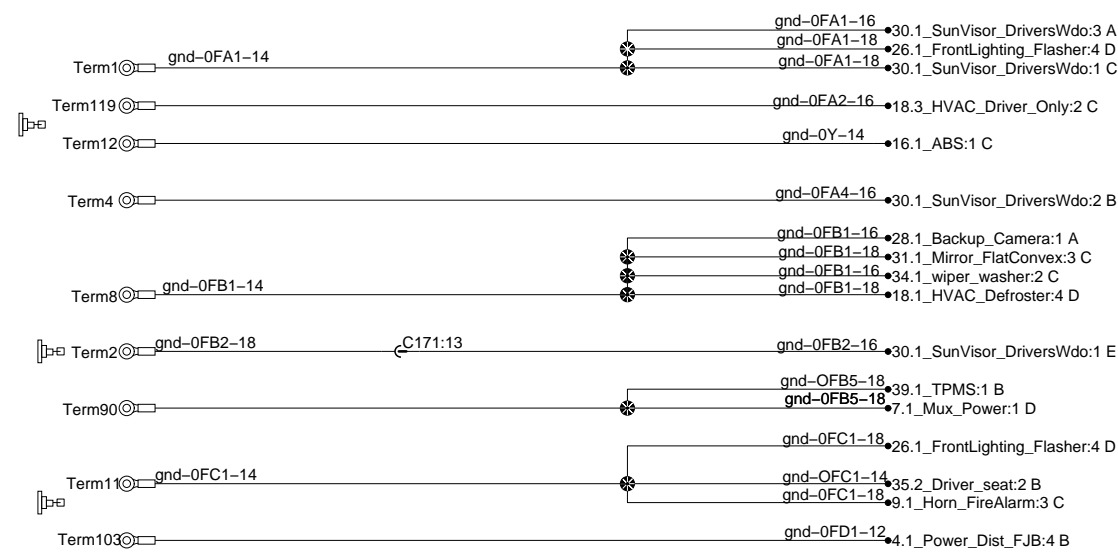
## To RH console electronic gnd



## Eng. cmpt gnd stud



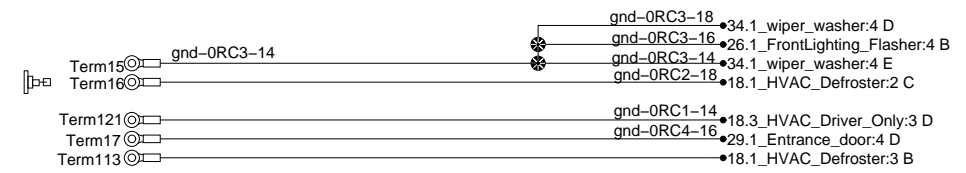
## FJB gnd stud



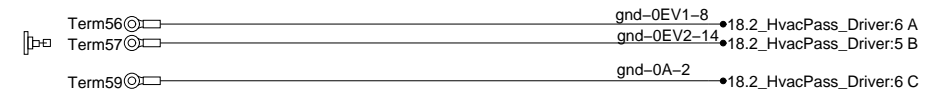
## Front Top gnd stud



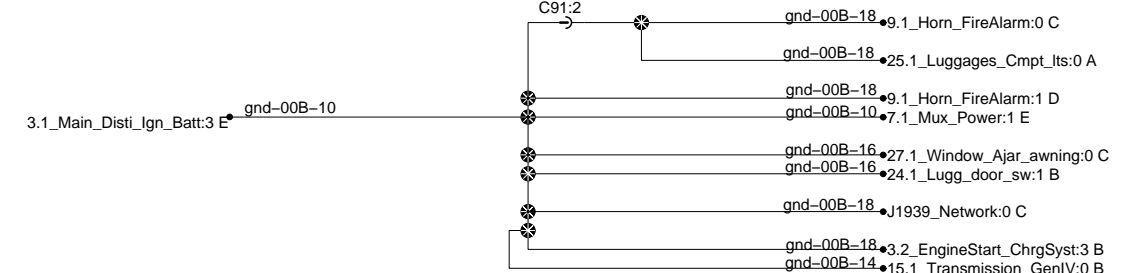
## RH Console gnd stud



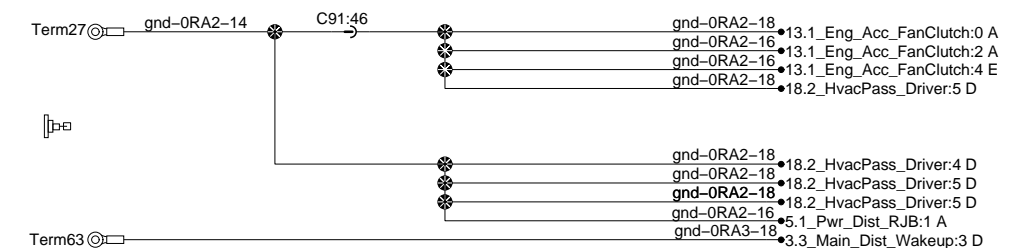
## Evaporator cmpt gnd stud



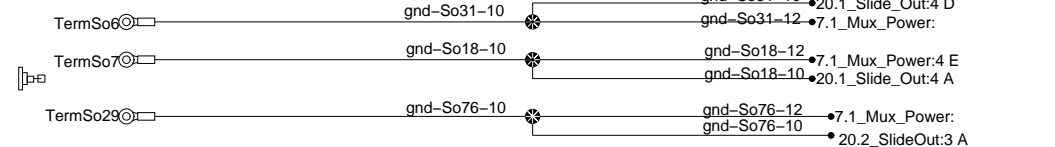
## Engine cmpt electronic gnd



## RJB gnd stud

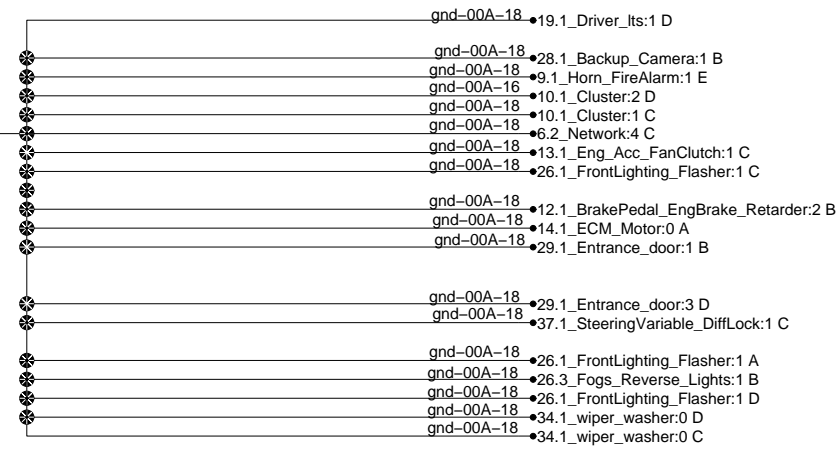


## SLIDE OUT chassis gnd

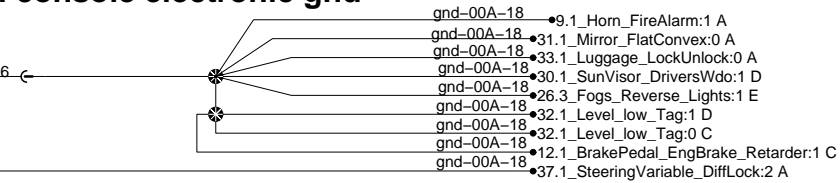


# Ground Distribution

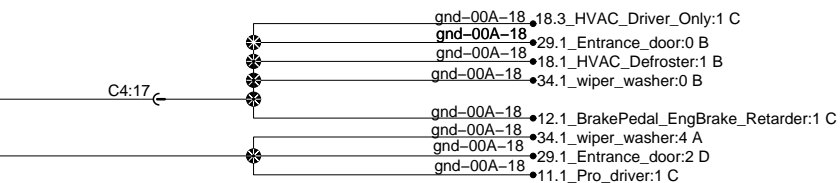
## Electronic gnd to Dash harness



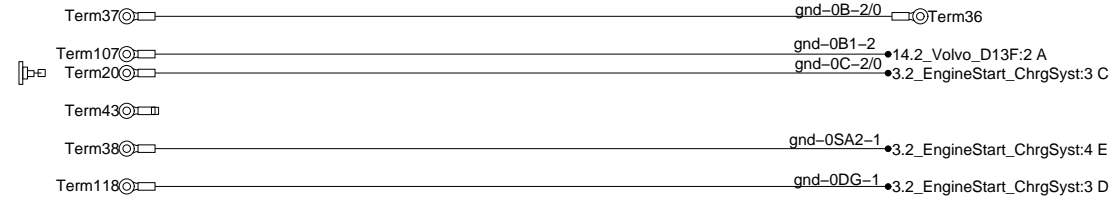
## To LH console electronic gnd



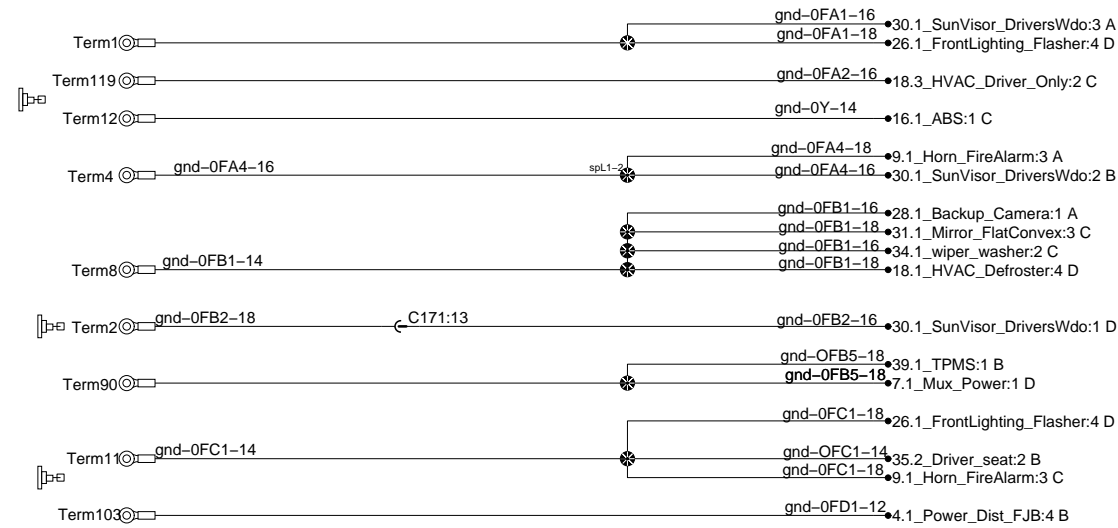
## To RH console electronic gnd



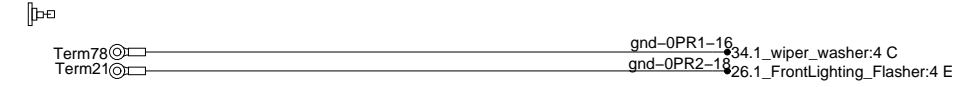
## Eng. cmpt gnd stud



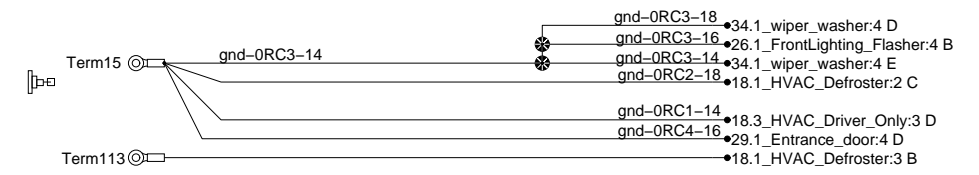
## FJB gnd stud



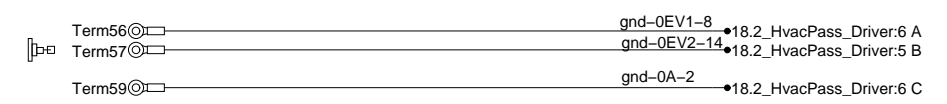
## Front Top gnd stud



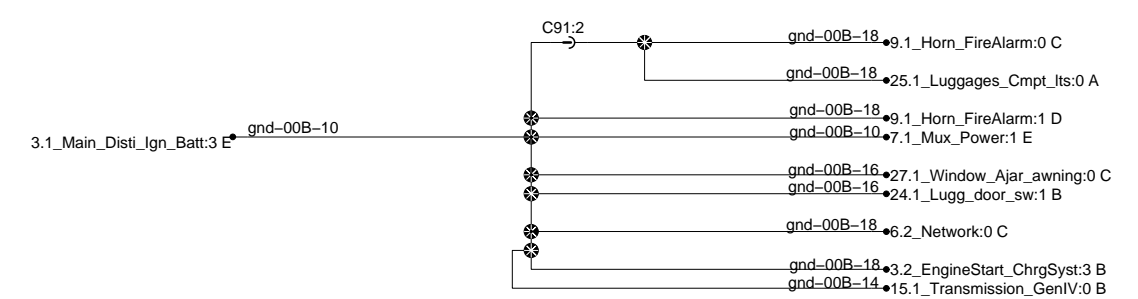
## RH Console gnd stud



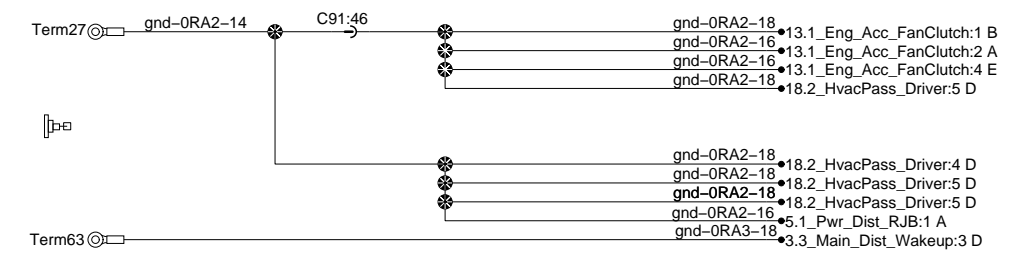
## Evaporator cmpt gnd stud



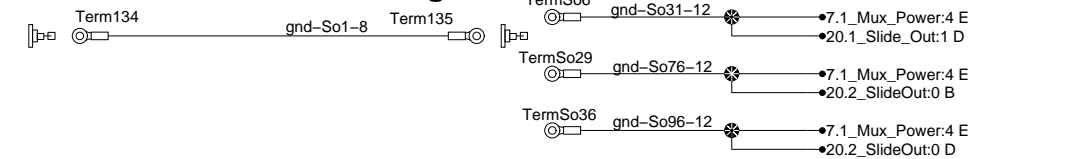
## Engine cmpt electronic gnd



## RJB gnd stud

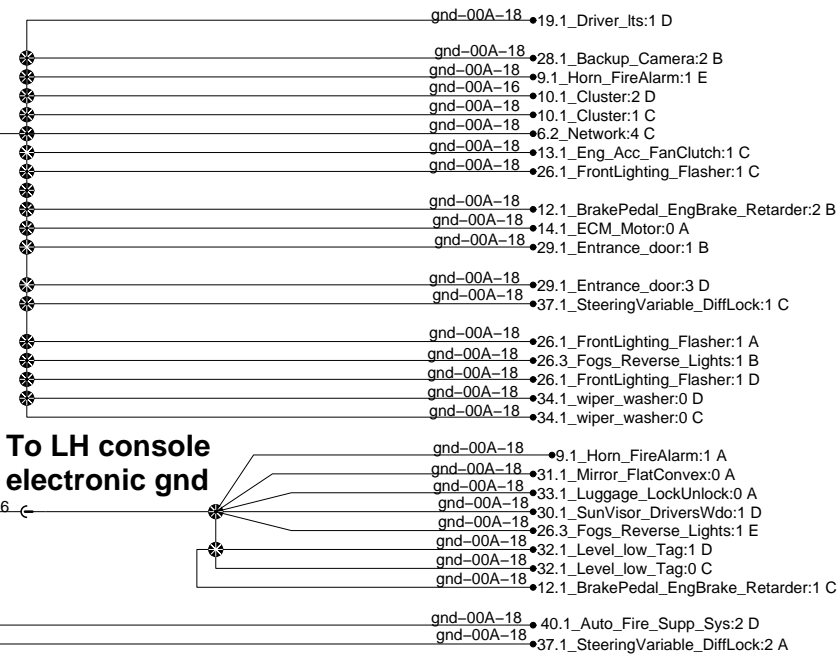


## SLIDE OUT chassis gnd



# Ground Distribution

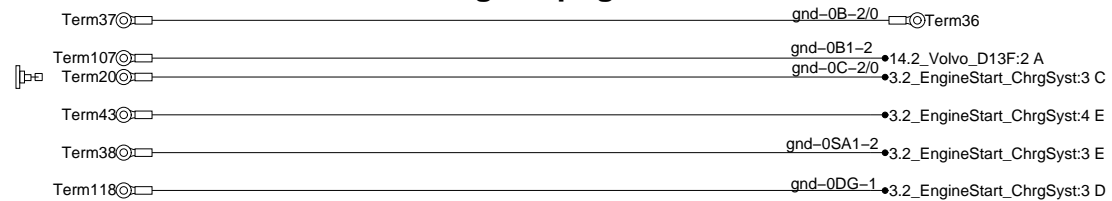
## Electronic gnd to Dash harness



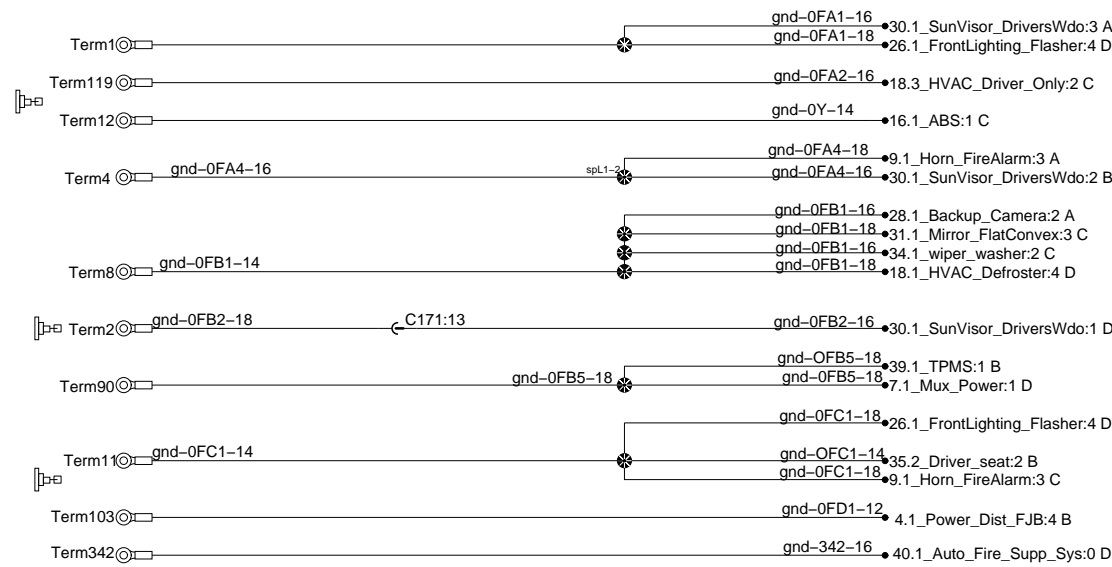
### To LH console electronic gnd

### To RH console electronic gnd

## Eng. cmpt gnd stud



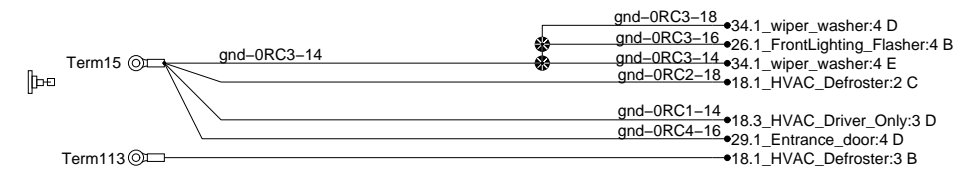
## FJB gnd stud



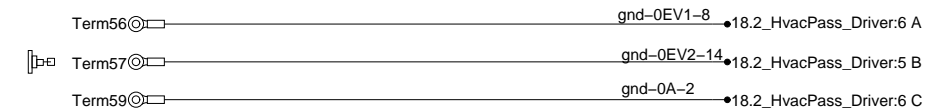
## Front Top gnd stud



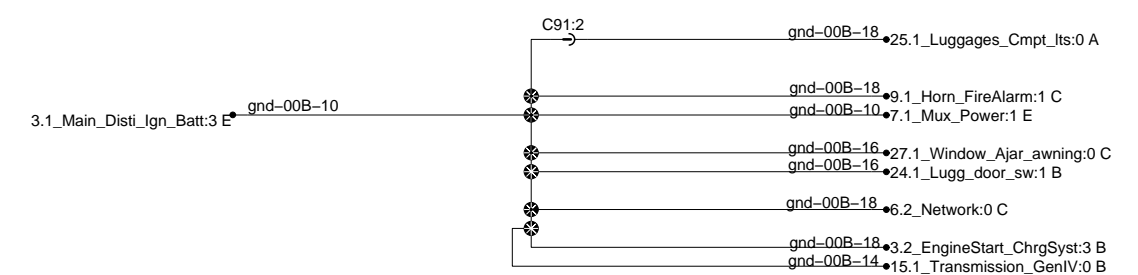
## RH Console gnd stud



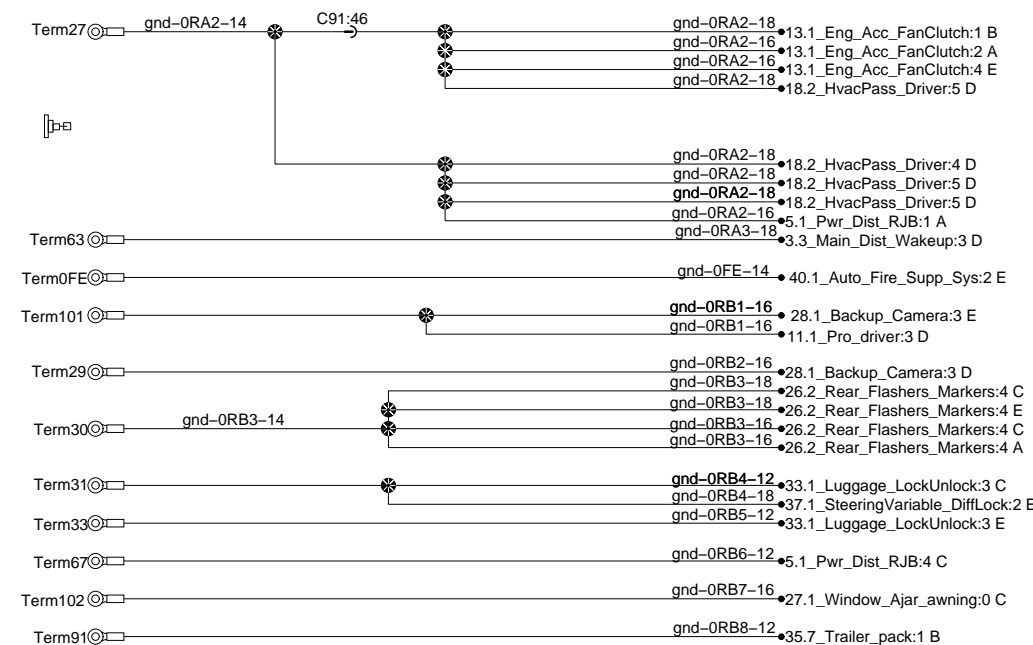
## Evaporator cmpt gnd stud



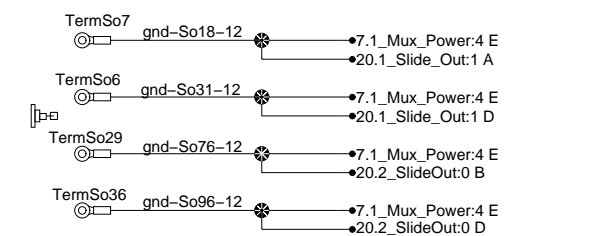
## Engine cmpt electronic gnd



## RJB gnd stud

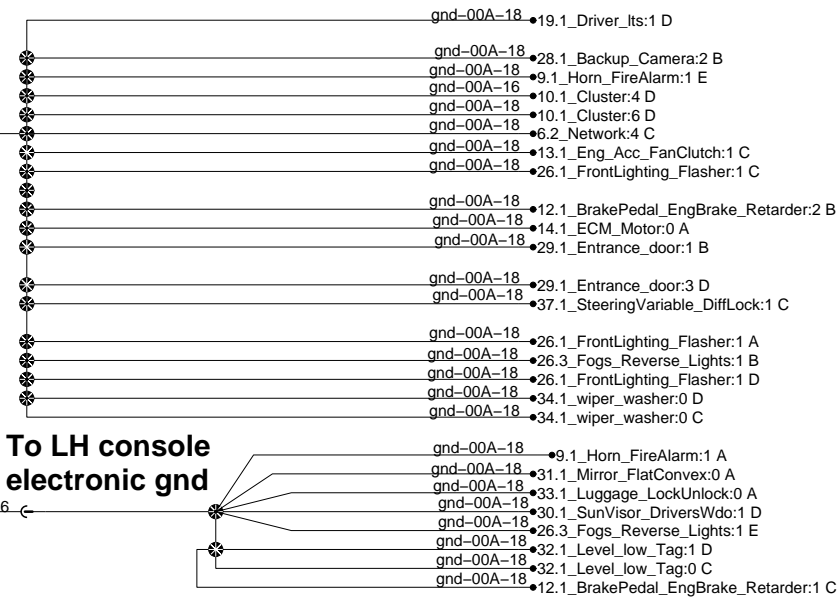


## SLIDE OUT chassis gnd



# Ground Distribution

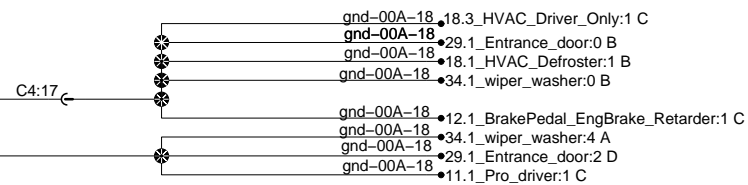
## Electronic gnd to Dash harness



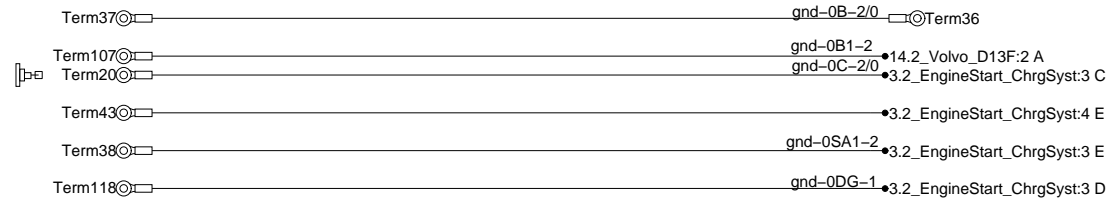
## To LH console electronic gnd



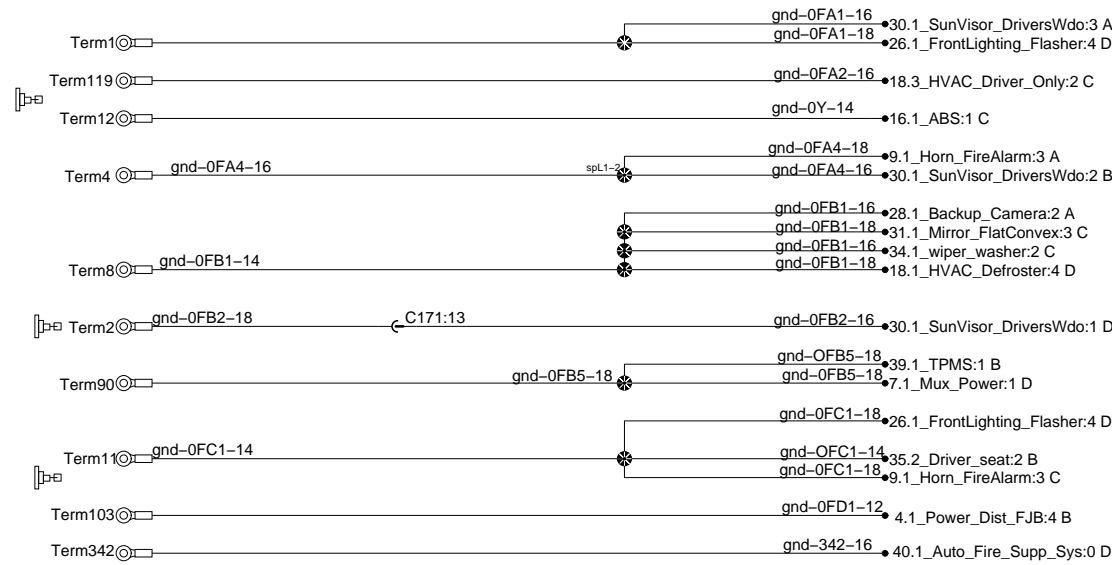
## To RH console electronic gnd



## Eng. cmpt gnd stud



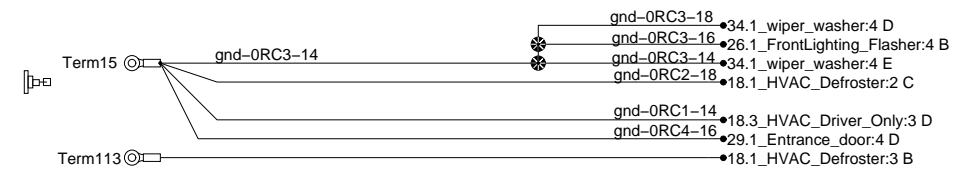
## FJB gnd stud



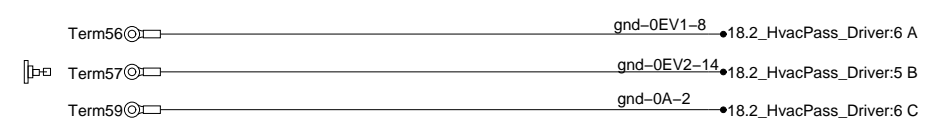
## Front Top gnd stud



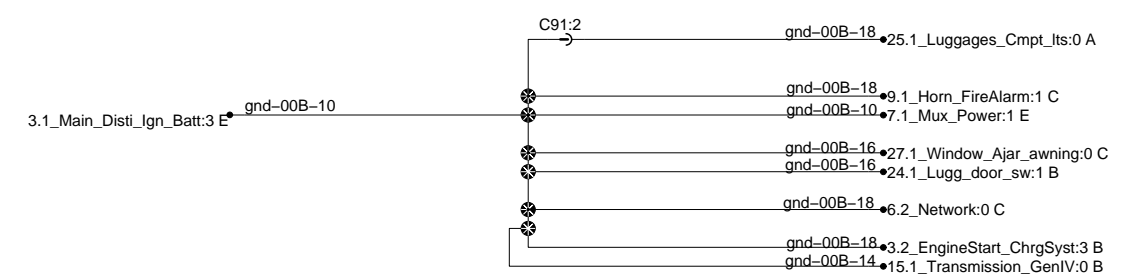
## RH Console gnd stud



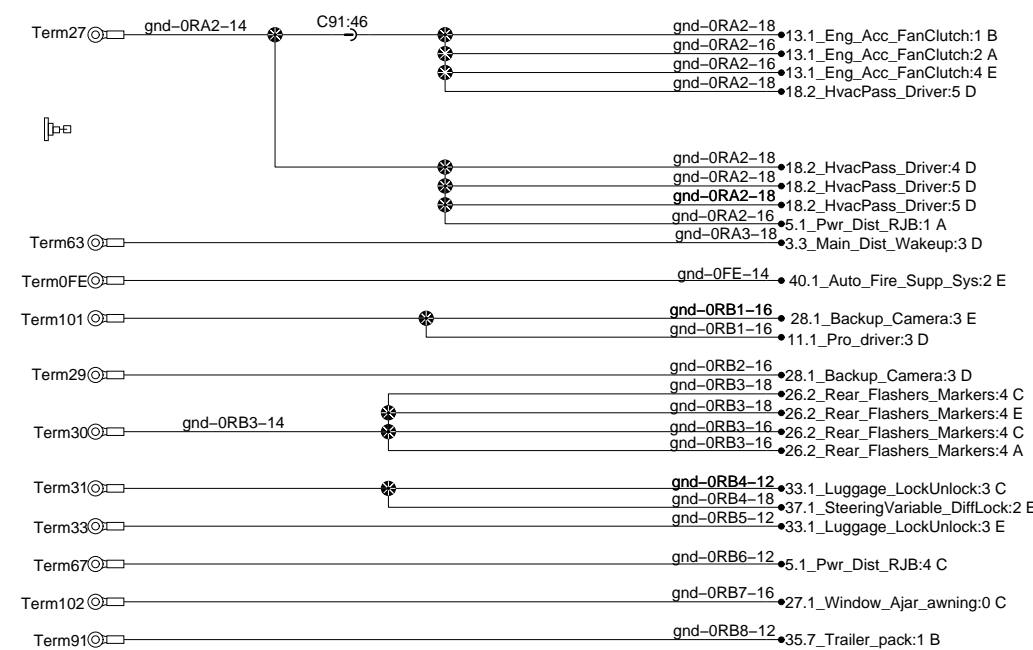
## Evaporator cmpt gnd stud



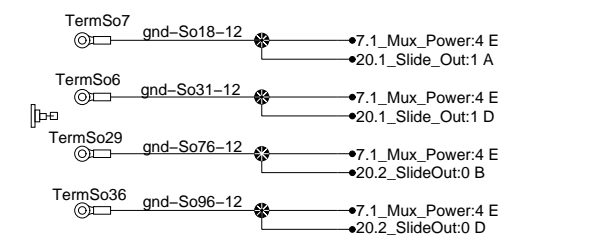
## Engine cmpt electronic gnd



## RJB gnd stud

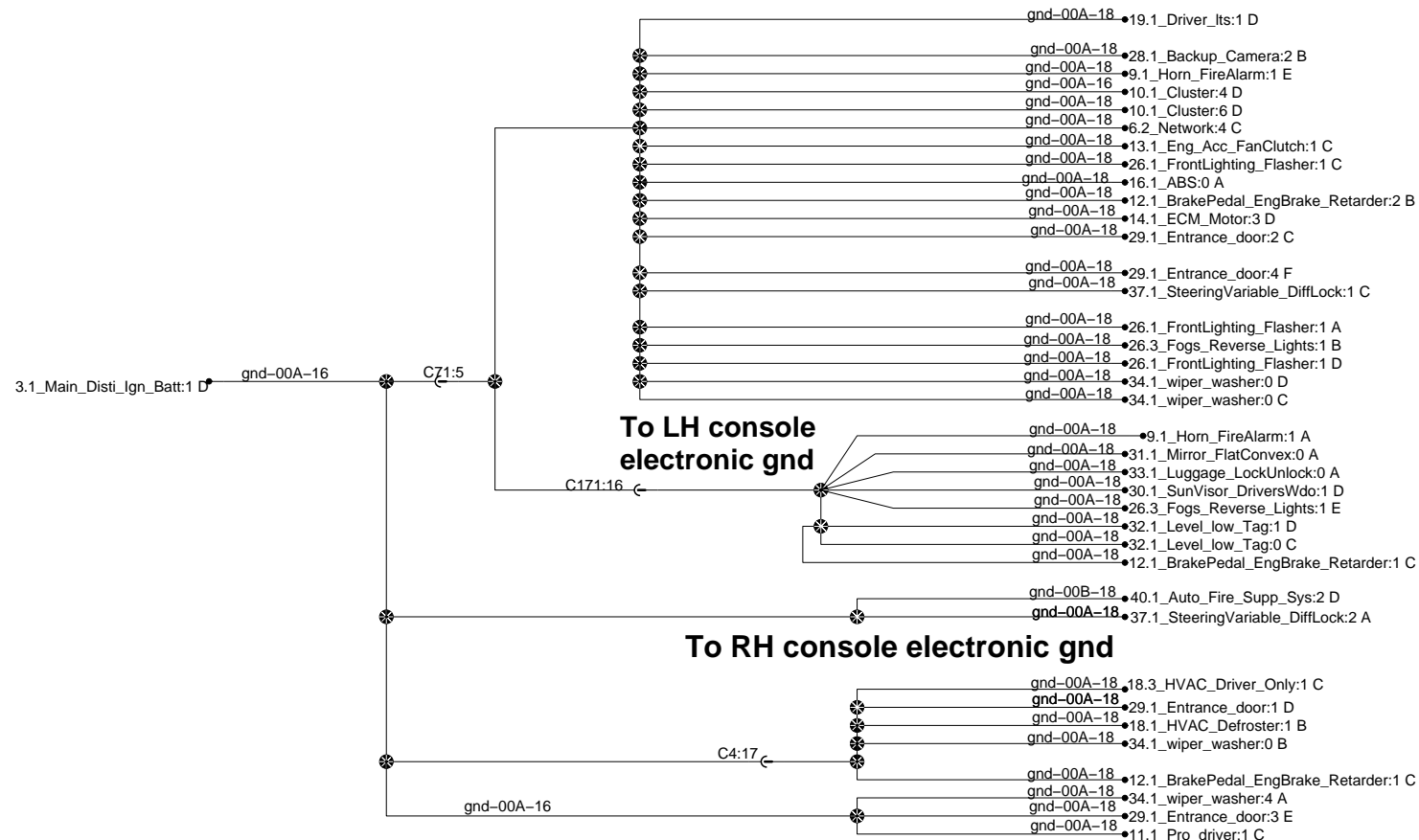


## SLIDE OUT chassis gnd



# Ground Distribution

## Electronic gnd to Dash harness

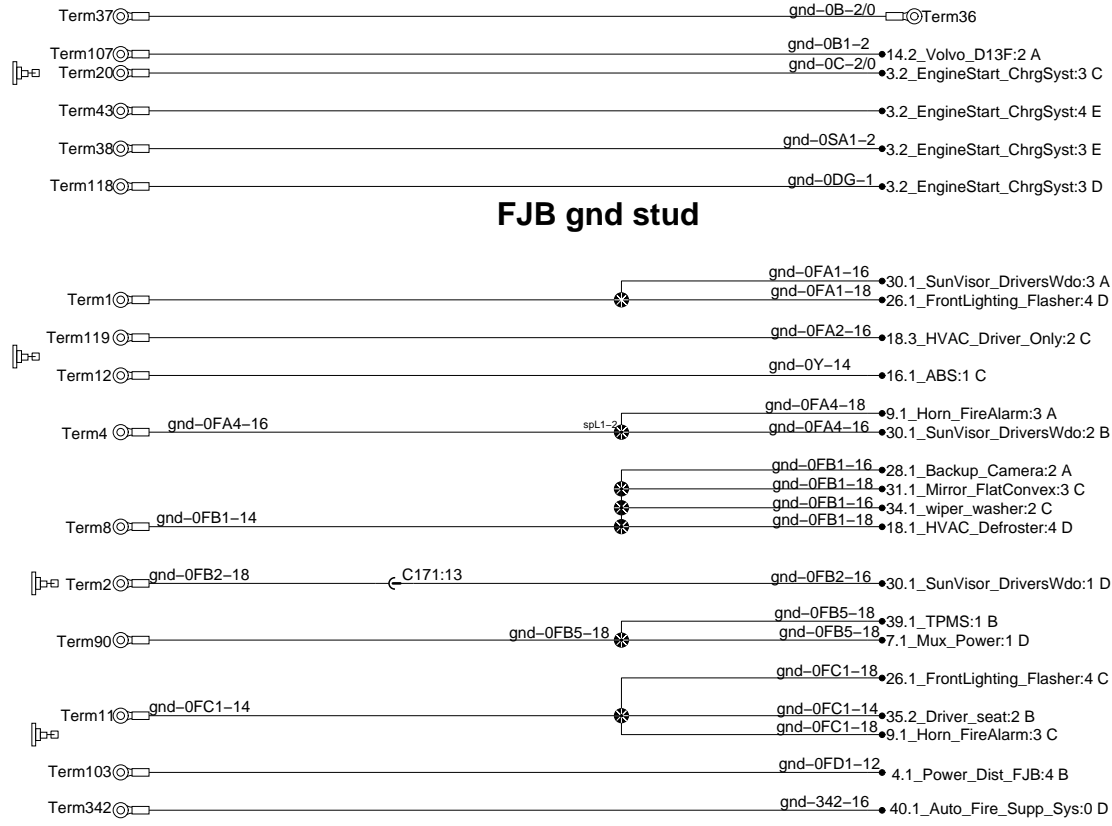


## To LH console electronic gnd

## To RH console electronic gnd

## Eng. cmpt gnd stud

## FJB gnd stud



## Front Top gnd stud

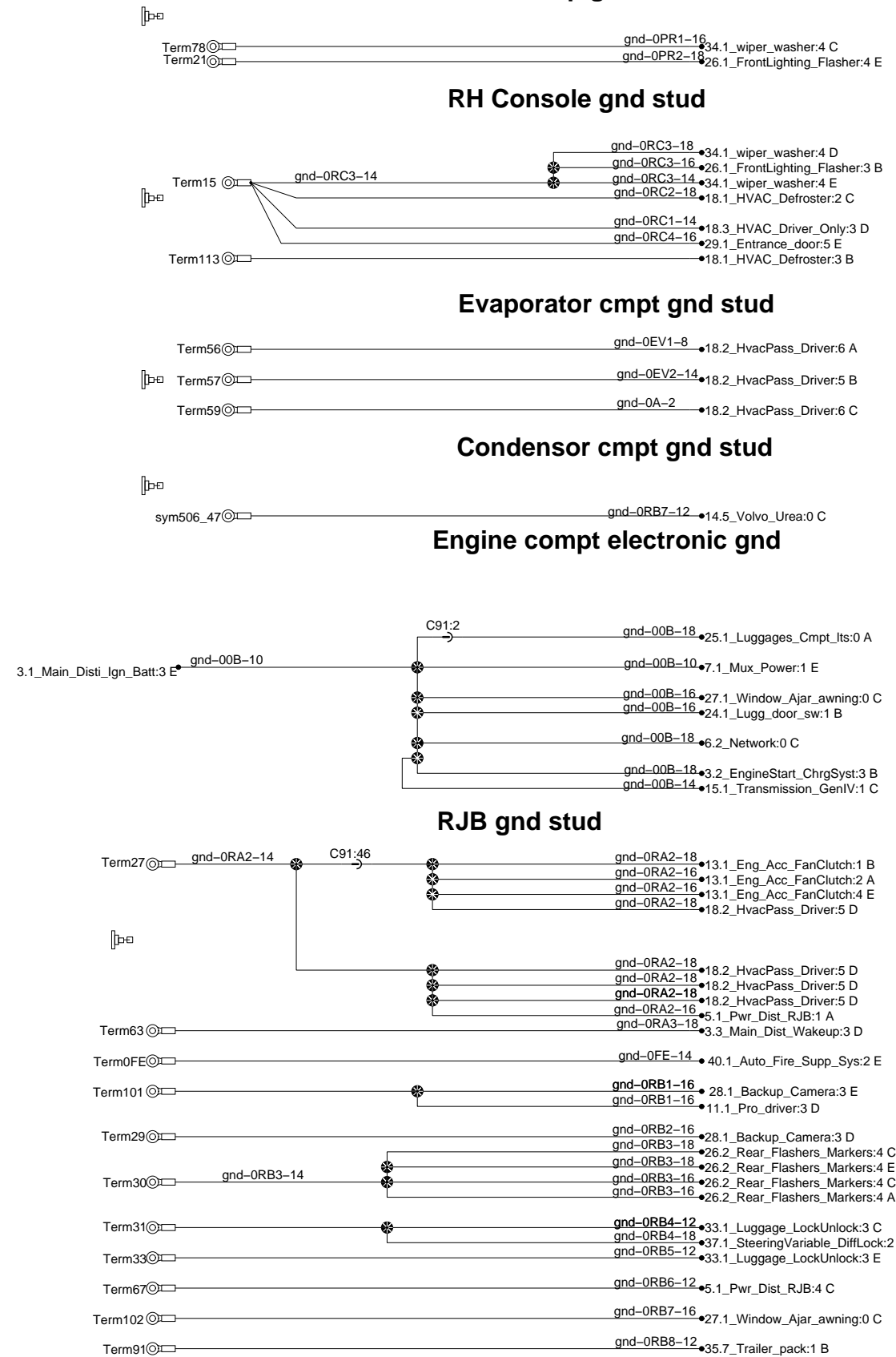
## RH Console gnd stud

## Evaporator cmpt gnd stud

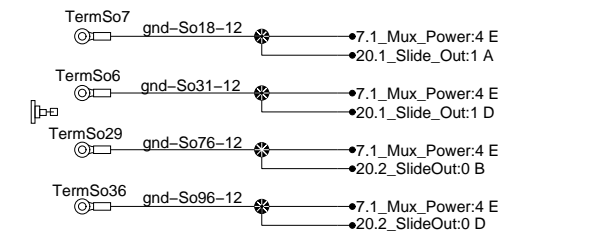
## Condensor cmpt gnd stud

## Engine cmpt electronic gnd

## RJB gnd stud



## SLIDE OUT chassis gnd

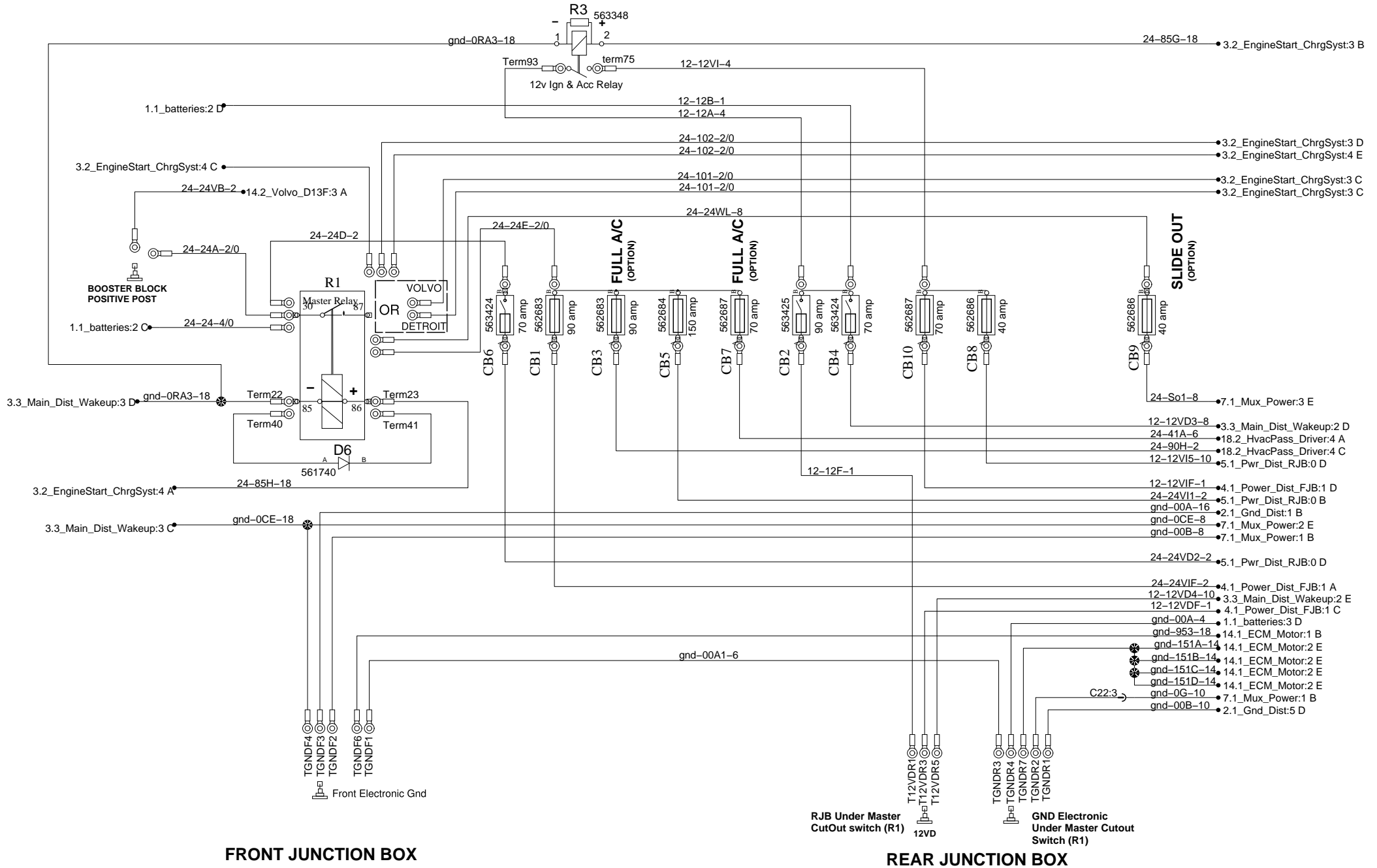


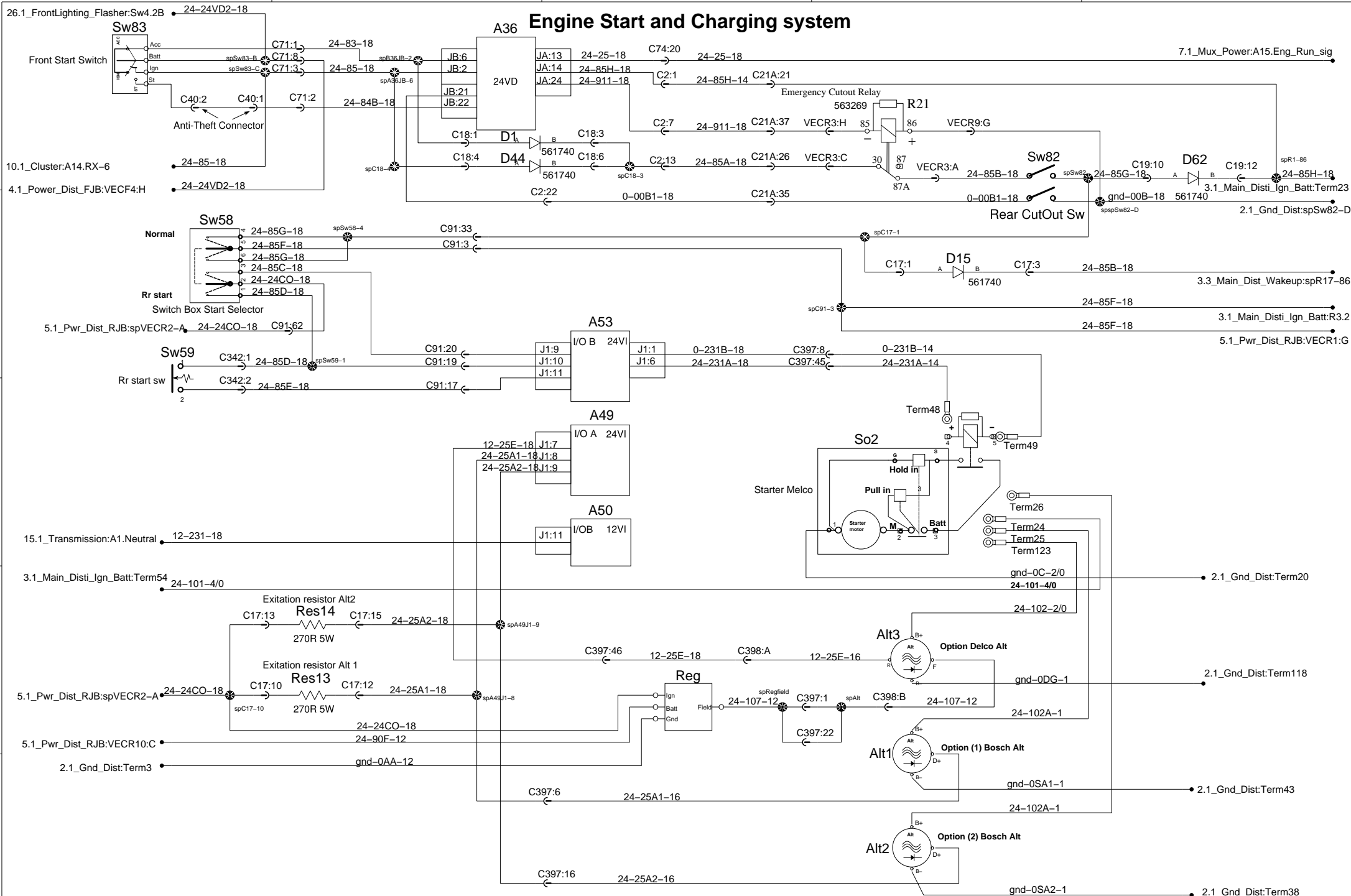


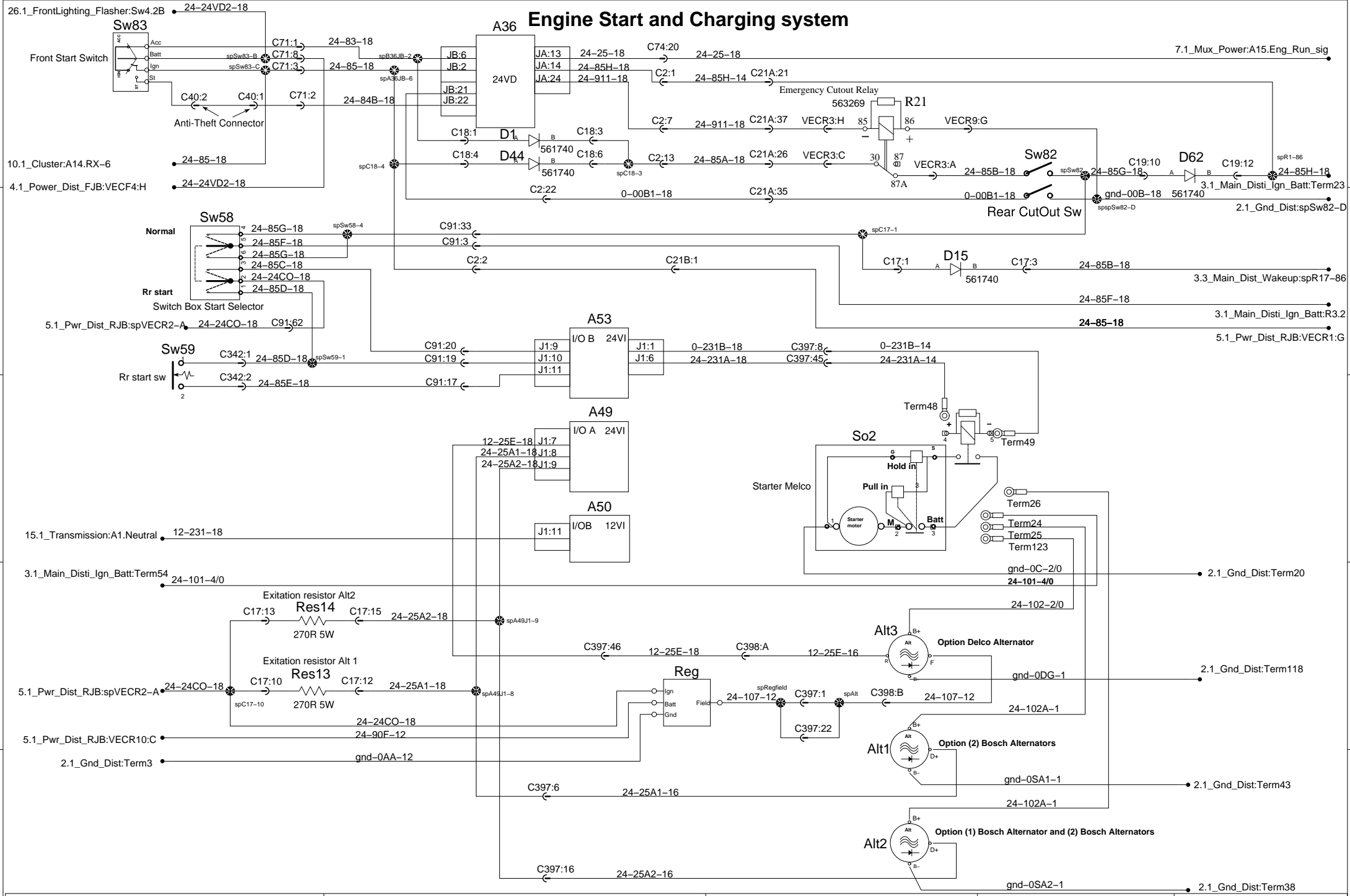




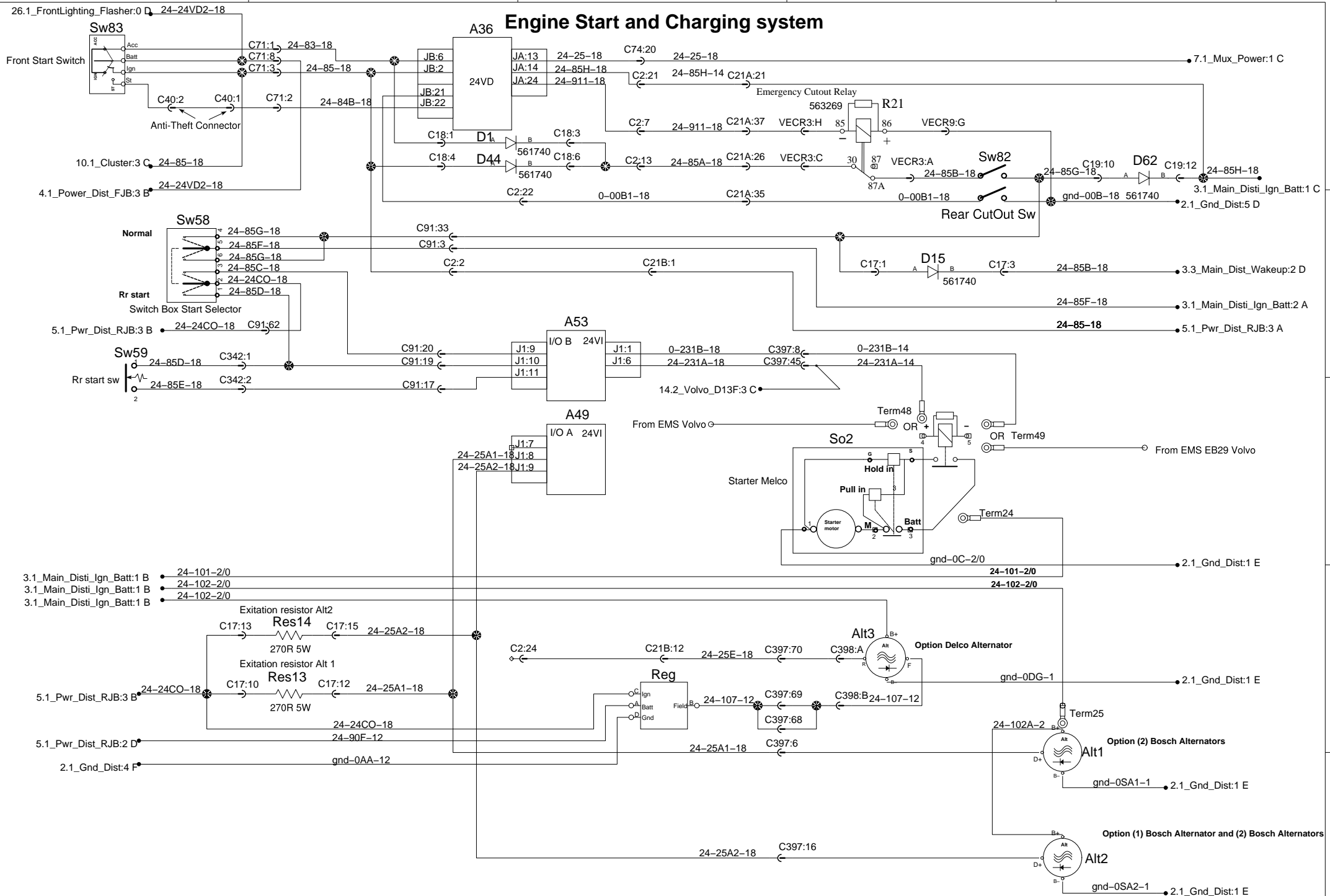
# MAIN DISTRIBUTION Batteries & Ignition



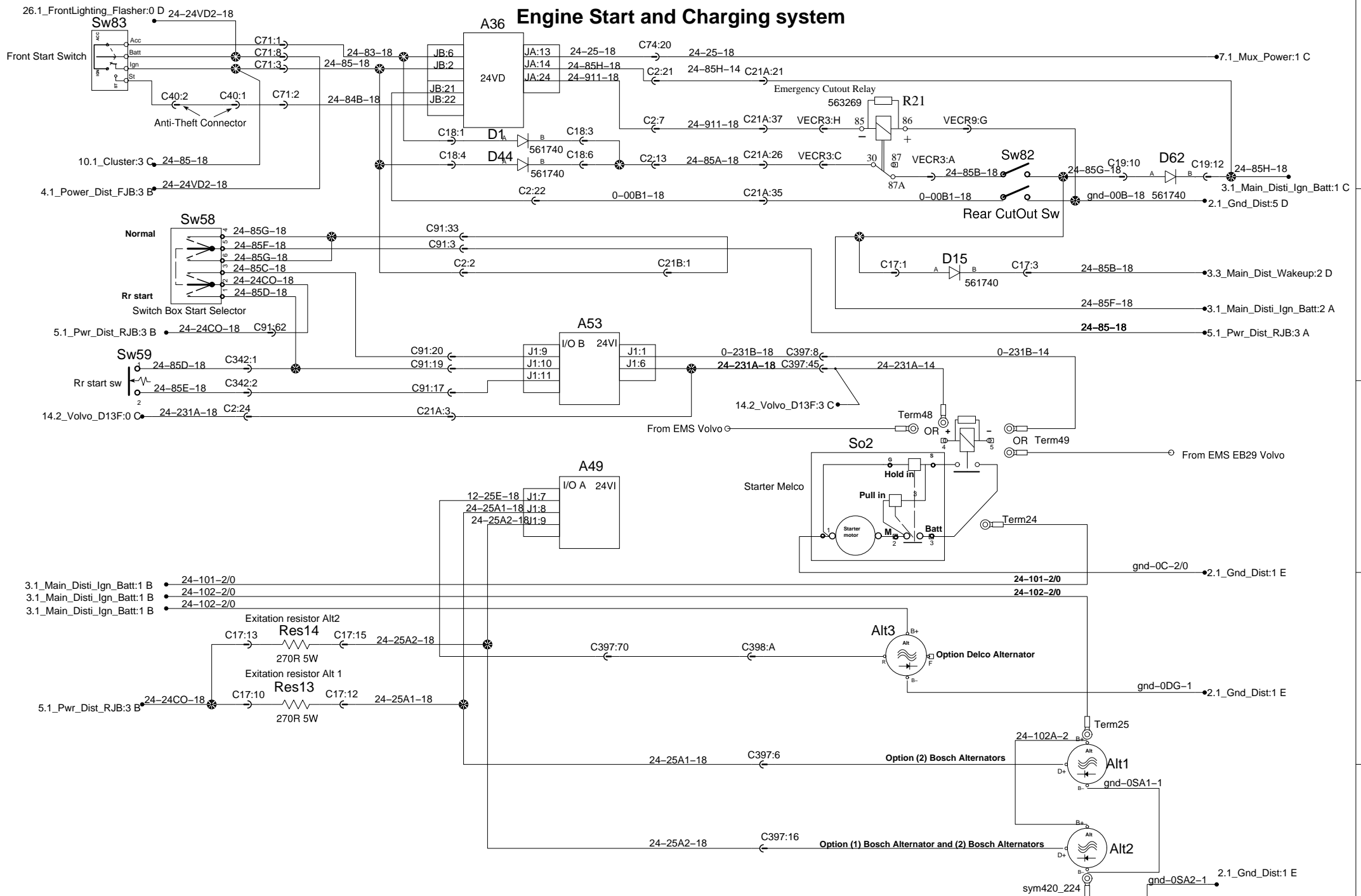




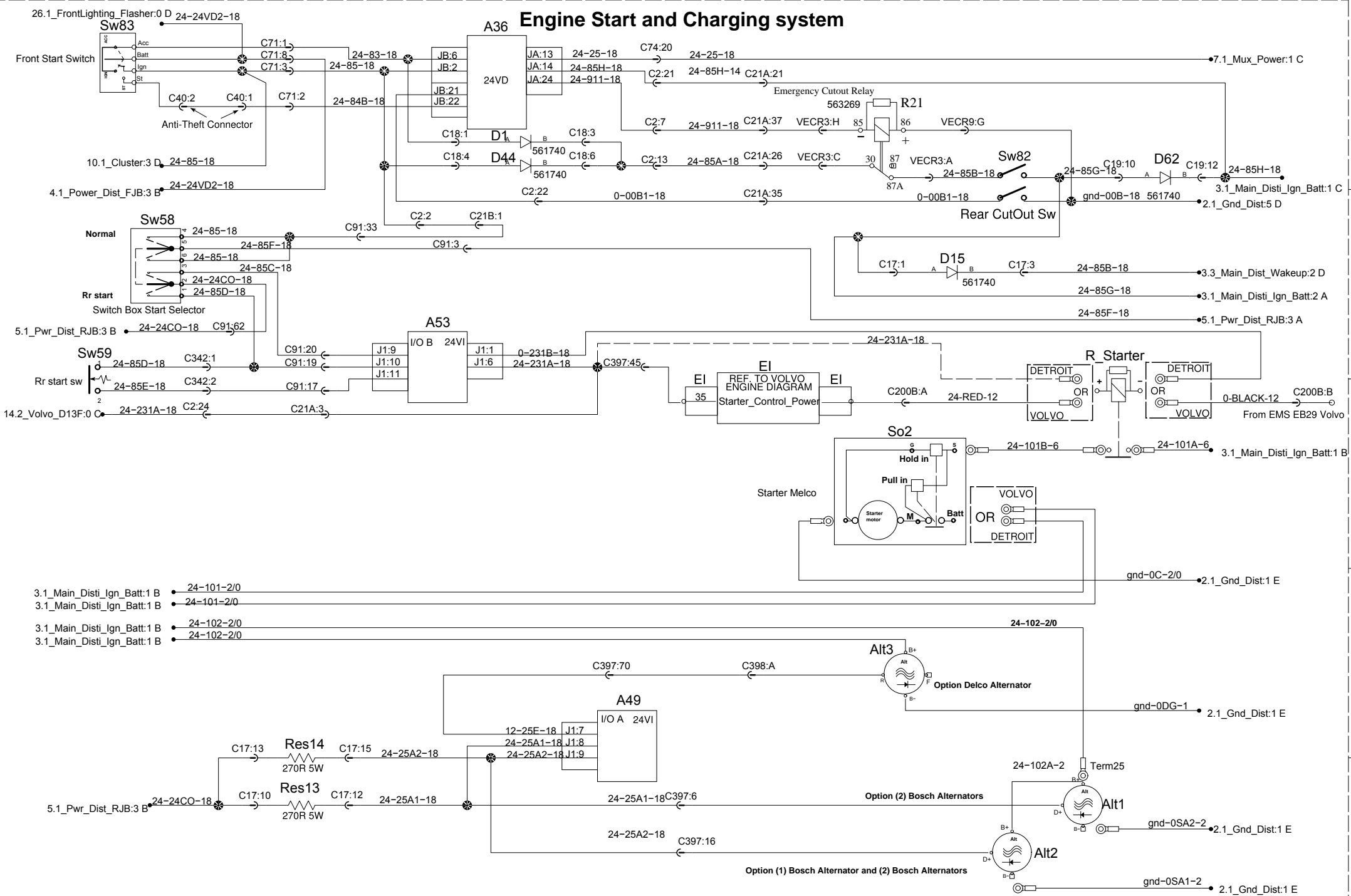
# Engine Start and Charging system



# Engine Start and Charging system

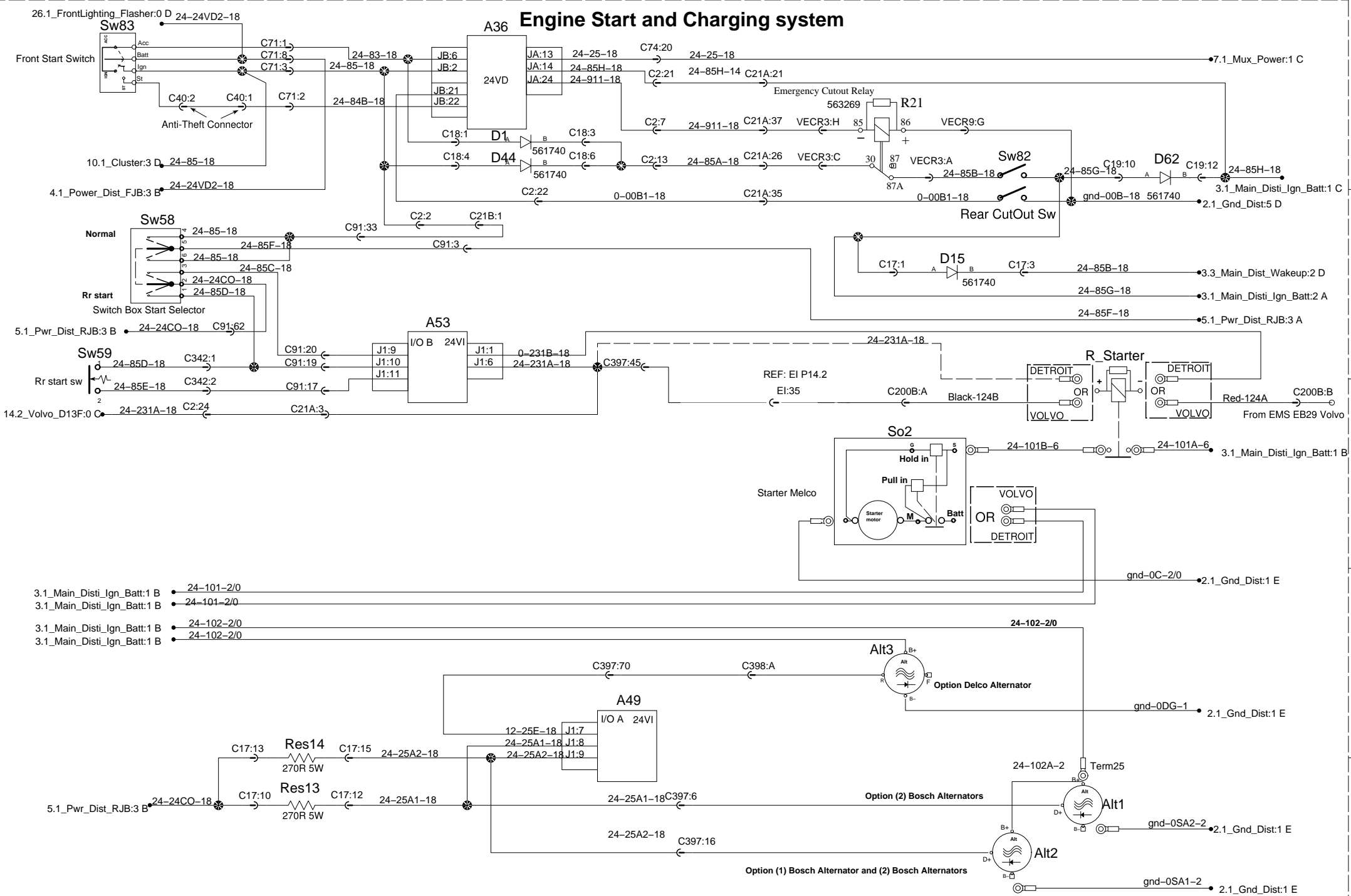


# Engine Start and Charging system





# Engine Start and Charging system



0

1

2

3

4

A

A

B

B

C

C

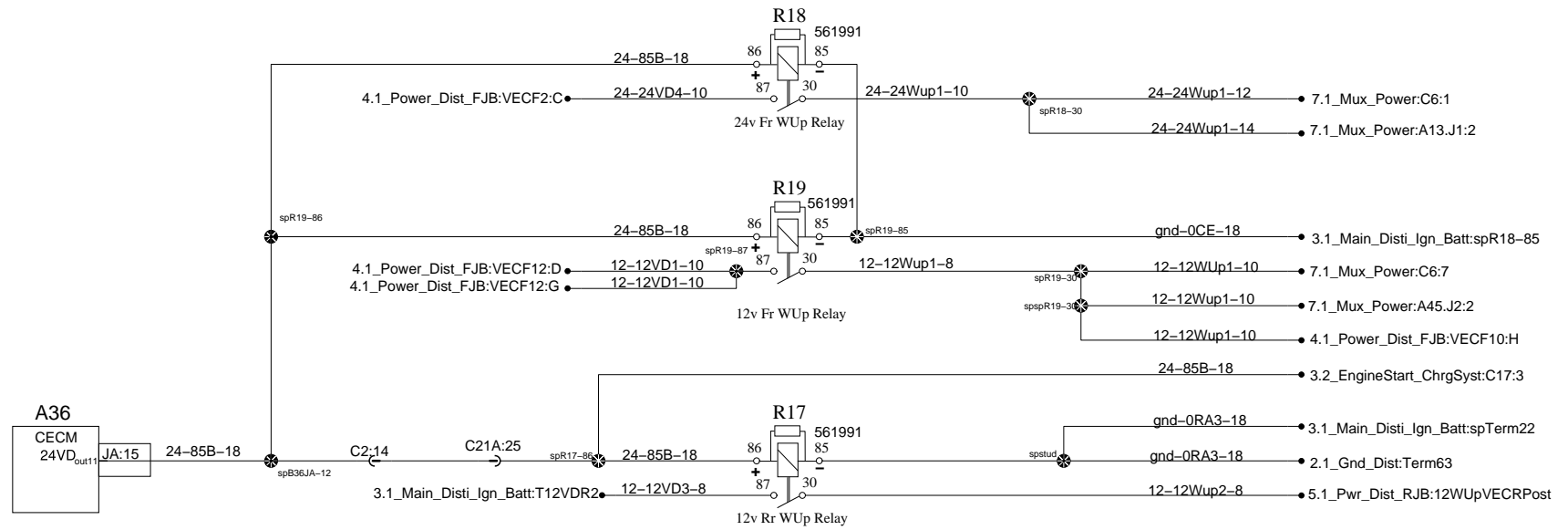
D

D

E

E

# MAIN DISTRIBUTION Wake-Up



0

1

2

3

4

0

1

2

3

4

A

A

B

B

C

C

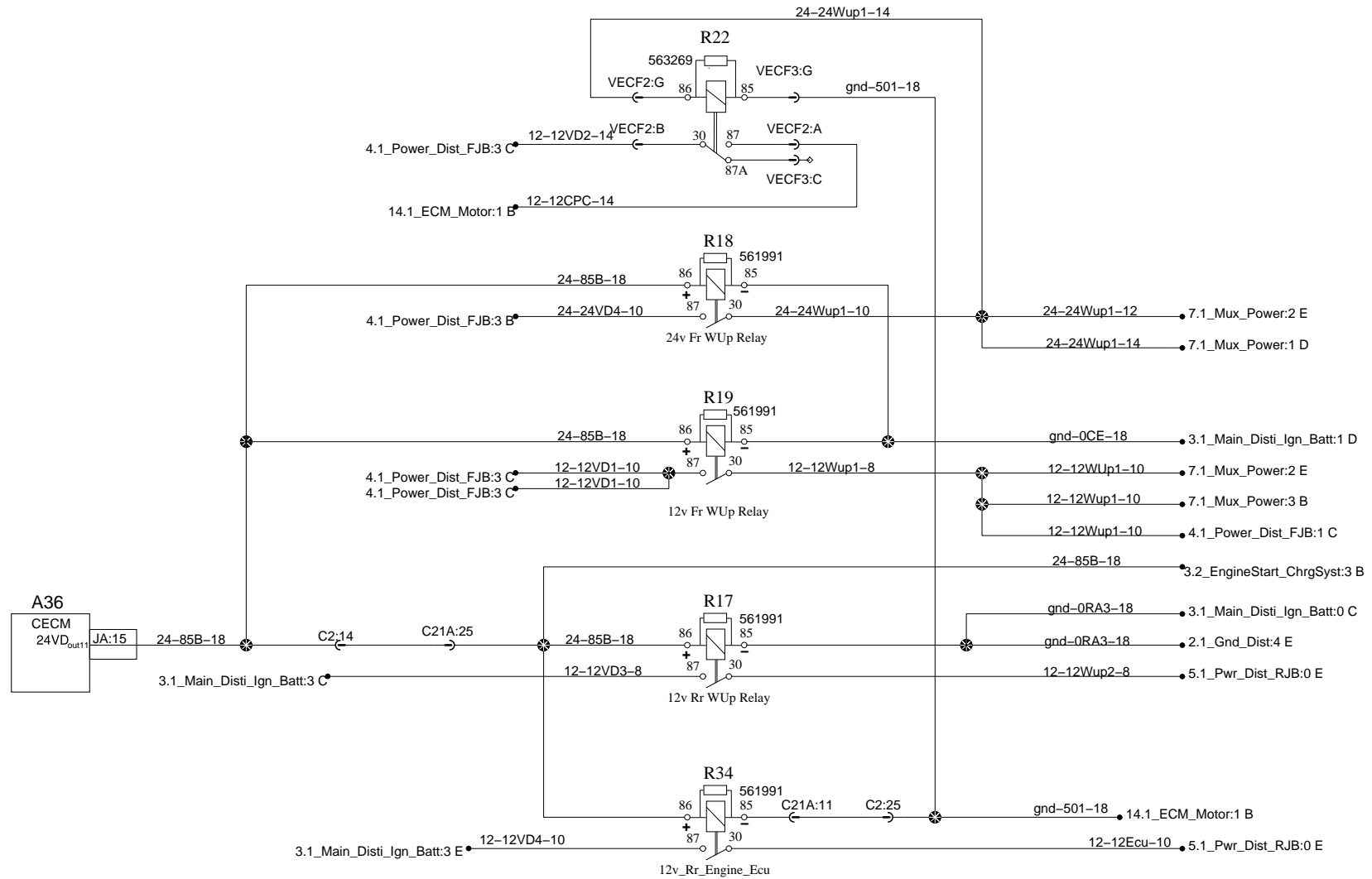
D

D

E

E

# MAIN DISTRIBUTION Wake-Up



0

1

2

3

4

0

1

2

3

4

A

A

B

B

C

C

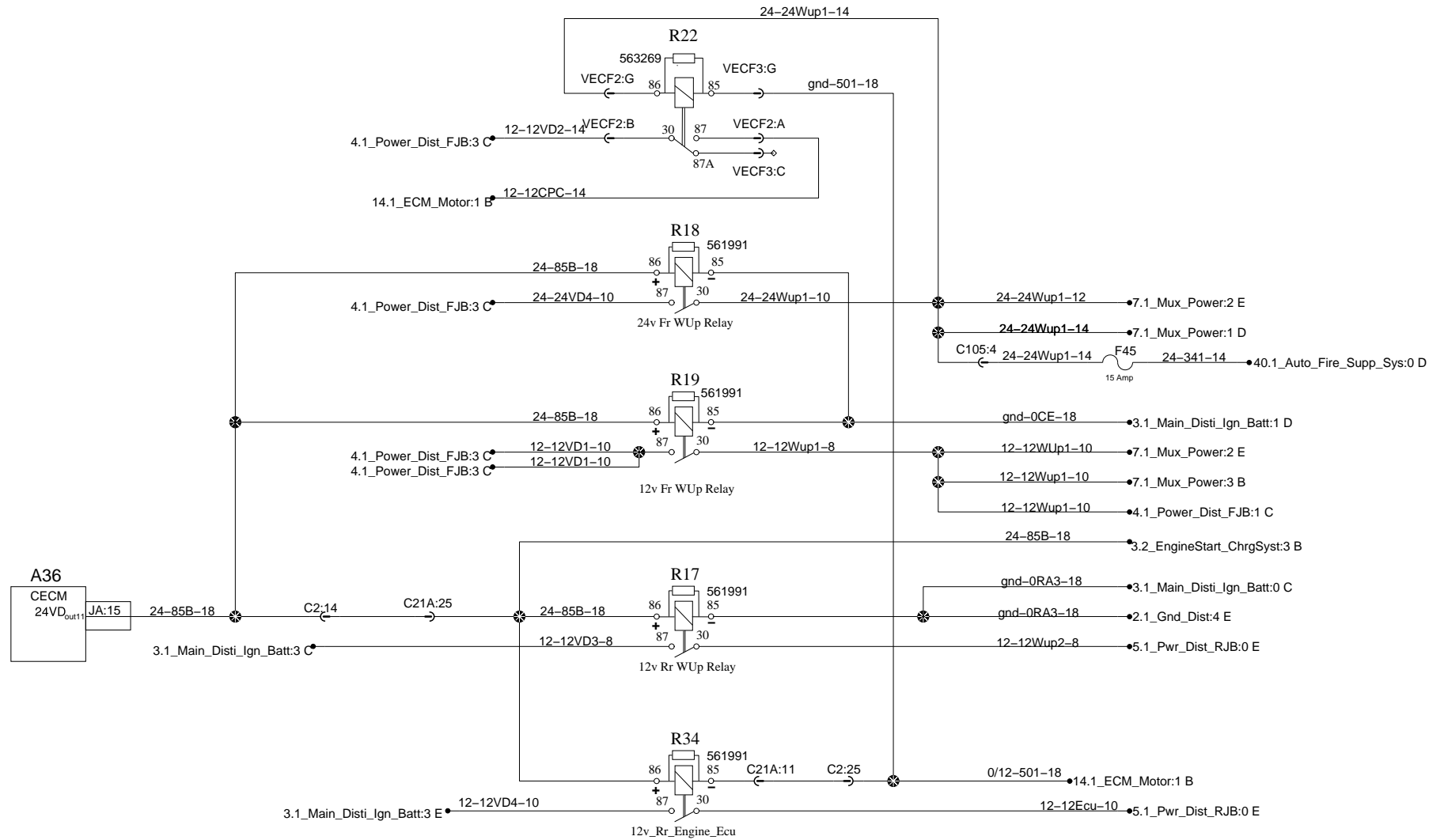
D

D

E

E

# MAIN DISTRIBUTION Wake-Up



0

1

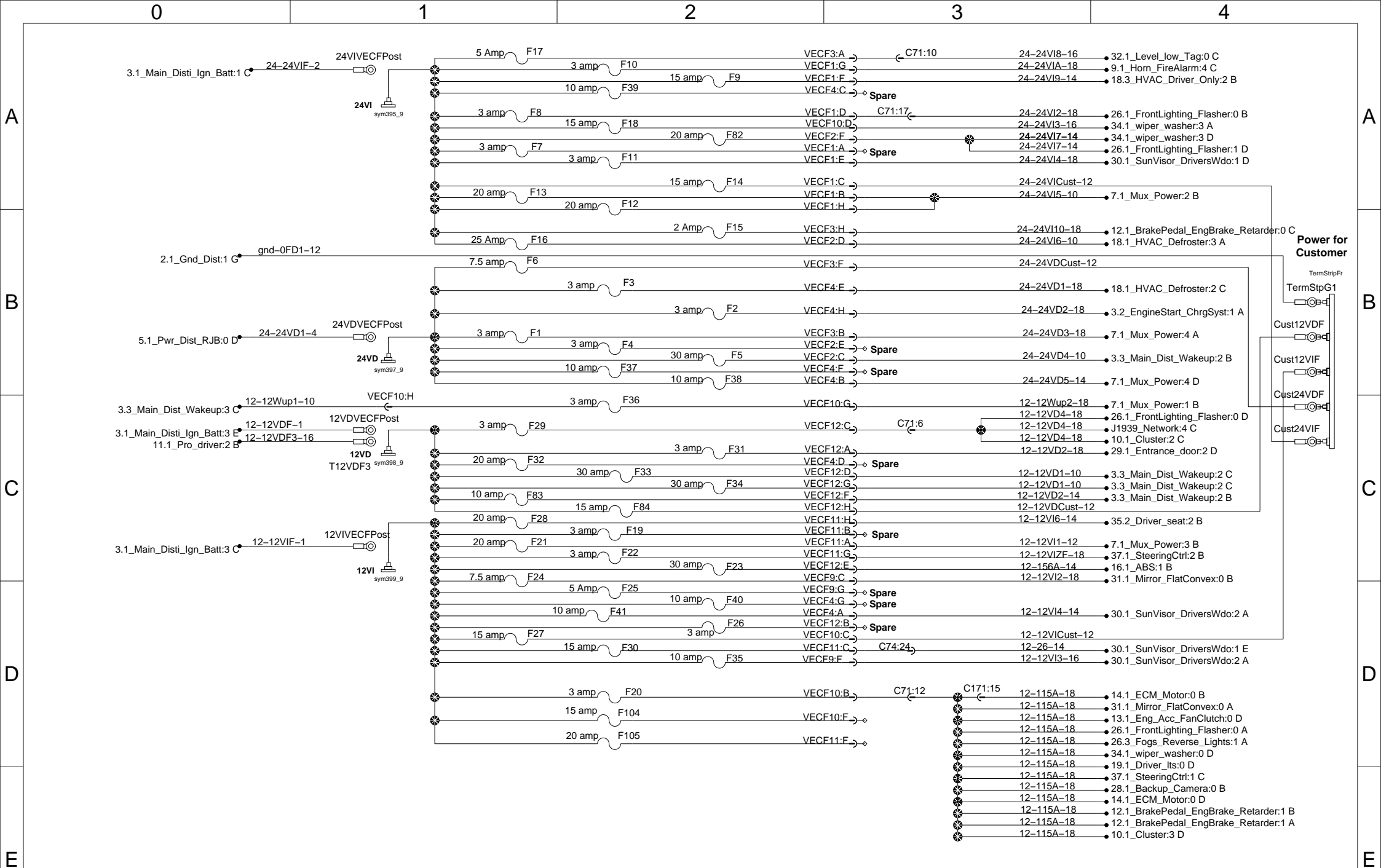
2

3

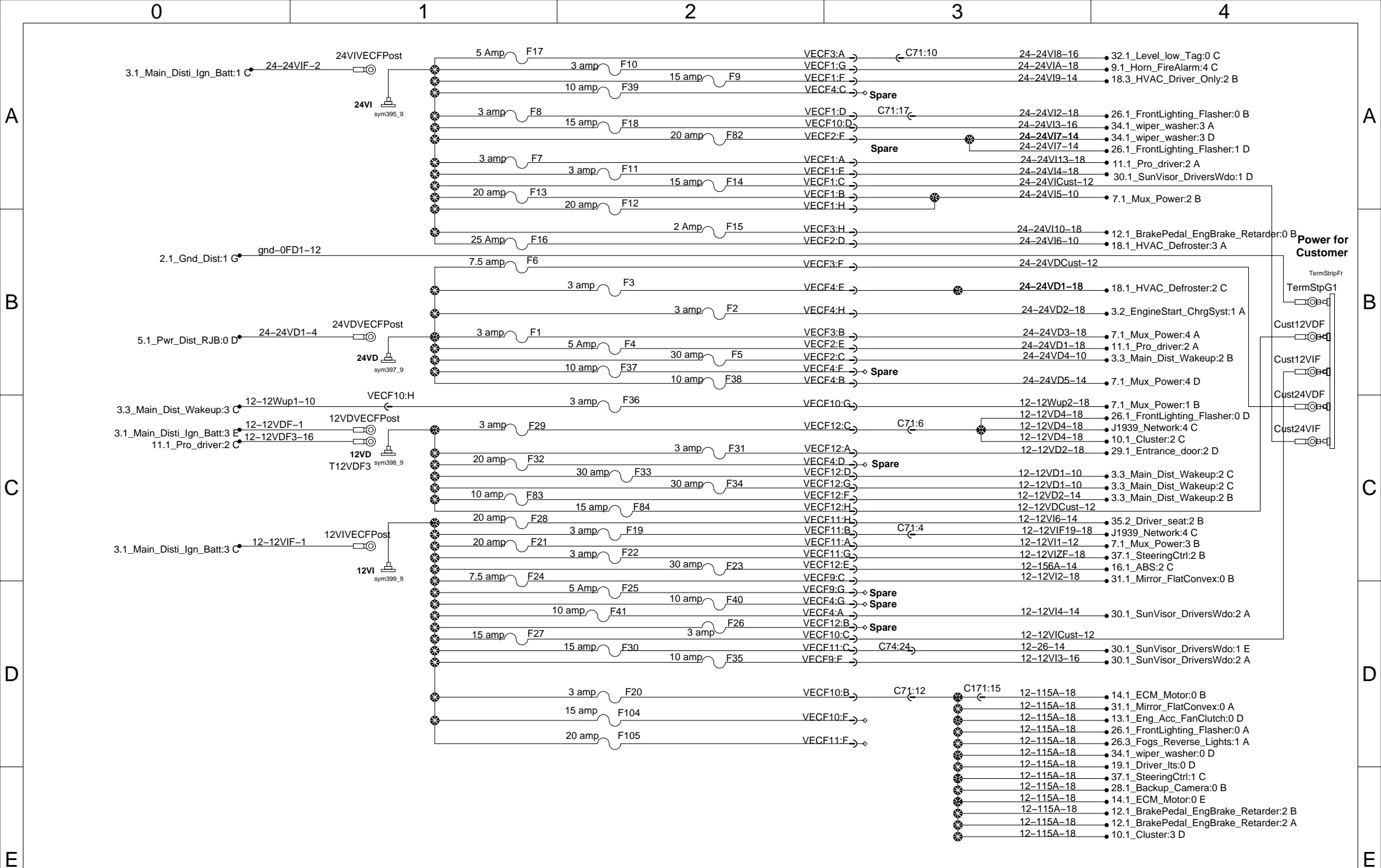
4







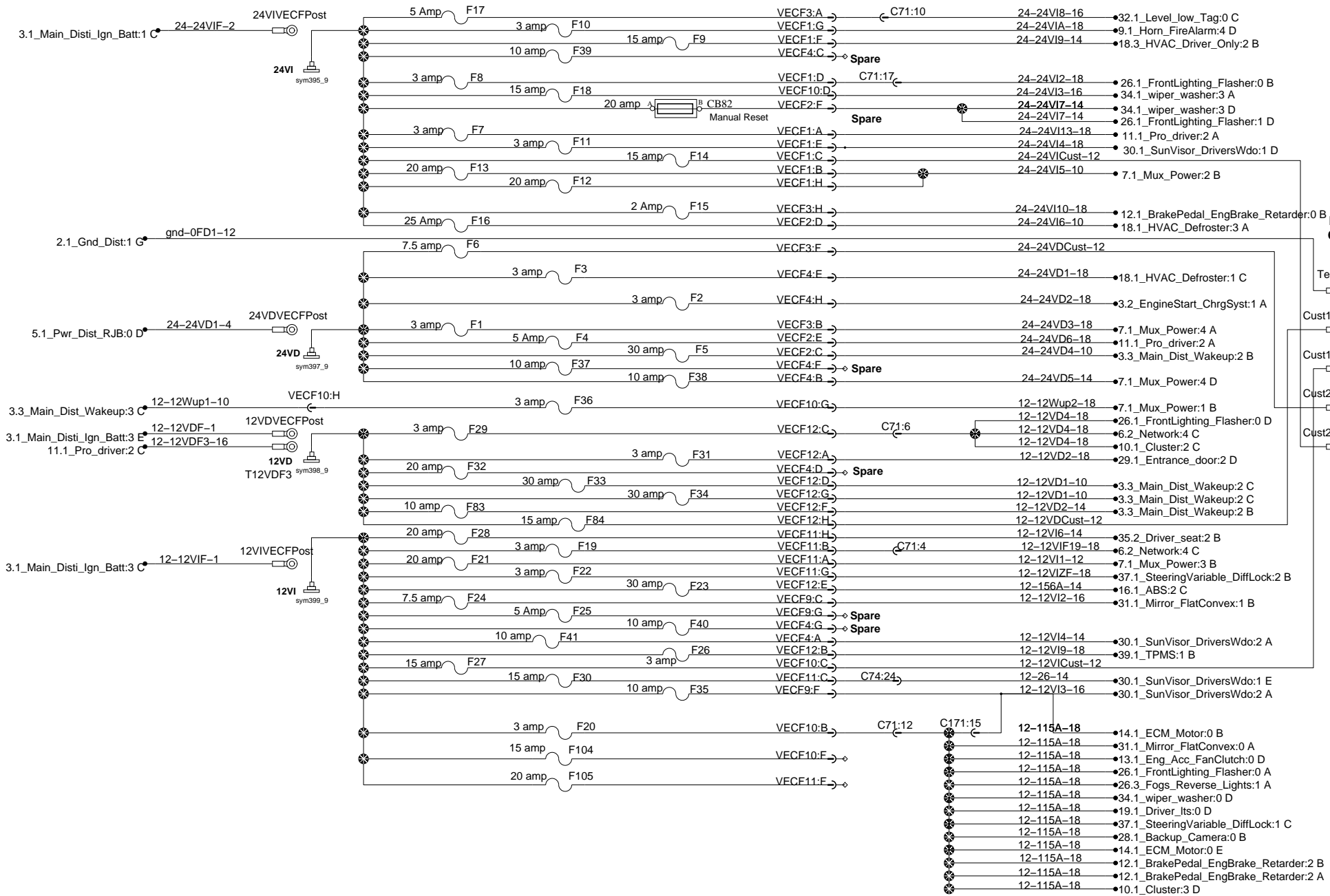
**Power Distribution Front Junction Box**



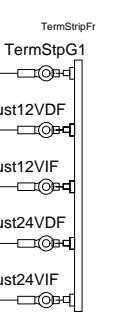
**Power Distribution Front Junction Box**



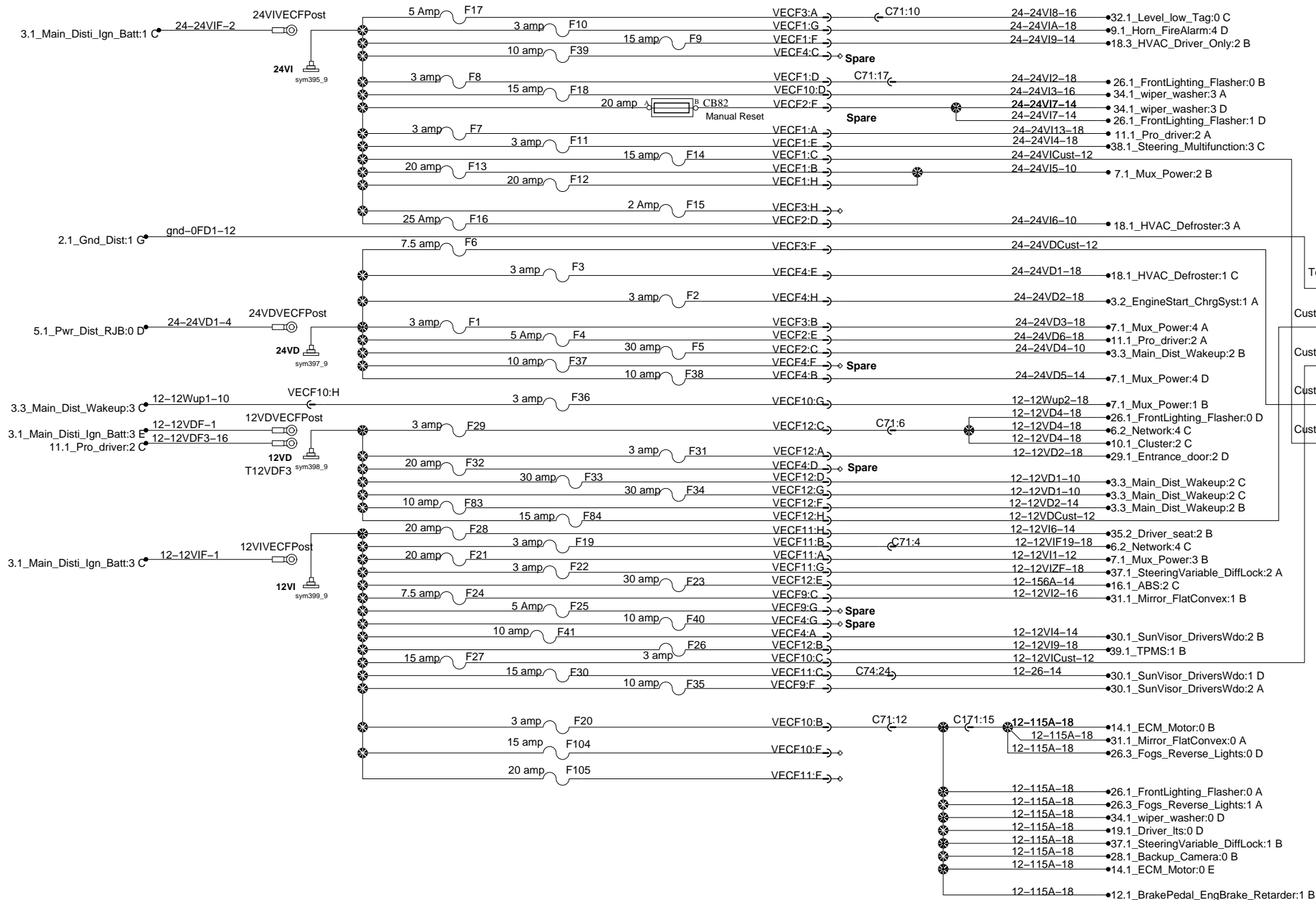
# Power Distribution Front Junction Box



Power for Customer



# Power Distribution Front Junction Box

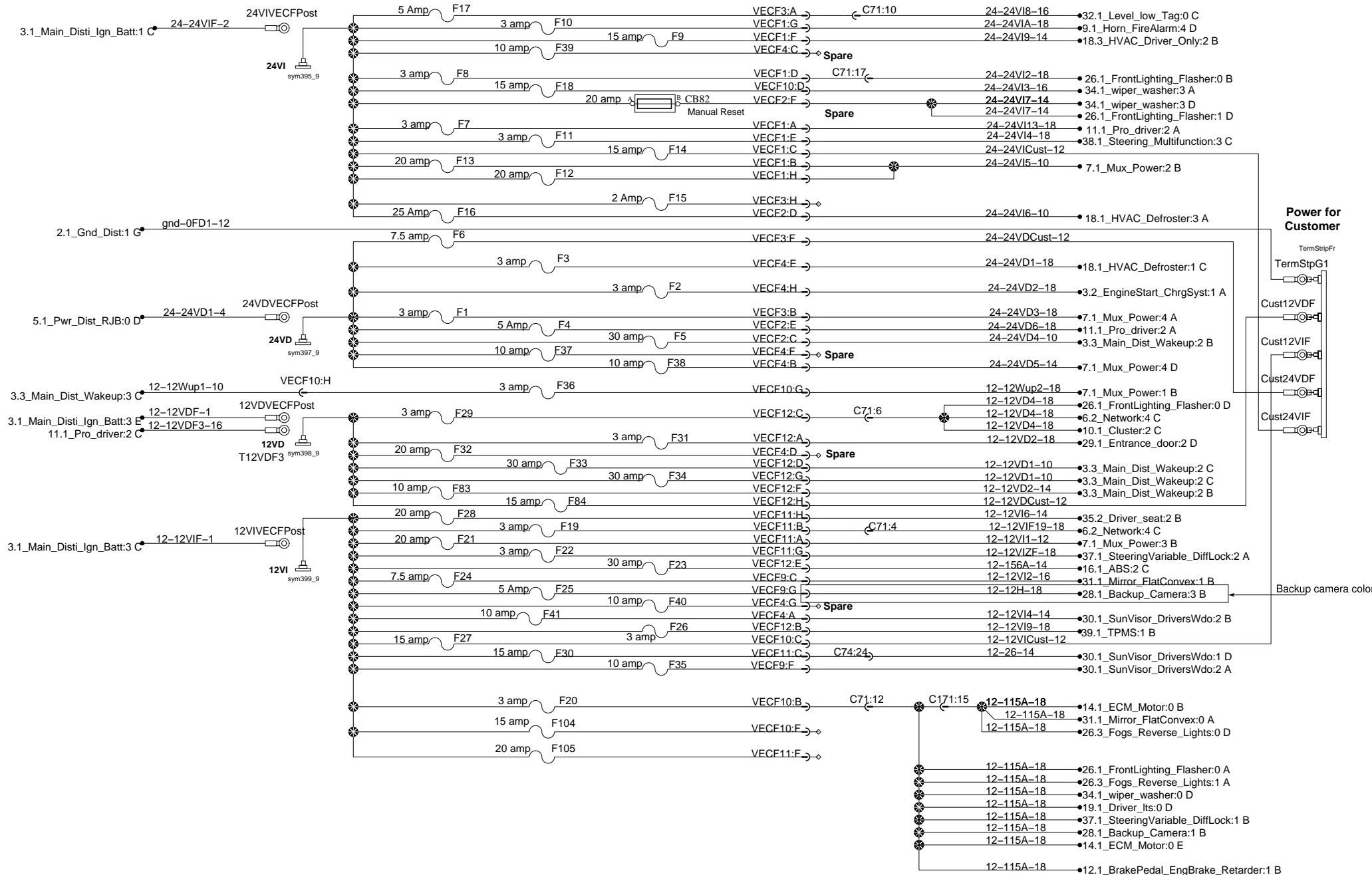


Power for Customer

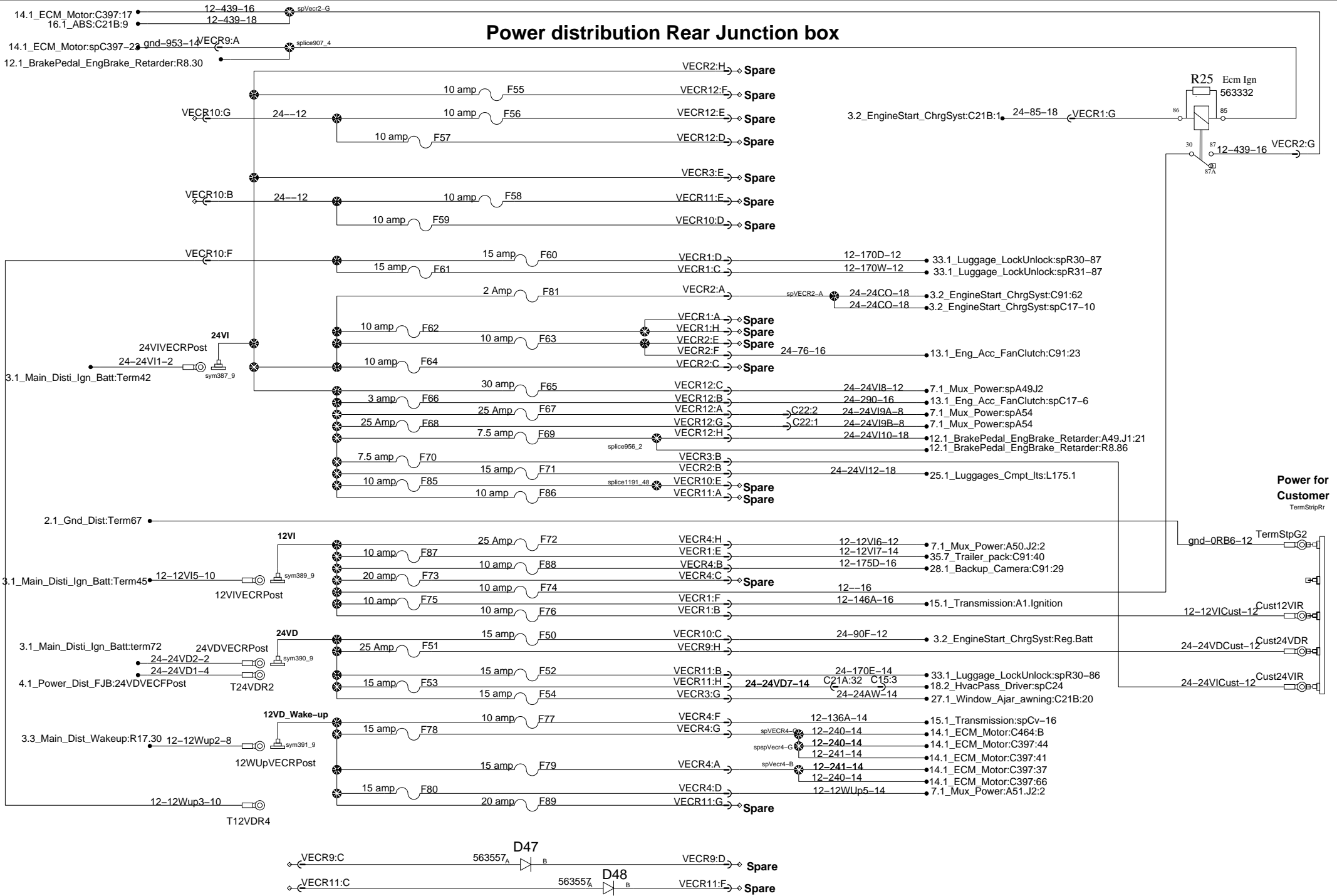




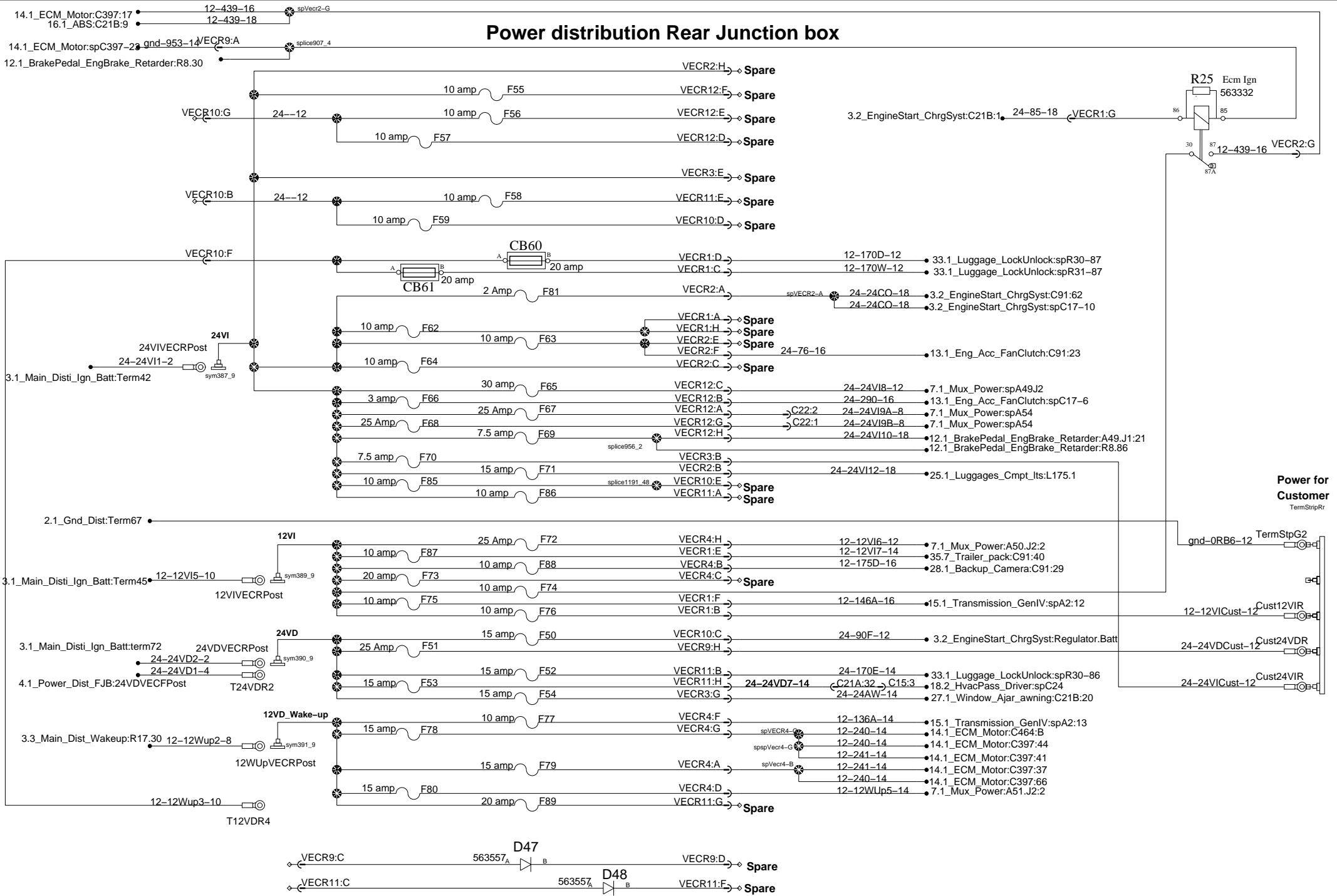
# Power Distribution Front Junction Box



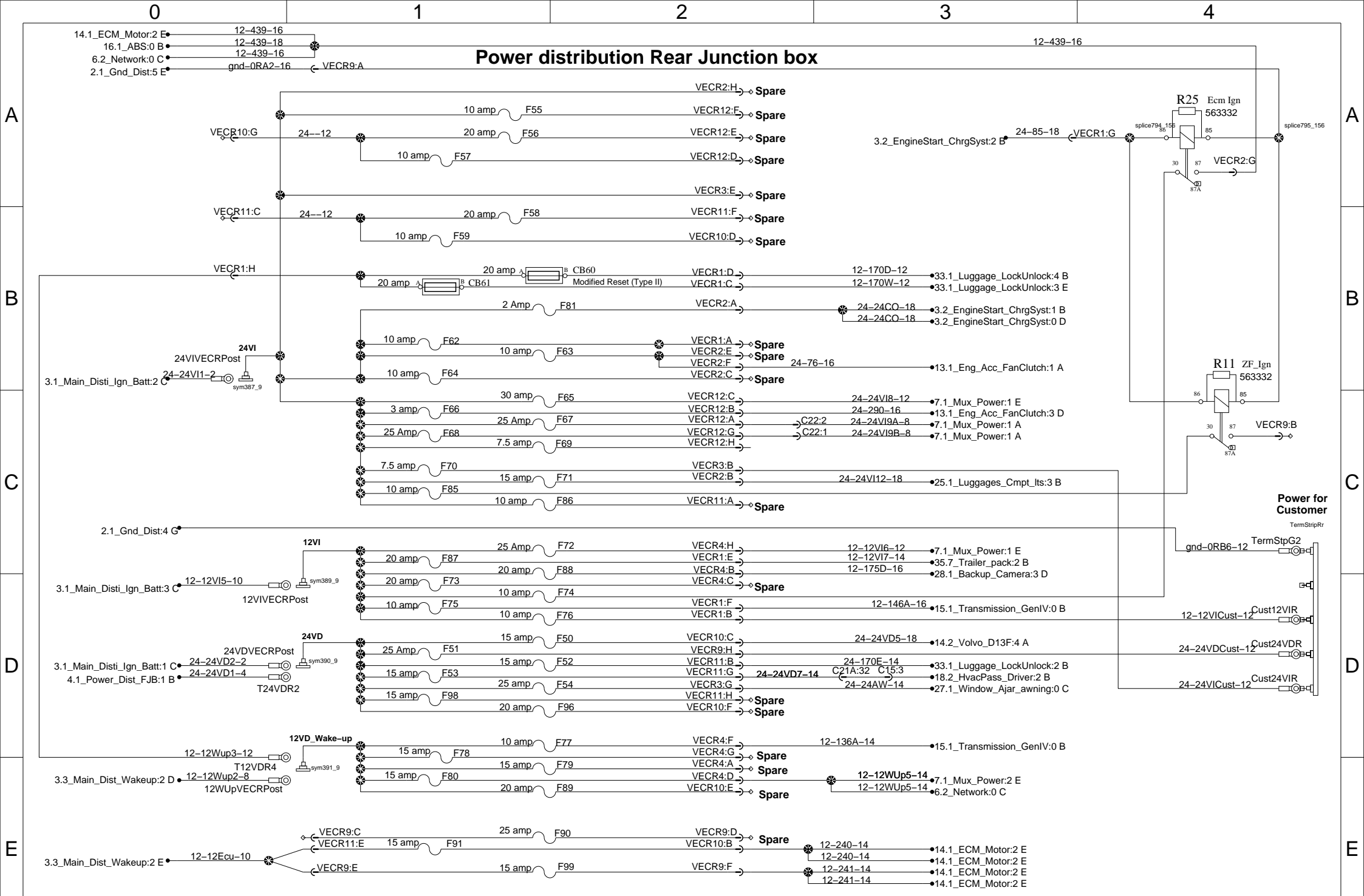
# Power distribution Rear Junction box



# Power distribution Rear Junction box

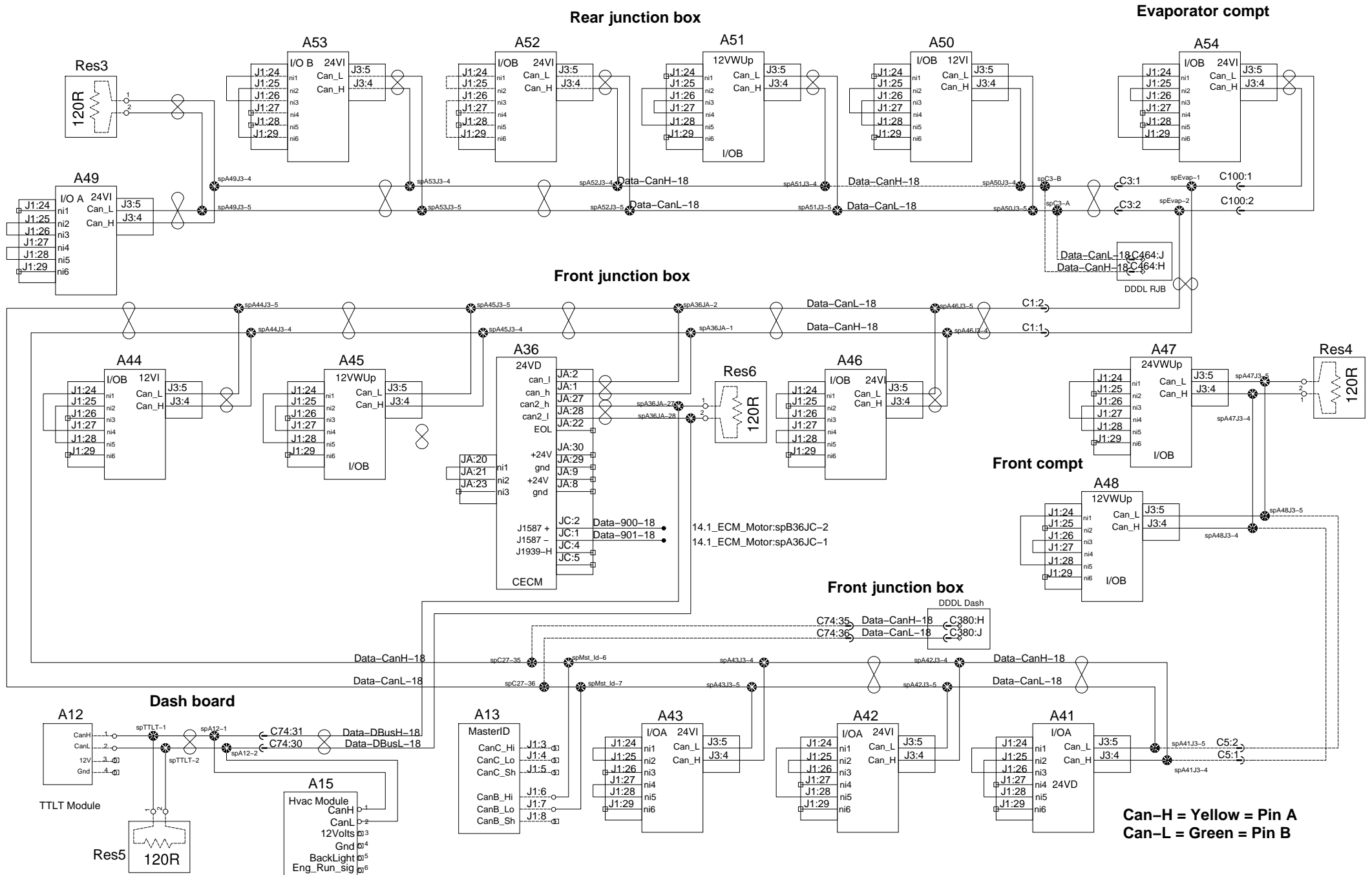






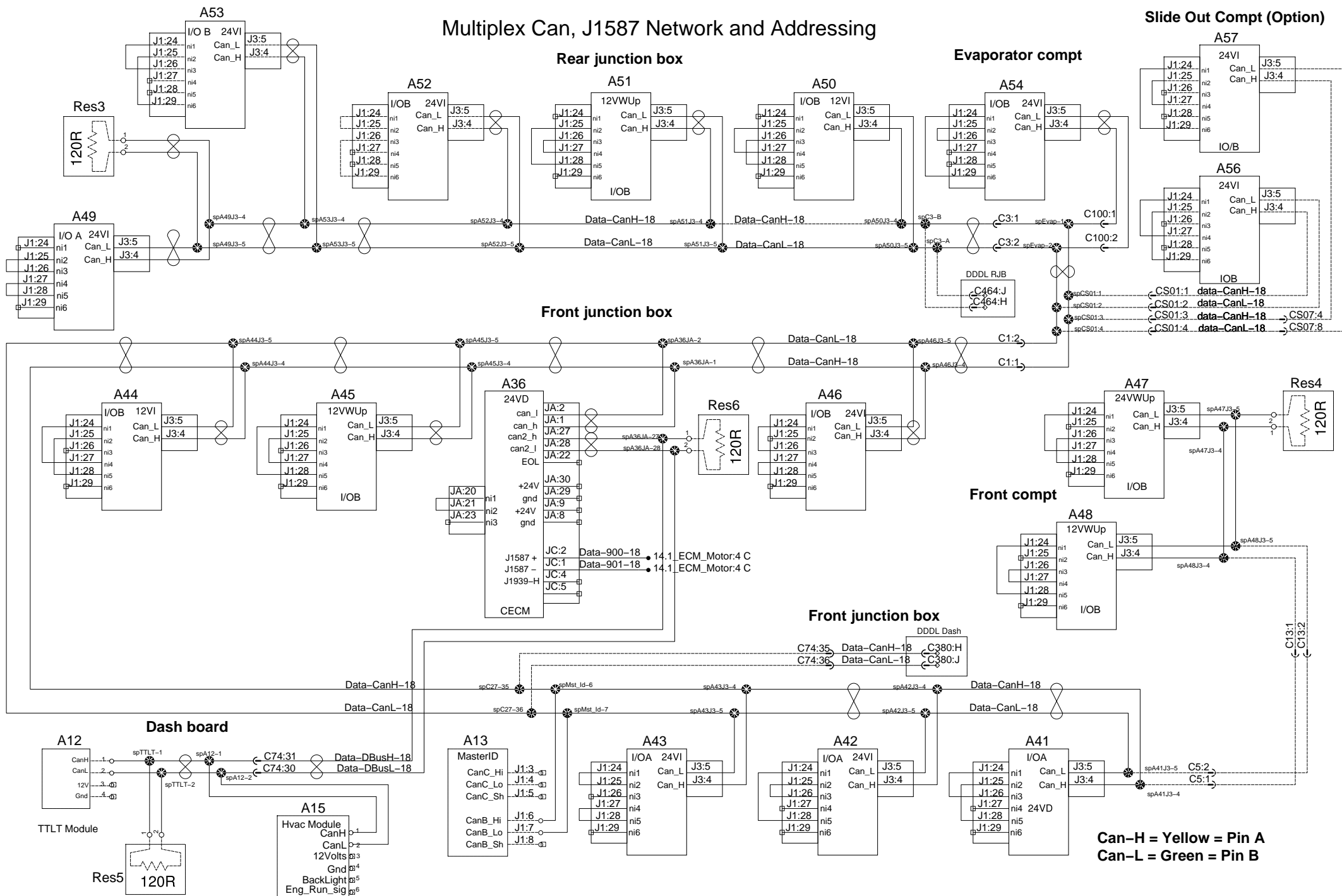


# Multiplex Can, J1587 Network and Addressing

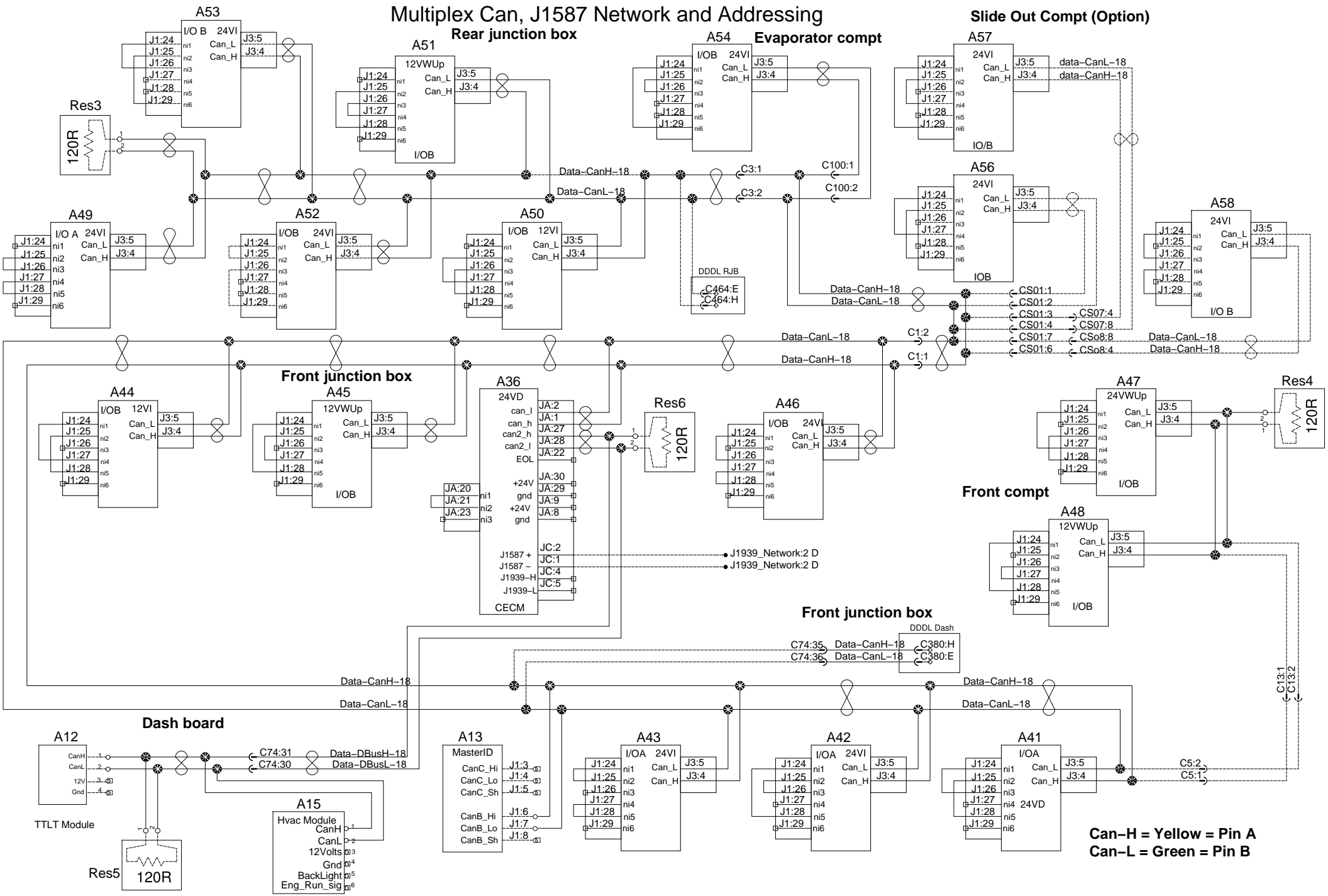


# Multiplex Can, J1587 Network and Addressing

Slide Out Compt (Option)



# Multiplex Can, J1587 Network and Addressing

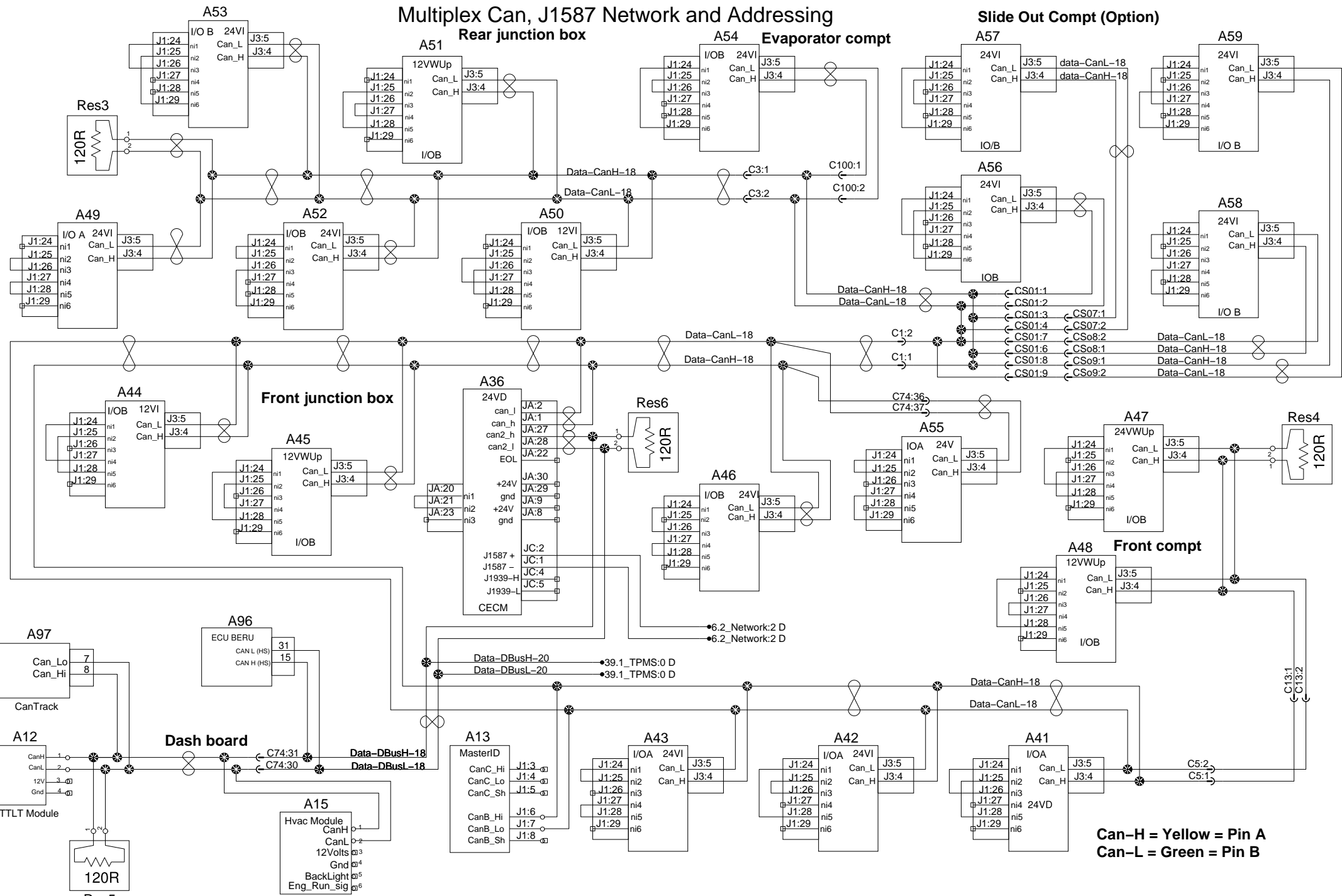


Can-H = Yellow = Pin A  
 Can-L = Green = Pin B

# Multiplex Can, J1587 Network and Addressing

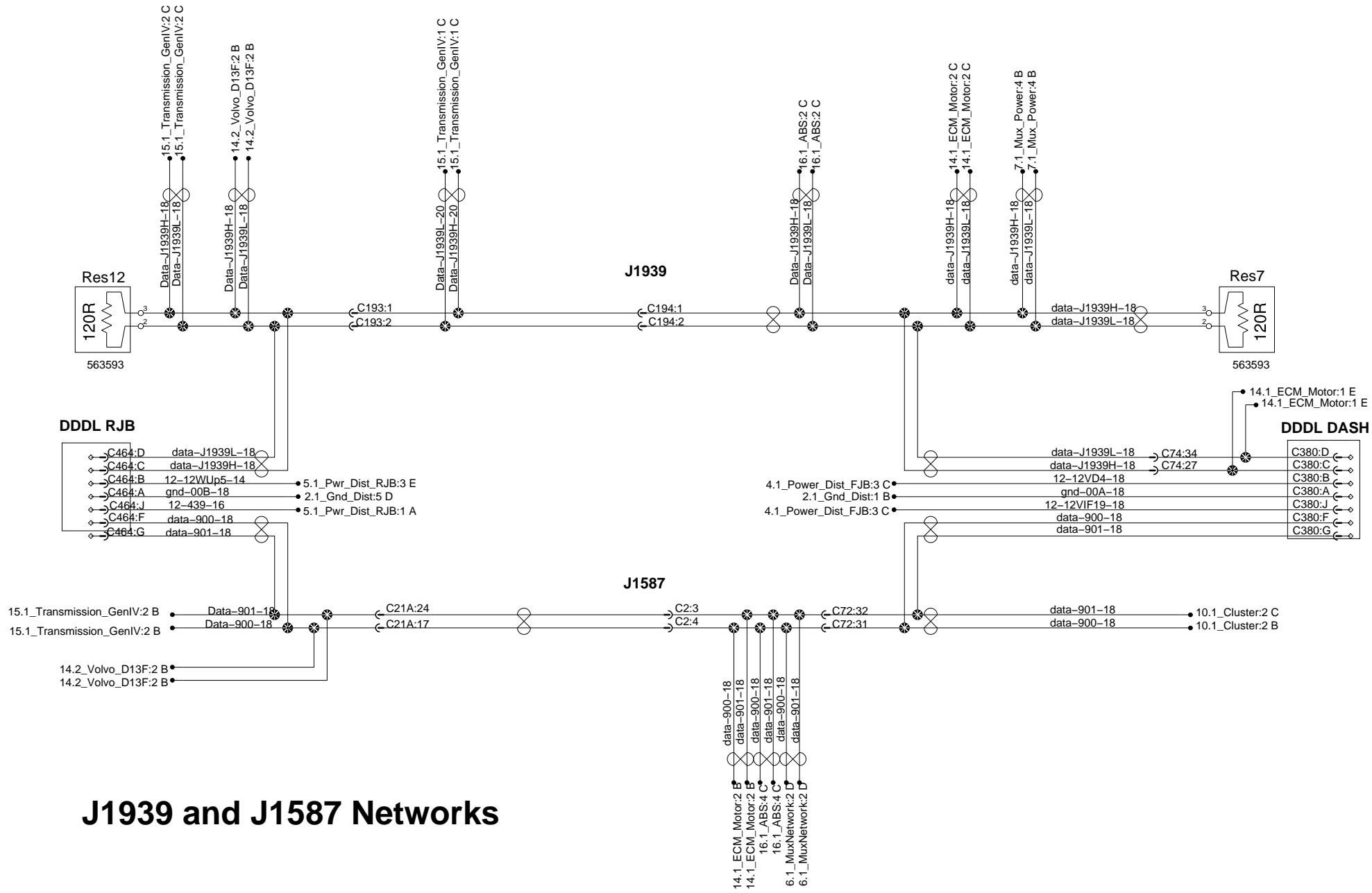
## Rear junction box

## Slide Out Compt (Option)



Can-H = Yellow = Pin A  
Can-L = Green = Pin B

# J1939 and J1587 Networks



# Multiplex Power Supply Distribution

## Evaporator Cmpt.

## Front Junction Box

## A36

## A46

## A45

## A44

JA:20  
JA:21  
JA:23

ni1  
ni2  
ni3

JC:2  
JC:1  
JC:4  
JC:5

CECM

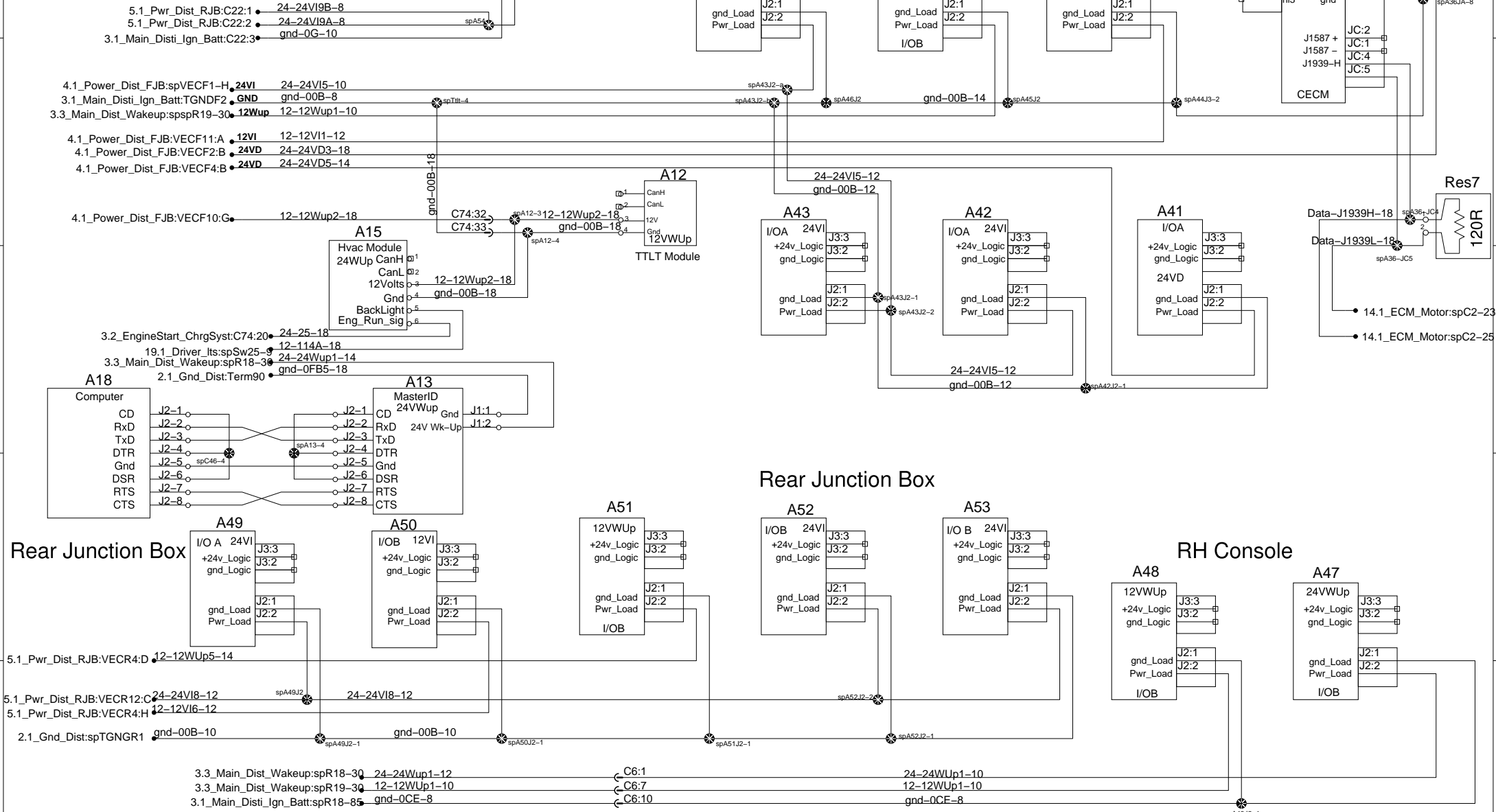
## Res7

120R

## Rear Junction Box

## RH Console

## Rear Junction Box

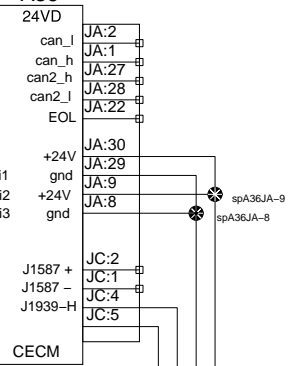


# Multiplex Power Supply Distribution

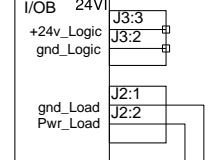
## Evaporator Cmpt.

## Front Junction Box

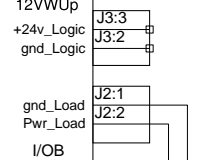
## A36



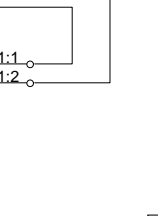
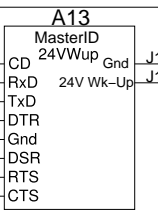
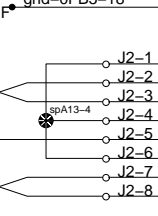
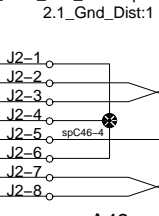
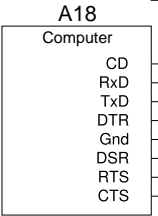
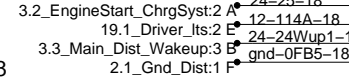
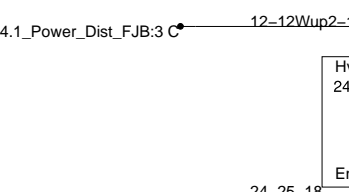
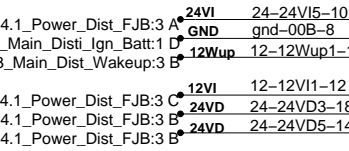
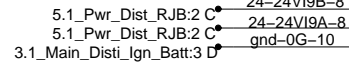
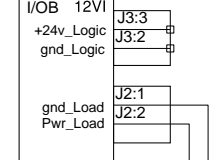
## A46



## A45

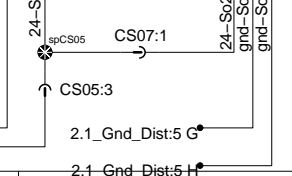
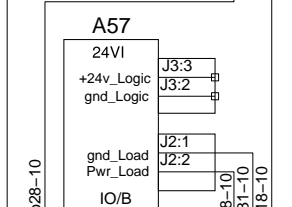
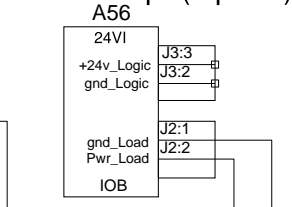


## A44

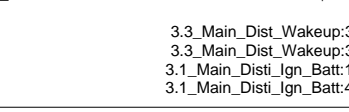
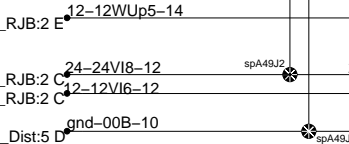
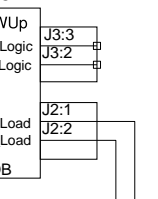
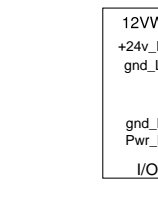
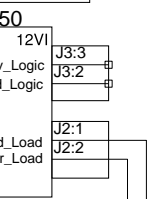
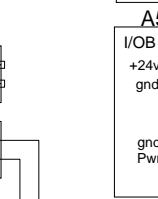
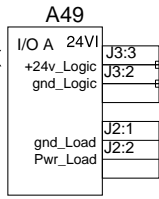


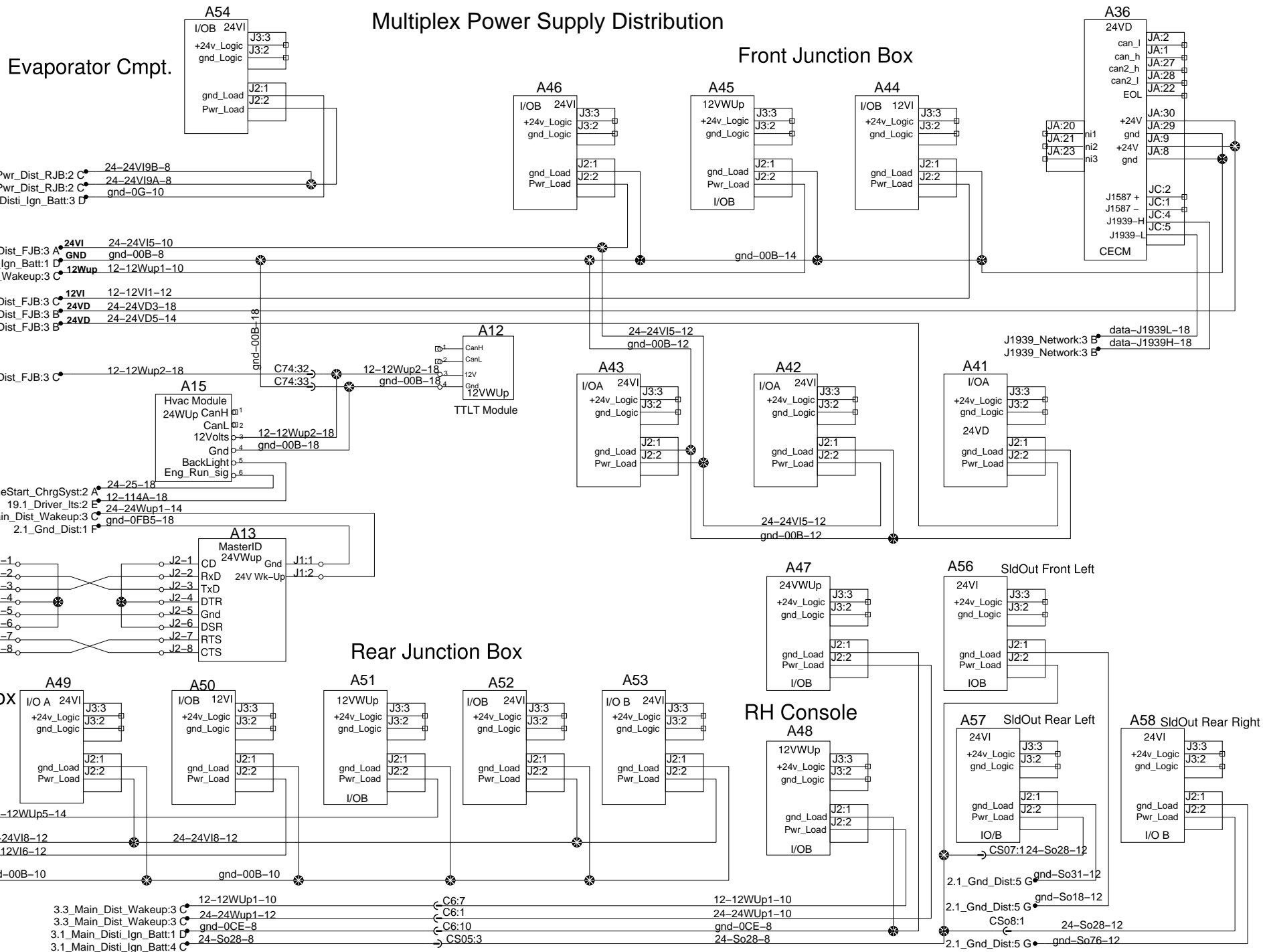
## Rear Junction Box

## Slide Out Cmpt (Option)



## Rear Junction Box



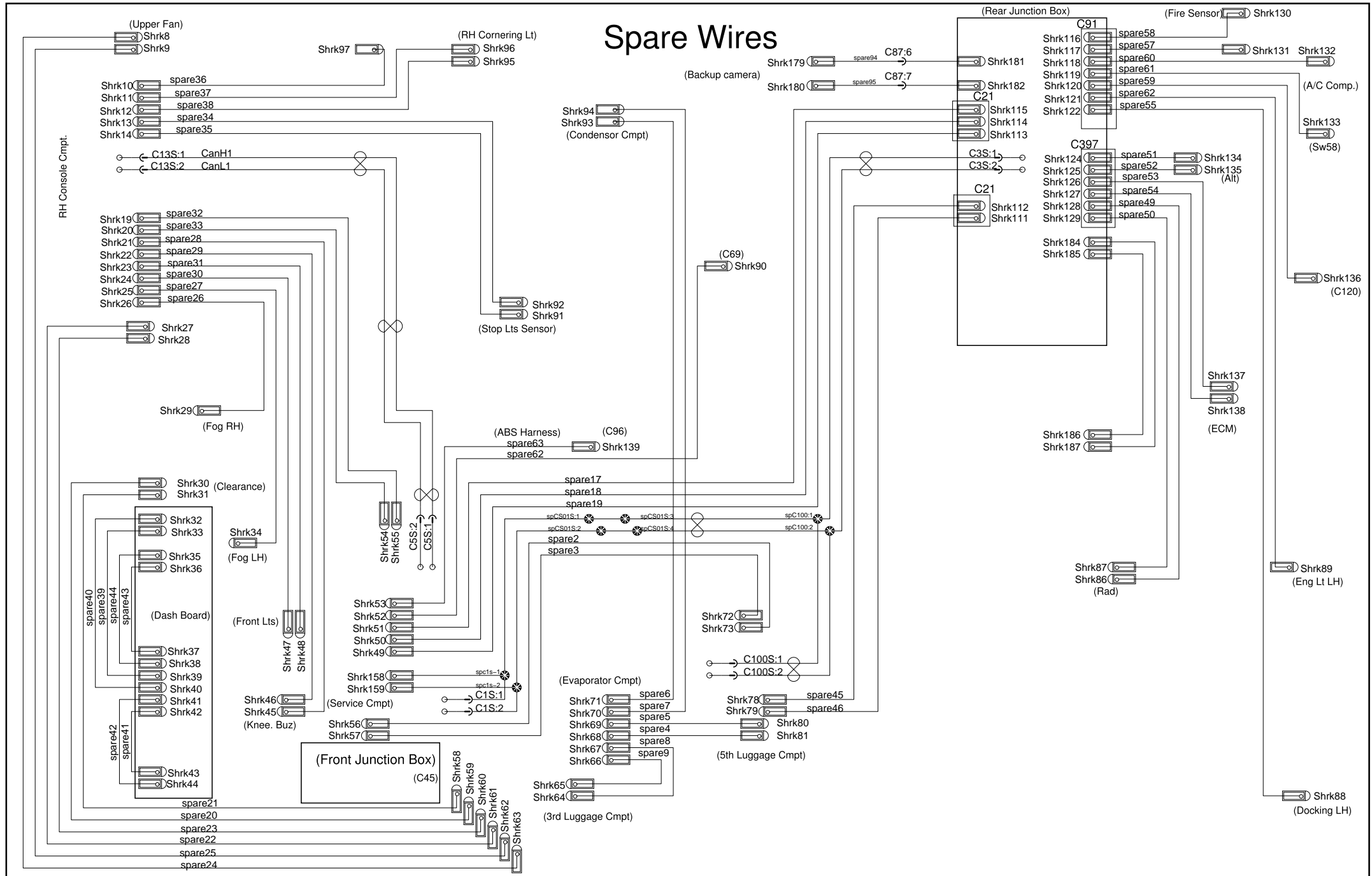




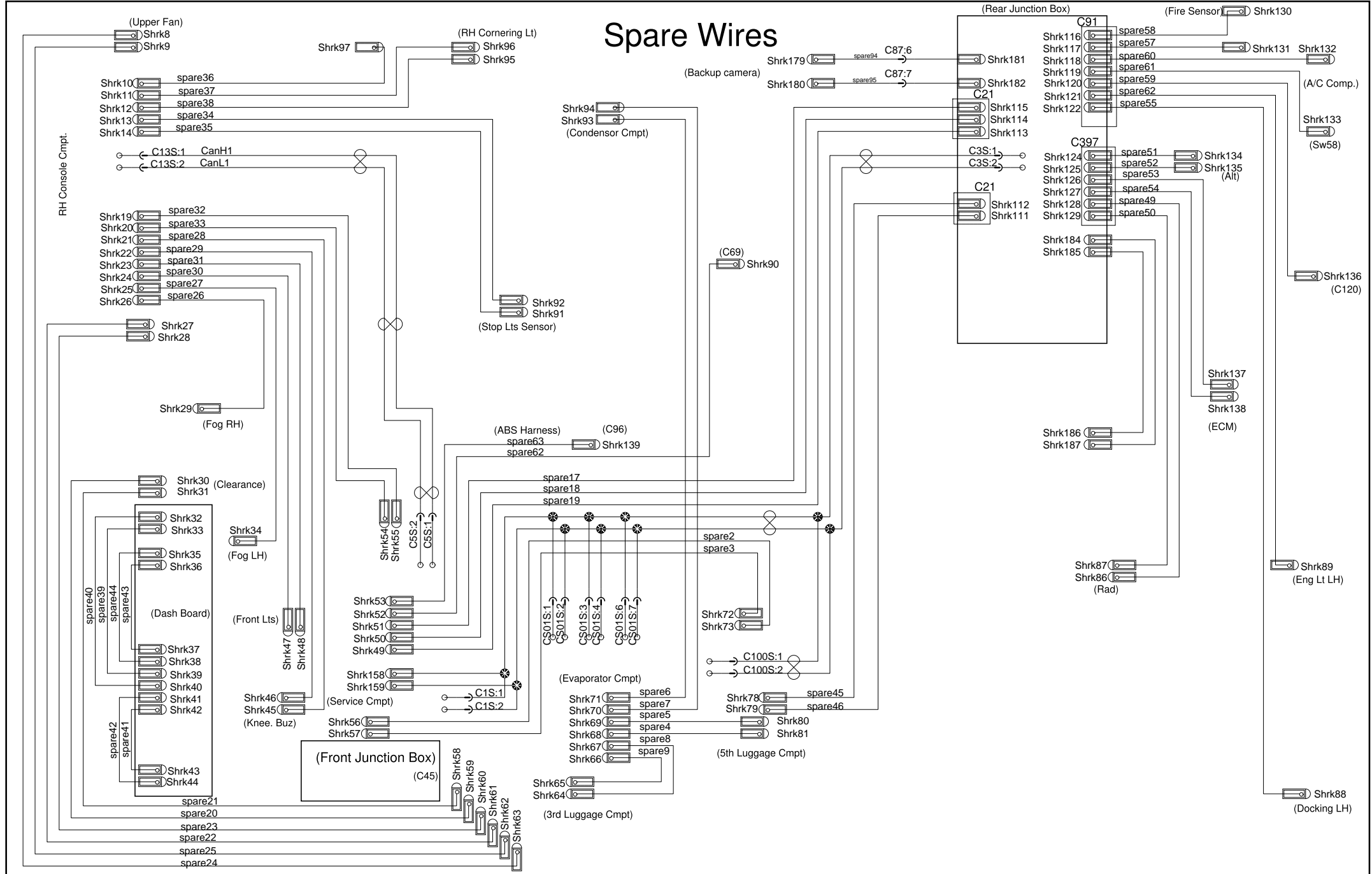




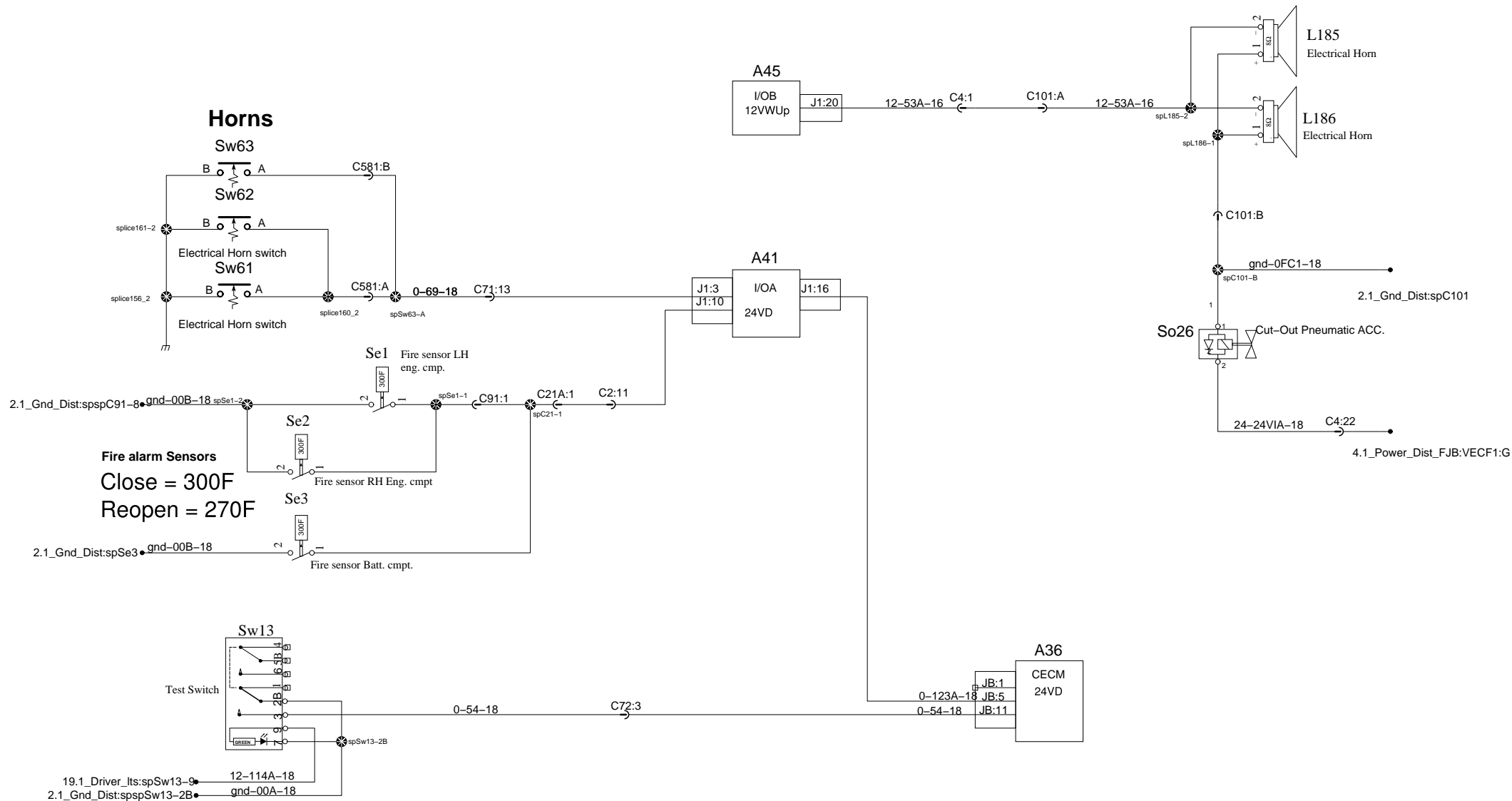
# Spare Wires



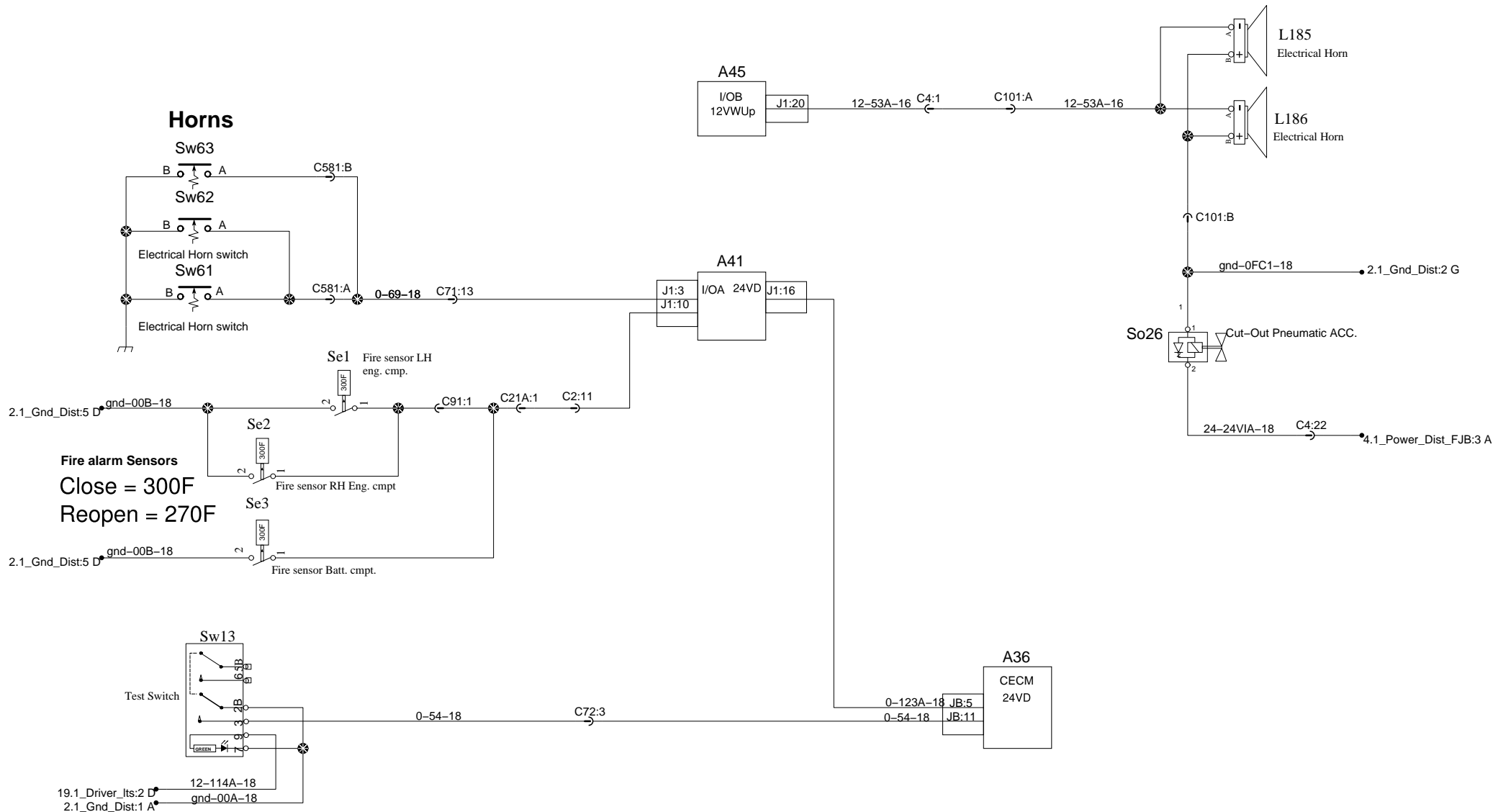
# Spare Wires



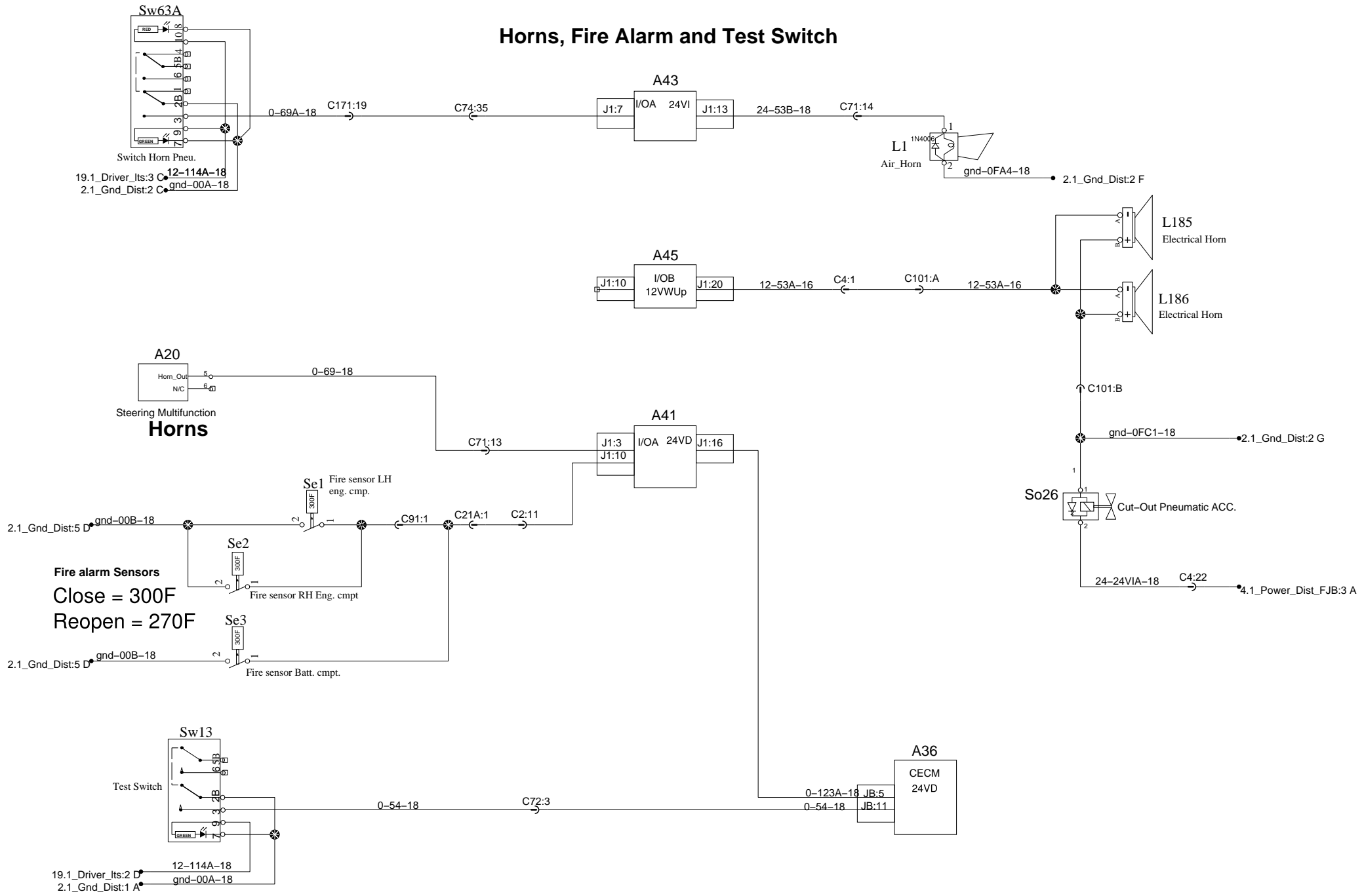
# Horns, Fire Alarm and Test Switch



# Horns, Fire Alarm and Test Switch



### Horns, Fire Alarm and Test Switch



0

1

2

3

4

A

A

B

B

C

C

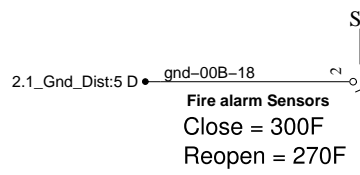
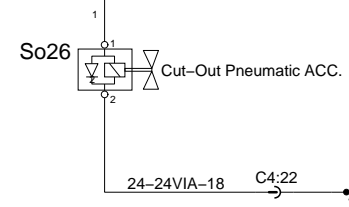
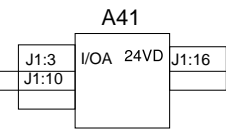
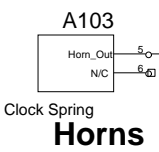
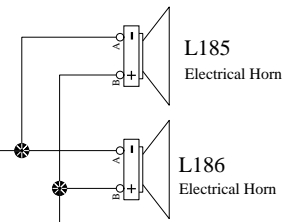
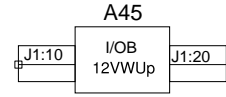
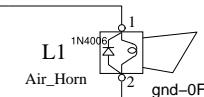
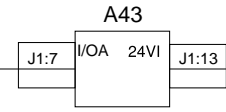
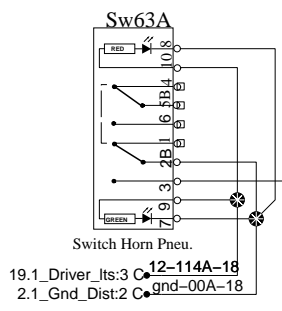
D

D

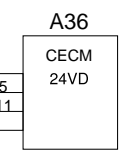
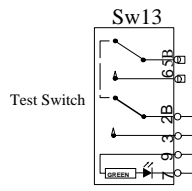
E

E

### Horns, Fire Alarm and Test Switch



Engine Fire Signal w/o Kidde



0

1

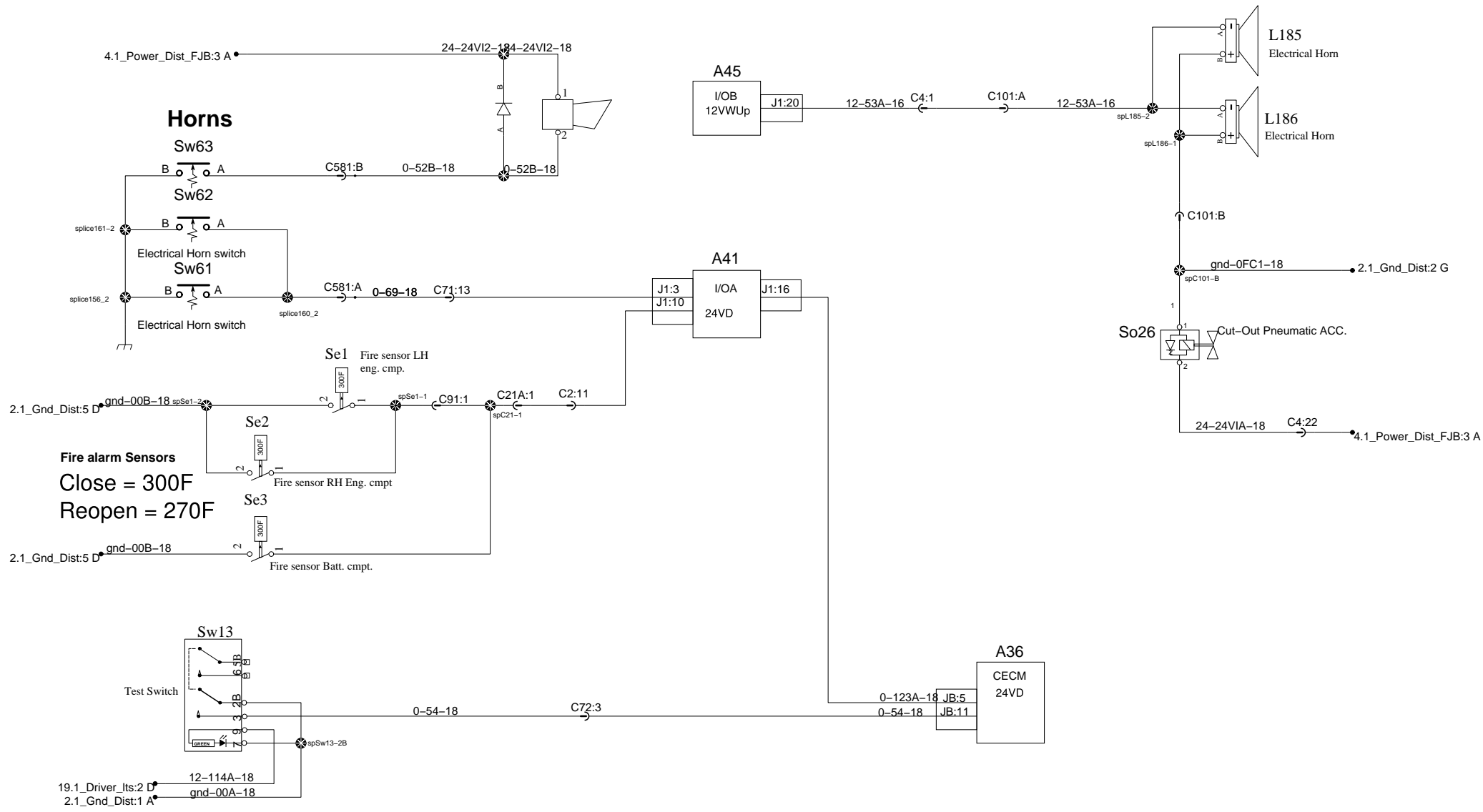
2

3

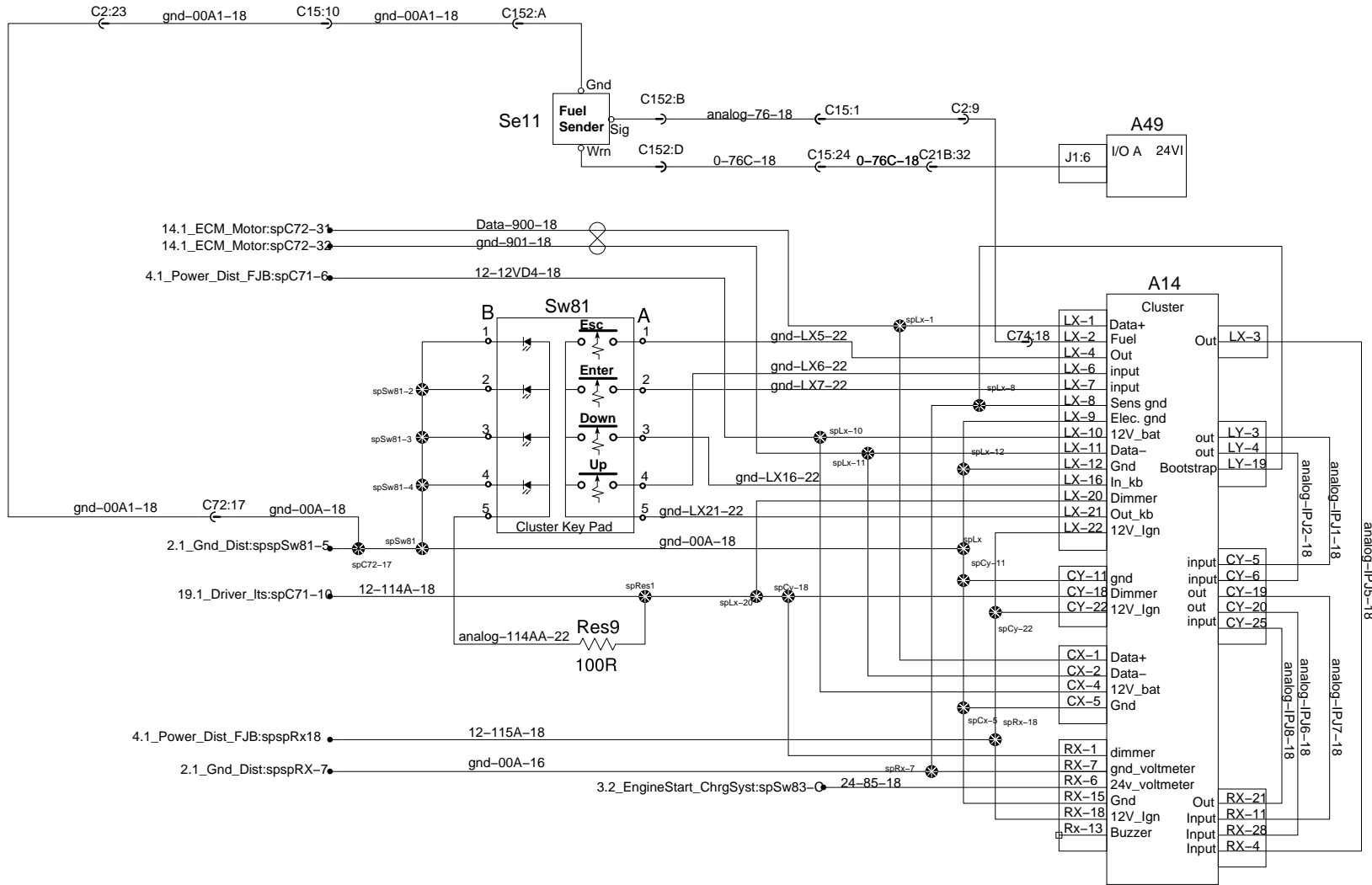
4



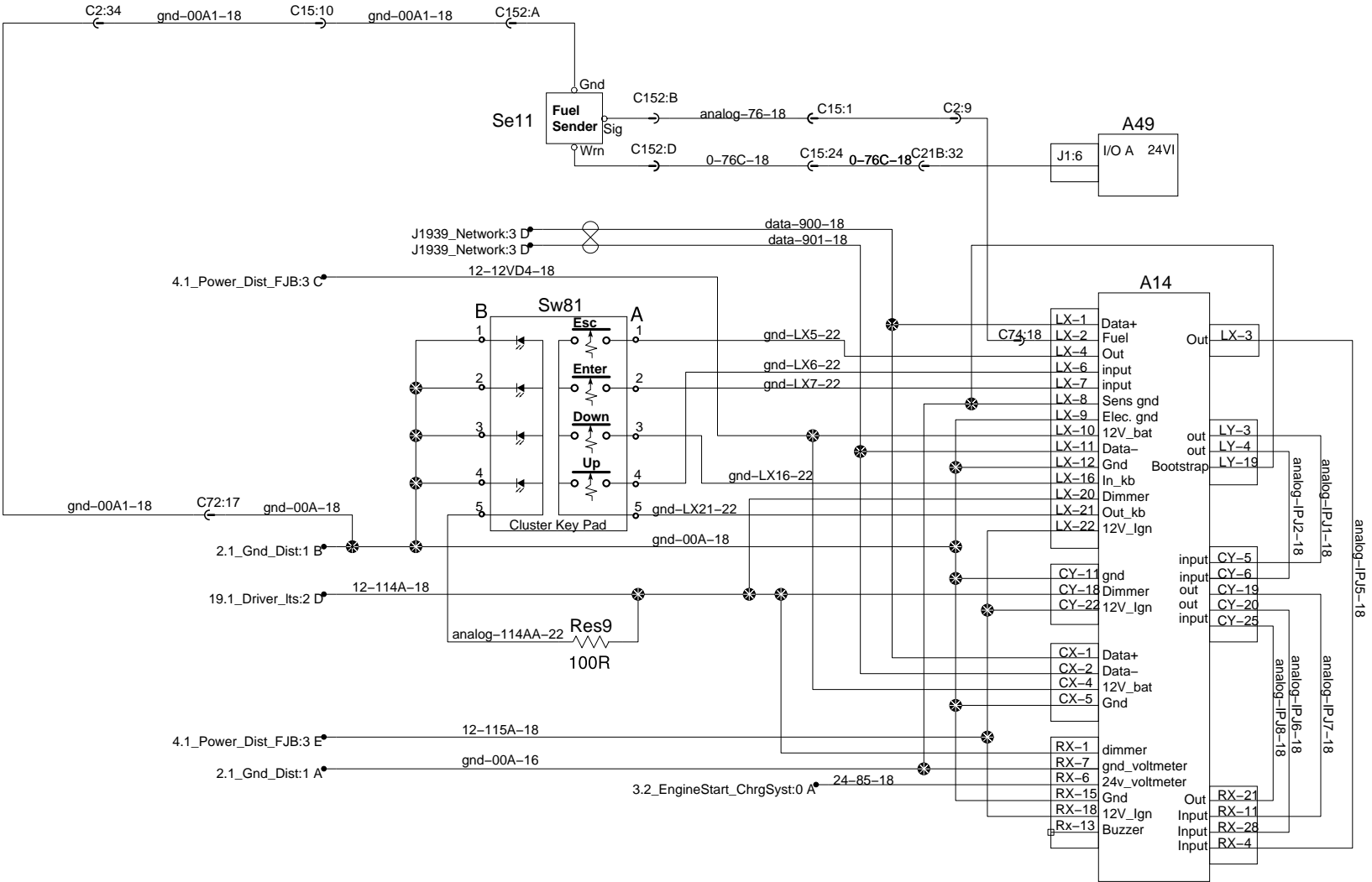
# Horns, Fire Alarm and Test Switch



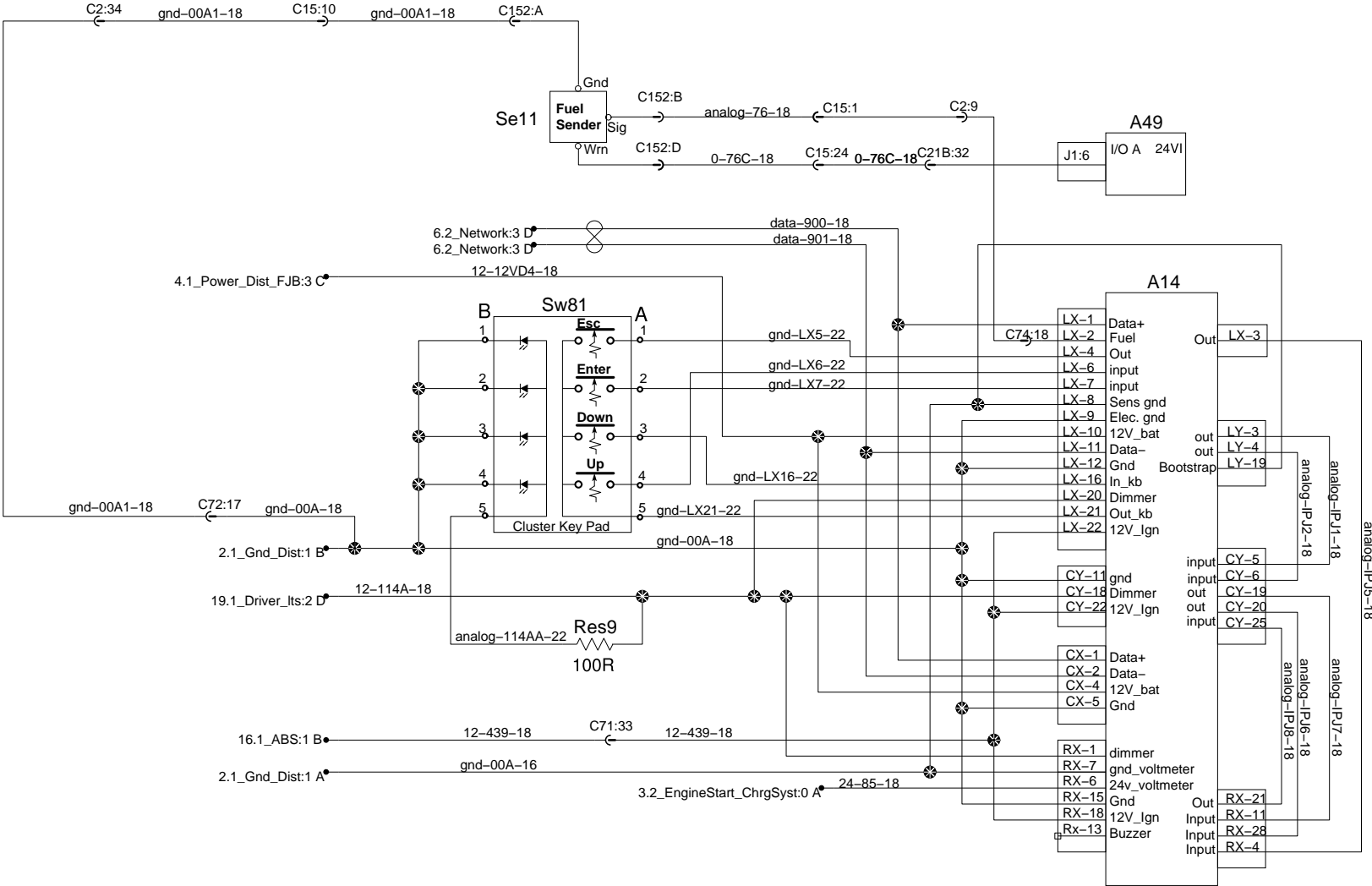
# Cluster



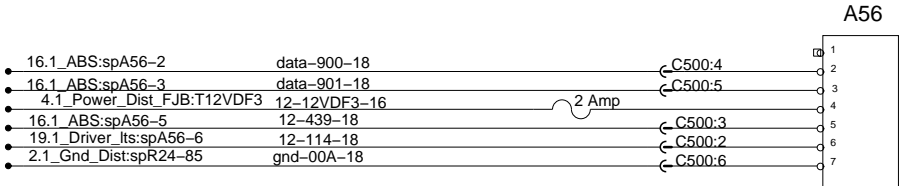
# Cluster



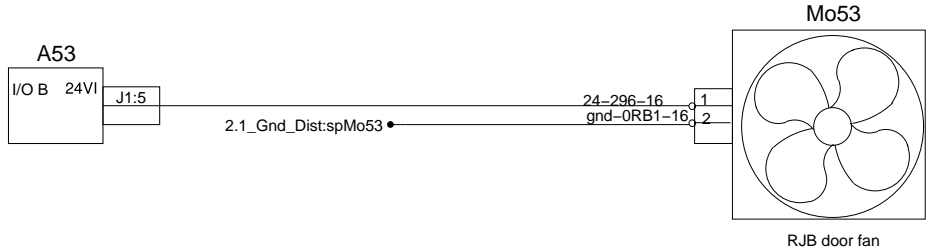
# Cluster



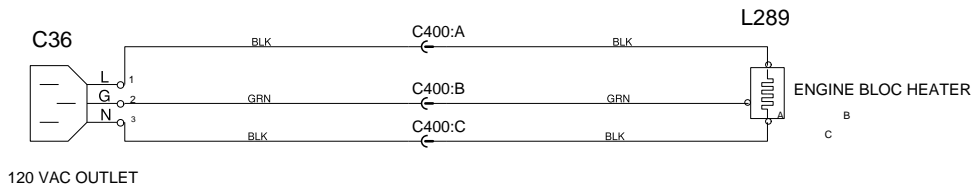
# Pro-driver



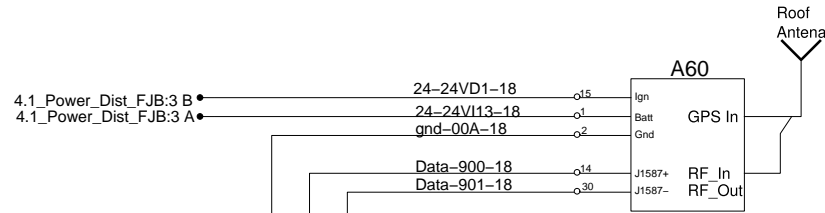
# Rear Junction Box Door Fan



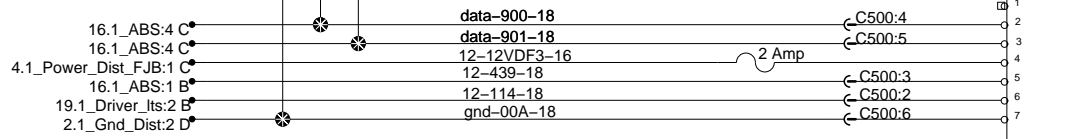
# ENGINE BLOCK HEATER



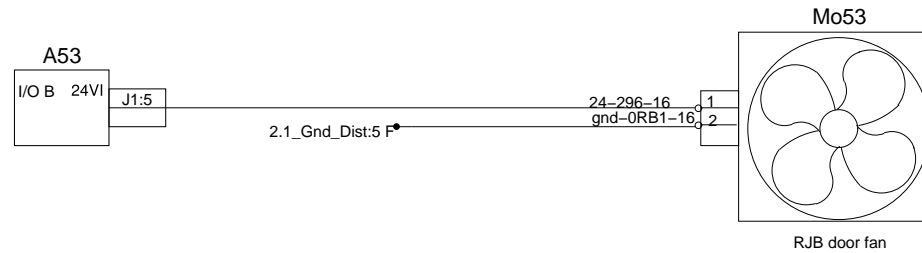
# Volvo Link



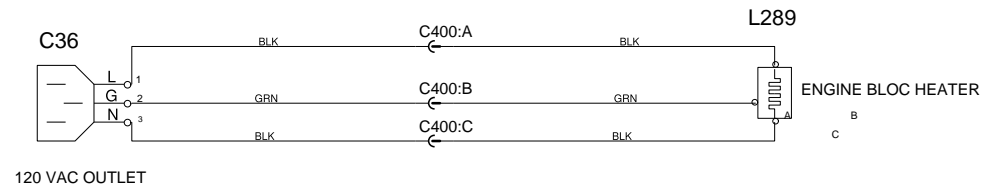
# Pro-driver



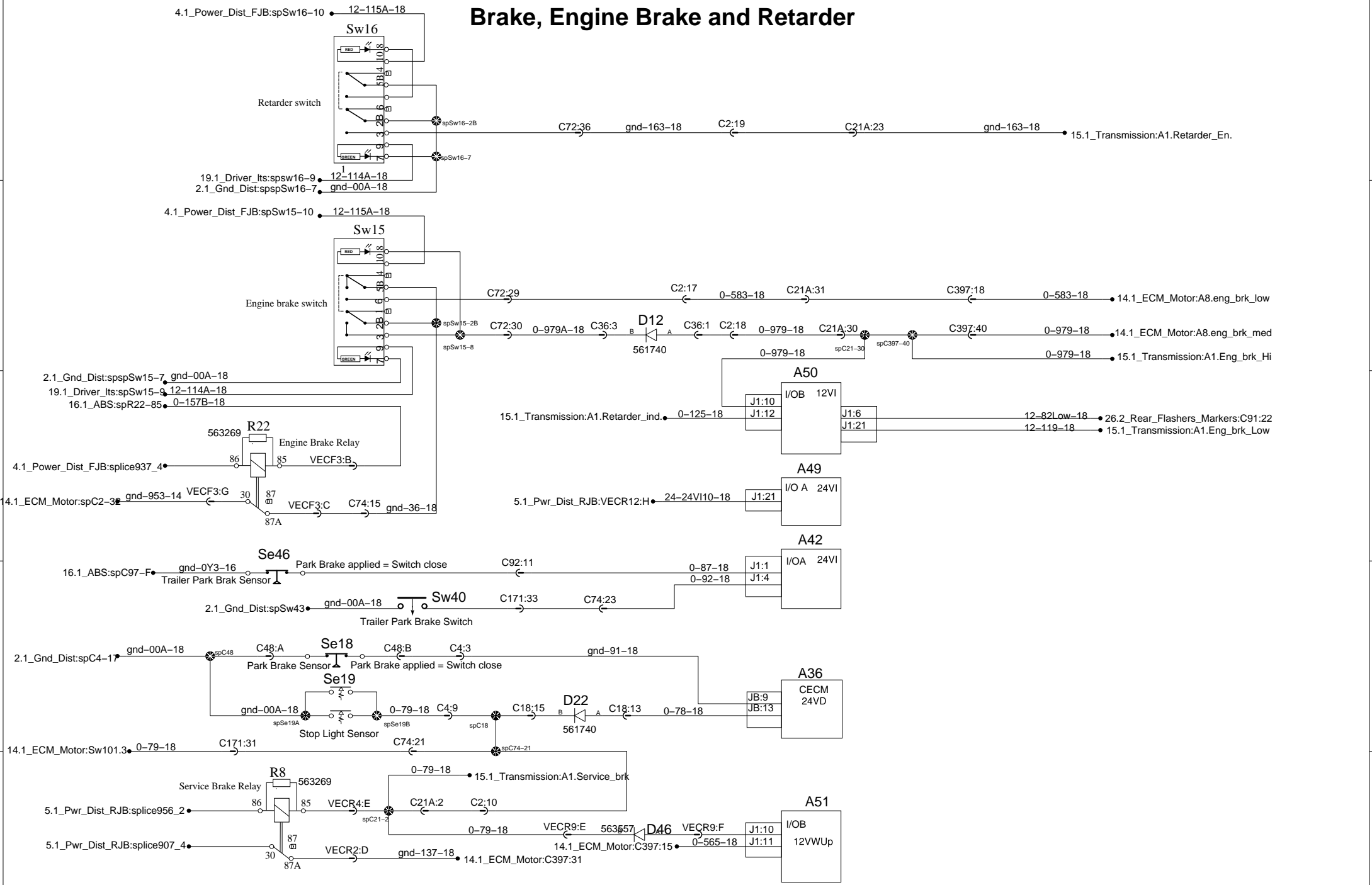
# Rear Junction Box Door Fan



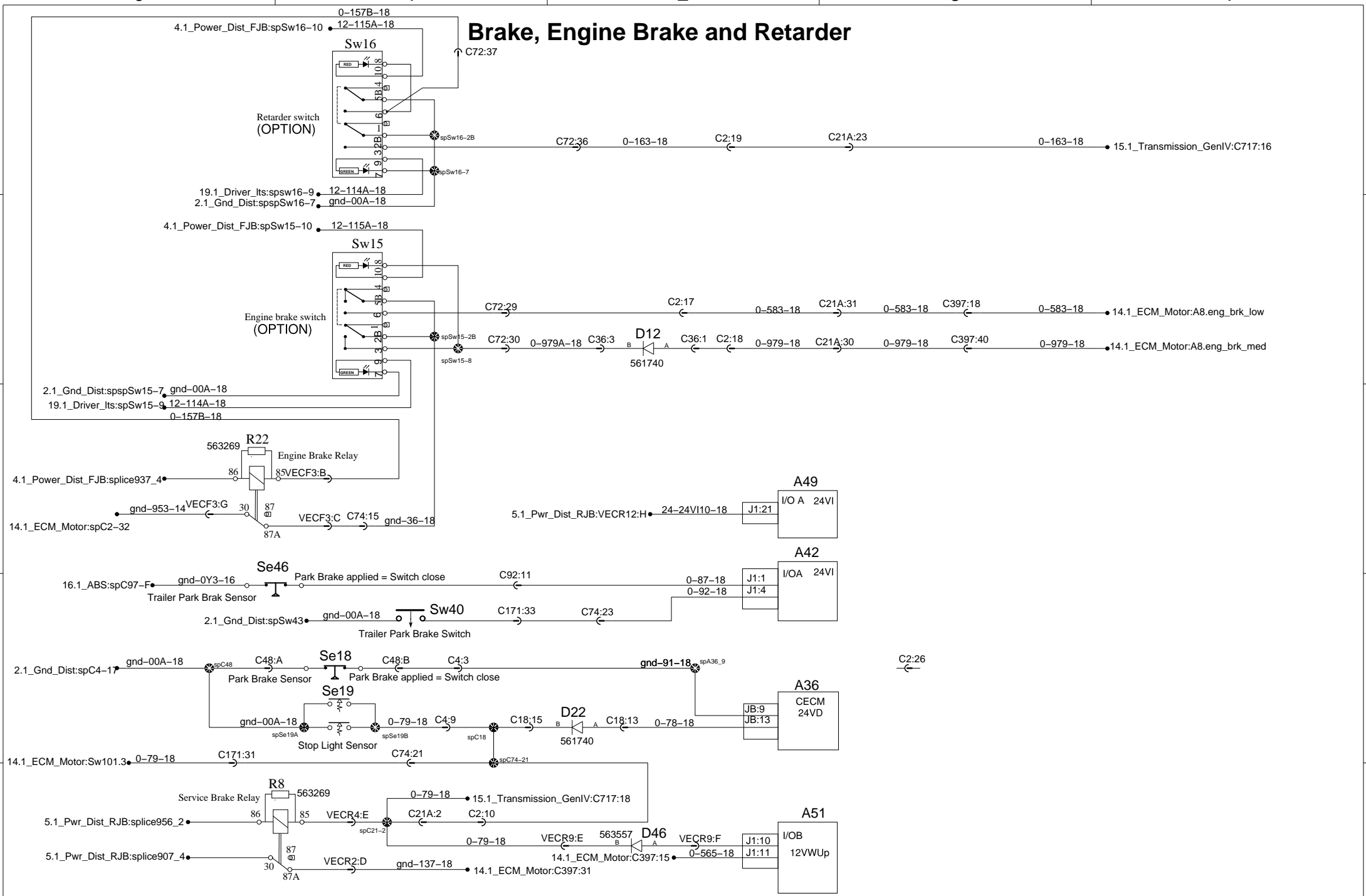
# ENGINE BLOCK HEATER



# Brake, Engine Brake and Retarder

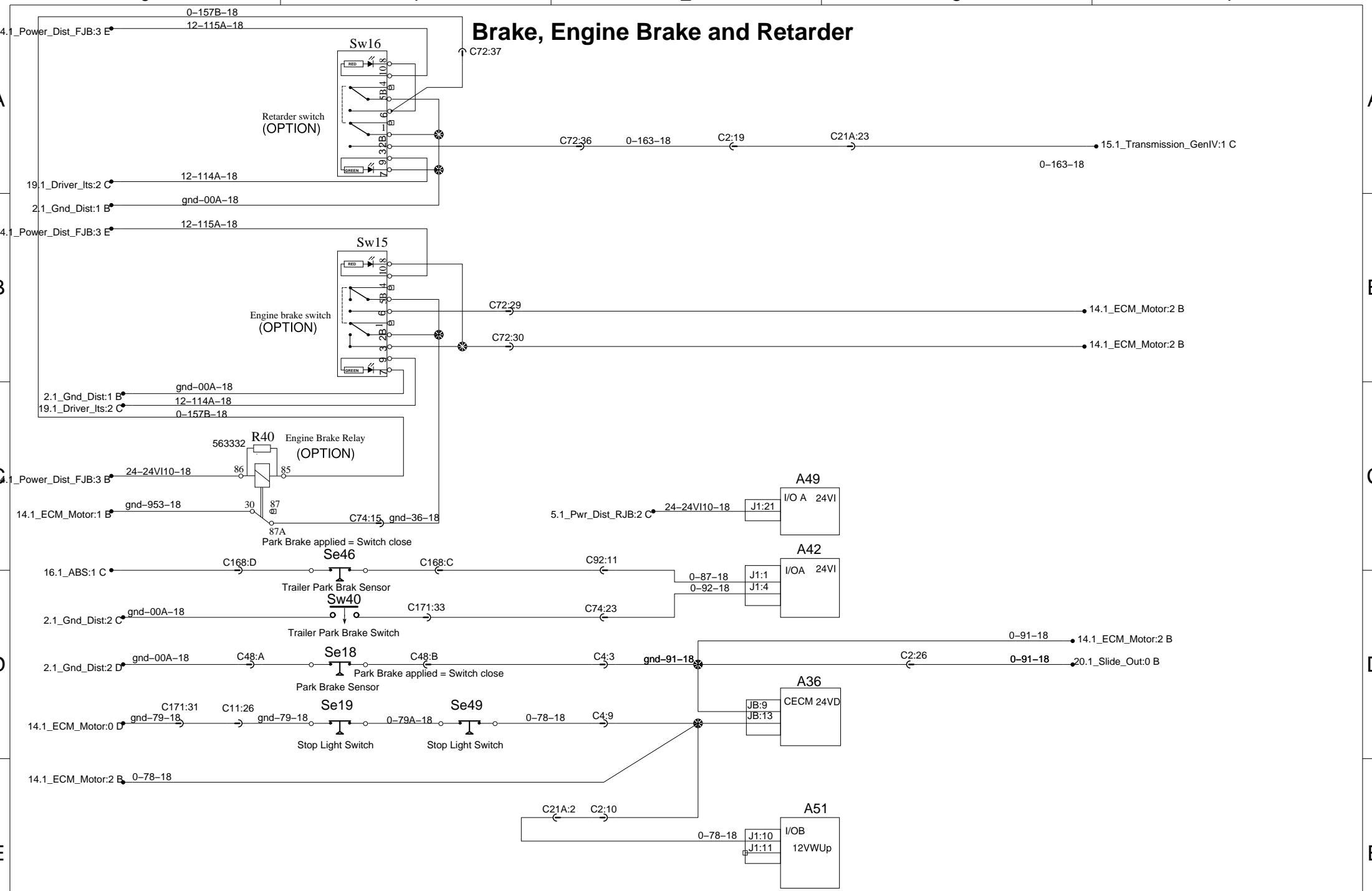


# Brake, Engine Brake and Retarder

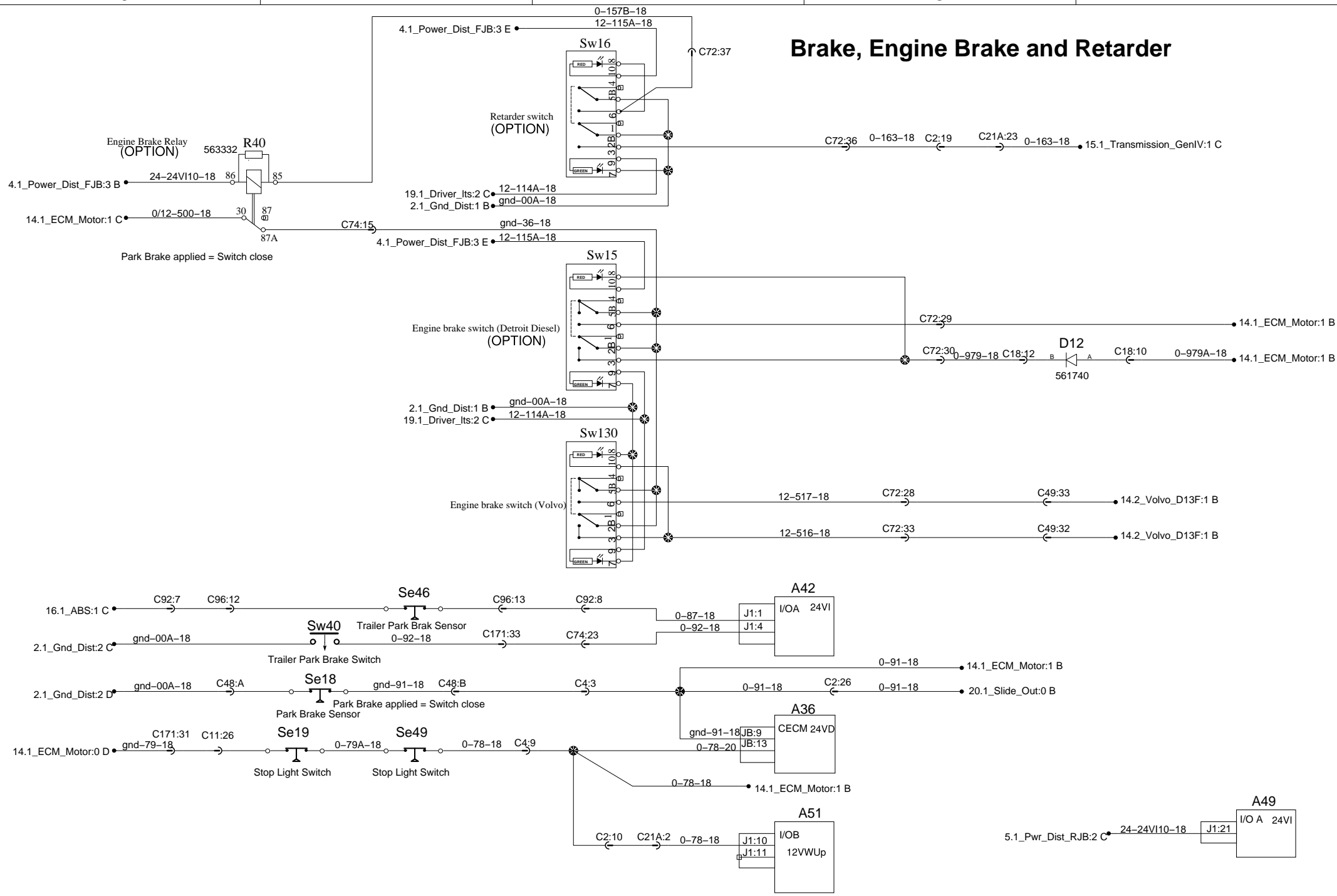


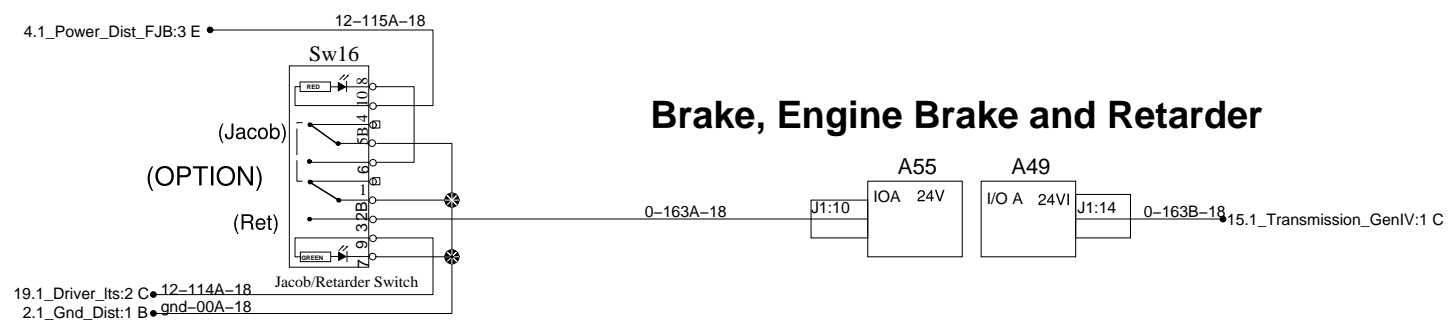


# Brake, Engine Brake and Retarder

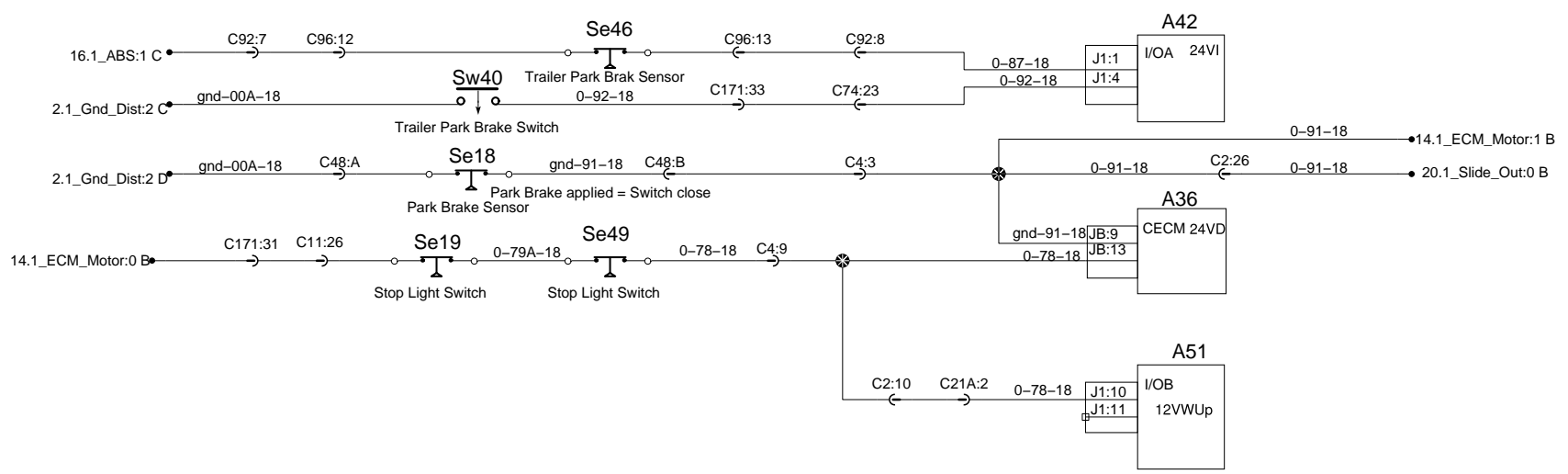


# Brake, Engine Brake and Retarder

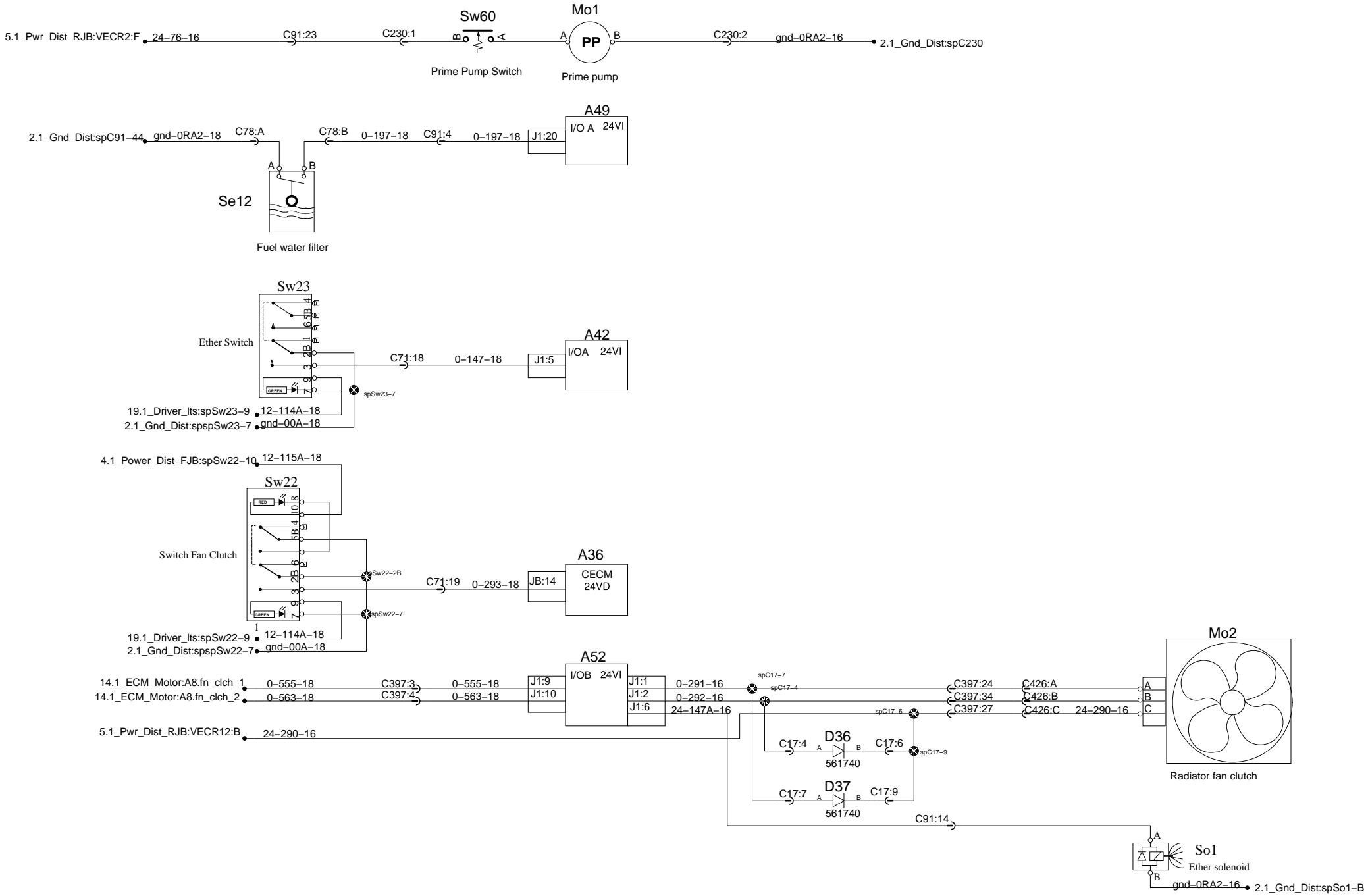




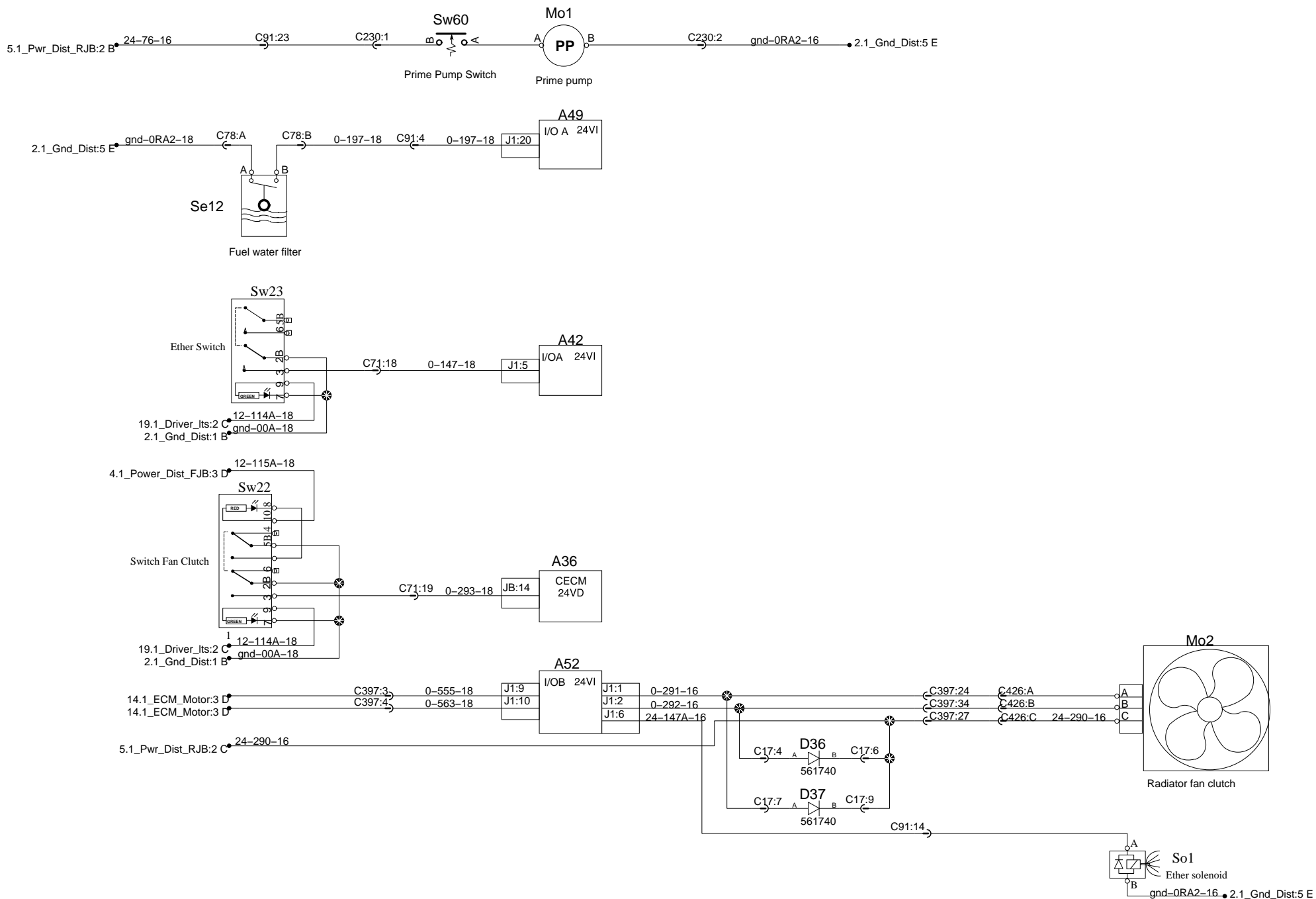
### Brake, Engine Brake and Retarder



# Prime Pump, Water Filter, Ether and Fan Clutch



# Prime Pump, Water Filter, Ether and Fan Clutch



0

1

2

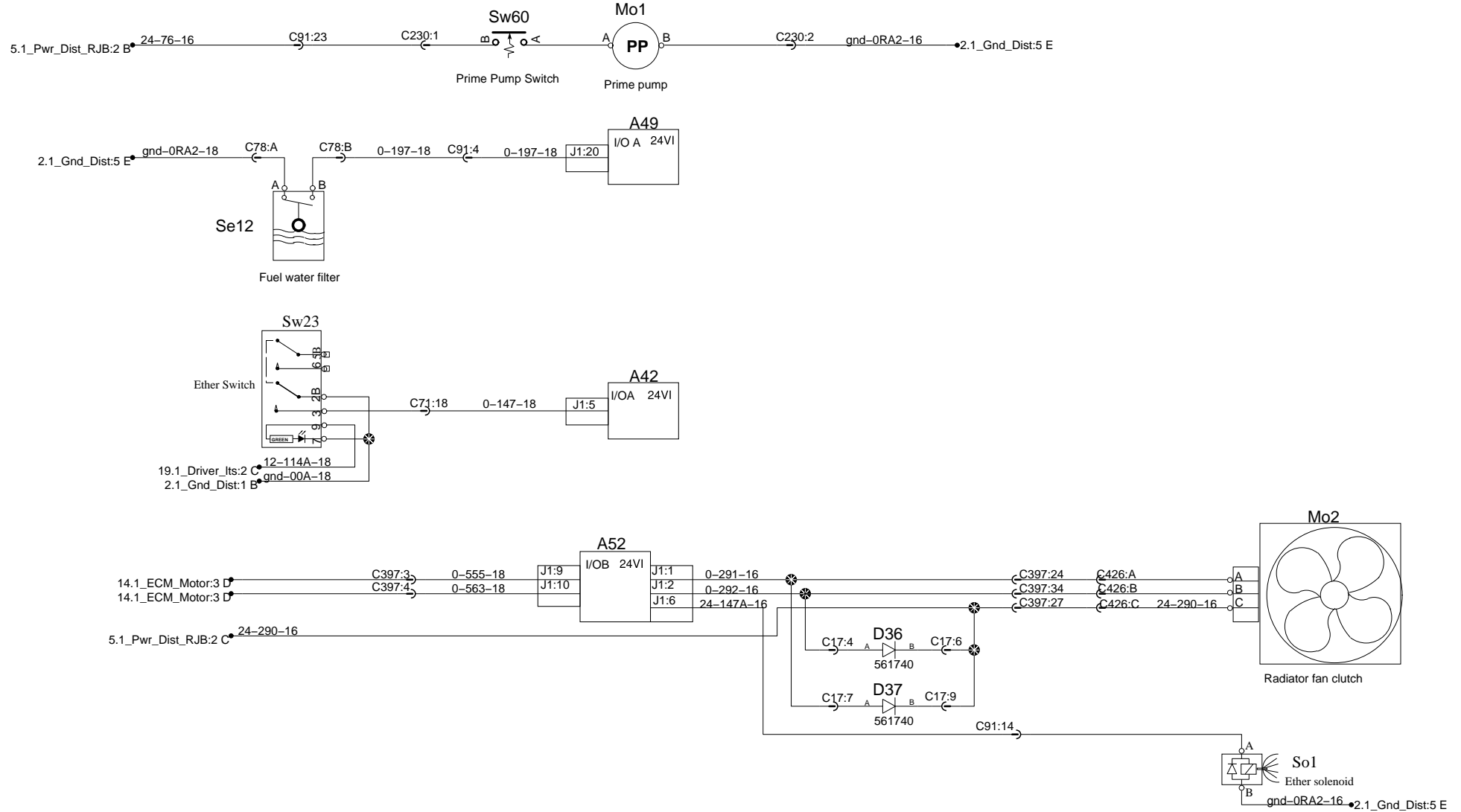
3

4

A

A

### Prime Pump, Water Filter, Ether and Fan Clutch



B

B

C

C

D

D

E

E

0

1

2

3

4



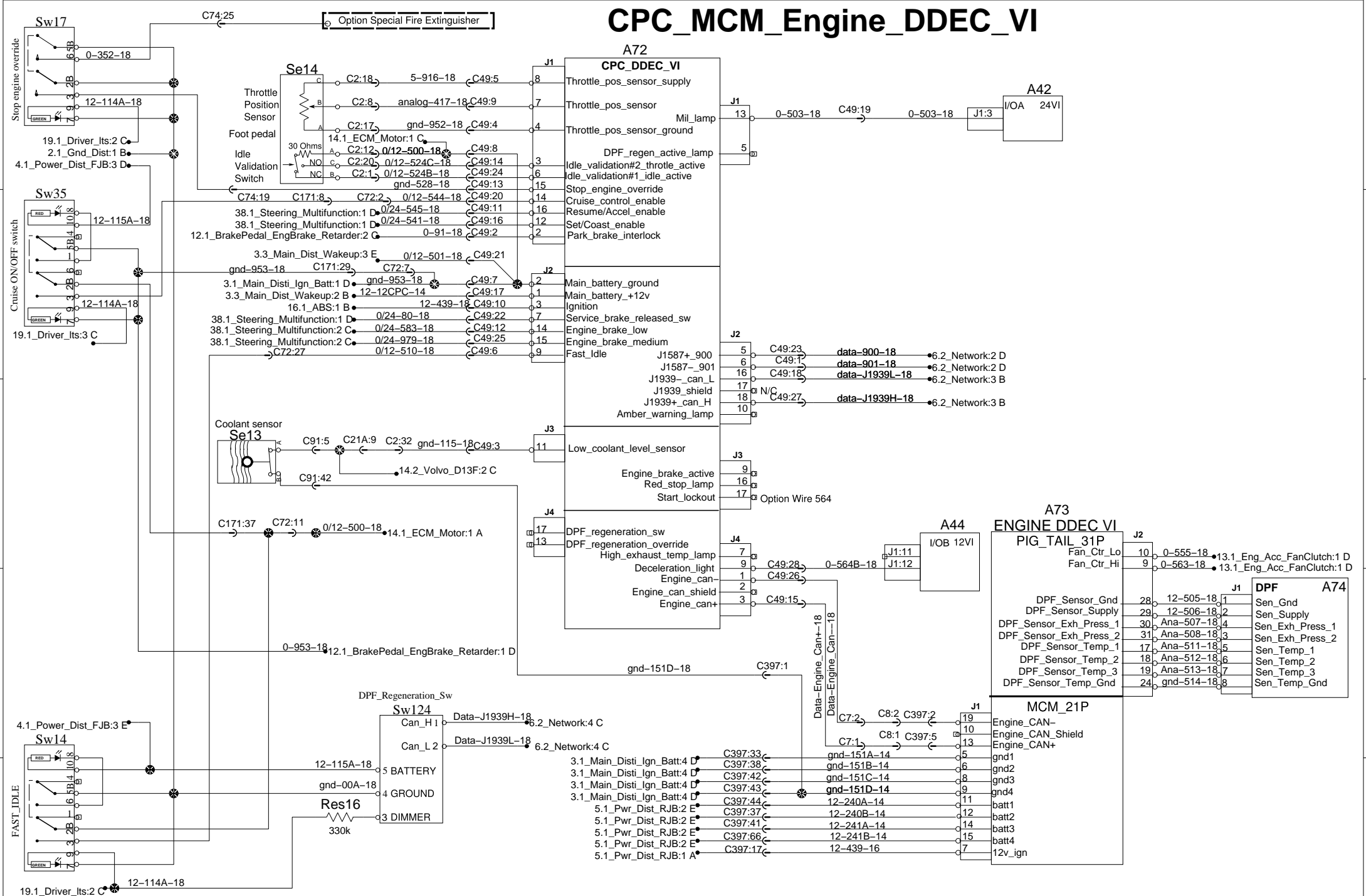




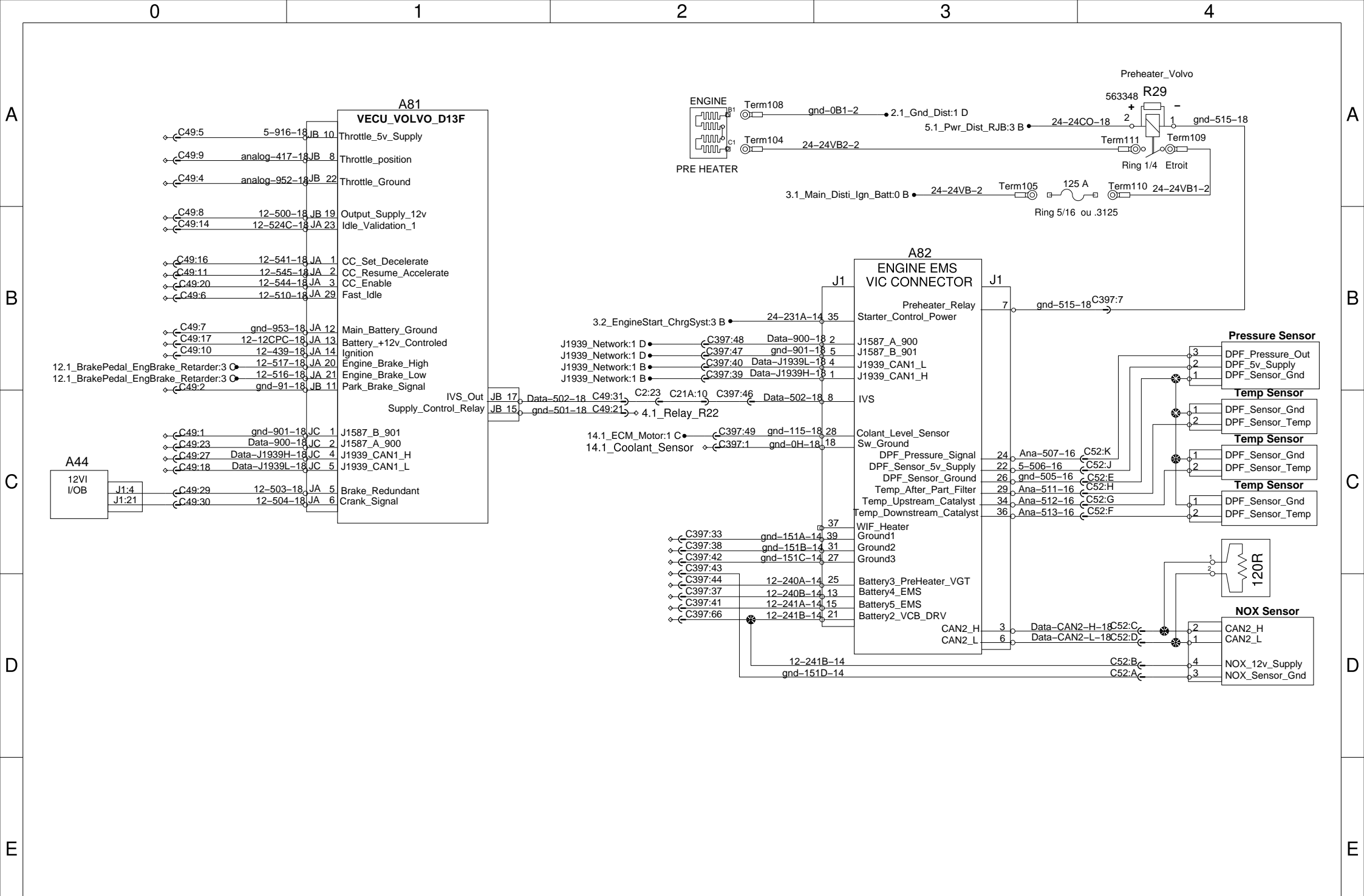




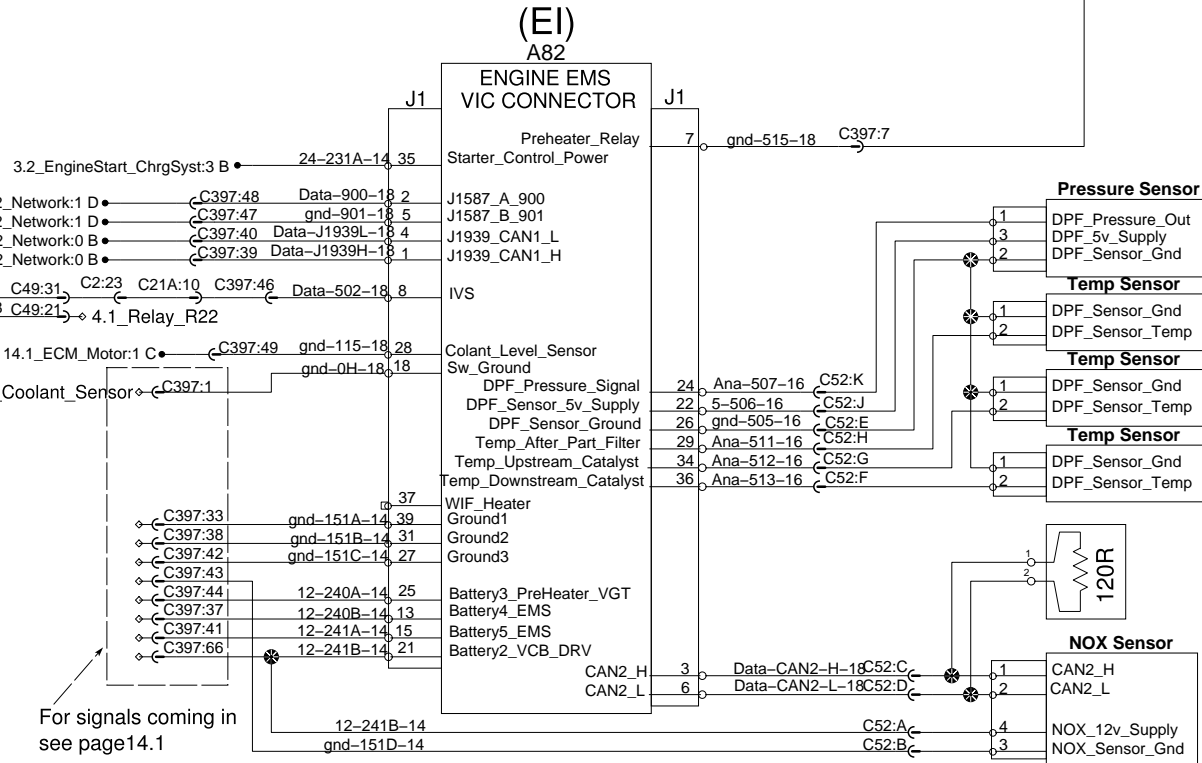
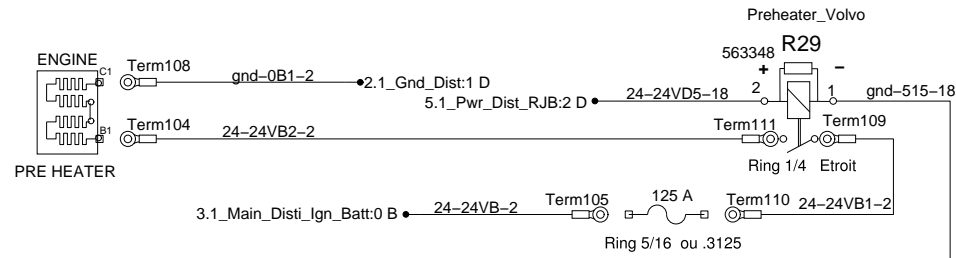
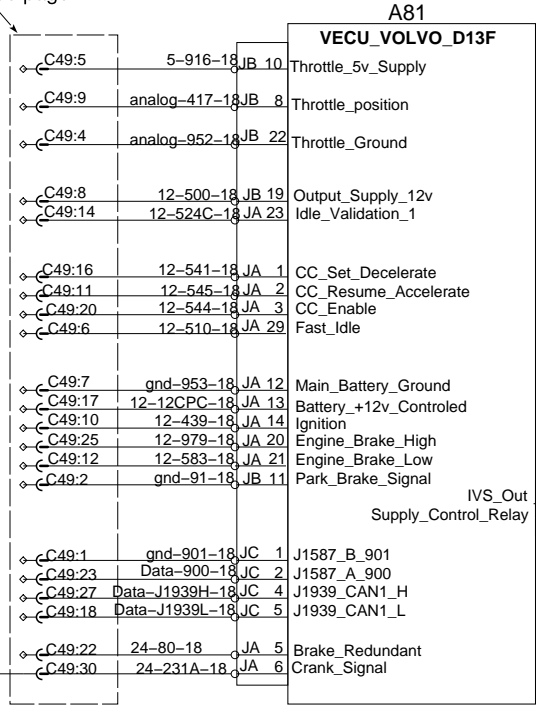
# CPC\_MCM\_Engine\_DDEC\_VI





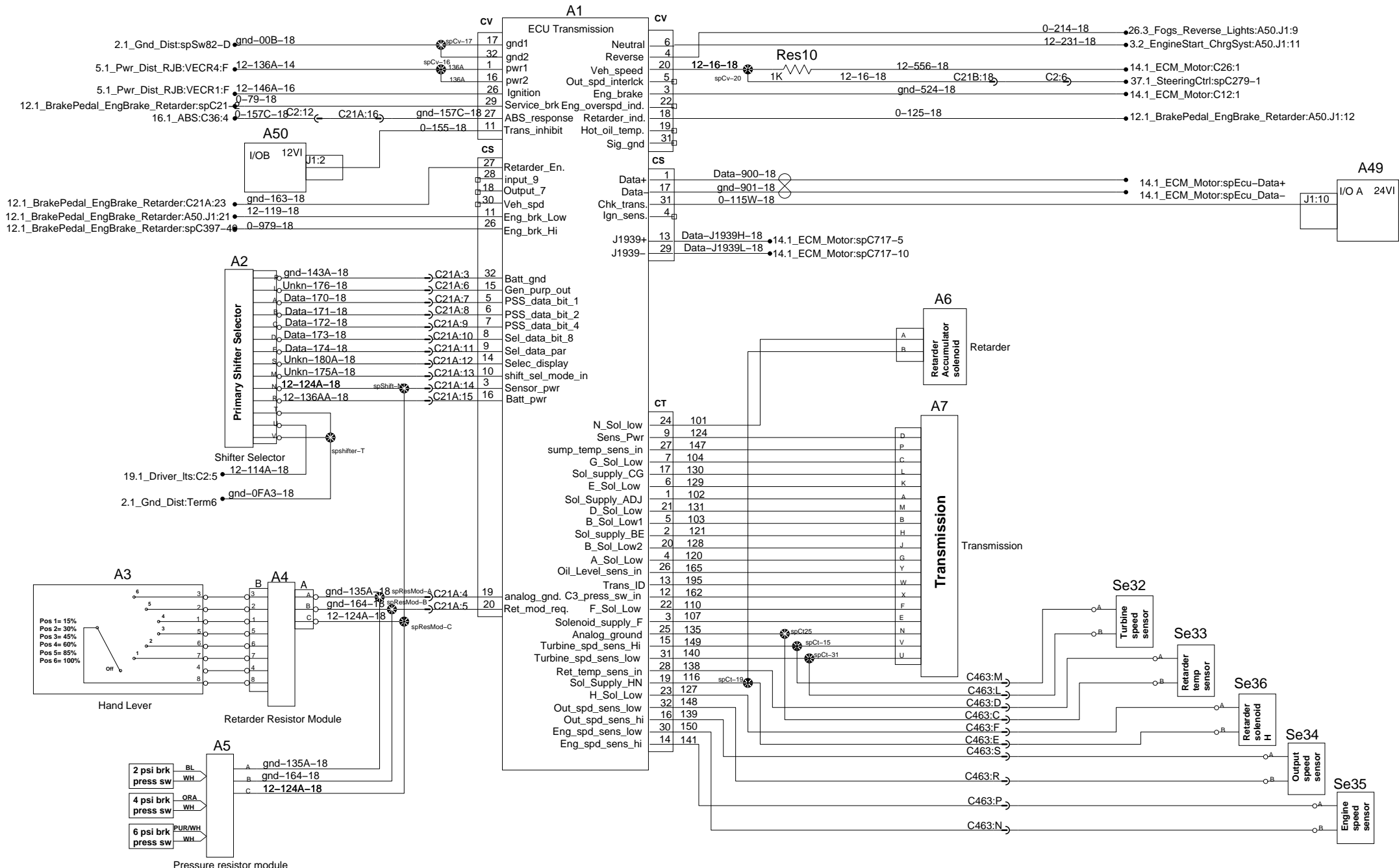


For signals coming in see page 14.1

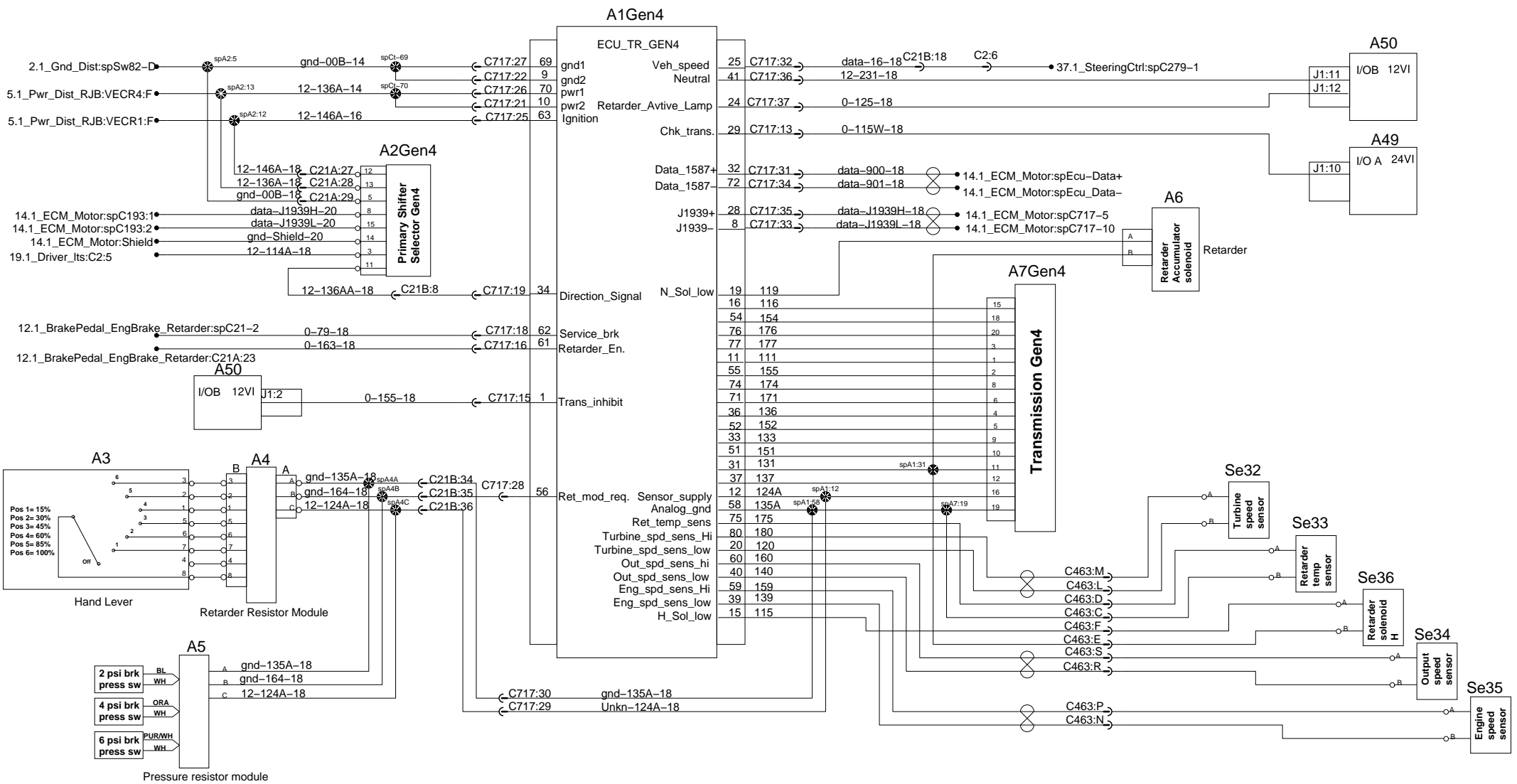


For signals coming in see page 14.1

# Allison Transmission

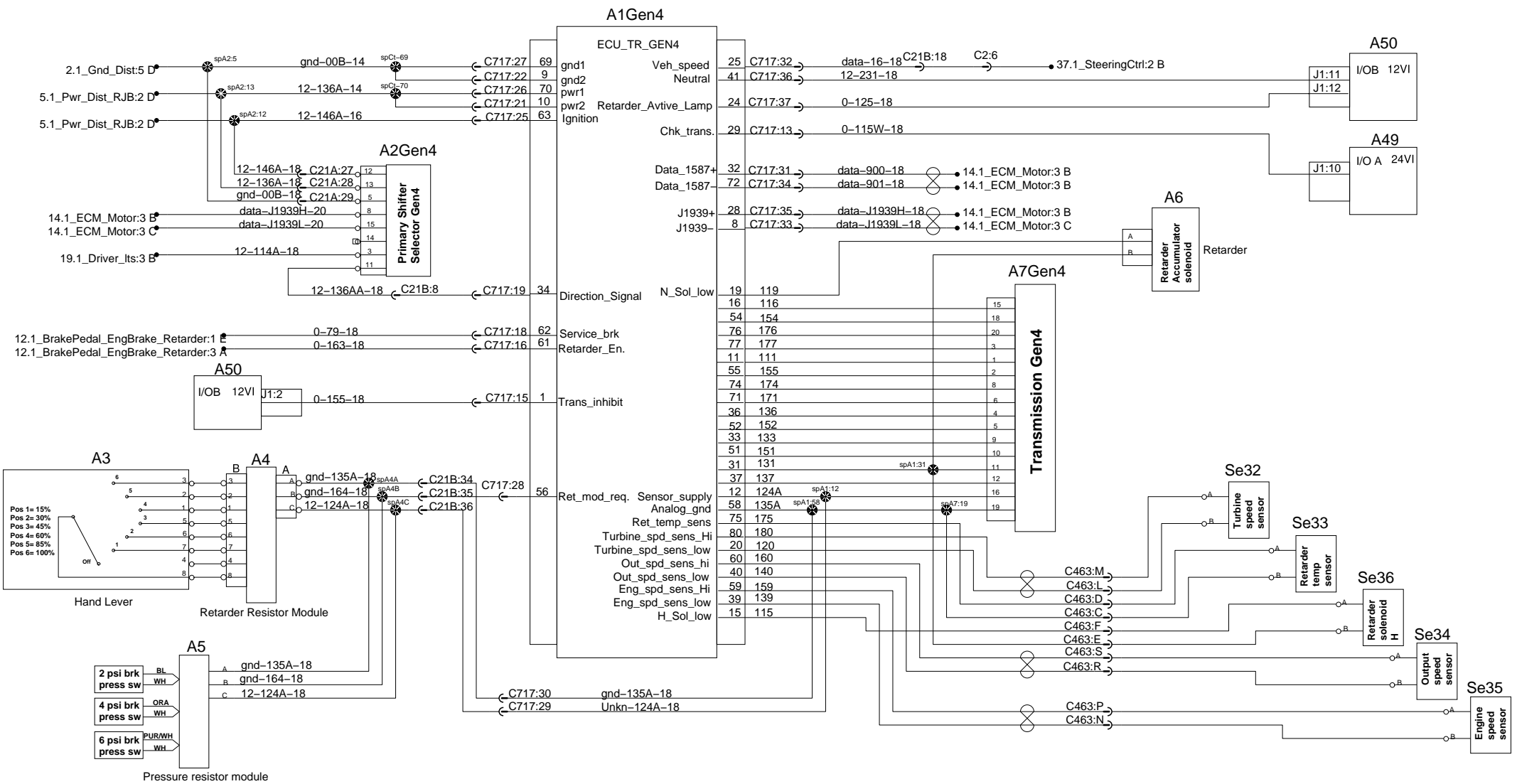


# Transmission Allison Gen 4

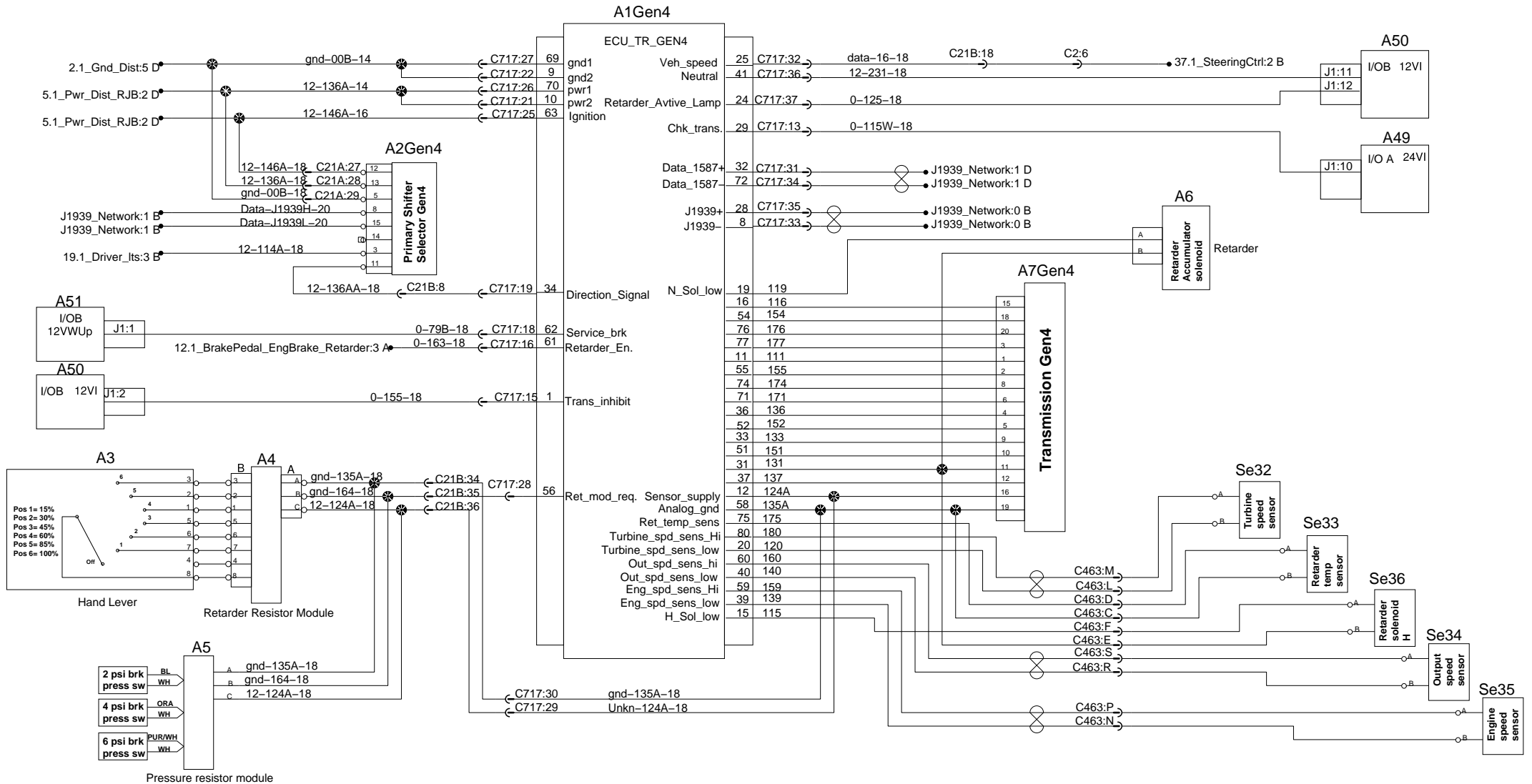




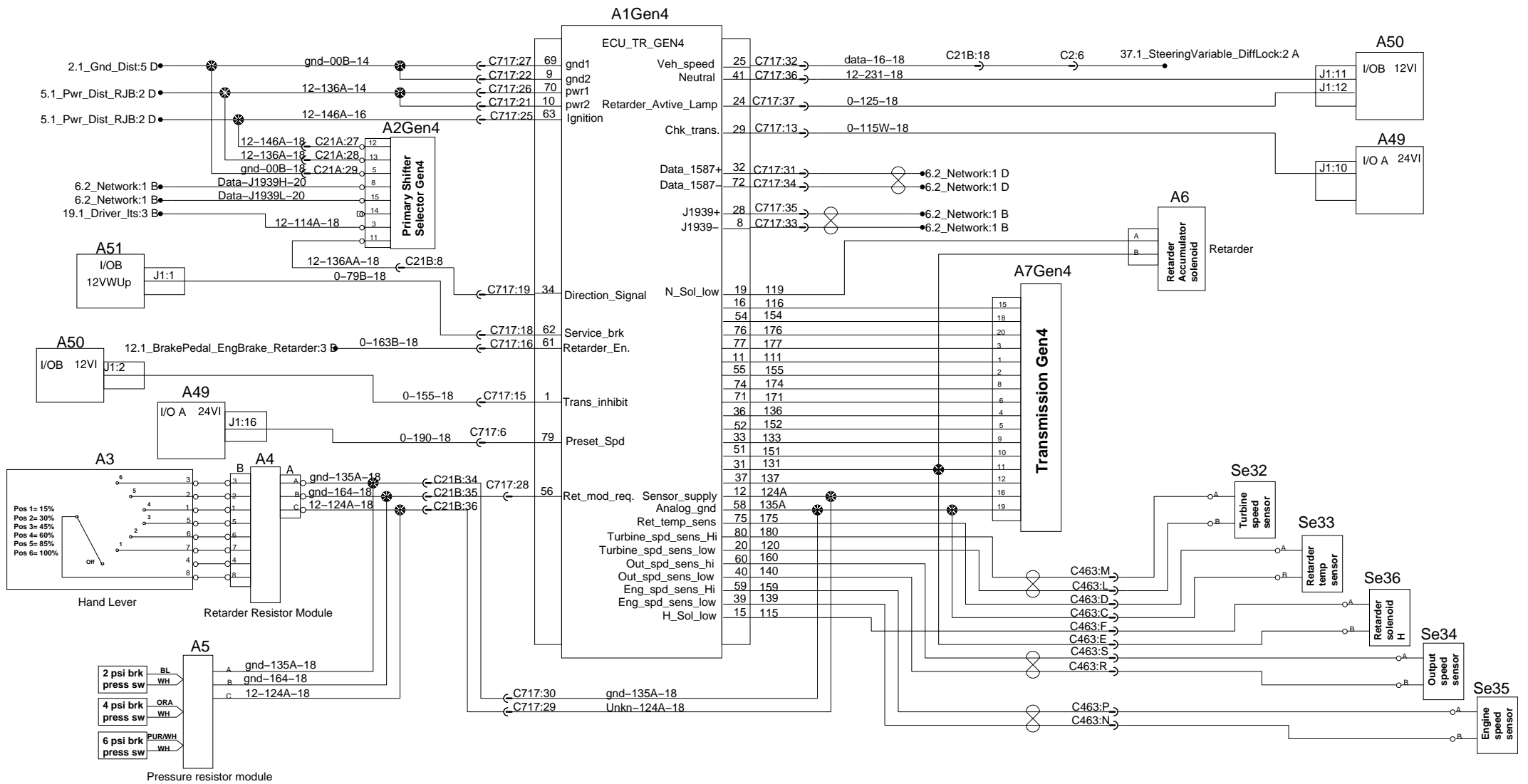
# Transmission Allison Gen 4



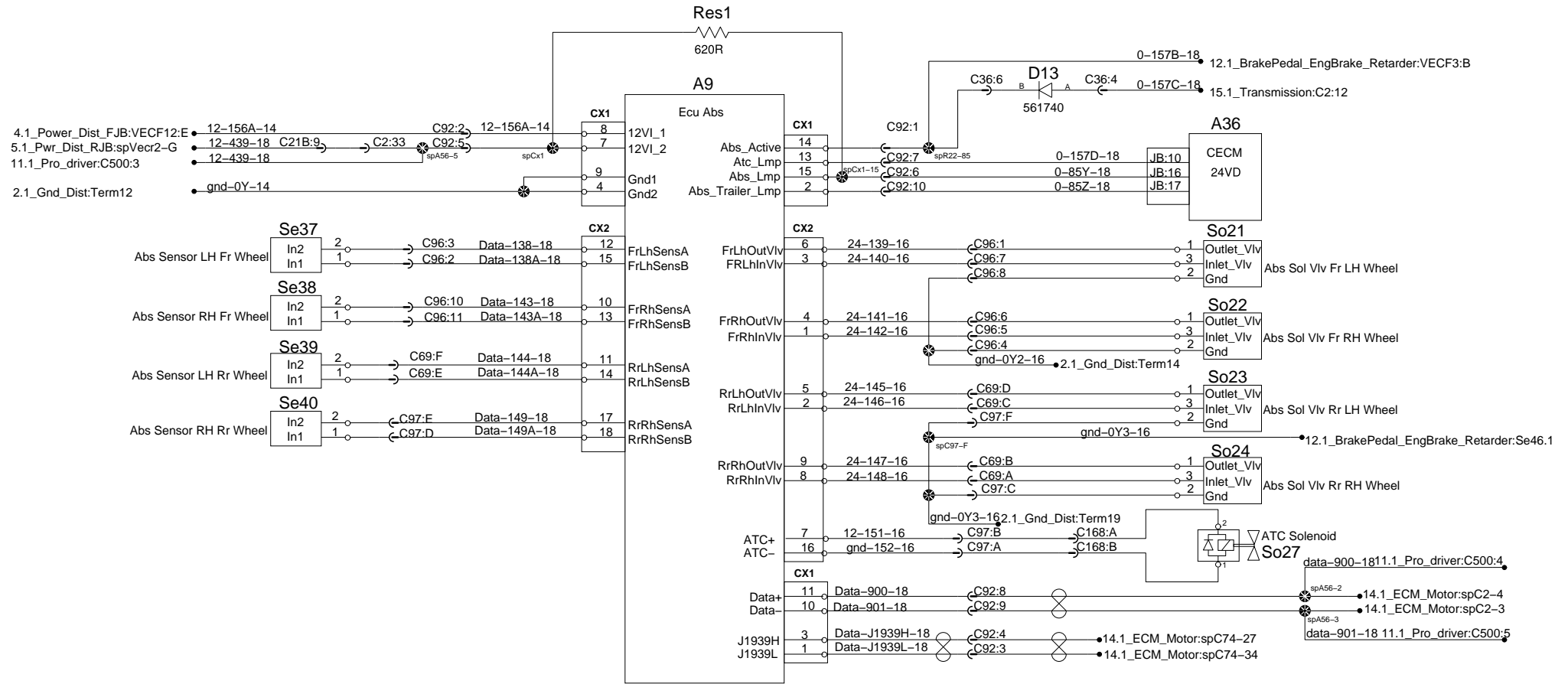
# Transmission Allison Gen 4



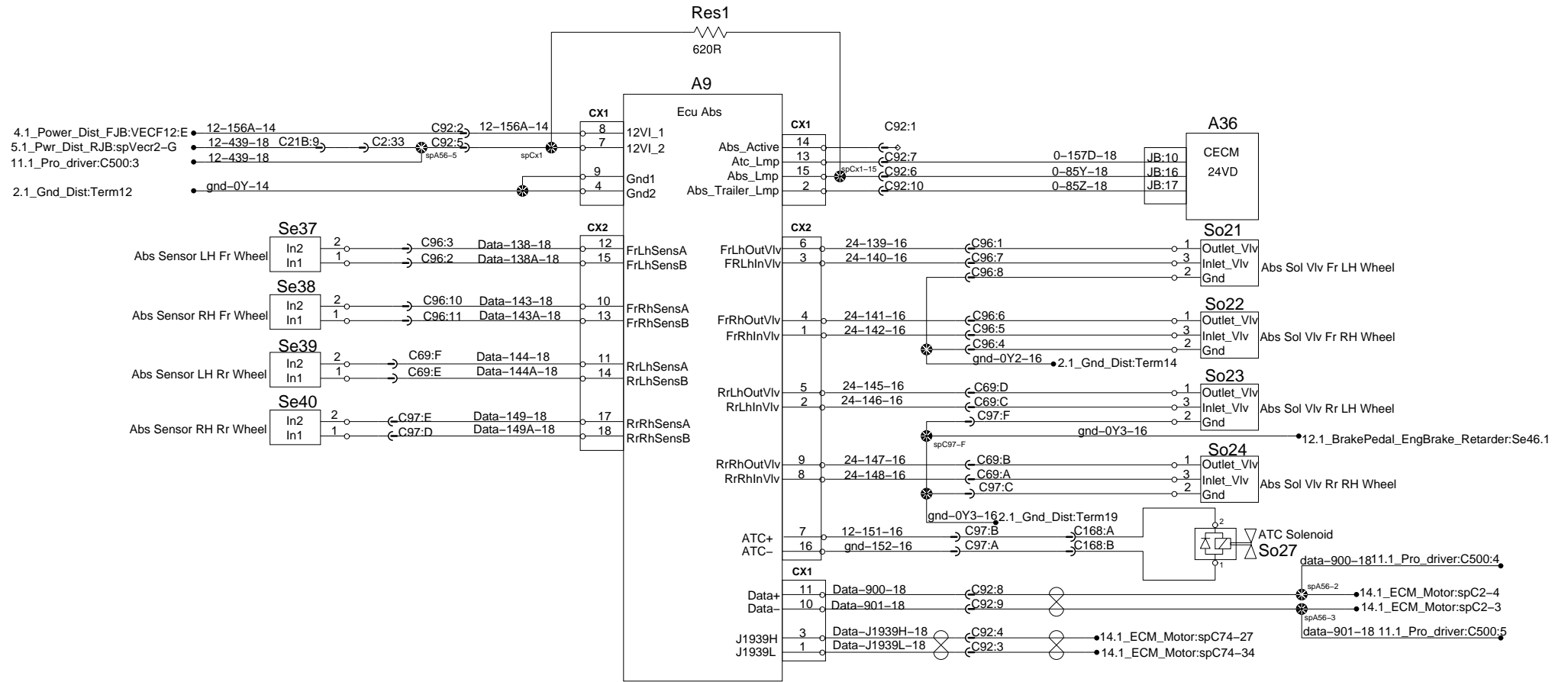
# Transmission Allison Gen 4



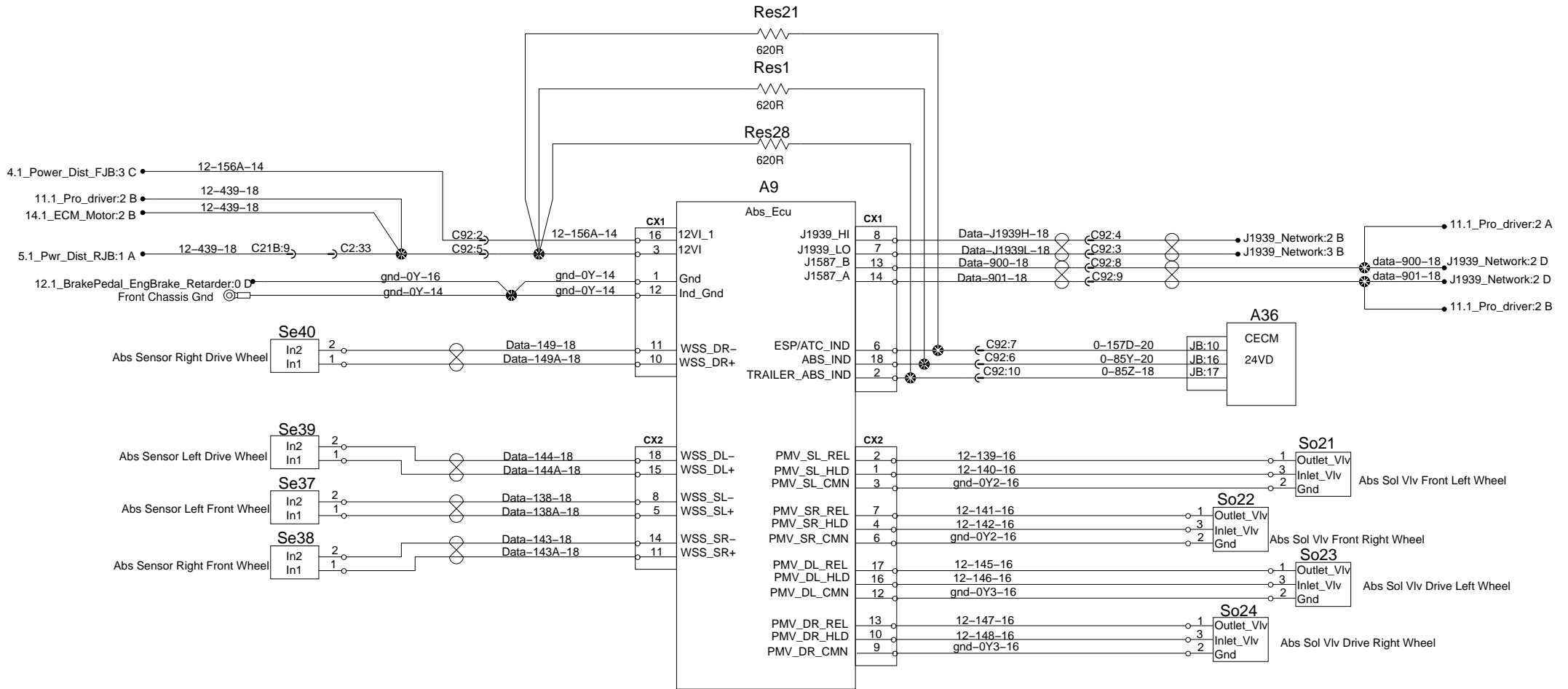
# ABS



# ABS

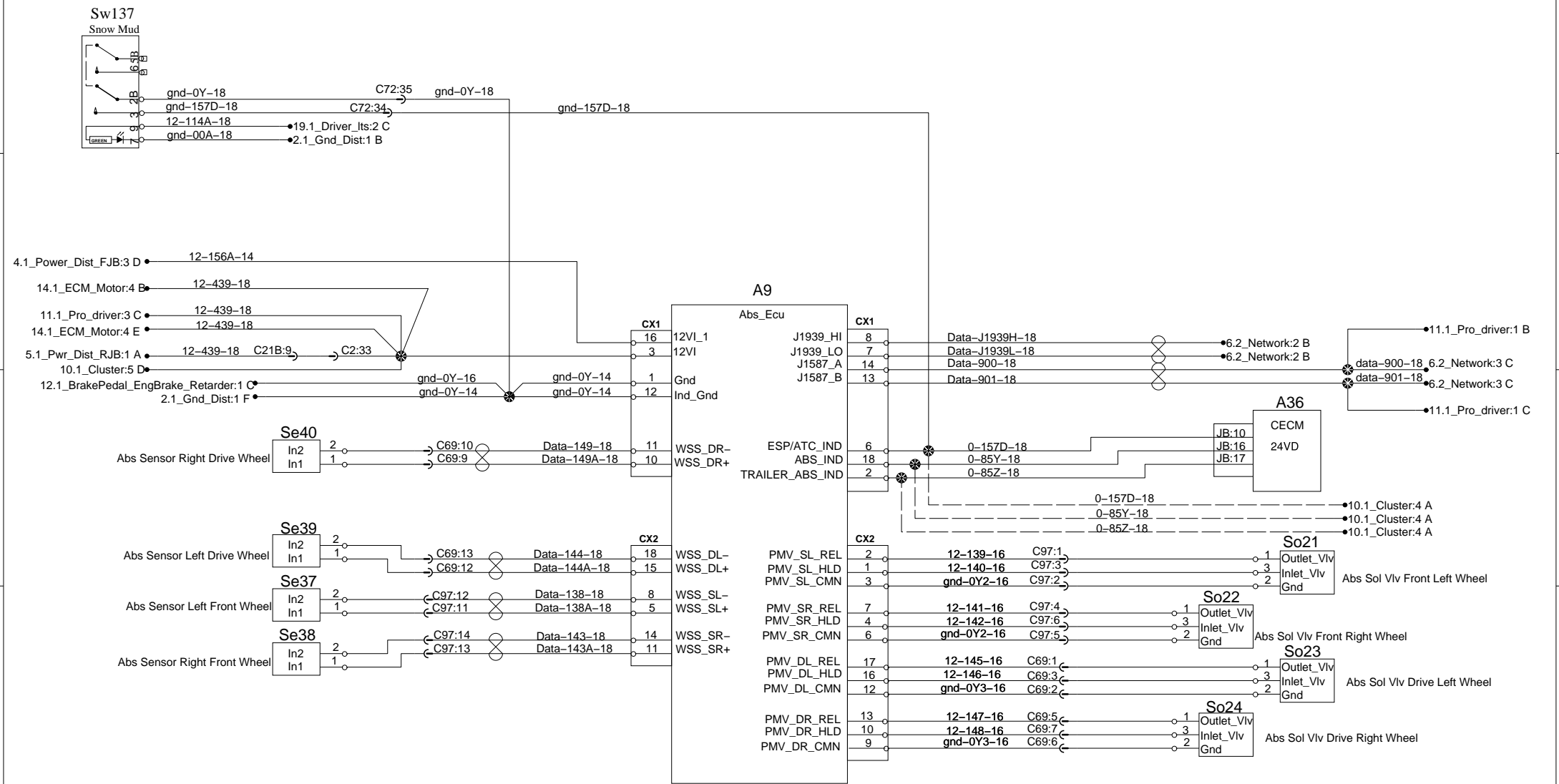


# ABS





# ABS

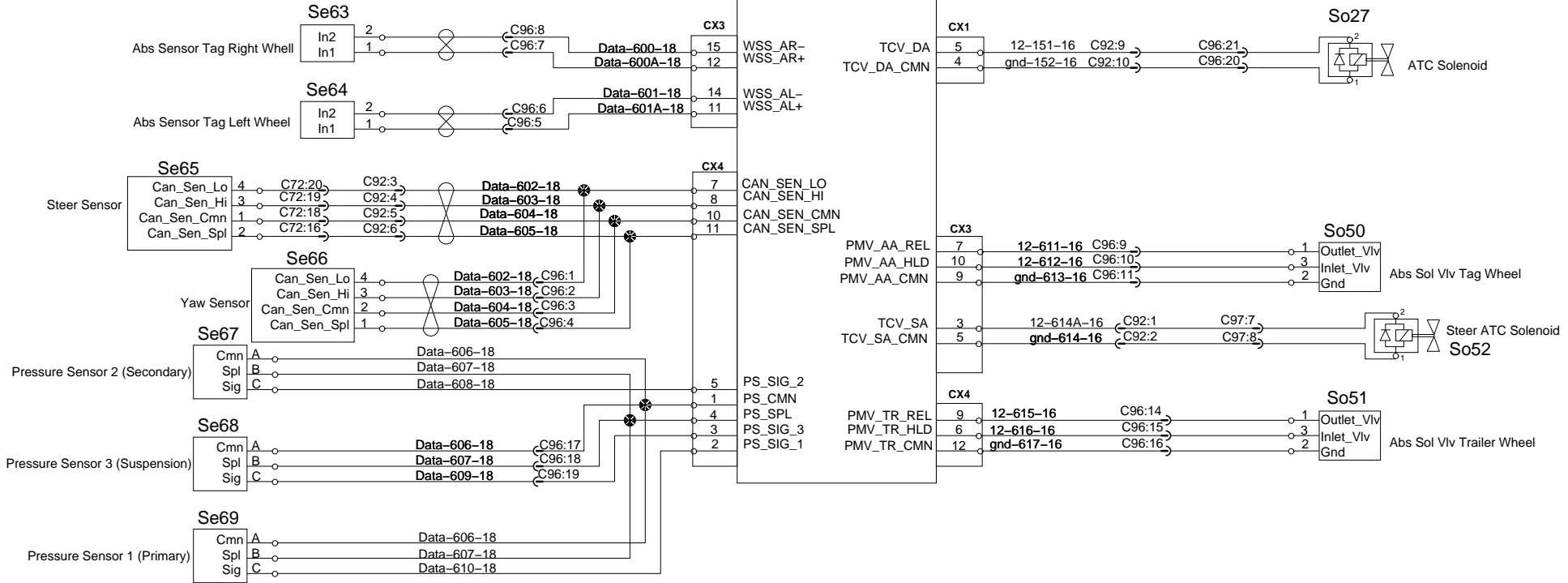




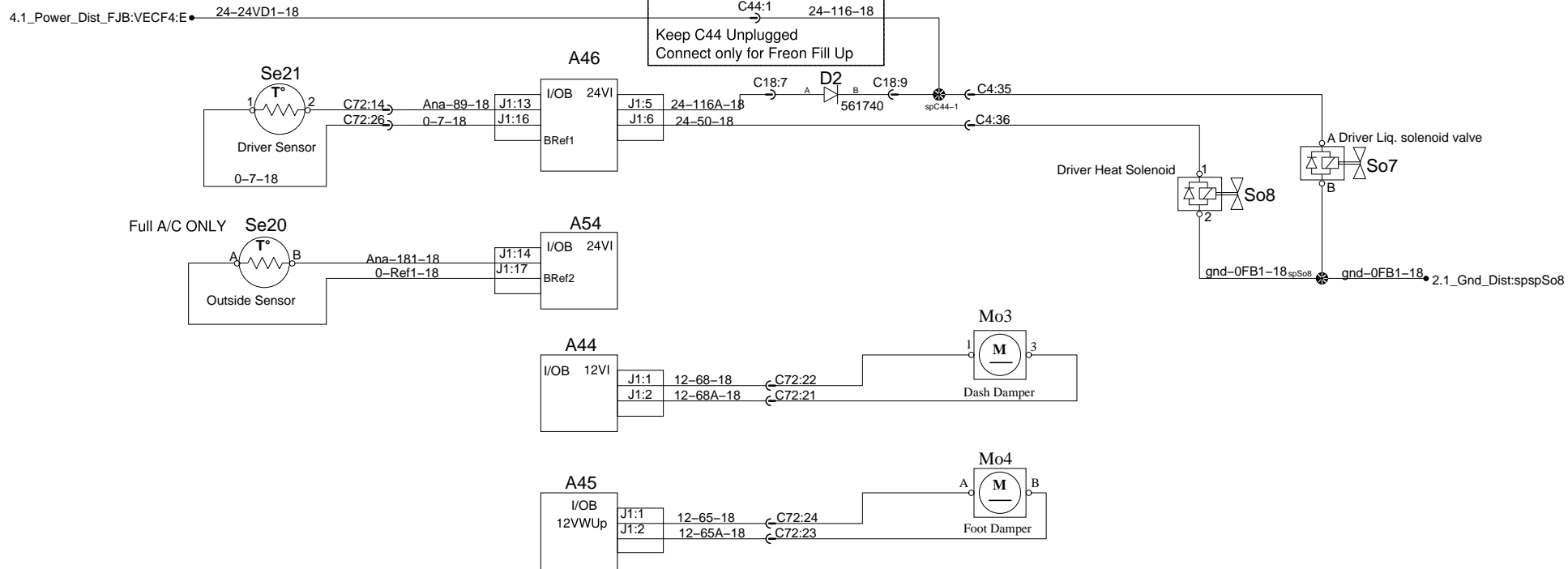
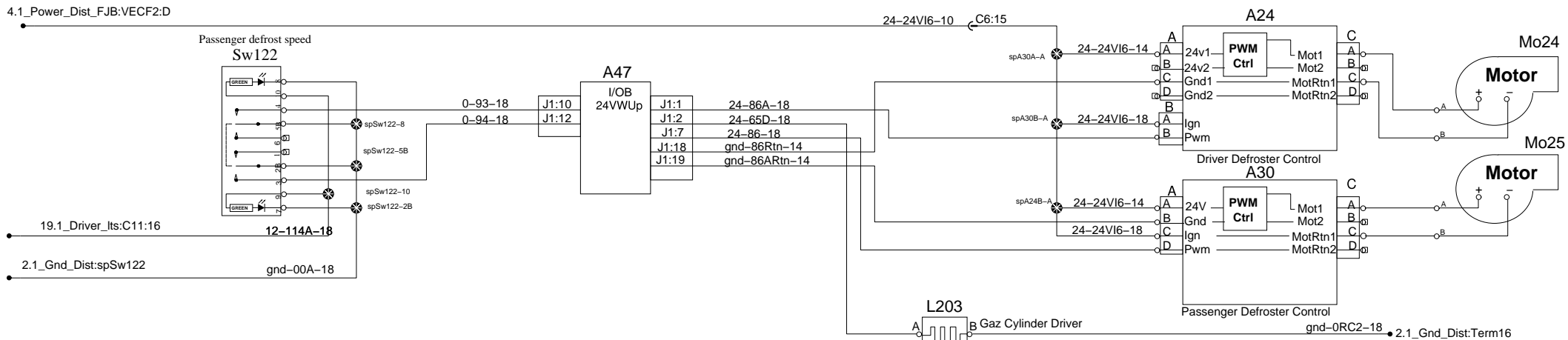
# ABS ESP

A9

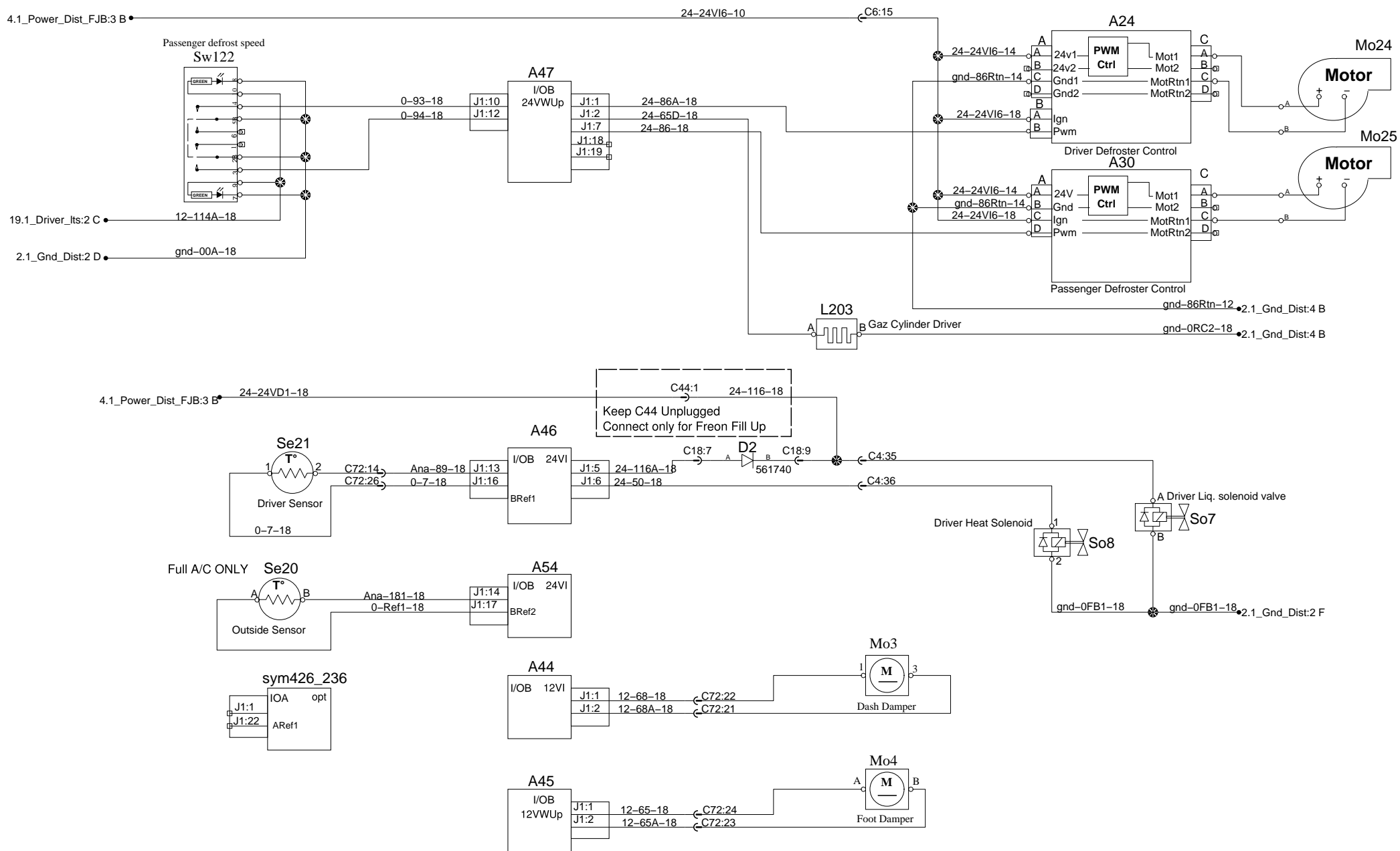
Abs\_Ecu



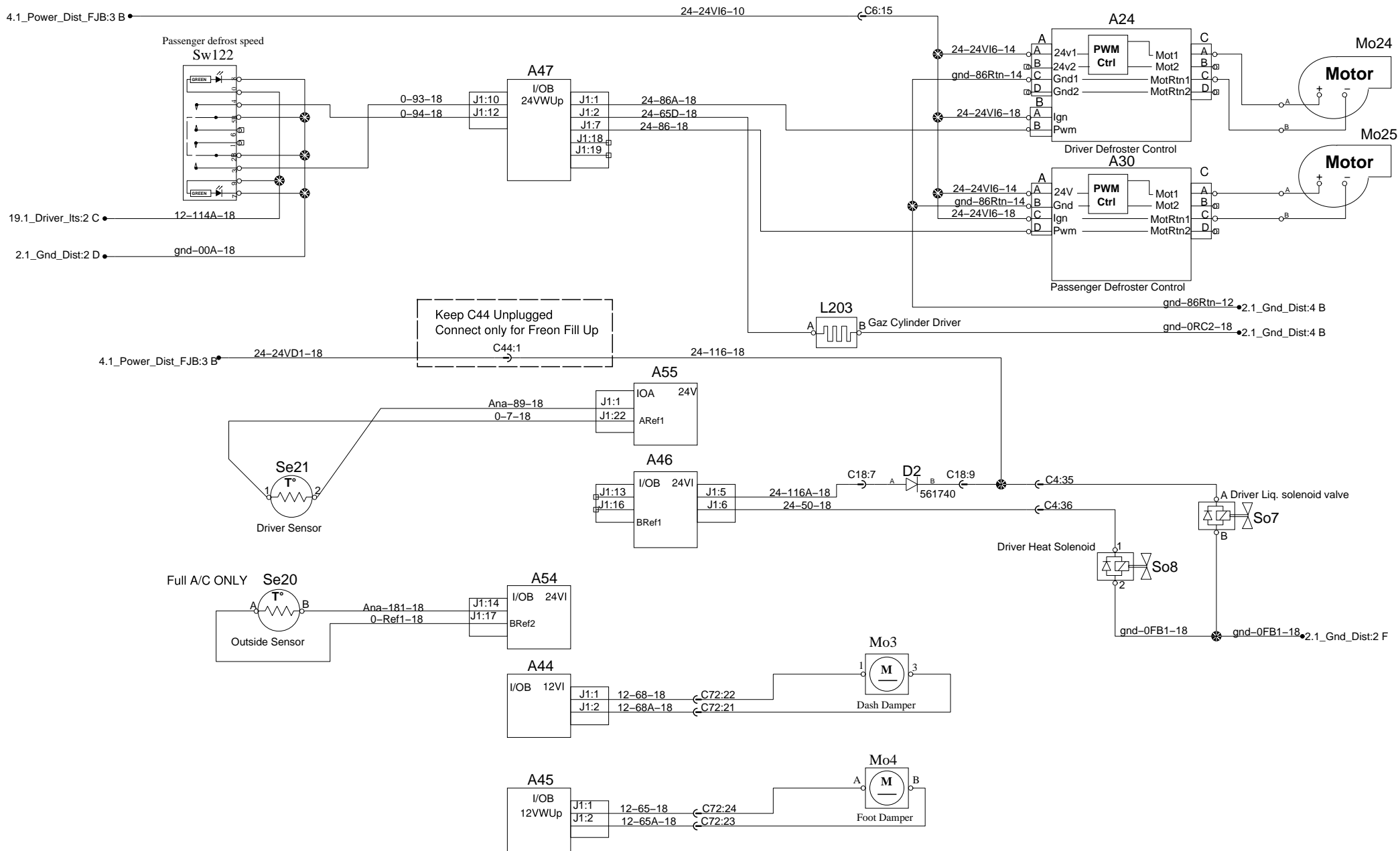
# Hvac\_Defroster



# Hvac\_Defroster



# Hvac\_Defroster



# Hvac

## Wiring identifiers

- Full A/C only
- Full and Small A/C

3.1\_Main\_Disti\_Ign\_Batt:Term66

3.1\_Main\_Disti\_Ign\_Batt:Term65

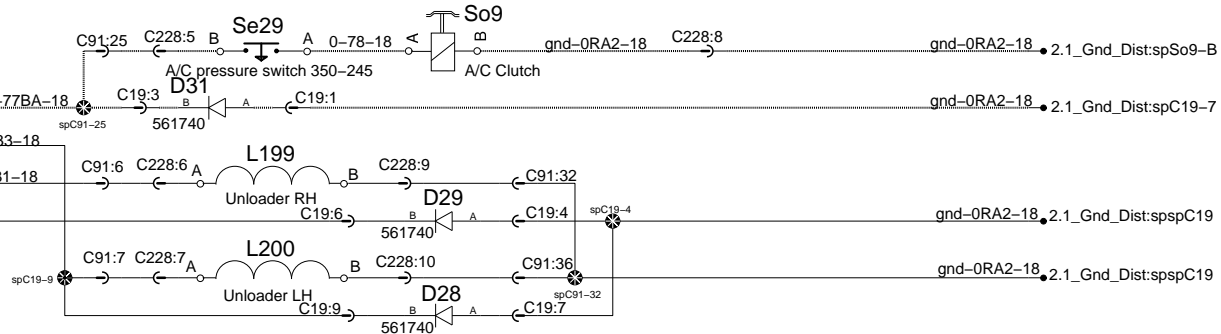
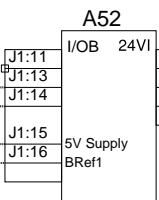
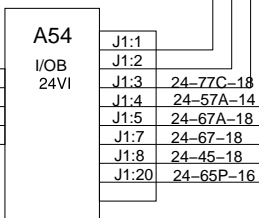
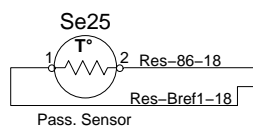
5.1\_Pwr\_Dist\_RJB:C15:3

3.1\_Main\_Disti\_Ign\_Batt:Term85

Se23  
5v  
gnd  
out  
Pressure transducer Hi-Side

Se24  
5v  
gnd  
out  
Pressure transducer Low-Side

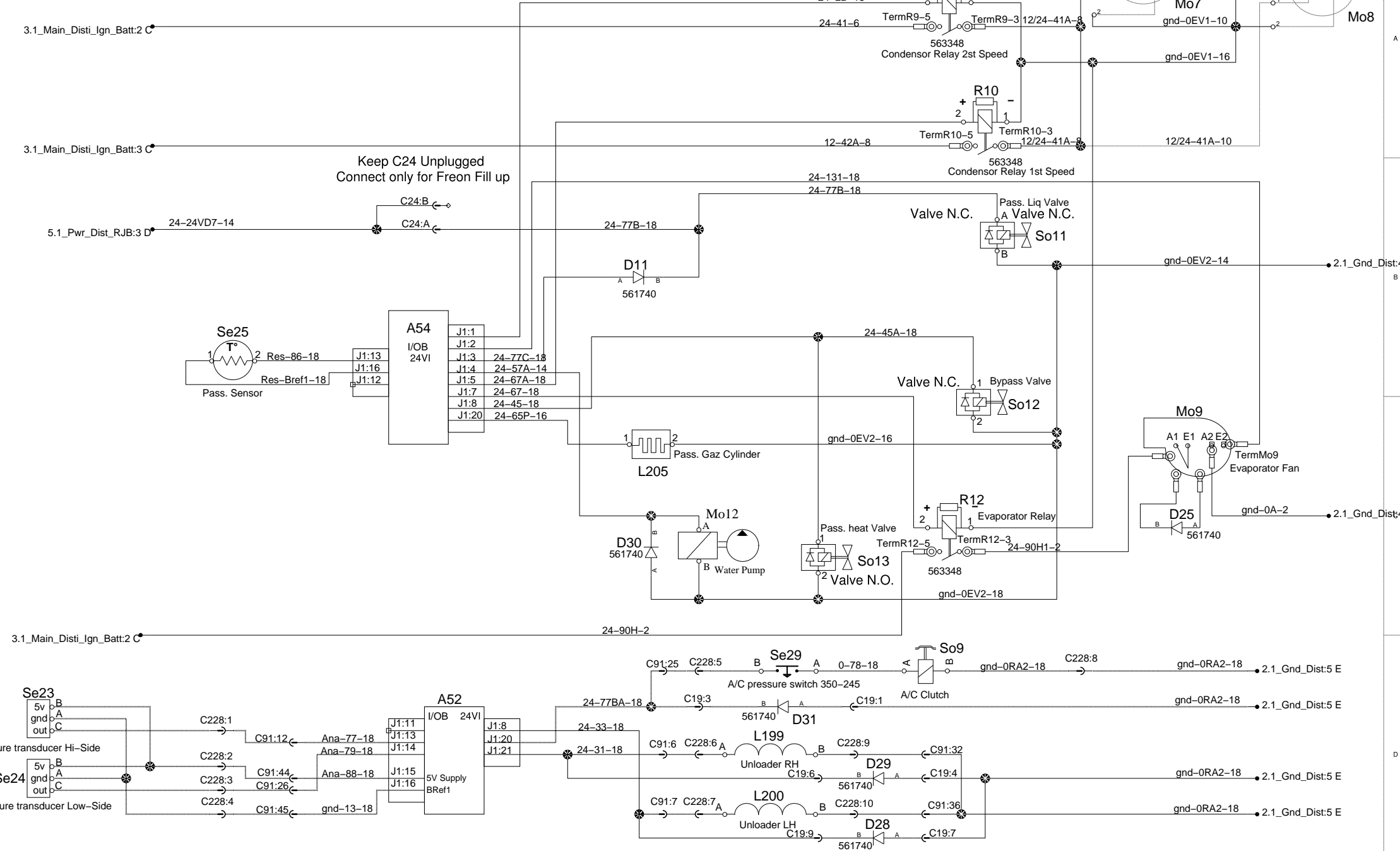
Keep C24 Unplugged  
Connect only for Freon Fill up



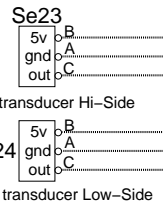
# Hvac

## Wiring identifiers

- Full A/C only
- Full and Small A/C



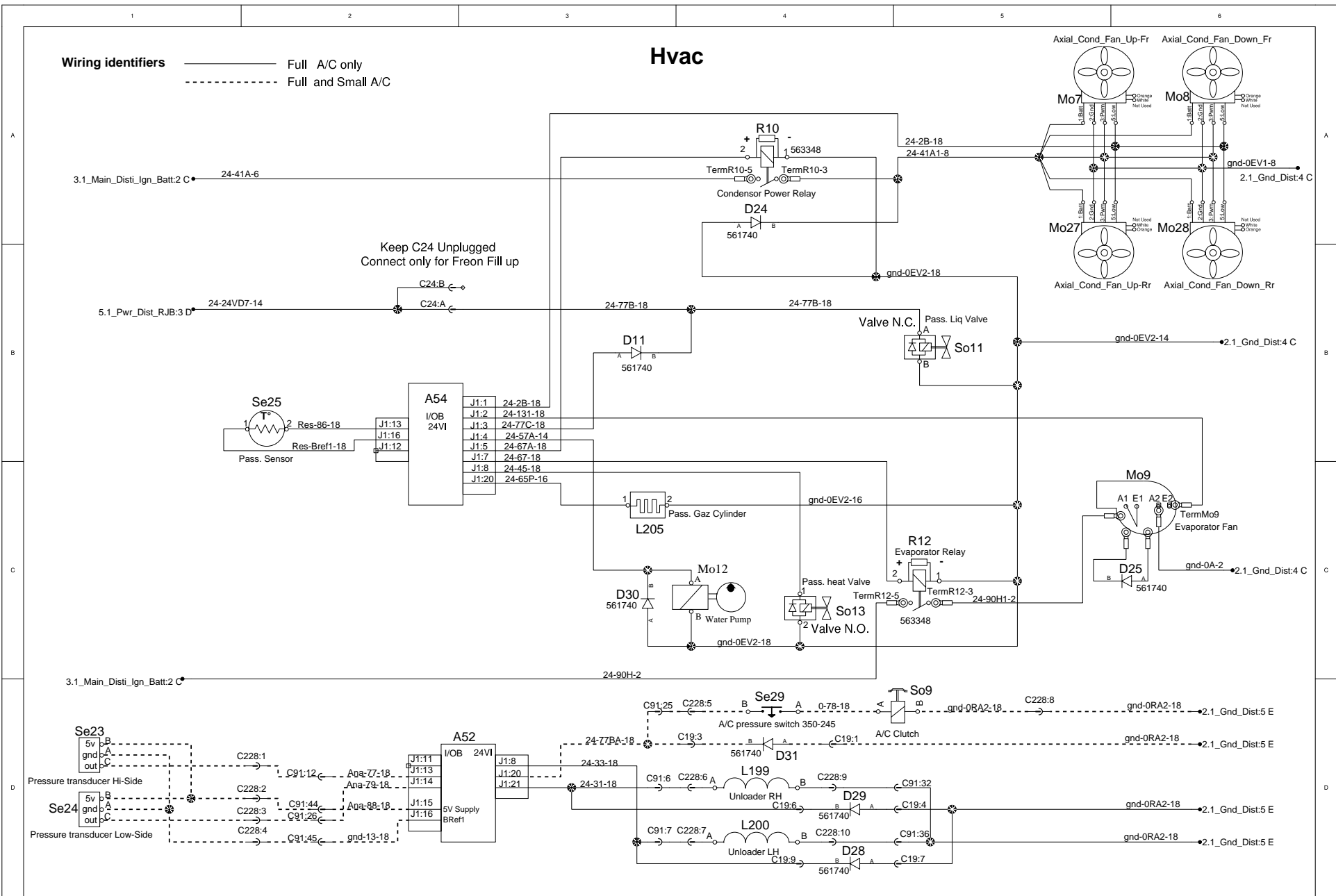
Keep C24 Unplugged  
Connect only for Freon Fill up





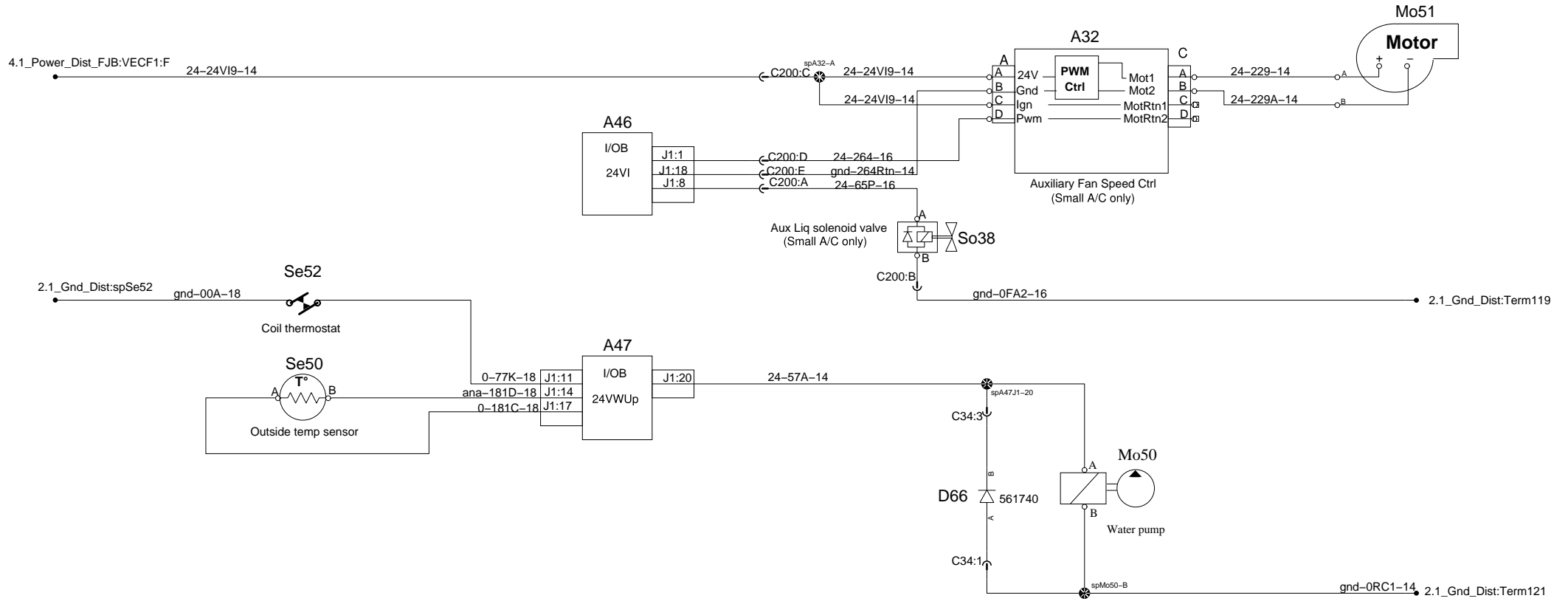
# Hvac

**Wiring identifiers**  
 ————— Full A/C only  
 - - - - - Full and Small A/C

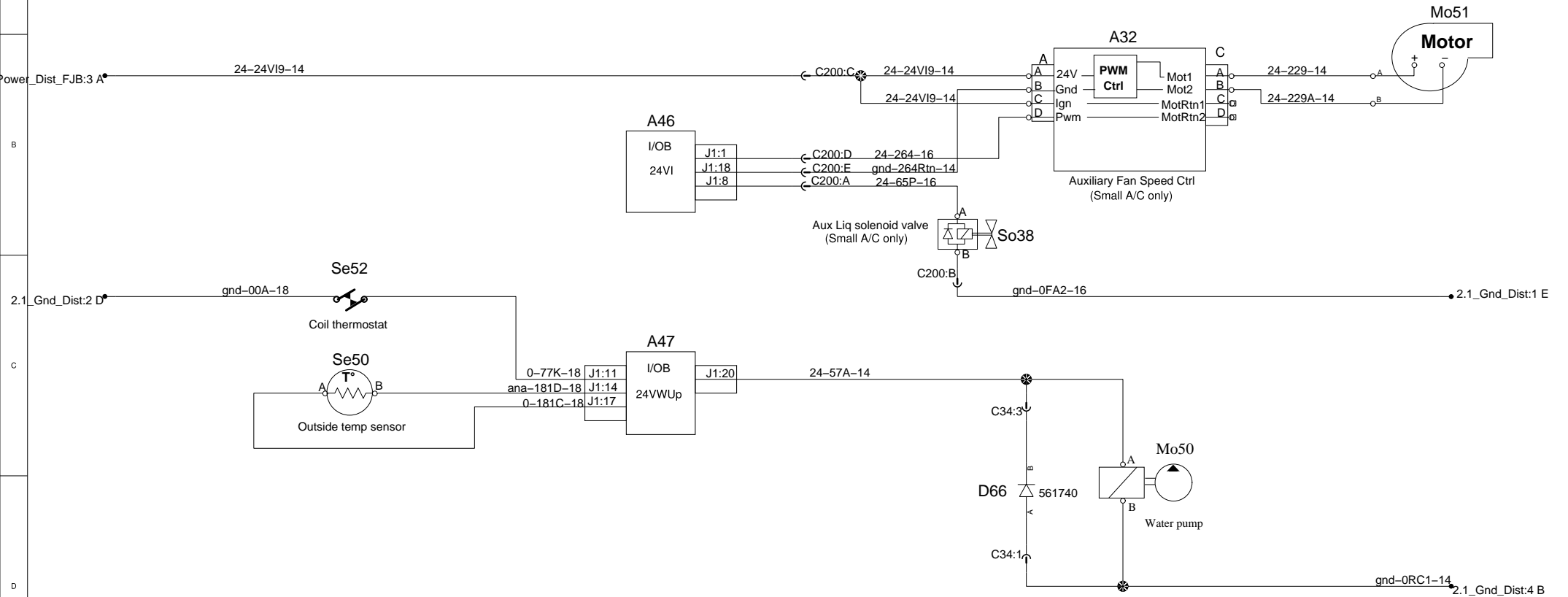




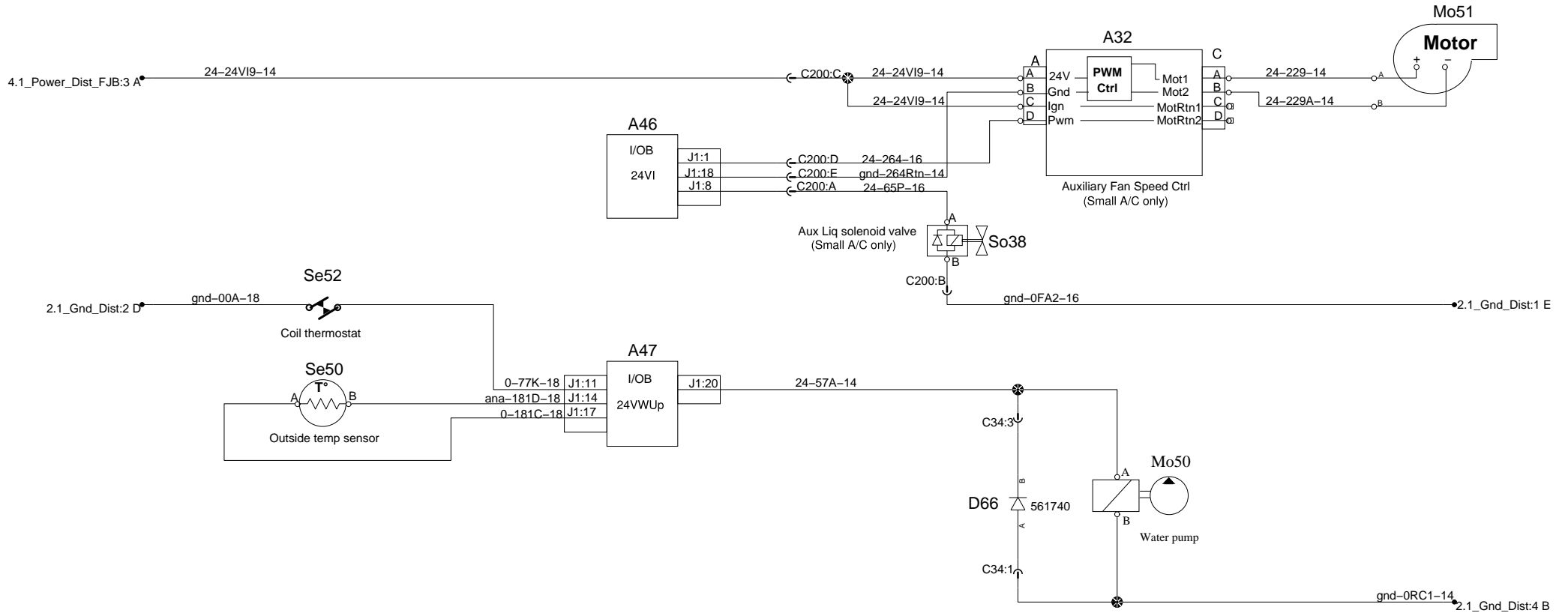
# Small A/C Only



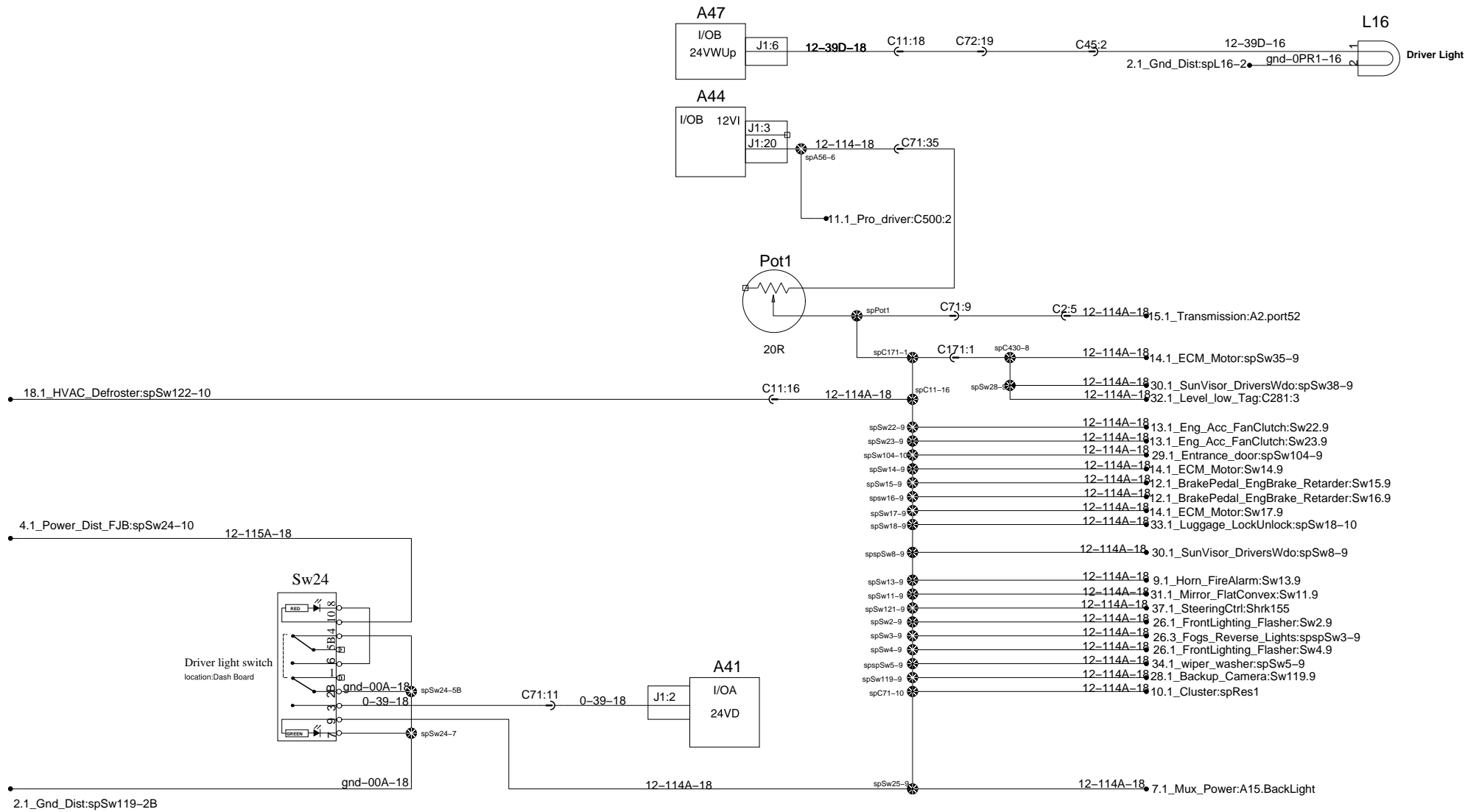
# Small A/C Only



# Small A/C Only



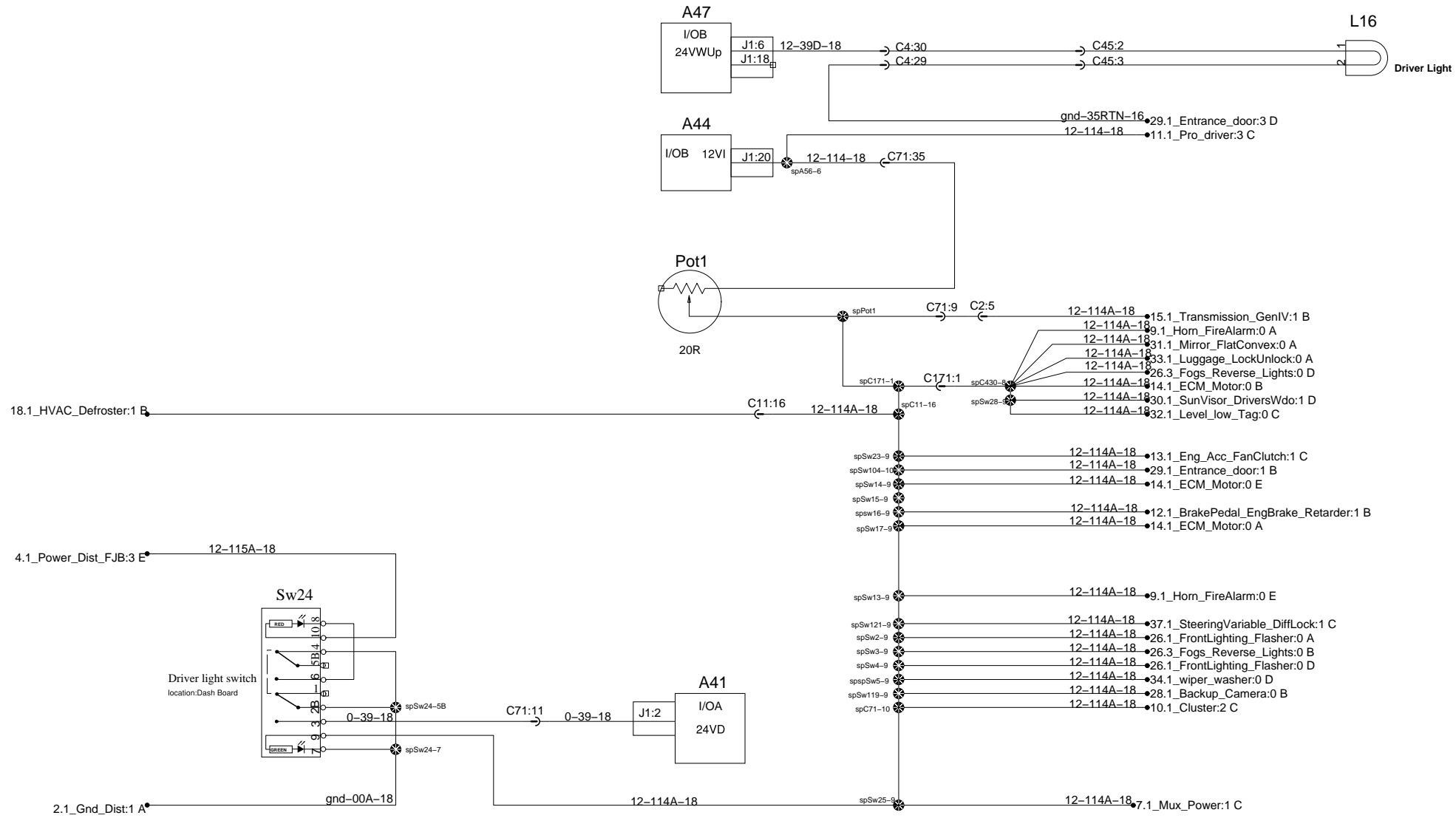
# Driver lights



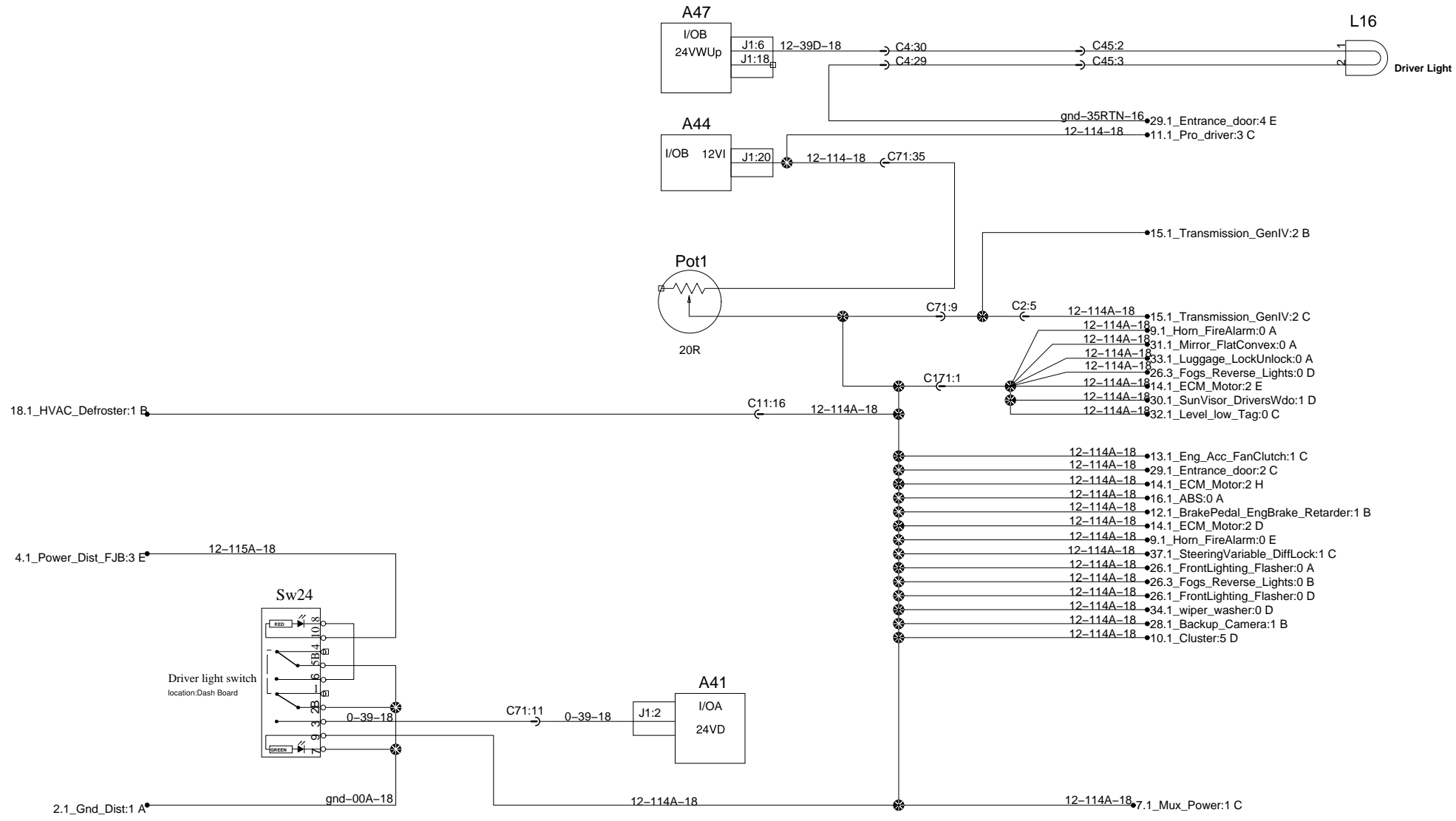




# Driver lights

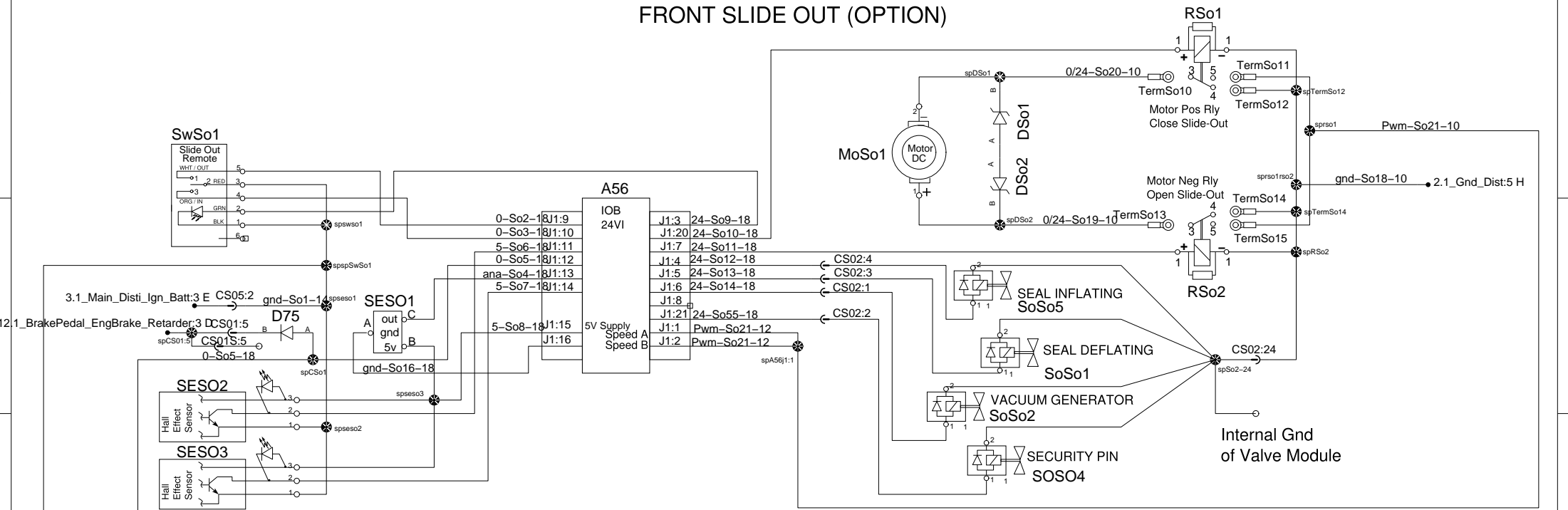


# Driver lights

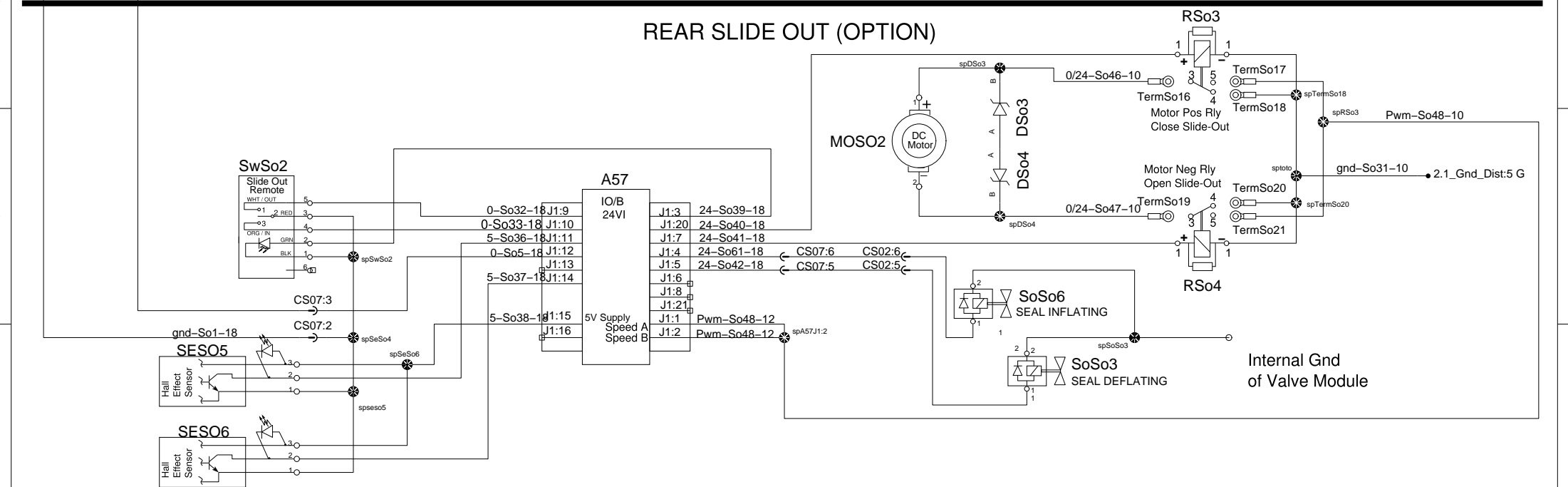




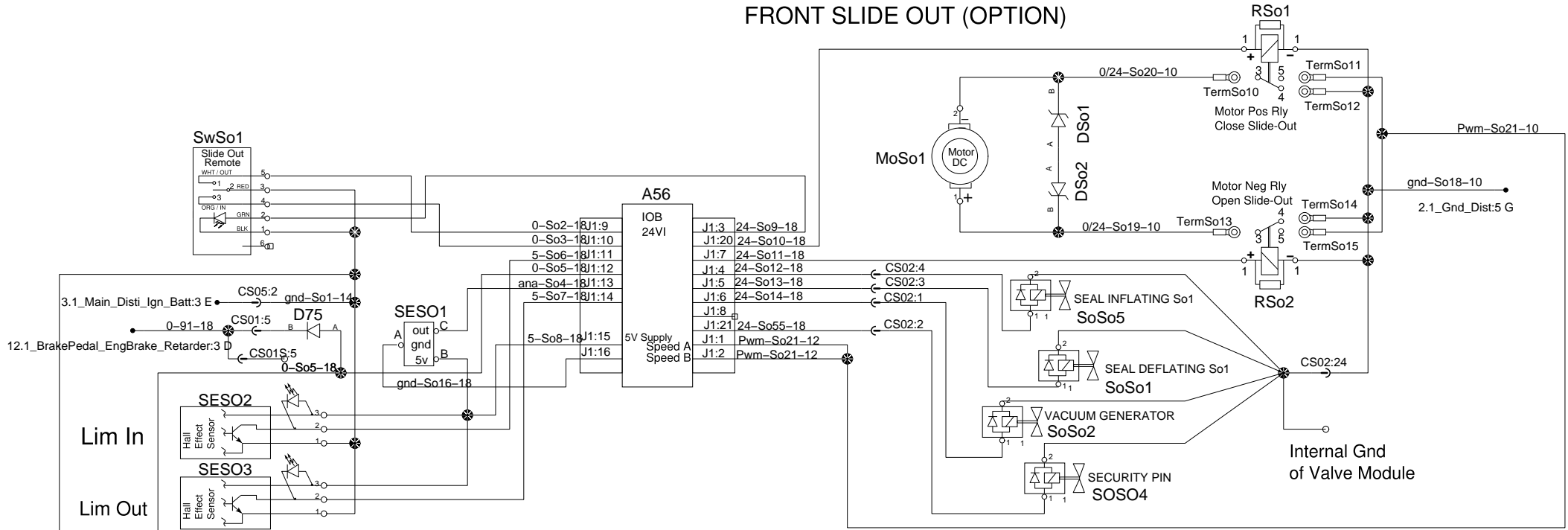
# FRONT SLIDE OUT (OPTION)



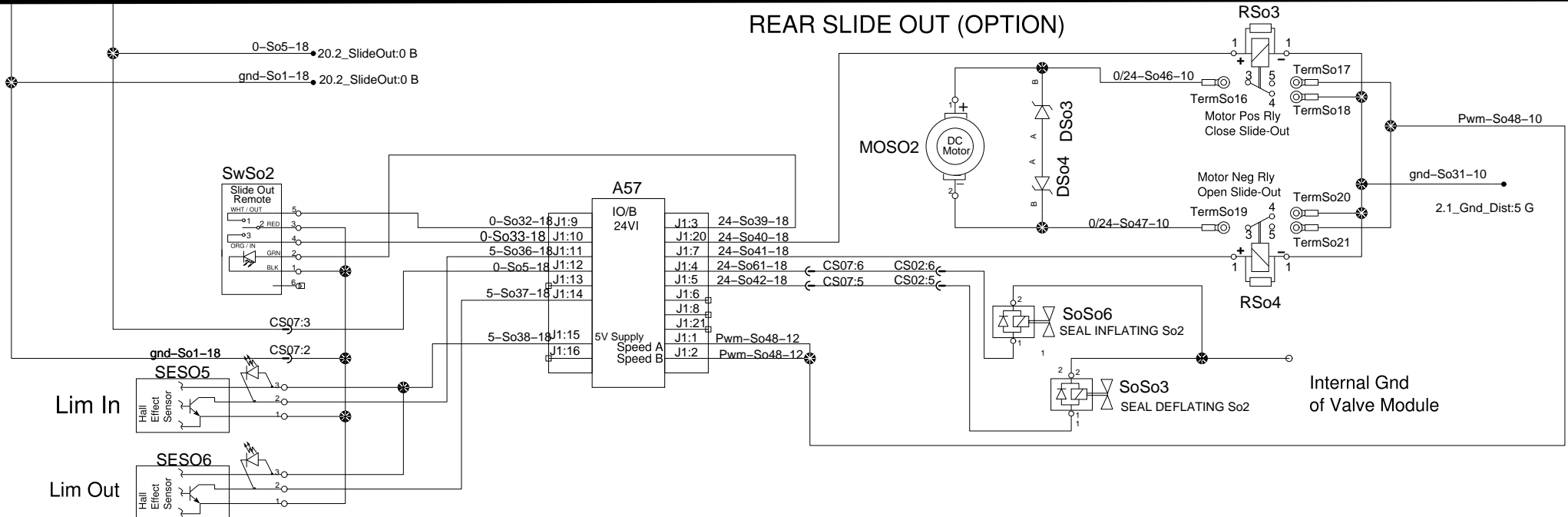
# REAR SLIDE OUT (OPTION)



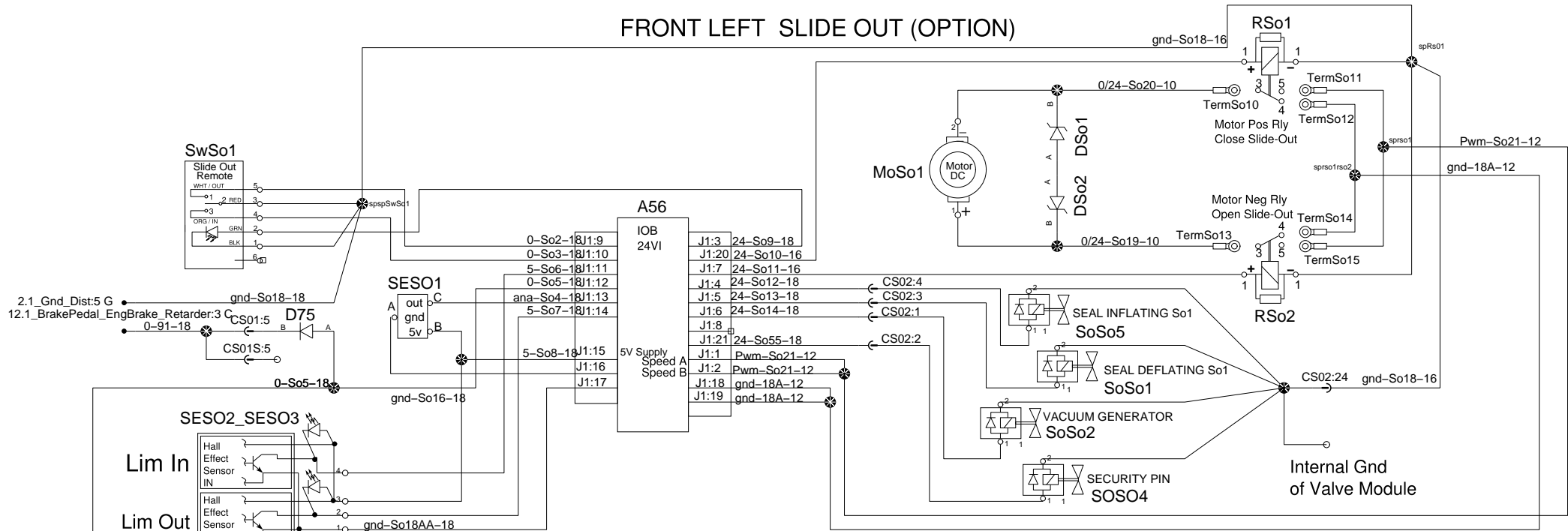
## FRONT SLIDE OUT (OPTION)



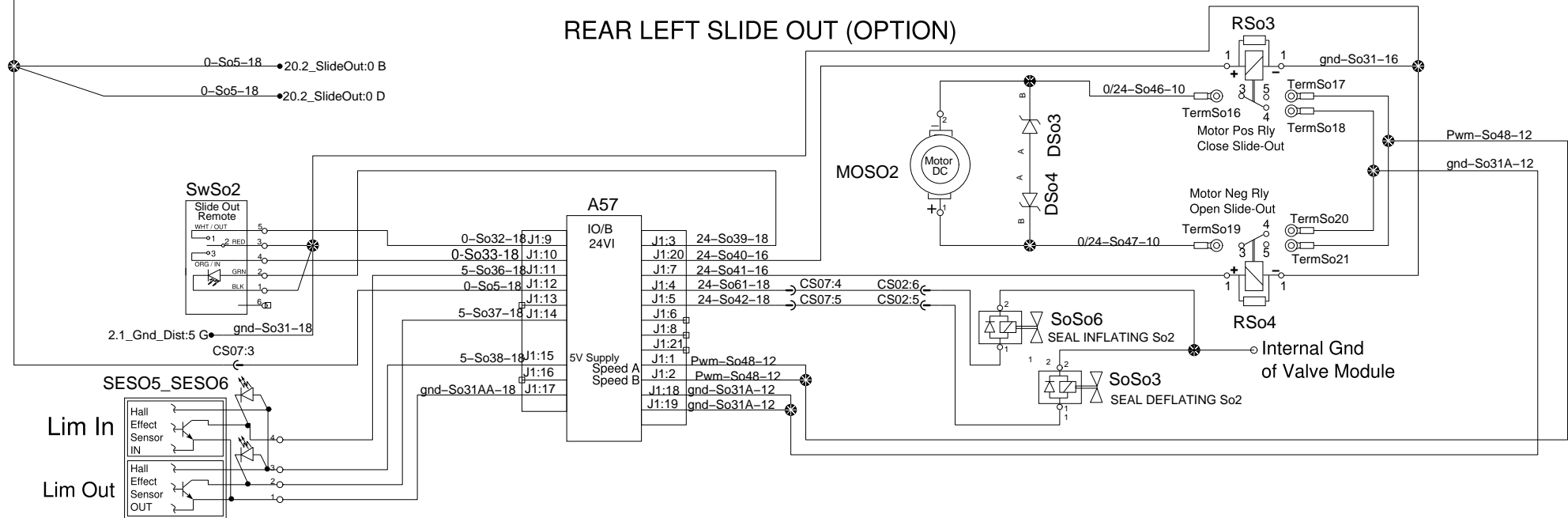
## REAR SLIDE OUT (OPTION)



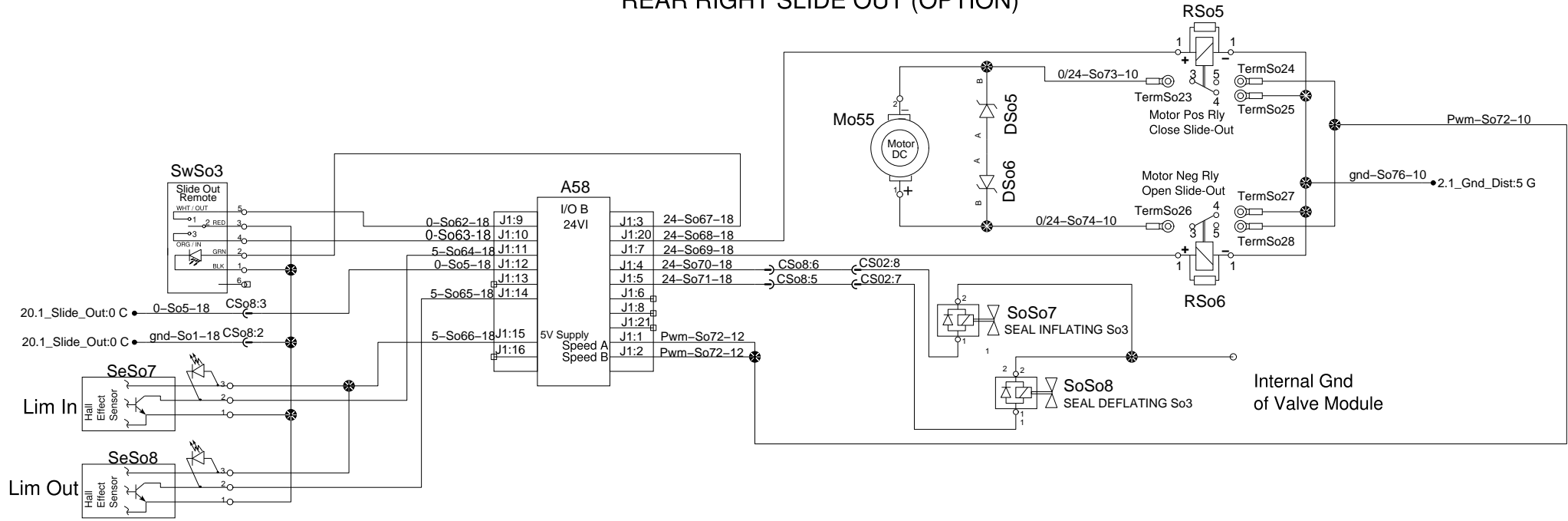
### FRONT LEFT SLIDE OUT (OPTION)



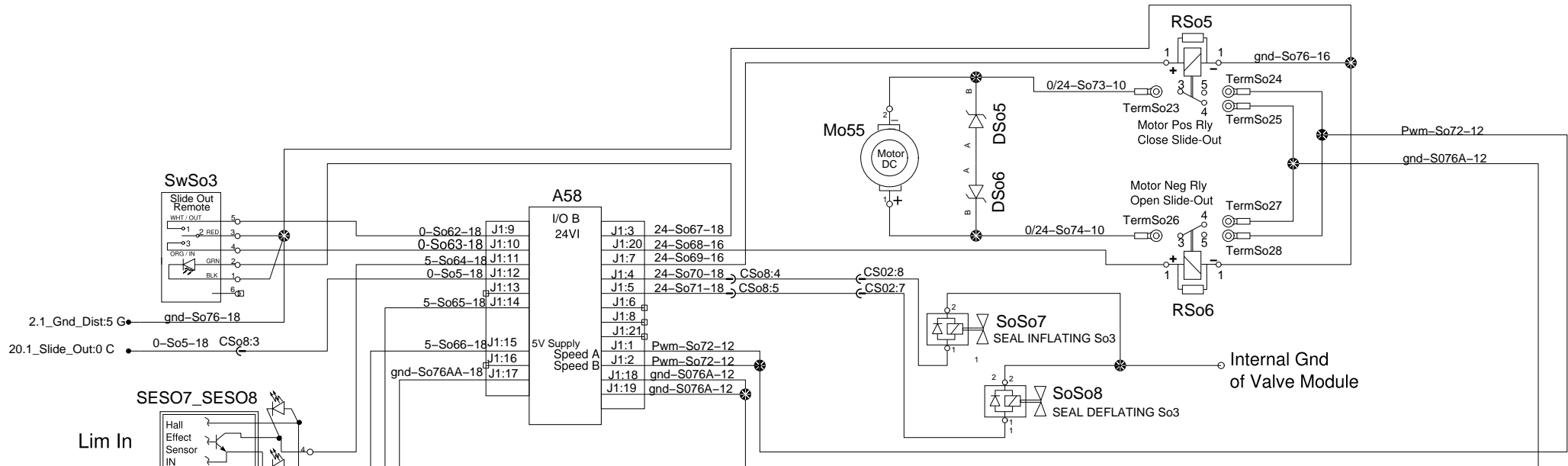
### REAR LEFT SLIDE OUT (OPTION)



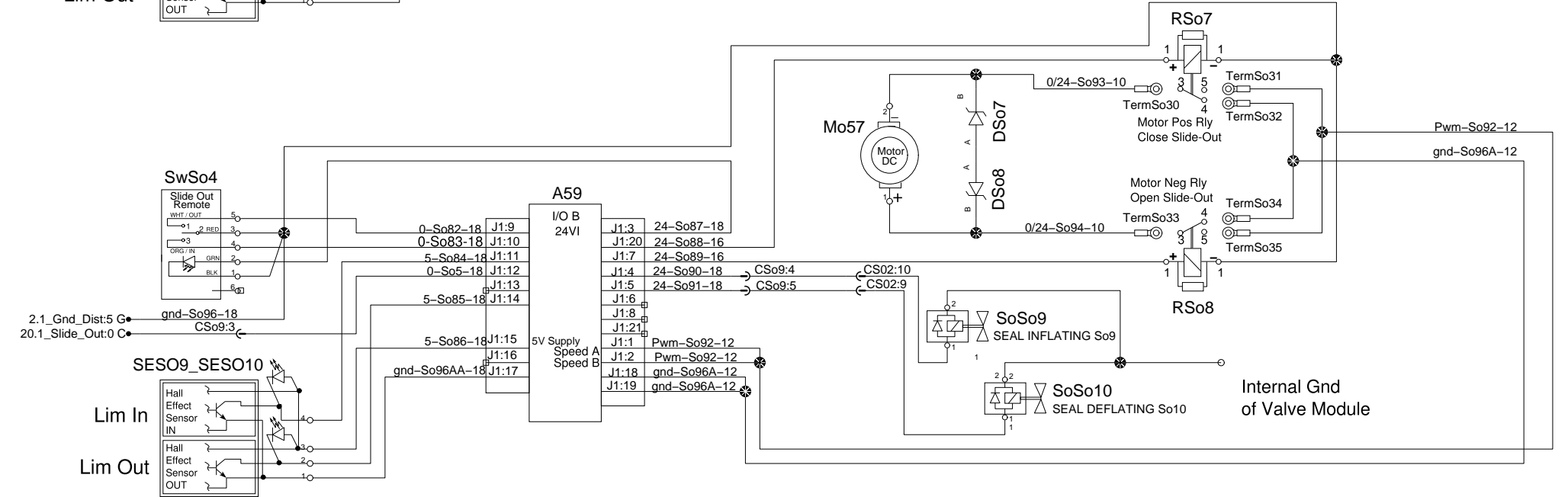
# REAR RIGHT SLIDE OUT (OPTION)



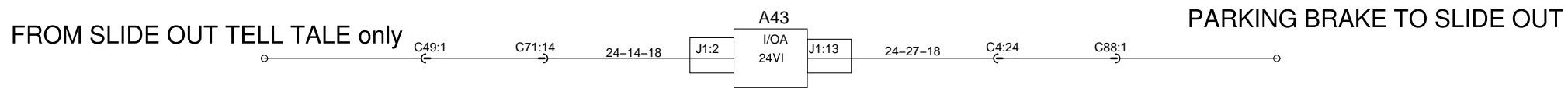
### REAR RIGHT SLIDE OUT (OPTION)



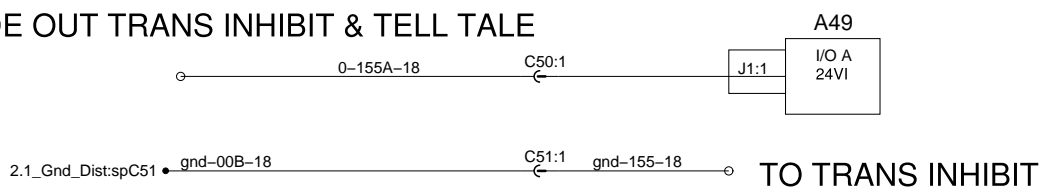
### FRONT RIGHT SLIDE OUT (OPTION)

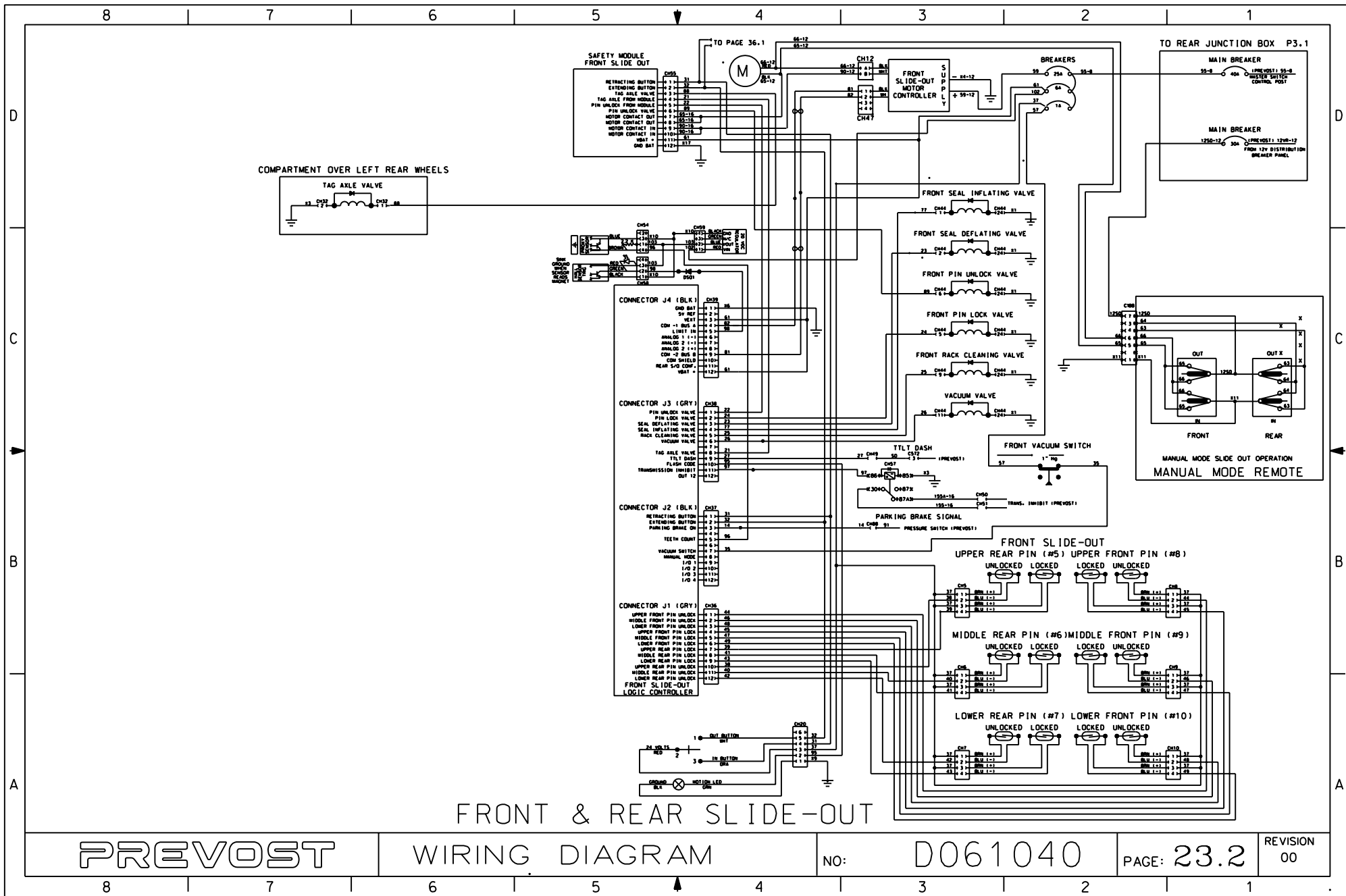


# Front & rear slide out



FROM SLIDE OUT TRANS INHIBIT & TELL TALE





FRONT & REAR SLIDE-OUT

PREVOST

WIRING DIAGRAM

NO: D061040

PAGE: 23.2

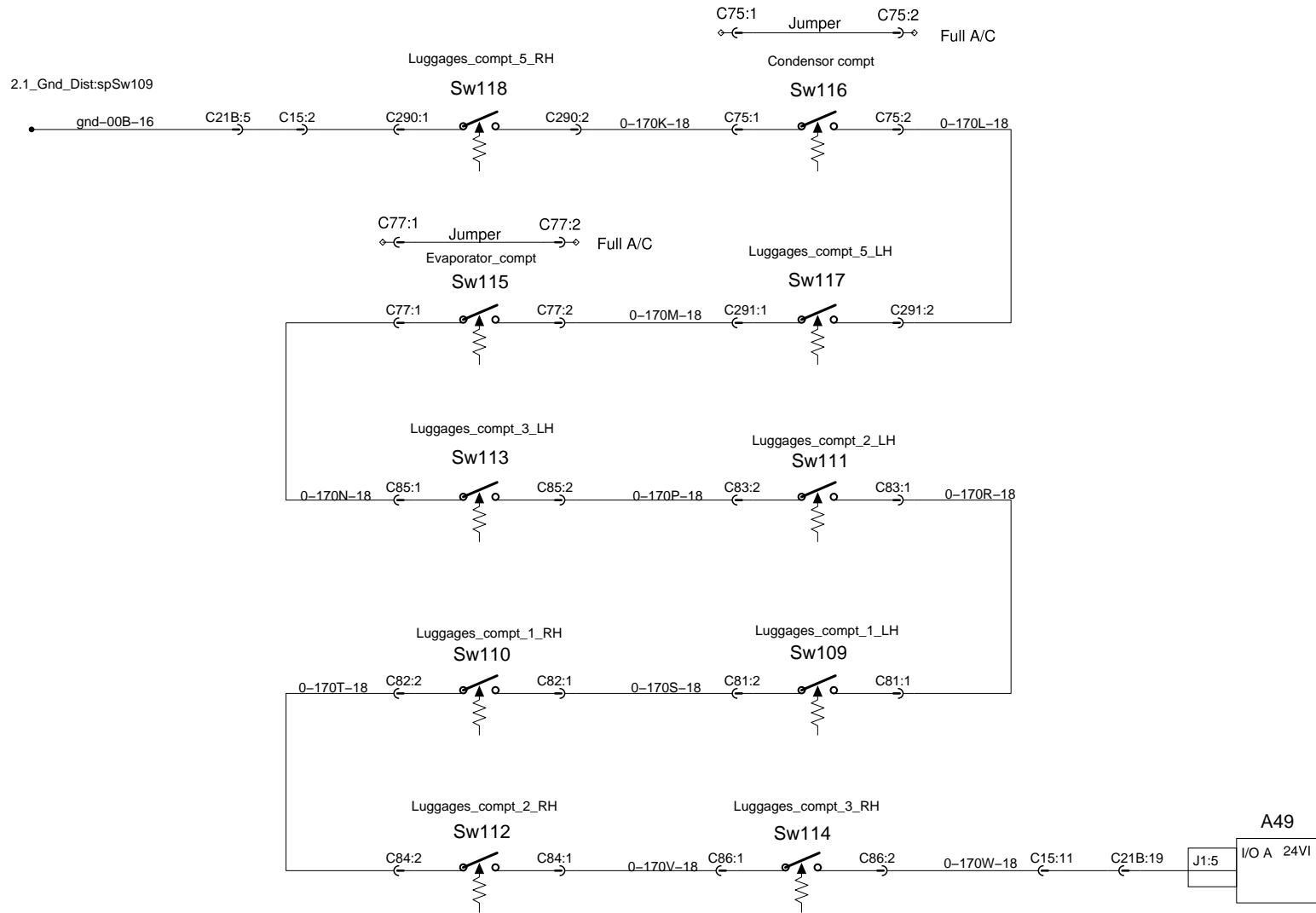
REVISION 00





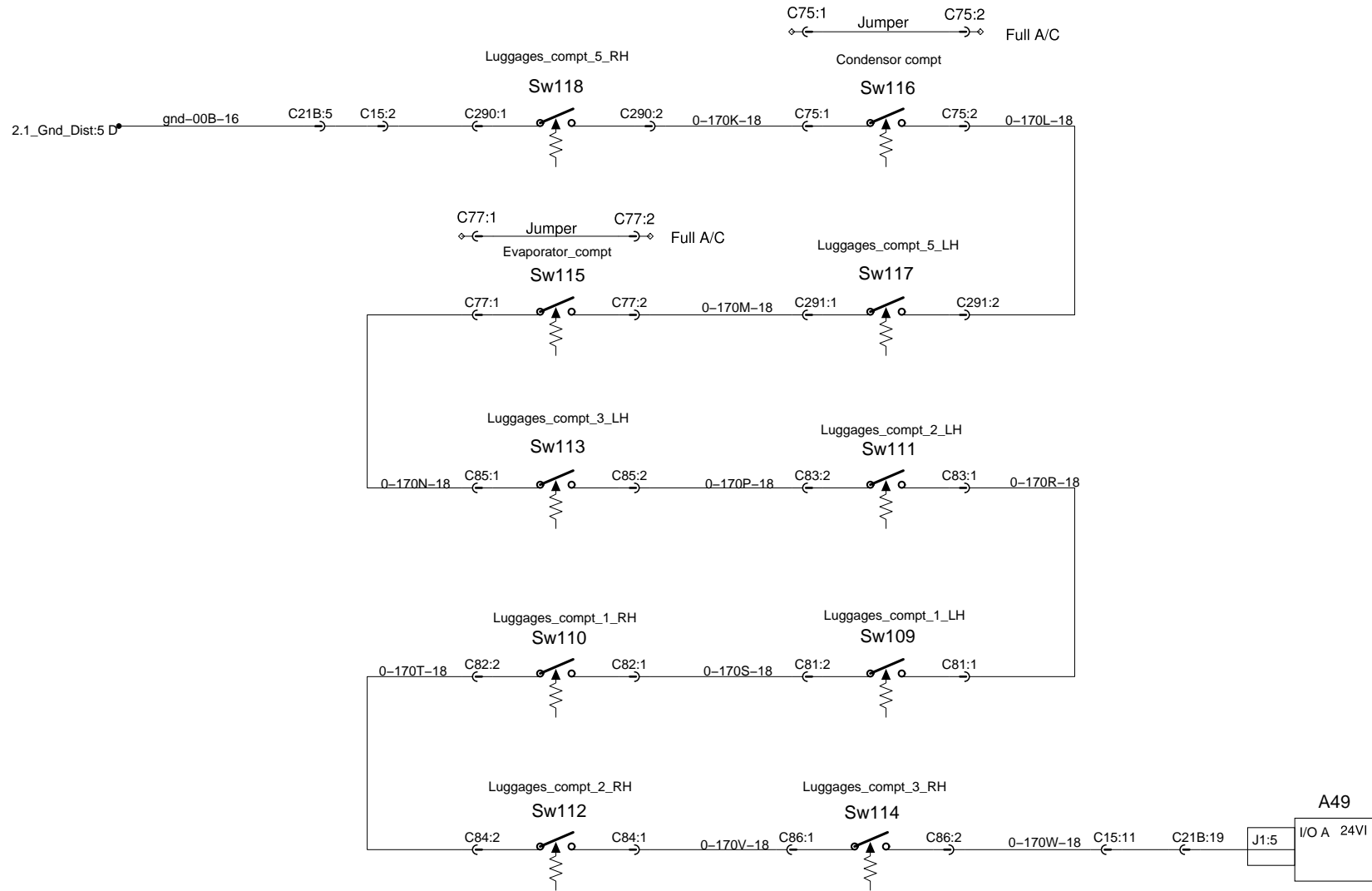
# Luggage doors locks switches

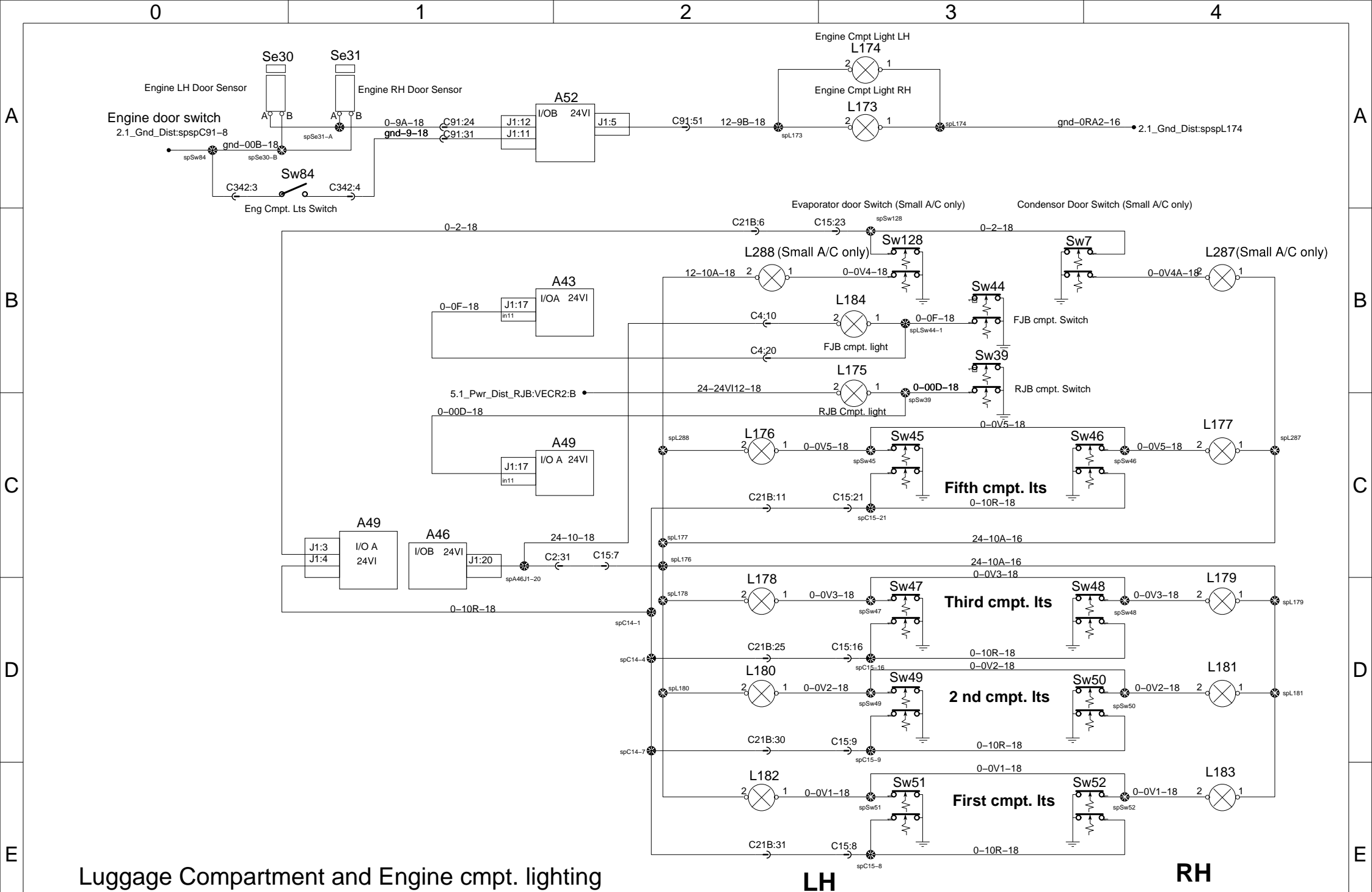
(Switch closed=door locked)



# Luggage doors locks switches

(Switch closed=door locked)

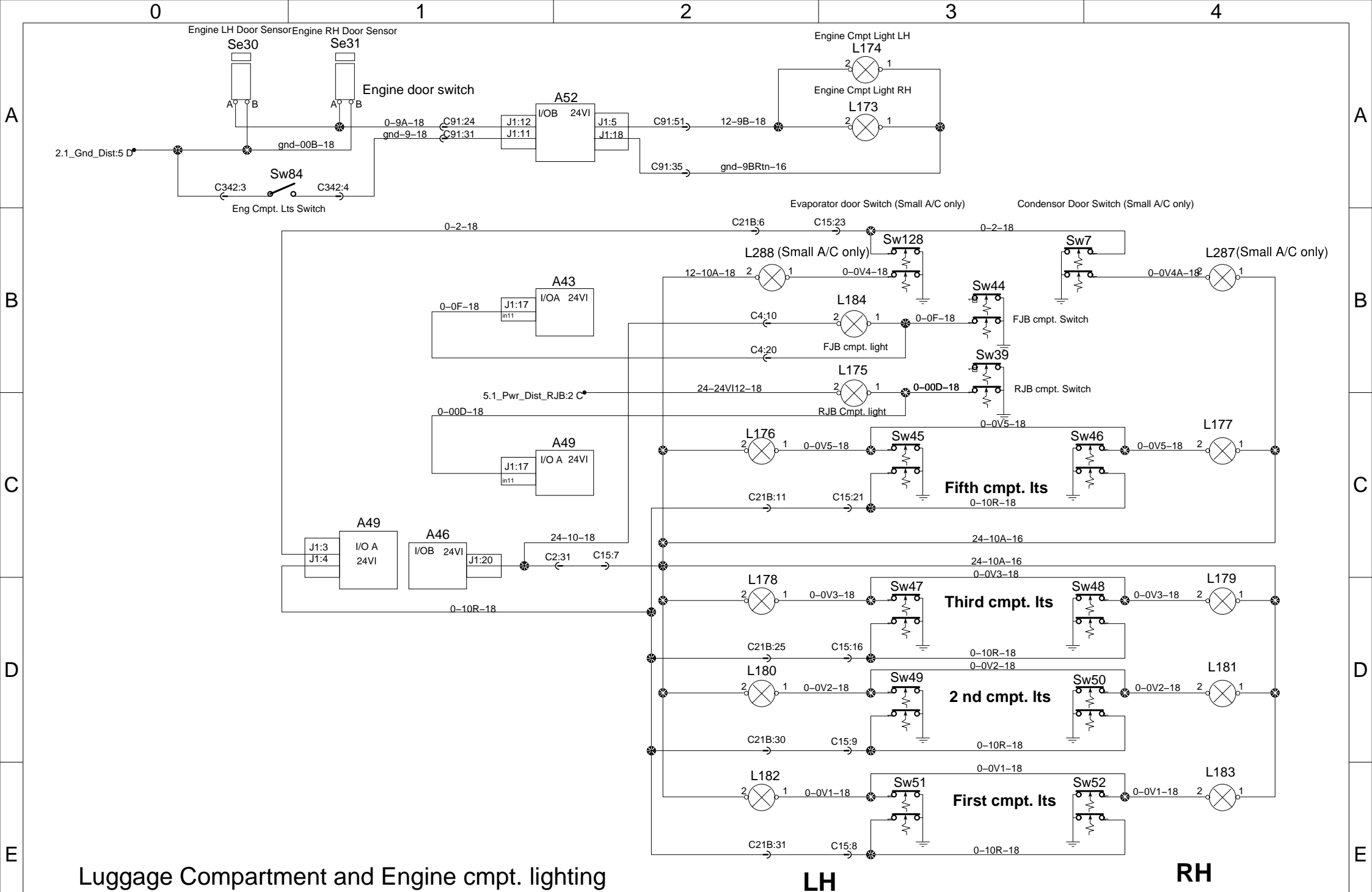




Luggage Compartment and Engine cmp. lighting

LH

RH

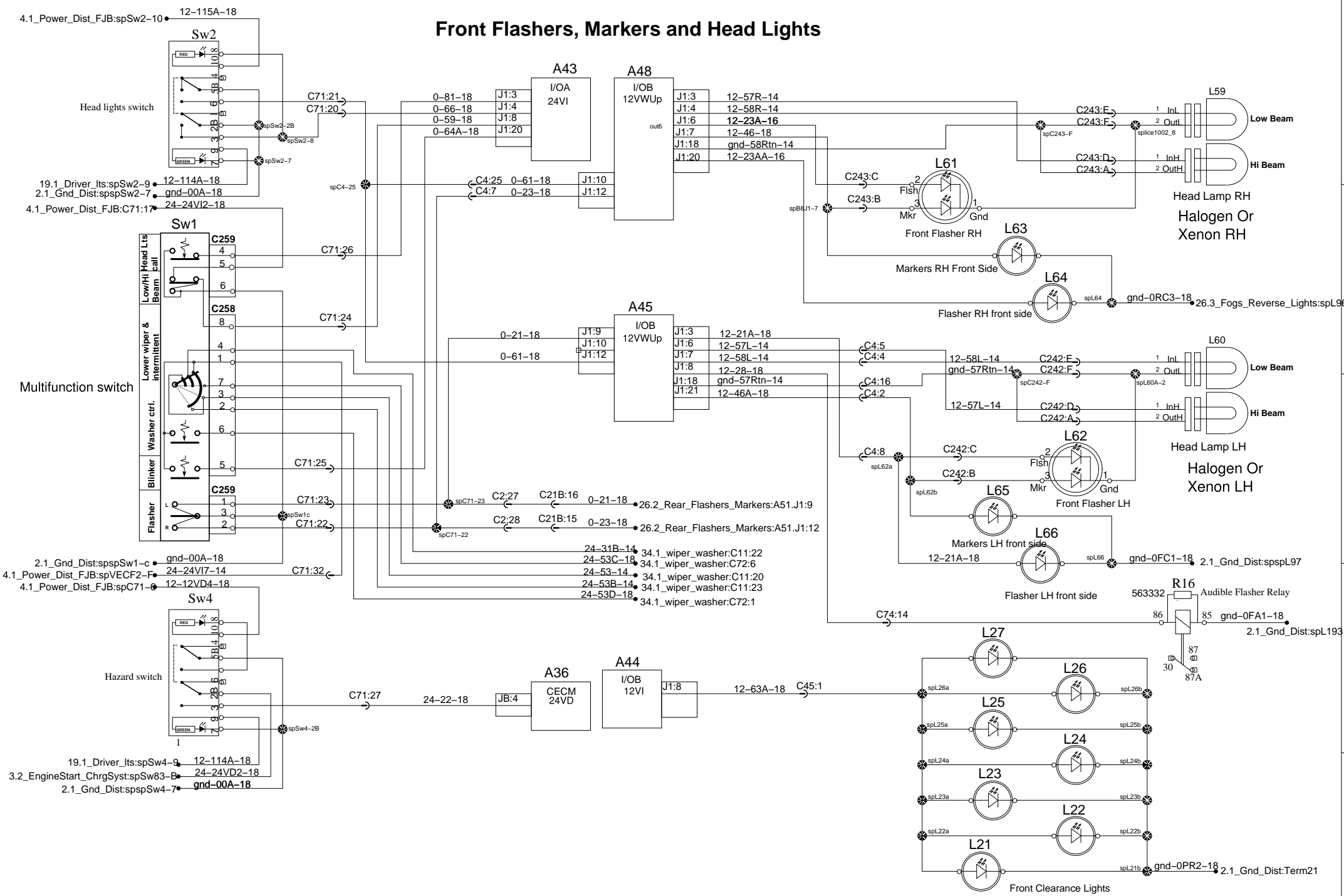


Luggage Compartment and Engine Cmpmt. lighting

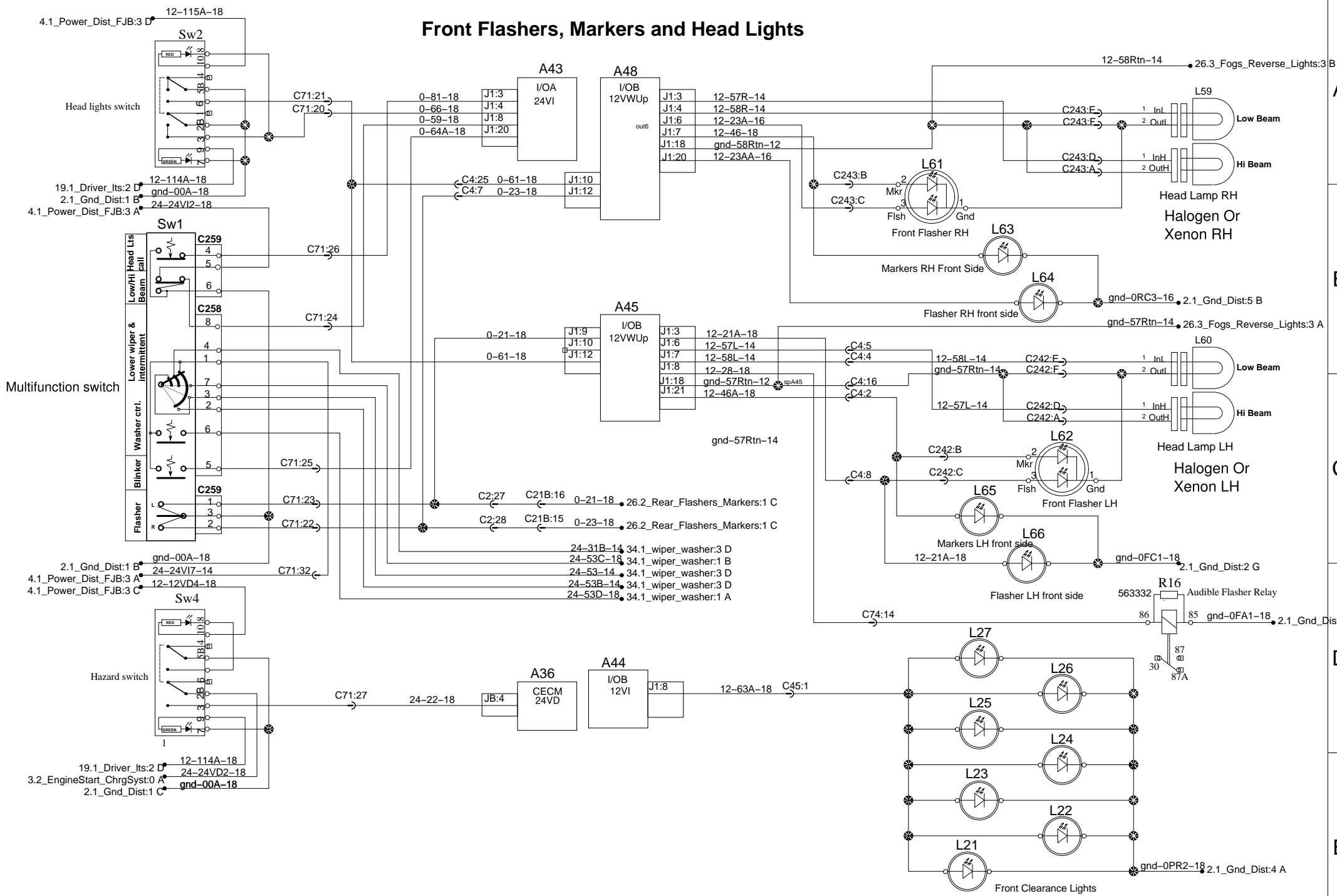
LH

RH

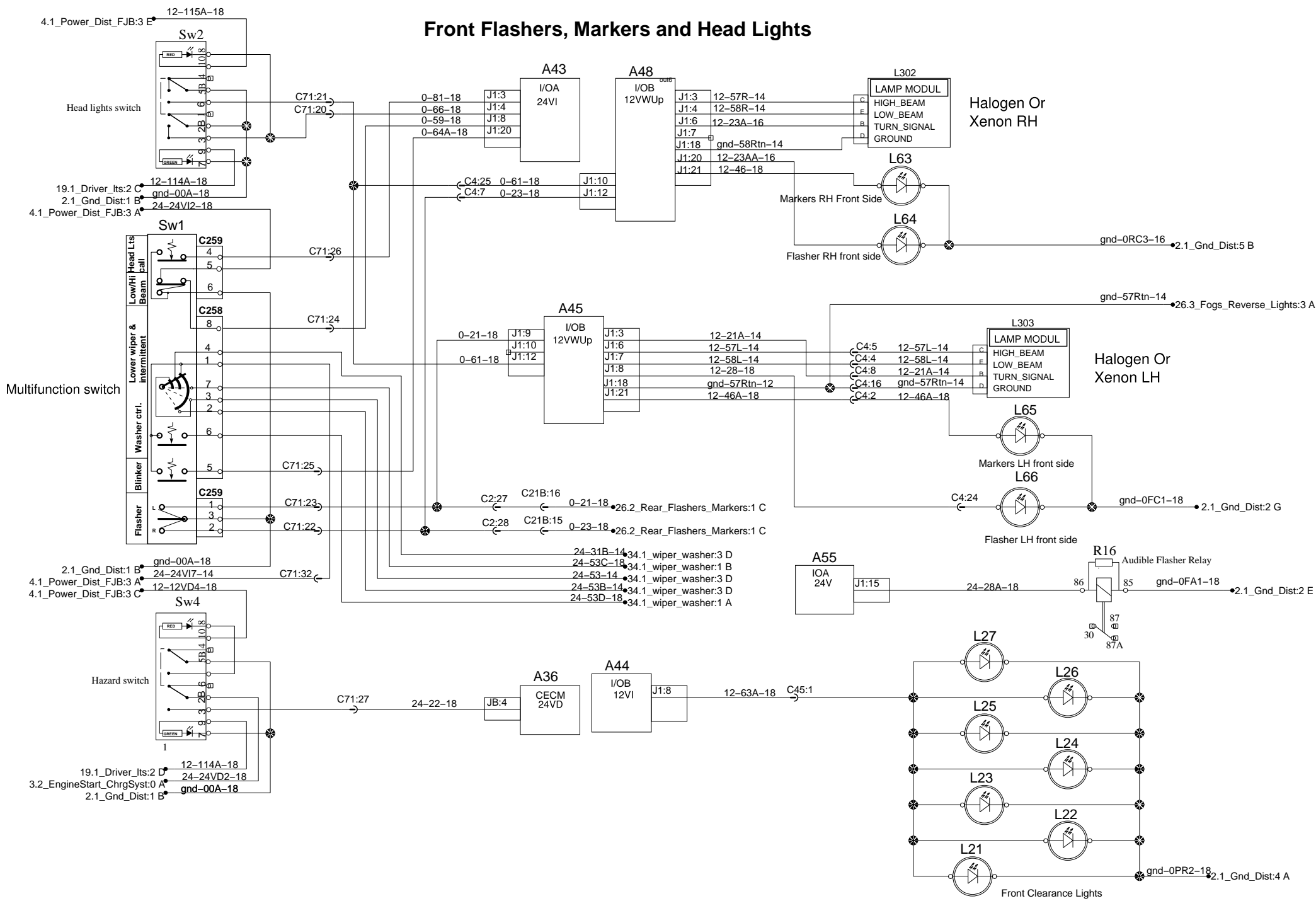
# Front Flashers, Markers and Head Lights



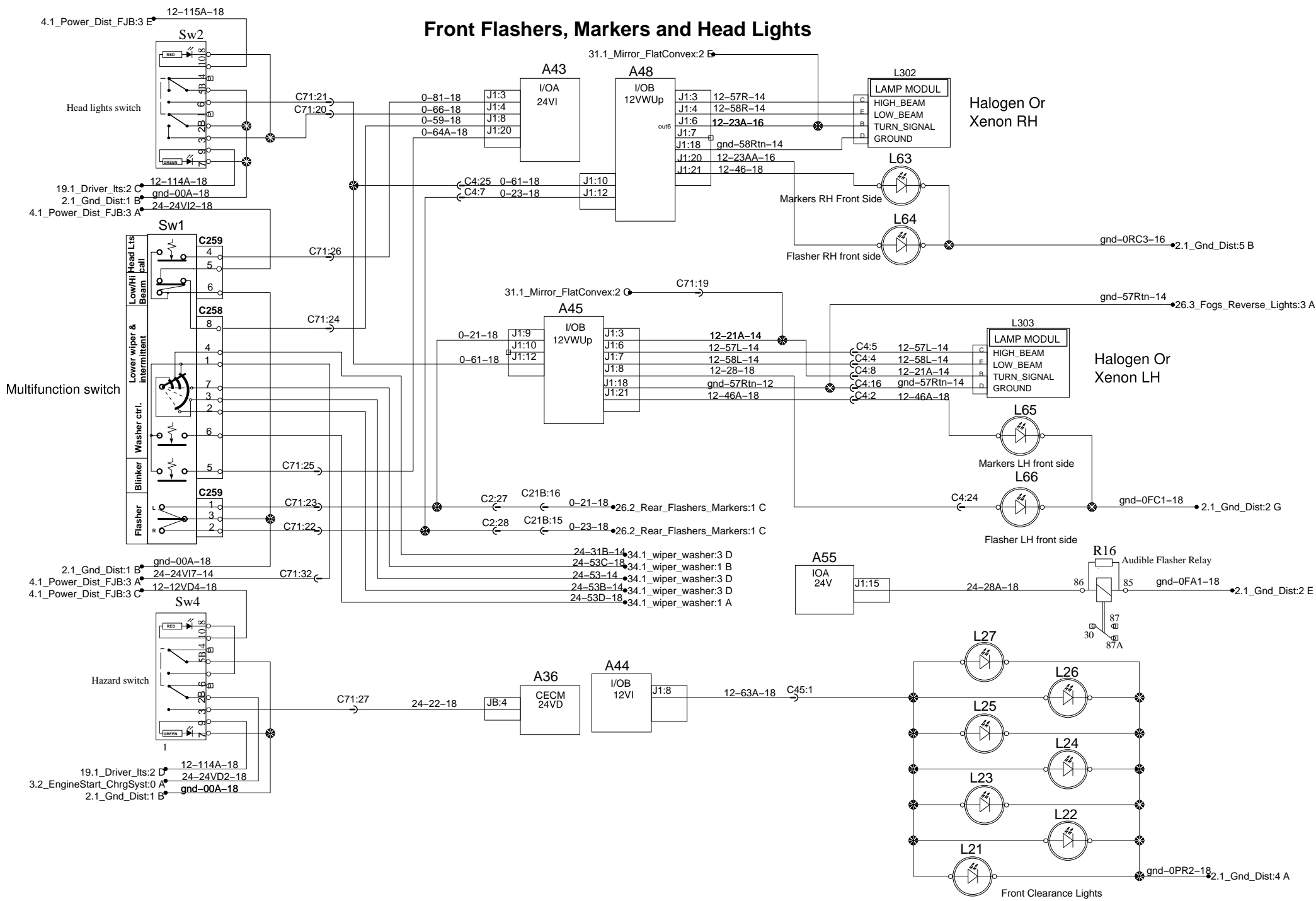
# Front Flashers, Markers and Head Lights



# Front Flashers, Markers and Head Lights

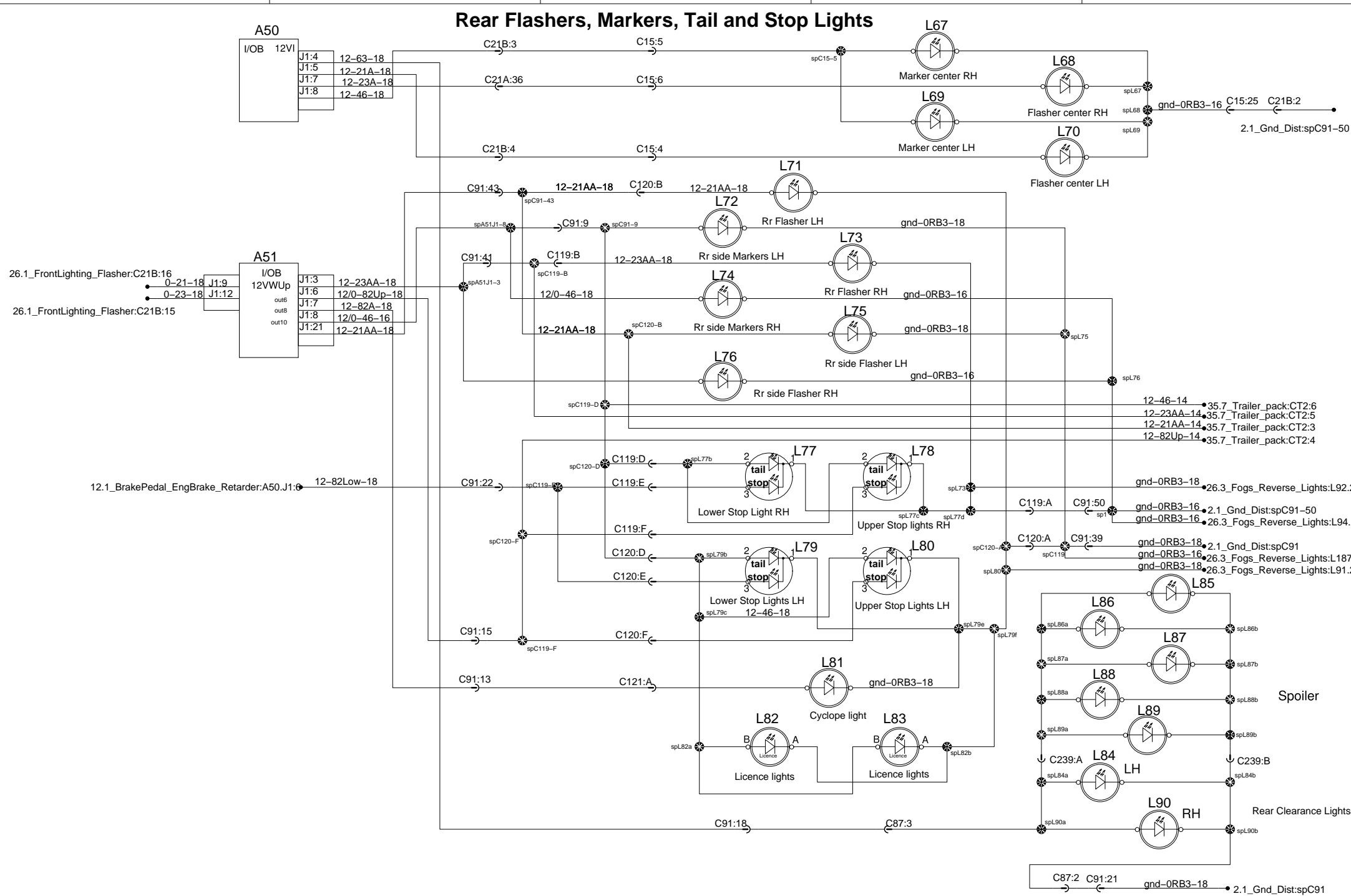


# Front Flashers, Markers and Head Lights

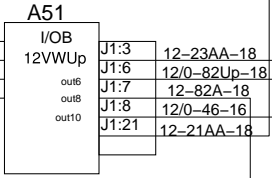
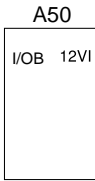




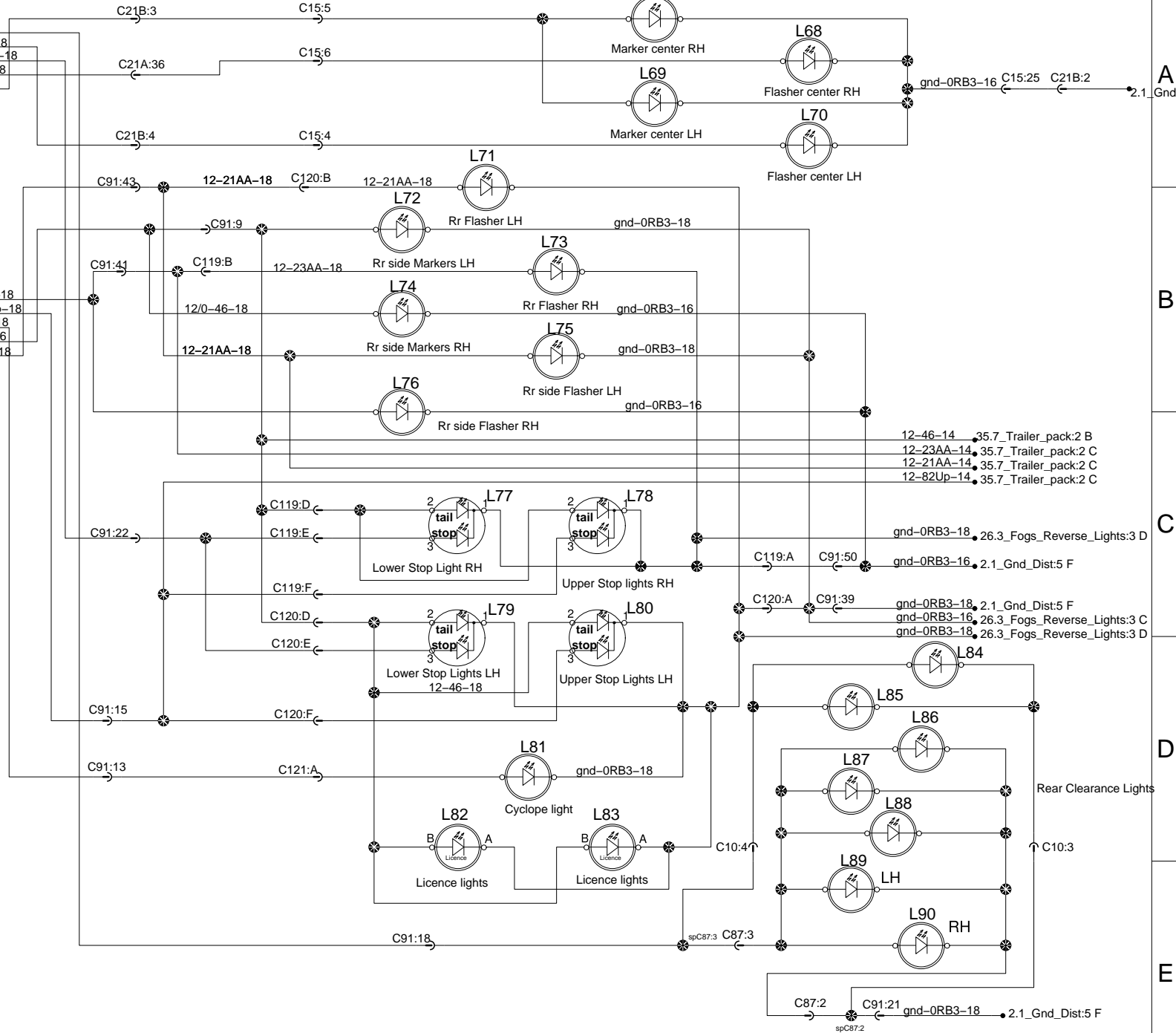
# Rear Flashers, Markers, Tail and Stop Lights



# Rear Flashers, Markers, Tail and Stop Lights



26.1\_FrontLighting\_Flasher:2 C  
0-21-18 J1:9  
26.1\_FrontLighting\_Flasher:2 C  
0-23-18 J1:12

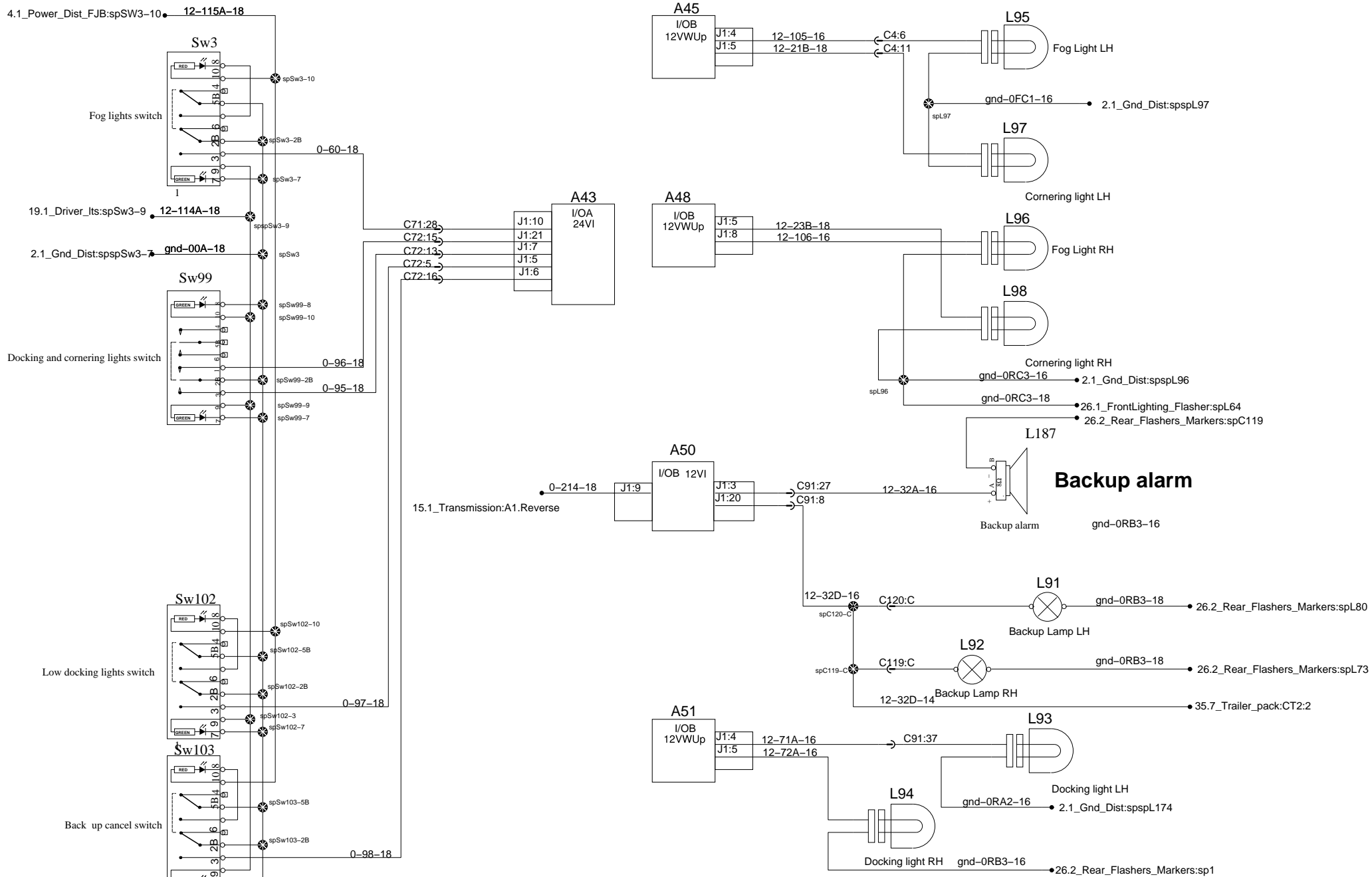


12-46-14 35.7\_Trailer\_pack:2 B  
12-23AA-14 35.7\_Trailer\_pack:2 C  
12-21AA-14 35.7\_Trailer\_pack:2 C  
12-82Up-14 35.7\_Trailer\_pack:2 C

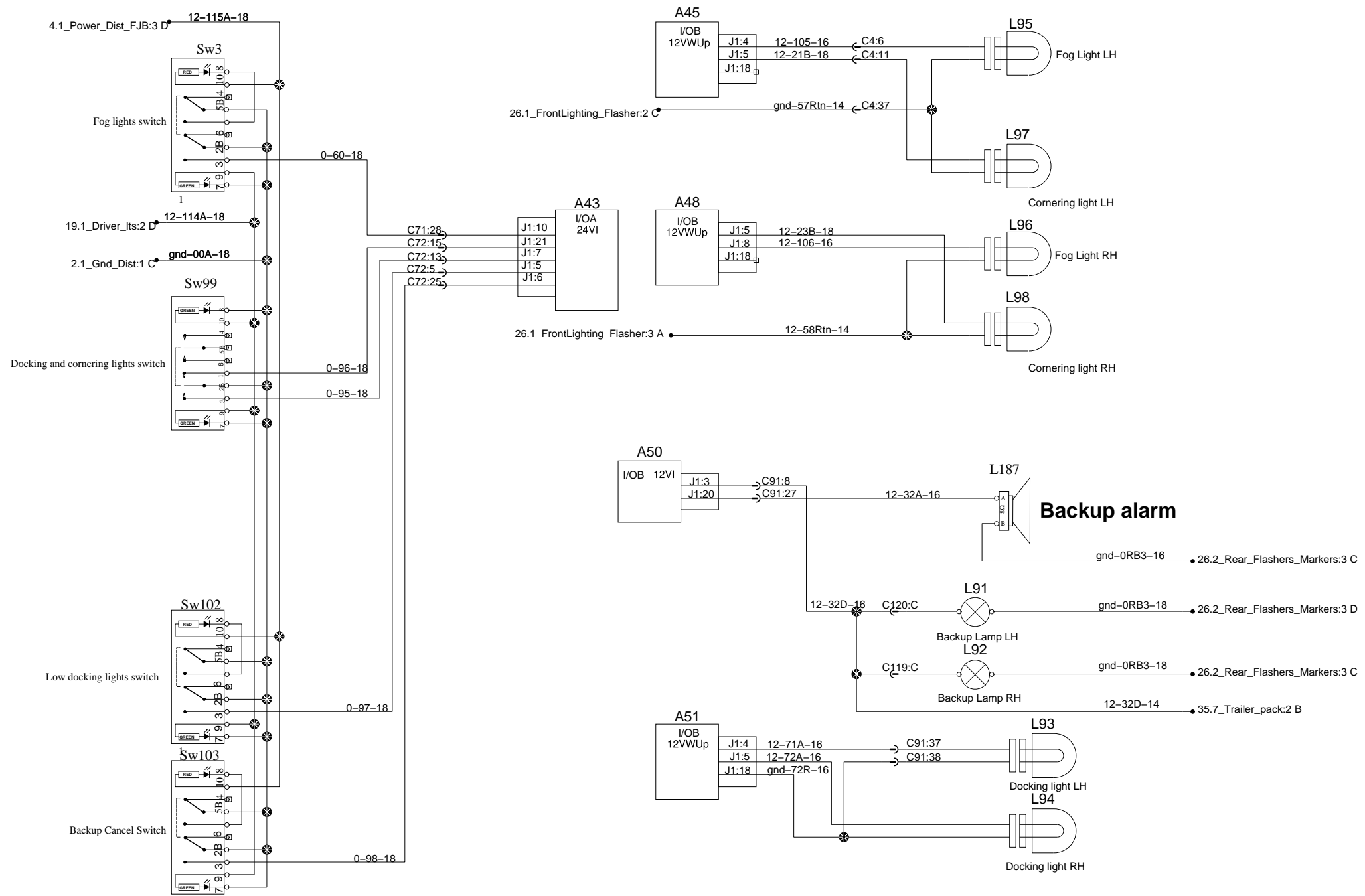
gnd-0RB3-18 26.3\_Fogs\_Reverse\_Lights:3 D  
gnd-0RB3-16 2.1\_Gnd\_Dist:5 F  
gnd-0RB3-18, 2.1\_Gnd\_Dist:5 F  
gnd-0RB3-16 26.3\_Fogs\_Reverse\_Lights:3 C  
gnd-0RB3-18 26.3\_Fogs\_Reverse\_Lights:3 D

Rear Clearance Lights

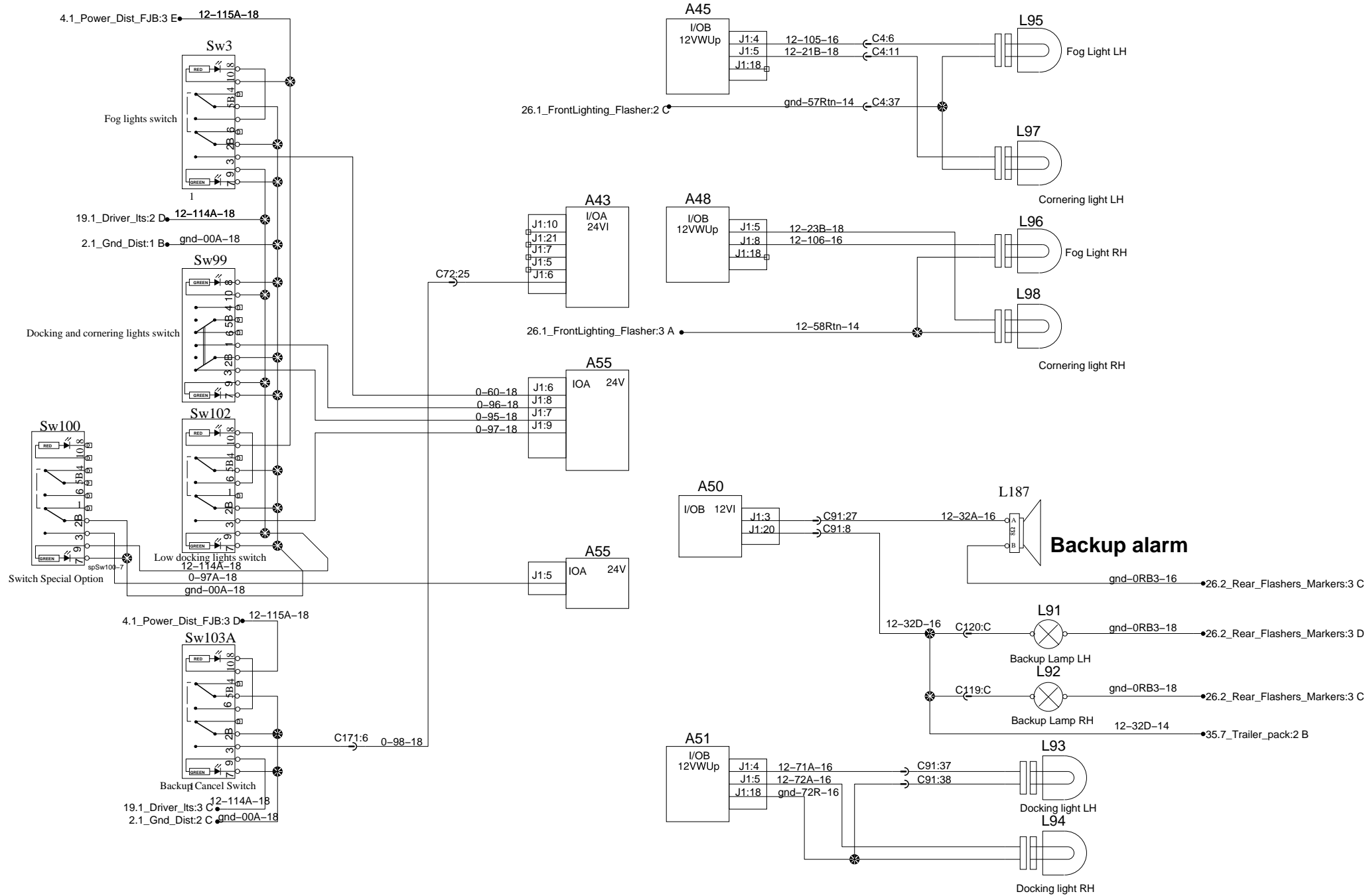
# Fog's Lights and Backup Lights and Alarm



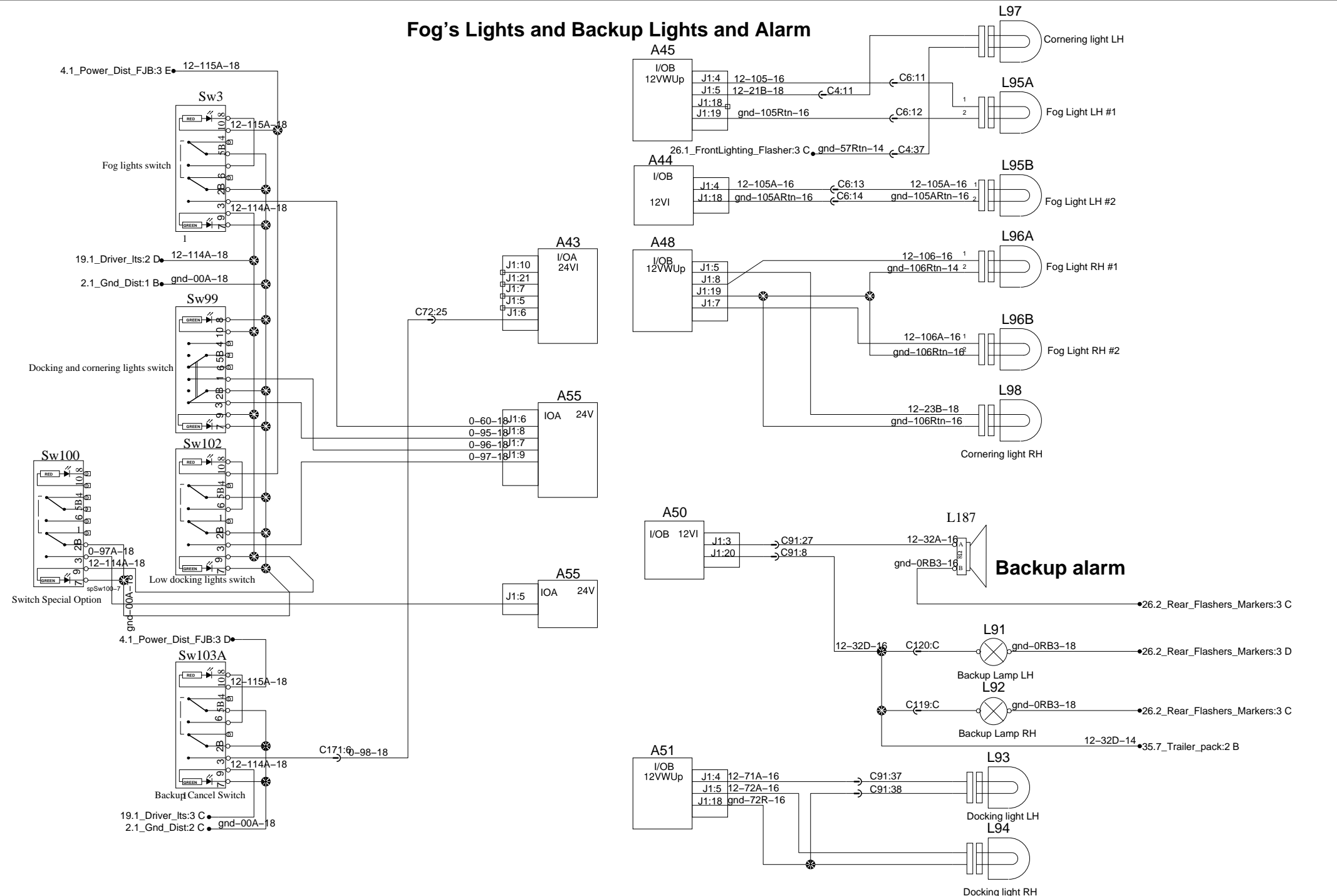
# Fog's Lights and Backup Lights and Alarm



# Fog's Lights and Backup Lights and Alarm



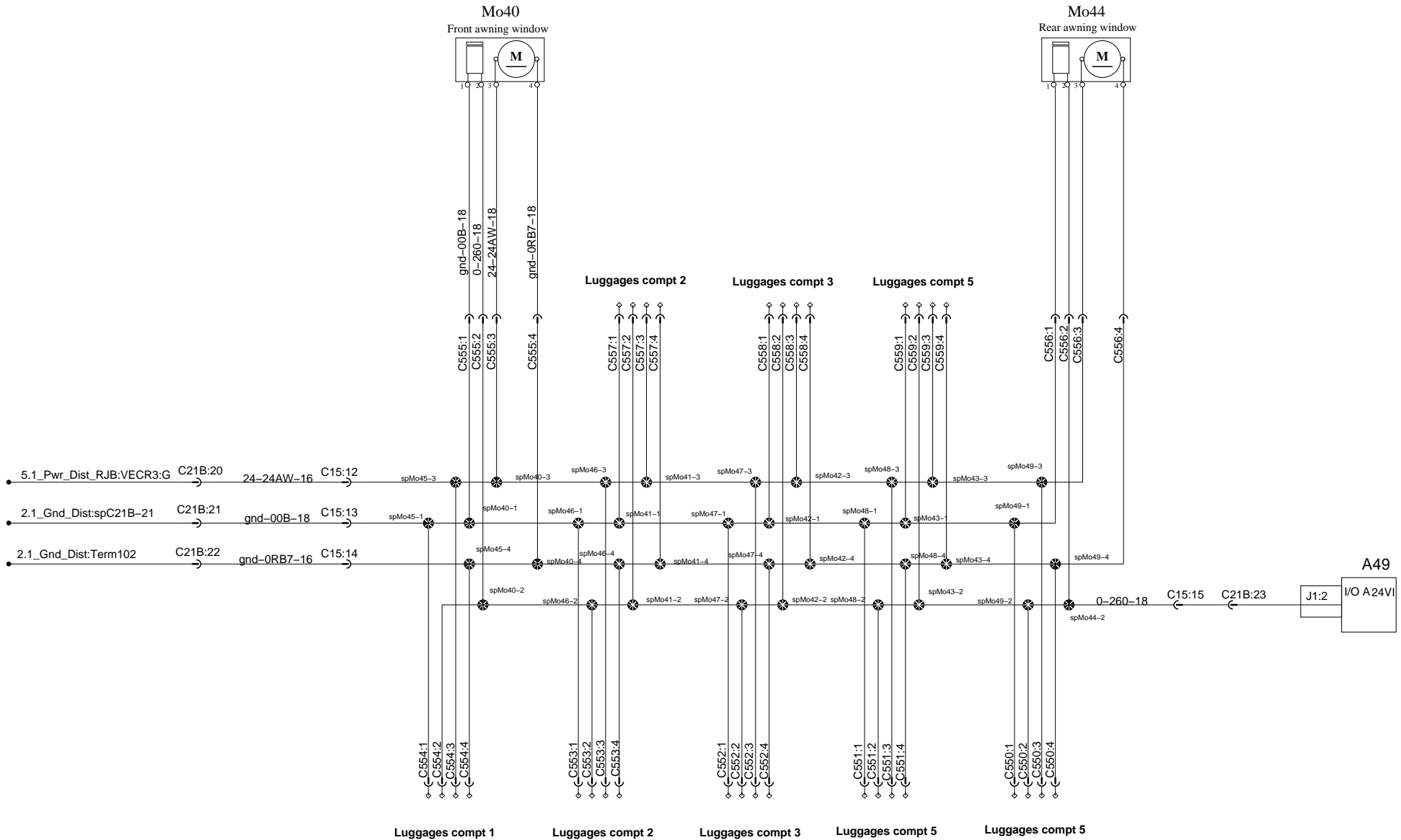
# Fog's Lights and Backup Lights and Alarm



# Window Ajar and awning mechanism

L.H.

R.H.

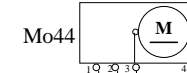
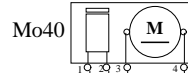


# Window Ajar and awning mechanism or Sliding window

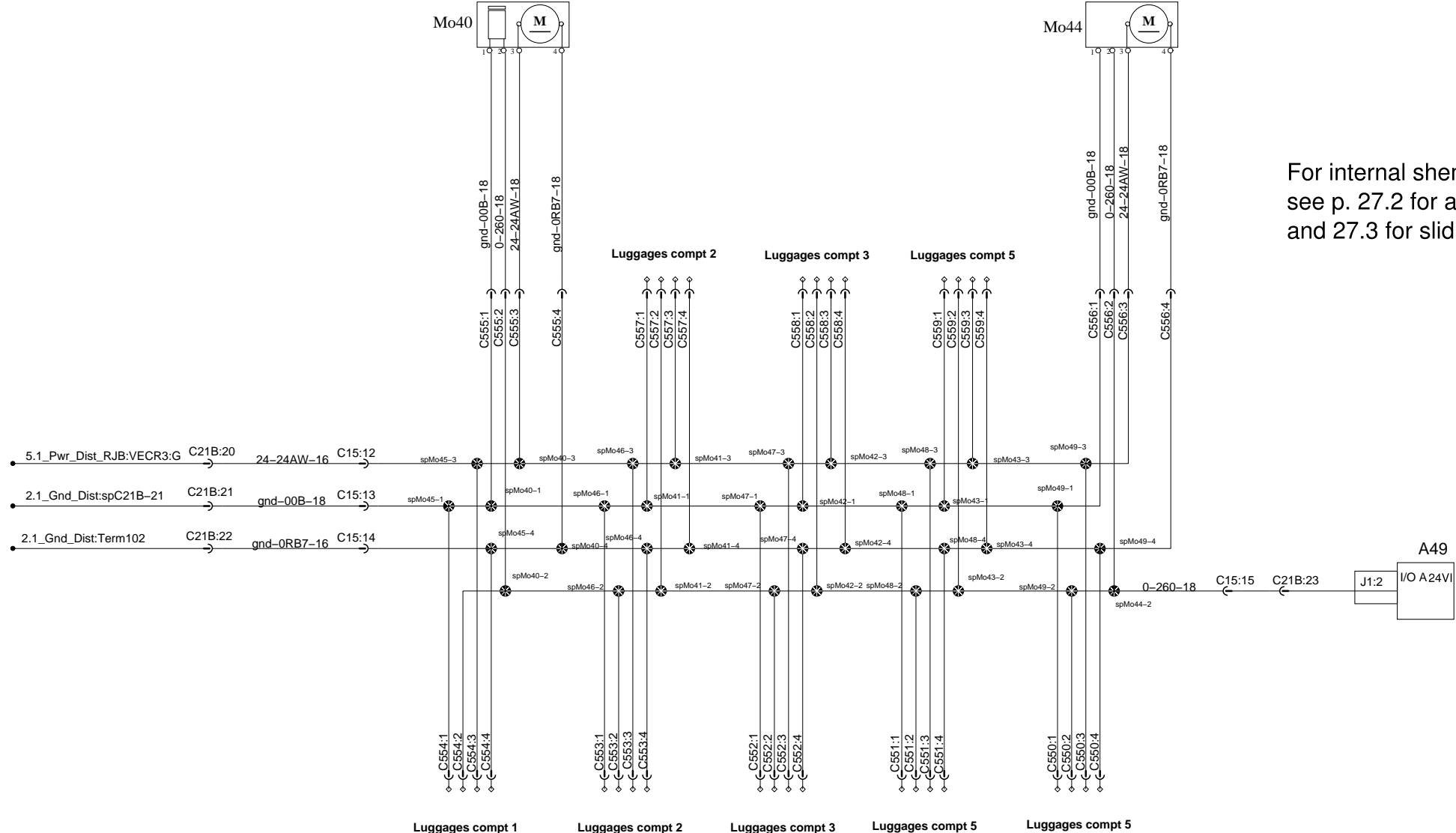
L.H.

Awning window

Sliding window



For internal schematic see p. 27.2 for awning and 27.3 for sliding



R.H.

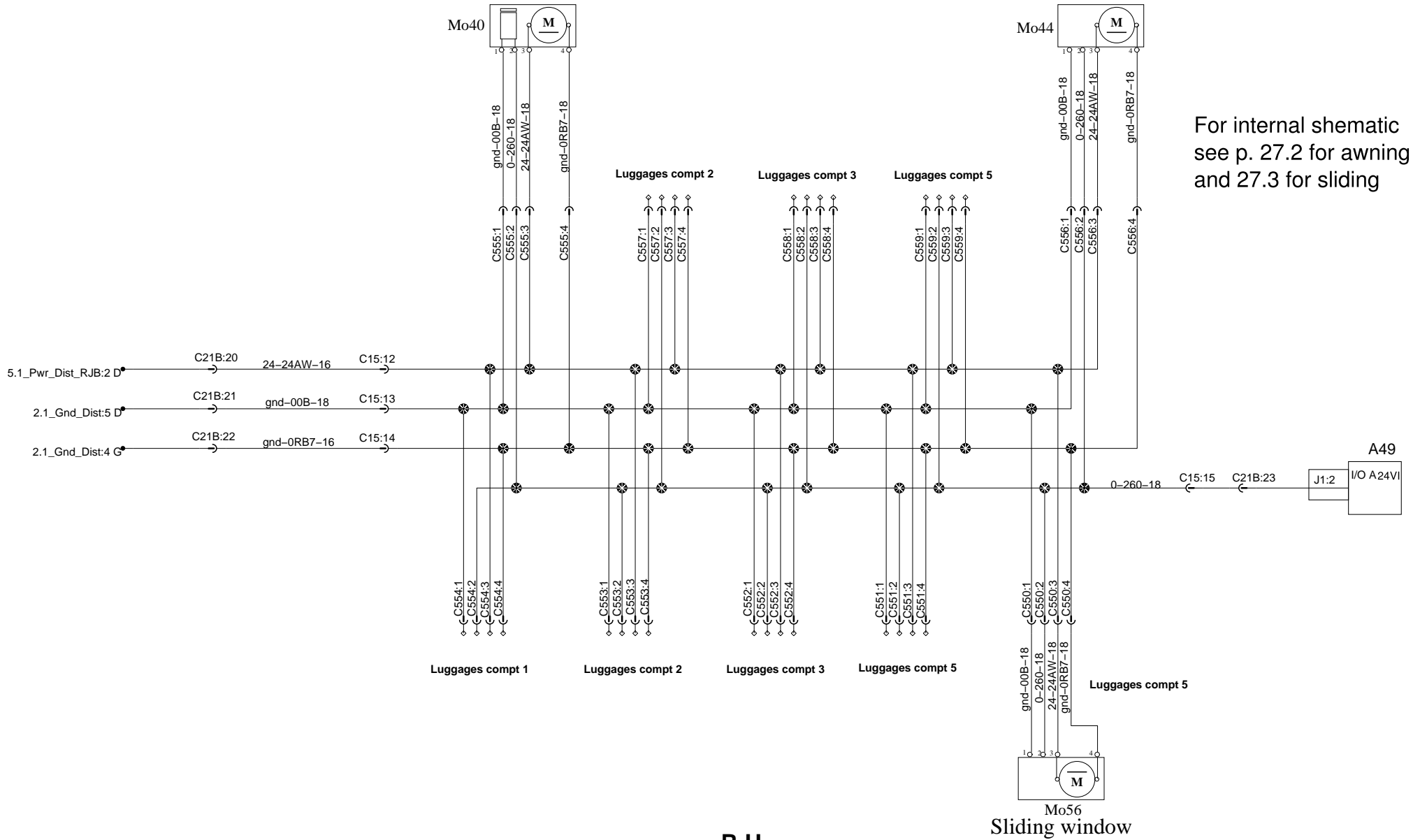


# Window Ajar and awning mechanism or Sliding window

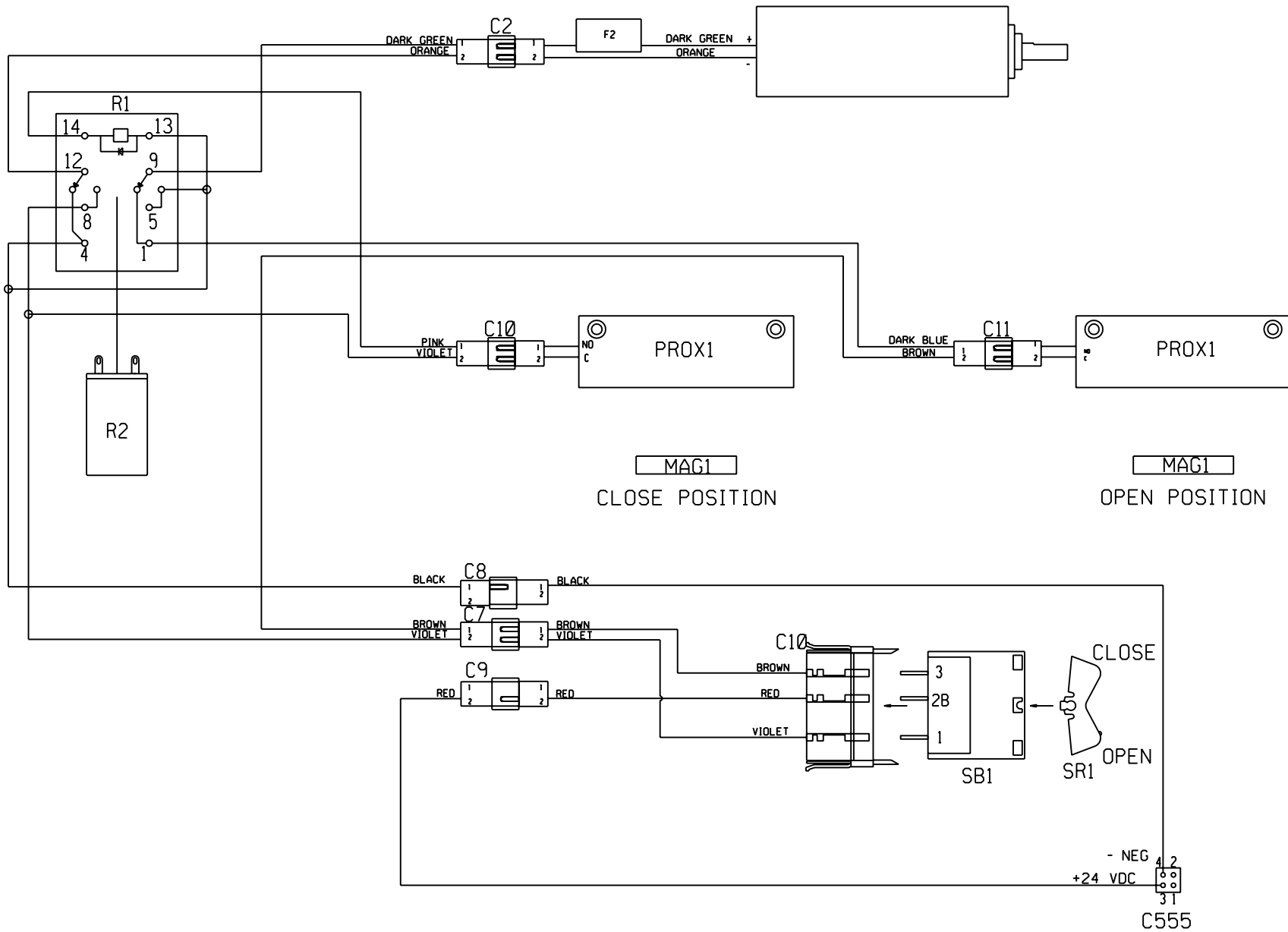
L.H.

Sliding window

Awning window



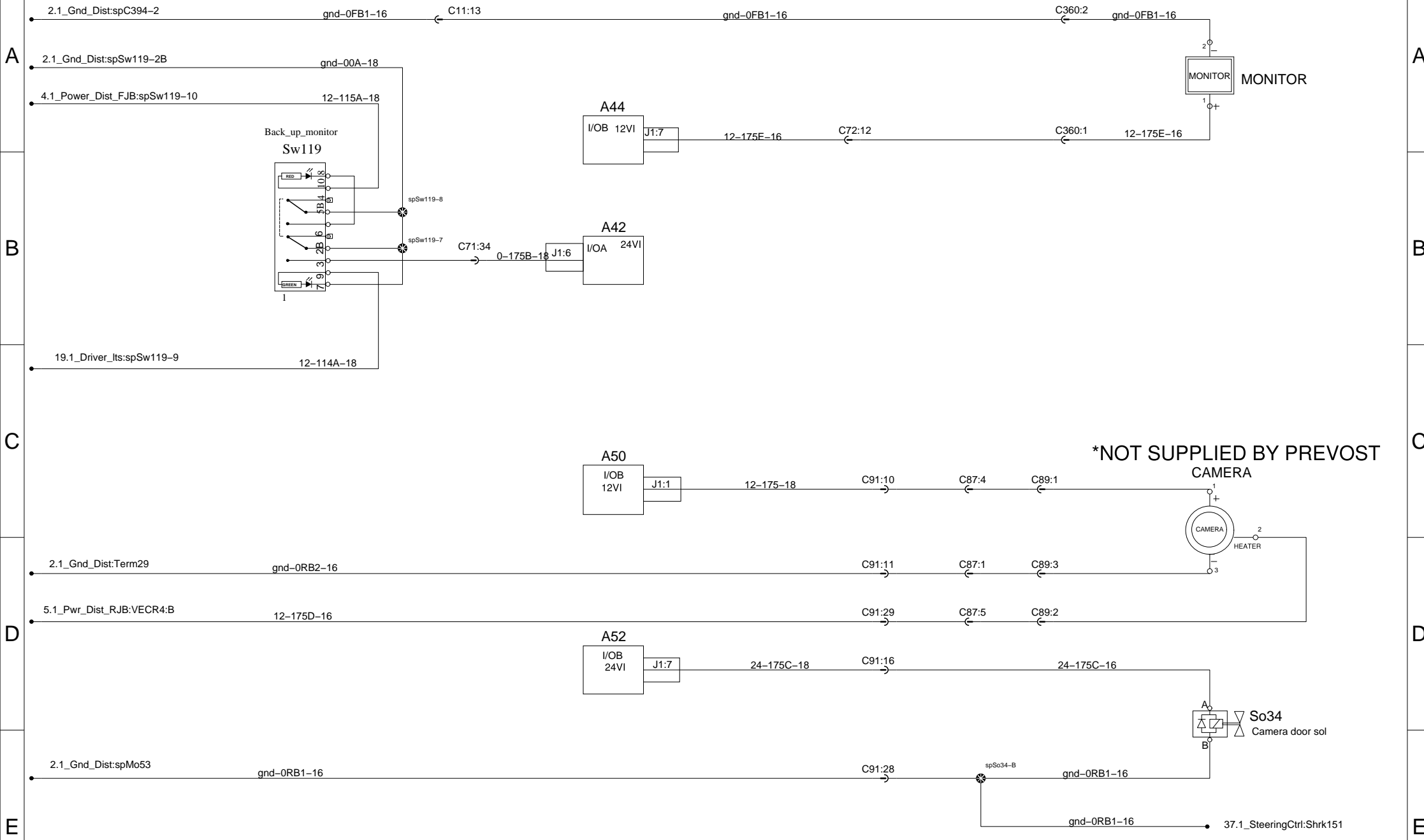
For internal shematic see p. 27.2 for awning and 27.3 for sliding



INTERNAL SCHEMATIC SLIDING WINDOW

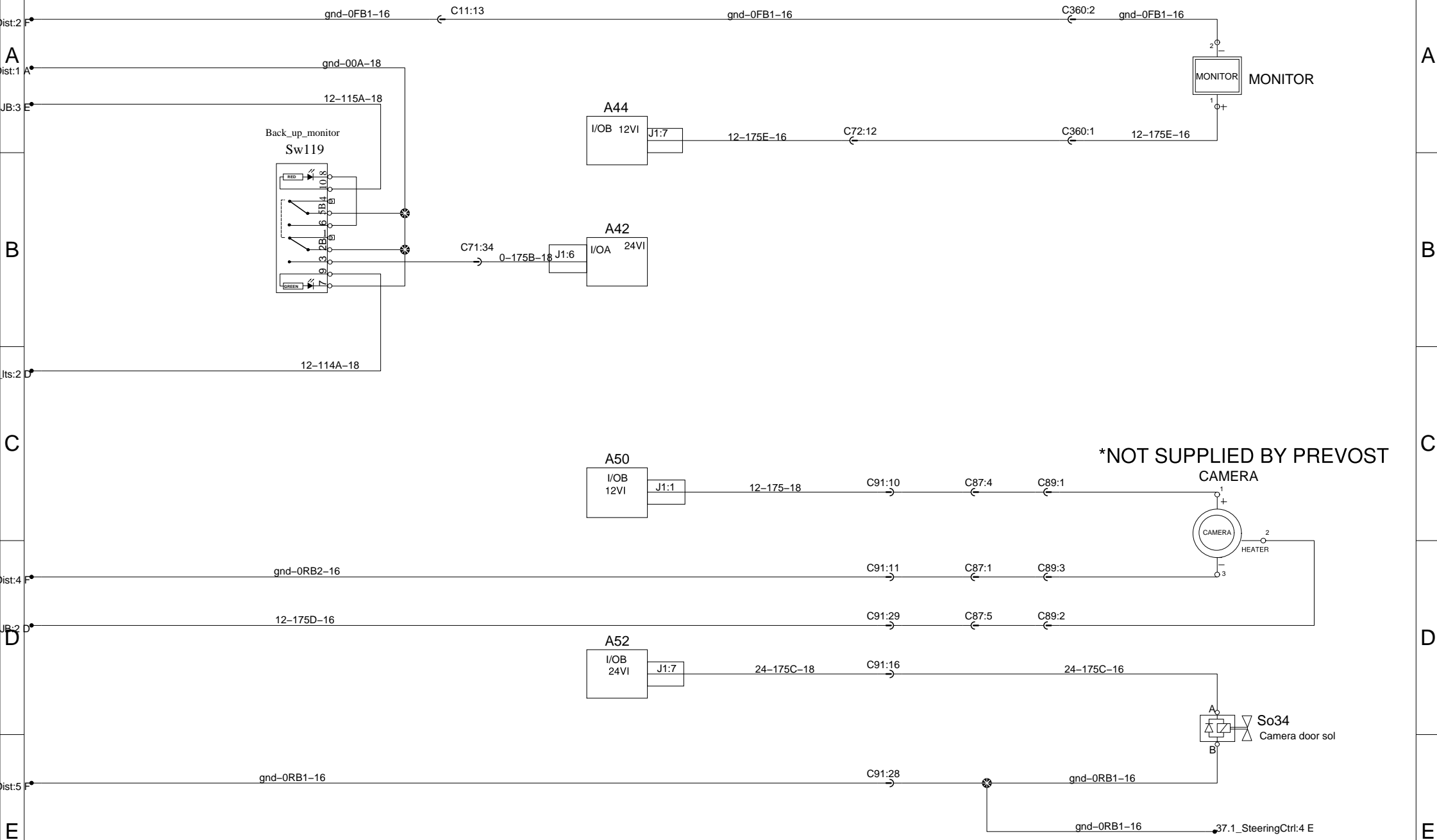
# Backup Camera

\*NOT SUPPLIED BY PREVOST



# Backup Camera

\*NOT SUPPLIED BY PREVOST





0

1

2

3

4

# Backup Camera

\*NOT SUPPLIED BY PREVOST

A

A

B

B

C

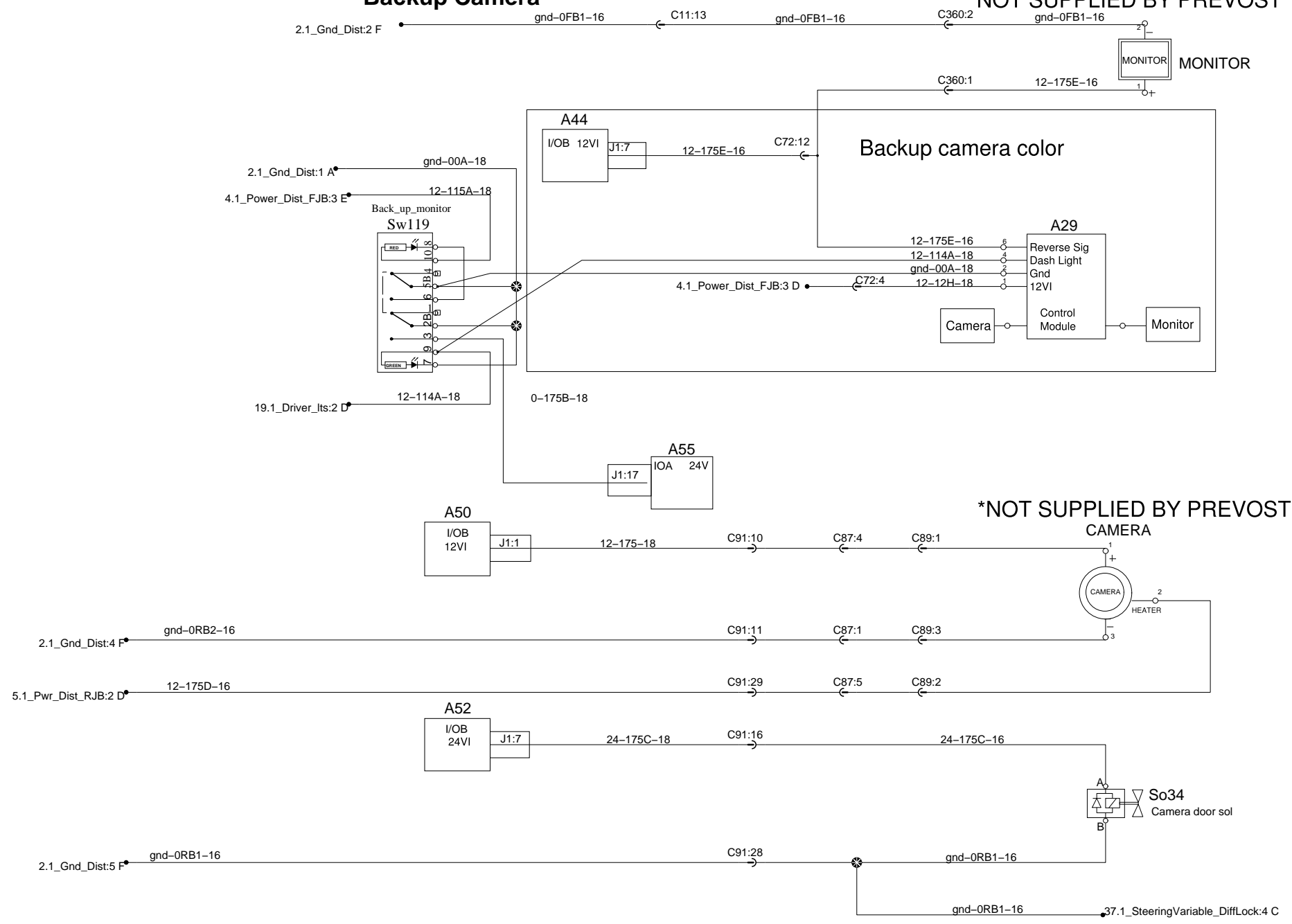
C

D

D

E

E



0

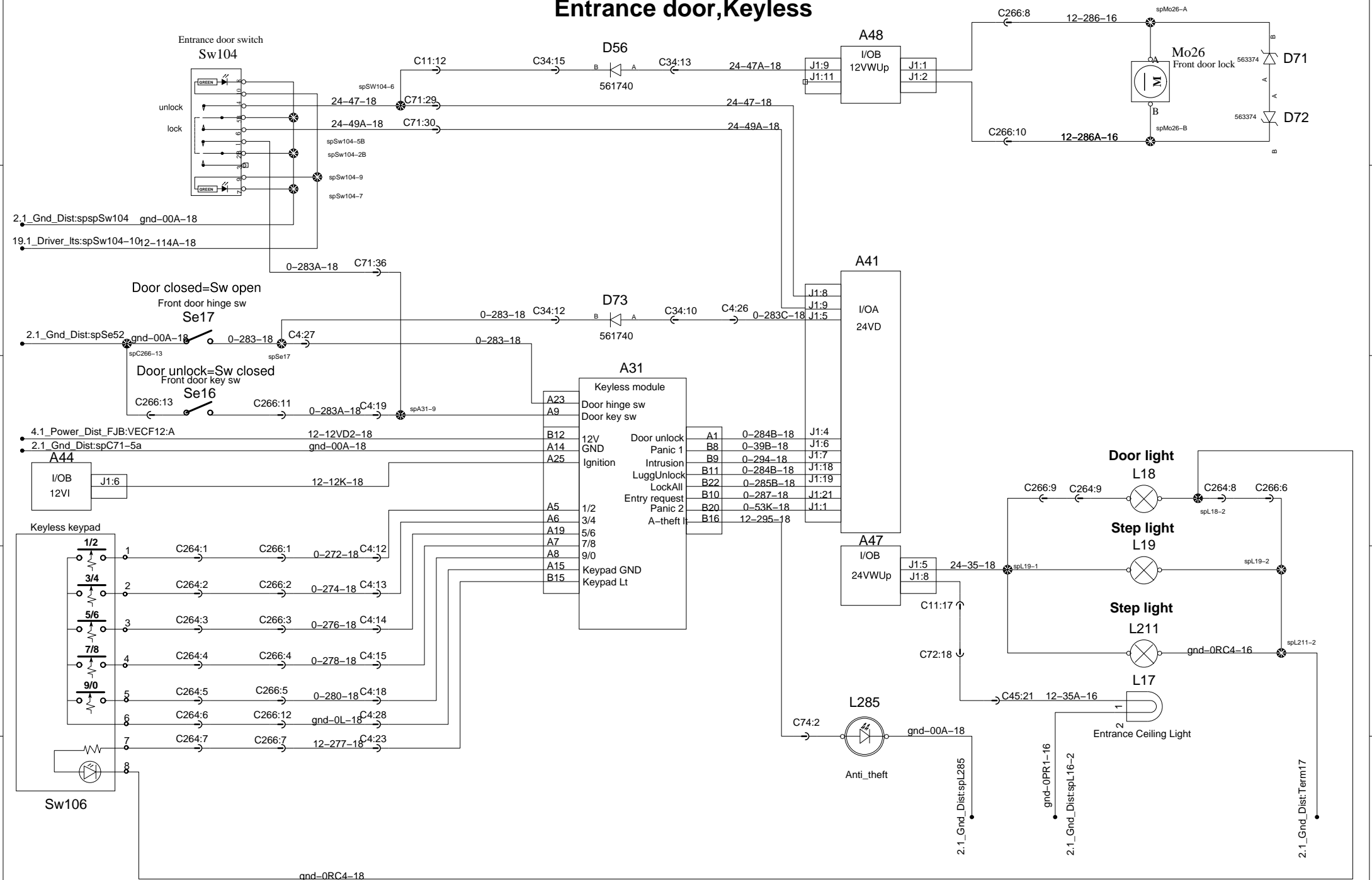
1

2

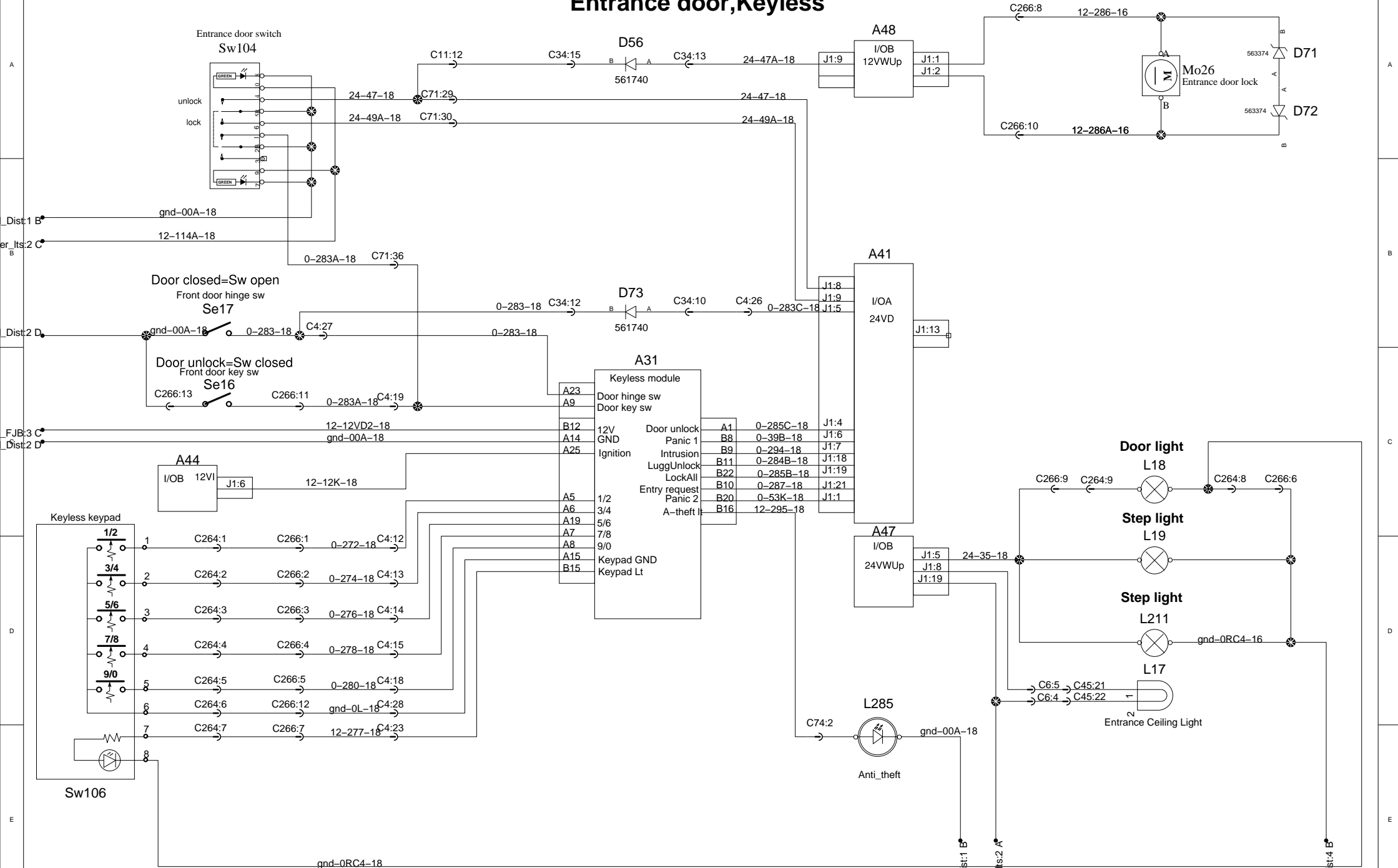
3

4

# Entrance door, Keyless



# Entrance door,Keyless



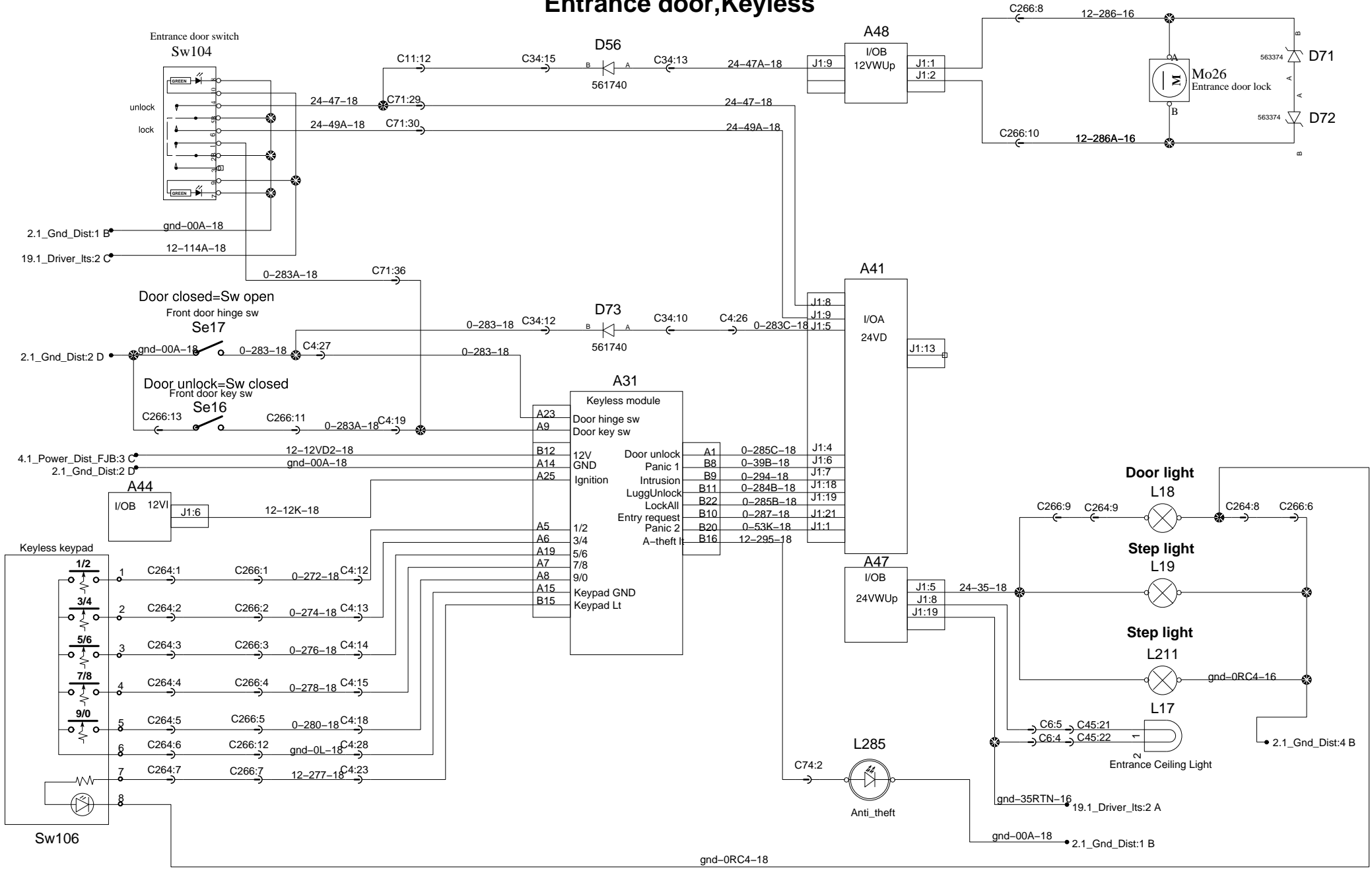
21\_Gnd\_Dist:1 B

191\_Driver:1s:2 A

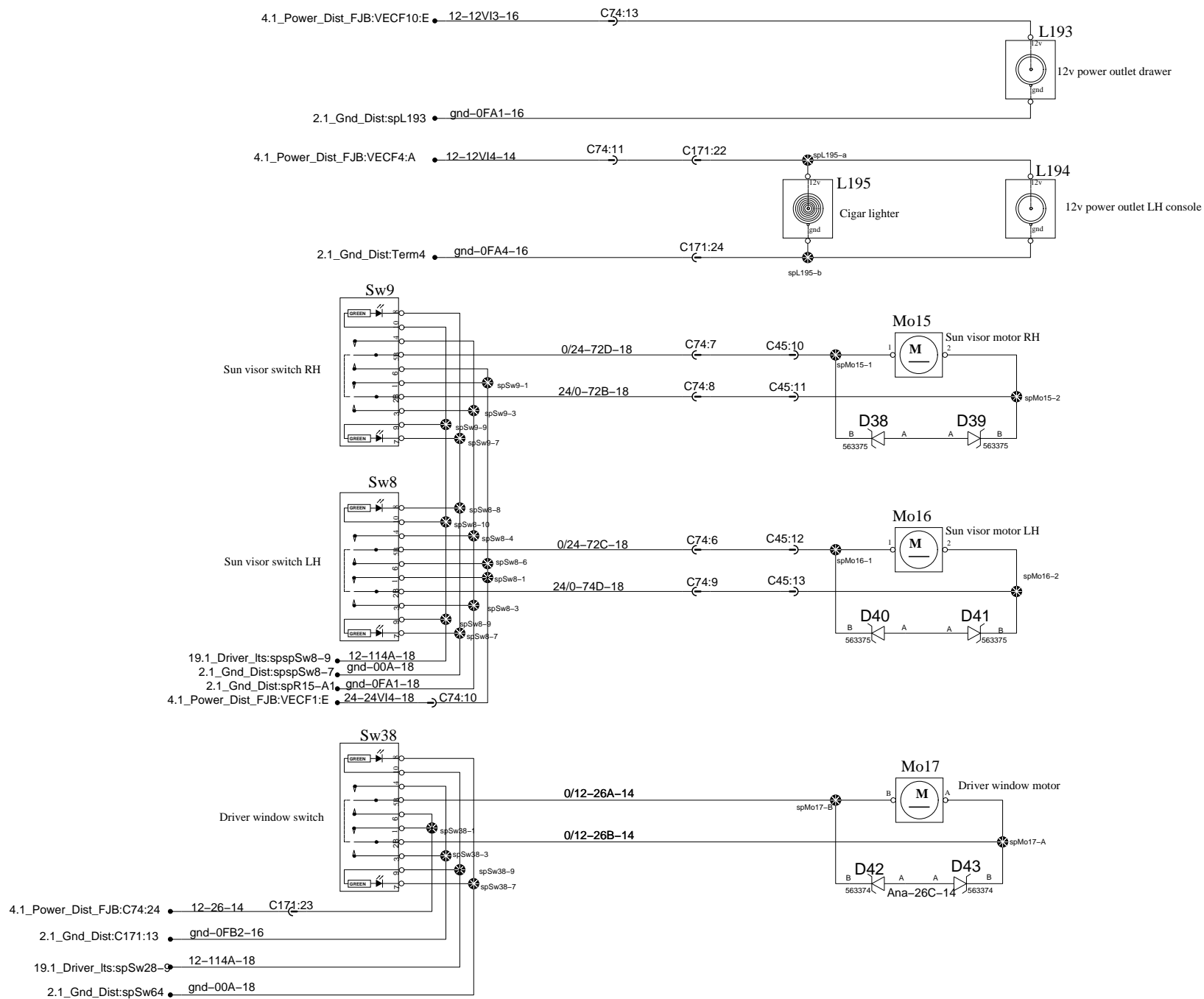
21\_Gnd\_Dist:4 B



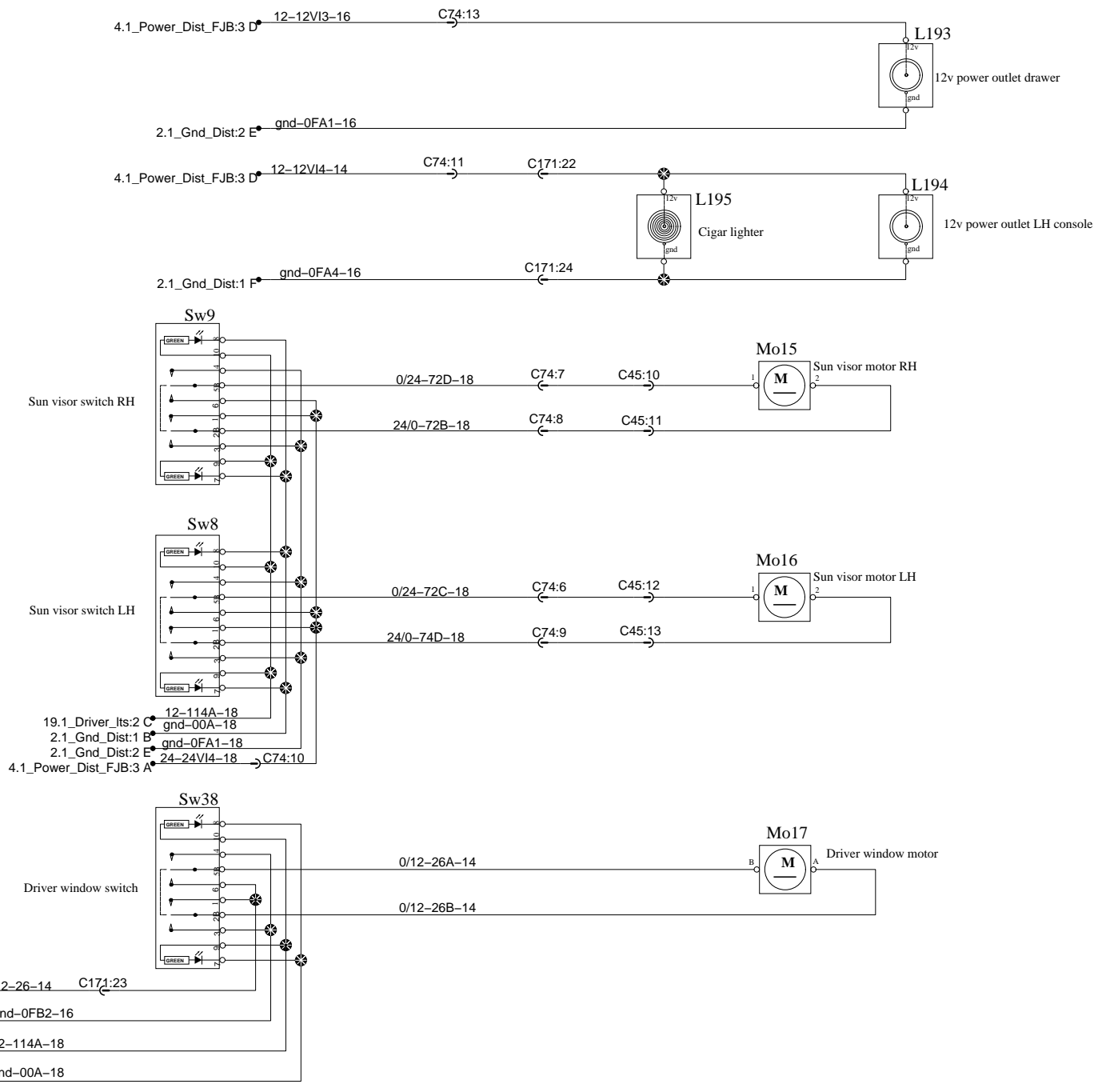
# Entrance door, Keyless



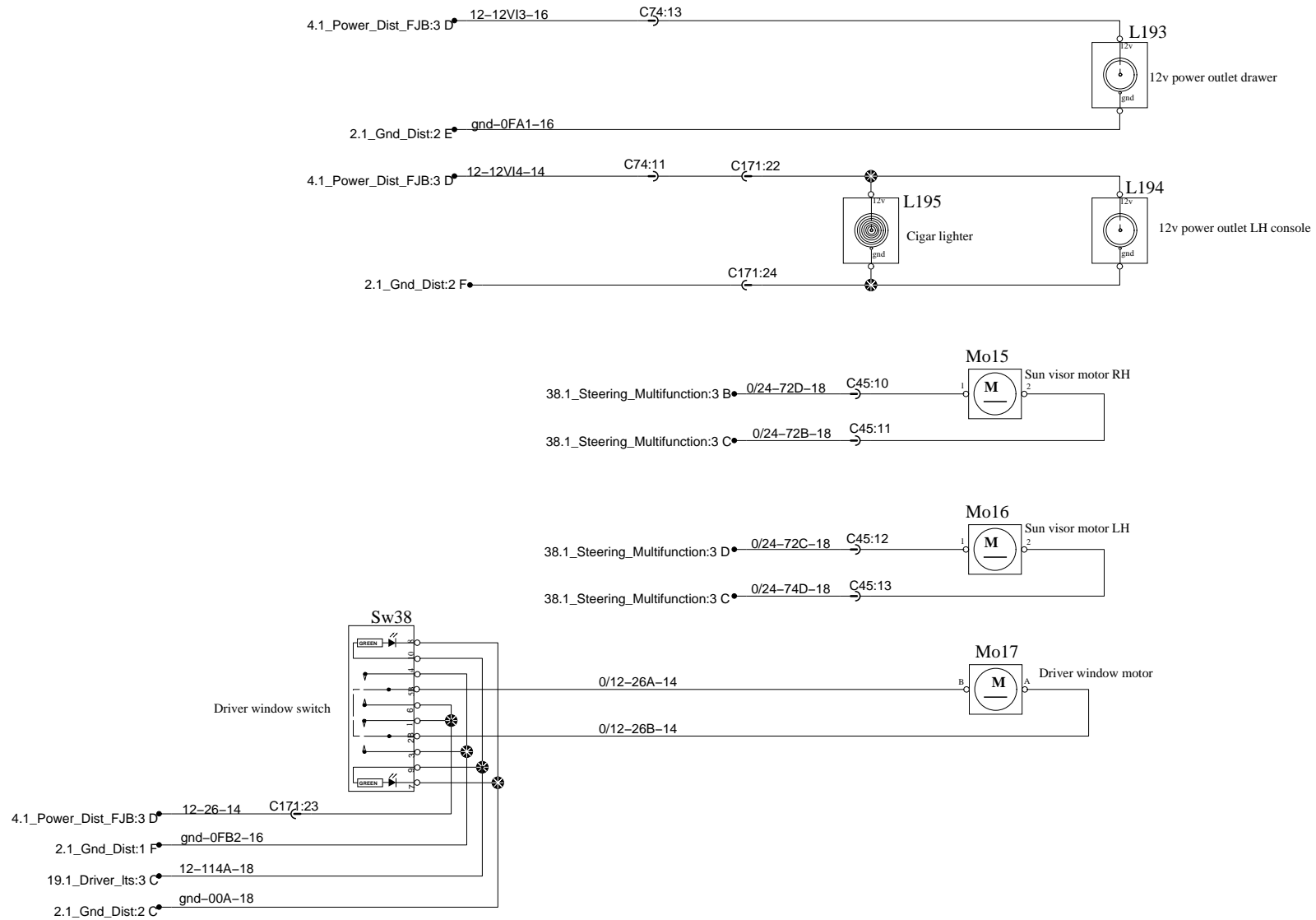
# Sun Visor, Driver Window and 12V Outlet



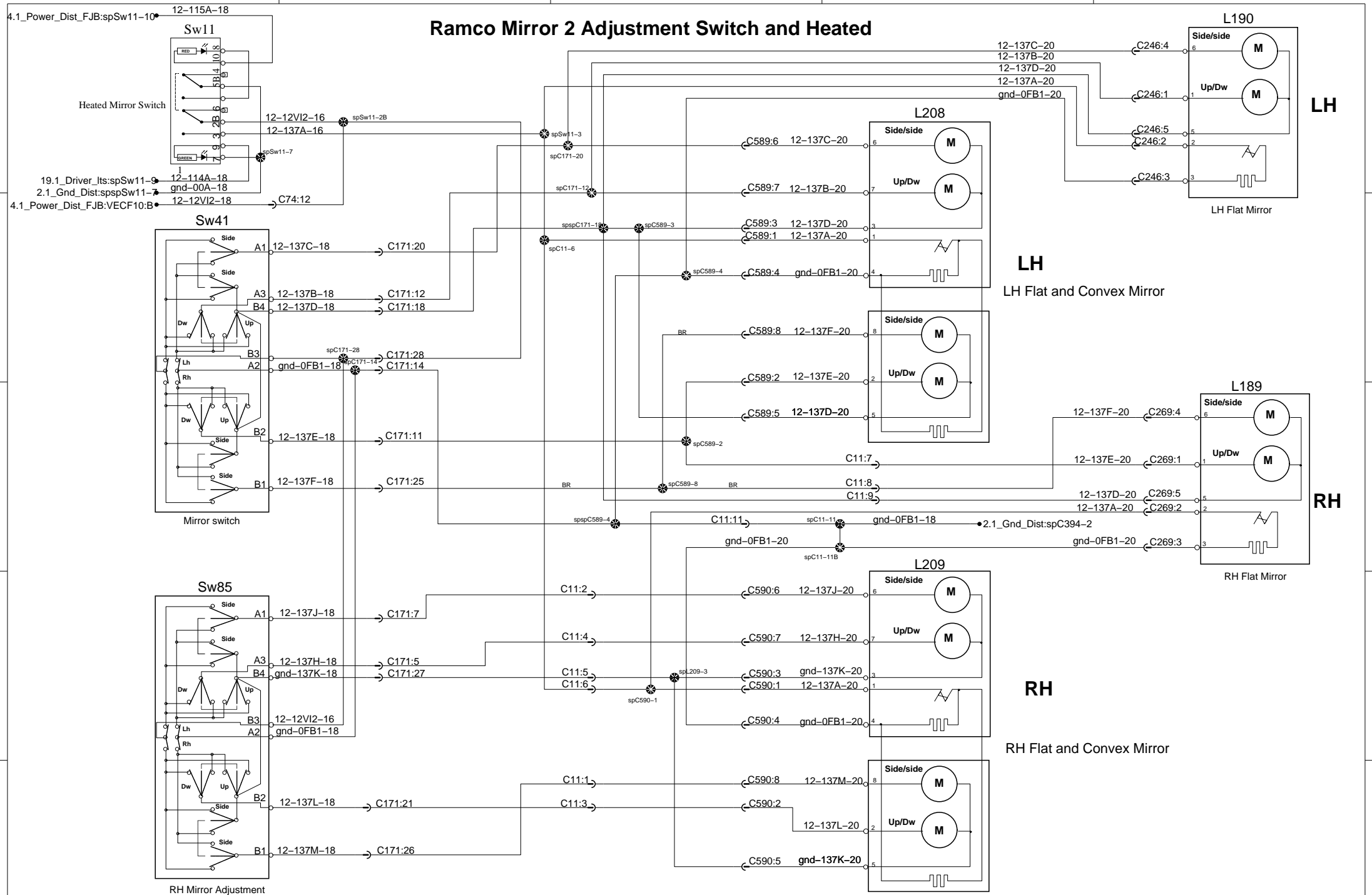
# Sun Visor, Driver Window and 12V Outlet



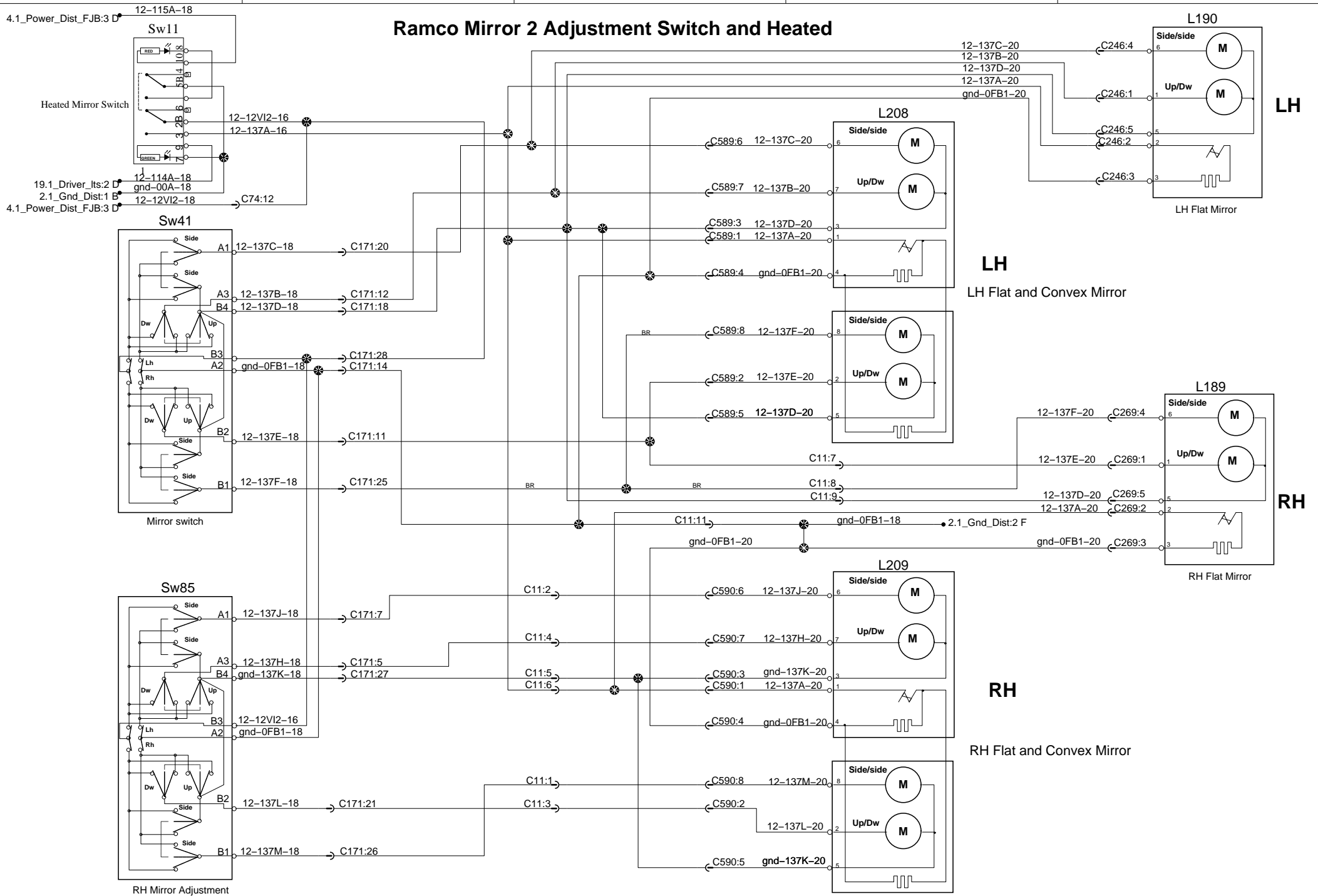
# Sun Visor, Driver Window and 12V Outlet



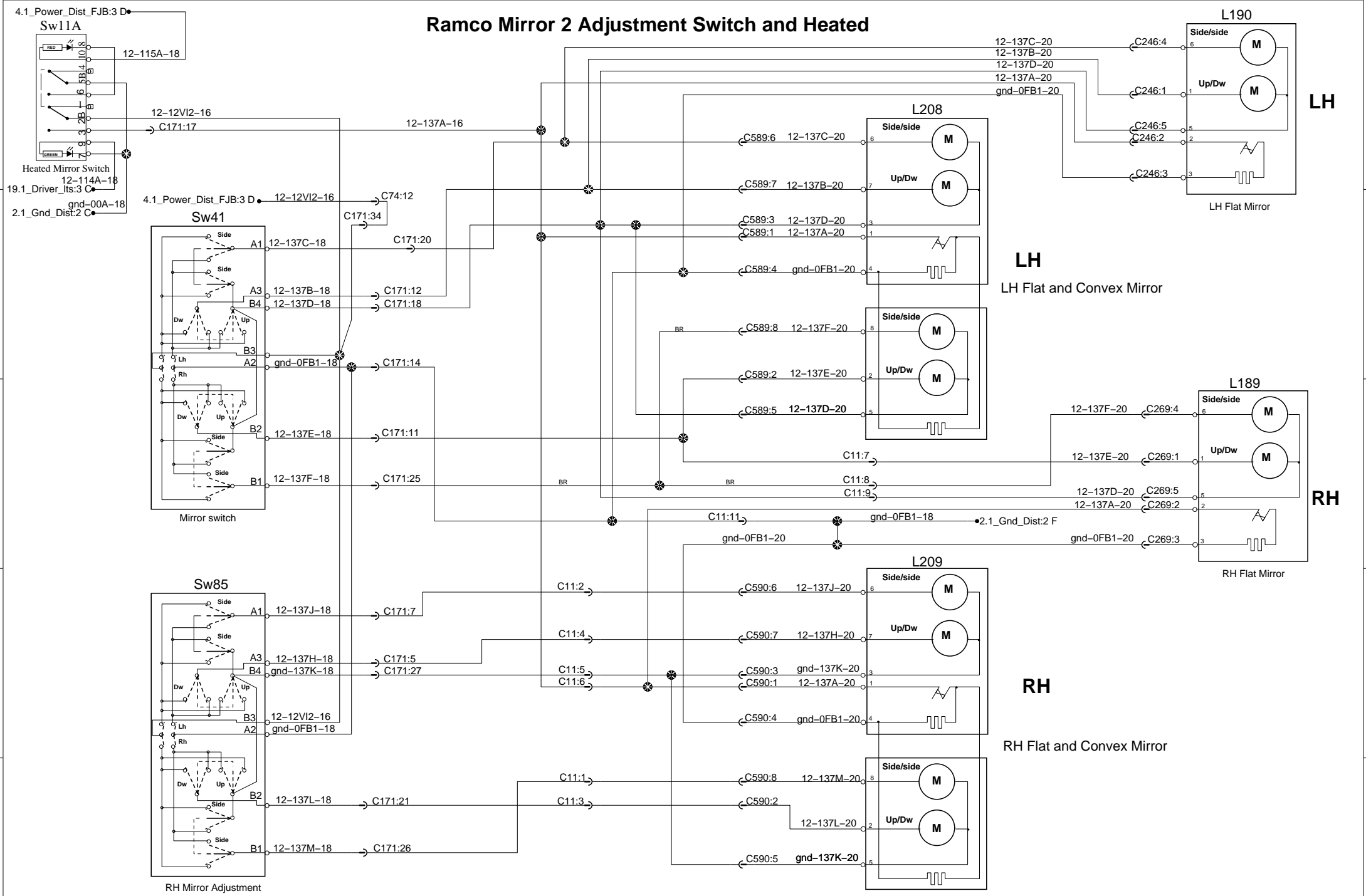
# Ramco Mirror 2 Adjustment Switch and Heated



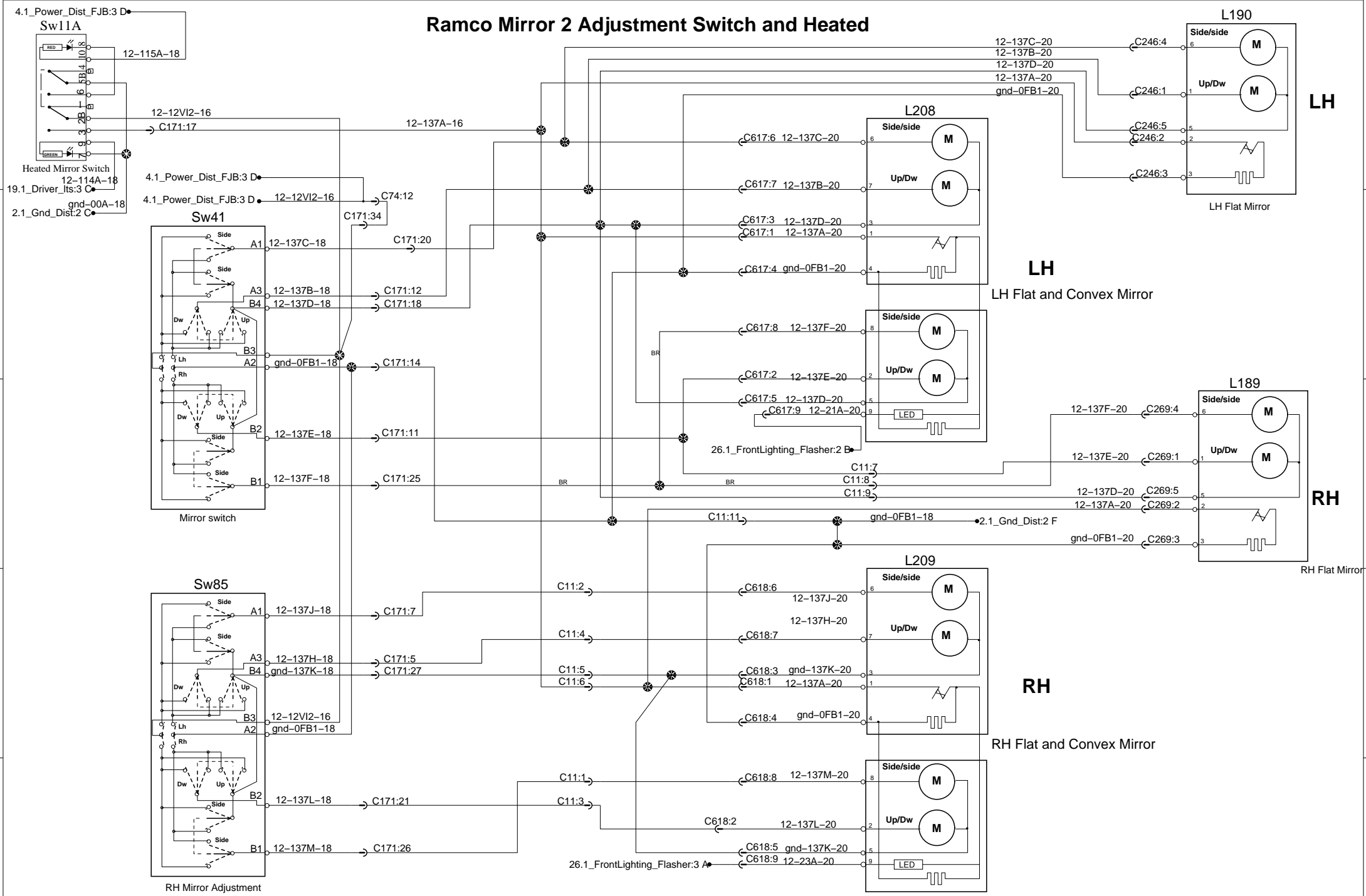
# Ramco Mirror 2 Adjustment Switch and Heated



# Ramco Mirror 2 Adjustment Switch and Heated

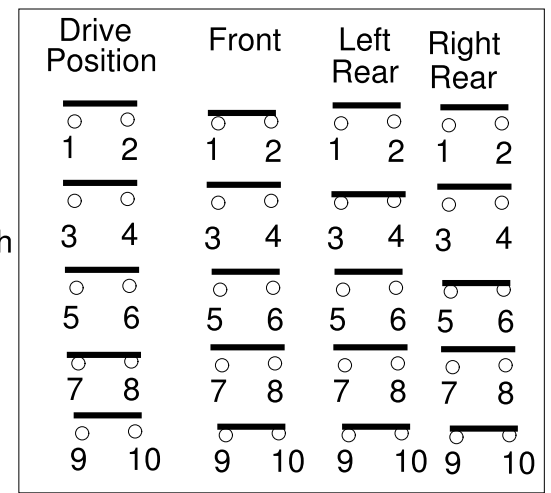


# Ramco Mirror 2 Adjustment Switch and Heated

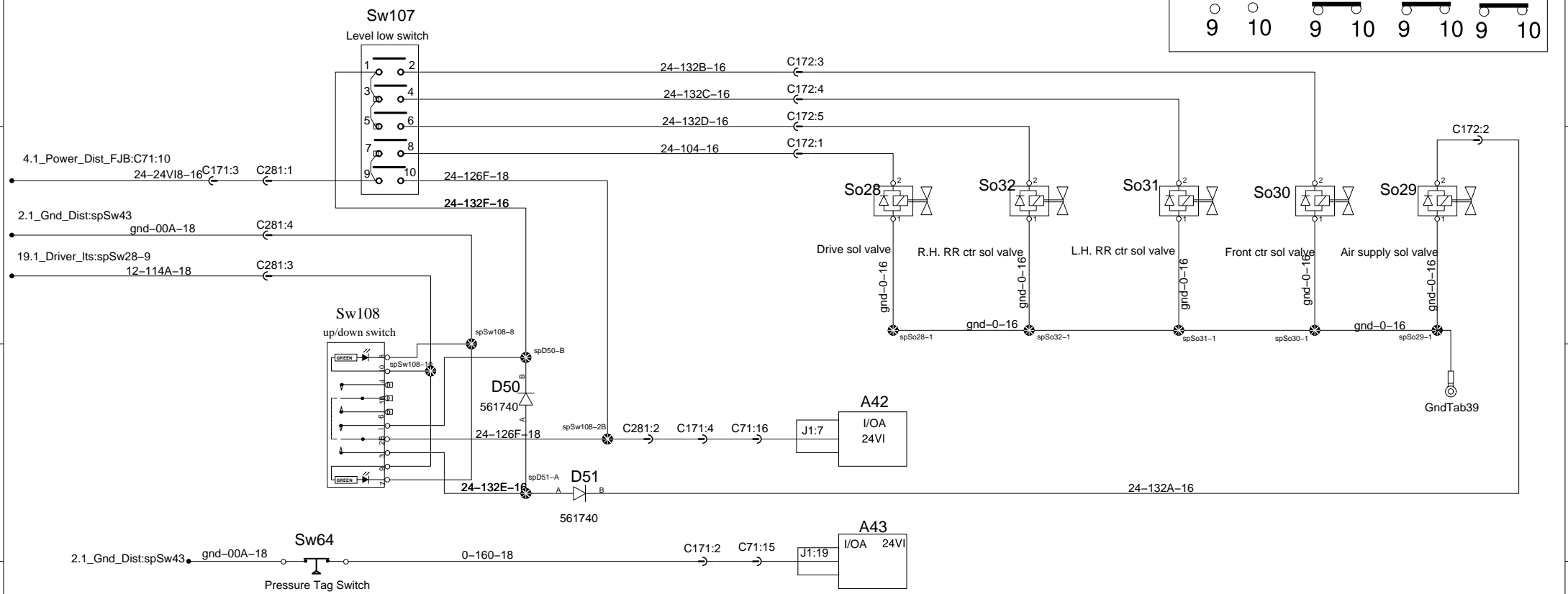




# Tag and Level low



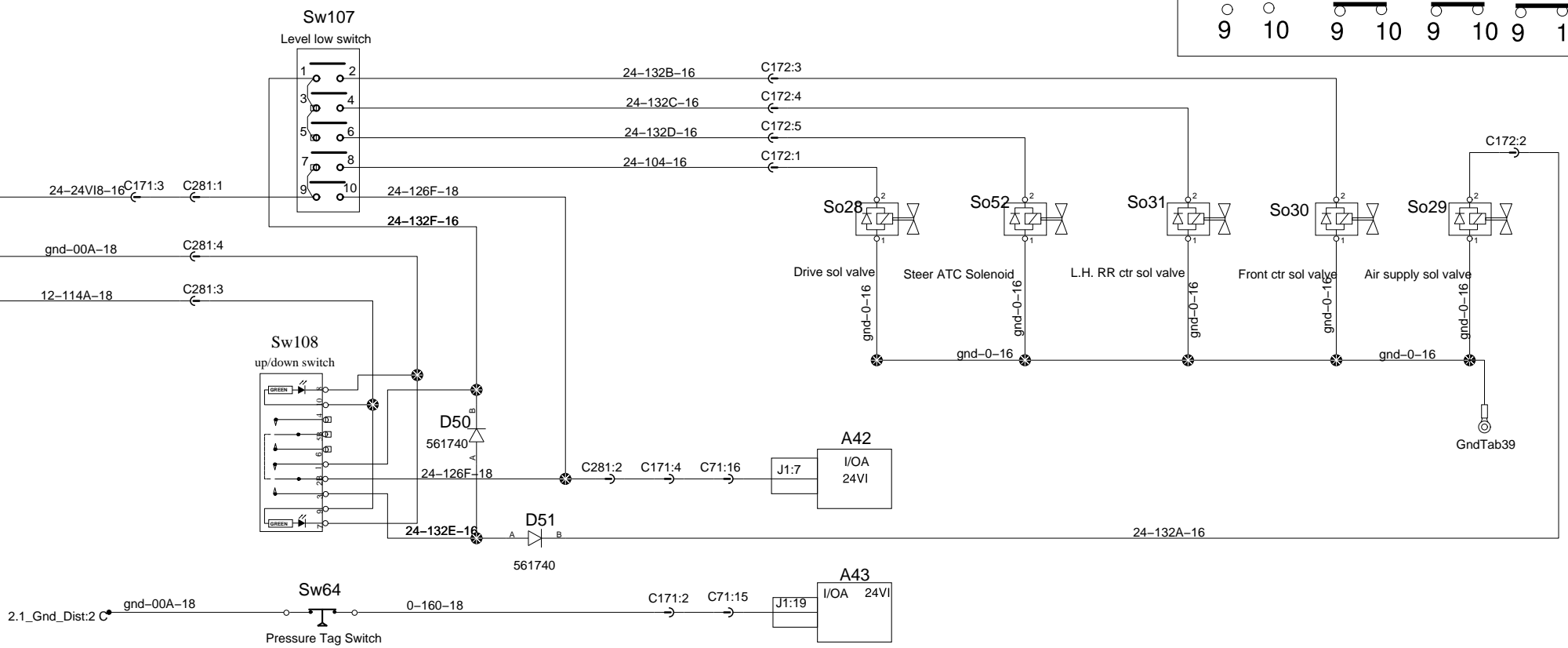
Level low control switch



# Tag and Level low

Drive Position	Front	Left Rear	Right Rear
1 2	1 2	1 2	1 2
3 4	3 4	3 4	3 4
5 6	5 6	5 6	5 6
7 8	7 8	7 8	7 8
9 10	9 10	9 10	9 10

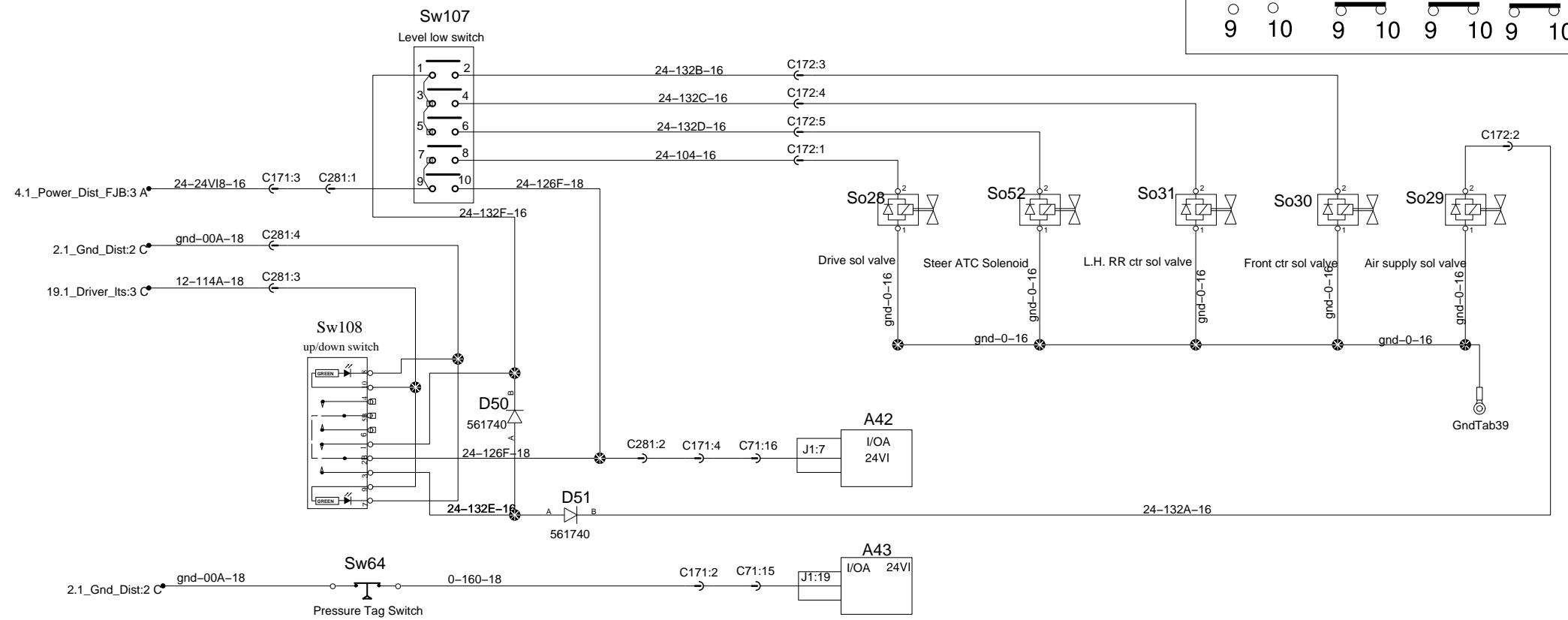
Level low control switch



# Tag and Level low

Drive Position	Front	Left Rear	Right Rear
1 2	1 2	1 2	1 2
3 4	3 4	3 4	3 4
5 6	5 6	5 6	5 6
7 8	7 8	7 8	7 8
9 10	9 10	9 10	9 10

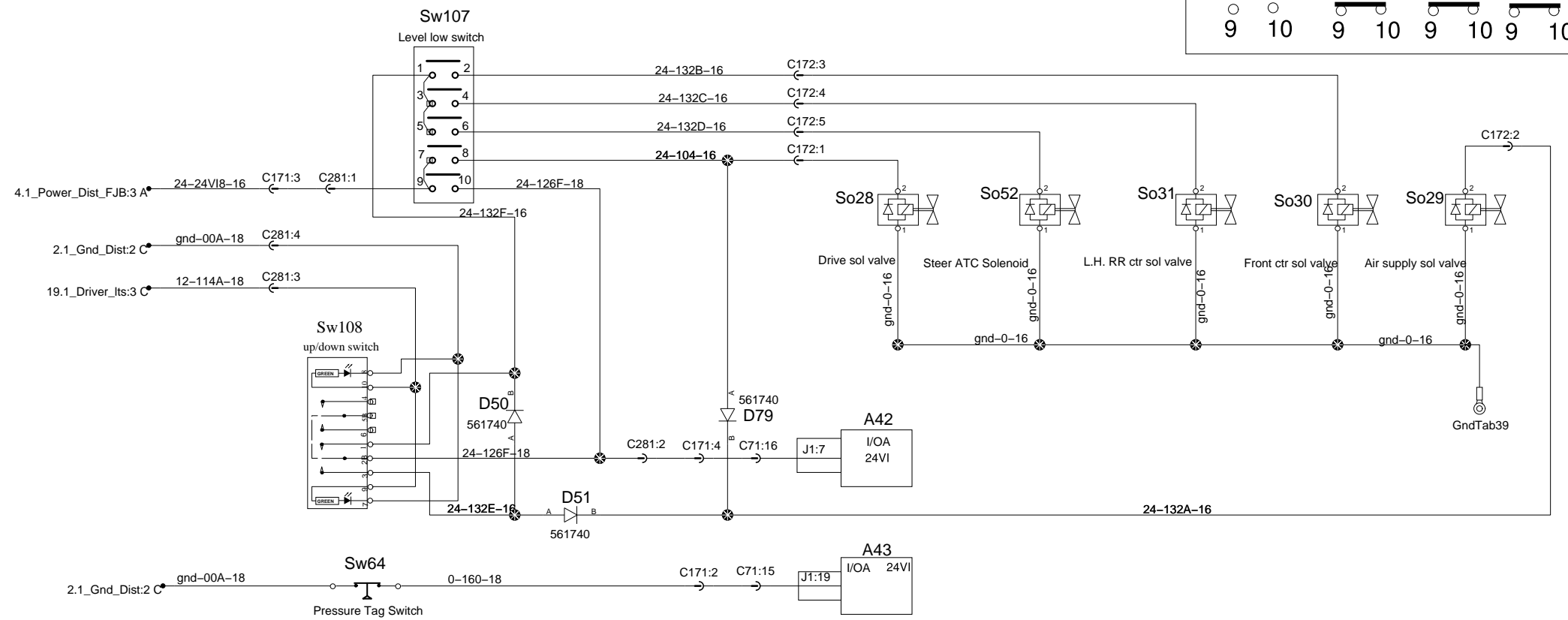
Level low control switch



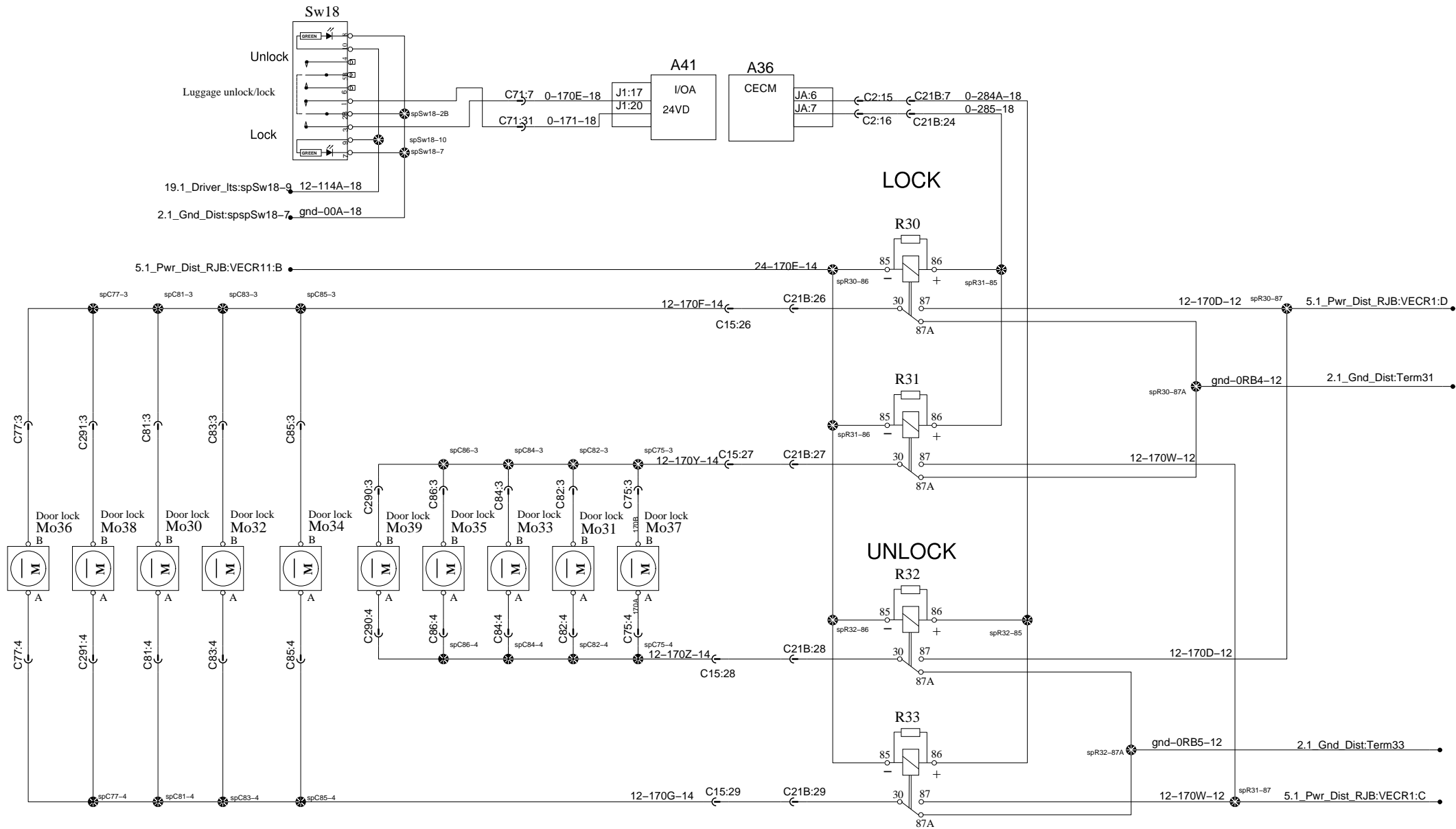
# Tag and Level low

Drive Position	Front	Left Rear	Right Rear
1 2	1 2	1 2	1 2
3 4	3 4	3 4	3 4
5 6	5 6	5 6	5 6
7 8	7 8	7 8	7 8
9 10	9 10	9 10	9 10

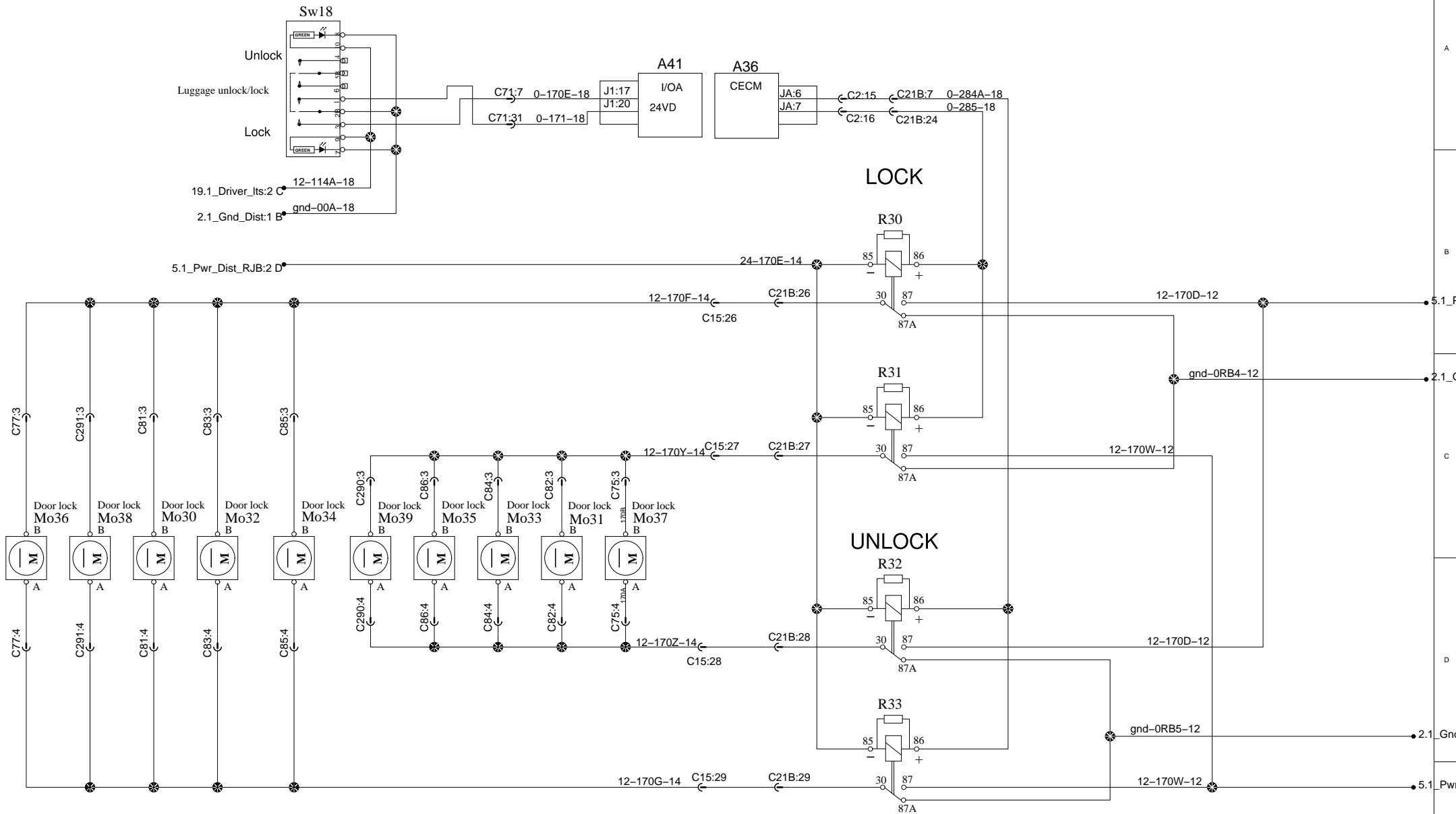
Level low control switch



# Luggage door Lock/Unlock



# Luggage door Lock/Unlock

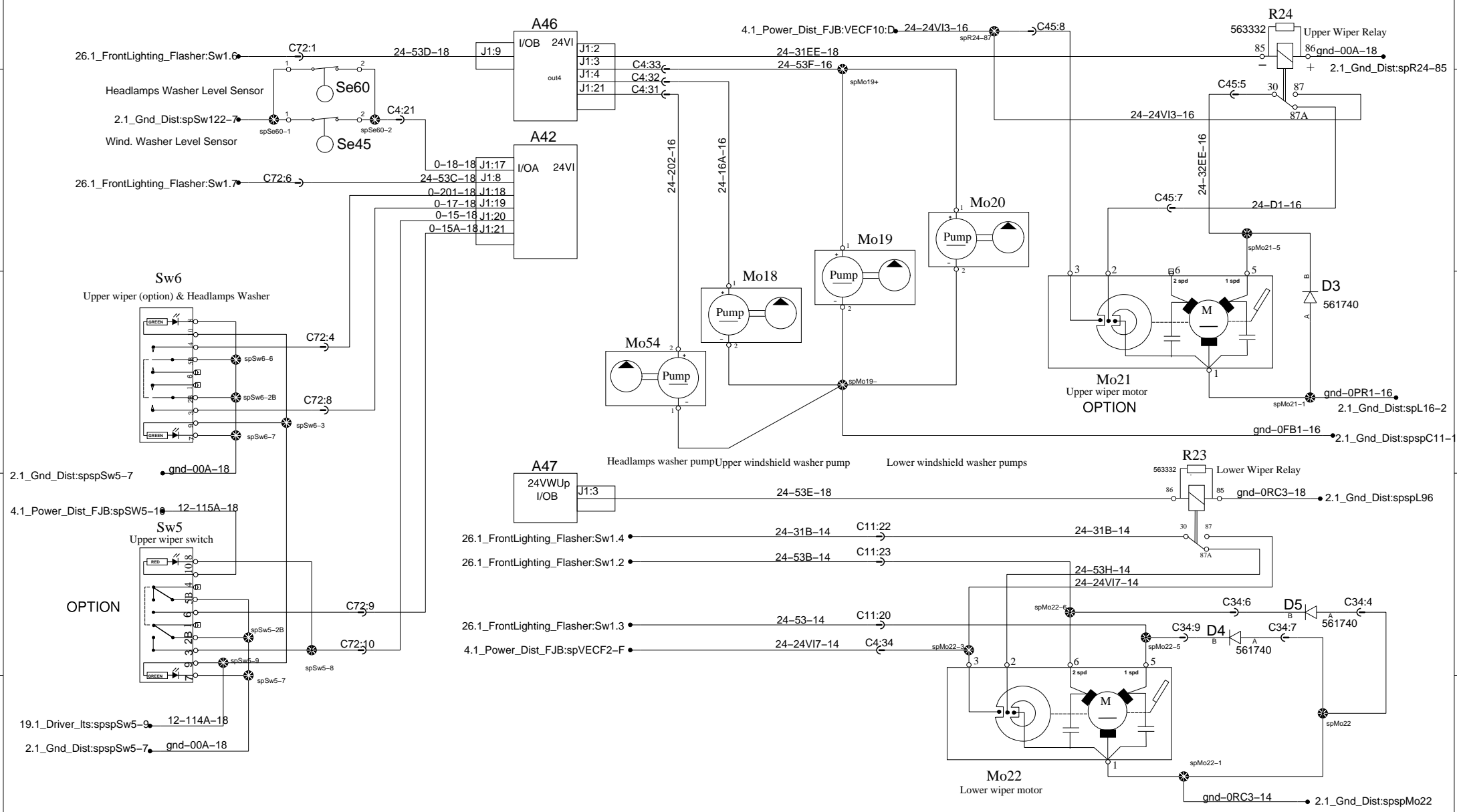




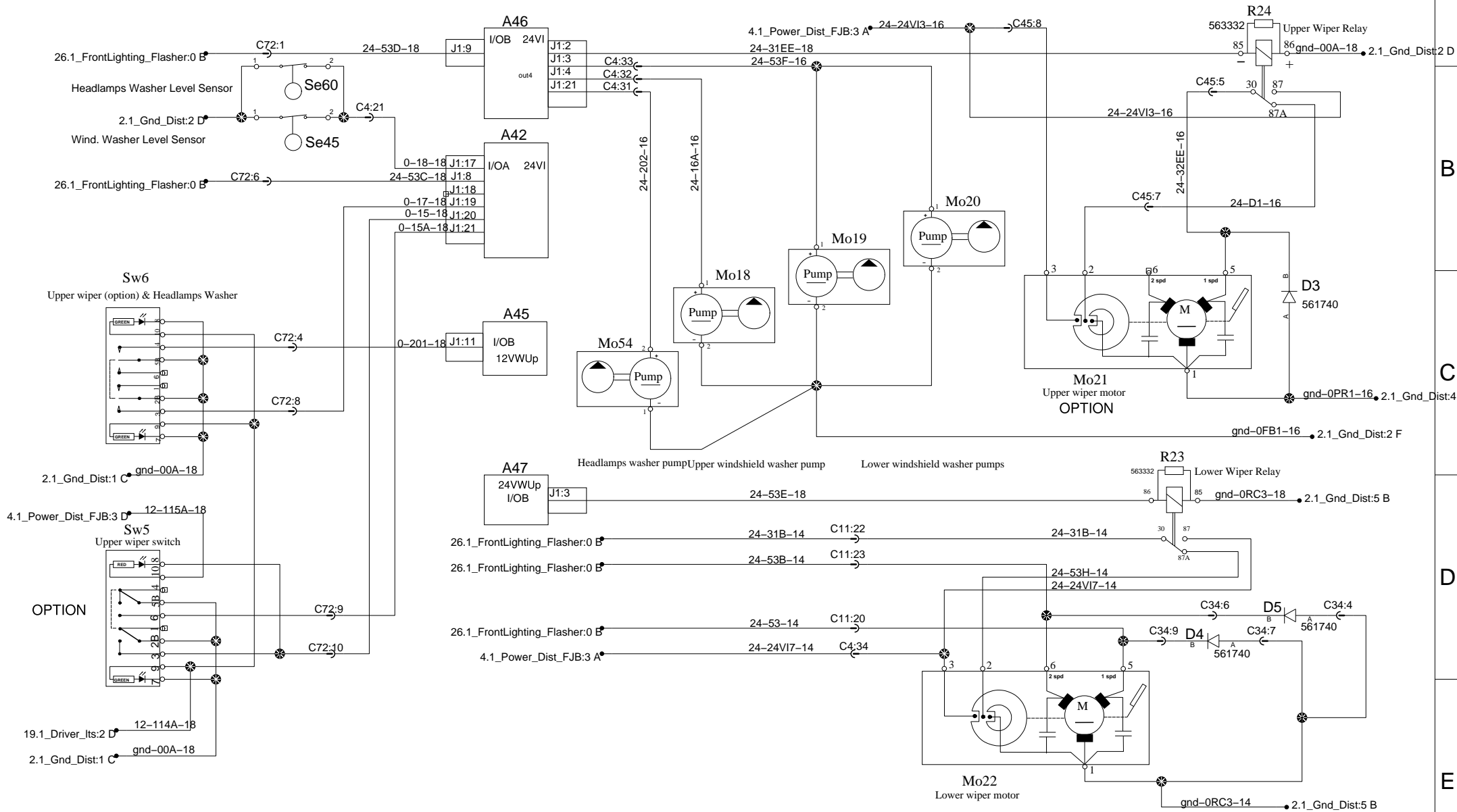




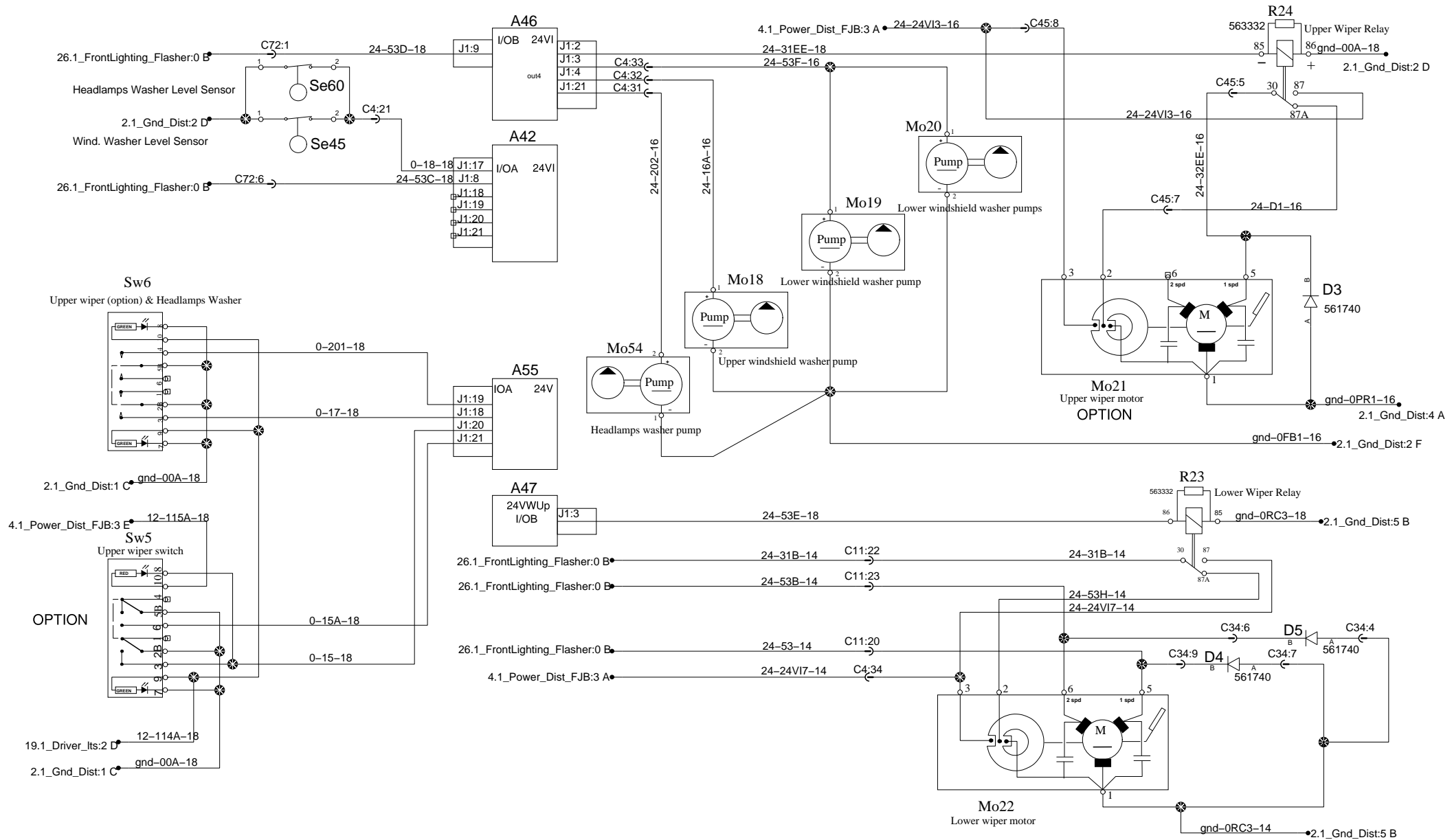
# Wiper and washer



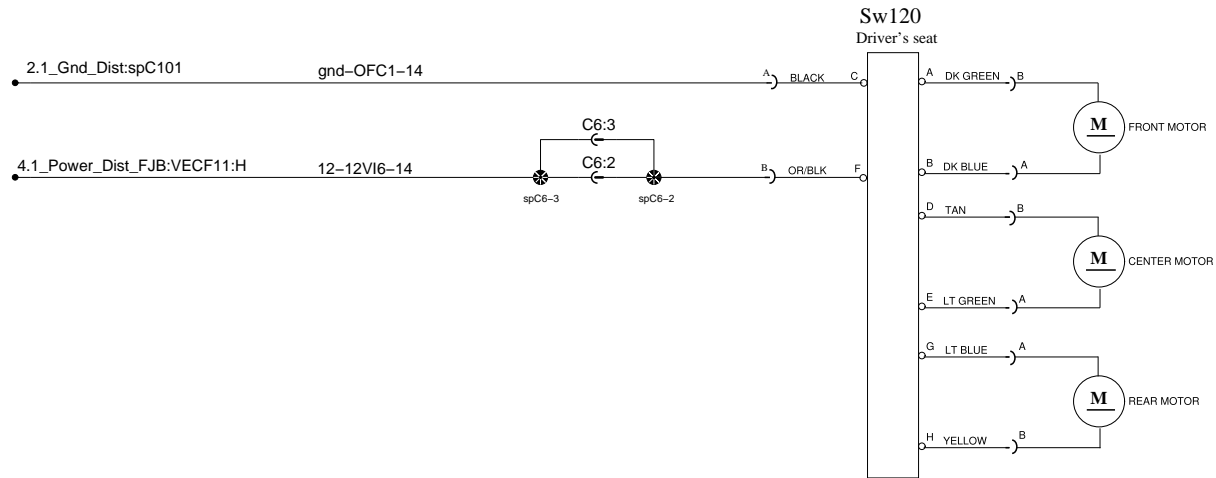
# Wiper and washer



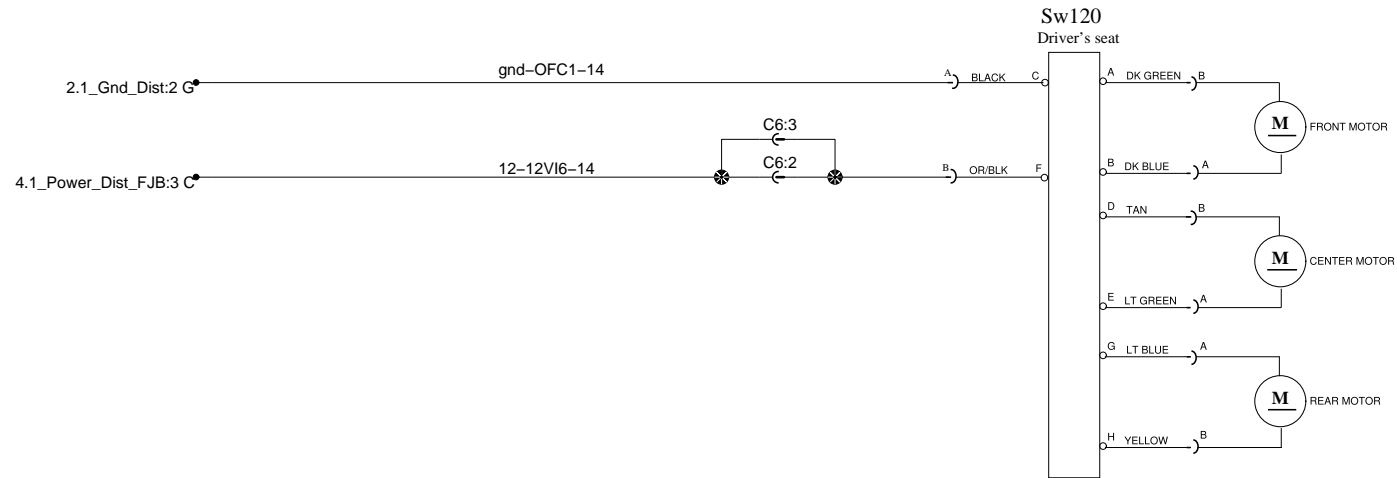
# Wiper and washer



# Driver seat

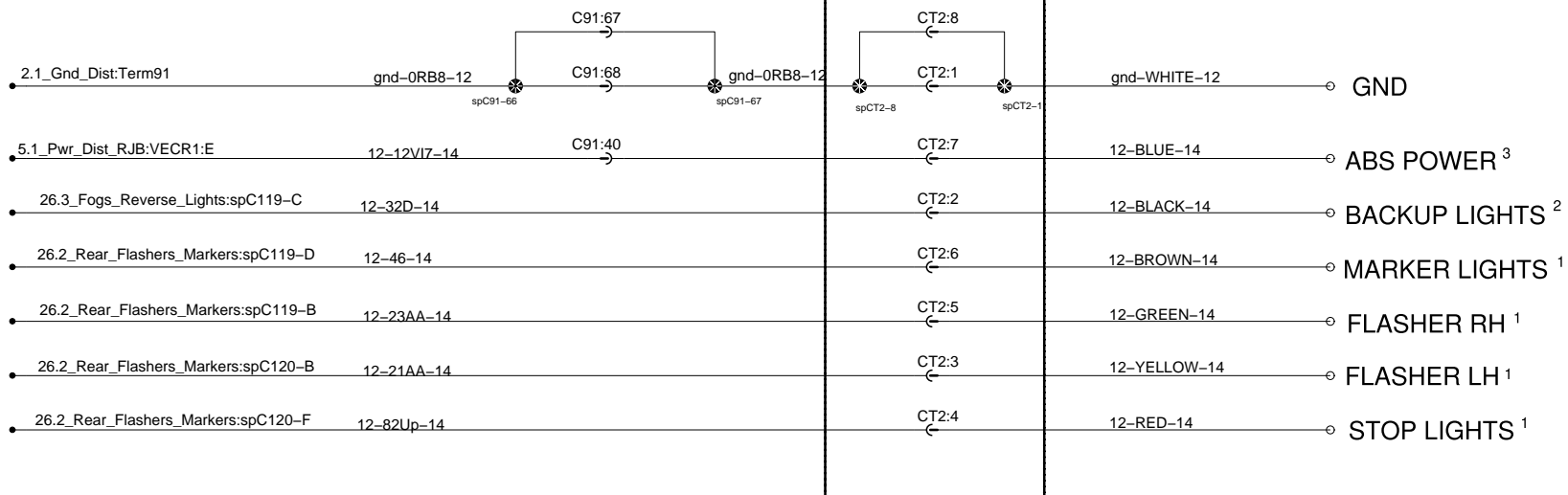


# Driver seat

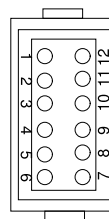


# Trailer Package

## ENGINE COMPARTMENT CONNECTOR CT2



CT2



BACK OF CONNECTOR  
PREVOST PART 563613  
PIN TERMINALS 562481  
SECONDARY LOCK

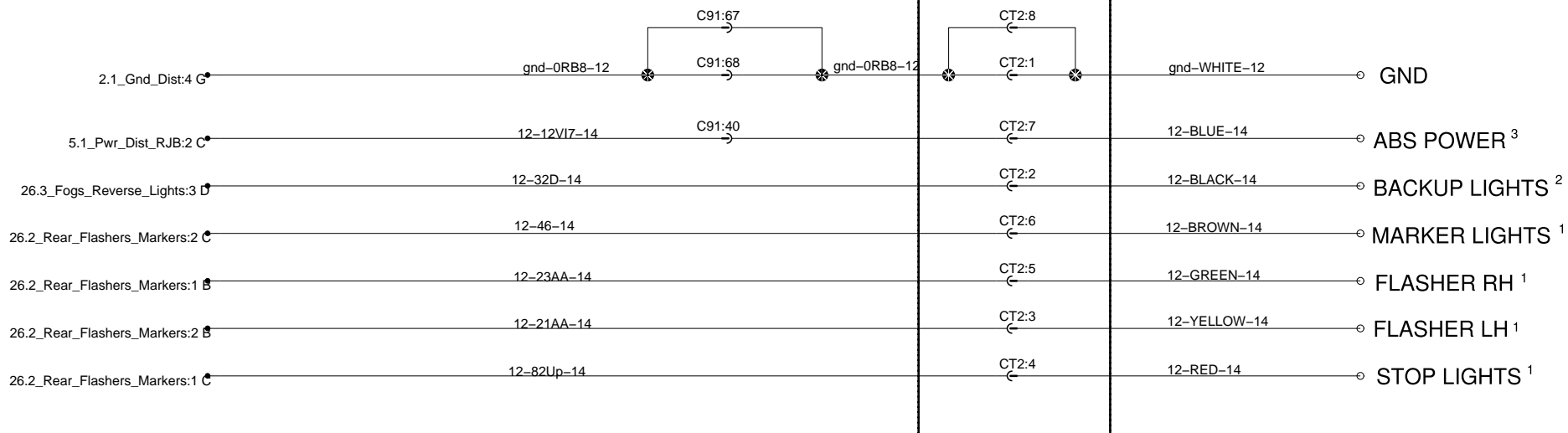
NOTE 1:MAXIMUM CURRENT LOAD IS 8A .

NOTE 2 :MAXIMUM CURRENT LOAD IS 4A .

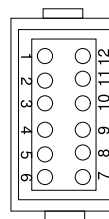
NOTE 3 :MAXIMUM CURRENT LOAD IS 10A .

# Trailer Package

## ENGINE COMPARTMENT CONNECTOR CT2



CT2



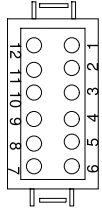
BACK OF CONNECTOR  
PREVOST PART 563613  
PIN TERMINALS 562481  
SECONDARY LOCK 563654

NOTE 1:MAXIMUM CURRENT LOAD IS 8A .

NOTE 2 :MAXIMUM CURRENT LOAD IS 4A .

NOTE 3 :MAXIMUM CURRENT LOAD IS 10A .

CC1 (BLACK)

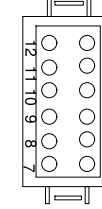


BACK OF CONNECTOR  
PREVOST PART 563227  
SOCKET TERMINALS 562482  
SECONDARY LOCK 563228

# Converter interface

Front junction box

CC2 (GREY)



BACK OF CONNECTOR  
PREVOST PART 563226  
SOCKET TERMINALS 562482  
SECONDARY LOCK 563228

## INPUTS

TELL TALE #1  
TELL TALE #2

TELL TALE #3  
TELL TALE #4

TELL TALE #5

CC1

A43

I/OA  
24VI

A41

I/OA  
24VD

A46

I/OB  
24VI

A42

I/OA  
24VI

CC2

## OUTPUTS

WAKE UP IGNITION  
NEUTRAL  
REVERSE GEAR  
PARK BRAKE

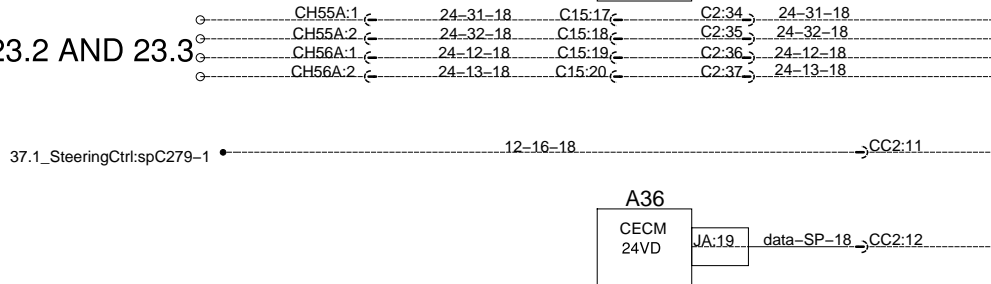
IGNITION  
ENGINE RUN

SLIDE OUT RETRACTING (front)  
SLIDE OUT EXTENDING (front)  
SLIDE OUT RETRACTING (rear)  
SLIDE OUT EXTENDING (rear)

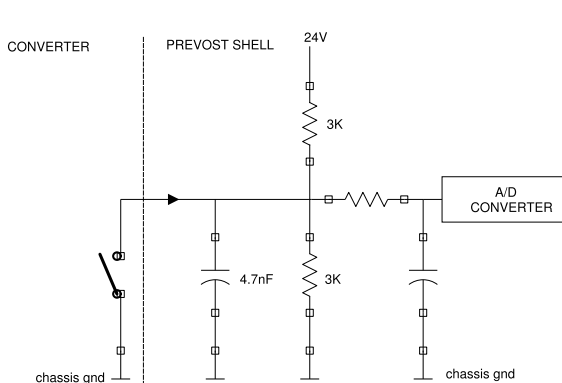
TRANSMISSION SPEED

VEHICLE SPEED

TO PAGE 23.2 AND 23.3



## TYPICAL CIRCUIT



## INPUT SPECIFICATION

### Active state (input contact closed):

Sourcing current : 8mA  
Maximum allowed voltage drop across contact: 3V

### Inactive state(input contact open):

Voltage on input:12V  
Maximum allowed leakage current across contact: 3mA

## OUTPUT SPECIFICATION

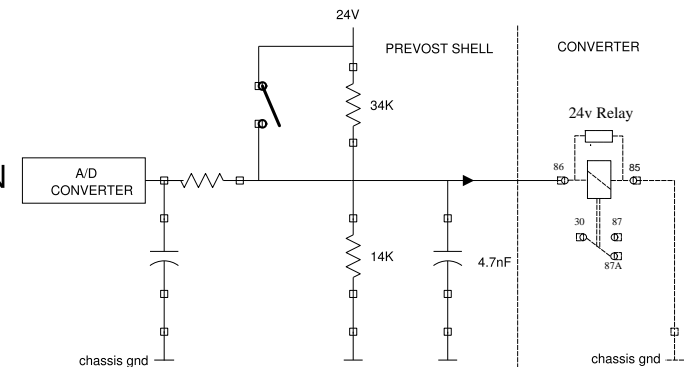
### Active state

Maximum current: 1A  
Minimum output voltage: 22.5V

### Inactive state

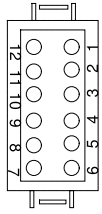
Open circuit voltage: 8V  
Leakage current: 0.8mA

## TYPICAL CIRCUIT





CC1 (BLACK)

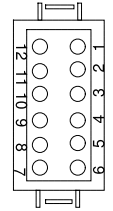


BACK OF CONNECTOR  
PREVOST PART 563227  
SOCKET TERMINALS 562482  
SECONDARY LOCK 563228

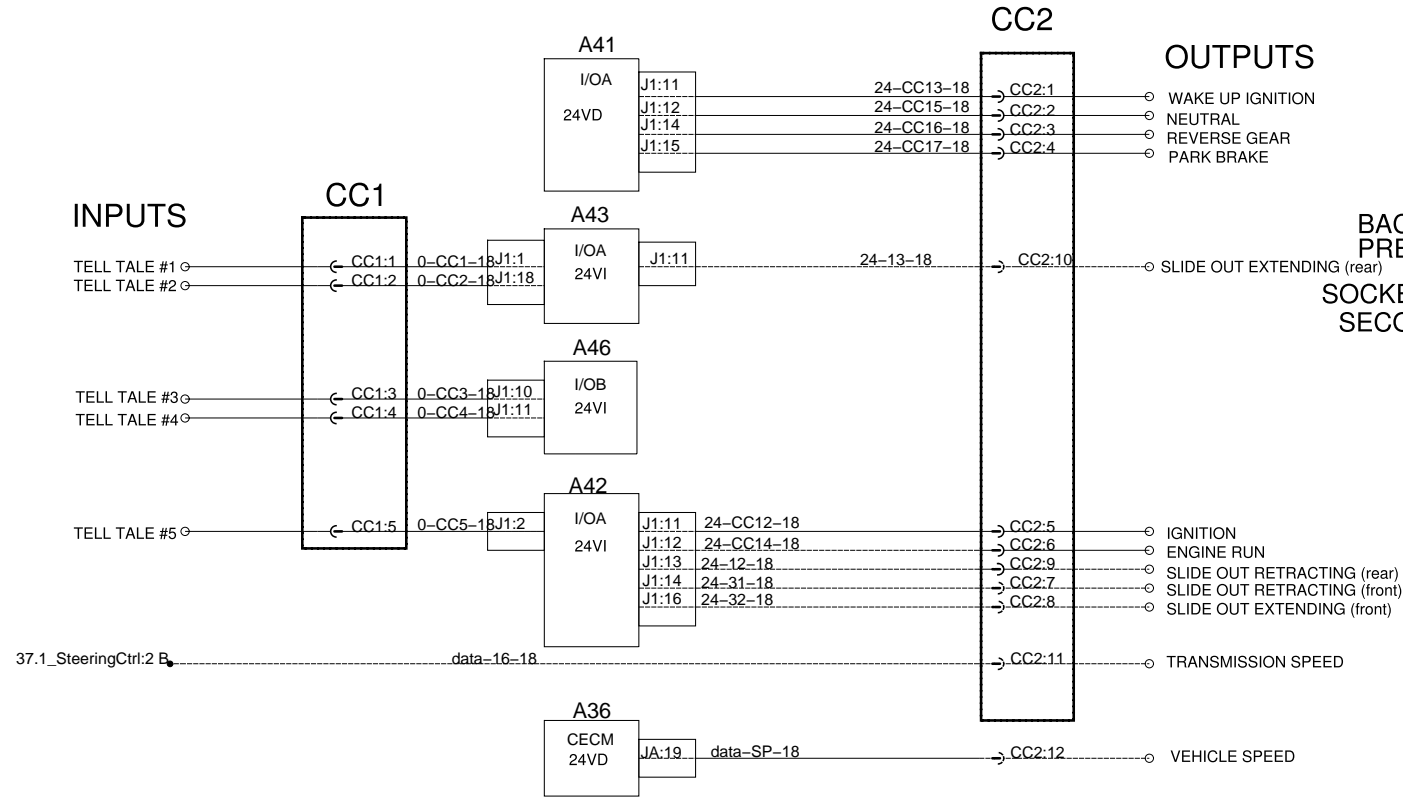
# Converter interface

Front junction box

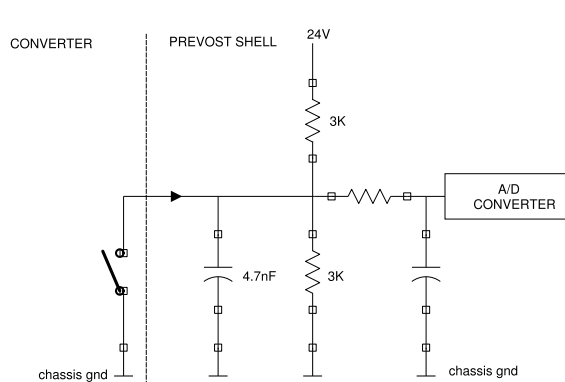
CC2 (GREY)



BACK OF CONNECTOR  
PREVOST PART 563226  
SOCKET TERMINALS 562482  
SECONDARY LOCK 563228



## TYPICAL CIRCUIT



## INPUT SPECIFICATION

**Active state (input contact closed):**

Sourcing current : 8mA  
Maximum allowed voltage drop across contact: 3V

**Inactive state(input contact open):**

Voltage on input:12V  
Maximum allowed leakage current across contact: 3ma

## OUTPUT SPECIFICATION

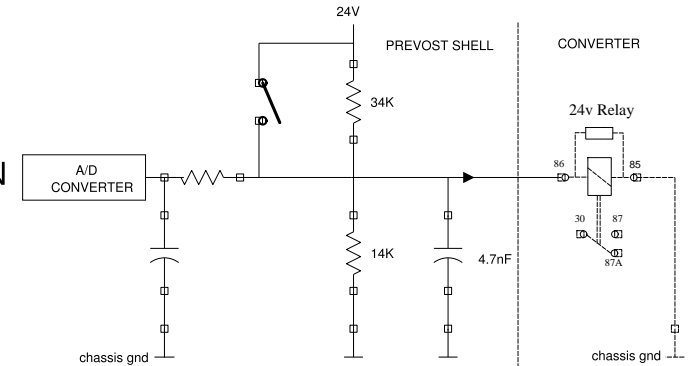
**Active state**

Maximum current: 1A  
Minimum output voltage: 22.5V

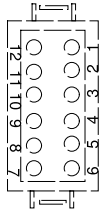
**Inactive state**

Open circuit voltage: 8V  
Leakage current: 0.8mA

## TYPICAL CIRCUIT



CC1 (BLACK)

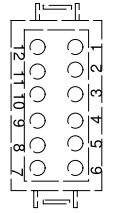


BACK OF CONNECTOR  
PREVOST PART 563227  
SOCKET TERMINALS 562482  
SECONDARY LOCK 563228

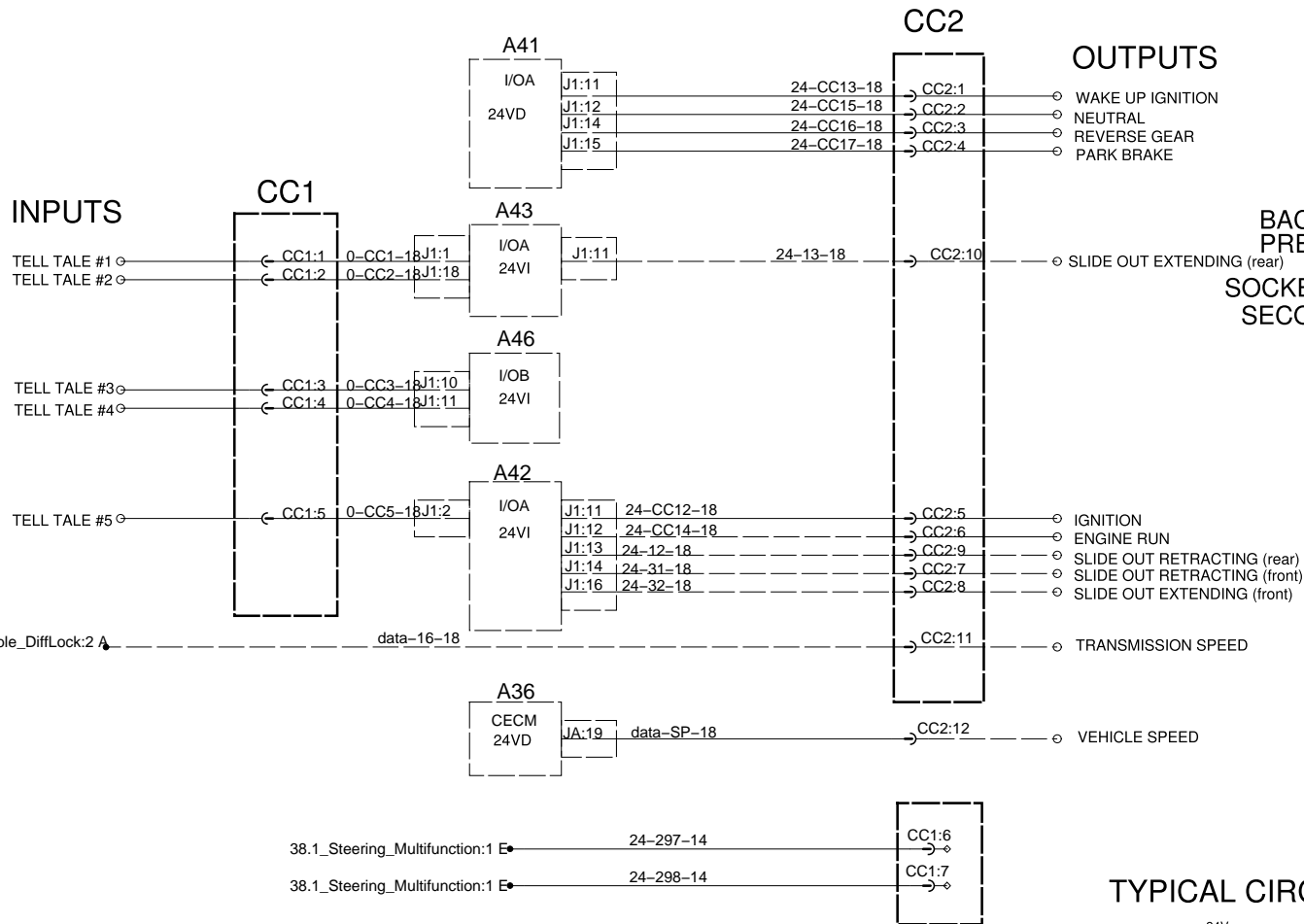
# Converter interface

Front junction box

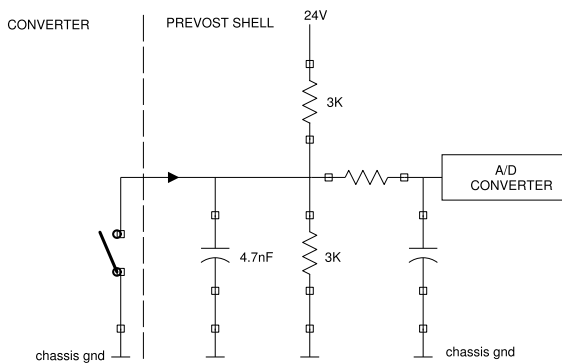
CC2 (GREY)



BACK OF CONNECTOR  
PREVOST PART 563226  
SOCKET TERMINALS 562482  
SECONDARY LOCK 563228



## TYPICAL CIRCUIT



## INPUT SPECIFICATION

**Active state (input contact closed):**  
Sourcing current : 8mA  
Maximum allowed voltage drop across contact: 3V

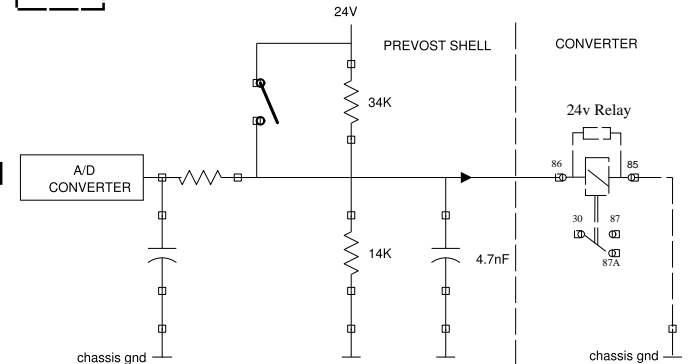
**Inactive state(input contact open):**  
Voltage on input:12V  
Maximum allowed leakage current across contact: 3ma

## OUTPUT SPECIFICATION

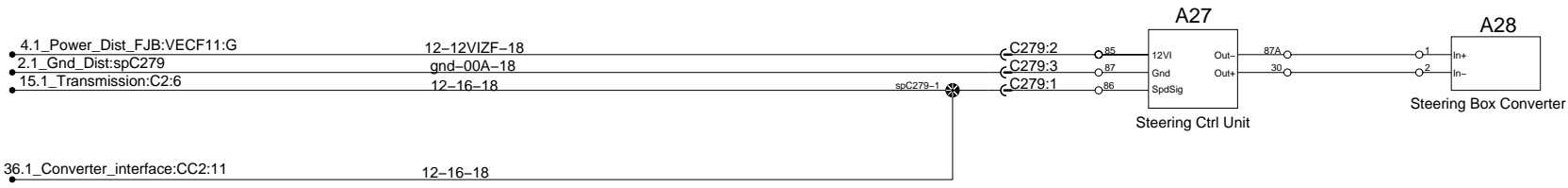
**Active state**  
Maximum current: 1A  
Minimum output voltage: 22.5V

**Inactive state**  
Open circuit voltage: 8V  
Leakage current: 0.8mA

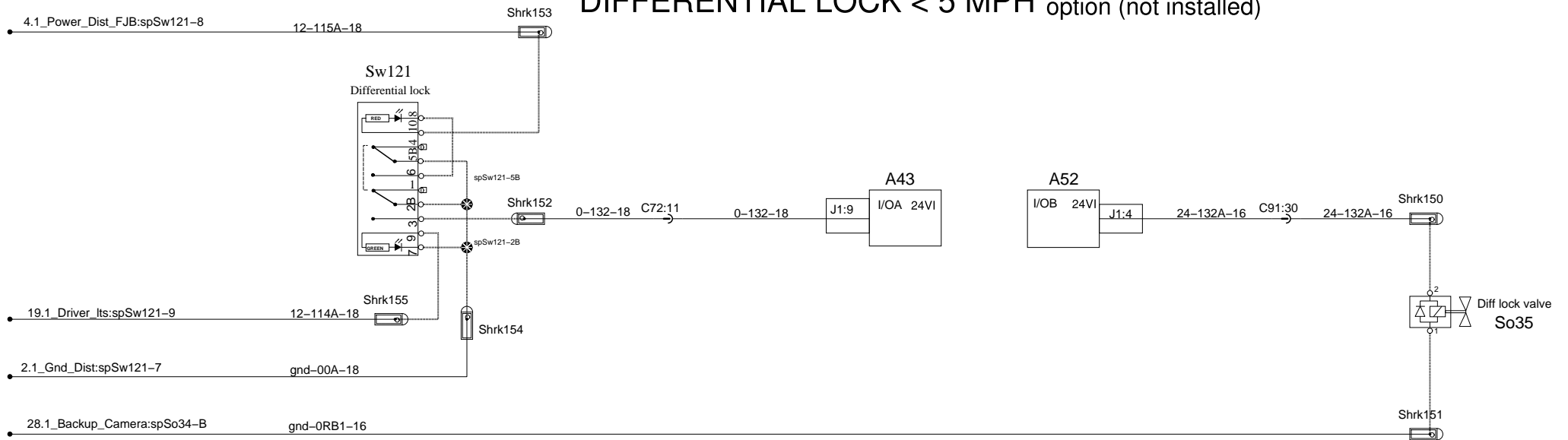
## TYPICAL CIRCUIT



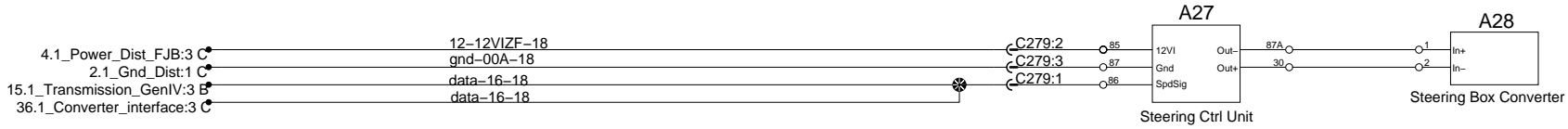
# ZF Steering Control



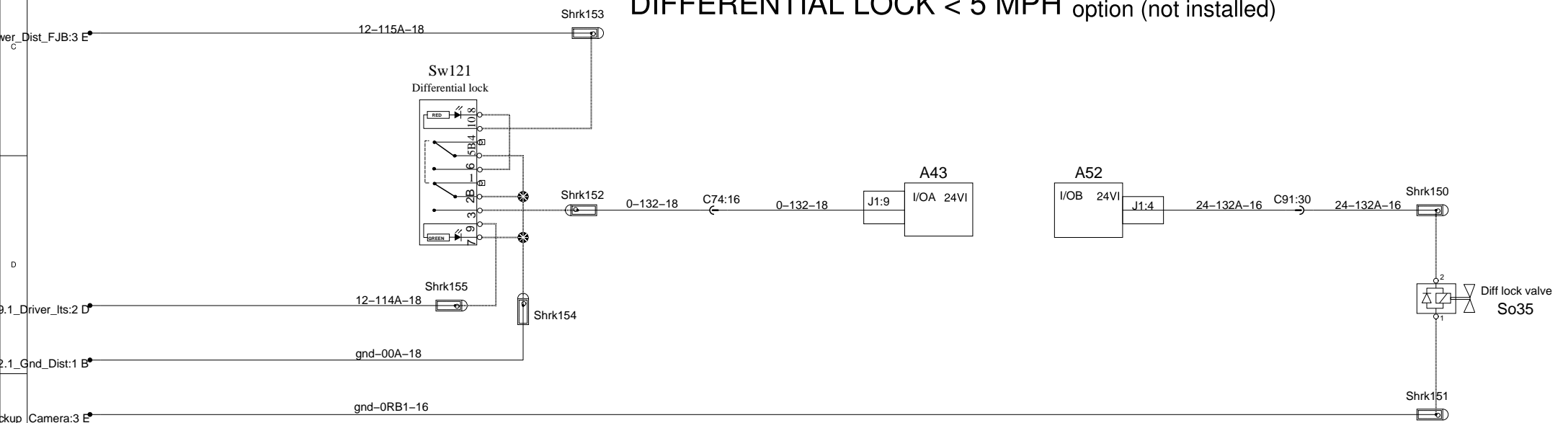
## DIFFERENTIAL LOCK < 5 MPH option (not installed)



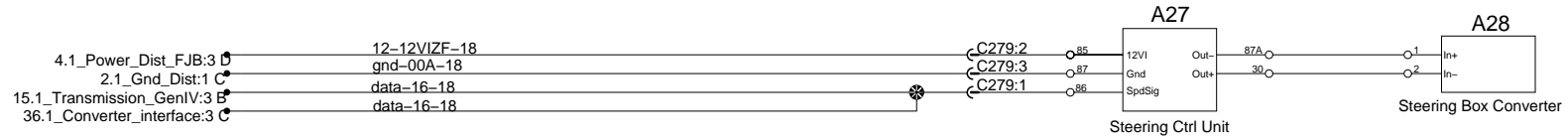
# ZF Steering Control



## DIFFERENTIAL LOCK < 5 MPH option (not installed)

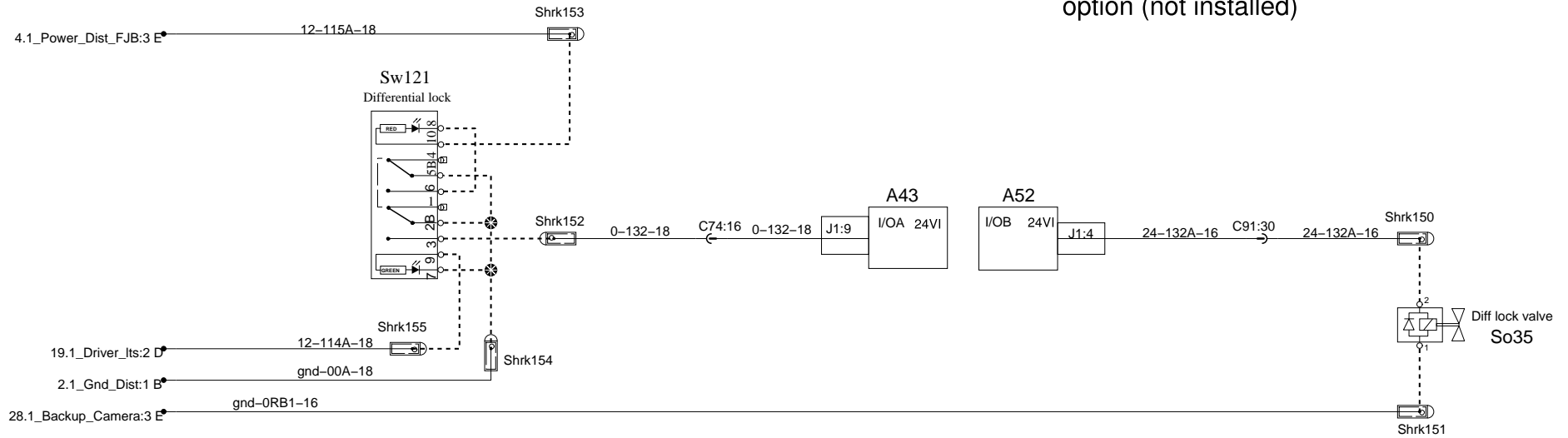


# ZF Variable Steering Control

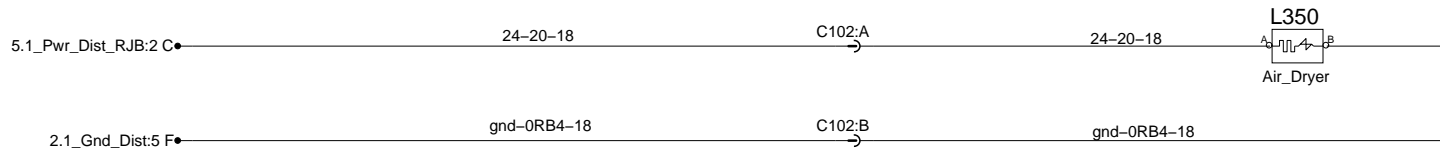


# DIFFERENTIAL LOCK < 5 MPH

option (not installed)

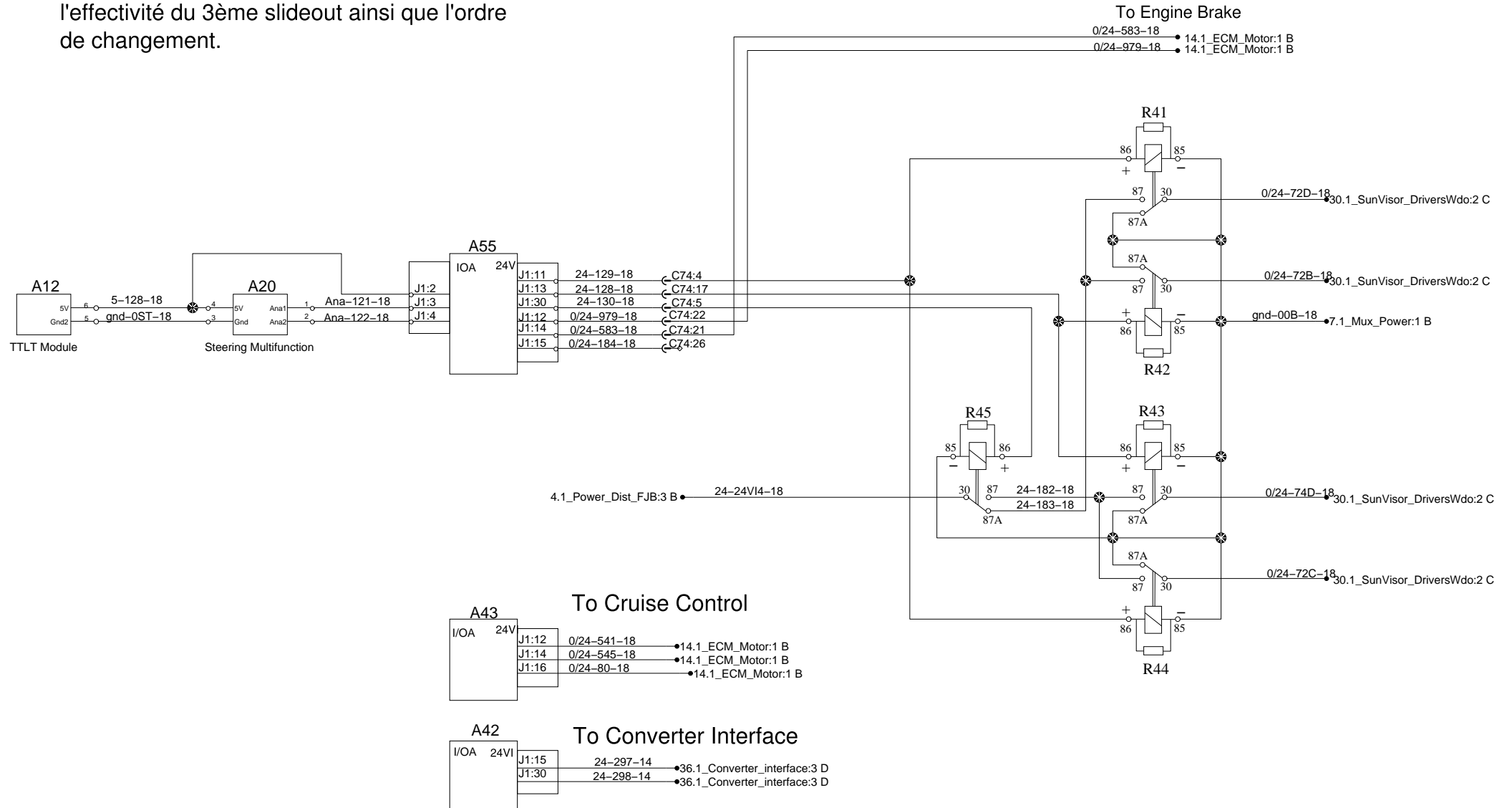


# Electric Air Dryer

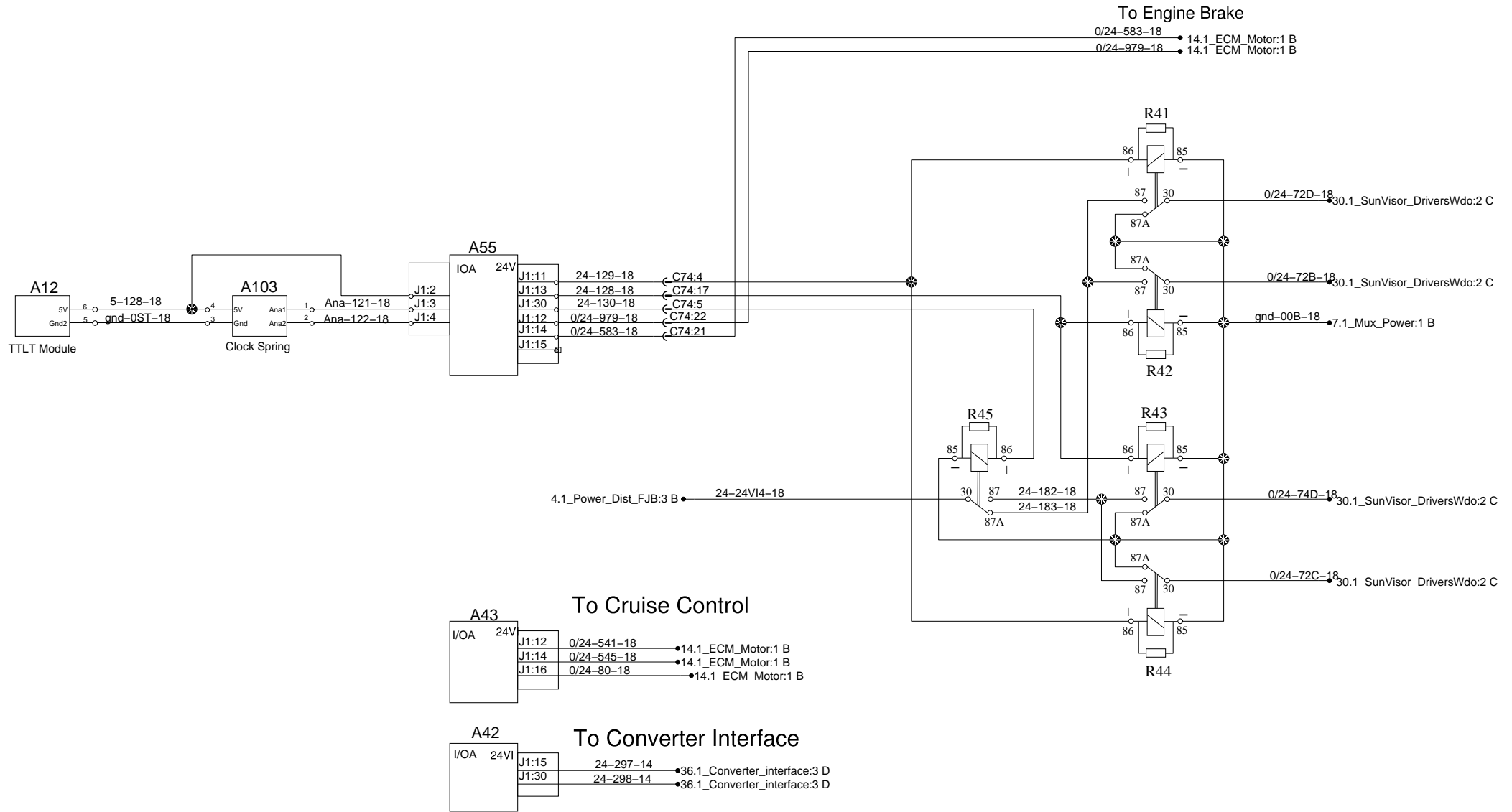


# Steering Multifunctions

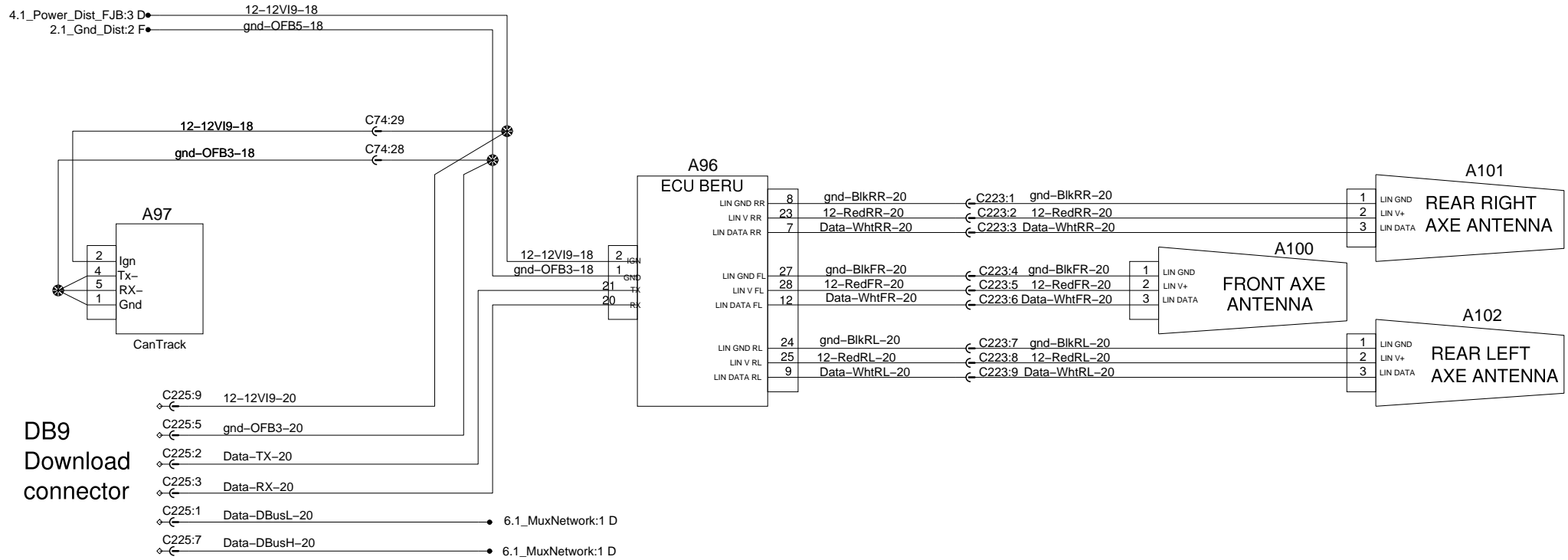
Mettre sur la page 0 à la prochaine révision des wiring du steering l'effectivité du 3ème slideout ainsi que l'ordre de changement.



# Steering Multifunctions

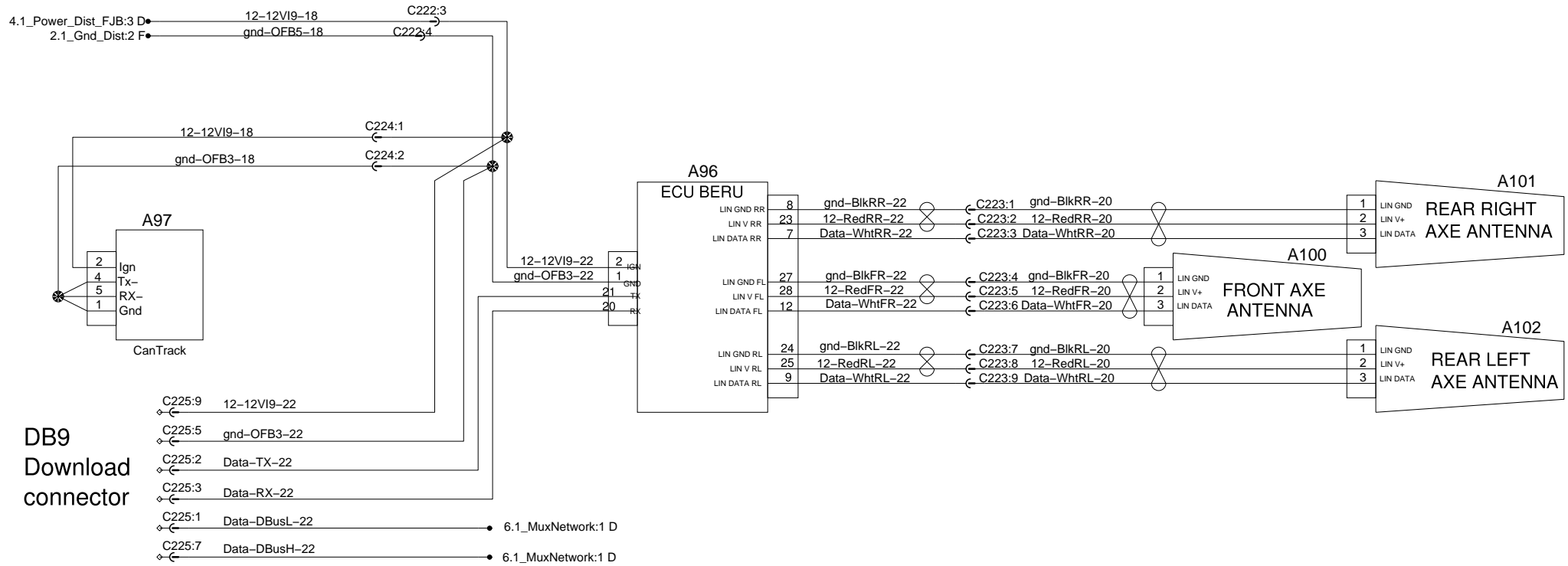


# Tire Pressure Monitoring System





# Tire Pressure Monitoring System



# Automatic Fire Suppression System

