



H3-45, H3-41 BUS



REV	DATE	O.C.	EFF.	DESCRIPTION	PAGE(S)	BY	CK.	APPR.
00	2009/10	2010001	A-1573	Preliminary vehicle	All	E.O	C.L	C.L
01	2010-11-01	2010001	A-1721	Remove entrance door unlock sensor	0, 29.1	MP	C.L.	C.L.
02	2011-01-17	2010039	B-1786	Relocate YAW sensor in Fr wheels	C1,16.2	E.L.	E.L.	C.L.
03	2011-07-15	2010119	C-1912	Replace Power Relays 70 Amp General Update	0,A,C1,K,3.3,22.1 L,30.3	E.L.	E.L.	C.L.
3-1	2011-07-25	2011015	C-1949	Electrical Driver's Seat	14.1,18.2, C1, 0	SB	CL	CL
3-2	2011-08-15	2011014	C-1965	C1 Updated	0, C1	SB	CL	CL
04	2011-08-23	2011106	C-2007	Knelling level sensor	32.1	MPOU	CL	CL
05	2011-09-13	2011003	C-2007	Replace MasterID and CECM by MCM	7.1, C1	SD	DG	DG
06	2011-12-14	2011057		2011_Q4 TGW, New Pwr and Ground ACM, new gnd on DPF Temp Sensor, MasterId removed C-1978 Preliminary C-2046 Preliminary C-2048 Preliminary C-2052 Preliminary C-2054 Preliminary C-2059 Production	B, C1, E, F, G, H, J, K, L, 1.1, 2.1, 3.1, 3.3, 4.1, 5.1, 6.1, 6.2, 7.1, 14.1, 14.5, 32.1, 37.1	PG	DG	DG
07	2012-03-20	2012020	C-2164	2012_R1 ESP STD, WIRES NETWORK	5.1,6.1, 7.1, 8.1, 10.1, 13.1, 14.1, 14.2, 14.5, 15.3, 16.1, 33.1, 35.6, 36.1, 37.1, 39.1, 41.1, C1, C3, E, 0, A	SB	CL	CL
08	2012-03-27	2012030	C-2266	2012_R2 Interior led lighting	A, 0, 2.1, 5.1, 20.1, 23.1, 24.1 end for 21.1	MPOU	CLEM	CLEM
09	2012-10-19	2012030	C-2266	Add direct led rear extension C583R	0, 24.1, C1	MPOU	CLEM	MPOU



H3-45, H3-41 BUS



REV.	DATE	O.C.	EFF.	DESCRIPTION	PAGE(S)	BY	CK.	APPR.
10	2012-12-07	2012048	D-2272	Pages Updated	0, 3.2, C1	SB	C.L.	C.L.

WIRING DIAGRAM INDEX

Information Pages		E	M	T			
Multiplexed Devices Index	B1 - B8	Emergency and Aisle lights	20.1	Main Distribution Ignition & Batt.	3.1	Tail and Licence Lights	26.2
Arrangement - Harness	C1	Engine brake and Retarder	12.1	Main Distribution Wake-Up	3.3	Test Switch	9.1
Glossary	D	Engine Start	3.2	Marker Lights	26.1,26.2	Transmission ECU	15.1-15.2
Circuit Number Listing	E	Engine ECM	14.1	Mirror Ramco	31.1	Trailer Package	26.4
Circuit Breaker code	F	Engine Override	14.1	Multiplexing Power	7.1		
Connectors code	G	Entrance door	29.1	Multiplexing Network	6.1		
Diode Number Code	H	Ether Switch	13.1				
Resistors Number Code	J						
Fuses Code	L			N		U	
Relay Code	K			Navigation System	35.4	Under Floor Lighting	25.1
		F		No Smoking Sign	11.1		
Functions		Fast Idle	14.1				
		Fire Alarm	9.1				
A		Fire Extinguisher	38.1	P		W	
Abs Standard	16.1	Flashers	26.1,26.2	Parcel Rack Fan	18.2	Watch your step	29.1
Abs Advanced & Premium	16.2	Fog lights	26.3	Park Brake Sensor	12.1	Wheelchair Lift Ricon	36.1
		Fuel Gauge	10.1	Park Brake Trailer Sensor	12.1	Window Ajar	27.1
B		Fuel Prime Pump	13.1	Parking Brake Release Switch	32.1	Wiper & Washer	34.1
Back-up Camera	28.1	Fuel water Filter	13.1	Power Distribution FJB	4.1		
Back-up lights and alarm	26.3			Power Distribution RJB	5.1		
Battery and Equalizer	1.1	G		Power Outlet	30.1		
Battery Charger	17.1	Grounds	2.1	Pre-Heater	17.1		
Brake Pedal Sensor	12.1	Galley	40.1	Prime Pump	13.1		
				Pneumatic Cut-Out Acc.	9.1		
		H		R			
C		Hat Rack Lighting	21.1	Radiator Fan Clutch	13.1		
Charging System	3.2	Hazard	26.1	Reading Lamp	22.1		
Cigar lighter	30.1	Head Lights	26.1				
Clearance lights rear & front	26.1,26.2	Horn	9.1				
Cluster	10.1	Hostess Chime	22.1	S			
Cornering Lights	26.3	Hvac Driver's Area	18.1	Service Brake Relay	12.1		
Cruise control	14.1	Hvac Passenger	18.2	Sound System	35.1-35.2		
				Spare Wires	8.1		
		K		Stop lights	26.2		
D		Kneeling & Tag	32.1	Sun Visor	30.1		
Dash Lights	19.1			Steering Control ZF	37.1		
Destination Sign	28.1	L					
Direct Lighting	24.1	Lavatory	11.1				
Docking Lights	26.3	Low Buoy	32.1				
Driver's Light and Backlight	19.1	Luggage door Lock/Unlock	33.1				
Driver's Power Window	30.1						
Digital Clock	28.1						

WIRING DIAGRAM INDEX

Information Pages		E	M	T			
Multiplexed Devices Index	B1 - B8	Emergency and Aisle lights	20.1	Main Distribution Ignition & Batt.	3.1	Tail and Licence Lights	26.2
Arrangement - Harness	C1	Engine brake and Retarder	12.1	Main Distribution Wake-Up	3.3	Test Switch	9.1
Glossary	D	Engine ECU	14.2	Marker Lights	26.1,26.2	Transmission Allison	15.1-15.2
Circuit Number Listing	E	Engine Start	3.2	Mirror Ramco	31.1	Transmission I Shift	15.3
Circuit Breaker code	F	Engine VECU	14.1	Multiplexing Power	7.1	Trailer Package	26.4
Connectors code	G	Engine Override	14.1	Multiplexing Network	6.1	Tpms	
Diode Number Code	H	Entrance door	29.1				
Resistors Number Code	J	Ether Switch	13.1				
Fuses Code	L	ESP	16.2	N		U	
Relay Code	K			Navigation System	35.4	Under Floor Lighting	25.1
		F		No Smoking Sign	11.1	Urea	14.5
Functions		Fast Idle	14.1				
A		Fire Alarm	9.1	P		W	
Abs Standard	16.1	Fire Extinguisher	38.1	Parcel Rack Fan	18.2	Watch your step	29.1
Abs Advanced & Premium	16.2	Flashers	26.1,26.2	Park Brake Sensor	12.1	Wheelchair Lift Ricon	36.1
Adaptative Cruise Control	16.2	Fog lights	26.3	Park Brake Trailer Sensor	12.1	Window Ajar	27.1
		Fuel Gauge	10.1	Parking Brake Release Switch	32.1	Wiper & Washer	34.1
		Fuel Prime Pump	13.1	Power Distribution FJB	4.1		
B	28.1	Fuel water Filter	13.1	Power Distribution RJB	5.1		
Back-up Camera	26.3			Power Outlet	30.1		
Back-up lights and alarm	1.1	G		Pre-Heater	17.1		
Battery and Equalizer	17.1	Grounds	2.1	Prime Pump	13.1		
Battery Charger	12.1	Galley	40.1	Pneumatic Cut-Out Acc.	9.1		
Brake Pedal Sensor							
		H		R			
C		Hat Rack Lighting	21.1	Radiator Fan Clutch	13.1		
Charging System	3.2	Hazard	26.1	Reading Lamp	22.1		
Cigar lighter	30.1	Head Lights	26.1				
Clearance lights rear & front	26.1,26.2	Horn	9.1				
Cluster	10.1	Hostess Chime	22.1	S			
Cornering Lights	26.3	Hvac Driver's Area	18.1	Service Brake Relay	12.1		
Cruise control	14.1	Hvac Passenger	18.2	Sound System	35.5-35.6		
				Spare Wires	8.1		
D		K		Stop lights	26.2		
Dash Lights	19.1	Kneeling & Tag	32.1	Sun Visor	41.1		
Destination Sign	28.1			Steering Control ZF	37.1		
Direct Lighting	24.1	L					
Docking Lights	26.3	Lavatory	11.1				
Driver's Light and Backlight	19.1	Low Buoy	32.1				
Driver's Window & Seat	30.1, 30.3	Luggage door Lock/Unlock	33.1				
Digital Clock	28.1						

WIRING DIAGRAM INDEX

Information Pages		E	M	T			
Multiplexed Devices Index	B1 - B8	Emergency and Aisle lights	20.1	Main Distribution Ignition & Batt.	3.1	Tail and Licence Lights	26.2
Arrangement - Harness	C1	Engine brake and Retarder	12.1	Main Distribution Wake-Up	3.3	Test Switch	9.1
Glossary	D	Engine ECU	14.2	Marker Lights	26.1,26.2	Transmission Allison	15.1-15.2
Circuit Number Listing	E	Engine Start	3.2	Mirror Ramco	31.1	Transmission I Shift	15.3
Circuit Breaker code	F	Engine VECU	14.1	Multiplexing Power	7.1	Trailer Package	26.4
Connectors code	G	Engine Override	14.1	Multiplexing Network	6.1	Tpms	
Diode Number Code	H	Entrance door	29.1				
Resistors Number Code	J	Ether Switch	13.1				
Fuses Code	L	ESP	16.1	N		U	
Relay Code	K			Navigation System	35.4	Under Floor Lighting	25.1
		F		No Smoking Sign	11.1	Urea	14.5
Functions		Fast Idle	14.1				
		Fire Alarm	9.1	P		W	
A		Fire Extinguisher	38.1	Parcel Rack Fan	18.2	Watch your step	29.1
Adaptative Cruise Control	41.1	Flashers	26.1,26.2	Park Brake Sensor	12.1	Wheelchair Lift Ricon	36.1
		Fog lights	26.3	Park Brake Trailer Sensor	12.1	Window Ajar	27.1
		Fuel Gauge	10.1	Parking Brake Release Switch	32.1	Wiper & Washer	34.1
B	28.1	Fuel Prime Pump	13.1	Power Distribution FJB	4.1		
Back-up Camera	26.3	Fuel water Filter	13.1	Power Distribution RJB	5.1		
Back-up lights and alarm	1.1	Fuel Filter Preheater	13.1	Power Outlet	30.1		
Battery and Equalizer	17.1	G		Pre-Heater	17.1		
Battery Charger	12.1	Grounds	2.1	Prime Pump	13.1		
Brake Pedal Sensor		Galley	40.1	Pneumatic Cut-Out Acc.	9.1		
		H		R			
C		Hat Rack Lighting	21.1	Radiator Fan Clutch	13.1		
Charging System	3.2	Hazard	26.1	Reading Lamp	22.1		
Cigar lighter	30.1	Head Lights	26.1				
Clearance lights rear & front	26.1,26.2	Horn	9.1				
Cluster	10.1	Hostess Chime	22.1	S			
Cornering Lights	26.3	Hvac Driver's Area	18.1	Service Brake Relay	12.1		
Cruise control	14.1	Hvac Passenger	18.2	Sound System	35.5-35.6		
		K		Spare Wires	8.1		
D		Kneeling & Tag	32.1	Stop lights	26.2		
Dash Lights	19.1			Sun Visor	41.1		
Destination Sign	28.1	L		Steering Control ZF	37.1		
Direct Lighting	24.1	Lavatory	11.1	Steering Multi-functions	41.1		
Docking Lights	26.3	Low Buoy	32.1				
Driver's Light and Backlight	19.1	Luggage door Lock/Unlock	33.1				
Driver's Window & Seat	30.1, 30.3						
Digital Clock	28.1						

WIRING DIAGRAM INDEX

Information Pages		E		M		T	
Multiplexed Devices Index	B1 - B8	Emergency and Aisle lights	20.1	Main Distribution Ignition & Batt.	3.1	Tail and Licence Lights	26.2
Arrangement - Harness	C1	Engine brake and Retarder	12.1	Main Distribution Wake-Up	3.3	Test Switch	9.1
Glossary	D	Engine ECU	14.2	Marker Lights	26.1,26.2	Transmission Allison	15.1-15.2
Circuit Number Listing	E	Engine Start	3.2	Mirror Ramco	31.1	Transmission I Shift	15.3
Circuit Breaker code	F	Engine VECU	14.1	Multiplexing Power	7.1	Trailer Package	26.4
Connectors code	G	Engine Override	14.1	Multiplexing Network	6.1	Tpms	
Diode Number Code	H	Entrance door	29.1				
Resistors Number Code	J	Ether Switch	13.1				
Fuses Code	L	ESP	16.1	N		U	
Relay Code	K			Navigation System	35.4	Under Floor Lighting	25.1
				No Smoking Sign	11.1	Urea	14.5
Functions		F					
		Fast Idle	14.1				
		Fire Alarm	9.1				
A		Fire Extinguisher	38.1	P		W	
Adaptative Cruise Control	41.1	Flashers	26.1,26.2	Parcel Rack Fan	18.2	Watch your step	29.1
		Fog lights	26.3	Park Brake Sensor	12.1	Wheelchair Lift Ricon	36.1
		Fuel Gauge	10.1	Park Brake Trailer Sensor	12.1	Window Ajar	27.1
B		Fuel Prime Pump	13.1	Parking Brake Release Switch	32.1	Wiper & Washer	34.1
Back-up Camera	28.1	Fuel water Filter	13.1	Power Distribution FJB	4.1		
Back-up lights and alarm	26.3	Fuel Filter Preheater	13.1	Power Distribution RJB	5.1		
Battery and Equalizer	1.1	G		Power Outlet	30.1		
Battery Charger	17.1	Grounds	2.1	Pre-Heater	17.1		
Brake Pedal Sensor	12.1	Galley	40.1	Prime Pump	13.1		
				Pneumatic Cut-Out Acc.	9.1		
C		H					
Charging System	3.2	Hazard	26.1	R			
Cigar lighter	30.1	Head Lights	26.1	Radiator Fan Clutch	13.1		
Clearance lights rear & front	26.1,26.2	Horn	9.1	Reading Lamp	22.1		
Cluster	10.1	Hostess Chime	22.1				
Cornering Lights	26.3	Hvac Driver's Area	18.1				
Cruise control	14.1	Hvac Passenger	18.2	S			
				Service Brake Relay	12.1		
				Sound System	35.5-35.6		
D		I		Spare Wires	8.1		
Dash Lights	19.1	Indirect Led Lighting		Stop lights	26.2		
Destination Sign	28.1	K		Sun Visor	41.1		
Direct Led Lighting	24.1	Kneeling & Tag	32.1	Steering Control ZF	37.1		
Docking Lights	26.3			Steering Multi-functions	41.1		
Driver's Light and Backlight	19.1	L					
Driver's Window & Seat	30.1, 30.3	Lavatory	11.1				
Digital Clock	28.1	Low Buoy	32.1				
		Luggage door Lock/Unlock	33.1				

MULTIPLEX OUTPUT LIST

O_xx... = Physical Output Pin ; I_xx... = Physical Input Pin ; D_xx... = CAN Network Signal from the HVAC control Head ; B_xx.. = Multiplex system global Network Variable

Module.Pin#	Signal name		Page	Connected devices	Input involved		
A36.JA:12	O_AcCluSol O_ClusterEsc		10.1	A14A.A:5	B_TstModHvac	.	
					D_Stw_Sw17	.	
					I_BlinkSw	A43.J1:5	26.1
					I_BrkLtSeFrSig	A36.JB:13	12.1
A36.JA:13	O_EngineRun	Engine Run Signal	3.2	A15:6	I_ParkBrSe	A36.JB:9	12.1
					B_EngineRun	.	
					B_OneAltCharging	.	
					D_OnOffDrvSw	.	
					I_AccKeySw	A36.JB:6	3.2
					I_BatMonMod53	A53.J1:24	6.1
					I_BatMonMod54	A54.J1:24	6.1
					I_FrStrtEnSw	A53.J1:9	3.2
					I_IgnKeySw	A36.JB:2	3.2
					I_RrStrtEnSw	A53.J1:10	3.2
A36.JA:14	O_ClusterSelect		10.1	A14A.A:4	D_Stw_Sw16	.	
					I_BrkLtSeFrSig	A36.JB:13	12.1
					I_HiBeamCallSw	A43.J1:3	26.1
					I_ParkBrSe	A36.JB:9	12.1
A36.JA:15	O_WakeUp	WakeUp Relay	3.3		I_AccKeySw	A36.JB:6	3.2
					I_EntDorOpSw	A36.JB:15	29.1
					I_FireSensorA36	A36.JB:5	38.1
					I_FrStrtEnSw	A53.J1:9	3.2
					I_HazardSw	A36.JB:4	26.1
					I_IgnKeySw	A36.JB:2	3.2
					I_NeutralSe	A50.J1:11	3.2
					I_ParkBrSe	A36.JB:9	12.1
					I_RrCutOutSw	A36.JB:21	3.2
					I_RrStrtEnSw	A53.J1:10	3.2
					I_WCLLoDorSe	A53.J1:12	36.1
					I_WCLPlungSw	A49.J1:4	36.1
					I_WclSw	A42.J1:6	36.1
					A36.JA:16	O_ClusterUp	
I_BrkLtSeFrSig	A36.JB:13	12.1					
I_ParkBrSe	A36.JB:9	12.1					
A36.JA:18	O_ClusterDown		10.1		D_Stw_Sw19	.	
					I_BrkLtSeFrSig	A36.JB:13	12.1
					I_ParkBrSe	A36.JB:9	12.1
A36.JA:24	O_CutOutRel	Emergency CutOut Relay	3.2	R21:-	I_FireExt2ndAlm	A44.J1:10	38.1
					I_IgnKeySw	A36.JB:2	3.2
A41.J1:13	O_LavOccFrlb		11.1	L143:1	D_Stw_Sw16	.	
					I_IgnKeySw	A36.JB:2	3.2
					I_LavDorLkSe	A51.J1:11	11.1
					I_LavEmrgSw	A49.J1:6	11.1

#

MULTIPLEX OUTPUT LIST

O_xx... = Physical Output Pin ; I_xx... = Physical Input Pin ; D_xx... = CAN Network Signal from the HVAC control Head ; B_xx... = Multiplex system global Network Variable

Module.Pin#	Signal name		Page	Connected devices	Input involved		
A41.J1:14	O_KneeDwSol	Kneeling Down Solenoid	32.1	So16:2	I_EntDorClSe	A47.J1:10	29.1
					I_IgnKeySw	A36.JB:2	3.2
					I_KneeDwSw	A41.J1:7	32.1
					I_KneeLevelSe	A46.J1:13	32.1
					I_KneeUpSw	A41.J1:6	32.1
					I_ParkBrSe	A36.JB:9	12.1
					I_WclSw	A42.J1:6	36.1
A41.J1:15	O_KneeUpSol	Kneeling Up Solenoid	32.1	So15:2	I_IgnKeySw	A36.JB:2	3.2
					I_KneeDwSw	A41.J1:7	32.1
					I_KneeLevelSe	A46.J1:13	32.1
					I_KneeUpSw	A41.J1:6	32.1
A41.J1:16	O_ReHiBoySolRtn	Rear Hi Buoy Solenoid Return	32.1	So14:1	I_IgnKeySw	A36.JB:2	3.2
					I_KneeLevelSe	A46.J1:13	32.1
					I_KneeUpSw	A41.J1:6	32.1
A41.J1:30	O_ReHiBoySol	Rear Hi Buoy Solenoid	32.1	So14:2	I_KneeLevelSe	A46.J1:13	32.1
					I_KneeUpSw	A41.J1:6	32.1
A42.J1:11	O_SmokLb	No Smoking Light Bulb	11.1	L2:1	I_IgnKeySw	A36.JB:2	3.2
A42.J1:12	O_ParkBrSolNeg	Park Brake Solenoid Return	32.1		I_IgnKeySw	A36.JB:2	3.2
A42.J1:13	O_LugLkSol	Luggage Lock Solenoid	33.1	So19:2	I_AccKeySw	A36.JB:6	3.2
					I_IgnKeySw	A36.JB:2	3.2
					I_LugDorLkSw	A46.J1:10	33.1
A42.J1:14	O_KneelingAlm	Kneeling Alarm	32.1	L188:1	I_EntDorClSe	A47.J1:10	29.1
					I_IgnKeySw	A36.JB:2	3.2
					I_KneeDwSw	A41.J1:7	32.1
					I_KneeLevelSe	A46.J1:13	32.1
					I_KneeUpSw	A41.J1:6	32.1
					I_ParkBrSe	A36.JB:9	12.1
					I_WclSw	A42.J1:6	36.1
A42.J1:16	O_LugULkSol	Luggage Lock Solenoid	33.1	So18:2	I_AccKeySw	A36.JB:6	3.2
					I_IgnKeySw	A36.JB:2	3.2
					I_LugDorULkSw	A46.J1:11	33.1
A43.J1:11	O_WatchstepLb	Watch Your Step Light Bulb	29.1		B_BatterySaver	.	
					B_EngineRun	.	
					B_OneAltCharging	.	
					I_EntDorClSe	A47.J1:10	29.1
A43.J1:12	O_CruCtrlSet	Cruise Control Set Volvo	41.1	A81A.JA:1	D_Stw_Sw7	.	
					D_Stw_Sw8	.	
					I_LowWiperCam	A47.J1:9	34.1
					I_LwWipIntSw	A42.J1:8	34.1
A43.J1:13	O_HornSol	Electric Horn	9.1		I_HornSelectSw	A43.J1:7	9.1
					I_HornSw	A45.J1:10	9.1
A43.J1:14	O_CruCtrlRsm	Cruise Control Resume Volvo	41.1	A81A.JA:2	D_Stw_Sw7	.	
					D_Stw_Sw8	.	

MULTIPLEX OUTPUT LIST

O_xx... = Physical Output Pin ; I_xx... = Physical Input Pin ; D_xx... = CAN Network Signal from the HVAC control Head ; B_xx... = Multiplex system global Network Variable

Module.Pin#	Signal name		Page	Connected devices	Input involved		
A43.J1:14	O_CruCtrlRsm	Cruise Control Resume Volvo	41.1	A81A.JA:2	I_LowWiperCam	A47.J1:9	34.1
					I_LwWipIntSw	A42.J1:8	34.1
A43.J1:15	O_Alt	Alternator	10.1	A14A.C:7	B_EngineRun	.	
					B_OneAltCharging	.	
					I_Alt1Voltage	A49.J1:8	3.2
					I_IgnKeySw	A36.JB:2	3.2
A43.J1:16	O_BrkRedCompat	Brake Redundant Compatible	41.1	A81A.JA:5	D_Stw_Sw9	.	
					I_BrkLtSeFrSig	A36.JB:13	12.1
					I_BrkLtSeRrSig	A51.J1:10	12.1
					I_IgnKeySw	A36.JB:2	3.2
					I_LowWiperCam	A47.J1:9	34.1
					I_LwWipIntSw	A42.J1:8	34.1
					I_RetdrSig	A50.J1:12	12.1
A44.J1:1	O_DashTrapPMo	Dash Trap Motor	18.1	Mo3:1	D_AirFlapBit0	.	
					D_AirFlapBit1	.	
					D_AirFlapBit2	.	
					I_IgnKeySw	A36.JB:2	3.2
A44.J1:2	O_DashTrapNMo	Dash Trap Motor Return	18.1	Mo3:3	D_AirFlapBit0	.	
					D_AirFlapBit1	.	
					D_AirFlapBit2	.	
					I_IgnKeySw	A36.JB:2	3.2
A44.J1:3	O_DriverLtLb	Driver Light Bulb	19.1	L16:1	B_BatterySaver	.	
					B_EngineRun	.	
					B_OneAltCharging	.	
					I_AccKeySw	A36.JB:6	3.2
					I_DrvLtSw	A55.J1:5	19.1
					I_IgnKeySw	A36.JB:2	3.2
A44.J1:4	O_LHFogLb2	Left Hand Fog Light Bulb	26.3	L95B:1	B_BatterySaver	.	
					B_EngineRun	.	
					B_OneAltCharging	.	
					B_TstModExtLight	.	
					I_BatMonMod45	A45.J1:24	6.1
					I_FogLightSw	A55.J1:6	26.3
					I_HdLthiLowBmSw	A43.J1:8	26.1
					I_HdLtPos2SwLH	A45.J1:12	26.1
A44.J1:5	O_EntDorLtLb	Entrance Door Light Bulb	29.1	L17:1	B_BatterySaver	.	
					B_EngineRun	.	
					B_OneAltCharging	.	
A44.J1:6	O_HillStartSol	Hill Start Assist	15.3		I_BrkLtSeFrSig	A36.JB:13	12.1
					I_BrkLtSeRrSig	A51.J1:10	12.1
					I_IdleValidSw	A45.J1:11	15.3
					I_IgnKeySw	A36.JB:2	3.2
					I_ParkBrSe	A36.JB:9	12.1

MULTIPLEX OUTPUT LIST

O_xx... = Physical Output Pin ; I_xx... = Physical Input Pin ; D_xx... = CAN Network Signal from the HVAC control Head ; B_xx... = Multiplex system global Network Variable

Module.Pin#	Signal name		Page	Connected devices	Input involved		
A44.J1:7	O_DashBackLit	Dash BackLighting	19.1	Pot1.C:1	I_HdLtPos1Sw	A43.J1:4	26.1
A44.J1:8	O_FrClearLb	Front Clearance Lights Bulb	26.1		B_BatterySaver	.	
					B_EngineRun	.	
					B_OneAltCharging	.	
					B_TstModExtLight	.	
					I_BlinkSw	A43.J1:5	26.1
					I_FogLightSw	A55.J1:6	26.3
					I_HdLtPos1Sw	A43.J1:4	26.1
					I_HdLtPos2SwLH	A45.J1:12	26.1
A45.J1:1	O_FootTrpPSol	Foot Trap Solenoid	18.1	Mo4:A	D_AirFlapBit0	.	
					D_AirFlapBit1	.	
					D_AirFlapBit2	.	
					I_IgnKeySw	A36.JB:2	3.2
A45.J1:2	O_FootTrpNSol	Foot Trap Solenoid	18.1	Mo4:B	D_AirFlapBit0	.	
					D_AirFlapBit1	.	
					D_AirFlapBit2	.	
					I_IgnKeySw	A36.JB:2	3.2
A45.J1:20	O_HornElectric	Horn Electric	9.1		I_FireExt1stAl	A36.JB:23	38.1
					I_FireExt2ndAlm	A44.J1:10	38.1
					I_FireSensorA36	A36.JB:5	38.1
					I_HornSelectSw	A43.J1:7	9.1
					I_HornSw	A45.J1:10	9.1
					I_IgnKeySw	A36.JB:2	3.2
A45.J1:21	O_LHFrMkrLb	Left Hand Front Markers Light Bulb	26.1		B_BatterySaver	.	
					B_EngineRun	.	
					B_OneAltCharging	.	
					B_TstModExtLight	.	
					I_BlinkSw	A43.J1:5	26.1
					I_FogLightSw	A55.J1:6	26.3
					I_HdLtPos1Sw	A43.J1:4	26.1
					I_HdLtPos2SwLH	A45.J1:12	26.1
					I_IgnKeySw	A36.JB:2	3.2
A45.J1:3	O_LeftFrFlshPH		26.1		B_BatterySaver	.	
					B_EngineRun	.	
					B_OneAltCharging	.	
					B_TstModExtLight	.	
					I_HazardSw	A36.JB:4	26.1
					I_LHFlshSwRrSig	A51.J1:9	26.2
					I_NeutralSe	A50.J1:11	3.2
					I_RHFlshSwRrSig	A51.J1:12	26.2
					I_WCLLoDorSe	A53.J1:12	36.1
					I_WCLPlungSw	A49.J1:4	36.1
					I_WclSw	A42.J1:6	36.1

MULTIPLEX OUTPUT LIST

O_xx... = Physical Output Pin ; I_xx... = Physical Input Pin ; D_xx... = CAN Network Signal from the HVAC control Head ; B_xx.. = Multiplex system global Network Variable

Module.Pin#	Signal name		Page	Connected devices	Input involved		
A45.J1:4	O_LHFogLb1	Left Hand Fog Light Bulb	26.3	L95A:1	B_BatterySaver	.	
					B_EngineRun	.	
					B_OneAltCharging	.	
					B_TstModExtLight	.	
					I_BatMonMod45	A45.J1:24	6.1
					I_FogLightSw	A55.J1:6	26.3
					I_HdLtHiLowBmSw	A43.J1:8	26.1
					I_HdLtPos2SwLH	A45.J1:12	26.1
A45.J1:5	O_LHCornerLb	Left Hand Cornering Light Bulb	26.3	L97.A:1	B_BatterySaver	.	
					B_EngineRun	.	
					B_OneAltCharging	.	
					B_TstModExtLight	.	
					I_CorneringLtSw	A55.J1:8	26.3
A45.J1:6	O_LHHiBmLb	Left Hand Hi Beam Light Bulb	26.1		B_BatterySaver	.	
					B_EngineRun	.	
					B_OneAltCharging	.	
					B_TstModExtLight	.	
					I_BatMonMod45	A45.J1:24	6.1
					I_HdLtHiLowBmSw	A43.J1:8	26.1
					I_HdLtPos2SwLH	A45.J1:12	26.1
					I_HiBeamCallSw	A43.J1:3	26.1
A45.J1:7	O_LHLwBmLb	Left Hand Low Beam Light Bulb	26.1		B_BatterySaver	.	
					B_EngineRun	.	
					B_OneAltCharging	.	
					B_TstModExtLight	.	
					I_BatMonMod45	A45.J1:24	6.1
					I_HdLtHiLowBmSw	A43.J1:8	26.1
					I_HdLtPos2SwLH	A45.J1:12	26.1
A45.J1:8	O_LHFrSidFlshLb		26.1	L66:1	B_BatterySaver	.	
					B_EngineRun	.	
					B_OneAltCharging	.	
					B_TstModExtLight	.	
					I_HazardSw	A36.JB:4	26.1
					I_LHFlshSwRrSig	A51.J1:9	26.2
					I_NeutralSe	A50.J1:11	3.2
					I_RHFlshSwRrSig	A51.J1:12	26.2
					I_WCLLoDorSe	A53.J1:12	36.1
					I_WCLPlungSw	A49.J1:4	36.1
					I_WclSw	A42.J1:6	36.1
A46.J1:1	O_HillStSolNeg		15.3		I_BrkLtSeFrSig	A36.JB:13	12.1
					I_BrkLtSeRrSig	A51.J1:10	12.1
					I_IdleValidSw	A45.J1:11	15.3
					I_IgnKeySw	A36.JB:2	3.2

MULTIPLEX OUTPUT LIST

O_xx... = Physical Output Pin ; I_xx... = Physical Input Pin ; D_xx... = CAN Network Signal from the HVAC control Head ; B_xx.. = Multiplex system global Network Variable

Module.Pin#	Signal name		Page	Connected devices	Input involved		
A46.J1:1	O_HillStSolNeg		15.3		I_ParkBrSe	A36.JB:9	12.1
A46.J1:2	O_UpWiperMot	Upper Wiper Motor	34.1	R24:86	B_BatterySaver	.	
					B_EngineRun	.	
					B_OneAltCharging	.	
					I_UpWipIntSw	A55.J1:20	34.1
					I_UpWipSw	A55.J1:21	34.1
					I_UpWshSw	A55.J1:18	34.1
A46.J1:20	O_UdrFlrLb	Under Floor Light Bulb	25.1		B_BatterySaver	.	
					B_EngineRun	.	
					B_OneAltCharging	.	
					I_AccKeySw	A36.JB:6	3.2
					I_IgnKeySw	A36.JB:2	3.2
A46.J1:21	O_HeadLmpWsh		34.1		I_HeadLmpWshSw	A55.J1:19	34.1
A46.J1:3	O_LwWshPmp	Lower Wiper Washer Pump	34.1		B_BatterySaver	.	
					B_EngineRun	.	
					B_OneAltCharging	.	
					I_LwWshSw	A44.J1:9	34.1
A46.J1:4	O_UpWshPmp	Upper Wiper Washer Pump	34.1		B_BatterySaver	.	
					B_EngineRun	.	
					B_OneAltCharging	.	
					I_UpWshSw	A55.J1:18	34.1
A46.J1:5	O_DrvRfgSol	Driver refrigerent solenoid	18.1	D2.A:1	B_BatterySaver	.	
					B_EngineRun	.	
					B_OneAltCharging	.	
					B_TstModHvac	.	
					D_AmbTempLSB	.	
					D_AmbTempMSB	.	
					D_OnOffDrvSw	.	
					I_AcPresHiSse	A52.J1:13	18.2
					I_AcPresLoSse	A52.J1:14	18.2
A46.J1:6	O_DrvHeatSol	Driver Heat Solenoid	18.1	So8:1	B_BatterySaver	.	
					B_EngineRun	.	
					B_OneAltCharging	.	
					B_TstModHvac	.	
					D_AirFlapBit0	.	
					D_AirFlapBit1	.	
					D_AirFlapBit2	.	
					D_AmbTempLSB	.	
					D_AmbTempMSB	.	
					D_DriverSetPts	.	
					D_DrvFnSpdBit0	.	
					D_DrvFnSpdBit1	.	
					D_DrvFnSpdBit2	.	

MULTIPLEX OUTPUT LIST

O_xx... = Physical Output Pin ; I_xx... = Physical Input Pin ; D_xx... = CAN Network Signal from the HVAC control Head ; B_xx... = Multiplex system global Network Variable

Module.Pin#	Signal name		Page	Connected devices	Input involved		
A46.J1:6	O_DrvHeatSol	Driver Heat Solenoid	18.1	So8:1	D_OnOffDrvSw	.	
					D_OnOffPassSw	.	
					D_PassSetPts	.	
					I_BatMonMod46	A46.J1:24	6.1
					I_BatMonMod54	A54.J1:24	6.1
					I_DrvTempSe	A55.J1:1	18.1
					I_FireExt1stAl	A36.JB:23	38.1
					I_FireExt2ndAlm	A44.J1:10	38.1
					I_FireSensorA36	A36.JB:5	38.1
A46.J1:7	O_UpDefFanMo	Upper defroster Fan Motor	18.1	Res8.B:1, Res11.A:1	B_BatterySaver	.	
					B_EngineRun	.	
					B_OneAltCharging	.	
					B_TstModHvac	.	
					D_AmbTempLSB	.	
					D_AmbTempMSB	.	
					D_OnOffDrvSw	.	
					I_UpperDefFanSw	A41.J1:17	18.1
A47.J1:1	O_DrvDefFanMo	Driver Defroster Fan Motor	18.1	A24.B:B	B_BatterySaver	.	
					B_EngineRun	.	
					B_OneAltCharging	.	
					D_DrvFnSpdBit0	.	
					D_DrvFnSpdBit1	.	
					D_DrvFnSpdBit2	.	
					D_OnOffDrvSw	.	
					I_BatMonMod47	A47.J1:24	6.1
					I_IgnKeySw	A36.JB:2	3.2
A47.J1:2	O_DrvRecTrap	Driver Recycle Trap	18.1	L203:A	B_BatterySaver	.	
					B_EngineRun	.	
					B_OneAltCharging	.	
					B_TstModHvac	.	
					D_RecSw	.	
A47.J1:20	O_UpDefWtrPump	Upper Defrost Water Pump	18.1		B_BatterySaver	.	
					B_EngineRun	.	
					B_OneAltCharging	.	
					B_TstModHvac	.	
					D_AmbTempLSB	.	
					D_AmbTempMSB	.	
					D_OnOffDrvSw	.	
					I_UpperDefFanSw	A41.J1:17	18.1
A47.J1:3	O_LwWipSpd1	Lower Wiper Speed 1	34.1	R23:86	B_BatterySaver	.	
					B_EngineRun	.	
					B_OneAltCharging	.	
					I_LwWipIntSw	A42.J1:8	34.1

MULTIPLEX OUTPUT LIST

O_xx... = Physical Output Pin ; I_xx... = Physical Input Pin ; D_xx... = CAN Network Signal from the HVAC control Head ; B_xx.. = Multiplex system global Network Variable

Module.Pin#	Signal name		Page	Connected devices	Input involved		
A47.J1:3	O_LwWipSpd1	Lower Wiper Speed 1	34.1	R23:86	I_LwWshSw	A44.J1:9	34.1
A47.J1:5	O_EntDorStpLb	Entrance Door Step Light Bulb	29.1		B_BatterySaver	.	
					B_EngineRun	.	
					B_OneAltCharging	.	
A47.J1:6	O_EntDorClSol	Entrance Door Close Solenoid Valve	29.1	So6:2	I_EntDorClInSw	A36.JB:10	29.1
					I_EntDorClOutSw	A36.JB:17	29.1
A47.J1:7	O_EntDorOpSol	Entrance Door Open Solenoid Valve	29.1	So5:2	I_EntDorClSe	A47.J1:10	29.1
					I_EntDorOpSe	A48.J1:11	29.1
					I_EntDorOpSw	A36.JB:15	29.1
					I_EntDorOpSw2	A47.J1:12	29.1
A48.J1:1	O_RHFogLb2	Right Hand Fog Light	26.3	L96B:1	B_BatterySaver	.	
					B_EngineRun	.	
					B_OneAltCharging	.	
					B_TstModExtLight	.	
					I_BatMonMod48	A48.J1:24	6.1
					I_FogLightSw	A55.J1:6	26.3
					I_HdLtHiLowBmSw	A43.J1:8	26.1
					I_HdLtPos2SwLH	A45.J1:12	26.1
A48.J1:20	O_RHFrsidFlshLb	RH Front Side Flasher L-Bulb	26.1	L64:1	B_BatterySaver	.	
					B_EngineRun	.	
					B_OneAltCharging	.	
					B_TstModExtLight	.	
					I_EntDorClSe	A47.J1:10	29.1
					I_HazardSw	A36.JB:4	26.1
					I_KneeDwSw	A41.J1:7	32.1
					I_KneeLevelSe	A46.J1:13	32.1
					I_KneeUpSw	A41.J1:6	32.1
					I_LHFshSwRrSig	A51.J1:9	26.2
					I_NeutralSe	A50.J1:11	3.2
					I_RHFshSwRrSig	A51.J1:12	26.2
					I_WCLLoDorSe	A53.J1:12	36.1
					I_WCLPlungSw	A49.J1:4	36.1
					I_WclSw	A42.J1:6	36.1
A48.J1:3	O_RHHiBeamLb	Right Hand Hi Beam Light Bulb	26.1	L313:C	B_BatterySaver	.	
					B_EngineRun	.	
					B_OneAltCharging	.	
					B_TstModExtLight	.	
					I_BatMonMod48	A48.J1:24	6.1
					I_HdLtHiLowBmSw	A43.J1:8	26.1
					I_HdLtPos2SwLH	A45.J1:12	26.1
					I_HiBeamCallSw	A43.J1:3	26.1
A48.J1:4	O_RHLwBeamLb	Right Hand Low Beam Light Bulb	26.1	L313:E	B_BatterySaver	.	
					B_EngineRun	.	

MULTIPLEX OUTPUT LIST

O_xx... = Physical Output Pin ; I_xx... = Physical Input Pin ; D_xx... = CAN Network Signal from the HVAC control Head ; B_xx.. = Multiplex system global Network Variable

Module.Pin#	Signal name		Page	Connected devices	Input involved		
A48.J1:4	O_RHLwBeamLb	Right Hand Low Beam Light Bulb	26.1	L313:E	B_OneAltCharging	.	
					B_TstModExtLight	.	
					I_BatMonMod48	A48.J1:24	6.1
					I_HdLthiLowBmSw	A43.J1:8	26.1
					I_HdLtPos2SwRH	A48.J1:10	26.1
A48.J1:5	O_RHCornerLb	Right Hand Cornering Light Bulb	26.3	L98A.A:1	B_BatterySaver	.	
					B_EngineRun	.	
					B_OneAltCharging	.	
					B_TstModExtLight	.	
					I_CorneringLtSw	A55.J1:8	26.3
A48.J1:6	O_RightFrFlshPH		26.1		B_BatterySaver	.	
					B_EngineRun	.	
					B_OneAltCharging	.	
					B_TstModExtLight	.	
					I_HazardSw	A36.JB:4	26.1
					I_LHFlshSwRrSig	A51.J1:9	26.2
					I_NeutralSe	A50.J1:11	3.2
					I_RHFlshSwRrSig	A51.J1:12	26.2
					I_WCLoDorSe	A53.J1:12	36.1
					I_WCLPlungSw	A49.J1:4	36.1
					I_WclSw	A42.J1:6	36.1
A48.J1:7	O_RHFrMrkLb	Right Hand Front Markers Light Bulb	26.1	L63:1	B_BatterySaver	.	
					B_EngineRun	.	
					B_OneAltCharging	.	
					B_TstModExtLight	.	
					I_BlinkSw	A43.J1:5	26.1
					I_FogLightSw	A55.J1:6	26.3
					I_HdLtPos1Sw	A43.J1:4	26.1
					I_HdLtPos2SwLH	A45.J1:12	26.1
A48.J1:8	O_RHFogLb1	Right Hand Fog Light	26.3	L96A:1	B_BatterySaver	.	
					B_EngineRun	.	
					B_OneAltCharging	.	
					B_TstModExtLight	.	
					I_BatMonMod48	A48.J1:24	6.1
					I_FogLightSw	A55.J1:6	26.3
					I_HdLthiLowBmSw	A43.J1:8	26.1
					I_HdLtPos2SwLH	A45.J1:12	26.1
A49.J1:11	O_DirLtsRel	Interior Light Direct relay	24.1	R6:85	B_BatterySaver	.	
					B_EngineRun	.	
					B_LowVoltage	.	
					B_OneAltCharging	.	
					I_AccKeySw	A36.JB:6	3.2
					I_DirLtsSw	A41.J1:4	24.1

MULTIPLEX OUTPUT LIST

O_xx... = Physical Output Pin ; I_xx... = Physical Input Pin ; D_xx... = CAN Network Signal from the HVAC control Head ; B_xx.. = Multiplex system global Network Variable

Module.Pin#	Signal name		Page	Connected devices	Input involved		
A49.J1:11	O_DirLtsRel	Interior Light Direct relay	24.1	R6:85	I_IgnKeySw	A36.JB:2	3.2
A49.J1:12	O_IndirLtsRel	Interior Lights Indirect Relay	23.1	R13:85	B_BatterySaver	.	
					B_EngineRun	.	
					B_LowVoltage	.	
					B_OneAltCharging	.	
					I_AccKeySw	A36.JB:6	3.2
					I_IgnKeySw	A36.JB:2	3.2
					I_InDirLtsSw	A41.J1:3	23.1
A49.J1:13	O_AisleLb	Aisle and Emergency Lamps	20.1	R15:85	B_BatterySaver	.	
					B_EngineRun	.	
					B_LowVoltage	.	
					B_OneAltCharging	.	
					I_HdLtPos1Sw	A43.J1:4	26.1
A49.J1:14	O_RetardEna	Retarder Enable	12.1		D_Stw_Sw2	.	
					D_Stw_Sw3	.	
					D_Stw_Sw5	.	
					I_RetarderSel	A55.J1:10	12.1
A49.J1:15	O_ReadLtsRel	Passenger Reading Light Relay	22.1	R14:86	B_BatterySaver	.	
					B_EngineRun	.	
					B_LowVoltage	.	
					B_OneAltCharging	.	
					I_AccKeySw	A36.JB:6	3.2
					I_IgnKeySw	A36.JB:2	3.2
					I_ReadLtsSw	A41.J1:10	22.1
A49.J1:16	O_CndSpd2Rel	Condensor Fan Speed 2 Relay	18.2		B_BatterySaver	.	
					B_EngineRun	.	
					B_LowVoltage	.	
					B_OneAltCharging	.	
					B_TstModHvac	.	
					D_AmbTempLSB	.	
					D_AmbTempMSB	.	
					D_OnOffPassSw	.	
					D_PassSetPts	.	
					I_AcPresHiSse	A52.J1:13	18.2
					I_AcPresLoSse	A52.J1:14	18.2
					I_BatMonMod53	A53.J1:24	6.1
					I_FireExt1stAl	A36.JB:23	38.1
					I_FireExt2ndAlm	A44.J1:10	38.1
					I_FireSensorA36	A36.JB:5	38.1
A50.J1:1	O_WCLSDoorLb	WCL Sliding Door Top Light	36.1		I_ParkBrSe	A36.JB:9	12.1
					I_WCLPlungSw	A49.J1:4	36.1
A50.J1:2	O_TransInhibit	Transmission Inhibit	15.1	A1:1	I_BrkLtSeFrSig	A36.JB:13	12.1
					I_BrkLtSeRrSig	A51.J1:10	12.1

MULTIPLEX OUTPUT LIST

O_xx... = Physical Output Pin ; I_xx... = Physical Input Pin ; D_xx... = CAN Network Signal from the HVAC control Head ; B_xx.. = Multiplex system global Network Variable

Module.Pin#	Signal name		Page	Connected devices	Input involved		
A50.J1:2	O_TransInhibit	Transmission Inhibit	15.1	A1:1	I_NeutralSe	A50.J1:11	3.2
					I_ParkBrSe	A36.JB:9	12.1
					I_WCLLoDorSe	A53.J1:12	36.1
					I_WCLPlungSw	A49.J1:4	36.1
					I_WclSw	A42.J1:6	36.1
A50.J1:21	O_BrLtUpperLb		26.2		B_BatterySaver	.	
					B_EngineRun	.	
					B_OneAltCharging	.	
					B_TstModExtLight	.	
					I_BrkLtSeFrSig	A36.JB:13	12.1
					I_BrkLtSeRrSig	A51.J1:10	12.1
A50.J1:3	O_RevLbBuz	Reverse Alarm and Light Bulb	26.2		B_BatterySaver	.	
					B_EngineRun	.	
					B_OneAltCharging	.	
					B_TestSwBuz2	.	
					B_TestSwBuzzer	.	
					B_TstModExtLight	.	
					B_TstModHvac	.	
					B_TstModHvacNext	.	
					B_TstSwBuz3	.	
					D_NextWheel	.	
					I_RrStrtEnSw	A53.J1:10	3.2
A50.J1:4	O_ReClearLb	Rear Clearance Light Bulb	26.2		B_BatterySaver	.	
					B_EngineRun	.	
					B_OneAltCharging	.	
					B_TstModExtLight	.	
					I_BlinkSw	A43.J1:5	26.1
					I_FogLightSw	A55.J1:6	26.3
					I_HdLtPos1Sw	A43.J1:4	26.1
					I_HdLtPos2SwLH	A45.J1:12	26.1
A50.J1:5	O_LHctrFlshLb	Water Filter Indicator Warning	26.2	L70A:1	B_BatterySaver	.	
					B_EngineRun	.	
					B_OneAltCharging	.	
					B_TstModExtLight	.	
					I_HazardSw	A36.JB:4	26.1
					I_LHFlshSwRrSig	A51.J1:9	26.2
					I_NeutralSe	A50.J1:11	3.2
					I_RHFlshSwRrSig	A51.J1:12	26.2
					I_WCLLoDorSe	A53.J1:12	36.1
					I_WCLPlungSw	A49.J1:4	36.1
					I_WclSw	A42.J1:6	36.1
A50.J1:6	O_BrLTLowerLed		26.2		B_BatterySaver	.	
					B_EngineRun	.	

MULTIPLEX OUTPUT LIST

O_xx... = Physical Output Pin ; I_xx... = Physical Input Pin ; D_xx... = CAN Network Signal from the HVAC control Head ; B_xx.. = Multiplex system global Network Variable

Module.Pin#	Signal name		Page	Connected devices	Input involved		
A50.J1:6	O_BrLTLowerLed		26.2		B_OneAltCharging	.	
					B_TstModExtLight	.	
					I_BrktSeFrSig	A36.JB:13	12.1
					I_BrktSeRrSig	A51.J1:10	12.1
					I_IgnKeySw	A36.JB:2	3.2
					I_RetdrSig	A50.J1:12	12.1
A50.J1:7	O_RHctrFlshLb	Wheel Chair Lift Warning Indicator	26.2	L68A:1	B_BatterySaver	.	
					B_EngineRun	.	
					B_OneAltCharging	.	
					B_TstModExtLight	.	
					I_HazardSw	A36.JB:4	26.1
					I_LHFlshSwRrSig	A51.J1:9	26.2
					I_NeutralSe	A50.J1:11	3.2
					I_RHFlshSwRrSig	A51.J1:12	26.2
					I_WCLLoDorSe	A53.J1:12	36.1
					I_WCLPlungSw	A49.J1:4	36.1
					I_WclSw	A42.J1:6	36.1
A50.J1:8	O_CtrSdMrkLb	Tag Axle Warning Indicator	26.2		B_BatterySaver	.	
					B_EngineRun	.	
					B_OneAltCharging	.	
					B_TstModExtLight	.	
					I_BlinkSw	A43.J1:5	26.1
					I_FogLightSw	A55.J1:6	26.3
					I_HdLtPos1Sw	A43.J1:4	26.1
					I_HdLtPos2SwLH	A45.J1:12	26.1
A51.J1:1	O_SerBrkTrans	Servise Brake Signal For Transmission	15.1	A1:62	I_BrktSeFrSig	A36.JB:13	12.1
A51.J1:2	O_LavRoofLb		11.1	L142:1	D_Stw_Sw16	.	
					I_IgnKeySw	A36.JB:2	3.2
					I_LavDorLkSe	A51.J1:11	11.1
					I_LavEmrgSw	A49.J1:6	11.1
A51.J1:21	O_LHReFlshLb	Left Hand Rear Flasher Light Bulb	26.2		B_BatterySaver	.	
					B_EngineRun	.	
					B_OneAltCharging	.	
					B_TstModExtLight	.	
					I_HazardSw	A36.JB:4	26.1
					I_LHFlshSwRrSig	A51.J1:9	26.2
					I_NeutralSe	A50.J1:11	3.2
					I_RHFlshSwRrSig	A51.J1:12	26.2
					I_WCLLoDorSe	A53.J1:12	36.1
					I_WCLPlungSw	A49.J1:4	36.1
					I_WclSw	A42.J1:6	36.1
A51.J1:3	O_RHReFlshLb	Right Hand Rear Flasher Light Bulb	26.2		B_BatterySaver	.	
					B_EngineRun	.	

MULTIPLEX OUTPUT LIST

O_xx... = Physical Output Pin ; I_xx... = Physical Input Pin ; D_xx... = CAN Network Signal from the HVAC control Head ; B_xx... = Multiplex system global Network Variable

Module.Pin#	Signal name		Page	Connected devices	Input involved		
A51.J1:3	O_RHReFlshLb	Right Hand Rear Flasher Light Bulb	26.2		B_OneAltCharging	.	
					B_TstModExtLight	.	
					I_HazardSw	A36.JB:4	26.1
					I_LHFlshSwRrSig	A51.J1:9	26.2
					I_NeutralSe	A50.J1:11	3.2
					I_RHFlshSwRrSig	A51.J1:12	26.2
					I_WCLLoDorSe	A53.J1:12	36.1
					I_WCLPlungSw	A49.J1:4	36.1
					I_WclSw	A42.J1:6	36.1
A51.J1:4	O_LHDockLb	Left Hand Docking Light Bulb	26.3	L93.A:1	B_BatterySaver	.	
					B_EngineRun	.	
					B_OneAltCharging	.	
					B_TstModExtLight	.	
					I_DockingLtSw	A55.J1:7	26.3
A51.J1:5	O_RHDockLb	Right Hand Docking Light Bulb	26.3	L94.A:1	B_BatterySaver	.	
					B_EngineRun	.	
					B_OneAltCharging	.	
					B_TstModExtLight	.	
					I_DockingLtSw	A55.J1:7	26.3
A51.J1:6	O_BrLTUpperLed		26.2		B_BatterySaver	.	
					B_EngineRun	.	
					B_OneAltCharging	.	
					B_TstModExtLight	.	
					I_BrkLtSeFrSig	A36.JB:13	12.1
					I_BrkLtSeRrSig	A51.J1:10	12.1
A51.J1:7	O_CyclopeLt	Cyclope Brake Light	26.2	L81A.A:1	B_BatterySaver	.	
					B_EngineRun	.	
					B_OneAltCharging	.	
					B_TstModExtLight	.	
					I_BrkLtSeFrSig	A36.JB:13	12.1
					I_BrkLtSeRrSig	A51.J1:10	12.1
A52.J1:1	O_EngFanSpd1	Engine Fan Radiator Speed 1	13.1		B_BatterySaver	.	
					B_EngineRun	.	
					B_OneAltCharging	.	
					B_TstModHvac	.	
					D_RadFanSpd1	.	
					D_StopTestMode	.	
					I_AcPresHiSse	A52.J1:13	18.2
					I_FireExt1stAl	A36.JB:23	38.1
					I_FireExt2ndAlm	A44.J1:10	38.1
					I_FireSensorA36	A36.JB:5	38.1
					I_FrStrtEnSw	A53.J1:9	3.2
					I_IdleValidSw	A45.J1:11	15.3

MULTIPLEX OUTPUT LIST

O_xx... = Physical Output Pin ; I_xx... = Physical Input Pin ; D_xx... = CAN Network Signal from the HVAC control Head ; B_xx.. = Multiplex system global Network Variable

Module.Pin#	Signal name		Page	Connected devices	Input involved		
A52.J1:1	O_EngFanSpd1	Engine Fan Radiator Speed 1	13.1		I_IgnKeySw	A36.JB:2	3.2
					I_ParkBrSe	A36.JB:9	12.1
					I_RrStrtEnSw	A53.J1:10	3.2
A52.J1:2	O_EngFanSpd2	Engine Fan Radiator Speed 2	13.1		B_BatterySaver	.	
					B_EngineRun	.	
					B_OneAltCharging	.	
					B_TstModHvac	.	
					D_RadFanSpd2	.	
					D_StopTestMode	.	
					I_AcPresHiSse	A52.J1:13	18.2
					I_FireExt1stAl	A36.JB:23	38.1
					I_FireExt2ndAlm	A44.J1:10	38.1
					I_FireSensorA36	A36.JB:5	38.1
					I_IdleValidSw	A45.J1:11	15.3
					I_IgnKeySw	A36.JB:2	3.2
					I_ParkBrSe	A36.JB:9	12.1
A52.J1:21	O_AcUnldrH	Hvac Right Hand Cylinder Unloader	18.2		B_BatterySaver	.	
					B_EngineRun	.	
					B_OneAltCharging	.	
					B_TstModHvac	.	
					D_PassSetPts	.	
					I_AcPresHiSse	A52.J1:13	18.2
					I_AcPresLoSse	A52.J1:14	18.2
A52.J1:4	O_LavFanMo	Lavatory Fan Motor	11.1		B_BatterySaver	.	
					B_EngineRun	.	
					B_OneAltCharging	.	
					B_TstModHvac	.	
					I_BatMonMod52	A52.J1:24	6.1
A52.J1:5	O_EngCmptLb	Engine Compartment Light Bulb	25.1		I_EngCmptLtSw	A52.J1:11	
					I_EngDoorSe	A49.J1:2	25.1
A52.J1:7	O_FlushPmpMo	Right Hand Flasher Indicator	11.1		I_AccKeySw	A36.JB:6	3.2
					I_IgnKeySw	A36.JB:2	3.2
					I_LavFlshSw	A52.J1:12	11.1
A52.J1:8	O_AcUnldrLH	Hvac Left Hand Cylinder Unloader	18.2		B_BatterySaver	.	
					B_EngineRun	.	
					B_OneAltCharging	.	
					B_TstModHvac	.	
					D_PassSetPts	.	
					I_AcPresHiSse	A52.J1:13	18.2
					I_AcPresLoSse	A52.J1:14	18.2
A53.J1:2	O_EvaSpd2Pilot	Evaporator Fan Speed 2	18.2	TermMo9	B_BatterySaver	.	
					B_EngineRun	.	
					B_LowVoltage	.	

MULTIPLEX OUTPUT LIST

O_xx... = Physical Output Pin ; I_xx... = Physical Input Pin ; D_xx... = CAN Network Signal from the HVAC control Head ; B_xx... = Multiplex system global Network Variable

Module.Pin#	Signal name		Page	Connected devices	Input involved		
A53.J1:2	O_EvaSpd2Pilot	Evaporator Fan Speed 2	18.2	TermMo9	B_OneAltCharging	.	
					B_TstModHvac	.	
					D_OnOffPassSw	.	
					D_PassSetPts	.	
					I_AcPresHiSse	A52.J1:13	18.2
					I_AcPresLoSse	A52.J1:14	18.2
					I_BatMonMod54	A54.J1:24	6.1
					I_FireExt1stAl	A36.JB:23	38.1
					I_FireExt2ndAlm	A44.J1:10	38.1
					I_FireSensorA36	A36.JB:5	38.1
A53.J1:20	O_PRaKrfgSol	Parcel Rack Refrigerent Solenoid	18.2	D8.A:1	B_BatterySaver	.	
					B_EngineRun	.	
					B_OneAltCharging	.	
					B_TstModHvac	.	
					D_OnOffPassSw	.	
					I_FireExt1stAl	A36.JB:23	38.1
					I_FireExt2ndAlm	A44.J1:10	38.1
					I_FireSensorA36	A36.JB:5	38.1
					I_PRaKfanSw	A41.J1:20	18.2
A53.J1:3	O_TagAutUnLdSo	Tag Automatic Unload Solenoid	32.1		I_TagPitManSW	A43.J1:6	32.1
A53.J1:4	O_LavOccRrLb		11.1	L140:1	D_Stw_Sw16	.	
					I_IgnKeySw	A36.JB:2	3.2
					I_LavDorLkSe	A51.J1:11	11.1
					I_LavEmrgSw	A49.J1:6	11.1
A53.J1:5	O_WCLOn	Wheel Chair Lift Enabled	36.1		I_NeutralSe	A50.J1:11	3.2
					I_ParkBrSe	A36.JB:9	12.1
					I_WCLLoDorSe	A53.J1:12	36.1
					I_WclSw	A42.J1:6	36.1
A53.J1:6	O_StarterRel	Starter Relay	3.2		B_BatterySaver	.	
					B_EngineRun	.	
					B_OneAltCharging	.	
					B_TstModHvac	.	
					I_FrStrtEnSw	A53.J1:9	3.2
					I_NeutralSe	A50.J1:11	3.2
					I_RrStrtEnSw	A53.J1:10	3.2
A53.J1:7	O_WCLUpDoorSig	WCL Upper Door Open Signal For TWU	36.1		I_ParkBrSe	A36.JB:9	12.1
					I_WCLPlungSw	A49.J1:4	36.1
A54.J1:1	O_LHPRckFan	Left Hand Parcel Rack Fan	18.2		B_BatterySaver	.	
					B_EngineRun	.	
					B_OneAltCharging	.	
					B_TstModHvac	.	
					I_PRaKfanSw	A41.J1:20	18.2
A54.J1:2	O_RHPRckFan	Right Hand Parcel Rack Fan	18.2		B_BatterySaver	.	

MULTIPLEX OUTPUT LIST

O_xx... = Physical Output Pin ; I_xx... = Physical Input Pin ; D_xx... = CAN Network Signal from the HVAC control Head ; B_xx.. = Multiplex system global Network Variable

Module.Pin#	Signal name		Page	Connected devices	Input involved		
A54.J1:2	O_RHPRckFan	Right Hand Parcel Rack Fan	18.2		B_EngineRun	.	
					B_OneAltCharging	.	
					B_TstModHvac	.	
					I_P RackFanSw	A41.J1:20	18.2
A54.J1:20	O_ACRecPass	A/C Pass. Gaz Cylinder Recycle	18.2	L205:1	B_BatterySaver	.	
					B_EngineRun	.	
					B_OneAltCharging	.	
					B_TstModHvac	.	
					D_RecSw	.	
A54.J1:21	O_PassOnOff	Output HVAC Passenger ON/OFF	18.2	R26:85	B_BatterySaver	.	
					B_EngineRun	.	
					B_OneAltCharging	.	
					B_TstModHvac	.	
					I_BatMonMod54	A54.J1:24	6.1
A54.J1:3	O_PasRfgSol	Passenger Refrigerent Solenoid	18.2	D11.A:1	B_BatterySaver	.	
					B_EngineRun	.	
					B_LowVoltage	.	
					B_OneAltCharging	.	
					B_TstModHvac	.	
					D_AmbTempLSB	.	
					D_AmbTempMSB	.	
					D_OnOffPassSw	.	
					D_PassSetPts	.	
					I_BatMonMod54	A54.J1:24	6.1
					I_FireExt1stAl	A36.JB:23	38.1
					I_FireExt2ndAlm	A44.J1:10	38.1
					I_FireSensorA36	A36.JB:5	38.1
A54.J1:4	O_ACWaterPmp	Hvac Water Pump	18.2	D9.A:1	B_BatterySaver	.	
					B_EngineRun	.	
					B_OneAltCharging	.	
					B_TstModHvac	.	
					D_AmbTempLSB	.	
					D_AmbTempMSB	.	
					D_DrvFnSpdBit0	.	
					D_DrvFnSpdBit1	.	
					D_DrvFnSpdBit2	.	
					D_HvacPump	.	
					D_OnOffPassSw	.	
					D_PassSetPts	.	
					D_StopTestMode	.	
					I_BatMonMod54	A54.J1:24	6.1
					I_FireExt1stAl	A36.JB:23	38.1
					I_FireExt2ndAlm	A44.J1:10	38.1

MULTIPLEX OUTPUT LIST

O_xx... = Physical Output Pin ; I_xx... = Physical Input Pin ; D_xx... = CAN Network Signal from the HVAC control Head ; B_xx.. = Multiplex system global Network Variable

Module.Pin#	Signal name		Page	Connected devices	Input involved		
A54.J1:4	O_ACWaterPmp	Hvac Water Pump	18.2	D9.A:1	I_FireSensorA36	A36.JB:5	38.1
					I_IgnKeySw	A36.JB:2	3.2
A54.J1:5	O_CndSpd1Rel	Condensor Fan Speed 1 Relay	18.2	R10:2	B_BatterySaver	.	
					B_EngineRun	.	
					B_LowVoltage	.	
					B_OneAltCharging	.	
					B_TstModHvac	.	
					D_AmbTempLSB	.	
					D_AmbTempMSB	.	
					D_OnOffPassSw	.	
					D_PassSetPts	.	
					I_AcPresHiSe	A52.J1:13	18.2
					I_AcPresLoSe	A52.J1:14	18.2
					I_BatMonMod54	A54.J1:24	6.1
					I_FireExt1stAl	A36.JB:23	38.1
					I_FireExt2ndAlm	A44.J1:10	38.1
					I_FireSensorA36	A36.JB:5	38.1
A54.J1:7	O_EvaSpd1Rel	Evaporator Fan Speed 1 Relay	18.2	R12:2	B_BatterySaver	.	
					B_EngineRun	.	
					B_LowVoltage	.	
					B_OneAltCharging	.	
					B_TstModHvac	.	
					D_OnOffPassSw	.	
					I_BatMonMod54	A54.J1:24	6.1
					I_FireExt1stAl	A36.JB:23	38.1
					I_FireExt2ndAlm	A44.J1:10	38.1
					I_FireSensorA36	A36.JB:5	38.1
A54.J1:8	O_PasHeatSol	Passenger Heat Solenoid Valve	18.2	R26:87	B_BatterySaver	.	
					B_EngineRun	.	
					B_OneAltCharging	.	
					B_TstModHvac	.	
					D_AmbTempLSB	.	
					D_AmbTempMSB	.	
					D_DrvFnSpdBit0	.	
					D_DrvFnSpdBit1	.	
					D_DrvFnSpdBit2	.	
					D_OnOffPassSw	.	
					D_PassSetPts	.	
					I_BatMonMod54	A54.J1:24	6.1
					I_FireExt1stAl	A36.JB:23	38.1
					I_FireExt2ndAlm	A44.J1:10	38.1
					I_FireSensorA36	A36.JB:5	38.1
A55.J1:11	O_SunVisorDrv	Sun Visor Driver	41.1	R43:86	D_Stw_Sw10	.	

MULTIPLEX INPUT LIST

O_xx... = Physical Output Pin ; I_xx... = Physical Input Pin ; D_xx... = CAN Network Signal from the HVAC control Head ; B_xx... = Multiplex system global Network Variable

Module.Pin#	Signal name		Page	Connected devices
A36.JB:10	I_EntDorCInSw	Entrance Door Close Inside Switch	29.1	Sw32:3
A36.JB:13	I_BrkLtSeFrSig	Brake Lights Sensor	12.1	
A36.JB:15	I_EntDorOpSw	Entrance Door Open Switch	29.1	
A36.JB:17	I_EntDorCOutSw	Entrance Door Close Outside Switch	29.1	Sw34:1
A36.JB:2	I_IgnKeySw	Ignition Key switch	3.2	
A36.JB:21	I_RrCutOutSw	Rear Junction Box CutOut Switch	3.2	
A36.JB:22	I_FrEngStaSw	Front Engine Start Switch	3.2	
A36.JB:23	I_FireExt1stAl		38.1	
A36.JB:4	I_HazardSw	Hazard Switch	26.1	Sw4:3
A36.JB:5	I_FireSensorA36	Fire Sensor On A36	38.1	
A36.JB:6	I_AccKeySw	Accessories Key switch	3.2	
A36.JB:9	I_ParkBrSe	Parking Brake Sensor	12.1	
A41.J1:10	I_ReadLtsSw	Passenger Reading lights Switch	22.1	Sw26:3
A41.J1:17	I_UpperDefFanSw	Upper Defrost Dash Switch	18.1	Sw21:3
A41.J1:20	I_PRAckFanSw		18.2	Sw27:3
A41.J1:3	I_InDirLtsSw	Passenger Indirect lightning Switch	23.1	
A41.J1:4	I_DirLtsSw	Passenger Direct Light Switch	24.1	Sw25:6
A41.J1:6	I_KneeUpSw	Kneeling Up Switch	32.1	
A41.J1:7	I_KneeDwSw	Kneeling Down Switch	32.1	
A42.J1:3	I_WdoOpenSe	Passenger Window Open Sensor	27.1	
A42.J1:6	I_WclSw	Wheel Chair Lift Dash Switch	36.1	Sw20:3
A42.J1:7	I_PrkBrkRelSw	Park Brake Release Switch	32.1	Sw11A:1
A42.J1:8	I_LwWiplntSw	Lower Wiper Intermitant Switch	34.1	
A43.J1:17	I_FJBLtSw	Front Junction Box Door Open	25.1	
A43.J1:19	I_TgAxlSw	Tag Axle Switch	32.1	Sw64.B:1
A43.J1:3	I_HiBeamCallSw	Hi/Low Beam Switch	26.1	Sw1.C259:4
A43.J1:4	I_HdLtPos1Sw	Head Light Switch Position Markers	26.1	
A43.J1:5	I_BlinkSw	Courtesy Blink Switch	26.1	Sw1.C258:5
A43.J1:6	I_TagPitManSW	Tag Automatic Unload PitMan Sw	32.1	
A43.J1:7	I_HornSelectSw	Horn Select switch	9.1	
A43.J1:8	I_HdLthiLowBmSw	Head Lights High and Low Beam Switch	26.1	Sw1.C258:8
A44.J1:10	I_FireExt2ndAlm		38.1	
A44.J1:9	I_LwWshSw	Lower Wiper Washer Switch	34.1	Sw1.C258:6
A45.J1:10	I_HornSw	Horn Switch	9.1	A103:5
A45.J1:11	I_IdleValidSw	Idle Validation Switch	15.3	
A45.J1:12	I_HdLtPos2SwLH	Head Light Switch Beam Position 2 LH	26.1	
A45.J1:24	I_BatMonMod45		6.1	A45.J1:28
A46.J1:10	I_LugDorLkSw	Luggage Door Lock Switch	33.1	
A46.J1:11	I_LugDorULkSw	Luggage Door Unlock Switch	33.1	
A46.J1:12	I_LugDorULkSe	Luggage Door Unlock Sensor	33.1	Se28:B
A46.J1:13	I_KneeLevelSe		32.1	Se79:4
A46.J1:24	I_BatMonMod46		6.1	A46.J1:26
A47.J1:10	I_EntDorCISE	Entrance Door Close Sensor	29.1	Term115

MULTIPLEX INPUT LIST

O_xx... = Physical Output Pin ; I_xx... = Physical Input Pin ; D_xx... = CAN Network Signal from the HVAC control Head ; B_xx... = Multiplex system global Network Variable

Module.Pin#	Signal name		Page	Connected devices
A47.J1:12	I_EntDorOpSw2		29.1	D7:B
A47.J1:24	I_BatMonMod47		6.1	A47.J1:27
A47.J1:9	I_LowWiperCam	Low wiper Cam	34.1	
A48.J1:10	I_HdLtPos2SwRH	Head Light Switch Beam Position 2 RH	26.1	
A48.J1:11	I_EntDorOpSe	Entrance Door Open Sensor	29.1	Se15:1
A48.J1:24	I_BatMonMod48		6.1	A48.J1:28
A49.J1:1	I_WCLDoorLtch	WCL Sliding door firts latch detection door open	36.1	Sw94.A:1
A49.J1:17	I_RJBLtSw	Rear Junction Light Switch	25.1	
A49.J1:18	I_WCLInstalSig	WCL Cassette installation detection	36.1	
A49.J1:2	I_EngDoorSe	Engine Door Sensor	25.1	
A49.J1:20	I_WtrFiltSe	Water Filter Sensor	13.1	
A49.J1:4	I_WCLPlungSw	WCL Sliding door open detection	36.1	Sw31:A
A49.J1:6	I_LavEmrgSw	Lavatory Emergency Switch	11.1	Sw55.A:1
A49.J1:8	I_Alt1Voltage		3.2	
A49.J1:9	I_Alt2Voltage		3.2	
A50.J1:11	I_NeutralSe	Neutral Signal Sensor	3.2	A1:41
A50.J1:12	I_RetdrSig	Retarder Signal	12.1	
A51.J1:10	I_BrkLtSeRrSig	Brake Lights Sensor	12.1	
A51.J1:11	I_LavDorLkSe	Lavatory Door Lock Sensor	11.1	Skin7
A51.J1:12	I_RHFlshSwRrSig	RH FlasherSwitch Rear Signal	26.2	
A51.J1:24	I_BatMonMod51			
A51.J1:9	I_LHFlshSwRrSig	LH FlasherSwitch Rear Signal	26.2	
A52.J1:11	I_EngCmptLtSw	Engine Compartment Light Switch		
A52.J1:12	I_LavFlshSw	Lavatory Flushing Switch	11.1	
A52.J1:13	I_AcPresHISse	Ac Pressure High Side Sensor	18.2	Se23:C
A52.J1:14	I_AcPresLoSse	Ac Pressure Low Side Sensor	18.2	Se24:C
A52.J1:24	I_BatMonMod52		6.1	A52.J1:25
A53.J1:10	I_RrStrtEnSw	Rear Start Enable Switch	3.2	
A53.J1:11	I_EngStaRrSw	Engine Start Rear Switch	3.2	Sw59:2
A53.J1:12	I_WCLLoDorSe	Wheel Chair Lift Lower Door Sensor	36.1	Sw52.B:1
A53.J1:24	I_BatMonMod53		6.1	A53.J1:26
A53.J1:9	I_FrStrtEnSw	Front Start Enable Switch	3.2	Sw58:3
A54.J1:11	I_AcDorOpSe	Condensor Door Open Switch	25.1	Sw7.A:1
A54.J1:24	I_BatMonMod54		6.1	A54.J1:29
A54.J1:9	I_LuggDoorSw	Luggage Door Switch	25.1	
A55.J1:1	I_DrvTempSe	Driver Temperature sensor	18.1	Se21:2
A55.J1:10	I_RetarderSel	Retarder Selected	12.1	Sw16:3
A55.J1:18	I_UpWshSw	Upper Washer Wiper Switch	34.1	Sw6:3
A55.J1:19	I_HeadLmpWshSw		34.1	Sw6:4
A55.J1:20	I_UpWipIntSw	Upper Wiper Intermitant Switch	34.1	
A55.J1:21	I_UpWipSw	Upper Wiper Switch	34.1	Sw5:6
A55.J1:5	I_DrvLtSw	Driver Light Switch	19.1	Sw24:3
A55.J1:6	I_FogLightSw	Fog Lights Switch	26.3	Sw3:3

MULTIPLEX ERROR MESSAGES LIST

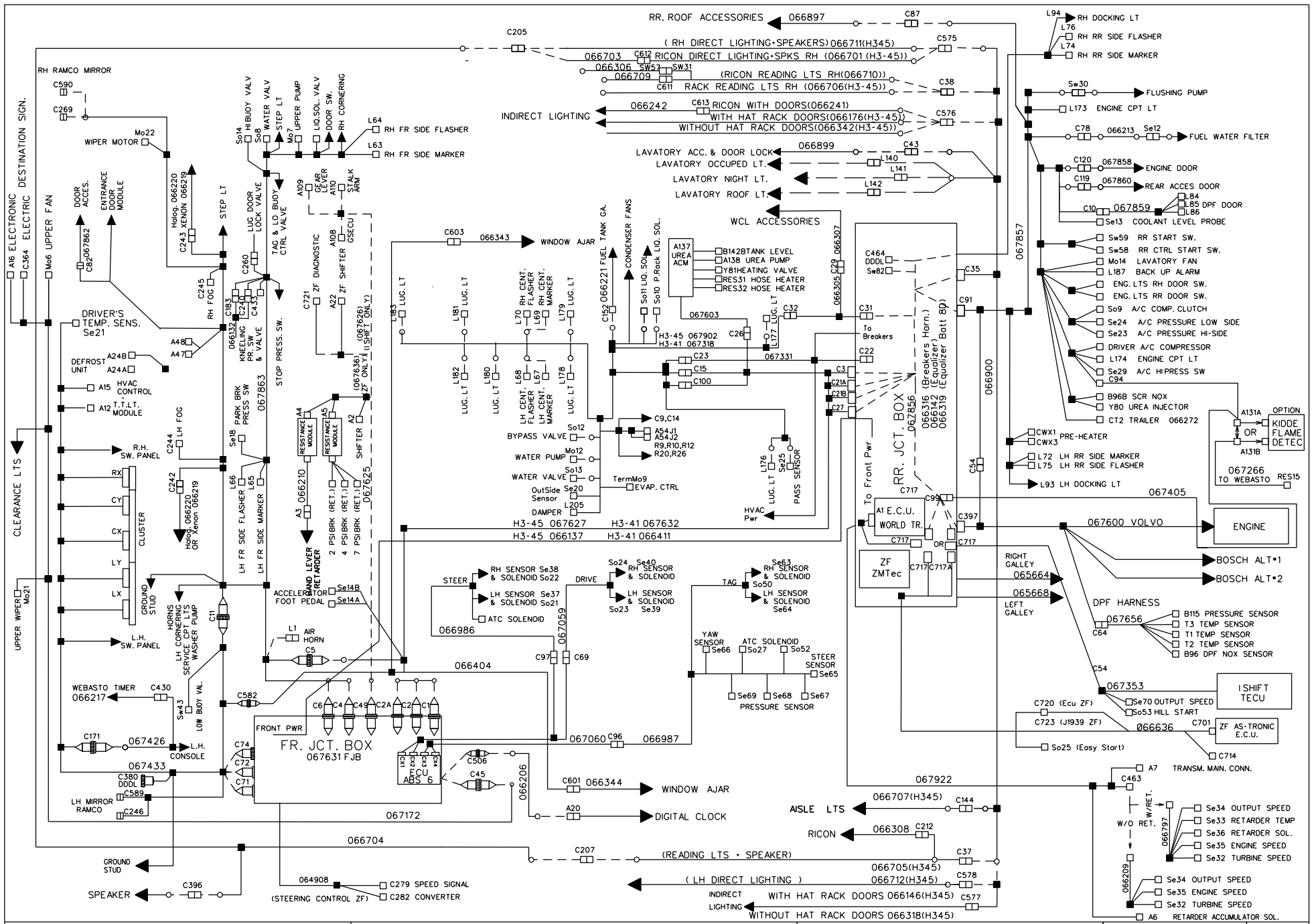
FMI 3 = Shorted High ; FMI 4 = Shorted Low ; FMI 5 = Open Circuit ; FMI 6 = Current above Normal

Cluster message	SID/PSID	FMI	Module.Pin#	Page	Cluster message	SID/PSID	FMI	Module.Pin#	Page
A/C Pres HiSd	PSID #12	3, 4	A52.J1:13	18.2	FrontMkr Lts LH	PSID #148	3, 4, 6	A45.J1:21	26.1
A/C Pres LoSd	PSID #13	3, 4	A52.J1:14	18.2	FrontMkr Lts RH	PSID #149	3, 4, 6	A48.J1:7	26.1
Backup Light &	PSID #167	3, 4, 5, 6	A50.J1:3	26.2	FrStart Enable Sw	PSID #56	3, 4	A53.J1:9	3.2
Battery Equalizer	SID #61	3, 4	A45.J1:12	26.1	Fuel Filt Sens	PSID #81	3, 4	A49.J1:20	13.1
Blinker Sw	PSID #139	3, 4	A43.J1:5	26.1	Hazard Switch	PSID #138	3, 4	A36.JB:4	26.1
Brk Lts Sens	PSID #119	3, 4	A36.JB:13	12.1	Hd Light Call	PSID #140	3, 4	A43.J1:3	26.1
Ceiling Door Lt	PSID #108	3, 4, 5, 6	A44.J1:5	29.1	HdLamp Wsh Pmp	SID #48	3, 4, 5, 6	A46.J1:21	34.1
Center Flash LH	PSID #124	3, 4, 6	A50.J1:5	26.2	Head Lights Pos1	PSID #143	3, 4	A43.J1:4	26.1
Center Flash RH	PSID #125	3, 4, 6	A50.J1:7	26.2	Hi Low Beam	SID #62	3, 4	A43.J1:8	26.1
Center Mkr	PSID #27	3, 4, 6	A50.J1:8	26.2	High Beam LH	PSID #141	3, 4, 5, 6	A45.J1:6	26.1
Cond Rly spd1	PSID #41	3, 4, 5, 6	A54.J1:5	18.2	High Beam RH	PSID #145	3, 4, 5, 6	A48.J1:3	26.1
Cond Rly spd2	PSID #42	3, 4, 6	A49.J1:16	18.2	Hill Start Ass	PSID #5	6	A44.J1:6	15.3
Condensor Door Sw	PSID #7	3, 4	A54.J1:11	25.1	Horn	PSID #83	3, 4, 5, 6	A45.J1:20	9.1
Cornering Dash	PSID #200	3, 4	A55.J1:8	26.3	Indir Lts Rly	PSID #110	3, 4, 5, 6	A49.J1:12	23.1
Cyclope Lt	PSID #116	3, 4, 6	A51.J1:7	26.2	Indirect Lts	PSID #111	3, 4	A41.J1:3	23.1
Direct Lts Relay	PSID #102	3, 4, 5, 6	A49.J1:11	24.1	Knee down Sol	PSID #89	3, 4, 5, 6	A41.J1:14	32.1
Direct Lts Sw	PSID #103	3, 4	A41.J1:4	24.1	Knee Down Sw	PSID #93	3, 4	A41.J1:7	32.1
Docking Dash Sw	PSID #40	3, 4	A55.J1:7	26.3	Knee Up Sol	PSID #95	3, 4, 5, 6	A41.J1:15	32.1
Driver Def Fan	PSID #180	3, 4, 5, 6	A47.J1:1	18.1	Knee Up Sw	PSID #94	3, 4	A41.J1:6	32.1
Driver heat Sol	PSID #16	3, 4, 5, 6	A46.J1:6	18.1	Kneeling Alm	PSID #85	3, 4, 5, 6	A42.J1:14	32.1
Driver Rfg Sol	PSID #29	3, 4, 5, 6	A46.J1:5	18.1	Lav Door Lock	PSID #96	3	A51.J1:11	11.1
Driver Sensor	PSID #28	3, 4, 5	A55.J1:1	18.1	Lav Emgy Sw	PSID #97	3, 4	A49.J1:6	11.1
Drv air Trap	SID #64	3, 4, 6	A44.J1:2	18.1	Lav Flush Pump	PSID #9	4, 5, 6	A52.J1:7	11.1
Drv Rec Cylind	PSID #30	3, 4, 5, 6	A47.J1:2	18.1	Lav Flush Sw	PSID #8	3, 4, 5, 6	A52.J1:12	11.1
Elec.Horn SW61	PSID #82	3, 4	A45.J1:10	9.1	Lav Fr Occ	PSID #100	3, 4, 5, 6	A41.J1:13	11.1
Emergency Relay	PSID #44	3, 4, 5, 6	A36.JA:24	3.2	Lavatory Fan4	PSID #98	4, 5, 6	A52.J1:4	11.1
Emgy & AisleLts	PSID #101	3, 4, 5, 6	A49.J1:13	20.1	LH Corner Lts	PSID #120	3, 4, 5, 6	A45.J1:5	26.3
Eng Cmpt Sw	PSID #107	3, 4	A52.J1:11		LH Docking Light	PSID #122	3, 4, 5, 6	A51.J1:4	26.3
Engine Door Se	PSID #6	3, 4	A49.J1:2	25.1	Low Beam LH	PSID #142	3, 4, 6	A45.J1:7	26.1
Engine Fan Spd1	PSID #53	3, 4, 5, 6	A52.J1:1	13.1	Low Beam RH	PSID #146	3, 4, 6	A48.J1:4	26.1
Engine Fan Spd2	PSID #54	3, 4, 5, 6	A52.J1:2	13.1	Lower Stop Lamps	PSID #153	3, 4, 6	A50.J1:6	26.2
Ent Close Out	PSID #70	3, 4	A36.JB:17	29.1	Lower Washer pmp	PSID #181	4, 5, 6	A46.J1:3	34.1
Ent close Sens	PSID #63	3, 4	A47.J1:10	29.1	Lower Wip Int	PSID #183	3, 4	A42.J1:8	34.1
Ent Close Sol	PSID #65	3, 4, 5, 6	A47.J1:6	29.1	Lugg Lock Sol	PSID #155	3, 4, 5, 6	A42.J1:13	33.1
Ent Door Close	PSID #64	3, 4	A36.JB:10	29.1	Lugg Lock Sw	PSID #156	3, 4	A46.J1:10	33.1
Ent Full Open	PSID #66	3, 4	A48.J1:11	29.1	Lugg Unlk Sens	PSID #157	3, 4	A46.J1:12	33.1
Ent open out	PSID #71	3, 4	A36.JB:15	29.1	Lugg unlk Sol	PSID #158	3, 4, 5, 6	A42.J1:16	33.1
Ent Open Sol	PSID #67	3, 4, 5, 6	A47.J1:7	29.1	Lugg Unlk Sw	PSID #159	3, 4	A46.J1:11	33.1
Evap Motor Rly	PSID #77	3, 4, 5, 6	A54.J1:7	18.2	P Rack Fan	PSID #19	4, 5, 6	A54.J1:1	18.2
Foot trap	PSID #37	3, 4, 6	A45.J1:2	18.1	P Rack Fan	PSID #20	4, 5, 6	A54.J1:2	18.2
FR Clearance lights	PSID #137	3, 4, 6	A44.J1:8	26.1	P Rack Fan	PSID #21	3, 4	A41.J1:20	18.2
Fr Side Flsh	PSID #10	3, 4, 6	A48.J1:20	26.1	P Rack Rfg	PSID #22	3, 4, 5, 6	A53.J1:20	18.2
Fr Start Sw	PSID #58	3, 4	A36.JB:22	3.2	Park brak Sens	PSID #162	3, 4	A36.JB:9	12.1

MULTIPLEX ERROR MESSAGES LIST

FMI 3 = Shorted High ; FMI 4 = Shorted Low ; FMI 5 = Open Circuit ; FMI 6 = Current above Normal

Cluster message	SID/PSID	FMI	Module.Pin#	Page				
Park brake Sol	PSID #163	3, 6	A42.J1:12	32.1				
Pass Heat Sol	PSID #24	3, 4, 6	A54.J1:8	18.2				
Pass On_Off Sig	SID #29	3, 4, 5, 6	A54.J1:21	18.2				
Pass Rec.Cylinder	SID #63	3, 4, 5, 6	A54.J1:20	18.2				
Pass Rfg Sol	PSID #23	3, 4, 5, 6	A54.J1:3	18.2				
Pass. Wtr pump	PSID #17	3, 4, 6	A54.J1:4	18.2				
Read Lts Rly	PSID #113	3, 4, 5, 6	A49.J1:15	22.1				
Read Lts Sw	PSID #114	3, 4	A41.J1:10	22.1				
Rear CutOut Sw	PSID #18	3, 4	A36.JB:21	3.2				
Rear High Buoy	PSID #197	4, 6	A41.J1:30	32.1				
RearFlsh LH	PSID #131	3, 4, 6	A51.J1:21	26.2				
RearFlsh RH	PSID #132	3, 4, 6	A51.J1:3	26.2				
Retarder signal	PSID #164	3, 4	A50.J1:12	12.1				
RH Corner Light	PSID #121	3, 4, 5, 6	A48.J1:5	26.3				
RH Docking Light	PSID #123	3, 4, 5, 6	A51.J1:5	26.3				
Rr Clearance lights	PSID #151	3, 4, 6	A50.J1:4	26.2				
Rr Start Sw	PSID #59	3, 4	A53.J1:11	3.2				
RrStart Enable Sw	PSID #57	3, 4	A53.J1:10	3.2				
Ser Brake Trans	SID #49	3, 4, 6	A51.J1:1	15.1				
Starter Relay	PSID #60	4, 6	A53.J1:6	3.2				
StepLts	PSID #117	3, 4, 6	A47.J1:5	29.1				
Tag axle Sw	PSID #165	3, 4	A43.J1:19	32.1				
Trans Inh Sig	SID #25	3, 4, 5, 6	A50.J1:2	15.1				
Trans Neutral Sens	PSID #168	3, 4	A50.J1:11	3.2				
Under Floor lights	PSID #112	4, 6	A46.J1:20	25.1				
Unloader LHO	PSID #31	3, 4, 5, 6	A52.J1:8	18.2				
Unloader RH	PSID #32	3, 4, 5, 6	A52.J1:21	18.2				
Up Def Wtr	PSID #173	4, 6	A47.J1:20	18.1				
Upper Brk Lamp	PSID #43	3, 4, 6	A51.J1:6	26.2				
Upper Def Fan	PSID #33	4, 6	A46.J1:7	18.1				
Upper Wash Pmp	PSID #189	4, 5, 6	A46.J1:4	34.1				
Upper Wash Sw	PSID #190	3, 4	A55.J1:18	34.1				
Upper Wiper Int	PSID #191	3, 4	A55.J1:20	34.1				
Upper Wiper Sw	PSID #192	3, 4	A55.J1:21	34.1				
UpperWiper Mot	PSID #193	3, 4, 5, 6	A46.J1:2	34.1				
WakeUp Rly	SID #30	4, 5, 6	A36.JA:15	3.3				
Watch Step Lts	PSID #118	3, 4, 5, 6	A43.J1:11	29.1				
WCL Lower Door	PSID #175	3, 4	A53.J1:12	36.1				
WCL Pump Rly	PSID #176	3, 4, 5, 6	A53.J1:5	36.1				
WCLDorSig to USonic	SID #24	3, 4, 5, 6	A53.J1:7	36.1				
WCLSlid DoorLt	SID #33	3, 4, 5, 6	A50.J1:1	36.1				



PREVOST

WIRING DIAGRAM

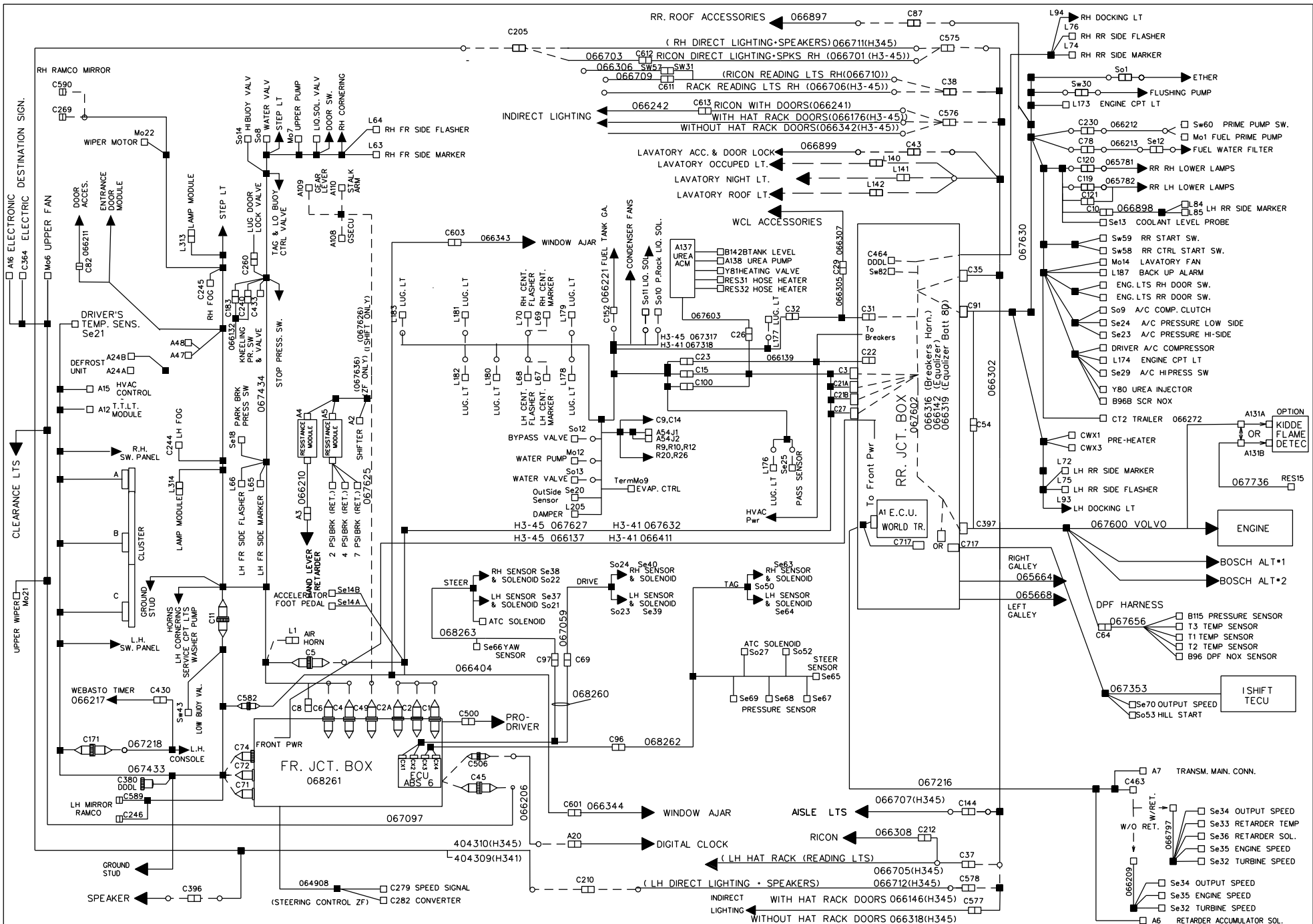
NO:

D061140

PAGE:

C1

REVISION
0



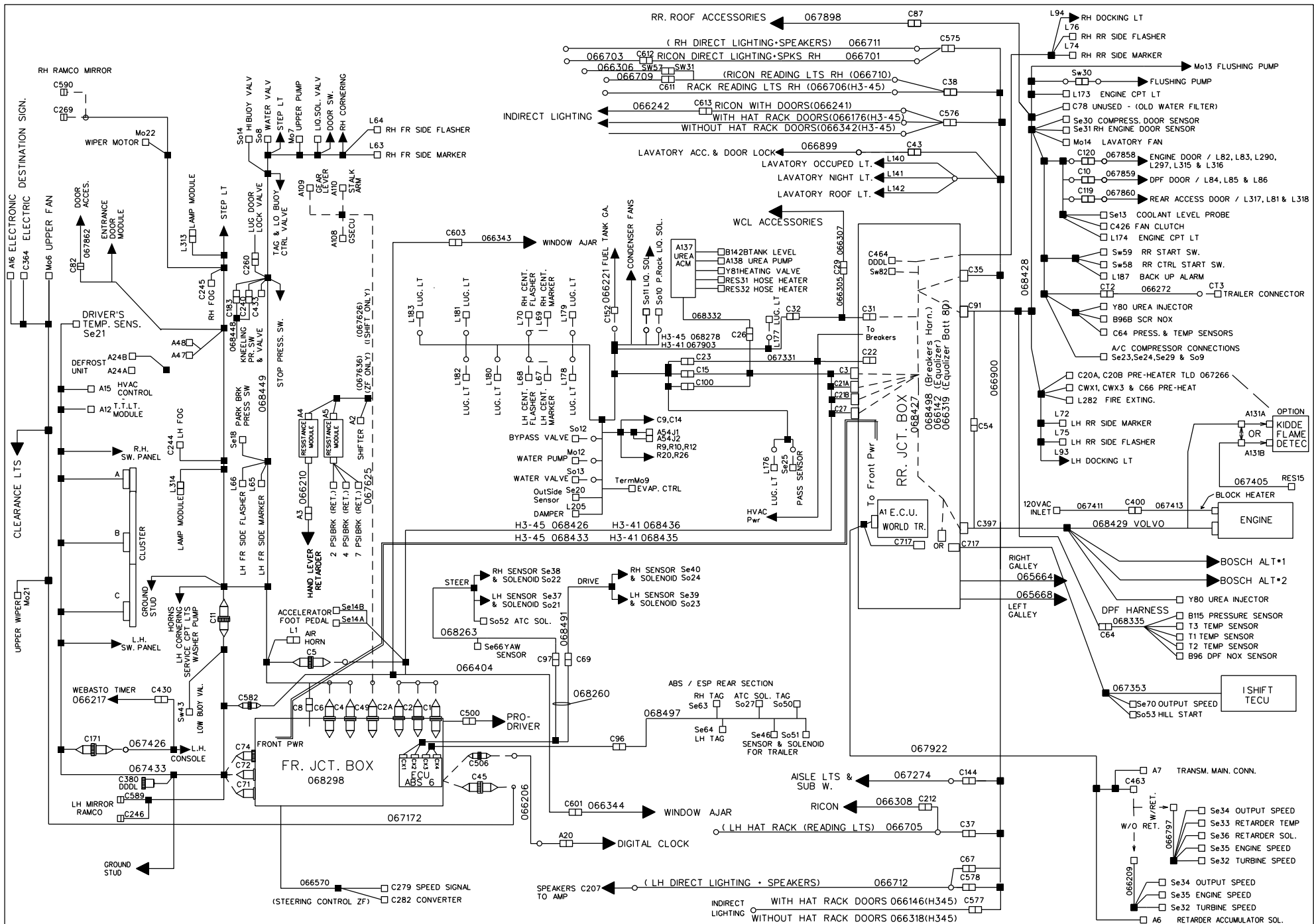
PREVOST

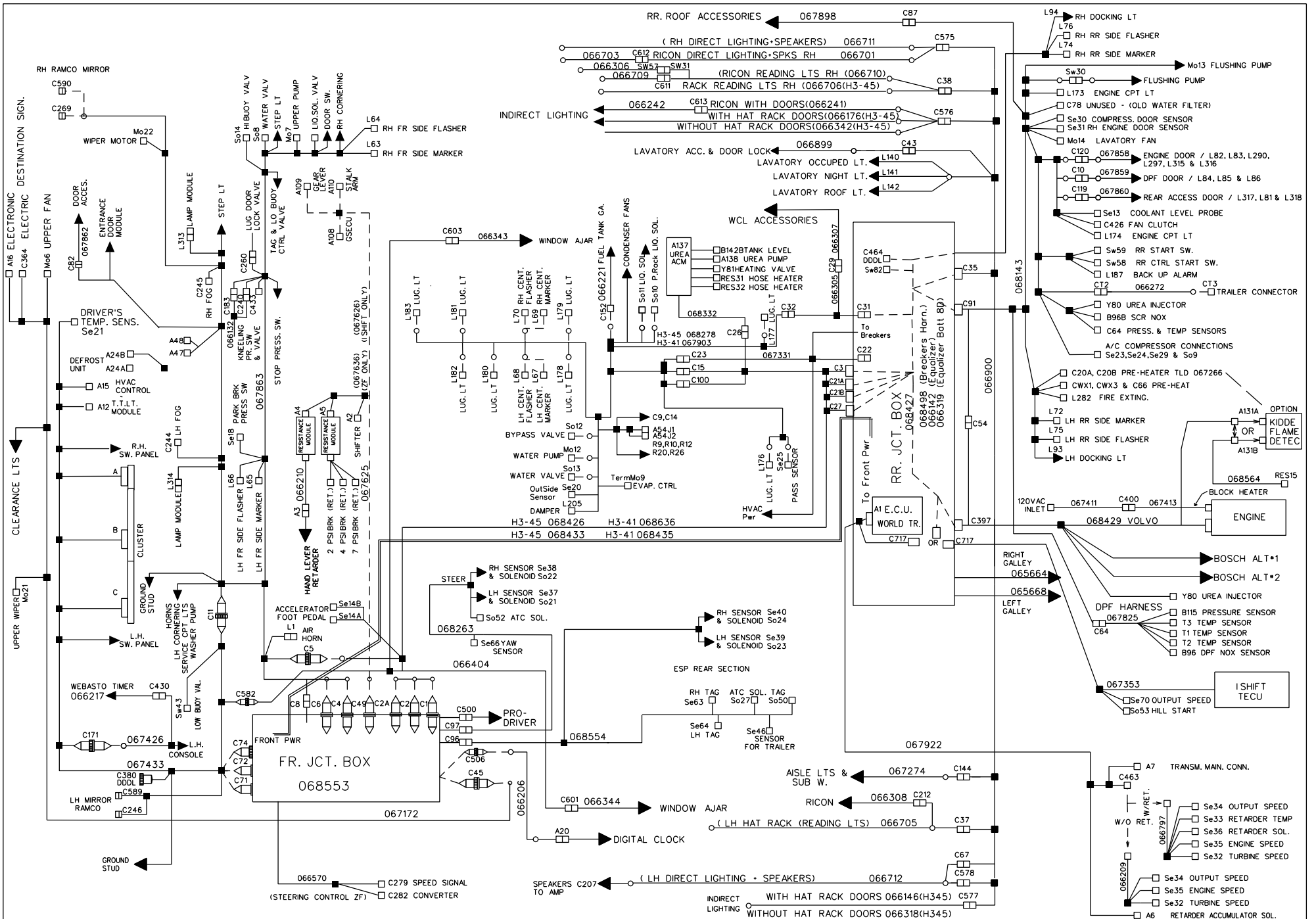
WIRING DIAGRAM

No: D061140

PAGE: C1

REVISION 02





WIRING DIAGRAM GLOSSARY

Abbreviation	Description	Abbreviation	Description
A	Electronic Module	T24VDF1	Terminal 24 Volt Direct Front #1
Alt	Alternator	T24VDR1	Terminal 24 Volt Direct Rear #1
Batt	Battery	T24VIF1	Terminal 24 Volt Ignition Front #1
C	Connector	T24VIR1	Terminal 24 Volt Ignition Rear #1
Can	Multiplex Network	Tab	Use for Spare wire
CB	Circuit Breaker	Term	Terminal
CECM	Multiplex Module Master	TGndF	Terminal Ground Front cmpt
Circuit ID	Circuit Number	TGndR	Terminal Ground Rear cmpt
Cond	Condensor	TTLT	TellTale Lights Module
D	Diode	VECF#	Veh. Electrical Center Front cmpt Conn number
Evap	Evaporator	VECR#	Veh. Electrical Center Rear cmpt Conn number
F	Fuse		
Fr	Front		
Hvac	Heat and A/C Controller		
I/O A	Multiplex Module Low Power		
I/O B	Multiplex Module High Power		
J1587	Drive Train Information Network		
J1939	Drive Train Control Network		
L	Lamp or Load		
Master ID	Multiplex Module Downloader		
Mo	Motor		
Pot	Potentiometer		
R	Relay		
Res	Resistor		
Rly	Relay		
Rr	Rear		
Se	Sensor		
So	Solenoid		
Spk	Speaker		
Sw	Switch		
T12VDF1	Terminal 12 Volt Direct Front #1		
T12VDR1	Terminal 12 Volt Direct Rear #1		
T12VIF1	Terminal 12 Volt Ignition Front #1		
T12VIR1	Terminal 12 Volt Ignition Rear #1		

CIRCUITS LIST

CircuitID	Description	CircuitID	Description	CircuitID	Description
1A	Strobe	0FB2	GndFanRoof1	10	LuggageCmpt.LtsPwr
1B	Strobe	0FB3	GndMasterId	10A	LuggageCmpt.LtsPwr
1C	Strobe	0FC1	left/right_luggage_door_lock	10R	LuggageDoorOpenSig
1D	Strobe	0FC4	ElectricalHorn	11	
2	DoorUnlockSig	0FE	Gnd	12A	12VDtoR3
2A	Strobe	0FE2	Gnd	12B	12VDtoCB4
2B	CondSndSpdSig	0G	GndofA54	12CPC	VECU
2C	Strobe	00G	GateWayGnd	12Ecu	12vEngineEcu
2D	Strobe	0H	GroundCoolantSensor	12F	12VDto12PostRJB
3	DoorLatchSig	00IS	Gnd_IShift	12H	DestinationSignPower
3A	Strobe	0Lav	GndReadingLamps	12IgnSpare	VSS
3B	Strobe	0Lav1	GndDirectLights	12ISH	12V_IShift
3C	Strobe	0Lav2	GndAisleLamps	12MEM	
3D	Strobe	0Lav3	GndEmergencyLampsRH	12SS	Power_Harness
4A	SOUND_SYSTEM	0Lav4	GndAisleLampsLH	12SS1	VSS
4C		0P	Galley	12SS2	
5	UpperDefrostfan	0PR1	EntranceCeilingLtGnd	12VA	12vEqualizer
6	GndWitnessSw24	0PR2	GndWatchYourStep	12VD1	12VDFrontWake-up
7	GndDriverSensor	0PR3	UpperDefrosterGnd	12VD2	12VD_CPC
8	GndParkBrakeSol	0RA2	GndR25etR11	12VD3	12vRearwake-up
9	EngCmpt.LtsSwitch	0RA3	GndR1-R3	12VD4	12vEngineEcu
9A	EngineDoorOpenSig	0RB1	LavatoryGnd	12VDCust	12VDCustomer
9B	EngineCmpt.Lt	0RB3	GndRearClearanceLts	12VDF	12VDtoFrontVec
0A	Evap.Gnd	0RB4	GND	12VI	12VltoCB10
00A	GndElectronic	0RB5	GndPre-Heat	12VI1	12VlofA44
0B	EngineChassisGnd	0RB6	RJBGndCustomer	12VI3	PwrOutletDrawer
00B	ElectronicGndofMuxModules	0RB7	GndToEcm	12VI4	PwrOutletandCigarLighter
0BB	Trans.FrontAirBrake	0RB7A	GndtoACM	12VI5	12VltoVECR
0C	GndStarter	0RB7B	GndtoACM	12VI6	PwrtoModuleA50
0CE	ChassisGndtoA47	0RC2	GndDriverCylinder	12VI7	PwrtoModuleA50
00D	RJBajarSignal	0RC3	GndR23	12VI9	TireMonitoringPwr
0EV1	GndFlashersandMarkersCenter	0RC4	GndEntranceLights	12VI10	MirrorPwr
0EV2	GndHvac	0SA1	AlternatorGnd	12VI11	12V_Sup
0EV3	GndPRackLH	0SS	VSS_GND	12VICust	12VICustomer
0EV4	GndCondensor	0SS1	VSS_GND	12VIF	12VltoFrontVec
0EV6	RHP-RackMotorGnd	0SS2		12VIF19	DDL_Power
0F	FJBDdoorOpenSig	0SS3	MonitorGnd	12VIM	PowerOutlet
0FA1	GndofAccessoires	0USB	USB_Gnd	12VIZF	ZFsterringControl
0FA4	GndPwrOutlet	0V	LuggageDoorOpenSig	12W	DoorUnlockSol
0FA5	gndplug12vadditional	0VE	EqualizerGnd	12WA	DoorFullOpenSig
0FA6	POWER_CAPTAIN_CHAIR	0W	WCLGnd	12WUp1	12VWUptoA48
0FA7	POWER_CAPTAIN_CHAIR	0WC	WCLRemoteCtrl	12Wup1	12WUpFront
0FB1	E-RideGnd	0Y	GndChassistoABSModule	12Wup2	12WUptoDash

CIRCUITS LIST

CircuitID	Description	CircuitID	Description	CircuitID	Description
12WUp5	PwrtoModuleA51	24VD1	24VDInsideDoorOpen	26A	DriverWdo
13	SignalToPre-heatrelay	24VD2	24VDtoRearVec	26B	DriverWdo
14A	FlushingPumpSig	24VD3	24VDofCECM	27A	EmergencySwSig
15	UpperWipInt.Signal	24VD4	24VDFrontWake-up	30A	Galley
15A	UpperWip.1StSpdSig	24VD5	24VDtoPre-Heat	31	UnloaderRH
16	Speed_Sig	24VD6	24VDPre-Heat	31B	WiperIntermitentSignal
16A	UpperWasherPump	24VD7	PassandPRackPwr	31EE	UpperWipSpd.1
16B	PwrofSensorSpd	24VD8	UreaPowerACM	32A	BackupL tandalarm
17	UpperWasherSwSignal	24VD8A	UreaPowerACM	32D	ReverseSigtoBackupMonitor
18	Wip.WasherLevel	24VD8B	UreaPowerACM	32EE	UpperWiperMotor
19A	TagUnload	24VD9	24VD	33	UnloaderLH
19B	TagUnload	24VDALT	Alternator_Signal	34	ParkBrakeReleaseSignal
20	AirDryer	24VDCust	24VDCustomer	35	EntranceDoorLights
21	FlasherLHSig	24VI	24VI	35A	WatchYourStepLts
21A	Front_Flasher	24VI1	24VItoRearVec	38	DirectLights
21AA	Flasher_Front_LH	24VI2	24VItoSw1	38A	DirectLights
21B	CorneringLtsLH	24VI3	UpperWip.MotorPwr	38AA	DirectLightsRHRicon
21C	ClearanceLts	24VI4	SunVisorsPwr	38BB	DirectLightsLH
22	HazardSwSig	24VI5	24VlofMuxmodules	38C	DirectLightSwSig
23	FlasherRHSig	24VI6	PwrtoDefrostUnit	39	DriverLtSwSig
23A	RAMCOMIRROLED	24VI7	LowerWiperPwr	39D	DriverLt
23AA	FrontFlasherRHSide	24VI8	24VItoMux	40	WitnessGnd
23B	CorneringLtsRH	24VI9	24VlofA54	41	24VCondensor
23C	ClearanceLts	24VI9A	24VlofA54	41A1	CondensorPwr
24	MasterRelayPwr	24VI9B	24VlofA54	43	PRackRH
24A	BoosterBlock	24VI10	24VI	43F	WitnessGndSw27
24CO	Pwr_to_Alternators	24VI12	RJBLightPwr	43G	PassandPRackLiquidValve
24D	24DtoCB6	24VI13	24VI	43H	PassandPRackLiquidValve
24E	24VltoCB1	24VIA	Cut-outPneumaticAcc	44	P-RackLHFan
24FPS	Cut_Off_Preheater_Power	24VICust	24VICustomer	45	UpperFanSig
24GA	Galley	24VIF	24VltoFrontVEC	45A	PassengerHeatSig
24ISH	12VIgnlShift	24WC	WCL24VIPower	46	FrontFlasherRh
24IZ	ZFTransmission	24WUp1	24WUpFront	46A	FrontMarkers
24P	Galley_Power	24Wup1	24WUpFront	47	DoorOpenSignal
24PV	Galley	24Wup2	WakeUpPower	47A	DoorOpenSignal
24PVA	Relaisinverter	24WupSS		48A	DoorOpenSol
24SS	Power_Harness	25	EngineRunSignal	49	DoorCloseSignal
24SS3	MonitorPower	25A1	ExcitationSignal	49A	DoorCloseSol
24VA	24vEquilizer	25A1D	Alternator_signal	50	WitnessGndSig
24VB	24VEnginePreheater	25A2	Alternator_Signal	51	WitnessGnd
24VB1	24VEnginePreheater	25A2D	Alternator_Signal	53	LowerWip.Spd1Sig
24VB2	24VEnginePreheater	25A4	BatteryNotChargingSig	53A	ElectricalHorn
24VD	24VDEng.StartSw83	26	DriverWdoPwr	53B	PneumaticHorn

CIRCUITS LIST

CircuitID	Description	CircuitID	Description	CircuitID	Description
53C	LowerWip.IntSig	70C	HatRackLighting	85A	Ign-AccSignal
53D	LowerWip.WasherSwSig	70D	HatRackLighting	85B	Ign-AccSignal
53E	LowerWiper1stSpd	70E	GndHatRackLamps	85C	PositionNormalSw58
53F	LowerWasherPump	70F	GndHatRackLamps	85D	RearStartPwr
53G	LowerWip1stSpd	70G	GndHatRackLamps	85E	RearStartSignal
53H	LowerWip.IntSig	70H	GndHatRackLamps	85F	24VIgnition
55	LuggageLockSol	70J	GndHatRackLamps	85G	Ign-AccSignal
55R	left/right_luggage_door_lock	71	UpperDefrostPump	85X	24VIgn
57A	WaterPump	71A	DockingLtsLH	85Y	Bus_Abs_Ind
57G	Pre-HeatWebasto	72A	DockingLtsRH	85Z	Trailer_Abs_Ind
57GA	Pre-HeattoWtrPmpRly	72B	Sun_Visor	86	DefrostunitSpd
57H	Pre-HeattoWtrPmpRly	72C	Sun_Visor	86Rtn	GndDefrostUnit
57L	Hi-Beam	73		87	Park_Brake
57R	High_Beam	73A	RearOccupiedSig	88	TransducerPwr
57Rtn	SignalRtnHeadLtsLH	73B	RearOccupiedSig	89	DriverSensorSig
58L	LowBeam	74	ReadingLampSig	90H	24VltoEvap
58R	Low_Beam	74A		90H1	Evaporator
58Rtn	Lamp_Module_Gnd	74B	ReadingLampsLH	91	Park_brake_signal
59	Hi/LowBeamSignal	74C	ReadingLamp	91B	WitnessSigSw14
60	FogsLtsSwSig	74D	ReadingLamps	92	TrailerParkBrakeSig
61	HeadLtsSig	75	ReadingLampsRH	95	DockingLTSwSig
62	FrontOccupiedLts	75A	ReadingLampsLH	96	CorneringLTSwSig
62B	LavatoryLts	76	FuelLevelSig	99	Sw20Gnd
63	ClearanceLts	76C	GndFuelsender	00A1	GndElectronic
63A	FrontClearanceLts	77	TransducerHi-Side	0B1	GndEnginePreheater
63AA	ClearanceLts	77B	PassandPRackLiquidValve	00B1	GndEng.Start
63BB	ClearanceLts	77BA	A/Cclutch	0G1	Galley
63C	CtrlHeadBacklight	77C	PassandPRackLiquidValve	0V1	LuggageDoorOpenSig
64	EmergencyLampsSig	78	StopLightSensorSig	0V2	LuggageDoorOpenSig
64A	Blinker	79	GndServiceBrake	0V3	LuggageDoorOpenSig
65	FootDamper	79A	DecelSignal	0Y2	GndChassisABSSol
65A	FootDamper	80	BrakeRedundant	0Y3	GndChassisABSSol
65D	DriverCylinder	81	HeadLtCallSw1	100	IndirectLight
65P	Pass.Cylinder	82A	CyclopeLamp	100A	IndirectLight
66	MarkersSigSw2	82B	CyclopeLamp	100B	IndirectLightLH
67	EvaporatorPwr	82Low	StopRearLowerLamp	100C	IndirectLightsSig
67A	Condensor1stSpdSig	82UP	Stop_Rear_Upper_Lamps	100D	IndirectLightPwr
68	DashDamper	82Up	StopRearUpperLamps	101	Starter_Power
68A	DashDamper	83	24vAccessories	101A	Starter
69	ElectricalHorn	84	StartSigSw83	101B	Starter
69A	HornTogglesig	84A	StartSigSw83	102	Alternator_Power
70A	HatRackLighting	84B	StartSigSw83	102A	Alternator
70B	HatRackLighting	85	24VIgnition	103	LowBuoySig

CIRCUITS LIST

CircuitID	Description	CircuitID	Description	CircuitID	Description
104	Pwrl_Shift	130	Sun_visor	149	Transmission
105	Fog_Light	131	Transmission	149A	ABSSensor
105A	Fog_Light	133	Transmission	150	Transmission
105ARtn	Fog_Light_Gnd	133A	Galley	151	GndtoEcm
105Rtn	Fog	133B	Galley	151A	GndtoEcm
106	Fog_Light	133C	Galley	151B	GndtoEcm
106A	Fog_Light	134	Galley	151C	GndtoEcm
106Rtn	Fog_Light_gnd	134A	Galley	151D	CoolantLevelGround
107	Pwrl_Shift	134B	Galley	152	Transmission
108	Pwr_Trans_IShift	135	Transmission	153	12VtoABS
109	Cmd_Ground	135A	Transmission	154	Transmission
110	12VD_IShift	136	Transmission	155	Transmission
111	Transmission	136A	TransmissionPwr	156A	12VtoABS
114	DriverLt	136AA	ShifterSignal	157D	ATCSignal
114A	Backlight	136C	Galley	159	Transmission
115	Transmission	137	Transmission	160	TagSignal
115A	WitnessPwr	137A	MirrorPwrSig	163A	Retarder
115W	Check_Transmission	137B	Mirrors	163B	RetarderEnable
116	DriverLiq	137C	Mirrors	164	HandLevelSig
116A	DriverLiq	137D	Mirrors	166	WitnessSigSw16
118	Transmission	137E	Mirrors	167	
119	Transmission	137F	Mirrors	168	
120	Transmission	137H	Mirrors	170C	left/right_luggage_door_lock
122	DigitalClock	137J	Mirrors	170E	LuggageLockSwSig
123	Flame_Detection_Signal	137K	Mirrors	170H	LuggageUnlockSol
124A	Transmission	137L	RAMCOMIRROR	170HR	left/right_luggage_door_lock
125	Retarder_active	137M	Mirrors	171	LuggageUnlockSwSig
126A	KneelingUpSwSig	137N	RAMCOMIRRORLED	174	Transmission
126B	KneelingDownSwSig	137P	MIRRORLED	175	Transmission
126C	ProximitySwSig	138	Transmission	175C	TagUnload
126D	ProximitySwPwr	138A	ABSSensor	176	Transmission
126E	Kneeling15PsiPress.Sw.	139	Transmission	177	Transmission
126F	KneelingDownSol	140	Transmission	180	Transmission
126G	KneelingUpSol	141	Transmission	181	PassengerSensor
126H	KneelingCtrl.Sol	142	ABSSolenoid	185	TransmissionInhibitSig
126J	KneelingHi-BuoySol	143	ABSSensor	197	FuelFilterSig
126JR	GndKneeling	143A	ABSSensor	201	Headlampcleaningsignal
126P	KneelingBuzzer	144	ABSSensor	202	headlampcleaningpump
127	Transmission	144A	ABSSensor	225	LavatoryFan
127D	ChargerRlyGndSig	145	ABSSolenoid	231	Neutral
128	Pre-HeatStatus	146	ABSSolenoid	231A	Crank_Signal
128B	Pre-HeatTTLT	147	ABSSolenoid	240A	PowertoEcm
129	Sun_visor	148	Transmission	241A	PowertoEcm

CIRCUITS LIST

CircuitID	Description	CircuitID	Description	CircuitID	Description
241B	24VoltIgnition	352	OverrideSignal	544	CruiseOn_OffSignal
241C	12vTrailer	360	Cluster	544A	CruiseOn-OffLed
253	Galley	361	Cluster	545	Cruise_Resume
253A	Galley	362	Cluster	583	EngineBrakeB
253j	SWinverter	363	Cluster	600	ABSSensor
254	Galley	364	Trans.FrontAirBrake	600A	ABSSensor
254F	Galley	365	Trans.FrontAirBrake	601	ABSSensor
255	Galley	366	Trans.RearAirBrake	601A	ABSSensor
255B	Galley	367	Trans.RearAirBrake	602	ABSSteering&Yawsensor
255BA	Galley	368	AirAccPressureSig	603	ABSSteering&Yawsensor
260	WindowAjarSig	369	AirAccPressureSig	604	ABSSteering&Yawsensor
290	GndFanClutch	417	ThrottlePositionSignal	605	ABSSteering&Yawsensor
290A	GndFanClutch	439	12VtoABS	606	ABSPressuresensor
290Rtn	GndMarkersandStopLts	439G	GateWay	607	ABSPressuresensor
291	FanClutch	485A	Dest_sign	608	ABSPressuresensor
291Rtn	GndMarkersandStopLts	485B	Dest_sign	609	ABSPressuresensor
292	FanClutch	500	Ground/Supply_Detroit/Volvo	610	ABSPressuresensor
300	WCLTopLightSliding	501	Control_Ground_Relay	611	AbsTagSolenoid
301	WheelChairLiftSwitch	502	IVSOut	612	AbsTagSolenoid
302	WCLRicon	505	UreaSystem	613	AbsTagSolenoid
302A	WCLSlidingdoorSig	506	UreaSystem	614	ABSSteeringSolenoid
303	WCLRicon	507	UreaSystem	614A	ABSSteeringSolenoid
304	WheelChairLift	510	FastIdleSignal	615	ABStrailersolenoid
305	ParkBrakeSol	511	UreaSystem	616	ABStrailersolenoid
305A	WCLUpperDoorSignal	512	UreaSystem	617	ABStrailersolenoid
306	WCLTopLights	513	UreaSystem	618	HillStartAssistsignal
307	WCLPower	515	GroundPreheaterRelay	618Rtn	HillStartAssistGnd
307A	WCLPower	516	UreaSystem	900	
308	WCL	517	UreaSystem	901	
309	WCL	518	UreaSystem	910	L_SPEAKER_HARNESS
311	WCL_Power	519	UreaSystem	911	EmergencyCutoutRlySignal
311A	WCL_Power	520	UreaSystem	916	5VSensorPwr
313	WCL	521	UreaSystem	952	GndSensorRtn
341	PowerProtectionPanel	522	UreaSystem	953	Electronic_ground_DDEC_VI
342	FireExting.Gnd	523	UreaSystem	979	EngineBrakeA
343	Fire-EngineStopTTL	524C	IdleValidationSig	AMP	Amplifier
343A	Cut_Off_Preheater	525	UreaSystem	ANT	Antenna
344	ExtinguisherSignal	526	UreaSystem	AuxVideoGnd	AuxVideoGnd
345	ManualSignal	527	UreaSystem	AuxVideoL	AuxVideoL
346	PowerSensors	528	UreaSystem	AuxVideoR	AuxVideoR
347	FireSignal	530	UreaSystem	B1A	DirectLighting
348	PowerManualSignal	532	UreaSystem	B1B	DirectLighting
351	EngineShout-downSignal	541	Cruise_Decelerate	B2A	DirectLighting

CIRCUITS LIST

CircuitID	Description	CircuitID	Description	CircuitID	Description
B2B	DirectLighting	com	Destination_Sign	N1	A41Address
B3A	DirectLighting	Cts	ComputerSignals	N2	A41Address
B3B	DirectLighting	D1	UpperWiperMotor	N3	A42Address
B4A	DirectLighting	DBusH	DBusSignal	N4	A42Address
B4B	DirectLighting	DBusL	DBusSignal	N5	A43Address
B5A	DirectLighting	Down	Cluster	N6	A43Address
B5B	DirectLighting	Drain	Audio	N7	A44Address
B6A	DirectLighting	DSL+++	VSS	N8	A44Address
B6B	DirectLighting	DSL---	VSS	N9	A45Address
B7A	DirectLighting	DSR+++	VSS	N10	A45Address
B7B	DirectLighting	DSR---	VSS	N11	A46Address
BKK1	VSS	DVD_GND		N12	A46Address
BLACK	Starter_Volvo	DVD_Gnd	VSS	N13	A47Address
Black	USB_Gnd	DVD_L+		N14	A47Address
BLK1	VSS	DVD_R+		N15	A48Address
BLK2	VSS	Escape	Cluster	N16	A48Address
BikFR	TPMS	FAKE	L_SPEAKER_HARNESS	N17	A49Address
BikRL	TPMS	FAKE1	R_SPEAKER_HARNESS	N18	A49Address
BikRR	TPMS	GndA	ComputerSignals	N19	A50Address
Blue	Audio	GndOA34	ERide	N20	A50Address
Bref1	PassengerSensor	GndOA37	ERide	N21	A51Address
Bref2	PassengerSensor	GREEN	120VAC	N22	A51Address
CAN2-H	EngineCan2	Green	USB	N23	A52Address
CAN2-L	EngineCan2	Green/White	USB	N24	A52Address
CAN2H	DPFVolvo	GRN1	VSS	N25	A53Address
CAN2L	DPFVolvo	GRN2	VSS	N26	A53Address
CanH	CanHSignal	HOSTESS		N27	A54Address
CanH1	Spare	J1939H	J1939	N28	A54Address
CanHInA34	ERide	J1939L		N29	A36Address
CanHOut	ERide	L+	VSS	N30	A55_Address
CanH_ERide	ERide	L+TV		N31	A55_Address
CanH_In	ERide	L-	VSS	OFA6	POWER_CAPTAIN_CHAIR
CanL	CanLSignal	LF+	L_SPEAKER_HARNESS	OFB1	RAMCOMIRROR
CanL1	Spare	LF+LL		OFB2	GndFanRoof1
CanLInA34	ERide	LF-		OFB3	GND_TPMS
CanLOut	ERide	LF-LL	VSS	OP1	POWER_CAPTAIN_CHAIR
CanL_ERide	ERide	LightGreen	USB	OP2	POWER_CAPTAIN_CHAIR
CanL_In	ERide	LIN	Steering	OP3	POWER_CAPTAIN_CHAIR
CanL_Out	ERide	LR+	Lav_Spk	OP4	POWER_CAPTAIN_CHAIR
Cd	ComputerSignals	LR+HS		OP12VI	POWER_CAPTAIN_CHAIR
Cd1	ComputerSignals	LR-		OPM	24vSwRoofFan1
Chgr	BatteryChargerGnd	LR-HS		OPMV1	Roof_Hatch
COM	Destination_Sign	MUTE	VSS	OPMV2	24VFanRoof2

CIRCUITS LIST

CircuitID	Description	CircuitID	Description	CircuitID	Description
OPR1	GndDestinationSign	SH5	I_ShiftGearLevelSignal	spare39	SparesDash
OPS	24v_Sw_Roof_Fan1	SH6	I_ShiftGearLevelSignal	spare40	SparesDash
OPST	Strobe	SH7	I_ShiftGearLevelSignal	spare41	SparesDash
OR	TagUnloadValve	SH8	I_ShiftGearLevelSignal	spare42	SparesDash
ORB4	TagUnload	SHL2	VSS	spare43	SparesDash
Pink	USB	SL13	L_SPEAKER_HARNESS	spare44	SparesDash
PwrOA34	ERide	SL24	L_SPEAKER_HARNESS	spare45	SparesFr-to-RearHarness
PwrOA37	ERide	SL35	L_SPEAKER_HARNESS	spare46	SparesFr-to-RearHarness
R+		SL46	L_SPEAKER_HARNESS	spare49	SparesEngineCradle
R+TV		SL57	L_SPEAKER_HARNESS	spare50	SparesEngineCradle
R-		SL68	L_SPEAKER_HARNESS	spare51	SparesEngineCradle
RadioAudioGnd	VSS	SL1012	L_SPEAKER_HARNESS	spare52	SparesEngineCradle
RadioL+	VSS	SL1113	L_SPEAKER_HARNESS	spare53	SparesEngineCradle
RadioR+		SL1214	L_SPEAKER_HARNESS	spare54	SparesEngineCradle
Radio_Gnd		SL1315	L_SPEAKER_HARNESS	spare55	SparesEnginesAccessories
Radio_L+		SL1416	L_SPEAKER_HARNESS	spare56	SparesEnginesAccessories
Radio_R+		sp52	EvaporatorEngageSig	spare57	SparesEnginesAccessories
RED	Starter_volvo	spare2	SparesFr-to-RearHarness	spare58	SparesEnginesAccessories
Red	USB	spare3	SWinverter	spare59	SparesEnginesAccessories
RED1	VSS	spare4	SparesEvap.Harness	spare60	SparesEnginesAccessories
RED2	VSS	spare5	SparesEvap.Harness	spare61	SparesEnginesAccessories
RedFR	TPMS	spare6	SparesEvap.Harness	spare62	spareABSHarness
RedRL	TPMS	spare7	SparesEvap.Harness	spare63	spareABSHarness
RedRR	TPMS	spare8	SparesEvap.Harness	spare64	SapreTransmission
Ref2	GndPassengerSensor	spare9	SparesEvap.Harness	spare65	SparesTransmission
RF+		spare10	SparesInteriorLtsHarness	spWcl1	SpareWCL
RF+LL		spare11	SparesInteriorLtsHarness	spWcl2	SpareWCL
RF-		spare12	SparesInteriorHarness	SR13	FR_SPEAKER_HARNESS_
RF-LL		spare13	SparesInteriorHarness	SR24	FR_SPEAKER_HARNESS_
RR	Ext_Speaker	spare14	SparesInteriorHarness	SR35	FR_SPEAKER_HARNESS_
RR+		spare15	SparesInteriorHarness	SR46	FR_SPEAKER_HARNESS_
RR+HS		spare16	SparesInteriorHarness	SR57	FR_SPEAKER_HARNESS_
RR-		spare17	Spare	SR68	FR_SPEAKER_HARNESS_
RR-HS		spare18	Spare	SR911	R_SPEAKER_HARNESS_WCL
Rts	ComputerSignals	spare19	Spare	SR1012	R_SPEAKER_HARNESS_WCL
RX	TPMS	spare20	SparesClearanceLts	SR1113	R_SPEAKER_HARNESS_WCL
RxD	ComputerSignals	spare21	SparesClearanceLts	SR1214	R_SPEAKER_HARNESS_WCL
SE1	Ext_Speaker	spare22	SparesClearanceLts	SR1315	R_SPEAKER_HARNESS_WCL
Select	Cluster	spare23	SparesClearanceLts	SR1416	Lav_Spk
SH1	I_ShiftGearLevelSignal	spare24	SparesClearanceLts	Sub1+	
SH2	I_ShiftGearLevelSignal	spare25	SparesClearanceLts	Sub1-	
SH3	I_ShiftGearLevelSignal	spare32	SparesFrontHarness	Sub2+	
SH4	I_ShiftGearLevelSignal	spare33	SparesFrontHarness	Sub2-	

CIRCUITS LIST

CircuitID	Description	CircuitID	Description
TEST		Y7B	DirectLighting
TEST1	SOUND_SYSTEM	zf1	SteeringCtrl
TrigCam	VSS	zf2	SteeringCtrl
TrigDVD	VSS		
TrigDvd			
TrigNav	VSS		
TrigPA	VSS		
TrigPaDr	VSS		
TrigTv			
TvGnd	VSS		
TV_GND			
TV_L+			
TV_R+			
TX	TPMS		
TxD	ComputerSignals		
Up	Cluster		
V111	12V_Sup		
V114	Galley		
WC2	WCLRemoteCtrl		
WC3	WCLRemoteCtrl		
WC4	WCLRemoteCtrl		
WC6	WCLRemoteCtrl		
WC7	WCL		
WHITE			
White	USB		
WHT1	VSS		
WHT2	VSS		
WhtFR	dataTPMS		
WhtRL	dataTPMS		
WhtRR	dataTPMS		
Y1A	DirectLighting		
Y1B	DirectLighting		
Y2A	DirectLighting		
Y2B	DirectLighting		
Y3A	DirectLighting		
Y3B	DirectLighting		
Y4A	DirectLighting		
Y4B	DirectLighting		
Y5A	DirectLighting		
Y5B	DirectLighting		
Y6A	DirectLighting		
Y6B	DirectLighting		
Y7A	DirectLighting		

CIRCUITS LIST

CircuitID	Description	CircuitID	Description	CircuitID	Description
1	Gnd	OFA6	POWER_CAPTAIN_CHAIR	OUSB	USB_Gnd
1A	Strobe	OFA7	POWER_CAPTAIN_CHAIR	OV	LuggageDoorOpenSig
1B	Strobe	OFB1	GndMirrors	OVE	EqualizerGnd
1C	Strobe	OFB2	GndFanRoof1	OW	WCLGnd
1D	Strobe	OFB2-D	GndFanRoof1	OWC	
2	CondensorDoorOpenSig	OFB3	GndMasterId	OY	GndChassistoABSModule
2A	Strobe	OFC1	left/right_luggage_door_lock	10	LuggageCmpt.LtsPwr
2B	CondSndSpdSig	OFC4	ElectricalHorn	10A	LuggageCmpt.LtsPwr
2C	Strobe	OFDS	Driver_seat_optional	10R	LuggageDoorOpenSig
2D	Strobe	OFE	Gnd	11	24V
3	DoorLatchSig	OFE2	Gnd	12A	12VtoR3
3A	Strobe	OG	GndofA54	12B	12VtoCB4
3B	Strobe	OH	GroundCoolantSensor	12Ecu	12vEngineEcu
3C	Strobe	00IS	Gnd_IShift	12H	DestinationSignPower
3D	Strobe	OLav	GndReadingLamps	12IgnSpare	VSS
4A	SOUND_SYSTEM	OLav1	GndDirectLights	12ISH	12V_IShift
4C	HostessChimeSig	OLav2	GndAisleLamps	12MEM	VSS
5	UpperDefrostfan	OLav3	GndEmergencyLampsRH	12SS	VSS
5vKnee	KneelingLevel	OLav4	GndAisleLampsLH	12SS1	VSS
6	GndWitnessSw24	0MUSB	USB_Main_Gnd	12SS2	VSS
7	GndDriverSensor	OP	Galley	12VA	12vEqualizer
8	GndParkBrakeSol	OPR1	EntranceCeilingLtGnd	12VD1	12VDFrontWake-up
9A	EngineDoorOpenSig	OPR2	GndWatchYourStep	12VD3	
9B	EngineCmpt.Lt	OPR3	UpperDefrosterGnd	12VD4	
9C	SurgeTankPump	ORA2		12VDCust	12VDCustomer
0A	Evap.Gnd	ORA3	GndR1-R3	12VDF	12VDtoFrontVec
00A	GndElectronic	ORB1	LavatoryGnd	12VI	12VIttoCB10
0B	EngineChassisGnd	ORB3	GndRearClearanceLts	12VI1	12VI
00B	ElectronicGndofMuxModules	ORB4	Relaisinverter	12VI3	PwrOutletDrawer
0BB	Trans.FrontAirBrake	ORB5	GndPre-Heat	12VI4	PwrOutletandCigarLighter
0BF		ORB6	RJBGndCustomer	12VI5	12VIttoVECR
0C	GndStarter	ORB7	GndToEcm	12VI6	PwrtoModuleA50
0CE	ChassisGndtoA47	ORB8		12VI7	PwrtoModuleA50
00D	RJBAjarSignal	ORB8A	GndtoACM	12VI9	TireMonitoringPwr
0EV1	GndFlashersandMarkersCenter	ORB8B	GndtoACM	12VI10	MirrorPwr
0EV2	GndHvac	ORC2	GndDriverCylinder	12VI11	12V_Sup
0EV3	GndPRackLH	ORC3	GndFogandCorneringLtsRH	12VI250	
0EV4	GndCondensor	ORC4	GndEntranceLights	12VICust	12VICustomer
0EV6	RHP-RackMotorGnd	OSA1	AlternatorGnd	12VIF	12VIttoFrontVec
0F	FJBDoorOpenSig	OSS	VSS_GND	12VIF19	DDL_Power
OFA1	GndofAccessoires	OSS1	VSS	12VIM	PowerOutlet
OFA4	GndPwrOutlet	OSS2		12VIZF	ZFsteringControl
OFA5	gndplug12vadditional	OSS3	VSS	12W	DoorUnlockSol

CIRCUITS LIST

CircuitID	Description	CircuitID	Description	CircuitID	Description
12WA	DoorFullOpenSig	24RHF1-D	Roof_Hatch	24WC	WCL24VIPower
12WUp1	12VWUptoA48	24RHF2	FanRoof2toSW306	24WUp1	24WUpFront
12Wup1	12WUpFront	24RHF2-D	Roof_Hatch	24Wup1	24WUpFront
12Wup1b		24SS	VSS	24Wup2	WakeUpPower
12Wup2	12WUptoDash	24SS3	VSS	24WupSS	VSS
12WUp5	PwrtoModuleA51	24VA	24vEquilizer	25	EngineRunSignal
13	SignalToPre-heatrelay	24VB	24VEnginePreheater	25A1	ExcitationSignal
14A	FlushingPumpSig	24VB1	24VEnginePreheater	25A1D	Alternator_signal
15	UpperWipInt.Signal	24VB2	24VEnginePreheater	25A2	Alternator_Signal
15A	UpperWip.1StSpdSig	24VD	24VD	25A2D	Alternator_Signal
16	Speed_Sig	24VD1	24VDInsideDoorOpen	25A4	BatteryNotChargingSig
16A	UpperWasherPump	24VD2	24VDtoRearVec	26	12VI
16B	PwrofSensorSpd	24VD3	24VDofCECM	26A	DriverWdo
17	UpperWasherSwSignal	24VD4	24VDFrontWake-up	26B	DriverWdo
18	Wip.WasherLevel	24VD5	24VDtoPre-Heat	27A	EmergencySwSig
19A	TagUnload	24VD6	24VDPre-Heat	30A	Galley
19B	TagUnload	24VD7	PassandPRackPwr	31	UnloaderRH
20	AirDryer	24VD8		31B	WiperIntermittentSignal
21	FlasherLHSig	24VD8A	UreaPowerACM	31EE	UpperWipSpd.1
21A	Front_Flasher	24VD8B	UreaPowerACM	32A	BackupLtandalarm
21AA	Flasher_Front_LH	24VD9	24VD	32D	ReverseSigtoBackupMonitor
21B	CorneringLtsLH	24VDALT	Alternators	32EE	UpperWiperMotor
21C	ClearanceLts	24VDCust	24VDCustomer	33	UnloaderLH
22	HazardSwSig	24VDR4	Cut_Off_Preheater_Power	34	ParkBrakeReleaseSignal
23	FlasherRHSig	24VDS	24VD	34A	OrleanOption
23A	RAMCOMIRRORLED	24VI	24VI	35	EntranceDoorLights
23AA	FrontFlasherRHSide	24VI1	24VItoRearVec	35A	WatchYourStepLts
23B	CorneringLtsRH	24VI2	24VItoSw1	38	DirectLights
23C	ClearanceLts	24VI3	UpperWip.MotorPwr	38A	DirectLights
24	MasterRelayPwr	24VI4	24VIgn	38AA	
24A	BoosterBlock	24VI5	24VIofMuxmodules	38BB	DirectLightsLH
24CO	Pwr_to_Alternators	24VI6	PwrtoDefrostUnit	38C	DirectLightSwSig
24D	24DtoCB6	24VI7	LowerWiperPwr	39	DriverLtSwSig
24E	24VItoCB1	24VI8	24VItoMux	39D	DriverLt
24GA	Galley	24VI9	24VIofA54	40	WitnessGnd
24ISH		24VI9A	24VIofA54	41	24VCondensor
24IZ	ZFTransmission	24VI9B	24VIofA54	41A1	CondensorPwr
24MUSB		24VI10	24VI	43	SuppressingDiode
24P	Galley_Power	24VI12	RJBLightPwr	43F	WitnessGndSw27
24PV	Galley	24VI13	24VI	43G	PassandPRackLiquidValve
24PVA	Relaisinverter	24VIA	Cut-outPneumaticAcc	43H	PassandPRackLiquidValve
24RHF	Roof_Hatch_Fan_Option	24VICust	24VICustomer	44	P-RackLHFan
24RHF1	Roof_Hatch	24VIF	24VItoFrontVEC	45	UpperFanSig

CIRCUITS LIST

CircuitID	Description	CircuitID	Description	CircuitID	Description
45A	PassengerHeatSig	64A	Blinker	79	GndServiceBrake
46	FrontFlasherRh	65	FootDamper	79A	DecelSignal
46A	VSS	65A	FootDamper	80	BrakeRedundant
47	DoorOpenSignal	65D	DriverCylinder	81	HeadLtCallSw1
47A	DoorOpenSignal	65P	Pass.Cylinder	82A	RELS
48A	DoorOpenSol	66	MarkersSigSw2	82B	CyclopeLamp
49	DoorCloseSignal	67	EvaporatorPwr	82Low	StopRearLowerLamp
49A	DoorCloseSol	67A	Condensor1stSpdSig	82UP	FrontTrailerStopSig
50	WitnessGndSig	68	DashDamper	82Up	TrailerStopSig
51	WitnessGnd	68A	DashDamper	83	24vAccessories
53	LowerWip.Spd1Sig	69	ElectricalHorn	84	StartSigSw83
53A	ElectricalHorn	69A	HornTogglesig	84A	StartSigSw83
53B	PneumaticHorn	70A	HatRackLighting	84B	StartSigSw83
53C	LowerWip.IntSig	70B	HatRackLighting	85	24VIgnition
53D	LowerWip.WasherSwSig	70C	HatRackLighting	85A	Ign-AccSignal
53E	LowerWiper1stSpd	70D	HatRackLighting	85B	Ign-AccSignal
53F	LowerWasherPump	70E	GndHatRackLamps	85C	PositionNormalSw58
53G	LowerWip1stSpd	70F	GndHatRackLamps	85D	RearStartPwr
53H	LowerWip.IntSig	70G	GndHatRackLamps	85E	RearStartSignal
55	LuggageLockSol	70H	GndHatRackLamps	85F	
55R	left/right_luggage_door_lock	70J	GndHatRackLamps	85G	Ign-AccSignal
57A	WaterPump	71	UpperDefrostPump	85X	24VIgn
57G	Pre-HeatWebasto	71A	DockingLtsLH	85Z	Trailer_Abs_Ind
57GA	Pre-HeattoWtrPmpRly	72A	DockingLtsRH	86	DefrostunitSpd
57H	Pre-HeattoWtrPmpRly	72B	Sun_Visor	86Rtn	GndDefrostUnit
57L	Hi-Beam	72C	Sun_Visor	87	Park_Brake
57R	High_Beam	73	HostessChimePwr	88	TransducerPwr
57Rtn	SignalRtnHeadLtsLH	73A	RearOccupiedSig	89	DriverSensorSig
58L	LowBeam	73B	RearOccupiedSig	90H	24VtoEvap
58R	Low_Beam	74	ReadingLampSig	90H1	Evaporator
58Rtn	Lamp_Module_Gnd	74A		90H1H	SuppressingDiode
59	Hi/LowBeamSignal	74B		91	Park_brake_signal
60	FogsLtsSwSig	74C	ReadingLamp	91B	WitnessSigSw14
61	HeadLtsSig	74D		92	TrailerParkBrakeSig
62	FrontOccupiedLts	75	ReadingLampsRH	95	DockingLTswSig
62B	LavatoryLts	75A	ReadingLampsLH	96	CorneringLTswSig
63	ClearanceLts	76	FuelLevelSig	99	Sw20Gnd
63A	FrontClearanceLts	76C	GndFuelsender	00A1	GndElectronic
63AA	ClearanceLts	77	TransducerHi-Side	0B1	GndEnginePreheater
63B	ClearanceLts	77B	PassandPRackLiquidValve	00B1	GndEng.Start
63BB	ClearanceLts	77BA	A/Cclutch	0G1	Galley
63C	CtrlHeadBacklight	77C	PassandPRackLiquidValve	0P2	Inverter_Gnd
64	EmergencyLampsSig	78	StopLightSensorSig	0V1	LuggageDoorOpenSig

CIRCUITS LIST

CircuitID	Description	CircuitID	Description	CircuitID	Description
OV2	LuggageDoorOpenSig	126B	KneelingDownSwSig	139	Transmission
OV3	LuggageDoorOpenSig	126F	KneelingDownSol	140	Transmission
OY2	GndChassisABSSol	126G	KneelingUpSol	141	Transmission
OY3	GndChassisABSSol	126H	KneelingCtrl.Sol	142	ABSSolenoid
100	IndirectLights	126J	KneelingHi-BuoySol	143	ABSSensor
100A	IndirectLight	126JR	GndKneeling	143A	ABSSensor
100B	IndirectLightLH	126P	KneelingBuzzer	144	ABSSensor
100C	IndirectLightsSig	127	Transmission	144A	ABSSensor
100D		127D	BattCharger	145	ABSSolenoid
101	Starter_Power	128	Pre-HeatStatus	146	ABSSolenoid
101A	Starter	128B	Pre-HeatTTLT	147	ABSSolenoid
101B	Starter	129	Sun_visor	148	Transmission
102	Alternator_Power	130	Sun_visor	149	Transmission
102A	Alternator	131	Transmission	149A	ABSSensor
103	LowBuoySig	133	Transmission	150	Transmission
104	Pwrl_Shift	133A	Galley	151	GndtoEcm
105	Fog_Light	133B	Galley	151A	GndtoEcm
105A	Fog_Light	133C	Galley	151B	GndtoEcm
105ARtn	Fog_Light_Gnd	134	Galley	151C	GndtoEcm
105Rtn	Fog	134A	Galley	151D	CoolantLevelGround
106	Fog_Light	134B	Galley	152	Transmission
106A	Fog_Light	135	Transmission	153	12VtoABS
106Rtn	Fog_Light_gnd	135A	Transmission	154	Transmission
107	Pwrl_Shift	136	Transmission	155	Transmission
108	Pwr_Trans_IShift	136A	TransmissionPwr	156A	12VtoABS
109	Cmd_Ground	136AA	ShifterSignal	157D	ATCSignal
110	12VD_IShift	136C	Galley	159	Transmission
111	Transmission	137	Transmission	160	TagSignal
114	DriverLt	137A	MirrorPwrSig	163A	Retarder
114A	Backlight	137B	Mirrors	163B	RetarderEnable
115	Transmission	137C	Mirrors	164	HandLevelSig
115A	WitnessPwr	137D	Mirrors	166	WitnessSigSw16
115W	Check_Transmission	137E	Mirrors	167	ACB
116	DriverLiq	137F	Mirrors	168	ACB
116A	DriverLiq	137H	Mirrors	170C	left/right_luggage_door_lock
118	Transmission	137J	Mirrors	170E	LuggageLockSwSig
119	Transmission	137K	Mirrors	170H	LuggageUnlockSol
120	Transmission	137L	RAMCOMIRROR	170HR	left/right_luggage_door_lock
122	DigitalClock	137M	Mirrors	171	LuggageUnlockSwSig
123	Flame_Detection_Signal	137N	RAMCOMIRRORLED	174	Transmission
124A	Transmission	137P	MIRRORLED	175	Transmission
125	Retarder_active	138	Transmission	175C	TagUnload
126A	KneelingUpSwSig	138A	ABSSensor	176	Transmission

CIRCUITS LIST

CircuitID	Description	CircuitID	Description	CircuitID	Description
177	Transmission	308	WCL	516	UreaSystem
180	Transmission	309	WCL	517	UreaSystem
181	PassengerSensor	311	WCL_Power	518	UreaSystem
185	TransmissionInhibitSig	311A	WCL	519	UreaSystem
197	FuelFilterSig	313	WCL	520	UreaSystem
201	Headlampcleaningsignal	314		521	UreaSystem
202	headlampcleaningpump	341	PowerProtectionPanel	522	UreaSystem
225	LavatoryFan	342	FireExting.Gnd	523	UreaSystem
225R		343	Fire-EngineStopTTL	524C	IdleValidationSig
231	Neutral	343A	Cut_Off_Preheater	525	UreaSystem
231A	Crank_Signal	344	ExtinguisherSignal	526	UreaSystem
240A	PowertoEcm	345	ManualSignal	526A	UreaSystem
240B		346	PowerSensors	526B	UreaSystem
241A	PowertoEcm	347	FireSignal	526C	UreaSystem
241B	24VoltIgnition	348	PowerManualSignal	527	UreaSystem
241C	WaterInFuelHeater	351	EngineShout-downSignal	528	UreaSystem
253	Galley	352	OverrideSignal	530	UreaSystem
253A	Galley	360	ClusterKeypad	531	UreaSystem
253j	SWInverter	361	ClusterKeypad	532	UreaSystem
254	Galley	362	ClusterKeypad	541	Cruise_Decelerate
254F	Galley	363	ClusterKeypad	544	CruiseOn_OffSignal
255	Galley	364	Trans.FrontAirBrake	544A	CruiseOn-OffLed
255B	Galley	365	Trans.FrontAirBrake	545	Cruise_Resume
255BA	Galley	366	Trans.RearAirBrake	583	EngineBrakeB
260	WindowAjarSig	367	Trans.RearAirBrake	600	ABSSensor
290	GndFanClutch	368	AirAccPressureSig	600A	ABSSensor
290A	GndFanClutch	369	AirAccPressureSig	601	ABSSensor
290Rtn	GndMarkersandStopLts	417	ThrottlePositionSignal	601A	ABSSensor
291	FanClutch	439	12VtoABS	602	ABSSteering&Yawsensor
291Rtn	GndMarkersandStopLts	439G	GateWay	603	ABSSteering&Yawsensor
292	FanClutch	485A	Dest_sign	604	ABSSteering&Yawsensor
300	WCLTopLightSliding	485B	Dest_sign	605	ABSSteering&Yawsensor
301	WheelChairLiftSwitch	500	Ground/Supply_Detroit/Volvo	606	ABSPressuresensor
302	WCLRicon	501		607	ABSPressuresensor
302A	WCLSlidingdoorSig	502	IVSOOut	608	ABSPressuresensor
303	WCLRicon	505	UreaSystem	610	ABSPressuresensor
304	WheelChairLift	506	UreaSystem	611	AbsTagSolenoid
304A	WCL	507	UreaSystem	612	AbsTagSolenoid
305	ParkBrakeSol	510	FastIdleSignal	613	AbsTagSolenoid
305A	WCLUpperDoorSignal	511	UreaSystem	614	ABSSteeringSolenoid
306	WCLTopLights	512	UreaSystem	614A	ABSSteeringSolenoid
307	WCLPower	513	UreaSystem	615	ABStrailersolenoid
307A	WCL	515	GroundPreheaterRelay	616	ABStrailersolenoid

CIRCUITS LIST

CircuitID	Description	CircuitID	Description	CircuitID	Description
617	ABTrailersolenoid	BlkRR	TPMS	G	HandLever
618	HillStartAssistSignal	Blue	Audio	GndA	ComputerSignals
618Rtn	HillStartAssistGnd	Bref1	PassengerSensor	GREEN	120VACOUTLET
900	J1587	Bref2	PassengerSensor	Green	USB
901	J1587	C	HandLever	Green/White	USB
910	L_SPEAKER_HARNESS	CAN2-H	EngineCan2	GRN1	VSS
911	EmergencyCutoutRlySignal	CAN2-L	EngineCan2	GRN2	VSS
916	5VSensorPwr	CAN2H	DPFVolvo	H	HandLever
952	GndSensorRtn	Can2H	Can2	HOSTESS	HostessPwr
953	Electronic_ground_DDEC_VI	CAN2L	DPFVolvo	J1939H	J1939
979	EngineBrakeA	Can2L	Can2	J1939L	J1939
A	HandLever	CanH	CanHSignal	J1939PH	J1939Prop
AMP	VSS	CanH1	Spare	J1939PL	J1939Prop
ANT	VSS	CanL	CanLSignal	KneeLevel	KneelingLevel
AuxVideoGnd	VSS	CanL1	Spare	KneeRef	KneelingLevel
AuxVideoL	VSS	Cd1	ComputerSignals	L+	VSS
AuxVideoR	VSS	Chgr	BattCharger	L+TV	VSS
B	HandLever	COM	Destination_Sign	L-	VSS
B1A	DirectLighting	com	Destination_Sign	LF+	L_SPEAKER_HARNESS
B1B	DirectLighting	CTS	MCMInterface	LF+LL	VSS
B2A	DirectLighting	Cts	ComputerSignals	LF-	VSS
B2B	DirectLighting	D	HandLever	LF-LL	VSS
B3A	DirectLighting	d	BattCharger	LightGreen	USB
B3B	DirectLighting	D1	UpperWiperMotor	LIN	Steering
B4A	DirectLighting	DBusH	DBusSignal	LR+	VSS
B4B	DirectLighting	DBusL	DBusSignal	LR+HS	VSS
B5A	DirectLighting	Down	cluster	LR-	VSS
B5B	DirectLighting	Drain	Audio	LR-HS	VSS
B6A	DirectLighting	DSL+++	VSS	MUTE	VSS
B6B	DirectLighting	DSL---	VSS	N1	A41Adress
B7A	DirectLighting	DSR+++	VSS	N2	A41Adress
B7B	DirectLighting	DSR---	VSS	N3	A42Adress
BB2H	Can2	DVD_GND	VSS	N4	A42Adress
BB2L	Can2	DVD_Gnd	VSS	N5	A43Adress
BKK1	VSS	DVD_L+	VSS	N6	A43Adress
BLACK	Starter_Volvo	DVD_R+	VSS	N7	A44Adress
Black	USB_Gnd	E	HandLever	N8	A44Adress
Black1		e	BattCharger	N9	A45Adress
Black2		Escape	cluster	N10	A45Adress
BLK1	VSS	F	HandLever	N11	A46Adress
BLK2	VSS	f	BattCharger	N12	A46Adress
BlkFR	TPMS	FAKE	L_SPEAKER_HARNESS	N13	A47Adress
BlkRL	TPMS	FAKE1	R_SPEAKER_HARNESS	N14	A47Adress

CIRCUITS LIST

CircuitID	Description	CircuitID	Description	CircuitID	Description
N15	A48Address	Radio_R+	VSS	SL1113	L_SPEAKER_HARNESS
N16	A48Address	RED	Starter_volvo	SL1214	L_SPEAKER_HARNESS
N17	A49Address	Red	USB	SL1315	L_SPEAKER_HARNESS
N18	A49Address	RED1	VSS	SL1416	L_SPEAKER_HARNESS
N19	A50Address	Red1		sp52	EvaporatorEngageSig
N20	A50Address	RED2	VSS	spare2	SparesFr-to-RearHarness
N21	A51Address	Red2		spare3	SWinverter
N22	A51Address	RedFR	TPMS	spare4	SparesEvap.Harness
N23	A52Address	RedRL	TPMS	spare5	SparesEvap.Harness
N24	A52Address	RedRR	TPMS	spare6	SparesEvap.Harness
N25	A53Address	Ref2	GndPassengerSensor	spare7	SparesEvap.Harness
N26	A53Address	RF+	VSS	spare8	SparesEvap.Harness
N27	A54Address	RF+LL	VSS	spare9	SparesEvap.Harness
N28	A54Address	RF-	VSS	spare10	SparesInteriorLtsHarness
N29	A36Address	RF-LL	VSS	spare11	SparesInteriorLtsHarness
N30	A55_Address	RR	Ext_Speaker	spare12	SparesInteriorHarness
N31	A55_Address	RR+	VSS	spare13	SparesInteriorHarness
NETWORK1		RR+HS	VSS	spare14	SparesInteriorHarness
NETWORK2		RR-	VSS	spare15	SparesInteriorHarness
OFA6	POWER_CAPTAIN_CHAIR	RR-HS	VSS	spare16	SparesInteriorHarness
OFB1	RAMCOMIRROR	RTS	MCMInterface	spare17	FrontTrailerMarkers
OFB2	GndFanRoof1	Rts	ComputerSignals	spare18	FrontTrailerFlashRH
OFB2-D	GndFanRoof2	RX	TPMS	spare19	FrontTrailerFlashLH
OFB3	GND_TPMS	RxD	ComputerSignals	spare20	SparesClearanceLts
OP1	POWER_CAPTAIN_CHAIR	RxTx	MCMInterface	spare21	SparesClearanceLts
OP2	POWER_CAPTAIN_CHAIR	SE1	Ext_Speaker	spare22	SparesClearanceLts
OP3	POWER_CAPTAIN_CHAIR	Select	cluster	spare23	SparesClearanceLts
OP4	POWER_CAPTAIN_CHAIR	SH1	I_ShiftGearLevelSignal	spare24	SparesClearanceLts
OP12VI	POWER_CAPTAIN_CHAIR	SH2	I_ShiftGearLevelSignal	spare25	SparesClearanceLts
OPR1	GndDestinationSign	SH3	I_ShiftGearLevelSignal	spare32	SparesFrontHarness
OPST	Strobe	SH4	I_ShiftGearLevelSignal	spare33	SparesFrontHarness
OR	TagUnloadValve	SH5	I_ShiftGearLevelSignal	spare39	SparesDash
ORB4	TagUnload	SH6	I_ShiftGearLevelSignal	spare40	SparesDash
Pink	USB	SH7	I_ShiftGearLevelSignal	spare41	SparesDash
PP1	InverterPwr	SH8	I_ShiftGearLevelSignal	spare42	SparesDash
R+	VSS	SHL2	VSS	spare43	SparesDash
R+TV	VSS	SL13	L_SPEAKER_HARNESS	spare44	SparesDash
R-	VSS	SL24	L_SPEAKER_HARNESS	spare45	SparesFr-to-RearHarness
RadioAudioGnd	VSS	SL35	L_SPEAKER_HARNESS	spare46	SparesFr-to-RearHarness
RadioL+	VSS	SL46	L_SPEAKER_HARNESS	spare49	SparesEngineCradle
RadioR+	VSS	SL57	L_SPEAKER_HARNESS	spare50	SparesEngineCradle
Radio_Gnd	VSS	SL68	L_SPEAKER_HARNESS	spare51	SparesEngineCradle
Radio_L+	VSS	SL1012	L_SPEAKER_HARNESS	spare52	SparesEngineCradle

CIRCUITS LIST

CircuitID	Description	CircuitID	Description		
spare53	SparesEngineCradle	TrigPA	VSS		
spare54	SparesEngineCradle	TrigPaDr	VSS		
spare55	SparesEnginesAccessories	TrigTv	VSS		
spare56	SparesEnginesAccessories	TvGnd	VSS		
spare57	SparesEnginesAccessories	TV_GND	VSS		
spare58	SparesEnginesAccessories	TV_L+	VSS		
spare59	SparesEnginesAccessories	TV_R+	VSS		
spare60	SparesEnginesAccessories	TX	TPMS		
spare61	SparesEnginesAccessories	TxD	MCMInterface		
spare62	spareABSHarness	Up	cluster		
spare63	spareABSHarness	VI11	12V_Sup		
spare64	SapreTransmission	VI14	Galley		
spare65	SparesTransmission	WC2	WCLRemoteCtrl		
spWcl1	SpareWCL	WC3	WCLRemoteCtrl		
spWcl2	SpareWCL	WC4	WCLRemoteCtrl		
SR13	FR_SPEAKER_HARNESS_	WC6	WCLRemoteCtrl		
SR24	FR_SPEAKER_HARNESS_	WC7	WCL		
SR35	FR_SPEAKER_HARNESS_	WHITE	120VACOUTLET		
SR46	FR_SPEAKER_HARNESS_	White	USB		
SR57	FR_SPEAKER_HARNESS_	WHT1	VSS		
SR68	FR_SPEAKER_HARNESS_	WHT2	VSS		
SR911	R_SPEAKER_HARNESS_WCL	WhtFR	dataTPMS		
SR1012	R_SPEAKER_HARNESS_WCL	WhtRL	dataTPMS		
SR1113	R_SPEAKER_HARNESS_WCL	WhtRR	dataTPMS		
SR1214	R_SPEAKER_HARNESS_WCL	Y1A	DirectLighting		
SR1315	R_SPEAKER_HARNESS_WCL	Y1B	DirectLighting		
SR1416	R_SPEAKER_HARNESS_WCL	Y2A	DirectLighting		
STO_LOC		Y2B	DirectLighting		
Sub1+	VSS	Y3A	DirectLighting		
Sub1-	VSS	Y3B	DirectLighting		
Sub2+	VSS	Y4A	DirectLighting		
Sub2-	VSS	Y4B	DirectLighting		
SubH	Subnet	Y5A	DirectLighting		
SubL	Subnet	Y5B	DirectLighting		
TEST	TestLampOption	Y6A	DirectLighting		
TEST1	SOUND_SYSTEM	Y6B	DirectLighting		
Test1	SOUND_SYSTEM	Y7A	DirectLighting		
Test1a	SOUND_SYSTEM	Y7B	DirectLighting		
Test1B	SOUND_SYSTEM	zf1	SteeringCtrl		
TrigCam	VSS	zf2	SteeringCtrl		
TrigDVD	VSS				
TrigDvd	VSS				
TrigNav	VSS				

CIRCUITS LIST

CircuitID	Description	CircuitID	Description	CircuitID	Description
1	Gnd	OFA6	POWER_CAPTAIN_CHAIR	OSS2	VSS
1A	Strobe	OFA7	POWER_CAPTAIN_CHAIR	OSS3	VSS
1B	Strobe	OFB1	GndMirrors	OUSB	USB_Gnd
1C	Strobe	OFB2	GndFanRoof1	OV	LuggageDoorOpenSig
1D	Strobe	OFB2-D	GndFanRoof1	OVE	EqualizerGnd
2	CondensorDoorOpenSig	OFB3	GndMasterId	OW	WCLGnd
2A	Strobe	OFC1	left/right_luggage_door_lock	OWC	WCLGnd
2B	CondSndSpdSig	OFC4	ElectricalHorn	OY	GndChassistoABSModule
2C	Strobe	OFGS	Driver_seat_optional	10	LuggageCmpt.LtsPwr
2D	Strobe	OFE	Gnd	10A	LuggageCmpt.LtsPwr
3	DoorLatchSig	OFE2	Gnd	10R	LuggageDoorOpenSig
3A	Strobe	OG	GndofA54	11	24V
3B	Strobe	OH	GroundCoolantSensor	12A	12VDtoR3
3C	Strobe	O0IS	Gnd_IShift	12B	12VDtoCB4
3D	Strobe	OLav	GndReadingLamps	12Ecu	12vEngineEcu
4A	SOUND_SYSTEM	OLav1	GndDirectLights	12H	DestinationSignPower
4C	HostessChimeSig	OLav2	GndAisleLamps	12IgnSpare	VSS
5	UpperDefrostfan	OLav3	GndEmergencyLampsRH	12ISH	12V_IShift
5vKnee	KneelingLevel	OLav4	GndAisleLampsLH	12MEM	VSS
6	GndWitnessSw24	OMUSB	USB_Main_Gnd	12SS	VSS
7	GndDriverSensor	OP	Galley	12SS1	VSS
8	GndParkBrakeSol	OPR1	EntranceCeilingLtGnd	12SS2	VSS
9A	EngineDoorOpenSig	OPR2	GndWatchYourStep	12VA	12vEqualizer
9B	EngineCmpt.Lt	OPR3	UpperDefrosterGnd	12VD1	12VDFrontWake-up
9C	SurgeTankPump	ORA2	GND_RJB	12VD3	12vRearwake-up
0A	Evap.Gnd	ORA3	GndR1-R3	12VD4	12V_Engine_ECU
00A	GndElectronic	ORB1	LavatoryGnd	12VDCust	12VDCustomer
0B	EngineChassisGnd	ORB3	GndMarkersandStopLts	12VDF	12VDtoFrontVec
00B	ElectronicGndofMuxModules	ORB4	Relaisinverter	12VI	12VitoCB10
0BB	Trans.FrontAirBrake	ORB5	GndPre-Heat	12VI1	12VI
0BF	Preaheter_Fuel_Filter_GND	ORB6	RJBGndCustomer	12VI3	PwrOutletDrawer
0C	GndStarter	ORB6A	GndCustomer	12VI4	PwrOutletandCigarLighter
0CE	ChassisGndtoA47	ORB6F	GndCustomer	12VI5	12VitoVECR
00D	RJBajarSignal	ORB7	GndToEcm	12VI6	PwrtoModuleA50
0EV1	GndFlashersandMarkersCenter	ORB8	GndtoACM	12VI7	PwrtoModuleA50
0EV2	GndHvac	ORB8A	GndtoACM	12VI9	TireMonitoringPwr
0EV3	GndPRackLH	ORB8B	GndtoACM	12VI10	MirrorPwr
0EV4	GndCondensor	ORC2	GndDriverCylinder	12VI11	12V_Sup
0EV6	RHP-RackMotorGnd	ORC3	GndFogandCorneringLtsRH	12VI250	Preheat_Fuel_Filtr_Pwr
0F	FJBDoorOpenSig	ORC4	GndEntranceLights	12VICust	12VICustomer
OFA1	GndofAccessoires	OSA1	AlternatorGnd	12VIF	12VtoFrontVec
OFA4	GndPwrOutlet	OSS	VSS_GND	12VIF19	DDL_Power
OFA5	gndplug12vadditional	OSS1	VSS	12VIM	PowerOutlet

CIRCUITS LIST

CircuitID	Description	CircuitID	Description	CircuitID	Description
12VIZF	ZFsterringControl	24RHF	Roof_Hatch_Fan_Option	24VICust	24VICustomer
12W	DoorUnlockSol	24RHF1	Roof_Hatch	24VIF	24VitoFrontVEC
12WA	DoorFullOpenSig	24RHF1-D	Roof_Hatch	24WC	WCL24VIPower
12WUp1	12VWUptoA48	24RHF2	FanRoof2toSW306	24WUp1	24WUpFront
12Wup1	12WUpFront	24RHF2-D	Roof_Hatch	24Wup1	24WUpFront
12Wup1b		24SS	VSS	24Wup2	WakeUpPower
12Wup2	12WUptoDash	24SS3	VSS	24WupSS	VSS
12WUp5	PwrtoModuleA51	24VA	24vEquilizer	25	EngineRunSignal
13	SignalToPre-heatrelay	24VB	24VEnginePreheater	25A1	ExcitationSignal
14A	FlushingPumpSig	24VB1	24VEnginePreheater	25A1D	Alternator_signal
15	UpperWipInt.Signal	24VB2	24VEnginePreheater	25A2	Alternator_Signal
15A	UpperWip.1StSpdSig	24VD	24VD	25A2D	Alternator_Signal
16	Speed_Sig	24VD1	24VDInsideDoorOpen	25A4	BatteryNotChargingSig
16A	UpperWasherPump	24VD2	24VDtoRearVec	26	12VI
16B	PwrofSensorSpd	24VD3	24VDofCECM	26A	DriverWdo
17	UpperWasherSwSignal	24VD4	24VDFrontWake-up	26B	DriverWdo
18	Wip.WasherLevel	24VD5	24VDtoPre-Heat	27A	EmergencySwSig
19A	TagUnload	24VD6	24VDPre-Heat	30A	Galley
19B	TagUnload	24VD7	PassandPRackPwr	31	UnloaderRH
20	AirDryer	24VD8	UreaPowerACM	31B	WiperIntermitentSignal
21	FlasherLHSig	24VD8A	UreaPowerACM	31EE	UpperWipSpd.1
21A	Front_Flasher	24VD8B	UreaPowerACM	32A	BackupLtandalarm
21AA	Flasher_Front_LH	24VD9	24VD	32D	ReverseSigtoBackupMonitor
21B	CorneringLtsLH	24VDALT	Alternators	32EE	UpperWiperMotor
21C	ClearanceLts	24VDCust	24VDCustomer	33	UnloaderLH
22	HazardSwSig	24VDR4	Cut_Off_Preheater_Power	34	ParkBrakeReleaseSignal
23	FlasherRHSig	24VDS	24VD	34A	OrleanOption
23A	RAMCOMIRRORLED	24VI	24VI	35	EntranceDoorLights
23AA	FrontFlasherRHSide	24VI1	24VitoRearVec	35A	WatchYourStepLts
23B	CorneringLtsRH	24VI2	24VitoSw1	38	DirectLights
23C	ClearanceLts	24VI3	UpperWip.MotorPwr	38A	DirectLights
24	MasterRelayPwr	24VI4	24VIgn	38AA	DirectLights
24A	BoosterBlock	24VI5	24VlofMuxmodules	38BB	DirectLightsLH
24CO	Pwr_to_Alternators	24VI6	PwrtoDefrostUnit	38C	DirectLightSwSig
24D	24DtoCB6	24VI7	LowerWiperPwr	39	DriverLtSwSig
24E	24VitoCB1	24VI8	24VitoMux	39D	DriverLt
24GA	Galley	24VI9	24VlofA54	40	WitnessGnd
24ISH		24VI9A	24VlofA54	41	24VCondensor
24IZ	ZFTransmission	24VI9B	24VlofA54	41A1	CondensorPwr
24MUSB		24VI10	24VI	43	SuppressingDiode
24P	Galley_Power	24VI12	RJBLightPwr	43F	WitnessGndSw27
24PV	Galley	24VI13	24VI	43G	PassandPRackLiquidValve
24PVA	Relaisinverter	24VIA	Cut-outPneumaticAcc	43H	PassandPRackLiquidValve

CIRCUITS LIST

CircuitID	Description	CircuitID	Description	CircuitID	Description
44	P-RackLHFan	63C	CtrlHeadBacklight	77C	PassandPRackLiquidValve
45	UpperFanSig	64	EmergencyLampsSig	78	StopLightSensorSig
45A	PassengerHeatSig	64A	Blinker	79	GndServiceBrake
46	FrontFlasherRh	65	FootDamper	79A	DecelSignal
46A	VSS	65A	FootDamper	80	BrakeRedundant
47	DoorOpenSignal	65D	DriverCylinder	81	HeadLtCallSw1
47A	DoorOpenSignal	65P	Pass.Cylinder	82A	RELS
48A	DoorOpenSol	66	MarkersSigSw2	82B	CyclopeLamp
49	DoorCloseSignal	67	EvaporatorPwr	82Low	StopRearLowerLamp
49A	DoorCloseSol	67A	Condensor1stSpdSig	82UP	FrontTrailerStopSig
50	WitnessGndSig	68	DashDamper	82Up	TrailerStopSig
51	WitnessGnd	68A	DashDamper	83	24vAccessories
53	LowerWip.Spd1Sig	69	ElectricalHorn	84	StartSigSw83
53A	ElectricalHorn	69A	HornTogglesig	84A	StartSigSw83
53B	PneumaticHorn	70A	HatRackLighting	84B	StartSigSw83
53C	LowerWip.IntSig	70B	HatRackLighting	85	24VIgnition
53D	LowerWip.WasherSwSig	70C	HatRackLighting	85A	Ign-AccSignal
53E	LowerWiper1stSpd	70D	HatRackLighting	85B	Ign-AccSignal
53F	LowerWasherPump	70E	GndHatRackLamps	85C	PositionNormalSw58
53G	LowerWip1stSpd	70F	GndHatRackLamps	85D	RearStartPwr
53H	LowerWip.IntSig	70G	GndHatRackLamps	85E	RearStartSignal
55	LuggageLockSol	70H	GndHatRackLamps	85F	Engine_Start_Pwr_SW58
55R	left/right_luggage_door_lock	70J	GndHatRackLamps	85G	Ign-AccSignal
57A	WaterPump	71	UpperDefrostPump	85X	24VIgn
57G	Pre-HeatWebasto	71A	DockingLtsLH	85Z	Trailer_Abs_Ind
57GA	Pre-HeattoWtrPmpRly	72A	DockingLtsRH	86	DefrostunitSpd
57H	Pre-HeattoWtrPmpRly	72B	Sun_Visor	86Rtn	GndDefrostUnit
57L	Hi-Beam	72C	Sun_Visor	87	Park_Brake
57R	High_Beam	73	HostessChimePwr	88	TransducerPwr
57Rtn	SignalRtnHeadLtsLH	73A	RearOccupiedSig	89	DriverSensorSig
58L	LowBeam	73B	RearOccupiedSig	90H	24VtoEvap
58R	Low_Beam	74	ReadingLampSig	90H1	Evaporator
58Rtn	Lamp_Module_Gnd	74A	ReadingLamp	90H1H	SuppressingDiode
59	Hi/LowBeamSignal	74B	ReadingLamp	91	Park_brake_signal
60	FogsLtsSwSig	74C	ReadingLamp	91B	WitnessSigSw14
61	HeadLtsSig	74D	ReadingLamp	92	TrailerParkBrakeSig
62	FrontOccupiedLts	75	ReadingLampsRH	95	DockingLTSwSig
62B	LavatoryLts	75A	ReadingLampsLH	96	CorneringLTSwSig
63	ClearanceLts	76	FuelLevelSig	99	Sw20Gnd
63A	FrontClearanceLts	76C	GndFuelsender	00A1	GndElectronic
63AA	ClearanceLts	77	TransducerHi-Side	0B1	GndEnginePreheater
63B	ClearanceLts	77B	PassandPRackLiquidValve	00B1	GndEng.Start
63BB	ClearanceLts	77BA	A/CClutch	0G1	Galley

CIRCUITS LIST

CircuitID	Description	CircuitID	Description	CircuitID	Description
OP2	Inverter_Gnd	125	Retarder_active	138	Transmission
OV1	LuggageDoorOpenSig	126A	KneelingUpSwSig	138A	ABSSensor
OV2	LuggageDoorOpenSig	126B	KneelingDownSwSig	139	Transmission
OV3	LuggageDoorOpenSig	126F	KneelingDownSol	140	Transmission
OY2	GndChassisABSSol	126G	KneelingUpSol	141	Transmission
OY3	GndChassisABSSol	126H	KneelingCtrl.Sol	142	ABSSolenoid
100	IndirectLights	126J	KneelingHi-BuoySol	143	ABSSensor
100A	IndirectLight	126JR	GndKneeling	143A	ABSSensor
100B	IndirectLightLH	126P	KneelingBuzzer	144	ABSSensor
100C	IndirectLightsSig	127	Transmission	144A	ABSSensor
100D	IndirectLight	127D	BattCharger	145	ABSSolenoid
101	Starter_Power	128	Pre-HeatStatus	146	ABSSolenoid
101A	Starter	128B	Pre-HeatTTLT	147	ABSSolenoid
101B	Starter	129	Sun_visor	148	Transmission
102	Alternator_Power	130	Sun_visor	149	Transmission
102A	Alternator	131	Transmission	149A	ABSSensor
103	LowBuoySig	133	Transmission	150	Transmission
104	PwrI_Shift	133A	Galley	151	GndtoEcm
105	Fog_Light	133B	Galley	151A	GndtoEcm
105A	Fog_Light	133C	Galley	151B	GndtoEcm
105ARtn	Fog_Light_Gnd	134	Galley	151C	GndtoEcm
105Rtn	Fog	134A	Galley	151D	CoolantLevelGround
106	Fog_Light	134B	Galley	152	Transmission
106A	Fog_Light	135	Transmission	153	12VI
106Rtn	Fog_Light_gnd	135A	Transmission	154	Transmission
107	PwrI_Shift	136	Transmission	155	Transmission
108	Pwr_Trans_IShift	136A	TransmissionPwr	156A	12VtoABS
109	Cmd_Ground	136AA	ShifterSignal	157D	ATCSignal
110	12VD_IShift	136C	Galley	159	Transmission
111	Transmission	137	Transmission	160	TagSignal
114	DriverLt	137A	MirrorPwrSig	163A	Retarder
114A	Backlight	137B	Mirrors	163B	RetarderEnable
115	Transmission	137C	Mirrors	164	HandLevelSig
115A	WitnessPwr	137D	Mirrors	166	WitnessSigSw16
115W	Check_Transmission	137E	Mirrors	167	ACB
116	DriverLiq	137F	Mirrors	168	ACB
116A	DriverLiq	137H	Mirrors	170C	left/right_luggage_door_lock
118	Transmission	137J	Mirrors	170E	LuggageLockSwSig
119	Transmission	137K	Mirrors	170H	LuggageUnlockSol
120	Transmission	137L	RAMCOMIRROR	170HR	left/right_luggage_door_lock
122	DigitalClock	137M	Mirrors	171	LuggageUnlockSwSig
123	Flame_Detection_Signal	137N	RAMCOMIRRORLED	174	Transmission
124A	Transmission	137P	MIRRORLED	175	Transmission

CIRCUITS LIST

CircuitID	Description	CircuitID	Description	CircuitID	Description
175C	TagUnload	307	WCLPower	513	UreaSystem
176	Transmission	307A	WCL	515	GroundPreheaterRelay
177	Transmission	308	WCL	516	UreaSystem
180	Transmission	309	WCL	517	UreaSystem
181	PassengerSensor	311	WCL_Power	518	UreaSystem
185	TransmissionInhibitSig	311A	WCL	519	UreaSystem
197	FuelFilterSig	313	WCL	520	UreaSystem
201	Headlampcleaningsignal	314	WCL	521	UreaSystem
202	headlampcleaningpump	341	PowerProtectionPanel	522	UreaSystem
225	LavatoryFan	342	FireExting.Gnd	523	UreaSystem
225R		343	Fire-EngineStopTTL	524C	IdleValidationSig
231	Neutral	343A	Cut_Off_Preheater	525	UreaSystem
231A	Crank_Signal	344	ExtinguisherSignal	526	UreaSystem
240A	PowertoEcm	345	ManualSignal	526A	UreaSystem
240B	CPC_Supply	346	PowerSensors	526B	UreaSystem
241A	PowertoEcm	347	FireSignal	526C	UreaSystem
241B	24VoltIgnition	348	PowerManualSignal	527	UreaSystem
241C	WaterInFuelHeater	351	EngineShout-downSignal	528	UreaSystem
253	Galley	352	OverrideSignal	530	UreaSystem
253A	Galley	360	ClusterKeypad	531	UreaSystem
253j	SWInverter	361	ClusterKeypad	532	UreaSystem
254	Galley	362	ClusterKeypad	541	Cruise_Decelerate
254F	Galley	363	ClusterKeypad	544	CruiseOn_OffSignal
255	Galley	364	Trans.FrontAirBrake	544A	CruiseOn-OffLed
255B	Galley	365	Trans.FrontAirBrake	545	Cruise_Resume
255BA	Galley	366	Trans.RearAirBrake	583	EngineBrakeB
260	WindowAjarSig	367	Trans.RearAirBrake	600	ABSSensor
290	GndFanClutch	368	AirAccPressureSig	600A	ABSSensor
290A	GndFanClutch	369	AirAccPressureSig	601	ABSSensor
290Rtn	GndMarkersandStopLts	417	ThrottlePositionSignal	601A	ABSSensor
291	FanClutch	439	12VtoABS	602	ABSSteering&Yawsensor
291Rtn	GndMarkersandStopLts	439G	GateWay	603	ABSSteering&Yawsensor
292	FanClutch	485A	Dest_sign	604	ABSSteering&Yawsensor
300	WCLTopLightSliding	485B	Dest_sign	605	ABSSteering&Yawsensor
301	WheelChairLiftSwitch	500	Ground/Supply_Detroit/Volvo	606	ABSPressuresensor
302	WCLRicon	501	Control_Ground_Relay	607	ABSPressuresensor
302A	WCLSlidingdoorSig	502	IVSOut	608	ABSPressuresensor
303	WCLRicon	505	UreaSystem	610	ABSPressuresensor
304	WheelChairLift	506	UreaSystem	611	AbsTagSolenoid
304A	WCL	507	UreaSystem	612	AbsTagSolenoid
305	ParkBrakeSol	510	FastIdleSignal	613	AbsTagSolenoid
305A	WCLUpperDoorSignal	511	UreaSystem	614	ABSSteeringSolenoid
306	WCLTopLights	512	UreaSystem	614A	ABSSteeringSolenoid

CIRCUITS LIST

CircuitID	Description	CircuitID	Description	CircuitID	Description
615	ABTrailersolenoid	BlkRR	TPMS	GREEN	120VACOUTLET
616	ABTrailersolenoid	Blue	Audio	Green	USB
617	ABTrailersolenoid	Bref1	PassengerSensor	Green/White	USB
618	HillStartAssistsignal	Bref2	PassengerSensor	GRN1	VSS
618Rtn	HillStartAssistGnd	C	HandLever	GRN2	VSS
900	J1587	Cd1	ComputerSignals	H	HandLever
901	J1587	Chgr	BattCharger	HOSTESS	HostessPwr
910	L_SPEAKER_HARNESS	COM	Destination_Sign	J1939PH	J1939Prop
911	EmergencyCutoutRlySignal	com	Destination_Sign	J1939PL	J1939Prop
916	5VSensorPwr	CTS	MCMInterface	KneeLevel	KneelingLevel
952	GndSensorRtn	Cts	ComputerSignals	KneeRef	KneelingLevel
953	Electronic_ground_DDEC_VI	D	HandLever	L+	VSS
979	EngineBrakeA	d	BattCharger	L+TV	VSS
A	HandLever	D1	UpperWiperMotor	L-	VSS
AMP	VSS	DL1H	J1939	LF+	L_SPEAKER_HARNESS
ANT	VSS	DL1L	J1939	LF+LL	VSS
AuxVideoGnd	VSS	DL2H	BB2	LF-	VSS
AuxVideoL	VSS	DL2L	BB2	LF-LL	VSS
AuxVideoR	VSS	DL3H	DBusSignal	LightGreen	USB
B	HandLever	DL3L	DBusSignal	LIN	Steering
B1A	DirectLighting	DL7H	EngineCan2	LR+	VSS
B1B	DirectLighting	DL7L	EngineCan2	LR+HS	VSS
B2A	DirectLighting	DLOH	Spare	LR-	VSS
B2B	DirectLighting	DLOL	Spare	LR-HS	VSS
B3A	DirectLighting	Down	cluster	MUTE	VSS
B3B	DirectLighting	Drain	Audio	N1	A41Address
B4A	DirectLighting	DSL+++	VSS	N2	A41Address
B4B	DirectLighting	DSL---	VSS	N3	A42Address
B5A	DirectLighting	DSR+++	VSS	N4	A42Address
B5B	DirectLighting	DSR---	VSS	N5	A43Address
B6A	DirectLighting	DVD_GND	VSS	N6	A43Address
B6B	DirectLighting	DVD_Gnd	VSS	N7	A44Address
B7A	DirectLighting	DVD_L+	VSS	N8	A44Address
B7B	DirectLighting	DVD_R+	VSS	N9	A45Address
BKK1	VSS	E	HandLever	N10	A45Address
BLACK	Starter_Volvo	e	BattCharger	N11	A46Address
Black	USB_Gnd	Escape	cluster	N12	A46Address
Black1		F	HandLever	N13	A47Address
Black2		f	BattCharger	N14	A47Address
BLK1	VSS	FAKE	L_SPEAKER_HARNESS	N15	A48Address
BLK2	VSS	FAKE1	R_SPEAKER_HARNESS	N16	A48Address
BlkFR	TPMS	G	HandLever	N17	A49Address
BlkRL	TPMS	GndA	ComputerSignals	N18	A49Address

CIRCUITS LIST

CircuitID	Description	CircuitID	Description	CircuitID	Description
N19	A50Address	Red1		sp52	EvaporatorEngageSig
N20	A50Address	RED2	VSS	spare2	SparesFr-to-RearHarness
N21	A51Address	Red2		spare3	SWInverter
N22	A51Address	RedFR	TPMS	spare4	SparesEvap.Harness
N23	A52Address	RedRL	TPMS	spare5	SparesEvap.Harness
N24	A52Address	RedRR	TPMS	spare6	SparesEvap.Harness
N25	A53Address	Ref2	GndPassengerSensor	spare7	SparesEvap.Harness
N26	A53Address	RF+	VSS	spare8	SparesEvap.Harness
N27	A54Address	RF+LL	VSS	spare9	SparesEvap.Harness
N28	A54Address	RF-	VSS	spare10	SparesInteriorLtsHarness
N29	A36Address	RF-LL	VSS	spare11	SparesInteriorLtsHarness
N30	A55_Address	RR	Ext_Speaker	spare12	SparesInteriorHarness
N31	A55_Address	RR+	VSS	spare13	SparesInteriorHarness
NETWORK1		RR+HS	VSS	spare14	SparesInteriorHarness
NETWORK2		RR-	VSS	spare15	SparesInteriorHarness
OFA6	POWER_CAPTAIN_CHAIR	RR-HS	VSS	spare16	SparesInteriorHarness
OFB1	RAMCOMIRROR	RTS	MCMInterface	spare17	FrontTrailerMarkers
OFB2	GndFanRoof1	Rts	ComputerSignals	spare18	FrontTrailerFlashRH
OFB2-D	GndFanRoof2	RX	TPMS	spare19	FrontTrailerFlashLH
OFB3	GND_TPMS	RxD	ComputerSignals	spare20	SparesClearanceLts
OP1	POWER_CAPTAIN_CHAIR	RxTx	MCMInterface	spare21	SparesClearanceLts
OP2	POWER_CAPTAIN_CHAIR	SE1	Ext_Speaker	spare22	SparesClearanceLts
OP3	POWER_CAPTAIN_CHAIR	Select	cluster	spare23	SparesClearanceLts
OP4	POWER_CAPTAIN_CHAIR	SH1	I_ShiftGearLevelSignal	spare24	SparesClearanceLts
OP12VI	POWER_CAPTAIN_CHAIR	SH2	I_ShiftGearLevelSignal	spare25	SparesClearanceLts
OPR1	GndDestinationSign	SH3	I_ShiftGearLevelSignal	spare32	SparesFrontHarness
OPST	Strobe	SH4	I_ShiftGearLevelSignal	spare33	SparesFrontHarness
OR	TagUnloadValve	SH5	I_ShiftGearLevelSignal	spare39	SparesDash
ORB4	TagUnload	SH6	I_ShiftGearLevelSignal	spare40	SparesDash
Pink	USB	SH7	I_ShiftGearLevelSignal	spare41	SparesDash
PP1	InverterPwr	SH8	I_ShiftGearLevelSignal	spare42	SparesDash
R+	VSS	SHL2	VSS	spare43	SparesDash
R+TV	VSS	SL13	L_SPEAKER_HARNESS	spare44	SparesDash
R-	VSS	SL24	L_SPEAKER_HARNESS	spare45	SparesFr-to-RearHarness
RadioAudioGnd	VSS	SL35	L_SPEAKER_HARNESS	spare46	SparesFr-to-RearHarness
RadioL+	VSS	SL46	L_SPEAKER_HARNESS	spare49	SparesEngineCradle
RadioR+	VSS	SL57	L_SPEAKER_HARNESS	spare50	SparesEngineCradle
Radio_Gnd	VSS	SL68	L_SPEAKER_HARNESS	spare51	SparesEngineCradle
Radio_L+	VSS	SL1012	L_SPEAKER_HARNESS	spare52	SparesEngineCradle
Radio_R+	VSS	SL1113	L_SPEAKER_HARNESS	spare53	SparesEngineCradle
RED	Starter_volvo	SL1214	L_SPEAKER_HARNESS	spare54	SparesEngineCradle
Red	USB	SL1315	L_SPEAKER_HARNESS	spare55	SparesEnginesAccessories
RED1	VSS	SL1416	L_SPEAKER_HARNESS	spare56	SparesEnginesAccessories

CIRCUITS LIST

CircuitID	Description	CircuitID	Description		
spare57	SparesEnginesAccessories	TV_GND	VSS		
spare58	SparesEnginesAccessories	TV_L+	VSS		
spare59	SparesEnginesAccessories	TV_R+	VSS		
spare60	SparesEnginesAccessories	TX	TPMS		
spare61	SparesEnginesAccessories	TxD	MCMInterface		
spare62	spareABSHarness	Up	cluster		
spare63	spareABSHarness	VI11	12V_Sup		
spare64	SapreTransmission	VI14	Galley		
spare65	SparesTransmission	WC2	WCLRemoteCtrl		
spWcl1	SpareWCL	WC3	WCLRemoteCtrl		
spWcl2	SpareWCL	WC4	WCLRemoteCtrl		
SR13	FR_SPEAKER_HARNESS_	WC6	WCLRemoteCtrl		
SR24	FR_SPEAKER_HARNESS_	WC7	WCL		
SR35	FR_SPEAKER_HARNESS_	WHITE	120VACOUTLET		
SR46	FR_SPEAKER_HARNESS_	White	USB		
SR57	FR_SPEAKER_HARNESS_	WHT1	VSS		
SR68	FR_SPEAKER_HARNESS_	WHT2	VSS		
SR911	R_SPEAKER_HARNESS_WCL	WhtFR	dataTPMS		
SR1012	R_SPEAKER_HARNESS_WCL	WhtRL	dataTPMS		
SR1113	R_SPEAKER_HARNESS_WCL	WhtRR	dataTPMS		
SR1214	R_SPEAKER_HARNESS_WCL	Y1A	DirectLighting		
SR1315	R_SPEAKER_HARNESS_WCL	Y1B	DirectLighting		
SR1416	R_SPEAKER_HARNESS_WCL	Y2A	DirectLighting		
STO_LOC		Y2B	DirectLighting		
Sub1+	VSS	Y3A	DirectLighting		
Sub1-	VSS	Y3B	DirectLighting		
Sub2+	VSS	Y4A	DirectLighting		
Sub2-	VSS	Y4B	DirectLighting		
SubH	Subnet	Y5A	DirectLighting		
SubL	Subnet	Y5B	DirectLighting		
TEST	TestLampOption	Y6A	DirectLighting		
TEST1	SOUND_SYSTEM	Y6B	DirectLighting		
Test1	SOUND_SYSTEM	Y7A	DirectLighting		
Test1a	SOUND_SYSTEM	Y7B	DirectLighting		
Test1B	SOUND_SYSTEM	zf1	SteeringCtrl		
TrigCam	VSS	zf2	SteeringCtrl		
TrigDVD	VSS				
TrigDvd	VSS				
TrigNav	VSS				
TrigPA	VSS				
TrigPaDr	VSS				
TrigTv	VSS				
TvGnd	VSS				

CONNECTORS LIST

No	Location	Part #	Gender	No	Location	Part #	Gender
A1A		563975	male	A44.J3		562957	male
A2A		563984	male	A45.J1	FJB	563133	male
A4A.A		562428	female	A45.J2	FJB	563132	male
A4A.B		561188	female	A45.J3	FJB	562957	male
A5A.A		562428	female	A46.J1	FJB	563133	male
A6A		562427	male	A46.J2	FJB	563132	male
A7A		563979	male	A46.J3	FJB	562957	male
A9.Cx1		564041	female	A47.J1	RightHandConsole	563133	male
A9.Cx2		563678	male	A47.J2	RightHandConsole	563132	male
A9.Cx3		564037	female	A47.J3	RightHandConsole	562957	male
A9.Cx4		564038	female	A48.J1		563133	male
A12	Dash	562464	male	A48.J2		563132	male
A13.J1	FJB	562794	male	A48.J3		562957	male
A13.J2	FJB	562650	male	A49.J1		562767	male
A14A.A		562766	male	A49.J2		563132	male
A14A.B		562767	male	A49.J3		562957	male
A14A.C		562765	male	A50.J1	RJB	563133	male
A15	Dash	562464	male	A50.J2	RJB	563132	male
A18	FJB	562794	male	A50.J3	RJB	562957	male
A18.J2	FJB	562650	male	A51.J1	RJB	563133	male
A24		561889	female	A51.J2	RJB	563132	male
A24.A		561890	male	A51.J3	RJB	562957	male
A24.B		561566	female	A52.J1	RJB	563133	male
A27	ServiceCmpt.	562929	male	A52.J2	RJB	563132	male
A28	ServiceCmpt.	562928	male	A52.J3	RJB	562957	male
A30.A		561611	male	A53.J1	RJB	563133	male
A30.C		561889	female	A53.J2	RJB	563132	male
A31.A		562676	male	A53.J3	RJB	562957	male
A31.B		562675	male	A54.J1	Evap.Cmpt.	563133	male
A36.JA		562767	male	A54.J2	Evap.Cmpt.	563132	male
A36.JB		562765	male	A54.J3	Evap.Cmpt.	562957	male
A36.JC		562957	male	A55.J1		562767	male
A41.J1	FJB	562767	male	A55.J2		563132	male
A41.J2		563132	male	A55.J3		562957	male
A41.J3		562957	male	A56.J1		563133	male
A42.J1		562767	male	A56.J2		563132	male
A42.J2		563132	male	A56.J3		562957	male
A42.J3		562957	male	A57.J1		563133	male
A43.J1	FJB	562767	male	A57.J2		563132	male
A43.J2		563132	male	A57.J3		562957	male
A43.J3		562957	male	A60		562464	male
A44.J1		563133	male	A61		562767	male
A44.J2		563132	male	A81A.JA		562767	male

CONNECTORS LIST

No	Location	Part #	Gender	No	Location	Part #	Gender
A81A.JB		562765	male	C4	ServiceCmpt.	563581	female
A81A.JC		562957	male	C5		563589	male
A96	FJB	564073	female	C5		563590	female
A97	Dash	563226	male	C5S		563589	male
A100		563758	female	C5S		563590	female
A101		563758	female	C6	ServiceCmpt.	563582	male
A102		563758	female	C6	ServiceCmpt.	563583	female
A103		562070	female	C10		562477	male
A130		563226	male	C10		562479	female
A131.A		561782	male	C11	ServiceCmpt.	563580	male
A131.B		561781	female	C11	ServiceCmpt.	563581	female
A137		563782	male	C13S		563593	male
A138		563787	male	C13S		563590	female
A139		564501	male	C13_plug		563589	male
Alt1D.A		563746	female	C13_socket		563590	female
Alt1D.B		560815	female	C14		561986	male
Alt1D.C		564469	female	C14		561987	female
Alt2D.A		563746	female	C15		562477	male
Alt2D.B		560815	female	C15		562479	female
Alt2D.C		564469	female	C17	RJB	561986	male
Alt3D.A		563746	female	C17	RJB	561987	female
Alt3D.B		560815	female	C18	FJB	561986	male
Alt3D.C		564469	female	C18	FJB	561987	female
B85		563815	male	C19	RJB	561986	male
B96.J1		560852	male	C19	RJB	561987	female
B96B		563823	male	C20		561986	male
B97		563816	male	C20		561987	female
B98.J1		560900	female	C21		562285	male
B115.J1		561017	female	C21		562282	female
B142B		563793	male	C22		564034	male
C1		563589	male	C22		564035	female
C1		563590	female	C23		561643	male
C1S		563589	male	C23		561642	female
C1S		563590	female	C24_plug		561690	male
C2	ServiceCmpt.	563580	male	C24_socket		561566	female
C2	ServiceCmpt.	563581	female	C26		562005	male
C2A		563580	male	C26		561714	female
C2A		563581	female	C27		563580	male
C3S		563593	male	C27		563581	female
C3S		563590	female	C28		561637	male
C3_plug		563589	male	C28		561636	female
C3_socket		563590	female	C34	RightHandConsole	561986	male
C4	ServiceCmpt.	563580	male	C34	RightHandConsole	561987	female

CONNECTORS LIST

No	Location	Part #	Gender	No	Location	Part #	Gender
C36		561986	male	C84		560851	female
C36		561987	female	C85		560852	male
C41		562477	male	C85		560851	female
C41		562479	female	C86		560852	male
C44_plug	FJB	561577	male	C86		560851	female
C44_socket	FJB	561605	female	C87	Lavatory	562581	male
C45	FJB	561643	male	C87	Lavatory	562583	female
C45	FJB	561642	female	C91	RJB	562285	male
C48	ServiceCmpt.	561690	male	C91	RJB	562282	female
C48	ServiceCmpt.	561566	female	C92		561734	male
C49A		562005	male	C92		561735	female
C49A		561714	female	C95		562581	male
C54		563580	male	C95		562583	female
C54		563581	female	C96		561643	male
C54B		562477	male	C96		561642	female
C54B		562479	female	C97		561583	male
C61		561669	male	C97		561585	female
C61		561670	female	C100		563589	male
C62		562566	male	C100		563590	female
C62		562565	female	C100S		563589	male
C63		562477	male	C100S		563590	female
C63		562479	female	C101	ServiceCmpt.	561690	male
C69		561583	male	C101	ServiceCmpt.	561566	female
C69		561585	female	C102		561690	male
C71	FJB	561646	male	C102		561566	female
C71	FJB	561645	female	C105		562581	male
C72	ServiceCmpt.	561646	male	C105		562583	female
C72	ServiceCmpt.	561645	female	C106_plug		562581	male
C74	ServiceCmpt.	561645	female	C106_socket		562583	female
C74	ServiceCmpt.	561646	male	C112		562284	male
C75		560852	male	C112		562281	female
C75		560851	female	C112A		562284	male
C77		560852	male	C112A		562281	female
C77		560851	female	C114		563582	male
C78		561690	male	C114		563583	female
C78		561566	female	C115		563580	male
C81		560852	male	C115		563581	female
C81		560851	female	C116		563226	male
C82		560852	male	C116		563613	female
C82		560851	female	C119	EngineDoor	561607	male
C83		560852	male	C119	EngineDoor	561606	female
C83		560851	female	C120	EngineDoor	561607	male
C84		560852	male	C120	EngineDoor	561606	female

CONNECTORS LIST

No	Location	Part #	Gender	No	Location	Part #	Gender
C171		561646	male	C380	Dash	563347	female
C171		561645	female	C397		562285	male
C172		561637	male	C397		562282	female
C172		561635	female	C399		562477	male
C193_plug		563589	male	C399		562479	female
C193_socket	RJB	563590	female	C400_plug		561782	male
C194	{ServiceCmpt.}	563589	male	C400_socket		561781	female
C194		563590	female	C426A		561782	male
C200_plug		562471	male	C426A		561781	female
C200_socket		562348	female	C463A		562571	male
C222	FJB	562477	male	C463A		562570	female
C222	FJB	562479	female	C464	RJB	563180	male
C223	FJB	563227	male	C464	RJB	563347	female
C223	FJB	563614	female	C500		562069	male
C224	FJB	561637	male	C500		562070	female
C224	FJB	561636	female	C550		561476	male
C225	FJB	562650	male	C550		561477	female
C225	FJB	562649	female	C551		561476	male
C228		563227	male	C551		561477	female
C228		563614	female	C552		561476	male
C230	EngineCmpt.	562485	male	C552		561477	female
C230	EngineCmpt.	562486	female	C553		561476	male
C242	ServiceCmpt.	563347	male	C553		561477	female
C242	ServiceCmpt.	563180	female	C554		561476	male
C243	ServiceCmpt.	563347	male	C554		561477	female
C243	ServiceCmpt.	563180	female	C555		561476	male
C246	ServiceCmpt.	563090	male	C555		561477	female
C246	ServiceCmpt.	563091	female	C556		561476	male
C264		561637	male	C556		561477	female
C264		561636	female	C557		561476	male
C266		561640	male	C557		561477	female
C266		561639	female	C558		561476	male
C269	RHConsole	563090	male	C558		561477	female
C269	RHConsole	563091	female	C559		561476	male
C279		562477	male	C559		561477	female
C279		562479	female	C560		561476	male
C281		560852	male	C560		561477	female
C281		560851	female	C561		561476	male
C290		560852	male	C561		561477	female
C290		560851	female	C562		561476	male
C291		560852	male	C562		561477	female
C291		560851	female	C617		563801	male
C380	Dash	563180	male	C617		563800	female

CONNECTORS LIST

No	Location	Part #	Gender	No	Location	Part #	Gender
C618		563801	male	L58.B		562623	male
C618		563800	female	L59.A	Outside_Front_RH	562623	male
C717		561646	male	L59.B	Outside_Front_RH	562623	male
C717		561645	female	L60.A	Outside_Front_LH	562623	male
CC1		563227	male	L60.B	Outside_Front_LH	562623	male
CC1		563614	female	L61		562601	male
CC2		563226	male	L62	Outside_Front_LH	562601	male
CC2		563613	female	L63	Outside_Front_RH	562155	male
CSo1		562581	male	L64	Outside_Front_RH	562155	male
CSo1		562583	female	L65	Outside_Front_LH	562155	male
CSo1S		562581	male	L66	Outside_Front_LH	562155	male
CSo1S		562583	female	L67	3rdLuggCmpt.	562155	male
CSo2		561643	male	L68	3rdLuggCmpt.	562155	male
CSo2		561641	female	L69	3rdLuggCmpt.	562155	male
CSo5		561847	male	L70	3rdLuggCmpt.	562155	male
CSo5		561862	female	L71	Rear_Engine_Door	562601	male
CSo7		561695	male	L72	Rear_Vehicle	562155	male
CSo7		561694	female	L73	Rear_Vehicle	562601	male
CT2		563226	male	L74	Rear_Vehicle	562155	male
CT2		563613	female	L75	Rear_Vehicle	562155	male
EI		563739	male	L76	Rear_Engine_Door	562155	male
L1		562848	male	L77	Rear_Engine_Door	562601	male
L16	FrontRoof	562803	male	L78	Rear_Engine_Door	562601	male
L17		562803	male	L79	Rear_Engine_Door	562601	male
L18.A		561539	male	L80	Rear_Engine_Door	562601	male
L18.B		561539	male	L81.A	Rear_Engine_Door	562835	female
L21.A	FrontRoof	561608	female	L81.B	Rear_Engine_Door	562834	male
L21.B	FrontRoof	562286	male	L82		562348	female
L22.A	FrontRoof	561608	female	L83	Rear_Engine_Door	562348	female
L22.B	FrontRoof	562286	male	L84.A	RearRoof	561608	female
L23.A	FrontRoof	561608	female	L84.B	RearRoof	562286	male
L23.B	FrontRoof	562286	male	L85.A		561608	female
L24.A	FrontRoof	561608	female	L85.B	RearRoof	562286	male
L24.B	FrontRoof	562286	male	L86.A		561608	female
L25.A	FrontRoof	561608	female	L86.B	RearRoof	562286	male
L25.B	FrontRoof	562286	male	L87.A		561608	female
L26.A	FrontRoof	561608	female	L87.B	RearRoof	562286	male
L26.B	FrontRoof	562286	male	L88.A		561608	female
L27.A	FrontRoof	561608	female	L88.B	RearRoof	562286	male
L27.B	FrontRoof	562286	male	L89.A		561608	female
L57.A		563366	male	L89.B	RearRoof	562286	male
L57.B		562623	male	L90.A	RearRoof	561608	female
L58.A		562623	male	L90.B	RearRoof	562286	male

CONNECTORS LIST

No	Location	Part #	Gender	No	Location	Part #	Gender
L91	EngineCmpt.	562755	male	L298.B		562834	male
L92	EngineCmpt.	562755	male	L299		563590	female
L93.A		563069	female	L300		562155	male
L93.B		563069	female	L301		562155	male
L94.A	EngineCmpt.	563069	female	L302		562155	male
L94.B	EngineCmpt.	563069	female	L303		562155	male
L95	Outside_Front_LH	562902	female	L350		562350	male
L96	Outside_Front_RH	562902	female	Mo1	EngineCmpt.	561690	female
L97.A	Outside_Front_LH	563069	female	Mo2	EngineCmpt.	561782	male
L97.B	Outside_Front_LH	563069	female	Mo3	Dash	561667	female
L98.A	Entrance_Door	563069	female	Mo4	Dash	562076	male
L98.B	Outside_Front_RH	563069	female	Mo5		561515	male
L173_0_1		563590	female	Mo7		563691	male
L174_0_1		563590	female	Mo8		563691	male
L176	5thLuggCmpt.	561247	male	Mo12.A	Evap.Cmpt.	561690	male
L177	5thLuggCmpt.	561247	male	Mo15		560900	female
L178	3rdLuggCmpt.	561247	male	Mo16		560900	female
L179	3rdLuggCmpt.	561247	male	Mo17		563626	male
L180	2ndLuggCmpt.	561247	male	Mo19	{ServiceCmpt.}	562474	male
L181	2ndLuggCmpt.	561247	male	Mo20	{ServiceCmpt.}	562474	male
L182	1stLuggCmpt.	561247	male	Mo22	RightHandConsole	561186	male
L183	1stLuggCmpt.	561247	male	Mo24	RightHandConsole	562348	female
L184	ServiceCmpt.	561247	male	Mo25	RightHandConsole	562348	female
L187		561690	male	Mo26		562076	male
L189	Outside_Front_RH	562069	male	Mo27		563691	male
L190	Outside_Front_LH	562069	male	Mo28		563691	male
L193.A	Dash	560488	female	Mo30		562076	male
L193.B	Dash	560488	female	Mo31		562076	male
L194.A	Dash	562019	female	Mo32		562076	male
L194.B	*opt*	560488	female	Mo33		562076	male
L195.A	Dash	560488	female	Mo34		562076	male
L195.B	Dash	560488	female	Mo35		562076	male
L199	EngineCmpt.	562471	male	Mo36		562076	male
L200	EngineCmpt.	562471	male	Mo37		564161	male
L203		561690	male	Mo38		562076	male
L205.A	Evap.Cmpt.	562485	male	Mo39		562076	male
L282		561690	male	Mo40		561477	female
L285		561247	male	Mo44		561477	female
L287		561247	male	Mo50		561782	male
L288		561247	male	Mo53		561248	female
L297.A		562835	female	Mo54		562474	male
L297.B		562834	male	Mo55.A		563626	male
L298.A		562835	female	Mo56		564161	male

CONNECTORS LIST

No	Location	Part #	Gender	No	Location	Part #	Gender
Mo57.A		561477	female	RS04.A	SlideOut_Jct_Box	561626	female
Mo58.A		561477	female	RS04.B	SlideOut_Jct_Box	561626	female
MoSo1.A		561967	male	RUnlock		561183	male
MOSO2.A		561967	male	Se11.A		564460	female
Pot1.A	Dash	560488	female	Se11.B		564460	female
Pot1.B	Dash	560488	female	Se11.C		564460	female
Pot1.C	Dash	560488	female	Se12	EngineCmpt.	561690	female
R3	RJB	563409	male	Se13		562350	male
R08.A		563590	female	Se14.A	DriverArea	561782	male
R10.A	Evap.Cmpt.	563409	male	Se14.B	DriverArea	561781	female
R11		561183	male	Se15.A		562651	female
R12.A	Evap.Cmpt.	563409	male	Se15.B		562651	female
R17	RJB	563409	male	Se15.C		562651	female
R18	FJB	562367	male	Se16.A		562651	female
R19	FJB	562367	male	Se16.B		562651	female
R22	{FJBVECF}	561183	male	Se17.A		562291	female
R23	RightHandConsole	561183	male	Se17.B		562291	female
R25	RJB	561183	male	Se17.C		562291	female
R29		563409	male	Se18.A		560815	female
R30	RJB	561183	male	Se18.B		560815	female
R31	RJB	561183	male	Se19.A		563677	male
R32	RJB	561183	male	Se19A.A		563677	male
R33	RJB	561183	male	Se20		562426	male
R34		562367	male	Se21	Dash	561248	female
R41	FJB	561183	male	Se23	EngineCmpt.	563159	male
R42	FJB	561183	male	Se24	EngineCmpt.	563159	male
R43	FJB	561183	male	Se25		561248	female
Res3	RJB	563590	female	Se29		561566	female
Res4.A	{RightHandConsole}	563590	female	Se32		563057	male
Res5	Dash	563590	female	Se33		562856	male
Res6	FJB	563590	female	Se34		563057	male
Res7.A		563590	female	Se35		563057	male
Res12.A		563590	female	Se36		563629	female
Res15		561782	male	Se37		641132	female
Res31		562350	male	Se38		641132	female
Res32		563764	female	Se39		641132	female
RLock		561183	male	Se40		641132	female
RS01.A	SlideOut_Jct_Box	561626	female	Se45	{ServiceCmpt.}	562426	male
RS01.B	SlideOut_Jct_Box	561626	female	Se46		562348	female
RS02.A	SlideOut_Jct_Box	561626	female	Se52.A		560488	female
RS02.B	SlideOut_Jct_Box	561626	female	Se52.B		560488	female
RS03.A	SlideOut_Jct_Box	561626	female	Se53		563159	female
RS03.B	SlideOut_Jct_Box	561626	female	Se54		563159	female

CONNECTORS LIST

No	Location	Part #	Gender	No	Location	Part #	Gender
Se55		563159	female	Sw2	Dash	562763	male
Se60		563409	male	Sw3		562763	male
Se63		641132	female	Sw4		562763	male
Se64		641132	female	Sw6		562763	male
Se65		564042	female	Sw7.A		562403	female
Se66		564039	female	Sw7.B		562403	female
Se67		563159	female	Sw11A		562763	male
Se68		563159	female	Sw14		562763	male
Se69		563159	female	Sw16		562763	male
Se73.A		562426	male	Sw17	Dash	562763	male
SESO1.A		563159	male	Sw18A		562763	male
SESO2.A		562479	female	Sw21		562763	male
SESO3.A		562479	female	Sw24		562763	male
SESO5.A		562479	female	Sw34		562763	male
SESO6.A		562479	female	Sw35		562763	male
So1		561566	female	Sw38	LeftHandConsole	562763	male
So3		641385	male	Sw40	LeftHandConsole	561690	male
So7	ServiceCmpt.	561566	male	Sw41	LeftHandConsole	562749	male
So8	ServiceCmpt.	563204	female	Sw44.A		562403	female
So9		561566	female	Sw44.B		562403	female
So11.A		561566	female	Sw45.A	5thLuggCmpt.	562403	female
So13.A		563204	female	Sw45.B	5thLuggCmpt.	562403	female
So21		564046	female	Sw46.A	5thLuggCmpt.	562403	female
So22		564046	female	Sw46.B	5thLuggCmpt.	562403	female
So23		564046	female	Sw47.A	3rdLuggCmpt.	562403	female
So24		564046	female	Sw47.B	3rdLuggCmpt.	562403	female
So26		562848	male	Sw48.A	3rdLuggCmpt.	562403	female
So27		564045	female	Sw48.B	3rdLuggCmpt.	562403	female
So28		641385	male	Sw49.A	2ndLuggCmpt.	562403	female
So29		641385	male	Sw49.B	2ndLuggCmpt.	562403	female
So30		641385	male	Sw50.A	2ndLuggCmpt.	562403	female
So31		641385	male	Sw50.B	2ndLuggCmpt.	562403	female
So32		641385	male	Sw51.A	1stLuggCmpt.	562403	female
So33		563324	female	Sw51.B	1stLuggCmpt.	562403	female
So36		561690	male	Sw52	1stLuggCmpt.	562403	female
So50		564046	female	Sw52.B	1stLuggCmpt.	562403	female
So51		564046	female	Sw58	EngineCmpt.	562581	male
So52		564045	female	Sw59		562348	female
SOSO4.A		641385	male	Sw60	EngineCmpt.	561566	female
spBar1		564135	male	Sw63A		562763	male
spBar2		564135	male	Sw64.A		560815	female
Sw1.C258		561188	female	Sw64.B		560815	female
Sw1.C259		561186	male	Sw83.A		560082	female

CONNECTORS LIST

No	Location	Part #	Gender	No	Location	Part #	Gender
Sw83.B		560815	female	VECR1	RJB	563716	male
Sw83.C		560082	female	VECR2	RJB	563713	male
Sw83.D		560815	female	VECR3	RJB	563715	male
Sw84		561566	female	VECR4	RJB	563712	male
Sw85	LeftHandConsole	562749	male	VECR9	RJB	563718	male
Sw99		562763	male	VECR10	RJB	563711	male
Sw102		562763	male	VECR11	RJB	563714	male
Sw103A		562763	male	VECR12	RJB	563717	male
Sw104		562763	male	Y80		563789	male
Sw106		561637	male	Y81		563793	male
Sw107.A		561190	female				
Sw107.B		561190	female				
Sw107.C		561190	female				
Sw107.D		561190	female				
Sw107.E		561190	female				
Sw107.F		561190	female				
Sw107.G		561190	female				
Sw107.H	{LeftHandConsole}	561190	female				
Sw107.J	{LeftHandConsole}	561190	female				
Sw107.K	{LeftHandConsole}	561190	female				
Sw108		562763	male				
Sw114.A		560079	female				
Sw114.B		560079	female				
Sw118.A		560079	female				
Sw118.B		560079	female				
Sw120		562237	female				
Sw122		562763	male				
Sw128.A		562403	female				
Sw128.B		562403	female				
Sw134.A		560079	female				
Sw134.B		560079	female				
Sw137		562763	male				
Sw152		562471	male				
SwSo1.A		561552	female				
SwSo2.A		561552	female				
VECF1	FJB	563186	male				
VECF2	FJB	563183	male				
VECF3		563185	male				
VECF4	FJB	563182	male				
VECF9		563448	male				
VECF10	FJB	563181	male				
VECF11	FJB	563184	male				
VECF12	FJB	563187	male				

CONNECTORS LIST

No	Location	Part #	Gender	No	Location	Part #	Gender
A1	RJB	563975	male	A42.J3	FJB	562957	male
A2A	Left_Hand_Console	563984	male	A43.J1	FJB	562767	male
A3	Dash	562363	male	A43.J2	FJB	563132	male
A4A.A	Service_Cmpt_	562428	female	A43.J3	FJB	562957	male
A4A.B	Service_Cmpt_	561188	female	A44.J1	FJB	563133	male
A5A	Service_Cmpt_	562428	female	A44.J2	FJB	563132	male
A6	Rear_Axle_Cmpt_	562427	male	A44.J3	FJB	562957	male
A7	Rear_Axle_Cmpt_	563979	male	A45.J1	FJB	563133	male
A9.Cx1	FJB	564041	female	A45.J2	FJB	563132	male
A9.Cx2	FJB	563678	male	A45.J3	FJB	562957	male
A9.Cx3	FJB	564037	female	A46.J1	FJB	563133	male
A9.Cx4	FJB	564038	female	A46.J2	FJB	563132	male
A10.X1	Engine_Cmpt_	563135	male	A46.J3	FJB	562957	male
A10.X3	Engine_Cmpt_	563134	female	A47.J1	Right_Hand_Console	563133	male
A11	Left_Hand_Console	563142	male	A47.J2	Right_Hand_Console	563132	male
A14A.A	Dash	562766	male	A47.J3	Right_Hand_Console	562957	male
A14A.B	Dash	562767	male	A48.J1	Right_Hand_Console	563133	male
A14A.C	Dash	562765	male	A48.J2	Right_Hand_Console	563132	male
A15	Dash	562464	male	A48.J3	Right_Hand_Console	562957	male
A16	Front_Roof	561637	male	A49.J1	RJB	562767	male
A18.J1	FJB	562794	male	A49.J2	RJB	563132	male
A18.J2	FJB	562650	male	A49.J3	RJB	562957	male
A19	Left_Hand_Console	562878	female	A50.J1	RJB	563133	male
A20	Parcel_Rack_LH	561477	female	A50.J2	RJB	563132	male
A24	Right_Hand_Console	561889	female	A50.J3	RJB	562957	male
A24.A	Right_Hand_Console	561890	male	A51.J1	RJB	563133	male
A24.B	Right_Hand_Console	561566	female	A51.J2	RJB	563132	male
A25	Dash	563025	male	A51.J3	RJB	562957	male
A27	Service_Cmpt_	562929	male	A52.J1	RJB	563133	male
A28	Service_Cmpt_	562928	male	A52.J2	RJB	563132	male
A29	Dash	562464	male	A52.J3	RJB	562957	male
A33.A	FrontCeiling	563071	female	A53.J1	RJB	563133	male
A33.B	FrontCeiling	562330	female	A53.J2	RJB	563132	male
A36.JA	FJB	562767	male	A53.J3	RJB	562957	male
A36.JB	FJB	562765	male	A54.J1	Evap_Cmpt_	563133	male
A36.JC	FJB	562957	male	A54.J2	Evap_Cmpt_	563132	male
A39.P101	Parcel_Rack_LH_1st_Cmpt	563201	male	A54.J3	Evap_Cmpt_	562957	male
A39.P901	Parcel_Rack_LH_1st_Cmpt	563953	male	A55.J1	Dash	562767	male
A41.J1	FJB	562767	male	A55.J2	Dash	563132	male
A41.J2	FJB	563132	male	A55.J3	Dash	562957	male
A41.J3	FJB	562957	male	A60.A	Parcel_Rack_LH_1st_Cmpt	563071	male
A42.J1	FJB	562767	male	A60.B	Parcel_Rack_LH_1st_Cmpt	562706	female
A42.J2	FJB	563132	male	A60.C	Parcel_Rack_LH_1st_Cmpt	901110	male

CONNECTORS LIST

No	Location	Part #	Gender	No	Location	Part #	Gender
A60.D	Parcel_Rack_LH_1st_Cmpt	901110	male	A121.Vsb	Dash	563678	male
A61.A	Parcel_Rack_LH_1st_Cmpt	562464	male	A121.Vsc	Dash	564037	female
A61.B	Parcel_Rack_LH_1st_Cmpt	562465	male	A121.Vsd	Dash	564118	male
A65	Dash	562465	male	A130	Left_Hand_Console	563226	male
A69.A	Parcel_Rack_LH_1st_Cmpt	563071	male	A131.A	Engine_Cmpt_	561782	male
A69.B	Parcel_Rack_LH_1st_Cmpt	561716	female	A131.B	Engine_Cmpt_	561781	female
A69.C	Parcel_Rack_LH_1st_Cmpt	561716	female	A137	Cond_Cmpt_	563782	male
A69.D	Parcel_Rack_LH_1st_Cmpt	561716	female	A137A		20429843	male
A69.E	Parcel_Rack_LH_1st_Cmpt	561716	female	A138	Cond_Cmpt_	563787	male
A69.F	Parcel_Rack_LH_1st_Cmpt	561716	female	A139	Dash	564501	female
A69.G	Parcel_Rack_LH_1st_Cmpt	561716	female	A150		21280133	male
A69.H	Parcel_Rack_LH_1st_Cmpt	561716	female	A152.A	Parcel_Rack_LH_1st_Cmpt	561550	male
A70c	Roof	562370	male	A152.B	Parcel_Rack_LH_1st_Cmpt	563071	male
A81A.JA	FJB	562767	male	A152.C	Parcel_Rack_LH_1st_Cmpt	563071	male
A81A.JB	FJB	562765	male	A152.D	Parcel_Rack_LH_1st_Cmpt	563071	male
A81A.JC	FJB	562957	male	A152.E	Parcel_Rack_LH_1st_Cmpt	563071	male
A83	FJB	564205	male	A152.F	Parcel_Rack_LH_1st_Cmpt	563071	male
A96	FJB	564073	female	A152.G	Parcel_Rack_LH_1st_Cmpt	563071	male
A97	Dash	563226	male	A152.H	Parcel_Rack_LH_1st_Cmpt	563071	male
A100	Front_Axle_Cmpt_	563758	female	A152.I	Parcel_Rack_LH_1st_Cmpt	563071	male
A101	Rear_Axle_Cmpt_	563758	female	A152.J	Parcel_Rack_LH_1st_Cmpt	563071	male
A102	Rear_Axle_Cmpt_	563758	female	A152.K	Parcel_Rack_LH_1st_Cmpt	562779	male
A103	Dash	562070	female	A152.L	Parcel_Rack_LH_1st_Cmpt	562779	male
A104	Over_Head_Driver_Area	562649	female	A153.A	Parcel_Rack_LH_1st_Cmpt	562465	male
A105	RightHandOutside	562649	female	A153.B	Parcel_Rack_LH_1st_Cmpt	561716	female
A106		562649	female	A153.C	Parcel_Rack_LH_1st_Cmpt	561716	female
A107	Rear_Axle_Cmpt_	20393942	female	A153.D	Parcel_Rack_LH_1st_Cmpt	561716	female
A108	FJB	562766	male	A154	Passenger_Area	21280133	male
A109	Left_Hand_Console	564141	male	Alt1D.A	Engine_Cmpt_	563746	female
A113.A	Dash	563960	male	Alt1D.B	Engine_Cmpt_	560815	female
A113.B	Dash	563962	male	Alt1D.C	Engine_Cmpt_	564469	female
A113.C1	Dash	563956	male	Alt2D.A	Engine_Cmpt_	563746	female
A113.C2	Dash	563957	male	Alt2D.B	Engine_Cmpt_	560815	female
A113.C3	Dash	563958	male	Alt2D.C	Engine_Cmpt_	564469	female
A113.D	Dash	563961	male	B85	Engine_Cmpt_	563815	male
A114	FrontBumper	563850	male	B96.J1	Engine_Cmpt_	563821	male
A120.A	Dash	563960	male	B96B	Engine_Cmpt_	563823	male
A120.B	Dash	563962	male	B97	Engine_Cmpt_	563816	male
A120.C1	Dash	563956	male	B98	Engine_Cmpt_	563817	male
A120.C2	Dash	563957	male	B115.J1	Engine_Cmpt_	563818	female
A120.C3	Dash	563958	male	B115A.J1		564226	male
A120.D	Dash	563961	male	B142B	Cond_Cmpt_	563793	male
A121.Vsa	Dash	563679	male	C1	Service_Cmpt_	563589	male

CONNECTORS LIST

No	Location	Part #	Gender	No	Location	Part #	Gender
C1	Service_Cmpt_	563590	female	C18	FJB	561986	male
C1S	Service_Cmpt_	563589	male	C18	FJB	561987	female
C1S	Service_Cmpt_	563590	female	C19	RJB	561986	male
C2	Service_Cmpt_	563580	male	C19	RJB	561987	female
C2	Service_Cmpt_	563581	female	C20	Lavatory	561668	male
C2A	Service_Cmpt_	563580	male	C20	Lavatory	561551	female
C2A	FJB	563581	female	C20A	Engine_Cmpt_	562485	male
C3	RJB	563589	male	C20A	Engine_Cmpt_	562486	female
C3	RJB	563590	female	C20B	Engine_Cmpt_	562485	male
C3S	RJB	563589	male	C20B	Engine_Cmpt_	562486	female
C3S	RJB	563590	female	C21A	RJB	561646	male
C4	Service_Cmpt_	563580	male	C21A	RJB	561645	female
C4	Service_Cmpt_	563581	female	C21B	RJB	561646	male
C5	Service_Cmpt_	563589	male	C21B	RJB	561645	female
C5	Service_Cmpt_	563590	female	C22	RJB	561847	male
C5S	Service_Cmpt_	563589	male	C22	RJB	561862	female
C5S	Service_Cmpt_	563590	female	C23	5thLugg.Cmpt	561847	male
C6	Service_Cmpt_	563582	male	C23	5thLugg.Cmpt	561862	female
C6	Service_Cmpt_	563583	female	C24_plug	Evap_Cmpt_	561690	male
C7	Service_Cmpt_	562581	male	C24_socket	Evap_Cmpt_	561566	female
C7	Service_Cmpt_	562583	female	C25	Parcel_Rack_LH_1st_Cmpt	561550	male
C8	Service_Cmpt_	563227	male	C25	Parcel_Rack_LH_1st_Cmpt	561667	female
C8	Service_Cmpt_	563614	female	C26	Cond_Cmpt_	563580	male
C9	Evap_Cmpt_	561986	male	C26	Cond_Cmpt_	563581	female
C9	Evap_Cmpt_	561987	female	C27	RJB	562005	male
C10A	Engine_Cmpt_	562581	male	C27	RJB	561714	female
C10A	Engine_Cmpt_	562583	female	C29	5th_Lugg_Cmpt_	563651	male
C11	Service_Cmpt_	563580	male	C29	5th_Lugg_Cmpt_	563652	female
C11	Service_Cmpt_	563581	female	C30	5th_Lugg_Cmpt_	561710	male
C12	RJB	561986	male	C30	5th_Lugg_Cmpt_	561709	female
C12	RJB	561987	female	C31	RJB	561734	male
C13S	Right_Hand_Console	563589	male	C31	RJB	561735	female
C13S	Right_Hand_Console	563590	female	C32	5th_Lugg_Cmpt_	561550	male
C13_plug	Right_Hand_Console	563589	male	C32	5th_Lugg_Cmpt_	561667	female
C13_socket	Right_Hand_Console	563590	female	C33	RHFrontRoof	561550	male
C14	Evap_Cmpt_	561986	male	C33	RHFrontRoof	561667	female
C14	Evap_Cmpt_	561987	female	C34	Right_Hand_Console	561986	male
C15	5th_Lugg_Cmpt_	561643	male	C34	Right_Hand_Console	561987	female
C15	5th_Lugg_Cmpt_	561642	female	C35	RJB	562283	male
C16	RJB	561577	male	C35	RJB	562280	female
C16	RJB	561605	female	C36	FJB	561986	male
C17	RJB	561986	male	C36	FJB	561987	female
C17	RJB	561987	female	C37	Parcel_Rack_LH	562557	male

CONNECTORS LIST

No	Location	Part #	Gender	No	Location	Part #	Gender
C37	Parcel_Rack_LH	562558	female	C72	FJB	561646	male
C38	Parcel_Rack_RH	562555	male	C72	FJB	561645	female
C38	Parcel_Rack_RH	562556	female	C74	FJB	561645	female
C39	ModestyPanel	562503	male	C74	FJB	561646	male
C39	ModestyPanel	562507	female	C78	Engine_Cmpt_	561690	male
C40	Dash	562485	male	C78	Engine_Cmpt_	561566	female
C40	Dash	562486	female	C82	Right_Hand_Console	562581	male
C41	RJB	561690	male	C82	Right_Hand_Console	562583	female
C41	RJB	561566	female	C87	Lavatory	563618	male
C43	Lavatory	561661	female	C87	Lavatory	563616	female
C43	Lavatory	561662	male	C90	Engine_Cmpt	562350	male
C44_plug	FJB	561577	male	C90	Engine_Cmpt	563764	female
C44_socket	FJB	561605	female	C91	RJB	562285	male
C45	FJB	561643	male	C91	RJB	562282	female
C45	FJB	561642	female	C92	FJB	561986	male
C46		564228	male	C92	FJB	561987	female
C46		564228	male	C96	FJB	561643	male
C47	Parcel_Rack_RH	561247	male	C96	FJB	561642	female
C47	Parcel_Rack_RH	561248	female	C97	FJB	561640	male
C48	Service_Cmpt_	561690	male	C97	FJB	561639	female
C48	Service_Cmpt_	561566	female	C100	5th_Lugg_Cmpt_	563589	male
C49A	FJB	562005	male	C100	5th_Lugg_Cmpt_	563590	female
C49A	FJB	561714	female	C100S	5th_Lugg_Cmpt_	563589	male
C51	Engine_Cmpt_	562485	male	C100S	5th_Lugg_Cmpt_	563590	female
C51	Engine_Cmpt_	562486	female	C101	Service_Cmpt_	561690	male
C53	RJB	561539	male	C101	Service_Cmpt_	561566	female
C53	RJB	561540	female	C102	RJB	561690	male
C54	Engine_Cmpt_	563580	male	C102	RJB	561566	female
C54	Engine_Cmpt_	563581	female	C103_plug	FJB	562485	male
C55	Evap_Cmpt_	561577	male	C103_socket	FJB	562486	female
C55	Evap_Cmpt_	561605	female	C105_plug	FJB	562581	male
C64	Engine_Cmpt_	563580	male	C105_socket	FJB	562583	female
C64	Engine_Cmpt_	563581	female	C106_plug	FJB	562581	male
C66	Engine_Cmpt_	561577	male	C106_socket	FJB	562583	female
C66	Engine_Cmpt_	561605	female	C119A	Rear_Engine_Door	562581	male
C67	Parcel_Rack_RH	561247	male	C119A	Rear_Engine_Door	562583	female
C67	Parcel_Rack_RH	561248	female	C120A	Rear_Engine_Door	563580	male
C69	FJB	561583	male	C120A	Rear_Engine_Door	563581	female
C69	FJB	561585	female	C122	RJB	561690	male
C70	FrontCeiling	562557	male	C122	RJB	561566	female
C70	FrontCeiling	562558	female	C123	Rear_Axle_Cmpt_	561690	male
C71	Service_Cmpt_	561646	male	C123	Rear_Axle_Cmpt_	561566	female
C71	Service_Cmpt_	561645	female	C124	FJB	561577	male

CONNECTORS LIST

No	Location	Part #	Gender	No	Location	Part #	Gender
C124	FJB	561605	female	C226	FJB	562650	male
C141	Left_Hand_Console	561247	male	C226	FJB	562649	female
C141	Left_Hand_Console	561248	female	C239	Service_Cmpt_	561690	male
C144	UnderLHSeat	560852	male	C239	Service_Cmpt_	561566	female
C144	UnderLHSeat	560851	female	C240	Service_Cmpt_	561607	male
C152	CondensorCmpt.	561611	male	C240	Service_Cmpt_	561606	female
C152	CondensorCmpt.	561610	female	C246	Service_Cmpt_	563090	male
C155	RJB	561626	female	C246	Service_Cmpt_	563091	female
C155	RJB	561904	female	C260	Service_Cmpt_	561607	male
C171	Service_Cmpt_	561646	male	C260	Service_Cmpt_	561606	female
C171	Service_Cmpt_	561645	female	C269	RHConsole	563090	male
C183	Service_Cmpt_	561611	male	C269	RHConsole	563091	female
C183	Service_Cmpt_	561610	female	C279	Service_Cmpt_	562477	male
C184_plug	Dash	561566	female	C279	Service_Cmpt_	562479	female
C184_socket	Dash	561690	male	C280_plug		562549	male
C185_plug	Dash	561782	male	C280_socket		562550	female
C185_socket	Dash	561781	female	C284	Parcel_Rack_LH_1st_Cmpt	561782	male
C186_plug	RightHandOutside	561782	male	C284	Parcel_Rack_LH_1st_Cmpt	561781	female
C186_socket	RightHandOutside	561781	female	C284-1	Parcel_Rack_LH_1st_Cmpt	561782	male
C187_plug	Dash	561782	male	C284-1	Parcel_Rack_LH_1st_Cmpt	561781	female
C187_socket	Dash	561781	female	C284-2	Parcel_Rack_LH_1st_Cmpt	561782	male
C193	RJB	563589	male	C284-2	Parcel_Rack_LH_1st_Cmpt	561781	female
C193	RJB	563590	female	C284-3	Parcel_Rack_LH_1st_Cmpt	561782	male
C194	FJB	563589	male	C284-3	Parcel_Rack_LH_1st_Cmpt	561781	female
C194	FJB	563590	female	C284-4	Parcel_Rack_LH_1st_Cmpt	561782	male
C200	Engine_Cmpt_	562471	male	C284-4	Parcel_Rack_LH_1st_Cmpt	561781	female
C200	Engine_Cmpt_	562348	female	C284-5	Parcel_Rack_LH_1st_Cmpt	561782	male
C206	FJB	562503	male	C284-5	Parcel_Rack_LH_1st_Cmpt	561781	female
C206	FJB	562507	female	C298	Parcel_Rack_LH_1st_Cmpt	561782	male
C207	Over_Head_Driver_Area	562503	male	C298	Parcel_Rack_LH_1st_Cmpt	561781	female
C207	Over_Head_Driver_Area	562507	female	C322		562549	male
C209	Parcel_Rack_RH	562503	male	C322		562550	female
C209	Parcel_Rack_RH	562507	female	C323		562549	male
C212	WCL_Door	561515	male	C323		562550	female
C212	WCL_Door	561552	female	C330	FJB	561690	male
C222	FJB	562477	male	C330	FJB	561566	female
C222	FJB	562479	female	C331		562549	male
C223	FJB	563227	male	C331		562550	female
C223	FJB	563614	female	C333		562549	male
C224	FJB	561637	male	C333		562550	female
C224	FJB	561636	female	C334_plug		562549	male
C225	FJB	562649	female	C334_socket		562550	female
C225_0_1	FJB	562650	male	C336_plug		562549	male

CONNECTORS LIST

No	Location	Part #	Gender	No	Location	Part #	Gender
C336_socket		562550	female	C566	Dash	562503	male
C337		561782	male	C566	Dash	562507	female
C337		561781	female	C567	Dash	562503	male
C380	Dash	563180	male	C567	Dash	562507	female
C380	Dash	563347	female	C575	RrSectionRHHatRack	562503	male
C380A		564222	male	C575	RrSectionRHHatRack	562507	female
C380A		564224	female	C576	RrSectionRHHatRack	561550	male
C381	FJB	561847	male	C576	RrSectionRHHatRack	561667	female
C381	FJB	561862	female	C577	RrSectionLHHatRack	561550	male
C382	Passenger_Area	561580	male	C577	RrSectionLHHatRack	561667	female
C382	Passenger_Area	561582	female	C578	RrSectionLHHatRack	562503	male
C397	RJB	562285	male	C578	RrSectionLHHatRack	562507	female
C397	RJB	562282	female	C582	FJB	561690	female
C403	Galley	561247	male	C582	FJB	561566	female
C403	Galley	561248	female	C601	LHRoofWinAjar	561476	male
C404	Galley	561247	male	C601	LHRoofWinAjar	561477	female
C404	Galley	561248	female	C602	FJB	561476	male
C405	Galley	561247	male	C602	FJB	561477	female
C405	Galley	561248	female	C603	RHRoofWinAjar	561476	male
C426	Engine_Cmpt_	561611	male	C603	RHRoofWinAjar	561477	female
C426	Engine_Cmpt_	561610	female	C611	Parcel_Rack_RH	562557	male
C430	LHConsole	562363	male	C611	Parcel_Rack_RH	562558	female
C430	LHConsole	561188	female	C612_plug	Parcel_Rack_RH	562555	male
C452	Dash	561580	male	C612_socket	Parcel_Rack_RH	562556	female
C452	Dash	561582	female	C613_plug	Parcel_Rack_RH	561550	male
C463	Engine_Cmpt_	562570	female	C613_socket	Parcel_Rack_RH	561667	female
C463	Engine_Cmpt_	562571	male	C614	Passenger_Area	563071	male
C464	RJB	563180	male	C614	Passenger_Area	563040	female
C464	RJB	563347	female	C615	Passenger_Area	563071	male
C464A		564222	male	C615	Passenger_Area	563040	female
C464A		564224	female	C616	Parcel_Rack_RH	561247	male
C465	ModestyPanel	562581	male	C616	Parcel_Rack_RH	561248	female
C465	ModestyPanel	562583	female	C617	Dash	563801	male
C506	FJB	561687	male	C617	Dash	563800	female
C506	FJB	561685	female	C618	Right_Hand_Console	563801	male
C542	Parcel_Rack_LH_1st_Cmpt	561550	male	C618	Right_Hand_Console	563800	female
C542	Parcel_Rack_LH_1st_Cmpt	561667	female	C717	RJB	561646	male
C558	Dash	562503	male	C717	RJB	561645	female
C558	Dash	562507	female	C752	Parcel_Rack_LH_1st_Cmpt	901283	female
C564	Dash	562503	male	C753	Parcel_Rack_LH_1st_Cmpt	901283	female
C564	Dash	562507	female	C766	Parcel_Rack_LH_1st_Cmpt	561662	male
C564-Sp	Dash	562503	male	C766	Parcel_Rack_LH_1st_Cmpt	561661	female
C564-Sp	Dash	562507	female	C767	Galley	563409	male

CONNECTORS LIST

No	Location	Part #	Gender	No	Location	Part #	Gender
C767	Galley	563410	female	CSe79		561782	male
C768	Dash	901283	female	CSe79		561781	female
C769	Dash	901283	female	CSP1		563589	male
C777	Dash	562477	male	CSP1		563590	female
C777	Dash	562479	female	CSP2		563589	male
CMS1_plug	Passenger_Area	563601	male	CSP2		563590	female
CMS1_socket	Passenger_Area	563600	female	CSS2	Roof	562477	male
CMS2_plug	Passenger_Area	563601	male	CSS2	Roof	562479	female
CMS2_socket	Passenger_Area	563600	female	CSX1	PreHeater_Cmpt	563135	male
CMS3_plug	Passenger_Area	563601	male	CSX1	PreHeater_Cmpt	563134	female
CMS3_socket	Parcel_Rack_LH_1st_Cmpt	563600	female	CSX3	Engine_Cmpt_	563135	male
CMS4_plug	Passenger_Area	563601	male	CSX3	Engine_Cmpt_	563134	female
CMS4_socket	Passenger_Area	563600	female	CT2	Engine_Cmpt_	563226	male
CP1	Passenger_Area	561782	male	CT2	Engine_Cmpt_	563613	female
CP1	Passenger_Area	561781	female	CT3	Engine_Cmpt_	563224	male
C_ALT2		562477	male	CTF_plug		563224	male
C_ALT2		562479	female	C_ALT1		562477	male
C_AUX		561782	male	C_ALT1		562479	female
C_AUX		561781	female	D92	Parcel_Rack_LH_1st_Cmpt	561183	male
C_LineOut	Parcel_Rack_LH_1st_Cmpt	563962	male	EI	Engine_Cmpt_	563739	male
C_LineOut	Parcel_Rack_LH_1st_Cmpt	564489	female	EIA		563739	male
C_ST1_plug		562601	male	FUSE_BOX_1.A	Parcel_Rack_LH_1st_Cmpt	562610	male
C_ST1_socket		563411	female	FUSE_BOX_1.B	Parcel_Rack_LH_1st_Cmpt	562610	male
C_ST2_plug		562601	male	L1	Service_Cmpt_	562485	male
C_ST2_socket		563411	female	L2	Front_Roof	561247	male
C_STR1_plug		562601	male	L3.A	Parcel_Rack_RH	562758	male
C_STR1_socket		563411	female	L3.B	Parcel_Rack_RH	562759	male
C_STR2_plug		562601	male	L4.A	Parcel_Rack_RH	562758	male
C_STR2_socket		563411	female	L4.B	Parcel_Rack_RH	562759	male
C_USB		562069	male	L5.A	Parcel_Rack_RH	562758	male
C_USB		562070	female	L5.B	Parcel_Rack_RH	562759	male
C_Video_AUX		562557	male	L6.A	Parcel_Rack_RH	562758	male
C_Video_AUX		562558	female	L6.B	Parcel_Rack_RH	562759	male
Cp1	Passenger_Area	561782	male	L7.A	Parcel_Rack_RH	562758	male
Cp1	Passenger_Area	561781	female	L7.B	Parcel_Rack_RH	562759	male
Cp2	Passenger_Area	561782	male	L8.A	Parcel_Rack_RH	562758	male
Cp2	Passenger_Area	561781	female	L8.B	Parcel_Rack_RH	562759	male
CP3	Passenger_Area	561782	male	L9.A	Parcel_Rack_LH	562758	male
CP3	Passenger_Area	561781	female	L9.B	Parcel_Rack_LH	562759	male
CPI2	Passenger_Area	561782	male	L10.A	Parcel_Rack_LH	562758	male
CPI2	Passenger_Area	561781	female	L10.B	Parcel_Rack_LH	562759	male
CPr1	Passenger_Area	561782	male	L11.A	Parcel_Rack_LH	562758	male
CPr1	Passenger_Area	561781	female	L11.B	Parcel_Rack_LH	562759	male

CONNECTORS LIST

No	Location	Part #	Gender	No	Location	Part #	Gender
L12.A	Parcel_Rack_LH	562758	male	L44	Parcel_Rack_RH	560898	male
L12.B	Parcel_Rack_LH	562759	male	L45	Parcel_Rack_RH	560898	male
L13.A	Parcel_Rack_LH	562758	male	L46	Parcel_Rack_RH	560898	male
L13.B	Parcel_Rack_LH	562759	male	L47	Parcel_Rack_RH	560898	male
L14.A	Parcel_Rack_LH	562758	male	L48	Parcel_Rack_RH	560898	male
L14.B	Parcel_Rack_LH	562759	male	L49	Parcel_Rack_RH	560898	male
L15.A	Parcel_Rack_LH	562758	male	L50	Parcel_Rack_RH	560898	male
L15.B	Parcel_Rack_LH	562759	male	L51	Parcel_Rack_RH	560898	male
L16	Front_Roof	562803	male	L52	Driver_Area	560898	male
L17	Front_Roof	562803	male	L53	Passenger_Area	560898	male
L18	Entrance_Door	562549	male	L54	Passenger_Area	560898	male
L19	Entrance_Door	562486	female	L55	Passenger_Area	560898	male
L20	Entrance_Door	562486	female	L56	Passenger_Area	560898	male
L21.A	Front_Roof	561608	female	L57	Passenger_Area	560898	male
L21.B	Front_Roof	562286	male	L58	Passenger_Area	560898	male
L22.A	Front_Roof	561608	female	L63	Outside_Front_RH	562155	male
L22.B	Front_Roof	562286	male	L64	Outside_Front_RH	562155	male
L23.A	Front_Roof	561608	female	L65	Outside_Front_LH	562155	male
L23.B	Front_Roof	562286	male	L66	Outside_Front_LH	562155	male
L24.A	Front_Roof	561608	female	L67A	Luggage_Cmpt_	562155	male
L24.B	Front_Roof	562286	male	L68A	Luggage_Cmpt_	562155	male
L25.A	Front_Roof	561608	female	L69A	Luggage_Cmpt_	562155	male
L25.B	Front_Roof	562286	male	L70A	Luggage_Cmpt_	562155	male
L26.A	Front_Roof	561608	female	L72	Rear_Vehicle	562155	male
L26.B	Front_Roof	562286	male	L74	Rear_Vehicle	562155	male
L27.A	Front_Roof	561608	female	L75	Rear_Vehicle	562155	male
L27.B	Front_Roof	562286	male	L76	Rear_Engine_Door	562155	male
L28	Parcel_Rack_LH	560898	male	L81A.A	Rear_Engine_Door	562835	female
L29	Parcel_Rack_LH	560898	male	L81A.B	Rear_Engine_Door	562834	male
L30	Parcel_Rack_LH	560898	male	L82A	Rear_Engine_Door	562348	female
L31	Parcel_Rack_LH	560898	male	L83A	Rear_Engine_Door	562348	female
L32	Parcel_Rack_LH	560898	male	L84A.A	Engine_Cmpt_	561608	female
L33	Parcel_Rack_LH	560898	male	L84A.B	Engine_Cmpt_	562286	male
L34	Parcel_Rack_LH	560898	male	L85A.A	Engine_Cmpt_	561608	female
L35	Parcel_Rack_LH	560898	male	L85A.B	Engine_Cmpt_	562286	male
L36	Parcel_Rack_LH	560898	male	L86A.A	Engine_Cmpt_	561608	female
L37	Parcel_Rack_LH	560898	male	L86A.B	Engine_Cmpt_	562286	male
L38	Parcel_Rack_LH	560898	male	L87A.A	Rear_Vehicle	561608	female
L39	Parcel_Rack_LH	560898	male	L87A.B	Rear_Vehicle	562286	male
L40	Parcel_Rack_RH	560898	male	L88A.A	Rear_Vehicle	561608	female
L41	Parcel_Rack_RH	560898	male	L88A.B	Rear_Vehicle	562286	male
L42	Parcel_Rack_RH	560898	male	L89A.A	Rear_Vehicle	561608	female
L43	Parcel_Rack_RH	560898	male	L89A.B	Rear_Vehicle	562286	male

CONNECTORS LIST

No	Location	Part #	Gender	No	Location	Part #	Gender
L90A.A	Rear_Vehicle	561608	female	L128	Parcel_Rack_RH	562758	male
L90A.B	Rear_Vehicle	562286	male	L129	Parcel_Rack_RH	562758	male
L93.A	Engine_Cmpt_	563069	female	L130	Parcel_Rack_RH	562758	male
L93.B	Engine_Cmpt_	563069	female	L131	Parcel_Rack_RH	562758	male
L94.A	Engine_Cmpt_	563069	female	L132	Parcel_Rack_RH	562758	male
L94.B	Engine_Cmpt_	563069	female	L134	Parcel_Rack_LH	562758	male
L95A	Service_Cmpt_	562485	male	L135	Parcel_Rack_LH	562758	male
L95B	Service_Cmpt_	562485	male	L136	Parcel_Rack_LH	562758	male
L96A	Service_Cmpt_	562485	male	L137	Parcel_Rack_LH	562758	male
L96B	Service_Cmpt_	562485	male	L138	Parcel_Rack_LH	562758	male
L97.A	Service_Cmpt_	563069	female	L139	Parcel_Rack_LH	562758	male
L97.B	Service_Cmpt_	563069	female	L139B.A	Parcel_Rack_LH	562758	male
L98A.A	Entrance_Door	563069	female	L139C.A	Parcel_Rack_LH	562758	male
L98A.B	Entrance_Door	563069	female	L140	Lavatory	561247	male
L99	Parcel_Rack_LH	560898	male	L142	Lavatory	562803	male
L100	Parcel_Rack_LH	560898	male	L143	Front_Roof	561247	male
L101	Parcel_Rack_LH	560898	male	L144.A	Parcel_Rack_LH	562756	male
L102	Parcel_Rack_LH	560898	male	L145.A	Parcel_Rack_LH	562756	male
L103	Parcel_Rack_LH	560898	male	L146.A	Parcel_Rack_LH	562756	male
L104	Parcel_Rack_LH	560898	male	L147.A	Parcel_Rack_LH	562756	male
L105	Parcel_Rack_LH	560898	male	L148.A	Parcel_Rack_LH	562756	male
L106	Parcel_Rack_LH	560898	male	L149.A	Parcel_Rack_LH	562756	male
L107	Parcel_Rack_LH	560898	male	L150.A	Parcel_Rack_LH	562756	male
L108	Parcel_Rack_LH	560898	male	L151.A	Parcel_Rack_LH	562756	male
L109	Parcel_Rack_LH	560898	male	L152.A	Parcel_Rack_LH	562756	male
L110	Parcel_Rack_LH	560898	male	L153.A	Parcel_Rack_LH	562756	male
L111	Parcel_Rack_LH	560898	male	L154.A	Parcel_Rack_LH	562756	male
L112	Parcel_Rack_LH	560898	male	L155.A	Parcel_Rack_LH	562756	male
L113	Parcel_Rack_RH	560898	male	L156.A	Parcel_Rack_LH	562756	male
L114	Parcel_Rack_RH	560898	male	L157.A	Parcel_Rack_LH	562756	male
L115	Parcel_Rack_RH	560898	male	L158.A	Parcel_Rack_LH	562756	male
L116	Parcel_Rack_RH	560898	male	L159.A	Parcel_Rack_RH	562756	male
L117	Parcel_Rack_RH	560898	male	L160.A	Parcel_Rack_RH	562756	male
L118	Parcel_Rack_RH	560898	male	L161.A	Parcel_Rack_RH	562756	male
L119	Parcel_Rack_RH	560898	male	L162.A	Parcel_Rack_RH	562756	male
L120	Parcel_Rack_RH	560898	male	L163.A	Parcel_Rack_RH	562756	male
L121	Parcel_Rack_RH	560898	male	L164.A	Parcel_Rack_RH	562756	male
L122	Parcel_Rack_RH	560898	male	L165.A	Parcel_Rack_RH	562756	male
L123	Parcel_Rack_RH	560898	male	L166.A	Parcel_Rack_RH	562756	male
L124	Parcel_Rack_RH	560898	male	L167.A	Parcel_Rack_RH	562756	male
L125	Parcel_Rack_RH	560898	male	L168.A	Parcel_Rack_RH	562756	male
L126	Parcel_Rack_RH	560898	male	L169.A	Parcel_Rack_RH	562756	male
L127	Parcel_Rack_RH	562758	male	L170.A	Parcel_Rack_RH	562756	male

CONNECTORS LIST

No	Location	Part #	Gender	No	Location	Part #	Gender
L171.A	Parcel_Rack_RH	562756	male	L209	Front_Of_vehicle	563801	male
L172	Parcel_Rack_RH	562756	male	L211	Entrance_Door	562486	female
L173A	Engine_Cmpt_	563590	female	L213.A	Parcel_Rack_RH	561248	female
L174A	Engine_Cmpt_	563590	female	L213.B	Parcel_Rack_RH	561248	female
L175	RJB	561247	male	L214.A	Parcel_Rack_RH	561248	female
L176	5th_Lugg_Cmpt_	561247	male	L214.B	Parcel_Rack_RH	561248	female
L177	5th_Lugg_Cmpt_	561247	male	L215.A	Parcel_Rack_RH	561248	female
L178	3rd_Lugg_Cmpt_	561247	male	L215.B	Parcel_Rack_RH	561248	female
L179	3rd_Lugg_Cmpt_	561247	male	L216.A	Parcel_Rack_RH	561248	female
L180	2nd_Lugg_Cmpt_	561247	male	L216.B	Parcel_Rack_RH	561248	female
L181	2nd_Lugg_Cmpt_	561247	male	L217.A	Parcel_Rack_RH	561248	female
L182	1st_Lugg_Cmpt_	561247	male	L217.B	Parcel_Rack_RH	561248	female
L183	1st_Lugg_Cmpt_	561247	male	L218.A	Parcel_Rack_RH	561248	female
L184	Service_Cmpt_	561247	male	L218.B	Parcel_Rack_RH	561248	female
L186.A	Service_Cmpt_	562651	female	L219.A	Parcel_Rack_LH	561248	female
L186.B	Service_Cmpt_	562290	female	L219.B	Parcel_Rack_LH	561248	female
L187	Engine_Cmpt_	561690	male	L220.A	Parcel_Rack_LH	561248	female
L188	Service_Cmpt_	562486	female	L220.B	Parcel_Rack_LH	561248	female
L189	Outside_Front_RH	562069	male	L221.A	Parcel_Rack_LH	561248	female
L190	Outside_Front_LH	562069	male	L221.B	Parcel_Rack_LH	561248	female
L192	Parcel_Rack_LH	560898	male	L222.A	Parcel_Rack_LH	561248	female
L193.A	Dash	560488	female	L222.B	Parcel_Rack_LH	561248	female
L193.B	Dash	560488	female	L223.A	Parcel_Rack_LH	561248	female
L194.A	Left_Hand_Console	562019	female	L223.B	Parcel_Rack_LH	561248	female
L194.B	Left_Hand_Console	560488	female	L224.A	Parcel_Rack_LH	561248	female
L199	Engine_Cmpt_	562471	male	L224.B	Parcel_Rack_LH	561248	female
L200	Engine_Cmpt_	562471	male	L225.A	Parcel_Rack_LH	561248	female
L201	Front_Roof	561247	male	L225.B	Parcel_Rack_LH	561248	female
L202	Front_Roof	561247	male	L226	Parcel_Rack_RH	562758	male
L203	Right_Hand_Console	561690	male	L227	Parcel_Rack_RH	562758	male
L204	WCL_Pass_Area	562803	male	L228	Parcel_Rack_RH	562758	male
L205	Evap_Cmpt_	562485	male	L229	Parcel_Rack_RH	562758	male
L206	WCL_Pass_Area	562803	male	L230	Parcel_Rack_RH	562758	male
L207.A		561699	female	L231	Parcel_Rack_RH	562758	male
L207.B		561699	female	L232.A	Parcel_Rack_RH	562758	male
L207.C	5th_Lugg_Cmpt_	561701	female	L232.B	Parcel_Rack_RH	562759	male
L207.D		561699	female	L233.A	Parcel_Rack_RH	562758	male
L207.E	5th_Lugg_Cmpt_	561701	female	L233.B	Parcel_Rack_RH	562759	male
L207.F		561699	female	L234.A	Parcel_Rack_RH	562758	male
L207.G		561699	female	L234.B	Parcel_Rack_RH	562759	male
L207.H	5th_Lugg_Cmpt_	560926	female	L235.A	Parcel_Rack_RH	562758	male
L207.I	5th_Lugg_Cmpt_	560926	female	L235.B	Parcel_Rack_RH	562759	male
L208	Front_Of_vehicle	563801	male	L236.A	Parcel_Rack_RH	562758	male

CONNECTORS LIST

No	Location	Part #	Gender	No	Location	Part #	Gender
L236.B	Parcel_Rack_RH	562759	male	L277	Parcel_Rack_RH	560898	male
L238.A	Parcel_Rack_RH	561248	female	L278	Parcel_Rack_RH	560898	male
L238.B	Parcel_Rack_RH	561248	female	L279	Parcel_Rack_RH	560898	male
L239.A	Parcel_Rack_RH	561248	female	L280	Parcel_Rack_RH	560898	male
L239.B	Parcel_Rack_RH	561248	female	L281	Parcel_Rack_RH	560898	male
L240.A	Parcel_Rack_RH	561248	female	L282	Rear_Axle_Cmpt_	561690	male
L240.B	Parcel_Rack_RH	561248	female	L288.A	Passenger_Area	561539	male
L241.A	Parcel_Rack_RH	561248	female	L288.B	Passenger_Area	561539	male
L241.B	Parcel_Rack_RH	561248	female	L289.A	Passenger_Area	561539	male
L242.A	Parcel_Rack_RH	561248	female	L289.B	Passenger_Area	561539	male
L242.B	Parcel_Rack_RH	561248	female	L290	Engine_Cmpt_	562565	male
L244.A	Parcel_Rack_RH	562756	male	L291	Engine_Cmpt_	562565	male
L245.A	Parcel_Rack_RH	562756	male	L293.A	Galley	560081	female
L246.A	Parcel_Rack_RH	562756	male	L293.B	Galley	560081	female
L247.A	Parcel_Rack_RH	562756	male	L294.A	Galley	560081	female
L248.A	Parcel_Rack_RH	562756	male	L294.B	Galley	560081	female
L249.A	Parcel_Rack_RH	562756	male	L296A		561781	female
L250.A	Parcel_Rack_RH	562756	male	L298	Engine_Cmpt_	563590	female
L251.A	Parcel_Rack_RH	562756	male	L302		561781	female
L252.A	Parcel_Rack_RH	562756	male	L312.A	Parcel_Rack_RH	562756	male
L253.A	Parcel_Rack_RH	562756	male	L312.B	Parcel_Rack_RH	562505	female
L254.A	Parcel_Rack_RH	562756	male	L313	Service_Cmpt_	562789	male
L255.A	Parcel_Rack_RH	562756	male	L314	Service_Cmpt_	562789	male
L256.A	Parcel_Rack_RH	562756	male	L315_0_1	Rear_Engine_Door	563590	female
L257.A	Parcel_Rack_RH	562756	male	L316_0_1	Engine_Cmpt_	563590	female
L258	Parcel_Rack_RH	560898	male	L317.A	Engine_Cmpt_	562835	female
L259	Parcel_Rack_RH	560898	male	L317.B	Engine_Cmpt_	562834	male
L260	Parcel_Rack_RH	560898	male	L318.A	Engine_Cmpt_	562835	female
L261	Parcel_Rack_RH	560898	male	L318.B	Engine_Cmpt_	562834	male
L262	Parcel_Rack_RH	560898	male	L320	Driver_Area	561248	female
L263	Parcel_Rack_RH	560898	male	Mo2_0_1	Engine_Cmpt_	561782	male
L264	Parcel_Rack_RH	560898	male	Mo3	Dash	561667	female
L266	Parcel_Rack_RH	560898	male	Mo4	Dash	562076	male
L267	Parcel_Rack_RH	560898	male	Mo5	Front_Roof	561550	female
L268	Parcel_Rack_RH	560898	male	Mo6	Service_Cmpt_	561690	male
L269	Parcel_Rack_RH	560898	male	Mo7	Cond_Cmpt_	563691	male
L270	Parcel_Rack_RH	560898	male	Mo8	Cond_Cmpt_	563691	male
L271	Parcel_Rack_RH	560898	male	Mo10	Evap_Cmpt_	561515	male
L272	Parcel_Rack_RH	560898	male	Mo11	Parcel_Rack_RH	561515	male
L273	Parcel_Rack_RH	560898	male	Mo12	Evap_Cmpt_	561690	male
L274	Parcel_Rack_RH	560898	male	Mo13	Engine_Cmpt_	561690	female
L275	Parcel_Rack_RH	560898	male	Mo14	Parcel_Rack_RH	561566	female
L276	Parcel_Rack_RH	560898	male	Mo15	Over_Head_Driver_Area	560900	female

CONNECTORS LIST

No	Location	Part #	Gender	No	Location	Part #	Gender
Mo16	Over_Head_Driver_Area	560900	female	Pot1.C	Dash	560488	female
Mo17	Left_Hand_Console	563626	male	PR1	Passenger_Area	561781	female
Mo18	Service_Cmpt_	562474	male	Pr1		561782	male
Mo19	Service_Cmpt_	562474	male	PR2	Passenger_Area	561782	male
Mo20	Service_Cmpt_	562474	male	Pr3	Passenger_Area	561782	male
Mo21	Front_Roof	561186	male	Pr4	Passenger_Area	561782	male
Mo22	Right_Hand_Console	561186	male	Pr5	Passenger_Area	561782	male
Mo24	Right_Hand_Console	562348	female	Pr6	Passenger_Area	561782	male
Mo25	Right_Hand_Console	562348	female	Pr7	Passenger_Area	561782	male
Mo27	Cond_Cmpt_	563691	male	Pr8	Passenger_Area	561782	male
Mo28	Cond_Cmpt_	563691	male	Pr9	Passenger_Area	561782	male
Mo54	Service_Cmpt_	562474	male	Pr10	Passenger_Area	561782	male
Mo61	Parcel_Rack_RH	561248	female	Pr11	Passenger_Area	561782	male
Mo62		562486	female	Pr12	Passenger_Area	561782	male
Mo63		562486	female	Pr13	Passenger_Area	561782	male
P1	Passenger_Area	561782	male	Pr14	Passenger_Area	561782	male
P2	Passenger_Area	561782	male	R-12VISS	Parcel_Rack_LH_1st_Cmpt	561183	male
P3	Passenger_Area	561782	male	R3	RJB	563409	male
P4	Passenger_Area	561782	male	R4	FJB	561183	male
P5	Passenger_Area	561782	male	R5	RJB	561183	male
P6	Passenger_Area	561782	male	R6	RJB	561183	male
P7	Passenger_Area	561782	male	R10	Evap_Cmpt_	563409	male
P8	Passenger_Area	561782	male	R11	RJB	561183	male
P9	Passenger_Area	561782	male	R12	Evap_Cmpt_	563409	male
P10	Passenger_Area	561782	male	R13	RJB	561183	male
P11	Passenger_Area	561782	male	R14	RJB	564210	male
P12	Passenger_Area	561782	male	R15	RJB	561183	male
P13	Passenger_Area	561782	male	R17	RJB	564210	male
P14	Passenger_Area	561782	male	R18	RJB	564210	male
P15	Passenger_Area	561782	male	R19	RJB	564210	male
P16	Passenger_Area	561782	male	R20	Evap_Cmpt_	561183	male
P17	Passenger_Area	561782	male	R22	FJB	561183	male
P18	Passenger_Area	561782	male	R23	Right_Hand_Console	561183	male
P19	Passenger_Area	561782	male	R24	FJB	561183	male
P20	Passenger_Area	561782	male	R25	RJB	561183	male
P21	Passenger_Area	561782	male	R26	Cond_Cmpt_	561183	male
P22	Passenger_Area	561782	male	R27	Parcel_Rack_LH_1st_Cmpt	561183	male
P36.A	Engine_Cmpt_	561701	female	R29	RJB	563409	male
P36.B	Engine_Cmpt_	561701	female	R31	RJB	564210	male
P36.C	Engine_Cmpt_	561701	female	R32	FJB	561183	male
PF1	Passenger_Area	561782	male	R35	Galley	561183	male
Pot1.A	Dash	560488	female	R36	Galley	561183	male
Pot1.B	Dash	560488	female	R37	Galley	561183	male

CONNECTORS LIST

No	Location	Part #	Gender	No	Location	Part #	Gender
R41	FJB	561183	male	Se32	Engine_Cmpt_	563057	male
R42	FJB	561183	male	Se33	Engine_Cmpt_	562856	male
R43	FJB	561183	male	Se34	Engine_Cmpt_	563057	male
R47	5th_Lugg_Cmpt_	564496	male	Se35	Engine_Cmpt_	563057	male
R72.A		563409	male	Se36	Rear_Axle_Cmpt_	563629	female
R73	Galley	563409	male	Se37	Front_Axle_Cmpt_	641132	female
R74	FJB	561183	male	Se38	Front_Axle_Cmpt_	641132	female
Res3	RJB	563590	female	Se39	Rear_Axle_Cmpt_	641132	female
Res4	Right_Hand_Console	563590	female	Se40	Rear_Axle_Cmpt_	641132	female
Res6	FJB	563590	female	Se45	Service_Cmpt_	563409	male
Res7	FJB	563590	female	Se46	Rear_Axle_Cmpt_	562348	female
Res15	RJB	561782	male	Se53	Service_Cmpt_	563159	female
Res18.A	ExhaustCmpt	563590	female	Se54	Service_Cmpt_	563159	female
Res31	Cond_Cmpt_	562350	male	Se60	Service_Cmpt_	563409	male
Res32	Cond_Cmpt_	563764	female	Se63	Rear_Axle_Cmpt_	641132	female
Res53.A		563590	female	Se64	Rear_Axle_Cmpt_	641132	female
Se4	Window_RH	561477	female	Se65	Dash	564042	female
Se5	Window_RH	561477	female	Se66	Front_Axle_Cmpt_	564039	female
Se6	Window_RH	561477	female	Se67	Front_Axle_Cmpt_	563159	female
Se7	Window_LH	561477	female	Se69	Front_Axle_Cmpt_	563159	female
Se8	Window_LH	561477	female	Se70	Rear_Axle_Cmpt_	563340	male
Se9	Window_LH	561477	female	Se79		563340	male
Se10	Window_LH	561477	female	Se86	Service_Cmpt_	563159	female
Se11.A	Cond_Cmpt_	560082	male	So3	Right_Hand_Console	641385	male
Se11.B	Cond_Cmpt_	560082	male	So4	Right_Hand_Console	641385	male
Se11.C	Cond_Cmpt_	560082	male	So5	Right_Hand_Console	641385	male
Se12	Engine_Cmpt_	561690	female	So6	Right_Hand_Console	641385	male
Se13	Engine_Cmpt_	562350	male	So7	Service_Cmpt_	561566	male
Se14.A	Dash	561782	male	So8	Service_Cmpt_	563204	female
Se14.B	Dash	561781	female	So9	Engine_Cmpt_	561566	female
Se15	Right_Hand_Console	560898	male	So10	Cond_Cmpt_	562485	male
Se17	Entrance_Door	560081	female	So11	Cond_Cmpt_	561566	female
Se19	Service_Cmpt_	563677	male	So13	Evap_Cmpt_	563204	female
Se19A	Service_Cmpt_	563677	male	So14	Service_Cmpt_	564045	female
Se20	Evap_Cmpt_	562426	male	So15		641385	male
Se21	Dash	561248	female	So16		641385	male
Se23	Engine_Cmpt_	563159	male	So17		641385	male
Se24	Engine_Cmpt_	563159	male	So18	Service_Cmpt_	641385	male
Se25	Evap_Cmpt_	561248	female	So19	Service_Cmpt_	641385	male
Se28	Service_Cmpt_	561690	male	So20		641385	male
Se29	Engine_Cmpt_	561566	female	So21	Front_Axle_Cmpt_	564046	female
Se30	Engine_Cmpt_	562877	female	So22	Front_Axle_Cmpt_	564046	female
Se31	Engine_Cmpt_	562877	female	So23	Rear_Axle_Cmpt_	564046	female

CONNECTORS LIST

No	Location	Part #	Gender	No	Location	Part #	Gender
So24	Rear_Axle_Cmpt_	564046	female	Spk16_L	Parcel_Rack_LH	563994	male
So26	Service_Cmpt_	641385	male	Spk16_R	Parcel_Rack_RH	563994	male
So27	Rear_Axle_Cmpt_	564045	female	SpkDr_L	Driver_Area	563994	male
So50	Rear_Axle_Cmpt_	564046	female	SpkDr_R	Driver_Area	563994	male
So51	Rear_Axle_Cmpt_	564046	female	Sub1.A	Passenger_Area	564004	female
So52	Rear_Axle_Cmpt_	564045	female	Sub2	Passenger_Area	564004	female
So53	Rear_Axle_Cmpt_	564045	female	Sw1.C258	Dash	561188	female
Sp17_R		563994	male	Sw1.C259	Dash	561186	male
spBar1		564135	male	Sw2	Dash	562763	male
spBar2.J1		564135	male	Sw3	Dash	562763	male
spBar4.J1		564135	male	Sw4	Dash	562763	male
spBar5		564135	male	Sw5	Dash	562763	male
spBar6		564135	male	Sw6	Dash	562763	male
Spk1_L	Parcel_Rack_LH	563994	male	Sw7.A	Cond_Cmpt_	562403	female
Spk1_R	Parcel_Rack_RH	563994	male	Sw7.B	Cond_Cmpt_	562403	female
Spk2_L	Parcel_Rack_LH	563994	male	Sw10A	Left_Hand_Console	562763	male
Spk2_R	Parcel_Rack_RH	563994	male	Sw11A	Left_Hand_Console	562763	male
Spk3_L	Parcel_Rack_LH	563994	male	Sw12	Dash	562763	male
Spk3_R	Parcel_Rack_RH	563994	male	Sw14	Left_Hand_Console	562763	male
Spk4_L	Parcel_Rack_LH	563994	male	Sw16	Dash	562763	male
Spk4_R	Parcel_Rack_RH	563994	male	Sw17	Dash	562763	male
Spk5_L	Parcel_Rack_LH	563994	male	Sw18A	Left_Hand_Console	562763	male
Spk5_R	Parcel_Rack_RH	563994	male	Sw20	Dash	562763	male
Spk6_L	Parcel_Rack_LH	563994	male	Sw21	Dash	562763	male
Spk6_R	Parcel_Rack_RH	563994	male	Sw24	Dash	562763	male
Spk7_L	Parcel_Rack_LH	563994	male	Sw25	Dash	562763	male
Spk7_R	Parcel_Rack_RH	563994	male	Sw26	Dash	562763	male
Spk8_L	Parcel_Rack_LH	563994	male	Sw27	Dash	562763	male
Spk8_R	Parcel_Rack_RH	563994	male	Sw29	Dash	562763	male
Spk9_L	Parcel_Rack_LH	563994	male	Sw30	Engine_Cmpt_	561566	female
Spk9_R	Parcel_Rack_RH	563994	male	Sw31	WCL_Door	563543	male
Spk10_L	Parcel_Rack_LH	563994	male	Sw32	Dash	561477	female
Spk10_R	Parcel_Rack_RH	563994	male	Sw33	Dash	561476	male
Spk11_L	Parcel_Rack_LH	563994	male	Sw34	Outside_Front_RH	562477	male
Spk11_R	Parcel_Rack_RH	563994	male	Sw35	Left_Hand_Console	562763	male
Spk12_L	Parcel_Rack_LH	563994	male	Sw38	Left_Hand_Console	562763	male
Spk12_R	Parcel_Rack_RH	563994	male	Sw39.A	RJB	562403	female
Spk13_L	Parcel_Rack_LH	563994	male	Sw39.B	RJB	562403	female
Spk13_R	Parcel_Rack_RH	563994	male	Sw40	Left_Hand_Console	561690	male
Spk14_L	Parcel_Rack_LH	563994	male	Sw41	Left_Hand_Console	562749	male
Spk14_R	Parcel_Rack_RH	563994	male	Sw42	5th_Lugg_Cmpt_	561635	female
Spk15_L	Parcel_Rack_LH	563994	male	Sw43	Service_Cmpt_	561690	male
Spk15_R	Parcel_Rack_RH	563994	male	Sw44.A	FJB	562403	female

CONNECTORS LIST

No	Location	Part #	Gender	No	Location	Part #	Gender
Sw44.B	FJB	562403	female	Sw80	Parcel_Rack_RH	562651	female
Sw45.A	5th_Lugg_Cmpt_	562403	female	Sw82.A	RJB	561457	female
Sw45.B	5th_Lugg_Cmpt_	562403	female	Sw82.B	RJB	561457	female
Sw46.A	5th_Lugg_Cmpt_	562403	female	Sw82.C	RJB	561457	female
Sw46.B	5th_Lugg_Cmpt_	562403	female	Sw82.D	RJB	561457	female
Sw47.A	3rd_Lugg_Cmpt_	562403	female	Sw83.A	Dash	560082	female
Sw47.B	3rd_Lugg_Cmpt_	562403	female	Sw83.B	Dash	560815	female
Sw48.A	3rd_Lugg_Cmpt_	562403	female	Sw83.C	Dash	560082	female
Sw48.B	3rd_Lugg_Cmpt_	562403	female	Sw83.D	Dash	560815	female
Sw49.A	2nd_Lugg_Cmpt_	562403	female	Sw85	Left_Hand_Console	562749	male
Sw49.B	2nd_Lugg_Cmpt_	562403	female	Sw86	Parcel_Rack_RH	562651	female
Sw50.A	2nd_Lugg_Cmpt_	562403	female	Sw87	Parcel_Rack_RH	562651	female
Sw50.B	2nd_Lugg_Cmpt_	562403	female	Sw88	Parcel_Rack_RH	562651	female
Sw51.A	1st_Lugg_Cmpt_	562403	female	Sw89	Parcel_Rack_RH	562651	female
Sw51.B	1st_Lugg_Cmpt_	562403	female	Sw90	Parcel_Rack_RH	562651	female
Sw52	1st_Lugg_Cmpt_	562403	female	Sw91	Parcel_Rack_RH	562651	female
Sw52.B	1st_Lugg_Cmpt_	562403	female	Sw92	Parcel_Rack_RH	562651	female
Sw53	Parcel_Rack_LH	562651	female	Sw93	Parcel_Rack_RH	562651	female
Sw55.A	Lavatory	560488	female	Sw94.A	WCL_Pass_Area	562403	female
Sw55.B	Lavatory	560488	female	Sw94.B	WCL_Pass_Area	562403	female
Sw56.A	Lavatory	560488	female	Sw95.A	WCL_Door	562615	female
Sw56.B	Lavatory	560488	female	Sw95.B	WCL_Door	562615	female
Sw57	WCL_Door	563543	male	Sw95.C	WCL_Door	562615	female
Sw58	Engine_Cmpt_	562581	male	Sw96.A	WCL_Door	562615	female
Sw59	Engine_Cmpt_	562485	male	Sw96.B	WCL_Door	562615	female
Sw63A	Left_Hand_Console	562763	male	Sw96.C	WCL_Door	562615	female
Sw64.A	Left_Hand_Console	560815	female	Sw97.A		562615	female
Sw64.B	Left_Hand_Console	560815	female	Sw97.B		562615	female
Sw65	Parcel_Rack_LH	562651	female	Sw97.C		562615	female
Sw66	Parcel_Rack_LH	562651	female	Sw98.A		562615	female
Sw67	Parcel_Rack_LH	562651	female	Sw98.B		562615	female
Sw68	Parcel_Rack_LH	562651	female	Sw98.C		562615	female
Sw69	Parcel_Rack_LH	562651	female	Sw100A	Dash	562763	male
Sw70	Parcel_Rack_LH	562651	female	Sw105		562485	male
Sw71	Parcel_Rack_LH	562651	female	Sw125.A	Service_Cmpt_	561457	female
Sw72	Parcel_Rack_LH	562651	female	Sw125.B	Service_Cmpt_	561457	female
Sw73	Parcel_Rack_RH	562651	female	Sw126.A	Dash	562763	male
Sw74	Parcel_Rack_RH	562651	female	Sw137	Dash	562763	male
Sw75	Parcel_Rack_RH	562651	female	Sw152	Left_Hand_Console	562471	male
Sw76	Parcel_Rack_RH	562651	female	Sw299	Dash	562763	male
Sw77	Parcel_Rack_RH	562651	female	Sw300	Dash	562763	male
Sw78	Parcel_Rack_RH	562651	female	Sw301	Dash	562763	male
Sw79	Parcel_Rack_RH	562651	female	Sw302	Dash	562763	male

CONNECTORS LIST

No	Location	Part #	Gender				
Sw304	Dash	562763	male				
Sw305		562763	male				
Sw306		562763	male				
sym.A103_217091_248_B		562550	female				
sym684_232		561247	male				
sym733_345.A		560999	male				
sym740_345.A		560999	male				
sym742_345.A		560999	male				
sym759_345		560999	male				
Tab27	WCLWindowSide	562615	N/A				
Tab28	WCLSlidingDoor	562615	N/A				
Tab128		561626	N/A				
Tab128A		561626	N/A				
Tab129		561626	N/A				
Tab129A		561626	N/A				
Tab130		560488	N/A				
Tab131		560488	N/A				
test1		561782	N/A				
USB_Reg_1.A		561582	female				
USB_Reg_1.B	Passenger_Area	561582	female				
VECF1	FJB	563186	male				
VECF2	FJB	563183	male				
VECF3	FJB	563185	male				
VECF4	FJB	563182	male				
VECF9	FJB	563448	male				
VECF10	FJB	563181	male				
VECF11	FJB	563184	male				
VECF12	FJB	563187	male				
VECR1	RJB	563186	male				
Vecr1		563186	male				
VECR2	RJB	563183	male				
Vecr2	RJB	563183	male				
VECR3	RJB	563185	male				
Vecr3	RJB	563185	male				
VECR4	RJB	563182	male				
VECR9	RJB	563448	male				
Vecr9	RJB	563448	male				
VECR10	RJB	563181	male				
Vecr10	RJB	563181	male				
VECR11	RJB	563184	male				
VECR12	RJB	563187	male				
Y80	Engine_Cmpt_	563789	male				
Y81	Cond_Cmpt_	563793	male				

DIODES LIST

No	Location	Part #	Function	Page					
D1	FJB	561740	AccessoriesDiode	3.2					
D2	FJB	561740	DiodeDriverLiq.Sol.	18.1					
D3	UpperFrontCap	561740	SuppressorDiodeUpperWiper	34.1					
D4	RHConsole	561740	SuppressorDiodeLowerWiper2ndSpd	34.1					
D5	RHConsole	561740	SuppressorDiodeLowerWiper1stSpd	34.1					
D6	RJB	561740	SuppressorDiodeMasterrelay	3.1					
D7	Right_Hand_Console	561740	EntanceDoorDiode	29.1					
D8	RJB	561740	DiodeP-RackLiq.Sol	18.2					
D9	Evap_Cmpt_	561740	HvacDiode	17.1					
D10	Evap_Cmpt_	561740	Pre-HeatDiode	17.1					
D11	Evap_Cmpt_	561740	DiodePass.Liq.Sol	18.2					
D15	RJB	561740	WakeUpDiode	3.2					
D16	Evap_Cmpt_	561740	LuggageDiode3rdCmpt	25.1					
D17	Evap_Cmpt_	561740	LuggageDiode5thCmpt	25.1					
D19	Evap_Cmpt_	561740	LuggageDiode2ndCmpt	25.1					
D20	Evap_Cmpt_	561740	LuggageDiode1erCmpt	25.1					
D24	Evap_Cmpt_	561740	Condensors_Fans	18.2					
D25	Evap_Cmpt_	561740	SuppressorDiodeEvaporatorFan	18.2					
D26	LHP-Rack	561740	SuppressorDiodeP-RackFanLH	18.2					
D27	RHP-Rack	561740	SuppressorDiodeP-RackFanRH	18.2					
D28	RJB	561740	SuppressorDiodeUnloaderLH	18.2					
D29	RJB	561740	SuppressorDiodeUnloaderRH	18.2					
D30	Evap_Cmpt_	561740	SuppressorDiodeWaterPump	18.2					
D31	RJB	561740	SuppressorDiodeA/Cclutch	18.2					
D32	Engine_Cmpt_	561740	SuppressorDiodeLavFan	11.1					
D33	RJB	561740	SuppressorDiodeFlushPump	11.1					
D34	EntranceDoorCeiling	561740	SuppressorDiodeUpperDefrosterFan	18.1					
D35	Service_Cmpt_	561740	SuppressorDiodeUpperDefPump	18.1					
D36	RJB	561740	SuppressorDiodeRadiatorFanClutch2ndSpd	13.1					
D37	RJB	561740	SuppressorDiodeRadiatorFanClutch1stSpd	13.1					
D44	FJB	561740	IgnitionDiode	3.2					
D50	RJB	561740	Upperrearlamp	Phantom24C					
D51	RJB	561740	Upperrearlamp	Phantom24C					
D52	RJB	561740	Upperrearlamp	Phantom24C					
D53	RJB	561740	Upperrearlamp	Phantom24C					
D75	FJB	561740	DiodeFanRoof1	11.1					
D76	FJB	561740	DiodeFanRoof2	11.1					
D80	FJB	560931	Preheater	38.1					
D92	Driver_Area	901200	VSS	35.6					
D50A	RJB	561740	LH_Cyclope	Preliminary					
D51A	RJB	561740	LH_Cyclope	Preliminary					
D52A	RJB	561740	RH_Cyclope	Preliminary					
D53A	RJB	561740	RH_Cyclope	Preliminary					

DIODES LIST

No	Location	Part #	Function	Page					
D1	FJB	561740	AccessoriesDiode	3.2					
D2	FJB	561740	DiodeDriverLiq.Sol.	18.1					
D3	UpperFrontCap	561740	SuppressorDiodeUpperWiper	34.1					
D4	RHConsole	561740	SuppressorDiodeLowerWiper2ndSpd	34.1					
D5	RHConsole	561740	SuppressorDiodeLowerWiper1stSpd	34.1					
D6	RJB	561740	SuppressorDiodeMasterrelay	3.1					
D7	Right_Hand_Console	561740	EntanceDoorDiode	29.1					
D8	RJB	561740	DiodeP-RackLiq.Sol	18.2					
D9	Evap_Cmpt_	561740	HvacDiode	17.1					
D10	Evap_Cmpt_	561740	Pre-HeatDiode	17.1					
D11	Evap_Cmpt_	561740	DiodePass.Liq.Sol	18.2					
D15	RJB	561740	WakeUpDiode	3.2					
D16	Evap_Cmpt_	561740	LuggageDiode3rdCmpt	25.1					
D17	Evap_Cmpt_	561740	LuggageDiode5thCmpt	25.1					
D19	Evap_Cmpt_	561740	LuggageDiode2ndCmpt	25.1					
D20	Evap_Cmpt_	561740	LuggageDiode1erCmpt	25.1					
D24	Evap_Cmpt_	561740	Condensors_Fans	18.2					
D25	Evap_Cmpt_	561740	SuppressorDiodeEvaporatorFan	18.2					
D26	LHP-Rack	561740	SuppressorDiodeP-RackFanLH	18.2					
D27	RHP-Rack	561740	SuppressorDiodeP-RackFanRH	18.2					
D28	RJB	561740	SuppressorDiodeUnloaderLH	18.2					
D29	RJB	561740	SuppressorDiodeUnloaderRH	18.2					
D30	Evap_Cmpt_	561740	SuppressorDiodeWaterPump	18.2					
D31	RJB	561740	SuppressorDiodeA/Cclutch	18.2					
D32	Engine_Cmpt_	561740	SuppressorDiodeLavFan	11.1					
D33	RJB	561740	SuppressorDiodeFlushPump	11.1					
D34	EntranceDoorCeiling	561740	SuppressorDiodeUpperDefrosterFan	18.1					
D35	Service_Cmpt_	561740	SuppressorDiodeUpperDefPump	18.1					
D36	RJB	561740	SuppressorDiodeRadiatorFanClutch2ndSpd	13.1					
D37	RJB	561740	SuppressorDiodeRadiatorFanClutch1stSpd	13.1					
D44	FJB	561740	IgnitionDiode	3.2					
D50	RJB	561740	Upperrearlamp	26.2					
D51	RJB	561740	Upperrearlamp	26.2					
D52	RJB	561740	Upperrearlamp	26.2					
D53	RJB	561740	Upperrearlamp	26.2					
D73	Evap_Cmpt_	561740	*opt*	18.2					
D75	FJB	561740	*opt*	11.1					
D76	FJB	561740	DiodeFanRoof2	11.1					
D80	FJB	560931	Preheater	38.1					
D92	Driver_Area	901200	VSS	35.6					
dp1_1_265				44.0					
dp1_2_265				44.0					
dp1_3_265				44.0					

RELAYS LIST

No	Location	Part #	Function	Page					
R1	RJB	562364	MasterRelay	3.1					
R3	RJB	563348	12vIgn&AccRelay	3.1					
R4	FJB	563332	Cutoffpreheater	38.1					
R5	RJB	563332	ChargerRelay	17.1					
R6	FuseBoxRJB	563332	DirectLightsRelay	24.1					
R10	Evap_Cmpt_	563348	CondensorPowerRelay	18.2					
R11	RJB_VECR	563332	I_Shift	5.1					
R12	Evap_Cmpt_	563348	EvaporatorRelay	18.2					
R13	FuseBoxRJB	563332	Ind.LightRelay	23.1					
R14	RJB	564218	ReadingLampRelay	22.1					
R15	FuseBoxRJB	563332	EmergencyLamps	20.1					
R17	RJB	564218	12vRrWUpRelay	3.3					
R18	FJB	564218	24vFrWUpRelay	3.3					
R19	FJB	564218	12vFrWUpRelay	3.3					
R20	Evap_Cmpt_	563332	WaterPumpRelay	17.1					
R21	RJB	563269	EmergencyCutoutRelay	3.2					
R22	FJB	563269	VECU	4.1					
R23	RHConsole	563332	LowerWiperRelay	34.1					
R24	FJB	563332	UpperWiperRelay	34.1					
R25	RJB_VECR	563332	Ecmlgn	5.1					
R26	Evap_Cmpt_	563332	Pre-HeatRelay	18.2					
R27	Parcel_Rack_LH_1st_Cmpt	563332	Hostess_Gong	22.1					
R29	RJB	563348	Preheater_Volvo	14.2					
R31	RJB	564218	12vRrEngineEcu	3.3					
R32	FJB	563332	TransmissionShift	4.1					
R35	Galley	563332	Galley	40.1					
R36	Galley	563332	Galley	40.1					
R37	Galley	563332	FrigoRelay	40.1					
R41	FJB	563332	Steering	41.1					
R42	FJB	563332	Steering	41.1					
R43	FJB	563332	Steering	41.1					
R47	Evap_Cmpt_	563332	WCLDoorOpen	36.1					
R72	5th_Bay	563348	InverterRelay1	40.1SP1					
R73	5th_Bay	563348	InverterRelay2	40.1					
R74	FJB	563332	I_Shift	15.3					
R_Starter	RJB	564095	Starter	3.2					
R-12VISS	Parcel_Rack_LH_1st_Cmpt	563337	VSS	35.6					
RadioVolvo1_84		21197290	Radio	35.7					
RadioVolvo4_84		21197290	Radio	35.7					
RadioVolvo5_84		21197290	Radio	35.7					
RL_Strobe				35.4					
RR_Strobe				35.4					

FUSES LIST

No	Location	Part #	Function	Rating	Page
F1	FuseBoxFJB	563279	CecmPower	3amp	4.1
F2	FuseBoxFJB	563279	FrontStartMainSwitch	3amp	4.1
F3	FuseBoxFJB	563279	EnginePre-HeatH.W.+DrvLiq.Vlv	3amp	4.1
F4	FuseBoxFJB	563280	*opt*	5Amp	4.1
F5	FuseBoxFJB	563165	24vtoWUp	30amp	4.1
F6	FuseBoxFJB	563005	Custumer24VD	7.5amp	4.1
F7	FuseBoxFJB	563279	Abs+PreHeatController	3amp	4.1
F8	FuseBoxFJB	563279	AirHorn	3amp	4.1
F9	FuseBoxFJB	563284	SpareFuse	15amp	4.1
F10	FuseBoxFJB	563279	SpareFuse	3amp	4.1
F11	FuseBoxFJB	563279	SunVisor	3amp	4.1
F12	FuseBoxFJB	563282	PwrMuxModule	20amp	4.1
F13	FuseBoxFJB	563282	PwrMuxModule	20amp	4.1
F14	FuseBoxFJB	563284	Custumer	15amp	4.1
F15	FuseBoxFJB	563004	*opt*	2Amp	4.1
F16	FuseBoxFJB	563153	DefrosterUnit	25Amp	4.1
F17	FuseBoxFJB	563280	DestinationSign	5Amp	4.1
F18	FuseBoxFJB	563284	UpperWiper	15amp	4.1
F19	FuseBoxFJB	563279	Prodriver	3amp	4.1
F20	FuseBoxFJB	563005	*opt*	7.5amp	4.1
F21	FuseBoxFJB	563282	PwrMuxA44	20amp	4.1
F22	FuseBoxFJB	563279	SteeringCtrl	3amp	4.1
F23	FuseBoxFJB	563165	ABS	30amp	4.1
F24	FuseBoxFJB	563005	Mirror	7.5amp	4.1
F25	FuseBoxFJB	563280	BackupCamera	5Amp	4.1
F26	FuseBoxFJB	563279	SpareFuse	3amp	4.1
F27	FuseBoxFJB	563284	Custumer	15amp	4.1
F28	FuseBoxFJB	563282	DriverWindow	20amp	4.1
F29	FuseBoxFJB	563279	ClusterandDDDR	3amp	4.1
F30	FuseBoxFJB	563284	PwrOutletandCigarLighter	15amp	4.1
F31	FuseBoxFJB	563279	KeylessModule	3amp	4.1
F32	FuseBoxFJB	563282	SpareFuse	20amp	4.1
F33	FuseBoxFJB	563165	12VDtoWakeUp	30amp	4.1
F34	FuseBoxFJB	563165	*opt*	30amp	4.1
F35	FuseBoxFJB	563283	12vPwrOutlet	10amp	4.1
F36	FuseBoxFJB	563279	PwrHvacandTTItModule	3amp	4.1
F37	FuseBoxFJB	563283	Flipdownscreen	10amp	4.1
F38	FuseBoxFJB	563283	SpareFuse	10amp	4.1
F39	FuseBoxFJB	563283	SpareFuse	10amp	4.1
F40	FuseBoxFJB	563283	SpareFuse	15amp	4.1
F41	FuseBoxFJB	563283	SpareFuse	10amp	4.1
F42	FuseBoxFJB	563283	Transmission_I_Shift	10amp	4.1
F42	Parcel_Rack_LH_1st_Cmpt_	562604	VSS	15Amp	35.6

FUSES LIST

No	Location	Part #	Function	Rating	Page
F43	FuseBoxFJB	563282	Transmission_I_Shift	20amp	4.1
F44	FJB	560599	FuseDestinationSign	5Amp	3.3
F45	FJB	562604	FireProtectionSyst.	15Amp	3.3
F46	Parcel_Rack_LH_1st_Cmpt_	562604	VSS	15Amp	35.6
F50	FuseBoxRJB	563284	EnginePre-Heat	15amp	5.1
F51	FuseBoxRJB	563153	EnginePre-Heat	25Amp	5.1
F52	FuseBoxRJB	563284	SpareFuse	15amp	5.1
F53	FuseBoxRJB	563284	PwrMuxA54	15amp	5.1
F54	FuseBoxRJB	563284	Customer	25amp	5.1
F55	FuseBoxRJB	563283	EmergencyLts	10amp	5.1
F56	FuseBoxRJB	563282	IndirectLightingLH	20amp	5.1
F57	FuseBoxRJB	563283	IndirectLightingRH	10amp	5.1
F58	FuseBoxRJB	563283	DirectLightingLH	20amp	5.1
F59	FuseBoxRJB	563283	DirectLightingRH	10amp	5.1
F60	FuseBoxRJB	563282	ReadingLampRH	20amp	5.1
F61	FuseBoxRJB	563282	ReadingLampLH	20amp	5.1
F62	FuseBoxRJB	563283	LavatoryNightLight	10amp	5.1
F63	FuseBoxRJB	563283	EnginePre-Heat	10amp	5.1
F64	FuseBoxRJB	563283	Spare	10amp	5.1
F65	FuseBoxRJB	563165	PwrMuxModuleRJB	30amp	5.1
F66	FuseBoxRJB	563279	RadiatorFanClutch	3amp	5.1
F67	FuseBoxRJB	563153	PwrMuxA54	25Amp	5.1
F68	FuseBoxRJB	563153	PwmMuxA54	25Amp	5.1
F69	FuseBoxRJB	563005	HatRackLightingLHandRH	3amp	5.1
F70	FuseBoxRJB	563005	Customer24Vl	7.5amp	5.1
F71	FuseBoxRJB	563284	SpareFuse	15amp	5.1
F72	FuseBoxRJB	563153	PwrMuxA50	25Amp	5.1
F73	FuseBoxRJB	563282	SpareFuse	20amp	5.1
F74	FuseBoxRJB	563283	EcuEngineIgnition	10amp	5.1
F75	FuseBoxRJB	563283	EcuTransmissionIgn	10amp	5.1
F76	FuseBoxRJB	563283	Customer	10amp	5.1
F77	FuseBoxRJB	563283	EcuTransmissionWakeUp	10amp	5.1
F78	FuseBoxRJB	563284	EcuEngineWakeUp	15amp	5.1
F79	FuseBoxRJB	563284	EcuEngineWakeUp	15amp	5.1
F80	FuseBoxRJB	563284	PwrMuxA51	15amp	5.1
F81	FuseBoxRJB	563004	PwrOfRearSwitchBox	2Amp	5.1
F83	FuseBoxFJB	563005	SoundSystem	10amp	4.1
F84	FuseBoxFJB	563284	Customer	15amp	4.1
F85	FuseBoxRJB	563283	SpareFuse	10amp	5.1
F86	FuseBoxRJB	563283	SpareFuse	10amp	5.1
F87	FuseBoxRJB	563283	SpareFuse	20amp	5.1
F88	FuseBoxRJB	563283	SpareFuse	20amp	5.1
F89	FuseBoxRJB	563284	SpareFuse	20amp	5.1

FUSES LIST

No	Location	Part #	Function	Rating	Page
F1	FuseBoxFJB	563279	CecmPower	3amp	4.1
F2	FuseBoxFJB	563279	FrontStartMainSwitch	3amp	4.1
F3	FuseBoxFJB	563279	EnginePre-HeatH.W.+DrvLiq.Vlv	3amp	4.1
F4	FuseBoxFJB	563280	*opt*	5Amp	4.1
F5	FuseBoxFJB	563165	24vtoWUp	30amp	4.1
F6	FuseBoxFJB	563005	Customer24VD	7.5amp	4.1
F7	FuseBoxFJB	563279	Abs+PreHeatController	3amp	4.1
F8	FuseBoxFJB	563279	AirHorn	3amp	4.1
F9	FuseBoxFJB	563284	SpareFuse	15amp	4.1
F10	FuseBoxFJB	563279	SpareFuse	3amp	4.1
F11	FuseBoxFJB	563279	SunVisor	3amp	4.1
F12	FuseBoxFJB	563282	PwrMuxModule	20amp	4.1
F13	FuseBoxFJB	563282	PwrMuxModule	20amp	4.1
F14	FuseBoxFJB	563284	Customer	15amp	4.1
F15	FuseBoxFJB	563004	*opt*	2Amp	4.1
F16	FuseBoxFJB	563153	DefrosterUnit	25Amp	4.1
F17	FuseBoxFJB	563280	DestinationSign	5Amp	4.1
F18	FuseBoxFJB	563284	UpperWiper	15amp	4.1
F19	FuseBoxFJB	563279	Prodriver	3amp	4.1
F20	FuseBoxFJB	563005	*opt*	7.5amp	4.1
F21	FuseBoxFJB	563282	PwrMuxA44	20amp	4.1
F22	FuseBoxFJB	563279	SteeringCtrl	3amp	4.1
F23	FuseBoxFJB	563165	ABS	30amp	4.1
F24	FuseBoxFJB	563005	Mirror	7.5amp	4.1
F25	FuseBoxFJB	563280	BackupCamera	5Amp	4.1
F26	FuseBoxFJB	563279	SpareFuse	3amp	4.1
F27	FuseBoxFJB	563284	Customer	15amp	4.1
F28	FuseBoxFJB	563282	DriverWindow	20amp	4.1
F29	FuseBoxFJB	563279	ClusterandDDDR	3amp	4.1
F30	FuseBoxFJB	563284	PwrOutletandCigarLighter	15amp	4.1
F31	FuseBoxFJB	563279	KeylessModule	3amp	4.1
F32	FuseBoxFJB	563282	SpareFuse	20amp	4.1
F33	FuseBoxFJB	563165	12VDtoWakeUp	30amp	4.1
F34	FuseBoxFJB	563165	*opt*	30amp	4.1
F35	FuseBoxFJB	563283	12vPwrOutlet	10amp	4.1
F36	FuseBoxFJB	563279	PwrHvacandTiltModule	3amp	4.1
F37	FuseBoxFJB	563283	Flipdownscreen	10amp	4.1
F38	FuseBoxFJB	563283	SpareFuse	10amp	4.1
F39	FuseBoxFJB	563283	Electrical_Driver_Seat_Option_OR_R4_Preheater	10amp	4.1
F40	FuseBoxFJB	563283	SpareFuse	15amp	4.1
F41	FuseBoxFJB	563283	SpareFuse	10amp	4.1
F42	FuseBoxFJB	563283	Transmission_I_Shift	10amp	4.1
F42	Parcel_Rack_LH_1st_Cmpt_	562604	VSS	15Amp	35.6

FUSES LIST

No	Location	Part #	Function	Rating	Page
F43	FuseBoxFJB	563282	Transmission_I_Shift	20amp	4.1
F43	Evap_Cmpt_	560893	*opt*	3amp	18.2
F44	FJB	560599	FuseDestinationSign	5Amp	3.3
F45	FJB	562604	FireProtectionSyst.	15Amp	3.3
F46	Parcel_Rack_LH_1st_Cmpt_	562604	VSS	15Amp	35.6
F50	FuseBoxRJB	563284	EnginePre-Heat	15amp	5.1
F51	FuseBoxRJB	563153	EnginePre-Heat	25Amp	5.1
F52	FuseBoxRJB	563284	SpareFuse	15amp	5.1
F53	FuseBoxRJB	563284	PwrMuxA54	15amp	5.1
F54	FuseBoxRJB	563284	Customer	25amp	5.1
F55	FuseBoxRJB	563283	EmergencyLts	10amp	5.1
F56	FuseBoxRJB	563282	IndirectLightingLH	20amp	5.1
F57	FuseBoxRJB	563283	IndirectLightingRH	10amp	5.1
F58	FuseBoxRJB	563283	DirectLightingLH	20amp	5.1
F59	FuseBoxRJB	563283	DirectLightingRH	10amp	5.1
F60	FuseBoxRJB	563282	ReadingLampRH	20amp	5.1
F61	FuseBoxRJB	563282	ReadingLampLH	20amp	5.1
F62	FuseBoxRJB	563283	LavatoryNightLight	10amp	5.1
F63	FuseBoxRJB	563283	EnginePre-Heat	10amp	5.1
F64	FuseBoxRJB	563283	Spare	10amp	5.1
F65	FuseBoxRJB	563165	PwrMuxModuleRJB	30amp	5.1
F66	FuseBoxRJB	563279	RadiatorFanClutch	3amp	5.1
F67	FuseBoxRJB	563153	PwrMuxA54	25Amp	5.1
F68	FuseBoxRJB	563153	PwmMuxA54	25Amp	5.1
F69	FuseBoxRJB	563005	HatRackLightingLHandRH	3amp	5.1
F70	FuseBoxRJB	563005	Customer24VI	7.5amp	5.1
F71	FuseBoxRJB	563284	SpareFuse	15amp	5.1
F72	FuseBoxRJB	563153	PwrMuxA50	25Amp	5.1
F73	FuseBoxRJB	563282	SpareFuse	20amp	5.1
F74	FuseBoxRJB	563283	EcuEngineIgnition	10amp	5.1
F75	FuseBoxRJB	563283	EcuTransmissionIgn	10amp	5.1
F76	FuseBoxRJB	563283	Customer	10amp	5.1
F77	FuseBoxRJB	563283	EcuTransmissionWakeUp	10amp	5.1
F78	FuseBoxRJB	563284	EcuEngineWakeUp	15amp	5.1
F79	FuseBoxRJB	563284	EcuEngineWakeUp	15amp	5.1
F80	FuseBoxRJB	563284	PwrMuxA51	15amp	5.1
F81	FuseBoxRJB	563004	PwrOfRearSwitchBox	2Amp	5.1
F83	FuseBoxFJB	563005	SoundSystem	10amp	4.1
F84	FuseBoxFJB	563284	Customer	15amp	4.1
F85	FuseBoxRJB	563283	SpareFuse	10amp	5.1
F86	FuseBoxRJB	563283	SpareFuse	10amp	5.1
F87	FuseBoxRJB	563283	SpareFuse	20amp	5.1
F88	FuseBoxRJB	563283	SpareFuse	20amp	5.1

FUSES LIST

No	Location	Part #	Function	Rating	Page
F89	FuseBoxRJB	563284	SpareFuse	20amp	5.1
F90	FuseBoxRJB	563282	Engine_ECU	20Amp	5.1
F91	FuseBoxRJB	563282	E_RideRearPwr	20Amp	5.1
F92	Galley	*opt*	Galley	7.5amp	40.1
F93	Galley	*opt*	Galley	7.5amp	40.1
F94	Galley	*opt*	Galley	35amp	40.1
F96	FuseBoxRJB	563284	Urea	20amp	5.1
F96	Parcel_Rack_LH_1st_Cmpt_	562605	VSS	20Amp	35.6
F98	FuseBoxRJB	563284	Alternator	15amp	5.1
F99	FuseBoxRJB	563165	Engine_ECU	30Amp	5.1
F99	Parcel_Rack_LH_1st_Cmpt_	562604	VSS	15Amp	35.6
F106	FJB	562407	FlipScreen	10amp	3.3
F109	RJB	562597	PreHeater	150A	14.2
F110	FJB	562407	Mux_Power	10amp	3.3
F127	FJB	560599	WIFI Internet - Option	5amp	4.1



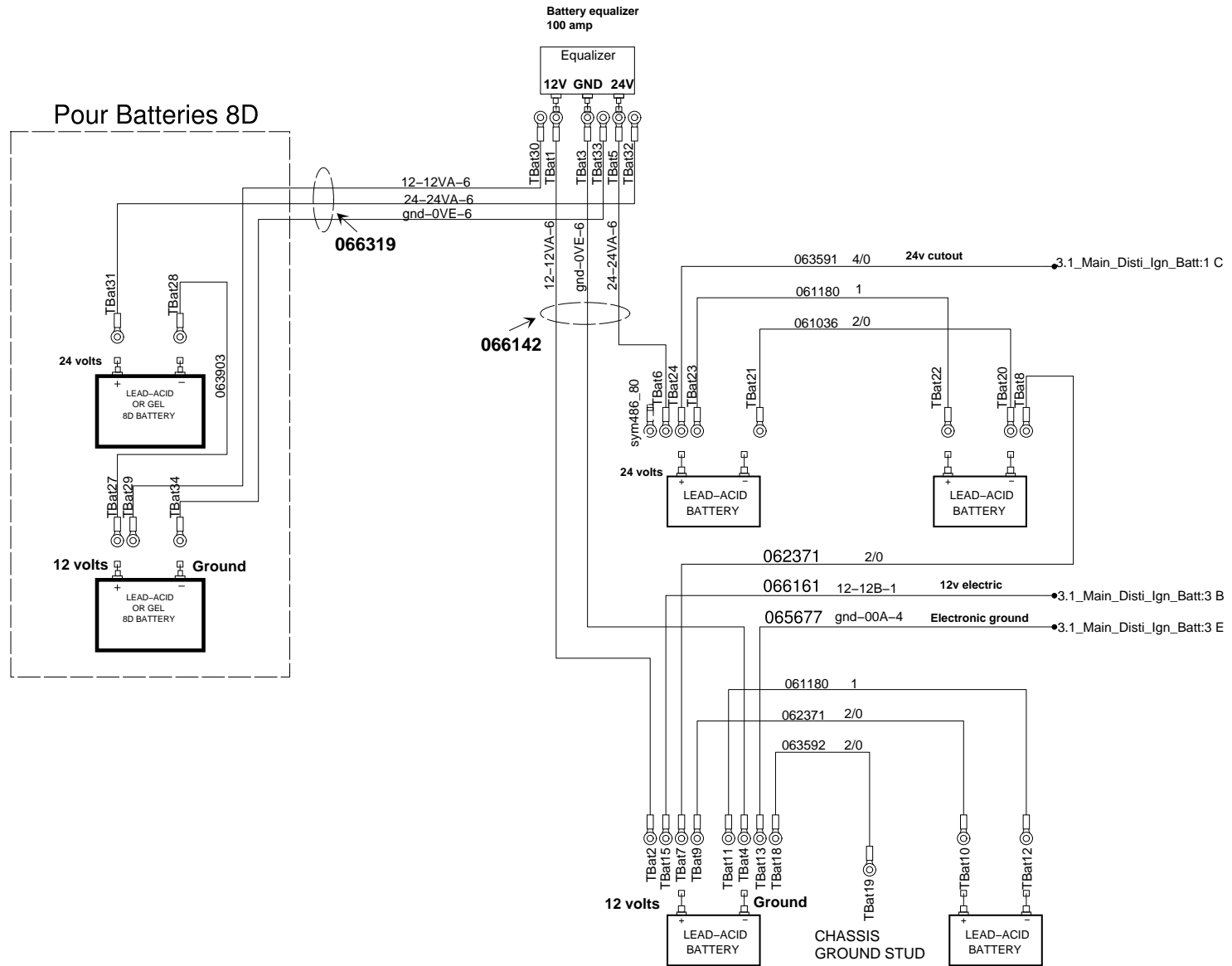
FUSES LIST

No	Location	Part #	Function	Rating	Page
F1	FuseBoxFJB	563279	CecmPower	3amp	4.1
F2	FuseBoxFJB	563279	FrontStartMainSwitch	3amp	4.1
F3	FuseBoxFJB	563279	EnginePre-HeatH.W.+DrvLiq.Vlv	3amp	4.1
F4	FuseBoxFJB	563280	*opt*	5Amp	4.1
F5	FuseBoxFJB	563165	24vtoWUp	30amp	4.1
F6	FuseBoxFJB	563005	Customer24VD	7.5amp	4.1
F7	FuseBoxFJB	563279	Abs+PreHeatController	3amp	4.1
F8	FuseBoxFJB	563279	AirHorn	3amp	4.1
F9	FuseBoxFJB	563284	SpareFuse	15amp	4.1
F10	FuseBoxFJB	563279	SpareFuse	3amp	4.1
F11	FuseBoxFJB	563279	SunVisor	3amp	4.1
F12	FuseBoxFJB	563282	PwrMuxModule	20amp	4.1
F13	FuseBoxFJB	563282	PwrMuxModule	20amp	4.1
F14	FuseBoxFJB	563284	Customer	15amp	4.1
F15	FuseBoxFJB	563004	*opt*	2Amp	4.1
F16	FuseBoxFJB	563153	DefrosterUnit	25Amp	4.1
F17	FuseBoxFJB	563280	DestinationSign	5Amp	4.1
F18	FuseBoxFJB	563284	UpperWiper	15amp	4.1
F19	FuseBoxFJB	563279	Prodriver	3amp	4.1
F20	FuseBoxFJB	563005	*opt*	7.5amp	4.1
F21	FuseBoxFJB	563282	PwrMuxA44	20amp	4.1
F22	FuseBoxFJB	563279	SteeringCtrl	3amp	4.1
F23	FuseBoxFJB	563165	ABS	30amp	4.1
F24	FuseBoxFJB	563005	Mirror	7.5amp	4.1
F25	FuseBoxFJB	563280	BackupCamera	5Amp	4.1
F26	FuseBoxFJB	563279	SpareFuse	3amp	4.1
F27	FuseBoxFJB	563284	Customer	15amp	4.1
F28	FuseBoxFJB	563282	DriverWindow	20amp	4.1
F29	FuseBoxFJB	563279	ClusterandDDDR	3amp	4.1
F30	FuseBoxFJB	563284	PwrOutletandCigarLighter	15amp	4.1
F31	FuseBoxFJB	563279	KeylessModule	3amp	4.1
F32	FuseBoxFJB	563282	SpareFuse	20amp	4.1
F33	FuseBoxFJB	563165	12VDtoWakeUp	30amp	4.1
F34	FuseBoxFJB	563165	*opt*	30amp	4.1
F35	FuseBoxFJB	563283	12vPwrOutlet	10amp	4.1
F36	FuseBoxFJB	563279	PwrHvacandTlItModule	3amp	4.1
F37	FuseBoxFJB	563283	Flipdownscreen	10amp	4.1
F38	FuseBoxFJB	563283	SpareFuse	10amp	4.1
F39	FuseBoxFJB	563283	Electrical_Driver_Seat_Option_OR_R4_Preheater	10amp	4.1
F40	FuseBoxFJB	563283	SpareFuse	15amp	4.1
F41	FuseBoxFJB	563283	SpareFuse	10amp	4.1
F42	FuseBoxFJB	563283	Transmission_I_Shift	10amp	4.1
F42	Parcel_Rack_LH_1st_Cmpt_	562604	VSS	15Amp	35.6

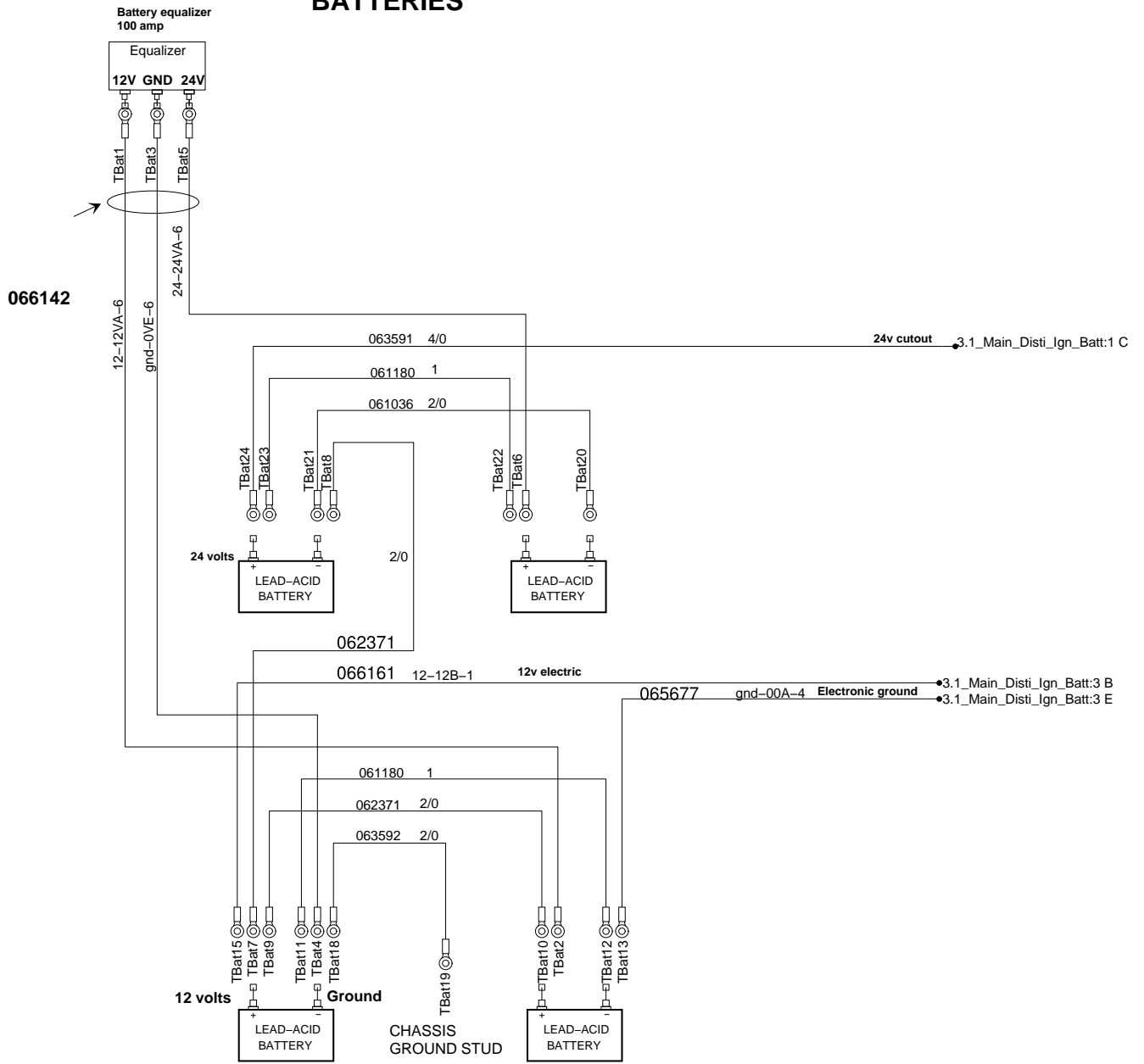
FUSES LIST

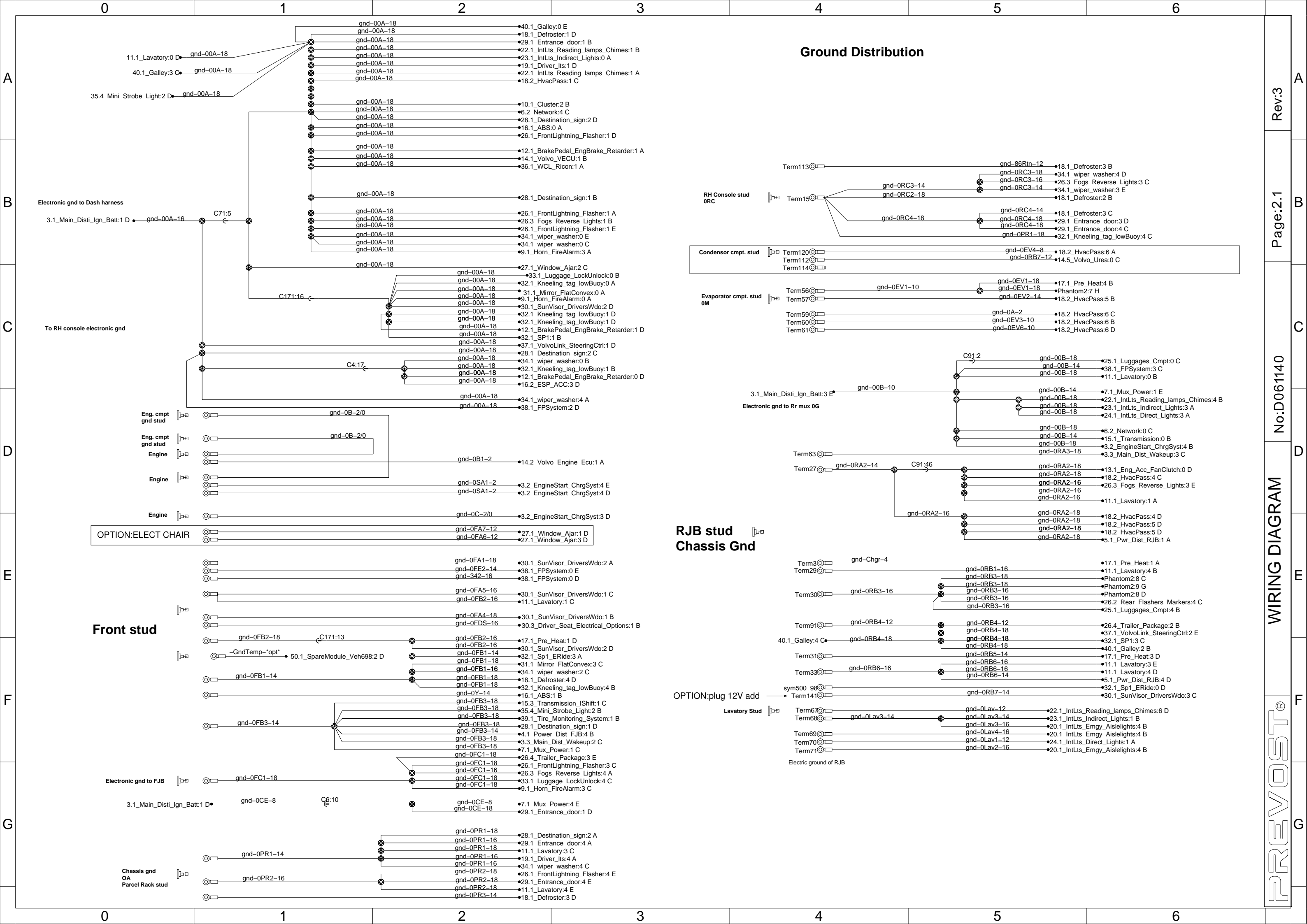
No	Location	Part #	Function	Rating	Page
F43	FuseBoxFJB	563282	Transmission_I_Shift	20amp	4.1
F43	Evap_Cmpt_	560893	*opt*	3amp	18.2
F44	FJB	560599	FuseDestinationSign	5Amp	3.3
F45	FJB	562604	FireProtectionSyst.	15Amp	3.3
F46	Parcel_Rack_LH_1st_Cmpt_	562604	VSS	15Amp	35.6
F50	FuseBoxRJB	563284	EnginePre-Heat	15amp	5.1
F51	FuseBoxRJB	563153	EnginePre-Heat	25Amp	5.1
F52	FuseBoxRJB	563284	SpareFuse	15amp	5.1
F53	FuseBoxRJB	563284	PwrMuxA54	15amp	5.1
F54	FuseBoxRJB	563284	Customer	25amp	5.1
F55	FuseBoxRJB	563283	EmergencyLts	10amp	5.1
F56	FuseBoxRJB	563282	IndirectLightingLH	20amp	5.1
F57	FuseBoxRJB	563283	IndirectLightingRH	10amp	5.1
F58	FuseBoxRJB	563283	DirectLightingLH	20amp	5.1
F59	FuseBoxRJB	563283	DirectLightingRH	10amp	5.1
F60	FuseBoxRJB	563282	ReadingLampRH	20amp	5.1
F61	FuseBoxRJB	563282	ReadingLampLH	20amp	5.1
F62	FuseBoxRJB	563283	LavatoryNightLight	10amp	5.1
F63	FuseBoxRJB	563283	EnginePre-Heat	10amp	5.1
F64	FuseBoxRJB	563283	Spare	10amp	5.1
F65	FuseBoxRJB	563165	PwrMuxModuleRJB	30amp	5.1
F66	FuseBoxRJB	563279	RadiatorFanClutch	3amp	5.1
F67	FuseBoxRJB	563153	PwrMuxA54	25Amp	5.1
F68	FuseBoxRJB	563153	PwmMuxA54	25Amp	5.1
F69	FuseBoxRJB	563005	HatRackLightingLHandRH	3amp	5.1
F70	FuseBoxRJB	563005	Customer24VI	7.5amp	5.1
F71	FuseBoxRJB	563284	SpareFuse	15amp	5.1
F72	FuseBoxRJB	563153	PwrMuxA50	25Amp	5.1
F73	FuseBoxRJB	563282	SpareFuse	20amp	5.1
F74	FuseBoxRJB	563283	EcuEngineIgnition	10amp	5.1
F75	FuseBoxRJB	563283	EcuTransmissionIgn	10amp	5.1
F76	FuseBoxRJB	563283	Customer	10amp	5.1
F77	FuseBoxRJB	563283	EcuTransmissionWakeUp	10amp	5.1
F78	FuseBoxRJB	563284	EcuEngineWakeUp	15amp	5.1
F79	FuseBoxRJB	563284	EcuEngineWakeUp	15amp	5.1
F80	FuseBoxRJB	563284	PwrMuxA51	15amp	5.1
F81	FuseBoxRJB	563004	PwrOfRearSwitchBox	2Amp	5.1
F83	FuseBoxFJB	563005	SoundSystem	10amp	4.1
F84	FuseBoxFJB	563284	Customer	15amp	4.1
F85	FuseBoxRJB	563283	SpareFuse	10amp	5.1
F86	FuseBoxRJB	563283	SpareFuse	10amp	5.1
F87	FuseBoxRJB	563283	SpareFuse	20amp	5.1
F88	FuseBoxRJB	563283	SpareFuse	20amp	5.1

BATTERIES STANDARD AND 8D

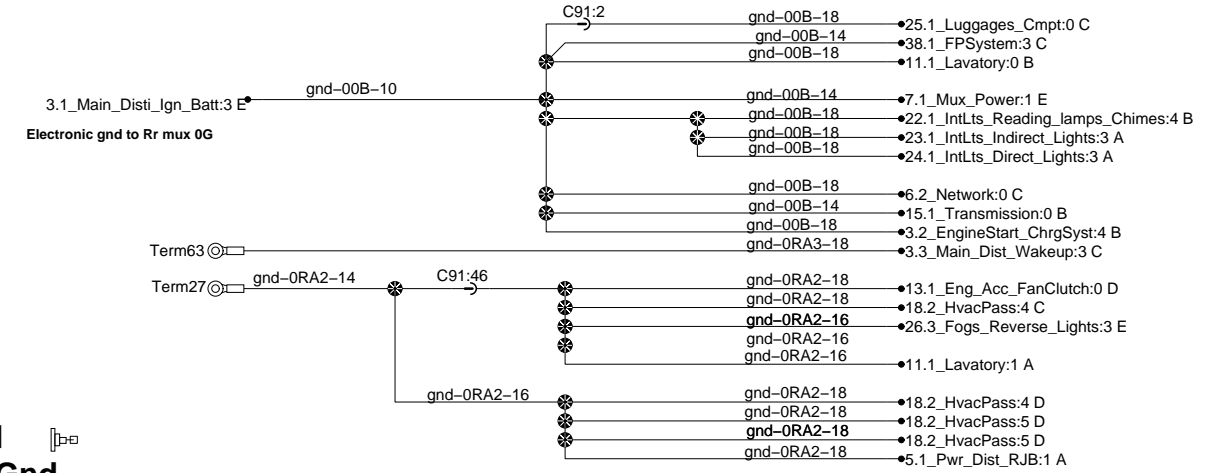
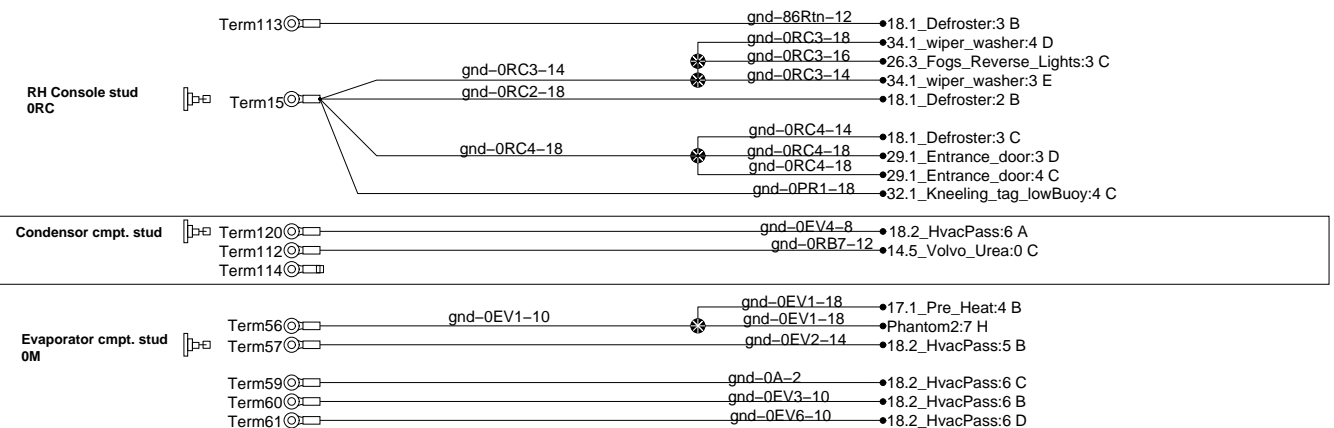


BATTERIES

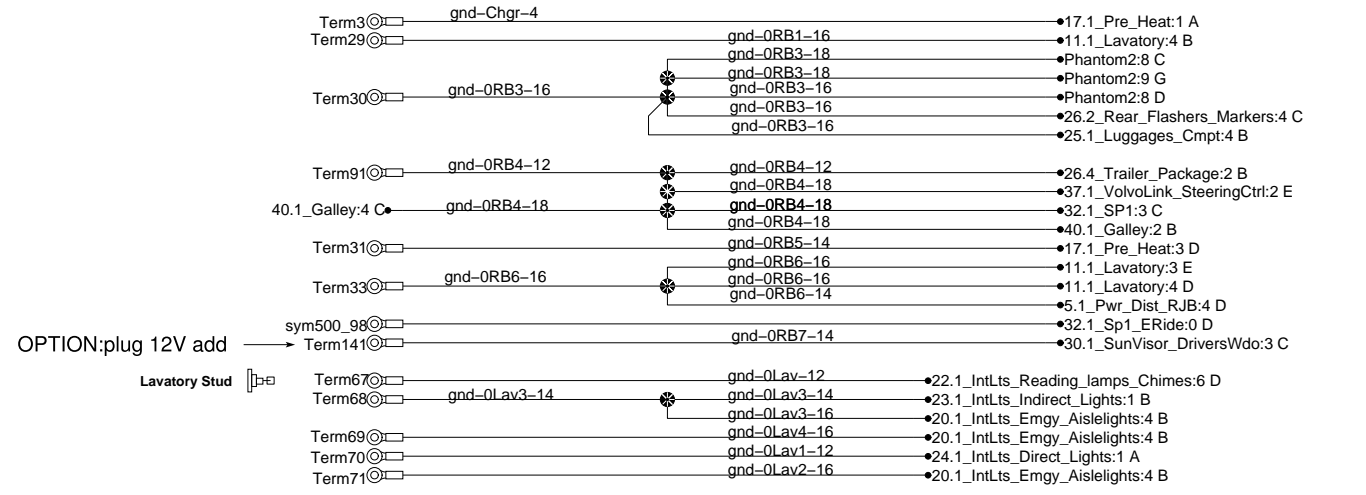




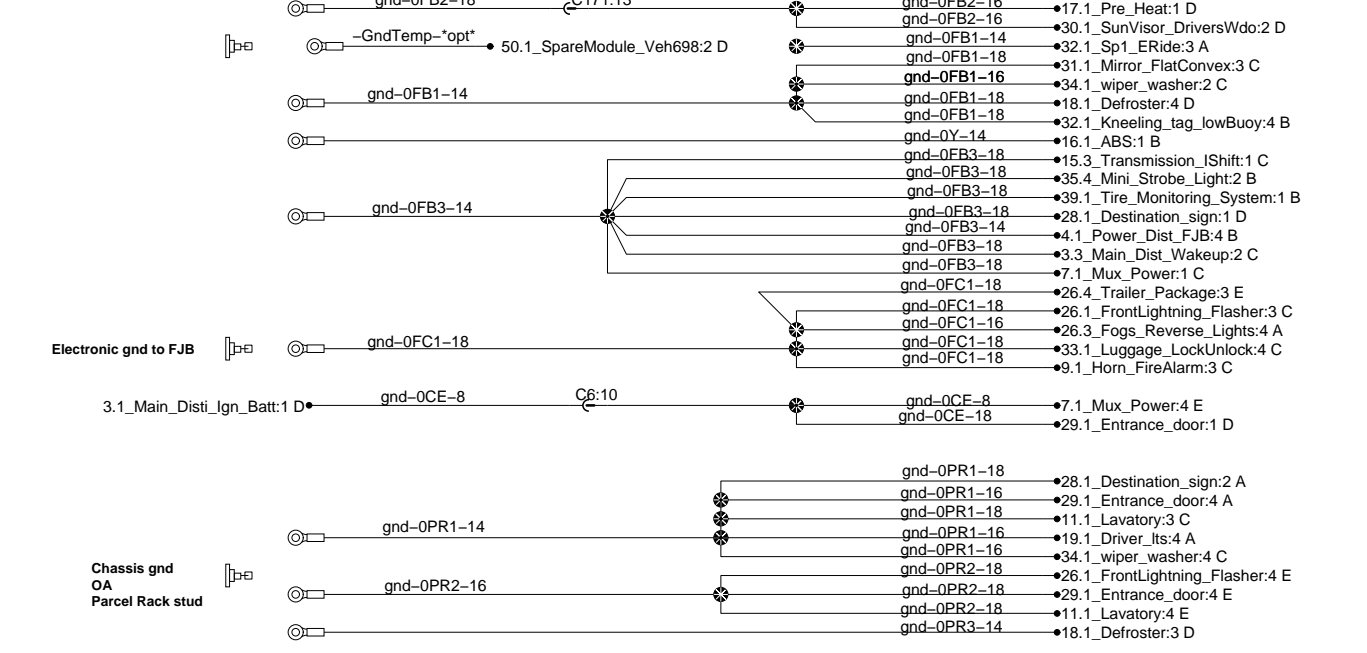
Ground Distribution



RJB stud Chassis Gnd

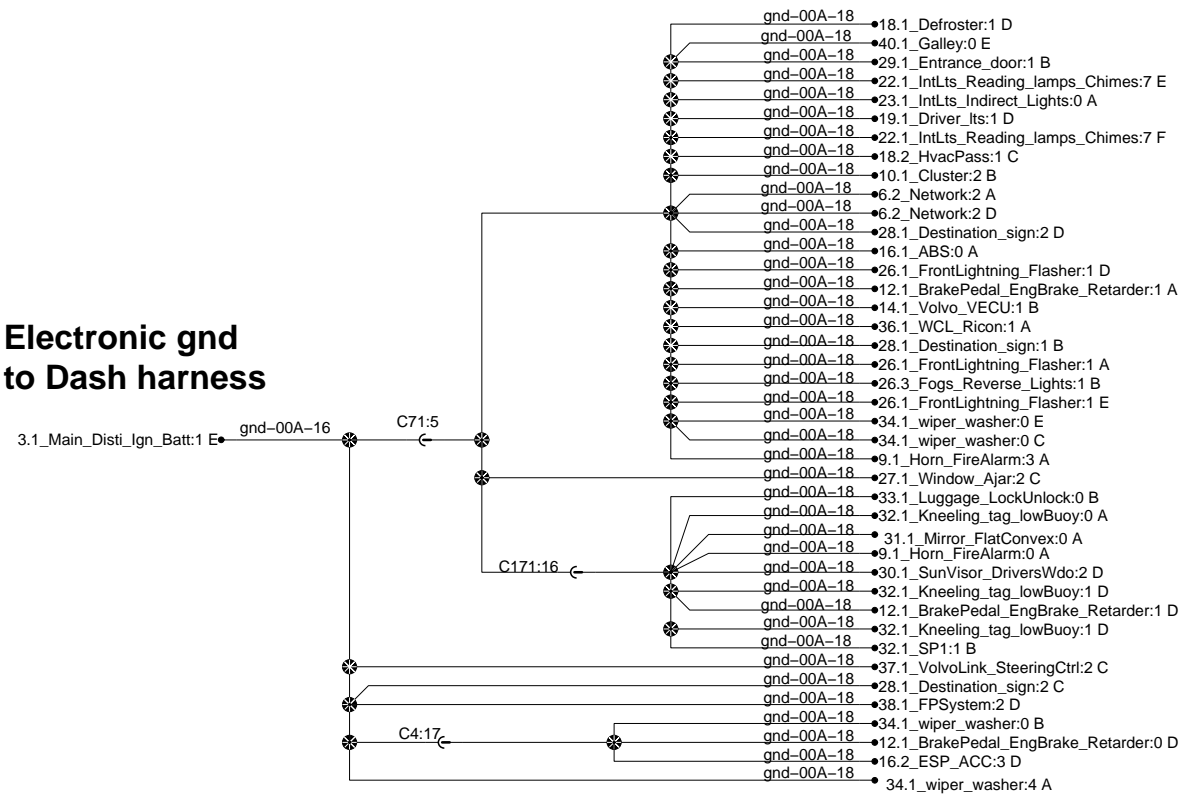


Front stud

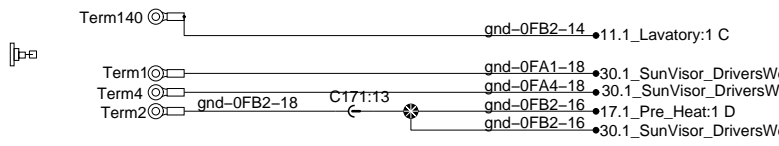


Ground Distribution

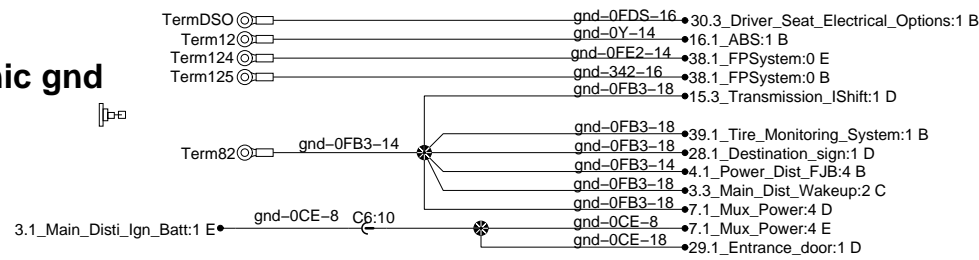
Electronic gnd to Dash harness



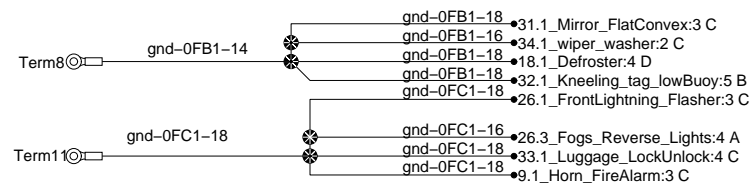
Dash stud



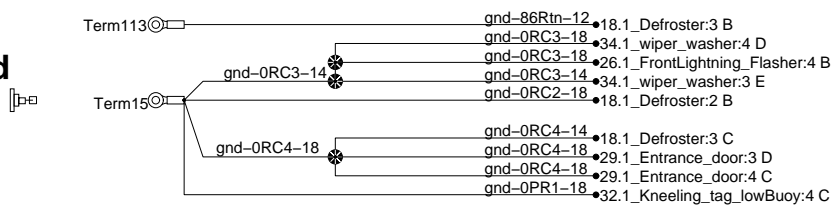
Electronic gnd to FJB



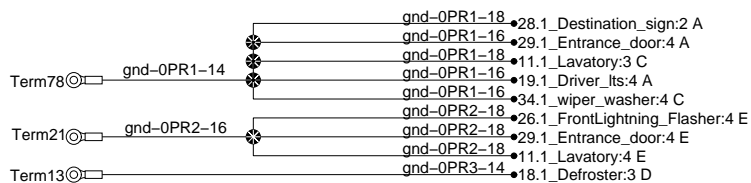
Front stud



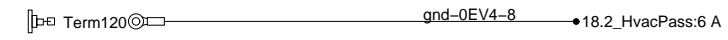
RH Console stud



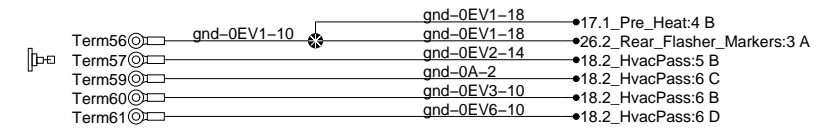
Chassis gnd Parcel Rack stud



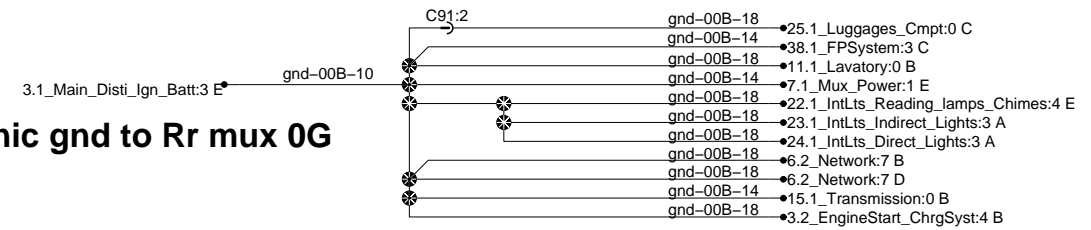
Condensor cmpt. stud



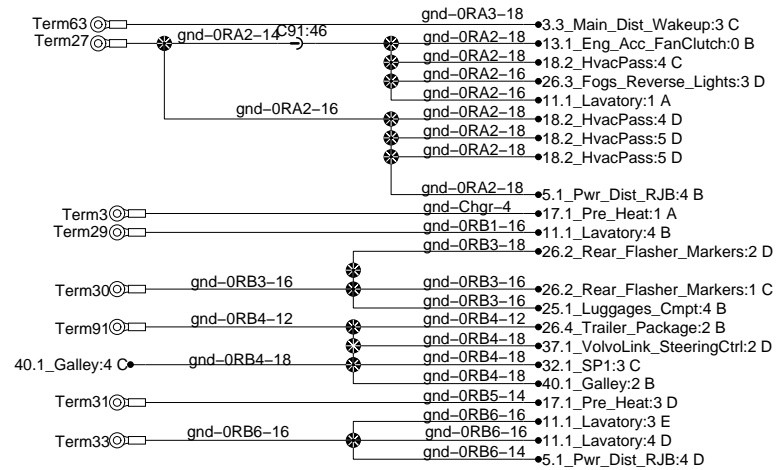
Evaporator cmpt. stud



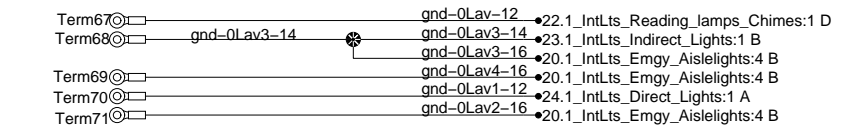
Electronic gnd to Rr mux 0G



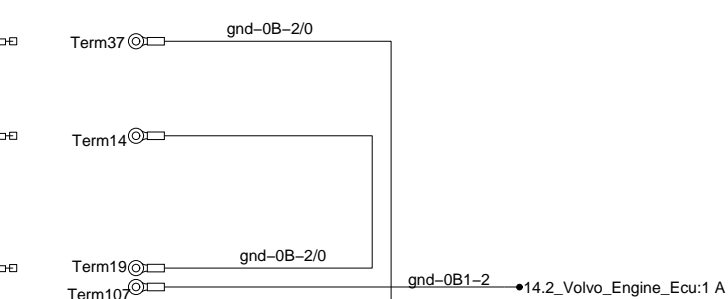
RJB stud Chassis Gnd



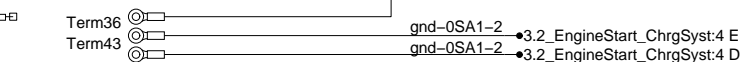
Lavatory Stud



Eng. cmpt gnd stud



Eng. cmpt gnd stud

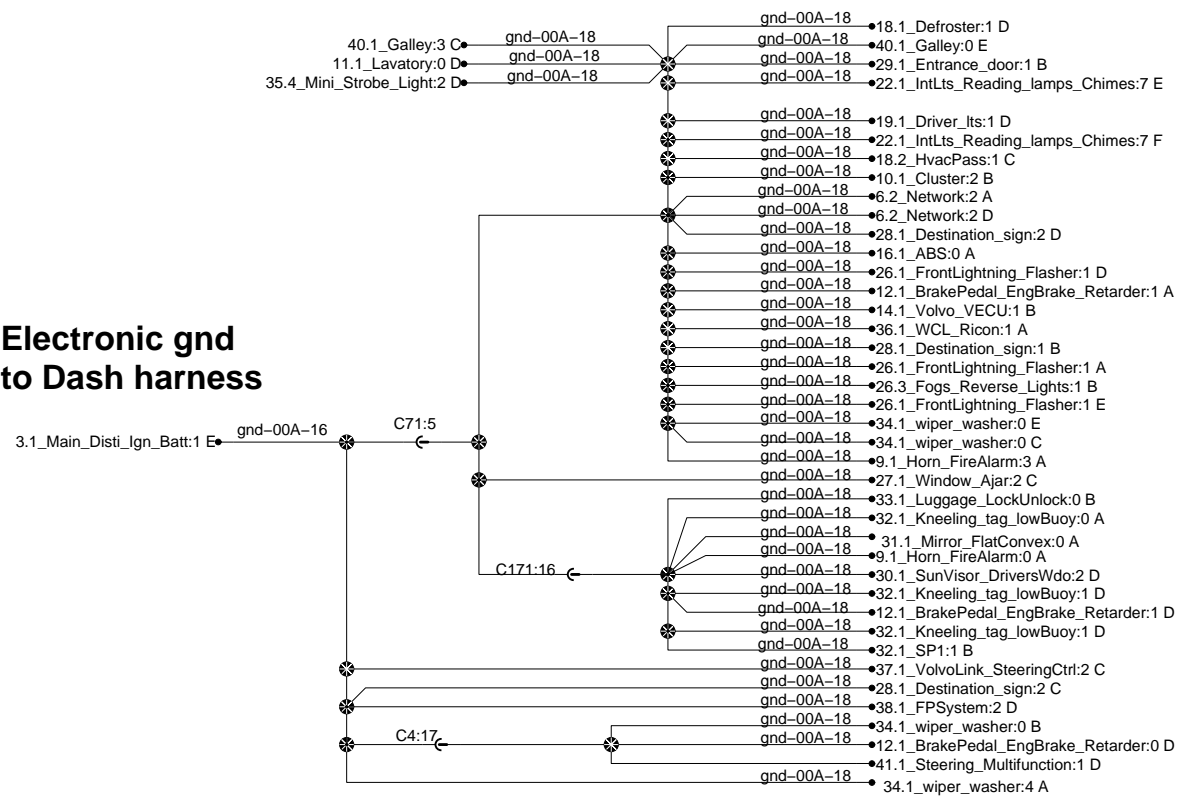


Engine

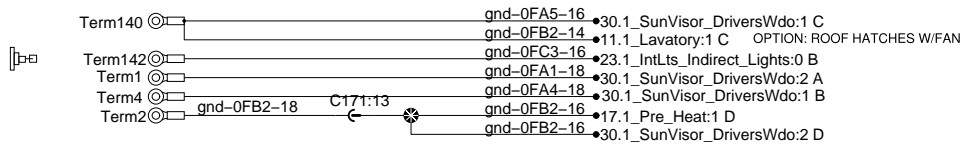


Ground Distribution

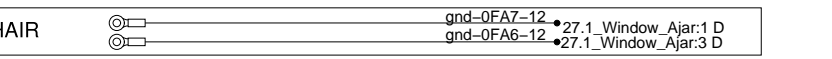
Electronic gnd to Dash harness



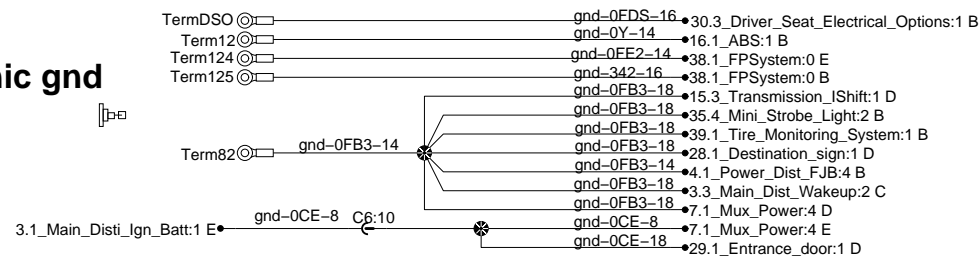
Dash stud



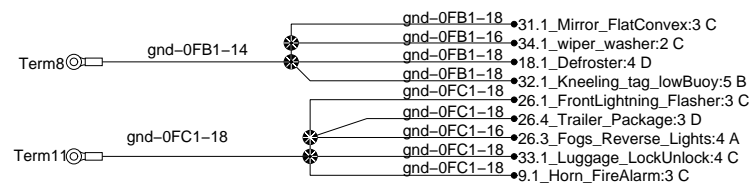
OPTION:ELECT CHAIR



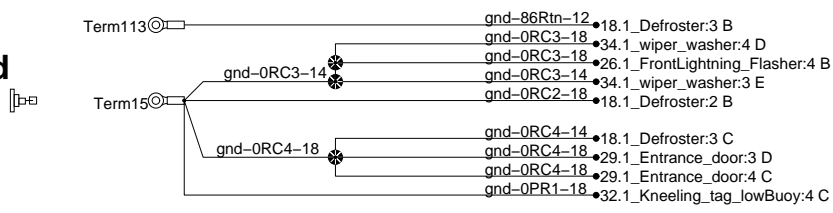
Electronic gnd to FJB



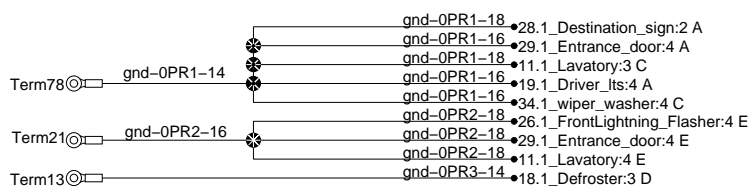
Front stud



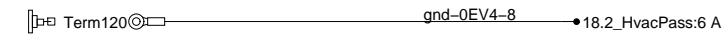
RH Console stud



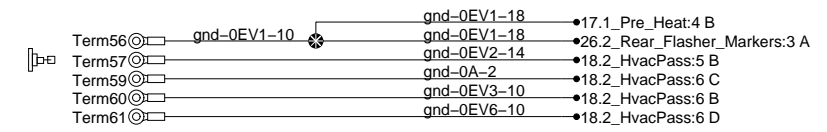
Chassis gnd Parcel Rack stud



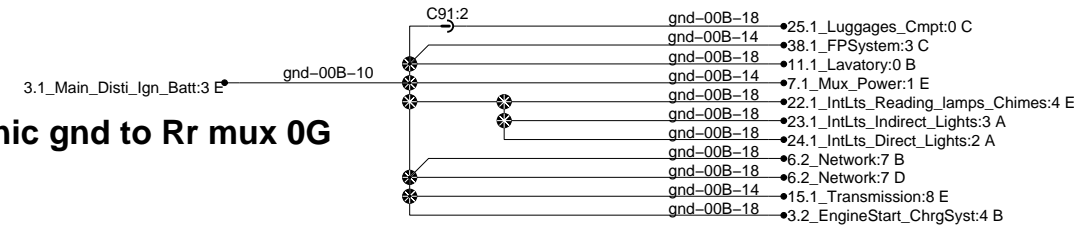
Condensor cmpt. stud



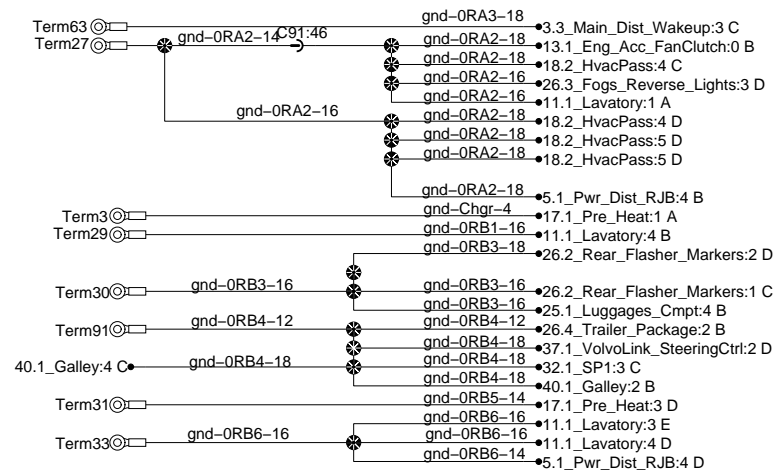
Evaporator cmpt. stud



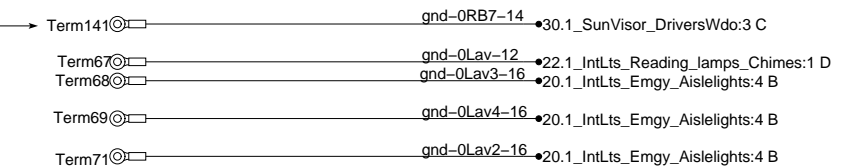
Electronic gnd to Rr mux 0G



RJB stud Chassis Gnd

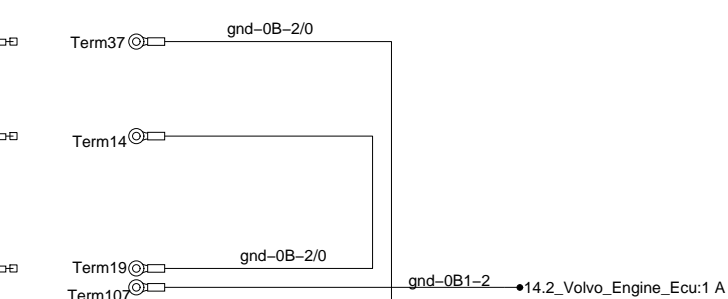


OPTION:plug 12V add

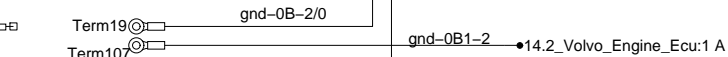


Lavatory Stud

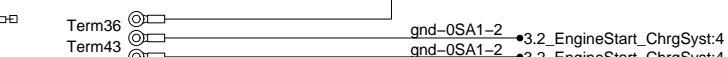
Eng. cmpt gnd stud



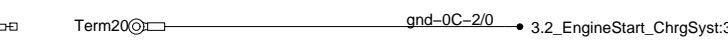
Engine



Engine

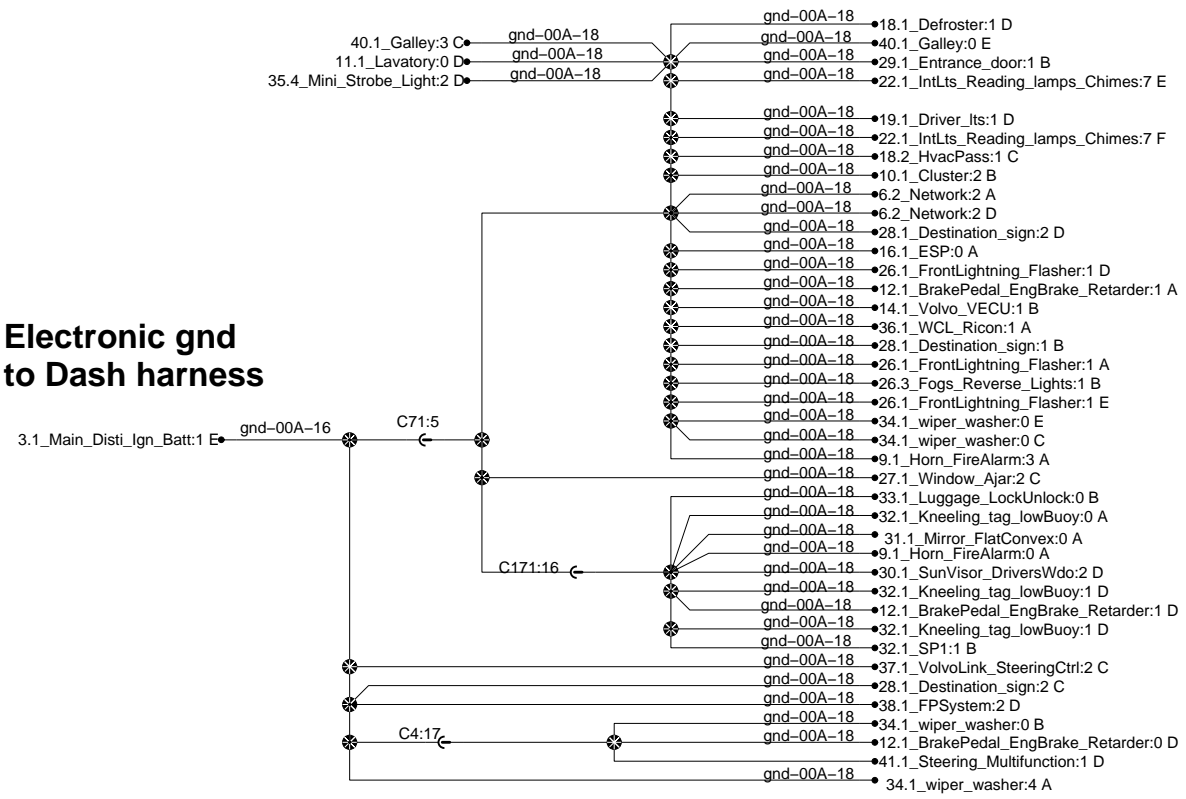


Engine

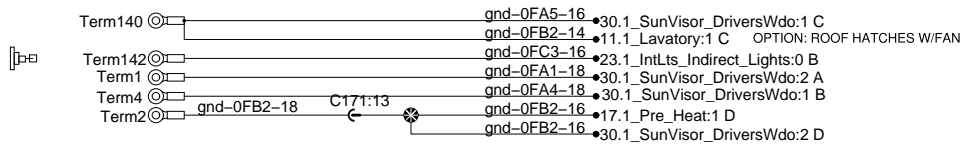


Ground Distribution

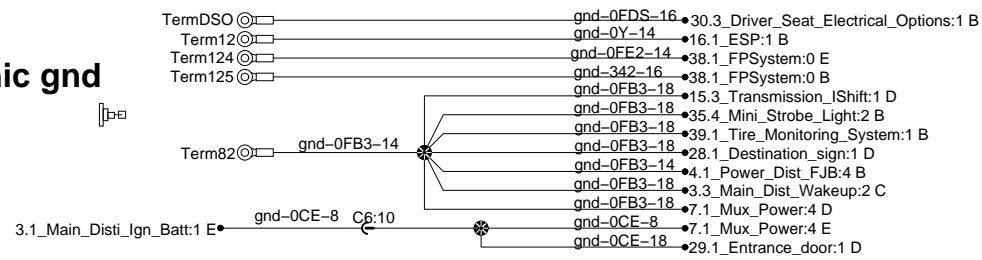
Electronic gnd to Dash harness



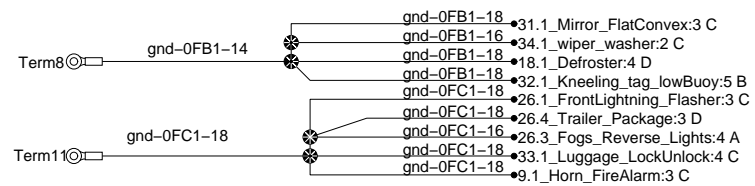
Dash stud



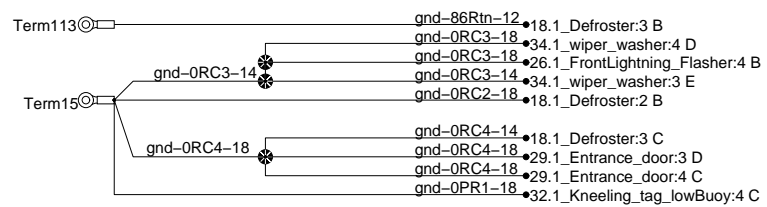
Electronic gnd to FJB



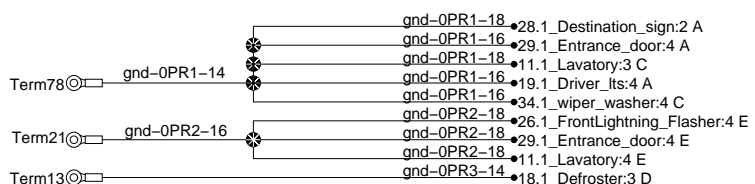
Front stud



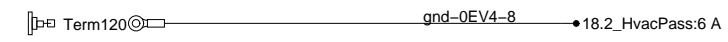
RH Console stud



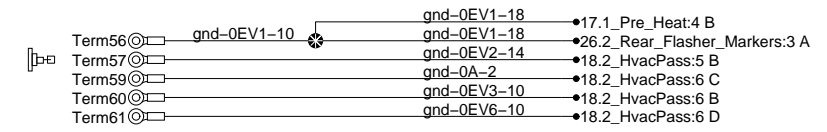
Chassis gnd Parcel Rack stud



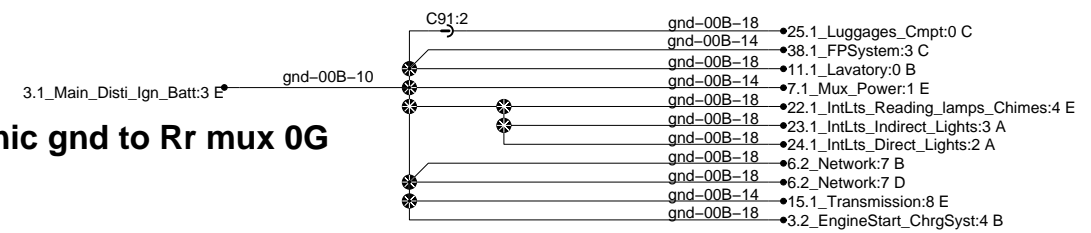
Condensor cmpt. stud



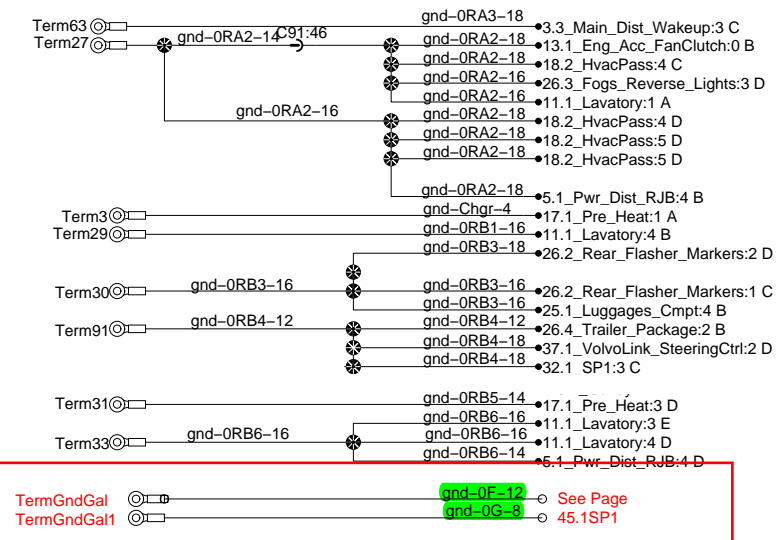
Evaporator cmpt. stud



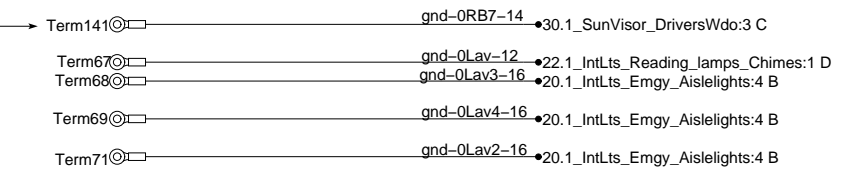
Electronic gnd to Rr mux 0G



RJB stud Chassis Gnd



OPTION:plug 12V add

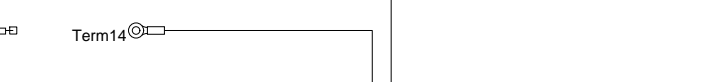


Lavatory Stud

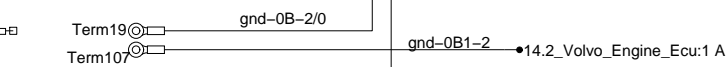
Eng. cmpt gnd stud



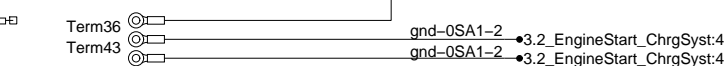
Eng. cmpt gnd stud



Engine



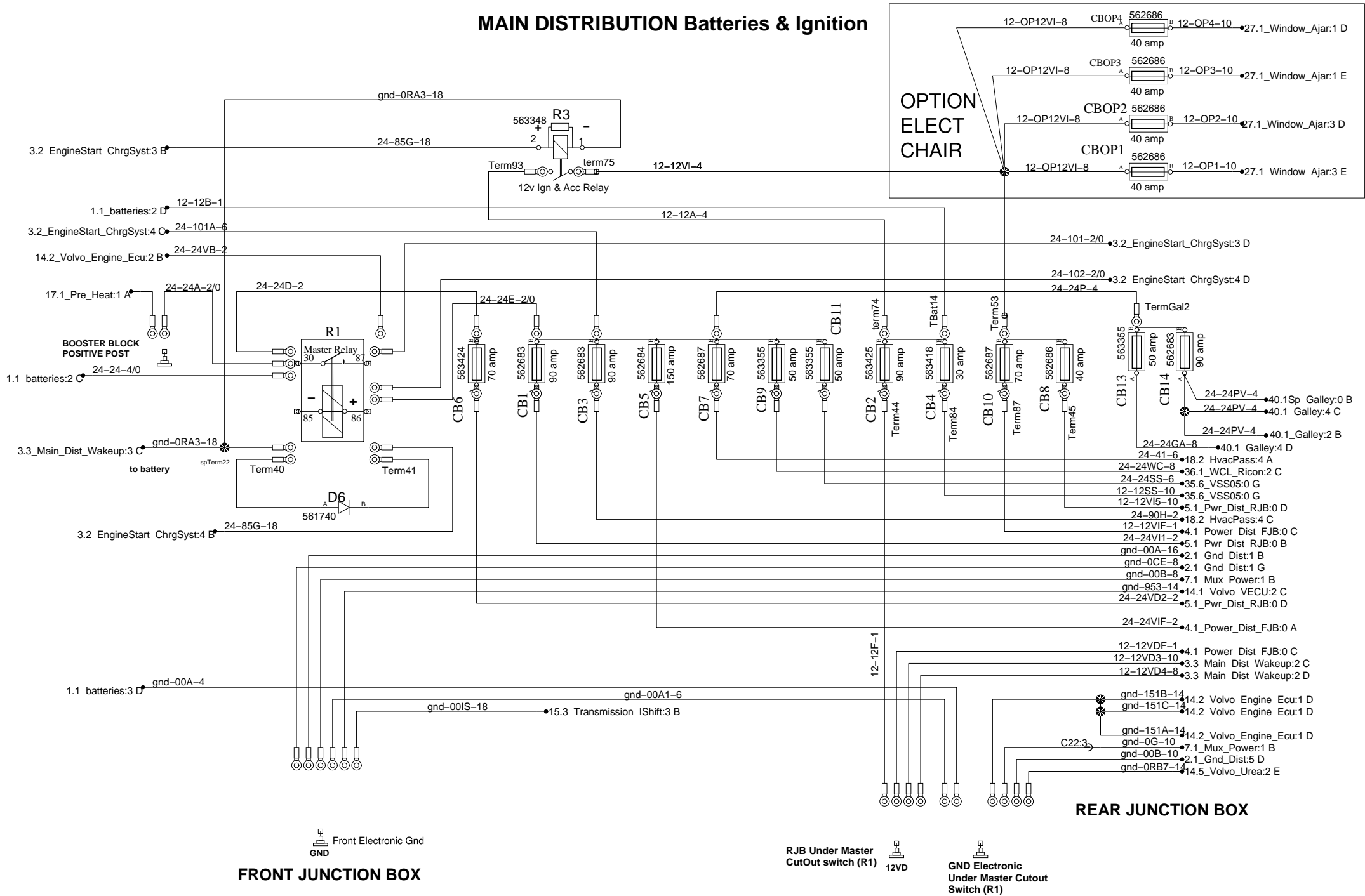
Engine



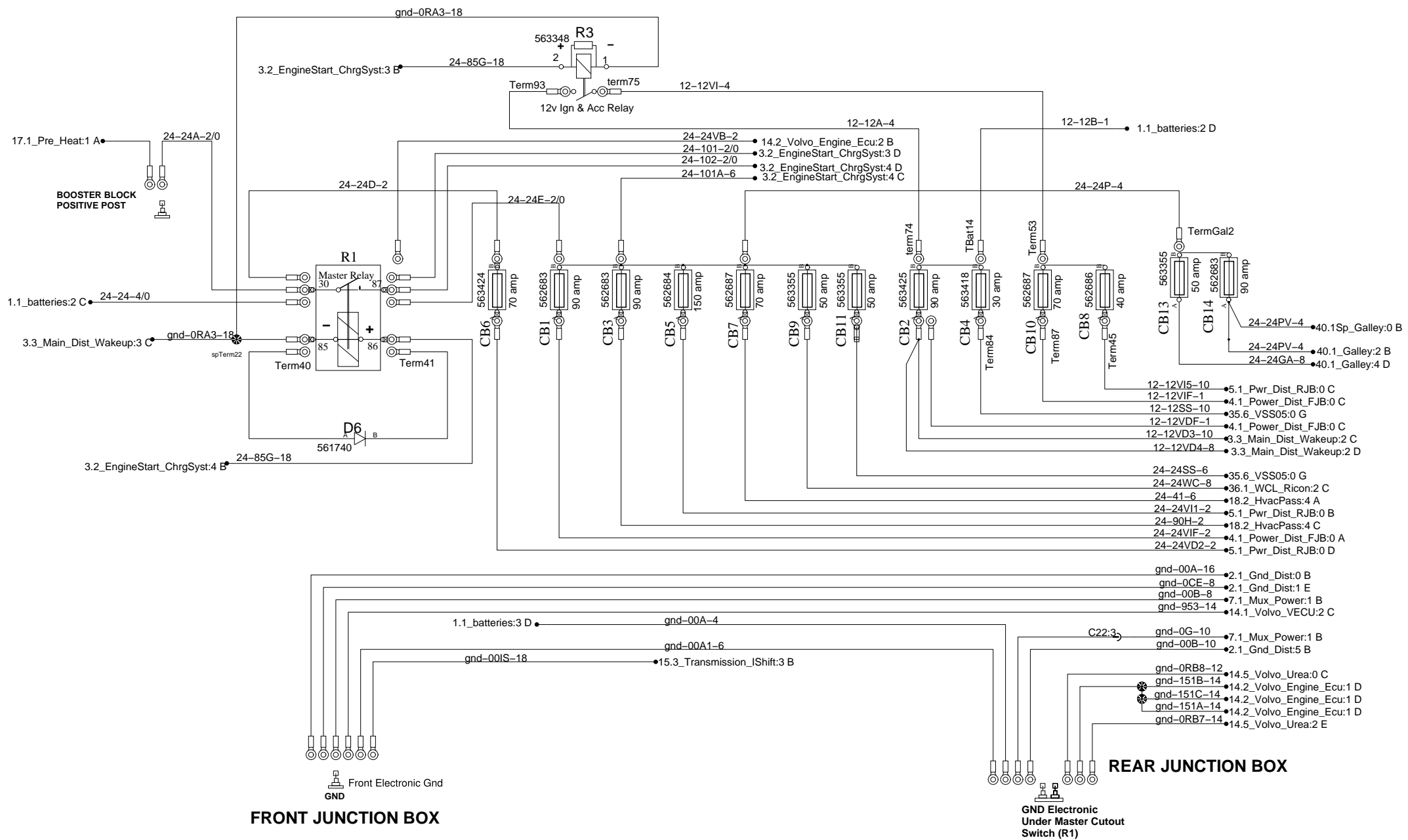
Engine



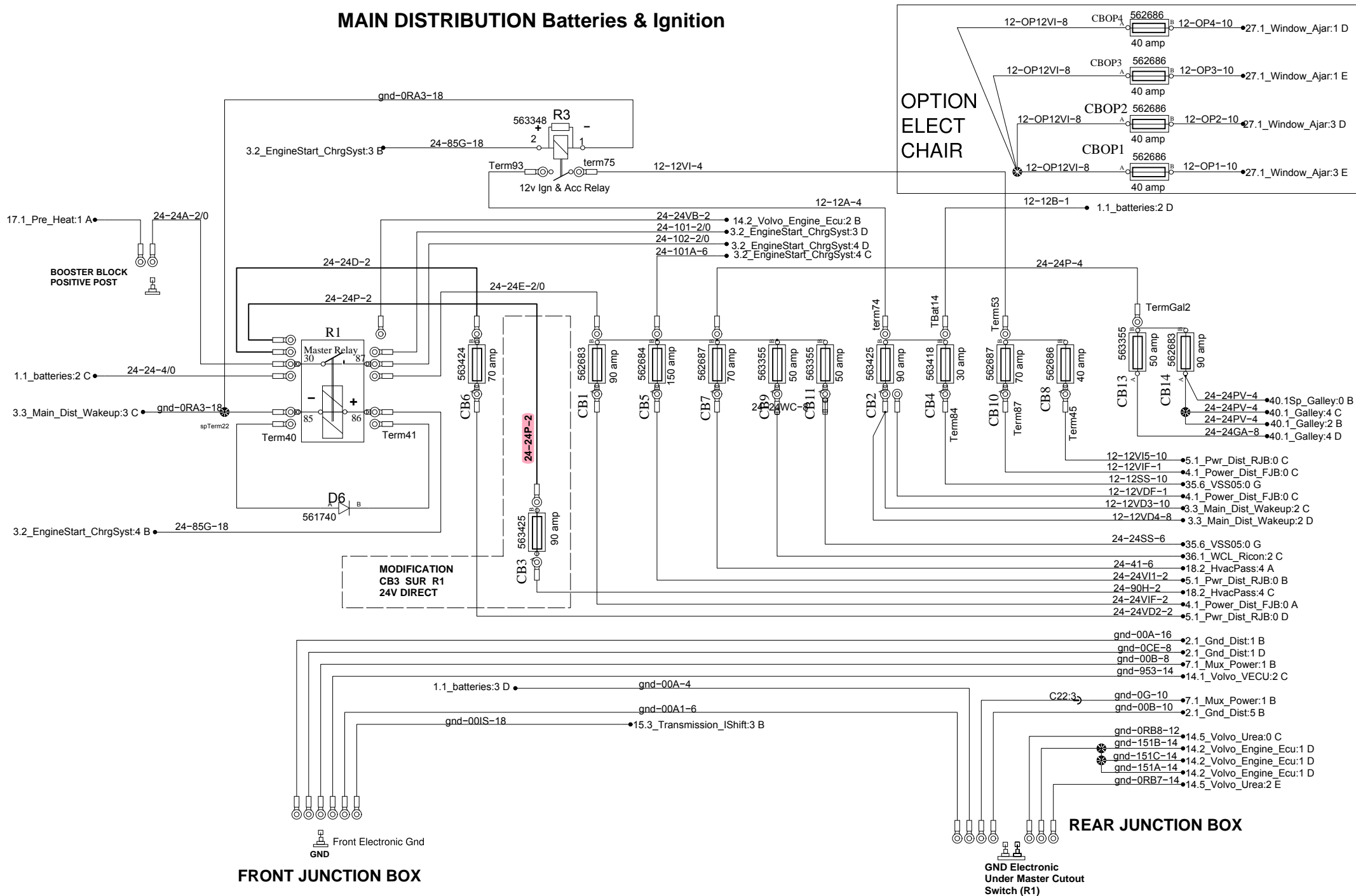
MAIN DISTRIBUTION Batteries & Ignition



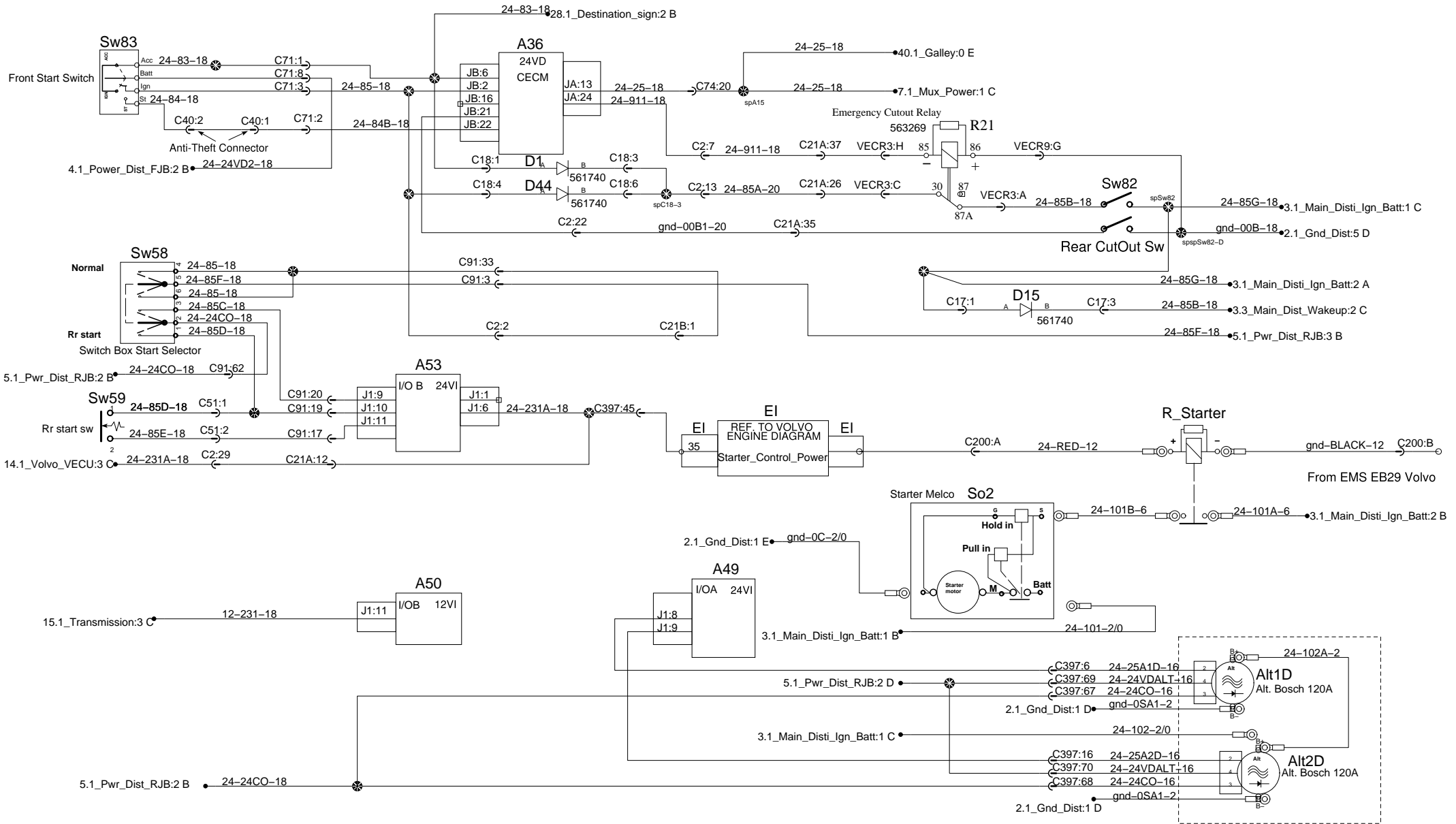
MAIN DISTRIBUTION Batteries & Ignition



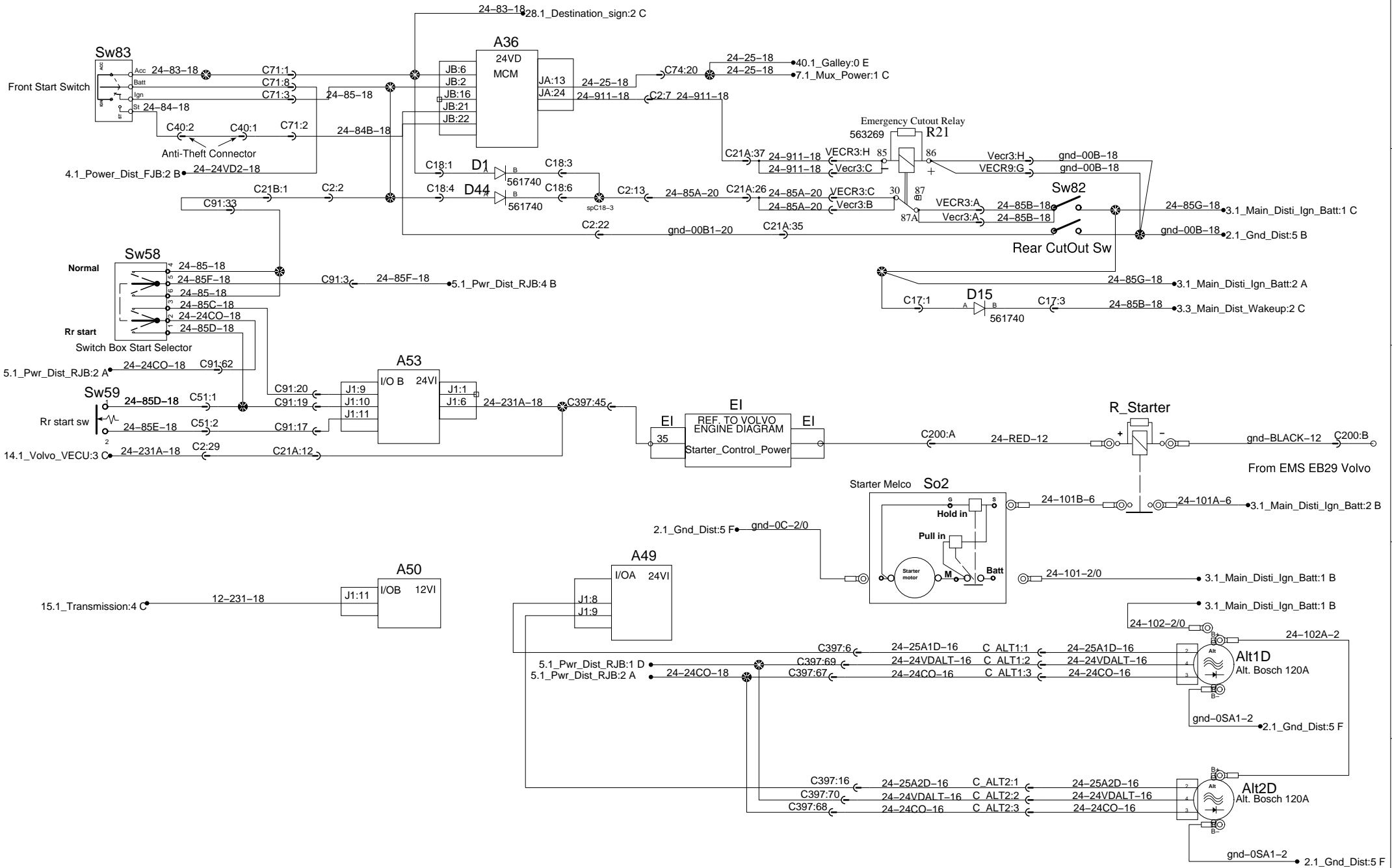
MAIN DISTRIBUTION Batteries & Ignition



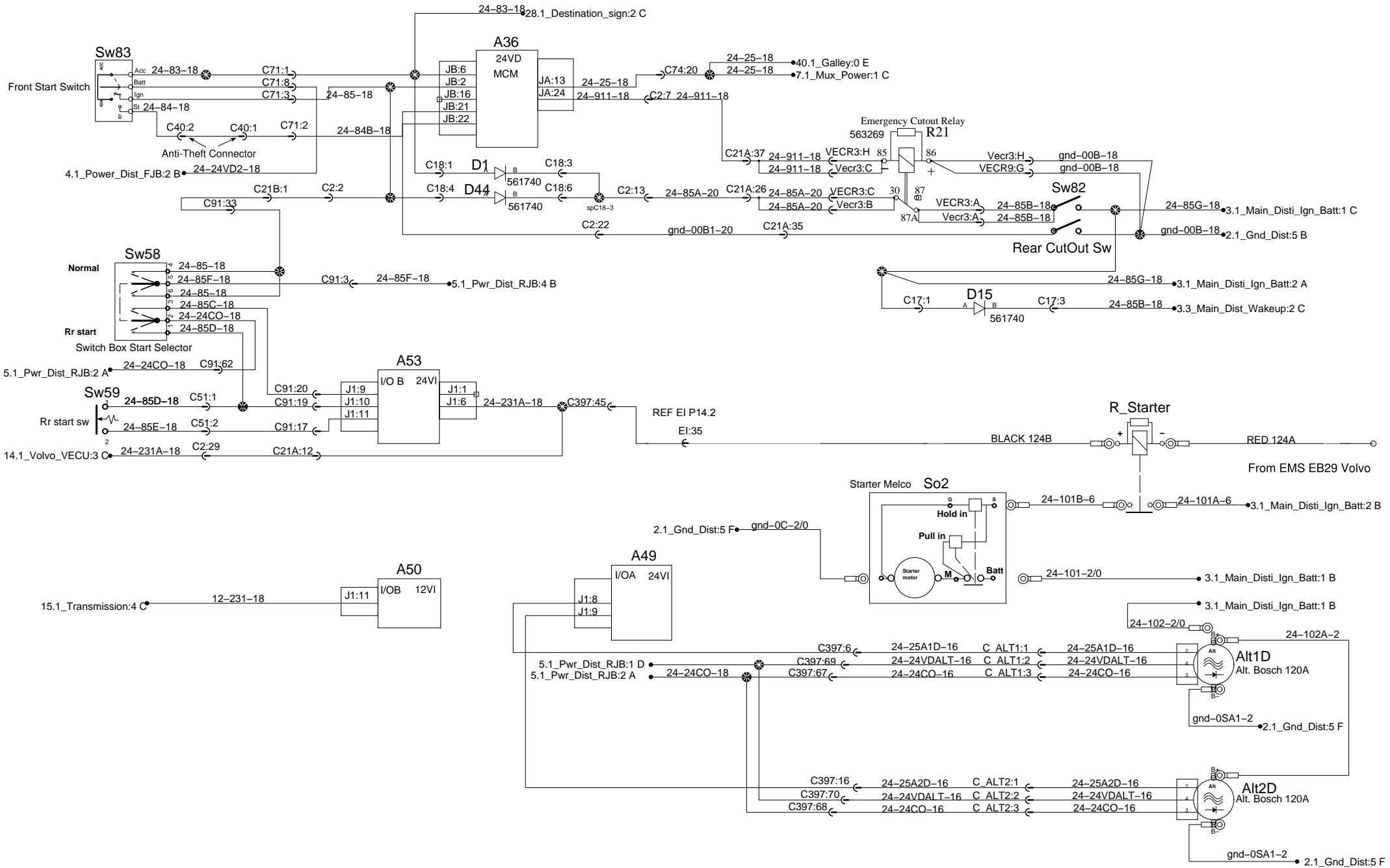
Engine Start and Charging system



Engine Start and Charging system



Engine Start and Charging system



0

1

2

3

4

MAIN DISTRIBUTION Wake-Up

A

A

B

B

C

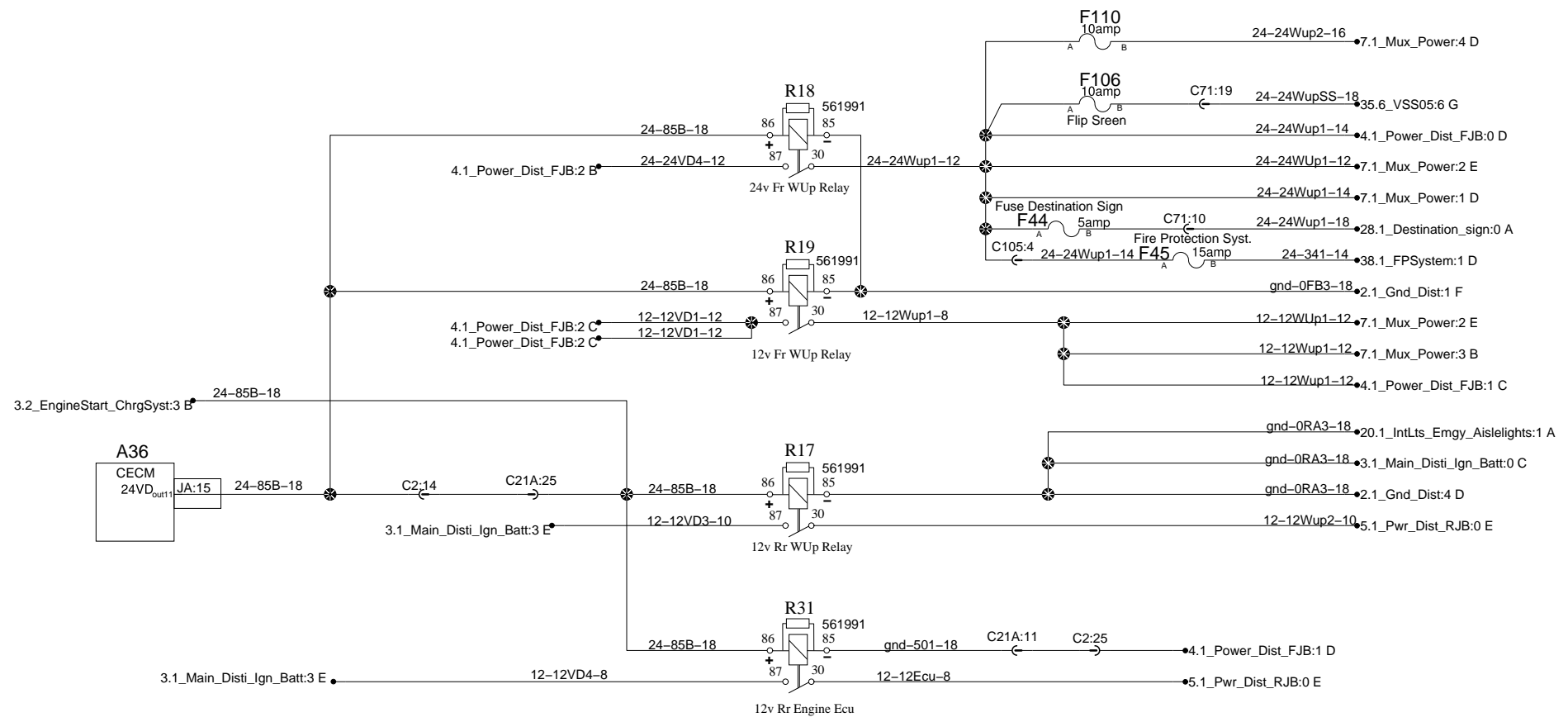
C

D

D

E

E



0

1

2

3

4

0

1

2

3

4

MAIN DISTRIBUTION Wake-Up

A

A

B

B

C

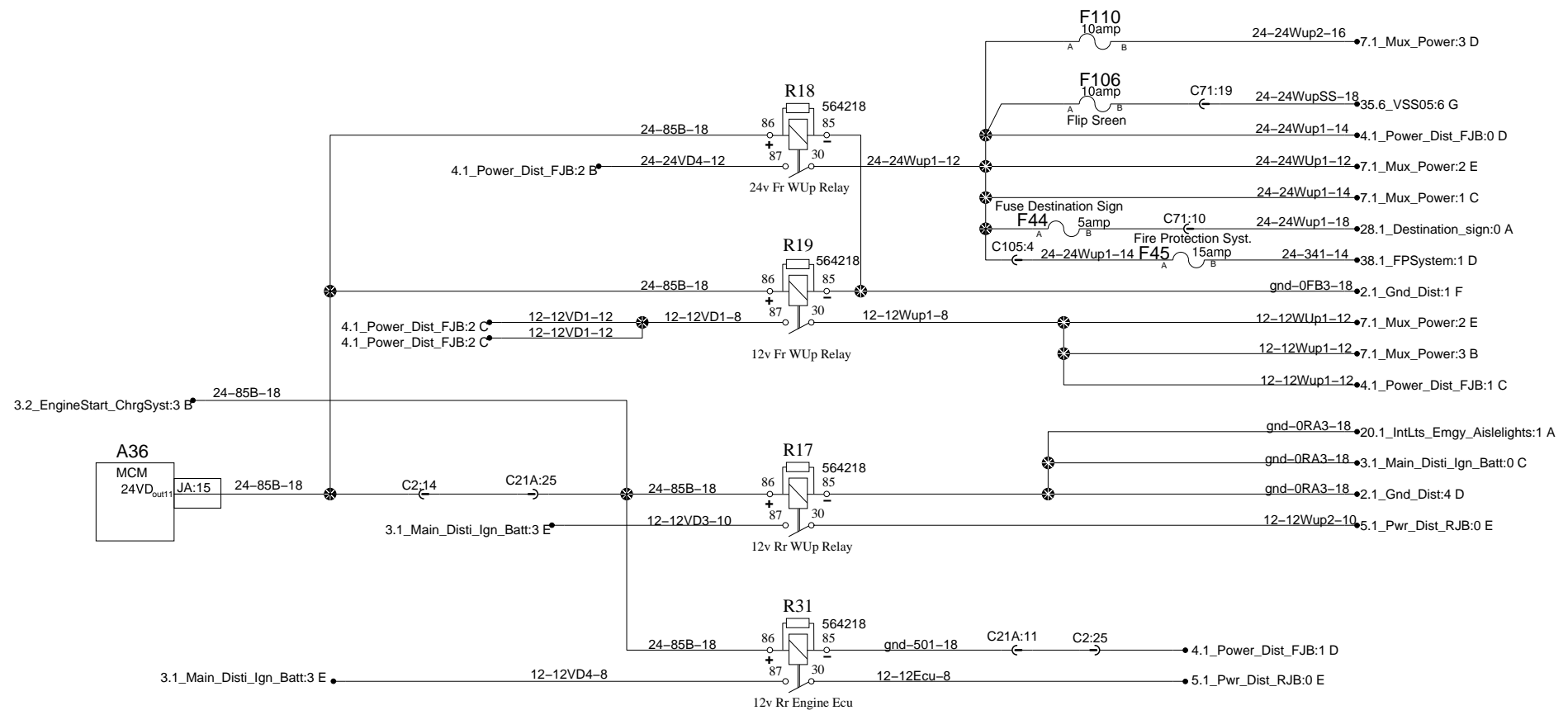
C

D

D

E

E



0

1

2

3

4

0

1

2

3

4

MAIN DISTRIBUTION Wake-Up

A

A

B

B

C

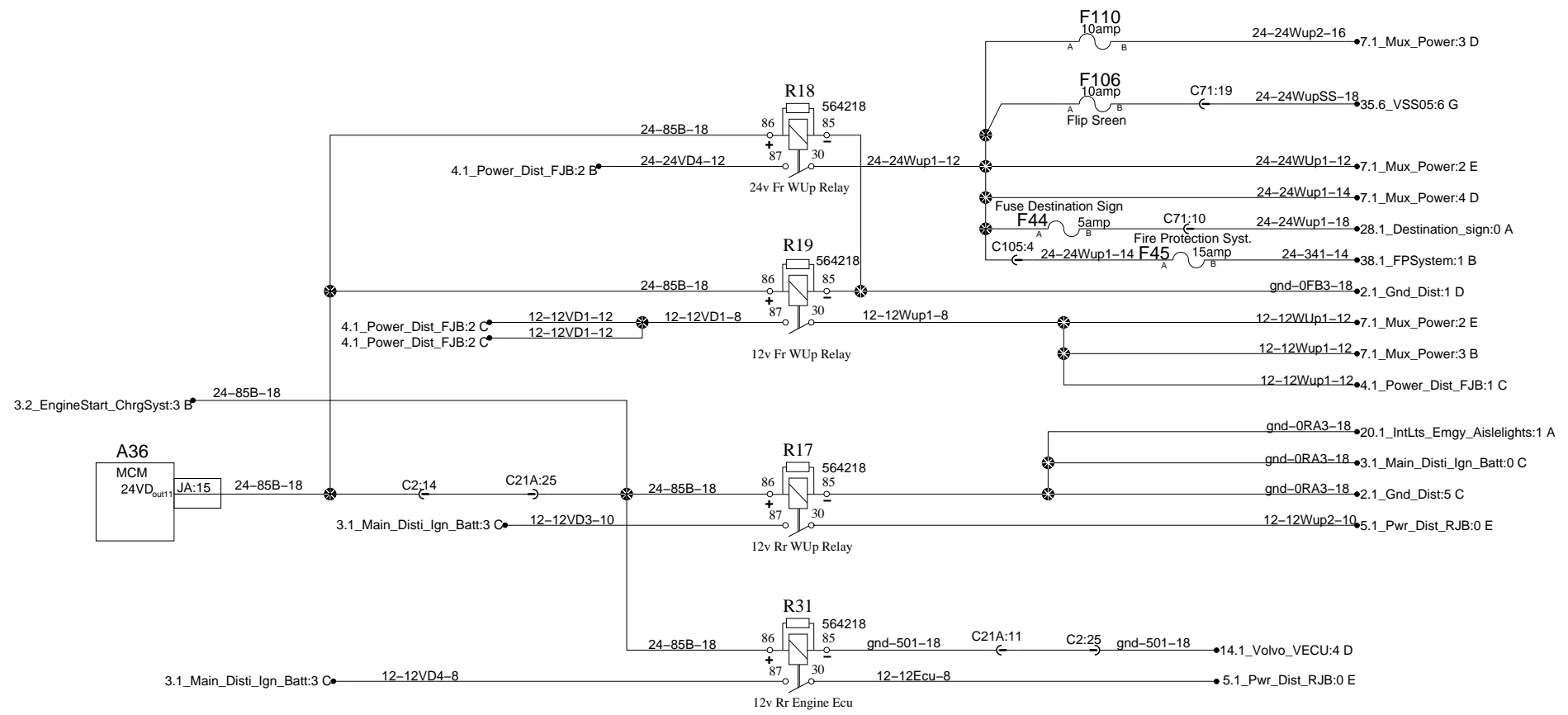
C

D

D

E

E



0

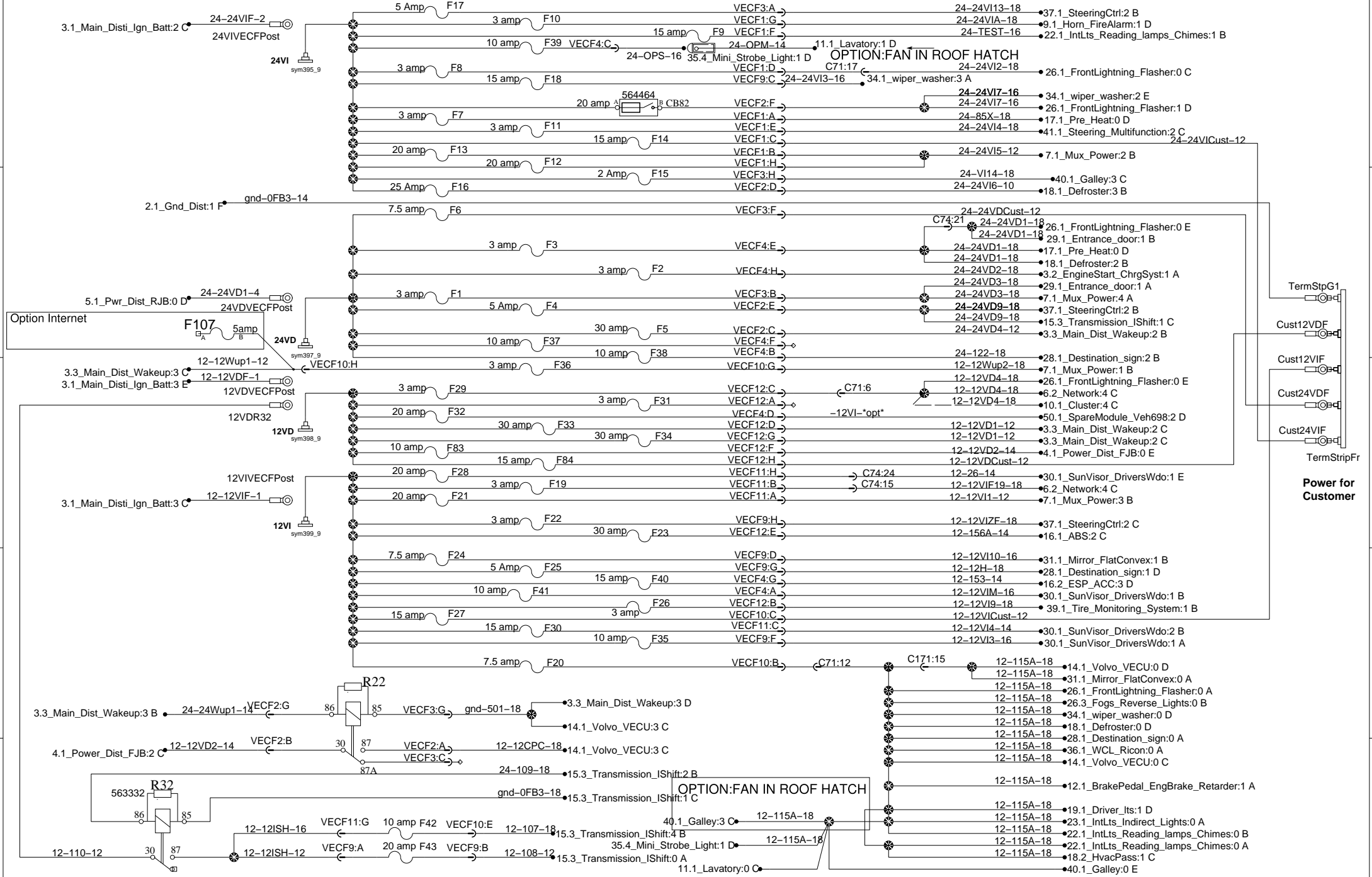
1

2

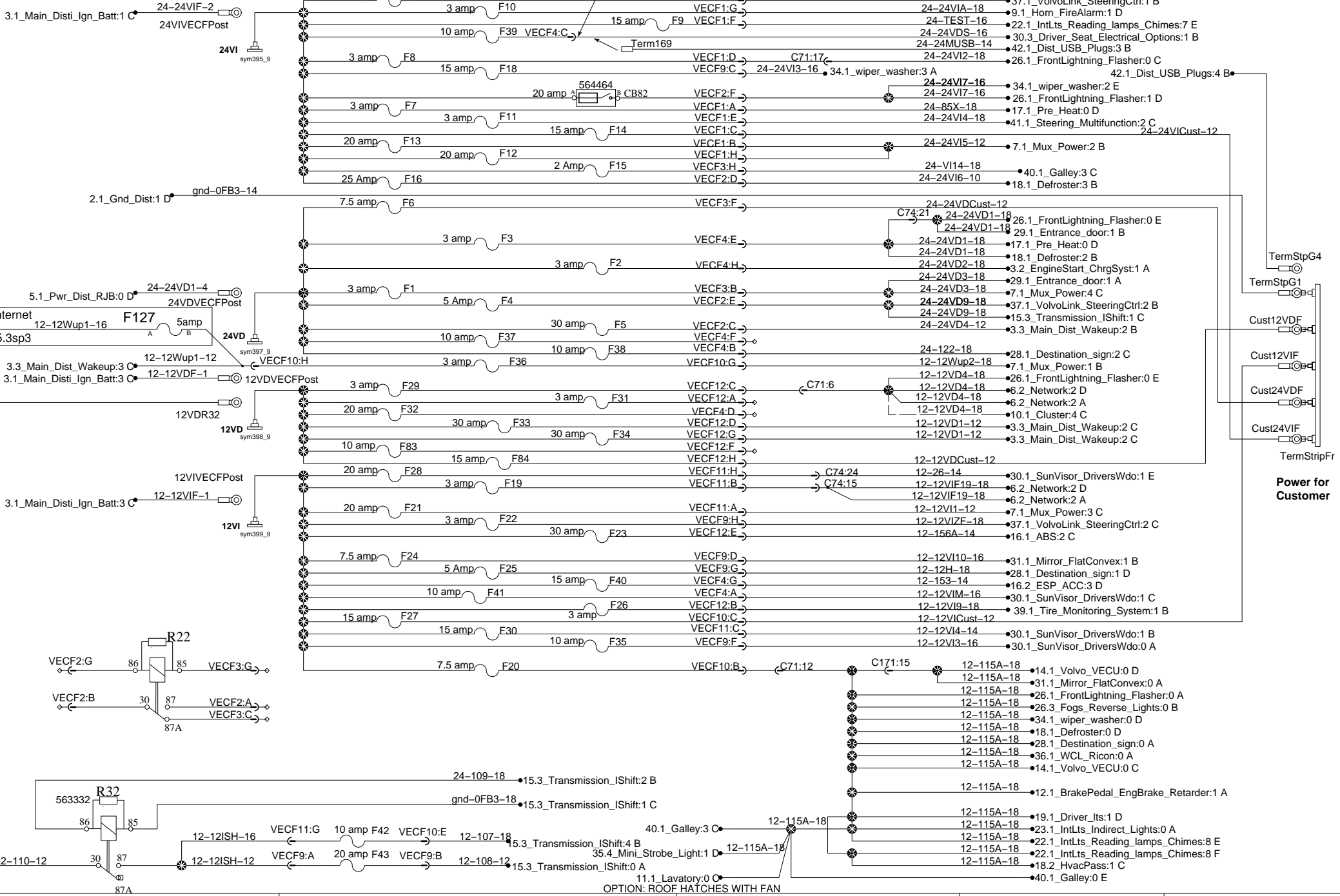
3

4

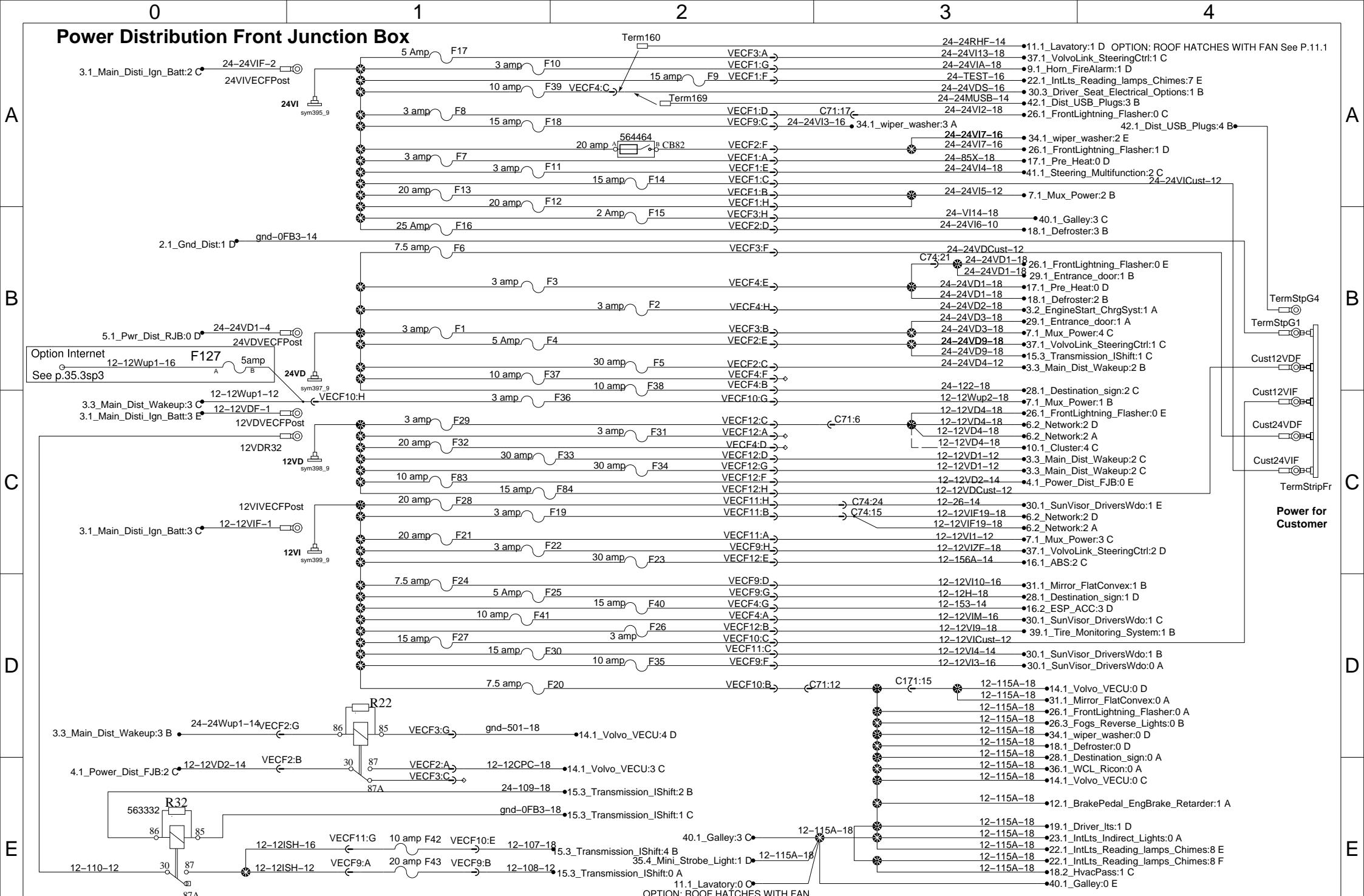
Power Distribution Front Junction Box



Power Distribution Front Junction Box

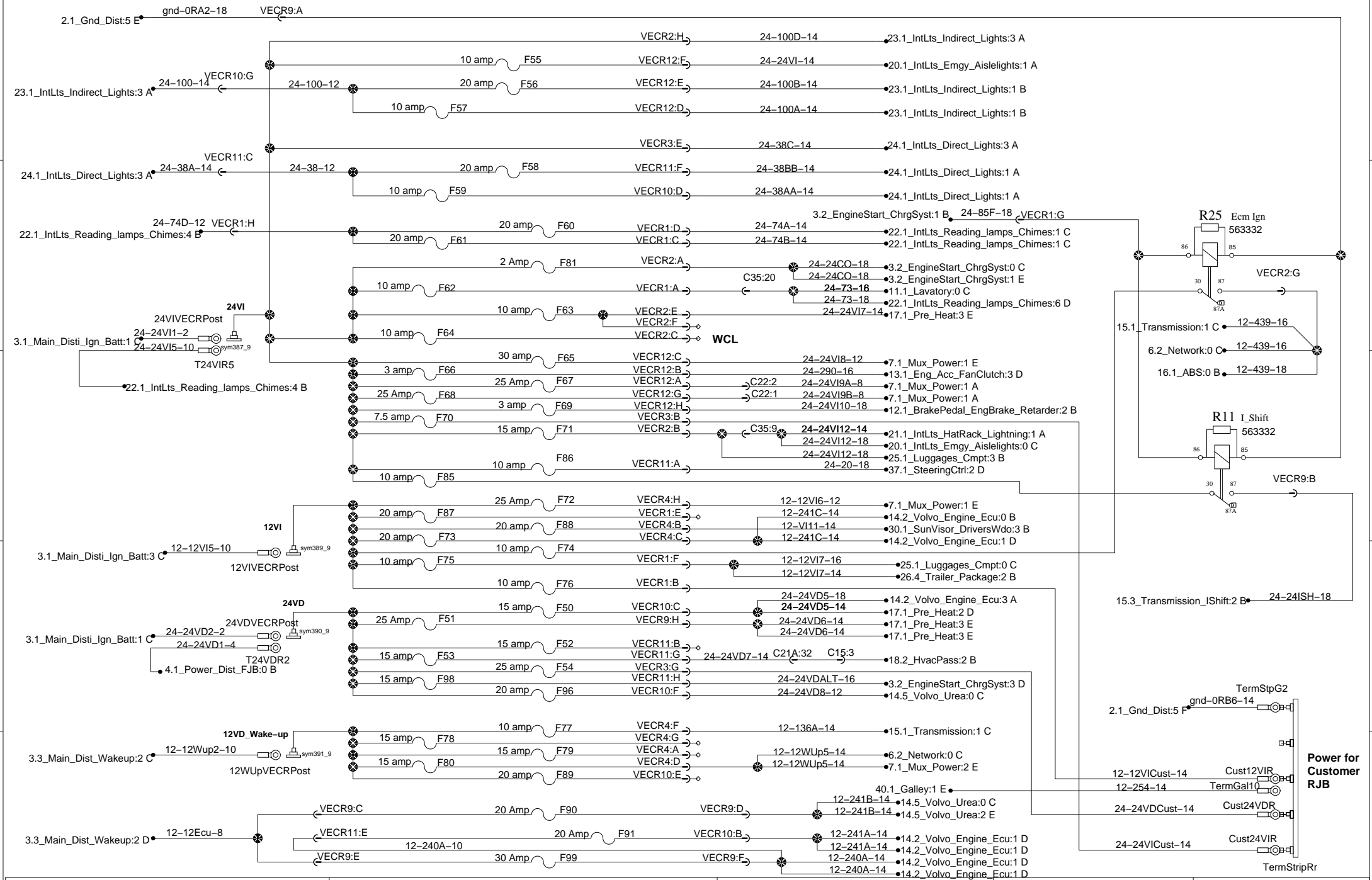


Power Distribution Front Junction Box



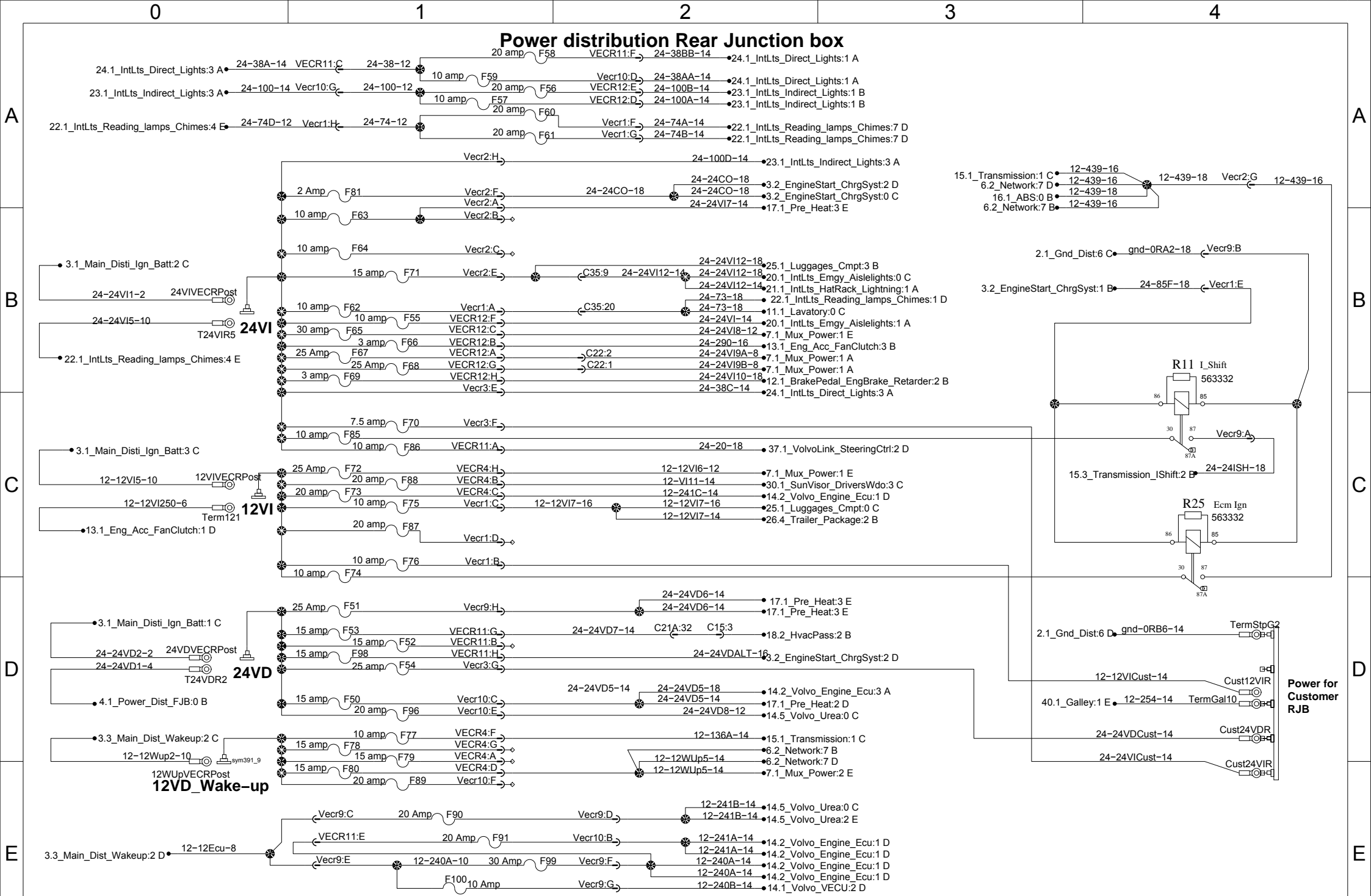
OPTION: ROOF HATCHES WITH FAN

Power distribution Rear Junction box

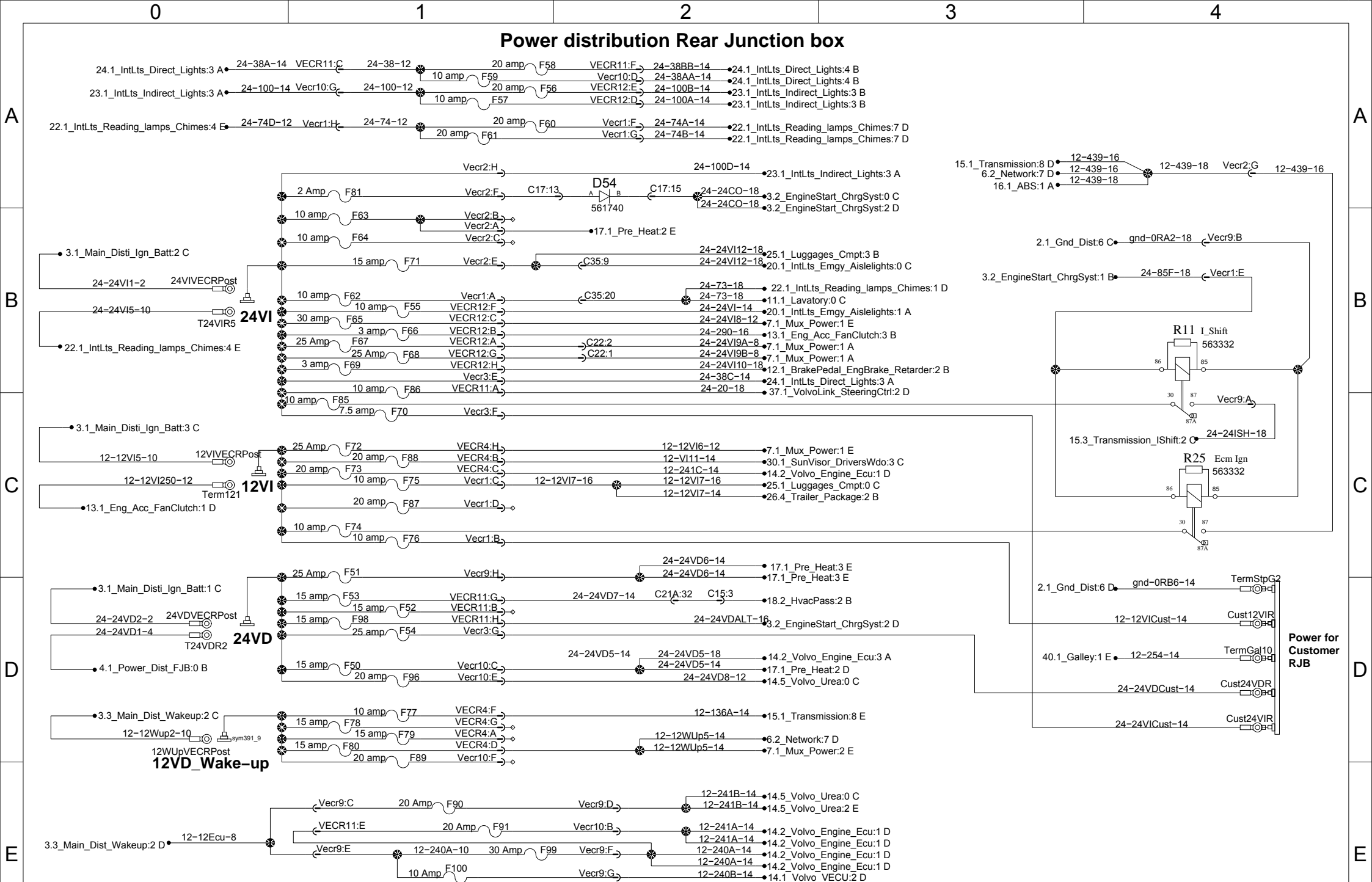


Power for Customer RJB

Power distribution Rear Junction box



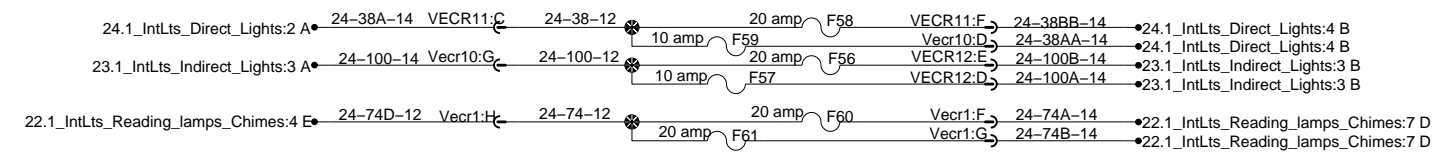
Power distribution Rear Junction box



Power for Customer RJB

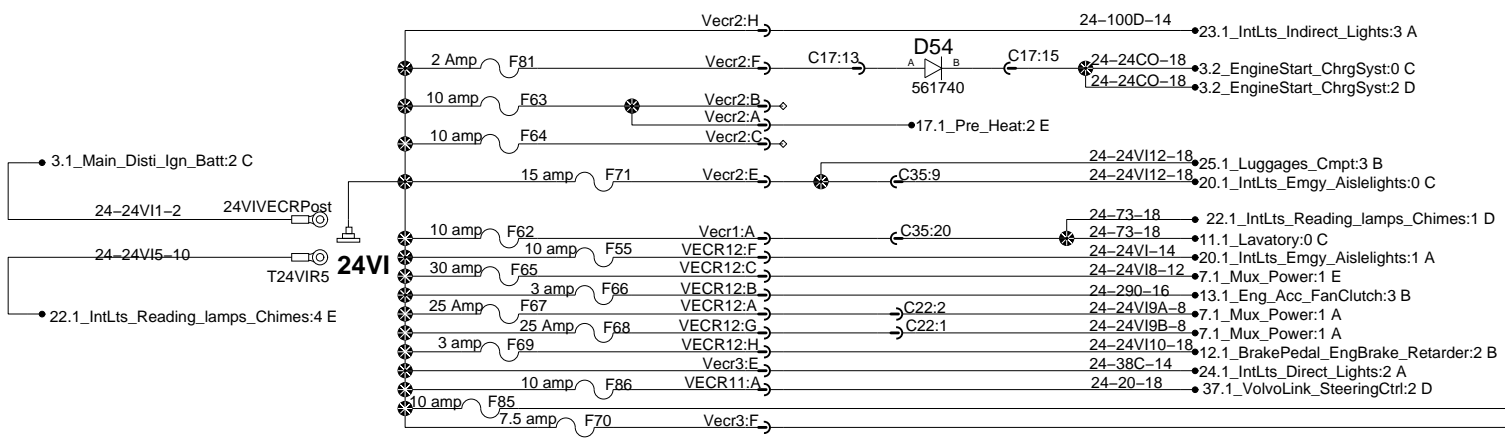
Power distribution Rear Junction box

A



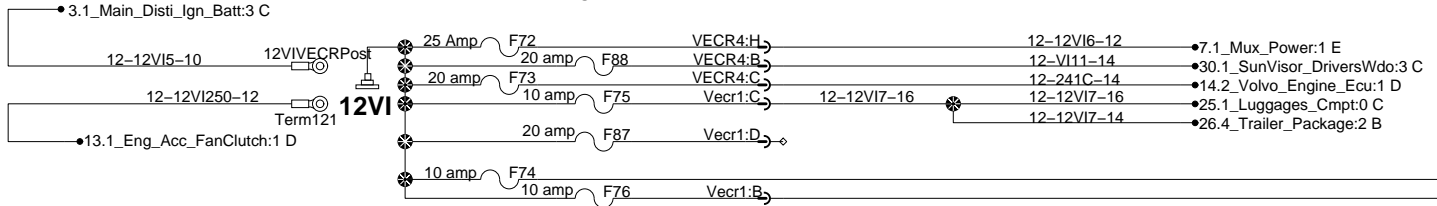
A

B



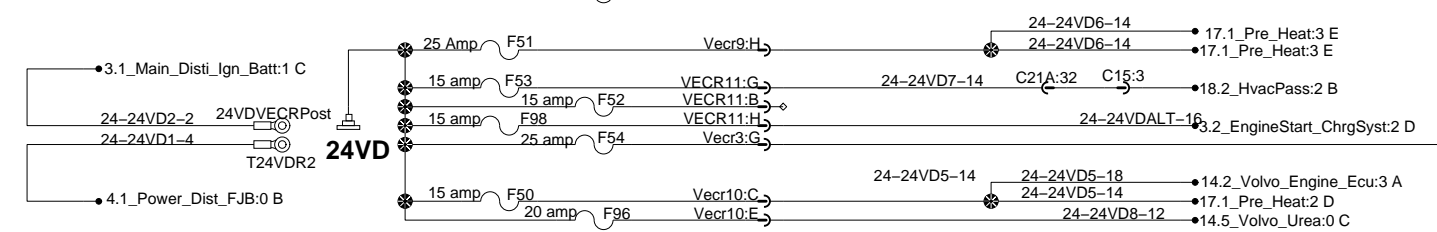
B

C



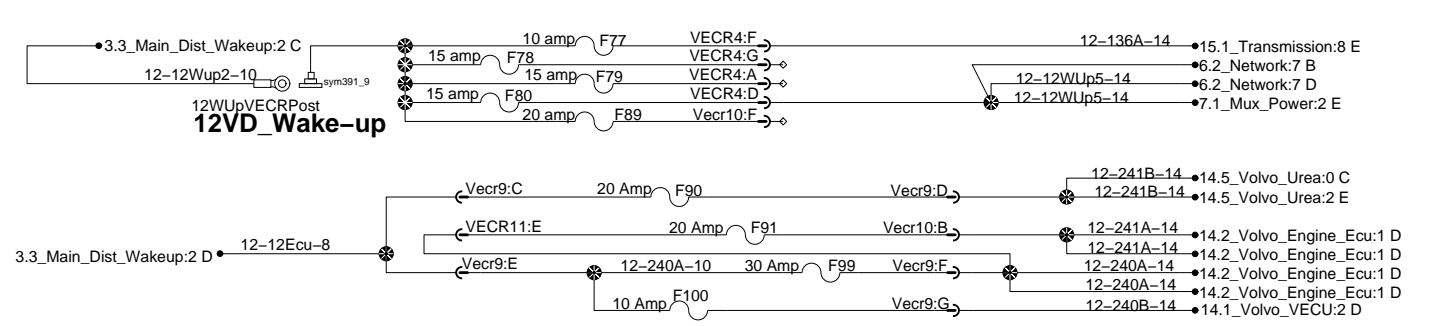
C

D

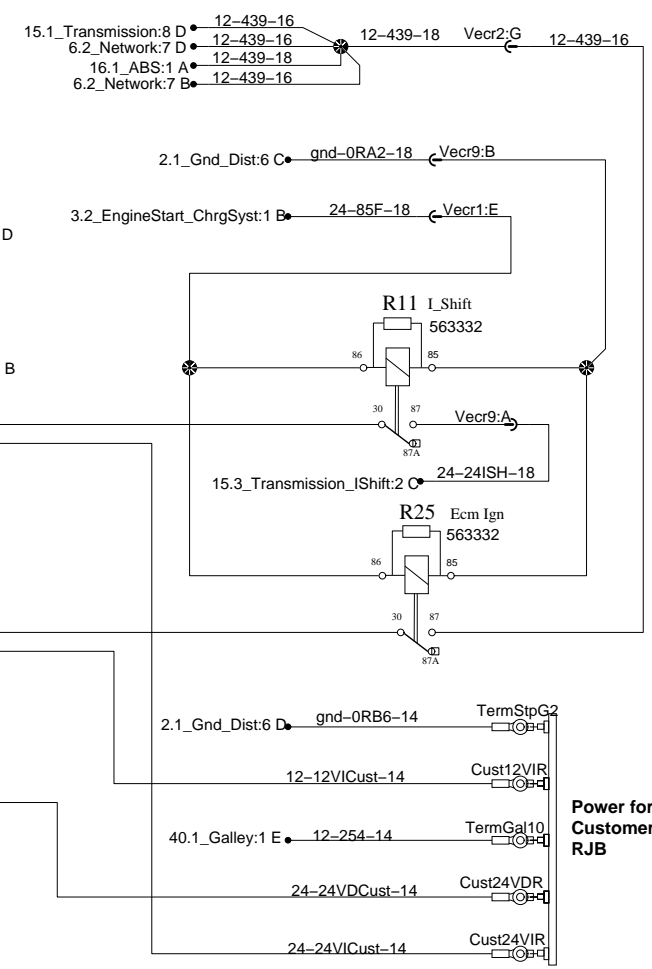


D

E



E



Power for Customer RJB

0

1

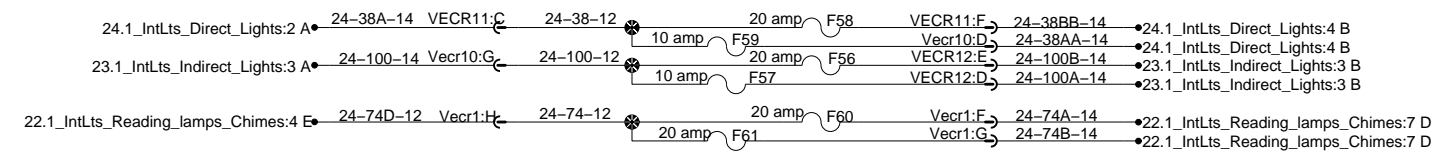
2

3

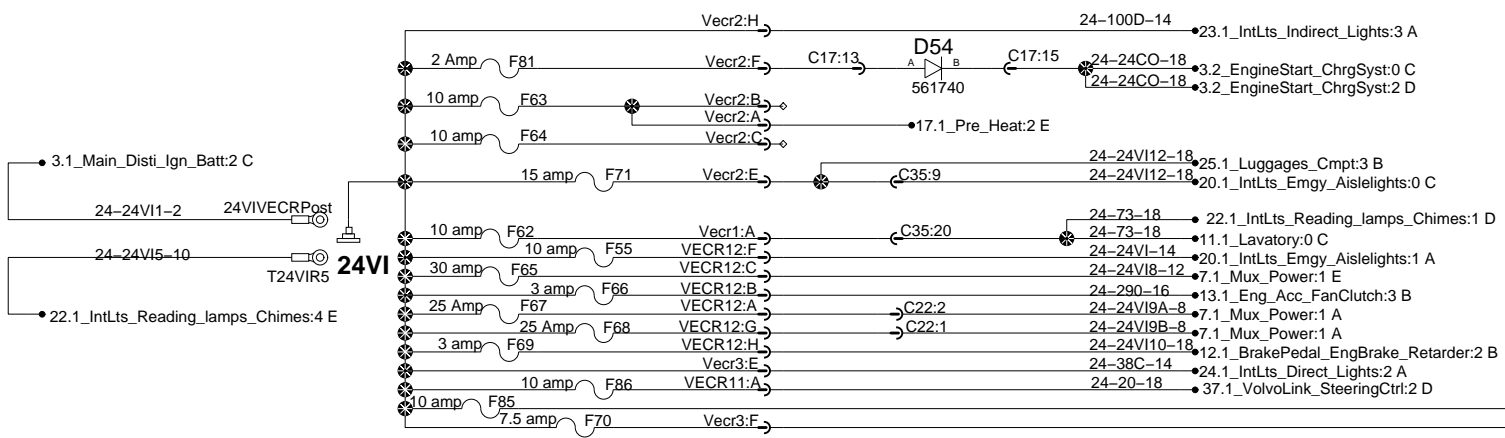
4

Power distribution Rear Junction box

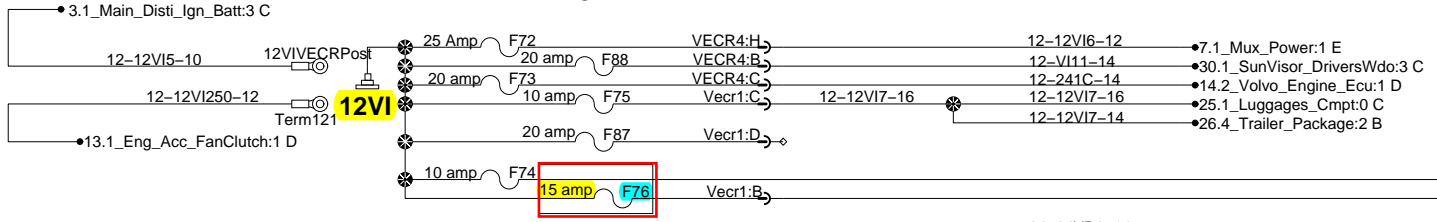
A



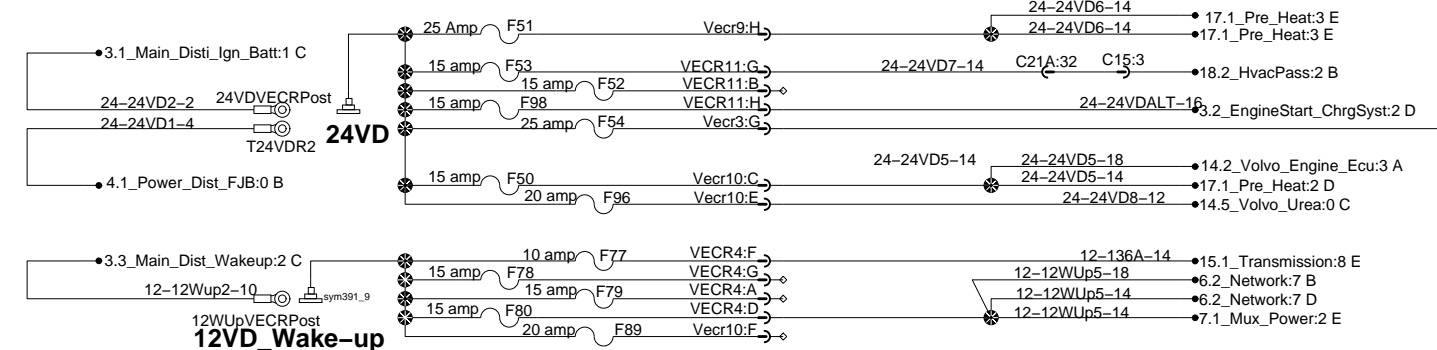
B



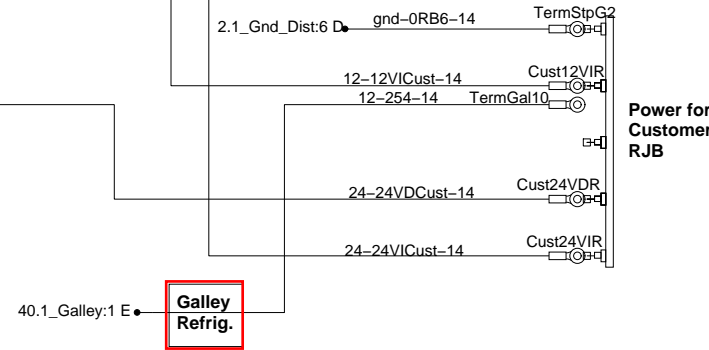
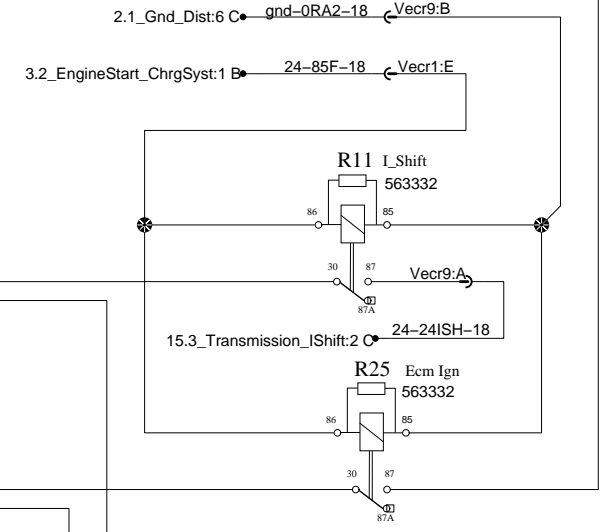
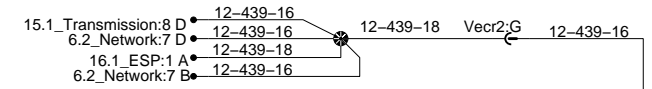
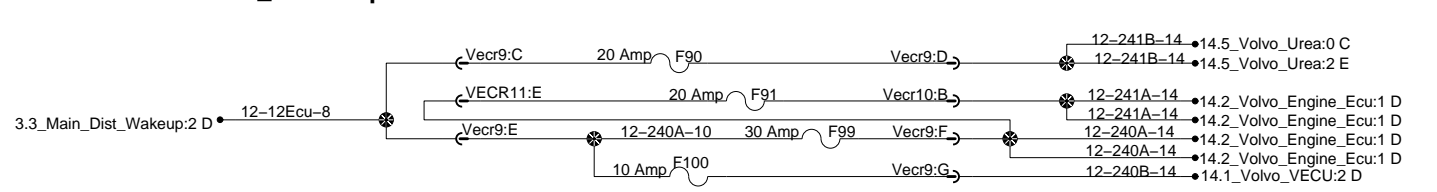
C



D

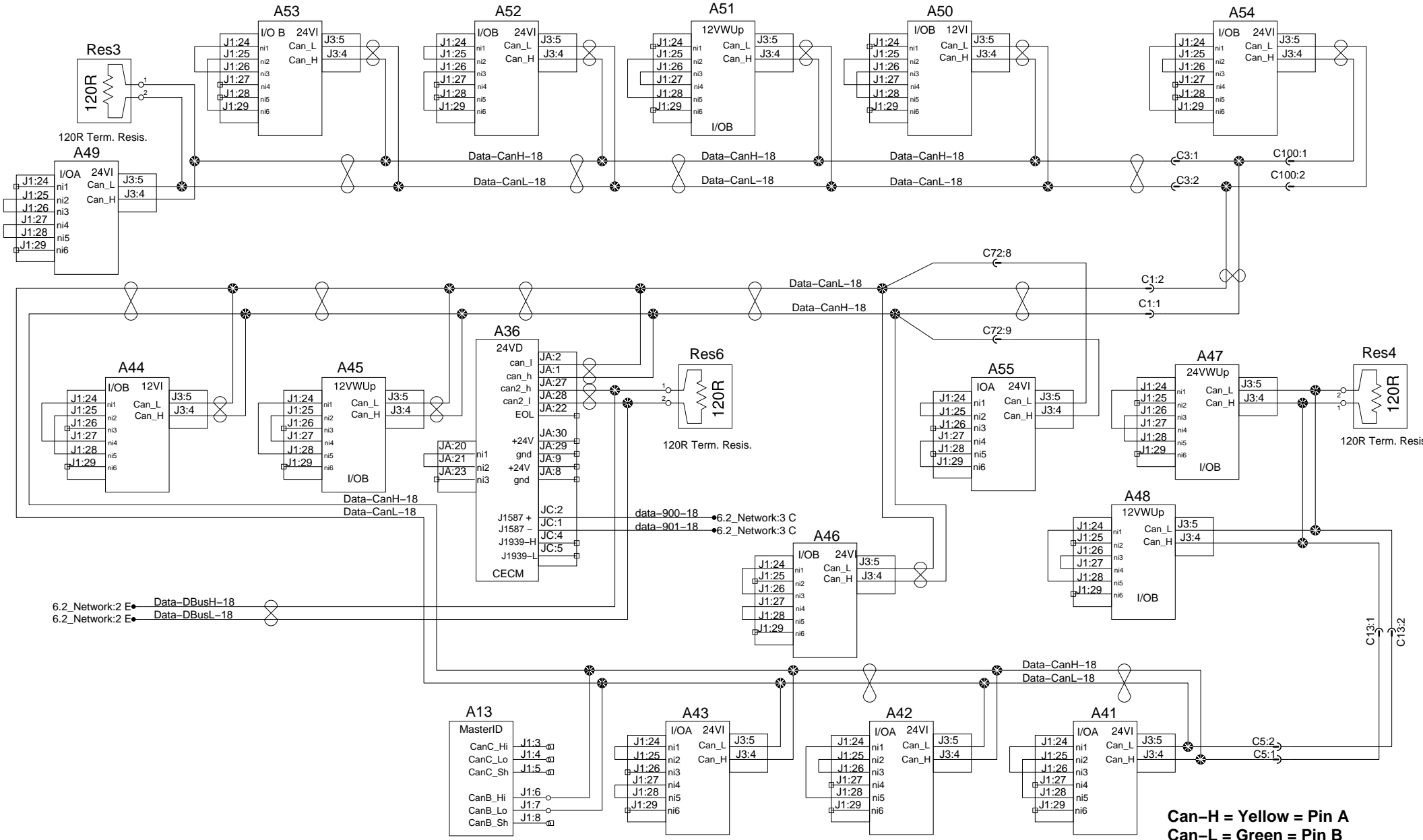


E

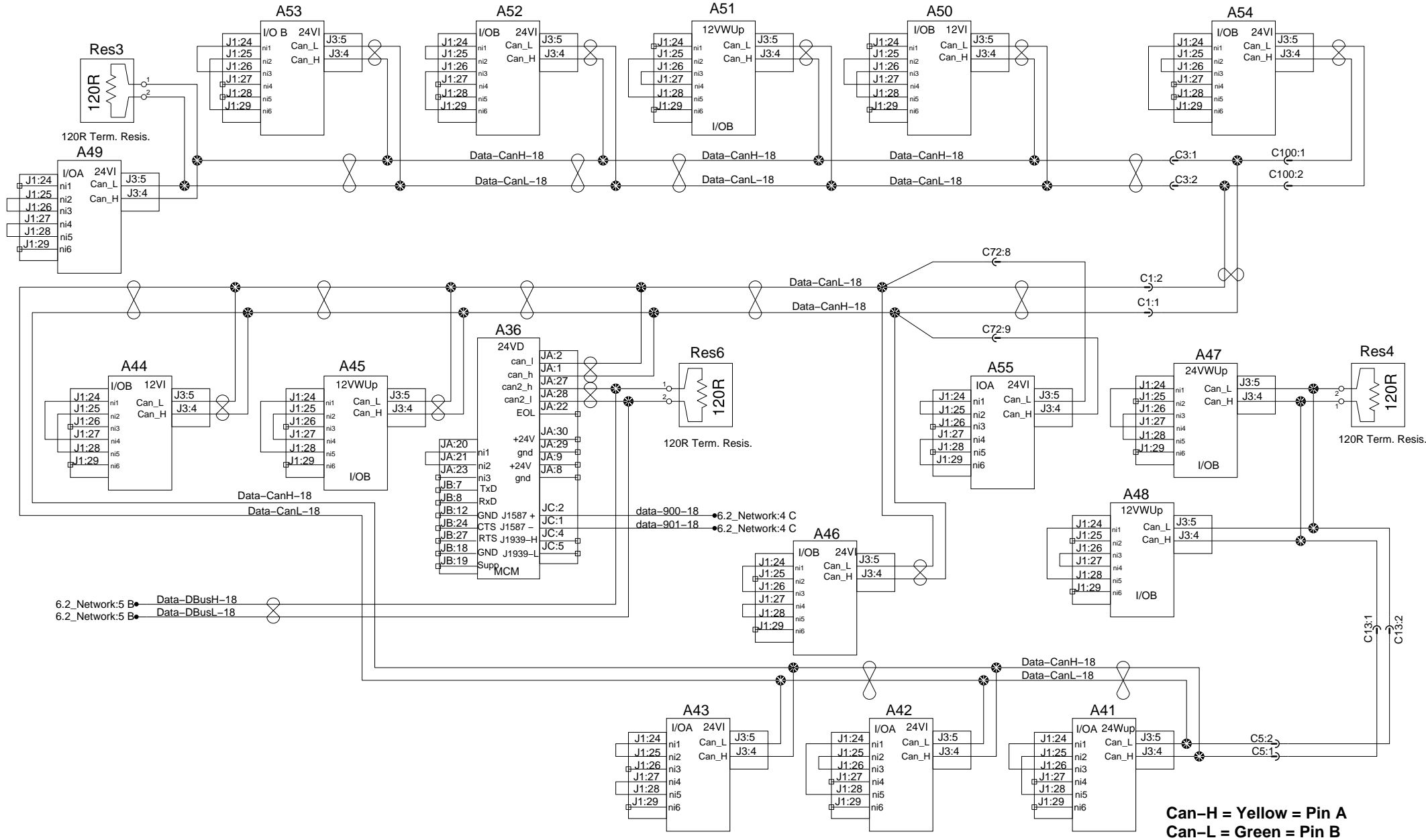


Power for Customer RJB

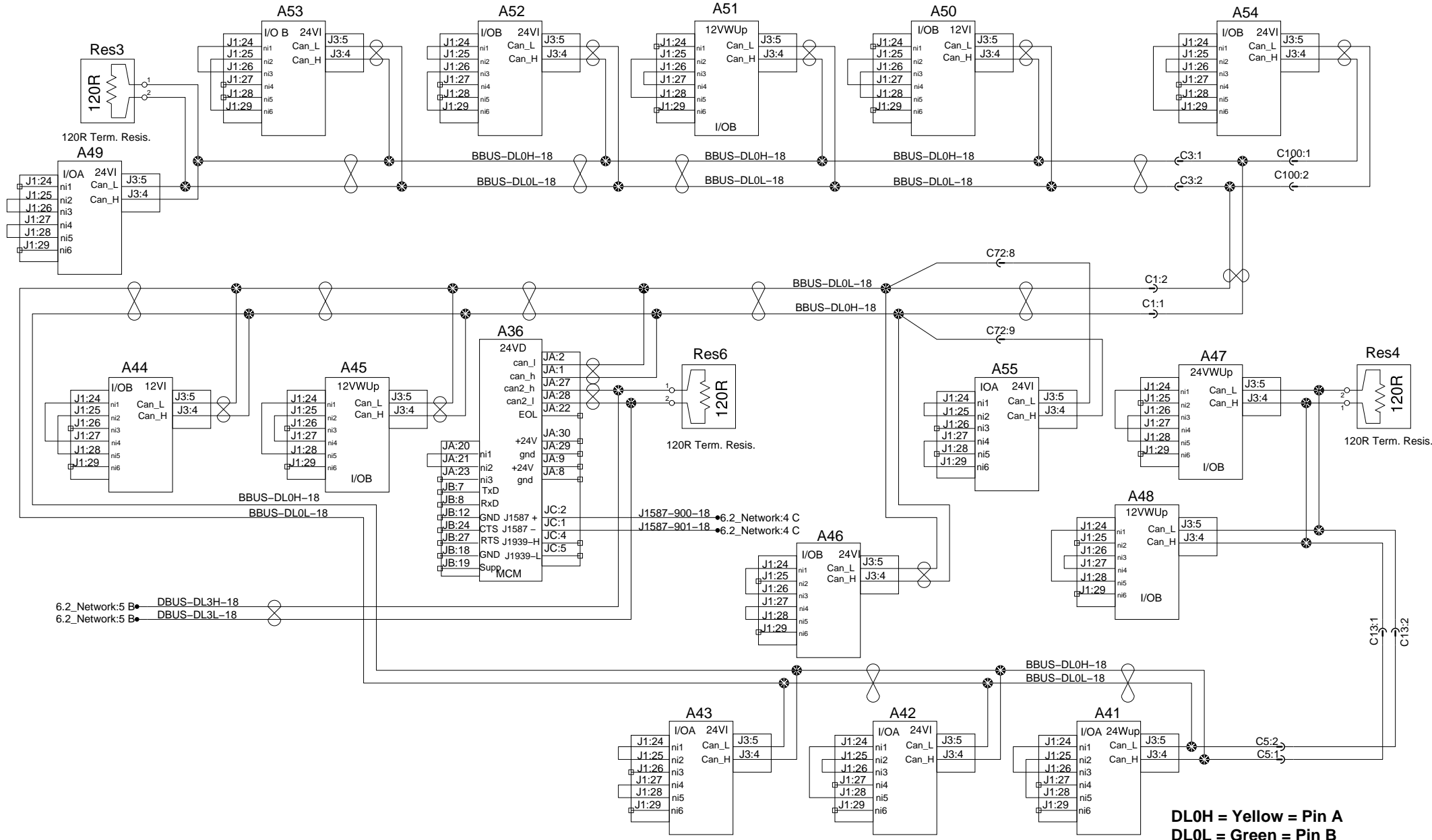
Multiplex Can, J1587 Network and Addressing



Multiplex Can, J1587 Network and Addressing

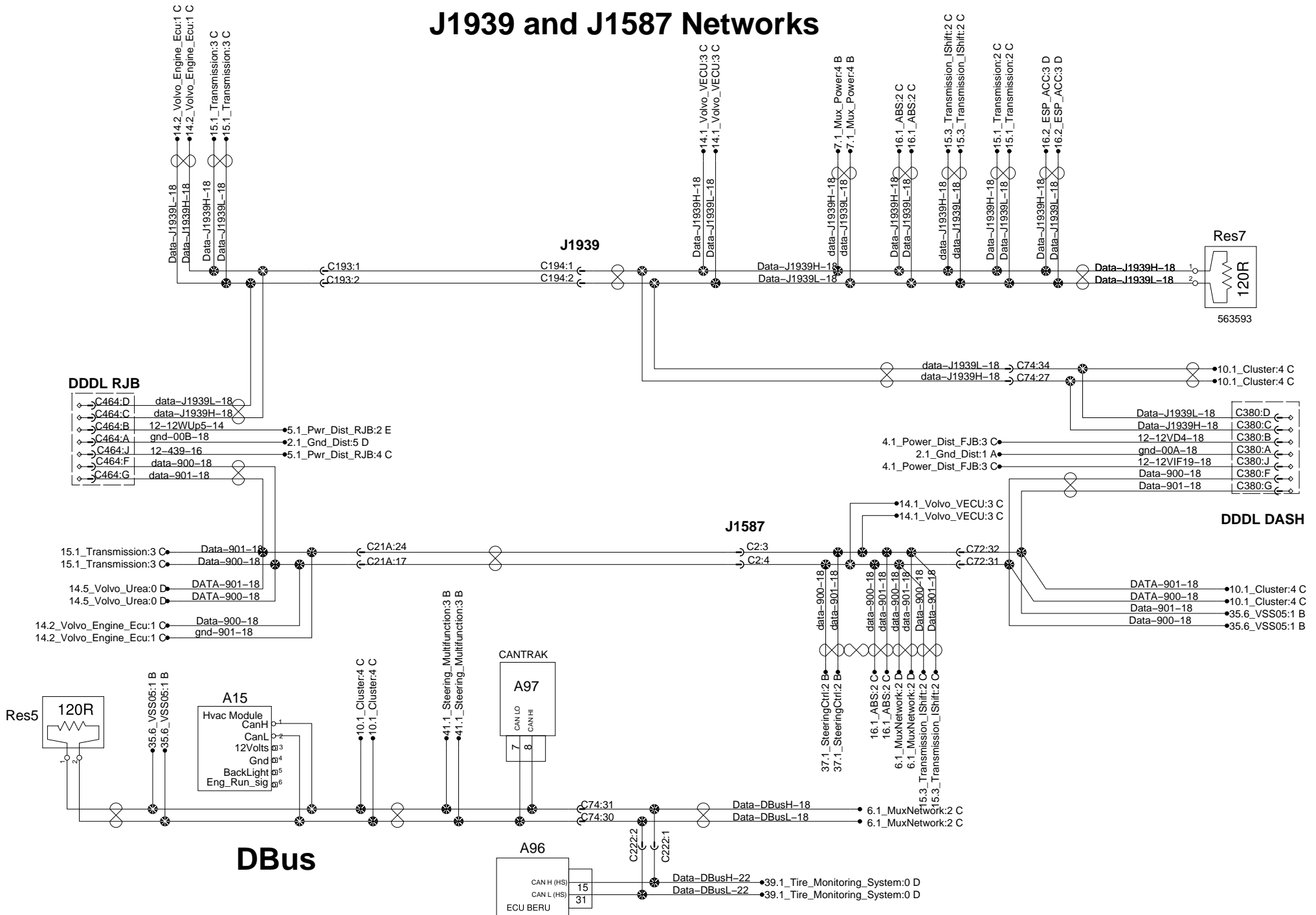


Multiplex Can, J1587 Network and Addressing

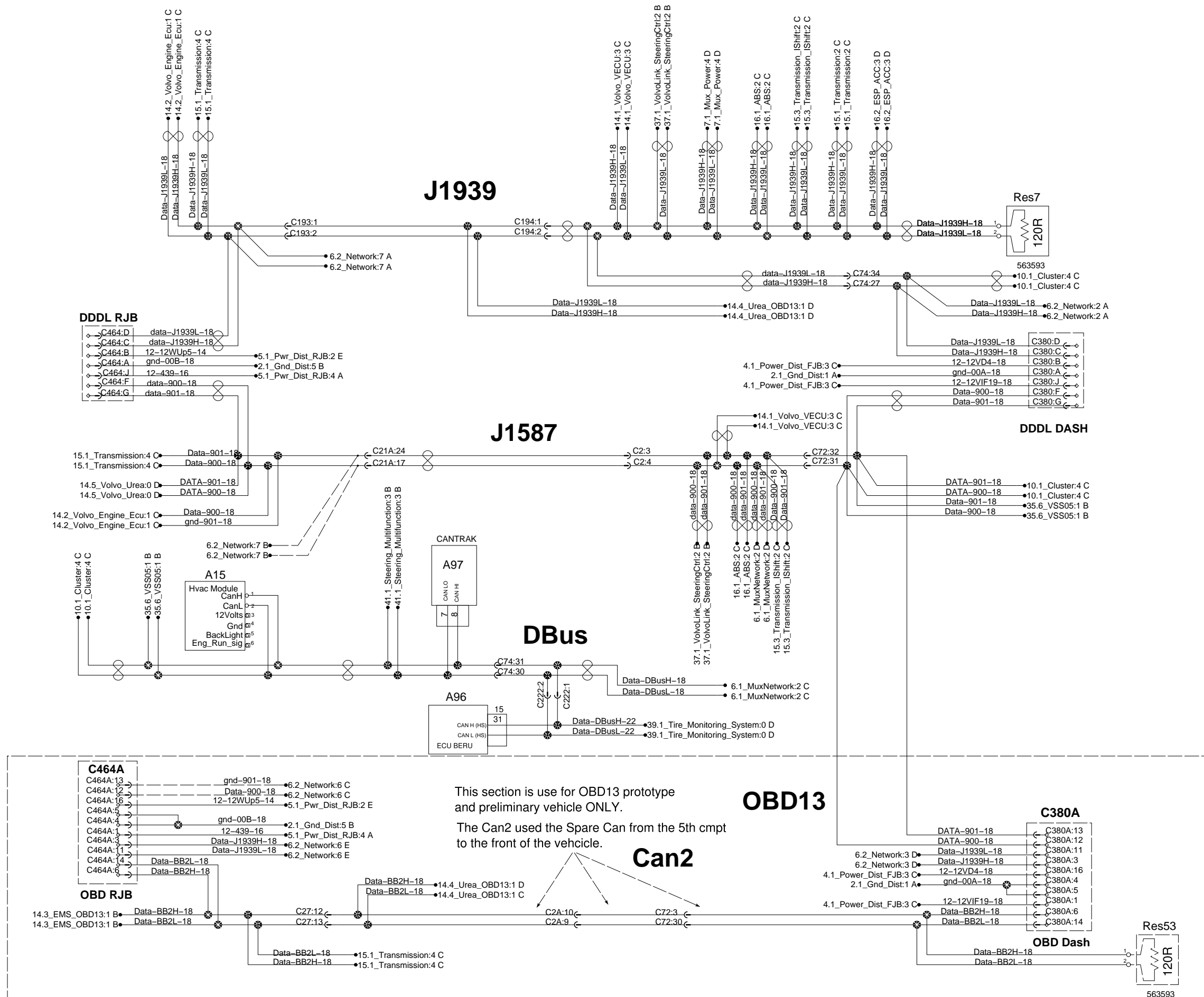


DL0H = Yellow = Pin A
DL0L = Green = Pin B

J1939 and J1587 Networks



J1939 and J1587 Networks

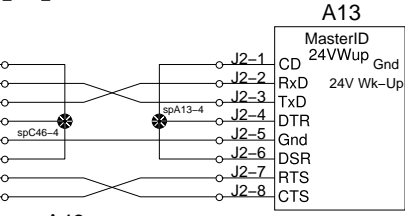
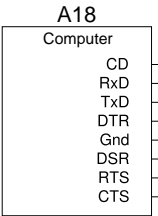
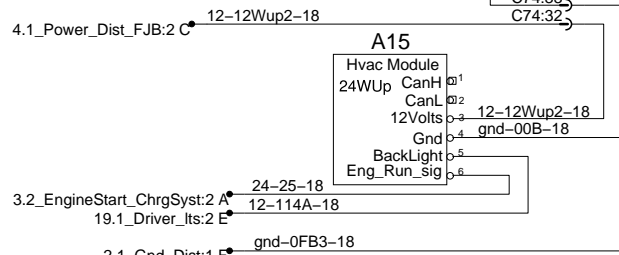
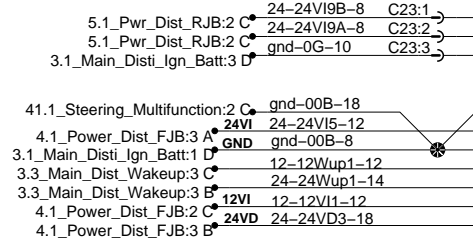
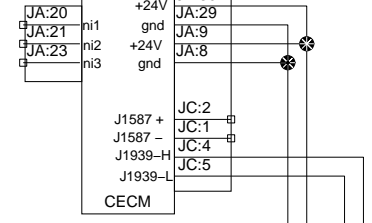
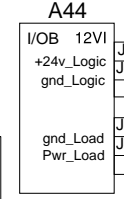
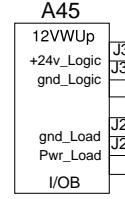
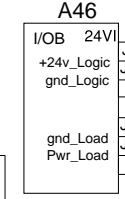
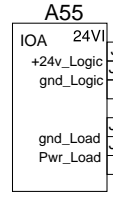
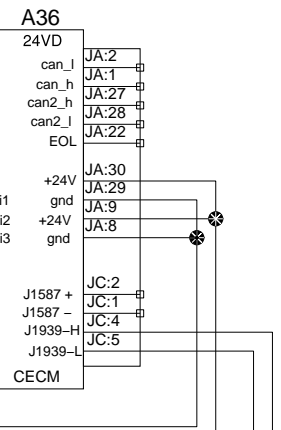


This section is use for OBD13 prototype and preliminary vehicle ONLY.
 The Can2 used the Spare Can from the 5th cmpt to the front of the vehicle.

Multiplex Power Supply Distribution

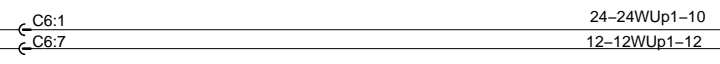
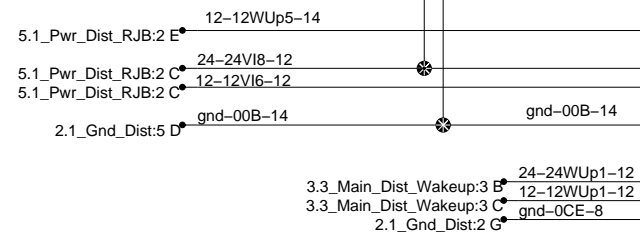
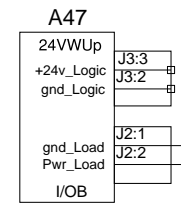
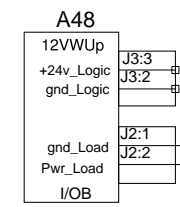
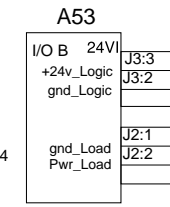
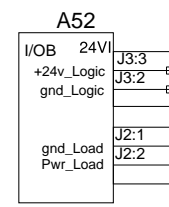
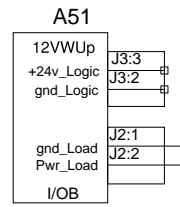
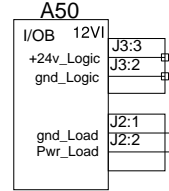
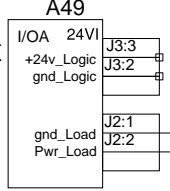
Evaporator Cmpt.

Front Junction Box



Rear Junction Box

RH Console



Multiplex Power Supply Distribution

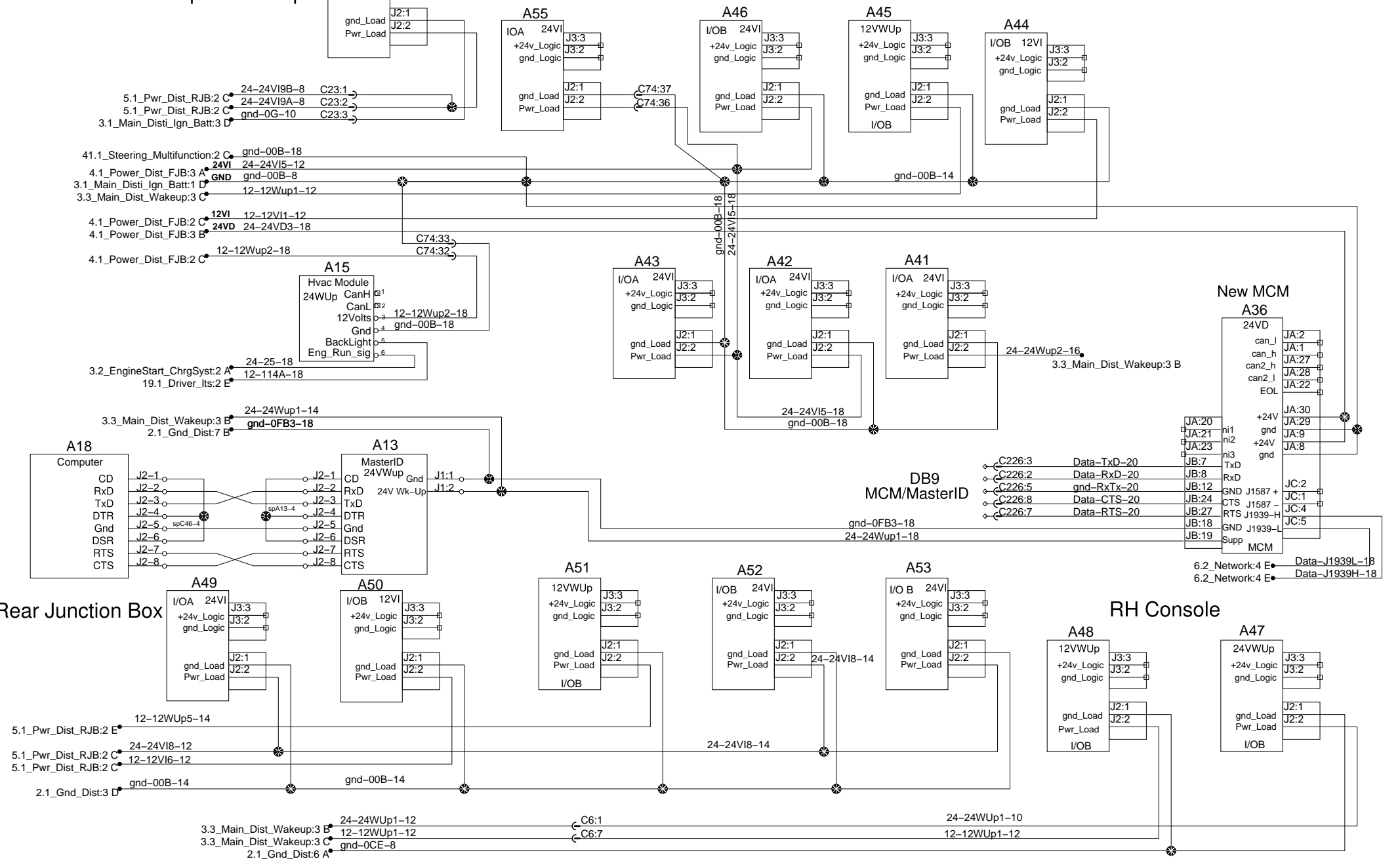
Evaporator Cmpt.

Front Junction Box

New MCM

Rear Junction Box

RH Console



Evaporator Cmpt.

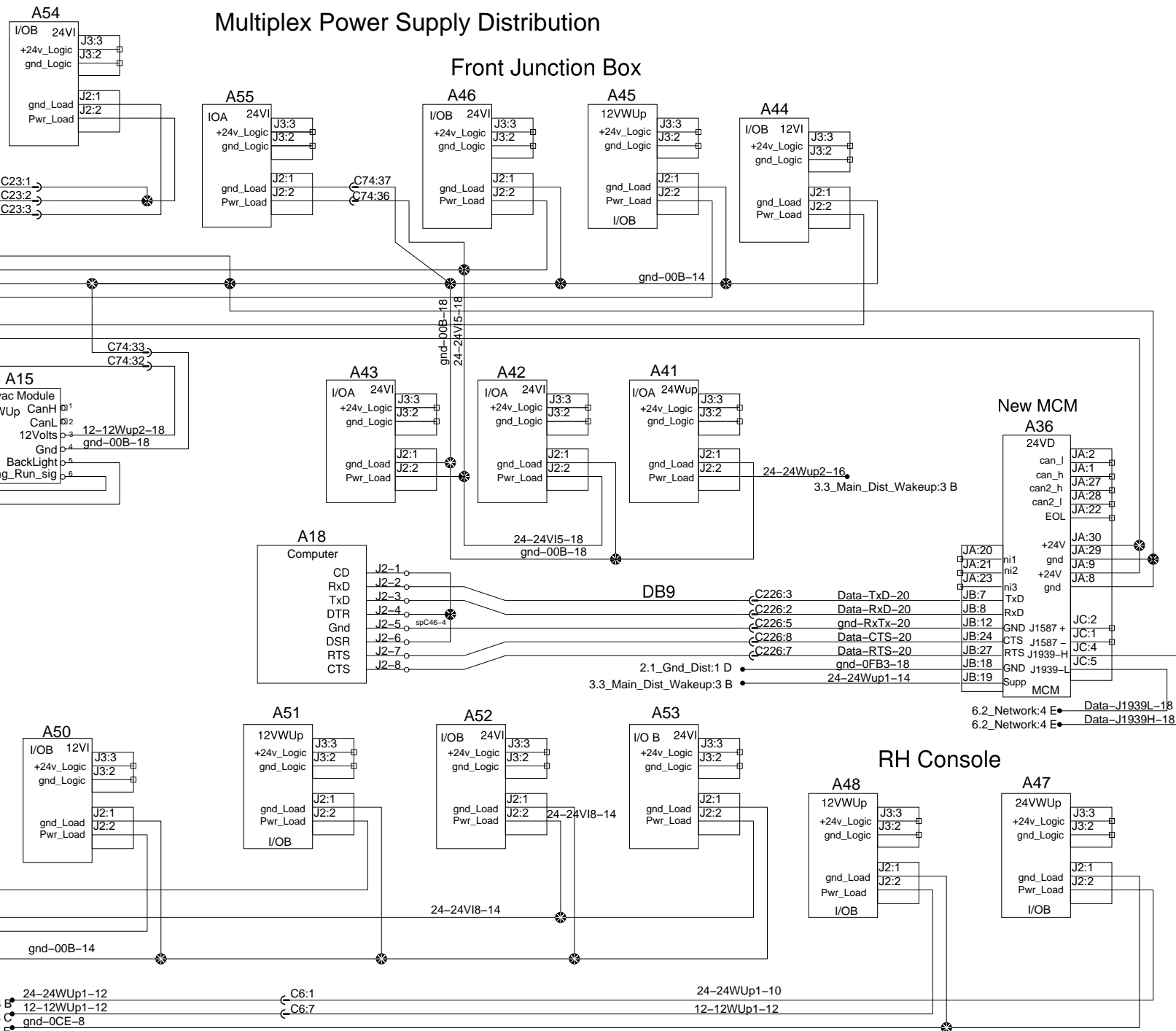
Multiplex Power Supply Distribution

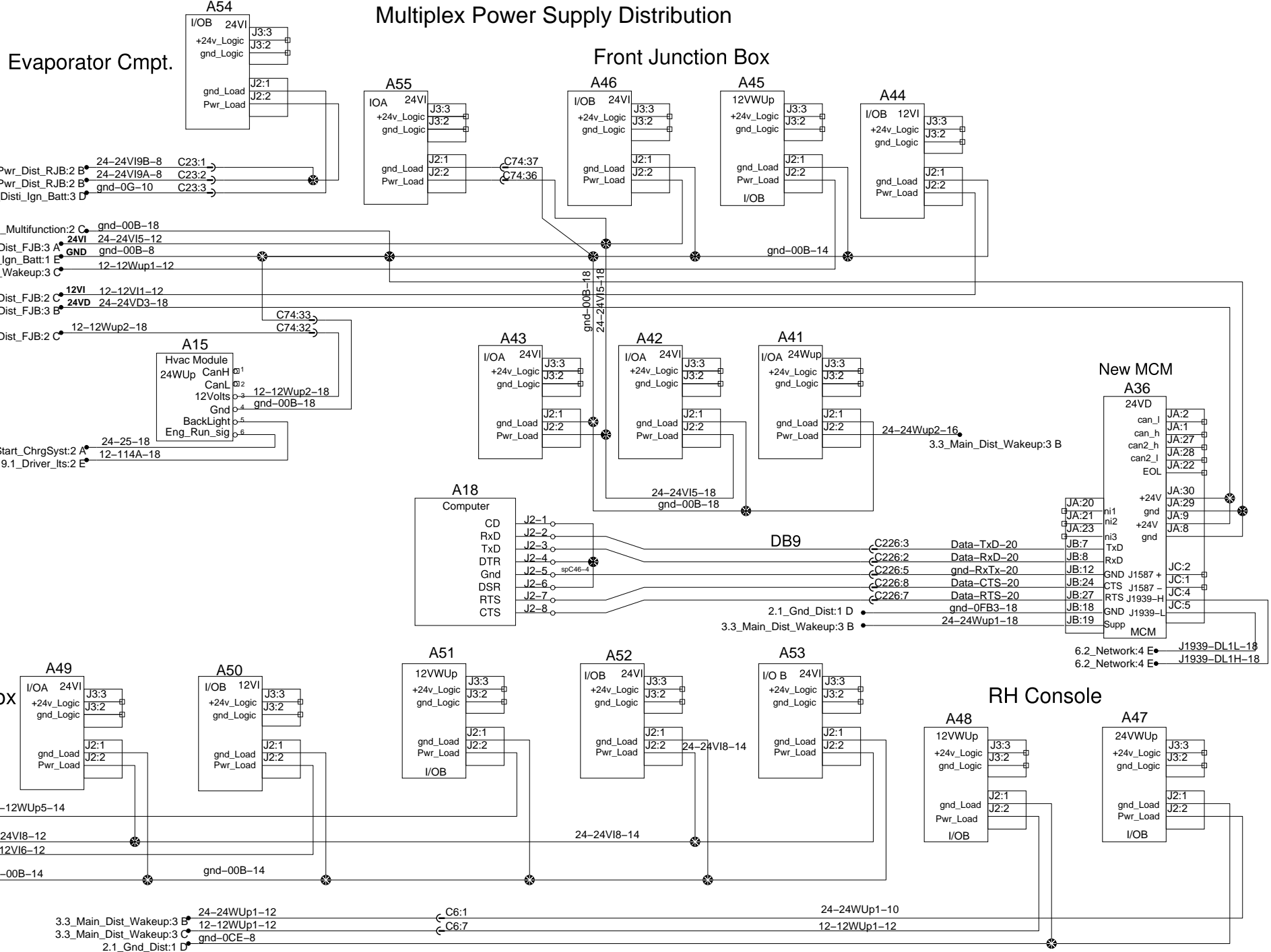
Front Junction Box

New MCM

Rear Junction Box

RH Console





Multiplex Power Supply Distribution

Front Junction Box

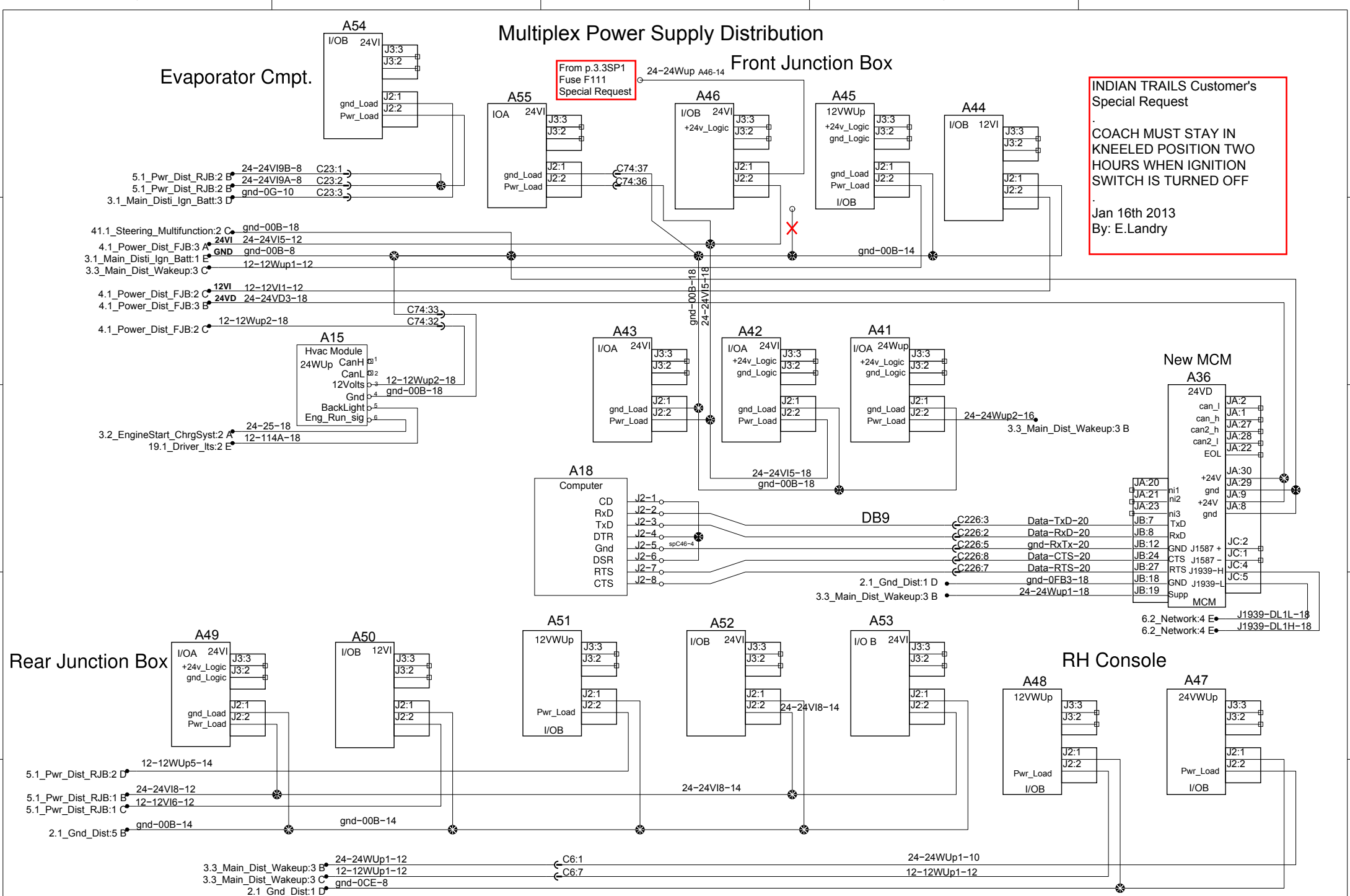
INDIAN TRAILS Customer's Special Request

COACH MUST STAY IN KNEELED POSITION TWO HOURS WHEN IGNITION SWITCH IS TURNED OFF

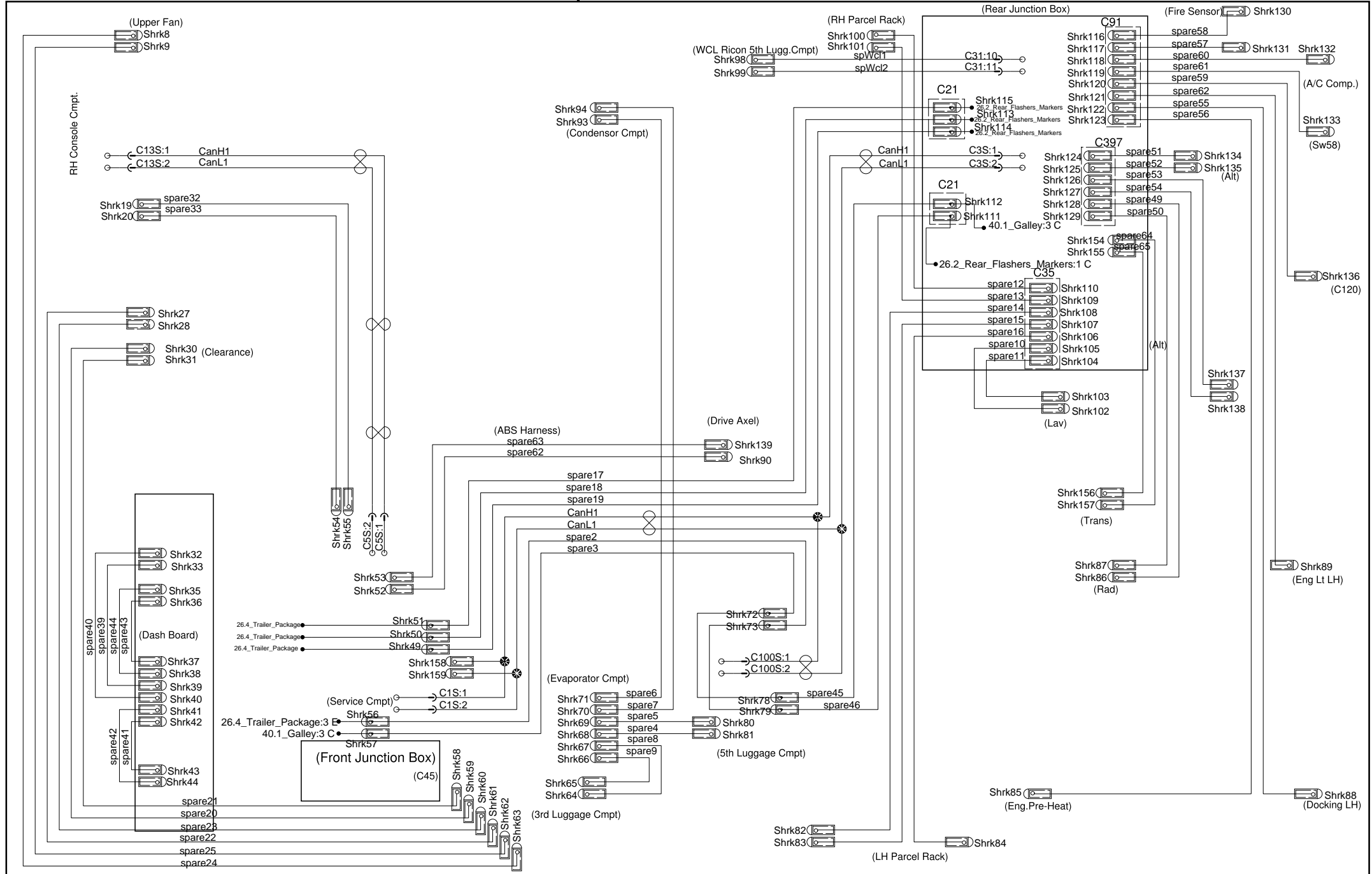
Jan 16th 2013
By: E.Landry

From p.3.3SP1 Fuse F111 Special Request

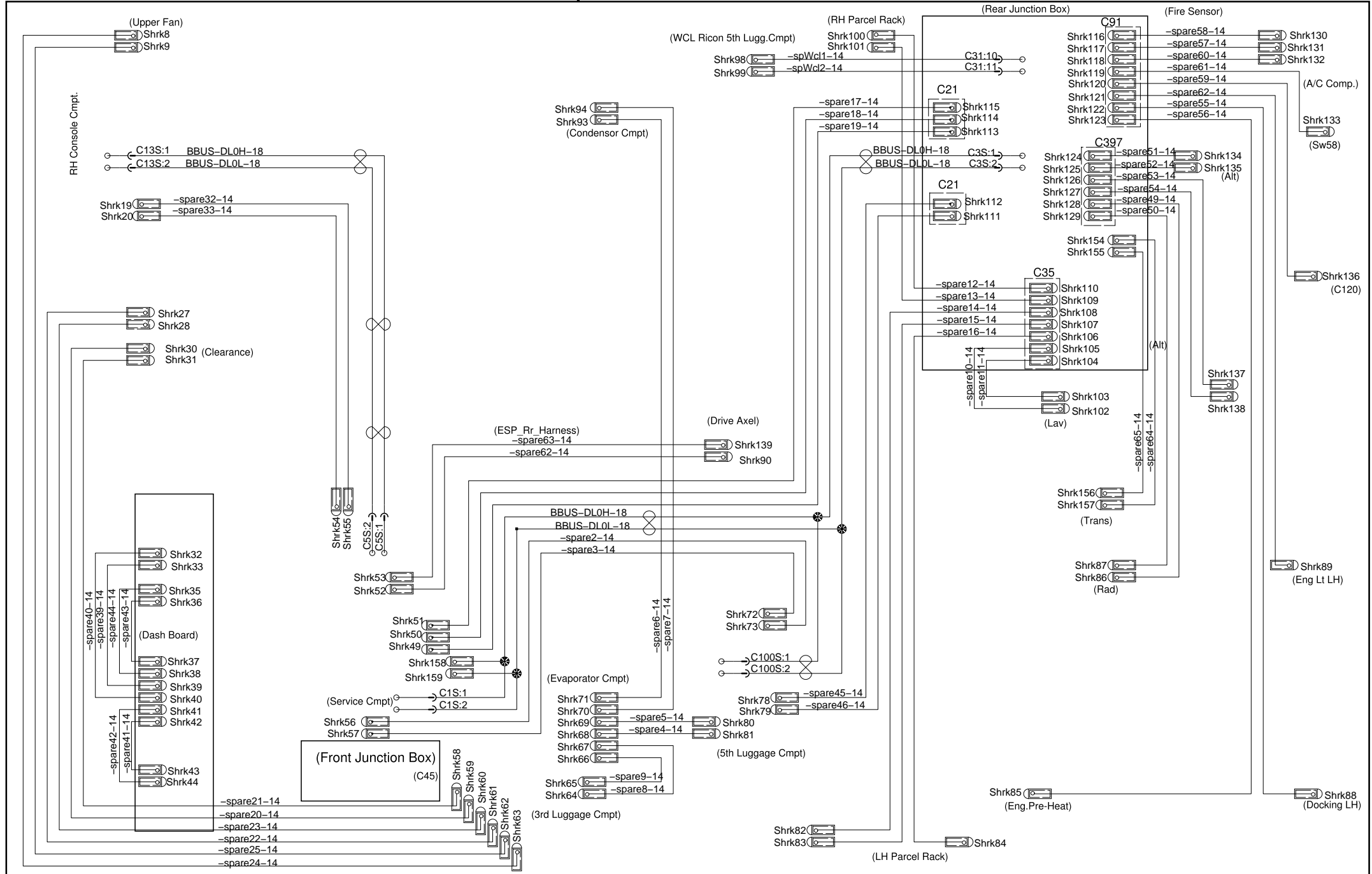
Evaporator Cmpt.



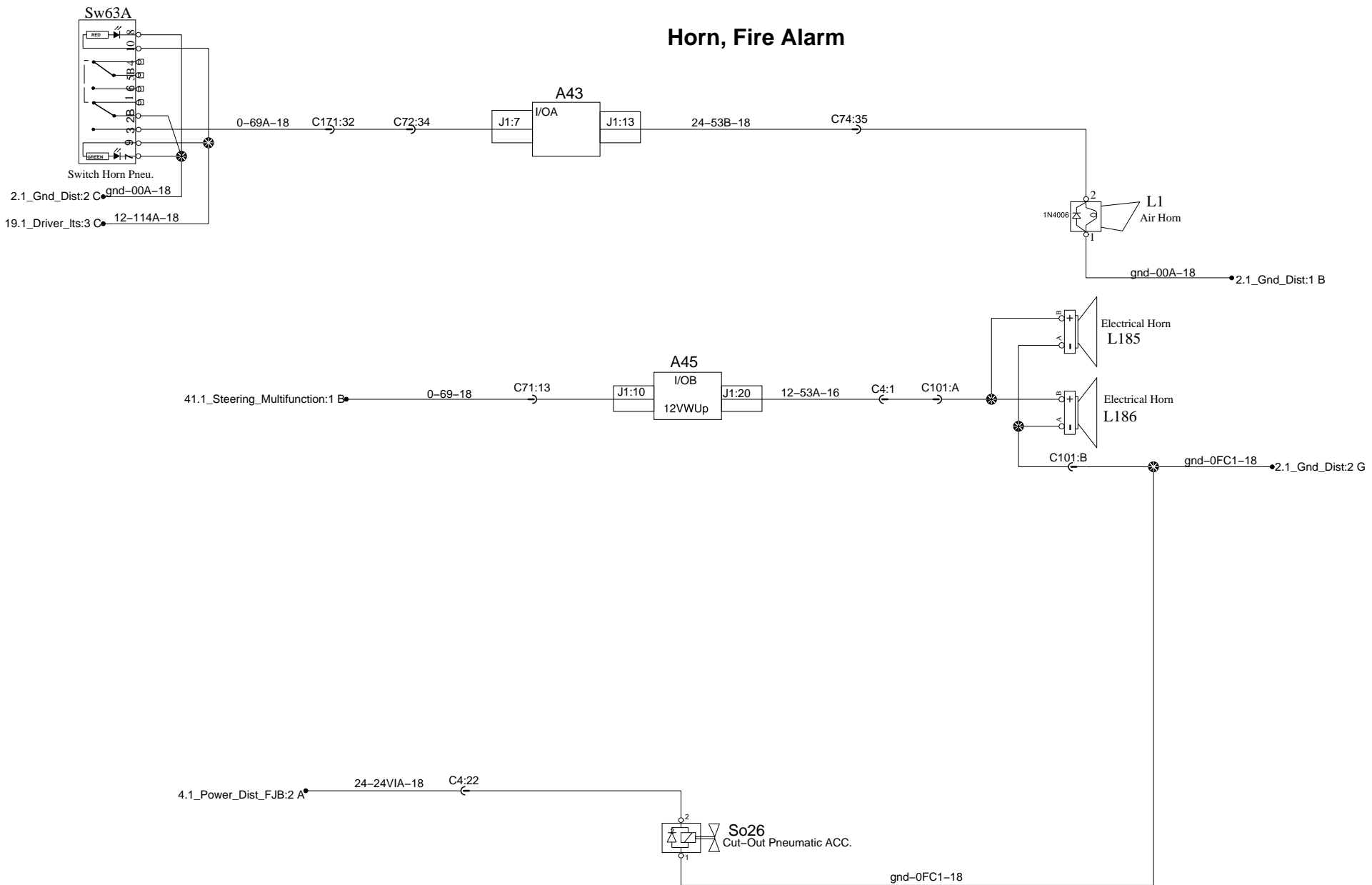
Spare Wires



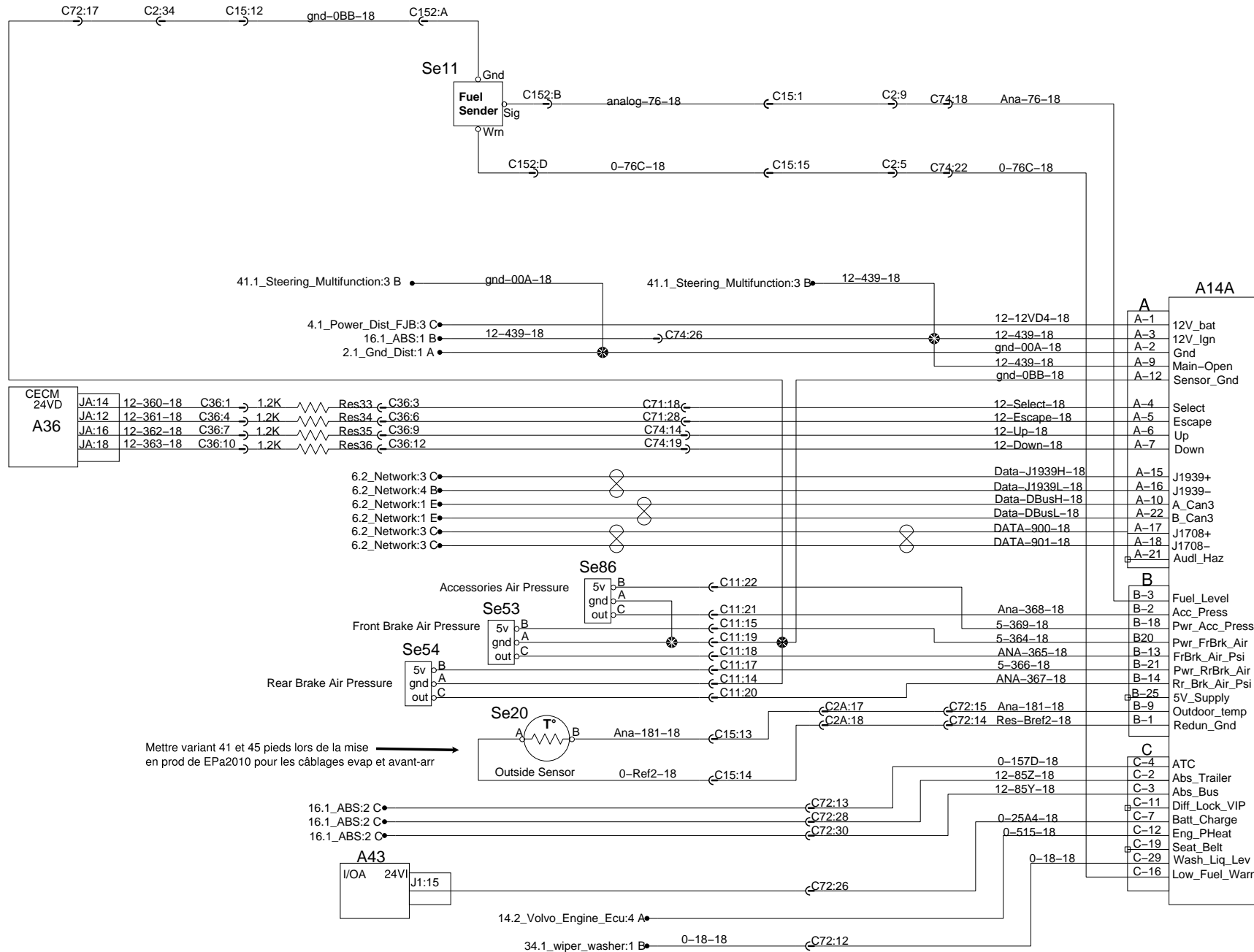
Spare Wires



Horn, Fire Alarm

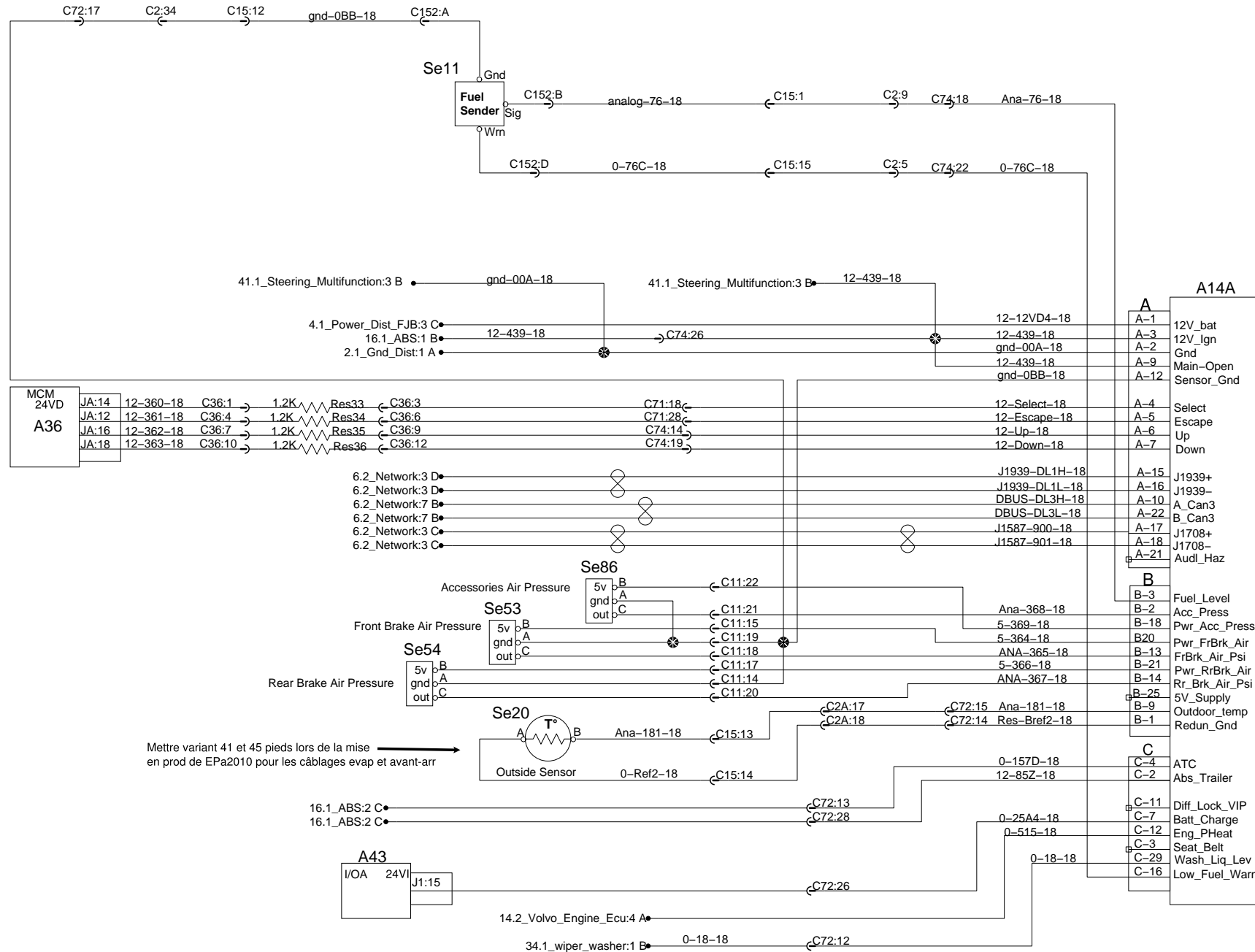


Cluster

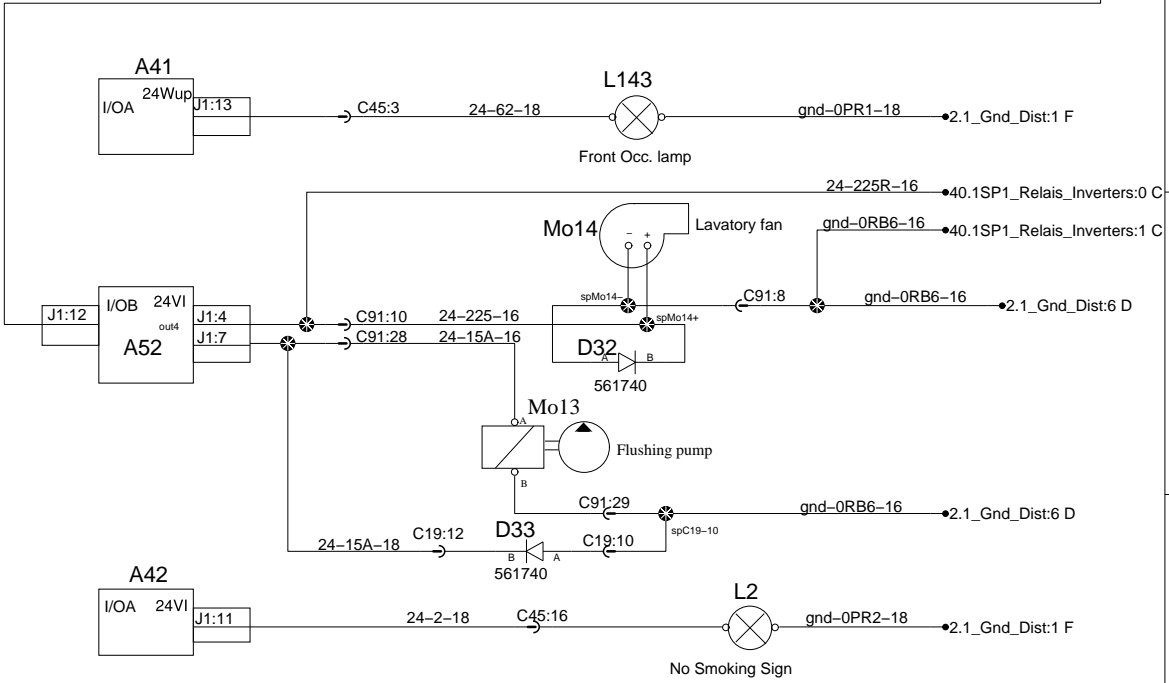
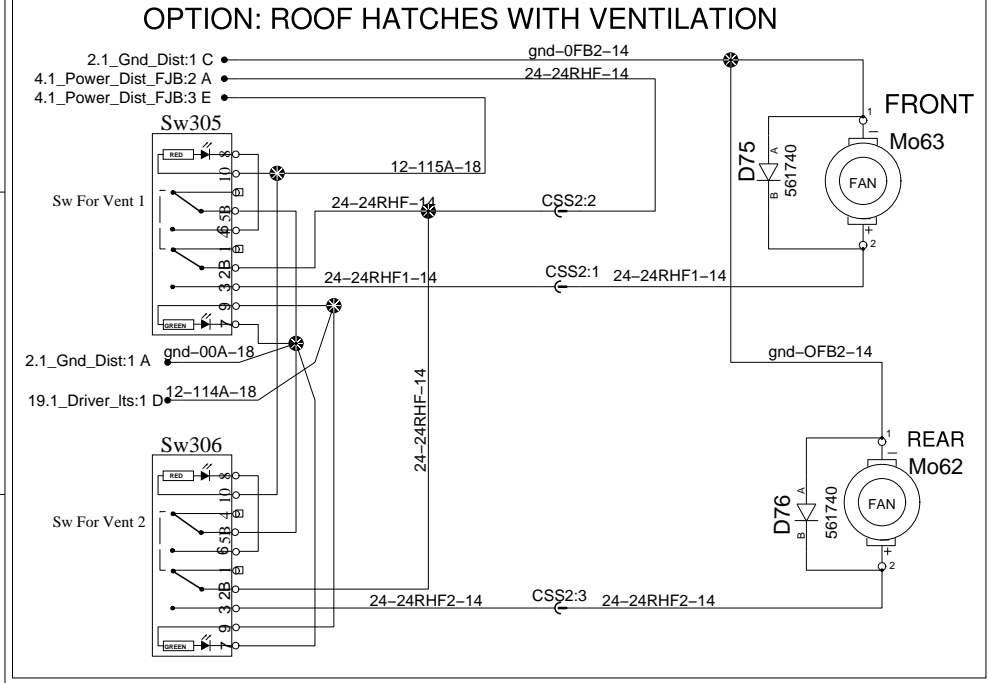
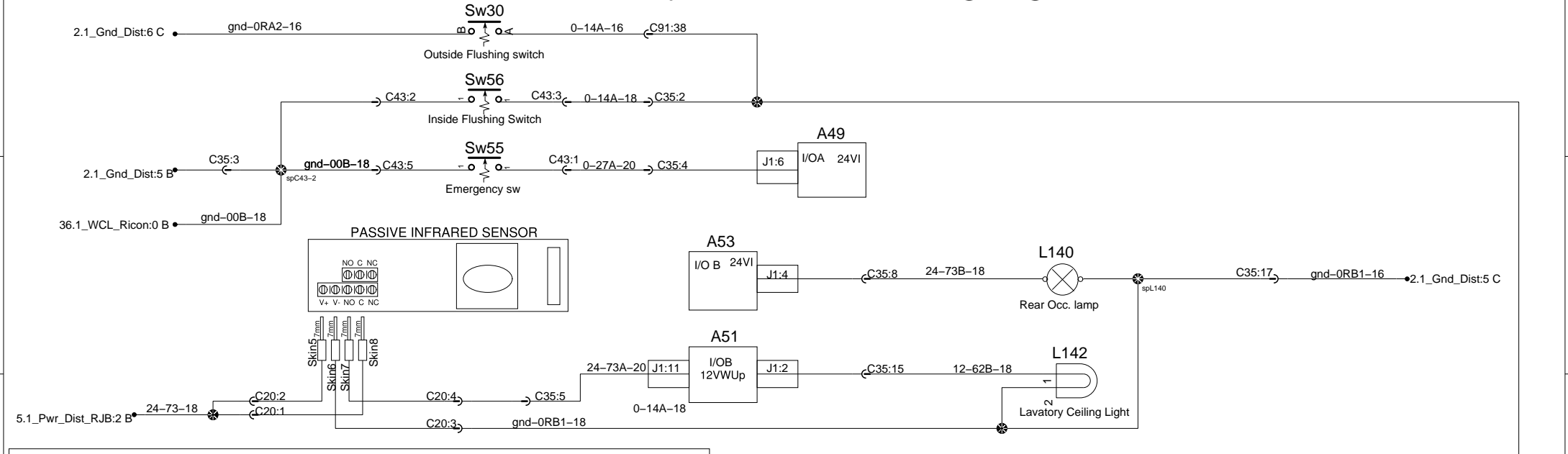


Mettre variant 41 et 45 pieds lors de la mise en prod de EPa2010 pour les câblages evap et avant-arr

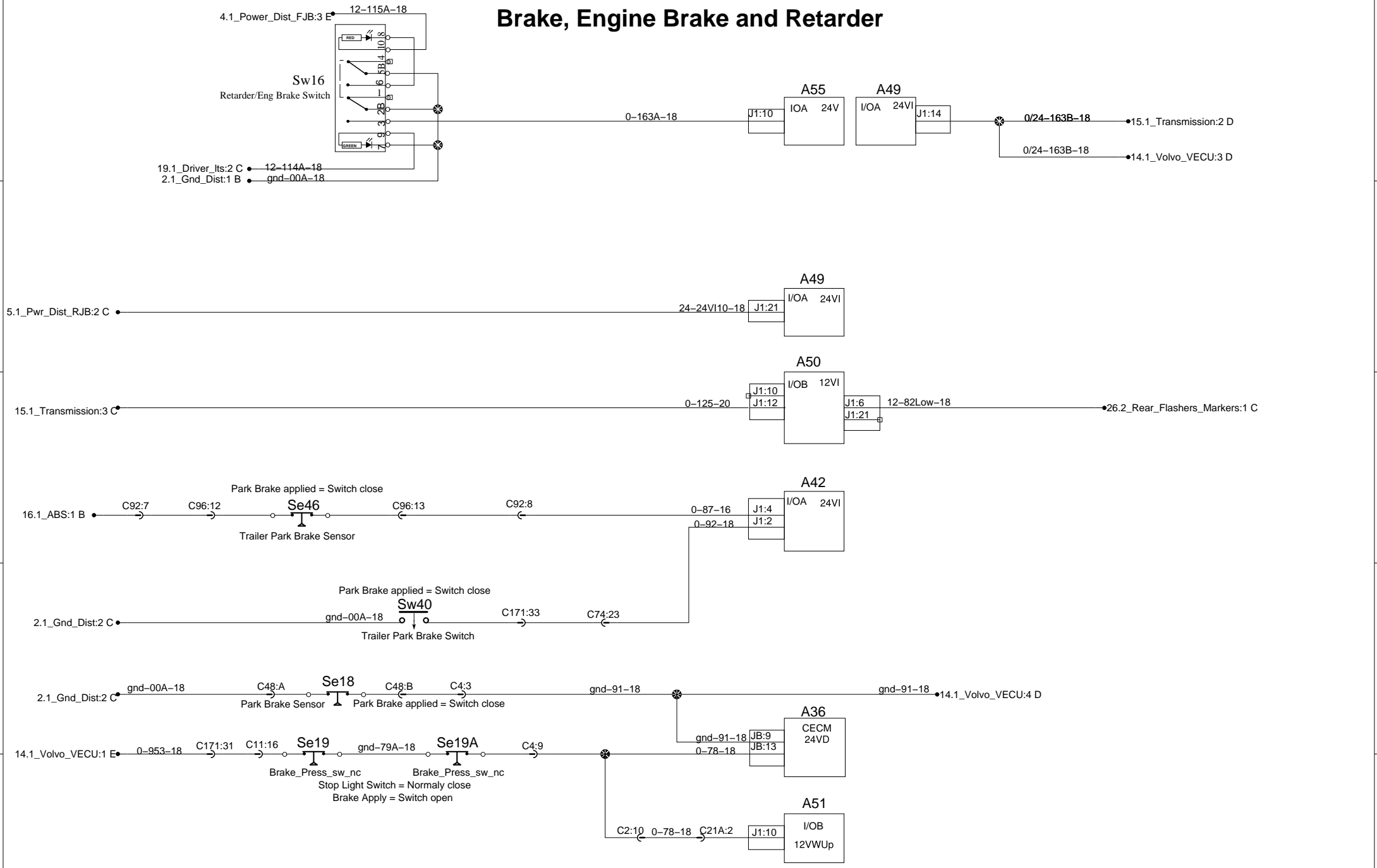
Cluster



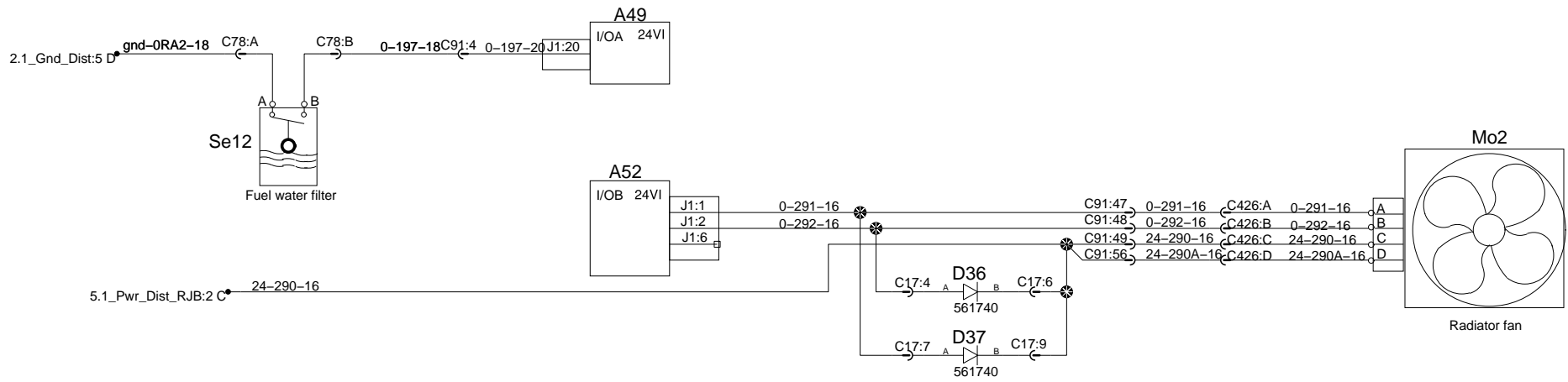
Lavatory and No Smoking Sign



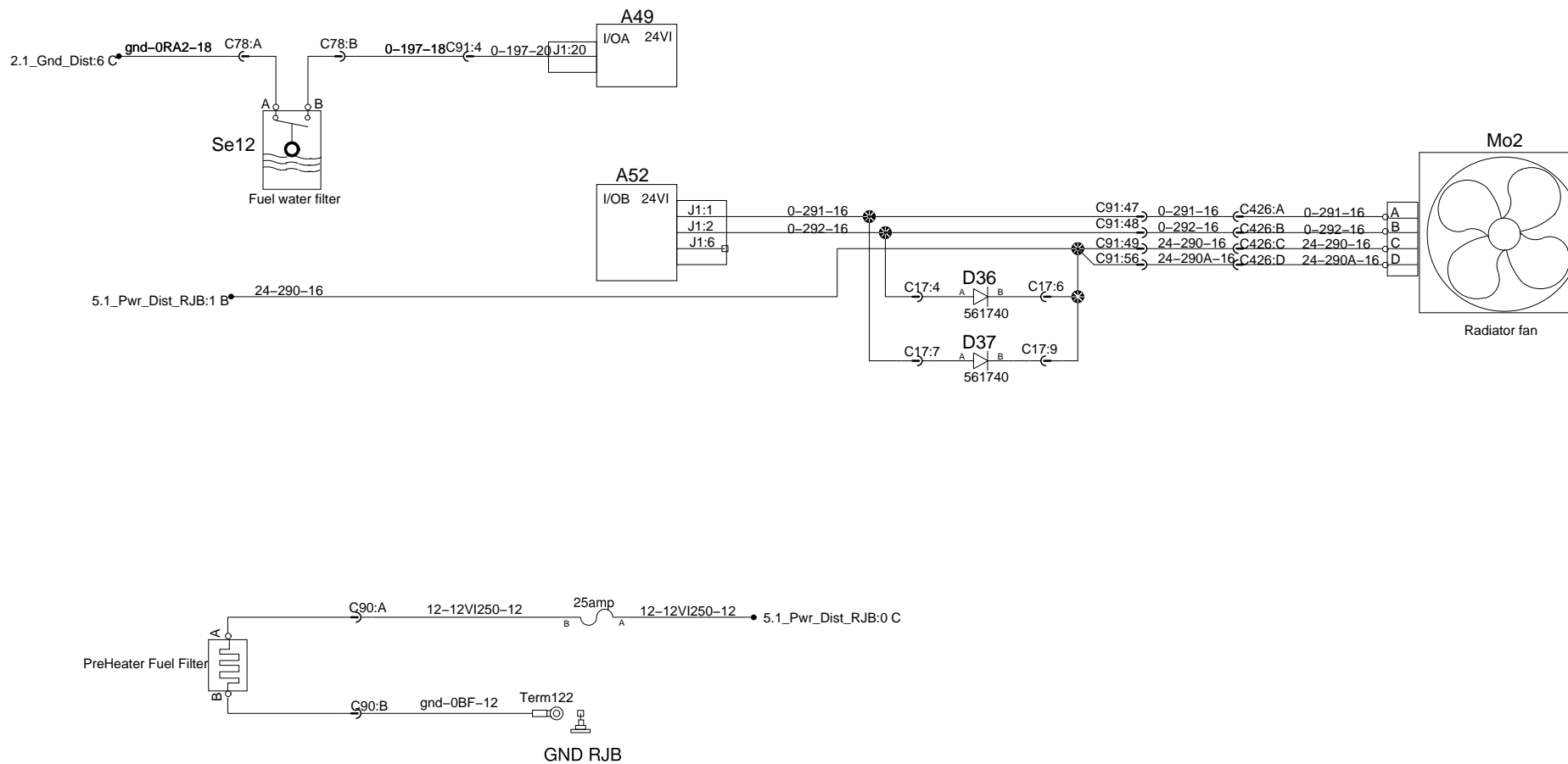
Brake, Engine Brake and Retarder

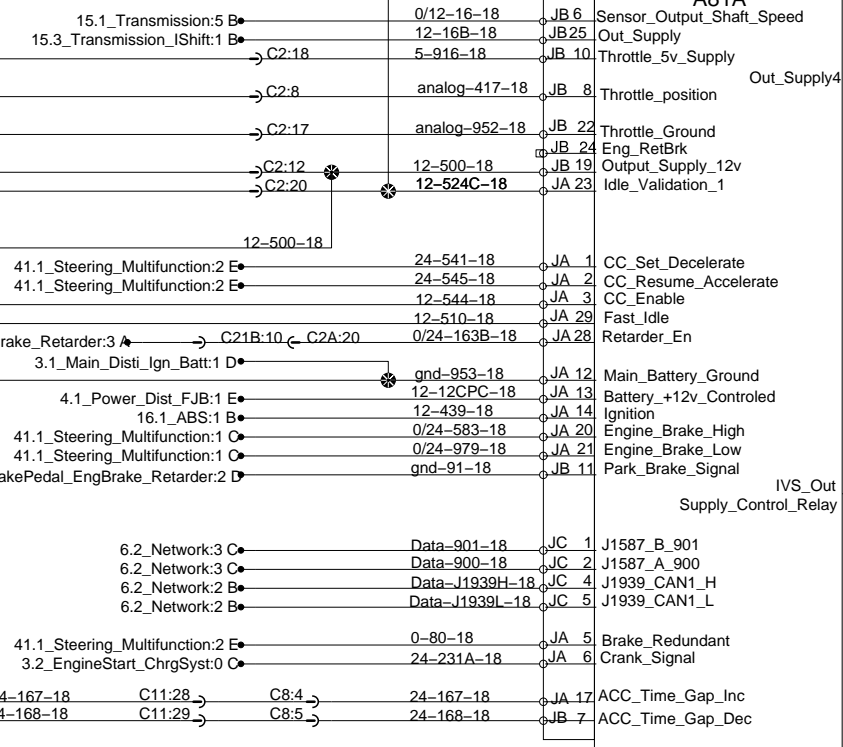
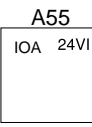
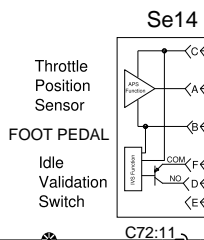
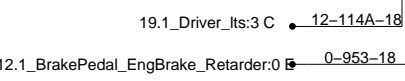
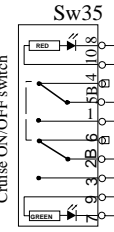
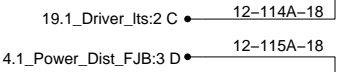
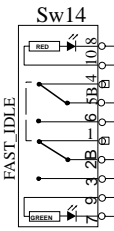
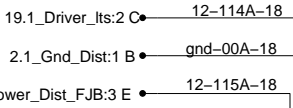
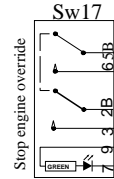


Water Filter and Fan Clutch

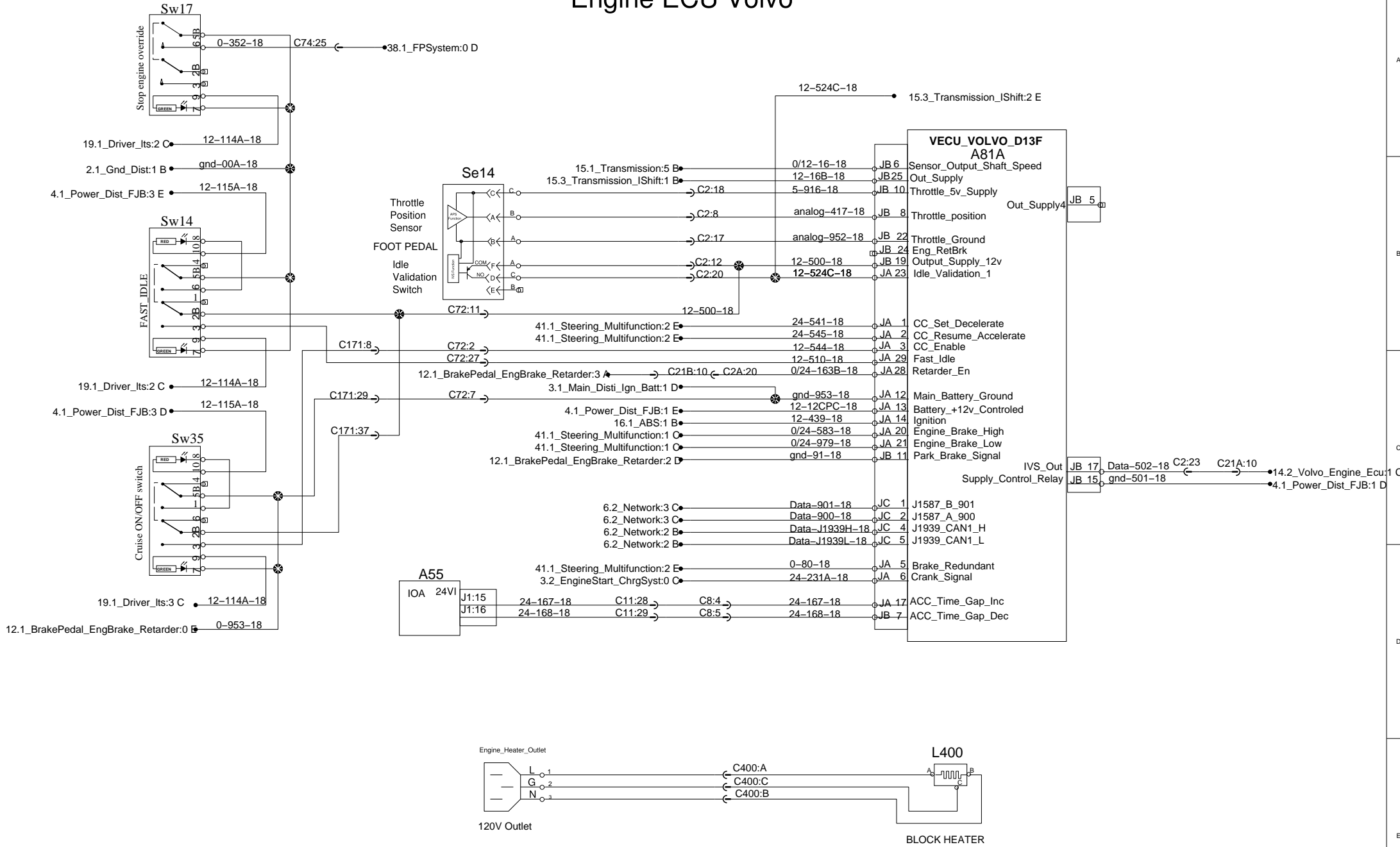


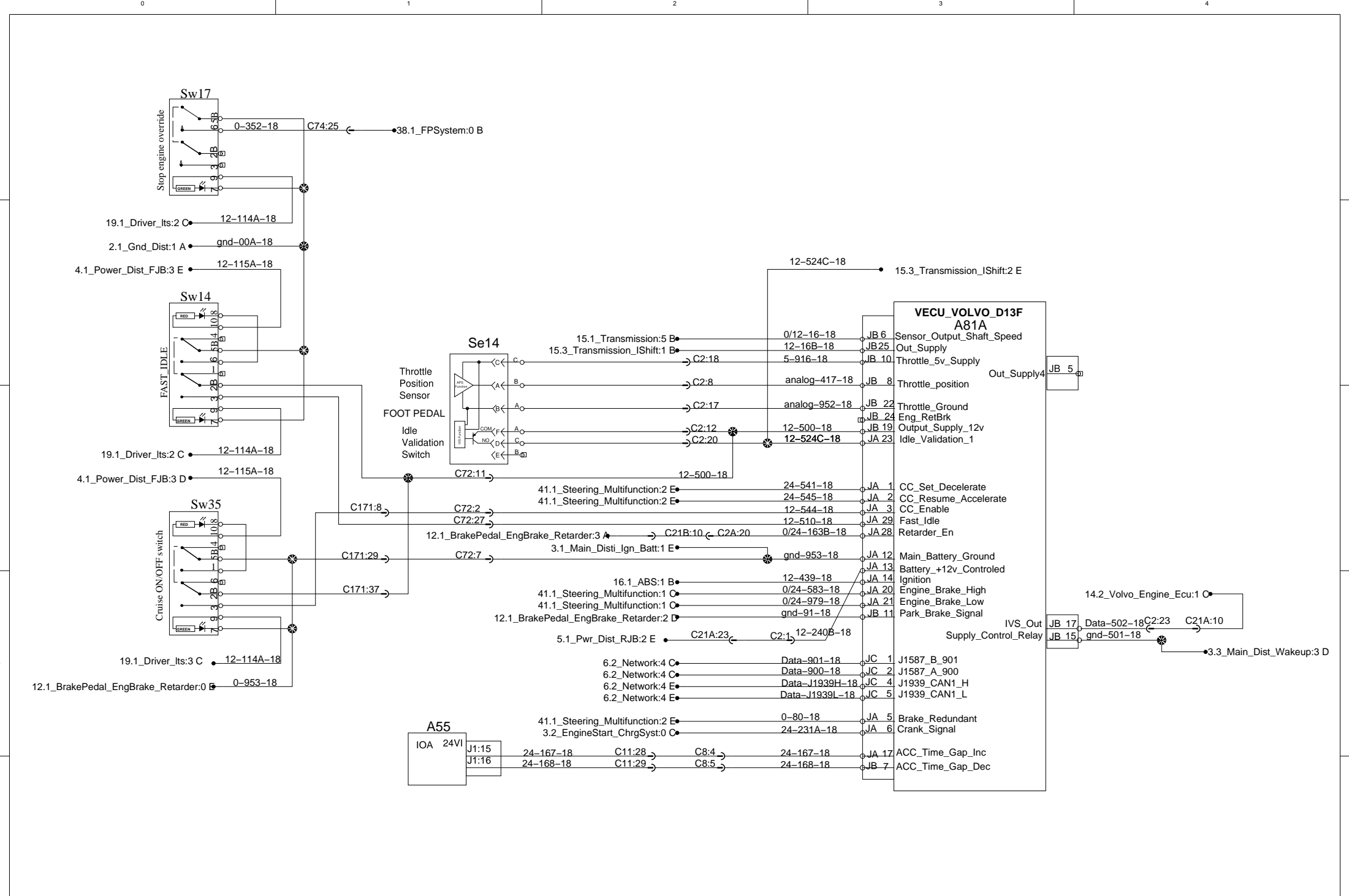
Water Filter and Fan Clutch and Preheater Fuel Filter

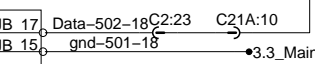
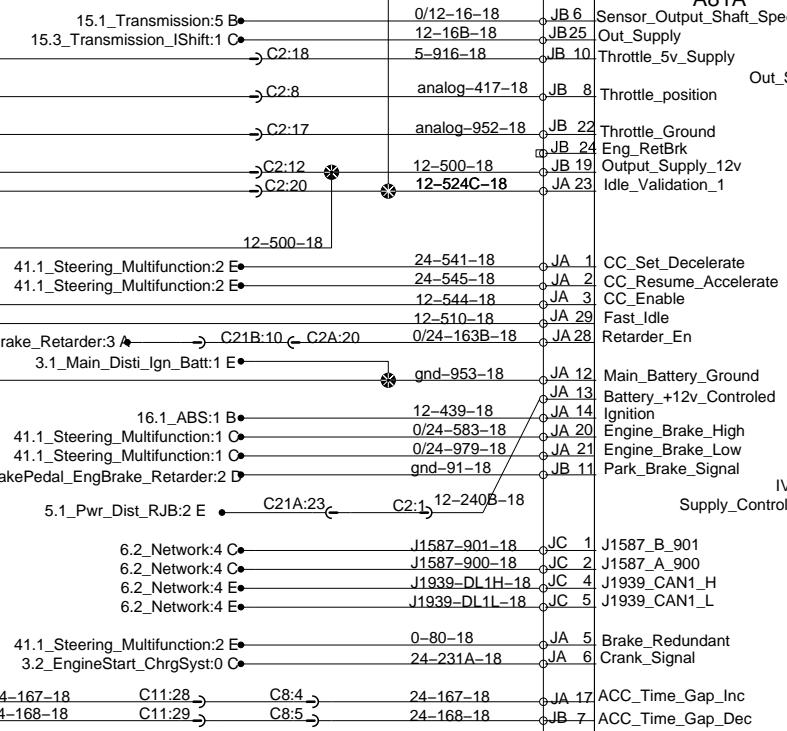
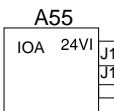
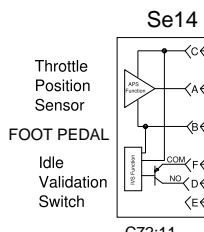
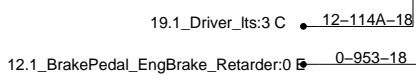
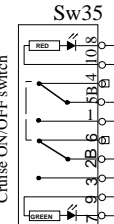
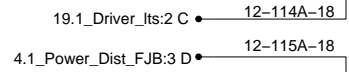
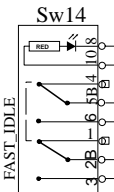
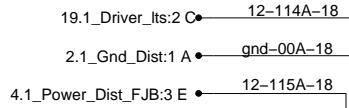
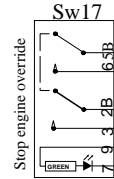




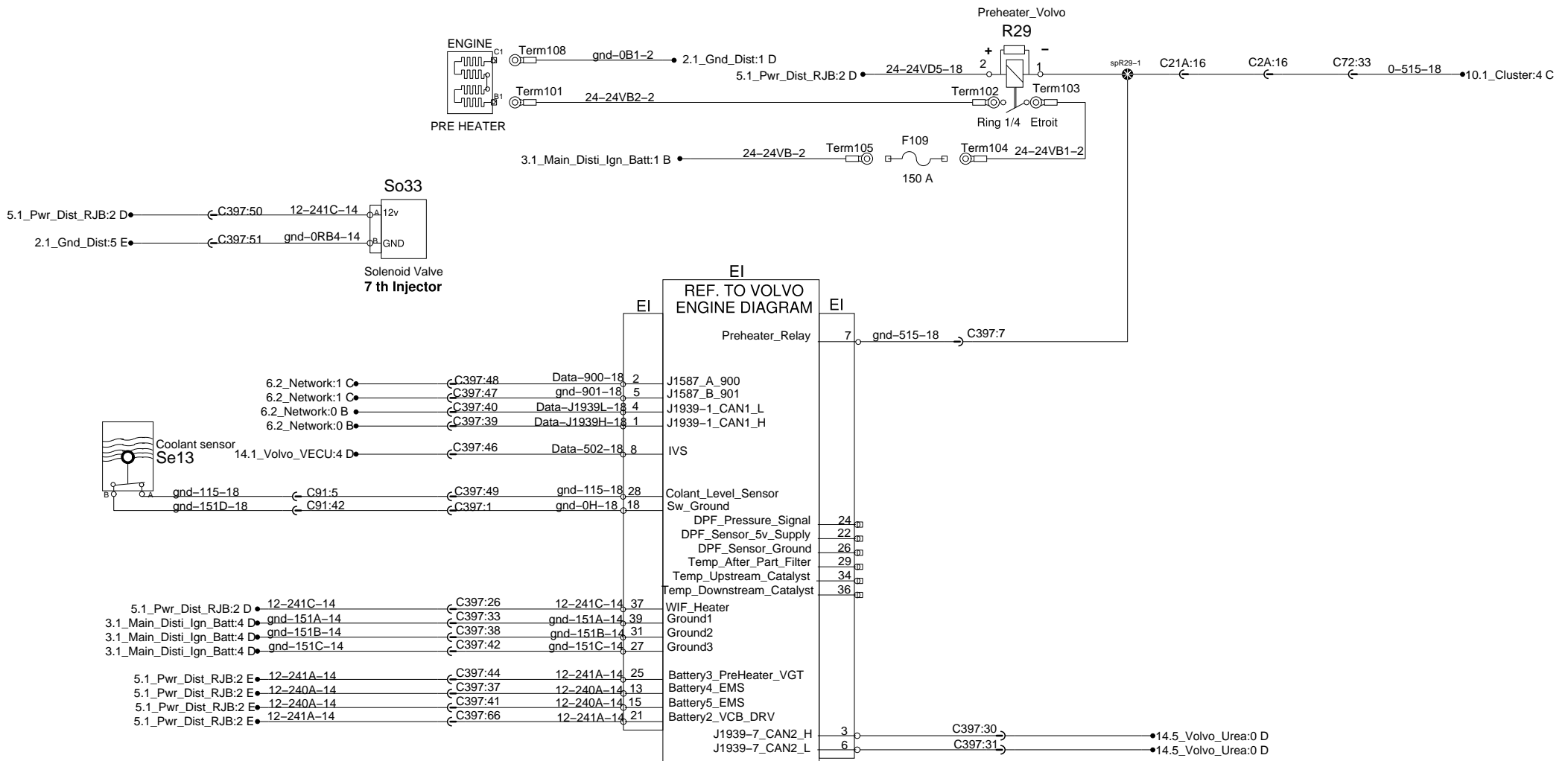
Engine ECU Volvo



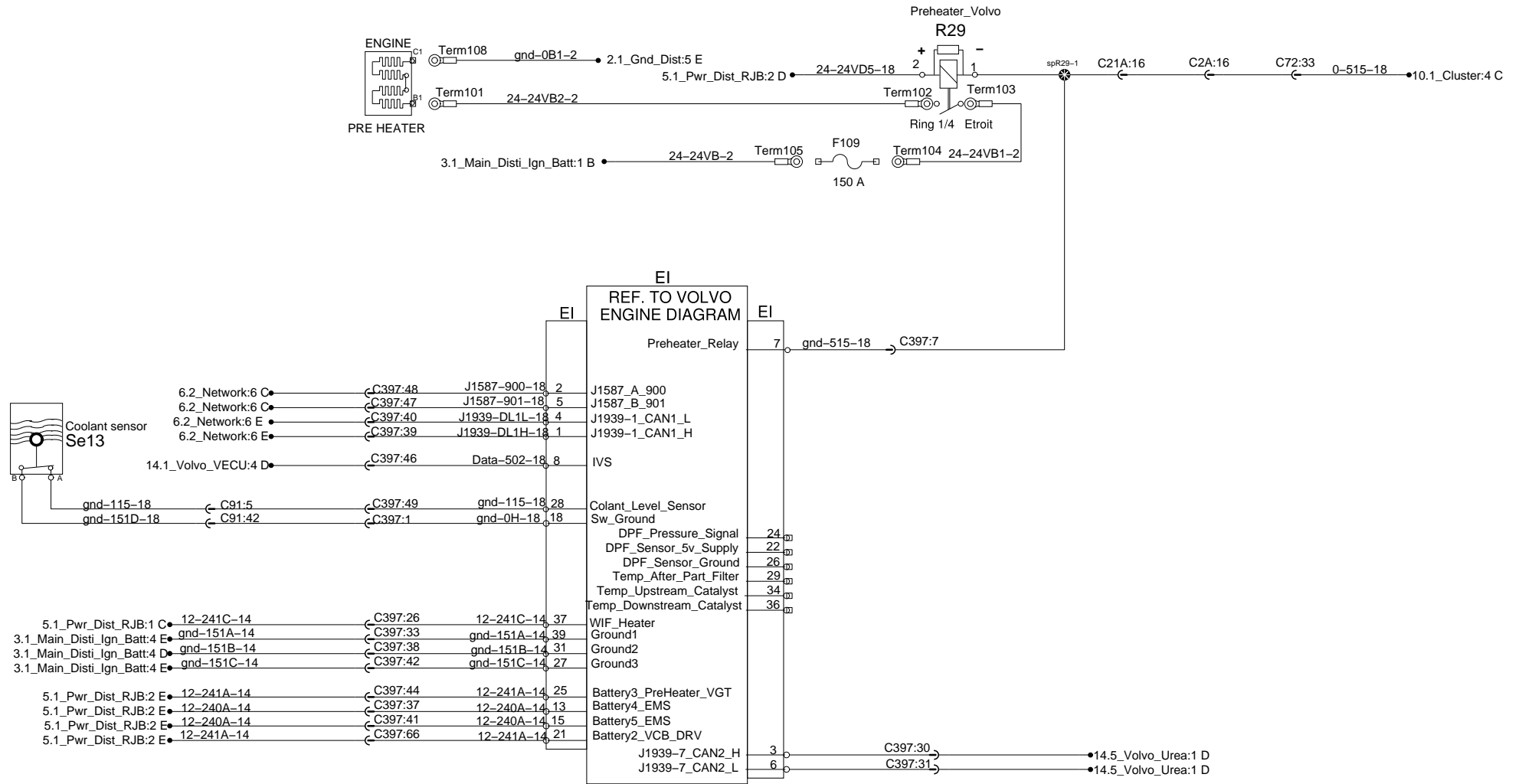


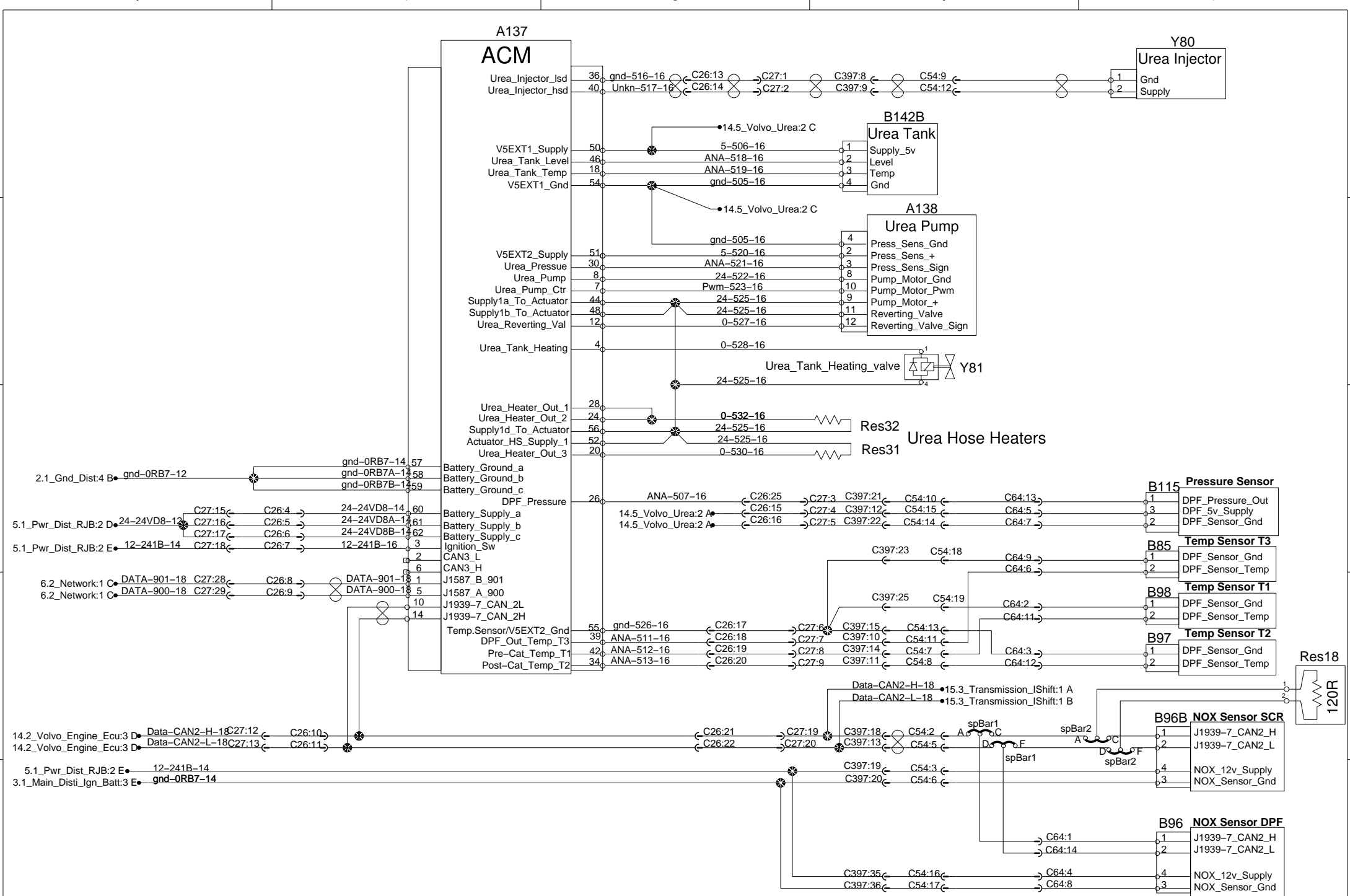


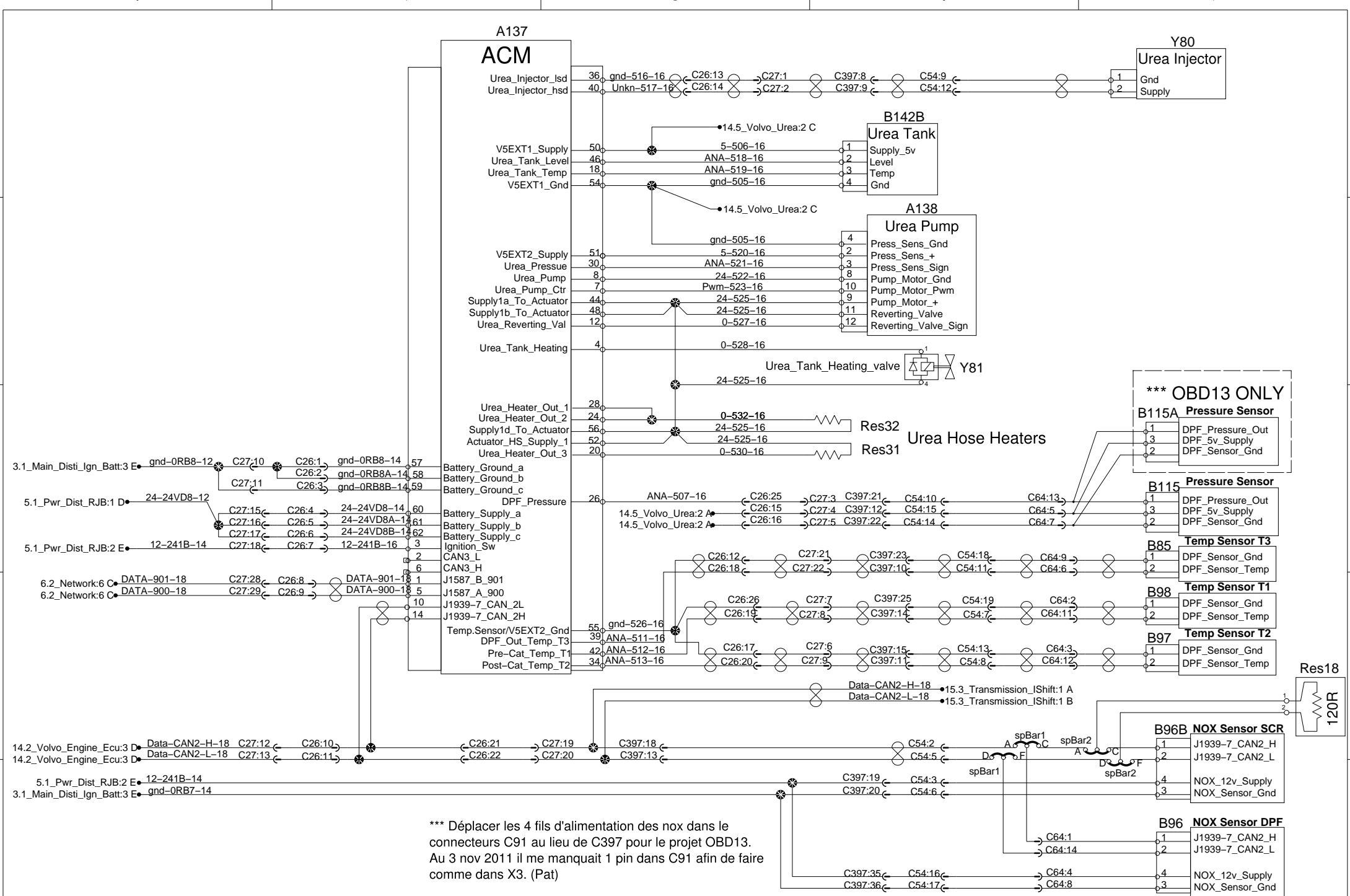
VOLVO_D13_Engine_Ecu



VOLVO_D13_Engine_Ecu







*** Déplacer les 4 fils d'alimentation des nox dans le connecteurs C91 au lieu de C397 pour le projet OBD13.
 Au 3 nov 2011 il me manquait 1 pin dans C91 afin de faire comme dans X3. (Pat)

0

1

2

3

4

A

A

B

B

C

C

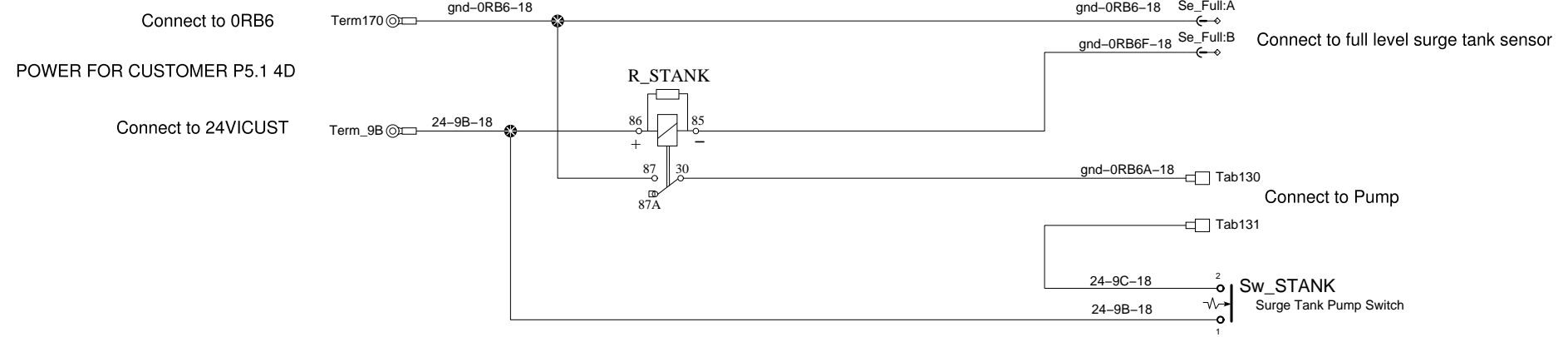
D

D

E

E

Surge Tank Pump (Service)



0

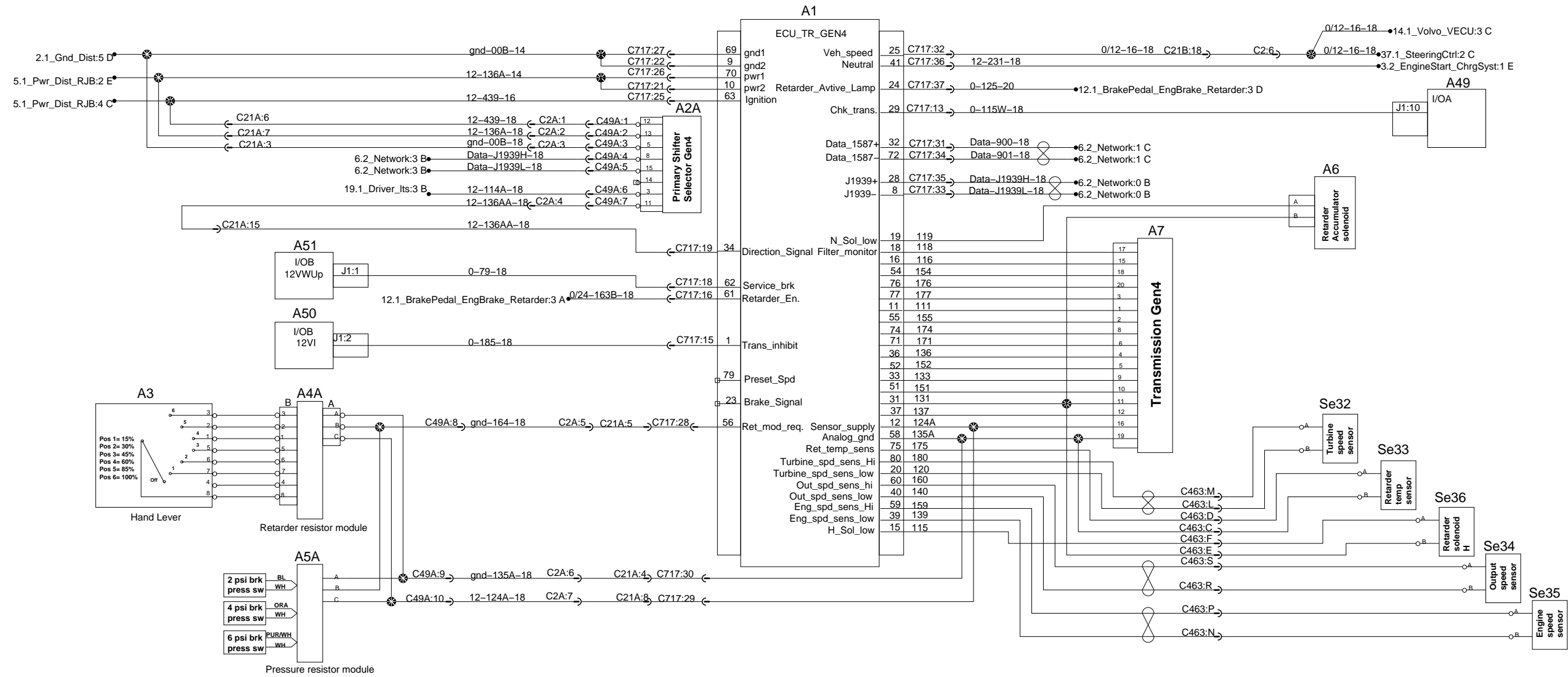
1

2

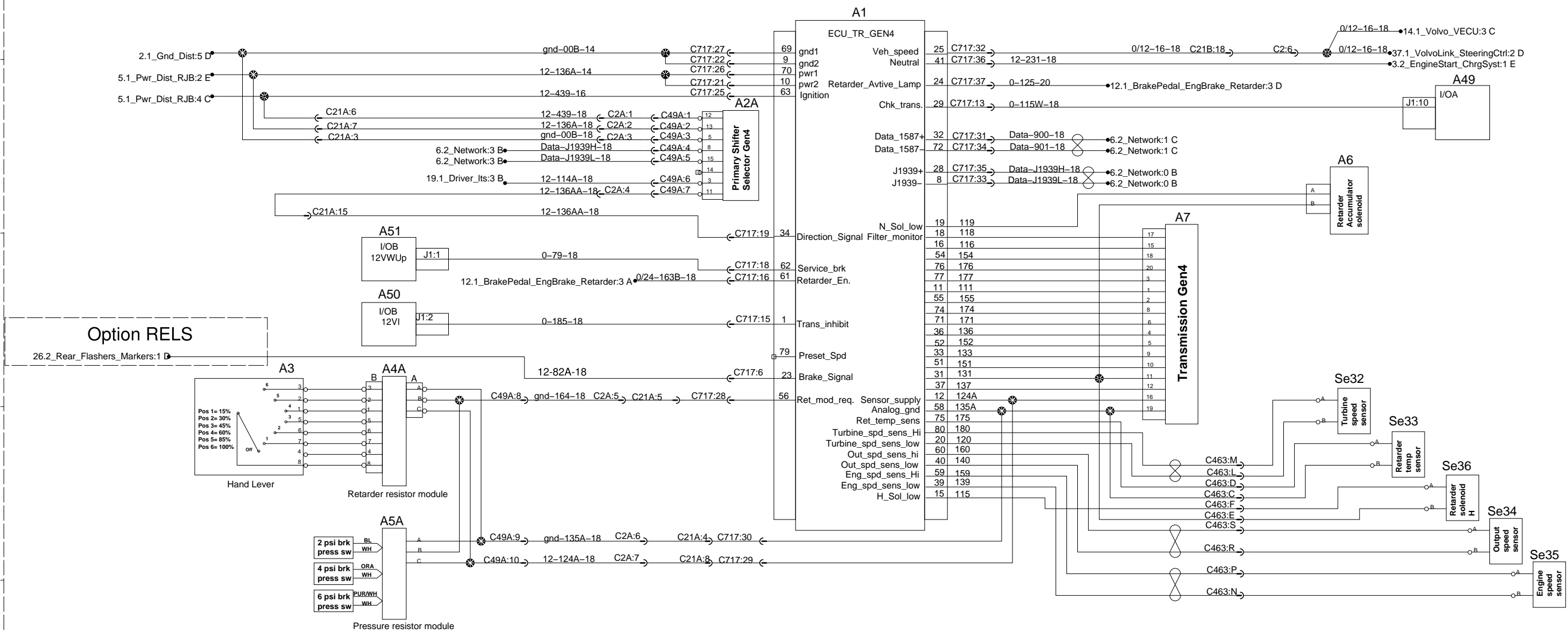
3

4

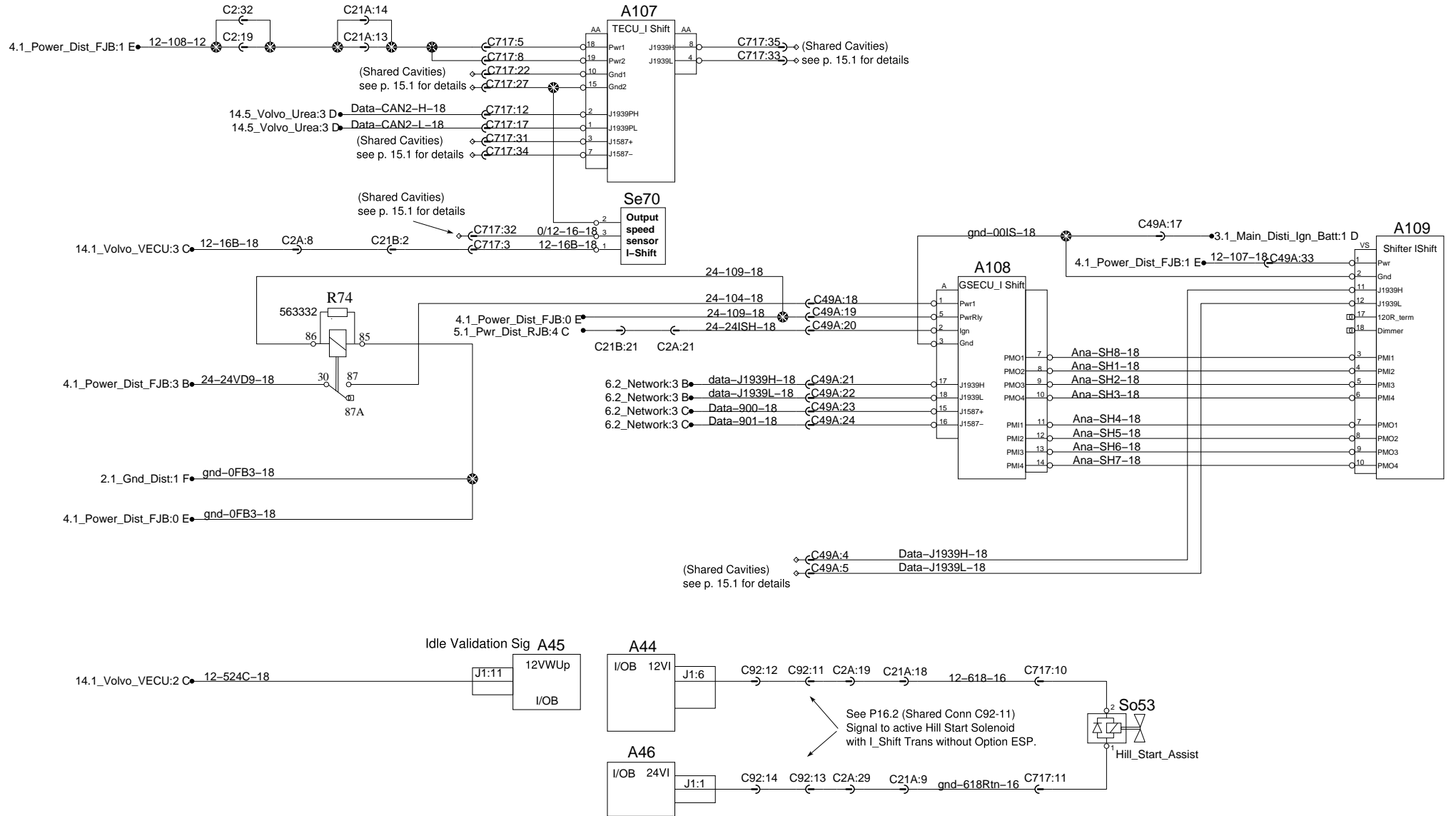
Transmission Allison Gen 4



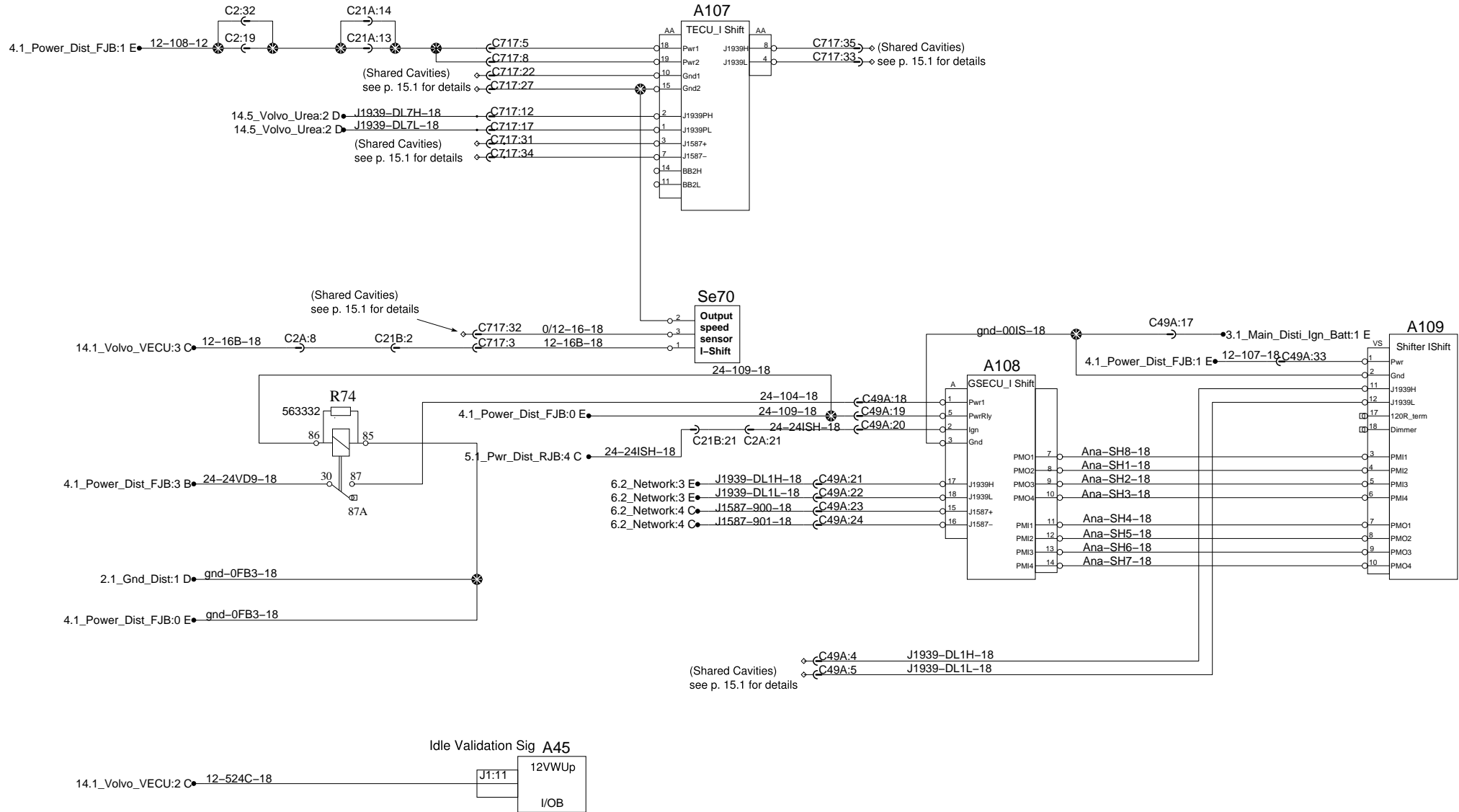
Transmission Allison Gen 4



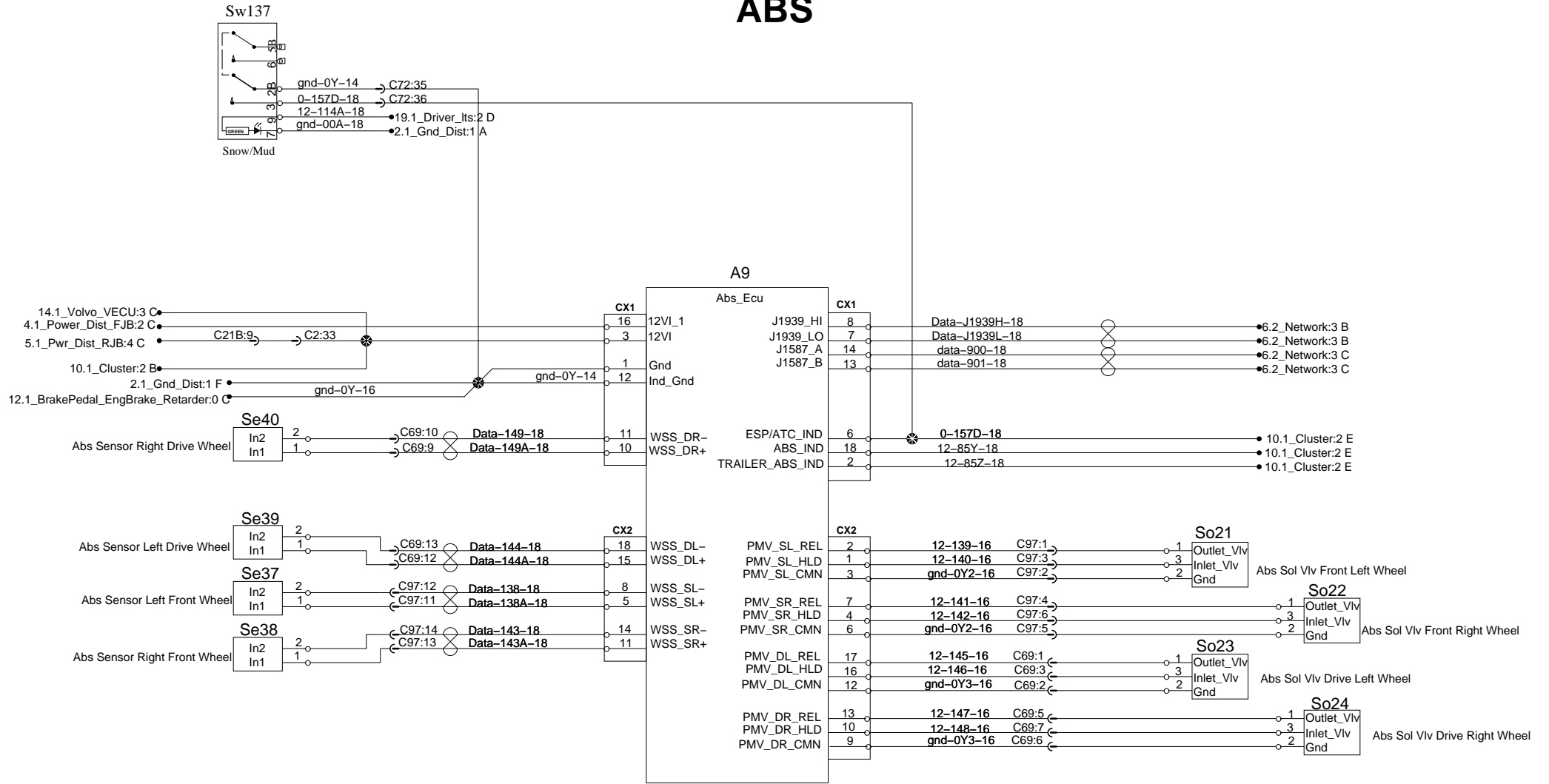
Transmission I_Shift



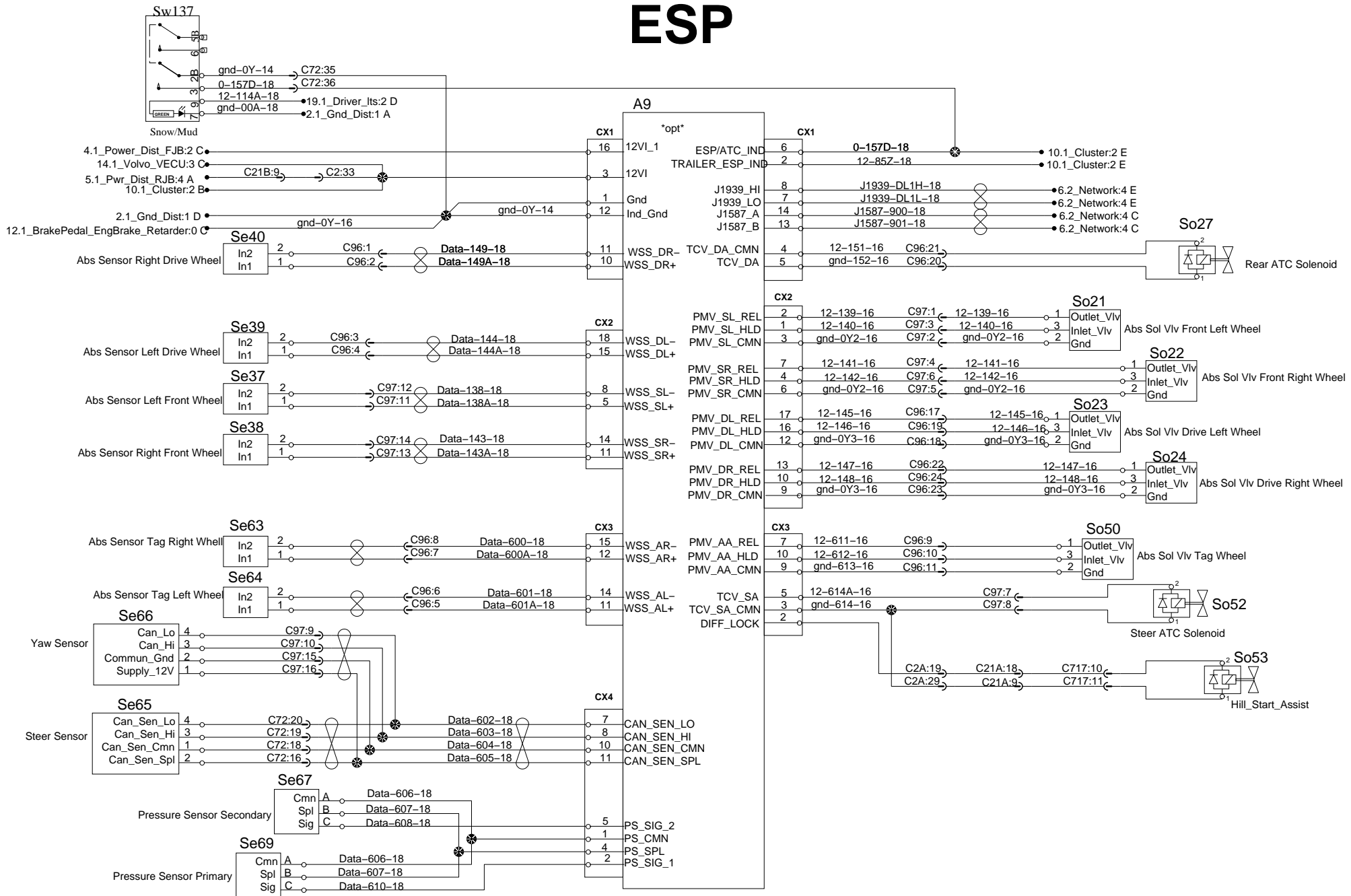
Transmission I_Shift



ABS

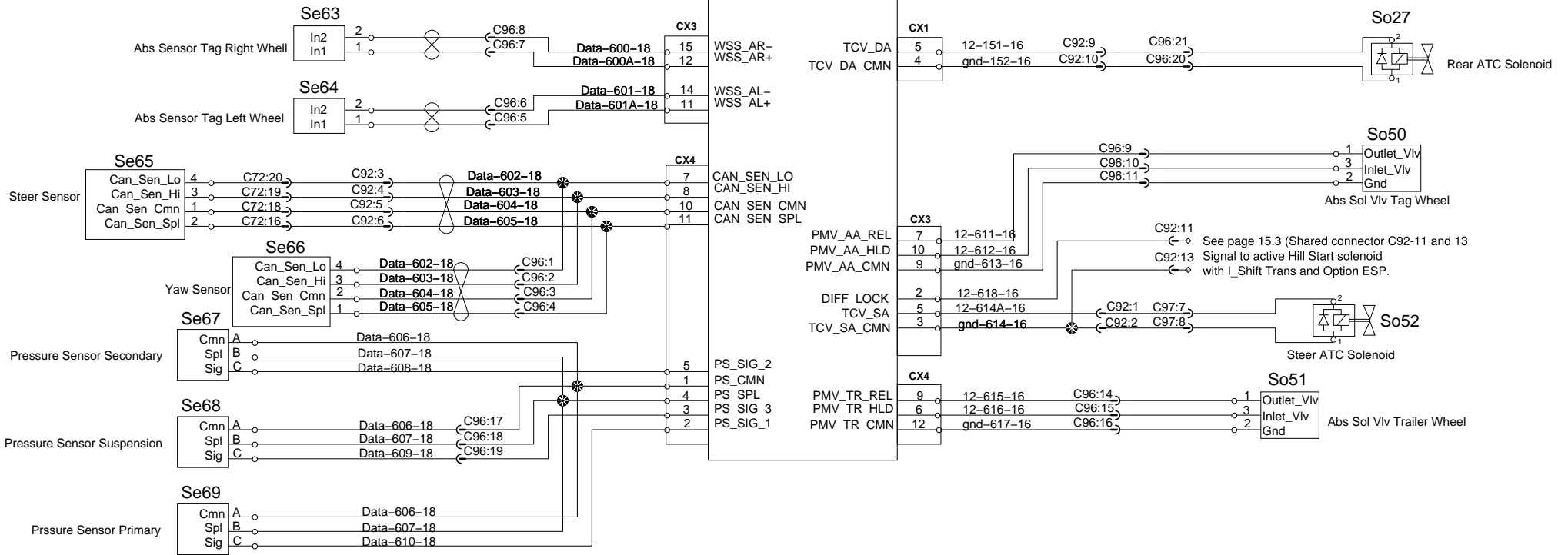
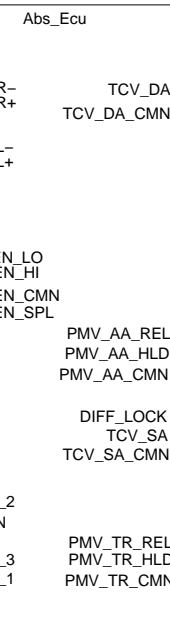


ESP

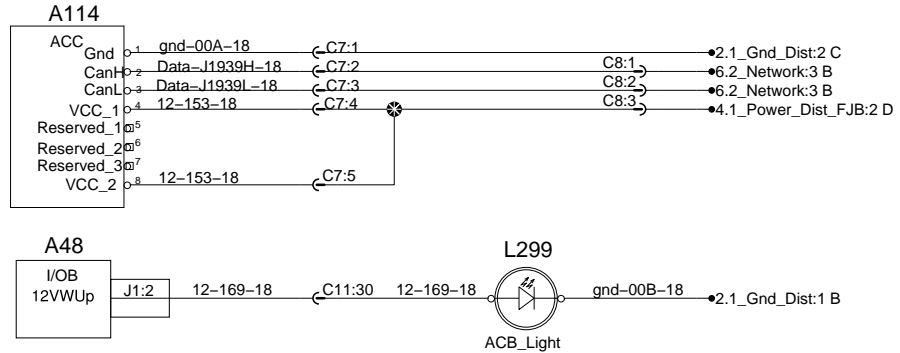


ABS ESP

A9

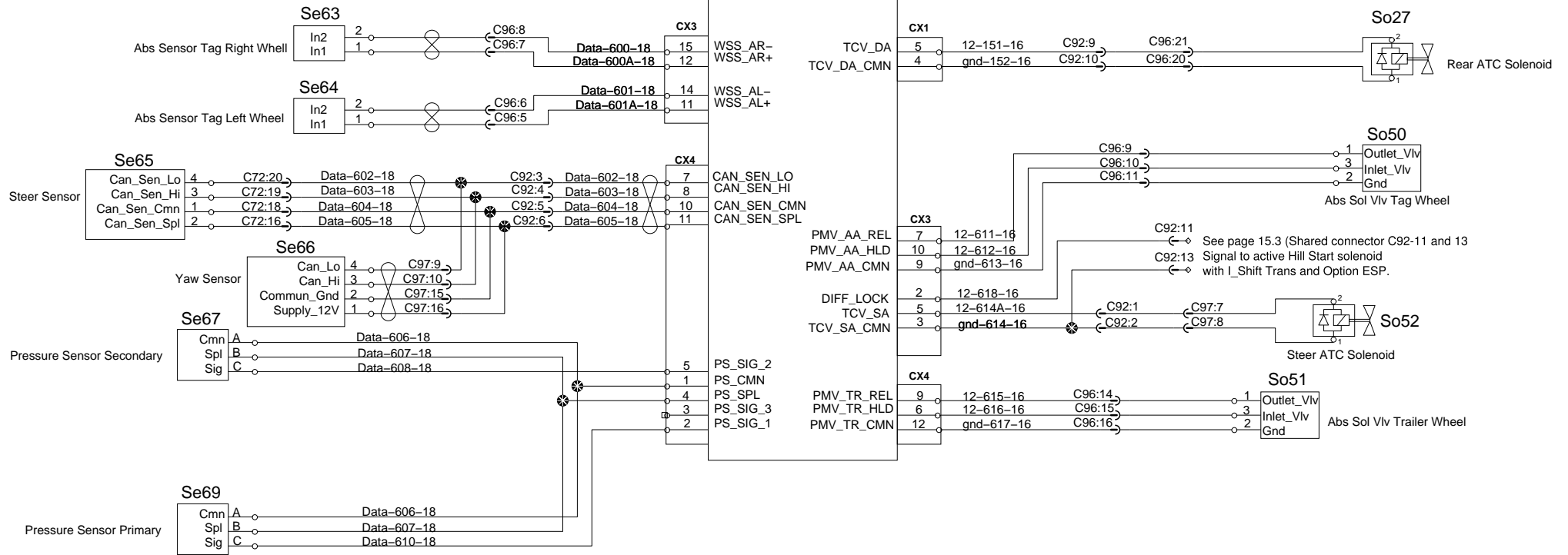
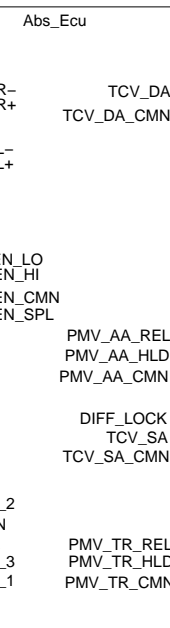


Adaptive Cruise Control Radar



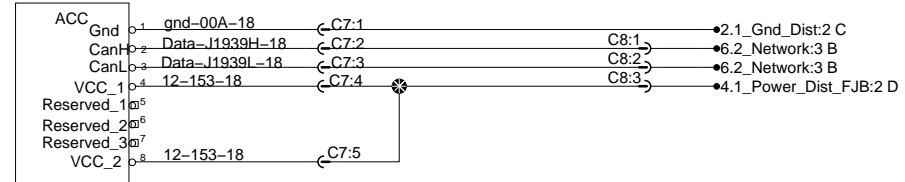
ABS ESP

A9

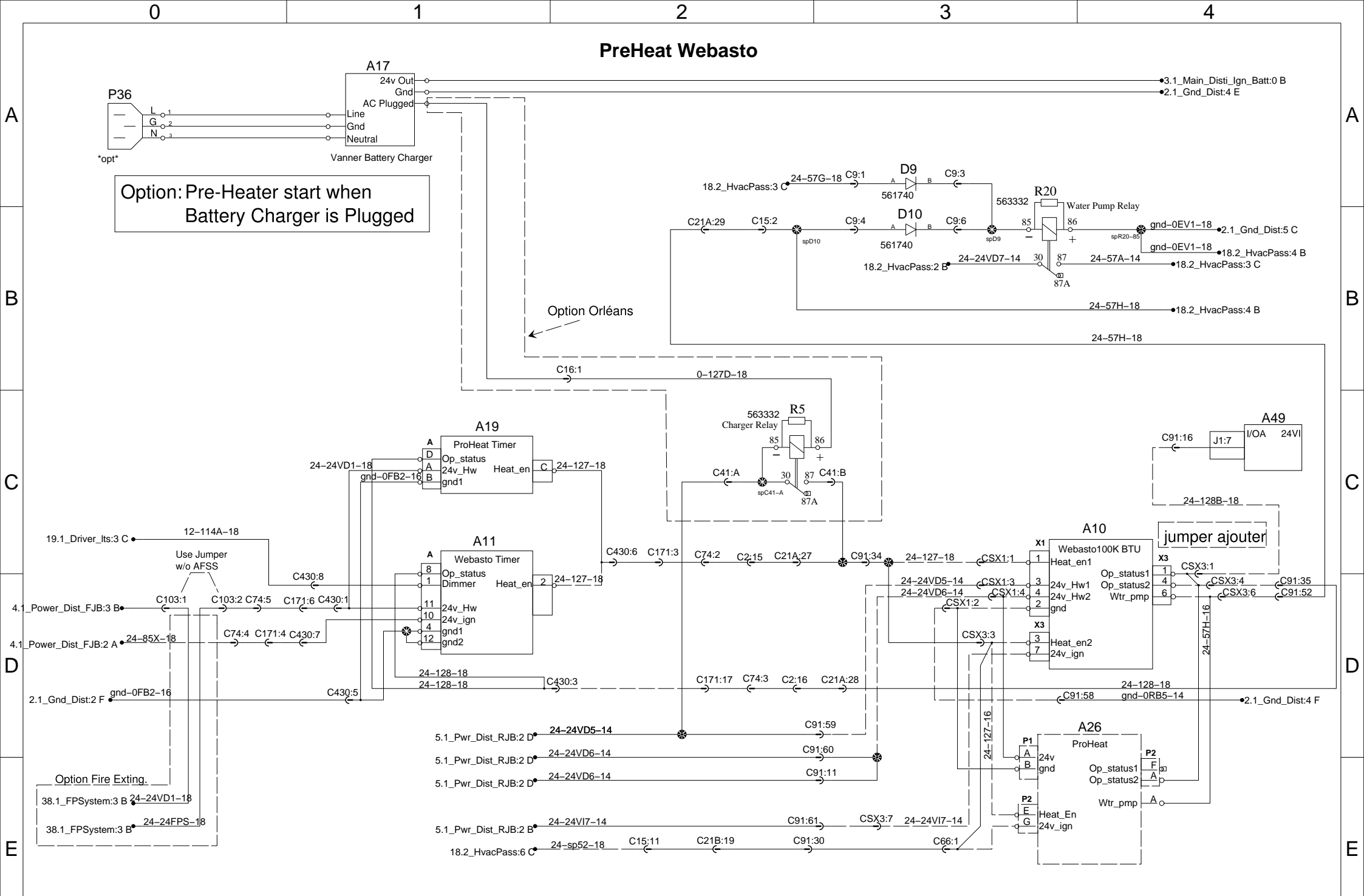


Adaptive Cruise Control Radar

A114



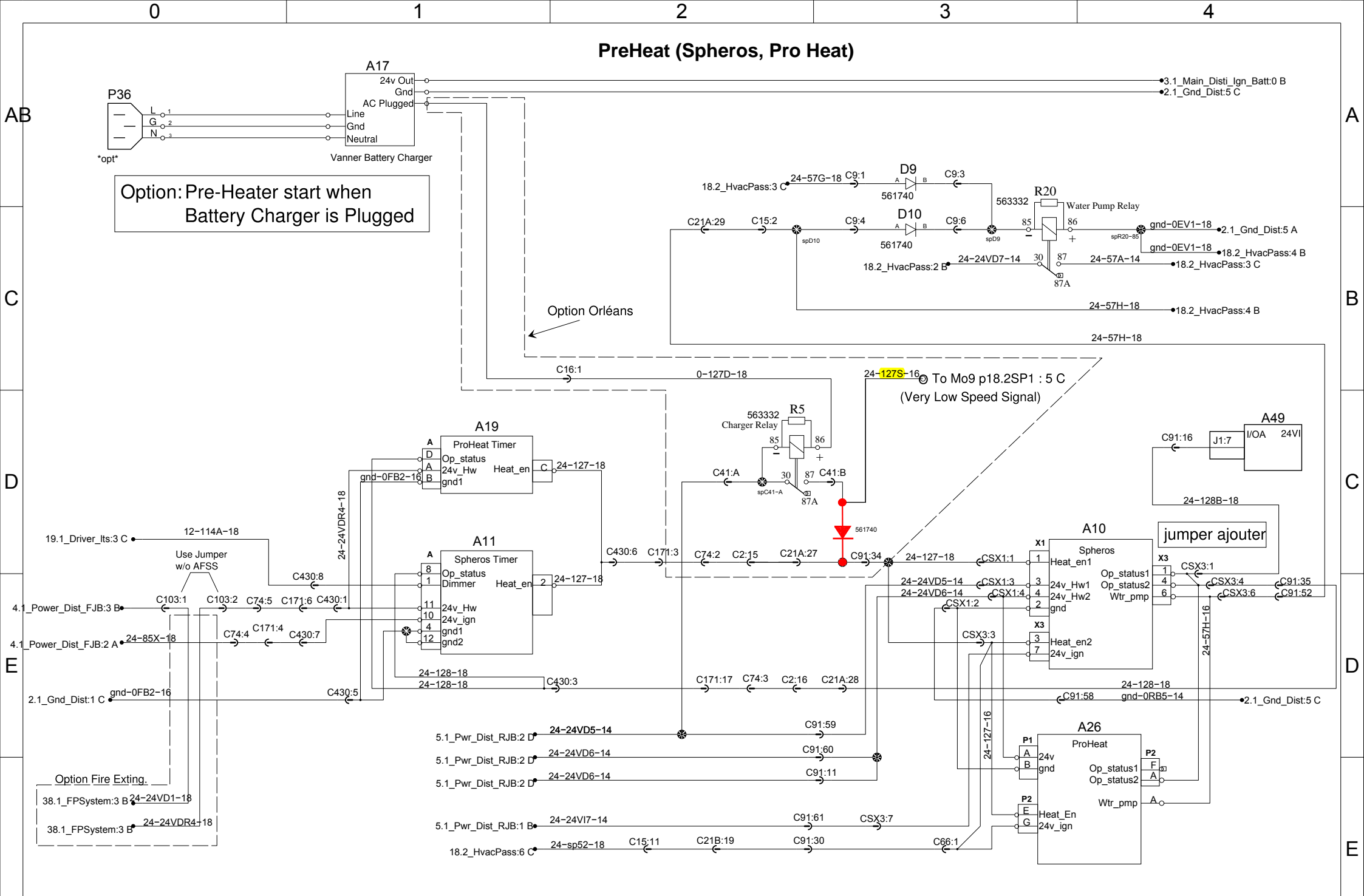
PreHeat Webasto



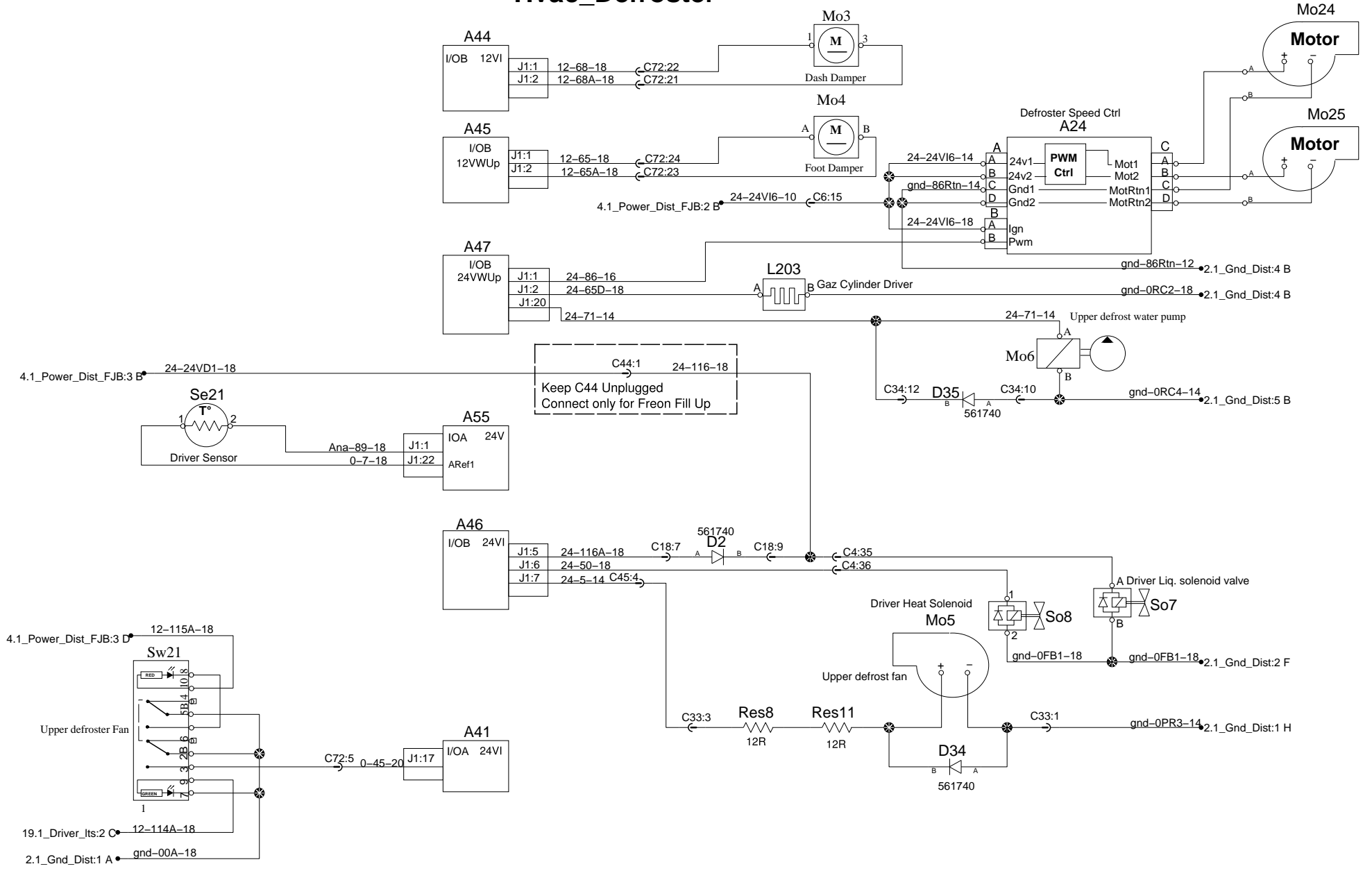
Option: Pre-Heater start when Battery Charger is Plugged

jumper ajouter

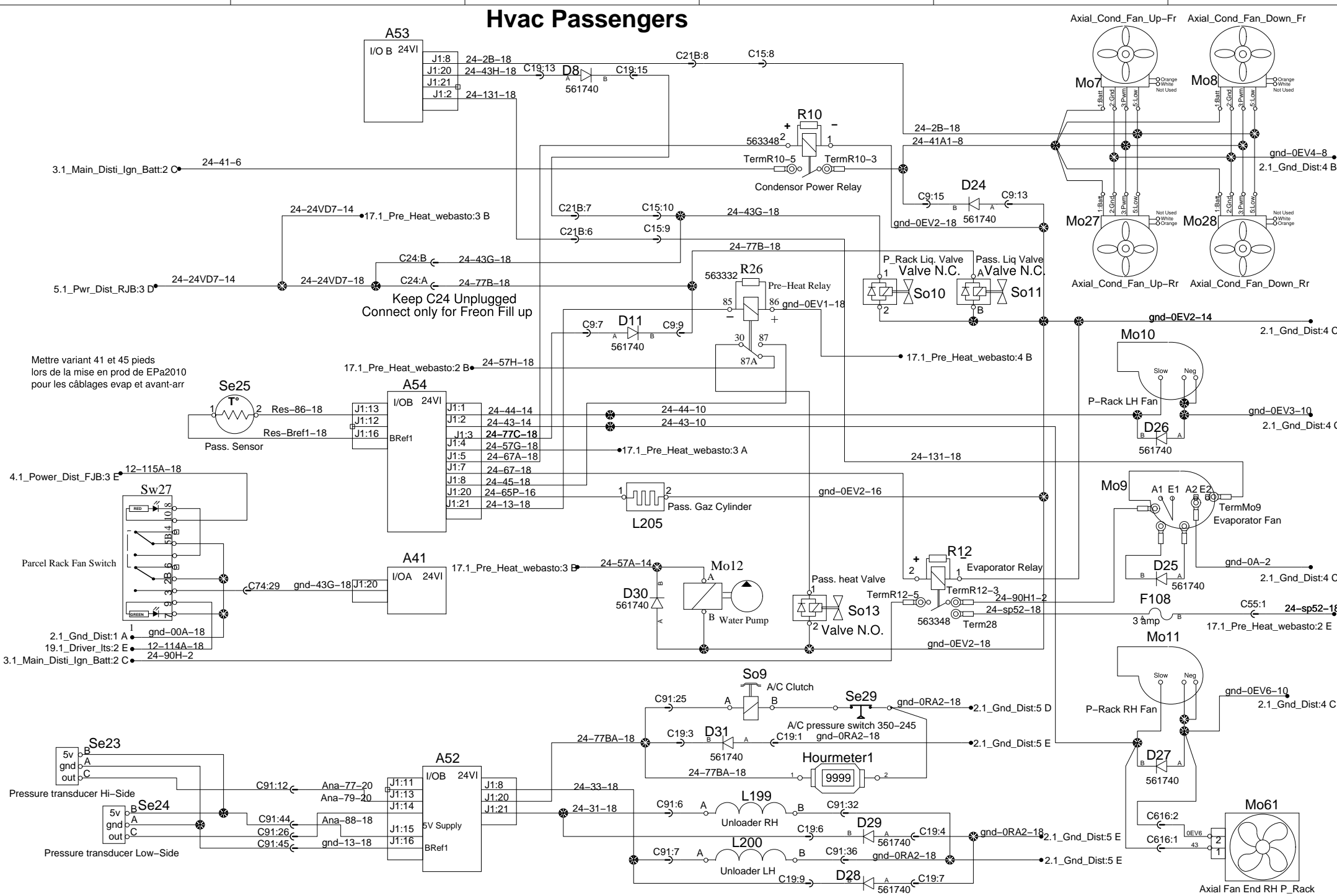
PreHeat (Spheros, Pro Heat)



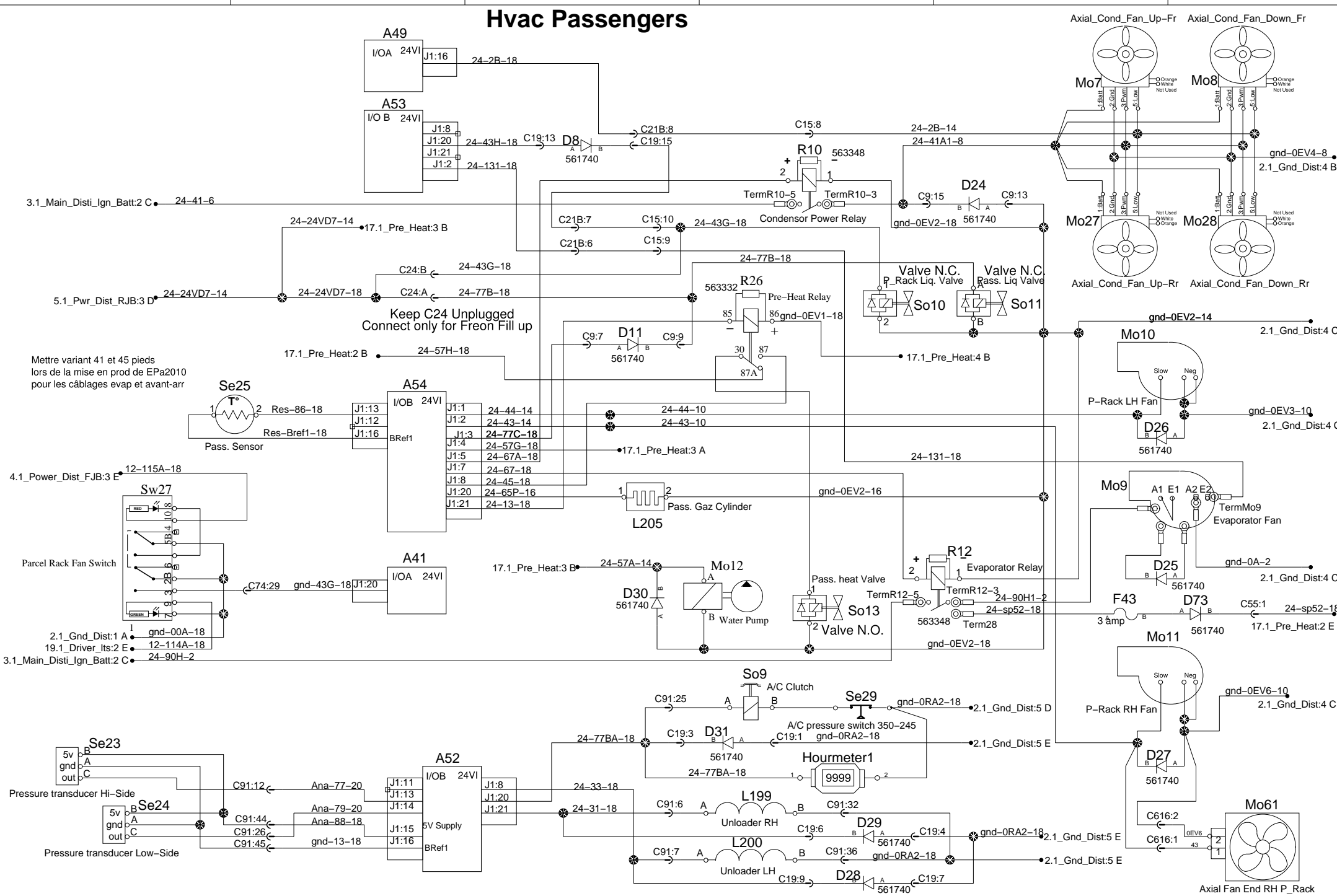
Hvac_Defroster



Hvac Passengers



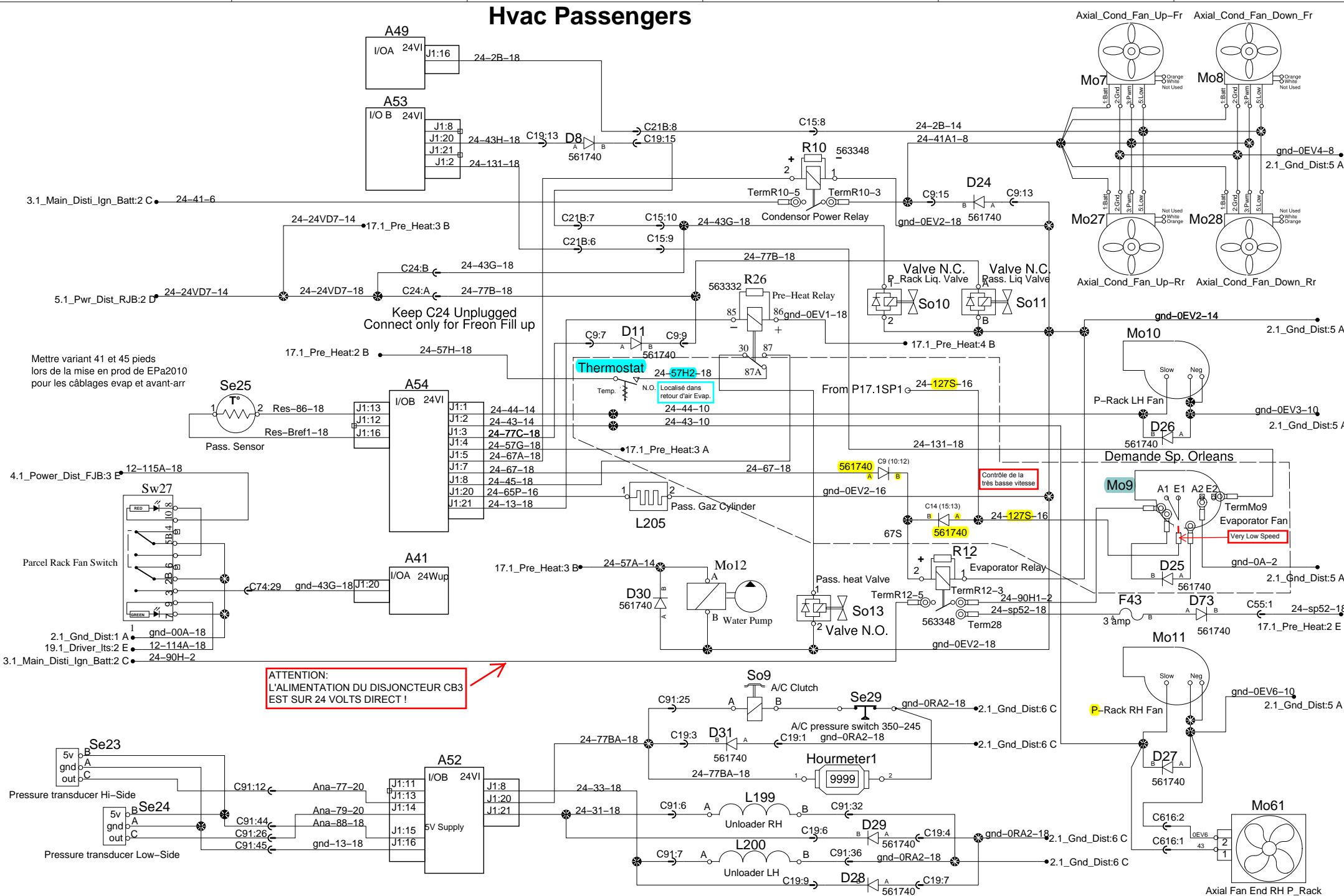
Hvac Passengers



Mettre variant 41 et 45 pieds lors de la mise en prod de EPA2010 pour les câblages evap et avant-arr

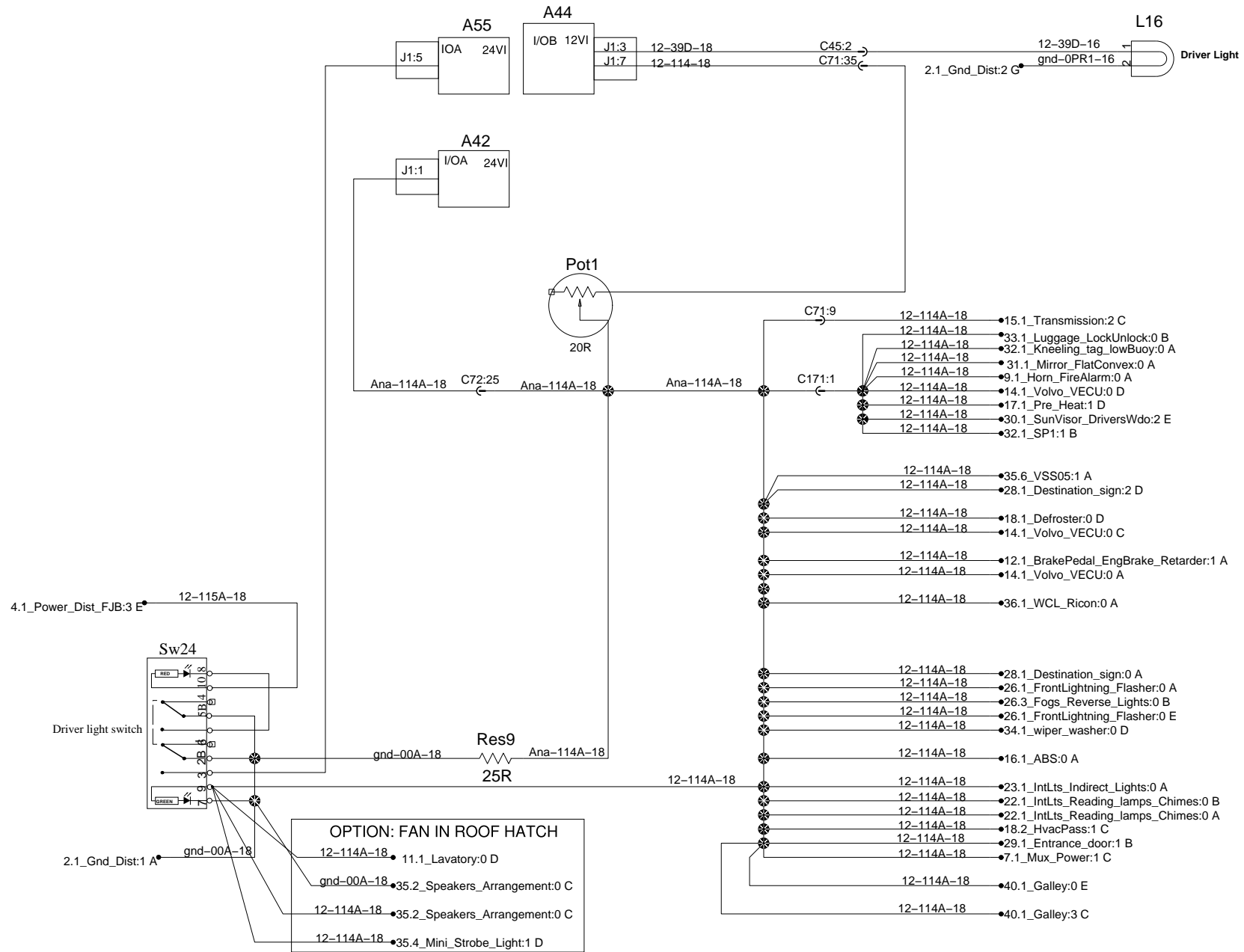
Keep C24 Unplugged
Connect only for Freon Fill up

Hvac Passengers



ATTENTION:
L'ALIMENTATION DU DISJONCTEUR CB3
EST SUR 24 VOLTS DIRECT !

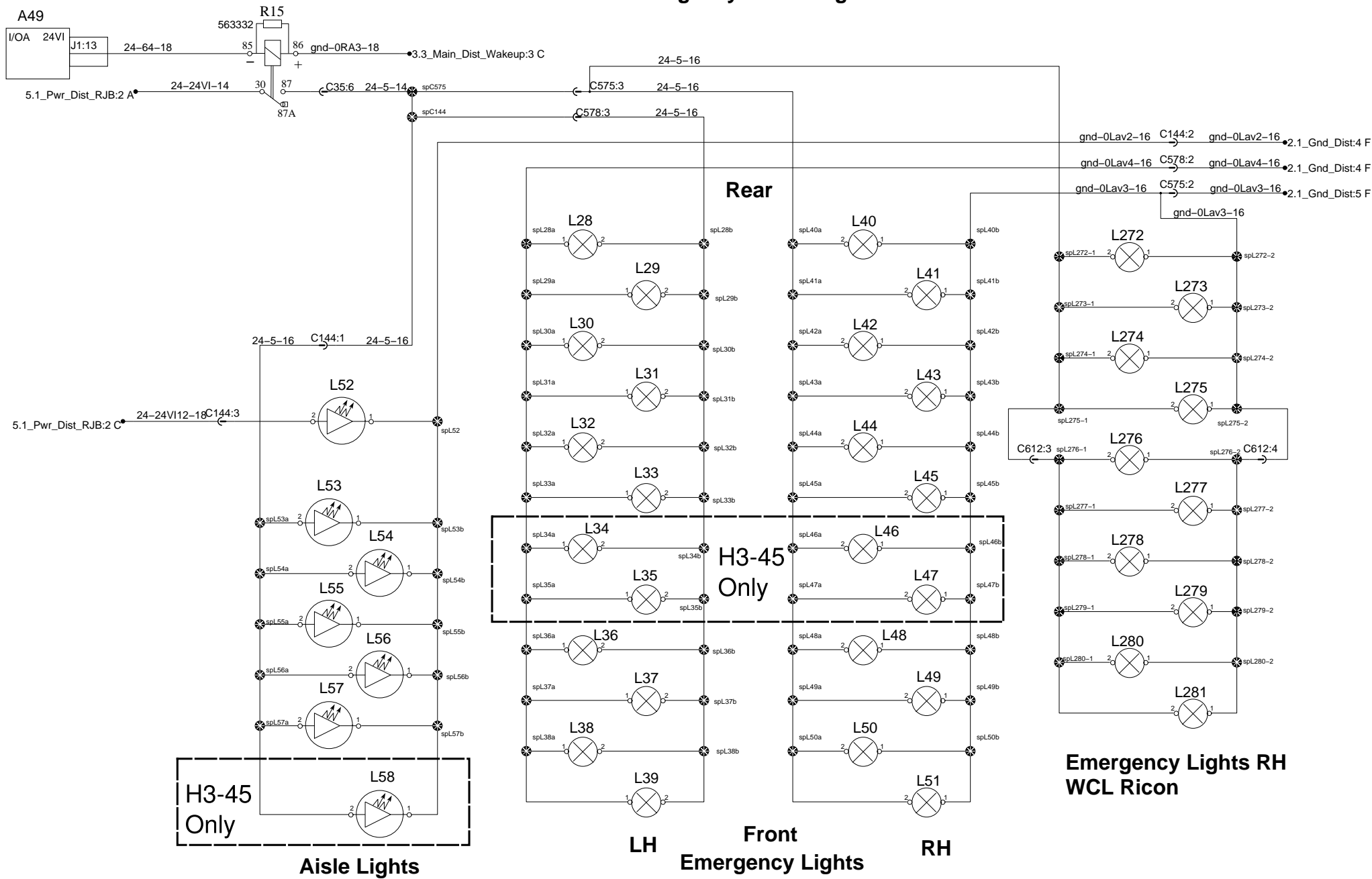
Driver lights



OPTION: FAN IN ROOF HATCH

- 12-114A-18 • 11.1_Lavatory:0 D
- gnd-00A-18 • 35.2_Speakers_Arrangement:0 C
- 12-114A-18 • 35.2_Speakers_Arrangement:0 C
- 12-114A-18 • 35.4_Mini_Strobe_Light:1 D

Emergency & Aisle lights



H3-45 Only

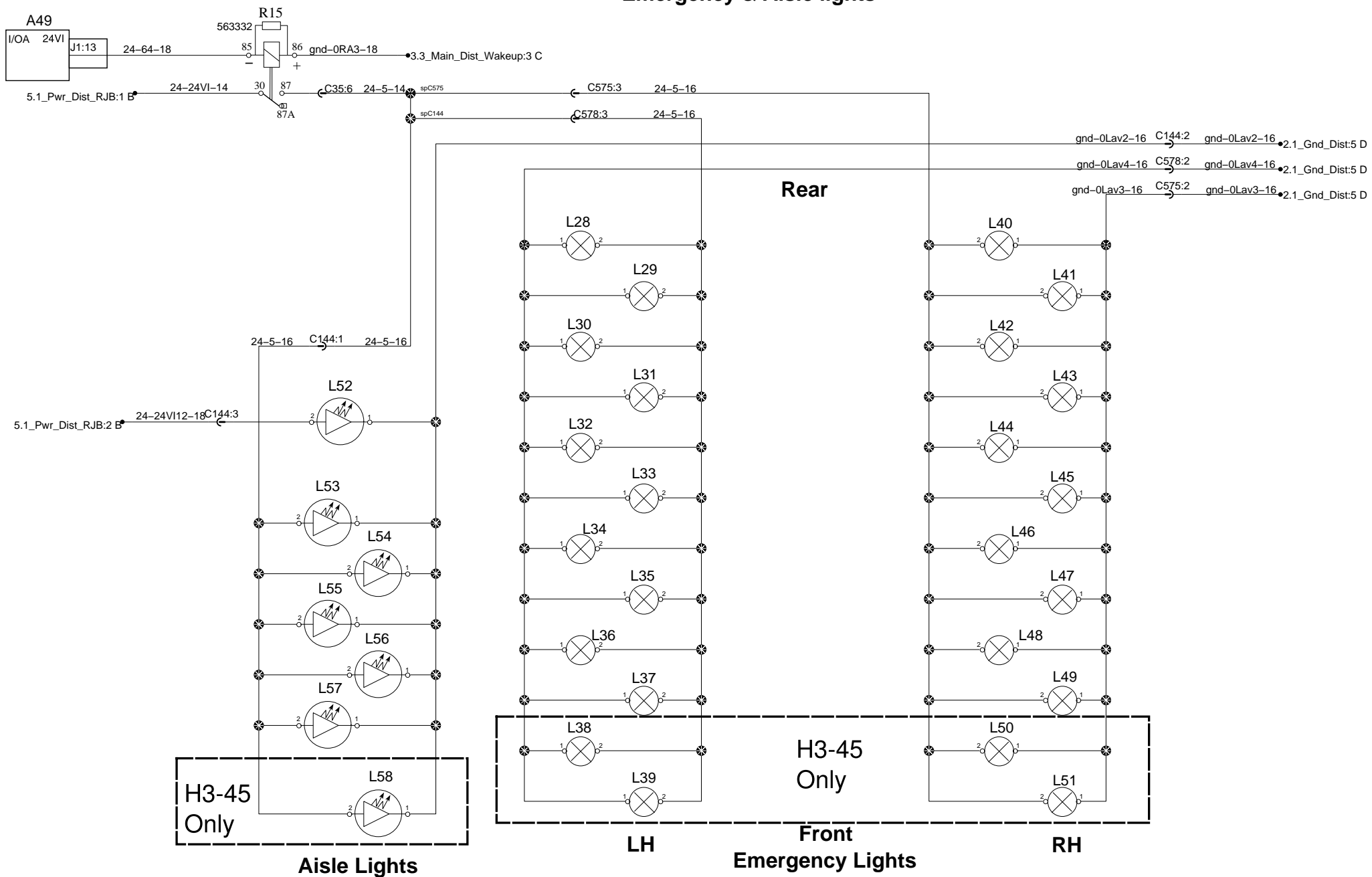
C612:3

**Emergency Lights RH
WCL Ricon**

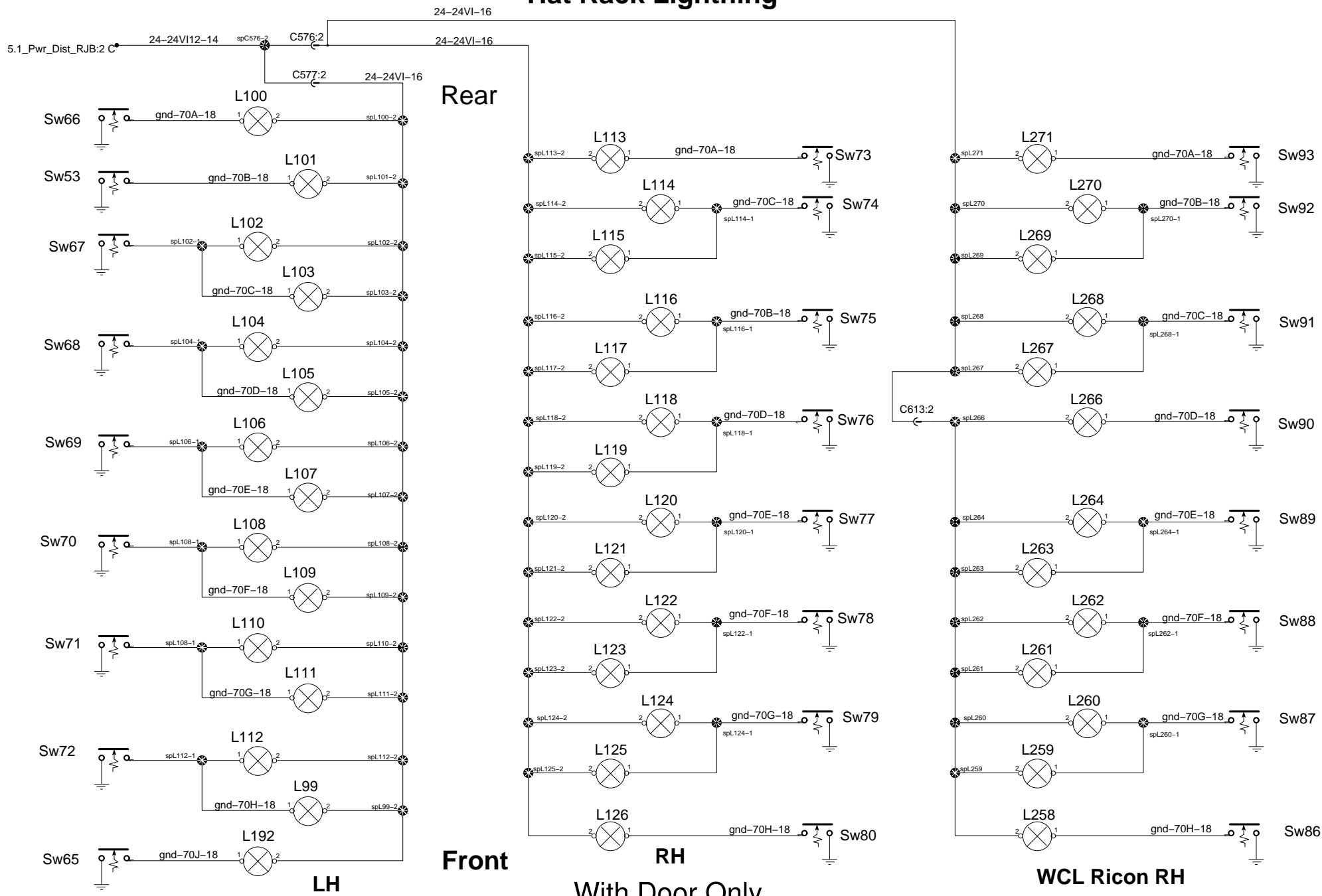
Aisle Lights

**LH Front RH
Emergency Lights**

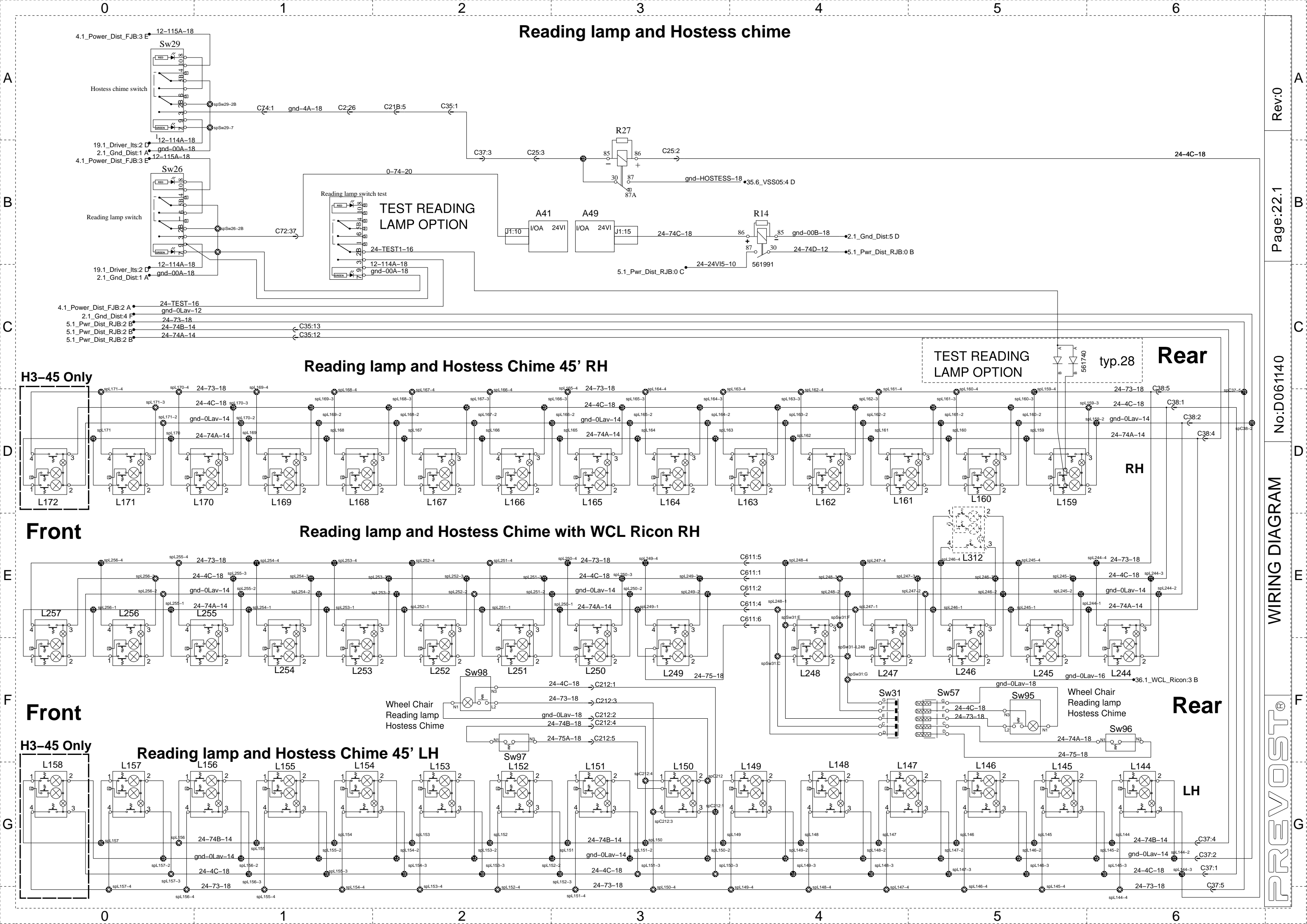
Emergency & Aisle lights



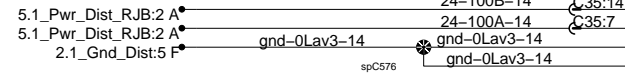
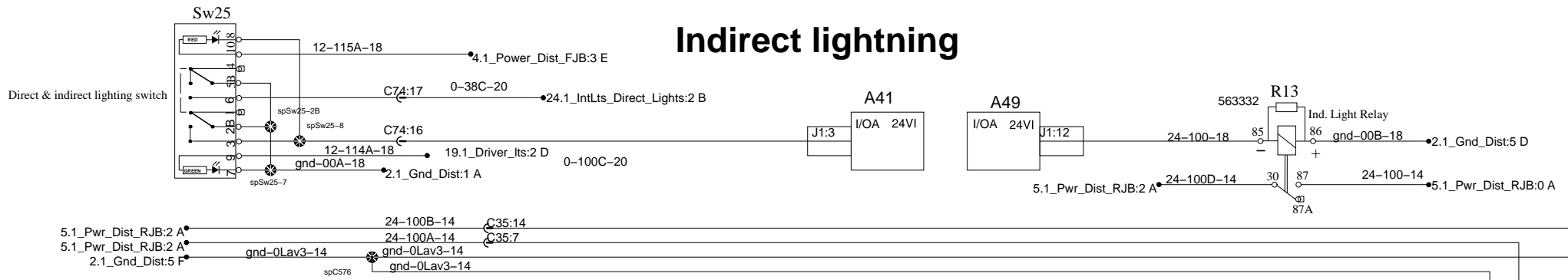
Hat Rack Lightning



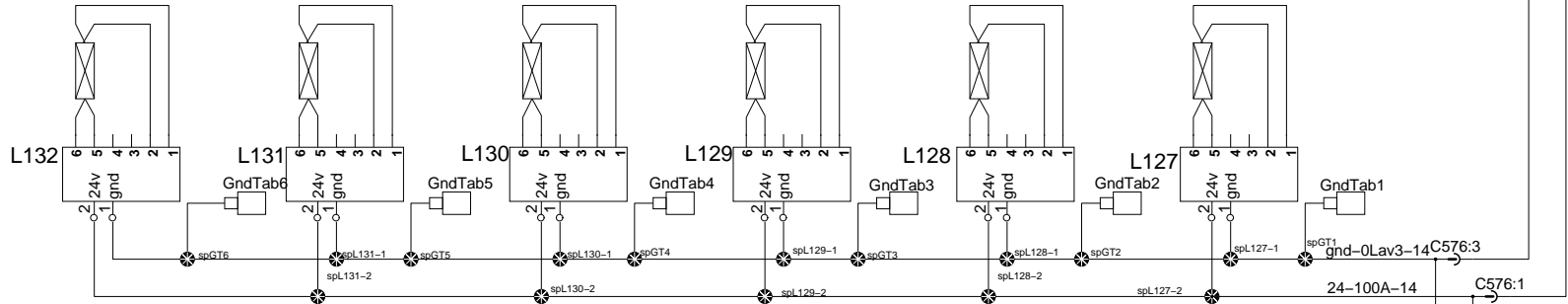
Reading lamp and Hostess chime



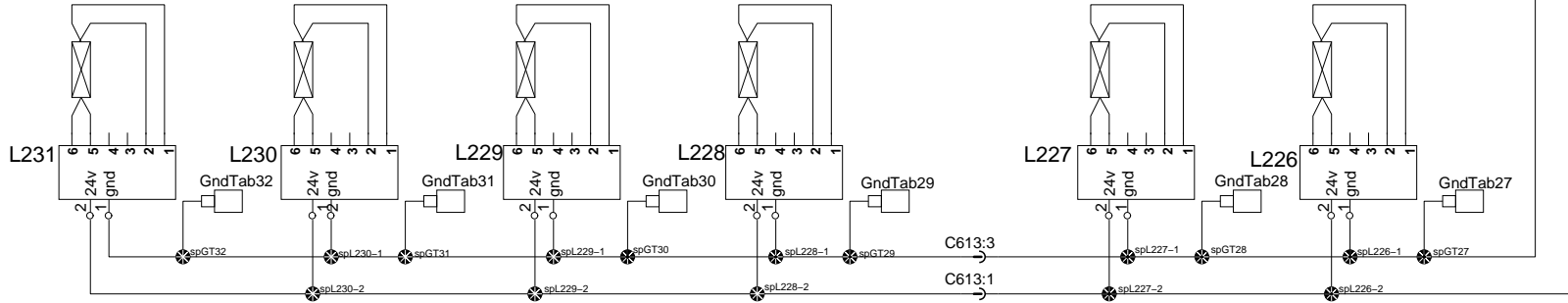
Indirect lighting



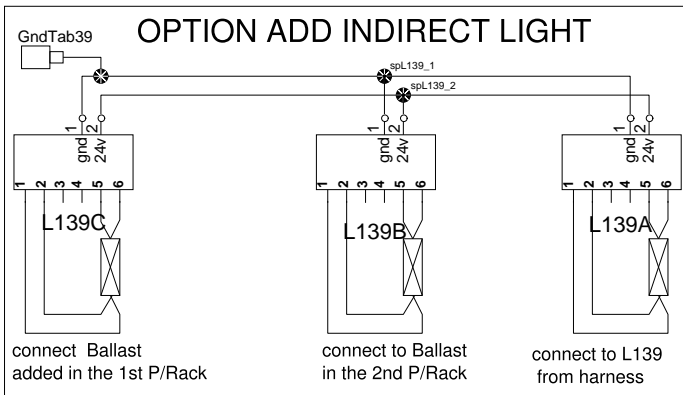
RH Standard 45'



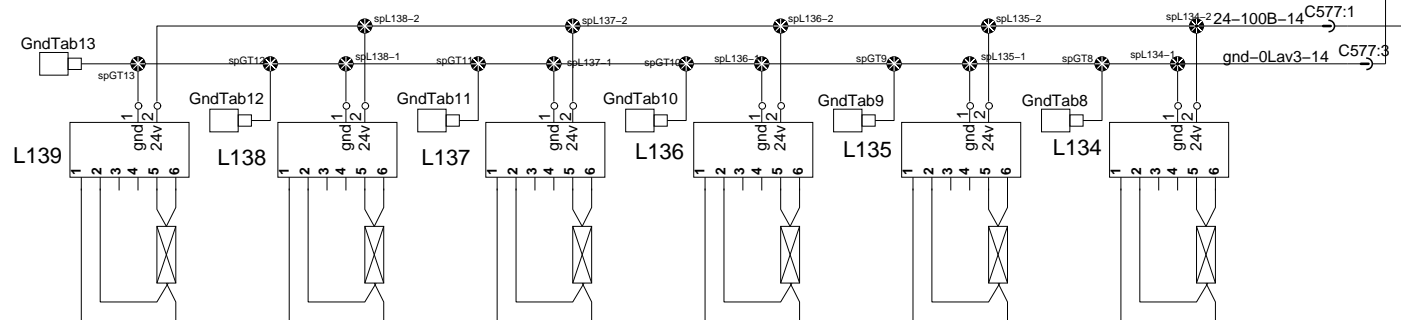
RH WCL Ricon



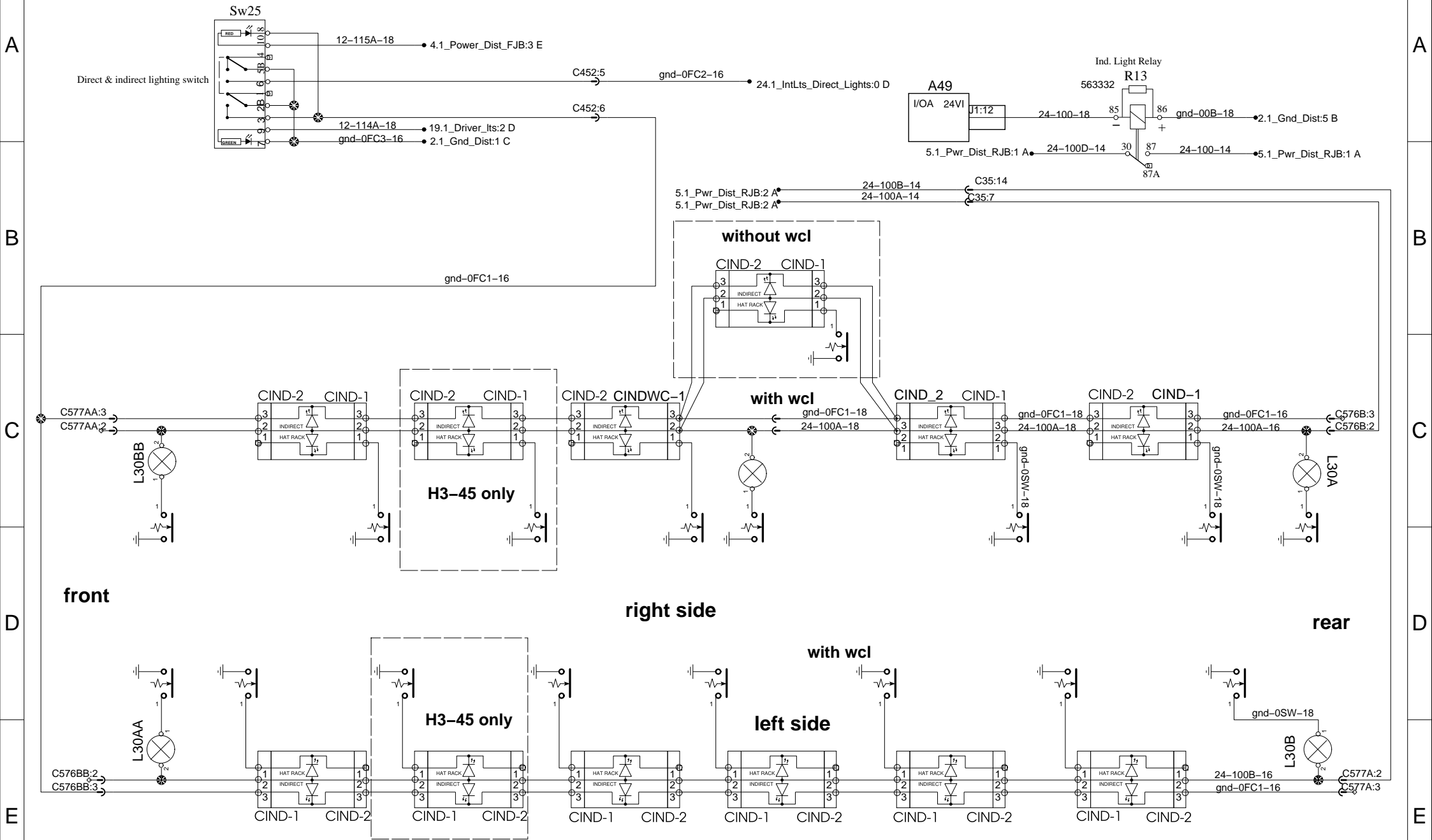
OPTION ADD INDIRECT LIGHT



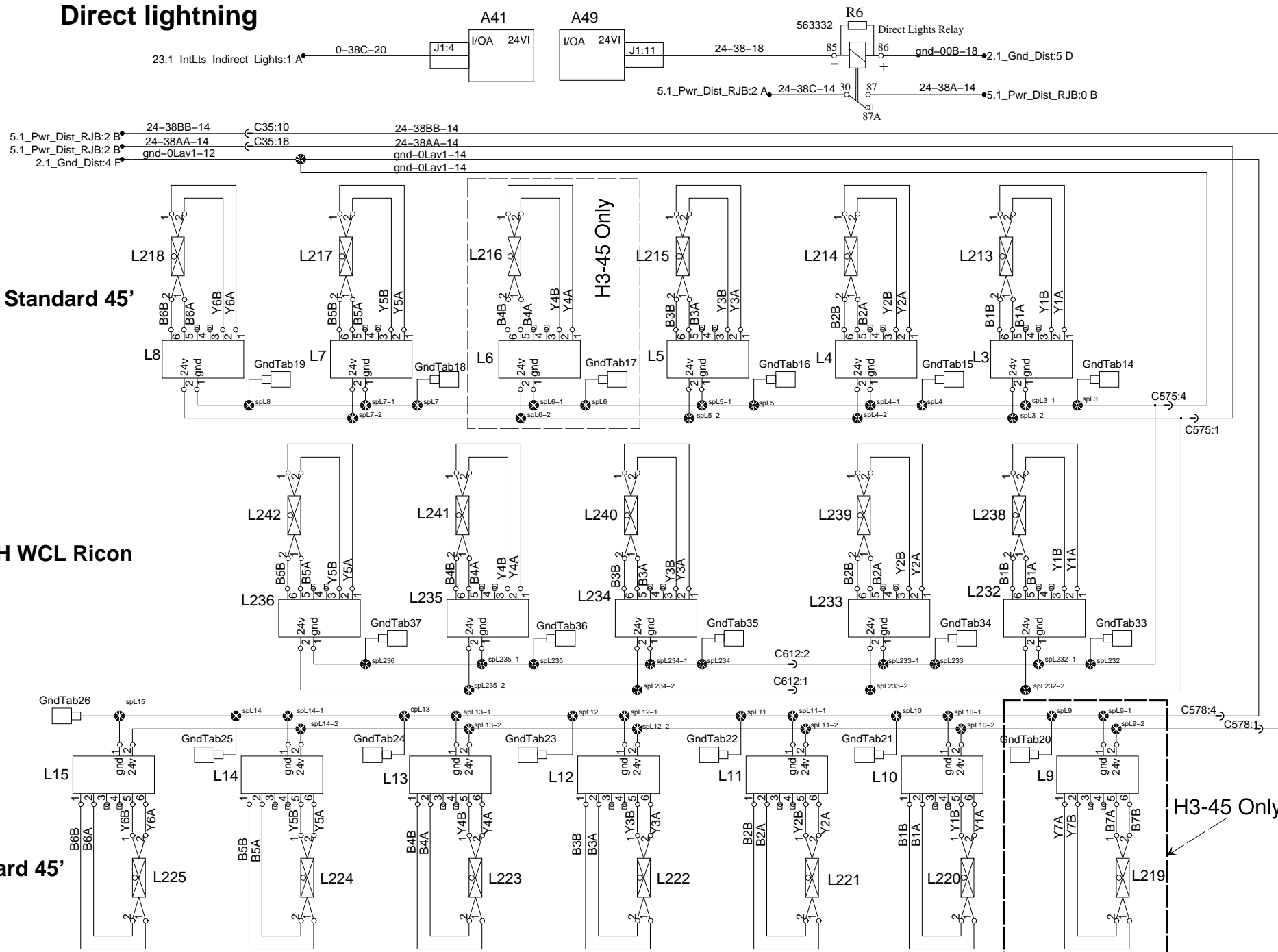
LH Standard 45'



Indirect lighting



Direct lightning



RH Standard 45'

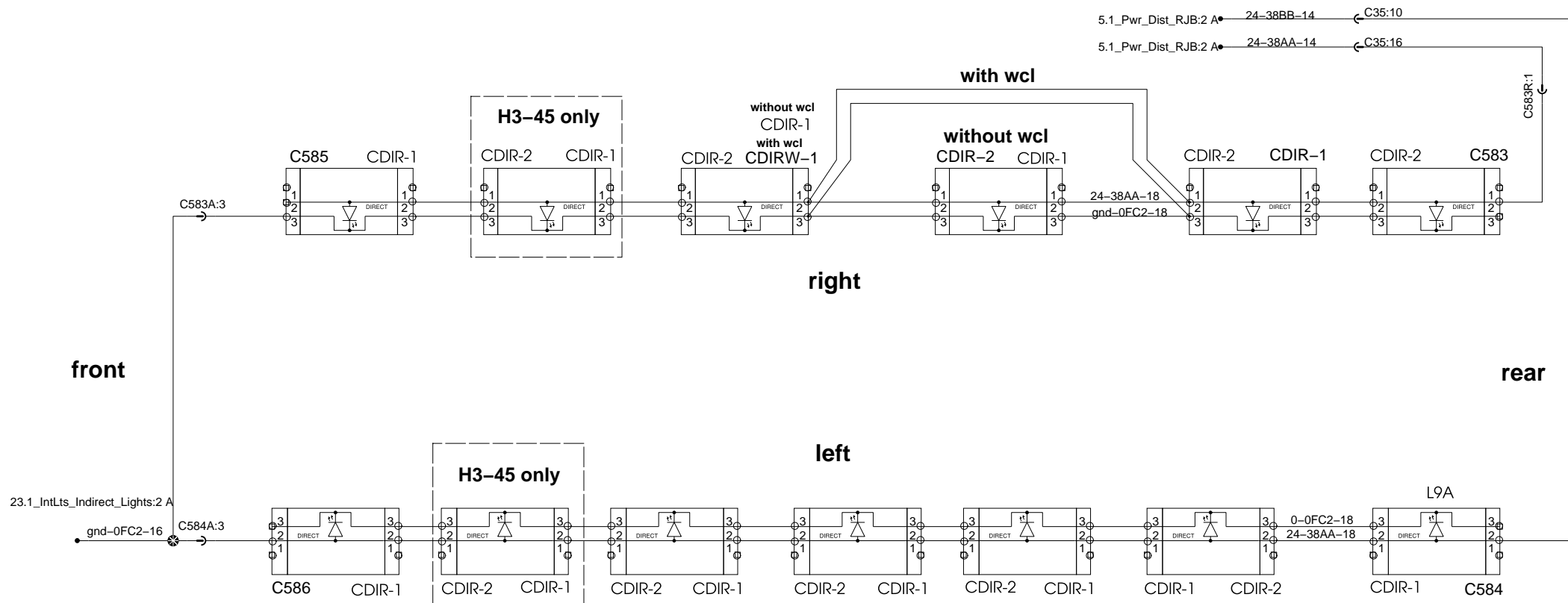
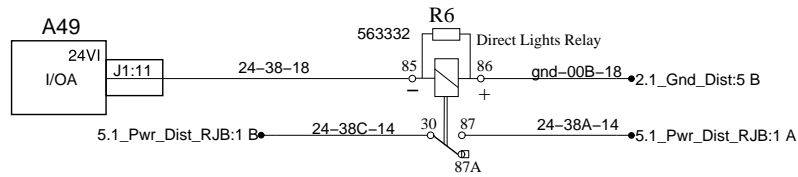
RH WCL Ricon

LH Standard 45'

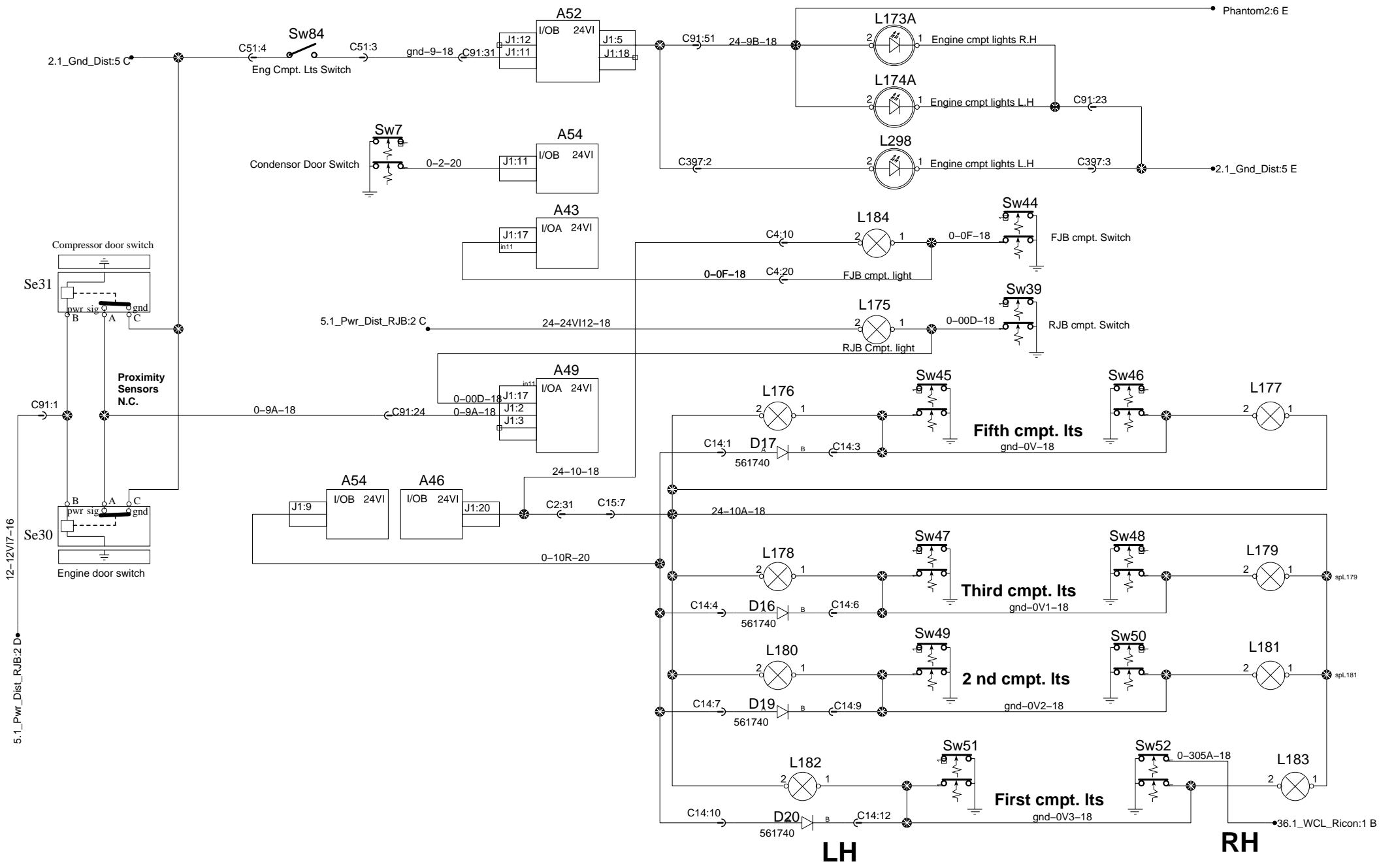
H3-45 Only

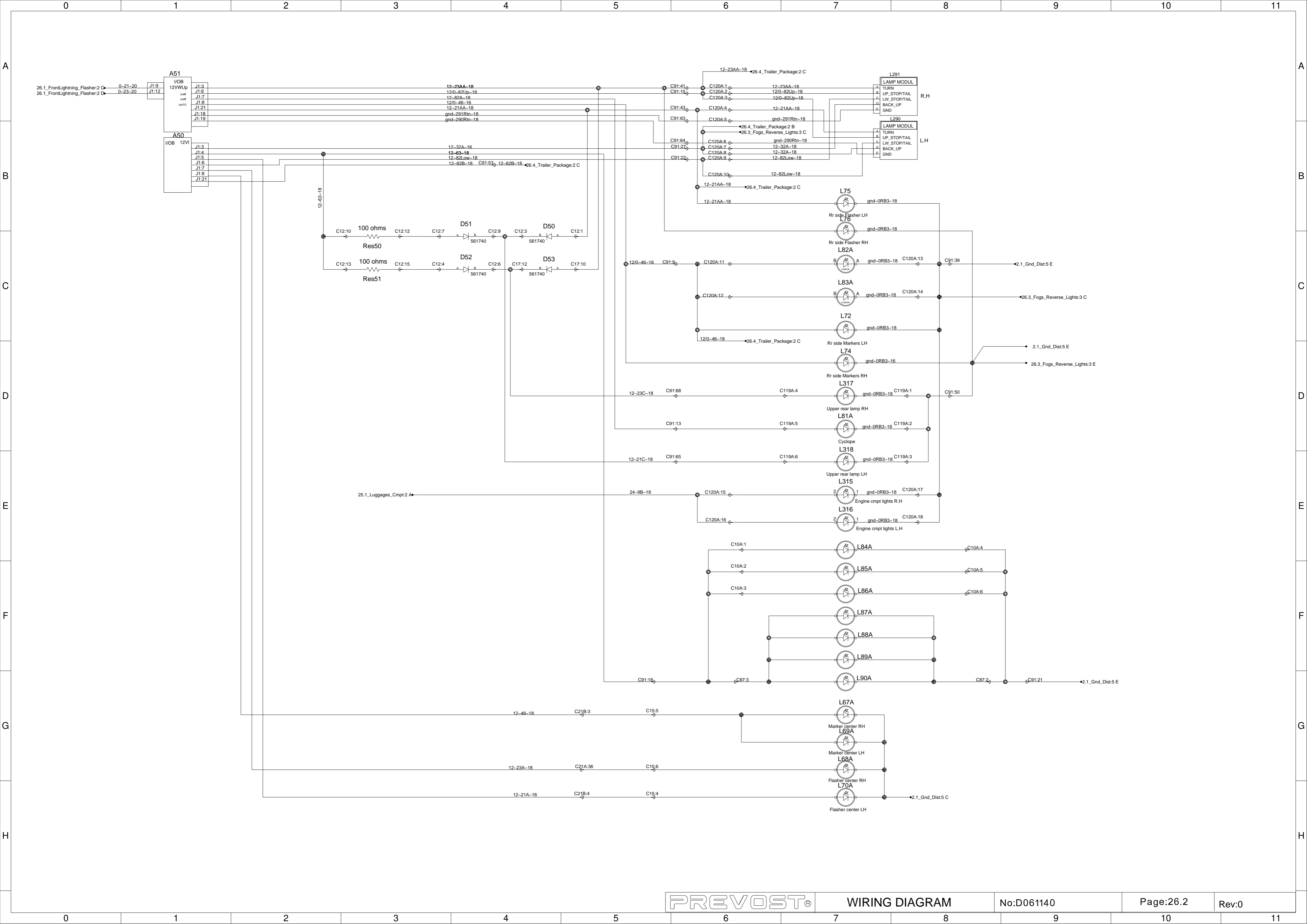
H3-45 Only

Direct lighting

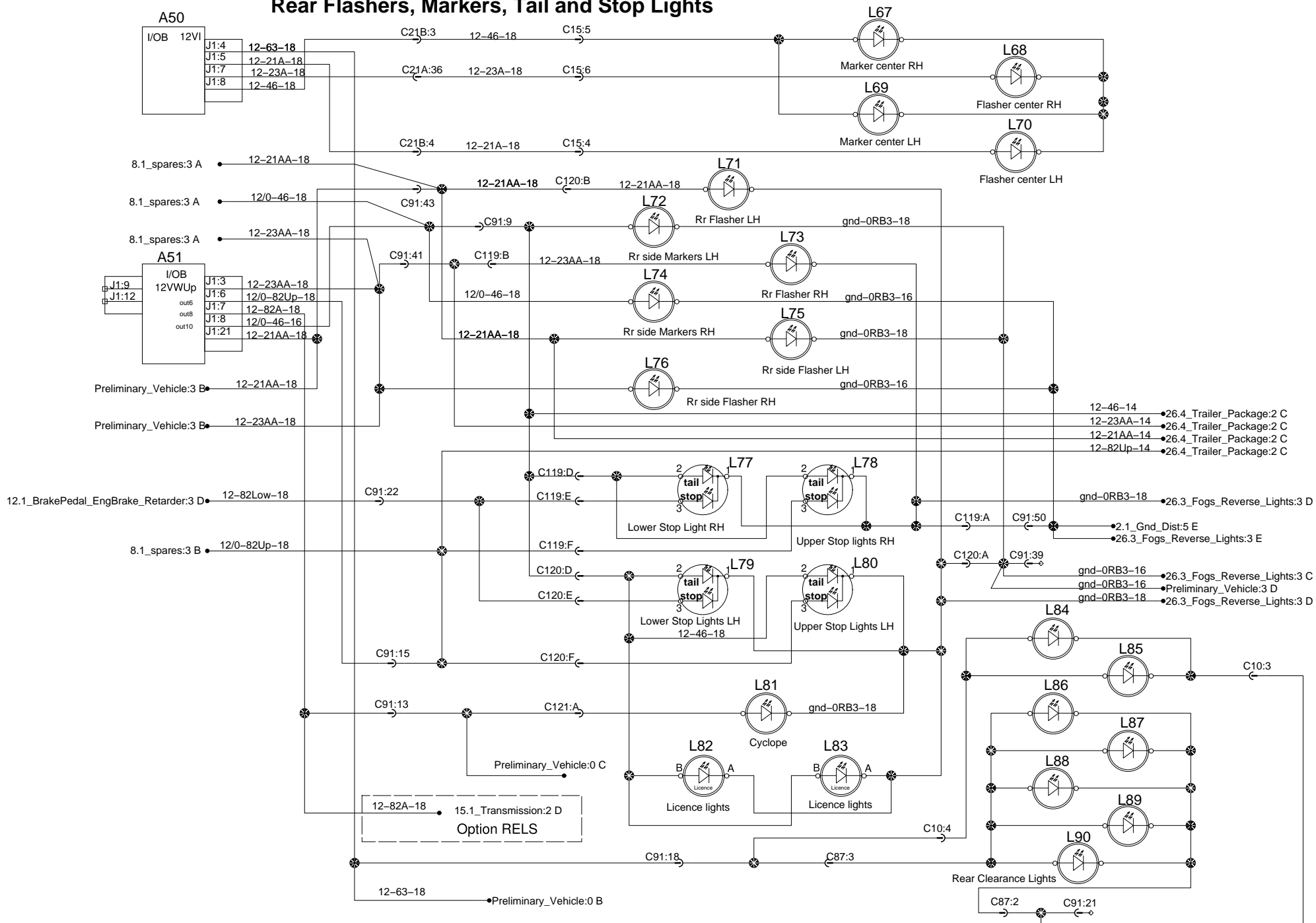


Luggage Compartment and Engine cmpt. lightning

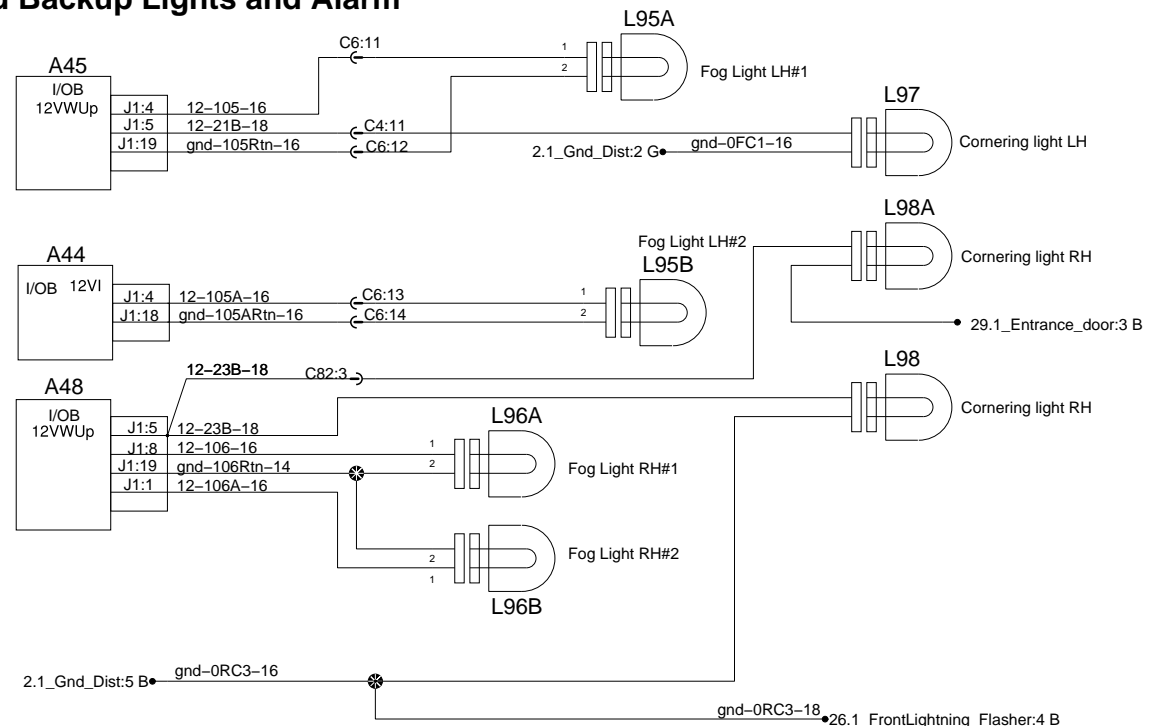
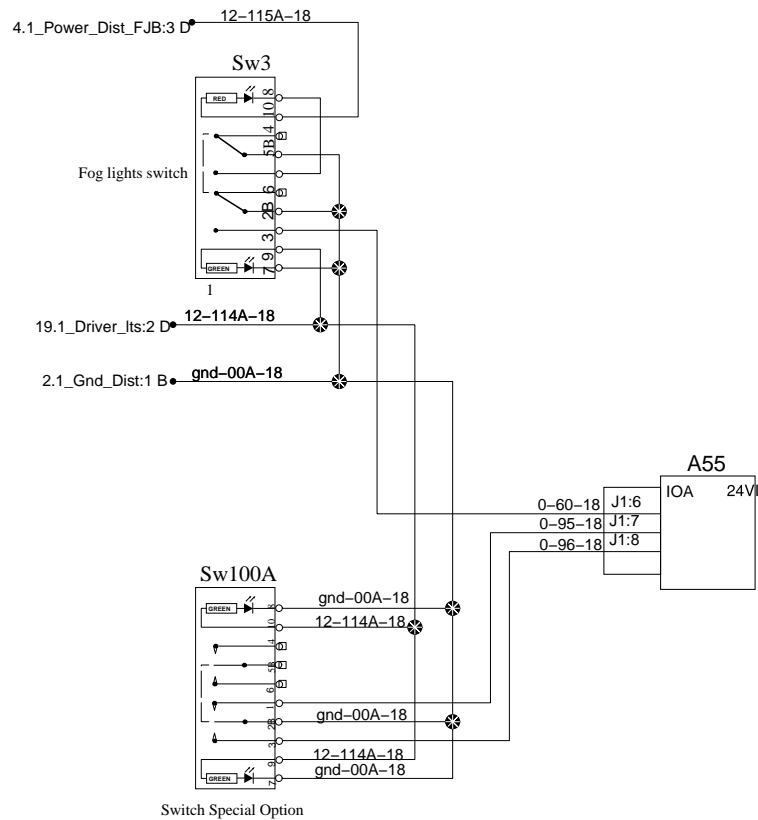




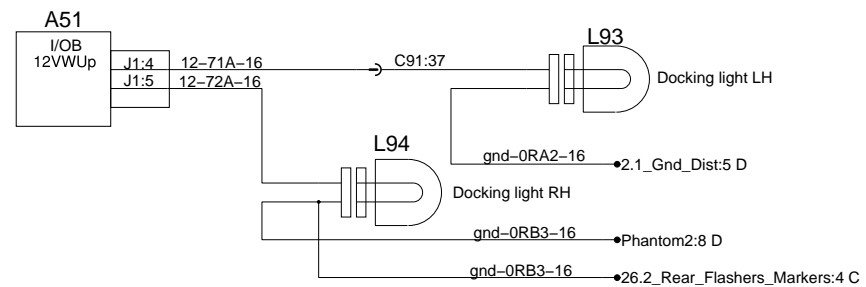
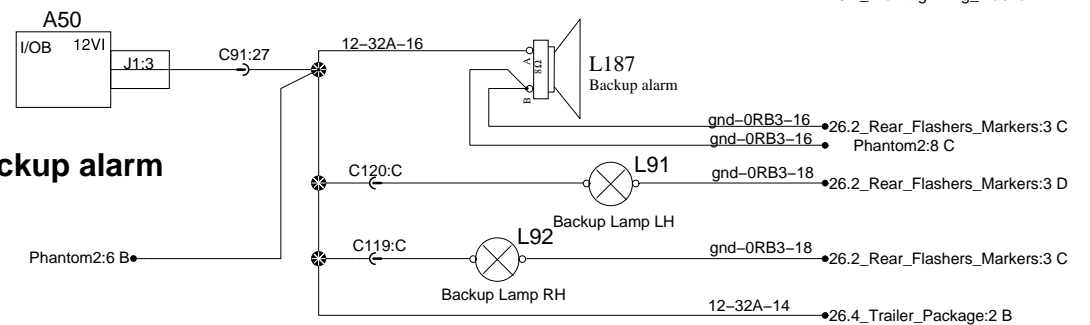
Rear Flashers, Markers, Tail and Stop Lights



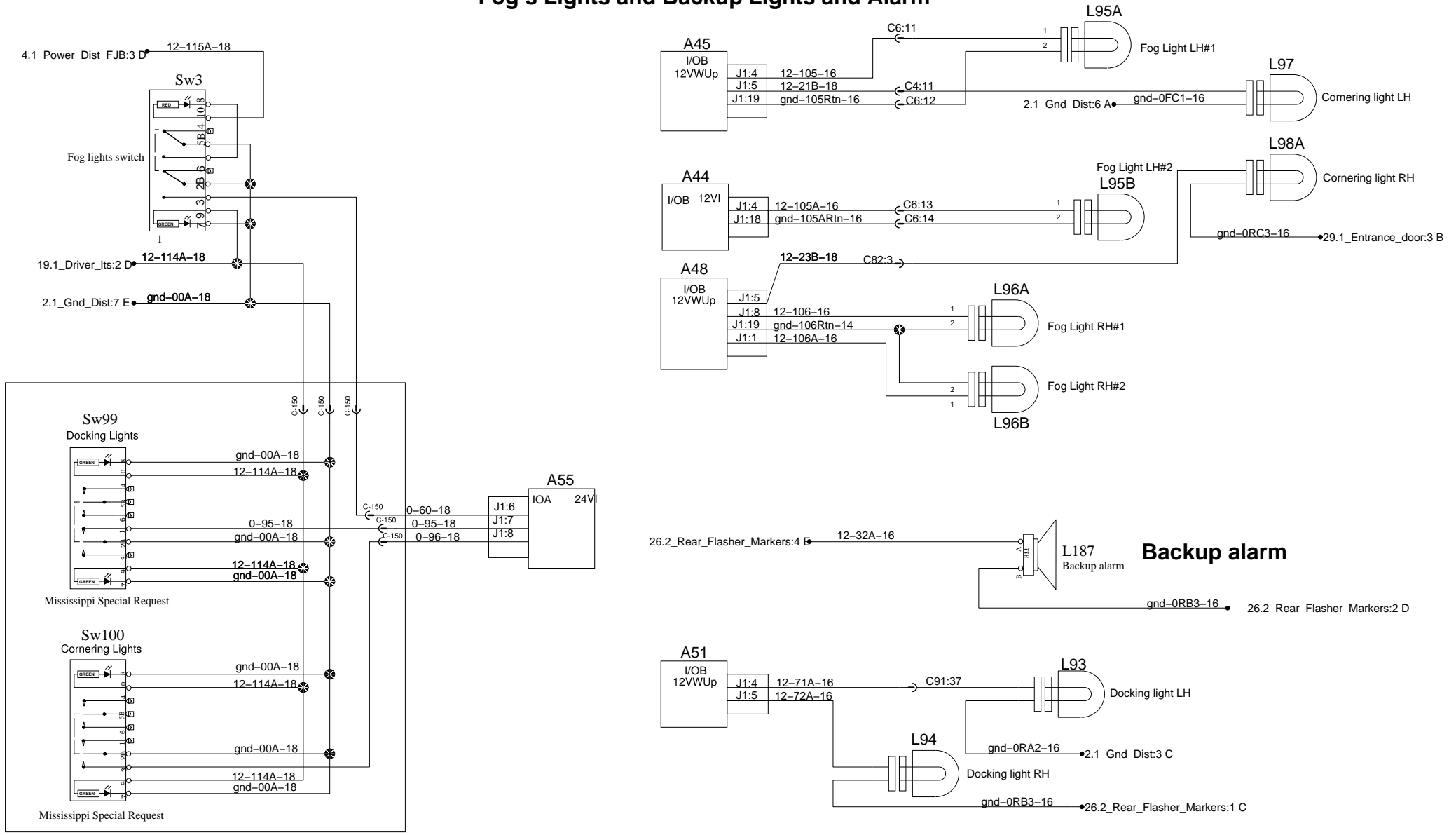
Fog's Lights and Backup Lights and Alarm



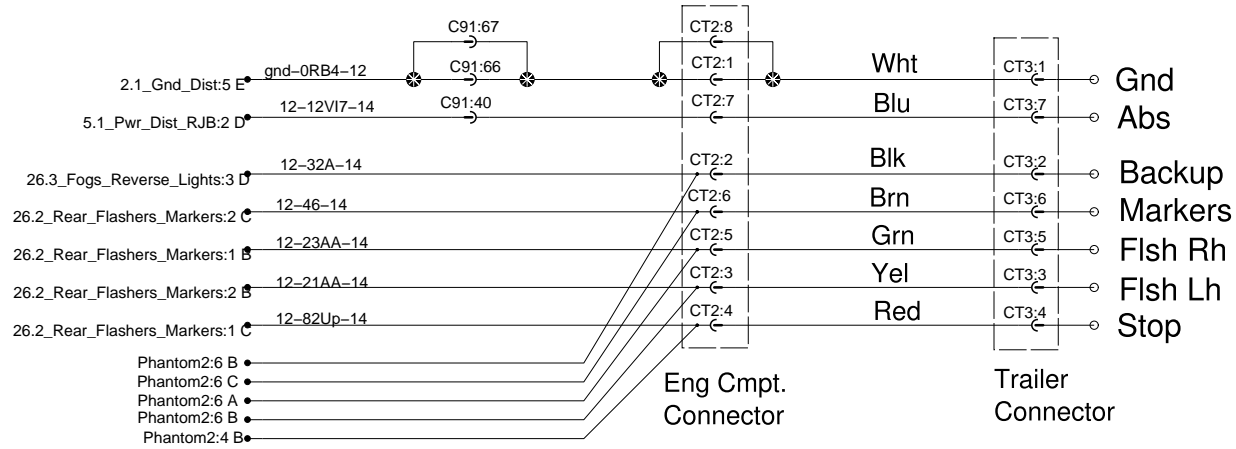
Backup alarm



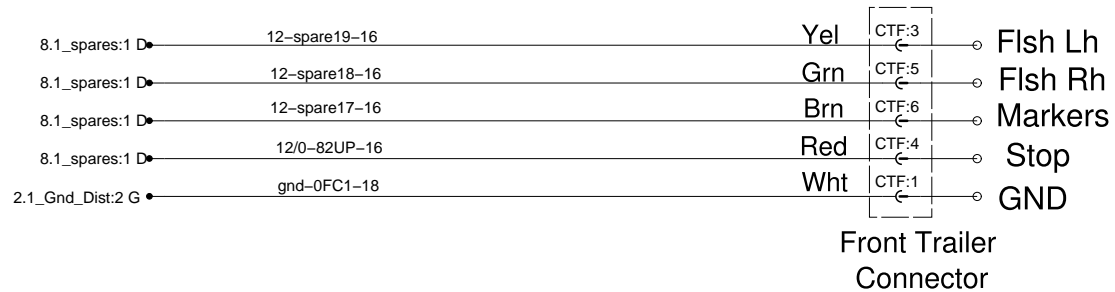
Fog's Lights and Backup Lights and Alarm



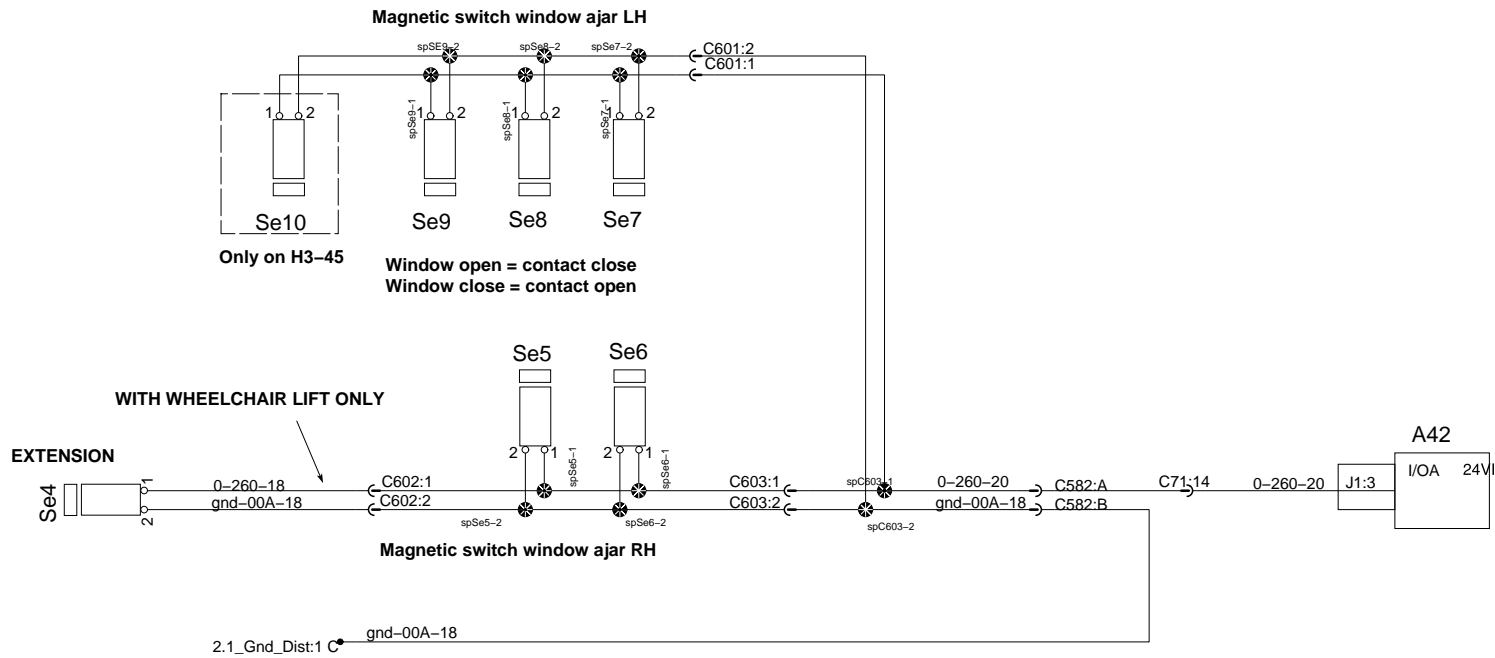
Trailer Package



Front Trailer Connector



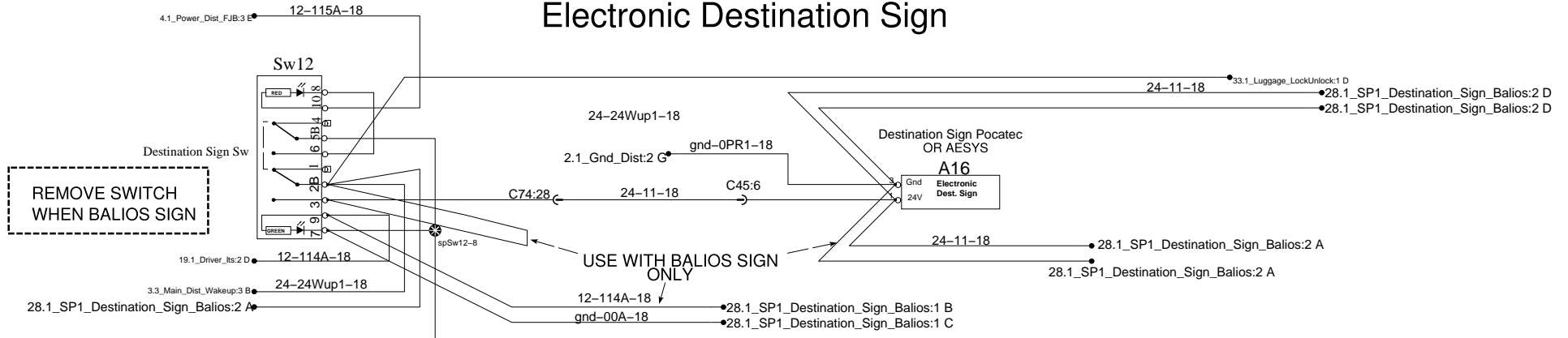
Window Ajar



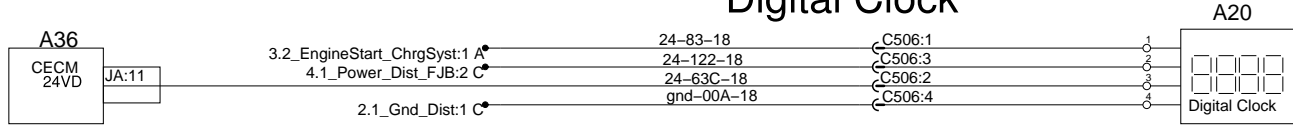
Option Captain's Chair



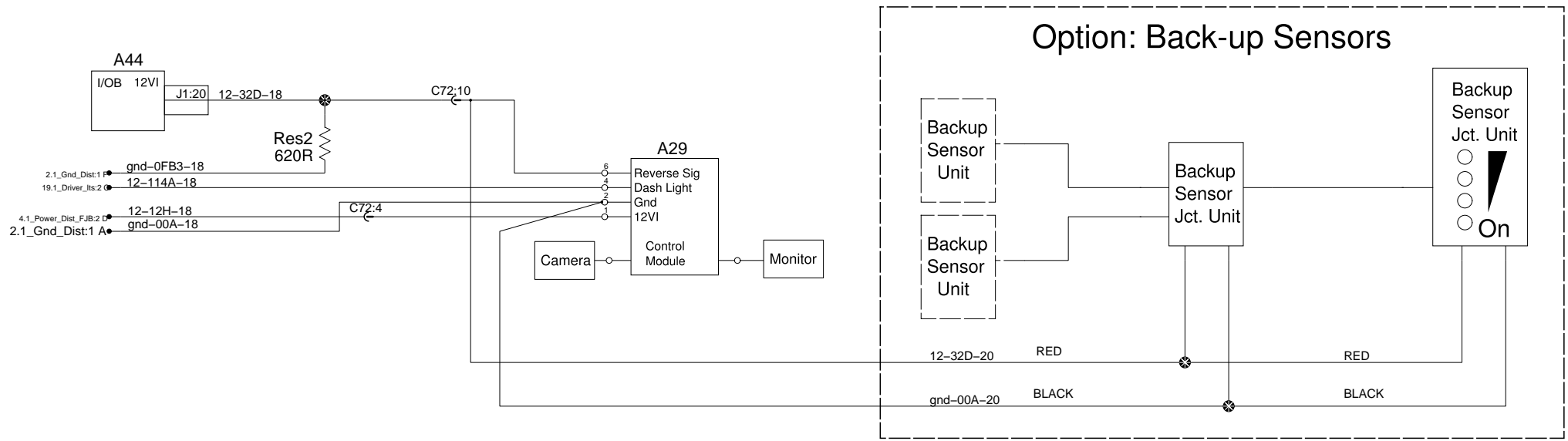
Electronic Destination Sign



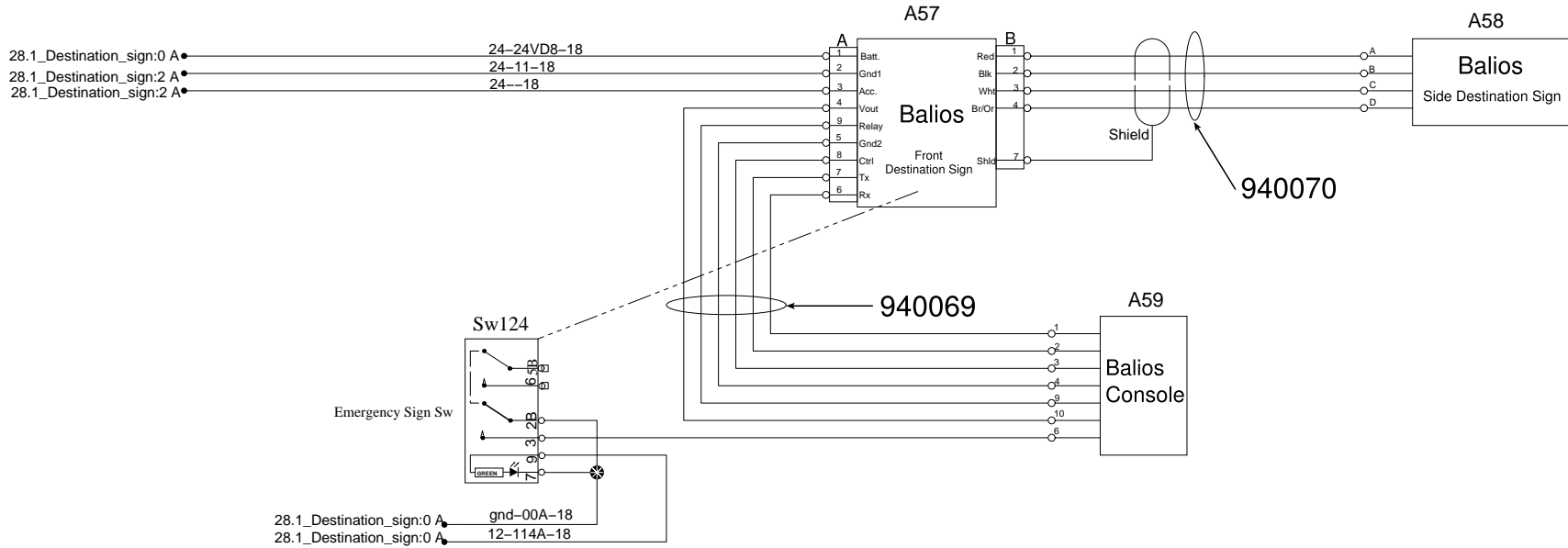
Digital Clock



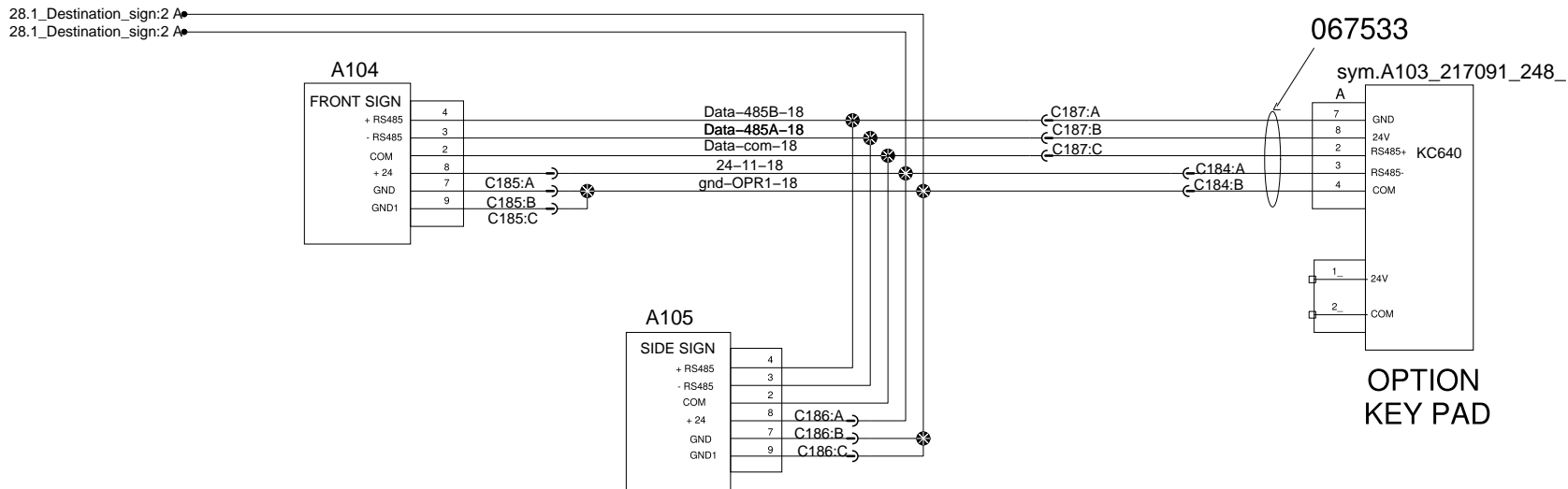
Backup Monitor



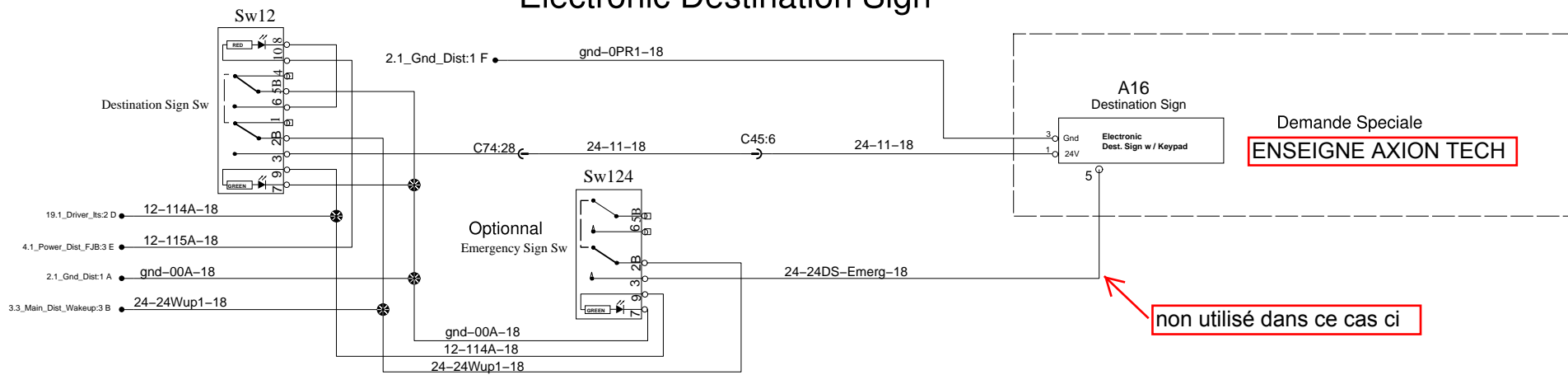
Electronic Destination Sign BALIOS



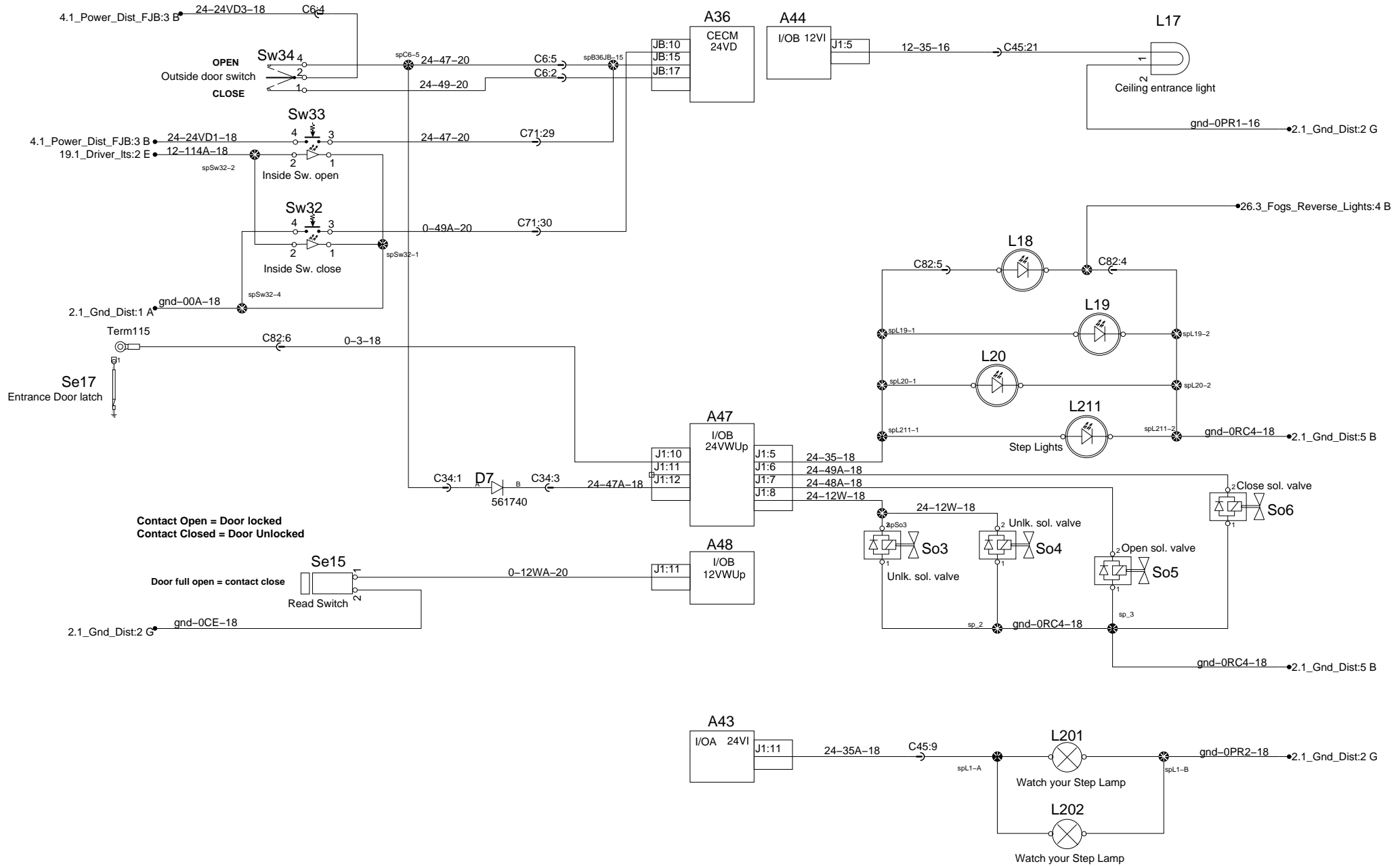
Electronic Destination Sign AESYS



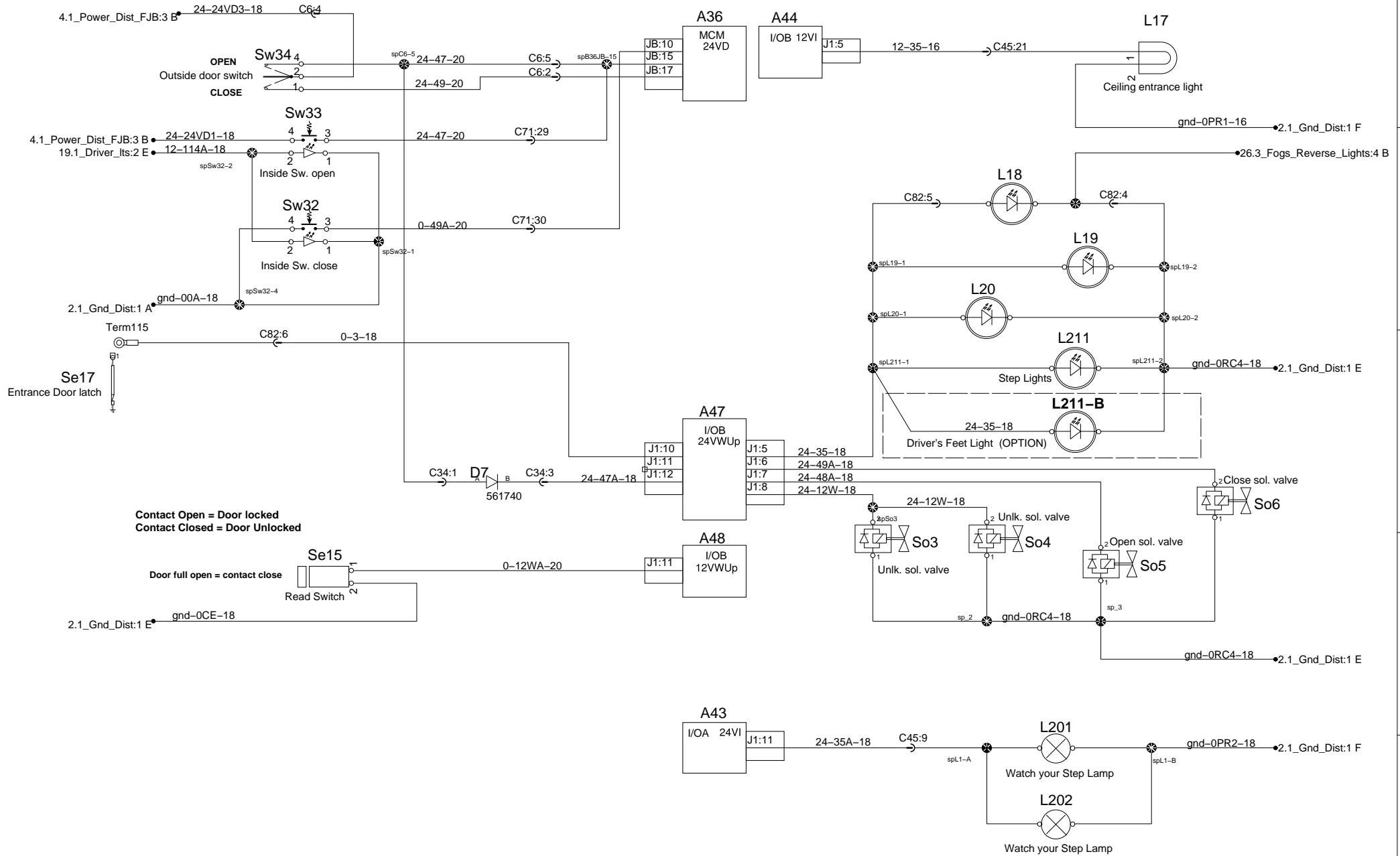
Electronic Destination Sign



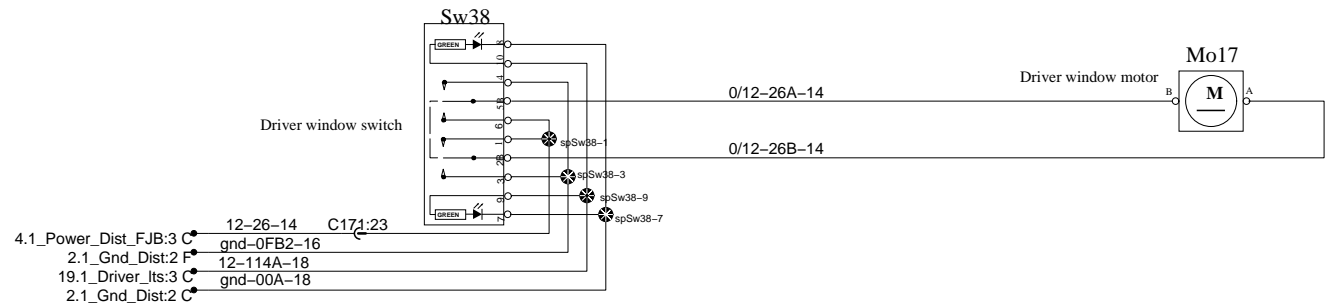
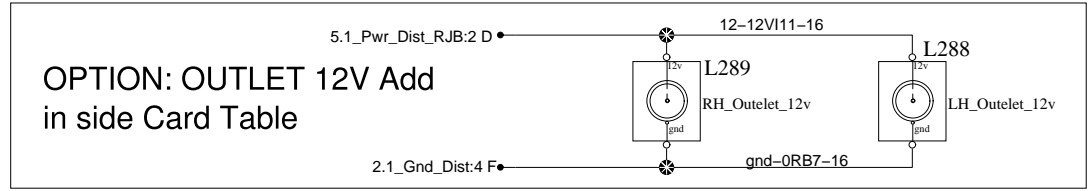
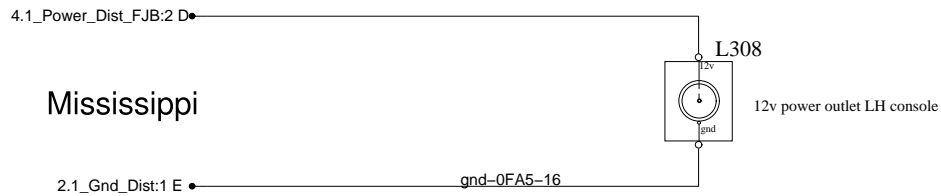
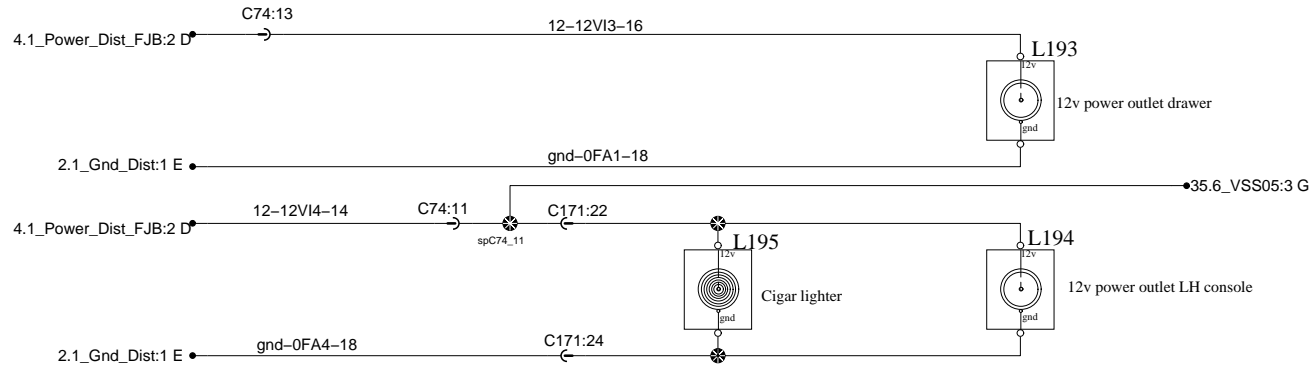
Entrance door



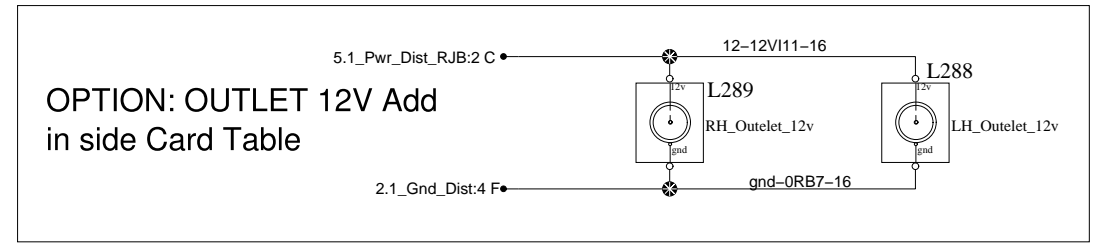
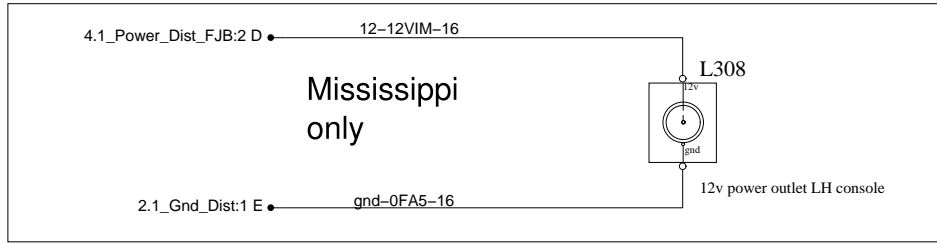
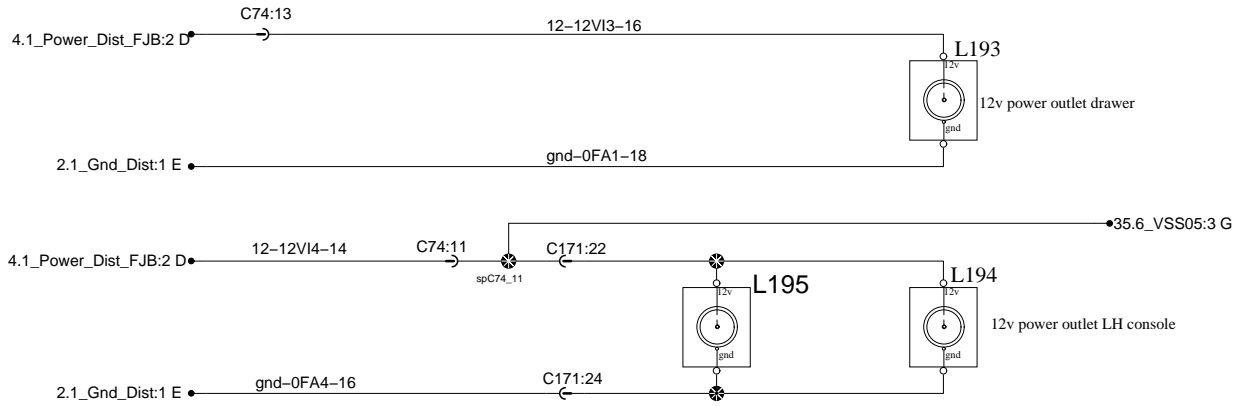
Entrance door



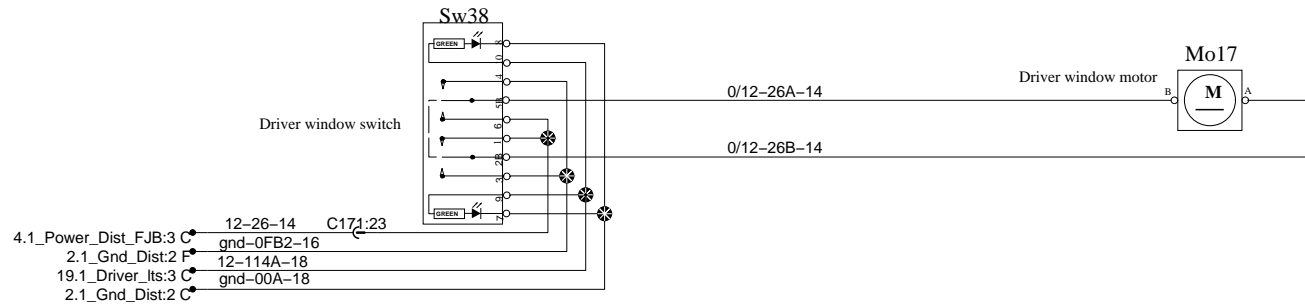
Driver Window and 12V Outlet



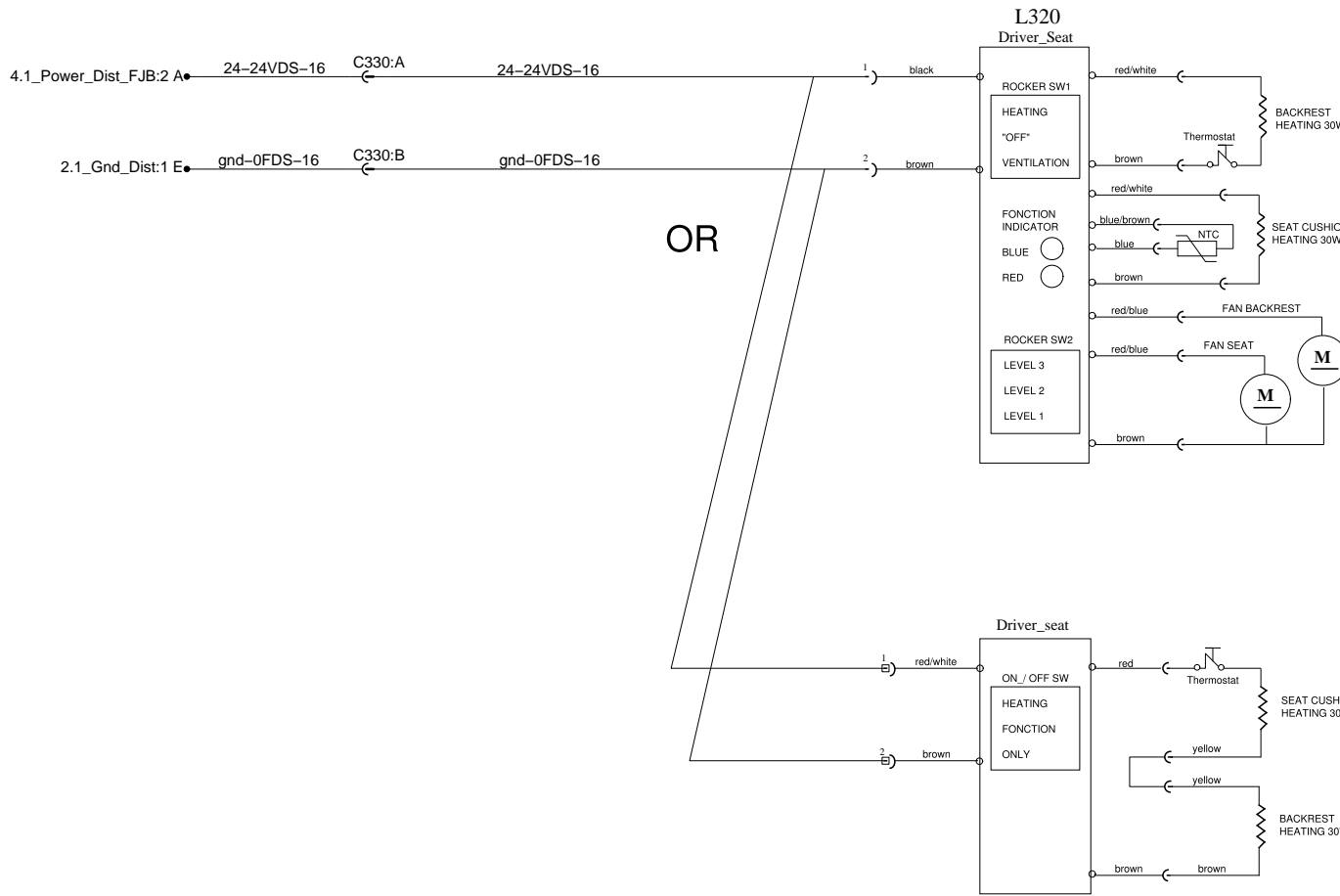
Driver Window and 12V Outlet



WINDOW CONTROL



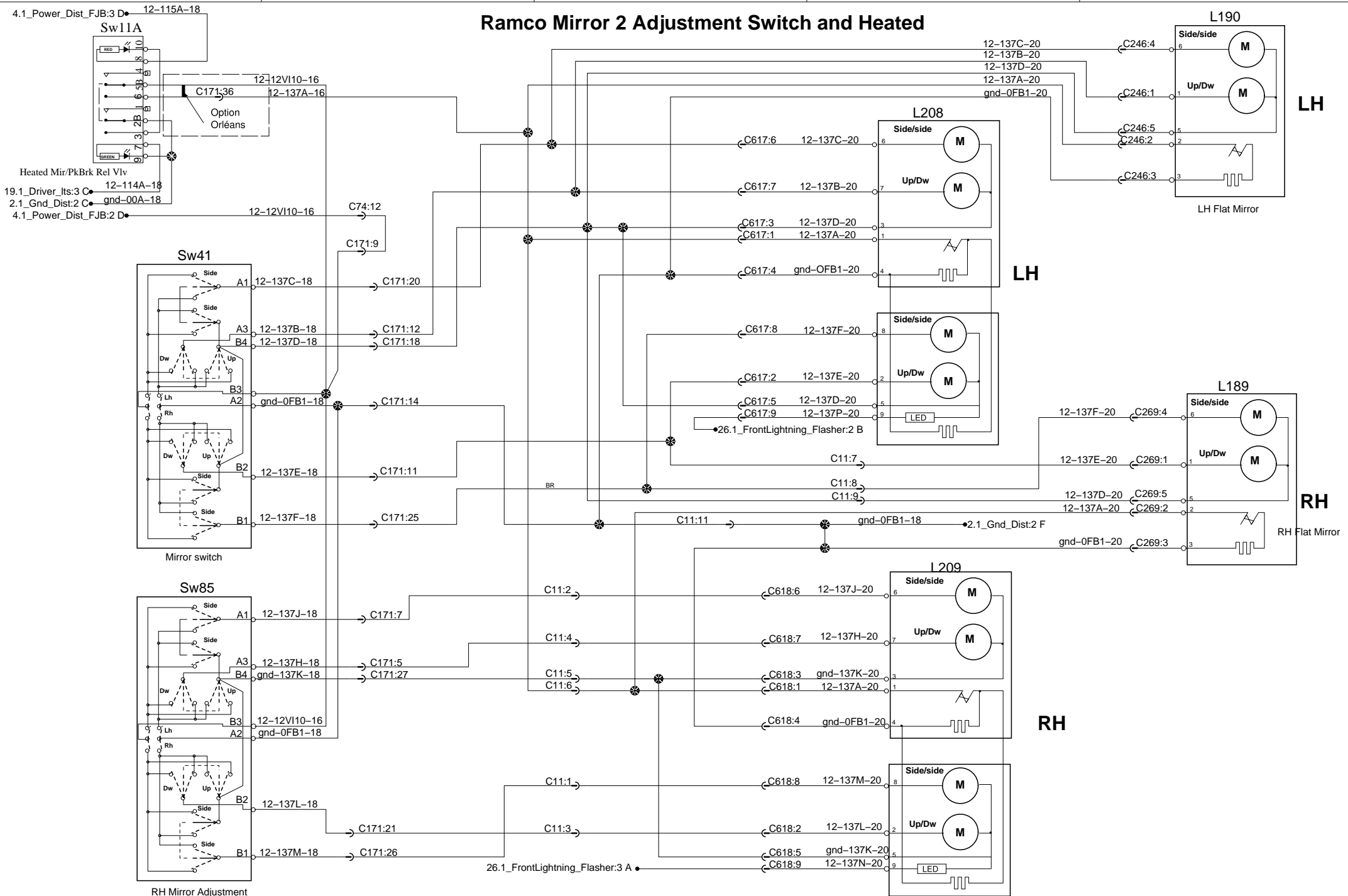
DRIVER SEAT: ELECTRICAL OPTIONS



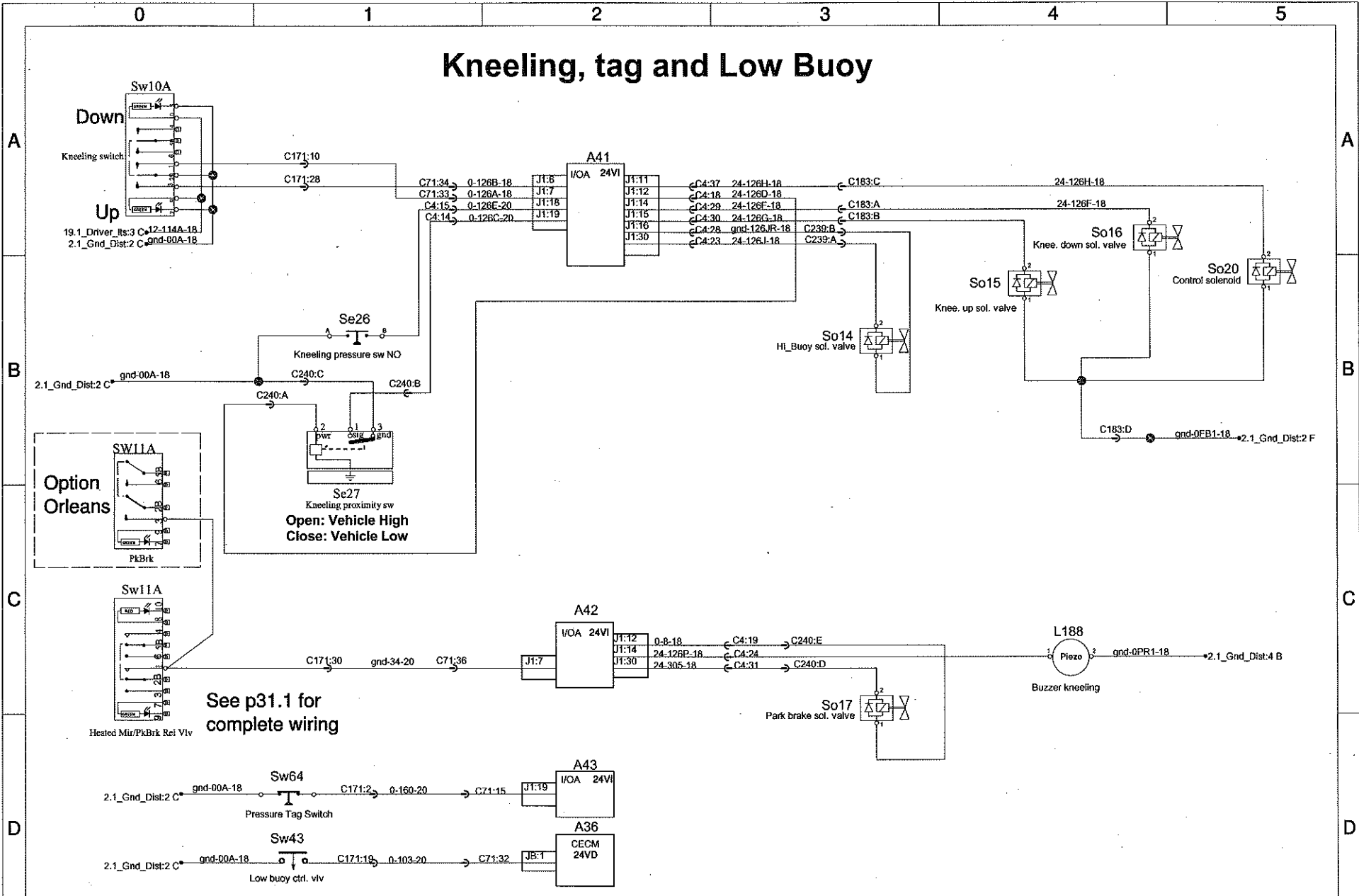
HEATING AND VENTILATION

HEATING ELEMENTS ONLY

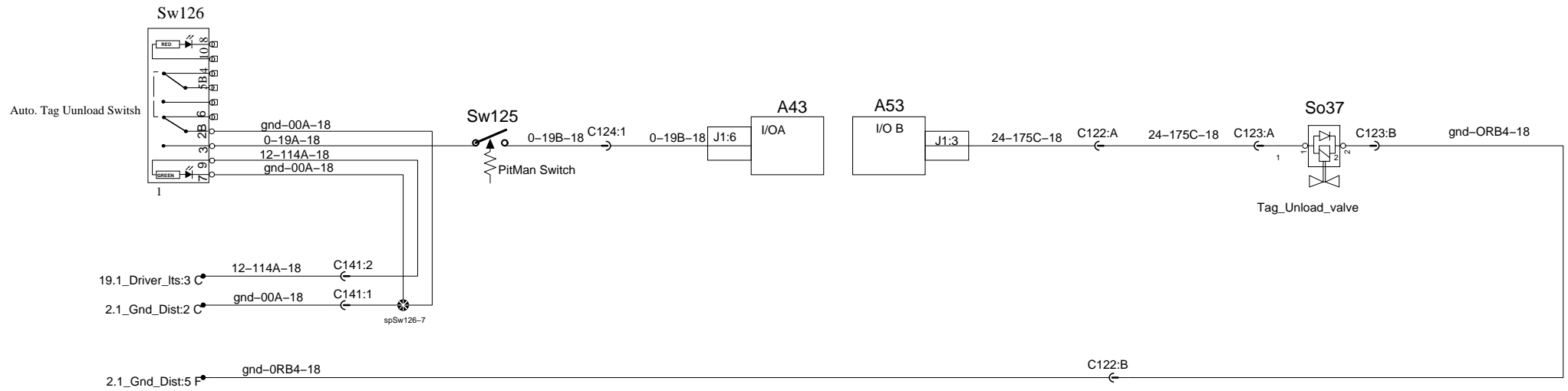
Ramco Mirror 2 Adjustment Switch and Heated



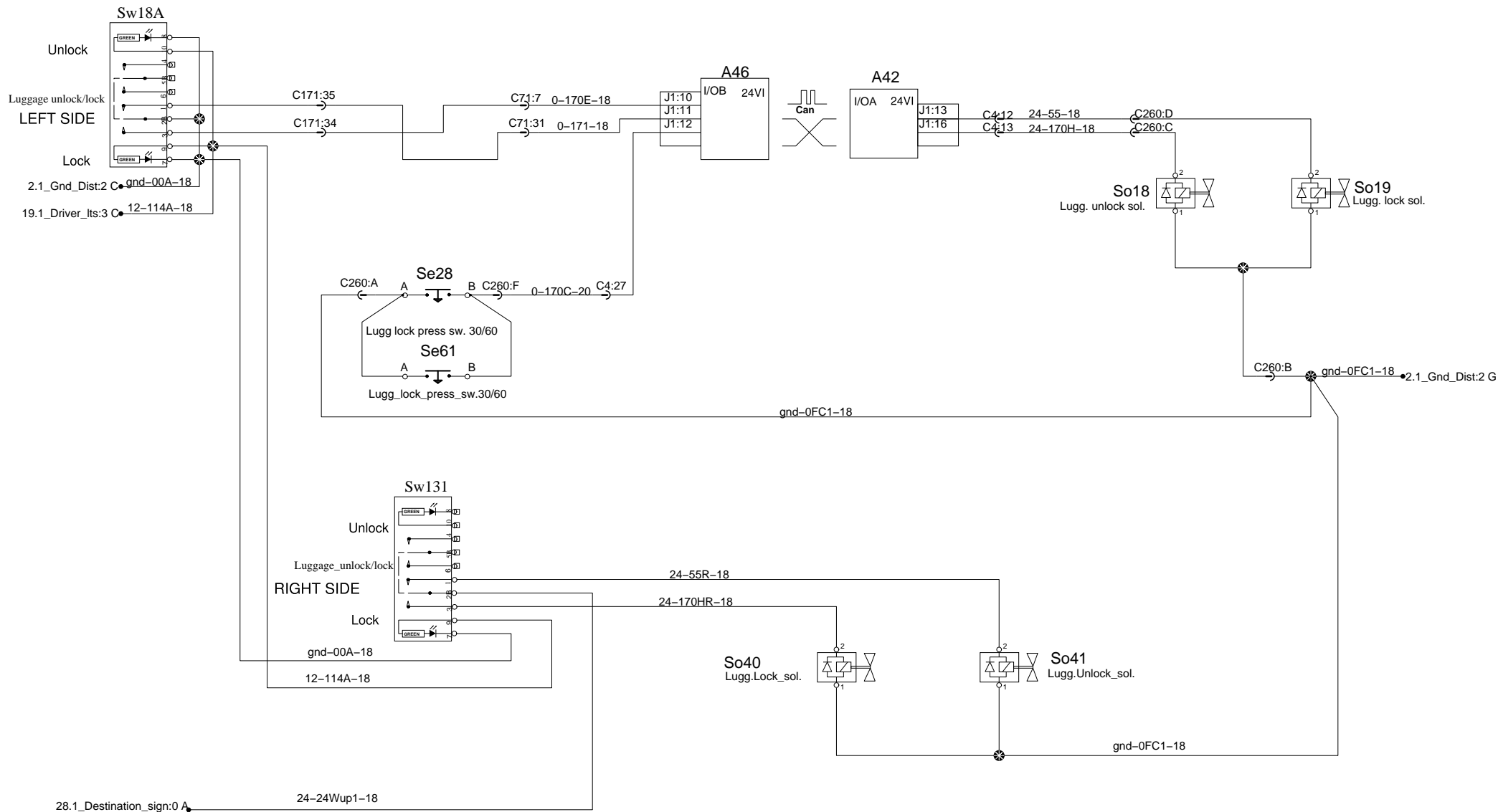
Kneeling, tag and Low Buoy



AUTOMATIC TAG UNLOAD

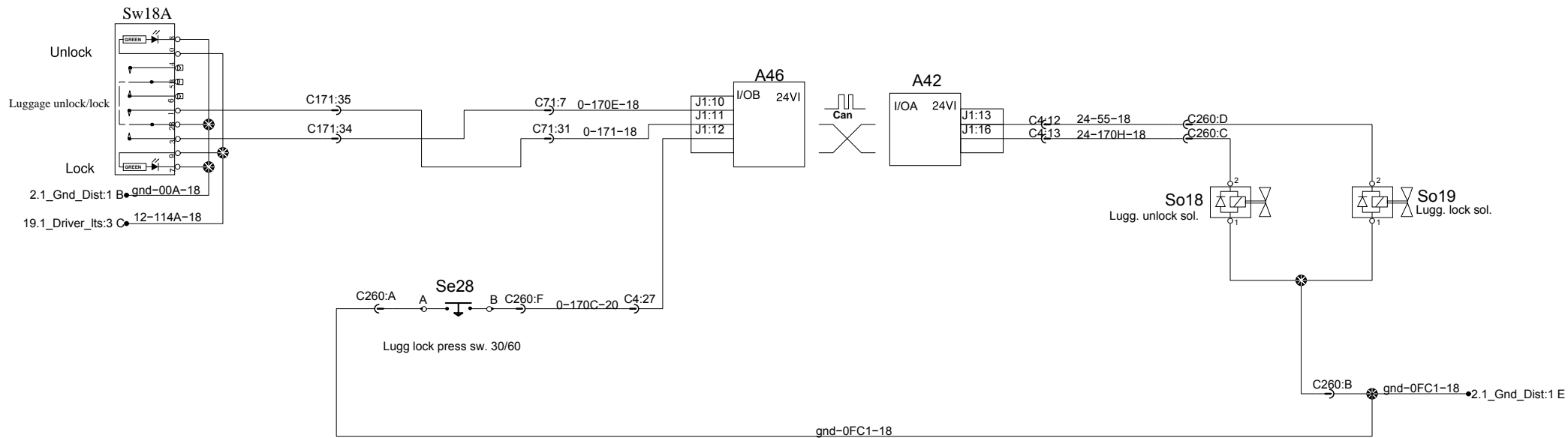


Luggage door Lock/Unlock

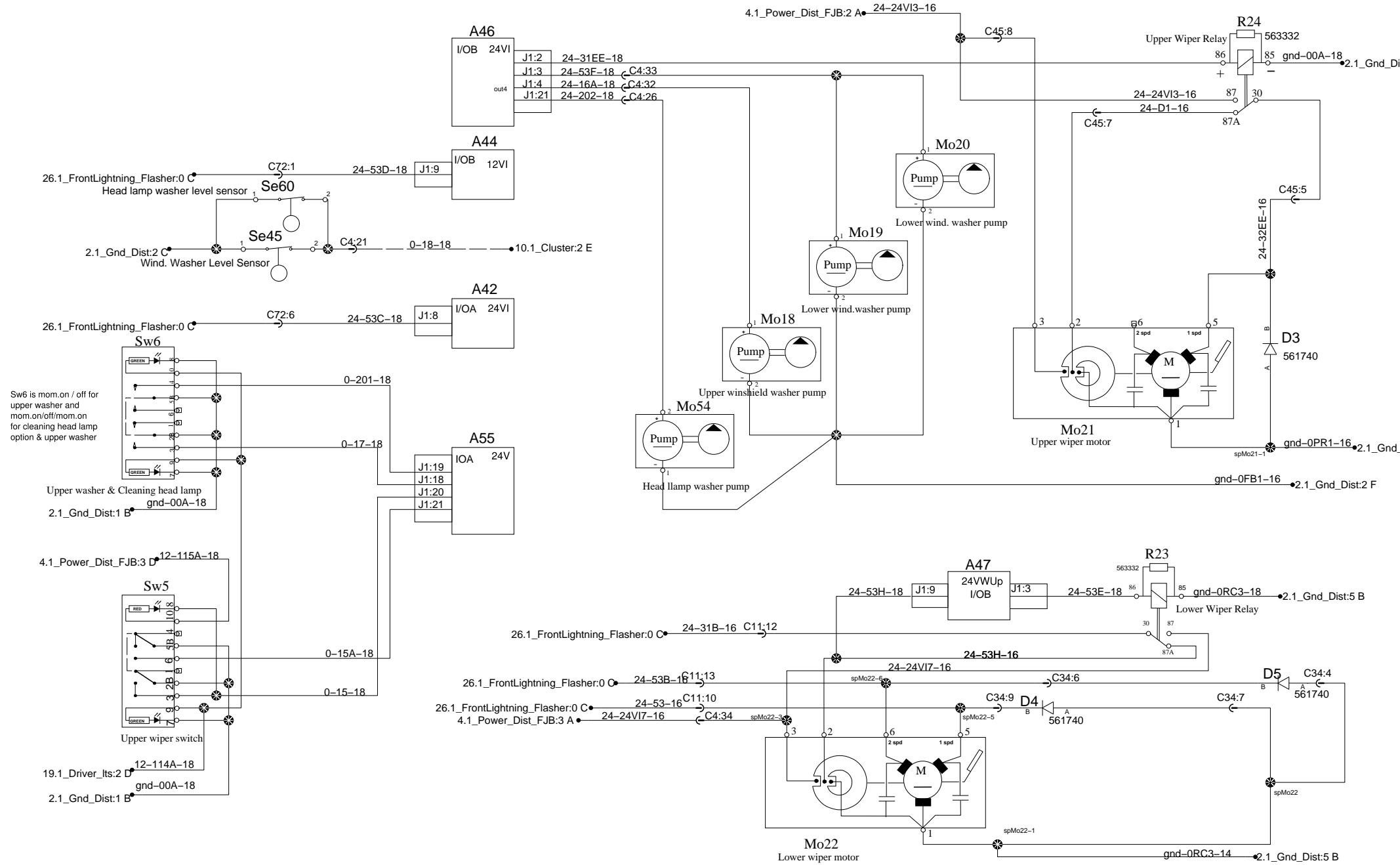


FROM DESTINATION SIGN SWITCH

Luggage door Lock/Unlock

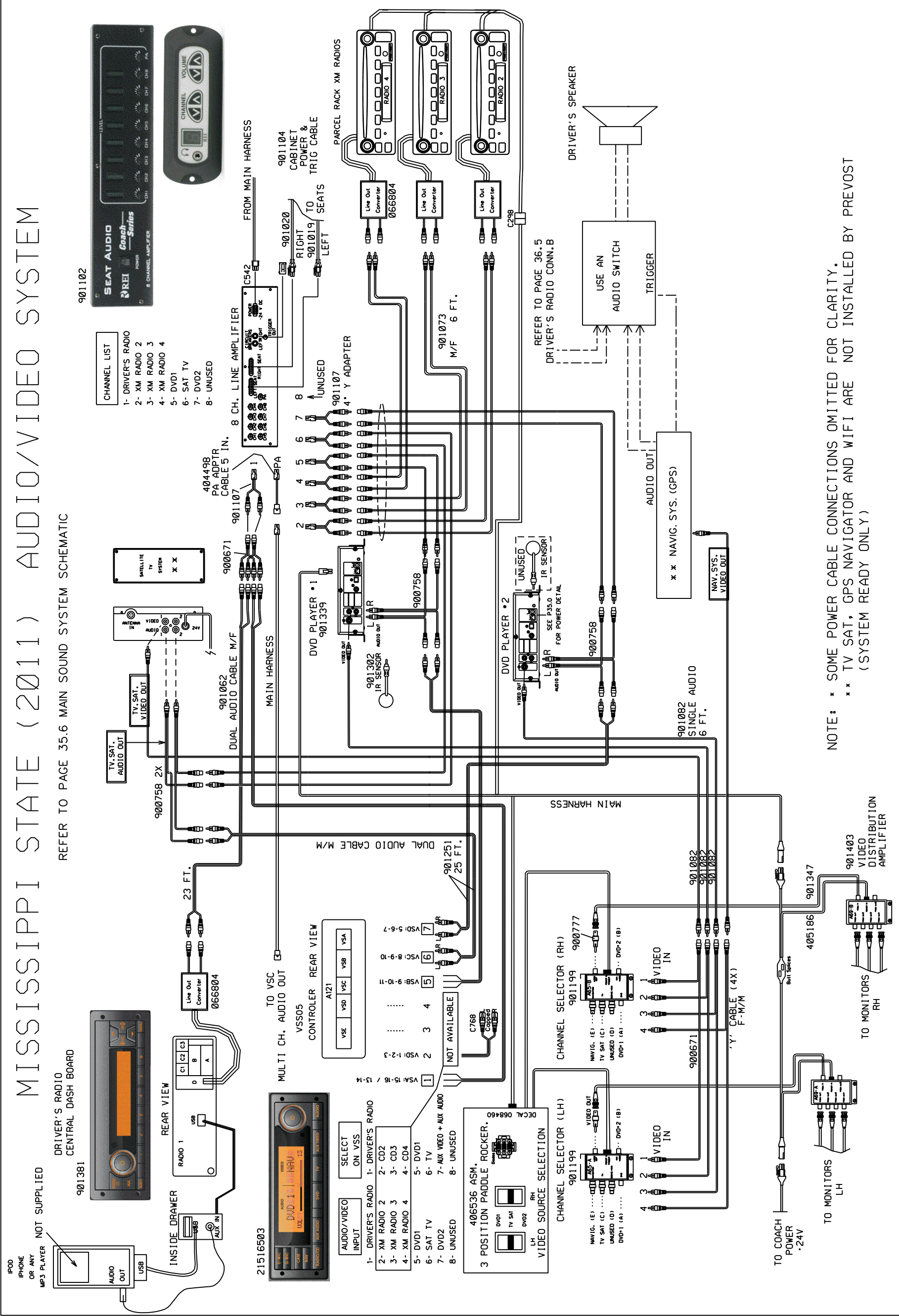


Wiper and washer



MISSISSIPPI STATE (2011) AUDIO/VIDEO SYSTEM

REFER TO PAGE 35.6 MAIN SOUND SYSTEM SCHEMATIC

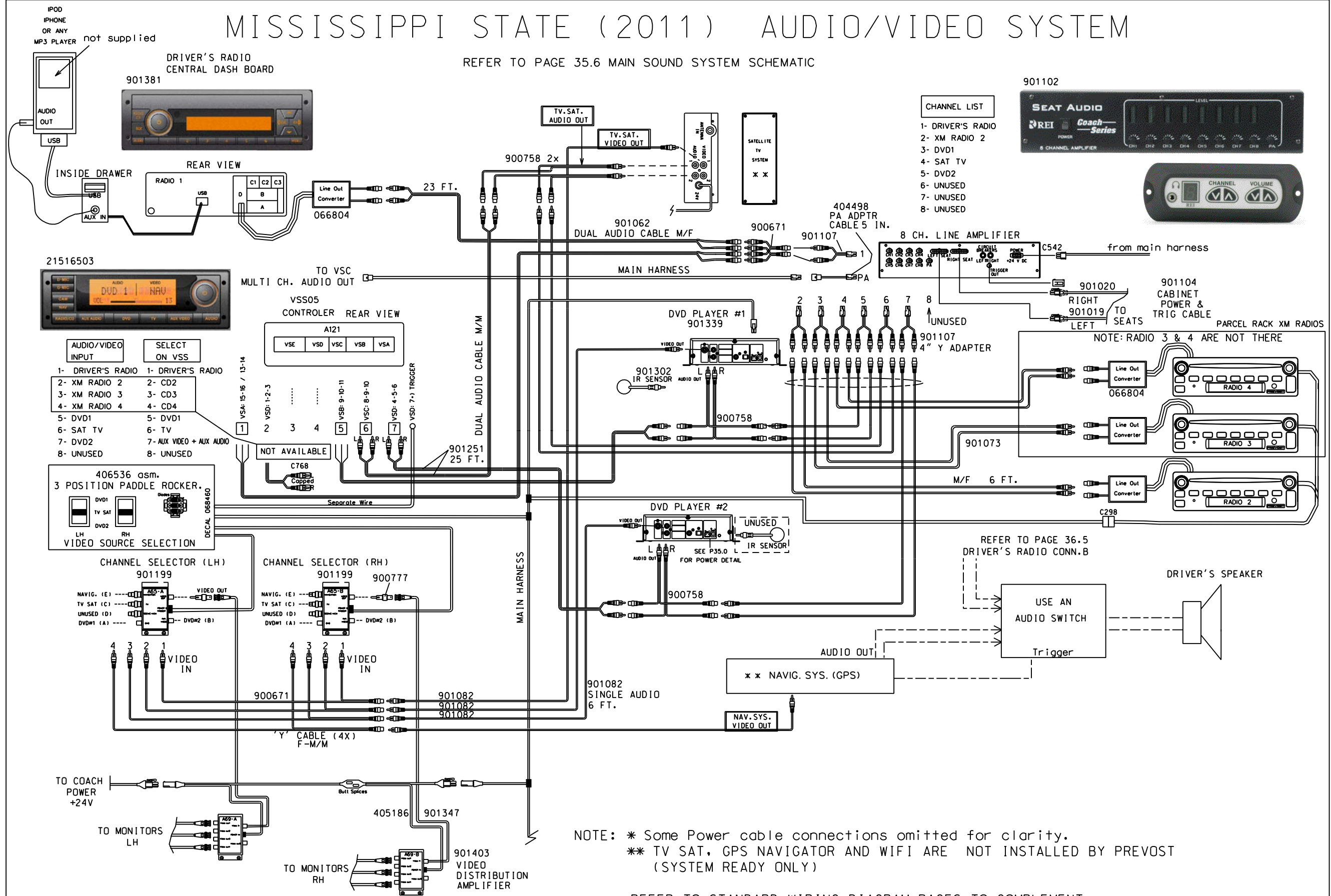


- CHANNEL LIST**
- 1- DRIVER'S RADIO
 - 2- XM RADIO 2
 - 3- XM RADIO 3
 - 4- XM RADIO 4
 - 5- DVD1
 - 6- SAT TV
 - 7- DVD2
 - 8- UNUSED

NOTE: * SOME POWER CABLE CONNECTIONS OMITTED FOR CLARITY.
 ** TV SAT, GPS NAVIGATOR AND WIFI ARE NOT INSTALLED BY PREVOST
 (SYSTEM READY ONLY)

MISSISSIPPI STATE (2011) AUDIO/VIDEO SYSTEM

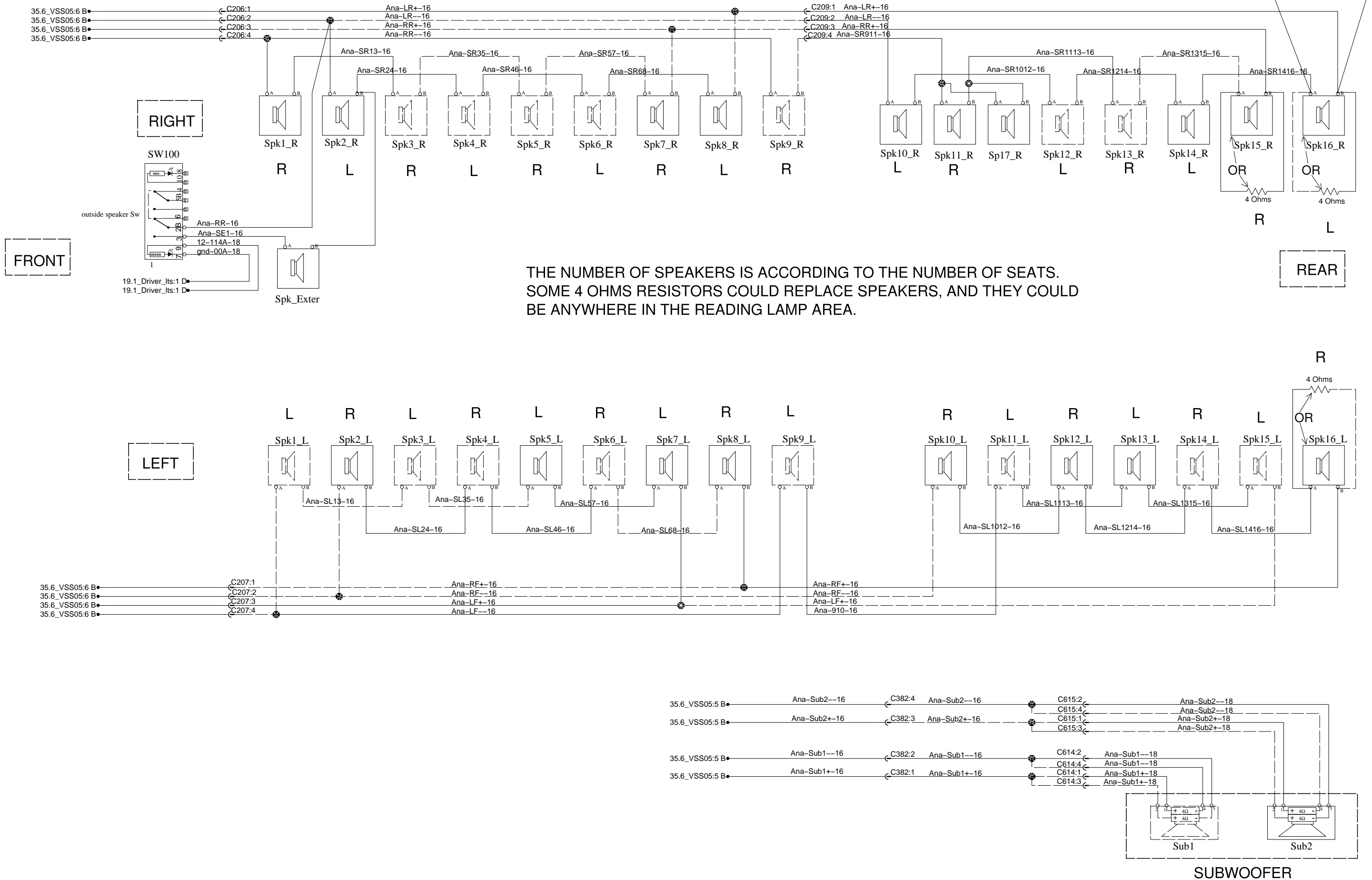
REFER TO PAGE 35.6 MAIN SOUND SYSTEM SCHEMATIC



NOTE: * Some Power cable connections omitted for clarity.
 ** TV SAT, GPS NAVIGATOR AND WIFI ARE NOT INSTALLED BY PREVOST (SYSTEM READY ONLY)

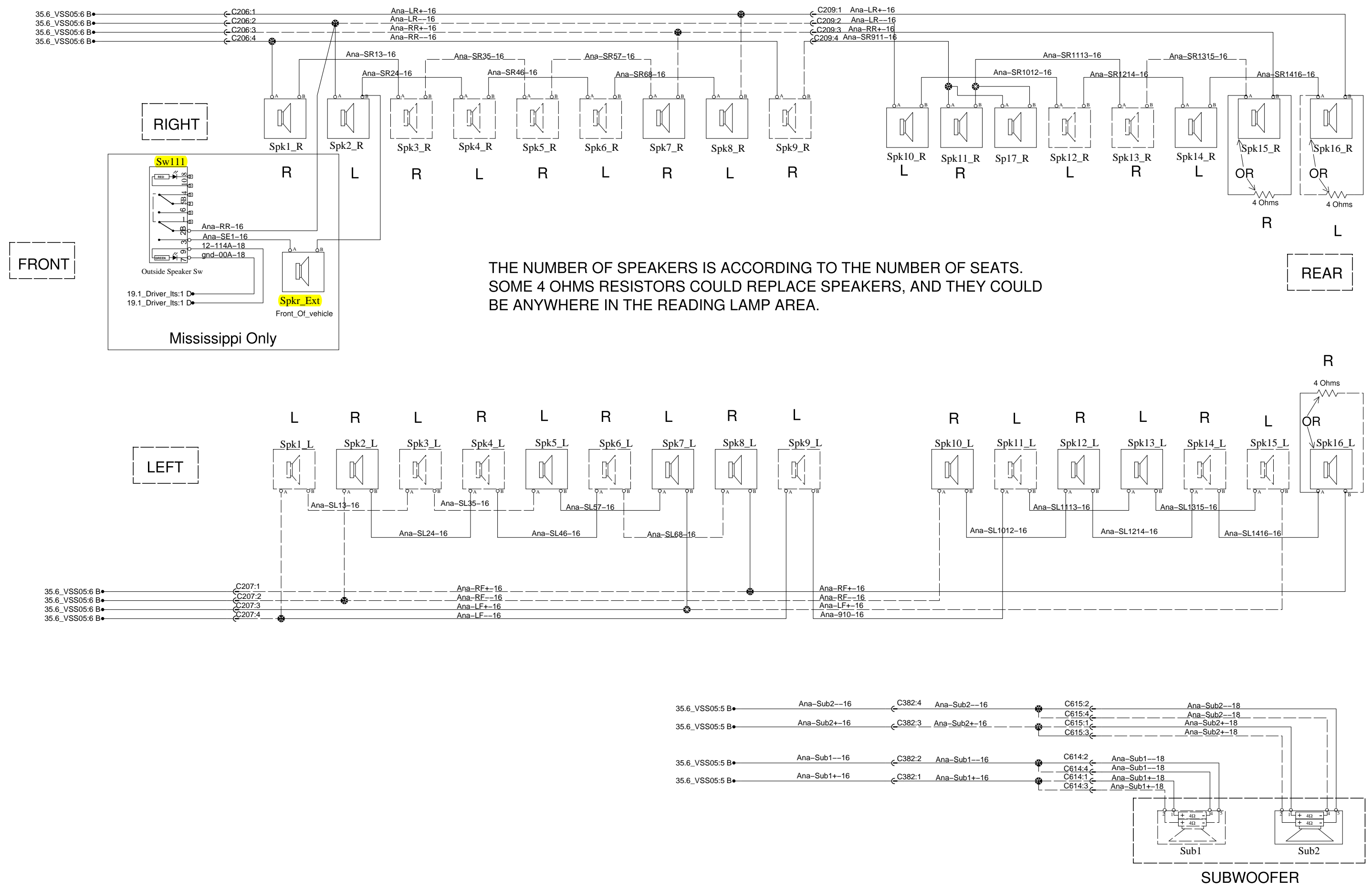
REFER TO STANDARD WIRING DIAGRAM PAGES TO COMPLEMENT

SPEAKER ARRANGENT (DELTA CONFIGURATION)

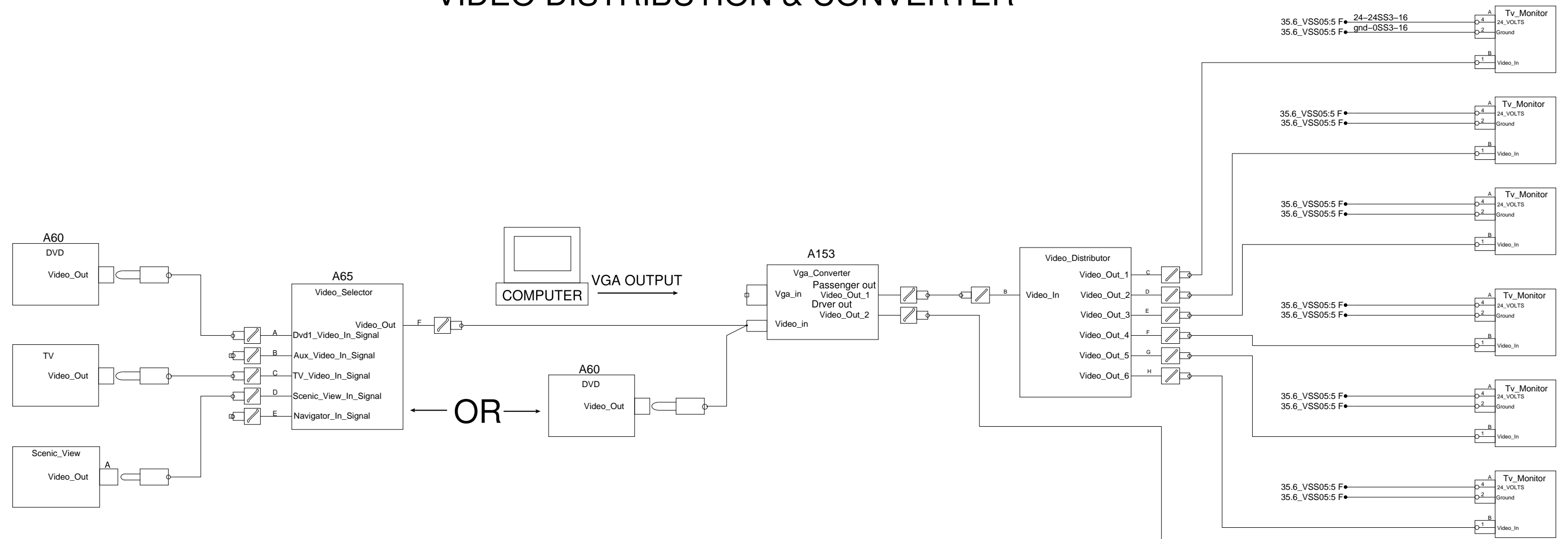


THE NUMBER OF SPEAKERS IS ACCORDING TO THE NUMBER OF SEATS.
SOME 4 OHMS RESISTORS COULD REPLACE SPEAKERS, AND THEY COULD
BE ANYWHERE IN THE READING LAMP AREA.

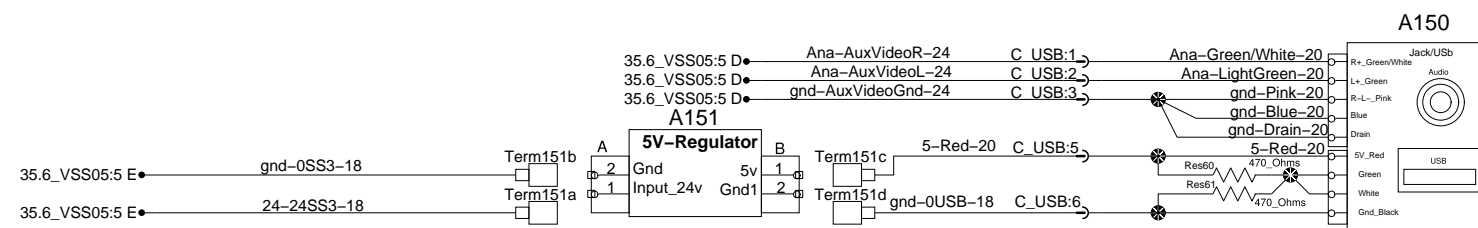
SPEAKER ARRANGENT (DELTA CONFIGURATION)



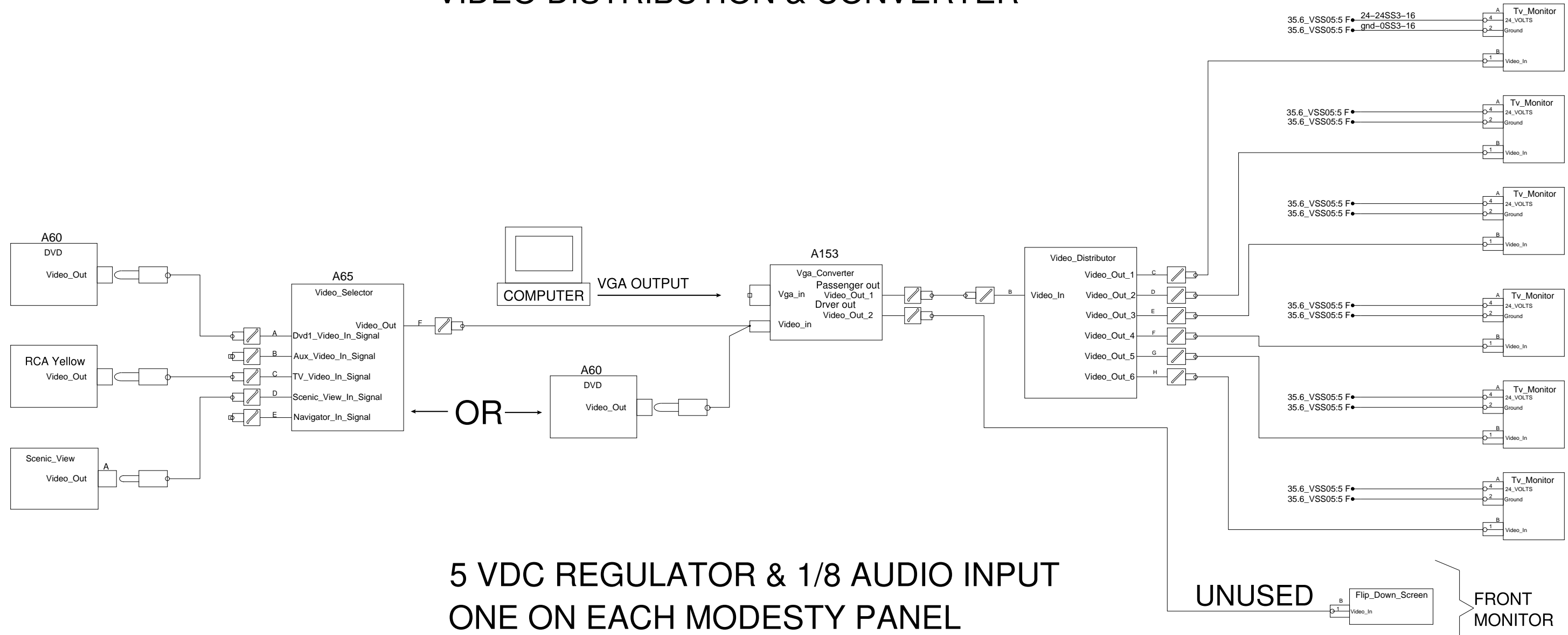
VIDEO DISTRIBUTION & CONVERTER



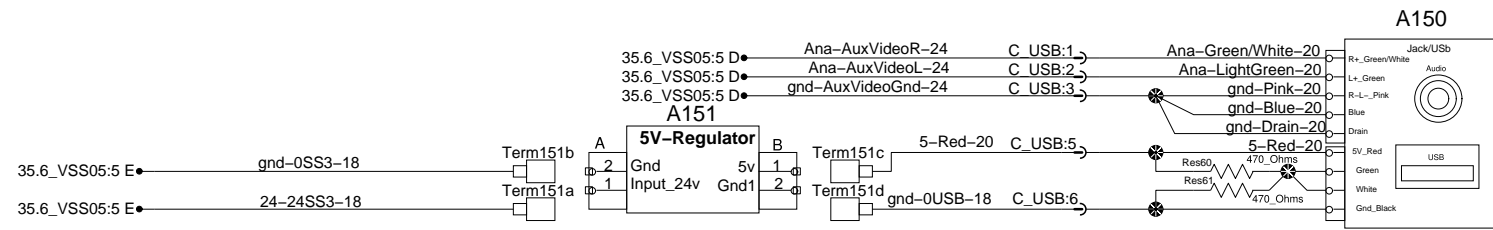
5 VDC REGULATOR & AUDIO INPUT



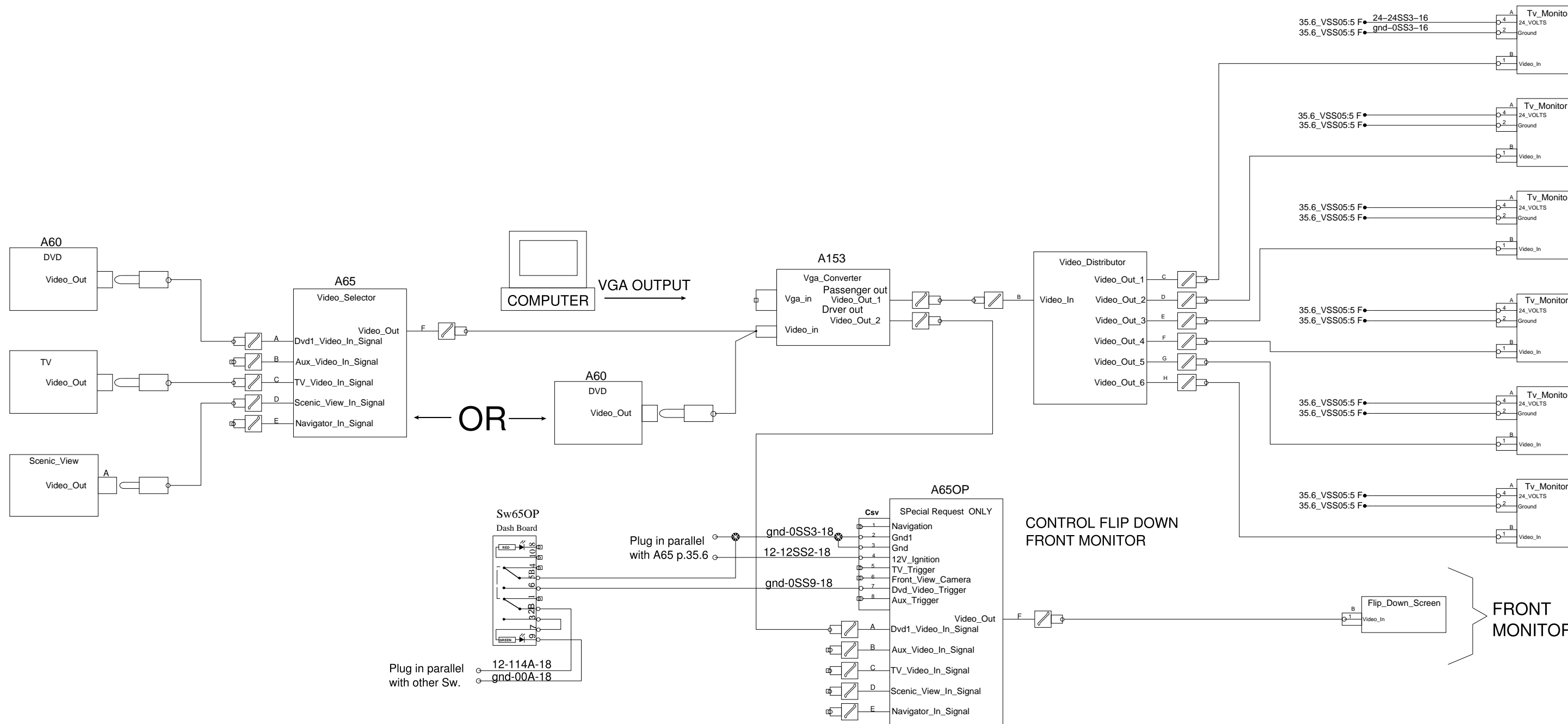
VIDEO DISTRIBUTION & CONVERTER



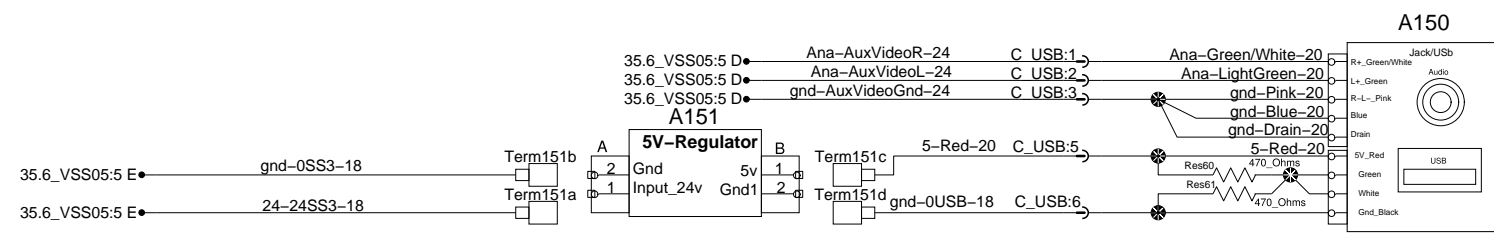
5 VDC REGULATOR & 1/8 AUDIO INPUT
ONE ON EACH MODESTY PANEL



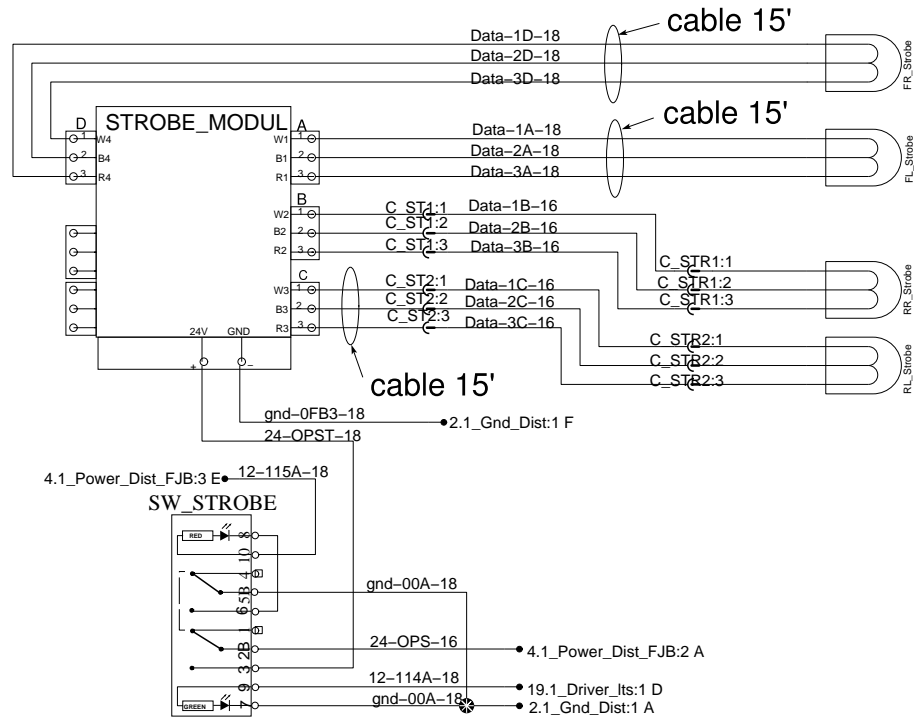
VIDEO DISTRIBUTION & CONVERTER

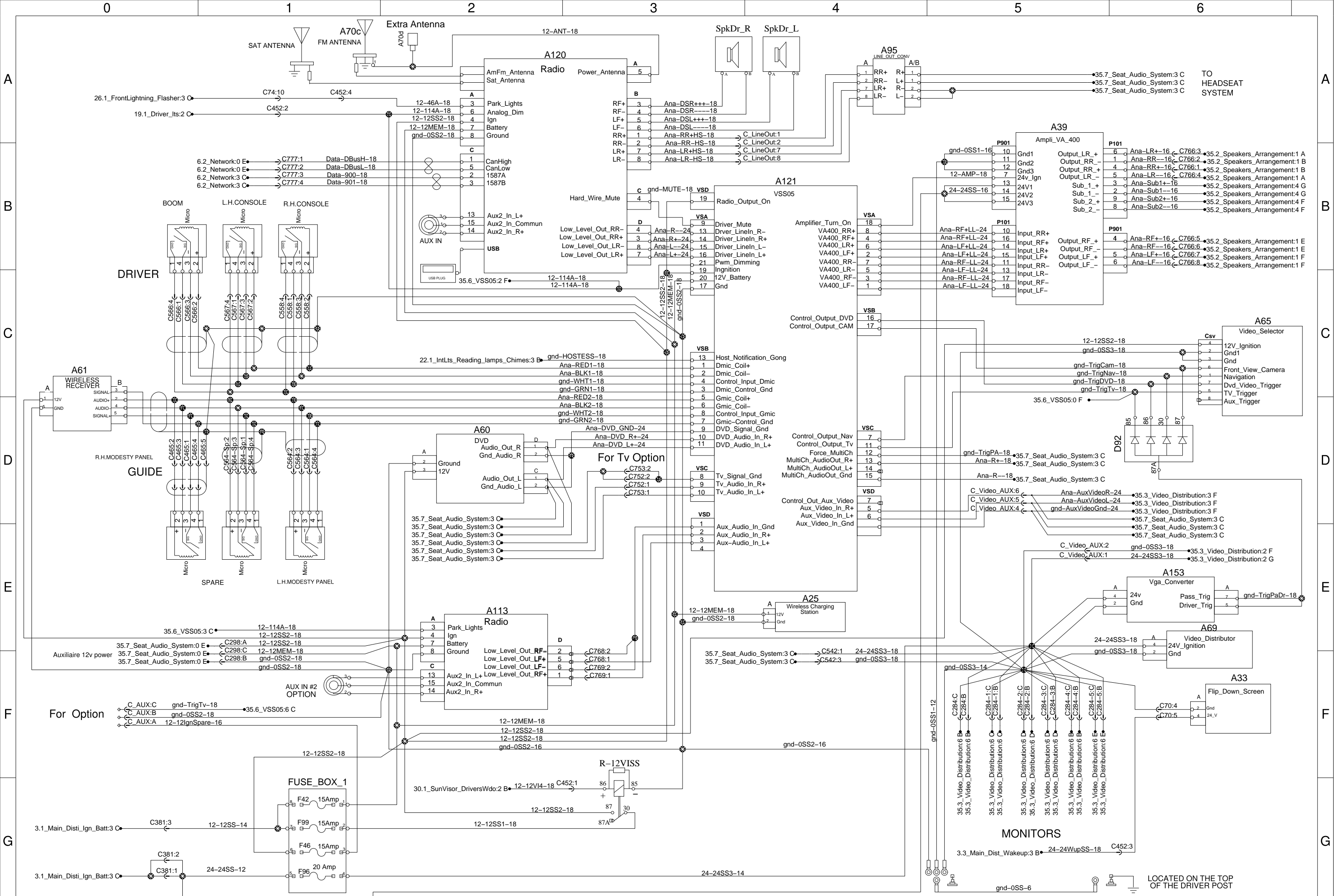


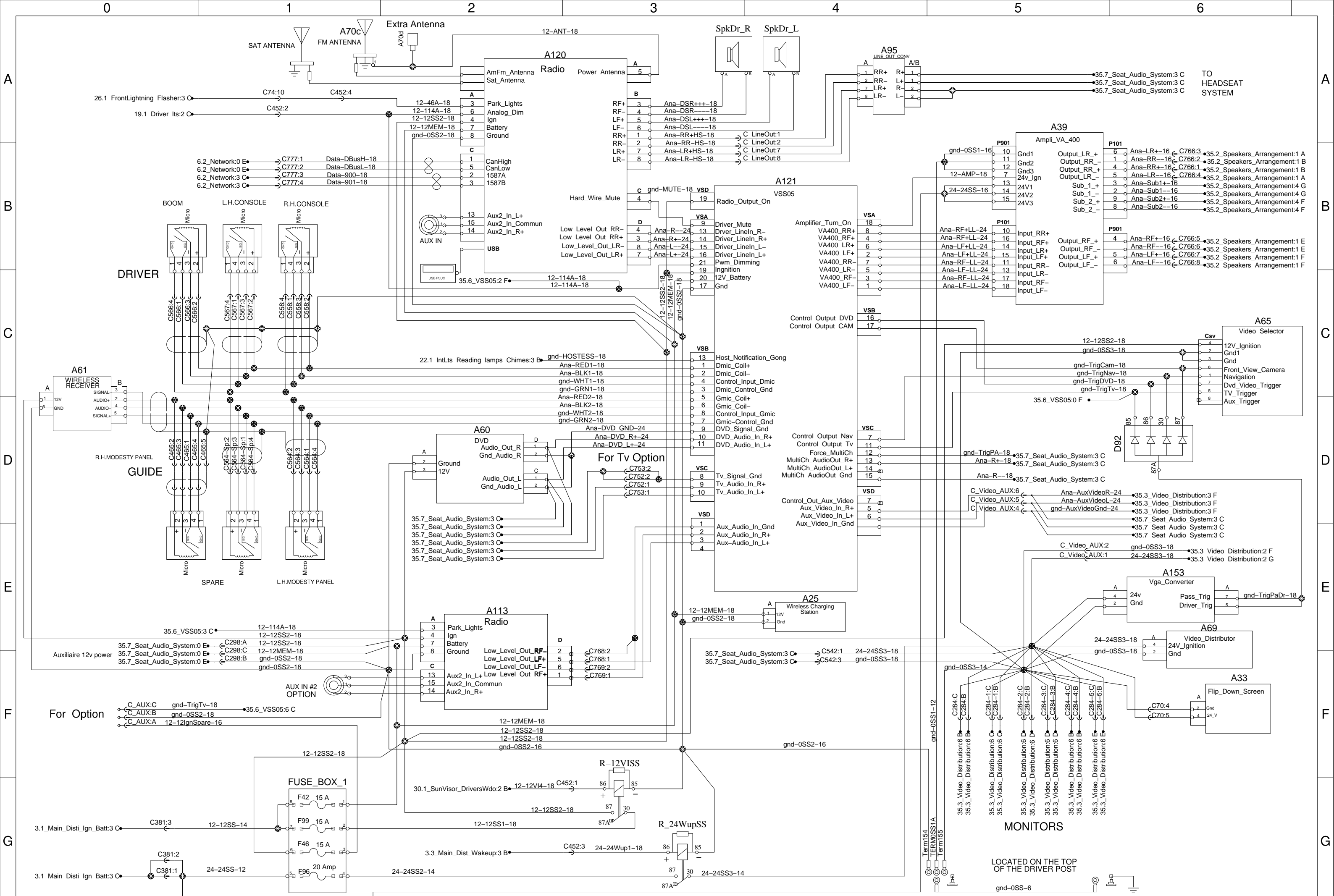
5 VDC REGULATOR & AUDIO INPUT



Mini Strobe Light

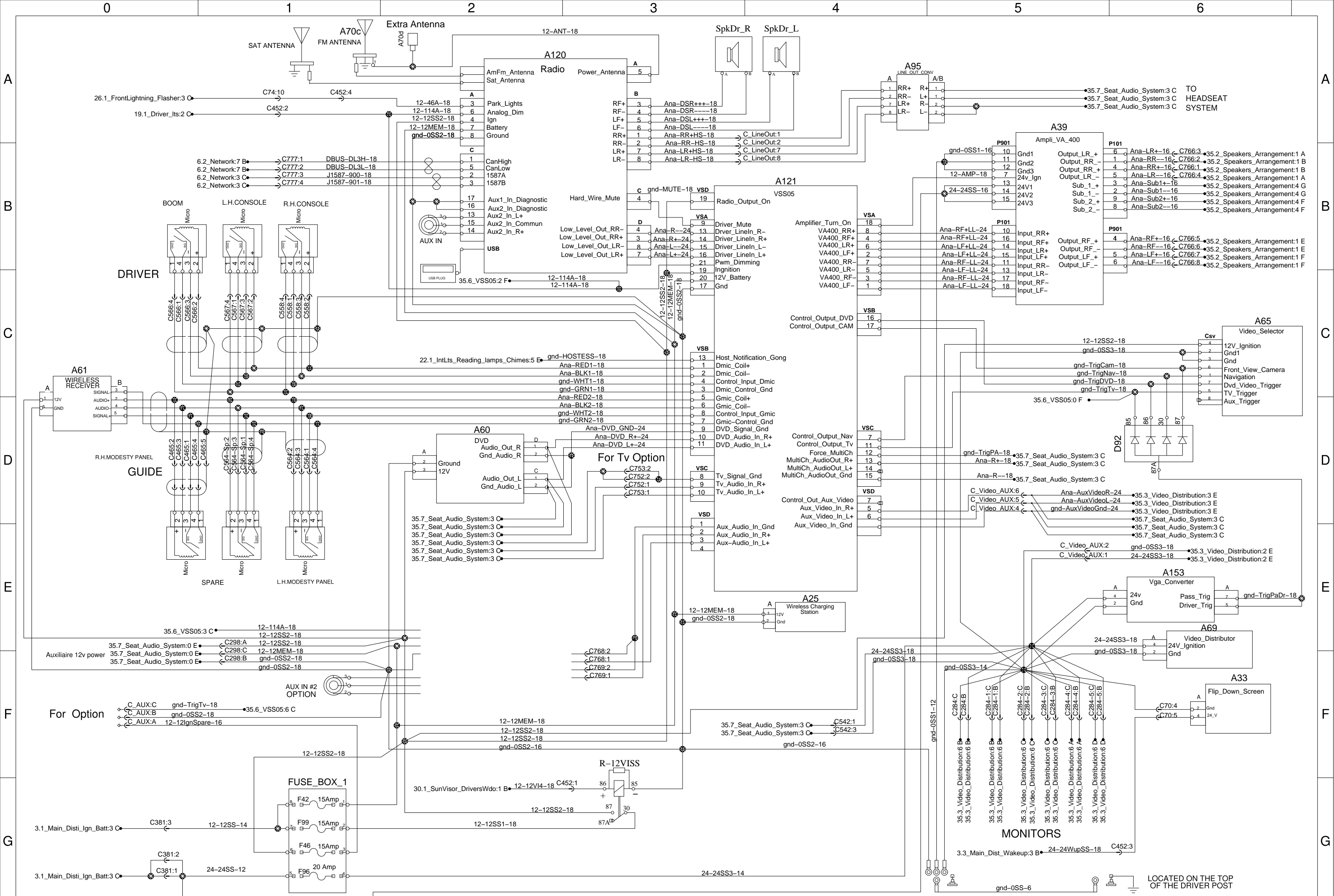


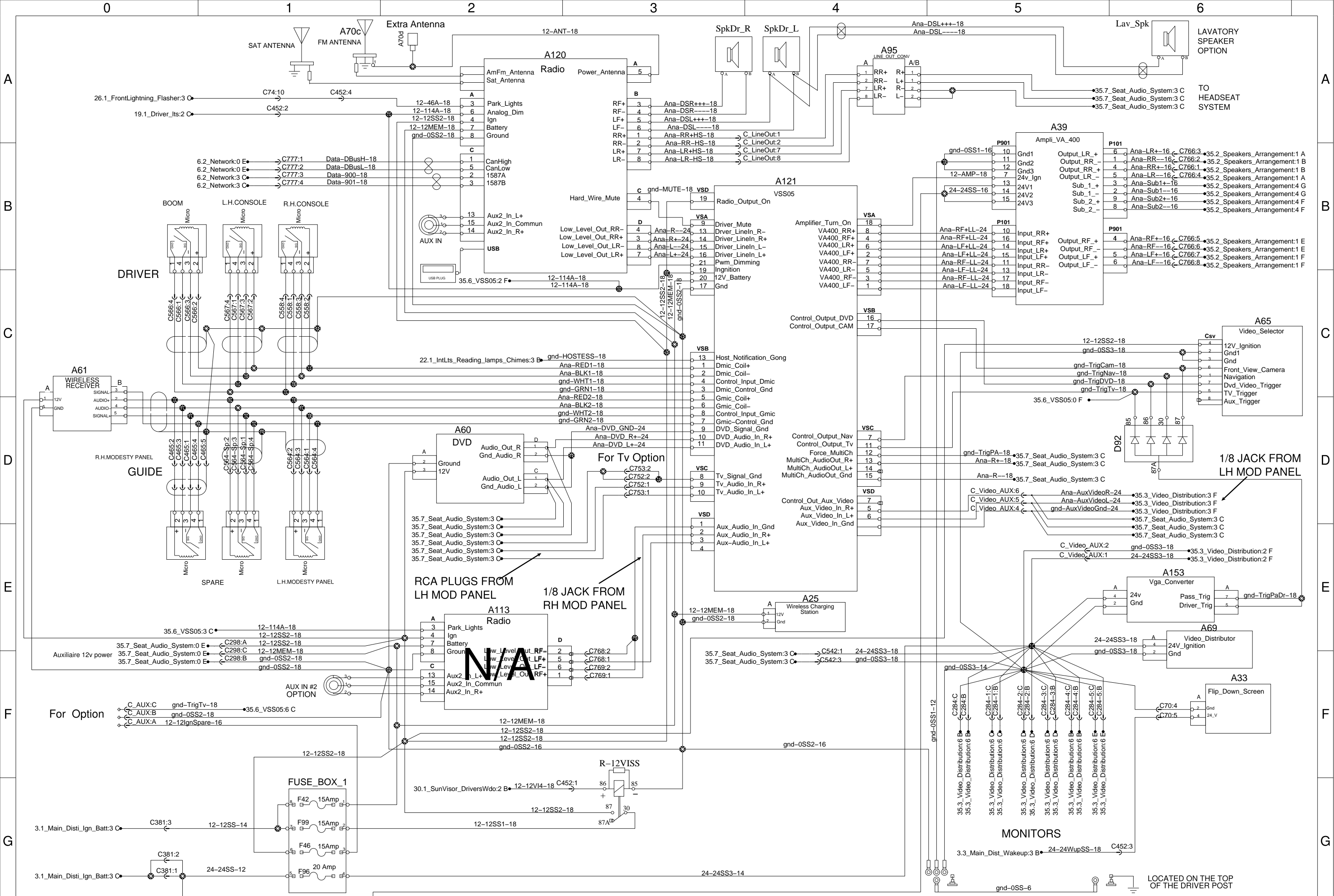


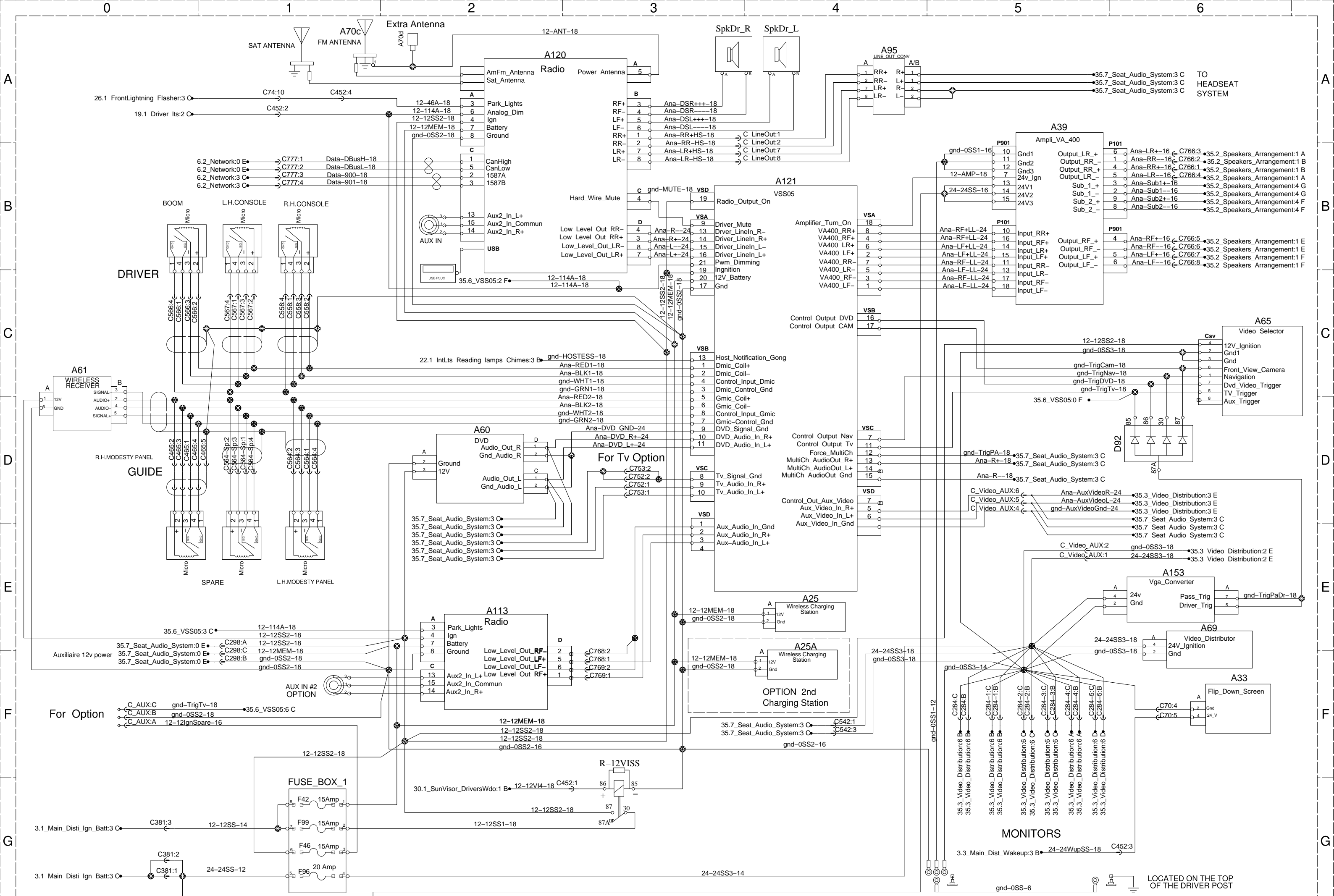


MONITORS

LOCATED ON THE TOP OF THE DRIVER POST

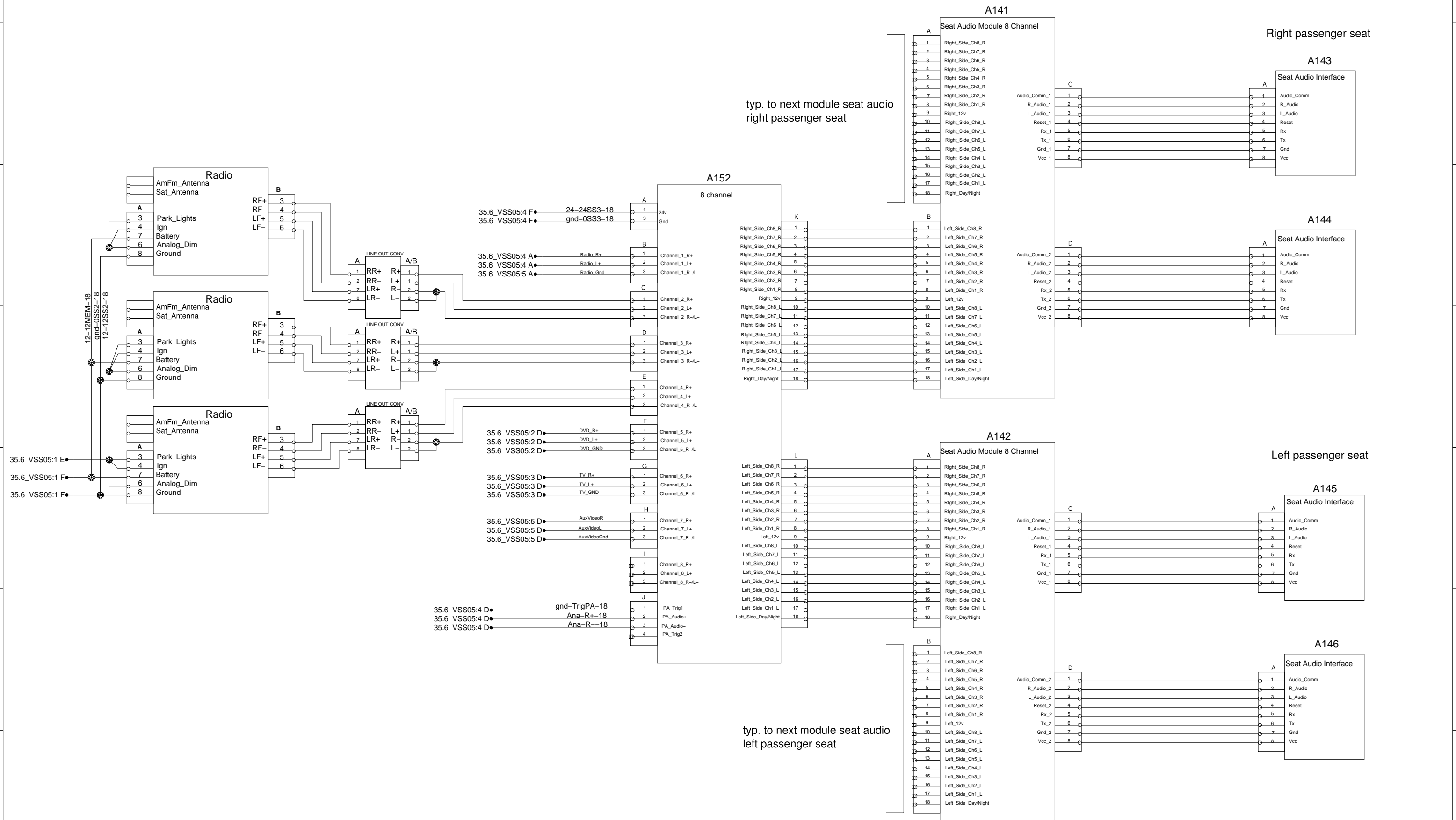




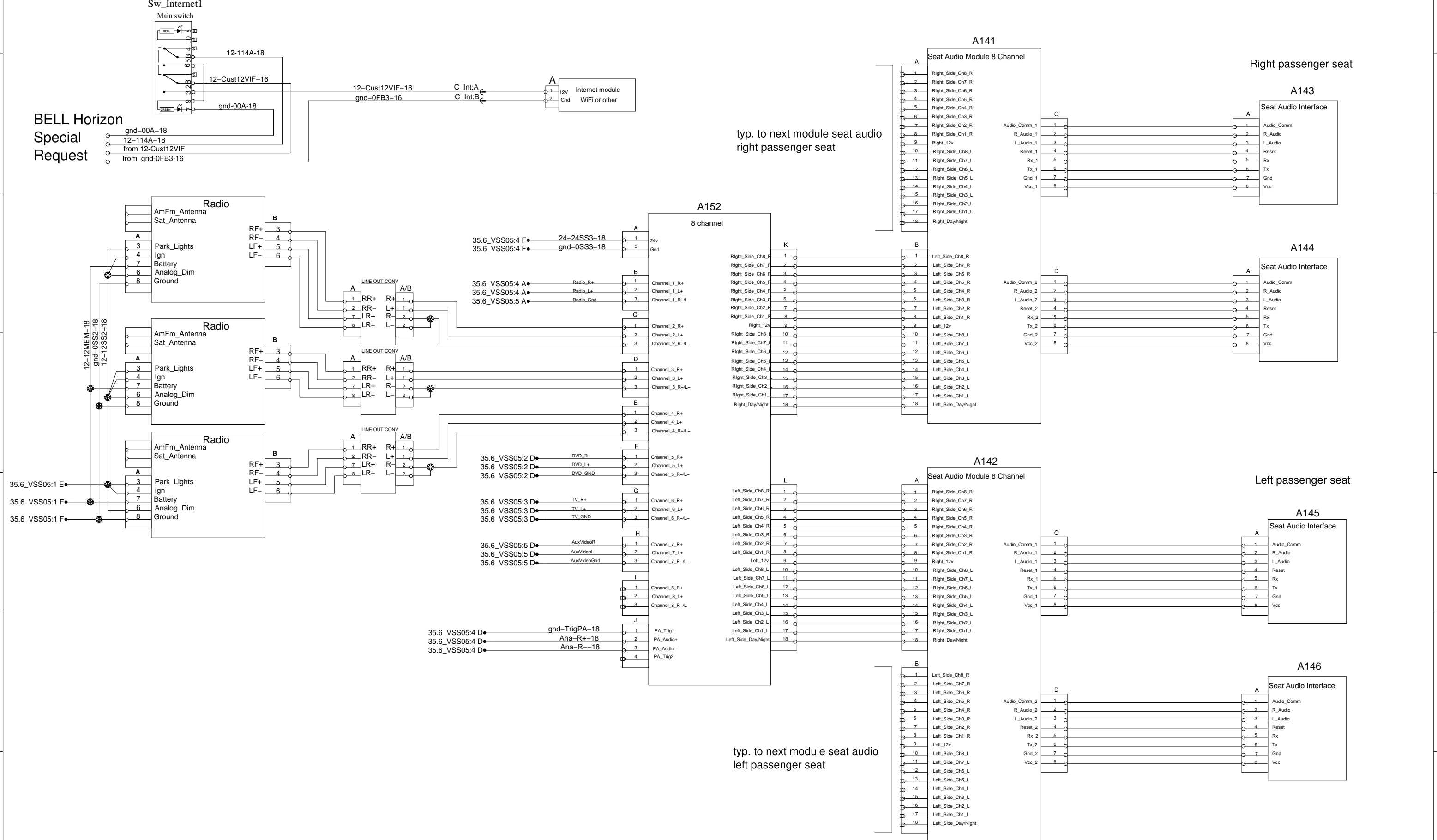


LOCATED ON THE TOP OF THE DRIVER POST

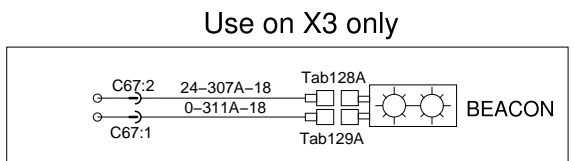
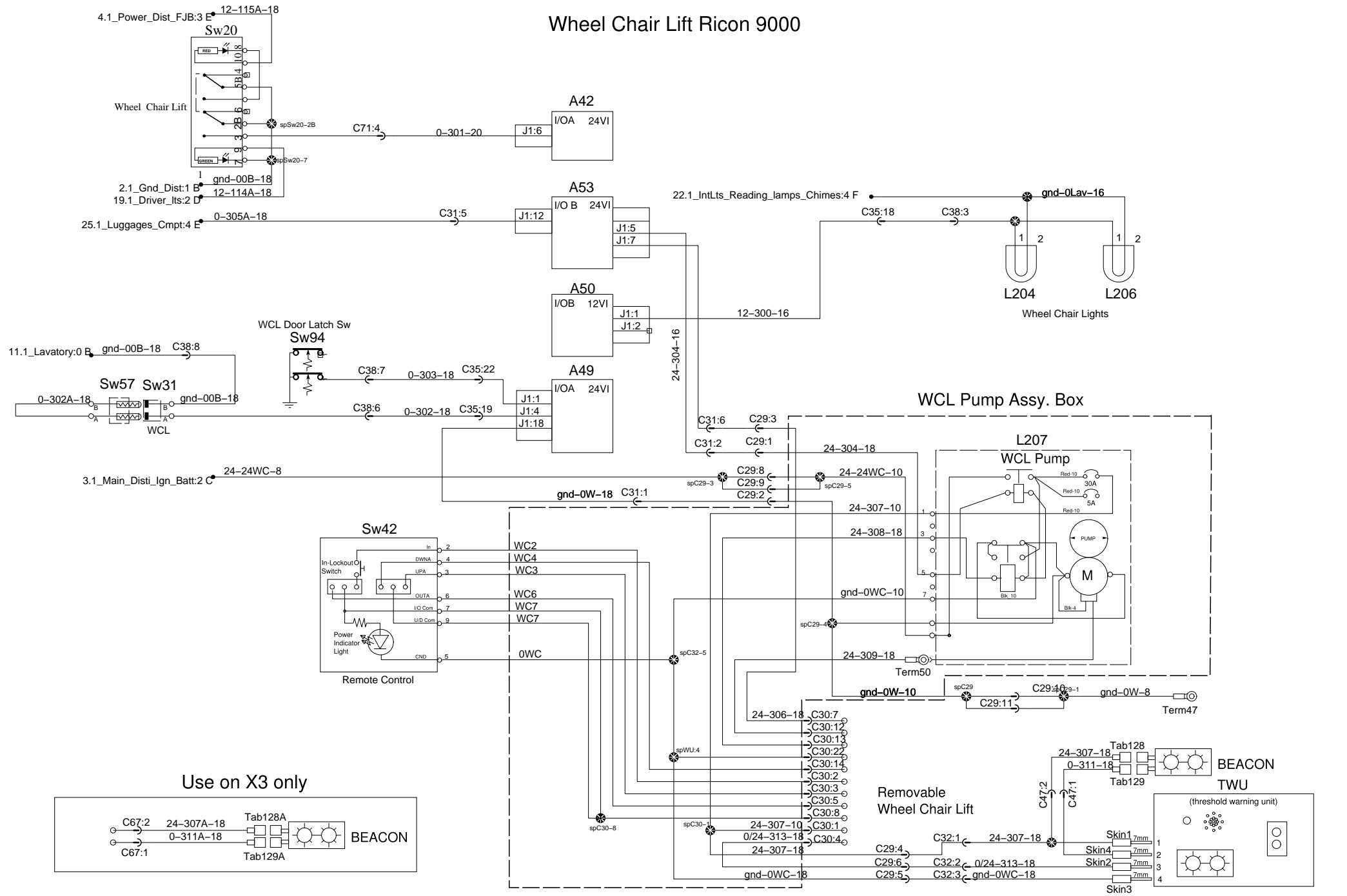
8 CHANNEL SEAT AUDIO SYSTEM



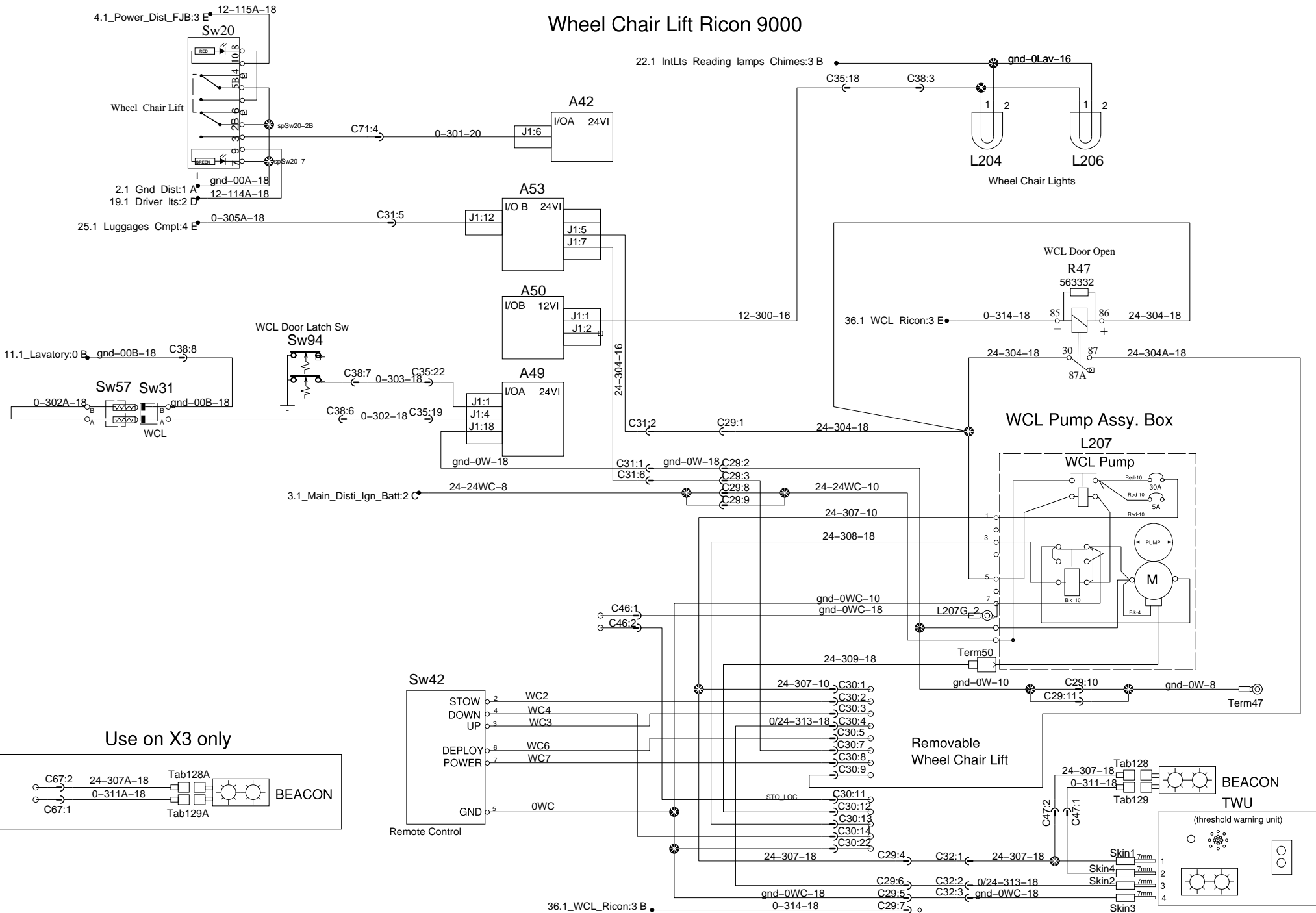
8 CHANNEL SEAT AUDIO SYSTEM



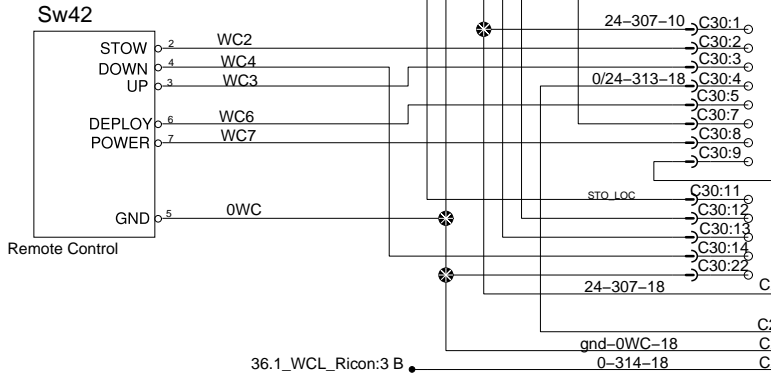
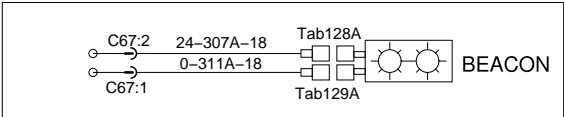
Wheel Chair Lift Ricon 9000

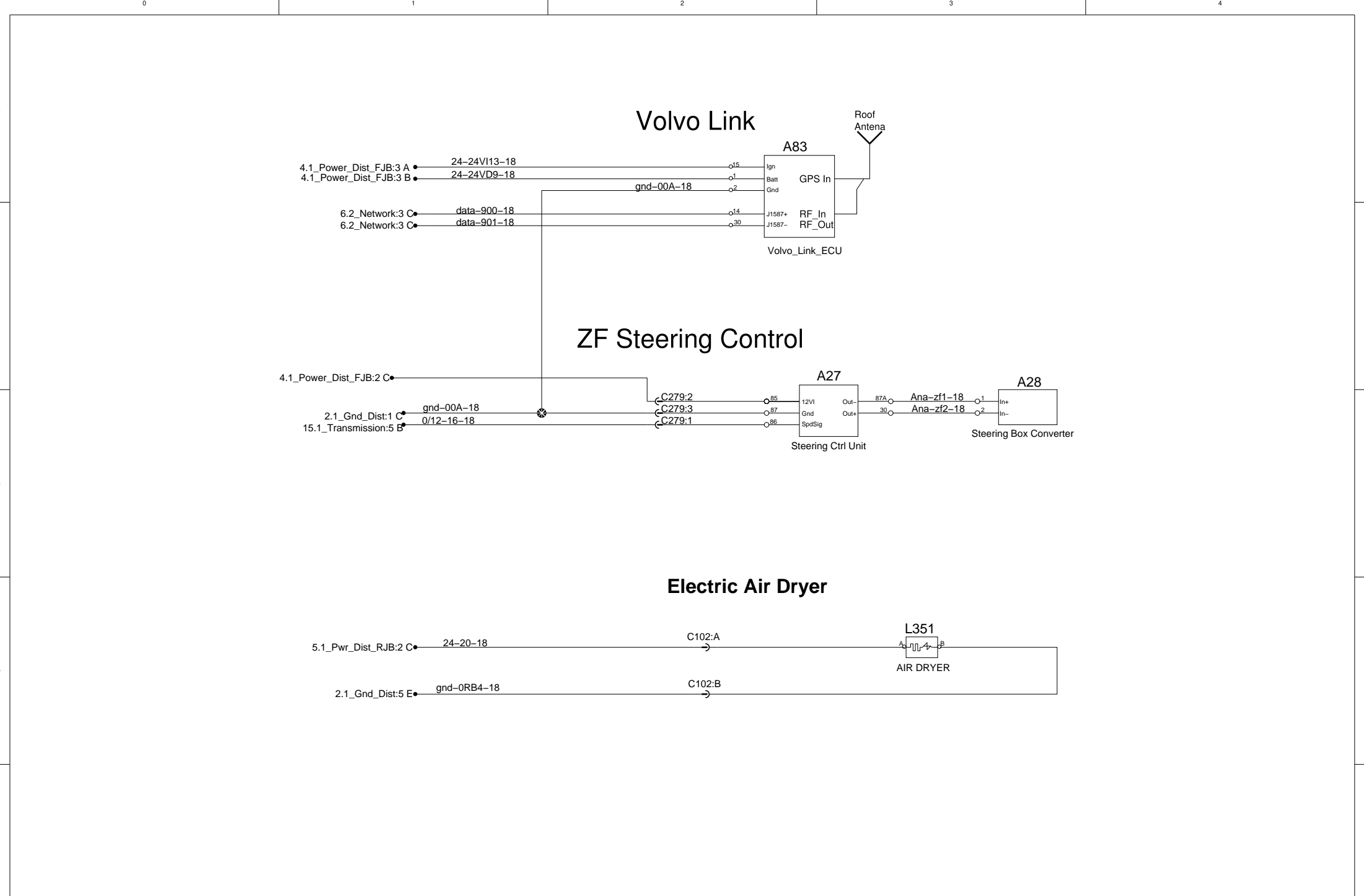


Wheel Chair Lift Ricon 9000

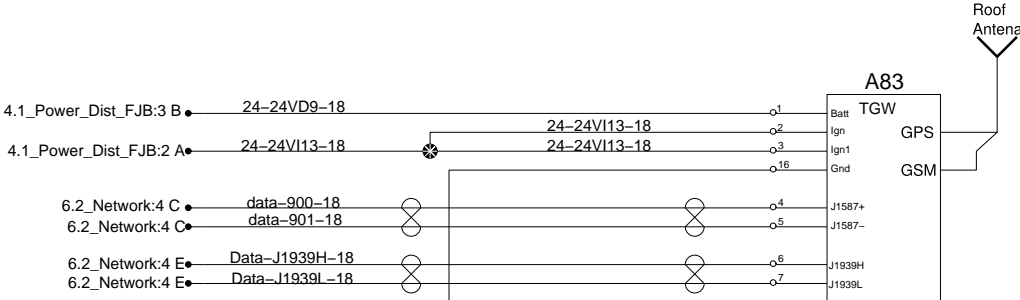


Use on X3 only

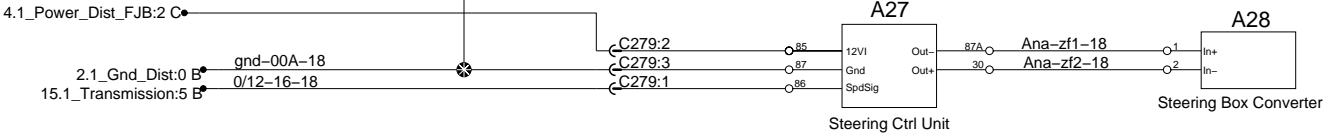




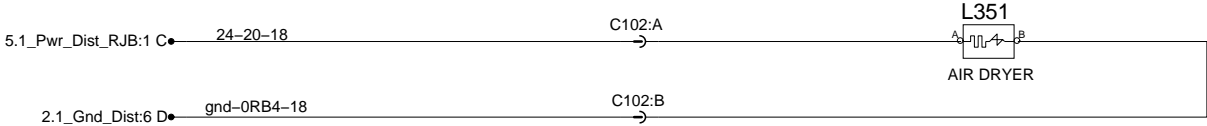
Volvo Link



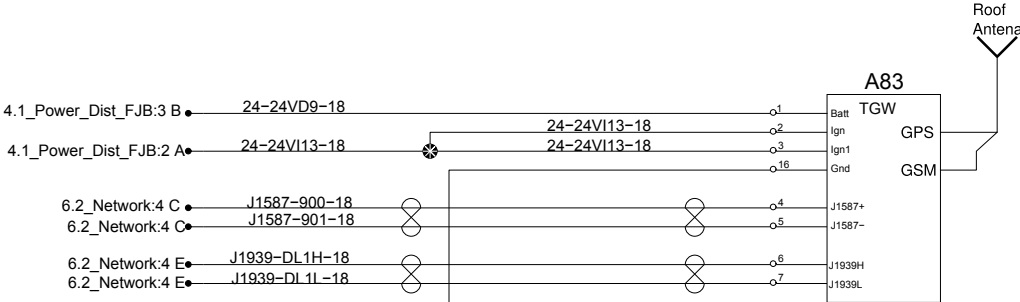
ZF Steering Control



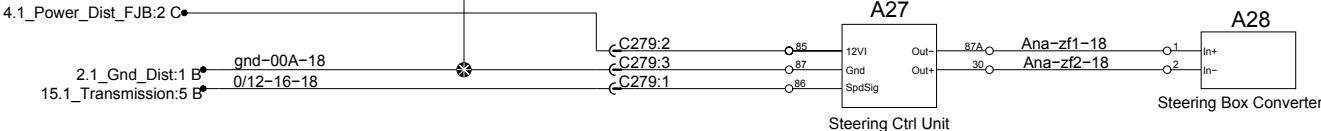
Electric Air Dryer



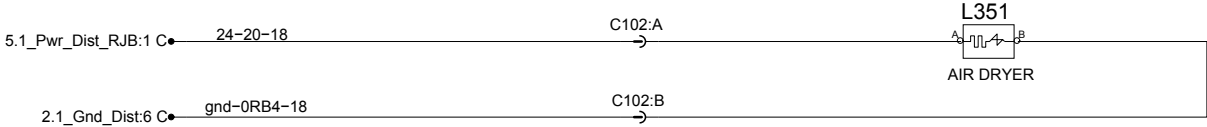
Volvo Link



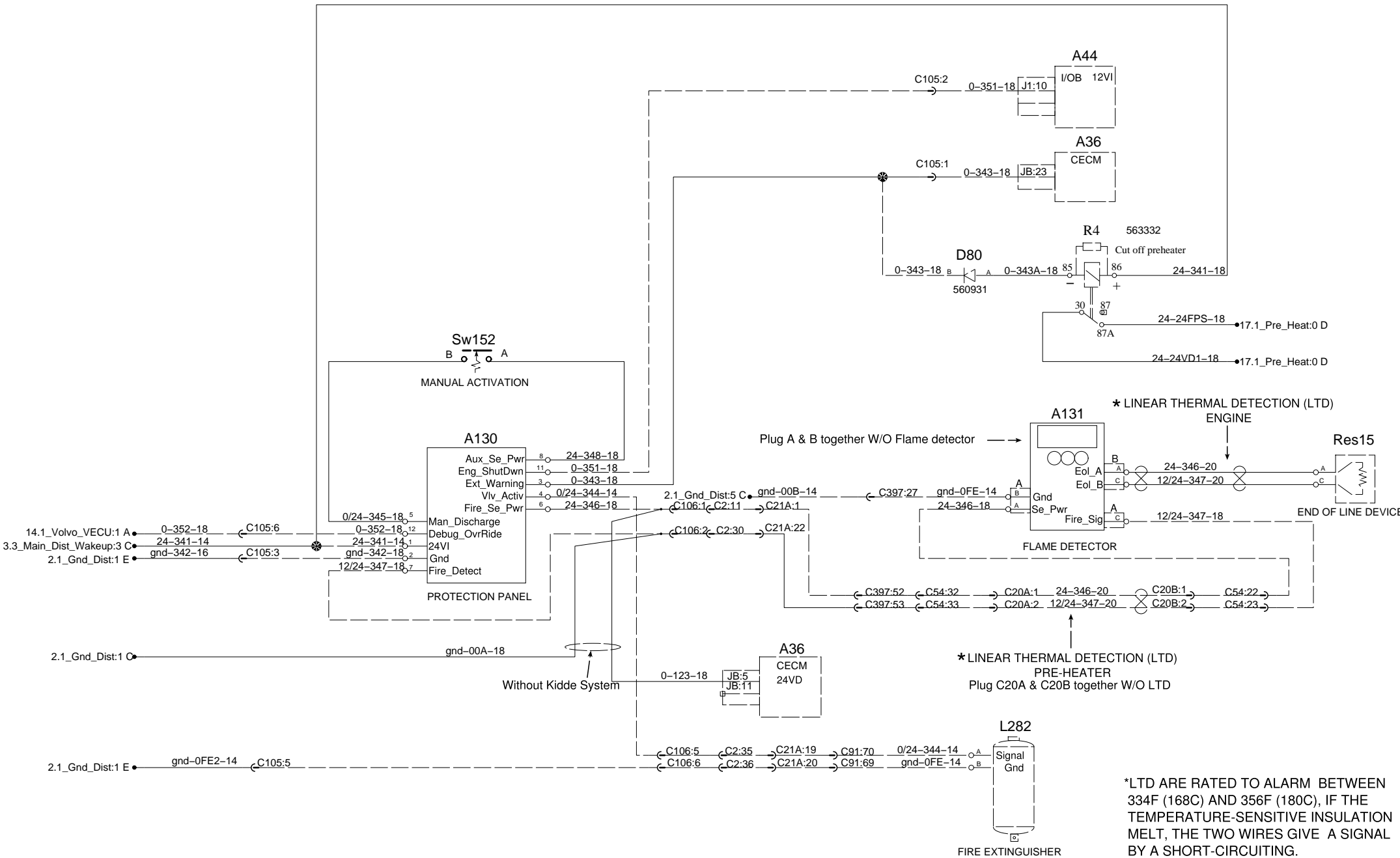
ZF Steering Control



Electric Air Dryer

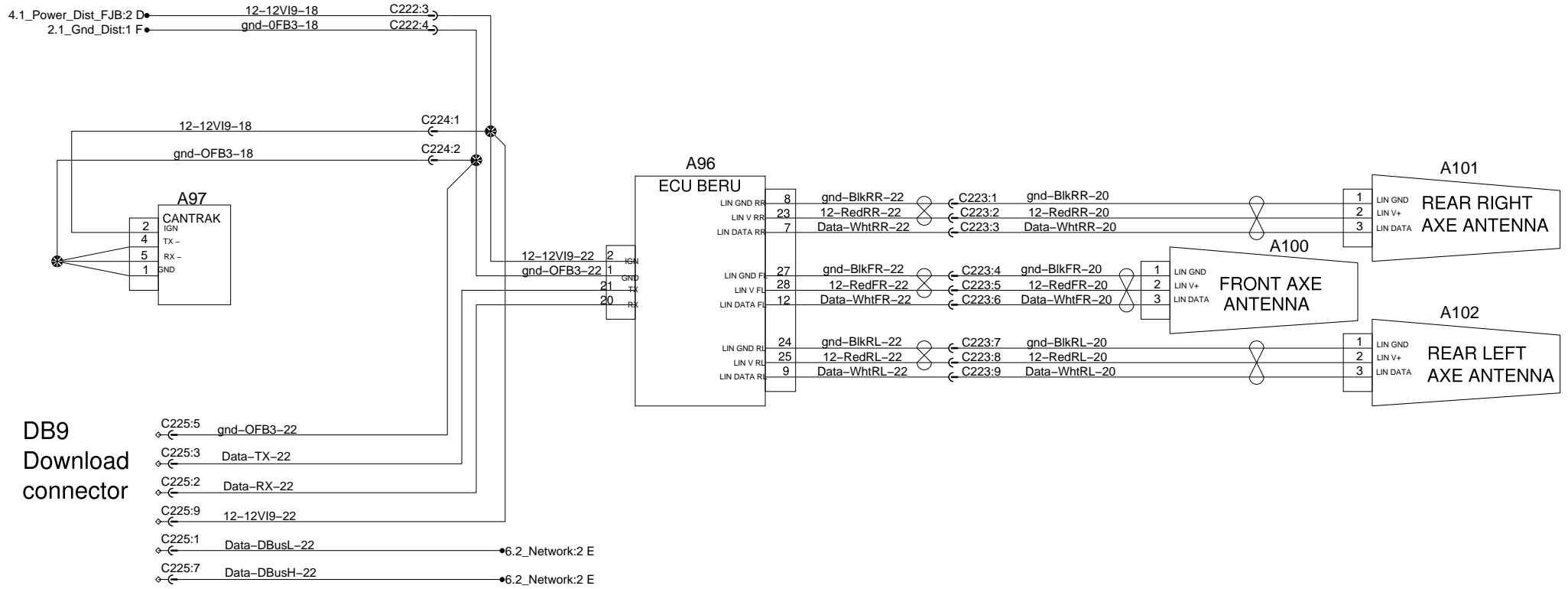


Fire Protection Extinguisher

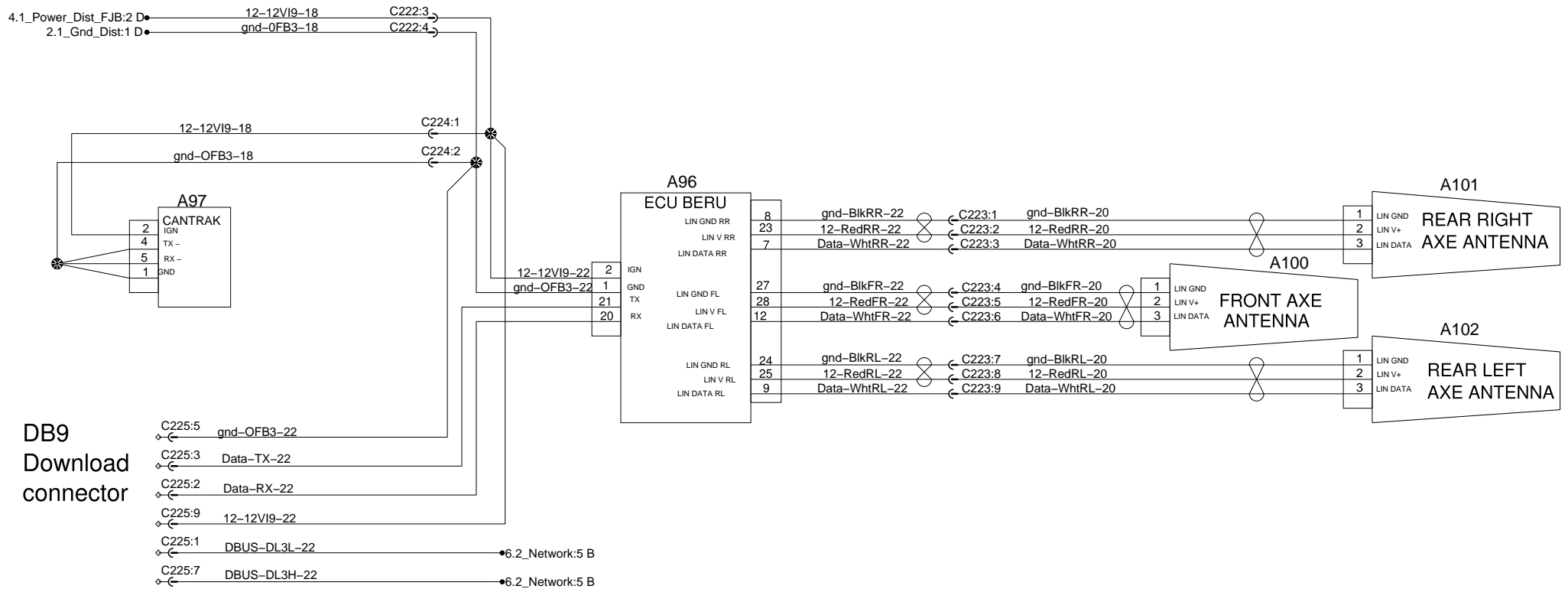


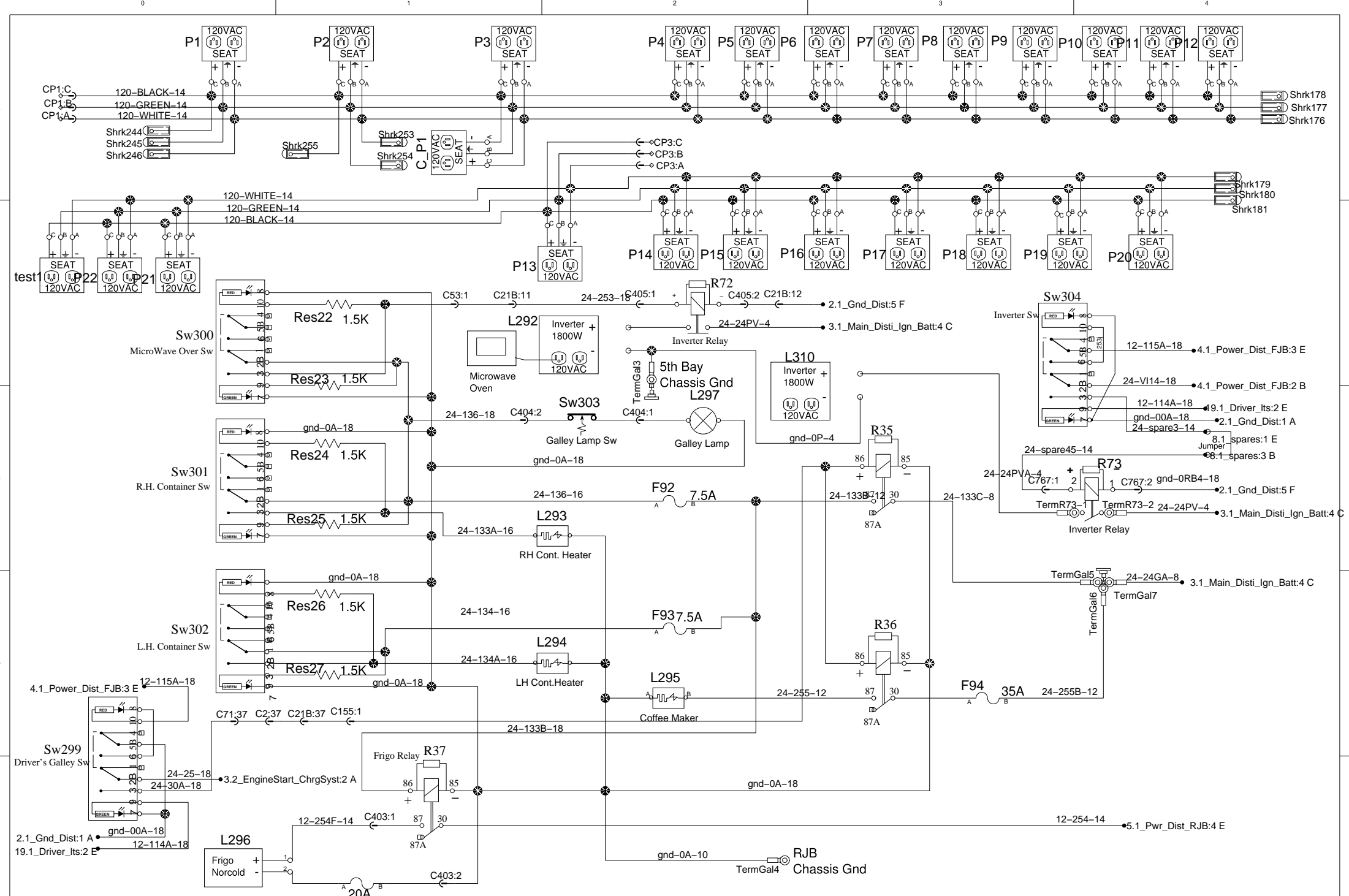
*LTD ARE RATED TO ALARM BETWEEN 334F (168C) AND 356F (180C), IF THE TEMPERATURE-SENSITIVE INSULATION MELT, THE TWO WIRES GIVE A SIGNAL BY A SHORT-CIRCUITING.

Tire Pressure Monitoring System



Tire Pressure Monitoring System



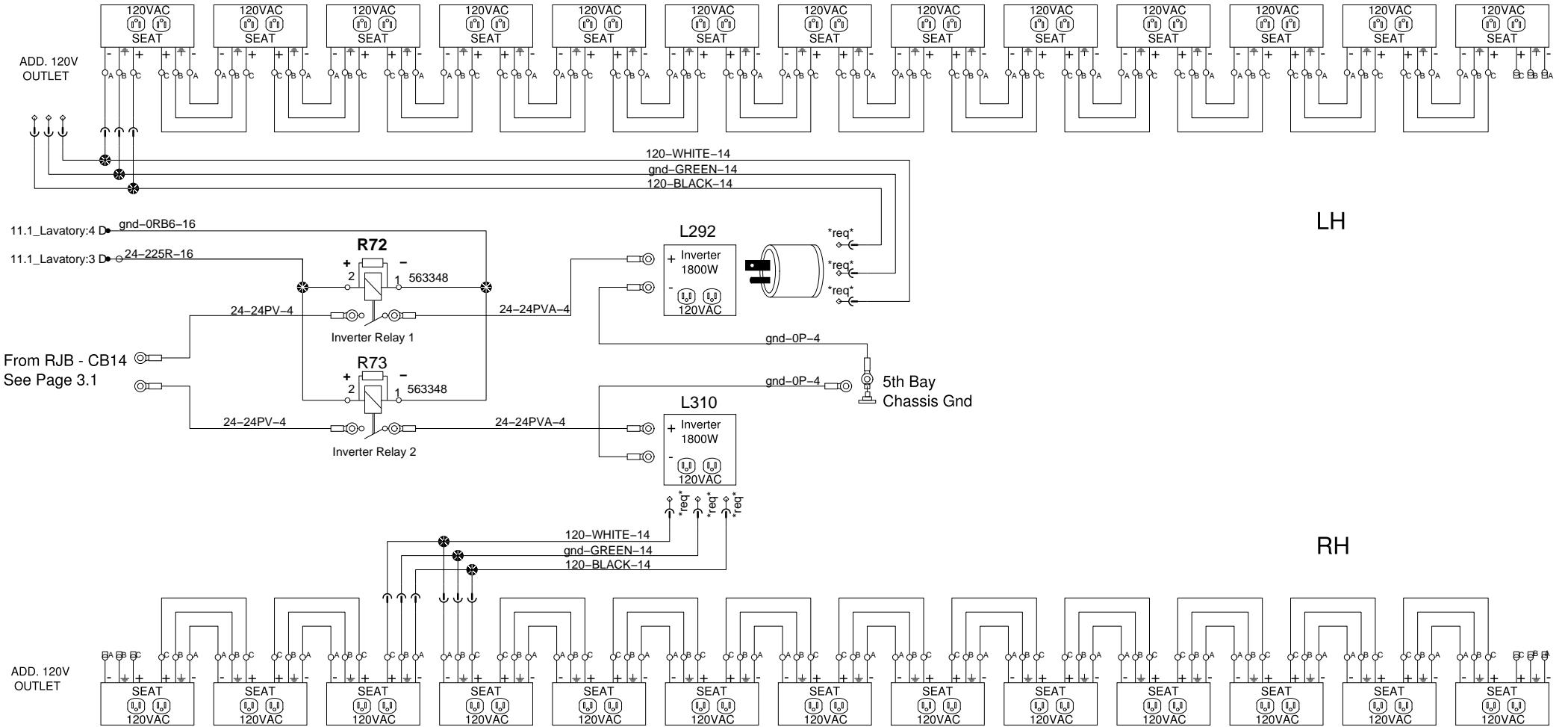


INVERTERS & 120VAC OUTLETS

REAR

FRONT

Modesty Panel



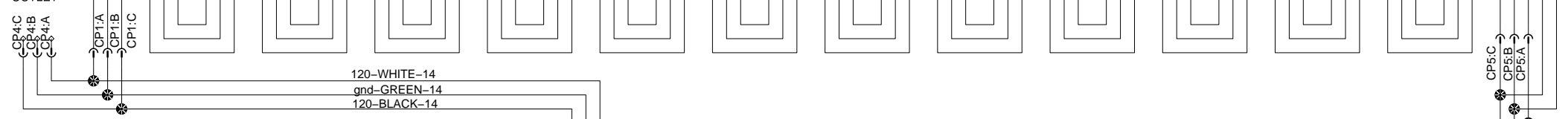
From RJB - CB14
See Page 3.1

ADD. 120V
OUTLET

Modesty Panel

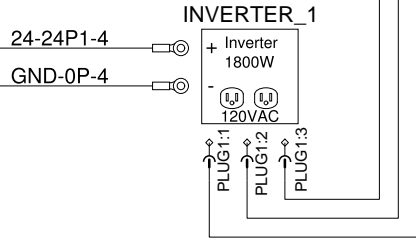
INVERTERS DC/AC & 120VAC OUTLETS

ADD. 120V OUTLET

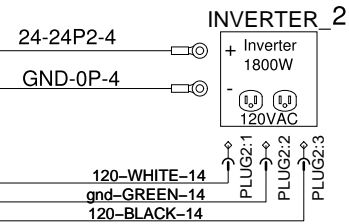


120VAC Outlet
OPTION
OUTLET INTO
PARCEL RACK

3.1_Main_Disti_Ign_Batt:3 C



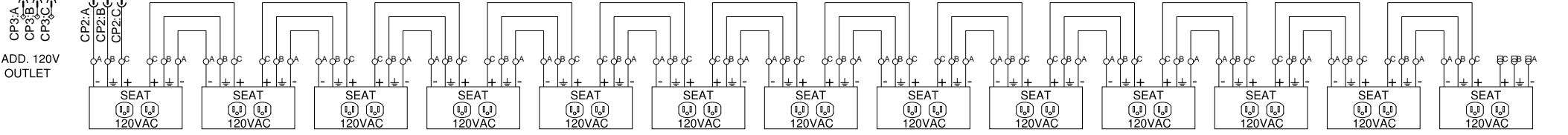
2.1_Gnd_Dist:4 G



REAR

FRONT

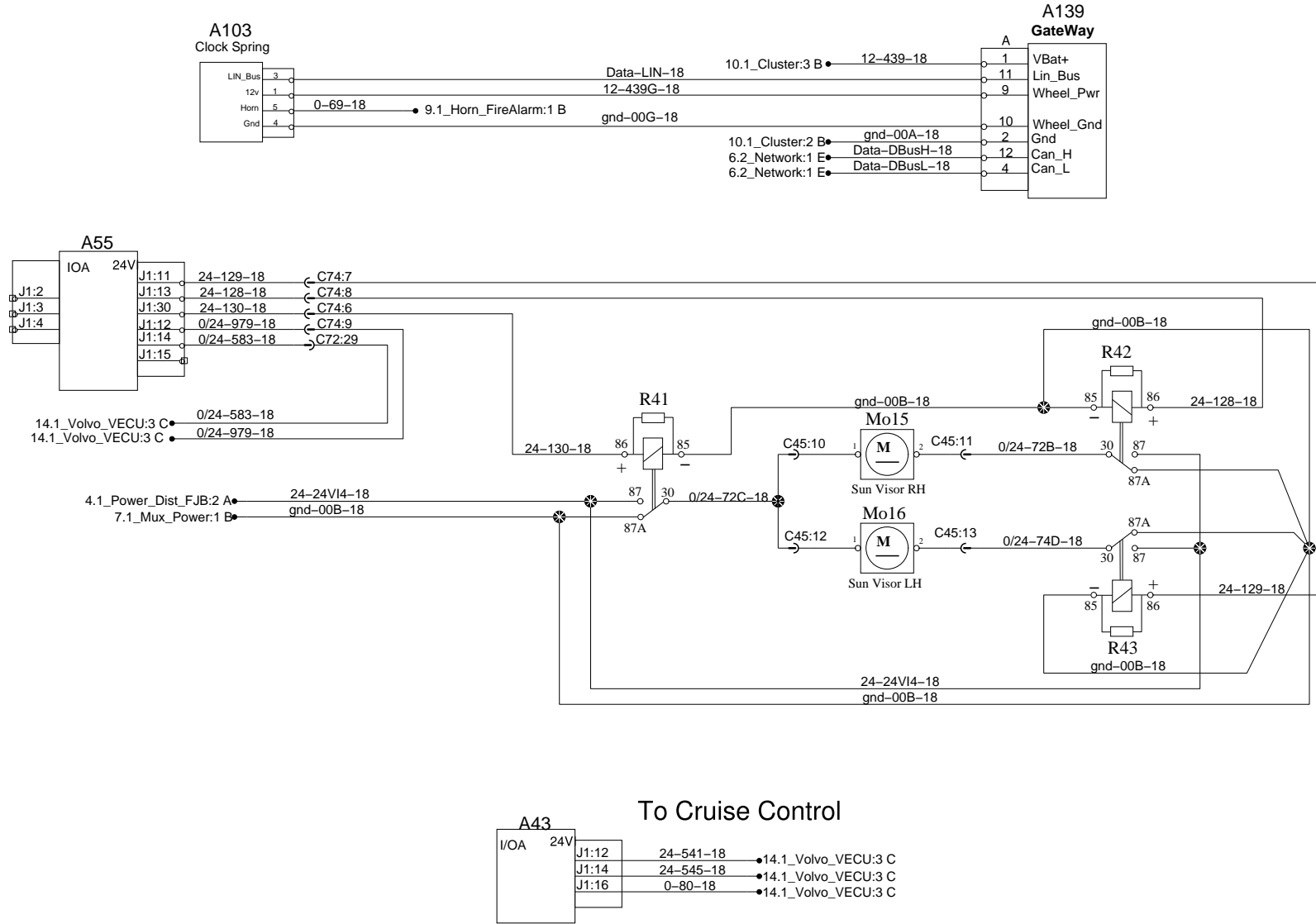
ADD. 120V OUTLET



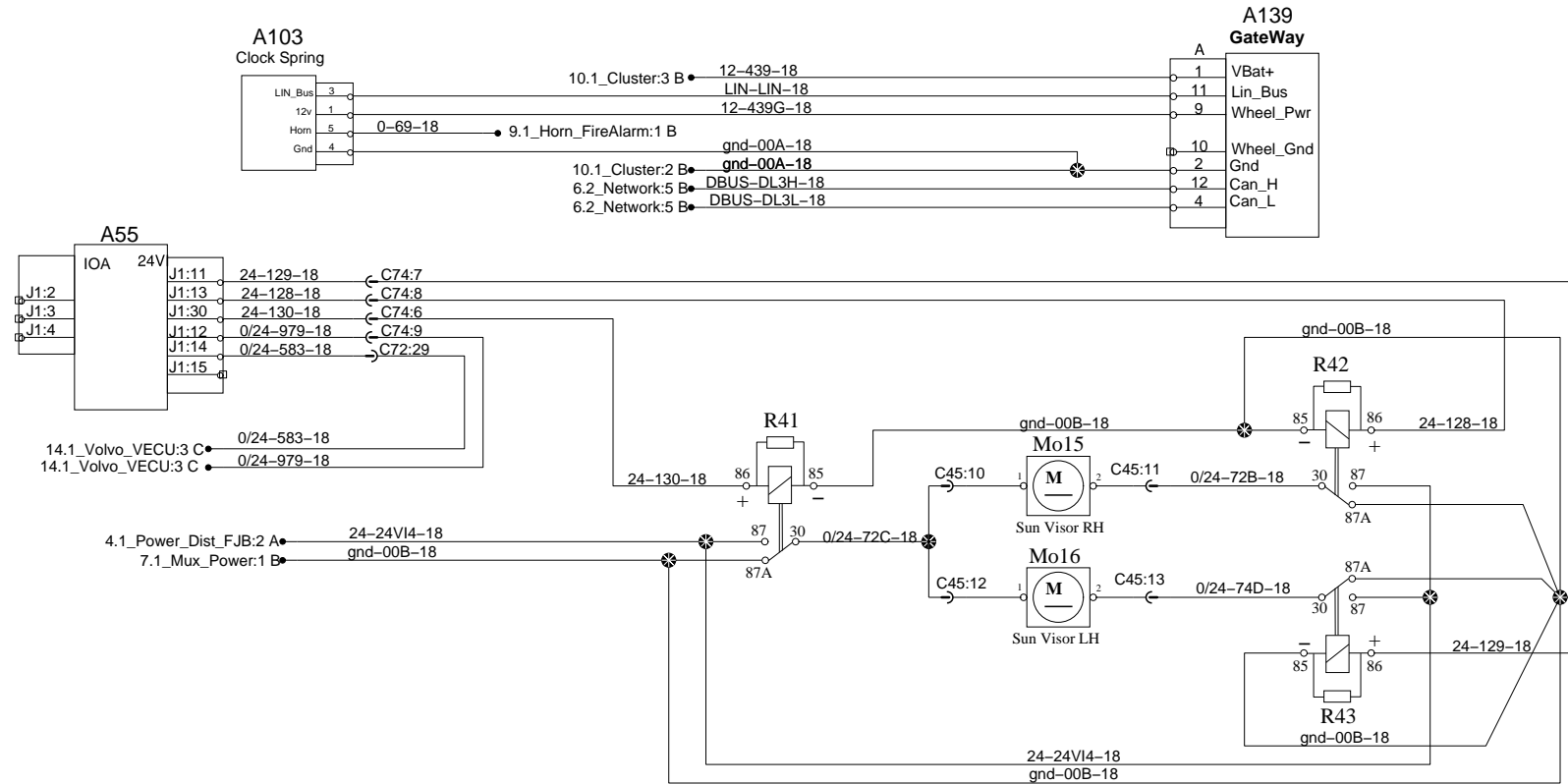
Modesty Panel

CP5:C
CP5:B
CP5:A

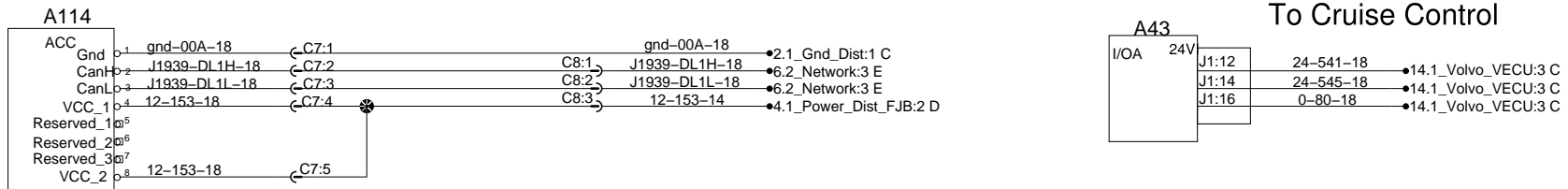
Steering Multifunctions & Sun Visor



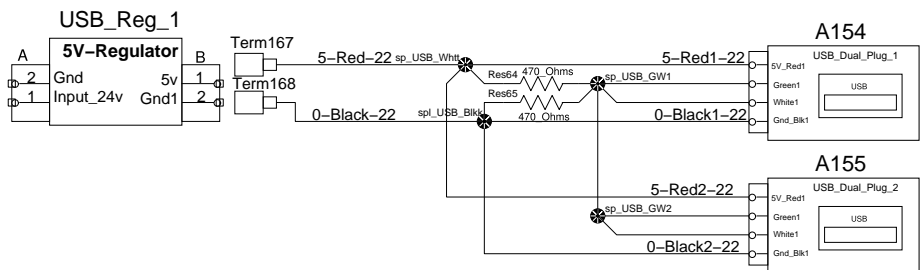
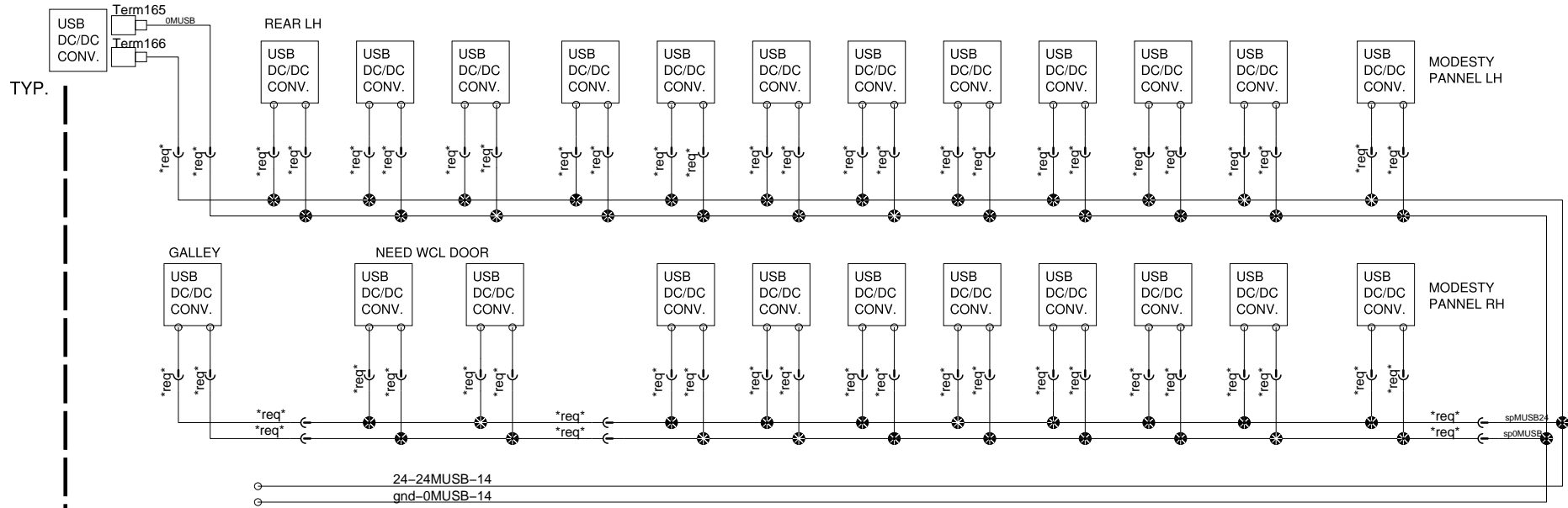
Steering Multifunctions & Sun Visor



Adaptive Cruise Control Radar



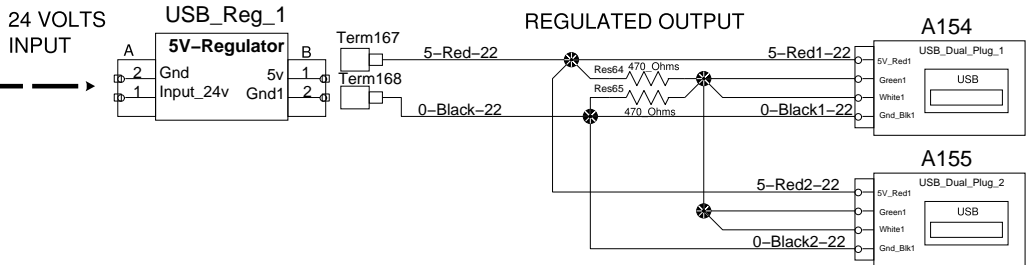
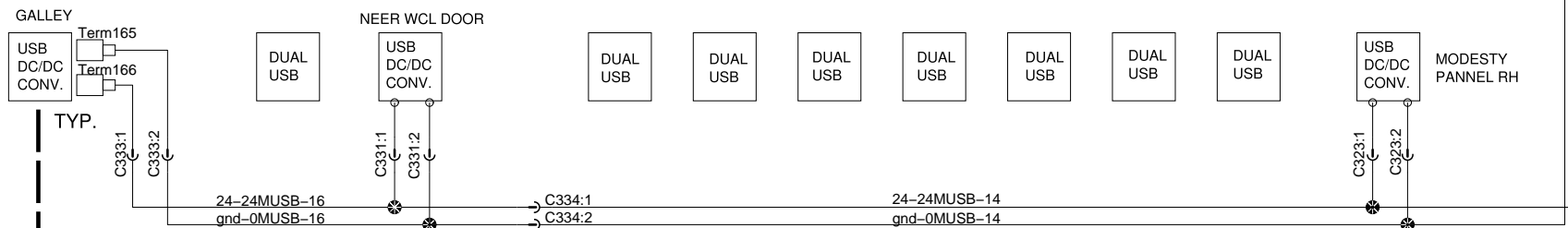
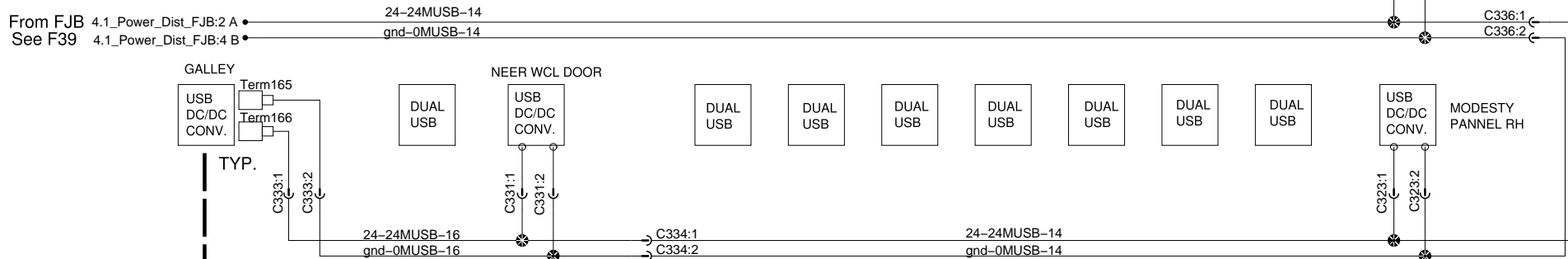
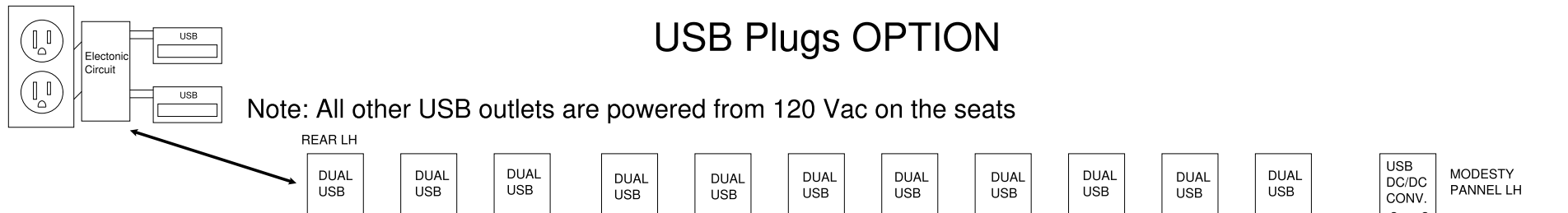
USB iPod Plugs (24VDC / 5DC converter)



NOTICE:
5 VDC @ 500mA
MAXIMUM !

USB Plugs OPTION

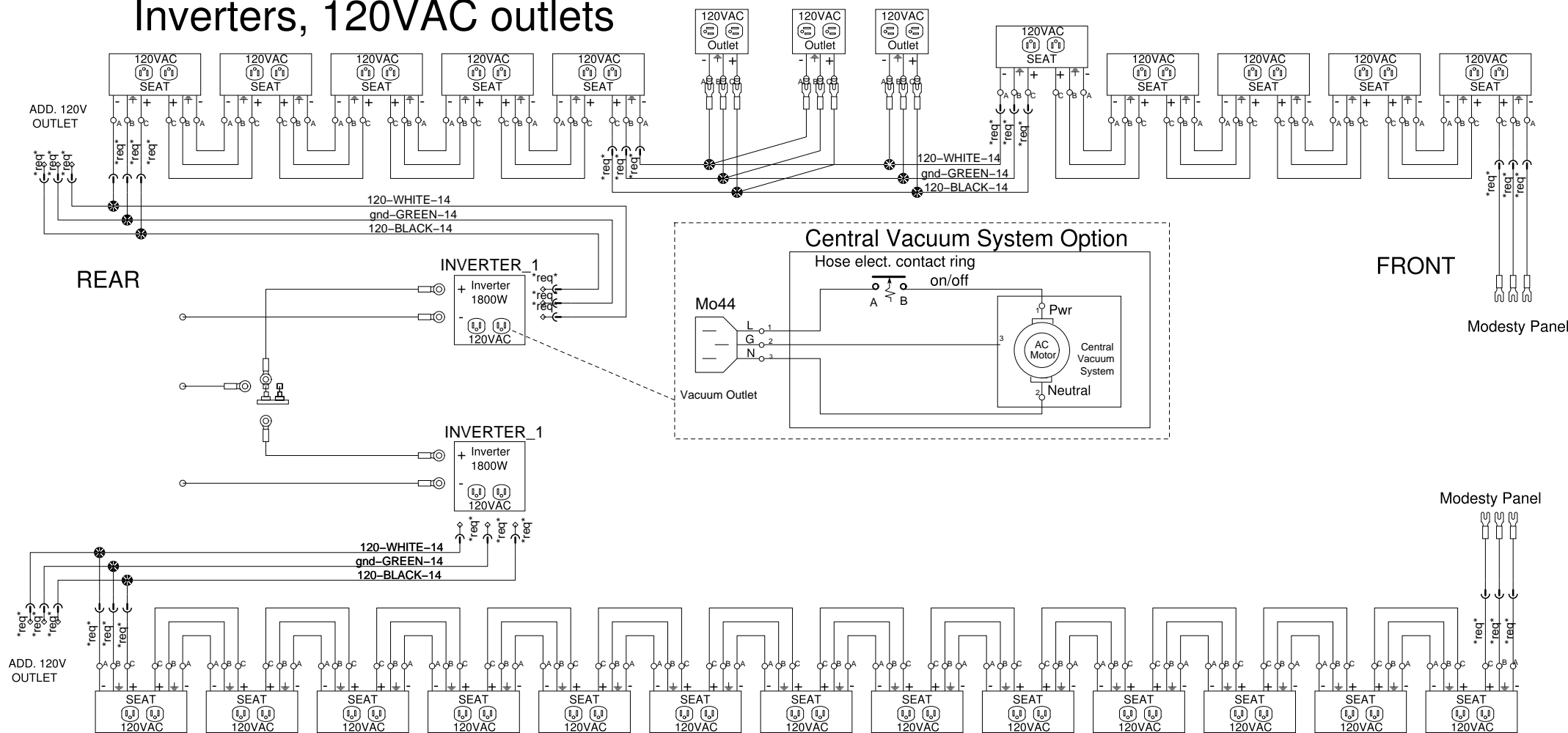
Note: All other USB outlets are powered from 120 Vac on the seats



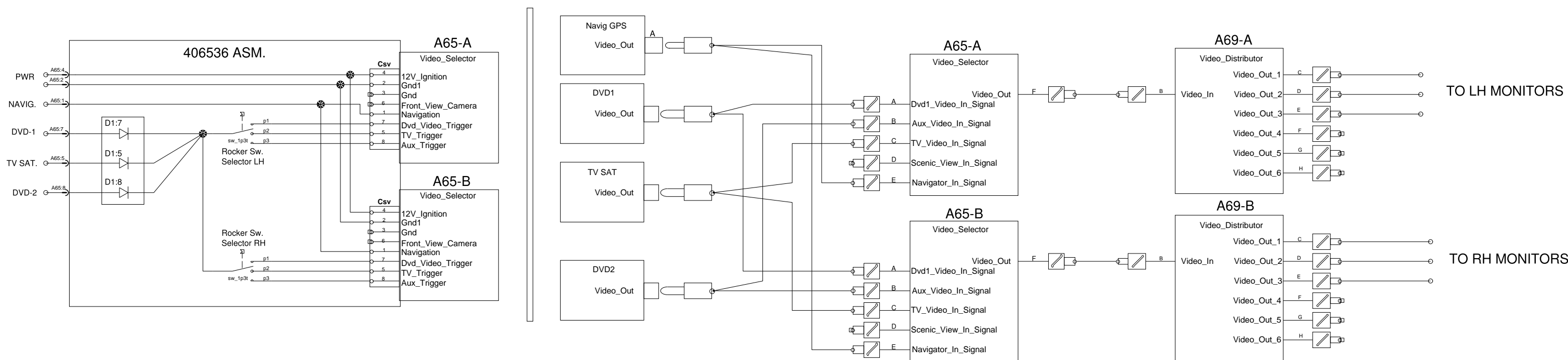
NOTICE:
5 VDC @ 500mA
MAXIMUM !

Mississippi Special Request

Inverters, 120VAC outlets



Sound System modifications



Galley Option (Special Request)

