



# XLII SHELL



REV.	DATE	O.C.	EFF.	DESCRIPTION	PAGE(S)	BY	CK.	APPR.
0	2010-12-21	2010001		EFF:9971		E.O	C.L	C.L
01	2011-02-01	2010089		REMOVE ENGINE LIGHT SWITCH ADD PROXIMITY SENSOR ON ENGINE DOOR	0, 18.2, 25.1	M.P.	C.L.	C.L.
02	2011-02-21	na		move ground on gateway	0, 32.1	M.P.	C.L.	C.L.
03	2011-07-19	2010039 2011015 2010119	C-5087 C-5134 B-5050	Relocate YAW sensor in Fr wheels Replace Power Relays 70 Amp Electrical Driver's Seat General Update	16.2 0,A,C1,K,3.3 L, 2.1, 4.1, 30.3 G, 5.1,14.2	E.L.	E.L.	C.L.
04	2011-09-13	2011003	C-5160	Replace MasterID and CECM by MCM	0,7.1	S.D.	DG	DG
05	2011-12-01	2011057 2011107 2011047 2011086	C-5265 SAME SAME SAME	TGW Gnd & Pwr of ACM SEPARATE HARNESS FOR EVAP&COND Relocation AFSS TANK General Update	11.1, 4.1, 6.2, 2.1, 16.1 3.1, 3.2, 3.3, 14.1, 14.5, 5.1 7.1, 6.1, 10.1, 18.2, 26.2 35.1 A, B1, B2, B3, C1, E, F, G, H, J, K, L	P.G. S.B. M.P. S.B. S.B.	C.L.	C.L.
06	2012-03-22	2012020		<b>2012_R1</b> ESP STD, WIRES NETWORK	A, 5.1, 6.1, 8.1, 10.1, 20.1, 32.1, 33.1 13.1, 14.1, 14.2, 14.5, 15.1, 16.1, 0, C1, C3, E.	S.B	C.L	C.L
07	2012-07-20	2012097		reverse Mo26 and modify luggage doors locks switches	0, 24.1, 29.1	M.P.	C.L.	C.L.
08	2014-05-12	NA		Pages Update	0,3.2	S.B.	C.L.	C.L.

# WIRING DIAGRAM PAGES LIST

Information pages		C		H		S	
Multiplex output list	B1	Charging System	3.2	Hazard	26.1	Service Brake Relay	12.1
Multiplex input list	B2	Clearance lights rear & front	26.1,26.2	Head Lights	26.1	Slide out	20.1
Multiplex error messages list	B3	Cluster	10.1	Horn	9.1	Spare Wires	8.1
Arrangement - Harness	C1	Cornering Lights (Optional)	26.3	Hvac Defroster	18.1	Stop lights	26.2
Can Configuration	C3	Cruise control	14.1	Hvac Passenger	18.2	Sun Visor	30.1
Glossary	D	Converter interface	21.1	Hvac Driver only	18.3	Steering Control ZF	37.1
Circuit Number Listing	E					Steering Wheel Control	32.1
Circuit Breaker code	F	<b>D</b>		<b>J</b>			
Connectors code	G	Dash Lights	19.1	J1939 and 1587 Network	6.2		
Diode Number Code	H	Differential lock	23.1				
Resistors Number Code	J	Docking Lights	26.3	<b>K</b>			
Fuses Code	L	Driver's Light and Backlight	19.1	Keyless keypad	29.1		
Relay Code	K	Driver's Power Window	30.1			<b>T</b>	
Multiplex Output List	B1	Driver's seat	17.1	<b>L</b>		Tag	28.1
Multiplex Input List	B2			Level low	28.1	Tail and Licence Lights	26.2
Multiplex error Messages List	B3	<b>E</b>		Luggage compt lighting	25.1	Test Switch	9.1
		Engine brake and Retarder	12.1	Luggage door Lock/Unlock	24.2	Transmission ECU	15.1-15.2
		Engine compt lighting	25.1	Luggage door switches	24.1	Trailer Package	26.4
		Engine Start	3.2			Tire Pressure Monitoring Sys.	33.1
<b>A</b>		Engine ECM	14.1	<b>M</b>			
Abs	16.1	Engine Override	14.1	Main Distribution Ignition & Batt.	3.1		
Abs-Esp	16.2	Entrance door	29.1	Main Distribution Wake-Up	3.3	<b>U</b>	
ACB	16.2	Ether Switch	13.1	Marker Lights	26.1,26.2		
		Engine bloc heater	11.1	Mirror Ramco	22.1	Urea ACM	14.5
		Engine Volvo	14.2	Multiplexing Power	7.1		
<b>B</b>				Multiplexing Network	6.1		
Back-up Camera	28.1					<b>W</b>	
Back-up lights and alarm	26.3			<b>P</b>		Window Ajar &Awning	27.1
Battery and Equalizer	1.1	<b>F</b>		Park Brake Sensor	12.1	Wiper & Washer	31.1
Battery Charger	17.1	Fast Idle	14.1	Trailer Brake Sensor	12.1		
Brake Pedal Sensor	12.1	Fire Alarm	9.1	Power Distribution FJB	4.1		
		Flashers	26.1,26.2	Power Distribution RJB	5.1		
		Fog lights	26.3	Power Outlet	30.1		
		Fuel Sender	10.1	Prime Pump	13.1		
		Fuel Prime Pump	13.1	Prodriver	11.1		
		Fuel water Filter	13.1	Pneumatic Cut-Out Acc sol	9.1		
		<b>G</b>		<b>R</b>			
		Grounds	2.1	Radiator Fan Clutch	13.1		
				Rear junction box door fan	11.1		

# WIRING DIAGRAM PAGES LIST

Information pages		C		H		S	
Multiplex output list	B1	Charging System	3.2	Hazard	26.1	Service Brake Relay	12.1
Multiplex input list	B2	Clearance lights rear & front	26.1,26.2	Head Lights	26.1	Slide out	20.1
Multiplex error messages list	B3	Cluster	10.1	Horn	9.1	Spare Wires	8.1
Arrangement - Harness	C1	Cornering Lights (Optional)	26.3	Hvac Defroster	18.1	Stop lights	26.2
Can Configuration	C3	Cruise control	14.1	Hvac Passenger	18.2	Sun Visor	30.1
Glossary	D	Converter interface	21.1	Hvac Driver only	18.3	Steering Control ZF	37.1
Circuit Number Listing	E					Steering Wheel Control	32.1
Circuit Breaker code	F	<b>D</b>		<b>J</b>			
Connectors code	G	Dash Lights	19.1	J1939 and 1587 Network	6.2		
Diode Number Code	H	Differential lock	23.1				
Resistors Number Code	J	Docking Lights	26.3	<b>K</b>			
Fuses Code	L	Driver's Light and Backlight	19.1	Keyless keypad	29.1		
Relay Code	K	Driver's Window & Seat	30.1,30.3			<b>T</b>	
Multiplex Output List	B1	Driver's seat	17.1	<b>L</b>		Tag	28.1
Multiplex Input List	B2			Level low	28.1	Tail and Licence Lights	26.2
Multiplex error Messages List	B3	<b>E</b>		Luggage compt lighting	25.1	Test Switch	9.1
		Engine brake and Retarder	12.1	Luggage door Lock/Unlock	24.2	Transmission ECU	15.1-15.2
		Engine compt lighting	25.1	Luggage door switches	24.1	Trailer Package	26.4
		Engine Start	3.2			Tire Pressure Monitoring Sys.	33.1
<b>A</b>		Engine ECM	14.1	<b>M</b>			
Abs	16.1	Engine Override	14.1	Main Distribution Ignition & Batt.	3.1		
Abs-Esp	16.2	Entrance door	29.1	Main Distribution Wake-Up	3.3	<b>U</b>	
ACB	16.2	Ether Switch	13.1	Marker Lights	26.1,26.2		
		Engine bloc heater	11.1	Mirror Ramco	22.1	Urea ACM	14.5
		Engine Volvo	14.2	Multiplexing Power	7.1		
<b>B</b>				Multiplexing Network	6.1		
Back-up Camera	28.1					<b>W</b>	
Back-up lights and alarm	26.3			<b>P</b>		Window Ajar &Awning	27.1
Battery and Equalizer	1.1	<b>F</b>		Park Brake Sensor	12.1	Wiper & Washer	31.1
Battery Charger	17.1	Fast Idle	14.1	Trailer Brake Sensor	12.1		
Brake Pedal Sensor	12.1	Fire Alarm	9.1	Power Distribution FJB	4.1		
		Flashers	26.1,26.2	Power Distribution RJB	5.1		
		Fog lights	26.3	Power Outlet	30.1		
		Fuel Sender	10.1	Prime Pump	13.1		
		Fuel Prime Pump	13.1	Prodriver	11.1		
		Fuel water Filter	13.1	Pneumatic Cut-Out Acc sol	9.1		
		<b>G</b>		<b>R</b>			
		Grounds	2.1	Radiator Fan Clutch	13.1		
				Rear junction box door fan	11.1		

# WIRING DIAGRAM PAGES LIST

Information pages		C		H		S	
Multiplex output list	B1	Charging System	3.2	Hazard	26.1	Service Brake Relay	12.1
Multiplex input list	B2	Clearance lights rear & front	26.1,26.2	Head Lights	26.1	Slide out	20.1
Multiplex error messages list	B3	Cluster	10.1	Horn	9.1	Spare Wires	8.1
Arrangement - Harness	C1	Cornering Lights (Optional)	26.3	Hvac Defroster	18.1	Stop lights	26.2
Can Configuration	C3	Cruise control	14.1	Hvac Passenger	18.2	Sun Visor	32.1
Glossary	D	Converter interface	21.1	Hvac Driver only	18.3	Steering Control ZF	37.1
Circuit Number Listing	E					Steering Wheel Control	32.1
Circuit Breaker code	F	<b>D</b>		<b>J</b>			
Connectors code	G	Dash Lights	19.1	J1939 and 1587 Network	6.2		
Diode Number Code	H	Differential lock	23.1				
Resistors Number Code	J	Docking Lights	26.3	<b>K</b>			
Fuses Code	L	Driver's Light and Backlight	19.1	Keyless keypad	29.1		
Relay Code	K	Driver's Window & Seat	30.1,30.3			<b>T</b>	
Multiplex Output List	B1	Driver's seat	17.1	<b>L</b>		Tag	28.1
Multiplex Input List	B2			Level low	28.1	Tail and Licence Lights	26.2
Multiplex error Messages List	B3	<b>E</b>		Luggage compt lighting	25.1	Test Switch	9.1
		Engine brake and Retarder	12.1	Luggage door Lock/Unlock	24.2	Transmission ECU	15.1-15.2
		Engine compt lighting	25.1	Luggage door switches	24.1	Trailer Package	26.4
		Engine Start	3.2			Tire Pressure Monitoring Sys.	33.1
<b>A</b>		Engine ECM	14.1	<b>M</b>			
Abs	16.1	Engine Override	14.1	Main Distribution Ignition & Batt.	3.1		
Abs-Esp	16.2	Entrance door	29.1	Main Distribution Wake-Up	3.3	<b>U</b>	
ACB	16.2	Ether Switch	13.1	Marker Lights	26.1,26.2		
		Engine bloc heater	11.1	Mirror Ramco	22.1	Urea ACM	14.5
		Engine Volvo	14.2	Multiplexing Power	7.1		
<b>B</b>				Multiplexing Network	6.1		
Back-up Camera	28.1					<b>W</b>	
Back-up lights and alarm	26.3			<b>P</b>		Window Ajar &Awning	27.1
Battery and Equalizer	1.1	<b>F</b>		Park Brake Sensor	12.1	Wiper & Washer	31.1
Battery Charger	17.1	Fast Idle	14.1	Trailer Brake Sensor	12.1		
Brake Pedal Sensor	12.1	Fire Alarm	9.1	Power Distribution FJB	4.1		
		Flashers	26.1,26.2	Power Distribution RJB	5.1		
		Fog lights	26.3	Power Outlet	30.1		
		Fuel Sender	10.1	Prime Pump	13.1		
		Fuel Prime Pump	13.1	Prodriver	11.1		
		Fuel water Filter	13.1	Pneumatic Cut-Out Acc sol	9.1		
		<b>G</b>		<b>R</b>			
		Grounds	2.1	Radiator Fan Clutch	13.1		
				Rear junction box door fan	11.1		

# WIRING DIAGRAM PAGES LIST

Information pages		C		H		S	
Multiplex output list	B1	Charging System	3.2	Hazard	26.1	Service Brake Relay	12.1
Multiplex input list	B2	Clearance lights rear & front	26.1,26.2	Head Lights	26.1	Slide out	20.1
Multiplex error messages list	B3	Cluster	10.1	Horn	9.1	Spare Wires	8.1
Arrangement - Harness	C1	Cornering Lights (Optional)	26.3	Hvac Defroster	18.1	Stop lights	26.2
Can Configuration	C3	Cruise control	14.1	Hvac Passenger	18.2	Sun Visor	32.1
Glossary	D	Converter interface	21.1	Hvac Driver only	18.3	Steering Control ZF	37.1
Circuit Number Listing	E					Steering Wheel Control	32.1
Circuit Breaker code	F	<b>D</b>		<b>J</b>			
Connectors code	G	Dash Lights	19.1	J1939 and 1587 Network	6.2		
Diode Number Code	H	Differential lock	23.1				
Resistors Number Code	J	Docking Lights	26.3	<b>K</b>			
Fuses Code	L	Driver's Light and Backlight	19.1	Keyless keypad	29.1		
Relay Code	K	Driver's Window & Seat	30.1,30.3			<b>T</b>	
Multiplex Output List	B1	Driver's seat	17.1	<b>L</b>		Tag	28.1
Multiplex Input List	B2			Level low	28.1	Tail and Licence Lights	26.2
Multiplex error Messages List	B3	<b>E</b>		Luggage compt lighting	25.1	Test Switch	9.1
		Engine brake and Retarder	12.1	Luggage door Lock/Unlock	24.2	Transmission ECU	15.1-15.2
		Engine compt lighting	25.1	Luggage door switches	24.1	Trailer Package	26.4
		Engine Start	3.2			Tire Pressure Monitoring Sys.	33.1
<b>A</b>		Engine ECM	14.1	<b>M</b>			
Adaptive Cruise Control	32.1	Engine Override	14.1	Main Distribution Ignition & Batt.	3.1		
		Entrance door	29.1	Main Distribution Wake-Up	3.3	<b>U</b>	
		Ether Switch	13.1	Marker Lights	26.1,26.2		
		Engine bloc heater	11.1	Mirror Ramco	22.1	Urea ACM	14.5
		Engine Volvo	14.2	Multiplexing Power	7.1		
<b>B</b>		ESP	16.1	Multiplexing Network	6.1		
Back-up Camera	28.1					<b>W</b>	
Back-up lights and alarm	26.3			<b>P</b>		Window Ajar &Awning	27.1
Battery and Equalizer	1.1	<b>F</b>		Park Brake Sensor	12.1	Wiper & Washer	31.1
Battery Charger	17.1	Fast Idle	14.1	Trailer Brake Sensor	12.1		
Brake Pedal Sensor	12.1	Fire Alarm	9.1	Power Distribution FJB	4.1		
		Flashers	26.1,26.2	Power Distribution RJB	5.1		
		Fog lights	26.3	Power Outlet	30.1		
		Fuel Sender	10.1	Prime Pump	13.1		
		Fuel Prime Pump	13.1	Prodriver	11.1		
		Fuel water Filter	13.1	Pneumatic Cut-Out Acc sol	9.1		
		Fuel Filter Preheater	13.1				
		<b>G</b>		<b>R</b>			
		Grounds	2.1	Radiator Fan Clutch	13.1		
				Rear junction box door fan	11.1		

# MULTIPLEX OUTPUT LIST

O\_xx... = Physical Output Pin ; I\_xx... = Physical Input Pin ; D\_xx... = CAN Network Signal from the HVAC control Head ; B\_xx... = Multiplex system global Network Variable

Module.Pin#	Signal name		Page	Connected devices	Input involved		
.	O_AcCluSol				B_TstModHvac	.	
					B_TstModSAC	.	
A36.JA:13	O_EngineRun	Engine Run Signal	3.2	A15:6	B_EngineRun	.	
					D_OnOffDrvSw	.	
					I_AccKeySw	A36.JB:6	3.2
					I_BatMonMod53	A53.J1:24	6.1
					I_BatMonMod54	A54.J1:24	6.1
					I_FrStrtEnSw	A53.J1:9	3.2
					I_IgnKeySw	A36.JB:2	3.2
					I_RrStrtEnSw	A53.J1:10	3.2
A36.JA:14	O_MasterRlyLatch		10.1	A14A.A:4	B_EngineRun	.	
					I_IgnKeySw	A36.JB:2	3.2
					I_RrCutOutSw	A36.JB:21	3.2
A36.JA:15	O_WakeUp	WakeUp Relay	3.3		I_AccKeySw	A36.JB:6	3.2
					I_EntDrUnlockSw	A41.J1:8	
					I_FrStrtEnSw	A53.J1:9	3.2
					I_HazardSw	A36.JB:4	26.1
					I_IgnKeySw	A36.JB:2	3.2
					I_RrCutOutSw	A36.JB:21	3.2
					I_RrStrtEnSw	A53.J1:10	3.2
					I_WakeUp	A36.JB:5	38.1
A36.JA:24	O_CutOutRel	Emergency CutOut Relay	3.2	R21:-	I_FireExt2ndAlm	A44.J1:10	38.1
					I_IgnKeySw	A36.JB:2	3.2
A36.JA:6	O_DrUnlockRly	Luggages doors unlocks relays			I_KeylessLuggUnl	A41.J1:18	
					I_LugDorULkSw	A41.J1:20	18.2
A36.JA:7	O_DrLockRly	Luggages doors locks relays			I_AccKeySw	A36.JB:6	3.2
					I_EntDrUnlockSw	A41.J1:8	
					I_FrStrtEnSw	A53.J1:9	3.2
					I_HazardSw	A36.JB:4	26.1
					I_IgnKeySw	A36.JB:2	3.2
					I_KeylessLockAll	A41.J1:19	
					I_LugDorLkSw	A41.J1:17	18.1
					I_RrCutOutSw	A36.JB:21	3.2
					I_RrStrtEnSw	A53.J1:10	3.2
					I_WakeUp	A36.JB:5	38.1
A41.J1:11	O_ConvWakeUp	Converter wake up signal	32.1	So20:2	I_AccKeySw	A36.JB:6	3.2
					I_EntDrUnlockSw	A41.J1:8	
					I_FrStrtEnSw	A53.J1:9	3.2
					I_HazardSw	A36.JB:4	26.1
					I_IgnKeySw	A36.JB:2	3.2
					I_RrCutOutSw	A36.JB:21	3.2
					I_RrStrtEnSw	A53.J1:10	3.2
					I_WakeUp	A36.JB:5	38.1

# MULTIPLEX OUTPUT LIST

O\_xx... = Physical Output Pin ; I\_xx... = Physical Input Pin ; D\_xx... = CAN Network Signal from the HVAC control Head ; B\_xx.. = Multiplex system global Network Variable

Module.Pin#	Signal name		Page	Connected devices	Input involved		
A41.J1:12	O_ConvrNeutral	Converter neutral signal			I_NeutralSe	A50.J1:11	3.2
A41.J1:13	O_EntDorUpperPe	Entrance Door Upper Pen	11.1	L143:1	I_ParkBrSe	A36.JB:9	12.1
A41.J1:15	O_ConvParkBrk	Converter park brake signal	32.1	So15:2	I_ParkBrSe	A36.JB:9	12.1
A41.J1:16	O_WakeUpA41		32.1	So14:1	I_AccKeySw	A36.JB:6	3.2
					I_DrvLtSw	A41.J1:2	
					I_EntDorLockSw	A41.J1:9	
					I_EntDorOpSe	A41.J1:5	
					I_EntDrUnlockSw	A41.J1:8	
					I_FireSensorA36	A41.J1:10	22.1
					I_FrStrtEnSw	A53.J1:9	3.2
					I_HazardSw	A36.JB:4	26.1
					I_HornSw	A41.J1:3	23.1
					I_IgnKeySw	A36.JB:2	3.2
					I_KeylessDrUnl	A41.J1:4	24.1
					I_KeylessEntReq	A41.J1:21	
					I_KeylessIntru	A41.J1:7	32.1
					I_KeylessLockAll	A41.J1:19	
					I_KeylessLuggUnl	A41.J1:18	
					I_LugDorLkSw	A41.J1:17	18.1
					I_LugDorULkSw	A41.J1:20	18.2
					I_RrCutOutSw	A36.JB:21	3.2
					I_RrStrtEnSw	A53.J1:10	3.2
					I_WakeUp	A36.JB:5	38.1
A42.J1:11	O_ConvIgnition	Converter ignition signal	11.1	L2:1	I_IgnKeySw	A36.JB:2	3.2
A42.J1:12	O_ConvEngRun	Converter engine run signal	32.1		B_EngineRun	.	
A42.J1:13	O_SldO2MotIn	Rear Slide Out retracting	33.1	So19:2	I_BatMonMod57	A57.J1:24	
					I_SldO1VacPrSe	A56.J1:13	
					I_SldO2CloseSw	A57.J1:10	
					I_SldO2LimiOutSw	A57.J1:14	
					I_SldO2LimitInSe	A57.J1:11	
					I_SldO2OpenSw	A57.J1:9	
					I_SldO2PBrakeSw	A57.J1:12	
A42.J1:14	O_SldO1MotIn	Front Slide Out retracting	32.1	L188:1	I_BatMonMod56	A56.J1:24	
					I_SldO1CloseSw	A56.J1:10	
					I_SldO1LimiOutSw	A56.J1:14	
					I_SldO1LimitInSe	A56.J1:11	
					I_SldO1OpenSw	A56.J1:9	
					I_SldO1PBrakeSw	A56.J1:12	
					I_SldO1VacPrSe	A56.J1:13	
A42.J1:16	O_SldO1MotOut	Front Slide Out extending	33.1	So18:2	I_BatMonMod56	A56.J1:24	
					I_SldO1CloseSw	A56.J1:10	
					I_SldO1LimiOutSw	A56.J1:14	
					I_SldO1LimitInSe	A56.J1:11	

# MULTIPLEX OUTPUT LIST

O\_xx... = Physical Output Pin ; I\_xx... = Physical Input Pin ; D\_xx... = CAN Network Signal from the HVAC control Head ; B\_xx.. = Multiplex system global Network Variable

Module.Pin#	Signal name		Page	Connected devices	Input involved		
A42.J1:16	O_SldO1MotOut	Front Slide Out extending	33.1	So18:2	I_SldO1OpenSw	A56.J1:9	
					I_SldO1PBrakeSw	A56.J1:12	
					I_SldO1VacPrSe	A56.J1:13	
A43.J1:11	O_SldO2MotOut	Rear Slide Out extending	29.1		I_BatMonMod57	A57.J1:24	
					I_SldO1VacPrSe	A56.J1:13	
					I_SldO2CloseSw	A57.J1:10	
					I_SldO2LimiOutSw	A57.J1:14	
					I_SldO2LimitInSe	A57.J1:11	
					I_SldO2OpenSw	A57.J1:9	
					I_SldO2PBrakeSw	A57.J1:12	
A44.J1:1	O_DashTrapPMo	Dash Trap Motor	18.1	Mo3:1	D_AirFlapBit0	.	
					D_AirFlapBit1	.	
					D_AirFlapBit2	.	
					I_IgnKeySw	A36.JB:2	3.2
A44.J1:2	O_DashTrapNMo	Dash Trap Motor Return	18.1	Mo3:3	D_AirFlapBit0	.	
					D_AirFlapBit1	.	
					D_AirFlapBit2	.	
					I_IgnKeySw	A36.JB:2	3.2
A44.J1:20	O_DashBackLit	Dash BackLighting	28.1		I_HdLtPos1Sw	A43.J1:4	26.1
A44.J1:21	O_CrankSignVecu	Crank Signal for Vecu Volvo			B_BatterySaver	.	
					B_EngineRun	.	
					B_TestMode	.	
					B_TstModHvac	.	
					B_TstModSAC	.	
					I_AccKeySw	A36.JB:6	3.2
					I_EntDrUnlockSw	A41.J1:8	
					I_FrStrtEnSw	A53.J1:9	3.2
					I_HazardSw	A36.JB:4	26.1
					I_IgnKeySw	A36.JB:2	3.2
					I_KeylessDrUnl	A41.J1:4	24.1
					I_KeylessIntru	A41.J1:7	32.1
					I_NeutralSe	A50.J1:11	3.2
					I_RrCutOutSw	A36.JB:21	3.2
					I_RrStrtEnSw	A53.J1:10	3.2
					I_StartLockOut	A53.J1:12	36.1
					I_WakeUp	A36.JB:5	38.1
A44.J1:4	O_BrakeRedundant	Brake Redundant For Volvo D13	26.3	L95B:1	I_BrkLtSeFrSig	A36.JB:13	12.1
					I_BrkLtSeRrSig	A51.J1:10	12.1
A44.J1:6	O_KeylessPwr		15.3		I_IgnKeySw	A36.JB:2	3.2
					I_LugDorLkSw	A41.J1:17	18.1
A44.J1:7	O_BackUpMon	Backup Monitor Signal	19.1	Pot1.C:1	I_BackUpCamSw	A42.J1:6	36.1
A44.J1:8	O_FrClearLb	Front Clearance Lights Bulb	26.1		B_BatterySaver	.	
					B_TstModExtLight	.	



# MULTIPLEX OUTPUT LIST

O\_xx... = Physical Output Pin ; I\_xx... = Physical Input Pin ; D\_xx... = CAN Network Signal from the HVAC control Head ; B\_xx.. = Multiplex system global Network Variable

Module.Pin#	Signal name		Page	Connected devices	Input involved		
A44.J1:8	O_FrClearLb	Front Clearance Lights Bulb	26.1		I_BlinkSw	A43.J1:20	
					I_FogLightSw	A43.J1:10	
					I_HdLtPos1Sw	A43.J1:4	26.1
					I_HdLtPos2SwLH	A45.J1:12	26.1
A45.J1:1	O_FootTrpPSol	Foot Trap Solenoid	18.1	Mo4:A	D_AirFlapBit0	.	
					D_AirFlapBit1	.	
					D_AirFlapBit2	.	
					I_IgnKeySw	A36.JB:2	3.2
A45.J1:2	O_FootTrpNSol	Foot Trap Solenoid	18.1	Mo4:B	D_AirFlapBit0	.	
					D_AirFlapBit1	.	
					D_AirFlapBit2	.	
					I_IgnKeySw	A36.JB:2	3.2
A45.J1:20	O_HornSol	Electric Horn	9.1		I_AccKeySw	A36.JB:6	3.2
					I_EntDrUnlockSw	A41.J1:8	
					I_FireExt1stAl	A36.JB:23	38.1
					I_FireExt2ndAlm	A44.J1:10	38.1
					I_FireSensorA36	A41.J1:10	22.1
					I_FrStrtEnSw	A53.J1:9	3.2
					I_HazardSw	A36.JB:4	26.1
					I_HornSw	A41.J1:3	23.1
					I_IgnKeySw	A36.JB:2	3.2
					I_KeylessDrUnl	A41.J1:4	24.1
					I_KeylessIntru	A41.J1:7	32.1
					I_KeylessLockAll	A41.J1:19	
					I_KeylessLuggUnl	A41.J1:18	
					I_KeylessPanic	A41.J1:6	32.1
					I_LugDorLkSw	A41.J1:17	18.1
					I_RrCutOutSw	A36.JB:21	3.2
					I_RrStrtEnSw	A53.J1:10	3.2
					I_WakeUp	A36.JB:5	38.1
A45.J1:21	O_LHFrMkrLb	Left Hand Front Markers Light Bulb	26.1		B_BatterySaver	.	
					B_TstModExtLight	.	
					I_BlinkSw	A43.J1:20	
					I_FogLightSw	A43.J1:10	
					I_HdLtPos1Sw	A43.J1:4	26.1
					I_HdLtPos2SwLH	A45.J1:12	26.1
					I_IgnKeySw	A36.JB:2	3.2
					I_KeylessIntru	A41.J1:7	32.1
					I_KeylessPanic	A41.J1:6	32.1
A45.J1:3	O_LHFrlshLb	Left Hand Front Flasher Light Bulb	26.1		B_BatterySaver	.	
					B_TstModExtLight	.	
					I_LHFrlshSw	A45.J1:9	26.1
					I_LHFrlshSwRrSig	A51.J1:9	26.2

# MULTIPLEX OUTPUT LIST

O\_xx... = Physical Output Pin ; I\_xx... = Physical Input Pin ; D\_xx... = CAN Network Signal from the HVAC control Head ; B\_xx... = Multiplex system global Network Variable

Module.Pin#	Signal name		Page	Connected devices	Input involved		
A45.J1:3	O_LHFrFlshLb	Left Hand Front Flasher Light Bulb	26.1		I_RHFlshSwRrSig	A51.J1:12	26.2
A45.J1:4	O_LHFogLb	Left Hand Fog Light Bulb	26.3	L95A:1	B_BatterySaver	.	
					B_TstModExtLight	.	
					I_FogLightSw	A43.J1:10	
					I_HdLtHiLowBmSw	A43.J1:8	26.1
					I_HdLtPos2SwLH	A45.J1:12	26.1
A45.J1:5	O_LHCornerLb	Left Hand Cornering Light Bulb	26.3	L97.A:1	B_BatterySaver	.	
					B_TstModExtLight	.	
					I_CorneringLtSw	A43.J1:21	
					I_DockingLtSw	A43.J1:7	9.1
					I_LHFlshSw	A45.J1:9	26.1
					I_LowDockLtsSw	A43.J1:5	26.1
A45.J1:6	O_LHHiBmLb	Left Hand Hi Beam Light Bulb	26.1		B_BatterySaver	.	
					B_EngineRun	.	
					B_OneAltCharging	.	
					B_TstModExtLight	.	
					I_HdLtHiLowBmSw	A43.J1:8	26.1
					I_HdLtPos2SwLH	A45.J1:12	26.1
					I_HiBeamCallSw	A43.J1:3	26.1
A45.J1:7	O_LHLwBmLb	Left Hand Low Beam Light Bulb	26.1		B_BatterySaver	.	
					B_TstModExtLight	.	
					I_HdLtPos2SwLH	A45.J1:12	26.1
A45.J1:8	O_FlshAudiRel	Flasher Audible Relay	26.1	L66:1	I_HazardSw	A36.JB:4	26.1
					I_IgnKeySw	A36.JB:2	3.2
					I_LHFlshSw	A45.J1:9	26.1
					I_LHFlshSwRrSig	A51.J1:9	26.2
					I_RHFlshSw	A48.J1:12	26.1
					I_RHFlshSwRrSig	A51.J1:12	26.2
A46.J1:2	O_UpDefHeater1	Upper Defroster Heater #1	34.1	R24:86	B_BatterySaver	.	
					B_EngineRun	.	
					B_LowVoltage	.	
					D_OnOffDrvSw	.	
					I_FrontOutTemp	A47.J1:14	
					I_OutDoorTempSe	A54.J1:14	
					I_UpperDefFanSw	A42.J1:19	
A46.J1:20	O_UdrFlrLb	Under Floor Light Bulb	25.1		B_BatterySaver	.	
					I_AccKeySw	A36.JB:6	3.2
					I_IgnKeySw	A36.JB:2	3.2
A46.J1:21	O_HeadLmpWshMo		34.1		I_HeadLmpWshSw	A45.J1:11	15.3
A46.J1:3	O_LwWshPmp	Lower Wiper Washer Pump	34.1		B_BatterySaver	.	
					I_LwWshSw	A46.J1:9	
A46.J1:4	O_UpDefHeater2	Upper Defroster Heater #2	34.1		B_BatterySaver	.	
					B_EngineRun	.	

# MULTIPLEX OUTPUT LIST

O\_xx... = Physical Output Pin ; I\_xx... = Physical Input Pin ; D\_xx... = CAN Network Signal from the HVAC control Head ; B\_xx... = Multiplex system global Network Variable

Module.Pin#	Signal name		Page	Connected devices	Input involved		
A46.J1:4	O_UpDefHeater2	Upper Defroster Heater #2	34.1		B_LowVoltage	.	
					D_OnOffDrvSw	.	
					I_FrontOutTemp	A47.J1:14	
					I_OutDoorTempSe	A54.J1:14	
					I_UpperDefFanSw	A42.J1:19	
A46.J1:5	O_DrvRfgSol	Driver refrigerent solenoid	18.1	D2.A:1	B_BatterySaver	.	
					B_EngineRun	.	
					B_LowVoltage	.	
					B_TestMode	.	
					B_TstModHvac	.	
					B_TstModSAC	.	
					I_AcPresHiSse	A52.J1:13	18.2
					I_AcPresLoSse	A52.J1:14	18.2
					I_FrontOutTemp	A47.J1:14	
					I_OutDoorTempSe	A54.J1:14	
A46.J1:6	O_DrvHeatSol	Driver Heat Solenoid	18.1	So8:1	B_BatterySaver	.	
					B_EngineRun	.	
					B_LowVoltage	.	
					B_OneAltCharging	.	
					B_TestMode	.	
					B_TstModHvac	.	
					B_TstModSAC	.	
					D_AirFlapBit0	.	
					D_AirFlapBit1	.	
					D_AirFlapBit2	.	
					D_DriverSetPts	.	
					D_DrvFnSpdBit0	.	
					D_DrvFnSpdBit1	.	
					D_DrvFnSpdBit2	.	
					D_OnOffPassSw	.	
					D_PassSetPts	.	
					I_BatMonMod46	A46.J1:24	6.1
					I_BatMonMod54	A54.J1:24	6.1
					I_DefrostHighSw	A47.J1:10	29.1
					I_DefrostLowSw	A47.J1:12	29.1
					I_DrvTempSe	A46.J1:13	32.1
					I_FireExt1stAl	A36.JB:23	38.1
					I_FireExt2ndAlm	A44.J1:10	38.1
					I_FireSensorA36	A41.J1:10	22.1
					I_FrontOutTemp	A47.J1:14	
					I_OutDoorTempSe	A54.J1:14	
A46.J1:8	O_UpDefFanMo	Upper defroster Fan Motor			B_BatterySaver	.	
					B_EngineRun	.	

# MULTIPLEX OUTPUT LIST

O\_xx... = Physical Output Pin ; I\_xx... = Physical Input Pin ; D\_xx... = CAN Network Signal from the HVAC control Head ; B\_xx.. = Multiplex system global Network Variable

Module.Pin#	Signal name		Page	Connected devices	Input involved		
A46.J1:8	O_UpDefFanMo	Upper defroster Fan Motor			B_LowVoltage	.	
					D_OnOffDrvSw	.	
					I_FrontOutTemp	A47.J1:14	
					I_OutDoorTempSe	A54.J1:14	
					I_UpperDefFanSw	A42.J1:19	
A47.J1:1	O_DrvDefFanMo	Driver Defroster Fan Motor	18.1	A24.B:B	B_BatterySaver	.	
					B_EngineRun	.	
					B_LowVoltage	.	
					D_DrvFnSpdBit0	.	
					D_DrvFnSpdBit1	.	
					D_DrvFnSpdBit2	.	
					D_OnOffDrvSw	.	
					I_BatMonMod47	A47.J1:24	6.1
					I_FrStrtEnSw	A53.J1:9	3.2
					I_IgnKeySw	A36.JB:2	3.2
					I_RrStrtEnSw	A53.J1:10	3.2
A47.J1:2	O_DrvRecTrap	Driver Recycle Trap	18.1	L203:A	B_BatterySaver	.	
					B_EngineRun	.	
					B_TestMode	.	
					B_TstModHvac	.	
					B_TstModSAC	.	
					D_RecSw	.	
A47.J1:20	O_AuxWaterPump	Auxiliary water pump	18.1		B_BatterySaver	.	
					B_EngineRun	.	
					B_OneAltCharging	.	
					B_TestMode	.	
					B_TstModSAC	.	
					D_DriverSetPts	.	
					D_DrvFnSpdBit0	.	
					D_DrvFnSpdBit1	.	
					D_DrvFnSpdBit2	.	
					I_DefrostHighSw	A47.J1:10	29.1
					I_DefrostLowSw	A47.J1:12	29.1
					I_FrontOutTemp	A47.J1:14	
					I_OutDoorTempSe	A54.J1:14	
A47.J1:3	O_LwWipSpd1	Lower Wiper Speed 1	34.1	R23:86	B_BatterySaver	.	
					I_LwWipIntSw	A42.J1:8	34.1
					I_LwWshSw	A46.J1:9	
A47.J1:5	O_EntDorStpLb	Entrance Door Step Light Bulb	29.1		I_AccKeySw	A36.JB:6	3.2
					I_EntDorOpSe	A41.J1:5	
					I_EntDrUnlockSw	A41.J1:8	
					I_FrStrtEnSw	A53.J1:9	3.2
					I_HazardSw	A36.JB:4	26.1

# MULTIPLEX OUTPUT LIST

O\_xx... = Physical Output Pin ; I\_xx... = Physical Input Pin ; D\_xx... = CAN Network Signal from the HVAC control Head ; B\_xx... = Multiplex system global Network Variable

Module.Pin#	Signal name		Page	Connected devices	Input involved		
A47.J1:5	O_EntDorStpLb	Entrance Door Step Light Bulb	29.1		I_IgnKeySw	A36.JB:2	3.2
					I_KeylessDrUnl	A41.J1:4	24.1
					I_KeylessLuggUnl	A41.J1:18	
					I_LugDorLkSw	A41.J1:17	18.1
					I_RrCutOutSw	A36.JB:21	3.2
					I_RrStrtEnSw	A53.J1:10	3.2
					I_WakeUp	A36.JB:5	38.1
A47.J1:6	O_DriverLtLb	Driver Light Bulb	29.1	So6:2	B_BatterySaver	.	
A47.J1:7	O_RHDefrostFan	Passenger defrost fan speed control	29.1	So5:2	I_DrvLtSw	A41.J1:2	
					B_BatterySaver	.	
					B_EngineRun	.	
					B_LowVoltage	.	
					D_DrvFnSpdBit0	.	
					D_DrvFnSpdBit1	.	
					D_DrvFnSpdBit2	.	
					D_OnOffDrvSw	.	
					I_BatMonMod47	A47.J1:24	6.1
					I_DefrostHighSw	A47.J1:10	29.1
					I_DefrostLowSw	A47.J1:12	29.1
A47.J1:8	O_EntDorLtLb	Entrance Door Light Bulb	29.1		I_FrStrtEnSw	A53.J1:9	3.2
					I_IgnKeySw	A36.JB:2	3.2
					I_RrStrtEnSw	A53.J1:10	3.2
					I_AccKeySw	A36.JB:6	3.2
					I_DrvLtSw	A41.J1:2	
					I_EntDorOpSe	A41.J1:5	
					I_EntDrUnlockSw	A41.J1:8	
					I_FrStrtEnSw	A53.J1:9	3.2
					I_HazardSw	A36.JB:4	26.1
					I_IgnKeySw	A36.JB:2	3.2
A48.J1:1	O_DoorUnlockMo	Entrance door unlock motor	26.3	L96B:1	I_KeylessDrUnl	A41.J1:4	24.1
					I_KeylessLuggUnl	A41.J1:18	
					I_LugDorLkSw	A41.J1:17	18.1
					I_RrCutOutSw	A36.JB:21	3.2
					I_RrStrtEnSw	A53.J1:10	3.2
					I_WakeUp	A36.JB:5	38.1
					I_AccKeySw	A36.JB:6	3.2
					I_EntDorOpSe	A41.J1:5	
					I_EntDrUnlockSw	A41.J1:8	
					I_EntDrUnSw	A48.J1:9	
I_FrStrtEnSw	A53.J1:9	3.2					
I_HazardSw	A36.JB:4	26.1					
I_IgnKeySw	A36.JB:2	3.2					
I_KeylessDrUnl	A41.J1:4	24.1					

# MULTIPLEX OUTPUT LIST

O\_xx... = Physical Output Pin ; I\_xx... = Physical Input Pin ; D\_xx... = CAN Network Signal from the HVAC control Head ; B\_xx... = Multiplex system global Network Variable

Module.Pin#	Signal name		Page	Connected devices	Input involved		
A48.J1:1	O_DoorUnlockMo	Entrance door unlock motor	26.3	L96B:1	I_RrCutOutSw	A36.JB:21	3.2
					I_RrStrtEnSw	A53.J1:10	3.2
					I_WakeUp	A36.JB:5	38.1
A48.J1:2	O_DoorLockMo	Entrance door lock motor			I_AccKeySw	A36.JB:6	3.2
					I_EntDorLockSw	A41.J1:9	
					I_EntDorOpSe	A41.J1:5	
					I_EntDrUnlockSw	A41.J1:8	
					I_FrStrtEnSw	A53.J1:9	3.2
					I_HazardSw	A36.JB:4	26.1
					I_IgnKeySw	A36.JB:2	3.2
					I_KeylessLockAll	A41.J1:19	
					I_RrCutOutSw	A36.JB:21	3.2
					I_RrStrtEnSw	A53.J1:10	3.2
					I_WakeUp	A36.JB:5	38.1
A48.J1:20	O_RHFrSidFlshLb	RH Front Side Flasher L-Bulb	26.1	L64:1	B_BatterySaver	.	
					B_TstModExtLight	.	
					I_LHFlshSwRrSig	A51.J1:9	26.2
					I_RHFlshSw	A48.J1:12	26.1
					I_RHFlshSwRrSig	A51.J1:12	26.2
A48.J1:3	O_RHHiBeamLb	Right Hand Hi Beam Light Bulb	26.1	L313:C	B_BatterySaver	.	
					B_EngineRun	.	
					B_OneAltCharging	.	
					B_TstModExtLight	.	
					I_HdLtHiLowBmSw	A43.J1:8	26.1
					I_HdLtPos2SwLH	A45.J1:12	26.1
					I_HiBeamCallSw	A43.J1:3	26.1
A48.J1:4	O_RHLwBeamLb	Right Hand Low Beam Light Bulb	26.1	L313:E	B_BatterySaver	.	
					B_TstModExtLight	.	
					I_HdLtPos2SwRH	A48.J1:10	26.1
A48.J1:5	O_RHCornerLb	Right Hand Cornering Light Bulb	26.3	L98A.A:1	B_BatterySaver	.	
					B_TstModExtLight	.	
					I_CorneringLtSw	A43.J1:21	
					I_DockingLtSw	A43.J1:7	9.1
					I_LowDockLtsSw	A43.J1:5	26.1
					I_RHFlshSw	A48.J1:12	26.1
A48.J1:6	O_RHFrFlshLb	Right Hand Front Flasher Light Bulb	26.1		B_BatterySaver	.	
					B_TstModExtLight	.	
					I_LHFlshSwRrSig	A51.J1:9	26.2
					I_RHFlshSw	A48.J1:12	26.1
					I_RHFlshSwRrSig	A51.J1:12	26.2
A48.J1:7	O_RHFrMrkLb	Right Hand Front Markers Light Bulb	26.1	L63:1	B_BatterySaver	.	
					B_TstModExtLight	.	
					I_BlinkSw	A43.J1:20	

# MULTIPLEX OUTPUT LIST

O\_xx... = Physical Output Pin ; I\_xx... = Physical Input Pin ; D\_xx... = CAN Network Signal from the HVAC control Head ; B\_xx.. = Multiplex system global Network Variable

Module.Pin#	Signal name		Page	Connected devices	Input involved		
A48.J1:7	O_RHFrMrkLb	Right Hand Front Markers Light Bulb	26.1	L63:1	I_FogLightSw	A43.J1:10	
					I_HdLtPos1Sw	A43.J1:4	26.1
					I_HdLtPos2SwLH	A45.J1:12	26.1
					I_KeylessIntru	A41.J1:7	32.1
					I_KeylessPanic	A41.J1:6	32.1
A48.J1:8	O_RHFogLb	Right Hand Fog Light	26.3	L96A:1	B_BatterySaver	.	
					B_TstModExtLight	.	
					I_FogLightSw	A43.J1:10	
					I_HdLTHiLowBmSw	A43.J1:8	26.1
					I_HdLtPos2SwLH	A45.J1:12	26.1
A50.J1:1	O_BackUpCam	Back up camera	36.1		I_BackUpCamSw	A42.J1:6	36.1
A50.J1:2	O_TransInhibit	Transmission Inhibit	15.1	A1:1	I_BrkLtSeFrSig	A36.JB:13	12.1
					I_BrkLtSeRrSig	A51.J1:10	12.1
					I_SldO1LimitInSe	A56.J1:11	
					I_SldO2LimitInSe	A57.J1:11	
					I_SldO3LimitInSe	A58.J1:11	
A50.J1:20	O_RevLbBuz	Reverse Alarm and Light Bulb			B_BatterySaver	.	
					B_EngineRun	.	
					B_TestMode	.	
					B_TestSwBuz2	.	
					B_TestSwBuzzer	.	
					B_TstModExtLight	.	
					B_TstModHvac	.	
					B_TstModHvacNext	.	
					B_TstModSAC	.	
					B_TstModSACNext	.	
					B_TstSwBuz3	.	
A50.J1:3	O_RevAlarm	Back up alarm	26.2		B_BatterySaver	.	
					B_EngineRun	.	
					B_TestMode	.	
					B_TestSwBuz2	.	
					B_TestSwBuzzer	.	
					B_TstModExtLight	.	
					B_TstModHvac	.	
					B_TstModHvacNext	.	
					B_TstModSAC	.	
					B_TstModSACNext	.	
					B_TstSwBuz3	.	
					D_NextWheel	.	
					I_RevAlrmSw	A43.J1:6	32.1
A50.J1:4	O_ReClearLb	Rear Clearance Light Bulb	26.2		B_BatterySaver	.	
					B_TstModExtLight	.	
					I_BlinkSw	A43.J1:20	

# MULTIPLEX OUTPUT LIST

O\_xx... = Physical Output Pin ; I\_xx... = Physical Input Pin ; D\_xx... = CAN Network Signal from the HVAC control Head ; B\_xx.. = Multiplex system global Network Variable

Module.Pin#	Signal name		Page	Connected devices	Input involved		
A50.J1:4	O_ReClearLb	Rear Clearance Light Bulb	26.2		I_FogLightSw	A43.J1:10	
					I_HdLtPos1Sw	A43.J1:4	26.1
					I_HdLtPos2SwLH	A45.J1:12	26.1
A50.J1:5	O_LHctrFlshLb	Water Filter Indicator Warning	26.2	L70A:1	B_BatterySaver	.	
					B_TstModExtLight	.	
					I_LHFlshSwRrSig	A51.J1:9	26.2
					I_RHFlshSwRrSig	A51.J1:12	26.2
A50.J1:6	O_BrLtLowerLb		26.2		B_BatterySaver	.	
					B_EngineRun	.	
					B_TstModExtLight	.	
					I_BrktSeFrSig	A36.JB:13	12.1
					I_BrktSeRrSig	A51.J1:10	12.1
					I_EngBrOnSe	A42.J1:18	
					I_IgnKeySw	A36.JB:2	3.2
					I_RetdrSig	A50.J1:12	12.1
A50.J1:7	O_RHctrFlshLb	Wheel Chair Lift Warning Indicator	26.2	L68A:1	B_BatterySaver	.	
					B_TstModExtLight	.	
					I_LHFlshSwRrSig	A51.J1:9	26.2
					I_RHFlshSwRrSig	A51.J1:12	26.2
A50.J1:8	O_CtrSdMrkLb	Tag Axle Warning Indicator	26.2		B_BatterySaver	.	
					B_TstModExtLight	.	
					I_BlinkSw	A43.J1:20	
					I_FogLightSw	A43.J1:10	
					I_HdLtPos1Sw	A43.J1:4	26.1
					I_HdLtPos2SwLH	A45.J1:12	26.1
A51.J1:1	O_SerBrkTrans	Servise Brake Signal For Transmission	15.1	A1:62	I_BrktSeFrSig	A36.JB:13	12.1
A51.J1:21	O_LHReFlshLb	Left Hand Rear Flasher Light Bulb	26.2		B_BatterySaver	.	
					B_TstModExtLight	.	
					I_LHFlshSwRrSig	A51.J1:9	26.2
					I_RHFlshSwRrSig	A51.J1:12	26.2
A51.J1:3	O_RHReFlshLb	Right Hand Rear Flasher Light Bulb	26.2		B_BatterySaver	.	
					B_TstModExtLight	.	
					I_LHFlshSwRrSig	A51.J1:9	26.2
					I_RHFlshSwRrSig	A51.J1:12	26.2
A51.J1:4	O_LHDockLb	Left Hand Docking Light Bulb	26.3	L93.A:1	B_BatterySaver	.	
					B_TstModExtLight	.	
					I_DockingLtSw	A43.J1:7	9.1
					I_LowDockLtsSw	A43.J1:5	26.1
A51.J1:5	O_RHDockLb	Right Hand Docking Light Bulb	26.3	L94.A:1	B_BatterySaver	.	
					B_TstModExtLight	.	
					I_DockingLtSw	A43.J1:7	9.1
					I_LowDockLtsSw	A43.J1:5	26.1
A51.J1:6	O_BrLtUpperLb		26.2		B_BatterySaver	.	



# MULTIPLEX OUTPUT LIST

O\_xx... = Physical Output Pin ; I\_xx... = Physical Input Pin ; D\_xx... = CAN Network Signal from the HVAC control Head ; B\_xx.. = Multiplex system global Network Variable

Module.Pin#	Signal name		Page	Connected devices	Input involved		
A51.J1:6	O_BrLtUpperLb		26.2		B_EngineRun	.	
					B_TstModExtLight	.	
					I_BrkLtSeFrSig	A36.JB:13	12.1
					I_BrkLtSeRrSig	A51.J1:10	12.1
					I_EngBrOnSe	A42.J1:18	
					I_RetdrSig	A50.J1:12	12.1
A51.J1:7	O_CyclopeLt	Cyclope Brake Light	26.2	L81A.A:1	B_BatterySaver	.	
					B_TstModExtLight	.	
					I_BrkLtSeFrSig	A36.JB:13	12.1
					I_BrkLtSeRrSig	A51.J1:10	12.1
A51.J1:8	O_ReTailMkLb	Rear Tail Markers Light Bulb	26.2		B_BatterySaver	.	
					B_TstModExtLight	.	
					I_AccKeySw	A36.JB:6	3.2
					I_BlinkSw	A43.J1:20	
					I_EntDrUnlockSw	A41.J1:8	
					I_FogLightSw	A43.J1:10	
					I_FrStrtEnSw	A53.J1:9	3.2
					I_HazardSw	A36.JB:4	26.1
					I_HdLtPos1Sw	A43.J1:4	26.1
					I_HdLtPos2SwLH	A45.J1:12	26.1
					I_IgnKeySw	A36.JB:2	3.2
					I_KeylessDrUnl	A41.J1:4	24.1
					I_KeylessIntru	A41.J1:7	32.1
					I_KeylessPanic	A41.J1:6	32.1
					I_RrCutOutSw	A36.JB:21	3.2
					I_RrStrtEnSw	A53.J1:10	3.2
					I_WakeUp	A36.JB:5	38.1
A52.J1:1	O_EngFanSpd1	Engine Fan Radiator Speed 1	13.1		B_BatterySaver	.	
					B_EngineRun	.	
					B_TestMode	.	
					B_TstModHvac	.	
					B_TstModSAC	.	
					I_AcPresHiSse	A52.J1:13	18.2
					I_EngFanSpd1	A52.J1:9	
					I_EngFanSw	A36.JB:14	
					I_FireExt1stAl	A36.JB:23	38.1
					I_FireExt2ndAlm	A44.J1:10	38.1
					I_FireSensorA36	A41.J1:10	22.1
A52.J1:2	O_EngFanSpd2	Engine Fan Radiator Speed 2	13.1		B_BatterySaver	.	
					B_EngineRun	.	
					B_TestMode	.	
					B_TstModHvac	.	
					B_TstModSAC	.	

# MULTIPLEX OUTPUT LIST

O\_xx... = Physical Output Pin ; I\_xx... = Physical Input Pin ; D\_xx... = CAN Network Signal from the HVAC control Head ; B\_xx... = Multiplex system global Network Variable

Module.Pin#	Signal name		Page	Connected devices	Input involved		
A52.J1:2	O_EngFanSpd2	Engine Fan Radiator Speed 2	13.1		I_AcPresHiSse	A52.J1:13	18.2
					I_EngFanSpd1	A52.J1:9	
					I_EngFanSpd2	A52.J1:10	
					I_EngFanSw	A36.JB:14	
					I_FireExt1stAl	A36.JB:23	38.1
					I_FireExt2ndAlm	A44.J1:10	38.1
					I_FireSensorA36	A41.J1:10	22.1
A52.J1:21	O_AcUnldRH	Hvac Right Hand Cylinder Unloader	18.2		B_BatterySaver	.	
					B_EngineRun	.	
					B_TestMode	.	
					B_TstModHvac	.	
					D_PassSetPts	.	
					I_AcPresHiSse	A52.J1:13	18.2
					I_AcPresLoSse	A52.J1:14	18.2
A52.J1:4	O_DiffLockSol	Differential lock solenoid	11.1		I_DiffLockSw	A43.J1:9	
A52.J1:5	O_EngCmptLbZF	Engine Compartment Light Switch	25.1		I_EngCmptLtSw	A52.J1:11	
A52.J1:6	O_EngEthrSol	Engine Ether Solenoid			B_EngineRun	.	
					I_EtherSw	A42.J1:5	
					I_IgnKeySw	A36.JB:2	3.2
A52.J1:7	O_BackUpCamDr	Back up camera door solenoid	11.1		I_BackUpCamSw	A42.J1:6	36.1
A52.J1:8	O_AcUnldLH	Hvac Left Hand Cylinder Unloader	18.2		B_BatterySaver	.	
					B_EngineRun	.	
					B_TestMode	.	
					B_TstModHvac	.	
					D_PassSetPts	.	
					I_AcPresHiSse	A52.J1:13	18.2
					I_AcPresLoSse	A52.J1:14	18.2
A53.J1:1	O_StarterRlyRtn	Starter Relay Return			I_IgnKeySw	A36.JB:2	3.2
A53.J1:6	O_StarterRel	Starter Relay	3.2		B_BatterySaver	.	
					B_EngineRun	.	
					B_TestMode	.	
					B_TstModHvac	.	
					B_TstModSAC	.	
					I_AccKeySw	A36.JB:6	3.2
					I_EntDrUnlockSw	A41.J1:8	
					I_FrStrtEnSw	A53.J1:9	3.2
					I_HazardSw	A36.JB:4	26.1
					I_IgnKeySw	A36.JB:2	3.2
					I_KeylessDrUnl	A41.J1:4	24.1
					I_KeylessIntru	A41.J1:7	32.1
					I_NeutralSe	A50.J1:11	3.2
					I_RrCutOutSw	A36.JB:21	3.2
					I_RrStrtEnSw	A53.J1:10	3.2

# MULTIPLEX OUTPUT LIST

O\_xx... = Physical Output Pin ; I\_xx... = Physical Input Pin ; D\_xx... = CAN Network Signal from the HVAC control Head ; B\_xx.. = Multiplex system global Network Variable

Module.Pin#	Signal name		Page	Connected devices	Input involved		
A53.J1:6	O_StarterRel	Starter Relay	3.2		I_StartLockOut	A53.J1:12	36.1
					I_WakeUp	A36.JB:5	38.1
A54.J1:1	O_CndSpd2Rel	Condensor Fan Speed 2 Relay	18.2		B_BatterySaver	.	
					B_EngineRun	.	
					B_LowVoltage	.	
					B_TestMode	.	
					B_TstModHvac	.	
					D_DriverSetPts	.	
					D_OnOffPassSw	.	
					D_PassSetPts	.	
					I_AcPresHiSse	A52.J1:13	18.2
					I_AcPresLoSse	A52.J1:14	18.2
					I_BatMonMod54	A54.J1:24	6.1
					I_CoilTherSe	A47.J1:11	
					I_DrvTempSe	A46.J1:13	32.1
					I_FireExt1stAl	A36.JB:23	38.1
					I_FireExt2ndAlm	A44.J1:10	38.1
					I_FireSensorA36	A41.J1:10	22.1
					I_FrontOutTemp	A47.J1:14	
					I_OutDoorTempSe	A54.J1:14	
A54.J1:2	O_EvaSpd2Rel	Evaporator Fan Speed 2	18.2		B_BatterySaver	.	
					B_EngineRun	.	
					B_LowVoltage	.	
					B_TestMode	.	
					B_TstModHvac	.	
					D_OnOffPassSw	.	
					D_PassSetPts	.	
					I_Alt2Voltage	A49.J1:9	3.2
					I_BatMonMod53	A53.J1:24	6.1
					I_BatMonMod54	A54.J1:24	6.1
					I_FireExt1stAl	A36.JB:23	38.1
					I_FireExt2ndAlm	A44.J1:10	38.1
					I_FireSensorA36	A41.J1:10	22.1
A54.J1:20	O_ACRecPass	A/C Pass. Gaz Cylinder Recycle	18.2	L205:1	B_BatterySaver	.	
					B_EngineRun	.	
					B_TestMode	.	
					B_TstModHvac	.	
					B_TstModSAC	.	
					D_RecSw	.	
A54.J1:3	O_PasRfgSol	Passenger Refrigerent Solenoid	18.2	D11.A:1	B_BatterySaver	.	
					B_EngineRun	.	
					B_LowVoltage	.	
					B_TestMode	.	

# MULTIPLEX OUTPUT LIST

O\_xx... = Physical Output Pin ; I\_xx... = Physical Input Pin ; D\_xx... = CAN Network Signal from the HVAC control Head ; B\_xx.. = Multiplex system global Network Variable

Module.Pin#	Signal name		Page	Connected devices	Input involved		
A54.J1:3	O_PasRfgSol	Passenger Refrigerent Solenoid	18.2	D11.A:1	B_TstModHvac	.	
					D_DriverSetPts	.	
					D_OnOffPassSw	.	
					D_PassSetPts	.	
					I_BatMonMod54	A54.J1:24	6.1
					I_CoilTherSe	A47.J1:11	
					I_DrvTempSe	A46.J1:13	32.1
					I_FireExt1stAl	A36.JB:23	38.1
					I_FireExt2ndAlm	A44.J1:10	38.1
					I_FireSensorA36	A41.J1:10	22.1
					I_FrontOutTemp	A47.J1:14	
					I_OutDoorTempSe	A54.J1:14	
A54.J1:4	O_ACWaterPmp	Hvac Water Pump	18.2	D9.A:1	B_BatterySaver	.	
					B_EngineRun	.	
					B_OneAltCharging	.	
					B_TestMode	.	
					B_TstModHvac	.	
					D_DrvFnSpdBit0	.	
					D_DrvFnSpdBit1	.	
					D_DrvFnSpdBit2	.	
					D_OnOffPassSw	.	
					D_PassSetPts	.	
					I_BatMonMod54	A54.J1:24	6.1
					I_FireExt1stAl	A36.JB:23	38.1
					I_FireExt2ndAlm	A44.J1:10	38.1
					I_FireSensorA36	A41.J1:10	22.1
					I_FrontOutTemp	A47.J1:14	
					I_OutDoorTempSe	A54.J1:14	
A54.J1:5	O_CndSpd1Rel	Condensor Fan Speed 1 Relay	18.2	R10:2	B_BatterySaver	.	
					B_EngineRun	.	
					B_LowVoltage	.	
					B_TestMode	.	
					B_TstModHvac	.	
					D_DriverSetPts	.	
					D_OnOffPassSw	.	
					D_PassSetPts	.	
					I_AcPresHiSse	A52.J1:13	18.2
					I_AcPresLoSse	A52.J1:14	18.2
					I_BatMonMod54	A54.J1:24	6.1
					I_CoilTherSe	A47.J1:11	
					I_DrvTempSe	A46.J1:13	32.1
					I_FireExt1stAl	A36.JB:23	38.1
					I_FireExt2ndAlm	A44.J1:10	38.1

# MULTIPLEX OUTPUT LIST

O\_xx... = Physical Output Pin ; I\_xx... = Physical Input Pin ; D\_xx... = CAN Network Signal from the HVAC control Head ; B\_xx... = Multiplex system global Network Variable

Module.Pin#	Signal name		Page	Connected devices	Input involved		
A54.J1:5	O_CndSpd1Rel	Condensor Fan Speed 1 Relay	18.2	R10:2	I_FireSensorA36	A41.J1:10	22.1
					I_FrontOutTemp	A47.J1:14	
					I_OutDoorTempSe	A54.J1:14	
A54.J1:7	O_EvaSpd1Rel	Evaporator Fan Speed 1 Relay	18.2	R12:2	B_BatterySaver	.	
					B_EngineRun	.	
					B_LowVoltage	.	
					B_TestMode	.	
					B_TstModHvac	.	
					D_OnOffPassSw	.	
					I_BatMonMod54	A54.J1:24	6.1
					I_FireExt1stAl	A36.JB:23	38.1
					I_FireExt2ndAlm	A44.J1:10	38.1
					I_FireSensorA36	A41.J1:10	22.1
A54.J1:8	O_PasHeatSol	Passenger Heat Solenoid Valve	18.2	R26:87	B_BatterySaver	.	
					B_EngineRun	.	
					B_OneAltCharging	.	
					B_TestMode	.	
					B_TstModHvac	.	
					B_TstModSAC	.	
					D_DriverSetPts	.	
					D_DrvFnSpdBit0	.	
					D_DrvFnSpdBit1	.	
					D_DrvFnSpdBit2	.	
					D_OnOffPassSw	.	
					D_PassSetPts	.	
					I_BatMonMod54	A54.J1:24	6.1
					I_DefrostHighSw	A47.J1:10	29.1
					I_DefrostLowSw	A47.J1:12	29.1
					I_FireExt1stAl	A36.JB:23	38.1
					I_FireExt2ndAlm	A44.J1:10	38.1
					I_FireSensorA36	A41.J1:10	22.1
					I_FrontOutTemp	A47.J1:14	
					I_OutDoorTempSe	A54.J1:14	
A56.J1:1	O_SldO1MoSpeedA	Slide-Out 1 Motor Speed Control A			I_BatMonMod56	A56.J1:24	
					I_SldO1CloseSw	A56.J1:10	
					I_SldO1LimiOutSw	A56.J1:14	
					I_SldO1LimitInSe	A56.J1:11	
					I_SldO1OpenSw	A56.J1:9	
					I_SldO1PBrakeSw	A56.J1:12	
					I_SldO1VacPrSe	A56.J1:13	
A56.J1:2	O_SldO1MoSpeedB	Slide-Out 1 Motor Speed Control B			I_BatMonMod56	A56.J1:24	
					I_SldO1CloseSw	A56.J1:10	
					I_SldO1LimiOutSw	A56.J1:14	

# MULTIPLEX OUTPUT LIST

O\_xx... = Physical Output Pin ; I\_xx... = Physical Input Pin ; D\_xx... = CAN Network Signal from the HVAC control Head ; B\_xx.. = Multiplex system global Network Variable

Module.Pin#	Signal name		Page	Connected devices	Input involved	
A56.J1:2	O_SldO1MoSpeedB	Slide-Out 1 Motor Speed Control B			I_SldO1LimitInSe	A56.J1:11
					I_SldO1OpenSw	A56.J1:9
					I_SldO1PBrakeSw	A56.J1:12
					I_SldO1VacPrSe	A56.J1:13
A56.J1:20	O_SldO1Motpos	Slide_Out 1 Motor +			I_BatMonMod56	A56.J1:24
					I_SldO1CloseSw	A56.J1:10
					I_SldO1LimiOutSw	A56.J1:14
					I_SldO1LimitInSe	A56.J1:11
					I_SldO1OpenSw	A56.J1:9
					I_SldO1PBrakeSw	A56.J1:12
					I_SldO1VacPrSe	A56.J1:13
A56.J1:21	O_SldO1SecuPinSo	Slide-Out 1 Security Pins			I_SldO1LimitInSe	A56.J1:11
					I_SldO1PBrakeSw	A56.J1:12
					I_SldO2LimitInSe	A57.J1:11
					I_SldO2PBrakeSw	A57.J1:12
					I_SldO3LimitInSe	A58.J1:11
					I_SldO3PBrakeSw	A58.J1:12
A56.J1:3	O_SldO1RemoteLed	Slide_Out 1 Remote Led			I_BatMonMod56	A56.J1:24
					I_SldO1CloseSw	A56.J1:10
					I_SldO1LimiOutSw	A56.J1:14
					I_SldO1LimitInSe	A56.J1:11
					I_SldO1OpenSw	A56.J1:9
					I_SldO1PBrakeSw	A56.J1:12
					I_SldO1Supply5v	A56.J1:15
					I_SldO1VacPrSe	A56.J1:13
A56.J1:4	O_SldO1SealInfSo	Slide_Out 1 Seal Inflating Valve			I_SldO1CloseSw	A56.J1:10
					I_SldO1LimiOutSw	A56.J1:14
					I_SldO1LimitInSe	A56.J1:11
					I_SldO1OpenSw	A56.J1:9
A56.J1:5	O_SldO1SealDefSo	Slide_Out 1 Seal Deflating Valve			I_BatMonMod56	A56.J1:24
					I_SldO1CloseSw	A56.J1:10
					I_SldO1LimiOutSw	A56.J1:14
					I_SldO1LimitInSe	A56.J1:11
					I_SldO1OpenSw	A56.J1:9
					I_SldO1PBrakeSw	A56.J1:12
A56.J1:6	O_SldO1VaccGenSo	Slide_Out 1 Seal Vaccum Generator			I_BatMonMod56	A56.J1:24
					I_BatMonMod57	A57.J1:24
					I_BatMonMod58	A58.J1:24
					I_SldO1CloseSw	A56.J1:10
					I_SldO1LimiOutSw	A56.J1:14
					I_SldO1LimitInSe	A56.J1:11
					I_SldO1OpenSw	A56.J1:9
					I_SldO1PBrakeSw	A56.J1:12

# MULTIPLEX OUTPUT LIST

O\_xx... = Physical Output Pin ; I\_xx... = Physical Input Pin ; D\_xx... = CAN Network Signal from the HVAC control Head ; B\_xx.. = Multiplex system global Network Variable

Module.Pin#	Signal name		Page	Connected devices	Input involved	
A56.J1:6	O_SldO1VaccGenSo	Slide_Out 1 Seal Vaccum Generator			I_SldO2CloseSw	A57.J1:10
					I_SldO2LimiOutSw	A57.J1:14
					I_SldO2LimitInSe	A57.J1:11
					I_SldO2OpenSw	A57.J1:9
					I_SldO2PBrakeSw	A57.J1:12
					I_SldO3CloseSw	A58.J1:10
					I_SldO3LimiOutSw	A58.J1:14
					I_SldO3LimitInSe	A58.J1:11
					I_SldO3OpenSw	A58.J1:9
					I_SldO3PBrakeSw	A58.J1:12
A56.J1:7	O_SldO1Motneg	Slide_Out 1 Motor -			I_BatMonMod56	A56.J1:24
					I_SldO1CloseSw	A56.J1:10
					I_SldO1LimiOutSw	A56.J1:14
					I_SldO1LimitInSe	A56.J1:11
					I_SldO1OpenSw	A56.J1:9
					I_SldO1PBrakeSw	A56.J1:12
					I_SldO1VacPrSe	A56.J1:13
A57.J1:1	O_SldO2MoSpeedA	Slide-Out 2 Motor Speed Control A			I_BatMonMod57	A57.J1:24
					I_SldO1VacPrSe	A56.J1:13
					I_SldO2CloseSw	A57.J1:10
					I_SldO2LimiOutSw	A57.J1:14
					I_SldO2LimitInSe	A57.J1:11
					I_SldO2OpenSw	A57.J1:9
					I_SldO2PBrakeSw	A57.J1:12
A57.J1:2	O_SldO2MoSpeedB	Slide-Out 2 Motor Speed Control B			I_BatMonMod57	A57.J1:24
					I_SldO1VacPrSe	A56.J1:13
					I_SldO2CloseSw	A57.J1:10
					I_SldO2LimiOutSw	A57.J1:14
					I_SldO2LimitInSe	A57.J1:11
					I_SldO2OpenSw	A57.J1:9
					I_SldO2PBrakeSw	A57.J1:12
A57.J1:20	O_SldO2Motpos	Slide_Out 2 Motor +			I_BatMonMod57	A57.J1:24
					I_SldO1VacPrSe	A56.J1:13
					I_SldO2CloseSw	A57.J1:10
					I_SldO2LimiOutSw	A57.J1:14
					I_SldO2LimitInSe	A57.J1:11
					I_SldO2OpenSw	A57.J1:9
					I_SldO2PBrakeSw	A57.J1:12
A57.J1:3	O_SldO2RemoteLed	Slide_Out 2 Remote Led			I_BatMonMod57	A57.J1:24
					I_SldO1VacPrSe	A56.J1:13
					I_SldO2CloseSw	A57.J1:10
					I_SldO2LimiOutSw	A57.J1:14
					I_SldO2LimitInSe	A57.J1:11

# MULTIPLEX OUTPUT LIST

O\_xx... = Physical Output Pin ; I\_xx... = Physical Input Pin ; D\_xx... = CAN Network Signal from the HVAC control Head ; B\_xx.. = Multiplex system global Network Variable

Module.Pin#	Signal name		Page	Connected devices	Input involved		
A57.J1:3	O_SldO2RemoteLed	Slide_Out 2 Remote Led			I_SldO2OpenSw	A57.J1:9	
					I_SldO2PBrakeSw	A57.J1:12	
					I_SldO2Supply5v	A57.J1:15	
A57.J1:4	O_SldO2SealInfSo	Slide_Out 2 Seal Inflating Valve			I_SldO2CloseSw	A57.J1:10	
					I_SldO2LimiOutSw	A57.J1:14	
					I_SldO2LimitInSe	A57.J1:11	
					I_SldO2OpenSw	A57.J1:9	
A57.J1:5	O_SldO2SealDefSo	Slide_Out 2 Seal Deflating Valve			I_BatMonMod57	A57.J1:24	
					I_SldO2CloseSw	A57.J1:10	
					I_SldO2LimiOutSw	A57.J1:14	
					I_SldO2LimitInSe	A57.J1:11	
					I_SldO2OpenSw	A57.J1:9	
					I_SldO2PBrakeSw	A57.J1:12	
A57.J1:7	O_SldO2Motneg	Slide_Out 2 Motor -			I_BatMonMod57	A57.J1:24	
					I_SldO1VacPrSe	A56.J1:13	
					I_SldO2CloseSw	A57.J1:10	
					I_SldO2LimiOutSw	A57.J1:14	
					I_SldO2LimitInSe	A57.J1:11	
					I_SldO2OpenSw	A57.J1:9	
					I_SldO2PBrakeSw	A57.J1:12	
A58.J1:1	O_SldO3MoSpeedA				I_BatMonMod58	A58.J1:24	
					I_SldO1VacPrSe	A56.J1:13	
					I_SldO3CloseSw	A58.J1:10	
					I_SldO3LimiOutSw	A58.J1:14	
					I_SldO3LimitInSe	A58.J1:11	
					I_SldO3OpenSw	A58.J1:9	
					I_SldO3PBrakeSw	A58.J1:12	
A58.J1:2	O_SldO3MoSpeedB				I_BatMonMod58	A58.J1:24	
					I_SldO1VacPrSe	A56.J1:13	
					I_SldO3CloseSw	A58.J1:10	
					I_SldO3LimiOutSw	A58.J1:14	
					I_SldO3LimitInSe	A58.J1:11	
					I_SldO3OpenSw	A58.J1:9	
					I_SldO3PBrakeSw	A58.J1:12	
A58.J1:20	O_SldO3Motpos				I_BatMonMod58	A58.J1:24	
					I_SldO1VacPrSe	A56.J1:13	
					I_SldO3CloseSw	A58.J1:10	
					I_SldO3LimiOutSw	A58.J1:14	
					I_SldO3LimitInSe	A58.J1:11	
					I_SldO3OpenSw	A58.J1:9	
					I_SldO3PBrakeSw	A58.J1:12	
A58.J1:3	O_SldO3RemoteLed				I_BatMonMod58	A58.J1:24	
					I_SldO1VacPrSe	A56.J1:13	



# MULTIPLEX OUTPUT LIST

O\_xx... = Physical Output Pin ; I\_xx... = Physical Input Pin ; D\_xx... = CAN Network Signal from the HVAC control Head ; B\_xx... = Multiplex system global Network Variable

Module.Pin#	Signal name	Page	Connected devices	Input involved	
A58.J1:3	O_SldO3RemoteLed			I_SldO3CloseSw	A58.J1:10
				I_SldO3LimiOutSw	A58.J1:14
				I_SldO3LimitInSe	A58.J1:11
				I_SldO3OpenSw	A58.J1:9
				I_SldO3PBrakeSw	A58.J1:12
				I_SldO3Supply5v	A58.J1:15
A58.J1:4	O_SldO3SealInfSo			I_SldO3CloseSw	A58.J1:10
				I_SldO3LimiOutSw	A58.J1:14
				I_SldO3LimitInSe	A58.J1:11
				I_SldO3OpenSw	A58.J1:9
A58.J1:5	O_SldO3SealDefSo			I_BatMonMod58	A58.J1:24
				I_SldO3CloseSw	A58.J1:10
				I_SldO3LimiOutSw	A58.J1:14
				I_SldO3LimitInSe	A58.J1:11
				I_SldO3OpenSw	A58.J1:9
				I_SldO3PBrakeSw	A58.J1:12
A58.J1:7	O_SldO3Motneg			I_BatMonMod58	A58.J1:24
				I_SldO1VacPrSe	A56.J1:13
				I_SldO3CloseSw	A58.J1:10
				I_SldO3LimiOutSw	A58.J1:14
				I_SldO3LimitInSe	A58.J1:11
				I_SldO3OpenSw	A58.J1:9
				I_SldO3PBrakeSw	A58.J1:12

# MULTIPLEX INPUT LIST

O\_xx... = Physical Output Pin ; I\_xx... = Physical Input Pin ; D\_xx... = CAN Network Signal from the HVAC control Head ; B\_xx.. = Multiplex system global Network Variable

Module.Pin#	Signal name		Page	Connected devices
A36.JB:11	I_InputTest			
A36.JB:13	I_BrkLtSeFrSig	Brake Lights Sensor	12.1	
A36.JB:14	I_EngFanSw	Radiator Fan Switch		
A36.JB:2	I_IgnKeySw	Ignition Key switch	3.2	
A36.JB:21	I_RrCutOutSw	Rear Junction Box CutOut Switch	3.2	
A36.JB:22	I_FrEngStaSw	Front Engine Start Switch	3.2	
A36.JB:23	I_FireExt1stAl		38.1	
A36.JB:4	I_HazardSw	Hazard Switch	26.1	Sw4:3
A36.JB:5	I_WakeUp	Wake up signal (Fire alarm, horn, keyless module)	38.1	
A36.JB:6	I_AccKeySw	Accessories Key switch	3.2	
A36.JB:9	I_ParkBrSe	Paking Brake Sensor	12.1	
A41.J1:10	I_FireSensorA36	Fire Sensor On A36	22.1	Sw26:3
A41.J1:17	I_LugDorLkSw	Luggage Door Lock Switch	18.1	Sw21:3
A41.J1:18	I_KeylessLuggUnl	Keyless luggages doors unlock signal		
A41.J1:19	I_KeylessLockAll	Keyless lock all doors signal		
A41.J1:2	I_DrvLtSw	Driver Light Switch		
A41.J1:20	I_LugDorUlKSw	Luggage Door Unlock Switch	18.2	Sw27:3
A41.J1:21	I_KeylessEntReq			
A41.J1:3	I_HornSw	Horn Switch	23.1	
A41.J1:4	I_KeylessDrUnl	Keyless door unlock signal	24.1	Sw25:6
A41.J1:5	I_EntDorOpSe	Entrance Door Open Sensor		
A41.J1:6	I_KeylessPanic	Keyless panic button signal	32.1	
A41.J1:7	I_KeylessIntru	Keyless intrusion signal	32.1	
A41.J1:8	I_EntDrUnlockSw	Entrance door unlock switch		
A41.J1:9	I_EntDorLockSw	VIP Entrance Door Lock Switch		
A42.J1:10	I_ChkEngSe	Check Engine Signal		
A42.J1:18	I_EngBrOnSe	Engine Brake ACTIVE Sensor		
A42.J1:19	I_UpperDefFanSw	Upper Defrost Dash Switch		
A42.J1:2	I_ConvTellTale5	Converter tell tale 5	12.1	Sw40:A
A42.J1:5	I_EtherSw	Ether Switch		
A42.J1:6	I_BackUpCamSw	Back up camera switch	36.1	Sw20:3
A42.J1:7	I_LevelLowSw	Level low switch	32.1	Sw11A:1
A42.J1:8	I_LwWiplntSw	Lower Wiper Intermitant Switch	34.1	
A42.J1:9	I_StopEngSe	Stop Engine Sensor		
A43.J1:1	I_ConvTellTale1	Converter tell-tale 1		
A43.J1:10	I_FogLightSw	Fog Lights Switch		
A43.J1:17	I_FJBLtSw	Front Junction Box Door Open	25.1	
A43.J1:18	I_ConvTellTale2	Converter tell-tale 2		
A43.J1:19	I_TgAxlSw	Tag Axle Switch	32.1	Sw64.B:1
A43.J1:20	I_BlinkSw	Courtesy Blink Switch		
A43.J1:21	I_CorneringLtSw	Cornering Light Switch		
A43.J1:3	I_HiBeamCallSw	Hi/Low Beam Switch	26.1	Sw1.C259:4
A43.J1:4	I_HdLtPos1Sw	Head Light Switch Position Markers	26.1	

# MULTIPLEX INPUT LIST

O\_xx... = Physical Output Pin ; I\_xx... = Physical Input Pin ; D\_xx... = CAN Network Signal from the HVAC control Head ; B\_xx.. = Multiplex system global Network Variable

Module.Pin#	Signal name		Page	Connected devices
A43.J1:5	I_LowDockLtsSw	Low docking lights switch	26.1	Sw1.C258:5
A43.J1:6	I_RevAlrmSw	Reverse alarm switch	32.1	
A43.J1:7	I_DockingLtSw	Docking Lights Switch	9.1	
A43.J1:8	I_HdLtHiLowBmSw	Head Lights High and Low Beam Switch	26.1	Sw1.C258:8
A43.J1:9	I_DiffLockSw	Differential lock switch		
A44.J1:10	I_FireExt2ndAlm		38.1	
A45.J1:11	I_HeadLmpWshSw		15.3	
A45.J1:12	I_HdLtPos2SwLH	Head Light Switch Beam Position 2 LH	26.1	
A45.J1:9	I_LHFlshSw	Left Hand Flasher Switch	26.1	
A46.J1:10	I_ConvTellTale3	Converter tell-tale 3	33.1	
A46.J1:11	I_ConvTellTale4	Converter tell-tale 4	33.1	
A46.J1:13	I_DrvTempSe	Driver Temperature sensor	32.1	Se79:4
A46.J1:24	I_BatMonMod46		6.1	A46.J1:26
A46.J1:9	I_LwWshSw	Lower Wiper Washer Switch		
A47.J1:10	I_DefrostHighSw	Passenger defrost speed increase switch	29.1	Term115
A47.J1:11	I_CoilTherSe	Coil sensing thermostat		
A47.J1:12	I_DefrostLowSw	Passenger defrost speed decrease switch	29.1	D7:B
A47.J1:14	I_FrontOutTemp	Front outside temperature sensor		
A47.J1:24	I_BatMonMod47		6.1	A47.J1:27
A48.J1:10	I_HdLtPos2SwRH	Head Light Switch Beam Position 2 RH	26.1	
A48.J1:12	I_RHFlshSw	Right Hand Flasher Switch	26.1	
A48.J1:9	I_EntDrUnSw	Entrance door unlock switch		
A49.J1:10	I_ChkTrans	Check Transmission Signal	15.1	
A49.J1:2	I_WdoOpenSe	Passenger Window Open Sensor	25.1	
A49.J1:3	I_AcDorOpSe	Condensor Door Open Switch		
A49.J1:4	I_LuggDoorSw	Luggage Door Switch	36.1	Sw31:A
A49.J1:5	I_LuggDrUnSe	Luggages doors unlock sensor		
A49.J1:9	I_Alt2Voltage		3.2	
A50.J1:11	I_NeutralSe	Neutral Signal Sensor	3.2	A1:41
A50.J1:12	I_RetdrSig	Retarder Signal	12.1	
A51.J1:10	I_BrkLtSeRrSig	Brake Lights Sensor	12.1	
A51.J1:12	I_RHFlshSwRrSig	RH FlasherSwitch Rear Signal	26.2	
A51.J1:9	I_LHFlshSwRrSig	LH FlasherSwitch Rear Signal	26.2	
A52.J1:10	I_EngFanSpd2	Engine Fan Signal Speed 2		
A52.J1:11	I_EngCmptLtSw	Engine Compartment Light Switch		
A52.J1:13	I_AcPresHiSse	Ac Pressure High Side Sensor	18.2	Se23:C
A52.J1:14	I_AcPresLoSse	Ac Pressure Low Side Sensor	18.2	Se24:C
A52.J1:9	I_EngFanSpd1	Engine Fan Signal Speed 1		
A53.J1:10	I_RrStrtEnSw	Rear Start Enable Switch	3.2	
A53.J1:11	I_EngStaRrSw	Engine Start Rear Switch	3.2	Sw59:2
A53.J1:12	I_StartLockOut		36.1	Sw52.B:1
A53.J1:24	I_BatMonMod53		6.1	A53.J1:26
A53.J1:9	I_FrStrtEnSw	Front Start Enable Switch	3.2	Sw58:3

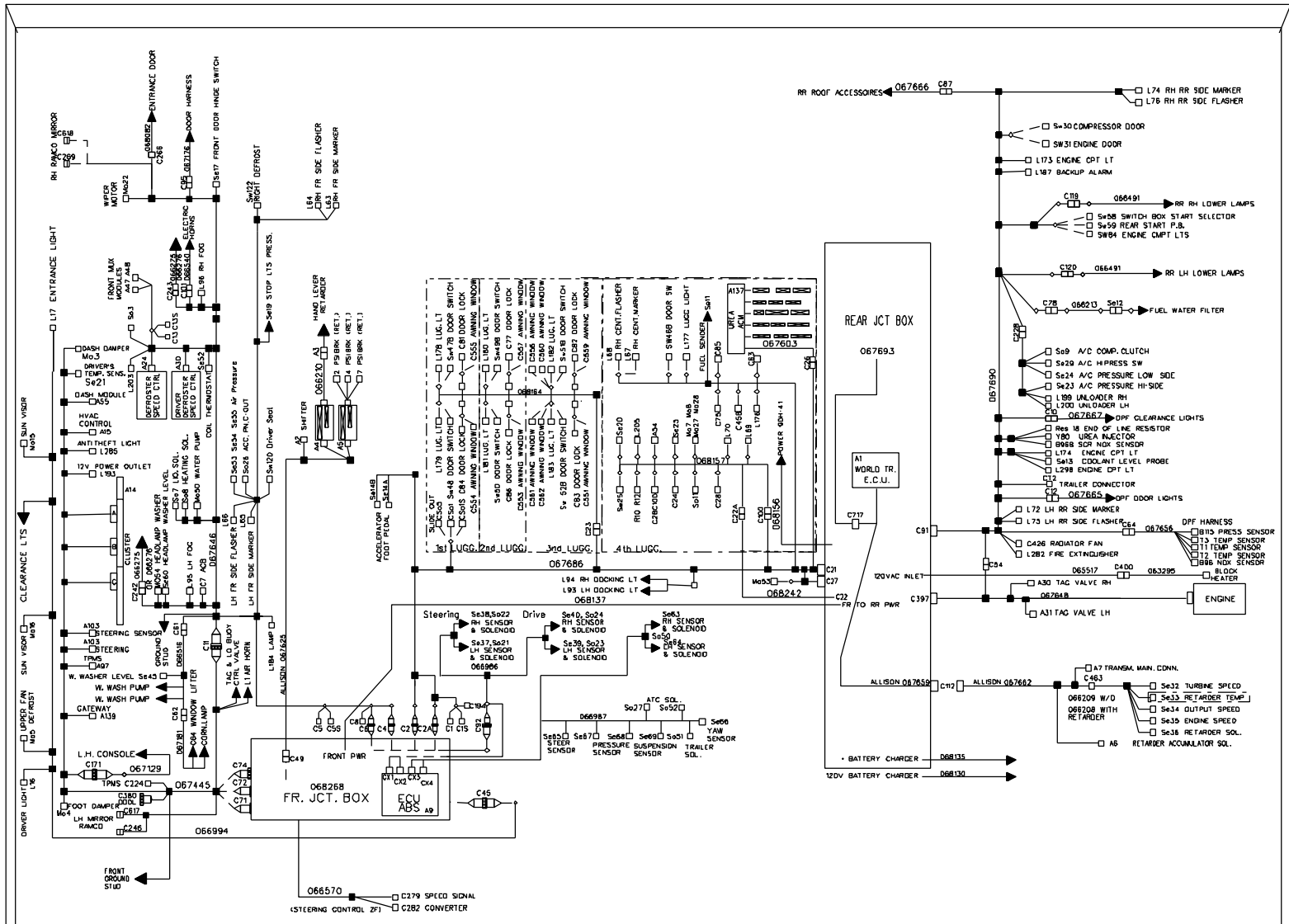


# MULTIPLEX ERROR MESSAGES LIST

FMI 3 = Shorted High ; FMI 4 = Shorted Low ; FMI 5 = Open Circuit ; FMI 6 = Current above Normal

Cluster message	SID/PSID	FMI	Module.Pin#	Page	Cluster message	SID/PSID	FMI	Module.Pin#	Page
A/C Pres HiSd	PSID #12	3, 4	A52.J1:13	18.2	FR Clearance lights	PSID #137	3, 4, 6	A44.J1:8	26.1
A/C Pres LoSd	PSID #13	3, 4	A52.J1:14	18.2	Fr Flsh-Mkr LH	PSID #128	3, 4, 6	A45.J1:3	26.1
Backup Light &	PSID #167	3, 4, 6	A50.J1:20		Fr Side Flsh	PSID #10	3, 4, 6	A48.J1:20	26.1
Battery Equalizer	SID #61	3, 4	A45.J1:12	26.1	Fr Start Sw	PSID #58	3, 4	A36.JB:22	3.2
Blinker Sw	PSID #139	3, 4	A43.J1:20		Front Flash RH	PSID #126	3, 4, 6	A48.J1:6	26.1
Brk Lts Sens	PSID #119	3, 4	A36.JB:13	12.1	FrontMkr Lts LH	PSID #148	3, 4, 6	A45.J1:21	26.1
Center Flash LH	PSID #124	3, 4, 6	A50.J1:5	26.2	FrontMkr Lts RH	PSID #149	3, 4, 6	A48.J1:7	26.1
Center Flash RH	PSID #125	3, 4, 6	A50.J1:7	26.2	FrStart Enable Sw	PSID #56	3, 4	A53.J1:9	3.2
Center Mkr	PSID #27	3, 4, 6	A50.J1:8	26.2	Hazard Switch	PSID #138	3, 4	A36.JB:4	26.1
Chk Eng Signal	PSID #147	3, 4	A42.J1:10		Hd Light Call	PSID #140	3, 4	A43.J1:3	26.1
Cond Rly spd1	PSID #41	3, 4, 5, 6	A54.J1:5	18.2	HdLamp Wsh Pmp	SID #48	3, 4, 6	A46.J1:21	34.1
Cond Rly spd2	PSID #42	3, 4, 5, 6	A54.J1:1	18.2	Head Lights Pos1	PSID #143	3, 4	A43.J1:4	26.1
Condensor Door Sw	PSID #7	3, 4	A49.J1:3		Hi Low Beam	SID #62	3, 4	A43.J1:8	26.1
Cornering Dash	PSID #200	3, 4	A43.J1:21		High Beam LH	PSID #141	3, 4, 5, 6	A45.J1:6	26.1
Cyclope Lt	PSID #116	3, 4, 6	A51.J1:7	26.2	High Beam RH	PSID #145	3, 4, 5, 6	A48.J1:3	26.1
Defr water Pmp	SID #41	3, 4	A47.J1:20	18.1	Horn	PSID #83	3, 4, 5, 6	A45.J1:20	9.1
Diff Lock sol	SID #36	3, 4, 6	A52.J1:4	11.1	LH Corner Lts	PSID #120	3, 4, 5, 6	A45.J1:5	26.3
Docking Dash Sw	PSID #40	3, 4	A43.J1:7	9.1	LH Docking Light	PSID #122	3, 4, 5, 6	A51.J1:4	26.3
Driver Def Fan	PSID #180	3, 4, 5, 6	A47.J1:1	18.1	Low Beam LH	PSID #142	3, 4, 6	A45.J1:7	26.1
Driver heat Sol	PSID #16	3, 4, 5, 6	A46.J1:6	18.1	Low Beam RH	PSID #146	3, 4, 6	A48.J1:4	26.1
Driver Light	PSID #105	3, 4	A41.J1:2		Lower Stop Lamps	PSID #153	3, 4, 6	A50.J1:6	26.2
Driver Light Sw	PSID #104	3, 4, 5, 6	A47.J1:6	29.1	Lower Washer pmp	PSID #181	4, 6	A46.J1:3	34.1
Driver Rfg Sol	PSID #29	3, 4, 5, 6	A46.J1:5	18.1	Lower Washer Sw	PSID #188	3, 4	A46.J1:9	
Driver Sensor	PSID #28	3, 4, 5	A46.J1:13	32.1	Lower Wip Int	PSID #183	3, 4	A42.J1:8	34.1
Drv air Trap	SID #64	3, 4, 6	A44.J1:2	18.1	Lugg doors lock	SID #44	3, 4, 5, 6	A36.JA:7	
Drv Rec Cylind	PSID #30	3, 4, 5, 6	A47.J1:2	18.1	Lugg doors unlk	SID #45	3, 4, 5, 6	A36.JA:6	
Elec.Horn SW61	PSID #82		4 A41.J1:3	23.1	OutDoor Sens	PSID #161	3, 4, 5	A54.J1:14	
Emergency Relay	PSID #44	3, 4, 5, 6	A36.JA:24	3.2	Park brak Sens	PSID #162	3, 4	A36.JB:9	12.1
Eng Brk Active	PSID #45	3, 4	A42.J1:18		Pass def fan	SID #38	3, 4, 5, 6	A47.J1:7	29.1
Eng Cmpt Bulb	PSID #106	3, 4, 6	A52.J1:5	25.1	Pass Heat Sol	PSID #24	3, 4, 6	A54.J1:8	18.2
Eng Cmpt Sw	PSID #107	3, 4	A52.J1:11		Pass Rfg Sol	PSID #23	3, 4, 5, 6	A54.J1:3	18.2
Eng Fan Spd1	PSID #51	3, 4	A52.J1:9		Pass. Wtr pump	PSID #17	4, 6	A54.J1:4	18.2
Eng Fan Spd2	PSID #52	3, 4	A52.J1:10		Rear CutOut Sw	PSID #18	3, 4	A36.JB:21	3.2
Engine Fan Spd1	PSID #53	3, 4, 5, 6	A52.J1:1	13.1	RearFlsh LH	PSID #131	3, 4, 6	A51.J1:21	26.2
Engine Fan Spd2	PSID #54	3, 4, 5, 6	A52.J1:2	13.1	RearFlsh RH	PSID #132	3, 4, 6	A51.J1:3	26.2
Evap Motor Rly	PSID #77	3, 4, 5, 6	A54.J1:7	18.2	Retarder signal	PSID #164	3, 4	A50.J1:12	12.1
Evap Spd Ctrl	PSID #78	4, 6	A54.J1:2	18.2	Rev lights	SID #43	3, 4, 6	A50.J1:3	26.2
Fire Sensor	PSID #79	3, 4	A41.J1:10	22.1	RH Corner Light	PSID #121	3, 4, 5, 6	A48.J1:5	26.3
Flash RH Sw	PSID #133	3, 4	A48.J1:12	26.1	RH Docking Light	PSID #123	3, 4, 5, 6	A51.J1:5	26.3
Flasher LH	PSID #130	3, 4	A45.J1:9	26.1	RJB fan	SID #37	3, 4, 6	A46.J1:7	18.1
Fog's Lights LH	PSID #134	3, 4, 6	A45.J1:4	26.3	Rr Clearance lights	PSID #151	3, 4, 6	A50.J1:4	26.2
Fog's lights RH	PSID #136	3, 4, 6	A48.J1:8	26.3	Rr Start Sw	PSID #59	3, 4	A53.J1:11	3.2
Foot trap	PSID #37	3, 4, 6	A45.J1:2	18.1	RrStart Enable Sw	PSID #57	3, 4	A53.J1:10	3.2





**PREVOST**

WIRING DIAGRAM

NO:

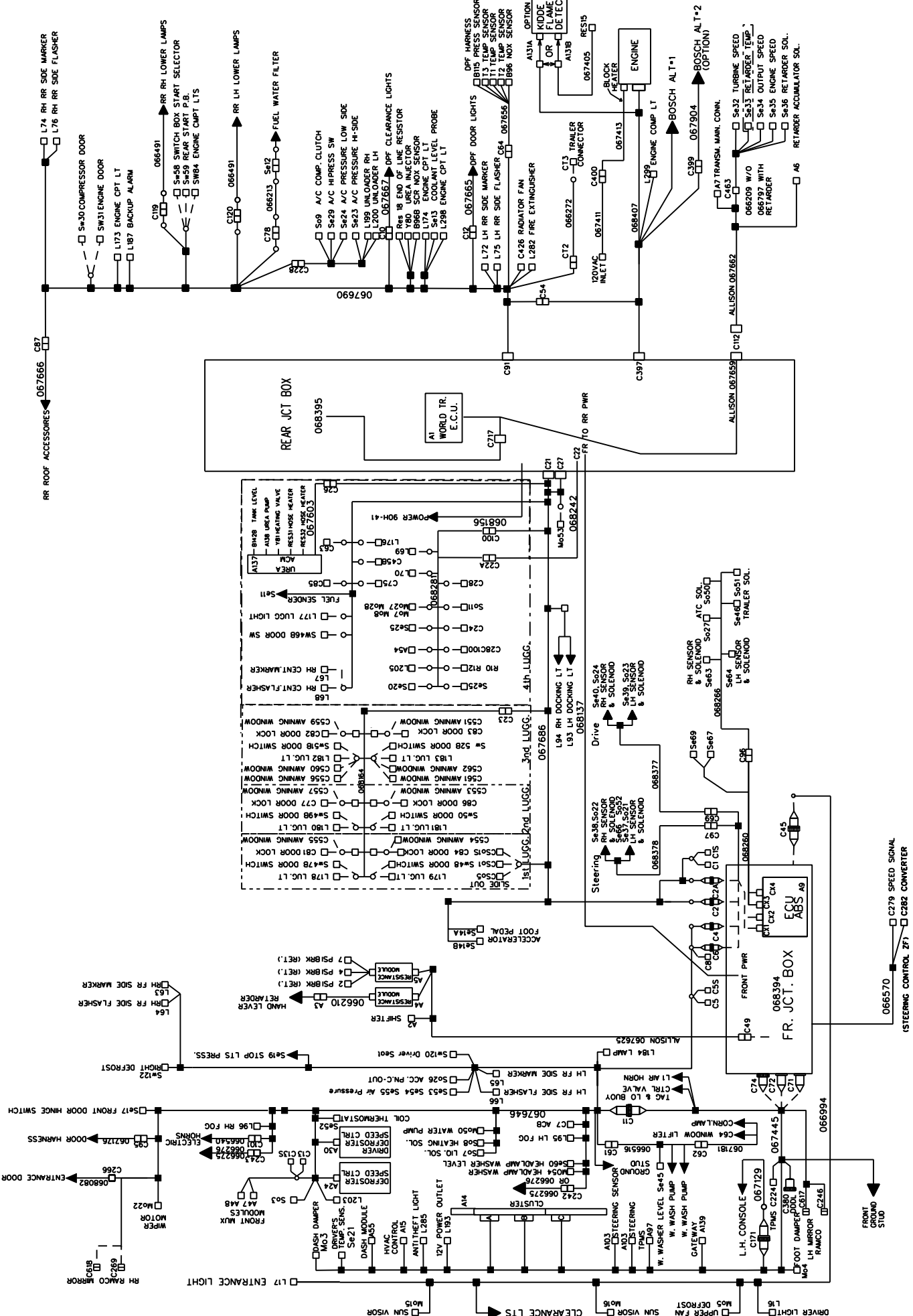
D061170

PAGE:

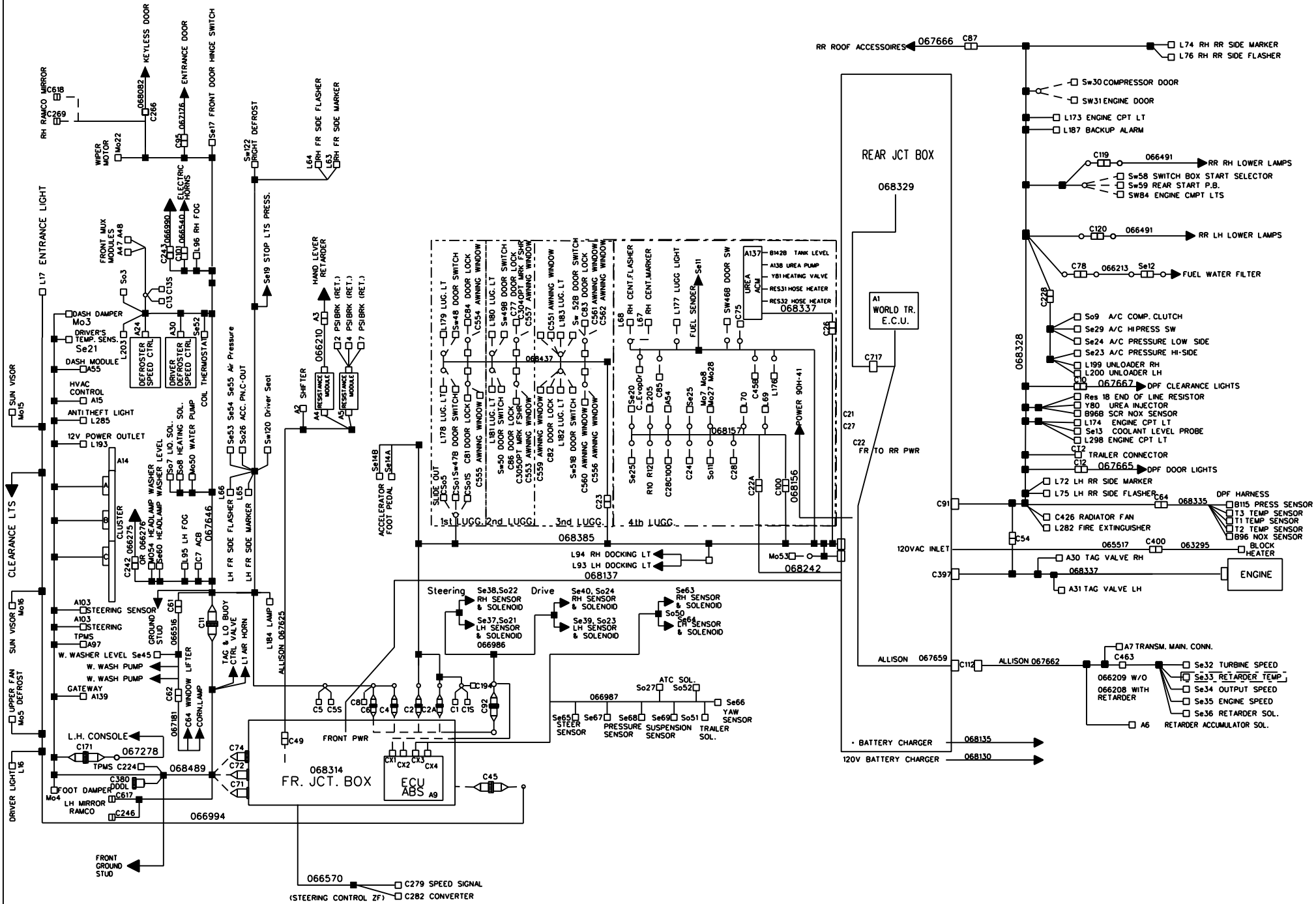
C1

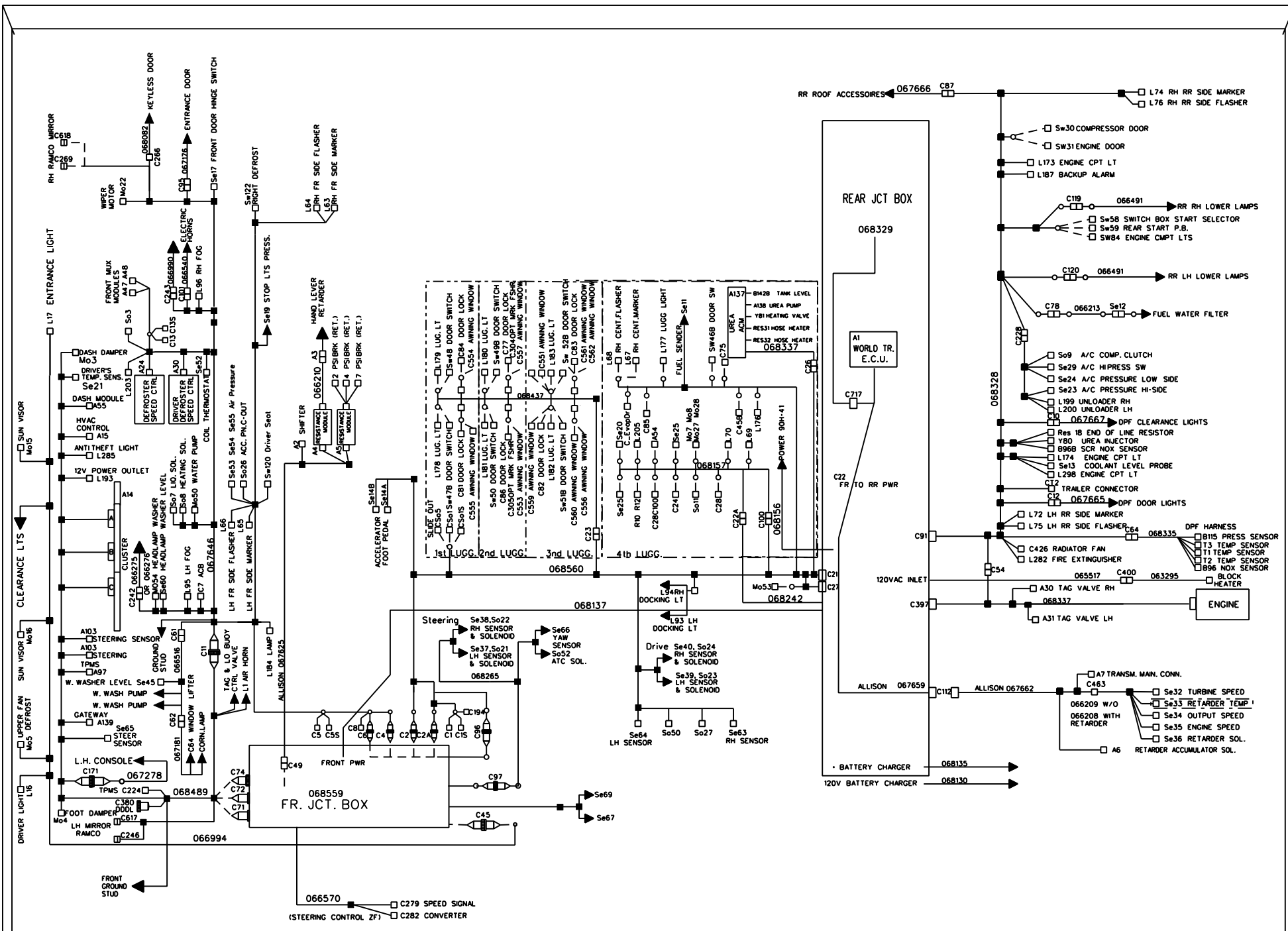
REVISION

0













# CIRCUITS LIST

CircuitID	Description	CircuitID	Description	CircuitID	Description
0	GndLevelLow	0RC2	GndDriverCylinder	12WUp5	PwrtoModuleA51
2B	CondSndSpdSig	0RC3		12w_up	VecrInside
5A	UpperHeaterPwr	0RC4	Gnd	13	GndTransducer
5B	UpperHeaterPwr	0RC5	Gnd	16	SpeedSignal
5C	UpperHeaterPwr	0RC5A	Gnd	18	Wip.WasherLevel
7	DriverSensorRtn	0RC5B	Gnd	20	Air_Dryer_Pwr
9A	GndEngineDoorSe	0SA1	GND_Alt120A	21	FlasherLHSig
9B	EngineCmpt.Lt	0VA	Equalizer_Gnd	21A	FrontFlasher
0A	Evap.Gnd	0Y	ABS_Gnd	21AA	FlashersRearLH
00A	GndElectronic	10	LuggageCmpt.LtsPwr	21B	CorneringLtsLH
00AB	Sw103A	10A	LuggageCmpt.LtsPwr	21BR	GndFoglights
00B	ElectronicGndofMuxModules	12	RearSlideOutRetractingSignal	21C	UpperRearLights
0BB	SensorGnd	12A	12Direct	22	HazardSwSig
0BR3	GndRearLighting	12CPC	R22_DDEC	23	FlasherRHSig
0C	GndStarter062214	12Ecu	12v_Engine_Ecu	23A	FrontFlasherRH
0CE	GND48A47	12ecu	VecrInside	23AA	FrontFlasherRHSide
0CG	67888	12K	KeyLessIgn	23B	CorneringLtsRH
0EV1	CondensorPwr	12VB	Equalizer_Power	23BR	GndFogandCorneringLtsRH
0EV2	GndHvac	12VD	12VDTOCB2	23C	UpperRearLights
0F	FJBDDoorOpenSig	12VD1	12VDFrontWake-up	24A	Battery_24V
0FA1	GndofEntranceWdo	12VD2	12Direct	24AW	AwiningWindowsPower
0FA4	Chassisgnd	12VD3	12vRearwake-up	24CO	PwrtoExcitationResistor
0FB1	GndMirrors	12VD4	12v_Engine_Ecu	24D	24Direct
0FB2	GndDriverWdo	12VDCust	12VDCustomer	24EE1	24Ignition
0FB3	GNDCustomer	12VDF	12VDtoFrontVec	24EE2	24Ignition
0FC1	Driverseat	12VI	12VitoCB10	24VB	Equalizer_Power
0FC4	ElectricalHorn	12vi	VecrInside	24VB1	24VEnginePreheater
0FD1	GNDMuxpower	12VI1	12VlofA44	24VB2	24VEnginePreheater
0FE	Gnd_AFSS	12VI2	MirrorPwr	24VD	MasterRelayPwr
0G	GndofA54	12VI3	PwrOutletDrawer	24vd	VecrInside
00G	Steering_Gnd	12VI4	PwrOutletandCigarLighter	24VD1	24VDtoFront
0H	GroundCoolantSensor	12VI5	12VitoVECR	24VD2	24VDtoRearVec
0L	KeylessModuleKeypadGnd	12VI6	PwrtoModuleA50	24VD3	24VDofCECM
0PR2	GndFrontClearanceLts	12VI7	TrailerABSPower	24VD4	24VDFrontWake-up
0PR3	UpperDefrosterGnd	12VI9	TPMSPow	24VD5	24VD
0RA2	SignalGndR1	12VICust	12VICustomer	24VD7	PassandPRackPwr
0RB3	Gnd	12VIF	12VitoFrontVec	24VD8	UreaPowerACM
0RB4	Air_Dryer_Gnd	12VIF19	12VI_DDDL	24VD8A	UreaPowerACM
0RB6	Luggageslockunlockrelay	12VIZF	ZFsterringControl	24VD8B	UreaPowerACM
0RB7	GndToEcm	12Wup	Vecr_Inside	24VDCust	24VDCustomer
0RB7A	GndtoACM	12WUp1	12VWUptoA48	24VI	24VI
0RB7B	GndtoACM	12WIn1	12WInFront	24vi	VecrInside

# CIRCUITS LIST

CircuitID	Description	CircuitID	Description	CircuitID	Description
24VI2	Multifunctionswitchpower	46A	FrontMarkers	69A	PneumaticHorn
24VI3	24vIgn	47	DoorOpenSignal	71A	DockingLtsLH
24VI4	SunVisorsPwr	48A	DoorUpperPen	72A	DockingLtsRH
24VI5	24VlofMuxmodules	48B	DoorUpperPenSig	72B	Sunvisor
24VI6	PwrtoDefrostUnit	48C	DoorUpperPenSig	72C	Sunvisor
24VI7	WiperPower	49A	DoorInsideSwCloseSig	72R	GndRJB
24VI8	24VltoMux	50	WitnessGndSig	74D	Sunvisor
24VI9A	24VlofA54	52	Sw102	76	FuelLevelSig
24VI10	24VI	53	LowerWip.Spd1Sig	76C	FuelLevelSig
24VIA	Cut-outPneumaticAcc	53A	ElectricalHorn	77	TransducerHi-Side
24VICust	24VICustomer	53B	Wiper	77B	PassandPRackLiquidValve
24VIF	24VltoFrontVEC	53C	LowerWip.IntSig	77BA	A/CClutch
24WUp1	24VWUptoA47	53D	LowerWip.WasherSwSig	77BB	A/CClutchsmalla/c
24Wup1	24WUpFront	53E	LowerWiper1stSpd	77C	PassandPRackLiquidValve
25	EngineRunSignal	53F	LowerWasherPump	77K	CoilThermostatSignal
25A1	ExcitationSignal	53H	LowerWiper	78	StopLightSensorSig
25A2	Alternator2Signal	53J	HornElectric	79	12V_Wup
25A4	BatteryNotChargingSig	53K	KeyLessSig	79A	DecelSignal
26	DriverWdoPwr	57A	AuxiliaryWaterPump	79C	DecelSignal
26A	DriverWdo	57L	Hi-Beam	80	BrakeRedundant
26B	DriverWdo	57R	HighBeamRH	81	HeadLtCallSw1
26D	EntranceWdo	57Rtn	SignalRtnHeadLtsLH	82A	Transmission
26E	EntranceWdo	58L	LowBeam	82Low	StopRearLowerLamp
27	PowerEntranceDoorWdo	58R	LowBeamRH	82Up	StopRearUpperLamps
31	UnloaderRH	58Rtn	HeadLampRHRtn	83	24vAccessories
31B	WiperPower	59	Hi/LowBeamSignal	84B	StartSigSw83
32	FrontSlideOutExtending	60	FogsLtsSwSig	85	24VIgnition
32A	BackupLtandalarm	61	HeadLtsSig	85A	Ign-AccSignal
32D	BackupLtandalarm	63	ClearanceLts	85a	Ign-AccSignal
33	UnloaderLH	63A	FrontClearanceLts	85B	Wake-upSig
35	EntranceDoorLights	63AA	ClearanceLts	85C	PositionNormalSw58
35A	EntranceLight	63BB	ClearanceLts	85D	RearStartPwr
39	DriverLtSwSig	64A	Blinker	85E	RearStartSignal
39AA	GndElectronic	65	FootDamper	85F	24VIgnition
39B	KeyLessSig	65A	FootDamper	85G	EgnineStartPwrSw58
39D	DriverLt	65D	DriverCylinder	85J	CutoutRlyLatchSig
39Rtn	GndDriverLt	65P	Pass.Cylinder	85Y	Abs_Bus_Signal
40	WitnessGnd	66	MarkersSigSw2	85Z	ABS_Trailer_Sig
41	24VCondensor	67	EvaporatorPwr	86	DefrostunitSpd
41A1	CondensorPwr	67A	Condensor1stSpdSig	86A	PassengerDefrosterControl
45	UpperdefrosterSwSig	68	DashDamper	86ARtn	GndReturn
45A	PassengerHeatSig	68A	DashDamper	86BRtn	GndReturn

# CIRCUITS LIST

CircuitID	Description	CircuitID	Description	CircuitID	Description
86D	PassengerSensor	120	Transmission	141	Transmission
86RTN	GndEntrancedoorLt	123	AFSS	142	ABSSolenoid
86Rtn	GndPassengerDefrosterControl	123A	WakeUpSignal	143	ABSSensor
87	TrailerParkBrakeSig	124A	Transmission	143A	ABSSensor
88	CompressorPressureSignal	125	RetarderSig	144	ABSSensor
89	Drivensorsig	126F	LevelLowSignal	144A	ABSSensor
90H	24VltoEvap	127	Transmission	145	ABSSolenoid
90H1	Evaporator	128	SunVisors	146	ABSSolenoid
91	ParkBrakeSig	129	SunVisors	147	ABSSolenoid
91B	WitnessSigSw14	130	SunVisors	148	Transmission
92	TrailerParkBrakeSig	131	Transmission	149	Transmission
93	PassengerDefrostSwitchUp	132	DifferentialLockSignal	149A	ABSSensor
94	PassengerDefrostSwitchDown	132A	LevelLowPower	150	Transmission
95	DockingLTswSig	132B	LevelLowSo30	151	GndtoEcm
96	CorneringLTswSig	132C	LevelLowSo31	151A	GndtoEcm
97	LowDockingLightsSwitchSignal	132D	LevelLowSo32	151B	GndToEcm
98	BackupCancelSwitch	132E	LevelLowPower	151C	GndtoEcm
00A1	GndElectronic	132F	LevelLowPower	151D	Coolant_Ground_Level
0B1	GndEnginePreheater	133	Transmission	152	Transmission
00B1	GndEng.Start	134	BatteryNotChargingSig	153	MirrorPwr
0V1	LuggageDoorOpenSig	135	Transmission	154	Transmission
0V2	LuggageDoorOpenSig	135A	Transmission	155	Transmission
0V3	LuggageDoorOpenSig	136	Transmission	156A	12VltoABS
0V5	LuggageDoorOpenSig	136A	TransmissionPwr	157D	Abs_Bus_Signal
0Y2	GndChassisABSSol	136AA	ShifterSignal	159	Transmission
0Y3	GndChassisABSSol	137	Transmission	160	TagSignal
101	PwrtoStarter	137A	MirrorPwrSig	163	Transmission
101A	Starter_Relay	137B	Mirrors	163A	EngBrakeRetSignal
101B	Starter_Relay	137C	Mirrors	163B	Transmission
102A	PWR_Alt120A	137D	Mirrors	164	HandLevelSig
104	LevelLowSo28	137E	Mirrors	166	WitnessSigSw16
105	FogLtsLH	137F	Mirrors	167	ACB
106	FogLtsRH	137H	Mirrors	168	ACB
111	Transmission	137J	Mirrors	170A	LuggagesLocks
114	BacklightPwr	137K	Mirrors	170B	LuggagesLocks
114A	Backlight	137L	Mirrors	170D	Luggageslockrelay
115	Transmission	137M	Mirrors	170E	Luggagesdoorslockrelays
115A	WitnessLampPwr	137N	Mirrors	170F	LuggagesLocks
115W	Transmission	137P	Mirrors	170G	LuggagesLocks
116	DriverLiq	138	Transmission	170K	LuggagesLocksSwitch
116A	DriverLiq	138A	ABSSensor	170L	LuggagesLocksSwitch
118	Transmission	139	Transmission	170M	LuggagesLocksSwitch

# CIRCUITS LIST

CircuitID	Description	CircuitID	Description	CircuitID	Description
170P	LuggagesLocksSwitch	285B	KeyLessSig	510	FastIdleSignal
170Q	LuggagesLocksSwitch	286	EntranceDoorLock	511	UreaSystem
170R	LuggagesLocksSwitch	286A	EntranceDoorLock	512	UreaSystem
170S	LuggagesLocksSwitch	286B	FrontDoorLock	513	UreaSystem
170SS	LuggagesLocksSwitch	287	KeyLessSig	515	GndPreHeaterRelay
170T	LuggagesLocksSwitch	290	GndFanClutch	516	UreaSystem
170V	LuggagesLocksSwitch	290A	GndFanClutch	517	UreaSystem
170W	Luggageslockrelay	291	FanClutch	518	UreaSystem
170X	LuggagesLocksSwitch	292	FanClutch	519	UreaSystem
170Y	LuggagesLocks	294	KeyLessSig	520	UreaSystem
170Z	LuggagesLocks	295	KeylessModuleOutput	521	UreaSystem
171	LuggageUnlockSwSig	296	RJBDoorFan	522	UreaSystem
174	Transmission	297	TransShiftDown	523	UreaSystem
175	Transmission	298	TransShiftUp	524B	IdleValidationSig
176	Transmission	341	See_H3_Design	524C	IdleValidationSig
177	Transmission	342	AFSS	525	UreaSystem
180	Transmission	343	See_H3_Design	526	UreaSystem
185	TransmissionInhibitSig	344	ExtinguisherSignal	527	UreaSystem
197	FuelFilterSig	345	See_H3_Design	528	UreaSystem
201	HeadLampSignal	346	PowerSensors	530	UreaSystem
202	HeadLampWash.Pump	347	Fire_Detect_Alarme	532	UreaSystem
231	NeutralSignal	348	See_H3_Design	541	CruiseSetSig
231A	StarterRelay	351	EngineShout-downSignal	544	CruiseOn_OffSignal
231B	Starter_Relay	352	AFSS	544A	CruiseOn-OffLed
240A	12v_Engine_Ecu	360	ClusterKeyPad	545	CruiseResumeSig
241A	PwrDDDRConn	361	ClusterKeyPad	583	EngineBrakeB
241B	PwrDDDRConn	362	ClusterKeyPad	600	ABSSensor
241C	WaterInFuelHeater	363	ClusterKeyPad	600A	ABSSensor
260	WindowAjarSignal	364	FrontAirBrakePress	601	ABSSensor
272	KeylessModuleInput	365	FrontAirBrakePress	601A	ABSSensor
274	KeylessModuleInput	366	RearAirBrakePress	602	ABSSteering&Yawsensor
276	KeylessModuleInput	367	RearAirBrakePress	603	ABSSteering&Yawsensor
277	KeylessModuleKeypadLt	368	AccAirPress	604	ABSSteering&Yawsensor
278	KeylessModuleInput	369	AccAirPress	605	ABSSteering&Yawsensor
280	KeylessModuleInput	417	ThrottlePositionSignal	606	ABSPressuresensor
281	KeyLessSigUnlock	439		607	ABSPressuresensor
282	KeyLessSigUnlock	439G	Steering	608	ABSPressuresensor
283	EntranceDoorHingeSignal	500	DDECGND	609	ABSPressuresensor
283A	UnlockSig	501	Ground_Control_Relay	610	ABSPressuresensor
283C	EntranceDoorHingeSignal	502	IVSOut	611	AbsTagSolenoid
284A	LuggagesUnlockRelays	505	DPFVolvo	612	AbsTagSolenoid
284B	KeyLessSig	506	DPFVolvo	613	AbsTagSolenoid



# CIRCUITS LIST

CircuitID	Description	CircuitID	Description	CircuitID	Description
614A	ABSSteeringSolenoid	CC12	ConverterOutput1	N19	A50Address
615	ABStrailersolenoid	CC13	ConverterOutput3	N20	A50Address
616	ABStrailersolenoid	CC14	ConverterOutput2	N21	A51Address
617	ABStrailersolenoid	CC15	ConverterOutput4	N22	A51Address
900	J1587+	CC16	ConverterOutput5	N23	A52Address
901	J1587-	CC17	ConverterOutput6	N24	A52Address
911	EmergencyCutoutRlySignal	Cd	ComputerSignals	N25	A53Address
916	5VSensorPwr	Cd1	ComputerSignals	N26	A53Address
952	GndSensorRtn	Cts	ComputerSignals	N27	A54Address
953	Electronic_ground_DDEC_VI	D	Trans.HandLever	N28	A54Address
979	EngineBrakeA	DBusH	DBusH	N29	A36Address
980H	Hispeedfanvaporator	DbusH	DBusSignal	N30	A56Address
980L	lowspeedfanvaporator	DBusL	DBusL	N31	A56Address
A	Trans.HandLever	DbusL	DBusSignal	N32	A57Address
B	Trans.HandLever	Down	ClusterKeyPad	N33	A55_Address
BLACK	TrailerBackupLights	E	Trans.HandLever	N34	A55_Address
BikFR	TPMSGND	Escape	ClusterKeyPad	nil	Inside_VECF
BikRL	TPMSGND	F	Trans.HandLever	OFB3	TPMSGND
BikRR	TPMSGND	G	Trans.HandLever	RED	Volvo_Starter_Signal
BLUE	TrailerconnectorABSPower	GndA	ComputerSignals	RedFR	TPMS12V
BRef1	OutsideTemperatureSensor	GREEN	TrailerFlasherRH	RedRL	TPMS12V
Bref1	PassengerSensor	H	Trans.HandLever	RedRR	TPMS12V
Bref2	PassengerSensor	J1939H	J1939	Rts	ComputerSignals
BROWN	TrailerMarkerlights	J1939L	J1939	RX	TPMSDATA
C	Trans.HandLever	LIN	Steering	RxD	ComputerSignals
CAN2-H	EngineCan2	N1	A41Address	Select	ClusterKeyPad
CAN2-L	EngineCan2	N2	A41Address	So1	Gnd
CAN2H	DPFVolvo	N3	A42Address	So2	SldOutRemoteSig
CAN2L	DPFVolvo	N4	A42Address	So3	SldOutInSig
CanH	CanHSignal	N5	A43Address	So4	SignalOut
CanH1	Sparefrttorr	N6	A43Address	So6	Proximitysignal
CanL	CanLSignal	N7	A44Address	So7	Proximitysignal
CanL1	Sparefrttorr	N8	A44Address	SO8	PowerSldOut1Sensor
Can_H	Can_HSignal	N9	A45Address	So8	PowerSldOut1Sensor
Can_L	Can_LSignal	N10	A45Address	So9	SldOut1StatusLed
CC1	Converterinput1	N11	A46Address	So10	SldOut1RelaySig
CC2	Converterinput2	N12	A46Address	So11	SldOut2RelaySig
CC3	Converterinput3	N13	A47Address	So12	SealInflating
CC4	ConverterInput4	N14	A47Address	So13	SldOut1SealDeflatSig
CC5	Converterinput5	N15	A48Address	So14	SldOut1VacumGen
CC6	Converterinput5	N16	A48Address	So16	SensorGndRtn
CC7	ConverterInnit2	N17	A49Address	So18	GndSlideOut

# CIRCUITS LIST

CircuitID	Description	CircuitID	Description		
So20	SldOutMotor1Sig	spare30	SparesFrontHarness		
So21	SldOut1MotorSig	spare31	SparesFrontHarness		
So26	SlideOut	spare32	SparesFrontHarness		
So31	GndSlideOut	spare33	SparesFrontHarness		
So32	SldOut1SignalOut	spare34	SparesFrontHarness		
So33	SldOut2SignalIn	spare35	SparesFrontHarness		
So36	Proximitysignal	spare36	SparesFrontHarness		
So37	Proximitysignal	spare37	SparesFrontHarness		
So38	PowerSldOut2Sensor	spare38	SparesFrontHarness		
So39	SldOut2StatusLed	spare39	SparesDash		
So40	SldOut2RelaySig	spare40	SparesDash		
So41	SldOut2RelaySig	spare41	SparesDash		
So42	SldOut2SealDeflatSig	spare42	SparesDash		
So46	SldOutMotor2sig	spare43	SparesDash		
So47	SldOutMotor2sig	spare44	SparesDash		
So48	SldOut2MotorSig	spare45	SparesFr-to-RearHarness		
So55	SecurityPinSol	spare46	SparesFr-to-RearHarness		
So58	SldOutMotor1Sig	spare51	SparesEngineCradle		
So59	SldOutMotor2sig	spare52	SparesEngineCradle		
So61	SldOut2SealInflat	spare53	SparesEngineCradle		
SP	ConverterVehicleSpeed	spare54	SparesEngineCradle		
Spare	VecrInside	spare62	spareABSHarness		
spare	VecrInside	spare63	spareABSHarness		
spare2	SparesFr-to-RearHarness	spare64	spare		
spare3	SparesFr-to-RearHarness	spare65	spare		
spare4	SparesEvap.Harness	spare96	spare		
spare6	SparesEvap.Harness	spare97	spare		
spare7	SparesEvap.Harness	spare98	spare		
spare8	SparesEvap.Harness	TX	TPMSDATA		
spare9	SparesEvap.Harness	TxD	ComputerSignals		
spare17	SparesFr-to-RearHarness	Up	ClusterKeyPad		
spare18	SparesFr-to-RearHarness	VDALT	Alternator		
spare19	SparesFr-to-RearHarness	WHITE	TrailerConnectorGnd		
spare20	SparesClearanceLts	WhtFR	TPMSDATA		
spare21	SparesClearanceLts	WhtRR	TPMSDATA		
spare22	SparesClearanceLts	YELLOW	TrailerFlasherLH		
spare23	SparesClearanceLts				
spare24	SparesClearanceLts				
spare25	SparesClearanceLts				
spare26	SparesFrontHarness				
spare27	SparesFrontHarness				
spare28	SparesFrontHarness				

# CIRCUITS LIST

CircuitID	Description	CircuitID	Description	CircuitID	Description
0	GndLevelLow	0RC5	Gnd	21A	FlashersCenterLH
2B	CondSndSpdSig	0RC5A	Gnd	21AA	FlashersRearLH
5A	UpperHeaterPwr	0RC5B	Gnd	21B	CorneringLtsLH
7	DriverSensorRtn	0SA1	GND_Alt120A	21BR	GndFoglights
9A	GndEngineDoorSe	0VA	Equalizer_Gnd	21C	UpperRearLights
9B	EngineCmpt.Lt	0Y	GndChassistoABSModule	22	HazardSwSig
0A	Evap.Gnd	10	DPFVolvo	23	FlasherRHSig
00A	GndElectronic	10A	LuggageCmpt.LtsPwr	23A	FlasherCenterRH
00AB	gnd	12	RearSlideOutRetractingSignal	23AA	FrontFlasherRHSide
00B	ElectronicGndofMuxModules	12A	12Direct	23B	CorneringLtsRH
0BB	GndElectronic	12CPC	R22_DDEC	23BR	GndFogandCorneringLtsRH
0C	GndStarter062214	12Ecu	12v_Engine_Ecu	23C	UpperRearLights
0CE	R22_GND	12K	KeyLessIgn	24A	Battery_24V
0CG	67888	12VB	Equalizer_Power	24AW	AwiningWindowsPower
0EV1	CondensorPwr	12VD	12VDTOCB2	24CO	ExcitationSignal
0EV2	GndHvac	12VD1	12VDFrontWake-up	24CO	ExcitationSignal
0F	FJBDoorOpenSig	12VD2	12Direct	24D	24Direct
0FA1	GndPwrOutlet	12VD3	RLock/RUnlock_Door	24EE1	24Ignition
0FA4	Chassisgnd	12VD4	12v`_Engine_Ecu	24EE2	24Ignition
0FB1	GndMirrors	12VDCust	12VDCustomer	24VB	Equalizer_Power
0FB2	GndDriverWdo	12VDF	12VDtoFrontVec	24VB1	24VEnginePreheater
0FB3	GNDCustomer	12VI	Vecr_Inside	24VB2	24VEnginePreheater
0FC1	GndFJB	12VI1	12VIofA44	24VD	Vecr_Inside
0FC4	ElectricalHorn	12VI2	MirrorPwr	24vd	VecrInside
0FD1	GNDCustomer	12VI3	PwrOutletDrawer	24VD1	24VDDriverLiq
0FDS	Driver_Seat_Gnd	12VI4	PwrOutletandCigarLighter	24VD2	24VDtoRearVec
0FE	Gnd_AFSS	12VI5	12VitoVECR	24VD3	24VDofCECM
0G	GndofA54	12VI6	PwrtoModuleA50	24VD4	24VDFrontWake-up
0H	GroundCoolantSensor	12VI7	TrailerABSPower	24VD5	24VD
0L	KeylessModuleKeypadGnd	12VI9	TPMSPow	24VD7	PassandPRackPwr
0PR2	GndFrontClearanceLts	12VICust	12VICustomer	24VD8	UreaPowerACM
0PR3	UpperDefrosterGnd	12VIF	12VitoFrontVec	24VD8A	UreaPowerACM
0RA2	GndRJB	12VIF19	12VI_DDDL	24VD8B	UreaPowerACM
0RB3	GndFlashersandMarkersCenter	12w_up	VecrInside	24VDCust	24VDCustomer
0RB4	Air_Dryer_Gnd	12Wup	Vecr_Inside	24VDS	Driver_Seat_Pwr
0RB6	Luggageslockunlockrelay	12WUp1	12WUpFront	24VI	Vecr_Inside
0RB7	GndToEcm	12Wup2	12WUpToDash	24vi	VecrInside
0RB8	GndtoACM	12WUp5	PwrtoDDEC	24VI1	24VitoRearVec
0RB8A	GndtoACM	13	GndTransducer	24VI2	Multifunctionswitchpower
0RB8B	GndtoACM	16	SpeedSignal	24VI3	24vIgn
0RC2	GndDriverCylinder	18	Wip.WasherLevel	24VI4	SunVisorsPwr
0RC3	ElectricGnd	20	Air_Dryer_Pwr	24VI5	24VIofMuxmodules
0RC4	GndKeylessKeypad	21	FlasherLHSig	24VI6	PwrtoDefrostUnit

# CIRCUITS LIST

CircuitID	Description	CircuitID	Description	CircuitID	Description
24VI7	WiperPower	50	DriverHeatValve	72R	GndRJB
24VI8	24VILevelLowSwitch	52	Sw102	74D	Sunvisor
24VI9A	24VlofA54	53	LowerWip.Spd1Sig	76	FuelLevelSig
24VI10	24VI	53A	ElectricalHorn	76C	FuelLevelSig
24VIA	Cut-outPneumaticAcc	53B	Wiper	77	TransducerHi-Side
24VICust	24VICustomer	53C	LowerWip.IntSig	77B	PassandPRackLiquidValve
24VIF	24VltoFrontVEC	53D	LowerWip.WasherSwSig	77BA	A/Cclutch
24WUp1	24VWUptoA47	53E	LowerWiper1stSpd	77BB	A/Cclutch
25	EngineRunSignal	53F	LowerWasherPump	77C	PassandPRackLiquidValve
25A1	ExcitationSignal	53H	LowerWiper	77K	CoilThermostatSignal
25A2	ExcitationSignal	53J	HornElectric	78	StopLightSensorSig
25A4	BatteryNotChargingSig	53K	KeyLessSig	79	TranducerLow-Side
26	DriverWdoPwr	57A	Waterpump	79A	DecelSignal
26A	DriverWdo	57L	Hi-Beam	79C	DecelSignal
26B	DriverWdo	57R	HighBeamRH	80	BrakeRedundant
26D	EntranceWdo	57Rtn	SignalRtnHeadLtsLH	81	HeadLtCallSw1
26E	EntranceWdo	58L	LowBeam	82A	CyclopeLamp
27	PowerEntranceDoorWdo	58R	LowBeamRH	82Low	StopRearLowerLamp
31	UnloaderRH	58Rtn	HeadLampRHRtn	82Up	StopRearUpperLamps
31B	WiperPower	59	Hi/LowBeamSignal	83	24vAccessories
32	FrontSlideOutExtending	60	FogsLtsSwSig	84B	StartSigSw83
32A	BackupLtandalarm	61	HeadLtsSig	85	Ign-AccSignal
32D	BackupLtandalarm	63	DPF	85A	Ign-AccSignal
33	UnloaderLH	63A	FrontClearancelts	85a	Ign-AccSignal
35	EntranceDoorLights	63AA	Clearancelts	85B	Wake-upSig
35A	Entrancelight	63BB	Clearancelts	85C	PositionNormalSw58
39	DriverLtSwSig	64A	Blinker	85D	RearStartPwr
39AA	GndElectronic	65	FootDamper	85F	24Vignition
39B	KeyLessSig	65	FootDamper	85G	EgnineStartPwrSw58
39D	DriverLt	65A	FootDamper	85J	CutoutRlyLatchSig
39Rtn	GndDriverLt	65D	DriverCylinder	85Z	ABS_Trailer_Sig
40	WitnessGnd	65P	Pass.Cylinder	86	PassengerSensor
41	24VCondensor	66	MarkersSigSw2	86A	PassengerDefrosterControl
41A1	CondensorPwr	67	EvaporatorPwr	86ARtn	GndReturn
45	UpperdefrosterSwSig	67A	Condensor1stSpdSig	86C	Outsidetempssensor
45A	PassengerHeatSig	68	DashDamper	86D	PassengerSensor
46	MarkersCenter	68A	DashDamper	86RTN	GndEntrancedoorLt
46A	FrontMarkers	69	ElectricalHorn	86Rtn	GndPassengerDefrosterControl
47	DoorOpenSignal	69A	PneumaticHorn	87	TrailerParkBrakeSig
48A	DoorUpperPen	71A	DockingLtsLH	88	CompressorPressureSignal
48B	DoorUpperPenSig	72A	DockingLtsRH	89	Driversensorsig
48C	DoorUpperPenSig	72B	Sunvisor	90H	24VltoEvap
49A	DoorInsideSwCloseSig	72C	Sunvisor	90H1	Evaporator

# CIRCUITS LIST

CircuitID	Description	CircuitID	Description	CircuitID	Description
91	ParkBrakeSig	129	SunVisors	147	ABSSolenoid
91B	WitnessSigSw14	130	SunVisors	148	ABSSolenoid
92	TrailerParkBrakeSig	131	Evaporator2ndSpd	149	Transmission
93	PassengerDefrostSwitchUp	132	DifferentialLockSignal	149A	ABSSensor
94	PassengerDefrostSwitchDown	132A	DifferentialLocksol	150	Transmission
95	DockingLTSwSig	132B	LevelLowSo30	151	ABSRearAtcSolenoid
96	CorneringLTSwSig	132C	LevelLowSo31	151A	GndtoEcm
97	LowDockingLightsSwitchSignal	132D	LevelLowSo32	151B	GndtoEcm
98	BackupCancelSwitch	132E	LevelLowPower	151C	GndToEcm
00A1	GndElectronic	132F	LevelLowPower	151D	Coolant_Ground_Level
0B1	GndEnginePreheater	133	Transmission	152	ABSRearAtcSolenoid
00B1	GndEng.Start	134	BatteryNotChargingSig	153	MirrorPwr
0V1	LuggageDoorOpenSig	135	Transmission	154	Transmission
0V2	LuggageDoorOpenSig	135A	Transmission	155	Transmission
0V3	LuggageDoorOpenSig	136	Transmission	156A	12VtoABS
0V5	LuggageDoorOpenSig	136A	TransmissionPwr	157D	Abs_Bus_Signal
0Y2	GndChassisABSSol	136AA	ShifterSignal	159	Transmission
0Y3	GndChassisABSSol	137	Transmission	160	TagSignal
101	PwrtoStarter	137A	MirrorPwrSig	163	Transmission
101A	Starter_Relay	137B	Mirrors	163A	EngBrakeRetSignal
101B	Starter_Relay	137C	Mirrors	163B	Transmission
102A	PWR_Alt120A	137D	Mirrors	164	HandLevelSig
104	LevelLowSo28	137E	Mirrors	166	WitnessSigSw16
105	FogLtsLH	137F	Mirrors	167	ACB
106	FogLtrH	137H	Mirrors	168	ACB
111	Transmission	137J	Mirrors	170A	LuggagesLocks
114	BacklightPwr	137K	Mirrors	170B	LuggagesLocks
114A	Backlight	137L	Mirrors	170D	LuggagesLockPower
115	CoolantLevelSignal	137M	Mirrors	170E	Luggagesdoorslockrelays
115A	WitnessLampPwr	137N	Mirrors	170F	LuggagesLocks
115W	Transmission	137P	Mirrors	170G	LuggagesLocks
116	Transmission	138	ABSSensor	170K	LuggagesLocksSwitch
116A	DriverLiq	138A	ABSSensor	170L	LuggagesLocksSwitch
118	Transmission	139	Transmission	170L	LuggagesLocksSwitch
119	Transmission	140	ABSSolenoid	170M	LuggagesLocksSwitch
120	Transmission	141	Transmission	170N	LuggagesLocksSwitch
123	AFSS	142	ABSSolenoid	170P	LuggagesLocksSwitch
123A	WakeUpSignal	143	ABSSensor	170Q	LuggagesLocksSwitch
124A	Transmission	143A	ABSSensor	170R	LuggagesLocksSwitch
125	RetarderSig	144	ABSSensor	170S	LuggagesLocksSwitch
126F	LevelLowSignal	144A	ABSSensor	170SS	LuggagesLocksSwitch
127	Transmission	145	ABSSolenoid	170T	LuggagesLocksSwitch
128	SunVisors	146	ABSSolenoid	170V	LuggagesLocksSwitch

# CIRCUITS LIST

CircuitID	Description	CircuitID	Description	CircuitID	Description
170W	LuggagesLocksSwitch	291	FanClutch	518	UreaSystem
170X	LuggagesLocksSwitch	292	FanClutch	519	UreaSystem
170Y	LuggagesLocks	294	KeyLessSig	520	UreaSystem
170Z	LuggagesLocks	295	KeylessModuleOutput	521	UreaSystem
171	Transmission	296	RJBDoorFan	522	UreaSystem
174	Transmission	297	TransShiftDown	523	UreaSystem
175	Transmission	298	TransShiftUp	524B	IdleValidationSig
176	Transmission	341	See_H3_Design	524C	IdleValidationSig
177	Transmission	342	AFSS	525	UreaSystem
180	Transmission	343	Fire_EngineStopTTL	526	UreaSystem
185	TransmissionInhibitSig	344	ExtinguisherSignal	526A	UreaSystem
197	FuelFilterSig	345	See_H3_Design	526B	DPFVolvo
201	HeadLampSignal	346	PowerSensors	526C	UreaSystem
202	HeadLampWash.Pump	347	Fire_Detect_Alarme	527	UreaSystem
231	NeutralSignal	348	See_H3_Design	528	UreaSystem
231A	StarterRelay	351	EngineShout-downSignal	530	UreaSystem
231B	Starter_Relay	352	See_H3_Design	531	UreaSystem
240A	12v_Engine_Ecu	360	ClusterKeyPad	532	UreaSystem
240B	R22_DDEC	361	ClusterKeyPad	541	CruiseSetSig
241A	PwrDDDRConn	362	ClusterKeyPad	544	CruiseOn_OffSignal
241C	WaterInFuelHeater	363	ClusterKeyPad	544A	CruiseOn-OffLed
260	WindowAjarSignal	364	FrontAirBrakePress	545	CruiseResumeSig
272	KeylessModuleInput	365	FrontAirBrakePress	583	EngineBrakeB
274	KeylessModuleInput	366	RearAirBrakePress	600	ABSSensor
276	KeylessModuleInput	367	RearAirBrakePress	601	ABSSensor
277	KeylessModuleKeypadLt	368	AccAirPress	601A	ABSSensor
278	KeylessModuleInput	369	AccAirPress	602	ABSSteering&Yawsensor
280	KeylessModuleInput	417	ThrottlePositionSignal	603	ABSSteering&Yawsensor
281	KeyLessSigUnlock	439	IgnitionSignal	604	ABSSteering&Yawsensor
282	KeyLessSigUnlock	439G	Steering	605	ABSSteering&Yawsensor
283	EntranceDoorHingeSignal	500	DDECND	606	ABSPressuresensor
283A	UnlockSig	501	Ground_Control_Relay	607	ABSPressuresensor
283C	EntranceDoorHingeSignal	502	IVSOut	608	ABSPressuresensor
284A	LuggagesUnlockRelays	505	UreaSystem	609	ABSPressuresensor
284B	KeyLessSig	506	DPFVolvo	610	ABSPressuresensor
285	LuggagesLockRelays	507	UreaSystem	611	AbsTagSolenoid
285B	KeyLessSig	510	FastIdleSignal	612	AbsTagSolenoid
286	EntranceDoorLock	511	UreaSystem	613	AbsTagSolenoid
286A	EntranceDoorLock	512	DPFVolvo	614	ABSSteeringSolenoid
286B	FrontDoorLock	513	UreaSystem	614A	ABSSteeringSolenoid
287	KeyLessSig	515	GndPreHeaterRelay	615	ABStrailersolenoid
290	GndFanClutch	516	UreaSystem	615	ABStrailersolenoid
290A	GndFanClutch	517	UreaSystem	616	ABStrailersolenoid

# CIRCUITS LIST

CircuitID	Description	CircuitID	Description	CircuitID	Description
617	ABStrailersolenoid	Cd1	ComputerSignals	N31	A56Address
900	J1587	CTS	MCMInterface	N32	A57Address
901	J1587	Cts	ComputerSignals	N33	A55_Address
911	EmergencyCutoutRlySignal	DBusH	DBusH	N33	A57Address
916	5VSensorPwr	DBusL	tpmsdataLo	N34	A55_Address
952	GndSensorRtn	DbusL	DBusSignal	OFB3	TPMSGND
953	Electronic_ground_DDEC_VI	Down	ClusterKeyPad	RED	Volvo_Starter_Signal
979	EngineBrakeA	Escape	ClusterKeyPad	RedRL	TPMS12V
980H	Hispeedfanevaporator	GndA	ComputerSignals	RTS	MCMInterface
980L	lowspeedfanevaporator	GREEN	TrailerFlasherRH	Rts	ComputerSignals
A	Trans.HandLever	J1939H	J1939	RX	TPMSDATA
B	Trans.HandLever	J1939L	J1939	RxD	ComputerSignals
BB2H	Can2	LIN	Steering	RxTx	MCMInterface
BB2L	Can2	N1	A41Adress	Select	ClusterKeyPad
BLACK	TrailerBackupLights	N2	A41Adress	So1	GndSlideOut
BIKFR	TPMSGND	N3	A42Adress	So2	SldOutRemoteSig
BLUE	TrailerconnectorABSPower	N4	A42Adress	So3	SldOutInSig
BRef1	OutsideTemperatureSensor	N5	A43Adress	So4	SignalOut
Bref1	PassengerSensor	N6	A43Adress	So6	Proximitysignal
BROWN	TrailerMarkerlights	N7	A44Adress	So7	Proximitysignal
CAN2-H	EngineCan2	N8	A44Adress	SO8	PowerSldOut1Sensor
CAN2-L	EngineCan2	N9	A45Adress	So9	SldOut1StatusLed
CAN2L	DPFVolvo	N10	A45Adress	So10	SldOut1RelaySig
CanH	CanHSignal	N11	A46Adress	So11	SldOut2RelaySig
CanH1	Sparefrttorr	N12	A46Adress	So12	SealInflating
CanL	CanLSignal	N13	A47Adress	So13	SldOut1SealDeflatSig
CanL1	SparesFr-to-RearHarness	N14	A47Adress	So14	SldOut1VacumGen
Can_H	Can_HSignal	N15	A48Adress	So16	SensorGndRtn
Can_L	Can_LSignal	N16	A48Adress	So18	GndSlideOut
CC1	Converterinput1	N17	A49Adress	So19	SldOutMotor1Sig
CC2	ConverterInput2	N18	A49Adress	So20	SldOutMotor1Sig
CC3	Converterinput3	N19	A50Adress	So21	SldOut1MotorSig
CC4	Converterinput4	N20	A50Adress	So26	SlideOut
CC5	Converterinput5	N21	A51Adress	So31	GndSlideOut
CC6	Converterinput5	N22	A51Adress	So32	SldOut1SignalOut
CC7	ConverterInput2	N23	A52Adress	So33	SldOut2SignalIn
CC8	ConverterInput2	N24	A52Adress	So36	Proximitysignal
CC12	Converteroutput1	N25	A53Adress	So37	Proximitysignal
CC13	Converteroutput2	N26	A53Adress	So38	PowerSldOut2Sensor
CC14	ConverterOutput2	N27	A54Adress	So39	SldOut2StatusLed
CC15	Converteroutput4	N28	A54Adress	So40	SldOut2RelaySig
CC16	ConverterOutput5	N29	A36Adress	So41	SldOut2RelaySig
CC17	Converteroutput6	N30	A56Address	So42	SldOut2SealDeflatSig

# CIRCUITS LIST

CircuitID	Description	CircuitID	Description	CircuitID	Description
So46	SldOutMotor2sig	spare45	SparesFr-to-RearHarness		
So47	SldOutMotor2sig	spare46	SparesFr-to-RearHarness		
So48	SldOut2MotorSig	spare51	SparesEngineCradle		
So55	SecurityPinSol	spare52	SparesEngineCradle		
So58	SldOutMotor1Sig	spare53	SparesEngineCradle		
So59	SldOutMotor2sig	spare54	SparesEngineCradle		
So61	SldOut2SealInflat	spare62	spareABSHarness		
SP	ConverterVehicleSpeed	spare63	spareABSHarness		
spare2	SparesFr-to-RearHarness	spare64	spare		
spare3	SparesFr-to-RearHarness	spare65	spare		
spare4	SparesEvap.Harness	spare96	spare		
spare6	SparesEvap.Harness	spare97	spare		
spare7	SparesEvap.Harness	spare98	spare		
spare8	SparesEvap.Harness	SubH	Subnet		
spare9	SparesEvap.Harness	SubL	Subnet		
spare17	SparesFr-to-RearHarness	TX	TPMSDATA		
spare18	SparesFr-to-RearHarness	TxD	MCMInterface		
spare19	SparesFr-to-RearHarness	Up	ClusterKeyPad		
spare20	SparesClearanceLts	VDALT	Alternator		
spare21	SparesClearanceLts	WHITE	TrailerConnectorGnd		
spare22	SparesClearanceLts	WhtFR	TPMSDATA		
spare23	SparesClearanceLts	YELLOW	TrailerFlasherLH		
spare24	SparesClearanceLts				
spare25	SparesClearanceLts				
spare26	SparesFrontHarness				
spare27	SparesFrontHarness				
spare28	SparesFrontHarness				
spare29	SparesFrontHarness				
spare30	SparesFrontHarness				
spare31	SparesFrontHarness				
spare32	SparesFrontHarness				
spare33	SparesFrontHarness				
spare34	SparesFrontHarness				
spare35	SparesFrontHarness				
spare36	SparesFrontHarness				
spare37	SparesFrontHarness				
spare38	SparesFrontHarness				
spare39	SparesDash				
spare40	SparesDash				
spare41	SparesDash				
spare42	SparesDash				
spare43	SparesDash				
spare44	SparesDash				



# CIRCUITS LIST

CircuitID	Description	CircuitID	Description	CircuitID	Description
0	GndLevelLow	ORC3		12WUp5	PwrtoModuleA51
2B	CondSndSpdSig	ORC4	Gnd	12Wup5	12Wup
5A	UpperHeaterPwr	ORC5	Gnd	13	GndTransducer
5B	UpperHeaterPwr	ORC5A	Gnd	16	SpeedSignal
5C	UpperHeaterPwr	ORC5B	Gnd	18	Wip.WasherLevel
7	DriverSensorRtn	OSA1	GND_Alt120A	20	Air_Dryer_Pwr
9A	GndEngineDoorSe	OVA	Equalizer_Gnd	21	FlasherLHSig
9B	EngineCmpt.Lt	0Y	ABS_Gnd	21A	FrontFlasher
0A	Evap.Gnd	10	LuggageCmpt.LtsPwr	21AA	FlashersRearLH
00A	GndElectronic	10A	LuggageCmpt.LtsPwr	21B	CorneringLtsLH
00AB	Sw103A	12	RearSlideOutRetractingSignal	21BR	GndFoglights
00B	ElectronicGndofMuxModules	12A	12Direct	21C	UpperRearLights
0BB	SensorGnd	12CPC	R22_DDEC	22	HazardSwSig
0C	GndStarter062214	12Ecu	VecrInside	23	FlasherRHSig
0CE	GND48A47	12ecu	VecrInside	23A	FrontFlasherRH
0CG	67888	12K	KeyLessIgn	23AA	FrontFlasherRHSide
0EV1	CondensorPwr	12VB	Equalizer_Power	23B	CorneringLtsRH
0EV2	GndHvac	12VD	12VDT0CB2	23BR	GndFogandCorneringLtsRH
0F	FJBDoorOpenSig	12VD1	12VDFrontWake-up	23C	UpperRearLights
0FA1	GndofEntranceWdo	12VD2	12Direct	24A	Battery_24V
0FA4	Chassisgnd	12VD3	12vRearwake-up	24AW	
0FB1	GndMirrors	12VD4	12v_Engine_Ecu	24CO	PwrtoExcitationResistor
0FB2	GndDriverWdo	12VDCust	12VDCustomer	24D	24Direct
0FB3	GNDCustomer	12VDF	12VDtoFrontVec	24EE1	24Ignition
0FC1	Driverseat	12VI	12VItoCB10	24EE2	24Ignition
0FC4	ElectricalHorn	12vi	VecrInside	24VB	Equalizer_Power
0FD1	GNDMuxpower	12VI1	12VIofA44	24VB1	24VEnginePreheater
0FDS	Driver_Seat_Gnd	12VI2	MirrorPwr	24VB2	24VEnginePreheater
0FE	Gnd_AFSS	12VI3	PwrOutletDrawer	24VD	MasterRelayPwr
0G	GndofA54	12VI4	PwrOutletandCigarLighter	24vd	VecrInside
0H	GroundCoolantSensor	12VI5	12VItoVECR	24VD1	24VDtoFront
0L	KeylessModuleKeypadGnd	12VI6	PwrtoModuleA50	24VD2	24VDtoRearVec
0PR2	GndFrontClearanceLts	12VI7	TrailerABSPower	24VD3	24VDofCECM
0PR3	UpperDefrosterGnd	12VI9	TPMSPow	24VD4	24VDFrontWake-up
0RA2	SignalGndR1	12VICust	12VICustomer	24VD5	24VD
0RB3	Gnd	12VIF	12VItoFrontVec	24VD7	PassandPRackPwr
0RB4	Air_Dryer_Gnd	12VIF19	12VI_DDDL	24VD8	
0RB6	Luggageslockunlockrelay	12VIZF	ZFsterringControl	24VD8A	UreaPowerACM
0RB7	GndToEcm	12w_up	VecrInside	24VD8B	UreaPowerACM
0RB8		12Wup	Vecr_Inside	24VDCust	24VDCustomer
0RB8A	GndtoACM	12WUp1	12VWUptoA48	24VDS	Driver_Seat_Pwr
0RB8B	GndtoACM	12Wup1	12WUpFront	24VI	24VI
0RC2	GndDriverCylinder	12Wup2	12WUptoDash	24vi	VecrInside

# CIRCUITS LIST

CircuitID	Description	CircuitID	Description	CircuitID	Description
24V11	24VltoRearVec	46	FrontFlasherRh	69	ElectricalHorn
24V12	Multifunctionswitchpower	46A	FrontMarkers	69A	PneumaticHorn
24V13	24vlgn	47	DoorOpenSignal	71A	DockingLtsLH
24V14	SunVisorsPwr	48A	DoorUpperPen	72A	DockingLtsRH
24V15	24VlofMuxmodules	48B	DoorUpperPenSig	72B	Sunvisor
24V16	PwrtoDefrostUnit	48C	DoorUpperPenSig	72C	Sunvisor
24V17	WiperPower	49A	DoorInsideSwCloseSig	72R	GndRJB
24V18	24VltoMux	50	WitnessGndSig	74D	Sunvisor
24V19A	24VlofA54	52	Sw102	76	FuelLevelSig
24V110	24VI	53	LowerWip.Spd1Sig	76C	FuelLevelSig
24VIA	Cut-outPneumaticAcc	53A	ElectricalHorn	77	TransducerHi-Side
24VICust	24VICustomer	53B	Wiper	77B	PassandPRackLiquidValve
24VIF	24VltoFrontVEC	53C	LowerWip.IntSig	77BA	A/CCLutch
24WUp1	24VWUptoA47	53D	LowerWip.WasherSwSig	77BB	A/CCLutchsmalla/c
24Wup1	24WUpFront	53E	LowerWiper1stSpd	77C	PassandPRackLiquidValve
25	EngineRunSignal	53F	LowerWasherPump	77K	CoilThermostatSignal
25A1	ExcitationSignal	53H	LowerWiper	78	StopLightSensorSig
25A2	Alternator2Signal	53J	HornElectric	79	12V_Wup
25A4	BatteryNotChargingSig	53K	KeyLessSig	79A	DecelSignal
26	DriverWdoPwr	57A	AuxiliaryWaterPump	79C	DecelSignal
26A	DriverWdo	57L	Hi-Beam	80	BrakeRedundant
26B	DriverWdo	57R	HighBeamRH	81	HeadLtCallSw1
26D	EntranceWdo	57Rtn	SignalRtnHeadLtsLH	82A	Transmission
26E	EntranceWdo	58L	LowBeam	82Low	StopRearLowerLamp
27	PowerEntranceDoorWdo	58R	LowBeamRH	82Up	StopRearUpperLamps
31	UnloaderRH	58Rtn	HeadLampRHRtn	83	24vAccessories
31B	WiperPower	59	Hi/LowBeamSignal	84B	StartSigSw83
32	FrontSlideOutExtending	60	FogsLtsSwSig	85	24Vlgnition
32A	BackupLtandalarm	61	HeadLtsSig	85A	Ign-AccSignal
32D	BackupLtandalarm	63	ClearanceLts	85a	Ign-AccSignal
33	UnloaderLH	63A	FrontClearanceLts	85B	Wake-upSig
35	EntranceDoorLights	63AA	ClearanceLts	85C	PositionNormalSw58
35A	EntranceLight	63BB	ClearanceLts	85D	RearStartPwr
39	DriverLtSwSig	64A	Blinker	85E	RearStartSignal
39AA	GndElectronic	65	FootDamper	85F	24Vlgnition
39B	KeyLessSig	65A	FootDamper	85G	EgnineStartPwrSw58
39D	DriverLt	65D	DriverCylinder	85J	CutoutRlyLatchSig
39Rtn	GndDriverLt	65P	Pass.Cylinder	85Z	ABS_Trailer_Sig
40	WitnessGnd	66	MarkersSigSw2	86	DefrostunitSpd
41	24VCondensor	67	EvaporatorPwr	86A	PassengerDefrosterControl
41A1	CondensorPwr	67A	Condensor1stSpdSig	86ARtn	GndReturn
45	UpperdefrosterSwSig	68	DashDamper	86BRtn	GndReturn
45A	PassengerHeatSig	68A	DashDamper	86C	PassengerSensor

# CIRCUITS LIST

CircuitID	Description	CircuitID	Description	CircuitID	Description
86D	PassengerSensor	120	Transmission	141	Transmission
86RTN	GndEntrancedoorLt	123	AFSS	142	ABSSolenoid
86Rtn	GndPassengerDefrosterControl	123A	WakeUpSignal	143	ABSSensor
87	TrailerParkBrakeSig	124A	Transmission	143A	ABSSensor
88	CompressorPressureSignal	125	RetarderSig	144	ABSSensor
89	Drivesensorsig	126F	LevelLowSignal	144A	ABSSensor
90H	24VtoEvap	127	Transmission	145	ABSSolenoid
90H1	Evaporator	128	SunVisors	146	ABSSolenoid
91	ParkBrakeSig	129	SunVisors	147	ABSSolenoid
91B	WitnessSigSw14	130	SunVisors	148	Transmission
92	TrailerParkBrakeSig	131	Transmission	149	Transmission
93	PassengerDefrostSwitchUp	132	DifferentialLockSignal	149A	ABSSensor
94	PassengerDefrostSwitchDown	132A	LevelLowPower	150	Transmission
95	DockingLTswSig	132B	LevelLowSo30	151	GndtoEcm
96	CorneringLTswSig	132C	LevelLowSo31	151A	GndtoEcm
97	LowDockingLightsSwitchSignal	132D	LevelLowSo32	151B	GndToEcm
98	BackupCancelSwitch	132E	LevelLowPower	151C	GndtoEcm
00A1	GndElectronic	132F	LevelLowPower	151D	Coolant_Ground_Level
0B1	GndEnginePreheater	133	Transmission	152	Transmission
00B1	GndEng.Start	134	BatteryNotChargingSig	153	MirrorPwr
OV1	LuggageDoorOpenSig	135	Transmission	154	Transmission
OV2	LuggageDoorOpenSig	135A	Transmission	155	Transmission
OV3	LuggageDoorOpenSig	136	Transmission	156A	12VtoABS
OV5	LuggageDoorOpenSig	136A	TransmissionPwr	157D	Abs_Bus_Signal
OY2	GndChassisABSSol	136AA	ShifterSignal	159	Transmission
OY3	GndChassisABSSol	137	Transmission	160	TagSignal
101	PwrtoStarter	137A	MirrorPwrSig	163	Transmission
101A	Starter_Relay	137B	Mirrors	163A	EngBrakeRetSignal
101B	Starter_Relay	137C	Mirrors	163B	Transmission
102A	PWR_Alt120A	137D	Mirrors	164	HandLevelSig
104	LevelLowSo28	137E	Mirrors	166	WitnessSigSw16
105	FogLtsLH	137F	Mirrors	167	ACB
106	FogLtrH	137H	Mirrors	168	ACB
111	Transmission	137J	Mirrors	170A	LuggagesLocks
114	BacklightPwr	137K	Mirrors	170B	LuggagesLocks
114A	Backlight	137L	Mirrors	170D	
115	Transmission	137M	Mirrors	170E	Luggagesdoorslockrelays
115A	WitnessLampPwr	137N	Mirrors	170F	LuggagesLocks
115W	Transmission	137P	Mirrors	170G	LuggagesLocks
116	DriverLiq	138	Transmission	170K	LuggagesLocksSwitch
116A	DriverLiq	138A	ABSSensor	170L	LuggagesLocksSwitch
118	Transmission	139	Transmission	170M	LuggagesLocksSwitch
119	Transmission	140	Transmission	170N	LuggagesLocksSwitch

# CIRCUITS LIST

CircuitID	Description	CircuitID	Description	CircuitID	Description
170P	LuggagesLocksSwitch	285	LuggagesLockRelays	507	DPFVolvo
170Q	LuggagesLocksSwitch	285B	KeyLessSig	510	FastIdleSignal
170R	LuggagesLocksSwitch	286	EntranceDoorLock	511	DPFVolvo
170S	LuggagesLocksSwitch	286A	EntranceDoorLock	512	DPFVolvo
170SS	LuggagesLocksSwitch	286B	FrontDoorLock	513	DPFVolvo
170T	LuggagesLocksSwitch	287	KeyLessSig	515	GndPreHeaterRelay
170V	LuggagesLocksSwitch	290	GndFanClutch	516	UreaSystem
170W		290A	GndFanClutch	517	UreaSystem
170X	LuggagesLocksSwitch	291	FanClutch	518	UreaSystem
170Y	LuggagesLocks	292	FanClutch	519	UreaSystem
170Z	LuggagesLocks	294	KeyLessSig	520	UreaSystem
171	LuggageUnlockSwSig	295	KeylessModuleOutput	521	UreaSystem
174	Transmission	296	RJBDoorFan	522	UreaSystem
175	Transmission	297	TransShiftDown	523	UreaSystem
176	Transmission	298	TransShiftUp	524B	IdleValidationSig
177	Transmission	341	See_H3_Design	524C	IdleValidationSig
180	Transmission	342	AFSS	525	UreaSystem
185	TransmissionInhibitSig	343	See_H3_Design	526	UreaSystem
197	FuelFilterSig	344	ExtinguisherSignal	526A	DPFVolvo
201	HeadLampSignal	345	See_H3_Design	526B	DPFVolvo
202	HeadLampWash.Pump	346	PowerSensors	526C	UreaSystem
231	NeutralSignal	347	Fire_Detect_Alarme	527	UreaSystem
231A	StarterRelay	348	See_H3_Design	528	UreaSystem
231B	Starter_Relay	351	EngineShout-downSignal	530	UreaSystem
240A	12v_Engine_Ecu	352	AFSS	531	UreaSystem
240B		360	ClusterKeyPad	532	UreaSystem
241A	PwrDDDRConn	361	ClusterKeyPad	541	CruiseSetSig
241B	PowertoEcm	362	ClusterKeyPad	544	CruiseOn_OffSignal
241C	WaterInFuelHeater	363	ClusterKeyPad	544A	CruiseOn-OffLed
260	WindowAjarSignal	364	FrontAirBrakePress	545	CruiseResumeSig
272	KeylessModuleInput	365	FrontAirBrakePress	583	EngineBrakeB
274	KeylessModuleInput	366	RearAirBrakePress	600	ABSSensor
276	KeylessModuleInput	367	RearAirBrakePress	600A	ABSSensor
277	KeylessModuleKeypadLt	368	AccAirPress	601	ABSSensor
278	KeylessModuleInput	369	AccAirPress	601A	ABSSensor
280	KeylessModuleInput	417	ThrottlePositionSignal	602	ABSSteering&Yawsensor
281	KeyLessSigUnlock	439		603	ABSSteering&Yawsensor
282	KeyLessSigUnlock	439G	Steering	604	ABSSteering&Yawsensor
283	EntranceDoorHingeSignal	500	DDECGND	605	ABSSteering&Yawsensor
283A	UnlockSig	501	Groud_Control_Relay	606	ABSPressuresensor
283C	EntranceDoorHingeSignal	502	IVSOut	607	ABSPressuresensor
284A	LuggagesUnlockRelays	505	DPFVolvo	608	ABSPressuresensor
284B	KeyLessSig	506	DPFVolvo	609	ABSPressuresensor

# CIRCUITS LIST

CircuitID	Description	CircuitID	Description	CircuitID	Description
610	ABSPressuresensor	CC14	ConverterOutput2	N15	A48Address
611	AbsTagSolenoid	CC15	ConverterOutput4	N16	A48Address
612	AbsTagSolenoid	CC16	ConverterOutput5	N17	A49Address
613	AbsTagSolenoid	CC17	ConverterOutput6	N18	A49Address
614	ABSSteeringSolenoid	Cd1	ComputerSignals	N19	A50Address
614A	ABSSteeringSolenoid	CTS	MCMInterface	N20	A50Address
615	ABStrailersolenoid	Cts	ComputerSignals	N21	A51Address
616	ABStrailersolenoid	D	Trans.HandLever	N22	A51Address
617	ABStrailersolenoid	DL1H	J1939	N23	A52Address
900	J1587+	DL1L	J1939	N24	A52Address
901	J1587-	DL2H	Can2	N25	A53Address
911	EmergencyCutoutRlySignal	DL2L	Can2	N26	A53Address
916	5VSensorPwr	DL3H	DBusL	N27	A54Address
952	GndSensorRtn	DL3L	DBusH	N28	A54Address
953	Electronic_ground_DDEC_VI	DL7H	EngineCan2	N29	A36Address
979	EngineBrakeA	DL7L	EngineCan2	N30	A56Address
980H	Hispeedfan evaporator	DL0H	Sparefrttorr	N31	A56Address
980L	lowspeedfan evaporator	DL0L	Sparefrttorr	N32	A57Address
0L282		Down	ClusterKeyPad	N33	A55_Address
A	Trans.HandLever	E	Trans.HandLever	N34	A55_Address
B	Trans.HandLever	Escape	ClusterKeyPad	nil	Inside_VECF
BB2H	BB2	F	Trans.HandLever	OFB3	TPMSGND
BB2L	BB2	G	Trans.HandLever	RED	Volvo_Starter_Signal
BLACK	TrailerBackupLights	GndA	ComputerSignals	RedFR	TPMS12V
BlkFR	TPMSGND	GREEN	TrailerFlasherRH	RedRL	TPMS12V
BlkRL	TPMSGND	H	Trans.HandLever	RedRR	TPMS12V
BlkRR	TPMSGND	J1939H	J1939	RTS	MCMInterface
BLUE	TrailerconnectorABSPower	J1939L	J1939	Rts	ComputerSignals
BRef1	OutsideTemperatureSensor	LIN	Steering	RX	TPMSDATA
Bref1	PassengerSensor	N1	A41Address	RxD	ComputerSignals
Bref2	PassengerSensor	N2	A41Address	RxTx	MCMInterface
BROWN	TrailerMarkerlights	N3	A42Address	Select	ClusterKeyPad
C	Trans.HandLever	N4	A42Address	So1	Gnd
CC1	Converterinput1	N5	A43Address	So2	SldOutRemoteSig
CC2	Converterinput2	N6	A43Address	So3	SldOutInSig
CC3	Converterinput3	N7	A44Address	So4	SignalOut
CC4	ConverterInput4	N8	A44Address	So6	Proximitysignal
CC5	Converterinput5	N9	A45Address	So7	Proximitysignal
CC6	Converterinput5	N10	A45Address	SO8	PowerSldOut1Sensor
CC7	ConverterInput2	N11	A46Address	So8	PowerSldOut1Sensor
CC8	ConverterInput2	N12	A46Address	So9	SldOut1StatusLed
CC12	Converteroutput1	N13	A47Address	So10	SldOut1RelaySig
CC13	ConverterOutput3	N14	A47Address	So11	SldOut2RelaySig

# CIRCUITS LIST

CircuitID	Description	CircuitID	Description	CircuitID	Description
So12	SealInflating	spare24	SparesClearanceLts	YELLOW	TrailerFlasherLH
So13	SldOut1SealDeflatSig	spare25	SparesClearanceLts		
So14	SldOut1VacumGen	spare26	SparesFrontHarness		
So16	SensorGndRtn	spare27	SparesFrontHarness		
So18	GndSlideOut	spare28	SparesFrontHarness		
So19	SldOutMotor1Sig	spare29	SparesFrontHarness		
So20	SldOutMotor1Sig	spare30	SparesFrontHarness		
So21	SldOut1MotorSig	spare31	SparesFrontHarness		
So26	SlideOut	spare32	SparesFrontHarness		
So31	GndSlideOut	spare33	SparesFrontHarness		
So32	SldOut1SignalOut	spare34	SparesFrontHarness		
So33	SldOut2SignalIn	spare35	SparesFrontHarness		
So36	Proximitysignal	spare36	SparesFrontHarness		
So37	Proximitysignal	spare37	SparesFrontHarness		
So38	PowerSldOut2Sensor	spare38	SparesFrontHarness		
So39	SldOut2StatusLed	spare39	SparesDash		
So40	SldOut2RelaySig	spare40	SparesDash		
So41	SldOut2RelaySig	spare41	SparesDash		
So42	SldOut2SealDeflatSig	spare42	SparesDash		
So46	SldOutMotor2sig	spare43	SparesDash		
So47	SldOutMotor2sig	spare44	SparesDash		
So48	SldOut2MotorSig	spare45	SparesFr-to-RearHarness		
So55	SecurityPinSol	spare46	SparesFr-to-RearHarness		
So58	SldOutMotor1Sig	spare51	SparesEngineCradle		
So59	SldOutMotor2sig	spare52	SparesEngineCradle		
So61	SldOut2SealInflat	spare53	SparesEngineCradle		
SP	ConverterVehicleSpeed	spare54	SparesEngineCradle		
spare	VecrInside	spare62	spareABSHarness		
spare	VecrInside	spare63	spareABSHarness		
spare2	SparesFr-to-RearHarness	spare64	spare		
spare3	SparesFr-to-RearHarness	spare65	spare		
spare4	SparesEvap.Harness	spare96	spare		
spare6	SparesEvap.Harness	spare97	spare		
spare7	SparesEvap.Harness	spare98	spare		
spare8	SparesEvap.Harness	SubH	Subnet		
spare9	SparesEvap.Harness	SubL	Subnet		
spare17	SparesFr-to-RearHarness	TX	TPMSDATA		
spare18	SparesFr-to-RearHarness	TxD	MCMInterface		
spare19	SparesFr-to-RearHarness	Up	ClusterKeyPad		
spare20	SparesClearanceLts	VDALT	Alternator		
spare21	SparesClearanceLts	WHITE	TrailerConnectorGnd		
spare22	SparesClearanceLts	WhtFR	TPMSDATA		
spare23	SparesClearanceLts	WhtRR	TPMSDATA		

## BREAKERS LIST

No	Location	Part #	Function	Rating	Page					
CB1	RJB	563709	12VD	150amp	3.1					
CB2	RJB	563710	24VDirect	50amp	3.1					
CB3	RJB	563707	24VI_FJB	70amp	3.1					
CB4	RJB	563708	24VI_Evaporator	90amp	3.1					
CB5	RJB	563707	24VI_Condensor	70amp	3.1					
CB6	RJB	563704	24VI_SlideOut	35amp	3.1					
CB7	RJB	563706	24VI_RJB	60amp	3.1					
CB9	RJB	563707	12VI_FJB_RJB	70amp	3.1					
CB60	{RJBVECR}	563699	Luggage_Door_Lock	20amp	5.1					
CB61	{RJBVECR}	563699	Luggage_Door_Lock	20amp	5.1					
CB82	{FJBVECF}	564464	Lower_Wiper	20amp	4.1					

# BREAKERS LIST

No	Location	Part #	Function	Rating	Page						
CB1	RJB	563425	12VD	90amp	3.1						
CB2	RJB	563424	24VD	70amp	3.1						
CB3	RJB	562687	24VIF	70amp	3.1						
CB4	RJB	562686	24SO	40amp	3.1						
CB5	RJB	562687	24HVAC	70amp	3.1						
CB6	RJB	562683	HVAC	90amp	3.1						
CB7	RJB	562687	24VI	70amp	3.1						
CB8	RJB	562687	12VI	70amp	3.1						
CB60	{RJBVECR}	563699	Luggage_Door_Lock	20amp	5.1						
CB61	{RJBVECR}	563699	Luggage_Door_Lock	20amp	5.1						
CB82	{FJBVECF}	564464	Lower_Wiper	20amp	4.1						



# CONNECTORS LIST

No	Location	Part #	Gender	No	Location	Part #	Gender
A1		563975	male	A44.J3		562957	male
A2A		563984	male	A45.J1	FJB	563133	male
A4A.A		562428	female	A45.J2	FJB	563132	male
A4A.B		561188	female	A45.J3	FJB	562957	male
A5A.A		562428	female	A46.J1	FJB	563133	male
A6		562427	male	A46.J2	FJB	563132	male
A7		563979	male	A46.J3	FJB	562957	male
A9.Cx1		564041	female	A47.J1	RightHandConsole	563133	male
A9.Cx2		563678	male	A47.J2	RightHandConsole	563132	male
A9.Cx3		564037	female	A47.J3	RightHandConsole	562957	male
A9.Cx4		564038	female	A48.J1		563133	male
A12	Dash	562464	male	A48.J2		563132	male
A13.J1	FJB	562794	male	A48.J3		562957	male
A13.J2	FJB	562650	male	A49.J1		562767	male
A14A.A		562766	male	A49.J2		563132	male
A14A.B		562767	male	A49.J3		562957	male
A14A.C		562765	male	A50.J1	RJB	563133	male
A15	Dash	562464	male	A50.J2	RJB	563132	male
A18	FJB	562794	male	A50.J3	RJB	562957	male
A18.J2	FJB	562650	male	A51.J1	RJB	563133	male
A24		561889	female	A51.J2	RJB	563132	male
A24.A		561890	male	A51.J3	RJB	562957	male
A24.B		561566	female	A52.J1	RJB	563133	male
A27	ServiceCmpt.	562929	male	A52.J2	RJB	563132	male
A28	ServiceCmpt.	562928	male	A52.J3	RJB	562957	male
A30.A		561611	male	A53.J1	RJB	563133	male
A30.C		561889	female	A53.J2	RJB	563132	male
A31.A		562676	male	A53.J3	RJB	562957	male
A31.B		562675	male	A54.J1	Evap.Cmpt.	563133	male
A36.JA		562767	male	A54.J2	Evap.Cmpt.	563132	male
A36.JB		562765	male	A54.J3	Evap.Cmpt.	562957	male
A36.JC		562957	male	A55.J1		562767	male
A41.J1	FJB	562767	male	A55.J2		563132	male
A41.J2		563132	male	A55.J3		562957	male
A41.J3		562957	male	A56.J1		563133	male
A42.J1		562767	male	A56.J2		563132	male
A42.J2		563132	male	A56.J3		562957	male
A42.J3		562957	male	A57.J1		563133	male
A43.J1	FJB	562767	male	A57.J2		563132	male
A43.J2		563132	male	A57.J3		562957	male
A43.J3		562957	male	A61		562767	male
A44.J1		563133	male	A81A.JA		562767	male

# CONNECTORS LIST

No	Location	Part #	Gender	No	Location	Part #	Gender
A81A.JC		562957	male	C5S		563589	male
A96	FJB	564073	female	C5S		563590	female
A97	Dash	563226	male	C6	ServiceCmpt.	563582	male
A100		563758	female	C6	ServiceCmpt.	563583	female
A101		563758	female	C7		562566	male
A102		563758	female	C7		562565	female
A103		562070	female	C8		563227	male
A114		563850	male	C8		563614	female
A130		563226	male	C10		562477	male
A131.A		561782	male	C10		562479	female
A131.B		561781	female	C11	ServiceCmpt.	563580	male
A137		563782	male	C11	ServiceCmpt.	563581	female
A138		563787	male	C12		562581	male
A139		564501	male	C12		562583	female
Alt1D.A		563746	female	C13S		563593	male
Alt1D.B		560815	female	C13S		563590	female
Alt1D.C		564469	female	C13_plug		563589	male
Alt2D.A		563746	female	C13_socket		563590	female
Alt2D.B		560815	female	C15		562477	male
Alt2D.C		564469	female	C15		562479	female
B85		563815	male	C17	RJB	561986	male
B96.J1		563821	male	C17	RJB	561987	female
B96B		563823	male	C18	FJB	561986	male
B97		563816	male	C18	FJB	561987	female
B98.J1		563817	female	C19	RJB	561986	male
B115.J1		563818	female	C19	RJB	561987	female
B142B		563793	male	C20		561986	male
C1		563589	male	C20		561987	female
C1		563590	female	C21		562285	male
C1S		563589	male	C21		562282	female
C1S		563590	female	C22		564034	male
C2	ServiceCmpt.	563580	male	C22		564035	female
C2	ServiceCmpt.	563581	female	C22A		564034	male
C2A		563580	male	C22A		564035	female
C2A		563581	female	C23		561643	male
C3S		563593	male	C23		561642	female
C3S		563590	female	C24_plug		561690	male
C3_plug		563589	male	C24_socket		561566	female
C3_socket		563590	female	C26		562005	male
C4	ServiceCmpt.	563580	male	C26		561714	female
C4	ServiceCmpt.	563581	female	C27		562284	male
C5		563589	male	C27		562281	female

# CONNECTORS LIST

No	Location	Part #	Gender	No	Location	Part #	Gender
C28		561636	female	C78		561690	male
C34	RightHandConsole	561986	male	C78		561566	female
C34	RightHandConsole	561987	female	C81		560852	male
C35		561986	male	C81		560851	female
C35		561987	female	C82		560852	male
C36		561986	male	C82		560851	female
C36		561987	female	C83		560852	male
C41		562477	male	C83		560851	female
C41		562479	female	C84		560852	male
C44_plug	FJB	561577	male	C84		560851	female
C44_socket	FJB	561605	female	C85		560852	male
C45	FJB	561643	male	C85		560851	female
C45	FJB	561642	female	C86		560852	male
C48	ServiceCmpt.	561690	male	C86		560851	female
C48	ServiceCmpt.	561566	female	C87	Lavatory	562485	male
C49A		562005	male	C87	Lavatory	562486	female
C49A		561714	female	C91	RJB	562285	male
C54		563580	male	C91	RJB	562282	female
C54		563581	female	C92		561986	male
C54B		562477	male	C92		561987	female
C54B		562479	female	C95		562581	male
C60		561986	male	C95		562583	female
C60		561987	female	C96		561643	male
C61		561669	male	C96		561642	female
C61		561670	female	C97		561639	female
C62		562566	male	C97_0_1		561640	male
C62		562565	female	C100		563589	male
C63		562477	male	C100		563590	female
C63		562479	female	C100S		563589	male
C64		563580	male	C100S		563590	female
C64		563581	female	C101	ServiceCmpt.	561690	male
C69		561583	male	C101	ServiceCmpt.	561566	female
C69		561585	female	C102		561690	male
C71	FJB	561646	male	C102		561566	female
C71	FJB	561645	female	C105		562581	male
C72	ServiceCmpt.	561646	male	C105		562583	female
C72	ServiceCmpt.	561645	female	C106_plug		562581	male
C74	ServiceCmpt.	561645	female	C106_socket		562583	female
C74	ServiceCmpt.	561646	male	C112		562284	male
C75		560852	male	C112		562281	female
C75		560851	female	C112B		562284	male
C77		560852	male	C112B		562281	female

# CONNECTORS LIST

No	Location	Part #	Gender	No	Location	Part #	Gender
C114		563583	female	C279		562477	male
C115		563580	male	C279		562479	female
C115		563581	female	C281		560852	male
C116		563226	male	C281		560851	female
C116		563613	female	C290		560852	male
C119	EngineDoor	561607	male	C290		560851	female
C119	EngineDoor	561606	female	C291		560852	male
C120	EngineDoor	561607	male	C291		560851	female
C120	EngineDoor	561606	female	C380	Dash	563180	male
C171		561646	male	C380	Dash	563347	female
C171		561645	female	C397		562285	male
C172		561637	male	C397		562282	female
C172		561635	female	C399		562477	male
C193_plug		563589	male	C399		562479	female
C193_socket	RJB	563590	female	C400_plug		561782	male
C194	{ServiceCmpt.}	563589	male	C400_socket		561781	female
C194		563590	female	C426		561611	male
C200_plug		562471	male	C426		561610	female
C200_socket		562348	female	C463		562571	male
C222	FJB	562477	male	C463		562570	female
C222	FJB	562479	female	C464	RJB	563180	male
C223	FJB	563227	male	C464	RJB	563347	female
C223	FJB	563614	female	C500		562069	male
C224	FJB	561637	male	C500		562070	female
C224	FJB	561636	female	C550		561476	male
C225	FJB	562650	male	C550		561477	female
C225	FJB	562649	female	C551		561476	male
C228		563227	male	C551		561477	female
C228		563614	female	C552		561476	male
C230	EngineCmpt.	562485	male	C552		561477	female
C230	EngineCmpt.	562486	female	C553		561476	male
C242	ServiceCmpt.	563347	male	C553		561477	female
C242	ServiceCmpt.	563180	female	C554		561476	male
C243	ServiceCmpt.	563347	male	C554		561477	female
C243	ServiceCmpt.	563180	female	C555		561476	male
C246	ServiceCmpt.	563090	male	C555		561477	female
C246	ServiceCmpt.	563091	female	C556		561476	male
C264		561637	male	C556		561477	female
C264		561636	female	C557		561476	male
C266		561640	male	C557		561477	female
C266		561639	female	C558		561476	male
C269	RHConsole	563090	male	C558		561477	female

# CONNECTORS LIST

No	Location	Part #	Gender	No	Location	Part #	Gender
C559		561477	female	L23.A	FrontRoof	561608	female
C560		561476	male	L23.B	FrontRoof	562286	male
C560		561477	female	L24.A	FrontRoof	561608	female
C561		561476	male	L24.B	FrontRoof	562286	male
C561		561477	female	L25.A	FrontRoof	561608	female
C562		561476	male	L25.B	FrontRoof	562286	male
C562		561477	female	L26.A	FrontRoof	561608	female
C617		563801	male	L26.B	FrontRoof	562286	male
C617		563800	female	L27.A	FrontRoof	561608	female
C618		563801	male	L27.B	FrontRoof	562286	male
C618		563800	female	L57.A		563366	male
C717		561646	male	L57.B		562623	male
C717		561645	female	L58.A		562623	male
CC1		563227	male	L58.B		562623	male
CC1		563614	female	L59.A	Outside_Front_RH	562623	male
CC2		563226	male	L59.B	Outside_Front_RH	562623	male
CC2		563613	female	L60.A	Outside_Front_LH	562623	male
CCust		562477	male	L60.B	Outside_Front_LH	562623	male
CCust		562479	female	L61		562601	male
CR1		561247	male	L62	Outside_Front_LH	562601	male
CR1		561248	female	L63	Outside_Front_RH	562155	male
CSo1		562581	male	L64	Outside_Front_RH	562155	male
CSo1		562583	female	L65	Outside_Front_LH	562155	male
CSo1S		562581	male	L66	Outside_Front_LH	562155	male
CSo1S		562583	female	L67	3rdLuggCmpt.	562155	male
CSo2		561643	male	L68	3rdLuggCmpt.	562155	male
CSo2		561641	female	L69	3rdLuggCmpt.	562155	male
CSo5		561847	male	L70	3rdLuggCmpt.	562155	male
CSo5		561862	female	L71	Rear_Engine_Door	562601	male
CSo7		561695	male	L72	Rear_Vehicle	562155	male
CSo7		561694	female	L73	Rear_Vehicle	562601	male
CT2		563226	male	L74	Rear_Vehicle	562155	male
CT2		563613	female	L75	Rear_Vehicle	562155	male
EI		563739	male	L76	Rear_Engine_Door	562155	male
L1		562848	male	L77	Rear_Engine_Door	562601	male
L16	FrontRoof	562803	male	L78	Rear_Engine_Door	562601	male
L17		562803	male	L79	Rear_Engine_Door	562601	male
L18.A		561539	male	L80	Rear_Engine_Door	562601	male
L18.B		561539	male	L81.A	Rear_Engine_Door	562835	female
L21.A	FrontRoof	561608	female	L81.B	Rear_Engine_Door	562834	male
L21.B	FrontRoof	562286	male	L82		562348	female
L22.A	FrontRoof	561608	female	L83	Rear Engine Door	562348	female

# CONNECTORS LIST

No	Location	Part #	Gender	No	Location	Part #	Gender
L84.B	RearRoof	562286	male	L195.A	Dash	560488	female
L85.A		561608	female	L195.B	Dash	560488	female
L85.B	RearRoof	562286	male	L199	EngineCmpt.	562471	male
L86.A		561608	female	L200	EngineCmpt.	562471	male
L86.B	RearRoof	562286	male	L203		561690	male
L87.A		561608	female	L205.A	Evap.Cmpt.	562485	male
L87.B	RearRoof	562286	male	L282		561690	male
L88.A		561608	female	L285		561247	male
L88.B	RearRoof	562286	male	L286.A		562835	female
L89.A		561608	female	L286.B		562834	male
L89.B	RearRoof	562286	male	L297.A		562835	female
L90.A	RearRoof	561608	female	L297.B		562834	male
L90.B	RearRoof	562286	male	L298		563590	female
L91	EngineCmpt.	562755	male	L299		563590	female
L92	EngineCmpt.	562755	male	L304		562155	male
L93.A		563069	female	L305		562155	male
L93.B		563069	female	L306		562155	male
L94.A	EngineCmpt.	563069	female	L307		562155	male
L94.B	EngineCmpt.	563069	female	L350		562350	male
L95	Outside_Front_LH	562902	female	Mo3	Dash	561667	female
L96	Outside_Front_RH	562902	female	Mo4		562076	male
L97.A	Outside_Front_LH	563069	female	Mo5		561515	male
L97.B	Outside_Front_LH	563069	female	Mo7		563691	male
L98.A	Entrance_Door	563069	female	Mo8		563691	male
L98.B	Outside_Front_RH	563069	female	Mo12.A	Evap.Cmpt.	561690	male
L173		563590	female	Mo15		560900	female
L174		563590	female	Mo16		560900	female
L176	5thLuggCmpt.	561247	male	Mo17		563626	male
L177	5thLuggCmpt.	561247	male	Mo19	{ServiceCmpt.}	562474	male
L178	3rdLuggCmpt.	561247	male	Mo20	{ServiceCmpt.}	562474	male
L179	3rdLuggCmpt.	561247	male	Mo22	RightHandConsole	561186	male
L180	2ndLuggCmpt.	561247	male	Mo24	RightHandConsole	562348	female
L181	2ndLuggCmpt.	561247	male	Mo25	RightHandConsole	562348	female
L182	1stLuggCmpt.	561247	male	Mo26		564161	male
L183	1stLuggCmpt.	561247	male	Mo27		563691	male
L184	ServiceCmpt.	561247	male	Mo28		563691	male
L187		561690	male	Mo31		564161	male
L189	Outside_Front_RH	562069	male	Mo37		564161	male
L190	Outside_Front_LH	562069	male	Mo38		564161	male
L193.A	Dash	560488	female	Mo40		561477	female
L193.B	Dash	560488	female	Mo44		561477	female
L194.A	Dash	562019	female	Mo50		561782	male

# CONNECTORS LIST

No	Location	Part #	Gender	No	Location	Part #	Gender
Mo54		562474	male	RSo2.B	SlideOut_Jct_Box	561626	female
Mo55.A		563626	male	RSo3.A	SlideOut_Jct_Box	561626	female
Mo56		564161	male	RSo3.B	SlideOut_Jct_Box	561626	female
Mo57.A		561477	female	RSo4.A	SlideOut_Jct_Box	561626	female
Mo58.A		561477	female	RSo4.B	SlideOut_Jct_Box	561626	female
MoSo1.A		561967	male	RUnlock		561183	male
MOSO2.A		561967	male	Se11.A		564460	female
Pot1.A	Dash	560488	female	Se11.B		564460	female
Pot1.B	Dash	560488	female	Se11.C		564460	female
Pot1.C	Dash	560488	female	Se12	EngineCmpt.	561690	female
R3	RJB	563409	male	Se13		562350	male
R10.A	Evap.Cmpt.	563409	male	Se14.A		561782	male
R11		561183	male	Se14.B		561781	female
R12.A	Evap.Cmpt.	563409	male	Se15.A		562651	female
R17		562367	male	Se15.B		562651	female
R17_0_1		562367	male	Se15.C		562651	female
R18	FJB	562367	male	Se16.A		562651	female
R19	FJB	562367	male	Se16.B		562651	female
R22	{FJBVECF}	561183	male	Se17.A		562291	female
R23	RightHandConsole	561183	male	Se17.B		562291	female
R25	RJB	561183	male	Se17.C		562291	female
R29		563409	male	Se18.A		560815	female
R30	RJB	561183	male	Se18.B		560815	female
R31	RJB	561183	male	Se19.A		563677	male
R32	RJB	561183	male	Se19A.A		563677	male
R33	RJB	561183	male	Se20		562426	male
R34		562367	male	Se21	Dash	561248	female
R41	FJB	561183	male	Se23	EngineCmpt.	563159	male
R42	FJB	561183	male	Se24	EngineCmpt.	563159	male
R43	FJB	561183	male	Se25		561248	female
Res3	RJB	563590	female	Se29		561566	female
Res4.A	{RightHandConsole}	563590	female	Se30		562877	female
Res5	Dash	563590	female	Se31		562877	female
Res6	FJB	563590	female	Se32		563057	male
Res7.A		563590	female	Se33		562856	male
Res15		561782	male	Se34		563057	male
Res18.A		563590	female	Se35		563057	male
Res31		562350	male	Se36		563629	female
Res32		563764	female	Se37		641132	female
RLock		561183	male	Se38		641132	female
RSo1.A	SlideOut_Jct_Box	561626	female	Se39		641132	female
RSo1.B	SlideOut_Jct_Box	561626	female	Se40		641132	female

# CONNECTORS LIST

No	Location	Part #	Gender	No	Location	Part #	Gender
Se46		562348	female	SOSO4.A		641385	male
Se50		562426	male	SoSo5.A		564045	female
Se52.A		560488	female	spBar1		564135	male
Se52.B		560488	female	spBar2		564135	male
Se53		563159	female	Sw1.C258		561188	female
Se54		563159	female	Sw1.C259		561186	male
Se55		563159	female	Sw2	Dash	562763	male
Se60		563409	male	Sw3		562763	male
Se63		641132	female	Sw4		562763	male
Se64		641132	female	Sw6		562763	male
Se65		564042	female	Sw11A		562763	male
Se66		564039	female	Sw14		562763	male
Se67		563159	female	Sw16		562763	male
Se68		563159	female	Sw17	Dash	562763	male
Se69		563159	female	Sw18A		562763	male
SESO1.A		563159	male	Sw21		562763	male
SESO2.A		562479	female	Sw24		562763	male
SESO3.A		562479	female	Sw34		562763	male
SESO5.A		562479	female	Sw35		562763	male
SESO6.A		562479	female	Sw38	LeftHandConsole	562763	male
So3		641385	male	Sw40	LeftHandConsole	561690	male
So7	ServiceCmpt.	561566	male	Sw41	LeftHandConsole	562749	male
So8	ServiceCmpt.	563204	female	Sw44.A		562403	female
So9		561566	female	Sw44.B		562403	female
So11.A		561566	female	Sw45.A	5thLuggCmpt.	562403	female
So13.A		563204	female	Sw45.B	5thLuggCmpt.	562403	female
So21		564046	female	Sw46.A	5thLuggCmpt.	562403	female
So22		564046	female	Sw46.B	5thLuggCmpt.	562403	female
So23		564046	female	Sw47.A	3rdLuggCmpt.	562403	female
So24		564046	female	Sw47.B	3rdLuggCmpt.	562403	female
So26		562848	male	Sw48.A	3rdLuggCmpt.	562403	female
So27		564045	female	Sw48.B	3rdLuggCmpt.	562403	female
So28		641385	male	Sw49.A	2ndLuggCmpt.	562403	female
So29		641385	male	Sw49.B	2ndLuggCmpt.	562403	female
So30		641385	male	Sw50.A	2ndLuggCmpt.	562403	female
So31		641385	male	Sw50.B	2ndLuggCmpt.	562403	female
So32		641385	male	Sw51.A	1stLuggCmpt.	562403	female
So33		563324	female	Sw51.B	1stLuggCmpt.	562403	female
So36		561690	male	Sw52	1stLuggCmpt.	562403	female
So50		564046	female	Sw52.B	1stLuggCmpt.	562403	female
So51		564046	female	Sw58	EngineCmpt.	562581	male
So52		564045	female	Sw59		562348	female



# CONNECTORS LIST

No	Location	Part #	Gender	No	Location	Part #	Gender
Sw64.A		560815	female	VECR1	RJB	563186	male
Sw64.B		560815	female	VECR2	RJB	563183	male
Sw83.A		560082	female	VECR3	RJB	563185	male
Sw83.B		560815	female	VECR4	RJB	563182	male
Sw83.C		560082	female	VECR9	RJB	563448	male
Sw83.D		560815	female	VECR10	RJB	563181	male
Sw85	LeftHandConsole	562749	male	VECR11	RJB	563184	male
Sw99		562763	male	VECR12	RJB	563187	male
Sw102		562763	male	Y80		563789	male
Sw103A		562763	male	Y81		563793	male
Sw104		562763	male				
Sw106		561637	male				
Sw107.A		561190	female				
Sw107.B		561190	female				
Sw107.C		561190	female				
Sw107.D		561190	female				
Sw107.E		561190	female				
Sw107.F		561190	female				
Sw107.G		561190	female				
Sw107.H	{LeftHandConsole}	561190	female				
Sw107.J	{LeftHandConsole}	561190	female				
Sw107.K	{LeftHandConsole}	561190	female				
Sw108		562763	male				
Sw112.A		560079	female				
Sw112.B		560079	female				
Sw117.A		560079	female				
Sw117.B		560079	female				
Sw120		562237	female				
Sw122		562763	male				
Sw134.A		560079	female				
Sw134.B		560079	female				
Sw137		562763	male				
Sw152		562471	male				
SwSo1.A		561552	female				
SwSo2.A		561552	female				
VECF1	FJB	563186	male				
VECF2	FJB	563183	male				
VECF3		563185	male				
VECF4	FJB	563182	male				
VECF9		563448	male				
VECF10	FJB	563181	male				
VECF11	F.IR	563184	male				

# CONNECTORS LIST

No	Location	Part #	Gender	No	Location	Part #	Gender
A1	RJB	563975	male	A45.J3	FJB	562957	male
A2A	FJB	563984	male	A46.J1	FJB	563133	male
A4A.A	Service_Cmpt	562428	female	A46.J2	FJB	563132	male
A4A.B	Service_Cmpt	561188	female	A46.J3	FJB	562957	male
A5A.A	Service_Cmpt	562428	female	A47.J1	RightHandConsole	563133	male
A6	Engine_Cmpt	562427	male	A47.J2	RightHandConsole	563132	male
A7	Rr_Axle_Cmpt	563979	male	A47.J3	RightHandConsole	562957	male
A9.Cx1	FJB	564041	female	A48.J1	RH_Console	563133	male
A9.Cx2	FJB	563678	male	A48.J2	RH_Console	563132	male
A9.Cx3	FJB	564037	female	A48.J3	RH_Console	562957	male
A9.Cx4	FJB	564038	female	A49.J1	RJB	562767	male
A14A.A	Dash	562766	male	A49.J2	RJB	563132	male
A14A.B	Dash	562767	male	A49.J3	RJB	562957	male
A14A.C	Dash	562765	male	A50.J1	RJB	563133	male
A15	Dash	562464	male	A50.J2	RJB	563132	male
A18	FJB	562794	male	A50.J3	RJB	562957	male
A18.J2	FJB	562650	male	A51.J1	RJB	563133	male
A24	RH_Console	561889	female	A51.J2	RJB	563132	male
A24.A	RH_Console	561890	male	A51.J3	RJB	562957	male
A24.B	RH_Console	561566	female	A52.J1	RJB	563133	male
A27	ServiceCmpt.	562929	male	A52.J2	RJB	563132	male
A28	ServiceCmpt.	562928	male	A52.J3	RJB	562957	male
A30.A	RH_Console	561611	male	A53.J1	RJB	563133	male
A30.C	RH_Console	561889	female	A53.J2	RJB	563132	male
A31.A	FJB	562676	male	A53.J3	RJB	562957	male
A31.B	FJB	562675	male	A54.J1	Evap.Cmpt.	563133	male
A36.JA	FJB	562767	male	A54.J2	Evap.Cmpt.	563132	male
A36.JB	FJB	562765	male	A54.J3	Evap.Cmpt.	562957	male
A36.JC	FJB	562957	male	A55.J1	Dash	562767	male
A41.J1	FJB	562767	male	A55.J2	Dash	563132	male
A41.J2	FJB	563132	male	A55.J3	Dash	562957	male
A41.J3	FJB	562957	male	A56.J1	Slide-OutPanel	563133	male
A42.J1	FJB	562767	male	A56.J2	Slide-OutPanel	563132	male
A42.J2	FJB	563132	male	A56.J3	Slide-OutPanel	562957	male
A42.J3	FJB	562957	male	A57.J1	Slide-OutPanel	563133	male
A43.J1	FJB	562767	male	A57.J2	Slide-OutPanel	563132	male
A43.J2	FJB	563132	male	A57.J3	Slide-OutPanel	562957	male
A43.J3	FJB	562957	male	A61A	FJB	564205	male
A44.J1	FJB	563133	male	A81A.JA	FJB	562767	male
A44.J2	FJB	563132	male	A81A.JB	FJB	562765	male
A44.J3	FJB	562957	male	A81A.JC	FJB	562957	male
A45.J1	FJB	563133	male	A96	FJB	564073	female
A45.J2	FJB	563132	male	A97	Dash	563226	male

# CONNECTORS LIST

No	Location	Part #	Gender	No	Location	Part #	Gender
A100	Front_Axle_Cmpt	563758	female	C6	ServiceCmpt.	563582	male
A101	Rear_Axle_Cmpt	563758	female	C6	ServiceCmpt.	563583	female
A102	Rear_Axle_Cmpt	563758	female	C7	ServiceCmpt.	562566	male
A103	Dash	562070	female	C7	ServiceCmpt.	562565	female
A114	Service_Cmpt	563850	male	C8	FJB	563227	male
A130	Driver_Area	563226	male	C8	FJB	563614	female
A131.A	Engine_Cmpt	561782	male	C10	Engine_Cmpt	562477	male
A131.B	Engine_Cmpt	561781	female	C10	Engine_Cmpt	562479	female
A137	Cond_Cmpt	563782	male	C11	ServiceCmpt.	563580	male
A137A	Cond_Cmpt	20429843	male	C11	ServiceCmpt.	563581	female
A138	Cond_Cmpt	563787	male	C12	Engine_Cmpt	562581	male
A139	Dash	564501	male	C12	Engine_Cmpt	562583	female
Alt1D.A	Engine_Cmpt	563746	female	C13S	RH_Console	563593	male
Alt1D.B	Engine_Cmpt	560815	female	C13S	RH_Console	563590	female
Alt1D.C	Engine_Cmpt	564469	female	C13_plug	RH_Console	563589	male
Alt2D.A	Engine_Cmpt	563746	female	C13_socket	RH_Console	563590	female
Alt2D.B	Engine_Cmpt	560815	female	C15	Evap_Cmpt	562477	male
Alt2D.C	Engine_Cmpt	564469	female	C15	Evap_Cmpt	562479	female
B85	Engine_Cmpt	563815	male	C17	RJB	561986	male
B96.J1	Engine_Cmpt	563821	male	C17	RJB	561987	female
B96B	Engine_Cmpt	563823	male	C18	FJB	561986	male
B97	Engine_Cmpt	563816	male	C18	FJB	561987	female
B98.J1	Engine_Cmpt	563817	female	C19	RJB	561986	male
B115.J1	Engine_Cmpt	563818	female	C19	RJB	561987	female
B142B	Cond_Cmpt	563793	male	C20	Evap_Cmpt	561986	male
C1	FJB	563589	male	C20	Evap_Cmpt	561987	female
C1	FJB	563590	female	C21	RJB	562285	male
C1S	FJB	563589	male	C21	RJB	562282	female
C1S	FJB	563590	female	C22	RJB	564034	male
C2	ServiceCmpt.	563580	male	C22	RJB	564035	female
C2	ServiceCmpt.	563581	female	C22A	Evap_Cmpt	564034	male
C2A	FJB	563580	male	C22A	Evap_Cmpt	564035	female
C2A	FJB	563581	female	C23	3rd_Lugg_Cmpt	561643	male
C3S	RJB	563593	male	C23	3rd_Lugg_Cmpt	561642	female
C3S	RJB	563590	female	C24_plug	Evap_Cmpt	561690	male
C3_plug	RJB	563589	male	C24_socket	Evap_Cmpt	561566	female
C3_socket	RJB	563590	female	C26	Cond_Cmpt	563580	male
C4	ServiceCmpt.	563580	male	C26	Cond_Cmpt	563581	female
C4	ServiceCmpt.	563581	female	C27	RJB	562284	male
C5	FJB	563589	male	C27	RJB	562281	female
C5	FJB	563590	female	C28	Evap_Cmpt	562477	male
C5S	FJB	563589	male	C28	Evap_Cmpt	562479	female
C5S	FJB	563590	female	C34	RightHandConsole	561986	male

# CONNECTORS LIST

No	Location	Part #	Gender	No	Location	Part #	Gender
C34	RightHandConsole	561987	female	C81	1st_Lugg_Cmpt	560852	male
C35	RJB	561986	male	C81	1st_Lugg_Cmpt	560851	female
C35	RJB	561987	female	C82	1st_Lugg_Cmpt	560852	male
C36	FJB	561986	male	C82	1st_Lugg_Cmpt	560851	female
C36	FJB	561987	female	C83	2nd_Lugg_Cmpt	560852	male
C41	RJB	562477	male	C83	2nd_Lugg_Cmpt	560851	female
C41	RJB	562479	female	C84	2nd_Lugg_Cmpt	560852	male
C44_plug	FJB	561577	male	C84	2nd_Lugg_Cmpt	560851	female
C44_socket	FJB	561605	female	C85	3rd_Lugg_Cmpt	560852	male
C45	FJB	561643	male	C85	3rd_Lugg_Cmpt	560851	female
C45	FJB	561642	female	C86	4rd_Lugg_Cmpt	560852	male
C48	ServiceCmpt.	561690	male	C86	4nd_Lugg_Cmpt	560851	female
C48	ServiceCmpt.	561566	female	C87	Lavatory	562485	male
C49A	FJB	562005	male	C87	Lavatory	562486	female
C49A	FJB	561714	female	C91	RJB	562285	male
C54	Engine_Cmpt	563580	male	C91	RJB	562282	female
C54	Engine_Cmpt	563581	female	C92	FJB	561986	male
C58	Cond_Cmpt	563226	male	C92	FJB	561987	female
C58	Cond_Cmpt	563613	female	C95	Entrance_Door	562581	male
C60	RJB	561986	male	C95	Entrance_Door	562583	female
C60	RJB	561987	female	C96	FJB	561643	male
C61	Fr_Service_Door	561669	male	C96	FJB	561642	female
C61	Fr_Service_Door	561670	female	C97	FJB	561640	male
C62	Fr_Service_Door	562566	male	C97	FJB	561639	female
C62	Fr_Service_Door	562565	female	C100	Evap_Cmpt	563589	male
C63	Front_Axle_Cmpt	562477	male	C100	Evap_Cmpt	563590	female
C63	Front_Axle_Cmpt	562479	female	C100S	Evap_Cmpt	563589	male
C64	Engine_Cmpt	563580	male	C100S	Evap_Cmpt	563590	female
C64	Engine_Cmpt	563581	female	C101	ServiceCmpt.	561690	male
C69	FJB	561583	male	C101	ServiceCmpt.	561566	female
C69	FJB	561585	female	C102	Service_Cmpt	561690	male
C71	FJB	561646	male	C102	Service_Cmpt	561566	female
C71	FJB	561645	female	C105	FJB	562581	male
C72	ServiceCmpt.	561646	male	C105	FJB	562583	female
C72	ServiceCmpt.	561645	female	C106_plug	FJB	562581	male
C74	ServiceCmpt.	561645	female	C106_socket	FJB	562583	female
C74	ServiceCmpt.	561646	male	C112	RJB	562284	male
C75	Parcel_Rack_RH	560852	male	C112	RJB	562281	female
C75	Parcel_Rack_RH	560851	female	C112B	RJB	562284	male
C77	2nd_Lugg_Cmpt	560852	male	C112B	RJB	562281	female
C77	2nd_Lugg_Cmpt	560851	female	C119	EngineDoor	561607	male
C78	Engine_Cmpt	561690	male	C119	EngineDoor	561606	female
C78	Engine_Cmpt	561566	female	C120	EngineDoor	561607	male

# CONNECTORS LIST

No	Location	Part #	Gender	No	Location	Part #	Gender
C120	EngineDoor	561606	female	C290	Rr_Vehicule	560852	male
C152	Cond_Cmpt	561611	male	C290	Rr_Vehicule	560851	female
C152	Cond_Cmpt	561610	female	C304	2nd_Lugg_Cmpt	560852	male
C171	LH_Console	561646	male	C304	2nd_Lugg_Cmpt	560851	female
C171	LH_Console	561645	female	C305	2nd_Lugg_Cmpt	560852	male
C172	Service_Cmpt	561637	male	C305	2nd_Lugg_Cmpt	560851	female
C172	Service_Cmpt	561635	female	C330	FJB	561690	male
C193_plug	RJB	563589	male	C330	FJB	561566	female
C193_socket	RJB	563590	female	C380	Dash	563180	male
C194	FJB	563589	male	C380	Dash	563347	female
C194	FJB	563590	female	C380A	Dash	564222	male
C200_plug	RJB	562471	male	C380A	Dash	564224	female
C200_socket	RJB	562348	female	C397	RJB	562285	male
C222	FJB	562477	male	C397	RJB	562282	female
C222	FJB	562479	female	C399	Engine_Cmpt	562477	male
C223	FJB	563227	male	C399	Engine_Cmpt	562479	female
C223	FJB	563614	female	C400_plug	Engine_Cmpt	561782	male
C224	FJB	561637	male	C400_socket	Engine_Cmpt	561781	female
C224	FJB	561636	female	C426	Engine_Cmpt	561611	male
C225	FJB	562650	male	C426	Engine_Cmpt	561610	female
C225	FJB	562649	female	C463	Rear_Axle_Cmpt	562571	male
C226	FJB	562650	male	C463	Rear_Axle_Cmpt	562570	female
C226	FJB	562649	female	C464	RJB	563180	male
C228	Engine_Cmpt	563227	male	C464	RJB	563347	female
C228	Engine_Cmpt	563614	female	C464A	RJB	564222	male
C230	EngineCmpt.	562485	male	C464A	RJB	564224	female
C230	EngineCmpt.	562486	female	C551	3rd_Lugg_Cmpt	561476	male
C242	ServiceCmpt.	563347	male	C551	3rd_Lugg_Cmpt	561477	female
C242	ServiceCmpt.	563180	female	C553	2nd_Lugg_Cmpt	561476	male
C243	ServiceCmpt.	563347	male	C553	2nd_Lugg_Cmpt	561477	female
C243	ServiceCmpt.	563180	female	C554	1st_Lugg_Cmpt	561476	male
C246	ServiceCmpt.	563090	male	C554	1st_Lugg_Cmpt	561477	female
C246	ServiceCmpt.	563091	female	C555	1st_Lugg_Cmpt	561476	male
C264	Entrance_Door	561637	male	C555	1st_Lugg_Cmpt	561477	female
C264	Entrance_Door	561636	female	C556	3rd_Lugg_Cmpt	561476	male
C266	Entrance_Door	561640	male	C556	3rd_Lugg_Cmpt	561477	female
C266	Entrance_Door	561639	female	C557	2nd_Lugg_Cmpt	561476	male
C269	Mirror_RH	563090	male	C557	2nd_Lugg_Cmpt	561477	female
C269	Mirror_RH	563091	female	C558	2nd_Lugg_Cmpt	561476	male
C279	Service_Cmpt	562477	male	C558	2nd_Lugg_Cmpt	561477	female
C279	Service_Cmpt	562479	female	C559	3rd_Lugg_Cmpt	561476	male
C281	LH_Console	560852	male	C559	3rd_Lugg_Cmpt	561477	female
C281	LH_Console	560851	female	C560	3rd_Lugg_Cmpt	561476	male

# CONNECTORS LIST

No	Location	Part #	Gender	No	Location	Part #	Gender
C560	3rd_Lugg_Cmpt	561477	female	L18.A	Entrance_Door	561539	male
C561	3rd_Lugg_Cmpt	561476	male	L18.B	Entrance_Door	561539	male
C561	3rd_Lugg_Cmpt	561477	female	L21.A	FrontRoof	561608	female
C562	3rd_Lugg_Cmpt	561476	male	L21.B	FrontRoof	562286	male
C562	3rd_Lugg_Cmpt	561477	female	L22.A	FrontRoof	561608	female
C617	Mirror_LH	563801	male	L22.B	FrontRoof	562286	male
C617	Mirror_LH	563800	female	L23.A	FrontRoof	561608	female
C618	Mirror_RH	563801	male	L23.B	FrontRoof	562286	male
C618	Mirror_RH	563800	female	L24.A	FrontRoof	561608	female
C717	RJB	561646	male	L24.B	FrontRoof	562286	male
C717	RJB	561645	female	L25.A	FrontRoof	561608	female
CC1	FJB	563227	male	L25.B	FrontRoof	562286	male
CC1	FJB	563614	female	L26.A	FrontRoof	561608	female
CC2	FJB	563226	male	L26.B	FrontRoof	562286	male
CC2	FJB	563613	female	L27.A	FrontRoof	561608	female
CCust	RJB	562477	male	L27.B	FrontRoof	562286	male
CCust	RJB	562479	female	L57.A	OutSide_Front_RH	563366	male
CR1	RJB	561247	male	L57.B	OutSide_Front_RH	562623	male
CR1	RJB	561248	female	L58.A	OutSide_Front_LH	562623	male
CSo1	SlideOut_Panel	562581	male	L58.B	OutSide_Front_LH	562623	male
CSo1	SlideOut_Panel	562583	female	L59.A	Outside_Front_RH	562623	male
CSo1S	SlideOut_Panel	562581	male	L59.B	Outside_Front_RH	562623	male
CSo1S	SlideOut_Panel	562583	female	L60.A	Outside_Front_LH	562623	male
CSo2	SlideOut_Panel	561643	male	L60.B	Outside_Front_LH	562623	male
CSo2	SlideOut_Panel	561641	female	L61	Front_OutSide_RH	562601	male
CSo5	SlideOut_Panel	561847	male	L62	Outside_Front_LH	562601	male
CSo5	SlideOut_Panel	561862	female	L63	Outside_Front_RH	562155	male
CSo7	SlideOut_Panel	561695	male	L64	Outside_Front_RH	562155	male
CSo7	SlideOut_Panel	561694	female	L65	Outside_Front_LH	562155	male
CT2	Engine_Cmpt	563226	male	L66	Outside_Front_LH	562155	male
CT2	Engine_Cmpt	563613	female	L67	3rdLuggCmpt.	562155	male
C_ALT1	Engine_Cmpt	562477	male	L68	3rdLuggCmpt.	562155	male
C_ALT1	Engine_Cmpt	562479	female	L69	Evap_Cmpt.	562155	male
C_ALT2	Engine_Cmpt	562477	male	L70	Evap_Cmpt.	562155	male
C_ALT2	Engine_Cmpt	562479	female	L71	Rear_Engine_Door	562601	male
C_EVAP	Evap_Cmpt	563582	male	L72	Rear_Vehicle	562155	male
C_EVAP	Evap_Cmpt	563583	female	L73	Rear_Vehicle	562601	male
C_EvpDr	Evap_Cmpt	562477	male	L74	Rear_Vehicle	562155	male
C_EvpDr	Evap_Cmpt	562479	female	L75	Rear_Vehicle	562155	male
EI	Engine_Cmpt	563739	male	L76	Rear_Engine_Door	562155	male
L1	Service_Cmpt	562848	male	L77	Rear_Engine_Door	562601	male
L16	FrontRoof	562803	male	L78	Rear_Engine_Door	562601	male
L17	Entrance_Door	562803	male	L79	Rear_Engine_Door	562601	male

# CONNECTORS LIST

No	Location	Part #	Gender	No	Location	Part #	Gender
L80	Rear_Engine_Door	562601	male	L189	Outside_Front_RH	562069	male
L81.A	Rear_Engine_Door	562835	female	L190	Outside_Front_LH	562069	male
L81.B	Rear_Engine_Door	562834	male	L193.A	Dash	560488	female
L82	Rear_Engine_Door	562348	female	L193.B	Dash	560488	female
L83	Rear_Engine_Door	562348	female	L194.A	LH_Console	562019	female
L84.A	RearRoof	561608	female	L194.B	LH_Console	560488	female
L84.B	RearRoof	562286	male	L195.A	LH_Console	560488	female
L85.A	RearRoof	561608	female	L195.B	LH_Console	560488	female
L85.B	RearRoof	562286	male	L199	EngineCmpt.	562471	male
L86.A	RearRoof	561608	female	L200	EngineCmpt.	562471	male
L86.B	RearRoof	562286	male	L203	RH_Console	561690	male
L87.A	RearRoof	561608	female	L205.A	Evap.Cmpt.	562485	male
L87.B	RearRoof	562286	male	L282A	Engine_Cmpt	561690	male
L88.A	RearRoof	561608	female	L285	Dash	561247	male
L88.B	RearRoof	562286	male	L286.A	Rear_Vehicule	562835	female
L89.A	RearRoof	561608	female	L286.B	Rear_Vehicule	562834	male
L89.B	RearRoof	562286	male	L297.A	Rear_Vehicule	562835	female
L90.A	RearRoof	561608	female	L297.B	Rear_Vehicule	562834	male
L90.B	RearRoof	562286	male	L298	Engine_Cmpt	563590	female
L91	EngineCmpt.	562755	male	L299	Engine_Cmpt	563590	female
L92	EngineCmpt.	562755	male	L304	OutSide_1st_Lugg_Door_LH	562155	male
L93.A	Rear_OutSide_LH	563069	female	L305	OutSide_1st_Lugg_Door_RH	562155	male
L93.B	Rear_OutSide_LH	563069	female	L306	OutSide_1st_Lugg_Door_RH	562155	male
L94.A	Rear_OutSide_RH	563069	female	L307	OutSide_1st_Lugg_Door_LH	562155	male
L94.B	Rear_OutSide_RH	563069	female	L350	Rr_Axle_Cmpt	562251	male
L95	Outside_Front_LH	562902	female	Mo3	Dash	561667	female
L96	Outside_Front_RH	562902	female	Mo4	Dash	562076	male
L97.A	Outside_Front_LH	563069	female	Mo5	Front_Roof	561515	male
L97.B	Outside_Front_LH	563069	female	Mo7	Cond_Cmpt	563691	male
L98.A	Entrance_Door	563069	female	Mo8	Cond_Cmpt	563691	male
L98.B	Outside_Front_RH	563069	female	Mo12.A	Evap.Cmpt.	561690	male
L173	Engine_Cmpt	563590	female	Mo15	Front_Ceiling	560900	female
L174	Engine_Cmpt	563590	female	Mo16	Front_Ceiling	560900	female
L176	Evap_Cmpt.	561247	male	Mo17	RH_Console	563626	male
L177	Cond_Cmpt.	561247	male	Mo19	{ServiceCmpt.}	562474	male
L178	1st_LuggCmpt.	561247	male	Mo20	{ServiceCmpt.}	562474	male
L179	1st_LuggCmpt.	561247	male	Mo22	RightHandConsole	561186	male
L180	2ndLuggCmpt.	561247	male	Mo24	RightHandConsole	562348	female
L181	2ndLuggCmpt.	561247	male	Mo25	RightHandConsole	562348	female
L182	3rd_LuggCmpt.	561247	male	Mo26	Entrance_Door	564161	male
L183	3rd_LuggCmpt.	561247	male	Mo27	Cond_Cmpt	563691	male
L184	ServiceCmpt.	561247	male	Mo28	Cond_Cmpt	563691	male
L187	Engine_Cmpt	561690	male	Mo31	3rd_Door_Lugg_RH	564161	male

# CONNECTORS LIST

No	Location	Part #	Gender	No	Location	Part #	Gender
Mo37	1st_Door_Lugg_RH	564161	male	Res32	Cond_Cmpt	563764	female
Mo38	2nd_Door_Lugg_LH	564161	male	Res53.A	FJB	563590	female
Mo40	1st_Lugg_Cmpt_LH	561477	female	RLock	Service_Cmpt	561183	male
Mo44	3rd_Lugg_Cmpt_LH	561477	female	RSo1.A	SlideOut_Jct_Box	561626	female
Mo50	Service_Cmpt	561782	male	RSo1.B	SlideOut_Jct_Box	561626	female
Mo53	RJB	561248	female	RSo2.A	SlideOut_Jct_Box	561626	female
Mo54	Service_Cmpt	562474	male	RSo2.B	SlideOut_Jct_Box	561626	female
Mo55.A	Entrance_Door	563626	male	RSo3.A	SlideOut_Jct_Box	561626	female
Mo56	Engine_Door	564161	male	RSo3.B	SlideOut_Jct_Box	561626	female
Mo57.A	2nd_Lugg_Cmpt_LH	561477	female	RSo4.A	SlideOut_Jct_Box	561626	female
Mo58.A	2nd_Lugg_Cmpt_LH	561477	female	RSo4.B	SlideOut_Jct_Box	561626	female
MoSo1.A	SlideOut_Fr_LH	561967	male	RUnlock	Service_Cmpt	561183	male
MOSO2.A	SlideOut_Fr_LH	561967	male	Se11.A	Cond_Cmpt	564460	female
Pot1.A	Dash	560488	female	Se11.B	Cond_Cmpt	564460	female
Pot1.B	Dash	560488	female	Se11.C	Cond_Cmpt	564460	female
Pot1.C	Dash	560488	female	Se12	EngineCmpt.	561690	female
R3	RJB	563409	male	Se13	EngineCmpt.	562350	male
R10.A	Evap.Cmpt.	563409	male	Se14.A	Driver_Area	561782	male
R11	RJB	561183	male	Se14.B	Driver_Area	561781	female
R12.A	Evap.Cmpt.	563409	male	Se15.A	Entrance_Door	562651	female
R17	RJB	564210	male	Se15.B	Entrance_Door	562651	female
R17_0_1		562367	male	Se15.C	Entrance_Door	562651	female
R18	FJB	564210	male	Se16.A	Entrance_Door	562651	female
R19	FJB	564210	male	Se16.B	Entrance_Door	562651	female
R22	RJB	561183	male	Se17.A	Service_Cmpt	562291	female
R23	RightHandConsole	561183	male	Se17.B	Service_Cmpt	562291	female
R25	RJB	561183	male	Se17.C	Service_Cmpt	562291	female
R29	RJB	563409	male	Se18.A	Service_Cmpt	560815	female
R30	RJB	561183	male	Se18.B	Service_Cmpt	560815	female
R31	RJB	561183	male	Se19.A	Service_Cmpt	563677	male
R32	RJB	561183	male	Se19A.A	Service_Cmpt	563677	male
R33	RJB	561183	male	Se20	Evap_Cmpt	562426	male
R34	RJB	564210	male	Se21	Dash	561248	female
R41	FJB	561183	male	Se23	EngineCmpt.	563159	male
R42	FJB	561183	male	Se24	EngineCmpt.	563159	male
R43	FJB	561183	male	Se25	Evap_Cmpt	561248	female
Res3	RJB	563590	female	Se29	Engine_Cmpt	561566	female
Res4.A	{RightHandConsole}	563590	female	Se30	Engine_Cmpt	562877	female
Res6	FJB	563590	female	Se31	Engine_Cmpt	562877	female
Res7.A	FJB	563590	female	Se32	Rear_Axle_Cmpt	563057	male
Res15	Engine_Cmpt	561782	male	Se33	Rear_Axle_Cmpt	562856	male
Res18.A	Rear_Roof	563590	female	Se34	Rear_Axle_Cmpt	563057	male
Res31	Cond_Cmpt	562350	male	Se35	Rear_Axle_Cmpt	563057	male



# CONNECTORS LIST

No	Location	Part #	Gender	No	Location	Part #	Gender
Se36	Rear_Axle_Cmpt	563629	female	So36	Engine_Cmpt	561690	male
Se37	Front_Axle_Cmpt	641132	female	So50	Rear_Axle_Cmpt	564046	female
Se38	Front_Axle_Cmpt	641132	female	So51	Rear_Axle_Cmpt	564046	female
Se39	Rear_Axle_Cmpt	641132	female	So52	Front_Axle_Cmpt	564045	female
Se40	Rear_Axle_Cmpt	641132	female	SoSo1.A	SlideOut_Panel	564045	female
Se45	{ServiceCmpt.}	562426	male	SOSO4.A	SlideOut_Panel	641385	male
Se46	Rear_Axle_Cmpt	562348	female	SoSo5.A	SlideOut_Panel	564045	female
Se50	Engine_Cmpt	562426	male	spBar1	Engine_Cmpt	564135	male
Se52.A	RH_Console	560488	female	spBar2	Engine_Cmpt	564135	male
Se52.B	RH_Console	560488	female	spBar4	Engine_Cmpt	564135	male
Se53	Service_Cmpt	563159	female	spBar5	Engine_Cmpt	564135	male
Se54	Service_Cmpt	563159	female	Sw1.C258	Dash	561188	female
Se55	Service_Cmpt	563159	female	Sw1.C259	Dash	561186	male
Se60	Service_Cmpt	563409	male	Sw2	Dash	562763	male
Se63	Rear_Axle_Cmpt	641132	female	Sw3	Dash	562763	male
Se64	Rear_Axle_Cmpt	641132	female	Sw4	Dash	562763	male
Se65	Dash	564042	female	Sw6	Dash	562763	male
Se66	Front_Axle_Cmpt	564039	female	Sw11A	LH_Console	562763	male
Se67	Front_Axle_Cmpt	563159	female	Sw14	Dash	562763	male
Se68	Rear_Axle_Cmpt	563159	female	Sw16	Dash	562763	male
Se69	Front_Axle_Cmpt	563159	female	Sw17	Dash	562763	male
SESO1.A	SlideOut_Panel	563159	male	Sw18A	LH_Console	562763	male
SESO2.A	SlideOut_Fr_LH	562479	female	Sw21	Dash	562763	male
SESO3.A	SlideOut_Fr_LH	562479	female	Sw24	Dash	562763	male
SESO5.A	SlideOut_Rr_LH	562479	female	Sw34	Dash	562763	male
SESO6.A	SlideOut_Rr_LH	562479	female	Sw35	LH_Console	562763	male
So3	RH_Console	641385	male	Sw38	LeftHandConsole	562763	male
So7	ServiceCmpt.	561566	male	Sw40	LeftHandConsole	561690	male
So8	ServiceCmpt.	563204	female	Sw41	LeftHandConsole	562749	male
So9	Engine_Cmpt	561566	female	Sw44.A	Service_Cmpt	562403	female
So11.A	Cond_Cmpt	561566	female	Sw44.B	Service_Cmpt	562403	female
So13.A	Evap_Cmpt	563204	female	Sw45.A	Evap_Cmpt	562403	female
So21	Front_Axle_Cmpt	564046	female	Sw45.B	Evap_Cmpt	562403	female
So22	Front_Axle_Cmpt	564046	female	Sw46.A	Cond_Cmpt	562403	female
So23	Rear_Axle_Cmpt	564046	female	Sw46.B	Cond_Cmpt	562403	female
So24	Rear_Axle_Cmpt	564046	female	Sw47.A	1st_Lugg_Cmpt	562403	female
So26	Service_Cmpt	562848	male	Sw47.B	1st_Lugg_Cmpt	562403	female
So27	Rear_Axle_Cmpt	564045	female	Sw48.A	1st_Lugg_Cmpt	562403	female
So28	Engine_Cmpt	641385	male	Sw48.B	1st_Lugg_Cmpt	562403	female
So29	Service_Cmpt	641385	male	Sw49.A	2ndLuggCmpt.	562403	female
So30	Service_Cmpt	641385	male	Sw49.B	2ndLuggCmpt.	562403	female
So31	Service_Cmpt	641385	male	Sw50.A	2ndLuggCmpt.	562403	female
So32	Service_Cmpt	641385	male	Sw50.B	2ndLuggCmpt.	562403	female

# CONNECTORS LIST

No	Location	Part #	Gender	No	Location	Part #	Gender
Sw51.A	3rd_Lugg_Cmpt	562403	female	VECF2	FJB	563183	male
Sw51.B	3rd_Lugg_Cmpt	562403	female	VECF3	FJB	563185	male
Sw52	3rd_Lugg_Cmpt	562403	female	VECF4	FJB	563182	male
Sw52.B	3rd_Lugg_Cmpt	562403	female	VECF9	FJB	563448	male
Sw58	EngineCmpt.	562581	male	VECF10	FJB	563181	male
Sw59	EngineCmpt.	562348	female	VECF11	FJB	563184	male
Sw63A	LH_Console	562763	male	VECF12	FJB	563187	male
Sw64.A	Service_Cmpt	560815	female	Vecr1	RJB	563186	male
Sw64.B	Service_Cmpt	560815	female	Vecr2	RJB	563183	male
Sw83.A	Dash	560082	female	Vecr3	RJB	563185	male
Sw83.B	Dash	560815	female	VECR4	RJB	563182	male
Sw83.C	Dash	560082	female	Vecr9	RJB	563448	male
Sw83.D	Dash	560815	female	Vecr10	RJB	563181	male
Sw85	LeftHandConsole	562749	male	VECR11	RJB	563184	male
Sw99	Dash	562763	male	VECR12	RJB	563187	male
Sw102	Dash	562763	male	Y80	Eng_Cmpt	563789	male
Sw103A	LH_Console	562763	male	Y81	Cond_Cmpt	563793	male
Sw104	Dash	562763	male				
Sw106	FJB	561637	male				
Sw107.A	LH_Console	561190	female				
Sw107.B	LH_Console	561190	female				
Sw107.C	LH_Console	561190	female				
Sw107.D	LH_Console	561190	female				
Sw107.E	LH_Console	561190	female				
Sw107.F	LH_Console	561190	female				
Sw107.G	LH_Console	561190	female				
Sw107.H	{LeftHandConsole}	561190	female				
Sw107.J	{LeftHandConsole}	561190	female				
Sw107.K	{LeftHandConsole}	561190	female				
Sw108	LH_Console	562763	male				
Sw112.A	3rd_Lugg_Cmpt_RH	560079	female				
Sw112.B	3rd_Lugg_Cmpt_RH	560079	female				
Sw117.A	Lugg_Cmpt_RH	560079	female				
Sw117.B	Lugg_Cmpt_RH	560079	female				
Sw120	Service_Cmpt	562237	female				
Sw122	Service_Cmpt	562763	male				
Sw134.A	Engine_Cmpt	560079	female				
Sw134.B	Engine_Cmpt	560079	female				
Sw137	Dash	562763	male				
Sw152	Driver_Area	562471	male				
SwSo1.A	Front_Slide_Out	561552	female				
SwSo2.A	Front_Slide_Out	561552	female				
VECF1	FJB	563186	male				

# DIODES LIST

No	Location	Part #	Function	Page					
D1	FJB	561740	AccessoriesDiode	3.2					
D2	FJB	561740	DiodeDriverLiq.Sol.	18.1					
D4	RHConsole	561740	SuppressorDiodeLowerWiper2ndSpd	31.1					
D5	RHConsole	561740	SuppressorDiodeLowerWiper1stSpd	31.1					
D6	RJB	561740	SuppressorDiodeMasterrelay	3.1					
D11	Evap.Cmpt.	561740	DiodePass.Liq.Sol	18.2					
D15	RJB	561740	WakeUpDiode	3.2					
D24	Evap_Cmpt_	561740	SuppressorDiodeCondensorFans	18.2					
D25	Evap.Cmpt.	561740	SuppressorDiodeEvaporatorFan	18.2					
D28	RJB	561740	SuppressorDiodeUnloaderLH	18.2					
D29	RJB	561740	SuppressorDiodeUnloaderRH	18.2					
D30	Evap.Cmpt.	561740	SuppressorDiodeWaterPump	18.2					
D31	RJB	561740	SuppressorDiodeA/Cclutch	18.2					
D36	RJB	561740	SuppressorDiodeRadiatorFanClutch2ndSpd	13.1					
D37	RJB	561740	SuppressorDiodeRadiatorFanClutch1stSpd	13.1					
D44	FJB	561740	IgnitionDiode	3.2					
D51	ServiceCmpt.	561740	LevelLow_Diode	28.1					
D62	RJB	561740	Cut_Out_Relay	3.2					
D66	ServiceCmpt.	561740	SuppressorDiodeWaterPump	18.1					
D67	RJB	561740	DiodeforCyclope	26.2					
D68	RJB	561740	DiodeforCyclope	26.2					
D69	RJB	561740	DiodeforCyclope	26.2					
D70	RJB	561740	DiodeforCyclope	26.2					
D71	LHConsole	563374	Front_Door_Lock	29.1					
D72	LHConsole	563374	Front_Door_Lock	29.1					
D73	Evap.Cmpt.	561740	Front_Door	29.1					
D75	SlideOut_Jct_Box	561740	ParkBrakeDiode	20.1					
D79	ServiceCmpt.	561740	LevelLow_Diode	28.1					
D80	ServiceCmpt.	561740	Level_Low	28.1					
D81	Evap.Cmpt.	561740	Entrance_Door	29.1					
D82	Evap.Cmpt.	561740	Entrance_Door	29.1					
d1_87				21.1					
DSo1	Slide_Out_Jct_Box	563375	Front_SlideOut	20.1					
DSo2	Slide_Out_Jct_Box	563375	Front_SlideOut	20.1					
DSo3	Slide_Out_Jct_Box	563375	Rear_SlideOut	20.1					
DSo4	Slide_Out_Jct_Box	563375	Rear_SlideOut	20.1					

# DIODES LIST

No	Location	Part #	Function	Page					
D1	FJB	561740	AccessoriesDiode	3.2					
D2	FJB	561740	DiodeDriverLiq.Sol.	18.1					
D4	RHConsole	561740	SuppressorDiodeLowerWiper2ndSpd	31.1					
D5	RHConsole	561740	SuppressorDiodeLowerWiper1stSpd	31.1					
D6	RJB	561740	SuppressorDiodeMasterrelay	3.1					
D11	Evap.Cmpt.	561740	DiodePass.Liq.Sol	18.2					
D15	RJB	561740	WakeUpDiode	3.2					
D24	Evap_Cmpt_	561740	SuppressorDiodeCondensorFans	18.2					
D25	Evap.Cmpt.	561740	SuppressorDiodeEvaporatorFan	18.2					
D28	RJB	561740	SuppressorDiodeUnloaderLH	18.2					
D29	RJB	561740	SuppressorDiodeUnloaderRH	18.2					
D30	Evap.Cmpt.	561740	SuppressorDiodeWaterPump	18.2					
D31	RJB	561740	SuppressorDiodeA/Cclutch	18.2					
D36	RJB	561740	SuppressorDiodeRadiatorFanClutch2ndSpd	13.1					
D37	RJB	561740	SuppressorDiodeRadiatorFanClutch1stSpd	13.1					
D44	FJB	561740	IgnitionDiode	3.2					
D51	ServiceCmpt.	561740	LevelLow_Diode	28.1					
D62	RJB	561740	Cut_Out_Relay	3.2					
D66	ServiceCmpt.	561740	SuppressorDiodeWaterPump	18.1					
D67	RJB	561740	DiodeforCyclope	26.2					
D68	RJB	561740	DiodeforCyclope	26.2					
D69	RJB	561740	DiodeforCyclope	26.2					
D70	RJB	561740	DiodeforCyclope	26.2					
D71	LHConsole	563374	Front_Door_Lock	29.1					
D72	LHConsole	563374	Front_Door_Lock	29.1					
D73	Evap.Cmpt.	561740	Front_Door	29.1					
D75	SlideOut_Jct_Box	561740	ParkBrakeDiode	20.1					
D79	ServiceCmpt.	561740	LevelLow_Diode	28.1					
D80	ServiceCmpt.	561740	Level_Low	28.1					
D81	Evap.Cmpt.	561740	Entrance_Door	29.1					
D82	Evap.Cmpt.	561740	Entrance_Door	29.1					
DS01	Slide_Out_Jct_Box	563375	Front_SlideOut	20.1					
DS02	Slide_Out_Jct_Box	563375	Front_SlideOut	20.1					
DS03	Slide_Out_Jct_Box	563375	Rear_SlideOut	20.1					
DS04	Slide_Out_Jct_Box	563375	Rear_SlideOut	20.1					





# RELAYS LIST

No	Location	Part #	Function	Page					
R1	RJB	562364	24vIgn&AccRelay	3.1					
R3	RJB	563348	12vIgn&AccRelay	3.1					
R10	Evap.Cmpt.	563348	CondensorRelay1stSpeed	18.2					
R11	RJBVECR	563332	24V_Ign	5.1					
R12	Evap.Cmpt.	563348	EvaporatorRelay	18.2					
R17	FJB	561991	12vRrWup	3.3					
R18	FJB	561991	24vFrWUpRelay	3.3					
R19	FJB	561991	12vFrWUpRelay	3.3					
R21	RJB	563269	EmergencyCutoutRelay	3.2					
R22	FJB	563269	12_WakeUp_To_CPC	3.3					
R23	RHConsole	563332	LowerWiperRelay	31.1					
R25	RJBVECR	563332	Ecmlgn	5.1					
R29	RJB	563348	Preheater_Volvo	14.2					
R30	RJB	563332	Luggage_Door_LockUnlock	24.2					
R31	RJB	563332	Luggage_Door_LockUnlock	24.2					
R32	RJB	563332	Luggage_Door_LockUnlock	24.2					
R33	RJB	563332	Luggage_Door_LockUnlock	24.2					
R34	FJB	561991	12v_Rr_Engine_Ecu	3.3					
R41	FJB	563332	SunVisor_Relay	32.1					
R42	FJB	563332	SunVisor_Relay	32.1					
R43	FJB	563332	SunVisor_Relay	32.1					
R_Starter	RJB	564095	Starter_Relay	3.2					
r1_10				21.1					
r2_10				21.1					
r3_10				21.1					
r4_10				21.1					
r5_10				21.1					
r6_10				21.1					
RLock	Front	563332	Keyless	29.1					
RSo1	Slide_Out_Jct_Box	563445	SlideOut_Relay	20.1					
RSo2	Slide_Out_Jct_Box	563445	SlideOut_Relay	20.1					
RSo3	Slide_Out_Jct_Box	563445	SlideOut_Relay	20.1					
RSo4	Slide_Out_Jct_Box	563445	SlideOut_Relay	20.1					
RUnlock	Front	563332	Keyless	29.1					

# RELAYS LIST

No	Location	Part #	Function	Page					
R1	RJB	562364	24vIgn&AccRelay	3.1					
R3	RJB	563348	12vIgn&AccRelay	3.1					
R10	Evap.Cmpt.	563348	CondensorRelay1stSpeed	18.2					
R11	RJBVECR	563332	24V_Ign	5.1					
R12	Evap.Cmpt.	563348	EvaporatorRelay	18.2					
R17	FJB	564218	12vRrWup	3.3					
R18	FJB	564218	24vFrWUpRelay	3.3					
R19	FJB	564218	12vFrWUpRelay	3.3					
R21	RJB	563269	EmergencyCutoutRelay	3.2					
R22	FJB	563269	12_WakeUp_To_CPC	3.3					
R23	RHConsole	563332	LowerWiperRelay	31.1					
R25	RJBVECR	563332	Ecmlgn	5.1					
R29	RJB	563348	Preheater_Volvo	14.2					
R30	RJB	563332	Luggage_Door_LockUnlock	24.2					
R31	RJB	563332	Luggage_Door_LockUnlock	24.2					
R32	RJB	563332	Luggage_Door_LockUnlock	24.2					
R33	RJB	563332	Luggage_Door_LockUnlock	24.2					
R34	FJB	561991	12v_Rr_Engine_Ecu	3.3					
R41	FJB	563332	SunVisor_Relay	32.1					
R42	FJB	563332	SunVisor_Relay	32.1					
R43	FJB	563332	SunVisor_Relay	32.1					
R_Starter	RJB	564095	Starter_Relay	3.2					
r1_10				21.1					
r2_10				21.1					
r3_10				21.1					
r4_10				21.1					
r5_10				21.1					
r6_10				21.1					
Rlock	Front	563332	Keyless	29.1					
RSo1	Slide_Out_Jct_Box	563445	SlideOut_Relay	20.1					
RSo2	Slide_Out_Jct_Box	563445	SlideOut_Relay	20.1					
RSo3	Slide_Out_Jct_Box	563445	SlideOut_Relay	20.1					
RSo4	Slide_Out_Jct_Box	563445	SlideOut_Relay	20.1					
RUnlock	Front	563332	Keyless	29.1					



# RELAYS LIST

No	Location	Part #	Function	Page					
R1	RJB	562364	24vIgn&AccRelay	3.1					
R3	RJB	563348	12vIgn&AccRelay	3.1					
R10	Evap.Cmpt.	563348	CondensorRelay1stSpeed	18.2					
R11	RJBVECR	563332	24V_Ign	5.1					
R12	Evap.Cmpt.	563348	EvaporatorRelay	18.2					
R17	FJB	564218	12vRrWup	3.3					
R18	FJB	564218	24vFrWUpRelay	3.3					
R19	FJB	564218	12vFrWUpRelay	3.3					
R21	RJB	563269	EmergencyCutoutRelay	3.2					
R22	FJB	563269	12_WakeUp_To_CPC	3.3					
R23	RHConsole	563332	LowerWiperRelay	31.1					
R25	RJBVECR	563332	Ecmlgn	5.1					
R29	RJB	563348	Preheater_Volvo	14.2					
R30	RJB	563332	Luggage_Door_LockUnlock	24.2					
R31	RJB	563332	Luggage_Door_LockUnlock	24.2					
R32	RJB	563332	Luggage_Door_LockUnlock	24.2					
R33	RJB	563332	Luggage_Door_LockUnlock	24.2					
R34	FJB	564218	12v_Rr_Engine_Ecu	3.3					
R41	FJB	563332	SunVisor_Relay	32.1					
R42	FJB	563332	SunVisor_Relay	32.1					
R43	FJB	563332	SunVisor_Relay	32.1					
R_Starter	RJB	564095	Starter_Relay	3.2					
RLock	Front	563332	Keyless	29.1					
RS01	Slide_Out_Jct_Box	563445	SlideOut_Relay	20.1					
RS02	Slide_Out_Jct_Box	563445	SlideOut_Relay	20.1					
RS03	Slide_Out_Jct_Box	563445	SlideOut_Relay	20.1					
RS04	Slide_Out_Jct_Box	563445	SlideOut_Relay	20.1					
RUnlock	Front	563332	Keyless	29.1					

# FUSES LIST

No	Location	Part #	Function	Rating	Page
F1	FuseBoxFJB	563279	CecmPower	3amp	4.1
F2	FuseBoxFJB	563279	FrontStartMainSwitch	3amp	4.1
F3	FuseBoxFJB	563279	EnginePre-HeatH.W.+DrvLiq.Vlv	3amp	4.1
F4	FuseBoxFJB	563280	Spare	5Amp	4.1
F5	FuseBoxFJB	563165	24vtoWUp	30amp	4.1
F6	FuseBoxFJB	563005	Customer24VD	7.5amp	4.1
F7	FuseBoxFJB	563279	Abs+PreHeatController	3amp	4.1
F8	FuseBoxFJB	563279	AirHorn	3amp	4.1
F9	FuseBoxFJB	563284	Spare	15amp	4.1
F10	FuseBoxFJB	563279	SpareFuse	3amp	4.1
F11	FuseBoxFJB	563279	SunVisor	3amp	4.1
F12	FuseBoxFJB	563282	PwrMuxModule	20amp	4.1
F13	FuseBoxFJB	563282	PwrMuxModule	20amp	4.1
F14	FuseBoxFJB	563284	Customer	15amp	4.1
F15	FuseBoxFJB	563004	Spare	2Amp	4.1
F16	FuseBoxFJB	563153	DefrosterUnit	25Amp	4.1
F17	FuseBoxFJB	563280	DestinationSign	5Amp	4.1
F18	FuseBoxFJB	563284	Spare	15amp	4.1
F19	FuseBoxFJB	563279	Prodriver	3amp	4.1
F20	FuseBoxFJB	563005	WitnessLedPower	7.5amp	4.1
F21	FuseBoxFJB	563282	PwrMuxA44	20amp	4.1
F22	FuseBoxFJB	563279	SteeringCtrl	3amp	4.1
F23	FuseBoxFJB	563284	ABS	15amp	4.1
F24	FuseBoxFJB	563005	Mirror	7.5amp	4.1
F25	FuseBoxFJB	563280	Spare	5Amp	4.1
F26	FuseBoxFJB	563279	SpareFuse	3amp	4.1
F27	FuseBoxFJB	563284	Customer	15amp	4.1
F28	FuseBoxFJB	563282	DriverWindow	20amp	4.1
F29	FuseBoxFJB	563279	ClusterandDDDR	3amp	4.1
F30	FuseBoxFJB	563284	PwrOutletandCigarLighter	15amp	4.1
F31	FuseBoxFJB	563279	KeylessModule	3amp	4.1
F32	FuseBoxFJB	563282	Spare	20amp	4.1
F33	FuseBoxFJB	563165	12VDtoWakeUp	30amp	4.1
F34	FuseBoxFJB	563165	12VDtoWakeUp	30amp	4.1
F35	FuseBoxFJB	563283	12vPwrOutlet	10amp	4.1
F36	FuseBoxFJB	563279	PwrHvacandTTItModule	3amp	4.1
F37	FuseBoxFJB	563283	Spare	10amp	4.1
F38	FuseBoxFJB	563283	SpareFuse	10amp	4.1
F39	FuseBoxFJB	563283	Spare	10amp	4.1
F40	FuseBoxFJB	563284	SpareFuse	15amp	4.1
F41	FuseBoxFJB	563283	SpareFuse	10amp	4.1
F42	FuseBoxFJB	563283	Spare	10amp	4.1

# FUSES LIST

No	Location	Part #	Function	Rating	Page
F45	FJB	562604	FireProtectionSys.	15Amp	3.3
F50	FuseBoxRJB	563284	EnginePre-Heat	15amp	5.1
F51	FuseBoxRJB	563284	EnginePre-Heat	25Amp	5.1
F52	FuseBoxRJB	563284	SpareFuse	15amp	5.1
F53	FuseBoxRJB	563284	PwrMuxA54	15amp	5.1
F54	FuseBoxRJB	563153	Customer	25Amp	5.1
F55	FuseBoxRJB	563283	Spare	10amp	5.1
F56	FuseBoxRJB	563282	Spare	20amp	5.1
F57	FuseBoxRJB	563283	Spare	10amp	5.1
F58	FuseBoxRJB	563282	Spare	20amp	5.1
F59	FuseBoxRJB	563283	DirectLightingRH	10amp	5.1
F62	FuseBoxRJB	563283	Spare	10amp	5.1
F63	FuseBoxRJB	563283	EnginePre-Heat	10amp	5.1
F64	FuseBoxRJB	563283	Spare	10amp	5.1
F65	FuseBoxRJB	563165	PwrMuxModuleRJB	30amp	5.1
F66	FuseBoxRJB	563279	RadiatorFanClutch	3amp	5.1
F67	FuseBoxRJB	563153	PwrMuxA54	25Amp	5.1
F68	FuseBoxRJB	563153	PwmMuxA54	25Amp	5.1
F69	FuseBoxRJB	563279	R8Power	3amp	5.1
F70	FuseBoxRJB	563005	Customer24VI	7.5amp	5.1
F71	FuseBoxRJB	563284	Spare	15amp	5.1
F72	FuseBoxRJB	563153	PwrMuxA50	25Amp	5.1
F73	FuseBoxRJB	563282	Spare	20amp	5.1
F74	FuseBoxRJB	563283	EcuEngineIgnition	10amp	5.1
F75	FuseBoxRJB	563283	EcuTransmissionIgn	10amp	5.1
F76	FuseBoxRJB	563283	Customer	10amp	5.1
F77	FuseBoxRJB	563283	EcuTransmissionWakeUp	10amp	5.1
F78	FuseBoxRJB	563284	Spare	15amp	5.1
F79	FuseBoxRJB	563284	Spare	15amp	5.1
F80	FuseBoxRJB	563284	PwrMuxA51	15amp	5.1
F81	FuseBoxRJB	563004	PwrOfRearSwitchBox	2Amp	5.1
F83	FuseBoxFJB	563283	VECU	10amp	4.1
F84	FuseBoxFJB	563284	Customer	15amp	4.1
F85	FuseBoxRJB	563283	SpareFuse	10amp	5.1
F86	FuseBoxRJB	563283	SpareFuse	10amp	5.1
F87	FuseBoxRJB	563282	TrailerPackage	20amp	5.1
F88	FuseBoxRJB	563282	Spare	20amp	5.1
F89	FuseBoxRJB	563282	Spare	20amp	5.1
F90	FuseBoxRJB	563153	Volvo_Engine	25Amp	5.1
F91	FuseBoxRJB	563282	Volvo_Engine	20amp	5.1
F96	FuseBoxRJB	563282	Spare	20amp	5.1
F98	FuseBoxR.IB	563284	Spare	15amp	5.1



# FUSES LIST

No	Location	Part #	Function	Rating	Page
F1	FuseBoxFJB	563279	CecmPower	3amp	4.1
F2	FuseBoxFJB	563279	FrontStartMainSwitch	3amp	4.1
F3	FuseBoxFJB	563279	EnginePre-HeatH.W.+DrvLiq.Vlv	3amp	4.1
F4	FuseBoxFJB	563280	Spare	5Amp	4.1
F5	FuseBoxFJB	563165	24vtoWUp	30amp	4.1
F6	FuseBoxFJB	563005	Customer24VD	7.5amp	4.1
F7	FuseBoxFJB	563279	Abs+PreHeatController	3amp	4.1
F8	FuseBoxFJB	563279	AirHorn	3amp	4.1
F9	FuseBoxFJB	563284	Spare	15amp	4.1
F10	FuseBoxFJB	563279	SpareFuse	3amp	4.1
F11	FuseBoxFJB	563279	SunVisor	3amp	4.1
F12	FuseBoxFJB	563282	PwrMuxModule	20amp	4.1
F13	FuseBoxFJB	563282	PwrMuxModule	20amp	4.1
F14	FuseBoxFJB	563284	Customer	15amp	4.1
F15	FuseBoxFJB	563004	Spare	2Amp	4.1
F16	FuseBoxFJB	563153	DefrosterUnit	25Amp	4.1
F17	FuseBoxFJB	563280	DestinationSign	5Amp	4.1
F18	FuseBoxFJB	563284	Spare	15amp	4.1
F19	FuseBoxFJB	563279	Prodriver	3amp	4.1
F20	FuseBoxFJB	563005	WitnessLedPower	7.5amp	4.1
F21	FuseBoxFJB	563282	PwrMuxA44	20amp	4.1
F22	FuseBoxFJB	563279	SteeringCtrl	3amp	4.1
F23	FuseBoxFJB	563284	ABS	15amp	4.1
F24	FuseBoxFJB	563005	Mirror	7.5amp	4.1
F25	FuseBoxFJB	563280	Spare	5Amp	4.1
F26	FuseBoxFJB	563279	SpareFuse	3amp	4.1
F27	FuseBoxFJB	563284	Customer	15amp	4.1
F28	FuseBoxFJB	563282	DriverWindow	20amp	4.1
F29	FuseBoxFJB	563279	ClusterandDDDR	3amp	4.1
F30	FuseBoxFJB	563284	PwrOutletandCigarLighter	15amp	4.1
F31	FuseBoxFJB	563279	KeylessModule	3amp	4.1
F32	FuseBoxFJB	563282	Spare	20amp	4.1
F33	FuseBoxFJB	563165	12VDtoWakeUp	30amp	4.1
F34	FuseBoxFJB	563165	12VDtoWakeUp	30amp	4.1
F35	FuseBoxFJB	563283	12vPwrOutlet	10amp	4.1
F36	FuseBoxFJB	563279	PwrHvacandTTItModule	3amp	4.1
F37	FuseBoxFJB	563283	Spare	10amp	4.1
F38	FuseBoxFJB	563283	SpareFuse	10amp	4.1
F39	FuseBoxFJB	563283	ElectricalDriverSeatOption	10amp	4.1
F40	FuseBoxFJB	563284	SpareFuse	15amp	4.1
F41	FuseBoxFJB	563283	SpareFuse	10amp	4.1
F42	FuseBoxFJB	563283	Spare	10amp	4.1
F43	FuseBoxFJB	563282	Spare	20amp	4.1

# FUSES LIST

No	Location	Part #	Function	Rating	Page
F45	FJB	562604	FireProtectionSys.	15Amp	3.3
F50	FuseBoxRJB	563284	EnginePre-Heat	15amp	5.1
F51	FuseBoxRJB	563284	EnginePre-Heat	25Amp	5.1
F52	FuseBoxRJB	563284	SpareFuse	15amp	5.1
F53	FuseBoxRJB	563284	PwrMuxA54	15amp	5.1
F54	FuseBoxRJB	563153	Customer	25Amp	5.1
F55	FuseBoxRJB	563283	Spare	10amp	5.1
F56	FuseBoxRJB	563282	Spare	20amp	5.1
F57	FuseBoxRJB	563283	Spare	10amp	5.1
F58	FuseBoxRJB	563282	Spare	20amp	5.1
F59	FuseBoxRJB	563283	DirectLightingRH	10amp	5.1
F62	FuseBoxRJB	563283	Spare	10amp	5.1
F63	FuseBoxRJB	563283	EnginePre-Heat	10amp	5.1
F64	FuseBoxRJB	563283	Spare	10amp	5.1
F65	FuseBoxRJB	563165	PwrMuxModuleRJB	30amp	5.1
F66	FuseBoxRJB	563279	RadiatorFanClutch	3amp	5.1
F67	FuseBoxRJB	563153	PwrMuxA54	25Amp	5.1
F68	FuseBoxRJB	563153	PwmMuxA54	25Amp	5.1
F69	FuseBoxRJB	563279	R8Power	3amp	5.1
F70	FuseBoxRJB	563005	Customer24Vl	7.5amp	5.1
F71	FuseBoxRJB	563284	Spare	15amp	5.1
F72	FuseBoxRJB	563153	PwrMuxA50	25Amp	5.1
F73	FuseBoxRJB	563282	Spare	20amp	5.1
F74	FuseBoxRJB	563283	EcuEngineIgnition	10amp	5.1
F75	FuseBoxRJB	563283	EcuTransmissionIgn	10amp	5.1
F76	FuseBoxRJB	563283	Customer	10amp	5.1
F77	FuseBoxRJB	563283	EcuTransmissionWakeUp	10amp	5.1
F78	FuseBoxRJB	563284	Spare	15amp	5.1
F79	FuseBoxRJB	563284	Spare	15amp	5.1
F80	FuseBoxRJB	563284	PwrMuxA51	15amp	5.1
F81	FuseBoxRJB	563004	PwrOfRearSwitchBox	2Amp	5.1
F83	FuseBoxFJB	563283	VECU	10amp	4.1
F84	FuseBoxFJB	563284	Customer	15amp	4.1
F85	FuseBoxRJB	563283	SpareFuse	10amp	5.1
F86	FuseBoxRJB	563283	SpareFuse	10amp	5.1
F87	FuseBoxRJB	563282	TrailerPackage	20amp	5.1
F88	FuseBoxRJB	563282	Spare	20amp	5.1
F89	FuseBoxRJB	563282	Spare	20amp	5.1
F90	FuseBoxRJB	563153	Volvo_Engine	25Amp	5.1
F91	FuseBoxRJB	563282	Volvo_Engine	20amp	5.1
F96	FuseBoxRJB	563282	Spare	20amp	5.1
F98	FuseBoxRJB	563284	Spare	15amp	5.1
F99	FuseBoxRJB	563165	Volvo_Engine	30amp	5.1



# FUSES LIST

No	Location	Part #	Function	Rating	Page
F1	FuseBoxFJB	563279	CecmPower	3amp	4.1
F2	FuseBoxFJB	563279	FrontStartMainSwitch	3amp	4.1
F3	FuseBoxFJB	563279	EnginePre-HeatH.W.+DrvLiq.Vlv	3amp	4.1
F4	FuseBoxFJB	563280	Spare	5Amp	4.1
F5	FuseBoxFJB	563165	24vtoWUp	30amp	4.1
F6	FuseBoxFJB	563005	Customer24VD	7.5amp	4.1
F7	FuseBoxFJB	563279	Abs+PreHeatController	3amp	4.1
F8	FuseBoxFJB	563279	AirHorn	3amp	4.1
F9	FuseBoxFJB	563284	Spare	15amp	4.1
F10	FuseBoxFJB	563279	SpareFuse	3amp	4.1
F11	FuseBoxFJB	563279	SunVisor	3amp	4.1
F12	FuseBoxFJB	563282	PwrMuxModule	20amp	4.1
F13	FuseBoxFJB	563282	PwrMuxModule	20amp	4.1
F14	FuseBoxFJB	563284	Customer	15amp	4.1
F15	FuseBoxFJB	563004	Spare	2Amp	4.1
F16	FuseBoxFJB	563153	DefrosterUnit	25Amp	4.1
F17	FuseBoxFJB	563280	DestinationSign	5Amp	4.1
F18	FuseBoxFJB	563284	Spare	15amp	4.1
F19	FuseBoxFJB	563279	Prodriver	3amp	4.1
F20	FuseBoxFJB	563005	WitnessLedPower	7.5amp	4.1
F21	FuseBoxFJB	563282	PwrMuxA44	20amp	4.1
F22	FuseBoxFJB	563279	SteeringCtrl	3amp	4.1
F23	FuseBoxFJB	563284	ABS	15amp	4.1
F24	FuseBoxFJB	563005	Mirror	7.5amp	4.1
F25	FuseBoxFJB	563280	Spare	5Amp	4.1
F26	FuseBoxFJB	563279	SpareFuse	3amp	4.1
F27	FuseBoxFJB	563284	Customer	15amp	4.1
F28	FuseBoxFJB	563282	DriverWindow	20amp	4.1
F29	FuseBoxFJB	563279	ClusterandDDDR	3amp	4.1
F30	FuseBoxFJB	563284	PwrOutletandCigarLighter	15amp	4.1
F31	FuseBoxFJB	563279	KeylessModule	3amp	4.1
F32	FuseBoxFJB	563282	Spare	20amp	4.1
F33	FuseBoxFJB	563165	12VDtoWakeUp	30amp	4.1
F34	FuseBoxFJB	563165	12VDtoWakeUp	30amp	4.1
F35	FuseBoxFJB	563283	12vPwrOutlet	10amp	4.1
F36	FuseBoxFJB	563279	PwrHvacandTTItModule	3amp	4.1
F37	FuseBoxFJB	563283	Spare	10amp	4.1
F38	FuseBoxFJB	563283	SpareFuse	10amp	4.1
F39	FuseBoxFJB	563283	ElectricalDriverSeatOption	10amp	4.1
F40	FuseBoxFJB	563284	SpareFuse	15amp	4.1
F41	FuseBoxFJB	563283	SpareFuse	10amp	4.1
F42	FuseBoxFJB	563283	Spare	10amp	4.1
F43	FuseBoxFJB	563282	Spare	20amp	4.1

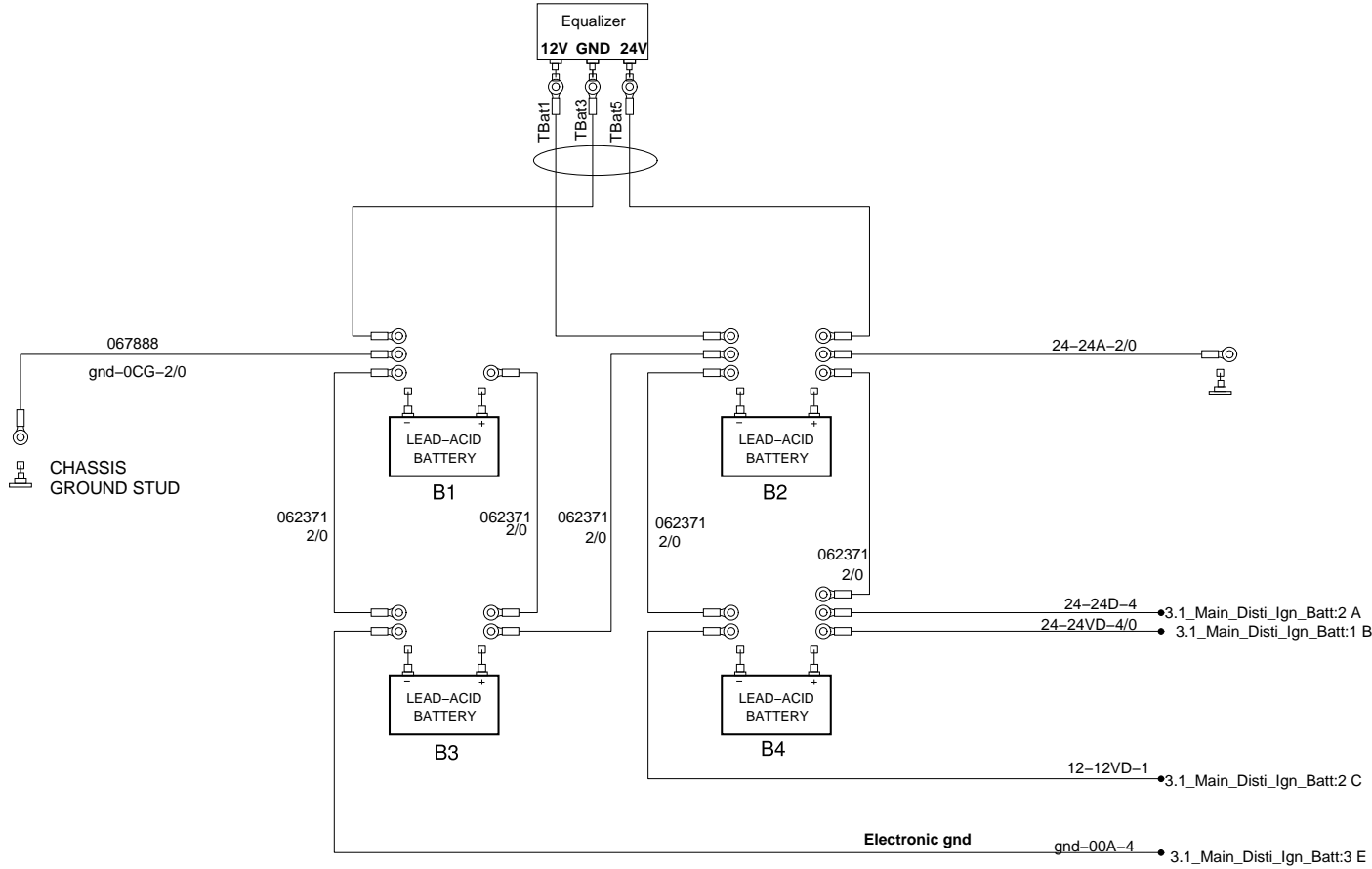


# FUSES LIST

No	Location	Part #	Function	Rating	Page
F45	FJB	562604	FireProtectionSys.	15Amp	3.3
F50	FuseBoxRJB	563284	EnginePre-Heat	15amp	5.1
F51	FuseBoxRJB	563284	EnginePre-Heat	25Amp	5.1
F52	FuseBoxRJB	563284	SpareFuse	15amp	5.1
F53	FuseBoxRJB	563284	PwrMuxA54	15amp	5.1
F54	FuseBoxRJB	563153	Customer	25Amp	5.1
F55	FuseBoxRJB	563283	Spare	10amp	5.1
F56	FuseBoxRJB	563282	Spare	20amp	5.1
F57	FuseBoxRJB	563283	Spare	10amp	5.1
F58	FuseBoxRJB	563282	Spare	20amp	5.1
F59	FuseBoxRJB	563283	DirectLightingRH	10amp	5.1
F62	FuseBoxRJB	563283	Spare	10amp	5.1
F63	FuseBoxRJB	563283	EnginePre-Heat	10amp	5.1
F64	FuseBoxRJB	563283	Spare	10amp	5.1
F65	FuseBoxRJB	563165	PwrMuxModuleRJB	30amp	5.1
F66	FuseBoxRJB	563279	RadiatorFanClutch	3amp	5.1
F67	FuseBoxRJB	563153	PwrMuxA54	25Amp	5.1
F68	FuseBoxRJB	563153	PwmMuxA54	25Amp	5.1
F69	FuseBoxRJB	563279	R8Power	3amp	5.1
F70	FuseBoxRJB	563005	Customer24Vl	7.5amp	5.1
F71	FuseBoxRJB	563284	Spare	15amp	5.1
F72	FuseBoxRJB	563153	PwrMuxA50	25Amp	5.1
F73	FuseBoxRJB	563282	Spare	20amp	5.1
F74	FuseBoxRJB	563283	EcuEngineIgnition	10amp	5.1
F75	FuseBoxRJB	563283	EcuTransmissionIgn	10amp	5.1
F76	FuseBoxRJB	563283	Customer	10amp	5.1
F77	FuseBoxRJB	563283	EcuTransmissionWakeUp	10amp	5.1
F78	FuseBoxRJB	563284	Spare	15amp	5.1
F79	FuseBoxRJB	563284	Spare	15amp	5.1
F80	FuseBoxRJB	563284	PwrMuxA51	15amp	5.1
F81	FuseBoxRJB	563004	PwrOfRearSwitchBox	2Amp	5.1
F83	FuseBoxFJB	563283	Spare	10amp	4.1
F84	FuseBoxFJB	563284	Customer	15amp	4.1
F85	FuseBoxRJB	563283	SpareFuse	10amp	5.1
F86	FuseBoxRJB	563283	SpareFuse	10amp	5.1
F87	FuseBoxRJB	563282	TrailerPackage	20amp	5.1
F88	FuseBoxRJB	563282	Spare	20amp	5.1
F89	FuseBoxRJB	563282	Spare	20amp	5.1
F90	FuseBoxRJB	563153	Volvo_Engine	25Amp	5.1
F91	FuseBoxRJB	563282	Volvo_Engine	20amp	5.1
F96	FuseBoxRJB	563282	Spare	20amp	5.1
F98	FuseBoxRJB	563284	Spare	15amp	5.1
F99	FuseBoxRJB	563165	Volvo_Engine	30amp	5.1

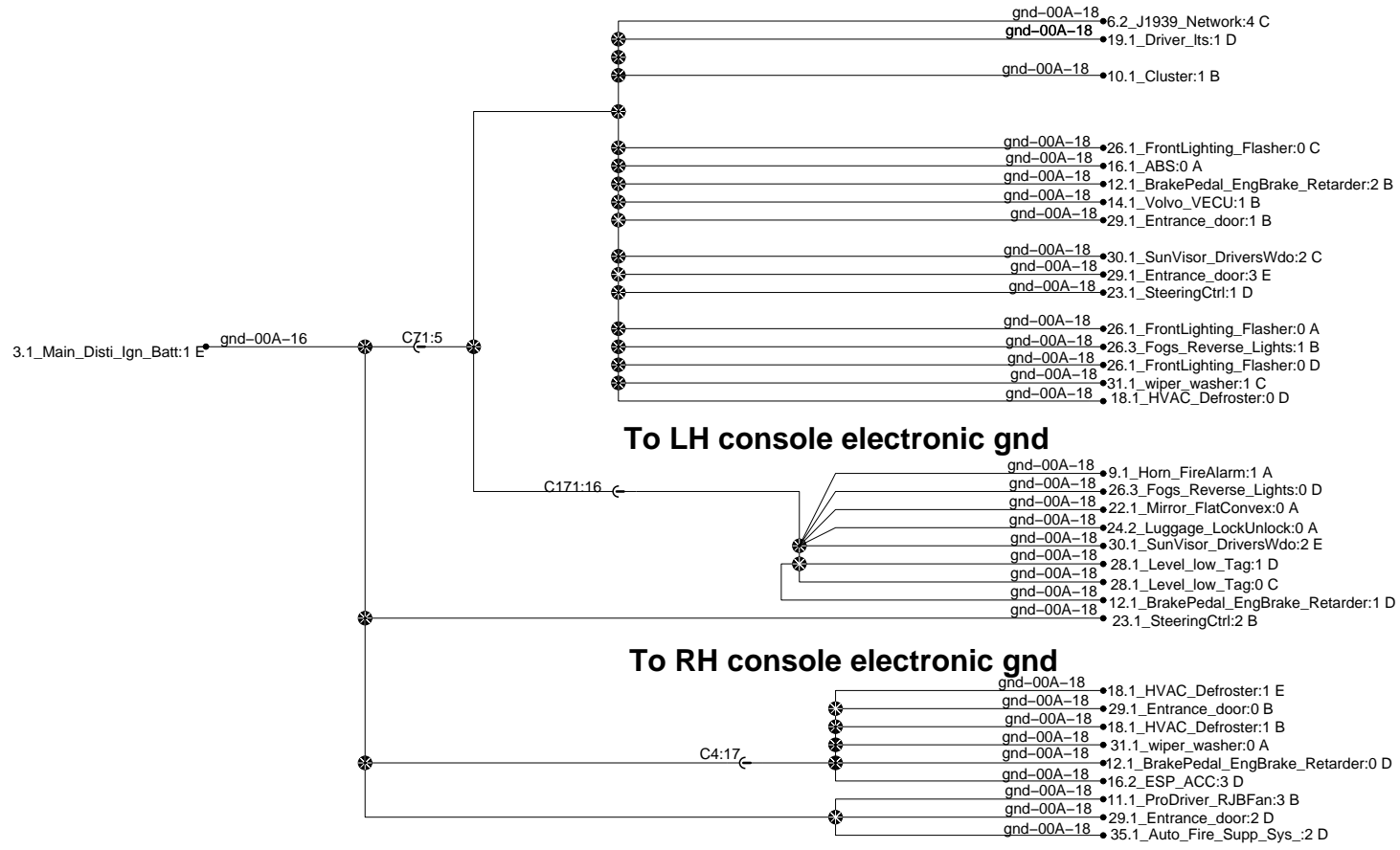


# BATTERIES STANDARD



# Ground Distribution

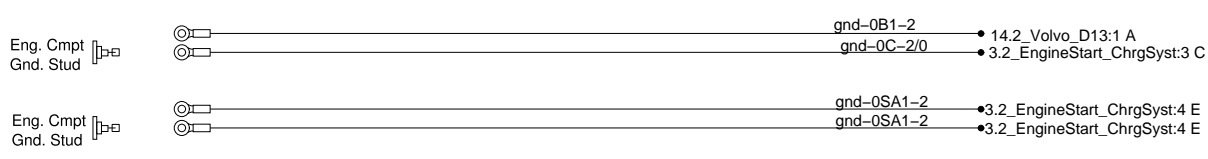
## Electronic gnd to Dash harness



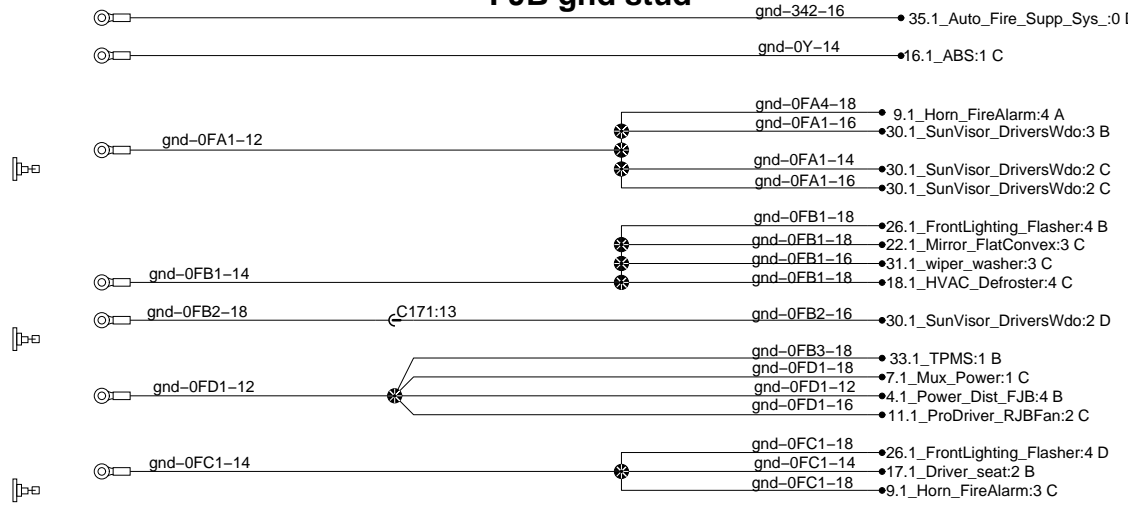
## To LH console electronic gnd

## To RH console electronic gnd

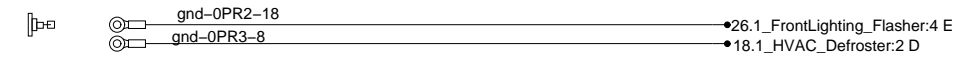
## Eng. cmpt gnd stud



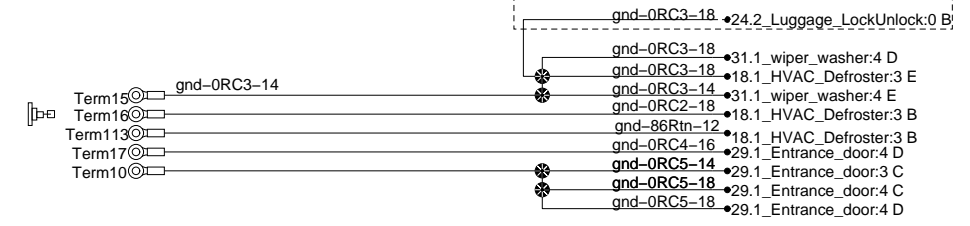
## FJB gnd stud



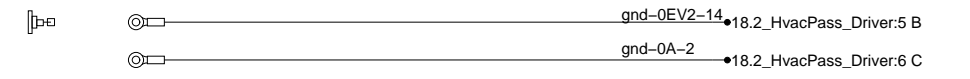
## Front Top gnd stud



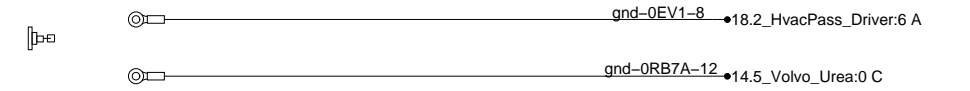
## RH Console gnd stud



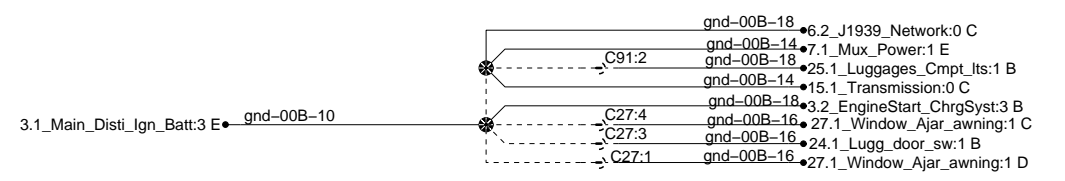
## Evaporator cmpt gnd stud



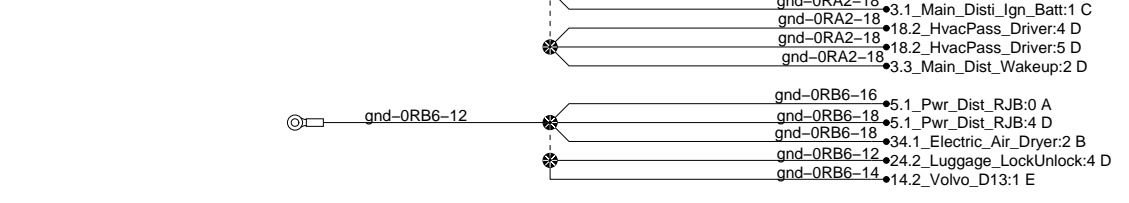
## Condensor cmpt gnd stud



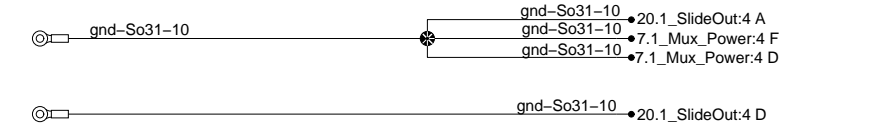
## RJB Electronic gnd



## RJB gnd stud

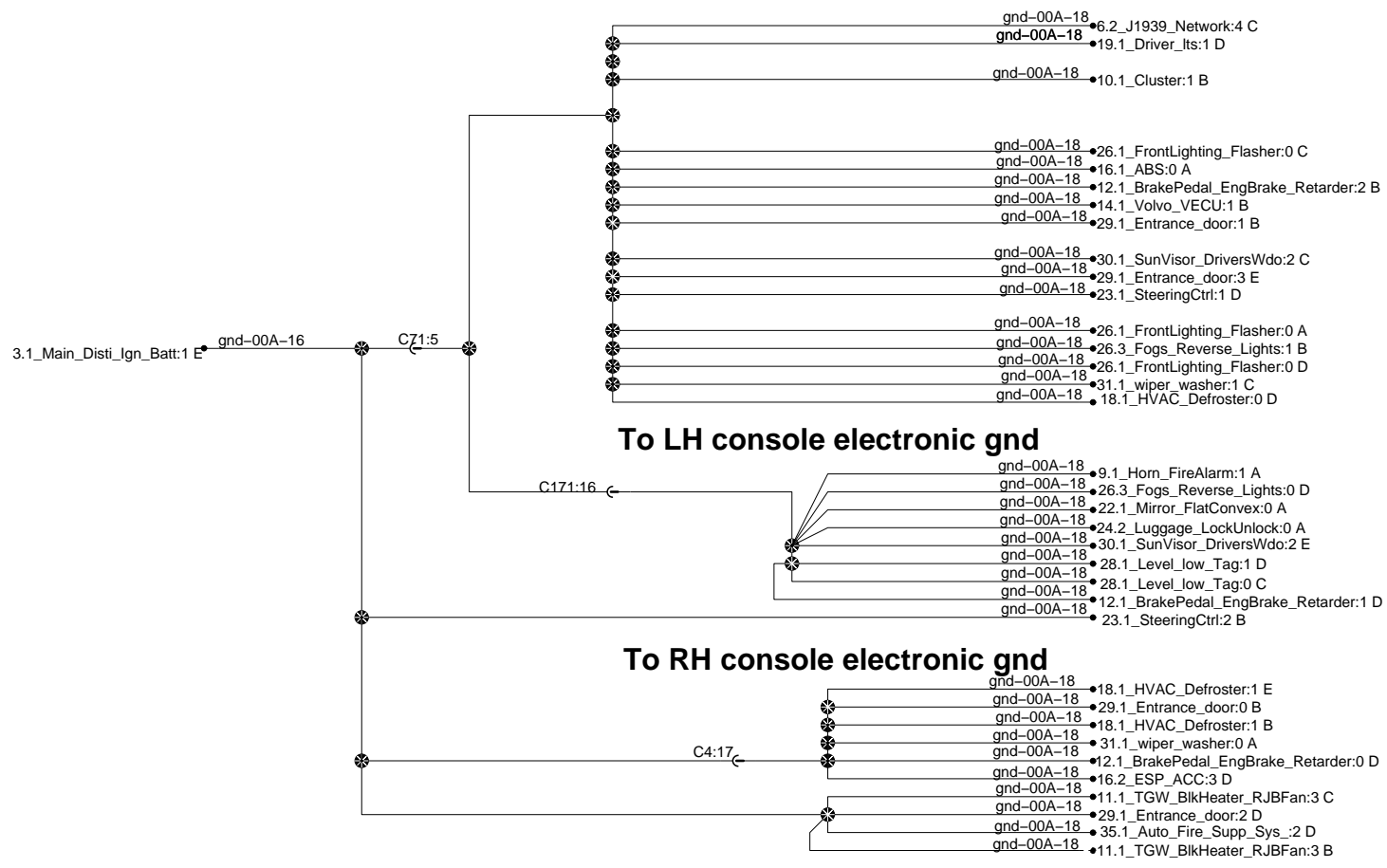


## SlideOut Elec.Cmpt Chassis Gnd

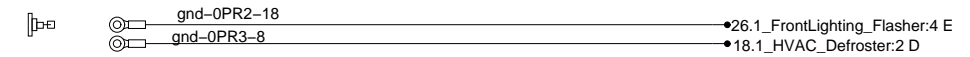


# Ground Distribution

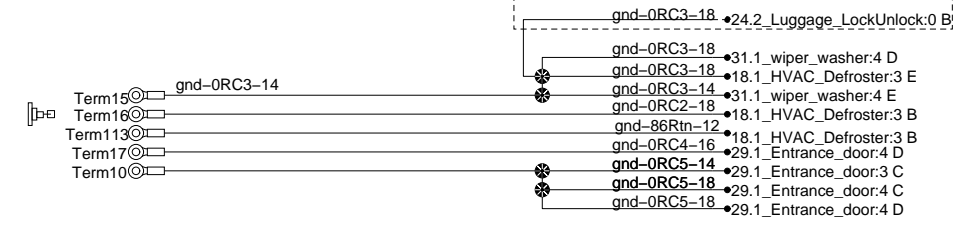
## Electronic gnd to Dash harness



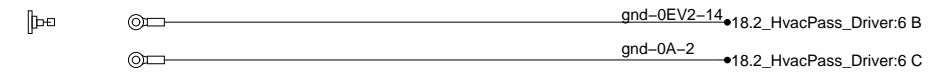
## Front Top gnd stud



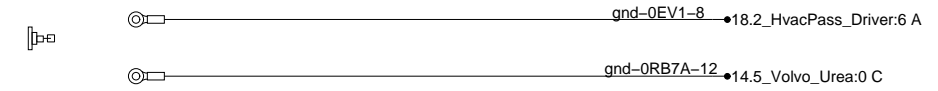
## RH Console gnd stud



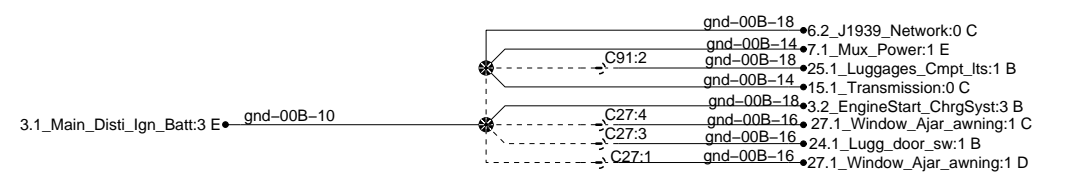
## Evaporator cmpt gnd stud



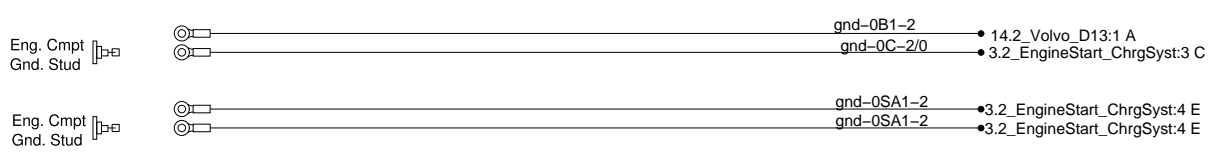
## Condensor cmpt gnd stud



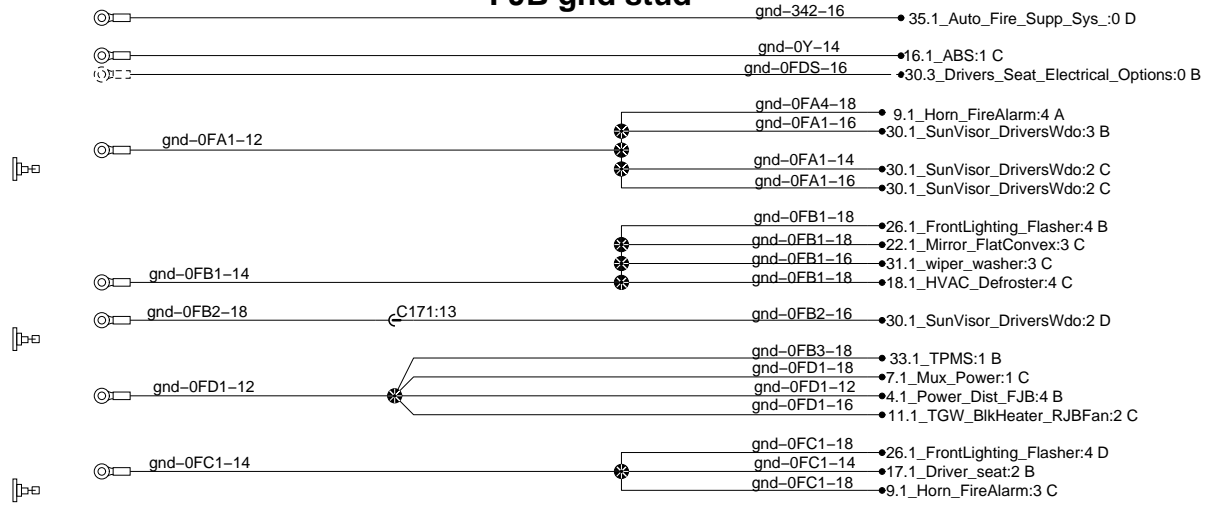
## RJB Electronic gnd



## Eng. cmpt gnd stud

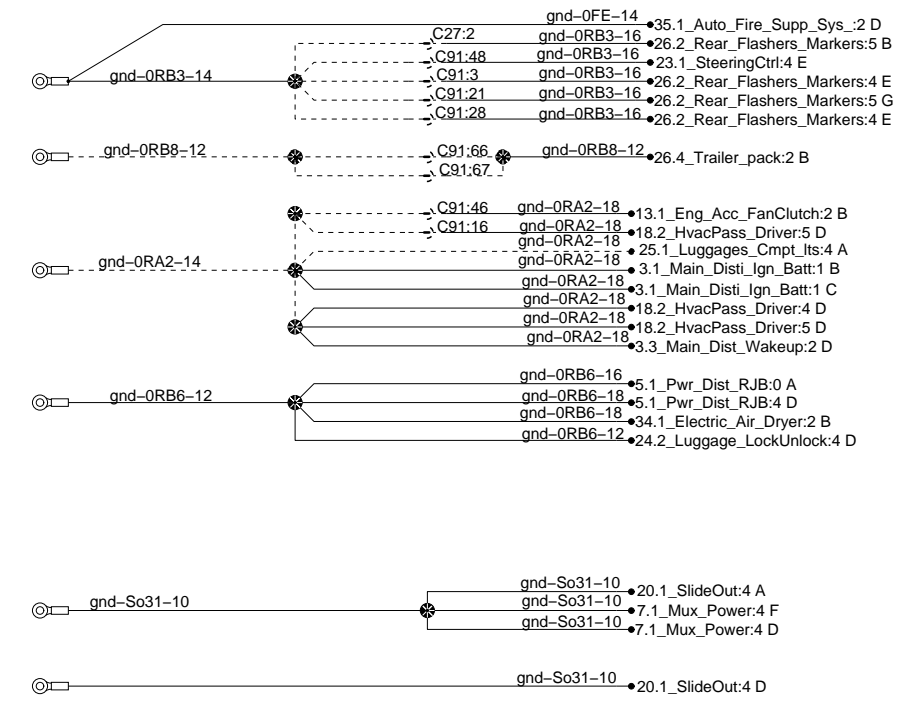


## FJB gnd stud

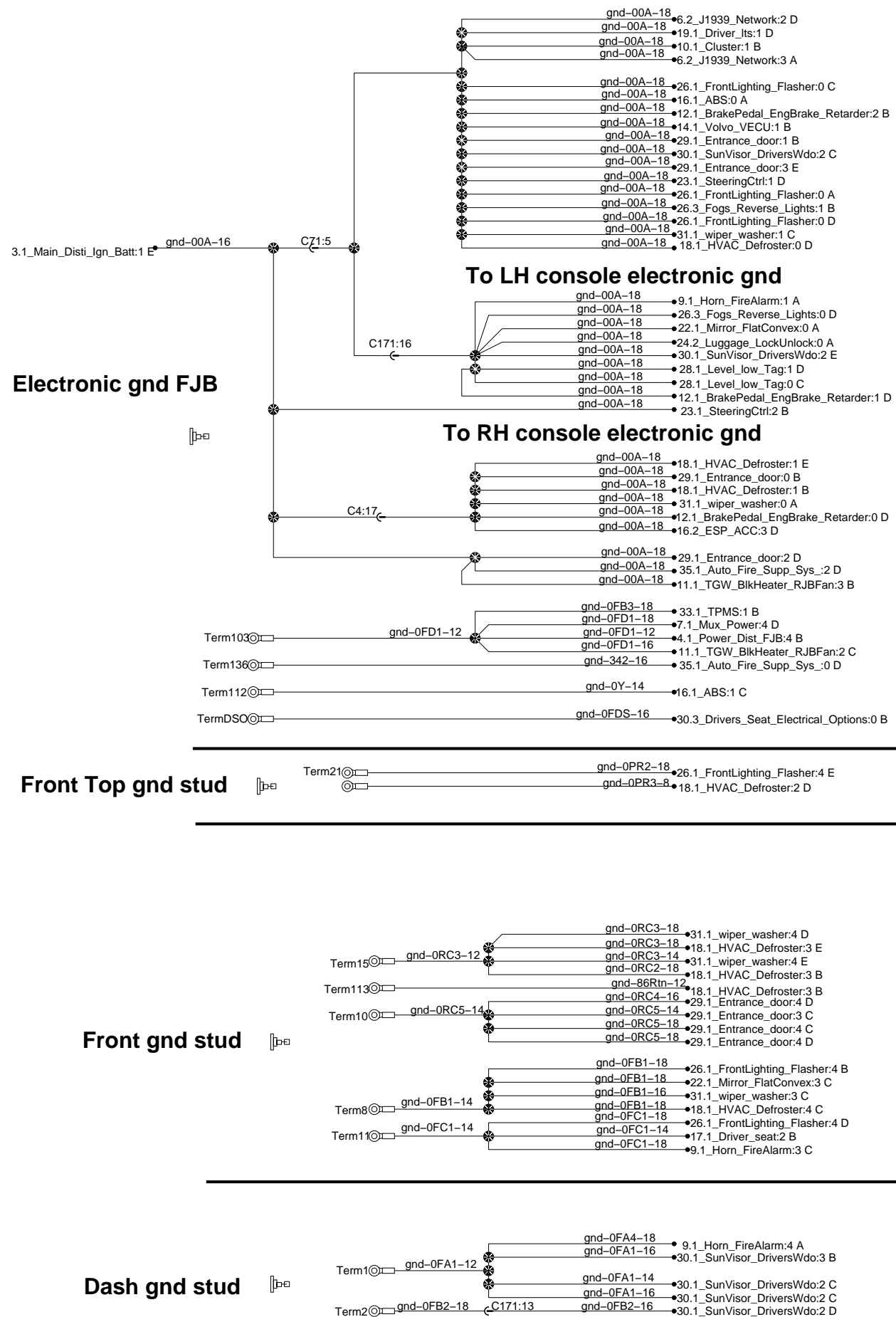


## RJB gnd stud

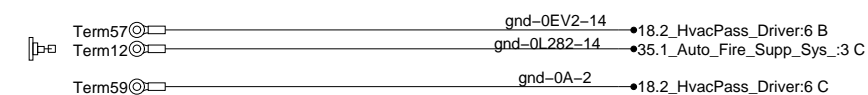
## SlideOut Elec.Cmpt Chassis Gnd



# Ground Distribution



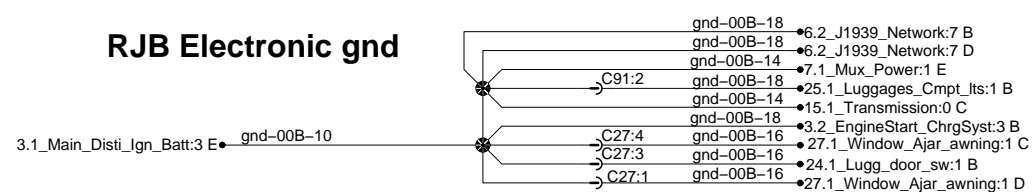
## Evaporator cmpt gnd stud



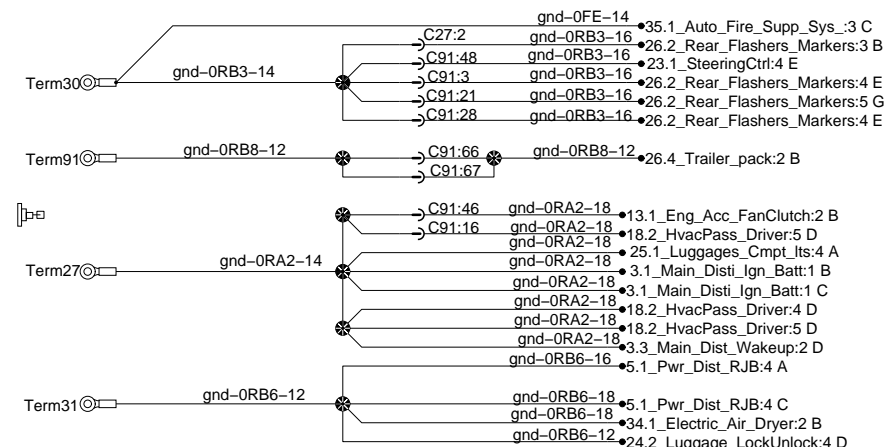
## Condensator cmpt gnd stud



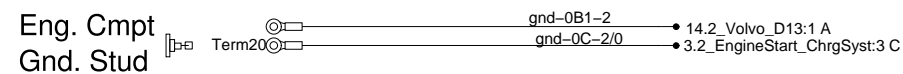
## RJB Electronic gnd



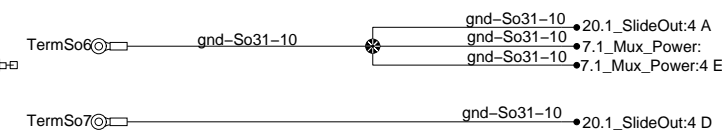
## RJB gnd stud



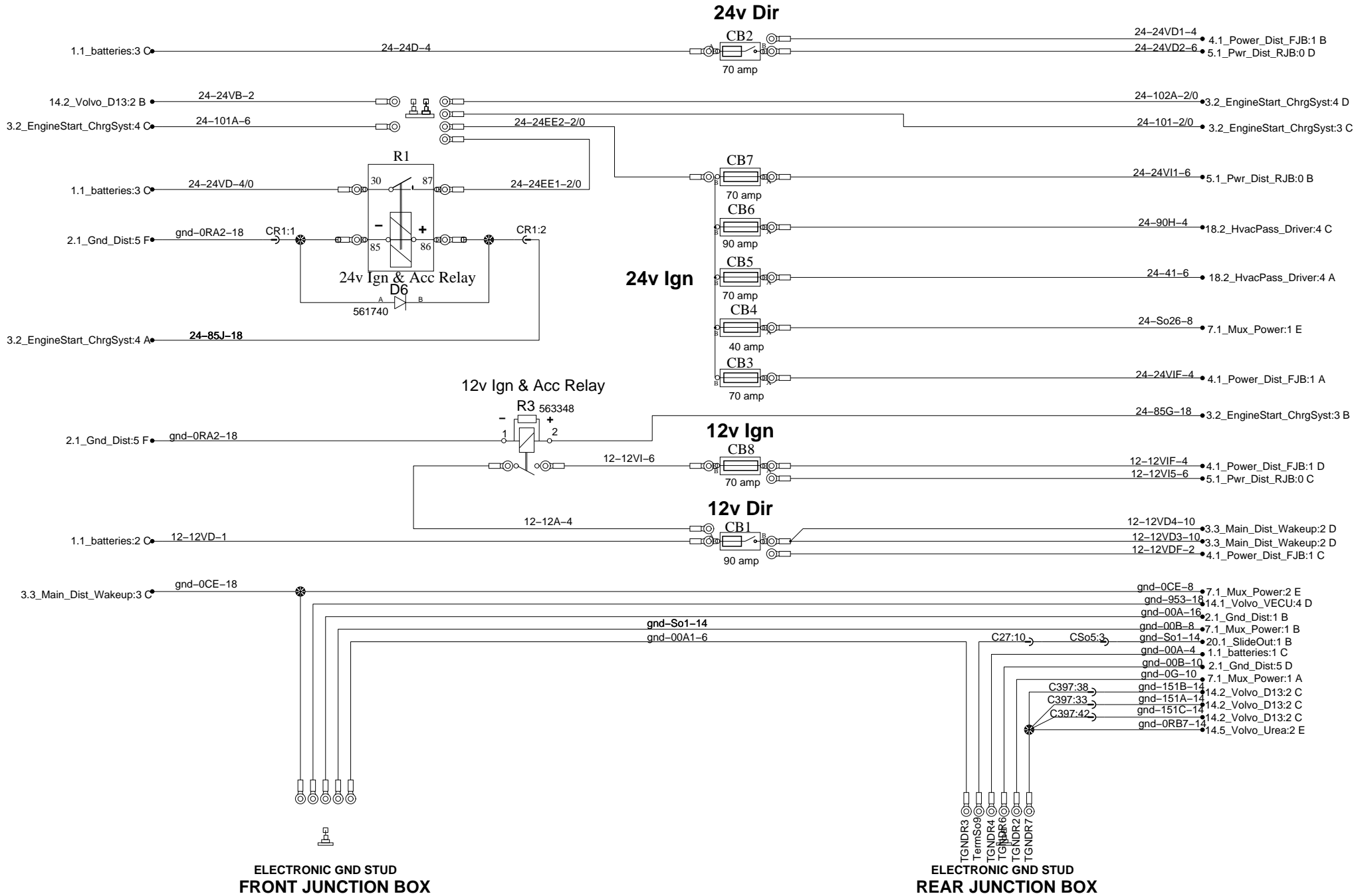
## Eng. cmpt gnd stud



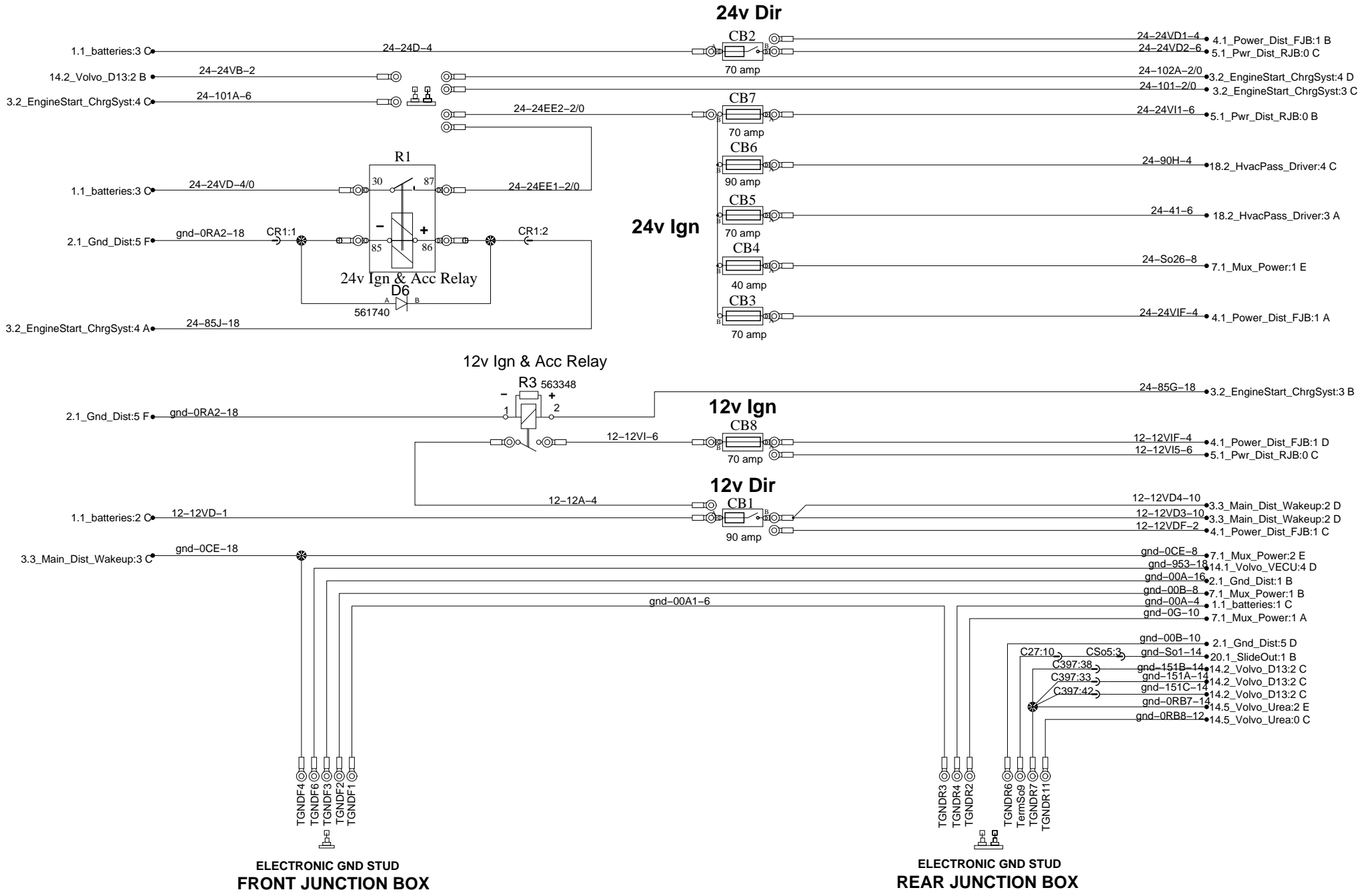
## SlideOut Elec.Cmpt Chassis Gnd



# MAIN DISTRIBUTION Equalizer, Batteries & Ignition

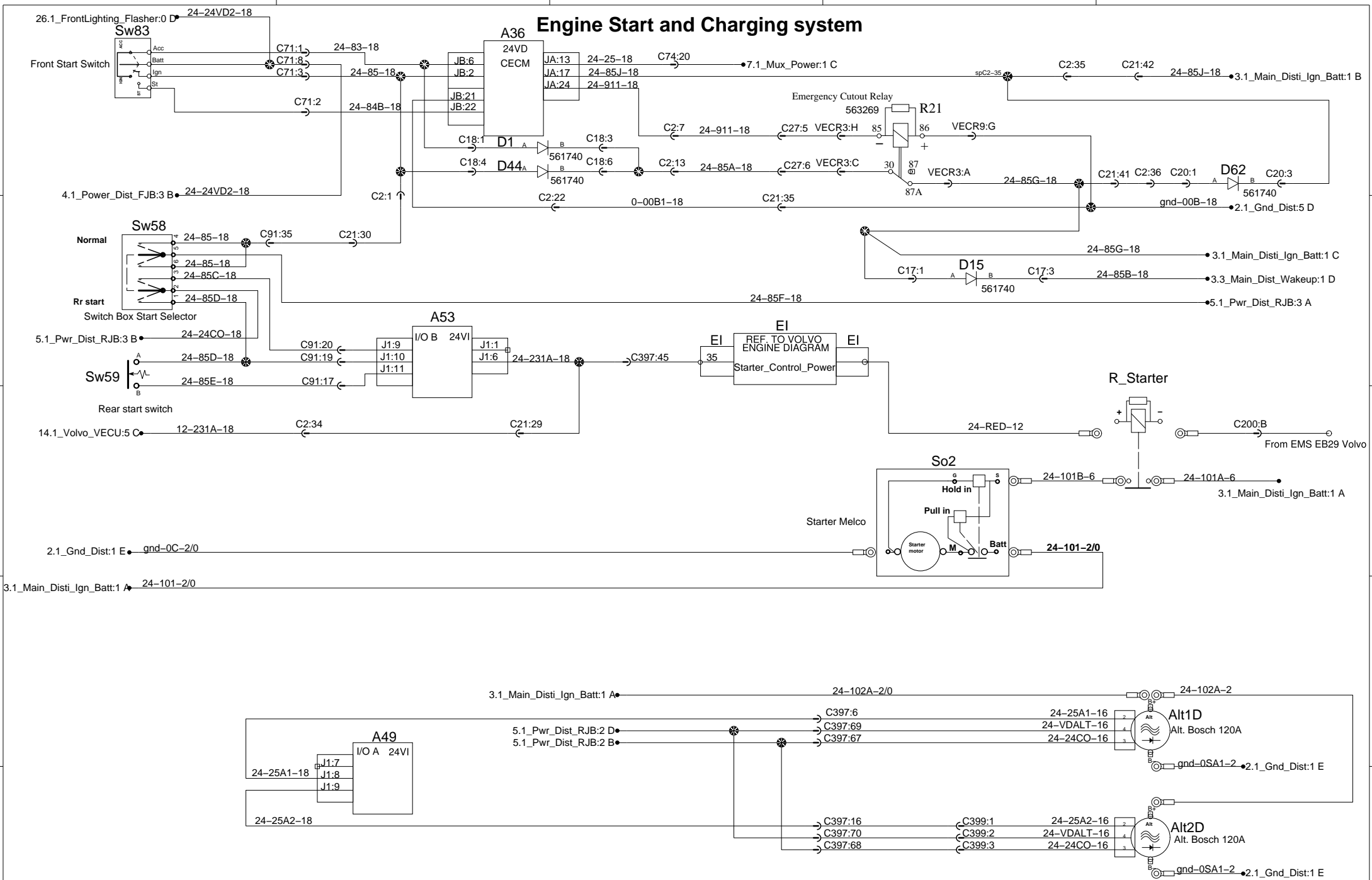


# MAIN DISTRIBUTION & IGNITION

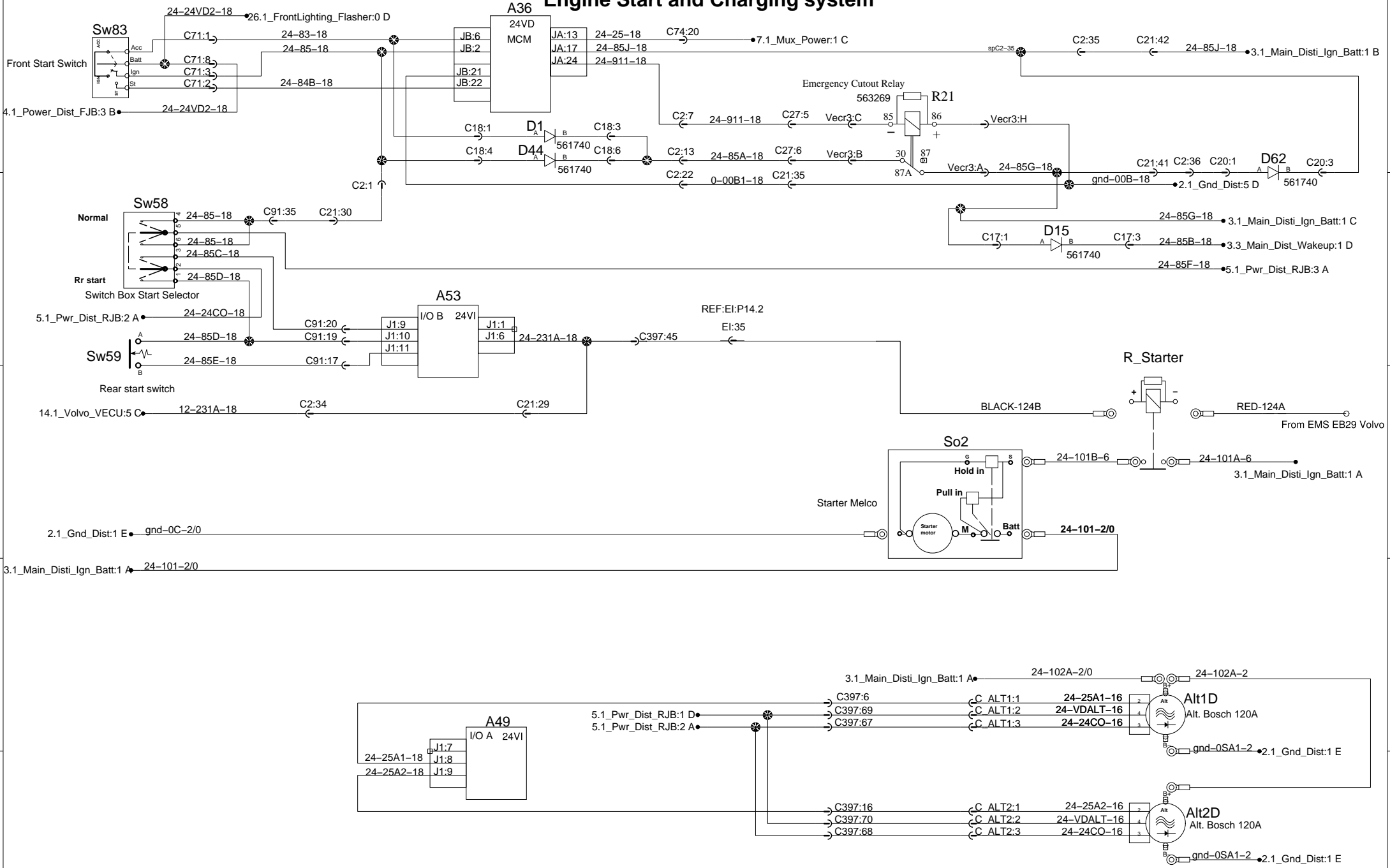




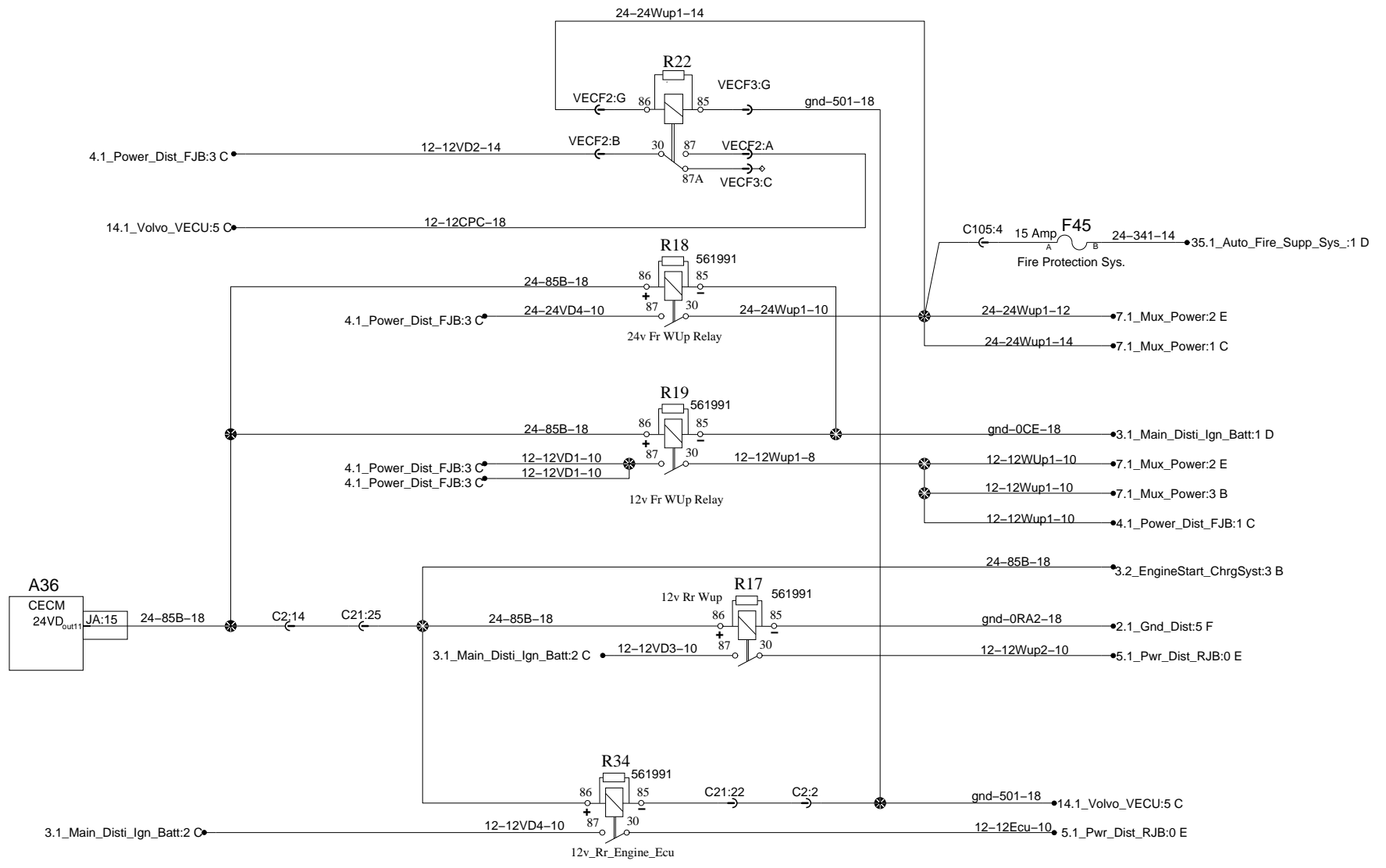
# Engine Start and Charging system



# Engine Start and Charging system



# MAIN DISTRIBUTION Wake-Up



0

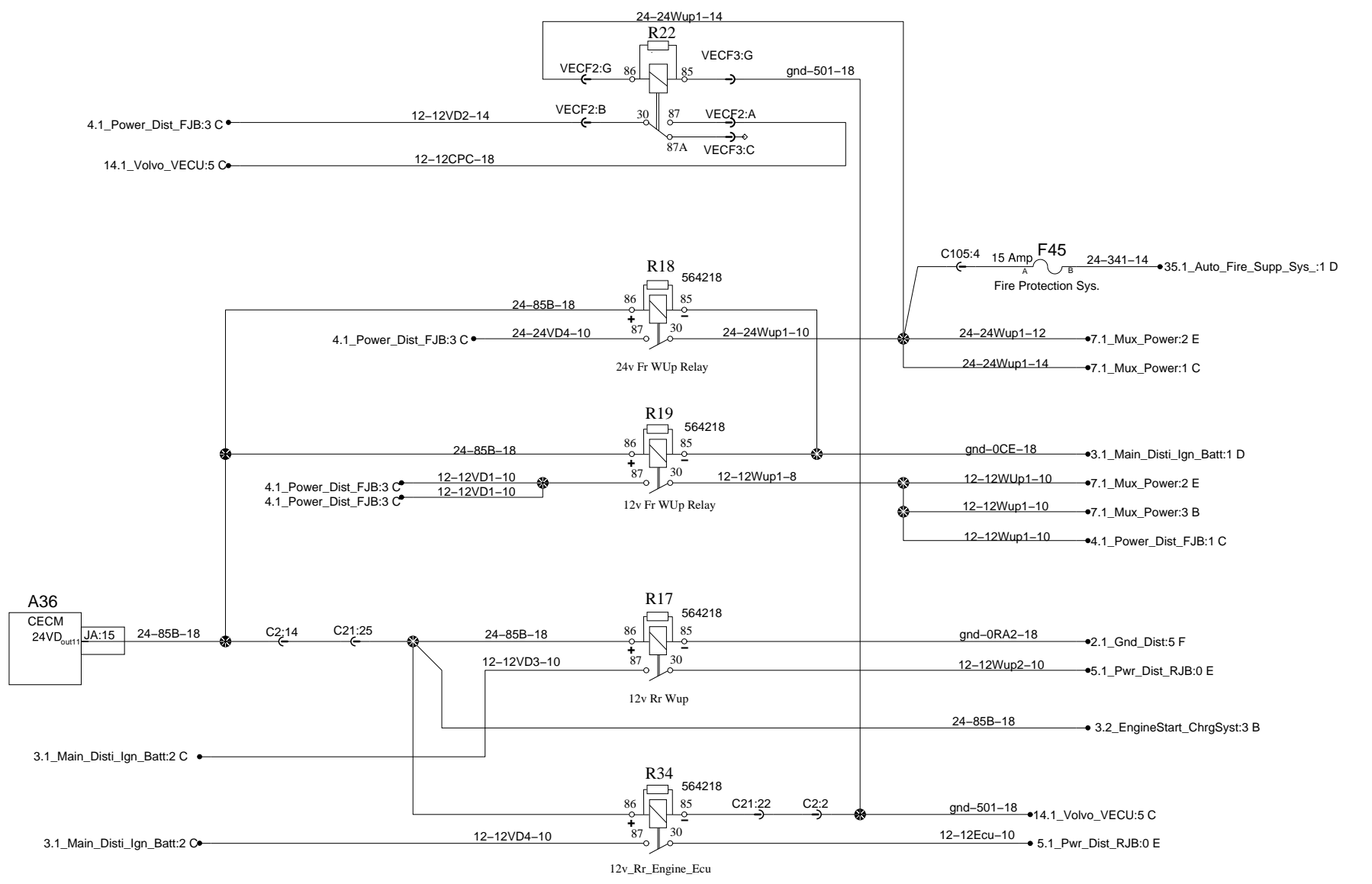
1

2

3

4

# MAIN DISTRIBUTION Wake-Up



0

1

2

3

4

0

1

2

3

4

# MAIN DISTRIBUTION Wake-Up

A

A

B

B

C

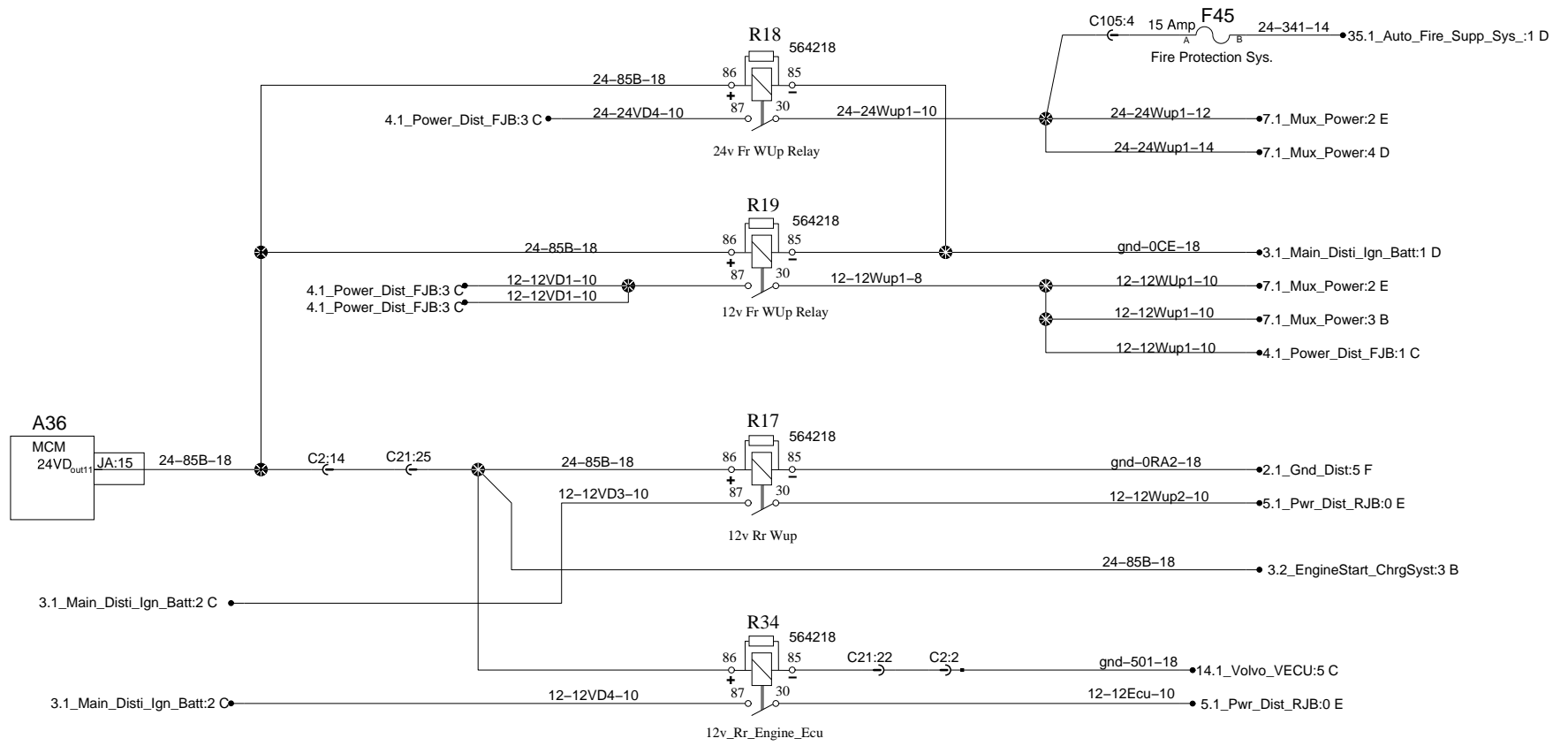
C

D

D

E

E



0

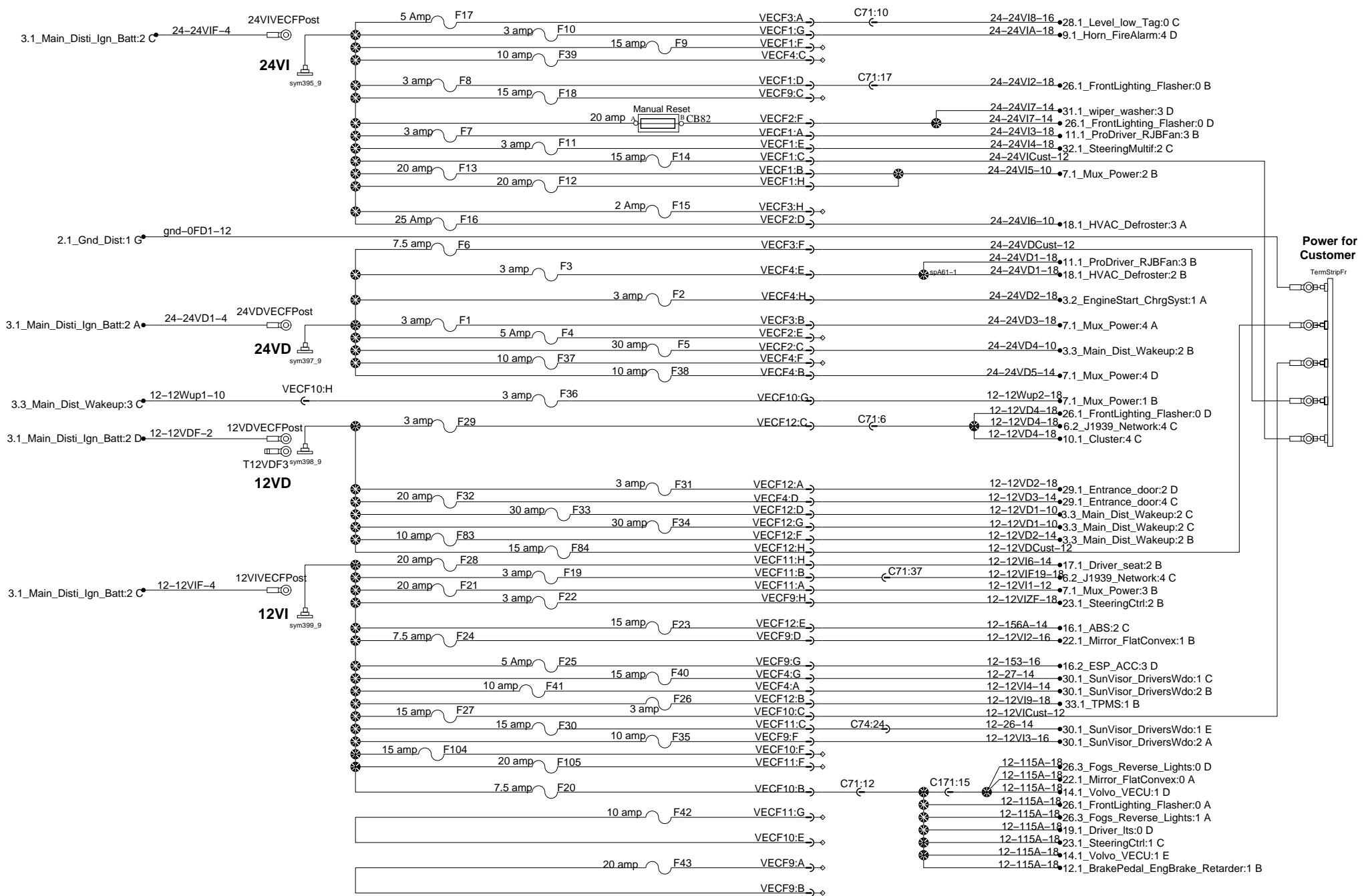
1

2

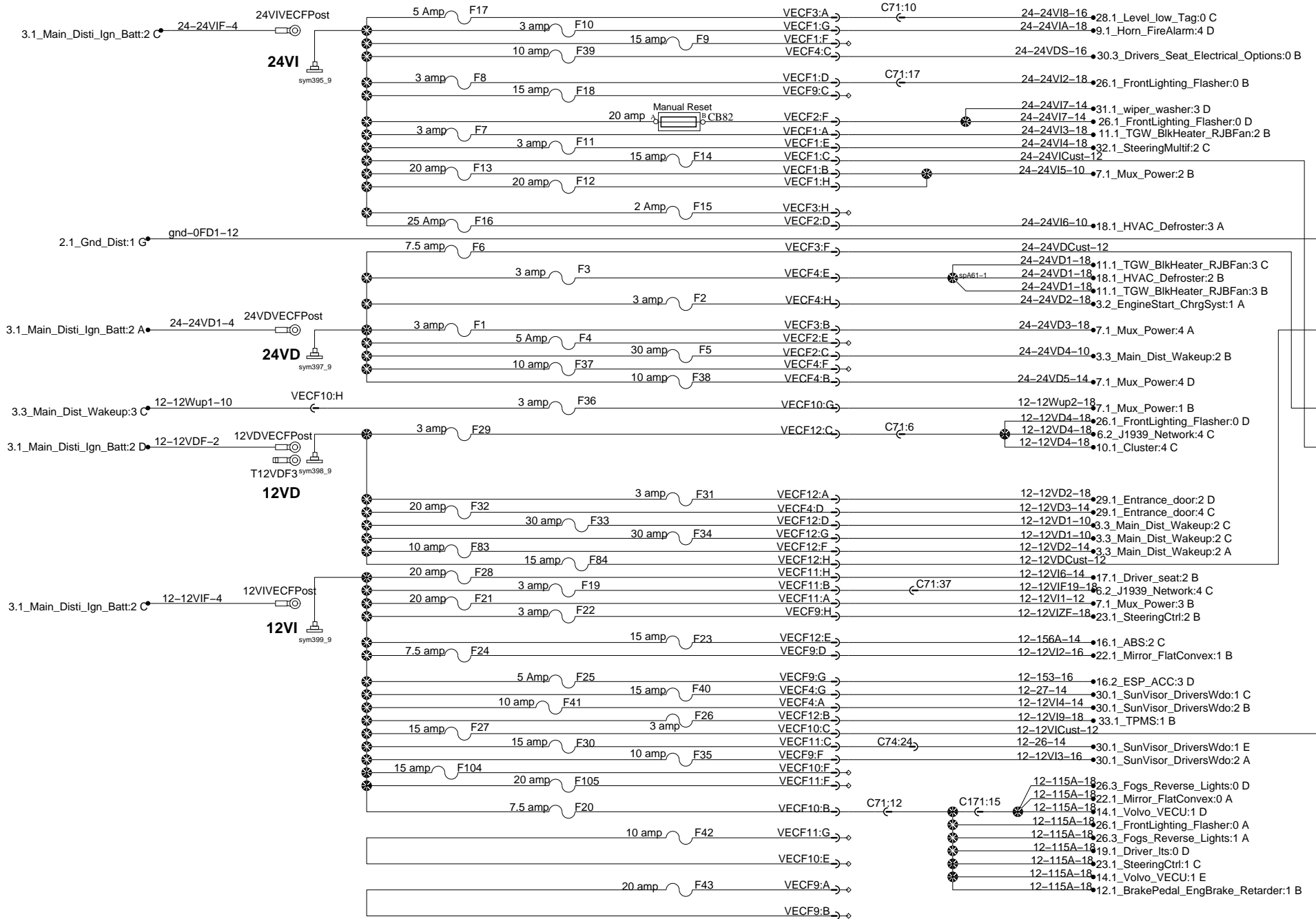
3

4

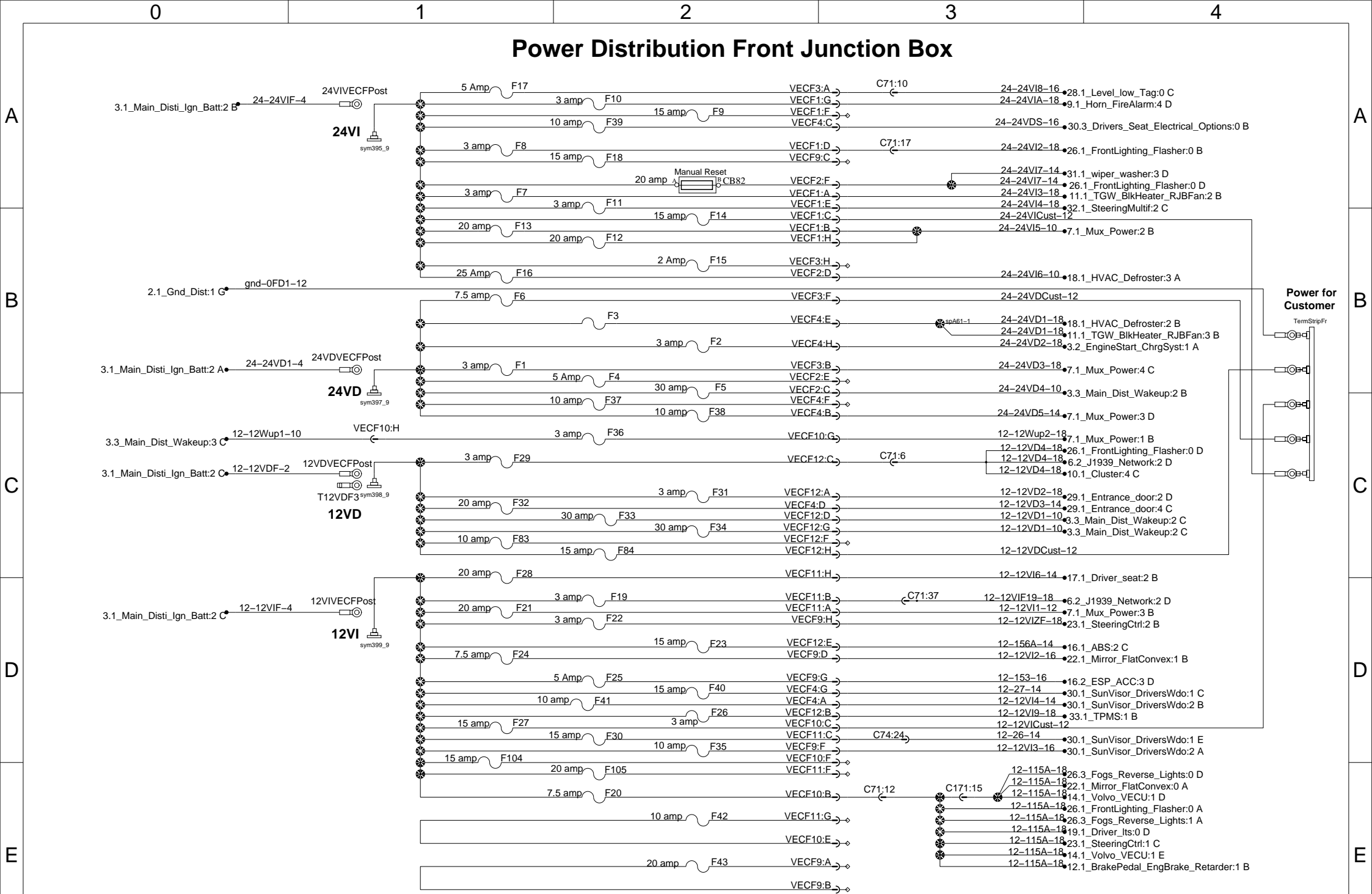
# Power Distribution Front Junction Box



# Power Distribution Front Junction Box

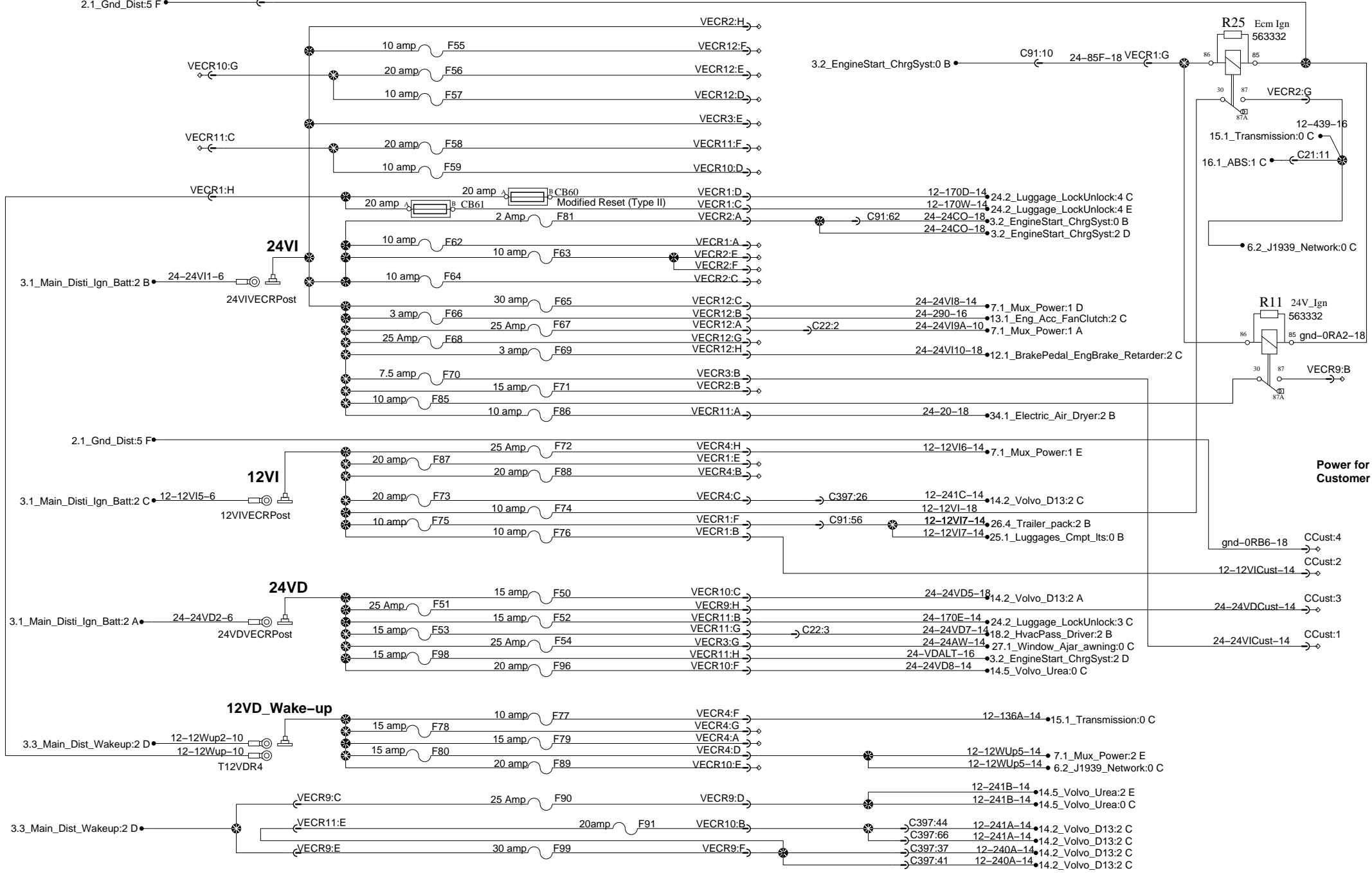


# Power Distribution Front Junction Box

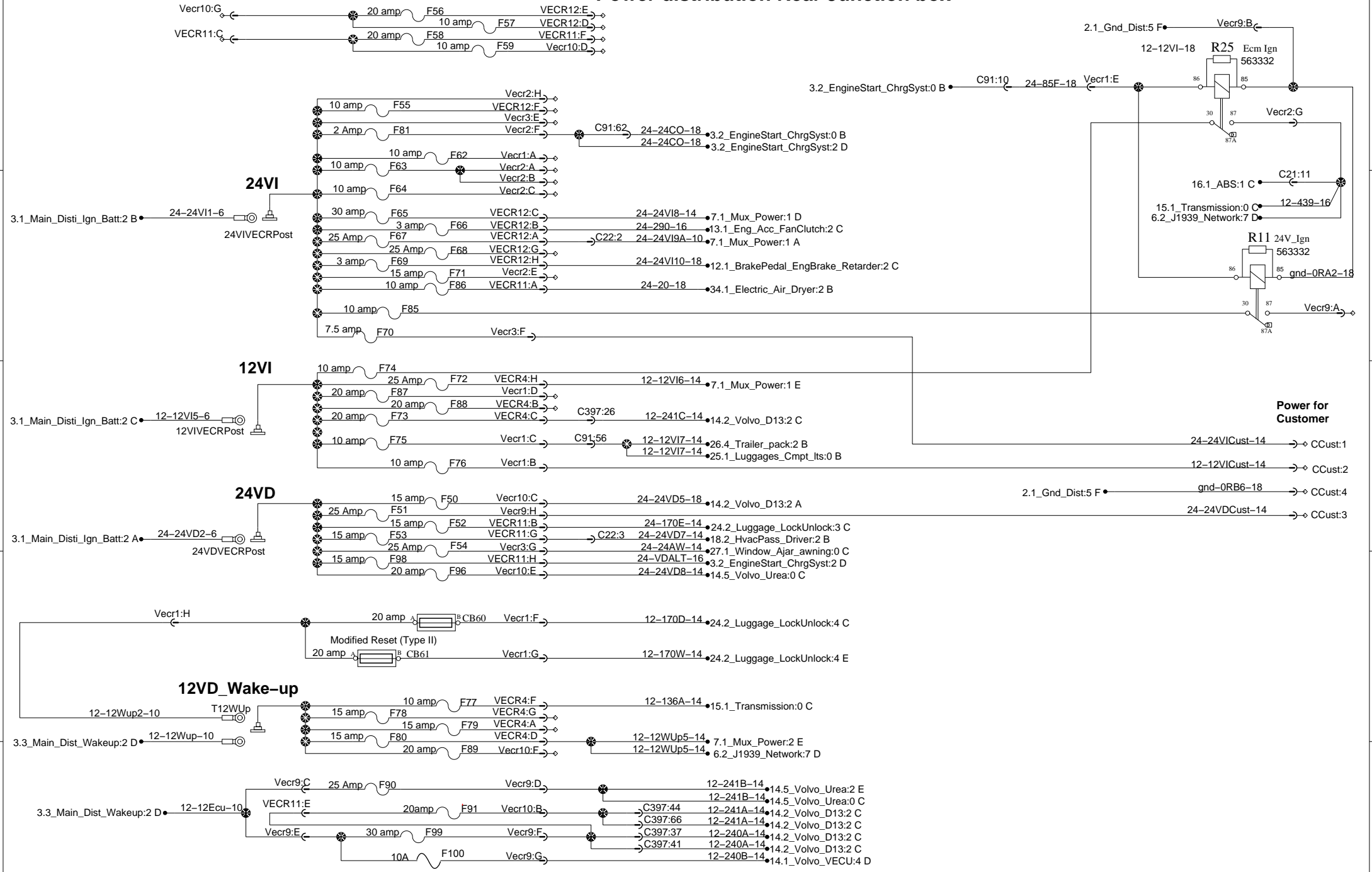




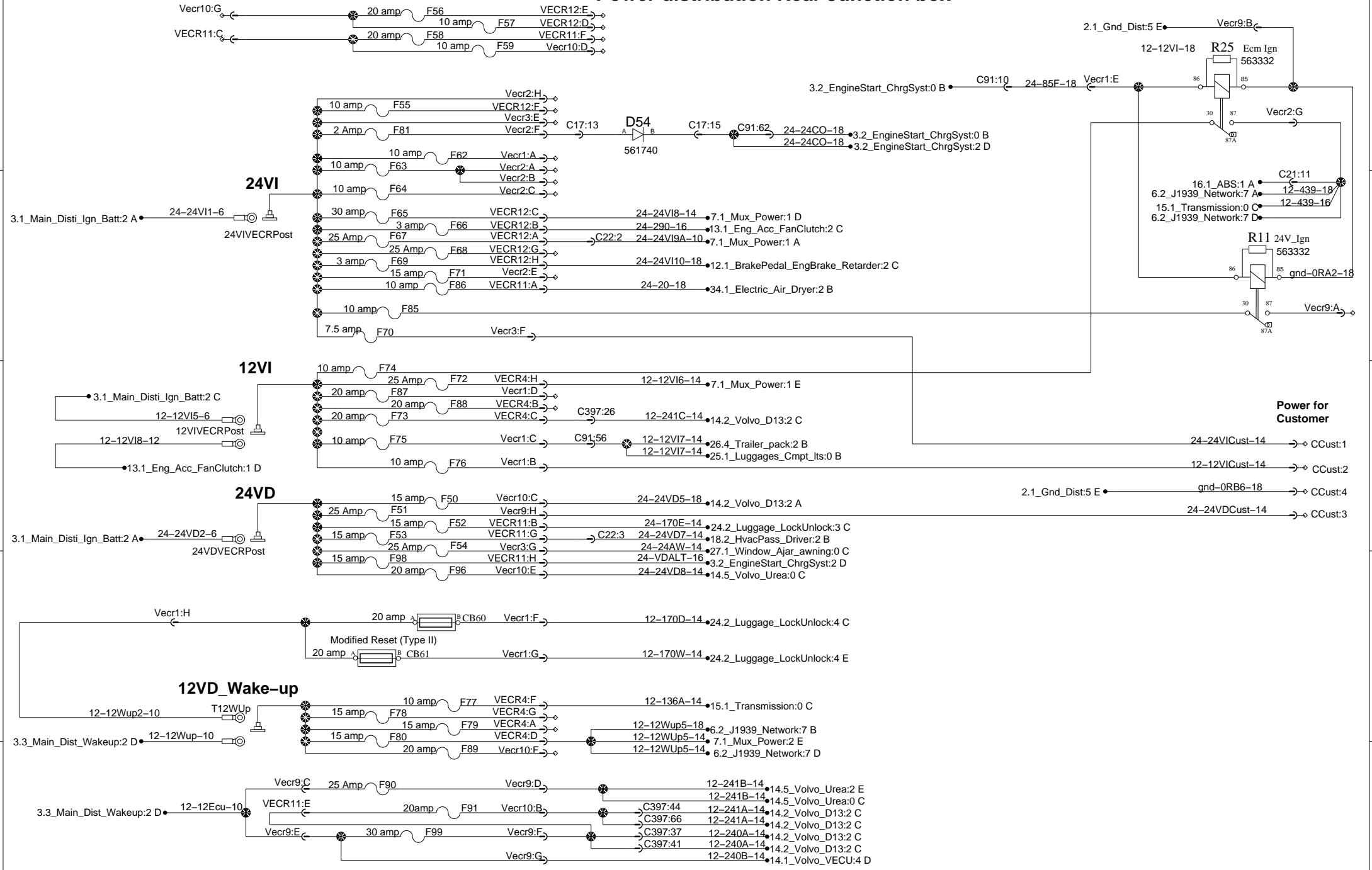
# Power distribution Rear Junction box



# Power distribution Rear Junction box



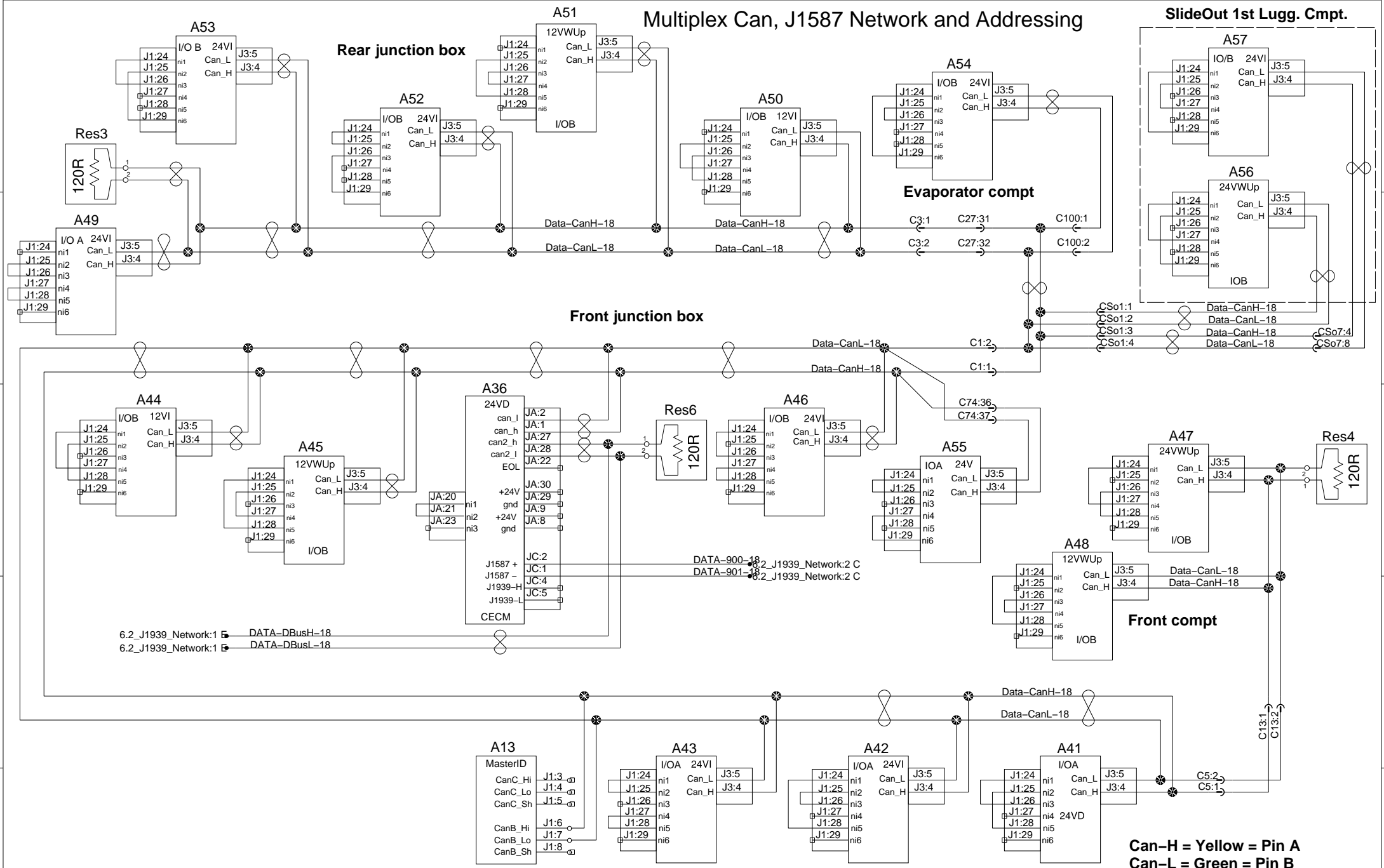
# Power distribution Rear Junction box



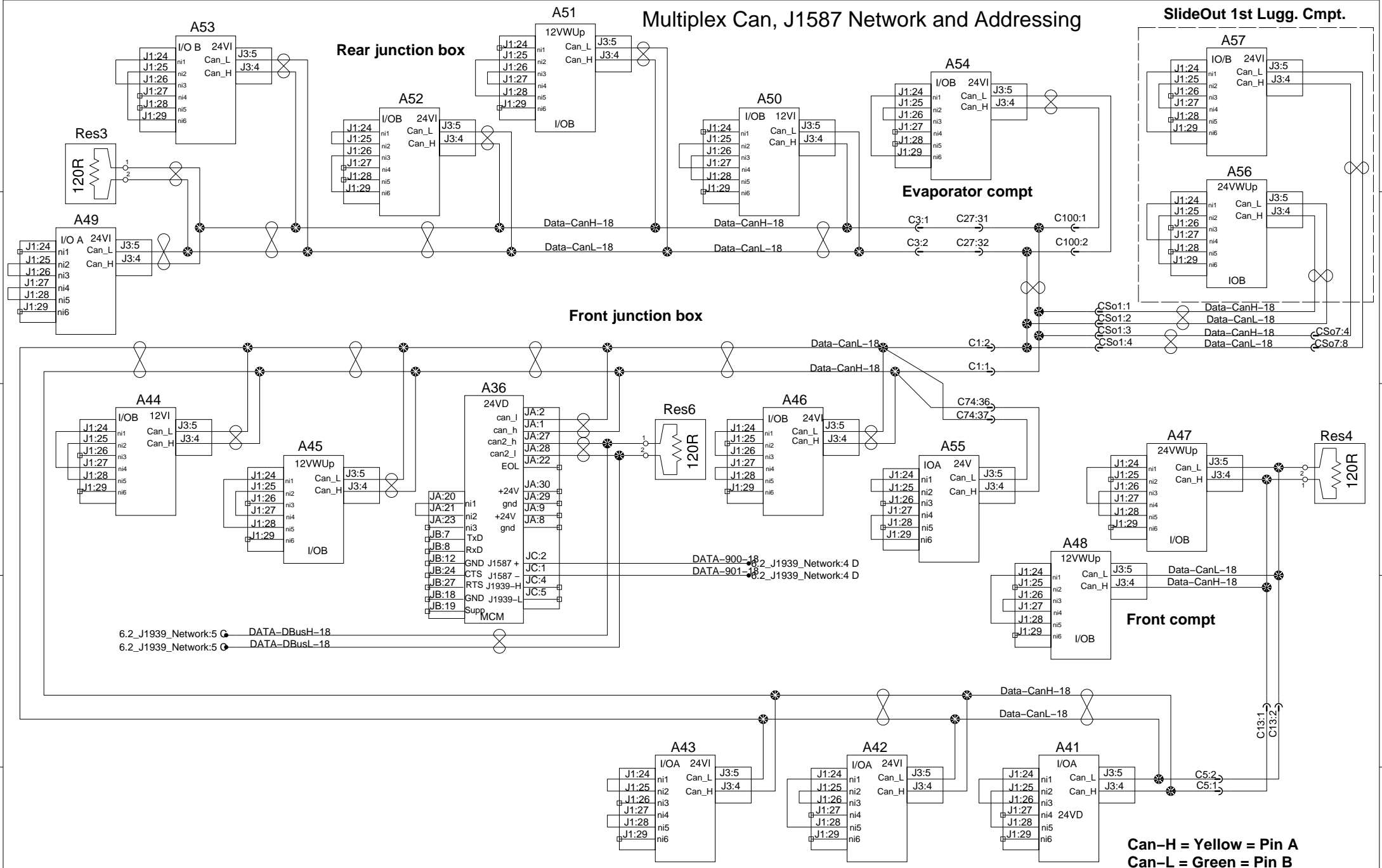
**Power for Customer**

- CCust:1 → 24-24VICust-14
- CCust:2 → 12-12VICust-14
- CCust:4 → gnd-0RB6-18
- CCust:3 → 24-24VDCust-14

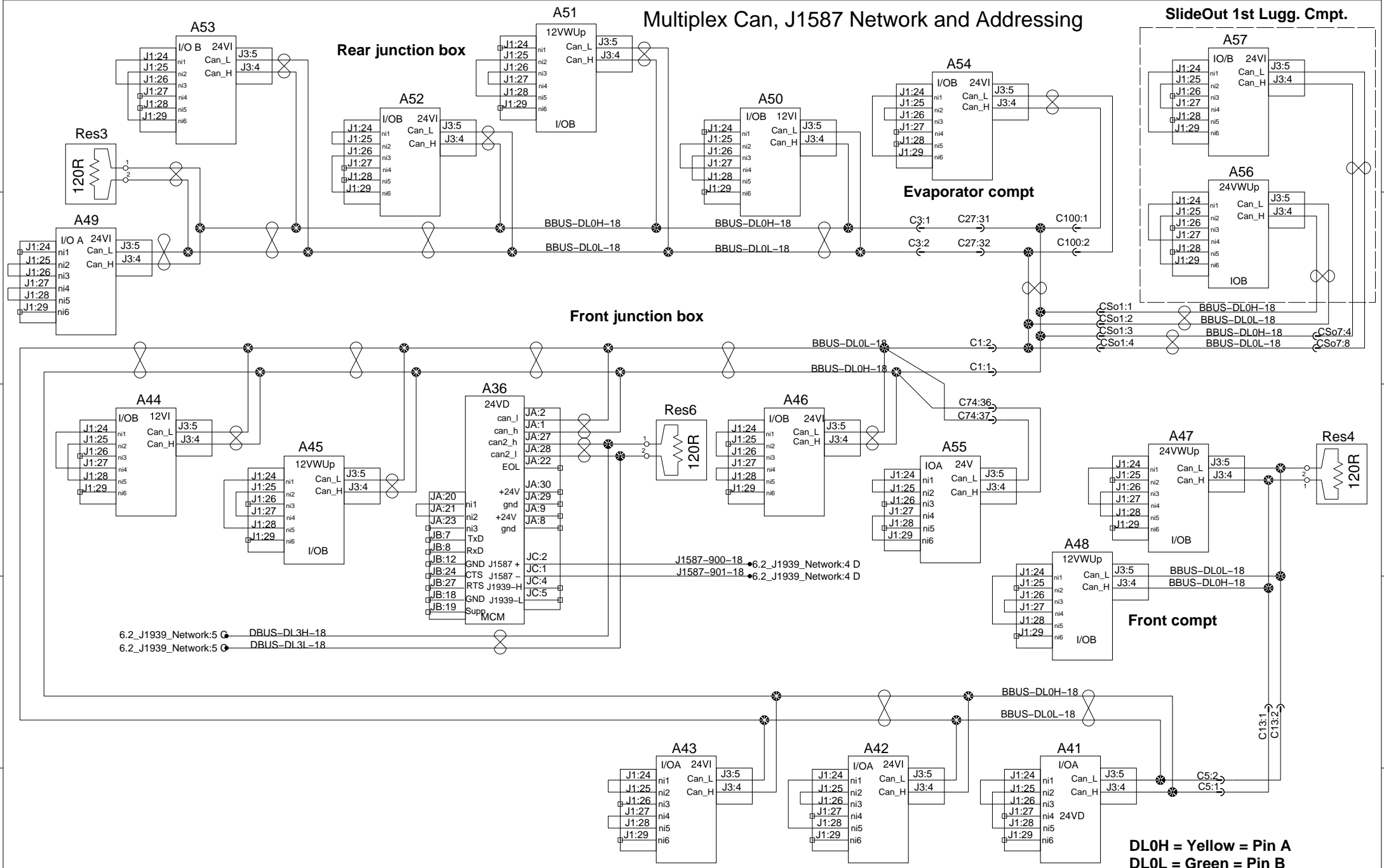
# Multiplex Can, J1587 Network and Addressing



# Multiplex Can, J1587 Network and Addressing



# Multiplex Can, J1587 Network and Addressing



DL0H = Yellow = Pin A  
DL0L = Green = Pin B

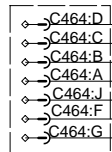
# J1939 and J1587 Networks

## J1939

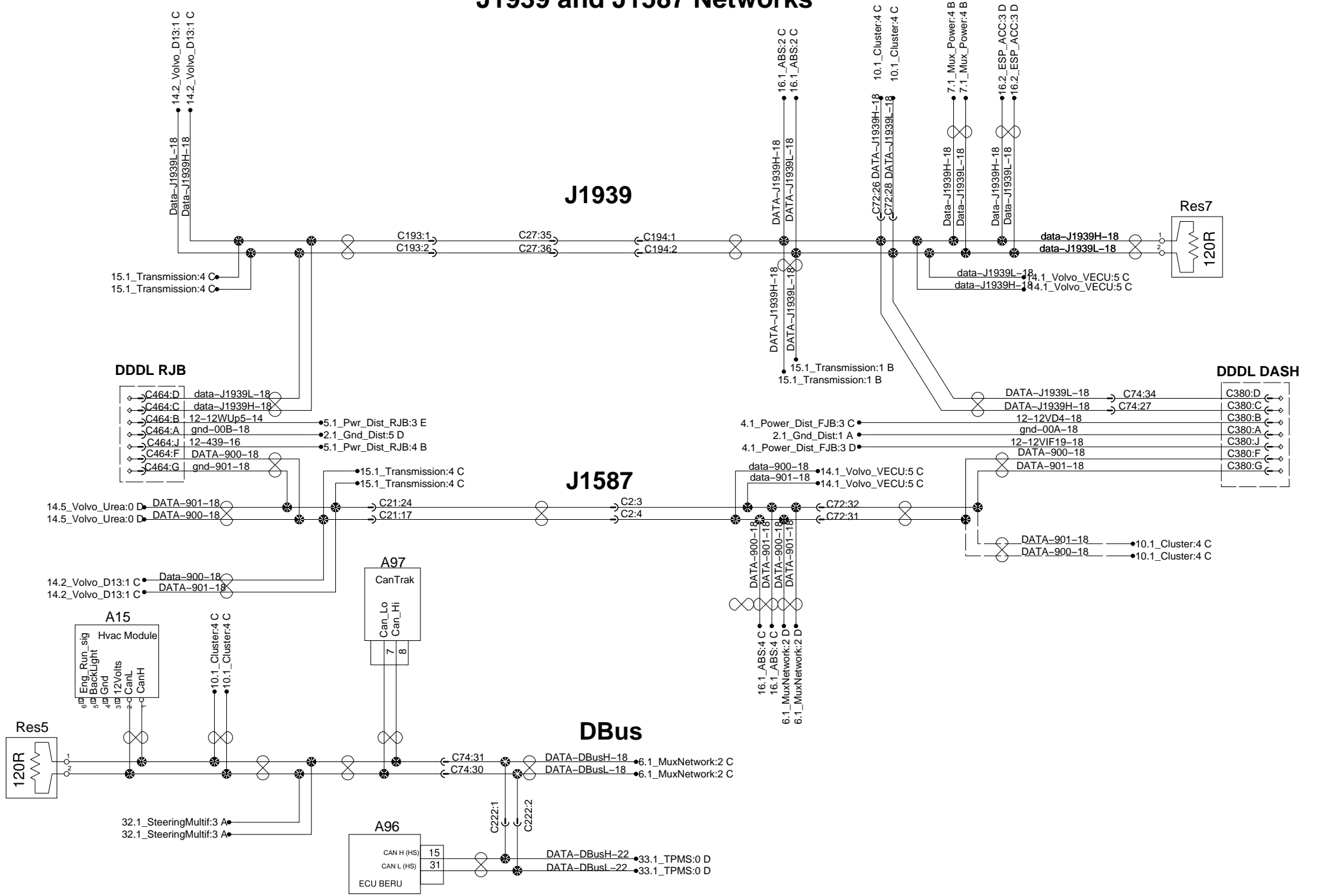
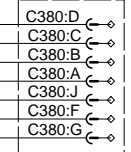
## J1587

## DBus

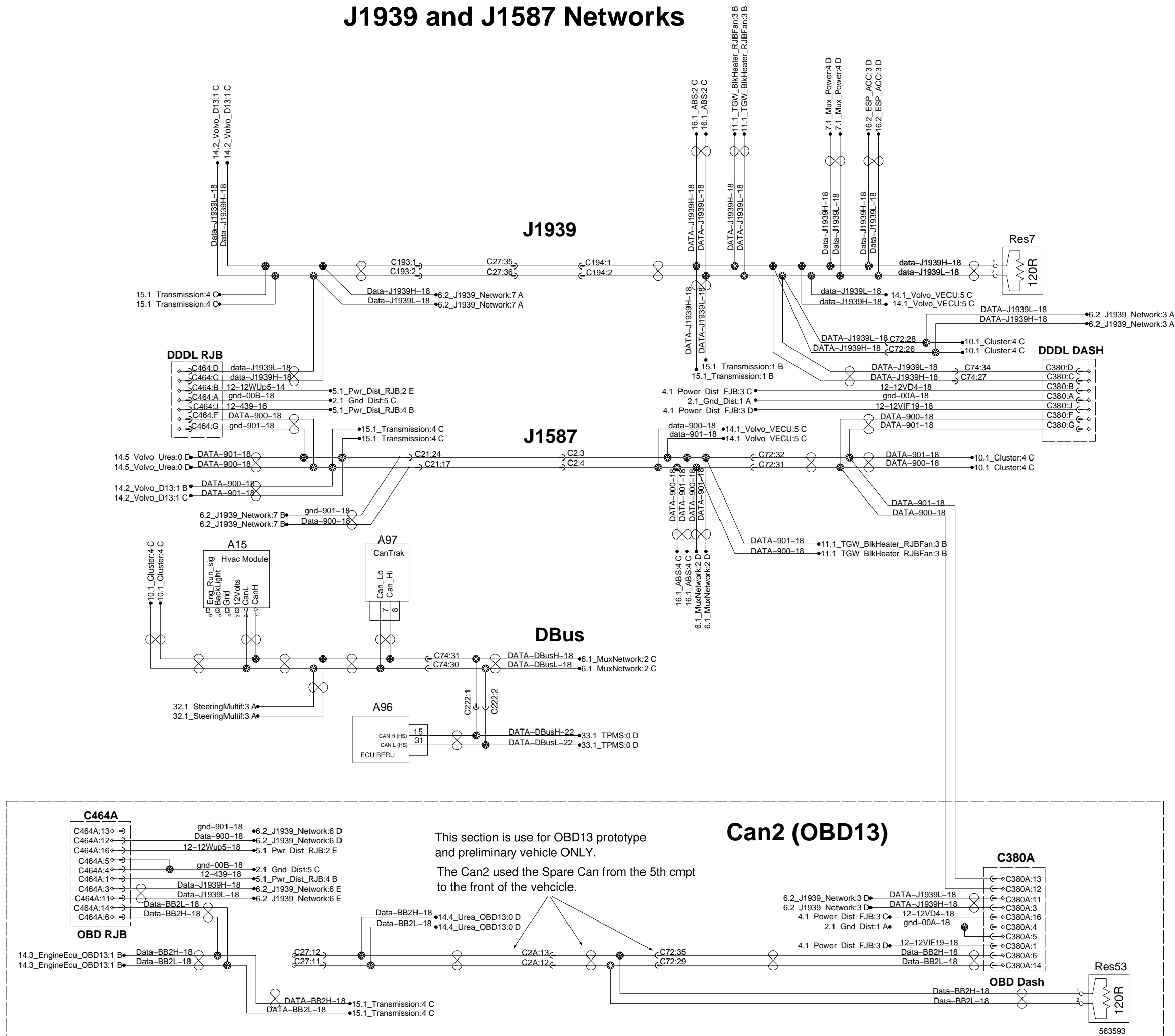
### DDDL RJB



### DDDL DASH



# J1939 and J1587 Networks



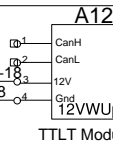
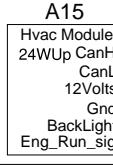
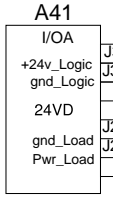
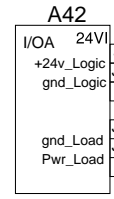
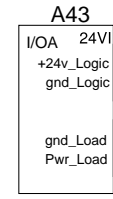
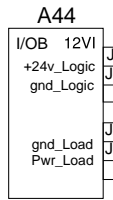
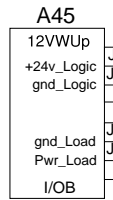
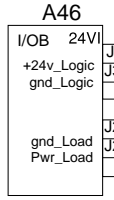
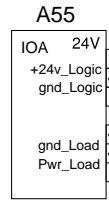
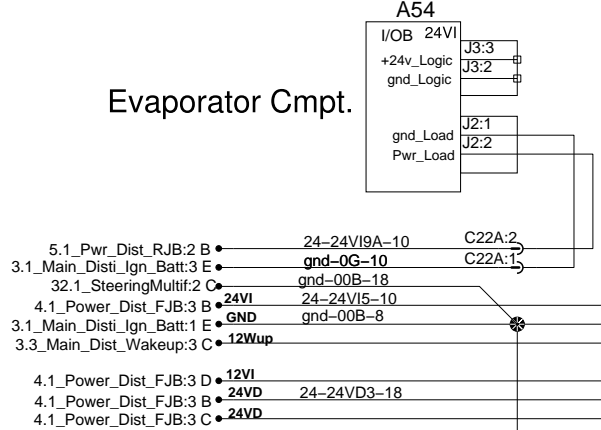
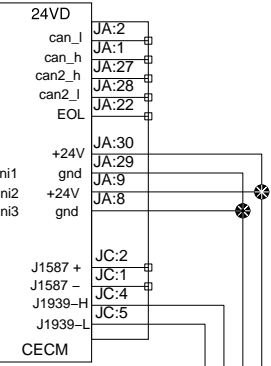


# Evaporator Cmpt.

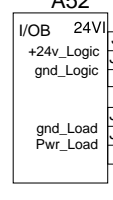
# Multiplex Power Supply Distribution

# Front Junction Box

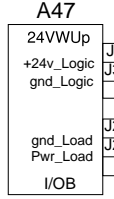
# A36



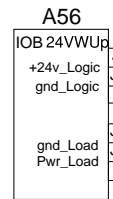
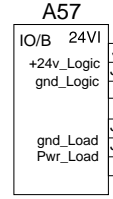
# Rear Junction Box



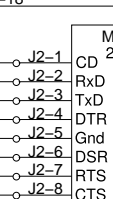
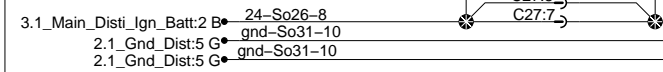
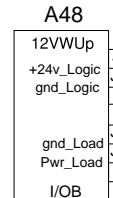
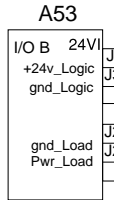
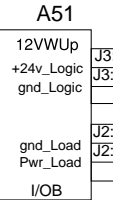
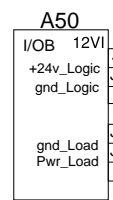
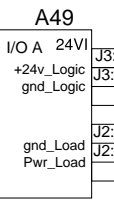
# RH Console



# SlideOut



# Rear Junction Box



### Evaporator Cmpt.

## Multiplex Power Supply Distribution

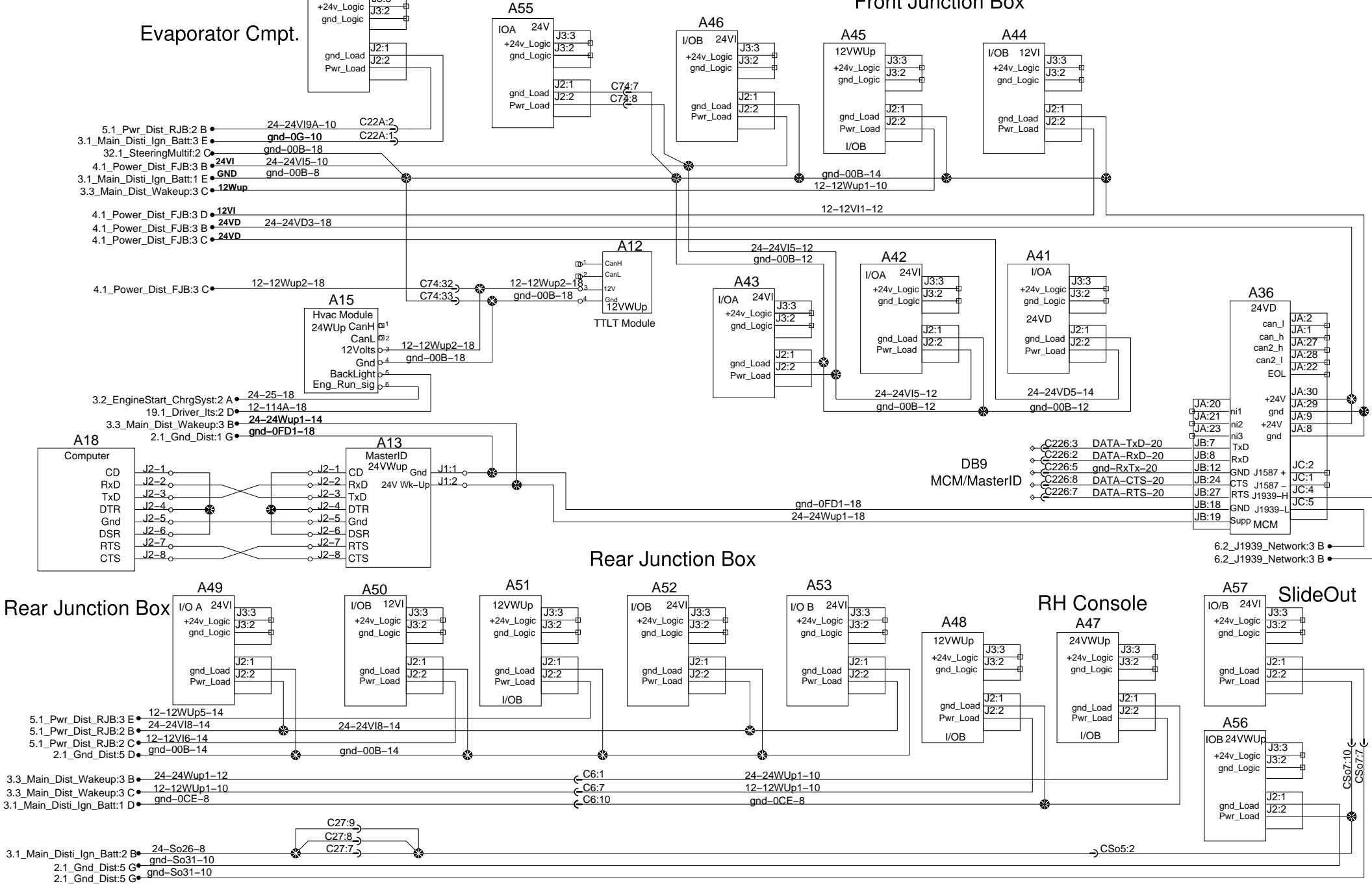
### Front Junction Box

### Rear Junction Box

### RH Console

### SlideOut

### Rear Junction Box



# Evaporator Cmpt.

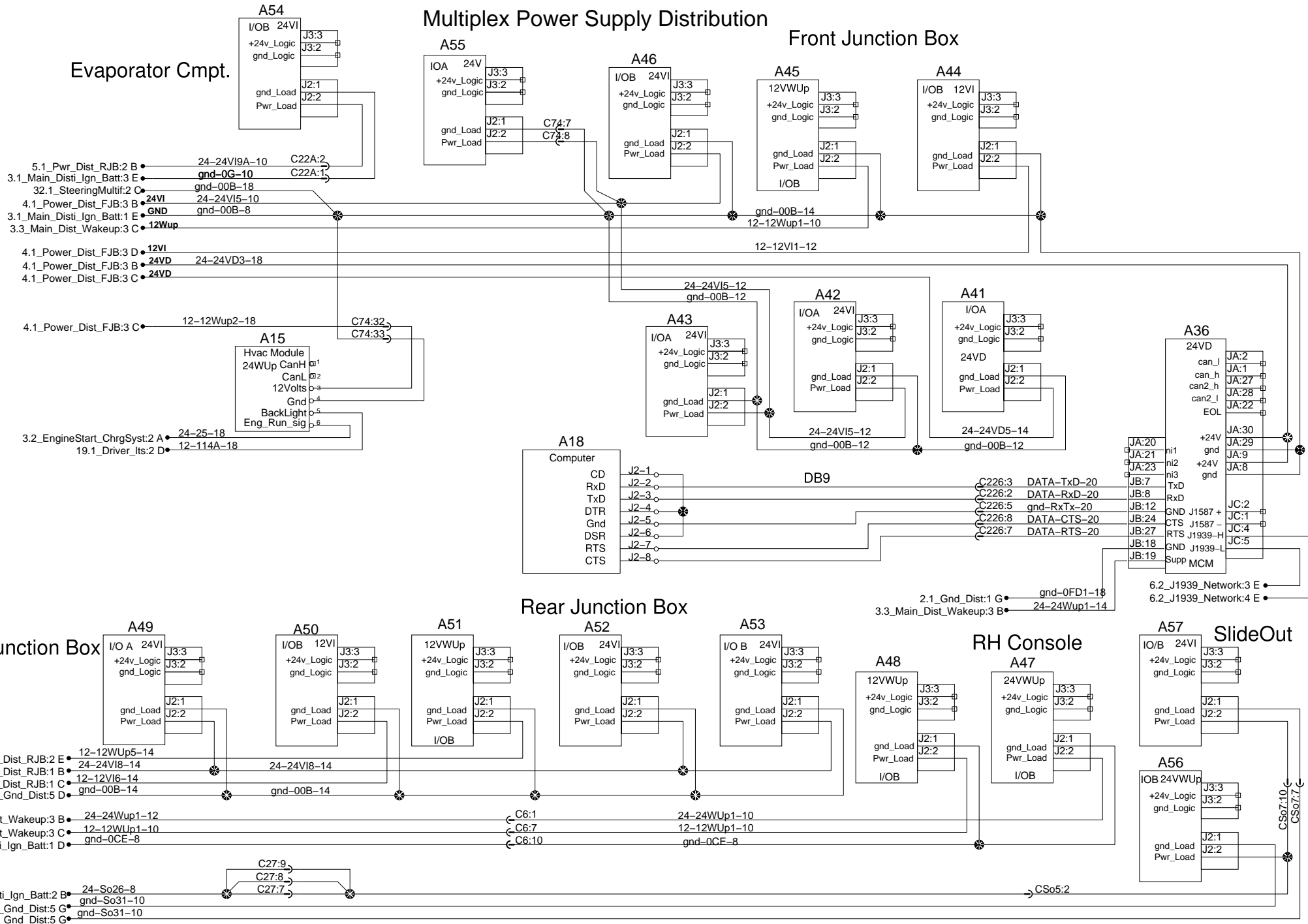
# Multiplex Power Supply Distribution

# Front Junction Box

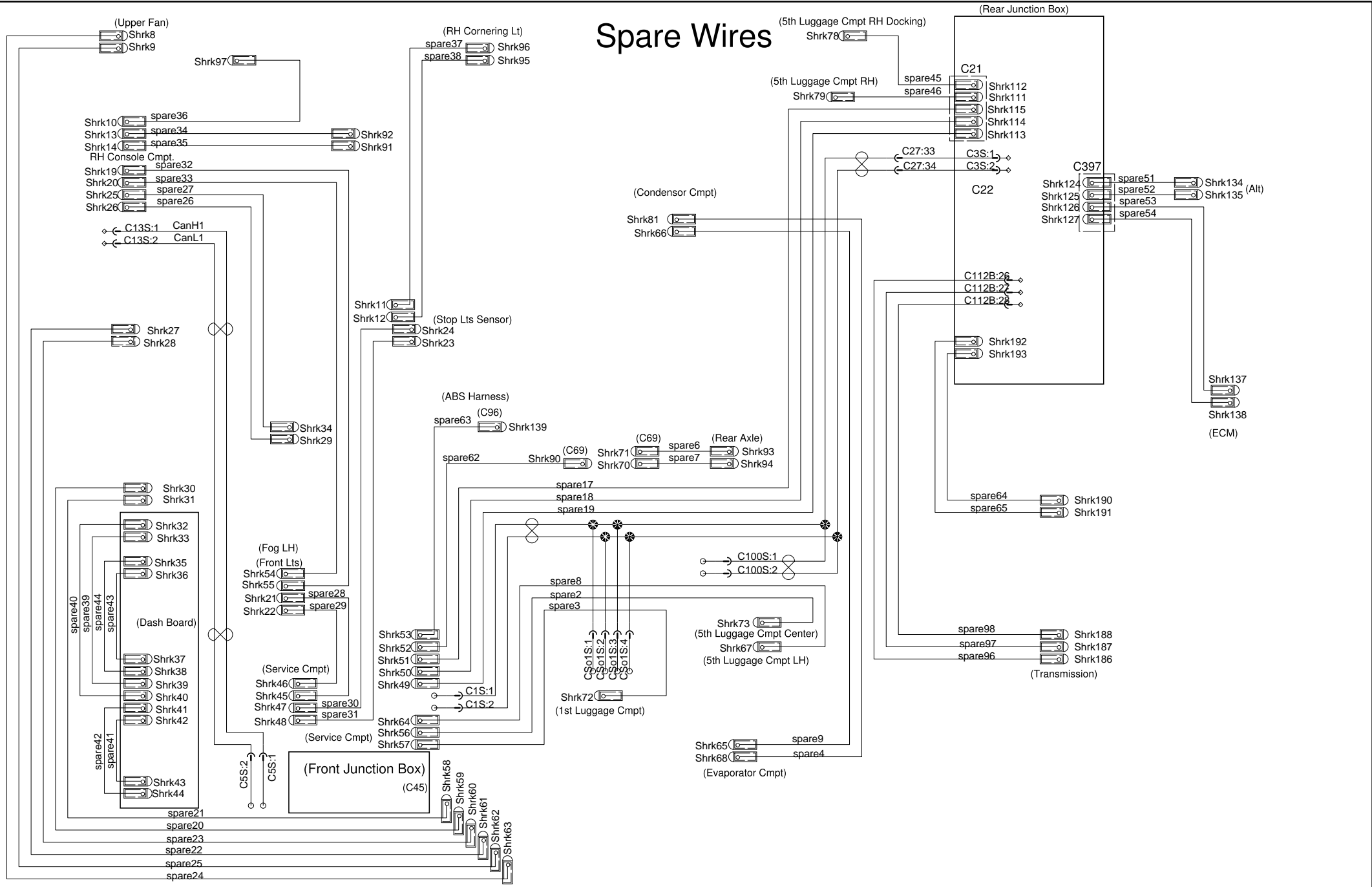
# Rear Junction Box

# RH Console

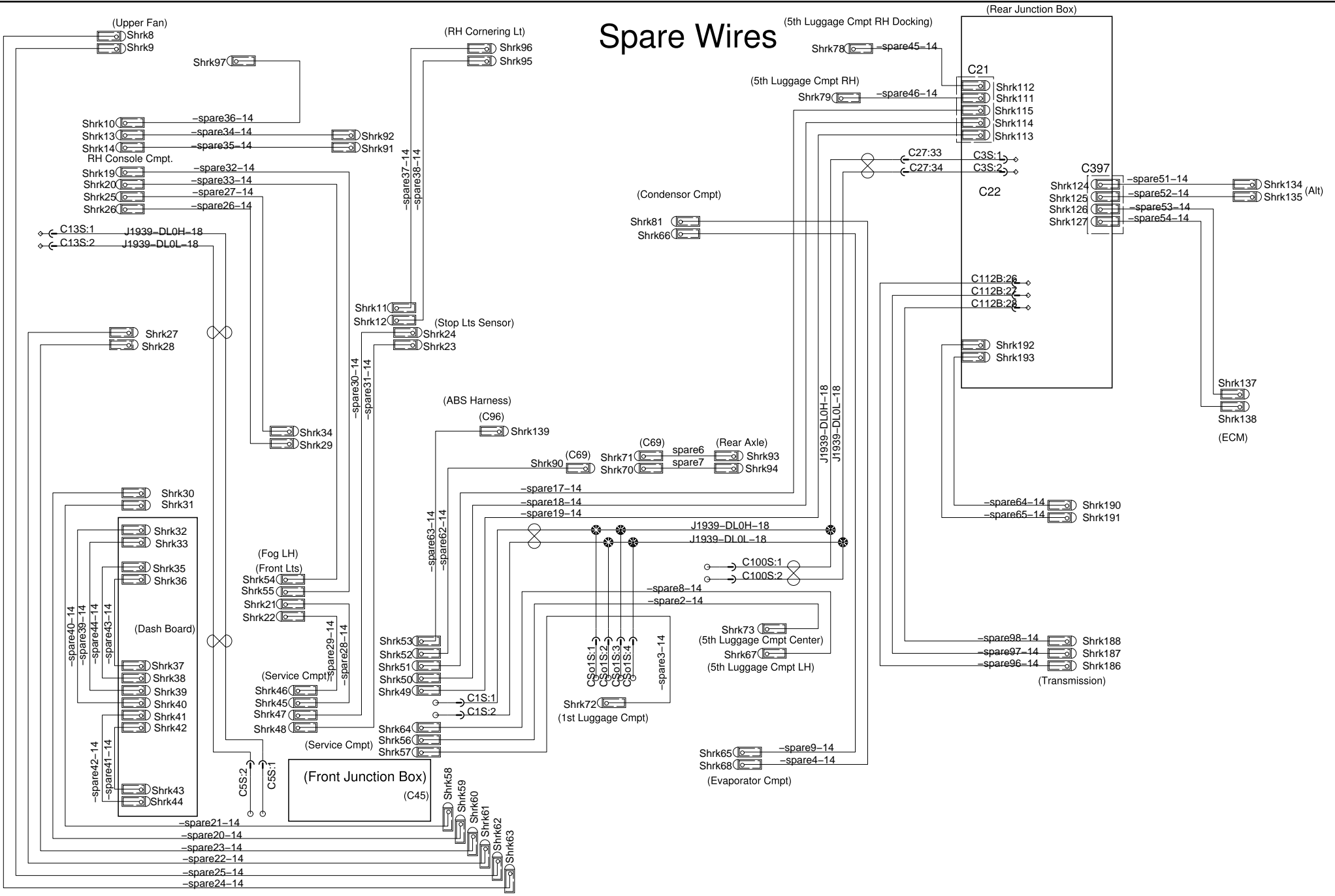
# SlideOut



# Spare Wires



# Spare Wires



0

1

2

3

4

A

A

B

B

C

C

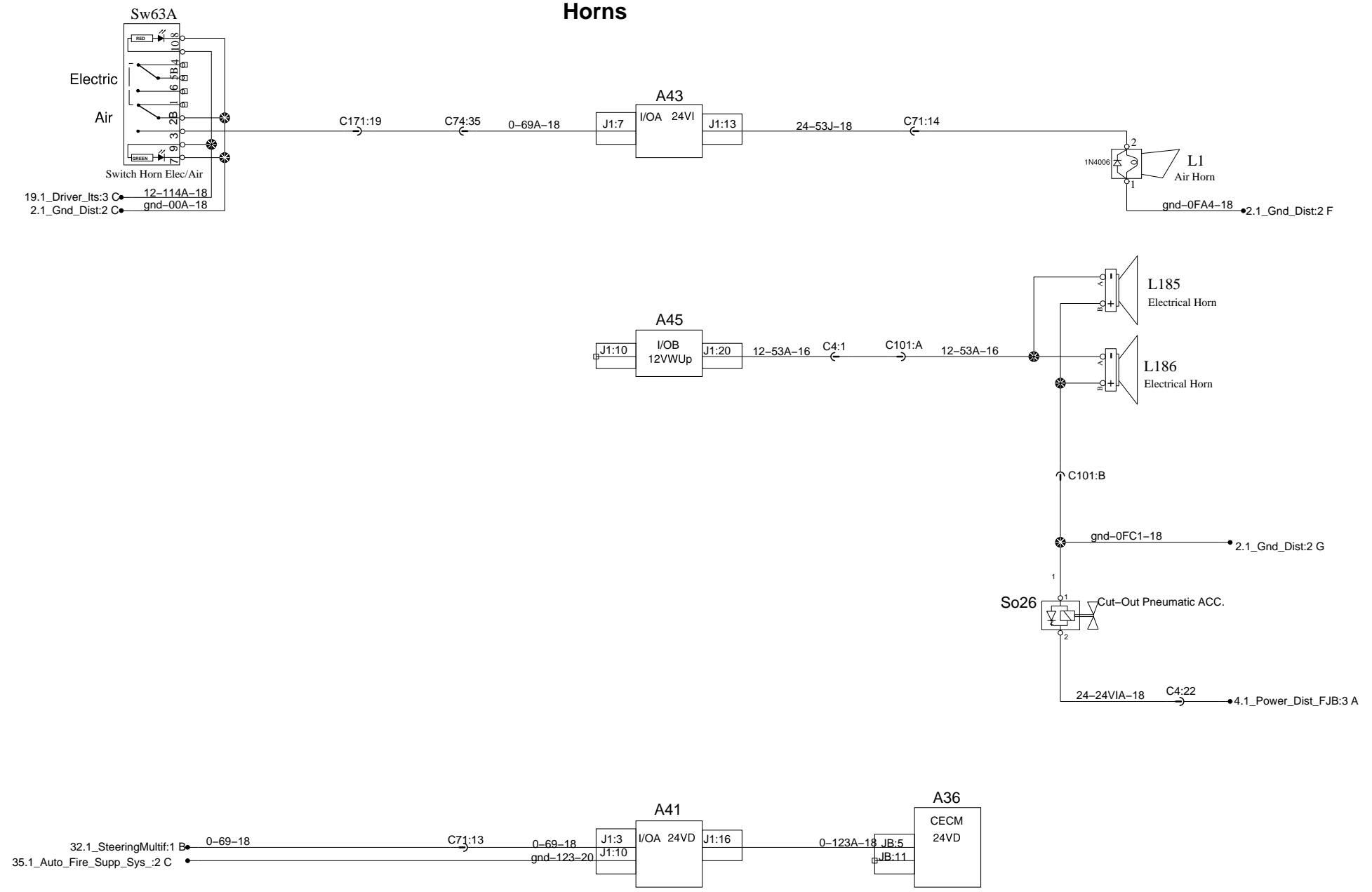
D

D

E

E

# Horns



0

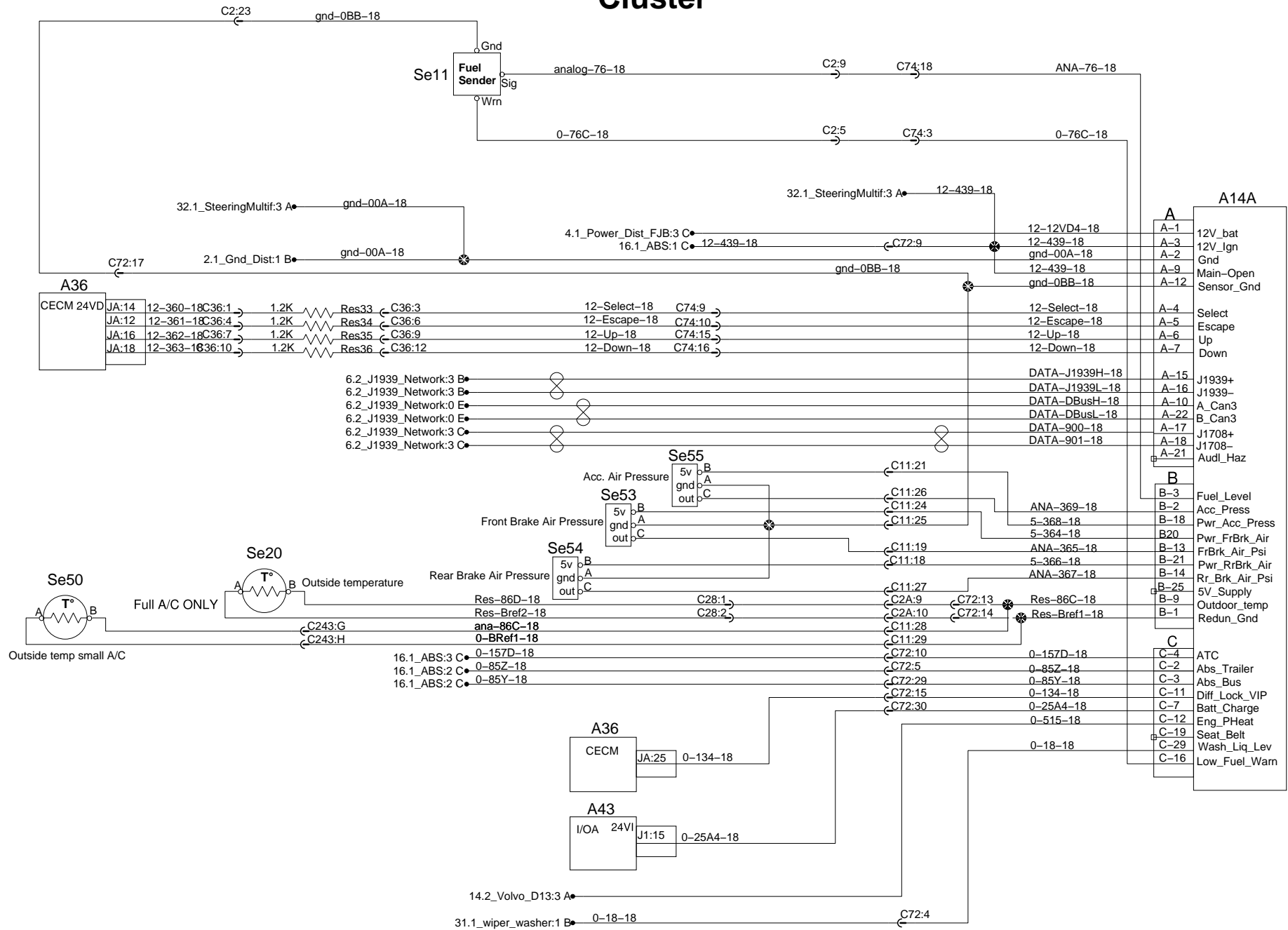
1

2

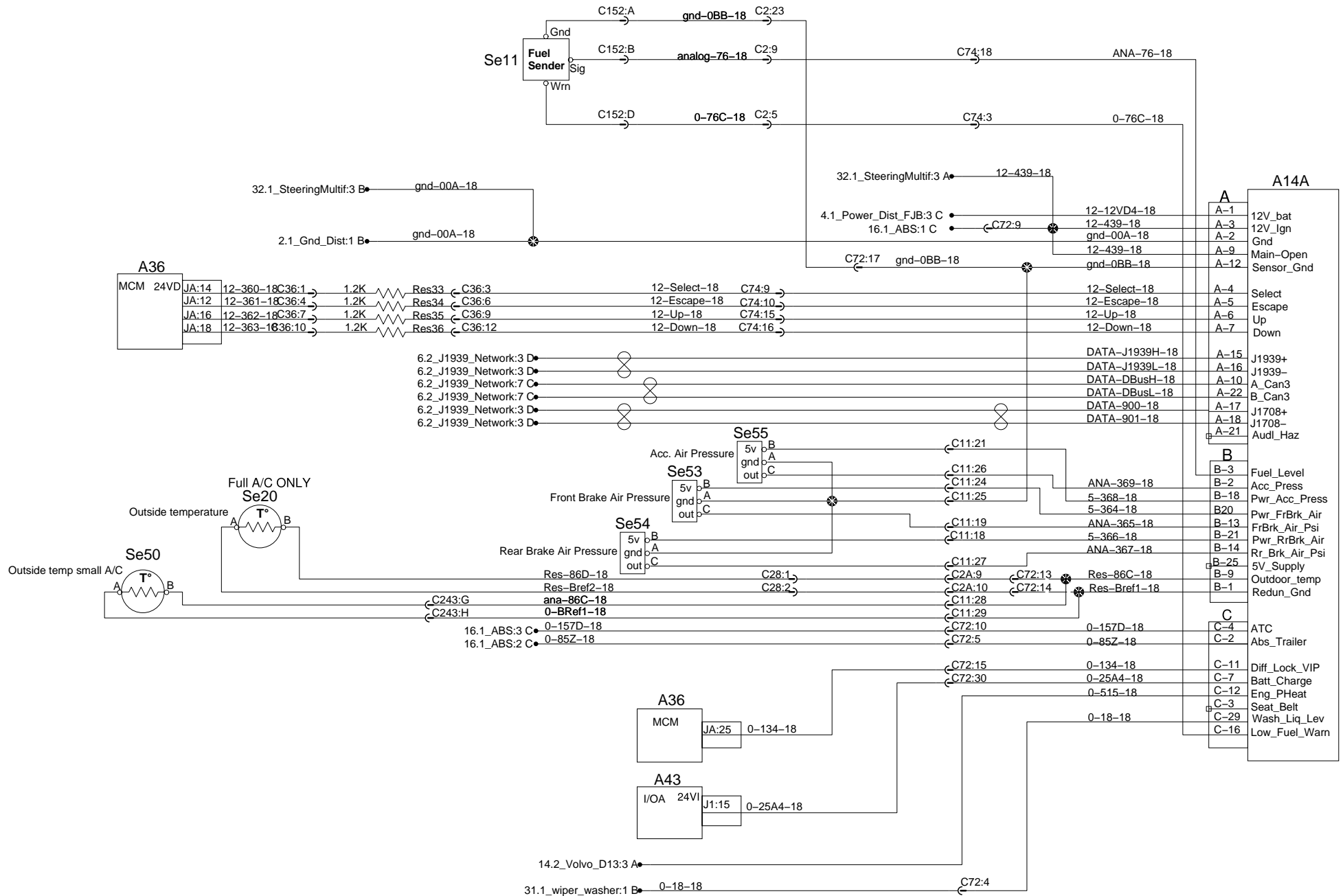
3

4

# Cluster

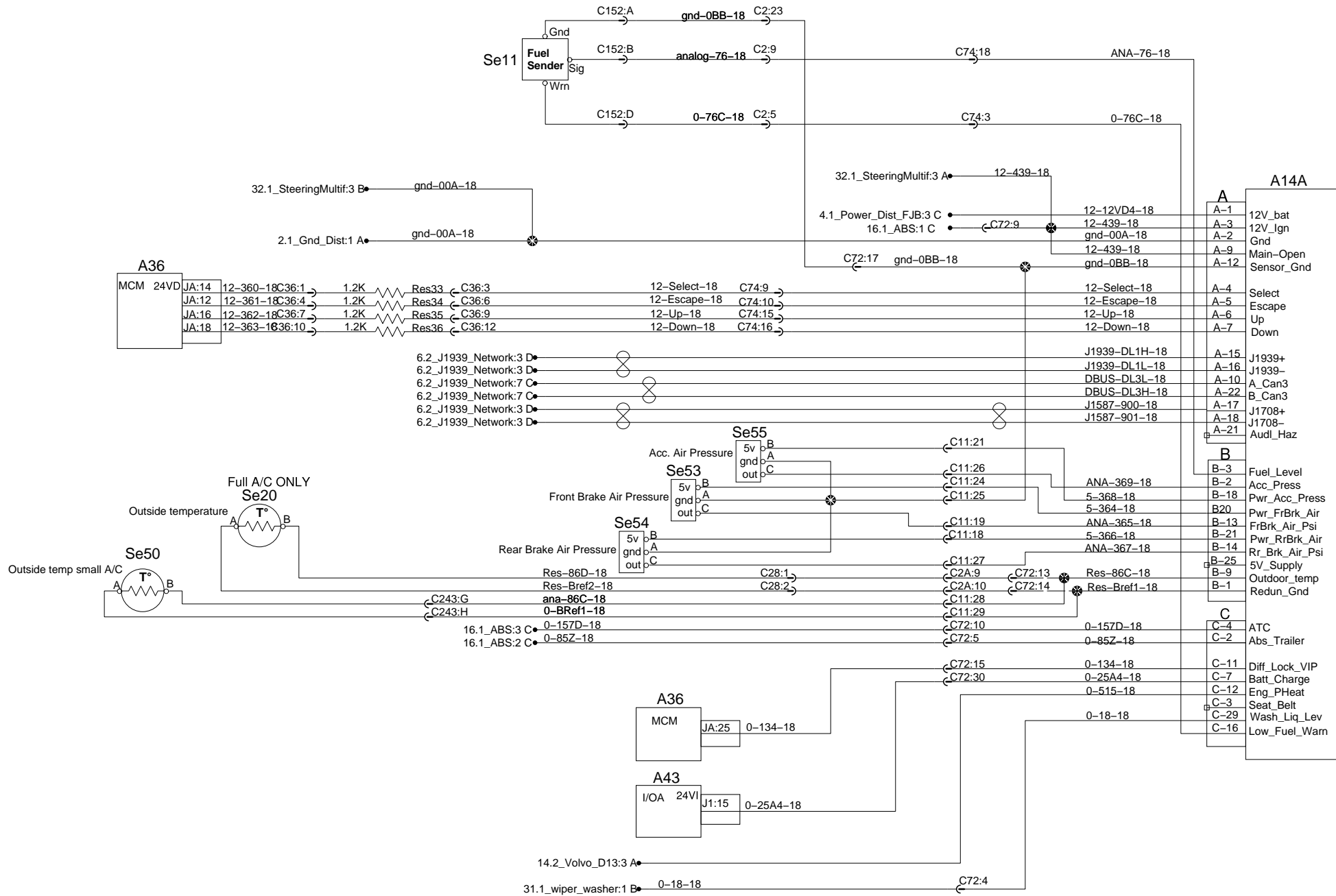


# Cluster

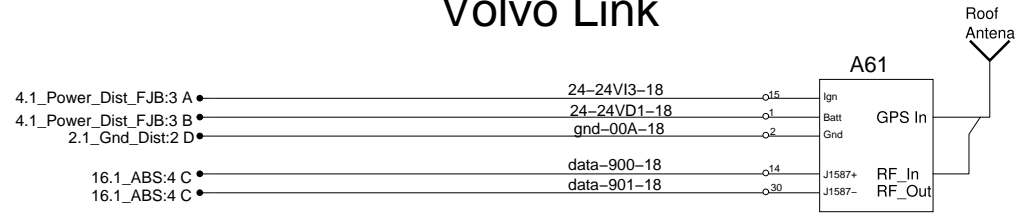




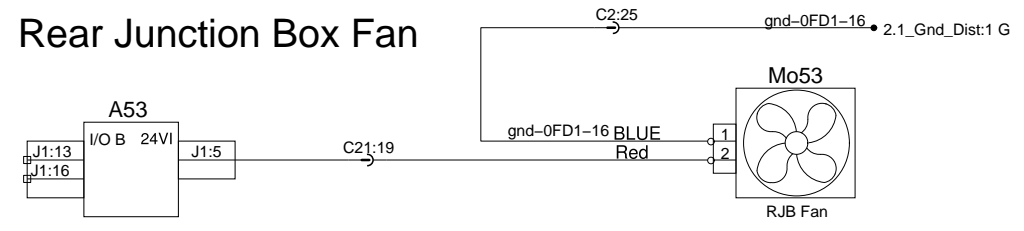
# Cluster



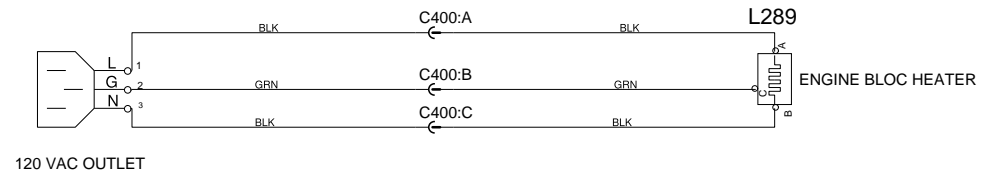
# Volvo Link



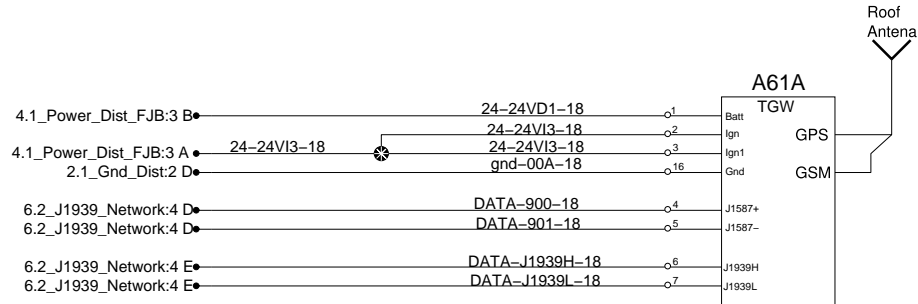
# Rear Junction Box Fan



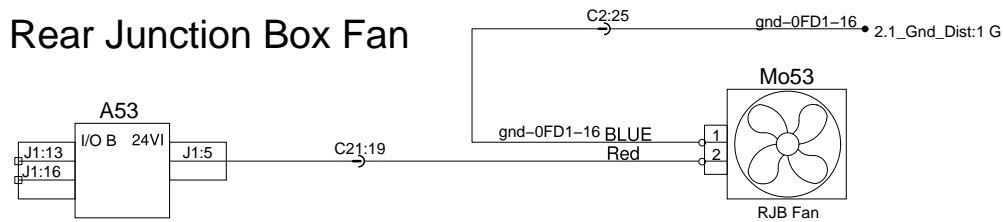
# ENGINE BLOCK HEATER



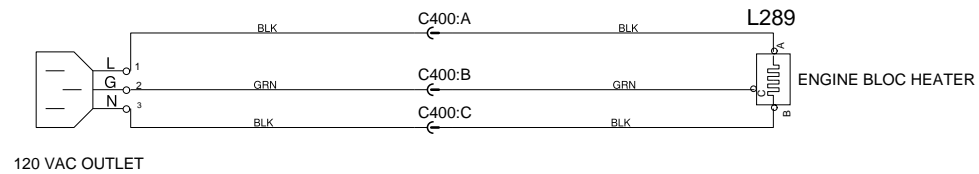
# Volvo Link (TGW)



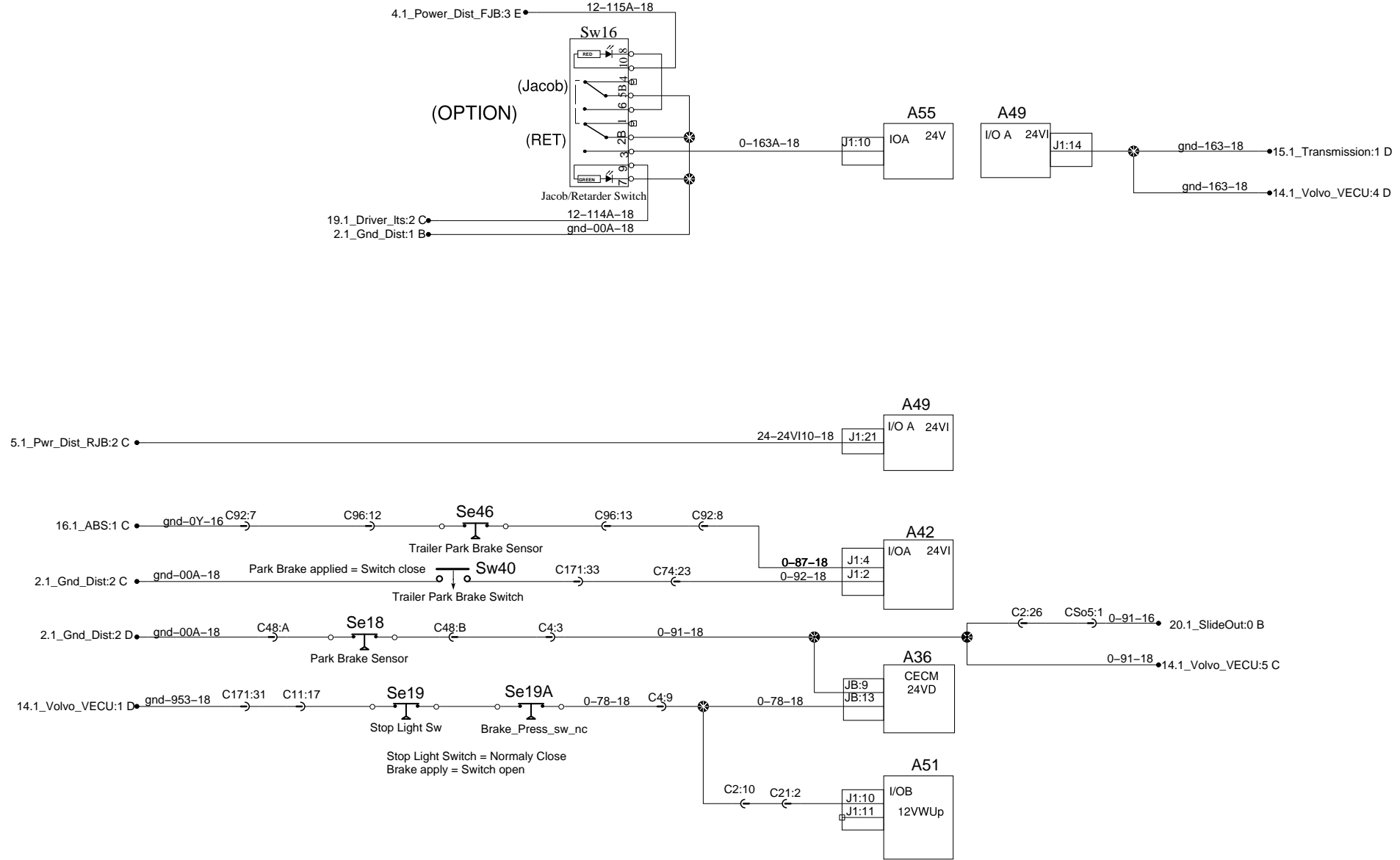
## Rear Junction Box Fan



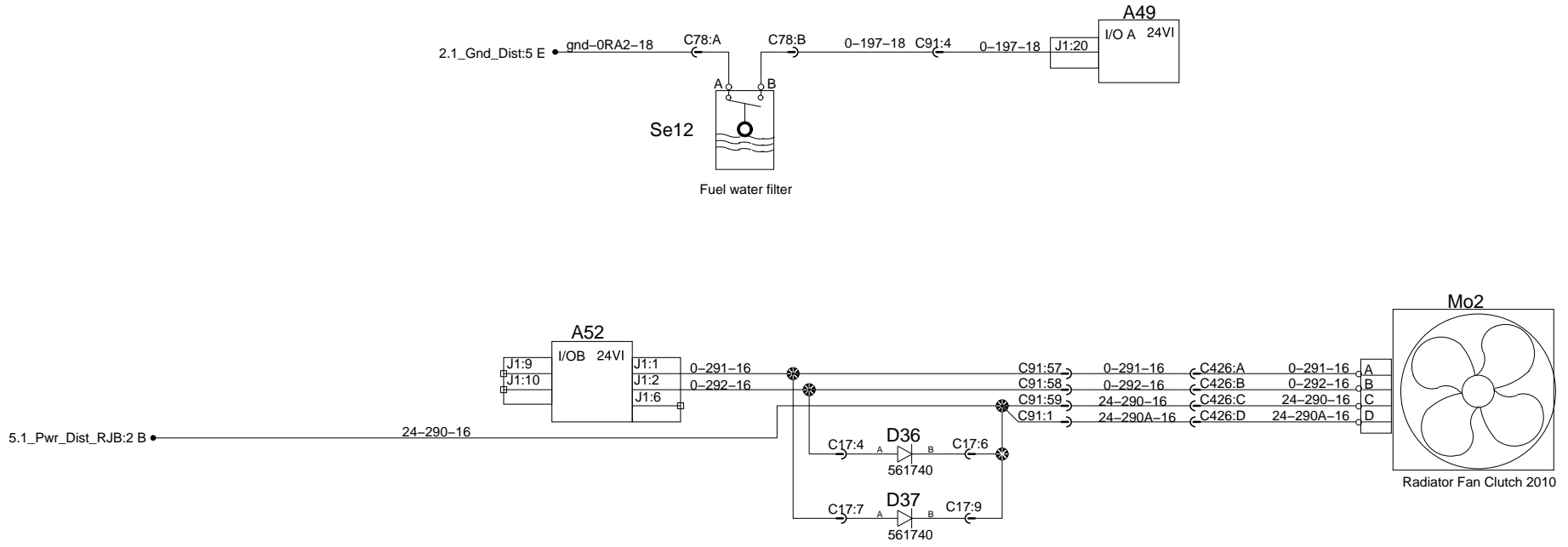
## ENGINE BLOCK HEATER



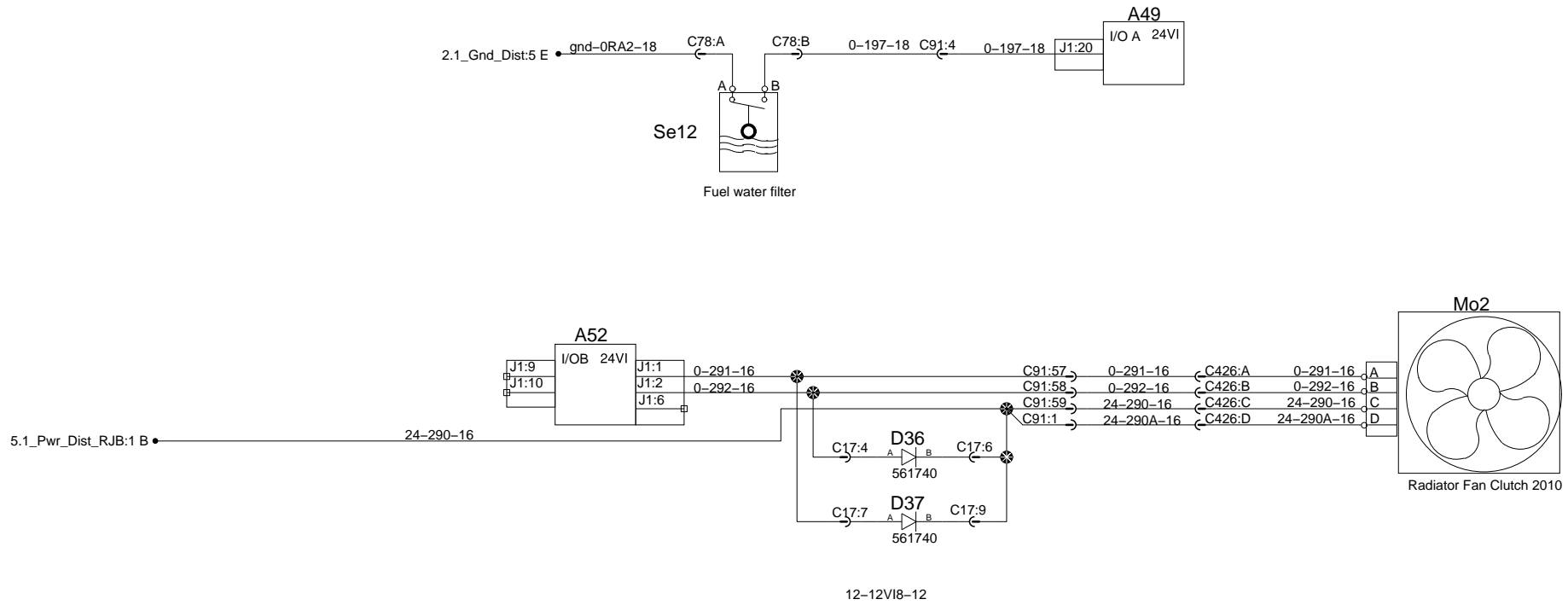
# Brake, Engine Brake and Retarder



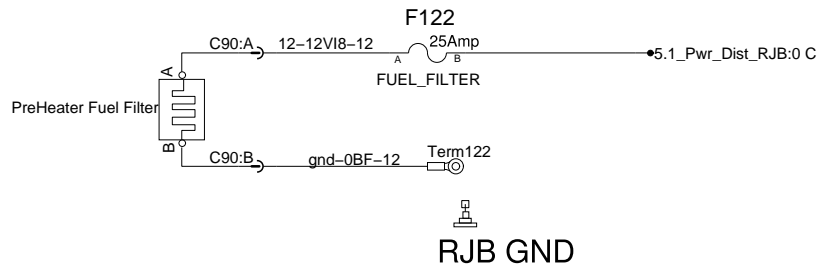
# Water Filter and Fan Clutch

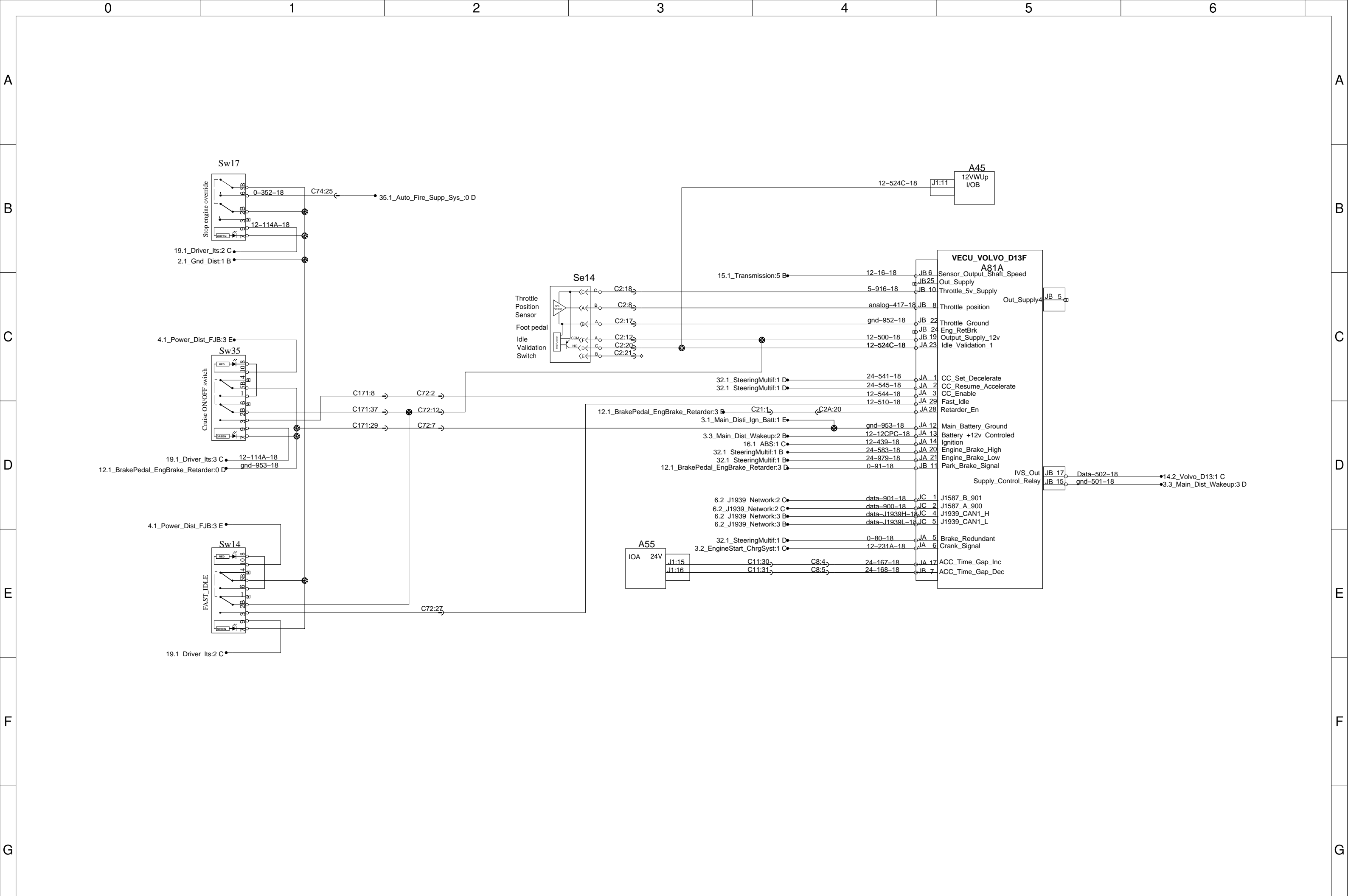


## Water Filter and Fan Clutch

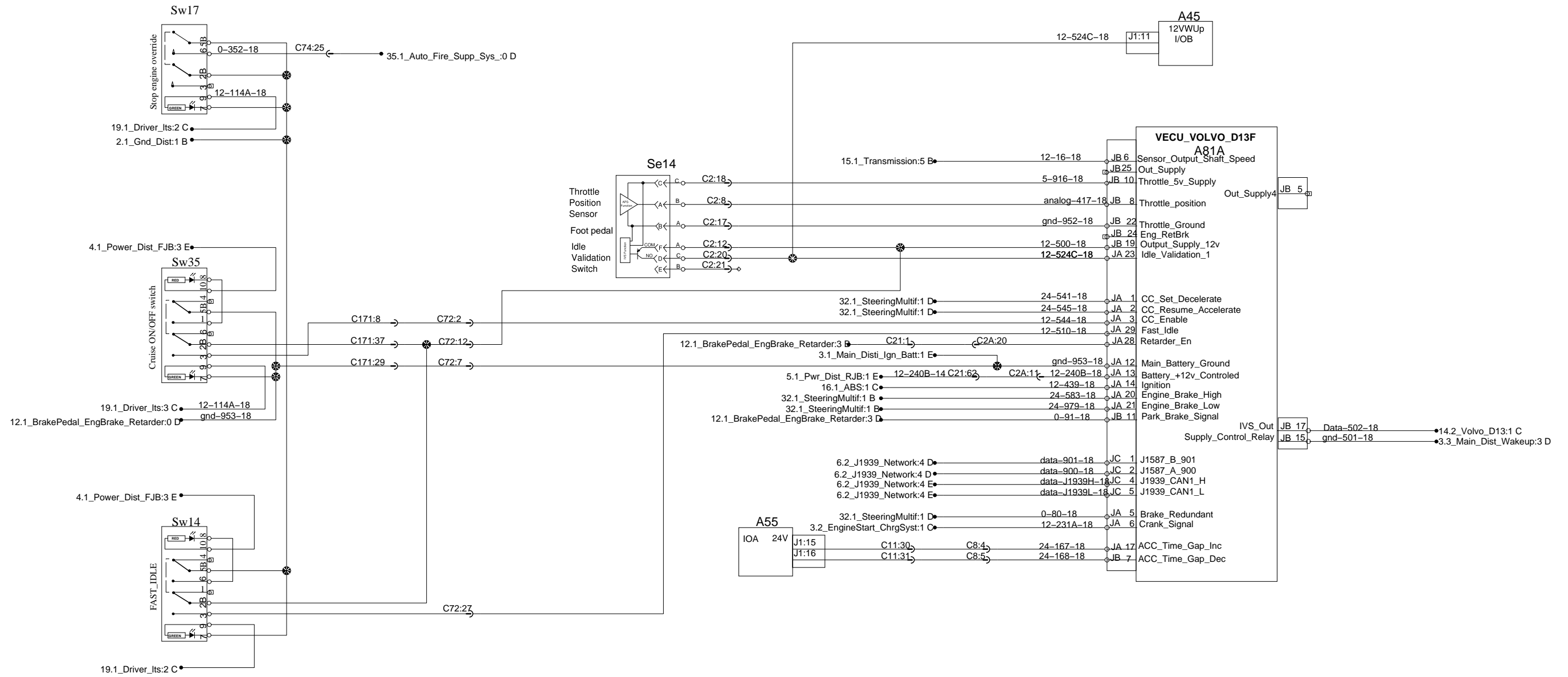


## Preheater Fuel Filter



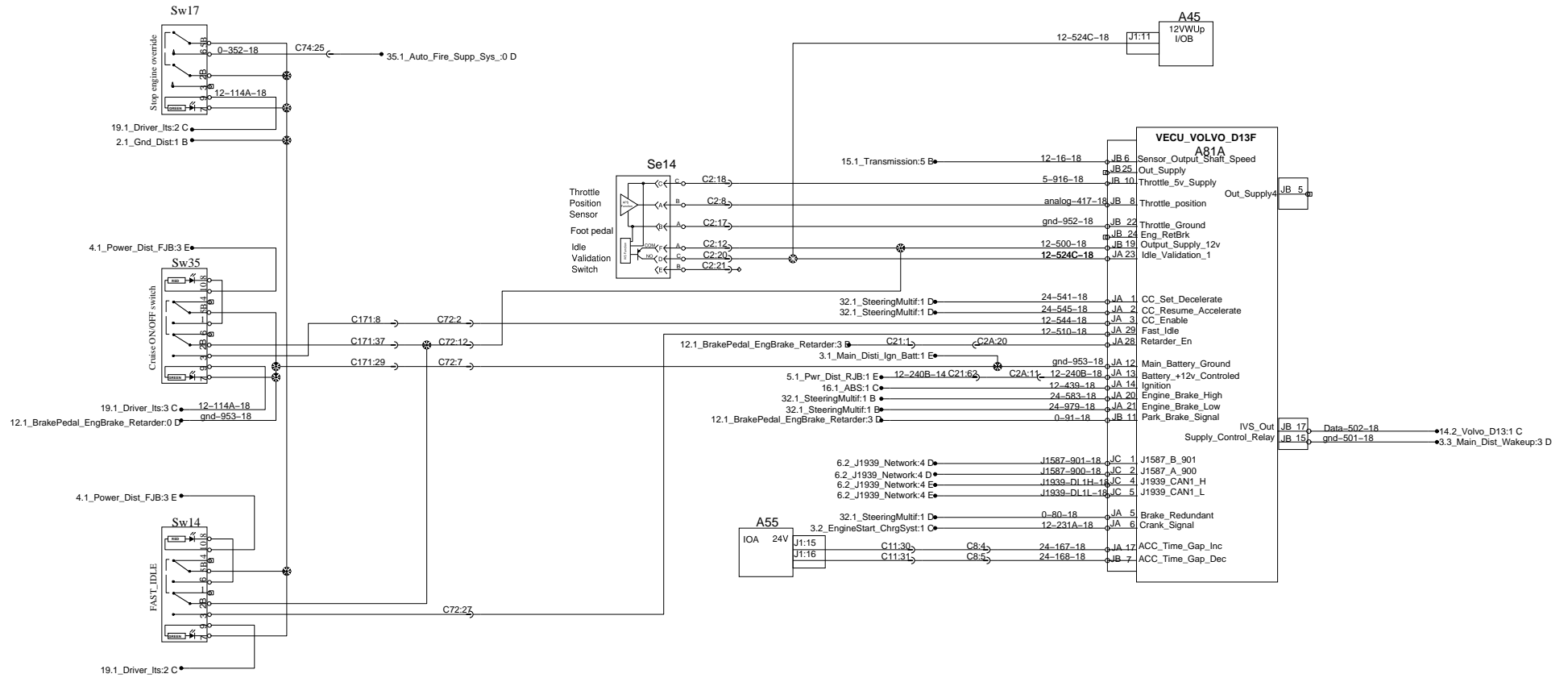


# Engine ECU Volvo

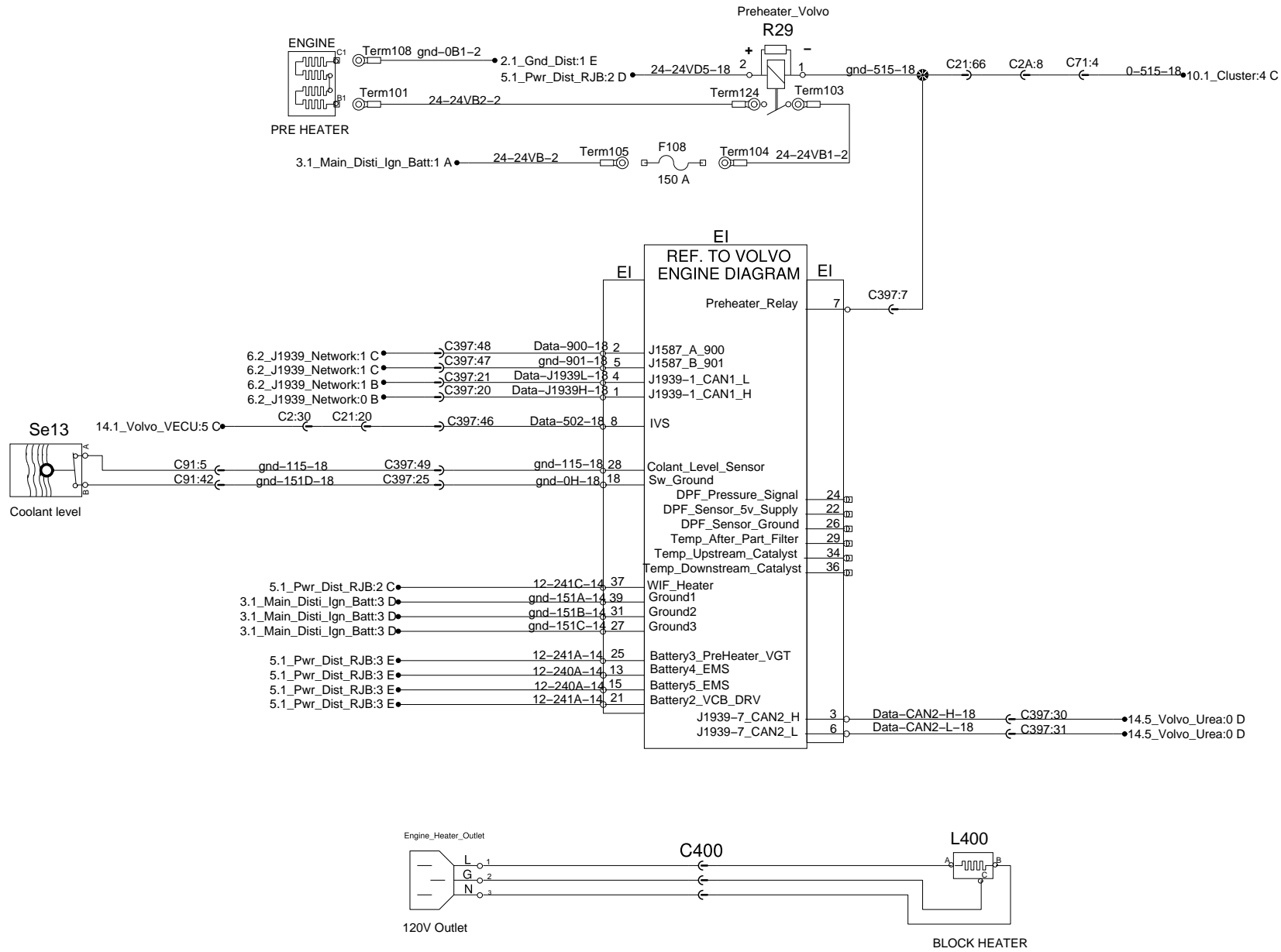




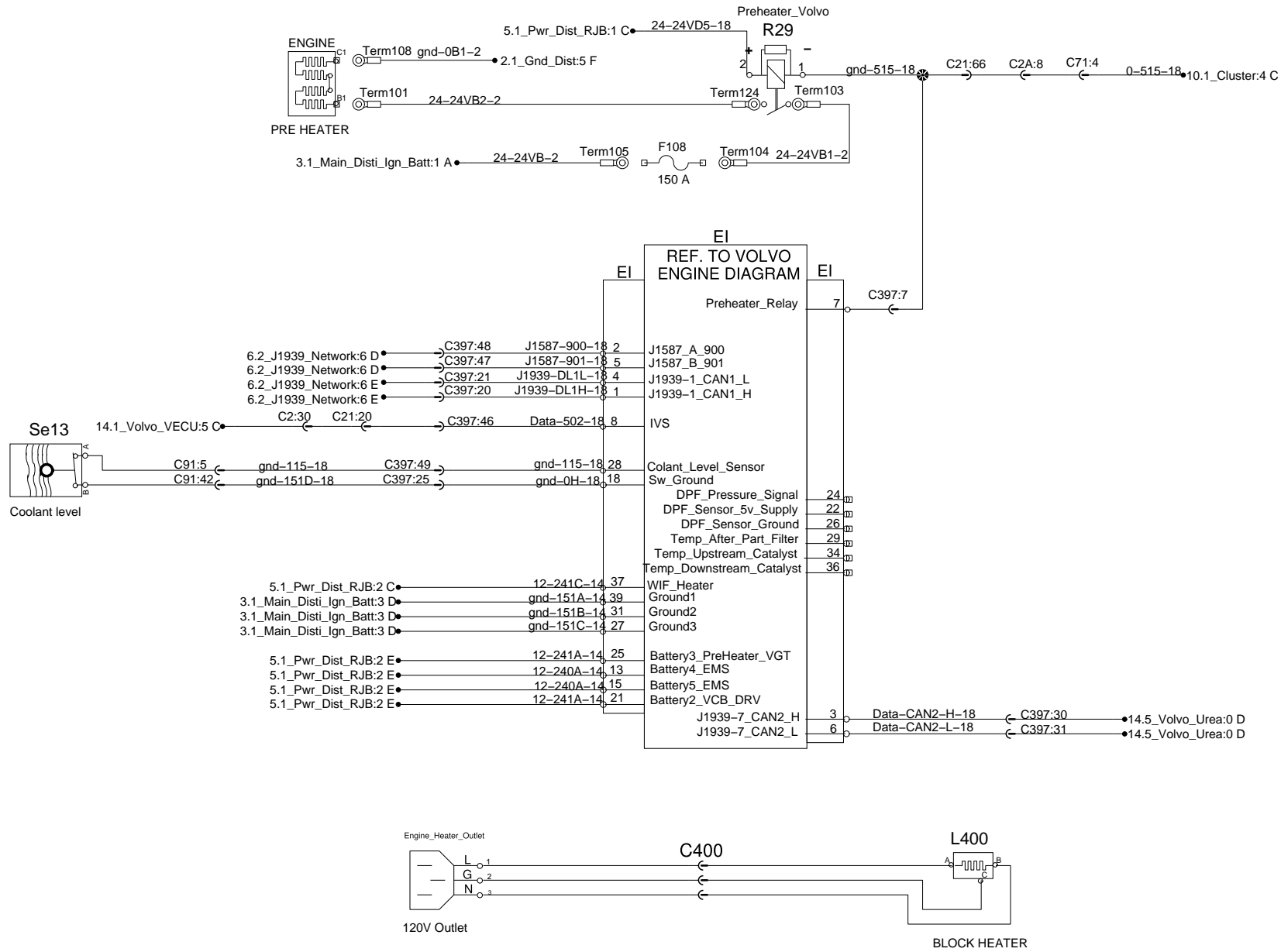
# Engine ECU Volvo

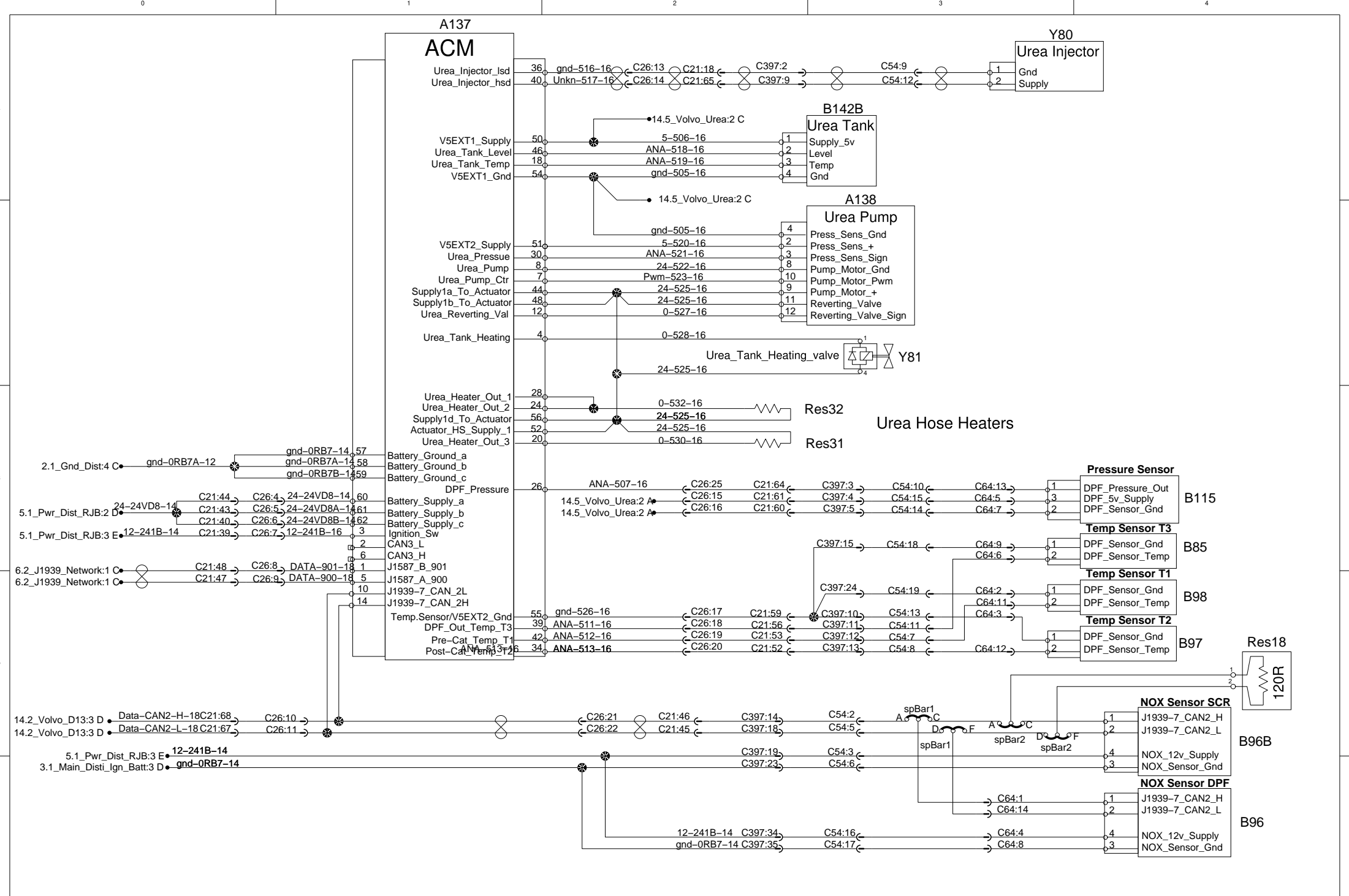


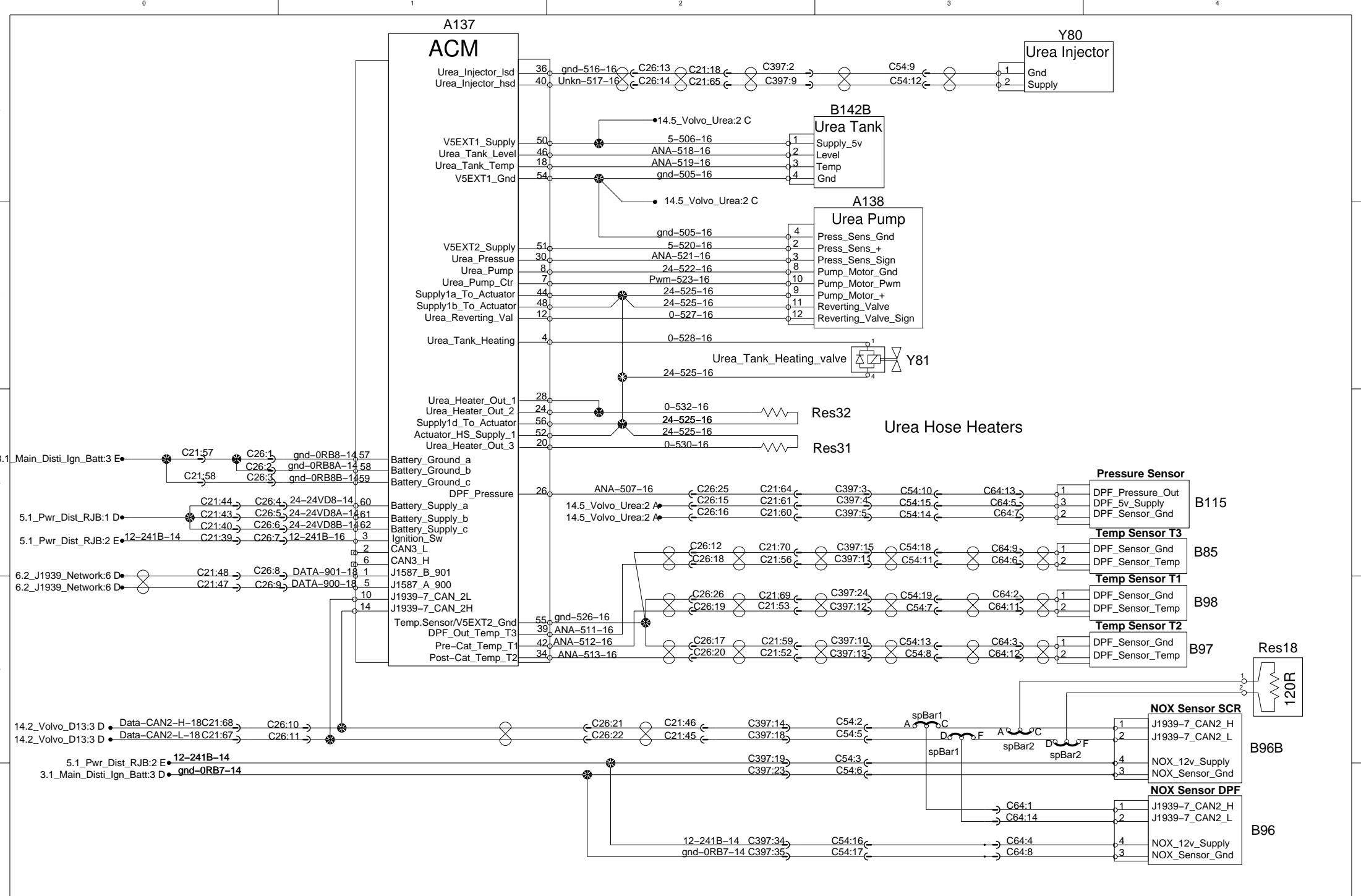
# Engine ECU Volvo

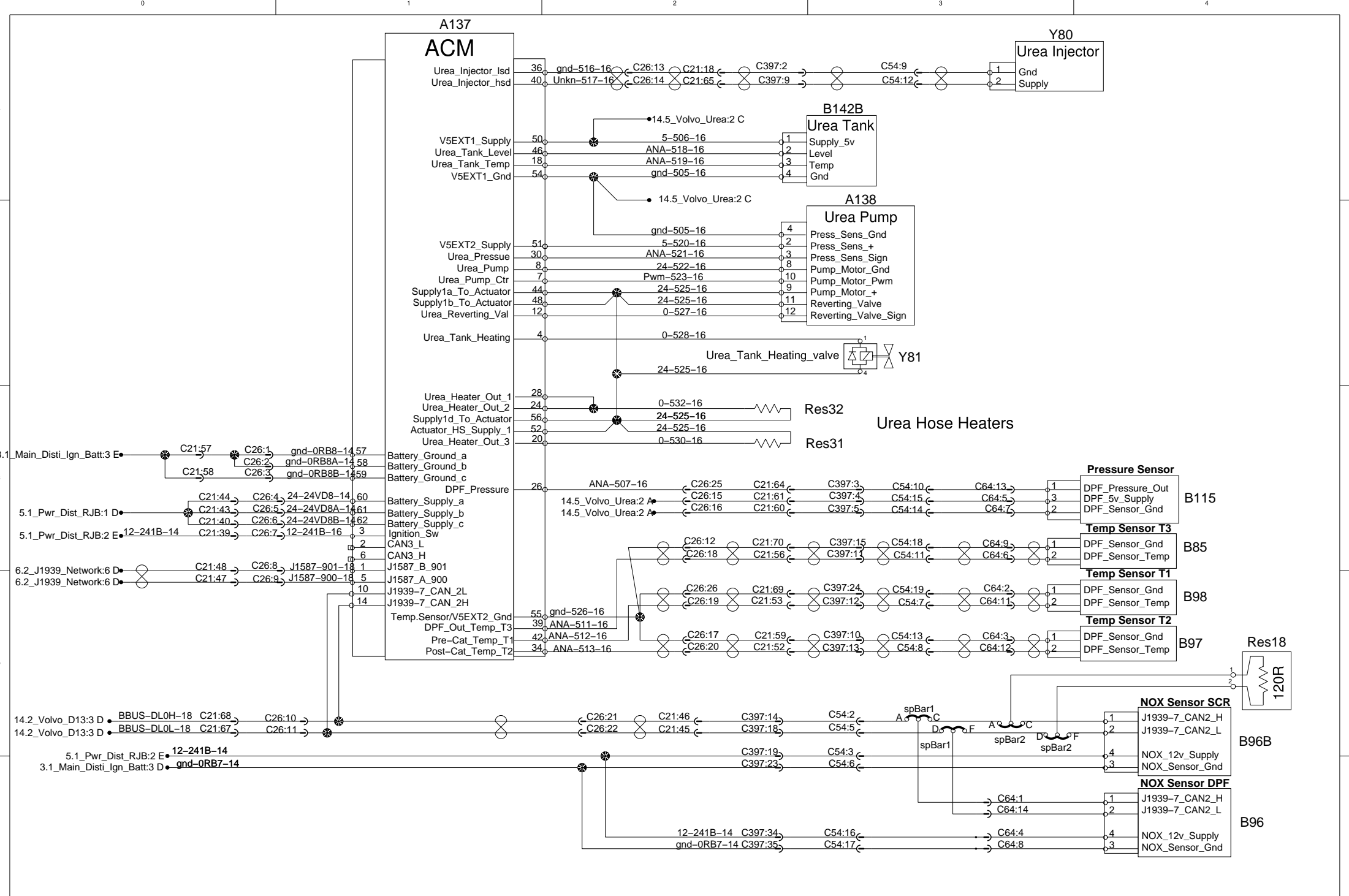


# Engine ECU Volvo

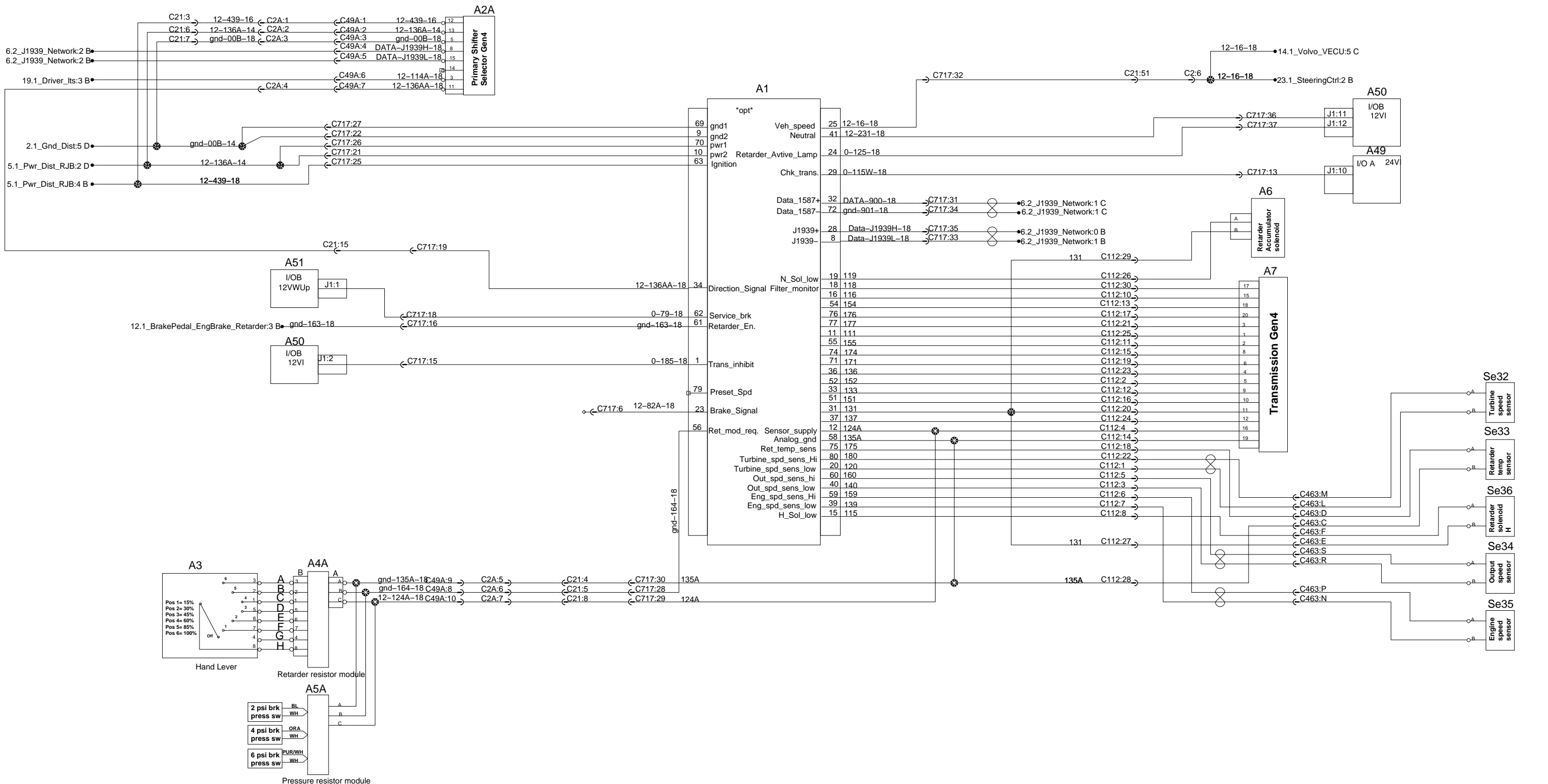




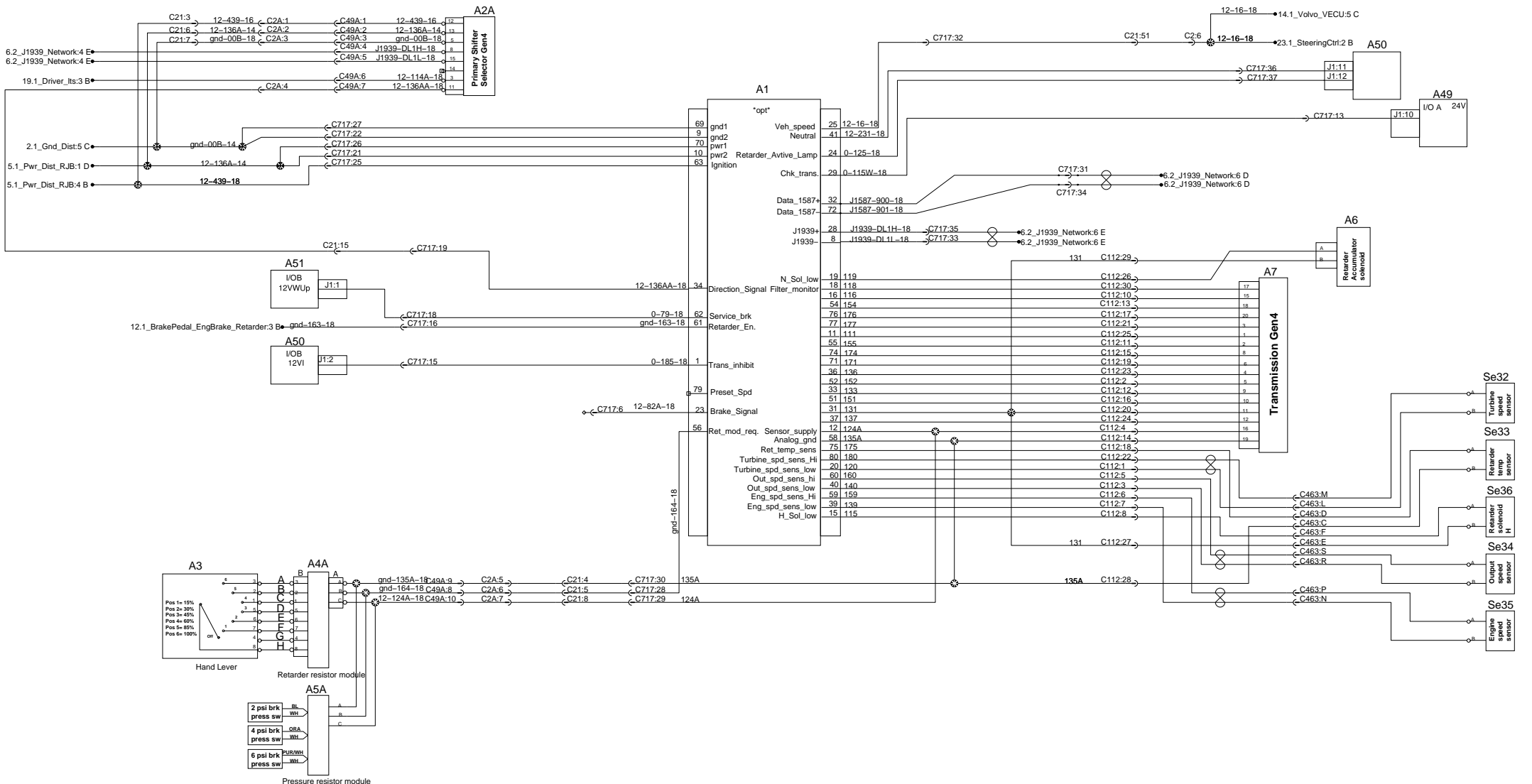




# Transmission Allison Gen 4

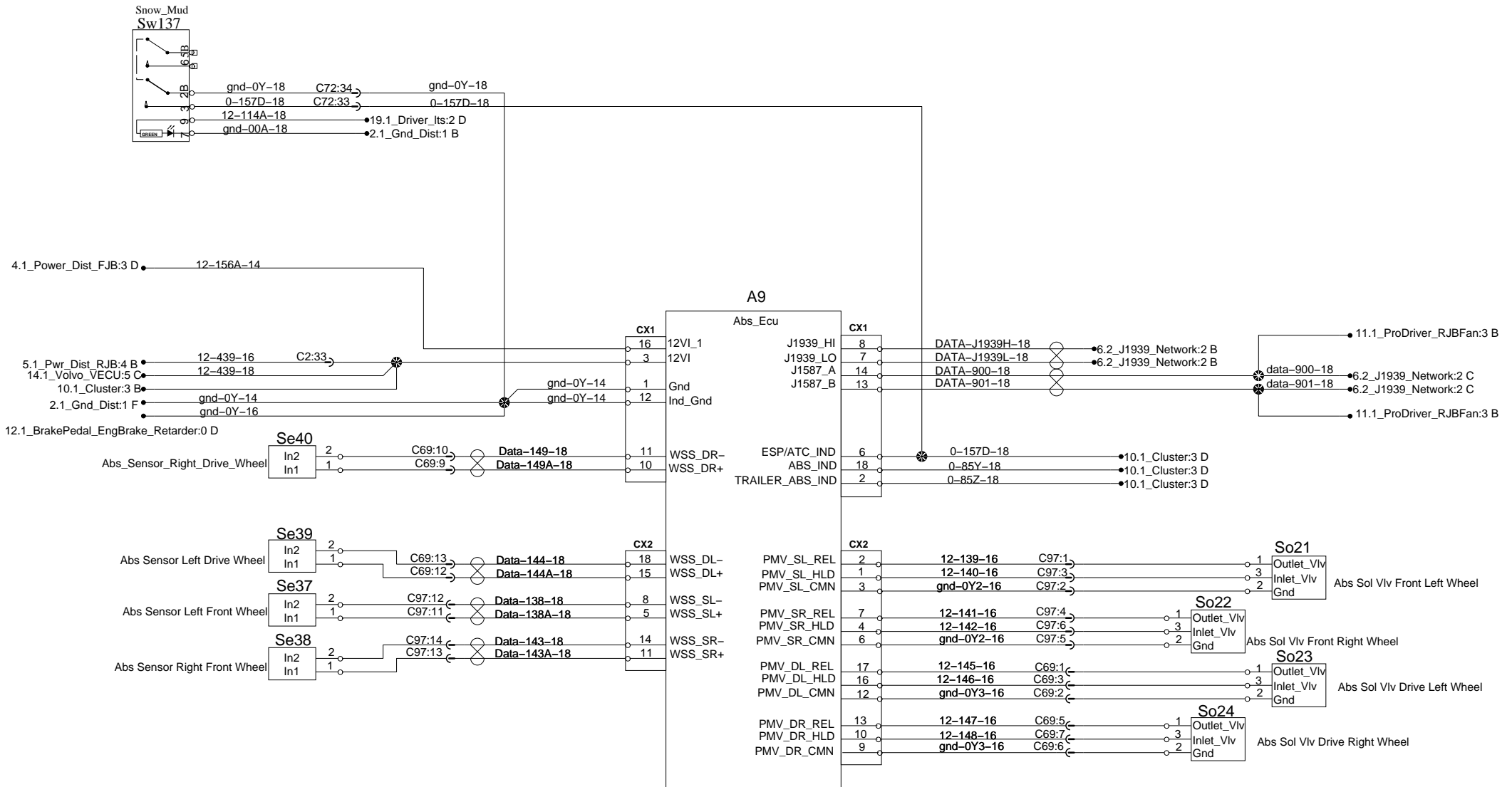


# Transmission Allison Gen 4

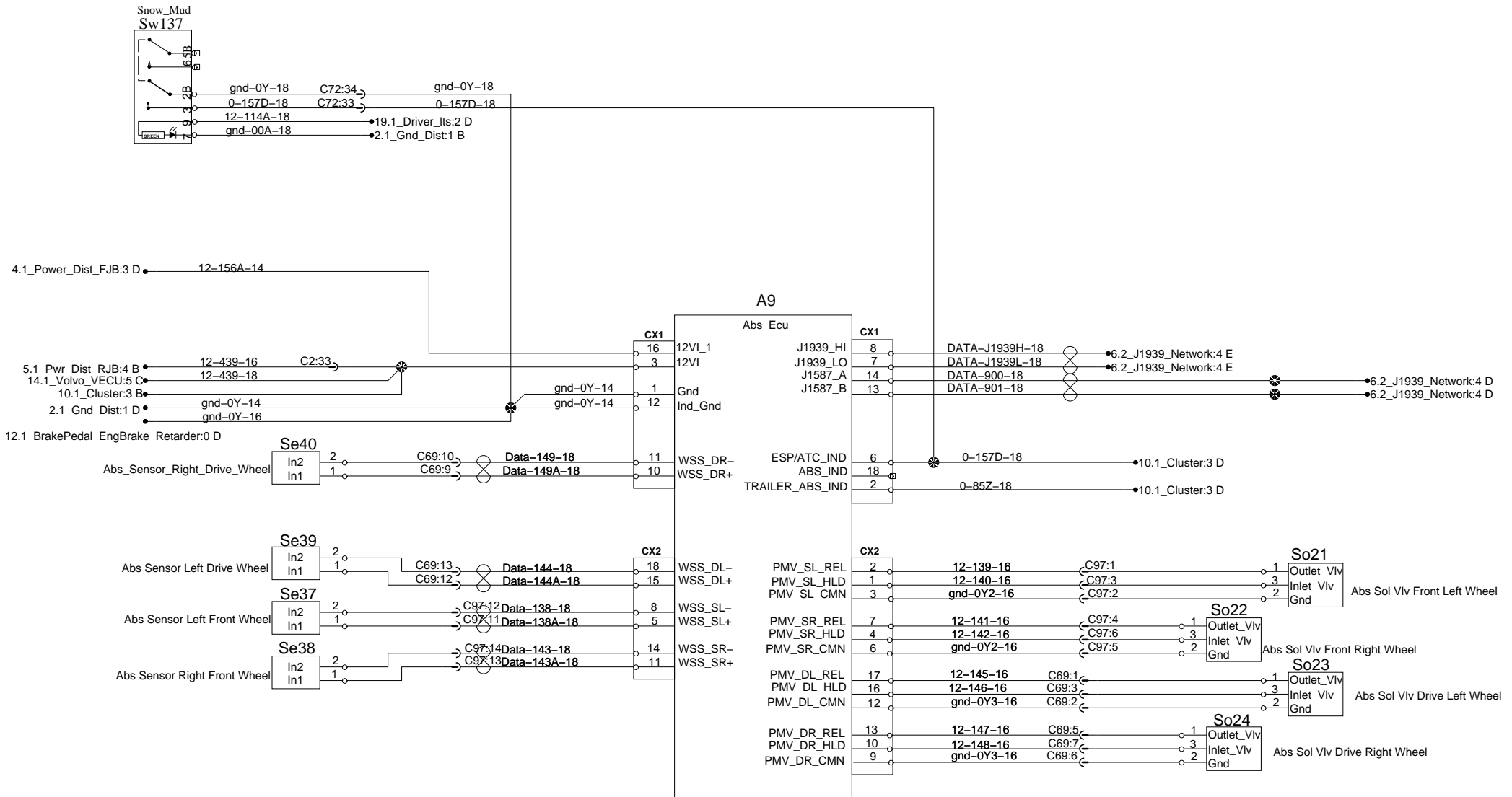




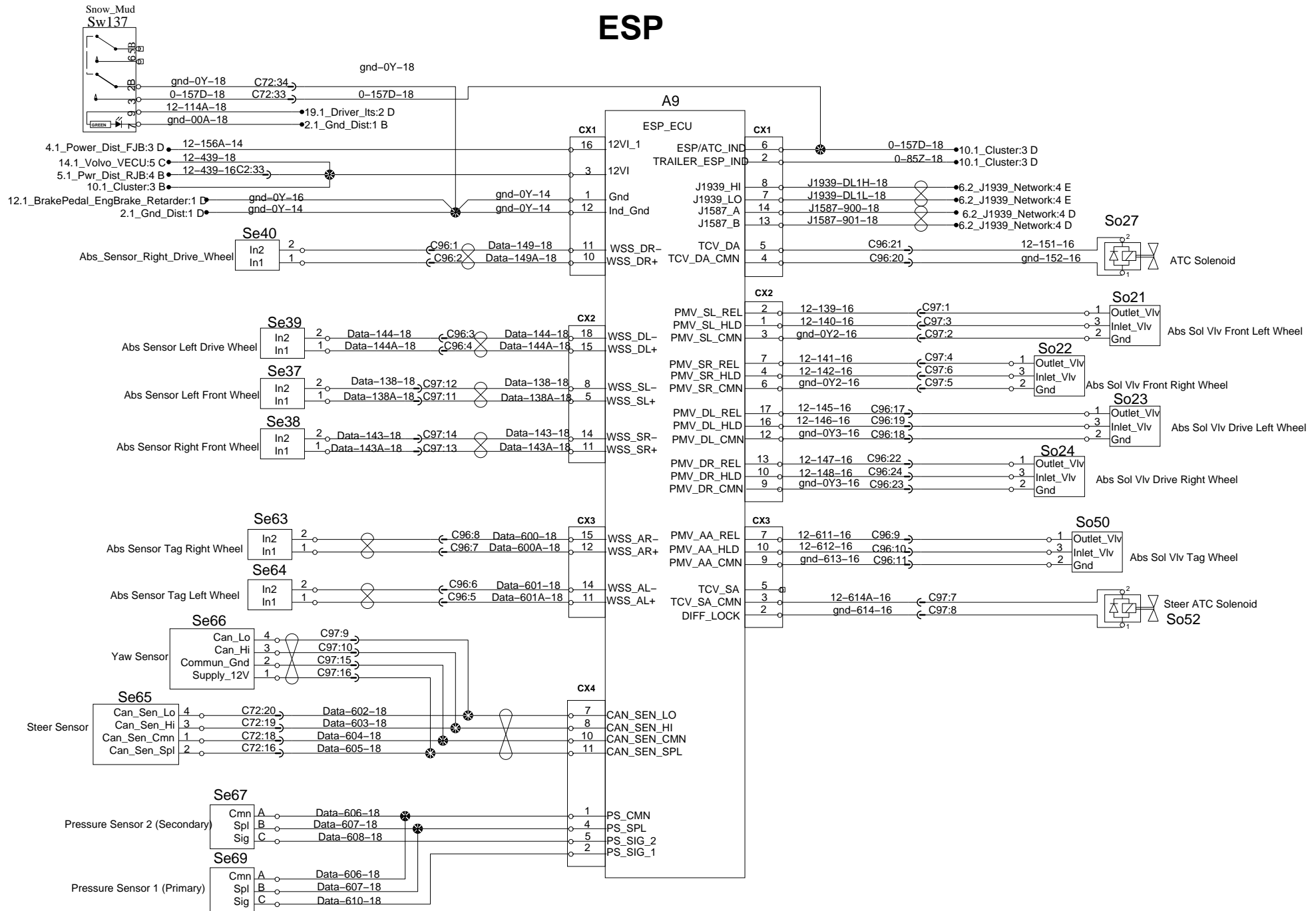
# ABS



# ABS



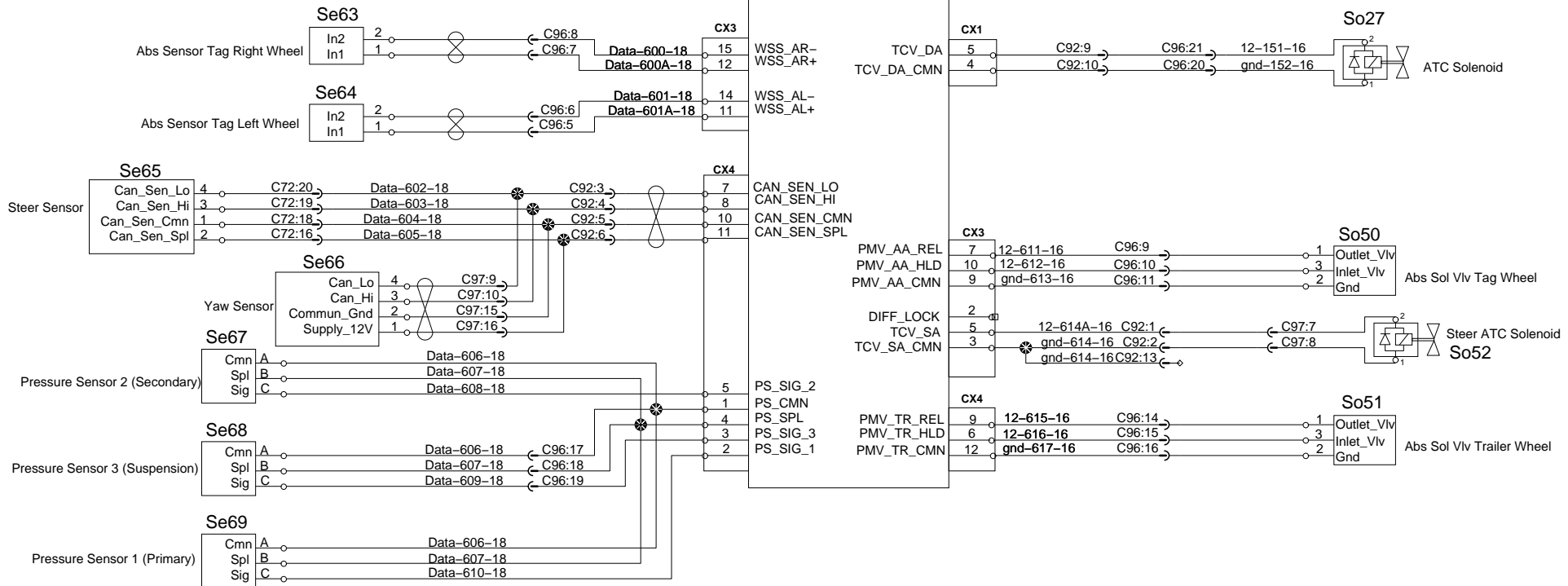
# ESP



# ABS ESP

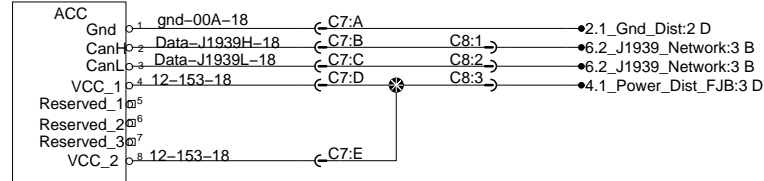
A9

Abs\_Ecu



## Adaptative Cruise Control Radar

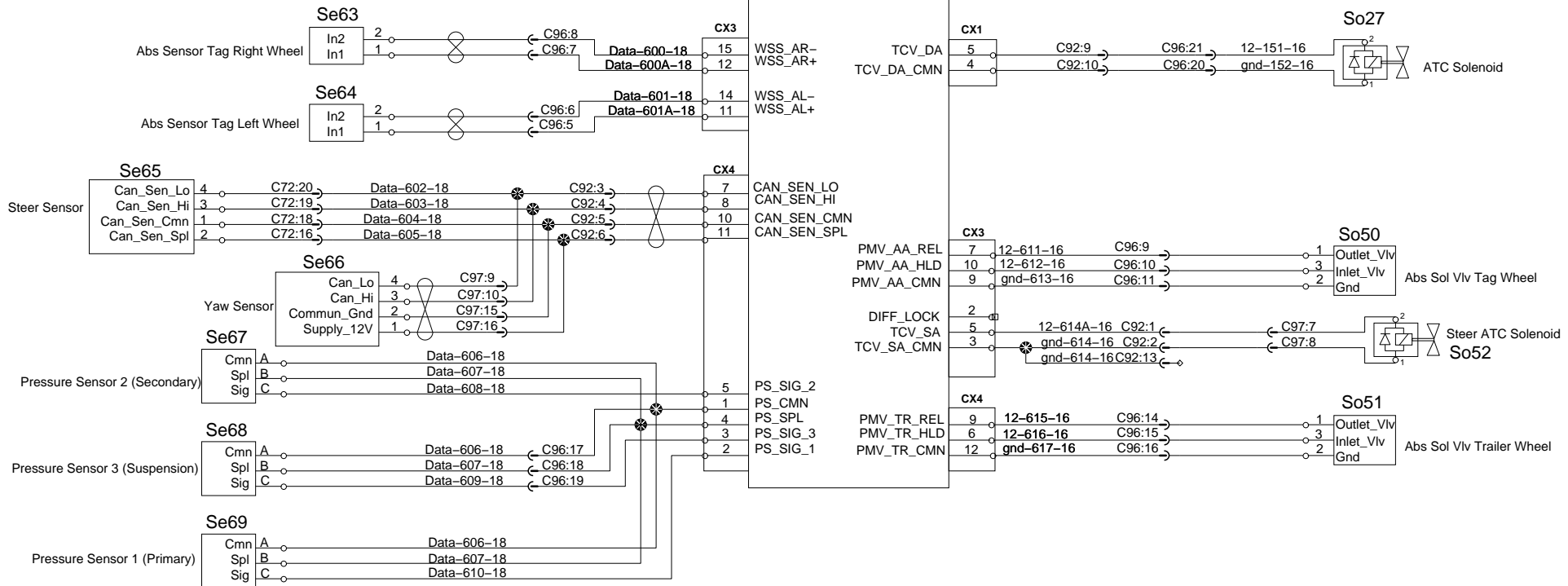
A114



# ABS ESP

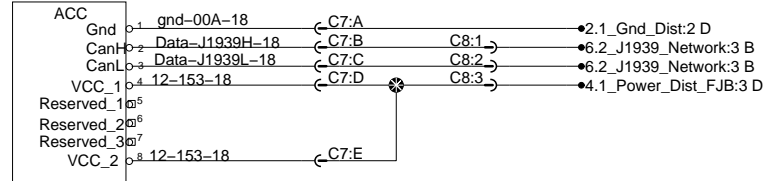
A9

Abs\_Ecu



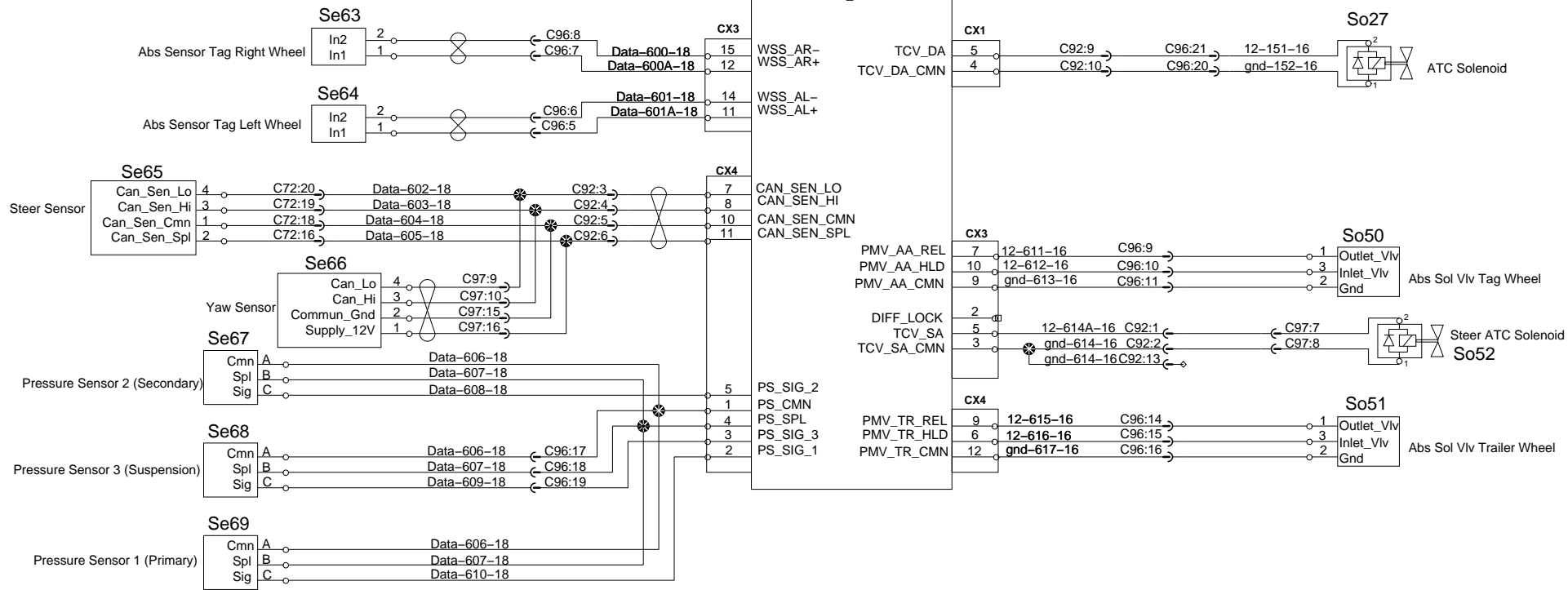
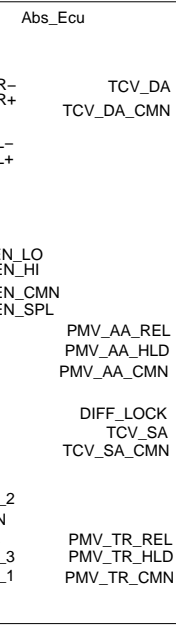
## Adaptative Cruise Control Radar

A114

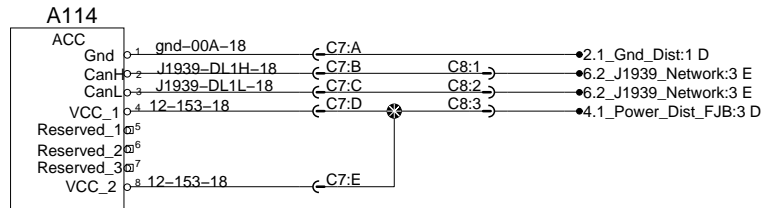


# ABS ESP

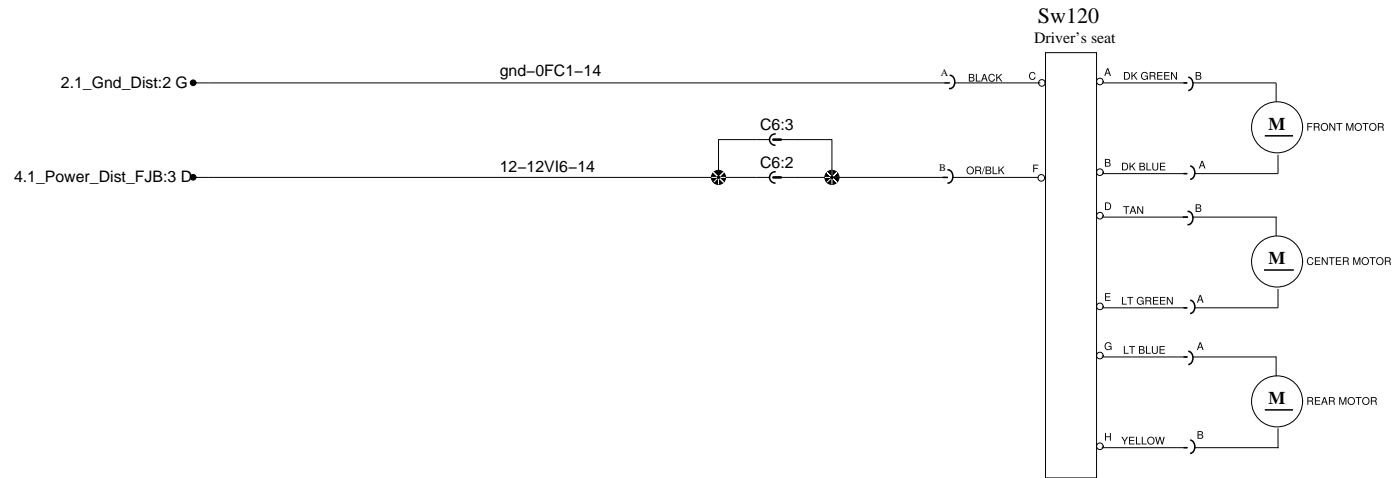
A9



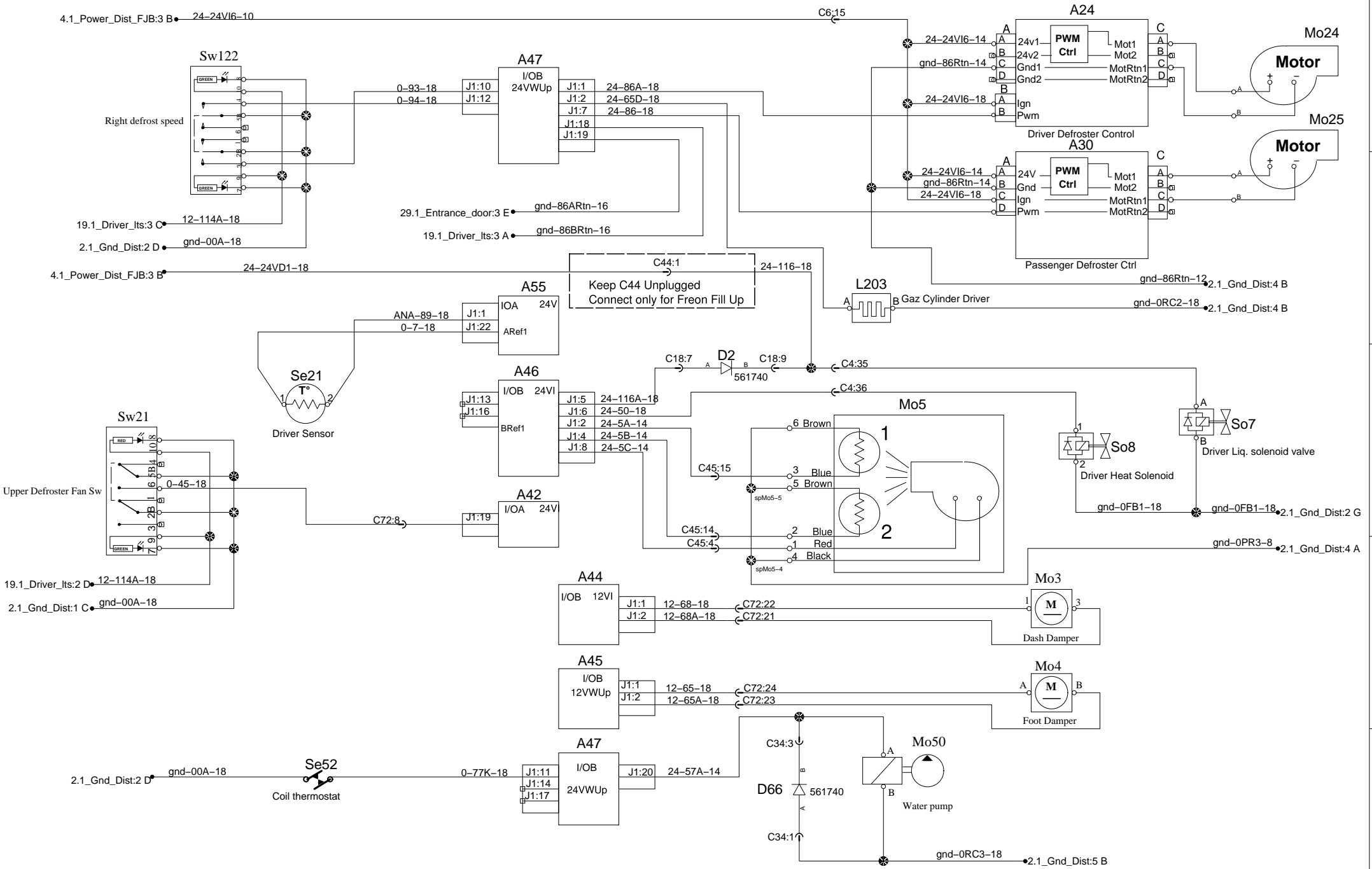
## Adaptative Cruise Control Radar



# Driver seat



# Hvac\_Defroster





# Hvac

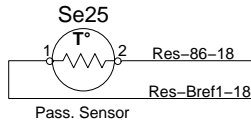
**Wiring identifiers** ————— Full A/C  
 - - - - - Full A/C and Small A/C

( If 2B wire is 24V= Low speed : 0V = Hi speed )

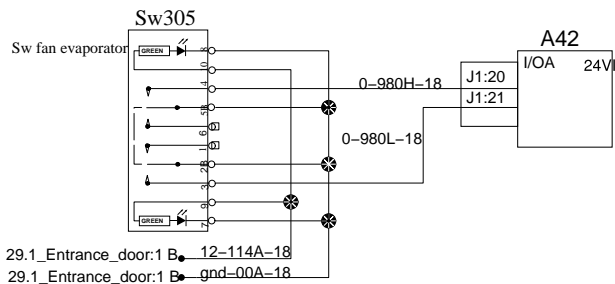
3.1\_Main\_Disti\_Ign\_Batt:2 B ● 24-41-6

5.1\_Pwr\_Dist\_RJB:2 D ● 24-24V7-14 C22A:3

Keep C24 Unplugged  
 Connect only for Freon Fill up

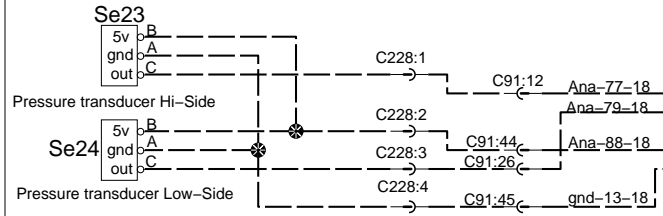


J1:1	24-2B-14
J1:2	24-131-18
J1:3	24-77C-18
J1:4	24-57A-14
J1:5	24-67A-18
J1:7	24-67-18
J1:8	24-45A-18
J1:20	24-65P-16

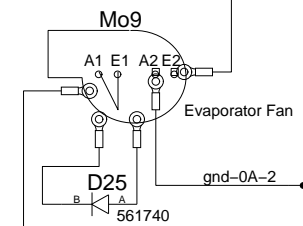
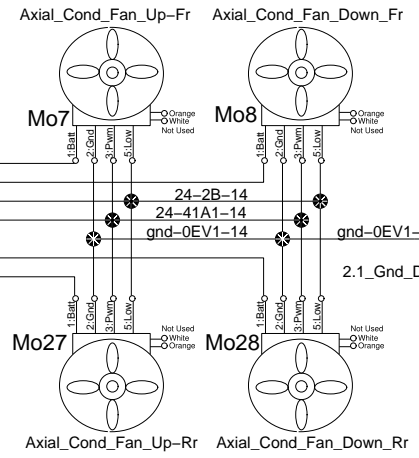
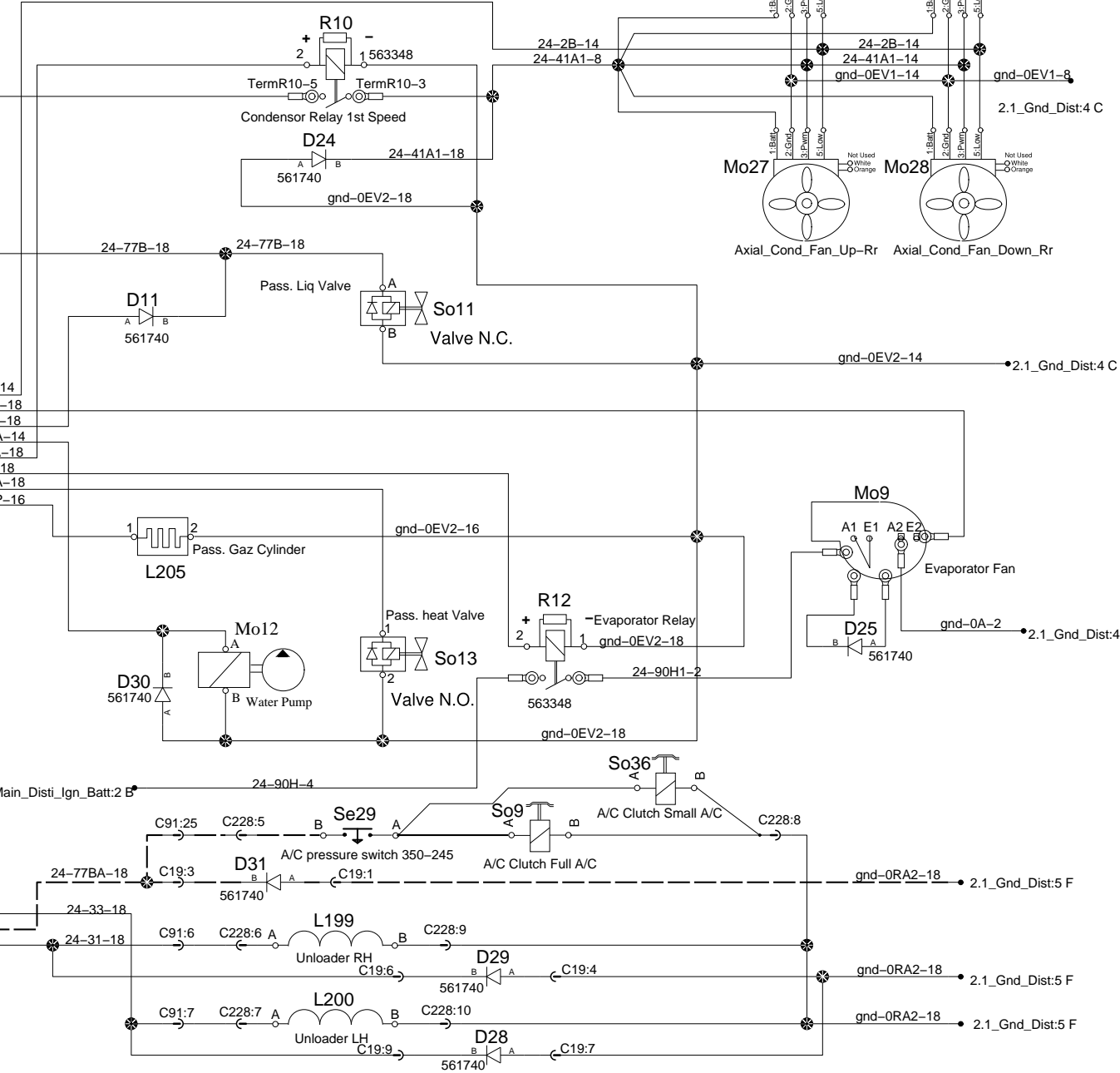


29.1\_Entrance\_door:1 B ● 12-114A-18  
 29.1\_Entrance\_door:1 B ● gnd-00A-18

**OPTION HIGH, LO SW TO CONTROL  
 EVAPOR FAN**



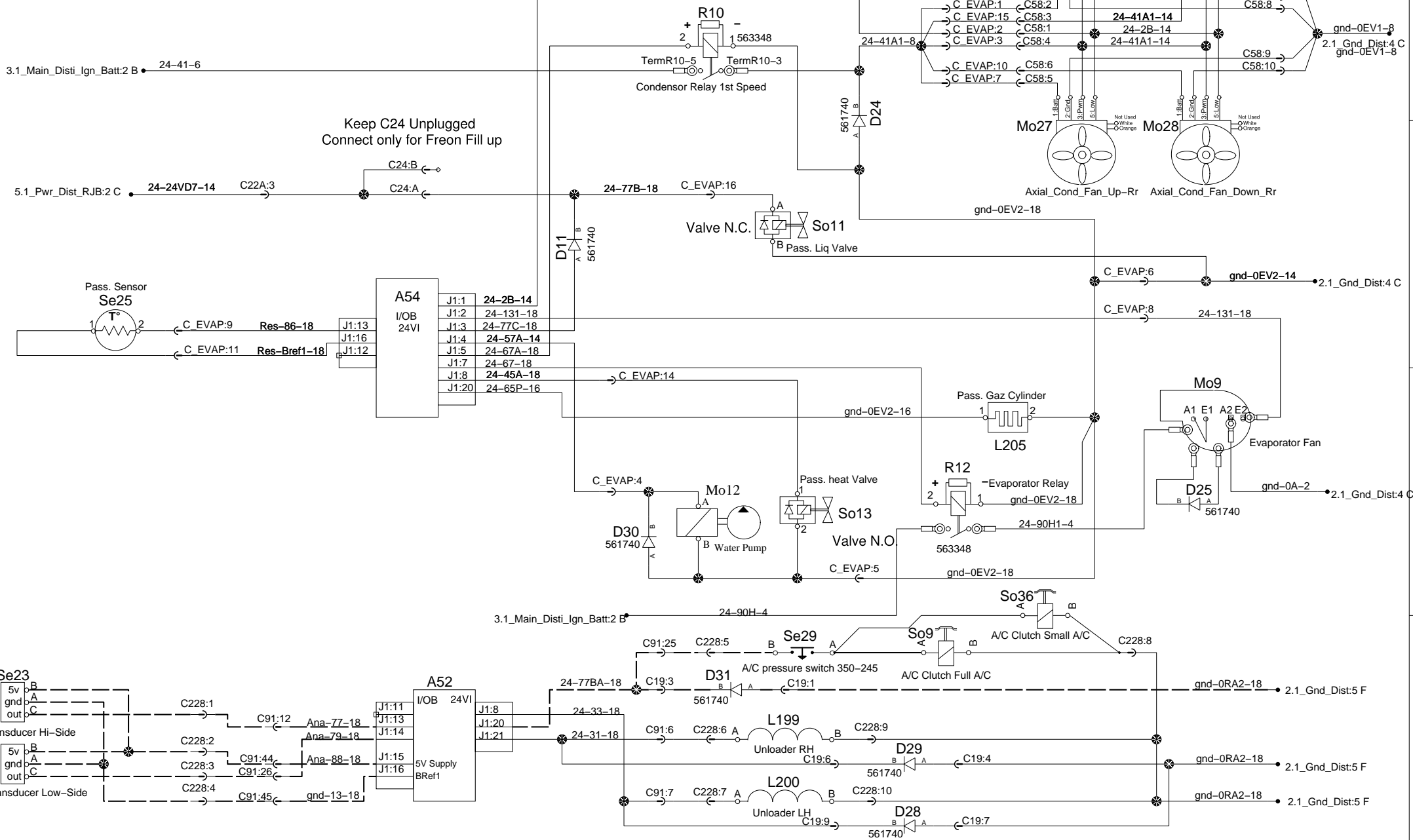
J1:11	I/OB 24VI
J1:13	
J1:14	
J1:15	5V Supply BRef1
J1:16	



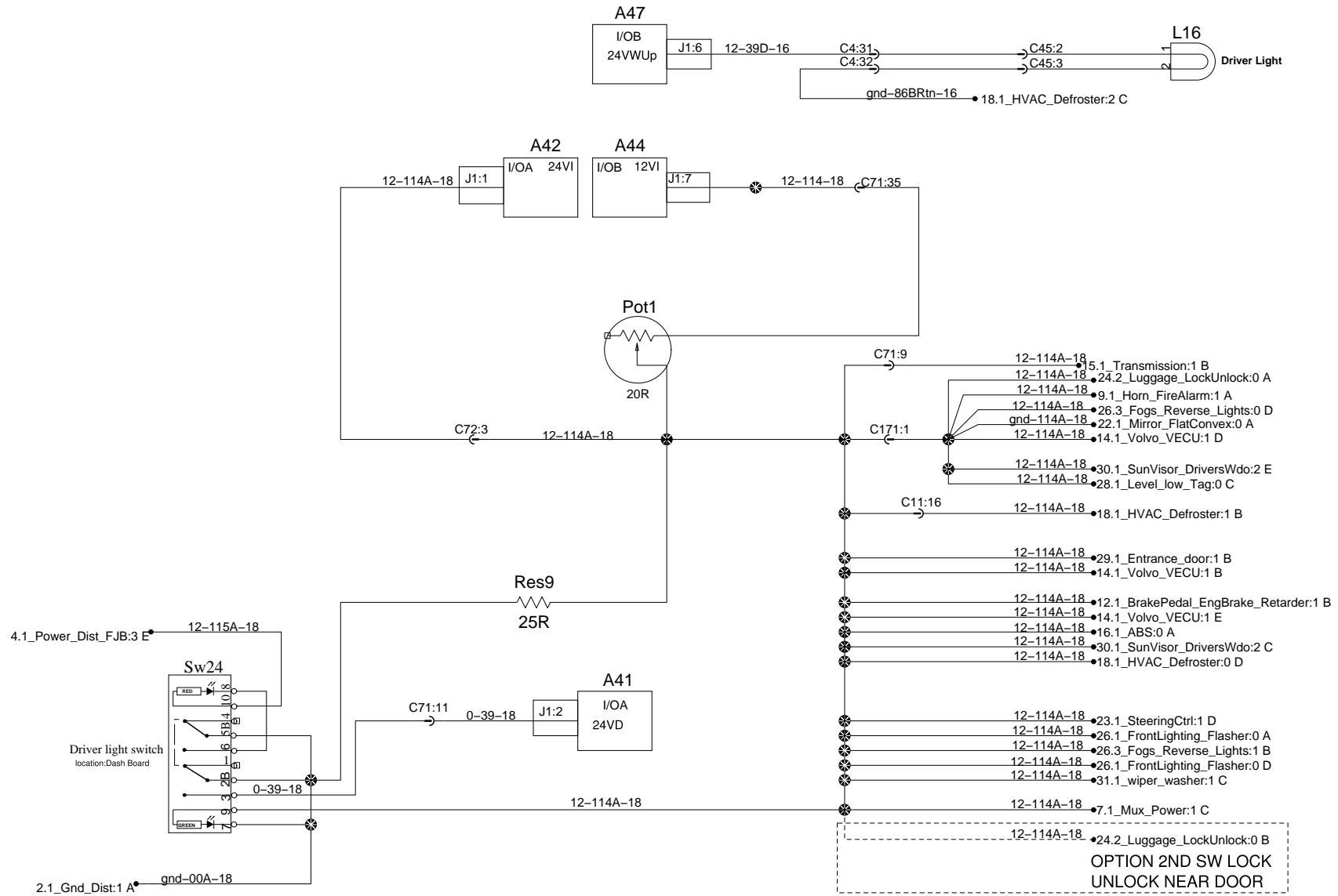
# Hvac System

Wiring identifiers  Full A/C  
 Full A/C and Small A/C

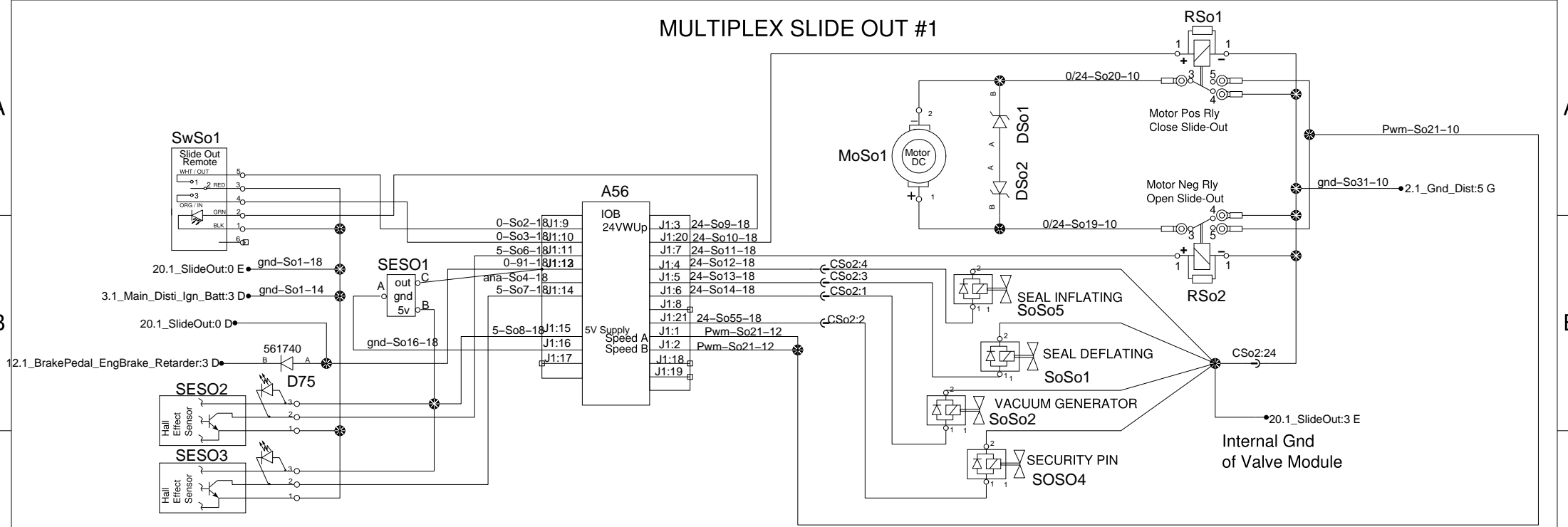
( If 2B wire is 24V= Low speed : 0V = Hi speed )



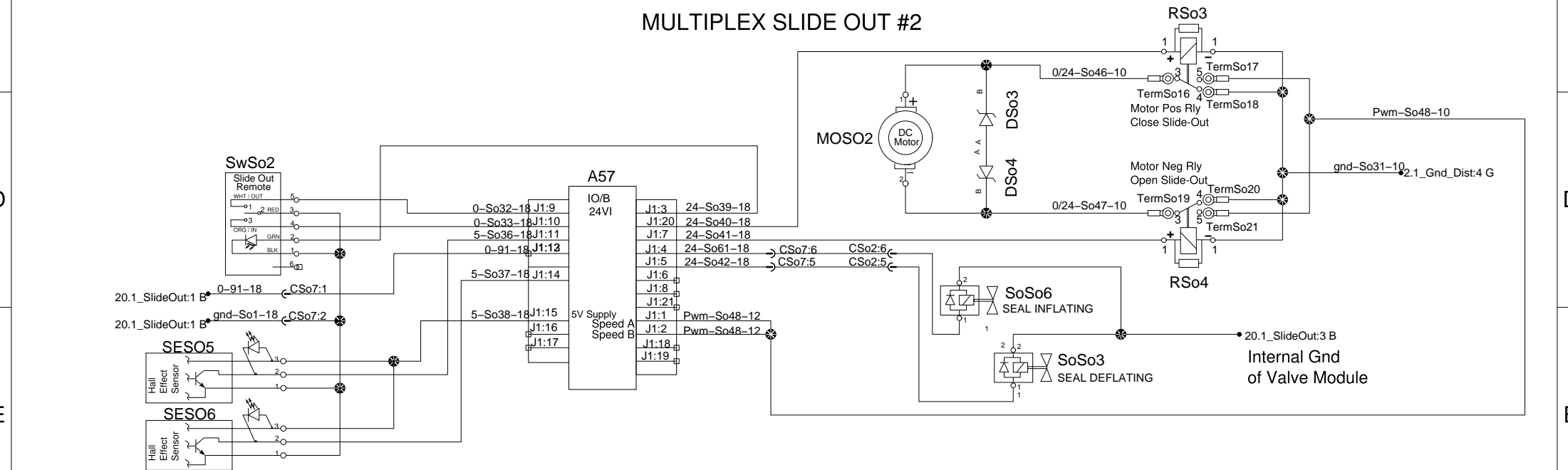
# Driver lights



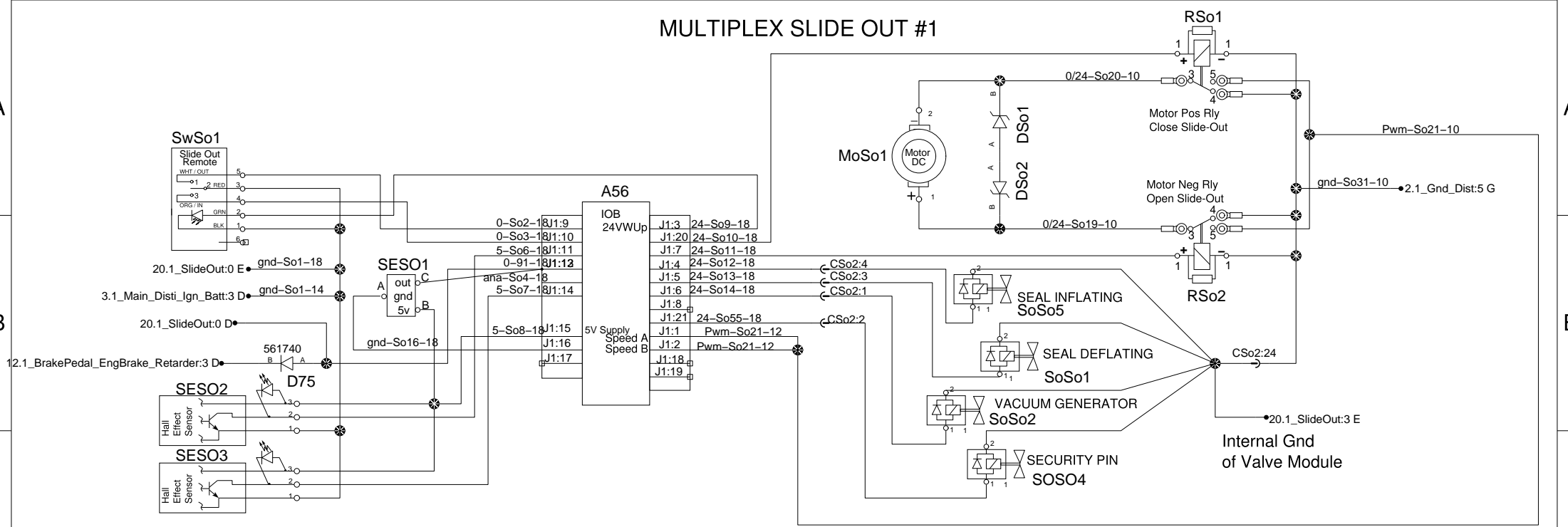
### MULTIPLEX SLIDE OUT #1



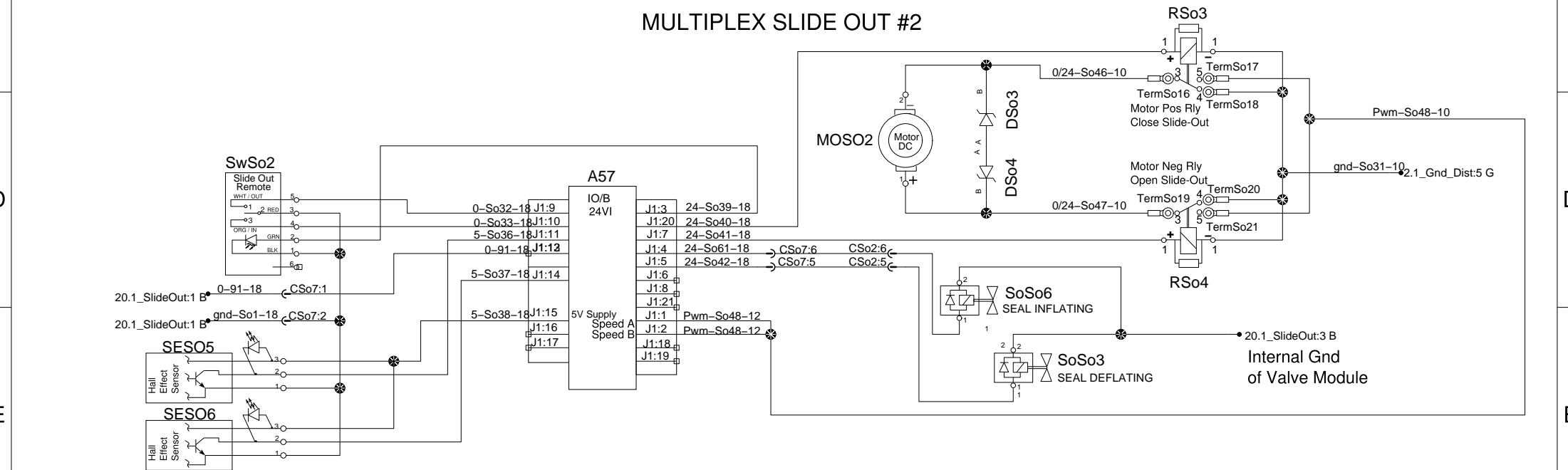
### MULTIPLEX SLIDE OUT #2



### MULTIPLEX SLIDE OUT #1



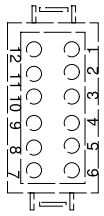
### MULTIPLEX SLIDE OUT #2



# Converter interface

## Front junction box

CC1 (BLACK)



BACK OF CONNECTOR  
PREVOST PART 563227  
SOCKET TERMINALS 562482  
SECONDARY LOCK 563228

### INPUTS

Retract slide out  
Store roof antenna  
House alternator fault  
Awning windows opened

Close front bumper  
Store side awning

Generator problem  
Shore power cord

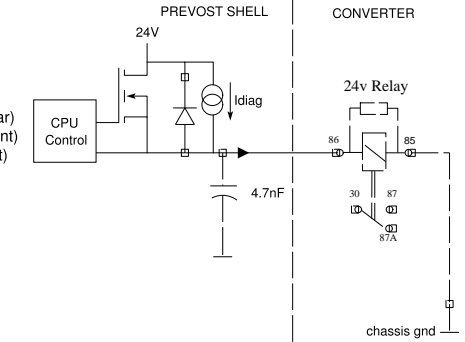
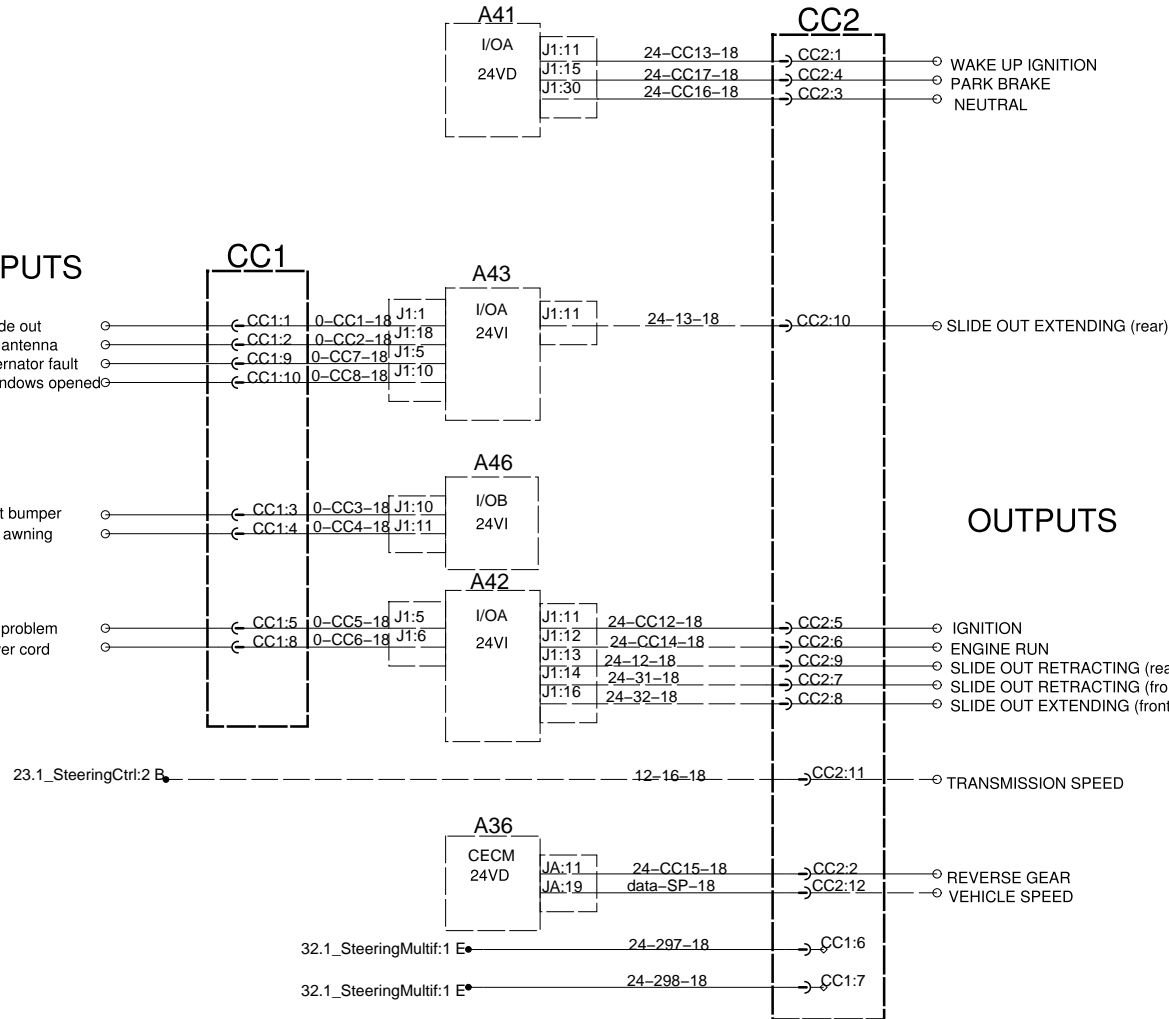
CC2 (GREY)



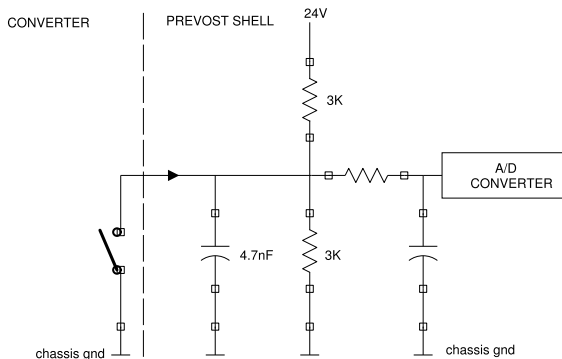
BACK OF CONNECTOR  
PREVOST PART 563226  
SOCKET TERMINALS 562482  
SECONDARY LOCK 563228

### OUTPUTS

### \* SPECIAL CIRCUIT CECM J1:12



### TYPICAL CIRCUIT



### INPUT SPECIFICATION

**Active state (input contact closed):**

Sourcing current : 8mA  
Maximum allowed voltage drop across contact: 3V

**Inactive state(input contact open):**

Voltage on input:12V  
Maximum allowed leakage current across contact: 3ma

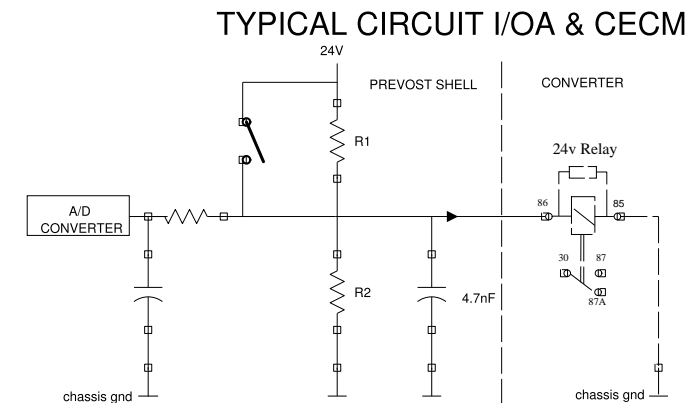
### OUTPUT SPECIFICATION

**Active state**

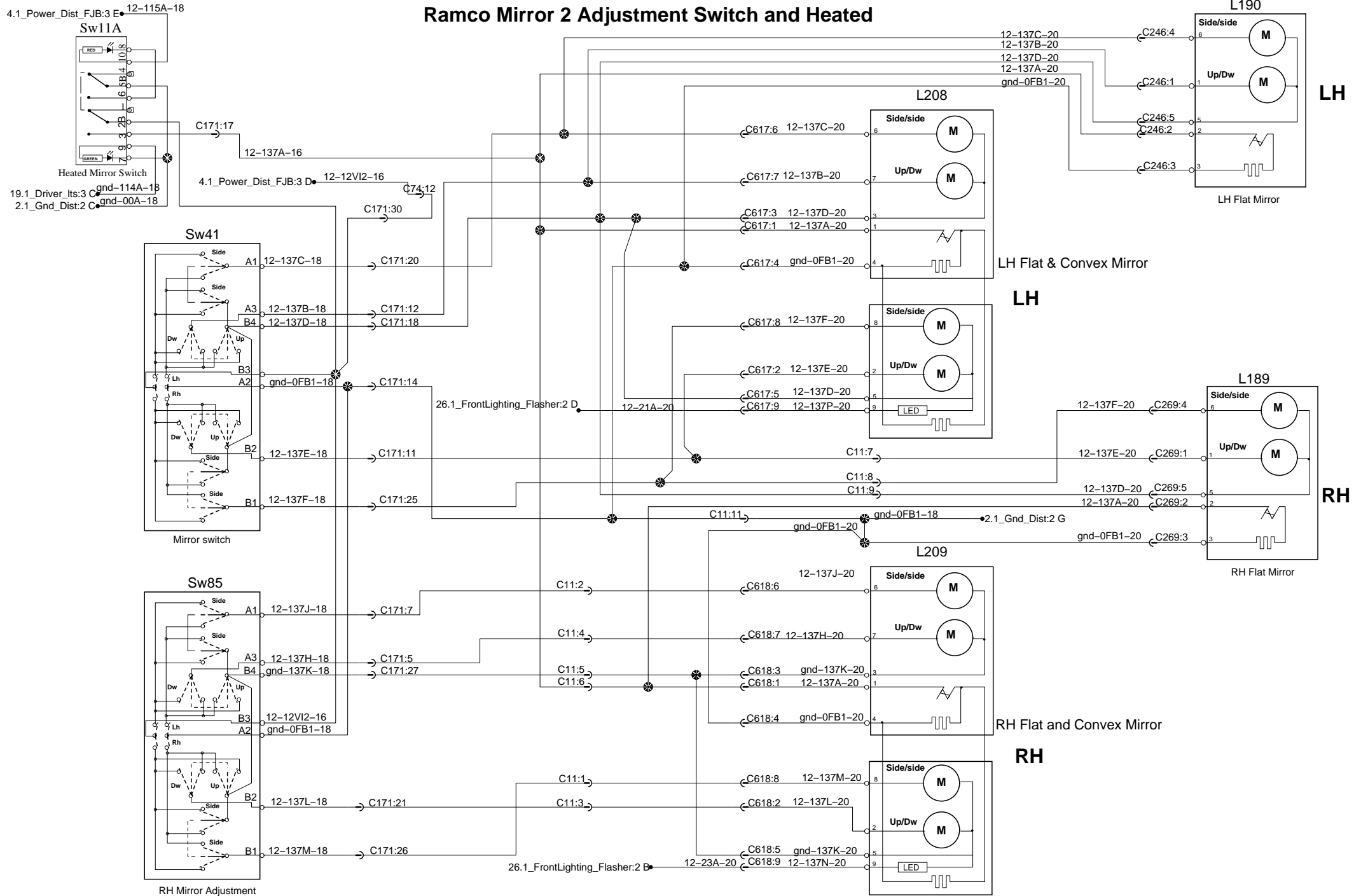
Maximum current: 1A I/OA /125ma CECM  
Minimum output voltage: 22.5V

**Inactive state**

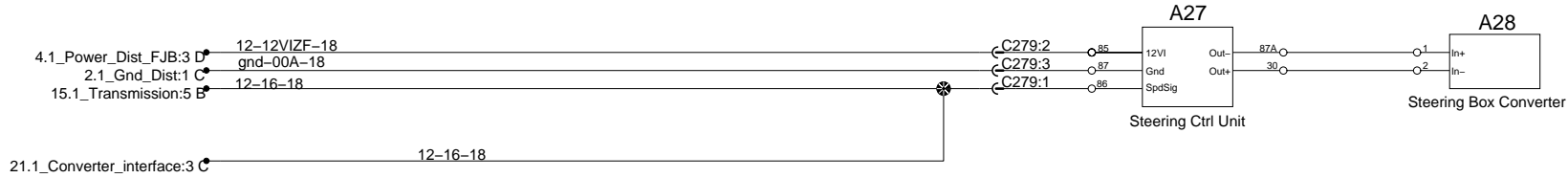
Open circuit voltage: 6v to 8v except CECM J1:12 = 0v \*  
Leakage current: 0.8ma



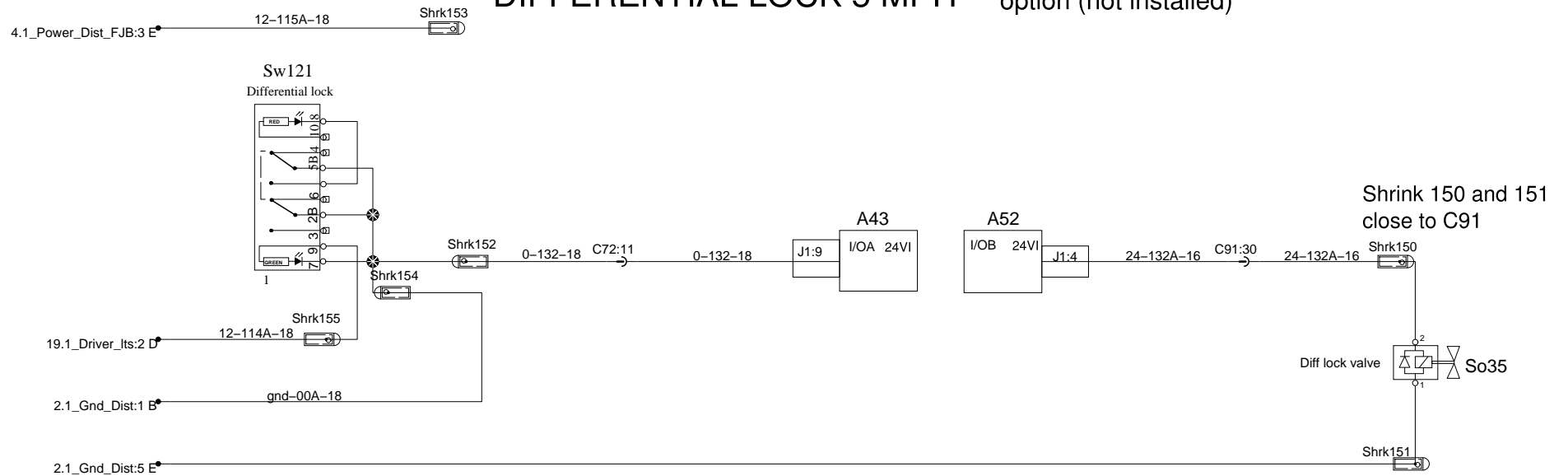
# Ramco Mirror 2 Adjustment Switch and Heated



# ZF Steering Control



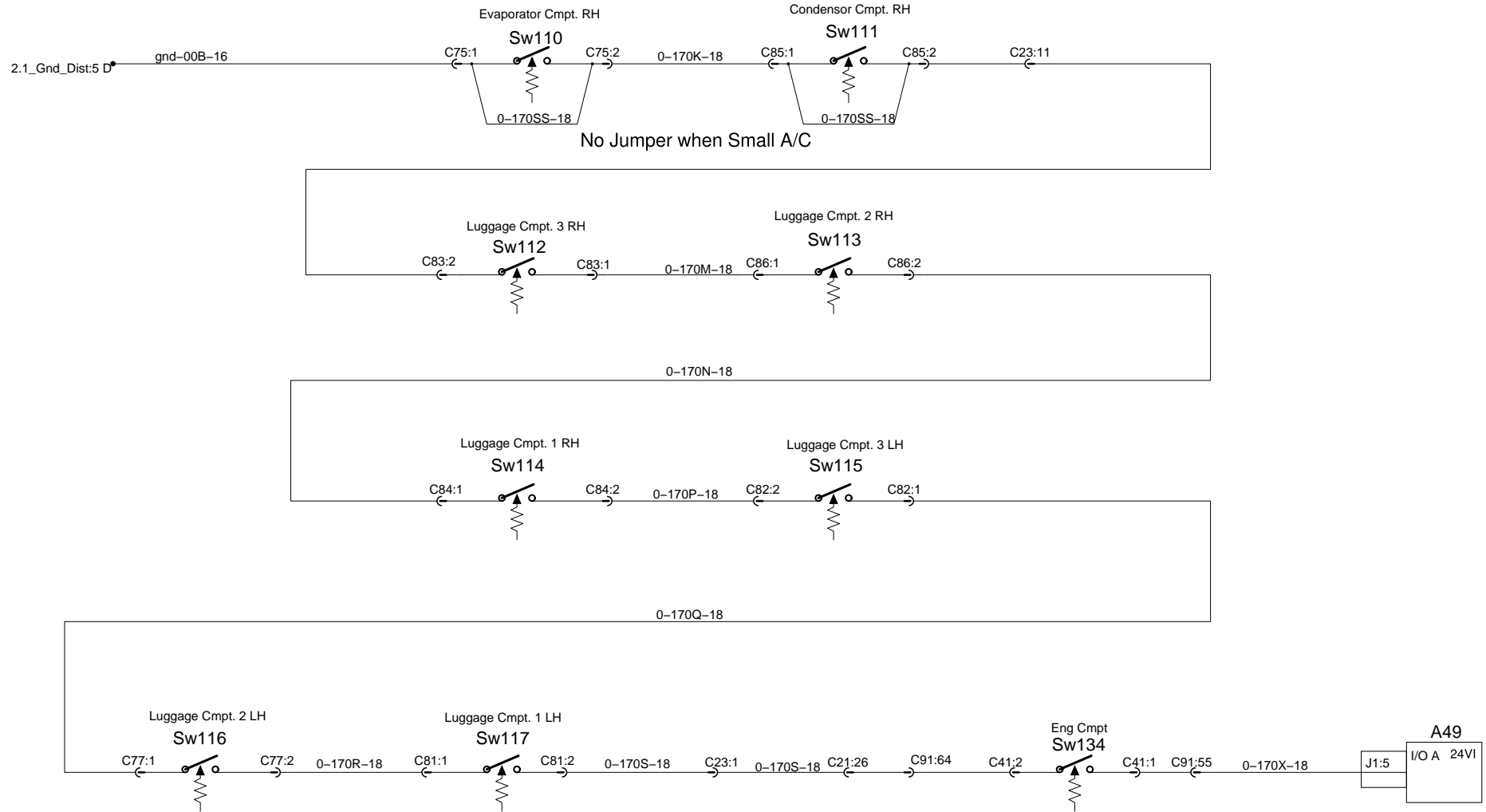
# DIFFERENTIAL LOCK 5 MPH option (not installed)



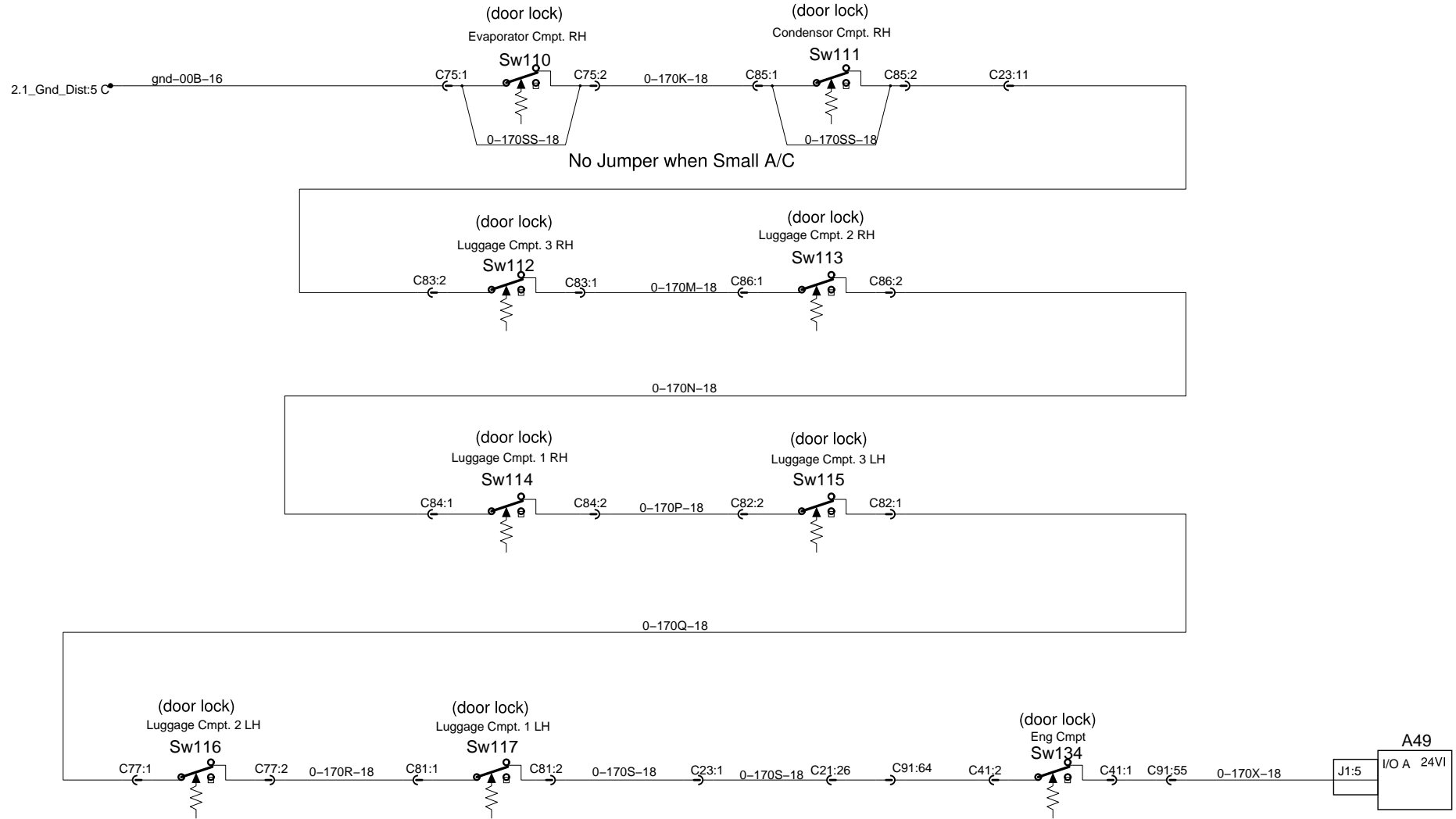


# Luggage doors locks switches

(Switch closed=door locked)

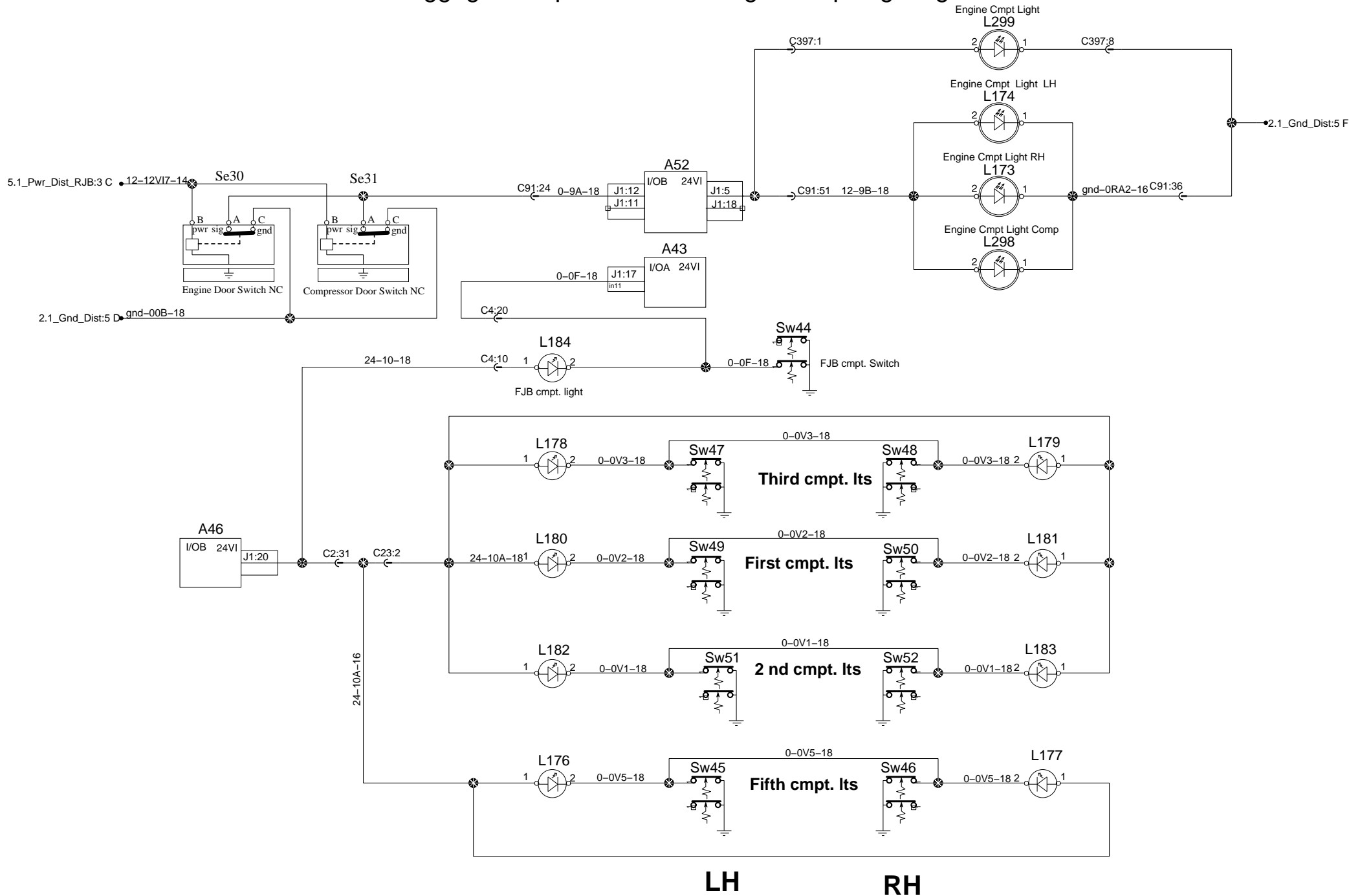


# Luggage doors locks switches





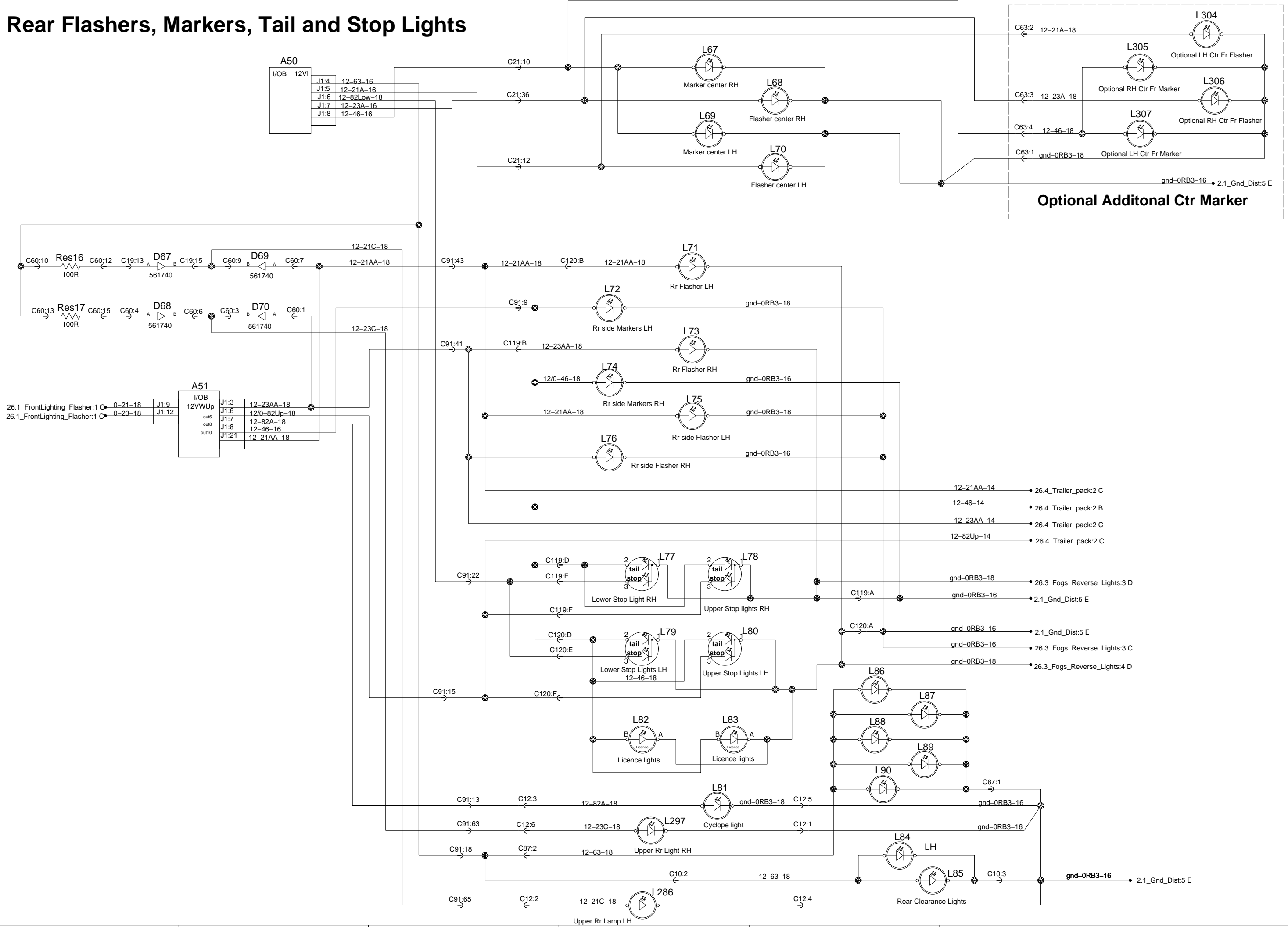
# Luggage Compartment and Engine cmpt. lighting



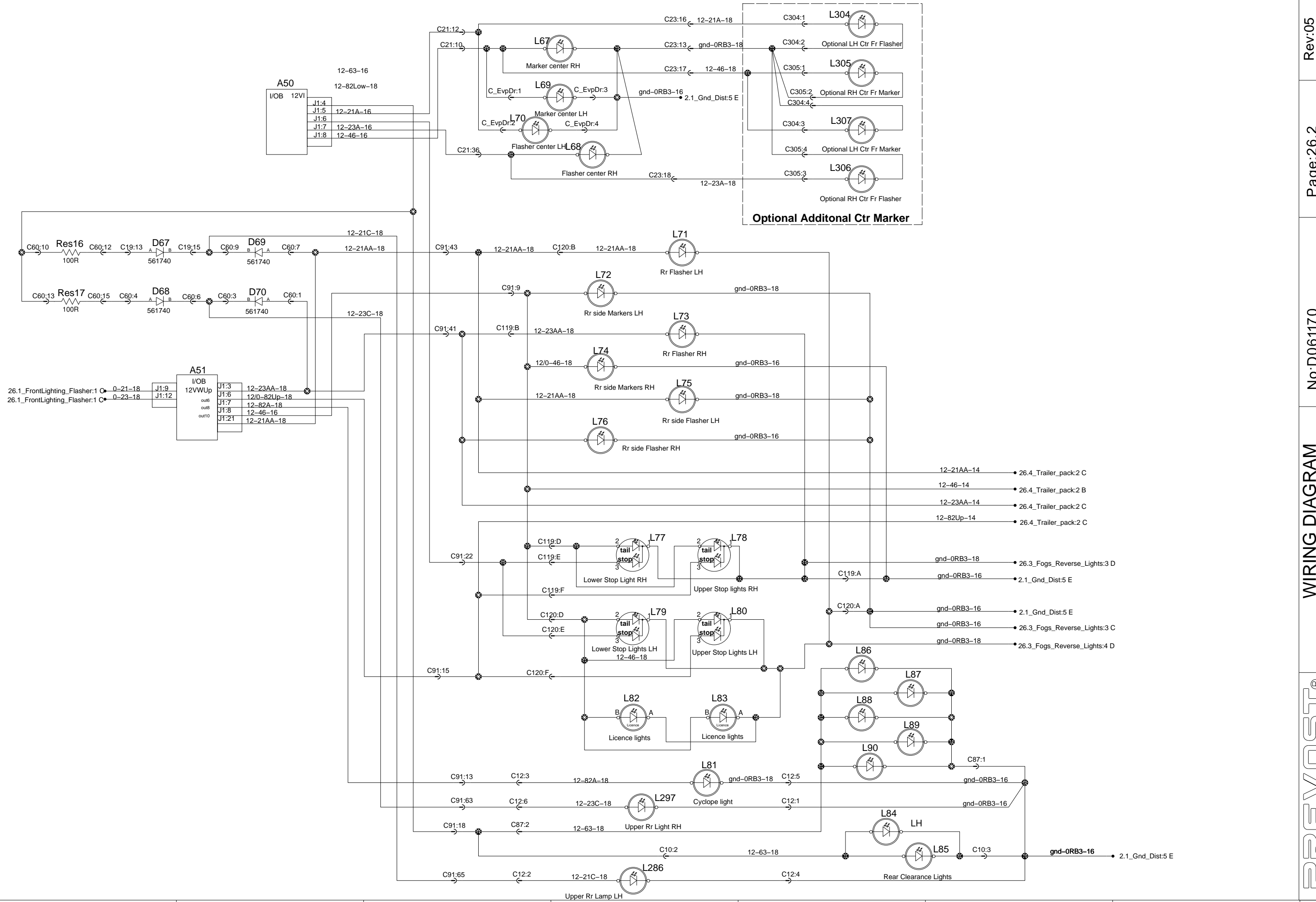
LH RH



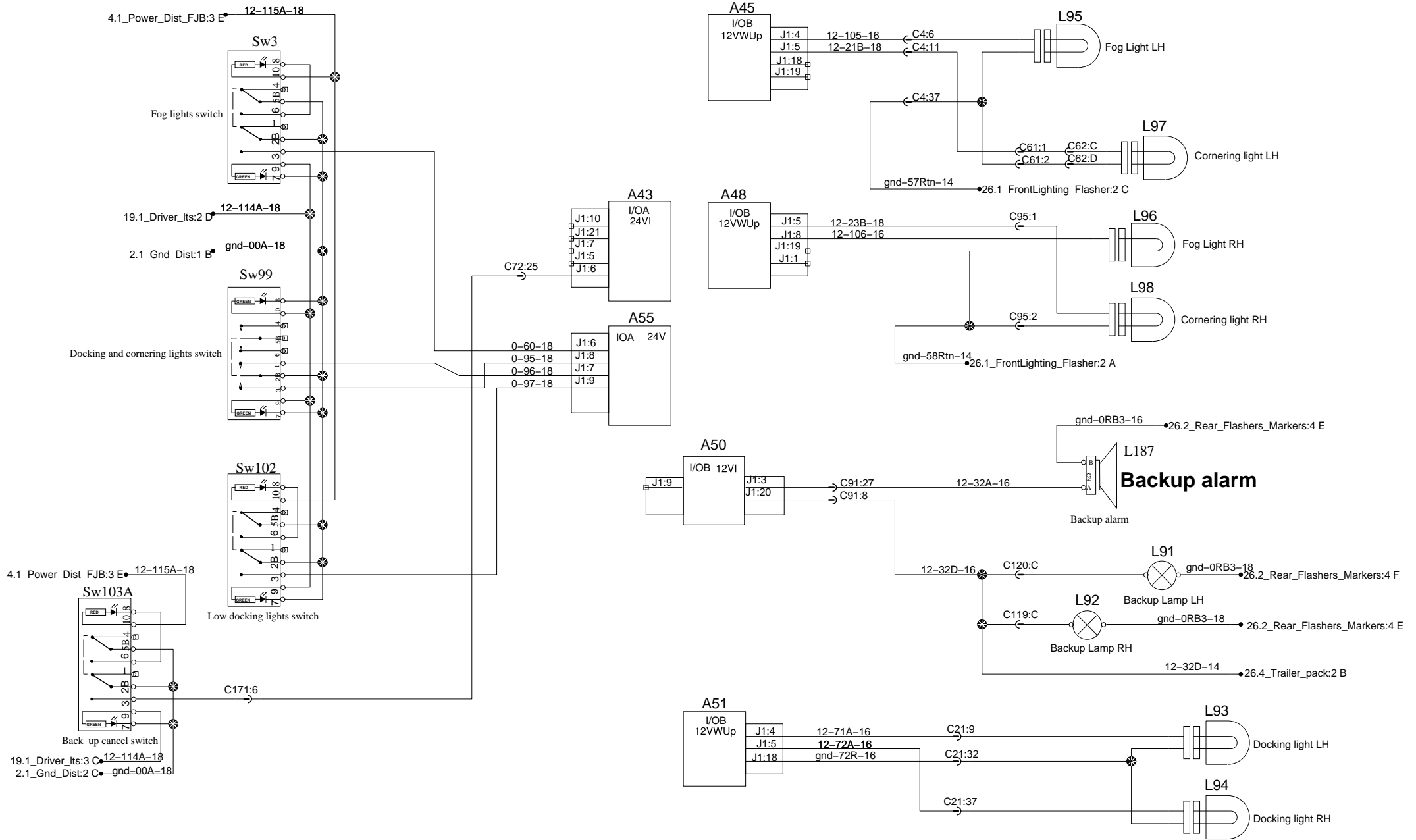
# Rear Flashers, Markers, Tail and Stop Lights



# Rear Flashers, Markers, Tail and Stop Lights



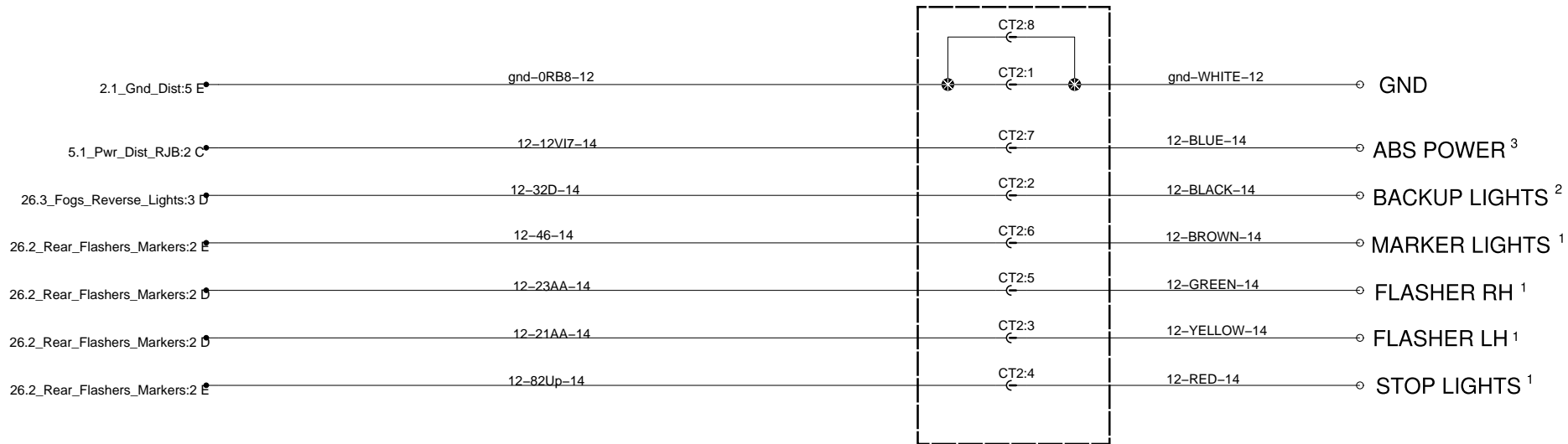
# Fog's Lights and Backup Lights and Alarm



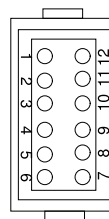


# Trailer Package

## ENGINE COMPARTMENT CONNECTOR CT2



### CT2



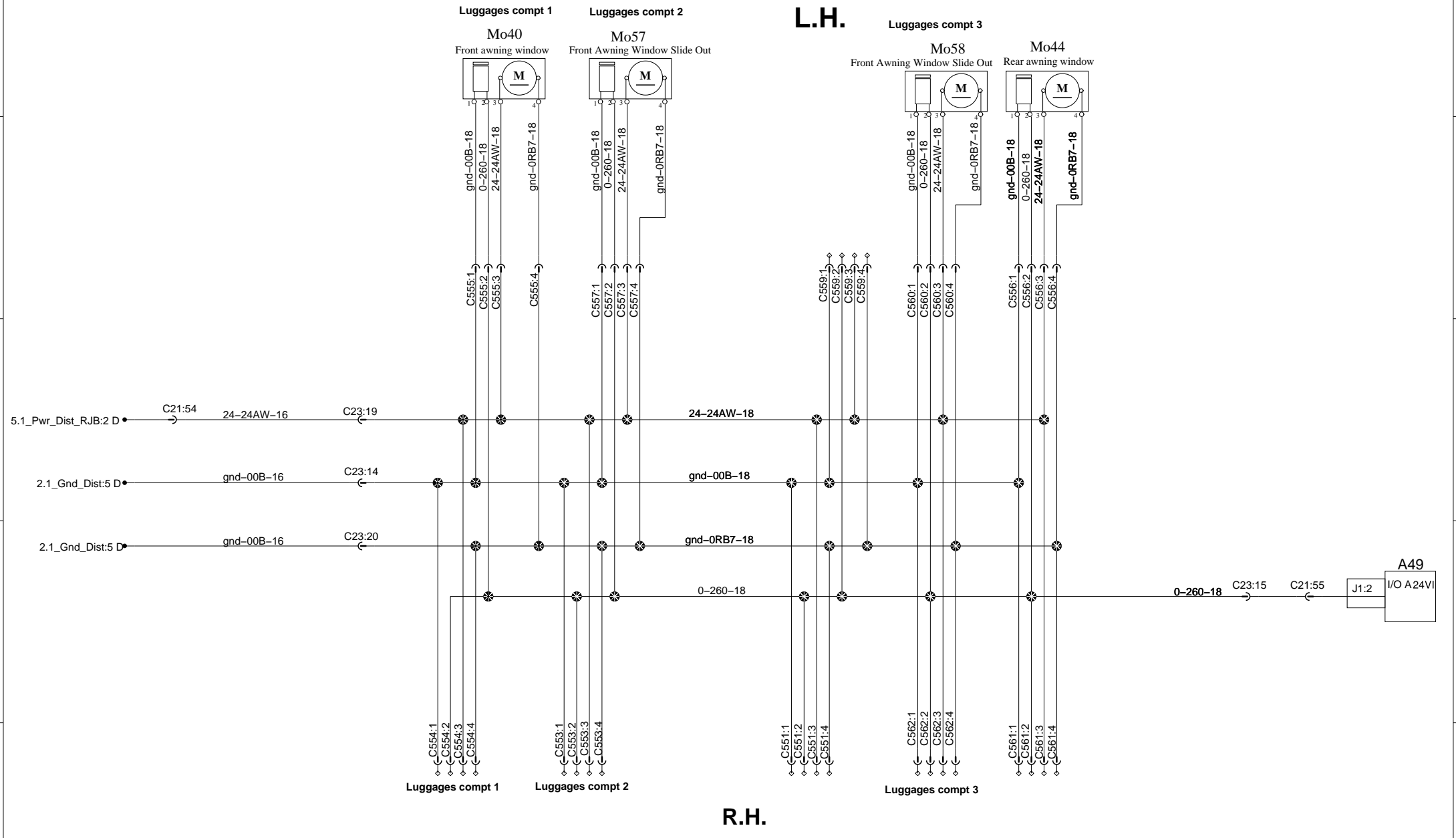
BACK OF CONNECTOR  
PREVOST PART 563613  
PIN TERMINALS 562481  
SECONDARY LOCK

NOTE 1:MAXIMUM CURRENT LOAD IS 8A .

NOTE 2 :MAXIMUM CURRENT LOAD IS 4A .

NOTE 3 :MAXIMUM CURRENT LOAD IS 10A .

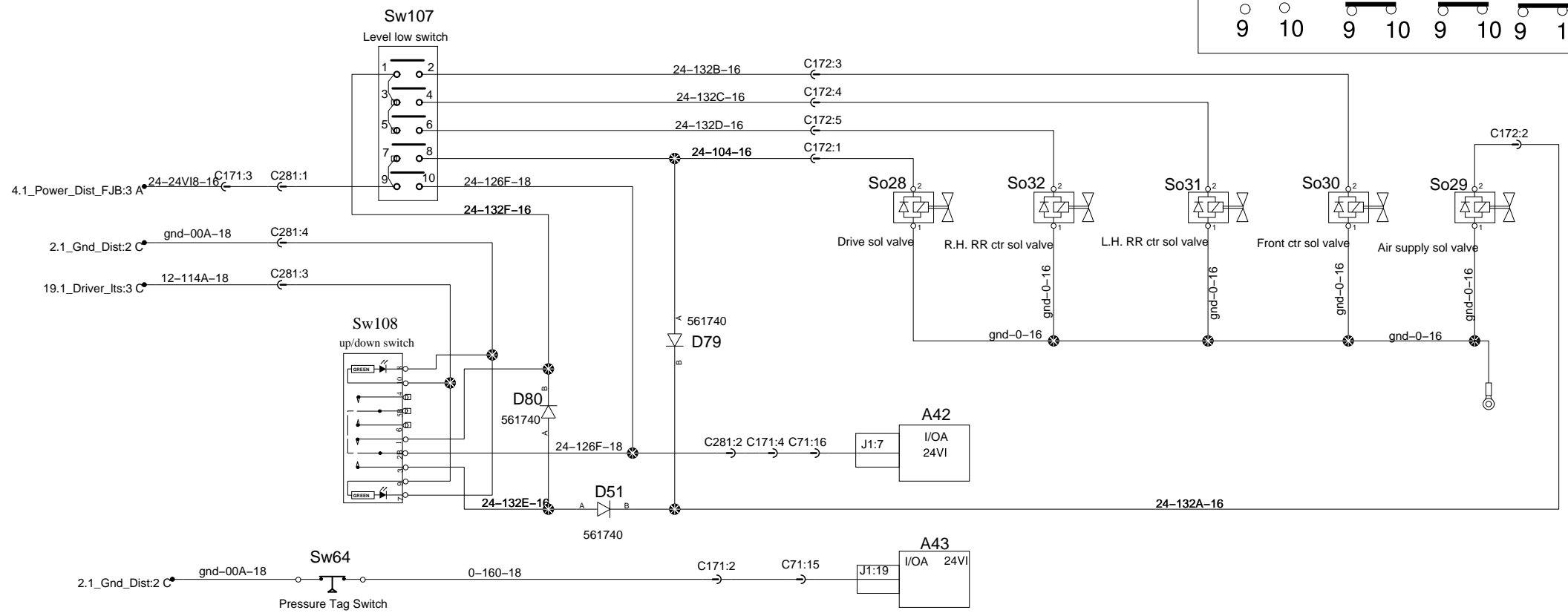
# Window Ajar and awning mechanism



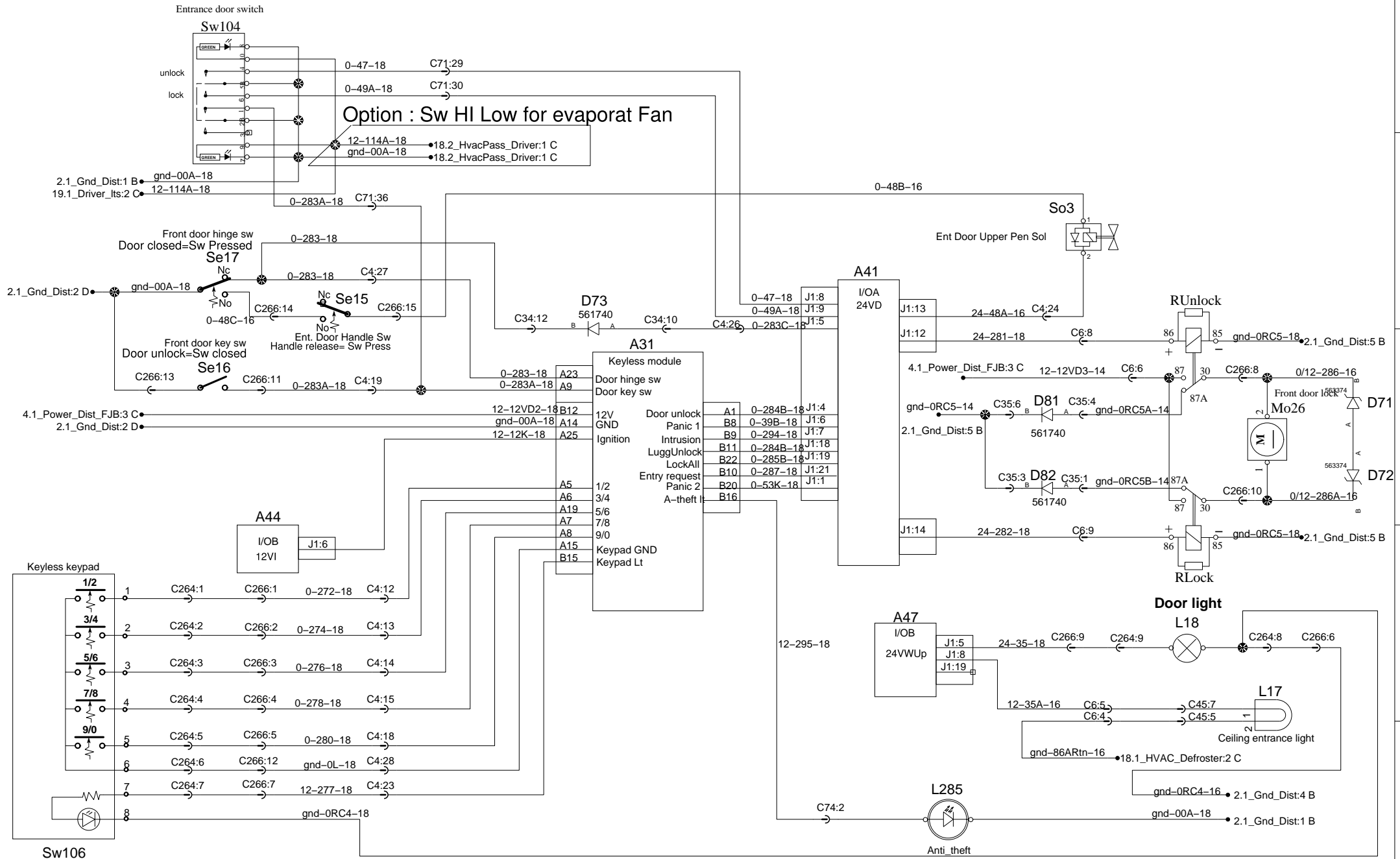
# Tag and Level low

Drive Position	Front	Left Rear	Right Rear

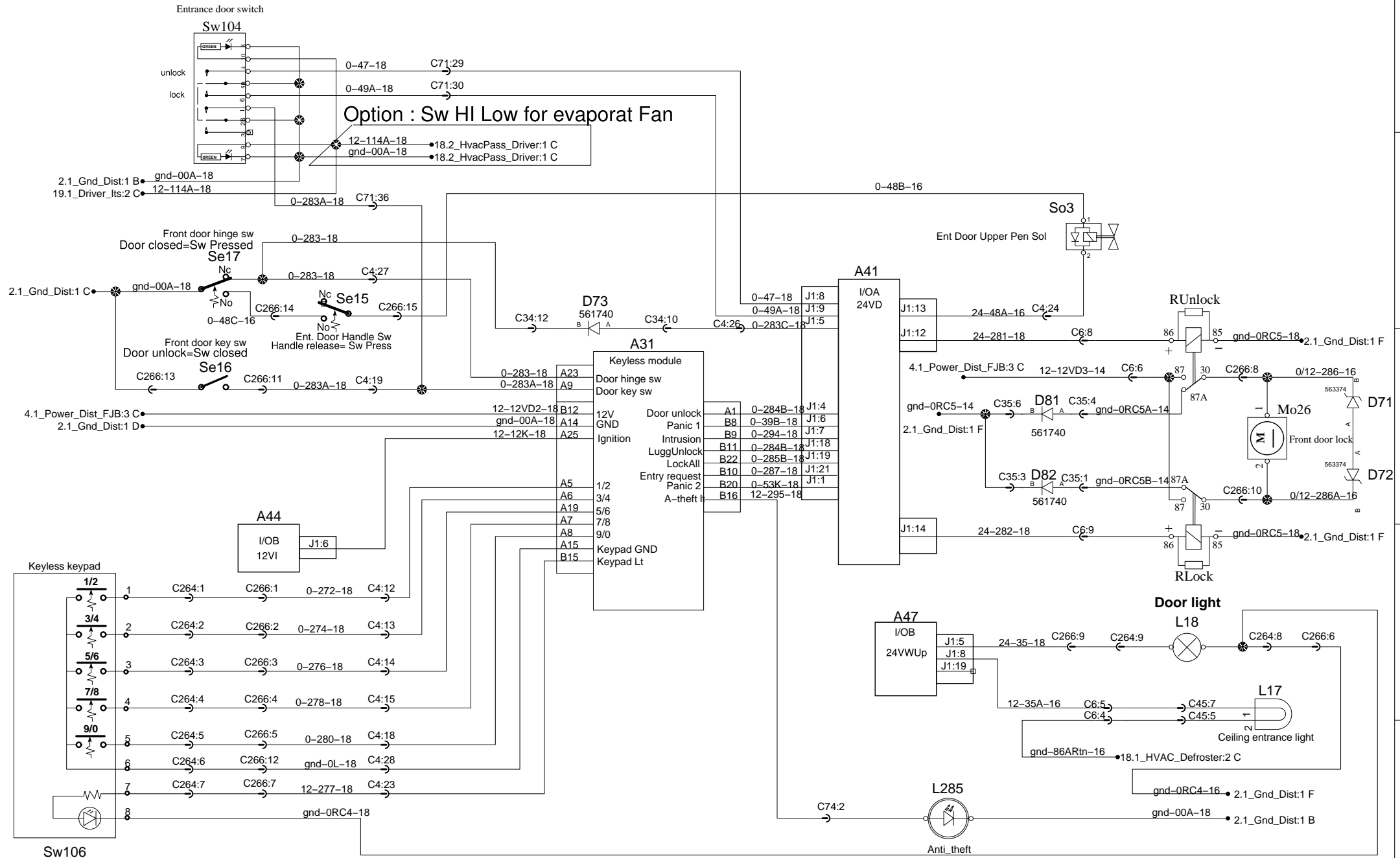
Level low control switch



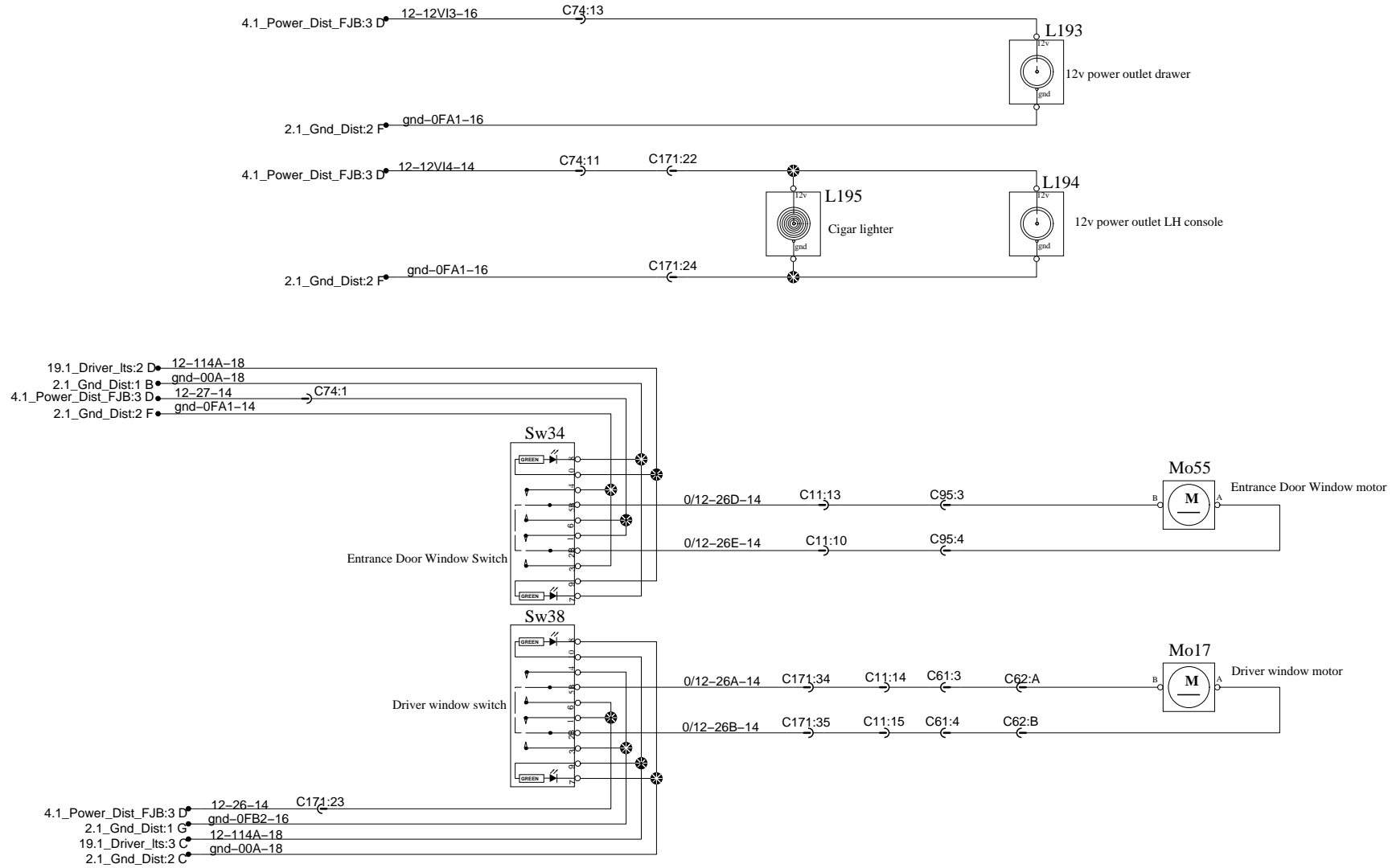
# Entrance door, Keyless



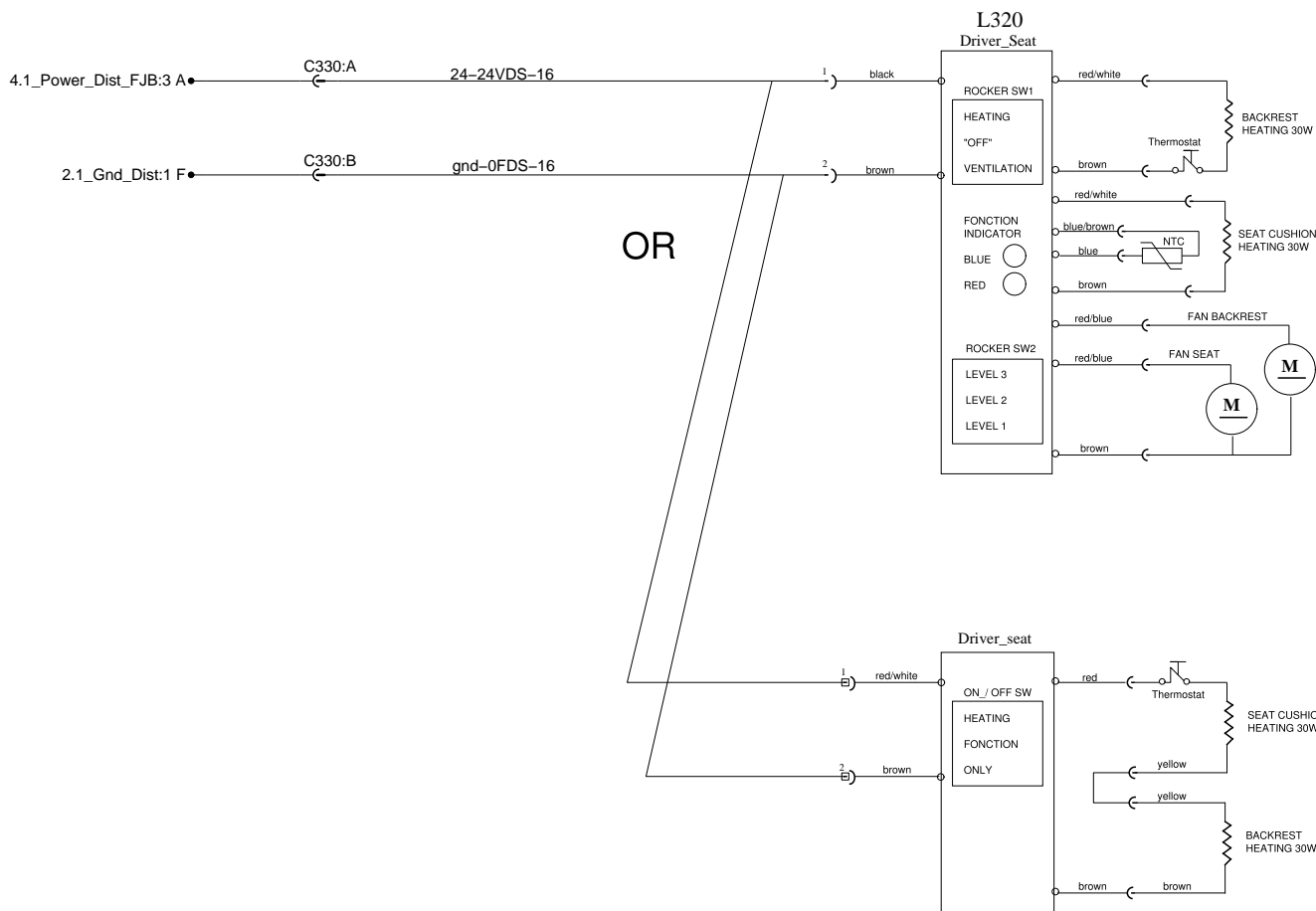
# Entrance door, Keyless



# Driver and Entrance Window and 12V Outlet



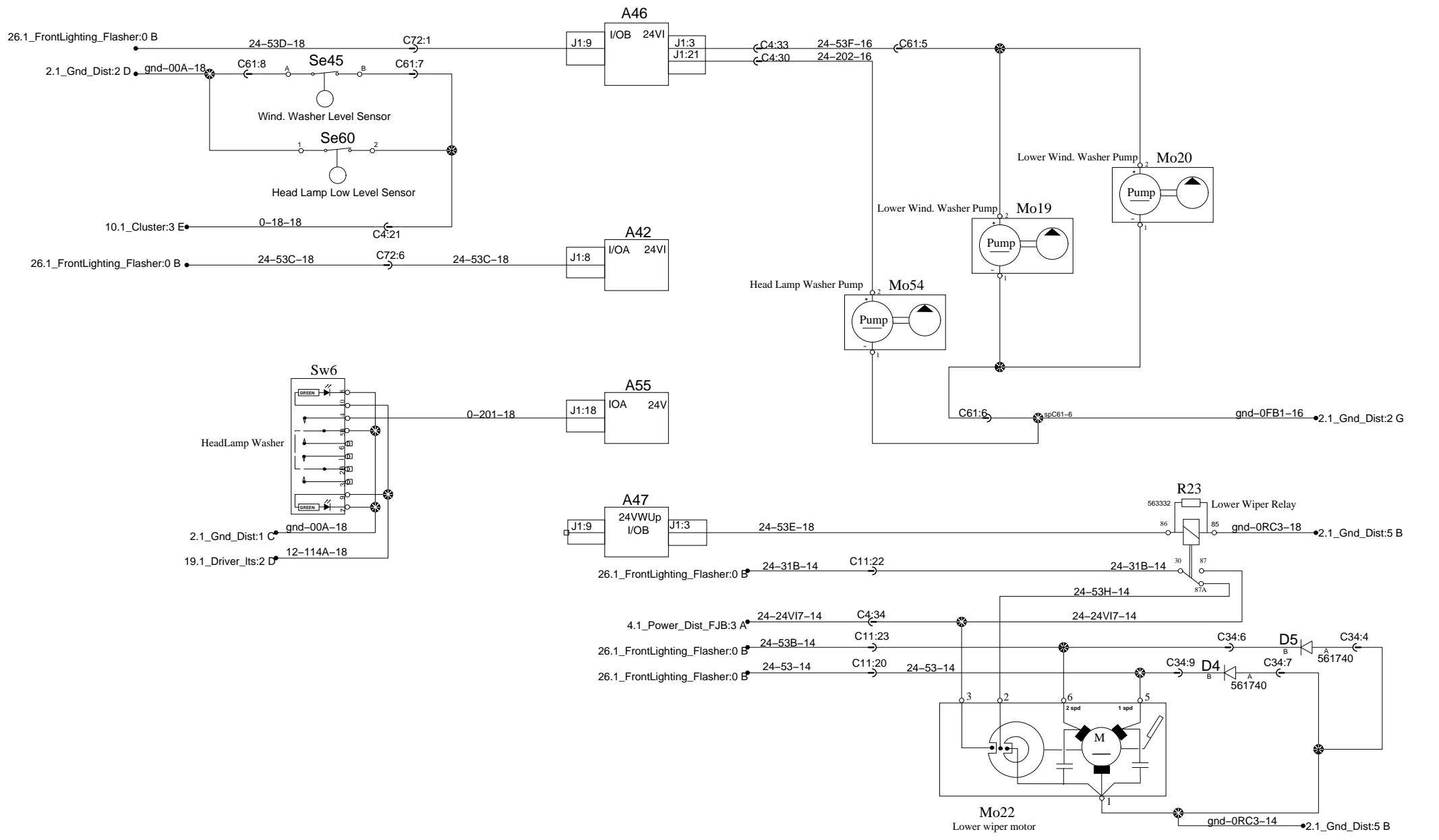
### DRIVER SEAT: ELECTRICAL OPTIONS



HEATING AND VENTILATION

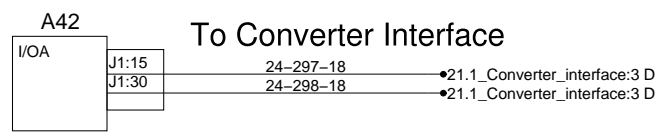
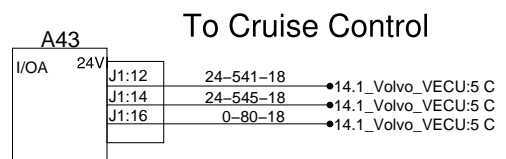
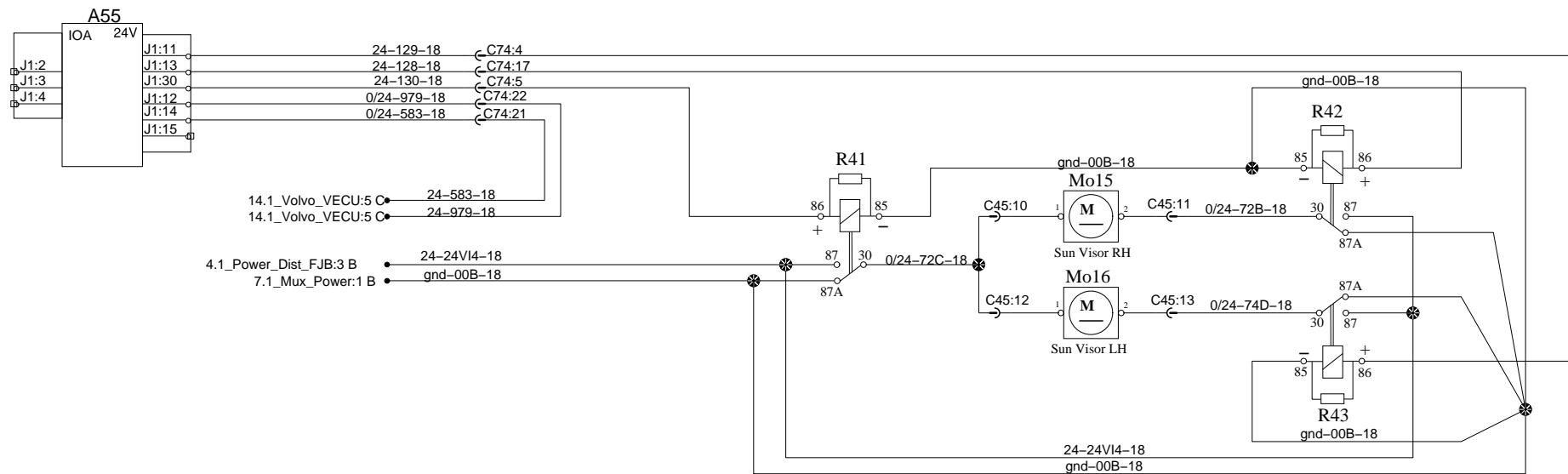
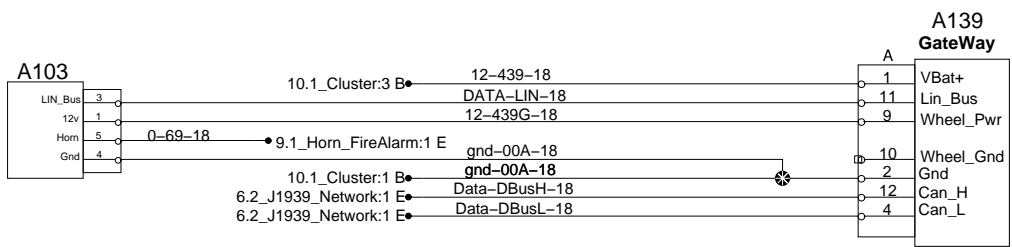
HEATING ELEMENTS ONLY

# Wiper and washer

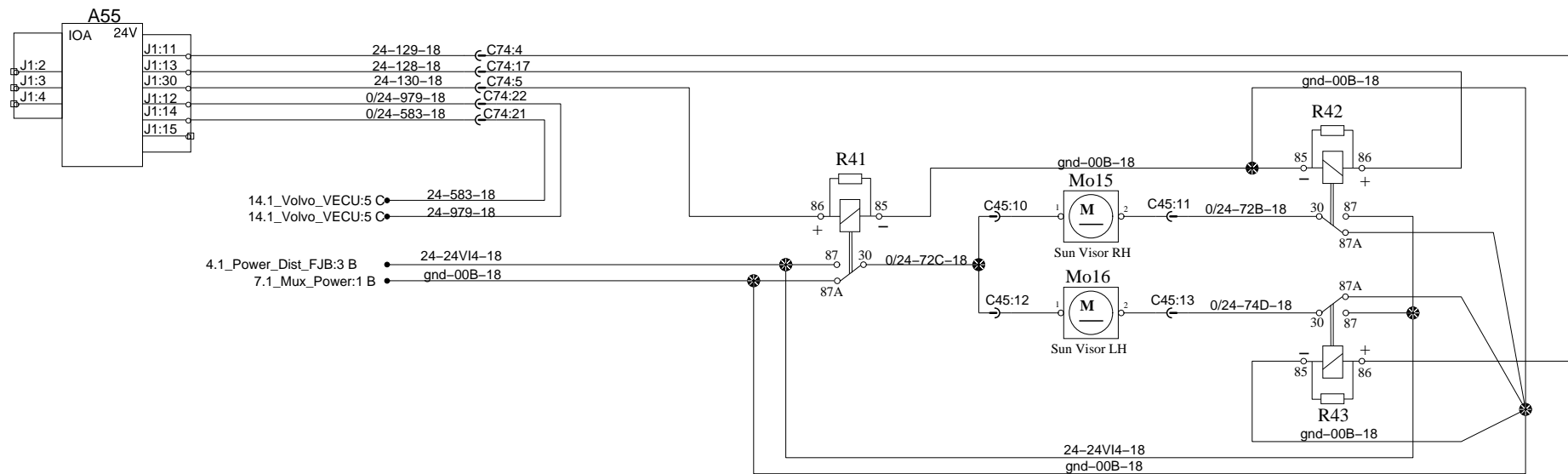
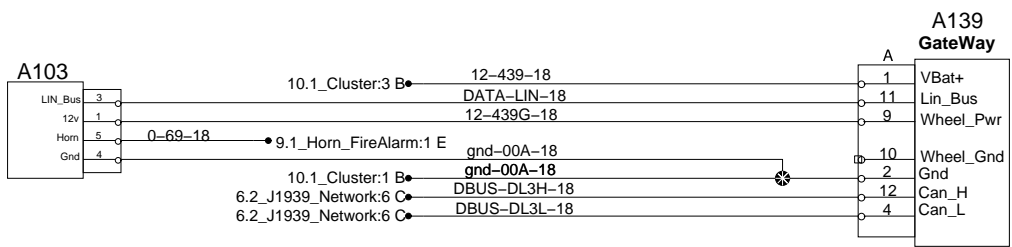




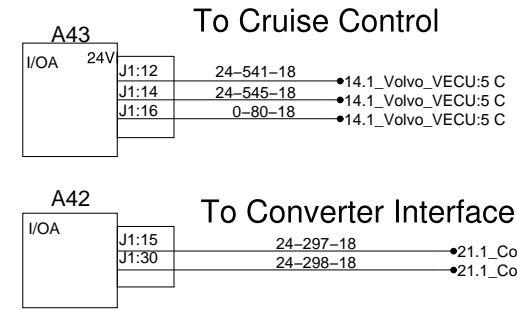
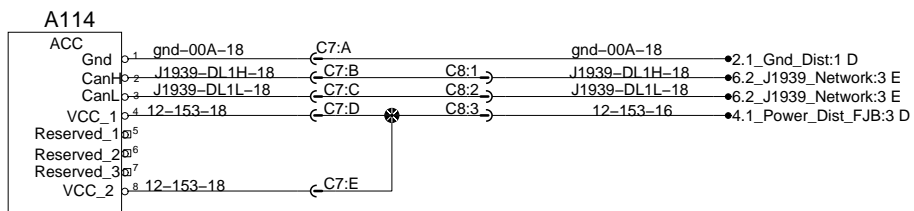
# Steering Multifunctions & Sun Visor



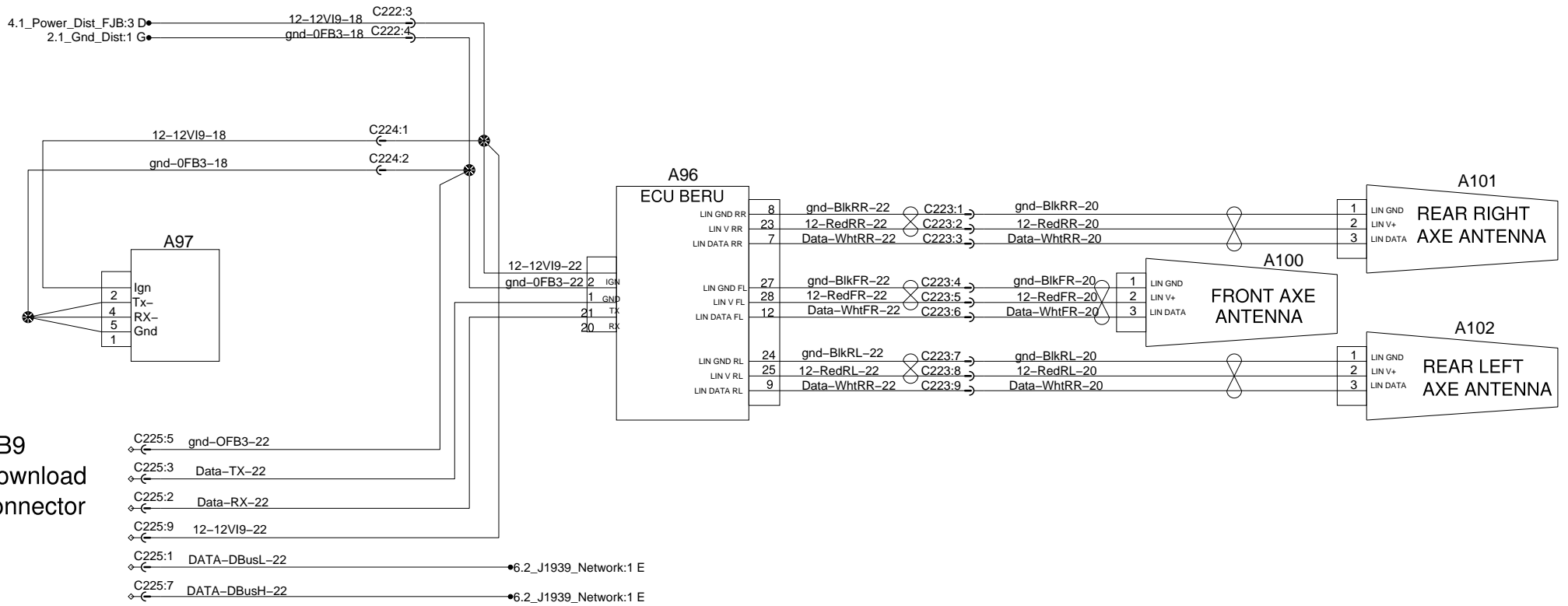
# Steering Multifunctions & Sun Visor



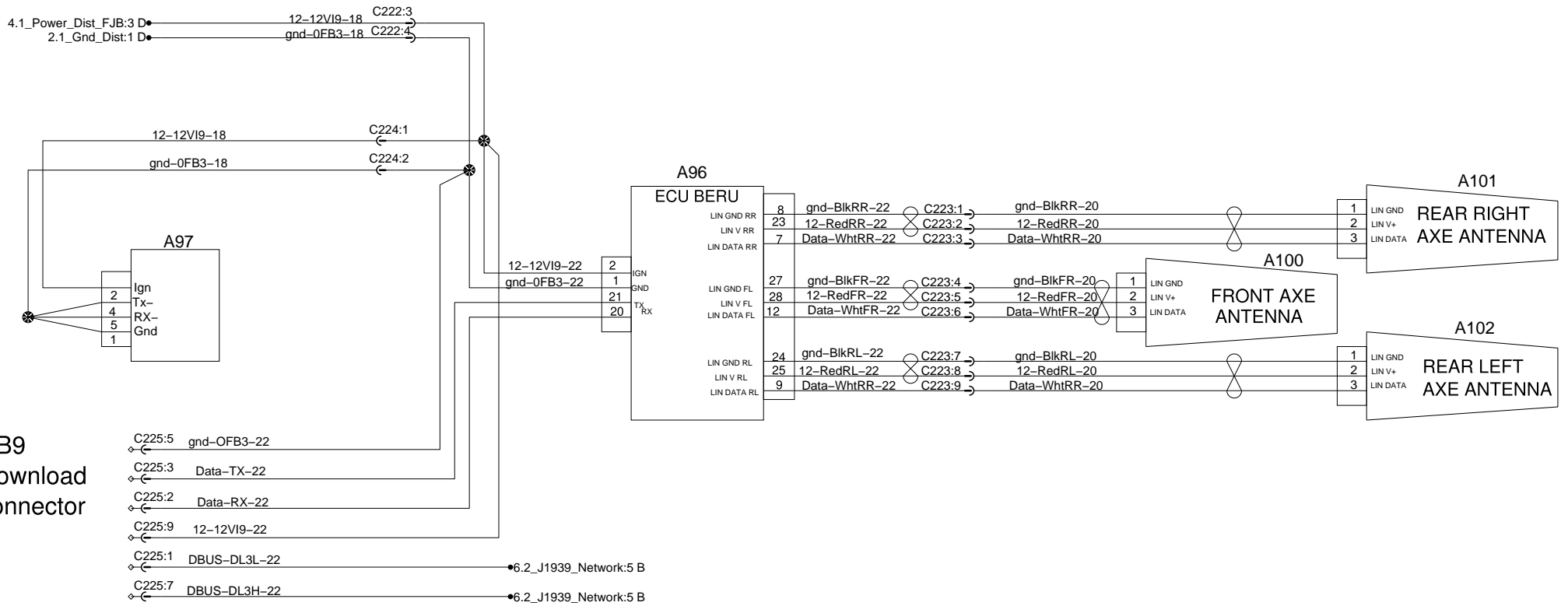
# Adaptative Cruise Control Radar



# Tire Pressure Monitoring System



# Tire Pressure Monitoring System



0

1

2

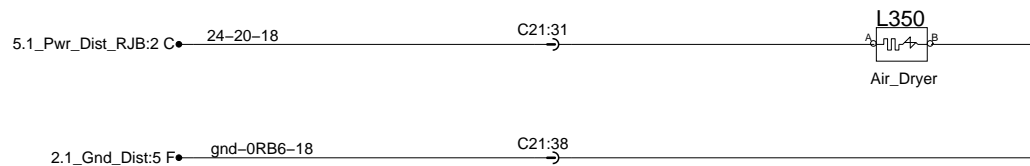
3

4

A

A

# Electric Air Dryer



B

B

C

C

D

D

E

E

0

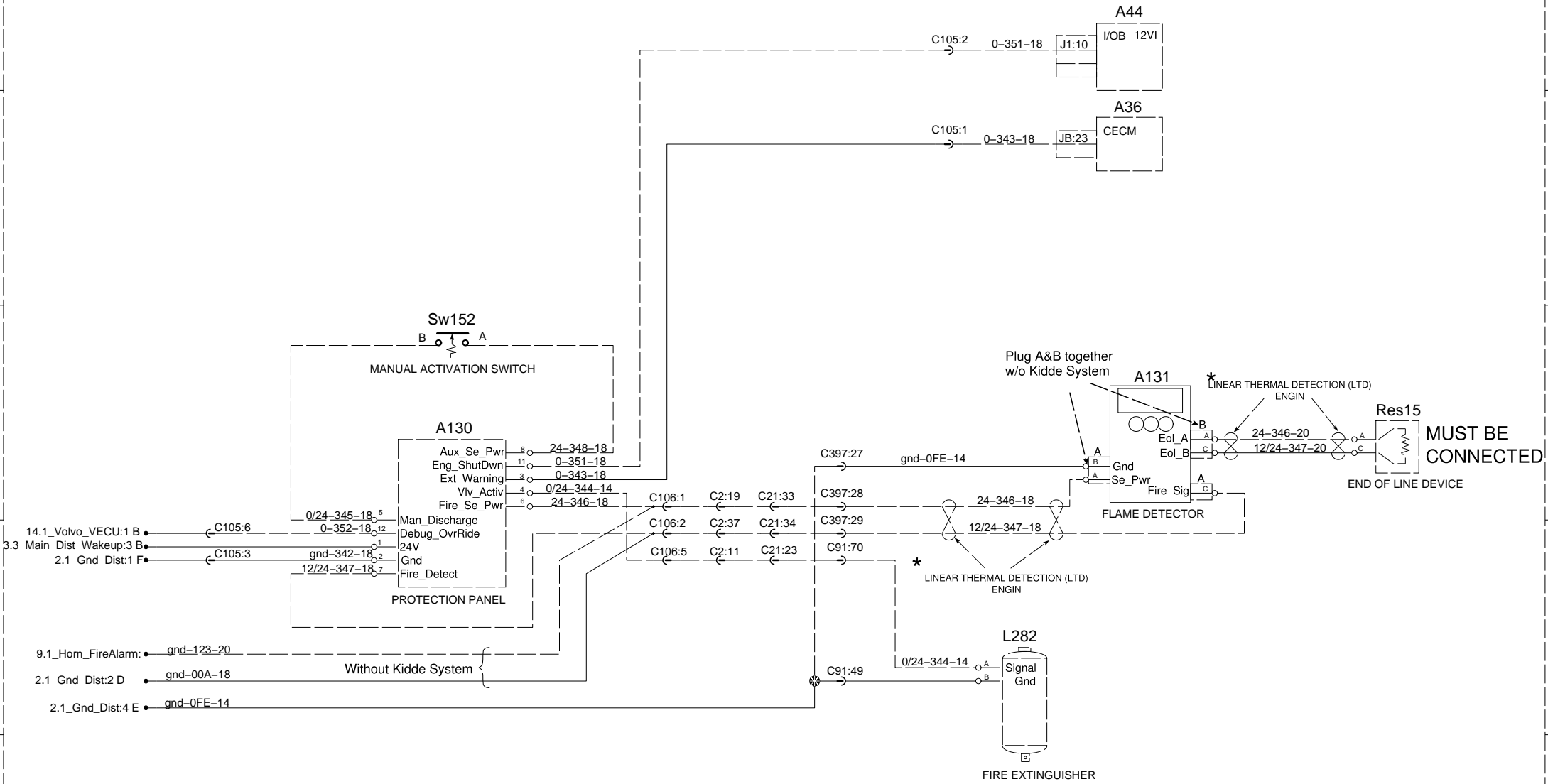
1

2

3

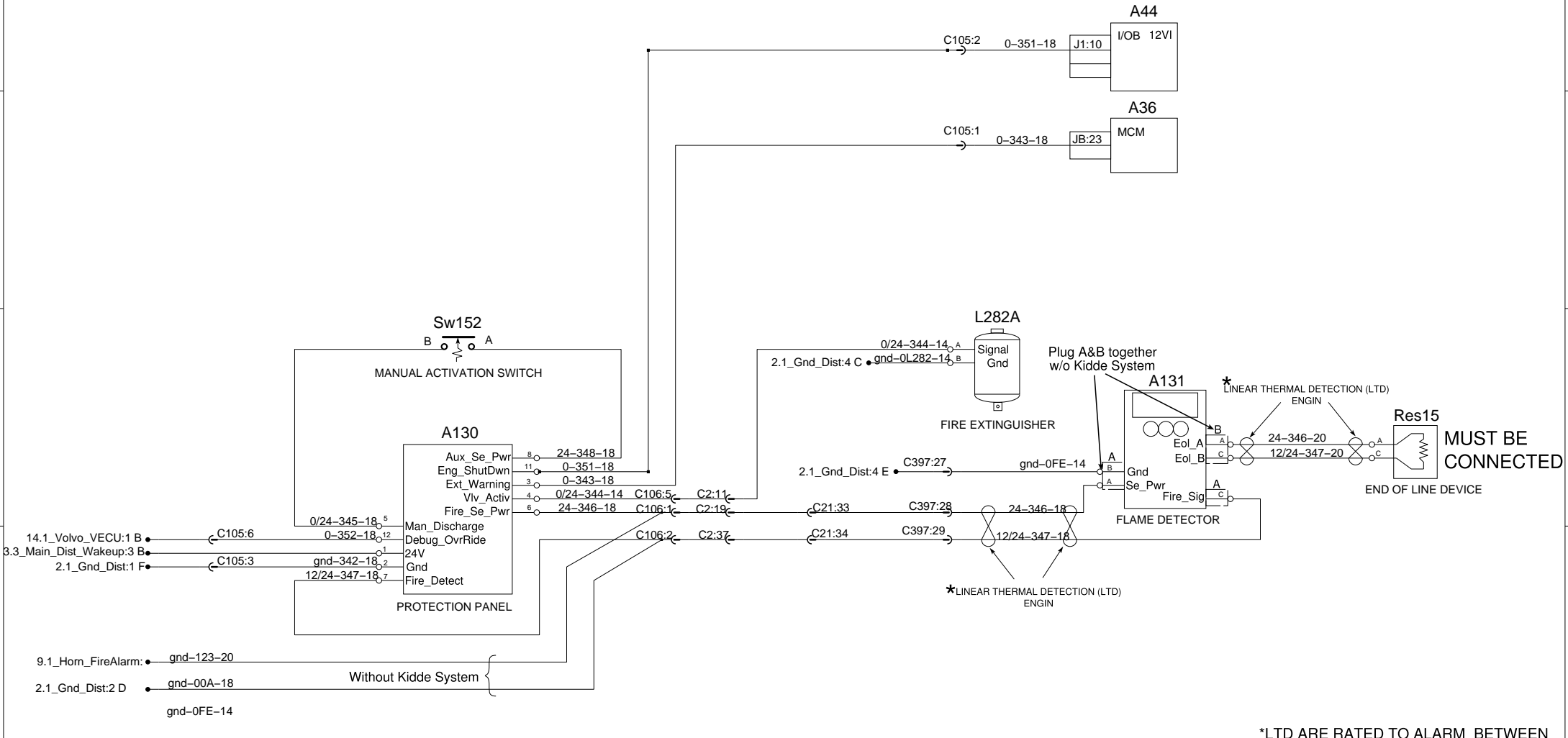
4

# Automatic Fire Suppression System



\*LTD ARE RATED TO ALARM BETWEEN 334F (168C) AND 356F (180C), IF THE TEMPERATURE-SENSITIVE INSULATION MELT, THE TWO WIRES GIVE A SIGNAL BY A SHORT-CIRCUITING.

# Automatic Fire Suppression System



\*LTD ARE RATED TO ALARM BETWEEN 334F (168C) AND 356F (180C), IF THE TEMPERATURE-SENSITIVE INSULATION MELT, THE TWO WIRES GIVE A SIGNAL BY A SHORT-CIRCUITING.