



H3-45, H3-41 BUS



REV.	DATE	O.C.	EFF.	DESCRIPTION	PAGE(S)	BY	CK.	APPR.
00	2013-01-07	2011099 2012051 2012023	D-2272 D-2364	Preliminary vehicle Start Production	All All	M.P. M.P.	C.L. C.L.	C.L. C.L.
01	2013-05-01	2013050	D-2272	ACM Pwr Relay added	14.3, 5.1	PG	DG	DG
02	2013-10-15	2013037 2013060 2013064	E-2540 E-2540 E-2540	Ricon wheelchair lift lighting Deutsch connectors on Urea system Various harness modifications	0, C1, 14.3, 25.1, 26.3, 35.3, 35.6, 36.1, 37.2, 38.1	Gab	Gab	Clem
03	2013-11-22	2013060	E-2540	Updated Urea system schematic	14.3	Gab	Gab	CLem
04	2014-01-10	2013094 2013108	E-2662	Urea System harness modification S.E. Hvac moved over Evaporator	0, C1, 2.1, 3.1, 5.1, 6.1, 25.1,41.1, 14.3 17.1, 18.2	PG	PG	Clem
05	2014-02-04	2012034	E-2602	GHG14	15.1	SD	SD	CL
06	2014-03-11	2013080	NA	120 VAC Outlets updated	40.1	EL	EL	CL
07	2014-05-21	NA		Pages updated	0, 3.2	SB	CL	CL
08	2014-06-20	2014007	2750	AFSS	0, C1, 5.1,38.1	SB	CL	CL
09	12/09/2014	2014132	2862	Bitzer Compressor	0, C1, E, G, 2.1,15.1, 18.2	EL	CL	CL
10	19/09/2014	2013152	2887	Updated Valve So8	0,C1	SB	CL	CL
11	19/09/2014	2014145	F-2900	Add sunvisor switch on dash board	0, 2.1, 4.1, 19.1, 41.1	MP	CL	CL
12	2015-01-08	2013172 2014122 2015001	F-2923	FRONT PNEUMATIC PLATE, TGW2, OBD15	0, 6.2, 10.1, 12.1, 14.1, 26.1, 32.1, 37.1	Gab	CL	CL
13	2015-01-23	2014122	F-2923	TGW2	0, C1, 41.1, 37.1, G, 33.1	SB	CLEM	CLEM
14	2015-04-08	2014176	G3129	Optimization of interior lighting	0, C1, 22.1, 23.1	SB	CLEM	CLEM
15	2015-04-21	2015003	F-2923	Alt. Pwr Cable #102S=>000 AWG	0, 3.1, 3.2	E.L.	CL	CL



H3-45, H3-41 BUS



REV.	DATE	O.C.	EFF.	DESCRIPTION	PAGE(S)	BY	CK.	APPR.
16	2015-09-15	2014176 2015147	3129	Optimization of interior lighting Charging system improvements	0, C1, 22.1, 23.1, 5.1, 18.2 0, C1, 3.2, 5.1	SB Gab	CLEM CLEM	CLEM CLEM
17	2015-11-11	2014176		Optimization of interior lighting Update	3.2, 5.1,0	SB	CLEM	CLEM
18	2015-12-08	2015027 2015091	3206	SW LUGG DOOR RELEASE Q4-2015	14.3, 25.1, 10.1, 15.1, 33.1, 32.1, 12.1, 18.2, 17.1, G, 0, C1	SB	CLEM	CLEM
18-1	2016-02-01	2015146	3309	New audio/video system, HHED	0, A, C2, E, G, H, K, L, 3.1, 35.3, 35.6, 35.7, 35.8, 60.2, 60.3, 60.4, 60.5	CLRV	CLEM	CLEM
19	2015-12-14	2015147	G-3325	CHARGING SYSTEM IMPROVEMENTS	0, C1, 3.2, 5.1	Gab	CLEM	CLEM
20	2016-04-06	2016001	G-3367	OBD16	0,C1, 14.3, 11.1	SB	CLEM	CLEM
21	2016-12-15	2016098 2016100 2017001 2016109	H-3735	Amelioration IShift GHG17 New radio GHG17 LTD Extended	0, G, 15.3 C2, 35.6, 35.7 E, 4.1, 16.1, 18.2, 41.1 C1,	GP CLRV SB JL	CLEM	CLEM
22	2017-10-25	2017080	J-3997	LOW PRESS	0,C1, G,18.2	SB	CLEM	CLEM
23	2017-10-27	2017071	J-0083	ELD / ITS GATEWAY	0, A, C1, E, G, J, 2.1, 3.3, 4.1, 6.2, 42.4	GP	JBRI	JBRI

WIRING DIAGRAM INDEX

Information Pages		E		M		T	
Multiplexed Devices Index	B1 - B8	Emergency and Aisle lights	20.1	Main Distribution Ignition & Batt.	3.1	Tail and Licence Lights	26.2
Arrangement - Harness	C1-C2	Engine brake and Retarder	12.1	Main Distribution Wake-Up	3.3		
Circuit Number Listing	E	Engine ECU And Heater Outlet	14.2	Marker Lights	26.1,26.2	Transmission Allison	15.1
Circuit Breaker code	F	Engine Lighting	25.1	Mirror Ramco	31.1	Transmission I Shift	15.3
Connectors code	G	Engine Start	3.2	Multiplexing Power	7.1	Trailer Package	26.4
Diode Number Code	H	Engine VECU, Override	14.1	Multiplexing Network	6.1, 6.2	Tire Pressure Monitoring	39.1
Resistors Number Code	J	Entrance Door	29.1				
Fuses Code	L	ESP	16.1				
Relay Code	K			N		U	
		F		No Smoking Sign	11.1	Under Floor Lighting	25.1
		Fast Idle	14.1			Urea	14.4
Functions		Fire Alarm	9.1				
		Fire Extinguisher	38.1				
A		Flashers	26.1,26.2	P		V	
ACB	41.1	Fog lights	26.3	Parcel Rack Fan	18.2	Video Distribution	35.3
Air Dryer	37.2	Fuel Gauge	10.1	Park Brake Sensor	12.1	Volvo Link	37.1
		Fuel Filter Preheater	13.1	Park Brake Trailer Sensor	12.1		
B				Parking Brake Release Switch	32.1	W	
Back-up Camera	28.1	G		Power Distribution FJB	4.1	Watch your step	29.1
Back-up lights and alarm	26.3	Grounds	2.1	Power Distribution RJB	5.1	Wheelchair Lift Ricon	36.1
Battery and Equalizer	1.1	Galley	45.1	Power Outlet 12VDC	30.1	Window Ajar	27.1
Battery Charger	17.1			Pre-Heater	17.1	Wiper & Washer	34.1
Brake Pedal Sensor	12.1	H		Prime Pump	13.1		
		Hazard Switch	26.1	Pneumatic Cut-Out Acc.	9.1		
C		Head Lights Switch	26.1				
Charging System	3.2	Horn	9.1	R			
Cigar lighter	30.1	Hostess Chime	22.1	Radiator Fan Clutch	13.1		
Clearance lights rear & front	26.1,26.2	Hvac Driver's Area	18.1	Reading Lamp	22.1		
Cluster	10.1	Hvac Passenger	18.2				
Cornering Lights	26.3						
Cruise control	14.1	I					
		Indirect Led Lighting	23.1	S			
		Inverters and Outlets	40.1	Sound System	35.5-35.6		
D				Spare Wires	8.1		
Dash Lights	19.1	K		Stop lights	26.2		
Destination Sign	28.2	Kneeling & Tag	32.1,32.2	Sun Visor	41.1		
Direct Led Lighting	24.1			Steering Control ZF	37.1		
Docking Lights	26.3	L		Steering Multi-functions	41.1		
Driver's Light and Backlight	19.1	Lavatory	11.1	Speaker Arrangement	35.2		
Driver's Window & Seat	30.1, 30.3	Lane Departure Warning	39.1	Seat Audio	35.7		
Digital Clock	28.1	Low Buoy	32.1				
		Luggage Door Lock/Unlock	33.1				
		Luggage Compt. Lighting	25.1				

WIRING DIAGRAM INDEX

Information Pages		E		M		T	
Multiplexed Devices Index	B1 - B8	Emergency and Aisle lights	20.1	Main Distribution Ignition & Batt.	3.1	Tail and Licence Lights	26.2
Arrangement - Harness	C1-C2	Engine brake and Retarder	12.1	Main Distribution Wake-Up	3.3		
Circuit Number Listing	E	Engine ECU And Heater Outlet	14.2	Marker Lights	26.1,26.2	Transmission Allison	15.1
Circuit Breaker code	F	Engine Lighting	25.1	Mirror Ramco	31.1	Transmission I Shift	15.3
Connectors code	G	Engine Start	3.2	Multiplexing Power	7.1	Trailer Package	26.4
Diode Number Code	H	Engine VECU, Override	14.1	Multiplexing Network	6.1, 6.2	Tire Pressure Monitoring	39.1
Resistors Number Code	J	Entrance Door	29.1				
Fuses Code	L	ESP	16.1				
Relay Code	K			N		U	
		F		No Smoking Sign	11.1	Under Floor Lighting	25.1
		Fast Idle	14.1			Urea	14.4
Functions		Fire Alarm	9.1				
		Fire Extinguisher	38.1				
A		Flashers	26.1,26.2	P		V	
ACB	41.1	Fog lights	26.3	Parcel Rack Fan	18.2	Video Distribution	35.3
Air Dryer	37.2	Fuel Gauge	10.1	Park Brake Sensor	12.1	Volvo Link	37.1
		Fuel Filter Preheater	13.1	Park Brake Trailer Sensor	12.1		
B				Parking Brake Release Switch	32.1	W	
Back-up Camera	28.1	G		Power Distribution FJB	4.1	Watch your step	29.1
Back-up lights and alarm	26.3	Grounds	2.1	Power Distribution RJB	5.1	Wheelchair Lift Ricon	36.1
Battery and Equalizer	1.1	Galley	45.1	Power Outlet 12VDC	30.1	Window Ajar	27.1
Battery Charger	17.1			Pre-Heater	17.1	Wiper & Washer	34.1
Brake Pedal Sensor	12.1	H		Prime Pump	13.1		
		Hazard Switch	26.1	Pneumatic Cut-Out Acc.	9.1		
C		Head Lights Switch	26.1				
Charging System	3.2	Horn	9.1	R			
Cigar lighter	30.1	Hostess Chime	22.1	Radiator Fan Clutch	13.1		
Clearance lights rear & front	26.1,26.2	Hvac Driver's Area	18.1	Reading Lamp	22.1		
Cluster	10.1	Hvac Passenger	18.2	Regulator 5V & Audio IN & HDMI IN	35.8		
Cornering Lights	26.3						
Cruise control	14.1	I					
		Indirect Led Lighting	23.1	S			
		Inverters and Outlets	40.1	Sound System	35.5-35.6		
D				Spare Wires	8.1		
Dash Lights	19.1	K		Stop lights	26.2		
Destination Sign	28.2	Kneeling & Tag	32.1,32.2	Sun Visor	41.1		
Direct Led Lighting	24.1			Steering Control ZF	37.1		
Docking Lights	26.3	L		Steering Multi-functions	41.1		
Driver's Light and Backlight	19.1	Lavatory	11.1	Speaker Arrangement	35.2		
Driver's Window & Seat	30.1, 30.3	Lane Departure Warning	39.1	Seat Audio	35.7		
Digital Clock	28.1	Low Buoy	32.1				
		Luggage Door Lock/Unlock	33.1				
		Luggage Compt. Lighting	25.1				

WIRING DIAGRAM INDEX

Information Pages		E		M		T	
Multiplexed Devices Index	B1 - B8	ELD / ITS Gateway	42.4	Main Distribution Ignition & Batt.	3.1	Tail and Licence Lights	26.2
Arrangement - Harness	C1-C2	Emergency and Aisle lights	12.1	Main Distribution Wake-Up	3.3		
Circuit Number Listing	E	Engine brake and Retarder	14.2	Marker Lights	26.1,26.2	Transmission Allison	15.1
Circuit Breaker code	F	Engine ECU And Heater Outlet	25.1	Mirror Ramco	31.1	Transmission I Shift	15.3
Connectors code	G	Engine Lighting	3.2	Multiplexing Power	7.1	Trailer Package	26.4
Diode Number Code	H	Engine Start	14.1	Multiplexing Network	6.1, 6.2	Tire Pressure Monitoring	39.1
Resistors Number Code	J	Engine VECU, Override	29.1				
Fuses Code	L	Entrance Door	16.1				
Relay Code	K	ESP		N		U	
				No Smoking Sign	11.1	Under Floor Lighting	25.1
		F	14.1			Urea	14.4
Functions		Fast Idle	9.1				
		Fire Alarm	38.1				
A		Fire Extinguisher	26.1,26.2	P		V	
ACB	41.1	Flashers	26.3	Parcel Rack Fan	18.2	Video Distribution	35.3
Air Dryer	37.2	Fog lights	10.1	Park Brake Sensor	12.1	Volvo Link	37.1
		Fuel Gauge	13.1	Park Brake Trailer Sensor	12.1		
B		Fuel Filter Preheater		Parking Brake Release Switch	32.1	W	
Back-up Camera	28.1			Power Distribution FJB	4.1	Watch your step	29.1
Back-up lights and alarm	26.3	G	2.1	Power Distribution RJB	5.1	Wheelchair Lift Ricon	36.1
Battery and Equalizer	1.1	Grounds	45.1	Power Outlet 12VDC	30.1	Window Ajar	27.1
Battery Charger	17.1	Galley		Pre-Heater	17.1	Wiper & Washer	34.1
Brake Pedal Sensor	12.1			Prime Pump	13.1		
		H	26.1	Pneumatic Cut-Out Acc.	9.1		
C		Hazard Switch	26.1				
Charging System	3.2	Head Lights Switch	9.1	R			
Cigar lighter	30.1	Horn	22.1	Radiator Fan Clutch	13.1		
Clearance lights rear & front	26.1,26.2	Hostess Chime	18.1	Reading Lamp	22.1		
Cluster	10.1	Hvac Driver's Area	18.2	Regulator 5V & Audio IN & HDMI IN	35.8		
Cornering Lights	26.3	Hvac Passenger					
Cruise control	14.1						
		I	23.1	S			
		Indirect Led Lighting	40.1	Sound System	35.5-35.6		
D		Inverters and Outlets		Spare Wires	8.1		
Dash Lights	19.1			Stop lights	26.2		
Destination Sign	28.2	K		Sun Visor	41.1		
Direct Led Lighting	24.1	Kneeling & Tag	32.1,32.2	Steering Control ZF	37.1		
Docking Lights	26.3			Steering Multi-functions	41.1		
Driver's Light and Backlight	19.1	L		Speaker Arrangement	35.2		
Driver's Window & Seat	30.1, 30.3	Lavatory	11.1	Seat Audio	35.7		
Digital Clock	28.1	Low Buoy	32.1				
		Luggage Door Lock/Unlock	33.1				
		Luggage Compt. Lighting	25.1				

MULTIPLEX OUTPUT LIST

O_xx... = Physical Output Pin ; I_xx... = Physical Input Pin ; D_xx... = CAN Network Signal from the HVAC control Head ; B_xx... = Multiplex system global Network Variable

Module.Pin#	Signal name		Page	Connected devices	Input involved		
A36.JA:12	O_AcCluSol O_ClusterEsc		10.1	A14A.A:5	B_TstModHvac	.	
					D_Stw_Sw17	.	
					I_BlinkSw	A43.J1:5	26.1
					I_BrkLtSeFrSig	A36.JB:13	12.1
					I_ParkBrSe	A36.JB:9	12.1
A36.JA:13	O_EngineRun	Engine Run Signal	3.2	A15:6	B_EngineRun	.	
					B_OneAltCharging	.	
					D_OnOffDrvSw	.	
					I_AccKeySw	A36.JB:6	3.2
					I_BatMonMod53	A53.J1:24	6.1
					I_BatMonMod54	A54.J1:24	6.1
					I_FrStrtEnSw	A52.J1:9	3.2
					I_IgnKeySw	A36.JB:2	3.2
					I_RrStrtEnSw	A52.J1:10	3.2
A36.JA:14	O_ClusterSelect		10.1	A14A.A:4	D_Stw_Sw16	.	
					I_BrkLtSeFrSig	A36.JB:13	12.1
					I_HiBeamCallSw	A43.J1:3	26.1
					I_ParkBrSe	A36.JB:9	12.1
A36.JA:15	O_WakeUp	WakeUp Relay	3.3		I_AccKeySw	A36.JB:6	3.2
					I_EntDorOpSw	A36.JB:15	29.1
					I_FireSensorA36	A36.JB:5	38.1
					I_FrStrtEnSw	A52.J1:9	3.2
					I_HazardSw	A36.JB:4	26.1
					I_IgnKeySw	A36.JB:2	3.2
					I_NeutralSe	A50.J1:11	3.2
					I_ParkBrSe	A36.JB:9	12.1
					I_RrCutOutSw	A36.JB:21	3.2
					I_RrStrtEnSw	A52.J1:10	3.2
					I_WCLDoorLtch	A49.J1:1	36.1
					I_WCLLoDorSe	A49.J1:6	36.1
					I_WCLPlungSw	A49.J1:4	36.1
					I_WclSw	A42.J1:6	36.1
					I_WebFireComp	A36.JB:14	
A36.JA:16	O_ClusterUp		10.1		D_Stw_Sw18	.	
					I_BrkLtSeFrSig	A36.JB:13	12.1
					I_ParkBrSe	A36.JB:9	12.1
A36.JA:17	O_CutOutRel	Emergency CutOut Relay	3.2		I_FireExt2ndAlm	A44.J1:10	38.1
					I_IgnKeySw	A36.JB:2	3.2
A36.JA:18	O_ClusterDown		10.1		D_Stw_Sw19	.	
					I_BrkLtSeFrSig	A36.JB:13	12.1
					I_ParkBrSe	A36.JB:9	12.1
A36.JA:24	O_LaneDepMotLef	Lane Departure Motor Left	39.1	Mo60:2	I_IgnKeySw	A36.JB:2	3.2
A36.JA:25	O_LaneDepMotRht	Lane Departure Motor Right	39.1	Mo64:2	I_IgnKeySw	A36.JB:2	3.2

#

MULTIPLEX OUTPUT LIST

O_xx... = Physical Output Pin ; I_xx... = Physical Input Pin ; D_xx... = CAN Network Signal from the HVAC control Head ; B_xx.. = Multiplex system global Network Variable

Module.Pin#	Signal name		Page	Connected devices	Input involved		
A41.J1:12	O_WatchstepLb	Watch Your Step Light Bulb	29.1		B_BatterySaver	.	
					B_EngineRun	.	
					B_OneAltCharging	.	
					I_EntDorClSe	A47.J1:10	29.1
A41.J1:13	O_LavOccFrLb		11.1	L143:1	D_Stw_Sw16	.	
					I_IgnKeySw	A36.JB:2	3.2
					I_LavDorLockSe	A53.J1:11	11.1
					I_LavEmrgSw	A53.J1:10	11.1
A41.J1:14	O_KneeDwSol	Kneeling Down Solenoid	32.1	So16:2	I_EntDorClSe	A47.J1:10	29.1
					I_IgnKeySw	A36.JB:2	3.2
					I_KneeDwSw	A41.J1:7	32.1
					I_KneeLevelSe	A45.J1:13	32.1
					I_KneeUpSw	A41.J1:6	32.1
					I_LwBuoySw	A36.JB:1	32.1
					I_ParkBrSe	A36.JB:9	12.1
					I_WclSw	A42.J1:6	36.1
A41.J1:15	O_KneeUpSol	Kneeling Up Solenoid	32.1	So15:2	I_IgnKeySw	A36.JB:2	3.2
					I_KneeDwSw	A41.J1:7	32.1
					I_KneeLevelSe	A45.J1:13	32.1
					I_KneeUpSw	A41.J1:6	32.1
A41.J1:16	O_ReHiBoySolRtn	Rear Hi Buoy Solenoid Return	32.1	So14:1	I_IgnKeySw	A36.JB:2	3.2
					I_KneeDwSw	A41.J1:7	32.1
					I_KneeLevelSe	A45.J1:13	32.1
					I_KneeUpSw	A41.J1:6	32.1
A41.J1:30	O_ReHiBoySol	Rear Hi Buoy Solenoid	32.1	So14:2	I_IgnKeySw	A36.JB:2	3.2
					I_KneeDwSw	A41.J1:7	32.1
					I_KneeLevelSe	A45.J1:13	32.1
					I_KneeUpSw	A41.J1:6	32.1
A42.J1:11	O_SmokLb	No Smoking Light Bulb			I_IgnKeySw	A36.JB:2	3.2
A42.J1:12	O_ParkBrSolNeg	Park Brake Solenoid Return	32.1		I_IgnKeySw	A36.JB:2	3.2
A42.J1:13	O_LugLkSol	Luggage Lock Solenoid	33.1	So19:2	I_AccKeySw	A36.JB:6	3.2
					I_IgnKeySw	A36.JB:2	3.2
					I_LugDorLkSw	A46.J1:10	33.1
A42.J1:14	O_KneelingAlm	Kneeling Alarm	32.1	L188:1	I_EntDorClSe	A47.J1:10	29.1
					I_IgnKeySw	A36.JB:2	3.2
					I_KneeDwSw	A41.J1:7	32.1
					I_KneeLevelSe	A45.J1:13	32.1
					I_KneeUpSw	A41.J1:6	32.1
					I_ParkBrSe	A36.JB:9	12.1
					I_WclSw	A42.J1:6	36.1
A42.J1:16	O_LugULkSol	Luggage Lock Solenoid	33.1	So18:2	I_AccKeySw	A36.JB:6	3.2
					I_IgnKeySw	A36.JB:2	3.2
					I_LugDorULkSw	A46.J1:11	33.1

MULTIPLEX OUTPUT LIST

O_xx... = Physical Output Pin ; I_xx... = Physical Input Pin ; D_xx... = CAN Network Signal from the HVAC control Head ; B_xx... = Multiplex system global Network Variable

Module.Pin#	Signal name		Page	Connected devices	Input involved		
A43.J1:12	O_CruCtrlSet	Cruise Control Set Volvo	41.1	A81A.JA:1	D_Stw_Sw7	.	
					D_Stw_Sw8	.	
					I_LowWiperCam	A47.J1:9	34.1
					I_LwWipIntSw	A42.J1:8	34.1
					I_LwWshSw	A46.J1:9	34.1
A43.J1:13	O_HornSol	Electric Horn	9.1		I_HornSelectSw	A43.J1:7	9.1
					I_HornSw	A45.J1:10	9.1
A43.J1:14	O_CruCtrlRsm	Cruise Control Resume Volvo	41.1	A81A.JA:2	D_Stw_Sw7	.	
					D_Stw_Sw8	.	
					I_LowWiperCam	A47.J1:9	34.1
					I_LwWipIntSw	A42.J1:8	34.1
					I_LwWshSw	A46.J1:9	34.1
A43.J1:15	O_Alt	Alternator	10.1	A14A.C:7	B_EngineRun	.	
					B_OneAltCharging	.	
					D_BatStaB6_7LSB	.	
					D_BatStaB6_7MSB	.	
					D_I12LSB	.	
					D_I12MSB	.	
					D_I24LSB	.	
					D_I24MSB	.	
					D_IndexByte	.	
					D_V12LSB	.	
					D_V12MSB	.	
					D_V24LSB	.	
					D_V24MSB	.	
					I_Alt1Voltage	A49.J1:8	3.2
					I_BatMonMod47	A47.J1:24	6.1
					I_BatMonMod51	A51.J1:24	
					I_IgnKeySw	A36.JB:2	3.2
					I_ParkBrSe	A36.JB:9	12.1
A43.J1:16	O_BrkRedCompat	Brake Redundant Compatible	41.1	A81A.JA:5	D_Stw_Sw9	.	
					I_BrkLtSeFrSig	A36.JB:13	12.1
					I_BrkLtSeRrSig	A51.J1:10	12.1
					I_IgnKeySw	A36.JB:2	3.2
					I_LowWiperCam	A47.J1:9	34.1
					I_LwWipIntSw	A42.J1:8	34.1
					I_LwWshSw	A46.J1:9	34.1
					I_RetdrSig	A50.J1:12	12.1
A44.J1:1	O_DashTrapPMo	Dash Trap Motor	18.1	Mo3:1	D_AirFlapBit0	.	
					D_AirFlapBit1	.	
					D_AirFlapBit2	.	
					I_IgnKeySw	A36.JB:2	3.2
A44.J1:2	O_DashTrapNMo	Dash Trap Motor Return	18.1	Mo3:3	D_AirFlapBit0	.	

MULTIPLEX OUTPUT LIST

O_xx... = Physical Output Pin ; I_xx... = Physical Input Pin ; D_xx... = CAN Network Signal from the HVAC control Head ; B_xx.. = Multiplex system global Network Variable

Module.Pin#	Signal name		Page	Connected devices	Input involved		
A44.J1:2	O_DashTrapNMo	Dash Trap Motor Return	18.1	Mo3:3	D_AirFlapBit1	.	
					D_AirFlapBit2	.	
					I_IgnKeySw	A36.JB:2	3.2
A44.J1:3	O_DriverLtLb	Driver Light Bulb	19.1	L16:1	B_BatterySaver	.	
					B_EngineRun	.	
					B_OneAltCharging	.	
					I_AccKeySw	A36.JB:6	3.2
					I_DrvLtSw	A55.J1:5	19.1
					I_IgnKeySw	A36.JB:2	3.2
A44.J1:4	O_LHFogLb2	Left Hand Fog Light Bulb	26.3	L95B:1	B_BatterySaver	.	
					B_EngineRun	.	
					B_OneAltCharging	.	
					B_TstModExtLight	.	
					I_BatMonMod45	A45.J1:24	6.1
					I_FogLightSw	A55.J1:6	26.3
					I_HdLtHiLowBmSw	A43.J1:8	26.1
					I_HdLtPos2SwLH	A45.J1:12	26.1
A44.J1:5	O_EntDorLtLb	Entrance Door Light Bulb	29.1	L17:1	B_BatterySaver	.	
					B_EngineRun	.	
					B_OneAltCharging	.	
A44.J1:7	O_DashBackLit	Dash BackLighting	19.1	Pot1.C:1	I_HdLtPos1Sw	A43.J1:4	26.1
A44.J1:8	O_FrClearLb	Front Clearance Lights Bulb	26.1		B_BatterySaver	.	
					B_EngineRun	.	
					B_OneAltCharging	.	
					B_TstModExtLight	.	
					I_BlinkSw	A43.J1:5	26.1
					I_FogLightSw	A55.J1:6	26.3
					I_HdLtPos1Sw	A43.J1:4	26.1
					I_HdLtPos2SwLH	A45.J1:12	26.1
A45.J1:1	O_FootTrpPSol	Foot Trap Solenoid	18.1	Mo4:A	D_AirFlapBit0	.	
					D_AirFlapBit1	.	
					D_AirFlapBit2	.	
					I_IgnKeySw	A36.JB:2	3.2
A45.J1:2	O_FootTrpNSol	Foot Trap Solenoid	18.1	Mo4:B	D_AirFlapBit0	.	
					D_AirFlapBit1	.	
					D_AirFlapBit2	.	
					I_IgnKeySw	A36.JB:2	3.2
A45.J1:20	O_HornElectric	Horn Electric	9.1		I_FireExt1stAl	A36.JB:23	38.1
					I_FireExt2ndAlm	A44.J1:10	38.1
					I_FireSensorA36	A36.JB:5	38.1
					I_HornSelectSw	A43.J1:7	9.1
					I_HornSw	A45.J1:10	9.1
					I_IgnKeySw	A36.JB:2	3.2

MULTIPLEX OUTPUT LIST

O_xx... = Physical Output Pin ; I_xx... = Physical Input Pin ; D_xx... = CAN Network Signal from the HVAC control Head ; B_xx.. = Multiplex system global Network Variable

Module.Pin#	Signal name		Page	Connected devices	Input involved		
A45.J1:20	O_HornElectric	Horn Electric	9.1		I_WebFireComp	A36.JB:14	
A45.J1:21	O_LHFrMkrLb	Left Hand Front Markers Light Bulb	26.1		B_BatterySaver	.	
					B_EngineRun	.	
					B_OneAltCharging	.	
					B_TstModExtLight	.	
					I_BlinkSw	A43.J1:5	26.1
					I_FogLightSw	A55.J1:6	26.3
					I_HdLtPos1Sw	A43.J1:4	26.1
					I_HdLtPos2SwLH	A45.J1:12	26.1
					I_IgnKeySw	A36.JB:2	3.2
A45.J1:3	O_LeftFrFlshPH		26.1		B_BatterySaver	.	
					B_EngineRun	.	
					B_OneAltCharging	.	
					B_TstModExtLight	.	
					I_HazardSw	A36.JB:4	26.1
					I_LHFlshSwRrSig	A51.J1:9	26.2
					I_NeutralSe	A50.J1:11	3.2
					I_RHFlshSwRrSig	A51.J1:12	26.2
					I_WCLDoorLtch	A49.J1:1	36.1
					I_WCLLoDorSe	A49.J1:6	36.1
					I_WCLPlungSw	A49.J1:4	36.1
					I_WclSw	A42.J1:6	36.1
A45.J1:4	O_LHFogLb1	Left Hand Fog Light Bulb	26.3	L95A:1	B_BatterySaver	.	
					B_EngineRun	.	
					B_OneAltCharging	.	
					B_TstModExtLight	.	
					I_BatMonMod45	A45.J1:24	6.1
					I_FogLightSw	A55.J1:6	26.3
					I_HdLTHiLowBmSw	A43.J1:8	26.1
					I_HdLtPos2SwLH	A45.J1:12	26.1
A45.J1:5	O_LHCornerLb	Left Hand Cornering Light Bulb	26.3	L97.A:1	B_BatterySaver	.	
					B_EngineRun	.	
					B_OneAltCharging	.	
					B_TstModExtLight	.	
					I_CorneringLtSw	A55.J1:8	26.3
A45.J1:6	O_LHHiBmLb	Left Hand Hi Beam Light Bulb	26.1		B_BatterySaver	.	
					B_EngineRun	.	
					B_OneAltCharging	.	
					B_TstModExtLight	.	
					I_BatMonMod45	A45.J1:24	6.1
					I_HdLTHiLowBmSw	A43.J1:8	26.1
					I_HdLtPos2SwLH	A45.J1:12	26.1
A45.J1:7	O_LHLwBmLb	Left Hand Low Beam Light Bulb	26.1		B_BatterySaver	.	

MULTIPLEX OUTPUT LIST

O_xx... = Physical Output Pin ; I_xx... = Physical Input Pin ; D_xx... = CAN Network Signal from the HVAC control Head ; B_xx... = Multiplex system global Network Variable

Module.Pin#	Signal name		Page	Connected devices	Input involved		
A45.J1:7	O_LHLwBmLb	Left Hand Low Beam Light Bulb	26.1		B_EngineRun	.	
					B_OneAltCharging	.	
					B_TstModExtLight	.	
					I_BatMonMod45	A45.J1:24	6.1
					I_HdLtHiLowBmSw	A43.J1:8	26.1
					I_HdLtPos2SwLH	A45.J1:12	26.1
A45.J1:8	O_LHFrSidFlshLb		26.1	L66:1	B_BatterySaver	.	
					B_EngineRun	.	
					B_OneAltCharging	.	
					B_TstModExtLight	.	
					I_HazardSw	A36.JB:4	26.1
					I_LHFlshSwRrSig	A51.J1:9	26.2
					I_NeutralSe	A50.J1:11	3.2
					I_RHFlshSwRrSig	A51.J1:12	26.2
					I_WCLDoorLtch	A49.J1:1	36.1
					I_WCLLoDorSe	A49.J1:6	36.1
					I_WCLPlungSw	A49.J1:4	36.1
					I_WclSw	A42.J1:6	36.1
A46.J1:2	O_UpWiperMot	Upper Wiper Motor	34.1	R24:86	B_BatterySaver	.	
					B_EngineRun	.	
					B_OneAltCharging	.	
					I_UpWipIntSw	A55.J1:20	34.1
					I_UpWipSw	A55.J1:21	34.1
					I_UpWshSw	A55.J1:18	34.1
A46.J1:20	O_UdrFlrLb	Under Floor Light Bulb	25.1		B_BatterySaver	.	
					B_EngineRun	.	
					B_OneAltCharging	.	
					I_AccKeySw	A36.JB:6	3.2
					I_IgnKeySw	A36.JB:2	3.2
A46.J1:21	O_HeadLmpWshM		34.1		I_HeadLmpWshSw	A55.J1:19	34.1
A46.J1:3	O_LwWshPmp	Lower Wiper Washer Pump	34.1		B_BatterySaver	.	
					B_EngineRun	.	
					B_OneAltCharging	.	
					I_LwWshSw	A46.J1:9	34.1
A46.J1:4	O_UpWshPmp	Upper Wiper Washer Pump	34.1		B_BatterySaver	.	
					B_EngineRun	.	
					B_OneAltCharging	.	
					I_UpWshSw	A55.J1:18	34.1
A46.J1:5	O_DrvRfgSol	Driver refrigerent solenoid	18.1	D2.A:1	B_BatterySaver	.	
					B_EngineRun	.	
					B_OneAltCharging	.	
					B_TstModHvac	.	
					D_AmbTempLSB	.	

MULTIPLEX OUTPUT LIST

O_xx... = Physical Output Pin ; I_xx... = Physical Input Pin ; D_xx... = CAN Network Signal from the HVAC control Head ; B_xx.. = Multiplex system global Network Variable

Module.Pin#	Signal name		Page	Connected devices	Input involved		
A46.J1:5	O_DrvRfgSol	Driver refrigerent solenoid	18.1	D2.A:1	D_AmbTempMSB	.	
					D_OnOffDrvSw	.	
					I_AcPresHiSse	A52.J1:13	18.2
					I_AcPresLoSse	A52.J1:14	18.2
A46.J1:6	O_DrvHeatSol	Driver Heat Solenoid	18.1	So8:1	B_BatterySaver	.	
					B_EngineRun	.	
					B_OneAltCharging	.	
					B_TstModHvac	.	
					D_AirFlapBit0	.	
					D_AirFlapBit1	.	
					D_AirFlapBit2	.	
					D_AmbTempLSB	.	
					D_AmbTempMSB	.	
					D_DriverSetPts	.	
					D_DrvFnSpdBit0	.	
					D_DrvFnSpdBit1	.	
					D_DrvFnSpdBit2	.	
					D_OnOffDrvSw	.	
					D_OnOffPassSw	.	
					D_PassSetPts	.	
					I_BatMonMod46	A46.J1:24	6.1
					I_BatMonMod54	A54.J1:24	6.1
					I_DrvTempSe	A55.J1:1	18.1
					I_FireExt1stAl	A36.JB:23	38.1
					I_FireExt2ndAlm	A44.J1:10	38.1
					I_FireSensorA36	A36.JB:5	38.1
					I_WebFireComp	A36.JB:14	
A46.J1:7	O_UpDefFanMo	Upper defroster Fan Motor	18.1	Res8.B:1, Res11.A:1	B_BatterySaver	.	
					B_EngineRun	.	
					B_OneAltCharging	.	
					B_TstModHvac	.	
					D_AmbTempLSB	.	
					D_AmbTempMSB	.	
					D_OnOffDrvSw	.	
					I_UpperDefFanSw	A41.J1:17	18.1
A47.J1:1	O_DrvDefFanMo	Driver Defroster Fan Motor	18.1	A24.B:B	B_BatterySaver	.	
					B_EngineRun	.	
					B_OneAltCharging	.	
					D_DrvFnSpdBit0	.	
					D_DrvFnSpdBit1	.	
					D_DrvFnSpdBit2	.	
					D_OnOffDrvSw	.	
					I_IgnKeySw	A36.JB:2	3.2

MULTIPLEX OUTPUT LIST

O_xx... = Physical Output Pin ; I_xx... = Physical Input Pin ; D_xx... = CAN Network Signal from the HVAC control Head ; B_xx.. = Multiplex system global Network Variable

Module.Pin#	Signal name		Page	Connected devices	Input involved		
A47.J1:2	O_DrvRecTrap	Driver Recycle Trap	18.1	L203:A	B_BatterySaver	.	
					B_EngineRun	.	
					B_OneAltCharging	.	
					B_TstModHvac	.	
					D_RecSw	.	
A47.J1:20	O_UpDefWtrPump	Upper Defrost Water Pump	18.1		B_BatterySaver	.	
					B_EngineRun	.	
					B_OneAltCharging	.	
					B_TstModHvac	.	
					D_AmbTempLSB	.	
					D_AmbTempMSB	.	
					D_OnOffDrvSw	.	
					I_UpperDeffFanSw	A41.J1:17	18.1
A47.J1:3	O_LwWipSpd1	Lower Wiper Speed 1	34.1	R23:86	B_BatterySaver	.	
					B_EngineRun	.	
					B_OneAltCharging	.	
					I_LwWipIntSw	A42.J1:8	34.1
					I_LwWshSw	A46.J1:9	34.1
A47.J1:5	O_EntDorStpLb	Entrance Door Step Light Bulb	29.1		B_BatterySaver	.	
					B_EngineRun	.	
					B_OneAltCharging	.	
A47.J1:6	O_EntDorClSol	Entrance Door Close Solenoid Valve	29.1	So6:2	I_EntDorClInSw	A36.JB:10	29.1
					I_EntDorClOutSw	A36.JB:17	29.1
A47.J1:7	O_EntDorOpSol	Entrance Door Open Solenoid Valve	29.1	So5:2	I_EntDorClSe	A47.J1:10	29.1
					I_EntDorOpSe	A48.J1:11	29.1
					I_EntDorOpSw	A36.JB:15	29.1
					I_EntDorOpSw2	A47.J1:12	29.1
A48.J1:1	O_RHFogLb2	Right Hand Fog Light	26.3	L96B:1	B_BatterySaver	.	
					B_EngineRun	.	
					B_OneAltCharging	.	
					B_TstModExtLight	.	
					I_BatMonMod48	A48.J1:24	6.1
					I_FogLightSw	A55.J1:6	26.3
					I_HdLtHiLowBmSw	A43.J1:8	26.1
					I_HdLtPos2SwLH	A45.J1:12	26.1
A48.J1:20	O_RHFrSidFlshLb	RH Front Side Flasher L-Bulb	26.1	L64:1	B_BatterySaver	.	
					B_EngineRun	.	
					B_OneAltCharging	.	
					B_TstModExtLight	.	
					I_EntDorClSe	A47.J1:10	29.1
					I_HazardSw	A36.JB:4	26.1
					I_KneeDwSw	A41.J1:7	32.1
					I_KneeLevelSe	A45.J1:13	32.1

MULTIPLEX OUTPUT LIST

O_xx... = Physical Output Pin ; I_xx... = Physical Input Pin ; D_xx... = CAN Network Signal from the HVAC control Head ; B_xx... = Multiplex system global Network Variable

Module.Pin#	Signal name		Page	Connected devices	Input involved		
A48.J1:20	O_RHFrSidFlshLb	RH Front Side Flasher L-Bulb	26.1	L64:1	I_KneeUpSw	A41.J1:6	32.1
					I_LHFishSwRrSig	A51.J1:9	26.2
					I_NeutralSe	A50.J1:11	3.2
					I_RHFishSwRrSig	A51.J1:12	26.2
					I_WCLDoorLtch	A49.J1:1	36.1
					I_WCLLoDorSe	A49.J1:6	36.1
					I_WCLPlungSw	A49.J1:4	36.1
					I_WclSw	A42.J1:6	36.1
A48.J1:3	O_RHHiBeamLb	Right Hand Hi Beam Light Bulb	26.1	L313:C	B_BatterySaver	.	
					B_EngineRun	.	
					B_OneAltCharging	.	
					B_TstModExtLight	.	
					I_BatMonMod48	A48.J1:24	6.1
					I_HdLtHiLowBmSw	A43.J1:8	26.1
					I_HdLtPos2SwLH	A45.J1:12	26.1
A48.J1:4	O_RHLwBeamLb	Right Hand Low Beam Light Bulb	26.1	L313:E	B_BatterySaver	.	
					B_EngineRun	.	
					B_OneAltCharging	.	
					B_TstModExtLight	.	
					I_BatMonMod48	A48.J1:24	6.1
					I_HdLtHiLowBmSw	A43.J1:8	26.1
					I_HdLtPos2SwRH	A48.J1:10	26.1
A48.J1:5	O_RHCornerLb	Right Hand Cornering Light Bulb	26.3	L98A.A:1	B_BatterySaver	.	
					B_EngineRun	.	
					B_OneAltCharging	.	
					B_TstModExtLight	.	
					I_CorneringLtSw	A55.J1:8	26.3
A48.J1:6	O_RightFrFlshPH		26.1		B_BatterySaver	.	
					B_EngineRun	.	
					B_OneAltCharging	.	
					B_TstModExtLight	.	
					I_HazardSw	A36.JB:4	26.1
					I_LHFishSwRrSig	A51.J1:9	26.2
					I_NeutralSe	A50.J1:11	3.2
					I_RHFishSwRrSig	A51.J1:12	26.2
					I_WCLDoorLtch	A49.J1:1	36.1
					I_WCLLoDorSe	A49.J1:6	36.1
					I_WCLPlungSw	A49.J1:4	36.1
					I_WclSw	A42.J1:6	36.1
A48.J1:7	O_RHFrMrkLb	Right Hand Front Markers Light Bulb	26.1	L63:1	B_BatterySaver	.	
					B_EngineRun	.	
					B_OneAltCharging	.	
					B_TstModExtLight	.	

MULTIPLEX OUTPUT LIST

O_xx... = Physical Output Pin ; I_xx... = Physical Input Pin ; D_xx... = CAN Network Signal from the HVAC control Head ; B_xx.. = Multiplex system global Network Variable

Module.Pin#	Signal name		Page	Connected devices	Input involved		
A48.J1:7	O_RHFrMrkLb	Right Hand Front Markers Light Bulb	26.1	L63:1	I_BlinkSw	A43.J1:5	26.1
					I_FogLightSw	A55.J1:6	26.3
					I_HdLtPos1Sw	A43.J1:4	26.1
					I_HdLtPos2SwLH	A45.J1:12	26.1
A48.J1:8	O_RHFogLb1	Right Hand Fog Light	26.3	L96A:1	B_BatterySaver	.	
					B_EngineRun	.	
					B_OneAltCharging	.	
					B_TstModExtLight	.	
					I_BatMonMod48	A48.J1:24	6.1
					I_FogLightSw	A55.J1:6	26.3
					I_HdLtHiLowBmSw	A43.J1:8	26.1
					I_HdLtPos2SwLH	A45.J1:12	26.1
A49.J1:11	O_WCLOn	Wheel Chair Lift Enabled	36.1		I_NeutralSe	A50.J1:11	3.2
					I_ParkBrSe	A36.JB:9	12.1
					I_WCLLoDorSe	A49.J1:6	36.1
					I_WclSw	A42.J1:6	36.1
A49.J1:12	O_WCLUpDoorSig	WCL Upper Door Open Signal For TWU	36.1		I_ParkBrSe	A36.JB:9	12.1
					I_WCLDoorLtch	A49.J1:1	36.1
					I_WCLPlungSw	A49.J1:4	36.1
A49.J1:14	O_RetardEna	Retarder Enable	12.1		D_Stw_Sw2	.	
					D_Stw_Sw3	.	
					D_Stw_Sw5	.	
					I_RetarderSel	A55.J1:10	12.1
A49.J1:15	O_AltChrCtr	Alternator Charge Control	3.2		B_EngineRun	.	
					B_OneAltCharging	.	
					D_I12LSB	.	
					D_I12MSB	.	
					D_I24LSB	.	
					D_I24MSB	.	
					D_V12LSB	.	
					D_V12MSB	.	
					D_V24LSB	.	
					D_V24MSB	.	
					I_BatMonMod47	A47.J1:24	6.1
					I_BatMonMod51	A51.J1:24	
					I_IgnKeySw	A36.JB:2	3.2
A49.J1:16	O_CndSpd2Rel	Condensor Fan Speed 2 Relay	18.2		B_BatterySaver	.	
					B_EngineRun	.	
					B_LowVoltage	.	
					B_OneAltCharging	.	
					B_TstModHvac	.	
					D_AmbTempLSB	.	
					D_AmbTempMSB	.	

MULTIPLEX OUTPUT LIST

O_xx... = Physical Output Pin ; I_xx... = Physical Input Pin ; D_xx... = CAN Network Signal from the HVAC control Head ; B_xx... = Multiplex system global Network Variable

Module.Pin#	Signal name		Page	Connected devices	Input involved							
A49.J1:16	O_CndSpd2Rel	Condensor Fan Speed 2 Relay	18.2		D_OnOffPassSw	.						
					D_PassSetPts	.						
					I_AcPresHiSse	A52.J1:13	18.2					
					I_AcPresLoSse	A52.J1:14	18.2					
					I_BatMonMod53	A53.J1:24	6.1					
					I_FireExt1stAl	A36.JB:23	38.1					
					I_FireExt2ndAlm	A44.J1:10	38.1					
					I_FireSensorA36	A36.JB:5	38.1					
					I_WebFireComp	A36.JB:14						
A49.J1:30	O_TagAxlValve	Tag Axle Valve	32.2		I_TagPitManSW	A43.J1:6	32.2					
A50.J1:1	O_WCLSDoorLb	WCL Sliding Door Top Light	36.1		I_ParkBrSe	A36.JB:9	12.1					
					I_WCLDoorLtch	A49.J1:1	36.1					
					I_WCLPlungSw	A49.J1:4	36.1					
A50.J1:2	O_TransInhibit	Transmission Inhibit	15.1	A1:1	I_BrkLtSeFrSig	A36.JB:13	12.1					
					I_BrkLtSeRrSig	A51.J1:10	12.1					
					I_NeutralSe	A50.J1:11	3.2					
					I_ParkBrSe	A36.JB:9	12.1					
					I_WCLDoorLtch	A49.J1:1	36.1					
					I_WCLLoDorSe	A49.J1:6	36.1					
					I_WCLPlungSw	A49.J1:4	36.1					
					I_WclSw	A42.J1:6	36.1					
					A50.J1:20	O_BackUpLt		26.2		B_BatterySaver	.	
B_EngineRun	.											
B_OneAltCharging	.											
B_TestSwBuz2	.											
B_TestSwBuzzer	.											
B_TstModExtLight	.											
B_TstModHvac	.											
B_TstModHvacNext	.											
B_TstSwBuz3	.											
D_NextWheel	.											
I_RrStrtEnSw	A52.J1:10	3.2										
A50.J1:21	O_BrLtUpperLb		26.2							B_BatterySaver	.	
										B_EngineRun	.	
					B_OneAltCharging	.						
					B_TstModExtLight	.						
					I_BrkLtSeFrSig	A36.JB:13	12.1					
I_BrkLtSeRrSig	A51.J1:10	12.1										
A50.J1:3	O_RevAlarm	Back up alarm	26.3	L187:A	B_BatterySaver	.						
					B_EngineRun	.						
					B_OneAltCharging	.						
					B_TestSwBuz2	.						
					B_TestSwBuzzer	.						

MULTIPLEX OUTPUT LIST

O_xx... = Physical Output Pin ; I_xx... = Physical Input Pin ; D_xx... = CAN Network Signal from the HVAC control Head ; B_xx... = Multiplex system global Network Variable

Module.Pin#	Signal name		Page	Connected devices	Input involved		
A50.J1:3	O_RevAlarm	Back up alarm	26.3	L187:A	B_TstModExtLight	.	
					B_TstModHvac	.	
					B_TstModHvacNext	.	
					B_TstSwBuz3	.	
					D_NextWheel	.	
					I_RrStrtEnSw	A52.J1:10	3.2
A50.J1:4	O_ReClearLb	Rear Clearance Light Bulb	26.2		B_BatterySaver	.	
					B_EngineRun	.	
					B_OneAltCharging	.	
					B_TstModExtLight	.	
					I_BlinkSw	A43.J1:5	26.1
					I_FogLightSw	A55.J1:6	26.3
					I_HdLtPos1Sw	A43.J1:4	26.1
					I_HdLtPos2SwLH	A45.J1:12	26.1
A50.J1:5	O_LHCtrFlshLb	Water Filter Indicator Warning	26.2	L70A:1	B_BatterySaver	.	
					B_EngineRun	.	
					B_OneAltCharging	.	
					B_TstModExtLight	.	
					I_HazardSw	A36.JB:4	26.1
					I_LHFlshSwRrSig	A51.J1:9	26.2
					I_NeutralSe	A50.J1:11	3.2
					I_RHFlshSwRrSig	A51.J1:12	26.2
					I_WCLDoorLtch	A49.J1:1	36.1
					I_WCLLoDorSe	A49.J1:6	36.1
					I_WCLPlungSw	A49.J1:4	36.1
					I_WclSw	A42.J1:6	36.1
A50.J1:6	O_BrLTLowerLed		26.2		B_BatterySaver	.	
					B_EngineRun	.	
					B_OneAltCharging	.	
					B_TstModExtLight	.	
					I_BrkLtSeFrSig	A36.JB:13	12.1
					I_BrkLtSeRrSig	A51.J1:10	12.1
					I_IgnKeySw	A36.JB:2	3.2
					I_RetdrSig	A50.J1:12	12.1
A50.J1:7	O_RHCtrFlshLb	Wheel Chair Lift Warning Indicator	26.2	L68A:1	B_BatterySaver	.	
					B_EngineRun	.	
					B_OneAltCharging	.	
					B_TstModExtLight	.	
					I_HazardSw	A36.JB:4	26.1
					I_LHFlshSwRrSig	A51.J1:9	26.2
					I_NeutralSe	A50.J1:11	3.2
					I_RHFlshSwRrSig	A51.J1:12	26.2
					I_WCLDoorLtch	A49.J1:1	36.1

MULTIPLEX OUTPUT LIST

O_xx... = Physical Output Pin ; I_xx... = Physical Input Pin ; D_xx... = CAN Network Signal from the HVAC control Head ; B_xx.. = Multiplex system global Network Variable

Module.Pin#	Signal name		Page	Connected devices	Input involved		
A50.J1:7	O_RHctrFlshLb	Wheel Chair Lift Warning Indicator	26.2	L68A:1	I_WCLLoDorSe	A49.J1:6	36.1
					I_WCLPlungSw	A49.J1:4	36.1
					I_WclSw	A42.J1:6	36.1
A50.J1:8	O_CtrSdMrkLb	Tag Axle Warning Indicator	26.2		B_BatterySaver	.	
					B_EngineRun	.	
					B_OneAltCharging	.	
					B_TstModExtLight	.	
					I_BlinkSw	A43.J1:5	26.1
					I_FogLightSw	A55.J1:6	26.3
					I_HdLtPos1Sw	A43.J1:4	26.1
					I_HdLtPos2SwLH	A45.J1:12	26.1
A51.J1:1	O_SerBrkTrans	Servise Brake Signal For Transmission	15.1	A1:62	I_BrkLtSeFrSig	A36.JB:13	12.1
A51.J1:2	O_LavRoofLb		11.1	L142:1	D_Stw_Sw16	.	
					I_IgnKeySw	A36.JB:2	3.2
					I_LavDorLockSe	A53.J1:11	11.1
					I_LavEmrgSw	A53.J1:10	11.1
A51.J1:21	O_LHReFlshLb	Left Hand Rear Flasher Light Bulb	26.2		B_BatterySaver	.	
					B_EngineRun	.	
					B_OneAltCharging	.	
					B_TstModExtLight	.	
					I_HazardSw	A36.JB:4	26.1
					I_LHFlshSwRrSig	A51.J1:9	26.2
					I_NeutralSe	A50.J1:11	3.2
					I_RHFlshSwRrSig	A51.J1:12	26.2
					I_WCLDoorLtch	A49.J1:1	36.1
					I_WCLLoDorSe	A49.J1:6	36.1
					I_WCLPlungSw	A49.J1:4	36.1
					I_WclSw	A42.J1:6	36.1
A51.J1:3	O_RHReFlshLb	Right Hand Rear Flasher Light Bulb	26.2		B_BatterySaver	.	
					B_EngineRun	.	
					B_OneAltCharging	.	
					B_TstModExtLight	.	
					I_HazardSw	A36.JB:4	26.1
					I_LHFlshSwRrSig	A51.J1:9	26.2
					I_NeutralSe	A50.J1:11	3.2
					I_RHFlshSwRrSig	A51.J1:12	26.2
					I_WCLDoorLtch	A49.J1:1	36.1
					I_WCLLoDorSe	A49.J1:6	36.1
					I_WCLPlungSw	A49.J1:4	36.1
					I_WclSw	A42.J1:6	36.1
A51.J1:4	O_LHDockLb	Left Hand Docking Light Bulb	26.3	L93.A:1	B_BatterySaver	.	
					B_EngineRun	.	
					B_OneAltCharging	.	

MULTIPLEX OUTPUT LIST

O_xx... = Physical Output Pin ; I_xx... = Physical Input Pin ; D_xx... = CAN Network Signal from the HVAC control Head ; B_xx.. = Multiplex system global Network Variable

Module.Pin#	Signal name		Page	Connected devices	Input involved		
A51.J1:4	O_LHDockLb	Left Hand Docking Light Bulb	26.3	L93.A:1	B_TstModExtLight	.	
					I_DockingLtSw	A55.J1:7	26.3
A51.J1:5	O_RHDockLb	Right Hand Docking Light Bulb	26.3	L94.A:1	B_BatterySaver	.	
					B_EngineRun	.	
					B_OneAltCharging	.	
					B_TstModExtLight	.	
					I_DockingLtSw	A55.J1:7	26.3
A51.J1:6	O_BrLTUpperLed		26.2		B_BatterySaver	.	
					B_EngineRun	.	
					B_OneAltCharging	.	
					B_TstModExtLight	.	
					I_BrkLtSeFrSig	A36.JB:13	12.1
					I_BrkLtSeRrSig	A51.J1:10	12.1
A51.J1:7	O_CyclopeLt	Cyclope Brake Light	26.2	L81A.A:1	B_BatterySaver	.	
					B_EngineRun	.	
					B_OneAltCharging	.	
					B_TstModExtLight	.	
					I_BrkLtSeFrSig	A36.JB:13	12.1
					I_BrkLtSeRrSig	A51.J1:10	12.1
A52.J1:1	O_EngFanSpd1	Engine Fan Radiator Speed 1	13.1		B_BatterySaver	.	
					B_EngineRun	.	
					B_OneAltCharging	.	
					B_TstModHvac	.	
					D_RadFanSpd1	.	
					D_StopTestMode	.	
					I_AcPresHiSse	A52.J1:13	18.2
					I_FireExt1stAl	A36.JB:23	38.1
					I_FireExt2ndAlm	A44.J1:10	38.1
					I_FireSensorA36	A36.JB:5	38.1
					I_FrStrtEnSw	A52.J1:9	3.2
					I_IgnKeySw	A36.JB:2	3.2
					I_RrStrtEnSw	A52.J1:10	3.2
					I_WebFireComp	A36.JB:14	
A52.J1:2	O_EngFanSpd2	Engine Fan Radiator Speed 2	13.1		B_BatterySaver	.	
					B_EngineRun	.	
					B_OneAltCharging	.	
					B_TstModHvac	.	
					D_RadFanSpd2	.	
					D_StopTestMode	.	
					I_AcPresHiSse	A52.J1:13	18.2
					I_FireExt1stAl	A36.JB:23	38.1
					I_FireExt2ndAlm	A44.J1:10	38.1
					I_FireSensorA36	A36.JB:5	38.1

MULTIPLEX OUTPUT LIST

O_xx... = Physical Output Pin ; I_xx... = Physical Input Pin ; D_xx... = CAN Network Signal from the HVAC control Head ; B_xx.. = Multiplex system global Network Variable

Module.Pin#	Signal name		Page	Connected devices	Input involved		
A52.J1:2	O_EngFanSpd2	Engine Fan Radiator Speed 2	13.1		I_IgnKeySw	A36.JB:2	3.2
A52.J1:21	O_AcUnldrH	Hvac Right Hand Cylinder Unloader	18.2		I_WebFireComp	A36.JB:14	
					B_BatterySaver	.	
					B_EngineRun	.	
					B_OneAltCharging	.	
					B_TstModHvac	.	
					D_PassSetPts	.	
					I_AcPresHiSse	A52.J1:13	18.2
					I_AcPresLoSse	A52.J1:14	18.2
A52.J1:4	O_LavFanMo	Lavatory Fan Motor	11.1		B_BatterySaver	.	
					B_EngineRun	.	
					B_OneAltCharging	.	
					B_TstModHvac	.	
					I_BatMonMod52	A52.J1:24	6.1
A52.J1:5	O_EngCmptLb	Engine Compartment Light Bulb	25.1		I_EngDoorSe	A49.J1:2	25.1
A52.J1:6	O_StarterRel	Starter Relay	3.2		B_BatterySaver	.	
					B_EngineRun	.	
					B_OneAltCharging	.	
					B_TstModHvac	.	
					I_FrStrtEnSw	A52.J1:9	3.2
					I_NeutralSe	A50.J1:11	3.2
					I_RrStrtEnSw	A52.J1:10	3.2
A52.J1:8	O_PrakRfgSol	Parcel Rack Refrigerent Solenoid	18.2	D8.A:1	B_BatterySaver	.	
					B_EngineRun	.	
					B_OneAltCharging	.	
					B_TstModHvac	.	
					D_OnOffPassSw	.	
					I_FireExt1stAl	A36.JB:23	38.1
					I_FireExt2ndAlm	A44.J1:10	38.1
					I_FireSensorA36	A36.JB:5	38.1
					I_P RackFanSw	A41.J1:20	18.2
					I_WebFireComp	A36.JB:14	
A53.J1:2	O_DirLed	Direct Led	24.1		B_BatterySaver	.	
					B_EngineRun	.	
					B_LowVoltage	.	
					B_OneAltCharging	.	
					I_AccKeySw	A36.JB:6	3.2
					I_IgnKeySw	A36.JB:2	3.2
A53.J1:21	O_EmergencyLt	Emergency Lights	20.1		B_BatterySaver	.	
					B_EngineRun	.	
					B_LowVoltage	.	
					B_OneAltCharging	.	
					I_HdLtPos1Sw	A43.J1:4	26.1

MULTIPLEX OUTPUT LIST

O_xx... = Physical Output Pin ; I_xx... = Physical Input Pin ; D_xx... = CAN Network Signal from the HVAC control Head ; B_xx.. = Multiplex system global Network Variable

Module.Pin#	Signal name		Page	Connected devices	Input involved		
A53.J1:3	O_IndirLed	Indirect Led	23.1		B_BatterySaver	.	
					B_EngineRun	.	
					B_LowVoltage	.	
					B_OneAltCharging	.	
					I_AccKeySw	A36.JB:6	3.2
					I_IgnKeySw	A36.JB:2	3.2
A53.J1:4	O_LavOccRrLb		11.1	L140:1	D_Stw_Sw16	.	
					I_IgnKeySw	A36.JB:2	3.2
					I_LavDorLockSe	A53.J1:11	11.1
					I_LavEmrgSw	A53.J1:10	11.1
A53.J1:5	O_ReadLtsRel	Passenger Reading Light Relay	22.1		B_BatterySaver	.	
					B_EngineRun	.	
					B_LowVoltage	.	
					B_OneAltCharging	.	
					I_AccKeySw	A36.JB:6	3.2
					I_IgnKeySw	A36.JB:2	3.2
					I_ReadLtsSw	A41.J1:10	22.1
A53.J1:8	O_FlushPmpMo	Right Hand Flasher Indicator	11.1		I_AccKeySw	A36.JB:6	3.2
					I_IgnKeySw	A36.JB:2	3.2
					I_LavFlshSw	A53.J1:9	11.1
A54.J1:1	O_LHPRckFan	Left Hand Parcel Rack Fan	18.2		B_BatterySaver	.	
					B_EngineRun	.	
					B_OneAltCharging	.	
					B_TstModHvac	.	
					I_P RackFanSw	A41.J1:20	18.2
A54.J1:2	O_EvaSpd2Pilot	Evaporator Fan Speed 2	18.2	TermMo9	B_BatterySaver	.	
					B_EngineRun	.	
					B_LowVoltage	.	
					B_OneAltCharging	.	
					B_TstModHvac	.	
					D_OnOffPassSw	.	
					D_PassSetPts	.	
					I_AcPresHiSse	A52.J1:13	18.2
					I_AcPresLoSse	A52.J1:14	18.2
					I_BatMonMod54	A54.J1:24	6.1
					I_FireExt1stAl	A36.JB:23	38.1
					I_FireExt2ndAlm	A44.J1:10	38.1
					I_FireSensorA36	A36.JB:5	38.1
					I_WebFireComp	A36.JB:14	
A54.J1:20	O_ACRecPass	A/C Pass. Gaz Cylinder Recycle	18.2	L205:1	B_BatterySaver	.	
					B_EngineRun	.	
					B_OneAltCharging	.	
					B_TstModHvac	.	

MULTIPLEX OUTPUT LIST

O_xx... = Physical Output Pin ; I_xx... = Physical Input Pin ; D_xx... = CAN Network Signal from the HVAC control Head ; B_xx.. = Multiplex system global Network Variable

Module.Pin#	Signal name		Page	Connected devices	Input involved		
A54.J1:20	O_ACRecPass	A/C Pass. Gaz Cylinder Recycle	18.2	L205:1	D_RecSw	.	
A54.J1:21	O_PassOnOff	Output HVAC Passenger ON/OFF	18.2	R26:86	B_BatterySaver	.	
					B_EngineRun	.	
					B_OneAltCharging	.	
					B_TstModHvac	.	
					I_BatMonMod54	A54.J1:24	6.1
A54.J1:3	O_PasRfgSol	Passenger Refrigerent Solenoid	18.2	D11.A:1	B_BatterySaver	.	
					B_EngineRun	.	
					B_LowVoltage	.	
					B_OneAltCharging	.	
					B_TstModHvac	.	
					D_AmbTempLSB	.	
					D_AmbTempMSB	.	
					D_OnOffPassSw	.	
					D_PassSetPts	.	
					I_BatMonMod54	A54.J1:24	6.1
					I_FireExt1stAl	A36.JB:23	38.1
					I_FireExt2ndAlm	A44.J1:10	38.1
					I_FireSensorA36	A36.JB:5	38.1
					I_WebFireComp	A36.JB:14	
A54.J1:4	O_ACWaterPmp	Hvac Water Pump	18.2	D9.A:1	B_BatterySaver	.	
					B_EngineRun	.	
					B_OneAltCharging	.	
					B_TstModHvac	.	
					D_AmbTempLSB	.	
					D_AmbTempMSB	.	
					D_DrvFnSpdBit0	.	
					D_DrvFnSpdBit1	.	
					D_DrvFnSpdBit2	.	
					D_HvacPump	.	
					D_OnOffPassSw	.	
					D_PassSetPts	.	
					D_StopTestMode	.	
					I_BatMonMod54	A54.J1:24	6.1
					I_FireExt1stAl	A36.JB:23	38.1
					I_FireExt2ndAlm	A44.J1:10	38.1
					I_FireSensorA36	A36.JB:5	38.1
					I_IgnKeySw	A36.JB:2	3.2
					I_WebFireComp	A36.JB:14	
A54.J1:5	O_CndSpd1Rel	Condensor Fan Speed 1 Relay	18.2	R10:2	B_BatterySaver	.	
					B_EngineRun	.	
					B_LowVoltage	.	
					B_OneAltCharging	.	

MULTIPLEX OUTPUT LIST

O_xx... = Physical Output Pin ; I_xx... = Physical Input Pin ; D_xx... = CAN Network Signal from the HVAC control Head ; B_xx.. = Multiplex system global Network Variable

Module.Pin#	Signal name		Page	Connected devices	Input involved		
A54.J1:5	O_CndSpd1Rel	Condensor Fan Speed 1 Relay	18.2	R10:2	B_TstModHvac	.	
					D_AmbTempLSB	.	
					D_AmbTempMSB	.	
					D_OnOffPassSw	.	
					D_PassSetPts	.	
					I_AcPresHiSse	A52.J1:13	18.2
					I_AcPresLoSse	A52.J1:14	18.2
					I_BatMonMod54	A54.J1:24	6.1
					I_FireExt1stAl	A36.JB:23	38.1
					I_FireExt2ndAlm	A44.J1:10	38.1
					I_FireSensorA36	A36.JB:5	38.1
					I_WebFireComp	A36.JB:14	
A54.J1:6	O_RHPRckFan	Right Hand Parcel Rack Fan	18.2		B_BatterySaver	.	
					B_EngineRun	.	
					B_OneAltCharging	.	
					B_TstModHvac	.	
					I_P RackFanSw	A41.J1:20	18.2
A54.J1:7	O_EvaSpd1Rel	Evaporator Fan Speed 1 Relay	18.2	R12:2	B_BatterySaver	.	
					B_EngineRun	.	
					B_LowVoltage	.	
					B_OneAltCharging	.	
					B_TstModHvac	.	
					D_OnOffPassSw	.	
					I_BatMonMod54	A54.J1:24	6.1
					I_FireExt1stAl	A36.JB:23	38.1
					I_FireExt2ndAlm	A44.J1:10	38.1
					I_FireSensorA36	A36.JB:5	38.1
					I_WebFireComp	A36.JB:14	
A54.J1:8	O_PasHeatSol	Passenger Heat Solenoid Valve	18.2	R26:87	B_BatterySaver	.	
					B_EngineRun	.	
					B_OneAltCharging	.	
					B_TstModHvac	.	
					D_AmbTempLSB	.	
					D_AmbTempMSB	.	
					D_DrvFnSpdBit0	.	
					D_DrvFnSpdBit1	.	
					D_DrvFnSpdBit2	.	
					D_OnOffPassSw	.	
					D_PassSetPts	.	
					I_BatMonMod54	A54.J1:24	6.1
					I_FireExt1stAl	A36.JB:23	38.1
					I_FireExt2ndAlm	A44.J1:10	38.1
					I_FireSensorA36	A36.JB:5	38.1

MULTIPLEX INPUT LIST

O_xx... = Physical Output Pin ; I_xx... = Physical Input Pin ; D_xx... = CAN Network Signal from the HVAC control Head ; B_xx... = Multiplex system global Network Variable

Module.Pin#	Signal name		Page	Connected devices
A36.JB:1	I_LwBuoySw	Low Buoy Signal From Pressure Switch	32.1	Sw43:A
A36.JB:10	I_EntDorCInSw	Entrance Door Close Inside Switch	29.1	Sw32:3
A36.JB:13	I_BrkLtSeFrSig	Brake Lights Sensor	12.1	
A36.JB:14	I_WebFireComp			
A36.JB:15	I_EntDorOpSw	Entrance Door Open Switch	29.1	
A36.JB:17	I_EntDorCOutSw	Entrance Door Close Outside Switch	29.1	Sw34:1
A36.JB:2	I_IgnKeySw	Ignition Key switch	3.2	
A36.JB:21	I_RrCutOutSw	Rear Junction Box CutOut Switch	3.2	
A36.JB:22	I_FrEngStaSw	Front Engine Start Switch	3.2	
A36.JB:23	I_FireExt1stAl		38.1	
A36.JB:4	I_HazardSw	Hazard Switch	26.1	Sw4:3
A36.JB:5	I_FireSensorA36	Fire Sensor On A36	38.1	
A36.JB:6	I_AccKeySw	Accessories Key switch	3.2	
A36.JB:9	I_ParkBrSe	Paking Brake Sensor	12.1	
A41.J1:10	I_ReadLtsSw	Passenger Reading lights Switch	22.1	Sw26:3
A41.J1:17	I_UpperDefFanSw	Upper Defrost Dash Switch	18.1	Sw21:3
A41.J1:20	I_PRAckFanSw		18.2	Sw27:3
A41.J1:6	I_KneeUpSw	Kneeling Up Switch	32.1	
A41.J1:7	I_KneeDwSw	Kneeling Down Switch	32.1	
A42.J1:3	I_WdoOpenSe	Passenger Window Open Sensor	27.1	
A42.J1:6	I_WclSw	Wheel Chair Lift Dash Switch	36.1	Sw20:3
A42.J1:7	I_PrkBrkRelSw	Park Brake Release Switch	32.1	Sw11A:1
A42.J1:8	I_LwWiplntSw	Lower Wiper Intermitant Switch	34.1	
A43.J1:17	I_FJBLtSw	Front Junction Box Door Open	25.1	
A43.J1:19	I_TgAxlSw	Tag Axle Switch	32.1	Sw64.B:1
A43.J1:3	I_HiBeamCallSw	Hi/Low Beam Switch	26.1	Sw1.C259:4
A43.J1:4	I_HdLtPos1Sw	Head Light Switch Position Markers	26.1	
A43.J1:5	I_BlinkSw	Courtesy Blink Switch	26.1	Sw1.C258:5
A43.J1:6	I_TagPitManSW	Tag Automatic Unload PitMan Sw	32.2	
A43.J1:7	I_HornSelectSw	Horn Select switch	9.1	
A43.J1:8	I_HdLthiLowBmSw	Head Lights High and Low Beam Switch	26.1	Sw1.C258:8
A44.J1:10	I_FireExt2ndAlm		38.1	
A45.J1:10	I_HornSw	Horn Switch	9.1	A103:5
A45.J1:12	I_HdLtPos2SwLH	Head Light Switch Beam Position 2 LH	26.1	
A45.J1:13	I_KneeLevelSe		32.1	Se79:4
A45.J1:24	I_BatMonMod45		6.1	A45.J1:28
A46.J1:10	I_LugDorLkSw	Luggage Door Lock Switch	33.1	
A46.J1:11	I_LugDorULkSw	Luggage Door Unlock Switch	33.1	
A46.J1:24	I_BatMonMod46		6.1	A46.J1:26
A46.J1:9	I_LwWshSw	Lower Wiper Washer Switch	34.1	Sw1.C258:6
A47.J1:10	I_EntDorCISE	Entrance Door Close Sensor	29.1	Term115
A47.J1:12	I_EntDorOpSw2		29.1	D7:B
A47.J1:24	I_BatMonMod47		6.1	A47.J1:27

MULTIPLEX INPUT LIST

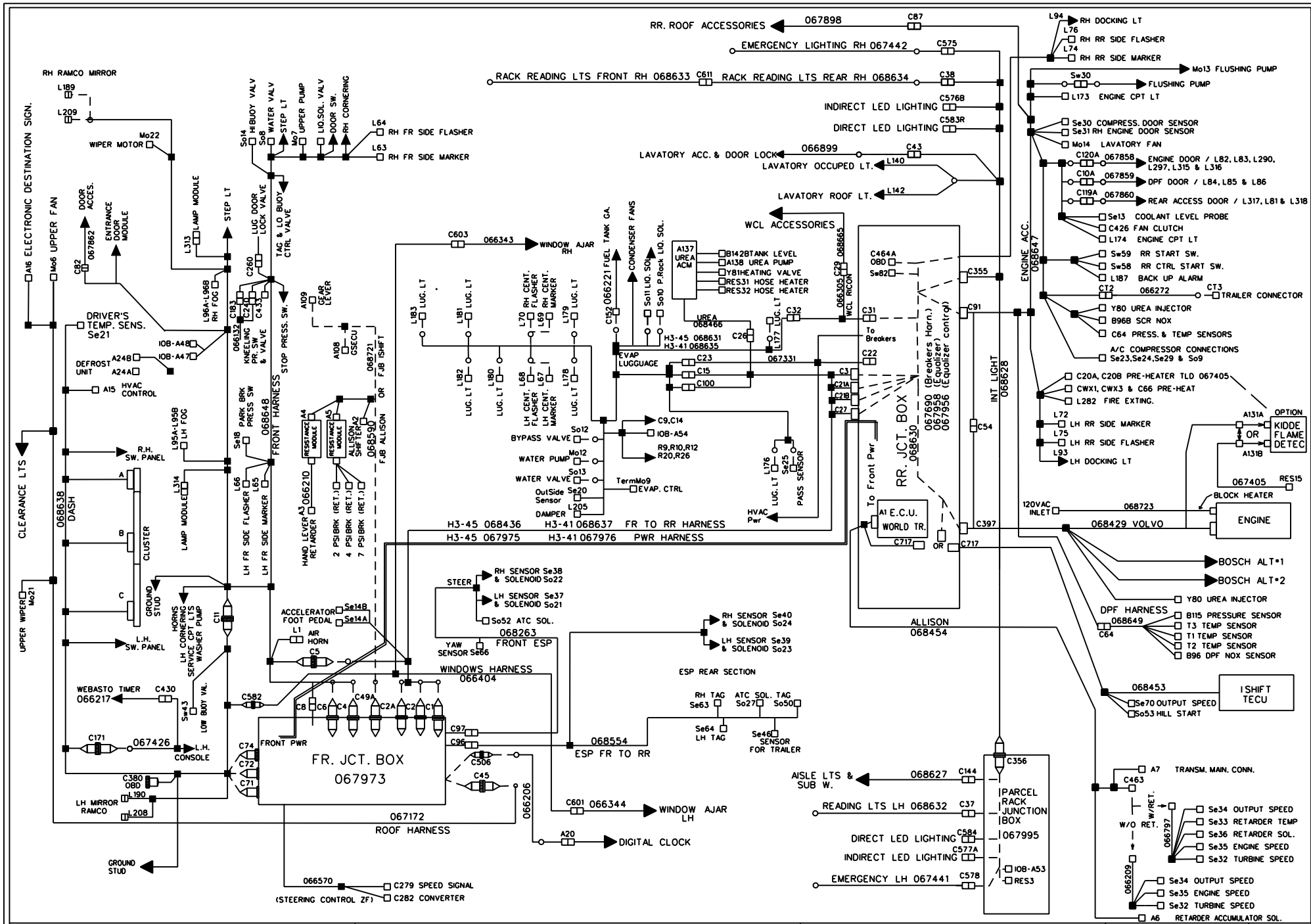
O_xx... = Physical Output Pin ; I_xx... = Physical Input Pin ; D_xx... = CAN Network Signal from the HVAC control Head ; B_xx... = Multiplex system global Network Variable

Module.Pin#	Signal name		Page	Connected devices
A47.J1:9	I_LowWiperCam	Low wiper Cam	34.1	
A48.J1:10	I_HdLtPos2SwRH	Head Light Switch Beam Position 2 RH	26.1	
A48.J1:11	I_EntDorOpSe	Entrance Door Open Sensor	29.1	Se15:1
A48.J1:24	I_BatMonMod48		6.1	A48.J1:28
A49.J1:1	I_WCLDoorLtch	WCL Sliding door firts latch detection door open	36.1	Sw94.A:1
A49.J1:18	I_WCLInstalSig	WCL Cassette installation detection	36.1	
A49.J1:2	I_EngDoorSe	Engine Door Sensor	25.1	
A49.J1:3	I_RJBLtSw	Rear Junction Light Switch	25.1	
A49.J1:4	I_WCLPlungSw	WCL Sliding door open detection	36.1	Sw31:A
A49.J1:6	I_WCLLoDorSe	Wheel Chair Lift Lower Door Sensor	36.1	Sw52.B:1
A49.J1:8	I_Alt1Voltage		3.2	
A49.J1:9	I_Alt2Voltage		3.2	
A50.J1:11	I_NeutralSe	Neutral Signal Sensor	3.2	A1:41
A50.J1:12	I_RetdrSig	Retarder Signal	12.1	
A51.J1:10	I_BrkLtSeRrSig	Brake Lights Sensor	12.1	
A51.J1:12	I_RHFlshSwRrSig	RH FlasherSwitch Rear Signal	26.2	
A51.J1:24	I_BatMonMod51			
A51.J1:9	I_LHFlshSwRrSig	LH FlasherSwitch Rear Signal	26.2	
A52.J1:10	I_RrStrtEnSw	Rear Start Enable Switch	3.2	
A52.J1:11	I_EngStaRrSw	Engine Start Rear Switch	3.2	Sw59:2
A52.J1:13	I_AcPresHiSse	Ac Pressure High Side Sensor	18.2	Se23:C
A52.J1:14	I_AcPresLoSse	Ac Pressure Low Side Sensor	18.2	Se24:C
A52.J1:24	I_BatMonMod52		6.1	A52.J1:25
A52.J1:9	I_FrStrtEnSw	Front Start Enable Switch	3.2	Sw58:3
A53.J1:10	I_LavEmrgSw	Lavatory Emergency Switch	11.1	Sw55.A:1
A53.J1:11	I_LavDorLockSe	Lavatory Door Lock Sensor	11.1	Skin7
A53.J1:24	I_BatMonMod53		6.1	A53.J1:26
A53.J1:9	I_LavFlshSw	Lavatory Flushing Switch	11.1	
A54.J1:11	I_AcDorOpSe	Condensor Door Open Switch	25.1	Sw7.A:A
A54.J1:24	I_BatMonMod54		6.1	A54.J1:29
A54.J1:9	I_LuggDoorSw	Luggage Door Switch	25.1	
A55.J1:1	I_DrvTempSe	Driver Temperature sensor	18.1	Se21:2
A55.J1:10	I_RetarderSel	Retarder Selected	12.1	Sw16:3
A55.J1:18	I_UpWshSw	Upper Washer Wiper Switch	34.1	Sw6:3
A55.J1:19	I_HeadLmpWshSw		34.1	Sw6:4
A55.J1:20	I_UpWipIntSw	Upper Wiper Intermitant Switch	34.1	
A55.J1:21	I_UpWipSw	Upper Wiper Switch	34.1	Sw5:6
A55.J1:5	I_DrvLtSw	Driver Light Switch	19.1	Sw24:3
A55.J1:6	I_FogLightSw	Fog Lights Switch	26.3	Sw3:3
A55.J1:7	I_DockingLtSw	Docking Lights Switch	26.3	Sw100A:1
A55.J1:8	I_CorneringLtSw	Cornering Light Switch	26.3	Sw100A:3

MULTIPLEX ERROR MESSAGES LIST

FMI 3 = Shorted High ; FMI 4 = Shorted Low ; FMI 5 = Open Circuit ; FMI 6 = Current above Normal

Cluster message	SID/PSID	FMI	Module.Pin#	Page	Cluster message	SID/PSID	FMI	Module.Pin#	Page
A/C Pres HiSd	PSID #12	3, 4	A52.J1:13	18.2	Hd Light Call	PSID #140	3, 4	A43.J1:3	26.1
A/C Pres LoSd	PSID #13	3, 4	A52.J1:14	18.2	HdLamp Wsh Pmp	SID #48	3, 4, 5, 6	A46.J1:21	34.1
Battery Equalizer	SID #61	3, 4	A45.J1:12	26.1	Head Lights Pos1	PSID #143	3, 4	A43.J1:4	26.1
Blinker Sw	PSID #139	3, 4	A43.J1:5	26.1	Hi Low Beam	SID #62	3, 4	A43.J1:8	26.1
Brk Lts Sens	PSID #119	3, 4	A36.JB:13	12.1	High Beam LH	PSID #141	3, 4, 5, 6	A45.J1:6	26.1
Ceiling Door Lt	PSID #108	3, 4, 5, 6	A44.J1:5	29.1	High Beam RH	PSID #145	3, 4, 5, 6	A48.J1:3	26.1
Center Flash LH	PSID #124	3, 4, 6	A50.J1:5	26.2	Horn	PSID #83	3, 4, 5, 6	A45.J1:20	9.1
Center Flash RH	PSID #125	3, 4, 6	A50.J1:7	26.2	Knee down Sol	PSID #89	3, 4, 5, 6	A41.J1:14	32.1
Center Mkr	PSID #27	3, 4, 6	A50.J1:8	26.2	Knee Down Sw	PSID #93	3, 4	A41.J1:7	32.1
Cond Rly spd1	PSID #41	3, 4, 5, 6	A54.J1:5	18.2	Knee Up Sol	PSID #95	3, 4, 5, 6	A41.J1:15	32.1
Cond Rly spd2	PSID #42	3, 4, 6	A49.J1:16	18.2	Knee Up Sw	PSID #94	3, 4	A41.J1:6	32.1
Condensor Door Sw	PSID #7	3, 4	A54.J1:11	25.1	Kneeling Alm	PSID #85	3, 4, 5, 6	A42.J1:14	32.1
Cornering Dash	PSID #200	3, 4	A55.J1:8	26.3	Lav Emgy Sw	PSID #97	3, 4	A53.J1:10	11.1
Cyclope Lt	PSID #116	4, 6	A51.J1:7	26.2	Lav Flush Pump	PSID #9	4, 5, 6	A53.J1:8	11.1
Docking Dash Sw	PSID #40	3, 4	A55.J1:7	26.3	Lav Flush Sw	PSID #8	3, 4, 5, 6	A53.J1:9	11.1
Driver Def Fan	PSID #180	3, 4, 5, 6	A47.J1:1	18.1	Lav Fr Occ	PSID #100	3, 4, 5, 6	A41.J1:13	11.1
Driver heat Sol	PSID #16	3, 4, 5, 6	A46.J1:6	18.1	Lavatory Fan4	PSID #98	4, 5, 6	A52.J1:4	11.1
Driver Rfg Sol	PSID #29	3, 4, 5, 6	A46.J1:5	18.1	LH Corner Lts	PSID #120	3, 4, 5, 6	A45.J1:5	26.3
Driver Sensor	PSID #28	3, 4, 5	A55.J1:1	18.1	LH Docking Light	PSID #122	3, 4, 5, 6	A51.J1:4	26.3
Drv air Trap	SID #64	3, 4, 6	A44.J1:2	18.1	Low Beam LH	PSID #142	3, 4, 5, 6	A45.J1:7	26.1
Drv Rec Cylind	PSID #30	3, 4, 5, 6	A47.J1:2	18.1	Low Beam RH	PSID #146	3, 4, 5, 6	A48.J1:4	26.1
Elec.Horn SW61	PSID #82	3, 4	A45.J1:10	9.1	Lower Washer pmp	PSID #181	4, 5, 6	A46.J1:3	34.1
Emergency Relay	PSID #44	3, 4, 5, 6	A36.JA:17	3.2	Lower Wip Int	PSID #183	3, 4	A42.J1:8	34.1
Engine Door Se	PSID #6	3, 4	A49.J1:2	25.1	Lugg Lock Sol	PSID #155	3, 4, 5, 6	A42.J1:13	33.1
Engine Fan Spd1	PSID #53	3, 4, 5, 6	A52.J1:1	13.1	Lugg Lock Sw	PSID #156	3, 4	A46.J1:10	33.1
Engine Fan Spd2	PSID #54	3, 4, 5, 6	A52.J1:2	13.1	Lugg unlk Sol	PSID #158	3, 4, 5, 6	A42.J1:16	33.1
Ent Close Out	PSID #70	3, 4	A36.JB:17	29.1	Lugg Unlk Sw	PSID #159	3, 4	A46.J1:11	33.1
Ent close Sens	PSID #63	3, 4	A47.J1:10	29.1	P Rack Fan	PSID #19	4, 5, 6	A54.J1:1	18.2
Ent Close Sol	PSID #65	3, 4, 5, 6	A47.J1:6	29.1	P Rack Fan	PSID #20	4, 5, 6	A54.J1:6	18.2
Ent Door Close	PSID #64	3, 4	A36.JB:10	29.1	P Rack Fan	PSID #21	3, 4	A41.J1:20	18.2
Ent Full Open	PSID #66	3, 4	A48.J1:11	29.1	P Rack Rfg	PSID #22	3, 4, 5, 6	A52.J1:8	18.2
Ent open out	PSID #71	3, 4	A36.JB:15	29.1	Park brak Sens	PSID #162	3, 4	A36.JB:9	12.1
Ent Open Sol	PSID #67	3, 4, 5, 6	A47.J1:7	29.1	Park brake Sol	PSID #163	3, 6	A42.J1:12	32.1
Evap Motor Rly	PSID #77	3, 4, 5, 6	A54.J1:7	18.2	Pass Heat Sol	PSID #24	3, 4, 6	A54.J1:8	18.2
Fog's lights RH	PSID #136	3, 4, 5, 6	A48.J1:8	26.3	Pass On_Off Sig	SID #29	3, 4, 5, 6	A54.J1:21	18.2
Foot trap	PSID #37	3, 4, 6	A45.J1:2	18.1	Pass Rec.Cylinder	SID #63	3, 4, 5, 6	A54.J1:20	18.2
FR Clearance lights	PSID #137	3, 4, 6	A44.J1:8	26.1	Pass Rfg Sol	PSID #23	3, 4, 5, 6	A54.J1:3	18.2
Fr Side Flsh	PSID #10	3, 4, 6	A48.J1:20	26.1	Pass. Wtr pump	PSID #17	3, 4, 6	A54.J1:4	18.2
Fr Start Sw	PSID #58	3, 4	A36.JB:22	3.2	Read Lts Rly	PSID #113	3, 4, 5, 6	A53.J1:5	22.1
FrontMkr Lts LH	PSID #148	3, 4, 6	A45.J1:21	26.1	Read Lts Sw	PSID #114	3, 4	A41.J1:10	22.1
FrontMkr Lts RH	PSID #149	3, 4, 6	A48.J1:7	26.1	Rear CutOut Sw	PSID #18	3, 4	A36.JB:21	3.2
FrStart Enable Sw	PSID #56	3, 4	A52.J1:9	3.2	Rear High Buoy	PSID #197	4, 6	A41.J1:30	32.1
Hazard Switch	PSID #138	3, 4	A36.JB:4	26.1	RearFlsh LH	PSID #131	3, 4, 6	A51.J1:21	26.2



PREVOST

WIRING DIAGRAM

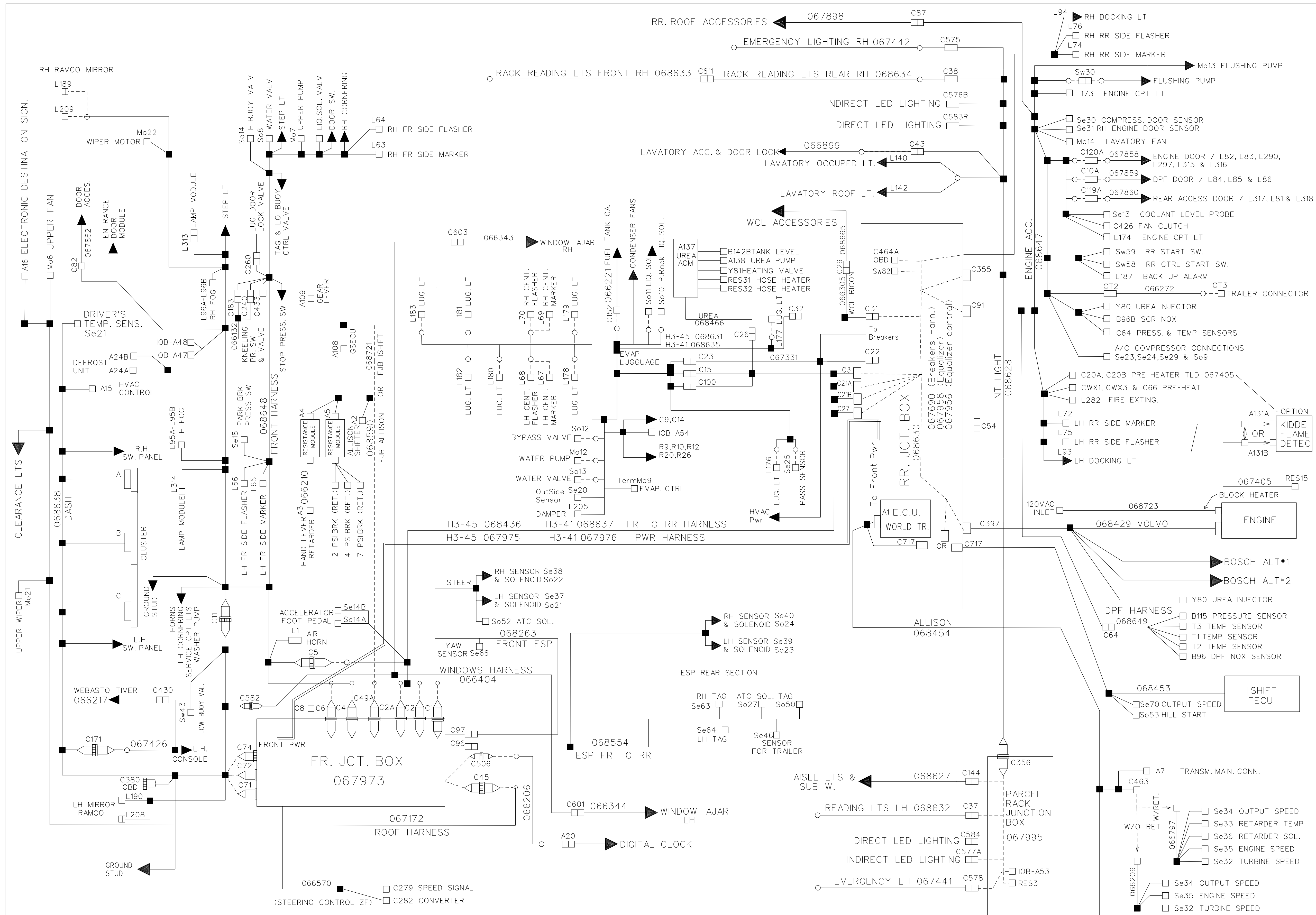
NO:

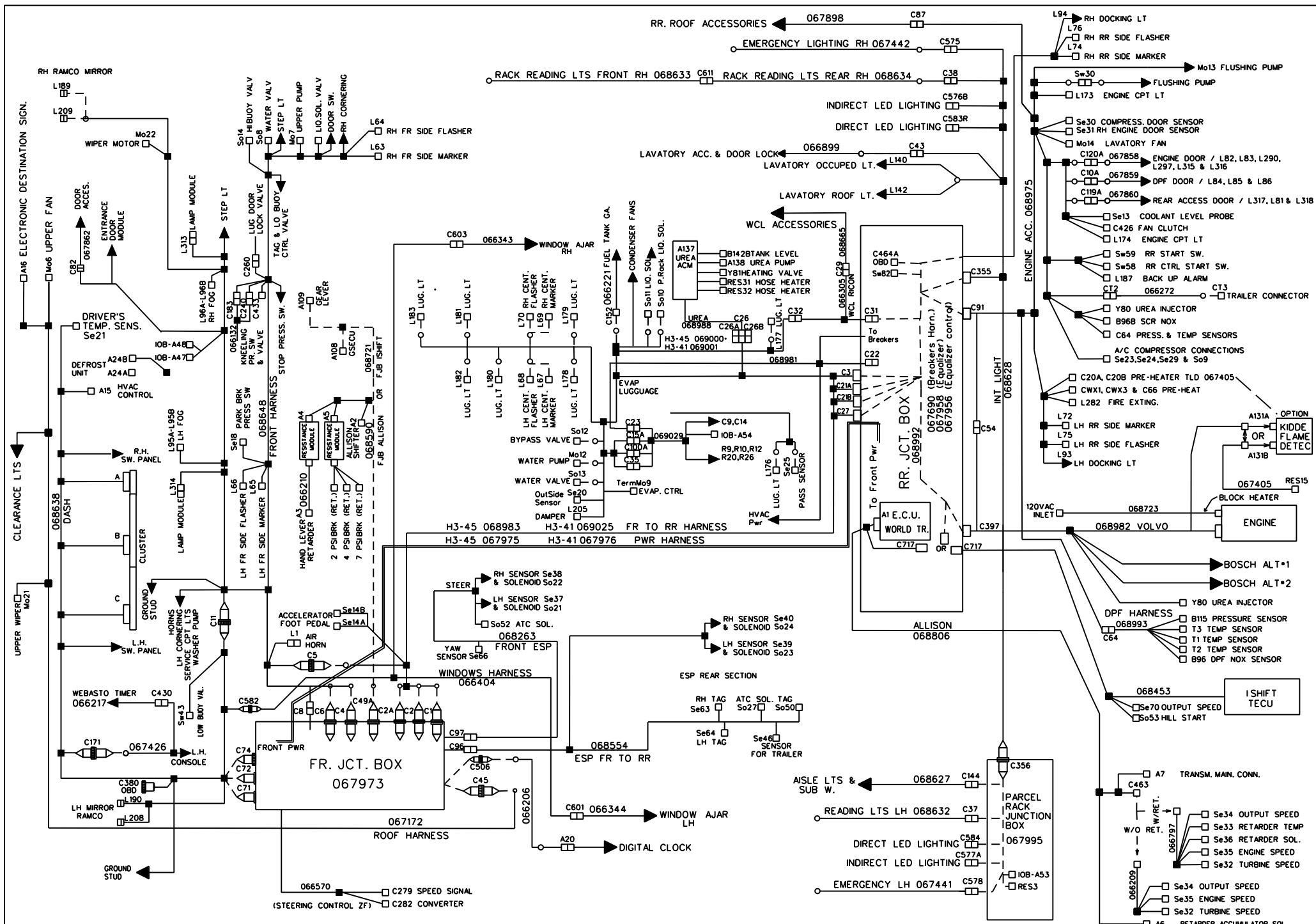
D061340

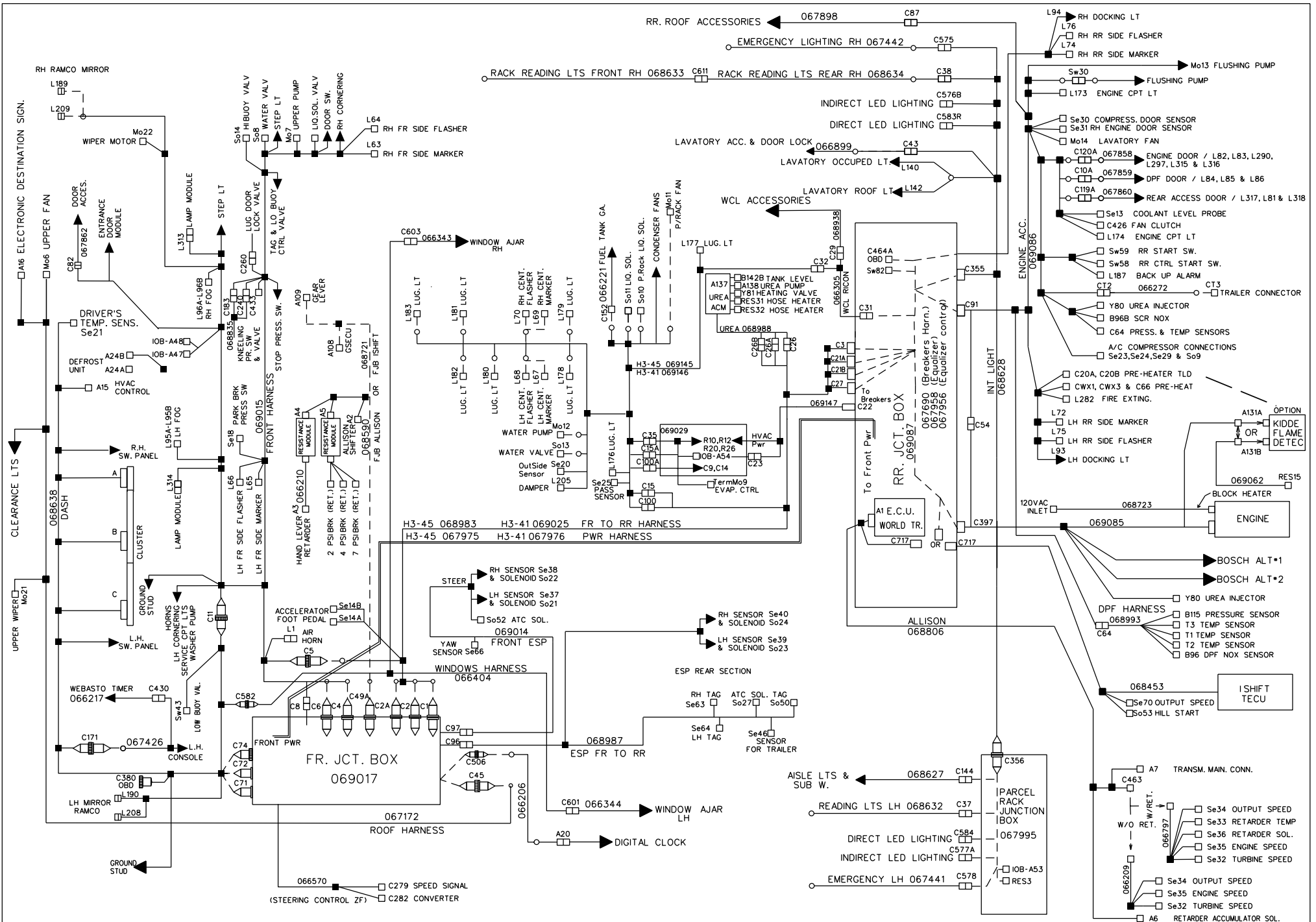
PAGE:

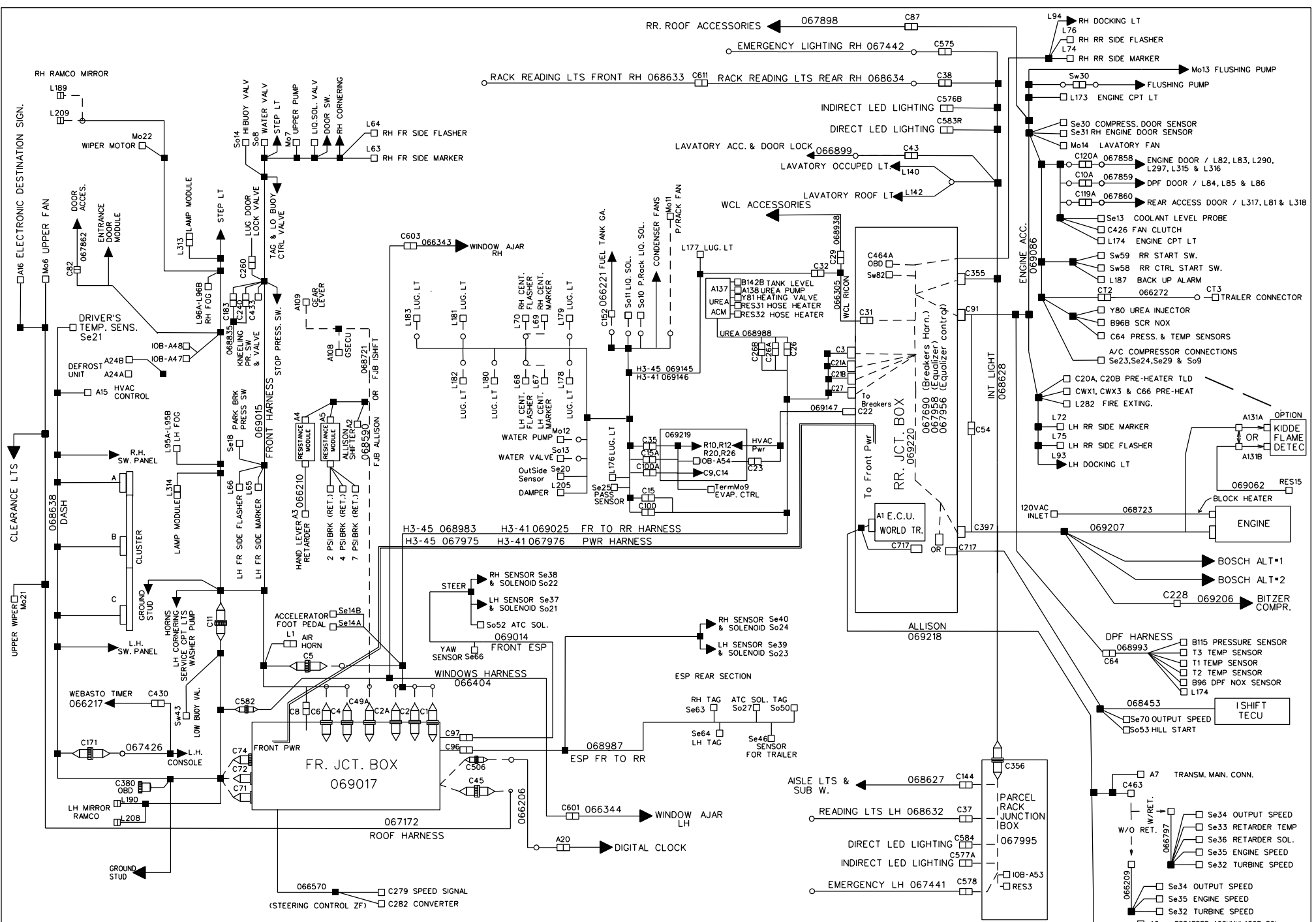
C1

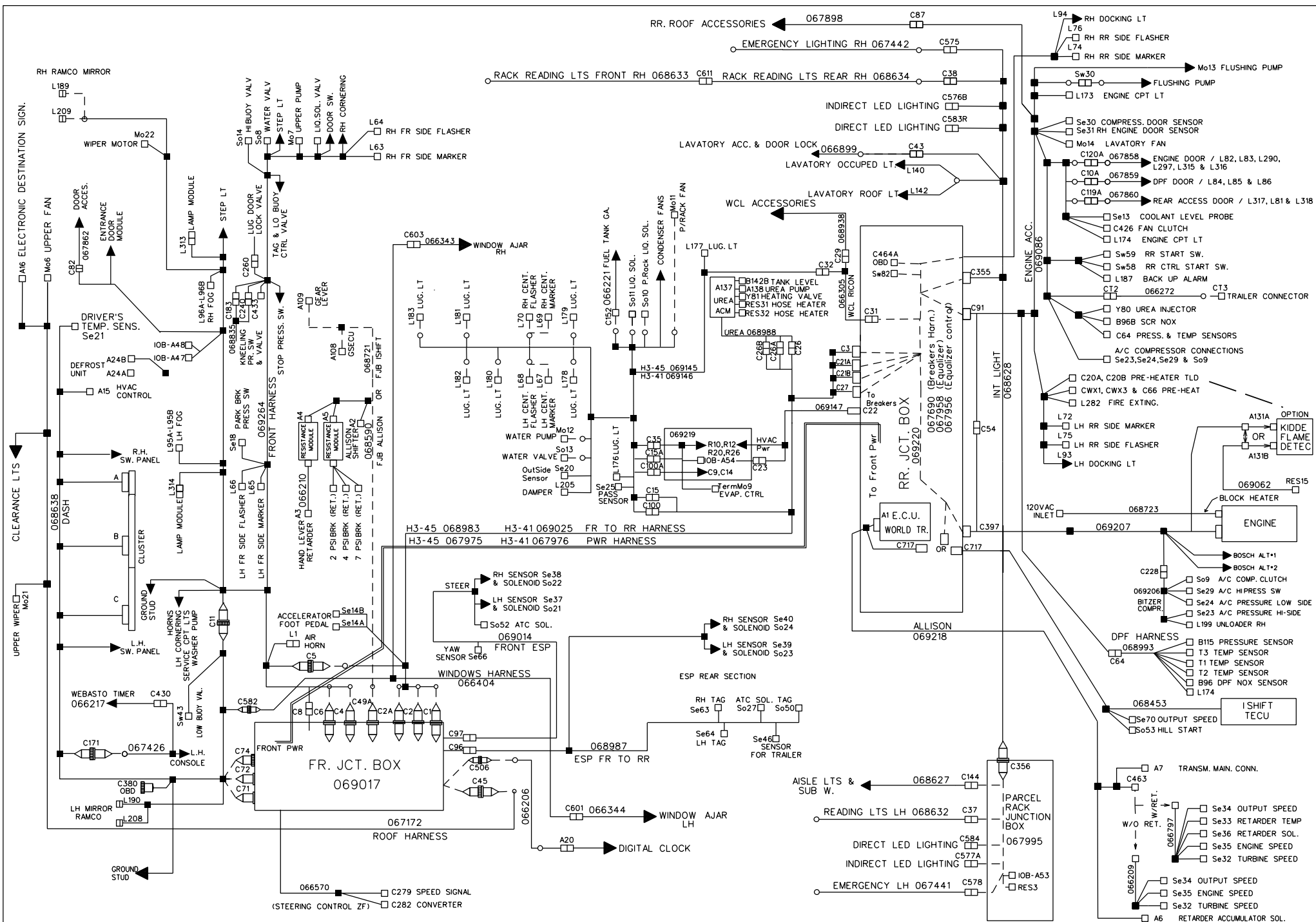
REVISION
0

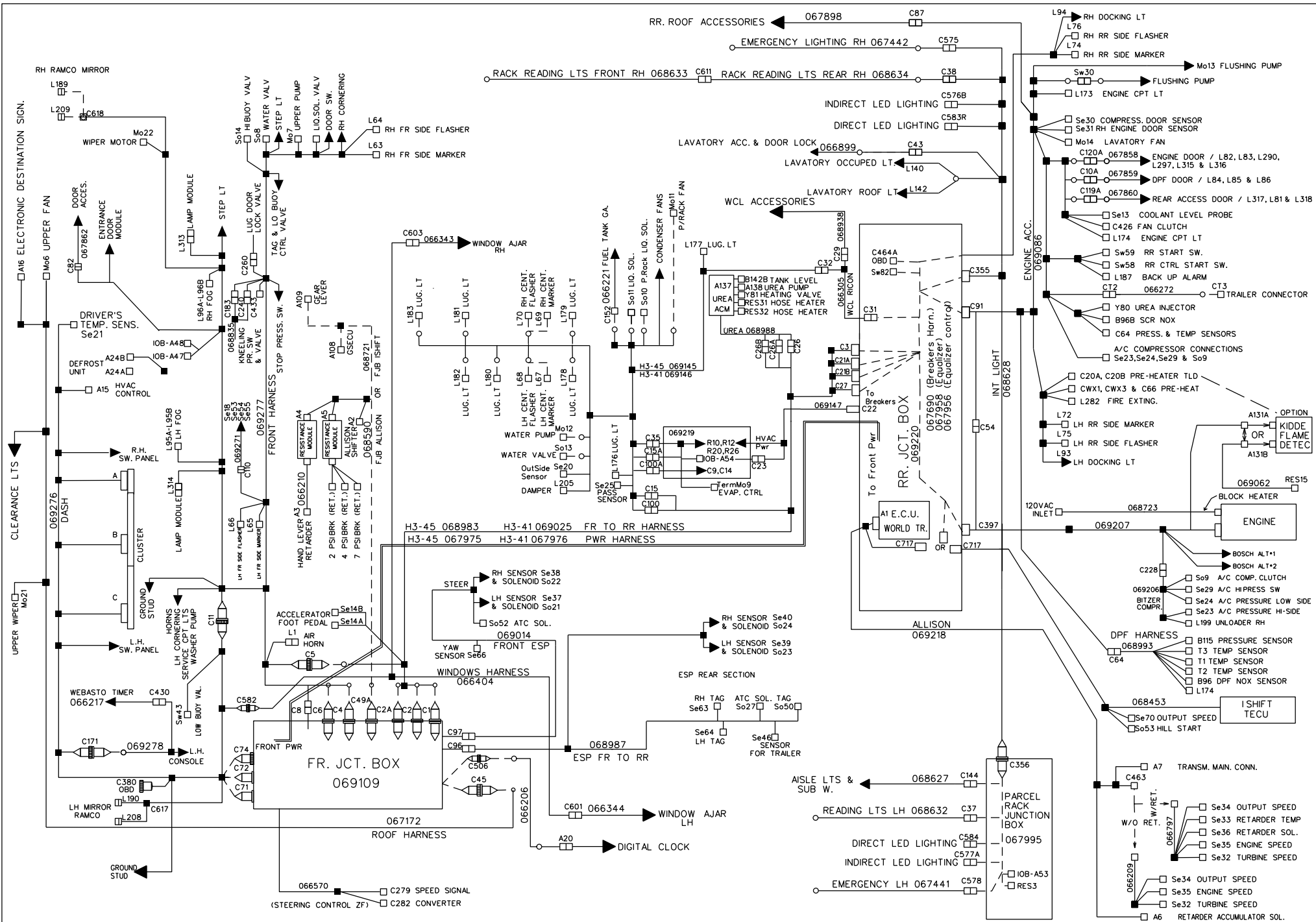


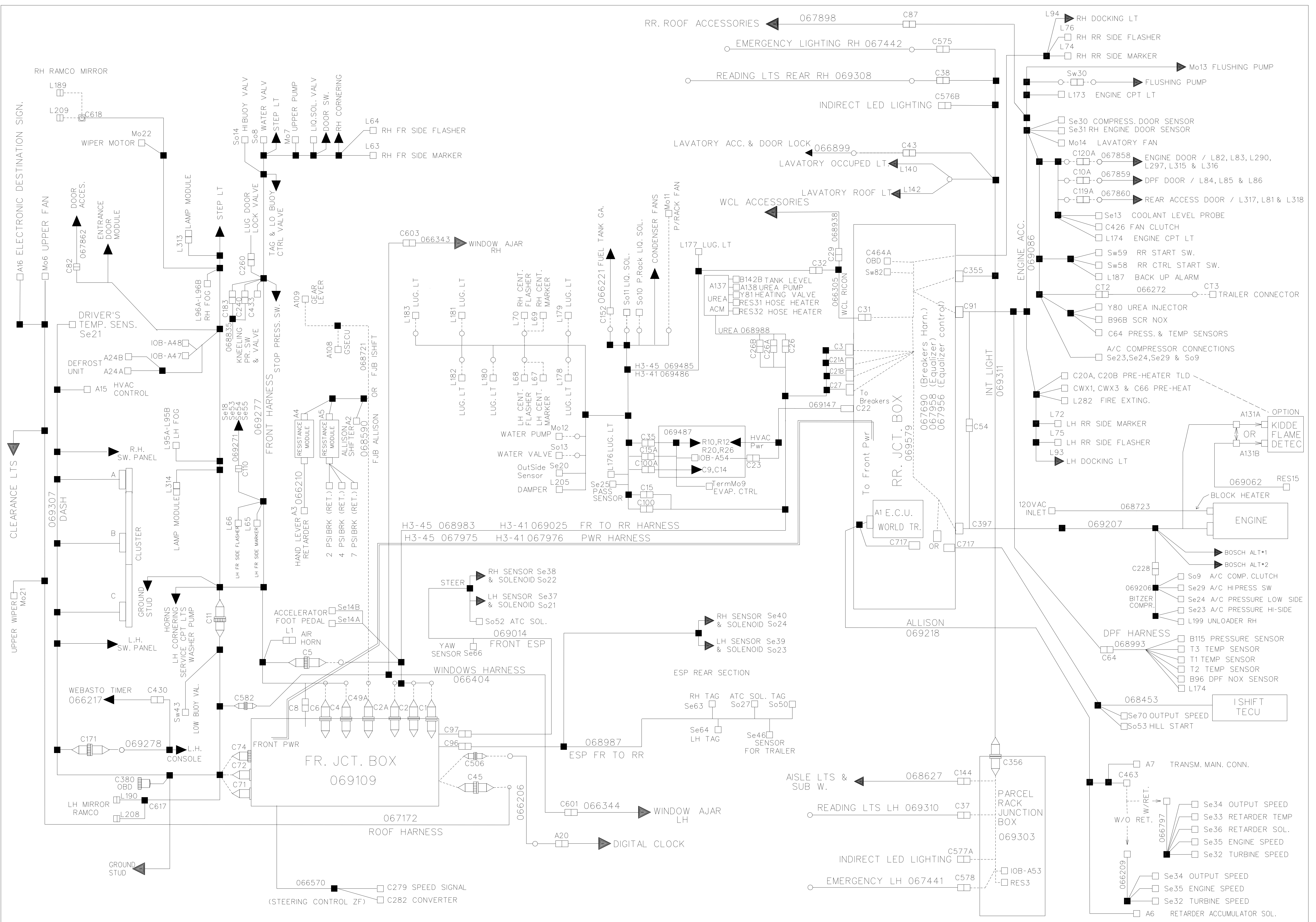


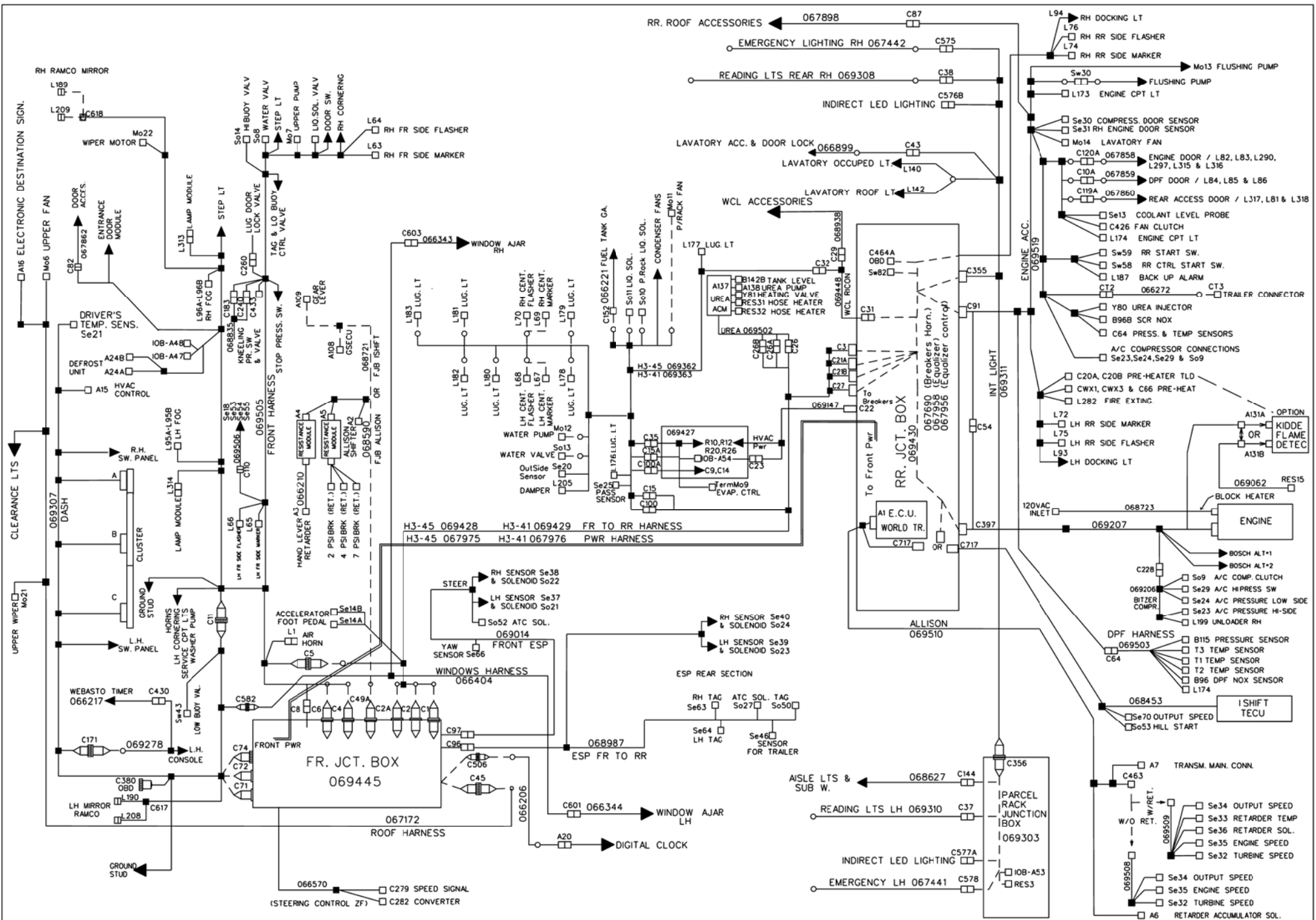


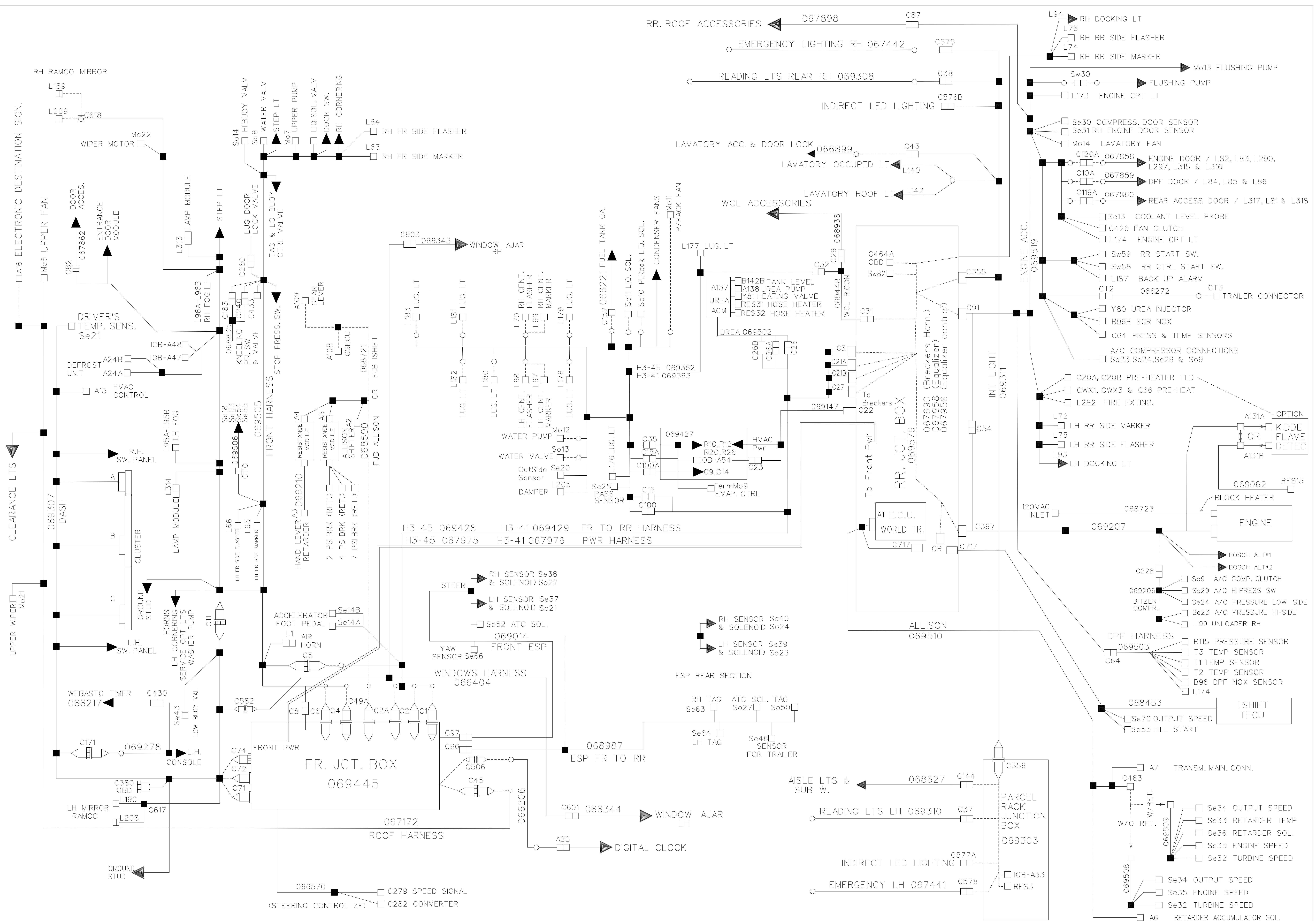


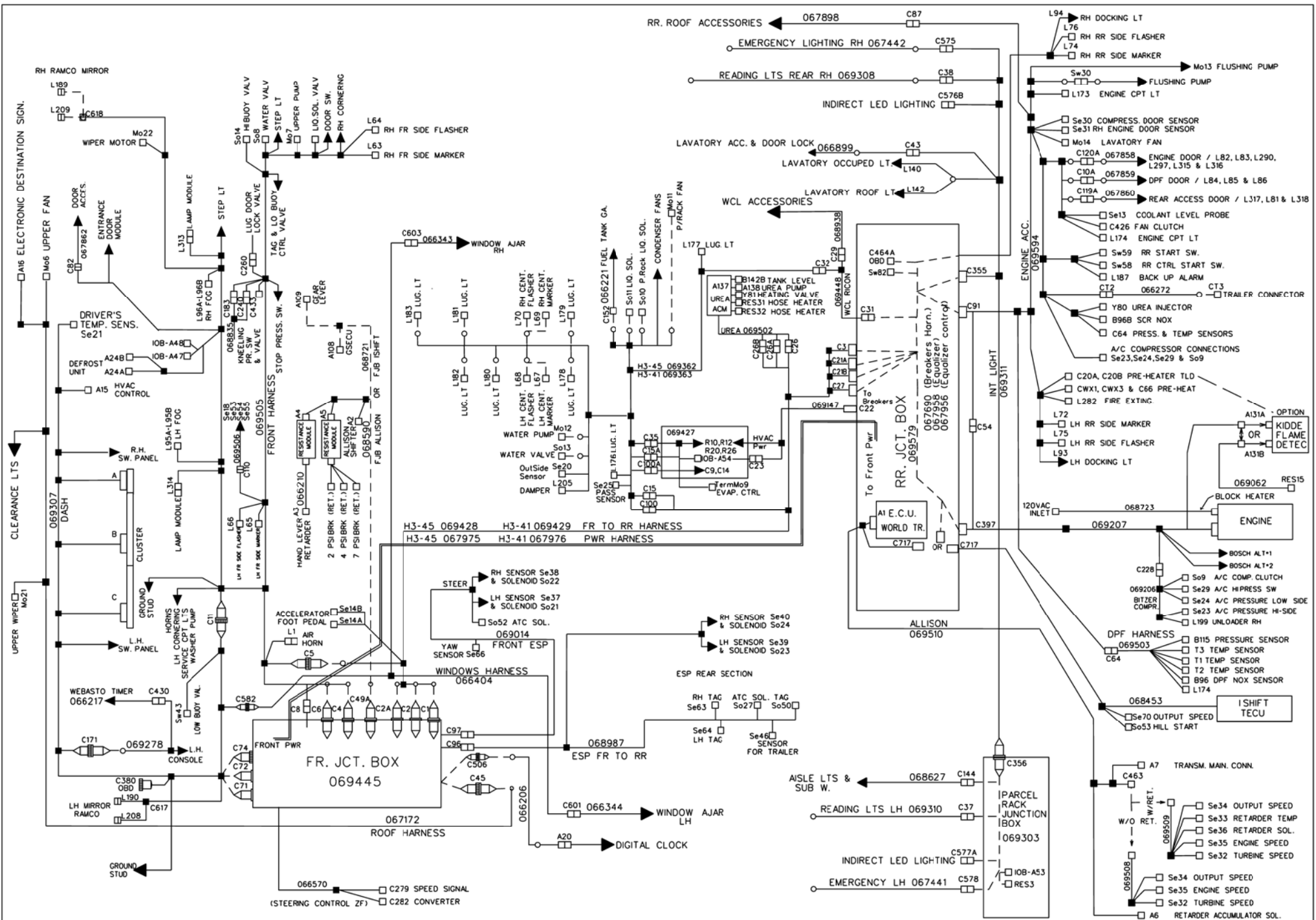


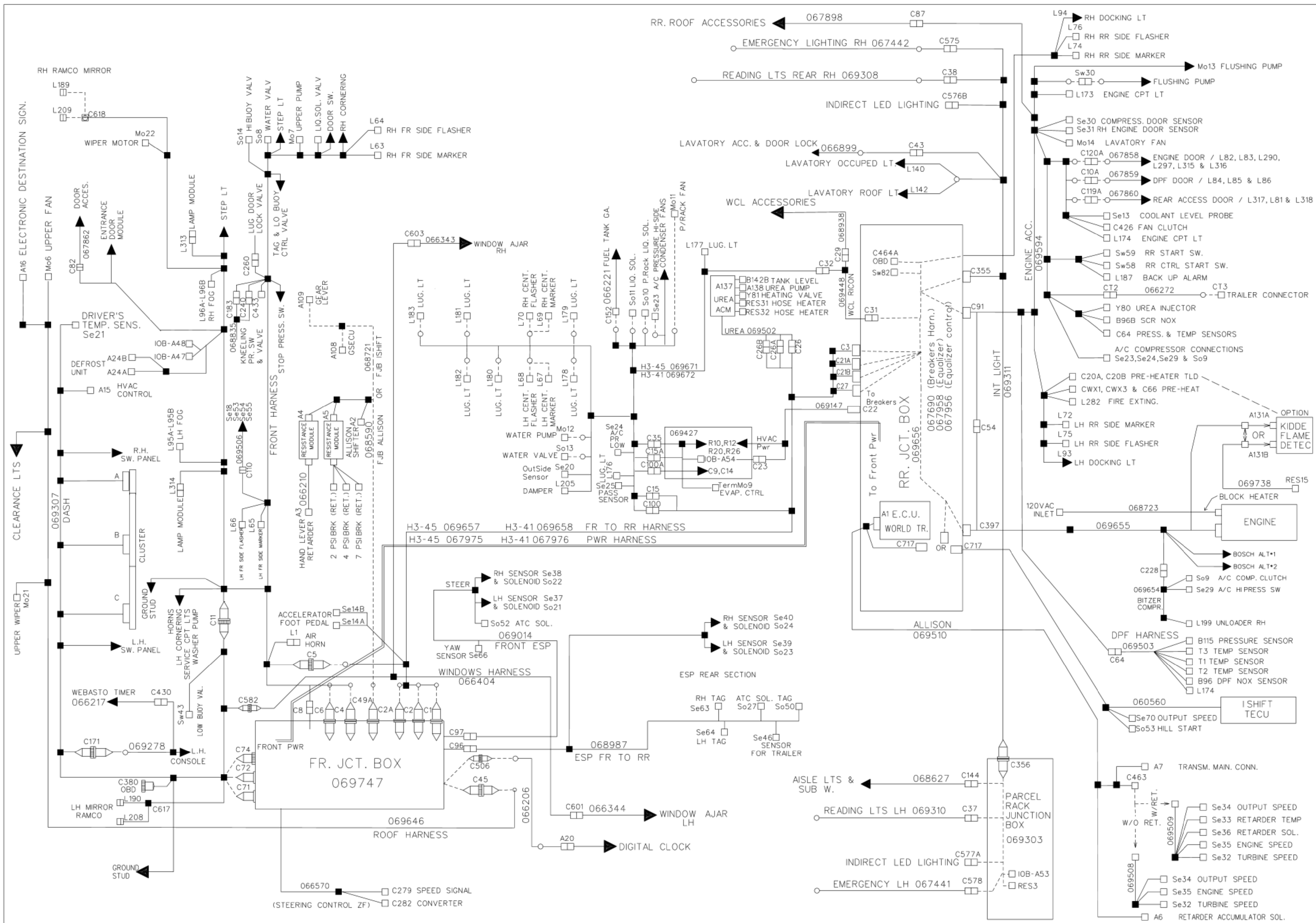


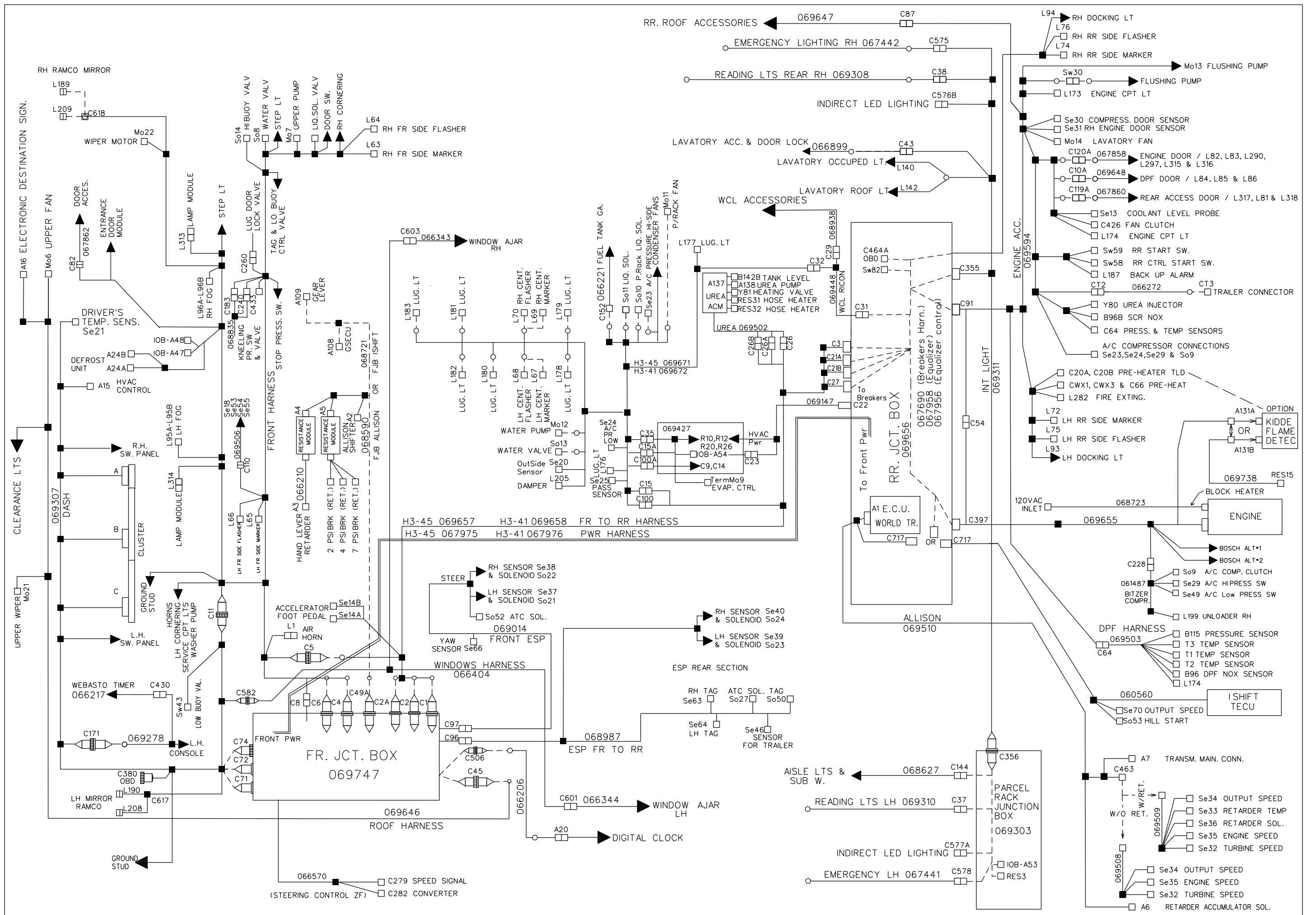


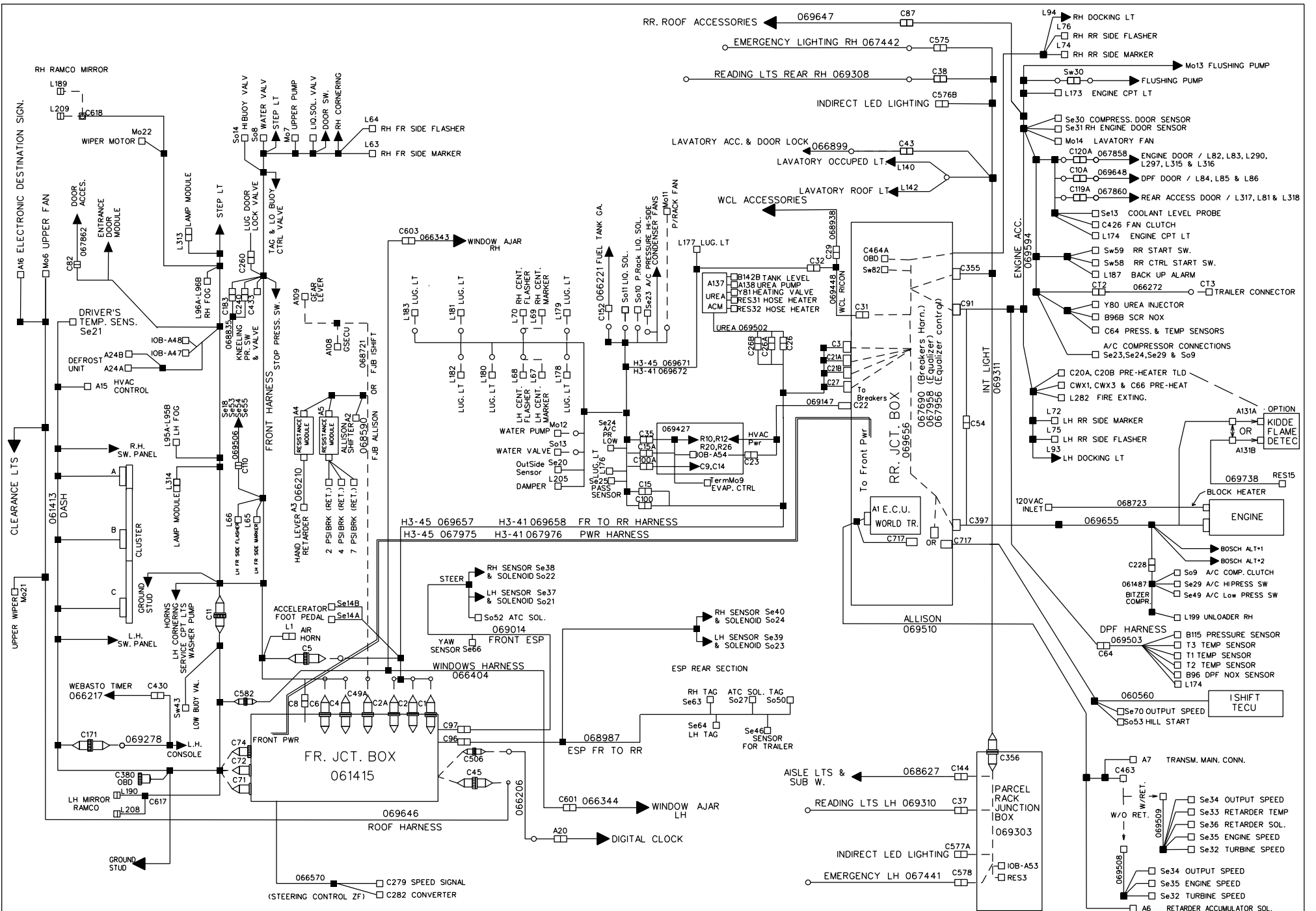


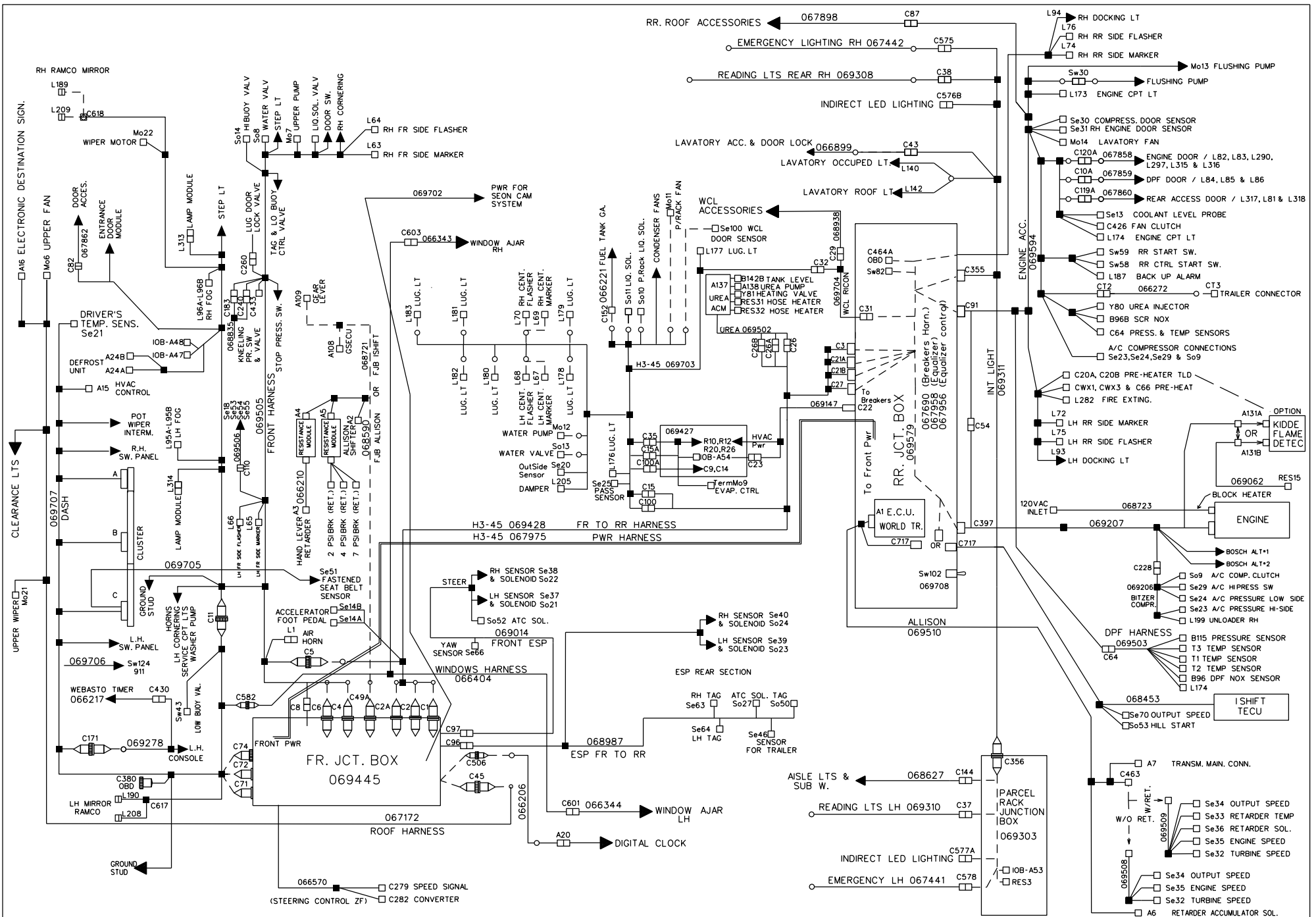






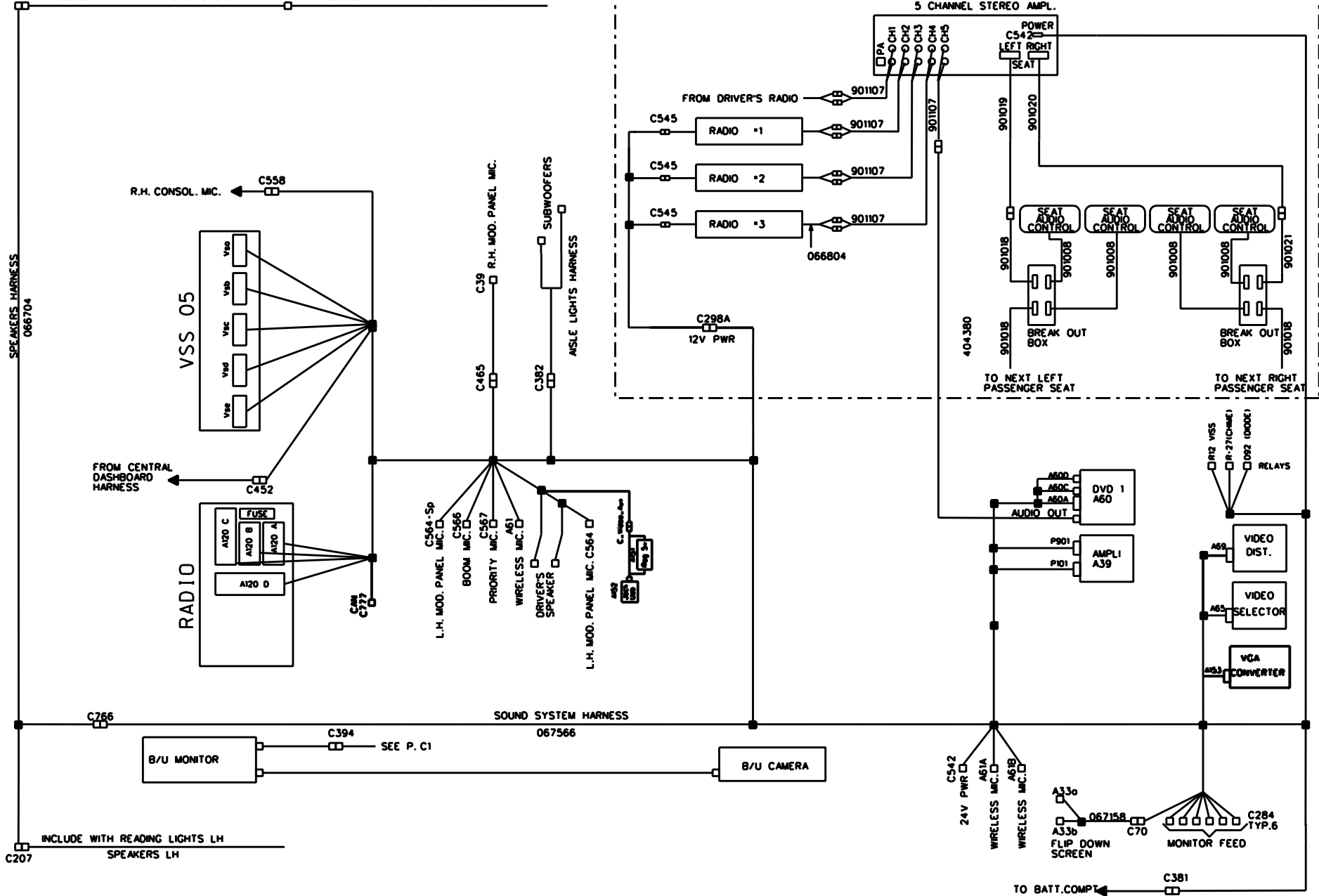






SPEAKERS RH
 C206 INCLUDE WITH FRONT READING LIGHTS RH C209 INCLUDE WITH rear READING LIGHTS RH

8 CHANNEL SLIM-LINE SEAT AUDIO SYSTEME



PREVOST

WIRING DIAGRAM

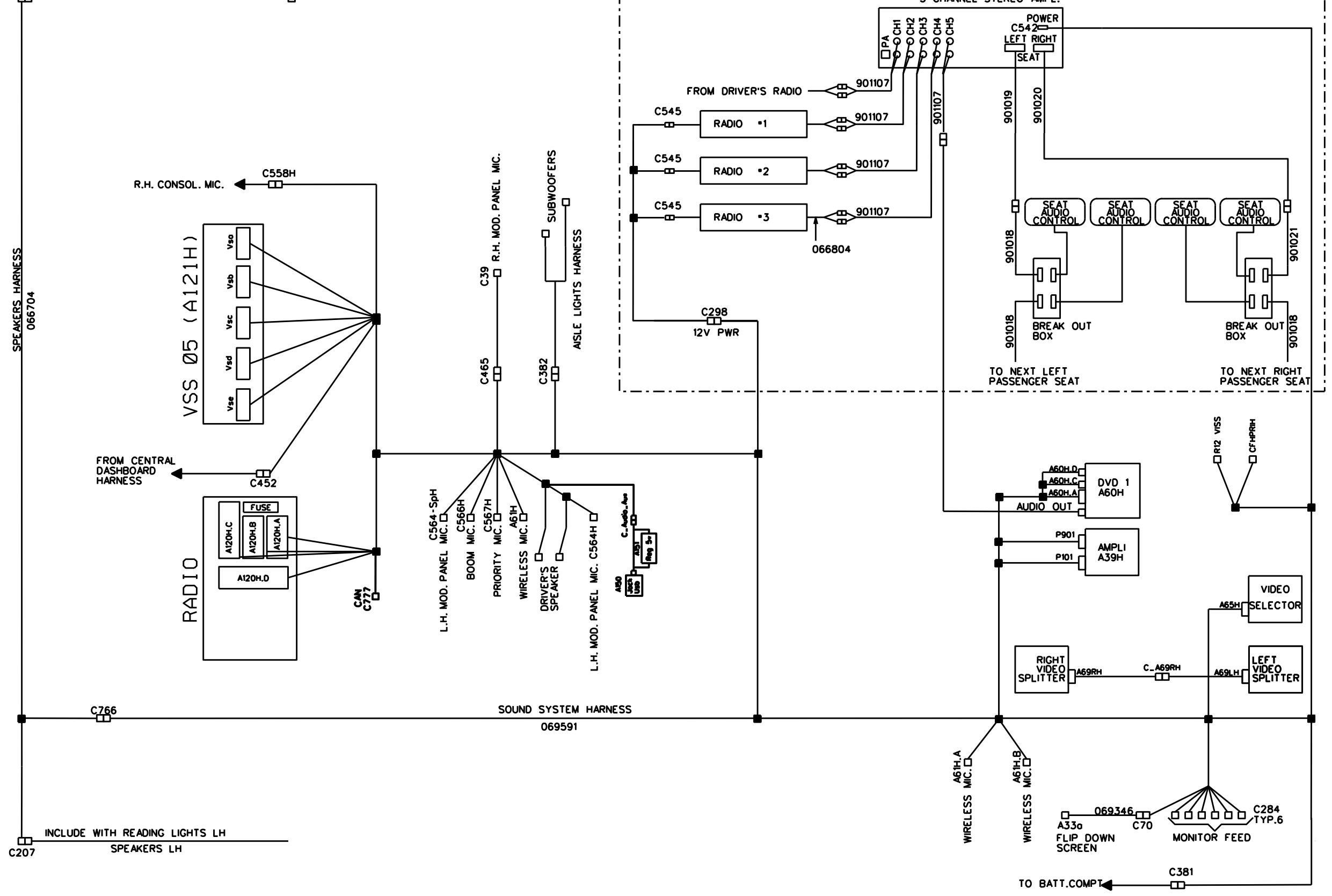
NO: D061340

PAGE: C2

REVISION 0

SPEAKERS RH
 C206 INCLUDE WITH FRONT READING LIGHTS RH C209 INCLUDE WITH rear READING LIGHTS RH

8 CHANNEL SLIM-LINE SEAT AUDIO SYSTEM



CIRCUITS LIST

CircuitID	Description	CircuitID	Description	CircuitID	Description
0	Galley_gnd	0MUSB	USB_Main_Gnd	2B	CondSndSpdSig
0A	Evap.Gnd	0P	Galley	3	DoorLatchSig
00A	GndElectronic	0P2	Inverter_Gnd	4A	SOUND_SYSTEM
00A1	GndElectronic	0PA	Galley	4C	HostessChimeSig
0B	EngineChassisGnd	0PR	24VtoMux	5	UpperDefrostfan
00B	ElectronicGndofMuxModules	0PR1	EntranceCeilingLtGnd	5vKnee	KneelingLevel
0B1	GndEnginePreheater	0PR2	GndWatchYourStep	6	GndWitnessSw24
00B1	GndEng.Start	0PR3	UpperDefrosterGnd	7	GndDriverSensor
0BB	Trans.FrontAirBrake	0RA2		8	GndParkBrakeSol
0BF		0RA3	GndWake-upRly	9A	EngineDoorOpenSig
0C	GndStarter	0RB1	LavatoryGnd	9B	
0CE	ChassisGndtoA47	0RB3	GndMarkersandStopLts	9C	SurgeTankPump
0OD	RJBajarSignal	0RB4	TagUnload	10	LuggageCmpt.LtsPwr
0EV1		0RB5	GndPre-Heat	10A	LuggageCmpt.LtsPwr
0EV2	GndHvac	0RB6	RJBGndCustomer	10R	LuggageDoorOpenSig
0EV3	GndPRackLH	0RB6A		11	24V
0EV4	GndCondensor	0RB6F		12A	12VDtoR3
0EV6	RHP-RackMotorGnd	0RB7	GndToEcm	12B	12VDtoCB4
0F	Gnd_Frigo_Galley	0RB8		12Ecu	12vEngineEcu
0FA1	GndofAccessoires	0RB8A	UreaSystem	12H	DestinationSignPower
0FA4	GndPwrOutlet	0RB8B	GndtoACM	12IgnSpare	VSS
0FA5	gndplug12vadditional	0RC2	GndDriverCylinder	12ISH	12V_IShift
0FA6	POWER_CAPTAIN_CHAIR	0RC3	GndFogandCorneringLtsRH	12MEM	VSS
0FA7	POWER_CAPTAIN_CHAIR	0RC4	GndEntranceLights	12SS	VSS
0FB1	GndMirrors	0SA1	AlternatorGnd	12SS1	VSS
0FB2	GndFanRoof1	0SS	VSS_GND	12SS2	VSS
0FB2-D	GndFanRoof1	0SS1	VSS	12VA	12vEqualizer
0FB3	GndMasterId	0SS2		12VD1	12VDFrontWake-up
0FC1	left/right_luggage_door_lock	0SS3	VSS	12VD3	
0FC2	DirectLightSwSig	0SW		12VD4	
0FC3	ElectronicGnd	0USB	USB_Gnd	12VDCust	12VDCustomer
0FC4	ElectricalHorn	0V	LuggageDoorOpenSig	12VDF	12VDtoFrontVec
0FDS	Driver_seat_optional	0V1	LuggageDoorOpenSig	12VI	12VtoCB10
0FE	Gnd	0V2	LuggageDoorOpenSig	12VI1	12VI
0FE2	Gnd	0V3	LuggageDoorOpenSig	12VI3	PwrOutletDrawer
0G	GndofA54	0VE	EqualizerGnd	12VI4	PwrOutletandCigarLighter
0H	GroundCoolantSensor	0W	WCLgroung	12VI5	12VtoVECR
00IS	Gnd_IShift	0WC		12VI6	PwrtoModuleA50
0LAV	LavatoryGnd	0Y	GndChassistoABSModule	12VI7	PwrtoModuleA50
0Lav	GndReadingLamps	0Y2	GndChassisABSSol	12VI8	AirDryer
0LAV1	IndirectLightsPwr	0Y3	GndChassisABSSol	12VI9	TireMonitoringPwr
0Lav3	GndEmergencyLampsRH	1	Transmission	12VI10	MirrorPwr
0Lav4	GndAisleLamps	2	CondensorDoorOpenSig	12VI11	12V_Sup

CIRCUITS LIST

CircuitID	Description	CircuitID	Description	CircuitID	Description
12VI250		24ISH		24VI12	RJBLightPwr
12VICust	12VICustomer	24IZ	ZFTransmission	24VI13	24VI
12VIF	12VIttoFrontVec	24MUSB		24VIA	Cut-outPneumaticAcc
12VIF19	DDL_Power	24P	Galley_Power	24VICust	24VICustomer
12VIM	PowerOutlet	24PV	Inverter	24VIF	24VIttoFrontVEC
12VIZF	ZFsterringControl	24PVA	Galley	24VIPR	
12W	DoorUnlockSol	24RHF	Roof_Hatch_Fan_Option	24WC	WCL24VIPower
12WA	DoorFullOpenSig	24RHF1	Roof_Hatch	24WUp1	24WUpFront
12WUp1	12VWUptoA48	24RHF1-D	Roof_Hatch	24Wup1	24WUpFront
12Wup1	12WUpFront	24RHF2	FanRoof2toSW306	24Wup1B	24Wup1DestinationSign
12Wup1b		24RHF2-D	Roof_Hatch	24Wup1G	24Wup1DestinationSign
12Wup2	12WUptoDash	24SS	VSS	24Wup2	WakeUpPower
12WUp5	PwrtoModuleA51	24SS3	VSS	24WupSS	VSS
13	SignalToPre-heatrelay	24VA	24vEquilizer	25	EngineRunSignal
14A	FlushingPumpSig	24VB2	24VEnginePreheater	25A1	ExcitationSignal
15	UpperWipInt.Signal	24VD	24VD	25A1D	Alternator_signal
15A	UpperWip.1StSpdSig	24VD1	24VDInsideDoorOpen	25A2	Alternator_Signal
16	Speed_Sig	24VD2	24VDtoRearVec	25A2D	Alternator_Signal
16A	UpperWasherPump	24VD3	24VDofCECM	25A4	BatteryNotChargingSig
16B	PwrofSensorSpd	24VD4	24VDFrontWake-up	26	12VI
17	UpperWasherSwSignal	24VD5	24VDtoPre-Heat	26A	DriverWdo
18	Wip.WasherLevel	24VD6	24VDPre-Heat	26B	DriverWdo
19A	TagUnload	24VD7	PassandPRackPwr	27A	EmergencySwSig
19B	TagUnload	24VD8		30A	Galley
20	AirDryer	24VD8A	UreaPowerACM	31	UnloaderRH
21	FlasherLHSig	24VD8B	UreaPowerACM	31B	WiperIntermitentSignal
21A	Front_Flasher	24VD9	24VD	31EE	UpperWipSpd.1
21AA	Flasher_Front_LH	24VDALT	Alternators	32A	TrailerBackupLights
21B	CorneringLtsLH	24VDCust	24VDCustomer	32AA	
21C	ClearanceLts	24VDR4	Cut_Off_Preheater_Power	32D	ReverseSigtoBackupMonitor
22	HazardSwSig	24VDS	24VD	32EE	UpperWiperMotor
23	FlasherRHSig	24VI	24VI	34	ParkBrakeReleaseSignal
23A	RAMCOMIRRORLED	24VI1	24VIttoRearVec	34A	OrleanOption
23AA	FrontFlasherRHSide	24VI2	24VIttoSw1	35	EntranceDoorLights
23B	CorneringLtsRH	24VI3	UpperWip.MotorPwr	35A	WatchYourStepLts
23C	ClearanceLts	24VI4	24VIgn	38	24VI
24	MasterRelayPwr	24VI5	24VlofMuxmodules	38AA	DirectLightsLH
24A	BoosterBlock	24VI6	PwrtoDefrostUnit	39	DriverLtSwSig
24Alt	Pwr_to_Alternators	24VI7	LowerWiperPwr	39D	DriverLt
24CO	24COtoSw58	24VI8	24VIttoMux	40	WitnessGnd
24D	24DtoCB6	24VI9	24VlofA54	41	24VCondensor
24E	24VIttoCB1	24VI9A		41A1	CondensorPwr
24GA	24GA_For_Galley	24VI10	DriverRearSeatLampPwr	43	SuppressingDiode

CIRCUITS LIST

CircuitID	Description	CircuitID	Description	CircuitID	Description
43F	WitnessGndSw27	63B	ClearanceLts	82A	RELS
43G	PRackFanswitchSig	63BB	ClearanceLts	82B	CyclopeLamp
44	P-RackLHFan	63C	CtrlHeadBacklight	82Low	StopRearLowerLamp
45	UpperFanSig	64A	Blinker	82Up	TrailerStopSig
45A	PassengerHeatSig	65	FootDamper	83	24vAccessories
46	FrontFlasherRh	65A	FootDamper	84	StartSigSw83
46A	VSS	65D	DriverCylinder	84A	StartSigSw83
47	DoorOpenSignal	65P	Pass.Cylinder	84B	StartSigSw83
47A	DoorOpenSignal	66	MarkersSigSw2	85	24VIgnition
48A	DoorOpenSol	67	EvaporatorPwr	85A	Ign-AccSignal
49	DoorCloseSignal	67A	Condensor1stSpdSig	85B	Wake-upSig
49A	DoorCloseSol	68	DashDamper	85C	PositionNormalSw58
50	WitnessGndSig	68A	DashDamper	85D	RearStartPwr
51	WitnessGnd	69	ElectricalHorn	85E	RearStartSignal
53	LowerWip.Spd1Sig	69A	HornTogglesig	85F	
53A	ElectricalHorn	70	SmockingSign	85G	Ign-AccSignal
53B	PneumaticHorn	71	UpperDefrostPump	85X	24VIgn
53C	LowerWip.IntSig	71A	DockingLtsLH	85Z	Trailer_Abs_Ind
53D	LowerWip.WasherSwSig	72A	DockingLtsRH	86	DefrostunitSpd
53E	LowerWiper1stSpd	72B	Sun_Visor	86Rtn	GndDefrostUnit
53F	LowerWasherPump	72C	Sun_Visor	87	Park_Brake
53G	LowerWip1stSpd	73	HostessChimePwr	88	TransducerPwr
53H	LowerWip.IntSig	73A		89	DriverSensorSig
55	LuggageLockSol	73B	RearOccupiedSig	90H	24VtoEvap
55R	left/right_luggage_door_lock	74	ReadingLampSig	90H1	Evaporator
57A	WaterPump	74A	ReadingLampsRH	90H1H	SuppressingDiode
57G	Pre-HeatWebasto	74B	ReadingLampsLH	91	Park_brake_signal
57GA	Pre-HeattoWtrPmpRly	74D		91B	WitnessSigSw14
57H	Pre-HeattoWtrPmpRly	75	ReadingLampsRH	92	TrailerParkBrakeSig
57L	Hi-Beam	75A	ReadingLampsLH	95	DockingLTswSig
57R	High_Beam	76	FuelLevelSig	96	CorneringLTswSig
57Rtn	SignalRtnHeadLtsLH	76C	GndFuelsender	99	Sw20Gnd
58L	LowBeam	77	TransducerHi-Side	100	24VI
58R	Low_Beam	77B	PassandPRackLiquidValve	100A	IndirectLightLH
58Rtn	Lamp_Module_Gnd	77BA	A/Cclutch	100B	24VI
59	Hi/LowBeamSignal	77C	PassandPRackLiquidValve	100L	
60	FogsLtsSwSig	78	StopLightSensorSig	100R	LDWLeftMotor
61	HeadLtsSig	78BA	PassandPRackLiquidValve	101	Starter_Power
62	FrontOccupiedLts	78BB	PassandPRackLiquidValve	101A	Starter
62B	LavatoryLts	79	GndServiceBrake	101B	Starter
63	ClearanceLts	79A	DecelSignal	102	Alternator_Power
63A	FrontClearanceLts	80	BrakeRedundant	102A	Alternator
63AA	ClearanceLts	81	HeadLtCallSw1	103	LowBuoySig

CIRCUITS LIST

CircuitID	Description	CircuitID	Description	CircuitID	Description
225R		346	PowerSensors	526C	UreaSystem
231	Neutral	347	FireSignal	527	UreaSystem
231A	Crank_Signal	348	PowerManualSignal	528	UreaSystem
240A	PowertoEcm	351	EngineShout-downSignal	530	UreaSystem
240B		352	OverrideSignal	531	UreaSystem
241A	PowertoEcm	360	ClusterKeypad	532	UreaSystem
241B	Ureasystem	361	ClusterKeypad	533	Control_Ground_Relay
241C	WaterInFuelHeater	362	ClusterKeypad	534	Control_Ground_Relay
253A	Galley	363	ClusterKeypad	535	WettankPress5v
254	Galley	364	Trans.FrontAirBrake	536	WettankPressOut
254A	Galley	365	Trans.FrontAirBrake	537	WettankPress5v
254F	Galley	366	Trans.RearAirBrake	541	Cruise_Decelerate
255	Galley	367	Trans.RearAirBrake	544	CruiseOn_OffSignal
255A	Galley	368	AirAccPressureSig	544A	CruiseOn-OffLed
255B	Galley	369	AirAccPressureSig	545	Cruise_Resume
260	WindowAjarSig	417	ThrottlePositionSignal	583	EngineBrakeB
290	GndFanClutch	439	12VtoABS	600	ABSSensor
290A	GndFanClutch	439G	GateWay	600A	ABSSensor
290Rtn	GndMarkersandStopLts	485A	Dest_sign	601	ABSSensor
291	FanClutch	485B	Dest_sign	601A	ABSSensor
291Rtn	GndMarkersandStopLts	500	Ground/Supply_Detroit/Volvo	602	ABSSteering&Yawsensor
292	FanClutch	501		603	ABSSteering&Yawsensor
300	WCLTopLightSliding	502	IVSOut	604	ABSSteering&Yawsensor
301	WheelChairLiftSwitch	504	UreaSystem	605	ABSSteering&Yawsensor
302	WCLRicon	505	UreaSystem	606	ABSPressuresensor
302A	WCLSlidingdoorSig	506	UreaSystem	607	ABSPressuresensor
303	WCLRicon	507	UreaSystem	608	ABSPressuresensor
304	WheelChairLift	510	FastIdleSignal	610	ABSPressuresensor
304A	WheelChairLift	511	UreaSystem	611	AbsTagSolenoid
305	ParkBrakeSol	512	UreaSystem	612	AbsTagSolenoid
305A	WCLUpperDoorSignal	513	DPFVolvo	613	AbsTagSolenoid
306	WCLTopLights	515	GroundPreheaterRelay	614	ABSSteeringSolenoid
307	WCLPower	516	UreaSystem	614A	ABSSteeringSolenoid
308	WCL	517	UreaSystem	618	HillStartAssistGnd
309	WCL	520	UreaSystem	900	J1587
313	WCL	521	UreaSystem	901	J1587
314		522	UreaSystem	910	L_SPEAKER_HARNESS
341	PowerProtectionPanel	523	UreaSystem	911	EmergencyCutoutRlySignal
342	FireExting.Gnd	524C	IdleValidationSig	916	5VSensorPwr
343	Fire-EngineStopTTL	525	UreaSystem	952	GndSensorRtn
343A	Cut_Off_Preheater	526	UreaSystem	953	Electronic_ground_DDEC_VI
344	ExtinguisherSignal	526A	UreaSystem	979	EngineBrakeA
345	ManualSignal	526B	UreaSystem	A	HandLever

CIRCUITS LIST

CircuitID	Description	CircuitID	Description	CircuitID	Description
104	PwrI_Shift	133B	Galley	151B	GndtoEcm
105	Fog_Light	133C	Galley	151C	GndtoEcm
105A	Fog_Light	134	Galley	151D	CoolantLevelGround
105ARtn	Fog_Light_Gnd	134A	Galley	152	Transmission
105Rtn	Fog	134B	Galley	153	
106	Fog_Light	135	Transmission	154	Transmission
106A	Fog_Light	135A	Transmission	155	Transmission
106Rtn	Fog_Light_gnd	136	Transmission	156A	12VtoABS
107	PwrI_Shift	136A	TransmissionPwr	157D	ATCSignal
108	Pwr_Trans_IShift	136AA	ShifterSignal	159	Transmission
109	Cmd_Ground	137	Transmission	160	TagSignal
110	12VD_IShift	137A	MirrorPwrSig	161	LDW
111	Transmission	137B	Mirrors	163A	Retarder
114	DriverLt	137C	Mirrors	163B	RetarderEnable
114A	Backlight	137D	Mirrors	164	HandLevelSig
115	Transmission	137E	Mirrors	166	WitnessSigSw16
115A	WitnessPwr	137F	Mirrors	167	ACB
116	DriverLiq	137H	Mirrors	168	ACB
116A	DriverLiq	137J	Mirrors	170C	left/right_luggage_door_lock
118	Transmission	137K	Mirrors	170E	LuggageLockSwSig
119	Transmission	137L	RAMCOMIRROR	170H	LuggageUnlockSol
120	Transmission	137M	Mirrors	170HR	left/right_luggage_door_lock
122	DigitalClock	137N	RAMCOMIRRORLED	171	LuggageUnlockSwSig
123	Flame_Detection_Signal	137P	MIRRORLED	174	Transmission
124A	Transmission	138	Transmission	175	Transmission
125	Retarder_active	138A	ABSSensor	175C	TagUnloadValve
126A	KneelingUpSwSig	139	Transmission	176	Transmission
126B	KneelingDownSwSig	140	Transmission	177	Transmission
126F	KneelingDownSol	141	Transmission	180	Transmission
126G	KneelingUpSol	142	ABSSolenoid	181	PassengerSensor
126H	KneelingCtrl.Sol	143	ABSSensor	185	TransmissionInhibitSig
126J	KneelingHi-BuoySol	143A	ABSSensor	201	Headlampcleaningsignal
126JR	GndKneeling	144	ABSSensor	202	headlampcleaningpump
126P	KneelingBuzzer	144A	ABSSensor	203	VannerCtr
127	Transmission	145	ABSSolenoid	204	VannerCtr
127D	BattCharger	146	ABSSolenoid	205	VannerCtr
128	Pre-HeatStatus	147	ABSSolenoid	206	VannerCtr
128B	Pre-HeatTTLT	148	Transmission	207	VannerCtr
129	Sun_visor	149	Transmission	208	VannerCtr
130	Sun_visor	149A	ABSSensor	209	VannerCtr
131	Transmission	150	Transmission	210	VannerCtr
133	Transmission	151	GndtoEcm	211	VannerCtr
133A	Galley	151A	GndtoEcm	225	LavatoryFan

CIRCUITS LIST

CircuitID	Description	CircuitID	Description	CircuitID	Description
AMP	VSS	DL9L	J1939Prop	N1	A41Address
ANT	VSS	Down	cluster	N2	A41Address
AuxVideoGnd	VSS	Drain	Audio	N3	A42Address
AuxVideoL	VSS	DSL+++	VSS	N4	A42Address
AuxVideoR	VSS	DSL---	VSS	N5	A43Address
B	HandLever	DSR+++	VSS	N6	A43Address
BKK1	VSS	DSR---	VSS	N7	A44Address
BLACK	Starter_Volvo	DVD_GND	VSS	N8	A44Address
Black	USB_Gnd	DVD_Gnd	VSS	N9	A45Address
Black1		DVD_L+	VSS	N10	A45Address
Black2		DVD_R+	VSS	N11	A46Address
BLK1	VSS	E	HandLever	N12	A46Address
BLK2	VSS	e	BattCharger	N13	A47Address
BlkFR	TPMS	Escape	cluster	N14	A47Address
BlkRL	TPMS	F	HandLever	N15	A48Address
BlkRR	TPMS	f	BattCharger	N16	A48Address
Blue	Audio	FAKE	L_SPEAKER_HARNESS	N17	A49Address
Bref1	PassengerSensor	FAKE1	R_SPEAKER_HARNESS	N18	A49Address
Bref2	PassengerSensor	G	HandLever	N19	A50Address
BussBar	24VEnginePreheater	GndA	ComputerSignals	N20	A50Address
C	HandLever	GREEN	120VACOUTLET	N21	A51Address
Cd1	ComputerSignals	Green	USB	N22	A51Address
Chgr	BattCharger	Green/White	USB	N23	A52Address
COM	Destination_Sign	GRN1	VSS	N24	A52Address
com	Destination_Sign	GRN2	VSS	N25	A53Address
CTS	MCMInterface	H	HandLever	N26	A53Address
Cts	ComputerSignals	HOSTESS	HostessPwr	N27	A54Address
D	HandLever	KneeLevel	KneelingLevel	N28	A54Address
d	BattCharger	KneeRef	KneelingLevel	N29	A36Address
D1	UpperWiperMotor	L+	VSS	N30	A55_Address
DL0H	Spare	L+TV	VSS	N31	A55_Address
DL0HS		L-	VSS	NETWORK1	
DL0L	Spare	LF+	L_SPEAKER_HARNESS	NETWORK2	
DL0LS		LF+LL	VSS	OFA6	POWER_CAPTAIN_CHAIR
DL1H	J1939	LF-	VSS	OFB1	RAMCOMIRROR
DL1L	J1939	LF-LL	VSS	OFB2	GndFanRoof1
DL2H	Can2	LightGreen	USB	OFB2-D	GndFanRoof2
DL2L	Can2	LIN	Steering	OFB3	GND_TPMS
DL3H	DBusSignal	LR+	VSS	OP1	POWER_CAPTAIN_CHAIR
DL3L	DBusSignal	LR+HS	VSS	OP2	POWER_CAPTAIN_CHAIR
DL7H	EngineSubnet	LR-	VSS	OP3	POWER_CAPTAIN_CHAIR
DL7L	EngineSubnet	LR-HS	VSS	OP4	POWER_CAPTAIN_CHAIR
DL9H	J1939Prop	MUTE	VSS	OP12VI	POWER_CAPTAIN_CHAIR

CIRCUITS LIST

CircuitID	Description	CircuitID	Description	CircuitID	Description
OPR1	GndDestinationSign	SH4	I_ShiftGearLevelSignal	spare23	SparesClearanceLts
OR	TagUnloadValve	SH5	I_ShiftGearLevelSignal	spare24	SparesClearanceLts
ORB4	TagUnload	SH6	I_ShiftGearLevelSignal	spare25	SparesClearanceLts
Pink	USB	SH7	I_ShiftGearLevelSignal	spare32	SparesFrontHarness
PP1	InverterPwr	SH8	I_ShiftGearLevelSignal	spare33	SparesFrontHarness
R+	VSS	SHL2	VSS	spare39	SparesDash
R+TV	VSS	SL13	L_SPEAKER_HARNESS	spare40	SparesDash
R-	VSS	SL24	L_SPEAKER_HARNESS	spare41	SparesDash
Radio_Gnd	VSS	SL35	L_SPEAKER_HARNESS	spare42	SparesDash
Radio_L+	VSS	SL46	L_SPEAKER_HARNESS	spare43	SparesDash
Radio_R+	VSS	SL57	L_SPEAKER_HARNESS	spare44	SparesDash
RadioAudioGnd	VSS	SL68	L_SPEAKER_HARNESS	spare45	SparesFr-to-RearHarness
RadioL+	VSS	SL1012	L_SPEAKER_HARNESS	spare46	SparesFr-to-RearHarness
RadioR+	VSS	SL1113	L_SPEAKER_HARNESS	spare49	SparesEngineCradle
RED	Starter_volvo	SL1214	L_SPEAKER_HARNESS	spare50	SparesEngineCradle
Red	USB	SL1315	L_SPEAKER_HARNESS	spare51	SparesEngineCradle
RED1	VSS	SL1416	L_SPEAKER_HARNESS	spare52	SparesEngineCradle
Red1		sp52	EvaporatorEngageSig	spare53	SparesEngineCradle
RED2	VSS	SP142	Galley_Spare_Wire	spare54	SparesEngineCradle
Red2		SP143	Galley_Spare_Wire	spare55	SparesEnginesAccessories
RedFR	TPMS	SP144	Galley_Spare_Wire	spare56	SparesEnginesAccessories
RedRL	TPMS	SP145	Galley_Spare_Wire	spare57	SparesEnginesAccessories
RedRR	TPMS	spare2	SparesFr-to-RearHarness	spare58	SparesEnginesAccessories
Ref2	GndPassengerSensor	spare3	SparesFr-to-RearHarness	spare59	SparesEnginesAccessories
RF+	VSS	spare4	SparesEvap.Harness	spare60	SparesEnginesAccessories
RF+LL	VSS	spare5	SparesEvap.Harness	spare61	SparesEnginesAccessories
RF-	VSS	spare6	SparesEvap.Harness	spare62	spareABSHarness
RF-LL	VSS	spare7	SparesEvap.Harness	spare63	spareABSHarness
RR	Ext_Speaker	spare8	SparesEvap.Harness	spare64	SapreTransmission
RR+	VSS	spare9	SparesEvap.Harness	spare65	SparesTransmission
RR+HS	VSS	spare10	SparesInteriorLtsHarness	spWcl1	SpareWCL
RR-	VSS	spare11	SparesInteriorLtsHarness	spWcl2	SpareWCL
RR-HS	VSS	spare12	SparesInteriorHarness	SR13	FR_SPEAKER_HARNESS_
RTS	MCMInterface	spare13	SparesInteriorHarness	SR24	FR_SPEAKER_HARNESS_
Rts	ComputerSignals	spare14	SparesInteriorHarness	SR35	FR_SPEAKER_HARNESS_
RX	TPMS	spare15	SparesInteriorHarness	SR46	FR_SPEAKER_HARNESS_
RxD	ComputerSignals	spare16	SparesInteriorHarness	SR57	FR_SPEAKER_HARNESS_
RxTx	MCMInterface	spare17	SparesFr-to-RearHarness	SR68	FR_SPEAKER_HARNESS_
SE1	Ext_Speaker	spare18	SparesFr-to-RearHarness	SR911	R_SPEAKER_HARNESS_WCL
Select	cluster	spare19	SparesFr-to-RearHarness	SR1012	R_SPEAKER_HARNESS_WCL
SH1	I_ShiftGearLevelSignal	spare20	SparesClearanceLts	SR1113	R_SPEAKER_HARNESS_WCL
SH2	I_ShiftGearLevelSignal	spare21	SparesClearanceLts	SR1214	R_SPEAKER_HARNESS_WCL
SH3	I_ShiftGearLevelSignal	spare22	SparesClearanceLts	SR1315	R_SPEAKER_HARNESS_WCL

CIRCUITS LIST

CircuitID	Description				
SR1416	R_SPEAKER_HARNESS_WCL				
STO_LOC					
Sub1+	VSS				
Sub1-	VSS				
Sub2+	VSS				
Sub2-	VSS				
TEST	TestLampOption				
TEST1	SOUND_SYSTEM				
Test1	SOUND_SYSTEM				
Test1a	SOUND_SYSTEM				
Test1B	SOUND_SYSTEM				
TrigCam	VSS				
TrigDVD	VSS				
TrigDvd	VSS				
TrigNav	VSS				
TrigPA	VSS				
TrigPaDr	VSS				
TrigTv	VSS				
TV_GND	VSS				
TV_L+	VSS				
TV_R+	VSS				
TvGnd	VSS				
TX	TPMS				
TxD	MCMInterface				
Up	cluster				
VI11	12V_Sup				
WC2	WCLRemoteCtrl				
WC3	WCLRemoteCtrl				
WC4	WCLRemoteCtrl				
WC6	WCLRemoteCtrl				
WC7	WCL				
WHITE	120VACOUTLET				
White	USB				
WHT1	VSS				
WHT2	VSS				
WhtFR	dataTPMS				
WhtRL	dataTPMS				
WhtRR	dataTPMS				
zf1	SteeringCtrl				
zf2	SteeringCtrl				

CIRCUITS LIST

CircuitID	Description	CircuitID	Description	CircuitID	Description
0A	Evap.Gnd	0Lav4	GndAisleLamps	0Y3	GndChassisABSSol
00A	GndElectronic	0MUSB		1	Transmission
00A1	GndElectronic	0P	Relaisinverter	2	CondensorDoorOpenSig
0B	EngineChassisGnd	0P1	Relaisinverter	2B	CondSndSpdSig
00B	ElectronicGndofMuxModules	0P2	Inverter_Gnd	3	DoorLatchSig
0B1	GndEnginePreheater	0PA1	Inverters_Rly_Gnd1	4A	SOUND_SYSTEM
00B1	GndEng.Start	0PA2	Inverters_Rly_Gnd1	4C	HostessChimeSig
0BB	Trans.FrontAirBrake	0PR	24VtoMux	5	UpperDefrostfan
0BF		0PR1	EntranceCeilingLtGnd	5vKnee	KneelingLevel
0C	GndStarter	0PR2	GndWatchYourStep	6	GndWitnessSw24
0CE	ChassisGndtoA47	0PR3	UpperDefrosterGnd	6VICust	
0Cust		0RA2		7	GndDriverSensor
0OD	RJBAjarSignal	0RA3	GndWake-upRly	8	GndParkBrakeSol
0EV1	GndRlyR20	0RB1	LavatoryGnd	9A	EngineDoorOpenSig
0EV2	GndHvac	0RB3	GndMarkersandStopLts	9B	EngineCmpt.Lt
0EV3	GndPRackLH	0RB4	TagUnload	9C	SurgeTankPump
0EV4	GndCondensor	0RB5	GndPre-Heat	10	LuggageCmpt.LtsPwr
0EV6	RHP-RackMotorGnd	0RB6	RJBGndCustomer	10A	LuggageCmpt.LtsPwr
0F	FJBDoorOpenSig	0RB6A		10R	LuggageDoorOpenSig
0FA1		0RB6F		11	DestinationSignPwr
0FA4	GndPwrOutlet	0RB7	12V_Sup	12A	12VtoR3
0FA5	gndplug12vadditional	0RB8		12Ecu	12vEngineEcu
0FA6	POWER_CAPTAIN_CHAIR	0RC2	GndDriverCylinder	12H	DestinationSignPower
0FA7	POWER_CAPTAIN_CHAIR	0RC3	GndFogandCorneringLtsRH	12IgnSpare	VSS
0FB1	GndMirrors	0RC4	GndEntranceLights	12ISH	12V_IShift
0FB2	GndFanRoof1	0SA1	AlternatorGnd	12MEM	VSS
0FB3	GndMasterId	0SS	VSS_GND	12SS	VSS
0FC1	left/right_luggage_door_lock	0SS1	VSS	12SS1	VSS
0FC2	DirectLightSwSig	0SS2	VSS	12SS2	
0FC3	ElectronicGnd	0SS3		12VA	12vEqualizer
0FC4	ElectricalHorn	0SS9		12VD	12VDtoCB4
0FDS	Driver_seat_optional	0SW		12VD1	12VDFrontWake-up
0FE	Gnd	0USB	USB_Gnd	12VD3	
0FE2	Gnd	0V	LuggageDoorOpenSig	12VD4	
0G	GndofA54	0V1	LuggageDoorOpenSig	12VDCust	12VDCustomer
0GX		0V2	LuggageDoorOpenSig	12VDF	12VDtoFrontVec
0GY	Gnd_Frigo_Galley	0V3	LuggageDoorOpenSig	12VI	12VtoCB10
0H	GroundCoolantSensor	0VE	EqualizerGnd	12VI1	12VI
00IS	Gnd_IShift	0W	WCLgroung	12VI3	PwrOutletDrawer
0LAV	LavatoryGnd	0WC		12VI4	PwrOutletandCigarLighter
0Lav	GndReadingLamps	00WM2	Gnd_Wifi_Pwr	12VI5	12VtoVECR
0LAV1	IndirectLightsPwr	0Y	GndChassisABSModule	12VI6	PwrtoModuleA50
0Lav3	GndEmergencyLampsRH	0Y2	GndChassisABSSol	12VI7	PwrtoModuleA50

CIRCUITS LIST

CircuitID	Description	CircuitID	Description	CircuitID	Description
12VI8	AirDryer	24B	Galley_Main_Pwr	24VI9	24VlofA54
12VI9	TireMonitoringPwr	24CO	24COtoSw58	24VI9A	
12VI10	MirrorPwr	24D	24DtoCB6	24VI10	DriverRearSeatLampPwr
12VI11	12V_Sup	24DS-Emerg		24VI12	RJBLightPwr
12VI250		24E	24VtoCB1	24VI13	24VI
12VICust	12VICustomer	24GA	24GA_For_Galley	24VIA	Cut-outPneumaticAcc
12VIF	12VtoFrontVec	24ISH		24VICust	24VICustomer
12VIF19	DDL_Power	24IZ	ZFTransmission	24VIF	24VtoFrontVEC
12VIM	PowerOutlet	24MUSB		24VIPR	
12VIZF	ZFsterringControl	24PV	Inverter	24WC	WCL24VIPower
12W	DoorUnlockSol	24PVA	Inverter	24WUp1	24WUpFront
12WA	DoorFullOpenSig	24RHF	Roof_Hatch_Fan_Option	24Wup1	24WUpFront
12WM1	12V_Wifi_Pwr	24RHF1	Roof_Hatch	24Wup1B	24Wup1DestinationSign
12WUp1	12VWUptoA48	24RHF1-D	Roof_Hatch	24Wup1G	24Wup1DestinationSign
12Wup1	12WUpFront	24RHF2	FanRoof2toSW306	24Wup2	WakeUpPower
12Wup1b		24RHF2-D	Roof_Hatch	24WupSS	VSS
12Wup2	12WUptoDash	24SS	VSS	25	EngineRunSignal
12Wup5	PwrtoModuleA51	24SS3		25A1	ExcitationSignal
13	GndTransducer	24VA	24vEquilizer	25A1D	Alternator_signal
14A	FlushingPumpSig	24VB2	24VEnginePreheater	25A2	Alternator_Signal
15	UpperWipInt.Signal	24VD	MasterRelayPwr	25A2D	Alternator_Signal
15A	UpperWip.1StSpdSig	24VD1	24VDInsideDoorOpen	25A4	BatteryNotChargingSig
16	Speed_Sig	24VD2	24VDtoRearVec	26	12VI
16A	UpperWasherPump	24VD3	24VDofCECM	26A	DriverWdo
16B	PwrofSensorSpd	24VD4	24VDFrontWake-up	26B	DriverWdo
17	UpperWasherSwSignal	24VD5	24VDtoPre-Heat	27A	EmergencySwSig
18	Wip.WasherLevel	24VD6	24VDPre-Heat	30A	Galley_Ctrl_Signal
19A	TagUnload	24VD7	PassandPRackPwr	31	UnloaderRH
19B	TagUnload	24VD8		31B	WiperIntermitentSignal
20	AirDryer	24VD9	24VD	31EE	UpperWipSpd.1
21	FlasherLHSig	24VDALT	Alternators	32A	TrailerBackupLights
21A	Front_Flasher	24VDCust	24VDCustomer	32AA	
21AA	Flasher_Front_LH	24VDR4	Cut_Off_Preheater_Power	32D	ReverseSigtoBackupMonitor
21B	CorneringLtsLH	24VDS	24VD	32EE	UpperWiperMotor
21C	ClearanceLts	24VI	24VI	34	ParkBrakeReleaseSignal
22	HazardSwSig	24VI1	24VtoRearVec	34A	OrleanOption
23	FlasherRHSig	24VI2	24VtoSw1	35	EntranceDoorLights
23A	RAMCOMIRRORLED	24VI3	UpperWip.MotorPwr	35A	WatchYourStepLts
23AA	FrontFlasherRHSide	24VI4		38	24VI
23B	CorneringLtsRH	24VI5	24VlofMuxmodules	38AA	DirectLightsLH
23C	ClearanceLts	24VI6	PwrtoDefrostUnit	39	DriverLtSwSig
24A	BoosterBlock	24VI7	LowerWiperPwr	39D	DriverLt
24Alt	Pwr_to_Alternators	24VI8	24VtoMux	40	WitnessGnd

CIRCUITS LIST

CircuitID	Description	CircuitID	Description	CircuitID	Description
41	24VCondensor	61	HeadLtsSig	76	FuelLevelSig
41A1	CondensorPwr	62	FrontOccupiedLts	76C	GndFuelsender
41A2	CondensorPwr	62B	LavatoryLts	77	TransducerHi-Side
41A3	CondensorPwr	63	ClearanceLts	77AC	A/CclutchGnd
41A4	CondensorPwr	63A	FrontClearanceLts	77B	PassandPRackLiquidValve
43	SuppressingDiode	63AA	ClearanceLts	77BA	A/Cclutch
43F	WitnessGndSw27	63B	ClearanceLts	77C	PassandPRackLiquidValve
43G	PRackFanswitchSig	63BB	ClearanceLts	78	StopLightSensorSig
44	P-RackLHFan	63C	CtrlHeadBacklight	78BA	PassandPRackLiquidValve
45	UpperFanSig	64A	Blinker	78BB	PassandPRackLiquidValve
45A	PassengerHeatSig	65	FootDamper	79	TranducerLow-Side
46	FrontFlasherRh	65A	FootDamper	79A	DecelSignal
46A	VSS	65D	DriverCylinder	80	BrakeRedundant
47	DoorOpenSignal	65P	Pass.Cylinder	81	HeadLtCallSw1
47A	DoorOpenSignal	65T	SignalToPre-heatrelay	82A	RELS
48A	DoorOpenSol	66	MarkersSigSw2	82B	CyclopeLamp
49	DoorCloseSignal	67	EvaporatorPwr	82Low	StopRearLowerLamp
49A	DoorCloseSol	67A	CondensorPwr	82Up	TrailerStopSig
50	WitnessGndSig	68	DashDamper	83	24vAccessories
51	WitnessGnd	68A	DashDamper	84	StartSigSw83
53	LowerWip.Spd1Sig	69	ElectricalHorn	84A	StartSigSw83
53A	ElectricalHorn	69A	HornTogglesig	84B	StartSigSw83
53B	PneumaticHorn	70	SmockingSign	85	24VIgnition
53C	LowerWip.IntSig	71	UpperDefrostPump	85A	Ign-AccSignal
53D	LowerWip.WasherSwSig	71A	DockingLtsLH	85B	Wake-upSig
53E	LowerWiper1stSpd	72A	DockingLtsRH	85C	PositionNormalSw58
53F	LowerWasherPump	72B	Sun_Visor	85D	RearStartPwr
53G	LowerWip1stSpd	72B1	DriverWdo	85E	RearStartSignal
53H	LowerWip.IntSig	72C	Sun_Visor	85F	
55	LuggageLockSol	72C1	DriverWdo	85G	Ign-AccSignal
55R	left/right_luggage_door_lock	72C2	DriverWdo	85X	24VIgn
57A	WaterPump	72ZY	DriverWdo	85Z	Trailer_Abs_Ind
57G	Pre-HeatWebasto	72ZZ	DriverWdo	86	DefrostunitSpd
57GA	Pre-HeattoWtrPmpRly	73	HostessChimePwr	86Rtn	GndDefrostUnit
57H	Pre-HeattoWtrPmpRly	73A		87	Park_Brake
57L	Hi-Beam	73B	RearOccupiedSig	88	TransducerPwr
57R	High_Beam	74	ReadingLampSig	89	DriverSensorSig
57Rtn	SignalRtnHeadLtsLH	74A	ReadingLampsRH	90H	24VltoEvap
58L	LowBeam	74B	ReadingLampsLH	90H1	Evaporator
58R	Low_Beam	74D		90H1H	SuppressingDiode
58Rtn	Lamp_Module_Gnd	74D2	DriverWdo	91	Park_brake_signal
59	Hi/LowBeamSignal	75	ReadingLampsRH	91B	WitnessSigSw14
60	FogsLtsSwSig	75A	ReadingLampsLH	92	TrailerParkBrakeSig

CIRCUITS LIST

CircuitID	Description	CircuitID	Description	CircuitID	Description
95	DockingLTswSig	126F	KneelingDownSol	145	ABSSolenoid
96	CorneringLTswSig	126G	KneelingUpSol	146	ABSSolenoid
99	Sw20Gnd	126H	KneelingCtrl.Sol	147	ABSSolenoid
100	24VI	126J	KneelingHi-BuoySol	148	Transmission
100A	IndirectLightLH	126JR	GndKneeling	149	Transmission
100B	24VI	126P	KneelingBuzzer	149A	ABSSensor
100L		127	Transmission	150	Transmission
100R	LDWLeftMotor	127D	BattCharger	151	GndtoEcm
101	Starter_Power	128	Pre-HeatStatus	151A	GndtoEcm
101A	Starter	128B	Pre-HeatTTLT	151B	GndtoEcm
101B	Starter	129	Sun_visor	151C	GndtoEcm
102	Alternator_Power	130	Sun_visor	151D	CoolantLevelGround
102A	Alternator	131	Transmission	152	Transmission
103	LowBuoySig	133	Transmission	153	
104	PwrI_Shift	135	Transmission	154	Transmission
105	Fog_Light	135A	Transmission	155	Transmission
105A	Fog_Light	136	Transmission	156A	12VtoABS
105ARtn	Fog_Light_Gnd	136A	TransmissionPwr	157D	ATCSignal
105Rtn	Fog	136AA	ShifterSignal	159	Transmission
106	Fog_Light	137	Transmission	160	TagSignal
106A	Fog_Light	137A	MirrorPwrSig	161	LDW
106Rtn	Fog_Light_gnd	137B	Mirrors	162	GndServiceBrake
107	PwrI_Shift	137C	Mirrors	163A	Retarder
108	Pwr_Trans_IShift	137D	Mirrors	163B	RetarderEnable
109	Cmd_Ground	137E	Mirrors	164	HandLevelSig
110	12VD_IShift	137F	Mirrors	166	WitnessSigSw16
111	Transmission	137H	Mirrors	167	ACB
114	DriverLt	137J	Mirrors	168	ACB
114A	Backlight	137K	Mirrors	170C	left/right_luggage_door_lock
115	Transmission	137L	RAMCOMIRROR	170E	LuggageLockSwSig
115A	WitnessPwr	137M	Mirrors	170H	LuggageUnlockSol
116	DriverLiq	137N	RAMCOMIRRORLED	170HR	left/right_luggage_door_lock
116A	DriverLiq	137P	MIRRORLED	171	LuggageUnlockSwSig
118	Transmission	138	Transmission	174	Transmission
119	Transmission	138A	ABSSensor	175	Transmission
120	Transmission	139	Transmission	175C	TagUnloadValve
122	DigitalClock	140	Transmission	176	Transmission
123	Flame_Detection_Signal	141	Transmission	177	Transmission
124A	Starter_Volvo	142	ABSSolenoid	180	Transmission
124B	Starter_volvo	143	ABSSensor	181	PassengerSensor
125	Retarder_active	143A	ABSSensor	185	TransmissionInhibitSig
126A	KneelingUpSwSig	144	ABSSensor	201	Headlampcleaningsignal
126B	KneelingDownSwSig	144A	ABSSensor	202	headlampcleaningpump

CIRCUITS LIST

CircuitID	Description	CircuitID	Description	CircuitID	Description
203	VannerCtr	342	FireExting.Gnd	524C	IdleValidationSig
204	VannerCtr	343	Fire-EngineStopTTL	525	UreaSystem
205	VannerCtr	343A	Cut_Off_Preheater	526	UreaSystem
206	VannerCtr	344	ExtinguisherSignal	526A	UreaSystem
207	VannerCtr	345	ManualSignal	526B	UreaSystem
208	VannerCtr	346	PowerSensors	526C	UreaSystem
209	VannerCtr	346A	WOAFSS	527	UreaSystem
210	VannerCtr	347	FireSignal	528	UreaSystem
211	VannerCtr	347A	WOAFSS	530	UreaSystem
225	LavatoryFan	348	PowerManualSignal	531	UreaSystem
225R		351	EngineShout-downSignal	532	UreaSystem
231	Neutral	352	OverrideSignal	533	Control_Ground_Relay
231A	Crank_Signal	360	ClusterKeypad	534	Control_Ground_Relay
240A	PowertoEcm	361	ClusterKeypad	535	WettankPress5v
240B		362	ClusterKeypad	536	WettankPressOut
241A	PowertoEcm	363	ClusterKeypad	537	WettankPress5v
241B	Ureasystem	364	Trans.FrontAirBrake	541	Cruise_Decelerate
241C	WaterInFuelHeater	365	Trans.FrontAirBrake	544	CruiseOn_OffSignal
254F	Galley	366	Trans.RearAirBrake	544A	CruiseOn-OffLed
260	WindowAjarSig	367	Trans.RearAirBrake	545	Cruise_Resume
290	GndFanClutch	368	AirAccPressureSig	583	EngineBrakeB
290A	GndFanClutch	369	AirAccPressureSig	600	ABSSensor
290Rtn	GndMarkersandStopLts	417	ThrottlePositionSignal	600A	ABSSensor
291	FanClutch	439	12VltoABS	601	ABSSensor
291Rtn	GndMarkersandStopLts	439G	GateWay	601A	ABSSensor
292	FanClutch	500	Ground/Supply_Detroit/Volvo	602	ABSSteering&Yawsensor
300	WCLTopLightSliding	501		603	ABSSteering&Yawsensor
301	WheelChairLiftSwitch	502	IVSOut	604	ABSSteering&Yawsensor
302	WCLRicon	504	UreaSystem	605	ABSSteering&Yawsensor
302A	WCLSlidingdoorSig	505	UreaSystem	606	ABSPressuresensor
303	WCLRicon	506	UreaSystem	607	ABSPressuresensor
304	WheelChairLift	507	UreaSystem	608	ABSPressuresensor
304A	WheelChairLift	510	FastIdleSignal	610	ABSPressuresensor
305	ParkBrakeSol	511	UreaSystem	611	AbsTagSolenoid
305A	WCLUpperDoorSignal	512	UreaSystem	612	AbsTagSolenoid
306	WCLTopLights	513	DPFVolvo	613	AbsTagSolenoid
307		515	GroundPreheaterRelay	614	ABSSteeringSolenoid
308	WCL	516	UreaSystem	614A	ABSSteeringSolenoid
309	WCL	517	UreaSystem	618	HillStartAssistGnd
310	WCL_Lamp	520	UreaSystem	630A	Galley_Harness
313	WCL	521	UreaSystem	631	Galley_Harness
314		522	UreaSystem	633	Galley_Harness
341	PowerProtectionPanel	523	UreaSystem	633-Res25	Galley_Harness

CIRCUITS LIST

CircuitID	Description	CircuitID	Description	CircuitID	Description
633A	Galley_Harness	Chgr	BattCharger	Green/White	USB
633A-Res24	Galley_Harness	COM	GndDestinationSign	GRN1	VSS
634	Galley_Harness	CTS	MCMInterface	GRN2	VSS
634-Res27	Galley_Harness	Cts	ComputerSignals	H	HandLever
634A	Galley_Harness	D	HandLever	HOSTESS	HostessPwr
634A-Res26	Galley_Harness	d	BattCharger	KneeLevel	KneelingLevel
636	Galley_Harness	D1	UpperWiperMotor	KneeRef	KneelingLevel
636-Res23	Galley_Harness	DATA+	GndDestinationSign	L+	VSS
636A	Galley_Harness	DLOH	Spare	L+TV	VSS
636A-Res22	Galley_Harness	DLOHS		L-	VSS
654	Galley	DLOL	Spare	LF+	L_SPEAKER_HARNESS
654A	Galley_Harness	DLOLS		LF+LL	VSS
655A	Galley_Harness	DL1H	J1939	LF-	VSS
655B	Galley_Harness	DL1L	J1939	LF-LL	VSS
900	J1587	DL2H	Can2	LightGreen	USB
901	J1587	DL2L	Can2	LIN	Steering
910	L_SPEAKER_HARNESS	DL3H	DBusSignal	LR+	VSS
911	EmergencyCutoutRlySignal	DL3L	DBusSignal	LR+HS	VSS
916	5VSensorPwr	DL7H	EngineSubnet	LR-	VSS
952	GndSensorRtn	DL7L	EngineSubnet	LR-HS	VSS
953	Electronic_ground_DDEC_VI	DL9H	J1939Prop	MUTE	VSS
979	EngineBrakeA	DL9L	J1939Prop	N1	A41Address
A	HandLever	Down	cluster	N2	A41Address
AMP	VSS	Drain	Audio	N3	A42Address
ANT	VSS	DSL+++	VSS	N4	A42Address
AuxVideoGnd	VSS	DSL---	VSS	N5	A43Address
AuxVideoL	VSS	DSR+++	VSS	N6	A43Address
AuxVideoR	VSS	DSR---	VSS	N7	A44Address
B	HandLever	DVD_GND	VSS	N8	A44Address
BKK1	VSS	DVD_Gnd	VSS	N9	A45Address
BLACK	120VACOUTLET	DVD_L+	VSS	N10	A45Address
Black	USB_Gnd	DVD_R+	VSS	N11	A46Address
BLK1	VSS	E	HandLever	N12	A46Address
BLK2	VSS	e	BattCharger	N13	A47Address
BIkFR	TPMS	Escape	cluster	N14	A47Address
BIkRL	TPMS	F	HandLever	N15	A48Address
BIkRR	TPMS	f	BattCharger	N16	A48Address
Blue	Audio	FAKE	L_SPEAKER_HARNESS	N17	A49Address
Bref1	PassengerSensor	FAKE1	R_SPEAKER_HARNESS	N18	A49Address
Bref2	PassengerSensor	G	HandLever	N19	A50Address
BussBar	24VEnginePreheater	GndA	ComputerSignals	N20	A50Address
C	HandLever	GREEN	120VACOUTLET	N21	A51Address
Cd1	ComputerSignals	Green	USB	N22	A51Address

CIRCUITS LIST

CircuitID	Description	CircuitID	Description	CircuitID	Description
N23	A52Address	ResGnd		SL1315	L_SPEAKER_HARNESS
N24	A52Address	RF+	VSS	SL1416	L_SPEAKER_HARNESS
N25	A53Address	RF+LL	VSS	sp52	EvaporatorEngageSig
N26	A53Address	RF-	VSS	SP142	Galley_Spare_Wire
N27	A54Address	RF-LL	VSS	SP143	Galley_Spare_Wire
N28	A54Address	RR	Ext_Speaker	SP144	Galley_Spare_Wire
N29	A36Address	RR+	VSS	SP145	Galley_Spare_Wire
N30	A55_Address	RR+HS	VSS	spare2	SparesFr-to-RearHarness
N31	A55_Address	RR-	VSS	spare3	SparesFr-to-RearHarness
NEG	GndDestinationSign	RR-HS	VSS	spare4	SparesEvap.Harness
NETWORK1		RTS	MCMInterface	spare5	SparesEvap.Harness
NETWORK2		Rts	ComputerSignals	spare6	SparesEvap.Harness
OFA6	POWER_CAPTAIN_CHAIR	RX	TPMS	spare7	SparesEvap.Harness
OFB1	RAMCOMIRROR	RxD	ComputerSignals	spare8	SparesEvap.Harness
OFB3	GND_TPMS	RxTx	MCMInterface	spare9	SparesEvap.Harness
OP1	POWER_CAPTAIN_CHAIR	SE1	Ext_Speaker	spare10	SparesInteriorLtsHarness
OP2	POWER_CAPTAIN_CHAIR	Select	cluster	spare11	SparesInteriorLtsHarness
OP3	POWER_CAPTAIN_CHAIR	SH1	I_ShiftGearLevelSignal	spare12	SparesInteriorHarness
OP4	POWER_CAPTAIN_CHAIR	SH2	I_ShiftGearLevelSignal	spare13	SparesInteriorHarness
OP12VI	POWER_CAPTAIN_CHAIR	SH3	I_ShiftGearLevelSignal	spare14	SparesInteriorHarness
OR	TagUnloadValve	SH4	I_ShiftGearLevelSignal	spare15	SparesInteriorHarness
ORB4	TagUnload	SH5	I_ShiftGearLevelSignal	spare16	SparesInteriorHarness
PB1		SH6	I_ShiftGearLevelSignal	spare17	SparesFr-to-RearHarness
Pink	USB	SH7	I_ShiftGearLevelSignal	spare18	SparesFr-to-RearHarness
POS	GndDestinationSign	SH8	I_ShiftGearLevelSignal	spare19	SparesFr-to-RearHarness
PP1	InverterPwr	SHIELD	GndDestinationSign	spare20	SparesClearanceLts
R+	VSS	Shield		spare21	SparesClearanceLts
R+TV	VSS	Shield1		spare22	SparesClearanceLts
R-	VSS	Shield_PS	Shield	spare23	SparesClearanceLts
Radio_Gnd	VSS	Shield_T1		spare24	SparesClearanceLts
Radio_L+	VSS	Shield_T2	Shield	spare25	SparesClearanceLts
Radio_R+	VSS	Shield_T3		spare32	SparesFrontHarness
RadioAudioGnd	VSS	Shiels_T2	Shield	spare33	SparesFrontHarness
RadioL+	VSS	SHL2	VSS	spare39	SparesDash
RadioR+	VSS	SL13	L_SPEAKER_HARNESS	spare40	SparesDash
Red	USB	SL24	L_SPEAKER_HARNESS	spare41	SparesDash
RED1	VSS	SL35	L_SPEAKER_HARNESS	spare42	SparesDash
RED2	VSS	SL46	L_SPEAKER_HARNESS	spare43	SparesDash
RedFR	TPMS	SL57	L_SPEAKER_HARNESS	spare44	SparesDash
RedRL	TPMS	SL68	L_SPEAKER_HARNESS	spare45	SparesFr-to-RearHarness
RedRR	TPMS	SL1012	L_SPEAKER_HARNESS	spare46	SparesFr-to-RearHarness
Ref2	GndPassengerSensor	SL1113	L_SPEAKER_HARNESS	spare49	SparesEngineCradle
Res12		SL1214	L_SPEAKER_HARNESS	spare50	SparesEngineCradle

CIRCUITS LIST

CircuitID	Description	CircuitID	Description		
spare51	SparesEngineCradle	TrigPA	VSS		
spare52	SparesEngineCradle	TrigPaDr	VSS		
spare53	SparesEngineCradle	TrigTv	VSS		
spare54	SparesEngineCradle	TV_GND	VSS		
spare55	SparesEnginesAccessories	TV_L+	VSS		
spare56	SparesEnginesAccessories	TV_R+	VSS		
spare57	SparesEnginesAccessories	TvGnd	VSS		
spare58	SparesEnginesAccessories	TX	TPMS		
spare59	SparesEnginesAccessories	TxD	MCMInterface		
spare60	SparesEnginesAccessories	Up	cluster		
spare61	SparesEnginesAccessories	VI11	12V_Sup		
spare62	spareABSHarness	WC2	WCLRemoteCtrl		
spare63	spareABSHarness	WC3	WCLRemoteCtrl		
spare64	SapreTransmission	WC4	WCLRemoteCtrl		
spare65	SparesTransmission	WC6	WCLRemoteCtrl		
spWcl1	SpareWCL	WC7	WCL		
spWcl2	SpareWCL	WHITE	120VACOUTLET		
SR13	FR_SPEAKER_HARNESS_	White	USB		
SR24	FR_SPEAKER_HARNESS_	WHT1	VSS		
SR35	FR_SPEAKER_HARNESS_	WHT2	VSS		
SR46	FR_SPEAKER_HARNESS_	WhtFR	dataTPMS		
SR57	FR_SPEAKER_HARNESS_	WhtRL	dataTPMS		
SR68	FR_SPEAKER_HARNESS_	WhtRR	dataTPMS		
SR911	R_SPEAKER_HARNESS_WCL	zf1	SteeringCtrl		
SR1012	R_SPEAKER_HARNESS_WCL	zf2	SteeringCtrl		
SR1113	R_SPEAKER_HARNESS_WCL				
SR1214	R_SPEAKER_HARNESS_WCL				
SR1315	R_SPEAKER_HARNESS_WCL				
SR1416	R_SPEAKER_HARNESS_WCL				
STO_LOC					
Sub1+	VSS				
Sub1-	VSS				
Sub2+	VSS				
Sub2-	VSS				
TEST	TestLampOption				
TEST1	SOUND_SYSTEM				
Test1	SOUND_SYSTEM				
Test1a	SOUND_SYSTEM				
Test1B	SOUND_SYSTEM				
TrigCam	VSS				
TrigDVD	VSS				
TrigDvd	VSS				
TrigNav	VSS				

CIRCUITS LIST

CircuitID	Description	CircuitID	Description	CircuitID	Description
0A	Evap.Gnd	0P	Relaisinverter	3	DoorLatchSig
00A	GndElectronic	0P1	Relaisinverter	4	WitnessGnd
00A.	GndWitnessSw24	0P2	Inverter_Gnd	4C	HostessChimeSig
00A1	GndElectronic	0PA1	Inverters_Rly_Gnd1	4C1	Host_Notification_Gong
0B	EngineChassisGnd	0PA2	Inverters_Rly_Gnd1	4CWCL	HostessChimeSig
00B	ElectronicGndofMuxModules	0PR	24VtoMux	5	UpperDefrostfan
0B1	GndEnginePreheater	0PR1	EntranceCeilingLtGnd	5vKnee	KneelingLevel
00B1	GndEng.Start	0PR2	GndWatchYourStep	6	GndWitnessSw24
0BB	Trans.FrontAirBrake	0PR3	UpperDefrosterGnd	6VICust	Headset_intercom
0C	GndStarter	0RA2	Gnd_RJB_Stud	7	GndDriverSensor
0CE	ChassisGndtoA47	0RA3	GndWake-upRly	8	GndParkBrakeSol
0Cust	GND	0RB1	LavatoryGnd	9A	EngineDoorOpenSig
00D	RJBajarSignal	0RB3	GndMarkersandStopLts	9B	EngineCmpt.Lt
0EV1	GndRlyR20	0RB4	TagUnload	9C	SurgeTankPump
0EV2	GndHvac	0RB5	GndPre-Heat	10	LuggageCmpt.LtsPwr
0EV3	GndPRackLH	0RB6	RJBGndCustomer	10R	LuggageDoorOpenSig
0EV4	GndCondensor	0RB6A	SurgeTankGnd	10Rtn	LuggageDoorOpenSig
0EV6	RHP-RackMotorGnd	0RB6F	Full_LevelSurgeTank	11	DestinationSignPwr
0F	FJBDoorOpenSig	0RB7	12V_Sup	12A	12VDtoR3
0FA1	GndofAccessoires	0RB8	GND_UREA_SYST	12Ecu	12vEngineEcu
0FA4	GndPwrOutlet	0RC2	GndDriverCylinder	12H	DestinationSignPower
0FA5	gndplug12vadditional	0RC3	GndFogandCorneringLtsRH	12IgnSpare	UpperDefrosterGnd
0FA6	POWER_CAPTAIN_CHAIR	0RC4	GndEntranceLights	12ISH	12V_IShift
0FA7	POWER_CAPTAIN_CHAIR	0SA1	AlternatorGnd	12MEM	VSS
0FB1	Gnd_Front_Stud	0SS	VSS_GND	12SS	VSS
0FB2	GndDriverWdo	0SS1	VSS	12SS1	VSS
0FB3	GndMasterId	0SS2	UpperDefrosterGnd	12SS2	VSS
0FB3-2	RoofSpotlightSwitch	0SS3	VSS	12VA	12vEqualizer
0FC1	left/right_luggage_door_lock	0SS9	Sw_Flip_Dwn_Trigger	12VD	12VDtoCB4
0FC3	ElectronicGnd	0SW	GND_Ind_Light	12VD1	12VDFrontWake-up
0FC4	ElectricalHorn	0USB	USB_Gnd	12VD3	12V_Rr_Wup_Relay
0FDS	Driver_seat_optional	0V	LuggageDoorOpenSig	12VD4	12V_Rr_Engine_ECU
0FE	Gnd	0VE	EqualizerGnd	12VDCust	12VDCustomer
0FE2	Gnd	0W	WCLgroung	12VDF	12VDtoFrontVec
0G	GndofA54	0WC	GndWCLRemoteCTRL	12VI	12VtoCB10
0GX	Gnd_Galley	00WM2	Gnd_Wifi_Pwr	12VI1	12VI
0GY	Gnd_Galley	00X	GND	12VI3	PwrOutletDrawer
0H	GroundCoolantSensor	0Y	GndChassistoABSModule	12VI4	PwrOutletandCigarLighter
00IS	Gnd_IShift	0Y2	GndChassisABSSol	12VI5	12VtoVECR
0LAV	Gnd_Light	0Y3	GndChassisABSSol	12VI6	PwrtoModuleA50
0Lav	Gnd_Light	1	Transmission	12VI7	PwrtoModuleA50
0Lav3	GndEmergencyLampsRH	2	CondensorDoorOpenSig	12VI8	AirDryer
0Lav4	Gnd_Emerg_Aisle_Reading_LH_Light	2B	CondSndSpdSig	12VI9	TireMonitoringPwr

CIRCUITS LIST

CircuitID	Description	CircuitID	Description	CircuitID	Description
12VI10	MirrorPwr	24D	24DtoCB6	24VICust2	RoofSpotlightSwitch
12VI11	12V_Sup	24DS-Emerg	EmergencySign	24VIF	24VitoFrontVEC
12VICust	12VICustomer	24E	24VitoCB1	24VIPR	24VlofA53
12VIF	12VitoFrontVec	24GA	24GA_For_Galley	24WC	WCL24VIPower
12VIF19	DDL_Power	24ISH	12VignIShift	24WUp1	24WUpFront
12VIM	PowerOutlet	24IZ	ZFTransmission	24WUp1	24WUpFront
12VIZF	ZFsterringControl	24PV	Inverter	24WUp1B	24Wup1DestinationSign
12W	DoorUnlockSol	24PVA	Inverter	24Wup1G	24Wup1DestinationSign
12WA	DoorFullOpenSig	24SS	VSS	24Wup2	WakeUpPower
12WM1	12V_Wifi_Pwr	24SS3	VSS	24WupSS	24V_Flip_Dwn_Monitor
12WUp1	12VWUptoA48	24VA	24vEquilizer	24XX	24V_5TH_Lugg
12Wup1	12WUpFront	24VB2	24VEnginePreheater	25	EngineRunSignal
12Wup1b	12V_Wireless	24VD	MasterRelayPwr	25A	Alternator_signal
12Wup2	12WUptoDash	24VD1	24VDInsideDoorOpen	25A1	ExcitationSignal
12Wup5	PwrtoModuleA51	24VD2	24VDtoRearVec	25A1D	Alternator_signal
13	GndTransducer	24VD3	24VDofCECM	25A2	Alternator_Signal
14	On_Off_Gateway	24VD4	24VDFrontWake-up	25A2D	Alternator_Signal
14A	FlushingPumpSig	24VD5	24VDtoPre-Heat	25A4	BatteryNotChargingSig
15	UpperWipInt.Signal	24VD6	24VDPre-Heat	26	12VI
15A	UpperWip.1StSpdSig	24VD7	PassandPRackPwr	26A	DriverWdo
16	Speed_Sig	24VD8		26B	DriverWdo
16A	UpperWasherPump	24VD9	24VD	27A	EmergencySwSig
16B	PwrofSensorSpd	24VDCust	24VDCustomer	30A	Galley_Ctrl_Signal
17	UpperWasherSwSignal	24VDR4	Cut_Off_Preheater_Power	31	UnloaderRH
18	Wip.WasherLevel	24VDS	24VD	31B	WiperIntermitentSignal
19A	TagUnload	24VI	24VI	31EE	UpperWipSpd.1
19B	TagUnload	24VI1	24VitoRearVec	32A	TrailerBackupLights
20	AirDryer	24VI2	24VitoSw1	32AA	BackupAlarm
21	FlasherLHSig	24VI3	UpperWip.MotorPwr	32D	ReverseSigtoBackupMonitor
21A	Front_Flasher	24VI4	24Vign	32EE	UpperWiperMotor
21AA	Flasher_Front_LH	24VI5	24VlofMuxmodules	34	ParkBrakeReleaseSignal
21B	CorneringLtsLH	24VI6	PwrtoDefrostUnit	34A	OrleanOption
21C	ClearanceLts	24VI7	LowerWiperPwr	35	EntranceDoorLights
22	HazardSwSig	24VI8	24VitoMux	35A	WatchYourStepLts
23	FlasherRHSig	24VI9	24VlofA54	38	24VI
23A	RAMCOMIRRORLED	24VI9A	24VlofA54	39	DriverLtSwSig
23AA	FrontFlasherRHSide	24VI10	DriverRearSeatLampPwr	39D	DriverLt
23B	CorneringLtsRH	24VI11	LavatoryPwr	40	WitnessGnd
23C	ClearanceLts	24VI12	RJBLightPwr	41	24VCondensor
24A	BoosterBlock	24VI13	24VI	41A1	CondensorPwr
24Alt	Pwr_to_Alternators	24VIALT	Alternators	41A2	CondensorPwr
24B	Galley_Main_Pwr	24VICust	24VICustomer	41A3	CondensorPwr
24CO	24COtoSw58	24VICust1	RoofSpotlightSwitch	41A4	CondensorPwr

CIRCUITS LIST

CircuitID	Description	CircuitID	Description	CircuitID	Description
43	SuppressingDiode	63AA	ClearanceLts	79A	DecelSignal
43F	WitnessGndSw27	63B	ClearanceLts	80	BrakeRedundant
43G	PRackFanswitchSig	63BB	ClearanceLts	81	HeadLtCallSw1
44	PRackRH	63C	CtrlHeadBacklight	82A	RELS
45	UpperFanSig	64A	Blinker	82B	CyclopeLamp
45A	PassengerHeatSig	65	FootDamper	82Low	StopRearLowerLamp
46	FrontFlasherRh	65A	FootDamper	82Up	TrailerStopSig
46A	VSS	65D	DriverCylinder	83	24vAccessories
47	DoorOpenSignal	65P	Pass.Cylinder	84	StartSigSw83
47A	DoorOpenSignal	65T	SignalToPre-heatrelay	84A	StartSigSw83
48A	DoorOpenSol	66	MarkersSigSw2	84B	StartSigSw83
49	DoorCloseSignal	67	EvaporatorPwr	85	24VIgnition
49A	DoorCloseSol	67A	CondensorPwr	85A	Ign-AccSignal
50	WitnessGndSig	68	DashDamper	85B	Wake-upSig
51	WitnessGnd	68A	DashDamper	85C	PositionNormalSw58
53	LowerWip.Spd1Sig	69	ElectricalHorn	85D	RearStartPwr
53A	ElectricalHorn	69A	HornTogglesig	85E	RearStartSignal
53B	PneumaticHorn	70	SmockingSign	85F	EgnineStartPwrSw58
53C	LowerWip.IntSig	71	UpperDefrostPump	85G	Ign-AccSignal
53D	LowerWip.WasherSwSig	71A	DockingLtsLH	85X	24VIgn
53E	LowerWiper1stSpd	72A	DockingLtsRH	85Z	Trailer_Abs_Ind
53F	LowerWasherPump	72B	Sun_Visor	86	DefrostunitSpd
53G	LowerWip1stSpd	72C	Sun_Visor	86Rtn	GndDefrostUnit
53H	LowerWip.IntSig	73	LavatoryPwr	87	Park_Brake
55	luggagelocksol	73A	RearOccupiedSig	88	TransducerPwr
55R	left/right_luggage_door_lock	73B	RearOccupiedSig	89	DriverSensorSig
57A	WaterPump	74	24VI	90H	24VtoEvap
57G	Pre-HeatWebasto	74A	24VI	90H1	Evaporator
57GA	Pre-HeattoWtrPmpRly	74B	24VI	91	Park_brake_signal
57H	Pre-HeattoWtrPmpRly	74D		91B	WitnessSigSw14
57L	Hi-Beam	75	ReadingLampsRH	92	TrailerParkBrakeSig
57R	High_Beam	75A	HostessChimePwr	93	ReadingLamps
57Rtn	SignalRtnHeadLtsLH	76	FuelLevelSig	95	DockingLTSwSig
58L	LowBeam	76C	GndFuelsender	96	CorneringLTSwSig
58R	Low_Beam	77	TransducerHi-Side	99	Sw20Gnd
58Rtn	Lamp_Module_Gnd	77AC	A/CclutchGnd	100	
59	Hi/LowBeamSignal	77B	PassandPRackLiquidValve	100A	IndirectLightLH
60	FogsLtsSwSig	77BA	A/Cclutch	100B	24VI
61	HeadLtsSig	77C	PassandPRackLiquidValve	101	Starter_Power
62	FrontOccupiedLts	78	StopLightSensorSig	101A	Starter
62B	LavatoryLts	78BA	PassandPRackLiquidValve	101B	Starter
63	ClearanceLts	78BB	PassandPRackLiquidValve	102	Alternator_Power
63A	FrontClearanceLts	79	TranducerLow-Side	102A	Alternator

CIRCUITS LIST

CircuitID	Description	CircuitID	Description	CircuitID	Description
103	LowBuoySig	133	Transmission	154	Transmission
104	Pwrl_Shift	135	Transmission	155	Transmission
105	Fog_Light	135A	Transmission	156A	12VtoABS
105A	Fog_Light	136	Transmission	157D	ATCSignal
105ARtn	Fog_Light_Gnd	136A	TransmissionPwr	159	Transmission
105Rtn	Fog	136AA	ShifterSignal	160	TagSignal
106	Fog_Light	137	Transmission	162	GndServiceBrake
106A	Fog_Light	137A	MirrorPwrSig	163A	Retarder
106Rtn	Fog_Light_gnd	137B	Mirrors	163B	RetarderEnable
107	Pwrl_Shift	137C	Mirrors	164	HandLevelSig
108	Pwr_Trans_IShift	137D	Mirrors	166	WitnessSigSw16
109	Cmd_Ground	137E	Mirrors	167	ACB
110	12VD_IShift	137F	Mirrors	168	ACB
111	Transmission	137H	Mirrors	170C	left/right_luggage_door_lock
114	DriverLt	137J	Mirrors	170E	LuggageLockSwSig
114A	Backlight	137K	Mirrors	170H	LuggageUnlockSol
115	Transmission	137L	RAMCOMIRROR	170HR	left/right_luggage_door_lock
115A	WitnessPwr	137M	Mirrors	171	LuggageUnlockSwSig
116	DriverLiq	137N	RAMCOMIRRORLED	174	Transmission
116A	DriverLiq	137P	MIRRORLED	175	Transmission
118	Transmission	138	ABSSensor	175C	TagUnloadValve
119	Transmission	138A	ABSSensor	176	Transmission
120	Transmission	139	Transmission	177	Transmission
122	DigitalClock	140	Transmission	180	Transmission
123	Flame_Detection_Signal	141	ABSSolenoid	181	PassengerSensor
124A	Starter_Volvo	142	ABSSolenoid	185	TransmissionInhibitSig
124B	Starter_volvo	143	ABSSensor	201	Headlampcleaningsignal
125	Retarder_active	143A	ABSSensor	202	headlampcleaningpump
126A	KneelingUpSwSig	144	ABSSensor	203	VannerCtr
126B	KneelingDownSwSig	144A	ABSSensor	204	VannerCtr
126F	KneelingDownSol	145	ABSSolenoid	205	VannerCtr
126G	KneelingUpSol	146	ABSSolenoid	206	VannerCtr
126H	KneelingCtrl.Sol	147	ABSSolenoid	207	VannerCtr
126J	KneelingHi-BuoySol	148	ABSSolenoid	208	VannerCtr
126JR	GndKneeling	149	ABSSensor	209	VannerCtr
126P	KneelingBuzzer	149A	ABSSensor	210	VannerCtr
127	Pre-HeatSignal	151	GndtoEcm	211	VannerCtr
127D	BattCharger	151A	GndtoEcm	225	LavatoryFan
128	Pre-HeatStatus	151B	GndtoEcm	225R	InverterRelay
128B	Pre-HeatTTLT	151C	GndtoEcm	231	Neutral
129	Sun_visor	151D	CoolantLevelGround	231A	Crank_Signal
130	Sun_visor	152	Transmission	240A	PowertoEcm
131	Transmission	153	12V_IGN_ACB	240B	VECU

CIRCUITS LIST

CircuitID	Description	CircuitID	Description	CircuitID	Description
241A	PowertoEcm	361	ClusterKeypad	534	Control_Ground_Relay
241B	Ureasystem	362	ClusterKeypad	535	WettankPress5v
241C	WaterInFuelHeater	363	ClusterKeypad	536	WettankPressOut
254F	Galley	364	Trans.FrontAirBrake	537	WettankPress5v
260	WindowAjarSig	365	Trans.FrontAirBrake	541	Cruise_Decelerate
290	GndFanClutch	366	Trans.RearAirBrake	544	CruiseOn_OffSignal
290A	GndFanClutch	367	Trans.RearAirBrake	544A	CruiseOn-OffLed
290Rtn	GndMarkersandStopLts	368	AirAccPressureSig	545	Cruise_Resume
291	FanClutch	369	AirAccPressureSig	583	EngineBrakeB
291Rtn	GndMarkersandStopLts	417	ThrottlePositionSignal	600	ABSSensor
292	FanClutch	438	12VIgn	600A	ABSSensor
300	WCLTopLightSliding	439	12VltoABS	601	ABSSensor
301	WheelChairLiftSwitch	439G	GateWay	601A	ABSSensor
302	WCLRicon	500	Ground/Supply_Detroit/Volvo	602	ABSSteering&Yawsensor
302A	WCLSlidingdoorSig	501	Control_Ground_Relay	603	ABSSteering&Yawsensor
303	WCLRicon	502	IVSOut	604	ABSSteering&Yawsensor
304	WheelChairLift	504	UreaSystem	605	ABSSteering&Yawsensor
304A	WheelChairLift	505	UreaSystem	606	ABSPressuresensor
305	ParkBrakeSol	506	UreaSystem	607	ABSPressuresensor
305A	WCLUpperDoorSignal	507	UreaSystem	608	ABSPressuresensor
306	WCLTopLights	510	FastIdleSignal	610	ABSPressuresensor
307	WCLPower	511	UreaSystem	611	AbsTagSolenoid
308	WCL	512	UreaSystem	612	AbsTagSolenoid
309	WCL	513	UreaSystem	613	AbsTagSolenoid
310	WCL_Lamp	515	GroundPreheaterRelay	614	ABSSteeringSolenoid
313	WCL	516	UreaSystem	614A	ABSSteeringSolenoid
314	WCL_Door_Open_Option	517	UreaSystem	618	HillStartAssistGnd
326A	SunVisor_DriverSW	520	UreaSystem	630A	Galley_Harness
326B	SunVisor_PassSW	521	UreaSystem	631	Galley_Harness
341	PowerProtectionPanel	522	UreaSystem	633	Galley_Harness
342	FireExting.Gnd	523	UreaSystem	633-Res25	Galley_Harness
343	Fire-EngineStopTTL	524C	IdleValidationSig	633A	Galley_Harness
343A	Cut_Off_Preheater	525	UreaSystem	633A-Res24	Galley_Harness
344	ExtinguisherSignal	526	UreaSystem	634	Galley_Harness
345	ManualSignal	526A	UreaSystem	634-Res27	Galley_Harness
346	PowerSensors	526B	UreaSystem	634A	Galley_Harness
346A	WOAFSS	526C	UreaSystem	634A-Res26	Galley_Harness
347	FireSignal	527	UreaSystem	636	Galley_Harness
347A	WOAFSS	528	UreaSystem	636-Res23	Galley_Harness
348	PowerManualSignal	530	UreaSystem	636A	Galley_Harness
351	EngineShout-downSignal	531	UreaSystem	636A-Res22	Galley_Harness
352	OverrideSignal	532	UreaSystem	654	Galley
360	ClusterKeypad	533	Control_Ground_Relay	654A	Galley_Harness

CIRCUITS LIST

CircuitID	Description	CircuitID	Description	CircuitID	Description
655A	Galley_Harness	Cts	ComputerSignals	H	HandLever
655B	Galley_Harness	D	HandLever	KneeLevel	KneelingLevel
900	J1587	d	BattCharger	KneeRef	KneelingLevel
901	J1587	D1	UpperWiperMotor	L+	VSS
910	L_SPEAKER_HARNESS	DATA+	GndDestinationSign	L+TV	VSS
911	EmergencyCutoutRlySignal	DLOH	Spare	L-	VSS
916	5VSensorPwr	DLOHS	Spare	LF+	VSS
952	GndSensorRtn	DL0L	Spare	LF+LL	VSS
953	Electronic_ground_DDEC_VI	DL0LS	Spare	LF-	VSS
979	EngineBrakeA	DL1H	J1939	LF-LL	VSS
A	HandLever	DL1L	J1939	LightGreen	USB
A65H_Gnd	VSS	DL2H	Can2	LIN	Steering
A65H_L+	VSS	DL2L	Can2	LR+	VSS
A65H_R+	VSS	DL3H	DBusSignal	LR+HS	VSS
AMP	VSS	DL3L	DBusSignal	LR-	VSS
ANT	VSS	DL7H	EngineSubnet	LR-HS	VSS
Audio_Out_HDMI_L+	VSS	DL7L	EngineSubnet	MUTE	VSS
Audio_Out_HDMI_R+	VSS	DL9H	J1939Prop	N1	A41Address
Audio_Out_HDMI_R-L-	VSS	DL9L	J1939Prop	N2	A41Address
AuxVideoGnd	VSS	Down	cluster	N3	A42Address
AuxVideoL	VSS	Drain	Audio	N4	A42Address
AuxVideoR	VSS	DSL+++	VSS	N5	A43Address
B	HandLever	DSL---	VSS	N6	A43Address
BKK1	VSS	DSR+++	VSS	N7	A44Address
BLACK	120VACOUTLET	DSR---	VSS	N8	A44Address
Black	USB_Gnd	DVD_GND	VSS	N9	A45Address
BLK1	VSS	DVD_Gnd	VSS	N10	A45Address
BLK2	VSS	DVD_L+	VSS	N11	A46Address
BlkFR	TPMS	DVD_R+	VSS	N12	A46Address
BlkRL	TPMS	E	HandLever	N13	A47Address
BlkRR	TPMS	e	BattCharger	N14	A47Address
BLUE	UpperDefrosterGnd	Escape	cluster	N15	A48Address
Blue	Audio	F	HandLever	N16	A48Address
Bref1	PassengerSensor	f	BattCharger	N17	A49Address
Bref2	PassengerSensor	FAKE	L_SPEAKER_HARNESS	N18	A49Address
BussBar	24VEnginePreheater	FAKE1	R_SPEAKER_HARNESS	N19	A50Address
C	HandLever	G	HandLever	N20	A50Address
CAN1-HI	J1939_Gateway	GndA	ComputerSignals	N21	A51Address
CAN1-LO	J1939_Gateway	GREEN	120VAC_Outlets	N22	A51Address
Cd1	ComputerSignals	Green	USB	N23	A52Address
Chgr	BattCharger	Green/White	USB	N24	A52Address
COM	GndDestinationSign	GRN1	VSS	N25	A53Address
CTS	MCMInterface	GRN2	VSS	N26	A53Address

CIRCUITS LIST

CircuitID	Description	CircuitID	Description	CircuitID	Description
N27	A54Adress	RF-	VSS	SP142	Galley_Spare_Wire
N28	A54Adress	RF-LL	VSS	SP143	Galley_Spare_Wire
N29	A36Adress	RR	Ext_Speaker	SP144	Galley_Spare_Wire
N30	A55_Address	RR+	VSS	SP145	Galley_Spare_Wire
N31	A55_Address	RR+HS	VSS	spare2	SparesFr-to-RearHarness
NEG	GndDestinationSign	RR-	VSS	spare3	SparesFr-to-RearHarness
NETWORK1	CELL_ANTENNA_1	RR-HS	VSS	spare4	SparesEvap.Harness
NETWORK2	CELL_ANTENNA_2	RTS	MCMInterface	spare5	SparesEvap.Harness
OFA6	POWER_CAPTAIN_CHAIR	Rts	ComputerSignals	spare6	SparesEvap.Harness
OFB1	Gnd_Front_Stud	RX	TPMS	spare7	SparesEvap.Harness
OFB3	GND_TPMS	RxD	ComputerSignals	spare8	SparesEvap.Harness
OP1	POWER_CAPTAIN_CHAIR	RxTx	MCMInterface	spare9	SparesEvap.Harness
OP2	POWER_CAPTAIN_CHAIR	SE1	Ext_Speaker	spare10	SparesInteriorLtsHarness
OP3	POWER_CAPTAIN_CHAIR	Select	cluster	spare11	SparesInteriorLtsHarness
OP4	POWER_CAPTAIN_CHAIR	SH1	I_ShiftGearLevelSignal	spare12	SparesInteriorHarness
OP12VI	POWER_CAPTAIN_CHAIR	SH2	I_ShiftGearLevelSignal	spare13	SparesInteriorHarness
OR	TagUnloadValve	SH3	I_ShiftGearLevelSignal	spare14	SparesInteriorHarness
ORB4	TagUnload	SH4	I_ShiftGearLevelSignal	spare15	SparesInteriorHarness
PB1	ParkBrakeNotApplyInd	SH5	I_ShiftGearLevelSignal	spare16	SparesInteriorHarness
Pink	USB	SH6	I_ShiftGearLevelSignal	spare17	SparesFr-to-RearHarness
POS	GndDestinationSign	SH7	I_ShiftGearLevelSignal	spare18	SparesFr-to-RearHarness
PP1	InverterPwr	SH8	I_ShiftGearLevelSignal	spare19	SparesFr-to-RearHarness
R+	VSS	SHIELD	GndDestinationSign	spare20	SparesClearanceLts
R+TV	VSS	Shield	Shield	spare21	SparesClearanceLts
R-	VSS	Shield1	Shield	spare22	SparesClearanceLts
Radio_Gnd	VSS	Shield_PS	Shield	spare23	SparesClearanceLts
Radio_L+	VSS	Shield_T1	Shield	spare24	SparesClearanceLts
Radio_R+	VSS	Shield_T2	Shield	spare25	SparesClearanceLts
RadioAudioGnd	VSS	Shield_T3	Shield	spare32	SparesFrontHarness
RadioL+	VSS	Shiels_T2	Shield	spare33	SparesFrontHarness
RadioR+	VSS	SHL2	VSS	spare39	SparesDash
RED	UpperDefrosterGnd	SL13	L_SPEAKER_HARNESS	spare40	SparesDash
Red	USB	SL24	L_SPEAKER_HARNESS	spare41	SparesDash
RED1	VSS	SL35	L_SPEAKER_HARNESS	spare42	SparesDash
RED2	VSS	SL46	L_SPEAKER_HARNESS	spare43	SparesDash
RedFR	TPMS	SL57	L_SPEAKER_HARNESS	spare44	SparesDash
RedRL	TPMS	SL68	L_SPEAKER_HARNESS	spare45	SparesFr-to-RearHarness
RedRR	TPMS	SL1012	L_SPEAKER_HARNESS	spare46	SparesFr-to-RearHarness
Ref2	GndPassengerSensor	SL1113	L_SPEAKER_HARNESS	spare49	SparesEngineCradle
Res12	ResSw155	SL1214	L_SPEAKER_HARNESS	spare50	SparesEngineCradle
ResGnd	ResSw155	SL1315	L_SPEAKER_HARNESS	spare51	SparesEngineCradle
RF+	VSS	SL1416	L_SPEAKER_HARNESS	spare52	SparesEngineCradle
RF+LL	VSS	sp52	EvaporatorEngageSig	spare53	SparesEngineCradle

CIRCUITS LIST

CircuitID	Description	CircuitID	Description		
spare54	SparesEngineCradle	TX	TPMS		
spare55	SparesEnginesAccessories	TxD	MCMInterface		
spare56	SparesEnginesAccessories	Up	cluster		
spare57	SparesEnginesAccessories	VI11	12V_Sup		
spare58	SparesEnginesAccessories	WC2	WCLRemoteCtrl		
spare59	SparesEnginesAccessories	WC3	WCLRemoteCtrl		
spare60	SparesEnginesAccessories	WC4	WCLRemoteCtrl		
spare61	SparesEnginesAccessories	WC6	WCLRemoteCtrl		
spare62	spareABSHarness	WC7	WCL		
spare63	spareABSHarness	WHITE	120VAC_Outlets		
spare64	SapreTransmission	White	USB		
spare65	SparesTransmission	WHT1	VSS		
spWcl1	SpareWCL	WHT2	VSS		
spWcl2	SpareWCL	WhtFR	dataTPMS		
SR13	FR_SPEAKER_HARNESS_	WhtRL	dataTPMS		
SR24	FR_SPEAKER_HARNESS_	WhtRR	dataTPMS		
SR35	FR_SPEAKER_HARNESS_	zf1	SteeringCtrl		
SR46	FR_SPEAKER_HARNESS_	zf2	SteeringCtrl		
SR57	FR_SPEAKER_HARNESS_				
SR68	FR_SPEAKER_HARNESS_				
SR911	R_SPEAKER_HARNESS_WCL				
SR1012	R_SPEAKER_HARNESS_WCL				
SR1113	R_SPEAKER_HARNESS_WCL				
SR1214	R_SPEAKER_HARNESS_WCL				
SR1315	R_SPEAKER_HARNESS_WCL				
SR1416	R_SPEAKER_HARNESS_WCL				
STO_LOC	WCL				
Sub1+	VSS				
Sub1-	VSS				
Sub2+	VSS				
Sub2-	VSS				
TrigAux	VSS				
TrigCam	VSS				
TrigDVD	VSS				
TrigDvd	VSS				
TrigNav	VSS				
TrigPA	VSS				
TrigPaDr	VSS				
TrigTv	VSS				
TV_GND	TV_Audio_Signal_Gnd				
TV_L+	VSS				
TV_R+	VSS				
TvGnd	TV_Audio_Signal_Gnd				

CIRCUITS LIST

CircuitID	Description	CircuitID	Description	CircuitID	Description
0A	Evap.Gnd	0P	Relaisinverter	3	DoorLatchSig
00A	GndElectronic	0P1	Relaisinverter	4	WitnessGnd
00A.	GndWitnessSw24	0P2	Inverter_Gnd	4C	HostessChimeSig
00A1	GndElectronic	0PA1	Inverters_Rly_Gnd1	4C1	Host_Notification_Gong
0B	EngineChassisGnd	0PA2	Inverters_Rly_Gnd1	4CWCL	HostessChimeSig
00B	ElectronicGndofMuxModules	0PR	24VtoMux	5	UpperDefrostfan
0B1	GndEnginePreheater	0PR1	EntranceCeilingLtGnd	5vKnee	KneelingLevel
00B1	GndEng_Start	0PR2	GndWatchYourStep	6	GndWitnessSw24
0BB	Trans.FrontAirBrake	0PR3	UpperDefrosterGnd	6VICust	Headset_intercom
0C	GndStarter	0RA2	Gnd_RJB_Stud	7	GndDriverSensor
0CE	ChassisGndtoA47	0RA3	GndWake-upRly	8	GndParkBrakeSol
0Cust	GND	0RB1	LavatoryGnd	9A	EngineDoorOpenSig
00D	RJBArSignal	0RB3	GndMarkersandStopLts	9B	EngineCmpt.Lt
0EV1	GndRlyR20	0RB4	TagUnload	9C	SurgeTankPump
0EV2	GndHvac	0RB5	GndPre-Heat	10	LuggageCmpt.LtsPwr
0EV3	GndPRackLH	0RB6	RJBGndCustomer	10R	LuggageDoorOpenSig
0EV4	GndCondensor	0RB6A	SurgeTankGnd	10Rtn	LuggageDoorOpenSig
0EV6	RHP-RackMotorGnd	0RB6F	Full_LevelSurgeTank	11	DestinationSignPwr
0F	FJBDoorOpenSig	0RB7	12V_Sup	12A	12VDtoR3
0FA1	GndofAccessoires	0RB8	GND_UREA_SYST	12Ecu	12vEngineEcu
0FA4	GndPwrOutlet	0RC2	GndDriverCylinder	12H	DestinationSignPower
0FA5	gndplug12vadditional	0RC3	GndFogandCorneringLtsRH	12IgnSpare	UpperDefrosterGnd
0FA6	POWER_CAPTAIN_CHAIR	0RC4	GndEntranceLights	12ISH	12V_IShift
0FA7	POWER_CAPTAIN_CHAIR	0SA1	AlternatorGnd	12MEM	VSS
0FB1	Gnd_Front_Stud	0SS	VSS_GND	12SS	VSS
0FB2	GndDriverWdo	0SS1	VSS	12SS1	VSS
0FB3	GndMasterId	0SS2	UpperDefrosterGnd	12SS2	VSS
0FB3-2	RoofSpotlightSwitch	0SS3	VSS	12VA	12vEqualizer
0FC1	left/right_luggage_door_lock	0SS9	Sw_Flip_Dwn_Trigger	12VD	12VDtoCB4
0FC3	ElectronicGnd	0SW	GND_Ind_Light	12VD1	12VDFrontWake-up
0FC4	ElectricalHorn	0USB	USB_Gnd	12VD3	12V_Rr_Wup_Relay
0FDS	Driver_seat_optional	0V	LuggageDoorOpenSig	12VD4	12V_Rr_Engine_ECU
0FE	Gnd	0VE	EqualizerGnd	12VDCust	12VDCustomer
0FE2	Gnd	0W	WCLgroung	12VDF	12VDtoFrontVec
0G	GndofA54	0WC	GndWCLRemoteCTRL	12VI	12VtoCB10
0GX	Gnd_Galley	00WM2	Gnd_Wifi_Pwr	12VI1	12VI
0GY	Gnd_Galley	00X	GND	12VI3	PwrOutletDrawer
0H	GroundCoolantSensor	0Y	GndChassistoABSModule	12VI4	PwrOutletandCigarLighter
00IS	Gnd_IShift	0Y2	GndChassisABSSol	12VI5	12VtoVECR
0LAV	Gnd_Light	0Y3	GndChassisABSSol	12VI6	PwrtoModuleA50
0Lav	Gnd_Light	1	Transmission	12VI7	PwrtoModuleA50
0Lav3	GndEmergencyLampsRH	2	CondensorDoorOpenSig	12VI8	AirDryer
0Lav4	Gnd_Emerg_Aisle_Reading_LH_Light	2B	CondSndSpdSig	12VI9	TireMonitoringPwr

CIRCUITS LIST

CircuitID	Description	CircuitID	Description	CircuitID	Description
12VI10	MirrorPwr	24D	24DtoCB6	24VICust2	RoofSpotlightSwitch
12VI11	12V_Sup	24DS-Emerg	EmergencySign	24VIF	24VltoFrontVEC
12VICust	12VICustomer	24E	24VltoCB1	24VIPR	24VltoA53
12VIF	12VltoFrontVec	24GA	24GA_For_Galley	24WC	WCL24VIPower
12VIF19	DDL_Power	24ISH	12VlgnlShift	24WUp1	24WUpFront
12VIM	PowerOutlet	24IZ	ZFTransmission	24Wup1	24WUpFront
12VIZF	ZFsterringControl	24PV	Inverter	24Wup1B	24Wup1DestinationSign
12W	DoorUnlockSol	24PVA	Inverter	24Wup1G	24Wup1DestinationSign
12WA	DoorFullOpenSig	24SS	VSS	24Wup2	WakeUpPower
12WM1	12V_Wifi_Pwr	24SS3	VSS	24WupSS	24V_Flip_Dwn_Monitor
12WUp1	12VWUptoA48	24VA	24vEquilizer	24XX	24V_5TH_Lugg
12Wup1	12WUpFront	24VB2	24VEnginePreheater	25	EngineRunSignal
12Wup1b	12V_Wireless	24VD	MasterRelayPwr	25A	Alternator_signal
12Wup2	12WUptoDash	24VD1	24VDInsideDoorOpen	25A1	ExcitationSignal
12Wup5	PwrtoModuleA51	24VD2	24VDtoRearVec	25A1D	Alternator_signal
13	GndTransducer	24VD3	24VDofCECM	25A2	Alternator_Signal
14	On_Off_Gateway	24VD4	24VDFrontWake-up	25A2D	Alternator_Signal
14A	FlushingPumpSig	24VD5	24VDtoPre-Heat	25A4	BatteryNotChargingSig
15	UpperWipInt.Signal	24VD6	24VDPre-Heat	26	12VI
15A	UpperWip.1StSpdSig	24VD7	PassandPRackPwr	26A	DriverWdo
16	Speed_Sig	24VD8		26B	DriverWdo
16A	UpperWasherPump	24VD9	24VD	27A	EmergencySwSig
16B	PwrofSensorSpd	24VDCust	24VDCustomer	30A	Galley_Ctrl_Signal
17	UpperWasherSwSignal	24VDR4	Cut_Off_Preheater_Power	31	UnloaderRH
18	Wip.WasherLevel	24VDS	24VD	31B	WiperIntermitentSignal
19A	TagUnload	24VI	24VI	31EE	UpperWipSpd.1
19B	TagUnload	24VI1	24VltoRearVec	32A	TrailerBackupLights
20	AirDryer	24VI2	24VltoSw1	32AA	BackupAlarm
21	FlasherLHSig	24VI3	UpperWip.MotorPwr	32D	ReverseSigtoBackupMonitor
21A	Front_Flasher	24VI4	24Vlgn	32EE	UpperWiperMotor
21AA	Flasher_Front_LH	24VI5	24VltoMuxmodules	34	ParkBrakeReleaseSignal
21B	CorneringLtsLH	24VI6	PwrtoDefrostUnit	34A	OrleanOption
21C	ClearanceLts	24VI7	LowerWiperPwr	35	EntranceDoorLights
22	HazardSwSig	24VI8	24VltoMux	35A	WatchYourStepLts
23	FlasherRHSig	24VI9	24VltoA54	38	24VI
23A	RAMCOMIRRORLED	24VI9A	24VltoA54	39	DriverLtSwSig
23AA	FrontFlasherRHSide	24VI10	DriverRearSeatLampPwr	39D	DriverLt
23B	CorneringLtsRH	24VI11	LavatoryPwr	40	WitnessGnd
23C	ClearanceLts	24VI12	RJBLightPwr	41	24VCondensor
24A	BoosterBlock	24VI13	24VI	41A1	CondensorPwr
24Alt	Pwr_to_Alternators	24VIALT	Alternators	41A2	CondensorPwr
24B	Galley_Main_Pwr	24VICust	24VICustomer	41A3	CondensorPwr
24CO	24COtoSw58	24VICust1	RoofSpotlightSwitch	41A4	CondensorPwr

CIRCUITS LIST

CircuitID	Description	CircuitID	Description	CircuitID	Description
43	SuppressingDiode	63AA	ClearanceLts	79A	DecelSignal
43F	WitnessGndSw27	63B	ClearanceLts	80	BrakeRedundant
43G	PRackFanswitchSig	63BB	ClearanceLts	81	HeadLtCallSw1
44	PRackRH	63C	CtrlHeadBacklight	82A	RELS
45	UpperFanSig	64A	Blinker	82B	CyclopeLamp
45A	PassengerHeatSig	65	FootDamper	82Low	StopRearLowerLamp
46	FrontFlasherRh	65A	FootDamper	82Up	TrailerStopSig
46A	VSS	65D	DriverCylinder	83	24vAccessories
47	DoorOpenSignal	65P	Pass.Cylinder	84	StartSigSw83
47A	DoorOpenSignal	65T	SignalToPre-heatrelay	84A	StartSigSw83
48A	DoorOpenSol	66	MarkersSigSw2	84B	StartSigSw83
49	DoorCloseSignal	67	EvaporatorPwr	85	24VIgnition
49A	DoorCloseSol	67A	CondensorPwr	85A	Ign-AccSignal
50	WitnessGndSig	68	DashDamper	85B	Wake-upSig
51	WitnessGnd	68A	DashDamper	85C	PositionNormalSw58
53	LowerWip.Spd1Sig	69	ElectricalHorn	85D	RearStartPwr
53A	ElectricalHorn	69A	HornTogglesig	85E	RearStartSignal
53B	PneumaticHorn	70	SmockingSign	85F	EgnineStartPwrSw58
53C	LowerWip.IntSig	71	UpperDefrostPump	85G	Ign-AccSignal
53D	LowerWip.WasherSwSig	71A	DockingLtsLH	85X	24VIgn
53E	LowerWiper1stSpd	72A	DockingLtsRH	85Z	Trailer_Abs_Ind
53F	LowerWasherPump	72B	Sun_Visor	86	DefrostunitSpd
53G	LowerWip1stSpd	72C	Sun_Visor	86Rtn	GndDefrostUnit
53H	LowerWip.IntSig	73	LavatoryPwr	87	Park_Brake
55	luggagelocksol	73A	RearOccupiedSig	88	TransducerPwr
55R	left/right_luggage_door_lock	73B	RearOccupiedSig	89	DriverSensorSig
57A	WaterPump	74	24VI	90H	24VltoEvap
57G	Pre-HeatWebasto	74A	24VI	90H1	Evaporator
57GA	Pre-HeattoWtrPmpRly	74B	24VI	91	Park_brake_signal
57H	Pre-HeattoWtrPmpRly	74D		91B	WitnessSigSw14
57L	Hi-Beam	75	ReadingLampsRH	92	TrailerParkBrakeSig
57R	High_Beam	75A	HostessChimePwr	93	ReadingLamps
57Rtn	SignalRtnHeadLtsLH	76	FuelLevelSig	95	DockingLTswSig
58L	LowBeam	76C	GndFuelsender	96	CorneringLTswSig
58R	Low_Beam	77	TransducerHi-Side	99	Sw20Gnd
58Rtn	Lamp_Module_Gnd	77AC	A/CClutchGnd	100	
59	Hi/LowBeamSignal	77B	PassandPRackLiquidValve	100A	IndirectLightLH
60	FogsLtsSwSig	77BA	A/CClutch	100B	24VI
61	HeadLtsSig	77C	PassandPRackLiquidValve	101	Starter_Power
62	FrontOccupiedLts	78	StopLightSensorSig	101A	Starter
62B	LavatoryLts	78BA	PassandPRackLiquidValve	101B	Starter
63	ClearanceLts	78BB	PassandPRackLiquidValve	102	Alternator_Power
63A	FrontClearanceLts	79	TranducerLow-Side	102A	Alternator

CIRCUITS LIST

CircuitID	Description	CircuitID	Description	CircuitID	Description
103	LowBuoySig	133	Transmission	155	Transmission
104	Pwrl_Shift	135	Transmission	156A	12VtoABS
105	Fog_Light	135A	Transmission	157D	ATCSignal
105A	Fog_Light	136	Transmission	159	Transmission
105ARtn	Fog_Light_Gnd	136A	TransmissionPwr	160	TagSignal
105Rtn	Fog	136AA	ShifterSignal	162	GndServiceBrake
106	Fog_Light	137	Transmission	163A	Retarder
106A	Fog_Light	137A	MirrorPwrSig	163B	RetarderEnable
106Rtn	Fog_Light_gnd	137B	Mirrors	164	HandLevelSig
107	Pwrl_Shift	137C	Mirrors	166	WitnessSigSw16
108	Pwr_Trans_IShift	137D	Mirrors	167	ACB
109	Cmd_Ground	137E	Mirrors	168	ACB
110	12VD_IShift	137F	Mirrors	170C	left/right_luggage_door_lock
111	Transmission	137H	Mirrors	170E	LuggageLockSwSig
114	DriverLt	137J	Mirrors	170H	LuggageUnlockSol
114A	Backlight	137K	Mirrors	170HR	left/right_luggage_door_lock
115	Transmission	137L	RAMCOMIRROR	171	LuggageUnlockSwSig
115A	WitnessPwr	137M	Mirrors	174	Transmission
116	DriverLiq	137N	RAMCOMIRRORLED	175	Transmission
116A	DriverLiq	137P	MIRRORLED	175C	TagUnloadValve
118	Transmission	138	ABSSensor	176	Transmission
119	Transmission	138A	ABSSensor	177	Transmission
120	Transmission	139	Transmission	180	Transmission
122	DigitalClock	140	Transmission	181	PassengerSensor
123	Flame_Detection_Signal	141	ABSSolenoid	185	TransmissionInhibitSig
124A	Starter_Volvo	142	ABSSolenoid	201	Headlampcleaningsignal
124B	Starter_volvo	143	ABSSensor	202	headlampcleaningpump
125	Retarder_active	143A	ABSSensor	203	VannerCtr
126A	KneelingUpSwSig	144	ABSSensor	204	VannerCtr
126B	KneelingDownSwSig	144A	ABSSensor	205	VannerCtr
126F	KneelingDownSol	145	ABSSolenoid	206	VannerCtr
126G	KneelingUpSol	146	ABSSolenoid	207	VannerCtr
126H	KneelingCtrl.Sol	147	ABSSolenoid	208	VannerCtr
126J	KneelingHi-BuoySol	148	ABSSolenoid	209	VannerCtr
126JR	GndKneeling	149	ABSSensor	210	VannerCtr
126P	KneelingBuzzer	149A	ABSSensor	211	VannerCtr
127	Pre-HeatSignal	151	GndtoEcm	225	LavatoryFan
127D	BattCharger	151A	GndtoEcm	225R	InverterRelay
128	Pre-HeatStatus	151B	GndtoEcm	231	Neutral
128B	Pre-HeatTTLT	151C	GndtoEcm	231A	Crank_Signal
129	Sun_visor	151D	CoolantLevelGround	240A	PowertoEcm
130	Sun_visor	152	Transmission	240B	VECU
131	Transmission	154	Transmission	241A	PowertoEcm

CIRCUITS LIST

CircuitID	Description	CircuitID	Description	CircuitID	Description
241B	Ureasystem	362	ClusterKeypad	535	WettankPress5v
241C	WaterInFuelHeater	363	ClusterKeypad	536	WettankPressOut
254F	Galley	364	Trans.FrontAirBrake	537	WettankPress5v
260	WindowAjarSig	365	Trans.FrontAirBrake	541	Cruise_Decelerate
290	GndFanClutch	366	Trans.RearAirBrake	544	CruiseOn_OffSignal
290A	GndFanClutch	367	Trans.RearAirBrake	544A	CruiseOn-OffLed
290Rtn	GndMarkersandStopLts	368	AirAccPressureSig	545	Cruise_Resume
291	FanClutch	369	AirAccPressureSig	583	EngineBrakeB
291Rtn	GndMarkersandStopLts	417	ThrottlePositionSignal	600	ABSSensor
292	FanClutch	438	12VIgn	600A	ABSSensor
300	WCLTopLightSliding	439	12Vign	601	ABSSensor
301	WheelChairLiftSwitch	439G	GateWay	601A	ABSSensor
302	WCLRicon	500	Ground/Supply_Detroit/Volvo	602	ABSSteering&Yawsensor
302A	WCLSlidingdoorSig	501	Control_Ground_Relay	603	ABSSteering&Yawsensor
303	WCLRicon	502	IVSOut	604	ABSSteering&Yawsensor
304	WheelChairLift	504	UreaSystem	605	ABSSteering&Yawsensor
304A	WheelChairLift	505	UreaSystem	606	ABSPressuresensor
305	ParkBrakeSol	506	UreaSystem	607	ABSPressuresensor
305A	WCLUpperDoorSignal	507	UreaSystem	608	ABSPressuresensor
306	WCLTopLights	510	FastIdleSignal	610	ABSPressuresensor
307	WCLPower	511	UreaSystem	611	AbsTagSolenoid
308	WCL	512	UreaSystem	612	AbsTagSolenoid
309	WCL	513	UreaSystem	613	AbsTagSolenoid
310	WCL_Lamp	515	GroundPreheaterRelay	614	ABSSteeringSolenoid
313	WCL	516	UreaSystem	614A	ABSSteeringSolenoid
314	WCL_Door_Open_Option	517	UreaSystem	618	HillStartAssistGnd
326A	SunVisor_DriverSW	520	UreaSystem	630A	Galley_Harness
326B	SunVisor_PassSW	521	UreaSystem	631	Galley_Harness
341	PowerProtectionPanel	522	UreaSystem	633	Galley_Harness
342	FireExting.Gnd	523	UreaSystem	633-Res25	Galley_Harness
343	Fire-EngineStopTTL	524C	IdleValidationSig	633A	Galley_Harness
343A	Cut_Off_Preheater	525	UreaSystem	633A-Res24	Galley_Harness
344	ExtinguisherSignal	526	UreaSystem	634	Galley_Harness
345	ManualSignal	526A	UreaSystem	634-Res27	Galley_Harness
346	PowerSensors	526B	UreaSystem	634A	Galley_Harness
346A	WOAFSS	526C	UreaSystem	634A-Res26	Galley_Harness
347	FireSignal	527	UreaSystem	636	Galley_Harness
347A	WOAFSS	528	UreaSystem	636-Res23	Galley_Harness
348	PowerManualSignal	530	UreaSystem	636A	Galley_Harness
351	EngineShout-downSignal	531	UreaSystem	636A-Res22	Galley_Harness
352	OverrideSignal	532	UreaSystem	654	Galley
360	ClusterKeypad	533	Control_Ground_Relay	654A	Galley_Harness
361	ClusterKeypad	534	Control_Ground_Relay	655A	Galley_Harness

CIRCUITS LIST

CircuitID	Description	CircuitID	Description	CircuitID	Description
655B	Galley_Harness	D	HandLever	KneeLevel	KneelingLevel
900	J1587	d	BattCharger	KneeRef	KneelingLevel
901	J1587	D1	UpperWiperMotor	L+	VSS
910	L_SPEAKER_HARNESS	DATA+	GndDestinationSign	L+TV	VSS
911	EmergencyCutoutRlySignal	DLOH	Spare	L-	VSS
916	5VSensorPwr	DLOHS	Spare	LF+	VSS
952	GndSensorRtn	DL0L	Spare	LF+LL	VSS
953	Electronic_ground_DDEC_VI	DL0LS	Spare	LF-	VSS
979	EngineBrakeA	DL1H	J1939	LF-LL	VSS
A	HandLever	DL1L	J1939	LightGreen	USB
A65H_Gnd	VSS	DL2H	Can2	LIN	Steering
A65H_L+	VSS	DL2L	Can2	LR+	VSS
A65H_R+	VSS	DL3H	DBusSignal	LR+HS	VSS
AMP	VSS	DL3L	DBusSignal	LR-	VSS
ANT	VSS	DL7H	EngineSubnet	LR-HS	VSS
Audio_Out_HDMI_L+	VSS	DL7L	EngineSubnet	MUTE	VSS
Audio_Out_HDMI_R+	VSS	DL9H	J1939Prop	N1	A41Adress
Audio_Out_HDMI_R-L-	VSS	DL9L	J1939Prop	N2	A41Adress
AuxVideoGnd	VSS	Down	cluster	N3	A42Adress
AuxVideoL	VSS	Drain	Audio	N4	A42Adress
AuxVideoR	VSS	DSL+++	VSS	N5	A43Adress
B	HandLever	DSL---	VSS	N6	A43Adress
BKK1	VSS	DSR+++	VSS	N7	A44Adress
BLACK	120VACOUTLET	DSR---	VSS	N8	A44Adress
Black	USB_Gnd	DVD_GND	VSS	N9	A45Adress
BLK1	VSS	DVD_Gnd	VSS	N10	A45Adress
BLK2	VSS	DVD_L+	VSS	N11	A46Adress
BikFR	TPMS	DVD_R+	VSS	N12	A46Adress
BikRL	TPMS	E	HandLever	N13	A47Adress
BikRR	TPMS	e	BattCharger	N14	A47Adress
BLUE	UpperDefrosterGnd	Escape	cluster	N15	A48Adress
Blue	Audio	F	HandLever	N16	A48Adress
Bref1	PassengerSensor	f	BattCharger	N17	A49Adress
Bref2	PassengerSensor	FAKE	L_SPEAKER_HARNESS	N18	A49Adress
BussBar	24VEnginePreheater	FAKE1	R_SPEAKER_HARNESS	N19	A50Adress
C	HandLever	G	HandLever	N20	A50Adress
CAN1-HI	J1939_Gateway	GndA	ComputerSignals	N21	A51Adress
CAN1-LO	J1939_Gateway	GREEN	120VAC_Outlets	N22	A51Adress
Cd1	ComputerSignals	Green	USB	N23	A52Adress
Chgr	BattCharger	Green/White	USB	N24	A52Adress
COM	GndDestinationSign	GRN1	VSS	N25	A53Adress
CTS	MCMInterface	GRN2	VSS	N26	A53Adress
Cts	ComputerSignals	H	HandLever	N27	A54Adress

CIRCUITS LIST

CircuitID	Description	CircuitID	Description	CircuitID	Description
N28	A54Address	RF-LL	VSS	SP143	Galley_Spare_Wire
N29	A36Address	RR	Ext_Speaker	SP144	Galley_Spare_Wire
N30	A55_Address	RR+	VSS	SP145	Galley_Spare_Wire
N31	A55_Address	RR+HS	VSS	spare2	SparesFr-to-RearHarness
NEG	GndDestinationSign	RR-	VSS	spare3	SparesFr-to-RearHarness
NETWORK1	CELL_ANTENNA_1	RR-HS	VSS	spare4	SparesEvap.Harness
NETWORK2	CELL_ANTENNA_2	RTS	MCMInterface	spare5	SparesEvap.Harness
OFA6	POWER_CAPTAIN_CHAIR	Rts	ComputerSignals	spare6	SparesEvap.Harness
OFB1	Gnd_Front_Stud	RX	TPMS	spare7	SparesEvap.Harness
OFB3	GND_TPMS	RxD	ComputerSignals	spare8	SparesEvap.Harness
OP1	POWER_CAPTAIN_CHAIR	RxTx	MCMInterface	spare9	SparesEvap.Harness
OP2	POWER_CAPTAIN_CHAIR	SE1	Ext_Speaker	spare10	SparesInteriorLtsHarness
OP3	POWER_CAPTAIN_CHAIR	Select	cluster	spare11	SparesInteriorLtsHarness
OP4	POWER_CAPTAIN_CHAIR	SH1	I_ShiftGearLevelSignal	spare12	SparesInteriorHarness
OP12VI	POWER_CAPTAIN_CHAIR	SH2	I_ShiftGearLevelSignal	spare13	SparesInteriorHarness
OR	TagUnloadValve	SH3	I_ShiftGearLevelSignal	spare14	SparesInteriorHarness
ORB4	TagUnload	SH4	I_ShiftGearLevelSignal	spare15	SparesInteriorHarness
PB1	ParkBrakeNotApplyInd	SH5	I_ShiftGearLevelSignal	spare16	SparesInteriorHarness
Pink	USB	SH6	I_ShiftGearLevelSignal	spare17	SparesFr-to-RearHarness
POS	GndDestinationSign	SH7	I_ShiftGearLevelSignal	spare18	SparesFr-to-RearHarness
PP1	InverterPwr	SH8	I_ShiftGearLevelSignal	spare19	SparesFr-to-RearHarness
R+	VSS	SHIELD	GndDestinationSign	spare20	SparesClearanceLts
R+TV	VSS	Shield	Shield	spare21	SparesClearanceLts
R-	VSS	Shield1	Shield	spare22	SparesClearanceLts
Radio_Gnd	VSS	Shield_PS	Shield	spare23	SparesClearanceLts
Radio_L+	VSS	Shield_T1	Shield	spare24	SparesClearanceLts
Radio_R+	VSS	Shield_T2	Shield	spare25	SparesClearanceLts
RadioAudioGnd	VSS	Shield_T3	Shield	spare32	SparesFrontHarness
RadioL+	VSS	Shiels_T2	Shield	spare33	SparesFrontHarness
RadioR+	VSS	SHL2	VSS	spare39	SparesDash
RED	UpperDefrosterGnd	SL13	L_SPEAKER_HARNESS	spare40	SparesDash
Red	USB	SL24	L_SPEAKER_HARNESS	spare41	SparesDash
RED1	VSS	SL35	L_SPEAKER_HARNESS	spare42	SparesDash
RED2	VSS	SL46	L_SPEAKER_HARNESS	spare43	SparesDash
RedFR	TPMS	SL57	L_SPEAKER_HARNESS	spare44	SparesDash
RedRL	TPMS	SL68	L_SPEAKER_HARNESS	spare45	SparesFr-to-RearHarness
RedRR	TPMS	SL1012	L_SPEAKER_HARNESS	spare46	SparesFr-to-RearHarness
Ref2	GndPassengerSensor	SL1113	L_SPEAKER_HARNESS	spare49	SparesEngineCradle
Res12	ResSw155	SL1214	L_SPEAKER_HARNESS	spare50	SparesEngineCradle
ResGnd	ResSw155	SL1315	L_SPEAKER_HARNESS	spare51	SparesEngineCradle
RF+	VSS	SL1416	L_SPEAKER_HARNESS	spare52	SparesEngineCradle
RF+LL	VSS	sp52	EvaporatorEngageSig	spare53	SparesEngineCradle
RF-	VSS	SP142	Galley_Spare_Wire	spare54	SparesEngineCradle

CIRCUITS LIST

CircuitID	Description	CircuitID	Description		
spare55	SparesEnginesAccessories	TxD	MCMInterface		
spare56	SparesEnginesAccessories	Up	cluster		
spare57	SparesEnginesAccessories	V111	12V_Sup		
spare58	SparesEnginesAccessories	WC2	WCLRemoteCtrl		
spare59	SparesEnginesAccessories	WC3	WCLRemoteCtrl		
spare60	SparesEnginesAccessories	WC4	WCLRemoteCtrl		
spare61	SparesEnginesAccessories	WC6	WCLRemoteCtrl		
spare62	spareABSHarness	WC7	WCL		
spare63	spareABSHarness	WHITE	120VAC_Outlets		
spare64	SapreTransmission	White	USB		
spare65	SparesTransmission	WHT1	VSS		
spWcl1	SpareWCL	WHT2	VSS		
spWcl2	SpareWCL	WhtFR	dataTPMS		
SR13	FR_SPEAKER_HARNESS_	WhtRL	dataTPMS		
SR24	FR_SPEAKER_HARNESS_	WhtRR	dataTPMS		
SR35	FR_SPEAKER_HARNESS_	zf1	SteeringCtrl		
SR46	FR_SPEAKER_HARNESS_	zf2	SteeringCtrl		
SR57	FR_SPEAKER_HARNESS_				
SR68	FR_SPEAKER_HARNESS_				
SR911	R_SPEAKER_HARNESS_WCL				
SR1012	R_SPEAKER_HARNESS_WCL				
SR1113	R_SPEAKER_HARNESS_WCL				
SR1214	R_SPEAKER_HARNESS_WCL				
SR1315	R_SPEAKER_HARNESS_WCL				
SR1416	R_SPEAKER_HARNESS_WCL				
STO_LOC	WCL				
Sub1+	VSS				
Sub1-	VSS				
Sub2+	VSS				
Sub2-	VSS				
TrigAux	VSS				
TrigCam	VSS				
TrigDVD	VSS				
TrigDvd	VSS				
TrigNav	VSS				
TrigPA	VSS				
TrigPaDr	VSS				
TrigTv	VSS				
TV_GND	TV_Audio_Signal_Gnd				
TV_L+	VSS				
TV_R+	VSS				
TvGnd	TV_Audio_Signal_Gnd				
TX	TPMS				

CIRCUITS LIST

CircuitID	Description	CircuitID	Description	CircuitID	Description
0A	Evap.Gnd	0Lav4	Gnd_Emerg_Aisle_Reading_LH_Light	2B	CondSndSpdSig
00A	GndElectronic	0P	Relaisinverter	3	DoorLatchSig
00A.	GndWitnessSw24	0P1	Relaisinverter	4	WitnessGnd
00A1	GndElectronic	0P2	Inverter_Gnd	4C	HostessChimeSig
0B	EngineChassisGnd	0PA1	Inverters_Rly_Gnd1	4C1	Host_Notification_Gong
00B	ElectronicGndofMuxModules	0PA2	Inverters_Rly_Gnd1	4CWCL	HostessChimeSig
0B1	GndEnginePreheater	0PR	24VtoMux	5	UpperDefrostfan
00B1	GndEng.Start	0PR1	EntranceCeilingLtGnd	5vKnee	KneelingLevel
0BB	Trans.FrontAirBrake	0PR2	GndWatchYourStep	6	GndWitnessSw24
0C	GndStarter	0PR3	UpperDefrosterGnd	6VICust	Headset_intercom
0CE	ChassisGndtoA47	0RA2	Gnd_RJB_Stud	7	GndDriverSensor
0Cust	GND	0RA3	GndWake-upRly	8	GndParkBrakeSol
00D	RJBArSignal	0RB1	LavatoryGnd	9A	EngineDoorOpenSig
0ELD	GNDElectronic	0RB3	GndMarkersandStopLts	9B	EngineCmpt.Lt
0EV1	GndRlyR20	0RB4	TagUnload	9C	SurgeTankPump
0EV2	GndHvac	0RB5	GndPre-Heat	10	LuggageCmpt.LtsPwr
0EV3	GndPRackLH	0RB6	RJBGndCustomer	10R	LuggageDoorOpenSig
0EV4	GndCondensor	0RB6A	SurgeTankGnd	10Rtn	LuggageDoorOpenSig
0EV6	RHP-RackMotorGnd	0RB6F	Full_LevelSurgeTank	11	DestinationSignPwr
0F	FJBDoorOpenSig	0RB7	12V_Sup	12A	12VDtoR3
0FA1	GndofAccessoires	0RB8	GND_UREA_SYST	12Ecu	12vEngineEcu
0FA4	GndPwrOutlet	0RC2	GndDriverCylinder	12H	DestinationSignPower
0FA5	gndplug12vadditional	0RC3	GndFogandCorneringLtsRH	12IgnSpare	UpperDefrosterGnd
0FA6	POWER_CAPTAIN_CHAIR	0RC4	GndEntrancelights	12ISH	12V_IShift
0FA7	POWER_CAPTAIN_CHAIR	0SA1	AlternatorGnd	12MEM	VSS
0FB1	Gnd_Front_Stud	0SS	VSS_GND	12SS	VSS
0FB2	GndDriverWdo	0SS1	VSS	12SS1	VSS
0FB3	GndMasterId	0SS2	UpperDefrosterGnd	12SS2	VSS
0FB3-2	RoofSpotlightSwitch	0SS3	VSS	12VA	12vEqualizer
0FC1	left/right_luggage_door_lock	0SS9	Sw_Flip_Dwn_Trigger	12VD	12VDtoCB4
0FC3	ElectronicGnd	0SW	GND_Ind_Light	12VD1	12VDFrontWake-up
0FC4	ElectricalHorn	0USB	USB_Gnd	12VD3	12V_Rr_Wup_Relay
0FDS	ElectronicGnd	0V	LuggageDoorOpenSig	12VD4	12V_Rr_Engine_ECU
0FE	Gnd	0VE	EqualizerGnd	12VD9	12V_Fr_ITS_Option
0FE2	Gnd	0W	WCLgroung	12VDCust	12VDCustomer
0G	GndofA54	0WC	GndWCLRemoteCTRL	12VDF	12VDtoFrontVec
0GX	Gnd_Galley	00WM2	Gnd_Wifi_Pwr	12VI	12VIttoCB10
0GY	Gnd_Galley	00X	GND	12VI1	12VI
0H	GroundCoolantSensor	0Y	GndChassistoABSModule	12VI3	PwrOutletDrawer
00IS	Gnd_IShift	0Y2	GndChassisABSSol	12VI4	PwrOutletandCigarLighter
0LAV	Gnd_Light	0Y3	GndChassisABSSol	12VI5	12VIttoVECR
0Lav	Gnd_Light	1	Transmission	12VI6	PwrtoModuleA50
0Lav3	GndEmergencyLampsRH	2	CondensorDoorOpenSig	12VI7	PwrtoModuleA50

CIRCUITS LIST

CircuitID	Description	CircuitID	Description	CircuitID	Description
12VI8	AirDryer	24A	BoosterBlock	24VI10	DriverRearSeatLampPwr
12VI9	TireMonitoringPwr	24ALT	Pwr_to_Alternators	24VI11	LavatoryPwr
12VI10	MirrorPwr	24Alt	Pwr_to_Alternators	24VI12	RJBLightPwr
12VI11	12V_Sup	24B	Galley_Main_Pwr	24VI13	24VI
12VICust	12VICustomer	24CO	24COtoSw58	24VIALT	Alternators
12VIF	12VIttoFrontVec	24D	24DtoCB6	24VICust	24VICustomer
12VIF19	DDL_Power	24DS-Emerg	EmergencySign	24VICust1	RoofSpotlightSwitch
12VIM	PowerOutlet	24E	24VtoCB1	24VICust2	RoofSpotlightSwitch
12VISD	Smoke_Detector_Pos	24GA	24GA_For_Galley	24VIF	24VIttoFrontVEC
12VIZF	ZFsterringControl	24ISH	12VIgnShift	24VIPR	24VlofA53
12W	DoorUnlockSol	24IZ	ZFTransmission	24WC	WCL24VIPower
12WA	DoorFullOpenSig	24PV	Inverter	24WUp1	24WUpFront
12WM1	12V_Wifi_Pwr	24PVA	Inverter	24Wup1	In_Sp_Request_Only
12WUP	12VWUp	24SS	VSS	24Wup1B	24Wup1DestinationSign
12WUp1	12VWUptoA48	24SS3	VSS	24Wup1G	24Wup1DestinationSign
12Wup1	12WUpFront	24VA	24vEquilizer	24Wup2	WakeUpPower
12Wup2	12WUptoDash	24VB2	24VEnginePreheater	24WupSS	24V_Flip_Dwn_Monitor
12Wup3	12WuptoELD	24VD	MasterRelayPwr	24XX	24V_5TH_Lugg
12Wup5	PwrtoModuleA51	24VD1	24VDInsideDoorOpen	25	EngineRunSignal
13	GndTransducer	24VD2	24VDtoRearVec	25A	Alternator_signal
14	On_Off_Gateway	24VD3	24VDofCECM	25A1	ExcitationSignal
14A	FlushingPumpSig	24VD4	24VDFrontWake-up	25A1D	Alternator_signal
15	UpperWipInt.Signal	24VD5	24VDtoPre-Heat	25A2	Alternator_Signal
15A	UpperWip.1StSpdSig	24VD5A	24VDtoPre-Heat	25A2D	Alternator_Signal
16	Speed_Sig	24VD6	24VDPre-Heat	25A4	BatteryNotChargingSig
16A	UpperWasherPump	24VD7	PassandPRackPwr	26	12VI
16B	PwrofSensorSpd	24VD8	UreaPowerACM	26A	DriverWdo
17	UpperWasherSwSignal	24VD9	24VD	26B	DriverWdo
18	Wip.WasherLevel	24VDALT	Alternators	27A	EmergencySwSig
19A	TagUnload	24VDCust	24VDCustomer	30A	Galley_Ctrl_Signal
19B	TagUnload	24VDR4	Cut_Off_Preheater_Power	31	UnloaderRH
20	AirDryer	24VDS	24VD	31B	WiperIntermittentSignal
21	FlasherLHSig	24VI	24VI	31EE	UpperWipSpd.1
21A	Front_Flasher	24VI1	24VIttoRearVec	32A	TrailerBackupLights
21AA	Flasher_Front_LH	24VI2	24VIttoSw1	32AA	BackupAlarm
21B	CorneringLtsLH	24VI3	UpperWip.MotorPwr	32D	ReverseSigtoBackupMonitor
21C	Clearancelts	24VI4	24VIgn	32EE	UpperWiperMotor
22	HazardSwSig	24VI5	24VlofMuxmodules	34	ParkBrakeReleaseSignal
23	FlasherRHSig	24VI6	PwrtoDefrostUnit	34A	OrleanOption
23A	RAMCOMIRRORLED	24VI7	LowerWiperPwr	35	EntranceDoorLights
23AA	FrontFlasherRHSide	24VI8	24VIttoMux	35A	WatchYourStepLts
23B	CorneringLtsRH	24VI9	24VlofA54	38	24VI
23C	Clearancelts	24VI9A	24VlofA54	39	DriverLtSwSig

CIRCUITS LIST

CircuitID	Description	CircuitID	Description	CircuitID	Description
39D	DriverLt	59	Hi/LowBeamSignal	77B	PassandPRackLiquidValve
40	WitnessGnd	60	FogsLtsSwSig	77BA	A/Cclutch
41	24VCondensor	61	HeadLtsSig	77BC	A/CclutchGnd
41A1	CondensorPwr	62	FrontOccupiedLts	77C	PassandPRackLiquidValve
41A2	CondensorPwr	62B	LavatoryLts	78	StopLightSensorSig
41A3	CondensorPwr	63	ClearanceLts	78BA	PassandPRackLiquidValve
41A4	CondensorPwr	63A	FrontClearanceLts	78BB	PassandPRackLiquidValve
43	SuppressingDiode	63AA	ClearanceLts	79	TranducerLow-Side
43F	WitnessGndSw27	63B	ClearanceLts	79A	DecelSignal
43G	PRackFanswitchSig	63BB	ClearanceLts	80	BrakeRedundant
44	PRackRH	63C	CtrlHeadBacklight	81	HeadLtCallSw1
45	UpperFanSig	64A	Blinker	82A	RELS
45A	PassengerHeatSig	65	FootDamper	82B	CyclopeLamp
46	FrontFlasherRh	65A	FootDamper	82Low	StopRearLowerLamp
46A	VSS	65D	DriverCylinder	82Up	TrailerStopSig
47	DoorOpenSignal	65P	Pass.Cylinder	83	24vAccessories
47A	DoorOpenSignal	65T	SignalToPre-heatrelay	84	StartSigSw83
48A	DoorOpenSol	66	MarkersSigSw2	84A	StartSigSw83
49	DoorCloseSignal	67	EvaporatorPwr	84B	StartSigSw83
49A	DoorCloseSol	67A	CondensorPwr	85	24VIgnition
50	WitnessGndSig	68	DashDamper	85A	Ign-AccSignal
51	WitnessGnd	68A	DashDamper	85B	Wake-upSig
53	LowerWip.Spd1Sig	69	ElectricalHorn	85C	PositionNormalSw58
53A	ElectricalHorn	69A	HornTogglesig	85D	RearStartPwr
53B	PneumaticHorn	70	SmockingSign	85E	RearStartSignal
53C	LowerWip.IntSig	71	UpperDefrostPump	85F	EgnineStartPwrSw58
53D	LowerWip.WasherSwSig	71A	DockingLtsLH	85G	Ign-AccSignal
53E	LowerWiper1stSpd	72A	DockingLtsRH	85X	24VIgn
53F	LowerWasherPump	72B	Sun_Visor	85Z	Trailer_Abs_Ind
53G	LowerWip1stSpd	72C	Sun_Visor	86	DefrostunitSpd
53H	LowerWip.IntSig	73	LavatoryPwr	86Rtn	GndDefrostUnit
55	luggageLocksol	73A	RearOccupiedSig	87	Park_Brake
55R	left/right_luggage_door_lock	73B	RearOccupiedSig	88	TransducerPwr
57A	WaterPump	74	24VI	89	DriverSensorSig
57G	Pre-HeatWebasto	74A	24VI	90H	24VltoEvap
57GA	Pre-HeattoWtrPmpRly	74B	24VI	90H1	Evaporator
57H	Pre-HeattoWtrPmpRly	74D	24VI	91	Park_brake_signal
57L	Hi-Beam	75	ReadingLampsRH	91B	WitnessSigSw14
57R	High_Beam	75A	HostessChimePwr	92	TrailerParkBrakeSig
57Rtn	SignalRtnHeadLtsLH	76	FuelLevelSig	93	ReadingLamps
58L	LowBeam	76C	GndFuelsender	95	DockingLTswSig
58R	Low_Beam	77	TransducerHi-Side	96	CorneringLTswSig
58Rtn	Lamp_Module_Gnd	77AC	A/CclutchGnd	99	Sw20Gnd

CIRCUITS LIST

CircuitID	Description	CircuitID	Description	CircuitID	Description
100	IndirectLight	126J	KneelingHi-BuoySol	148	ABSSolenoid
100A	IndirectLightLH	126JR	GndKneeling	149	ABSSensor
100B	24VI	126P	KneelingBuzzer	149A	ABSSensor
101	Starter_Power	127	Pre-HeatSignal	151	GndtoEcm
101A	Starter	127D	BattCharger	151A	GndtoEcm
101B	Starter	128	Pre-HeatStatus	151B	GndtoEcm
102	Alternator_Power	128B	Pre-HeatTTLT	151C	GndtoEcm
102A	Alternator	129	Sun_visor	151D	CoolantLevelGround
103	LowBuoySig	130	Sun_visor	152	Transmission
104	PwrI_Shift	131	Transmission	154	Transmission
105	Fog_Light	133	Transmission	155	Transmission
105/106	Fog_Light	135	Transmission	156A	12VtoABS
105/106Rtn	Fog	135A	Transmission	157D	ATCSignal
105A	Fog_Light	136	Transmission	159	Transmission
105ARtn	Fog_Light_Gnd	136A	TransmissionPwr	160	TagSignal
105Rtn	Fog	136AA	ShifterSignal	162	GndServiceBrake
106	Fog_Light	137	Transmission	163A	Retarder
106A	Fog_Light	137A	MirrorPwrSig	163B	RetarderEnable
106Rtn	Fog_Light_gnd	137B	Mirrors	164	HandLevelSig
107	PwrI_Shift	137C	Mirrors	166	WitnessSigSw16
108	Pwr_Trans_IShift	137D	Mirrors	167	ACB
109	Cmd_Ground	137E	Mirrors	168	ACB
110	12VD_IShift	137F	Mirrors	170C	left/right_luggage_door_lock
111	Transmission	137H	Mirrors	170E	LuggageLockSwSig
114	DriverLt	137J	Mirrors	170H	LuggageUnlockSol
114A	Backlight	137K	Mirrors	170HR	left/right_luggage_door_lock
115	Transmission	137L	RAMCOMIRROR	171	LuggageUnlockSwSig
115A	WitnessPwr	137M	Mirrors	174	Transmission
116	DriverLiq	137N	RAMCOMIRRORLED	175	Transmission
116A	DriverLiq	137P	MIRRORLED	175C	TagUnloadValve
118	Transmission	138	ABSSensor	176	Transmission
119	Transmission	138A	ABSSensor	177	Transmission
120	Transmission	139	Transmission	180	Transmission
122	DigitalClock	140	Transmission	181	PassengerSensor
123	Flame_Detection_Signal	141	ABSSolenoid	185	TransmissionInhibitSig
124A	Starter_Volvo	142	ABSSolenoid	201	Headlampcleaningsignal
124B	Starter_volvo	143	ABSSensor	202	headlampcleaningpump
125	Retarder_active	143A	ABSSensor	203	VannerCtr
126A	KneelingUpSwSig	144	ABSSensor	204	VannerCtr
126B	KneelingDownSwSig	144A	ABSSensor	205	VannerCtr
126F	KneelingDownSol	145	ABSSolenoid	206	VannerCtr
126G	KneelingUpSol	146	ABSSolenoid	207	VannerCtr
126H	KneelingCtrl.Sol	147	ABSSolenoid	208	VannerCtr

CIRCUITS LIST

CircuitID	Description	CircuitID	Description	CircuitID	Description
209	VannerCtr	345	ManualSignal	522	UreaSystem
210	VannerCtr	346	PowerSensors	523	UreaSystem
211	VannerCtr	346A	WOAFSS	524C	IdleValidationSig
225	LavatoryFan	347	FireSignal	525	UreaSystem
225R	InverterRelay	347A	WOAFSS	526	UreaSystem
231	Neutral	348	PowerManualSignal	526A	UreaSystem
231A	Crank_Signal	351	EngineShout-downSignal	526B	UreaSystem
240A	PowertoEcm	352	OverrideSignal	526C	UreaSystem
240B	VECU	360	ClusterKeypad	527	UreaSystem
241A	PowertoEcm	361	ClusterKeypad	528	UreaSystem
241B	Ureasystem	362	ClusterKeypad	530	UreaSystem
241C	WaterInFuelHeater	363	ClusterKeypad	531	UreaSystem
254F	Galley	364	Trans.FrontAirBrake	532	UreaSystem
260	WindowAjarSig	365	Trans.FrontAirBrake	533	Control_Ground_Relay
290	GndFanClutch	366	Trans.RearAirBrake	534	Control_Ground_Relay
290A	GndFanClutch	367	Trans.RearAirBrake	535	WettankPress5v
290Rtn	GndMarkersandStopLts	368	AirAccPressureSig	536	WettankPressOut
291	FanClutch	369	AirAccPressureSig	537	WettankPress5v
291Rtn	GndMarkersandStopLts	400	ThrottleDisable	541	Cruise_Decelerate
292	FanClutch	401	StarterCrankDisable	544	CruiseOn_OffSignal
300	WCLTopLightSliding	402	EngineShoutdown	544A	CruiseOn-OffLed
301	WheelChairLiftSwitch	403	Panic_Sw150	545	Cruise_Resume
302	WCLRicon	404	Panic_Sw150	583	EngineBrakeB
302A	WCLSlidingdoorSig	417	ThrottlePositionSignal	600	ABSSensor
303	WCLRicon	438	12Vlgn	600A	ABSSensor
304	WheelChairLift	439	12VltoABS	601	ABSSensor
304A	WheelChairLift	439G	GateWay	601A	ABSSensor
305	ParkBrakeSol	500	Ground/Supply_Detroit/Volvo	602	ABSSteering&Yawsensor
305A	WCLUpperDoorSignal	501	Control_Ground_Relay	603	ABSSteering&Yawsensor
306	WCLTopLights	502	IVSOut	604	ABSSteering&Yawsensor
307	WCLPower	504	UreaSystem	605	ABSSteering&Yawsensor
308	WCL	505	UreaSystem	606	ABSPressuresensor
309	WCL	506	UreaSystem	607	ABSPressuresensor
310	WCL_Lamp	507	UreaSystem	608	ABSPressuresensor
313	WCL	510	FastIdleSignal	610	ABSPressuresensor
314	WCL_Door_Open_Option	511	UreaSystem	611	AbsTagSolenoid
326A	SunVisor_DriverSW	512	UreaSystem	612	AbsTagSolenoid
326B	SunVisor_PassSW	513	UreaSystem	613	AbsTagSolenoid
341	PowerProtectionPanel	515	GroundPreheaterRelay	614	ABSSteeringSolenoid
342	FireExtng.Gnd	516	UreaSystem	614A	ABSSteeringSolenoid
343	Fire-EngineStopTTL	517	UreaSystem	618	HillStartAssistGnd
343A	Cut_Off_Preheater	520	UreaSystem	630A	Galley_Harness
344	ExtinguisherSignal	521	UreaSystem	631	Galley_Harness

CIRCUITS LIST

CircuitID	Description	CircuitID	Description	CircuitID	Description
633	Galley_Harness	AuxVideoR	VSS	Down	cluster
633-Res25	Galley_Harness	B	HandLever	Drain	Audio
633A	Galley_Harness	BKK1	VSS	DSL+++	VSS
633A-Res24	Galley_Harness	BLACK	120VACOUTLET	DSL---	VSS
634	Galley_Harness	Black	USB_Gnd	DSR+++	VSS
634-Res27	Galley_Harness	BLK1	VSS	DSR---	VSS
634A	Galley_Harness	BLK2	VSS	DVD_GND	VSS
634A-Res26	Galley_Harness	BlkFR	TPMS	DVD_Gnd	VSS
636	Galley_Harness	BlkRL	TPMS	DVD_L+	VSS
636-Res23	Galley_Harness	BlkRR	TPMS	DVD_R+	VSS
636A	Galley_Harness	BLUE	UpperDefrosterGnd	E	HandLever
636A-Res22	Galley_Harness	Blue	Audio	e	BattCharger
654	Galley	Bref1	PassengerSensor	Escape	cluster
654A	Galley_Harness	Bref2	PassengerSensor	F	HandLever
655A	Galley_Harness	BussBar	24VEnginePreheater	f	BattCharger
655B	Galley_Harness	C	HandLever	FAKE	L_SPEAKER_HARNESS
900	J1587	Cd1	ComputerSignals	FAKE1	R_SPEAKER_HARNESS
901	J1587	Chgr	BattCharger	G	HandLever
910	L_SPEAKER_HARNESS	COM	GndDestinationSign	GndA	ComputerSignals
911	EmergencyCutoutRlySignal	CTS	MCMInterface	GREEN	120VAC_Outlets
916	5VSensorPwr	Cts	ComputerSignals	Green	USB
952	GndSensorRtn	D	HandLever	Green/White	USB
953	Electronic_ground_DDEC_VI	d	BattCharger	GRN1	VSS
979	EngineBrakeA	D1	UpperWiperMotor	GRN2	VSS
A	HandLever	DATA+	GndDestinationSign	H	HandLever
		DLOH	Spare	KneeLevel	KneelingLevel
		DLOHS	Spare	KneeRef	KneelingLevel
A65H_Gnd	VSS	DLOL	Spare	L+	VSS
A65H_L+	VSS	DLOLS	Spare	L-	VSS
A65H_R+	VSS	DL1H	J1939	LF+	VSS
AMP	VSS	DL1H_2	Yellow	LF+LL	VSS
ANT	VSS	DL1L	J1939	LF-	VSS
AUDIO_IN_Gnd	VSS	DL1L_2	Green	LF-LL	VSS
AUDIO_IN_Gnd2	VSS	DL2H	Can2	LightGreen	USB
AUDIO_IN_L+	VSS	DL2L	Can2	LIN	Steering
AUDIO_IN_L2+	VSS	DL3H	DBusSignal	LR+	VSS
AUDIO_IN_R+	VSS	DL3L	DBusSignal	LR+HS	VSS
AUDIO_IN_R2+	VSS	DL7H	EngineSubnet	LR+LL	VSS
Audio_Out_HDMI_L+	VSS	DL7L	EngineSubnet	LR-	VSS
Audio_Out_HDMI_R+	VSS	DL9H	J1939Prop	LR-HS	VSS
Audio_Out_HDMI_R-L-	VSS	DL9L	J1939Prop	LR-LL	VSS
AuxVideoGnd	VSS	DL100H	J1939FMSGateway	MUTE	VSS
AuxVideoL	VSS	DL100L	J1939FMSGateway	N1	A41Adress

CIRCUITS LIST

CircuitID	Description	CircuitID	Description	CircuitID	Description
N2	A41Address	POS	GndDestinationSign	SH2	I_ShiftGearLevelSignal
N3	A42Address			SH3	I_ShiftGearLevelSignal
N4	A42Address			SH4	I_ShiftGearLevelSignal
N5	A43Address			SH5	I_ShiftGearLevelSignal
N6	A43Address	PP1	InverterPwr	SH6	I_ShiftGearLevelSignal
N7	A44Address	R+	VSS	SH7	I_ShiftGearLevelSignal
N8	A44Address	R-	VSS	SH8	I_ShiftGearLevelSignal
N9	A45Address	Radio_Gnd	VSS	SHIELD	GndDestinationSign
N10	A45Address	Radio_L+	VSS	Shield	Shield
N11	A46Address	Radio_R+	VSS	Shield1	Shield
N12	A46Address	RadioAudioGnd	VSS	Shield_PS	Shield
N13	A47Address	RadioL+	VSS	Shield_T1	Shield
N14	A47Address	RadioR+	VSS	Shield_T2	Shield
N15	A48Address	RED	UpperDefrosterGnd	Shield_T3	Shield
N16	A48Address	Red	USB	Shiels_T2	Shield
N17	A49Address	RED1	VSS	SHL2	VSS
N18	A49Address	RED2	VSS	SL13	L_SPEAKER_HARNESS
N19	A50Address	RedFR	TPMS	SL24	L_SPEAKER_HARNESS
N20	A50Address	RedRL	TPMS	SL35	L_SPEAKER_HARNESS
N21	A51Address	RedRR	TPMS	SL46	L_SPEAKER_HARNESS
N22	A51Address	Ref2	GndPassengerSensor	SL57	L_SPEAKER_HARNESS
N23	A52Address	Res12	ResSw155	SL68	L_SPEAKER_HARNESS
N24	A52Address	ResGnd	ResSw155	SL1012	L_SPEAKER_HARNESS
N25	A53Address	RF+	VSS	SL1113	L_SPEAKER_HARNESS
N26	A53Address	RF+LL	VSS	SL1214	L_SPEAKER_HARNESS
N27	A54Address	RF-	VSS	SL1315	L_SPEAKER_HARNESS
N28	A54Address	RF-LL	VSS	SL1416	L_SPEAKER_HARNESS
N29	A36Address	RR	Ext_Speaker	sp52	EvaporatorEngageSig
N30	A55_Address	RR+	VSS	SP142	Galley_Spare_Wire
N31	A55_Address	RR+HS	VSS	SP143	Galley_Spare_Wire
NEG	GndDestinationSign	RR+LL	VSS	SP144	Galley_Spare_Wire
OFA6	POWER_CAPTAIN_CHAIR	RR-	VSS	SP145	Galley_Spare_Wire
OFB1	Gnd_Front_Stud	RR-HS	VSS	spare2	SparesFr-to-RearHarness
OFB3	GND_TPMS	RR-LL	VSS	spare3	SparesFr-to-RearHarness
OP1	POWER_CAPTAIN_CHAIR	RTS	MCMInterface	spare4	SparesEvap.Harness
OP2	POWER_CAPTAIN_CHAIR	Rts	ComputerSignals	spare5	SparesEvap.Harness
OP3	POWER_CAPTAIN_CHAIR	RX	TPMS	spare6	SparesEvap.Harness
OP4	POWER_CAPTAIN_CHAIR	RxD	ComputerSignals	spare7	SparesEvap.Harness
OP12VI	POWER_CAPTAIN_CHAIR	RxTx	MCMInterface	spare8	SparesEvap.Harness
OR	TagUnloadValve	SE1	Ext_Speaker	spare9	SparesEvap.Harness
ORB4	TagUnload	SE51.2	Wip.WasherLevel	spare10	SparesInteriorLtsHarness
PB1	ParkBrakeNotApplyInd	Select	cluster	spare11	SparesInteriorLtsHarness
Pink	USB	SH1	I_ShiftGearLevelSignal	spare12	SparesInteriorHarness

CIRCUITS LIST

CircuitID	Description	CircuitID	Description		
spare13	SparesInteriorHarness	SR24	FR_SPEAKER_HARNESS_		
spare14	SparesInteriorHarness	SR35	FR_SPEAKER_HARNESS_		
spare15	SparesInteriorHarness	SR46	FR_SPEAKER_HARNESS_		
spare16	SparesInteriorHarness	SR57	FR_SPEAKER_HARNESS_		
spare17	SparesFr-to-RearHarness	SR68	FR_SPEAKER_HARNESS_		
spare18	SparesFr-to-RearHarness	SR911	R_SPEAKER_HARNESS_WCL		
spare19	SparesFr-to-RearHarness	SR1012	R_SPEAKER_HARNESS_WCL		
spare20	SparesClearanceLts	SR1113	R_SPEAKER_HARNESS_WCL		
spare21	SparesClearanceLts	SR1214	R_SPEAKER_HARNESS_WCL		
spare22	SparesClearanceLts	SR1315	R_SPEAKER_HARNESS_WCL		
spare23	SparesClearanceLts	SR1416	R_SPEAKER_HARNESS_WCL		
spare24	SparesClearanceLts	STO_LOC	WCL		
spare25	SparesClearanceLts	Sub1+	VSS		
spare32	SparesFrontHarness	Sub1-	VSS		
spare33	SparesFrontHarness	Sub2+	VSS		
spare39	SparesDash	Sub2-	VSS		
spare40	SparesDash	TrigAux	VSS		
spare41	SparesDash	TrigCam	VSS		
spare42	SparesDash	TrigDVD	VSS		
spare43	SparesDash	TrigNav	VSS		
spare44	SparesDash	TrigPA	VSS		
spare45	SparesFr-to-RearHarness	TrigTv	VSS		
spare46	SparesFr-to-RearHarness	TX	TPMS		
spare49	SparesEngineCradle	TxD	MCMInterface		
spare50	SparesEngineCradle	Up	cluster		
spare51	SparesEngineCradle	VI11	12V_Sup		
spare52	SparesEngineCradle	WC2	WCLRemoteCtrl		
spare53	SparesEngineCradle	WC3	WCLRemoteCtrl		
spare54	SparesEngineCradle	WC4	WCLRemoteCtrl		
spare55	SparesEnginesAccessories	WC6	WCLRemoteCtrl		
spare56	SparesEnginesAccessories	WC7	WCL		
spare57	SparesEnginesAccessories	WHITE	120VAC_Outlets		
spare58	SparesEnginesAccessories	White	USB		
spare59	SparesEnginesAccessories	WHT1	VSS		
spare60	SparesEnginesAccessories	WHT2	VSS		
spare61	SparesEnginesAccessories	WhtFR	dataTPMS		
spare62	spareABSHarness	WhtRL	dataTPMS		
spare63	spareABSHarness	WhtRR	dataTPMS		
spare64	SapreTransmission	zf1	SteeringCtrl		
spare65	SparesTransmission	zf2	SteeringCtrl		
spWcl1	SparesWCL				
spWcl2	SparesWCL				
SR13	FR_SPEAKER_HARNESS_				

BREAKERS LIST

No	Location	Part #	Function	Rating	Page						
CB1	RJB	562683	24VIFront	90amp	3.1						
CB2	RJB	563425	12VD	90amp	3.1						
CB3	RJB	562683	24VIEvaporator	90amp	3.1						
CB4	RJB	563418	12VDSoundSystem	30amp	3.1						
CB5	RJB	562684	24VIRear	150amp	3.1						
CB6	RJB	563424	24VD	70amp	3.1						
CB7	RJB	562687	24VICondensor	70amp	3.1						
CB8	RJB	562686	12VIRear	40amp	3.1						
CB9	RJB	563355	WCL	50amp	3.1						
CB10	RJB	562687	12VIFront	70amp	3.1						
CB11	RJB	563355	24VDSoundSystem	50amp	3.1						
CB13	RJB	562684	Galley	150amp	3.1						
CB14	RJB	563355	Galley	50amp	3.1						
CB82	FJB	564464	Wipers	20amp	4.1						
CBOP1	RJB	562686	Electricchair	40amp	3.1						
CBOP2	RJB	562686	Electricchair	40amp	3.1						

CONNECTORS LIST

No	Location	Part #	Gender	No	Location	Part #	Gender
<Invalid>		562006	male	A41.J2	FJB	563132	male
<Invalid>		560908	female	A41.J3	FJB	562957	male
<Invalid>_0_1		562006	male	A42.J1	FJB	562767	male
<Invalid>_0_1		560908	female	A42.J2	FJB	563132	male
A1		563975	male	A42.J3	FJB	562957	male
A2		563984	male	A43.J1	FJB	562767	male
A3	Dash	562363	male	A43.J2	FJB	563132	male
A4A.A	Service_Cmpt_	562428	female	A43.J3	FJB	562957	male
A4A.B	Service_Cmpt_	561188	female	A44.J1	FJB	563133	male
A5A	Service_Cmpt_	562428	female	A44.J2	FJB	563132	male
A6	Rear_Axle_Cmpt_	562427	male	A44.J3	FJB	562957	male
A7	Rear_Axle_Cmpt_	563979	male	A45.J1	FJB	563133	male
A9.Cx1		564041	female	A45.J2	FJB	563132	male
A9.Cx2		563678	male	A45.J3	FJB	562957	male
A9.Cx3		564037	female	A46.J1	FJB	563133	male
A9.Cx4		564038	female	A46.J2	FJB	563132	male
A10.X1	Engine_Cmpt_	563135	male	A46.J3	FJB	562957	male
A10.X3	Engine_Cmpt_	563134	female	A47.J1	Right_Hand_Console	563133	male
A11	Left_Hand_Console	563142	male	A47.J2	Right_Hand_Console	563132	male
A14A.A	Dash	562766	male	A47.J3	Right_Hand_Console	562957	male
A14A.B	Dash	562767	male	A48.J1	Right_Hand_Console	563133	male
A14A.C	Dash	562765	male	A48.J2	Right_Hand_Console	563132	male
A15	Dash	562464	male	A48.J3	Right_Hand_Console	562957	male
A16	Front_Roof	561637	male	A49.J1	RJB	562767	male
A18.J1	FJB	562794	male	A49.J2	RJB	563132	male
A18.J2	FJB	562650	male	A49.J3	RJB	562957	male
A19	Left_Hand_Console	562878	female	A50.J1	RJB	563133	male
A20	Parcel_Rack_LH	561477	female	A50.J2	RJB	563132	male
A24	Right_Hand_Console	561889	female	A50.J3	RJB	562957	male
A24.A	Right_Hand_Console	561890	male	A51.J1	RJB	563133	male
A24.B	Right_Hand_Console	561566	female	A51.J2	RJB	563132	male
A25	Dash	563025	male	A51.J3	RJB	562957	male
A27	Service_Cmpt_	562929	male	A52.J1	RJB	563133	male
A28	Service_Cmpt_	562928	male	A52.J2	RJB	563132	male
A29	Dash	562464	male	A52.J3	RJB	562957	male
A33.A	FrontCeiling	563071	female	A53.J1	RJB	563133	male
A33.B	FrontCeiling	562330	female	A53.J2	RJB	563132	male
A36.JA	FJB	562767	male	A53.J3	RJB	562957	male
A36.JB	FJB	562765	male	A54.J1	Evap_Cmpt_	563133	male
A36.JC	FJB	562957	male	A54.J2	Evap_Cmpt_	563132	male
A39.P101	Parcel_Rack_LH_1st_Cmpt	563201	male	A54.J3	Evap_Cmpt_	562957	male
A39.P901	Parcel_Rack_LH_1st_Cmpt	563953	male	A55.J1	Dash	562767	male
A41.J1	FJB	562767	male	A55.J2	Dash	563132	male

CONNECTORS LIST

No	Location	Part #	Gender	No	Location	Part #	Gender
A55.J3	Dash	562957	male	A115.A		565890	male
A60.A	Parcel_Rack_LH_1st_Cmpt	563071	male	A120.A	Dash	563960	male
A60.B	Parcel_Rack_LH_1st_Cmpt	562706	female	A120.B	Dash	563962	male
A60.C	Parcel_Rack_LH_1st_Cmpt	901110	male	A120.C1	Dash	563956	male
A60.D	Parcel_Rack_LH_1st_Cmpt	901110	male	A120.C2	Dash	563957	male
A61.A	Parcel_Rack_LH_1st_Cmpt	562464	male	A120.C3	Dash	563958	male
A61.B	Parcel_Rack_LH_1st_Cmpt	562465	male	A120.D	Dash	563961	male
A65	Dash	562465	male	A121.Vsa	Dash	563679	male
A69.A	Parcel_Rack_LH_1st_Cmpt	563071	male	A121.Vsb	Dash	563678	male
A69.B	Parcel_Rack_LH_1st_Cmpt	561716	female	A121.Vsc	Dash	564037	female
A69.C	Parcel_Rack_LH_1st_Cmpt	561716	female	A121.Vsd	Dash	564118	male
A69.D	Parcel_Rack_LH_1st_Cmpt	561716	female	A130	Left_Hand_Console	563226	male
A69.E	Parcel_Rack_LH_1st_Cmpt	561716	female	A131.A	Engine_Cmpt_	561782	male
A69.F	Parcel_Rack_LH_1st_Cmpt	561716	female	A131.B	Engine_Cmpt_	561781	female
A69.G	Parcel_Rack_LH_1st_Cmpt	561716	female	A137A		20429843	male
A69.H	Parcel_Rack_LH_1st_Cmpt	561716	female	A138	Cond_Cmpt_	563787	male
A70c		561540	female	A139	Dash	564501	female
A77		564547	male	A150		21280133	male
A78		562583	female	A152.A	Parcel_Rack_LH_1st_Cmpt	561550	male
A79		562583	female	A152.B	Parcel_Rack_LH_1st_Cmpt	563071	male
A80		562479	female	A152.C	Parcel_Rack_LH_1st_Cmpt	563071	male
A81A.JA	FJB	562767	male	A152.D	Parcel_Rack_LH_1st_Cmpt	563071	male
A81A.JB	FJB	562765	male	A152.E	Parcel_Rack_LH_1st_Cmpt	563071	male
A81A.JC	FJB	562957	male	A152.F	Parcel_Rack_LH_1st_Cmpt	563071	male
A83	FJB	564205	male	A152.G	Parcel_Rack_LH_1st_Cmpt	563071	male
A96	FJB	564073	female	A152.H	Parcel_Rack_LH_1st_Cmpt	563071	male
A97	Dash	563226	male	A152.I	Parcel_Rack_LH_1st_Cmpt	563071	male
A100	Front_Axle_Cmpt_	563758	female	A152.J	Parcel_Rack_LH_1st_Cmpt	563071	male
A101	Rear_Axle_Cmpt_	563758	female	A152.K	Parcel_Rack_LH_1st_Cmpt	562779	male
A102	Rear_Axle_Cmpt_	563758	female	A152.L	Parcel_Rack_LH_1st_Cmpt	562779	male
A103	Dash	562070	female	A153.A	Parcel_Rack_LH_1st_Cmpt	562465	male
A104	Over_Head_Driver_Area	562649	female	A153.B	Parcel_Rack_LH_1st_Cmpt	561716	female
A105	RightHandOutside	562649	female	A153.C	Parcel_Rack_LH_1st_Cmpt	561716	female
A106		562649	female	A153.D	Parcel_Rack_LH_1st_Cmpt	561716	female
A107		20393942	female	A154	Passenger_Area	21280133	male
A108	FJB	562766	male	Alt1D.A	Engine_Cmpt_	563746	female
A109	Left_Hand_Console	564141	male	Alt1D.B	Engine_Cmpt_	560815	female
A113.A	Dash	563960	male	Alt1D.C	Engine_Cmpt_	564469	female
A113.B	Dash	563962	male	Alt2D.A	Engine_Cmpt_	563746	female
A113.C1	Dash	563956	male	Alt2D.B	Engine_Cmpt_	560815	female
A113.C2	Dash	563957	male	Alt2D.C	Engine_Cmpt_	564469	female
A113.C3	Dash	563958	male	B85	Engine_Cmpt_	563815	male
A113.D	Dash	563961	male	B96.J1	Engine_Cmpt_	563821	male

CONNECTORS LIST

No	Location	Part #	Gender	No	Location	Part #	Gender
B96B	Engine_Cmpt_	563823	male	C15	5th_Lugg_Cmpt_	561643	male
B97	Engine_Cmpt_	563816	male	C15	5th_Lugg_Cmpt_	561642	female
B98	Engine_Cmpt_	563817	male	C16	RJB	561577	male
B115A		564226	male	C16	RJB	561605	female
B142C		563793	male	C17	RJB	561986	male
C1	Service_Cmpt_	563589	male	C17	RJB	561987	female
C1	Service_Cmpt_	563590	female	C18	FJB	561986	male
C1S	Service_Cmpt_	563589	male	C18	FJB	561987	female
C1S	Service_Cmpt_	563590	female	C19	RJB	561986	male
C2	Service_Cmpt_	563580	male	C19	RJB	561987	female
C2	Service_Cmpt_	563581	female	C20	Lavatory	561668	male
C2A	Service_Cmpt_	563580	male	C20	Lavatory	561551	female
C2A	FJB	563581	female	C20A	Engine_Cmpt_	562485	male
C3	RJB	563589	male	C20A	Engine_Cmpt_	562486	female
C3	RJB	563590	female	C20B	Engine_Cmpt_	562485	male
C3S	RJB	563589	male	C20B	Engine_Cmpt_	562486	female
C3S	RJB	563590	female	C21A	RJB	561646	male
C4	Service_Cmpt_	563580	male	C21A	RJB	561645	female
C4	Service_Cmpt_	563581	female	C21B	RJB	561646	male
C5	Service_Cmpt_	563589	male	C21B	RJB	561645	female
C5	Service_Cmpt_	563590	female	C22	RJB	561847	male
C5S	Service_Cmpt_	563589	male	C22	RJB	561862	female
C5S	Service_Cmpt_	563590	female	C23	5thLugg.Cmpt	561847	male
C6	Service_Cmpt_	563582	male	C23	5thLugg.Cmpt	561862	female
C6	Service_Cmpt_	563583	female	C24_plug	Evap_Cmpt_	561690	male
C7	Service_Cmpt_	562581	male	C24_socket	Evap_Cmpt_	561566	female
C7	Service_Cmpt_	562583	female	C25	Parcel_Rack_LH_1st_Cmpt	561550	male
C8	Service_Cmpt_	563227	male	C25	Parcel_Rack_LH_1st_Cmpt	561667	female
C8	Service_Cmpt_	563614	female	C26	Cond_Cmpt_	563580	male
C9	Evap_Cmpt_	561986	male	C26	Cond_Cmpt_	563581	female
C9	Evap_Cmpt_	561987	female	C27	RJB	562005	male
C10A	Engine_Cmpt_	562581	male	C27	RJB	561714	female
C10A	Engine_Cmpt_	562583	female	C29	5th_Lugg_Cmpt_	563651	male
C11	Service_Cmpt_	563580	male	C29	5th_Lugg_Cmpt_	563652	female
C11	Service_Cmpt_	563581	female	C30	5th_Lugg_Cmpt_	561710	male
C12	RJB	561986	male	C30	5th_Lugg_Cmpt_	561709	female
C12	RJB	561987	female	C31	RJB	561734	male
C13_plug	Right_Hand_Console	563589	male	C31	RJB	561735	female
C13_socket	Right_Hand_Console	563590	female	C32	5th_Lugg_Cmpt_	561550	male
C13S	Right_Hand_Console	563589	male	C32	5th_Lugg_Cmpt_	561667	female
C13S	Right_Hand_Console	563590	female	C33	RHFrontRoof	561550	male
C14	Evap_Cmpt_	561986	male	C33	RHFrontRoof	561667	female
C14	Evap_Cmpt_	561987	female	C34	Right_Hand_Console	561986	male

CONNECTORS LIST

No	Location	Part #	Gender	No	Location	Part #	Gender
C34	Right_Hand_Console	561987	female	C71	Service_Cmpt_	561646	male
C36	FJB	561986	male	C71	Service_Cmpt_	561645	female
C36	FJB	561987	female	C72	FJB	561646	male
C37	Parcel_Rack_LH	562557	male	C72	FJB	561645	female
C37	Parcel_Rack_LH	562558	female	C73		563226	male
C38	Parcel_Rack_RH	562555	male	C73		563613	female
C38	Parcel_Rack_RH	562556	female	C74	FJB	561645	female
C39	ModestyPanel	562503	male	C74	FJB	561646	male
C39	ModestyPanel	562507	female	C78	Engine_Cmpt_	561690	male
C40	Dash	562485	male	C78	Engine_Cmpt_	561566	female
C40	Dash	562486	female	C82	Right_Hand_Console	562581	male
C41	RJB	561690	male	C82	Right_Hand_Console	562583	female
C41	RJB	561566	female	C87	Lavatory	563618	male
C43	Lavatory	561661	female	C87	Lavatory	563616	female
C43	Lavatory	561662	male	C90	Engine_Cmpt	562350	male
C44_plug	FJB	561577	male	C90	Engine_Cmpt	563764	female
C44_socket	FJB	561605	female	C91	RJB	562285	male
C45	FJB	561643	male	C91	RJB	562282	female
C45	FJB	561642	female	C94_plug		563589	male
C46		564228	male	C94_socket		563590	female
C46		564228	male	C96		561643	male
C47_plug	Parcel_Rack_RH	561247	male	C96		561642	female
C47_socket	Parcel_Rack_RH	561248	female	C97		561640	male
C48	Service_Cmpt_	561690	male	C97		561639	female
C48	Service_Cmpt_	561566	female	C99_plug		563589	male
C49A	FJB	562005	male	C99_socket		563590	female
C49A	FJB	561714	female	C100	5th_Lugg_Cmpt_	563589	male
C50		561782	male	C100	5th_Lugg_Cmpt_	563590	female
C50		561781	female	C100S	5th_Lugg_Cmpt_	563589	male
C51	Engine_Cmpt_	562485	male	C100S	5th_Lugg_Cmpt_	563590	female
C51	Engine_Cmpt_	562486	female	C101	Service_Cmpt_	561690	male
C54	Engine_Cmpt_	563580	male	C101	Service_Cmpt_	561566	female
C54	Engine_Cmpt_	563581	female	C102	RJB	561690	male
C55	Evap_Cmpt_	561577	male	C102	RJB	561566	female
C55	Evap_Cmpt_	561605	female	C102A		561637	male
C64	Engine_Cmpt_	563580	male	C102A		561636	female
C64	Engine_Cmpt_	563581	female	C103_plug	FJB	562485	male
C66	Engine_Cmpt_	561577	male	C103_socket	FJB	562486	female
C66	Engine_Cmpt_	561605	female	C105_plug	FJB	562581	male
C67	Parcel_Rack_RH	561247	male	C105_socket	FJB	562583	female
C67	Parcel_Rack_RH	561248	female	C106_plug	FJB	562581	male
C70	FrontCeiling	562557	male	C106_socket	FJB	562583	female
C70	FrontCeiling	562558	female	C119A	Rear_Engine_Door	562581	male

CONNECTORS LIST

No	Location	Part #	Gender	No	Location	Part #	Gender
C119A	Rear_Engine_Door	562583	female	C206	FJB	562503	male
C120A	Rear_Engine_Door	563580	male	C206	FJB	562507	female
C120A	Rear_Engine_Door	563581	female	C207	Over_Head_Driver_Area	562503	male
C120Y		562783	male	C207	Over_Head_Driver_Area	562507	female
C120Y		563206	female	C209	Parcel_Rack_RH	562503	male
C122	RJB	561690	male	C209	Parcel_Rack_RH	562507	female
C122	RJB	561566	female	C212	WCL_Door	561515	male
C123	Rear_Axle_Cmpt_	561690	male	C212	WCL_Door	561552	female
C123	Rear_Axle_Cmpt_	561566	female	C222	FJB	562477	male
C124	FJB	561577	male	C222	FJB	562479	female
C124	FJB	561605	female	C223	FJB	563227	male
C138B		562011	male	C223	FJB	563614	female
C138B		562012	female	C224	FJB	561637	male
C139		562011	male	C224	FJB	561636	female
C139		562012	female	C225	FJB	562649	female
C139B		562011	male	C225_0_1	FJB	562650	male
C139B		562012	female	C226	FJB	562650	male
C141	Left_Hand_Console	561247	male	C226	FJB	562649	female
C141	Left_Hand_Console	561248	female	C239	Service_Cmpt_	561690	male
C144	UnderLHSeat	560852	male	C239	Service_Cmpt_	561566	female
C144	UnderLHSeat	560851	female	C240	Service_Cmpt_	561607	male
C152	CondensorCmpt.	561611	male	C240	Service_Cmpt_	561606	female
C152	CondensorCmpt.	561610	female	C246	Service_Cmpt_	563090	male
C155	RJB	561626	female	C246	Service_Cmpt_	563091	female
C155	RJB	561904	female	C260	Service_Cmpt_	561607	male
C171	Service_Cmpt_	561646	male	C260	Service_Cmpt_	561606	female
C171	Service_Cmpt_	561645	female	C269	RHConsole	563090	male
C183	Service_Cmpt_	561611	male	C269	RHConsole	563091	female
C183	Service_Cmpt_	561610	female	C279	Service_Cmpt_	562477	male
C184_plug	Dash	561566	female	C279	Service_Cmpt_	562479	female
C184_socket	Dash	561690	male	C280_plug		562549	male
C185_plug	Dash	561782	male	C280_socket		562550	female
C185_socket	Dash	561781	female	C284	Parcel_Rack_LH_1st_Cmpt	561782	male
C186_plug	RightHandOutside	561782	male	C284	Parcel_Rack_LH_1st_Cmpt	561781	female
C186_socket	RightHandOutside	561781	female	C284-1	Parcel_Rack_LH_1st_Cmpt	561782	male
C187_plug	Dash	561782	male	C284-1	Parcel_Rack_LH_1st_Cmpt	561781	female
C187_socket	Dash	561781	female	C284-2	Parcel_Rack_LH_1st_Cmpt	561782	male
C193	RJB	563589	male	C284-2	Parcel_Rack_LH_1st_Cmpt	561781	female
C193	RJB	563590	female	C284-3	Parcel_Rack_LH_1st_Cmpt	561782	male
C194	FJB	563589	male	C284-3	Parcel_Rack_LH_1st_Cmpt	561781	female
C194	FJB	563590	female	C284-4	Parcel_Rack_LH_1st_Cmpt	561782	male
C200	Engine_Cmpt_	562471	male	C284-4	Parcel_Rack_LH_1st_Cmpt	561781	female
C200	Engine_Cmpt_	562348	female	C284-5	Parcel_Rack_LH_1st_Cmpt	561782	male

CONNECTORS LIST

No	Location	Part #	Gender	No	Location	Part #	Gender
C284-5	Parcel_Rack_LH_1st_Cmpt	561781	female	C452		561669	male
C298	Parcel_Rack_LH_1st_Cmpt	561782	male	C452		561670	female
C298	Parcel_Rack_LH_1st_Cmpt	561781	female	C463	Engine_Cmpt_	562570	female
C322		562549	male	C463	Engine_Cmpt_	562571	male
C322		562550	female	C464	RJB	563180	male
C323		562549	male	C464	RJB	563347	female
C323		562550	female	C464A		564222	male
C330	FJB	561690	male	C464A		564224	female
C330	FJB	561566	female	C465	ModestyPanel	562581	male
C331		562549	male	C465	ModestyPanel	562583	female
C331		562550	female	C506	FJB	561687	male
C333		562549	male	C506	FJB	561685	female
C333		562550	female	C542	Parcel_Rack_LH_1st_Cmpt	561550	male
C334_plug		562549	male	C542	Parcel_Rack_LH_1st_Cmpt	561667	female
C334_socket		562550	female	C558	Dash	562503	male
C336_plug		562549	male	C558	Dash	562507	female
C336_socket		562550	female	C564	Dash	562503	male
C337		561782	male	C564	Dash	562507	female
C337		561781	female	C564-Sp	Dash	562503	male
C355		563582	male	C564-Sp	Dash	562507	female
C355		565887	female	C566	Dash	562503	male
C356		561695	male	C566	Dash	562507	female
C356		561693	female	C567	Dash	562503	male
C380	Dash	563180	male	C567	Dash	562507	female
C380	Dash	563347	female	C575	RrSectionRHHatRack	562503	male
C380A		564222	male	C575	RrSectionRHHatRack	562507	female
C380A		564224	female	C576	RrSectionRHHatRack	561550	male
C381	FJB	561847	male	C576	RrSectionRHHatRack	561667	female
C381	FJB	561862	female	C576B		562006	male
C382	Passenger_Area	561580	male	C576B		560908	female
C382	Passenger_Area	561582	female	C576BB		562006	male
C397	RJB	562285	male	C576BB		560908	female
C397	RJB	562282	female	C577	RrSectionLHHatRack	561550	male
C403	Galley	561247	male	C577	RrSectionLHHatRack	561667	female
C403	Galley	561248	female	C577A		562006	male
C404	Galley	561247	male	C577A		560908	female
C404	Galley	561248	female	C577AA		562006	male
C405	Galley	561247	male	C577AA		560908	female
C405	Galley	561248	female	C578	RrSectionLHHatRack	562503	male
C426	Engine_Cmpt_	561611	male	C578	RrSectionLHHatRack	562507	female
C426	Engine_Cmpt_	561610	female	C582	FJB	561690	female
C430	LHConsole	562363	male	C582	FJB	561566	female
C430	LHConsole	561188	female	C583.A		560908	female

CONNECTORS LIST

No	Location	Part #	Gender	No	Location	Part #	Gender
C583.B		560908	female	C_ALT1		562477	male
C583A		562006	male	C_ALT1		562479	female
C583A		560908	female	C_ALT2		562477	male
C583R		561577	male	C_ALT2		562479	female
C583R		561605	female	C_AUX		563071	male
C584.A		560908	female	C_AUX		563040	female
C584.B		560908	female	C_Galley		561695	male
C584A		562006	male	C_Galley		561694	female
C584A		560908	female	C_LineOut	Parcel_Rack_LH_1st_Cmpt	563962	male
C601	LHRoofWinAjar	561476	male	C_LineOut	Parcel_Rack_LH_1st_Cmpt	564489	female
C601	LHRoofWinAjar	561477	female	C_ST1_plug		562601	male
C602	FJB	561476	male	C_ST1_socket		563411	female
C602	FJB	561477	female	C_ST2_plug		562601	male
C603	RHRoofWinAjar	561476	male	C_ST2_socket		563411	female
C603	RHRoofWinAjar	561477	female	C_STR1_plug		562601	male
C611	Parcel_Rack_RH	562557	male	C_STR1_socket		563411	female
C611	Parcel_Rack_RH	562558	female	C_STR2_plug		562601	male
C612_plug	Parcel_Rack_RH	562555	male	C_STR2_socket		563411	female
C612_socket	Parcel_Rack_RH	562556	female	C_USB		562069	male
C613_plug	Parcel_Rack_RH	561550	male	C_USB		562070	female
C613_socket	Parcel_Rack_RH	561667	female	C_Video_AUX		562557	male
C614	Passenger_Area	563071	male	C_Video_AUX		562558	female
C614	Passenger_Area	563040	female	CFHF1		564560	male
C615	Passenger_Area	563071	male	CFHPR1		564560	male
C615	Passenger_Area	563040	female	CMS1_plug	Passenger_Area	563601	male
C616	Parcel_Rack_RH	561247	male	CMS1_socket	Passenger_Area	563600	female
C616	Parcel_Rack_RH	561248	female	CMS2_plug	Passenger_Area	563601	male
C617	Dash	563801	male	CMS2_socket	Passenger_Area	563600	female
C617	Dash	563800	female	CMS3_plug	Passenger_Area	563601	male
C618	Right_Hand_Console	563801	male	CMS3_socket	Parcel_Rack_LH_1st_Cmpt	563600	female
C618	Right_Hand_Console	563800	female	CMS4_plug	Passenger_Area	563601	male
C717	RJB	561646	male	CMS4_socket	Passenger_Area	563600	female
C717	RJB	561645	female	CP1	Passenger_Area	561782	male
C752	Parcel_Rack_LH_1st_Cmpt	901283	female	CP1	Passenger_Area	561781	female
C753	Parcel_Rack_LH_1st_Cmpt	901283	female	Cp1	Passenger_Area	561782	male
C766	Parcel_Rack_LH_1st_Cmpt	561662	male	Cp1	Passenger_Area	561781	female
C766	Parcel_Rack_LH_1st_Cmpt	561661	female	Cp2	Passenger_Area	561782	male
C767	Galley	563409	male	Cp2	Passenger_Area	561781	female
C767	Galley	563410	female	CP3	Passenger_Area	561782	male
C768	Dash	901283	female	CP3	Passenger_Area	561781	female
C769	Dash	901283	female	CPI2	Passenger_Area	561782	male
C777	Dash	562477	male	CPI2	Passenger_Area	561781	female
C777	Dash	562479	female	CPr1	Passenger_Area	561782	male

CONNECTORS LIST

No	Location	Part #	Gender	No	Location	Part #	Gender
CP1	Passenger_Area	561781	female	L35	Parcel_Rack_LH	560898	male
CSe79		561782	male	L36	Parcel_Rack_LH	560898	male
CSe79		561781	female	L37	Parcel_Rack_LH	560898	male
CSS2	Roof	562477	male	L38	Parcel_Rack_LH	560898	male
CSS2	Roof	562479	female	L39	Parcel_Rack_LH	560898	male
CSX1	PreHeater_Cmpt	563135	male	L40.A	Parcel_Rack_RH	560898	male
CSX1	PreHeater_Cmpt	563134	female	L41.A	Parcel_Rack_RH	560898	male
CSX3	Engine_Cmpt_	563135	male	L42.A	Parcel_Rack_RH	560898	male
CSX3	Engine_Cmpt_	563134	female	L43.A	Parcel_Rack_RH	560898	male
CT2	Engine_Cmpt_	563226	male	L44.A	Parcel_Rack_RH	560898	male
CT2	Engine_Cmpt_	563613	female	L45.A	Parcel_Rack_RH	560898	male
CT3	Engine_Cmpt_	563224	male	L46.A	Parcel_Rack_RH	560898	male
CTF_plug		563224	male	L47.A	Parcel_Rack_RH	560898	male
D92	Dash	561183	male	L48.A	Parcel_Rack_RH	560898	male
EIA		563739	male	L49.A	Parcel_Rack_RH	560898	male
L1	Service_Cmpt_	562485	male	L50.A	Parcel_Rack_RH	560898	male
L2	Front_Roof	561247	male	L51.A	Parcel_Rack_RH	560898	male
L16	Front_Roof	562803	male	L52	Driver_Area	560898	male
L17	Front_Roof	562803	male	L53	Passenger_Area	560898	male
L18	Entrance_Door	562549	male	L54	Passenger_Area	560898	male
L19	Entrance_Door	562486	female	L55	Passenger_Area	560898	male
L20	Entrance_Door	562486	female	L56	Passenger_Area	560898	male
L21.A	Front_Roof	561608	female	L57	Passenger_Area	560898	male
L21.B	Front_Roof	562286	male	L58	Passenger_Area	560898	male
L22.A	Front_Roof	561608	female	L63	Outside_Front_RH	562155	male
L22.B	Front_Roof	562286	male	L64	Outside_Front_RH	562155	male
L23.A	Front_Roof	561608	female	L65	Outside_Front_LH	562155	male
L23.B	Front_Roof	562286	male	L66	Outside_Front_LH	562155	male
L24.A	Front_Roof	561608	female	L67A	Luggage_Cmpt_	562155	male
L24.B	Front_Roof	562286	male	L68A	Luggage_Cmpt_	562155	male
L25.A	Front_Roof	561608	female	L69A	Luggage_Cmpt_	562155	male
L25.B	Front_Roof	562286	male	L70A	Luggage_Cmpt_	562155	male
L26.A	Front_Roof	561608	female	L72	Rear_Vehicle	562155	male
L26.B	Front_Roof	562286	male	L74	Rear_Vehicle	562155	male
L27.A	Front_Roof	561608	female	L75	Rear_Vehicle	562155	male
L27.B	Front_Roof	562286	male	L76	Rear_Engine_Door	562155	male
L28	Parcel_Rack_LH	560898	male	L81A.A	Rear_Engine_Door	562835	female
L29	Parcel_Rack_LH	560898	male	L81A.B	Rear_Engine_Door	562834	male
L30	Parcel_Rack_LH	560898	male	L82A	Rear_Engine_Door	562348	female
L31	Parcel_Rack_LH	560898	male	L83A	Rear_Engine_Door	562348	female
L32	Parcel_Rack_LH	560898	male	L84A.A	Engine_Cmpt_	561608	female
L33	Parcel_Rack_LH	560898	male	L84A.B	Engine_Cmpt_	562286	male
L34	Parcel_Rack_LH	560898	male	L85A.A	Engine_Cmpt_	561608	female

CONNECTORS LIST

No	Location	Part #	Gender	No	Location	Part #	Gender
L85A.B	Engine_Cmpt_	562286	male	L174		563589	male
L86A.A	Engine_Cmpt_	561608	female	L174A		563590	female
L86A.B	Engine_Cmpt_	562286	male	L175	RJB	561247	male
L87A.A	Rear_Vehicle	561608	female	L176	5th_Lugg_Cmpt_	561247	male
L87A.B	Rear_Vehicle	562286	male	L177	5th_Lugg_Cmpt_	561247	male
L88A.A	Rear_Vehicle	561608	female	L178	3rd_Lugg_Cmpt_	561247	male
L88A.B	Rear_Vehicle	562286	male	L179	3rd_Lugg_Cmpt_	561247	male
L89A.A	Rear_Vehicle	561608	female	L180	2nd_Lugg_Cmpt_	561247	male
L89A.B	Rear_Vehicle	562286	male	L181	2nd_Lugg_Cmpt_	561247	male
L90A.A	Rear_Vehicle	561608	female	L182	1st_Lugg_Cmpt_	561247	male
L90A.B	Rear_Vehicle	562286	male	L183	1st_Lugg_Cmpt_	561247	male
L93.A	Engine_Cmpt_	563069	female	L184	Service_Cmpt_	561247	male
L93.B	Engine_Cmpt_	563069	female	L186.A	Service_Cmpt_	562651	female
L94.A	Engine_Cmpt_	563069	female	L186.B	Service_Cmpt_	562290	female
L94.B	Engine_Cmpt_	563069	female	L187	Engine_Cmpt_	561690	male
L95A	Service_Cmpt_	562485	male	L188	Service_Cmpt_	562486	female
L95B	Service_Cmpt_	562485	male	L189	Outside_Front_RH	562069	male
L96A	Service_Cmpt_	562485	male	L190	Outside_Front_LH	562069	male
L96B	Service_Cmpt_	562485	male	L193.A	Dash	560488	female
L97.A	Service_Cmpt_	563069	female	L193.B	Dash	560488	female
L97.B	Service_Cmpt_	563069	female	L194.A	Left_Hand_Console	562019	female
L98A.A	Entrance_Door	563069	female	L194.B	Left_Hand_Console	560488	female
L98A.B	Entrance_Door	563069	female	L199	Engine_Cmpt_	562471	male
L140	Lavatory	561247	male	L201	Front_Roof	561247	male
L142	Lavatory	562803	male	L202	Front_Roof	561247	male
L143	Front_Roof	561247	male	L203	Right_Hand_Console	561690	male
L144.A	Parcel_Rack_LH	562756	male	L204	WCL_Pass_Area	562803	male
L145.A	Parcel_Rack_LH	562756	male	L205	Evap_Cmpt_	562485	male
L146.A	Parcel_Rack_LH	562756	male	L206	WCL_Pass_Area	562803	male
L147.A	Parcel_Rack_LH	562756	male	L207.A		561699	female
L148.A	Parcel_Rack_LH	562756	male	L207.B		561699	female
L149.A	Parcel_Rack_LH	562756	male	L207.C	5th_Lugg_Cmpt_	561701	female
L150.A	Parcel_Rack_LH	562756	male	L207.D		561699	female
L150.B		562505	female	L207.E	5th_Lugg_Cmpt_	561701	female
L151.A	Parcel_Rack_LH	562756	male	L207.F		561699	female
L152.A	Parcel_Rack_LH	562756	male	L207.G		561699	female
L153.A	Parcel_Rack_LH	562756	male	L207.H	5th_Lugg_Cmpt_	560926	female
L154.A	Parcel_Rack_LH	562756	male	L207.I	5th_Lugg_Cmpt_	560926	female
L155.A	Parcel_Rack_LH	562756	male	L208	Front_Of_vehicle	563801	male
L156.A	Parcel_Rack_LH	562756	male	L209	Front_Of_vehicle	563801	male
L157.A	Parcel_Rack_LH	562756	male	L211	Entrance_Door	562486	female
L158.A	Parcel_Rack_LH	562756	male	L244.A	Parcel_Rack_RH	562756	male
L173A	Engine_Cmpt_	563590	female	L245.A	Parcel_Rack_RH	562756	male

CONNECTORS LIST

No	Location	Part #	Gender	No	Location	Part #	Gender
L246.A	Parcel_Rack_RH	562756	male	Mo2_0_1	Engine_Cmpt_	561782	male
L247.A	Parcel_Rack_RH	562756	male	Mo3	Dash	561667	female
L248.A	Parcel_Rack_RH	562756	male	Mo4	Dash	562076	male
L249.A	Parcel_Rack_RH	562756	male	Mo5	Front_Roof	561550	female
L249.B		562505	female	Mo6	Service_Cmpt_	561690	male
L250.A	Parcel_Rack_RH	562756	male	Mo7	Cond_Cmpt_	563691	male
L251.A	Parcel_Rack_RH	562756	male	Mo8	Cond_Cmpt_	563691	male
L252.A		562756	male	Mo10	Evap_Cmpt_	561515	male
L252.B		562505	female	Mo11	Parcel_Rack_RH	561515	male
L253.A	Parcel_Rack_RH	562756	male	Mo12	Evap_Cmpt_	561690	male
L254.A	Parcel_Rack_RH	562756	male	Mo13	Engine_Cmpt_	561690	female
L255.A	Parcel_Rack_RH	562756	male	Mo14	Parcel_Rack_RH	561566	female
L256.A	Parcel_Rack_RH	562756	male	Mo15	Over_Head_Driver_Area	560900	female
L257.A	Parcel_Rack_RH	562756	male	Mo16	Over_Head_Driver_Area	560900	female
L282	Rear_Axle_Cmpt_	561690	male	Mo17	Left_Hand_Console	563626	male
L288.A	Passenger_Area	561539	male	Mo18	Service_Cmpt_	562474	male
L288.B	Passenger_Area	561539	male	Mo19	Service_Cmpt_	562474	male
L289.A	Passenger_Area	561539	male	Mo20	Service_Cmpt_	562474	male
L289.B	Passenger_Area	561539	male	Mo21	Front_Roof	561186	male
L290	Engine_Cmpt_	562565	male	Mo22	Right_Hand_Console	561186	male
L291	Engine_Cmpt_	562565	male	Mo24	Right_Hand_Console	562348	female
L293.A	Galley	560081	female	Mo25	Right_Hand_Console	562348	female
L293.B	Galley	560081	female	Mo27	Cond_Cmpt_	563691	male
L294.A	Galley	560081	female	Mo28	Cond_Cmpt_	563691	male
L294.B	Galley	560081	female	Mo54	Service_Cmpt_	562474	male
L296A		561781	female	Mo60		562783	male
L298	Engine_Cmpt_	563590	female	Mo61	Parcel_Rack_RH	561248	female
L302		561781	female	Mo62		562486	female
L312.A	Parcel_Rack_RH	562756	male	Mo63		562486	female
L312.B	Parcel_Rack_RH	562505	female	Mo64		562783	male
L313	Service_Cmpt_	562789	male	P36.A	Engine_Cmpt_	561701	female
L314	Service_Cmpt_	562789	male	P36.B	Engine_Cmpt_	561701	female
L315_0_1	Rear_Engine_Door	563590	female	P36.C	Engine_Cmpt_	561701	female
L316_0_1	Engine_Cmpt_	563590	female	PF1	Passenger_Area	561782	male
L317.A	Engine_Cmpt_	562835	female	Pot1.A	Dash	560488	female
L317.B	Engine_Cmpt_	562834	male	Pot1.B	Dash	560488	female
L318.A	Engine_Cmpt_	562835	female	Pot1.C	Dash	560488	female
L318.B	Engine_Cmpt_	562834	male	PR1	Passenger_Area	561781	female
L320	Driver_Area	561248	female	Pr1		561782	male
L350A.A		564552	male	PR2	Passenger_Area	561782	male
L350A.B		563340	male	Pr3	Passenger_Area	561782	male
L350A.C		562251	male	Pr4	Passenger_Area	561782	male
Lav_Spk		563994	male	Pr5	Passenger_Area	561782	male

CONNECTORS LIST

No	Location	Part #	Gender	No	Location	Part #	Gender
Pr6	Passenger_Area	561782	male	Res7.A		563590	female
Pr7	Passenger_Area	561782	male	Res15	RJB	561782	male
Pr8	Passenger_Area	561782	male	Res31	Cond_Cmpt_	562350	male
Pr9	Passenger_Area	561782	male	Res32	Cond_Cmpt_	563764	female
Pr10	Passenger_Area	561782	male	Res53.A		563590	female
Pr11	Passenger_Area	561782	male	Se4	Window_RH	561477	female
Pr12	Passenger_Area	561782	male	Se5	Window_RH	561477	female
Pr13	Passenger_Area	561782	male	Se6	Window_RH	561477	female
Pr14	Passenger_Area	561782	male	Se7	Window_LH	561477	female
R-12VISS	Parcel_Rack_LH_1st_Cmpt	561183	male	Se8	Window_LH	561477	female
R3	RJB	563409	male	Se9	Window_LH	561477	female
R4	FJB	561183	male	Se10	Window_LH	561477	female
R5	RJB	561183	male	Se11.A	Cond_Cmpt_	560082	male
R10	Evap_Cmpt_	563409	male	Se11.B	Cond_Cmpt_	560082	male
R11	RJB	561183	male	Se11.C	Cond_Cmpt_	560082	male
R12	Evap_Cmpt_	563409	male	Se13	Engine_Cmpt_	562350	male
R17	RJB	564210	male	Se14.A	Dash	561782	male
R18	RJB	564210	male	Se14.B	Dash	561781	female
R19	RJB	564210	male	Se15	Right_Hand_Console	560898	male
R20	Evap_Cmpt_	561183	male	Se17	Entrance_Door	560081	female
R22	FJB	561183	male	Se19	Service_Cmpt_	563677	male
R23	Right_Hand_Console	561183	male	Se19A	Service_Cmpt_	563677	male
R24	FJB	561183	male	Se20	Evap_Cmpt_	562426	male
R25	RJB	561183	male	Se21	Dash	561248	female
R26	Cond_Cmpt_	561183	male	Se23	Engine_Cmpt_	563159	male
R27	Parcel_Rack_LH_1st_Cmpt	561183	male	Se24	Engine_Cmpt_	563159	male
R29	RJB	563409	male	Se25	Evap_Cmpt_	561248	female
R31	RJB	564210	male	Se28	Service_Cmpt_	561690	male
R32	FJB	561183	male	Se29	Engine_Cmpt_	561566	female
R35	Galley	561183	male	Se30	Engine_Cmpt_	562877	female
R36	Galley	561183	male	Se31	Engine_Cmpt_	562877	female
R37	Galley	561183	male	Se32	Engine_Cmpt_	563057	male
R41	FJB	561183	male	Se33	Engine_Cmpt_	562856	male
R42	FJB	561183	male	Se34	Engine_Cmpt_	563057	male
R43	FJB	561183	male	Se35	Engine_Cmpt_	563057	male
R47	5th_Lugg_Cmpt_	564496	male	Se36	Rear_Axle_Cmpt_	563629	female
R72.A		563409	male	Se37	Front_Axle_Cmpt_	641132	female
R73	Galley	563409	male	Se38	Front_Axle_Cmpt_	641132	female
R74	FJB	561183	male	Se39	Rear_Axle_Cmpt_	641132	female
R_STANK		561183	male	Se40	Rear_Axle_Cmpt_	641132	female
Res3	RJB	563590	female	Se45	Service_Cmpt_	563409	male
Res4	Right_Hand_Console	563590	female	Se46	Rear_Axle_Cmpt_	562348	female
Res6	FJB	563590	female	Se53	Service_Cmpt_	563159	female

CONNECTORS LIST

No	Location	Part #	Gender	No	Location	Part #	Gender
Se54	Service_Cmpt_	563159	female	Spk1_L	Parcel_Rack_LH	563994	male
Se60	Service_Cmpt_	563409	male	Spk1_R	Parcel_Rack_RH	563994	male
Se63		641132	female	Spk2_L	Parcel_Rack_LH	563994	male
Se64		641132	female	Spk2_R	Parcel_Rack_RH	563994	male
Se65		564042	female	Spk3_L	Parcel_Rack_LH	563994	male
Se67		563159	female	Spk3_R	Parcel_Rack_RH	563994	male
Se69		563159	female	Spk4_L	Parcel_Rack_LH	563994	male
Se70	Rear_Axle_Cmpt_	563340	male	Spk4_R	Parcel_Rack_RH	563994	male
Se79		563340	male	Spk5_L	Parcel_Rack_LH	563994	male
Se86	Service_Cmpt_	563159	female	Spk5_R	Parcel_Rack_RH	563994	male
Se_Full		562350	male	Spk6_L	Parcel_Rack_LH	563994	male
Se_Full		563764	female	Spk6_R	Parcel_Rack_RH	563994	male
So3	Right_Hand_Console	641385	male	Spk7_L	Parcel_Rack_LH	563994	male
So4	Right_Hand_Console	641385	male	Spk7_R	Parcel_Rack_RH	563994	male
So5	Right_Hand_Console	641385	male	Spk8_L	Parcel_Rack_LH	563994	male
So6	Right_Hand_Console	641385	male	Spk8_R	Parcel_Rack_RH	563994	male
So7	Service_Cmpt_	561566	male	Spk9_L	Parcel_Rack_LH	563994	male
So8	Service_Cmpt_	563204	female	Spk9_R	Parcel_Rack_RH	563994	male
So9.A	Engine_Cmpt_	561566	female	Spk10_L	Parcel_Rack_LH	563994	male
So10	Cond_Cmpt_	562485	male	Spk10_R	Parcel_Rack_RH	563994	male
So11	Cond_Cmpt_	561566	female	Spk11_L	Parcel_Rack_LH	563994	male
So13	Evap_Cmpt_	563204	female	Spk11_R	Parcel_Rack_RH	563994	male
So14	Service_Cmpt_	564045	female	Spk12_L	Parcel_Rack_LH	563994	male
So15		641385	male	Spk12_R	Parcel_Rack_RH	563994	male
So16		641385	male	Spk13_L	Parcel_Rack_LH	563994	male
So17		641385	male	Spk13_R	Parcel_Rack_RH	563994	male
So18	Service_Cmpt_	641385	male	Spk14_L	Parcel_Rack_LH	563994	male
So19	Service_Cmpt_	641385	male	Spk14_R	Parcel_Rack_RH	563994	male
So20		641385	male	Spk15_L	Parcel_Rack_LH	563994	male
So21	Front_Axle_Cmpt_	564046	female	Spk15_R	Parcel_Rack_RH	563994	male
So22	Front_Axle_Cmpt_	564046	female	Spk16_L	Parcel_Rack_LH	563994	male
So23	Rear_Axle_Cmpt_	564046	female	Spk16_R	Parcel_Rack_RH	563994	male
So24	Rear_Axle_Cmpt_	564046	female	SpkDr_L	Driver_Area	563994	male
So26		562848	male	SpkDr_R	Driver_Area	563994	male
So27		564045	female	Sub1.A	Passenger_Area	564004	female
So50		564046	female	Sub2	Passenger_Area	564004	female
So53		564045	female	Sw1.C258	Dash	561188	female
Sp17_R		563994	male	Sw1.C259	Dash	561186	male
spBar4.J1		564135	male	Sw2	Dash	562763	male
spBar5		564135	male	Sw3	Dash	562763	male
spBar6		564135	male	Sw4	Dash	562763	male
spBar7		564135	male	Sw5	Dash	562763	male
spBar8		564135	male	Sw6	Dash	562763	male

CONNECTORS LIST

No	Location	Part #	Gender	No	Location	Part #	Gender
Sw7.A		562877	female	Sw51.B	1st_Lugg_Cmpt_	562403	female
Sw10A	Left_Hand_Console	562763	male	Sw52	1st_Lugg_Cmpt_	562403	female
Sw11A	Left_Hand_Console	562763	male	Sw52.B	1st_Lugg_Cmpt_	562403	female
Sw12	Dash	562763	male	Sw55.A	Lavatory	560488	female
Sw14	Left_Hand_Console	562763	male	Sw55.B	Lavatory	560488	female
Sw16	Dash	562763	male	Sw56.A	Lavatory	560488	female
Sw17	Dash	562763	male	Sw56.B	Lavatory	560488	female
Sw18A	Left_Hand_Console	562763	male	Sw57	WCL_Door	563543	male
Sw20	Dash	562763	male	Sw58	Engine_Cmpt_	562581	male
Sw21	Dash	562763	male	Sw59	Engine_Cmpt_	562485	male
Sw24	Dash	562763	male	Sw63A	Left_Hand_Console	562763	male
Sw25	Dash	562763	male	Sw64.A	Left_Hand_Console	560815	female
Sw26	Dash	562763	male	Sw64.B	Left_Hand_Console	560815	female
Sw27	Dash	562763	male	Sw82.A	RJB	561457	female
Sw29	Dash	562763	male	Sw82.B	RJB	561457	female
Sw30	Engine_Cmpt_	561566	female	Sw82.C	RJB	561457	female
Sw31	WCL_Door	563543	male	Sw82.D	RJB	561457	female
Sw32	Dash	561477	female	Sw83.A	Dash	560082	female
Sw33	Dash	561476	male	Sw83.B	Dash	560815	female
Sw34	Outside_Front_RH	562477	male	Sw83.C	Dash	560082	female
Sw35	Left_Hand_Console	562763	male	Sw83.D	Dash	560815	female
Sw38	Left_Hand_Console	562763	male	Sw85	Left_Hand_Console	562749	male
Sw39.A	RJB	562403	female	Sw94.A	WCL_Pass_Area	562403	female
Sw39.B	RJB	562403	female	Sw94.B	WCL_Pass_Area	562403	female
Sw40	Left_Hand_Console	561690	male	Sw95.A	WCL_Door	562615	female
Sw41	Left_Hand_Console	562749	male	Sw95.B	WCL_Door	562615	female
Sw42	5th_Lugg_Cmpt_	561635	female	Sw95.C	WCL_Door	562615	female
Sw43	Service_Cmpt_	561690	male	Sw96.A	WCL_Door	562615	female
Sw44.A	FJB	562403	female	Sw96.B	WCL_Door	562615	female
Sw44.B	FJB	562403	female	Sw96.C	WCL_Door	562615	female
Sw45.A	5th_Lugg_Cmpt_	562403	female	Sw97.A		562615	female
Sw45.B	5th_Lugg_Cmpt_	562403	female	Sw97.B		562615	female
Sw46.A	5th_Lugg_Cmpt_	562403	female	Sw97.C		562615	female
Sw46.B	5th_Lugg_Cmpt_	562403	female	Sw98.A		562615	female
Sw47.A	3rd_Lugg_Cmpt_	562403	female	Sw98.B		562615	female
Sw47.B	3rd_Lugg_Cmpt_	562403	female	Sw98.C		562615	female
Sw48.A	3rd_Lugg_Cmpt_	562403	female	Sw100A	Dash	562763	male
Sw48.B	3rd_Lugg_Cmpt_	562403	female	Sw105		562485	male
Sw49.A	2nd_Lugg_Cmpt_	562403	female	Sw125.A	Service_Cmpt_	561457	female
Sw49.B	2nd_Lugg_Cmpt_	562403	female	Sw125.B	Service_Cmpt_	561457	female
Sw50.A	2nd_Lugg_Cmpt_	562403	female	Sw126.A	Dash	562763	male
Sw50.B	2nd_Lugg_Cmpt_	562403	female	Sw131		562763	male
Sw51.A	1st_Lugg_Cmpt_	562403	female	Sw137	Dash	562763	male

CONNECTORS LIST

No	Location	Part #	Gender	No	Location	Part #	Gender
Sw152	Left_Hand_Console	562471	male	Y81	Cond_Cmpt_	563793	male
Sw153		562763	male				
Sw299	Dash	562763	male				
Sw300	Dash	562763	male				
Sw301	Dash	562763	male				
Sw302	Dash	562763	male				
Sw305		562763	male				
Sw306		562763	male				
Sw_STANK		562485	male				
sym.A103_217091_248_B		562550	female				
sym684_232		561247	male				
sym733_345.A		560999	male				
sym740_345.A		560999	male				
sym742_345.A		560999	male				
sym759_345		560999	male				
Tab27	WCLWindowSide	562615	N/A				
Tab28	WCLSlidingDoor	562615	N/A				
Tab130		560488	N/A				
Tab131		560488	N/A				
USB_Reg_1.A		561582	female				
USB_Reg_1.B	Passenger_Area	561582	female				
VECF1	FJB	563186	male				
VECF2	FJB	563183	male				
VECF3	FJB	563185	male				
VECF4	FJB	563182	male				
VECF9	FJB	563448	male				
VECF10	FJB	563181	male				
VECF11	FJB	563184	male				
VECF12	FJB	563187	male				
VECR1	RJB	563186	male				
Vecr1		563186	male				
VECR2	RJB	563183	male				
Vecr2	RJB	563183	male				
VECR3	RJB	563185	male				
Vecr3	RJB	563185	male				
VECR4	RJB	563182	male				
VECR9	RJB	563448	male				
Vecr9	RJB	563448	male				
VECR10	RJB	563181	male				
Vecr10	RJB	563181	male				
VECR11	RJB	563184	male				
VECR12	RJB	563187	male				
Y80	Engine_Cmpt_	563789	male				

CONNECTORS LIST

No	Location	Part #	Gender	No	Location	Part #	Gender
A1		563975	male	A43.J1	FJB	562767	male
A2		563984	male	A43.J2	FJB	563132	male
A3	Dash	562363	male	A43.J3	FJB	562957	male
A4A.A	Service_Cmpt_	562428	female	A44.J1	FJB	563133	male
A4A.B	Service_Cmpt_	561188	female	A44.J2	FJB	563132	male
A5A	Service_Cmpt_	562428	female	A44.J3	FJB	562957	male
A6	Rear_Axle_Cmpt_	562427	male	A45.J1	FJB	563133	male
A7	Rear_Axle_Cmpt_	563979	male	A45.J2	FJB	563132	male
A9.Cx1		564041	female	A45.J3	FJB	562957	male
A9.Cx2		563678	male	A46.J1	FJB	563133	male
A9.Cx3		564037	female	A46.J2	FJB	563132	male
A9.Cx4		564038	female	A46.J3	FJB	562957	male
A10.X1	Engine_Cmpt_	563135	male	A47.J1	Right_Hand_Console	563133	male
A10.X3	Engine_Cmpt_	563134	female	A47.J2	Right_Hand_Console	563132	male
A11	Left_Hand_Console	563142	male	A47.J3	Right_Hand_Console	562957	male
A14A.A	Dash	562766	male	A48.J1	Right_Hand_Console	563133	male
A14A.B	Dash	562767	male	A48.J2	Right_Hand_Console	563132	male
A14A.C	Dash	562765	male	A48.J3	Right_Hand_Console	562957	male
A15	Dash	562464	male	A49.J1	RJB	562767	male
A18.J1	FJB	562794	male	A49.J2	RJB	563132	male
A18.J2	FJB	562650	male	A49.J3	RJB	562957	male
A19	Left_Hand_Console	562878	female	A50.J1	RJB	563133	male
A20	Parcel_Rack_LH	561477	female	A50.J2	RJB	563132	male
A24	Right_Hand_Console	561889	female	A50.J3	RJB	562957	male
A24.A	Right_Hand_Console	561890	male	A51.J1	RJB	563133	male
A24.B	Right_Hand_Console	561566	female	A51.J2	RJB	563132	male
A25	Dash	563025	male	A51.J3	RJB	562957	male
A27	Service_Cmpt_	562929	male	A52.J1	RJB	563133	male
A28	Service_Cmpt_	562928	male	A52.J2	RJB	563132	male
A29	Dash	562464	male	A52.J3	RJB	562957	male
A33.A	FrontCeiling	563071	female	A53.J1	RJB	563133	male
A33.B	FrontCeiling	562330	female	A53.J2	RJB	563132	male
A36.JA	FJB	562767	male	A53.J3	RJB	562957	male
A36.JB	FJB	562765	male	A54.J1	Evap_Cmpt_	563133	male
A36.JC	FJB	562957	male	A54.J2	Evap_Cmpt_	563132	male
A39.P101	Parcel_Rack_LH_1st_Cmpt	563201	male	A54.J3	Evap_Cmpt_	562957	male
A39.P901	Parcel_Rack_LH_1st_Cmpt	563953	male	A55.J1	Dash	562767	male
A41.J1	FJB	562767	male	A55.J2	Dash	563132	male
A41.J2	FJB	563132	male	A55.J3	Dash	562957	male
A41.J3	FJB	562957	male	A60.A	Parcel_Rack_LH_1st_Cmpt	563071	male
A42.J1	FJB	562767	male	A60.B	Parcel_Rack_LH_1st_Cmpt	562706	female
A42.J2	FJB	563132	male	A60.C	Parcel_Rack_LH_1st_Cmpt	901110	male
A42.J3	FJB	562957	male	A60.D	Parcel_Rack_LH_1st_Cmpt	901110	male

CONNECTORS LIST

No	Location	Part #	Gender	No	Location	Part #	Gender
A60DB.A		563071	male	A113.A	Dash	563960	male
A60DB.B		562706	female	A113.B	Dash	563962	male
A60DB.C		901110	male	A113.C1	Dash	563956	male
A60DB.D		901110	male	A113.C2	Dash	563957	male
A61.A	Parcel_Rack_LH_1st_Cmpt	562464	male	A113.C3	Dash	563958	male
A61.B	Parcel_Rack_LH_1st_Cmpt	562465	male	A113.D	Dash	563961	male
A65.B		901110	male	A114A		564252	male
A65.C		901110	male	A115.A		562865	male
A65.Csv	Dash	562465	male	A120.A	Dash	563960	male
A65.D		901110	male	A120.B	Dash	563962	male
A65OP.A		901110	male	A120.C1	Dash	563956	male
A65OP.B		901110	male	A120.C2	Dash	563957	male
A65OP.C		901110	male	A120.C3	Dash	563958	male
A65OP.Csv		562465	male	A120.D	Dash	563961	male
A65OP.D		901110	male	A121.Vsa	Dash	563679	male
A65OP.E		901110	male	A121.Vsb	Dash	563678	male
A65OP.F		562090	male	A121.Vsc	Dash	564037	female
A69.A	Parcel_Rack_LH_1st_Cmpt	563071	male	A121.Vsd	Dash	564118	male
A69.B	Parcel_Rack_LH_1st_Cmpt	561716	female	A130	Left_Hand_Console	563226	male
A69.C	Parcel_Rack_LH_1st_Cmpt	561716	female	A131.A	Engine_Cmpt_	561782	male
A69.D	Parcel_Rack_LH_1st_Cmpt	561716	female	A131.B	Engine_Cmpt_	561781	female
A69.E	Parcel_Rack_LH_1st_Cmpt	561716	female	A137A		20429843	male
A69.F	Parcel_Rack_LH_1st_Cmpt	561716	female	A138	Cond_Cmpt_	563787	male
A69.G	Parcel_Rack_LH_1st_Cmpt	561716	female	A139	Dash	564501	female
A69.H	Parcel_Rack_LH_1st_Cmpt	561716	female	A150		21280133	male
A70c		561540	female	A152.A	Parcel_Rack_LH_1st_Cmpt	561550	male
A77		564547	male	A152.B	Parcel_Rack_LH_1st_Cmpt	563071	male
A78		562583	female	A152.C	Parcel_Rack_LH_1st_Cmpt	563071	male
A79		562583	female	A152.D	Parcel_Rack_LH_1st_Cmpt	563071	male
A80		562479	female	A152.E	Parcel_Rack_LH_1st_Cmpt	563071	male
A81A.JA	FJB	562767	male	A152.F	Parcel_Rack_LH_1st_Cmpt	563071	male
A81A.JB	FJB	562765	male	A152.G	Parcel_Rack_LH_1st_Cmpt	563071	male
A81A.JC	FJB	562957	male	A152.H	Parcel_Rack_LH_1st_Cmpt	563071	male
A83	FJB	564205	male	A152.I	Parcel_Rack_LH_1st_Cmpt	563071	male
A96	FJB	564073	female	A152.J	Parcel_Rack_LH_1st_Cmpt	563071	male
A97	Dash	563226	male	A152.K	Parcel_Rack_LH_1st_Cmpt	562779	male
A100	Front_Axle_Cmpt_	563758	female	A152.L	Parcel_Rack_LH_1st_Cmpt	562779	male
A101	Rear_Axle_Cmpt_	563758	female	A153.A	Parcel_Rack_LH_1st_Cmpt	562465	male
A102	Rear_Axle_Cmpt_	563758	female	A153.B	Parcel_Rack_LH_1st_Cmpt	561716	female
A103	Dash	562070	female	A153.C	Parcel_Rack_LH_1st_Cmpt	561716	female
A107		20393942	female	A153.D	Parcel_Rack_LH_1st_Cmpt	561716	female
A108	FJB	562766	male	Alt1D.A	Engine_Cmpt_	563746	female
A109	Left_Hand_Console	564141	male	Alt1D.B	Engine_Cmpt_	560815	female

CONNECTORS LIST

No	Location	Part #	Gender	No	Location	Part #	Gender
Alt1D.C	Engine_Cmpt_	564469	female	C13_plug	Right_Hand_Console	563589	male
Alt2D.A	Engine_Cmpt_	563746	female	C13_socket	Right_Hand_Console	563590	female
Alt2D.B	Engine_Cmpt_	560815	female	C13S	Right_Hand_Console	563589	male
Alt2D.C	Engine_Cmpt_	564469	female	C13S	Right_Hand_Console	563590	female
B85	Engine_Cmpt_	563815	male	C14	Evap_Cmpt_	561986	male
B96.J1	Engine_Cmpt_	563821	male	C14	Evap_Cmpt_	561987	female
B96B	Engine_Cmpt_	563823	male	C15	5th_Lugg_Cmpt_	561643	male
B97	Engine_Cmpt_	563816	male	C15	5th_Lugg_Cmpt_	561642	female
B98	Engine_Cmpt_	563817	male	C15A		563358	male
B115A		564226	male	C15A		563359	female
B142C		563793	male	C16	RJB	561577	male
C1	Service_Cmpt_	563589	male	C16	RJB	561605	female
C1	Service_Cmpt_	563590	female	C17	RJB	561986	male
C1S	Service_Cmpt_	563589	male	C17	RJB	561987	female
C1S	Service_Cmpt_	563590	female	C18	FJB	561986	male
C2	Service_Cmpt_	563580	male	C18	FJB	561987	female
C2	Service_Cmpt_	563581	female	C19	RJB	561986	male
C2A	Service_Cmpt_	563580	male	C19	RJB	561987	female
C2A	FJB	563581	female	C20	Lavatory	561668	male
C3	RJB	563589	male	C20	Lavatory	561551	female
C3	RJB	563590	female	C20A	Engine_Cmpt_	562485	male
C3S	RJB	563589	male	C20A	Engine_Cmpt_	562486	female
C3S	RJB	563590	female	C20B	Engine_Cmpt_	562485	male
C4	Service_Cmpt_	563580	male	C20B	Engine_Cmpt_	562486	female
C4	Service_Cmpt_	563581	female	C21A	RJB	561646	male
C5	Service_Cmpt_	563589	male	C21A	RJB	561645	female
C5	Service_Cmpt_	563590	female	C21B	RJB	561646	male
C5S	Service_Cmpt_	563589	male	C21B	RJB	561645	female
C5S	Service_Cmpt_	563590	female	C22	RJB	561847	male
C6	Service_Cmpt_	563582	male	C22	RJB	561862	female
C6	Service_Cmpt_	563583	female	C23	5thLugg.Cmpt	561847	male
C7	Service_Cmpt_	562581	male	C23	5thLugg.Cmpt	561862	female
C7	Service_Cmpt_	562583	female	C24_plug	Evap_Cmpt_	561690	male
C8	Service_Cmpt_	563227	male	C24_socket	Evap_Cmpt_	561566	female
C8	Service_Cmpt_	563614	female	C25	Parcel_Rack_LH_1st_Cmpt	561550	male
C9	Evap_Cmpt_	561986	male	C25	Parcel_Rack_LH_1st_Cmpt	561667	female
C9	Evap_Cmpt_	561987	female	C26		563226	male
C10A	Engine_Cmpt_	562581	male	C26		563613	female
C10A	Engine_Cmpt_	562583	female	C26A		563358	male
C11	Service_Cmpt_	563580	male	C26A		563359	female
C11	Service_Cmpt_	563581	female	C26B		563227	male
C12	RJB	561986	male	C26B		563614	female
C12	RJB	561987	female	C27	RJB	562005	male

CONNECTORS LIST

No	Location	Part #	Gender	No	Location	Part #	Gender
C27	RJB	561714	female	C51	Engine_Cmpt_	562485	male
C29	5th_Lugg_Cmpt_	563651	male	C51	Engine_Cmpt_	562486	female
C29	5th_Lugg_Cmpt_	563652	female	C53		561773	male
C30	5th_Lugg_Cmpt_	561710	male	C53		562004	female
C30	5th_Lugg_Cmpt_	561709	female	C54		563226	male
C31	RJB	561734	male	C54		563613	female
C31	RJB	561735	female	C54A		561643	male
C32	5th_Lugg_Cmpt_	561550	male	C54A		561642	female
C32	5th_Lugg_Cmpt_	561667	female	C54B		562477	male
C33	RHFrontRoof	561550	male	C54B		562479	female
C33	RHFrontRoof	561667	female	C55	Evap_Cmpt_	561577	male
C34	Right_Hand_Console	561986	male	C55	Evap_Cmpt_	561605	female
C34	Right_Hand_Console	561987	female	C64		563358	male
C35		561607	male	C64		563359	female
C35		561606	female	C65-OP2		563071	male
C36	FJB	561986	male	C65-OP2		563040	female
C36	FJB	561987	female	C65-OP_plug		562477	male
C37	Parcel_Rack_LH	562557	male	C65-OP_socket		562479	female
C37	Parcel_Rack_LH	562558	female	C66	Engine_Cmpt_	561577	male
C38	Parcel_Rack_RH	562555	male	C66	Engine_Cmpt_	561605	female
C38	Parcel_Rack_RH	562556	female	C70	FrontCeiling	562557	male
C39	ModestyPanel	562503	male	C70	FrontCeiling	562558	female
C39	ModestyPanel	562507	female	C71	Service_Cmpt_	561646	male
C39A		561782	male	C71	Service_Cmpt_	561645	female
C39A		561781	female	C72	FJB	561646	male
C40	Dash	562485	male	C72	FJB	561645	female
C40	Dash	562486	female	C73		563226	male
C41	RJB	561690	male	C73		563613	female
C41	RJB	561566	female	C74	FJB	561645	female
C43	Lavatory	561661	female	C74	FJB	561646	male
C43	Lavatory	561662	male	C82	Right_Hand_Console	562581	male
C44_plug	FJB	561577	male	C82	Right_Hand_Console	562583	female
C44_socket	FJB	561605	female	C87	Lavatory	563618	male
C45	FJB	561643	male	C87	Lavatory	563616	female
C45	FJB	561642	female	C90	Engine_Cmpt	562350	male
C46		564228	male	C90	Engine_Cmpt	563764	female
C46		564228	male	C91	RJB	562285	male
C48	Service_Cmpt_	561690	male	C91	RJB	562282	female
C48	Service_Cmpt_	561566	female	C92L		561690	male
C49A	FJB	562005	male	C92L		561566	female
C49A	FJB	561714	female	C92R		561690	male
C50		561782	male	C92R		561566	female
C50		561781	female	C94_plug		563589	male

CONNECTORS LIST

No	Location	Part #	Gender	No	Location	Part #	Gender
C94_socket		563590	female	C141	Left_Hand_Console	561247	male
C96		561643	male	C141	Left_Hand_Console	561248	female
C96		561642	female	C144	UnderLHSeat	560852	male
C97		561643	male	C144	UnderLHSeat	560851	female
C97		561642	female	C152	CondensorCmpt.	561611	male
C99_plug		563589	male	C152	CondensorCmpt.	561610	female
C99_socket		563590	female	C155	RJB	561626	female
C100	5th_Lugg_Cmpt_	563589	male	C155	RJB	561904	female
C100	5th_Lugg_Cmpt_	563590	female	C171	Service_Cmpt_	561646	male
C100A		563589	male	C171	Service_Cmpt_	561645	female
C100A		563590	female	C183	Service_Cmpt_	561611	male
C100S	5th_Lugg_Cmpt_	563589	male	C183	Service_Cmpt_	561610	female
C100S	5th_Lugg_Cmpt_	563590	female	C193	RJB	563589	male
C101	Service_Cmpt_	561690	male	C193	RJB	563590	female
C101	Service_Cmpt_	561566	female	C194	FJB	563589	male
C102	RJB	561690	male	C194	FJB	563590	female
C102	RJB	561566	female	C200	Engine_Cmpt_	562471	male
C102A		561637	male	C200	Engine_Cmpt_	562348	female
C102A		561636	female	C206	FJB	562503	male
C103_plug	FJB	562485	male	C206	FJB	562507	female
C103_socket	FJB	562486	female	C207	Over_Head_Driver_Area	562503	male
C105_plug	FJB	562581	male	C207	Over_Head_Driver_Area	562507	female
C105_socket	FJB	562583	female	C209	Parcel_Rack_RH	562503	male
C106_plug	FJB	562581	male	C209	Parcel_Rack_RH	562507	female
C106_socket	FJB	562583	female	C212	WCL_Door	561515	male
C119A	Rear_Engine_Door	562581	male	C212	WCL_Door	561552	female
C119A	Rear_Engine_Door	562583	female	C222	FJB	562477	male
C120A	Rear_Engine_Door	563580	male	C222	FJB	562479	female
C120A	Rear_Engine_Door	563581	female	C223	FJB	563227	male
C120Y		562783	male	C223	FJB	563614	female
C120Y		563206	female	C224	FJB	561637	male
C122	RJB	561690	male	C224	FJB	561636	female
C122	RJB	561566	female	C225	FJB	562649	female
C123	Rear_Axle_Cmpt_	561690	male	C225_0_1	FJB	562650	male
C123	Rear_Axle_Cmpt_	561566	female	C226	FJB	562650	male
C124	FJB	561577	male	C226	FJB	562649	female
C124	FJB	561605	female	C228		563227	male
C138B		562011	male	C228		563614	female
C138B		562012	female	C239	Service_Cmpt_	561690	male
C139		562011	male	C239	Service_Cmpt_	561566	female
C139		562012	female	C240	Service_Cmpt_	561607	male
C139B		562011	male	C240	Service_Cmpt_	561606	female
C139B		562012	female	C246	Service_Cmpt_	563090	male

CONNECTORS LIST

No	Location	Part #	Gender	No	Location	Part #	Gender
C246	Service_Cmpt_	563091	female	C382	Passenger_Area	561580	male
C260	Service_Cmpt_	561607	male	C382	Passenger_Area	561582	female
C260	Service_Cmpt_	561606	female	C397	RJB	562285	male
C269	RHConsole	563090	male	C397	RJB	562282	female
C269	RHConsole	563091	female	C402		561247	male
C279	Service_Cmpt_	562477	male	C402		561248	female
C279	Service_Cmpt_	562479	female	C403	Galley	561247	male
C280:1			outofrange.	C403	Galley	561248	female
C280:2			outofrange.	C426	Engine_Cmpt_	561611	male
C280_plug		562549	male	C426	Engine_Cmpt_	561610	female
C280_socket		562550	female	C430	LHConsole	562363	male
C284	Parcel_Rack_LH_1st_Cmpt	561782	male	C430	LHConsole	561188	female
C284	Parcel_Rack_LH_1st_Cmpt	561781	female	C452		561669	male
C284-1	Parcel_Rack_LH_1st_Cmpt	561782	male	C452		561670	female
C284-1	Parcel_Rack_LH_1st_Cmpt	561781	female	C463	Engine_Cmpt_	562570	female
C284-2	Parcel_Rack_LH_1st_Cmpt	561782	male	C463	Engine_Cmpt_	562571	male
C284-2	Parcel_Rack_LH_1st_Cmpt	561781	female	C464A		564222	male
C284-3	Parcel_Rack_LH_1st_Cmpt	561782	male	C464A		564224	female
C284-3	Parcel_Rack_LH_1st_Cmpt	561781	female	C465	ModestyPanel	562581	male
C284-4	Parcel_Rack_LH_1st_Cmpt	561782	male	C465	ModestyPanel	562583	female
C284-4	Parcel_Rack_LH_1st_Cmpt	561781	female	C506	FJB	561687	male
C284-5	Parcel_Rack_LH_1st_Cmpt	561782	male	C506	FJB	561685	female
C284-5	Parcel_Rack_LH_1st_Cmpt	561781	female	C542	Parcel_Rack_LH_1st_Cmpt	561550	male
C284-6		561782	male	C542	Parcel_Rack_LH_1st_Cmpt	561667	female
C284-6		561781	female	C558	Dash	562503	male
C284-7		561782	male	C558	Dash	562507	female
C284-7		561781	female	C564	Dash	562503	male
C284-8		561782	male	C564	Dash	562507	female
C284-8		561781	female	C564-Sp	Dash	562503	male
C298	Parcel_Rack_LH_1st_Cmpt	561782	male	C564-Sp	Dash	562507	female
C298	Parcel_Rack_LH_1st_Cmpt	561781	female	C566	Dash	562503	male
C330	FJB	561690	male	C566	Dash	562507	female
C330	FJB	561566	female	C567	Dash	562503	male
C337		561782	male	C567	Dash	562507	female
C337		561781	female	C575	RrSectionRHHatRack	562503	male
C355		563582	male	C575	RrSectionRHHatRack	562507	female
C355		565887	female	C576B		562006	male
C356		561695	male	C576B		560908	female
C356		561693	female	C576BB		562006	male
C380A		564222	male	C576BB		560908	female
C380A		564224	female	C577A		562006	male
C381	FJB	561847	male	C577A		560908	female
C381	FJB	561862	female	C577AA		562006	male

CONNECTORS LIST

No	Location	Part #	Gender	No	Location	Part #	Gender
C577AA		560908	female	C_ALT1		562477	male
C578	RrSectionLHHatRack	562503	male	C_ALT1		562479	female
C578	RrSectionLHHatRack	562507	female	C_ALT2		562477	male
C582	FJB	561690	female	C_ALT2		562479	female
C582	FJB	561566	female	C_AUX		563071	male
C583.A		560908	female	C_AUX		563040	female
C583.B		560908	female	C_AUX2		563071	male
C583A		562006	male	C_AUX2		563040	female
C583A		560908	female	C_INV1		562338	male
C583R		561577	male	C_INV1		562338	male
C583R		561605	female	C_INV2		562338	male
C584.A		560908	female	C_INV2		562338	male
C584.B		560908	female	C_LineOut	Parcel_Rack_LH_1st_Cmpt	563962	male
C584A		562006	male	C_LineOut	Parcel_Rack_LH_1st_Cmpt	564489	female
C584A		560908	female	C_USB		562069	male
C601	LHRoofWinAjar	561476	male	C_USB		562070	female
C601	LHRoofWinAjar	561477	female	C_USB:1			outofrange.
C602	FJB	561476	male	C_USB:2			outofrange.
C602	FJB	561477	female	C_USB:3			outofrange.
C603	RHRoofWinAjar	561476	male	C_USB:5			outofrange.
C603	RHRoofWinAjar	561477	female	C_USB:6			outofrange.
C611	Parcel_Rack_RH	562557	male	C_Video_AUX		562557	male
C611	Parcel_Rack_RH	562558	female	C_Video_AUX		562558	female
C614	Passenger_Area	563071	male	CFHAC		564238	male
C614	Passenger_Area	563040	female	CFHF1		564560	male
C615	Passenger_Area	563071	male	CFHG1		564560	male
C615	Passenger_Area	563040	female	CFHPR1		564560	male
C616	Parcel_Rack_RH	561247	male	CMS1_plug	Passenger_Area	563601	male
C616	Parcel_Rack_RH	561248	female	CMS1_socket	Passenger_Area	563600	female
C617	Dash	563801	male	CMS2_plug	Passenger_Area	563601	male
C617	Dash	563800	female	CMS2_socket	Passenger_Area	563600	female
C618	Right_Hand_Console	563801	male	CMS3_plug	Passenger_Area	563601	male
C618	Right_Hand_Console	563800	female	CMS3_socket	Parcel_Rack_LH_1st_Cmpt	563600	female
C717	RJB	561646	male	CMS4_plug	Passenger_Area	563601	male
C717	RJB	561645	female	CMS4_socket	Passenger_Area	563600	female
C752	Parcel_Rack_LH_1st_Cmpt	901283	female	CP1		561782	male
C753	Parcel_Rack_LH_1st_Cmpt	901283	female	CP1		561781	female
C766	Parcel_Rack_LH_1st_Cmpt	561662	male	CP2		561782	male
C766	Parcel_Rack_LH_1st_Cmpt	561661	female	CP2		561781	female
C768	Dash	901283	female	CP3		561782	male
C769	Dash	901283	female	CP3		561781	female
C777	Dash	562477	male	CP4		561782	male
C777	Dash	562479	female	CP4		561781	female

CONNECTORS LIST

No	Location	Part #	Gender	No	Location	Part #	Gender
CSS2	Roof	562477	male	L39	Parcel_Rack_LH	560898	male
CSS2	Roof	562479	female	L40.A	Parcel_Rack_RH	560898	male
CSX1	PreHeater_Cmpt	563135	male	L41.A	Parcel_Rack_RH	560898	male
CSX1	PreHeater_Cmpt	563134	female	L42.A	Parcel_Rack_RH	560898	male
CSX3	Engine_Cmpt_	563135	male	L43.A	Parcel_Rack_RH	560898	male
CSX3	Engine_Cmpt_	563134	female	L44.A	Parcel_Rack_RH	560898	male
CT2	Engine_Cmpt_	563226	male	L45.A	Parcel_Rack_RH	560898	male
CT2	Engine_Cmpt_	563613	female	L46.A	Parcel_Rack_RH	560898	male
CT3	Engine_Cmpt_	563224	male	L47.A	Parcel_Rack_RH	560898	male
D92	Parcel_Rack_LH_1st_Cmpt	561183	male	L48.A	Parcel_Rack_RH	560898	male
EIA		563739	male	L49.A	Parcel_Rack_RH	560898	male
L1	Service_Cmpt_	562485	male	L50.A	Parcel_Rack_RH	560898	male
L2	Front_Roof	561247	male	L51.A	Parcel_Rack_RH	560898	male
L16	Front_Roof	562803	male	L52	Driver_Area	560898	male
L17	Front_Roof	562803	male	L53	Passenger_Area	560898	male
L18	Entrance_Door	562549	male	L54	Passenger_Area	560898	male
L19	Entrance_Door	562486	female	L55	Passenger_Area	560898	male
L20	Entrance_Door	562486	female	L56	Passenger_Area	560898	male
L21.A	Front_Roof	561608	female	L57	Passenger_Area	560898	male
L21.B	Front_Roof	562286	male	L58	Passenger_Area	560898	male
L22.A	Front_Roof	561608	female	L63	Outside_Front_RH	562155	male
L22.B	Front_Roof	562286	male	L64	Outside_Front_RH	562155	male
L23.A	Front_Roof	561608	female	L65	Outside_Front_LH	562155	male
L23.B	Front_Roof	562286	male	L66	Outside_Front_LH	562155	male
L24.A	Front_Roof	561608	female	L67A	Luggage_Cmpt_	562155	male
L24.B	Front_Roof	562286	male	L68A	Luggage_Cmpt_	562155	male
L25.A	Front_Roof	561608	female	L69A	Luggage_Cmpt_	562155	male
L25.B	Front_Roof	562286	male	L70A	Luggage_Cmpt_	562155	male
L26.A	Front_Roof	561608	female	L72	Rear_Vehicle	562155	male
L26.B	Front_Roof	562286	male	L74	Rear_Vehicle	562155	male
L27.A	Front_Roof	561608	female	L75	Rear_Vehicle	562155	male
L27.B	Front_Roof	562286	male	L76	Rear_Engine_Door	562155	male
L28	Parcel_Rack_LH	560898	male	L81A.A	Rear_Engine_Door	562835	female
L29	Parcel_Rack_LH	560898	male	L81A.B	Rear_Engine_Door	562834	male
L30	Parcel_Rack_LH	560898	male	L82A	Rear_Engine_Door	562348	female
L31	Parcel_Rack_LH	560898	male	L83A	Rear_Engine_Door	562348	female
L32	Parcel_Rack_LH	560898	male	L84A.A	Engine_Cmpt_	561608	female
L33	Parcel_Rack_LH	560898	male	L84A.B	Engine_Cmpt_	562286	male
L34	Parcel_Rack_LH	560898	male	L85A.A	Engine_Cmpt_	561608	female
L35	Parcel_Rack_LH	560898	male	L85A.B	Engine_Cmpt_	562286	male
L36	Parcel_Rack_LH	560898	male	L86A.A	Engine_Cmpt_	561608	female
L37	Parcel_Rack_LH	560898	male	L86A.B	Engine_Cmpt_	562286	male
L38	Parcel_Rack_LH	560898	male	L87A.A	Rear_Vehicle	561608	female

CONNECTORS LIST

No	Location	Part #	Gender	No	Location	Part #	Gender
L87A.B	Rear_Vehicle	562286	male	L177	5th_Lugg_Cmpt_	561247	male
L88A.A	Rear_Vehicle	561608	female	L178	3rd_Lugg_Cmpt_	561247	male
L88A.B	Rear_Vehicle	562286	male	L179	3rd_Lugg_Cmpt_	561247	male
L89A.A	Rear_Vehicle	561608	female	L180	2nd_Lugg_Cmpt_	561247	male
L89A.B	Rear_Vehicle	562286	male	L181	2nd_Lugg_Cmpt_	561247	male
L90A.A	Rear_Vehicle	561608	female	L182	1st_Lugg_Cmpt_	561247	male
L90A.B	Rear_Vehicle	562286	male	L183	1st_Lugg_Cmpt_	561247	male
L93.A	Engine_Cmpt_	563069	female	L184	Service_Cmpt_	561247	male
L93.B	Engine_Cmpt_	563069	female	L186.A	Service_Cmpt_	562651	female
L94.A	Engine_Cmpt_	563069	female	L186.B	Service_Cmpt_	562290	female
L94.B	Engine_Cmpt_	563069	female	L187	Engine_Cmpt_	561690	male
L95A	Service_Cmpt_	562485	male	L188	Service_Cmpt_	562486	female
L95B	Service_Cmpt_	562485	male	L189	Outside_Front_RH	562069	male
L96A	Service_Cmpt_	562485	male	L190	Outside_Front_LH	562069	male
L96B	Service_Cmpt_	562485	male	L193.A	Dash	560488	female
L97.A	Service_Cmpt_	563069	female	L193.B	Dash	560488	female
L97.B	Service_Cmpt_	563069	female	L194.A	Left_Hand_Console	562019	female
L98A.A	Entrance_Door	563069	female	L194.B	Left_Hand_Console	560488	female
L98A.B	Entrance_Door	563069	female	L199		562848	male
L140	Lavatory	561247	male	L201	Front_Roof	561247	male
L142	Lavatory	562803	male	L202	Front_Roof	561247	male
L143	Front_Roof	561247	male	L203	Right_Hand_Console	561690	male
L144.A	Parcel_Rack_LH	562756	male	L204	WCL_Pass_Area	562803	male
L145.A	Parcel_Rack_LH	562756	male	L205	Evap_Cmpt_	562485	male
L146.A	Parcel_Rack_LH	562756	male	L206	WCL_Pass_Area	562803	male
L147.A	Parcel_Rack_LH	562756	male	L207.A		561699	female
L148.A	Parcel_Rack_LH	562756	male	L207.B		561701	female
L149.A	Parcel_Rack_LH	562756	male	L207.C		561701	female
L150.A	Parcel_Rack_LH	562756	male	L207.D		561699	female
L150.B		562505	female	L207.E		561701	female
L151.A	Parcel_Rack_LH	562756	male	L207.F		561699	female
L152.A	Parcel_Rack_LH	562756	male	L207.G		561699	female
L153.A	Parcel_Rack_LH	562756	male	L207.H		560926	female
L154.A	Parcel_Rack_LH	562756	male	L207.I		560926	female
L155.A	Parcel_Rack_LH	562756	male	L208	Front_Of_vehicle	563801	male
L156.A	Parcel_Rack_LH	562756	male	L209	Front_Of_vehicle	563801	male
L157.A	Parcel_Rack_LH	562756	male	L211	Entrance_Door	562486	female
L158.A	Parcel_Rack_LH	562756	male	L244.A	Parcel_Rack_RH	562756	male
L173A	Engine_Cmpt_	563590	female	L245.A	Parcel_Rack_RH	562756	male
L174		563589	male	L246.A	Parcel_Rack_RH	562756	male
L174A		563590	female	L247.A	Parcel_Rack_RH	562756	male
L175	RJB	561247	male	L248.A	Parcel_Rack_RH	562756	male
L176	5th_Lugg_Cmpt_	561247	male	L249.A	Parcel_Rack_RH	562756	male

CONNECTORS LIST

No	Location	Part #	Gender	No	Location	Part #	Gender
L249.B		562505	female	Mo4	Dash	562076	male
L250.A	Parcel_Rack_RH	562756	male	Mo5	Front_Roof	561550	female
L251.A	Parcel_Rack_RH	562756	male	Mo6	Service_Cmpt_	561690	male
L252.A		562756	male	Mo7	Cond_Cmpt_	563691	male
L252.B		562505	female	Mo8	Cond_Cmpt_	563691	male
L253.A	Parcel_Rack_RH	562756	male	Mo10	Evap_Cmpt_	561515	male
L254.A	Parcel_Rack_RH	562756	male	Mo11	Parcel_Rack_RH	561515	male
L255.A	Parcel_Rack_RH	562756	male	Mo12	Evap_Cmpt_	561690	male
L256.A	Parcel_Rack_RH	562756	male	Mo13	Engine_Cmpt_	561690	female
L257.A	Parcel_Rack_RH	562756	male	Mo14	Parcel_Rack_RH	561566	female
L282	Rear_Axle_Cmpt_	561690	male	Mo15	Over_Head_Driver_Area	560900	female
L288.A	Passenger_Area	561539	male	Mo16	Over_Head_Driver_Area	560900	female
L288.B	Passenger_Area	561539	male	Mo17	Left_Hand_Console	563626	male
L289.A	Passenger_Area	561539	male	Mo18	Service_Cmpt_	562474	male
L289.B	Passenger_Area	561539	male	Mo19	Service_Cmpt_	562474	male
L290	Engine_Cmpt_	562565	male	Mo20	Service_Cmpt_	562474	male
L291	Engine_Cmpt_	562565	male	Mo21	Front_Roof	561186	male
L293.A	Galley	560081	female	Mo22	Right_Hand_Console	561186	male
L293.B	Galley	560081	female	Mo24	Right_Hand_Console	562348	female
L294.A	Galley	560081	female	Mo25	Right_Hand_Console	562348	female
L294.B	Galley	560081	female	Mo27	Cond_Cmpt_	563691	male
L296A		561781	female	Mo28	Cond_Cmpt_	563691	male
L300.A		560908	female	Mo54	Service_Cmpt_	562474	male
L300.B		560908	female	Mo60		561566	female
L302		561781	female	Mo61	Parcel_Rack_RH	561248	female
L312.A	Parcel_Rack_RH	562756	male	Mo62		562486	female
L312.B	Parcel_Rack_RH	562505	female	Mo63		562486	female
L313	Service_Cmpt_	562789	male	Mo64		561566	female
L314	Service_Cmpt_	562789	male	P36.A	Engine_Cmpt_	561701	female
L315_0_1	Rear_Engine_Door	563590	female	P36.B	Engine_Cmpt_	561701	female
L316_0_1	Engine_Cmpt_	563590	female	P36.C	Engine_Cmpt_	561701	female
L317.A	Engine_Cmpt_	562835	female	PF1	Passenger_Area	561782	male
L317.B	Engine_Cmpt_	562834	male	Pot1.A	Dash	560488	female
L318.A	Engine_Cmpt_	562835	female	Pot1.B	Dash	560488	female
L318.B	Engine_Cmpt_	562834	male	Pot1.C	Dash	560488	female
L319		561247	male	PR1		561781	female
L320	Driver_Area	561248	female	R-12VISS	Parcel_Rack_LH_1st_Cmpt	561183	male
L350A.A		564552	male	R3	RJB	563409	male
L350A.B		563340	male	R4	FJB	561183	male
L350A.C		562251	male	R5	RJB	561183	male
Lav_Spk		563994	male	R10	Evap_Cmpt_	563409	male
Mo2_0_1	Engine_Cmpt_	561782	male	R11	RJB	561183	male
Mo3	Dash	561667	female	R12	Evap_Cmpt_	563409	male

CONNECTORS LIST

No	Location	Part #	Gender	No	Location	Part #	Gender
R17	RJB	564210	male	Se13	Engine_Cmpt_	562350	male
R18	RJB	564210	male	Se14.A	Dash	561782	male
R19	RJB	564210	male	Se14.B	Dash	561781	female
R20	Evap_Cmpt_	561183	male	Se15	Right_Hand_Console	560898	male
R22	FJB	561183	male	Se17	Entrance_Door	560081	female
R23	Right_Hand_Console	561183	male	Se19	Service_Cmpt_	563677	male
R24	FJB	561183	male	Se19A	Service_Cmpt_	563677	male
R25	RJB	561183	male	Se20	Evap_Cmpt_	562426	male
R26	Cond_Cmpt_	561183	male	Se21	Dash	561248	female
R27	Parcel_Rack_LH_1st_Cmpt	561183	male	Se23	Engine_Cmpt_	563159	male
R29	RJB	563409	male	Se24	Engine_Cmpt_	563159	male
R31	RJB	564210	male	Se25	Evap_Cmpt_	561248	female
R32	FJB	561183	male	Se28	Service_Cmpt_	561690	male
R35	Galley	561183	male	Se29	Engine_Cmpt_	561566	female
R36	Galley	561183	male	Se30	Engine_Cmpt_	562877	female
R37	Galley	561183	male	Se31	Engine_Cmpt_	562877	female
R41	FJB	561183	male	Se32	Engine_Cmpt_	563057	male
R42	FJB	561183	male	Se33	Engine_Cmpt_	562856	male
R43	FJB	561183	male	Se34	Engine_Cmpt_	563057	male
R47	5th_Lugg_Cmpt_	564496	male	Se35	Engine_Cmpt_	563057	male
R48.A		564496	male	Se36	Rear_Axle_Cmpt_	563629	female
R72		563409	male	Se37	Front_Axle_Cmpt_	641132	female
R73	Galley	563409	male	Se38	Front_Axle_Cmpt_	641132	female
R74	FJB	561183	male	Se39	Rear_Axle_Cmpt_	641132	female
R_STANK		561183	male	Se40	Rear_Axle_Cmpt_	641132	female
Res3	RJB	563590	female	Se45	Service_Cmpt_	563409	male
Res4	Right_Hand_Console	563590	female	Se46	Rear_Axle_Cmpt_	562348	female
Res6	FJB	563590	female	Se53	Service_Cmpt_	563159	female
Res7.A		563590	female	Se54	Service_Cmpt_	563159	female
Res15	RJB	561782	male	Se60	Service_Cmpt_	563409	male
Res31	Cond_Cmpt_	562350	male	Se63		641132	female
Res32	Cond_Cmpt_	563764	female	Se64		641132	female
Res53.A		563590	female	Se65		564042	female
Se4	Window_RH	561477	female	Se66		564039	female
Se5	Window_RH	561477	female	Se67		563159	female
Se6	Window_RH	561477	female	Se69		563159	female
Se7	Window_LH	561477	female	Se70	Rear_Axle_Cmpt_	563340	male
Se8	Window_LH	561477	female	Se79		563340	male
Se9	Window_LH	561477	female	Se86	Service_Cmpt_	563159	female
Se10	Window_LH	561477	female	Se_Full		562350	male
Se11.A	Cond_Cmpt_	560082	male	Se_Full		563764	female
Se11.B	Cond_Cmpt_	560082	male	So3	Right_Hand_Console	641385	male
Se11.C	Cond_Cmpt_	560082	male	So4	Right_Hand_Console	641385	male

CONNECTORS LIST

No	Location	Part #	Gender	No	Location	Part #	Gender
So5	Right_Hand_Console	641385	male	Spk6_R	Parcel_Rack_RH	563994	male
So6	Right_Hand_Console	641385	male	Spk7_L	Parcel_Rack_LH	563994	male
So7	Service_Cmpt_	561566	male	Spk7_R	Parcel_Rack_RH	563994	male
So8		562848	male	Spk8_L	Parcel_Rack_LH	563994	male
So9.A	Engine_Cmpt_	561566	female	Spk8_R	Parcel_Rack_RH	563994	male
So10	Cond_Cmpt_	562485	male	Spk9_L	Parcel_Rack_LH	563994	male
So11	Cond_Cmpt_	561566	female	Spk9_R	Parcel_Rack_RH	563994	male
So13	Evap_Cmpt_	563204	female	Spk10_L	Parcel_Rack_LH	563994	male
So14	Service_Cmpt_	564045	female	Spk10_R	Parcel_Rack_RH	563994	male
So15		641385	male	Spk11_L	Parcel_Rack_LH	563994	male
So16		641385	male	Spk11_R	Parcel_Rack_RH	563994	male
So17		562848	male	Spk12_L	Parcel_Rack_LH	563994	male
So18	Service_Cmpt_	641385	male	Spk12_R	Parcel_Rack_RH	563994	male
So19	Service_Cmpt_	641385	male	Spk13_L	Parcel_Rack_LH	563994	male
So20		641385	male	Spk13_R	Parcel_Rack_RH	563994	male
So21	Front_Axle_Cmpt_	564046	female	Spk14_L	Parcel_Rack_LH	563994	male
So22	Front_Axle_Cmpt_	564046	female	Spk14_R	Parcel_Rack_RH	563994	male
So23	Rear_Axle_Cmpt_	564046	female	Spk15_L	Parcel_Rack_LH	563994	male
So24	Rear_Axle_Cmpt_	564046	female	Spk15_R	Parcel_Rack_RH	563994	male
So26		562848	male	Spk16_L	Parcel_Rack_LH	563994	male
So27		564045	female	Spk16_R	Parcel_Rack_RH	563994	male
So50		564046	female	SpkDr_L	Driver_Area	563994	male
So52		564045	female	SpkDr_R	Driver_Area	563994	male
So53		564045	female	Sub1.A	Passenger_Area	564004	female
Sp17_R		563994	male	Sub2	Passenger_Area	564004	female
spBar4.J1		564135	male	Sw1.C258	Dash	561188	female
spBar5		564135	male	Sw1.C259	Dash	561186	male
spBar7		564135	male	Sw2	Dash	562763	male
spBar8		564135	male	Sw3	Dash	562763	male
spBar19.J1		564135	male	Sw4	Dash	562763	male
spBar20		564135	male	Sw5	Dash	562763	male
spBar21		564135	male	Sw6	Dash	562763	male
Spk1_L	Parcel_Rack_LH	563994	male	Sw7.A		562877	female
Spk1_R	Parcel_Rack_RH	563994	male	Sw8		562763	male
Spk2_L	Parcel_Rack_LH	563994	male	Sw9	Left_Hand_Console	562763	male
Spk2_R	Parcel_Rack_RH	563994	male	Sw10A	Left_Hand_Console	562763	male
Spk3_L	Parcel_Rack_LH	563994	male	Sw11A	Left_Hand_Console	562763	male
Spk3_R	Parcel_Rack_RH	563994	male	Sw12		562763	male
Spk4_L	Parcel_Rack_LH	563994	male	Sw14	Left_Hand_Console	562763	male
Spk4_R	Parcel_Rack_RH	563994	male	Sw16	Dash	562763	male
Spk5_L	Parcel_Rack_LH	563994	male	Sw17	Dash	562763	male
Spk5_R	Parcel_Rack_RH	563994	male	Sw18A	Left_Hand_Console	562763	male
Spk6_L	Parcel_Rack_LH	563994	male	Sw20	Dash	562763	male

CONNECTORS LIST

No	Location	Part #	Gender	No	Location	Part #	Gender
Sw21	Dash	562763	male	Sw63A	Left_Hand_Console	562763	male
Sw24	Dash	562763	male	Sw64.A	Left_Hand_Console	560815	female
Sw25	Dash	562763	male	Sw64.B	Left_Hand_Console	560815	female
Sw26	Dash	562763	male	Sw65OP		562763	male
Sw27	Dash	562763	male	Sw82.A	RJB	561457	female
Sw29	Dash	562763	male	Sw82.B	RJB	561457	female
Sw30	Engine_Cmpt_	561566	female	Sw82.C	RJB	561457	female
Sw31	WCL_Door	563543	male	Sw82.D	RJB	561457	female
Sw32	Dash	561477	female	Sw83.A	Dash	560082	female
Sw33	Dash	561476	male	Sw83.B	Dash	560815	female
Sw34	Outside_Front_RH	562477	male	Sw83.C	Dash	560082	female
Sw35	Left_Hand_Console	562763	male	Sw83.D	Dash	560815	female
Sw39.A	RJB	562403	female	Sw85	Left_Hand_Console	562749	male
Sw39.B	RJB	562403	female	Sw94.A	WCL_Pass_Area	562403	female
Sw40	Left_Hand_Console	561690	male	Sw94.B	WCL_Pass_Area	562403	female
Sw41	Left_Hand_Console	562749	male	Sw95.A	WCL_Door	562615	female
Sw42	5th_Lugg_Cmpt_	561635	female	Sw95.B	WCL_Door	562615	female
Sw43	Service_Cmpt_	561690	male	Sw95.C	WCL_Door	562615	female
Sw44.A	FJB	562403	female	Sw96.A	WCL_Door	562615	female
Sw44.B	FJB	562403	female	Sw96.B	WCL_Door	562615	female
Sw45.A	5th_Lugg_Cmpt_	562403	female	Sw96.C	WCL_Door	562615	female
Sw45.B	5th_Lugg_Cmpt_	562403	female	Sw97.A		562615	female
Sw46.A	5th_Lugg_Cmpt_	562403	female	Sw97.B		562615	female
Sw46.B	5th_Lugg_Cmpt_	562403	female	Sw97.C		562615	female
Sw47.A	3rd_Lugg_Cmpt_	562403	female	Sw98.A		562615	female
Sw47.B	3rd_Lugg_Cmpt_	562403	female	Sw98.B		562615	female
Sw48.A	3rd_Lugg_Cmpt_	562403	female	Sw98.C		562615	female
Sw48.B	3rd_Lugg_Cmpt_	562403	female	Sw100A	Dash	562763	male
Sw49.A	2nd_Lugg_Cmpt_	562403	female	Sw125.A	Service_Cmpt_	561457	female
Sw49.B	2nd_Lugg_Cmpt_	562403	female	Sw125.B	Service_Cmpt_	561457	female
Sw50.A	2nd_Lugg_Cmpt_	562403	female	Sw126.A	Dash	562763	male
Sw50.B	2nd_Lugg_Cmpt_	562403	female	Sw131		562763	male
Sw51.A	1st_Lugg_Cmpt_	562403	female	Sw137	Dash	562763	male
Sw51.B	1st_Lugg_Cmpt_	562403	female	Sw152	Left_Hand_Console	562471	male
Sw52	1st_Lugg_Cmpt_	562403	female	Sw153		562763	male
Sw52.B	1st_Lugg_Cmpt_	562403	female	Sw155		562763	male
Sw55.A	Lavatory	560488	female	Sw299	Dash	562763	male
Sw55.B	Lavatory	560488	female	Sw300	Dash	562763	male
Sw56.A	Lavatory	560488	female	Sw301	Dash	562763	male
Sw56.B	Lavatory	560488	female	Sw302	Dash	562763	male
Sw57	WCL_Door	563543	male	Sw305		562763	male
Sw58	Engine_Cmpt_	562581	male	Sw306		562763	male
Sw59	Engine_Cmpt_	562485	male	Sw_STANK		562485	male

CONNECTORS LIST

No	Location	Part #	Gender	No	Location	Part #	Gender
A1		563975	male	A43.J1	FJB	562767	male
A2		563984	male	A43.J2	FJB	563132	male
A3	Dash	562363	male	A43.J3	FJB	562957	male
A4A.A	Service_Cmpt_	562428	female	A44.J1	FJB	563133	male
A4A.B	Service_Cmpt_	561188	female	A44.J2	FJB	563132	male
A5A	Service_Cmpt_	562428	female	A44.J3	FJB	562957	male
A6	Rear_Axle_Cmpt_	562427	male	A45.J1	FJB	563133	male
A7	Rear_Axle_Cmpt_	563979	male	A45.J2	FJB	563132	male
A9.Cx1		564041	female	A45.J3	FJB	562957	male
A9.Cx2		563678	male	A46.J1	FJB	563133	male
A9.Cx3		564037	female	A46.J2	FJB	563132	male
A9.Cx4		564038	female	A46.J3	FJB	562957	male
A10.X1	Engine_Cmpt_	563135	male	A47.J1	Right_Hand_Console	563133	male
A10.X3	Engine_Cmpt_	563134	female	A47.J2	Right_Hand_Console	563132	male
A11	Left_Hand_Console	563142	male	A47.J3	Right_Hand_Console	562957	male
A14A.A	Dash	562766	male	A48.J1	Right_Hand_Console	563133	male
A14A.B	Dash	562767	male	A48.J2	Right_Hand_Console	563132	male
A14A.C	Dash	562765	male	A48.J3	Right_Hand_Console	562957	male
A15	Dash	562464	male	A49.J1	RJB	562767	male
A18.J1	FJB	562794	male	A49.J2	RJB	563132	male
A18.J2	FJB	562650	male	A49.J3	RJB	562957	male
A19	Left_Hand_Console	562878	female	A50.J1	RJB	563133	male
A20	Parcel_Rack_LH	561477	female	A50.J2	RJB	563132	male
A24	Right_Hand_Console	561889	female	A50.J3	RJB	562957	male
A24.A	Right_Hand_Console	561890	male	A51.J1	RJB	563133	male
A24.B	Right_Hand_Console	561566	female	A51.J2	RJB	563132	male
A25	Dash	563025	male	A51.J3	RJB	562957	male
A27	Service_Cmpt_	562929	male	A52.J1	RJB	563133	male
A28	Service_Cmpt_	562928	male	A52.J2	RJB	563132	male
A29	Dash	562464	male	A52.J3	RJB	562957	male
A33.A	FrontCeiling	563071	female	A53.J1	RJB	563133	male
A33.B	FrontCeiling	562330	female	A53.J2	RJB	563132	male
A36.JA	FJB	562767	male	A53.J3	RJB	562957	male
A36.JB	FJB	562765	male	A54.J1	Evap_Cmpt_	563133	male
A36.JC	FJB	562957	male	A54.J2	Evap_Cmpt_	563132	male
A39.P101	Parcel_Rack_LH_1st_Cmpt	563201	male	A54.J3	Evap_Cmpt_	562957	male
A39.P901	Parcel_Rack_LH_1st_Cmpt	563953	male	A55.J1	Dash	562767	male
A41.J1	FJB	562767	male	A55.J2	Dash	563132	male
A41.J2	FJB	563132	male	A55.J3	Dash	562957	male
A41.J3	FJB	562957	male	A60.A	Parcel_Rack_LH_1st_Cmpt	563071	male
A42.J1	FJB	562767	male	A60.B	Parcel_Rack_LH_1st_Cmpt	562706	female
A42.J2	FJB	563132	male	A60.C	Parcel_Rack_LH_1st_Cmpt	901110	male
A42.J3	FJB	562957	male	A60.D	Parcel_Rack_LH_1st_Cmpt	901110	male

CONNECTORS LIST

No	Location	Part #	Gender	No	Location	Part #	Gender
A60DB.A		563071	male	A113.A	Dash	563960	male
A60DB.B		562706	female	A113.B	Dash	563962	male
A60DB.C		901110	male	A113.C1	Dash	563956	male
A60DB.D		901110	male	A113.C2	Dash	563957	male
A61.A	Parcel_Rack_LH_1st_Cmpt	562464	male	A113.C3	Dash	563958	male
A61.B	Parcel_Rack_LH_1st_Cmpt	562465	male	A113.D	Dash	563961	male
A65.B		901110	male	A114A		564252	male
A65.C		901110	male	A115.A		562865	male
A65.Csv	Dash	562465	male	A120.A	Dash	563960	male
A65.D		901110	male	A120.B	Dash	563962	male
A65OP.A		901110	male	A120.C1	Dash	563956	male
A65OP.B		901110	male	A120.C2	Dash	563957	male
A65OP.C		901110	male	A120.C3	Dash	563958	male
A65OP.Csv		562465	male	A120.D	Dash	563961	male
A65OP.D		901110	male	A121.Vsa	Dash	563679	male
A65OP.E		901110	male	A121.Vsb	Dash	563678	male
A65OP.F		562090	male	A121.Vsc	Dash	564037	female
A69.A	Parcel_Rack_LH_1st_Cmpt	563071	male	A121.Vsd	Dash	564118	male
A69.B	Parcel_Rack_LH_1st_Cmpt	561716	female	A130	Left_Hand_Console	563226	male
A69.C	Parcel_Rack_LH_1st_Cmpt	561716	female	A131.A	Engine_Cmpt_	561782	male
A69.D	Parcel_Rack_LH_1st_Cmpt	561716	female	A131.B	Engine_Cmpt_	561781	female
A69.E	Parcel_Rack_LH_1st_Cmpt	561716	female	A137A		20429843	male
A69.F	Parcel_Rack_LH_1st_Cmpt	561716	female	A138	Cond_Cmpt_	563787	male
A69.G	Parcel_Rack_LH_1st_Cmpt	561716	female	A139	Dash	564501	female
A69.H	Parcel_Rack_LH_1st_Cmpt	561716	female	A150		21280133	male
A70c		561540	female	A152.A	Parcel_Rack_LH_1st_Cmpt	561550	male
A77		564547	male	A152.B	Parcel_Rack_LH_1st_Cmpt	563071	male
A78		562583	female	A152.C	Parcel_Rack_LH_1st_Cmpt	563071	male
A79		562583	female	A152.D	Parcel_Rack_LH_1st_Cmpt	563071	male
A80		562479	female	A152.E	Parcel_Rack_LH_1st_Cmpt	563071	male
A81A.JA	FJB	562767	male	A152.F	Parcel_Rack_LH_1st_Cmpt	563071	male
A81A.JB	FJB	562765	male	A152.G	Parcel_Rack_LH_1st_Cmpt	563071	male
A81A.JC	FJB	562957	male	A152.H	Parcel_Rack_LH_1st_Cmpt	563071	male
A83	FJB	565970	male	A152.I	Parcel_Rack_LH_1st_Cmpt	563071	male
A96	FJB	564073	female	A152.J	Parcel_Rack_LH_1st_Cmpt	563071	male
A97	Dash	563226	male	A152.K	Parcel_Rack_LH_1st_Cmpt	562779	male
A100	Front_Axle_Cmpt_	563758	female	A152.L	Parcel_Rack_LH_1st_Cmpt	562779	male
A101	Rear_Axle_Cmpt_	563758	female	A153.A	Parcel_Rack_LH_1st_Cmpt	562465	male
A102	Rear_Axle_Cmpt_	563758	female	A153.B	Parcel_Rack_LH_1st_Cmpt	561716	female
A103	Dash	562070	female	A153.C	Parcel_Rack_LH_1st_Cmpt	561716	female
A107		20393942	female	A153.D	Parcel_Rack_LH_1st_Cmpt	561716	female
A108	FJB	562766	male	Alt1D.A	Engine_Cmpt_	563746	female
A109	Left_Hand_Console	564141	male	Alt1D.B	Engine_Cmpt_	560815	female

CONNECTORS LIST

No	Location	Part #	Gender	No	Location	Part #	Gender
Alt1D.C	Engine_Cmpt_	564469	female	C13_plug	Right_Hand_Console	563589	male
Alt2D.A	Engine_Cmpt_	563746	female	C13_socket	Right_Hand_Console	563590	female
Alt2D.B	Engine_Cmpt_	560815	female	C13S	Right_Hand_Console	563589	male
Alt2D.C	Engine_Cmpt_	564469	female	C13S	Right_Hand_Console	563590	female
B85	Engine_Cmpt_	563815	male	C14	Evap_Cmpt_	561986	male
B96.J1	Engine_Cmpt_	563821	male	C14	Evap_Cmpt_	561987	female
B96B	Engine_Cmpt_	563823	male	C15	5th_Lugg_Cmpt_	561643	male
B97	Engine_Cmpt_	563816	male	C15	5th_Lugg_Cmpt_	561642	female
B98	Engine_Cmpt_	563817	male	C15A		563358	male
B115A		564226	male	C15A		563359	female
B142C		563793	male	C16	RJB	561577	male
C1	Service_Cmpt_	563589	male	C16	RJB	561605	female
C1	Service_Cmpt_	563590	female	C17	RJB	561986	male
C1S	Service_Cmpt_	563589	male	C17	RJB	561987	female
C1S	Service_Cmpt_	563590	female	C18	FJB	561986	male
C2	Service_Cmpt_	563580	male	C18	FJB	561987	female
C2	Service_Cmpt_	563581	female	C19	RJB	561986	male
C2A	Service_Cmpt_	563580	male	C19	RJB	561987	female
C2A	FJB	563581	female	C20	Lavatory	561668	male
C3	RJB	563589	male	C20	Lavatory	561551	female
C3	RJB	563590	female	C20A	Engine_Cmpt_	562485	male
C3S	RJB	563589	male	C20A	Engine_Cmpt_	562486	female
C3S	RJB	563590	female	C20B	Engine_Cmpt_	562485	male
C4	Service_Cmpt_	563580	male	C20B	Engine_Cmpt_	562486	female
C4	Service_Cmpt_	563581	female	C21A	RJB	561646	male
C5	Service_Cmpt_	563589	male	C21A	RJB	561645	female
C5	Service_Cmpt_	563590	female	C21B	RJB	561646	male
C5S	Service_Cmpt_	563589	male	C21B	RJB	561645	female
C5S	Service_Cmpt_	563590	female	C22	RJB	561847	male
C6	Service_Cmpt_	563582	male	C22	RJB	561862	female
C6	Service_Cmpt_	563583	female	C23	5thLugg.Cmpt	561847	male
C7	Service_Cmpt_	562581	male	C23	5thLugg.Cmpt	561862	female
C7	Service_Cmpt_	562583	female	C24_plug	Evap_Cmpt_	561690	male
C8	Service_Cmpt_	563227	male	C24_socket	Evap_Cmpt_	561566	female
C8	Service_Cmpt_	563614	female	C25	Parcel_Rack_LH_1st_Cmpt	561550	male
C9	Evap_Cmpt_	561986	male	C25	Parcel_Rack_LH_1st_Cmpt	561667	female
C9	Evap_Cmpt_	561987	female	C26		563226	male
C10A	Engine_Cmpt_	562581	male	C26		563613	female
C10A	Engine_Cmpt_	562583	female	C26A		563358	male
C11	Service_Cmpt_	563580	male	C26A		563359	female
C11	Service_Cmpt_	563581	female	C26B		563227	male
C12	RJB	561986	male	C26B		563614	female
C12	RJB	561987	female	C27	RJB	562005	male

CONNECTORS LIST

No	Location	Part #	Gender	No	Location	Part #	Gender
C27	RJB	561714	female	C51	Engine_Cmpt_	562485	male
C29	5th_Lugg_Cmpt_	563651	male	C51	Engine_Cmpt_	562486	female
C29	5th_Lugg_Cmpt_	563652	female	C53		561773	male
C30	5th_Lugg_Cmpt_	561710	male	C53		562004	female
C30	5th_Lugg_Cmpt_	561709	female	C54		563226	male
C31	RJB	561734	male	C54		563613	female
C31	RJB	561735	female	C54A		561643	male
C32	5th_Lugg_Cmpt_	561550	male	C54A		561642	female
C32	5th_Lugg_Cmpt_	561667	female	C54B		562477	male
C33	RHFrontRoof	561550	male	C54B		562479	female
C33	RHFrontRoof	561667	female	C55	Evap_Cmpt_	561577	male
C34	Right_Hand_Console	561986	male	C55	Evap_Cmpt_	561605	female
C34	Right_Hand_Console	561987	female	C64		563358	male
C35		561607	male	C64		563359	female
C35		561606	female	C65-OP2		563071	male
C36	FJB	561986	male	C65-OP2		563040	female
C36	FJB	561987	female	C65-OP_plug		562477	male
C37	Parcel_Rack_LH	562557	male	C65-OP_socket		562479	female
C37	Parcel_Rack_LH	562558	female	C66	Engine_Cmpt_	561577	male
C38	Parcel_Rack_RH	562555	male	C66	Engine_Cmpt_	561605	female
C38	Parcel_Rack_RH	562556	female	C70	FrontCeiling	562557	male
C39	ModestyPanel	562503	male	C70	FrontCeiling	562558	female
C39	ModestyPanel	562507	female	C71	Service_Cmpt_	561646	male
C39A		561782	male	C71	Service_Cmpt_	561645	female
C39A		561781	female	C72	FJB	561646	male
C40	Dash	562485	male	C72	FJB	561645	female
C40	Dash	562486	female	C73		563226	male
C41	RJB	561690	male	C73		563613	female
C41	RJB	561566	female	C74	FJB	561645	female
C43	Lavatory	561661	female	C74	FJB	561646	male
C43	Lavatory	561662	male	C82	Right_Hand_Console	562581	male
C44_plug	FJB	561577	male	C82	Right_Hand_Console	562583	female
C44_socket	FJB	561605	female	C87	Lavatory	563618	male
C45	FJB	561643	male	C87	Lavatory	563616	female
C45	FJB	561642	female	C90	Engine_Cmpt	562350	male
C46		564228	male	C90	Engine_Cmpt	563764	female
C46		564228	male	C91	RJB	562285	male
C48	Service_Cmpt_	561690	male	C91	RJB	562282	female
C48	Service_Cmpt_	561566	female	C92L		561690	male
C49A	FJB	562005	male	C92L		561566	female
C49A	FJB	561714	female	C92R		561690	male
C50		561782	male	C92R		561566	female
C50		561781	female	C94_plug		563589	male

CONNECTORS LIST

No	Location	Part #	Gender	No	Location	Part #	Gender
C94_socket		563590	female	C141	Left_Hand_Console	561247	male
C96		561643	male	C141	Left_Hand_Console	561248	female
C96		561642	female	C144	UnderLHSeat	560852	male
C97		561643	male	C144	UnderLHSeat	560851	female
C97		561642	female	C152	CondensorCmpt.	561611	male
C99_plug		563589	male	C152	CondensorCmpt.	561610	female
C99_socket		563590	female	C155	RJB	561626	female
C100	5th_Lugg_Cmpt_	563589	male	C155	RJB	561904	female
C100	5th_Lugg_Cmpt_	563590	female	C171	Service_Cmpt_	561646	male
C100A		563589	male	C171	Service_Cmpt_	561645	female
C100A		563590	female	C183	Service_Cmpt_	561611	male
C100S	5th_Lugg_Cmpt_	563589	male	C183	Service_Cmpt_	561610	female
C100S	5th_Lugg_Cmpt_	563590	female	C193	RJB	563589	male
C101	Service_Cmpt_	561690	male	C193	RJB	563590	female
C101	Service_Cmpt_	561566	female	C194	FJB	563589	male
C102	RJB	561690	male	C194	FJB	563590	female
C102	RJB	561566	female	C200	Engine_Cmpt_	562471	male
C102A		561637	male	C200	Engine_Cmpt_	562348	female
C102A		561636	female	C206	FJB	562503	male
C103_plug	FJB	562485	male	C206	FJB	562507	female
C103_socket	FJB	562486	female	C207	Over_Head_Driver_Area	562503	male
C105_plug	FJB	562581	male	C207	Over_Head_Driver_Area	562507	female
C105_socket	FJB	562583	female	C209	Parcel_Rack_RH	562503	male
C106_plug	FJB	562581	male	C209	Parcel_Rack_RH	562507	female
C106_socket	FJB	562583	female	C212	WCL_Door	561515	male
C119A	Rear_Engine_Door	562581	male	C212	WCL_Door	561552	female
C119A	Rear_Engine_Door	562583	female	C222	FJB	562477	male
C120A	Rear_Engine_Door	563580	male	C222	FJB	562479	female
C120A	Rear_Engine_Door	563581	female	C223	FJB	563227	male
C120Y		562783	male	C223	FJB	563614	female
C120Y		563206	female	C224	FJB	561637	male
C122	RJB	561690	male	C224	FJB	561636	female
C122	RJB	561566	female	C225	FJB	562649	female
C123	Rear_Axle_Cmpt_	561690	male	C225_0_1	FJB	562650	male
C123	Rear_Axle_Cmpt_	561566	female	C226	FJB	562650	male
C124	FJB	561577	male	C226	FJB	562649	female
C124	FJB	561605	female	C228		563227	male
C138B		562011	male	C228		563614	female
C138B		562012	female	C239	Service_Cmpt_	561690	male
C139		562011	male	C239	Service_Cmpt_	561566	female
C139		562012	female	C240	Service_Cmpt_	561607	male
C139B		562011	male	C240	Service_Cmpt_	561606	female
C139B		562012	female	C246	Service_Cmpt_	563090	male

CONNECTORS LIST

No	Location	Part #	Gender	No	Location	Part #	Gender
C246	Service_Cmpt_	563091	female	C382	Passenger_Area	561580	male
C260	Service_Cmpt_	561607	male	C382	Passenger_Area	561582	female
C260	Service_Cmpt_	561606	female	C397	RJB	562285	male
C269	RHConsole	563090	male	C397	RJB	562282	female
C269	RHConsole	563091	female	C402		561247	male
C279	Service_Cmpt_	562477	male	C402		561248	female
C279	Service_Cmpt_	562479	female	C403	Galley	561247	male
C280:1			outofrange.	C403	Galley	561248	female
C280:2			outofrange.	C426	Engine_Cmpt_	561611	male
C280_plug		562549	male	C426	Engine_Cmpt_	561610	female
C280_socket		562550	female	C430	LHConsole	562363	male
C284	Parcel_Rack_LH_1st_Cmpt	561782	male	C430	LHConsole	561188	female
C284	Parcel_Rack_LH_1st_Cmpt	561781	female	C452		561669	male
C284-1	Parcel_Rack_LH_1st_Cmpt	561782	male	C452		561670	female
C284-1	Parcel_Rack_LH_1st_Cmpt	561781	female	C463	Engine_Cmpt_	562570	female
C284-2	Parcel_Rack_LH_1st_Cmpt	561782	male	C463	Engine_Cmpt_	562571	male
C284-2	Parcel_Rack_LH_1st_Cmpt	561781	female	C464A		564222	male
C284-3	Parcel_Rack_LH_1st_Cmpt	561782	male	C464A		564224	female
C284-3	Parcel_Rack_LH_1st_Cmpt	561781	female	C465	ModestyPanel	562581	male
C284-4	Parcel_Rack_LH_1st_Cmpt	561782	male	C465	ModestyPanel	562583	female
C284-4	Parcel_Rack_LH_1st_Cmpt	561781	female	C506	FJB	561687	male
C284-5	Parcel_Rack_LH_1st_Cmpt	561782	male	C506	FJB	561685	female
C284-5	Parcel_Rack_LH_1st_Cmpt	561781	female	C542	Parcel_Rack_LH_1st_Cmpt	561550	male
C284-6		561782	male	C542	Parcel_Rack_LH_1st_Cmpt	561667	female
C284-6		561781	female	C558	Dash	562503	male
C284-7		561782	male	C558	Dash	562507	female
C284-7		561781	female	C564	Dash	562503	male
C284-8		561782	male	C564	Dash	562507	female
C284-8		561781	female	C564-Sp	Dash	562503	male
C298	Parcel_Rack_LH_1st_Cmpt	561782	male	C564-Sp	Dash	562507	female
C298	Parcel_Rack_LH_1st_Cmpt	561781	female	C566	Dash	562503	male
C330	FJB	561690	male	C566	Dash	562507	female
C330	FJB	561566	female	C567	Dash	562503	male
C337		561782	male	C567	Dash	562507	female
C337		561781	female	C575	RrSectionRHHatRack	562503	male
C355		563582	male	C575	RrSectionRHHatRack	562507	female
C355		565887	female	C576B		562006	male
C356		561695	male	C576B		560908	female
C356		561693	female	C576BB		562006	male
C380A		564222	male	C576BB		560908	female
C380A		564224	female	C577A		562006	male
C381	FJB	561847	male	C577A		560908	female
C381	FJB	561862	female	C577AA		562006	male

CONNECTORS LIST

No	Location	Part #	Gender	No	Location	Part #	Gender
C577AA		560908	female	C_ALT1		562477	male
C578	RrSectionLHHatRack	562503	male	C_ALT1		562479	female
C578	RrSectionLHHatRack	562507	female	C_ALT2		562477	male
C582	FJB	561690	female	C_ALT2		562479	female
C582	FJB	561566	female	C_AUX		563071	male
C583.A		560908	female	C_AUX		563040	female
C583.B		560908	female	C_AUX2		563071	male
C583A		562006	male	C_AUX2		563040	female
C583A		560908	female	C_INV1		562338	male
C583R		561577	male	C_INV1		562338	male
C583R		561605	female	C_INV2		562338	male
C584.A		560908	female	C_INV2		562338	male
C584.B		560908	female	C_LineOut	Parcel_Rack_LH_1st_Cmpt	563962	male
C584A		562006	male	C_LineOut	Parcel_Rack_LH_1st_Cmpt	564489	female
C584A		560908	female	C_USB		562069	male
C601	LHRoofWinAjar	561476	male	C_USB		562070	female
C601	LHRoofWinAjar	561477	female	C_USB:1			outofrange.
C602	FJB	561476	male	C_USB:2			outofrange.
C602	FJB	561477	female	C_USB:3			outofrange.
C603	RHRoofWinAjar	561476	male	C_USB:5			outofrange.
C603	RHRoofWinAjar	561477	female	C_USB:6			outofrange.
C611	Parcel_Rack_RH	562557	male	C_Video_AUX		562557	male
C611	Parcel_Rack_RH	562558	female	C_Video_AUX		562558	female
C614	Passenger_Area	563071	male	CFHAC		564238	male
C614	Passenger_Area	563040	female	CFHF1		564560	male
C615	Passenger_Area	563071	male	CFHG1		564560	male
C615	Passenger_Area	563040	female	CFHPR1		564560	male
C616	Parcel_Rack_RH	561247	male	CMS1_plug	Passenger_Area	563601	male
C616	Parcel_Rack_RH	561248	female	CMS1_socket	Passenger_Area	563600	female
C617	Dash	563801	male	CMS2_plug	Passenger_Area	563601	male
C617	Dash	563800	female	CMS2_socket	Passenger_Area	563600	female
C618	Right_Hand_Console	563801	male	CMS3_plug	Passenger_Area	563601	male
C618	Right_Hand_Console	563800	female	CMS3_socket	Parcel_Rack_LH_1st_Cmpt	563600	female
C717	RJB	561646	male	CMS4_plug	Passenger_Area	563601	male
C717	RJB	561645	female	CMS4_socket	Passenger_Area	563600	female
C752	Parcel_Rack_LH_1st_Cmpt	901283	female	CP1		561782	male
C753	Parcel_Rack_LH_1st_Cmpt	901283	female	CP1		561781	female
C766	Parcel_Rack_LH_1st_Cmpt	561662	male	CP2		561782	male
C766	Parcel_Rack_LH_1st_Cmpt	561661	female	CP2		561781	female
C768	Dash	901283	female	CP3		561782	male
C769	Dash	901283	female	CP3		561781	female
C777	Dash	562477	male	CP4		561782	male
C777	Dash	562479	female	CP4		561781	female

CONNECTORS LIST

No	Location	Part #	Gender	No	Location	Part #	Gender
CSS2	Roof	562477	male	L39	Parcel_Rack_LH	560898	male
CSS2	Roof	562479	female	L40.A	Parcel_Rack_RH	560898	male
CSX1	PreHeater_Cmpt	563135	male	L41.A	Parcel_Rack_RH	560898	male
CSX1	PreHeater_Cmpt	563134	female	L42.A	Parcel_Rack_RH	560898	male
CSX3	Engine_Cmpt_	563135	male	L43.A	Parcel_Rack_RH	560898	male
CSX3	Engine_Cmpt_	563134	female	L44.A	Parcel_Rack_RH	560898	male
CT2	Engine_Cmpt_	563226	male	L45.A	Parcel_Rack_RH	560898	male
CT2	Engine_Cmpt_	563613	female	L46.A	Parcel_Rack_RH	560898	male
CT3	Engine_Cmpt_	563224	male	L47.A	Parcel_Rack_RH	560898	male
D92	Parcel_Rack_LH_1st_Cmpt	561183	male	L48.A	Parcel_Rack_RH	560898	male
EIA		563739	male	L49.A	Parcel_Rack_RH	560898	male
L1	Service_Cmpt_	562485	male	L50.A	Parcel_Rack_RH	560898	male
L2	Front_Roof	561247	male	L51.A	Parcel_Rack_RH	560898	male
L16	Front_Roof	562803	male	L52	Driver_Area	560898	male
L17	Front_Roof	562803	male	L53	Passenger_Area	560898	male
L18	Entrance_Door	562549	male	L54	Passenger_Area	560898	male
L19	Entrance_Door	562486	female	L55	Passenger_Area	560898	male
L20	Entrance_Door	562486	female	L56	Passenger_Area	560898	male
L21.A	Front_Roof	561608	female	L57	Passenger_Area	560898	male
L21.B	Front_Roof	562286	male	L58	Passenger_Area	560898	male
L22.A	Front_Roof	561608	female	L63	Outside_Front_RH	562155	male
L22.B	Front_Roof	562286	male	L64	Outside_Front_RH	562155	male
L23.A	Front_Roof	561608	female	L65	Outside_Front_LH	562155	male
L23.B	Front_Roof	562286	male	L66	Outside_Front_LH	562155	male
L24.A	Front_Roof	561608	female	L67A	Luggage_Cmpt_	562155	male
L24.B	Front_Roof	562286	male	L68A	Luggage_Cmpt_	562155	male
L25.A	Front_Roof	561608	female	L69A	Luggage_Cmpt_	562155	male
L25.B	Front_Roof	562286	male	L70A	Luggage_Cmpt_	562155	male
L26.A	Front_Roof	561608	female	L72	Rear_Vehicle	562155	male
L26.B	Front_Roof	562286	male	L74	Rear_Vehicle	562155	male
L27.A	Front_Roof	561608	female	L75	Rear_Vehicle	562155	male
L27.B	Front_Roof	562286	male	L76	Rear_Engine_Door	562155	male
L28	Parcel_Rack_LH	560898	male	L81A.A	Rear_Engine_Door	562835	female
L29	Parcel_Rack_LH	560898	male	L81A.B	Rear_Engine_Door	562834	male
L30	Parcel_Rack_LH	560898	male	L82A	Rear_Engine_Door	562348	female
L31	Parcel_Rack_LH	560898	male	L83A	Rear_Engine_Door	562348	female
L32	Parcel_Rack_LH	560898	male	L84A.A	Engine_Cmpt_	561608	female
L33	Parcel_Rack_LH	560898	male	L84A.B	Engine_Cmpt_	562286	male
L34	Parcel_Rack_LH	560898	male	L85A.A	Engine_Cmpt_	561608	female
L35	Parcel_Rack_LH	560898	male	L85A.B	Engine_Cmpt_	562286	male
L36	Parcel_Rack_LH	560898	male	L86A.A	Engine_Cmpt_	561608	female
L37	Parcel_Rack_LH	560898	male	L86A.B	Engine_Cmpt_	562286	male
L38	Parcel_Rack_LH	560898	male	L87A.A	Rear_Vehicle	561608	female

CONNECTORS LIST

No	Location	Part #	Gender	No	Location	Part #	Gender
L87A.B	Rear_Vehicle	562286	male	L177	5th_Lugg_Cmpt_	561247	male
L88A.A	Rear_Vehicle	561608	female	L178	3rd_Lugg_Cmpt_	561247	male
L88A.B	Rear_Vehicle	562286	male	L179	3rd_Lugg_Cmpt_	561247	male
L89A.A	Rear_Vehicle	561608	female	L180	2nd_Lugg_Cmpt_	561247	male
L89A.B	Rear_Vehicle	562286	male	L181	2nd_Lugg_Cmpt_	561247	male
L90A.A	Rear_Vehicle	561608	female	L182	1st_Lugg_Cmpt_	561247	male
L90A.B	Rear_Vehicle	562286	male	L183	1st_Lugg_Cmpt_	561247	male
L93.A	Engine_Cmpt_	563069	female	L184	Service_Cmpt_	561247	male
L93.B	Engine_Cmpt_	563069	female	L186.A	Service_Cmpt_	562651	female
L94.A	Engine_Cmpt_	563069	female	L186.B	Service_Cmpt_	562290	female
L94.B	Engine_Cmpt_	563069	female	L187	Engine_Cmpt_	561690	male
L95A	Service_Cmpt_	562485	male	L188	Service_Cmpt_	562486	female
L95B	Service_Cmpt_	562485	male	L189	Outside_Front_RH	562069	male
L96A	Service_Cmpt_	562485	male	L190	Outside_Front_LH	562069	male
L96B	Service_Cmpt_	562485	male	L193.A	Dash	560488	female
L97.A	Service_Cmpt_	563069	female	L193.B	Dash	560488	female
L97.B	Service_Cmpt_	563069	female	L194.A	Left_Hand_Console	562019	female
L98A.A	Entrance_Door	563069	female	L194.B	Left_Hand_Console	560488	female
L98A.B	Entrance_Door	563069	female	L199		562848	male
L140	Lavatory	561247	male	L201	Front_Roof	561247	male
L142	Lavatory	562803	male	L202	Front_Roof	561247	male
L143	Front_Roof	561247	male	L203	Right_Hand_Console	561690	male
L144.A	Parcel_Rack_LH	562756	male	L204	WCL_Pass_Area	562803	male
L145.A	Parcel_Rack_LH	562756	male	L205	Evap_Cmpt_	562485	male
L146.A	Parcel_Rack_LH	562756	male	L206	WCL_Pass_Area	562803	male
L147.A	Parcel_Rack_LH	562756	male	L207.A		561699	female
L148.A	Parcel_Rack_LH	562756	male	L207.B		561701	female
L149.A	Parcel_Rack_LH	562756	male	L207.C		561701	female
L150.A	Parcel_Rack_LH	562756	male	L207.D		561699	female
L150.B		562505	female	L207.E		561701	female
L151.A	Parcel_Rack_LH	562756	male	L207.F		561699	female
L152.A	Parcel_Rack_LH	562756	male	L207.G		561699	female
L153.A	Parcel_Rack_LH	562756	male	L207.H		560926	female
L154.A	Parcel_Rack_LH	562756	male	L207.I		560926	female
L155.A	Parcel_Rack_LH	562756	male	L208	Front_Of_vehicle	563801	male
L156.A	Parcel_Rack_LH	562756	male	L209	Front_Of_vehicle	563801	male
L157.A	Parcel_Rack_LH	562756	male	L211	Entrance_Door	562486	female
L158.A	Parcel_Rack_LH	562756	male	L244.A	Parcel_Rack_RH	562756	male
L173A	Engine_Cmpt_	563590	female	L245.A	Parcel_Rack_RH	562756	male
L174		563589	male	L246.A	Parcel_Rack_RH	562756	male
L174A		563590	female	L247.A	Parcel_Rack_RH	562756	male
L175	RJB	561247	male	L248.A	Parcel_Rack_RH	562756	male
L176	5th_Lugg_Cmpt_	561247	male	L249.A	Parcel_Rack_RH	562756	male

CONNECTORS LIST

No	Location	Part #	Gender	No	Location	Part #	Gender
L249.B		562505	female	Mo4	Dash	562076	male
L250.A	Parcel_Rack_RH	562756	male	Mo5	Front_Roof	561550	female
L251.A	Parcel_Rack_RH	562756	male	Mo6	Service_Cmpt_	561690	male
L252.A		562756	male	Mo7	Cond_Cmpt_	563691	male
L252.B		562505	female	Mo8	Cond_Cmpt_	563691	male
L253.A	Parcel_Rack_RH	562756	male	Mo10	Evap_Cmpt_	561515	male
L254.A	Parcel_Rack_RH	562756	male	Mo11	Parcel_Rack_RH	561515	male
L255.A	Parcel_Rack_RH	562756	male	Mo12	Evap_Cmpt_	561690	male
L256.A	Parcel_Rack_RH	562756	male	Mo13	Engine_Cmpt_	561690	female
L257.A	Parcel_Rack_RH	562756	male	Mo14	Parcel_Rack_RH	561566	female
L282	Rear_Axle_Cmpt_	561690	male	Mo15	Over_Head_Driver_Area	560900	female
L288.A	Passenger_Area	561539	male	Mo16	Over_Head_Driver_Area	560900	female
L288.B	Passenger_Area	561539	male	Mo17	Left_Hand_Console	563626	male
L289.A	Passenger_Area	561539	male	Mo18	Service_Cmpt_	562474	male
L289.B	Passenger_Area	561539	male	Mo19	Service_Cmpt_	562474	male
L290	Engine_Cmpt_	562565	male	Mo20	Service_Cmpt_	562474	male
L291	Engine_Cmpt_	562565	male	Mo21	Front_Roof	561186	male
L293.A	Galley	560081	female	Mo22	Right_Hand_Console	561186	male
L293.B	Galley	560081	female	Mo24	Right_Hand_Console	562348	female
L294.A	Galley	560081	female	Mo25	Right_Hand_Console	562348	female
L294.B	Galley	560081	female	Mo27	Cond_Cmpt_	563691	male
L296A		561781	female	Mo28	Cond_Cmpt_	563691	male
L300.A		560908	female	Mo54	Service_Cmpt_	562474	male
L300.B		560908	female	Mo60		561566	female
L302		561781	female	Mo61	Parcel_Rack_RH	561248	female
L312.A	Parcel_Rack_RH	562756	male	Mo62		562486	female
L312.B	Parcel_Rack_RH	562505	female	Mo63		562486	female
L313	Service_Cmpt_	562789	male	Mo64		561566	female
L314	Service_Cmpt_	562789	male	P36.A	Engine_Cmpt_	561701	female
L315_0_1	Rear_Engine_Door	563590	female	P36.B	Engine_Cmpt_	561701	female
L316_0_1	Engine_Cmpt_	563590	female	P36.C	Engine_Cmpt_	561701	female
L317.A	Engine_Cmpt_	562835	female	PF1	Passenger_Area	561782	male
L317.B	Engine_Cmpt_	562834	male	Pot1.A	Dash	560488	female
L318.A	Engine_Cmpt_	562835	female	Pot1.B	Dash	560488	female
L318.B	Engine_Cmpt_	562834	male	Pot1.C	Dash	560488	female
L319		561247	male	PR1		561781	female
L320	Driver_Area	561248	female	R-12VISS	Parcel_Rack_LH_1st_Cmpt	561183	male
L350A.A		564552	male	R3	RJB	563409	male
L350A.B		563340	male	R4	FJB	561183	male
L350A.C		562251	male	R5	RJB	561183	male
Lav_Spk		563994	male	R10	Evap_Cmpt_	563409	male
Mo2_0_1	Engine_Cmpt_	561782	male	R11	RJB	561183	male
Mo3	Dash	561667	female	R12	Evap_Cmpt_	563409	male

CONNECTORS LIST

No	Location	Part #	Gender	No	Location	Part #	Gender
R17	RJB	564210	male	Se13	Engine_Cmpt_	562350	male
R18	RJB	564210	male	Se14.A	Dash	561782	male
R19	RJB	564210	male	Se14.B	Dash	561781	female
R20	Evap_Cmpt_	561183	male	Se15	Right_Hand_Console	560898	male
R22	FJB	561183	male	Se17	Entrance_Door	560081	female
R23	Right_Hand_Console	561183	male	Se19	Service_Cmpt_	563677	male
R24	FJB	561183	male	Se19A	Service_Cmpt_	563677	male
R25	RJB	561183	male	Se20	Evap_Cmpt_	562426	male
R26	Cond_Cmpt_	561183	male	Se21	Dash	561248	female
R27	Parcel_Rack_LH_1st_Cmpt	561183	male	Se23	Engine_Cmpt_	563159	male
R29	RJB	563409	male	Se24	Engine_Cmpt_	563159	male
R31	RJB	564210	male	Se25	Evap_Cmpt_	561248	female
R32	FJB	561183	male	Se28	Service_Cmpt_	561690	male
R35	Galley	561183	male	Se29	Engine_Cmpt_	561566	female
R36	Galley	561183	male	Se30	Engine_Cmpt_	562877	female
R37	Galley	561183	male	Se31	Engine_Cmpt_	562877	female
R41	FJB	561183	male	Se32	Engine_Cmpt_	563057	male
R42	FJB	561183	male	Se33	Engine_Cmpt_	562856	male
R43	FJB	561183	male	Se34	Engine_Cmpt_	563057	male
R47	5th_Lugg_Cmpt_	564496	male	Se35	Engine_Cmpt_	563057	male
R48.A		564496	male	Se36	Rear_Axle_Cmpt_	563629	female
R72		563409	male	Se37	Front_Axle_Cmpt_	641132	female
R73	Galley	563409	male	Se38	Front_Axle_Cmpt_	641132	female
R74	FJB	561183	male	Se39	Rear_Axle_Cmpt_	641132	female
R_STANK		561183	male	Se40	Rear_Axle_Cmpt_	641132	female
Res3	RJB	563590	female	Se45	Service_Cmpt_	563409	male
Res4	Right_Hand_Console	563590	female	Se46	Rear_Axle_Cmpt_	562348	female
Res6	FJB	563590	female	Se53	Service_Cmpt_	563159	female
Res7.A		563590	female	Se54	Service_Cmpt_	563159	female
Res15	RJB	561782	male	Se60	Service_Cmpt_	563409	male
Res31	Cond_Cmpt_	562350	male	Se63		641132	female
Res32	Cond_Cmpt_	563764	female	Se64		641132	female
Res53.A		563590	female	Se65		564042	female
Se4	Window_RH	561477	female	Se66		564039	female
Se5	Window_RH	561477	female	Se67		563159	female
Se6	Window_RH	561477	female	Se69		563159	female
Se7	Window_LH	561477	female	Se70	Rear_Axle_Cmpt_	563340	male
Se8	Window_LH	561477	female	Se79		563340	male
Se9	Window_LH	561477	female	Se86	Service_Cmpt_	563159	female
Se10	Window_LH	561477	female	Se_Full		562350	male
Se11.A	Cond_Cmpt_	560082	male	Se_Full		563764	female
Se11.B	Cond_Cmpt_	560082	male	So3	Right_Hand_Console	641385	male
Se11.C	Cond_Cmpt_	560082	male	So4	Right_Hand_Console	641385	male

CONNECTORS LIST

No	Location	Part #	Gender	No	Location	Part #	Gender
So5	Right_Hand_Console	641385	male	Spk6_R	Parcel_Rack_RH	563994	male
So6	Right_Hand_Console	641385	male	Spk7_L	Parcel_Rack_LH	563994	male
So7	Service_Cmpt_	561566	male	Spk7_R	Parcel_Rack_RH	563994	male
So8		562848	male	Spk8_L	Parcel_Rack_LH	563994	male
So9.A	Engine_Cmpt_	561566	female	Spk8_R	Parcel_Rack_RH	563994	male
So10	Cond_Cmpt_	562485	male	Spk9_L	Parcel_Rack_LH	563994	male
So11	Cond_Cmpt_	561566	female	Spk9_R	Parcel_Rack_RH	563994	male
So13	Evap_Cmpt_	563204	female	Spk10_L	Parcel_Rack_LH	563994	male
So14	Service_Cmpt_	564045	female	Spk10_R	Parcel_Rack_RH	563994	male
So15		641385	male	Spk11_L	Parcel_Rack_LH	563994	male
So16		641385	male	Spk11_R	Parcel_Rack_RH	563994	male
So17		562848	male	Spk12_L	Parcel_Rack_LH	563994	male
So18	Service_Cmpt_	641385	male	Spk12_R	Parcel_Rack_RH	563994	male
So19	Service_Cmpt_	641385	male	Spk13_L	Parcel_Rack_LH	563994	male
So20		641385	male	Spk13_R	Parcel_Rack_RH	563994	male
So21	Front_Axle_Cmpt_	564046	female	Spk14_L	Parcel_Rack_LH	563994	male
So22	Front_Axle_Cmpt_	564046	female	Spk14_R	Parcel_Rack_RH	563994	male
So23	Rear_Axle_Cmpt_	564046	female	Spk15_L	Parcel_Rack_LH	563994	male
So24	Rear_Axle_Cmpt_	564046	female	Spk15_R	Parcel_Rack_RH	563994	male
So26		562848	male	Spk16_L	Parcel_Rack_LH	563994	male
So27		564045	female	Spk16_R	Parcel_Rack_RH	563994	male
So50		564046	female	SpkDr_L	Driver_Area	563994	male
So52		564045	female	SpkDr_R	Driver_Area	563994	male
So53		564045	female	Sub1.A	Passenger_Area	564004	female
Sp17_R		563994	male	Sub2	Passenger_Area	564004	female
spBar4.J1		564135	male	Sw1.C258	Dash	561188	female
spBar5		564135	male	Sw1.C259	Dash	561186	male
spBar7		564135	male	Sw2	Dash	562763	male
spBar8		564135	male	Sw3	Dash	562763	male
spBar19.J1		564135	male	Sw4	Dash	562763	male
spBar20		564135	male	Sw5	Dash	562763	male
spBar21		564135	male	Sw6	Dash	562763	male
Spk1_L	Parcel_Rack_LH	563994	male	Sw7.A		562877	female
Spk1_R	Parcel_Rack_RH	563994	male	Sw8		562763	male
Spk2_L	Parcel_Rack_LH	563994	male	Sw9	Left_Hand_Console	562763	male
Spk2_R	Parcel_Rack_RH	563994	male	Sw10A	Left_Hand_Console	562763	male
Spk3_L	Parcel_Rack_LH	563994	male	Sw11A	Left_Hand_Console	562763	male
Spk3_R	Parcel_Rack_RH	563994	male	Sw12		562763	male
Spk4_L	Parcel_Rack_LH	563994	male	Sw14	Left_Hand_Console	562763	male
Spk4_R	Parcel_Rack_RH	563994	male	Sw16	Dash	562763	male
Spk5_L	Parcel_Rack_LH	563994	male	Sw17	Dash	562763	male
Spk5_R	Parcel_Rack_RH	563994	male	Sw18A	Left_Hand_Console	562763	male
Spk6_L	Parcel_Rack_LH	563994	male	Sw20	Dash	562763	male

CONNECTORS LIST

No	Location	Part #	Gender	No	Location	Part #	Gender
Sw21	Dash	562763	male	Sw64.A	Left_Hand_Console	560815	female
Sw24	Dash	562763	male	Sw64.B	Left_Hand_Console	560815	female
Sw25	Dash	562763	male	Sw65OP		562763	male
Sw26	Dash	562763	male	Sw82.A	RJB	561457	female
Sw27	Dash	562763	male	Sw82.B	RJB	561457	female
Sw29	Dash	562763	male	Sw82.C	RJB	561457	female
Sw30	Engine_Cmpt_	561566	female	Sw82.D	RJB	561457	female
Sw31	WCL_Door	563543	male	Sw83.A	Dash	560082	female
Sw32	Dash	561477	female	Sw83.B	Dash	560815	female
Sw33	Dash	561476	male	Sw83.C	Dash	560082	female
Sw34	Outside_Front_RH	562477	male	Sw83.D	Dash	560815	female
Sw35	Left_Hand_Console	562763	male	Sw85	Left_Hand_Console	562749	male
Sw39.A	RJB	562403	female	Sw94.A	WCL_Pass_Area	562403	female
Sw39.B	RJB	562403	female	Sw94.B	WCL_Pass_Area	562403	female
Sw40	Left_Hand_Console	561690	male	Sw95.A	WCL_Door	562615	female
Sw41	Left_Hand_Console	562749	male	Sw95.B	WCL_Door	562615	female
Sw42	5th_Lugg_Cmpt_	561635	female	Sw95.C	WCL_Door	562615	female
Sw43	Service_Cmpt_	561690	male	Sw96.A	WCL_Door	562615	female
Sw44.A	FJB	562403	female	Sw96.B	WCL_Door	562615	female
Sw44.B	FJB	562403	female	Sw96.C	WCL_Door	562615	female
Sw45.A	5th_Lugg_Cmpt_	562403	female	Sw97.A		562615	female
Sw45.B	5th_Lugg_Cmpt_	562403	female	Sw97.B		562615	female
Sw46.A	5th_Lugg_Cmpt_	562403	female	Sw97.C		562615	female
Sw46.B	5th_Lugg_Cmpt_	562403	female	Sw98.A		562615	female
Sw47.A	3rd_Lugg_Cmpt_	562403	female	Sw98.B		562615	female
Sw47.B	3rd_Lugg_Cmpt_	562403	female	Sw98.C		562615	female
Sw48.A	3rd_Lugg_Cmpt_	562403	female	Sw100A	Dash	562763	male
Sw48.B	3rd_Lugg_Cmpt_	562403	female	Sw125.A	Service_Cmpt_	561457	female
Sw49.A	2nd_Lugg_Cmpt_	562403	female	Sw125.B	Service_Cmpt_	561457	female
Sw49.B	2nd_Lugg_Cmpt_	562403	female	Sw126.A	Dash	562763	male
Sw50.A	2nd_Lugg_Cmpt_	562403	female	Sw131		562763	male
Sw50.B	2nd_Lugg_Cmpt_	562403	female	Sw137	Dash	562763	male
Sw51.A	1st_Lugg_Cmpt_	562403	female	Sw152	Left_Hand_Console	562471	male
Sw51.B	1st_Lugg_Cmpt_	562403	female	Sw153	Dash	562763	male
Sw52	1st_Lugg_Cmpt_	562403	female	Sw155	Dash	562763	male
Sw52.B	1st_Lugg_Cmpt_	562403	female	Sw160	Dash	562763	male
Sw55.A	Lavatory	560488	female	Sw161	Dash	562763	male
Sw55.B	Lavatory	560488	female	Sw299	Dash	562763	male
Sw56.A	Lavatory	560488	female	Sw300	Dash	562763	male
Sw56.B	Lavatory	560488	female	Sw301	Dash	562763	male
Sw57	WCL_Door	563543	male	Sw302	Dash	562763	male
Sw58	Engine_Cmpt_	562581	male	Sw305		562763	male
Sw59	Engine_Cmpt_	562485	male	Sw306		562763	male
Sw62A	Left_Hand_Console	562763	male	Sw STANK		562485	male

CONNECTORS LIST

No	Location	Part #	Gender				
sym684_232		561247	male				
sym733_345.A		560999	male				
sym740_345.A		560999	male				
sym742_345.A		560999	male				
sym759_345		560999	male				
Tab27	WCLWindowSide	562615	N/A				
Tab28	WCLSlidingDoor	562615	N/A				
Tab130		560488	N/A				
Tab131		560488	N/A				
Term190a		562228	N/A				
Term190b		562228	N/A				
VECF1	FJB	563186	male				
VECF2	FJB	563183	male				
VECF3	FJB	563185	male				
VECF4	FJB	563182	male				
VECF9	FJB	563448	male				
VECF10	FJB	563181	male				
VECF11	FJB	563184	male				
VECF12	FJB	563187	male				
Vecr1		563186	male				
Vecr2	RJB	563183	male				
Vecr3	RJB	563185	male				
VECR4	RJB	563182	male				
Vecr9	RJB	563448	male				
Vecr10	RJB	563181	male				
VECR11	RJB	563184	male				
VECR12	RJB	563187	male				
Y80	Engine_Cmpt_	563789	male				
Y81	Cond_Cmpt_	563793	male				

CONNECTORS LIST

No	Location	Part #	Gender	No	Location	Part #	Gender
24SS_OP	Parcel_Rack_LH	563071	male	A41.J3	FJB	562957	male
24SS_OP	Parcel_Rack_LH	563040	female	A42.J1	FJB	562767	male
A1	FJB	563975	male	A42.J2	FJB	563132	male
A2	LH_CONSOLE	563984	male	A42.J3	FJB	562957	male
A3	Dash	562363	male	A43.J1	FJB	562767	male
A4A.A	Service_Cmpt_	562428	female	A43.J2	FJB	563132	male
A4A.B	Service_Cmpt_	561188	female	A43.J3	FJB	562957	male
A5A	Service_Cmpt_	562428	female	A44.J1	FJB	563133	male
A6	Rear_Axle_Cmpt_	562427	male	A44.J2	FJB	563132	male
A7	Rear_Axle_Cmpt_	563979	male	A44.J3	FJB	562957	male
A9.Cx1	FJB	564041	female	A45.J1	FJB	563133	male
A9.Cx2	FJB	563678	male	A45.J2	FJB	563132	male
A9.Cx3	FJB	564037	female	A45.J3	FJB	562957	male
A9.Cx4	FJB	564038	female	A46.J1	FJB	563133	male
A10.X1	RrAxlePre-HeatCmpt.	563135	male	A46.J2	FJB	563132	male
A10.X3	RrAxlePre-HeatCmpt.	563134	female	A46.J3	FJB	562957	male
A11	Left_Hand_Console	563142	male	A47.J1	Right_Hand_Console	563133	male
A14A.A	DASH	562766	male	A47.J2	Right_Hand_Console	563132	male
A14A.B	DASH	562767	male	A47.J3	Right_Hand_Console	562957	male
A14A.C	DASH	562765	male	A48.J1	Right_Hand_Console	563133	male
A15	Dash	562464	male	A48.J2	Right_Hand_Console	563132	male
A18.J1	FJB	562794	male	A48.J3	Right_Hand_Console	562957	male
A18.J2	FJB	562650	male	A49.J1	RJB	562767	male
A19	Left_Hand_Console	562878	female	A49.J2	RJB	563132	male
A20	Parcel_Rack_LH	561477	female	A49.J3	RJB	562957	male
A24.A	Right_Hand_Console	561890	male	A50.J1	RJB	563133	male
A24.B	Right_Hand_Console	561566	female	A50.J2	RJB	563132	male
A25	Driver_Area	563025	male	A50.J3	RJB	562957	male
A25H	Driver_Area	563025	male	A51.J1	RJB	563133	male
A27	FJB	562929	male	A51.J2	RJB	563132	male
A28	Service_Cmpt_	562928	male	A51.J3	RJB	562957	male
A29	DASH	562464	male	A52.J1	RJB	563133	male
A33.A	Front_Midle_Top	563071	male	A52.J2	RJB	563132	male
A33.B	Front_Midle_Top	562330	female	A52.J3	RJB	562957	male
A36.JA	FJB	562767	male	A53.J1	Parcel_Rack_JCB	563133	male
A36.JB	FJB	562765	male	A53.J2	Parcel_Rack_JCB	563132	male
A36.JC	FJB	562957	male	A53.J3	Parcel_Rack_JCB	562957	male
A39.P101	Parcel_Rack_LH_1st_Cmpt	563201	male	A54.J1	Evap_Cmpt_	563133	male
A39.P901	Parcel_Rack_LH_1st_Cmpt	563953	male	A54.J2	Evap_Cmpt_	563132	male
A39H.P101	Parcel_Rack_LH_1st_Cmpt	563201	male	A54.J3	Evap_Cmpt_	562957	male
A39H.P901	Parcel_Rack_LH_1st_Cmpt	563953	male	A55.J1	Dash	562767	male
A41.J1	FJB	562767	male	A55.J2	Dash	563132	male
A41.J2	FJB	563132	male	A55.J3	Dash	562957	male

CONNECTORS LIST

No	Location	Part #	Gender	No	Location	Part #	Gender
A60.A	Parcel_Rack_LH_1st_Cmpt	563071	male	A65OPH.B6	Parcel_Rack_LH_1st_Cmpt	bidon	male
A60.B	Parcel_Rack_LH_1st_Cmpt	562706	female	A65OPH.D	Parcel_Rack_LH_1st_Cmpt	bidon	male
A60.C	Parcel_Rack_LH_1st_Cmpt	901110	male	A65OPH.E	Parcel_Rack_LH_1st_Cmpt	563071	male
A60.D	Parcel_Rack_LH_1st_Cmpt	901110	male	A65OPH.G1	Parcel_Rack_LH_1st_Cmpt	563071	male
A60DB.A	Dash	563071	male	A65OPH.G2	Parcel_Rack_LH_1st_Cmpt	563071	male
A60DB.B	Dash	562706	female	A65OPH.G3	Parcel_Rack_LH_1st_Cmpt	563071	male
A60DB.C	Dash	901110	male	A65OPH.H1	Parcel_Rack_LH_1st_Cmpt	561716	female
A60DB.D	Dash	901110	male	A65OPH.H2	Parcel_Rack_LH_1st_Cmpt	561716	female
A60H.A	Parcel_Rack_LH_1st_Cmpt	563071	male	A65OPH.H3	Parcel_Rack_LH_1st_Cmpt	561716	female
A60H.B	Parcel_Rack_LH_1st_Cmpt	562706	female	A65OPH.J	Parcel_Rack_LH_1st_Cmpt	562465	male
A60H.C	Parcel_Rack_LH_1st_Cmpt	901110	male	A69.A	Parcel_Rack_LH_1st_Cmpt	563071	male
A60H.D	Parcel_Rack_LH_1st_Cmpt	901110	male	A69.B	Parcel_Rack_LH_1st_Cmpt	561716	female
A61.A	Parcel_Rack_LH_1st_Cmpt	562464	male	A69.C	Parcel_Rack_LH_1st_Cmpt	561716	female
A61.B	Parcel_Rack_LH_1st_Cmpt	562465	male	A69.D	Parcel_Rack_LH_1st_Cmpt	561716	female
A61H.A	Parcel_Rack_LH_1st_Cmpt	562464	male	A69.E	Parcel_Rack_LH_1st_Cmpt	561716	female
A61H.B	Parcel_Rack_LH_1st_Cmpt	562465	male	A69.F	Parcel_Rack_LH_1st_Cmpt	561716	female
A65.B	Parcel_Rack_LH_1st_Cmpt	901110	male	A69.G	Parcel_Rack_LH_1st_Cmpt	561716	female
A65.C	Parcel_Rack_LH_1st_Cmpt	901110	male	A69.H	Parcel_Rack_LH_1st_Cmpt	561716	female
A65.Csv	Parcel_Rack_LH_1st_Cmpt	562465	male	A69LH.A	Parcel_Rack_LH_1st_Cmpt	563025	male
A65.D	Parcel_Rack_LH_1st_Cmpt	901110	male	A69LH.B1	Parcel_Rack_LH_1st_Cmpt	bidon	male
A65H.A	Parcel_Rack_LH_1st_Cmpt	563025	male	A69LH.B2	Parcel_Rack_LH_1st_Cmpt	bidon	male
A65H.B4	Parcel_Rack_LH_1st_Cmpt	bidon	male	A69LH.B3	Parcel_Rack_LH_1st_Cmpt	bidon	male
A65H.B5	Parcel_Rack_LH_1st_Cmpt	bidon	male	A69LH.B4	Parcel_Rack_LH_1st_Cmpt	bidon	male
A65H.B6	Parcel_Rack_LH_1st_Cmpt	bidon	male	A69LH.C	Parcel_Rack_LH_1st_Cmpt	bidon	male
A65H.D	Parcel_Rack_LH_1st_Cmpt	bidon	male	A69RH.A	Parcel_Rack_RH	563025	male
A65H.E	Parcel_Rack_LH_1st_Cmpt	563071	male	A69RH.B1	Parcel_Rack_RH	bidon	male
A65H.G1	Parcel_Rack_LH_1st_Cmpt	563071	male	A69RH.B2	Parcel_Rack_RH	bidon	male
A65H.G2	Parcel_Rack_LH_1st_Cmpt	563071	male	A69RH.B3	Parcel_Rack_RH	bidon	male
A65H.G3	Parcel_Rack_LH_1st_Cmpt	563071	male	A69RH.B4	Parcel_Rack_RH	bidon	male
A65H.H1	Parcel_Rack_LH_1st_Cmpt	561716	female	A69RH.C	Parcel_Rack_RH	bidon	male
A65H.H2	Parcel_Rack_LH_1st_Cmpt	561716	female	A70c	Roof	561540	female
A65H.H3	Parcel_Rack_LH_1st_Cmpt	561716	female	A70cH	Roof	561540	female
A65H.J	Parcel_Rack_LH_1st_Cmpt	562465	male	A77	TOP_RJB	564547	male
A65OP.A	Parcel_Rack_LH_1st_Cmpt	901110	male	A78	Compt_Batt	562583	female
A65OP.B	Parcel_Rack_LH_1st_Cmpt	901110	male	A79	Compt_Batt	562583	female
A65OP.C	Parcel_Rack_LH_1st_Cmpt	901110	male	A80	Compt_Batt	562479	female
A65OP.Csv	Parcel_Rack_LH_1st_Cmpt	562465	male	A81A.JA	FJB	562767	male
A65OP.D	Parcel_Rack_LH_1st_Cmpt	901110	male	A81A.JB	FJB	562765	male
A65OP.E	Parcel_Rack_LH_1st_Cmpt	901110	male	A81A.JC	FJB	562957	male
A65OP.F	Parcel_Rack_LH_1st_Cmpt	562090	male	A83	FJB	565970	female
A65OPH.A	Parcel_Rack_LH_1st_Cmpt	563025	male	A96	FJB	564073	female
A65OPH.B4	Parcel_Rack_LH_1st_Cmpt	bidon	male	A97	Dash	563226	male
A65OPH.B5	Parcel_Rack_LH_1st_Cmpt	bidon	male	A100	Front_Axle_Cmpt_	563758	female

CONNECTORS LIST

No	Location	Part #	Gender	No	Location	Part #	Gender
A101	Rear_Axle_Cmpt_	563758	female	A138	Cond_Cmpt_	563787	male
A102	Rear_Axle_Cmpt_	563758	female	A139	Dash	564501	female
A103	Dash	562070	female	A150	ModestyPanel	21280133	male
A107	Rear_Axle_Cmpt_	20393942	female	A152.A	Parcel_Rack_LH_1st_Cmpt	561550	male
A108	FJB	562766	male	A152.B	Parcel_Rack_LH_1st_Cmpt	563071	male
A109	Left_Hand_Console	564141	male	A152.C	Parcel_Rack_LH_1st_Cmpt	563071	male
A113.A	Parcel_Rack_LH_1st_Cmpt	563960	male	A152.D	Parcel_Rack_LH_1st_Cmpt	563071	male
A113.B	Parcel_Rack_LH_1st_Cmpt	563962	male	A152.E	Parcel_Rack_LH_1st_Cmpt	563071	male
A113.C1	Parcel_Rack_LH_1st_Cmpt	563956	male	A152.F	Parcel_Rack_LH_1st_Cmpt	563071	male
A113.C2	Parcel_Rack_LH_1st_Cmpt	563957	male	A152.G	Parcel_Rack_LH_1st_Cmpt	563071	male
A113.C3	Parcel_Rack_LH_1st_Cmpt	563958	male	A152.H	Parcel_Rack_LH_1st_Cmpt	563071	male
A113.D	Parcel_Rack_LH_1st_Cmpt	563961	male	A152.I	Parcel_Rack_LH_1st_Cmpt	563071	male
A113H.A	Parcel_Rack_LH	563960	male	A152.J	Parcel_Rack_LH_1st_Cmpt	563071	male
A113H.B	Parcel_Rack_LH	563962	male	A152.K	Parcel_Rack_LH_1st_Cmpt	562779	male
A113H.C1	Parcel_Rack_LH	563956	male	A152.L	Parcel_Rack_LH_1st_Cmpt	562779	male
A113H.C2	Parcel_Rack_LH	563957	male	A152H.A	Parcel_Rack_LH_1st_Cmpt	561550	male
A113H.C3	Parcel_Rack_LH	563958	male	A152H.B	Parcel_Rack_LH_1st_Cmpt	563071	male
A113H.D	Parcel_Rack_LH	563961	male	A152H.C	Parcel_Rack_LH_1st_Cmpt	563071	male
A114A	Service_Cmpt	564252	male	A152H.D	Parcel_Rack_LH_1st_Cmpt	563071	male
A120.A	Dash	563960	male	A152H.E	Parcel_Rack_LH_1st_Cmpt	563071	male
A120.B	Dash	563962	male	A152H.F	Parcel_Rack_LH_1st_Cmpt	563071	male
A120.C1	Dash	563956	male	A152H.G	Parcel_Rack_LH_1st_Cmpt	563071	male
A120.C2	Dash	563957	male	A152H.H	Parcel_Rack_LH_1st_Cmpt	563071	male
A120.C3	Dash	563958	male	A152H.I	Parcel_Rack_LH_1st_Cmpt	563071	male
A120.D	Dash	563961	male	A152H.J	Parcel_Rack_LH_1st_Cmpt	563071	male
A120H.A	Dash	563960	male	A152H.K	Parcel_Rack_LH_1st_Cmpt	562779	male
A120H.B	Dash	563962	male	A152H.L	Parcel_Rack_LH_1st_Cmpt	562779	male
A120H.C1	Dash	563956	male	A153.A	Parcel_Rack_LH_1st_Cmpt	562465	male
A120H.C2	Dash	563957	male	A153.B	Parcel_Rack_LH_1st_Cmpt	561716	female
A120H.C3	Dash	563958	male	A153.C	Parcel_Rack_LH_1st_Cmpt	561716	female
A120H.D	Dash	563961	male	A153.D	Parcel_Rack_LH_1st_Cmpt	561716	female
A121.Vsa	Dash	563679	male	A158.A	Parcel_Rack_LH_1st_Cmpt	563071	male
A121.Vsb	Dash	563678	male	Alt1D.A	Engine_Cmpt_	563746	female
A121.Vsc	Dash	564037	female	Alt1D.B	Engine_Cmpt_	560815	female
A121.Vsd	Dash	564118	male	Alt1D.C	Engine_Cmpt_	564469	female
A121H.Vsa	Dash	563679	male	Alt3D.A	Engine_Cmpt_	563746	female
A121H.Vsb	Dash	563678	male	Alt3D.B	Engine_Cmpt_	560815	female
A121H.Vsc	Dash	564037	male	Alt3D.C	Engine_Cmpt_	564469	female
A121H.Vsd	Dash	564118	male	B85	Engine_Cmpt_	563815	male
A130	Left_Hand_Console	563226	male	B96.J1	Engine_Cmpt_	563821	male
A131.A	Engine_Cmpt_	561782	male	B96B	Engine_Cmpt_	563823	male
A131.B	Engine_Cmpt_	561781	female	B97	Engine_Cmpt_	563816	male
A137A	Cond_Cmpt	20429843	male	B98	Engine_Cmpt_	563817	male

CONNECTORS LIST

No	Location	Part #	Gender	No	Location	Part #	Gender
B115A	Engine_Cmpt_	564226	male	C15B	Evap_Cmpt_	568110	male
B142C	Cond_Cmpt	563793	male	C15B	Evap_Cmpt_	568109	female
B310	Engine_Cmpt_	565967	male	C16	RJB	561577	male
C1	Service_Cmpt_	563589	male	C16	RJB	561605	female
C1	Service_Cmpt_	563590	female	C17	RJB	561986	male
C1S	Service_Cmpt_	563589	male	C17	RJB	561987	female
C1S	Service_Cmpt_	563590	female	C18	FJB	561986	male
C2	Service_Cmpt_	563580	male	C18	FJB	561987	female
C2	Service_Cmpt_	563581	female	C19	RJB	561986	male
C2A	Service_Cmpt_	563580	male	C19	RJB	561987	female
C2A	FJB	563581	female	C20	Lavatory	561668	male
C3	RJB	563589	male	C20	Lavatory	561551	female
C3	RJB	563590	female	C20A	Engine_Cmpt_	562485	male
C3S	RJB	563589	male	C20A	Engine_Cmpt_	562486	female
C3S	RJB	563590	female	C20B	Engine_Cmpt_	562485	male
C4	Service_Cmpt_	563580	male	C20B	Engine_Cmpt_	562486	female
C4	Service_Cmpt_	563581	female	C21A	RJB	561646	male
C5	Service_Cmpt_	563589	male	C21A	RJB	561645	female
C5	Service_Cmpt_	563590	female	C21B	RJB	561646	male
C5S	Service_Cmpt_	563589	male	C21B	RJB	561645	female
C5S	Service_Cmpt_	563590	female	C22	RJB	561847	male
C6	Service_Cmpt_	563582	male	C22	RJB	561862	female
C6	Service_Cmpt_	563583	female	C23	EVAP_CMPT	561847	male
C7	Service_Cmpt_	562581	male	C23	EVAP_CMPT	561862	female
C7	Service_Cmpt_	562583	female	C24_plug	Evap_Cmpt_	561690	male
C8	Service_Cmpt_	563227	male	C24_socket	Evap_Cmpt_	561566	female
C8	Service_Cmpt_	563614	female	C25A	Parcel_Rack_LH_1st_Cmpt	561550	male
C9	Evap_Cmpt_	561986	male	C25A	Parcel_Rack_LH_1st_Cmpt	561667	female
C9	Evap_Cmpt_	561987	female	C26	Cond_Cmpt	563226	male
C10A	Engine_Cmpt_	562581	male	C26	Cond_Cmpt	563613	female
C10A	Engine_Cmpt_	562583	female	C26AA	Cond_Cmpt	568110	male
C11	Service_Cmpt_	563580	male	C26AA	Cond_Cmpt	568109	female
C11	Service_Cmpt_	563581	female	C26B	Cond_Cmpt	563227	male
C12	RJB	561986	male	C26B	Cond_Cmpt	563614	female
C12	RJB	561987	female	C27	RJB	562005	male
C13_plug	Right_Hand_Console	563589	male	C27	RJB	561714	female
C13_socket	Right_Hand_Console	563590	female	C29	5th_Lugg_Cmpt_	563651	male
C13S	Right_Hand_Console	563589	male	C29	5th_Lugg_Cmpt_	563652	female
C13S	Right_Hand_Console	563590	female	C30	5th_Lugg_Cmpt_	561710	male
C14	Evap_Cmpt_	561986	male	C30	5th_Lugg_Cmpt_	561709	female
C14	Evap_Cmpt_	561987	female	C31	RJB	561734	male
C15	5th_Lugg_Cmpt_	561643	male	C31	RJB	561735	female
C15	5th_Lugg_Cmpt_	561642	female	C32A	5th_Lugg_Cmpt_	561668	male

CONNECTORS LIST

No	Location	Part #	Gender	No	Location	Part #	Gender
C32A	5th_Lugg_Cmpt_	561551	female	C55	Evap_Cmpt_	561577	male
C33	RHFrontRoof	561550	male	C55	Evap_Cmpt_	561605	female
C33	RHFrontRoof	561667	female	C64A	Engine_Cmpt	568110	male
C34	Right_Hand_Console	561986	male	C64A	Engine_Cmpt	568109	female
C34	Right_Hand_Console	561987	female	C65-OP2	Parcel_Rack_LH_1st_Cmpt	563071	male
C35	Evap_Cmpt_	561607	male	C65-OP2	Parcel_Rack_LH_1st_Cmpt	563040	female
C35	Evap_Cmpt_	561606	female	C65-OP2H	Parcel_Rack_LH_1st_Cmpt	563071	male
C36	FJB	561986	male	C65-OP2H	Parcel_Rack_LH_1st_Cmpt	563040	female
C36	FJB	561987	female	C65-OP_plug	Dash	562477	male
C37A	Parcel_Rack_LH	562557	male	C65-OP_socket	Dash	562479	female
C37A	Parcel_Rack_LH	562558	female	C65-OPH_plug	Dash	562477	male
C38A	Parcel_Rack_RH	562555	male	C65-OPH_socket	Dash	562479	female
C38A	Parcel_Rack_RH	562556	female	C66	Engine_Cmpt_	561577	male
C39	ModestyPanel	562503	male	C66	Engine_Cmpt_	561605	female
C39	ModestyPanel	562507	female	C70	FrontCeiling	562557	male
C39A	Engine_Cmpt	561782	male	C70	FrontCeiling	562558	female
C39A	Engine_Cmpt	561781	female	C71	Service_Cmpt_	561646	male
C40	Dash	562485	male	C71	Service_Cmpt_	561645	female
C40	Dash	562486	female	C72	FJB	561646	male
C41	RJB	561690	male	C72	FJB	561645	female
C41	RJB	561566	female	C73	Dash	563226	male
C43	Lavatory	561661	female	C73	Dash	563613	female
C43	Lavatory	561662	male	C74	FJB	561645	female
C44_plug	FJB	561577	male	C74	FJB	561646	male
C44_socket	FJB	561605	female	C82	Right_Hand_Console	562581	male
C45	FJB	561643	male	C82	Right_Hand_Console	562583	female
C45	FJB	561642	female	C87	Engine_Cmpt	563618	male
C46	WCL	564228	male	C87	Engine_Cmpt	563616	female
C46	WCL	564228	male	C91	RJB	562285	male
C49A	FJB	562005	male	C91	RJB	562282	female
C49A	FJB	561714	female	C94_plug	FJB	563589	male
C50	RJB	561782	male	C94_socket	FJB	563590	female
C50	RJB	561781	female	C96	FJB	561643	male
C51	Engine_Cmpt_	562485	male	C96	FJB	561642	female
C51	Engine_Cmpt_	562486	female	C97	FJB	561643	male
C53	Galley	561773	male	C97	FJB	561642	female
C53	Galley	562004	female	C99_plug	RJB	563589	male
C54	Engine_Cmpt	563226	male	C99_socket	RJB	563590	female
C54	Engine_Cmpt	563613	female	C100	5th_Lugg_Cmpt_	563589	male
C54A	Engine_Cmpt	561643	male	C100	5th_Lugg_Cmpt_	563590	female
C54A	Engine_Cmpt	561642	female	C100A	Evap_Cmpt	563589	male
C54B	Engine_Cmpt	562477	male	C100A	Evap_Cmpt	563590	female
C54B	Engine_Cmpt	562479	female	C100S	5th_Lugg_Cmpt_	563589	male

CONNECTORS LIST

No	Location	Part #	Gender	No	Location	Part #	Gender
C100S	5th_Lugg_Cmpt_	563590	female	C200	Engine_Cmpt_	562471	male
C101	Service_Cmpt_	561690	male	C200	Engine_Cmpt_	562348	female
C101	Service_Cmpt_	561566	female	C206	Front_RH_TOP	562503	male
C102	RJB	561690	male	C206	Front_RH_TOP	562507	female
C102	RJB	561566	female	C207	Over_Head_Driver_Area	562503	male
C102A	RJB	561637	male	C207	Over_Head_Driver_Area	562507	female
C102A	RJB	561636	female	C212A	WCL_Door	561515	male
C103_plug	FJB	562485	male	C212A	WCL_Door	561552	female
C103_socket	FJB	562486	female	C222	FJB	562477	male
C105_plug	FJB	562581	male	C222	FJB	562479	female
C105_socket	FJB	562583	female	C223	FJB	563227	male
C106_plug	FJB	562581	male	C223	FJB	563614	female
C106_socket	FJB	562583	female	C224	FJB	561637	male
C110A	Pneumatic_Panel	568110	male	C224	FJB	561636	female
C110A	Pneumatic_Panel	568109	female	C225	FJB	562649	female
C119A	Rear_Engine_Door	562581	male	C225_0_1	FJB	562650	male
C119A	Rear_Engine_Door	562583	female	C226	FJB	562650	male
C120A	Rear_Engine_Door	563580	male	C226	FJB	562649	female
C120A	Rear_Engine_Door	563581	female	C228	Engine_Cmpt	563227	male
C120Y	Dash	562783	male	C228	Engine_Cmpt	563614	female
C120Y	Dash	563206	female	C279	Service_Cmpt_	562477	male
C120YH	Dash	562783	male	C279	Service_Cmpt_	562479	female
C120YH	Dash	563206	female	C280_plug	Parcel_Rack_LH_1st_Cmpt	562549	male
C122	RJB	561690	male	C280_socket	Parcel_Rack_LH_1st_Cmpt	562550	female
C122	RJB	561566	female	C284	Over_Head_Driver_Area	561782	male
C123	Rear_Axle_Cmpt_	561690	male	C284	Over_Head_Driver_Area	561781	female
C123	Rear_Axle_Cmpt_	561566	female	C284-1	Over_Head_Driver_Area	561782	male
C124	FJB	561577	male	C284-1	Over_Head_Driver_Area	561781	female
C124	FJB	561605	female	C284-1H	Over_Head_Driver_Area	561782	male
C141	Left_Hand_Console	561247	male	C284-1H	Over_Head_Driver_Area	561781	female
C141	Left_Hand_Console	561248	female	C284-2	Over_Head_Driver_Area	561782	male
C144	UnderLHSeat	560852	male	C284-2	Over_Head_Driver_Area	561781	female
C144	UnderLHSeat	560851	female	C284-2H	Over_Head_Driver_Area	561782	male
C152	CondensorCmpt.	561611	male	C284-2H	Over_Head_Driver_Area	561781	female
C152	CondensorCmpt.	561610	female	C284-3	Over_Head_Driver_Area	561782	male
C155	RJB	561626	female	C284-3	Over_Head_Driver_Area	561781	female
C155	RJB	561904	female	C284-3H	Over_Head_Driver_Area	561782	male
C171	Service_Cmpt_	561646	male	C284-3H	Over_Head_Driver_Area	561781	female
C171	Service_Cmpt_	561645	female	C284-4	Over_Head_Driver_Area	561782	male
C193	RJB	563589	male	C284-4	Over_Head_Driver_Area	561781	female
C193	RJB	563590	female	C284-4H	Over_Head_Driver_Area	561782	male
C194	FJB	563589	male	C284-4H	Over_Head_Driver_Area	561781	female
C194	FJB	563590	female	C284-5	Over_Head_Driver_Area	561782	male

CONNECTORS LIST

No	Location	Part #	Gender	No	Location	Part #	Gender
C284-5	Over_Head_Driver_Area	561781	female	C464A	RJB	564222	male
C284-5H	Over_Head_Driver_Area	561782	male	C464A	RJB	564224	female
C284-5H	Over_Head_Driver_Area	561781	female	C465	ModestyPanel	562581	male
C284-6	Over_Head_Driver_Area	561782	male	C465	ModestyPanel	562583	female
C284-6	Over_Head_Driver_Area	561781	female	C506	FJB	561687	male
C284-6H	Over_Head_Driver_Area	561782	male	C506	FJB	561685	female
C284-6H	Over_Head_Driver_Area	561781	female	C542	Parcel_Rack_LH_1st_Cmpt	561550	male
C284-7	Over_Head_Driver_Area	561782	male	C542	Parcel_Rack_LH_1st_Cmpt	561667	female
C284-7	Over_Head_Driver_Area	561781	female	C558	Dash	562503	male
C284-8	Over_Head_Driver_Area	561782	male	C558	Dash	562507	female
C284-8	Over_Head_Driver_Area	561781	female	C558H	Dash	562503	male
C284-H	Over_Head_Driver_Area	561782	male	C558H	Dash	562507	female
C284-H	Over_Head_Driver_Area	561781	female	C564	Left_Hand_Console	562503	male
C298	Parcel_Rack_LH_1st_Cmpt	561782	male	C564	Left_Hand_Console	562507	female
C298	Parcel_Rack_LH_1st_Cmpt	561781	female	C564-Sp	Driver_Area	562503	male
C330	FJB	561690	male	C564-Sp	Driver_Area	562507	female
C330	FJB	561566	female	C564-SpH	Driver_Area	562503	male
C337	Passenger_Area	561782	male	C564-SpH	Driver_Area	562507	female
C337	Passenger_Area	561781	female	C564H	Left_Hand_Console	562503	male
C355	RJB	563582	male	C564H	Left_Hand_Console	562507	female
C355	RJB	565887	female	C566	Driver_Area	562503	male
C356	RearParcelRack	561695	male	C566	Driver_Area	562507	female
C356	RearParcelRack	561693	female	C566H	Driver_Area	562503	male
C380A	Dash	564222	male	C566H	Driver_Area	562507	female
C380A	Dash	564224	female	C567	Left_Hand_Console	562503	male
C381	Parcel_Rack_LH_1st_Cmpt	561847	male	C567	Left_Hand_Console	562507	female
C381	Parcel_Rack_LH_1st_Cmpt	561862	female	C567H	Left_Hand_Console	562503	male
C382	Passenger_Area	561580	male	C567H	Left_Hand_Console	562507	female
C382	Passenger_Area	561582	female	C575	RrSectionRHHatRack	562503	male
C397	RJB	562285	male	C575	RrSectionRHHatRack	562507	female
C397	RJB	562282	female	C576B	RrParcelRackRH	562006	male
C402	Galley	561247	male	C576B	RrParcelRackRH	560908	female
C402	Galley	561248	female	C576BB	RrParcelRackLH	562006	male
C403	Galley	561247	male	C576BB	RrParcelRackLH	560908	female
C403	Galley	561248	female	C577A	RrParcelRackLH	562006	male
C426	Engine_Cmpt	561611	male	C577A	RrParcelRackLH	560908	female
C426	Engine_Cmpt	561610	female	C577AA	FrParcelRackRH	562006	male
C430	LHConsole	562363	male	C577AA	FrParcelRackRH	560908	female
C430	LHConsole	561188	female	C578	RrSectionLHHatRack	562503	male
C452	Dash	561669	male	C578	RrSectionLHHatRack	562507	female
C452	Dash	561670	female	C582	FJB	561690	female
C463A	Engine_Cmpt	568111	male	C582	FJB	561566	female
C463A	Engine_Cmpt	568112	female	C601	LHRoofWinAjar	561476	male

CONNECTORS LIST

No	Location	Part #	Gender	No	Location	Part #	Gender
C601	LHRoofWinAjar	561477	female	C_Audio_HDMI_R	Parcel_Rack_LH_1st_Cmpt	901062	female
C602	FJB	561476	male	C_AUX	Parcel_Rack_LH	563071	male
C602	FJB	561477	female	C_AUX	Parcel_Rack_LH	563040	female
C603	RHRoofWinAjar	561476	male	C_AUX2	Parcel_Rack_LH	563071	male
C603	RHRoofWinAjar	561477	female	C_AUX2	Parcel_Rack_LH	563040	female
C614	Passenger_Area	563071	male	C_INV1	5th_Lugg_Cmpt_	562338	male
C614	Passenger_Area	563040	female	C_INV1	5th_Lugg_Cmpt_	562338	male
C615	Passenger_Area	563071	male	C_INV2	5th_Lugg_Cmpt_	562338	male
C615	Passenger_Area	563040	female	C_INV2	5th_Lugg_Cmpt_	562338	male
C616	Parcel_Rack_RH	561247	male	C_LineOut	Dash	563962	male
C616	Parcel_Rack_RH	561248	female	C_LineOut	Dash	564489	female
C617	Dash	563801	male	C_USB	ModestyPanel	562069	male
C617	Dash	563800	female	C_USB	ModestyPanel	562070	female
C618	Right_Hand_Console	563801	male	C_Video_AUX	Parcel_Rack_LH	562557	male
C618	Right_Hand_Console	563800	female	C_Video_AUX	Parcel_Rack_LH	562558	female
C717	RJB	561646	male	CFHAC	Evap_Cmpt_	564238	male
C717	RJB	561645	female	CFHF1	FJB	564560	male
C752	Dash	901283	female	CFHG1	Galley	564560	male
C752H_plug	Dash	901062	male	CFHPR1	Parcel_Rack_LH	564560	male
C752H_socket	Dash	901283	female	CFHPR1H	Parcel_Rack_LH	564560	male
C753	Parcel_Rack_LH_1st_Cmpt	901283	female	CMS1_plug	Passenger_Area	563601	male
C753H_plug	Dash	901062	male	CMS1_socket	Passenger_Area	563600	female
C753H_socket	Dash	901283	female	CMS2_plug	Passenger_Area	563601	male
C766	Parcel_Rack_LH_1st_Cmpt	561662	male	CMS2_socket	Passenger_Area	563600	female
C766	Parcel_Rack_LH_1st_Cmpt	561661	female	CMS3_plug	Passenger_Area	563601	male
C768	Dash	901283	female	CMS3_socket	Passenger_Area	563600	female
C768H	Dash	901283	female	CMS4_plug	Passenger_Area	563601	male
C769	Dash	901283	female	CMS4_socket	Passenger_Area	563600	female
C769H	Dash	901283	female	CP1	Passenger_Area	561782	male
C777	Dash	562477	male	CP1	Passenger_Area	561781	female
C777	Dash	562479	female	CP2	Passenger_Area	561782	male
C_A60DBH	Dash	563071	male	CP2	Passenger_Area	561781	female
C_A60DBH	Dash	563040	female	CP3	Passenger_Area	561782	male
C_A69RH	Parcel_Rack_LH_1st_Cmpt	563025	male	CP3	Passenger_Area	561781	female
C_ALT1	Engine_Cmpt_	562477	male	CP4	Passenger_Area	561782	male
C_ALT1	Engine_Cmpt_	562479	female	CP4	Passenger_Area	561781	female
C_ALT2	Engine_Cmpt_	562477	male	CP5	Passenger_Area	561782	male
C_ALT2	Engine_Cmpt_	562479	female	CP5	Passenger_Area	561781	female
C_AUDIO_AUX	Parcel_Rack_LH	562557	male	CP5A	Passenger_Area	561782	male
C_AUDIO_AUX	Parcel_Rack_LH	562558	female	CP5A	Passenger_Area	561781	female
C_Audio_HDMI_L	Parcel_Rack_LH_1st_Cmpt	901283	female	CSX1	PreHeater_Cmpt	563135	male
C_Audio_HDMI_L	Parcel_Rack_LH_1st_Cmpt	901062	female	CSX1	PreHeater_Cmpt	563134	female
C_Audio_HDMI_R	Parcel_Rack_LH_1st_Cmpt	901283	female	CSX3	PreHeater_Cmpt	563135	male

CONNECTORS LIST

No	Location	Part #	Gender	No	Location	Part #	Gender
CSX3	PreHeater_Cmpt	563134	female	L56	Passenger_Area	560898	male
CT2	Engine_Cmpt_	563226	male	L57	Passenger_Area	560898	male
CT2	Engine_Cmpt_	563613	female	L58	Passenger_Area	560898	male
CT3	Engine_Cmpt_	563224	male	L63	Outside_Front_RH	562155	male
D92	Parcel_Rack_LH_1st_Cmpt	564496	male	L64	Outside_Front_RH	562155	male
EIA	Engine_Cmpt	563739	male	L65	Outside_Front_LH	562155	male
L1	Service_Cmpt_	562485	male	L66	Outside_Front_LH	562155	male
L2	Front_Roof	561247	male	L67A.A	Luggage_Cmpt_	562155	male
L16	Front_Roof	562803	male	L68A.A	Luggage_Cmpt_	562155	male
L17	Front_Roof	562803	male	L70A.A	Luggage_Cmpt_	562155	male
L18	Entrance_Door	562549	male	L72	Rear_Vehicle	562155	male
L19	Entrance_Door	562486	female	L74	Rear_Vehicle	562155	male
L20	Entrance_Door	562486	female	L75	Rear_Vehicle	562155	male
L21.A	Front_Roof	561608	female	L76	Rear_Engine_Door	562155	male
L21.B	Front_Roof	562286	male	L81A.A	Rear_Engine_Door	562835	female
L22.A	Front_Roof	561608	female	L81A.B	Rear_Engine_Door	562834	male
L22.B	Front_Roof	562286	male	L82A	Rear_Engine_Door	562348	female
L23.A	Front_Roof	561608	female	L83A	Rear_Engine_Door	562348	female
L23.B	Front_Roof	562286	male	L84A.A	Rear_Vehicle	561608	female
L24.A	Front_Roof	561608	female	L84A.B	Rear_Vehicle	562286	male
L24.B	Front_Roof	562286	male	L85A.A	Rear_Vehicle	561608	female
L25.A	Front_Roof	561608	female	L85A.B	Rear_Vehicle	562286	male
L25.B	Front_Roof	562286	male	L86A.A	Rear_Vehicle	561608	female
L26.A	Front_Roof	561608	female	L86A.B	Rear_Vehicle	562286	male
L26.B	Front_Roof	562286	male	L87A.A	Rear_Vehicle	561608	female
L27.A	Front_Roof	561608	female	L87A.B	Rear_Vehicle	562286	male
L27.B	Front_Roof	562286	male	L88A.A	Rear_Vehicle	561608	female
L40.A	Parcel_Rack_RH	560898	male	L88A.B	Rear_Vehicle	562286	male
L41.A	Parcel_Rack_RH	560898	male	L89A.A	Rear_Vehicle	561608	female
L42.A	Parcel_Rack_RH	560898	male	L89A.B	Rear_Vehicle	562286	male
L43.A	Parcel_Rack_RH	560898	male	L90A.A	Rear_Vehicle	561608	female
L44.A	Parcel_Rack_RH	560898	male	L90A.B	Rear_Vehicle	562286	male
L45.A	Parcel_Rack_RH	560898	male	L93.A	Engine_Cmpt_	563069	female
L46.A	Parcel_Rack_RH	560898	male	L93.B	Engine_Cmpt_	563069	female
L47.A	Parcel_Rack_RH	560898	male	L94.A	Engine_Cmpt_	563069	female
L48.A	Parcel_Rack_RH	560898	male	L94.B	Engine_Cmpt_	563069	female
L49.A	Parcel_Rack_RH	560898	male	L95A	Outside_Front_LH	562485	male
L50.A	Parcel_Rack_RH	560898	male	L95B	Outside_Front_LH	562485	male
L51.A	Parcel_Rack_RH	560898	male	L96A	Outside_Front_RH	562485	male
L52	Passenger_Area	560898	male	L96B	Outside_Front_RH	562485	male
L53	Passenger_Area	560898	male	L97.A	Outside_Front_LH	563069	female
L54	Passenger_Area	560898	male	L97.B	Outside_Front_LH	563069	female
L55	Passenger_Area	560898	male	L98A.A	Outside_Front_RH	563069	female

CONNECTORS LIST

No	Location	Part #	Gender	No	Location	Part #	Gender
L98A.B	Outside_Front_RH	563069	female	L195.B	Left_Hand_Console	560488	female
L140	Lavatory	561247	male	L199	Engine_Cmpt_	562848	male
L142	Lavatory	562803	male	L201	Front_Roof	561247	male
L143	Front_Roof	561247	male	L202	Front_Roof	561247	male
L143A	Parcel_Rack_LH	561186	male	L203	Right_Hand_Console	561690	male
L144A	Parcel_Rack_LH	561186	male	L204	WCL_Pass_Area	562803	male
L145A	Parcel_Rack_LH	561186	male	L205	Evap_Cmpt_	562485	male
L146A	Parcel_Rack_LH	561186	male	L206	WCL_Pass_Area	562803	male
L147A	Parcel_Rack_LH	561186	male	L207.A	WCL	561699	female
L148A	Parcel_Rack_LH	561186	male	L207.B	WCL	561701	female
L149A	Parcel_Rack_LH	561186	male	L207.C	WCL	561701	female
L150A	Parcel_Rack_LH	561186	male	L207.D	WCL	561699	female
L151A	Parcel_Rack_LH	561186	male	L207.E	WCL	561701	female
L152A	Parcel_Rack_LH	561186	male	L207.F	WCL	561699	female
L153A	Parcel_Rack_LH	561186	male	L207.G	WCL	561699	female
L154A	Parcel_Rack_LH	561186	male	L207.H	WCL	560926	female
L155A	Parcel_Rack_LH	561186	male	L207.I	WCL	560926	female
L156A	Parcel_Rack_LH	561186	male	L208	Front_Of_vehicle	563801	male
L157A	Parcel_Rack_LH	561186	male	L209	Front_Of_vehicle	563801	male
L158A	Parcel_Rack_LH	561186	male	L211	Entrance	562486	female
L173A	Engine_Cmpt_	563590	female	L243A	Parcel_Rack_RH	561186	male
L174A	Engine_Cmpt_	563590	female	L244A	Parcel_Rack_RH	561186	male
L175	RJB	561247	male	L245A	Parcel_Rack_RH	561186	male
L176	5th_Lugg_Cmpt_	561247	male	L246A	Parcel_Rack_RH	561186	male
L177	5th_Lugg_Cmpt_	561247	male	L247A	Parcel_Rack_RH	561186	male
L178	3rd_Lugg_Cmpt_	561247	male	L248A	Parcel_Rack_RH	561186	male
L179	3rd_Lugg_Cmpt_	561247	male	L249A	Parcel_Rack_RH	561186	male
L180	2nd_Lugg_Cmpt_	561247	male	L250A	Parcel_Rack_RH	561186	male
L181	2nd_Lugg_Cmpt_	561247	male	L251A	Parcel_Rack_RH	561186	male
L182	1st_Lugg_Cmpt_	561247	male	L252A	Parcel_Rack_RH	561186	male
L183	1st_Lugg_Cmpt_	561247	male	L253A	Parcel_Rack_RH	561186	male
L184	Service_Cmpt_	561247	male	L254A	Parcel_Rack_RH	561186	male
L186.A	Service_Cmpt_	562651	female	L255A	Parcel_Rack_RH	561186	male
L186.B	Service_Cmpt_	562290	female	L256A	Parcel_Rack_RH	561186	male
L187	Engine_Cmpt_	561690	male	L257A	Parcel_Rack_RH	561186	male
L188	Service_Cmpt_	562486	female	L258A	Parcel_Rack_RH	561186	male
L189	Outside_Front_RH	562069	male	L282	Rear_Axle_Cmpt_	561690	male
L190	Outside_Front_LH	562069	male	L288.A	Passenger_Area	561539	male
L193.A	Dash	560488	female	L288.B	Passenger_Area	561539	male
L193.B	Dash	560488	female	L289.A	Passenger_Area	561539	male
L194.A	Left_Hand_Console	562019	female	L289.B	Passenger_Area	561539	male
L194.B	Left_Hand_Console	560488	female	L290	Engine_Cmpt_	562565	male
L195.A	Left_Hand_Console	560488	female	L291	Engine_Cmpt_	562565	male

CONNECTORS LIST

No	Location	Part #	Gender	No	Location	Part #	Gender
L293.A	Galley	560081	female	Mo25	Right_Hand_Console	562348	female
L293.B	Galley	560081	female	Mo27	Cond_Cmpt_	563691	male
L294.A	Galley	560081	female	Mo28	Cond_Cmpt_	563691	male
L294.B	Galley	560081	female	Mo54	Service_Cmpt_	562474	male
L296A	Galley	561781	female	Mo61	Parcel_Rack_RH	561248	female
L300.A	Galley	560908	female	P36.A	Engine_Cmpt_	561701	female
L300.B	Galley	560908	female	PF	Passenger_Area	561782	male
L302	Galley	561781	female	PF1	Passenger_Area	561782	male
L313	Service_Cmpt_	562789	male	Pot1.A	Dash	560488	female
L314	Service_Cmpt_	562789	male	Pot1.B	Dash	560488	female
L315_0_1	Rear_Engine_Door	563590	female	Pot1.C	Dash	560488	female
L316_0_1	Engine_Cmpt_	563590	female	PR	Passenger_Area	561781	female
L317.A	Engine_Cmpt_	562835	female	PR1	Passenger_Area	561781	female
L317.B	Engine_Cmpt_	562834	male	R-12VISS	Parcel_Rack_LH_1st_Cmpt	564496	male
L318.A	Engine_Cmpt_	562835	female	R-12VISSH	Parcel_Rack_LH_1st_Cmpt	564496	male
L318.B	Engine_Cmpt_	562834	male	R3	RJB	563409	male
L319	WCL	561247	male	R4	FJB	561183	male
L320	Driver_Area	561248	female	R5	RJB	561183	male
L350A.A	Rear_Axle_Cmpt_	564552	male	R10	Evap_Cmpt_	563409	male
L350A.B	Rear_Axle_Cmpt_	563340	male	R11	RJB	561183	male
L350A.C	Rear_Axle_Cmpt_	562251	male	R12	Evap_Cmpt_	563409	male
Lav_Spk	Lavatory	563994	male	R17	RJB	564210	male
Mo2_0_1	Engine_Cmpt_	561782	male	R18	RJB	564210	male
Mo3	Dash	561667	female	R19	RJB	564210	male
Mo4	Dash	562076	male	R20	Evap_Cmpt_	564496	male
Mo5	Front_Roof	561550	female	R22	FJB	561183	male
Mo6	Service_Cmpt_	561690	male	R23	Right_Hand_Console	564496	male
Mo7	Cond_Cmpt_	563691	male	R24	FJB	564496	male
Mo8	Cond_Cmpt_	563691	male	R25	RJB	561183	male
Mo10	Parcel_Rack_LH	561515	male	R26	Cond_Cmpt_	564496	male
Mo11	Parcel_Rack_RH	561515	male	R29	RJB	563409	male
Mo12	Evap_Cmpt_	561690	male	R31	RJB	564210	male
Mo13	Engine_Cmpt_	561690	female	R32	FJB	564496	male
Mo14	Parcel_Rack_RH	561566	female	R35	Galley	561183	male
Mo15	Over_Head_Driver_Area	560900	female	R36	Galley	561183	male
Mo16	Over_Head_Driver_Area	560900	female	R37	Galley	561183	male
Mo17	Left_Hand_Console	563626	male	R41	FJB	564496	male
Mo18	Service_Cmpt_	562474	male	R42	FJB	564496	male
Mo19	Service_Cmpt_	562474	male	R43	FJB	564496	male
Mo20	Service_Cmpt_	562474	male	R47	5th_Lugg_Cmpt_	564496	male
Mo21	Front_Roof	561186	male	R48.A	5th_Lugg_Cmpt_	564496	male
Mo22	Right_Hand_Console	561186	male	R72	Galley	563409	male
Mo24	Right_Hand_Console	562348	female	R73	Galley	563409	male

CONNECTORS LIST

No	Location	Part #	Gender	No	Location	Part #	Gender
R74	FJB	564496	male	Se38	Front_Axle_Cmpt_	641132	female
R_STANK		561183	male	Se39	Rear_Axle_Cmpt_	641132	female
Res3	RJB	563590	female	Se40	Rear_Axle_Cmpt_	641132	female
Res4	Right_Hand_Console	563590	female	Se45	Service_Cmpt_	563409	male
Res6	FJB	563590	female	Se46	Rear_Axle_Cmpt_	562348	female
Res7	FJB	563590	female	Se53	Service_Cmpt_	563159	female
Res15	RJB	561782	male	Se54	Service_Cmpt_	563159	female
Res31	Cond_Cmpt_	562350	male	Se55	Service_Cmpt_	563159	female
Res32	Cond_Cmpt_	563764	female	Se60	Service_Cmpt_	563409	male
Res53.A	Dash	563590	female	Se63	Rear_Axle_Cmpt_	641132	female
Se4	Window_RH	561477	female	Se64	Rear_Axle_Cmpt_	641132	female
Se5	Window_RH	561477	female	Se65	Dash	564042	female
Se6	Window_RH	561477	female	Se66	Dash	564039	female
Se7	Window_LH	561477	female	Se67	Service_Cmpt_	563159	female
Se8	Window_LH	561477	female	Se69	Service_Cmpt_	563159	female
Se9	Window_LH	561477	female	Se70	Rear_Axle_Cmpt_	563340	male
Se10	Window_LH	561477	female	Se79	Front_Axle_Cmpt_	563340	male
Se11.A	Cond_Cmpt_	560082	male	Se_Full	Engine_Cmpt_	562350	male
Se11.B	Cond_Cmpt_	560082	male	Se_Full	Engine_Cmpt_	563764	female
Se11.C	Cond_Cmpt_	560082	male	shell1	Right_Hand_Console	561889	female
Se13	Engine_Cmpt_	562350	male	shell1_13	Luggage_Cmpt_	562155	male
Se14.A	Dash	561782	male	shell2	Parcel_Rack_LH	560898	male
Se14.B	Dash	561781	female	shell3	Parcel_Rack_LH	560898	male
Se15	Right_Hand_Console	560898	male	shell4	Parcel_Rack_LH	560898	male
Se17	Entrance_Door	560081	female	shell5	Parcel_Rack_LH	560898	male
Se18	Pneumatic_Panel	561566	female	shell6	Parcel_Rack_LH	560898	male
Se19	Service_Cmpt_	563677	male	shell7	Parcel_Rack_LH	560898	male
Se19A	Service_Cmpt_	563677	male	shell8	Parcel_Rack_LH	560898	male
Se20	Evap_Cmpt_	562426	male	shell9	Parcel_Rack_LH	560898	male
Se21	Dash	561248	female	shell10	Parcel_Rack_LH	560898	male
Se23	Engine_Cmpt_	563159	male	shell11	Parcel_Rack_LH	560898	male
Se24	Engine_Cmpt_	563159	male	shell12	Parcel_Rack_LH	560898	male
Se25	Evap_Cmpt_	561248	female	shell13	Parcel_Rack_LH	560898	male
Se28	Service_Cmpt_	561690	male	shell19	WCL_Door	563543	male
Se29	Engine_Cmpt_	561566	female	So3	Right_Hand_Console	641385	male
Se30	Engine_Cmpt_	562877	female	So4	Right_Hand_Console	641385	male
Se31	Engine_Cmpt_	562877	female	So5	Right_Hand_Console	641385	male
Se32	Engine_Cmpt_	563057	male	So6	Right_Hand_Console	641385	male
Se33	Engine_Cmpt_	562856	male	So7	Service_Cmpt_	561566	male
Se34	Engine_Cmpt_	563057	male	So8	Service_Cmpt_	641385	male
Se35	Engine_Cmpt_	563057	male	So9	Engine_Cmpt_	560016	female
Se36	Engine_Cmpt_	563629	female	So10	Cond_Cmpt_	562485	male
Se37	Front_Axle_Cmpt_	641132	female	So11	Cond_Cmpt_	561566	female

CONNECTORS LIST

No	Location	Part #	Gender	No	Location	Part #	Gender
So13	Evap_Cmpt_	563204	female	Spk10_R	Parcel_Rack_RH	563994	male
So14	Pneumatic_Panel	641385	male	Spk11_L	Parcel_Rack_LH	563994	male
So15	Pneumatic_Panel	641385	male	Spk11_R	Parcel_Rack_RH	563994	male
So16	Pneumatic_Panel	641385	male	Spk12_L	Parcel_Rack_LH	563994	male
So17	Pneumatic_Panel	562848	male	Spk12_R	Parcel_Rack_RH	563994	male
So18	Pneumatic_Panel	641385	male	Spk13_L	Parcel_Rack_LH	563994	male
So19	Pneumatic_Panel	641385	male	Spk13_R	Parcel_Rack_RH	563994	male
So20	Pneumatic_Panel	641385	male	Spk14_L	Parcel_Rack_LH	563994	male
So21	Front_Axle_Cmpt_	564046	female	Spk14_R	Parcel_Rack_RH	563994	male
So22	Front_Axle_Cmpt_	564046	female	Spk15_L	Parcel_Rack_LH	563994	male
So23	Rear_Axle_Cmpt_	564046	female	Spk15_R	Parcel_Rack_RH	563994	male
So24	Rear_Axle_Cmpt_	564046	female	Spk16_L	Parcel_Rack_LH	563994	male
So27	Rear_Axle_Cmpt_	564045	female	Spk16_R	Parcel_Rack_RH	563994	male
So50	Rear_Axle_Cmpt_	564046	female	SpkDr_L	Driver_Area	563994	male
So52	Front_Axle_Cmpt_	564045	female	SpkDr_LH	Driver_Area	563994	male
So53	Rear_Axle_Cmpt_	564045	female	SpkDr_R	Driver_Area	563994	male
spBar4.J1	Engine_Cmpt_	564135	male	SpkDr_RH	Driver_Area	563994	male
spBar5	Engine_Cmpt_	564135	male	Sub1.A	Passenger_Area	564004	female
spBar6	Engine_Cmpt_	564135	male	Sub2	Passenger_Area	564004	female
spBar7	Cond_Cmpt_	564135	male	Sw1.C258	Dash	561188	female
spBar8	Engine_Cmpt_	564135	male	Sw1.C259	Dash	561186	male
spBar19.J1	Cond_Cmpt_	564135	male	Sw2	Dash	562763	male
spBar20	Cond_Cmpt_	564135	male	Sw3	Dash	562763	male
spBar21	Cond_Cmpt_	564135	male	Sw4	Dash	562763	male
Spk1_L	Parcel_Rack_LH	563994	male	Sw5	Dash	562763	male
Spk1_R	Parcel_Rack_RH	563994	male	Sw6	Dash	562763	male
Spk2_L	Parcel_Rack_LH	563994	male	Sw7.A	Cond_Cmpt	562877	female
Spk2_R	Parcel_Rack_RH	563994	male	Sw10A	Left_Hand_Console	562763	male
Spk3_L	Parcel_Rack_LH	563994	male	Sw11A	Left_Hand_Console	562763	male
Spk3_R	Parcel_Rack_RH	563994	male	Sw12	Dash	562763	male
Spk4_L	Parcel_Rack_LH	563994	male	Sw14	Dash	562763	male
Spk4_R	Parcel_Rack_RH	563994	male	Sw16	Dash	562763	male
Spk5_L	Parcel_Rack_LH	563994	male	Sw17	Dash	562763	male
Spk5_R	Parcel_Rack_RH	563994	male	Sw18A	Left_Hand_Console	562763	male
Spk6_L	Parcel_Rack_LH	563994	male	Sw20	Dash	562763	male
Spk6_R	Parcel_Rack_RH	563994	male	Sw21	Dash	562763	male
Spk7_L	Parcel_Rack_LH	563994	male	Sw24	Dash	562763	male
Spk7_R	Parcel_Rack_RH	563994	male	Sw25	Dash	562763	male
Spk8_L	Parcel_Rack_LH	563994	male	Sw26	Dash	562763	male
Spk8_R	Parcel_Rack_RH	563994	male	Sw27	Dash	562763	male
Spk9_L	Parcel_Rack_LH	563994	male	Sw29	Dash	562763	male
Spk9_R	Parcel_Rack_RH	563994	male	Sw30	Engine_Cmpt_	561566	female
Spk10_L	Parcel_Rack_LH	563994	male	Sw32	Dash	561477	female

CONNECTORS LIST

No	Location	Part #	Gender	No	Location	Part #	Gender
Sw33	Dash	561476	male	Sw83.B	Dash	560815	female
Sw34	Outside_Front_RH	562477	male	Sw83.C	Dash	560082	female
Sw35	Dash	562763	male	Sw83.D	Dash	560815	female
Sw38	Left_Hand_Console	562763	male	Sw85	Left_Hand_Console	562749	male
Sw39.A	RJB	562403	female	Sw94.A	WCL_Door	562403	female
Sw40	Left_Hand_Console	561690	male	Sw94.B	WCL_Door	562403	female
Sw41	Left_Hand_Console	562749	male	Sw95A.A	WCL_Door	562615	female
Sw42	5th_Lugg_Cmpt_	561635	female	Sw95A.B	WCL_Door	562615	female
Sw43	Service_Cmpt_	561690	male	Sw95A.C	WCL_Door	562615	female
Sw44.A	FJB	562403	female	Sw96A.A	WCL_Door	562615	female
Sw45.A	5thLuggLHDoor	562485	male	Sw96A.B	WCL_Door	562615	female
Sw45.B	5thLuggLHDoor	562486	female	Sw96A.C	WCL_Door	562615	female
Sw46.A	5thLuggRHDoor	562485	male	Sw97A.A	Pass_Area	562615	female
Sw46.B	5thLuggRHDoor	562486	female	Sw97A.B	Pass_Area	562615	female
Sw47.A	ThirdLuggLHDoor	562485	male	Sw97A.C	Pass_Area	562615	female
Sw47.B	ThirdLuggLHDoor	562486	female	Sw98A.A	Pass_Area	562615	female
Sw48.A	ThirdLuggRHDoor	562485	male	Sw98A.B	Pass_Area	562615	female
Sw48.B	ThirdLuggRHDoor	562486	female	Sw98A.C	Pass_Area	562615	female
Sw49.A	2ndLuggLHDoor	562485	male	Sw100A	Dash	562763	male
Sw49.B	2ndLuggLHDoor	562486	female	Sw111	Dash	562763	male
Sw50.A	2ndLuggRHDoor	562485	male	Sw125.A	Service_Cmpt_	561457	female
Sw50.B	2ndLuggRHDoor	562486	female	Sw125.B	Service_Cmpt_	561457	female
Sw51.A	1stLuggLHDoor	562485	male	Sw126	Service_Cmpt_	562763	male
Sw51.B	1stLuggLHDoor	562486	female	Sw131	Right_Hand_Console	562763	male
Sw52.A	1stLuggRHDoor	562485	male	Sw137	Dash	562763	male
Sw52.B	1stLuggRHDoor	562486	female	Sw152	Left_Hand_Console	562471	male
Sw55.A	Lavatory	560488	female	Sw155	Dash	562763	male
Sw55.B	Lavatory	560488	female	Sw160	Dash	562763	male
Sw56.A	Lavatory	560488	female	Sw161	Dash	562763	male
Sw56.B	Lavatory	560488	female	Sw299	Dash	562763	male
Sw57	WCL_Door	563543	male	Sw300	Galley	562763	male
Sw58	Engine_Cmpt_	562581	male	Sw301	Galley	562763	male
Sw59	Engine_Cmpt_	562485	male	Sw302	Galley	562763	male
Sw63A	LH_Consol	562763	male	Sw500	Dash	562763	male
Sw64.A	Left_Hand_Console	560815	female	Sw_STANK	Engine_Cmpt_	562485	male
Sw64.B	Left_Hand_Console	560815	female	Tab130	Engine_Cmpt_	560488	N/A
Sw65OP	Dash	562763	male	Tab131	Engine_Cmpt_	560488	N/A
Sw65OPH	Dash	562763	male	Term190a	Parcel_Rack_LH_1st_Cmpt	562228	N/A
Sw82.A	RJB	561457	female	Term190b	Parcel_Rack_LH_1st_Cmpt	562228	N/A
Sw82.B	RJB	561457	female	VECF1	FJB	563186	male
Sw82.C	RJB	561457	female	VECF2	FJB	563183	male
Sw82.D	RJB	561457	female	VECF3	FJB	563185	male
Sw83.A	Dash	560082	female	VECF4	FJB	563182	male

CONNECTORS LIST

No	Location	Part #	Gender			
VECF9	FJB	563448	male			
VECF10	FJB	563181	male			
VECF11	FJB	563184	male			
VECF12	FJB	563187	male			
Vecr1	RJB	563186	male			
Vecr2	RJB	563183	male			
Vecr3	RJB	563185	male			
VECR4	RJB	563182	male			
Vecr9	RJB	563448	male			
Vecr10	RJB	563181	male			
VECR11	RJB	563184	male			
VECR12	RJB	563187	male			
Y80	Engine_Cmpt_	563789	male			
Y81	Cond_Cmpt_	563793	male			

CONNECTORS LIST

No	Location	Part #	Gender	No	Location	Part #	Gender
24SS_OP	Parcel_Rack_LH	563071	male	A39H.P901	Parcel_Rack_LH_1st_Cmpt	563953	male
24SS_OP	Parcel_Rack_LH	563040	female	A41.J1	FJB	562767	male
A1	FJB	563975	male	A41.J2	FJB	563132	male
A2	LH_CONSOLE	563984	male	A41.J3	FJB	562957	male
A3	Dash	562363	male	A42.J1	FJB	562767	male
A4A.A	Service_Cmpt_	562428	female	A42.J2	FJB	563132	male
A4A.B	Service_Cmpt_	561188	female	A42.J3	FJB	562957	male
A5A	Service_Cmpt_	562428	female	A43.J1	FJB	562767	male
A6	Rear_Axle_Cmpt_	562427	male	A43.J2	FJB	563132	male
A7	Rear_Axle_Cmpt_	563979	male	A43.J3	FJB	562957	male
A9.Cx1	FJB	564041	female	A44.J1	FJB	563133	male
A9.Cx2	FJB	563678	male	A44.J2	FJB	563132	male
A9.Cx3	FJB	564037	female	A44.J3	FJB	562957	male
A9.Cx4	FJB	564038	female	A45.J1	FJB	563133	male
A10.X1	RrAxlePre-HeatCmpt.	563135	male	A45.J2	FJB	563132	male
A10.X3	RrAxlePre-HeatCmpt.	563134	female	A45.J3	FJB	562957	male
A11	Left_Hand_Console	563142	male	A46.J1	FJB	563133	male
A14A.A	DASH	562766	male	A46.J2	FJB	563132	male
A14A.B	DASH	562767	male	A46.J3	FJB	562957	male
A14A.C	DASH	562765	male	A47.J1	Right_Hand_Console	563133	male
A15	Dash	562464	male	A47.J2	Right_Hand_Console	563132	male
A16	FrontCeiling	561637	male	A47.J3	Right_Hand_Console	562957	male
A18.J1	FJB	562794	male	A48.J1	Right_Hand_Console	563133	male
A18.J2	FJB	562650	male	A48.J2	Right_Hand_Console	563132	male
A19	Left_Hand_Console	562878	female	A48.J3	Right_Hand_Console	562957	male
A20	Parcel_Rack_LH	561477	female	A49.J1	RJB	562767	male
A24.A	Right_Hand_Console	561890	male	A49.J2	RJB	563132	male
A24.B	Right_Hand_Console	561566	female	A49.J3	RJB	562957	male
A25	Driver_Area	563025	male	A50.J1	RJB	563133	male
A25H	Driver_Area	563025	male	A50.J2	RJB	563132	male
A27	FJB	562929	male	A50.J3	RJB	562957	male
A28	Service_Cmpt_	562928	male	A51.J1	RJB	563133	male
A29	DASH	562464	male	A51.J2	RJB	563132	male
A32.A	FJB	564221	male	A51.J3	RJB	562957	male
A32.B	FJB	564518	male	A52.J1	RJB	563133	male
A33.A	Front_Midle_Top	563071	male	A52.J2	RJB	563132	male
A33.B	Front_Midle_Top	562330	female	A52.J3	RJB	562957	male
A36.JA	FJB	562767	male	A53.J1	Parcel_Rack_JCB	563133	male
A36.JB	FJB	562765	male	A53.J2	Parcel_Rack_JCB	563132	male
A36.JC	FJB	562957	male	A53.J3	Parcel_Rack_JCB	562957	male
A39.P101	Parcel_Rack_LH_1st_Cmpt	563201	male	A54.J1	Evap_Cmpt_	563133	male
A39.P901	Parcel_Rack_LH_1st_Cmpt	563953	male	A54.J2	Evap_Cmpt_	563132	male
A39H.P101	Parcel_Rack_LH_1st_Cmpt	563201	male	A54.J3	Evap_Cmpt_	562957	male

CONNECTORS LIST

No	Location	Part #	Gender	No	Location	Part #	Gender
A55.J1	Dash	562767	male	A65OPH.A	Parcel_Rack_LH_1st_Cmpt	563025	male
A55.J2	Dash	563132	male	A65OPH.B4	Parcel_Rack_LH_1st_Cmpt	bidon	male
A55.J3	Dash	562957	male	A65OPH.B5	Parcel_Rack_LH_1st_Cmpt	bidon	male
A60.A	Parcel_Rack_LH_1st_Cmpt	563071	male	A65OPH.B6	Parcel_Rack_LH_1st_Cmpt	bidon	male
A60.B	Parcel_Rack_LH_1st_Cmpt	562706	female	A65OPH.D	Parcel_Rack_LH_1st_Cmpt	bidon	male
A60.C	Parcel_Rack_LH_1st_Cmpt	901110	male	A65OPH.E	Parcel_Rack_LH_1st_Cmpt	563071	male
A60.D	Parcel_Rack_LH_1st_Cmpt	901110	male	A65OPH.G1	Parcel_Rack_LH_1st_Cmpt	563071	male
A60DB.A	Dash	563071	male	A65OPH.G2	Parcel_Rack_LH_1st_Cmpt	563071	male
A60DB.B	Dash	562706	female	A65OPH.G3	Parcel_Rack_LH_1st_Cmpt	563071	male
A60DB.C	Dash	901110	male	A65OPH.H1	Parcel_Rack_LH_1st_Cmpt	561716	female
A60DB.D	Dash	901110	male	A65OPH.H2	Parcel_Rack_LH_1st_Cmpt	561716	female
A60H.A	Parcel_Rack_LH_1st_Cmpt	563071	male	A65OPH.H3	Parcel_Rack_LH_1st_Cmpt	561716	female
A60H.B	Parcel_Rack_LH_1st_Cmpt	562706	female	A65OPH.J	Parcel_Rack_LH_1st_Cmpt	562465	male
A60H.C	Parcel_Rack_LH_1st_Cmpt	901110	male	A69.A	Parcel_Rack_LH_1st_Cmpt	563071	male
A60H.D	Parcel_Rack_LH_1st_Cmpt	901110	male	A69.B	Parcel_Rack_LH_1st_Cmpt	561716	female
A61.A	Parcel_Rack_LH_1st_Cmpt	562464	male	A69.C	Parcel_Rack_LH_1st_Cmpt	561716	female
A61.B	Parcel_Rack_LH_1st_Cmpt	562465	male	A69.D	Parcel_Rack_LH_1st_Cmpt	561716	female
A61H.A	Parcel_Rack_LH_1st_Cmpt	562464	male	A69.E	Parcel_Rack_LH_1st_Cmpt	561716	female
A61H.B	Parcel_Rack_LH_1st_Cmpt	562465	male	A69.F	Parcel_Rack_LH_1st_Cmpt	561716	female
A65.B	Parcel_Rack_LH_1st_Cmpt	901110	male	A69.G	Parcel_Rack_LH_1st_Cmpt	561716	female
A65.C	Parcel_Rack_LH_1st_Cmpt	901110	male	A69.H	Parcel_Rack_LH_1st_Cmpt	561716	female
A65.Csv	Parcel_Rack_LH_1st_Cmpt	562465	male	A69LH.A	Parcel_Rack_LH_1st_Cmpt	563025	male
A65.D	Parcel_Rack_LH_1st_Cmpt	901110	male	A69LH.B1	Parcel_Rack_LH_1st_Cmpt	bidon	male
A65H.A	Parcel_Rack_LH_1st_Cmpt	563025	male	A69LH.B2	Parcel_Rack_LH_1st_Cmpt	bidon	male
A65H.B4	Parcel_Rack_LH_1st_Cmpt	bidon	male	A69LH.B3	Parcel_Rack_LH_1st_Cmpt	bidon	male
A65H.B5	Parcel_Rack_LH_1st_Cmpt	bidon	male	A69LH.B4	Parcel_Rack_LH_1st_Cmpt	bidon	male
A65H.B6	Parcel_Rack_LH_1st_Cmpt	bidon	male	A69LH.C	Parcel_Rack_LH_1st_Cmpt	bidon	male
A65H.D	Parcel_Rack_LH_1st_Cmpt	bidon	male	A69RH.A	Parcel_Rack_RH	563025	male
A65H.E	Parcel_Rack_LH_1st_Cmpt	563071	male	A69RH.B1	Parcel_Rack_RH	bidon	male
A65H.G1	Parcel_Rack_LH_1st_Cmpt	563071	male	A69RH.B2	Parcel_Rack_RH	bidon	male
A65H.G2	Parcel_Rack_LH_1st_Cmpt	563071	male	A69RH.B3	Parcel_Rack_RH	bidon	male
A65H.G3	Parcel_Rack_LH_1st_Cmpt	563071	male	A69RH.B4	Parcel_Rack_RH	bidon	male
A65H.H1	Parcel_Rack_LH_1st_Cmpt	561716	female	A69RH.C	Parcel_Rack_RH	bidon	male
A65H.H2	Parcel_Rack_LH_1st_Cmpt	561716	female	A70c	Roof	561540	female
A65H.H3	Parcel_Rack_LH_1st_Cmpt	561716	female	A70cH	Roof	561540	female
A65H.J	Parcel_Rack_LH_1st_Cmpt	562465	male	A77	TOP_RJB	564547	male
A65OP.A	Parcel_Rack_LH_1st_Cmpt	901110	male	A78	Compt_Batt	562583	female
A65OP.B	Parcel_Rack_LH_1st_Cmpt	901110	male	A79	Compt_Batt	562583	female
A65OP.C	Parcel_Rack_LH_1st_Cmpt	901110	male	A80	Compt_Batt	562479	female
A65OP.Csv	Parcel_Rack_LH_1st_Cmpt	562465	male	A81A.JA	FJB	562767	male
A65OP.D	Parcel_Rack_LH_1st_Cmpt	901110	male	A81A.JB	FJB	562765	male
A65OP.E	Parcel_Rack_LH_1st_Cmpt	901110	male	A81A.JC	FJB	562957	male
A65OP.F	Parcel_Rack_LH_1st_Cmpt	562090	male	A83	FJB	565970	female

CONNECTORS LIST

No	Location	Part #	Gender	No	Location	Part #	Gender
A96	FJB	564073	female	A131.B	Engine_Cmpt_	561781	female
A97	Dash	563226	male	A137A	Cond_Cmpt	20429843	male
A100	Front_Axle_Cmpt_	563758	female	A138	Cond_Cmpt_	563787	male
A101	Rear_Axle_Cmpt_	563758	female	A139	Dash	564501	female
A102	Rear_Axle_Cmpt_	563758	female	A150	ModestyPanel	21280133	male
A103	Dash	562070	female	A152.A	Parcel_Rack_LH_1st_Cmpt	561550	male
A107	Eng_Cmpt_(Trans.)	560336	male	A152.B	Parcel_Rack_LH_1st_Cmpt	563071	male
A108	FJB	562766	male	A152.C	Parcel_Rack_LH_1st_Cmpt	563071	male
A109	Left_Hand_Console	564141	male	A152.D	Parcel_Rack_LH_1st_Cmpt	563071	male
A111	Lavatory	562549	male	A152.E	Parcel_Rack_LH_1st_Cmpt	563071	male
A113.A	Parcel_Rack_LH_1st_Cmpt	563960	male	A152.F	Parcel_Rack_LH_1st_Cmpt	563071	male
A113.B	Parcel_Rack_LH_1st_Cmpt	563962	male	A152.G	Parcel_Rack_LH_1st_Cmpt	563071	male
A113.C1	Parcel_Rack_LH_1st_Cmpt	563956	male	A152.H	Parcel_Rack_LH_1st_Cmpt	563071	male
A113.C2	Parcel_Rack_LH_1st_Cmpt	563957	male	A152.I	Parcel_Rack_LH_1st_Cmpt	563071	male
A113.C3	Parcel_Rack_LH_1st_Cmpt	563958	male	A152.J	Parcel_Rack_LH_1st_Cmpt	563071	male
A113.D	Parcel_Rack_LH_1st_Cmpt	563961	male	A152.K	Parcel_Rack_LH_1st_Cmpt	562779	male
A113H.A	Parcel_Rack_LH_1st_Cmpt	563960	male	A152.L	Parcel_Rack_LH_1st_Cmpt	562779	male
A113H.B	Parcel_Rack_LH_1st_Cmpt	563962	male	A152H.A	Parcel_Rack_LH_1st_Cmpt	561550	male
A113H.C1	Parcel_Rack_LH_1st_Cmpt	563956	male	A152H.B	Parcel_Rack_LH_1st_Cmpt	563071	male
A113H.C2	Parcel_Rack_LH_1st_Cmpt	563957	male	A152H.C	Parcel_Rack_LH_1st_Cmpt	563071	male
A113H.C3	Parcel_Rack_LH_1st_Cmpt	563958	male	A152H.D	Parcel_Rack_LH_1st_Cmpt	563071	male
A114A	Service_Cmpt	564252	male	A152H.E	Parcel_Rack_LH_1st_Cmpt	563071	male
A120.A	Dash	563960	male	A152H.F	Parcel_Rack_LH_1st_Cmpt	563071	male
A120.B	Dash	563962	male	A152H.G	Parcel_Rack_LH_1st_Cmpt	563071	male
A120.C1	Dash	563956	male	A152H.H	Parcel_Rack_LH_1st_Cmpt	563071	male
A120.C2	Dash	563957	male	A152H.I	Parcel_Rack_LH_1st_Cmpt	563071	male
A120.C3	Dash	563958	male	A152H.J	Parcel_Rack_LH_1st_Cmpt	563071	male
A120.D	Dash	563961	male	A152H.K	Parcel_Rack_LH_1st_Cmpt	562779	male
A120H.A	Dashboard	563960	male	A152H.L	Parcel_Rack_LH_1st_Cmpt	562779	male
A120H.B	Dashboard	563962	male	A153.A	Parcel_Rack_LH_1st_Cmpt	562465	male
A120H.C1	Dashboard	563956	male	A153.B	Parcel_Rack_LH_1st_Cmpt	561716	female
A120H.C2	Dashboard	563957	male	A153.C	Parcel_Rack_LH_1st_Cmpt	561716	female
A120H.C3	Dashboard	563958	male	A153.D	Parcel_Rack_LH_1st_Cmpt	561716	female
A121.Vsa	Dash	563679	male	A158.A	Parcel_Rack_LH_1st_Cmpt	563071	male
A121.Vsb	Dash	563678	male	Alt1D.A	Engine_Cmpt_	563746	female
A121.Vsc	Dash	564037	female	Alt1D.B	Engine_Cmpt_	560815	female
A121.Vsd	Dash	564118	male	Alt1D.C	Engine_Cmpt_	564469	female
A121H.Vsa	Dash	563679	male	Alt3D.A	Engine_Cmpt_	563746	female
A121H.Vsb	Dash	563678	male	Alt3D.B	Engine_Cmpt_	560815	female
A121H.Vsc	Dash	564037	male	Alt3D.C	Engine_Cmpt_	564469	female
A121H.Vsd	Dash	564118	male	B85	Engine_Cmpt_	563815	male
A130	Left_Hand_Console	563226	male	B96.J1	Engine_Cmpt_	563821	male
A131.A	Engine_Cmpt_	561782	male	B96B	Engine_Cmpt_	563823	male

CONNECTORS LIST

No	Location	Part #	Gender	No	Location	Part #	Gender
B97	Engine_Cmpt_	563816	male	C15	5th_Lugg_Cmpt_	561643	male
B98	Engine_Cmpt_	563817	male	C15	5th_Lugg_Cmpt_	561642	female
B115A	Engine_Cmpt_	564226	male	C15B	Evap_Cmpt_	568110	male
B142C	Cond_Cmpt	563793	male	C15B	Evap_Cmpt_	568109	female
B310	Engine_Cmpt_	565967	male	C16	RJB	561577	male
C1	Service_Cmpt_	563589	male	C16	RJB	561605	female
C1	Service_Cmpt_	563590	female	C17	RJB	561986	male
C1S	Service_Cmpt_	563589	male	C17	RJB	561987	female
C1S	Service_Cmpt_	563590	female	C18	FJB	561986	male
C2	Service_Cmpt_	563580	male	C18	FJB	561987	female
C2	Service_Cmpt_	563581	female	C19	RJB	561986	male
C2A	Service_Cmpt_	563580	male	C19	RJB	561987	female
C2A	FJB	563581	female	C20	Lavatory	561668	male
C3	RJB	563589	male	C20	Lavatory	561551	female
C3	RJB	563590	female	C20A	Engine_Cmpt_	562485	male
C3S	RJB	563589	male	C20A	Engine_Cmpt_	562486	female
C3S	RJB	563590	female	C20B	Engine_Cmpt_	562485	male
C4	Service_Cmpt_	563580	male	C20B	Engine_Cmpt_	562486	female
C4	Service_Cmpt_	563581	female	C21A	RJB	561646	male
C5	Service_Cmpt_	563589	male	C21A	RJB	561645	female
C5	Service_Cmpt_	563590	female	C21B	RJB	561646	male
C5S	Service_Cmpt_	563589	male	C21B	RJB	561645	female
C5S	Service_Cmpt_	563590	female	C22	RJB	561847	male
C6	Service_Cmpt_	563582	male	C22	RJB	561862	female
C6	Service_Cmpt_	563583	female	C23	EVAP_CMPT	561847	male
C7	Service_Cmpt_	562581	male	C23	EVAP_CMPT	561862	female
C7	Service_Cmpt_	562583	female	C24_plug	Evap_Cmpt_	561690	male
C8	Service_Cmpt_	563227	male	C24_socket	Evap_Cmpt_	561566	female
C8	Service_Cmpt_	563614	female	C25A	Parcel_Rack_LH_1st_Cmpt	561550	male
C9	Evap_Cmpt_	561986	male	C25A	Parcel_Rack_LH_1st_Cmpt	561667	female
C9	Evap_Cmpt_	561987	female	C26	Cond_Cmpt	563226	male
C10A	Engine_Cmpt_	562581	male	C26	Cond_Cmpt	563613	female
C10A	Engine_Cmpt_	562583	female	C26AA	Cond_Cmpt	568110	male
C11	Service_Cmpt_	563580	male	C26AA	Cond_Cmpt	568109	female
C11	Service_Cmpt_	563581	female	C26B	Cond_Cmpt	563227	male
C12	RJB	561986	male	C26B	Cond_Cmpt	563614	female
C12	RJB	561987	female	C27	RJB	562005	male
C13_plug	Right_Hand_Console	563589	male	C27	RJB	561714	female
C13_socket	Right_Hand_Console	563590	female	C29	5th_Lugg_Cmpt_	563651	male
C13S	Right_Hand_Console	563589	male	C29	5th_Lugg_Cmpt_	563652	female
C13S	Right_Hand_Console	563590	female	C30	5th_Lugg_Cmpt_	561710	male
C14	Evap_Cmpt_	561986	male	C30	5th_Lugg_Cmpt_	561709	female
C14	Evap_Cmpt_	561987	female	C31	RJB	561734	male

CONNECTORS LIST

No	Location	Part #	Gender	No	Location	Part #	Gender
C31	RJB	561735	female	C54B	Engine_Cmpt	562477	male
C32A	5th_Lugg_Cmpt_	561515	male	C54B	Engine_Cmpt	562479	female
C32A	5th_Lugg_Cmpt_	561552	female	C55	Evap_Cmpt_	561577	male
C33	RHFrontRoof	561550	male	C55	Evap_Cmpt_	561605	female
C33	RHFrontRoof	561667	female	C64A	Engine_Cmpt	568110	male
C34	Right_Hand_Console	561986	male	C64A	Engine_Cmpt	568109	female
C34	Right_Hand_Console	561987	female	C65-OP2	Parcel_Rack_LH_1st_Cmpt	563071	male
C35	Evap_Cmpt_	561607	male	C65-OP2	Parcel_Rack_LH_1st_Cmpt	563040	female
C35	Evap_Cmpt_	561606	female	C65-OP2H	Parcel_Rack_LH_1st_Cmpt	563071	male
C36	FJB	561986	male	C65-OP2H	Parcel_Rack_LH_1st_Cmpt	563040	female
C36	FJB	561987	female	C65-OP_plug	Dash	562477	male
C37A	Parcel_Rack_LH	562557	male	C65-OP_socket	Dash	562479	female
C37A	Parcel_Rack_LH	562558	female	C65-OPH_plug	Dash	562477	male
C38A	Parcel_Rack_RH	562555	male	C65-OPH_socket	Dash	562479	female
C38A	Parcel_Rack_RH	562556	female	C66	Engine_Cmpt_	561577	male
C39	ModestyPanel	562503	male	C66	Engine_Cmpt_	561605	female
C39	ModestyPanel	562507	female	C68_plug	FJB	561687	male
C39A	Engine_Cmpt	561782	male	C68_socket	FJB	561685	female
C39A	Engine_Cmpt	561781	female	C69_plug	FJB	561690	male
C40	Dash	562485	male	C69_socket	FJB	561566	female
C40	Dash	562486	female	C70	FrontCeiling	562557	male
C41	RJB	561690	male	C70	FrontCeiling	562558	female
C41	RJB	561566	female	C70_ITS	FJB	561637	male
C43	Lavatory	561661	female	C70_ITS	FJB	561636	female
C43	Lavatory	561662	male	C71	Service_Cmpt_	561646	male
C44_plug	FJB	561577	male	C71	Service_Cmpt_	561645	female
C44_socket	FJB	561605	female	C72	FJB	561646	male
C45	FJB	561643	male	C72	FJB	561645	female
C45	FJB	561642	female	C73	Dash	563226	male
C46	WCL	564228	male	C73	Dash	563613	female
C46	WCL	564228	male	C74	FJB	561645	female
C49A	FJB	562005	male	C74	FJB	561646	male
C49A	FJB	561714	female	C82	Right_Hand_Console	562581	male
C50	RJB	561782	male	C82	Right_Hand_Console	562583	female
C50	RJB	561781	female	C87	Engine_Cmpt	563618	male
C51	Engine_Cmpt_	562485	male	C87	Engine_Cmpt	563616	female
C51	Engine_Cmpt_	562486	female	C91	RJB	562285	male
C53	Galley	561773	male	C91	RJB	562282	female
C53	Galley	562004	female	C94_plug	FJB	563589	male
C54	Engine_Cmpt	563226	male	C94_socket	FJB	563590	female
C54	Engine_Cmpt	563613	female	C96	FJB	561643	male
C54A	Engine_Cmpt	561643	male	C96	FJB	561642	female
C54A	Engine_Cmpt	561642	female	C97	FJB	561643	male

CONNECTORS LIST

No	Location	Part #	Gender	No	Location	Part #	Gender
C97	FJB	561642	female	C171	Service_Cmpt_	561646	male
C99_plug	RJB	563589	male	C171	Service_Cmpt_	561645	female
C99_socket	RJB	563590	female	C193	RJB	563589	male
C100	5th_Lugg_Cmpt_	563589	male	C193	RJB	563590	female
C100	5th_Lugg_Cmpt_	563590	female	C194	FJB	563589	male
C100A	Evap_Cmpt	563589	male	C194	FJB	563590	female
C100A	Evap_Cmpt	563590	female	C200	Engine_Cmpt_	562471	male
C100S	5th_Lugg_Cmpt_	563589	male	C200	Engine_Cmpt_	562348	female
C100S	5th_Lugg_Cmpt_	563590	female	C206	Front_RH_TOP	562503	male
C101	Service_Cmpt_	561690	male	C206	Front_RH_TOP	562507	female
C101	Service_Cmpt_	561566	female	C207	Over_Head_Driver_Area	562503	male
C102	RJB	561690	male	C207	Over_Head_Driver_Area	562507	female
C102	RJB	561566	female	C212A	WCL_Door	561515	male
C102A	RJB	561637	male	C212A	WCL_Door	561552	female
C102A	RJB	561636	female	C222	FJB	562477	male
C103_plug	FJB	562485	male	C222	FJB	562479	female
C103_socket	FJB	562486	female	C223	FJB	563227	male
C105_plug	FJB	562581	male	C223	FJB	563614	female
C105_socket	FJB	562583	female	C224	FJB	561637	male
C106_plug	FJB	562581	male	C224	FJB	561636	female
C106_socket	FJB	562583	female	C225	FJB	562649	female
C110A	Pneumatic_Panel	568110	male	C225_0_1	FJB	562650	male
C110A	Pneumatic_Panel	568109	female	C226	FJB	562650	male
C119A	Rear_Engine_Door	562581	male	C226	FJB	562649	female
C119A	Rear_Engine_Door	562583	female	C228	Engine_Cmpt	563227	male
C120A	Rear_Engine_Door	563580	male	C228	Engine_Cmpt	563614	female
C120A	Rear_Engine_Door	563581	female	C228A	Engine_Cmpt_	562581	male
C120Y	Dash	562783	male	C228A	Engine_Cmpt_	562583	female
C120Y	Dash	563206	female	C279	Service_Cmpt_	562477	male
C122	RJB	561690	male	C279	Service_Cmpt_	562479	female
C122	RJB	561566	female	C280_plug	Parcel_Rack_LH_1st_Cmpt	562549	male
C123	Rear_Axle_Cmpt_	561690	male	C280_socket	Parcel_Rack_LH_1st_Cmpt	562550	female
C123	Rear_Axle_Cmpt_	561566	female	C284	Over_Head_Driver_Area	561782	male
C124	FJB	561577	male	C284	Over_Head_Driver_Area	561781	female
C124	FJB	561605	female	C284-1	Over_Head_Driver_Area	561782	male
C141	Left_Hand_Console	561247	male	C284-1	Over_Head_Driver_Area	561781	female
C141	Left_Hand_Console	561248	female	C284-1H	Over_Head_Driver_Area	561782	male
C144	UnderLHSeat	560852	male	C284-1H	Over_Head_Driver_Area	561781	female
C144	UnderLHSeat	560851	female	C284-2	Over_Head_Driver_Area	561782	male
C152	CondensorCmpt.	561611	male	C284-2	Over_Head_Driver_Area	561781	female
C152	CondensorCmpt.	561610	female	C284-2H	Over_Head_Driver_Area	561782	male
C155	RJB	561626	female	C284-2H	Over_Head_Driver_Area	561781	female
C155	RJB	561904	female	C284-3	Over_Head_Driver_Area	561782	male

CONNECTORS LIST

No	Location	Part #	Gender	No	Location	Part #	Gender
C284-3	Over_Head_Driver_Area	561781	female	C426	Engine_Cmpt_	561611	male
C284-3H	Over_Head_Driver_Area	561782	male	C426	Engine_Cmpt_	561610	female
C284-3H	Over_Head_Driver_Area	561781	female	C430	LHConsole	562363	male
C284-4	Over_Head_Driver_Area	561782	male	C430	LHConsole	561188	female
C284-4	Over_Head_Driver_Area	561781	female	C452	Dash	561669	male
C284-4H	Over_Head_Driver_Area	561782	male	C452	Dash	561670	female
C284-4H	Over_Head_Driver_Area	561781	female	C463A	Engine_Cmpt	568111	male
C284-5	Over_Head_Driver_Area	561782	male	C463A	Engine_Cmpt	568112	female
C284-5	Over_Head_Driver_Area	561781	female	C464A	RJB	564222	male
C284-5H	Over_Head_Driver_Area	561782	male	C464A	RJB	564224	female
C284-5H	Over_Head_Driver_Area	561781	female	C465	ModestyPanel	562581	male
C284-6	Over_Head_Driver_Area	561782	male	C465	ModestyPanel	562583	female
C284-6	Over_Head_Driver_Area	561781	female	C506	FJB	561687	male
C284-6H	Over_Head_Driver_Area	561782	male	C506	FJB	561685	female
C284-6H	Over_Head_Driver_Area	561781	female	C542	Parcel_Rack_LH_1st_Cmpt	561550	male
C284-7	Over_Head_Driver_Area	561782	male	C542	Parcel_Rack_LH_1st_Cmpt	561667	female
C284-7	Over_Head_Driver_Area	561781	female	C558	Dash	562503	male
C284-8	Over_Head_Driver_Area	561782	male	C558	Dash	562507	female
C284-8	Over_Head_Driver_Area	561781	female	C558H	Dash	562503	male
C284-H	Over_Head_Driver_Area	561782	male	C558H	Dash	562507	female
C284-H	Over_Head_Driver_Area	561781	female	C564	Left_Hand_Console	562503	male
C298	Parcel_Rack_LH_1st_Cmpt	561782	male	C564	Left_Hand_Console	562507	female
C298	Parcel_Rack_LH_1st_Cmpt	561781	female	C564-Sp	Driver_Area	562503	male
C330	FJB	561690	male	C564-Sp	Driver_Area	562507	female
C330	FJB	561566	female	C564-SpH	Driver_Area	562503	male
C337	Passenger_Area	561782	male	C564-SpH	Driver_Area	562507	female
C337	Passenger_Area	561781	female	C564H	Left_Hand_Console	562503	male
C355	RJB	563582	male	C564H	Left_Hand_Console	562507	female
C355	RJB	565887	female	C566	Driver_Area	562503	male
C356	RearParcelRack	561695	male	C566	Driver_Area	562507	female
C356	RearParcelRack	561693	female	C566H	Driver_Area	562503	male
C380A	Dash	564222	male	C566H	Driver_Area	562507	female
C380A	Dash	564224	female	C567	Left_Hand_Console	562503	male
C381	Parcel_Rack_LH_1st_Cmpt	561847	male	C567	Left_Hand_Console	562507	female
C381	Parcel_Rack_LH_1st_Cmpt	561862	female	C567H	Left_Hand_Console	562503	male
C382	Passenger_Area	561580	male	C567H	Left_Hand_Console	562507	female
C382	Passenger_Area	561582	female	C575	RrSectionRHHatRack	562503	male
C397	RJB	562285	male	C575	RrSectionRHHatRack	562507	female
C397	RJB	562282	female	C576B	RrParcelRackRH	562006	male
C402	Galley	561247	male	C576B	RrParcelRackRH	560908	female
C402	Galley	561248	female	C576BB	RrParcelRackLH	562006	male
C403	Galley	561247	male	C576BB	RrParcelRackLH	560908	female
C403	Galley	561248	female	C577A	RrParcelRackLH	562006	male

CONNECTORS LIST

No	Location	Part #	Gender	No	Location	Part #	Gender
C577A	RrParcelRackLH	560908	female	C_A69RH	Parcel_Rack_LH_1st_Cmpt	563025	male
C577AA	FrParcelRackRH	562006	male	C_ALT1	Engine_Cmpt_	562477	male
C577AA	FrParcelRackRH	560908	female	C_ALT1	Engine_Cmpt_	562479	female
C578	RrSectionLHHatRack	562503	male	C_ALT2	Engine_Cmpt_	562477	male
C578	RrSectionLHHatRack	562507	female	C_ALT2	Engine_Cmpt_	562479	female
C582	FJB	561690	female	C_AUDIO_AUX	Parcel_Rack_LH	562557	male
C582	FJB	561566	female	C_AUDIO_AUX	Parcel_Rack_LH	562558	female
C601	LHRoofWinAjar	561476	male	C_Audio_HDMI_L	Parcel_Rack_LH_1st_Cmpt	901283	female
C601	LHRoofWinAjar	561477	female	C_Audio_HDMI_L	Parcel_Rack_LH_1st_Cmpt	901062	female
C602	FJB	561476	male	C_Audio_HDMI_R	Parcel_Rack_LH_1st_Cmpt	901283	female
C602	FJB	561477	female	C_Audio_HDMI_R	Parcel_Rack_LH_1st_Cmpt	901062	female
C603	RHRoofWinAjar	561476	male	C_AUX	Parcel_Rack_LH	563071	male
C603	RHRoofWinAjar	561477	female	C_AUX	Parcel_Rack_LH	563040	female
C604	Dashboard	561577	male	C_AUX2	Parcel_Rack_LH	563071	male
C604	Dashboard	561605	female	C_AUX2	Parcel_Rack_LH	563040	female
C614	Passenger_Area	563071	male	C_INV1	5th_Lugg_Cmpt_	562338	male
C614	Passenger_Area	563040	female	C_INV1	5th_Lugg_Cmpt_	562338	male
C615	Passenger_Area	563071	male	C_INV2	5th_Lugg_Cmpt_	562338	male
C615	Passenger_Area	563040	female	C_INV2	5th_Lugg_Cmpt_	562338	male
C616	Parcel_Rack_RH	561247	male	C_LineOut	Dash	563962	male
C616	Parcel_Rack_RH	561248	female	C_LineOut	Dash	564489	female
C617	Dash	563801	male	C_USB	ModestyPanel	562069	male
C617	Dash	563800	female	C_USB	ModestyPanel	562070	female
C618	Right_Hand_Console	563801	male	C_Video_AUX	Parcel_Rack_LH	562557	male
C618	Right_Hand_Console	563800	female	C_Video_AUX	Parcel_Rack_LH	562558	female
C717	RJB	561646	male	CFHAC	Evap_Cmpt_	564238	male
C717	RJB	561645	female	CFHF1	FJB	564560	male
C752	Dash	901283	female	CFHG1	Galley	564560	male
C752H_plug	Dash	901062	male	CFHPR1	Parcel_Rack_LH	564560	male
C752H_socket	Dash	901283	female	CFHPR1H	Parcel_Rack_LH	564560	male
C753	Parcel_Rack_LH_1st_Cmpt	901283	female	CL95	Outside_Front_LH	562485	male
C753H_plug	Dash	901062	male	CL95	Outside_Front_LH	562486	female
C753H_socket	Dash	901283	female	CMS1_plug	Passenger_Area	563601	male
C766	Parcel_Rack_LH_1st_Cmpt	561662	male	CMS1_socket	Passenger_Area	563600	female
C766	Parcel_Rack_LH_1st_Cmpt	561661	female	CMS2_plug	Passenger_Area	563601	male
C768	Dash	901283	female	CMS2_socket	Passenger_Area	563600	female
C768H	Dash	901283	female	CMS3_plug	Passenger_Area	563601	male
C769	Dash	901283	female	CMS3_socket	Passenger_Area	563600	female
C769H	Dash	901283	female	CMS4_plug	Passenger_Area	563601	male
C777	Dash	562477	male	CMS4_socket	Passenger_Area	563600	female
C777	Dash	562479	female	CP1	Passenger_Area	561782	male
C_A60DBH	Dash	563071	male	CP1	Passenger_Area	561781	female
C_A60DBH	Dash	563040	female	CP2	Passenger_Area	561782	male

CONNECTORS LIST

No	Location	Part #	Gender	No	Location	Part #	Gender
CP2	Passenger_Area	561781	female	L51.A	Parcel_Rack_RH	560898	male
CP3	Passenger_Area	561782	male	L52	Passenger_Area	560898	male
CP3	Passenger_Area	561781	female	L53	Passenger_Area	560898	male
CP4	Passenger_Area	561782	male	L54	Passenger_Area	560898	male
CP4	Passenger_Area	561781	female	L55	Passenger_Area	560898	male
CP5	Passenger_Area	561782	male	L56	Passenger_Area	560898	male
CP5	Passenger_Area	561781	female	L57	Passenger_Area	560898	male
CP5A	Passenger_Area	561782	male	L58	Passenger_Area	560898	male
CP5A	Passenger_Area	561781	female	L63	Outside_Front_RH	562155	male
CSX1	PreHeater_Cmpt	563135	male	L64	Outside_Front_RH	562155	male
CSX1	PreHeater_Cmpt	563134	female	L65	Outside_Front_LH	562155	male
CSX3	PreHeater_Cmpt	563135	male	L66	Outside_Front_LH	562155	male
CSX3	PreHeater_Cmpt	563134	female	L67A	Luggage_Cmpt_	562155	male
CT2	Engine_Cmpt_	563226	male	L68A	Luggage_Cmpt_	562155	male
CT2	Engine_Cmpt_	563613	female	L69A	Lugg_ Cmpt	562155	male
CT3	Engine_Cmpt_	563224	male	L70A	Luggage_Cmpt_	562155	male
D92	Parcel_Rack_LH_1st_Cmpt	564496	male	L72	Rear_Vehicle	562155	male
EIA	Engine_Cmpt	563739	male	L74	Rear_Vehicle	562155	male
L1	Service_Cmpt_	562485	male	L75	Rear_Vehicle	562155	male
L2	Front_Roof	561247	male	L76	Rear_Engine_Door	562155	male
L16	Front_Roof	562803	male	L81A.A	Rear_Engine_Door	562835	female
L17	Front_Roof	562803	male	L81A.B	Rear_Engine_Door	562834	male
L18	Entrance_Door	562549	male	L82A	Rear_Engine_Door	562348	female
L19	Entrance_Door	562486	female	L83A	Rear_Engine_Door	562348	female
L20	Entrance_Door	562486	female	L84	Rear_Vehicle	562486	female
L21A	Front_Roof	562486	female	L85	Rear_Vehicle	562486	female
L22A	Front_Roof	562486	female	L86	Rear_Vehicle	562486	female
L23A	Front_Roof	562486	female	L87	Rear_Vehicle	562486	female
L24A	Front_Roof	562486	female	L88	Rear_Vehicle	562486	female
L25A	Front_Roof	562486	female	L89	Rear_Vehicle	562486	female
L26A	Front_Roof	562486	female	L90	Rear_Vehicle	562486	female
L27A	Front_Roof	562486	female	L93.A	Engine_Cmpt	563069	female
L40.A	Parcel_Rack_RH	560898	male	L93.B	Engine_Cmpt_	563069	female
L41.A	Parcel_Rack_RH	560898	male	L94.A	Engine_Cmpt_	563069	female
L42.A	Parcel_Rack_RH	560898	male	L94.B	Engine_Cmpt_	563069	female
L43.A	Parcel_Rack_RH	560898	male	L95B	Outside_Front_LH	562485	male
L44.A	Parcel_Rack_RH	560898	male	L96A	Outside_Front_RH	562485	male
L45.A	Parcel_Rack_RH	560898	male	L96B	Outside_Front_RH	562485	male
L46.A	Parcel_Rack_RH	560898	male	L97.A	Outside_Front_LH	563069	female
L47.A	Parcel_Rack_RH	560898	male	L97.B	Outside_Front_LH	563069	female
L48.A	Parcel_Rack_RH	560898	male	L98A.A	Outside_Front_RH	563069	female
L49.A	Parcel_Rack_RH	560898	male	L98A.B	Outside_Front_RH	563069	female
L50.A	Parcel_Rack_RH	560898	male	L140	Lavatory	561247	male

CONNECTORS LIST

No	Location	Part #	Gender	No	Location	Part #	Gender
L142	Lavatory	562803	male	L201	Front_Roof	561247	male
L143	Front_Roof	561247	male	L202	Front_Roof	561247	male
L143A	Parcel_Rack_LH	561186	male	L203	Right_Hand_Console	561690	male
L144A	Parcel_Rack_LH	561186	male	L204	WCL_Pass_Area	562803	male
L145A	Parcel_Rack_LH	561186	male	L205	Evap_Cmpt_	562485	male
L146A	Parcel_Rack_LH	561186	male	L206	WCL_Pass_Area	562803	male
L147A	Parcel_Rack_LH	561186	male	L207.A	WCL	561699	female
L148A	Parcel_Rack_LH	561186	male	L207.B	WCL	561701	female
L149A	Parcel_Rack_LH	561186	male	L207.C	WCL	561701	female
L150A	Parcel_Rack_LH	561186	male	L207.D	WCL	561699	female
L151A	Parcel_Rack_LH	561186	male	L207.E	WCL	561701	female
L152A	Parcel_Rack_LH	561186	male	L207.F	WCL	561699	female
L153A	Parcel_Rack_LH	561186	male	L207.G	WCL	561699	female
L154A	Parcel_Rack_LH	561186	male	L207.H	WCL	560926	female
L155A	Parcel_Rack_LH	561186	male	L207.I	WCL	560926	female
L156A	Parcel_Rack_LH	561186	male	L208	Front_Of_vehicle	563801	male
L157A	Parcel_Rack_LH	561186	male	L209	Front_Of_vehicle	563801	male
L158A	Parcel_Rack_LH	561186	male	L211	Entrance	562486	female
L173A	Engine_Cmpt_	563590	female	L243A	Parcel_Rack_RH	561186	male
L174A	Engine_Cmpt_	563590	female	L244A	Parcel_Rack_RH	561186	male
L175	RJB	561247	male	L245A	Parcel_Rack_RH	561186	male
L176	5th_Lugg_Cmpt_	561247	male	L246A	Parcel_Rack_RH	561186	male
L177	5th_Lugg_Cmpt_	561247	male	L247A	Parcel_Rack_RH	561186	male
L178	3rd_Lugg_Cmpt_	561247	male	L248A	Parcel_Rack_RH	561186	male
L179	3rd_Lugg_Cmpt_	561247	male	L249A	Parcel_Rack_RH	561186	male
L180	2nd_Lugg_Cmpt_	561247	male	L250A	Parcel_Rack_RH	561186	male
L181	2nd_Lugg_Cmpt_	561247	male	L251A	Parcel_Rack_RH	561186	male
L182	1st_Lugg_Cmpt_	561247	male	L252A	Parcel_Rack_RH	561186	male
L183	1st_Lugg_Cmpt_	561247	male	L253A	Parcel_Rack_RH	561186	male
L184	Service_Cmpt_	561247	male	L254A	Parcel_Rack_RH	561186	male
L186.A	Service_Cmpt_	562651	female	L255A	Parcel_Rack_RH	561186	male
L186.B	Service_Cmpt_	562290	female	L256A	Parcel_Rack_RH	561186	male
L187	Engine_Cmpt_	561690	male	L257A	Parcel_Rack_RH	561186	male
L188	Service_Cmpt_	562486	female	L258A	Parcel_Rack_RH	561186	male
L189	Outside_Front_RH	562069	male	L282	Rear_Axle_Cmpt_	561690	male
L190	Outside_Front_LH	562069	male	L288.A	Passenger_Area	561539	male
L193.A	Dash	560488	female	L288.B	Passenger_Area	561539	male
L193.B	Dash	560488	female	L289.A	Passenger_Area	561539	male
L194.A	Left_Hand_Console	562019	female	L289.B	Passenger_Area	561539	male
L194.B	Left_Hand_Console	560488	female	L290	Engine_Cmpt_	562565	male
L195.A	Left_Hand_Console	560488	female	L291	Engine_Cmpt_	562565	male
L195.B	Left_Hand_Console	560488	female	L293.A	Galley	560081	female
L199	Engine_Cmpt_	562848	male	L293.B	Galley	560081	female

CONNECTORS LIST

No	Location	Part #	Gender	No	Location	Part #	Gender
L294.A	Galley	560081	female	Mo28	Cond_Cmpt_	563691	male
L294.B	Galley	560081	female	Mo54	Service_Cmpt_	562474	male
L296A	Galley	561781	female	Mo61	Parcel_Rack_RH	561248	female
L300.A	Galley	560908	female	P36.A	Engine_Cmpt_	561701	female
L300.B	Galley	560908	female	PF	Passenger_Area	561782	male
L302	Galley	561781	female	PF1	Passenger_Area	561782	male
L313	Service_Cmpt_	562789	male	Pot1.A	Dash	560488	female
L314	Service_Cmpt_	562789	male	Pot1.B	Dash	560488	female
L315_0_1	Rear_Engine_Door	563590	female	Pot1.C	Dash	560488	female
L316_0_1	Engine_Cmpt_	563590	female	Pot2	Dashboard	561550	male
L317.A	Engine_Cmpt_	562835	female	PR	Passenger_Area	561781	female
L317.B	Engine_Cmpt_	562834	male	PR1	Passenger_Area	561781	female
L318.A	Engine_Cmpt_	562835	female	R-12VISS	Parcel_Rack_LH_1st_Cmpt	564496	male
L318.B	Engine_Cmpt_	562834	male	R-12VISSH	Parcel_Rack_LH_1st_Cmpt	564496	male
L319	WCL	561247	male	R3	RJB	563409	male
L320	Driver_Area	561248	female	R4	FJB	561183	male
L350A.A	Rear_Axle_Cmpt_	564552	male	R5	RJB	561183	male
L350A.B	Rear_Axle_Cmpt_	563340	male	R10	Evap_Cmpt_	563409	male
L350A.C	Rear_Axle_Cmpt_	562251	male	R11	RJB	561183	male
Lav_Spk	Lavatory	563994	male	R12	Evap_Cmpt_	563409	male
Mo2_0_1	Engine_Cmpt_	561782	male	R17	RJB	564210	male
Mo3	Dash	561667	female	R18	RJB	564210	male
Mo4	Dash	562076	male	R19	RJB	564210	male
Mo5	Front_Roof	561550	female	R20	Evap_Cmpt_	564496	male
Mo6	Service_Cmpt_	561690	male	R22	FJB	561183	male
Mo7	Cond_Cmpt_	563691	male	R23	Right_Hand_Console	564496	male
Mo8	Cond_Cmpt_	563691	male	R24	FJB	564496	male
Mo10	Parcel_Rack_LH	561515	male	R25	RJB	561183	male
Mo11	Parcel_Rack_RH	561515	male	R26	Cond_Cmpt_	564496	male
Mo12	Evap_Cmpt_	561690	male	R29	RJB	563409	male
Mo13	Engine_Cmpt_	561690	female	R31	RJB	564210	male
Mo14	Parcel_Rack_RH	561566	female	R32	FJB	564496	male
Mo15	Over_Head_Driver_Area	560900	female	R35	Galley	561183	male
Mo16	Over_Head_Driver_Area	560900	female	R36	Galley	561183	male
Mo17	Left_Hand_Console	563626	male	R37	Galley	561183	male
Mo18	Service_Cmpt_	562474	male	R41	FJB	564496	male
Mo19	Service_Cmpt_	562474	male	R42	FJB	564496	male
Mo20	Service_Cmpt_	562474	male	R43	FJB	564496	male
Mo21	Front_Roof	561186	male	R47	5th_Lugg_Cmpt_	564496	male
Mo22	Right_Hand_Console	561186	male	R48.A	5th_Lugg_Cmpt_	564496	male
Mo24	Right_Hand_Console	562348	female	R72	Galley	563409	male
Mo25	Right_Hand_Console	562348	female	R73	Galley	563409	male
Mo27	Cond_Cmpt_	563691	male	R74	FJB	564496	male

CONNECTORS LIST

No	Location	Part #	Gender	No	Location	Part #	Gender
R_STANK	RJB	561183	male	Se20	Evap_Cmpt_	562426	male
Res3	RJB	563590	female	Se21	Dash	561248	female
Res4	Right_Hand_Console	563590	female	Se23	Engine_Cmpt_	563159	male
Res6	FJB	563590	female	Se24	Engine_Cmpt_	563159	male
Res7	FJB	563590	female	Se25	Evap_Cmpt_	561248	female
Res15	RJB	561782	male	Se28	Service_Cmpt_	561690	male
Res19	FJB	563590	female	Se29	Engine_Cmpt_	561566	female
Res31	Cond_Cmpt_	562350	male	Se30	Engine_Cmpt_	562877	female
Res32	Cond_Cmpt_	563764	female	Se31	Engine_Cmpt_	562877	female
Res53.A	Dash	563590	female	Se32	Engine_Cmpt_	563057	male
Se4	Window_RH	561477	female	Se33	Engine_Cmpt_	562856	male
Se5	Window_RH	561477	female	Se34	Engine_Cmpt_	563057	male
Se6	Window_RH	561477	female	Se35	Engine_Cmpt_	563057	male
Se7	Window_LH	561477	female	Se36	Engine_Cmpt_	563629	female
Se8	Window_LH	561477	female	Se37	Front_Axle_Cmpt_	641132	female
Se9	Window_LH	561477	female	Se38	Front_Axle_Cmpt_	641132	female
Se10	Window_LH	561477	female	Se39	Rear_Axle_Cmpt_	641132	female
Se11.A	Cond_Cmpt_	560082	male	Se40	Rear_Axle_Cmpt_	641132	female
Se11.B	Cond_Cmpt_	560082	male	Se45	Service_Cmpt_	563409	male
Se11.C	Cond_Cmpt_	560082	male	Se46	Rear_Axle_Cmpt_	562348	female
Se13	Engine_Cmpt_	562350	male	Se51	Driver_Seat	563057	male
Se14.A	Dash	561782	male	Se53	Service_Cmpt_	563159	female
Se14.B	Dash	561781	female	Se54	Service_Cmpt_	563159	female
Se15	Right_Hand_Console	560898	male	Se55	Service_Cmpt_	563159	female
Se17	Entrance_Door	560081	female	Se60	Service_Cmpt_	563409	male
Se18	Pneumatic_Panel	561566	female	Se63	Rear_Axle_Cmpt_	641132	female
Se19	Service_Cmpt_	563677	male	Se64	Rear_Axle_Cmpt_	641132	female
Se19A	Service_Cmpt_	563677	male	Se65	Dash	564042	female
				Se66	Dash	564039	female
				Se67	Service_Cmpt_	563159	female
				Se69	Service_Cmpt_	563159	female
				Se70	Rear_Axle_Cmpt_	563340	male
				Se79	Front_Axle_Cmpt_	563340	male
				Se100	WCL_Parcel_Rack	562479	female
				Se_Full	Engine_Cmpt_	562350	male
				Se_Full	Engine_Cmpt_	563764	female
				shell1	Right_Hand_Console	561889	female
				shell2	Parcel_Rack_LH	560898	male
				shell3	Parcel_Rack_LH	560898	male
				shell4	Parcel_Rack_LH	560898	male
				shell5	Parcel_Rack_LH	560898	male
				shell6	Parcel_Rack_LH	560898	male
				shell7	Parcel_Rack_LH	560898	male

CONNECTORS LIST

No	Location	Part #	Gender	No	Location	Part #	Gender
shell8	Parcel_Rack_LH	560898	male	Spk2_R	Parcel_Rack_RH	563994	male
shell9	Parcel_Rack_LH	560898	male	Spk3_L	Parcel_Rack_LH	563994	male
shell10	Parcel_Rack_LH	560898	male	Spk3_R	Parcel_Rack_RH	563994	male
shell11	Parcel_Rack_LH	560898	male	Spk4_L	Parcel_Rack_LH	563994	male
shell12	Parcel_Rack_LH	560898	male	Spk4_R	Parcel_Rack_RH	563994	male
shell13	Parcel_Rack_LH	560898	male	Spk5_L	Parcel_Rack_LH	563994	male
shell19	WCL_Door	563543	male	Spk5_R	Parcel_Rack_RH	563994	male
So3	Right_Hand_Console	641385	male	Spk6_L	Parcel_Rack_LH	563994	male
So4	Right_Hand_Console	641385	male	Spk6_R	Parcel_Rack_RH	563994	male
So5	Right_Hand_Console	641385	male	Spk7_L	Parcel_Rack_LH	563994	male
So6	Right_Hand_Console	641385	male	Spk7_R	Parcel_Rack_RH	563994	male
So7	Service_Cmpt_	561566	male	Spk8_L	Parcel_Rack_LH	563994	male
So8	Service_Cmpt_	641385	male	Spk8_R	Parcel_Rack_RH	563994	male
So9	Engine_Cmpt_	560016	female	Spk9_L	Parcel_Rack_LH	563994	male
So10	Cond_Cmpt_	562485	male	Spk9_R	Parcel_Rack_RH	563994	male
So11	Cond_Cmpt_	561566	female	Spk10_L	Parcel_Rack_LH	563994	male
So13	Evap_Cmpt_	563204	female	Spk10_R	Parcel_Rack_RH	563994	male
So14	Pneumatic_Panel	641385	male	Spk11_L	Parcel_Rack_LH	563994	male
So15	Pneumatic_Panel	641385	male	Spk11_R	Parcel_Rack_RH	563994	male
So16	Pneumatic_Panel	641385	male	Spk12_L	Parcel_Rack_LH	563994	male
So17	Pneumatic_Panel	562848	male	Spk12_R	Parcel_Rack_RH	563994	male
So18	Pneumatic_Panel	641385	male	Spk13_L	Parcel_Rack_LH	563994	male
So19	Pneumatic_Panel	641385	male	Spk13_R	Parcel_Rack_RH	563994	male
So20	Pneumatic_Panel	641385	male	Spk14_L	Parcel_Rack_LH	563994	male
So21	Front_Axle_Cmpt_	564046	female	Spk14_R	Parcel_Rack_RH	563994	male
So22	Front_Axle_Cmpt_	564046	female	Spk15_L	Parcel_Rack_LH	563994	male
So23	Rear_Axle_Cmpt_	564046	female	Spk15_R	Parcel_Rack_RH	563994	male
So24	Rear_Axle_Cmpt_	564046	female	Spk16_L	Parcel_Rack_LH	563994	male
So27	Rear_Axle_Cmpt_	564045	female	Spk16_R	Parcel_Rack_RH	563994	male
So50	Rear_Axle_Cmpt_	564046	female	SpkDr_L	Driver_Area	563994	male
So52	Front_Axle_Cmpt_	564045	female	SpkDr_LH	Driver_Area	563994	male
So53	Rear_Axle_Cmpt_	564045	female	SpkDr_R	Driver_Area	563994	male
spBar4.J1	Engine_Cmpt_	564135	male	SpkDr_RH	Driver_Area	563994	male
spBar5	Engine_Cmpt_	564135	male	Sub1.A	Passenger_Area	564004	female
spBar6	Engine_Cmpt_	564135	male	Sub2	Passenger_Area	564004	female
spBar7	Cond_Cmpt_	564135	male	Sw1.C258	Dash	561188	female
spBar8	Engine_Cmpt_	564135	male	Sw1.C259	Dash	561186	male
spBar19.J1	Cond_Cmpt_	564135	male	Sw2	Dash	562763	male
spBar20	Cond_Cmpt_	564135	male	Sw3	Dash	562763	male
spBar21	Cond_Cmpt_	564135	male	Sw4	Dash	562763	male
Spk1_L	Parcel_Rack_LH	563994	male	Sw5	Dash	562763	male
Spk1_R	Parcel_Rack_RH	563994	male	Sw6	Dash	562763	male
Spk2_L	Parcel_Rack_LH	563994	male	Sw7.A	Cond_Cmpt	562877	female

CONNECTORS LIST

No	Location	Part #	Gender	No	Location	Part #	Gender
Sw10A	Left_Hand_Console	562763	male	Sw55.B	Lavatory	560488	female
Sw11A	Left_Hand_Console	562763	male	Sw56.A	Lavatory	560488	female
Sw12	Dash	562763	male	Sw56.B	Lavatory	560488	female
Sw14	Dash	562763	male	Sw57	WCL_Door	563543	male
Sw16	Dash	562763	male	Sw58	Engine_Cmpt_	562581	male
Sw17	Dash	562763	male	Sw59	Engine_Cmpt_	562485	male
Sw18A	Left_Hand_Console	562763	male	Sw63A	LH_Consol	562763	male
Sw20	Dash	562763	male	Sw64.A	Left_Hand_Console	560815	female
Sw21	Dash	562763	male	Sw64.B	Left_Hand_Console	560815	female
Sw24	Dash	562763	male	Sw65OP	Dash	562763	male
Sw25	Dash	562763	male	Sw65OPH	Dash	562763	male
Sw26	Dash	562763	male	Sw82.A	RJB	561457	female
Sw27	Dash	562763	male	Sw82.B	RJB	561457	female
Sw29	Dash	562763	male	Sw82.C	RJB	561457	female
Sw30	Engine_Cmpt_	561566	female	Sw82.D	RJB	561457	female
Sw32	Dash	561477	female	Sw83.A	Dash	560082	female
Sw33	Dash	561476	male	Sw83.B	Dash	560815	female
Sw34	Outside_Front_RH	562477	male	Sw83.C	Dash	560082	female
Sw35	Dash	562763	male	Sw83.D	Dash	560815	female
Sw38	Left_Hand_Console	562763	male	Sw85	Left_Hand_Console	562749	male
Sw39.A	RJB	562403	female	Sw94.A	WCL_Door	562403	female
Sw40	Left_Hand_Console	561690	male	Sw94.B	WCL_Door	562403	female
Sw41	Left_Hand_Console	562749	male	Sw95A.A	WCL_Door	562615	female
Sw42	5th_Lugg_Cmpt_	561635	female	Sw95A.B	WCL_Door	562615	female
Sw43	Service_Cmpt_	561690	male	Sw95A.C	WCL_Door	562615	female
Sw44.A	FJB	562403	female	Sw96A.A	WCL_Door	562615	female
Sw45.A	5thLuggLHDoor	562485	male	Sw96A.B	WCL_Door	562615	female
Sw45.B	5thLuggLHDoor	562486	female	Sw96A.C	WCL_Door	562615	female
Sw46.A	5thLuggRHDoor	562485	male	Sw97A.A	Pass_Area	562615	female
Sw46.B	5thLuggRHDoor	562486	female	Sw97A.B	Pass_Area	562615	female
Sw47.A	ThirdLuggLHDoor	562485	male	Sw97A.C	Pass_Area	562615	female
Sw47.B	ThirdLuggLHDoor	562486	female	Sw98A.A	Pass_Area	562615	female
Sw48.A	ThirdLuggRHDoor	562485	male	Sw98A.B	Pass_Area	562615	female
Sw48.B	ThirdLuggRHDoor	562486	female	Sw98A.C	Pass_Area	562615	female
Sw49.A	2ndLuggLHDoor	562485	male	Sw100A	Dash	562763	male
Sw49.B	2ndLuggLHDoor	562486	female	Sw102	RJB	561566	female
Sw50.A	2ndLuggRHDoor	562485	male	Sw111	Dash	562763	male
Sw50.B	2ndLuggRHDoor	562486	female	Sw124	Dashboard	562763	male
Sw51.A	1stLuggLHDoor	562485	male	Sw125.A	Service_Cmpt_	561457	female
Sw51.B	1stLuggLHDoor	562486	female	Sw125.B	Service_Cmpt_	561457	female
Sw52.A	1stLuggRHDoor	562485	male	Sw126	Service_Cmpt_	562763	male
Sw52.B	1stLuggRHDoor	562486	female	Sw131	Right_Hand_Console	562763	male
Sw55.A	Lavatory	560488	female	Sw137	Dash	562763	male

CONNECTORS LIST

No	Location	Part #	Gender	No	Location	Part #	Gender
24SS_OP	Parcel_Rack_LH	563071	male	A39H.P901	Parcel_Rack_LH_1st_Cmpt	563953	male
24SS_OP	Parcel_Rack_LH	563040	female	A41.J1	FJB	562767	male
A1	FJB	563975	male	A41.J2	FJB	563132	male
A2	LH_CONSOLE	563984	male	A41.J3	FJB	562957	male
A3	Dash	562363	male	A42.J1	FJB	562767	male
A4A.A	Service_Cmpt_	562428	female	A42.J2	FJB	563132	male
A4A.B	Service_Cmpt_	561188	female	A42.J3	FJB	562957	male
A5A	Service_Cmpt_	562428	female	A43.J1	FJB	562767	male
A6	Rear_Axle_Cmpt_	562427	male	A43.J2	FJB	563132	male
A7	Rear_Axle_Cmpt_	563979	male	A43.J3	FJB	562957	male
A9.Cx1	FJB	564041	female	A44.J1	FJB	563133	male
A9.Cx2	FJB	563678	male	A44.J2	FJB	563132	male
A9.Cx3	FJB	564037	female	A44.J3	FJB	562957	male
A9.Cx4	FJB	564038	female	A45.J1	FJB	563133	male
A10.X1	RrAxlePre-HeatCmpt.	563135	male	A45.J2	FJB	563132	male
A10.X3	RrAxlePre-HeatCmpt.	563134	female	A45.J3	FJB	562957	male
A11	Left_Hand_Console	563142	male	A46.J1	FJB	563133	male
A14A.A	DASH	562766	male	A46.J2	FJB	563132	male
A14A.B	DASH	562767	male	A46.J3	FJB	562957	male
A14A.C	DASH	562765	male	A47.J1	Right_Hand_Console	563133	male
A15	Dash	562464	male	A47.J2	Right_Hand_Console	563132	male
A16	FrontCeiling	561637	male	A47.J3	Right_Hand_Console	562957	male
A18.J1	FJB	562794	male	A48.J1	Right_Hand_Console	563133	male
A18.J2	FJB	562650	male	A48.J2	Right_Hand_Console	563132	male
A19	Left_Hand_Console	562878	female	A48.J3	Right_Hand_Console	562957	male
A20	Parcel_Rack_LH	561477	female	A49.J1	RJB	562767	male
A24.A	Right_Hand_Console	561890	male	A49.J2	RJB	563132	male
A24.B	Right_Hand_Console	561566	female	A49.J3	RJB	562957	male
A25	Driver_Area	563025	male	A50.J1	RJB	563133	male
A25H	Driver_Area	563025	male	A50.J2	RJB	563132	male
A27	FJB	562929	male	A50.J3	RJB	562957	male
A28	Service_Cmpt_	562928	male	A51.J1	RJB	563133	male
A29	DASH	562464	male	A51.J2	RJB	563132	male
A32.A	FJB	564221	male	A51.J3	RJB	562957	male
A32.B	FJB	564518	male	A52.J1	RJB	563133	male
A33.A	Front_Midle_Top	563071	male	A52.J2	RJB	563132	male
A33.B	Front_Midle_Top	562330	female	A52.J3	RJB	562957	male
A36.JA	FJB	562767	male	A53.J1	Parcel_Rack_JCB	563133	male
A36.JB	FJB	562765	male	A53.J2	Parcel_Rack_JCB	563132	male
A36.JC	FJB	562957	male	A53.J3	Parcel_Rack_JCB	562957	male
A39.P101	Parcel_Rack_LH_1st_Cmpt	563201	male	A54.J1	Evap_Cmpt_	563133	male
A39.P901	Parcel_Rack_LH_1st_Cmpt	563953	male	A54.J2	Evap_Cmpt_	563132	male
A39H.P101	Parcel_Rack_LH_1st_Cmpt	563201	male	A54.J3	Evap_Cmpt_	562957	male

CONNECTORS LIST

No	Location	Part #	Gender	No	Location	Part #	Gender
A55.J1	Dash	562767	male	A65OPH.A	Parcel_Rack_LH_1st_Cmpt	563025	male
A55.J2	Dash	563132	male	A65OPH.B4	Parcel_Rack_LH_1st_Cmpt	bidon	male
A55.J3	Dash	562957	male	A65OPH.B5	Parcel_Rack_LH_1st_Cmpt	bidon	male
A60.A	Parcel_Rack_LH_1st_Cmpt	563071	male	A65OPH.B6	Parcel_Rack_LH_1st_Cmpt	bidon	male
A60.B	Parcel_Rack_LH_1st_Cmpt	562706	female	A65OPH.D	Parcel_Rack_LH_1st_Cmpt	bidon	male
A60.C	Parcel_Rack_LH_1st_Cmpt	901110	male	A65OPH.E	Parcel_Rack_LH_1st_Cmpt	563071	male
A60.D	Parcel_Rack_LH_1st_Cmpt	901110	male	A65OPH.G1	Parcel_Rack_LH_1st_Cmpt	563071	male
A60DB.A	Dash	563071	male	A65OPH.G2	Parcel_Rack_LH_1st_Cmpt	563071	male
A60DB.B	Dash	562706	female	A65OPH.G3	Parcel_Rack_LH_1st_Cmpt	563071	male
A60DB.C	Dash	901110	male	A65OPH.H1	Parcel_Rack_LH_1st_Cmpt	561716	female
A60DB.D	Dash	901110	male	A65OPH.H2	Parcel_Rack_LH_1st_Cmpt	561716	female
A60H.A	Parcel_Rack_LH_1st_Cmpt	563071	male	A65OPH.H3	Parcel_Rack_LH_1st_Cmpt	561716	female
A60H.B	Parcel_Rack_LH_1st_Cmpt	562706	female	A65OPH.J	Parcel_Rack_LH_1st_Cmpt	562465	male
A60H.C	Parcel_Rack_LH_1st_Cmpt	901110	male	A69.A	Parcel_Rack_LH_1st_Cmpt	563071	male
A60H.D	Parcel_Rack_LH_1st_Cmpt	901110	male	A69.B	Parcel_Rack_LH_1st_Cmpt	561716	female
A61.A	Parcel_Rack_LH_1st_Cmpt	562464	male	A69.C	Parcel_Rack_LH_1st_Cmpt	561716	female
A61.B	Parcel_Rack_LH_1st_Cmpt	562465	male	A69.D	Parcel_Rack_LH_1st_Cmpt	561716	female
A61H.A	Parcel_Rack_LH_1st_Cmpt	562464	male	A69.E	Parcel_Rack_LH_1st_Cmpt	561716	female
A61H.B	Parcel_Rack_LH_1st_Cmpt	562465	male	A69.F	Parcel_Rack_LH_1st_Cmpt	561716	female
A65.B	Parcel_Rack_LH_1st_Cmpt	901110	male	A69.G	Parcel_Rack_LH_1st_Cmpt	561716	female
A65.C	Parcel_Rack_LH_1st_Cmpt	901110	male	A69.H	Parcel_Rack_LH_1st_Cmpt	561716	female
A65.Csv	Parcel_Rack_LH_1st_Cmpt	562465	male	A69LH.A	Parcel_Rack_LH_1st_Cmpt	563025	male
A65.D	Parcel_Rack_LH_1st_Cmpt	901110	male	A69LH.B1	Parcel_Rack_LH_1st_Cmpt	bidon	male
A65H.A	Parcel_Rack_LH_1st_Cmpt	563025	male	A69LH.B2	Parcel_Rack_LH_1st_Cmpt	bidon	male
A65H.B4	Parcel_Rack_LH_1st_Cmpt	bidon	male	A69LH.B3	Parcel_Rack_LH_1st_Cmpt	bidon	male
A65H.B5	Parcel_Rack_LH_1st_Cmpt	bidon	male	A69LH.B4	Parcel_Rack_LH_1st_Cmpt	bidon	male
A65H.B6	Parcel_Rack_LH_1st_Cmpt	bidon	male	A69LH.C	Parcel_Rack_LH_1st_Cmpt	bidon	male
A65H.D	Parcel_Rack_LH_1st_Cmpt	bidon	male	A69RH.A	Parcel_Rack_RH	563025	male
A65H.E	Parcel_Rack_LH_1st_Cmpt	563071	male	A69RH.B1	Parcel_Rack_RH	bidon	male
A65H.G1	Parcel_Rack_LH_1st_Cmpt	563071	male	A69RH.B2	Parcel_Rack_RH	bidon	male
A65H.G2	Parcel_Rack_LH_1st_Cmpt	563071	male	A69RH.B3	Parcel_Rack_RH	bidon	male
A65H.G3	Parcel_Rack_LH_1st_Cmpt	563071	male	A69RH.B4	Parcel_Rack_RH	bidon	male
A65H.H1	Parcel_Rack_LH_1st_Cmpt	561716	female	A69RH.C	Parcel_Rack_RH	bidon	male
A65H.H2	Parcel_Rack_LH_1st_Cmpt	561716	female	A70c	Roof	561540	female
A65H.H3	Parcel_Rack_LH_1st_Cmpt	561716	female	A70cH	Roof	561540	female
A65H.J	Parcel_Rack_LH_1st_Cmpt	562465	male	A77	TOP_RJB	564547	male
A65OP.A	Parcel_Rack_LH_1st_Cmpt	901110	male	A78	Compt_Batt	562583	female
A65OP.B	Parcel_Rack_LH_1st_Cmpt	901110	male	A79	Compt_Batt	562583	female
A65OP.C	Parcel_Rack_LH_1st_Cmpt	901110	male	A80	Compt_Batt	562479	female
A65OP.Csv	Parcel_Rack_LH_1st_Cmpt	562465	male	A81A.JA	FJB	562767	male
A65OP.D	Parcel_Rack_LH_1st_Cmpt	901110	male	A81A.JB	FJB	562765	male
A65OP.E	Parcel_Rack_LH_1st_Cmpt	901110	male	A81A.JC	FJB	562957	male
A65OP.F	Parcel_Rack_LH_1st_Cmpt	562090	male	A83	FJB	565970	female

CONNECTORS LIST

No	Location	Part #	Gender	No	Location	Part #	Gender
A96	FJB	564073	female	A131.B	Engine_Cmpt_	561781	female
A97	Dash	563226	male	A137A	Cond_Cmpt	20429843	male
A100	Front_Axle_Cmpt_	563758	female	A138	Cond_Cmpt_	563787	male
A101	Rear_Axle_Cmpt_	563758	female	A139	Dash	564501	female
A102	Rear_Axle_Cmpt_	563758	female	A150	ModestyPanel	21280133	male
A103	Dash	562070	female	A152.A	Parcel_Rack_LH_1st_Cmpt	561550	male
A107	Eng_Cmpt_(Trans.)	560336	male	A152.B	Parcel_Rack_LH_1st_Cmpt	563071	male
A108	FJB	562766	male	A152.C	Parcel_Rack_LH_1st_Cmpt	563071	male
A109	Left_Hand_Console	564141	male	A152.D	Parcel_Rack_LH_1st_Cmpt	563071	male
A111	Lavatory	562549	male	A152.E	Parcel_Rack_LH_1st_Cmpt	563071	male
A113.A	Parcel_Rack_LH_1st_Cmpt	563960	male	A152.F	Parcel_Rack_LH_1st_Cmpt	563071	male
A113.B	Parcel_Rack_LH_1st_Cmpt	563962	male	A152.G	Parcel_Rack_LH_1st_Cmpt	563071	male
A113.C1	Parcel_Rack_LH_1st_Cmpt	563956	male	A152.H	Parcel_Rack_LH_1st_Cmpt	563071	male
A113.C2	Parcel_Rack_LH_1st_Cmpt	563957	male	A152.I	Parcel_Rack_LH_1st_Cmpt	563071	male
A113.C3	Parcel_Rack_LH_1st_Cmpt	563958	male	A152.J	Parcel_Rack_LH_1st_Cmpt	563071	male
A113.D	Parcel_Rack_LH_1st_Cmpt	563961	male	A152.K	Parcel_Rack_LH_1st_Cmpt	562779	male
A113H.A	Parcel_Rack_LH_1st_Cmpt	563960	male	A152.L	Parcel_Rack_LH_1st_Cmpt	562779	male
A113H.B	Parcel_Rack_LH_1st_Cmpt	563962	male	A152H.A	Parcel_Rack_LH_1st_Cmpt	561550	male
A113H.C1	Parcel_Rack_LH_1st_Cmpt	563956	male	A152H.B	Parcel_Rack_LH_1st_Cmpt	563071	male
A113H.C2	Parcel_Rack_LH_1st_Cmpt	563957	male	A152H.C	Parcel_Rack_LH_1st_Cmpt	563071	male
A113H.C3	Parcel_Rack_LH_1st_Cmpt	563958	male	A152H.D	Parcel_Rack_LH_1st_Cmpt	563071	male
A114A	Service_Cmpt	564252	male	A152H.E	Parcel_Rack_LH_1st_Cmpt	563071	male
A120.A	Dash	563960	male	A152H.F	Parcel_Rack_LH_1st_Cmpt	563071	male
A120.B	Dash	563962	male	A152H.G	Parcel_Rack_LH_1st_Cmpt	563071	male
A120.C1	Dash	563956	male	A152H.H	Parcel_Rack_LH_1st_Cmpt	563071	male
A120.C2	Dash	563957	male	A152H.I	Parcel_Rack_LH_1st_Cmpt	563071	male
A120.C3	Dash	563958	male	A152H.J	Parcel_Rack_LH_1st_Cmpt	563071	male
A120.D	Dash	563961	male	A152H.K	Parcel_Rack_LH_1st_Cmpt	562779	male
A120H.A	Dashboard	563960	male	A152H.L	Parcel_Rack_LH_1st_Cmpt	562779	male
A120H.B	Dashboard	563962	male	A153.A	Parcel_Rack_LH_1st_Cmpt	562465	male
A120H.C1	Dashboard	563956	male	A153.B	Parcel_Rack_LH_1st_Cmpt	561716	female
A120H.C2	Dashboard	563957	male	A153.C	Parcel_Rack_LH_1st_Cmpt	561716	female
A120H.C3	Dashboard	563958	male	A153.D	Parcel_Rack_LH_1st_Cmpt	561716	female
A121.Vsa	Dash	563679	male	A158.A	Parcel_Rack_LH_1st_Cmpt	563071	male
A121.Vsb	Dash	563678	male	Alt1D.A	Engine_Cmpt_	563746	female
A121.Vsc	Dash	564037	female	Alt1D.B	Engine_Cmpt_	560815	female
A121.Vsd	Dash	564118	male	Alt1D.C	Engine_Cmpt_	564469	female
A121H.Vsa	Dash	563679	male	Alt3D.A	Engine_Cmpt_	563746	female
A121H.Vsb	Dash	563678	male	Alt3D.B	Engine_Cmpt_	560815	female
A121H.Vsc	Dash	564037	male	Alt3D.C	Engine_Cmpt_	564469	female
A121H.Vsd	Dash	564118	male	B85	Engine_Cmpt_	563815	male
A130	Left_Hand_Console	563226	male	B96.J1	Engine_Cmpt	563821	male
A131.A	Engine_Cmpt_	561782	male	B96B	Engine_Cmpt_	563823	male

CONNECTORS LIST

No	Location	Part #	Gender	No	Location	Part #	Gender
B97	Engine_Cmpt_	563816	male	C15	5th_Lugg_Cmpt_	561643	male
B98	Engine_Cmpt_	563817	male	C15	5th_Lugg_Cmpt_	561642	female
B115A	Engine_Cmpt_	564226	male	C15B	Evap_Cmpt_	568110	male
B142C	Cond_Cmpt	563793	male	C15B	Evap_Cmpt_	568109	female
B310	Engine_Cmpt_	565967	male	C16	RJB	561577	male
C1	Service_Cmpt_	563589	male	C16	RJB	561605	female
C1	Service_Cmpt_	563590	female	C17	RJB	561986	male
C1S	Service_Cmpt_	563589	male	C17	RJB	561987	female
C1S	Service_Cmpt_	563590	female	C18	FJB	561986	male
C2	Service_Cmpt_	563580	male	C18	FJB	561987	female
C2	Service_Cmpt_	563581	female	C19	RJB	561986	male
C2A	Service_Cmpt_	563580	male	C19	RJB	561987	female
C2A	FJB	563581	female	C20	Lavatory	561668	male
C3	RJB	563589	male	C20	Lavatory	561551	female
C3	RJB	563590	female	C20A	Engine_Cmpt_	562485	male
C3S	RJB	563589	male	C20A	Engine_Cmpt_	562486	female
C3S	RJB	563590	female	C20B	Engine_Cmpt_	562485	male
C4	Service_Cmpt_	563580	male	C20B	Engine_Cmpt_	562486	female
C4	Service_Cmpt_	563581	female	C21A	RJB	561646	male
C5	Service_Cmpt_	563589	male	C21A	RJB	561645	female
C5	Service_Cmpt_	563590	female	C21B	RJB	561646	male
C5S	Service_Cmpt_	563589	male	C21B	RJB	561645	female
C5S	Service_Cmpt_	563590	female	C22	RJB	561847	male
C6	Service_Cmpt_	563582	male	C22	RJB	561862	female
C6	Service_Cmpt_	563583	female	C23	EVAP_CMPT	561847	male
C7	Service_Cmpt_	562581	male	C23	EVAP_CMPT	561862	female
C7	Service_Cmpt_	562583	female	C24_plug	Evap_Cmpt_	561690	male
C8	Service_Cmpt_	563227	male	C24_socket	Evap_Cmpt_	561566	female
C8	Service_Cmpt_	563614	female	C25A	Parcel_Rack_LH_1st_Cmpt	561550	male
C9	Evap_Cmpt_	561986	male	C25A	Parcel_Rack_LH_1st_Cmpt	561667	female
C9	Evap_Cmpt_	561987	female	C26	Cond_Cmpt	563226	male
C10A	Engine_Cmpt_	562581	male	C26	Cond_Cmpt	563613	female
C10A	Engine_Cmpt_	562583	female	C26AA	Cond_Cmpt	568110	male
C11	Service_Cmpt_	563580	male	C26AA	Cond_Cmpt	568109	female
C11	Service_Cmpt_	563581	female	C26B	Cond_Cmpt	563227	male
C12	RJB	561986	male	C26B	Cond_Cmpt	563614	female
C12	RJB	561987	female	C27	RJB	562005	male
C13_plug	Right_Hand_Console	563589	male	C27	RJB	561714	female
C13_socket	Right_Hand_Console	563590	female	C29	5th_Lugg_Cmpt_	563651	male
C13S	Right_Hand_Console	563589	male	C29	5th_Lugg_Cmpt_	563652	female
C13S	Right_Hand_Console	563590	female	C30	5th_Lugg_Cmpt_	561710	male
C14	Evap_Cmpt_	561986	male	C30	5th_Lugg_Cmpt_	561709	female
C14	Evap_Cmpt_	561987	female	C31	RJB	561734	male

CONNECTORS LIST

No	Location	Part #	Gender	No	Location	Part #	Gender
C31	RJB	561735	female	C54B	Engine_Cmpt	562477	male
C32A	5th_Lugg_Cmpt_	561515	male	C54B	Engine_Cmpt	562479	female
C32A	5th_Lugg_Cmpt_	561552	female	C55	Evap_Cmpt_	561577	male
C33	RHFrontRoof	561550	male	C55	Evap_Cmpt_	561605	female
C33	RHFrontRoof	561667	female	C64A	Engine_Cmpt	568110	male
C34	Right_Hand_Console	561986	male	C64A	Engine_Cmpt	568109	female
C34	Right_Hand_Console	561987	female	C65-OP2	Parcel_Rack_LH_1st_Cmpt	563071	male
C35	Evap_Cmpt_	561607	male	C65-OP2	Parcel_Rack_LH_1st_Cmpt	563040	female
C35	Evap_Cmpt_	561606	female	C65-OP2H	Parcel_Rack_LH_1st_Cmpt	563071	male
C36	FJB	561986	male	C65-OP2H	Parcel_Rack_LH_1st_Cmpt	563040	female
C36	FJB	561987	female	C65-OP_plug	Dash	562477	male
C37A	Parcel_Rack_LH	562557	male	C65-OP_socket	Dash	562479	female
C37A	Parcel_Rack_LH	562558	female	C65-OPH_plug	Dash	562477	male
C38A	Parcel_Rack_RH	562555	male	C65-OPH_socket	Dash	562479	female
C38A	Parcel_Rack_RH	562556	female	C66	Engine_Cmpt_	561577	male
C39	ModestyPanel	562503	male	C66	Engine_Cmpt_	561605	female
C39	ModestyPanel	562507	female	C68_plug	FJB	561687	male
C39A	Engine_Cmpt	561782	male	C68_socket	FJB	561685	female
C39A	Engine_Cmpt	561781	female	C69_plug	FJB	561690	male
C40	Dash	562485	male	C69_socket	FJB	561566	female
C40	Dash	562486	female	C70	FrontCeiling	562557	male
C41	RJB	561690	male	C70	FrontCeiling	562558	female
C41	RJB	561566	female	C70_ITS	FJB	561637	male
C43	Lavatory	561661	female	C70_ITS	FJB	561636	female
C43	Lavatory	561662	male	C71	Service_Cmpt_	561646	male
C44_plug	FJB	561577	male	C71	Service_Cmpt_	561645	female
C44_socket	FJB	561605	female	C72	FJB	561646	male
C45	FJB	561643	male	C72	FJB	561645	female
C45	FJB	561642	female	C73	Dash	563226	male
C46	WCL	564228	male	C73	Dash	563613	female
C46	WCL	564228	male	C74	FJB	561645	female
C49A	FJB	562005	male	C74	FJB	561646	male
C49A	FJB	561714	female	C82	Right_Hand_Console	562581	male
C50	RJB	561782	male	C82	Right_Hand_Console	562583	female
C50	RJB	561781	female	C87	Engine_Cmpt	563618	male
C51	Engine_Cmpt_	562485	male	C87	Engine_Cmpt	563616	female
C51	Engine_Cmpt_	562486	female	C91	RJB	562285	male
C53	Galley	561773	male	C91	RJB	562282	female
C53	Galley	562004	female	C94_plug	FJB	563589	male
C54	Engine_Cmpt	563226	male	C94_socket	FJB	563590	female
C54	Engine_Cmpt	563613	female	C96	FJB	561643	male
C54A	Engine_Cmpt	561643	male	C96	FJB	561642	female
C54A	Engine_Cmpt	561642	female	C97	FJB	561643	male

CONNECTORS LIST

No	Location	Part #	Gender	No	Location	Part #	Gender
C97	FJB	561642	female	C171	Service_Cmpt_	561646	male
C99_plug	RJB	563589	male	C171	Service_Cmpt_	561645	female
C99_socket	RJB	563590	female	C193	RJB	563589	male
C100	5th_Lugg_Cmpt_	563589	male	C193	RJB	563590	female
C100	5th_Lugg_Cmpt_	563590	female	C194	FJB	563589	male
C100A	Evap_Cmpt	563589	male	C194	FJB	563590	female
C100A	Evap_Cmpt	563590	female	C200	Engine_Cmpt_	562471	male
C100S	5th_Lugg_Cmpt_	563589	male	C200	Engine_Cmpt_	562348	female
C100S	5th_Lugg_Cmpt_	563590	female	C206	Front_RH_TOP	562503	male
C101	Service_Cmpt_	561690	male	C206	Front_RH_TOP	562507	female
C101	Service_Cmpt_	561566	female	C207	Over_Head_Driver_Area	562503	male
C102	RJB	561690	male	C207	Over_Head_Driver_Area	562507	female
C102	RJB	561566	female	C212A	WCL_Door	561515	male
C102A	RJB	561637	male	C212A	WCL_Door	561552	female
C102A	RJB	561636	female	C222	FJB	562477	male
C103_plug	FJB	562485	male	C222	FJB	562479	female
C103_socket	FJB	562486	female	C223	FJB	563227	male
C105_plug	FJB	562581	male	C223	FJB	563614	female
C105_socket	FJB	562583	female	C224	FJB	561637	male
C106_plug	FJB	562581	male	C224	FJB	561636	female
C106_socket	FJB	562583	female	C225	FJB	562649	female
C110A	Pneumatic_Panel	568110	male	C225_0_1	FJB	562650	male
C110A	Pneumatic_Panel	568109	female	C226	FJB	562650	male
C119A	Rear_Engine_Door	562581	male	C226	FJB	562649	female
C119A	Rear_Engine_Door	562583	female	C228	Engine_Cmpt	563227	male
C120A	Rear_Engine_Door	563580	male	C228	Engine_Cmpt	563614	female
C120A	Rear_Engine_Door	563581	female	C228A	Engine_Cmpt_	562581	male
C120Y	Dash	562783	male	C228A	Engine_Cmpt_	562583	female
C120Y	Dash	563206	female	C279	Service_Cmpt_	562477	male
C122	RJB	561690	male	C279	Service_Cmpt_	562479	female
C122	RJB	561566	female	C280_plug	Parcel_Rack_LH_1st_Cmpt	562549	male
C123	Rear_Axle_Cmpt_	561690	male	C280_socket	Parcel_Rack_LH_1st_Cmpt	562550	female
C123	Rear_Axle_Cmpt_	561566	female	C284	Over_Head_Driver_Area	561782	male
C124	FJB	561577	male	C284	Over_Head_Driver_Area	561781	female
C124	FJB	561605	female	C284-1	Over_Head_Driver_Area	561782	male
C141	Left_Hand_Console	561247	male	C284-1	Over_Head_Driver_Area	561781	female
C141	Left_Hand_Console	561248	female	C284-1H	Over_Head_Driver_Area	561782	male
C144	UnderLHSeat	560852	male	C284-1H	Over_Head_Driver_Area	561781	female
C144	UnderLHSeat	560851	female	C284-2	Over_Head_Driver_Area	561782	male
C152	CondensorCmpt.	561611	male	C284-2	Over_Head_Driver_Area	561781	female
C152	CondensorCmpt.	561610	female	C284-2H	Over_Head_Driver_Area	561782	male
C155	RJB	561626	female	C284-2H	Over_Head_Driver_Area	561781	female
C155	RJB	561904	female	C284-3	Over_Head_Driver_Area	561782	male

CONNECTORS LIST

No	Location	Part #	Gender	No	Location	Part #	Gender
C284-3	Over_Head_Driver_Area	561781	female	C426	Engine_Cmpt_	561611	male
C284-3H	Over_Head_Driver_Area	561782	male	C426	Engine_Cmpt_	561610	female
C284-3H	Over_Head_Driver_Area	561781	female	C430	LHConsole	562363	male
C284-4	Over_Head_Driver_Area	561782	male	C430	LHConsole	561188	female
C284-4	Over_Head_Driver_Area	561781	female	C452	Dash	561669	male
C284-4H	Over_Head_Driver_Area	561782	male	C452	Dash	561670	female
C284-4H	Over_Head_Driver_Area	561781	female	C463A	Engine_Cmpt	568111	male
C284-5	Over_Head_Driver_Area	561782	male	C463A	Engine_Cmpt	568112	female
C284-5	Over_Head_Driver_Area	561781	female	C464A	RJB	564222	male
C284-5H	Over_Head_Driver_Area	561782	male	C464A	RJB	564224	female
C284-5H	Over_Head_Driver_Area	561781	female	C465	ModestyPanel	562581	male
C284-6	Over_Head_Driver_Area	561782	male	C465	ModestyPanel	562583	female
C284-6	Over_Head_Driver_Area	561781	female	C506	FJB	561687	male
C284-6H	Over_Head_Driver_Area	561782	male	C506	FJB	561685	female
C284-6H	Over_Head_Driver_Area	561781	female	C542	Parcel_Rack_LH_1st_Cmpt	561550	male
C284-7	Over_Head_Driver_Area	561782	male	C542	Parcel_Rack_LH_1st_Cmpt	561667	female
C284-7	Over_Head_Driver_Area	561781	female	C558	Dash	562503	male
C284-8	Over_Head_Driver_Area	561782	male	C558	Dash	562507	female
C284-8	Over_Head_Driver_Area	561781	female	C558H	Dash	562503	male
C284-H	Over_Head_Driver_Area	561782	male	C558H	Dash	562507	female
C284-H	Over_Head_Driver_Area	561781	female	C564	Left_Hand_Console	562503	male
C298	Parcel_Rack_LH_1st_Cmpt	561782	male	C564	Left_Hand_Console	562507	female
C298	Parcel_Rack_LH_1st_Cmpt	561781	female	C564-Sp	Driver_Area	562503	male
C330	FJB	561690	male	C564-Sp	Driver_Area	562507	female
C330	FJB	561566	female	C564-SpH	Driver_Area	562503	male
C337	Passenger_Area	561782	male	C564-SpH	Driver_Area	562507	female
C337	Passenger_Area	561781	female	C564H	Left_Hand_Console	562503	male
C355	RJB	563582	male	C564H	Left_Hand_Console	562507	female
C355	RJB	565887	female	C566	Driver_Area	562503	male
C356	RearParcelRack	561695	male	C566	Driver_Area	562507	female
C356	RearParcelRack	561693	female	C566H	Driver_Area	562503	male
C380A	Dash	564222	male	C566H	Driver_Area	562507	female
C380A	Dash	564224	female	C567	Left_Hand_Console	562503	male
C381	Parcel_Rack_LH_1st_Cmpt	561847	male	C567	Left_Hand_Console	562507	female
C381	Parcel_Rack_LH_1st_Cmpt	561862	female	C567H	Left_Hand_Console	562503	male
C382	Passenger_Area	561580	male	C567H	Left_Hand_Console	562507	female
C382	Passenger_Area	561582	female	C575	RrSectionRHHatRack	562503	male
C397	RJB	562285	male	C575	RrSectionRHHatRack	562507	female
C397	RJB	562282	female	C576B	RrParcelRackRH	562006	male
C402	Galley	561247	male	C576B	RrParcelRackRH	560908	female
C402	Galley	561248	female	C576BB	RrParcelRackLH	562006	male
C403	Galley	561247	male	C576BB	RrParcelRackLH	560908	female
C403	Galley	561248	female	C577A	RrParcelRackLH	562006	male

CONNECTORS LIST

No	Location	Part #	Gender	No	Location	Part #	Gender
C577A	RrParcelRackLH	560908	female	C_A69RH	Parcel_Rack_LH_1st_Cmpt	563025	male
C577AA	FrParcelRackRH	562006	male	C_ALT1	Engine_Cmpt_	562477	male
C577AA	FrParcelRackRH	560908	female	C_ALT1	Engine_Cmpt_	562479	female
C578	RrSectionLHHatRack	562503	male	C_ALT2	Engine_Cmpt_	562477	male
C578	RrSectionLHHatRack	562507	female	C_ALT2	Engine_Cmpt_	562479	female
C582	FJB	561690	female	C_AUDIO_AUX	Parcel_Rack_LH	562557	male
C582	FJB	561566	female	C_AUDIO_AUX	Parcel_Rack_LH	562558	female
C601	LHRoofWinAjar	561476	male	C_Audio_HDMI_L	Parcel_Rack_LH_1st_Cmpt	901283	female
C601	LHRoofWinAjar	561477	female	C_Audio_HDMI_L	Parcel_Rack_LH_1st_Cmpt	901062	female
C602	FJB	561476	male	C_Audio_HDMI_R	Parcel_Rack_LH_1st_Cmpt	901283	female
C602	FJB	561477	female	C_Audio_HDMI_R	Parcel_Rack_LH_1st_Cmpt	901062	female
C603	RHRoofWinAjar	561476	male	C_AUX	Parcel_Rack_LH	563071	male
C603	RHRoofWinAjar	561477	female	C_AUX	Parcel_Rack_LH	563040	female
C604	Dashboard	561577	male	C_AUX2	Parcel_Rack_LH	563071	male
C604	Dashboard	561605	female	C_AUX2	Parcel_Rack_LH	563040	female
C614	Passenger_Area	563071	male	C_INV1	5th_Lugg_Cmpt_	562338	male
C614	Passenger_Area	563040	female	C_INV1	5th_Lugg_Cmpt_	562338	male
C615	Passenger_Area	563071	male	C_INV2	5th_Lugg_Cmpt_	562338	male
C615	Passenger_Area	563040	female	C_INV2	5th_Lugg_Cmpt_	562338	male
C616	Parcel_Rack_RH	561247	male	C_LineOut	Dash	563962	male
C616	Parcel_Rack_RH	561248	female	C_LineOut	Dash	564489	female
C617	Dash	563801	male	C_USB	ModestyPanel	562069	male
C617	Dash	563800	female	C_USB	ModestyPanel	562070	female
C618	Right_Hand_Console	563801	male	C_Video_AUX	Parcel_Rack_LH	562557	male
C618	Right_Hand_Console	563800	female	C_Video_AUX	Parcel_Rack_LH	562558	female
C717	RJB	561646	male	CFHAC	Evap_Cmpt_	564238	male
C717	RJB	561645	female	CFHF1	FJB	564560	male
C752	Dash	901283	female	CFHG1	Galley	564560	male
C752H_plug	Dash	901062	male	CFHPR1	Parcel_Rack_LH	564560	male
C752H_socket	Dash	901283	female	CFHPR1H	Parcel_Rack_LH	564560	male
C753	Parcel_Rack_LH_1st_Cmpt	901283	female	CL95	Outside_Front_LH	562485	male
C753H_plug	Dash	901062	male	CL95	Outside_Front_LH	562486	female
C753H_socket	Dash	901283	female	CMS1_plug	Passenger_Area	563601	male
C766	Parcel_Rack_LH_1st_Cmpt	561662	male	CMS1_socket	Passenger_Area	563600	female
C766	Parcel_Rack_LH_1st_Cmpt	561661	female	CMS2_plug	Passenger_Area	563601	male
C768	Dash	901283	female	CMS2_socket	Passenger_Area	563600	female
C768H	Dash	901283	female	CMS3_plug	Passenger_Area	563601	male
C769	Dash	901283	female	CMS3_socket	Passenger_Area	563600	female
C769H	Dash	901283	female	CMS4_plug	Passenger_Area	563601	male
C777	Dash	562477	male	CMS4_socket	Passenger_Area	563600	female
C777	Dash	562479	female	CP1	Passenger_Area	561782	male
C_A60DBH	Dash	563071	male	CP1	Passenger_Area	561781	female
C_A60DBH	Dash	563040	female	CP2	Passenger_Area	561782	male

CONNECTORS LIST

No	Location	Part #	Gender	No	Location	Part #	Gender
CP2	Passenger_Area	561781	female	L51.A	Parcel_Rack_RH	560898	male
CP3	Passenger_Area	561782	male	L52	Passenger_Area	560898	male
CP3	Passenger_Area	561781	female	L53	Passenger_Area	560898	male
CP4	Passenger_Area	561782	male	L54	Passenger_Area	560898	male
CP4	Passenger_Area	561781	female	L55	Passenger_Area	560898	male
CP5	Passenger_Area	561782	male	L56	Passenger_Area	560898	male
CP5	Passenger_Area	561781	female	L57	Passenger_Area	560898	male
CP5A	Passenger_Area	561782	male	L58	Passenger_Area	560898	male
CP5A	Passenger_Area	561781	female	L63	Outside_Front_RH	562155	male
CSX1	PreHeater_Cmpt	563135	male	L64	Outside_Front_RH	562155	male
CSX1	PreHeater_Cmpt	563134	female	L65	Outside_Front_LH	562155	male
CSX3	PreHeater_Cmpt	563135	male	L66	Outside_Front_LH	562155	male
CSX3	PreHeater_Cmpt	563134	female	L67A	Luggage_Cmpt_	562155	male
CT2	Engine_Cmpt_	563226	male	L68A	Luggage_Cmpt_	562155	male
CT2	Engine_Cmpt_	563613	female	L69A	Lugg. Cmpt	562155	male
CT3	Engine_Cmpt_	563224	male	L70A	Luggage_Cmpt_	562155	male
D92	Parcel_Rack_LH_1st_Cmpt	564496	male	L72	Rear_Vehicle	562155	male
E1A	Engine_Cmpt	563739	male	L74	Rear_Vehicle	562155	male
L1	Service_Cmpt_	562485	male	L75	Rear_Vehicle	562155	male
L2	Front_Roof	561247	male	L76	Rear_Engine_Door	562155	male
L16	Front_Roof	562803	male	L81A.A	Rear_Engine_Door	562835	female
L17	Front_Roof	562803	male	L81A.B	Rear_Engine_Door	562834	male
L18	Entrance_Door	562549	male	L82A	Rear_Engine_Door	562348	female
L19	Entrance_Door	562486	female	L83A	Rear_Engine_Door	562348	female
L20	Entrance_Door	562486	female	L84	Rear_Vehicle	562486	female
L21A	Front_Roof	562486	female	L85	Rear_Vehicle	562486	female
L22A	Front_Roof	562486	female	L86	Rear_Vehicle	562486	female
L23A	Front_Roof	562486	female	L87	Rear_Vehicle	562486	female
L24A	Front_Roof	562486	female	L88	Rear_Vehicle	562486	female
L25A	Front_Roof	562486	female	L89	Rear_Vehicle	562486	female
L26A	Front_Roof	562486	female	L90	Rear_Vehicle	562486	female
L27A	Front_Roof	562486	female	L93.A	Engine_Cmpt_	563069	female
L40.A	Parcel_Rack_RH	560898	male	L93.B	Engine_Cmpt_	563069	female
L41.A	Parcel_Rack_RH	560898	male	L94.A	Engine_Cmpt_	563069	female
L42.A	Parcel_Rack_RH	560898	male	L94.B	Engine_Cmpt_	563069	female
L43.A	Parcel_Rack_RH	560898	male	L95B	Outside_Front_LH	562485	male
L44.A	Parcel_Rack_RH	560898	male	L96A	Outside_Front_RH	562485	male
L45.A	Parcel_Rack_RH	560898	male	L96B	Outside_Front_RH	562485	male
L46.A	Parcel_Rack_RH	560898	male	L97.A	Outside_Front_LH	563069	female
L47.A	Parcel_Rack_RH	560898	male	L97.B	Outside_Front_LH	563069	female
L48.A	Parcel_Rack_RH	560898	male	L98A.A	Outside_Front_RH	563069	female
L49.A	Parcel_Rack_RH	560898	male	L98A.B	Outside_Front_RH	563069	female
L50.A	Parcel_Rack_RH	560898	male	L140	Lavatory	561247	male

CONNECTORS LIST

No	Location	Part #	Gender	No	Location	Part #	Gender
L142	Lavatory	562803	male	L201	Front_Roof	561247	male
L143	Front_Roof	561247	male	L202	Front_Roof	561247	male
L143A	Parcel_Rack_LH	561186	male	L203	Right_Hand_Console	561690	male
L144A	Parcel_Rack_LH	561186	male	L204	WCL_Pass_Area	562803	male
L145A	Parcel_Rack_LH	561186	male	L205	Evap_Cmpt_	562485	male
L146A	Parcel_Rack_LH	561186	male	L206	WCL_Pass_Area	562803	male
L147A	Parcel_Rack_LH	561186	male	L207.A	WCL	561699	female
L148A	Parcel_Rack_LH	561186	male	L207.B	WCL	561701	female
L149A	Parcel_Rack_LH	561186	male	L207.C	WCL	561701	female
L150A	Parcel_Rack_LH	561186	male	L207.D	WCL	561699	female
L151A	Parcel_Rack_LH	561186	male	L207.E	WCL	561701	female
L152A	Parcel_Rack_LH	561186	male	L207.F	WCL	561699	female
L153A	Parcel_Rack_LH	561186	male	L207.G	WCL	561699	female
L154A	Parcel_Rack_LH	561186	male	L207.H	WCL	560926	female
L155A	Parcel_Rack_LH	561186	male	L207.I	WCL	560926	female
L156A	Parcel_Rack_LH	561186	male	L208	Front_Of_vehicle	563801	male
L157A	Parcel_Rack_LH	561186	male	L209	Front_Of_vehicle	563801	male
L158A	Parcel_Rack_LH	561186	male	L211	Entrance	562486	female
L173A	Engine_Cmpt_	563590	female	L243A	Parcel_Rack_RH	561186	male
L174A	Engine_Cmpt	563590	female	L244A	Parcel_Rack_RH	561186	male
L175	RJB	561247	male	L245A	Parcel_Rack_RH	561186	male
L176	5th_Lugg_Cmpt_	561247	male	L246A	Parcel_Rack_RH	561186	male
L177	5th_Lugg_Cmpt_	561247	male	L247A	Parcel_Rack_RH	561186	male
L178	3rd_Lugg_Cmpt_	561247	male	L248A	Parcel_Rack_RH	561186	male
L179	3rd_Lugg_Cmpt_	561247	male	L249A	Parcel_Rack_RH	561186	male
L180	2nd_Lugg_Cmpt_	561247	male	L250A	Parcel_Rack_RH	561186	male
L181	2nd_Lugg_Cmpt_	561247	male	L251A	Parcel_Rack_RH	561186	male
L182	1st_Lugg_Cmpt_	561247	male	L252A	Parcel_Rack_RH	561186	male
L183	1st_Lugg_Cmpt_	561247	male	L253A	Parcel_Rack_RH	561186	male
L184	Service_Cmpt_	561247	male	L254A	Parcel_Rack_RH	561186	male
L186.A	Service_Cmpt_	562651	female	L255A	Parcel_Rack_RH	561186	male
L186.B	Service_Cmpt_	562290	female	L256A	Parcel_Rack_RH	561186	male
L187	Engine_Cmpt_	561690	male	L257A	Parcel_Rack_RH	561186	male
L188	Service_Cmpt_	562486	female	L258A	Parcel_Rack_RH	561186	male
L189	Outside_Front_RH	562069	male	L282	Rear_Axle_Cmpt_	561690	male
L190	Outside_Front_LH	562069	male	L288.A	Passenger_Area	561539	male
L193.A	Dash	560488	female	L288.B	Passenger_Area	561539	male
L193.B	Dash	560488	female	L289.A	Passenger_Area	561539	male
L194.A	Left_Hand_Console	562019	female	L289.B	Passenger_Area	561539	male
L194.B	Left_Hand_Console	560488	female	L290	Engine_Cmpt_	562565	male
L195.A	Left_Hand_Console	560488	female	L291	Engine_Cmpt_	562565	male
L195.B	Left_Hand_Console	560488	female	L293.A	Galley	560081	female
L199	Engine_Cmpt_	562848	male	L293.B	Galley	560081	female

CONNECTORS LIST

No	Location	Part #	Gender	No	Location	Part #	Gender
L294.A	Galley	560081	female	Mo28	Cond_Cmpt_	563691	male
L294.B	Galley	560081	female	Mo54	Service_Cmpt_	562474	male
L296A	Galley	561781	female	Mo61	Parcel_Rack_RH	561248	female
L300.A	Galley	560908	female	P36.A	Engine_Cmpt_	561701	female
L300.B	Galley	560908	female	PF	Passenger_Area	561782	male
L302	Galley	561781	female	PF1	Passenger_Area	561782	male
L313	Service_Cmpt_	562789	male	Pot1.A	Dash	560488	female
L314	Service_Cmpt_	562789	male	Pot1.B	Dash	560488	female
L315_0_1	Rear_Engine_Door	563590	female	Pot1.C	Dash	560488	female
L316_0_1	Engine_Cmpt_	563590	female	Pot2	Dashboard	561550	male
L317.A	Engine_Cmpt_	562835	female	PR	Passenger_Area	561781	female
L317.B	Engine_Cmpt_	562834	male	PR1	Passenger_Area	561781	female
L318.A	Engine_Cmpt_	562835	female	R-12VISS	Parcel_Rack_LH_1st_Cmpt	564496	male
L318.B	Engine_Cmpt_	562834	male	R-12VISSH	Parcel_Rack_LH_1st_Cmpt	564496	male
L319	WCL	561247	male	R3	RJB	563409	male
L320	Driver_Area	561248	female	R4	FJB	561183	male
L350A.A	Rear_Axle_Cmpt_	564552	male	R5	RJB	561183	male
L350A.B	Rear_Axle_Cmpt_	563340	male	R10	Evap_Cmpt_	563409	male
L350A.C	Rear_Axle_Cmpt_	562251	male	R11	RJB	561183	male
Lav_Spk	Lavatory	563994	male	R12	Evap_Cmpt_	563409	male
Mo2_0_1	Engine_Cmpt_	561782	male	R17	RJB	564210	male
Mo3	Dash	561667	female	R18	RJB	564210	male
Mo4	Dash	562076	male	R19	RJB	564210	male
Mo5	Front_Roof	561550	female	R20	Evap_Cmpt_	564496	male
Mo6	Service_Cmpt_	561690	male	R22	FJB	561183	male
Mo7	Cond_Cmpt_	563691	male	R23	Right_Hand_Console	564496	male
Mo8	Cond_Cmpt_	563691	male	R24	FJB	564496	male
Mo10	Parcel_Rack_LH	561515	male	R25	RJB	561183	male
Mo11	Parcel_Rack_RH	561515	male	R26	Cond_Cmpt_	564496	male
Mo12	Evap_Cmpt_	561690	male	R29	RJB	563409	male
Mo13	Engine_Cmpt_	561690	female	R31	RJB	564210	male
Mo14	Parcel_Rack_RH	561566	female	R32	FJB	564496	male
Mo15	Over_Head_Driver_Area	560900	female	R35	Galley	561183	male
Mo16	Over_Head_Driver_Area	560900	female	R36	Galley	561183	male
Mo17	Left_Hand_Console	563626	male	R37	Galley	561183	male
Mo18	Service_Cmpt_	562474	male	R41	FJB	564496	male
Mo19	Service_Cmpt_	562474	male	R42	FJB	564496	male
Mo20	Service_Cmpt_	562474	male	R43	FJB	564496	male
Mo21	Front_Roof	561186	male	R47	5th_Lugg_Cmpt_	564496	male
Mo22	Right_Hand_Console	561186	male	R48.A	5th_Lugg_Cmpt_	564496	male
Mo24	Right_Hand_Console	562348	female	R72	Galley	563409	male
Mo25	Right_Hand_Console	562348	female	R73	Galley	563409	male
Mo27	Cond_Cmpt_	563691	male	R74	FJB	564496	male

CONNECTORS LIST

No	Location	Part #	Gender	No	Location	Part #	Gender
R_STANK	RJB	561183	male	Se20	Evap_Cmpt_	562426	male
Res3	RJB	563590	female	Se21	Dash	561248	female
Res4	Right_Hand_Console	563590	female	Se23	Engine_Cmpt_	563159	male
Res6	FJB	563590	female	Se24	Engine_Cmpt_	563159	male
Res7	FJB	563590	female	Se25	Evap_Cmpt_	561248	female
Res15	RJB	561782	male	Se29	Engine_Cmpt_	561690	female
Res19	FJB	563590	female	Se51	Driver_Seat	563057	male
Res31	Cond_Cmpt_	562350	male	Se53	Service_Cmpt_	563159	female
Res32	Cond_Cmpt_	563764	female	Se54	Service_Cmpt_	563159	female
Res53.A	Dash	563590	female	Se55	Service_Cmpt_	563159	female
Se4	Window_RH	561477	female	Se60	Service_Cmpt_	563409	male
Se5	Window_RH	561477	female	Se63	Rear_Axle_Cmpt_	641132	female
Se6	Window_RH	561477	female	Se64	Rear_Axle_Cmpt_	641132	female
Se7	Window_LH	561477	female	Se65	Dash	564042	female
Se8	Window_LH	561477	female	Se66	Dash	564039	female
Se9	Window_LH	561477	female	Se67	Service_Cmpt_	563159	female
Se10	Window_LH	561477	female	Se69	Service_Cmpt_	563159	female
Se11.A	Cond_Cmpt_	560082	male	Se70	Rear_Axle_Cmpt_	563340	male
Se11.B	Cond_Cmpt_	560082	male	Se79	Front_Axle_Cmpt_	563340	male
Se11.C	Cond_Cmpt_	560082	male	Se100	WCL_Parcel_Rack	562479	female
Se13	Engine_Cmpt_	562350	male	Se_Full	Engine_Cmpt_	562350	male
Se14.A	Dash	561782	male	Se_Full	Engine_Cmpt_	563764	female
Se14.B	Dash	561781	female	shell1	Right_Hand_Console	561889	female
Se15	Right_Hand_Console	560898	male	shell2	Parcel_Rack_LH	560898	male
Se17	Entrance_Door	560081	female	shell3	Parcel_Rack_LH	560898	male
Se18	Pneumatic_Panel	561566	female	shell4	Parcel_Rack_LH	560898	male
Se19	Service_Cmpt_	563677	male	shell5	Parcel_Rack_LH	560898	male
Se19A	Service_Cmpt_	563677	male	shell6	Parcel_Rack_LH	560898	male
Se28	Service_Cmpt_	561690	male	shell7	Parcel_Rack_LH	560898	male
Se29	Engine_Cmpt_	561566	female	shell8	Parcel_Rack_LH	560898	male
Se30	Engine_Cmpt_	562877	female	shell9	Parcel_Rack_LH	560898	male
Se31	Engine_Cmpt_	562877	female	shell10	Parcel_Rack_LH	560898	male
Se32	Engine_Cmpt_	563057	male	shell11	Parcel_Rack_LH	560898	male
Se33	Engine_Cmpt_	562856	male	shell12	Parcel_Rack_LH	560898	male
Se34	Engine_Cmpt_	563057	male	shell13	Parcel_Rack_LH	560898	male
Se35	Engine_Cmpt_	563057	male	shell19	WCL_Door	563543	male
Se36	Engine_Cmpt_	563629	female	So3	Right_Hand_Console	641385	male
Se37	Front_Axle_Cmpt_	641132	female	So4	Right_Hand_Console	641385	male
Se38	Front_Axle_Cmpt_	641132	female	So5	Right_Hand_Console	641385	male
Se39	Rear_Axle_Cmpt_	641132	female	So6	Right_Hand_Console	641385	male
Se40	Rear_Axle_Cmpt_	641132	female	So7	Service_Cmpt_	561566	male
Se45	Service_Cmpt_	563409	male	So8	Service_Cmpt_	641385	male
Se46	Rear_Axle_Cmpt_	562348	female	So9	Engine_Cmpt_	560016	female

CONNECTORS LIST

No	Location	Part #	Gender	No	Location	Part #	Gender
So10	Cond_Cmpt_	562485	male	Spk9_R	Parcel_Rack_RH	563994	male
So11	Cond_Cmpt_	561566	female	Spk10_L	Parcel_Rack_LH	563994	male
So13	Evap_Cmpt_	563204	female	Spk10_R	Parcel_Rack_RH	563994	male
So14	Pneumatic_Panel	641385	male	Spk11_L	Parcel_Rack_LH	563994	male
So15	Pneumatic_Panel	641385	male	Spk11_R	Parcel_Rack_RH	563994	male
So16	Pneumatic_Panel	641385	male	Spk12_L	Parcel_Rack_LH	563994	male
So17	Pneumatic_Panel	562848	male	Spk12_R	Parcel_Rack_RH	563994	male
So18	Pneumatic_Panel	641385	male	Spk13_L	Parcel_Rack_LH	563994	male
So19	Pneumatic_Panel	641385	male	Spk13_R	Parcel_Rack_RH	563994	male
So20	Pneumatic_Panel	641385	male	Spk14_L	Parcel_Rack_LH	563994	male
So21	Front_Axle_Cmpt_	564046	female	Spk14_R	Parcel_Rack_RH	563994	male
So22	Front_Axle_Cmpt_	564046	female	Spk15_L	Parcel_Rack_LH	563994	male
So23	Rear_Axle_Cmpt_	564046	female	Spk15_R	Parcel_Rack_RH	563994	male
So24	Rear_Axle_Cmpt_	564046	female	Spk16_L	Parcel_Rack_LH	563994	male
So27	Rear_Axle_Cmpt_	564045	female	Spk16_R	Parcel_Rack_RH	563994	male
So50	Rear_Axle_Cmpt_	564046	female	SpkDr_L	Driver_Area	563994	male
So52	Front_Axle_Cmpt_	564045	female	SpkDr_LH	Driver_Area	563994	male
So53	Rear_Axle_Cmpt_	564045	female	SpkDr_R	Driver_Area	563994	male
spBar4.J1	Engine_Cmpt_	564135	male	SpkDr_RH	Driver_Area	563994	male
spBar5	Engine_Cmpt_	564135	male	Sub1.A	Passenger_Area	564004	female
spBar6	Engine_Cmpt_	564135	male	Sub2	Passenger_Area	564004	female
spBar7	Cond_Cmpt_	564135	male	Sw1.C258	Dash	561188	female
spBar8	Engine_Cmpt_	564135	male	Sw1.C259	Dash	561186	male
spBar19.J1	Cond_Cmpt_	564135	male	Sw2	Dash	562763	male
spBar20	Cond_Cmpt_	564135	male	Sw3	Dash	562763	male
spBar21	Cond_Cmpt_	564135	male	Sw4	Dash	562763	male
Spk1_L	Parcel_Rack_LH	563994	male	Sw5	Dash	562763	male
Spk1_R	Parcel_Rack_RH	563994	male	Sw6	Dash	562763	male
Spk2_L	Parcel_Rack_LH	563994	male	Sw7.A	Cond_Cmpt	562877	female
Spk2_R	Parcel_Rack_RH	563994	male	Sw10A	Left_Hand_Console	562763	male
Spk3_L	Parcel_Rack_LH	563994	male	Sw11A	Left_Hand_Console	562763	male
Spk3_R	Parcel_Rack_RH	563994	male	Sw12	Dash	562763	male
Spk4_L	Parcel_Rack_LH	563994	male	Sw14	Dash	562763	male
Spk4_R	Parcel_Rack_RH	563994	male	Sw16	Dash	562763	male
Spk5_L	Parcel_Rack_LH	563994	male	Sw17	Dash	562763	male
Spk5_R	Parcel_Rack_RH	563994	male	Sw18A	Left_Hand_Console	562763	male
Spk6_L	Parcel_Rack_LH	563994	male	Sw20	Dash	562763	male
Spk6_R	Parcel_Rack_RH	563994	male	Sw21	Dash	562763	male
Spk7_L	Parcel_Rack_LH	563994	male	Sw24	Dash	562763	male
Spk7_R	Parcel_Rack_RH	563994	male	Sw25	Dash	562763	male
Spk8_L	Parcel_Rack_LH	563994	male	Sw26	Dash	562763	male
Spk8_R	Parcel_Rack_RH	563994	male	Sw27	Dash	562763	male
Spk9_L	Parcel_Rack_LH	563994	male	Sw29	Dash	562763	male

CONNECTORS LIST

No	Location	Part #	Gender	No	Location	Part #	Gender
Sw30	Engine_Cmpt_	561566	female	Sw82.D	RJB	561457	female
Sw32	Dash	561477	female	Sw83.A	Dash	560082	female
Sw33	Dash	561476	male	Sw83.B	Dash	560815	female
Sw34	Outside_Front_RH	562477	male	Sw83.C	Dash	560082	female
Sw35	Dash	562763	male	Sw83.D	Dash	560815	female
Sw38	Left_Hand_Console	562763	male	Sw85	Left_Hand_Console	562749	male
Sw39.A	RJB	562403	female	Sw94.A	WCL_Door	562403	female
Sw40	Left_Hand_Console	561690	male	Sw94.B	WCL_Door	562403	female
Sw41	Left_Hand_Console	562749	male	Sw95A.A	WCL_Door	562615	female
Sw42	5th_Lugg_Cmpt_	561635	female	Sw95A.B	WCL_Door	562615	female
Sw43	Service_Cmpt_	561690	male	Sw95A.C	WCL_Door	562615	female
Sw44.A	FJB	562403	female	Sw96A.A	WCL_Door	562615	female
Sw45.A	5thLuggLHDoor	562485	male	Sw96A.B	WCL_Door	562615	female
Sw45.B	5thLuggLHDoor	562486	female	Sw96A.C	WCL_Door	562615	female
Sw46.A	5thLuggRHDoor	562485	male	Sw97A.A	Pass_Area	562615	female
Sw46.B	5thLuggRHDoor	562486	female	Sw97A.B	Pass_Area	562615	female
Sw47.A	ThirdLuggLHDoor	562485	male	Sw97A.C	Pass_Area	562615	female
Sw47.B	ThirdLuggLHDoor	562486	female	Sw98A.A	Pass_Area	562615	female
Sw48.A	ThirdLuggRHDoor	562485	male	Sw98A.B	Pass_Area	562615	female
Sw48.B	ThirdLuggRHDoor	562486	female	Sw98A.C	Pass_Area	562615	female
Sw49.A	2ndLuggLHDoor	562485	male	Sw100A	Dash	562763	male
Sw49.B	2ndLuggLHDoor	562486	female	Sw102	RJB	561566	female
Sw50.A	2ndLuggRHDoor	562485	male	Sw111	Dash	562763	male
Sw50.B	2ndLuggRHDoor	562486	female	Sw124	Dashboard	562763	male
Sw51.A	1stLuggLHDoor	562485	male	Sw125.A	Service_Cmpt_	561457	female
Sw51.B	1stLuggLHDoor	562486	female	Sw125.B	Service_Cmpt_	561457	female
Sw52.A	1stLuggRHDoor	562485	male	Sw126	Service_Cmpt_	562763	male
Sw52.B	1stLuggRHDoor	562486	female	Sw131	Right_Hand_Console	562763	male
Sw55.A	Lavatory	560488	female	Sw137	Dash	562763	male
Sw55.B	Lavatory	560488	female	Sw152	Left_Hand_Console	562471	male
Sw56.A	Lavatory	560488	female	Sw155	Dash	562763	male
Sw56.B	Lavatory	560488	female	Sw160	Dash	562763	male
Sw57	WCL_Door	563543	male	Sw161	Dash	562763	male
Sw58	Engine_Cmpt_	562581	male	Sw299	Dash	562763	male
Sw59	Engine_Cmpt_	562485	male	Sw300	Galley	562763	male
Sw63A	LH_Consol	562763	male	Sw301	Galley	562763	male
Sw64.A	Left_Hand_Console	560815	female	Sw302	Galley	562763	male
Sw64.B	Left_Hand_Console	560815	female	Sw500	Dash	562763	male
Sw65OP	Dash	562763	male	Sw_STANK	Engine_Cmpt_	562485	male
Sw65OP	Dash	562763	male	VECF1	FJB	563186	male
Sw82.A	RJB	561457	female	VECF2	FJB	563183	male
Sw82.B	RJB	561457	female	VECF3	FJB	563185	male
Sw82.C	RJB	561457	female	VECF4	FJB	563182	male

CONNECTORS LIST

No	Location	Part #	Gender	No	Location	Part #	Gender
24SS_OP	Parcel_Rack_LH	563071	male	A39H.P901	Parcel_Rack_LH_1st_Cmpt	563953	male
24SS_OP	Parcel_Rack_LH	563040	female	A41.J1	FJB	562767	male
A1	FJB	563975	male	A41.J2	FJB	563132	male
A2	LH_CONSOLE	563984	male	A41.J3	FJB	562957	male
A3	Dash	562363	male	A42.J1	FJB	562767	male
A4A.A	Service_Cmpt_	562428	female	A42.J2	FJB	563132	male
A4A.B	Service_Cmpt_	561188	female	A42.J3	FJB	562957	male
A5A	Service_Cmpt_	562428	female	A43.J1	FJB	562767	male
A6	Rear_Axle_Cmpt_	562427	male	A43.J2	FJB	563132	male
A7	Rear_Axle_Cmpt_	563979	male	A43.J3	FJB	562957	male
A9.Cx1	FJB	564041	female	A44.J1	FJB	563133	male
A9.Cx2	FJB	563678	male	A44.J2	FJB	563132	male
A9.Cx3	FJB	564037	female	A44.J3	FJB	562957	male
A9.Cx4	FJB	564038	female	A45.J1	FJB	563133	male
A10.X1	RrAxlePre-HeatCmpt.	563135	male	A45.J2	FJB	563132	male
A10.X3	RrAxlePre-HeatCmpt.	563134	female	A45.J3	FJB	562957	male
A11	Left_Hand_Console	563142	male	A46.J1	FJB	563133	male
A14A.A	DASH	562766	male	A46.J2	FJB	563132	male
A14A.B	DASH	562767	male	A46.J3	FJB	562957	male
A14A.C	DASH	562765	male	A47.J1	Right_Hand_Console	563133	male
A15	Dash	562464	male	A47.J2	Right_Hand_Console	563132	male
A16	FrontCeiling	561637	male	A47.J3	Right_Hand_Console	562957	male
A18.J1	FJB	562794	male	A48.J1	Right_Hand_Console	563133	male
A18.J2	FJB	562650	male	A48.J2	Right_Hand_Console	563132	male
A19	Left_Hand_Console	562878	female	A48.J3	Right_Hand_Console	562957	male
A20	Parcel_Rack_LH	561477	female	A49.J1	RJB	562767	male
A24.A	Right_Hand_Console	561890	male	A49.J2	RJB	563132	male
A24.B	Right_Hand_Console	561566	female	A49.J3	RJB	562957	male
A25H	Driver_Area	563025	male	A50.J1	RJB	563133	male
A27	FJB	562929	male	A50.J2	RJB	563132	male
A28	Service_Cmpt_	562928	male	A50.J3	RJB	562957	male
A29	DASH	562464	male	A51.J1	RJB	563133	male
A32.A	FJB	564221	male	A51.J2	RJB	563132	male
A32.B	FJB	564518	male	A51.J3	RJB	562957	male
A33.A	Front_Midle_Top	563071	male	A52.J1	RJB	563133	male
A33.B	Front_Midle_Top	562330	female	A52.J2	RJB	563132	male
A36.JA	FJB	562767	male	A52.J3	RJB	562957	male
A36.JB	FJB	562765	male	A53.J1	Parcel_Rack_JCB	563133	male
A36.JC	FJB	562957	male	A53.J2	Parcel_Rack_JCB	563132	male
A36A.JA	FJB	562767	male	A53.J3	Parcel_Rack_JCB	562957	male
A36A.JB	FJB	562765	male	A54.J1	Evap_Cmpt_	563133	male
A36A.JC	FJB	562957	male	A54.J2	Evap_Cmpt_	563132	male
A39H.P101	Parcel_Rack_LH_1st_Cmpt	563201	male	A54.J3	Evap_Cmpt_	562957	male

CONNECTORS LIST

No	Location	Part #	Gender	No	Location	Part #	Gender
A55.J1	Dash	562767	male	A69RH.B2	Parcel_Rack_RH	bidon	male
A55.J2	Dash	563132	male	A69RH.B3	Parcel_Rack_RH	bidon	male
A55.J3	Dash	562957	male	A69RH.B4	Parcel_Rack_RH	bidon	male
A60H.A	Parcel_Rack_LH_1st_Cmpt	563071	male	A69RH.C	Parcel_Rack_RH	bidon	male
A60H.B	Parcel_Rack_LH_1st_Cmpt	562706	female	A70cH	Roof	561540	female
A60H.C	Parcel_Rack_LH_1st_Cmpt	901110	male	A77	TOP_RJB	564547	male
A60H.D	Parcel_Rack_LH_1st_Cmpt	901110	male	A78	Compt_Batt	562583	female
A61H.A	Parcel_Rack_LH_1st_Cmpt	562464	male	A79	Compt_Batt	562583	female
A61H.B	Parcel_Rack_LH_1st_Cmpt	562465	male	A80	Compt_Batt	562479	female
A65H.A	Parcel_Rack_LH_1st_Cmpt	563025	male	A81A.JA	FJB	562767	male
A65H.B4	Parcel_Rack_LH_1st_Cmpt	bidon	male	A81A.JB	FJB	562765	male
A65H.B5	Parcel_Rack_LH_1st_Cmpt	bidon	male	A81A.JC	FJB	562957	male
A65H.B6	Parcel_Rack_LH_1st_Cmpt	bidon	male	A83	FJB	565970	female
A65H.D	Parcel_Rack_LH_1st_Cmpt	bidon	male	A96	FJB	564073	female
A65H.E	Parcel_Rack_LH_1st_Cmpt	563071	male	A97	Dash	563226	male
A65H.G1	Parcel_Rack_LH_1st_Cmpt	563071	male	A99	FJB	564205	male
A65H.G2	Parcel_Rack_LH_1st_Cmpt	563071	male	A99A	FJB	564205	male
A65H.G3	Parcel_Rack_LH_1st_Cmpt	563071	male	A100	Front_Axle_Cmpt_	563758	female
A65H.H1	Parcel_Rack_LH_1st_Cmpt	561716	female	A101	Rear_Axle_Cmpt_	563758	female
A65H.H2	Parcel_Rack_LH_1st_Cmpt	561716	female	A102	Rear_Axle_Cmpt_	563758	female
A65H.H3	Parcel_Rack_LH_1st_Cmpt	561716	female	A103	Dash	562070	female
A65H.J	Parcel_Rack_LH_1st_Cmpt	562465	male	A107	Eng._Cmpt_(Trans.)	560336	male
A65OPH.A	Parcel_Rack_LH_1st_Cmpt	563025	male	A108	FJB	562766	male
A65OPH.B4	Parcel_Rack_LH_1st_Cmpt	bidon	male	A109	Left_Hand_Console	564141	male
A65OPH.B5	Parcel_Rack_LH_1st_Cmpt	bidon	male	A111	Lavatory	562549	male
A65OPH.B6	Parcel_Rack_LH_1st_Cmpt	bidon	male	A113H.A	Parcel_Rack_LH_1st_Cmpt	563960	male
A65OPH.D	Parcel_Rack_LH_1st_Cmpt	bidon	male	A113H.B	Parcel_Rack_LH_1st_Cmpt	563962	male
A65OPH.E	Parcel_Rack_LH_1st_Cmpt	563071	male	A113H.C1	Parcel_Rack_LH_1st_Cmpt	563956	male
A65OPH.G1	Parcel_Rack_LH_1st_Cmpt	563071	male	A113H.C2	Parcel_Rack_LH_1st_Cmpt	563957	male
A65OPH.G2	Parcel_Rack_LH_1st_Cmpt	563071	male	A113H.C3	Parcel_Rack_LH_1st_Cmpt	563958	male
A65OPH.G3	Parcel_Rack_LH_1st_Cmpt	563071	male	A114A	Service_Cmpt	564252	male
A65OPH.H1	Parcel_Rack_LH_1st_Cmpt	561716	female	A120.A	Dash	563960	male
A65OPH.H2	Parcel_Rack_LH_1st_Cmpt	561716	female	A120.B	Dash	563962	male
A65OPH.H3	Parcel_Rack_LH_1st_Cmpt	561716	female	A120.C1	Dash	563956	male
A65OPH.J	Parcel_Rack_LH_1st_Cmpt	562465	male	A120.C2	Dash	563957	male
A69LH.A	Parcel_Rack_LH_1st_Cmpt	563025	male	A120.C3	Dash	563958	male
A69LH.B1	Parcel_Rack_LH_1st_Cmpt	bidon	male	A120.D	Dash	563961	male
A69LH.B2	Parcel_Rack_LH_1st_Cmpt	bidon	male	A120H.A	Dashboard	563960	male
A69LH.B3	Parcel_Rack_LH_1st_Cmpt	bidon	male	A120H.B	Dashboard	563962	male
A69LH.B4	Parcel_Rack_LH_1st_Cmpt	bidon	male	A120H.C1	Dashboard	563956	male
A69LH.C	Parcel_Rack_LH_1st_Cmpt	bidon	male	A120H.C2	Dashboard	563957	male
A69RH.A	Parcel_Rack_RH	563025	male	A120H.C3	Dashboard	563958	male
A69RH.B1	Parcel_Rack_RH	bidon	male	A121H.Vsa	Dash	563679	male

CONNECTORS LIST

No	Location	Part #	Gender	No	Location	Part #	Gender
A121H.Vsb	Dash	563678	male	C2.A	Service_Cmpt_	563581	female
A121H.Vsc	Dash	564037	male	C2A	Service_Cmpt_	563580	male
A121H.Vsd	Dash	564118	male	C2A	FJB	563581	female
A130	Left_Hand_Console	563226	male	C3	RJB	563589	male
A131.A	Engine_Cmpt_	561782	male	C3	RJB	563590	female
A131.B	Engine_Cmpt_	561781	female	C3S	RJB	563589	male
A137A	Cond_Cmpt	20429843	male	C3S	RJB	563590	female
A138	Cond_Cmpt_	563787	male	C4	Service_Cmpt_	563580	male
A139	Dash	564501	female	C4	Service_Cmpt_	563581	female
A150	ModestyPanel	21280133	male	C5	Service_Cmpt_	563589	male
A152H.A	Parcel_Rack_LH_1st_Cmpt	561550	male	C5	Service_Cmpt_	563590	female
A152H.B	Parcel_Rack_LH_1st_Cmpt	563071	male	C5S	Service_Cmpt_	563589	male
A152H.C	Parcel_Rack_LH_1st_Cmpt	563071	male	C5S	Service_Cmpt_	563590	female
A152H.D	Parcel_Rack_LH_1st_Cmpt	563071	male	C6	Service_Cmpt_	563582	male
A152H.E	Parcel_Rack_LH_1st_Cmpt	563071	male	C6	Service_Cmpt_	563583	female
A152H.F	Parcel_Rack_LH_1st_Cmpt	563071	male	C7	Service_Cmpt_	562581	male
A152H.G	Parcel_Rack_LH_1st_Cmpt	563071	male	C7	Service_Cmpt_	562583	female
A152H.H	Parcel_Rack_LH_1st_Cmpt	563071	male	C8	Service_Cmpt_	563227	male
A152H.I	Parcel_Rack_LH_1st_Cmpt	563071	male	C8	Service_Cmpt_	563614	female
A152H.J	Parcel_Rack_LH_1st_Cmpt	563071	male	C9	Evap_Cmpt_	561986	male
A152H.K	Parcel_Rack_LH_1st_Cmpt	562779	male	C9	Evap_Cmpt_	561987	female
A152H.L	Parcel_Rack_LH_1st_Cmpt	562779	male	C10A	Engine_Cmpt_	562581	male
Alt1D.A	Engine_Cmpt_	563746	female	C10A	Engine_Cmpt_	562583	female
Alt1D.B	Engine_Cmpt_	560815	female	C11	Service_Cmpt_	563580	male
Alt1D.C	Engine_Cmpt_	564469	female	C11	Service_Cmpt_	563581	female
Alt3D.A	Engine_Cmpt_	563746	female	C12	RJB	561986	male
Alt3D.B	Engine_Cmpt_	560815	female	C12	RJB	561987	female
Alt3D.C	Engine_Cmpt_	564469	female	C13_plug	Right_Hand_Console	563589	male
B85	Engine_Cmpt_	563815	male	C13_socket	Right_Hand_Console	563590	female
B96.J1	Engine_Cmpt_	563821	male	C13S	Right_Hand_Console	563589	male
B96B	Engine_Cmpt_	563823	male	C13S	Right_Hand_Console	563590	female
B97	Engine_Cmpt_	563816	male	C15	5th_Lugg_Cmpt_	561643	male
B98	Engine_Cmpt_	563817	male	C15	5th_Lugg_Cmpt_	561642	female
B115A	Engine_Cmpt_	564226	male	C15B	Evap_Cmpt_	568110	male
B142C	Cond_Cmpt	563793	male	C15B	Evap_Cmpt_	568109	female
B310	Engine_Cmpt_	565967	male	C16	RJB	561577	male
C1	Service_Cmpt_	563589	male	C16	RJB	561605	female
C1	Service_Cmpt_	563590	female	C17	RJB	561986	male
C1S	Service_Cmpt_	563589	male	C17	RJB	561987	female
C1S	Service_Cmpt_	563590	female	C18	FJB	561986	male
C2	Service_Cmpt_	563580	male	C18	FJB	561987	female
C2	Service_Cmpt_	563581	female	C18A	FJB	561986	male
C2.A	Service_Cmpt_	563580	male	C18A	FJB	561987	female

CONNECTORS LIST

No	Location	Part #	Gender	No	Location	Part #	Gender
C19	RJB	561986	male	C36	FJB	561987	female
C19	RJB	561987	female	C37A	Parcel_Rack_LH	562557	male
C20	Lavatory	561668	male	C37A	Parcel_Rack_LH	562558	female
C20	Lavatory	561551	female	C38A	Parcel_Rack_RH	562555	male
C20A	Engine_Cmpt_	562485	male	C38A	Parcel_Rack_RH	562556	female
C20A	Engine_Cmpt_	562486	female	C39	ModestyPanel	562503	male
C20B	Engine_Cmpt_	562485	male	C39	ModestyPanel	562507	female
C20B	Engine_Cmpt_	562486	female	C39A	Engine_Cmpt	561782	male
C21A	RJB	561646	male	C39A	Engine_Cmpt	561781	female
C21A	RJB	561645	female	C40	Dash	562485	male
C21B	RJB	561646	male	C40	Dash	562486	female
C21B	RJB	561645	female	C41	RJB	561690	male
C22	RJB	561847	male	C41	RJB	561566	female
C22	RJB	561862	female	C43	Lavatory	561661	female
C23	EVAP_CMPT	561847	male	C43	Lavatory	561662	male
C23	EVAP_CMPT	561862	female	C44_plug	FJB	561577	male
C24_plug	Evap_Cmpt_	561690	male	C44_socket	FJB	561605	female
C24_socket	Evap_Cmpt_	561566	female	C45	FJB	561643	male
C25A	Parcel_Rack_LH_1st_Cmpt	561550	male	C45	FJB	561642	female
C25A	Parcel_Rack_LH_1st_Cmpt	561667	female	C46	WCL	564228	male
C26	Cond_Cmpt	563226	male	C46	WCL	564228	male
C26	Cond_Cmpt	563613	female	C49A	FJB	562005	male
C26AA	Cond_Cmpt	568110	male	C49A	FJB	561714	female
C26AA	Cond_Cmpt	568109	female	C50	RJB	561782	male
C26B	Cond_Cmpt	563227	male	C50	RJB	561781	female
C26B	Cond_Cmpt	563614	female	C51	Engine_Cmpt_	562485	male
C27	RJB	562005	male	C51	Engine_Cmpt_	562486	female
C27	RJB	561714	female	C53	Galley	561773	male
C29	5th_Lugg_Cmpt_	563651	male	C53	Galley	562004	female
C29	5th_Lugg_Cmpt_	563652	female	C54	Engine_Cmpt	563226	male
C30	5th_Lugg_Cmpt_	561710	male	C54	Engine_Cmpt	563613	female
C30	5th_Lugg_Cmpt_	561709	female	C54A	Engine_Cmpt	561643	male
C31	RJB	561734	male	C54A	Engine_Cmpt	561642	female
C31	RJB	561735	female	C54B	Engine_Cmpt	562477	male
C32A	5th_Lugg_Cmpt_	561668	male	C54B	Engine_Cmpt	562479	female
C32A	5th_Lugg_Cmpt_	561551	female	C55	Evap_Cmpt_	561577	male
C33	RHFrontRoof	561550	male	C55	Evap_Cmpt_	561605	female
C33	RHFrontRoof	561667	female	C64A	Engine_Cmpt	568110	male
C34	Right_Hand_Console	561986	male	C64A	Engine_Cmpt	568109	female
C34	Right_Hand_Console	561987	female	C65-OP2H	Parcel_Rack_LH_1st_Cmpt	563071	male
C35	Evap_Cmpt_	561607	male	C65-OP2H	Parcel_Rack_LH_1st_Cmpt	563040	female
C35	Evap_Cmpt_	561606	female	C65-OPH_plug	Dash	562477	male
C36	FJB	561986	male	C65-OPH_socket	Dash	562479	female

CONNECTORS LIST

No	Location	Part #	Gender	No	Location	Part #	Gender
C66	Engine_Cmpt_	561577	male	C103_socket	FJB	562486	female
C66	Engine_Cmpt_	561605	female	C105_plug	FJB	562581	male
C68_plug	FJB	561687	male	C105_socket	FJB	562583	female
C68_socket	FJB	561685	female	C106_plug	FJB	562581	male
C69_plug	FJB	561690	male	C106_socket	FJB	562583	female
C69_socket	FJB	561566	female	C110A	Pneumatic_Panel	568110	male
C70	FrontCeiling	562557	male	C110A	Pneumatic_Panel	568109	female
C70	FrontCeiling	562558	female	C119A	Rear_Engine_Door	562581	male
C71	Service_Cmpt_	561646	male	C119A	Rear_Engine_Door	562583	female
C71	Service_Cmpt_	561645	female	C120A	Rear_Engine_Door	563580	male
C72	FJB	561646	male	C120A	Rear_Engine_Door	563581	female
C72	FJB	561645	female	C122	RJB	561690	male
C73	Dash	563226	male	C122	RJB	561566	female
C73	Dash	563613	female	C123	Rear_Axle_Cmpt_	561690	male
C74	FJB	561645	female	C123	Rear_Axle_Cmpt_	561566	female
C74	FJB	561646	male	C124	FJB	561577	male
C82	Right_Hand_Console	562581	male	C124	FJB	561605	female
C82	Right_Hand_Console	562583	female	C141	Left_Hand_Console	561247	male
C87	Engine_Cmpt	563618	male	C141	Left_Hand_Console	561248	female
C87	Engine_Cmpt	563616	female	C144	UnderLHSeat	560852	male
C91	RJB	562285	male	C144	UnderLHSeat	560851	female
C91	RJB	562282	female	C152	CondensorCmpt.	561611	male
C94_plug	FJB	563589	male	C152	CondensorCmpt.	561610	female
C94_socket	FJB	563590	female	C155	RJB	561626	female
C96	FJB	561643	male	C155	RJB	561904	female
C96	FJB	561642	female	C171	Service_Cmpt_	561646	male
C97	FJB	561643	male	C171	Service_Cmpt_	561645	female
C97	FJB	561642	female	C193	RJB	563589	male
C99_plug	RJB	563589	male	C193	RJB	563590	female
C99_socket	RJB	563590	female	C194	FJB	563589	male
C100	5th_Lugg_Cmpt_	563589	male	C194	FJB	563590	female
C100	5th_Lugg_Cmpt_	563590	female	C195	Dash	563347	male
C100A	Evap_Cmpt	563589	male	C195	Dash	560489	female
C100A	Evap_Cmpt	563590	female	C195A	Dash	563347	male
C100S	5th_Lugg_Cmpt_	563589	male	C195A	Dash	560489	female
C100S	5th_Lugg_Cmpt_	563590	female			562350	male
C101	Service_Cmpt_	561690	male			563764	female
C101	Service_Cmpt_	561566	female	C200	Engine_Cmpt_	562471	male
C102	RJB	561690	male	C200	Engine_Cmpt_	562348	female
C102	RJB	561566	female	C206	Front_RH_TOP	562503	male
C102A	RJB	561637	male	C206	Front_RH_TOP	562507	female
C102A	RJB	561636	female	C207	Over_Head_Driver_Area	562503	male
C103_plug	FJB	562485	male	C207	Over_Head_Driver_Area	562507	female

CONNECTORS LIST

No	Location	Part #	Gender	No	Location	Part #	Gender
C212A	WCL_Door	561515	male	C380B	Dash	563180	female
C212A	WCL_Door	561552	female	C380B1	Dash	564222	male
C222	FJB	562477	male	C380B1	Dash	564224	female
C222	FJB	562479	female	C380C	Dash	563347	male
C223	FJB	563227	male	C380C	Dash	563180	female
C223	FJB	563614	female	C380C1	Dash	564222	male
C224	FJB	561637	male	C380C1	Dash	564224	female
C224	FJB	561636	female	C381	Parcel_Rack_LH_1st_Cmpt	561847	male
C225	FJB	562649	female	C381	Parcel_Rack_LH_1st_Cmpt	561862	female
C225_0_1	FJB	562650	male	C382	Passenger_Area	561580	male
C226	FJB	562650	male	C382	Passenger_Area	561582	female
C226	FJB	562649	female	C397	RJB	562285	male
C228A	Engine_Cmpt_	562581	male	C397	RJB	562282	female
C228A	Engine_Cmpt_	562583	female	C402	Galley	561247	male
C279	Service_Cmpt_	562477	male	C402	Galley	561248	female
C279	Service_Cmpt_	562479	female	C403	Galley	561247	male
C284-1H	Over_Head_Driver_Area	561782	male	C403	Galley	561248	female
C284-1H	Over_Head_Driver_Area	561781	female	C426	Engine_Cmpt_	561611	male
C284-2H	Over_Head_Driver_Area	561782	male	C426	Engine_Cmpt_	561610	female
C284-2H	Over_Head_Driver_Area	561781	female	C430	LHConsole	562363	male
C284-3H	Over_Head_Driver_Area	561782	male	C430	LHConsole	561188	female
C284-3H	Over_Head_Driver_Area	561781	female	C452	Dash	561669	male
C284-4H	Over_Head_Driver_Area	561782	male	C452	Dash	561670	female
C284-4H	Over_Head_Driver_Area	561781	female	C463A	Engine_Cmpt	568111	male
C284-5H	Over_Head_Driver_Area	561782	male	C463A	Engine_Cmpt	568112	female
C284-5H	Over_Head_Driver_Area	561781	female	C464A	RJB	564222	male
C284-6H	Over_Head_Driver_Area	561782	male	C464A	RJB	564224	female
C284-6H	Over_Head_Driver_Area	561781	female	C465	ModestyPanel	562581	male
C284-H	Over_Head_Driver_Area	561782	male	C465	ModestyPanel	562583	female
C284-H	Over_Head_Driver_Area	561781	female	C506	FJB	561687	male
C298	Parcel_Rack_LH_1st_Cmpt	561782	male	C506	FJB	561685	female
C298	Parcel_Rack_LH_1st_Cmpt	561781	female	C542	Parcel_Rack_LH_1st_Cmpt	561550	male
C330	FJB	561690	male	C542	Parcel_Rack_LH_1st_Cmpt	561667	female
C330	FJB	561566	female	C558H	Dash	562503	male
C337	Passenger_Area	561782	male	C558H	Dash	562507	female
C337	Passenger_Area	561781	female	C564-SpH	Driver_Area	562503	male
C355	RJB	563582	male	C564-SpH	Driver_Area	562507	female
C355	RJB	565887	female	C564H	Left_Hand_Console	562503	male
C356	RearParcelRack	561695	male	C564H	Left_Hand_Console	562507	female
C356	RearParcelRack	561693	female	C566H	Driver_Area	562503	male
C380A	Dash	564222	male	C566H	Driver_Area	562507	female
C380A	Dash	564224	female	C567H	Left_Hand_Console	562503	male
C380B	Dash	563347	male	C567H	Left_Hand_Console	562507	female

CONNECTORS LIST

No	Location	Part #	Gender	No	Location	Part #	Gender
C575	RrSectionRHHatRack	562503	male	C766	Parcel_Rack_LH_1st_Cmpt	561661	female
C575	RrSectionRHHatRack	562507	female	C768H	Dash	901283	female
C576B	RrParcelRackRH	562006	male	C769H	Dash	901283	female
C576B	RrParcelRackRH	560908	female	C777	Dash	562477	male
C576BB	RrParcelRackLH	562006	male	C777	Dash	562479	female
C576BB	RrParcelRackLH	560908	female	C_A60DBH	Dash	563071	male
C577A	RrParcelRackLH	562006	male	C_A60DBH	Dash	563040	female
C577A	RrParcelRackLH	560908	female	C_A69RH	Parcel_Rack_LH_1st_Cmpt	563025	male
C577AA	FrParcelRackRH	562006	male	C_ALT1	Engine_Cmpt	562477	male
C577AA	FrParcelRackRH	560908	female	C_ALT1	Engine_Cmpt	562479	female
C578	RrSectionLHHatRack	562503	male	C_ALT2	Engine_Cmpt	562477	male
C578	RrSectionLHHatRack	562507	female	C_ALT2	Engine_Cmpt	562479	female
C582	FJB	561690	female	C_ALT3	Engine_Cmpt	562477	male
C582	FJB	561566	female	C_ALT3	Engine_Cmpt	562479	female
C601	LHRoofWinAjar	561476	male	C_AUDIO_AUX	Parcel_Rack_LH	562557	male
C601	LHRoofWinAjar	561477	female	C_AUDIO_AUX	Parcel_Rack_LH	562558	female
C602	FJB	561476	male	C_AUDIO_AUX2	Parcel_Rack_LH	562557	male
C602	FJB	561477	female	C_AUDIO_AUX2	Parcel_Rack_LH	562558	female
C603	RHRoofWinAjar	561476	male	C_AUDIO_AUX3	Parcel_Rack_LH	562557	male
C603	RHRoofWinAjar	561477	female	C_AUDIO_AUX3	Parcel_Rack_LH	562558	female
C606	RJB	562485	male	C_AUDIO_AUX4	Parcel_Rack_LH	562557	male
C606	RJB	562486	female	C_AUDIO_AUX4	Parcel_Rack_LH	562558	female
C614	Passenger_Area	563071	male	C_Audio_HDMI_L	Parcel_Rack_LH_1st_Cmpt	901283	female
C614	Passenger_Area	563040	female	C_Audio_HDMI_L	Parcel_Rack_LH_1st_Cmpt	901062	female
C615	Passenger_Area	563071	male	C_Audio_HDMI_R	Parcel_Rack_LH_1st_Cmpt	901283	female
C615	Passenger_Area	563040	female	C_Audio_HDMI_R	Parcel_Rack_LH_1st_Cmpt	901062	female
C616	Parcel_Rack_RH	561247	male	C_AUX	Parcel_Rack_LH	563071	male
C616	Parcel_Rack_RH	561248	female	C_AUX	Parcel_Rack_LH	563040	female
C617	Dash	563801	male	C_AUX2	Parcel_Rack_LH	563071	male
C617	Dash	563800	female	C_AUX2	Parcel_Rack_LH	563040	female
C618	Right_Hand_Console	563801	male	C_INV1	5th_Lugg_Cmpt	562338	male
C618	Right_Hand_Console	563800	female	C_INV1	5th_Lugg_Cmpt	562338	male
C700	FJB	561637	male	C_INV2	5th_Lugg_Cmpt	562338	male
C700	FJB	561636	female	C_INV2	5th_Lugg_Cmpt	562338	male
C700A	Parcel_Rack_LH	561637	male	C_LineOut	Dash	563962	male
C700A	Parcel_Rack_LH	561636	female	C_LineOut	Dash	564489	female
C717	RJB	561646	male	C_USB	ModestyPanel	562069	male
C717	RJB	561645	female	C_USB	ModestyPanel	562070	female
C752H_plug	Dash	901062	male	CFHAC	Evap_Cmpt	564238	male
C752H_socket	Dash	901283	female	CFHF1	FJB	564560	male
C753H_plug	Dash	901062	male	CFHG1	Galley	564560	male
C753H_socket	Dash	901283	female	CFHPR1H	Parcel_Rack_LH	564560	male
C766	Parcel_Rack_LH_1st_Cmpt	561662	male	CL95	Outside_Front_LH	562485	male

CONNECTORS LIST

No	Location	Part #	Gender	No	Location	Part #	Gender
CL95	Outside_Front_LH	562486	female	L26A	Front_Roof	562486	female
CMS1_plug	Passenger_Area	563601	male	L27A	Front_Roof	562486	female
CMS1_socket	Passenger_Area	563600	female	L40.A	Parcel_Rack_RH	560898	male
CMS2_plug	Passenger_Area	563601	male	L41.A	Parcel_Rack_RH	560898	male
CMS2_socket	Passenger_Area	563600	female	L42.A	Parcel_Rack_RH	560898	male
CMS3_plug	Passenger_Area	563601	male	L43.A	Parcel_Rack_RH	560898	male
CMS3_socket	Passenger_Area	563600	female	L44.A	Parcel_Rack_RH	560898	male
CMS4_plug	Passenger_Area	563601	male	L45.A	Parcel_Rack_RH	560898	male
CMS4_socket	Passenger_Area	563600	female	L46.A	Parcel_Rack_RH	560898	male
CP1	Passenger_Area	561782	male	L47.A	Parcel_Rack_RH	560898	male
CP1	Passenger_Area	561781	female	L48.A	Parcel_Rack_RH	560898	male
CP2	Passenger_Area	561782	male	L49.A	Parcel_Rack_RH	560898	male
CP2	Passenger_Area	561781	female	L50.A	Parcel_Rack_RH	560898	male
CP3	Passenger_Area	561782	male	L51.A	Parcel_Rack_RH	560898	male
CP3	Passenger_Area	561781	female	L52	Passenger_Area	560898	male
CP4	Passenger_Area	561782	male	L53	Passenger_Area	560898	male
CP4	Passenger_Area	561781	female	L54	Passenger_Area	560898	male
CP5	Passenger_Area	561782	male	L55	Passenger_Area	560898	male
CP5	Passenger_Area	561781	female	L56	Passenger_Area	560898	male
CP5A	Passenger_Area	561782	male	L57	Passenger_Area	560898	male
CP5A	Passenger_Area	561781	female	L58	Passenger_Area	560898	male
CSX1	PreHeater_Cmpt	563135	male	L63	Outside_Front_RH	562155	male
CSX1	PreHeater_Cmpt	563134	female	L64	Outside_Front_RH	562155	male
CSX3	PreHeater_Cmpt	563135	male	L65	Outside_Front_LH	562155	male
CSX3	PreHeater_Cmpt	563134	female	L66	Outside_Front_LH	562155	male
CT2	Engine_Cmpt_	563226	male	L67A	Luggage_Cmpt_	562155	male
CT2	Engine_Cmpt_	563613	female	L68A	Luggage_Cmpt_	562155	male
CT2A	Engine_Cmpt_	563226	male	L69A	Lugg. Cmpt	562155	male
CT2A	Engine_Cmpt_	563613	female	L70A	Luggage_Cmpt_	562155	male
CT3	Engine_Cmpt_	563224	male	L72	Rear_Vehicle	562155	male
EIA	Engine_Cmpt	563739	male	L74	Rear_Vehicle	562155	male
L1	Service_Cmpt_	562485	male	L75	Rear_Vehicle	562155	male
L2	Front_Roof	561247	male	L76	Rear_Engine_Door	562155	male
L16	Front_Roof	562803	male	L81A.A	Rear_Engine_Door	562835	female
L17	Front_Roof	562803	male	L81A.B	Rear_Engine_Door	562834	male
L18	Entrance_Door	562549	male	L82A	Rear_Engine_Door	562348	female
L19	Entrance_Door	562486	female	L83A	Rear_Engine_Door	562348	female
L20	Entrance_Door	562486	female	L84	Rear_Vehicle	562486	female
L21A	Front_Roof	562486	female	L85	Rear_Vehicle	562486	female
L22A	Front_Roof	562486	female	L86	Rear_Vehicle	562486	female
L23A	Front_Roof	562486	female	L87	Rear_Vehicle	562486	female
L24A	Front_Roof	562486	female	L88	Rear_Vehicle	562486	female
L25A	Front_Roof	562486	female	L89	Rear_Vehicle	562486	female

CONNECTORS LIST

No	Location	Part #	Gender	No	Location	Part #	Gender
L90	Rear_Vehicle	562486	female	L177	5th_Lugg_Cmpt_	561247	male
L93.A	Engine_Cmpt_	563069	female	L178	3rd_Lugg_Cmpt_	561247	male
L93.B	Engine_Cmpt_	563069	female	L179	3rd_Lugg_Cmpt_	561247	male
L94.A	Engine_Cmpt_	563069	female	L180	2nd_Lugg_Cmpt_	561247	male
L94.B	Engine_Cmpt_	563069	female	L181	2nd_Lugg_Cmpt_	561247	male
L95B	Outside_Front_LH	562485	male	L182	1st_Lugg_Cmpt_	561247	male
L96A	Outside_Front_RH	562485	male	L183	1st_Lugg_Cmpt_	561247	male
L96B	Outside_Front_RH	562485	male	L184	Service_Cmpt_	561247	male
L97.A	Outside_Front_LH	563069	female	L186.A	Service_Cmpt_	562651	female
L97.B	Outside_Front_LH	563069	female	L186.B	Service_Cmpt_	562290	female
L98A.A	Outside_Front_RH	563069	female	L187	Engine_Cmpt_	561690	male
L98A.B	Outside_Front_RH	563069	female	L188	Service_Cmpt_	562486	female
L100	1st_Lugg_Cmpt_	562155	male	L189	Outside_Front_RH	562069	male
L101	1st_Lugg_Cmpt_	562155	male	L190	Outside_Front_LH	562069	male
L102	1st_Lugg_Cmpt_	562155	male	L193.A	Dash	560488	female
L103	1st_Lugg_Cmpt_	562155	male	L193.B	Dash	560488	female
L104	5th_Lugg_Cmpt_	562155	male	L194.A	Left_Hand_Console	562019	female
L105	5th_Lugg_Cmpt_	562155	male	L194.B	Left_Hand_Console	560488	female
L106	5th_Lugg_Cmpt_	562155	male	L195.A	Left_Hand_Console	560488	female
L107	5th_Lugg_Cmpt_	562155	male	L195.B	Left_Hand_Console	560488	female
L140	Lavatory	561247	male	L199	Engine_Cmpt_	562848	male
L142	Lavatory	562803	male	L201	Front_Roof	561247	male
L143	Front_Roof	561247	male	L202	Front_Roof	561247	male
L143A	Parcel_Rack_LH	561186	male	L203	Right_Hand_Console	561690	male
L144A	Parcel_Rack_LH	561186	male	L204	WCL_Pass_Area	562803	male
L145A	Parcel_Rack_LH	561186	male	L205	Evap_Cmpt_	562485	male
L146A	Parcel_Rack_LH	561186	male	L206	WCL_Pass_Area	562803	male
L147A	Parcel_Rack_LH	561186	male	L207.A	WCL	561699	female
L148A	Parcel_Rack_LH	561186	male	L207.B	WCL	561701	female
L149A	Parcel_Rack_LH	561186	male	L207.C	WCL	561701	female
L150A	Parcel_Rack_LH	561186	male	L207.D	WCL	561699	female
L151A	Parcel_Rack_LH	561186	male	L207.E	WCL	561701	female
L152A	Parcel_Rack_LH	561186	male	L207.F	WCL	561699	female
L153A	Parcel_Rack_LH	561186	male	L207.G	WCL	561699	female
L154A	Parcel_Rack_LH	561186	male	L207.H	WCL	560926	female
L155A	Parcel_Rack_LH	561186	male	L207.I	WCL	560926	female
L156A	Parcel_Rack_LH	561186	male	L208	Front_Of_vehicle	563801	male
L157A	Parcel_Rack_LH	561186	male	L209	Front_Of_vehicle	563801	male
L158A	Parcel_Rack_LH	561186	male	L211	Entrance	562486	female
L173A	Engine_Cmpt_	563590	female	L243A	Parcel_Rack_RH	561186	male
L174A	Engine_Cmpt_	563590	female	L244A	Parcel_Rack_RH	561186	male
L175	RJB	561247	male	L245A	Parcel_Rack_RH	561186	male
L176	5th_Lugg_Cmpt_	561247	male	L246A	Parcel_Rack_RH	561186	male

CONNECTORS LIST

No	Location	Part #	Gender	No	Location	Part #	Gender
L247A	Parcel_Rack_RH	561186	male	Mo4	Dash	562076	male
L248A	Parcel_Rack_RH	561186	male	Mo5	Front_Roof	561550	female
L249A	Parcel_Rack_RH	561186	male	Mo6	Service_Cmpt_	561690	male
L250A	Parcel_Rack_RH	561186	male	Mo7	Cond_Cmpt_	563691	male
L251A	Parcel_Rack_RH	561186	male	Mo8	Cond_Cmpt_	563691	male
L252A	Parcel_Rack_RH	561186	male	Mo10	Parcel_Rack_LH	561515	male
L253A	Parcel_Rack_RH	561186	male	Mo11	Parcel_Rack_RH	561515	male
L254A	Parcel_Rack_RH	561186	male	Mo12	Evap_Cmpt_	561690	male
L255A	Parcel_Rack_RH	561186	male	Mo13	Engine_Cmpt_	561690	female
L256A	Parcel_Rack_RH	561186	male	Mo14	Parcel_Rack_RH	561566	female
L257A	Parcel_Rack_RH	561186	male	Mo15	Over_Head_Driver_Area	560900	female
L258A	Parcel_Rack_RH	561186	male	Mo16	Over_Head_Driver_Area	560900	female
L282	Rear_Axle_Cmpt_	561690	male	Mo17	Left_Hand_Console	563626	male
L288.A	Passenger_Area	561539	male	Mo18	Service_Cmpt_	562474	male
L288.B	Passenger_Area	561539	male	Mo19	Service_Cmpt_	562474	male
L289.A	Passenger_Area	561539	male	Mo20	Service_Cmpt_	562474	male
L289.B	Passenger_Area	561539	male	Mo21	Front_Roof	561186	male
L290	Engine_Cmpt_	562565	male	Mo22	Right_Hand_Console	561186	male
L291	Engine_Cmpt_	562565	male	Mo24	Right_Hand_Console	562348	female
L293.A	Galley	560081	female	Mo25	Right_Hand_Console	562348	female
L293.B	Galley	560081	female	Mo27	Cond_Cmpt_	563691	male
L294.A	Galley	560081	female	Mo28	Cond_Cmpt_	563691	male
L294.B	Galley	560081	female	Mo54	Service_Cmpt_	562474	male
L296A	Galley	561781	female	Mo61	Parcel_Rack_RH	561248	female
L300.A	Galley	560908	female	P36.A	Engine_Cmpt_	561701	female
L300.B	Galley	560908	female	PF	Passenger_Area	561782	male
L302	Galley	561781	female	PF1	Passenger_Area	561782	male
L313	Service_Cmpt_	562789	male	Pot1.A	Dash	560488	female
L314	Service_Cmpt_	562789	male	Pot1.B	Dash	560488	female
L315_0_1	Rear_Engine_Door	563590	female	Pot1.C	Dash	560488	female
L316_0_1	Engine_Cmpt_	563590	female	Pot2	Dashboard	561550	male
L317.A	Engine_Cmpt_	562835	female	PR	Passenger_Area	561781	female
L317.B	Engine_Cmpt_	562834	male	PR1	Passenger_Area	561781	female
L318.A	Engine_Cmpt_	562835	female	R-12VISSH	Parcel_Rack_LH_1st_Cmpt	564496	male
L318.B	Engine_Cmpt_	562834	male	R3	RJB	563409	male
L319	WCL	561247	male	R4	FJB	561183	male
L320	Driver Area	561248	female	R5	RJB	561183	male
L350A.A	Rear_Axle_Cmpt_	564552	male	R10	Evap_Cmpt_	563409	male
L350A.B	Rear_Axle_Cmpt_	563340	male	R11	RJB	561183	male
L350A.C	Rear_Axle_Cmpt_	562251	male	R12	Evap_Cmpt_	563409	male
Lav_Spk	Lavatory	563994	male	R17	RJB	564210	male
Mo2_0_1	Engine_Cmpt_	561782	male	R18	RJB	564210	male
Mo3	Dash	561667	female	R19	RJB	564210	male

CONNECTORS LIST

No	Location	Part #	Gender	No	Location	Part #	Gender
R20	Evap_Cmpt_	564496	male	Res20	FJB	563590	female
R21A	FJB	560525	male	Res31	Cond_Cmpt_	562350	male
R22	FJB	561183	male	Res32	Cond_Cmpt_	563764	female
R23	Right_Hand_Console	564496	male	Res53.A	Dash	563590	female
R24	FJB	564496	male	Res99	Dash	563590	female
R25	RJB	561183	male	Res99A	Dash	563590	female
R26	Cond_Cmpt_	564496	male	Se4	Window_RH	561477	female
R29	RJB	563409	male	Se5	Window_RH	561477	female
R31	RJB	564210	male	Se6	Window_RH	561477	female
R32	FJB	564496	male	Se7	Window_LH	561477	female
R35	Galley	561183	male	Se8	Window_LH	561477	female
R36	Galley	561183	male	Se9	Window_LH	561477	female
R37	Galley	561183	male	Se10	Window_LH	561477	female
R41	FJB	564496	male	Se11.A	Cond_Cmpt_	560082	male
R42	FJB	564496	male	Se11.B	Cond_Cmpt_	560082	male
R43	FJB	564496	male	Se11.C	Cond_Cmpt_	560082	male
R47	5th_Lugg_Cmpt_	564496	male	Se13	Engine_Cmpt_	562350	male
R48.A	5th_Lugg_Cmpt_	564496	male	Se14.A	Dash	561782	male
R72	Galley	563409	male	Se14.B	Dash	561781	female
R73	Galley	563409	male	Se15	Right_Hand_Console	560898	male
R74	FJB	564496	male	Se17	Entrance_Door	560081	female
R_STANK	RJB	561183	male	Se18	Pneumatic_Panel	561566	female
RadioVolvo1_967.A	Parcel_Rack_LH	563960	male	Se19	Service_Cmpt_	563677	male
RadioVolvo1_967.B	Parcel_Rack_LH	563962	male	Se19A	Service_Cmpt_	563677	male
RadioVolvo1_967.C1	Parcel_Rack_LH	563956	male	Se20	Evap_Cmpt_	562426	male
RadioVolvo1_967.C2	Parcel_Rack_LH	563957	male	Se21	Dash	561248	female
RadioVolvo1_967.C3	Parcel_Rack_LH	563958	male	Se23	Engine_Cmpt_	563159	male
RadioVolvo2_967.A	Parcel_Rack_LH	563960	male	Se24	Engine_Cmpt_	563159	male
RadioVolvo2_967.B	Parcel_Rack_LH	563962	male	Se25	Evap_Cmpt_	561248	female
RadioVolvo2_967.C1	Parcel_Rack_LH	563956	male	Se28	Service_Cmpt_	561690	male
RadioVolvo2_967.C2	Parcel_Rack_LH	563957	male	Se29	Engine_Cmpt_	561566	female
RadioVolvo2_967.C3	Parcel_Rack_LH	563958	male	Se30	Engine_Cmpt_	562877	female
RadioVolvo3_967.A	Parcel_Rack_LH	563960	male	Se31	Engine_Cmpt_	562877	female
RadioVolvo3_967.B	Parcel_Rack_LH	563962	male	Se32	Engine_Cmpt_	563057	male
RadioVolvo3_967.C1	Parcel_Rack_LH	563956	male	Se33	Engine_Cmpt_	562856	male
RadioVolvo3_967.C2	Parcel_Rack_LH	563957	male	Se34	Engine_Cmpt_	563057	male
RadioVolvo3_967.C3	Parcel_Rack_LH	563958	male	Se35	Engine_Cmpt_	563057	male
Res3	RJB	563590	female	Se36	Engine_Cmpt_	563629	female
Res4	Right_Hand_Console	563590	female	Se37	Front_Axle_Cmpt_	641132	female
Res6	FJB	563590	female	Se38	Front_Axle_Cmpt_	641132	female
Res7	FJB	563590	female	Se39	Rear_Axle_Cmpt_	641132	female
Res15	RJB	561782	male	Se40	Rear_Axle_Cmpt_	641132	female
Res19	FJB	563590	female	Se45	Service_Cmpt_	563409	male

CONNECTORS LIST

No	Location	Part #	Gender	No	Location	Part #	Gender
Se46	Rear_Axle_Cmpt_	562348	female	So14	Pneumatic_Panel	641385	male
Se49.A	Engine_Cmpt_	561690	male	So15	Pneumatic_Panel	641385	male
Se51	DriverSeat	563589	male	So16	Pneumatic_Panel	641385	male
Se53	Service_Cmpt_	563159	female	So17	Pneumatic_Panel	562848	male
Se54	Service_Cmpt_	563159	female	So18	Pneumatic_Panel	641385	male
Se55	Service_Cmpt_	563159	female	So19	Pneumatic_Panel	641385	male
Se60	Service_Cmpt_	563409	male	So20	Pneumatic_Panel	641385	male
Se63	Rear_Axle_Cmpt_	641132	female	So21	Front_Axle_Cmpt_	564046	female
Se64	Rear_Axle_Cmpt_	641132	female	So22	Front_Axle_Cmpt_	564046	female
Se65	Dash	564042	female	So23	Rear_Axle_Cmpt_	564046	female
Se66	Dash	564039	female	So24	Rear_Axle_Cmpt_	564046	female
Se67	Service_Cmpt_	563159	female	So27	Rear_Axle_Cmpt_	564045	female
Se69	Service_Cmpt_	563159	female	So50	Rear_Axle_Cmpt_	564046	female
Se70	Rear_Axle_Cmpt_	563340	male	So52	Front_Axle_Cmpt_	564045	female
Se79	Front_Axle_Cmpt_	563340	male	So53	Rear_Axle_Cmpt_	564045	female
Se100	WCL_Parcel_Rack	562479	female	spBar4.J1	Engine_Cmpt_	564135	male
Se_Full	Engine_Cmpt_	562350	male	spBar5	Engine_Cmpt_	564135	male
Se_Full	Engine_Cmpt_	563764	female	spBar6	Engine_Cmpt_	564135	male
shell1	Right_Hand_Console	561889	female	spBar7	Cond_Cmpt_	564135	male
shell1_149	Left_Hand_Console	562471	male	spBar8	Engine_Cmpt_	564135	male
shell2	Parcel_Rack_LH	560898	male	spBar19.J1	Cond_Cmpt_	564135	male
shell3	Parcel_Rack_LH	560898	male	spBar20	Cond_Cmpt_	564135	male
shell4	Parcel_Rack_LH	560898	male	spBar21	Cond_Cmpt_	564135	male
shell5	Parcel_Rack_LH	560898	male	Spk1_L	Parcel_Rack_LH	563994	male
shell6	Parcel_Rack_LH	560898	male	Spk1_R	Parcel_Rack_RH	563994	male
shell7	Parcel_Rack_LH	560898	male	Spk2_L	Parcel_Rack_LH	563994	male
shell8	Parcel_Rack_LH	560898	male	Spk2_R	Parcel_Rack_RH	563994	male
shell9	Parcel_Rack_LH	560898	male	Spk3_L	Parcel_Rack_LH	563994	male
shell10	Parcel_Rack_LH	560898	male	Spk3_R	Parcel_Rack_RH	563994	male
shell11	Parcel_Rack_LH	560898	male	Spk4_L	Parcel_Rack_LH	563994	male
shell12	Parcel_Rack_LH	560898	male	Spk4_R	Parcel_Rack_RH	563994	male
shell13	Parcel_Rack_LH	560898	male	Spk5_L	Parcel_Rack_LH	563994	male
shell19	WCL_Door	563543	male	Spk5_R	Parcel_Rack_RH	563994	male
So3	Right_Hand_Console	641385	male	Spk6_L	Parcel_Rack_LH	563994	male
So4	Right_Hand_Console	641385	male	Spk6_R	Parcel_Rack_RH	563994	male
So5	Right_Hand_Console	641385	male	Spk7_L	Parcel_Rack_LH	563994	male
So6	Right_Hand_Console	641385	male	Spk7_R	Parcel_Rack_RH	563994	male
So7	Service_Cmpt_	561566	male	Spk8_L	Parcel_Rack_LH	563994	male
So8	Service_Cmpt_	641385	male	Spk8_R	Parcel_Rack_RH	563994	male
So9	Engine_Cmpt_	560016	female	Spk9_L	Parcel_Rack_LH	563994	male
So10	Cond_Cmpt_	562485	male	Spk9_R	Parcel_Rack_RH	563994	male
So11	Cond_Cmpt_	561566	female	Spk10_L	Parcel_Rack_LH	563994	male
So13	Evap_Cmpt_	563204	female	Spk10_R	Parcel_Rack_RH	563994	male

CONNECTORS LIST

No	Location	Part #	Gender	No	Location	Part #	Gender
Spk11_L	Parcel_Rack_LH	563994	male	Sw34	Outside_Front_RH	562477	male
Spk11_R	Parcel_Rack_RH	563994	male	Sw35	Dash	562763	male
Spk12_L	Parcel_Rack_LH	563994	male	Sw38	Left_Hand_Console	562763	male
Spk12_R	Parcel_Rack_RH	563994	male	Sw39.A	RJB	562403	female
Spk13_L	Parcel_Rack_LH	563994	male	Sw40	Left_Hand_Console	561690	male
Spk13_R	Parcel_Rack_RH	563994	male	Sw41	Left_Hand_Console	562749	male
Spk14_L	Parcel_Rack_LH	563994	male	Sw42	5th_Lugg_Cmpt_	561635	female
Spk14_R	Parcel_Rack_RH	563994	male	Sw43	Service_Cmpt_	561690	male
Spk15_L	Parcel_Rack_LH	563994	male	Sw44.A	FJB	562403	female
Spk15_R	Parcel_Rack_RH	563994	male	Sw45.A	5thLuggLHDoor	562485	male
Spk16_L	Parcel_Rack_LH	563994	male	Sw45.B	5thLuggLHDoor	562486	female
Spk16_R	Parcel_Rack_RH	563994	male	Sw46.A	5thLuggRHDoor	562485	male
SpkDr_L	Driver_Area	563994	male	Sw46.B	5thLuggRHDoor	562486	female
SpkDr_LH	Driver_Area	563994	male	Sw47.A	ThirdLuggLHDoor	562485	male
SpkDr_R	Driver_Area	563994	male	Sw47.B	ThirdLuggLHDoor	562486	female
SpkDr_RH	Driver_Area	563994	male	Sw48.A	ThirdLuggRHDoor	562485	male
Sub1.A	Passenger_Area	564004	female	Sw48.B	ThirdLuggRHDoor	562486	female
Sub2	Passenger_Area	564004	female	Sw49.A	2ndLuggLHDoor	562485	male
Sw1.C258	Dash	561188	female	Sw49.B	2ndLuggLHDoor	562486	female
Sw1.C259	Dash	561186	male	Sw50.A	2ndLuggRHDoor	562485	male
Sw2	Dash	562763	male	Sw50.B	2ndLuggRHDoor	562486	female
Sw3	Dash	562763	male	Sw51.A	1stLuggLHDoor	562485	male
Sw4	Dash	562763	male	Sw51.B	1stLuggLHDoor	562486	female
Sw5	Dash	562763	male	Sw52.A	1stLuggRHDoor	562485	male
Sw6	Dash	562763	male	Sw52.B	1stLuggRHDoor	562486	female
Sw7.A	Cond_Cmpt	562877	female	Sw55.A	Lavatory	560488	female
Sw10A	Left_Hand_Console	562763	male	Sw55.B	Lavatory	560488	female
Sw11A	Left_Hand_Console	562763	male	Sw56.A	Lavatory	560488	female
Sw12	Dash	562763	male	Sw56.B	Lavatory	560488	female
Sw14	Dash	562763	male	Sw57	WCL_Door	563543	male
Sw16	Dash	562763	male	Sw58	Engine_Cmpt_	562581	male
Sw17	Dash	562763	male	Sw59	Engine_Cmpt_	562485	male
Sw18A	Left_Hand_Console	562763	male	Sw63A	LH_Consol	562763	male
Sw20	Dash	562763	male	Sw64.A	Left_Hand_Console	560815	female
Sw21	Dash	562763	male	Sw64.B	Left_Hand_Console	560815	female
Sw24	Dash	562763	male	Sw65OPH	Dash	562763	male
Sw25	Dash	562763	male	Sw82.A	RJB	561457	female
Sw26	Dash	562763	male	Sw82.B	RJB	561457	female
Sw27	Dash	562763	male	Sw82.C	RJB	561457	female
Sw29	Dash	562763	male	Sw82.D	RJB	561457	female
Sw30	Engine_Cmpt_	561566	female	Sw83.A	Dash	560082	female
Sw32	Dash	561477	female	Sw83.B	Dash	560815	female
Sw33	Dash	561476	male	Sw83.C	Dash	560082	female

CONNECTORS LIST

No	Location	Part #	Gender	No	Location	Part #	Gender
Sw83.D	Dash	560815	female	VECF1	FJB	563186	male
Sw85	Left_Hand_Console	562749	male	VECF2	FJB	563183	male
Sw94.A	WCL_Door	562403	female	VECF3	FJB	563185	male
Sw94.B	WCL_Door	562403	female	VECF4	FJB	563182	male
Sw95A.A	WCL_Door	562615	female	VECF9	FJB	563448	male
Sw95A.B	WCL_Door	562615	female	VECF10	FJB	563181	male
Sw95A.C	WCL_Door	562615	female	VECF11	FJB	563184	male
Sw96A.A	WCL_Door	562615	female	VECF12	FJB	563187	male
Sw96A.B	WCL_Door	562615	female	Vecr1	RJB	563186	male
Sw96A.C	WCL_Door	562615	female	Vecr2	RJB	563183	male
Sw97A.A	Pass_Area	562615	female	Vecr3	RJB	563185	male
Sw97A.B	Pass_Area	562615	female	VECR4	RJB	563182	male
Sw97A.C	Pass_Area	562615	female	Vecr9	RJB	563448	male
Sw98A.A	Pass_Area	562615	female	Vecr10	RJB	563181	male
Sw98A.B	Pass_Area	562615	female	VECR11	RJB	563184	male
Sw98A.C	Pass_Area	562615	female	VECR12	RJB	563187	male
Sw100A	Dash	562763	male	Y80	Engine_Cmpt_	563789	male
Sw102	RJB	561566	female	Y81	Cond_Cmpt_	563793	male
Sw111	Dash	562763	male				
Sw124	Dashboard	562763	male				
Sw125.A	Service_Cmpt_	561457	female				
Sw125.B	Service_Cmpt_	561457	female				
Sw126	Service_Cmpt_	562763	male				
Sw131	Right_Hand_Console	562763	male				
Sw137	Dash	562763	male				
Sw155	Dash	562763	male				
Sw160	Dash	562763	male				
Sw161	Dash	562763	male				
Sw191.A	RJB	560081	female				
Sw191.B	RJB	560081	female				
Sw191.C	RJB	560081	female				
Sw299	Dash	562763	male				
Sw300	Galley	562763	male				
Sw301	Galley	562763	male				
Sw302	Galley	562763	male				
Sw500	Dash	562763	male				
Sw_STANK	Engine_Cmpt_	562485	male				
Tab130	Engine_Cmpt_	560488	N/A				
Tab131	Engine_Cmpt_	560488	N/A				
Term190a	Parcel_Rack_LH_1st_Cmpt	562228	N/A				
Term190b	Parcel_Rack_LH_1st_Cmpt	562228	N/A				
Term218	Outside_Front_LH	561234	N/A				
Term219	Outside_Front_LH	561234	N/A				

DIODES LIST

No	Location	Part #	Function	Page					
D1	FJB	561740	AccessoriesDiode	3.2					
D2	FJB	561740	DiodeDriverLiq.Sol.	18.1					
D3	UpperFrontCap	561740	SuppressorDiodeUpperWiper	34.1					
D4	RHConsole	561740	SuppressorDiodeLowerWiper2ndSpd	34.1					
D5	RHConsole	561740	SuppressorDiodeLowerWiper1stSpd	34.1					
D6	RJB	561740	SuppressorDiodeMasterrelay	3.1					
D7	Right_Hand_Console	561740	EntanceDoorDiode	29.1					
D8	RJB	561740	DiodeP-RackLiq.Sol	18.2					
D9	Evap_Cmpt_	561740	HvacDiode	17.1					
D10	Evap_Cmpt_	561740	Pre-HeatDiode	17.1					
D11	Evap_Cmpt_	561740	DiodePass.Liq.Sol	18.2					
D15	RJB	561740	WakeUpDiode	3.2					
D16	Evap_Cmpt_	561740	LuggageDiode3rdCmpt	25.1					
D17	Evap_Cmpt_	561740	LuggageDiode5thCmpt	25.1					
D19	Evap_Cmpt_	561740	LuggageDiode2ndCmpt	25.1					
D20	Evap_Cmpt_	561740	LuggageDiode1erCmpt	25.1					
D24	Evap_Cmpt_	561740	Condensors_Fans	18.2					
D25	Evap_Cmpt_	561740	SuppressorDiodeEvaporatorFan	18.2					
D26	LHP-Rack	561740	SuppressorDiodeP-RackFanLH	18.2					
D27	RHP-Rack	561740	SuppressorDiodeP-RackFanRH	18.2					
D29	RJB	561740	SuppressorDiodeUnloaderRH	18.2					
D30	Evap_Cmpt_	561740	SuppressorDiodeWaterPump	18.2					
D31	RJB	561740	SuppressorDiodeA/CClutch	18.2					
D32	Engine_Cmpt_	561740	SuppressorDiodeLavFan	11.1					
D33	RJB	561740	SuppressorDiodeFlushPump	11.1					
D34	EntranceDoorCeiling	561740	SuppressorDiodeUpperDefrosterFan	18.1					
D35	Service_Cmpt_	561740	SuppressorDiodeUpperDefPump	18.1					
D36	RJB	561740	SuppressorDiodeRadiatorFanClutch2ndSpd	13.1					
D37	RJB	561740	SuppressorDiodeRadiatorFanClutch1stSpd	13.1					
D44	FJB	561740	IgnitionDiode	3.2					
D50	RJB	561740	Upperrearlamp	26.2					
D51	RJB	561740	Upperrearlamp	26.2					
D52	RJB	561740	Upperrearlamp	26.2					
D53	RJB	561740	Upperrearlamp	26.2					
D73	Evap_Cmpt_	561740	*opt*	18.2					
D75	FJB	561740	*opt*	11.1					
D76	FJB	561740	DiodeFanRoof2	11.1					
D80	FJB	560931	Preheater	38.1					
D92	Driver_Area	901200	VSS	35.6					
dp1_1_265				44.0					
dp1_2_265				44.0					
dp1_3_265				44.0					

DIODESLIST

No	Location	Part #	Function	Page					
D1	FJB	561740	AccessoriesDiode	3.2					
D2	FJB	561740	DiodeDriverLiq.Sol.	18.1					
D3	UpperFrontCap	561740	SuppressorDiodeUpperWiper	34.1					
D4	RHConsole	561740	SuppressorDiodeLowerWiper2ndSpd	34.1					
D5	RHConsole	561740	SuppressorDiodeLowerWiper1stSpd	34.1					
D6	RJB	561740	SuppressorDiodeMasterrelay	3.1					
D7	Right_Hand_Console	561740	EntanceDoorDiode	29.1					
D8	RJB	561740	DiodeP-RackLiq.Sol	18.2					
D9	Evap_Cmpt_	561740	HvacDiode	17.1					
D10	Evap_Cmpt_	561740	Pre-HeatDiode	17.1					
D11	Evap_Cmpt_	561740	DiodePass.Liq.Sol	18.2					
D15	RJB	561740	WakeUpDiode	3.2					
D18	Evap_Cmpt_	561740	LuggageDiodeEvapCmpt	25.1					
D26	LHP-Rack	561740	SuppressorDiodeP-RackFanLH	18.2					
D27	RHP-Rack	561740	SuppressorDiodeP-RackFanRH	18.2					
D29	RJB	561740	SuppressorDiodeUnloaderRH	18.2					
D30	Evap_Cmpt_	561740	SuppressorDiodeWaterPump	18.2					
D31	RJB	561740	SuppressorDiodeA/Cclutch	18.2					
D32	Engine_Cmpt_	561740	SuppressorDiodeLavFan	11.1					
D33	RJB	561740	SuppressorDiodeFlushPump	11.1					
D34	EntranceDoorCeiling	561740	SuppressorDiodeUpperDefrosterFan	18.1					
D35	Service_Cmpt_	561740	SuppressorDiodeUpperDefPump	18.1					
D36	RJB	561740	SuppressorDiodeRadiatorFanClutch2ndSpd	13.1					
D37	RJB	561740	SuppressorDiodeRadiatorFanClutch1stSpd	13.1					
D44	FJB	561740	IgnitionDiode	3.2					
D50	RJB	561740	Upperrearlamp	26.2					
D51	RJB	561740	Upperrearlamp	26.2					
D52	RJB	561740	Upperrearlamp	26.2					
D53	RJB	561740	Upperrearlamp	26.2					
D73	Evap_Cmpt_	561740	*opt*	18.2					
D80	FJB	560931	Preheater	38.1					
D92	Parcel_Rack_LH	901200	VSS	35.6					
D17A	Evap_Cmpt_	561740	LuggageDiodeEvapCmpt	25.1					

RESISTORS LIST

No	Location	Part #	Function	Page					
Res2	FJB	563205	BackupMon.PullDown	28.1					
Res3	RJB	563593	120RTerm.Resis.	6.1					
Res4	Right_Hand_Console	563593	120RTerm.Resis.	6.1					
Res6	FJB	563593	120RTerm.Resis.	6.2					
Res7	FJB	563593	*opt*	6.2					
Res8	EntranceDoorCeiling	563436	VoltageDropRes	18.1					
Res9	Dash	564164	Driver_lights	19.1					
Res11	EntranceDoorCeiling	563436	VoltageDropRes	18.1					
Res15	Engine_Cmpt_	563587	ENDOFLINEDEVICE	38.1					
Res22	Galley	562908	Microwaveswitch	45.1					
Res23	Galley	562908	Microwaveswitch	45.1					
Res24	Galley	562908	R.Hcontainerswitch	45.1					
Res25	Galley	562908	R.Hcontainerswitch	45.1					
Res26	Galley	562908	L.Hcontainerswitch	45.1					
Res27	Galley	562908	L.Hcontainerswitch	45.1					
Res31	Cond_Cmpt_	NA	Ureahoseheater	14.3					
Res32	Cond_Cmpt_	NA	Ureahoseheater	14.3					
Res33	FJB	561534	Cluster	10.1					
Res34	FJB	561534	Cluster	10.1					
Res35	FJB	561534	Cluster	10.1					
Res36	FJB	561534	ClusterKeypad	10.1					
Res37	ServiceCmpt.	565894	*opt*	39.1					
Res50	RJB	563006	Rearlamp	26.2					
Res51	RJB	563006	Rearlamp	26.2					
Res53	FJB	563593	*opt*	6.2					
Res60	Dash	564160	USB	35.3					
Res61	Dash	564160	USB	35.3					
Res64	Passenger_Area	564160	*opt*	42.1					
Res65	Passenger_Area	564160	*opt*	42.1					

RESISTORS LIST

No	Location	Part #	Function	Page				
Res2	FJB	563205	BackupMon.PullDown	28.1				
Res3	RJB	563593	120RTerm.Resis.	6.1				
Res4	Right_Hand_Console	563593	120RTerm.Resis.	6.1				
Res6	FJB	563593	120RTerm.Resis.	6.2				
Res7	FJB	563593	120RTerm.Resis.	6.2				
Res8	EntranceDoorCeiling	563436	VoltageDropRes	18.1				
Res9	Dash	564164	Driver_lights	19.1				
Res11	EntranceDoorCeiling	563436	VoltageDropRes	18.1				
Res15	Engine_Cmpt_	563587	ENDOFLINEDEVICE	38.1				
Res19	FJB	563593	120RTerm.Resis.	42.3				
Res20	FJB	563593	120RTerm.Resis.	42.3				
Res22	Galley	562908	Microwaveswitch	45.1				
Res23	Galley	562908	Microwaveswitch	45.1				
Res24	Galley	562908	R.Hcontainerswitch	45.1				
Res25	Galley	562908	R.Hcontainerswitch	45.1				
Res26	Galley	562908	L.Hcontainerswitch	45.1				
Res27	Galley	562908	L.Hcontainerswitch	45.1				
Res31	Cond_Cmpt_	NA	Ureahoseheater	14.3				
Res32	Cond_Cmpt_	NA	Ureahoseheater	14.3				
Res33	FJB	561534	Cluster	1.1				
Res34	FJB	561534	Cluster	10.1				
Res35	FJB	561534	Cluster	10.1				
Res36	FJB	561534	ClusterKeypad	10.1				
Res38	FJB	561534	1.2K	47.1				
Res50	RJB	563006	Rearlamp	26.2				
Res51	RJB	563006	Rearlamp	26.2				
Res53	FJB	563593	120RTerm.Resis.	6.2				
Res60	Dash	564160	USB	35.3				
Res61	Dash	564160	USB	35.3				
Res99	Dashboard	563593	ELD / ITS Gateway	42.4				
Res99A	Dashboard	563593	ELD / ITS Gateway	200.1				

RELAYS LIST

No	Location	Part #	Function	Page					
R1	RJB	562364	MasterRelay	3.1					
R3	RJB	563348	12vIgn&AccRelay	3.1					
R4	FJB	563332	Cutoffpreheater	38.1					
R5	RJB	563332	ChargerRelay	17.1					
R10	Evap_Cmpt_	563348	CondensorPowerRelay	18.2					
R11	RJB_VECR	563332	I_Shift	5.1					
R12	Evap_Cmpt_	563348	EvaporatorRelay	18.2					
R17	RJB	564218	12vRrWUpRelay	3.3					
R18	FJB	564218	24vFrWUpRelay	3.3					
R19	FJB	564218	12vFrWUpRelay	3.3					
R20	Evap_Cmpt_	563332	WaterPumpRelay	17.1					
R21	FJB	561991	ISMEmergencyCutoutRelay	3.2					
R22	FJB	563269	VECU	4.1					
R23	RHConsole	563332	LowerWiperRelay	34.1					
R24	FJB	563332	UpperWiperRelay	34.1					
R25	RJB_VECR	563332	Ecmlgn	5.1					
R26	Evap_Cmpt_	563332	Pre-HeatRelay	18.2					
R29	RJB	563348	Preheater_Volvo	14.2					
R31	RJB	564218	12vRrEngineEcu	3.3					
R32	FJB	563332	TransmissionIShift	4.1					
R35	Galley	563332	Galley_Control	45.1					
R36	Galley	563332	Optional	45.1					
R37	Galley	563332	FrigoRelay	45.1					
R41	FJB	563332	Steering	41.1					
R42	FJB	563332	Steering	41.1					
R43	FJB	563332	Steering	41.1					
R47	Evap_Cmpt_	563332	UswithWCLDoorOpenSwoption	36.1					
R48	WCLPump	563332	UseW/OWCLDoorOpenSwoption	36.1					
R72	5th_Bay	563348	InverterRelay1	40.1					
R73	5th_Bay	563348	InverterRelay2	40.1					
R74	FJB	563332	I_Shift	15.3					
R_STANK			*opt*	14.4					
R_Starter	RJB	564095	Starter	3.2					
R-12VISSH	Parcel_Rack_LH_1st_Cmpt	563337	VSS	35.6					

FUSES LIST

No	Location	Part #	Function	Rating	Page
F1	FuseBoxFJB	563279	CecmPower	3amp	4.1
F2	FuseBoxFJB	563279	FrontStartMainSwitch	3amp	4.1
F3	FuseBoxFJB	563279	EnginePre-HeatH.W.+DrvLiq.Vlv	3amp	4.1
F4	FuseBoxFJB	563280	*opt*	5Amp	4.1
F5	FuseBoxFJB	563165	24vtoWUp	30amp	4.1
F6	FuseBoxFJB	563005	Customer24VD	7.5amp	4.1
F7	FuseBoxFJB	563279	Abs+PreHeatController	3amp	4.1
F8	FuseBoxFJB	563279	AirHorn	3amp	4.1
F9	FuseBoxFJB	563284	SpareFuse	15amp	4.1
F10	FuseBoxFJB	563279	SpareFuse	3amp	4.1
F11	FuseBoxFJB	563279	SunVisor	3amp	4.1
F12	FuseBoxFJB	563282	PwrMuxModule	20amp	4.1
F13	FuseBoxFJB	563282	PwrMuxModule	20amp	4.1
F14	FuseBoxFJB	563284	Customer	15amp	4.1
F15	FuseBoxFJB	563004	*opt*	2Amp	4.1
F16	FuseBoxFJB	563153	DefrosterUnit	25Amp	4.1
F17	FuseBoxFJB	563280	DestinationSign	5Amp	4.1
F18	FuseBoxFJB	563284	UpperWiper	15amp	4.1
F19	FuseBoxFJB	563279	Prodriver	3amp	4.1
F20	FuseBoxFJB	563005	*opt*	7.5amp	4.1
F21	FuseBoxFJB	563282	PwrMuxA44	20amp	4.1
F22	FuseBoxFJB	563279	SteeringCtrl	3amp	4.1
F23	FuseBoxFJB	563165	ABS	30amp	4.1
F24	FuseBoxFJB	563005	Mirror	7.5amp	4.1
F25	FuseBoxFJB	563280	BackupCamera	5Amp	4.1
F26	FuseBoxFJB	563279	SpareFuse	3amp	4.1
F27	FuseBoxFJB	563284	Customer	15amp	4.1
F28	FuseBoxFJB	563282	DriverWindow	20amp	4.1
F29	FuseBoxFJB	563279	ClusterandDDDR	3amp	4.1
F30	FuseBoxFJB	563284	PwrOutletandCigarLighter	15amp	4.1
F31	FuseBoxFJB	563279	KeylessModule	3amp	4.1
F32	FuseBoxFJB	563282	SpareFuse	20amp	4.1
F33	FuseBoxFJB	563165	12VDtoWakeUp	30amp	4.1
F34	FuseBoxFJB	563165	*opt*	30amp	4.1
F35	FuseBoxFJB	563283	12vPwrOutlet	10amp	4.1
F36	FuseBoxFJB	563279	PwrHvacandTiltModule	3amp	4.1
F37	FuseBoxFJB	563283	Flipdownscreen	10amp	4.1
F38	FuseBoxFJB	563283	SpareFuse	10amp	4.1
F39	FuseBoxFJB	563283	Electrical_Driver_Seat_Option_OR_R4_Preheater	10amp	4.1
F40	FuseBoxFJB	563283	SpareFuse	15amp	4.1
F41	FuseBoxFJB	563283	SpareFuse	10amp	4.1
F42	FuseBoxFJB	563283	Transmission_I_Shift	10amp	4.1
F42	Parcel_Rack_LH_1st_Cmpt_	563284	12MEM	15Amp	35.6

FUSES LIST

No	Location	Part #	Function	Rating	Page
F43	FuseBoxFJB	563282	Transmission_I_Shift	20amp	4.1
F43	Evap_Cmpt_	560893	*opt*	3amp	18.2
F44	CFHFuseFJB	563280	DestinationSigns	5Amp	3.3
F45		563284	AFSS	15amp	3.3
F46	Parcel_Rack_LH_1st_Cmpt_	563284	12I-Options	15Amp	35.6
F50	FuseBoxRJB	563284	EnginePre-Heat	15amp	5.1
F51	FuseBoxRJB	563153	EnginePre-Heat	25Amp	5.1
F52	FuseBoxRJB	563284	SpareFuse	15amp	5.1
F53	FuseBoxRJB	563284	PwrMuxA54	15amp	5.1
F54	FuseBoxRJB	563284	Custumer	25amp	5.1
F55	FuseBoxRJB	563283	EmergencyLts	10amp	5.1
F56	FuseBoxRJB	563282	IndirectLightingLH	20amp	5.1
F57	FuseBoxRJB	563283	IndirectLightingRH	10amp	5.1
F58	FuseBoxRJB	563283	DirectLightingLH	20amp	5.1
F59	FuseBoxRJB	563283	DirectLightingRH	10amp	5.1
F60	FuseBoxRJB	563282	ReadingLampRH	20amp	5.1
F61	FuseBoxRJB	563282	ReadingLampLH	20amp	5.1
F62	FuseBoxRJB	563283	LavatoryNightLight	10amp	5.1
F63	FuseBoxRJB	563283	EnginePre-Heat	10amp	5.1
F64	FuseBoxRJB	563283	Spare	10amp	5.1
F65	FuseBoxRJB	563165	PwrMuxModuleRJB	30amp	5.1
F66	FuseBoxRJB	563279	RadiatorFanClutch	3amp	5.1
F67	FuseBoxRJB	563153	PwrMuxA54	25Amp	5.1
F68	FuseBoxRJB	563153	PwmMuxA54	25Amp	5.1
F69	FuseBoxRJB	563005	HatRackLightingLHandRH	3amp	5.1
F70	FuseBoxRJB	563005	Custumer24VI	7.5amp	5.1
F71	FuseBoxRJB	563284	SpareFuse	15amp	5.1
F72	FuseBoxRJB	563153	PwrMuxA50	25Amp	5.1
F73	FuseBoxRJB	563282	SpareFuse	20amp	5.1
F74	FuseBoxRJB	563283	EcuEngineIgnition	10amp	5.1
F75	FuseBoxRJB	563283	EcuTransmissionIgn	10amp	5.1
F76	FuseBoxRJB	563283	Custumer	10amp	5.1
F77	FuseBoxRJB	563283	EcuTransmissionWakeUp	10amp	5.1
F78	FuseBoxRJB	563284	EcuEngineWakeUp	15amp	5.1
F79	FuseBoxRJB	563284	EcuEngineWakeUp	15amp	5.1
F80	FuseBoxRJB	563284	PwrMuxA51	15amp	5.1
F81	FuseBoxRJB	563004	PwrOfRearSwitchBox	2Amp	5.1
F83	FuseBoxFJB	563005	SoundSystem	10amp	4.1
F84	FuseBoxFJB	563284	Customer	15amp	4.1
F85	FuseBoxRJB	563283	SpareFuse	10amp	5.1
F86	FuseBoxRJB	563283	SpareFuse	10amp	5.1
F87	FuseBoxRJB	563283	SpareFuse	20amp	5.1
F88	FuseBoxRJB	563283	SpareFuse	20amp	5.1

FUSES LIST

No	Location	Part #	Function	Rating	Page
F1	FuseBoxFJB	563279	CecmPower	3Amp	4.1
F2	FuseBoxFJB	563279	FrontStartMainSwitch	3Amp	4.1
F3	FuseBoxFJB	563279	EnginePre-HeatH.W.+DrvLiq.Vlv	5amp	4.1
F4	FuseBoxFJB	563280	VolvoLink_IshiftGecu	5Amp	4.1
F5	FuseBoxFJB	563165	24vtoWUp	30amp	4.1
F6	FuseBoxFJB	563005	Custumer24VD	7.5amp	4.1
F7	FuseBoxFJB	563279	Abs+PreHeatController	3Amp	4.1
F8	FuseBoxFJB	563279	AirHorn	3Amp	4.1
F9	FuseBoxFJB	563284	SpareFuse	15amp	4.1
F10	FuseBoxFJB	563279	SpareFuse	3Amp	4.1
F11	FuseBoxFJB	563279	SunVisor	3Amp	4.1
F12	FuseBoxFJB	563282	PwrMuxModule	20amp	4.1
F13	FuseBoxFJB	563282	PwrMuxModule	20amp	4.1
F14	FuseBoxFJB	563284	Custumer	15amp	4.1
F15	FuseBoxFJB	563004	NoSmokingSign	2Amp	4.1
F16	FuseBoxFJB	563153	DefrosterUnit	25Amp	4.1
F17	FuseBoxFJB	563280	DestinationSign	5Amp	4.1
F18	FuseBoxFJB	563284	UpperWiper	15amp	4.1
F19	FuseBoxFJB	563279	Prodriver	3Amp	4.1
F20	FuseBoxFJB	563005	SwitchBackLight	7.5amp	4.1
F21	FuseBoxFJB	563282	PwrMuxA44	20amp	4.1
F22	FuseBoxFJB	563279	SteeringCtrl	3Amp	4.1
F23	FuseBoxFJB	563165	ABS	30amp	4.1
F24	FuseBoxFJB	563005	Mirror	7.5amp	4.1
F25	FuseBoxFJB	563280	BackupCamera	5Amp	4.1
F26	FuseBoxFJB	563279	SpareFuse	3Amp	4.1
F27	FuseBoxFJB	563284	Custumer	15amp	4.1
F28	FuseBoxFJB	563282	DriverWindow	20amp	4.1
F29	FuseBoxFJB	563279	ClusterandDDDR	3Amp	4.1
F30	FuseBoxFJB	563284	PwrOutletandCigarLighter	15amp	4.1
F31	FuseBoxFJB	563279	KeylessModule	3Amp	4.1
F32	FuseBoxFJB	563282	SpareFuse	20amp	4.1
F33	FuseBoxFJB	563165	12VDtoWakeUp	30amp	4.1
F34	FuseBoxFJB	563165	12VDtoWakeUp	30amp	4.1
F35	FuseBoxFJB	563283	12vPwrOutlet	10amp	4.1
F36	FuseBoxFJB	563279	PwrHvacandTtitModule	3Amp	4.1
F37	FuseBoxFJB	563283	Flipdownscreen	10amp	4.1
F38	FuseBoxFJB	563283	SpareFuse	10amp	4.1
F39	FuseBoxFJB	563283	Electrical_Driver_Seat_Option_OR_R4_Preheater	10amp	4.1
F40	FuseBoxFJB	563283	SpareFuse	15amp	4.1
F41	FuseBoxFJB	563283	SpareFuse	10amp	4.1
F42	Parcel_Rack_LH_1st_Cmpt_	563284	12MEM	15Amp	35.6
F43	Evap_Cmpt_	560893	Proheat	3amp	18.2

FUSES LIST

No	Location	Part #	Function	Rating	Page
F44	FJB	563280	DestinationSigns	5Amp	3.3
F45	FJB	563284	AFSS	15amp	3.3
F46	Parcel_Rack_LH_1st_Cmpt_	563284	12I-Options	15Amp	35.6
F50	FuseBoxRJB	563284	EnginePre-Heat	15amp	5.1
F51	FuseBoxRJB	563153	EnginePre-Heat	25Amp	5.1
F52	FuseBoxRJB	563284	SpareFuse	15amp	5.1
F53	FuseBoxRJB	563284	PwrMuxA54	15amp	5.1
F54	FuseBoxRJB	563284	Customer	25amp	5.1
F55	FuseBoxRJB	563283	EmergencyLts	10amp	5.1
F56	FuseBoxRJB	563282	IndirectLightingLH	20amp	5.1
F57	FuseBoxRJB	563283	IndirectLightingRH	10amp	5.1
F58	FuseBoxRJB	563283	DirectLightingLH	20amp	5.1
F59	FuseBoxRJB	563283	DirectLightingRH	10amp	5.1
F60	FuseBoxRJB	563282	ReadingLampRH	20amp	5.1
F61	FuseBoxRJB	563282	ReadingLampLH	20amp	5.1
F62	FuseBoxRJB	563283	LavatoryNightLight	10amp	5.1
F63	FuseBoxRJB	563283	EnginePre-Heat	10amp	5.1
F64	FuseBoxRJB	563283	Spare	10amp	5.1
F65	FuseBoxRJB	563165	PwrMuxModuleRJB	30amp	5.1
F66	FuseBoxRJB	563279	RadiatorFanClutch	3Amp	5.1
F67	FuseBoxRJB	563153	PwrMuxA54	25Amp	5.1
F68	FuseBoxRJB	563153	PwmMuxA54	25Amp	5.1
F69	FuseBoxRJB	563005	HatRackLightingLHandRH	3amp	5.1
F70	FuseBoxRJB	563005	Customer24VI	7.5amp	5.1
F71	FuseBoxRJB	563284	SpareFuse	15amp	5.1
F72	FuseBoxRJB	563153	PwrMuxA50	25Amp	5.1
F73	FuseBoxRJB	563282	SpareFuse	20amp	5.1
F74	FuseBoxRJB	563283	EcuEngineIgnition	10amp	5.1
F75	FuseBoxRJB	563283	EcuTransmissionIgn	10amp	5.1
F76	FuseBoxRJB	563283	Customer	10amp	5.1
F77	FuseBoxRJB	563283	EcuTransmissionWakeUp	10amp	5.1
F78	FuseBoxRJB	563284	EcuEngineWakeUp	15amp	5.1
F79	FuseBoxRJB	563284	EcuEngineWakeUp	15amp	5.1
F80	FuseBoxRJB	563284	PwrMuxA51	15amp	5.1
F81	FuseBoxRJB	563004	PwrOfRearSwitchBox	2Amp	5.1
F83	FuseBoxFJB	563005	SoundSystem	10amp	4.1
F84	FuseBoxFJB	563284	Customer	15amp	4.1
F85	FuseBoxRJB	563283	SpareFuse	10amp	5.1
F86	FuseBoxRJB	563283	SpareFuse	10amp	5.1
F87	FuseBoxRJB	563283	SpareFuse	20amp	5.1
F88	FuseBoxRJB	563283	SpareFuse	20amp	5.1
F89	FuseBoxRJB	563284	SpareFuse	20amp	5.1
F90	FuseBoxRJB	563282	Engine_ECU	20Amp	5.1

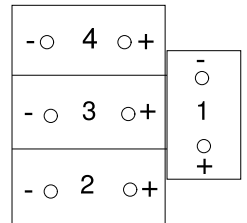
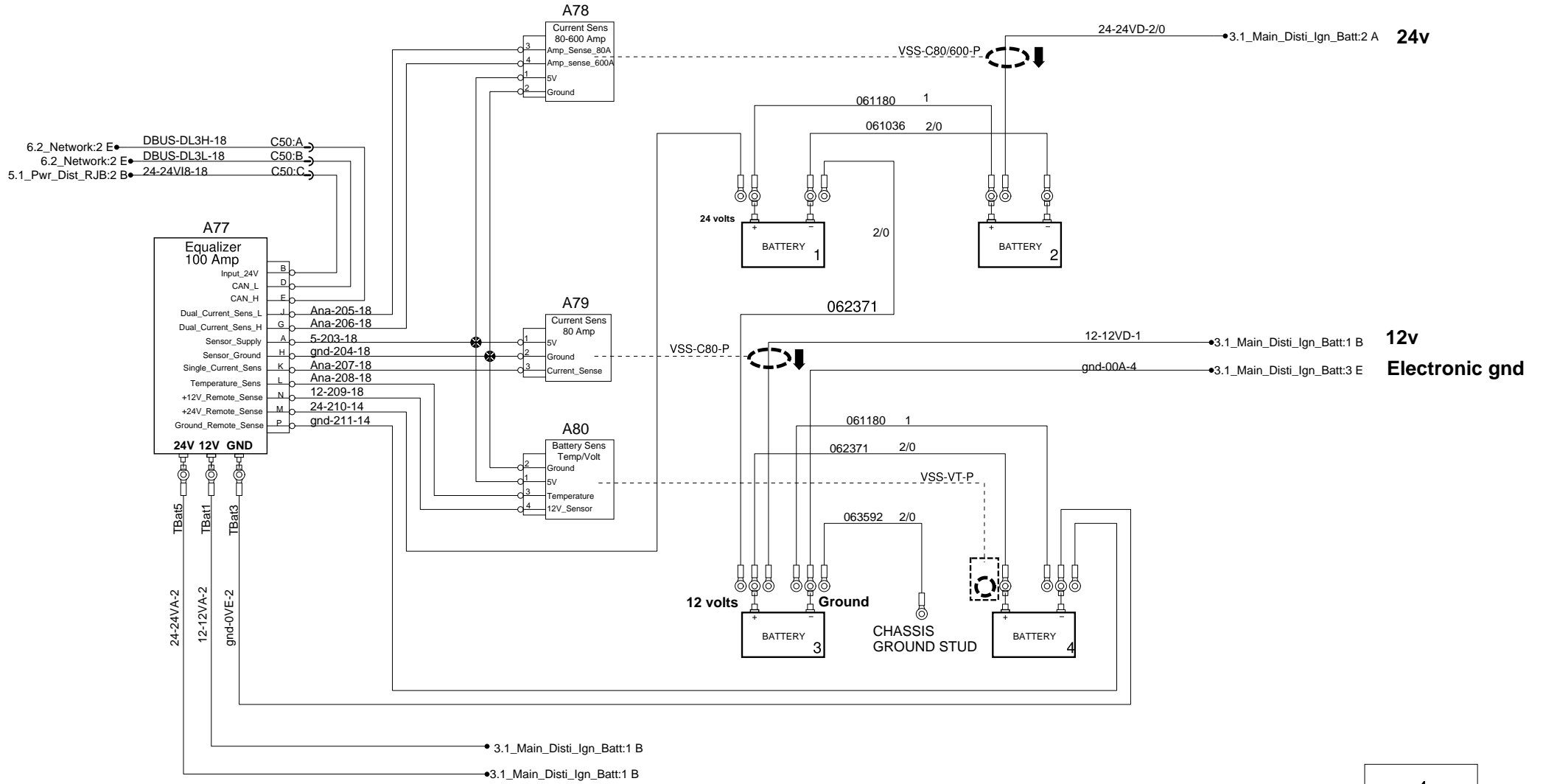
FUSES LIST

No	Location	Part #	Function	Rating	Page
F1	FuseBoxFJB	563279	CecmPower	3Amp	4.1
F2	FuseBoxFJB	563279	FrontStartMainSwitch	3Amp	4.1
F3	FuseBoxFJB	563279	EnginePre-HeatH.W.+DrvLiq.Vlv	5amp	4.1
F4	FuseBoxFJB	563280	VolvoLink_IshiftGecu	5Amp	4.1
F5	FuseBoxFJB	563165	24vtoWUp	30amp	4.1
F6	FuseBoxFJB	563005	Customer24VD	7.5amp	4.1
F7	FuseBoxFJB	563279	Abs+PreHeatController	3Amp	4.1
F8	FuseBoxFJB	563279	AirHorn	3Amp	4.1
F9	FuseBoxFJB	563284	SpareFuse	15amp	4.1
F10	FuseBoxFJB	563279	SpareFuse	3Amp	4.1
F11	FuseBoxFJB	563279	SunVisor	3Amp	4.1
F12	FuseBoxFJB	563282	PwrMuxModule	20amp	4.1
F13	FuseBoxFJB	563282	PwrMuxModule	20amp	4.1
F14	FuseBoxFJB	563284	Customer	15amp	4.1
F15	FuseBoxFJB	563004	NoSmokingSign	2Amp	4.1
F16	FuseBoxFJB	563153	DefrosterUnit	25Amp	4.1
F17	FuseBoxFJB	563280	DestinationSign	5Amp	4.1
F18	FuseBoxFJB	563284	UpperWiper	15amp	4.1
F19	FuseBoxFJB	563279	Prodriver	3Amp	4.1
F20	FuseBoxFJB	563005	SwitchBackLight	7.5amp	4.1
F21	FuseBoxFJB	563282	PwrMuxA44	20amp	4.1
F22	FuseBoxFJB	563279	SteeringCtrl	3Amp	4.1
F23	FuseBoxFJB	563165	ABS	30amp	4.1
F24	FuseBoxFJB	563005	Mirror	7.5amp	4.1
F25	FuseBoxFJB	563280	BackupCamera	5Amp	4.1
F26	FuseBoxFJB	563279	SpareFuse	3Amp	4.1
F27	FuseBoxFJB	563284	Customer	15amp	4.1
F28	FuseBoxFJB	563282	DriverWindow	20amp	4.1
F29	FuseBoxFJB	563279	ClusterandDDDR	3Amp	4.1
F30	FuseBoxFJB	563284	PwrOutletandCigarLighter	15amp	4.1
F31	FuseBoxFJB	563279	KeylessModule	3Amp	4.1
F32	FuseBoxFJB	563282	SpareFuse	20amp	4.1
F33	FuseBoxFJB	563165	12VDtoWakeUp	30amp	4.1
F34	FuseBoxFJB	563165	12VDtoWakeUp	30amp	4.1
F35	FuseBoxFJB	563283	12vPwrOutlet	10amp	4.1
F36	FuseBoxFJB	563279	PwrHvacandTtItModule	3Amp	4.1
F37	FuseBoxFJB	563283	Flipdownscreen	10amp	4.1
F38	FuseBoxFJB	563283	SpareFuse	10amp	4.1
F39	FuseBoxFJB	563283	Electrical_Driver_Seat_Option_OR_R4_Preheater	10amp	4.1
F40	FuseBoxFJB	563283	SpareFuse	15amp	4.1
F41	FuseBoxFJB	563283	SpareFuse	10amp	4.1
F43	Evap_Cmpt_	560893	Proheat	3amp	18.2
F44	FJB	563280	DestinationSigns	5Amp	3.3

FUSES LIST

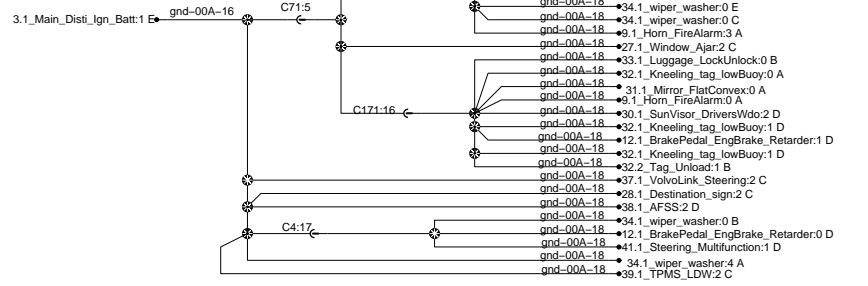
No	Location	Part #	Function	Rating	Page
F45	FJB	563284	AFSS	15amp	3.3
F50	FuseBoxRJB	563284	EnginePre-Heat	15amp	5.1
F51	FuseBoxRJB	563153	EnginePre-Heat	25Amp	5.1
F52	FuseBoxRJB	563284	SpareFuse	15amp	5.1
F53	FuseBoxRJB	563284	PwrMuxA54	15amp	5.1
F54	FuseBoxRJB	563284	Custumer	25amp	5.1
F55	FuseBoxRJB	563283	EmergencyLts	10amp	5.1
F56	FuseBoxRJB	563282	IndirectLightingLH	20amp	5.1
F57	FuseBoxRJB	563283	IndirectLightingRH	10amp	5.1
F58	FuseBoxRJB	563283	DirectLightingLH	20amp	5.1
F59	FuseBoxRJB	563283	DirectLightingRH	10amp	5.1
F60	FuseBoxRJB	563282	ReadingLampRH	20amp	5.1
F61	FuseBoxRJB	563282	ReadingLampLH	20amp	5.1
F62	FuseBoxRJB	563283	LavatoryNightLight	10amp	5.1
F63	FuseBoxRJB	563283	EnginePre-Heat	10amp	5.1
F64	FuseBoxRJB	563283	Spare	10amp	5.1
F65	FuseBoxRJB	563165	PwrMuxModuleRJB	30amp	5.1
F66	FuseBoxRJB	563279	RadiatorFanClutch	3Amp	5.1
F67	FuseBoxRJB	563153	PwrMuxA54	25Amp	5.1
F68	FuseBoxRJB	563153	PwmMuxA54	25Amp	5.1
F69	FuseBoxRJB	563005	HatRackLightingLHandRH	3amp	5.1
F70	FuseBoxRJB	563005	Custumer24VI	7.5amp	5.1
F71	FuseBoxRJB	563284	SpareFuse	15amp	5.1
F72	FuseBoxRJB	563153	PwrMuxA50	25Amp	5.1
F73	FuseBoxRJB	563282	SpareFuse	20amp	5.1
F74	FuseBoxRJB	563283	EcuEngineIgnition	10amp	5.1
F75	FuseBoxRJB	563283	EcuTransmissionIgn	10amp	5.1
F76	FuseBoxRJB	563283	Custumer	10amp	5.1
F77	FuseBoxRJB	563283	EcuTransmissionWakeUp	10amp	5.1
F78	FuseBoxRJB	563284	EcuEngineWakeUp	15amp	5.1
F79	FuseBoxRJB	563284	EcuEngineWakeUp	15amp	5.1
F80	FuseBoxRJB	563284	PwrMuxA51	15amp	5.1
F81	FuseBoxRJB	563004	PwrOfRearSwitchBox	2Amp	5.1
F83	FuseBoxFJB	563005	SoundSystem	10amp	4.1
F84	FuseBoxFJB	563284	Customer	15amp	4.1
F85	FuseBoxRJB	563283	SpareFuse	10amp	5.1
F86	FuseBoxRJB	563283	SpareFuse	10amp	5.1
F87	FuseBoxRJB	563283	SpareFuse	20amp	5.1
F88	FuseBoxRJB	563283	SpareFuse	20amp	5.1
F89	FuseBoxRJB	563284	SpareFuse	20amp	5.1
F90	FuseBoxRJB	563282	Engine_ECU	20Amp	5.1
F91	FuseBoxRJB	563282	E_RideRearPwr	20Amp	5.1
F92	Galley	563280	GALLEYLIGHT	5amp	45.1

BATTERIES

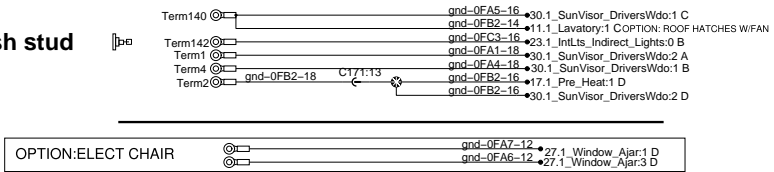


Ground Distribution

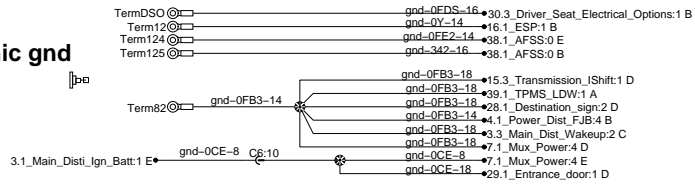
Electronic gnd to Dash harness



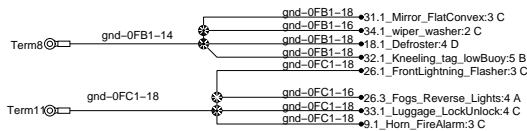
Dash stud



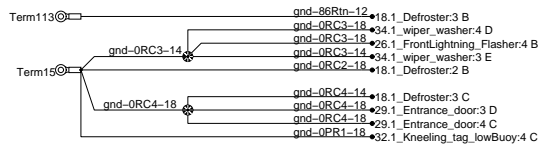
Electronic gnd to FJB



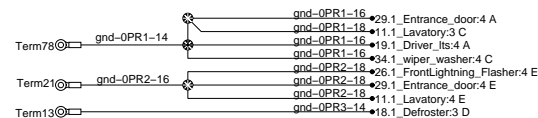
Front stud



RH Console stud



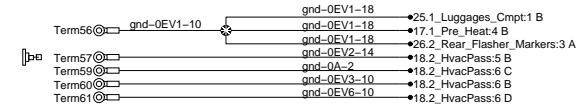
Chassis gnd Parcel Rack stud



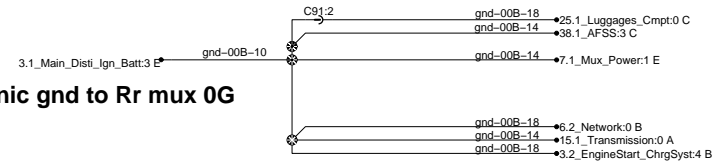
Condensor cmpt. stud



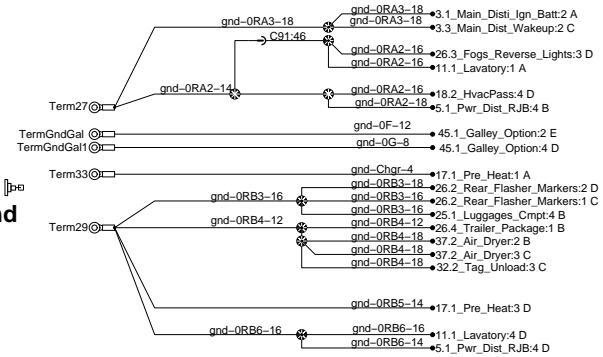
Evaporator cmpt. stud



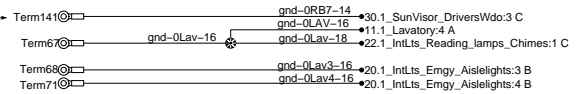
Electronic gnd to Rr mux 0G



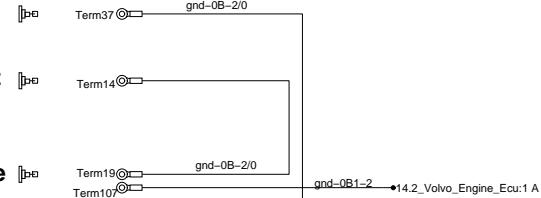
RJB stud Chassis Gnd



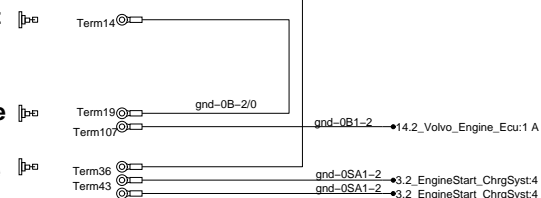
Lavatory Stud



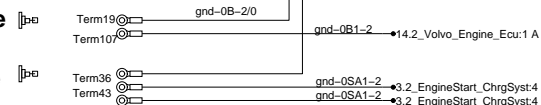
Eng. cmpt gnd stud



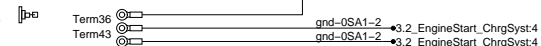
Eng. cmpt gnd stud



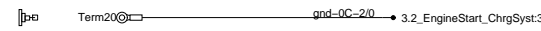
Engine



Engine

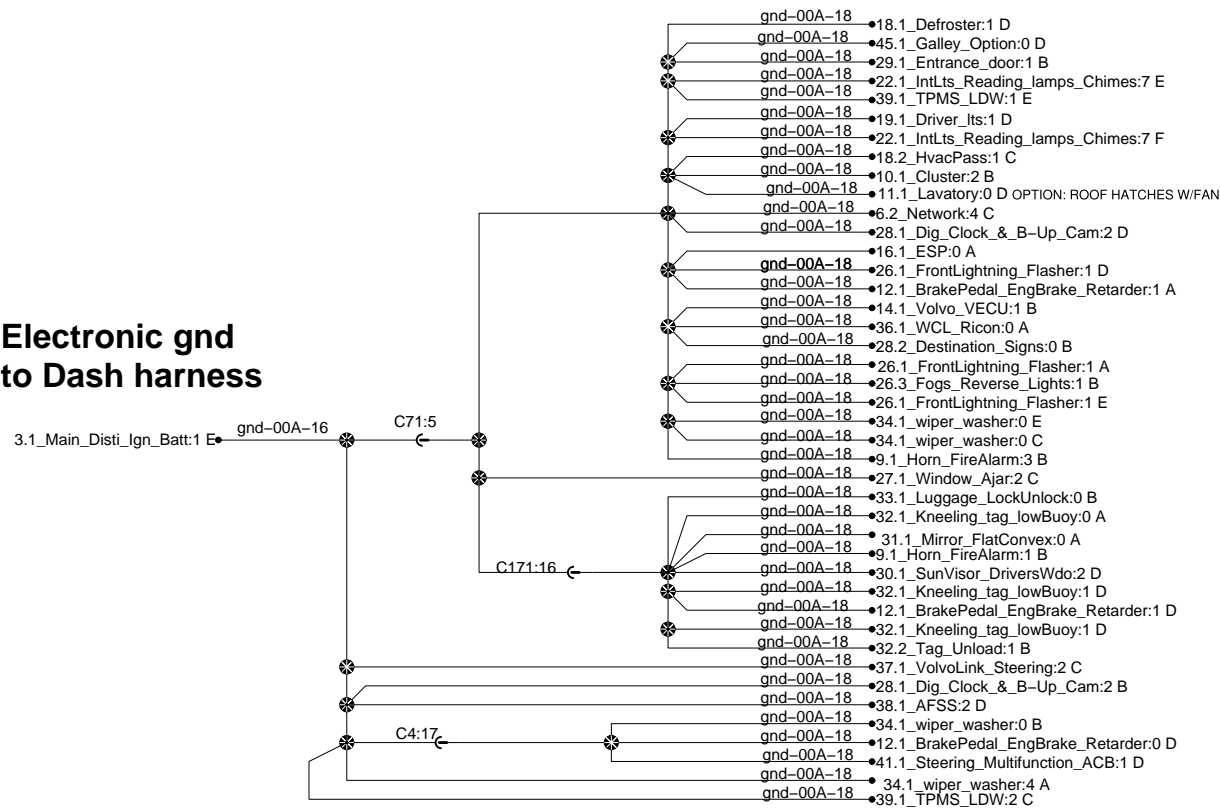


Engine

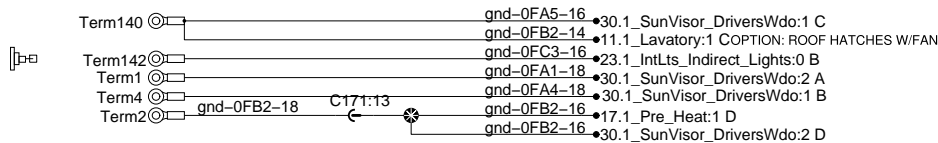


Ground Distribution

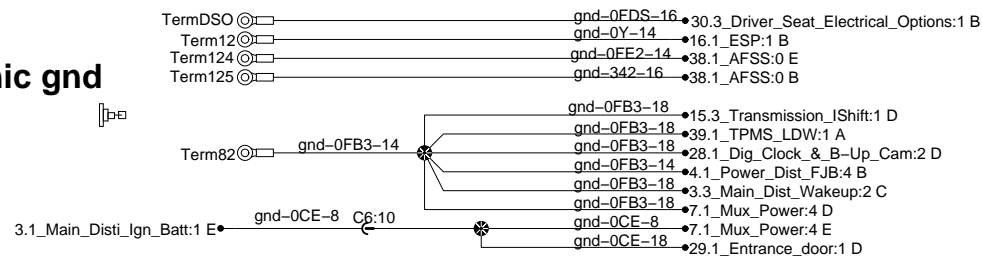
Electronic gnd to Dash harness



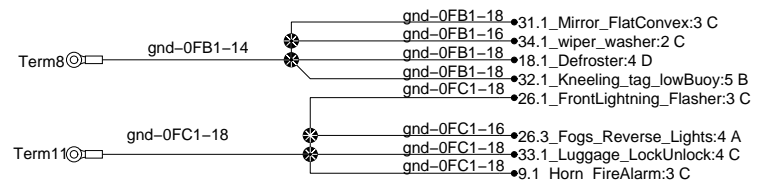
Dash stud



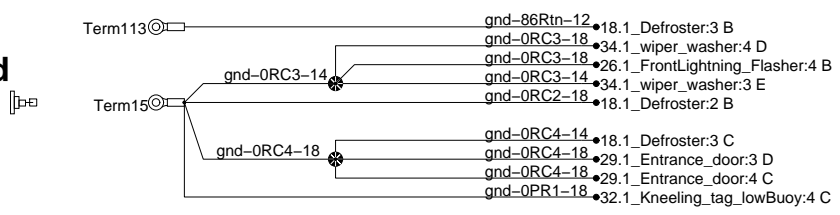
Electronic gnd to FJB



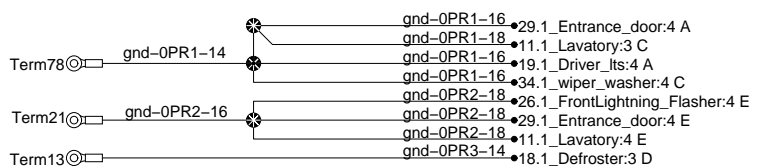
Front stud



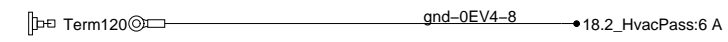
RH Console stud



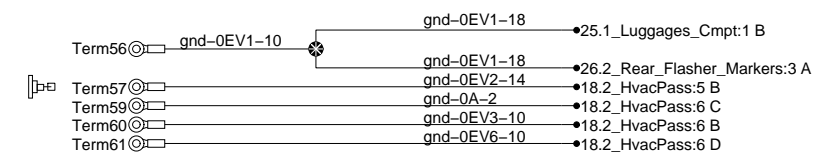
Chassis gnd Parcel Rack stud



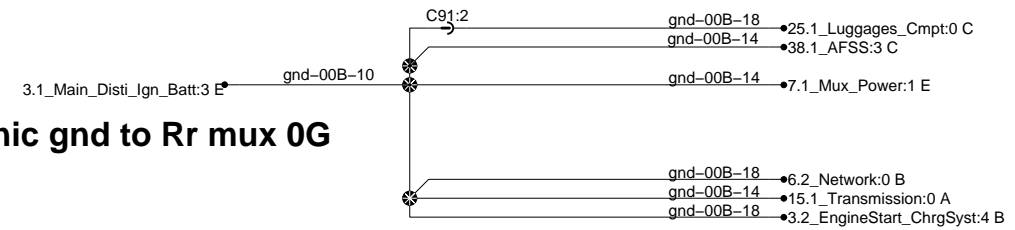
Condensor cmpt. stud



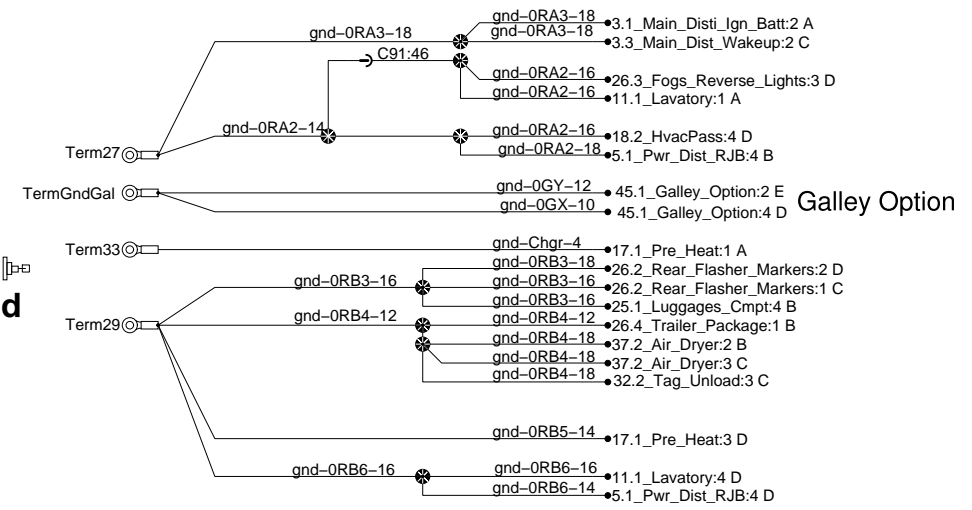
Evaporator cmpt. stud



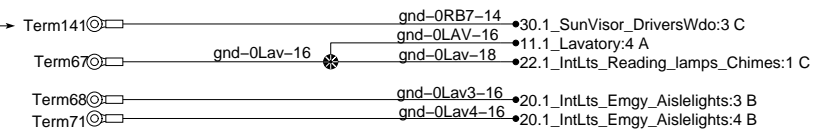
Electronic gnd to Rr mux 0G



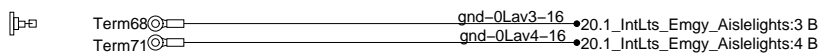
RJB stud Chassis Gnd



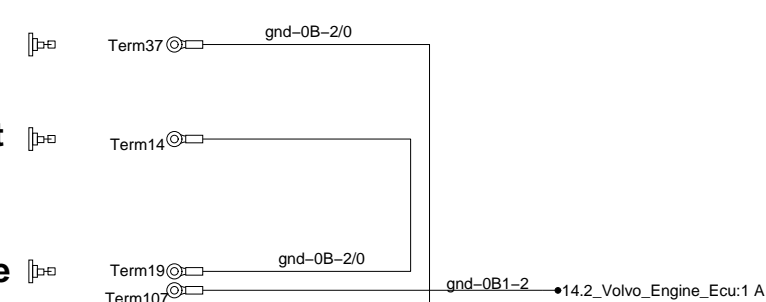
OPTION:plug 12V add



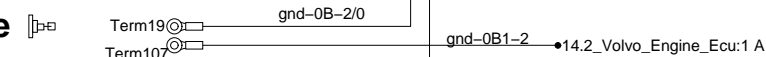
Lavatory Stud



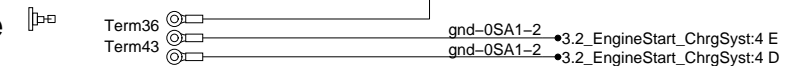
Eng. cmpt gnd stud



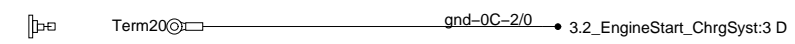
Engine



Engine

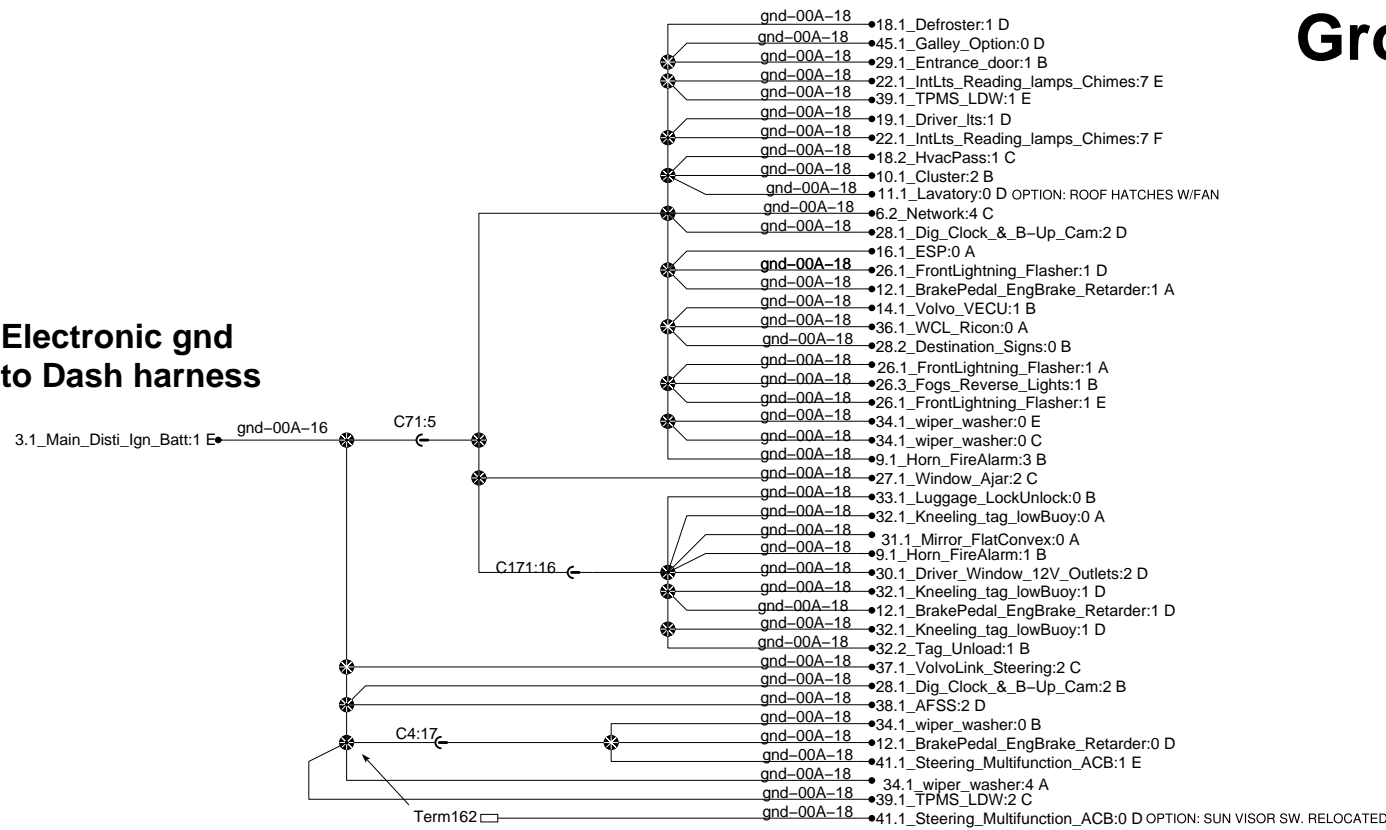


Engine

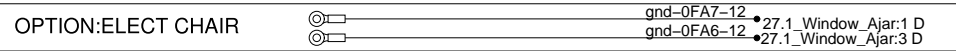
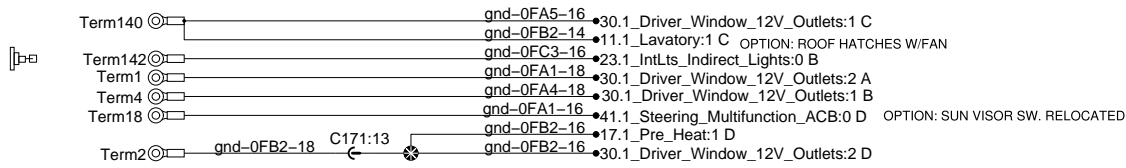


Ground Distribution

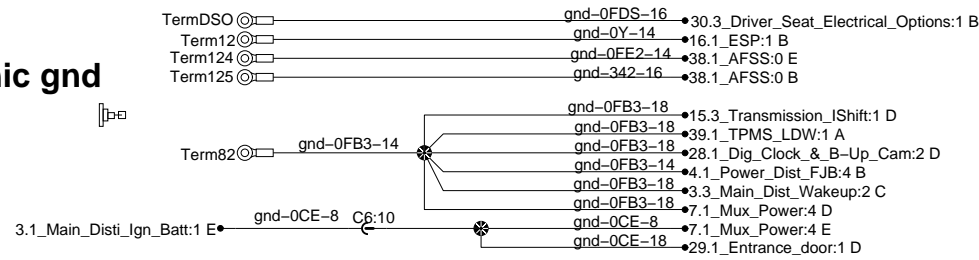
Electronic gnd to Dash harness



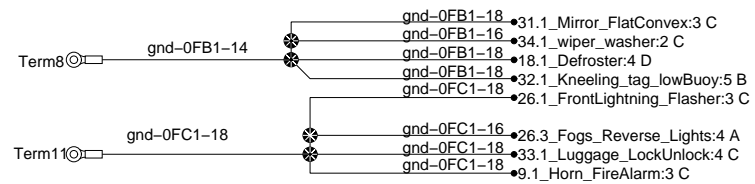
Dash stud



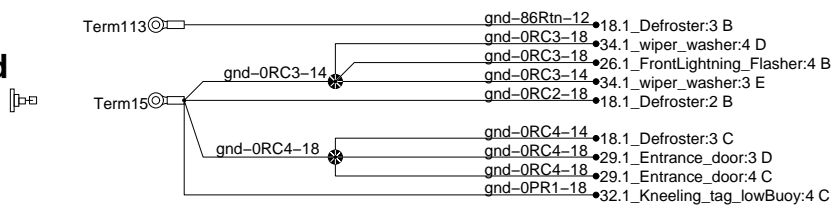
Electronic gnd to FJB



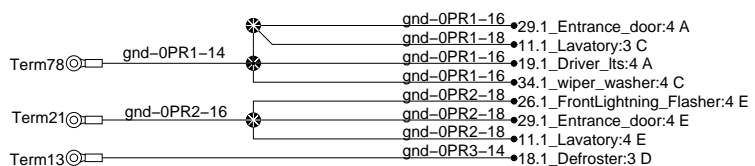
Front stud



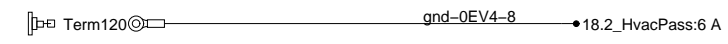
RH Console stud



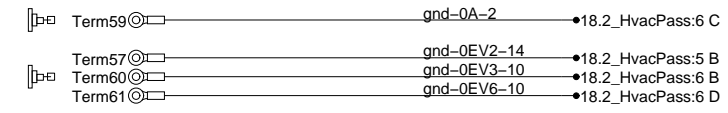
Chassis gnd Parcel Rack stud



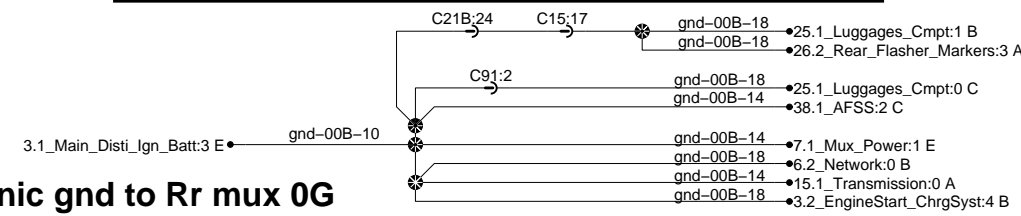
Condensor cmpt. stud



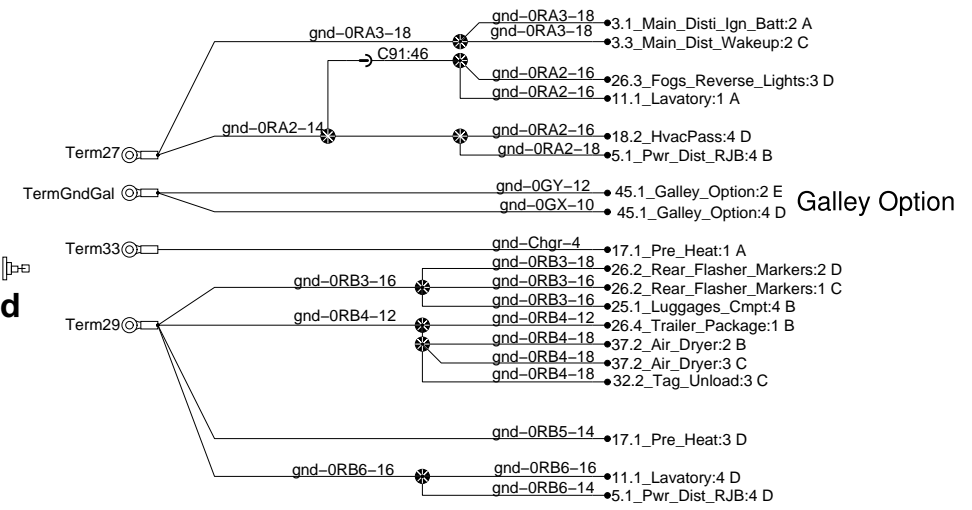
Evaporator cmpt. stud



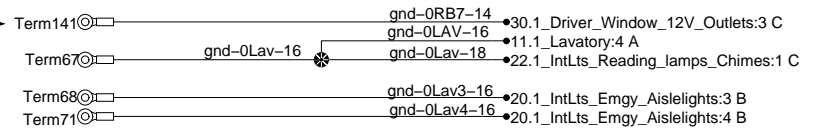
Electronic gnd to Rr mux 0G



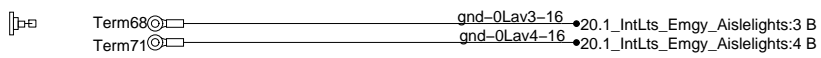
RJB stud Chassis Gnd



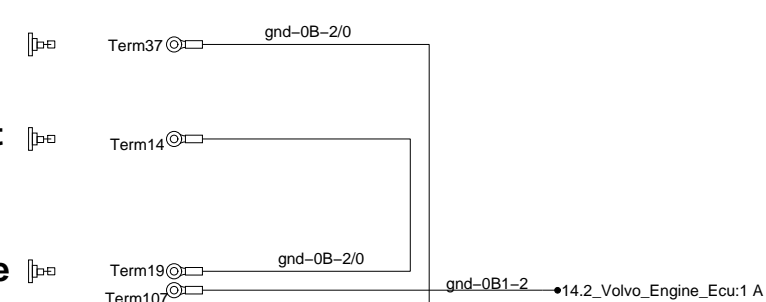
OPTION:plug 12V add



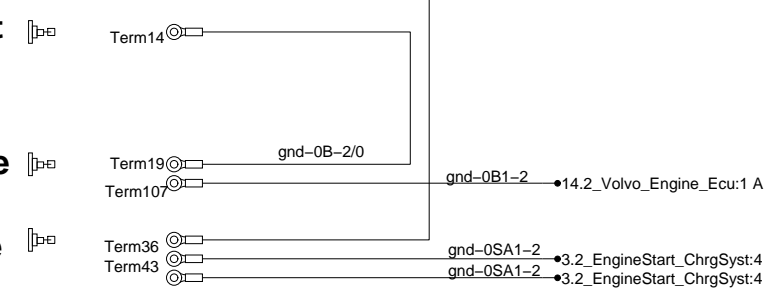
Lavatory Stud



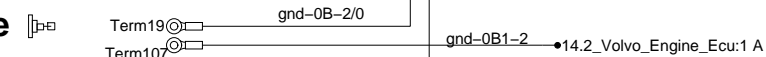
Eng. cmpt gnd stud



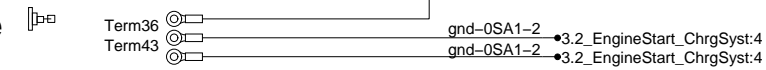
Eng. cmpt gnd stud



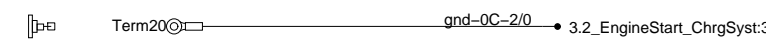
Engine



Engine

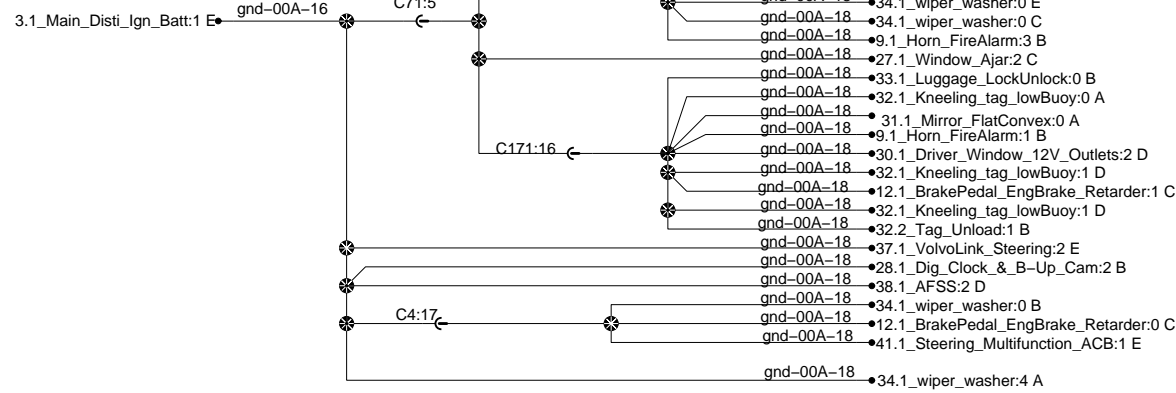


Engine

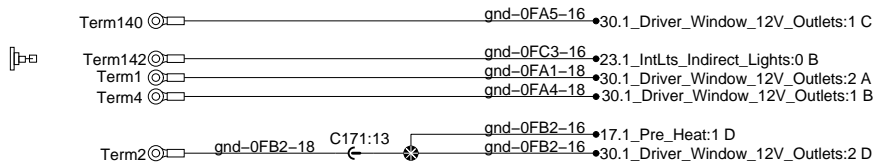


Ground Distribution

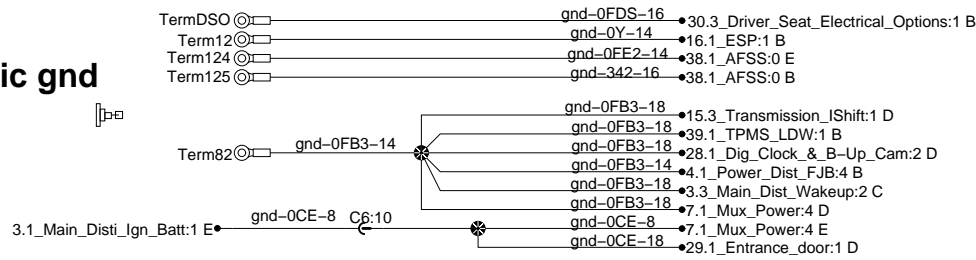
Electronic gnd to Dash harness



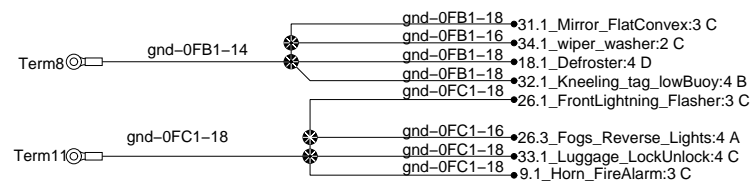
Dash stud



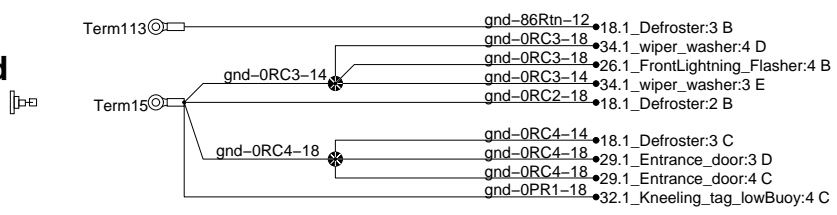
Electronic gnd to FJB



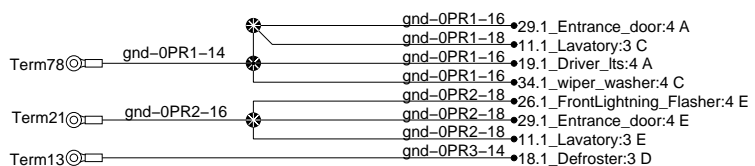
Front stud



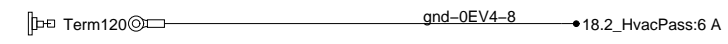
RH Console stud



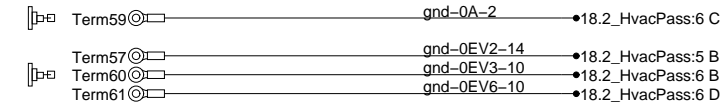
Chassis gnd Parcel Rack stud



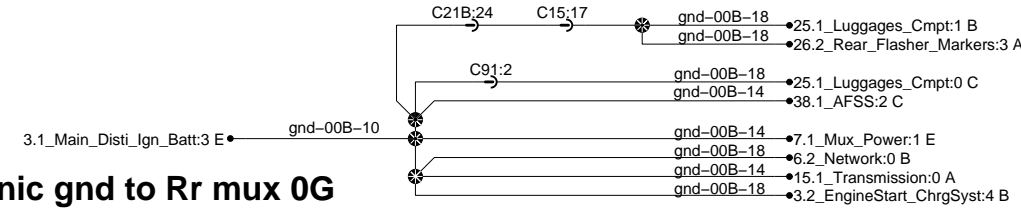
Condensor cmpt. stud



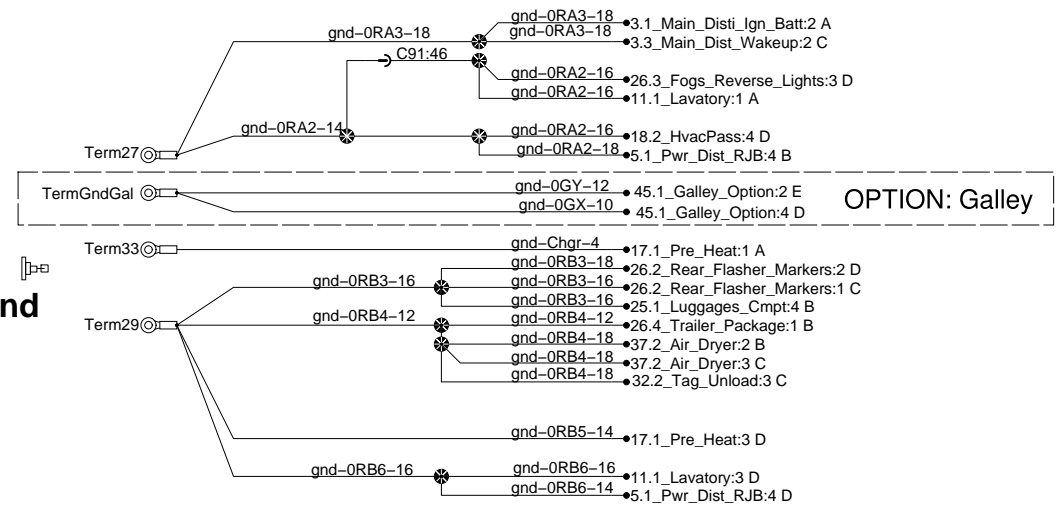
Evaporator cmpt. stud



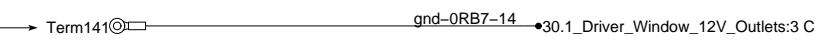
Electronic gnd to Rr mux 0G



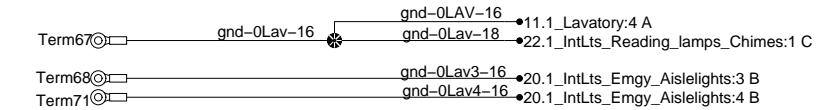
RJB stud Chassis Gnd



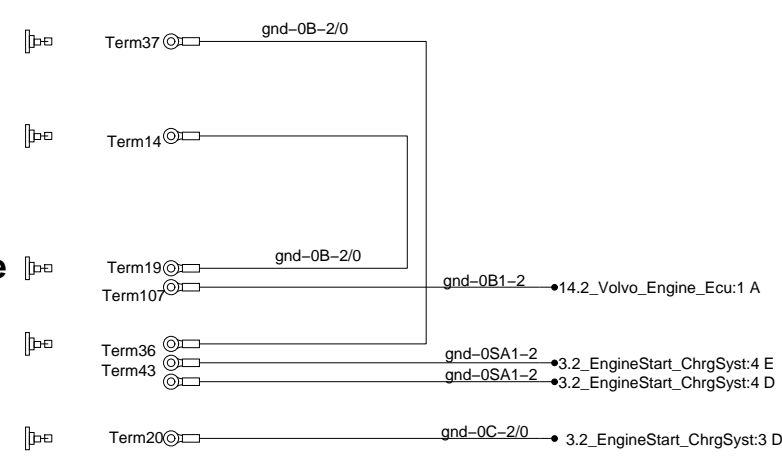
OPTION: Additional 12VDC Plugs



Lavatory Stud



Eng. cmpt gnd stud



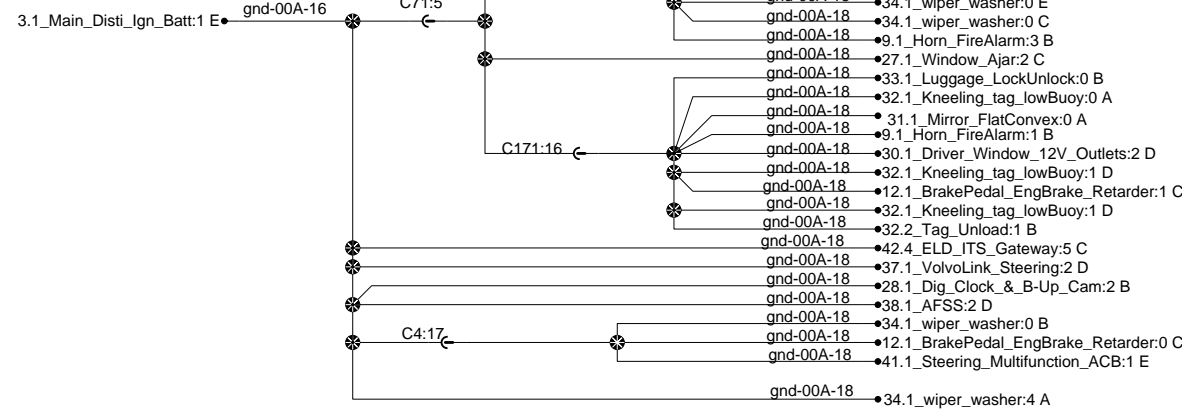
Engine

Engine

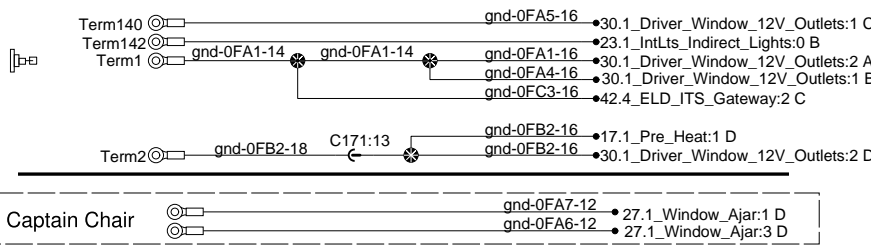
Engine

Ground Distribution

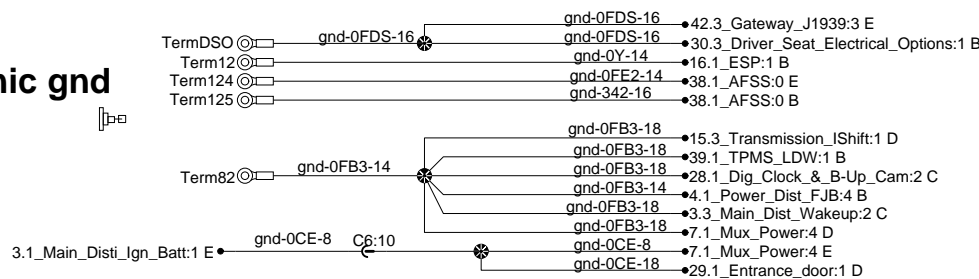
Electronic gnd to Dash harness



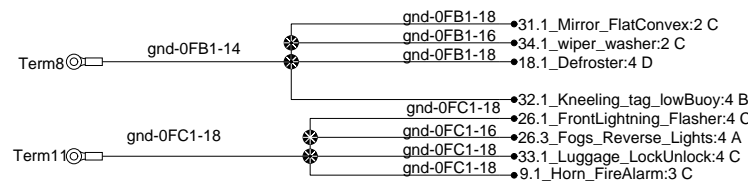
Dash stud



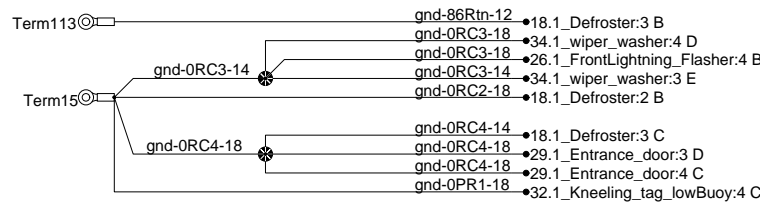
Electronic gnd on FJB



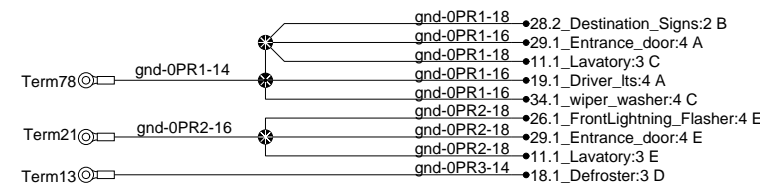
Front stud



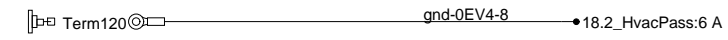
RH Console stud



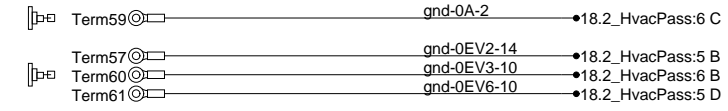
Chassis gnd Parcel Rack stud



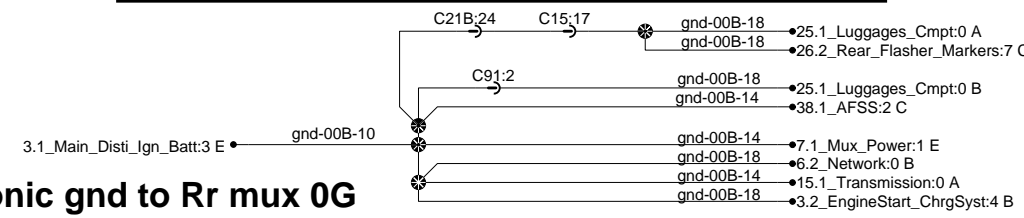
Condensor cmpt. stud



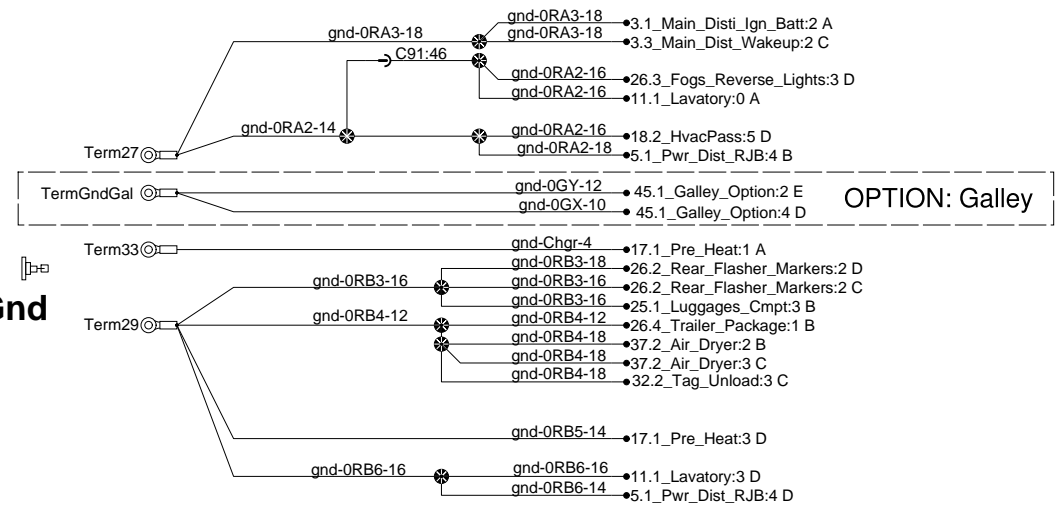
Evaporator cmpt. stud



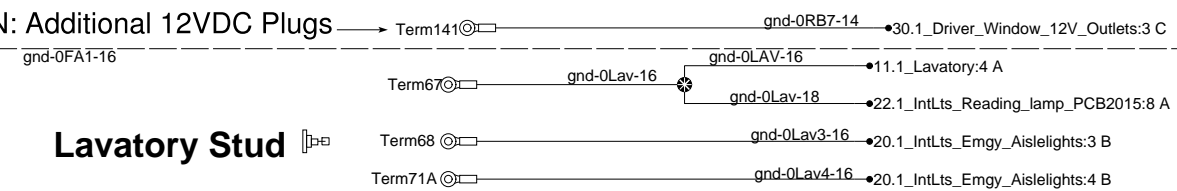
Electronic gnd to Rr mux 0G



RJB stud Chassis Gnd

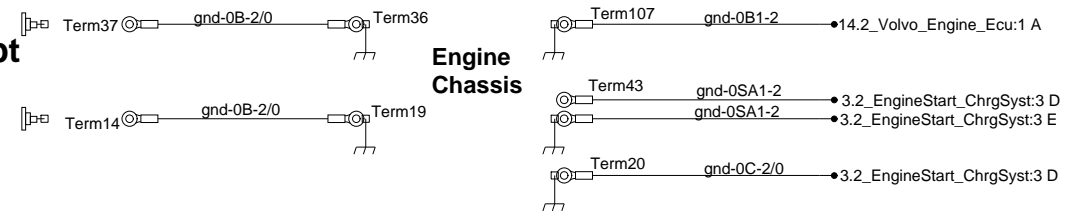


OPTION: Additional 12VDC Plugs

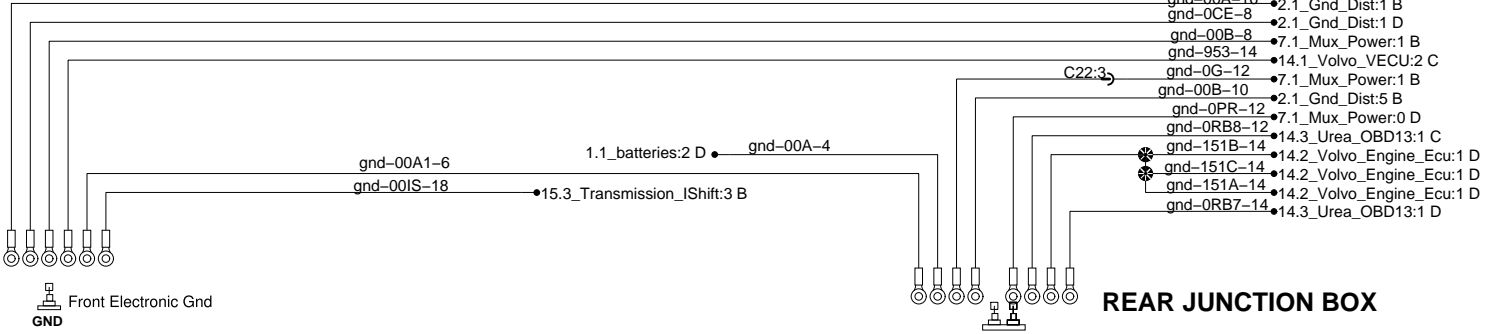
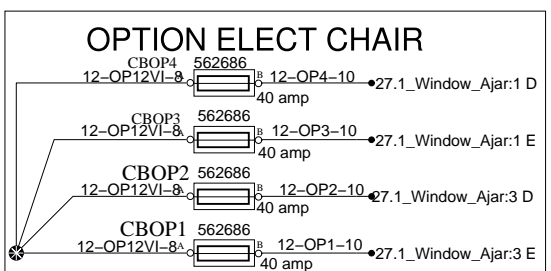
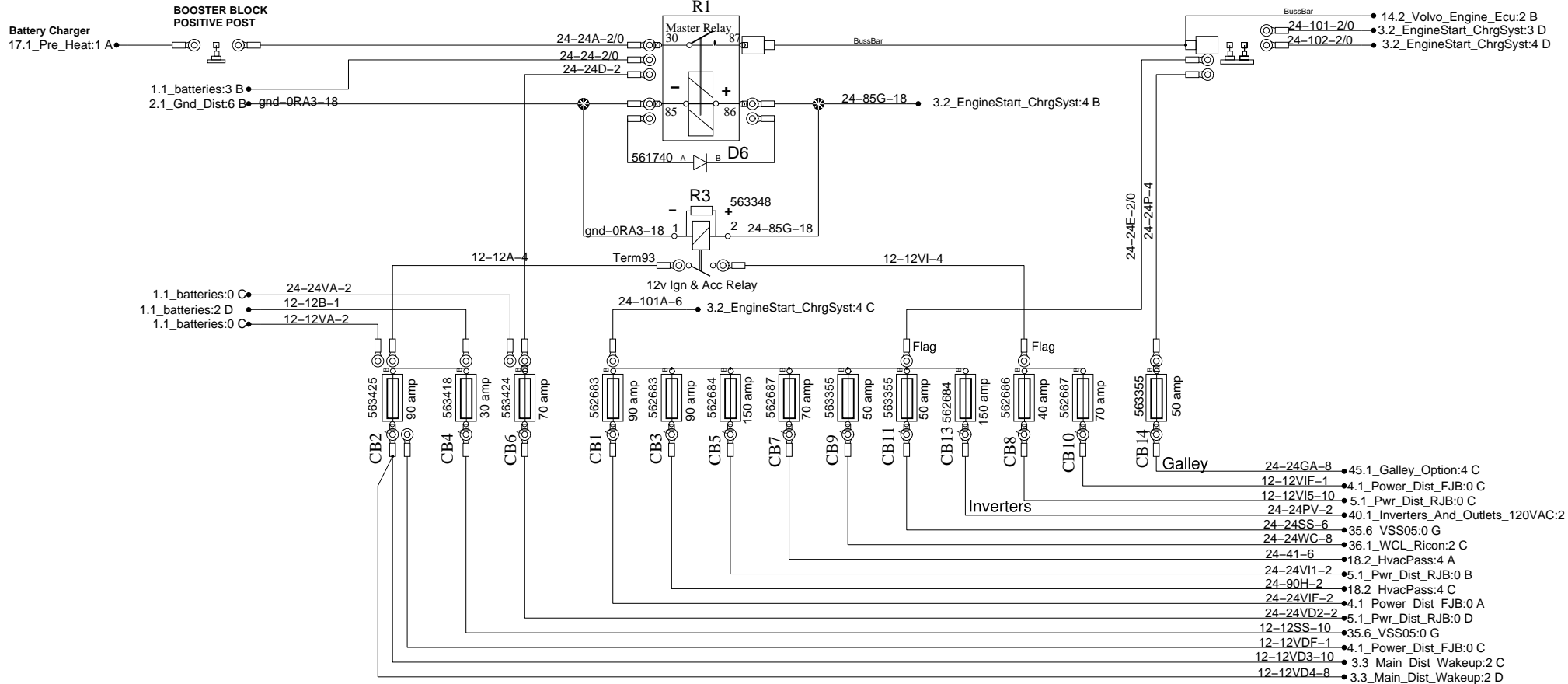


Lavatory Stud

Eng. cmpt gnd stud



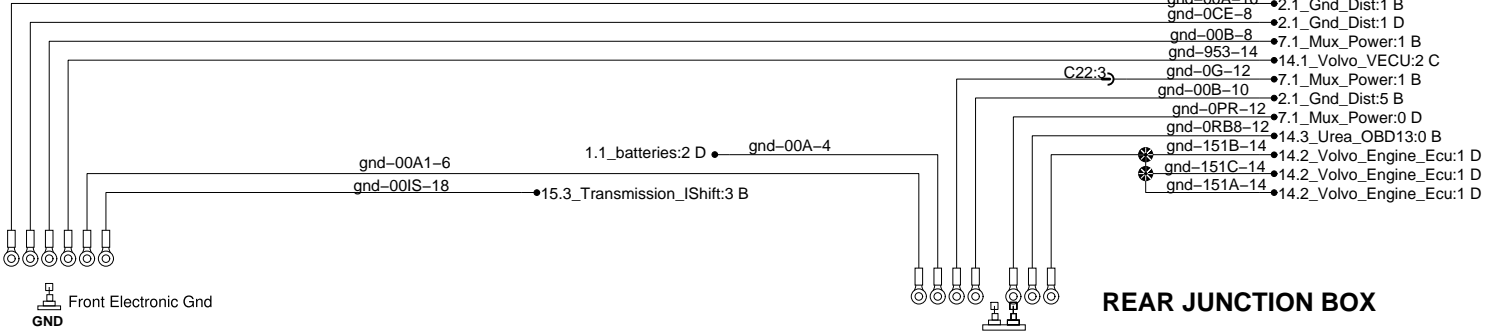
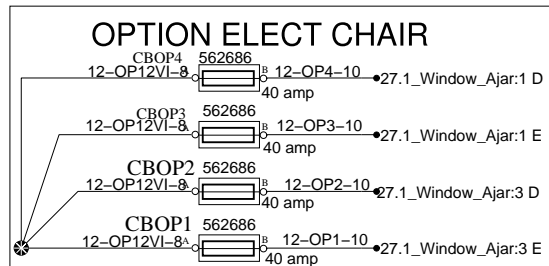
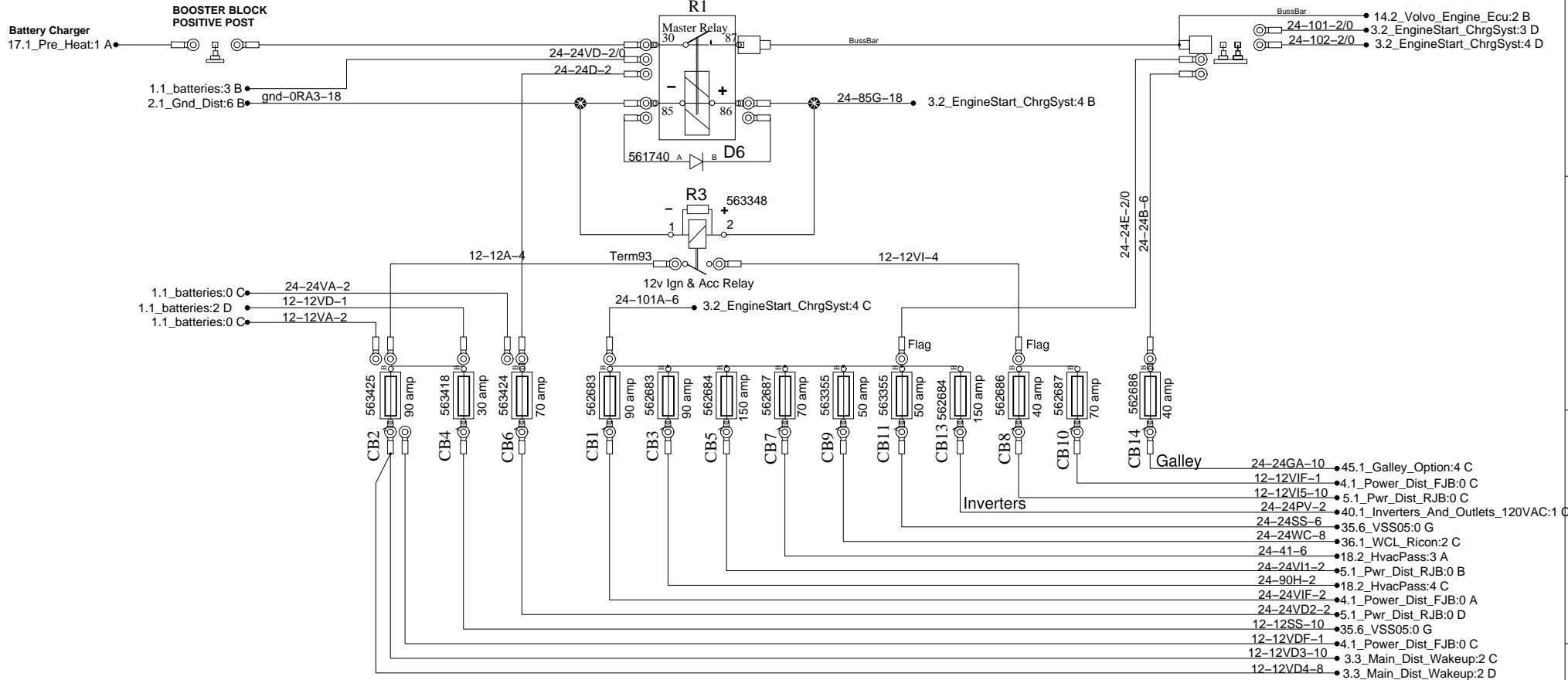
MAIN DISTRIBUTION Batteries & Ignition



FRONT JUNCTION BOX

REAR JUNCTION BOX

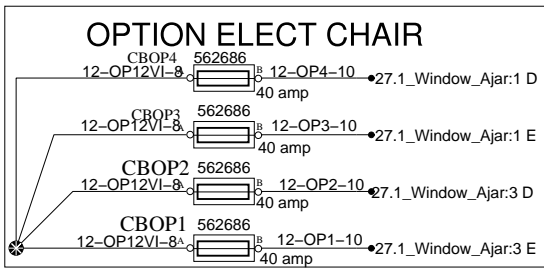
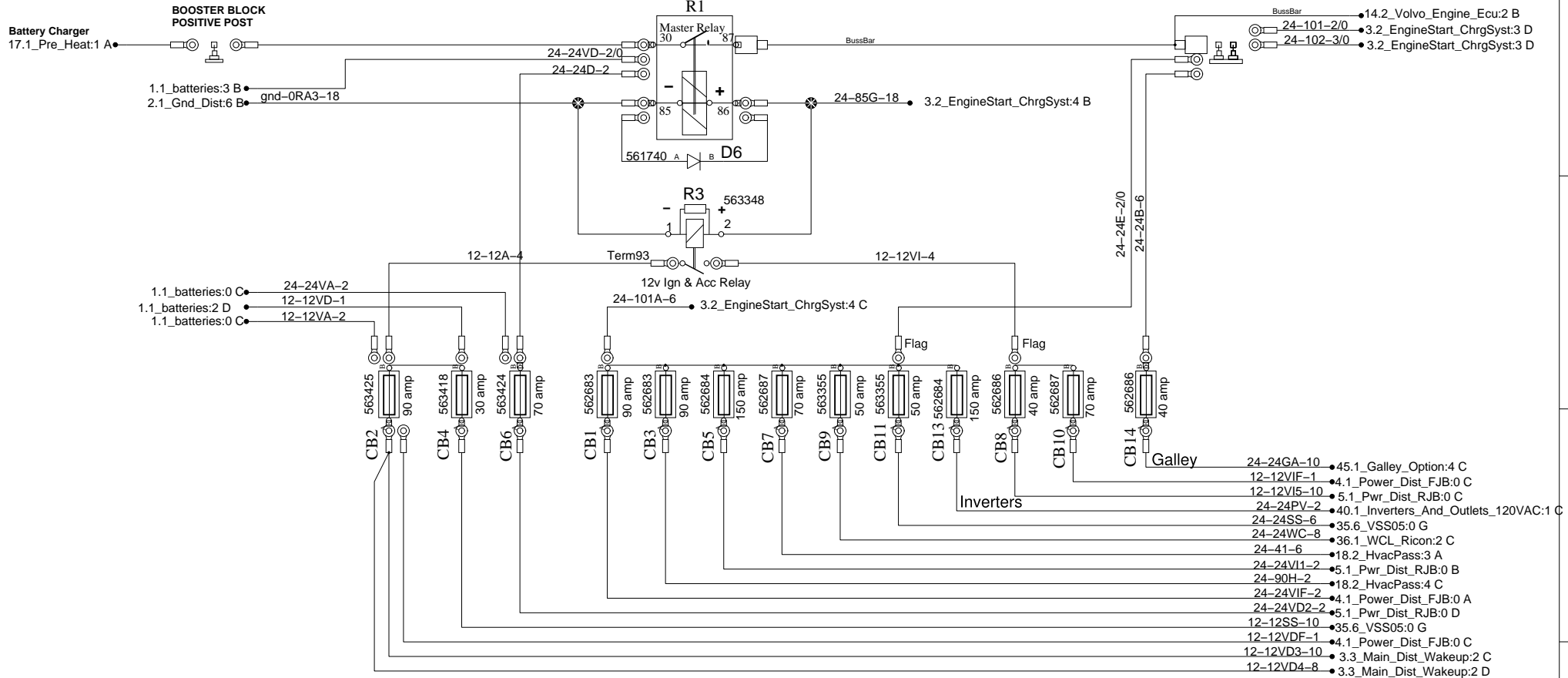
MAIN DISTRIBUTION Batteries & Ignition



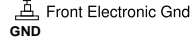
FRONT JUNCTION BOX

REAR JUNCTION BOX

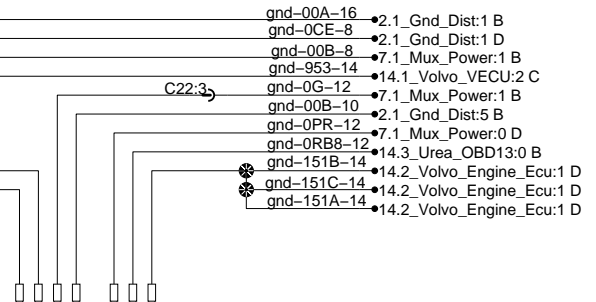
MAIN DISTRIBUTION Batteries & Ignition



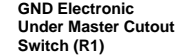
FRONT JUNCTION BOX



GND

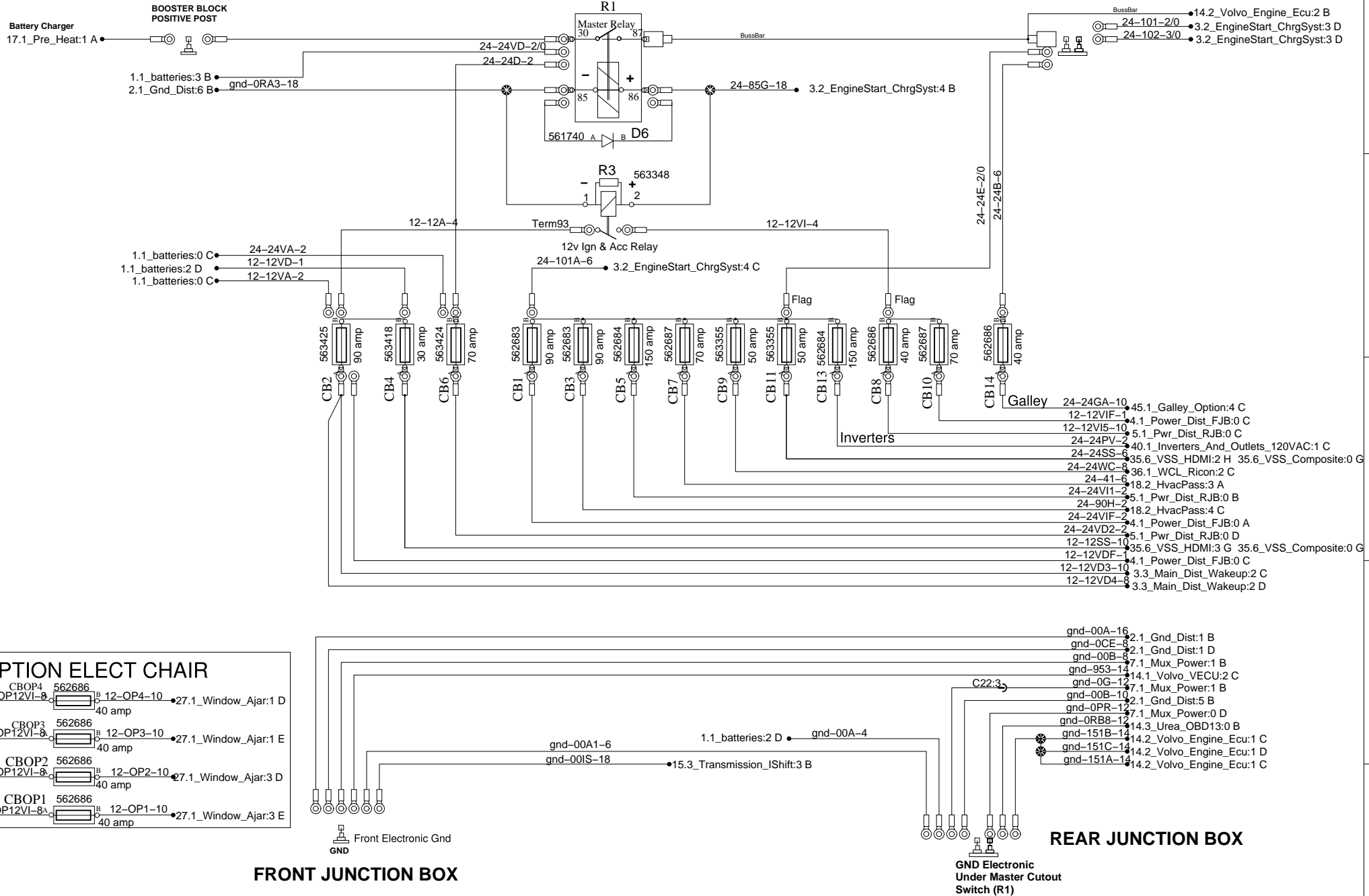


REAR JUNCTION BOX

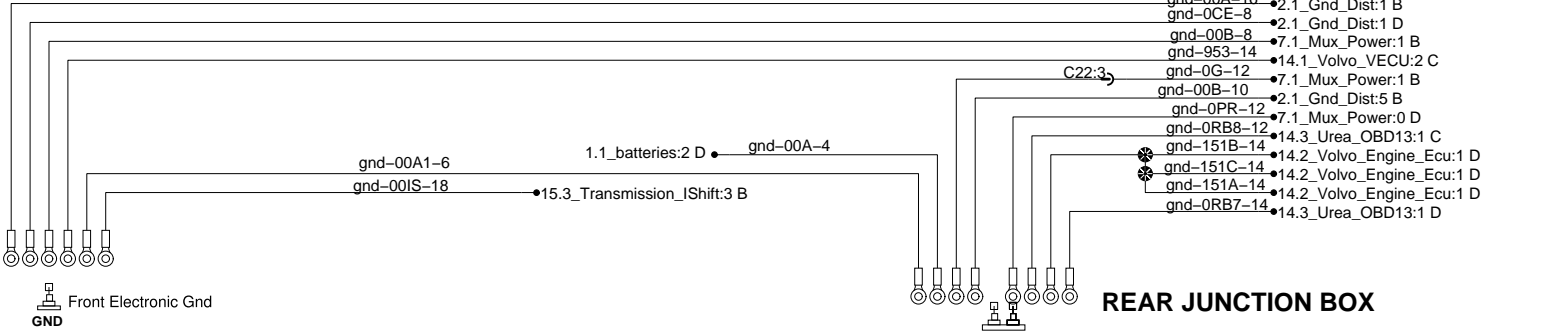
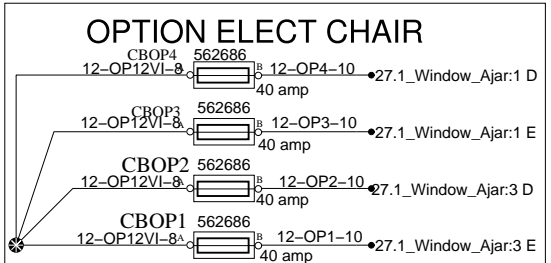
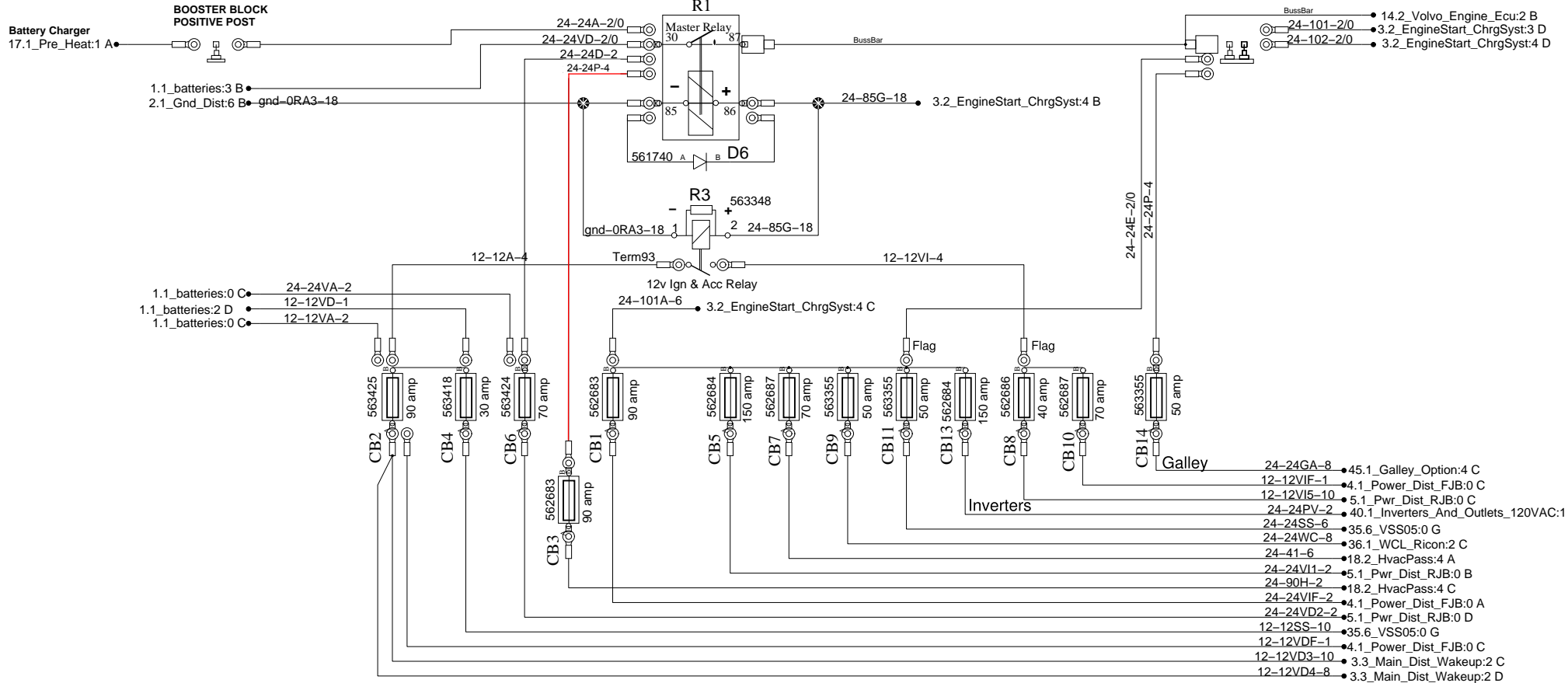


GND Electronic Under Master Cutout Switch (R1)

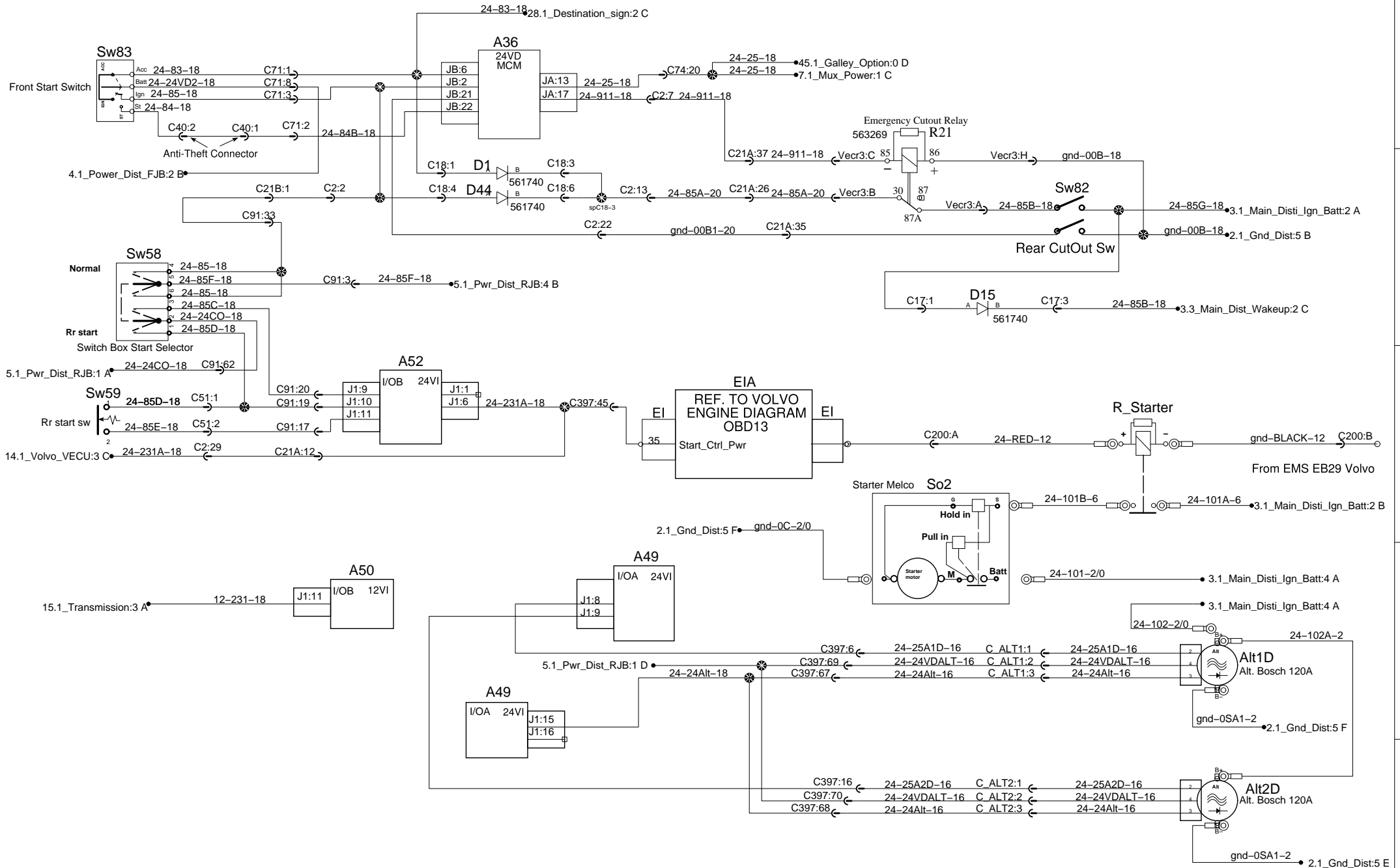
MAIN DISTRIBUTION Batteries & Ignition



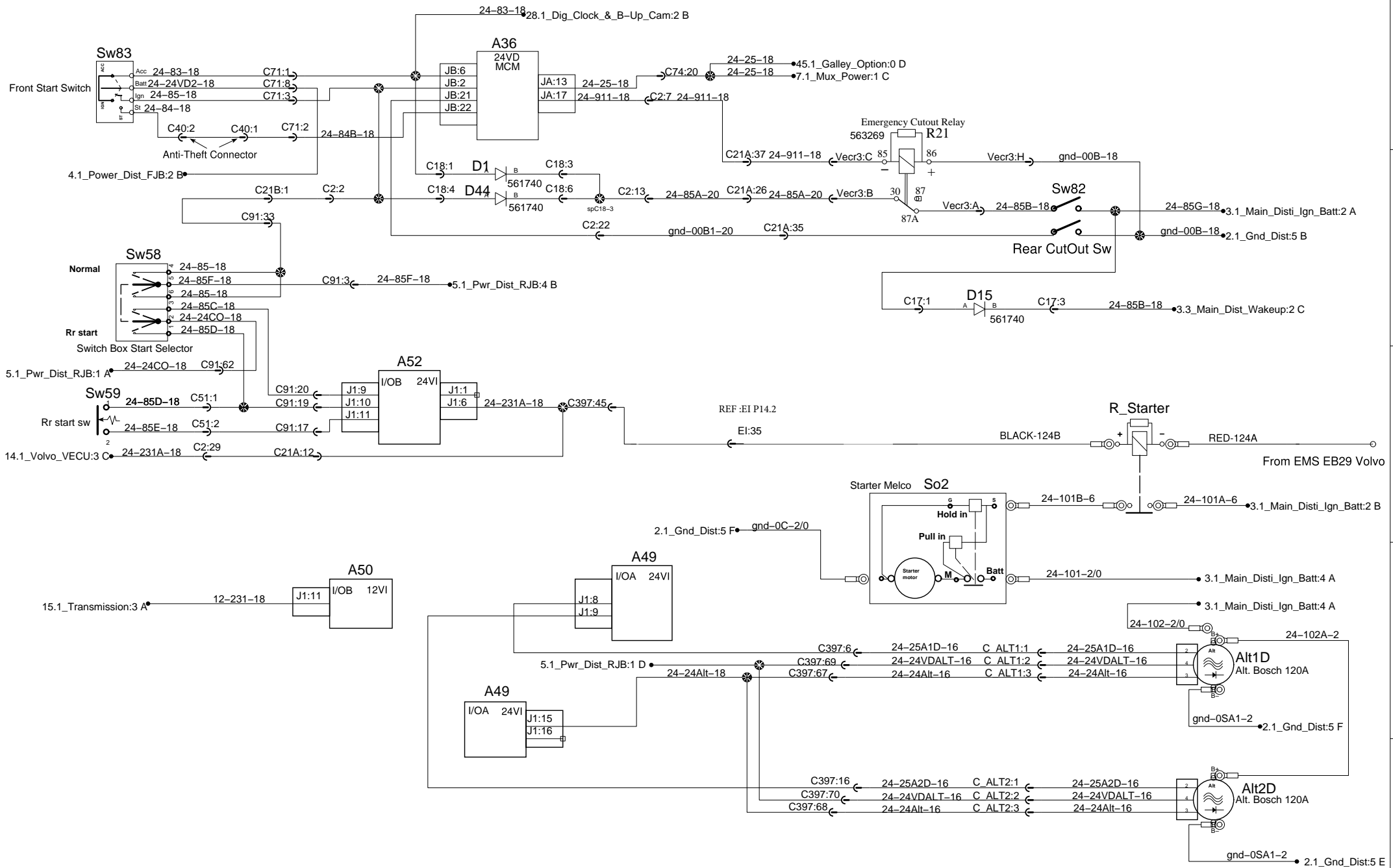
MAIN DISTRIBUTION Batteries & Ignition



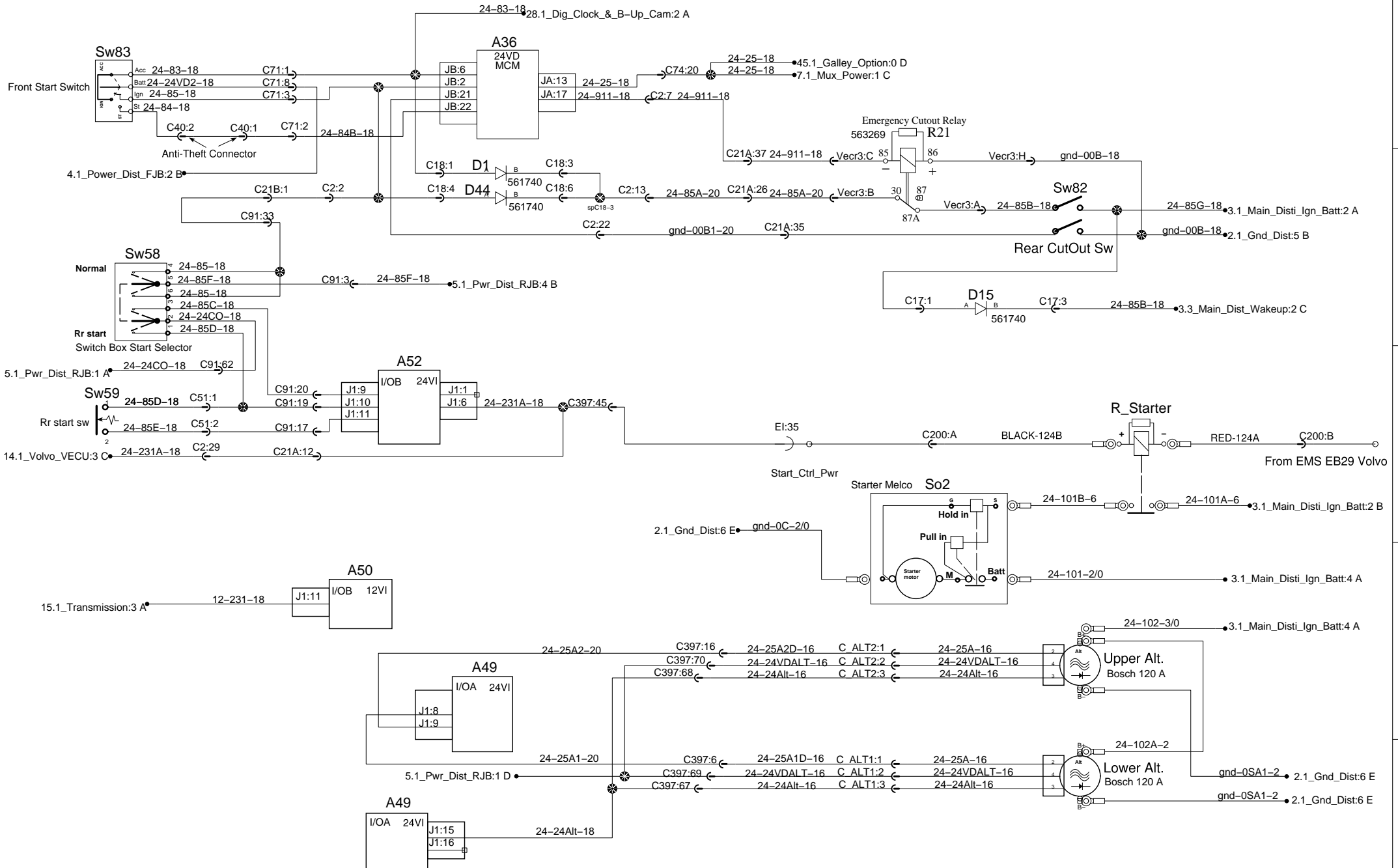
Engine Start and Charging system



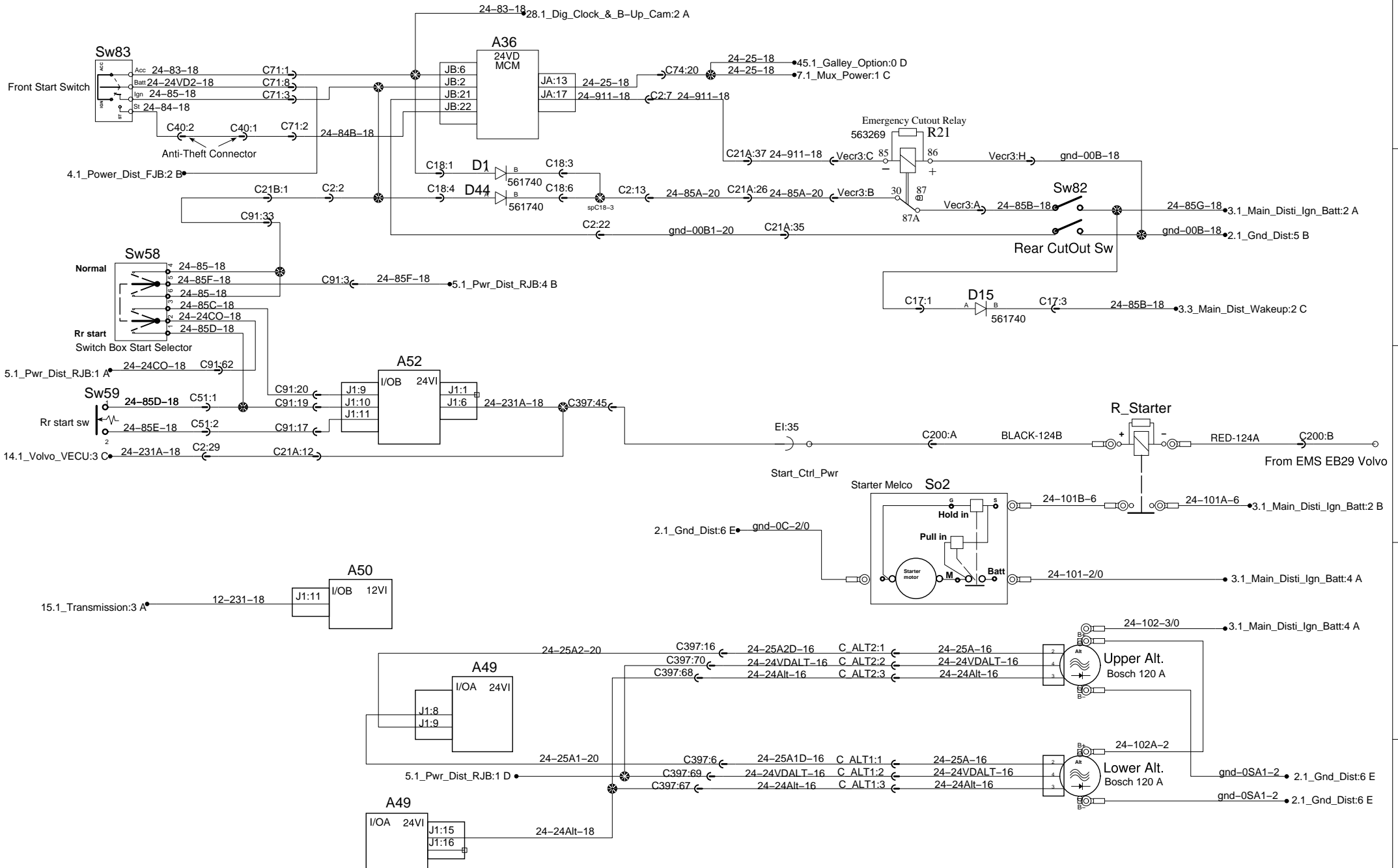
Engine Start and Charging system



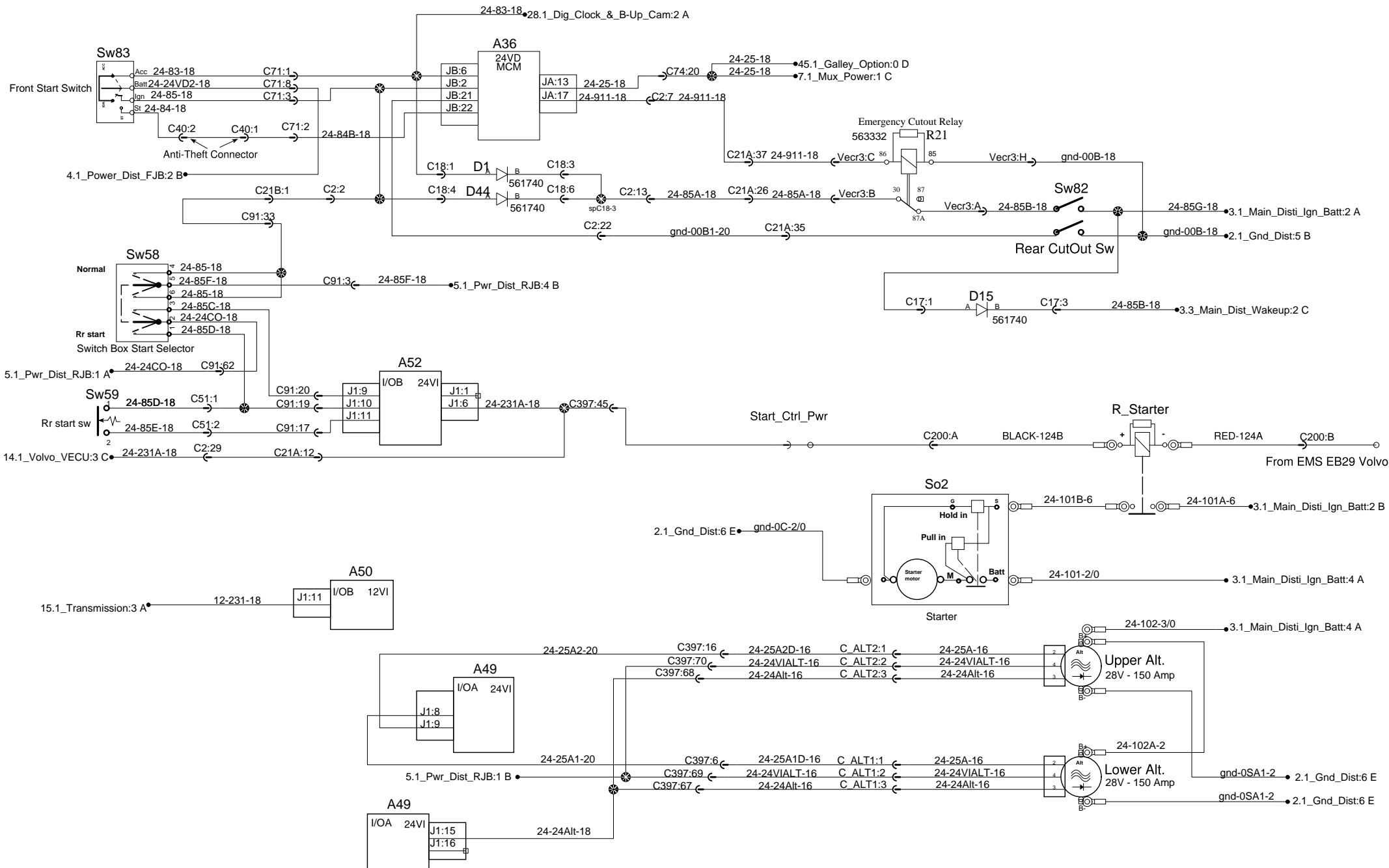
Engine Start and Charging system



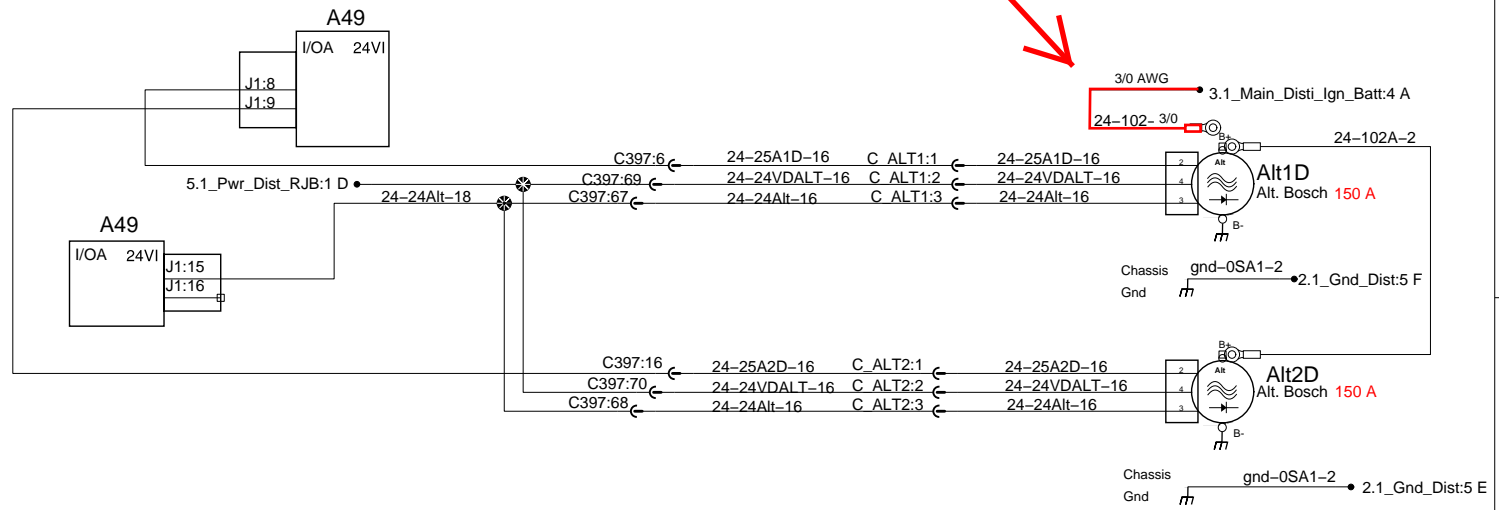
Engine Start and Charging system



Engine Start and Charging system

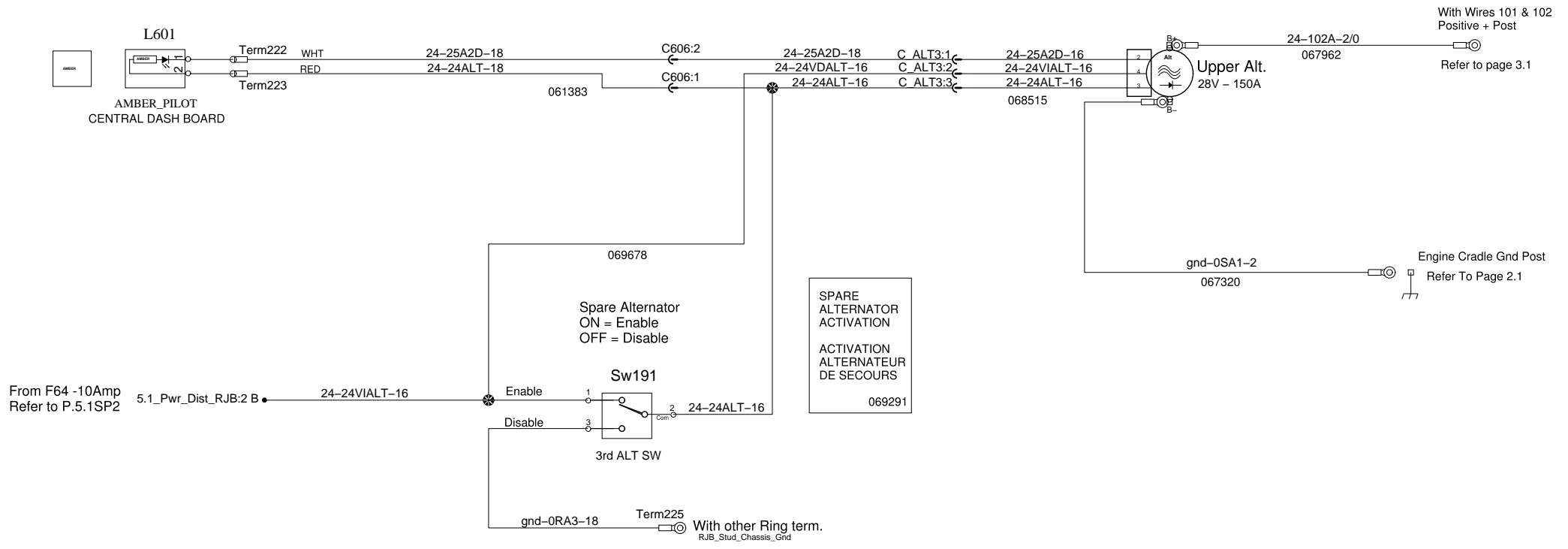


Engine Start and Charging system

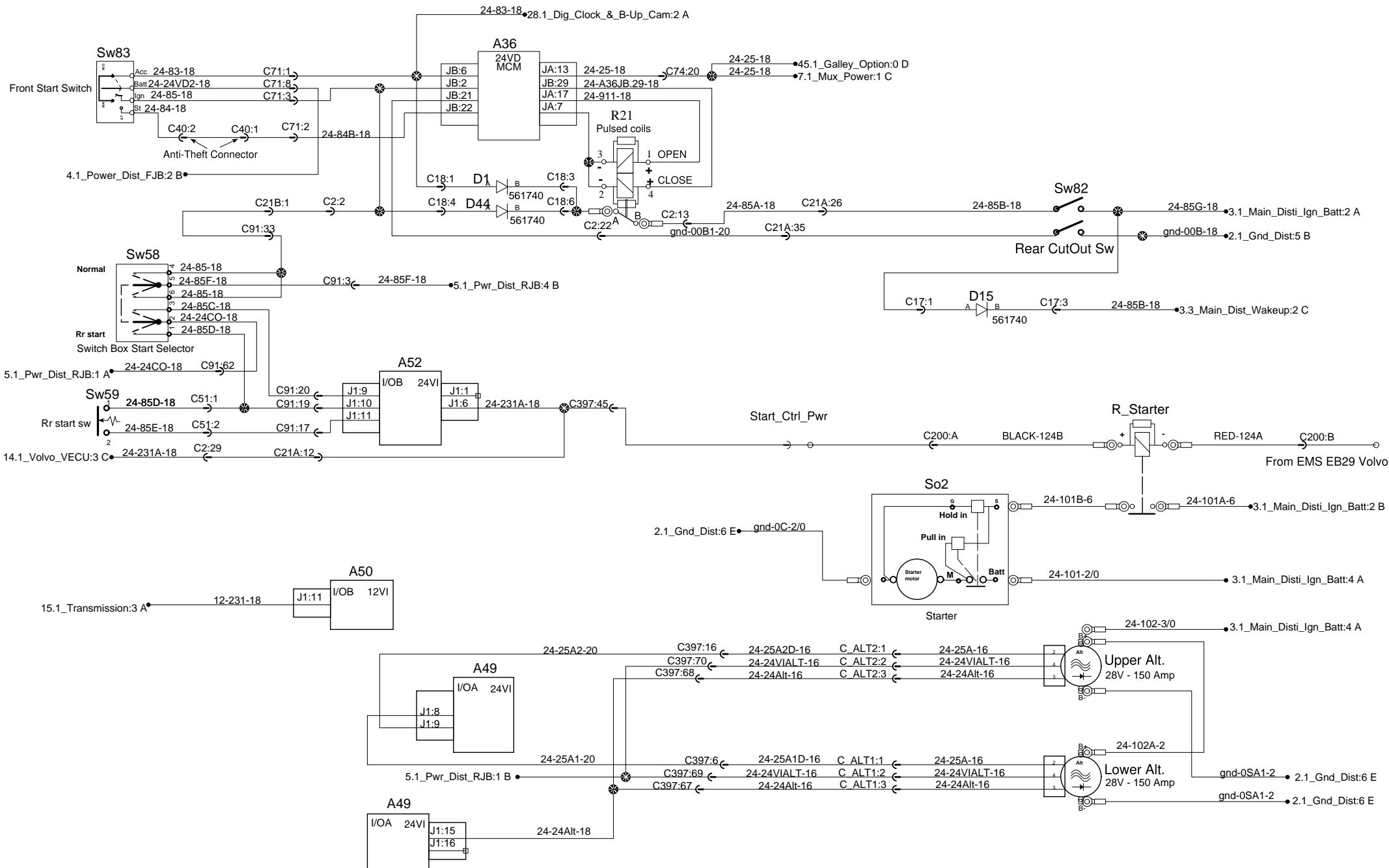


3rd ALTERNATOR IN OPTION

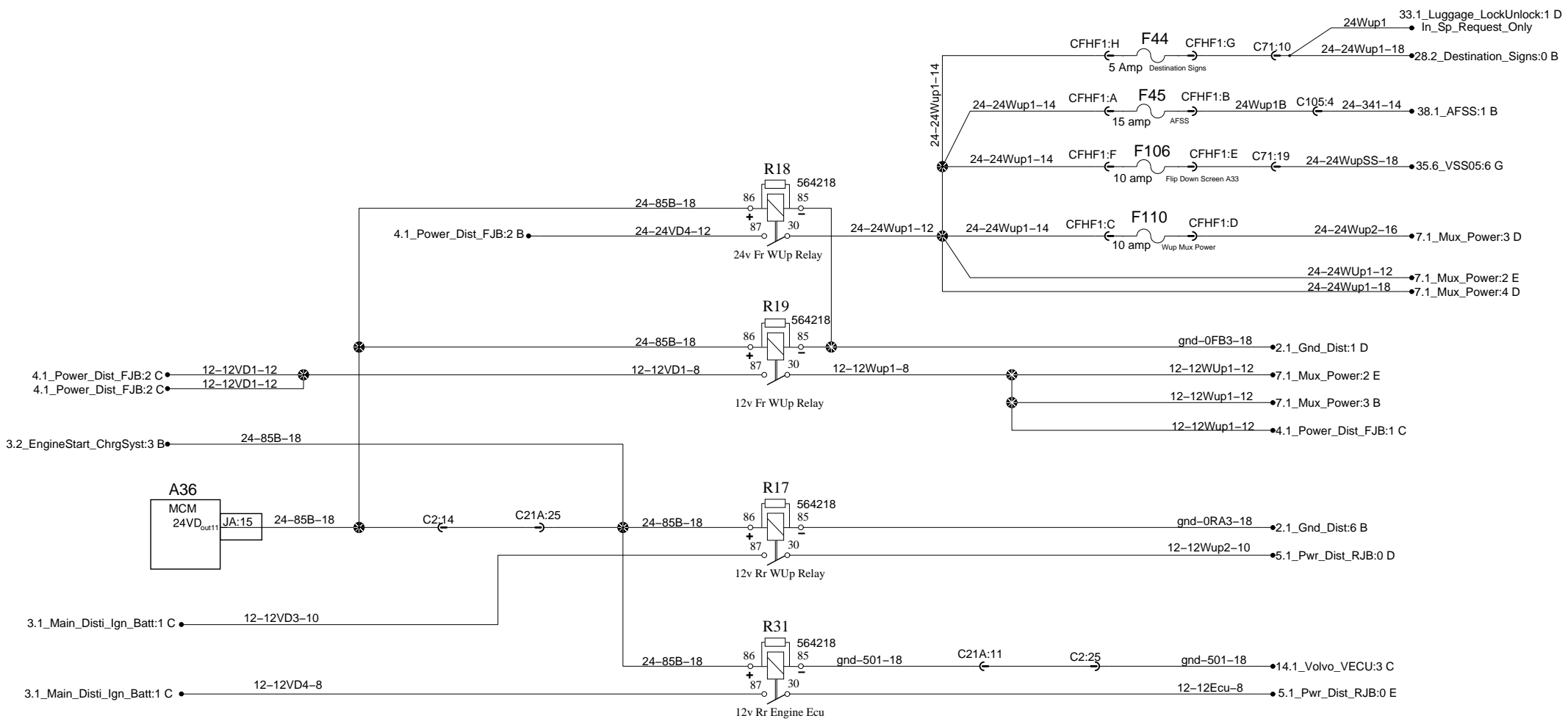
CUSTOMER ADAPTATION (201337)



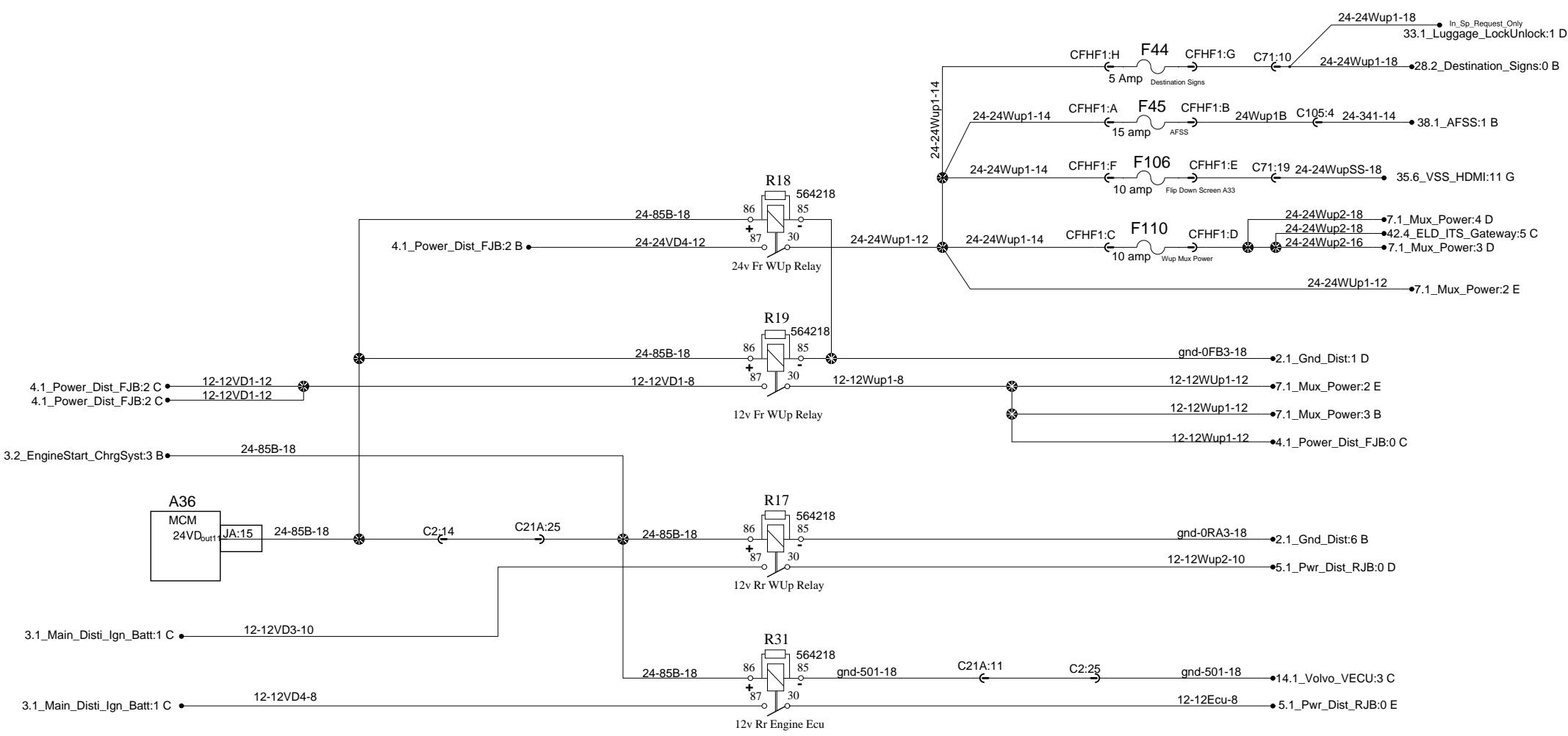
Engine Start and Charging system



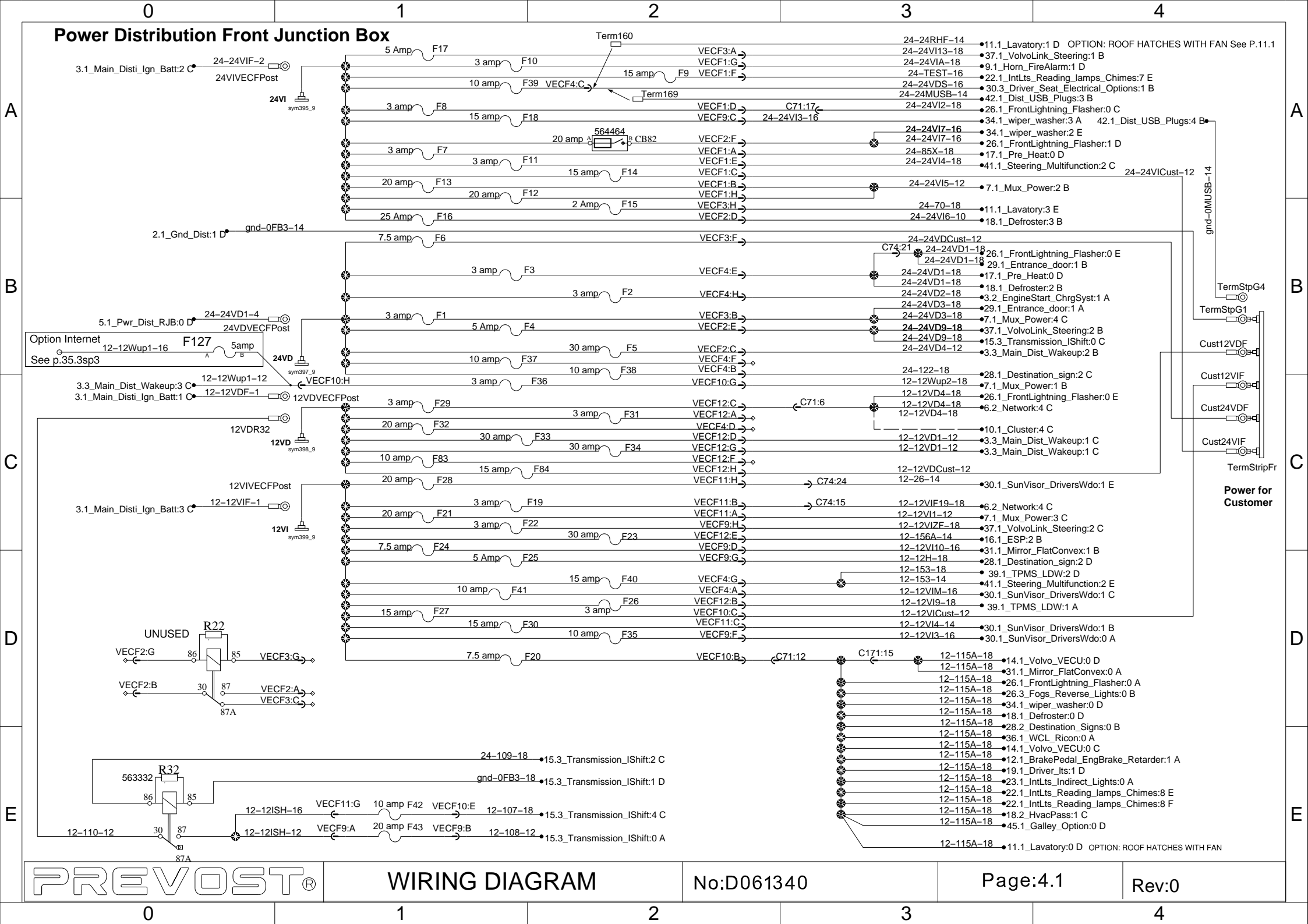
MAIN DISTRIBUTION Wake-Up



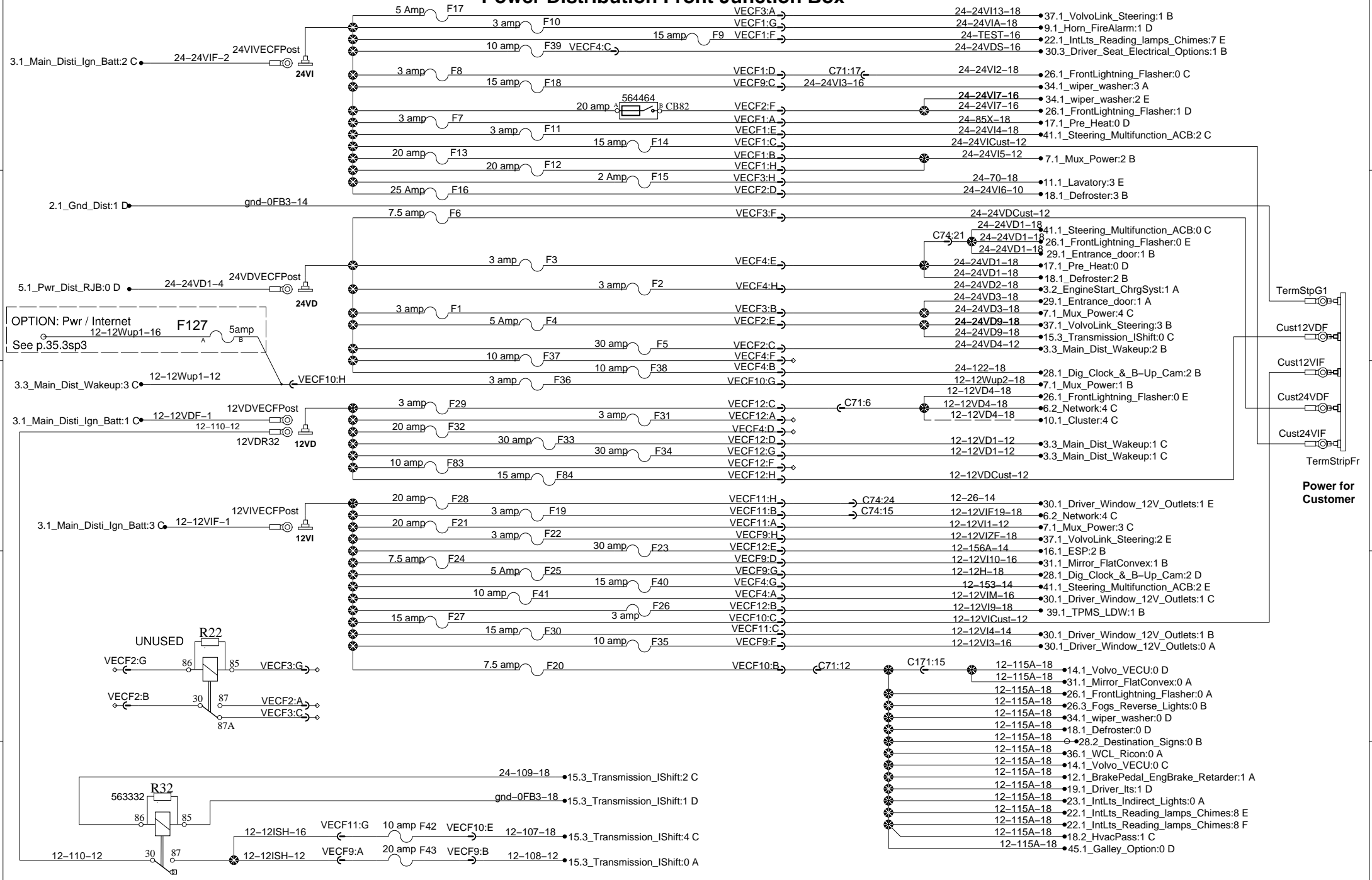
MAIN DISTRIBUTION Wake-Up



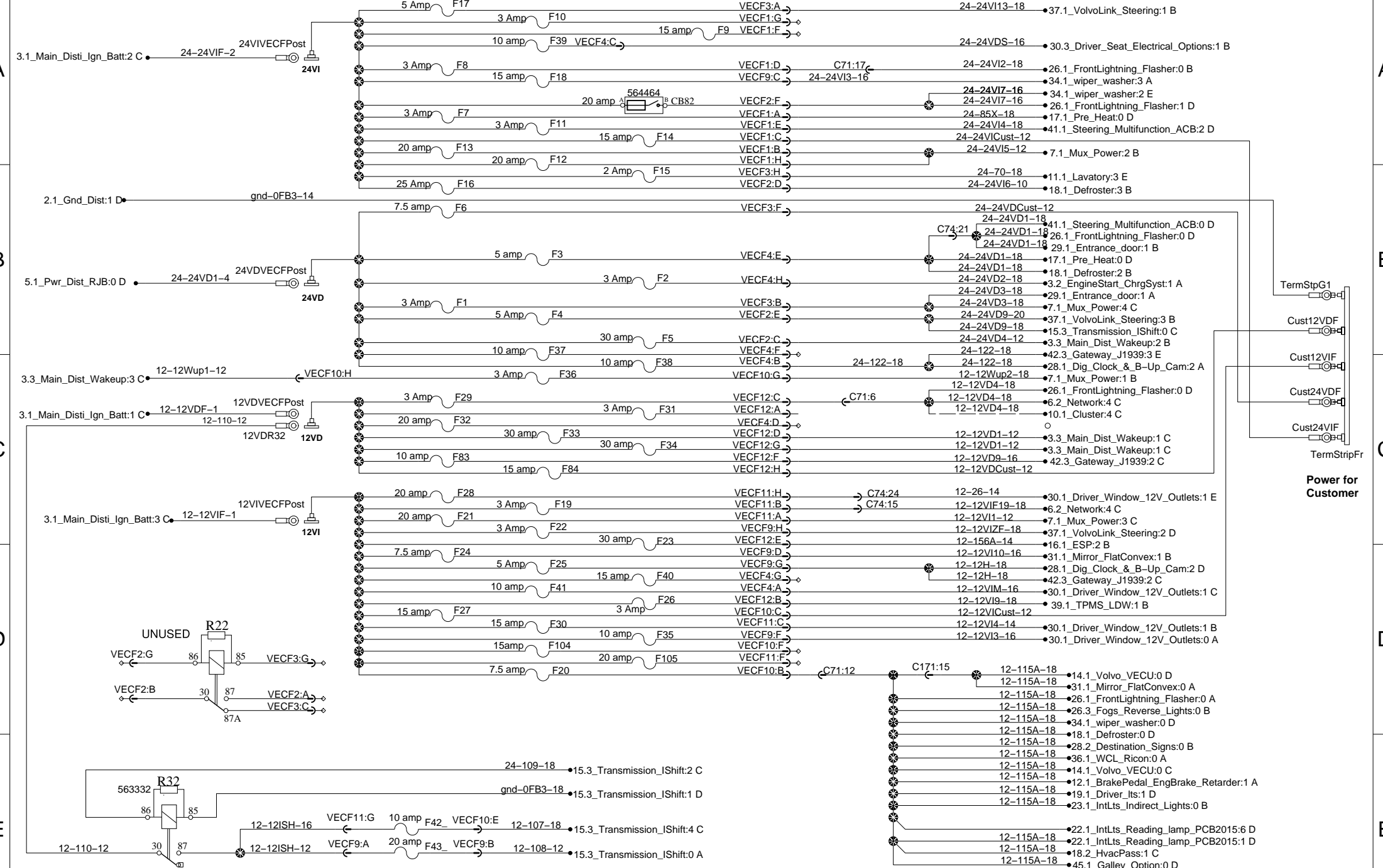
Power Distribution Front Junction Box



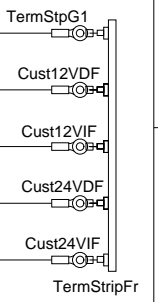
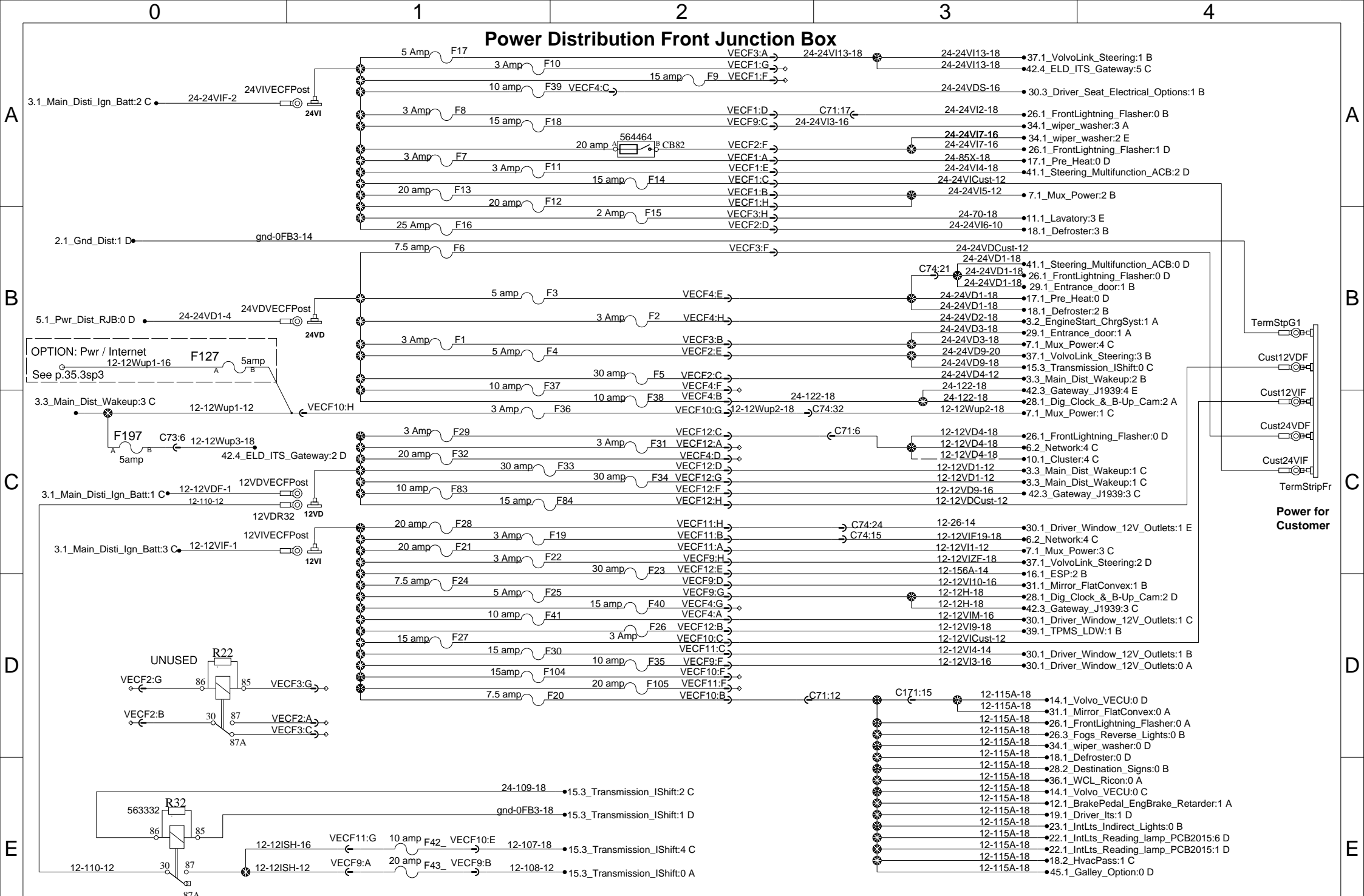
Power Distribution Front Junction Box



Power Distribution Front Junction Box

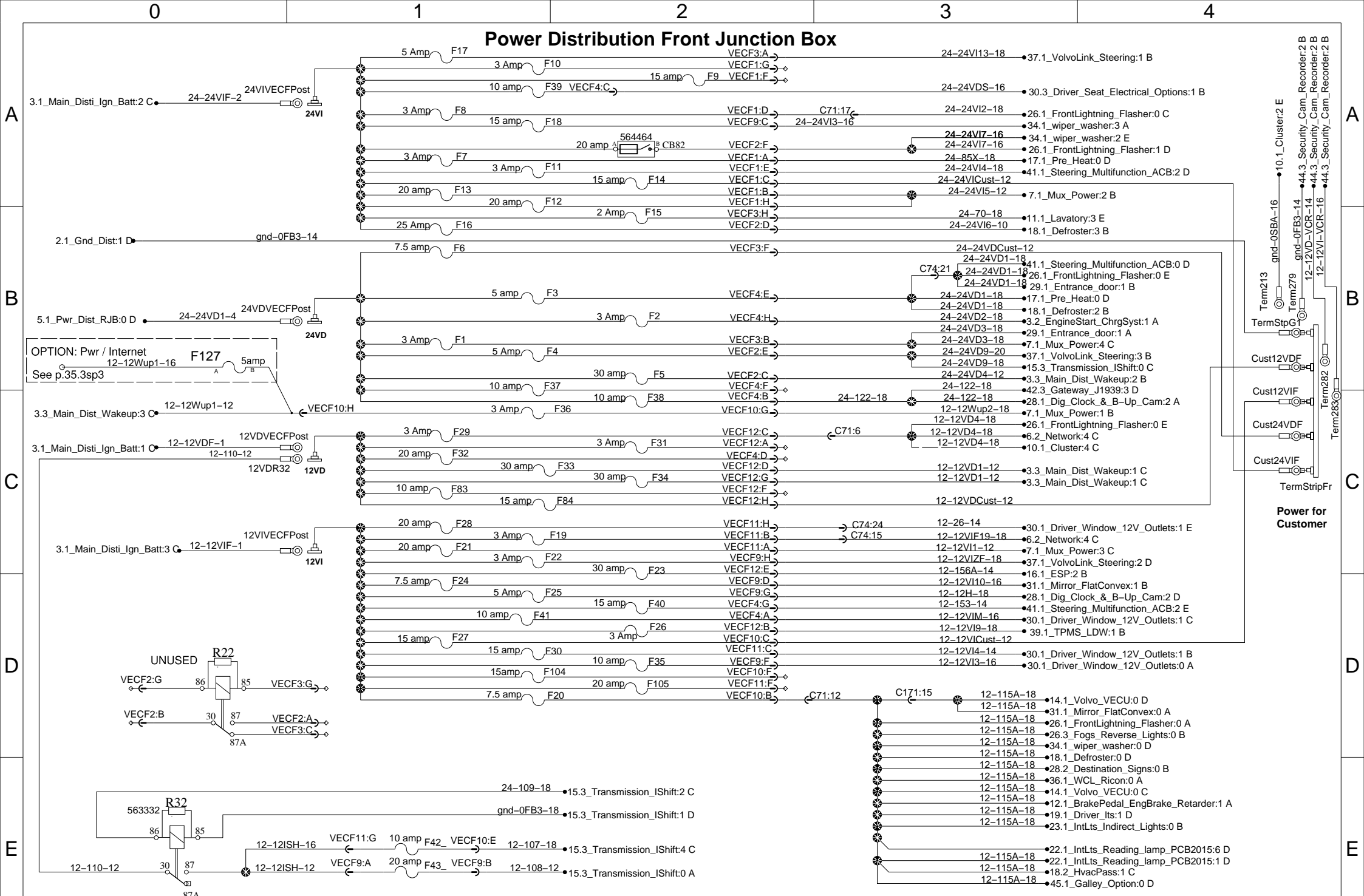


Power Distribution Front Junction Box

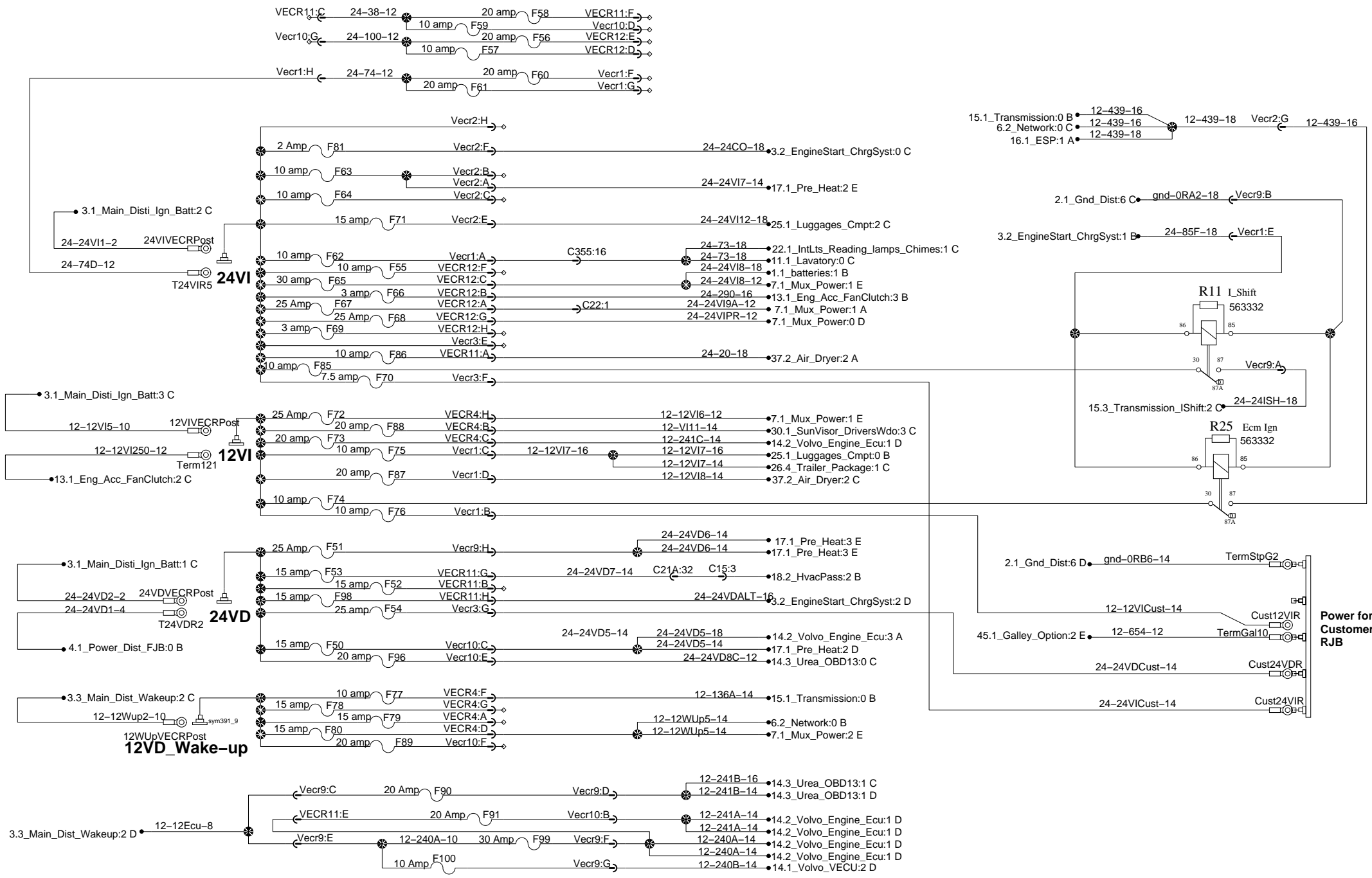


Power for Customer

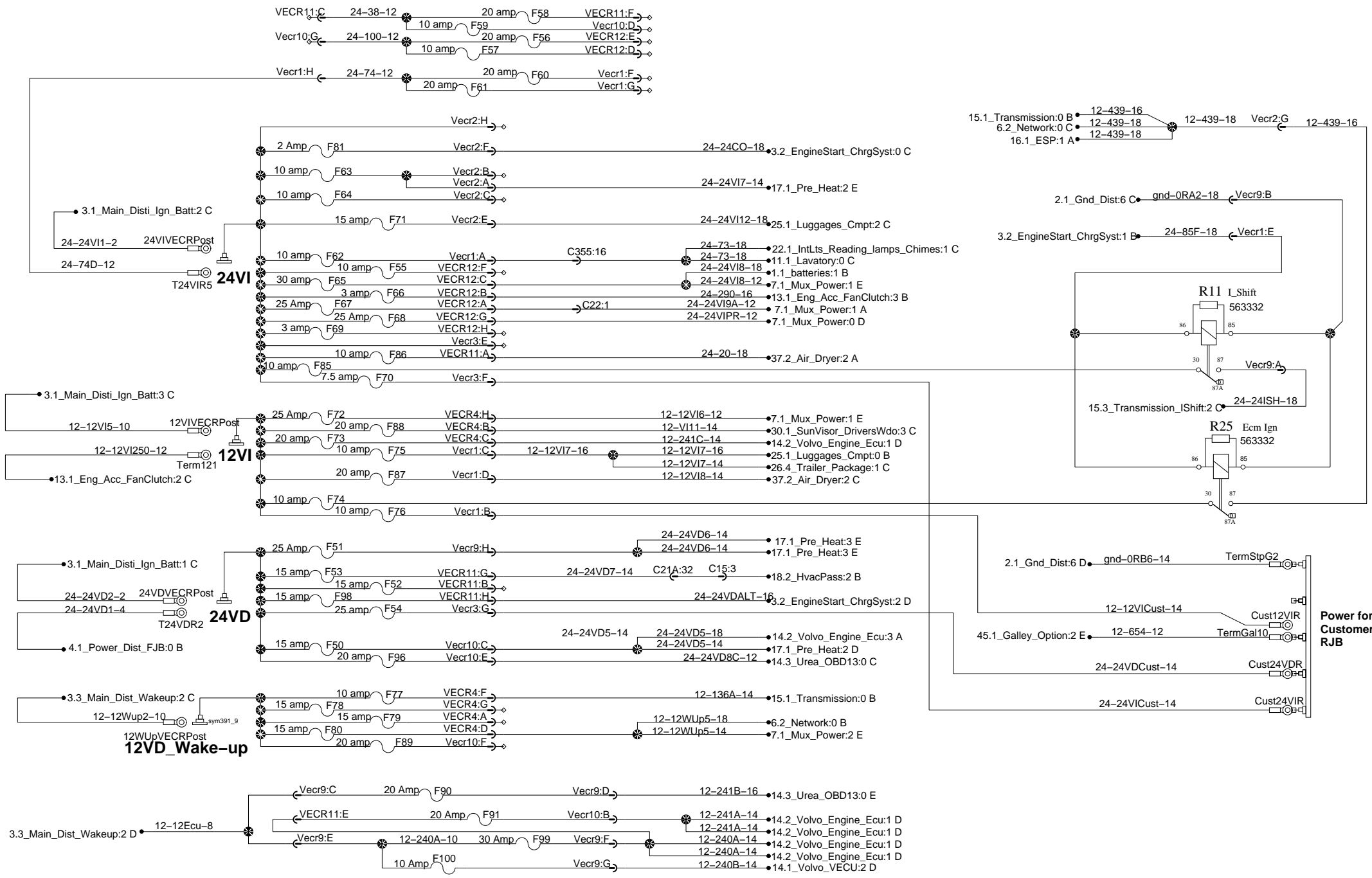
Power Distribution Front Junction Box



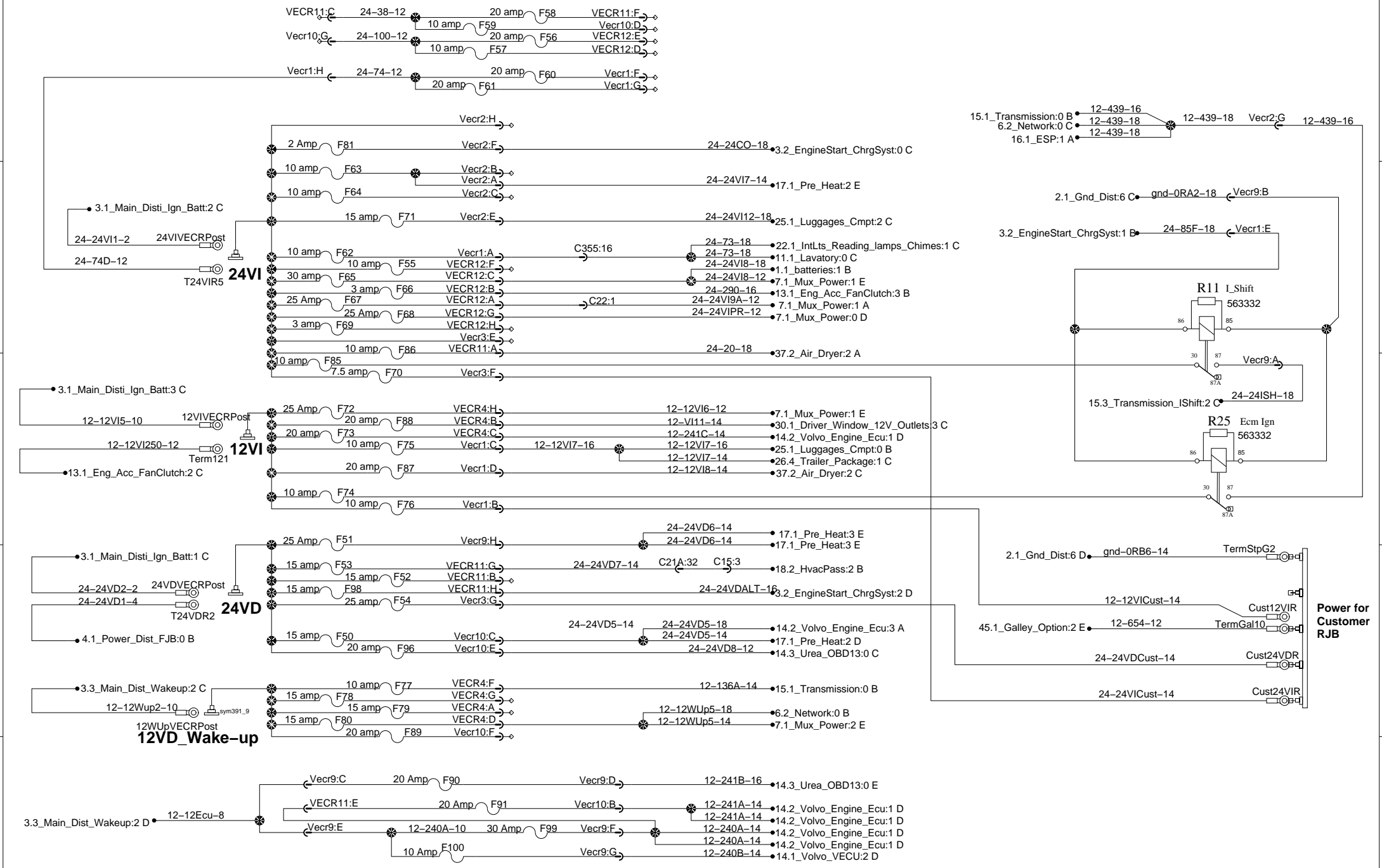
Power distribution Rear Junction box



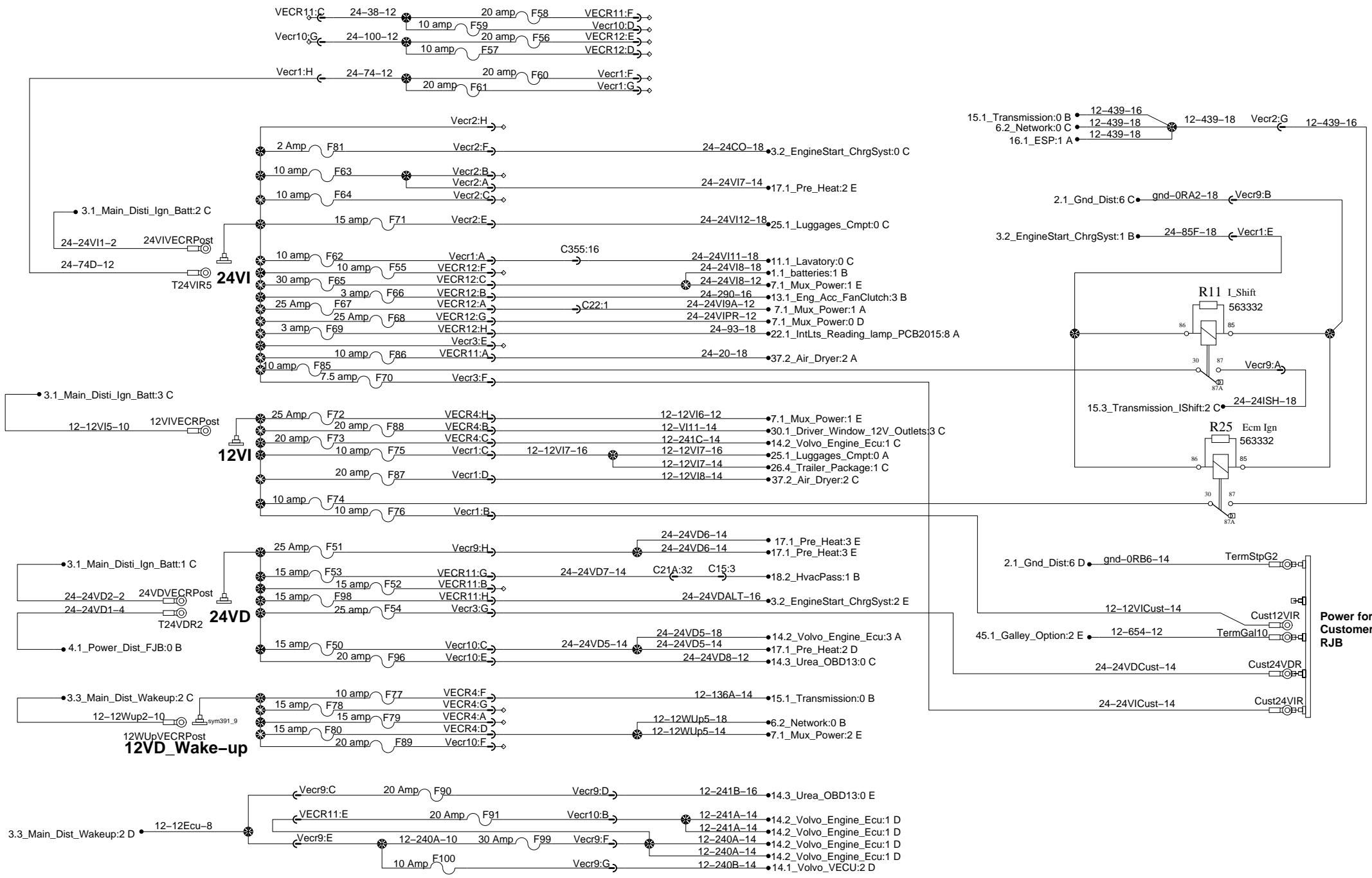
Power distribution Rear Junction box



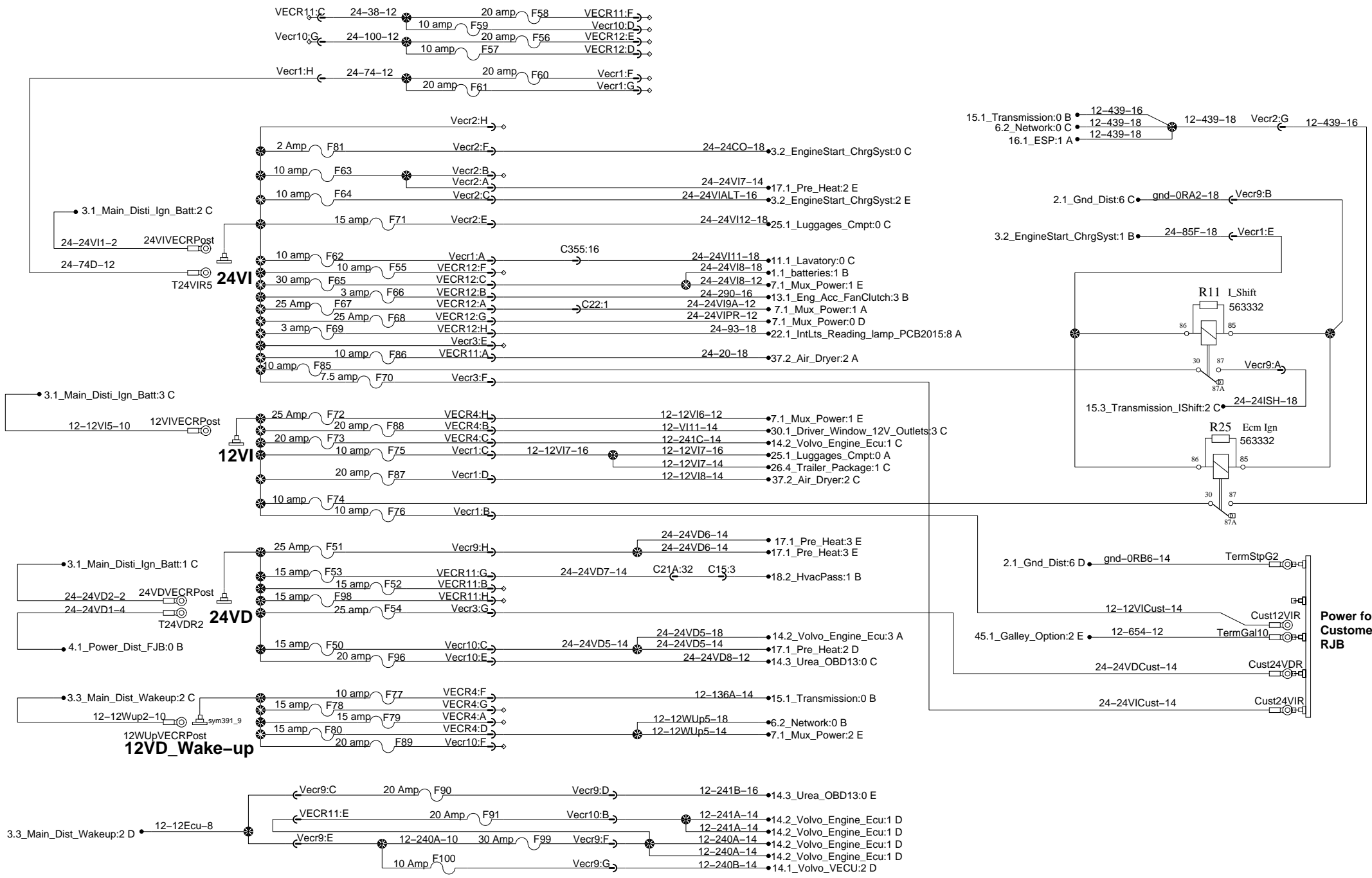
Power distribution Rear Junction box



Power distribution Rear Junction box



Power distribution Rear Junction box



Power for Customer RJB

Power distribution Rear Junction box

A

A

B

B

C

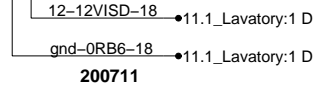
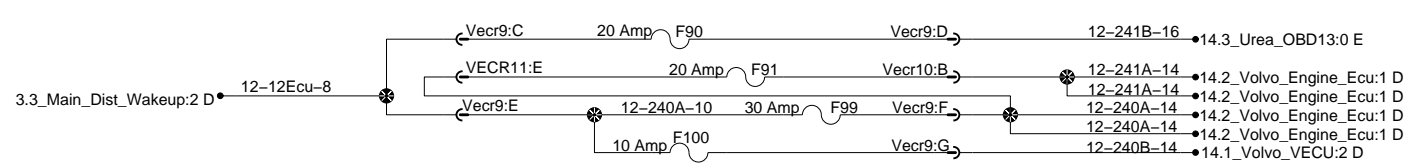
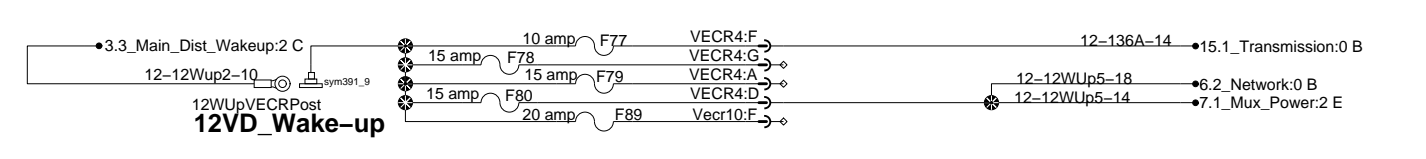
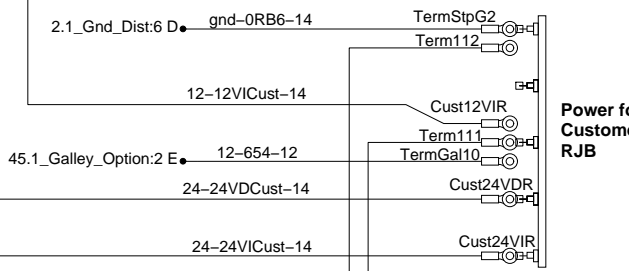
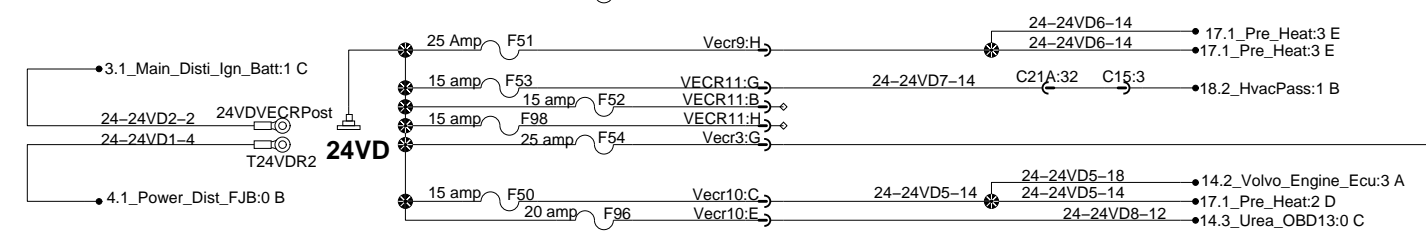
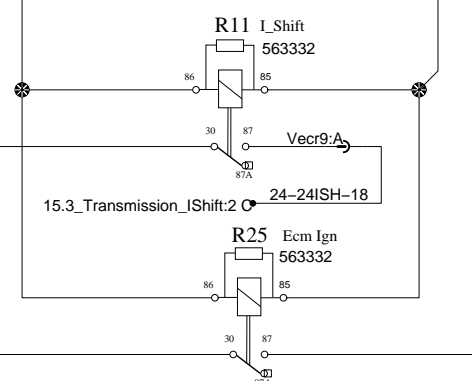
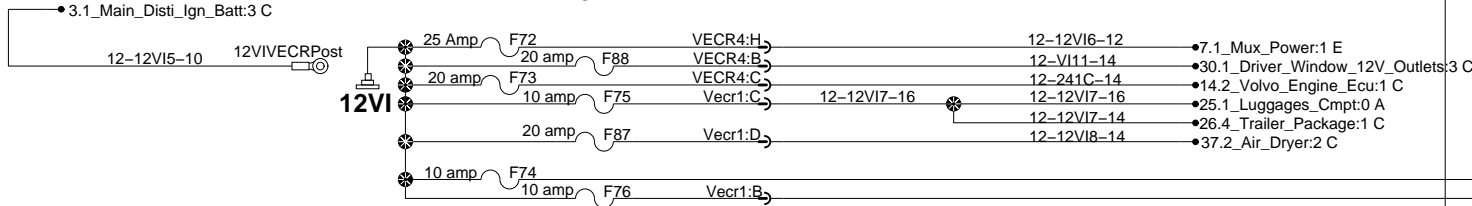
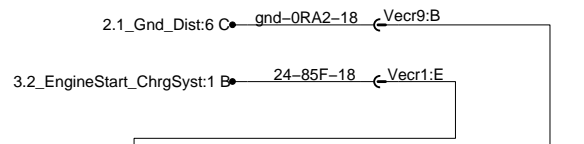
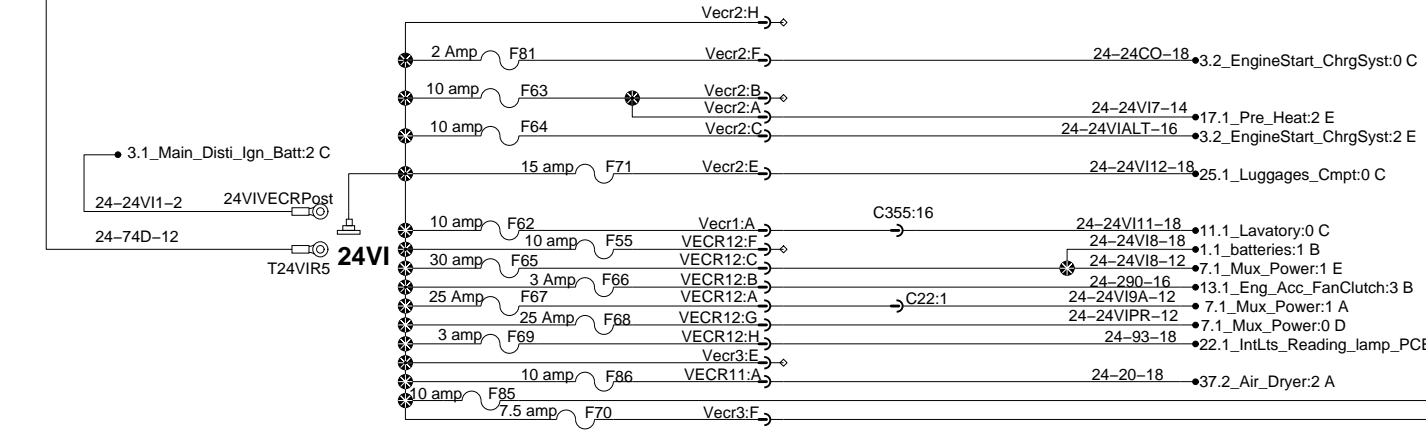
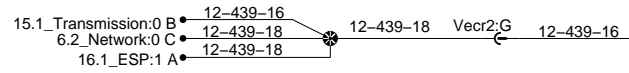
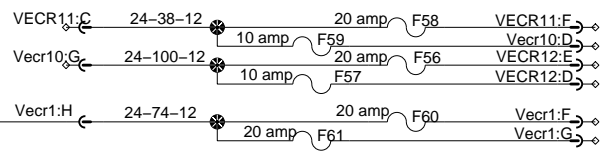
C

D

D

E

E



Power distribution Rear Junction box

A

B

C

D

E

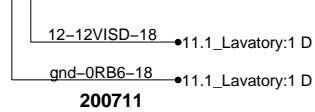
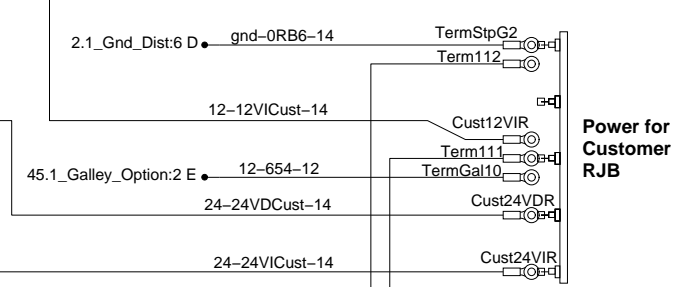
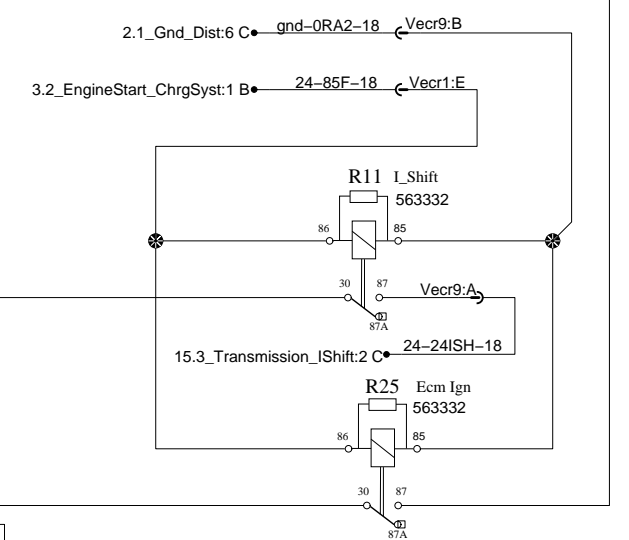
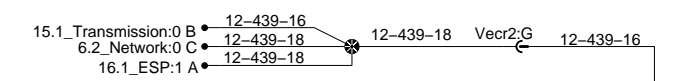
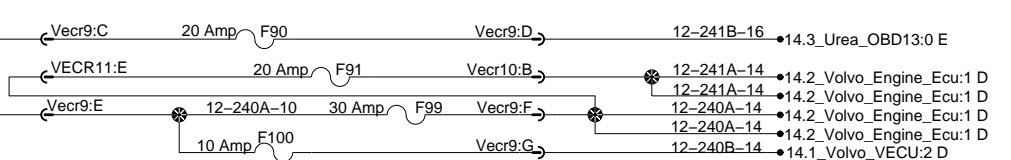
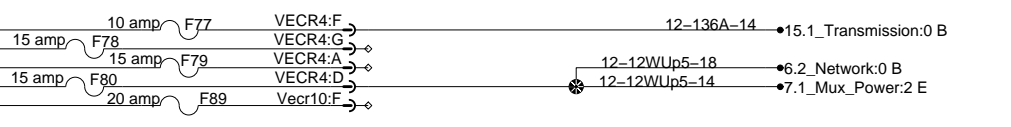
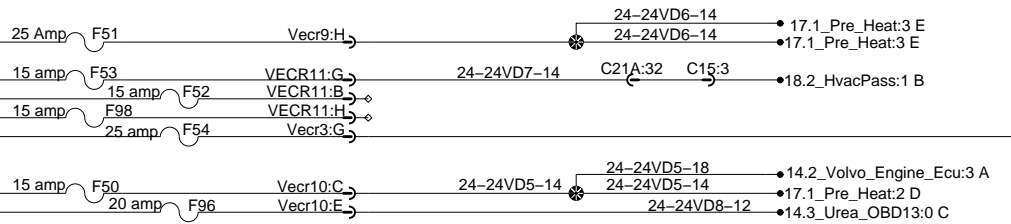
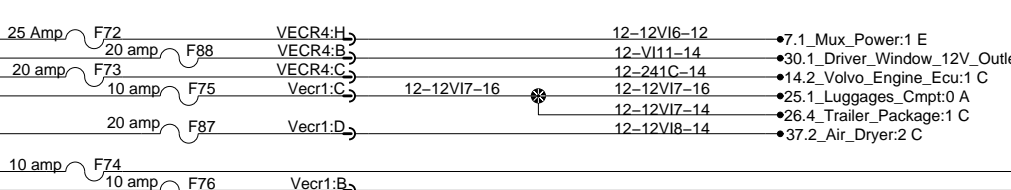
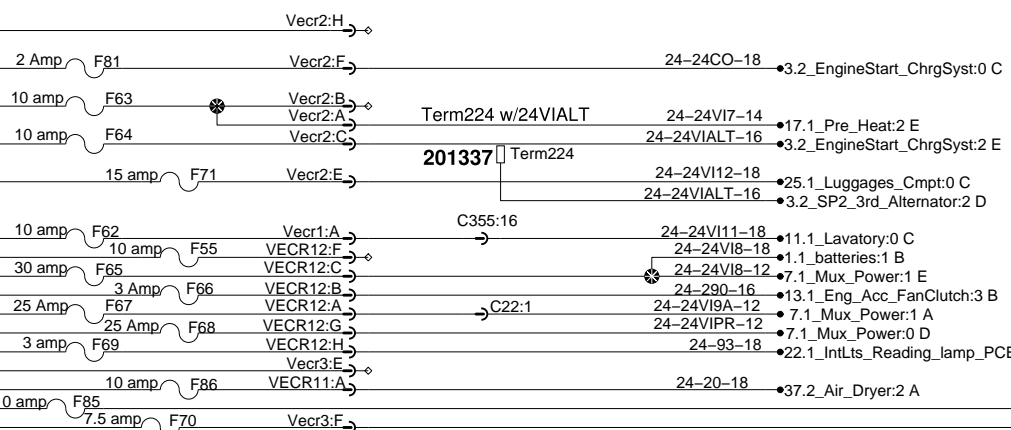
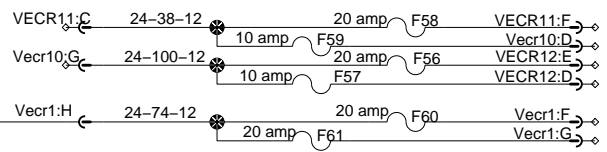
A

B

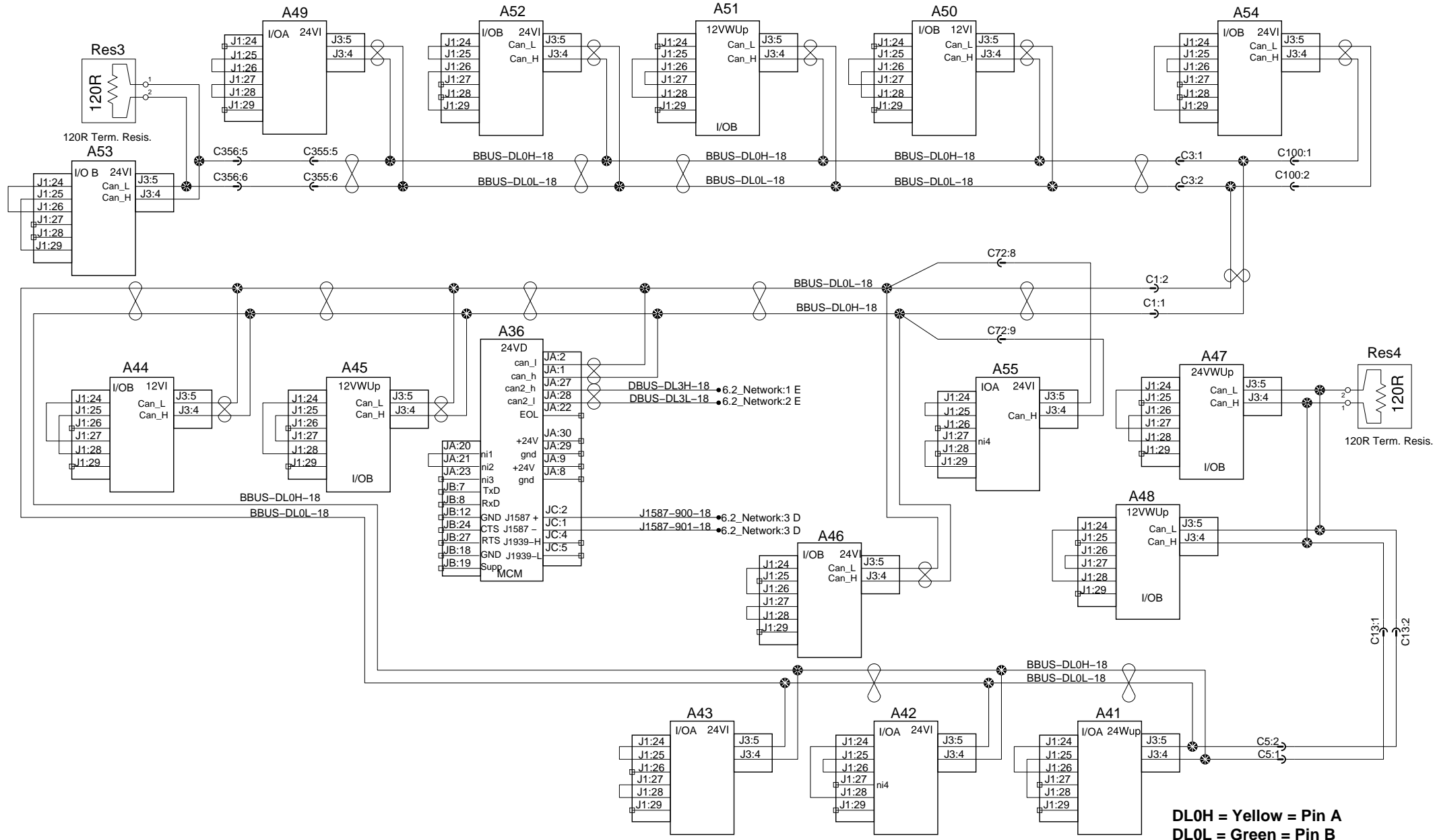
C

D

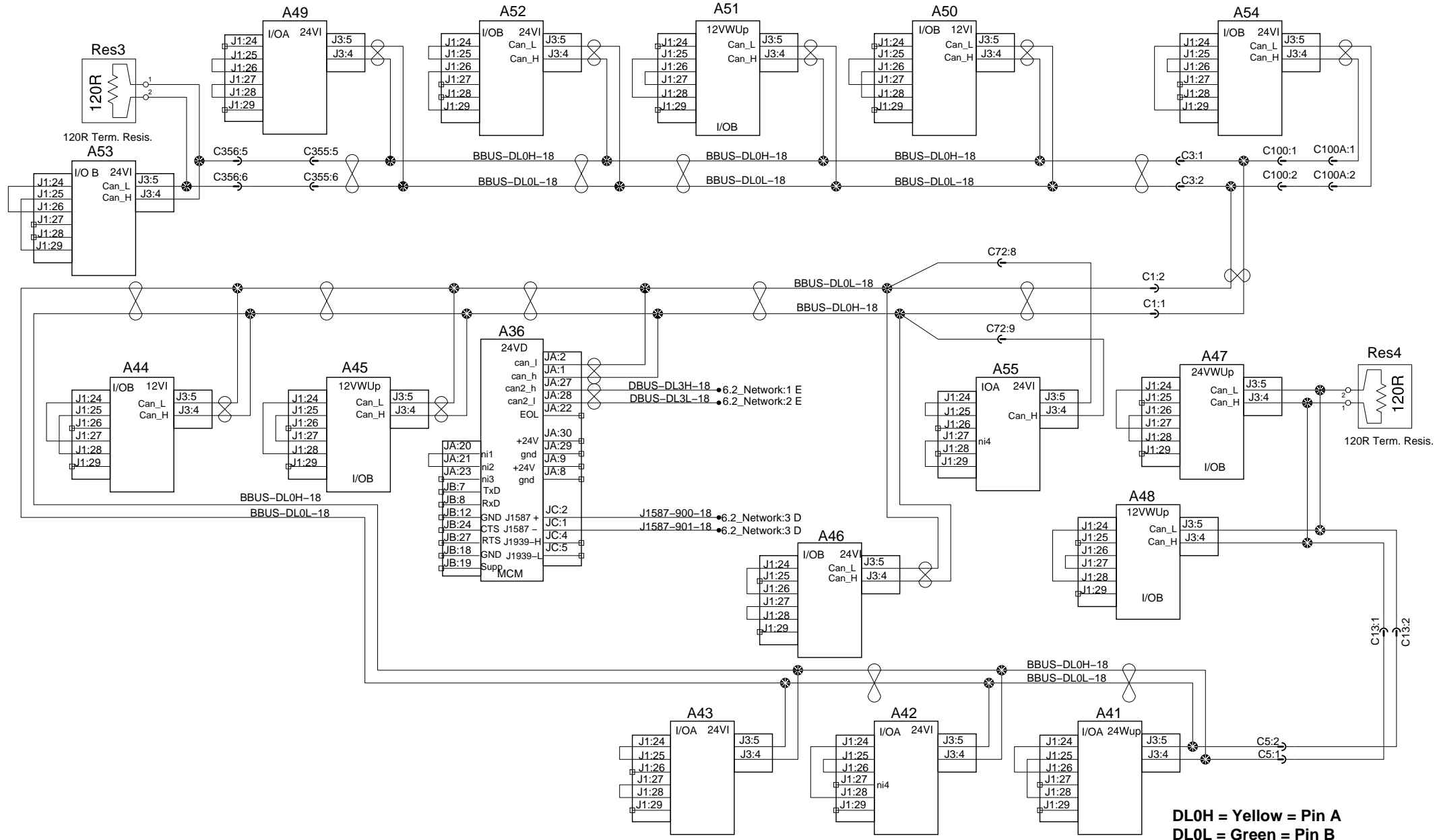
E



Multiplex Can, J1587 Network and Addressing



Multiplex Can, J1587 Network and Addressing



DL0H = Yellow = Pin A
DL0L = Green = Pin B

J1939 and J1587 Networks

J1939

J1587

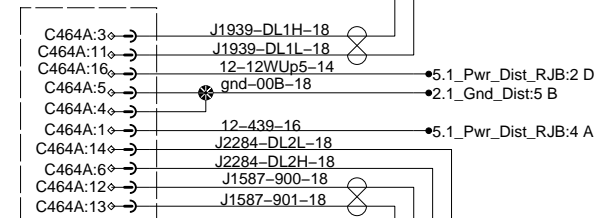
Can Iso J2284

DBus

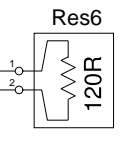
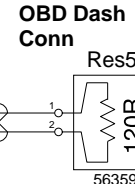
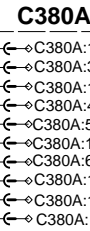
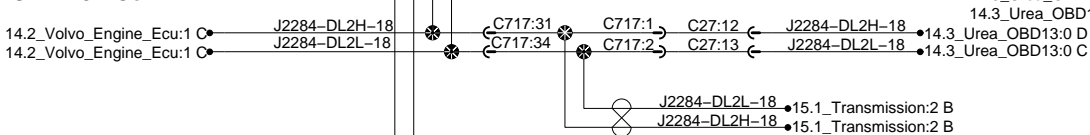
NETWORKS

- DL0 - BBUS MUX
- DL1 - J1939
- DL2 - J2284
- DL3 - DBUS MUX
- DL7 - ENGINE SUBNET
- DL9 - POWER TRAIN SUBNET

C464A



OBD RJB Conn



J1939 and J1587 Networks

J1939

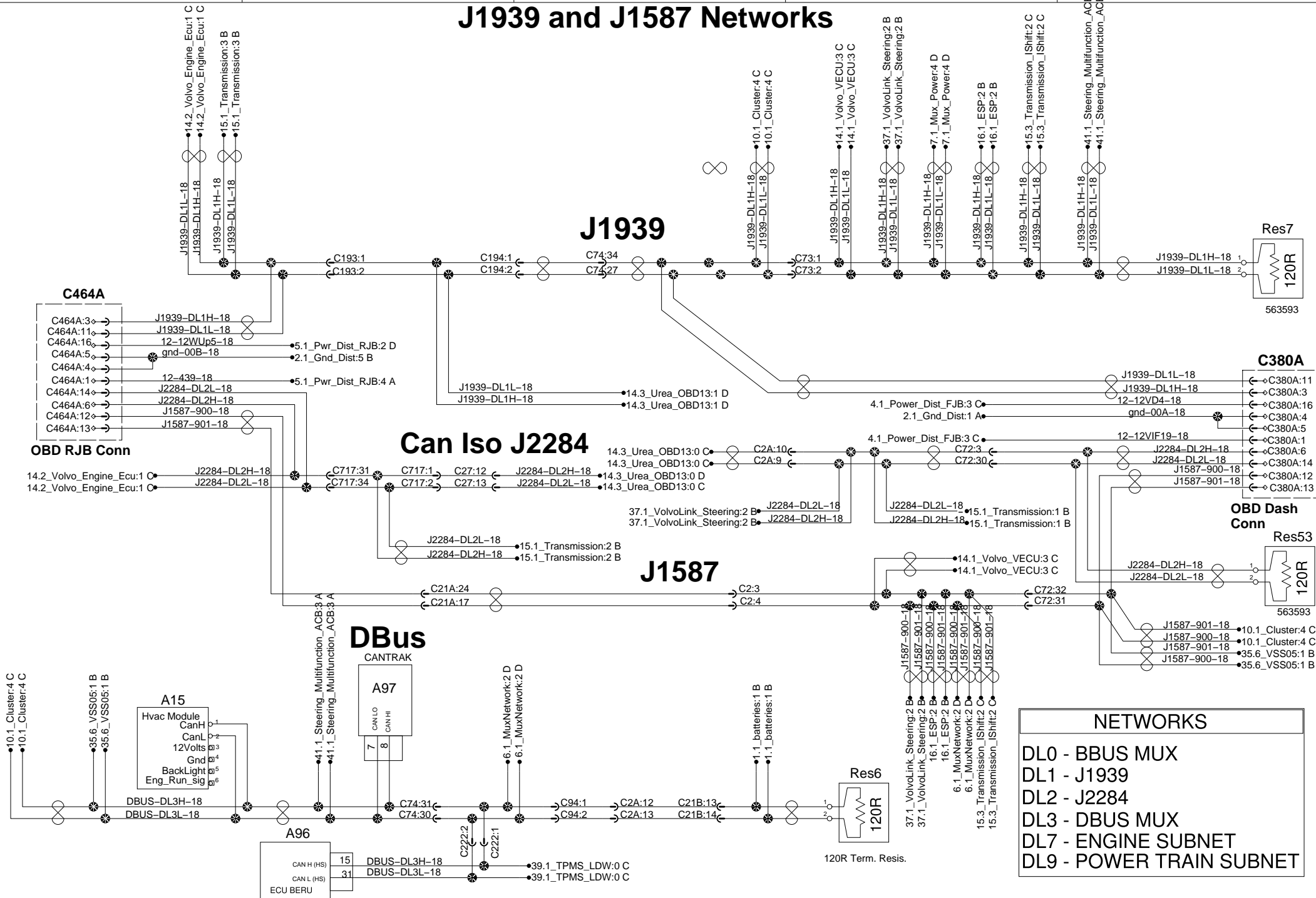
J1587

Can Iso J2284

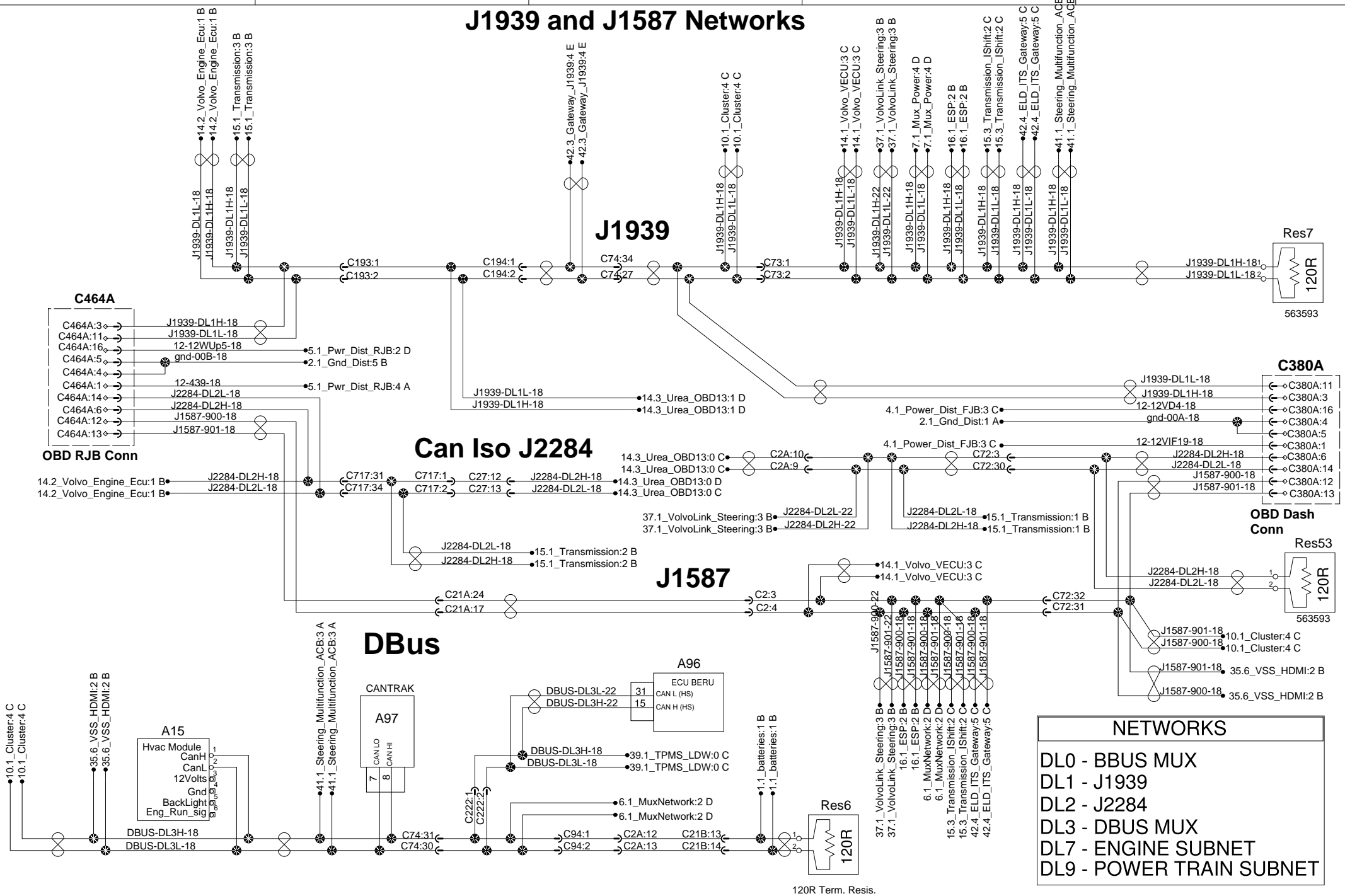
DBus

NETWORKS

- DL0 - BBUS MUX
- DL1 - J1939
- DL2 - J2284
- DL3 - DBUS MUX
- DL7 - ENGINE SUBNET
- DL9 - POWER TRAIN SUBNET



J1939 and J1587 Networks



Multiplex Power Supply Distribution

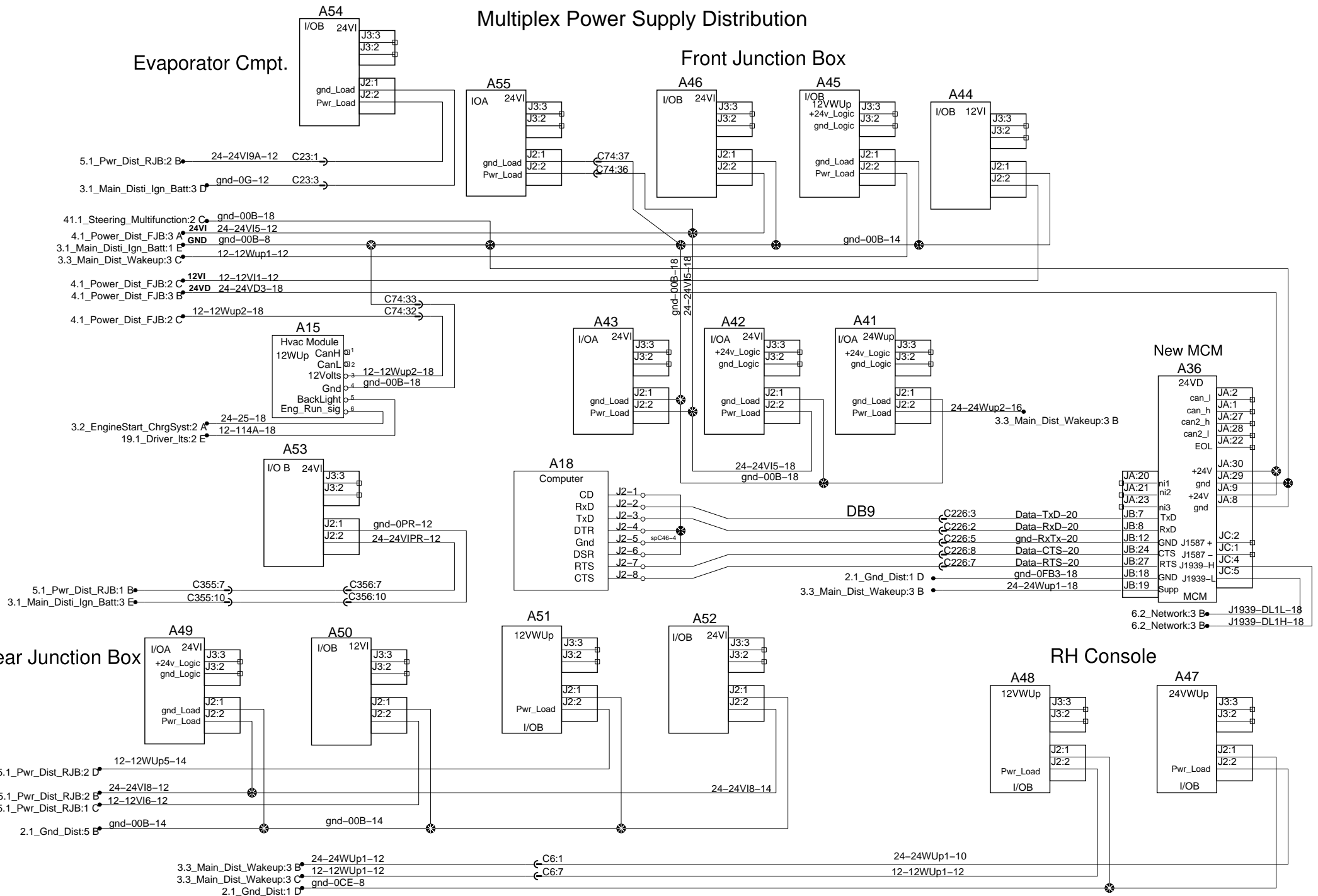
Evaporator Cmpt.

Front Junction Box

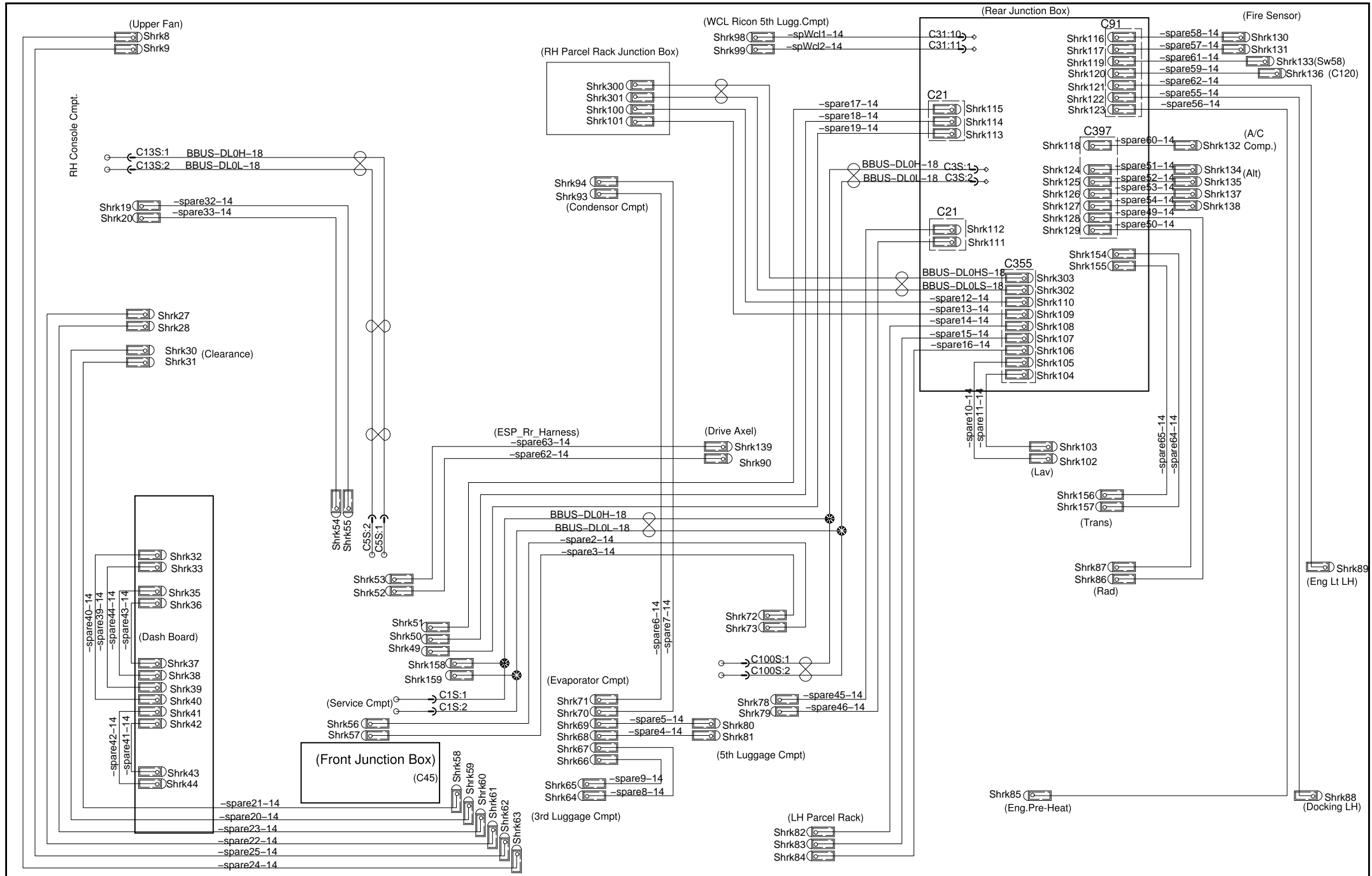
New MCM

Rear Junction Box

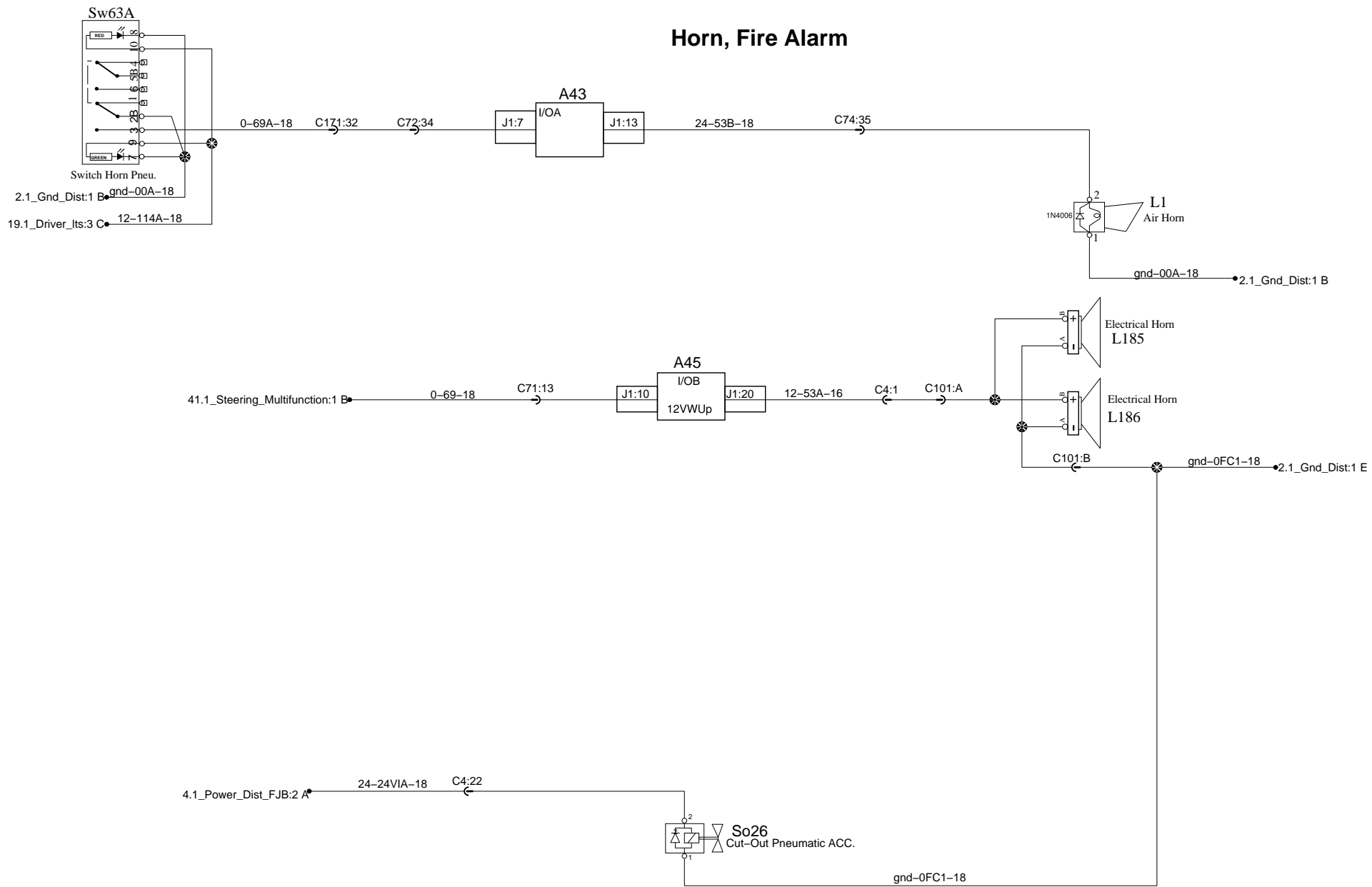
RH Console



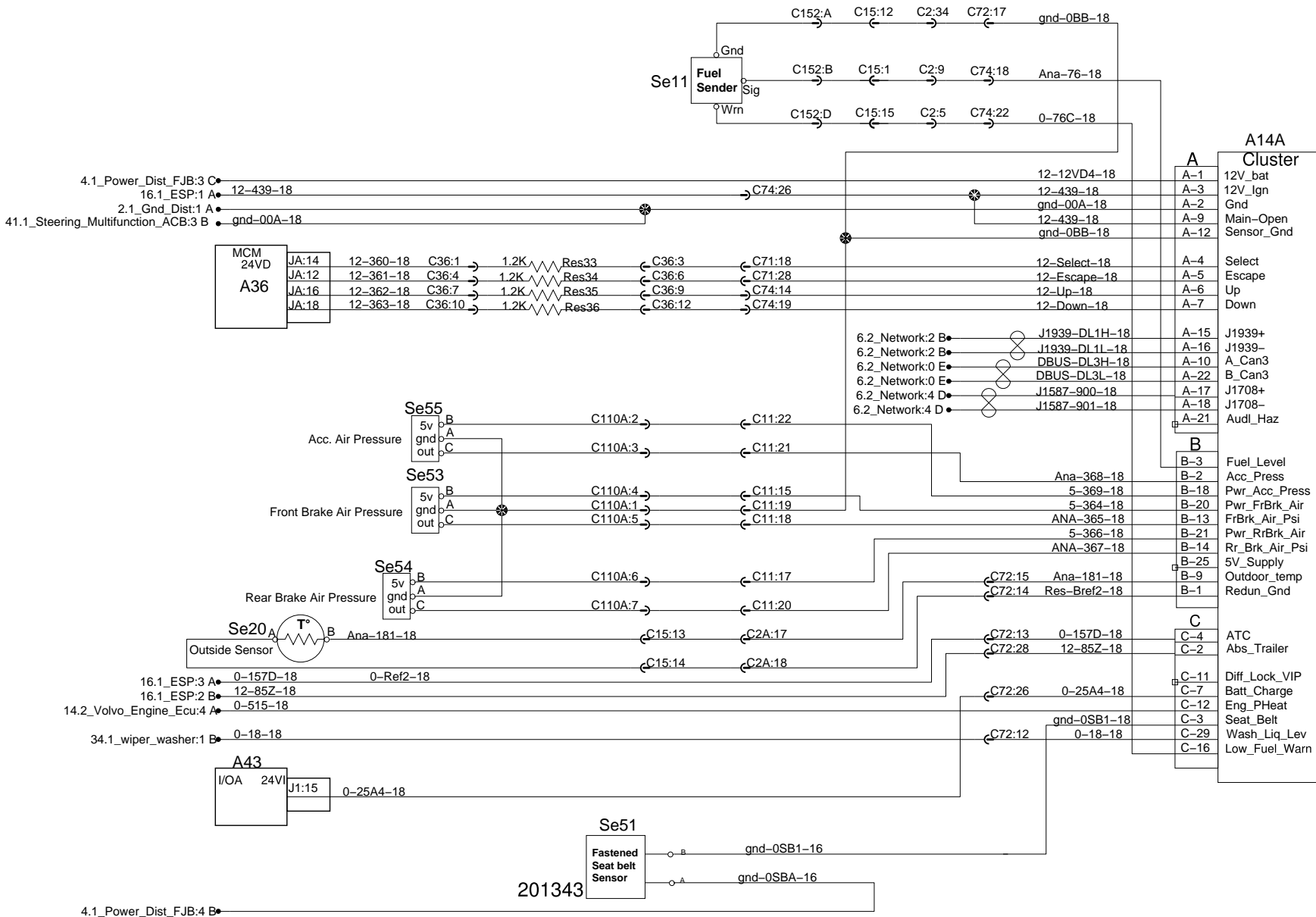
Spare Wires



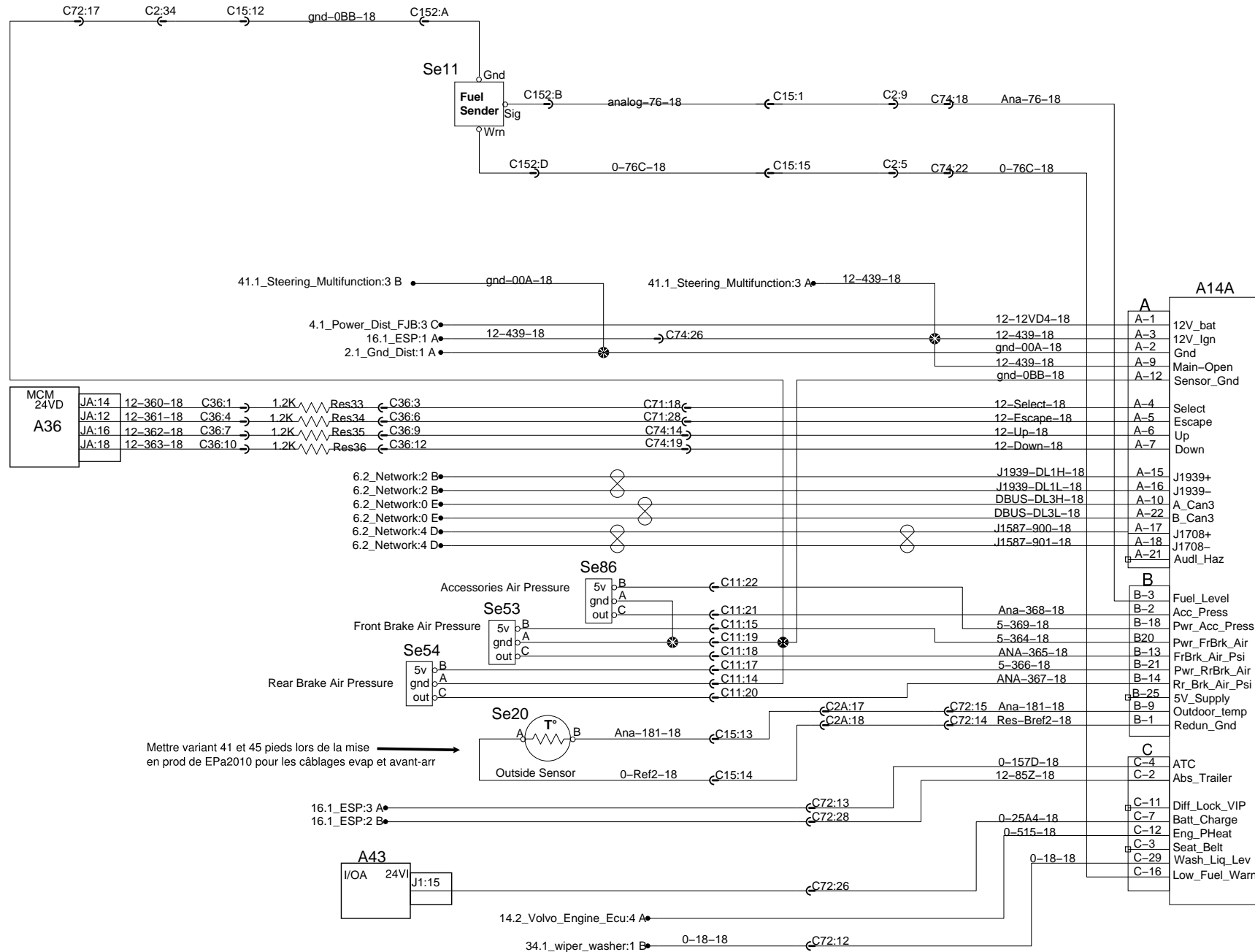
Horn, Fire Alarm



Cluster

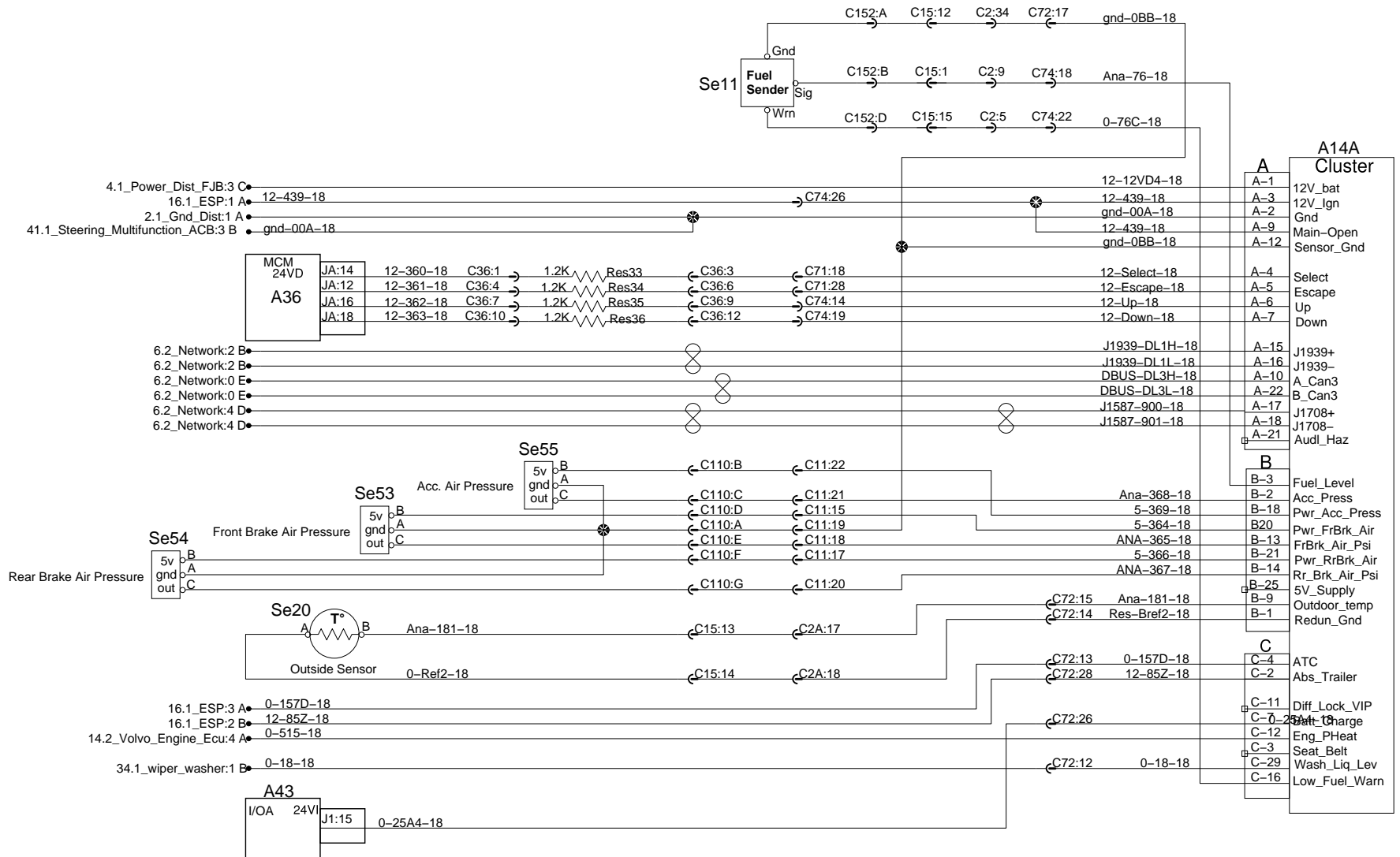


Cluster

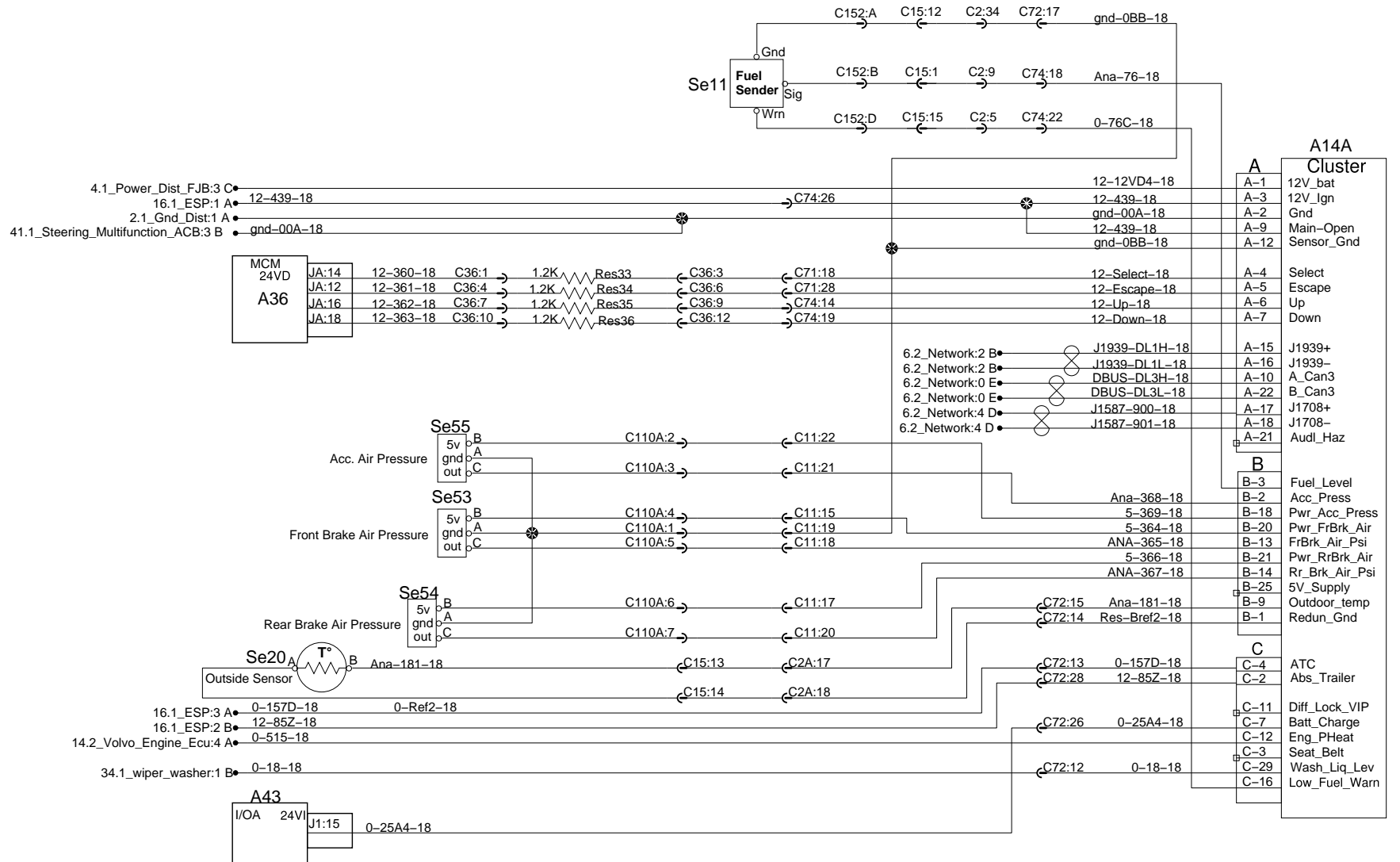


Mettre variant 41 et 45 pieds lors de la mise en prod de EPa2010 pour les câblages evap et avant-arr

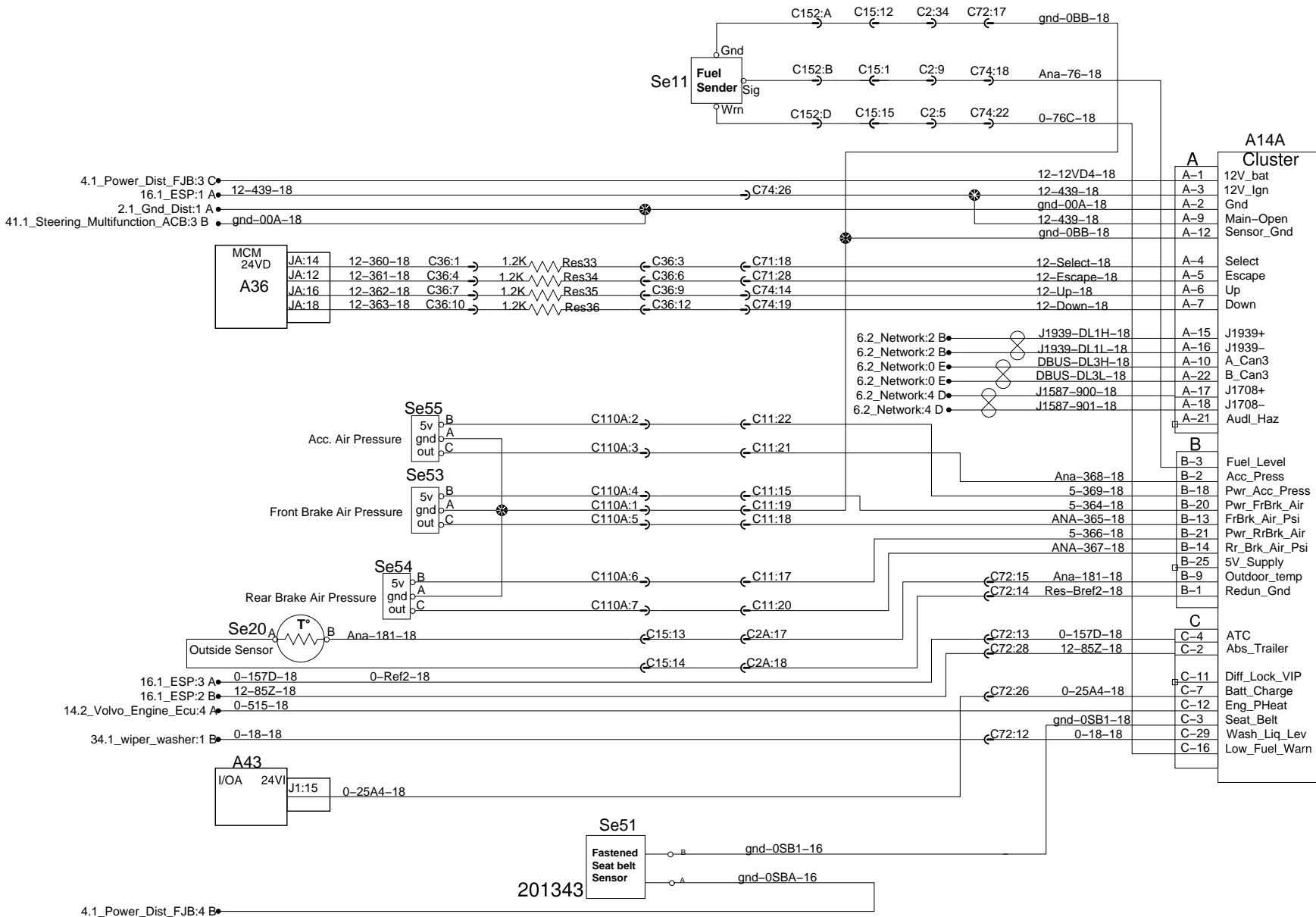
Cluster



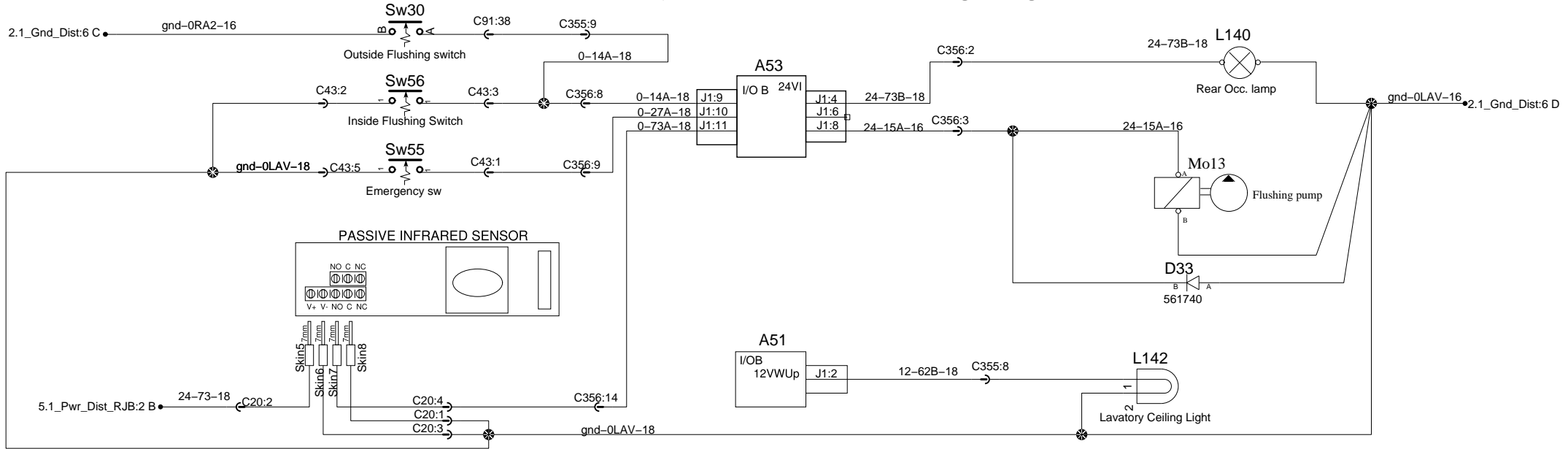
Cluster



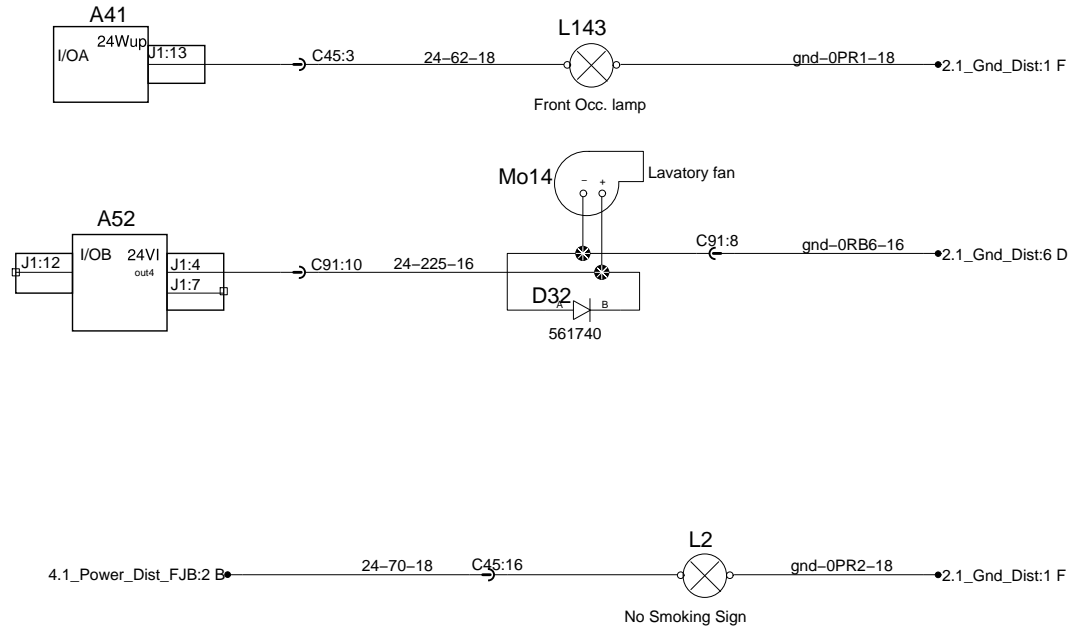
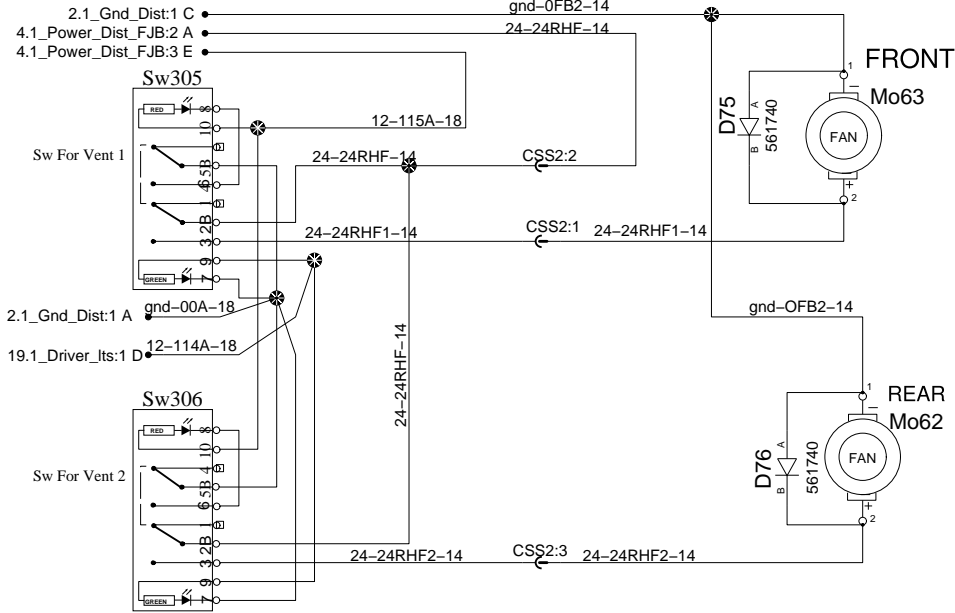
Cluster



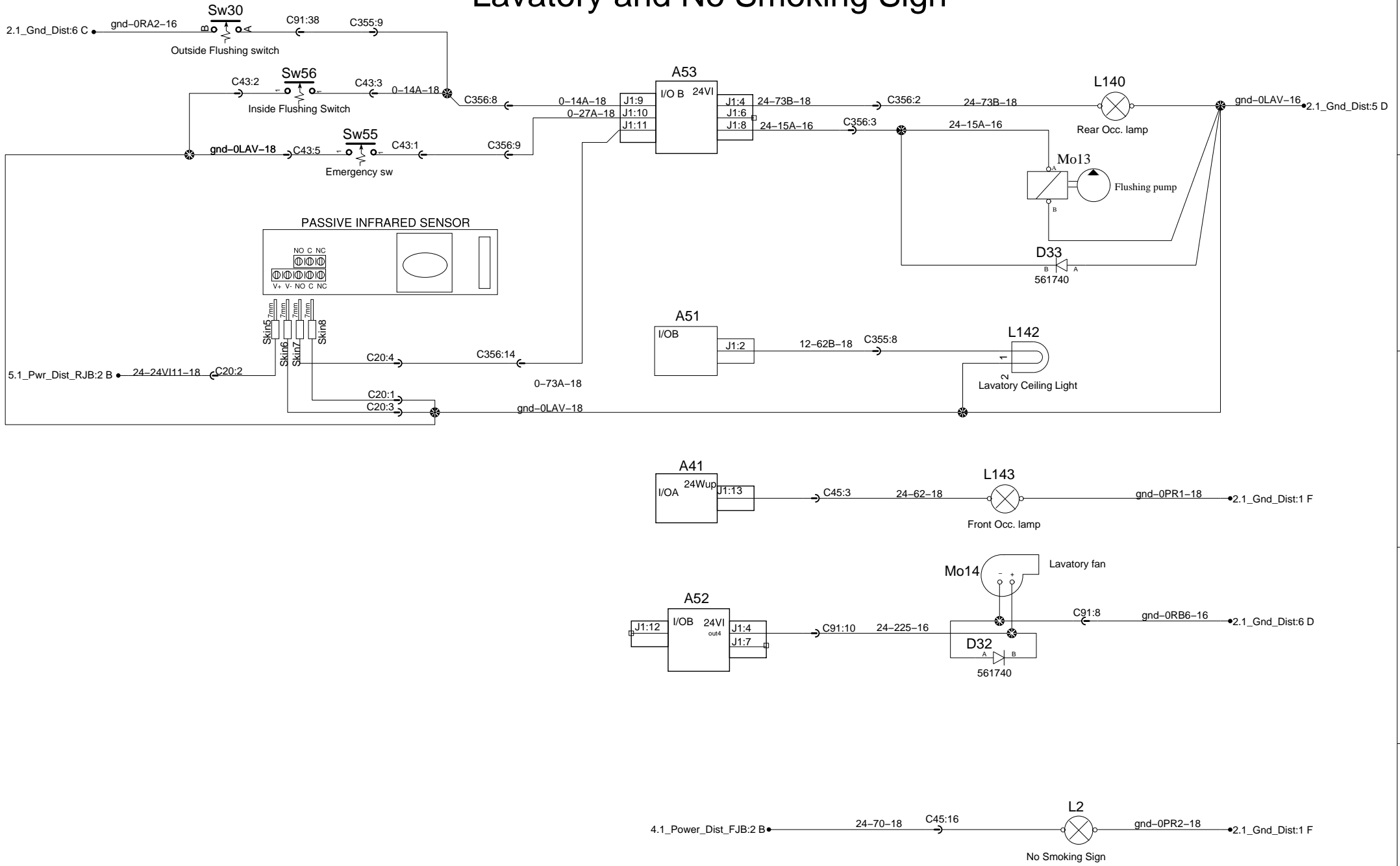
Lavatory and No Smoking Sign



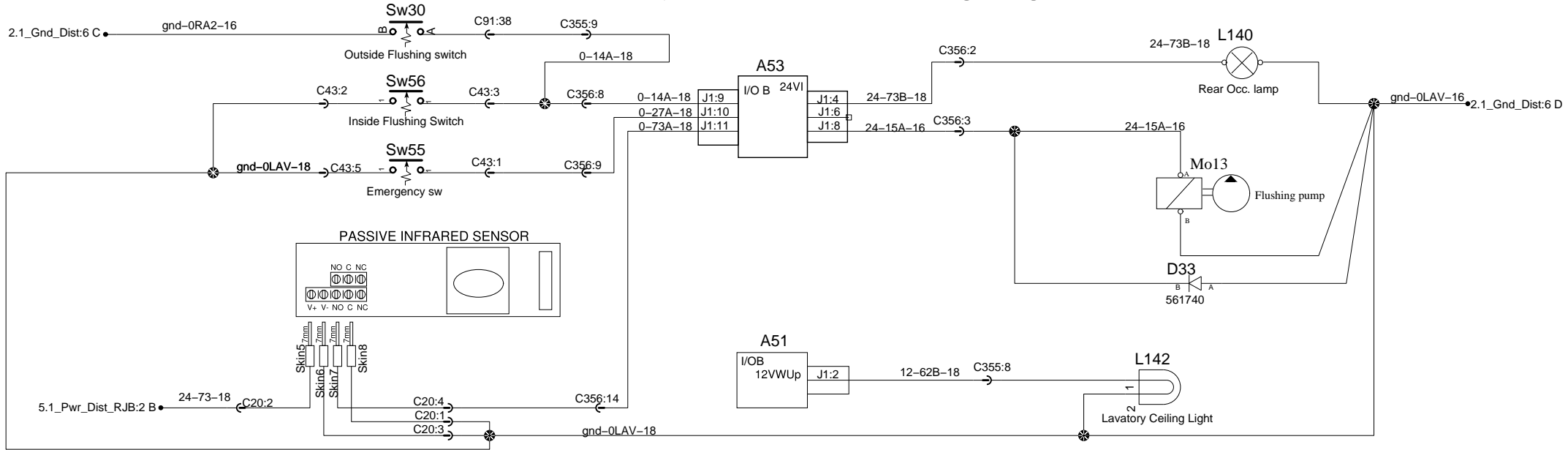
OPTION: ROOF HATCHES WITH VENTILATION



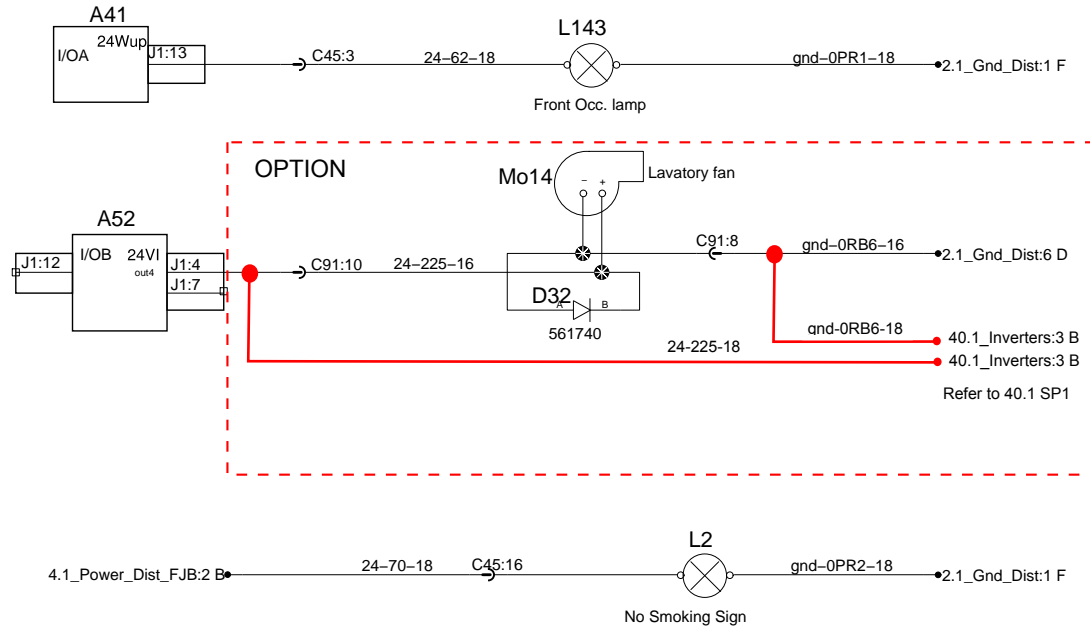
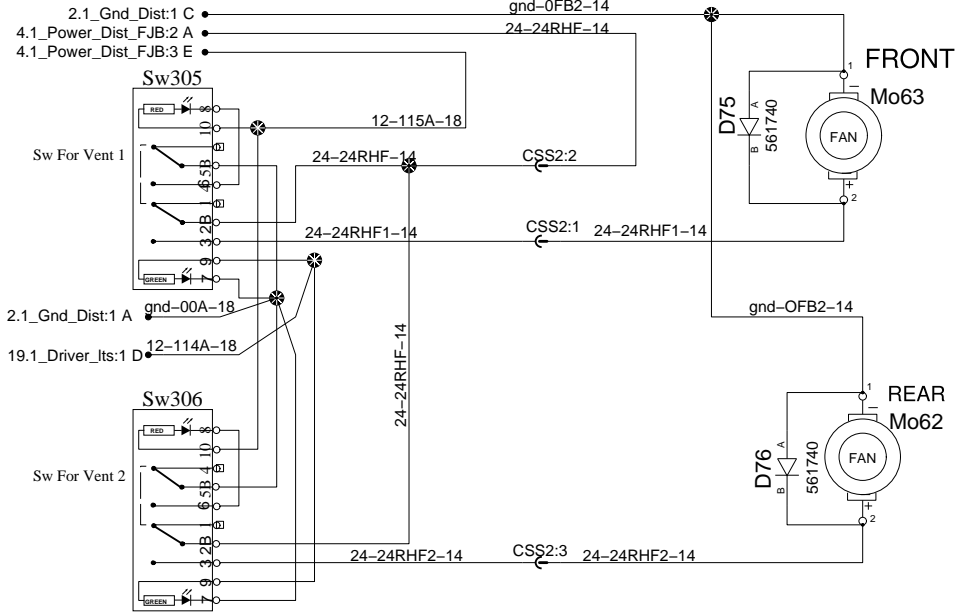
Lavatory and No Smoking Sign



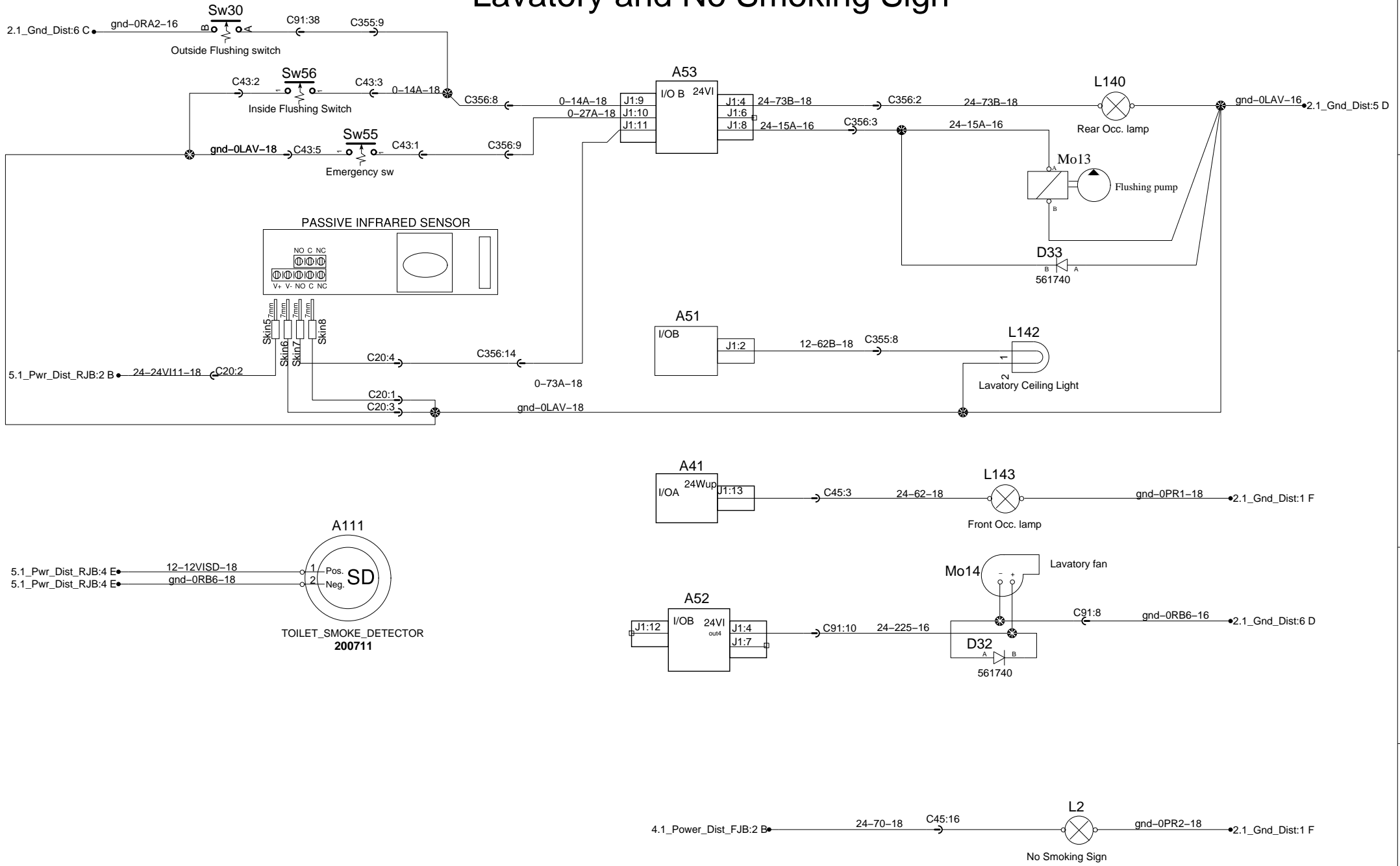
Lavatory and No Smoking Sign



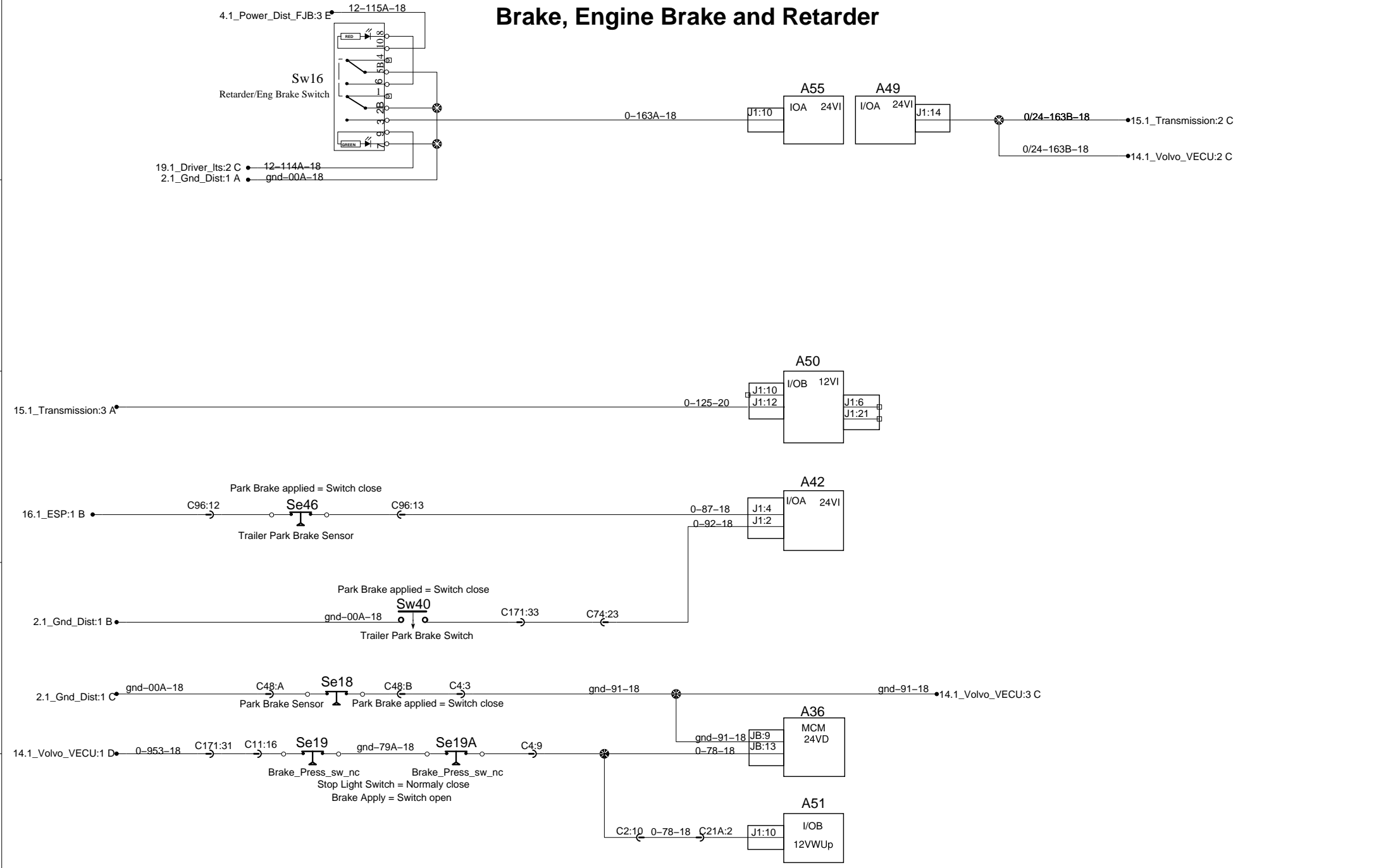
OPTION: ROOF HATCHES WITH VENTILATION



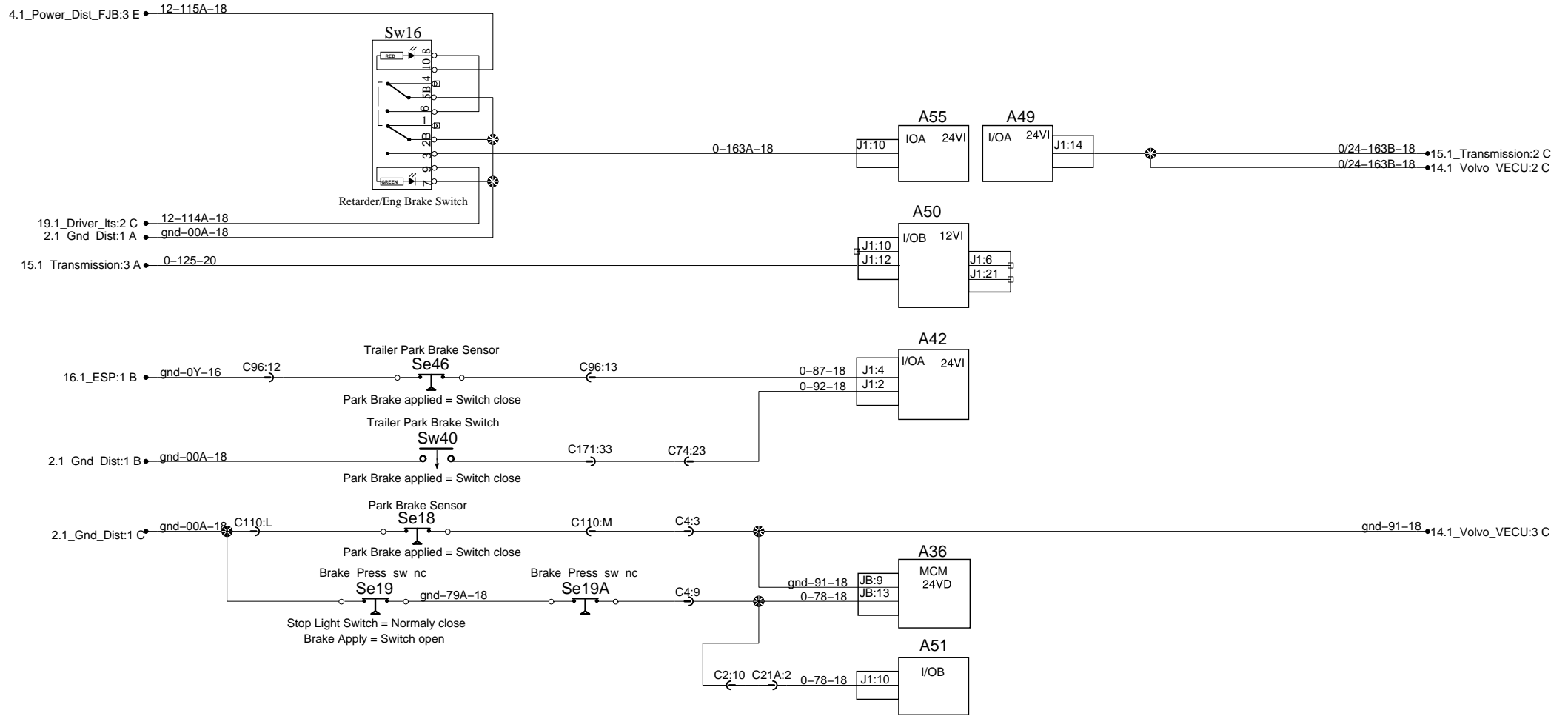
Lavatory and No Smoking Sign



Brake, Engine Brake and Retarder



Brake, Engine Brake and Retarder



0

1

2

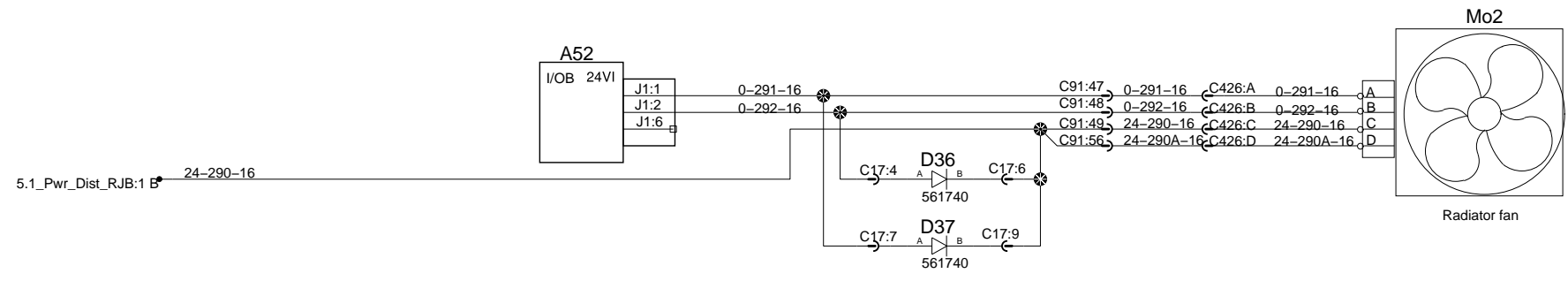
3

4

A

A

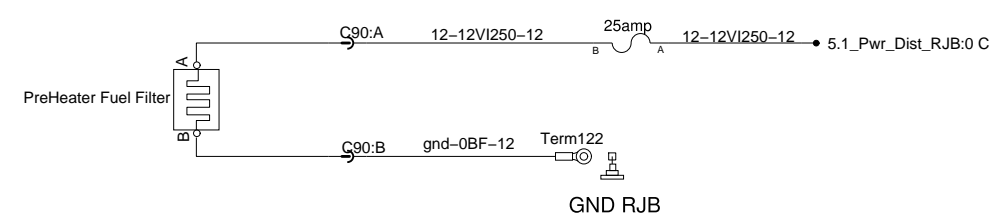
Fan Clutch



B

B

Preheater Fuel Filter



C

C

D

D

E

E

0

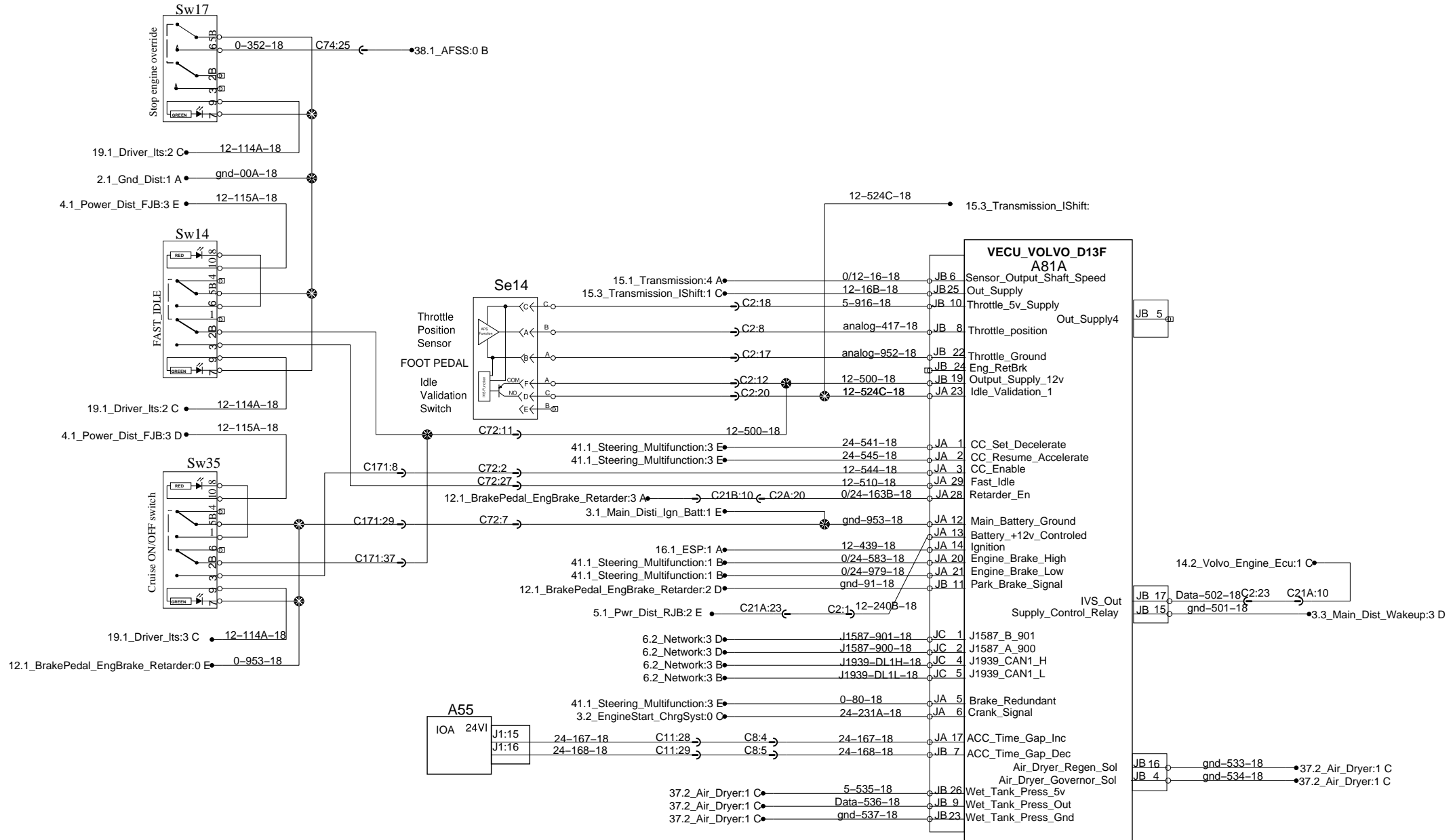
1

2

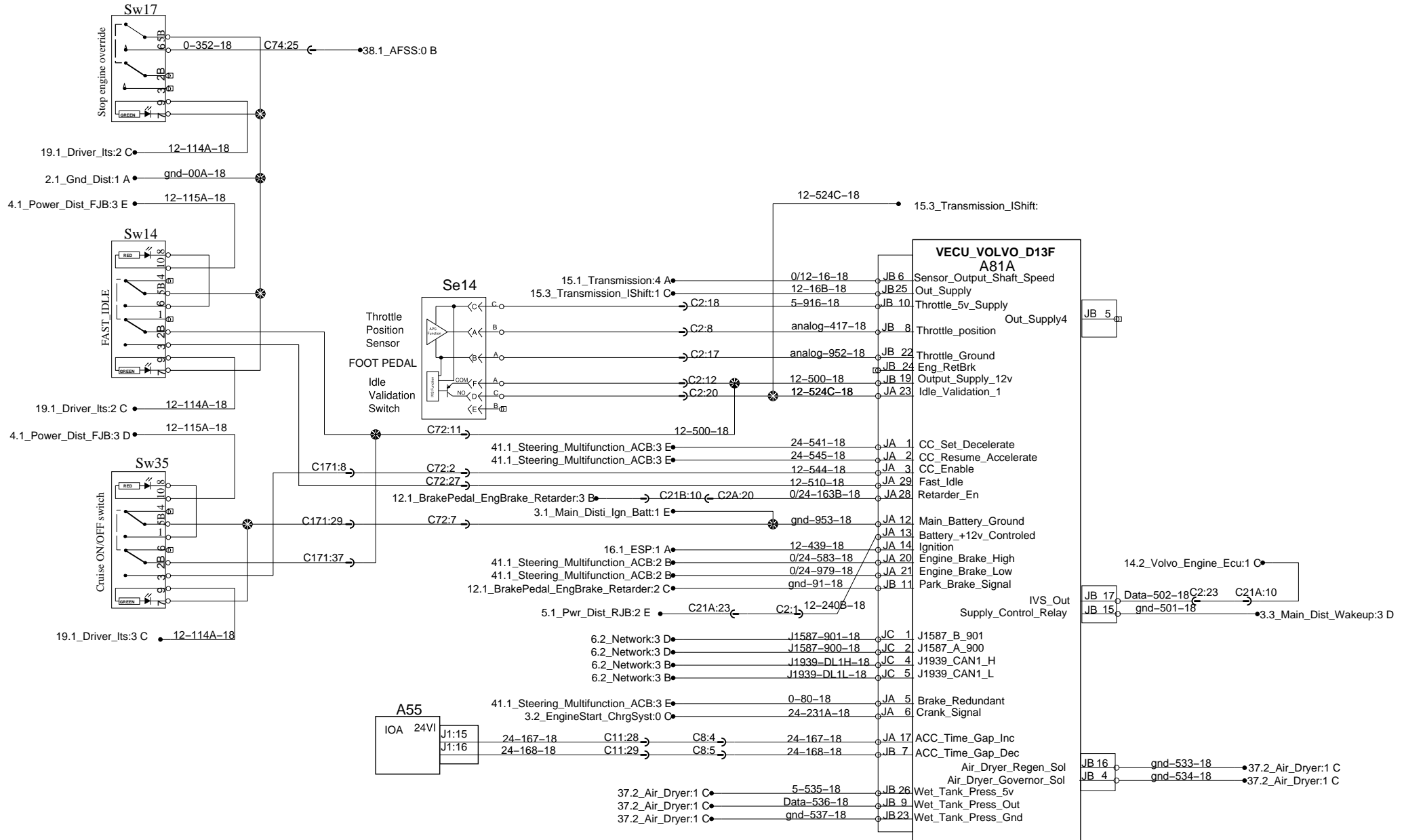
3

4

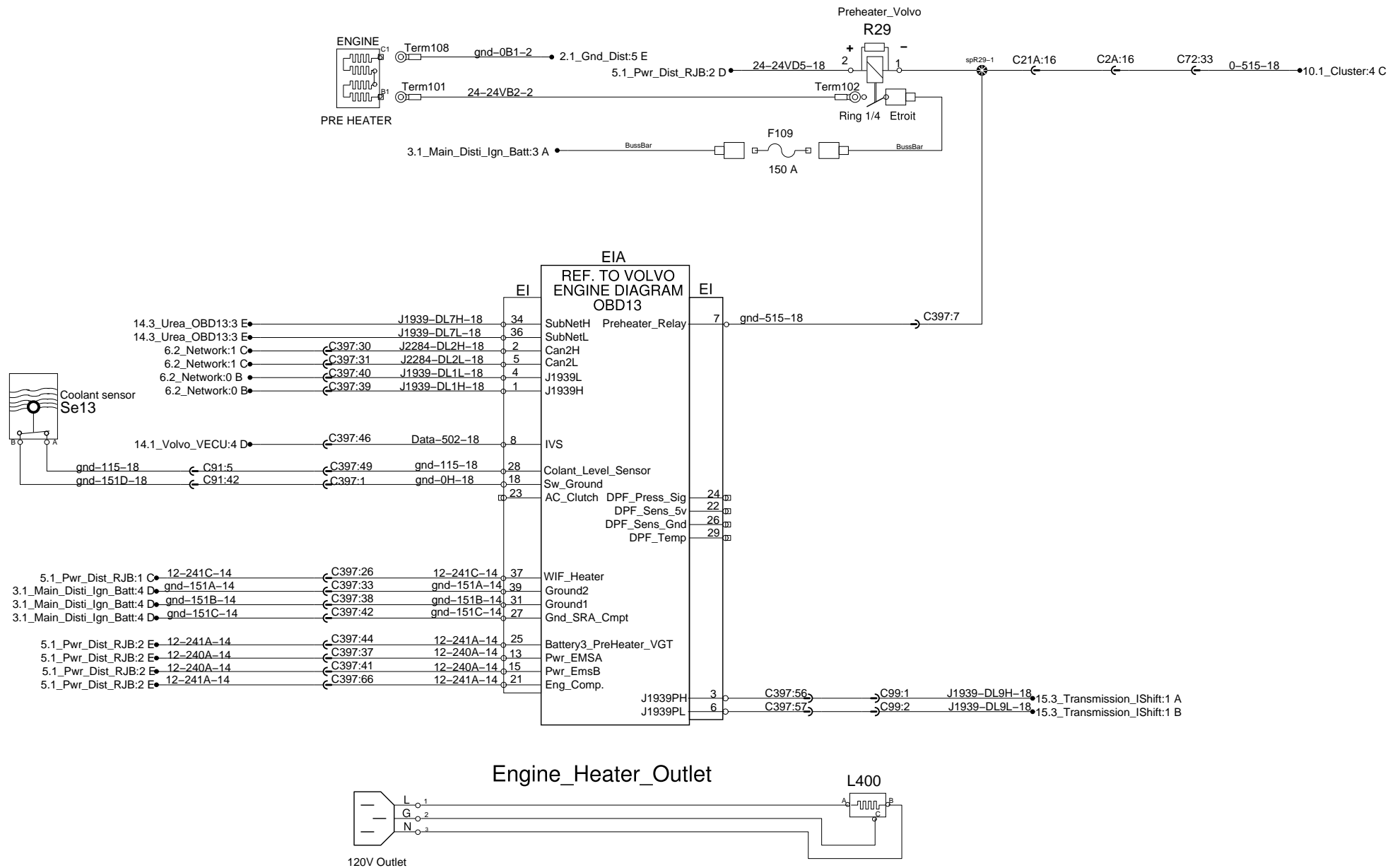
Volvo_Vecu

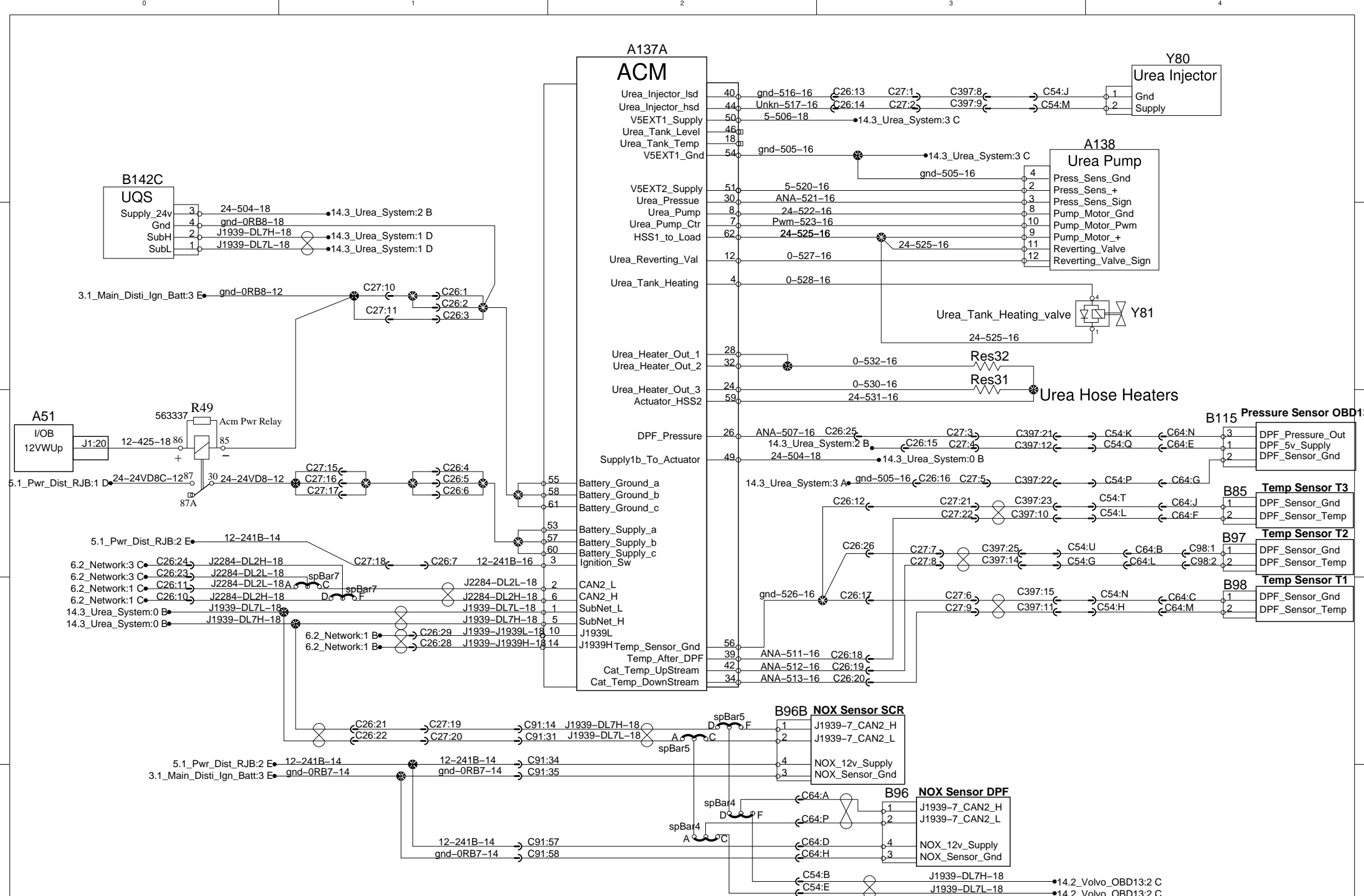


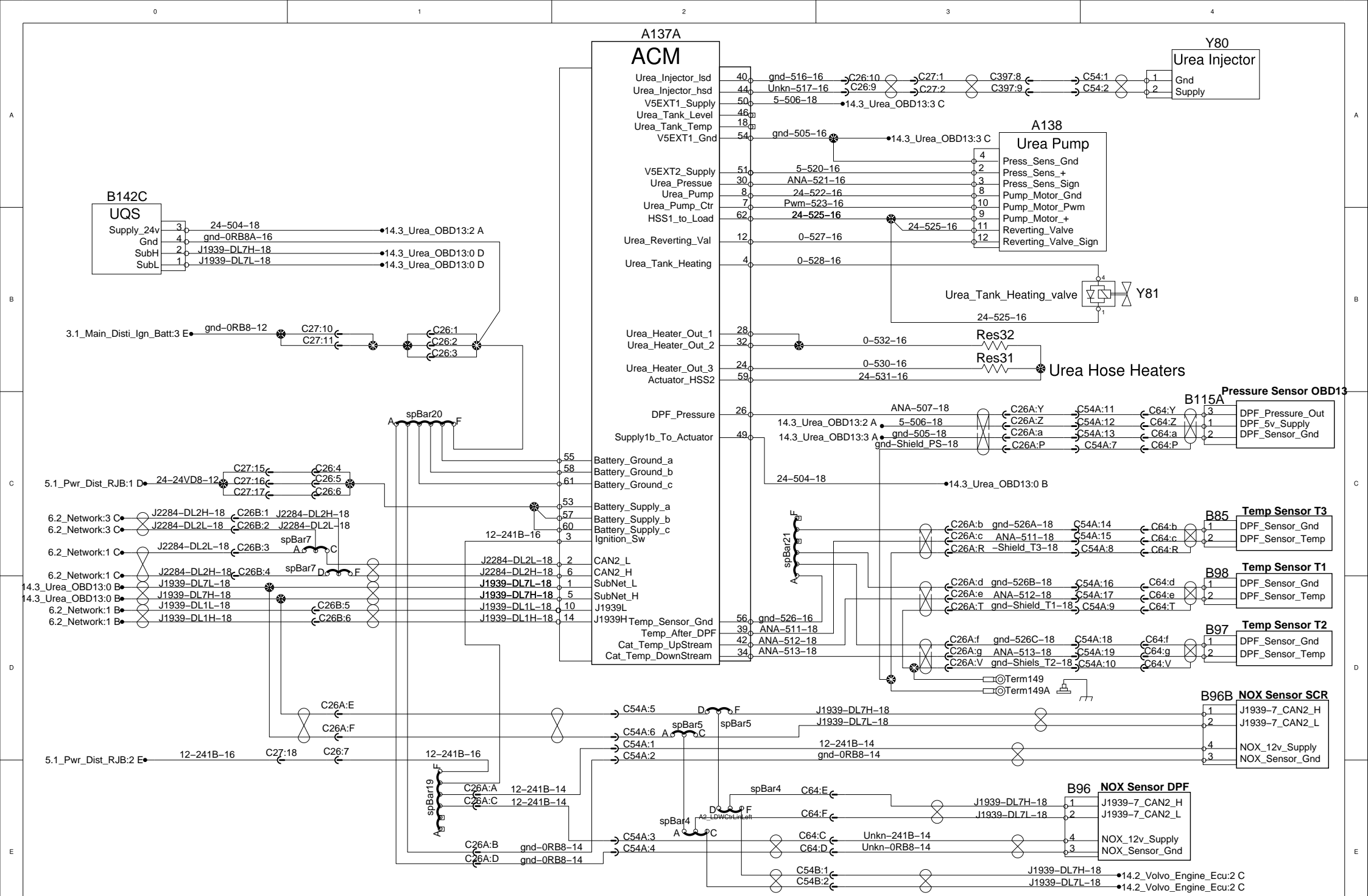
Volvo_Vecu

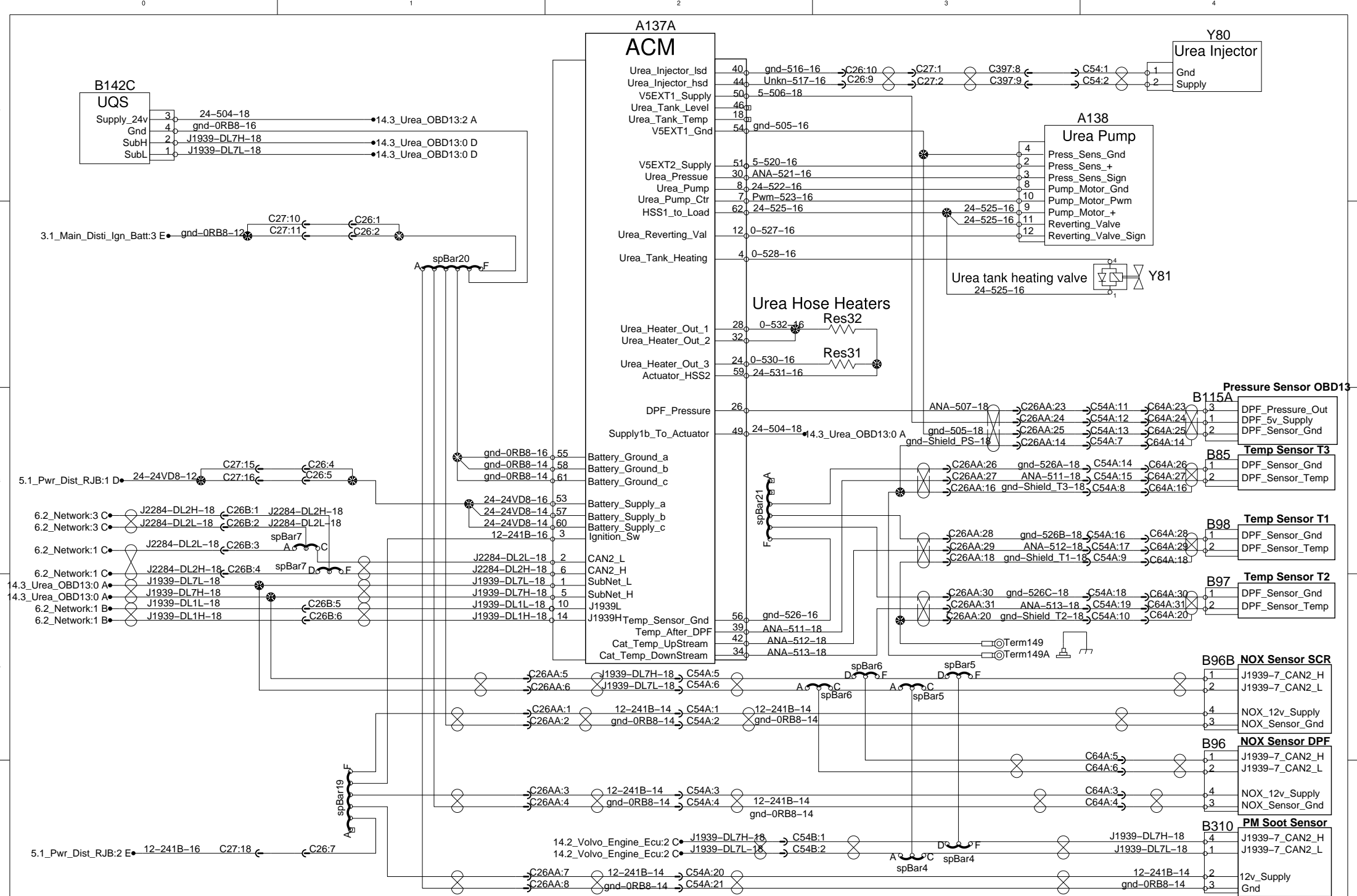


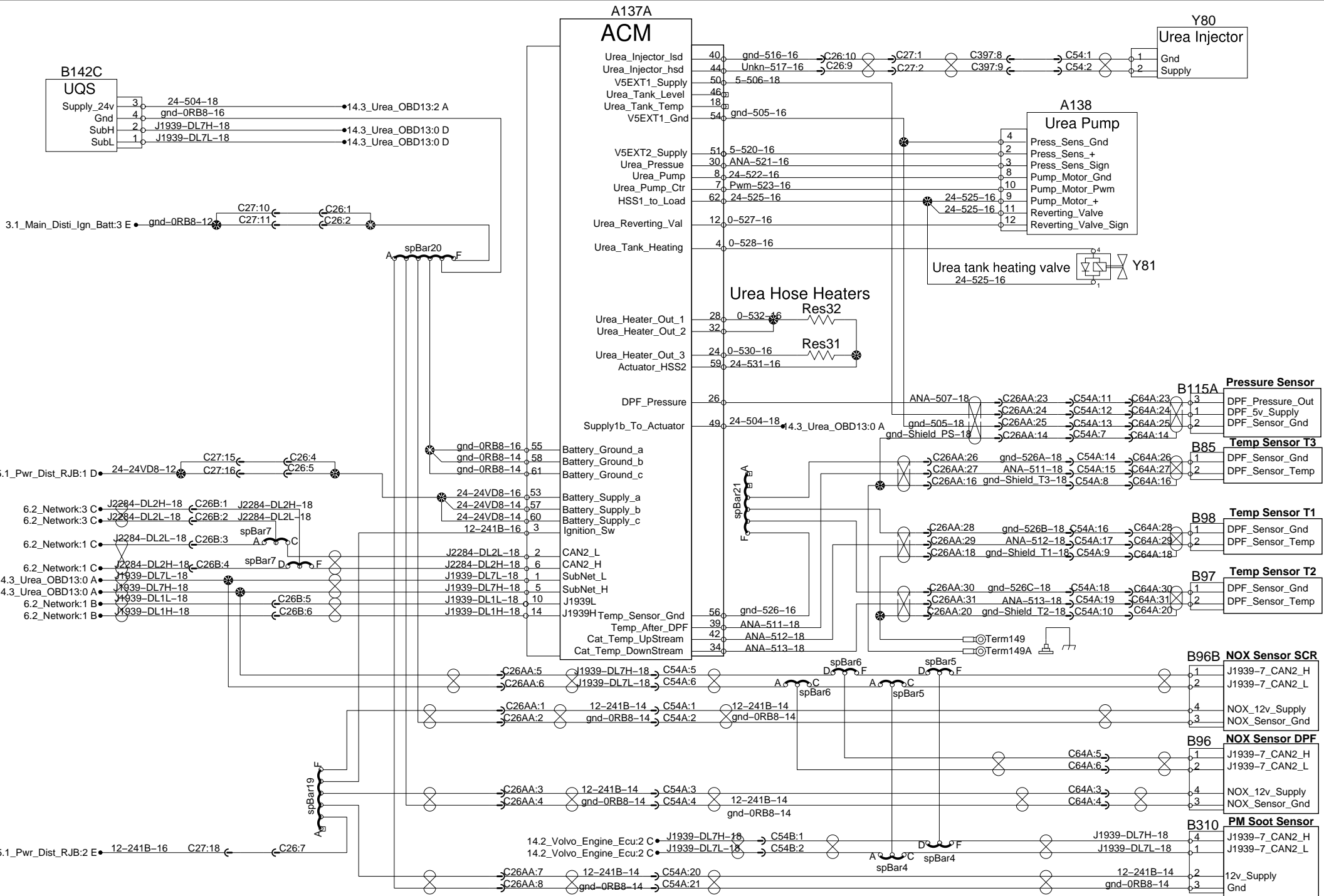
VOLVO_D13_Engine_Ecu



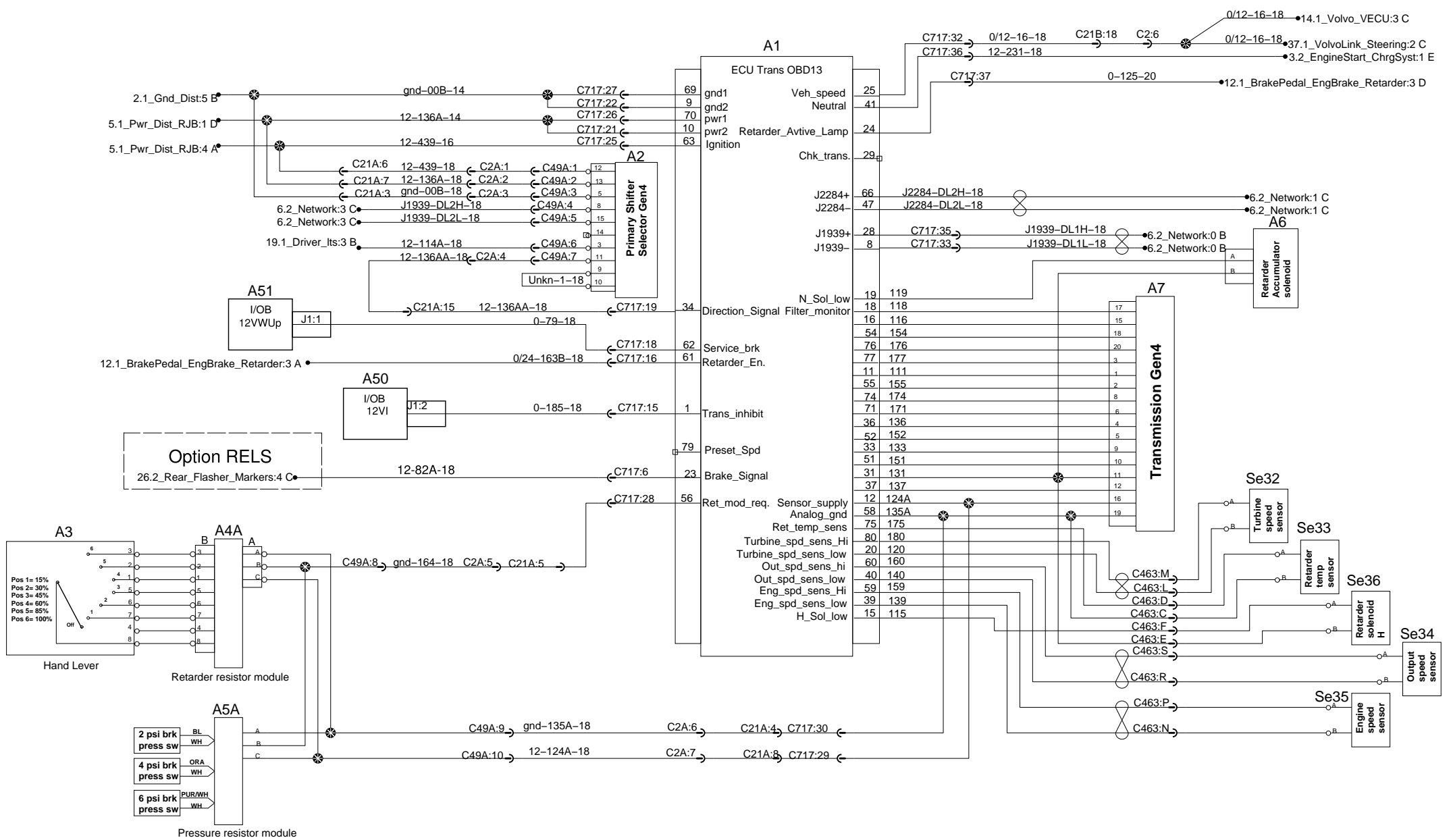




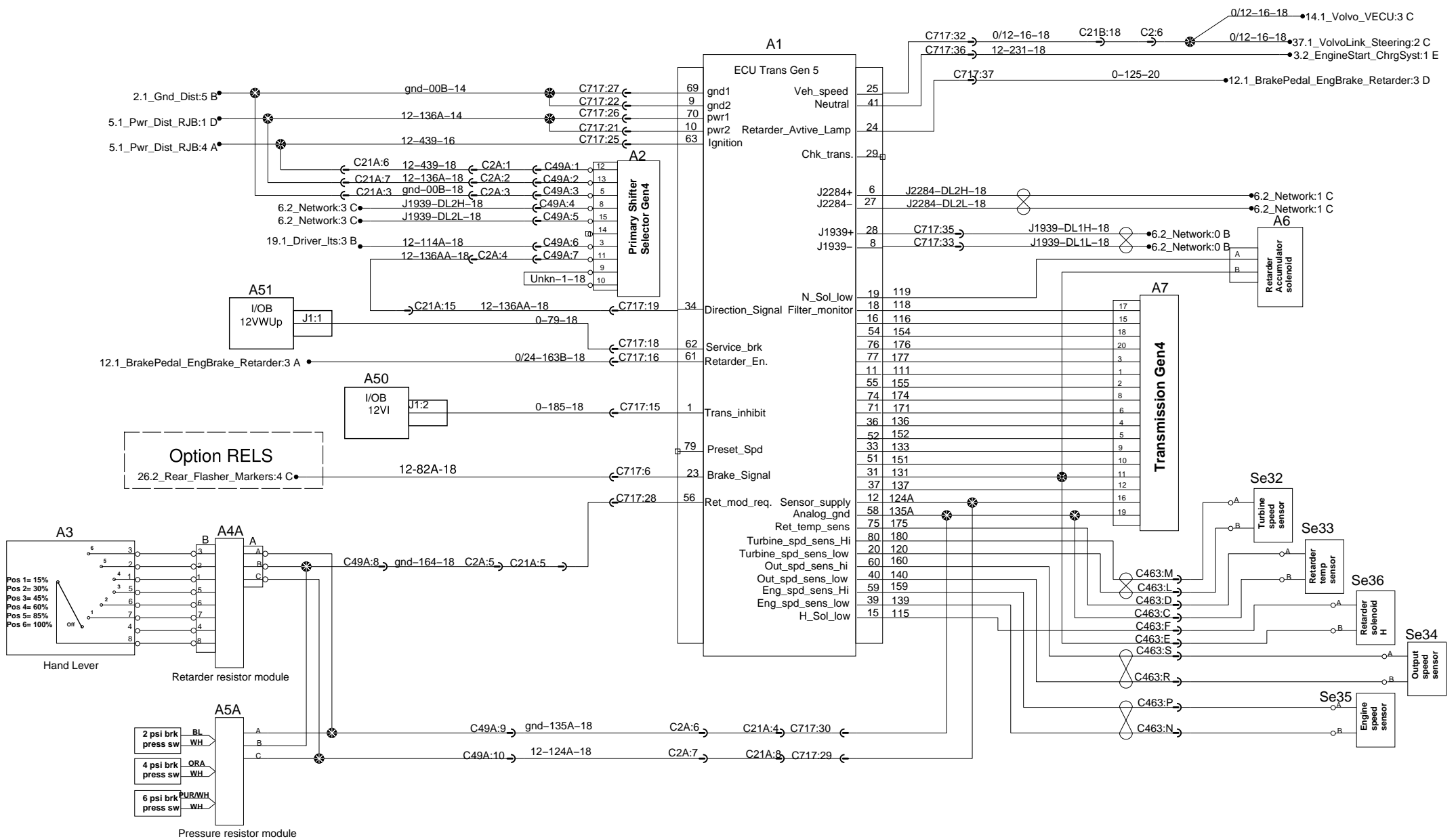




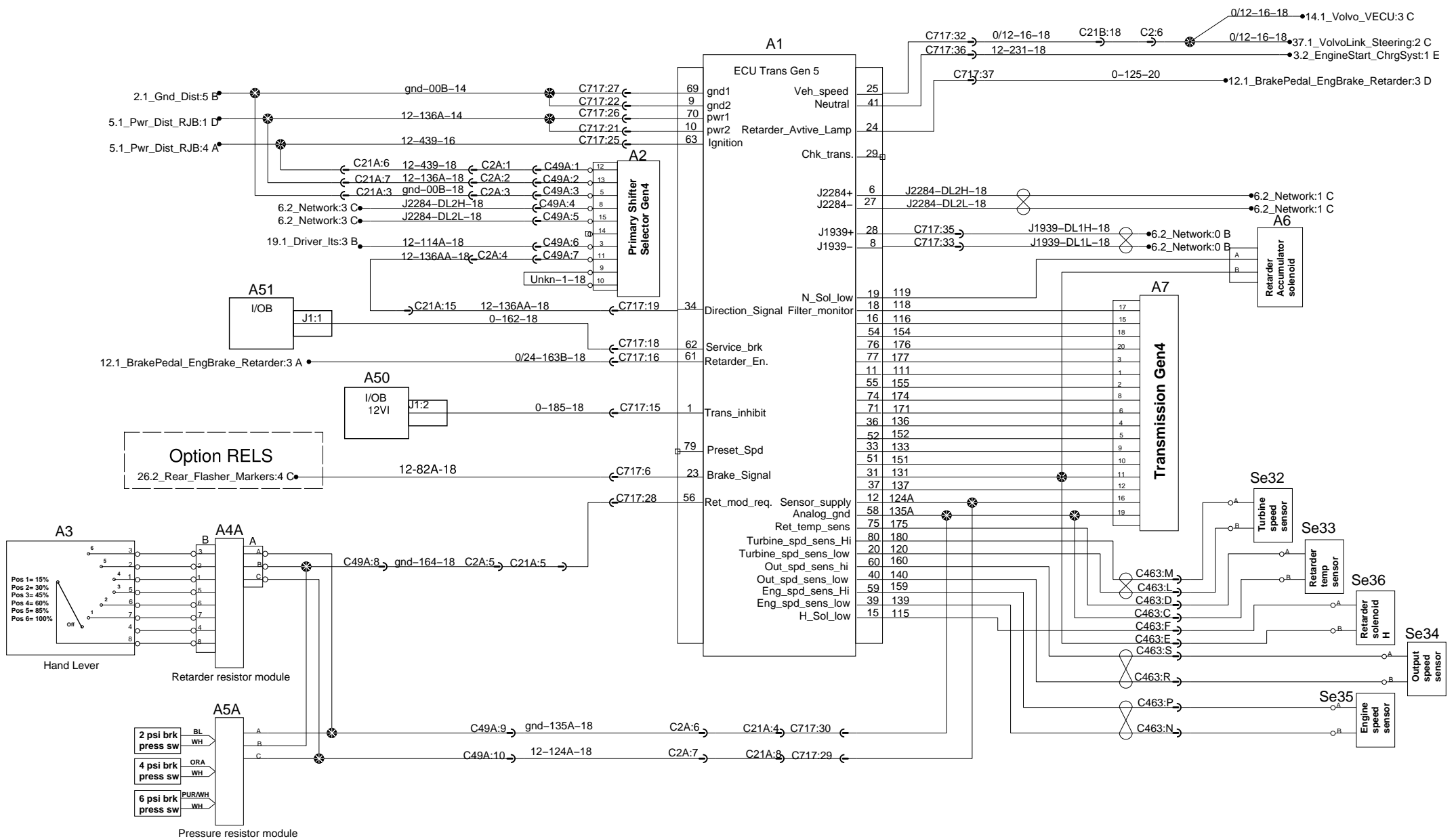
Transmission Allison Gen 4



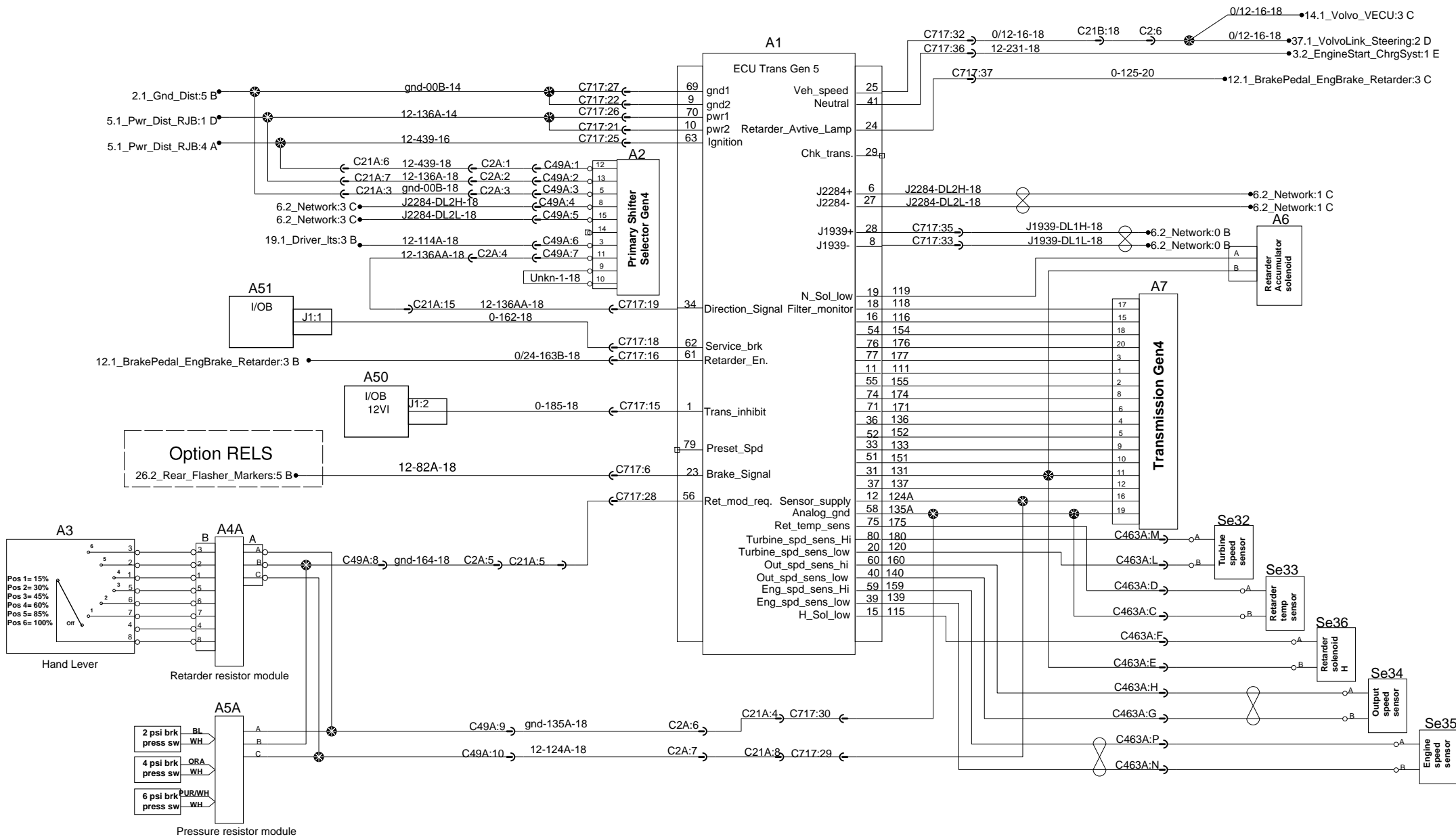
Transmission Allison Gen 5



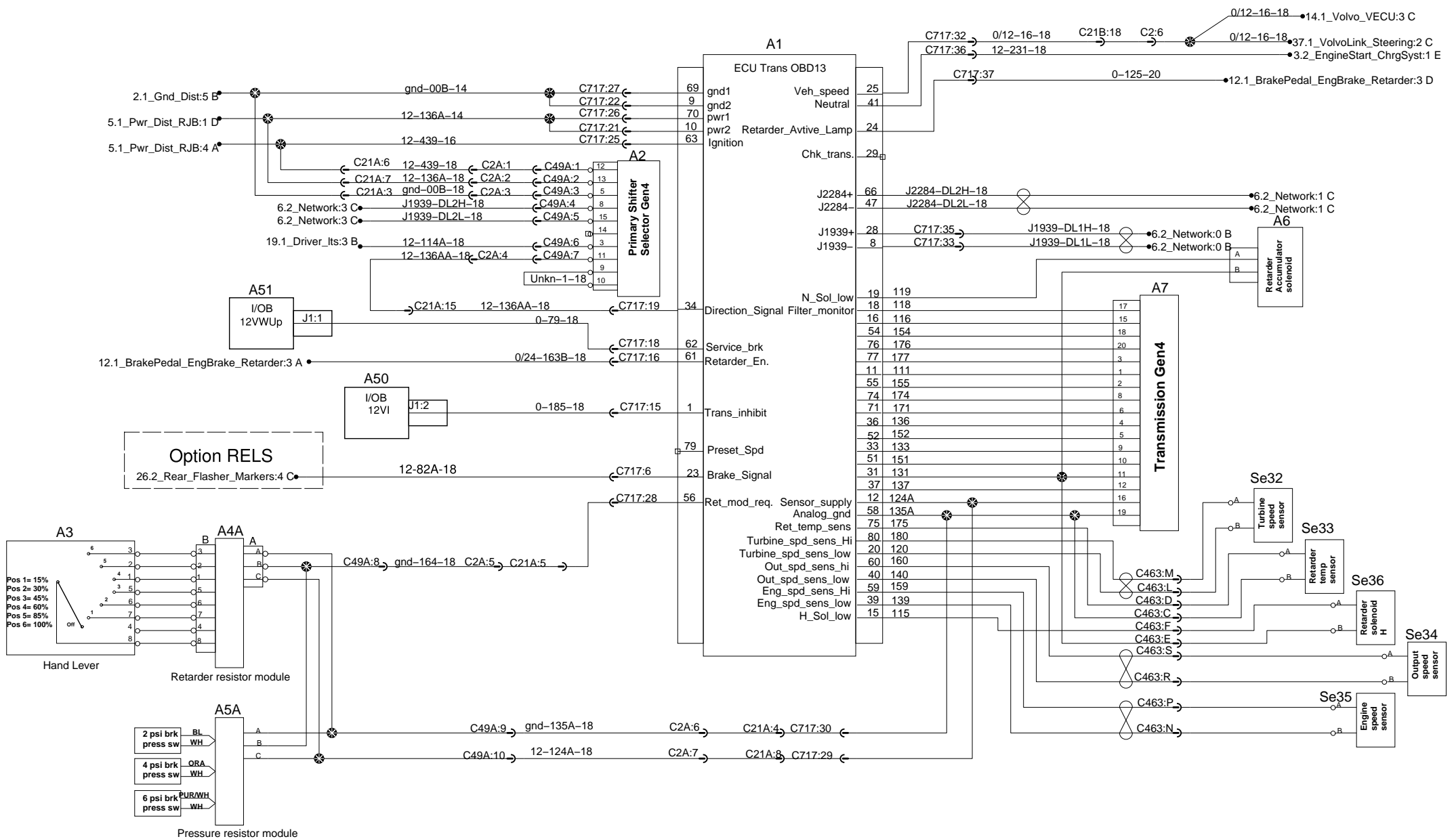
Transmission Allison Gen 5



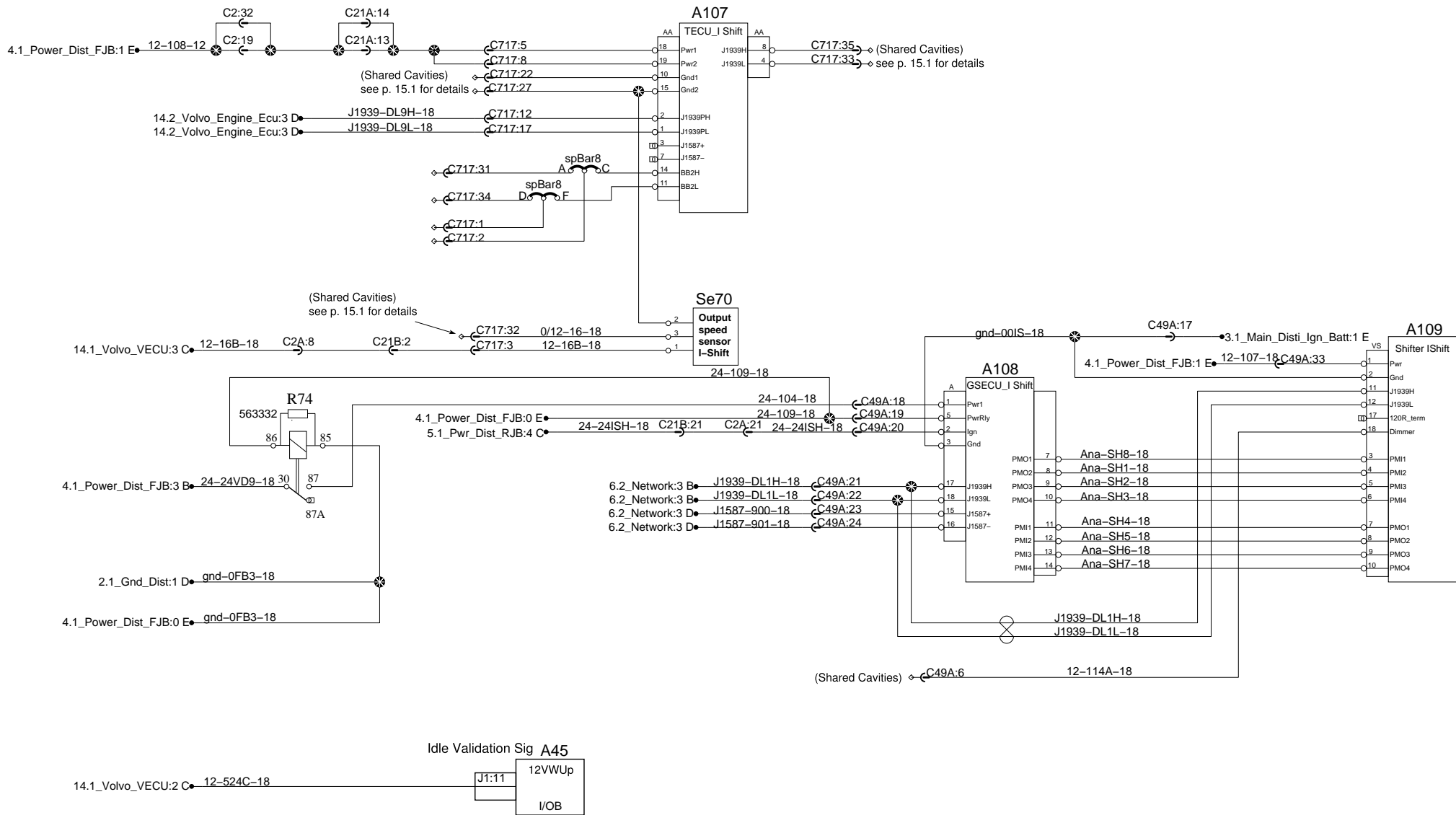
Transmission Allison Gen 5



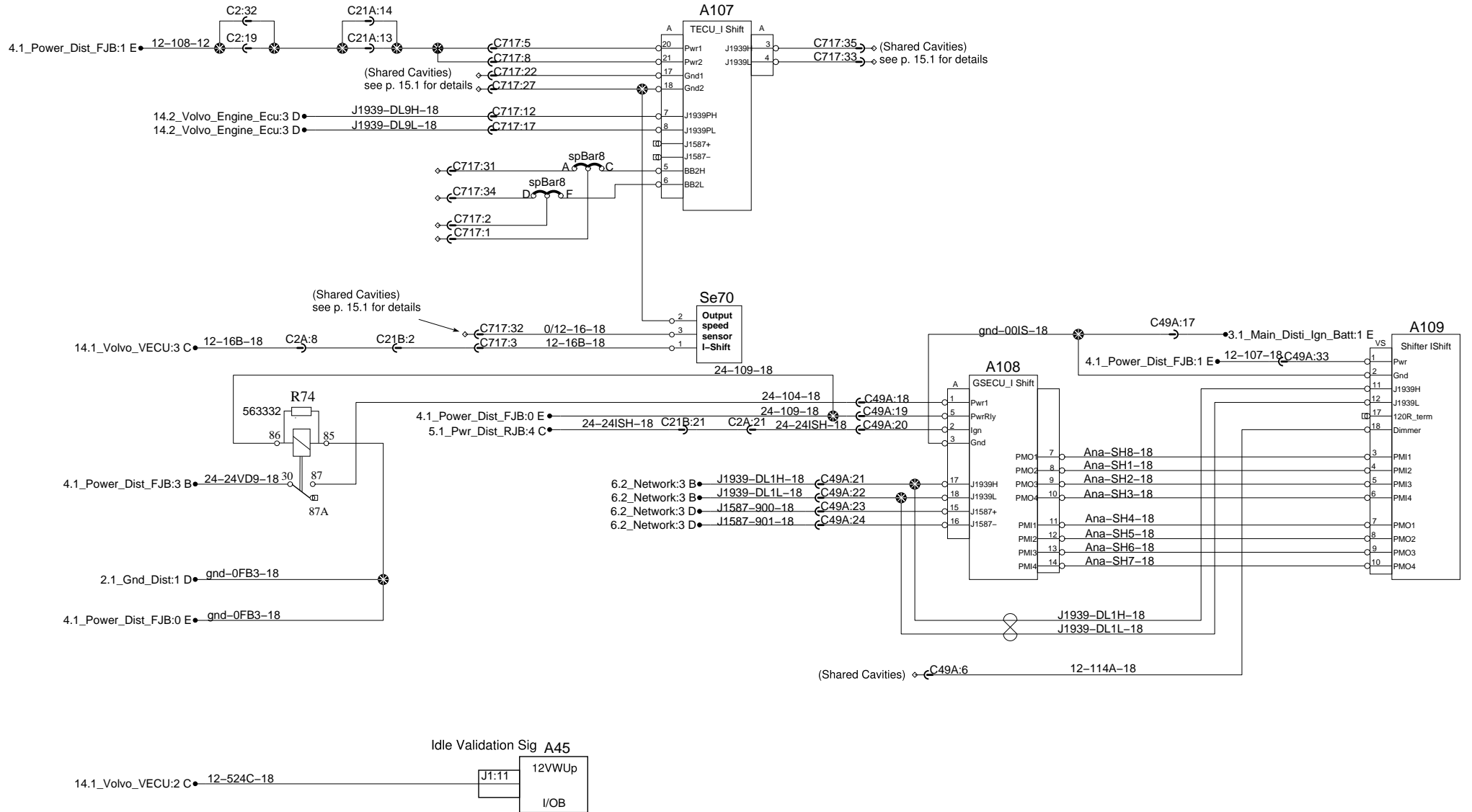
Transmission Allison Gen 4



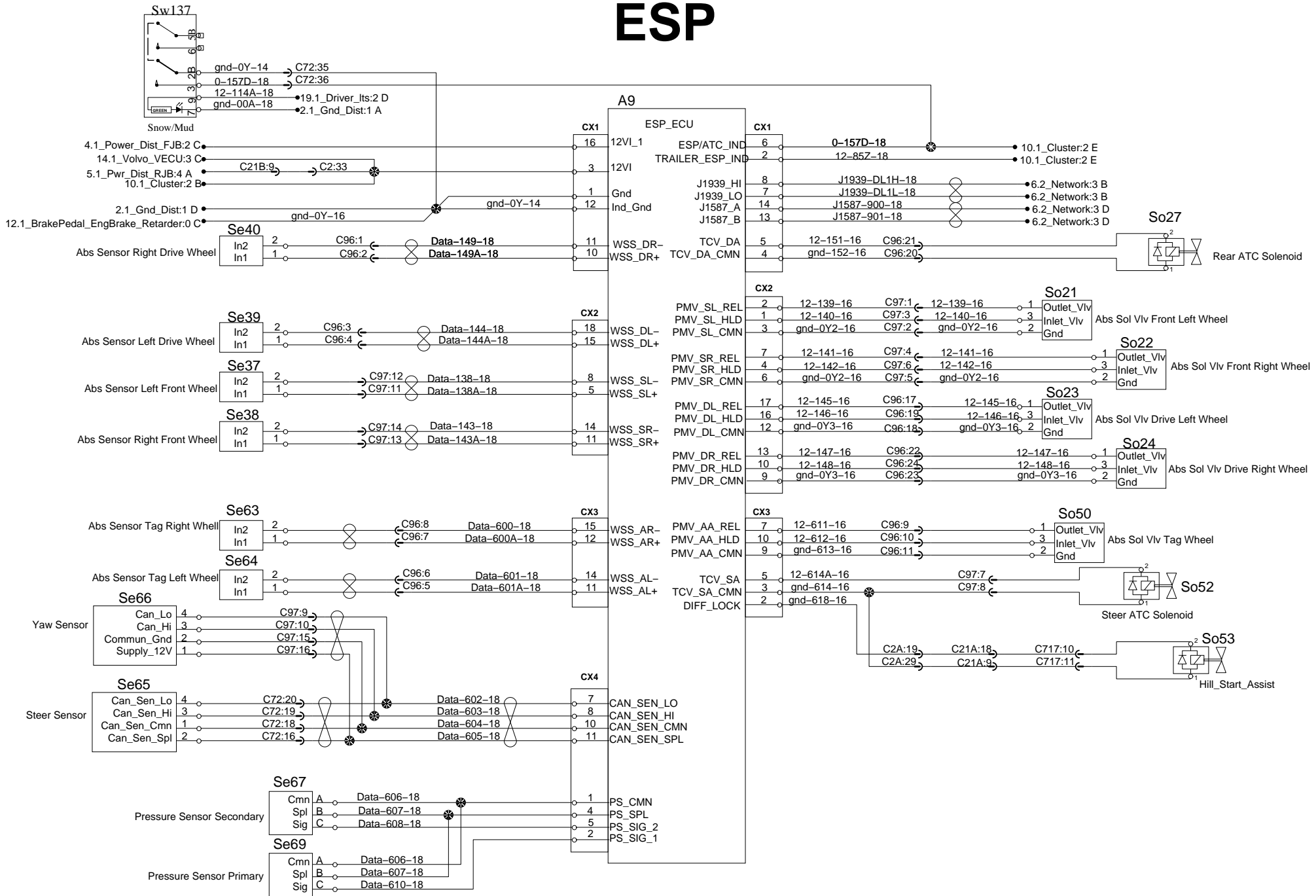
Transmission I_Shift



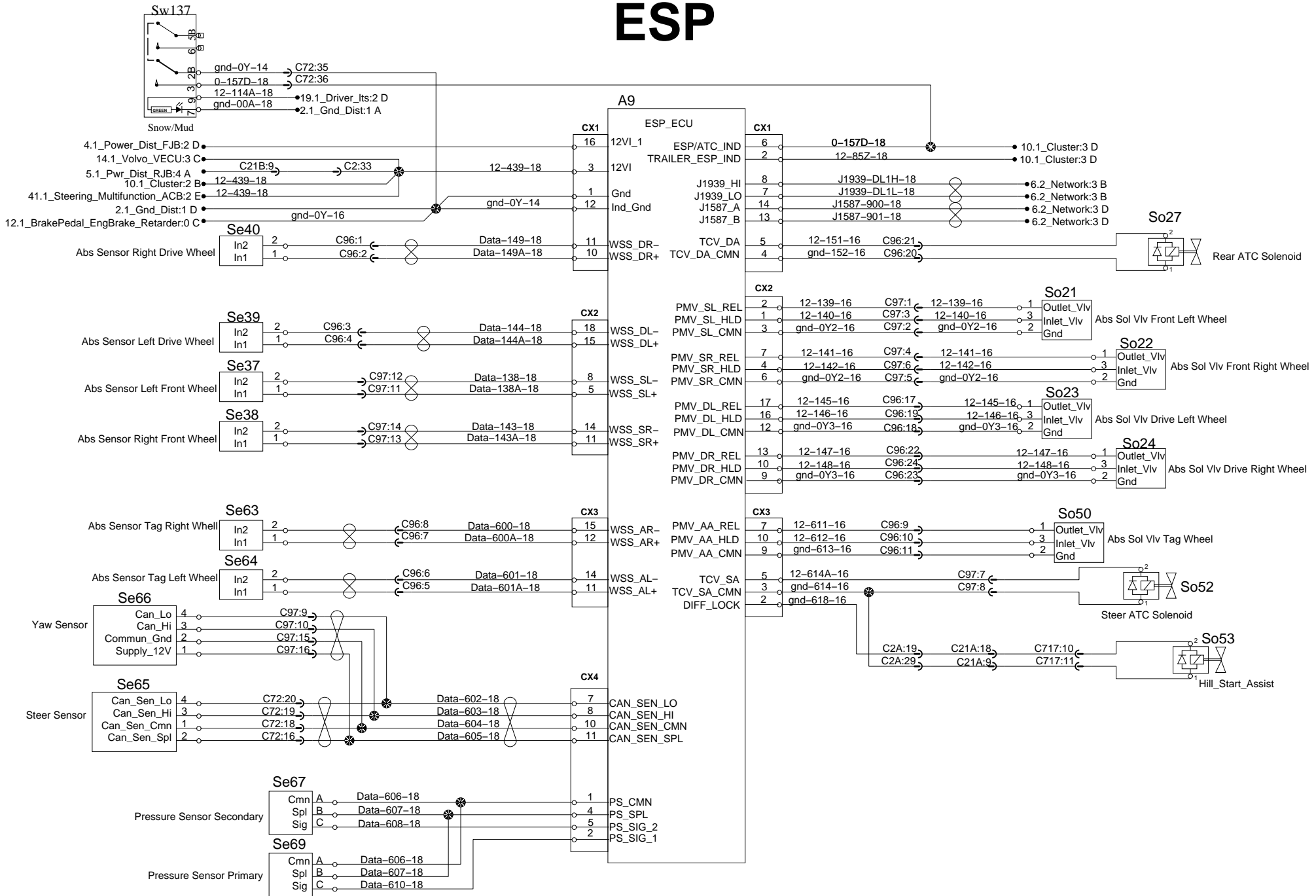
Transmission I_Shift



ESP



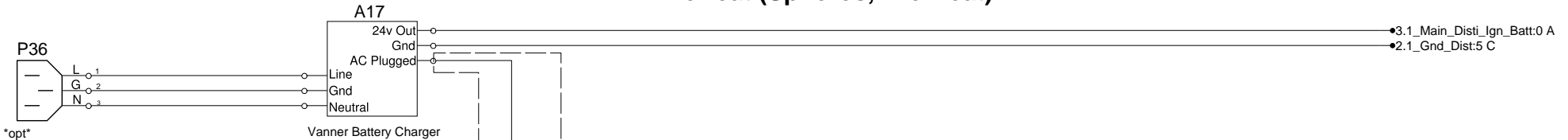
ESP



PreHeat (Spheros, Pro Heat)

A

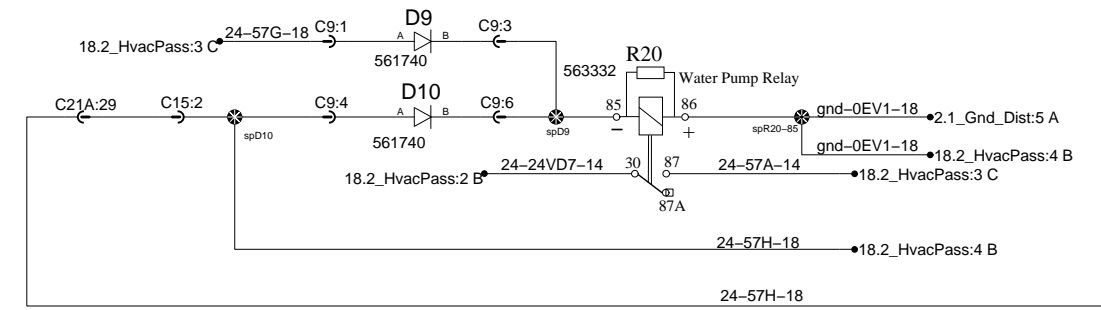
A



Option: Pre-Heater start when Battery Charger is Plugged

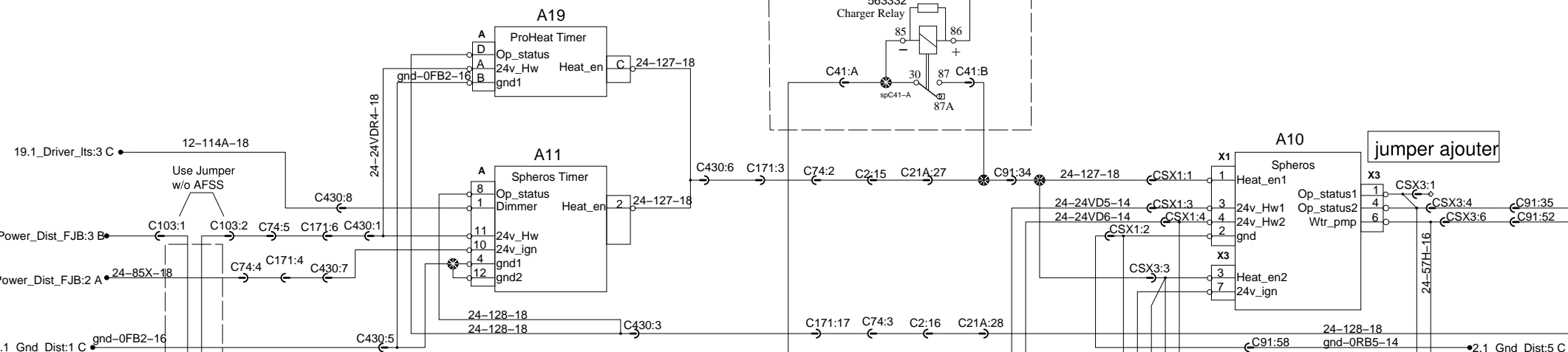
B

B



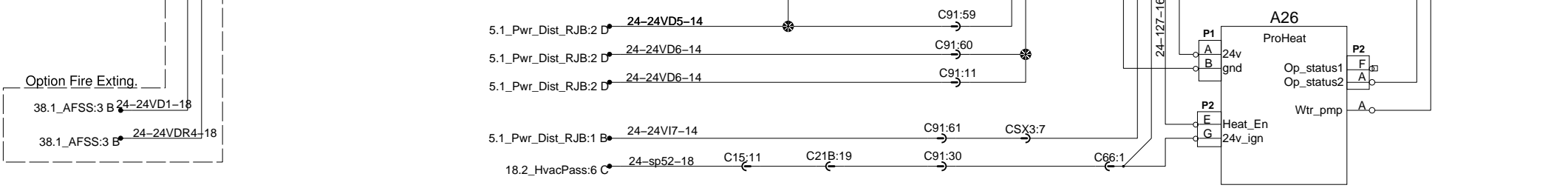
C

C



D

D

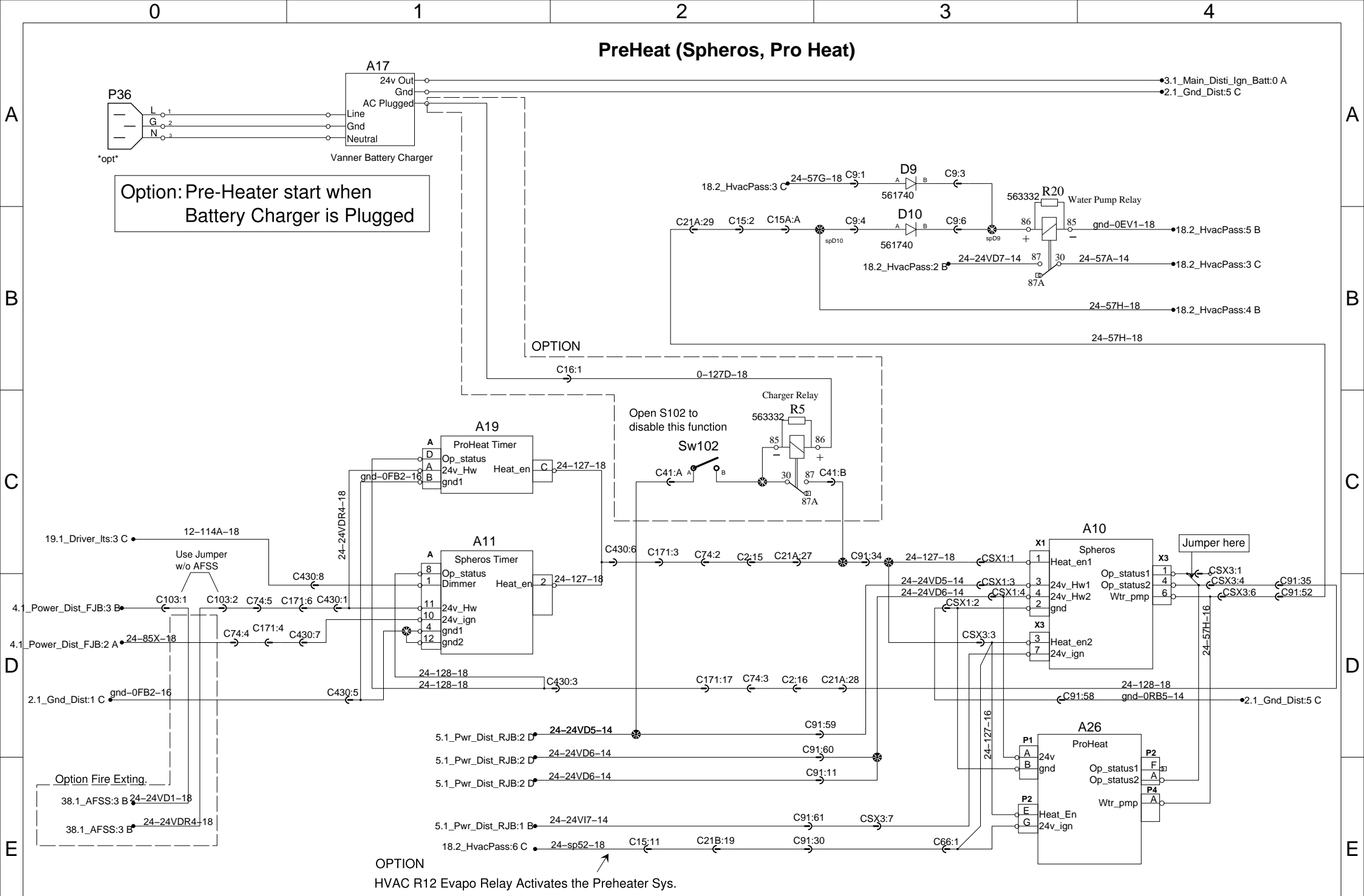


E

E

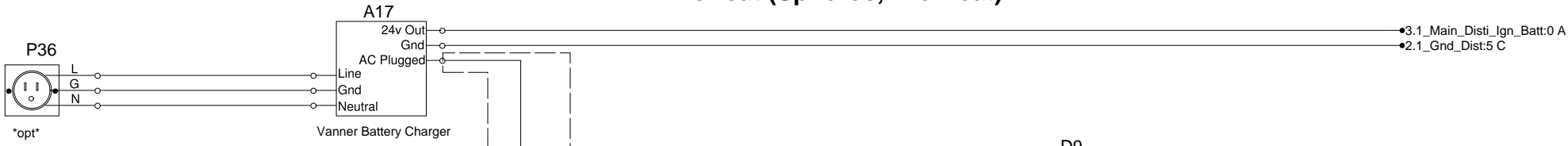
Option Fire Exting.
38.1_AFSS:3 B 24-24VD1-18
38.1_AFSS:3 B 24-24VDR4-18

PreHeat (Spheros, Pro Heat)



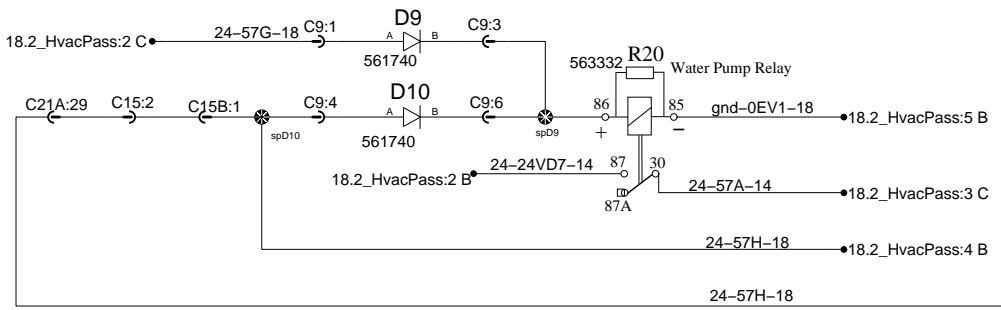
PreHeat (Spheros, Pro Heat)

A

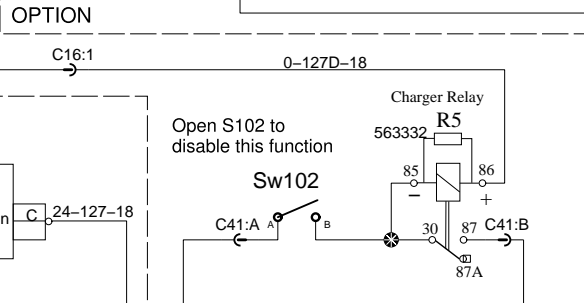


Option: Pre-Heater start when Battery Charger is Plugged

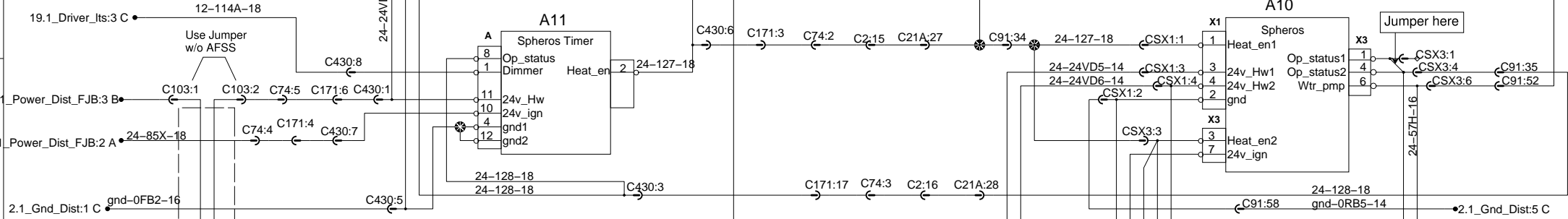
B



C



D

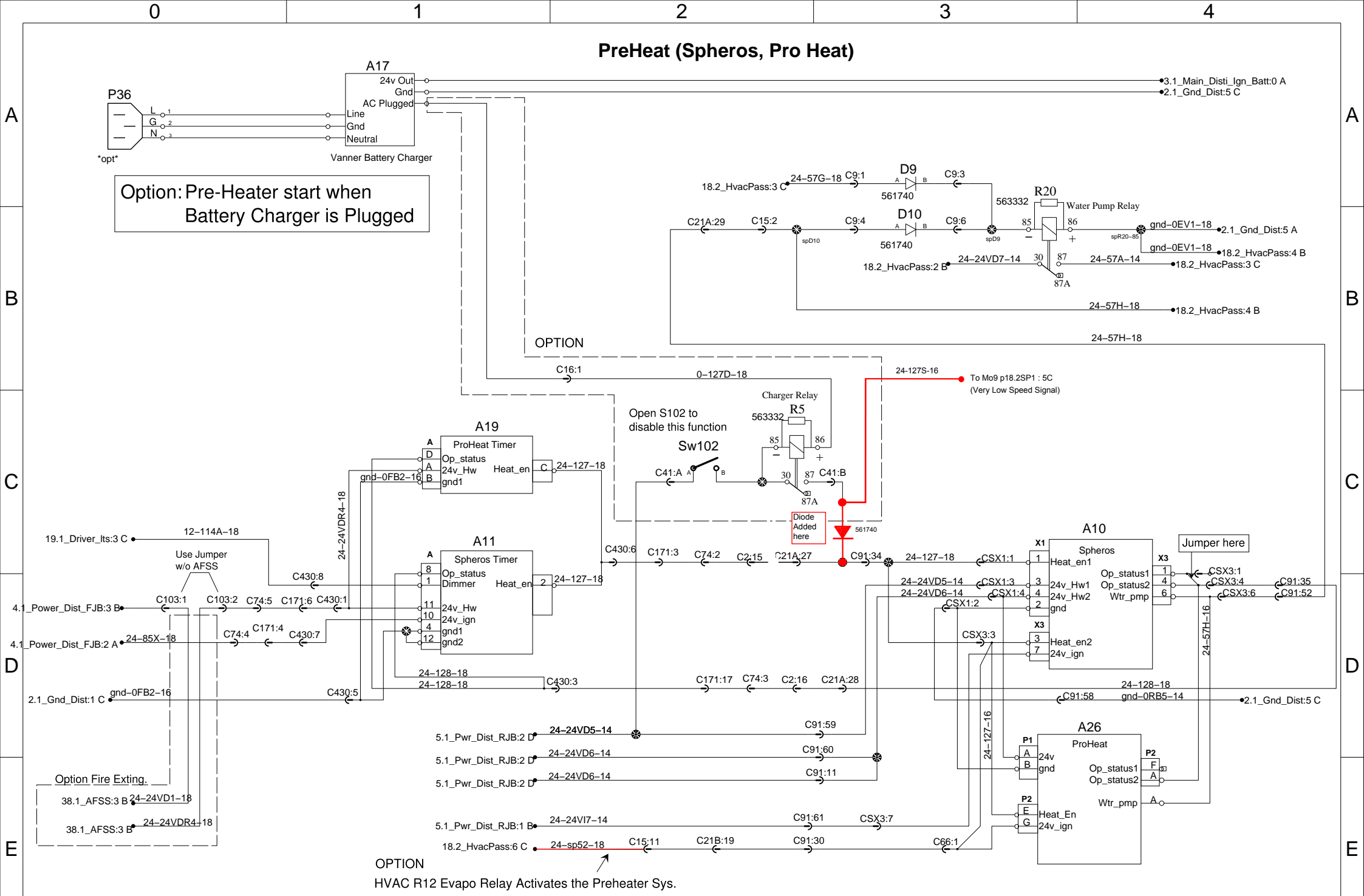


E

Option Fire Exting.
 38.1_AFSS:3 B 24-24VD1-18
 38.1_AFSS:3 B 24-24VDR4-18

OPTION
 HVAC R12 Evapo Relay Activates the Preheater Sys.

PreHeat (Spheros, Pro Heat)



Option: Pre-Heater start when Battery Charger is Plugged

OPTION
Open S102 to disable this function

Option Fire Exting.
38.1_AFSS:3 B 24-24VD1-18
38.1_AFSS:3 B 24-24VDR4-18

OPTION
HVAC R12 Evapo Relay Activates the Preheater Sys.

PreHeat (Spheros, Pro Heat)

A

A

B

B

C

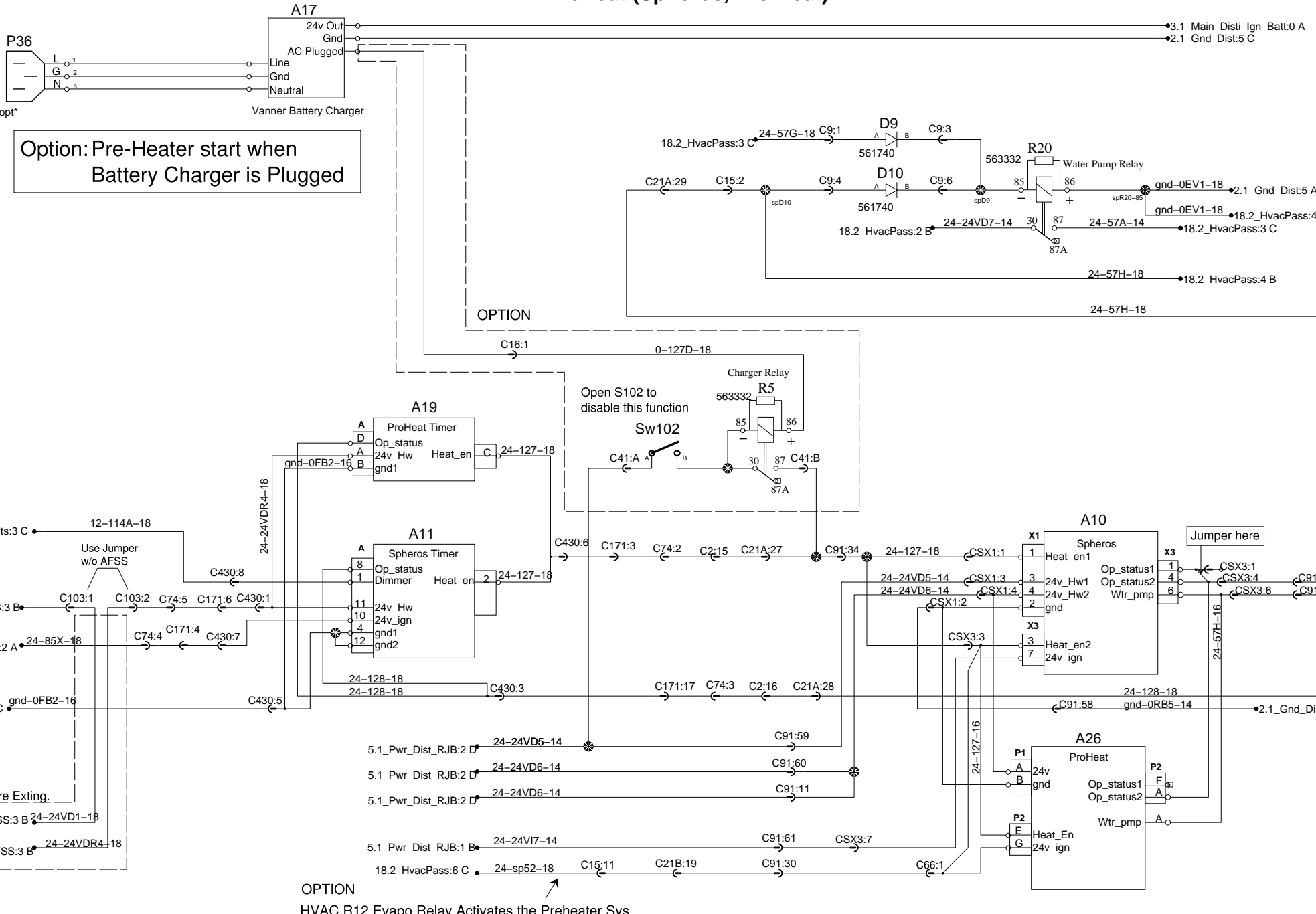
C

D

D

E

E



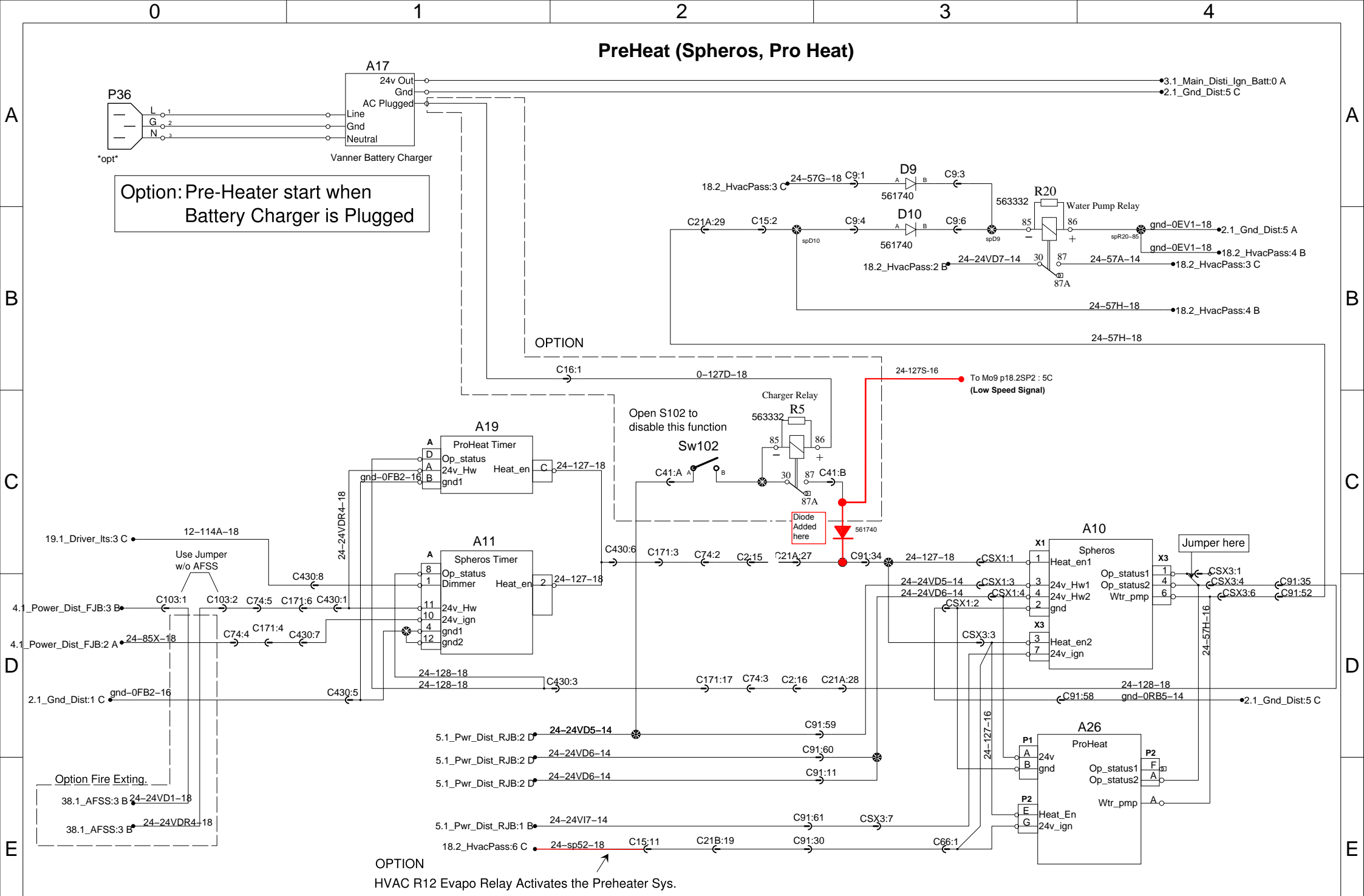
Option: Pre-Heater start when Battery Charger is Plugged

OPTION
Open S102 to disable this function

Option Fire Exting.
38.1_AFSS:3 B 24-24VD1-18
38.1_AFSS:3 B 24-24VDR4-18

OPTION
HVAC R12 Evapo Relay Activates the Preheater Sys.

PreHeat (Spheros, Pro Heat)



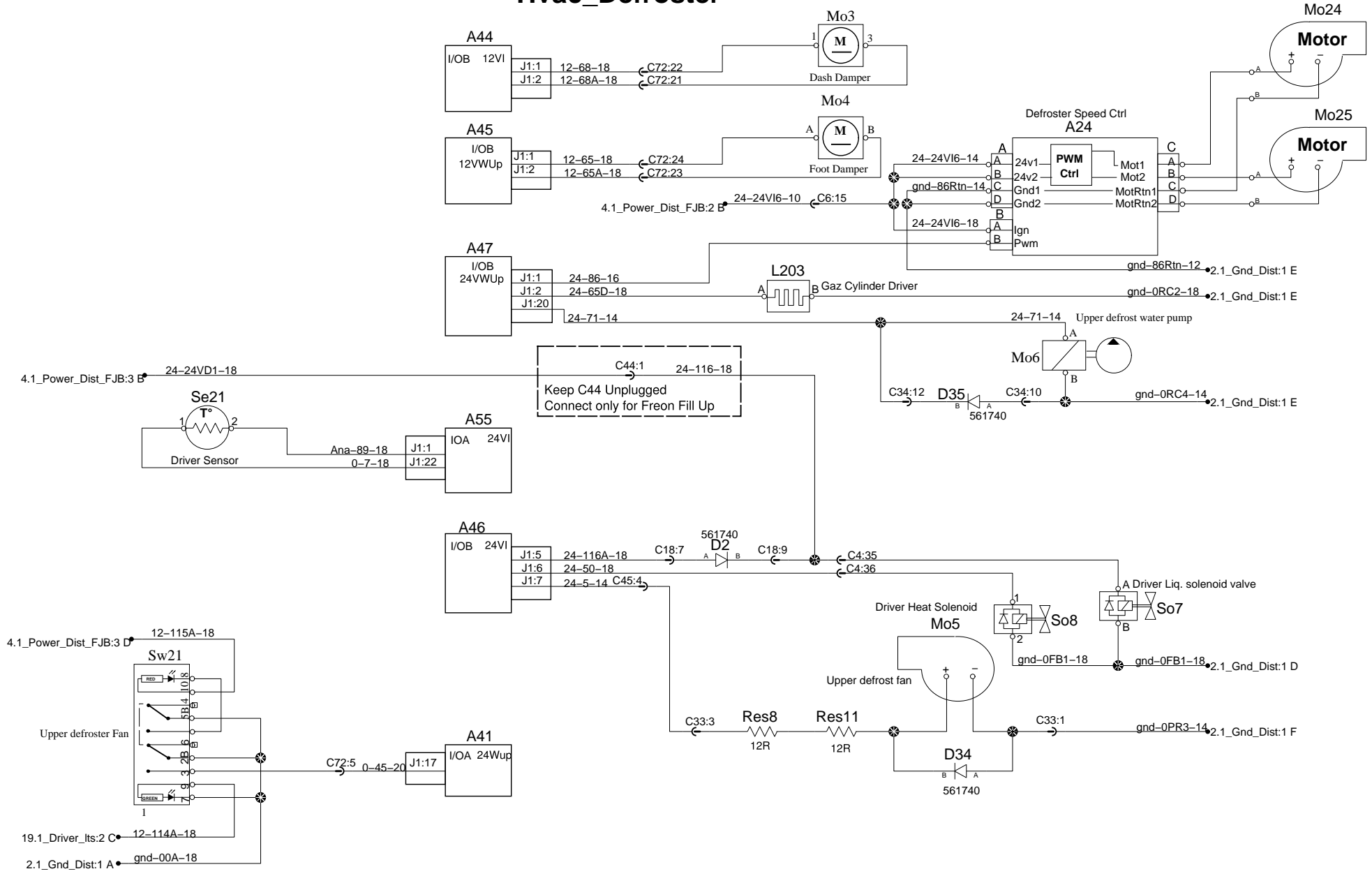
Option: Pre-Heater start when Battery Charger is Plugged

Open S102 to disable this function

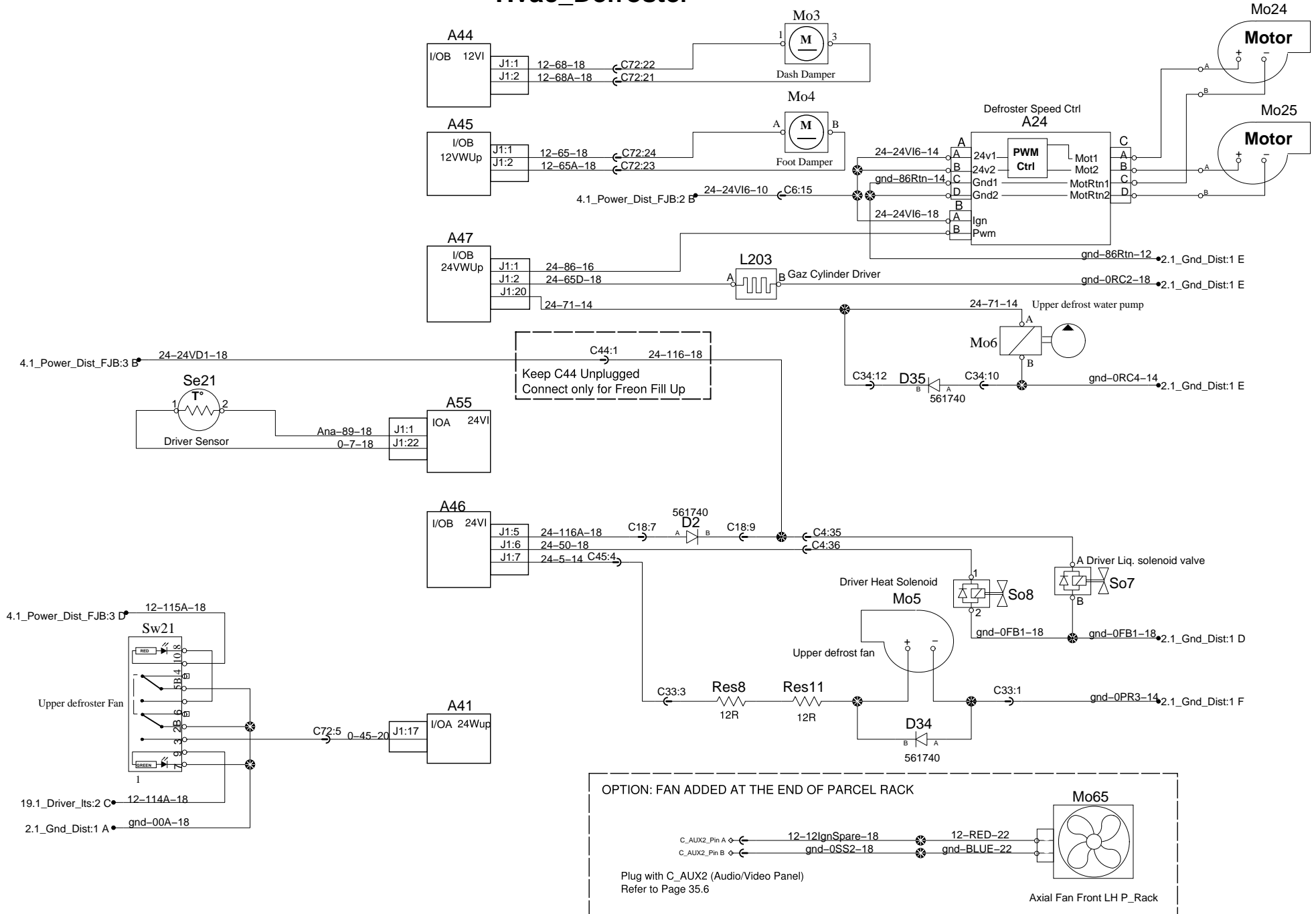
Option Fire Exting.
38.1_AFSS:3 B 24-24VD1-18
38.1_AFSS:3 B 24-24VDR4-18

OPTION
HVAC R12 Evapo Relay Activates the Preheater Sys.

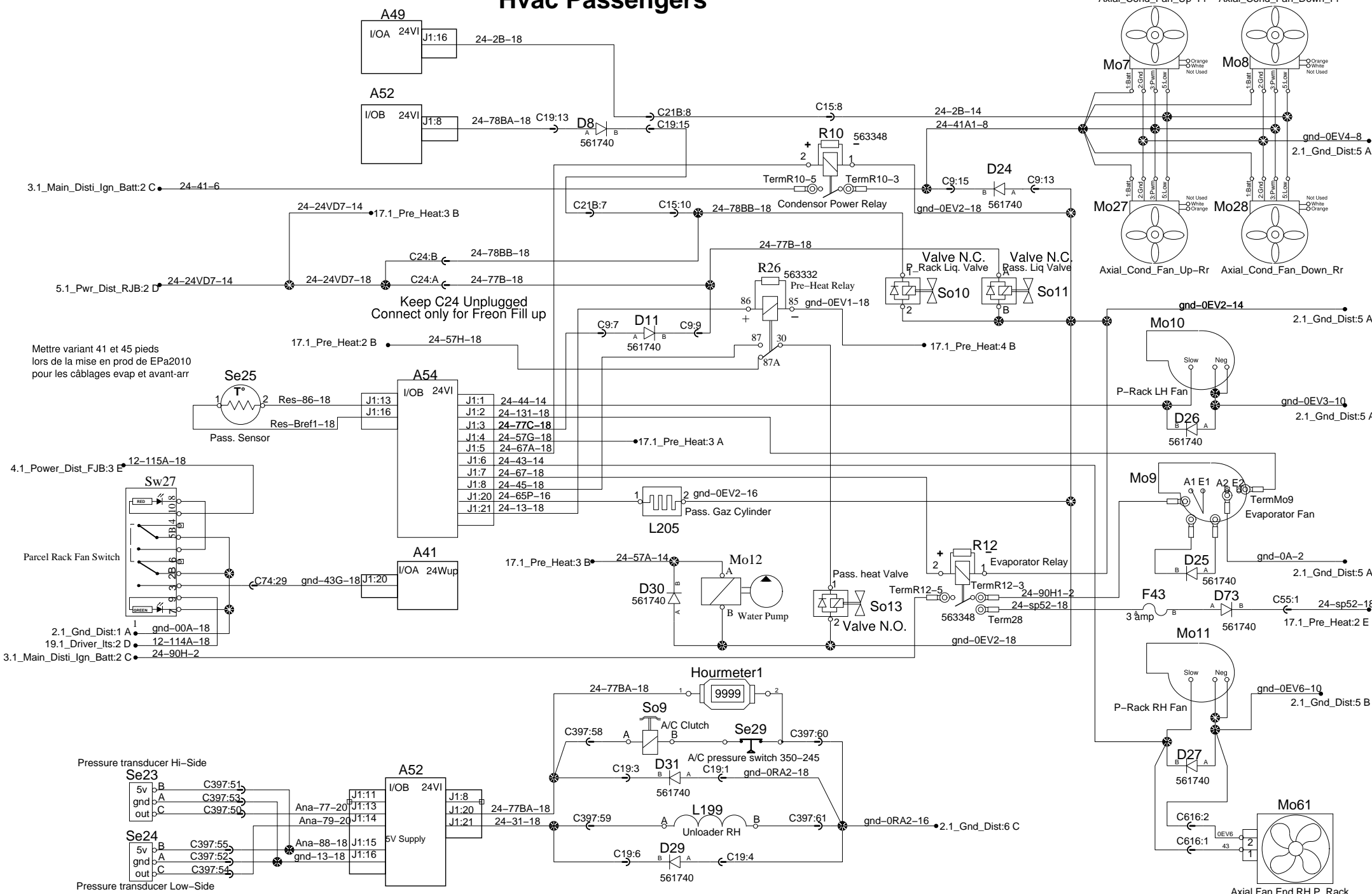
Hvac_Defroster



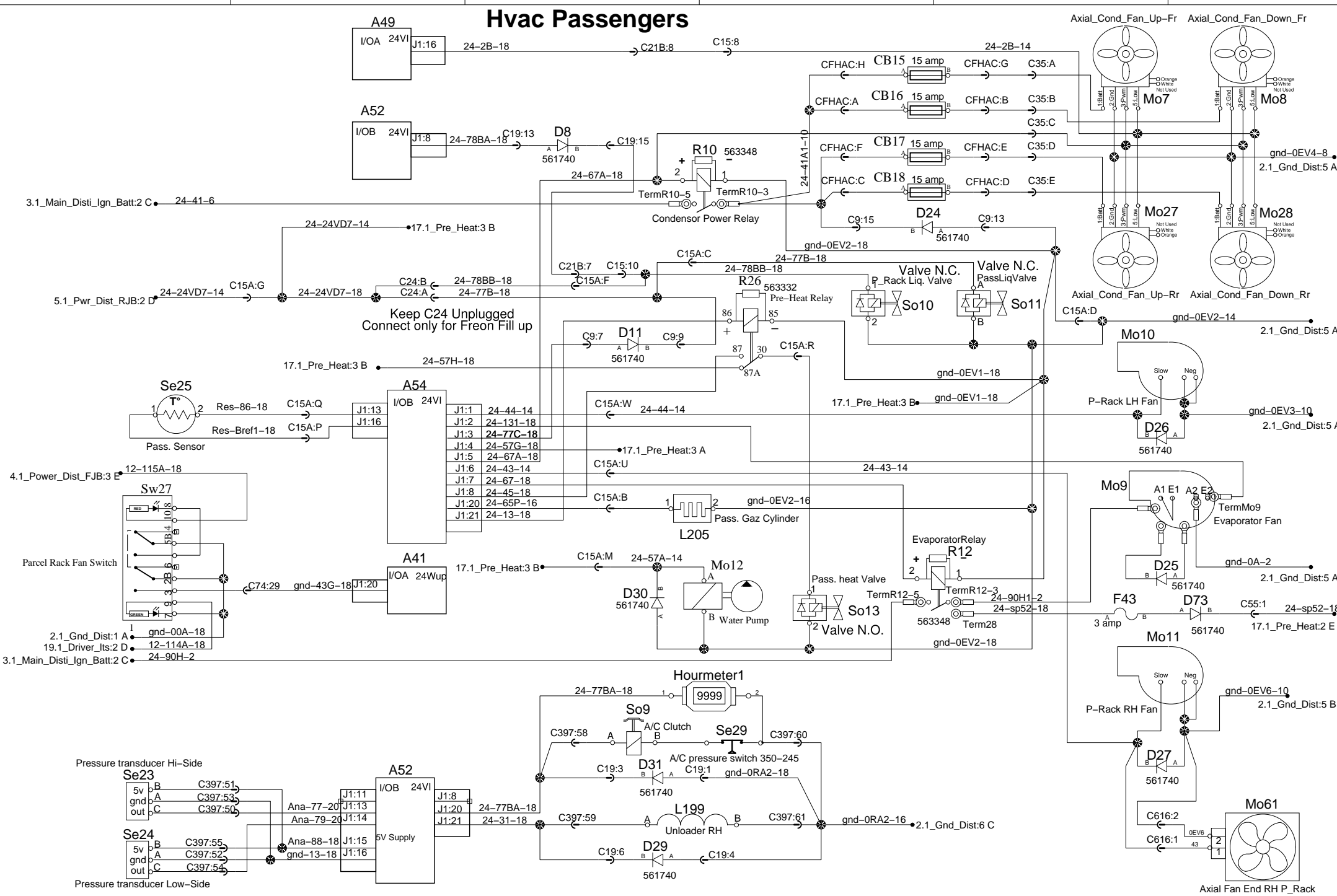
Hvac_Defroster



Hvac Passengers

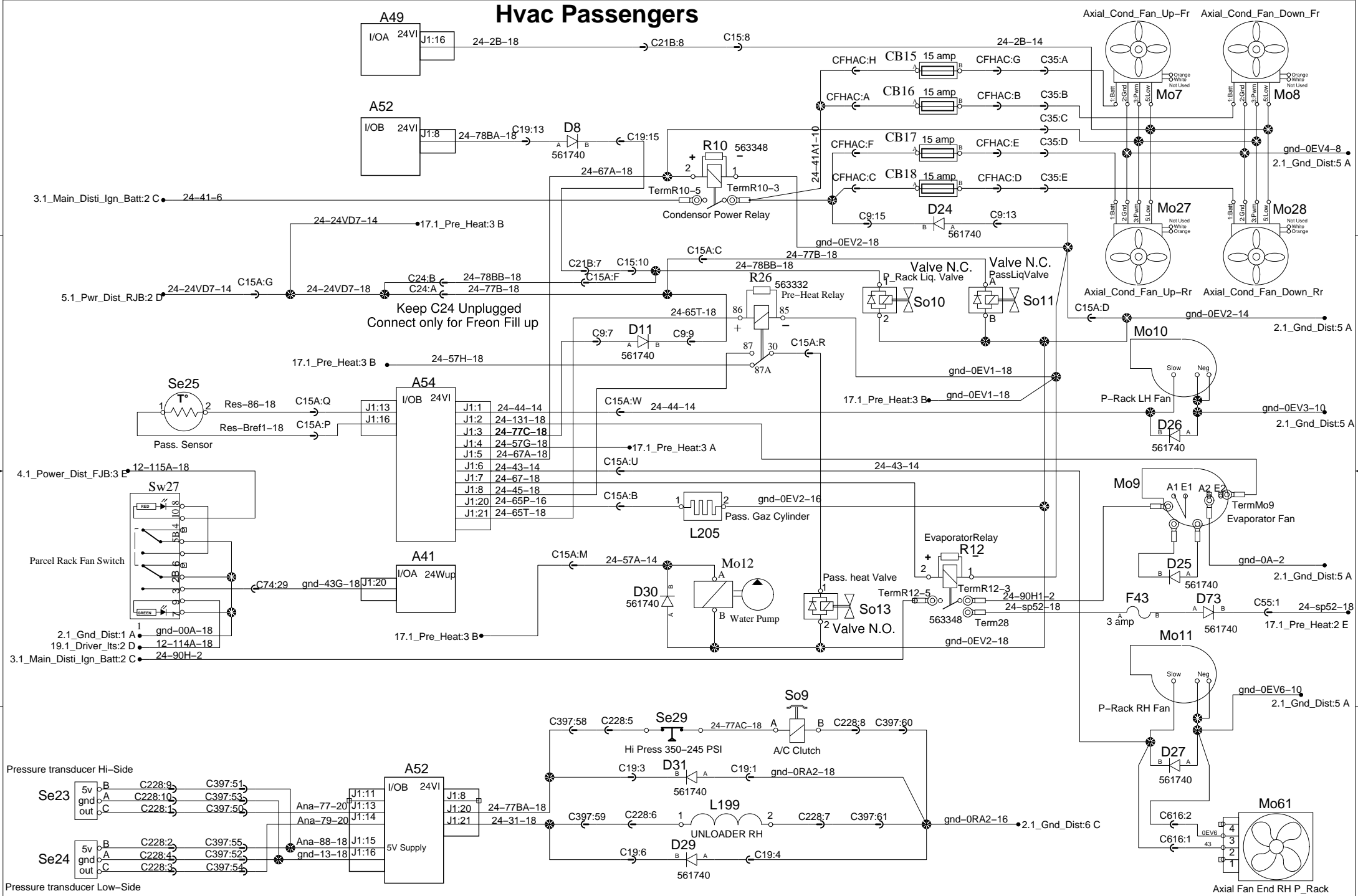


Hvac Passengers



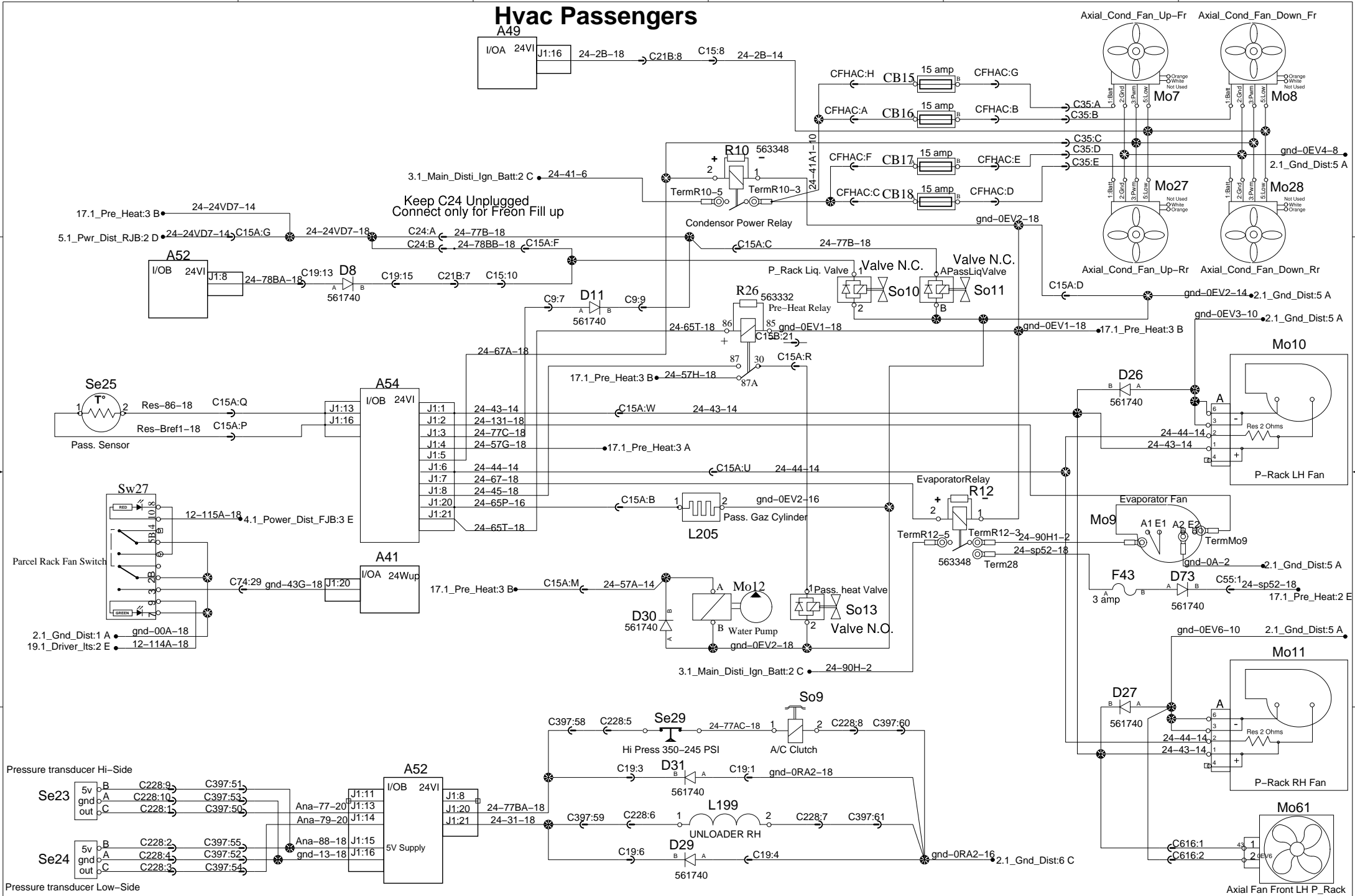
Keep C24 Unplugged
Connect only for Freon Fill up

Hvac Passengers

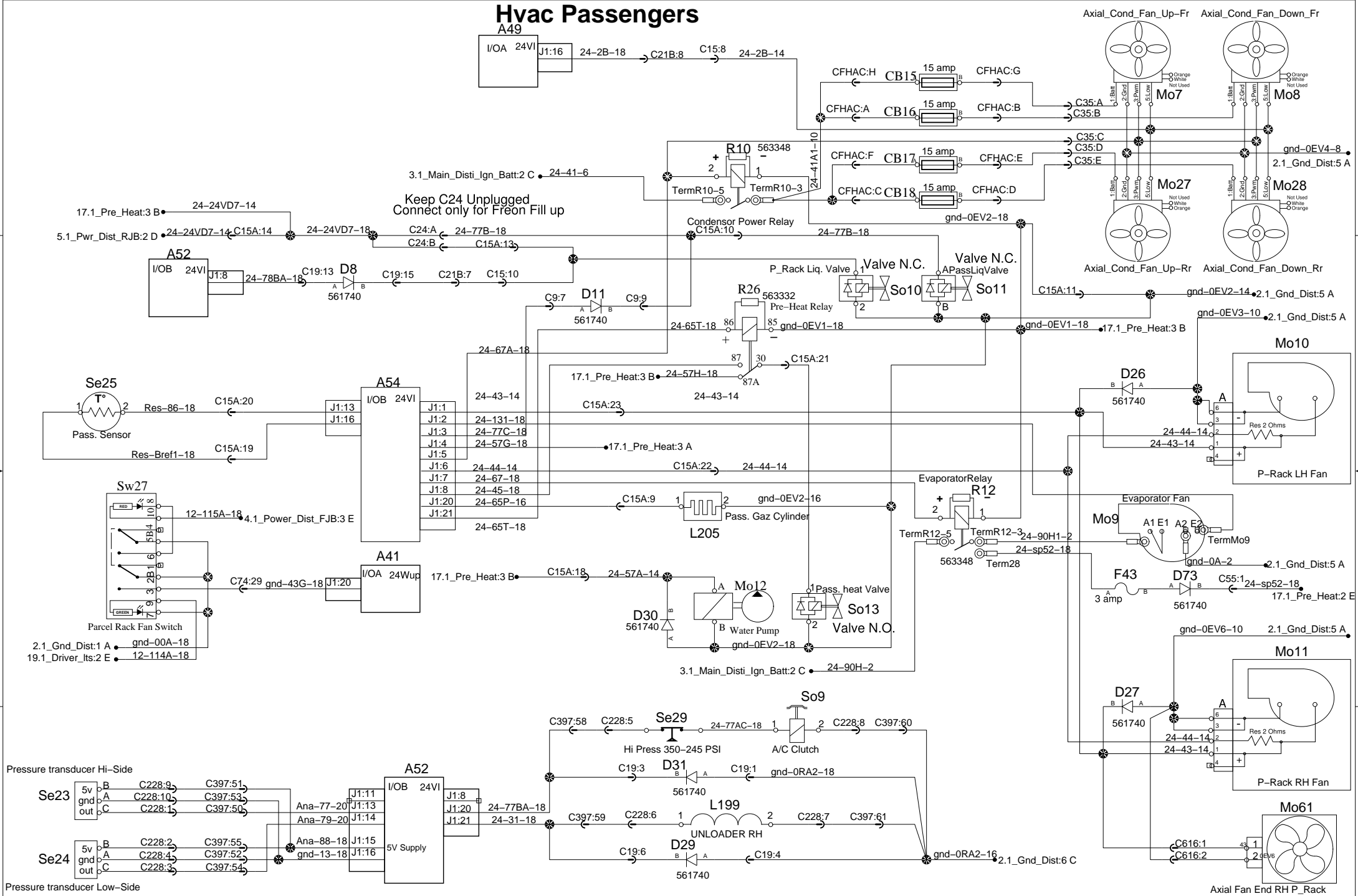


Keep C24 Unplugged
Connect only for Freon Fill up

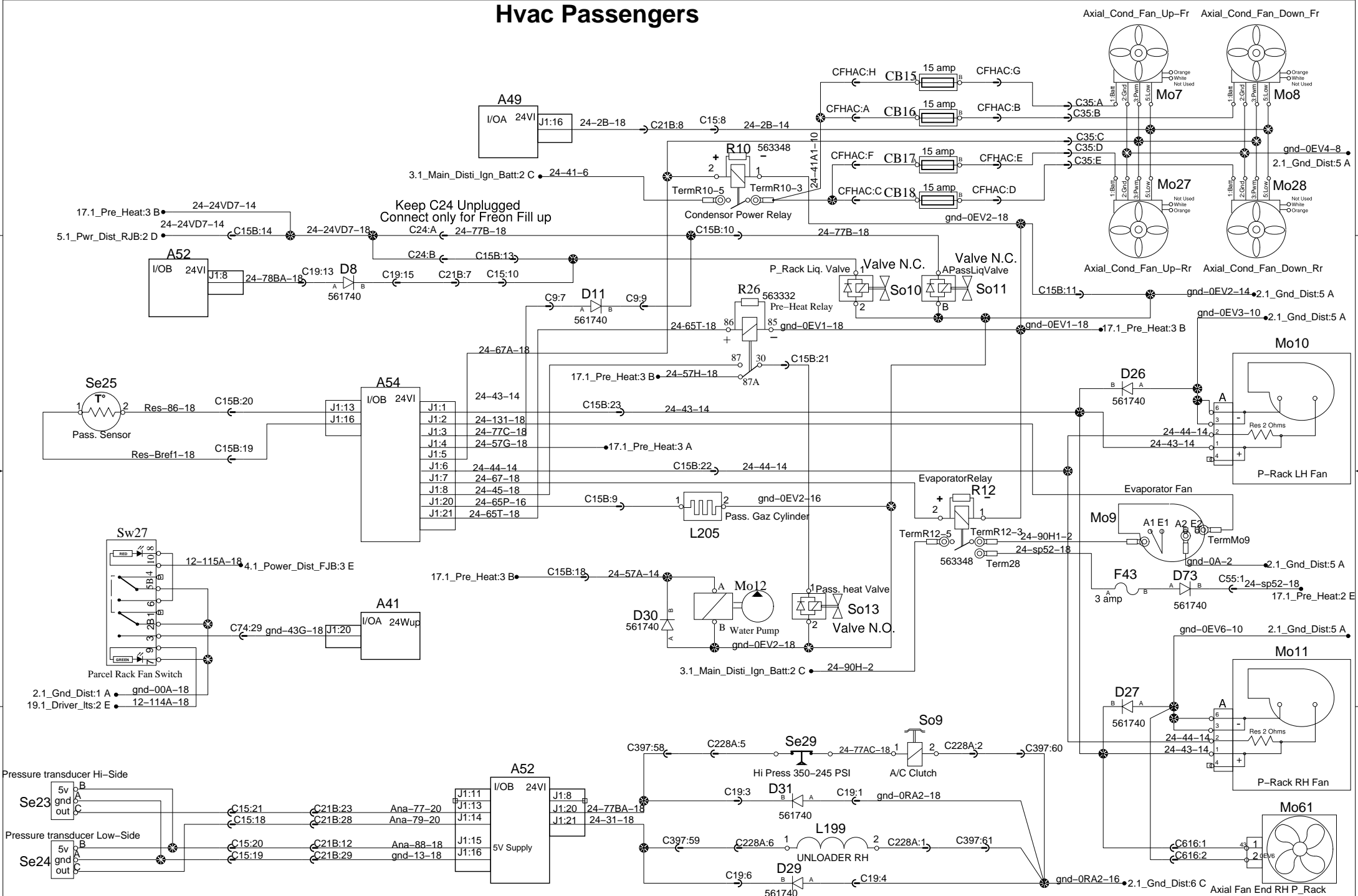
Hvac Passengers



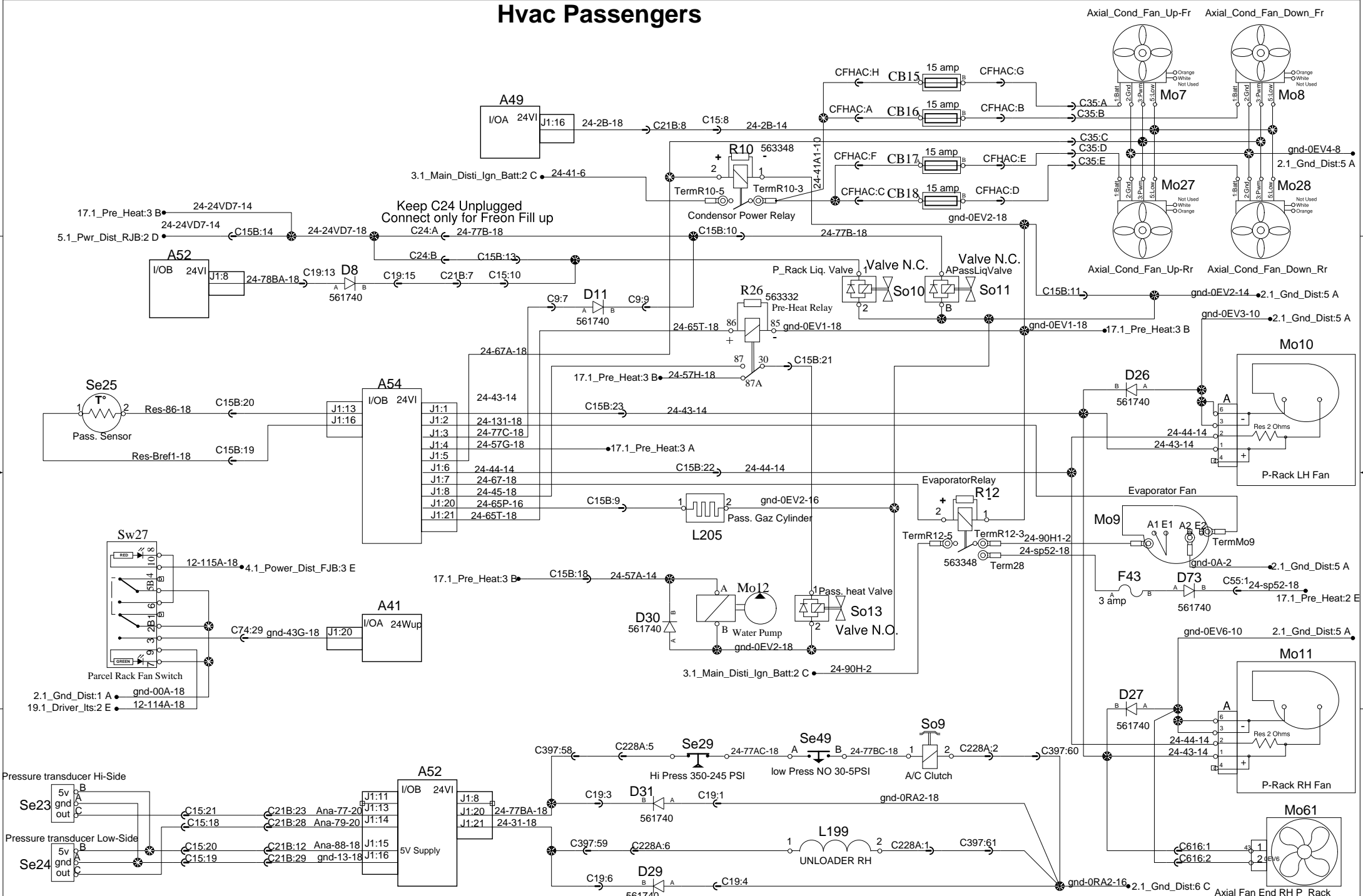
Hvac Passengers



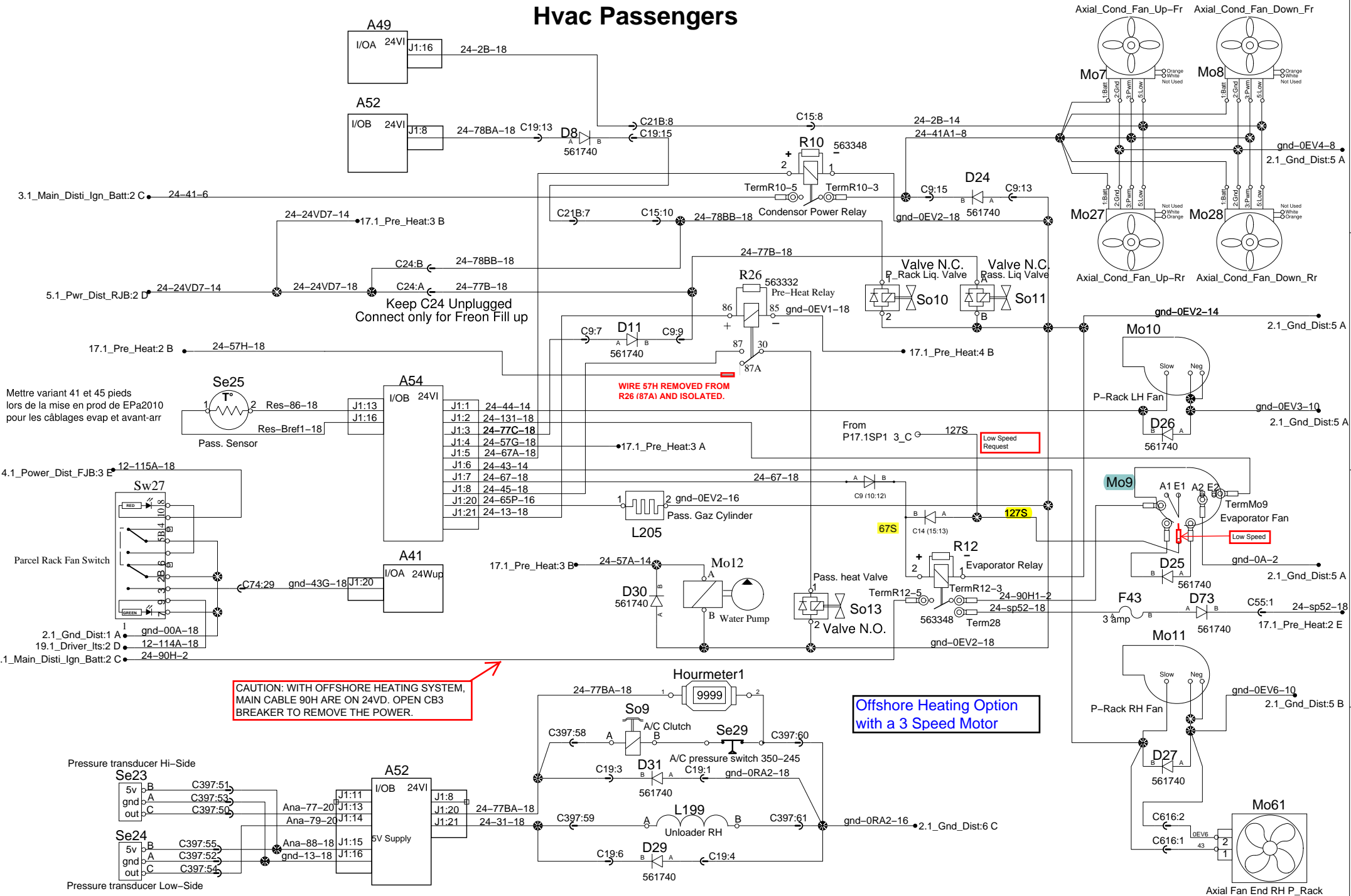
Hvac Passengers



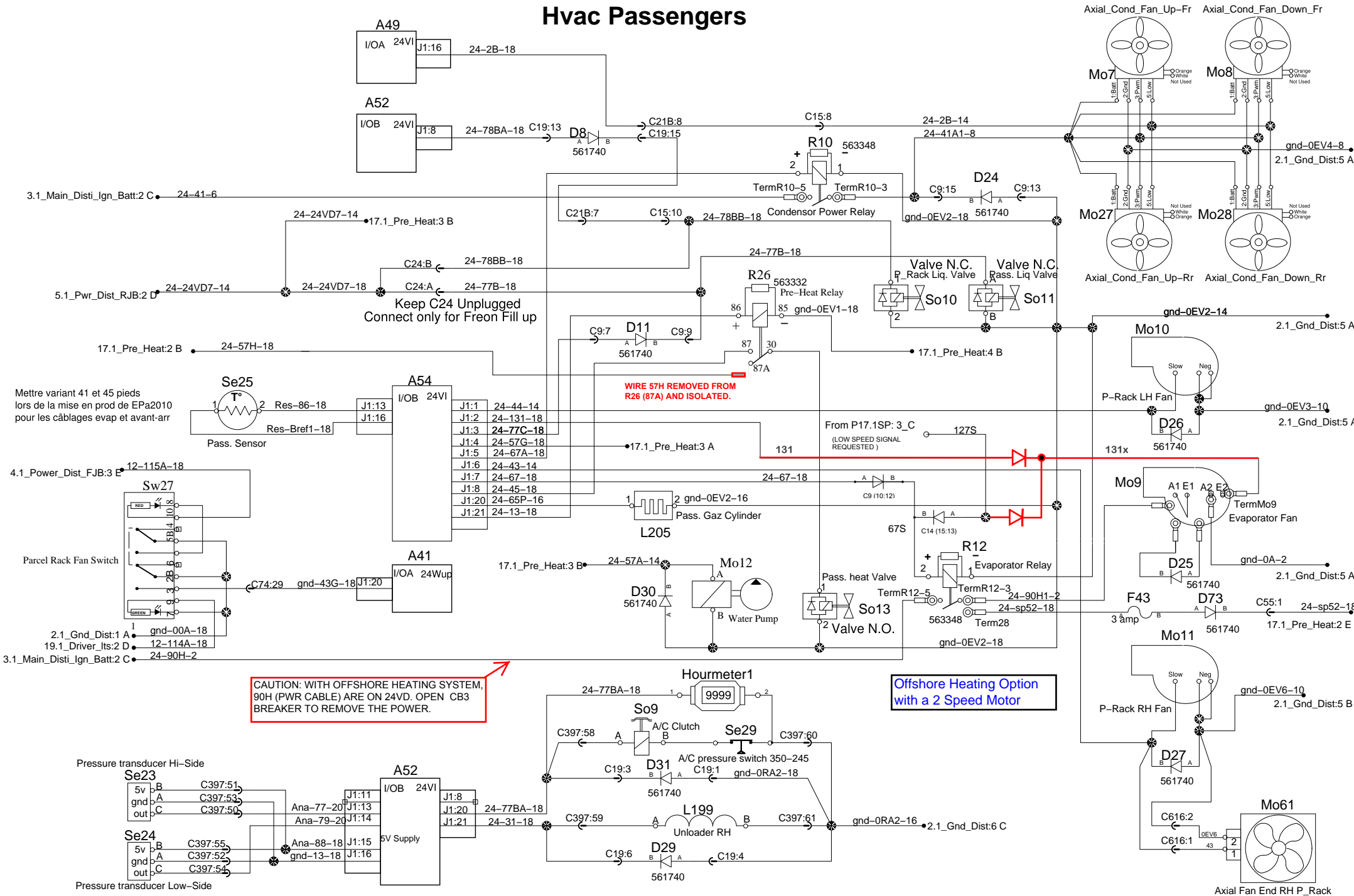
Hvac Passengers



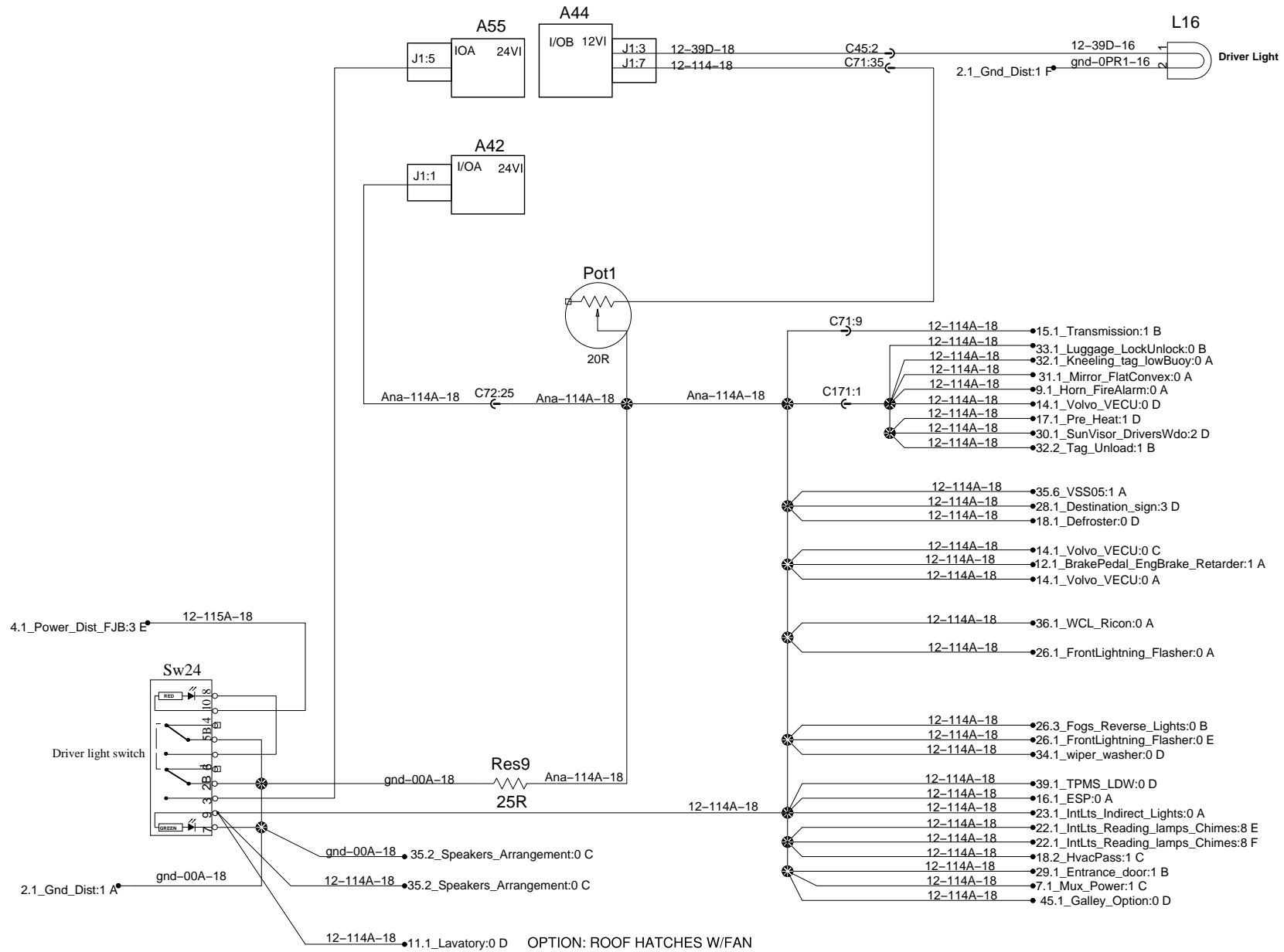
Hvac Passengers



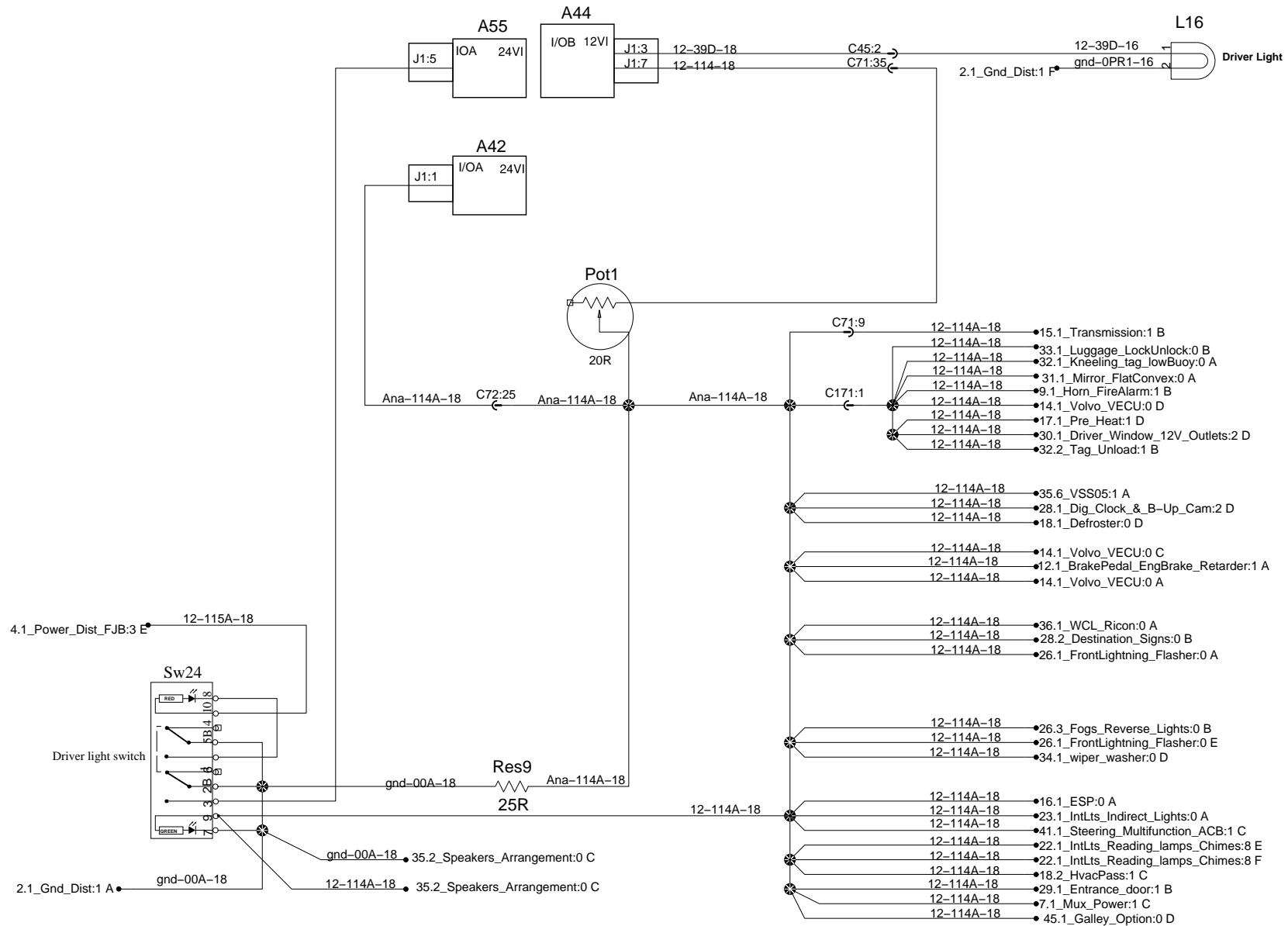
Hvac Passengers



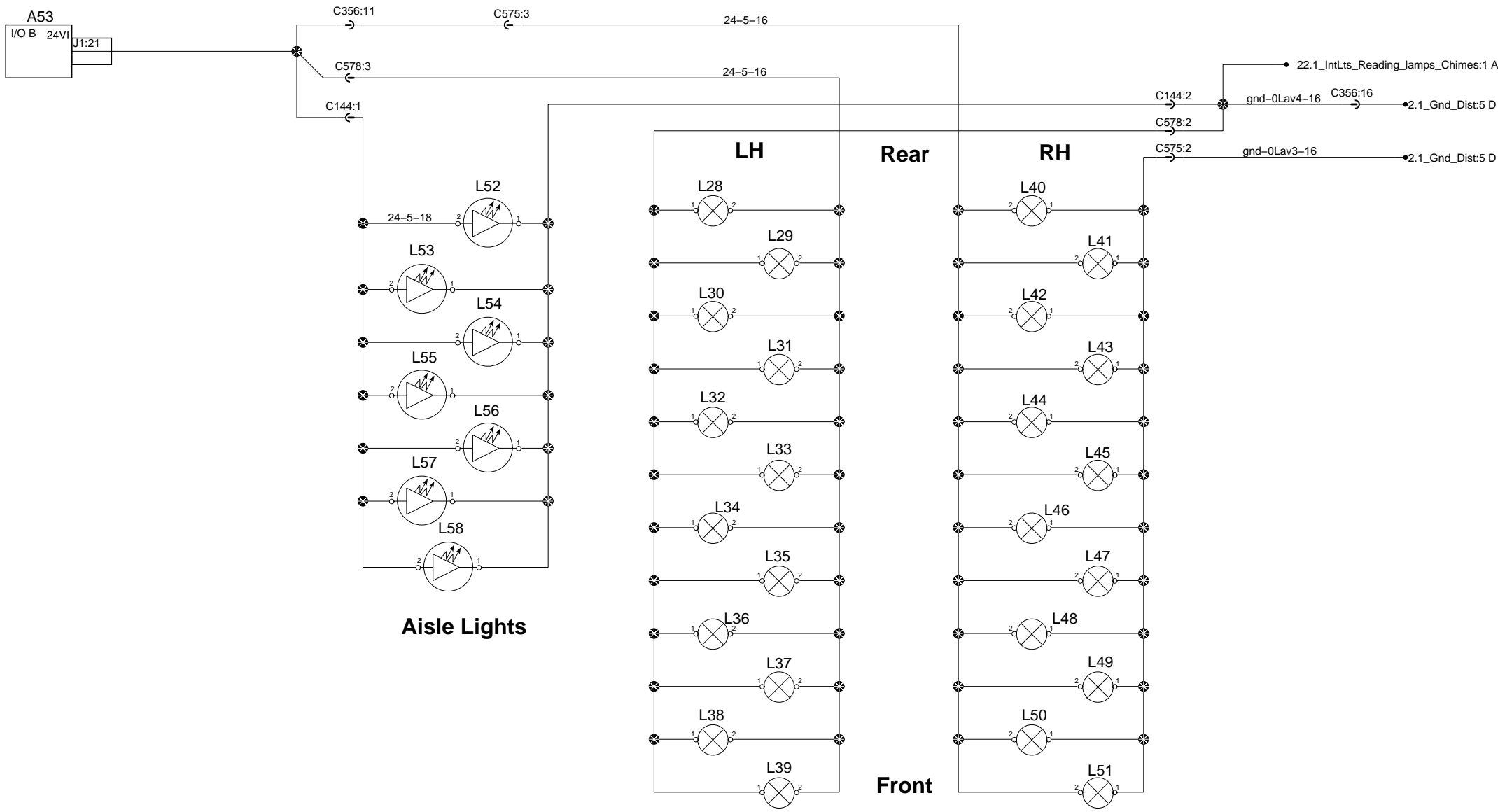
Driver lights



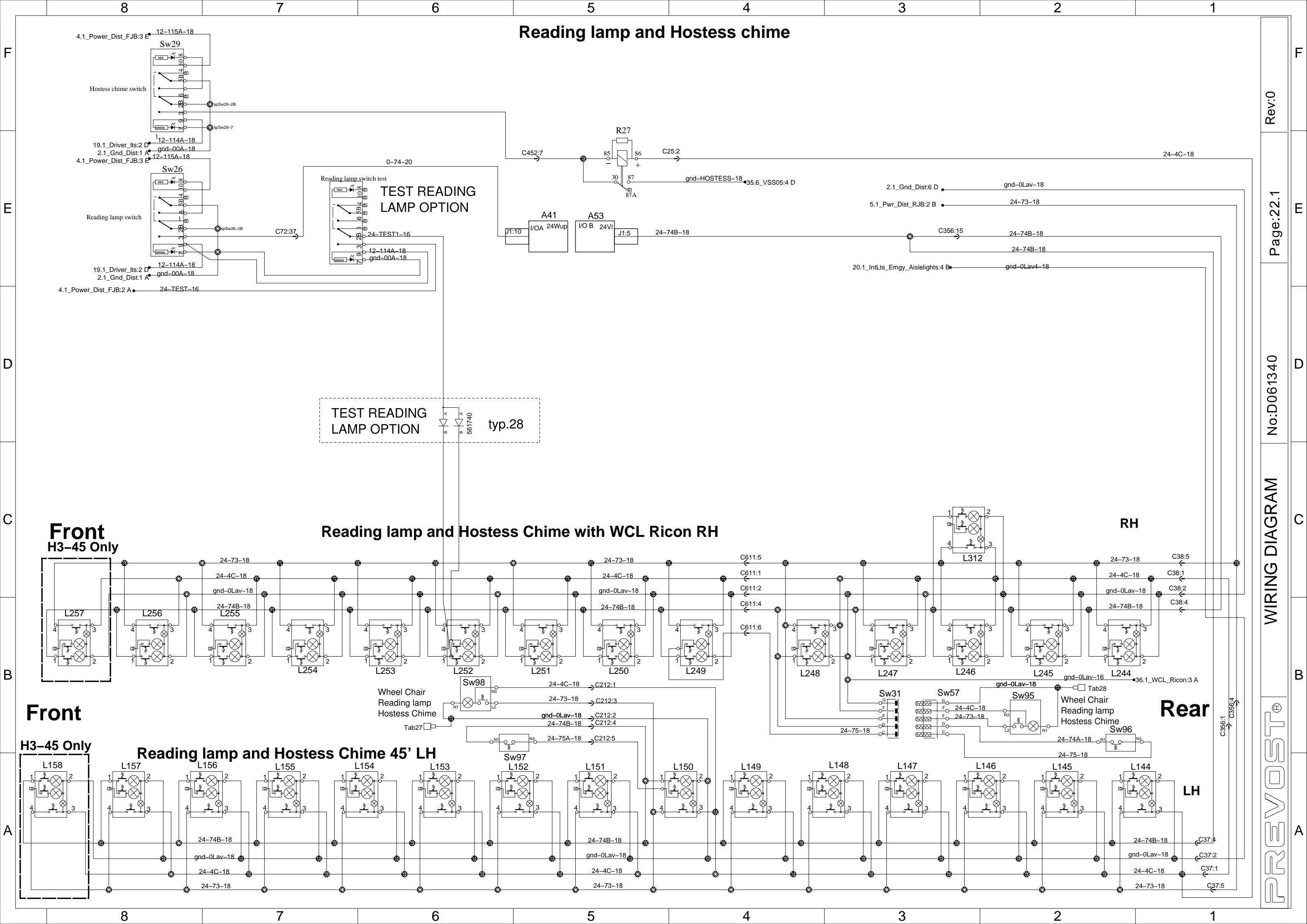
Driver lights



Emergency & Aisle lights



Reading lamp and Hostess chime



TEST READING LAMP OPTION

TEST READING LAMP OPTION

Reading lamp and Hostess Chime with WCL Ricon RH

Reading lamp and Hostess Chime 45' LH

Front
H3-45 Only

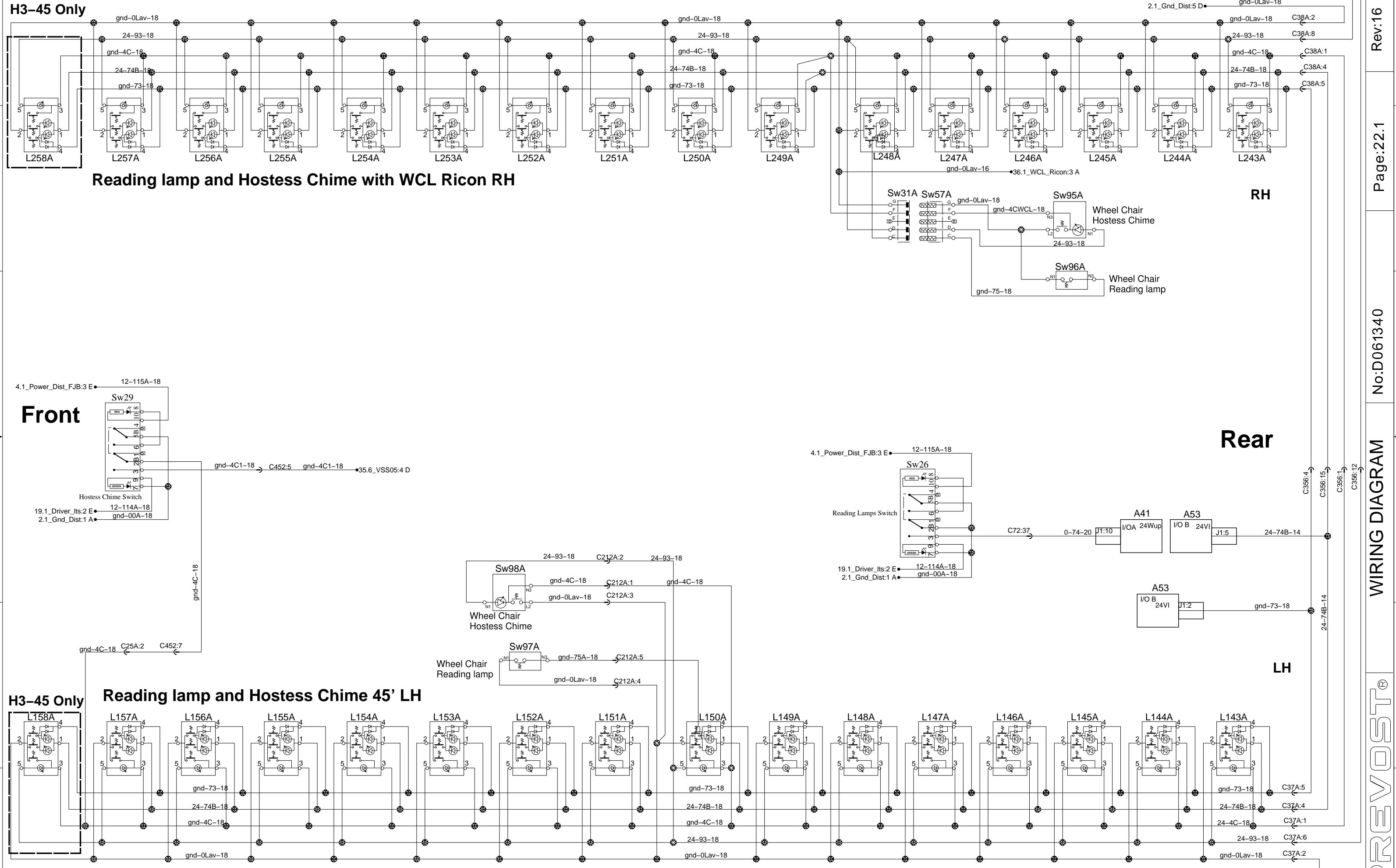
Front
H3-45 Only

RH

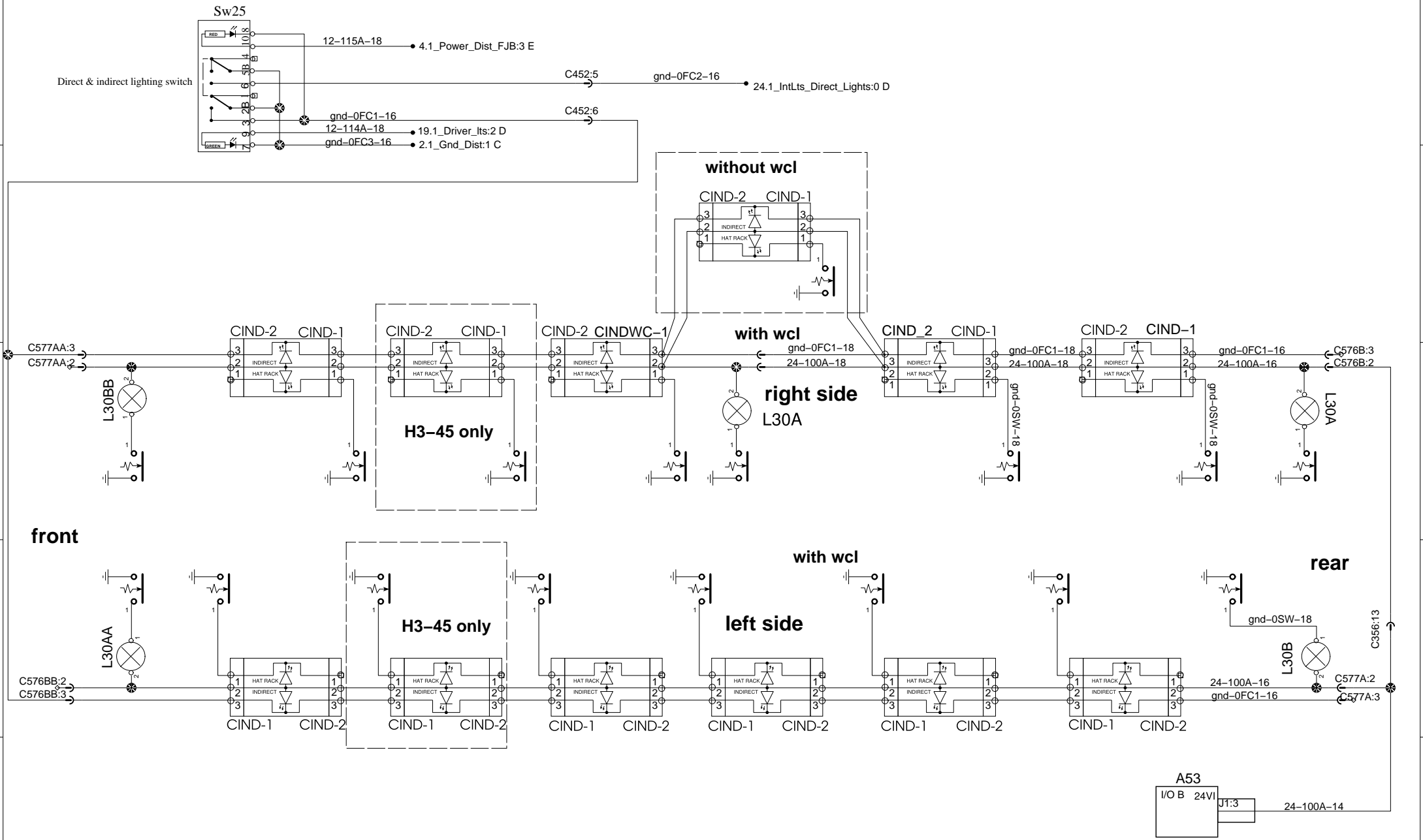
Rear

LH

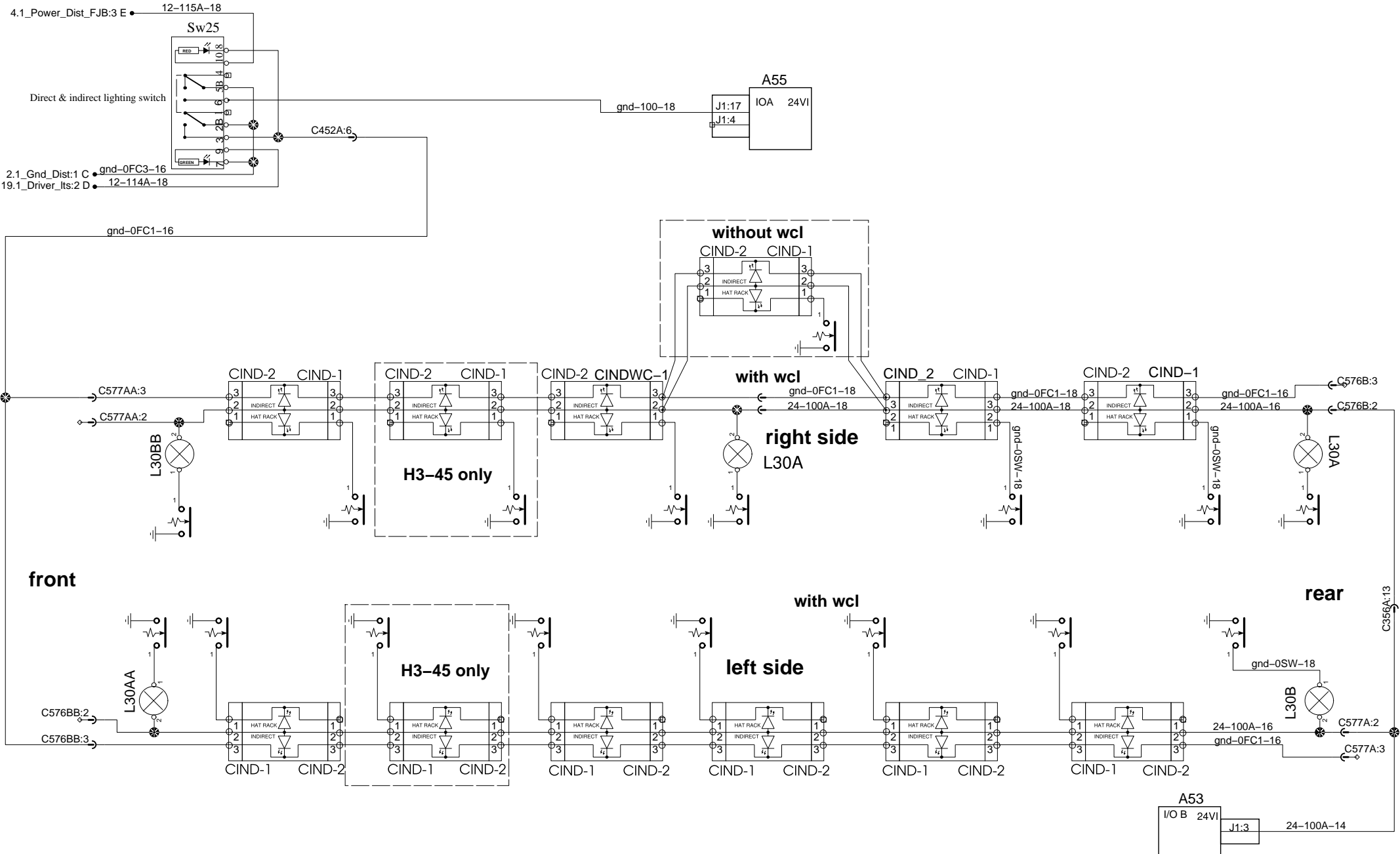
Reading lamp and Hostess chime



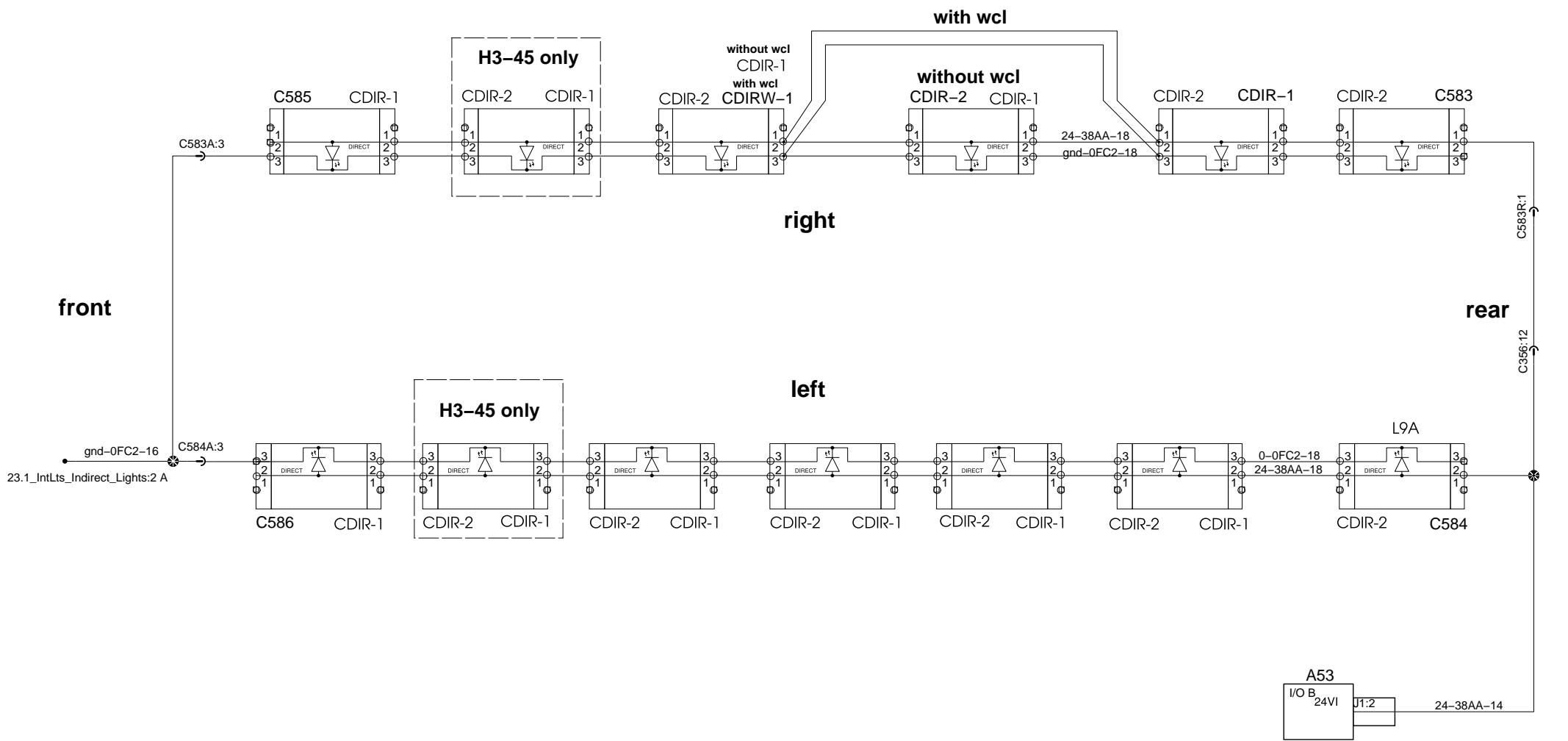
Indirect lighting



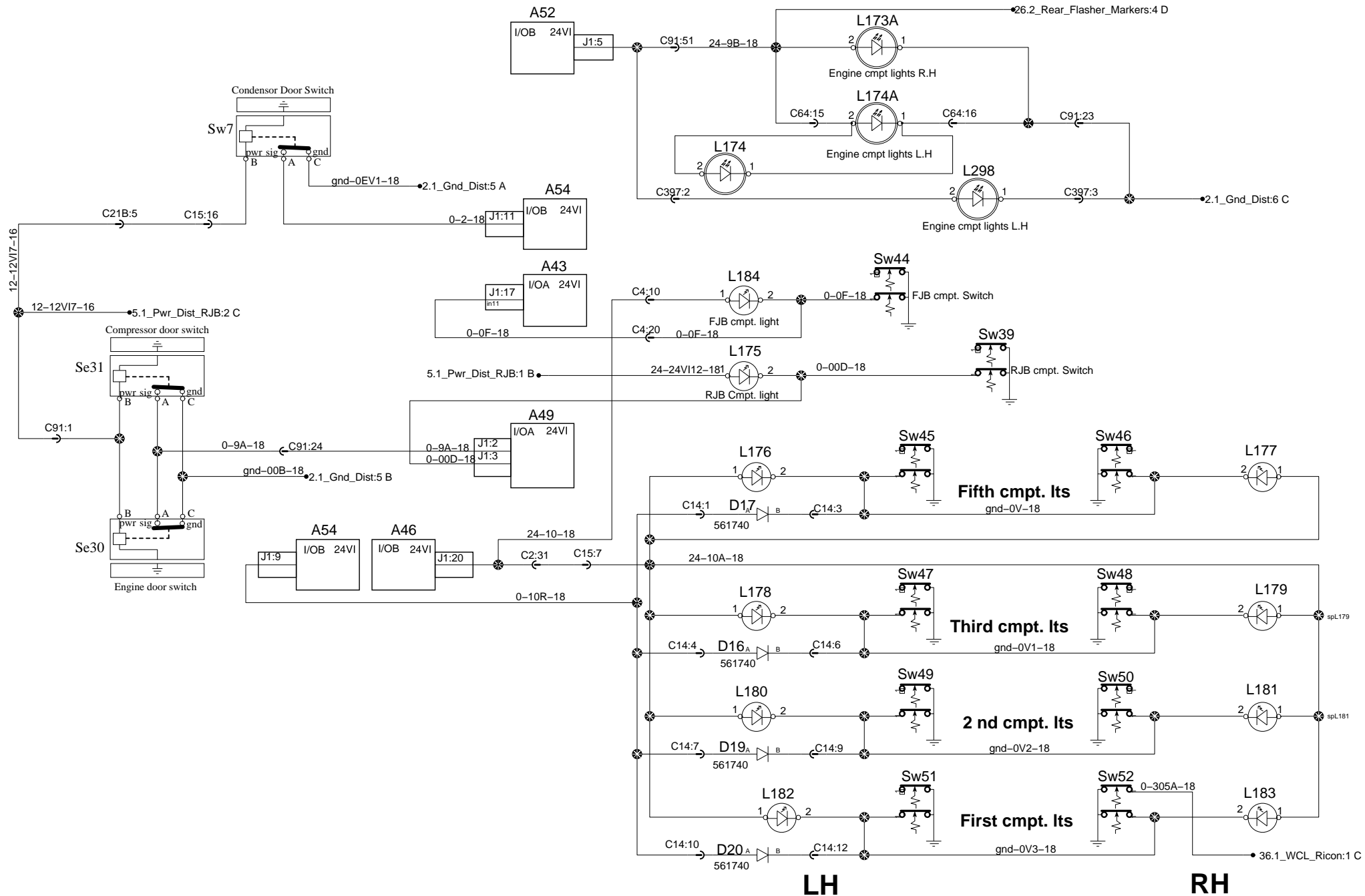
Indirect lighting



Direct lighting



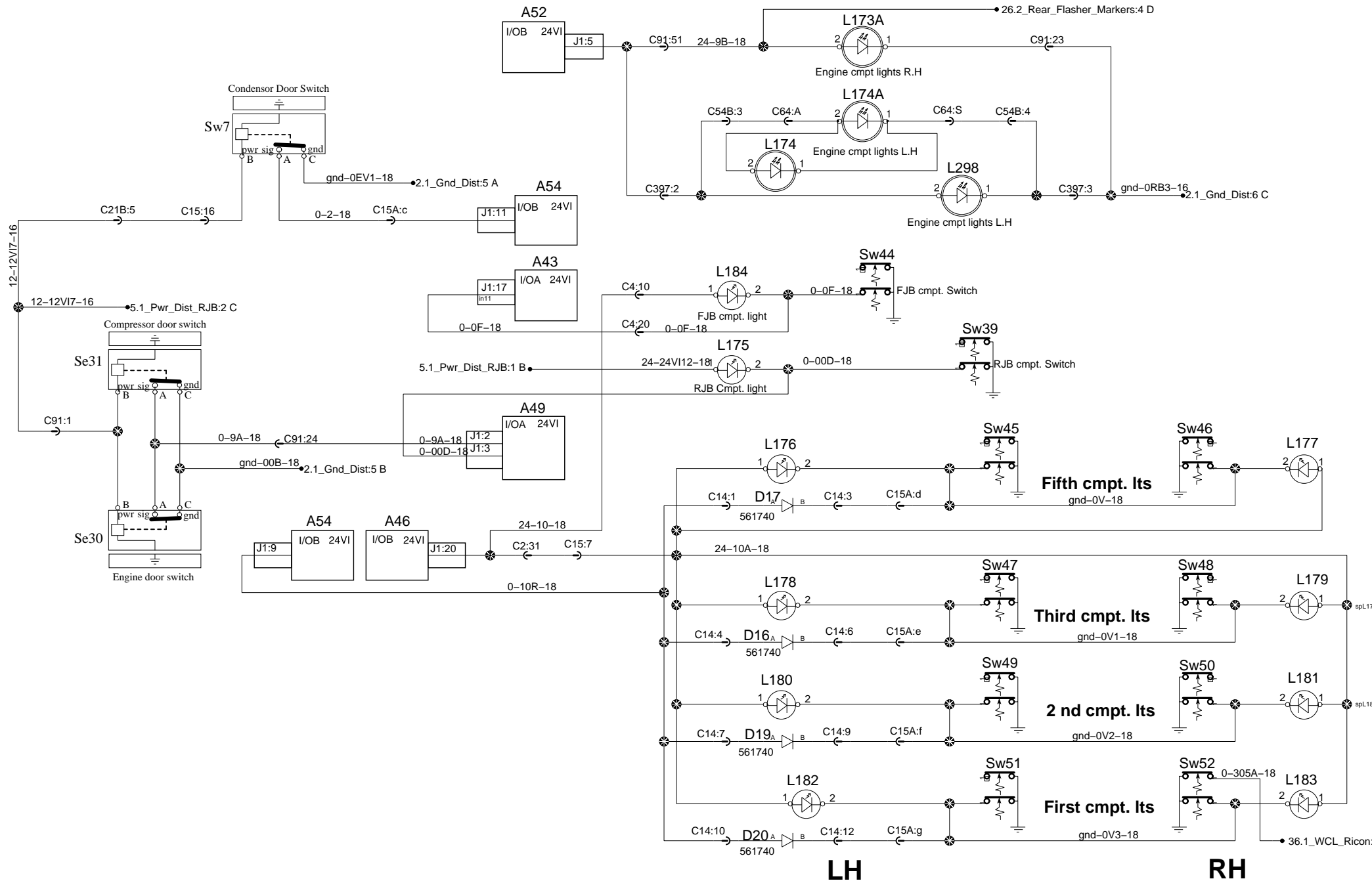
Luggage Compartment and Engine cmpt. lightning



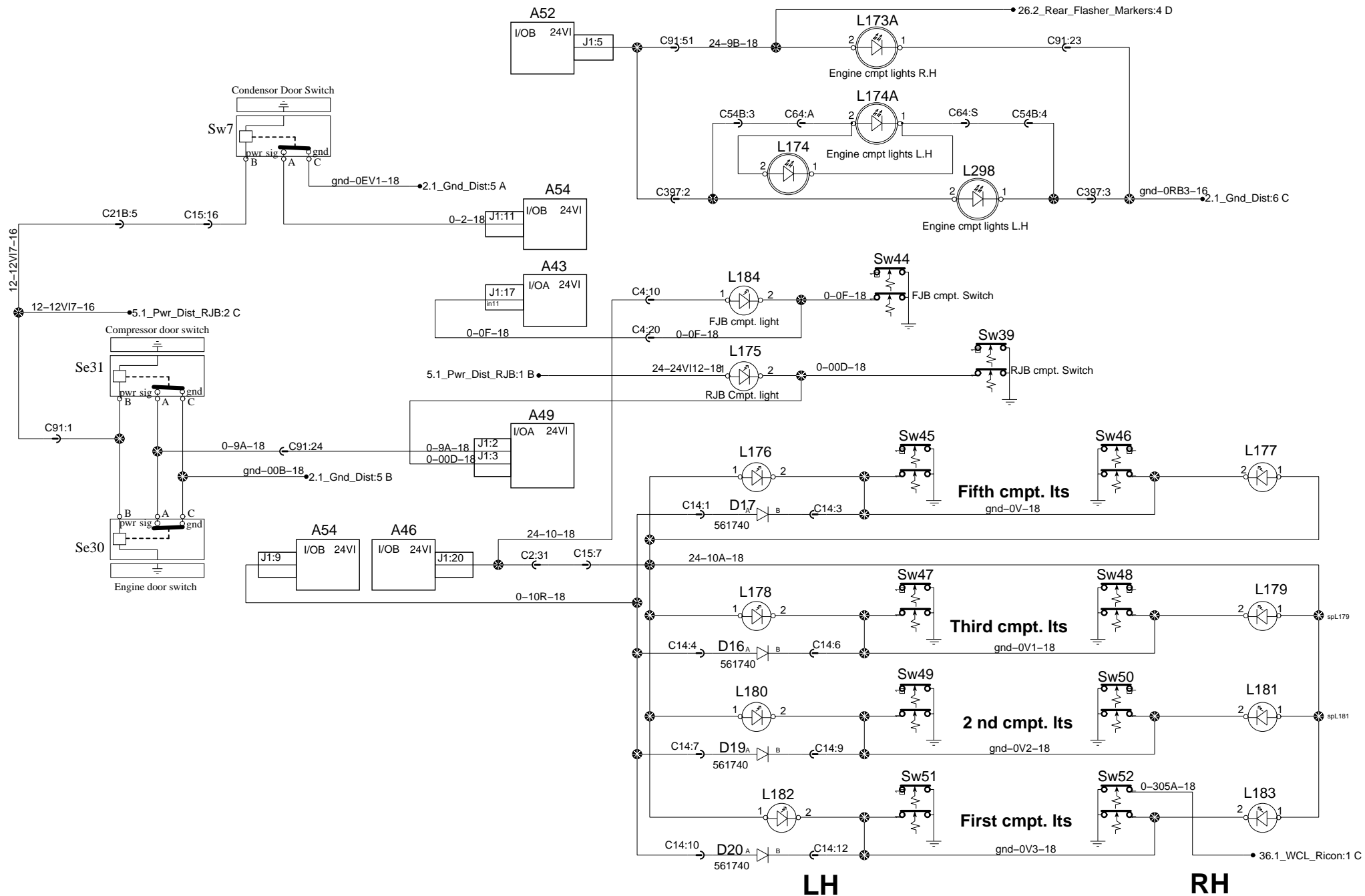
LH

RH

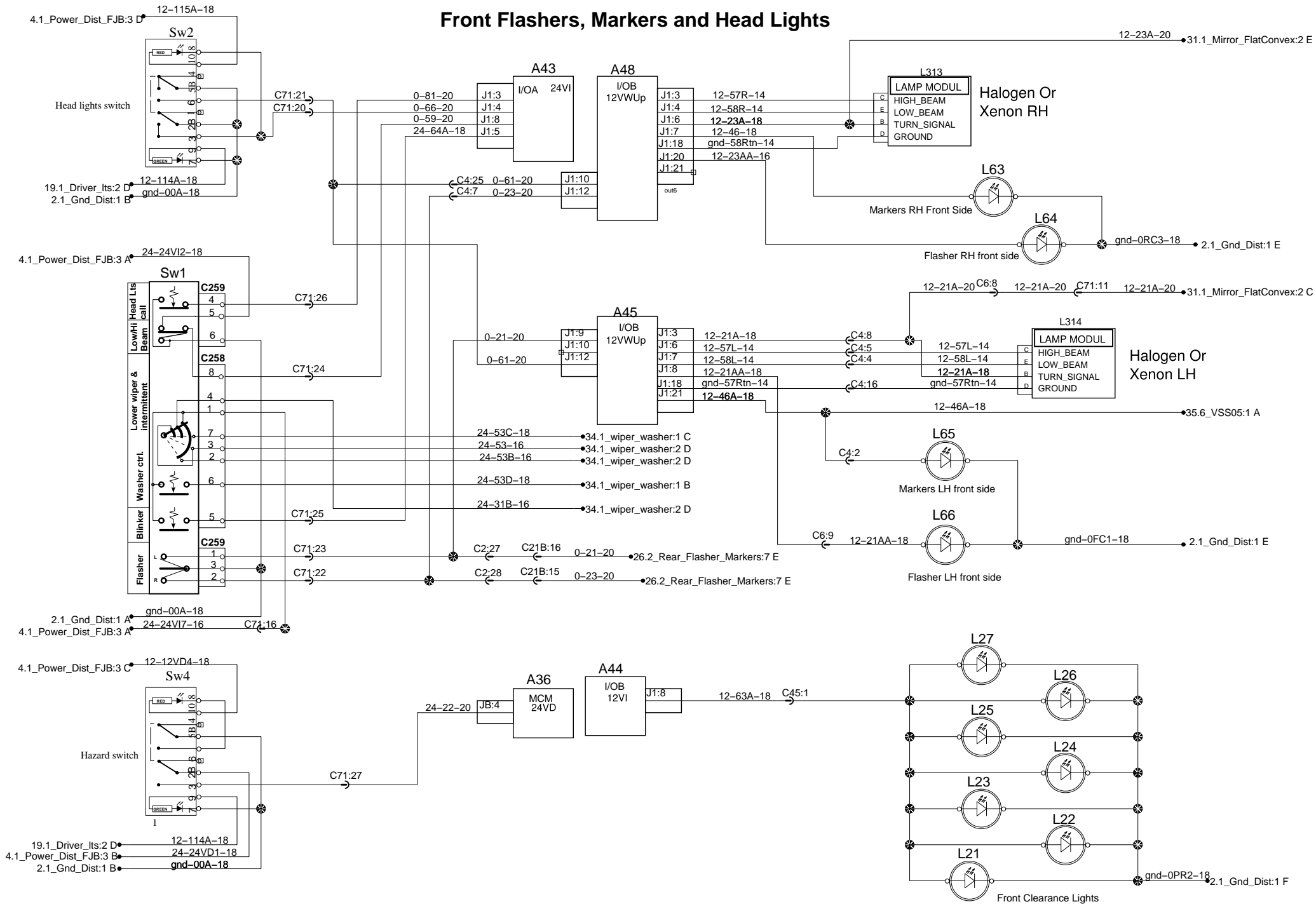
Luggage Compartment and Engine cmpt. lightning



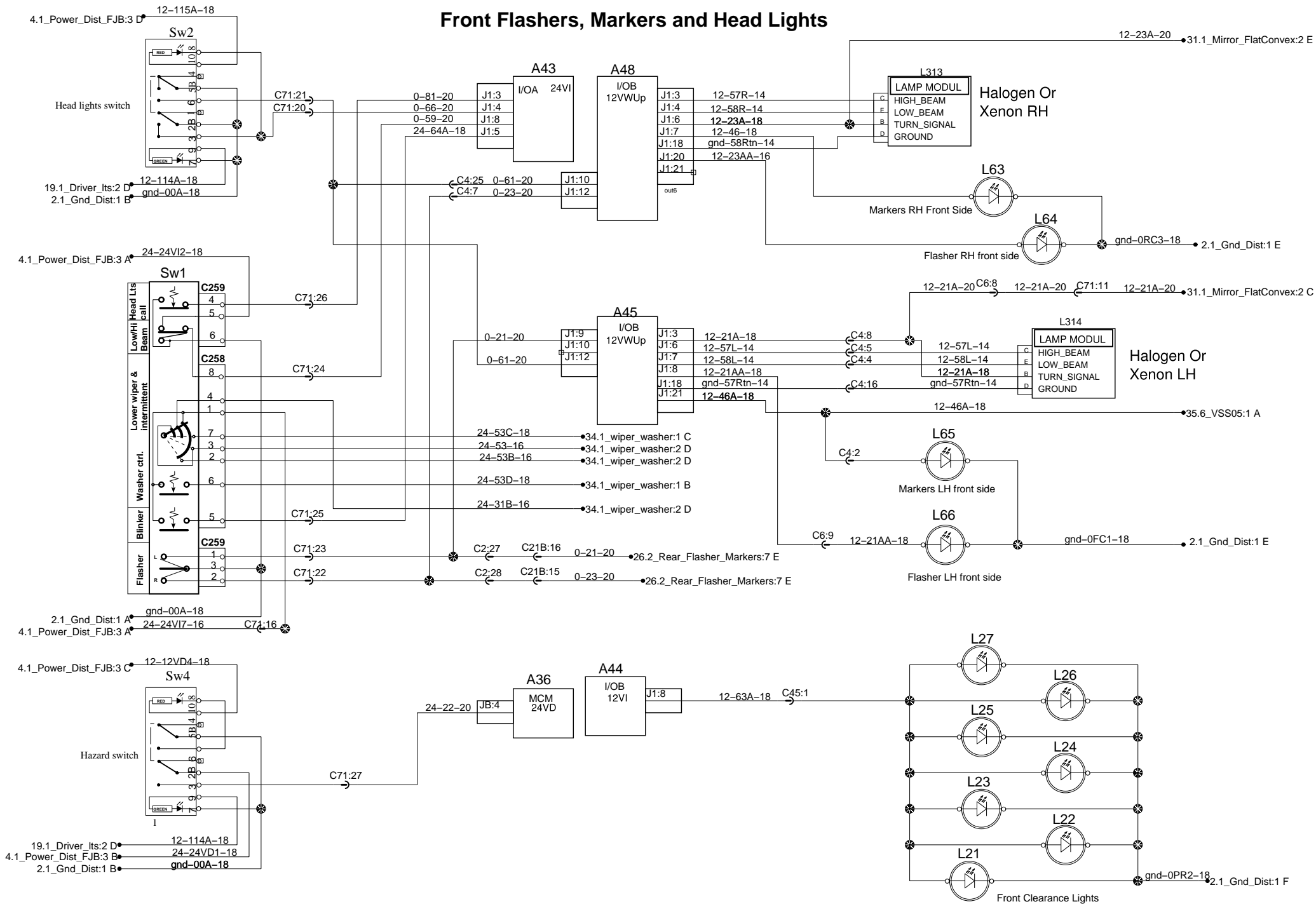
Luggage Compartment and Engine cmpt. lightning



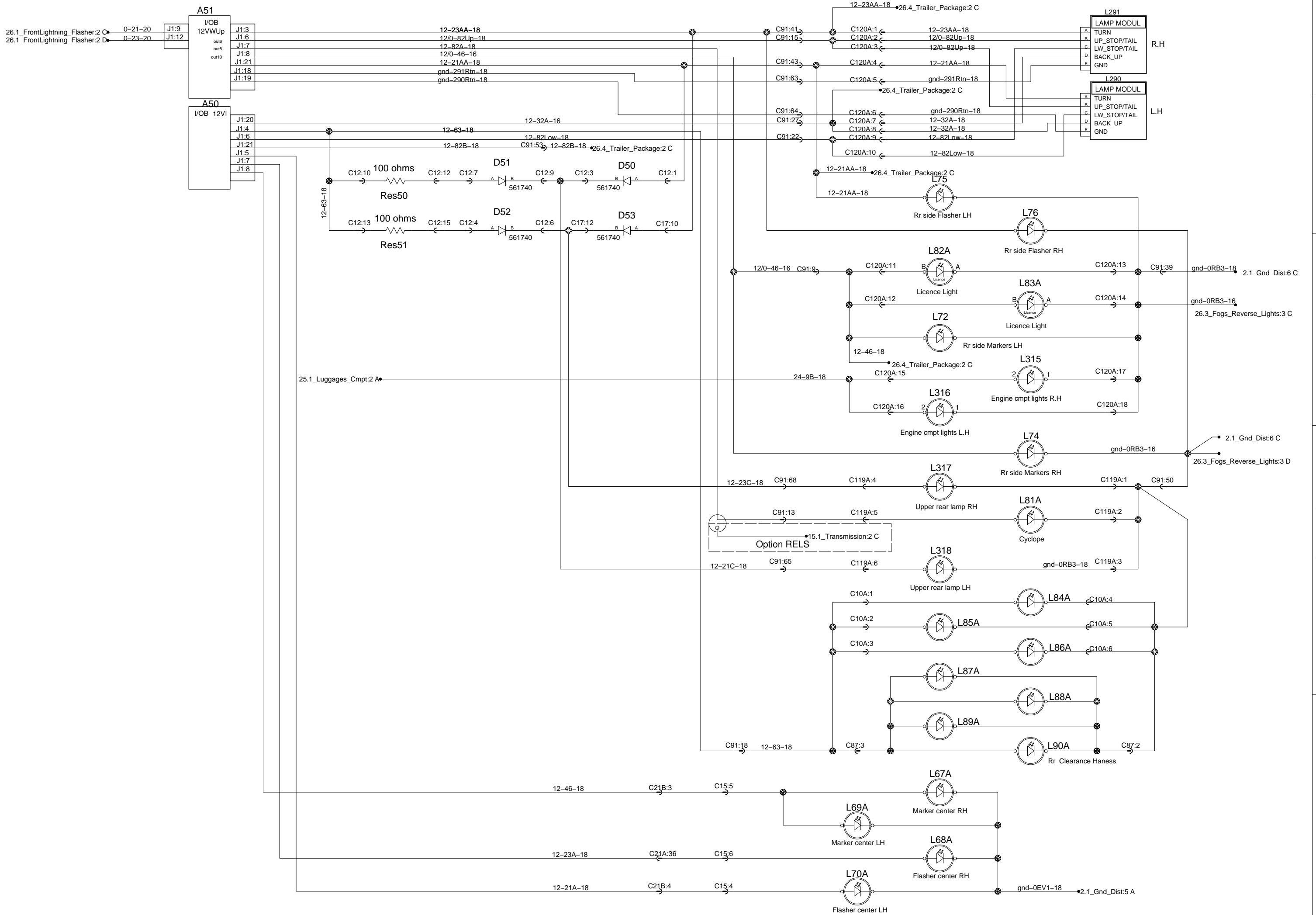
Front Flashers, Markers and Head Lights



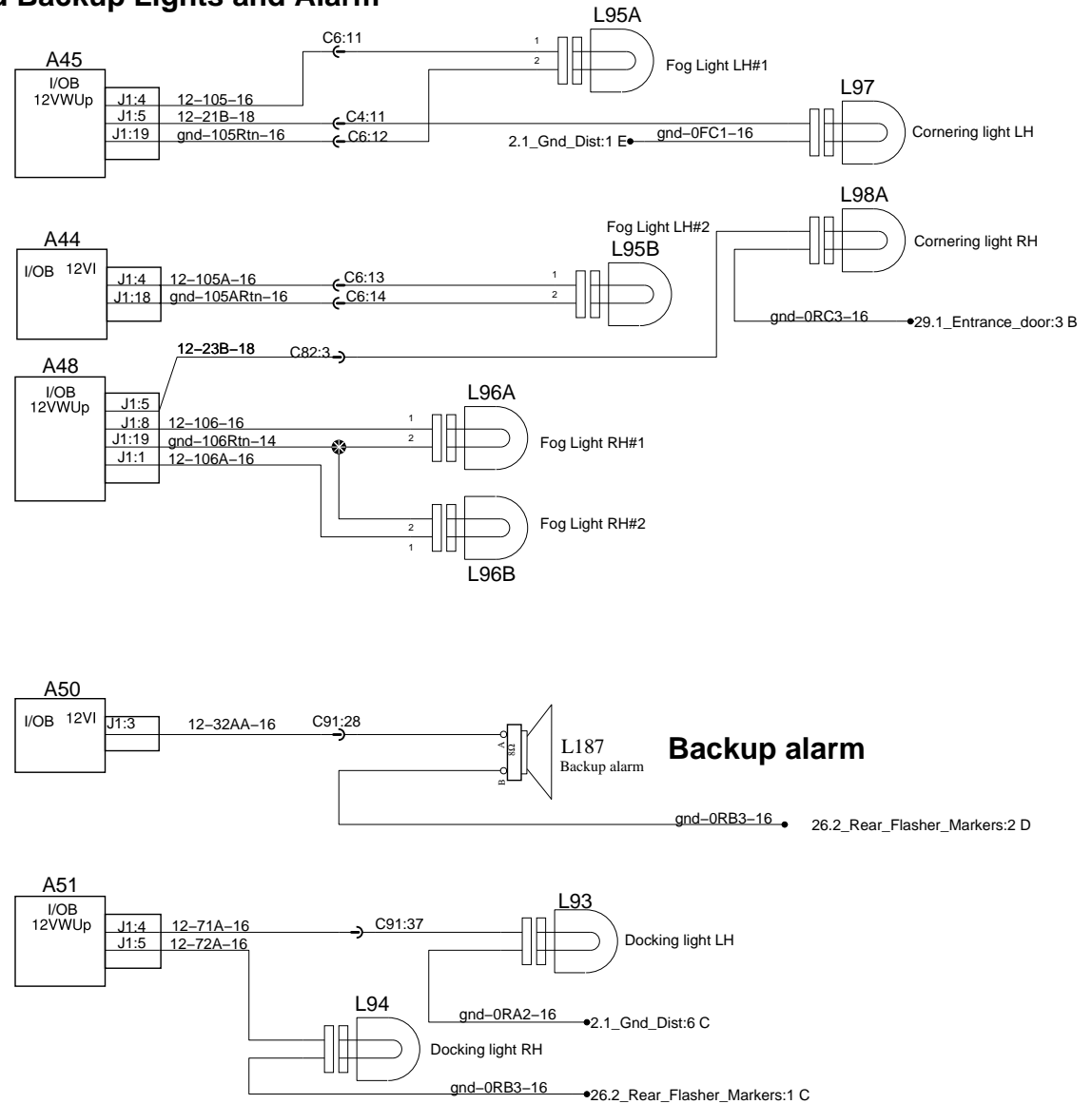
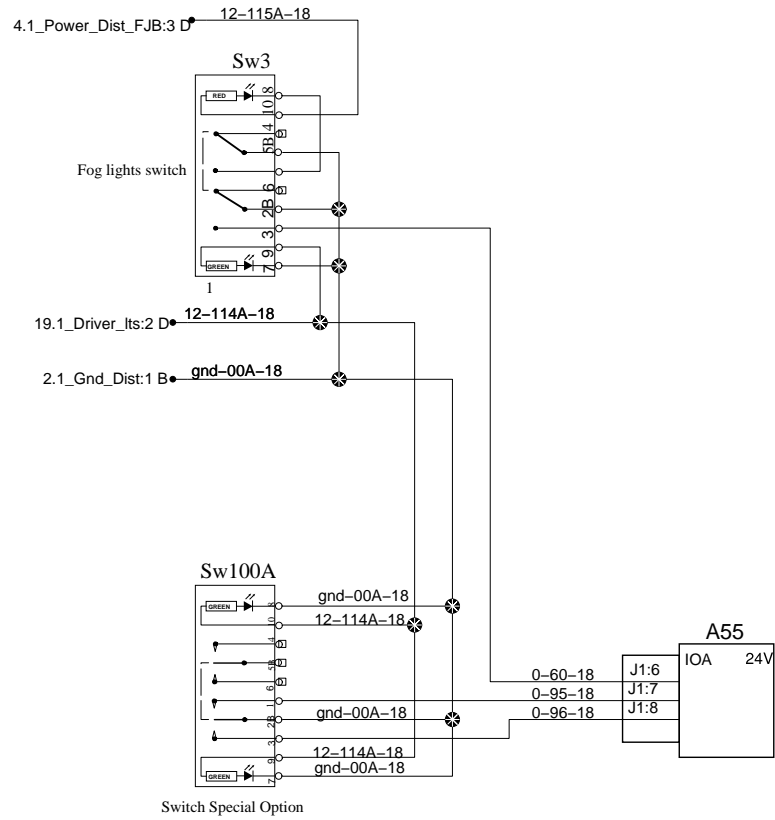
Front Flashers, Markers and Head Lights



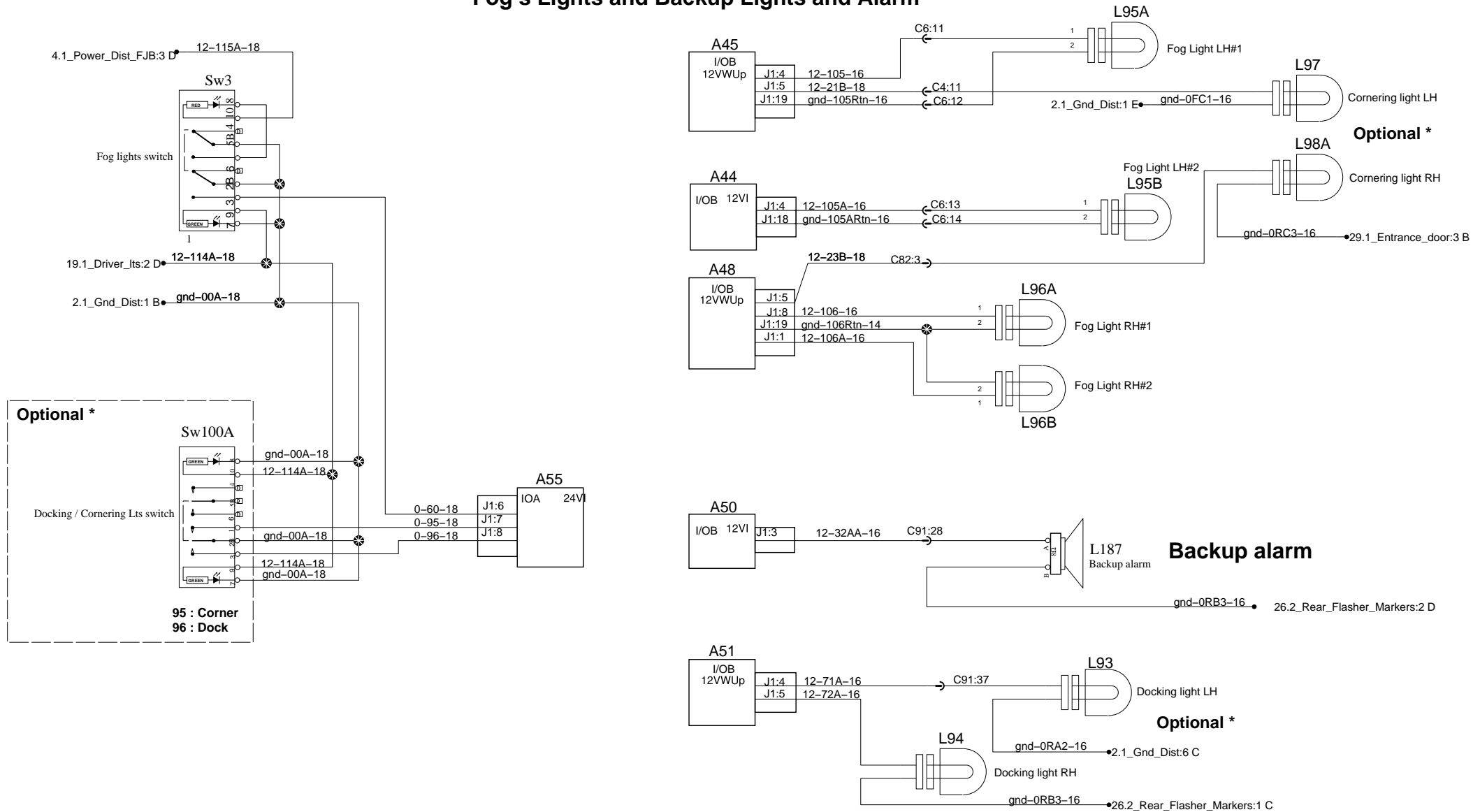
Rear Flashers, Markers and Clearance Lights



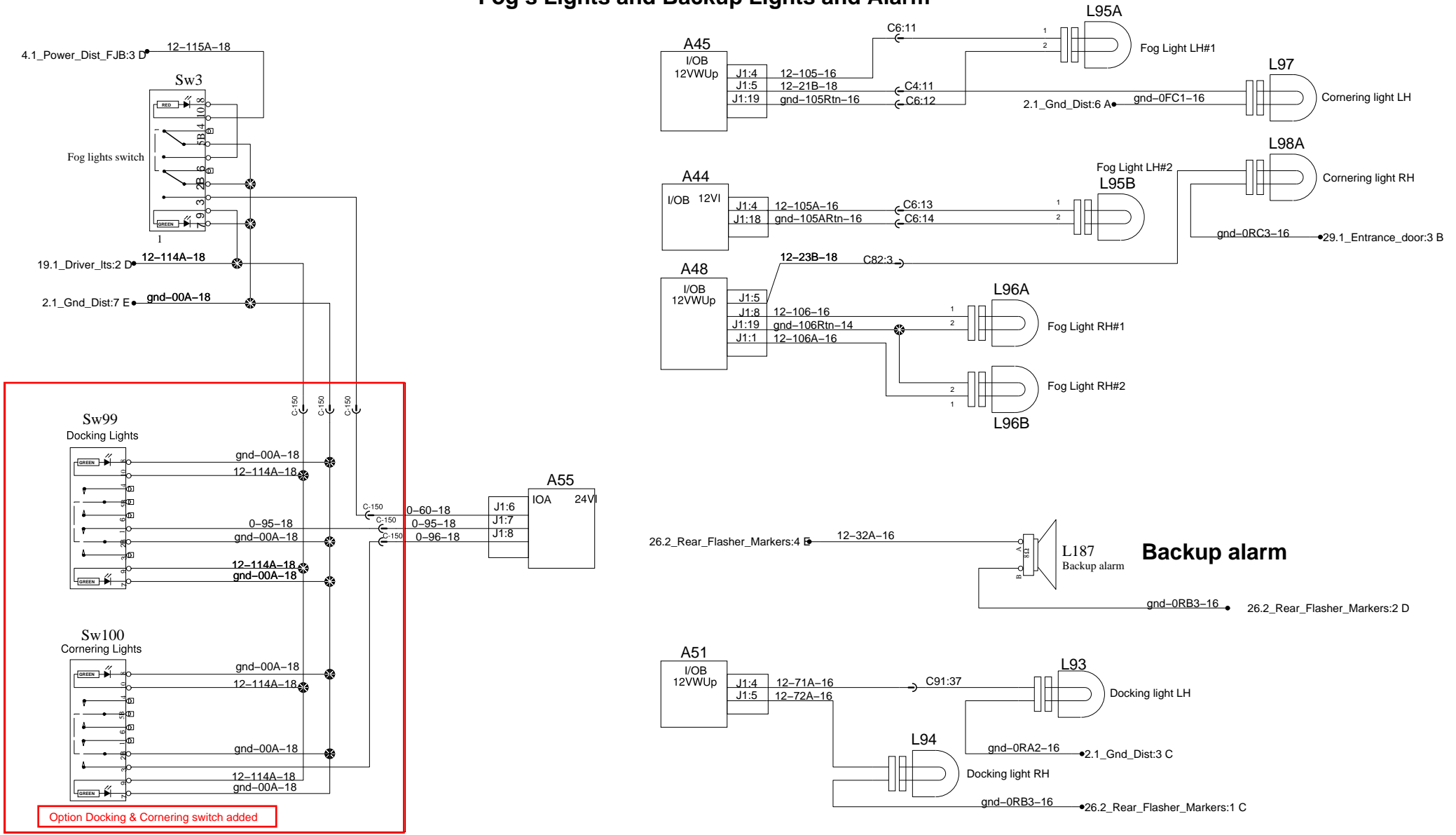
Fog's Lights and Backup Lights and Alarm



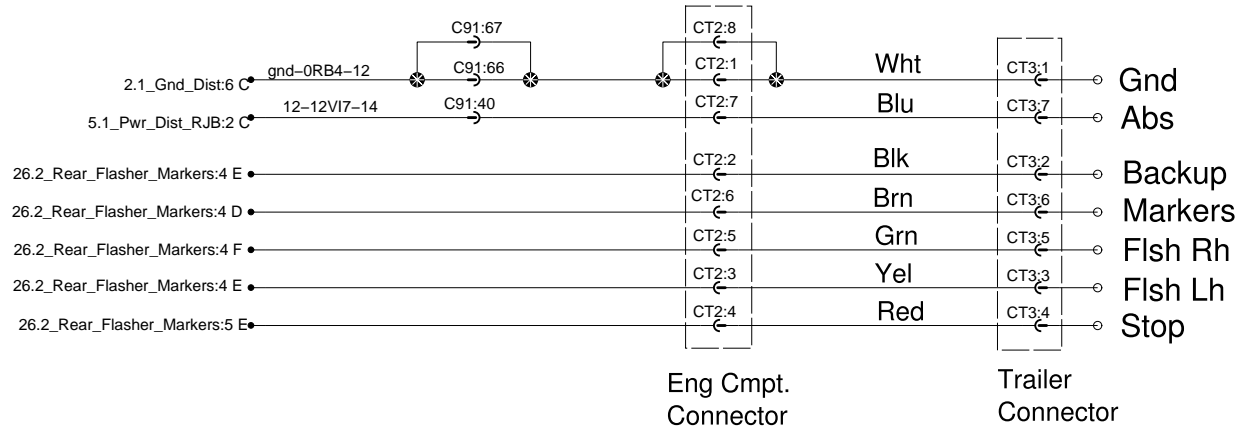
Fog's Lights and Backup Lights and Alarm



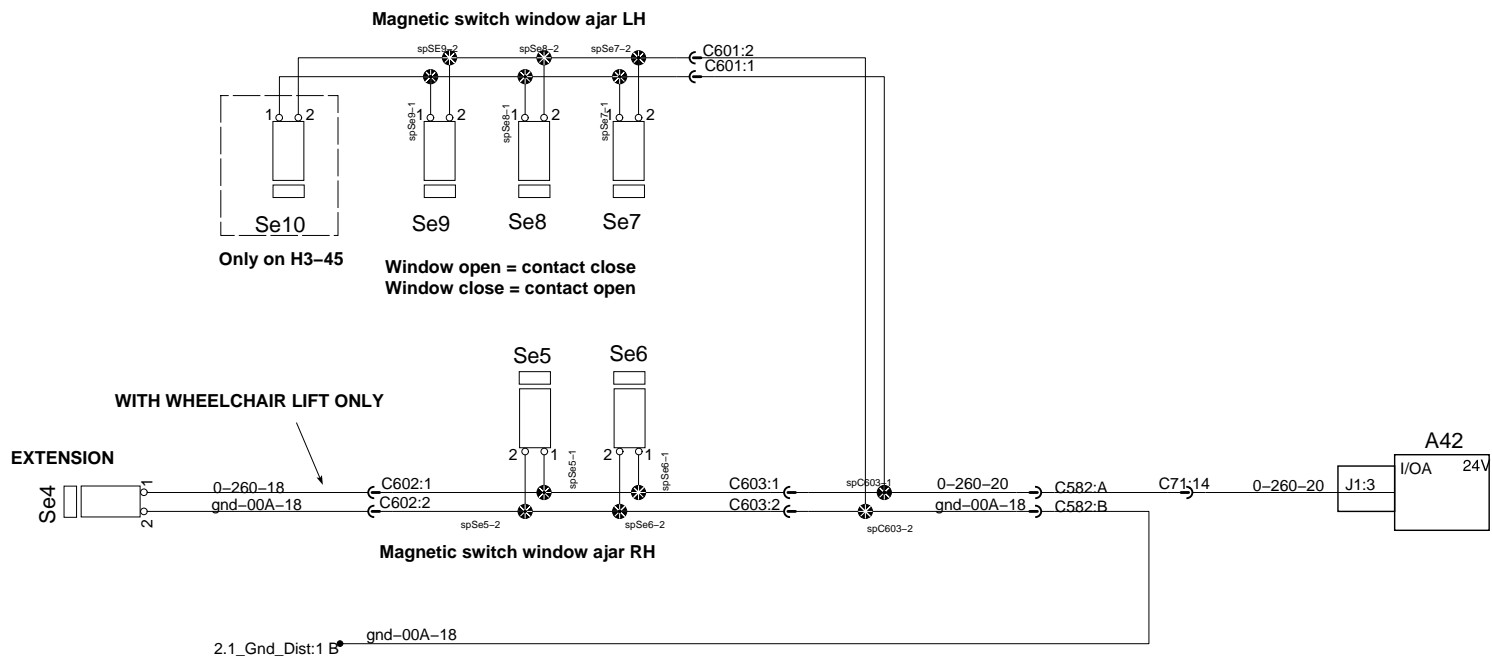
Fog's Lights and Backup Lights and Alarm



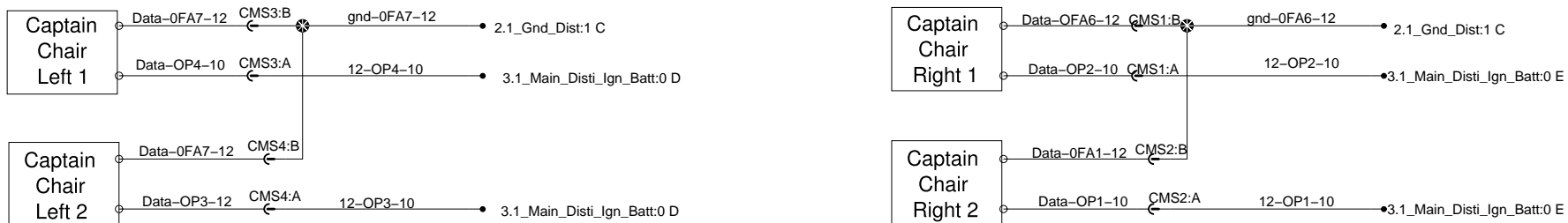
Trailer Package



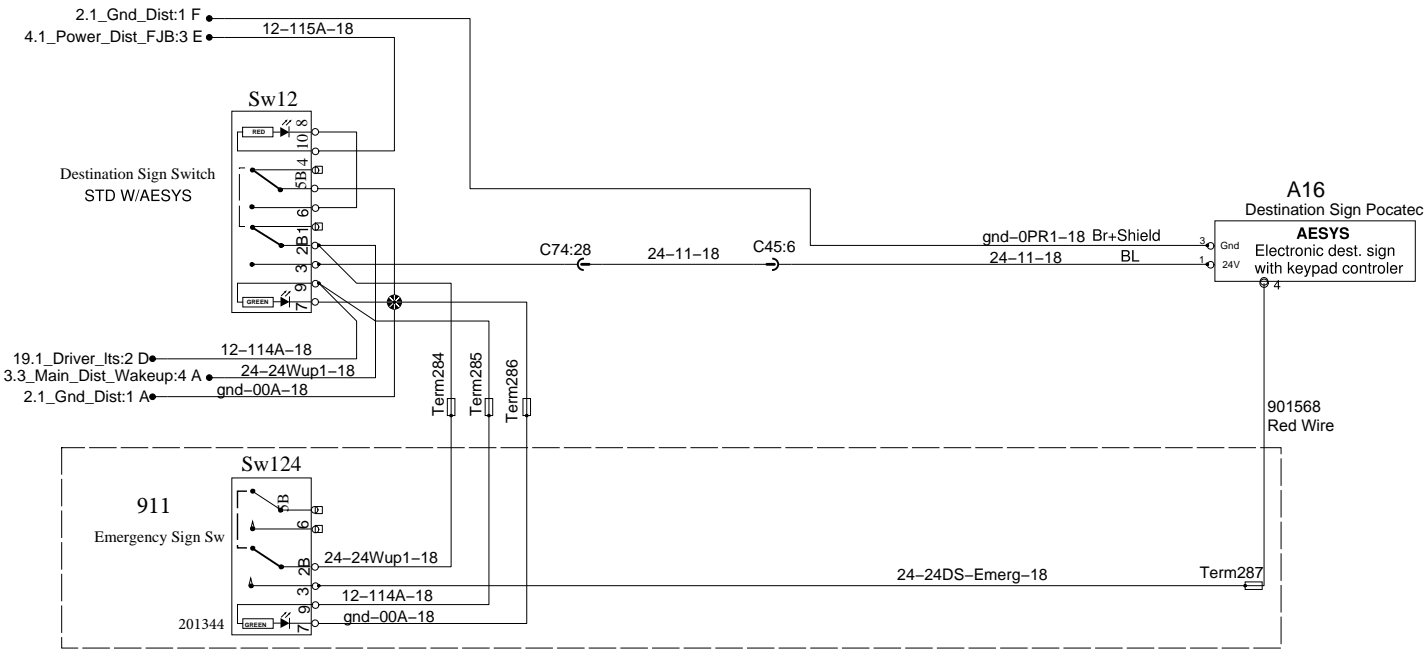
Window Ajar



Option Captain's Chair

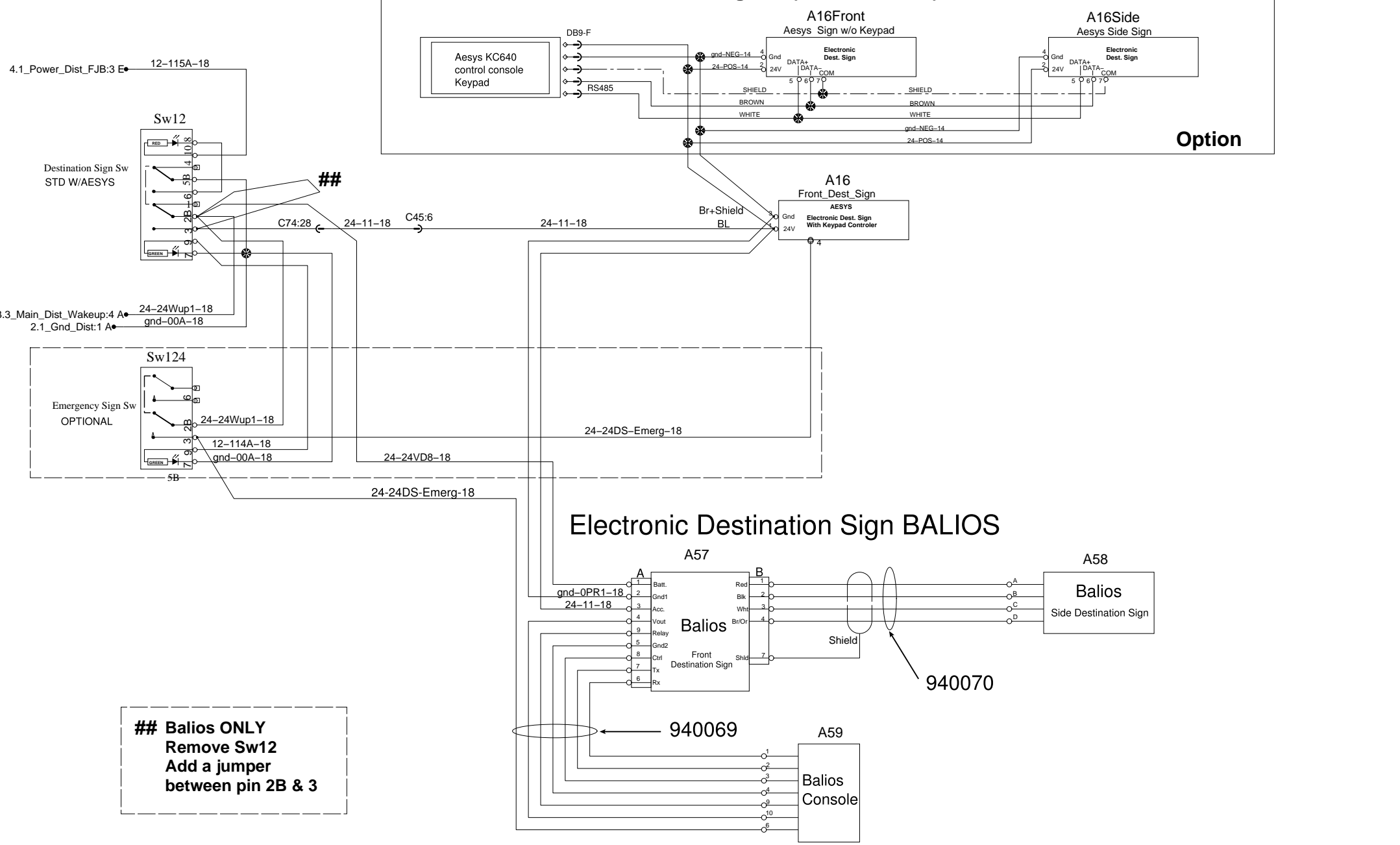


Electronic Destination Sign

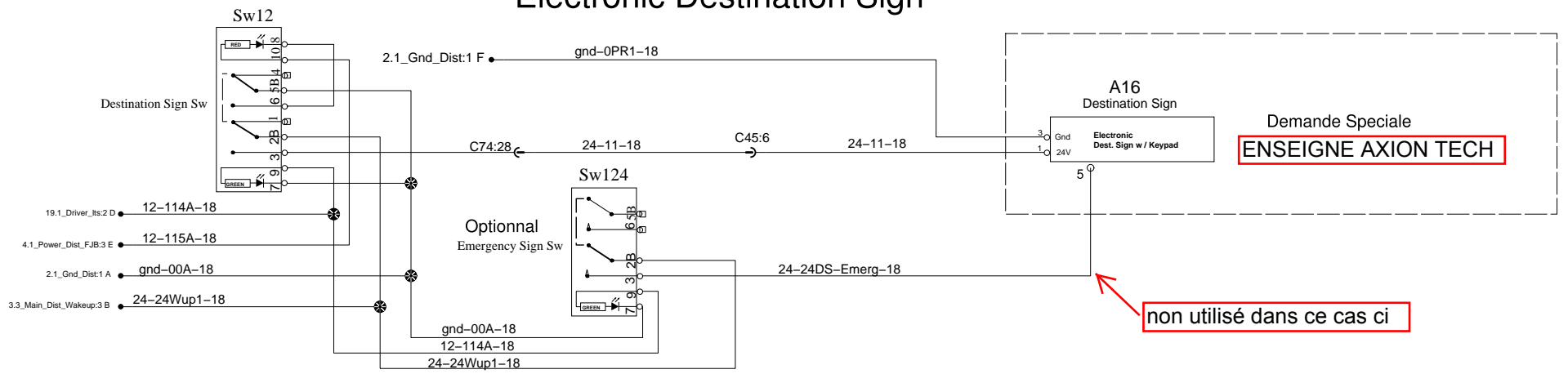


Electronic Destination Sign AESYS

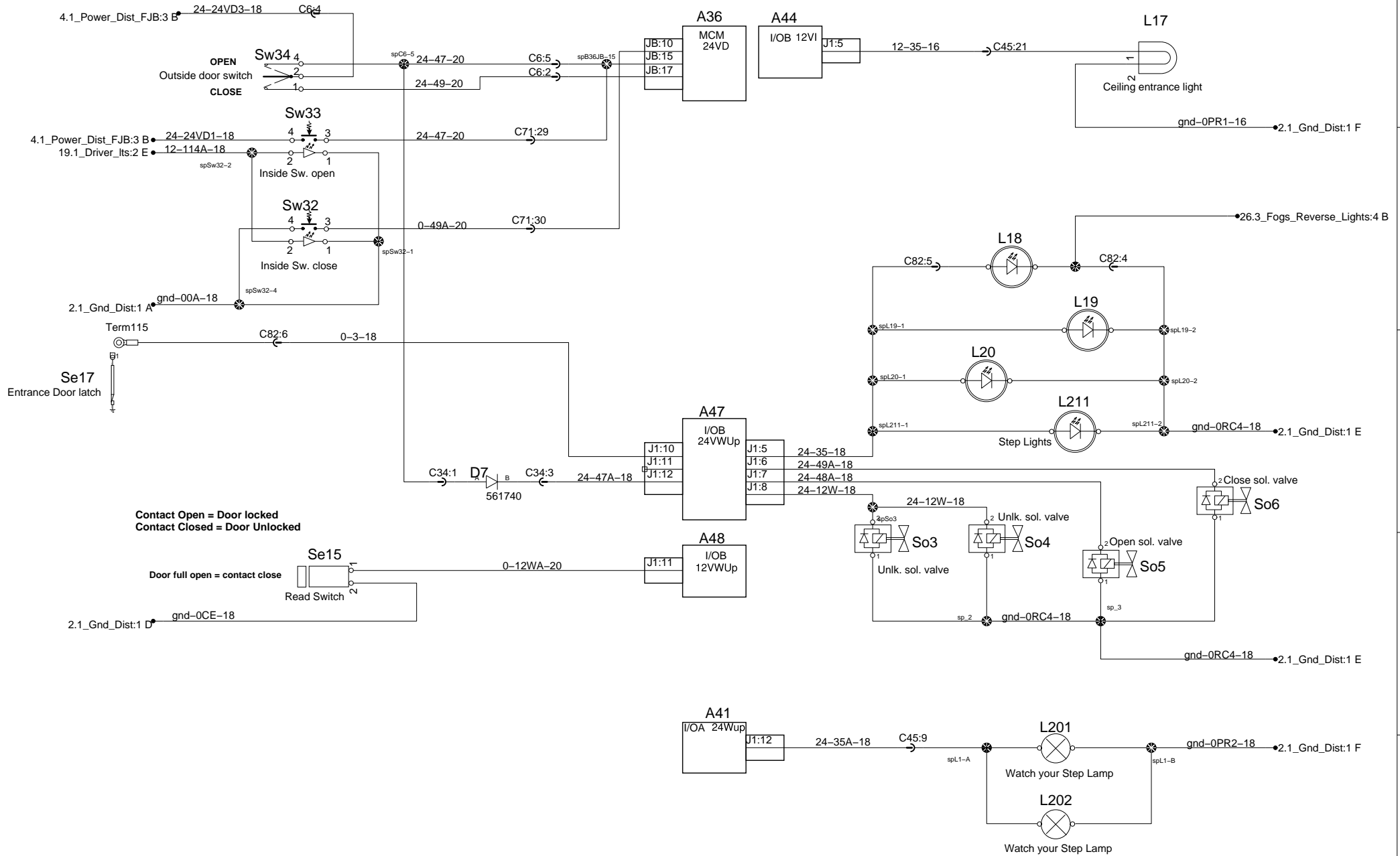
With external controller w/ front sign or (front and side)



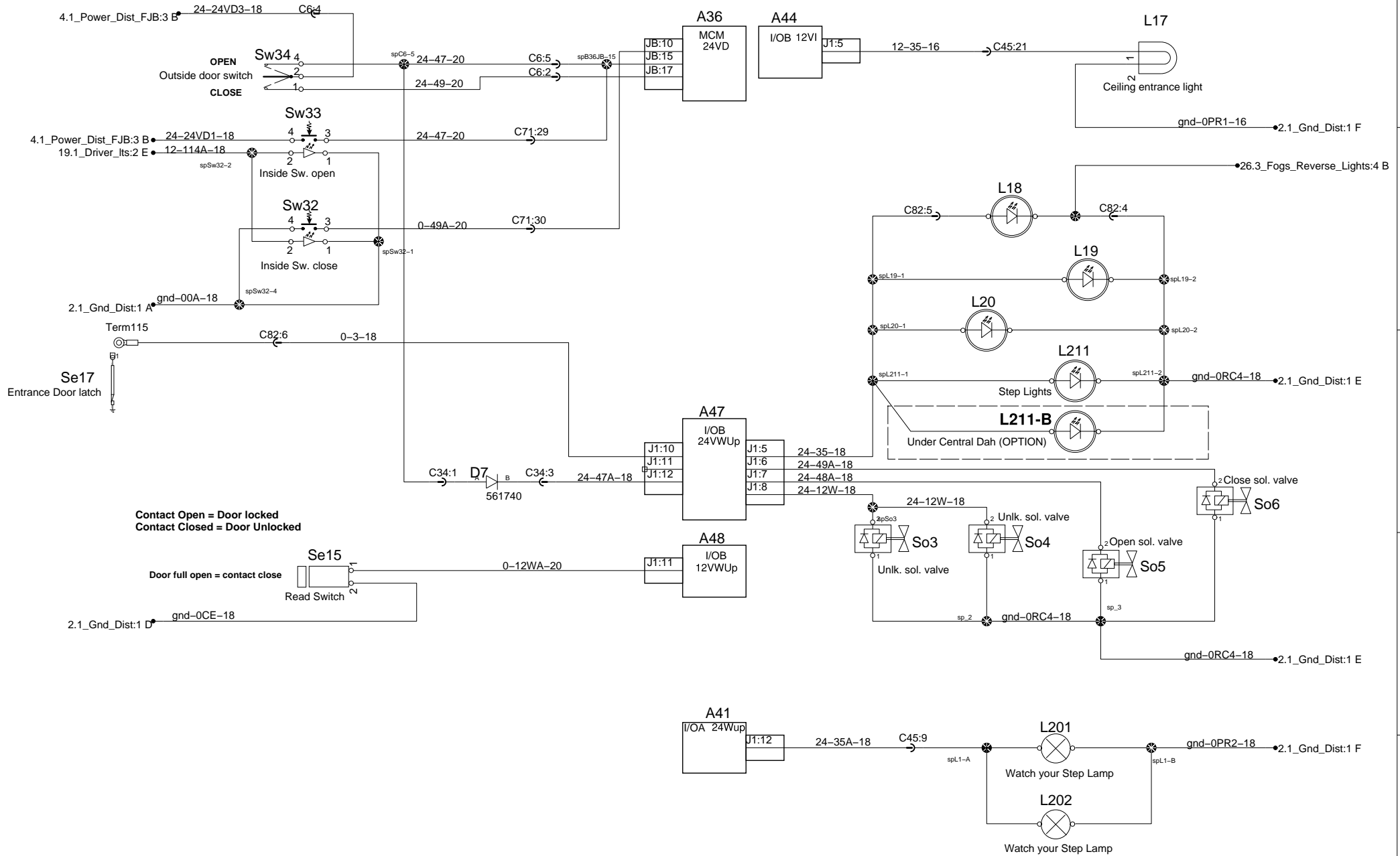
Electronic Destination Sign



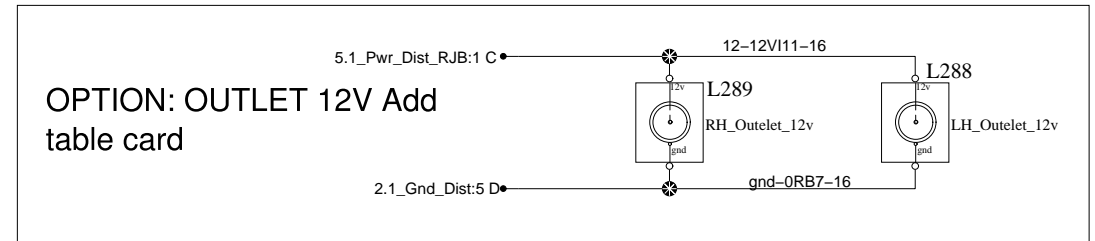
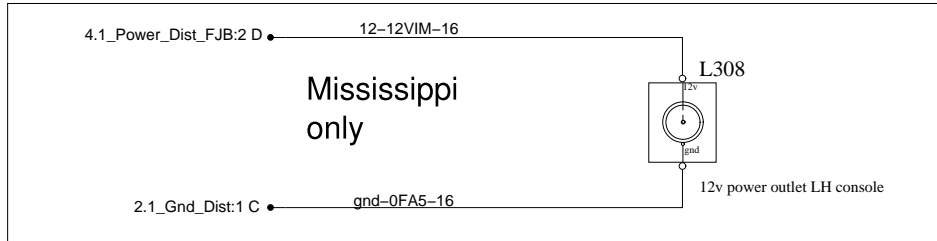
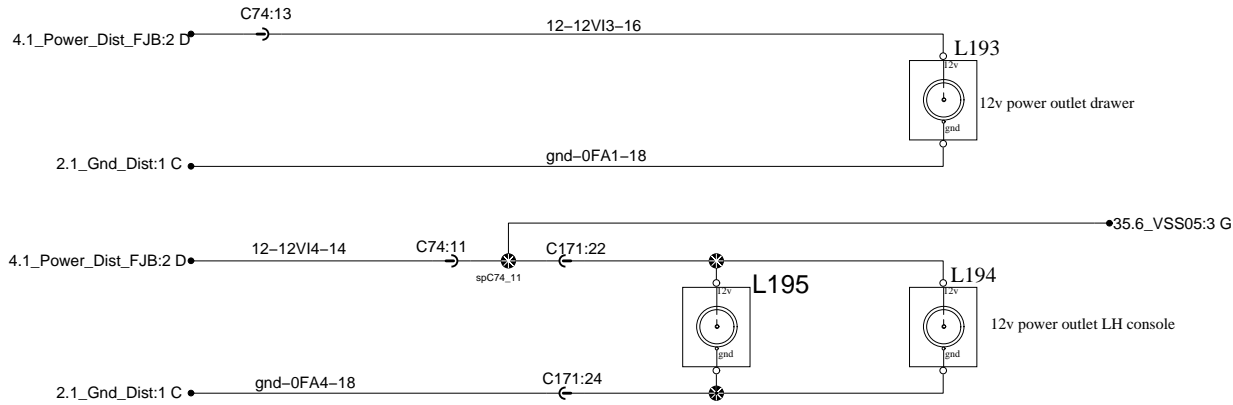
Entrance door



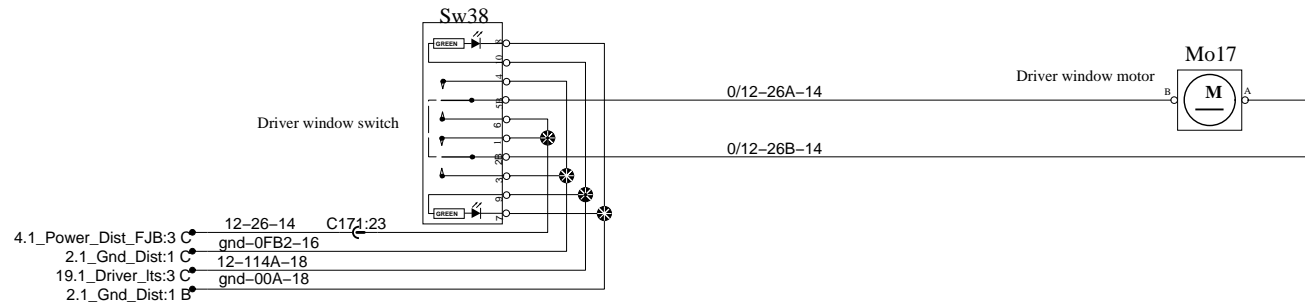
Entrance door



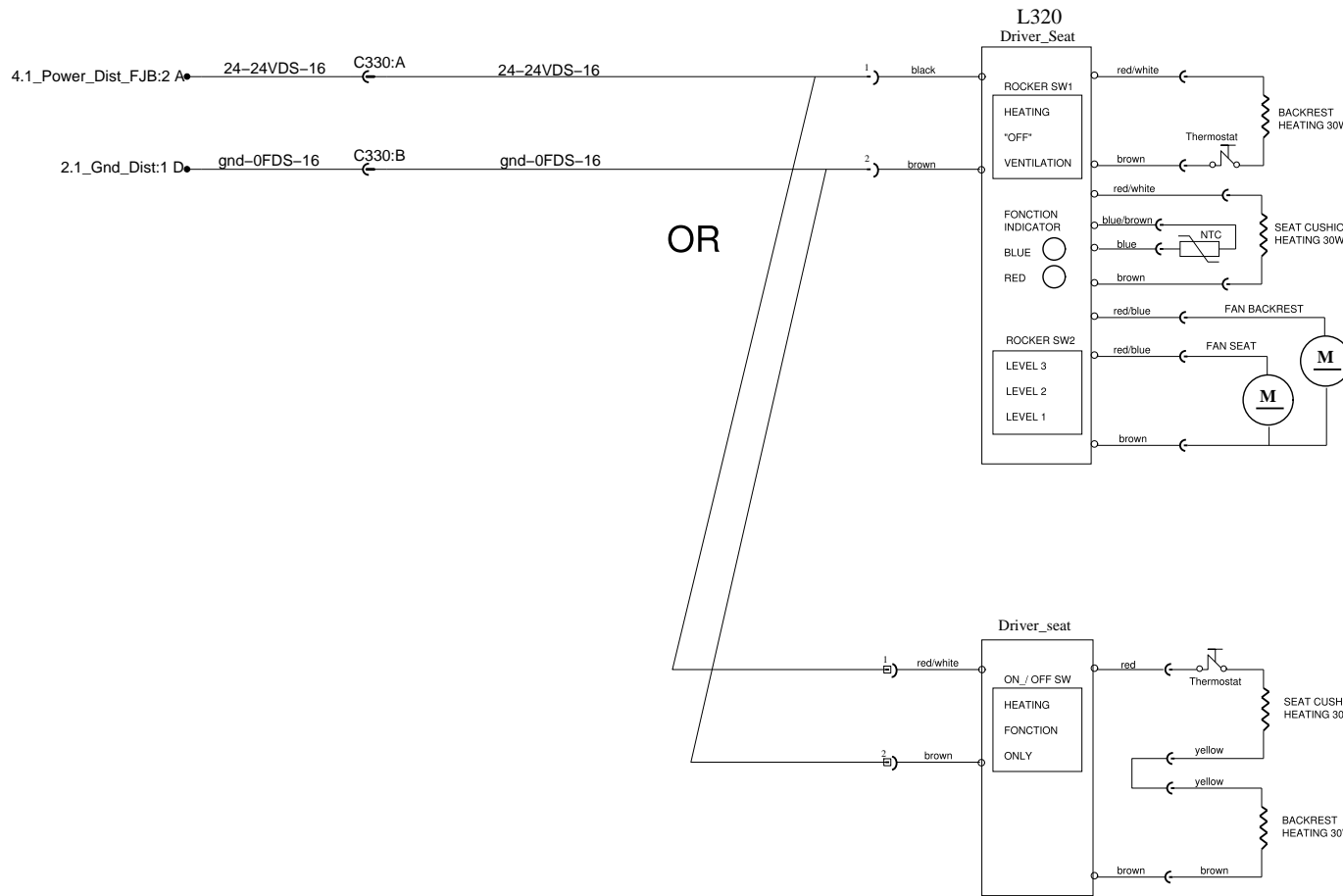
Driver Window and 12V Outlet



WINDOW CONTROL



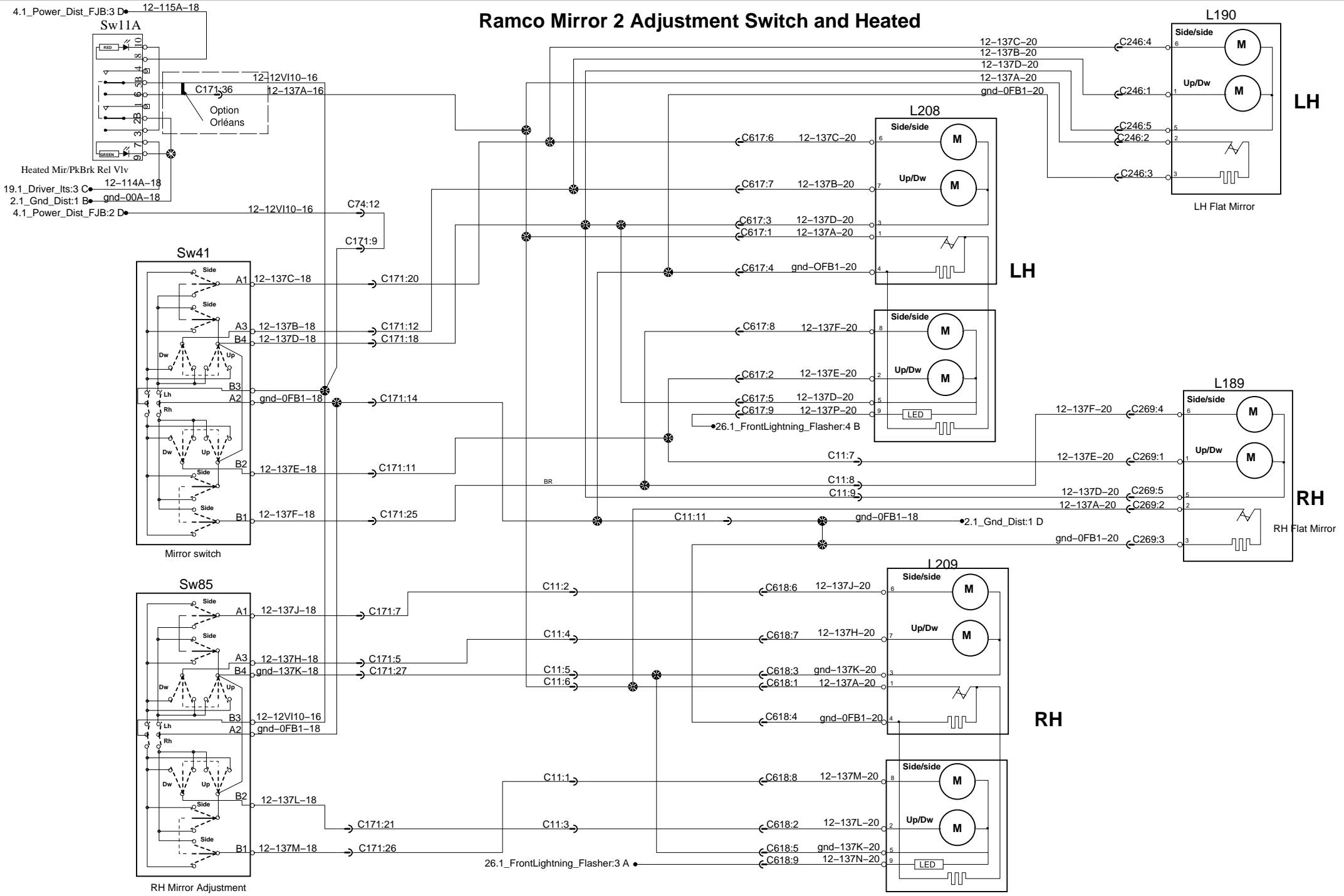
DRIVER SEAT: ELECTRICAL OPTIONS



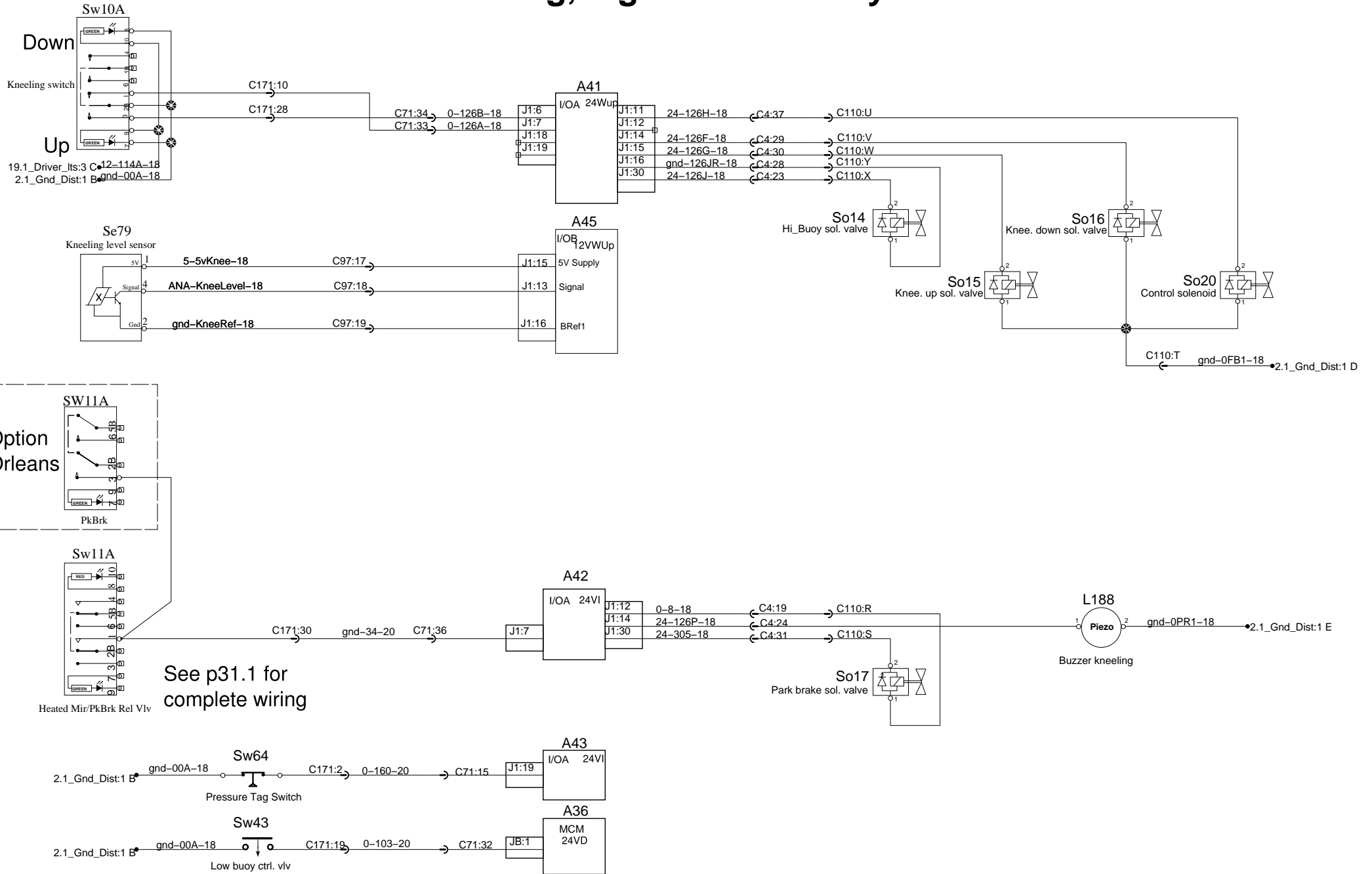
HEATING AND VENTILATION

HEATING ELEMENTS ONLY

Ramco Mirror 2 Adjustment Switch and Heated

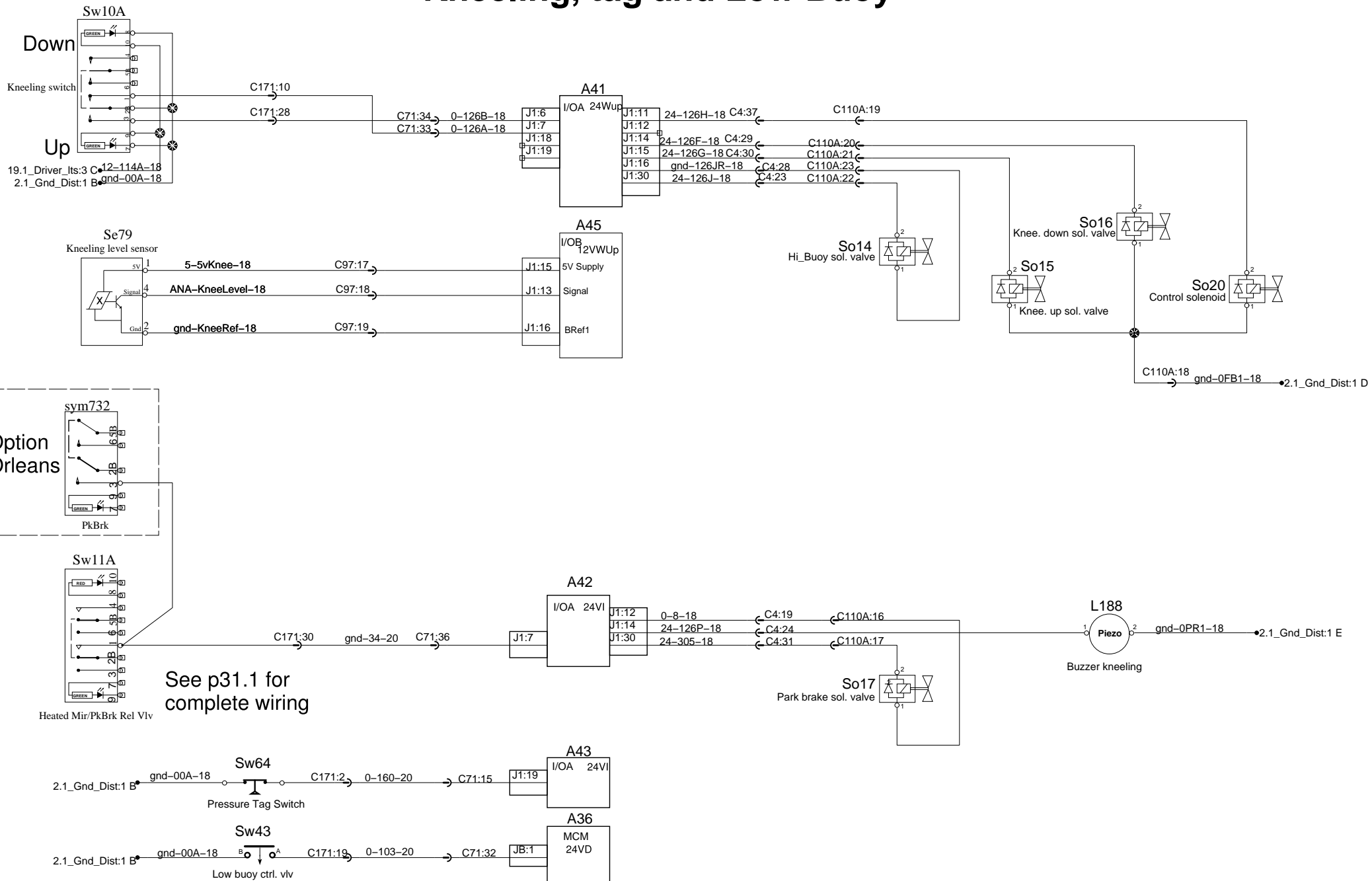


Kneeling, tag and Low Buoy

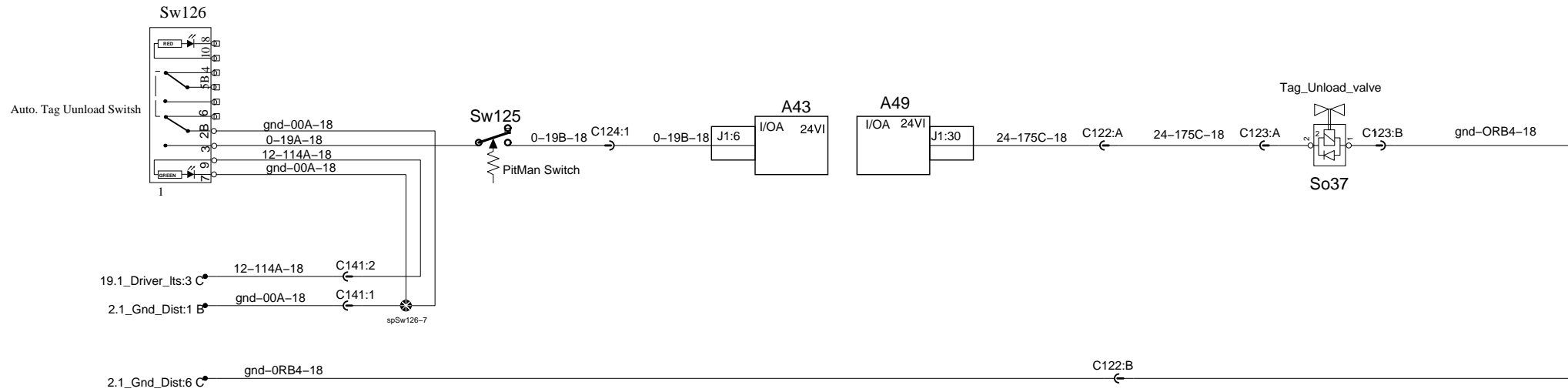


See p31.1 for complete wiring

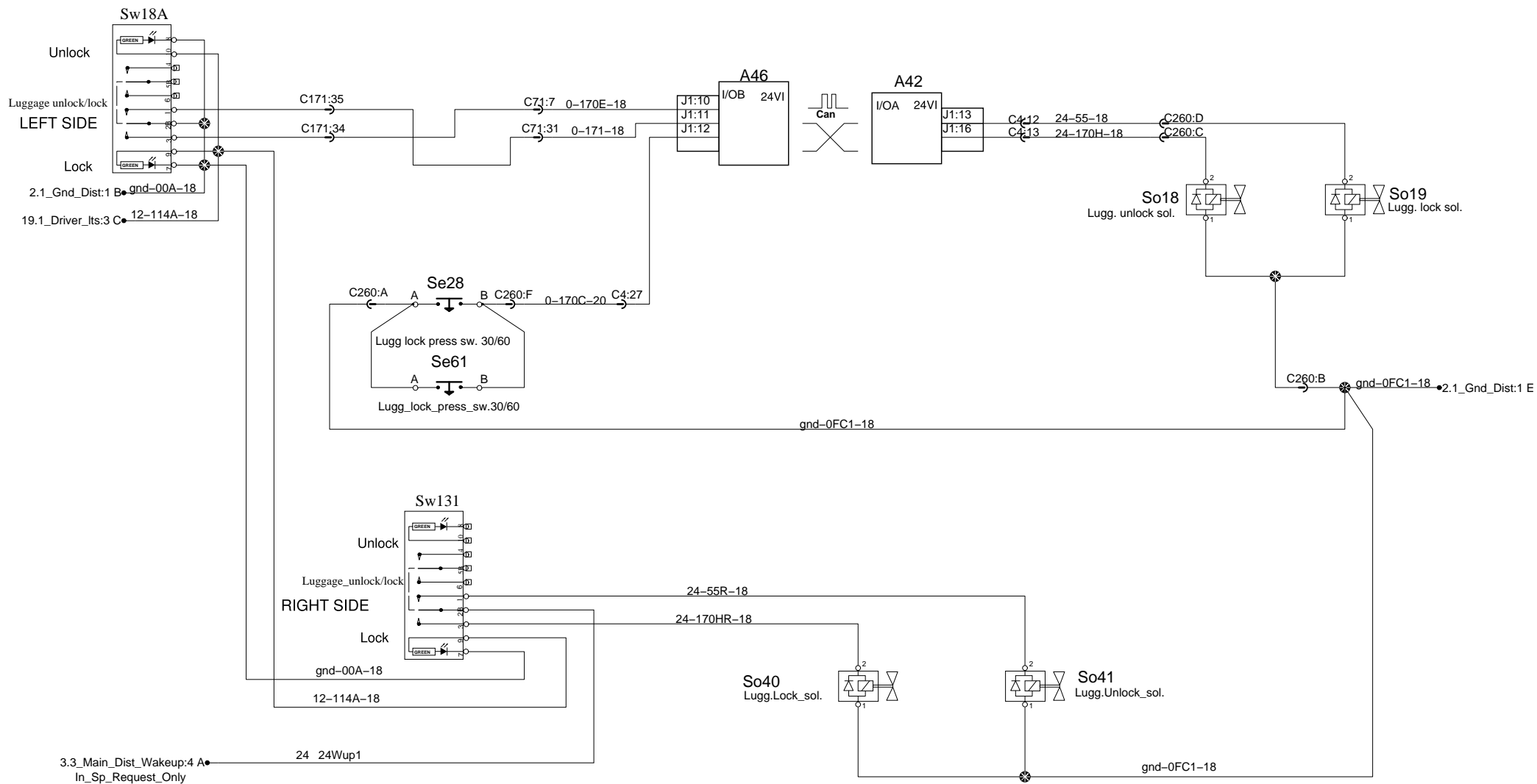
Kneeling, tag and Low Buoy



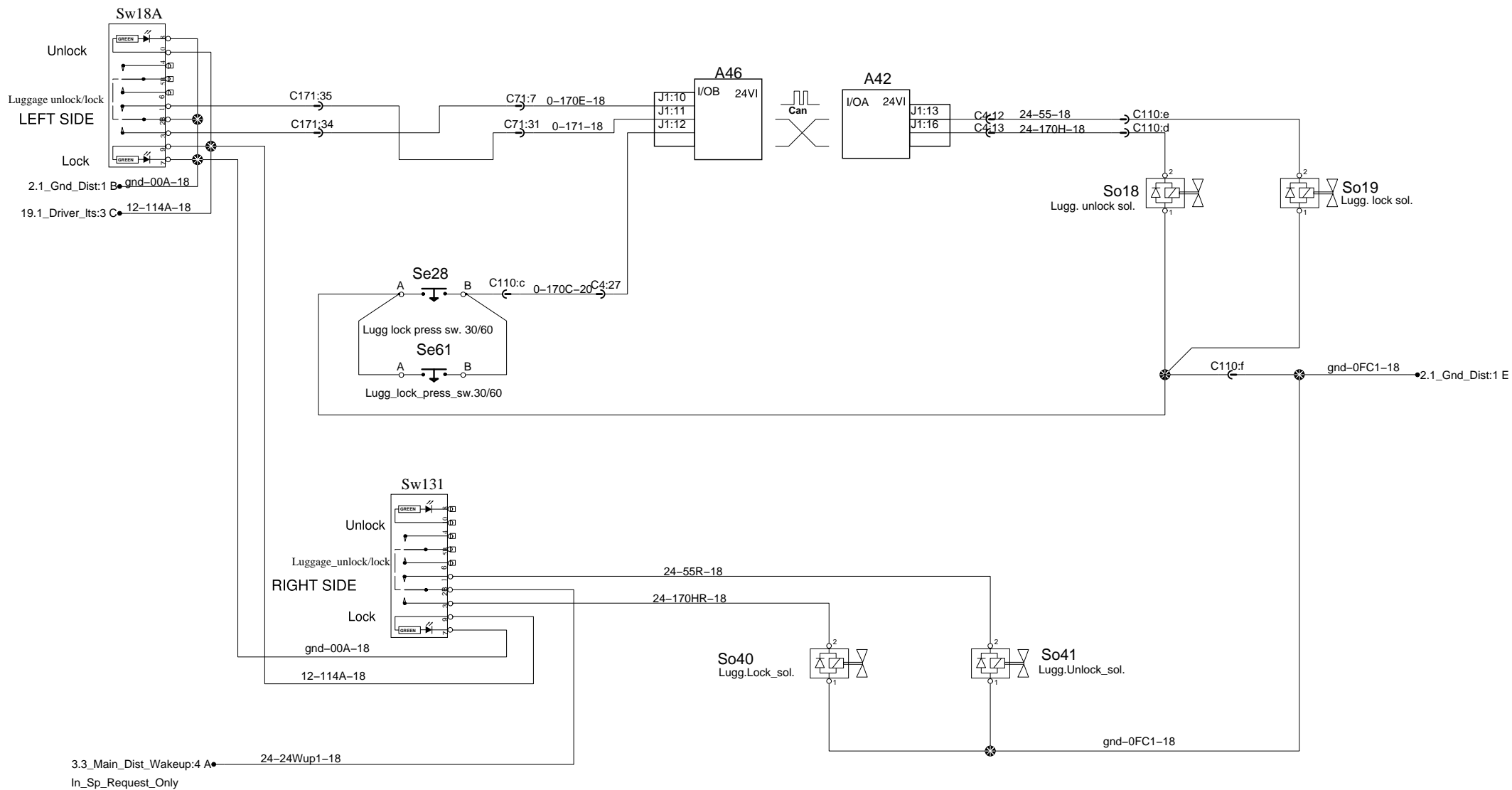
AUTOMATIC TAG UNLOAD



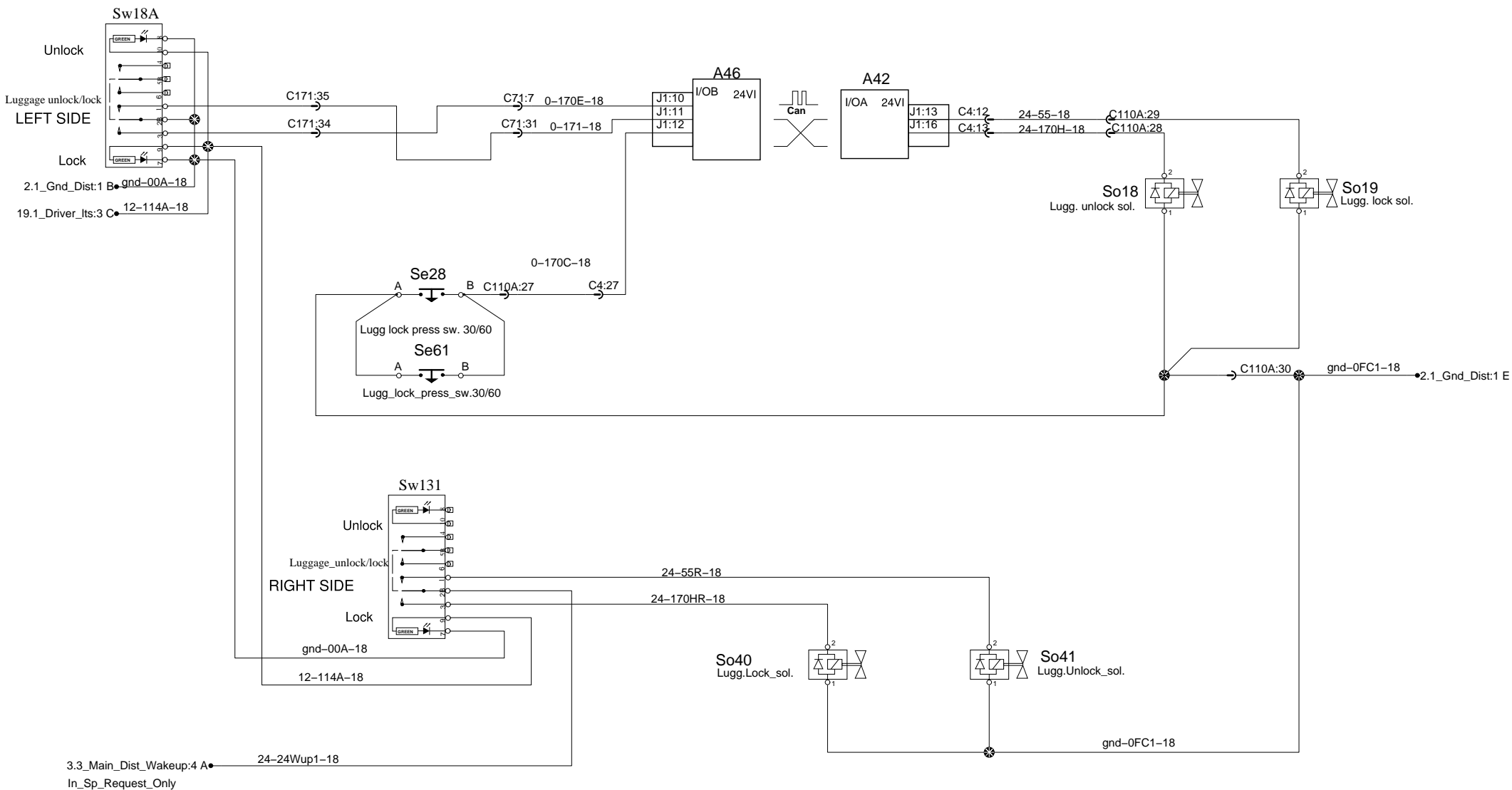
Luggage door Lock/Unlock



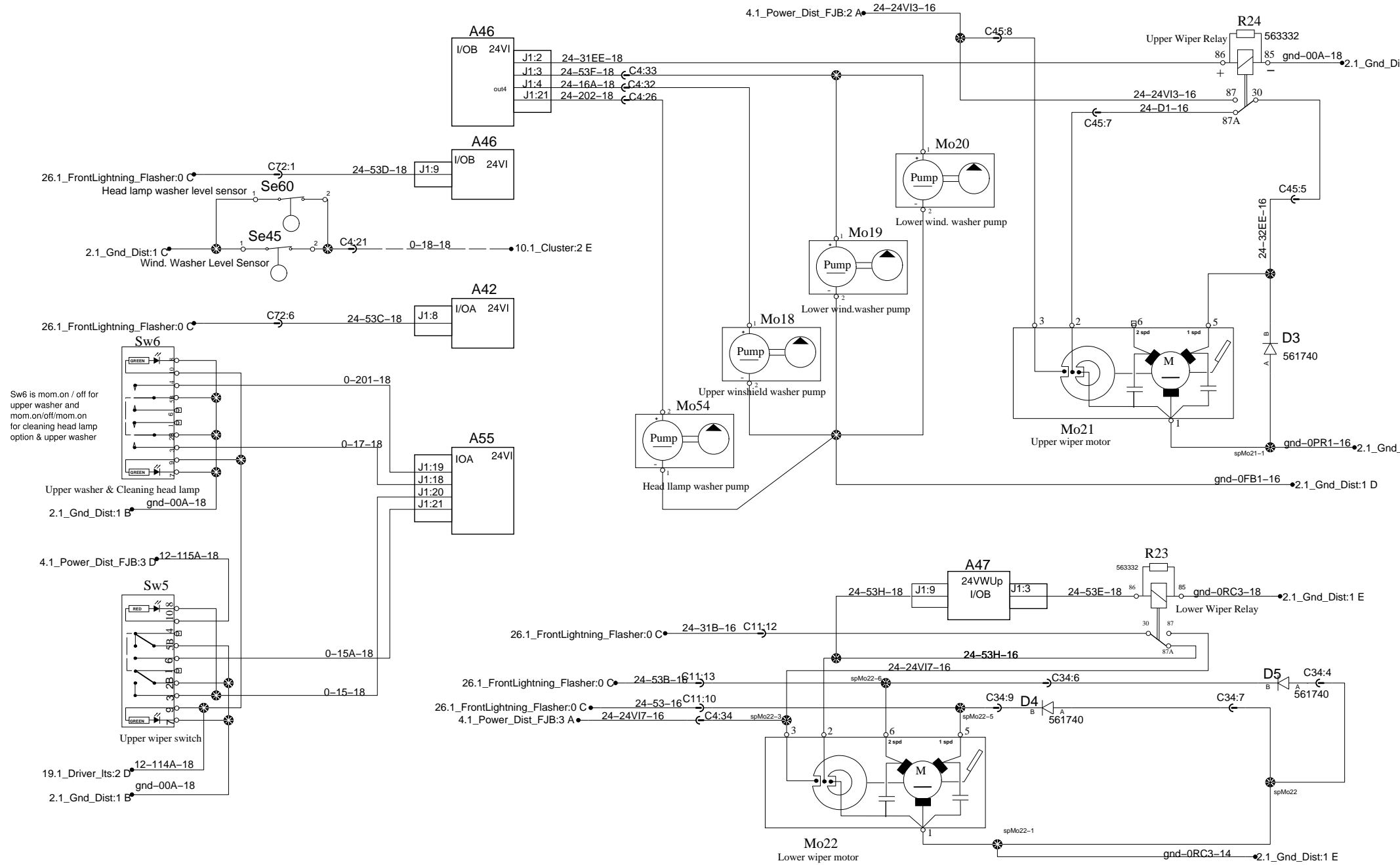
Luggage door Lock/Unlock



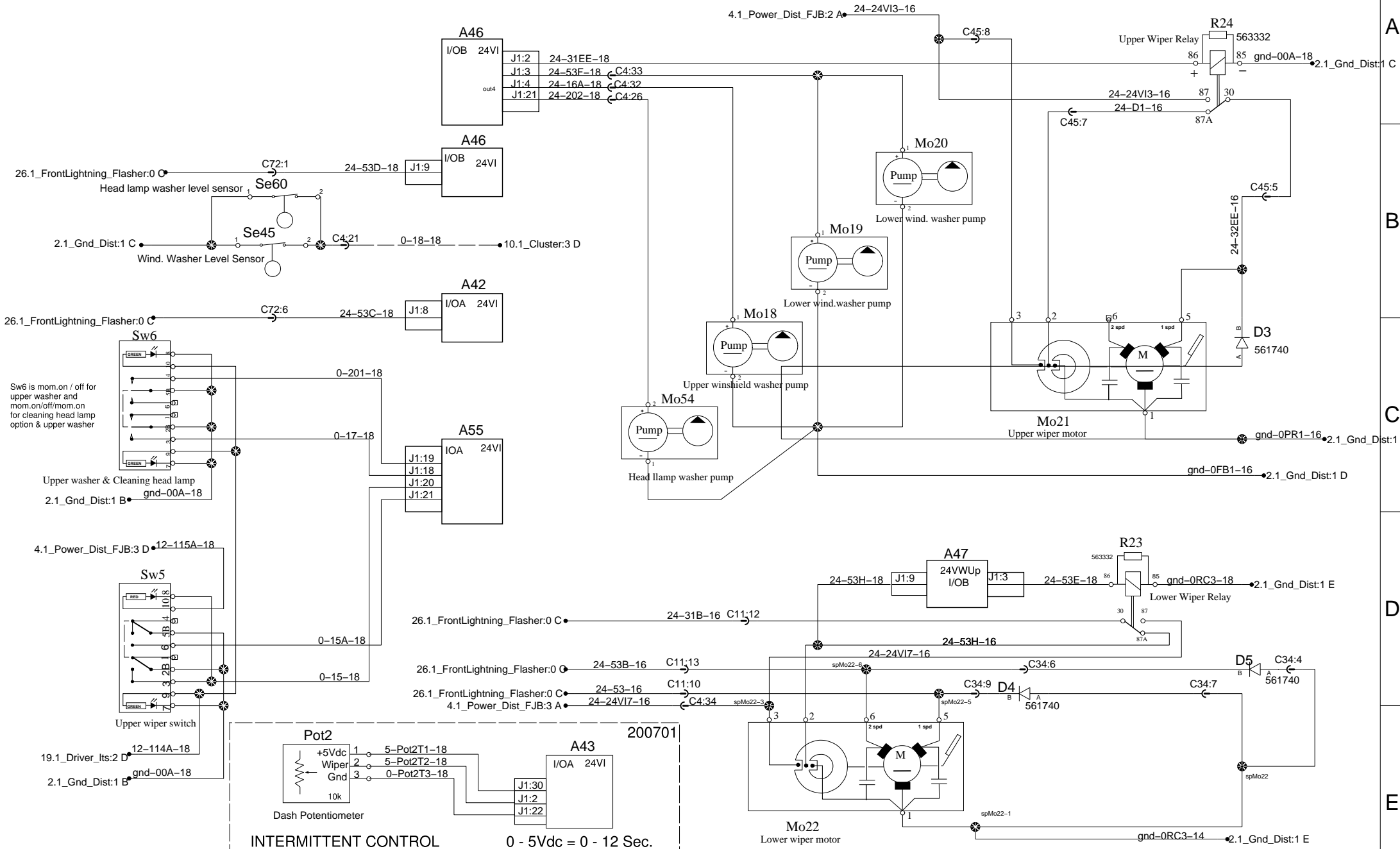
Luggage door Lock/Unlock



Wiper and washer

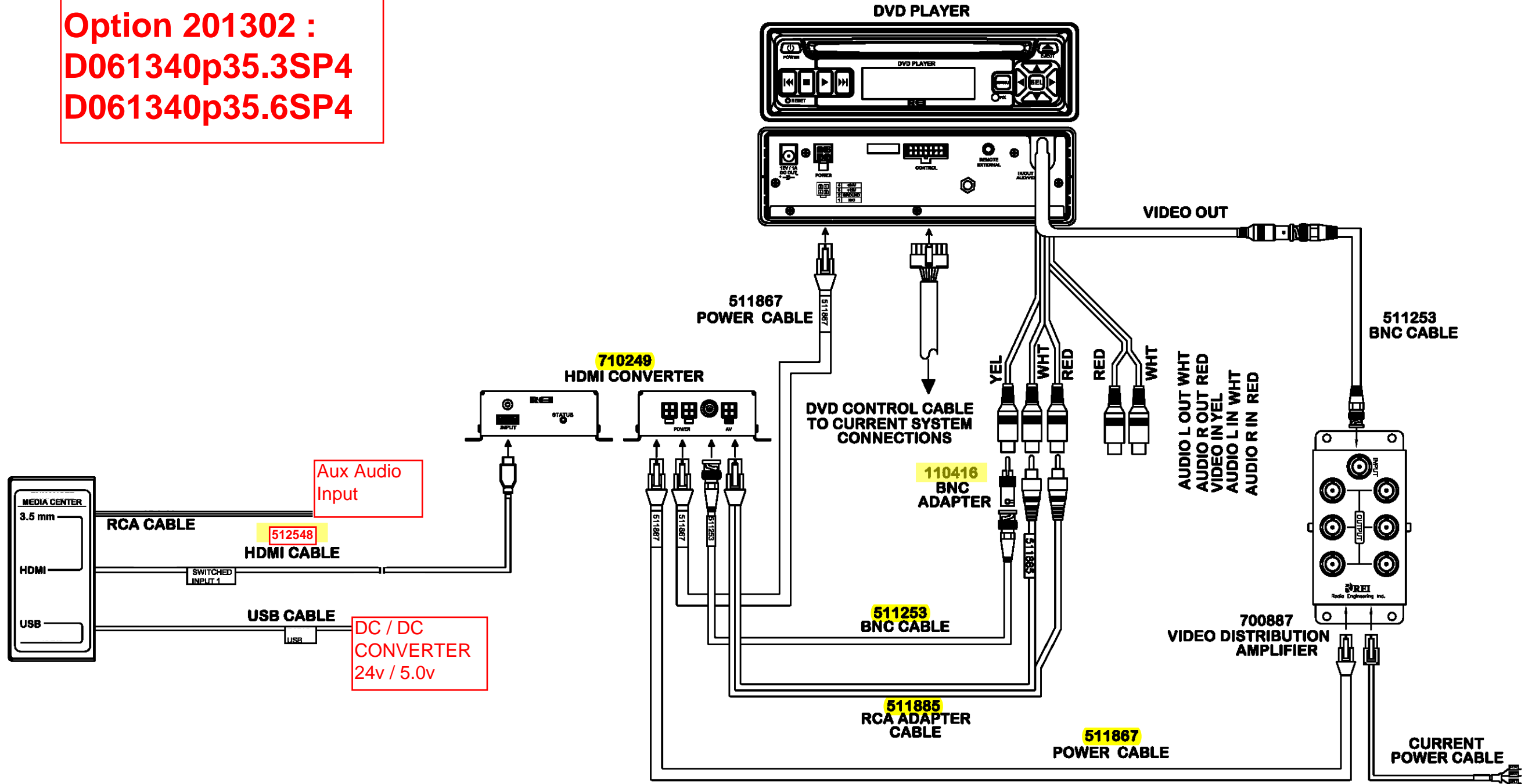
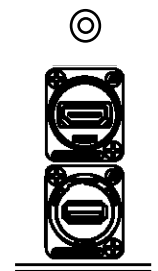


Wiper and washer



MEDIA CENTER CONNECTION DIAGRAM

REFER TO
Option 201302 :
D061340p35.3SP4
D061340p35.6SP4



Prevost D061345 rev. A

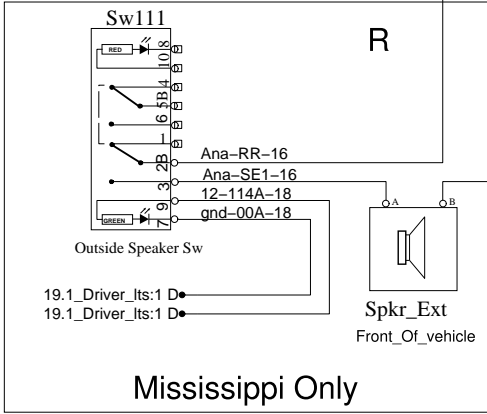
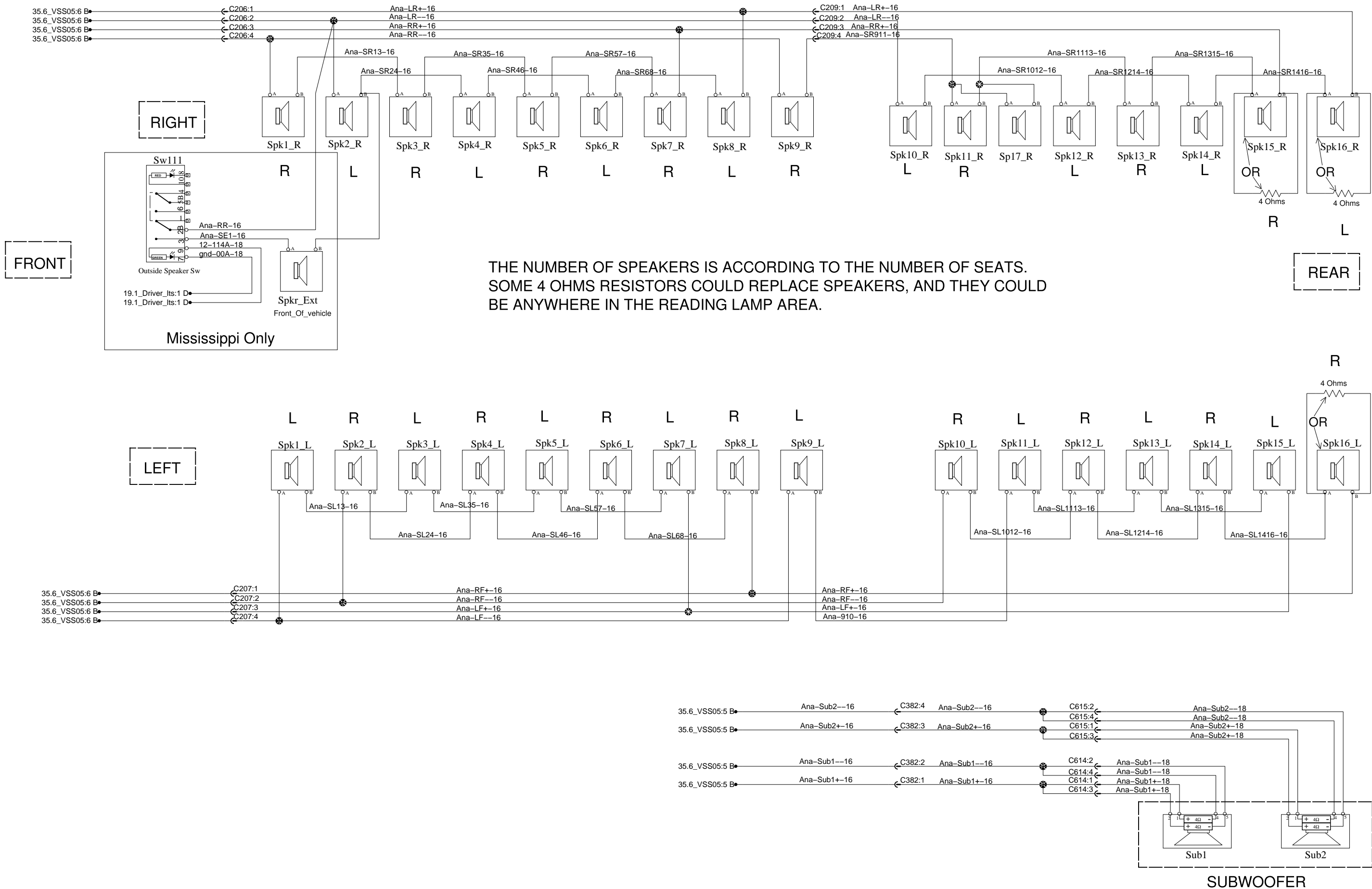
NOTE: System diagram for reference only and depicts typical connections for REI cabling, ground and power. This diagram does not take into account any vehicle specific parameters (i.e. electrical or mechanical) that may adversely affect the operation of REI systems. These must be identified and addressed at time of install. This drawing is not to scale.

"PROPRIETARY" Property of
RADIO ENGINEERING IND., INC.
 8534 E. Street Omaha, NE

date: 10/20/14
 form: MEDIA CENTER CONNECTION



SPEAKER DELTA CONFIGURATION



FRONT

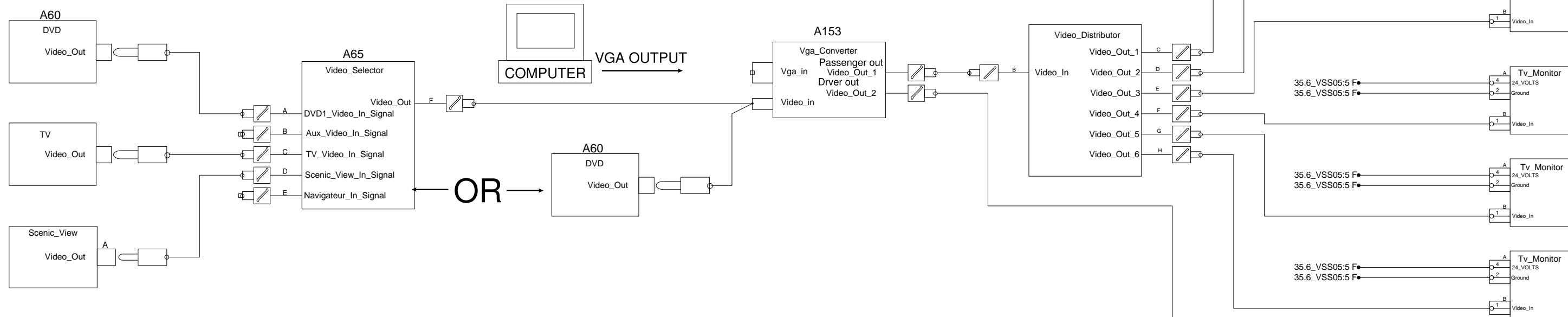
RIGHT

REAR

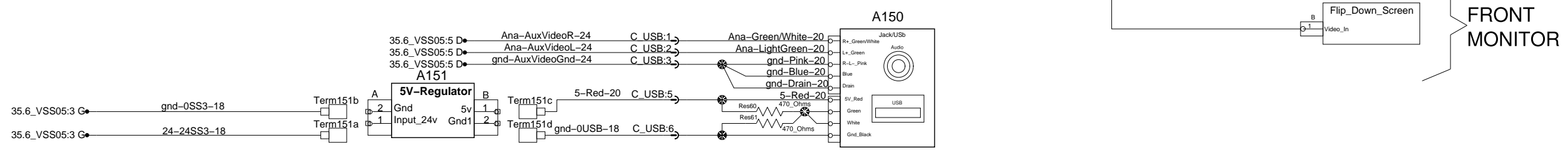
LEFT

SUBWOOFER

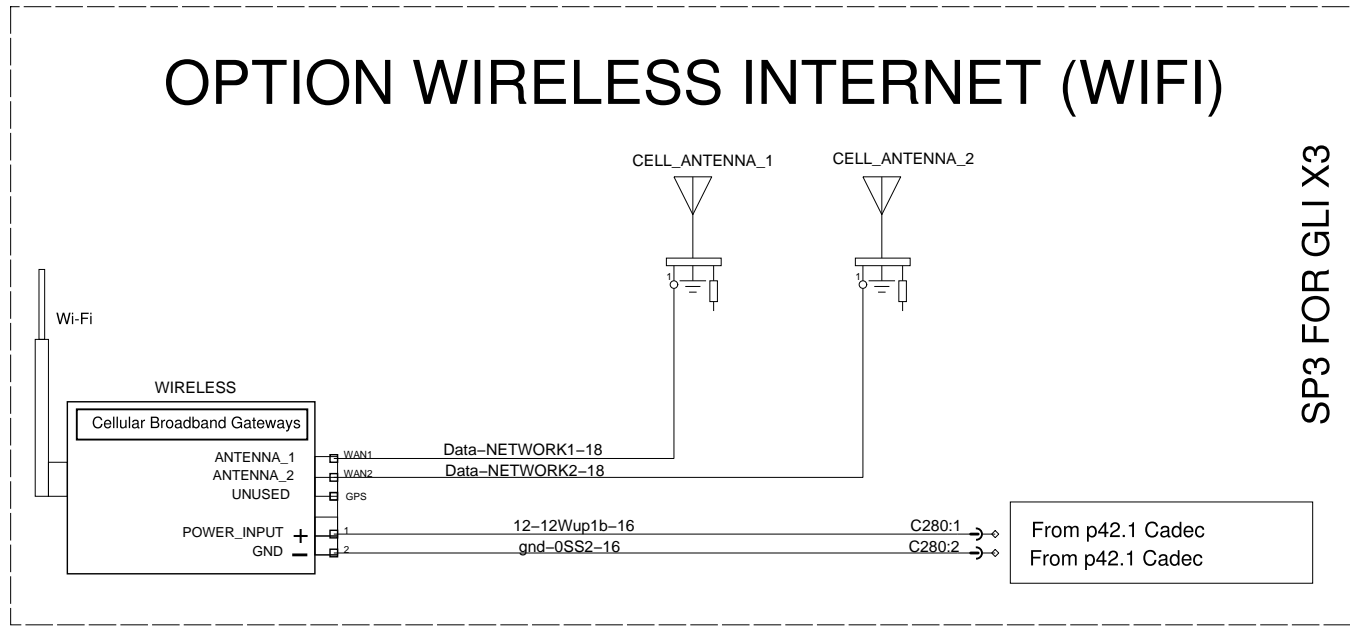
VIDEO DISTRIBUTION & CONVERTER



5 VDC REGULATOR & AUDIO INPUT

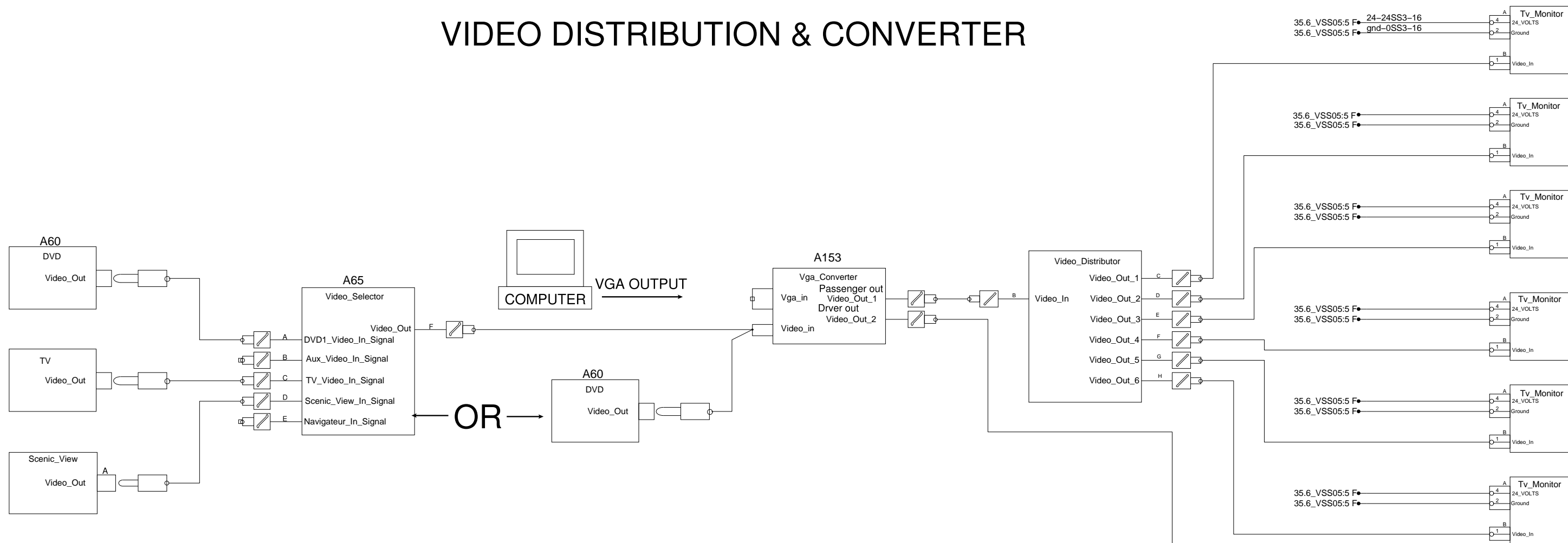


OPTION WIRELESS INTERNET (WIFI)

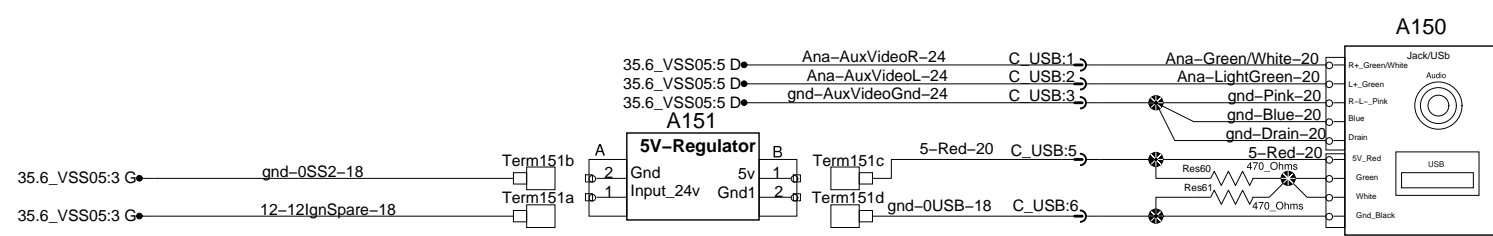


SP3 FOR GLI X3

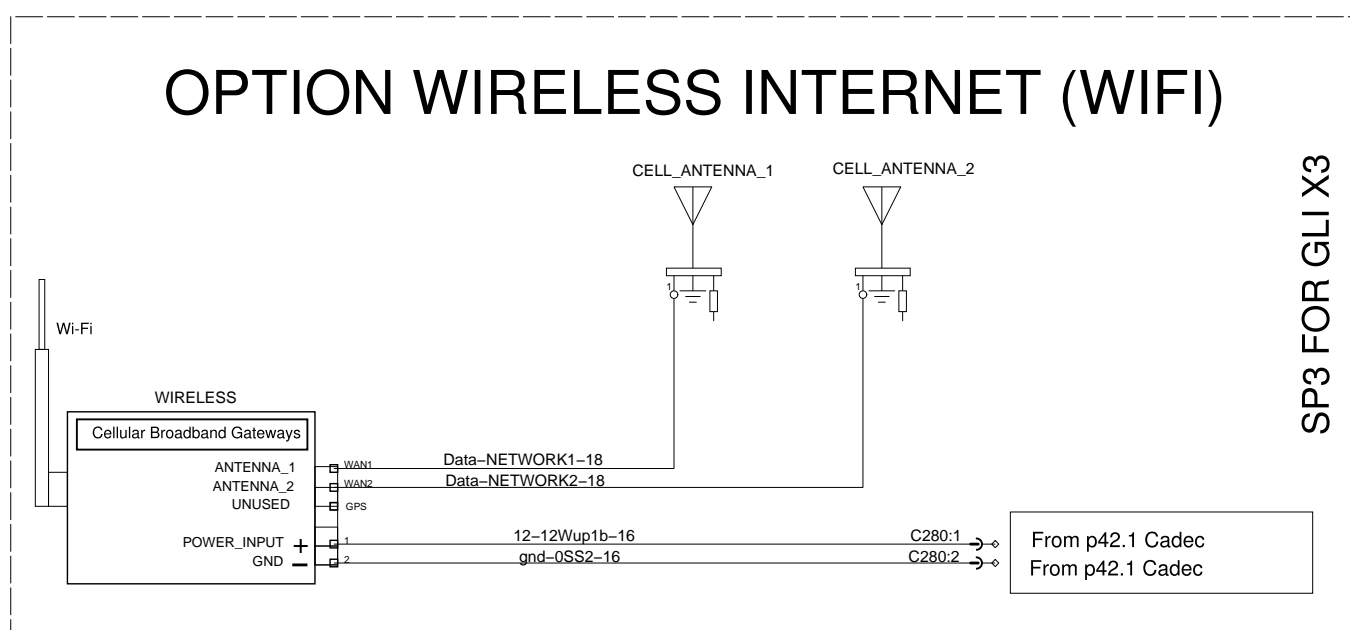
VIDEO DISTRIBUTION & CONVERTER



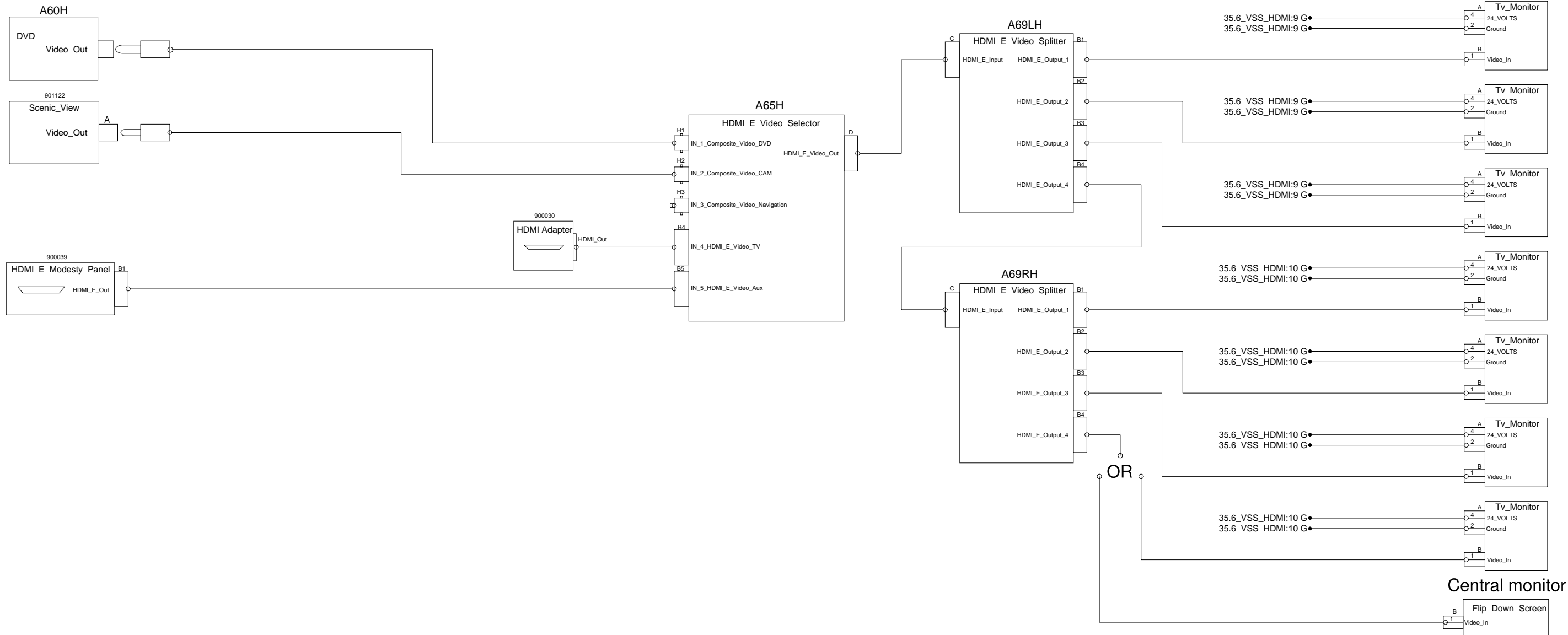
5 VDC REGULATOR & AUDIO INPUT



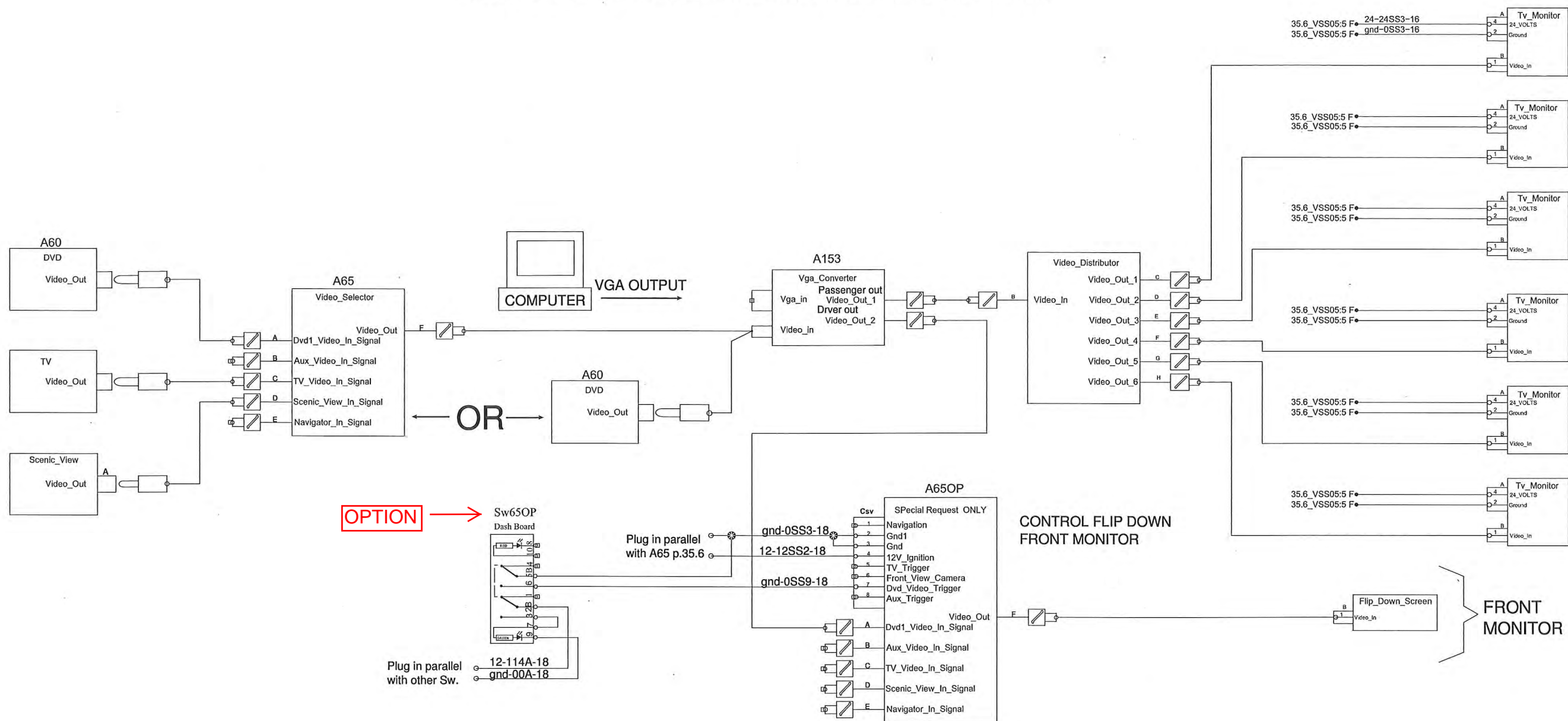
OPTION WIRELESS INTERNET (WIFI)



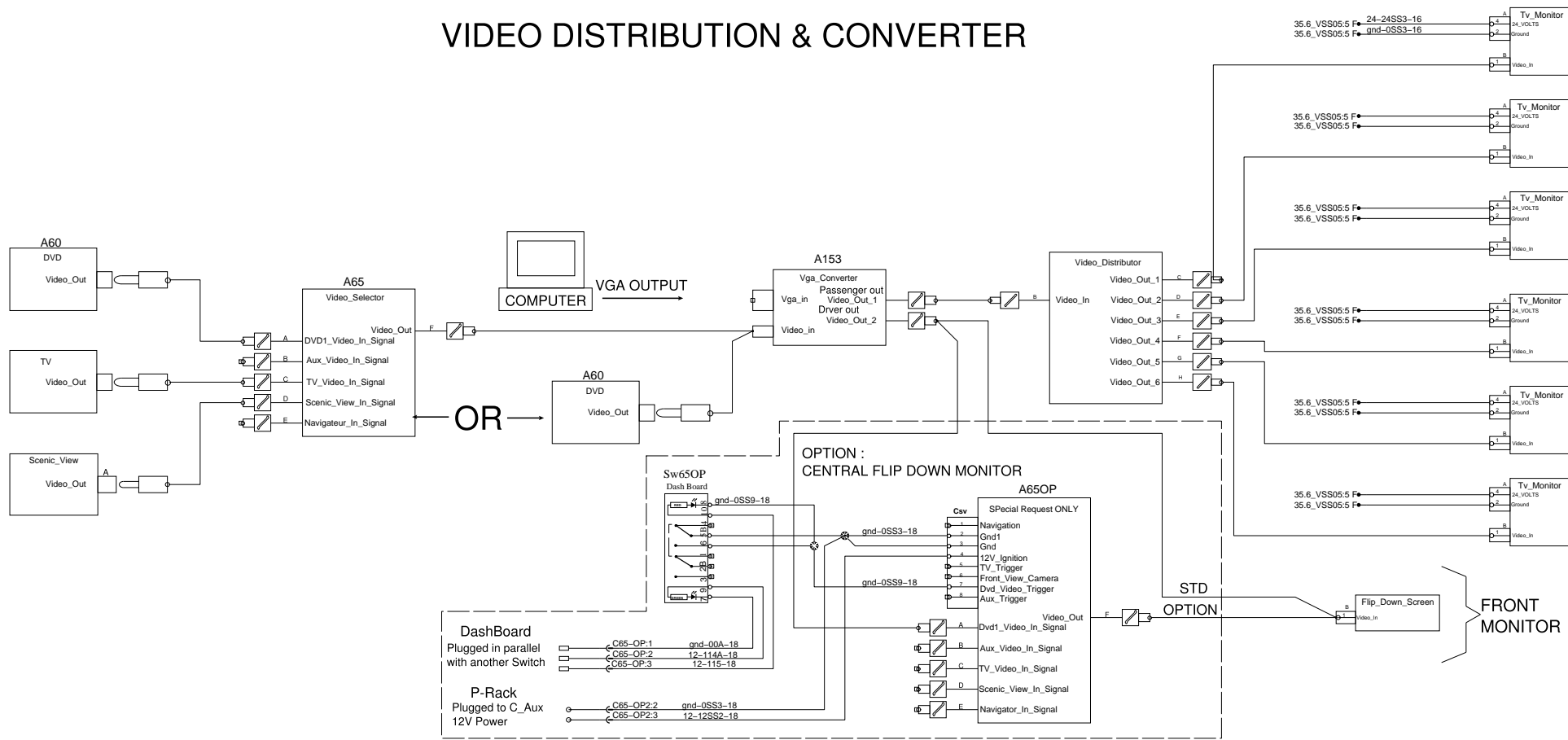
VIDEO DISTRIBUTION HDMI



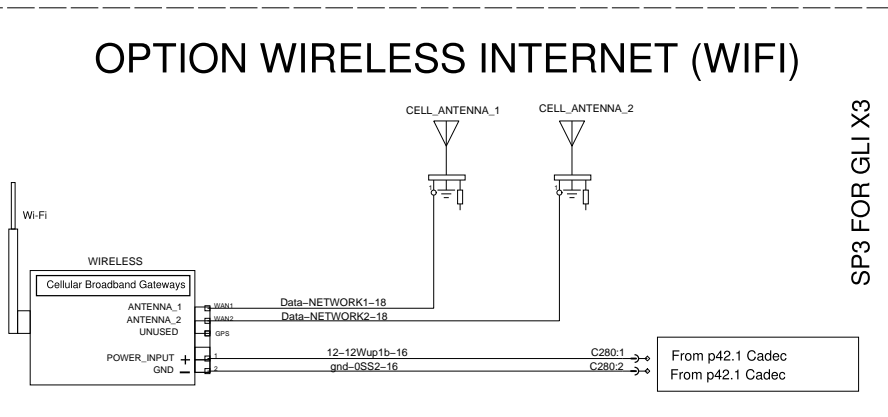
VIDEO DISTRIBUTION & CONVERTER



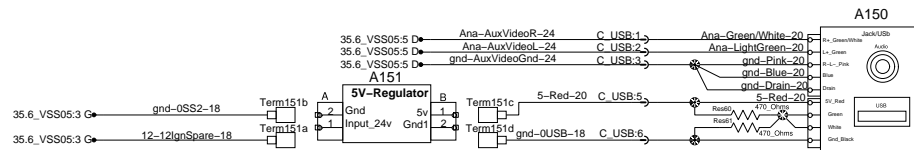
VIDEO DISTRIBUTION & CONVERTER



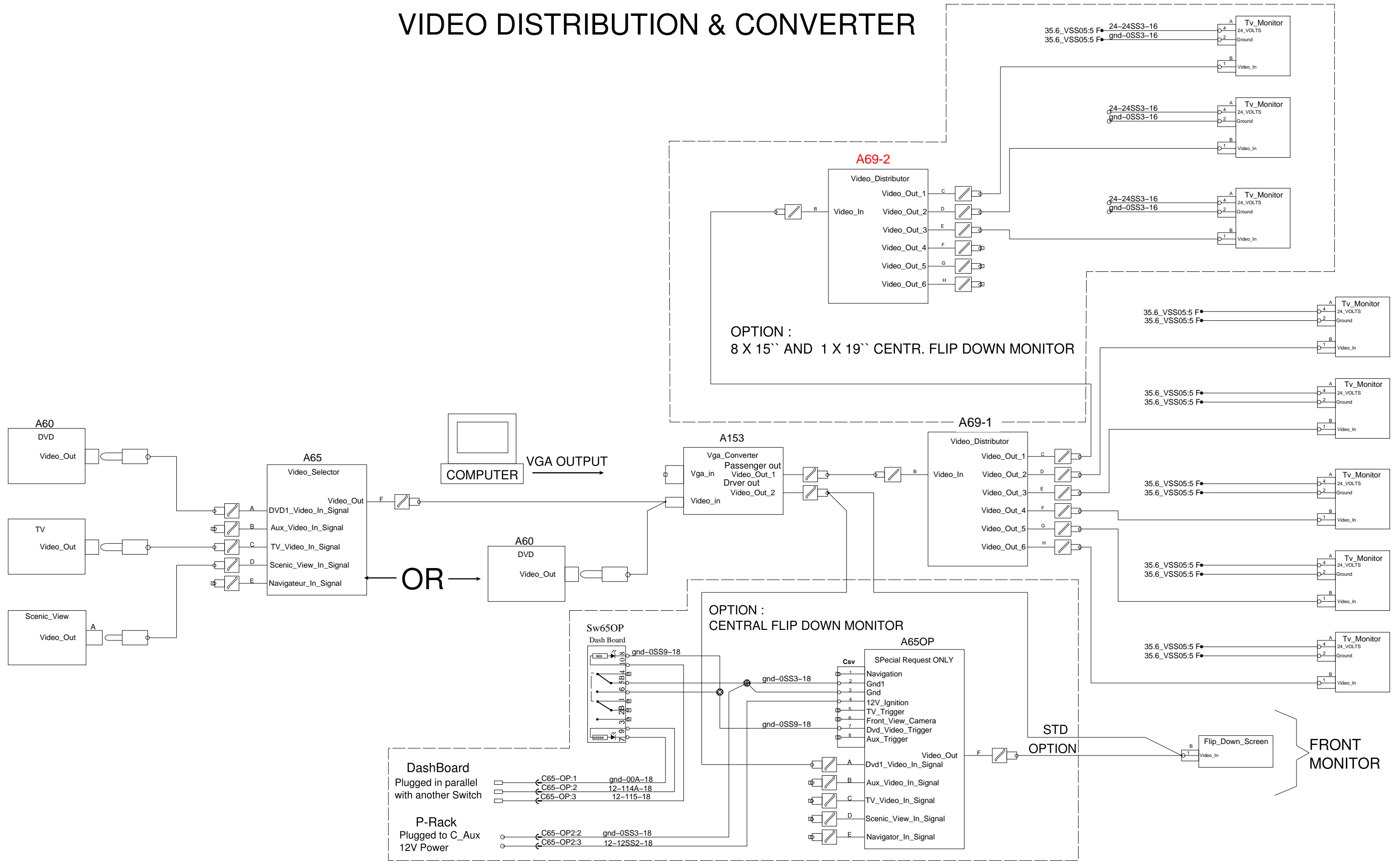
OPTION WIRELESS INTERNET (WIFI)



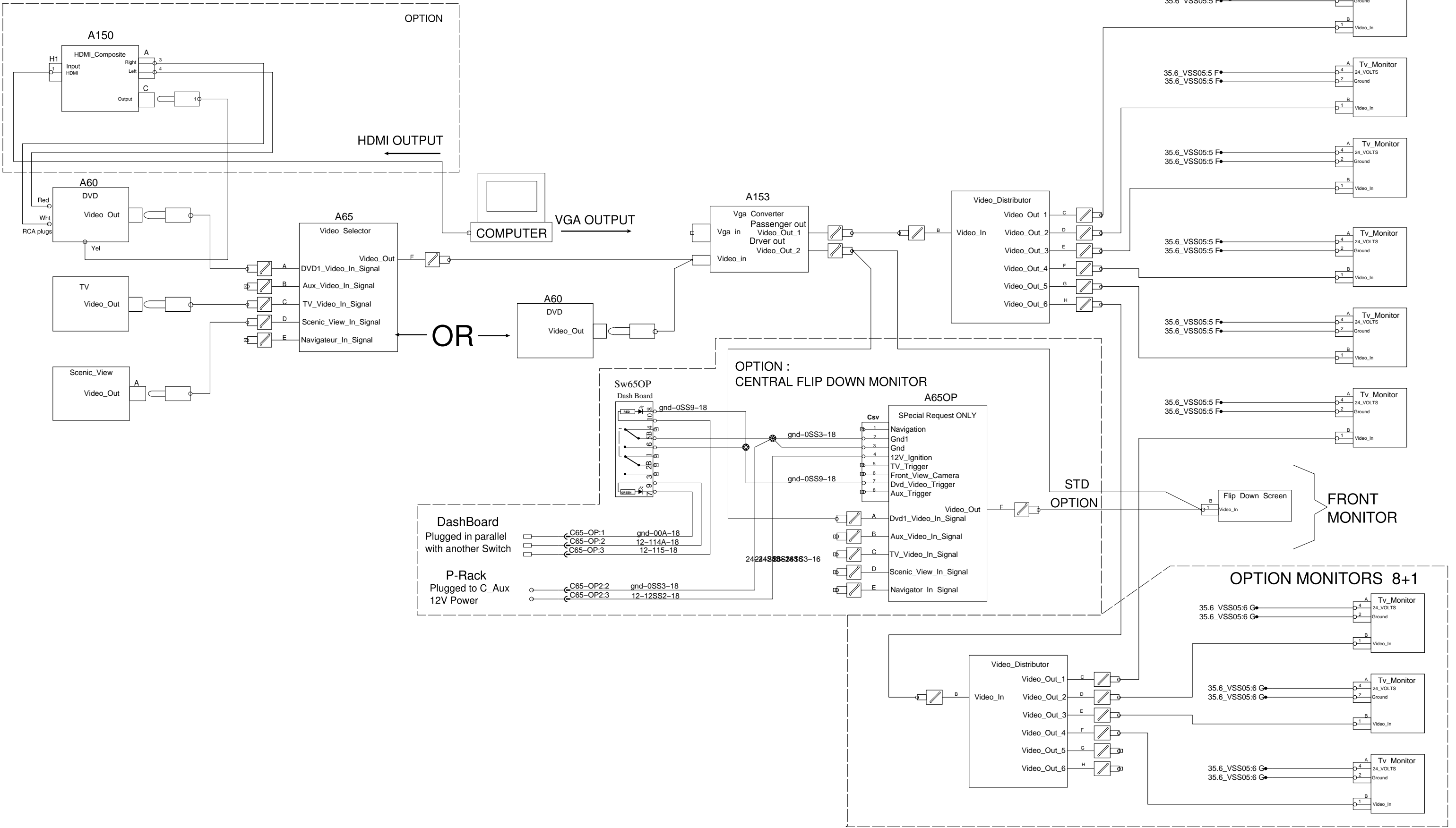
5 VDC REGULATOR & AUDIO INPUT



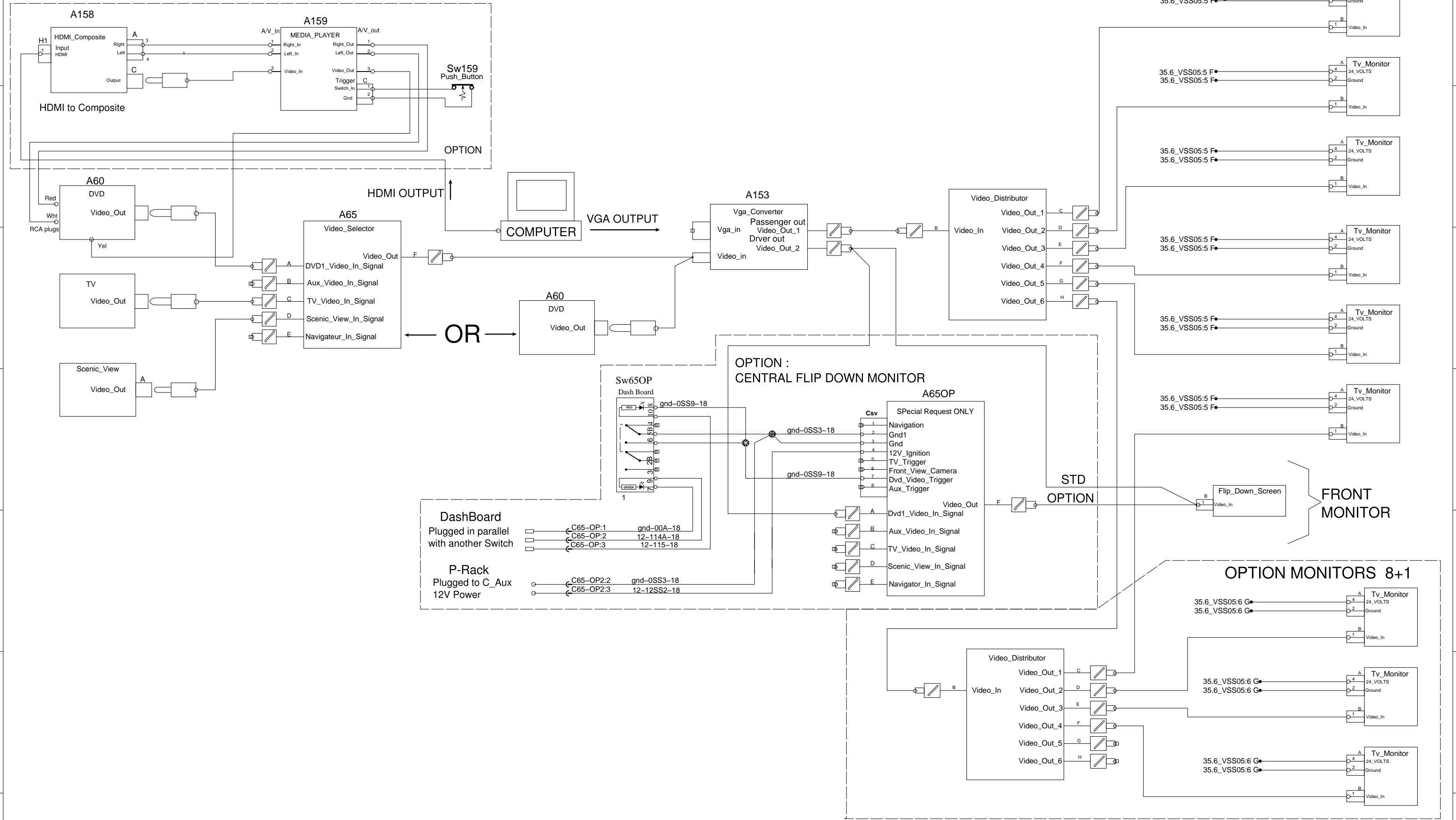
VIDEO DISTRIBUTION & CONVERTER

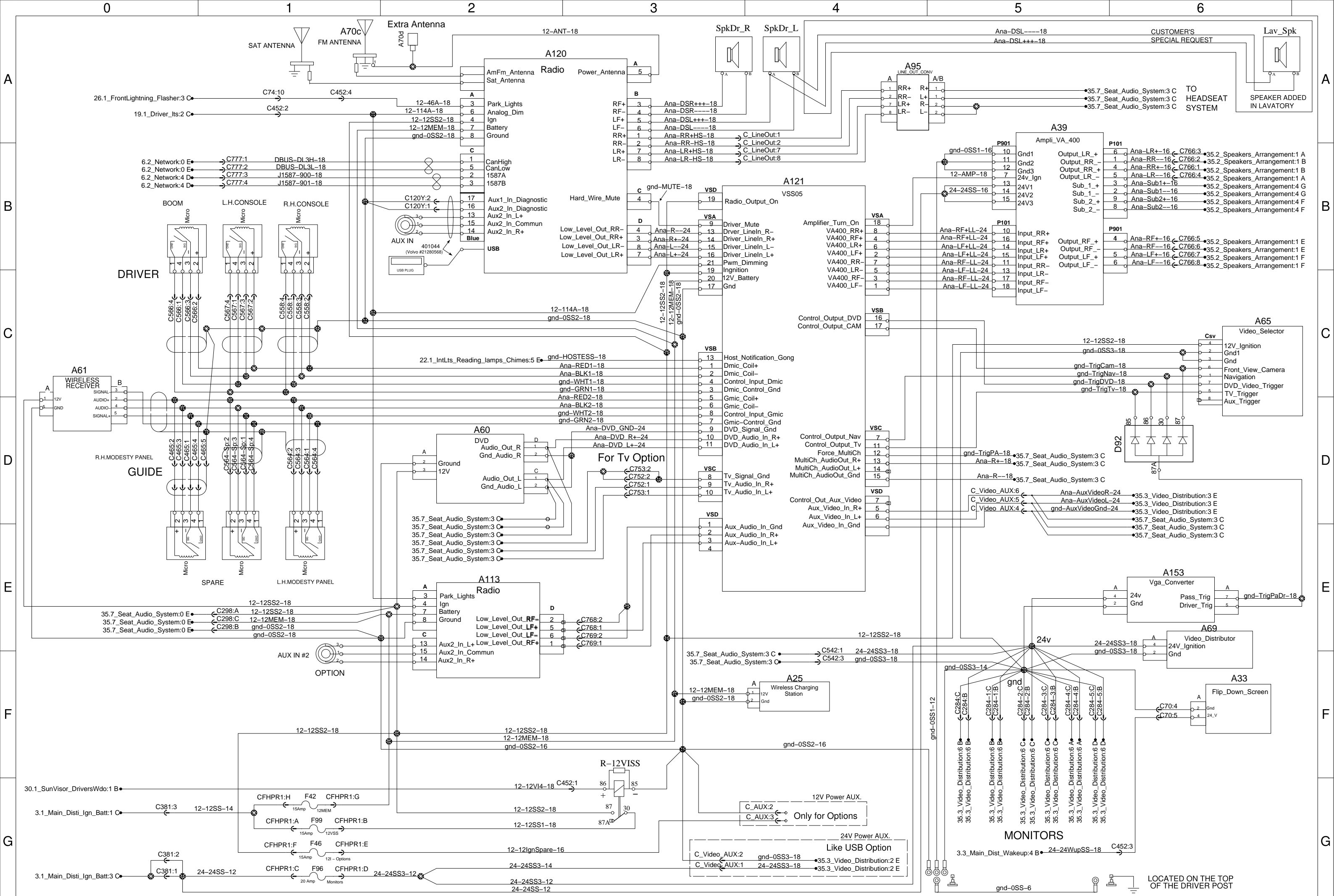


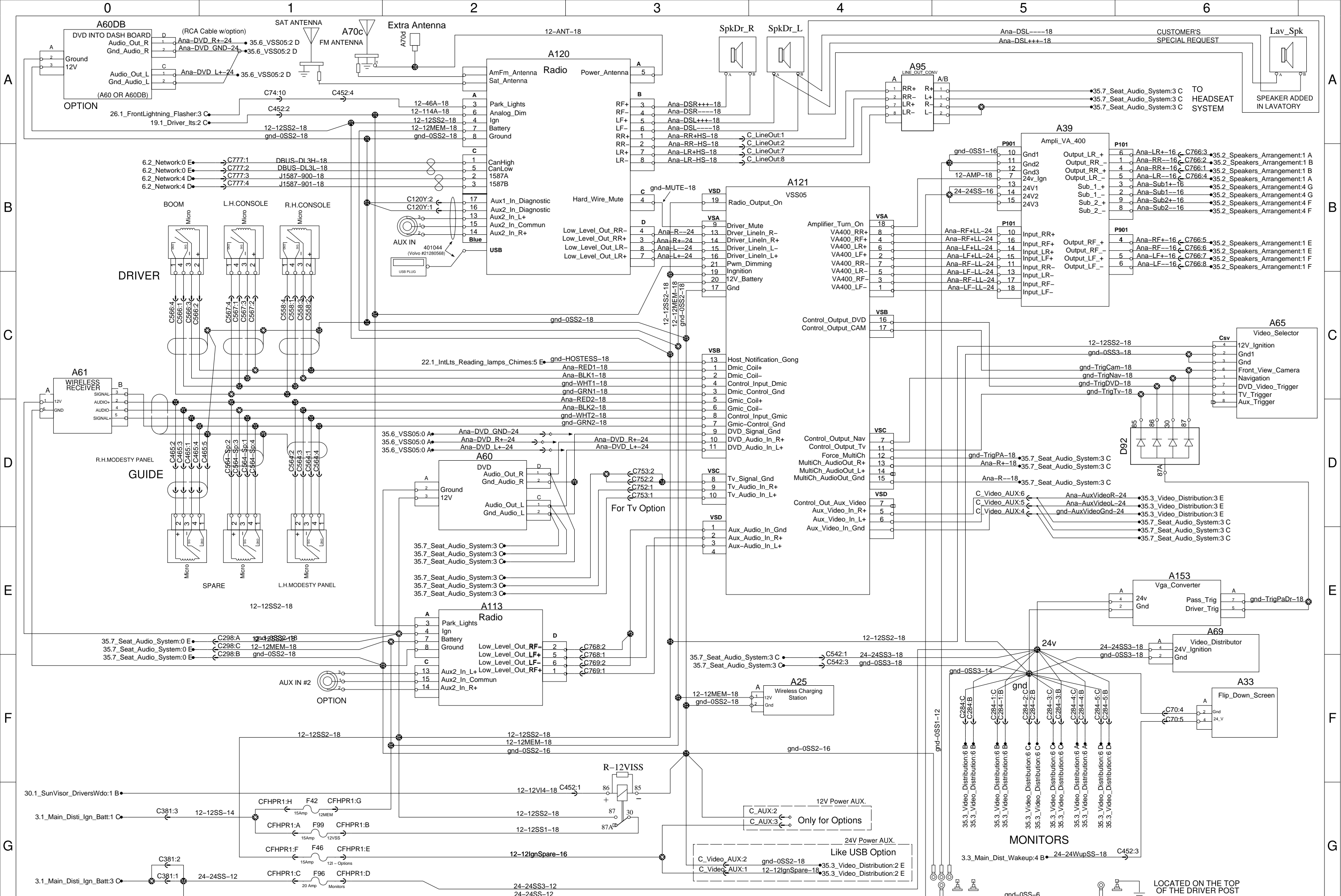
VIDEO DISTRIBUTION & CONVERTER



VIDEO DISTRIBUTION & CONVERTER

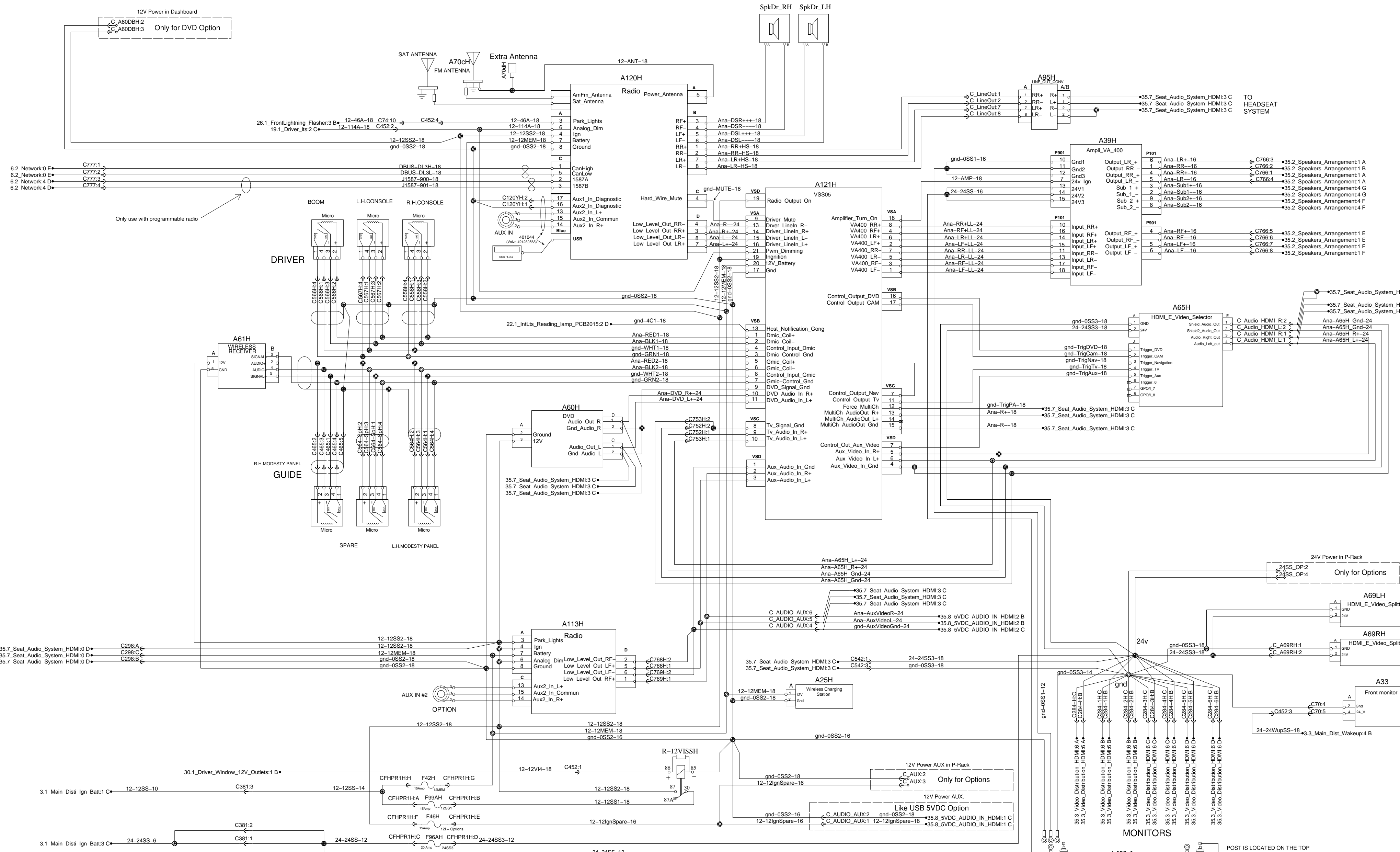




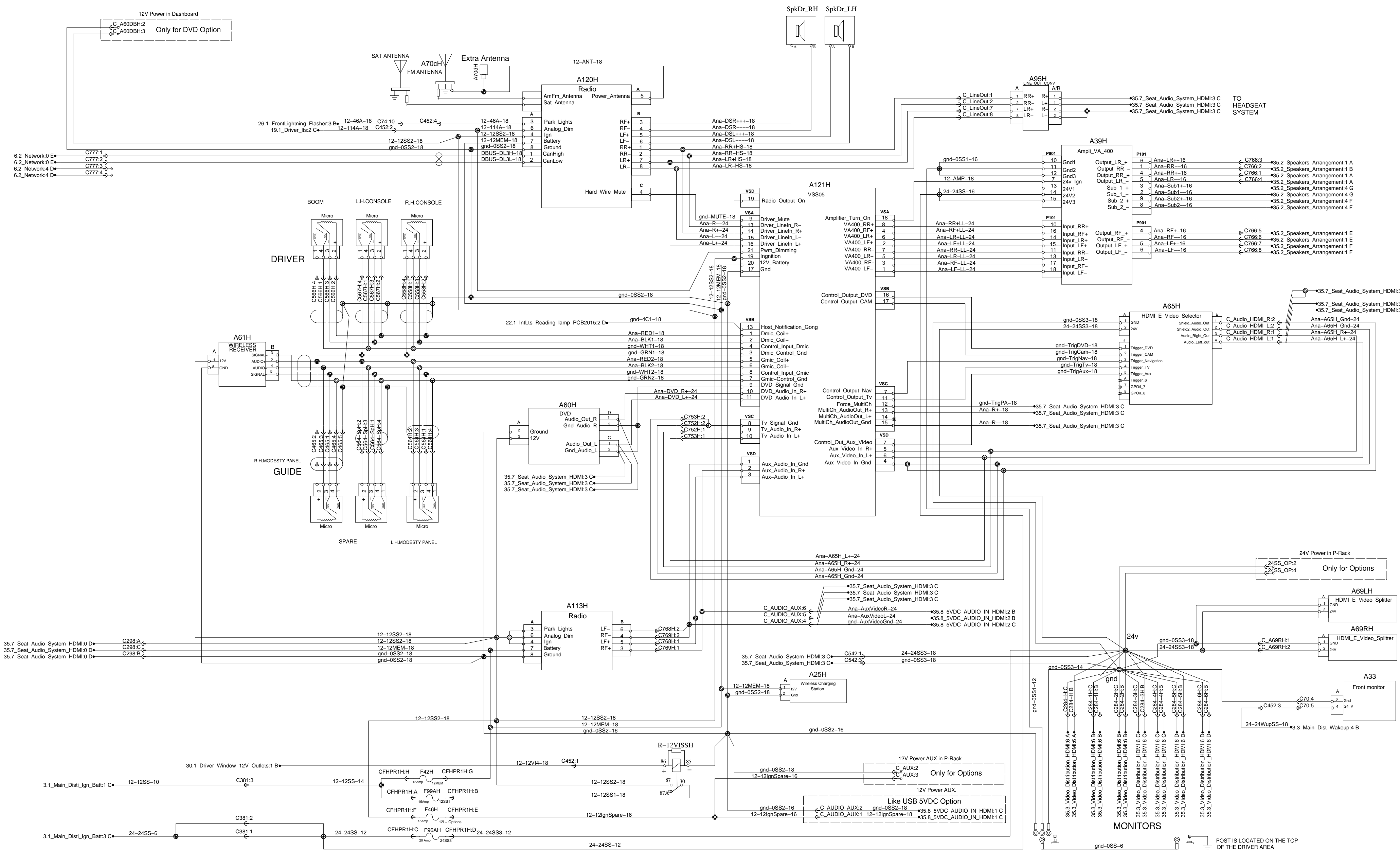


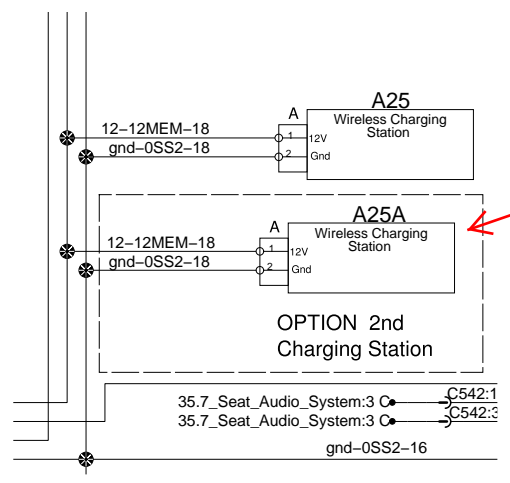
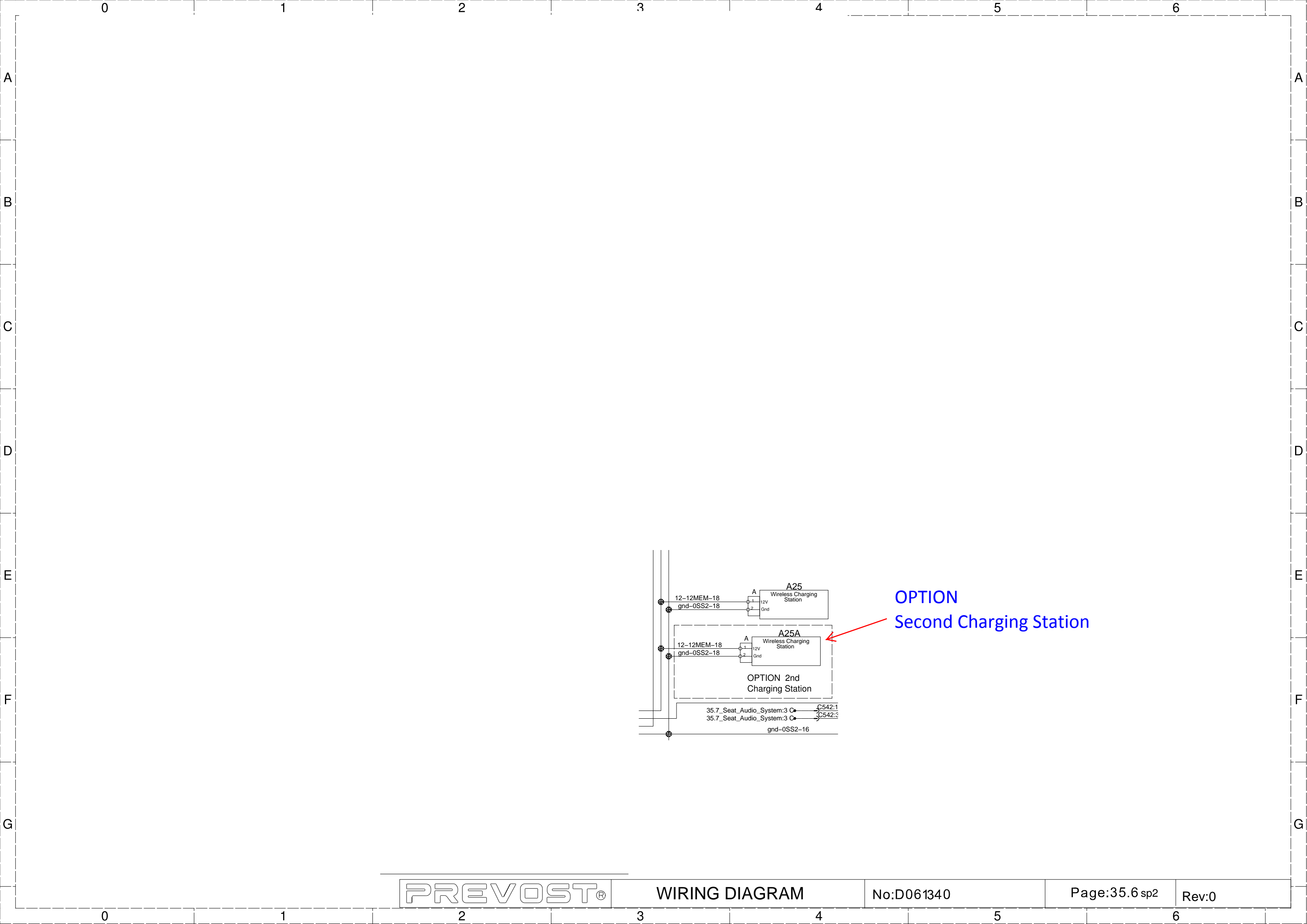
LOCATED ON THE TOP OF THE DRIVER POST

VSS HDMI

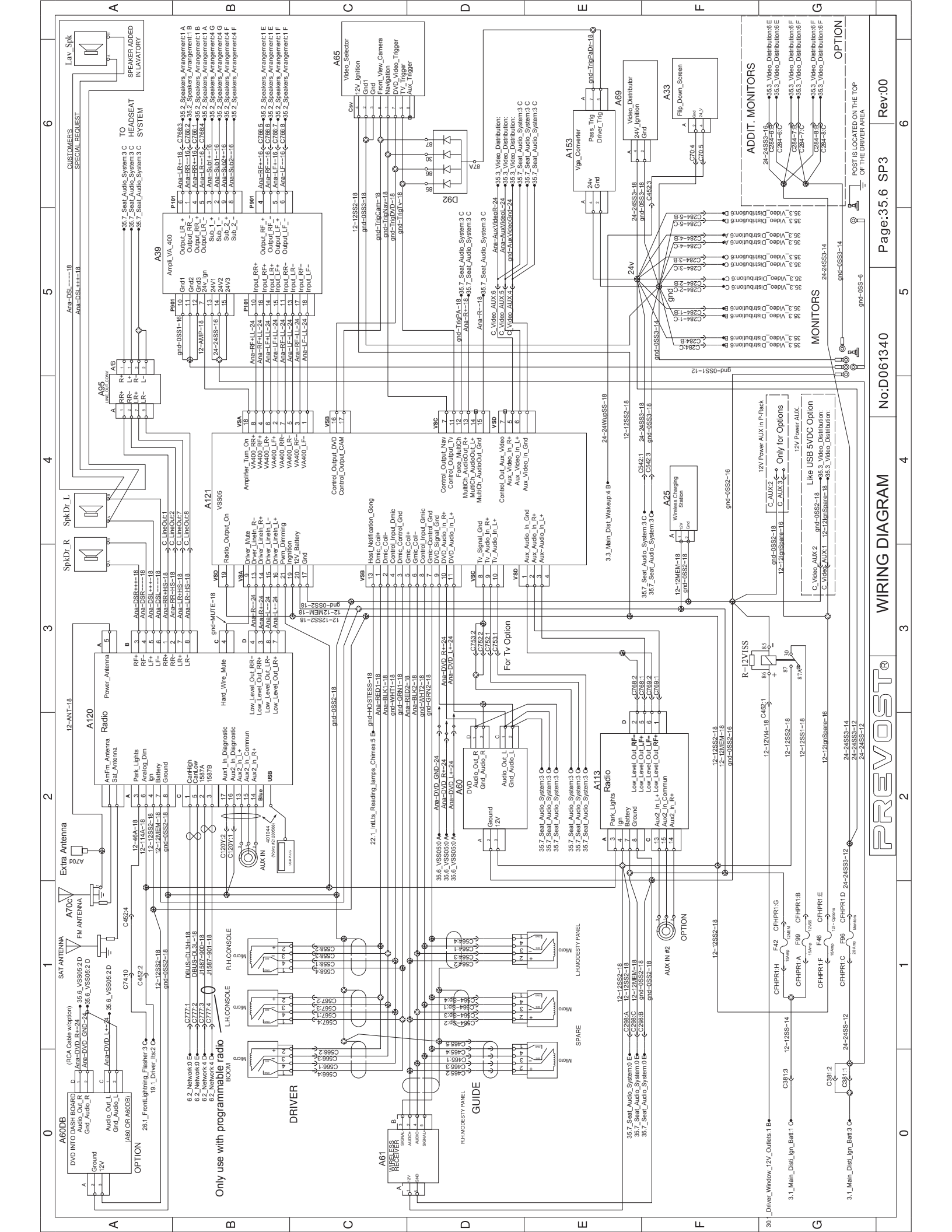


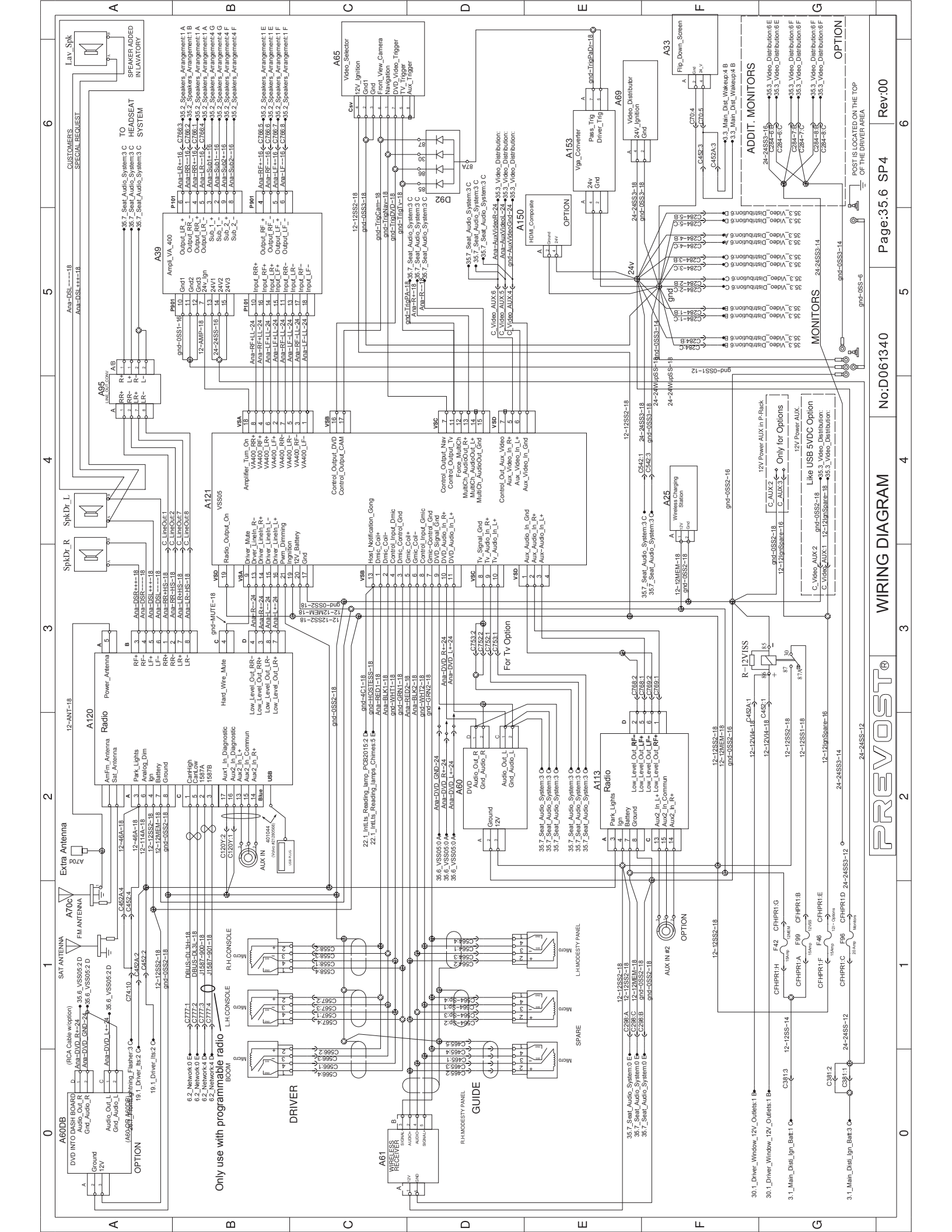
VSS HDMI



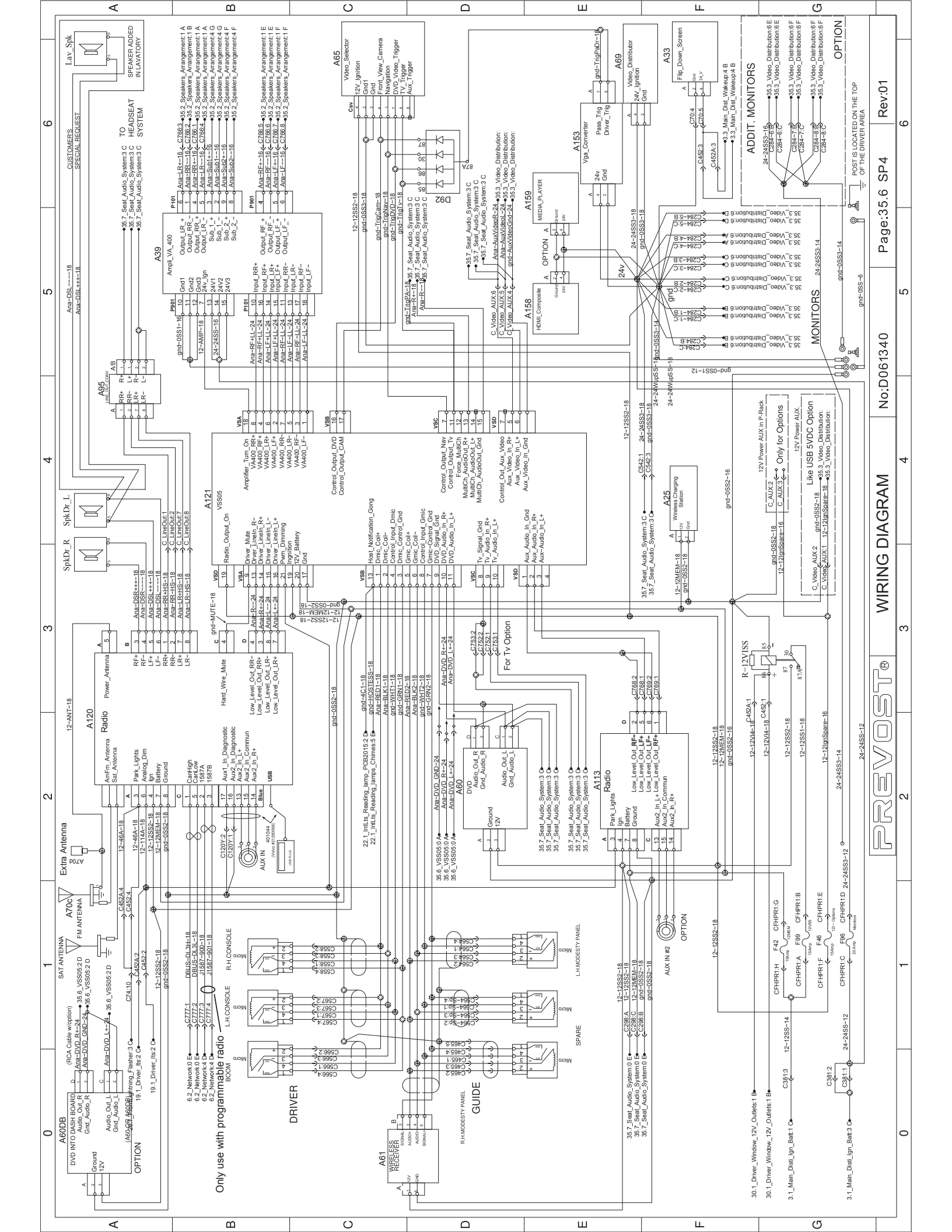


OPTION
Second Charging Station

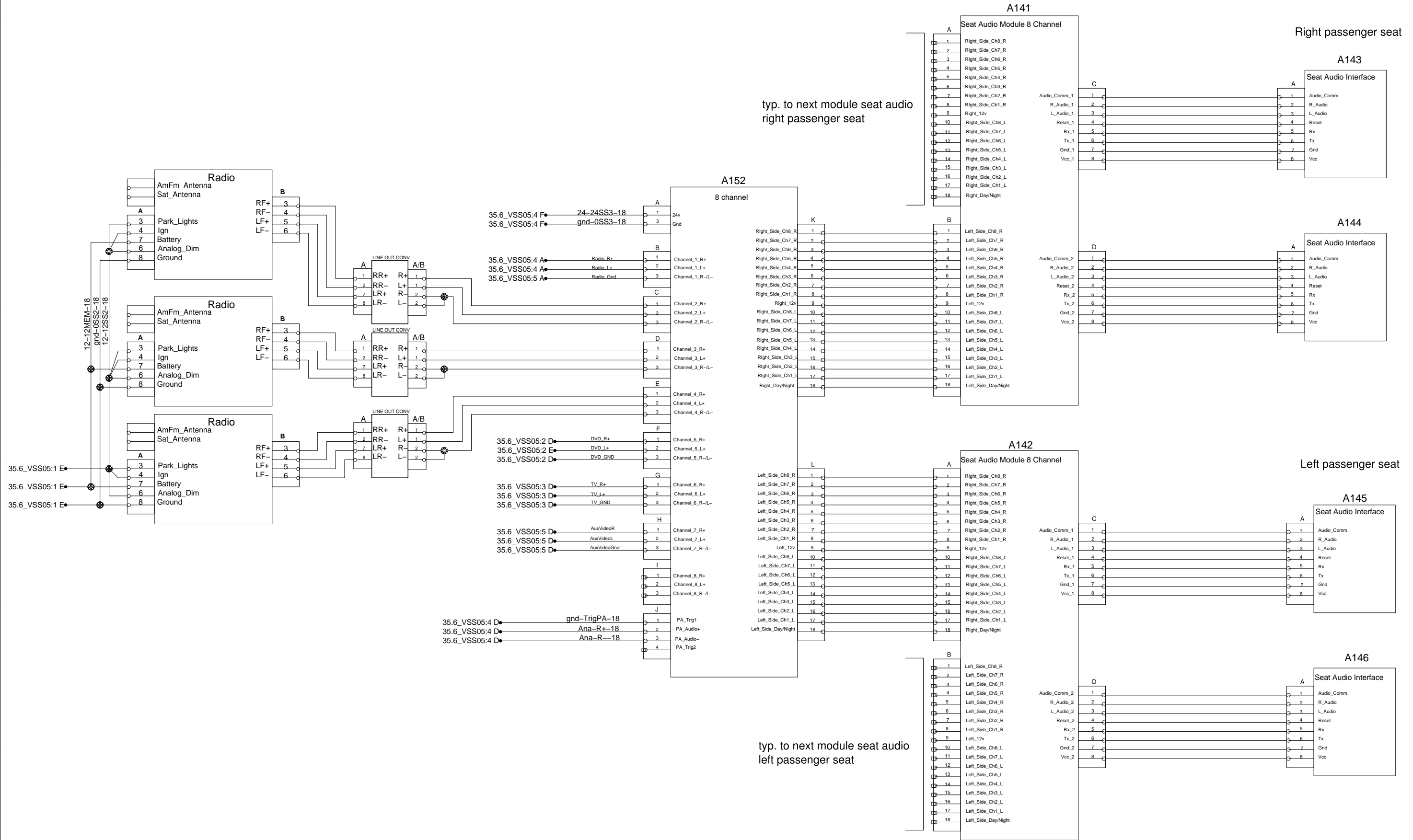




POST IS LOCATED ON THE TOP OF THE DRIVER AREA



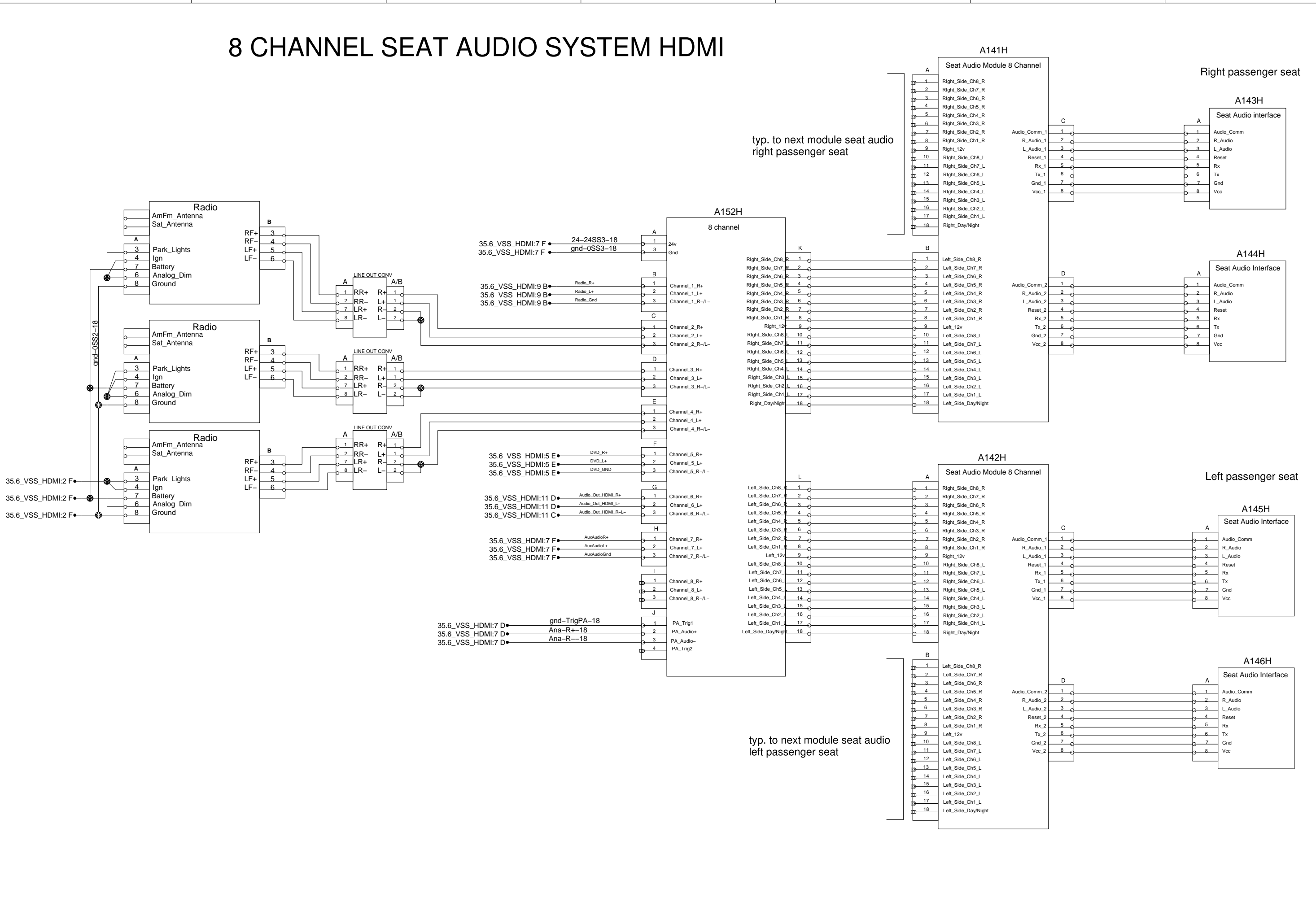
8 CHANNEL SEAT AUDIO SYSTEM



typ. to next module seat audio
right passenger seat

typ. to next module seat audio
left passenger seat

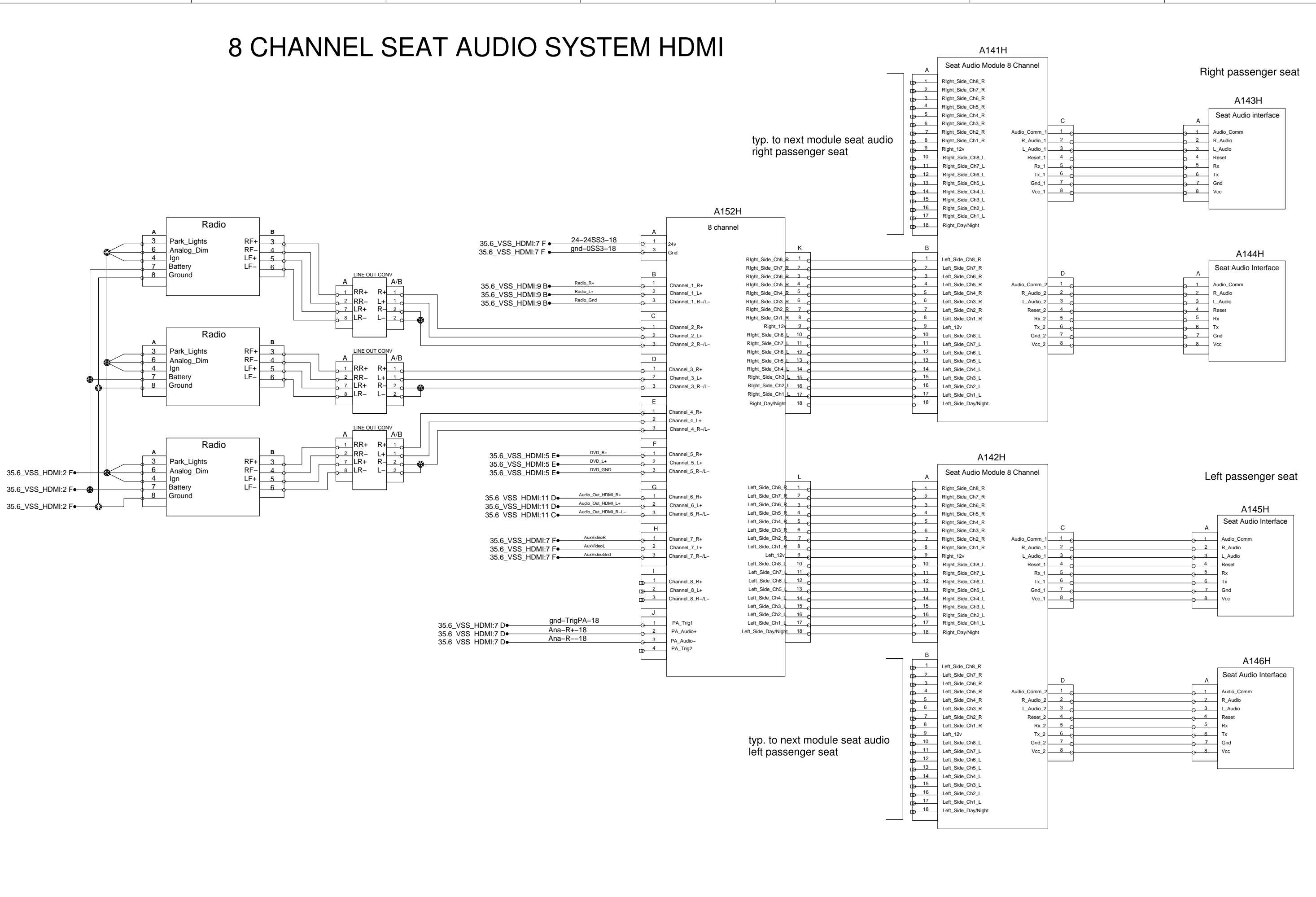
8 CHANNEL SEAT AUDIO SYSTEM HDMI



typ. to next module seat audio right passenger seat

typ. to next module seat audio left passenger seat

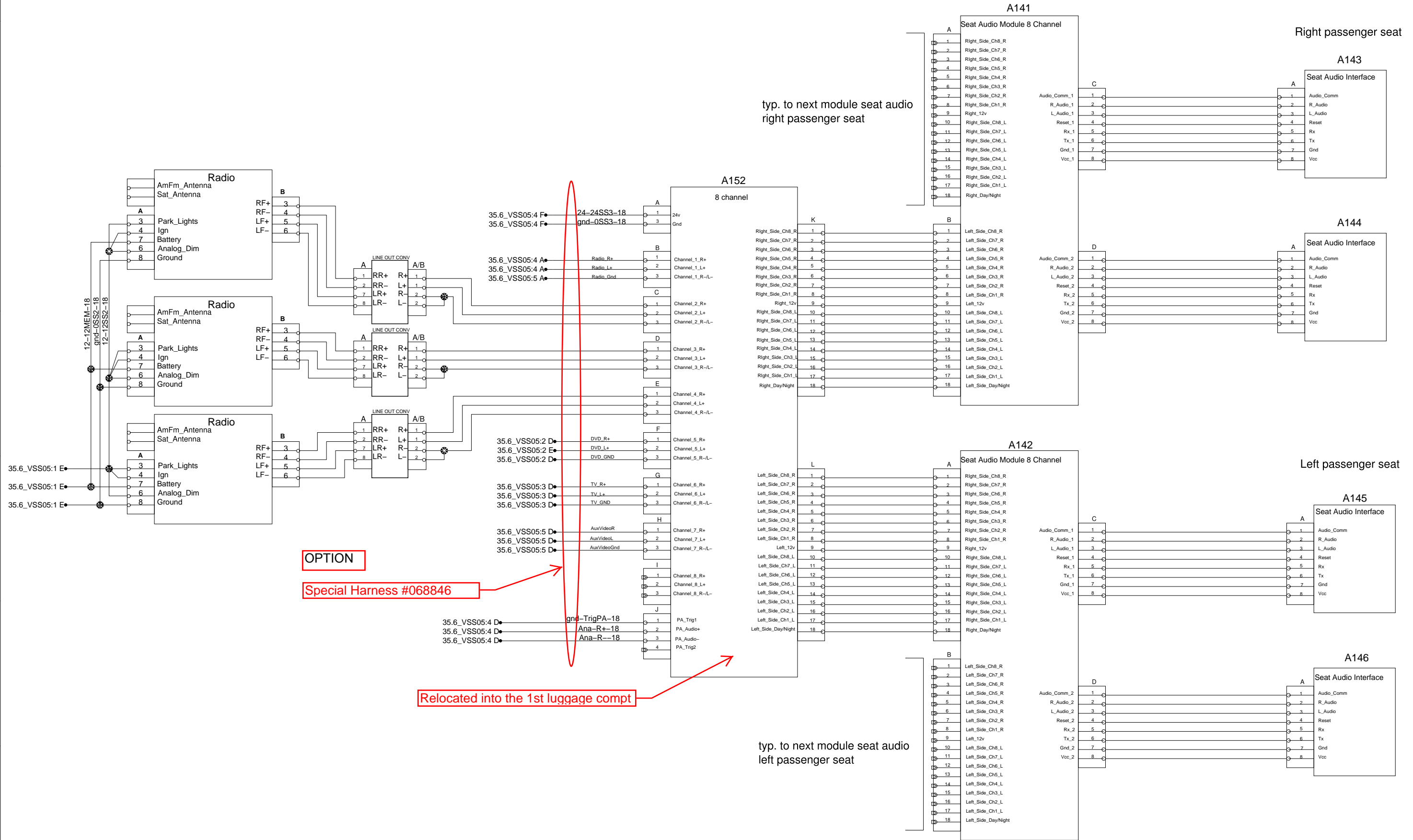
8 CHANNEL SEAT AUDIO SYSTEM HDMI



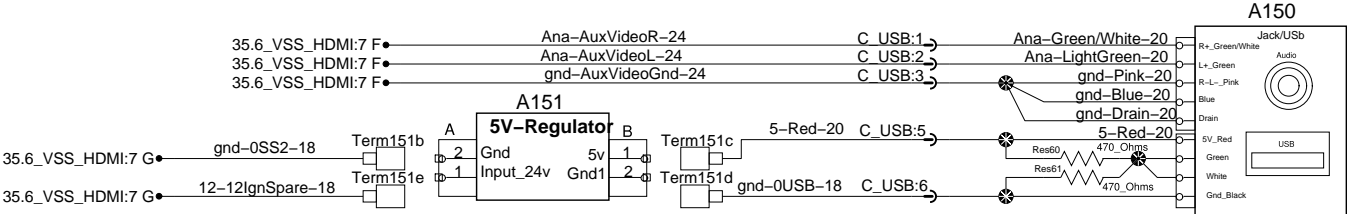
typ. to next module seat audio
right passenger seat

typ. to next module seat audio
left passenger seat

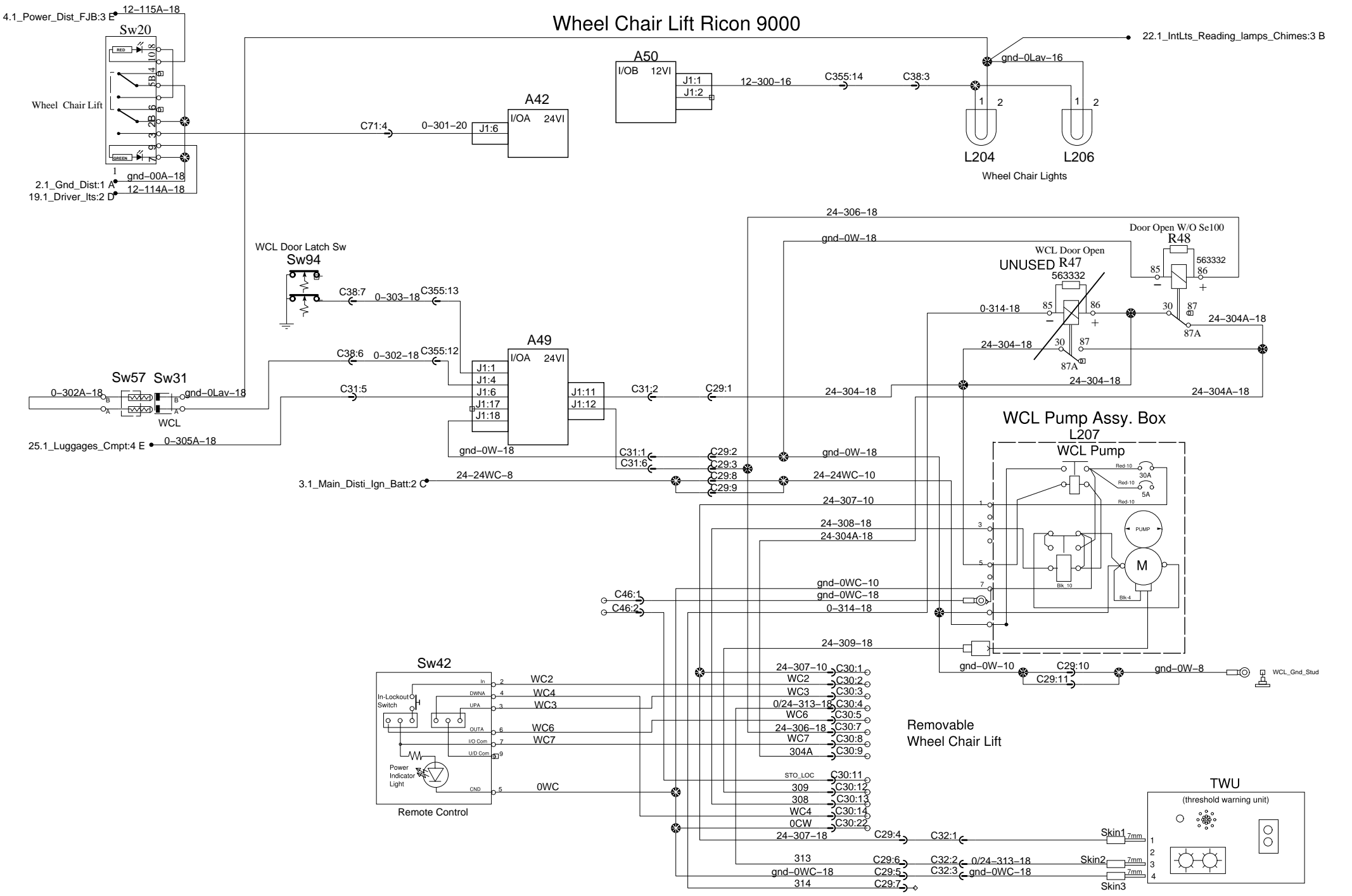
8 CHANNEL SEAT AUDIO SYSTEM



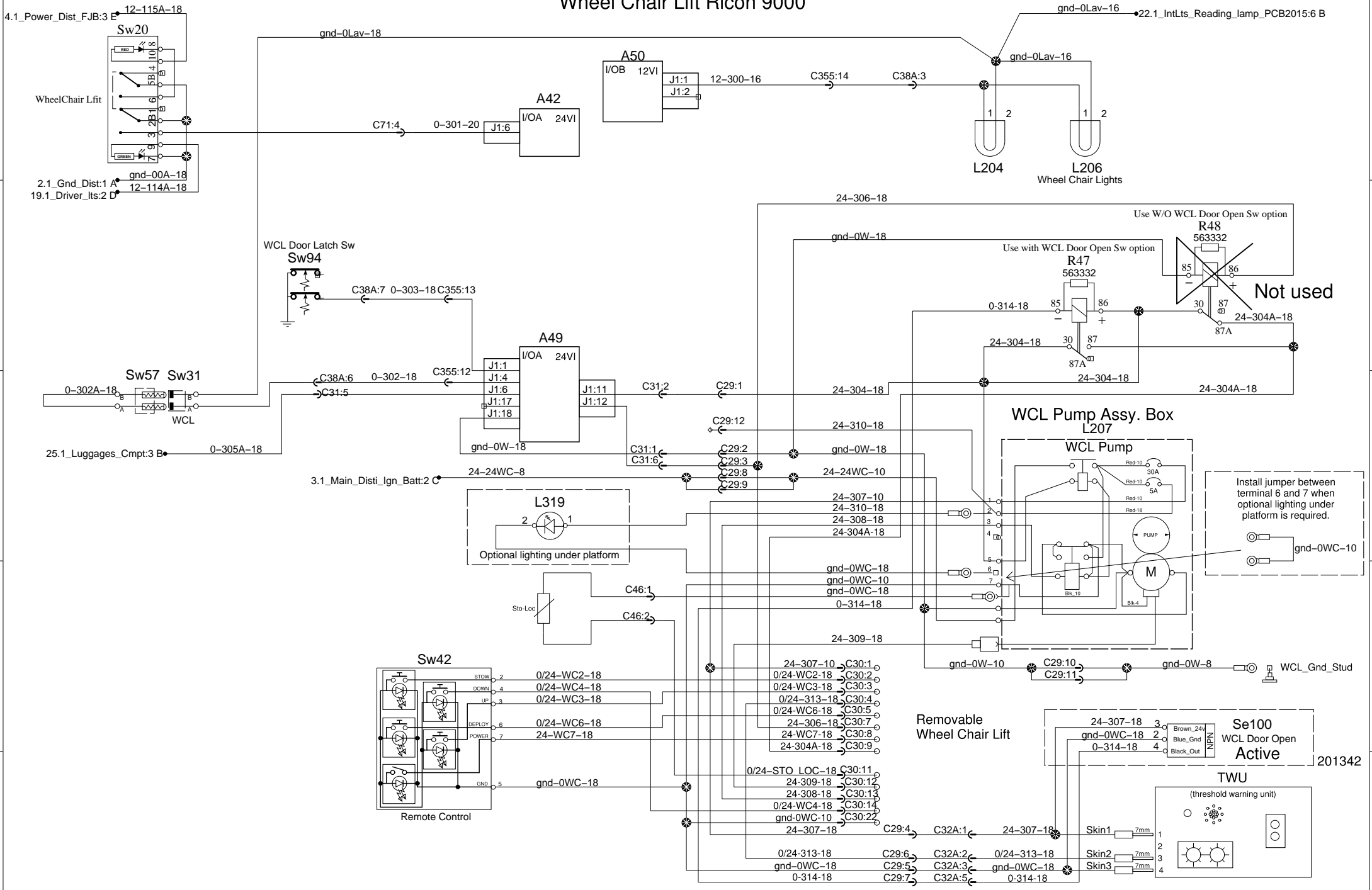
5 VDC REGULATOR & AUDIO INPUT, HDMI



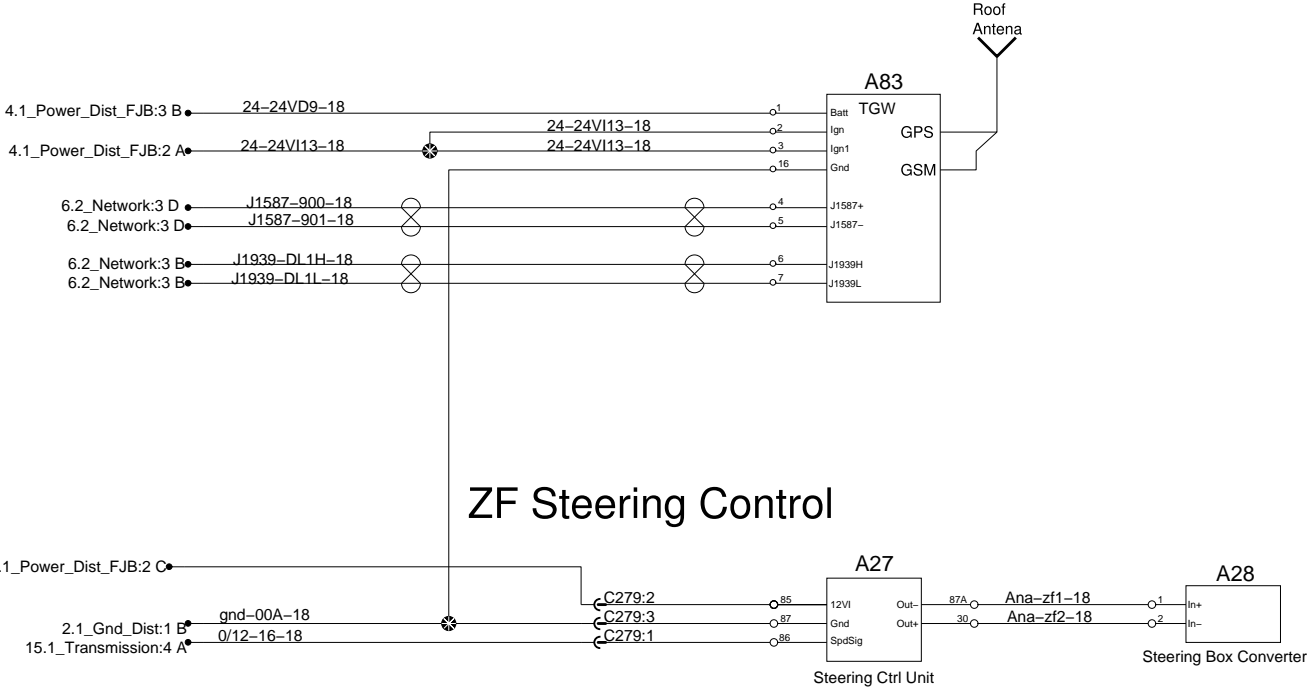
Wheel Chair Lift Ricon 9000



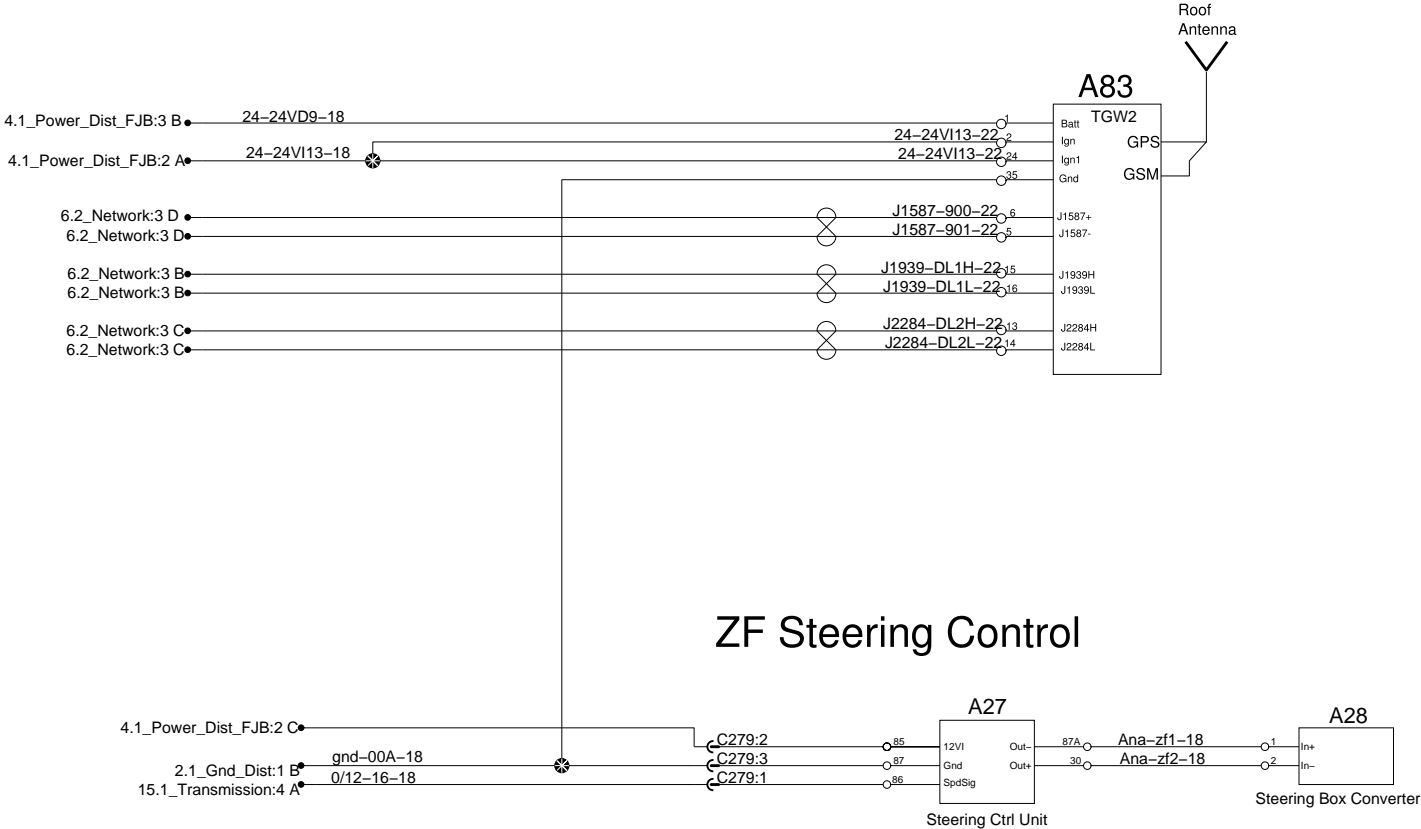
Wheel Chair Lift Ricon 9000



Volvo Link



Volvo Link



0

1

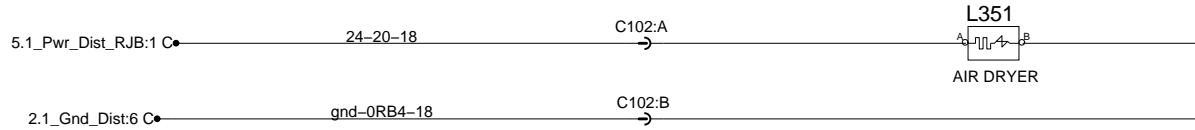
2

3

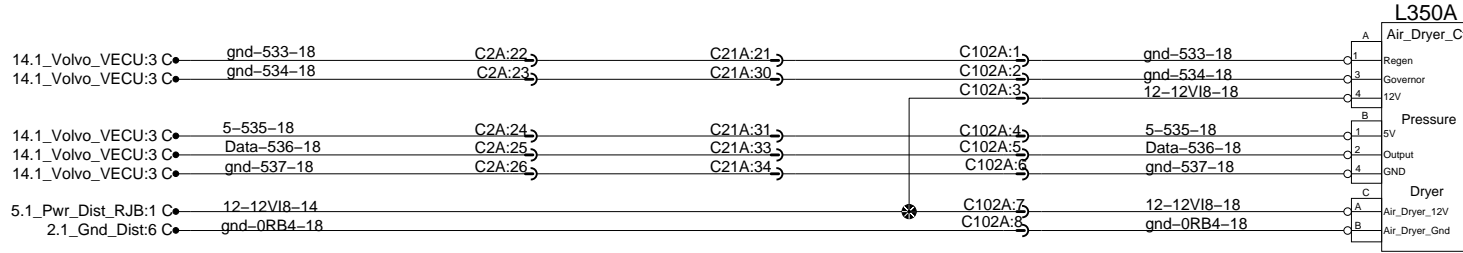
4

Air Dryer

Electric Air Dryer



Electric Control And Heater



0

1

2

3

4

A

A

B

B

C

C

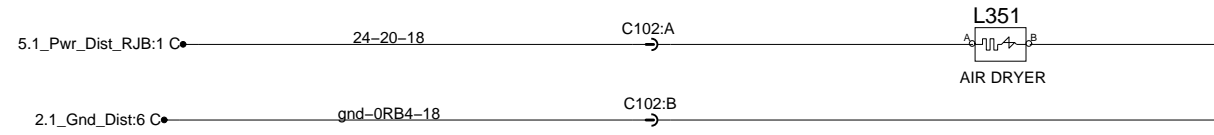
D

D

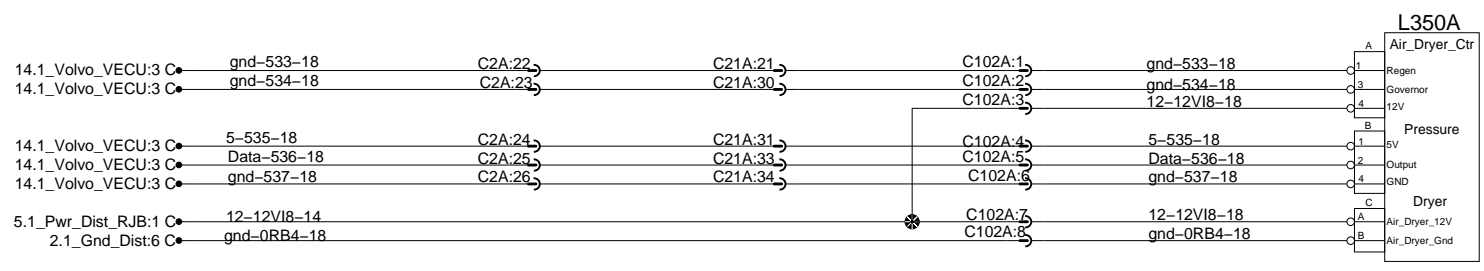
E

E

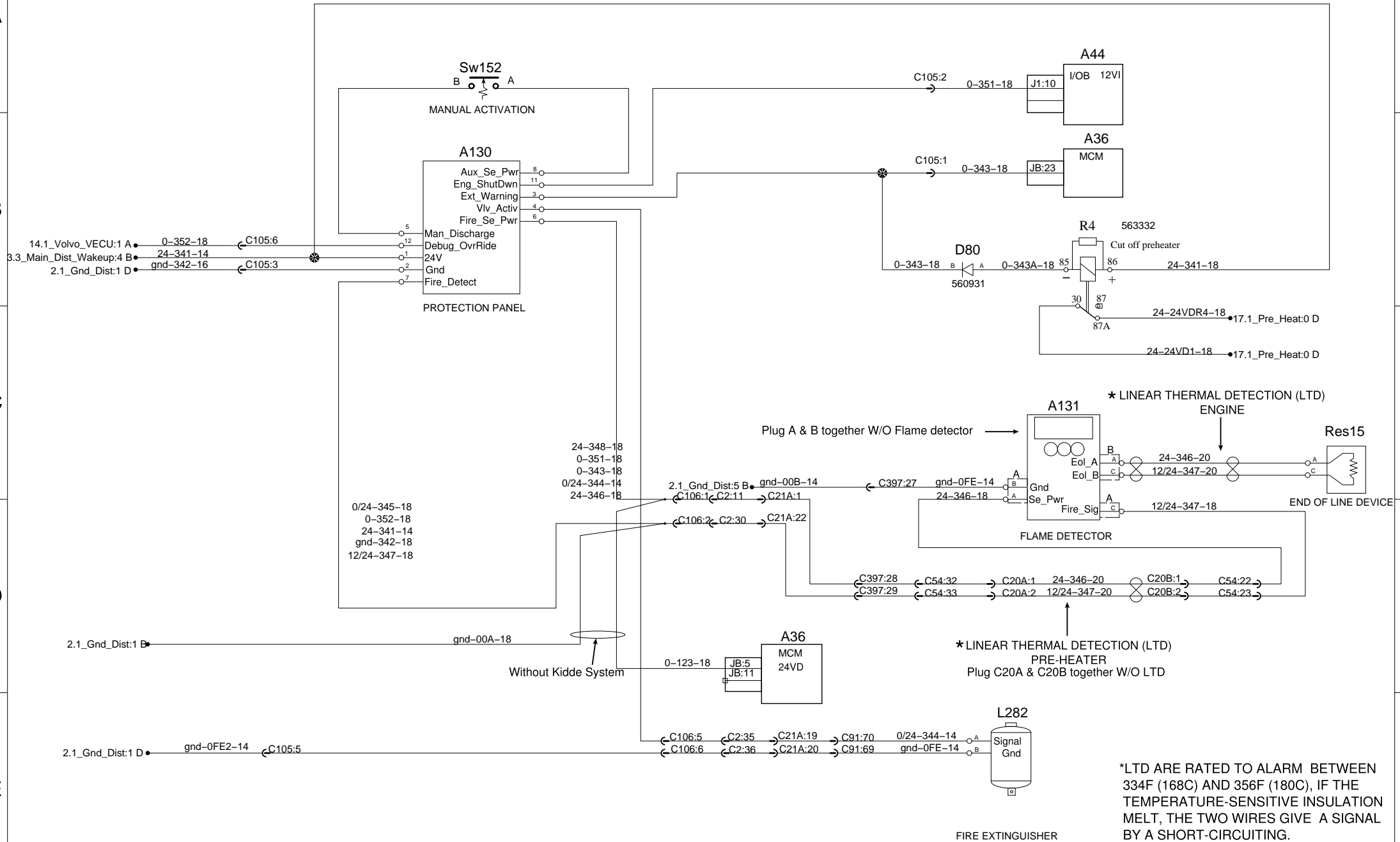
Air Dryer Heater Only



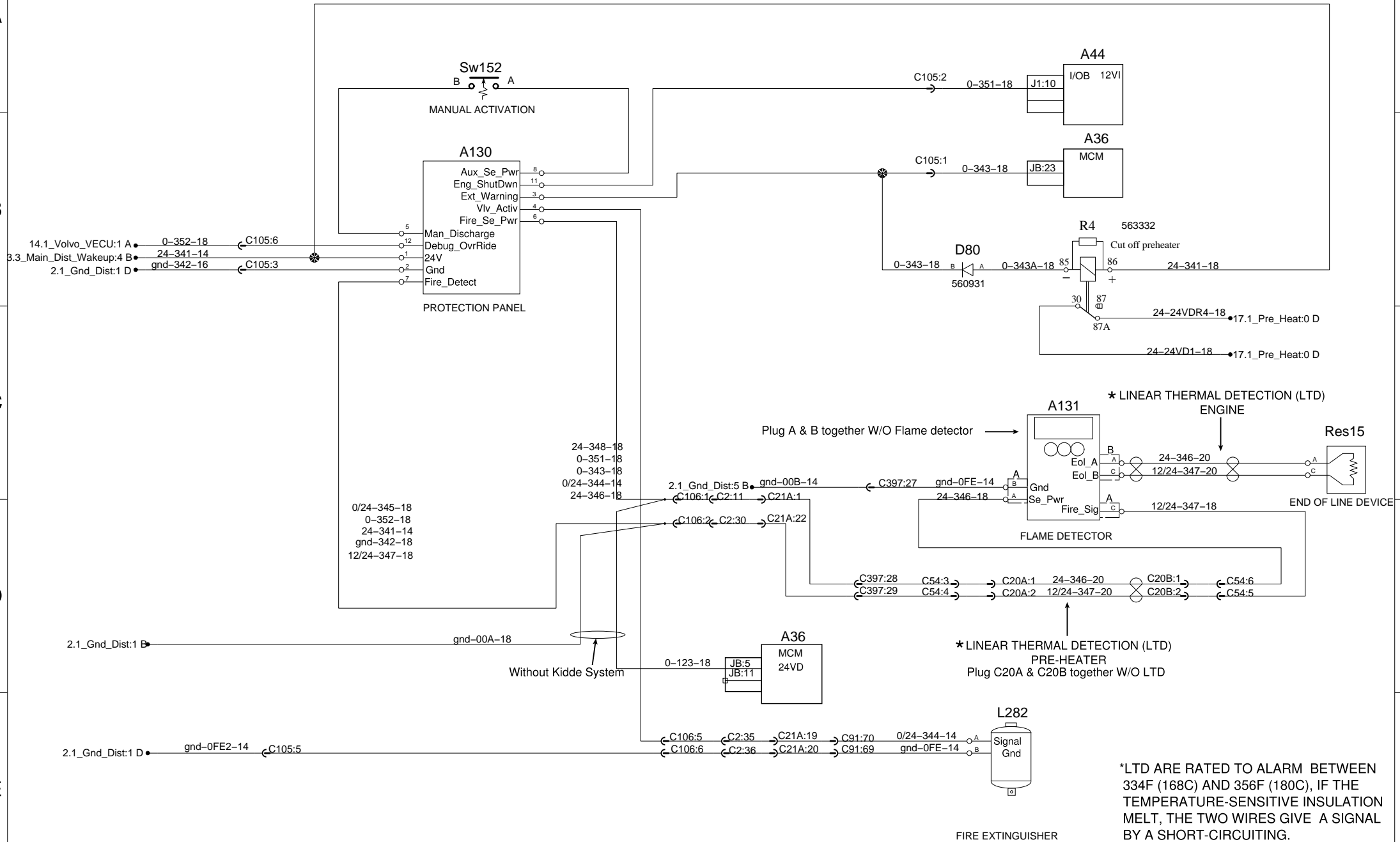
Air Dryer Electric Control And Heater



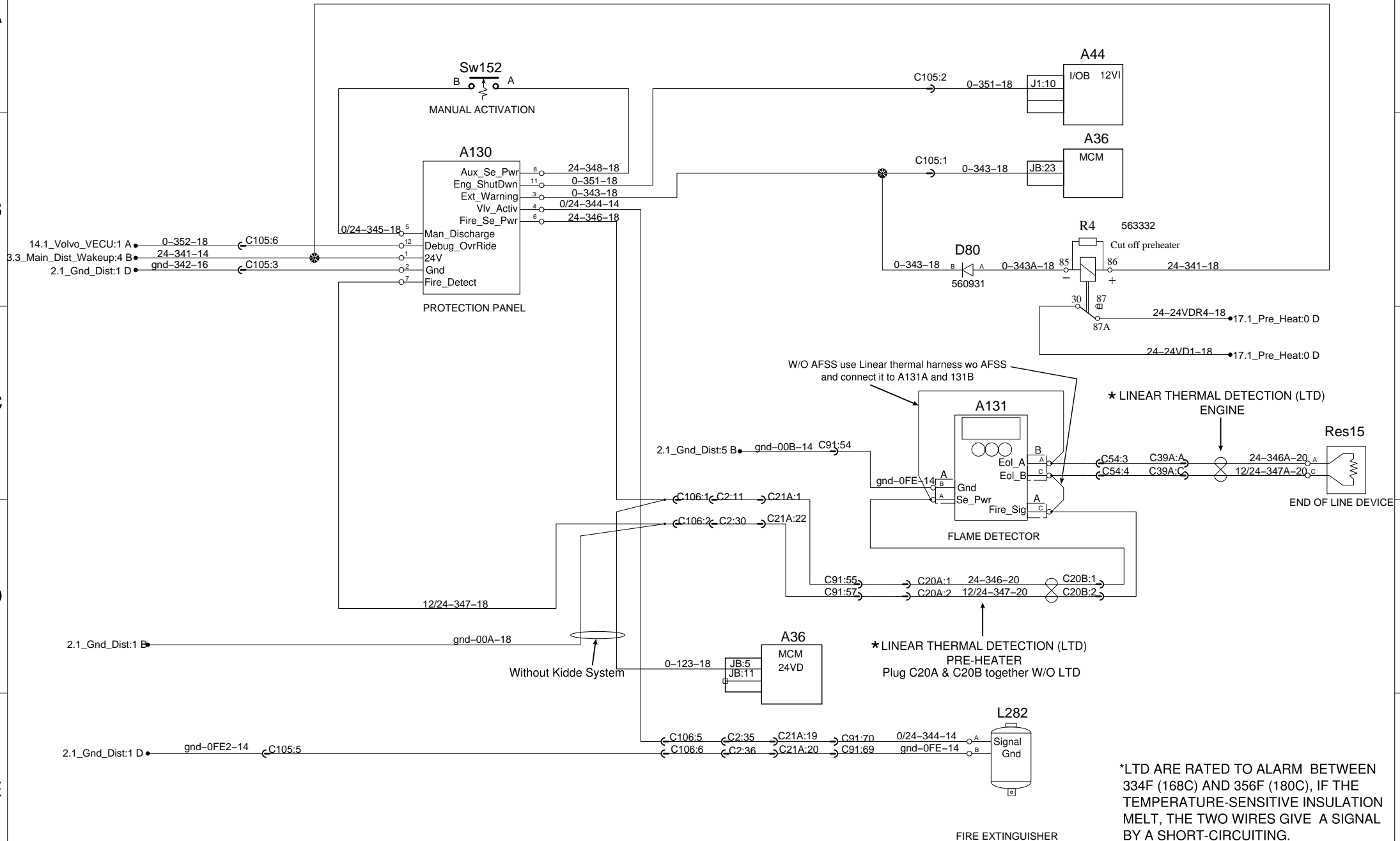
Automatic Fire Suppression System



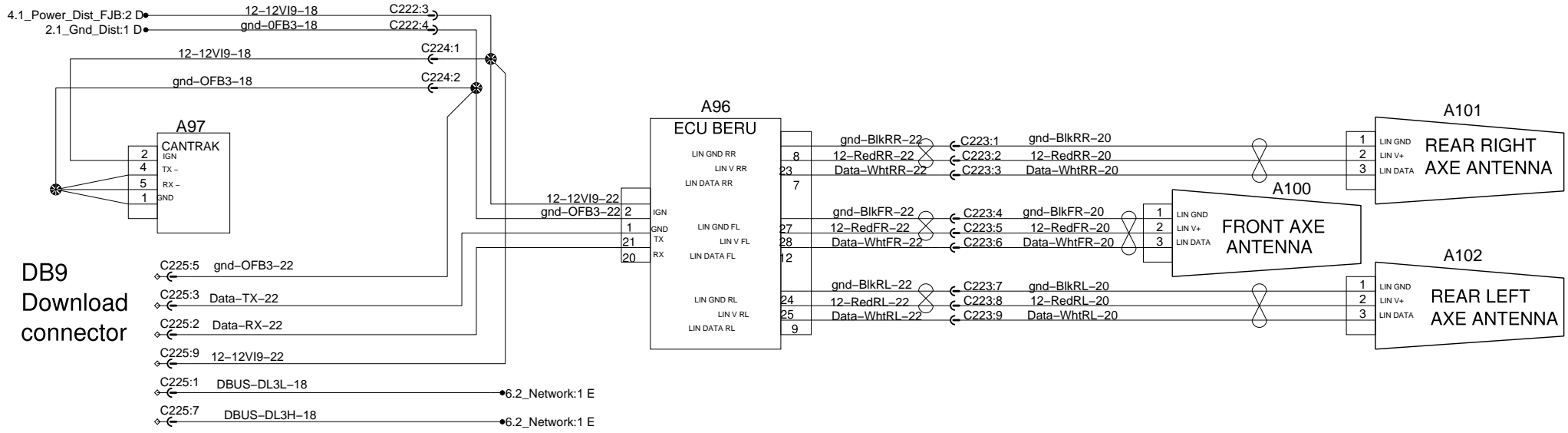
Automatic Fire Suppression System



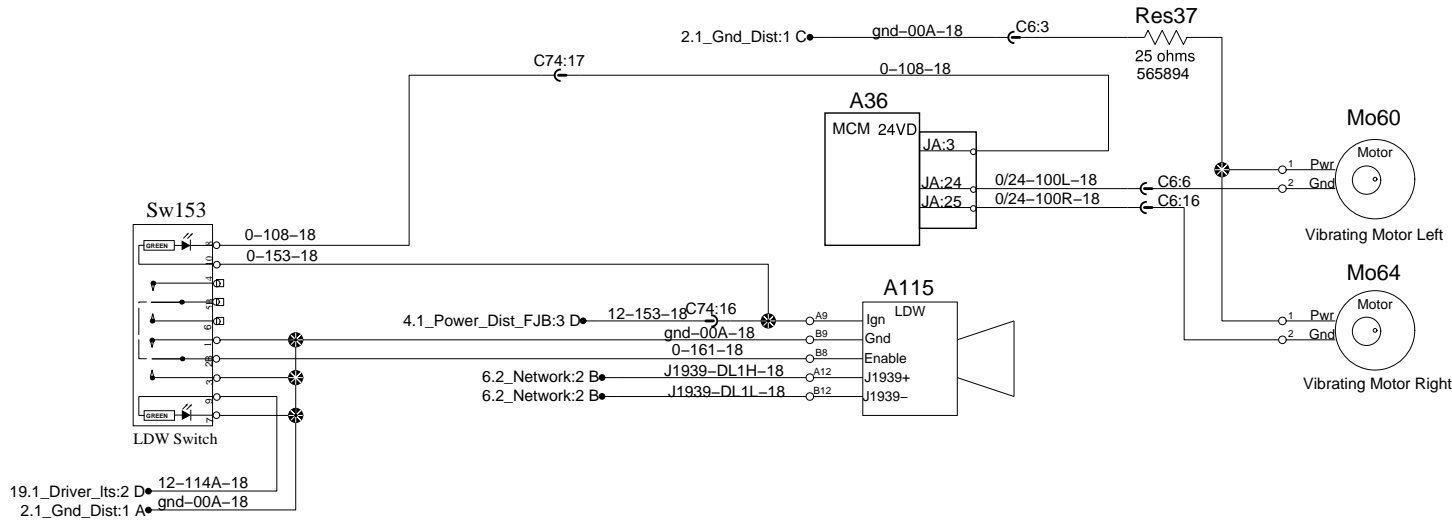
Automatic Fire Suppression System



Tire Pressure Monitoring System

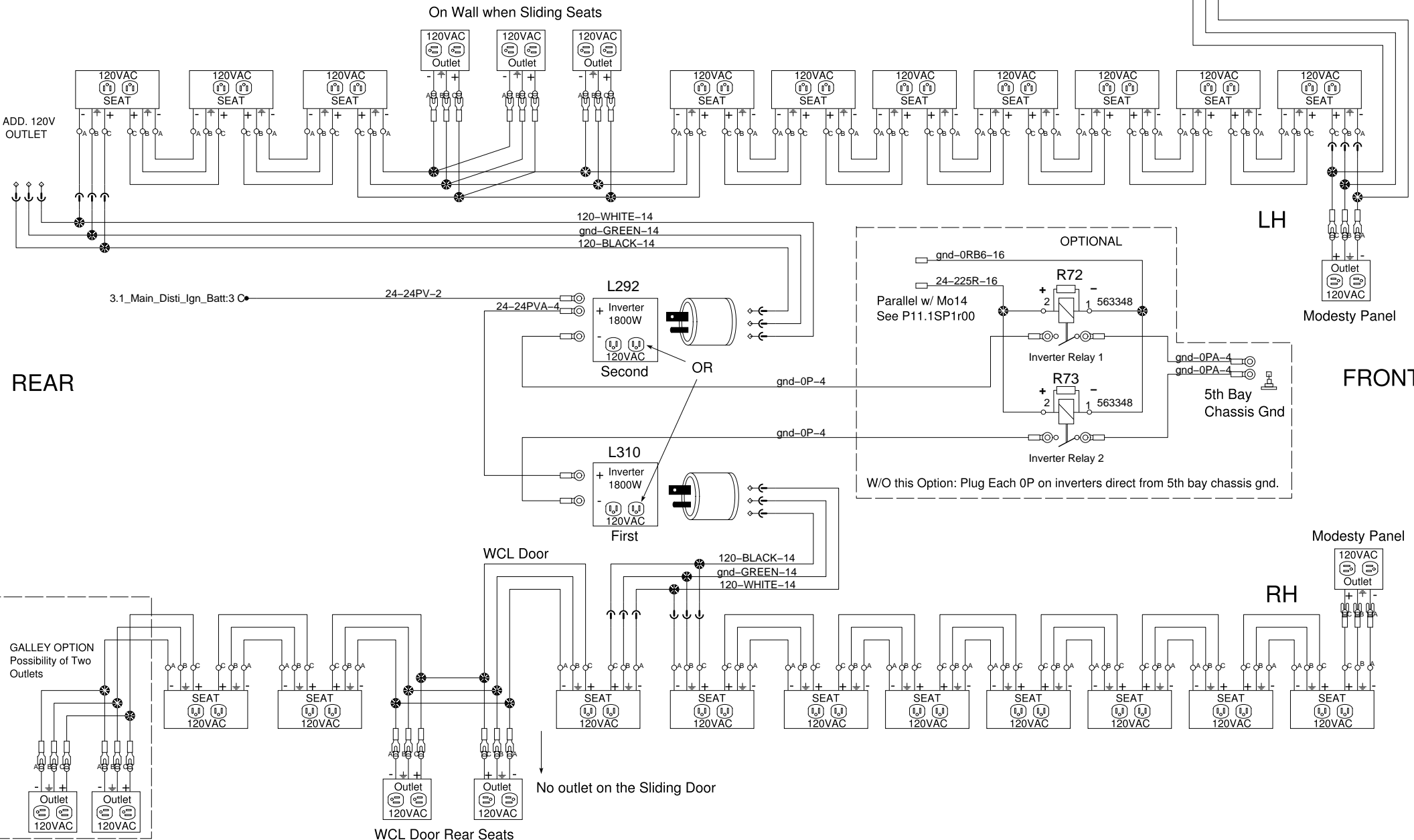


Lane Departure Warning



Inverters (1 or 2) & 120VAC outlets

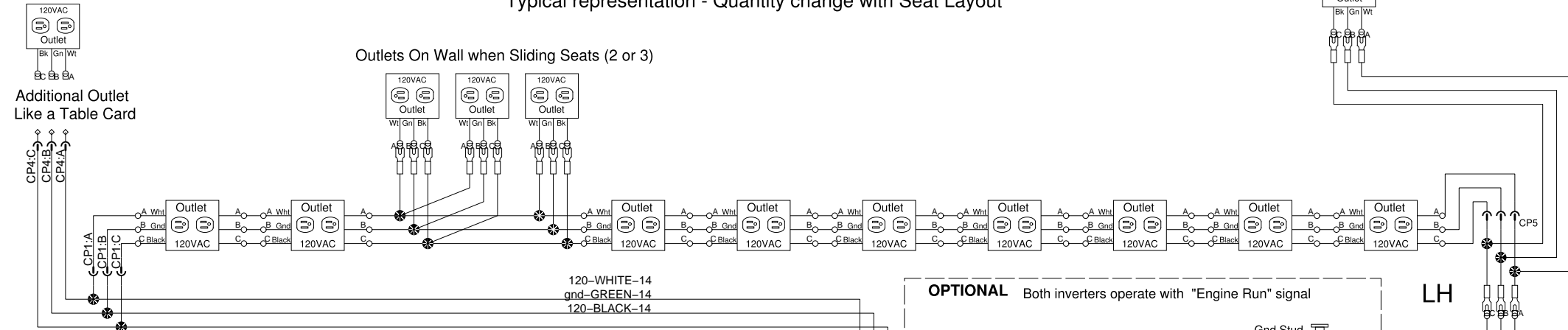
****Typical representation overview****



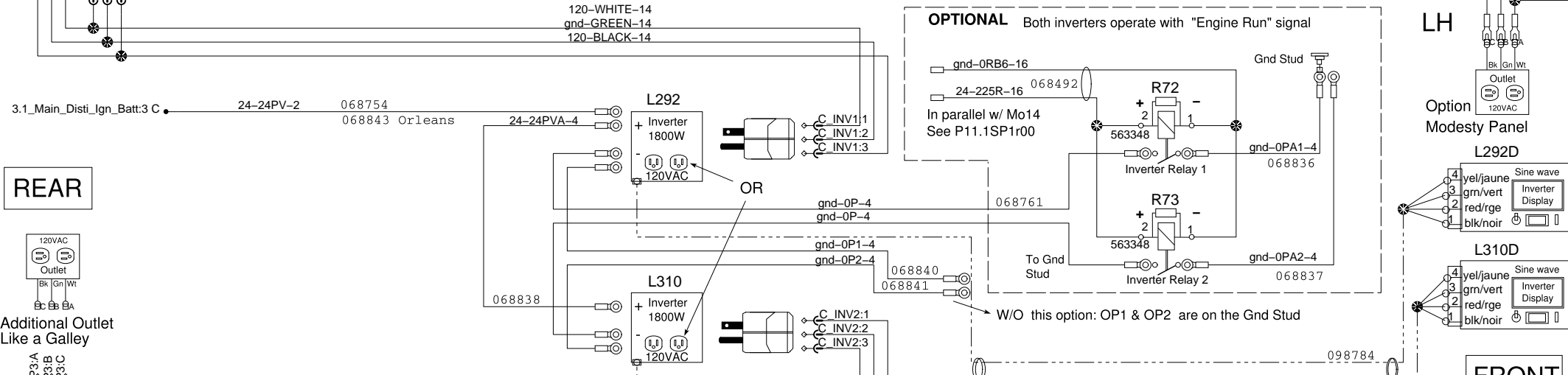
Inverters (1 or 2) & 120VAC outlets

Typical representation - Quantity change with Seat Layout

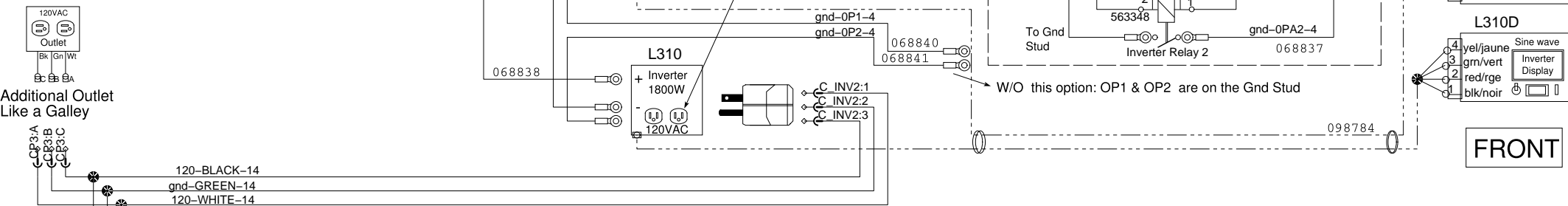
A



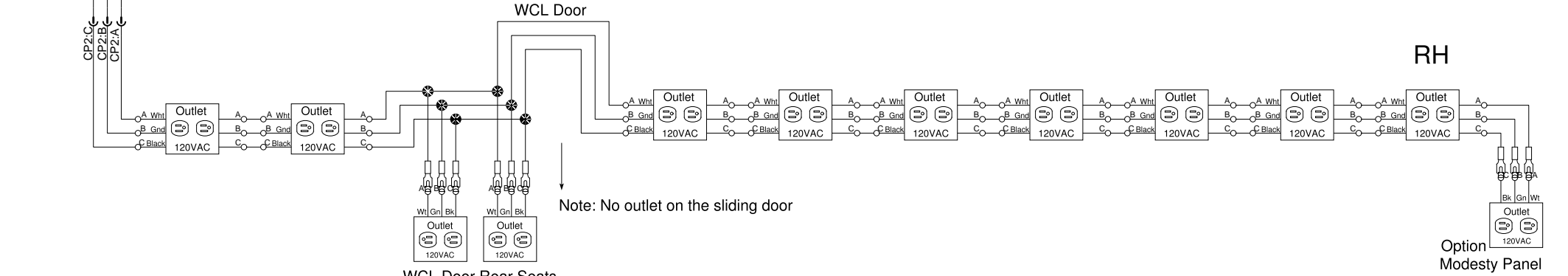
B



C



D



E

0

1

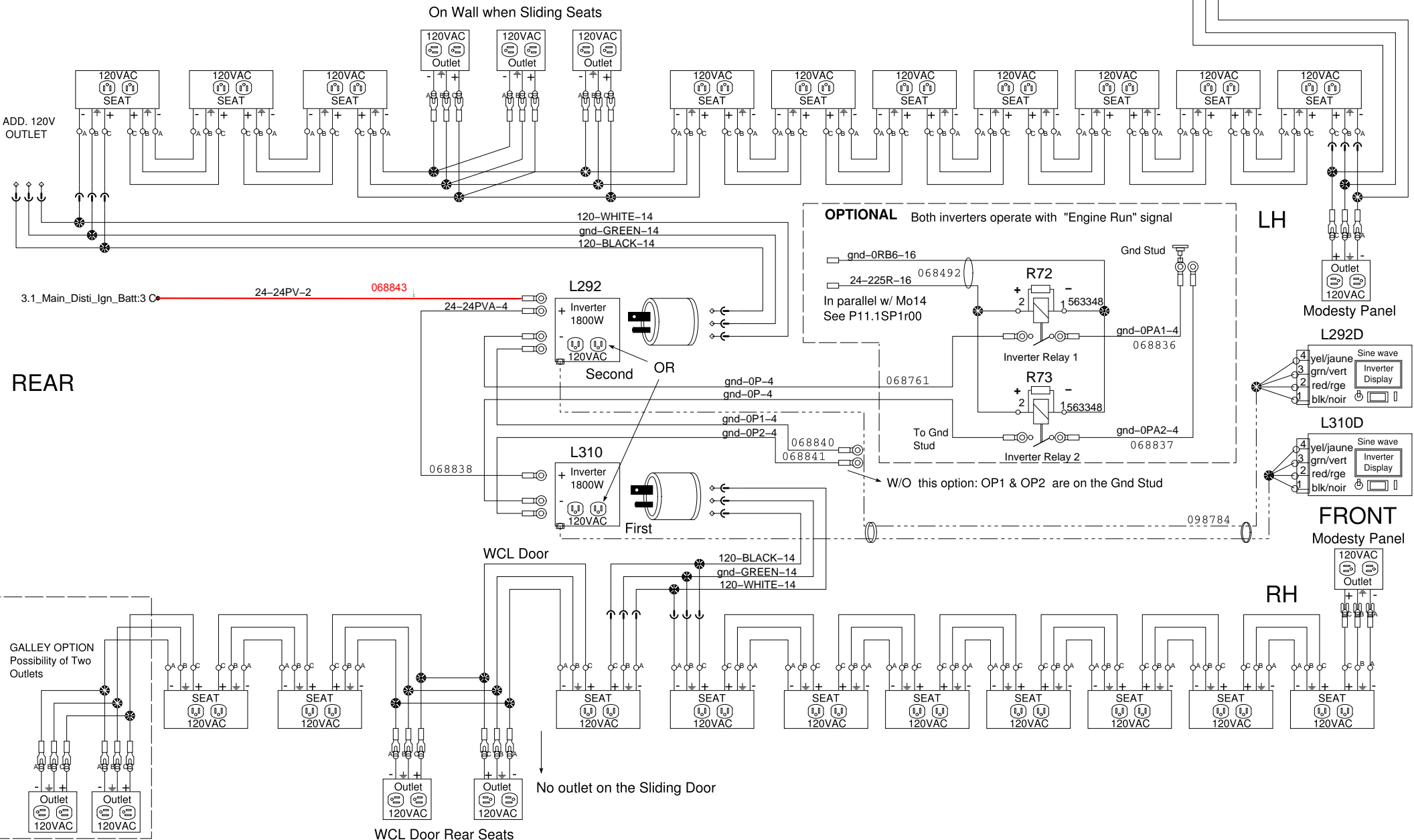
2

3

4

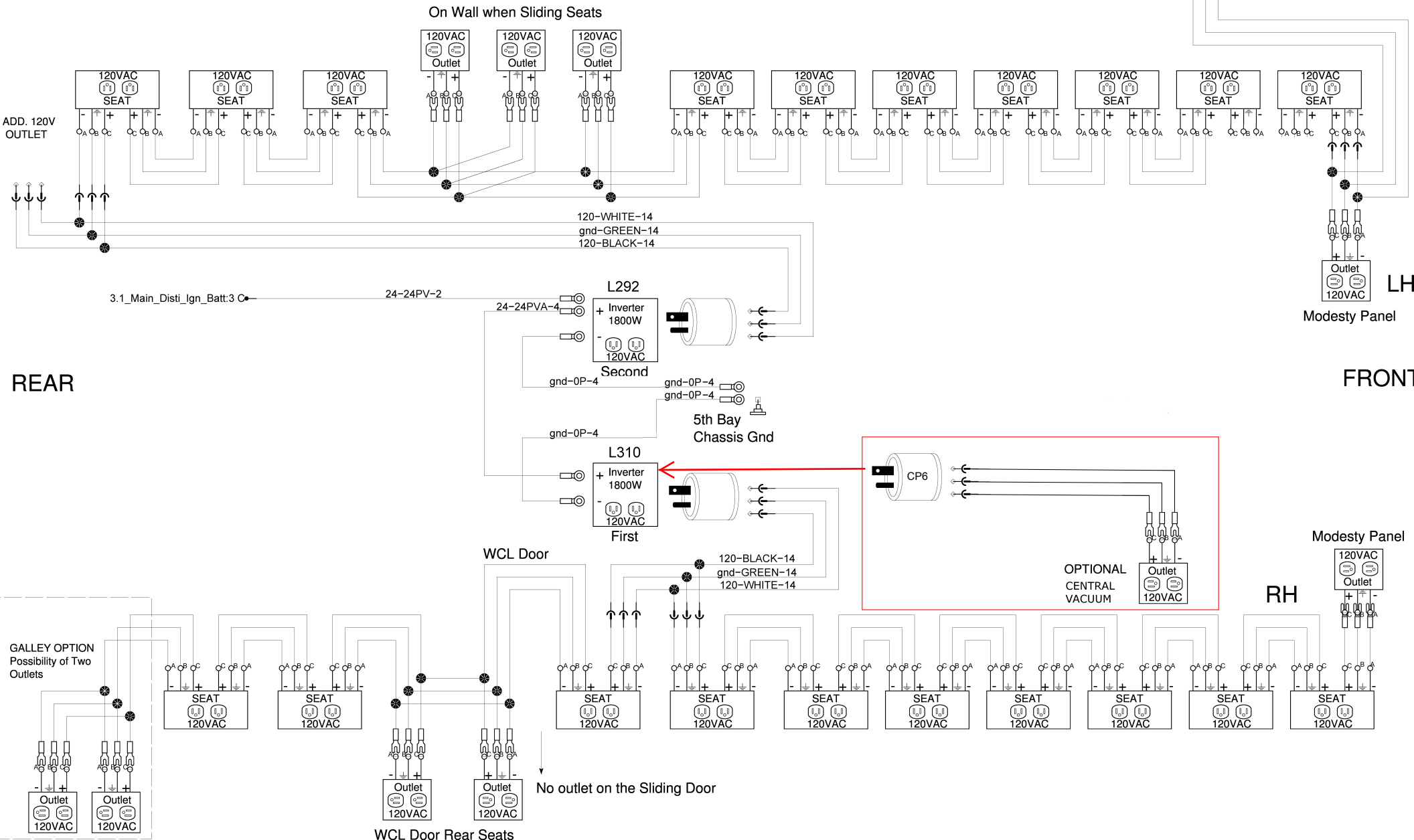
Inverters (1 or 2) & 120VAC outlets

Typical representation overview

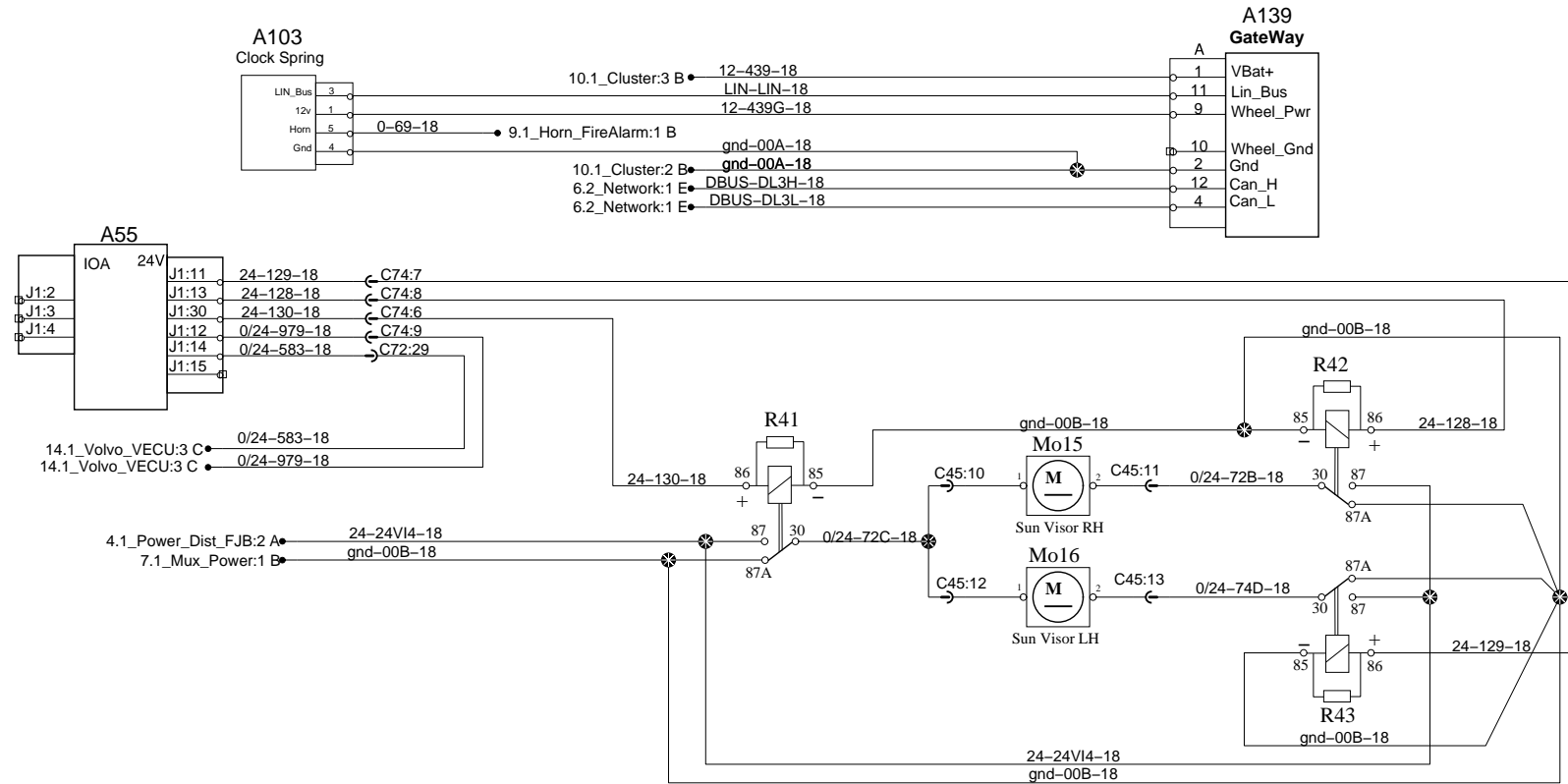


Inverters (1 or 2) & 120VAC outlets

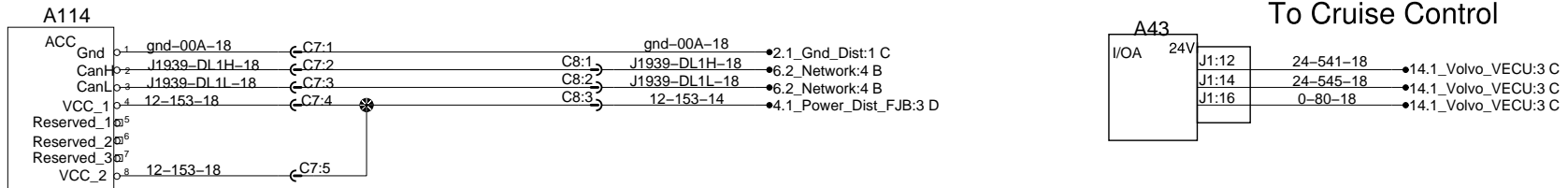
****Typical representation overview****



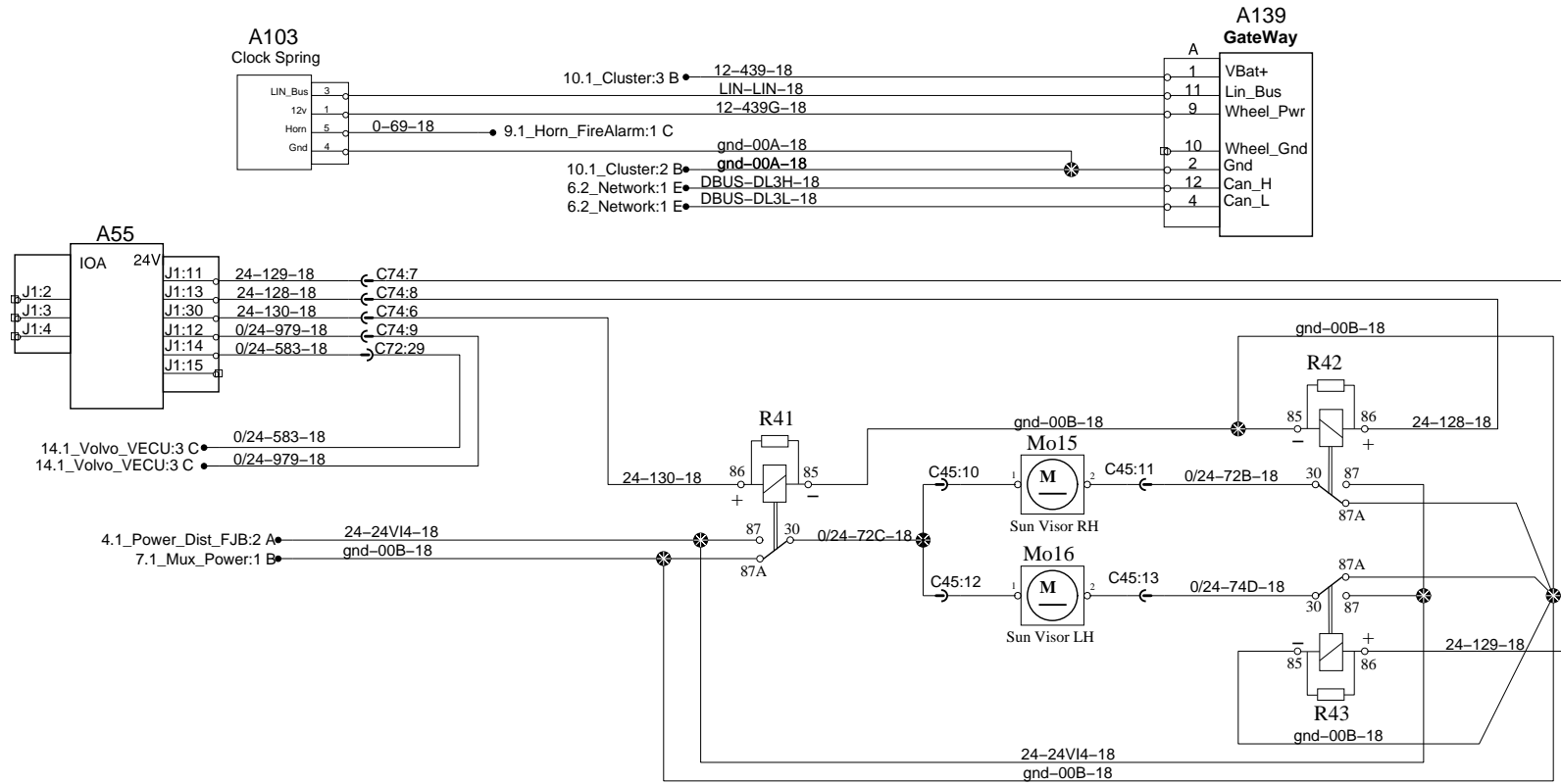
Steering Multifunctions & Sun Visor



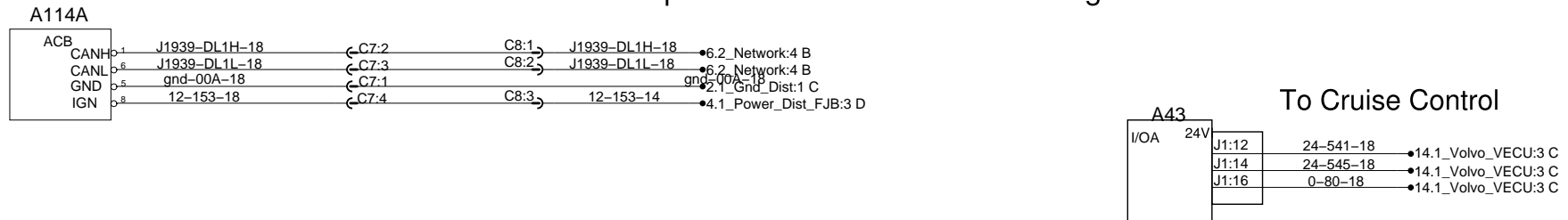
Adaptive Cruise Control And Braking



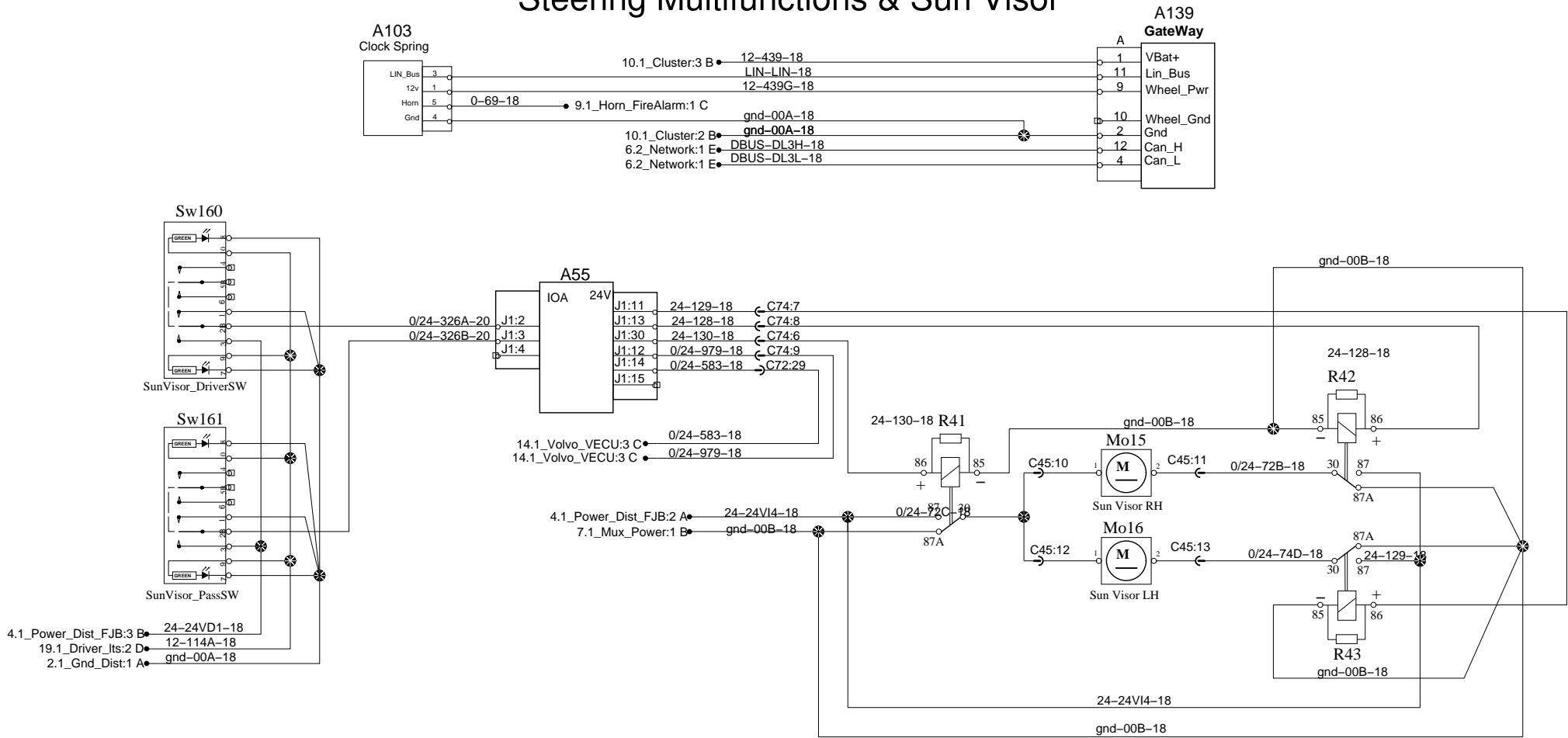
Steering Multifunctions & Sun Visor



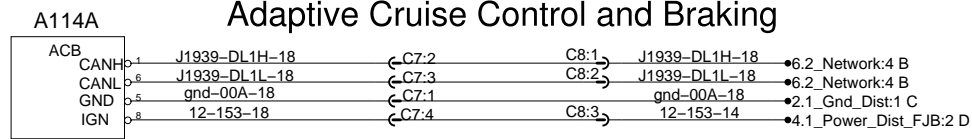
Adaptive Cruise Control and Braking



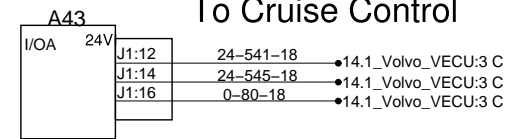
Steering Multifunctions & Sun Visor



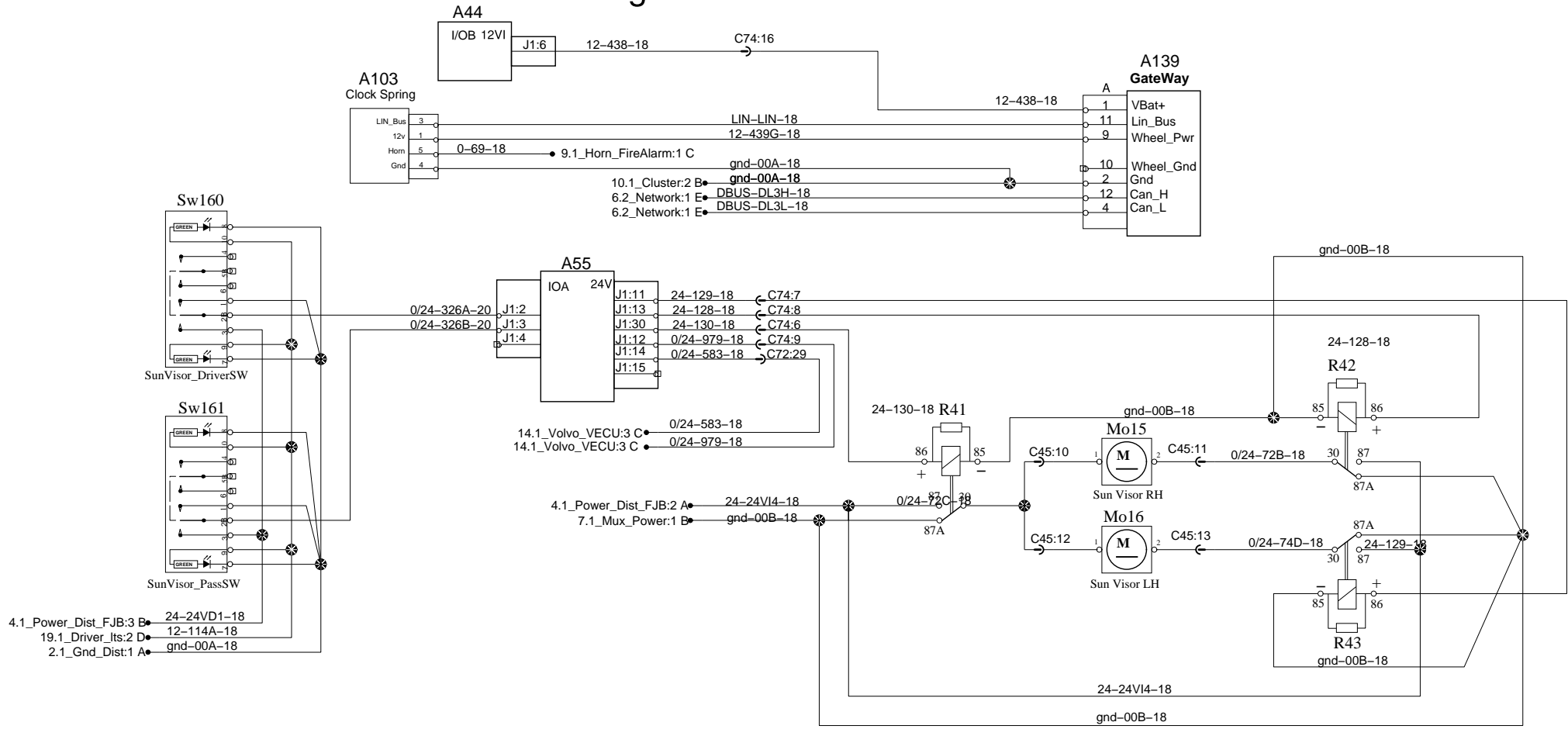
Adaptive Cruise Control and Braking



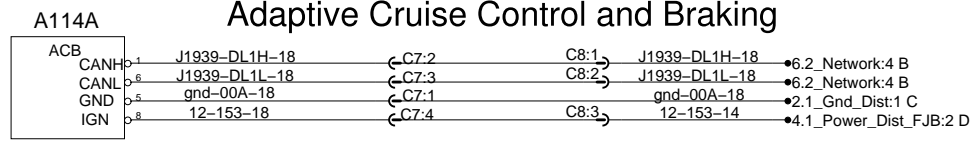
To Cruise Control



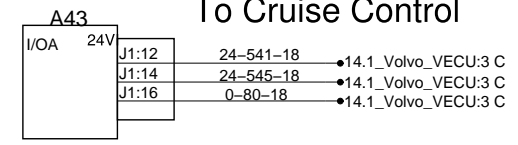
Steering Multifunctions & Sun Visor



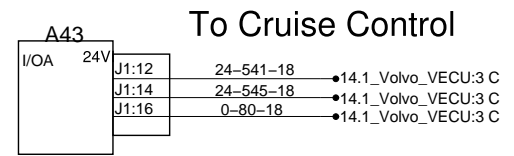
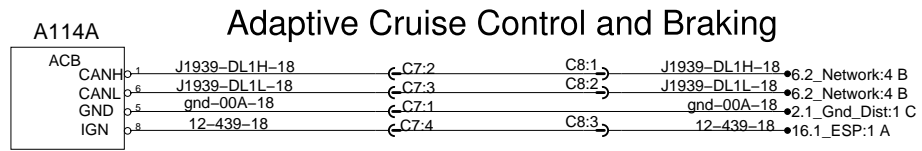
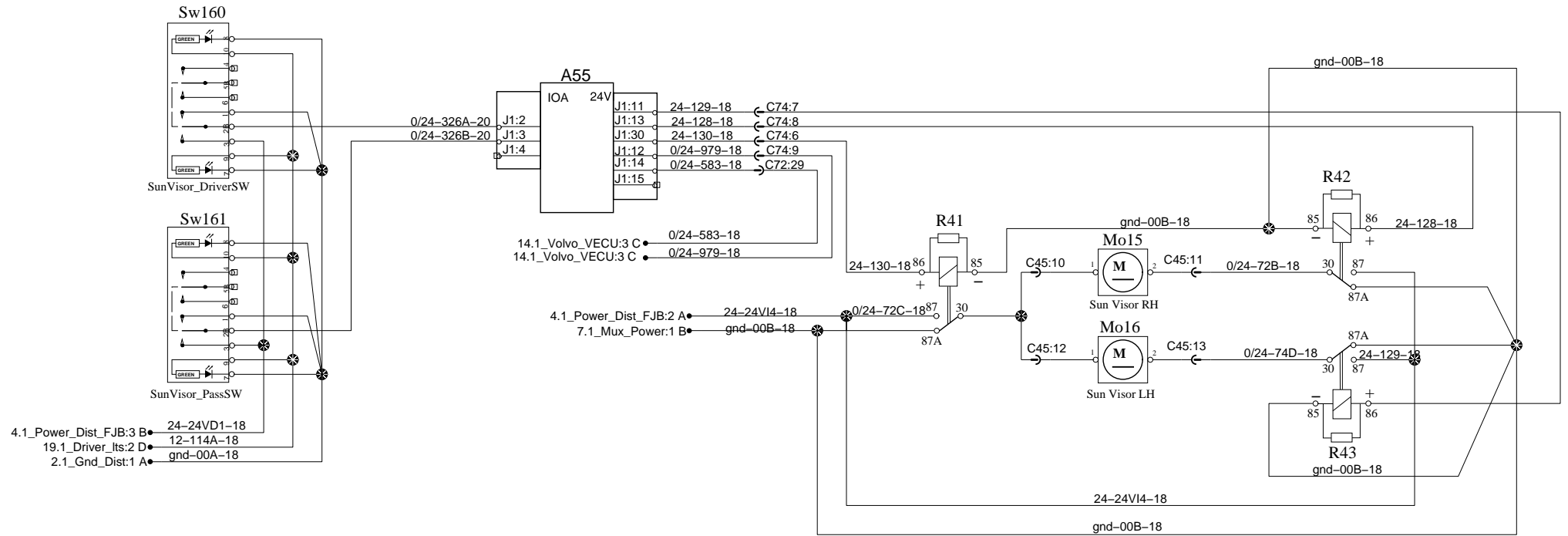
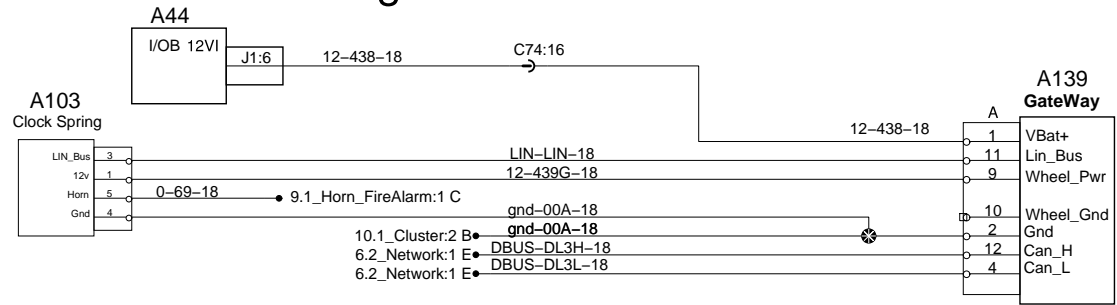
Adaptive Cruise Control and Braking



To Cruise Control



Steering Multifunctions & Sun Visor



USB Plugs OPTION

GALLEY



NEER WCL DOOR



MODESTY
PANNEL LH

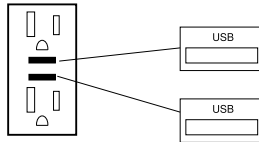


MODESTY
PANNEL RH



BLACK
564522

TYP.



DUAL TAMPER RESISTANT RECEPACL
WITH DUAL USB PORT CHARGER
CAPATIBLE WITH :IPhone, IPod, IPad, Smart Phone

5 VDC @ 2100mA
MAXIMUM !

USB Plugs OPTION

GALLEY



NEER WCL DOOR



MODESTY
PANNEL LH

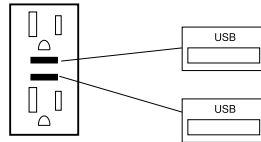


MODESTY
PANNEL RH



Black
Outlets
564233

TYP.

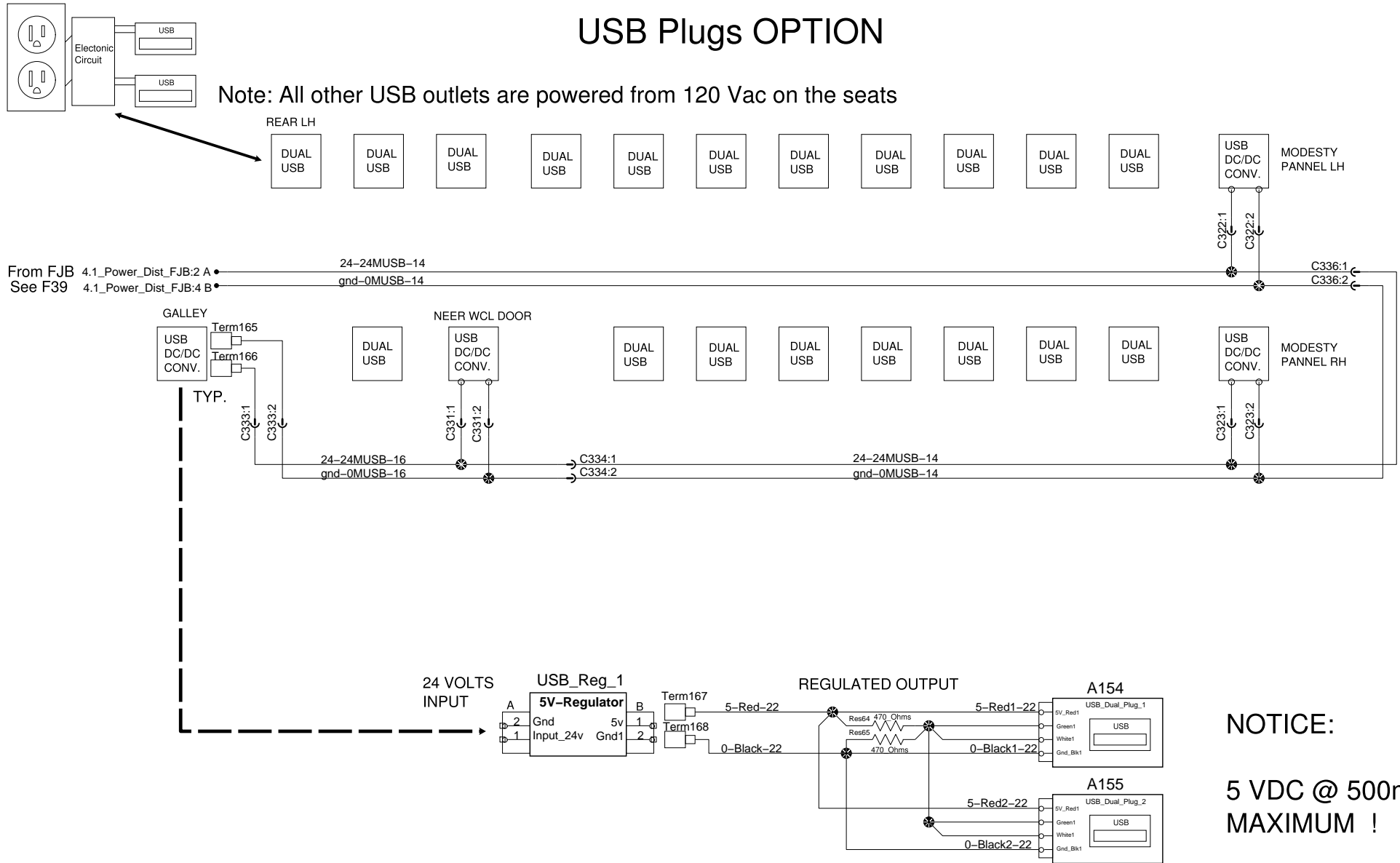


DUAL TAMPER RESISTANT RECEPACL
WITH DUAL USB PORT CHARGER
CAPATIBLE WITH :IPhone, IPod, IPad, Smart Phone

5 VDC @ 2100mA
MAXIMUM !

USB Plugs OPTION

Note: All other USB outlets are powered from 120 Vac on the seats



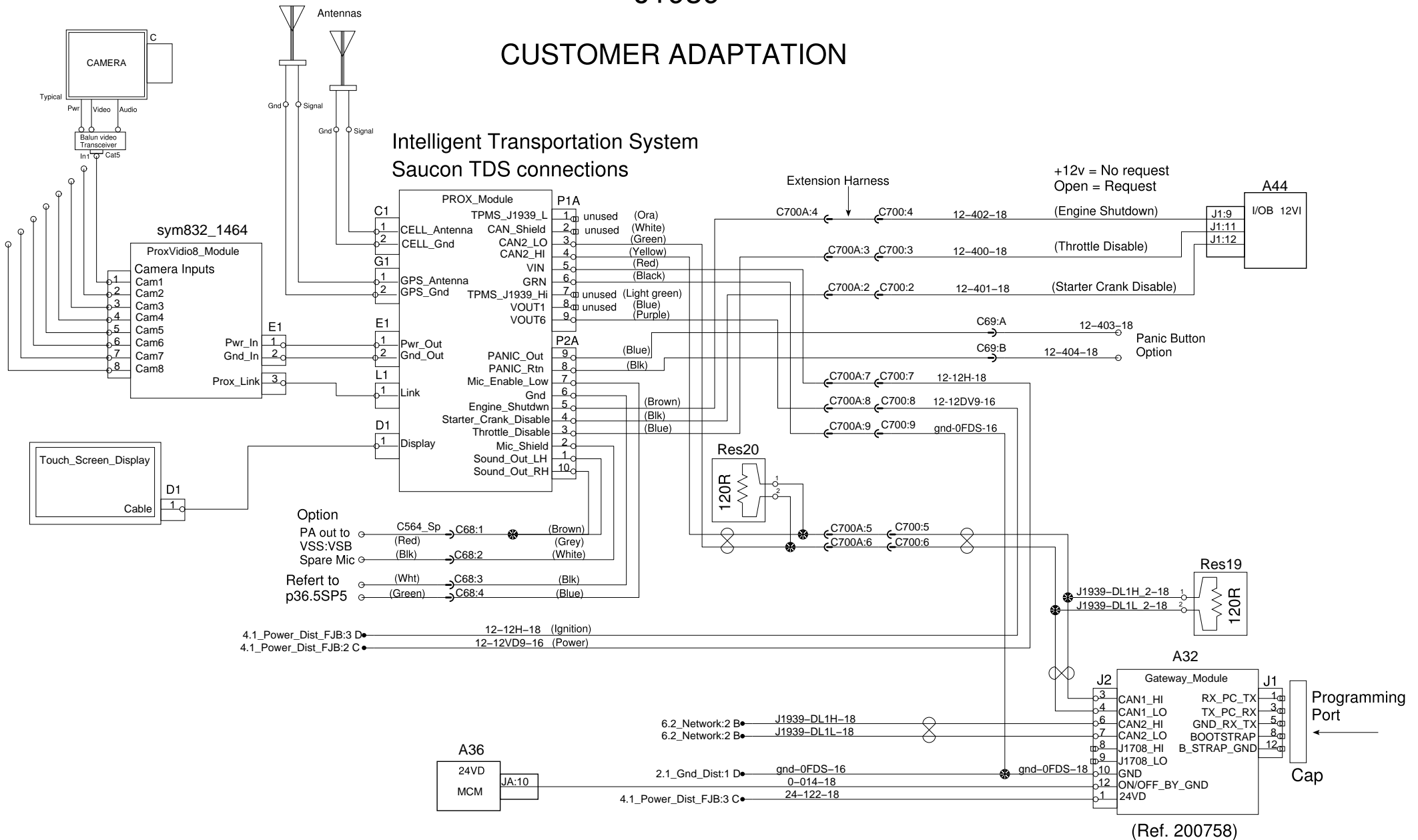
NOTICE:

5 VDC @ 500mA
MAXIMUM !

CTGI - Customer Telematic Gateway Interface J1939

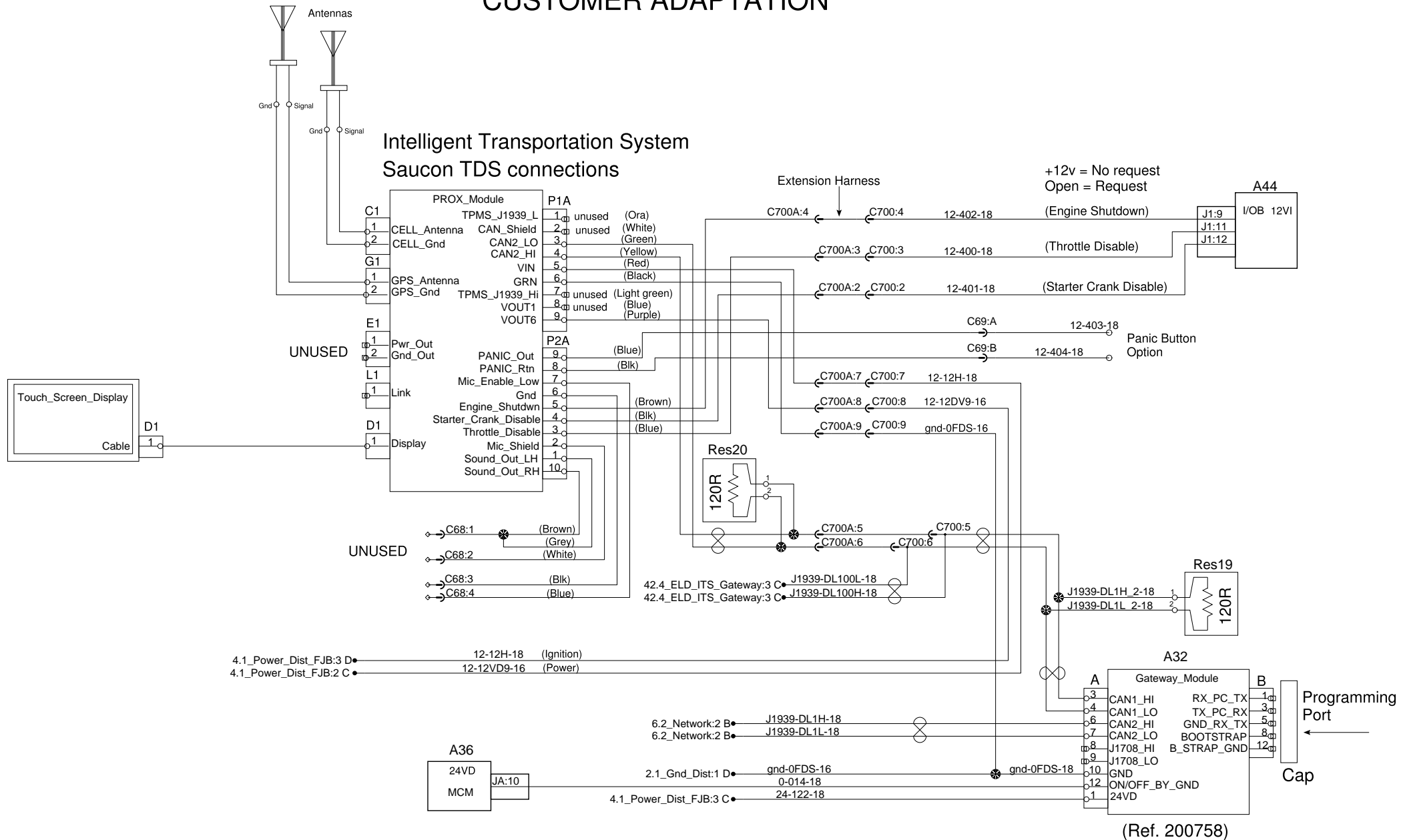
CUSTOMER ADAPTATION

Intelligent Transportation System Saucon TDS connections

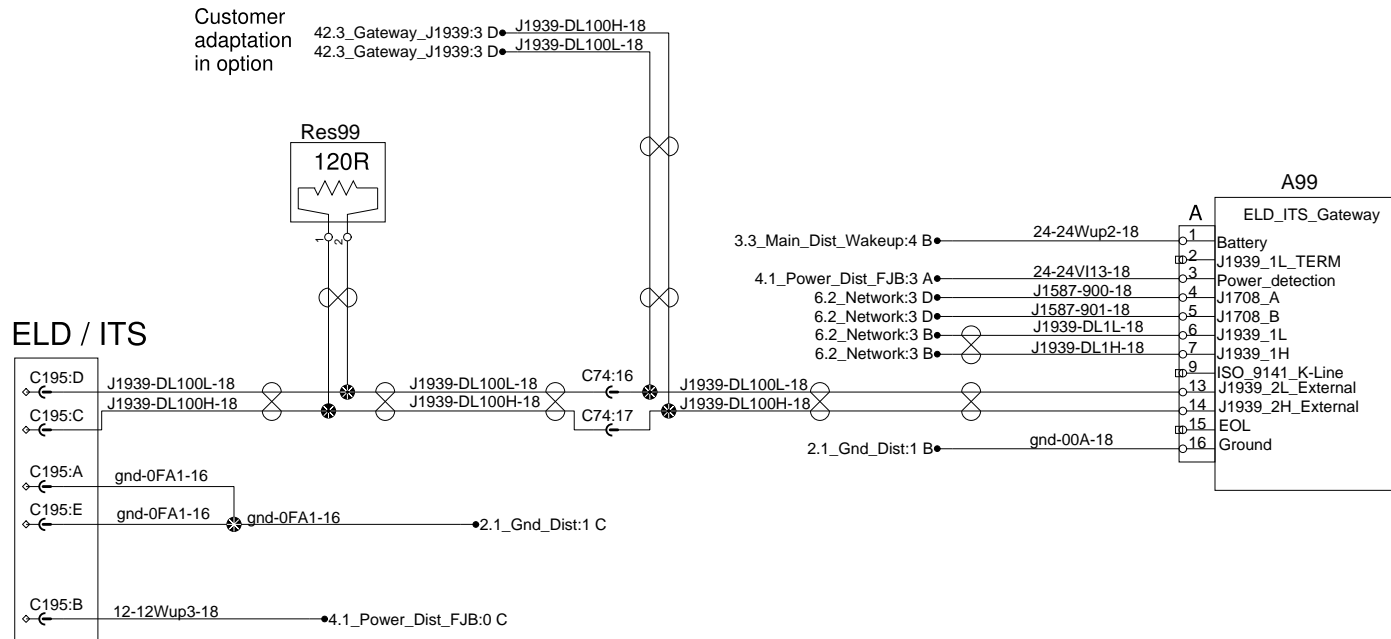


CTGI - Customer Telematic Gateway Interface (J1939)

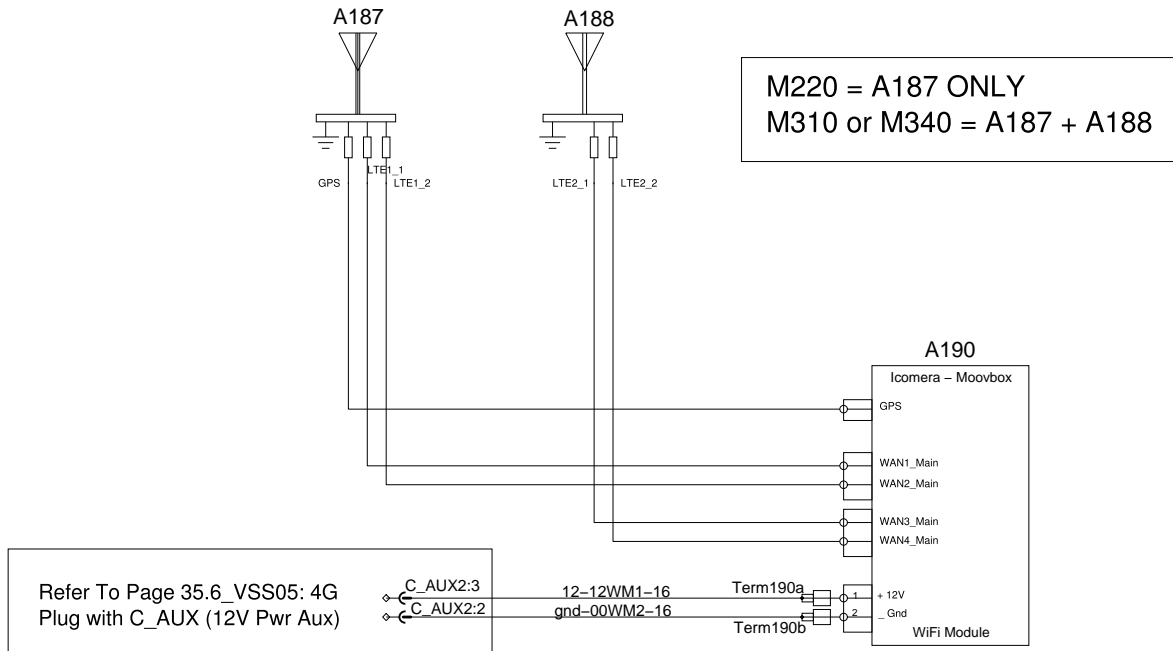
CUSTOMER ADAPTATION



ELD / ITS Gateway

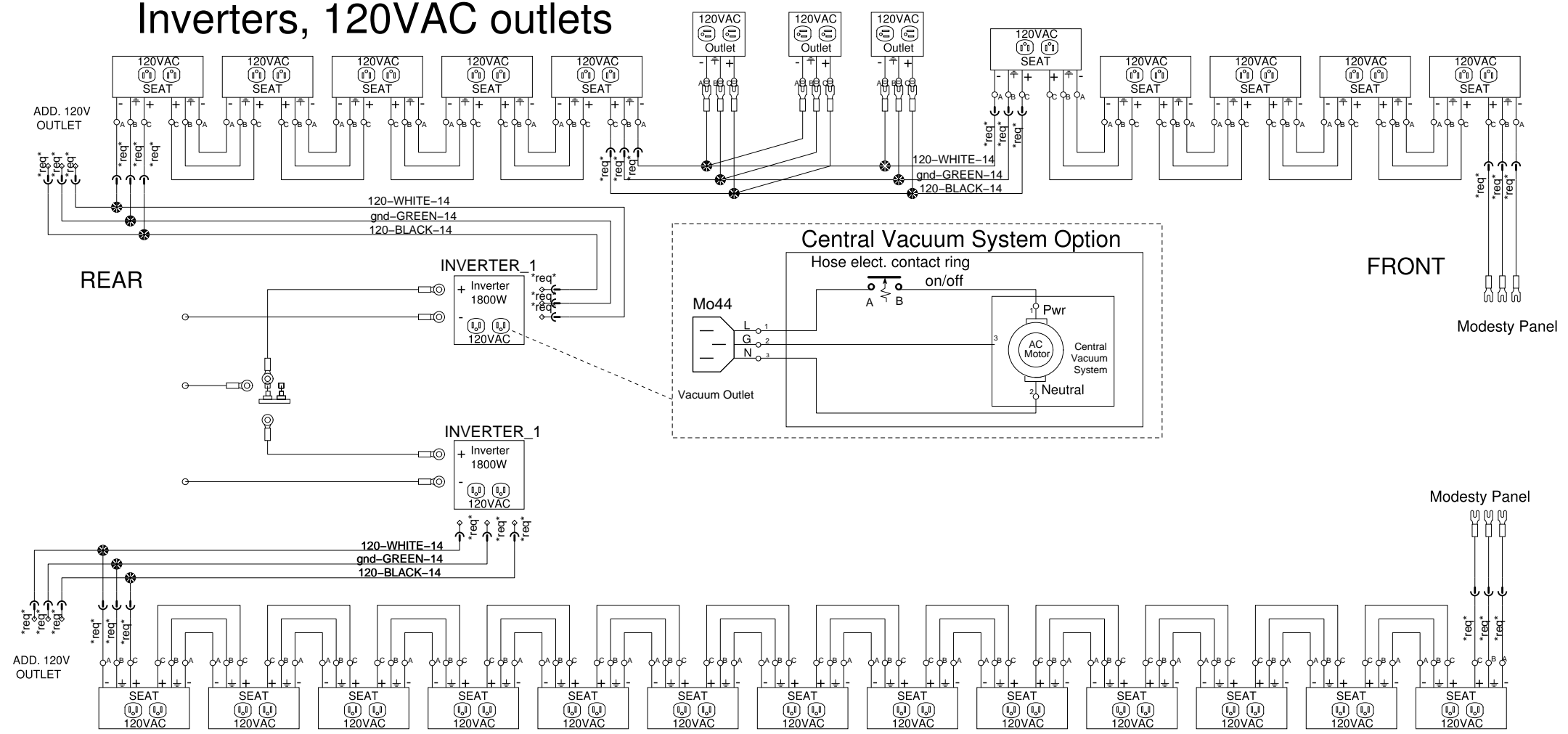


WIFI SYSTEM - OPTION

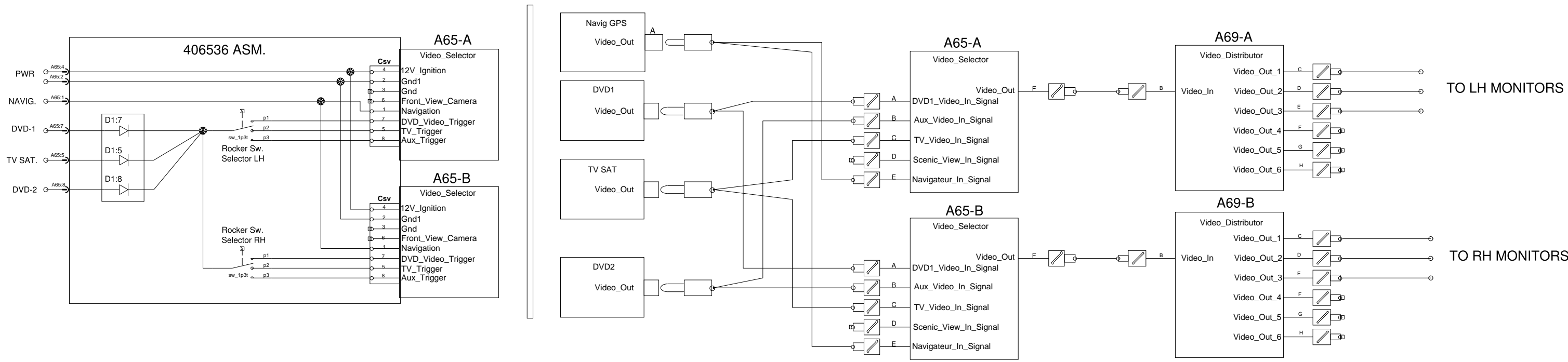


Mississippi Special Request

Inverters, 120VAC outlets

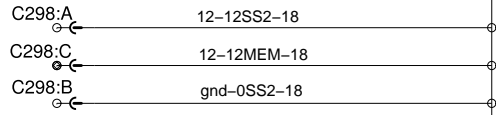


Sound System modifications

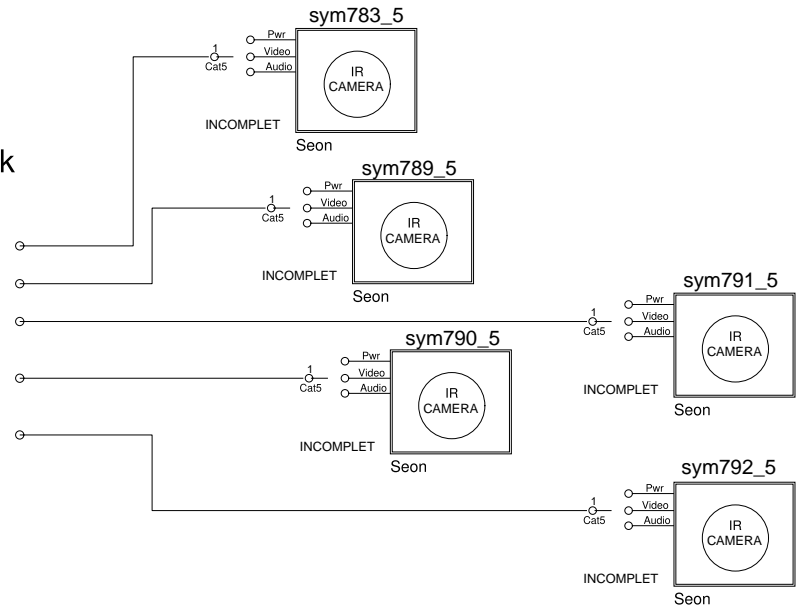


(DVR) SECURITY CAMERA RECORDER

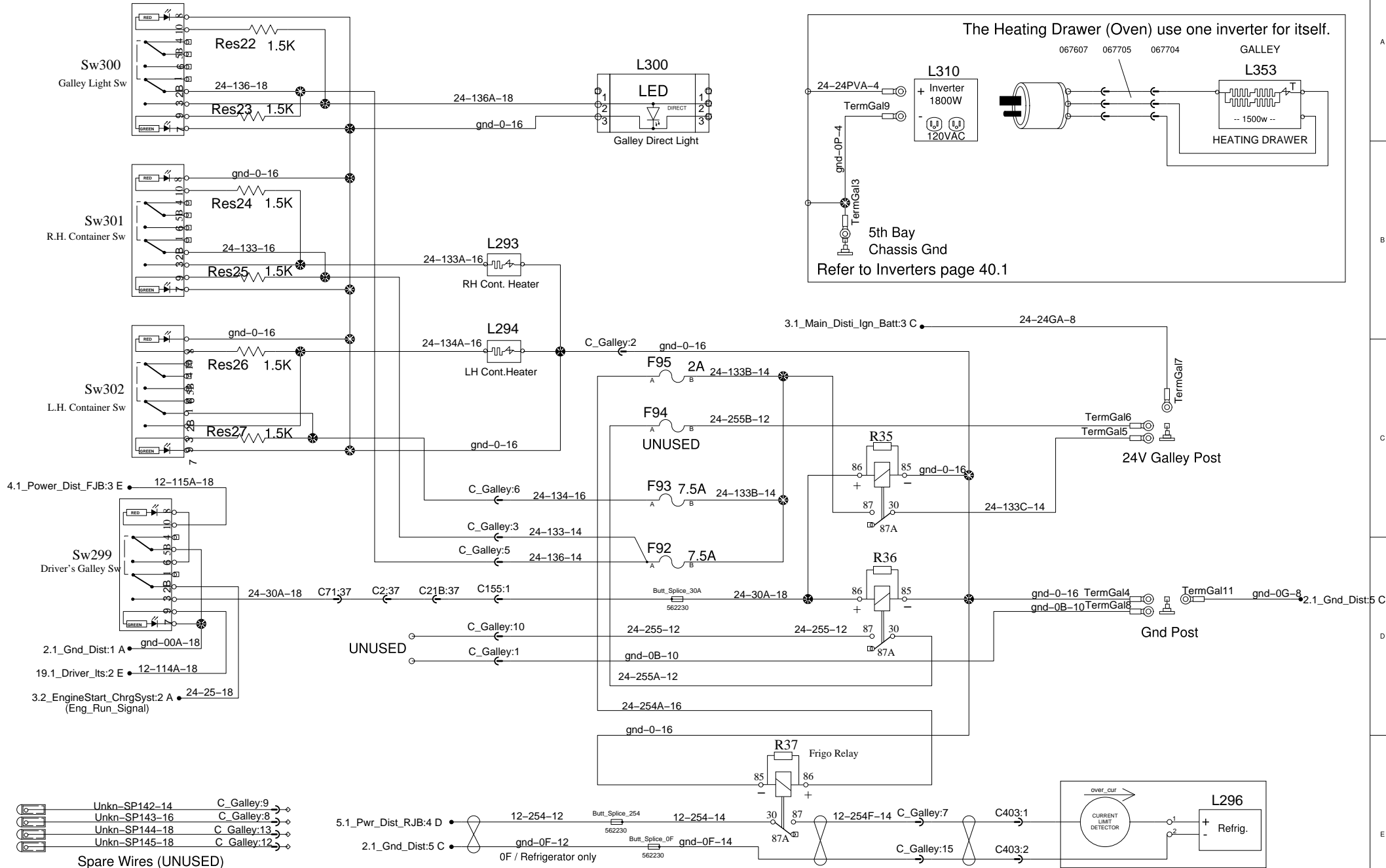
Plug with C298
Refer to P35.6
(Loc. 2-F)



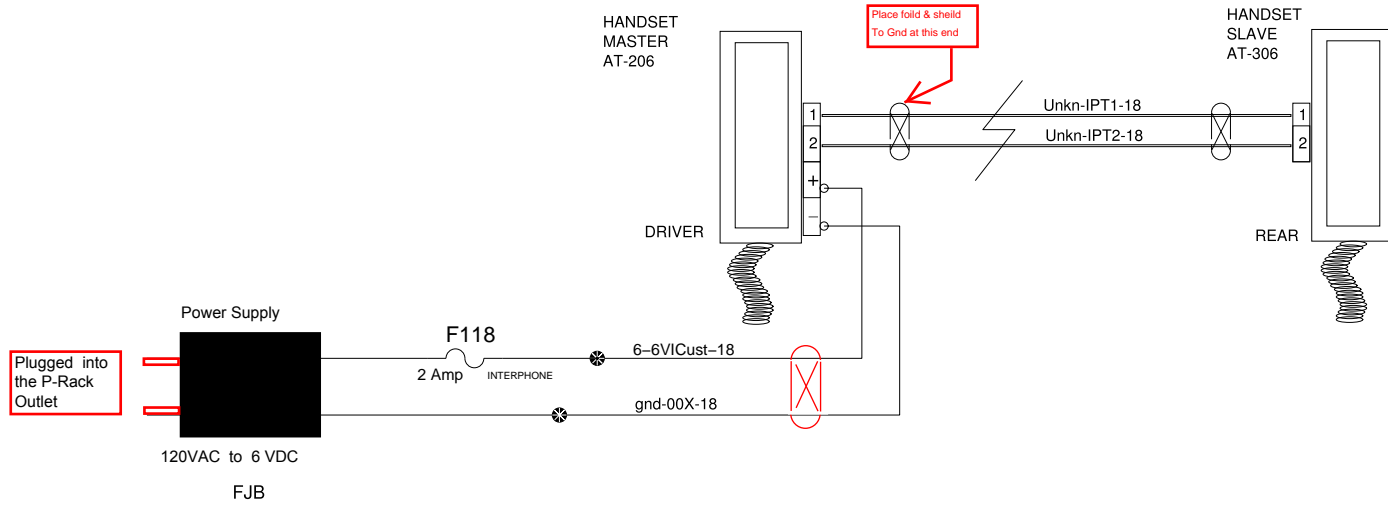
SEON OPTION
Located in Front LH P-Rack



Galley Option (Special Request)



Handset Intercom(Sp.Request Only)



Park brake not apply indicator with ignition

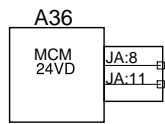
A

A

B

B

connect term221Gnd on A36 JA:8



term221Gnd

term221

gnd-0FB3-18
24-PB1-18



Sw155

connect term221 on A36 JA:11

Park brake not apply indicator

C

C

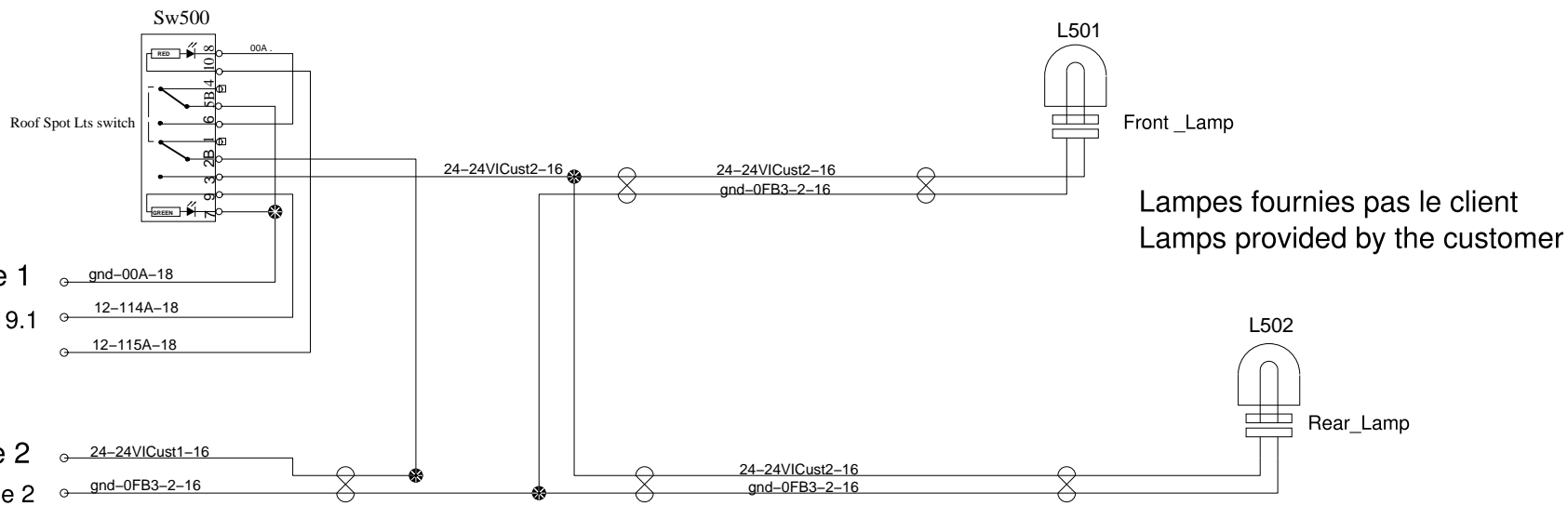
D

D

E

E

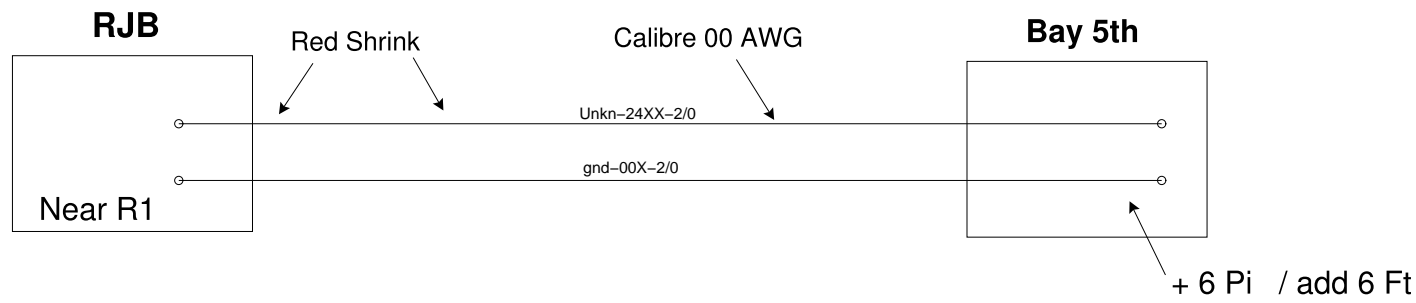
OPTION : Gyrophares sur le toit / Rear & Front Roof spotlights



Voir / See Note 1
Comme / As page 19.1

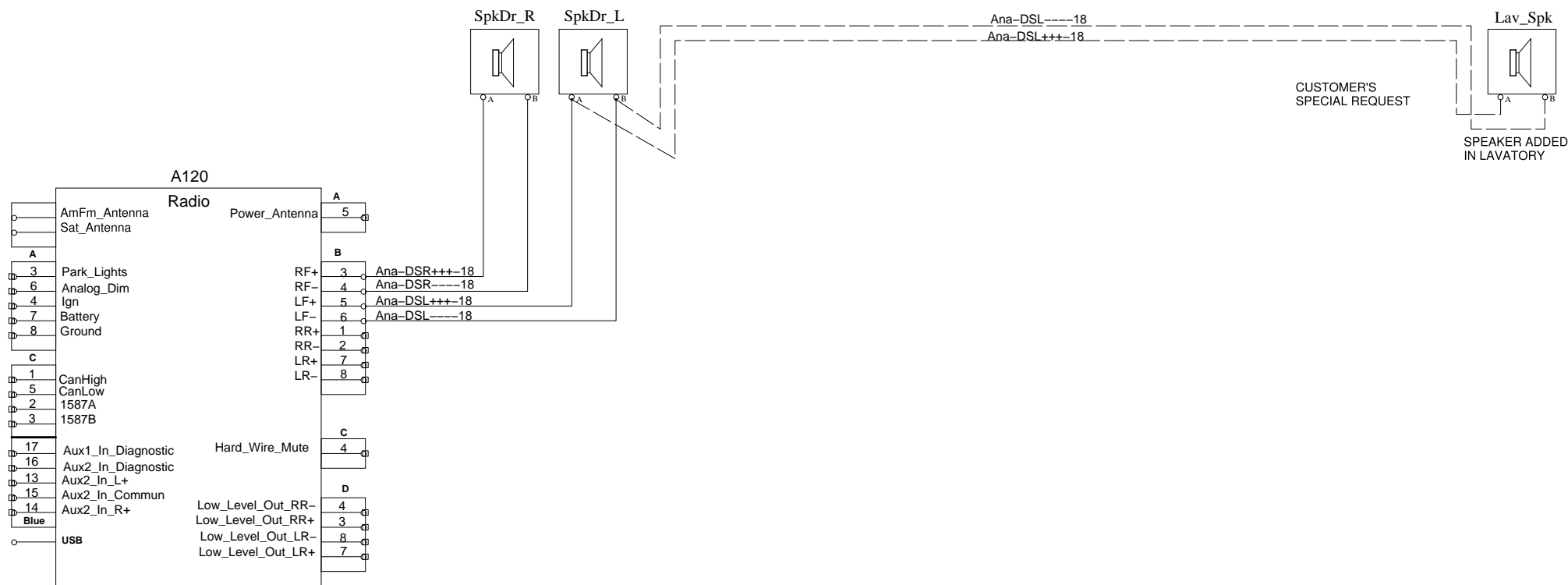
Voir / See Note 2
Reference Fusible F11 sur la page 2
Refer to Fuse 11 on page 2.1

Note 1: Sera raccorde en parallele avec les autres interrupteurs du tableau de bord / Connected in parallel with other switches of the central dashboard
 Note 2: Sera raccorde sur le bornier client de la Bte Jct Avant et Sw 500 interrupteur au tableau de bord
 / Shall be connected to the client terminal on FJB and Sw500 on the central dashboard

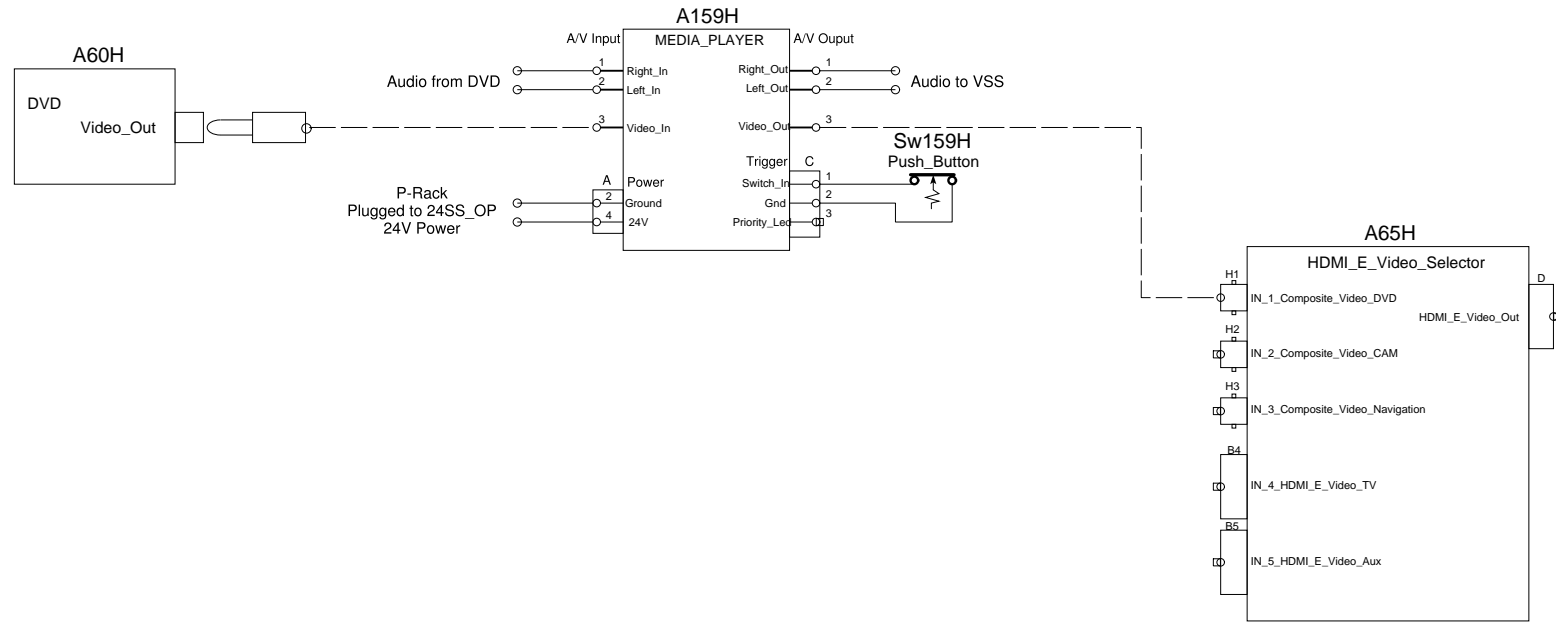


INSTALLER 2 CABLES (ROUGE & NOIR - 2/0 GAUGE) ENTRE LA MASTER SWITCH (LOUSSE) ET LE DERNIER COFFRE BAGAGE;
 INCLURE 6 PIEDS DE FILS SUPPLEMENTAIRE (COFFRE BAG.)

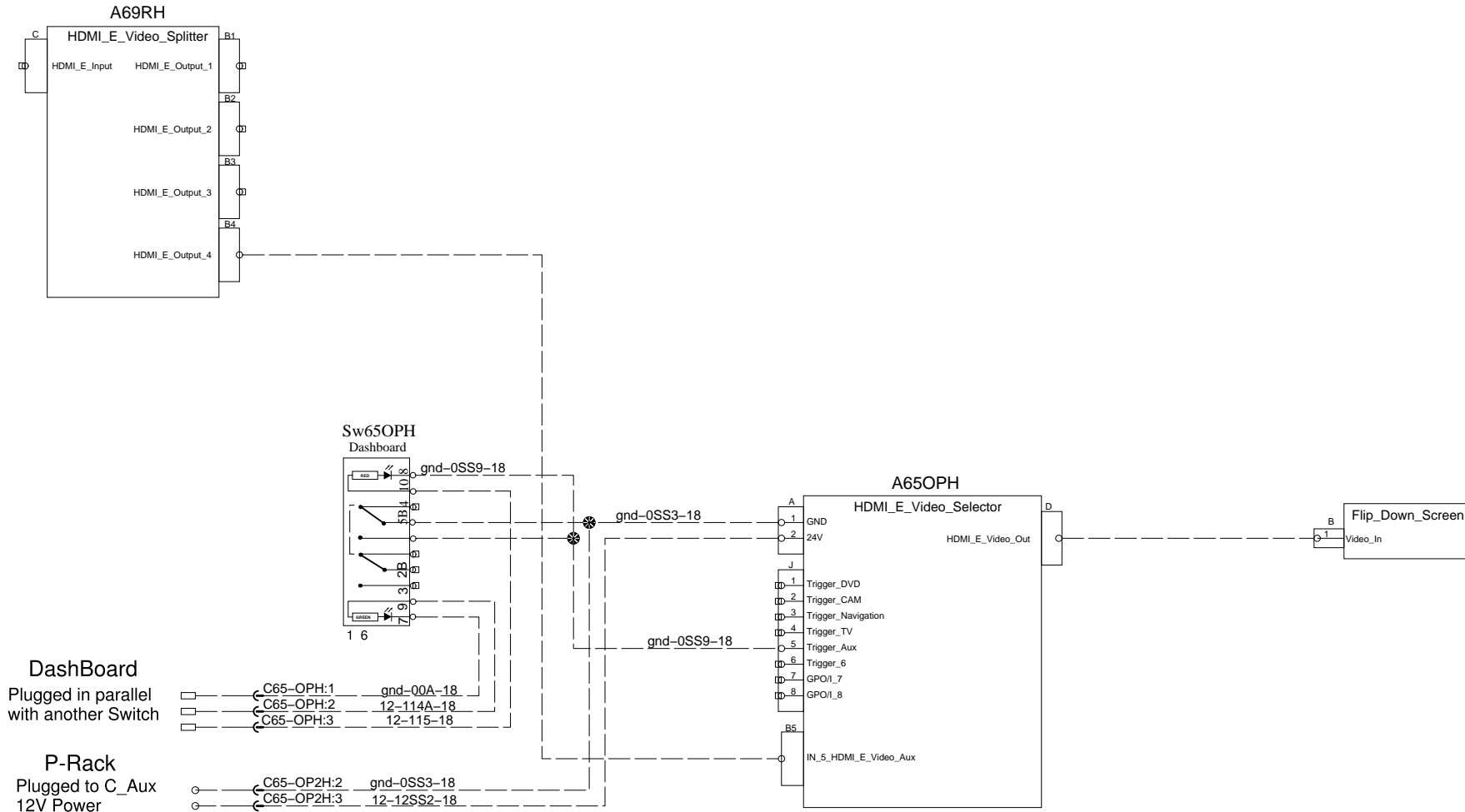
SPEAKER ADDED IN LAVATORY (SPECIAL REQUEST)



MEDIA PLAYER HDMI (SPECIAL REQUEST)

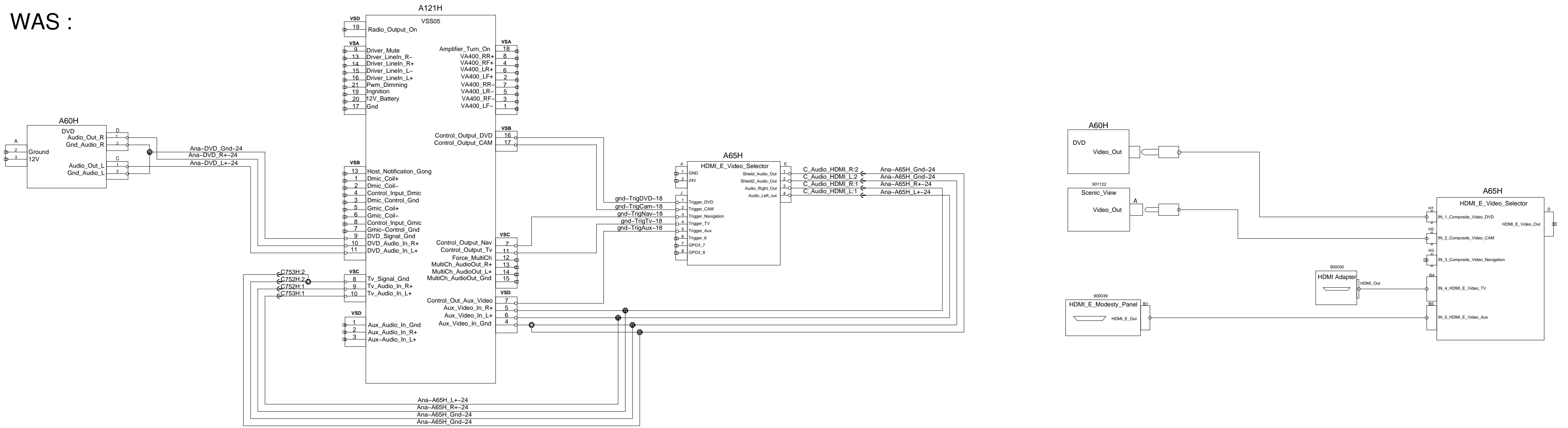


SWITCH CENTRAL FLIP DOWN MONITOR (SPECIAL REQUEST)

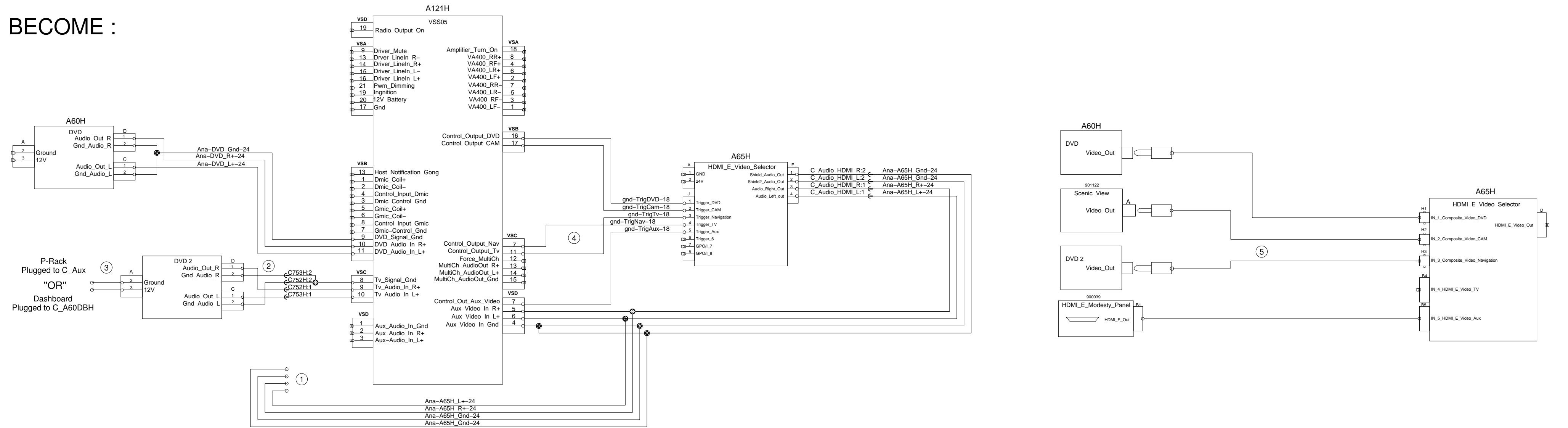


Replace HDMI TV by Composite TV. Triggered by TV button on VSS (SPECIAL REQUEST).

WAS :



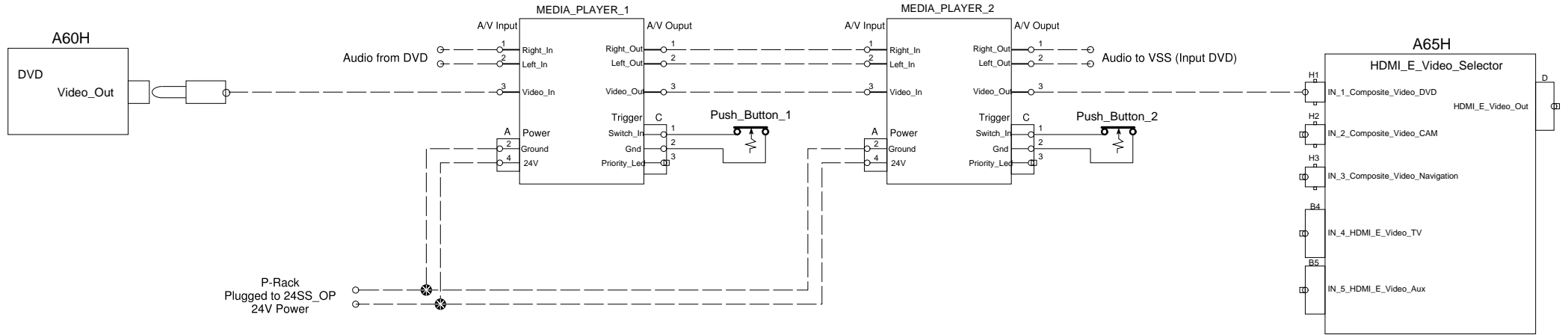
BECOME :



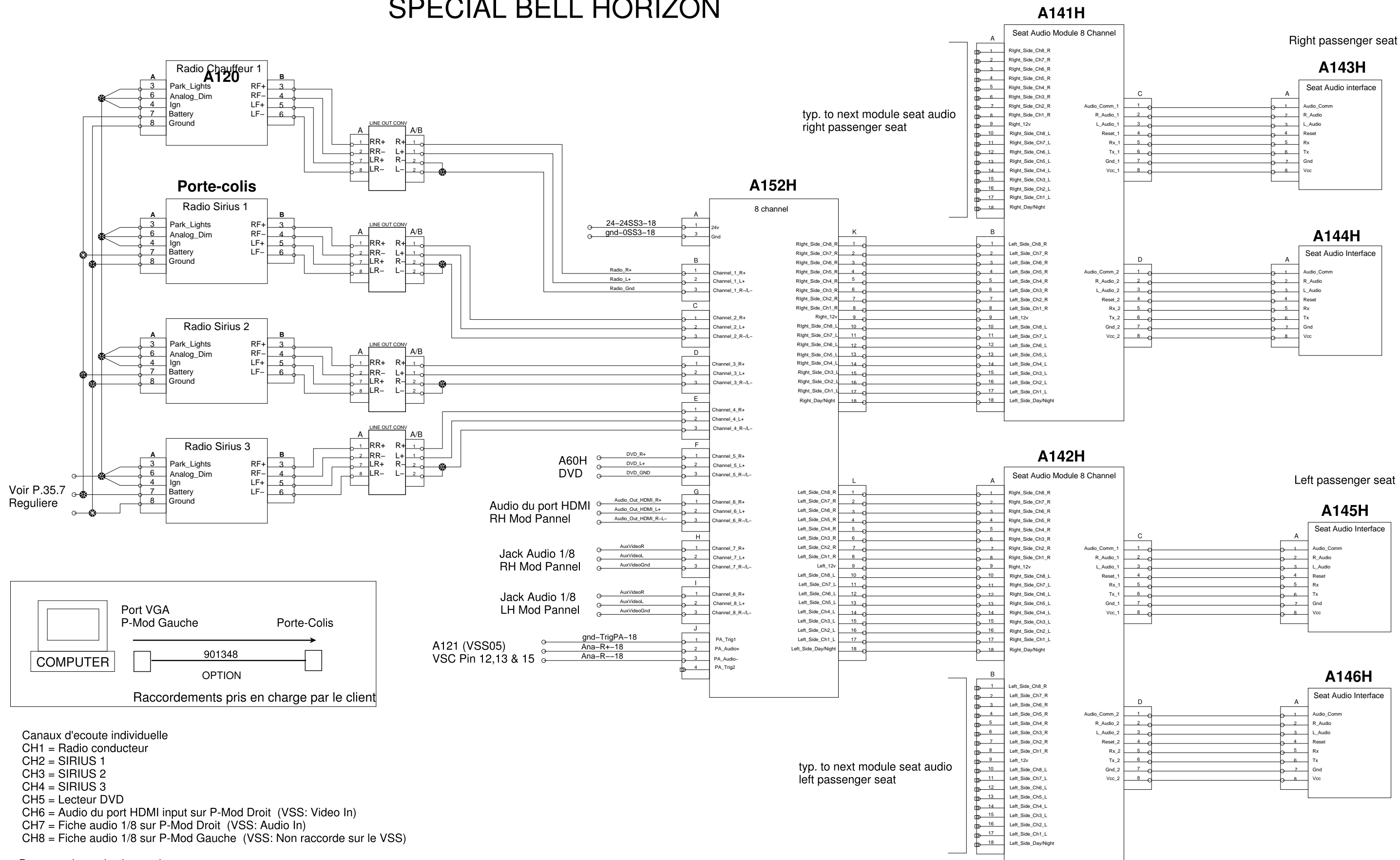
Sound system harness modification :

- ① Unplug Male RCA connector (C752 & C753) and CAP with 507661
- ② Plug the DVD2 Composite Audio signal on RCA connector (C752 & C753)
- ③ Plug 12V Power supply
- ④ On the video selector (A65H), invert Pin J3 with J4.
- ⑤ Plug the DVD2 Composite Video signal on the Video selector (A65H, input H3).

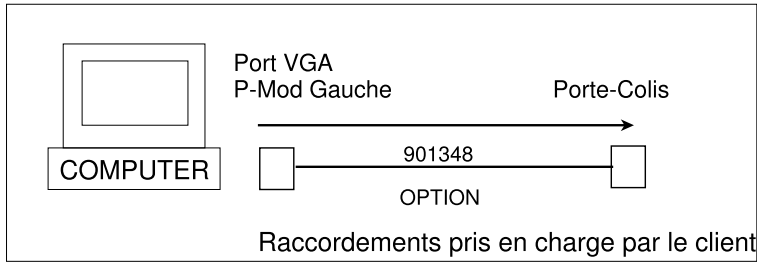
2 MEDIA PLAYER HDMI (SPECIAL REQUEST)



8 CHANNEL SEAT AUDIO SYSTEM HDMI SPECIAL BELL HORIZON



Voir P.35.7
Reguliere

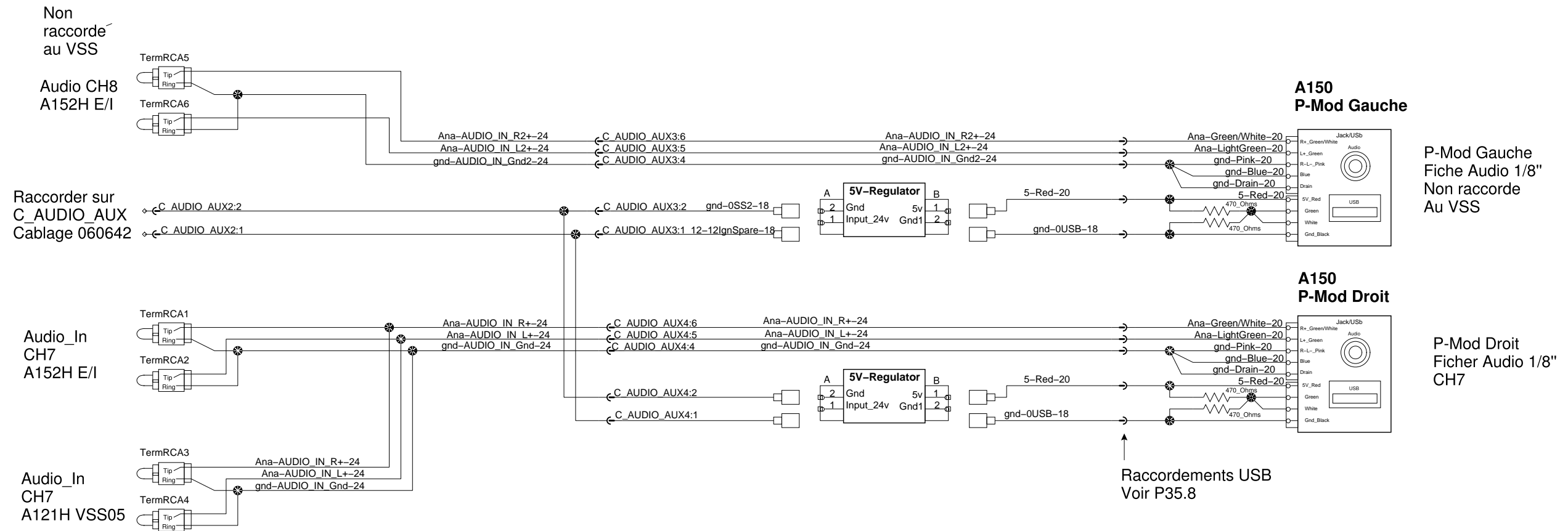


- Canaux d'ecoute individuelle
- CH1 = Radio conducteur
- CH2 = SIRIUS 1
- CH3 = SIRIUS 2
- CH4 = SIRIUS 3
- CH5 = Lecteur DVD
- CH6 = Audio du port HDMI input sur P-Mod Droit (VSS: Video In)
- CH7 = Fiche audio 1/8 sur P-Mod Droit (VSS: Audio In)
- CH8 = Fiche audio 1/8 sur P-Mod Gauche (VSS: Non raccorde sur le VSS)

Panneau de modestie gauche:
 1 x VGA
 1 x USB (charge), fiche audio 1/8 (VSS: N/D plus d'entree sur VSS, E/I: CH.8)

Panneau de modestie droit:
 1 x HDMI (VSS: Video In, E/I: CH.6)
 1 x USB (charge) + fiche audio 1/8 (VSS: Audio In, E/I: CH.7)

5 VDC REGULATOR & AUDIO INPUT SPECIAL BELL HORIZON



Marker Lights Additionnal

