



X3-VIP



REV.	DATE	O.C.	EFF.	DESCRIPTION	PAGE(S)	BY	CK.	APPR.
		2012051 2011099		ABM OBD13				
01	2013-05-01	2013050	D-5459	ACM Pwr Relay	5.1, 14.4	PG	DG	DG
02	2013-05-12	2012029	D-5494	New model name	0	SB	C.L.	C.L.
03	2013-09-04	NA	D-5459	Electrical inversion on Luggage door lock unlock motor	0, 24.2	MP	DG	DG
04	2013-10-15	2013064 2013060	E-5564	Various harness modifications Deutsch connectors on Urea system	0, 14.4, 18.2, 34.1, C1	Gab	Gab	C.Lem.
05	2013-10-25	2013069	E-5564	Various harness modifications	20.1	E.L.	E.L.	C.L.
06	2014-02-05	2012034	E-5625	GHG14	15.1, C1	SD	SD	CL
07	2013-10-25 2014-02-12	2013069 2013158	E-5564 E-5667	Slide-out Power Relays (Precision) Keyless Keypad - Add Skim Module	20.1 26.3, 29.1	EL	EL	CLEM
08	2014-03-04	2013158	E-5667	Keyless Keypad & C1 updated	0, C1, 29.1	EL	EL	CLEM
09	2014-05-21	NA 2013163	5699	Pages Updated C1 UPDATED	0,3.2, C1	SB	CLEM	CLEM
10	2014-05-22	2013163 2014007	5721 only	NEW SUPPORT BITZER MODUL AFSS Relocated	0, 2.1, 3.2, 5.1, C1 35.1	SB	CLEM	CLEM
11	2014-06-04	2012007 2013094 2014007	5760	ENGINE DOOR STORM MOOVE HVAC CTRL MODUL AFSS RELOCATED	0, 14.4, 18.2, 26.2, C1	SB	CLEM	CLEM
12	2014-09-12	2014132 2013152	5816	Updated Compr Bitzer Valve So8 Changed	0,C1,2.1,18.2	EL SB	CLEM	CLEM
13	2015-01-07	2014135 2014122 2013172 2015001	F-5875	NEW KEYLESS SYSTEM, TGW2, FRONT PNEUMATIC PLATE, OBD15	0, 2.1, 6.2, 9.1, 10.1, 11.1, 12.1, 14.1, 24.2, 26.3, 28.1, 29.1, 30.1, 30.2SP1, 35.1	Gab	CLEM	CLEM
14	2015-01-23	2015006 2014122	F-5875	Sun Visor TGW2	0, C1, 11.1, 32.1, G	SB	CLEM	CLEM
15	2015-04-22	2015003 2015004	F-5913 F-5872	Alternator 150 Amp Hi Temp w/larger gauge on main cable (000 AWG)	0, 3.1, 3.2	E.L.	CLEM	CLEM
16	2015-04-27	2015070	G-5986	Keyless System Subnet	0, 6.2, 29.1	Gab	CLEM	CLEM
17	2015-09-25	2015147	G-6078	CHARGING SYSTEM IMPROVEMENTS	0, C1, 3.2, 5.1	Gab	CLEM	CLEM



X3-VIP



REV.	DATE	O.C.	EFF.	DESCRIPTION	PAGE(S)	BY	CK.	APPR.
18	05/04/2016	2016001 2016005	6097	OBD16 CONNECTORS DEUTSCHS	0,C1,G,9.1,10.1,12.1,14.4,18.2,25.1 26.2,26.3,28.1	SB	CL	CL

WIRING DIAGRAM PAGES LIST

Information pages		C		H		S	
Multiplex output list	B1	Charging System	3.2	Hazard	26.1	Service Brake Relay	12.1
Multiplex input list	B2	Clearance lights rear & front	26.1,26.2	Head Lights	26.1	Slide out	20.1
Multiplex error messages list	B3	Cluster	10.1	Horn	9.1	Spare Wires	8.1
Arrangement - Harness	C1	Cornering Lights (Optional)	26.3	Hvac Defroster	18.1	Stop lights	26.2
Can Configuration	C3	Cruise control	14.1	Hvac Passenger	18.2	Sun Visor	32.1
Glossary	D	Converter interface	21.1	Hvac Driver only	18.3	Steering Control ZF	37.1
Circuit Number Listing	E					Steering Wheel Control	32.1
Circuit Breaker code	F	D		J			
Connectors code	G	Dash Lights	19.1	J1939 and 1587 Network	6.2		
Diode Number Code	H	Differential lock	23.1				
Resistors Number Code	J	Docking Lights	26.3	K			
Fuses Code	L	Driver's Light and Backlight	19.1	Keyless keypad	29.1		
Relay Code	K	Driver's Window & Seat	30.1,30.3			T	
Multiplex Output List	B1	Driver's seat	17.1	L		Tag	28.1
Multiplex Input List	B2			Level low	28.1	Tail and Licence Lights	26.2
Multiplex error Messages List	B3	E		Luggage compt lighting	25.1	Test Switch	9.1
		Engine brake and Retarder	12.1	Luggage door Lock/Unlock	24.2	Transmission ECU	15.1-15.2
		Engine compt lighting	25.1	Luggage door switches	24.1	Trailer Package	26.4
		Engine Start	3.2			Tire Pressure Monitoring Sys.	33.1
A		Engine ECM	14.1	M			
ACB	32.1	Engine Override	14.1	Main Distribution Ignition & Batt.	3.1		
Air Dryer	34.1	Entrance door	29.1	Main Distribution Wake-Up	3.3	U	
		Ether Switch	13.1	Marker Lights	26.1,26.2		
		Engine bloc heater	11.1	Mirror Ramco	22.1	Urea ACM	14.5
		Engine Volvo	14.2	Multiplexing Power	7.1		
B		ESP	16.1	Multiplexing Network	6.1		
Back-up Camera	28.1					W	
Back-up lights and alarm	26.3			P		Window Ajar &Awning	27.1
Battery and Equalizer	1.1	F		Park Brake Sensor	12.1	Wiper & Washer	31.1
Battery Charger	17.1	Fast Idle	14.1	Trailer Brake Sensor	12.1		
Brake Pedal Sensor	12.1	Fire Alarm	9.1	Power Distribution FJB	4.1		
		Flashers	26.1,26.2	Power Distribution RJB	5.1		
		Fog lights	26.3	Power Outlet	30.1		
		Fuel Sender	10.1	Prime Pump	13.1		
		Fuel Prime Pump	13.1	Prodriver	11.1		
		Fuel water Filter	13.1	Pneumatic Cut-Out Acc sol	9.1		
		Fuel Filter Preheater	13.1				
		G		R			
		Grounds	2.1	Radiator Fan Clutch	13.1		
				Rear junction box door fan	11.1		

MULTIPLEX OUTPUT LIST

O_xx... = Physical Output Pin ; I_xx... = Physical Input Pin ; D_xx... = CAN Network Signal from the HVAC control Head ; B_xx... = Multiplex system global Network Variable

Module.Pin#	Signal name		Page	Connected devices	Input involved		
.	O_AcCluSol				B_TstModHvac	.	
					B_TstModSAC	.	
A36.JA:10	O_DiffLockTT		10.1	A14A.C:11	I_DiffLockSw	A43.J1:9	23.1
					I_IgnKeySw	A36.JB:2	3.2
A36.JA:12	O_ClusterEsc		10.1	Res34:1, A14A.A:5	D_Stw_Sw17	.	
					I_BlinkSw	A43.J1:20	26.1
					I_BrkLtSeFrSig	A36.JB:13	12.1
					I_ParkBrSe	A36.JB:9	12.1
A36.JA:13	O_EngineRun	Engine Run Signal	3.2	A15:6	B_EngineRun	.	
					B_OneAltCharging	.	
					D_OnOffDrvSw	.	
					I_AccKeySw	A36.JB:6	3.2
					I_BatMonMod54	A54.J1:24	6.1
					I_FrStrtEnSw	A52.J1:9	3.2
					I_IgnKeySw	A36.JB:2	3.2
					I_RrStrtEnSw	A52.J1:10	
A36.JA:14	O_ClusterSelect		10.1	Res33:1, A14A.A:4	D_Stw_Sw16	.	
					I_BrkLtSeFrSig	A36.JB:13	12.1
					I_HiBeamCallSw	A43.J1:3	26.1
					I_ParkBrSe	A36.JB:9	12.1
A36.JA:15	O_WakeUp	WakeUp Relay	3.3		I_AccKeySw	A36.JB:6	3.2
					I_EntDrUnlockSw	A41.J1:8	29.1
					I_FrStrtEnSw	A52.J1:9	3.2
					I_HazardSw	A36.JB:4	26.1
					I_IgnKeySw	A36.JB:2	3.2
					I_RrCutOutSw	A36.JB:21	3.2
					I_RrStrtEnSw	A52.J1:10	
					I_WakeUp	A36.JB:5	9.1
A36.JA:16	O_ClusterUp		10.1	Res35:1, A14A.A:6	D_Stw_Sw18	.	
					I_BrkLtSeFrSig	A36.JB:13	12.1
					I_ParkBrSe	A36.JB:9	12.1
					I_RHFfshSw	A48.J1:12	26.1
A36.JA:17	O_CutOutRel	Emergency CutOut Relay	3.2		I_FireExt2ndAlm	A44.J1:10	
					I_IgnKeySw	A36.JB:2	3.2
A36.JA:18	O_ClusterDown		10.1	Res36:1, A14A.A:7	D_Stw_Sw19	.	
					I_BrkLtSeFrSig	A36.JB:13	12.1
					I_LHFfshSw	A45.J1:9	26.1
					I_ParkBrSe	A36.JB:9	12.1
A36.JA:24	O_LaneDepMotLef	Lane Departure Motor Left	33.1	Mo60:2	I_IgnKeySw	A36.JB:2	3.2
A36.JA:25	O_LaneDepMotRht	Lane Departure Motor Right	33.1	Mo61:2	I_IgnKeySw	A36.JB:2	3.2
A36.JA:6	O_DrUnlockRly	Luggages doors unlocks relays	24.2		I_KeylessLuggUnl	A41.J1:18	29.1
					I_LugDorULkSw	A41.J1:20	24.2
A36.JA:7	O_DrLockRly	Luggages doors locks relays	24.2		I_AccKeySw	A36.JB:6	3.2

#

MULTIPLEX OUTPUT LIST

O_xx... = Physical Output Pin ; I_xx... = Physical Input Pin ; D_xx... = CAN Network Signal from the HVAC control Head ; B_xx.. = Multiplex system global Network Variable

Module.Pin#	Signal name		Page	Connected devices	Input involved		
A36.JA:7	O_DrLockRly	Luggages doors locks relays	24.2		I_EntDrUnlockSw	A41.J1:8	29.1
					I_FrStrtEnSw	A52.J1:9	3.2
					I_HazardSw	A36.JB:4	26.1
					I_IgnKeySw	A36.JB:2	3.2
					I_KeylessLockAll	A41.J1:19	29.1
					I_LugDorLkSw	A41.J1:17	24.2
					I_RrCutOutSw	A36.JB:21	3.2
					I_RrStrtEnSw	A52.J1:10	
A41.J1:11	O_ConvWakeUp	Converter wake up signal	21.1	CC2:1, FREE:FREE, CC2:1	I_WakeUp	A36.JB:5	9.1
					I_AccKeySw	A36.JB:6	3.2
					I_EntDrUnlockSw	A41.J1:8	29.1
					I_FrStrtEnSw	A52.J1:9	3.2
					I_HazardSw	A36.JB:4	26.1
					I_IgnKeySw	A36.JB:2	3.2
					I_RrCutOutSw	A36.JB:21	3.2
					I_RrStrtEnSw	A52.J1:10	
A41.J1:12	O_DoorUnlockMo	Entrance door unlock motor	29.1	RUnlock:86	I_WakeUp	A36.JB:5	9.1
					I_AccKeySw	A36.JB:6	3.2
					I_EntDorLockSw	A41.J1:9	29.1
					I_EntDorOpSe	A41.J1:5	29.1
					I_EntDrUnlockSw	A41.J1:8	29.1
					I_FrStrtEnSw	A52.J1:9	3.2
					I_HazardSw	A36.JB:4	26.1
					I_IgnKeySw	A36.JB:2	3.2
					I_KeylessDrUnl	A41.J1:4	29.1
					I_KeylessLockAll	A41.J1:19	29.1
A41.J1:13	O_EntDorUpperPen	Entrance Door Upper Pen	29.1	So3:2	I_RrCutOutSw	A36.JB:21	3.2
					I_RrStrtEnSw	A52.J1:10	
A41.J1:14	O_DoorLockMo	Entrance door lock motor	29.1	RLock:86	I_WakeUp	A36.JB:5	9.1
					I_ParkBrSe	A36.JB:9	12.1
					I_AccKeySw	A36.JB:6	3.2
					I_EntDorLockSw	A41.J1:9	29.1
					I_EntDorOpSe	A41.J1:5	29.1
					I_EntDrUnlockSw	A41.J1:8	29.1
					I_FrStrtEnSw	A52.J1:9	3.2
					I_HazardSw	A36.JB:4	26.1
					I_IgnKeySw	A36.JB:2	3.2
					I_KeylessDrUnl	A41.J1:4	29.1
A41.J1:15	O_ConvParkBrk	Converter park brake signal	21.1	CC2:4, FREE:FREE, CC2:4	I_KeylessLockAll	A41.J1:19	29.1
					I_ParkBrSe	A36.JB:9	12.1

MULTIPLEX OUTPUT LIST

O_xx... = Physical Output Pin ; I_xx... = Physical Input Pin ; D_xx... = CAN Network Signal from the HVAC control Head ; B_xx.. = Multiplex system global Network Variable

Module.Pin#	Signal name		Page	Connected devices	Input involved		
A41.J1:16	O_WakeUpA41		9.1	A36.JB:5	I_AccKeySw	A36.JB:6	3.2
					I_DrvLtSw	A41.J1:2	19.1
					I_EntDorLockSw	A41.J1:9	29.1
					I_EntDorOpSe	A41.J1:5	29.1
					I_EntDrUnlockSw	A41.J1:8	29.1
					I_FireSensorA36	A41.J1:10	9.1
					I_FrStrtEnSw	A52.J1:9	3.2
					I_HazardSw	A36.JB:4	26.1
					I_HornSw	A41.J1:3	9.1
					I_IgnKeySw	A36.JB:2	3.2
					I_KeylessDrUnl	A41.J1:4	29.1
					I_KeylessEntReq	A41.J1:21	29.1
					I_KeylessIntru	A41.J1:7	29.1
					I_KeylessLockAll	A41.J1:19	29.1
					I_KeylessLuggUnl	A41.J1:18	29.1
					I_LugDorLkSw	A41.J1:17	24.2
					I_LugDorULkSw	A41.J1:20	24.2
					I_RrCutOutSw	A36.JB:21	3.2
					I_RrStrtEnSw	A52.J1:10	
					I_WakeUp	A36.JB:5	9.1
A41.J1:30	O_ConvrNeutral	Converter neutral signal	21.1	CC2:3, FREE:FREE, CC2:3	I_NeutralSe	A50.J1:11	15.1
A42.J1:11	O_ConvIgnition	Converter ignition signal	21.1	CC2:5, FREE:FREE, CC2:5	I_IgnKeySw	A36.JB:2	3.2
A42.J1:12	O_ConvEngRun	Converter engine run signal	21.1	CC2:6, FREE:FREE, CC2:6	B_EngineRun	.	
					B_OneAltCharging	.	
A42.J1:13	O_SlideRrLeftIn	slide out rear left in	21.1	CC2:9	I_SldO2LimitInSe	A57.J1:11	20.1
A42.J1:14	O_SlideFrRightIn	slide out front right in	21.1	CC2:7, FREE:FREE, CC2:7	I_SldO4LimitInSe	A59.J1:11	
A42.J1:16	O_SlideRrRightIn	slide out rear right in	21.1	CC2:8, FREE:FREE, CC2:8	I_SldO3LimitInSe	A58.J1:11	
A43.J1:11	O_SlideFrLeftIn	slide out front left in	21.1	CC2:10	I_SldO1LimitInSe	A56.J1:11	20.1
A43.J1:12	O_CruCtrlSet	Cruise Control Set Volvo	32.1	A81A.JA:1	D_Stw_Sw7	.	
					D_Stw_Sw8	.	
					I_LwWiplntSw	A42.J1:8	31.1
					I_LwWshSw	A46.J1:9	31.1
A43.J1:13	O_HornSol	Electric Horn	9.1		I_AccKeySw	A36.JB:6	3.2
					I_EntDrUnlockSw	A41.J1:8	29.1
					I_FireExt1stAl	A36.JB:23	35.1
					I_FireExt2ndAlm	A44.J1:10	
					I_FireSensorA36	A41.J1:10	9.1
					I_FrStrtEnSw	A52.J1:9	3.2
					I_HazardSw	A36.JB:4	26.1
					I_HornSelectSw	A43.J1:7	9.1
					I_HornSw	A41.J1:3	9.1
					I_IgnKeySw	A36.JB:2	3.2
I_KeylessDrUnl	A41.J1:4	29.1					

MULTIPLEX OUTPUT LIST

O_xx... = Physical Output Pin ; I_xx... = Physical Input Pin ; D_xx... = CAN Network Signal from the HVAC control Head ; B_xx... = Multiplex system global Network Variable

Module.Pin#	Signal name		Page	Connected devices	Input involved		
A43.J1:13	O_HornSol	Electric Horn	9.1		I_KeylessIntru	A41.J1:7	29.1
					I_KeylessLockAll	A41.J1:19	29.1
					I_KeylessLuggUnl	A41.J1:18	29.1
					I_KeylessPanic	A41.J1:6	29.1
					I_LugDorLkSw	A41.J1:17	24.2
					I_RrCutOutSw	A36.JB:21	3.2
					I_RrStrtEnSw	A52.J1:10	
					I_WakeUp	A36.JB:5	9.1
A43.J1:14	O_CruCtrlRsm	Cruise Control Resume Volvo	32.1	A81A.JA:2	D_Stw_Sw7	.	
					D_Stw_Sw8	.	
					I_LwWipIntSw	A42.J1:8	31.1
					I_LwWshSw	A46.J1:9	31.1
A43.J1:15	O_Alt	Alternator	10.1	A14A.C:7	B_EngineRun	.	
					B_OneAltCharging	.	
					D_IndexByte	.	
					I_Alt1Voltage	A49.J1:8	3.2
					I_BatMonMod47	A47.J1:24	6.1
					I_BatMonMod51	A51.J1:24	
					I_IgnKeySw	A36.JB:2	3.2
					I_ParkBrSe	A36.JB:9	12.1
A43.J1:16	O_BrkRedCompat	Brake Redundant Compatible	32.1	A81A.JA:5	D_Stw_Sw9	.	
					I_BrkLtSeFrSig	A36.JB:13	12.1
					I_BrkLtSeRrSig	A51.J1:10	
					I_IgnKeySw	A36.JB:2	3.2
					I_LwWipIntSw	A42.J1:8	31.1
					I_LwWshSw	A46.J1:9	31.1
					I_RetdrSig	A50.J1:12	15.1
A44.J1:1	O_DashTrapPMo	Dash Trap Motor	18.1	Mo3:1	D_AirFlapBit0	.	
					D_AirFlapBit1	.	
					D_AirFlapBit2	.	
					I_IgnKeySw	A36.JB:2	3.2
A44.J1:2	O_DashTrapNMo	Dash Trap Motor Return	18.1	Mo3:3	D_AirFlapBit0	.	
					D_AirFlapBit1	.	
					D_AirFlapBit2	.	
					I_IgnKeySw	A36.JB:2	3.2
A44.J1:20	O_BackUpMon	Backup Monitor Signal			I_BackUpCamSw	A55.J1:17	
A44.J1:4	O_LHFogLb2	Left Hand Fog Light Bulb			B_BatterySaver	.	
					B_EngineRun	.	
					B_OneAltCharging	.	
					B_TstModExtLight	.	
					I_BatMonMod45	A45.J1:24	6.1
					I_FogLightSw	A55.J1:6	26.3
I_HdLtHiLowBmSw	A43.J1:8	26.1					

MULTIPLEX OUTPUT LIST

O_xx... = Physical Output Pin ; I_xx... = Physical Input Pin ; D_xx... = CAN Network Signal from the HVAC control Head ; B_xx... = Multiplex system global Network Variable

Module.Pin#	Signal name		Page	Connected devices	Input involved		
A44.J1:4	O_LHFogLb2	Left Hand Fog Light Bulb			I_HdLtPos2SwLH	A45.J1:12	26.1
A44.J1:6	O_KeylessPwr		29.1	A31.A:25	I_IgnKeySw	A36.JB:2	3.2
					I_LugDorLkSw	A41.J1:17	24.2
A44.J1:7	O_DashBackLit	Dash BackLighting	19.1		I_HdLtPos1Sw	A43.J1:4	26.1
A44.J1:8	O_FrClearLb	Front Clearance Lights Bulb	26.1		B_BatterySaver	.	
					B_EngineRun	.	
					B_OneAltCharging	.	
					B_TstModExtLight	.	
					I_BlinkSw	A43.J1:20	26.1
					I_FogLightSw	A55.J1:6	26.3
					I_HdLtPos1Sw	A43.J1:4	26.1
					I_HdLtPos2SwLH	A45.J1:12	26.1
A45.J1:1	O_FootTrpPSol	Foot Trap Solenoid	18.1	Mo4:A	D_AirFlapBit0	.	
					D_AirFlapBit1	.	
					D_AirFlapBit2	.	
					I_IgnKeySw	A36.JB:2	3.2
A45.J1:2	O_FootTrpNSol	Foot Trap Solenoid	18.1	Mo4:B	D_AirFlapBit0	.	
					D_AirFlapBit1	.	
					D_AirFlapBit2	.	
					I_IgnKeySw	A36.JB:2	3.2
A45.J1:20	O_HornElectric	Horn Electric	9.1		I_AccKeySw	A36.JB:6	3.2
					I_EntDrUnlockSw	A41.J1:8	29.1
					I_FireExt1stAl	A36.JB:23	35.1
					I_FireExt2ndAlm	A44.J1:10	
					I_FireSensorA36	A41.J1:10	9.1
					I_FrStrtEnSw	A52.J1:9	3.2
					I_HazardSw	A36.JB:4	26.1
					I_HornSelectSw	A43.J1:7	9.1
					I_HornSw	A41.J1:3	9.1
					I_IgnKeySw	A36.JB:2	3.2
					I_KeylessDrUnl	A41.J1:4	29.1
					I_KeylessIntru	A41.J1:7	29.1
					I_KeylessLockAll	A41.J1:19	29.1
					I_KeylessLuggUnl	A41.J1:18	29.1
					I_KeylessPanic	A41.J1:6	29.1
					I_LugDorLkSw	A41.J1:17	24.2
					I_RrCutOutSw	A36.JB:21	3.2
					I_RrStrtEnSw	A52.J1:10	
					I_WakeUp	A36.JB:5	9.1
A45.J1:21	O_LHFrMkrLb	Left Hand Front Markers Light Bulb	26.1		B_BatterySaver	.	
					B_EngineRun	.	
					B_OneAltCharging	.	
					B_TstModExtLight	.	

MULTIPLEX OUTPUT LIST

O_xx... = Physical Output Pin ; I_xx... = Physical Input Pin ; D_xx... = CAN Network Signal from the HVAC control Head ; B_xx... = Multiplex system global Network Variable

Module.Pin#	Signal name		Page	Connected devices	Input involved		
A45.J1:21	O_LHFrMkrLb	Left Hand Front Markers Light Bulb	26.1		I_BlinkSw	A43.J1:20	26.1
					I_EntDrUnlockSw	A41.J1:8	29.1
					I_FogLightSw	A55.J1:6	26.3
					I_FrStrtEnSw	A52.J1:9	3.2
					I_HazardSw	A36.JB:4	26.1
					I_HdLtPos1Sw	A43.J1:4	26.1
					I_HdLtPos2SwLH	A45.J1:12	26.1
					I_IgnKeySw	A36.JB:2	3.2
					I_KeylessDrUnl	A41.J1:4	29.1
					I_KeylessIntru	A41.J1:7	29.1
					I_KeylessPanic	A41.J1:6	29.1
					I_RrCutOutSw	A36.JB:21	3.2
					I_RrStrtEnSw	A52.J1:10	
					I_WakeUp	A36.JB:5	9.1
A45.J1:3	O_LeftFrFlshPH		26.1		B_BatterySaver	.	
					B_EngineRun	.	
					B_OneAltCharging	.	
					B_TstModExtLight	.	
					I_HazardSw	A36.JB:4	26.1
					I_LHFlshSw	A45.J1:9	26.1
					I_LHFlshSwRrSig	A51.J1:9	26.2
I_RHFlshSwRrSig	A51.J1:12	26.2					
A45.J1:4	O_LHFogLb1	Left Hand Fog Light Bulb	26.3	L95:A	B_BatterySaver	.	
					B_EngineRun	.	
					B_OneAltCharging	.	
					B_TstModExtLight	.	
					I_BatMonMod45	A45.J1:24	6.1
					I_FogLightSw	A55.J1:6	26.3
					I_HdLTHiLowBmSw	A43.J1:8	26.1
I_HdLtPos2SwLH	A45.J1:12	26.1					
A45.J1:5	O_LHCornerLb	Left Hand Cornering Light Bulb	26.3	L97.A:1	B_BatterySaver	.	
					B_EngineRun	.	
					B_OneAltCharging	.	
					B_TstModExtLight	.	
					I_CorneringLtSw	A55.J1:8	26.3
					I_DockingLtSw	A55.J1:7	26.3
					I_LHFlshSw	A45.J1:9	26.1
I_LowDockLtsSw	A55.J1:9	26.3					
A45.J1:6	O_LHHiBmLb	Left Hand Hi Beam Light Bulb	26.1	L58.B:1, L60.B:1	B_BatterySaver	.	
					B_EngineRun	.	
					B_OneAltCharging	.	
					B_TstModExtLight	.	
					I_BatMonMod45	A45.J1:24	6.1

MULTIPLEX OUTPUT LIST

O_xx... = Physical Output Pin ; I_xx... = Physical Input Pin ; D_xx... = CAN Network Signal from the HVAC control Head ; B_xx.. = Multiplex system global Network Variable

Module.Pin#	Signal name		Page	Connected devices	Input involved		
A45.J1:6	O_LHHiBmLb	Left Hand Hi Beam Light Bulb	26.1	L58.B:1, L60.B:1	I_HdLtHiLowBmSw	A43.J1:8	26.1
					I_HdLtPos2SwLH	A45.J1:12	26.1
A45.J1:7	O_LHLwBmLb	Left Hand Low Beam Light Bulb	26.1	L58.A:1, L60.A:1	B_BatterySaver	.	
					B_EngineRun	.	
					B_OneAltCharging	.	
					B_TstModExtLight	.	
					I_BatMonMod45	A45.J1:24	6.1
					I_HdLtHiLowBmSw	A43.J1:8	26.1
					I_HdLtPos2SwLH	A45.J1:12	26.1
A45.J1:8	O_LHFrSidFlshLb				B_BatterySaver	.	
					B_EngineRun	.	
					B_OneAltCharging	.	
					B_TstModExtLight	.	
					I_HazardSw	A36.JB:4	26.1
					I_LHFlshSw	A45.J1:9	26.1
					I_LHFlshSwRrSig	A51.J1:9	26.2
					I_RHFlshSwRrSig	A51.J1:12	26.2
A46.J1:1	O_AuxFanSpeed	Auxiliary fan speed control			B_BatterySaver	.	
					B_EngineRun	.	
					B_OneAltCharging	.	
					D_AuxFanSpdBit0	.	
					D_AuxFanSpdBit1	.	
					D_AuxFanSpdBit2	.	
					D_AuxFnOnOffSw	.	
					I_BatMonMod46	A46.J1:24	6.1
					I_IgnKeySw	A36.JB:2	3.2
A46.J1:2	O_UpWiperMot	Upper Wiper Motor			B_BatterySaver	.	
					B_EngineRun	.	
					B_OneAltCharging	.	
					I_UpWipIntSw	A55.J1:20	
					I_UpWipSw	A55.J1:21	
					I_UpWshSw	A55.J1:18	
A46.J1:20	O_UdrFlrLb	Under Floor Light Bulb	25.1		B_BatterySaver	.	
					B_EngineRun	.	
					B_OneAltCharging	.	
					I_AccKeySw	A36.JB:6	3.2
					I_IgnKeySw	A36.JB:2	3.2
A46.J1:21	O_HeadLmpWshM		31.1		I_HeadLmpWshSw	A55.J1:19	31.1
A46.J1:3	O_LwWshPmp	Lower Wiper Washer Pump	31.1		B_BatterySaver	.	
					B_EngineRun	.	
					B_OneAltCharging	.	
					I_LwWshSw	A46.J1:9	31.1
A46.J1:4	O_UpWshPmp	Upper Wiper Washer Pump			B_BatterySaver	.	

MULTIPLEX OUTPUT LIST

O_xx... = Physical Output Pin ; I_xx... = Physical Input Pin ; D_xx... = CAN Network Signal from the HVAC control Head ; B_xx.. = Multiplex system global Network Variable

Module.Pin#	Signal name		Page	Connected devices	Input involved		
A46.J1:4	O_UpWshPmp	Upper Wiper Washer Pump			B_EngineRun	.	
					B_OneAltCharging	.	
					I_UpWshSw	A55.J1:18	
A46.J1:5	O_DrvRfgSol	Driver refrigerent solenoid	18.1	D2.A:1	B_BatterySaver	.	
					B_EngineRun	.	
					B_LowVoltage	.	
					B_OneAltCharging	.	
					B_TstModHvac	.	
					B_TstModSAC	.	
					D_AmbTempLSB	.	
					D_AmbTempMSB	.	
					D_OnOffDrvSw	.	
					I_AcPresHiSse	A52.J1:13	18.2
					I_AcPresLoSse	A52.J1:14	18.2
A46.J1:6	O_DrvHeatSol	Driver Heat Solenoid	18.1	So8:1	B_BatterySaver	.	
					B_EngineRun	.	
					B_LowVoltage	.	
					B_OneAltCharging	.	
					B_TestMode	.	
					B_TstModHvac	.	
					B_TstModSAC	.	
					D_AirFlapBit0	.	
					D_AirFlapBit1	.	
					D_AirFlapBit2	.	
					D_AmbTempLSB	.	
					D_AmbTempMSB	.	
					D_AuxFanSpdBit0	.	
					D_AuxFanSpdBit1	.	
					D_AuxFanSpdBit2	.	
					D_DriverSetPts	.	
					D_DrvFnSpdBit0	.	
					D_DrvFnSpdBit1	.	
					D_DrvFnSpdBit2	.	
					D_HvacPump	.	
					D_OnOffDrvSw	.	
					D_OnOffPassSw	.	
					D_PassSetPts	.	
					I_BatMonMod46	A46.J1:24	6.1
					I_BatMonMod54	A54.J1:24	6.1
					I_DefrostHighSw	A47.J1:10	
					I_DefrostLowSw	A47.J1:12	18.1
					I_DrvTempSe	A55.J1:1	18.1
					I_FireExt1stAl	A36.JB:23	35.1

MULTIPLEX OUTPUT LIST

O_xx... = Physical Output Pin ; I_xx... = Physical Input Pin ; D_xx... = CAN Network Signal from the HVAC control Head ; B_xx.. = Multiplex system global Network Variable

Module.Pin#	Signal name		Page	Connected devices	Input involved		
A46.J1:6	O_DrvHeatSol	Driver Heat Solenoid	18.1	So8:1	I_FireExt2ndAlm	A44.J1:10	
					I_FireSensorA36	A41.J1:10	9.1
A46.J1:8	O_AuxSolValve	Auxiliary refrigerant solenoid valve			B_BatterySaver	.	
					B_EngineRun	.	
					B_OneAltCharging	.	
					B_TstModSAC	.	
					D_AuxFnOnOffSw	.	
					I_AcPresHiSse	A52.J1:13	18.2
					I_AcPresLoSse	A52.J1:14	18.2
A47.J1:1	O_DrvDefFanMo	Driver Defroster Fan Motor	18.1	A24.B:B	B_BatterySaver	.	
					B_EngineRun	.	
					B_LowVoltage	.	
					B_OneAltCharging	.	
					D_DrvFnSpdBit0	.	
					D_DrvFnSpdBit1	.	
					D_DrvFnSpdBit2	.	
					D_OnOffDrvSw	.	
					I_IgnKeySw	A36.JB:2	3.2
A47.J1:2	O_DrvRecTrap	Driver Recycle Trap	18.1	L203:A	B_BatterySaver	.	
					B_EngineRun	.	
					B_OneAltCharging	.	
					B_TstModHvac	.	
					B_TstModSAC	.	
					D_RecSw	.	
A47.J1:20	O_AuxWaterPump	Auxiliary water pump	18.1		B_BatterySaver	.	
					B_EngineRun	.	
					B_OneAltCharging	.	
					B_TstModSAC	.	
					D_AmbTempLSB	.	
					D_AmbTempMSB	.	
					D_AuxFanSpdBit0	.	
					D_AuxFanSpdBit1	.	
					D_AuxFanSpdBit2	.	
					D_DrvFnSpdBit0	.	
					D_DrvFnSpdBit1	.	
					D_DrvFnSpdBit2	.	
					D_HvacPump	.	
					D_OnOffDrvSw	.	
					D_StopTestMode	.	
					I_DefrostHighSw	A47.J1:10	
					I_DefrostLowSw	A47.J1:12	18.1
					I_IgnKeySw	A36.JB:2	3.2
A47.J1:3	O_LwWipSpd1	Lower Wiper Speed 1	31.1	R23:86	B_BatterySaver	.	

MULTIPLEX OUTPUT LIST

O_xx... = Physical Output Pin ; I_xx... = Physical Input Pin ; D_xx... = CAN Network Signal from the HVAC control Head ; B_xx.. = Multiplex system global Network Variable

Module.Pin#	Signal name		Page	Connected devices	Input involved		
A47.J1:3	O_LwWipSpd1	Lower Wiper Speed 1	31.1	R23:86	B_EngineRun	.	
					B_OneAltCharging	.	
					I_LwWipIntSw	A42.J1:8	31.1
					I_LwWshSw	A46.J1:9	31.1
A47.J1:5	O_EntDorStpLb	Entrance Door Step Light Bulb	29.1	L18.A:1	I_AccKeySw	A36.JB:6	3.2
					I_EntDorOpSe	A41.J1:5	29.1
					I_EntDrUnlockSw	A41.J1:8	29.1
					I_FrStrtEnSw	A52.J1:9	3.2
					I_HazardSw	A36.JB:4	26.1
					I_IgnKeySw	A36.JB:2	3.2
					I_KeylessDrUnl	A41.J1:4	29.1
					I_KeylessLuggUnl	A41.J1:18	29.1
					I_LugDorLkSw	A41.J1:17	24.2
					I_RrCutOutSw	A36.JB:21	3.2
					I_RrStrtEnSw	A52.J1:10	
					I_WakeUp	A36.JB:5	9.1
A47.J1:6	O_DriverLtLb	Driver Light Bulb	19.1	L16:1	B_BatterySaver	.	
					B_EngineRun	.	
					B_OneAltCharging	.	
					I_DrvLtSw	A41.J1:2	19.1
A47.J1:7	O_RHDefrostFan	Passenger defrost fan speed control	18.1	A30.A:D	B_BatterySaver	.	
					B_EngineRun	.	
					B_LowVoltage	.	
					B_OneAltCharging	.	
					D_DrvFnSpdBit0	.	
					D_DrvFnSpdBit1	.	
					D_DrvFnSpdBit2	.	
					D_OnOffDrvSw	.	
					I_DefrostHighSw	A47.J1:10	
					I_DefrostLowSw	A47.J1:12	18.1
					I_IgnKeySw	A36.JB:2	3.2
A47.J1:8	O_EntDorLtLb	Entrance Door Light Bulb	29.1	L17:1	B_BatterySaver	.	
					B_EngineRun	.	
					B_OneAltCharging	.	
					I_DrvLtSw	A41.J1:2	19.1
					I_EntDorOpSe	A41.J1:5	29.1
					I_EntDrUnlockSw	A41.J1:8	29.1
					I_FrStrtEnSw	A52.J1:9	3.2
					I_HazardSw	A36.JB:4	26.1
					I_KeylessDrUnl	A41.J1:4	29.1
					I_KeylessLuggUnl	A41.J1:18	29.1
					I_LugDorLkSw	A41.J1:17	24.2
					I_RrCutOutSw	A36.JB:21	3.2

MULTIPLEX OUTPUT LIST

O_xx... = Physical Output Pin ; I_xx... = Physical Input Pin ; D_xx... = CAN Network Signal from the HVAC control Head ; B_xx.. = Multiplex system global Network Variable

Module.Pin#	Signal name		Page	Connected devices	Input involved		
A47.J1:8	O_EntDorLtLb	Entrance Door Light Bulb	29.1	L17:1	I_RrStrtEnSw	A52.J1:10	
					I_WakeUp	A36.JB:5	9.1
A48.J1:20	O_RHFrSidFlshLb	RH Front Side Flasher L-Bulb	26.1	L64:1	B_BatterySaver	.	
					B_EngineRun	.	
					B_OneAltCharging	.	
					B_TstModExtLight	.	
					I_HazardSw	A36.JB:4	26.1
					I_LHFfshSwRrSig	A51.J1:9	26.2
					I_RHFfshSw	A48.J1:12	26.1
					I_RHFfshSwRrSig	A51.J1:12	26.2
A48.J1:21	O_RHFrMrkLb	Right Hand Front Markers Light Bulb	26.1		B_BatterySaver	.	
					B_EngineRun	.	
					B_OneAltCharging	.	
					B_TstModExtLight	.	
					I_BlinkSw	A43.J1:20	26.1
					I_EntDrUnlockSw	A41.J1:8	29.1
					I_FogLightSw	A55.J1:6	26.3
					I_FrStrtEnSw	A52.J1:9	3.2
					I_HazardSw	A36.JB:4	26.1
					I_HdLtPos1Sw	A43.J1:4	26.1
					I_HdLtPos2SwLH	A45.J1:12	26.1
					I_KeylessDrUnl	A41.J1:4	29.1
					I_KeylessIntru	A41.J1:7	29.1
					I_KeylessPanic	A41.J1:6	29.1
					I_RrCutOutSw	A36.JB:21	3.2
					I_RrStrtEnSw	A52.J1:10	
					I_WakeUp	A36.JB:5	9.1
A48.J1:3	O_RHHiBeamLb	Right Hand Hi Beam Light Bulb	26.1	L57.B:1, L59.B:1	B_BatterySaver	.	
					B_EngineRun	.	
					B_OneAltCharging	.	
					B_TstModExtLight	.	
					I_BatMonMod48	A48.J1:24	6.1
					I_HdLTHiLowBmSw	A43.J1:8	26.1
					I_HdLtPos2SwLH	A45.J1:12	26.1
A48.J1:4	O_RHLwBeamLb	Right Hand Low Beam Light Bulb	26.1	L57.A:B, L59.A:1	B_BatterySaver	.	
					B_EngineRun	.	
					B_OneAltCharging	.	
					B_TstModExtLight	.	
					I_BatMonMod48	A48.J1:24	6.1
					I_HdLTHiLowBmSw	A43.J1:8	26.1
					I_HdLtPos2SwRH	A48.J1:10	
A48.J1:5	O_RHCornerLb	Right Hand Cornering Light Bulb	26.3	L98.A:1	B_BatterySaver	.	
					B_EngineRun	.	

MULTIPLEX OUTPUT LIST

O_xx... = Physical Output Pin ; I_xx... = Physical Input Pin ; D_xx... = CAN Network Signal from the HVAC control Head ; B_xx.. = Multiplex system global Network Variable

Module.Pin#	Signal name		Page	Connected devices	Input involved		
A48.J1:5	O_RHCornerLb	Right Hand Cornering Light Bulb	26.3	L98.A:1	B_OneAltCharging	.	
					B_TstModExtLight	.	
					I_CorneringLtSw	A55.J1:8	26.3
					I_DockingLtSw	A55.J1:7	26.3
					I_LowDockLtsSw	A55.J1:9	26.3
					I_RHFlshSw	A48.J1:12	26.1
A48.J1:6	O_RightFrFlshPH		26.1		B_BatterySaver	.	
					B_EngineRun	.	
					B_OneAltCharging	.	
					B_TstModExtLight	.	
					I_HazardSw	A36.JB:4	26.1
					I_LHFlshSwRrSig	A51.J1:9	26.2
					I_RHFlshSw	A48.J1:12	26.1
					I_RHFlshSwRrSig	A51.J1:12	26.2
A48.J1:7	O_RHFogLb2	Right Hand Fog Light			B_BatterySaver	.	
					B_EngineRun	.	
					B_OneAltCharging	.	
					B_TstModExtLight	.	
					I_BatMonMod48	A48.J1:24	6.1
					I_FogLightSw	A55.J1:6	26.3
					I_HdLtHiLowBmSw	A43.J1:8	26.1
					I_HdLtPos2SwLH	A45.J1:12	26.1
A48.J1:8	O_RHFogLb1	Right Hand Fog Light	26.3	L96:A	B_BatterySaver	.	
					B_EngineRun	.	
					B_OneAltCharging	.	
					B_TstModExtLight	.	
					I_BatMonMod48	A48.J1:24	6.1
					I_FogLightSw	A55.J1:6	26.3
					I_HdLtHiLowBmSw	A43.J1:8	26.1
					I_HdLtPos2SwLH	A45.J1:12	26.1
A49.J1:14	O_RetardEna	Retarder Enable	12.1		D_Stw_Sw2	.	
					D_Stw_Sw3	.	
					D_Stw_Sw5	.	
					I_RetarderSel	A55.J1:10	12.1
A49.J1:15	O_AltChrCtr	Alternator Charge Control	3.2		B_EngineRun	.	
					B_OneAltCharging	.	
					I_BatMonMod47	A47.J1:24	6.1
					I_BatMonMod51	A51.J1:24	
					I_IgnKeySw	A36.JB:2	3.2
A50.J1:1	O_BackUpCam	Back up camera			I_BackUpCamSw	A55.J1:17	
A50.J1:2	O_TransInhibit	Transmission Inhibit	15.1	A1:1	I_BrkLtSeFrSig	A36.JB:13	12.1
					I_BrkLtSeRrSig	A51.J1:10	
					I_SldO1LimitInSe	A56.J1:11	20.1

MULTIPLEX OUTPUT LIST

O_xx... = Physical Output Pin ; I_xx... = Physical Input Pin ; D_xx... = CAN Network Signal from the HVAC control Head ; B_xx.. = Multiplex system global Network Variable

Module.Pin#	Signal name		Page	Connected devices	Input involved		
A50.J1:2	O_TransInhibit	Transmission Inhibit	15.1	A1:1	I_SldO2LimitInSe	A57.J1:11	20.1
					I_SldO3LimitInSe	A58.J1:11	
					I_SldO4LimitInSe	A59.J1:11	
A50.J1:20	O_RevLbBuz	Reverse Alarm and Light Bulb	26.3		B_BatterySaver	.	
					B_EngineRun	.	
					B_OneAltCharging	.	
					B_TestSwBuz2	.	
					B_TestSwBuzzer	.	
					B_TstModExtLight	.	
					B_TstModHvac	.	
					B_TstModHvacNext	.	
					B_TstModSAC	.	
					B_TstModSACNext	.	
					B_TstSwBuz3	.	
					I_RrStrtEnSw	A52.J1:10	
A50.J1:21	O_BrLtUpperLb				B_BatterySaver	.	
					B_EngineRun	.	
					B_OneAltCharging	.	
					B_TstModExtLight	.	
					I_BrkLtSeFrSig	A36.JB:13	12.1
					I_BrkLtSeRrSig	A51.J1:10	
A50.J1:3	O_RevAlarm	Back up alarm	26.3	L187:A	B_BatterySaver	.	
					B_EngineRun	.	
					B_OneAltCharging	.	
					B_TestSwBuz2	.	
					B_TestSwBuzzer	.	
					B_TstModExtLight	.	
					B_TstModHvac	.	
					B_TstModHvacNext	.	
					B_TstModSAC	.	
					B_TstModSACNext	.	
					B_TstSwBuz3	.	
					D_NextWheel	.	
					I_RevAlarmSw	A43.J1:6	26.3
					I_RrStrtEnSw	A52.J1:10	
A50.J1:4	O_ReClearLb	Rear Clearance Light Bulb	26.2		B_BatterySaver	.	
					B_EngineRun	.	
					B_OneAltCharging	.	
					B_TstModExtLight	.	
					I_BlinkSw	A43.J1:20	26.1
					I_FogLightSw	A55.J1:6	26.3
					I_HdLtPos1Sw	A43.J1:4	26.1
					I_HdLtPos2SwLH	A45.J1:12	26.1

MULTIPLEX OUTPUT LIST

O_xx... = Physical Output Pin ; I_xx... = Physical Input Pin ; D_xx... = CAN Network Signal from the HVAC control Head ; B_xx.. = Multiplex system global Network Variable

Module.Pin#	Signal name		Page	Connected devices	Input involved		
A50.J1:5	O_LHctrFlshLb	Water Filter Indicator Warning	26.2		B_BatterySaver	.	
					B_EngineRun	.	
					B_OneAltCharging	.	
					B_TstModExtLight	.	
					I_HazardSw	A36.JB:4	26.1
					I_LHFlshSwRrSig	A51.J1:9	26.2
					I_RHFlshSwRrSig	A51.J1:12	26.2
A50.J1:6	O_BrLTLowerLed		26.2		B_BatterySaver	.	
					B_EngineRun	.	
					B_OneAltCharging	.	
					B_TstModExtLight	.	
					I_BrkLtSeFrSig	A36.JB:13	12.1
					I_BrkLtSeRrSig	A51.J1:10	
					I_IgnKeySw	A36.JB:2	3.2
					I_RetdrSig	A50.J1:12	15.1
A50.J1:7	O_RHctrFlshLb	Wheel Chair Lift Warning Indicator	26.2		B_BatterySaver	.	
					B_EngineRun	.	
					B_OneAltCharging	.	
					B_TstModExtLight	.	
					I_HazardSw	A36.JB:4	26.1
					I_LHFlshSwRrSig	A51.J1:9	26.2
					I_RHFlshSwRrSig	A51.J1:12	26.2
A50.J1:8	O_CtrSdMrkLb	Tag Axle Warning Indicator	26.2		B_BatterySaver	.	
					B_EngineRun	.	
					B_OneAltCharging	.	
					B_TstModExtLight	.	
					I_BlinkSw	A43.J1:20	26.1
					I_FogLightSw	A55.J1:6	26.3
					I_HdLtPos1Sw	A43.J1:4	26.1
					I_HdLtPos2SwLH	A45.J1:12	26.1
A51.J1:1	O_SerBrkTrans	Servise Brake Signal For Transmission	15.1	A1:62	I_BrkLtSeFrSig	A36.JB:13	12.1
A51.J1:21	O_LHReFlshLb	Left Hand Rear Flasher Light Bulb	26.2		B_BatterySaver	.	
					B_EngineRun	.	
					B_OneAltCharging	.	
					B_TstModExtLight	.	
					I_HazardSw	A36.JB:4	26.1
					I_LHFlshSwRrSig	A51.J1:9	26.2
					I_RHFlshSwRrSig	A51.J1:12	26.2
A51.J1:3	O_RHReFlshLb	Right Hand Rear Flasher Light Bulb	26.2		B_BatterySaver	.	
					B_EngineRun	.	
					B_OneAltCharging	.	
					B_TstModExtLight	.	
					I_HazardSw	A36.JB:4	26.1

MULTIPLEX OUTPUT LIST

O_xx... = Physical Output Pin ; I_xx... = Physical Input Pin ; D_xx... = CAN Network Signal from the HVAC control Head ; B_xx.. = Multiplex system global Network Variable

Module.Pin#	Signal name		Page	Connected devices	Input involved		
A51.J1:3	O_RHReFlshLb	Right Hand Rear Flasher Light Bulb	26.2		I_LHFlshSwRrSig	A51.J1:9	26.2
					I_RHFlshSwRrSig	A51.J1:12	26.2
A51.J1:4	O_LHDockLb	Left Hand Docking Light Bulb	26.3	L93.A:1	B_BatterySaver	.	
					B_EngineRun	.	
					B_OneAltCharging	.	
					B_TstModExtLight	.	
					I_DockingLtSw	A55.J1:7	26.3
					I_LowDockLtsSw	A55.J1:9	26.3
A51.J1:5	O_RHDockLb	Right Hand Docking Light Bulb	26.3	L94.A:1	B_BatterySaver	.	
					B_EngineRun	.	
					B_OneAltCharging	.	
					B_TstModExtLight	.	
					I_DockingLtSw	A55.J1:7	26.3
					I_LowDockLtsSw	A55.J1:9	26.3
A51.J1:6	O_BrLTUpperLed		26.2		B_BatterySaver	.	
					B_EngineRun	.	
					B_OneAltCharging	.	
					B_TstModExtLight	.	
					I_BrkLtSeFrSig	A36.JB:13	12.1
					I_BrkLtSeRrSig	A51.J1:10	
A51.J1:7	O_CyclopeLt	Cyclope Brake Light	26.2	L81.A:1	B_BatterySaver	.	
					B_EngineRun	.	
					B_OneAltCharging	.	
					B_TstModExtLight	.	
					I_BrkLtSeFrSig	A36.JB:13	12.1
					I_BrkLtSeRrSig	A51.J1:10	
A52.J1:1	O_EngFanSpd1	Engine Fan Radiator Speed 1	13.1		B_BatterySaver	.	
					B_EngineRun	.	
					B_OneAltCharging	.	
					B_TstModHvac	.	
					D_RadFanSpd1	.	
					D_StopTestMode	.	
					I_AcPresHiSse	A52.J1:13	18.2
					I_FireExt1stAl	A36.JB:23	35.1
					I_FireExt2ndAlm	A44.J1:10	
					I_FireSensorA36	A41.J1:10	9.1
					I_FrStrtEnSw	A52.J1:9	3.2
					I_IgnKeySw	A36.JB:2	3.2
					I_RrStrtEnSw	A52.J1:10	
A52.J1:2	O_EngFanSpd2	Engine Fan Radiator Speed 2	13.1		B_BatterySaver	.	
					B_EngineRun	.	
					B_OneAltCharging	.	
					B_TstModHvac	.	

MULTIPLEX OUTPUT LIST

O_xx... = Physical Output Pin ; I_xx... = Physical Input Pin ; D_xx... = CAN Network Signal from the HVAC control Head ; B_xx.. = Multiplex system global Network Variable

Module.Pin#	Signal name		Page	Connected devices	Input involved		
A52.J1:2	O_EngFanSpd2	Engine Fan Radiator Speed 2	13.1		D_RadFanSpd2	.	
					D_StopTestMode	.	
					I_AcPresHiSse	A52.J1:13	18.2
					I_FireExt1stAl	A36.JB:23	35.1
					I_FireExt2ndAlm	A44.J1:10	
					I_FireSensorA36	A41.J1:10	9.1
					I_IgnKeySw	A36.JB:2	3.2
A52.J1:21	O_AcUnldrH	Hvac Right Hand Cylinder Unloader	18.2		B_BatterySaver	.	
					B_EngineRun	.	
					B_OneAltCharging	.	
					B_TstModHvac	.	
					D_PassSetPts	.	
					I_AcPresHiSse	A52.J1:13	18.2
					I_AcPresLoSse	A52.J1:14	18.2
A52.J1:3	O_RJBDofanMo	Rear junction box door fan	11.1	Mo53:2	B_BatterySaver	.	
					B_EngineRun	.	
					B_OneAltCharging	.	
					B_TstModHvac	.	
					B_TstModSAC	.	
					D_AmbTempLSB	.	
					D_AmbTempMSB	.	
					I_FireExt1stAl	A36.JB:23	35.1
					I_FireExt2ndAlm	A44.J1:10	
					I_FireSensorA36	A41.J1:10	9.1
					I_IgnKeySw	A36.JB:2	3.2
					I_RJBLtSw	A49.J1:17	
A52.J1:4	O_DiffLockSol	Differential lock solenoid	23.1	Shrk150	I_DiffLockSw	A43.J1:9	23.1
A52.J1:5	O_EngCmptLb	Engine Compartment Light Bulb	25.1		B_BatterySaver	.	
					B_EngineRun	.	
					B_OneAltCharging	.	
					I_EngDoorSe	A52.J1:12	25.1
A52.J1:6	O_StarterRel	Starter Relay	3.2		B_BatterySaver	.	
					B_EngineRun	.	
					B_OneAltCharging	.	
					B_TstModHvac	.	
					B_TstModSAC	.	
					I_AccKeySw	A36.JB:6	3.2
					I_EntDrUnlockSw	A41.J1:8	29.1
					I_FrStrtEnSw	A52.J1:9	3.2
					I_HazardSw	A36.JB:4	26.1
					I_IgnKeySw	A36.JB:2	3.2
					I_KeylessDrUnl	A41.J1:4	29.1
					I_KeylessIntru	A41.J1:7	29.1

MULTIPLEX OUTPUT LIST

O_xx... = Physical Output Pin ; I_xx... = Physical Input Pin ; D_xx... = CAN Network Signal from the HVAC control Head ; B_xx.. = Multiplex system global Network Variable

Module.Pin#	Signal name		Page	Connected devices	Input involved		
A52.J1:6	O_StarterRel	Starter Relay	3.2		I_NeutralSe	A50.J1:11	15.1
					I_RrCutOutSw	A36.JB:21	3.2
					I_RrStrtEnSw	A52.J1:10	
					I_WakeUp	A36.JB:5	9.1
A54.J1:1	O_CndSpd2Rel	Condensor Fan Speed 2 Relay	18.2		B_BatterySaver	.	
					B_EngineRun	.	
					B_LowVoltage	.	
					B_OneAltCharging	.	
					B_TstModHvac	.	
					D_AmbTempLSB	.	
					D_AmbTempMSB	.	
					D_DriverSetPts	.	
					D_OnOffDrvSw	.	
					D_OnOffPassSw	.	
					D_PassSetPts	.	
					I_AcPresHiSse	A52.J1:13	18.2
					I_AcPresLoSse	A52.J1:14	18.2
					I_CoilTherSe	A47.J1:11	18.1
					I_DrvTempSe	A55.J1:1	18.1
					I_FireExt1stAl	A36.JB:23	35.1
					I_FireExt2ndAlm	A44.J1:10	
					I_FireSensorA36	A41.J1:10	9.1
A54.J1:2	O_EvaSpd2Pilot	Evaporator Fan Speed 2	18.2		B_BatterySaver	.	
					B_EngineRun	.	
					B_LowVoltage	.	
					B_OneAltCharging	.	
					B_TstModHvac	.	
					D_OnOffPassSw	.	
					D_PassSetPts	.	
					I_AcPresHiSse	A52.J1:13	18.2
					I_AcPresLoSse	A52.J1:14	18.2
					I_BatMonMod54	A54.J1:24	6.1
					I_FireExt1stAl	A36.JB:23	35.1
					I_FireExt2ndAlm	A44.J1:10	
					I_FireSensorA36	A41.J1:10	9.1
					I_IgnKeySw	A36.JB:2	3.2
					I_SwitchOption	A42.J1:20	18.2
					I_SwitchOption2	A42.J1:21	18.2
A54.J1:20	O_ACRecPass	A/C Pass. Gaz Cylinder Recycle	18.2	L205.A:1	B_BatterySaver	.	
					B_EngineRun	.	
					B_OneAltCharging	.	
					B_TstModHvac	.	
					B_TstModSAC	.	

MULTIPLEX OUTPUT LIST

O_xx... = Physical Output Pin ; I_xx... = Physical Input Pin ; D_xx... = CAN Network Signal from the HVAC control Head ; B_xx.. = Multiplex system global Network Variable

Module.Pin#	Signal name		Page	Connected devices	Input involved		
A54.J1:20	O_ACRecPass	A/C Pass. Gaz Cylinder Recycle	18.2	L205.A:1	D_RecSw	.	
A54.J1:3	O_PasRfgSol	Passenger Refrigerent Solenoid	18.2	D11.A:1	B_BatterySaver	.	
					B_EngineRun	.	
					B_LowVoltage	.	
					B_OneAltCharging	.	
					B_TstModHvac	.	
					D_AmbTempLSB	.	
					D_AmbTempMSB	.	
					D_DriverSetPts	.	
					D_OnOffDrvSw	.	
					D_OnOffPassSw	.	
					D_PassSetPts	.	
					I_BatMonMod54	A54.J1:24	6.1
					I_CoilTherSe	A47.J1:11	18.1
					I_DrvTempSe	A55.J1:1	18.1
					I_FireExt1stAl	A36.JB:23	35.1
					I_FireExt2ndAlm	A44.J1:10	
					I_FireSensorA36	A41.J1:10	9.1
A54.J1:4	O_ACWaterPmp	Hvac Water Pump	18.2		B_BatterySaver	.	
					B_EngineRun	.	
					B_OneAltCharging	.	
					B_TestMode	.	
					B_TstModHvac	.	
					D_AmbTempLSB	.	
					D_AmbTempMSB	.	
					D_DrvFnSpdBit0	.	
					D_DrvFnSpdBit1	.	
					D_DrvFnSpdBit2	.	
					D_HvacPump	.	
					D_OnOffPassSw	.	
					D_PassSetPts	.	
					D_StopTestMode	.	
					I_BatMonMod54	A54.J1:24	6.1
					I_FireExt1stAl	A36.JB:23	35.1
					I_FireExt2ndAlm	A44.J1:10	
					I_FireSensorA36	A41.J1:10	9.1
					I_IgnKeySw	A36.JB:2	3.2
A54.J1:5	O_CndSpd1Rel	Condensor Fan Speed 1 Relay	18.2	R10.A:2	B_BatterySaver	.	
					B_EngineRun	.	
					B_LowVoltage	.	
					B_OneAltCharging	.	
					B_TstModHvac	.	
					D_AmbTempLSB	.	

MULTIPLEX OUTPUT LIST

O_xx... = Physical Output Pin ; I_xx... = Physical Input Pin ; D_xx... = CAN Network Signal from the HVAC control Head ; B_xx.. = Multiplex system global Network Variable

Module.Pin#	Signal name		Page	Connected devices	Input involved		
A54.J1:5	O_CndSpd1Rel	Condensor Fan Speed 1 Relay	18.2	R10.A:2	D_AmbTempMSB	.	
					D_DriverSetPts	.	
					D_OnOffDrvSw	.	
					D_OnOffPassSw	.	
					D_PassSetPts	.	
					I_AcPresHiSse	A52.J1:13	18.2
					I_AcPresLoSse	A52.J1:14	18.2
					I_BatMonMod54	A54.J1:24	6.1
					I_CoilTherSe	A47.J1:11	18.1
					I_DrvTempSe	A55.J1:1	18.1
					I_FireExt1stAl	A36.JB:23	35.1
					I_FireExt2ndAlm	A44.J1:10	
					I_FireSensorA36	A41.J1:10	9.1
A54.J1:7	O_EvaSpd1Rel	Evaporator Fan Speed 1 Relay	18.2	R12.A:2	B_BatterySaver	.	
					B_EngineRun	.	
					B_LowVoltage	.	
					B_OneAltCharging	.	
					B_TstModHvac	.	
					D_OnOffPassSw	.	
					I_BatMonMod54	A54.J1:24	6.1
					I_FireExt1stAl	A36.JB:23	35.1
					I_FireExt2ndAlm	A44.J1:10	
					I_FireSensorA36	A41.J1:10	9.1
A54.J1:8	O_PasHeatSol	Passenger Heat Solenoid Valve	18.2	So13.A:1	B_BatterySaver	.	
					B_EngineRun	.	
					B_OneAltCharging	.	
					B_TestMode	.	
					B_TstModHvac	.	
					B_TstModSAC	.	
					D_AmbTempLSB	.	
					D_AmbTempMSB	.	
					D_AuxFanSpdBit0	.	
					D_AuxFanSpdBit1	.	
					D_AuxFanSpdBit2	.	
					D_DrvFnSpdBit0	.	
					D_DrvFnSpdBit1	.	
					D_DrvFnSpdBit2	.	
					D_HvacPump	.	
					D_OnOffDrvSw	.	
					D_OnOffPassSw	.	
					D_PassSetPts	.	
					I_BatMonMod54	A54.J1:24	6.1
					I_DefrostHighSw	A47.J1:10	

MULTIPLEX OUTPUT LIST

O_xx... = Physical Output Pin ; I_xx... = Physical Input Pin ; D_xx... = CAN Network Signal from the HVAC control Head ; B_xx.. = Multiplex system global Network Variable

Module.Pin#	Signal name		Page	Connected devices	Input involved		
A54.J1:8	O_PasHeatSol	Passenger Heat Solenoid Valve	18.2	So13.A:1	I_DefrostLowSw	A47.J1:12	18.1
					I_FireExt1stAl	A36.JB:23	35.1
					I_FireExt2ndAlm	A44.J1:10	
					I_FireSensorA36	A41.J1:10	9.1
A55.J1:11	O_SunVisorDrv	Sun Visor Driver	32.1	R43:86	D_Stw_Sw10	.	
					D_Stw_Sw4	.	
A55.J1:12	O_JacobBrk1	Jacob Brake 1	32.1		D_Stw_Sw2	.	
					D_Stw_Sw3	.	
					D_Stw_Sw5	.	
					I_RetarderSel	A55.J1:10	12.1
A55.J1:13	O_SunVisorPass	Sun Visor Driver	32.1	R42:86	D_Stw_Sw10	.	
					D_Stw_Sw4	.	
A55.J1:14	O_JacobBrk2	Jacob Brake 2	32.1		D_Stw_Sw2	.	
					D_Stw_Sw3	.	
					D_Stw_Sw5	.	
					I_RetarderSel	A55.J1:10	12.1
A55.J1:15	O_ACCTimeGapInc		14.1	A81A.JA:17	D_Stw_Sw7	.	
					D_Stw_Sw8	.	
A55.J1:16	O_ACCTimeGapDec		14.1	A81A.JB:7	D_Stw_Sw7	.	
					D_Stw_Sw8	.	
A55.J1:30	O_SunVUpDw		32.1	R41:86	D_Stw_Sw10	.	
					D_Stw_Sw4	.	
A56.J1:1	O_SldO1MoSpeedA	Slide-Out 1 Motor Speed Control A	20.1		I_BatMonMod56	A56.J1:24	6.1
					I_SldO1CloseSw	A56.J1:10	
					I_SldO1LimiOutSw	A56.J1:14	20.1
					I_SldO1LimitInSe	A56.J1:11	20.1
					I_SldO1OpenSw	A56.J1:9	20.1
					I_SldO1PBrakeSw	A56.J1:12	20.1
					I_SldO1VacPrSe	A56.J1:13	
A56.J1:2	O_SldO1MoSpeedB	Slide-Out 1 Motor Speed Control B	20.1		I_BatMonMod56	A56.J1:24	6.1
					I_SldO1CloseSw	A56.J1:10	
					I_SldO1LimiOutSw	A56.J1:14	20.1
					I_SldO1LimitInSe	A56.J1:11	20.1
					I_SldO1OpenSw	A56.J1:9	20.1
					I_SldO1PBrakeSw	A56.J1:12	20.1
					I_SldO1VacPrSe	A56.J1:13	
A56.J1:20	O_SldO1Motpos	Slide_Out 1 Motor +	20.1	RSO1.B:1	I_BatMonMod56	A56.J1:24	6.1
					I_SldO1CloseSw	A56.J1:10	
					I_SldO1LimiOutSw	A56.J1:14	20.1
					I_SldO1LimitInSe	A56.J1:11	20.1
					I_SldO1OpenSw	A56.J1:9	20.1
					I_SldO1PBrakeSw	A56.J1:12	20.1
					I_SldO1VacPrSe	A56.J1:13	

MULTIPLEX OUTPUT LIST

O_xx... = Physical Output Pin ; I_xx... = Physical Input Pin ; D_xx... = CAN Network Signal from the HVAC control Head ; B_xx.. = Multiplex system global Network Variable

Module.Pin#	Signal name		Page	Connected devices	Input involved		
A56.J1:21	O_SldO1SecuPinSo	Slide-Out 1 Security Pins	20.1		I_SldO1LimitInSe	A56.J1:11	20.1
					I_SldO1PBrakeSw	A56.J1:12	20.1
					I_SldO2LimitInSe	A57.J1:11	20.1
					I_SldO2PBrakeSw	A57.J1:12	20.1
					I_SldO3LimitInSe	A58.J1:11	
					I_SldO3PBrakeSw	A58.J1:12	
					I_SldO4LimitInSe	A59.J1:11	
					I_SldO4PBrakeSw	A59.J1:12	
A56.J1:3	O_SldO1RemoteLed	Slide_Out 1 Remote Led	20.1	SwSo1.A:2	I_BatMonMod56	A56.J1:24	6.1
					I_SldO1CloseSw	A56.J1:10	
					I_SldO1LimiOutSw	A56.J1:14	20.1
					I_SldO1LimitInSe	A56.J1:11	20.1
					I_SldO1OpenSw	A56.J1:9	20.1
					I_SldO1PBrakeSw	A56.J1:12	20.1
					I_SldO1Supply5v	A56.J1:15	20.1
					I_SldO1VacPrSe	A56.J1:13	
A56.J1:4	O_SldO1SealInfSo	Slide_Out 1 Seal Inflating Valve	20.1	SoSo5.A:1	I_SldO1CloseSw	A56.J1:10	
					I_SldO1LimiOutSw	A56.J1:14	20.1
					I_SldO1LimitInSe	A56.J1:11	20.1
					I_SldO1OpenSw	A56.J1:9	20.1
A56.J1:5	O_SldO1SealDefSo	Slide_Out 1 Seal Deflating Valve	20.1	SoSo1.A:1	I_BatMonMod56	A56.J1:24	6.1
					I_SldO1CloseSw	A56.J1:10	
					I_SldO1LimiOutSw	A56.J1:14	20.1
					I_SldO1LimitInSe	A56.J1:11	20.1
					I_SldO1OpenSw	A56.J1:9	20.1
					I_SldO1PBrakeSw	A56.J1:12	20.1
A56.J1:6	O_SldO1VaccGenSo	Slide_Out 1 Seal Vaccum Generator	20.1	SoSo2:1	I_BatMonMod56	A56.J1:24	6.1
					I_BatMonMod57	A57.J1:24	6.1
					I_BatMonMod58	A58.J1:24	
					I_BatMonMod59	A59.J1:24	
					I_SldO1CloseSw	A56.J1:10	
					I_SldO1LimiOutSw	A56.J1:14	20.1
					I_SldO1LimitInSe	A56.J1:11	20.1
					I_SldO1OpenSw	A56.J1:9	20.1
					I_SldO1PBrakeSw	A56.J1:12	20.1
					I_SldO2CloseSw	A57.J1:10	
					I_SldO2LimiOutSw	A57.J1:14	20.1
					I_SldO2LimitInSe	A57.J1:11	20.1
					I_SldO2OpenSw	A57.J1:9	20.1
					I_SldO2PBrakeSw	A57.J1:12	20.1
					I_SldO3CloseSw	A58.J1:10	
					I_SldO3LimiOutSw	A58.J1:14	
					I_SldO3LimitInSe	A58.J1:11	

MULTIPLEX OUTPUT LIST

O_xx... = Physical Output Pin ; I_xx... = Physical Input Pin ; D_xx... = CAN Network Signal from the HVAC control Head ; B_xx.. = Multiplex system global Network Variable

Module.Pin#	Signal name		Page	Connected devices	Input involved		
A56.J1:6	O_SldO1VaccGenSo	Slide_Out 1 Seal Vaccum Generator	20.1	SoSo2:1	I_SldO3OpenSw	A58.J1:9	
					I_SldO3PBrakeSw	A58.J1:12	
					I_SldO4CloseSw	A59.J1:10	
					I_SldO4LimiOutSw	A59.J1:14	
					I_SldO4LimitInSe	A59.J1:11	
					I_SldO4OpenSw	A59.J1:9	
					I_SldO4PBrakeSw	A59.J1:12	
A56.J1:7	O_SldO1Motneg	Slide_Out 1 Motor -	20.1	RSO2.B:1	I_BatMonMod56	A56.J1:24	6.1
					I_SldO1CloseSw	A56.J1:10	
					I_SldO1LimiOutSw	A56.J1:14	20.1
					I_SldO1LimitInSe	A56.J1:11	20.1
					I_SldO1OpenSw	A56.J1:9	20.1
					I_SldO1PBrakeSw	A56.J1:12	20.1
					I_SldO1VacPrSe	A56.J1:13	
A57.J1:1	O_SldO2MoSpeedA	Slide-Out 2 Motor Speed Control A	20.1		I_BatMonMod57	A57.J1:24	6.1
					I_SldO1VacPrSe	A56.J1:13	
					I_SldO2CloseSw	A57.J1:10	
					I_SldO2LimiOutSw	A57.J1:14	20.1
					I_SldO2LimitInSe	A57.J1:11	20.1
					I_SldO2OpenSw	A57.J1:9	20.1
					I_SldO2PBrakeSw	A57.J1:12	20.1
A57.J1:2	O_SldO2MoSpeedB	Slide-Out 2 Motor Speed Control B	20.1		I_BatMonMod57	A57.J1:24	6.1
					I_SldO1VacPrSe	A56.J1:13	
					I_SldO2CloseSw	A57.J1:10	
					I_SldO2LimiOutSw	A57.J1:14	20.1
					I_SldO2LimitInSe	A57.J1:11	20.1
					I_SldO2OpenSw	A57.J1:9	20.1
					I_SldO2PBrakeSw	A57.J1:12	20.1
A57.J1:20	O_SldO2Motpos	Slide_Out 2 Motor +	20.1	RSO3.B:1	I_BatMonMod57	A57.J1:24	6.1
					I_SldO1VacPrSe	A56.J1:13	
					I_SldO2CloseSw	A57.J1:10	
					I_SldO2LimiOutSw	A57.J1:14	20.1
					I_SldO2LimitInSe	A57.J1:11	20.1
					I_SldO2OpenSw	A57.J1:9	20.1
					I_SldO2PBrakeSw	A57.J1:12	20.1
A57.J1:3	O_SldO2RemoteLed	Slide_Out 2 Remote Led	20.1	SwSo2.A:2	I_BatMonMod57	A57.J1:24	6.1
					I_SldO1VacPrSe	A56.J1:13	
					I_SldO2CloseSw	A57.J1:10	
					I_SldO2LimiOutSw	A57.J1:14	20.1
					I_SldO2LimitInSe	A57.J1:11	20.1
					I_SldO2OpenSw	A57.J1:9	20.1
					I_SldO2PBrakeSw	A57.J1:12	20.1
					I_SldO2Supply5v	A57.J1:15	20.1

MULTIPLEX OUTPUT LIST

O_xx... = Physical Output Pin ; I_xx... = Physical Input Pin ; D_xx... = CAN Network Signal from the HVAC control Head ; B_xx.. = Multiplex system global Network Variable

Module.Pin#	Signal name		Page	Connected devices	Input involved		
A57.J1:4	O_SldO2SealInfSo	Slide_Out 2 Seal Inflating Valve	20.1		I_SldO2CloseSw	A57.J1:10	
					I_SldO2LimiOutSw	A57.J1:14	20.1
					I_SldO2LimitInSe	A57.J1:11	20.1
					I_SldO2OpenSw	A57.J1:9	20.1
A57.J1:5	O_SldO2SealDefSo	Slide_Out 2 Seal Deflating Valve	20.1	SoSo3:1	I_BatMonMod57	A57.J1:24	6.1
					I_SldO2CloseSw	A57.J1:10	
					I_SldO2LimiOutSw	A57.J1:14	20.1
					I_SldO2LimitInSe	A57.J1:11	20.1
					I_SldO2OpenSw	A57.J1:9	20.1
					I_SldO2PBrakeSw	A57.J1:12	20.1
A57.J1:7	O_SldO2Motneg	Slide_Out 2 Motor -	20.1	RSo4.B:1	I_BatMonMod57	A57.J1:24	6.1
					I_SldO1VacPrSe	A56.J1:13	
					I_SldO2CloseSw	A57.J1:10	
					I_SldO2LimiOutSw	A57.J1:14	20.1
					I_SldO2LimitInSe	A57.J1:11	20.1
					I_SldO2OpenSw	A57.J1:9	20.1
					I_SldO2PBrakeSw	A57.J1:12	20.1
A58.J1:1	O_SldO3MoSpeedA				I_BatMonMod58	A58.J1:24	
					I_SldO1VacPrSe	A56.J1:13	
					I_SldO3CloseSw	A58.J1:10	
					I_SldO3LimiOutSw	A58.J1:14	
					I_SldO3LimitInSe	A58.J1:11	
					I_SldO3OpenSw	A58.J1:9	
					I_SldO3PBrakeSw	A58.J1:12	
A58.J1:2	O_SldO3MoSpeedB				I_BatMonMod58	A58.J1:24	
					I_SldO1VacPrSe	A56.J1:13	
					I_SldO3CloseSw	A58.J1:10	
					I_SldO3LimiOutSw	A58.J1:14	
					I_SldO3LimitInSe	A58.J1:11	
					I_SldO3OpenSw	A58.J1:9	
					I_SldO3PBrakeSw	A58.J1:12	
A58.J1:20	O_SldO3Motpos				I_BatMonMod58	A58.J1:24	
					I_SldO1VacPrSe	A56.J1:13	
					I_SldO3CloseSw	A58.J1:10	
					I_SldO3LimiOutSw	A58.J1:14	
					I_SldO3LimitInSe	A58.J1:11	
					I_SldO3OpenSw	A58.J1:9	
					I_SldO3PBrakeSw	A58.J1:12	
A58.J1:3	O_SldO3RemoteLed				I_BatMonMod58	A58.J1:24	
					I_SldO1VacPrSe	A56.J1:13	
					I_SldO3CloseSw	A58.J1:10	
					I_SldO3LimiOutSw	A58.J1:14	
					I_SldO3LimitInSe	A58.J1:11	

MULTIPLEX OUTPUT LIST

O_xx... = Physical Output Pin ; I_xx... = Physical Input Pin ; D_xx... = CAN Network Signal from the HVAC control Head ; B_xx.. = Multiplex system global Network Variable

Module.Pin#	Signal name	Page	Connected devices	Input involved	
A58.J1:3	O_SldO3RemoteLed			I_SldO3OpenSw	A58.J1:9
				I_SldO3PBrakeSw	A58.J1:12
				I_SldO3Supply5v	A58.J1:15
A58.J1:4	O_SldO3SeallnfSo			I_SldO3CloseSw	A58.J1:10
				I_SldO3LimiOutSw	A58.J1:14
				I_SldO3LimitInSe	A58.J1:11
				I_SldO3OpenSw	A58.J1:9
A58.J1:5	O_SldO3SealDefSo			I_BatMonMod58	A58.J1:24
				I_SldO3CloseSw	A58.J1:10
				I_SldO3LimiOutSw	A58.J1:14
				I_SldO3LimitInSe	A58.J1:11
				I_SldO3OpenSw	A58.J1:9
A58.J1:7	O_SldO3Motneg			I_SldO3PBrakeSw	A58.J1:12
				I_BatMonMod58	A58.J1:24
				I_SldO1VacPrSe	A56.J1:13
				I_SldO3CloseSw	A58.J1:10
				I_SldO3LimiOutSw	A58.J1:14
				I_SldO3LimitInSe	A58.J1:11
A59.J1:1	O_SldO4MoSpeedA			I_SldO3OpenSw	A58.J1:9
				I_SldO3PBrakeSw	A58.J1:12
				I_BatMonMod59	A59.J1:24
				I_SldO1VacPrSe	A56.J1:13
				I_SldO4CloseSw	A59.J1:10
				I_SldO4LimiOutSw	A59.J1:14
				I_SldO4LimitInSe	A59.J1:11
A59.J1:2	O_SldO4MoSpeedB			I_SldO4OpenSw	A59.J1:9
				I_SldO4PBrakeSw	A59.J1:12
				I_BatMonMod59	A59.J1:24
				I_SldO1VacPrSe	A56.J1:13
				I_SldO4CloseSw	A59.J1:10
				I_SldO4LimiOutSw	A59.J1:14
				I_SldO4LimitInSe	A59.J1:11
A59.J1:20	O_SldO4MotPos			I_SldO4OpenSw	A59.J1:9
				I_SldO4PBrakeSw	A59.J1:12
				I_BatMonMod59	A59.J1:24
				I_SldO1VacPrSe	A56.J1:13
				I_SldO4CloseSw	A59.J1:10
				I_SldO4LimiOutSw	A59.J1:14
A59.J1:3	O_SldO4RemoteLed			I_SldO4LimitInSe	A59.J1:11
				I_SldO4OpenSw	A59.J1:9
				I_SldO4PBrakeSw	A59.J1:12
				I_BatMonMod59	A59.J1:24
				I_SldO1VacPrSe	A56.J1:13

MULTIPLEX OUTPUT LIST

O_xx... = Physical Output Pin ; I_xx... = Physical Input Pin ; D_xx... = CAN Network Signal from the HVAC control Head ; B_xx.. = Multiplex system global Network Variable

Module.Pin#	Signal name	Page	Connected devices	Input involved
A59.J1:3	O_SldO4RemoteLed			I_SldO4CloseSw A59.J1:10
				I_SldO4LimiOutSw A59.J1:14
				I_SldO4LimitInSe A59.J1:11
				I_SldO4OpenSw A59.J1:9
				I_SldO4PBrakeSw A59.J1:12
				I_SldO4Supply5v A59.J1:15
A59.J1:4	O_SldO4SealInfSo			I_SldO4CloseSw A59.J1:10
				I_SldO4LimiOutSw A59.J1:14
				I_SldO4LimitInSe A59.J1:11
				I_SldO4OpenSw A59.J1:9
A59.J1:5	O_SldO4SealDefSo			I_BatMonMod59 A59.J1:24
				I_SldO4CloseSw A59.J1:10
				I_SldO4LimiOutSw A59.J1:14
				I_SldO4LimitInSe A59.J1:11
				I_SldO4OpenSw A59.J1:9
				I_SldO4PBrakeSw A59.J1:12
A59.J1:7	O_SldO4MotNeg			I_BatMonMod59 A59.J1:24
				I_SldO1VacPrSe A56.J1:13
				I_SldO4CloseSw A59.J1:10
				I_SldO4LimiOutSw A59.J1:14
				I_SldO4LimitInSe A59.J1:11
				I_SldO4OpenSw A59.J1:9

MULTIPLEX INPUT LIST

O_xx... = Physical Output Pin ; I_xx... = Physical Input Pin ; D_xx... = CAN Network Signal from the HVAC control Head ; B_xx... = Multiplex system global Network Variable

Module.Pin#	Signal name		Page	Connected devices
A36.JB:13	I_BrkLtSeFrSig	Brake Lights Sensor	12.1	
A36.JB:2	I_IgnKeySw	Ignition Key switch	3.2	
A36.JB:21	I_RrCutOutSw	Rear Junction Box CutOut Switch	3.2	
A36.JB:22	I_FrEngStaSw	Front Engine Start Switch	3.2	
A36.JB:23	I_FireExt1stAl		35.1	A130:3
A36.JB:4	I_HazardSw	Hazard Switch	26.1	Sw4:3
A36.JB:5	I_WakeUp	Wake up signal (Fire alarm, horn, keyless module)	9.1	A41.J1:16
A36.JB:6	I_AccKeySw	Accessories Key switch	3.2	
A36.JB:9	I_ParkBrSe	Paking Brake Sensor	12.1	
A41.J1:10	I_FireSensorA36	Fire Sensor On A36	9.1	
A41.J1:17	I_LugDorLkSw	Luggage Door Lock Switch	24.2	
A41.J1:18	I_KeylessLuggUnl	Keyless luggages doors unlock signal	29.1	A31.B:11
A41.J1:19	I_KeylessLockAll	Keyless lock all doors signal	29.1	A31.B:22
A41.J1:2	I_DrvLtSw	Driver Light Switch	19.1	Sw24:3
A41.J1:20	I_LugDorULkSw	Luggage Door Unlock Switch	24.2	
A41.J1:21	I_KeylessEntReq		29.1	A31.B:10
A41.J1:3	I_HornSw	Horn Switch	9.1	A103:5
A41.J1:4	I_KeylessDrUnl	Keyless door unlock signal	29.1	A31.A:1
A41.J1:5	I_EntDorOpSe	Entrance Door Open Sensor	29.1	D73.A:1
A41.J1:6	I_KeylessPanic	Keyless panic button signal	29.1	A31.B:8
A41.J1:7	I_KeylessIntru	Keyless intrusion signal	29.1	A31.B:9
A41.J1:8	I_EntDrUnlockSw	Entrance door unlock switch	29.1	Sw104:4
A41.J1:9	I_EntDorLockSw	VIP Entrance Door Lock Switch	29.1	Sw104:6
A42.J1:20	I_SwitchOption		18.2	Sw305:4
A42.J1:21	I_SwitchOption2		18.2	Sw305:3
A42.J1:7	I_LevelLowSw	Level low switch	28.1	
A42.J1:8	I_LwWipIntSw	Lower Wiper Intermitant Switch	31.1	Sw1.C258:7
A43.J1:17	I_FJBLtSw	Front Junction Box Door Open	25.1	
A43.J1:19	I_TgAxlSw	Tag Axle Switch	28.1	Sw64.B:1
A43.J1:20	I_BlinkSw	Courtesy Blink Switch	26.1	Sw1.C258:5
A43.J1:3	I_HiBeamCallSw	Hi/Low Beam Switch	26.1	Sw1.C259:4
A43.J1:4	I_HdLtPos1Sw	Head Light Switch Position Markers	26.1	
A43.J1:6	I_RevAlrmSw	Reverse alarm switch	26.3	
A43.J1:7	I_HornSelectSw	Horn Select switch	9.1	Sw63A:3
A43.J1:8	I_HdLtHiLowBmSw	Head Lights High and Low Beam Switch	26.1	Sw1.C258:8
A43.J1:9	I_DiffLockSw	Differential lock switch	23.1	Shrk152
A44.J1:10	I_FireExt2ndAlm			
A45.J1:12	I_HdLtPos2SwLH	Head Light Switch Beam Position 2 LH	26.1	
A45.J1:24	I_BatMonMod45		6.1	A45.J1:28
A45.J1:9	I_LHFIsHsw	Left Hand Flasher Switch	26.1	
A46.J1:24	I_BatMonMod46		6.1	A46.J1:26
A46.J1:9	I_LwWshSw	Lower Wiper Washer Switch	31.1	Sw1.C258:6
A47.J1:10	I_DefrostHighSw	Passenger defrost speed increase switch		

MULTIPLEX INPUT LIST

O_xx... = Physical Output Pin ; I_xx... = Physical Input Pin ; D_xx... = CAN Network Signal from the HVAC control Head ; B_xx... = Multiplex system global Network Variable

Module.Pin#	Signal name		Page	Connected devices
A47.J1:11	I_CoilTherSe	Coil sensing thermostat	18.1	Se52.A:1
A47.J1:12	I_DefrostLowSw	Passenger defrost speed decrease switch	18.1	Sw122:4
A47.J1:24	I_BatMonMod47		6.1	A47.J1:27
A48.J1:10	I_HdLtPos2SwRH	Head Light Switch Beam Position 2 RH		
A48.J1:12	I_RHFlshSw	Right Hand Flasher Switch	26.1	
A48.J1:24	I_BatMonMod48		6.1	A48.J1:28
A49.J1:17	I_RJBLtSw	Rear Junction Light Switch		
A49.J1:2	I_WdoOpenSe	Passenger Window Open Sensor	27.1	
A49.J1:3	I_AcDorOpSe	Condensor Door Open Switch		
A49.J1:4	I_LuggDoorSw	Luggage Door Switch		
A49.J1:7	I_Alt3Voltage			
A49.J1:8	I_Alt1Voltage		3.2	Alt1D.C:2
A49.J1:9	I_Alt2Voltage		3.2	Alt2D.C:2
A50.J1:11	I_NeutralSe	Neutral Signal Sensor	15.1	A1:41
A50.J1:12	I_RetdrSig	Retarder Signal	15.1	A1:24
A51.J1:10	I_BrkLtSeRrSig	Brake Lights Sensor		
A51.J1:12	I_RHFlshSwRrSig	RH FlasherSwitch Rear Signal	26.2	
A51.J1:24	I_BatMonMod51			
A51.J1:9	I_LHFlshSwRrSig	LH FlasherSwitch Rear Signal	26.2	
A52.J1:10	I_RrStrtEnSw	Rear Start Enable Switch		
A52.J1:11	I_EngStaRrSw	Engine Start Rear Switch	3.2	Sw59:B
A52.J1:12	I_EngDoorSe	Engine Door Sensor	25.1	
A52.J1:13	I_AcPresHiSse	Ac Pressure High Side Sensor	18.2	
A52.J1:14	I_AcPresLoSse	Ac Pressure Low Side Sensor	18.2	
A52.J1:9	I_FrStrtEnSw	Front Start Enable Switch	3.2	Sw58:3
A54.J1:24	I_BatMonMod54		6.1	A54.J1:29
A55.J1:1	I_DrvTempSe	Driver Temperature sensor	18.1	Se21:2
A55.J1:10	I_RetarderSel	Retarder Selected	12.1	Sw16:3
A55.J1:17	I_BackUpCamSw	Back up camera switch		
A55.J1:18	I_UpWshSw	Upper Washer Wiper Switch		
A55.J1:19	I_HeadLmpWshSw		31.1	Sw6:4
A55.J1:20	I_UpWipIntSw	Upper Wiper Intermitant Switch		
A55.J1:21	I_UpWipSw	Upper Wiper Switch		
A55.J1:6	I_FogLightSw	Fog Lights Switch	26.3	Sw3:3
A55.J1:7	I_DockingLtSw	Docking Lights Switch	26.3	Sw99:3
A55.J1:8	I_CorneringLtSw	Cornering Light Switch	26.3	Sw99:1
A55.J1:9	I_LowDockLtsSw	Low docking lights switch	26.3	Sw102:3
A56.J1:10	I_SldO1CloseSw	Slide-Out 1 Close Sw		
A56.J1:11	I_SldO1LimitInSe	Slide-Out 1 Limit In Detection Sw	20.1	SESO2.A:2
A56.J1:12	I_SldO1PBrakeSw	Slide-Out 1 Parking Brake Sw	20.1	
A56.J1:13	I_SldO1VacPrSe	Slide-Out 1 Vaccum Pressure Transducer		
A56.J1:14	I_SldO1LimiOutSw	Slide-Out 1 Limit Out Detection Sw	20.1	SESO3.A:2
A56.J1:15	I_SldO1Supply5v	Slide Out 1 5v Supply	20.1	

MULTIPLEX INPUT LIST

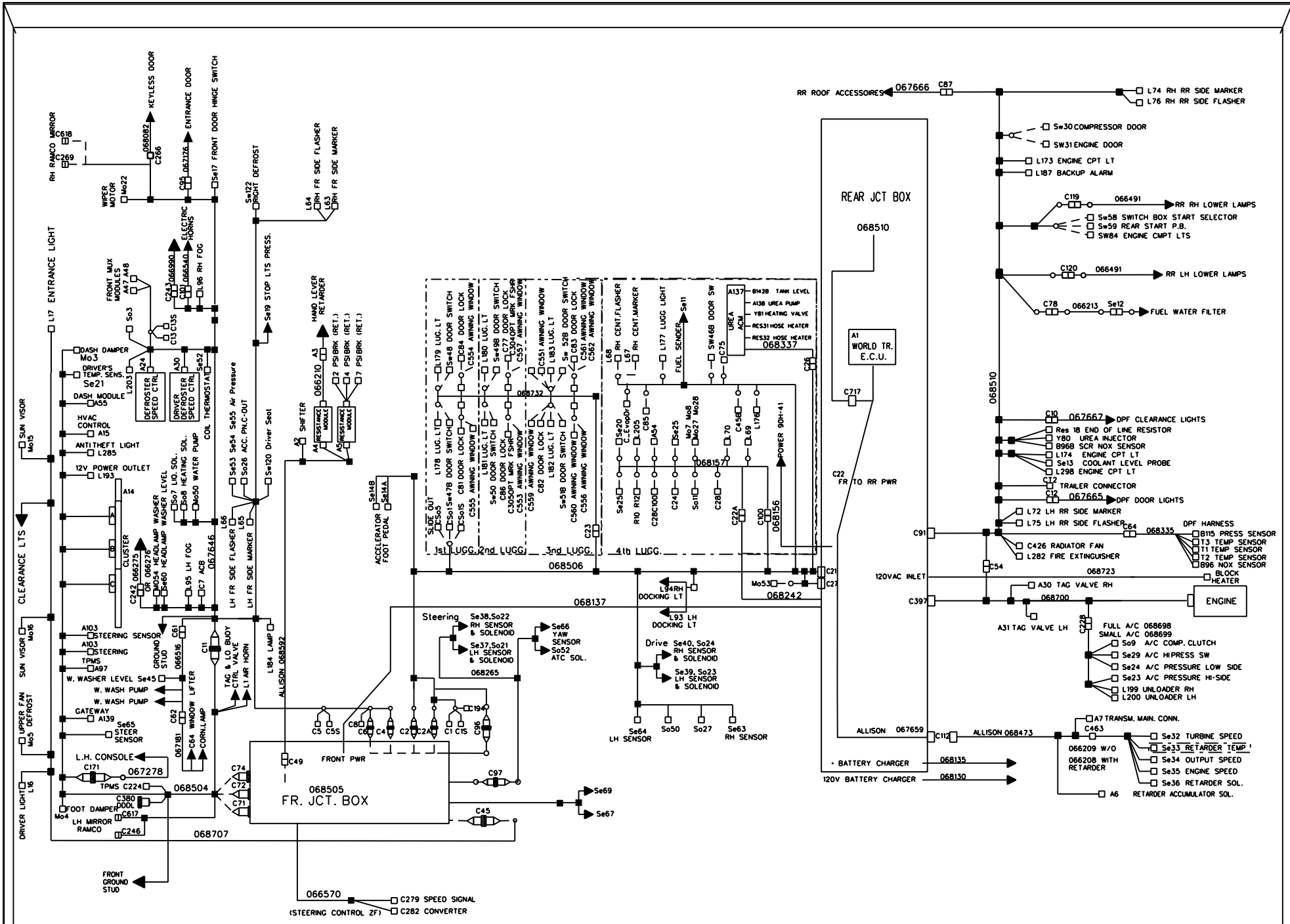
O_xx... = Physical Output Pin ; I_xx... = Physical Input Pin ; D_xx... = CAN Network Signal from the HVAC control Head ; B_xx... = Multiplex system global Network Variable

Module.Pin#	Signal name		Page	Connected devices
A56.J1:24	I_BatMonMod56		6.1	A56.J1:27
A56.J1:9	I_SldO1OpenSw	Slide-Out 1 Open Sw	20.1	SwSo1.A:5
A57.J1:10	I_SldO2CloseSw	Slide-Out 2 Close Sw		
A57.J1:11	I_SldO2LimitInSe	Slide-Out 2 Limit In Detection Sw	20.1	SES05.A:2
A57.J1:12	I_SldO2PBrakeSw	Slide-Out 2 Parking Brake Sw	20.1	
A57.J1:14	I_SldO2LimiOutSw	Slide-Out 2 Limit Out Detection Sw	20.1	SES06.A:2
A57.J1:15	I_SldO2Supply5v	Slide Out 2 5v Supply	20.1	
A57.J1:24	I_BatMonMod57		6.1	A57.J1:29
A57.J1:9	I_SldO2OpenSw	Slide-Out 2 Open Sw	20.1	SwSo2.A:5
A58.J1:10	I_SldO3CloseSw			
A58.J1:11	I_SldO3LimitInSe			
A58.J1:12	I_SldO3PBrakeSw			
A58.J1:14	I_SldO3LimiOutSw			
A58.J1:15	I_SldO3Supply5v	Slide Out 3 Power Supply		
A58.J1:24	I_BatMonMod58			
A58.J1:9	I_SldO3OpenSw			
A59.J1:10	I_SldO4CloseSw			
A59.J1:11	I_SldO4LimitInSe			
A59.J1:12	I_SldO4PBrakeSw			
A59.J1:14	I_SldO4LimiOutSw			
A59.J1:15	I_SldO4Supply5v	Slide Out 1 5v Supply		
A59.J1:24	I_BatMonMod59			
A59.J1:9	I_SldO4OpenSw			

MULTIPLEX ERROR MESSAGES LIST

FMI 3 = Shorted High ; FMI 4 = Shorted Low ; FMI 5 = Open Circuit ; FMI 6 = Current above Normal

Cluster message	SID/PSID	FMI	Module.Pin#	Page	Cluster message	SID/PSID	FMI	Module.Pin#	Page
A/C Pres HiSd	PSID #12	3, 4	A52.J1:13	18.2	FrStart Enable Sw	PSID #56	3, 4	A52.J1:9	3.2
A/C Pres LoSd	PSID #13	3, 4	A52.J1:14	18.2	Hazard Switch	PSID #138	3, 4	A36.JB:4	26.1
Aux AC fan	SID #39	3, 4, 6	A46.J1:1		Hd Light Call	PSID #140	3, 4	A43.J1:3	26.1
Aux Refr sol	SID #46	3, 4, 5, 6	A46.J1:8		HdLamp Wsh Pmp	SID #48	3, 4, 5, 6	A46.J1:21	31.1
Backup Light &	PSID #167	3, 4, 6	A50.J1:20	26.3	Head Lights Pos1	PSID #143	3, 4	A43.J1:4	26.1
Battery Equalizer	SID #61	3, 4	A45.J1:12	26.1	Hi Low Beam	SID #62	3, 4	A43.J1:8	26.1
Blinker Sw	PSID #139	3, 4	A43.J1:20	26.1	High Beam LH	PSID #141	3, 4, 5, 6	A45.J1:6	26.1
Brk Lts Sens	PSID #119	3, 4	A36.JB:13	12.1	High Beam RH	PSID #145	3, 4, 5, 6	A48.J1:3	26.1
Ceiling Door Lt	PSID #108	3, 4, 5, 6	A47.J1:8	29.1	Horn	PSID #83	3, 4, 6	A43.J1:13	9.1
Center Flash LH	PSID #124	3, 4, 6	A50.J1:5	26.2	LH Corner Lts	PSID #120	3, 4, 5, 6	A45.J1:5	26.3
Center Flash RH	PSID #125	3, 4, 6	A50.J1:7	26.2	LH Docking Light	PSID #122	3, 4, 5, 6	A51.J1:4	26.3
Center Mkr	PSID #27	3, 4, 6	A50.J1:8	26.2	Low Beam LH	PSID #142	3, 4, 5, 6	A45.J1:7	26.1
Cond Rly spd1	PSID #41	3, 4, 5, 6	A54.J1:5	18.2	Low Beam RH	PSID #146	3, 4, 5, 6	A48.J1:4	26.1
Condensor Door Sw	PSID #7	3, 4	A49.J1:3		Lower Washer pmp	PSID #181	4, 6	A46.J1:3	31.1
Cornering Dash	PSID #200	3, 4	A55.J1:8	26.3	Lower Washer Sw	PSID #188	3, 4	A46.J1:9	31.1
Cyclope Lt	PSID #116	4, 6	A51.J1:7	26.2	Lower Wip Int	PSID #183	3, 4	A42.J1:8	31.1
Defr water Pmp	SID #41	3, 4	A47.J1:20	18.1	Lugg doors lock	SID #44	3, 4, 5, 6	A36.JA:7	24.2
Diff Lock sol	SID #36	3, 4, 6	A52.J1:4	23.1	Lugg doors unlk	SID #45	3, 4, 5, 6	A36.JA:6	24.2
Docking Dash Sw	PSID #40	3, 4	A55.J1:7	26.3	Park brak Sens	PSID #162	3, 4	A36.JB:9	12.1
Driver Def Fan	PSID #180	3, 4, 5, 6	A47.J1:1	18.1	Pass def fan	SID #38	3, 4, 5, 6	A47.J1:7	18.1
Driver heat Sol	PSID #16	3, 4, 5, 6	A46.J1:6	18.1	Pass Heat Sol	PSID #24	3, 4, 6	A54.J1:8	18.2
Driver Light Sw	PSID #104	3, 4, 5, 6	A47.J1:6	19.1	Pass Rfg Sol	PSID #23	3, 4, 5, 6	A54.J1:3	18.2
Driver Rfg Sol	PSID #29	3, 4, 5, 6	A46.J1:5	18.1	Pass. Wtr pump	PSID #17	4, 5, 6	A54.J1:4	18.2
Driver Sensor	PSID #28	3, 4, 5	A55.J1:1	18.1	Rear CutOut Sw	PSID #18	3, 4	A36.JB:21	3.2
Drv air Trap	SID #64	3, 4, 6	A44.J1:2	18.1	RearFlsh LH	PSID #131	3, 4, 6	A51.J1:21	26.2
Elec.Horn SW61	PSID #82		4 A41.J1:3	9.1	RearFlsh RH	PSID #132	3, 4, 6	A51.J1:3	26.2
Emergency Relay	PSID #44	3, 4, 5, 6	A36.JA:17	3.2	Retarder signal	PSID #164	3, 4	A50.J1:12	15.1
Engine Fan Spd1	PSID #53	3, 4, 5, 6	A52.J1:1	13.1	Rev lights	SID #43	3, 4, 6	A50.J1:3	26.3
Engine Fan Spd2	PSID #54	3, 4, 5, 6	A52.J1:2	13.1	RH Corner Light	PSID #121	3, 4, 5, 6	A48.J1:5	26.3
Evap Motor Rly	PSID #77	3, 4, 5, 6	A54.J1:7	18.2	RH Docking Light	PSID #123	3, 4, 5, 6	A51.J1:5	26.3
Fire Sensor	PSID #79	3, 4	A41.J1:10	9.1	Rr Clearance lights	PSID #151	3, 4, 6	A50.J1:4	26.2
Flash RH Sw	PSID #133	3, 4	A48.J1:12	26.1	Rr Start Sw	PSID #59	3, 4	A52.J1:11	3.2
Flasher LH	PSID #130	3, 4	A45.J1:9	26.1	RrStart Enable Sw	PSID #57	3, 4	A52.J1:10	
Fog's Lights LH	PSID #134	3, 4, 5, 6	A45.J1:4	26.3	Ser Brake Trans	SID #49	3, 4, 6	A51.J1:1	15.1
Fog's lights RH	PSID #136	3, 4, 5, 6	A48.J1:8	26.3	SldO 5v supply	SID #23		4 A56.J1:15	20.1
Foot trap	PSID #37	3, 4, 6	A45.J1:2	18.1	SldO Close Sw	SID #18	3, 4	A56.J1:10	
FR Clearance lights	PSID #137	3, 4, 6	A44.J1:8	26.1	SldO Limit In	SID #19	3, 4	A56.J1:11	20.1
Fr Flsh-Mkr LH	PSID #128	3, 4, 6	A45.J1:3	26.1	SldO Limit Out	SID #20	3, 4	A56.J1:14	20.1
Fr Side Flsh	PSID #10	3, 4, 6	A48.J1:20	26.1	SldO Mot Neg	SID #15	3, 4, 5, 6	A56.J1:7	20.1
Fr Start Sw	PSID #58	3, 4	A36.JB:22	3.2	SldO Mot Pos	SID #16	3, 4, 5, 6	A56.J1:20	20.1
Front Flash RH	PSID #126	3, 4, 6	A48.J1:6	26.1	SldO Mot SpeedA	SID #9	3, 6	A56.J1:1	20.1
FrontMkr Lts LH	PSID #148	3, 4, 6	A45.J1:21	26.1	SldO Mot SpeedB	SID #10	3, 6	A56.J1:2	20.1
FrontMkr Lts RH	PSID #149	3, 4, 6	A48.J1:21	26.1	SldO Open Sw	SID #17	3, 4	A56.J1:9	20.1



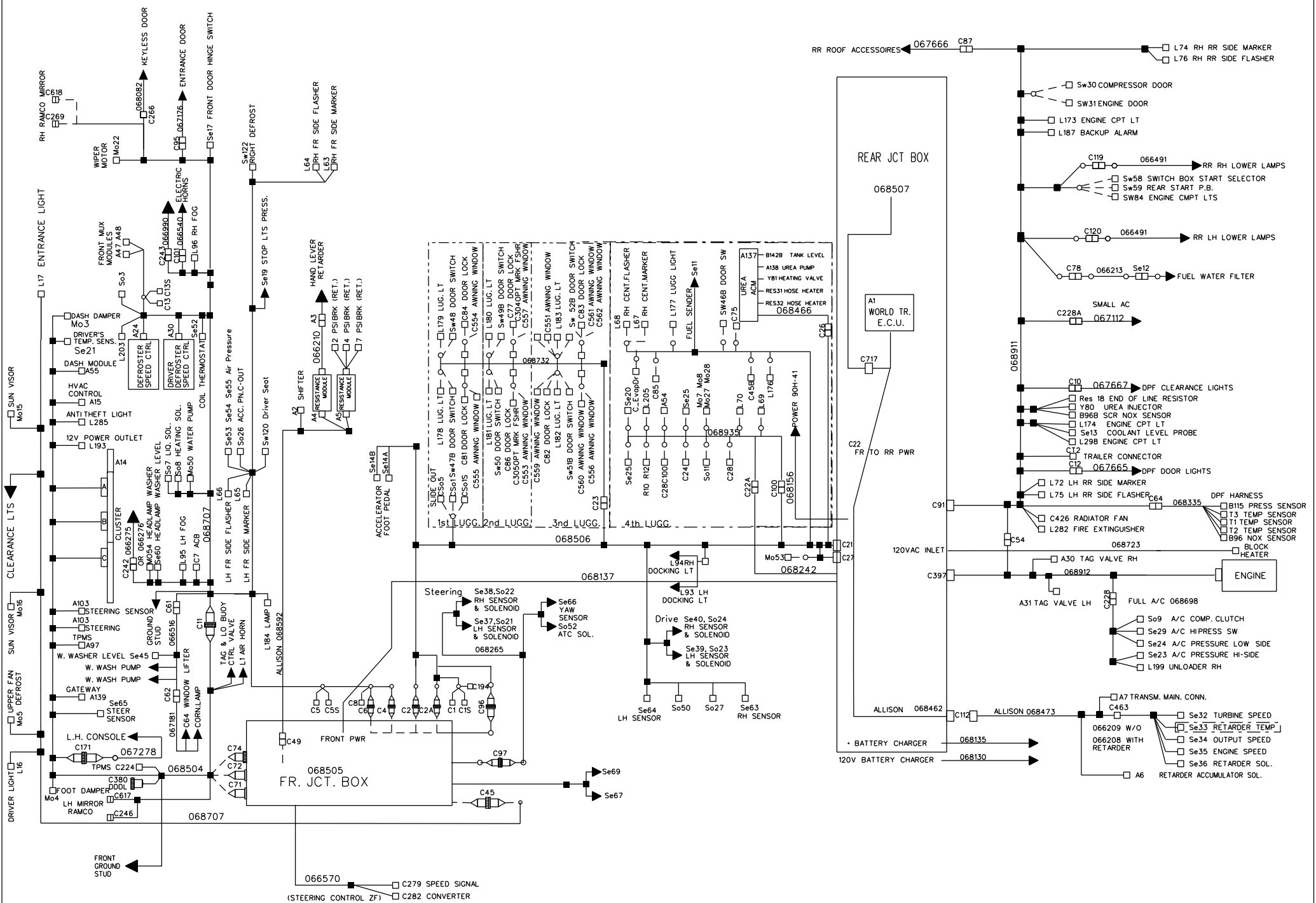
PREVOST

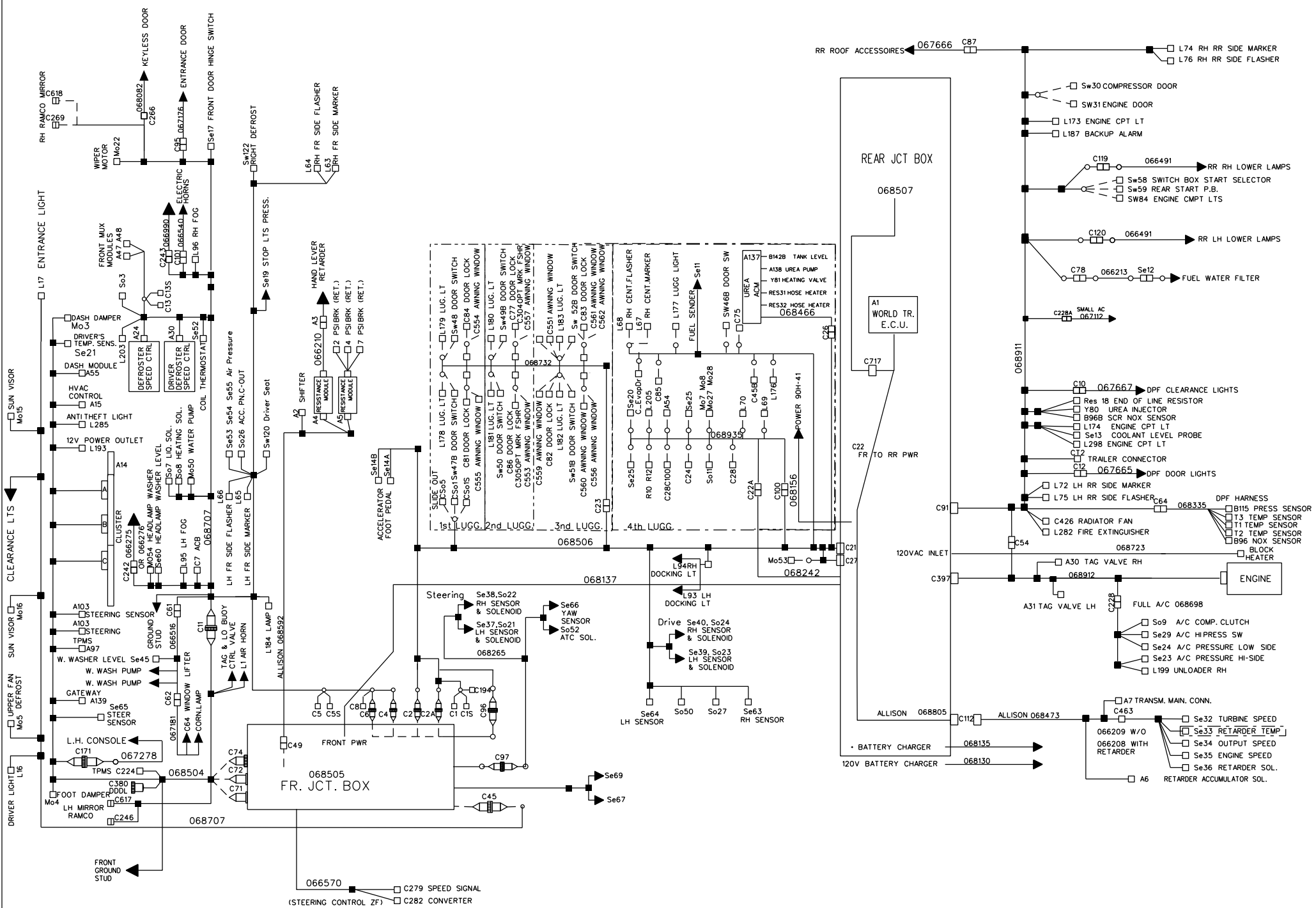
WIRING DIAGRAM

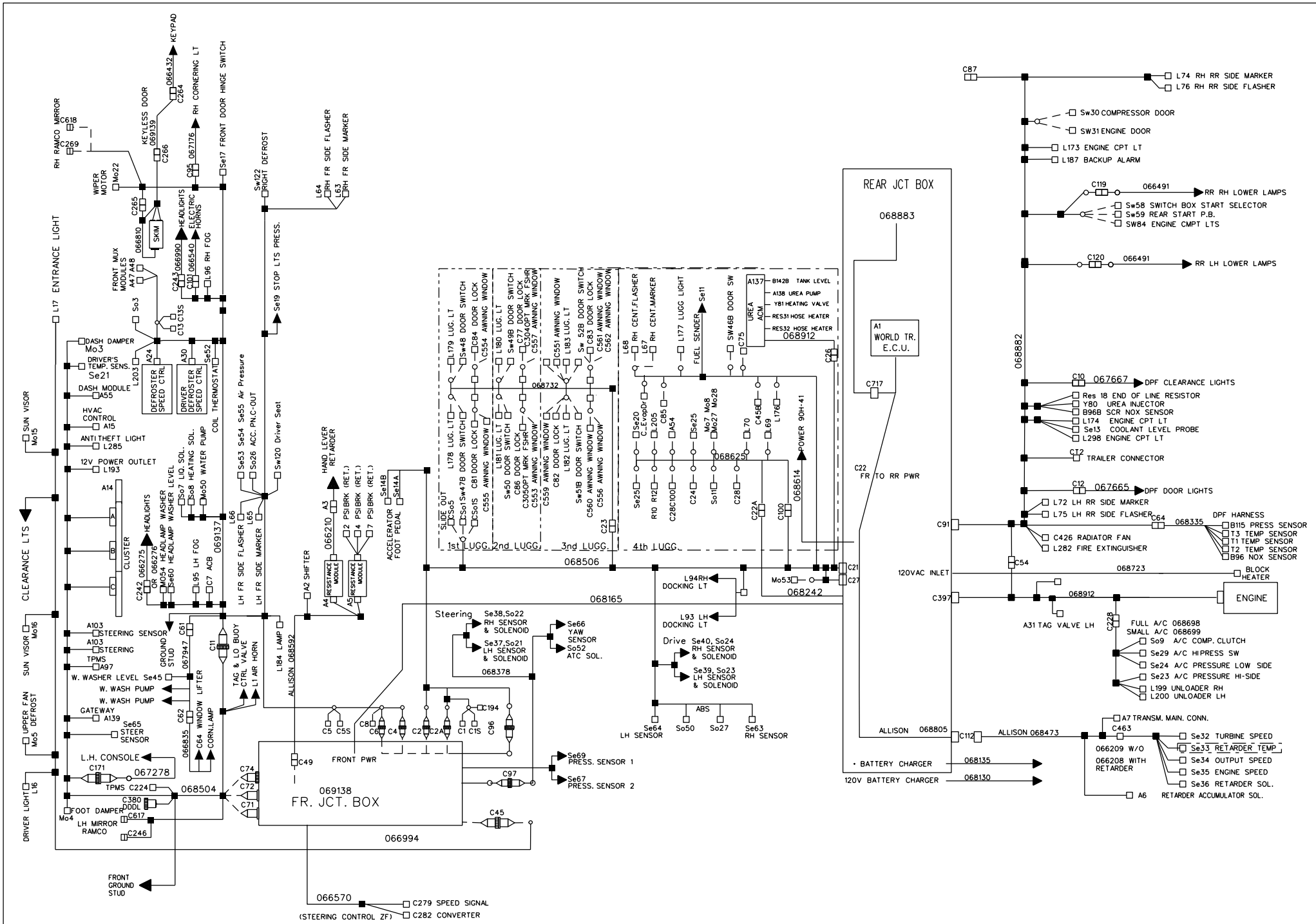
NO: D061370

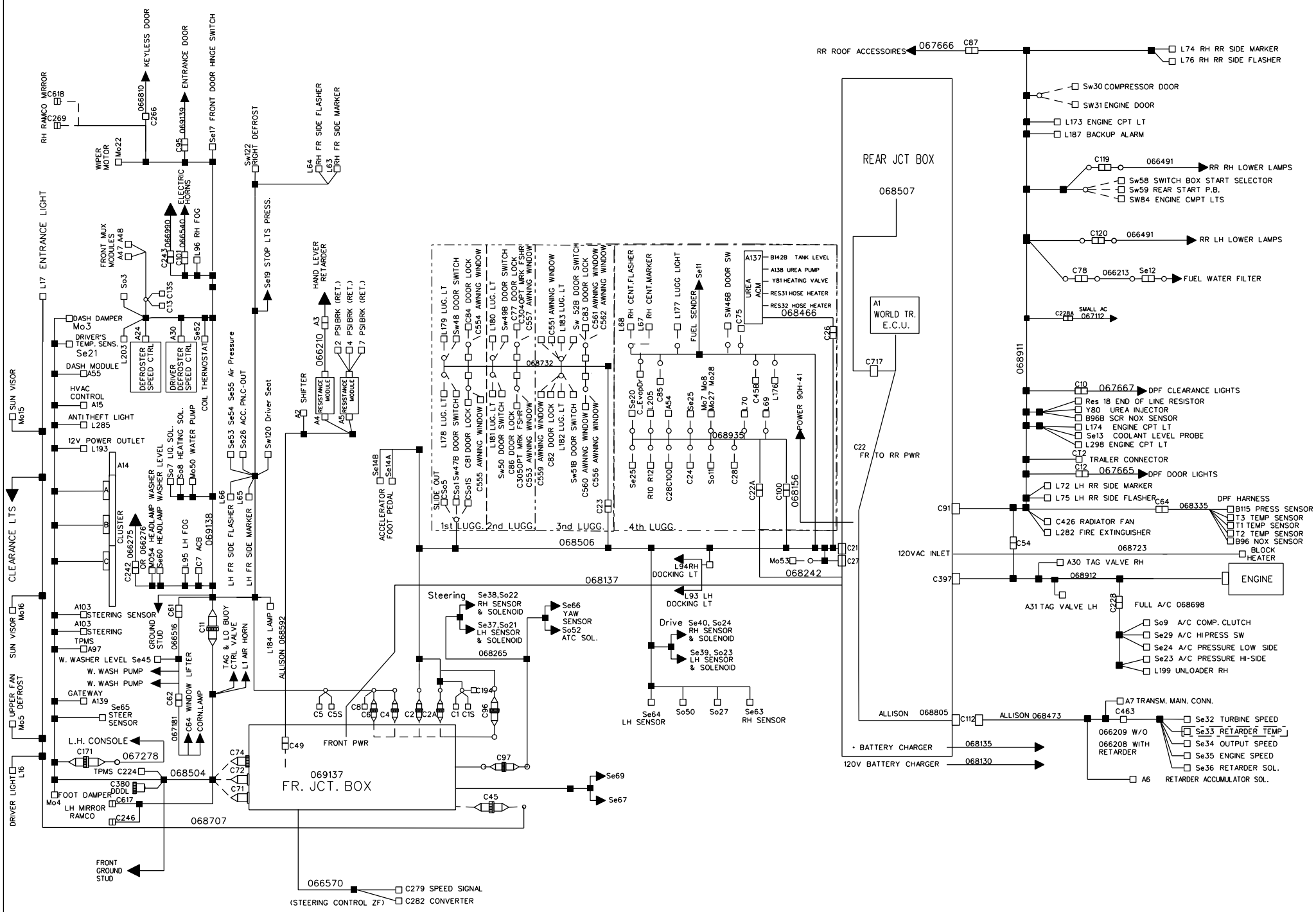
PAGE: C1

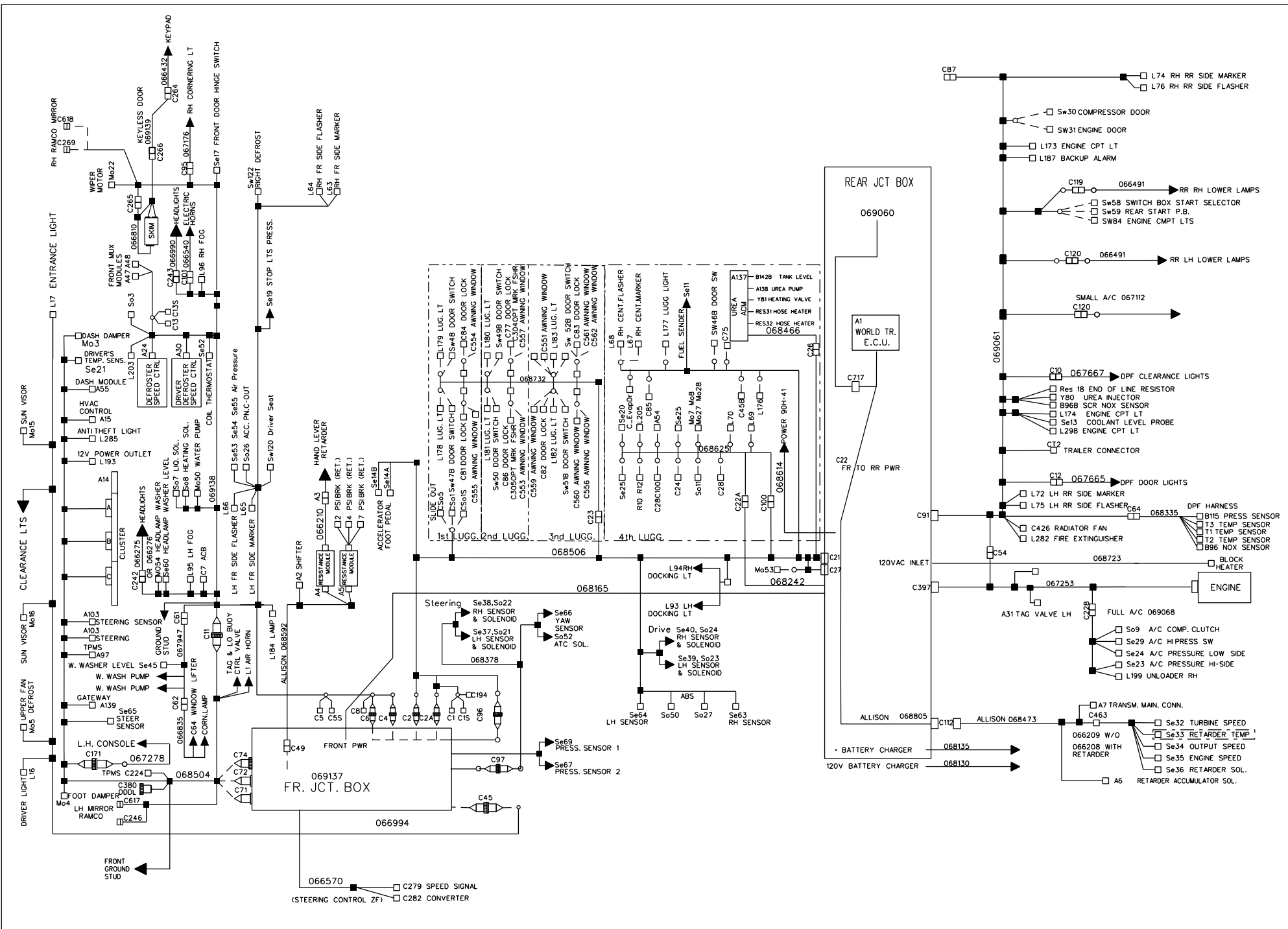
REVISION 0

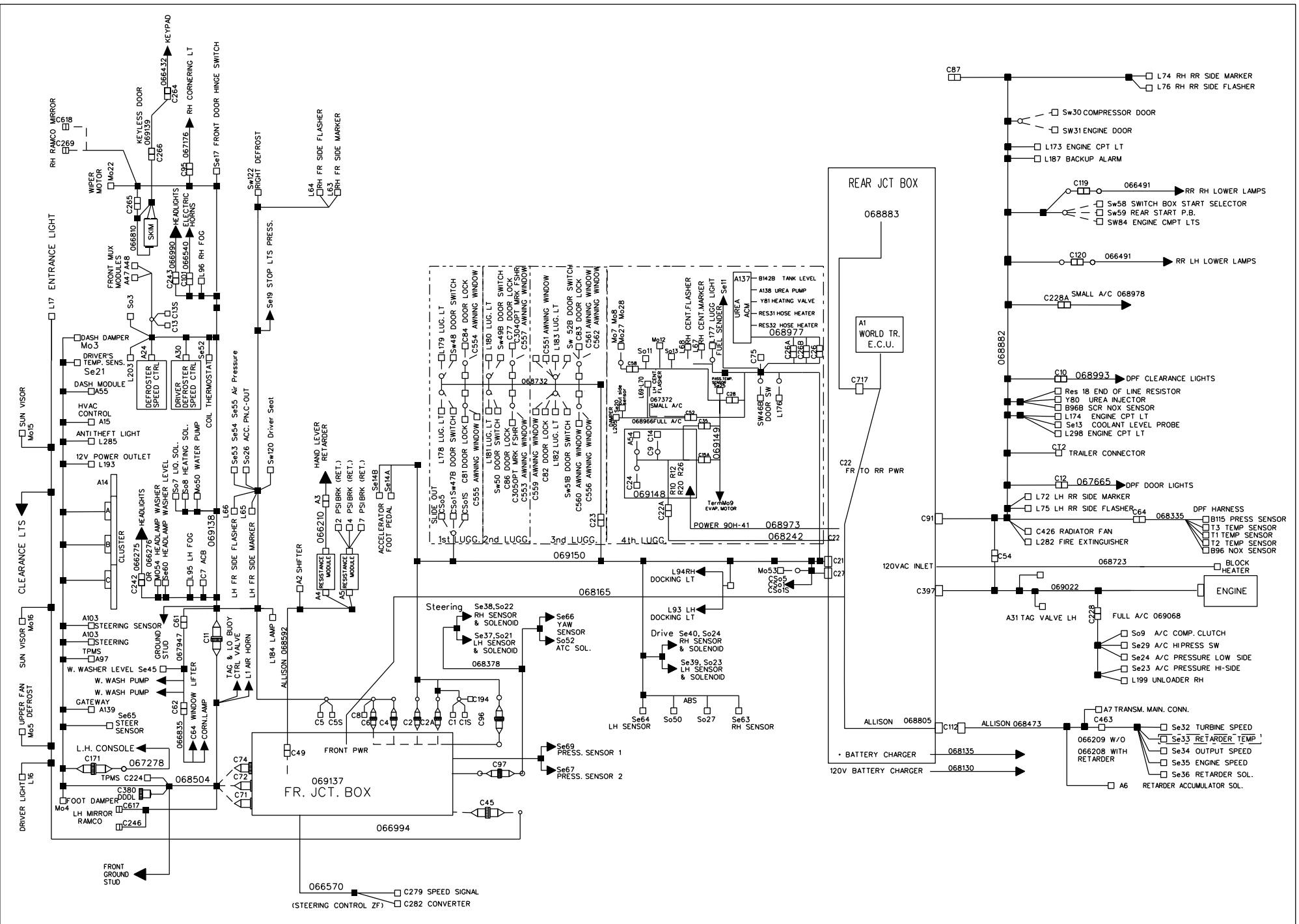


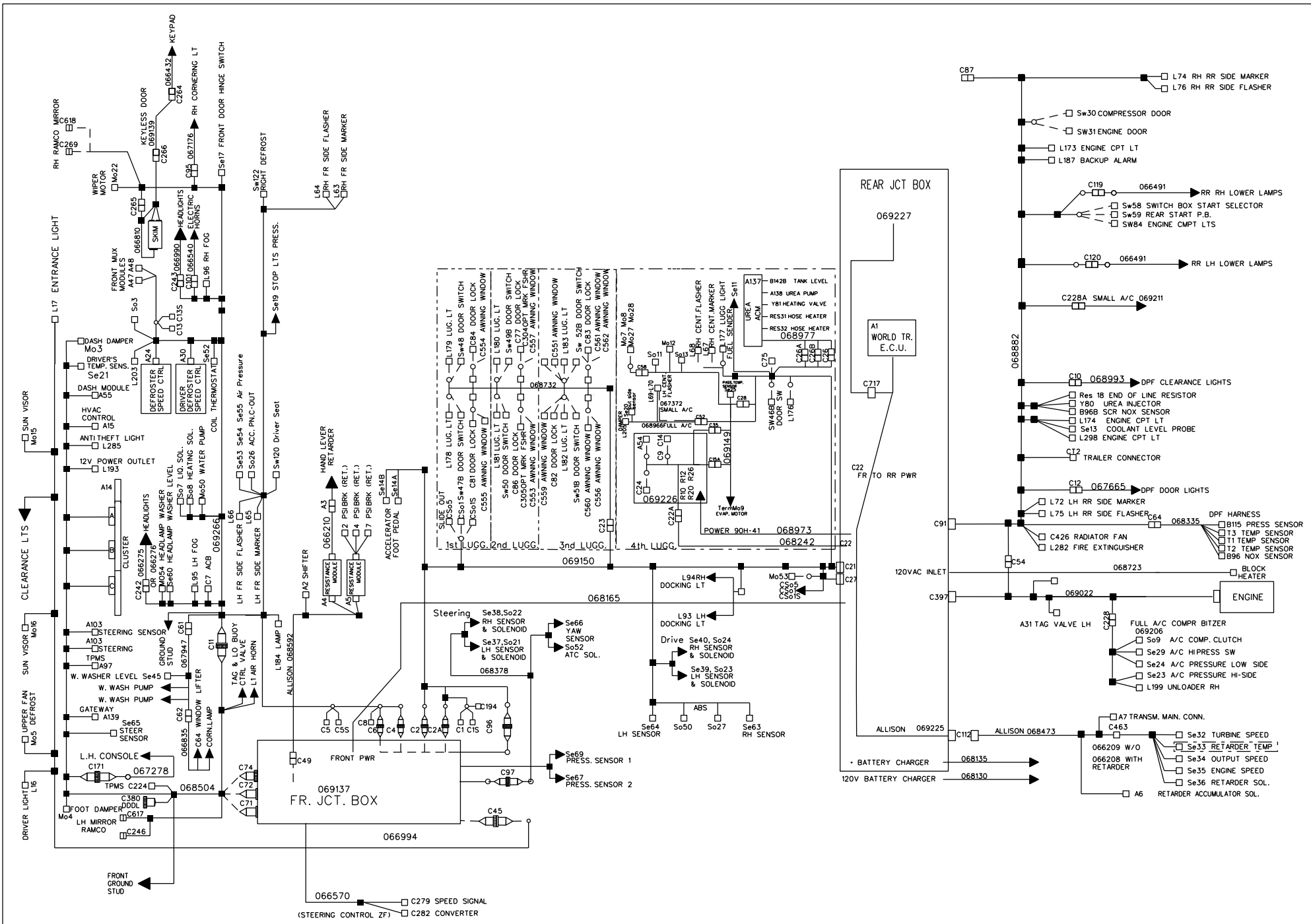


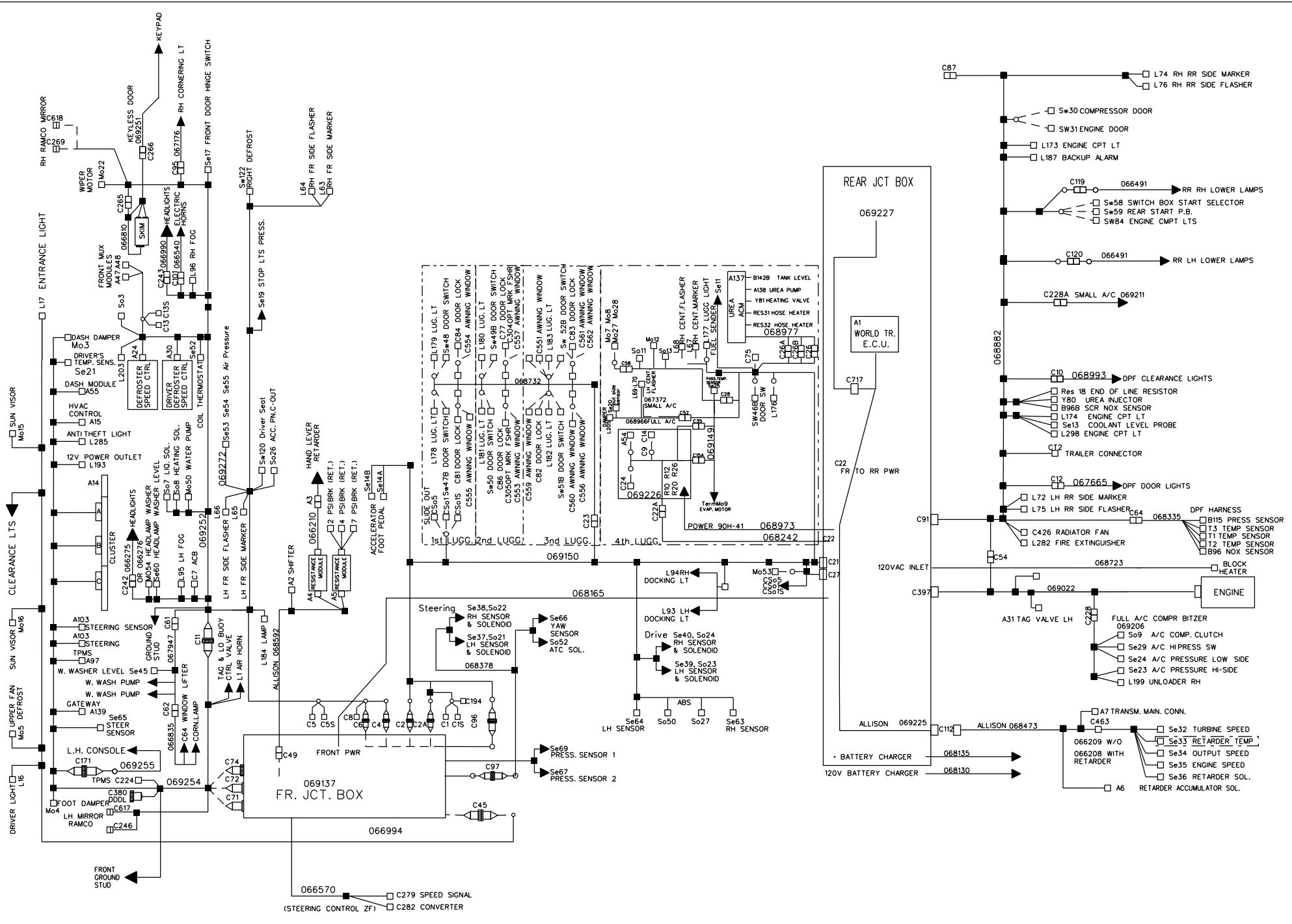


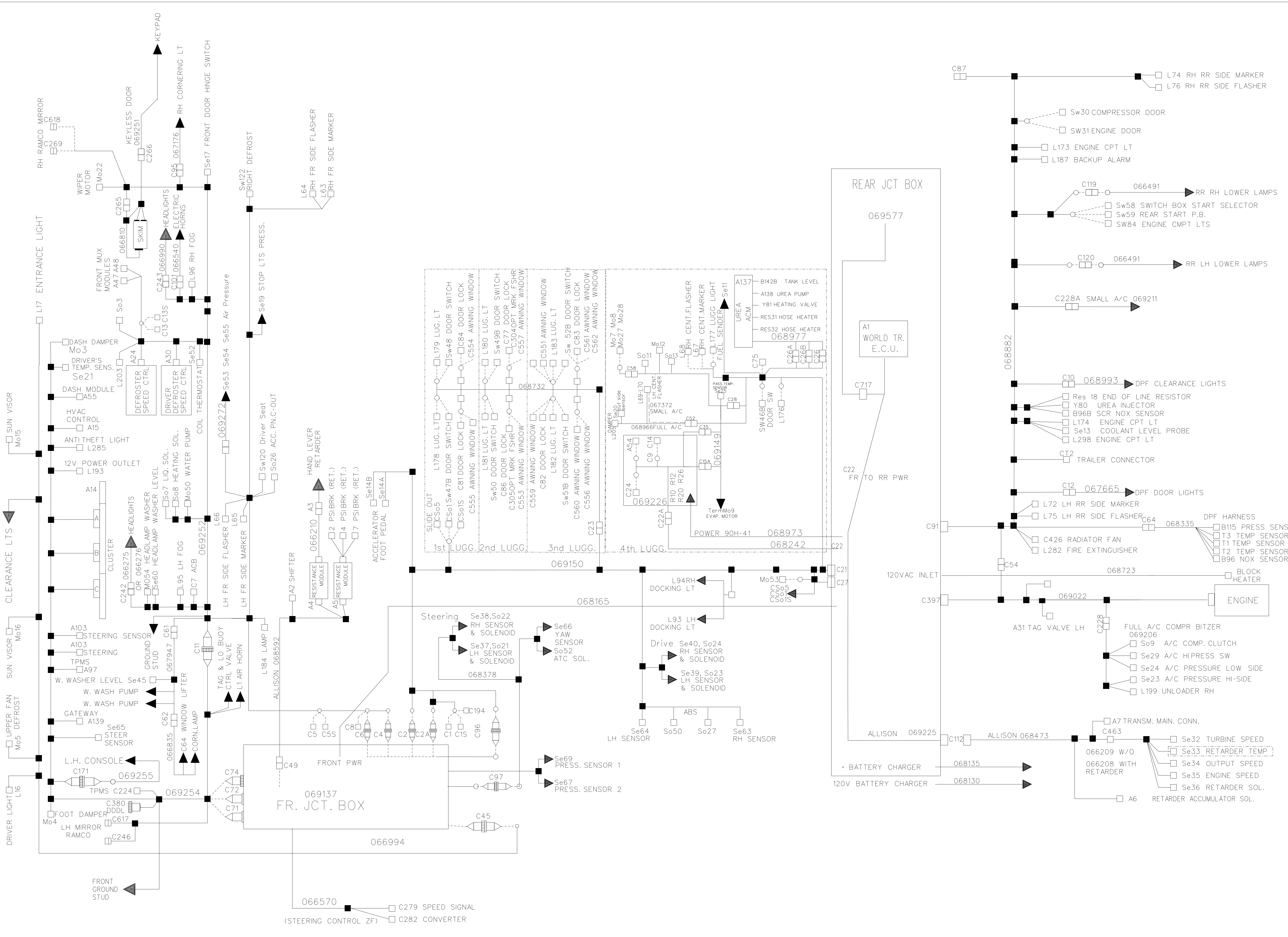


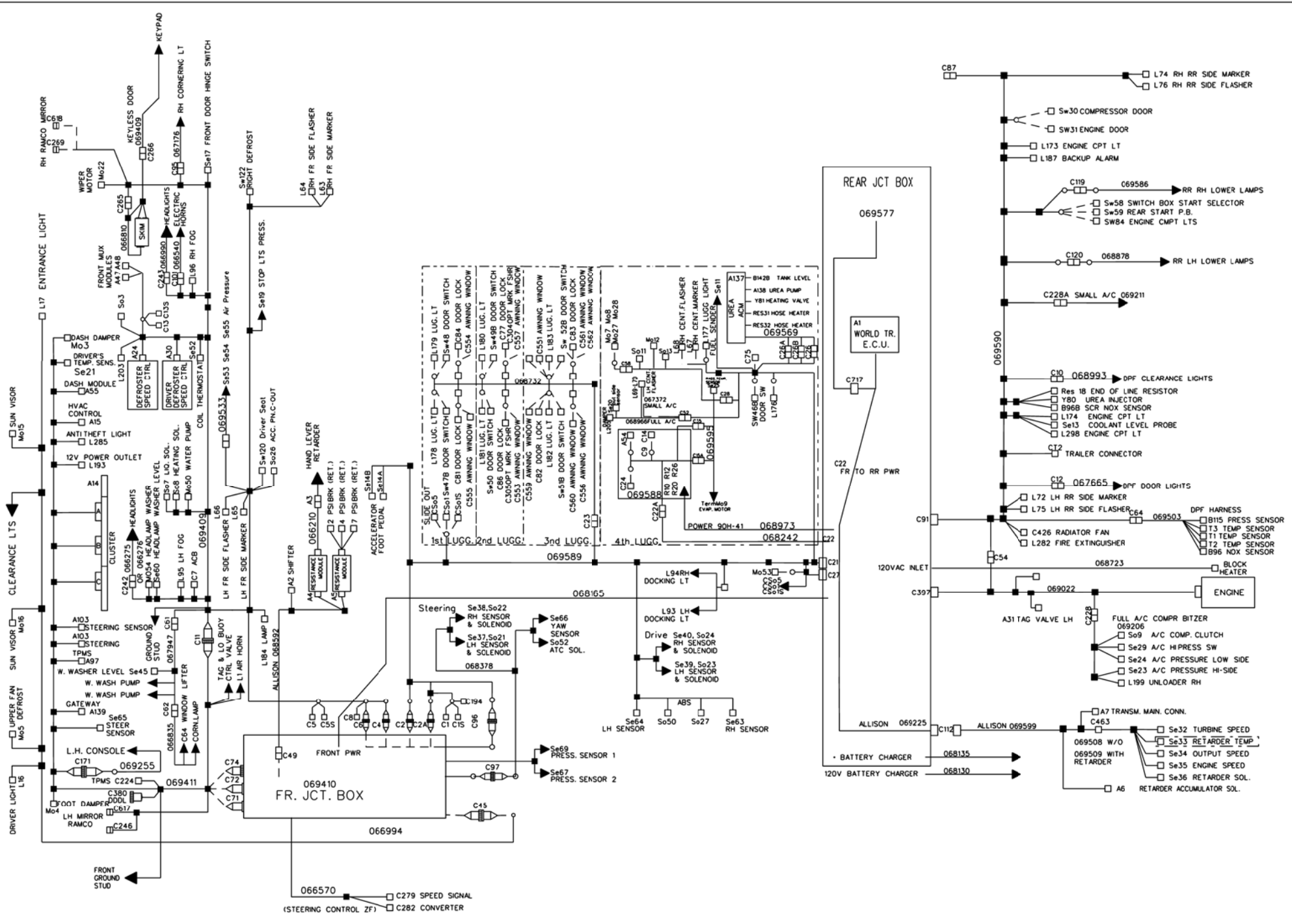












CIRCUITS LIST

CircuitID	Description	CircuitID	Description	CircuitID	Description
YELLOW	TrailerFlasherLH	spare35	SparesFrontHarness	So48	SldOut2MotorSig
WhtRR	TPMSDATA	spare34	SparesFrontHarness	So48	SldOut2MotorSig
WhtRR	TPMSDATA	spare33	SparesFrontHarness	So48	SldOut2MotorSig
WhtRR	TPMSDATA	spare32	SparesFrontHarness	So48	SldOut2MotorSig
WhtRR	TPMSDATA	spare31	SparesFrontHarness	So47	SldOutMotor2sig
WhtFR	TPMSDATA	spare30	SparesFrontHarness	So47	SldOutMotor2sig
WhtFR	TPMSDATA	spare29	SparesFrontHarness	So47	SldOutMotor2sig
WHITE	TrailerConnectorGnd	spare28	SparesFrontHarness	So46	SldOutMotor2sig
WHITE		spare27	SparesFrontHarness	So46	SldOutMotor2sig
VDALT	Alternator	spare26	SparesFrontHarness	So46	SldOutMotor2sig
VDALT	Alternator	spare25	SparesClearancelts	So42	SldOut2SealDeflatSig
VDALT	Alternator	spare24	SparesClearancelts	So42	SldOut2SealDeflatSig
VDALT	ExcitationSignal	spare23	SparesClearancelts	So42	SldOut2SealDeflatSig
VDALT	ExcitationSignal	spare22	SparesClearancelts	So41	SldOut2RelaySig
VDALT	ExcitationSignal	spare21	SparesClearancelts	So40	SldOut2RelaySig
VDALT	ExcitationSignal	spare20	SparesClearancelts	So39	SldOut2StatusLed
Up	ClusterKeyPad	spare19	SparesFr-to-RearHarness	So38	PowerSldOut2Sensor
Up	ClusterKeyPad	spare18	SparesFr-to-RearHarness	So38	PowerSldOut2Sensor
TxD	MCMInterface	spare17	SparesFr-to-RearHarness	So38	PowerSldOut2Sensor
TxD	ComputerSignals	spare9	SparesEvap.Harness	So37	Proximitysignal
TX	TPMSDATA	spare8	SparesEvap.Harness	So36	Proximitysignal
spare98	spare	spare7	SparesEvap.Harness	So33	SldOut2SignalIn
spare97	spare	spare6	SparesEvap.Harness	So32	SldOut1SignalOut
spare96	spare	spare4	SparesEvap.Harness	So31	GndSlideOut
spare65	spare	spare3	SparesFr-to-RearHarness	So31	GndSlideOut
spare64	spare	spare2	SparesFr-to-RearHarness	So31	GndSlideOut
spare63	spareABSHarness	spare	VecrInside	So31	GndSlideOut
spare62	spareABSHarness	spare	VecrInside	So31	GndSlideOut
spare54	SparesEngineCradle	Spare	VecrInside	So31	GndSlideOut
spare53	SparesEngineCradle	Spare	VecrInside	So31	GndSlideOut
spare52	SparesEngineCradle	Spare	VecrInside	So31	GndSlideOut
spare51	SparesEngineCradle	Spare	VecrInside	So31	GndSlideOut
spare46	SparesFr-to-RearHarness	Spare	VecrInside	So31	GndSlideOut
spare45	SparesFr-to-RearHarness	Spare	VecrInside	So31	GndSlideOut
spare44	SparesDash	SP	ConverterVehicleSpeed	So31	GndSlideOut
spare43	SparesDash	So61	SldOut2SealInflat	So31	GndSlideOut
spare42	SparesDash	So61	SldOut2SealInflat	So31	GndSlideOut
spare41	SparesDash	So61	SldOut2SealInflat	So31	GndSlideOut
spare40	SparesDash	So59	SldOutMotor2sig	So31	GndSlideOut
spare39	SparesDash	So58	SldOutMotor1Sig	So31	GndSlideOut
spare38	SparesFrontHarness	So55	SecurityPinSol	So31	GndSlideOut
spare37	SparesFrontHarness	So55	SecurityPinSol	So31	GndSlideOut
spare36	SparesFrontHarness	So48	SldOut2MotorSig	So31	GndSlideOut

CIRCUITS LIST

CircuitID	Description	CircuitID	Description	CircuitID	Description
So26	SlideOut	SO8	PowerSldOut1Sensor	N34	A55_Address
So26	SlideOut	SO8	PowerSldOut1Sensor	N33	A55_Address
So26	SlideOut	So7	Proximitysignal	N33	A57Address
So26	SlideOut	So6	Proximitysignal	N32	A57Address
So26	SlideOut	So4	SignalOut	N31	A56Address
So26	SlideOut	So3	SldOutInSig	N30	A56Address
So26	SlideOut	So2	SldOutRemoteSig	N29	A36Address
So26	SlideOut	So1	Gnd	N28	A54Address
So26	SlideOut	So1	GndSlideOut	N27	A54Address
So26	SlideOut	So1	GndSlideOut	N24	A52Address
So26	SlideOutPwrA56	So1	Gnd	N23	A52Address
So26	SlideOutPwrA56	So1	Gnd	N22	A51Address
So21	SldOut1MotorSig	So1	Gnd	N21	A51Address
So21	SldOut1MotorSig	So1	Gnd	N20	A50Address
So21	SldOutMotorSig	So1	Gnd	N19	A50Address
So21	SldOutMotorSig	So1	Gnd	N18	A49Address
So21	SldOut1MotorSig	So1	Gnd	N17	A49Address
So20	SldOutMotor1Sig	So1	Gnd	N16	A48Address
So20	SldOutMotor1Sig	So1	Gnd	N15	A48Address
So20	SldOutMotor1Sig	So1	Gnd	N14	A47Address
So19	SldOutMotor1Sig	So1	Gnd	N13	A47Address
So19	SldOutMotor1Sig	So1	Gnd	N12	A46Address
So19	SldOutMotor1Sig	So1	Gnd	N11	A46Address
So18	GndSlideOut	So1	Gnd	N10	A45Address
So18	GndSlideOut	So1	Gnd	N9	A45Address
So18	GndSlideOut	Select	ClusterKeyPad	N8	A44Address
So18	GndSlideOut	Select	ClusterKeyPad	N7	A44Address
So18	GndSlideOut	RxTx	MCMInterface	N6	A43Address
So18	GndSlideOut	RxD	ComputerSignals	N5	A43Address
So18	GndSlideOut	RxD	MCMInterface	N4	A42Address
So18	GndSlideOut	RX	TPMSDATA	N3	A42Address
So16	SensorGndRtn	Rts	ComputerSignals	N2	A41Address
So14	SldOut1VacumGen	RTS	MCMInterface	N1	A41Address
So14	SldOut1VacumGen	RedRR	TPMS12V	LIN	Steering
So13	SldOut1SealDeflatSig	RedRR	TPMS12V	H	Trans.HandLever
So13	SldOut1SealDeflatSig	RedRL	TPMS12V	GREEN	TrailerFlasherRH
So12	SealInflating	RedRL	TPMS12V	GndA	ComputerSignals
So12	SealInflating	RedFR	TPMS12V	G	Trans.HandLever
So11	SldOut2RelaySig	RedFR	TPMS12V	F	Trans.HandLever
So10	SldOut1RelaySig	RED	Volvo_Starter_Signal	Escape	ClusterKeyPad
So9	SldOut1StatusLed	RED	TrailerStopLights	Escape	ClusterKeyPad
So8	PowerSldOut1Sensor	OFB3	TPMSGND	E	Trans.HandLever
SO8	PowerSldOut1Sensor	nil	Inside_VECF	Down	ClusterKeyPad

CIRCUITS LIST

CircuitID	Description	CircuitID	Description	CircuitID	Description
Down	ClusterKeyPad	DL3L	DBusSignal	DL2L	ISOCan
DL9L	Subnet	DL3L	tpmsdataLo	DL2L	BB2
DL9L	Subnet	DL3L		DL2L	BB2
DL9H	Subnet	DL3L		DL2L	BB2
DL9H	Subnet	DL3L	DBusSignal	DL2H	J2284
DL7L	Subnet	DL3L	DBusSignal	DL2H	J2284
DL7L	DL7	DL3L	DBusSignal	DL2H	BB2
DL7L	Subnet	DL3H	DBusSignal	DL2H	Can2
DL7L	Subnet	DL3H	DBusSignal	DL2H	BB2
DL7L	Subnet	DL3H	DBusL	DL2H	BB2
DL7L	Subnet	DL3H		DL2H	BB2
DL7L	Subnet	DL3H	DBusSignal	DL2H	BB2
DL7L	Subnet	DL3H	DBusSignal	DL2H	ISOCan
DL7L	Subnet	DL3H	DBusSignal	DL2H	BB2
DL7L	Subnet	DL3H	DBusH	DL2H	BB2
DL7L	Subnet	DL3H		DL2H	BB2
DL7L	Subnet	DL3H	DBusSignal	DL2H	BB2
DL7H	Subnet	DL3H	DBusSignal	DL2H	BB2
DL7H	DL7	DL3H	DBusSignal	DL2H	BB2
DL7H	Subnet	DL3H	DBusSignal	DL2H	ISOCan
DL7H	Subnet	DL3H	DBusSignal	DL2H	BB2
DL7H	Subnet	DL3H	DBusSignal	DL2H	BB2
DL7H	Subnet	DL3H	tpmsdataHi	DL2H	BB2
DL7H	Subnet	DL3H		DL1L	J1939
DL7H	Subnet	DL3H		DL1L	J1939L
DL7H	Subnet	DL3H	DBusSignal	DL1L	J1939H_Data
DL7H	Subnet	DL3H	DBusSignal	DL1L	J1939H_Data
DL7H	Subnet	DL3H	DBusSignal	DL1L	J1939
DL7H	Subnet	DL2L	J2284	DL1L	J1939
DL3L	DBusSignal	DL2L	J2284	DL1L	J1939
DL3L	DBusSignal	DL2L	BB2	DL1L	J1939
DL3L	DBusH	DL2L	Can2	DL1L	J1939
DL3L		DL2L	BB2	DL1L	J1939
DL3L	DBusSignal	DL2L	BB2	DL1L	J1939
DL3L	DBusSignal	DL2L	BB2	DL1L	J1939
DL3L	DBusSignal	DL2L	BB2	DL1L	J1939
DL3L	DBusSignal	DL2L	BB2	DL1L	J1939
DL3L		DL2L	BB2	DL1L	J1939
DL3L	DBusSignal	DL2L	BB2	DL1L	J1939
DL3L	DBusSignal	DL2L	ISOCan	DL1L	J1939
DL3L	DBusSignal	DL2L	BB2	DL1L	J1939
DL3L	DBusSignal	DL2L	BB2	DL1L	J1939
DL3L	DBusSignal	DL2L	BB2	DL1L	J1939
DL3L	DBusSignal	DL2L	BB2	DL1L	J1939

CIRCUITS LIST

CircuitID	Description	CircuitID	Description	CircuitID	Description
DL1L	J1939	DL1H	J1939	DLOL	CanLSignal
DL1L	J1939	DL1H	J1939	DLOL	CanLSignal
DL1L	J1939	DL1H	J1939	DLOL	CanLSignal
DL1L	J1939	DLOL	Sparefrttorr	DLOL	CanLSignal
DL1L	J1939	DLOL	Sparefrttorr	DLOL	CanLSignal
DL1L	J1939	DLOL	Sparefrttorr	DLOL	CanLSignal
DL1L	J1939H	DLOL	SparesFr-to-RearHarness	DLOL	CanLSignal
DL1L	J1939H	DLOL	SparesFr-to-RearHarness	DLOL	CanLSignal
DL1L	J1939H	DLOL		DLOL	CanLSignal
DL1L	J1939	DLOL	SparesCanFrontHarness	DLOL	CanLSignal
DL1L	J1939	DLOL	SparesFr-to-RearHarness	DLOL	Can_LSignal
DL1L	J1939	DLOL	Sparefrttorr	DLOL	Can_LSignal
DL1L	J1939	DLOL	Sparefrttorr	DLOL	CanLSignal
DL1H	J1939	DLOL	CanLSignal	DLOL	CanLSignal
DL1H	J1939H	DLOL	CanLSignal	DLOH	Sparefrttorr
DL1H	J1939H_Data	DLOL	CanLSignal	DLOH	Sparefrttorr
DL1H	J1939H_Data	DLOL	CanLSignal	DLOH	Sparefrttorr
DL1H	J1939	DLOL	CanLSignal	DLOH	SparesFr-to-RearHarness
DL1H	J1939	DLOL	CanLSignal	DLOH	SparesFr-to-RearHarness
DL1H	J1939	DLOL	CanLSignal	DLOH	
DL1H	J1939	DLOL	CanLSignal	DLOH	SparesCanFrontHarness
DL1H	J1939	DLOL	CanLSignal	DLOH	SparesFr-to-RearHarness
DL1H	J1939	DLOL	CanLSignal	DLOH	Sparefrttorr
DL1H	J1939	DLOL	CanLSignal	DLOH	Sparefrttorr
DL1H		DLOL	CanLSignal	DLOH	Can_HSignal
DL1H	J1939	DLOL	CanLSignal	DLOH	CanHSignal
DL1H	J1939	DLOL	CanLSignal	DLOH	CanHSignal
DL1H	J1939	DLOL	CanLSignal	DLOH	CanHSignal
DL1H	J1939	DLOL	CanLSignal	DLOH	CanHSignal
DL1H	J1939	DLOL	CanLSignal	DLOH	CanHSignal
DL1H	J1939	DLOL	CanLSignal	DLOH	CanHSignal
DL1H	J1939	DLOL	CanLSignal	DLOH	CanHSignal
DL1H	J1939	DLOL	CanLSignal	DLOH	CanHSignal
DL1H	J1939	DLOL	CanLSignal	DLOH	CanHSignal
DL1H	J1939	DLOL	CanLSignal	DLOH	CanHSignal
DL1H	J1939	DLOL	CanLSignal	DLOH	CanHSignal
DL1H	J1939	DLOL	CanLSignal	DLOH	CanHSignal
DL1H	J1939L	DLOL	CanLSignal	DLOH	CanHSignal
DL1H	J1939L	DLOL	CanLSignal	DLOH	CanHSignal
DL1H	J1939L	DLOL	CanLSignal	DLOH	CanHSignal
DL1H	J1939	DLOL	CanLSignal	DLOH	CanHSignal

CIRCUITS LIST

CircuitID	Description	CircuitID	Description	CircuitID	Description
DLOH	CanHSignal	CC8	ConverterInput2	953	ElectronicGnd
DLOH	CanHSignal	CC7	ConverterInput2	953	GndEcm
DLOH	CanHSignal	CC6	Converterinput5	953	Electronic_ground_DDEC_VI
DLOH	CanHSignal	CC5	Converterinput5	953	GndEcm
DLOH	CanHSignal	CC5	Converterinput5	953	Electronic_ground_DDEC_VI
DLOH	CanHSignal	CC5	Converterinput5	953	GndEcm
DLOH	CanHSignal	CC4	ConverterInput4	953	Electronic_ground_DDEC_VI
DLOH	CanHSignal	CC4	Converterinput4	953	Electronic_ground_DDEC_VI
DLOH	CanHSignal	CC3	Converterinput3	952	GndSensorRtn
DLOH	CanHSignal	CC3	ConverterInput3	952	GndSensorRtn
DLOH	CanHSignal	CC2	Converterinput2	916	5VSensorPwr
DLOH	CanHSignal	CC2	Converterinput2	916	5VSensorPwr
DLOH	CanHSignal	CC2	Converterinput2	911	EmergencyCutoutRlySignal
DLOH	CanHSignal	CC2	ConverterInput2	911	EmergencyCutoutRlySignal
DLOH	CanHSignal	CC1	Converterinput1	911	EmergencyCutoutRlySignal
DLOH	CanHSignal	CC1	ConverterInput1	911	EmergencyCutoutRlySignal
DLOH	CanHSignal	C	Trans.HandLever	901	J1587-
DLOH	CanHSignal	BROWN	TrailerMarkerlights	901	J1587
DLOH	CanHSignal	Bref2	PassengerSensor	901	J1587-
DLOH	CanHSignal	Bref2	PassengerSensor	901	J1587
DLOH	CanHSignal	Bref2	PassengerSensor	901	J1587
DLOH	CanHSignal	Bref1	PassengerSensor	901	J1587
DLOH	Can_HSignal	Bref1	PassengerSensor	901	J1587
DLOH	CanHSignal	Bref1	PassengerSensor	901	J1587
DLOH	CanHSignal	Bref1	PassengerSensor	901	J1587
D	Trans.HandLever	BRef1	OutsideTemperatureSensor	901	J1587
Cts	ComputerSignals	BRef1	OutsideTemperatureSensor	901	J1587
CTS	MCMInterface	BRef1	OutsideTemperatureSensor	901	J1587
Cd1	ComputerSignals	BLUE	TrailerconnectorABSPower	901	J1587
Cd1	ComputerSignals	BlkRR	TPMSGND	900	J1587+
Cd1	ComputerSignals	BlkRR	TPMSGND	900	J1587
CC17	ConverterOutput6	BlkRL	TPMSGND	900	J1587+
CC17	Converteroutput6	BlkRL	TPMSGND	900	J1587
CC16	ConverterOutput5	BlkFR	TPMSGND	900	J1587
CC16	Converteroutput5	BlkFR	TPMSGND	900	J1587+
CC15	ConverterOutput4	BLACK	TrailerBackupLights	900	J1587
CC15	Converteroutput4	B	Trans.HandLever	900	J1587
CC14	ConverterOutput2	A	Trans.HandLever	900	J1587
CC14	Converteroutput3	980L	lowspeedfanevaporator	900	J1587
CC13	ConverterOutput3	980H	Hispeedfanevaporator	900	J1587
CC13	Converteroutput2	979	EngineBrakeA	900	J1587
CC12	Converteroutput1	979	EngineBrakeA	900	J1587
CC12	Converteroutput1	953	Electronic_ground_DDEC_VI	614A	ABSSteeringSolenoid

CIRCUITS LIST

CircuitID	Description	CircuitID	Description	CircuitID	Description
614A	ABSSteeringSolenoid	600	ABSSensor	526B	UreaSystem
614	ABSSteeringSolenoid	600	ABSSensor	526A	DPFVolvo
614	ABSSteeringSolenoid	583	EngineBrakeB	526A	UreaSystem
613	AbsTagSolenoid	583	EngineBrakeB	526A	UreaSystem
613	AbsTagSolenoid	545	CruiseResumeSig	526A	UreaSystem
612	AbsTagSolenoid	544A	CruiseOn-OffLed	526A	DPFVolvo
612	AbsTagSolenoid	544	CruiseOn_OffSignal	526	UreaSystem
611	AbsTagSolenoid	544	CruiseOn_OffSignal	526	UreaSystem
611	AbsTagSolenoid	544	CruiseOn_OffSignal	526	UreaSystem
610	ABSPressuresensor	541	CruiseSetSig	526	UreaSystem
608	ABSPressuresensor	537	WettankPress5v	525	UreaSystem
607	ABSPressuresensor	537	WettankPress5v	525	UreaSystem
607	ABSPressuresensor	537	WettankPress5v	525	UreaSystem
607	ABSPressuresensor	536	WettankPressOut	525	UreaSystem
606	ABSPressuresensor	536	WettankPressOut	524C	IdleValidationSig
606	ABSPressuresensor	536	WettankPressOut	524C	IdleValidationSig
606	ABSPressuresensor	535	WettankPress5v	524C	
605	ABSSteering&Yawsensor	535	WettankPress5v	524C	IdleValidationSig
605	ABSSteering&Yawsensor	535	WettankPress5v	524B	IdleValidationSig
605	ABSSteering&Yawsensor	534	Control_Ground_Relay	523	UreaSystem
605	ABSSteering&Yawsensor	534	Control_Ground_Relay	522	UreaSystem
605	ABSSteering&Yawsensor	534	Control_Ground_Relay	521	UreaSystem
604	ABSSteering&Yawsensor	533	Control_Ground_Relay	520	UreaSystem
604	ABSSteering&Yawsensor	533	Control_Ground_Relay	517	UreaSystem
604	ABSSteering&Yawsensor	533	Control_Ground_Relay	517	UreaSystem
604	ABSSteering&Yawsensor	532	UreaSystem	517	UreaSystem
604	ABSSteering&Yawsensor	532	UreaSystem	517	UreaSystem
604	ABSSteering&Yawsensor	532	UreaSystem	517	UreaSystem
603	ABSSteering&Yawsensor	532	UreaSystem	517	UreaSystem
603	ABSSteering&Yawsensor	531	UreaSystem	516	UreaSystem
603	ABSSteering&Yawsensor	531	UreaSystem	516	UreaSystem
603	ABSSteering&Yawsensor	531	UreaSystem	516	DPFVolvo
603	ABSSteering&Yawsensor	530	UreaSystem	516	UreaSystem
602	ABSSteering&Yawsensor	528	UreaSystem	516	UreaSystem
602	ABSSteering&Yawsensor	527	UreaSystem	515	GndPreHeaterRelay
602	ABSSteering&Yawsensor	526C	UreaSystem	515	GroundPreheaterRelay
602	ABSSteering&Yawsensor	526C	UreaSystem	515	GroundPreheaterRelay
602	ABSSteering&Yawsensor	526C	DPFVolvo	515	GndPreHeaterRelay
601A	ABSSensor	526C	DPFVolvo	515	GndPreHeaterRelay
601A	ABSSensor	526C	UreaSystem	515	GndPreHeaterRelay
601	ABSSensor	526B	UreaSystem	515	Preheatrelay
601	ABSSensor	526B	DPFVolvo	513	UreaSystem
600A	ABSSensor	526B	UreaSystem	513	UreaSystem
600A	ABSSensor	526B	DPFVolvo	513	UreaSystem

CIRCUITS LIST

CircuitID	Description	CircuitID	Description	CircuitID	Description
513	DPFVolvo	500	Ground/Detroit_Supply/Volvo	362	ClusterKeyPad
513	UreaSystem	500	GndEcm	361	ClusterKeyPad
512	UreaSystem	500	Ground/Detroit_Supply/Volvo	360	ClusterKeyPad
512	UreaSystem	500	Ground/Detroit_Supply/Volvo	352	AFSS
512	UreaSystem	500	Ground/Supply_Detroit/Volvo	352	OverrideSignal
512	DPFVolvo	500	Electronic_ground_DDEC_VI	352	See_H3_Design
512	UreaSystem	500	Electronic_ground_DDEC_VI	351	EngineShout-downSignal
511	UreaSystem	439G	Steering	351	See_H3_Design
511	UreaSystem	439	12VIgn	348	See_H3_Design
511	UreaSystem	439	12VICluster	347	Fire_Detect_Alarme
511	DPFVolvo	439	12VIgn	347	Fire_Detect_Alarme
511	UreaSystem	439	12VIgn	347	Fire_Detect_Alarme
510	FastIdleSignal	439	12VICluster	347	Fire_Detect_Alarme
510	FastIdleSignal	439	TransmissionIgn	347	Fire_Detect_Alarme
507	UreaSystem	439	TransmissionIgn	347	Fire_Detect_Alarme
507	DPFVolvo	439	TransmissionIgn	346	PowerSensors
507	UreaSystem	439	TransmissionIgn	346	PowerSensors
507	UreaSystem	439	TransmissionIgn	346	PowerSensors
507	UreaSystem	439	TransmissionIgn	346	PowerSensors
507	DPFVolvo	439	TransmissionIgn	346	See_H3_Design
506	UreaSystem	439	12VItoABS	346	
506	UreaSystem	439	12VItoABS	345	See_H3_Design
506	DPFVolvo	439	12VI_To_ESP	344	ExtinguisherSignal
506	UreaSystem	439	12VItoABS	344	See_H3_Design
506	UreaSystem	439	DDDL_RJB	344	ExtinguisherSignal
506	DPFVolvo	439	12VI_To_ESP	343	See_H3_Design
505	UreaSystem	439	12VI_To_ESP	343	Fire-EngineStopTTL
505	UreaSystem	439	12VI_To_ESP	342	AFSS
505	DPFVolvo	417	ThrottlePositionSignal	342	AFSS
505	UreaSystem	417	ThrottlePositionSignal	341	See_H3_Design
505	UreaSystem	369	AccAirPress	341	24WUpFront
505	DPFVolvo	369	AccAirPress	298	TransShiftUp
505	UreaSystem	368	AccAirPress	297	TransShiftDown
505	UreaSystem	368	AccAirPress	296	RJBDoorFan
504	UreaSystem	367	RearAirBrakePress	296	RJBDoorFan
502	IVSOut	367	RearAirBrakePress	295	KeylessModuleOutput
502	IVSOut	366	RearAirBrakePress	295	KeyLessSig
502	IVSOut	366	RearAirBrakePress	294	KeyLessSig
502	IVSOut	365	FrontAirBrakePress	292	FanClutch
501	Groud_Control_Relay	365	FrontAirBrakePress	292	FanClutch
501	Ground_Control_Relay	364	FrontAirBrakePress	292	
501	Ground_Control_Relay	364	FrontAirBrakePress	292	FanClutch
500	DDEC_GND	363	ClusterKeyPad	292	FanClutch

CIRCUITS LIST

CircuitID	Description	CircuitID	Description	CircuitID	Description
292	FanClutch	284A	LuggagesUnlockRelays	274	KeylessModuleInput
291	FanClutch	284A	LuggagesUnlockRelays	274	KeylessModuleInput
291	FanClutch	284A	LuggagesUnlockRelays	274	KeylessModuleInput
291		284A	LuggagesUnlockRelays	274	KeylessModuleInput
291	FanClutch	284A	LuggagesUnlockRelays	272	KeylessModuleInput
291	FanClutch	283C	EntranceDoorHingeSignal	272	KeylessModuleInput
291	FanClutch	283C	EntranceDoorHingeSignal	272	KeylessModuleInput
290A	GndFanClutch	283C	EntranceDoorHingeSignal	272	KeylessModuleInput
290A	GndFanClutch	283C	EntranceDoorHingeSignal	260	WindowAjarSignal
290A	GndFanClutch	283C	EntranceDoorHingeSignal	260	WindowAjarSignal
290A	GndFanClutch	283A	UnlockSig	260	WindowAjarSignal
290A	GndFanClutch	283A	UnlockSig	260	WindowAjarSignal
290A	GndFanClutch	283A	UnlockSig	260	WindowAjarSignal
290A	GndFanClutch	283A	UnlockSig	260	WindowAjarSignal
290A	GndFanClutch	283A	UnlockSig	260	WindowAjarSignal
290	GndFanClutch	283A	UnlockSig	260	WindowAjarSignal
290	GndFanClutch	283	EntranceDoorHingeSignal	260	WindowAjarSignal
290		283	EntranceDoorHingeSignal	260	WindowAjarSignal
290		283	EntranceDoorHingeSignal	260	WindowAjarSignal
290		283	EntranceDoorHingeSignal	260	WindowAjarSignal
290	GndFanClutch	283	EntranceDoorHingeSignal	260	WindowAjarSignal
290	GndFanClutch	283	EntranceDoorHingeSignal	260	WindowAjarSignal
290	GndFanClutch	283	EntranceDoorHingeSignal	260	WindowAjarSignal
290	GndFanClutch	282	KeyLessSigUnlock	260	WindowAjarSignal
290	GndFanClutch	282	KeyLessSigUnlock	260	WindowAjarSignal
287	KeyLessSig	281	KeyLessSigUnlock	260	WindowAjarSignal
286B	FrontDoorLock	281	KeyLessSigUnlock	260	WindowAjarSignal
286A	EntranceDoorLock	280	KeylessModuleInput	260	WindowAjarSignal
286A	FrontDoorLock	280	KeylessModuleInput	260	WindowAjarSignal
286A	EntranceDoorLock	280	KeylessModuleInput	260	WindowAjarSignal
286A	EntranceDoorLock	280	KeylessModuleInput	260	WindowAjarSignal
286	EntranceDoorLock	278	KeylessModuleInput	241C	WaterInFuelHeater
286	EntranceDoorLock	278	KeylessModuleInput	241C	WaterInFuelHeater
286	FrontDoorLock	278	KeylessModuleInput	241B	PowertoEcm
286	EntranceDoorLock	278	KeylessModuleInput	241B	24VoltIgnition
285B	KeyLessSig	277	KeylessModuleKeypadLt	241B	PwrDDDRConn
285	LuggagesLockRelays	277	KeylessModuleKeypadLt	241B	24VoltIgnition
285	LuggagesLockRelays	277	KeylessModuleKeypadLt	241B	24VoltIgnition
285	LuggagesLockRelays	277	KeylessModuleKeypadLt	241B	DPFVolvo
285	LuggagesLockRelays	276	KeylessModuleInput	241B	DPFVolvo
285	LuggagesLockRelays	276	KeylessModuleInput	241B	PowertoEcm
284B	KeyLessSig	276	KeylessModuleInput	241B	DPFVolvo
284B	KeyLessSig	276	KeylessModuleInput	241B	PowertoEcm

CIRCUITS LIST

CircuitID	Description	CircuitID	Description	CircuitID	Description
241A	PowertoEcm	185	TransmissionInhibitSig	170Y	LuggagesLocks
241A	PwrDDDRConn	180	Transmission	170Y	LuggagesLocks
241A	PowertoEcm	180	Transmission	170Y	LuggagesLocks
241A	PowertoEcm	177	Transmission	170Y	LuggagesLocks
241A	PowertoEcm	177	Transmission	170X	LuggagesLocksSwitch
240B	12V_VECU	176	Transmission	170X	LuggagesLocksSwitch
240B	R22_DDEC	176	Transmission	170X	LuggagesLocksSwitch
240B	R22_DDEC	175	Transmission	170W	Luggages_Lock_Pwr
240A	12v_Engine_Ecu	175	Transmission	170W	Luggageslockrelay
240A	PowertoEcm	174	Transmission	170W	Luggageslockrelay
240A	PowertoEcm	174	Transmission	170W	LuggagesLocksSwitch
240A	12v_Engine_Ecu	171	LuggageUnlockSwSig	170W	LuggagesLocksSwitch
240A	PowertoEcm	171	LuggageUnLockSwSig	170V	LuggagesLocksSwitch
240A	PowertoEcm	171	LuggageUnLockSwSig	170V	LuggagesLocksSwitch
231B	Starter_Relay	171	LuggageUnLockSwSig	170T	LuggagesLocksSwitch
231B	Starter_Relay	171	Transmission	170T	LuggagesLocksSwitch
231A	StarterRelay	171	Transmission	170SS	LuggagesLocksSwitch
231A	StarterRelay	170Z	LuggagesLocks	170SS	LuggagesLocksSwitch
231A	StarterRelay	170Z	LuggagesLocks	170S	LuggagesLocksSwitch
231A	CrankSignal	170Z	LuggagesLocks	170S	LuggagesLocksSwitch
231A	CrankSignal	170Z	LuggagesLocks	170S	LuggagesLocksSwitch
231A	CrankSignal	170Z	LuggagesLocks	170S	LuggagesLocksSwitch
231	NeutralSignal	170Z	LuggagesLocks	170S	LuggagesLocksSwitch
231	NeutralSignal	170Z	LuggagesLocks	170S	LuggagesLocksSwitch
211	VannerCtr	170Z	LuggagesLocks	170S	LuggagesLocksSwitch
210	VannerCtr	170Z	LuggagesLocks	170R	LuggagesLocksSwitch
209	VannerCtr	170Z	LuggagesLocks	170R	LuggagesLocksSwitch
208	VannerCtr	170Z	LuggagesLocks	170Q	LuggagesLocksSwitch
207	VannerCtr	170Z	LuggagesLocks	170P	LuggagesLocksSwitch
206	VannerCtr	170Z	LuggagesLocks	170P	LuggagesLocksSwitch
205	VannerCtr	170Z	LuggagesLocks	170N	LuggagesLocksSwitch
204	VannerCtr	170Z	LuggagesLocks	170N	LuggagesLocksSwitch
204	VannerCtr	170Y	LuggagesLocks	170M	LuggagesLocksSwitch
204	VannerCtr	170Y	LuggagesLocks	170L	LuggagesLocksSwitch
204	VannerCtr	170Y	LuggagesLocks	170L	LuggagesLocksSwitch
203	VannerCtr	170Y	LuggagesLocks	170K	LuggagesLocksSwitch
203	VannerCtr	170Y	LuggagesLocks	170K	LuggagesLocksSwitch
203	VannerCtr	170Y	LuggagesLocks	170K	LuggagesLocksSwitch
203	VannerCtr	170Y	LuggagesLocks	170K	LuggagesLocksSwitch
202	HeadLampWash.Pump	170Y	LuggagesLocks	170K	LuggagesLocksSwitch
202	HeadLampWash.Pump	170Y	LuggagesLocks	170G	LuggagesLocks
201	HeadLampSignal	170Y	LuggagesLocks	170G	LuggagesLocks
185	TransmissionInhibitSig	170Y	LuggagesLocks	170G	LuggagesLocks

CIRCUITS LIST

CircuitID	Description	CircuitID	Description	CircuitID	Description
170G	LuggagesLocks	167	ACB	153	12VI_VCC
170G	LuggagesLocks	167	ACB	153	12VI_VCC
170G	LuggagesLocks	166	WitnessSigSw16	153	12VI_VCC
170G	LuggagesLocks	164	HandLevelSig	152	Transmission
170G	LuggagesLocks	164	HandLevelSig	152	Transmission
170G	LuggagesLocks	164	HandLevelSig	152	ABSRearAtcSolenoid
170G	LuggagesLocks	164	HandLevelSig	152	ABSRearAtcSolenoid
170G	LuggagesLocks	164	HandLevelSig	151D	Coolant_Ground_Level
170G	LuggagesLocks	164	HandLevelSig	151D	Coolant_Ground_Level
170F	LuggagesLocks	164	HandLevelSig	151C	GndToEcm
170F	LuggagesLocks	163B	Transmission	151C	GndToEcm
170F	LuggagesLocks	163B	Transmission	151B	GndToEcm
170F	LuggagesLocks	163A	EngBrakeRetSignal	151B	GndToEcm
170F	LuggagesLocks	163	Transmission	151A	GndToEcm
170F	LuggagesLocks	163	Transmission	151A	GndToEcm
170F	LuggagesLocks	163	Transmission	151	GndtoEcm
170F	LuggagesLocks	163	Transmission	151	Transmission
170F	LuggagesLocks	161	LDW	151	Transmission
170F	LuggagesLocks	160	TagSignal	151	ABSRearAtcSolenoid
170F	LuggagesLocks	160	TagSignal	151	ABSRearAtcSolenoid
170F	LuggagesLocks	160	TagSignal	150	Transmission
170E	Luggagesdoorslockrelays	160	Transmission	149A	ABSSensor
170E	Luggagesdoorslockrelays	160	Transmission	149A	ABSSensor
170E	Luggagesdoorslockrelays	159	Transmission	149	Transmission
170E	Luggagesdoorslockrelays	159	Transmission	149	ABSSensor
170E	Luggagesdoorsunlockrelays	157D	Abs_Bus_Signal	149	ABSSensor
170E	Luggagesdoorsunlockrelays	157D	Abs_Bus_Signal	148	Transmission
170E	Luggagesdoorsunlockrelays	157D		148	ABSSolenoid
170E	LuggageLockSwSig	157D	ATCTTLT	148	ABSSolenoid
170E	LuggageLockSwSig	157D		147	ABSSolenoid
170E	LuggageLockSwSig	156A	12VitoABS	147	ABSSolenoid
170E	LuggageLockSwSig	155	Transmission	146	ABSSolenoid
170D	Luggages_Lock_Pwr	155	Transmission	146	ABSSolenoid
170D	Luggageslockrelay	154	Transmission	145	ABSSolenoid
170D	LuggagesLockPower	154	Transmission	145	ABSSolenoid
170B	LuggagesLocks	153	12VI_VCC	144A	ABSSensor
170B	LuggagesLocks	153	LDWPower	144A	ABSSensor
170A	LuggagesLocks	153	12VI_VCC	144	ABSSensor
170A	LuggagesLocks	153	LDWPower	144	ABSSensor
168	ACB	153	LDWPower	143A	ABSSensor
168	ACB	153	LDWPower	143A	ABSSensor
168	ACB	153	12VI_VCC	143	ABSSensor
167	ACB	153	12VI_VCC	143	ABSSensor

CIRCUITS LIST

CircuitID	Description	CircuitID	Description	CircuitID	Description
142	ABSSolenoid	137H	Mirrors	137A	MirrorPwrSig
142	ABSSolenoid	137H	Mirrors	137A	MirrorPwrSig
141	Transmission	137F	Mirrors	137A	MirrorPwrSig
141	ABSSolenoid	137F	Mirrors	137A	MirrorPwrSig
141	ABSSolenoid	137F	Mirrors	137A	MirrorPwrSig
140	Transmission	137F	Mirrors	137A	MirrorPwrSig
140	Transmission	137F	Mirrors	137A	Mirrors
140	Transmission	137F	Mirrors	137A	Mirrors
140	ABSSolenoid	137F	Mirrors	137A	MirrorPwrSig
140	ABSSolenoid	137E	Mirrors	137A	MirrorPwrSig
139	Transmission	137E	Mirrors	137	Transmission
139	Transmission	137E	Mirrors	137	Transmission
139	Transmission	137E	Mirrors	136AA	ShifterSignal
139	ABSSolenoid	137E	Mirrors	136AA	ShifterSignal
139	ABSSolenoid	137E	Mirrors	136AA	ShifterSignal
138A	ABSSensor	137E	Mirrors	136AA	ShifterSignal
138A	ABSSensor	137D	Mirrors	136AA	ShifterSignal
138	Transmission	137D	Mirrors	136A	TransmissionPwr
138	ABSSensor	137D	Mirrors	136A	TransmissionPwr
138	ABSSensor	137D	Mirrors	136A	TransmissionPwr
137P	Mirrors	137D	Mirrors	136A	TransmissionPwr
137N	Mirrors	137D	Mirrors	136A	TransmissionPwr
137M	Mirrors	137D	Mirrors	136A	TransmissionPwr
137M	Mirrors	137D	Mirrors	136A	TransmissionPwr
137M	Mirrors	137D	Mirrors	136A	TransmissionPwr
137M	Mirrors	137D	Mirrors	136A	GndTransAlisson
137L	Mirrors	137D	Mirrors	136A	TransmissionPwr
137L	Mirrors	137D	Mirrors	136	Transmission
137L	Mirrors	137C	Mirrors	136	Transmission
137L	Mirrors	137C	Mirrors	135A	Transmission
137K	Mirrors	137C	Mirrors	135A	Transmission
137K	Mirrors	137C	Mirrors	135A	Transmission
137K	Mirrors	137C	Mirrors	135A	Transmission
137K	Mirrors	137C	Mirrors	135A	HandLevelSig
137K	Mirrors	137B	Mirrors	135A	HandLevelSig
137K	Mirrors	137B	Mirrors	135A	HandLevelSig
137K	Mirrors	137B	Mirrors	135A	HandLevelSig
137J	Mirrors	137B	Mirrors	135A	HandLevelSig
137J	Mirrors	137B	Mirrors	135A	Transmission
137J	Mirrors	137B	Mirrors	135A	Transmission
137J	Mirrors	137A	MirrorPwrSig	135A	Transmission
137H	Mirrors	137A	MirrorPwrSig	135A	Transmission
137H	Mirrors	137A	MirrorPwrSig	135	Transmission

CIRCUITS LIST

CircuitID	Description	CircuitID	Description	CircuitID	Description
134	BatteryNotChargingSig	126F	LevelLowSignal	115A	WitnessLampPwr
134	BatteryNotChargingSig	126F	LevelLowSignal	115A	WitnessLampPwr
133	Transmission	126F	LevelLowSignal	115A	Witness_Pwr
133	Transmission	126F	LevelLowSignal	115A	WitnessLampPwr
132F	LevelLowPower	125	RetarderSig	115A	WitnessLampPwr
132F	LevelLowPower	125	RetarderSig	115A	12V_Sw35
132F	LevelLowPower	124A	Transmission	115A	WitnessLampPwr
132E	LevelLowPower	124A	Transmission	115A	WitnessLampPwr
132E	LevelLowPower	124A	ShifterSignal	115A	WitnessLampPwr
132E	LevelLowPower	124A	ShifterSignal	115	Transmission
132D	LevelLowSo32	124A	ShifterSignal	115	Transmission
132D	LevelLowSo32	124A	ShifterSignal	115	CoolantLevelSignal
132C	LevelLowSo31	124A	ShifterSignal	115	CoolantLevelSignal
132C	LevelLowSo31	124A	Transmission	115	CoolantLevelSignal
132B	LevelLowSo30	124A	Transmission	114A	Backlight
132B	LevelLowSo30	124A	Transmission	114A	Backlight
132A	LevelLowPower	123A	WakeUpSignal	114A	Backlight
132A	LevelLowPower	123	AFSS	114A	GndElectronic
132A		120	Transmission	114A	Backlight
132A	LevelLowSo29	120	Transmission	114A	Backlight
132A	DifferentialLocksol	119	Transmission	114A	Backlight
132A	DifferentialLocksol	119	Transmission	114A	Backlight
132	DifferentialLockSignal	118	Transmission	114A	Backlight
132	DifferentialLockSignal	118	Transmission	114A	Backlight
131	Transmission	116A	DriverLiq	114A	
131	Transmission	116	DriverLiq	114A	
131	Transmission	116	24VDDriverLiq	114A	Backlight
131	Transmission	116	DriverLiq	114A	Backlight
131	Transmission	116		114A	Backlight
131	Transmission	116	DriverLiq	114A	Backlight
131	Transmission	116	Transmission	114A	Backlight
131	Transmission	116	Transmission	114A	Backlight
131	Evaporator2ndSpd	115A	WitnessLampPwr	114A	Backlight
131	Evaporator2ndSpd	115A	WitnessLampPwr	114A	Backlight
130	SunVisors	115A	WitnessLampPwr	114A	Backlight
130	SunVisors	115A	WitnessLampPwr	114A	Backlight
129	SunVisors	115A	WitnessLampPwr	114A	Backlight
129	SunVisors	115A		114A	Backlight
128	SunVisors	115A	WitnessLampPwr	114A	Backlight
128	SunVisors	115A	WitnessLampPwr	114A	Backlight
127	Transmission	115A	WitnessLampPwr	114A	Backlight
126F	LevelLowSignal	115A	WitnessLampPwr	114A	Backlight
126F	LevelLowSignal	115A		114A	Backlight

CIRCUITS LIST

CircuitID	Description	CircuitID	Description	CircuitID	Description
114A	Backlight	114A	Backlight	91	ParkBrakeSig
114A	Backlight	114A	Backlight	91	ParkBrakeSig
114A	Backlight	114A	Backlight	91	ParkBrakeSig
114A	Backlight	114A	Backlight	91	ParkBrakeSig
114A	Backlight	114A	Backlighting	91	ParkBrakeSig
114A	Backlight	114A	Backlighting	91	ParkBrakeSig
114A	Backlight	114A	Backlight	91	ParkBrakeSig
114A	Backlight	114A	Backlight	91	ParkBrakeSig
114A	Backlight	114	BacklightPwr	91	ParkBrakeSig
114A	Backlight	114	BacklightPwr	91	ParkBrakeSig
114A	Backlight	114	BacklightPwr	91	ParkBrakeSig
114A	Backlight	111	Transmission	91	ParkBrakeSig
114A	Backlight	111	Transmission	91	ParkBrakeSig
114A	Backlight	108	LDW	90H1	Evaporator
114A	Backlight	108	LDW	90H	24VtoEvap
114A	Backlight	106	FogLtrRH	89	Drivesensorsig
114A	Backlight	105	FogLtsLH	88	CompressorPressureSignal
114A	Backlight	105	FogLtsLH	88	CompressorPressureSignal
114A	Backlight	104	LevelLowSo28	88	CompressorPressureSignal
114A	Backlight	104	LevelLowSo28	88	CompressorPressureSignal
114A	Backlight	104	LevelLowSo28	88	CompressorPressureSignal
114A	Backlight	104	LevelLowSo28	88	CompressorPressureSignal
114A	Backlight	102A	PWR_Alt120A	88	CompressorPressureSignal
114A	Backlight	102A	PWR_Alt120A	88	CompressorPressureSignal
114A	Backlight	101B	Starter_Relay	88	CompressorPressureSignal
114A	Backlight	101A	Starter_Relay	88	CompressorPressureSignal
114A	Backlight	101	PwrtoStarter	88	CompressorPressureSignal
114A	Backlight	100R	LDWLeftMotor	88	CompressorPressureSignal
114A	Backlight	100R	LDWLeftMotor	88	CompressorPressureSignal
114A	Backlight	100L	LDWRightMotor	87	TrailerParkBrakeSig
114A	Backlight	100L	LDWRightMotor	87	TrailerParkBrakeSig
114A	Backlight	98	BackupCancelSwitch	86Rtn	GndPassengerDefrosterControl
114A	Backlight	98	BackupCancelSwitch	86Rtn	GndPassengerDefrosterControl
114A	Backlight	98	BackupCancelSwitch	86Rtn	GndDefrostUnit
114A	Backlight	97	LowDockingLightsSwitchSignal	86RTN	GndEntrancedoorLt
114A	Backlight	96	CorneringLTSwSig	86RTN	GndEntrancedoorLt
114A	Backlight	95	DockingLTSwSig	86D	PassengerSensor
114A	Backlight	94	PassengerDefrostSwitchDown	86D	PassengerSensor
114A	Backlight	93	PassengerDefrostSwitchUp	86D	PassengerSensor
114A	Backlight	92	TrailerParkBrakeSig	86C	PassengerSensor
114A	Backlight	92	TrailerParkBrakeSig	86C	PassengerSensor
114A	Backlight	92	TrailerParkBrakeSig	86C	Outsidetempsensor
114A	Backlight	91B	WitnessSigSw14	86C	Outsidetempsensor

CIRCUITS LIST

CircuitID	Description	CircuitID	Description	CircuitID	Description
86C	Outsidetempssensor	85B	Wake-upSig	82Low	StopRearLowerLamp
86BRtn	GndReturn	85B	Wake-upSig	82A	CyclopeLamp
86ARtn	GndReturn	85a	Ign-AccSignal	82A	CyclopeLamp
86A	PassengerDefrosterControl	85a	24VIgnition	82A	CyclopeLamp
86	DefrostunitSpd	85A	Ign-AccSignal	81	HeadLtCallSw1
86	PassengerSensor	85A	Ign-AccSignal	81	HeadLtCallSw1
86	PassengerSensor	85A	Ign-AccSignal	80	BrakeRedundant
85Z	ABS_Trailer_Sig	85A	Ign-AccSignal	79C	DecelSignal
85Z	ABS_Trailer_Sig	85A	Ign-AccSignal	79A	DecelSignal
85J	CutoutRlyLatchSig	85A	24vAccessories	79A	DecelSignal
85H	CutoutRlyLatchSig	85A	Ign-AccSignal	79	12V_Wup
85H	CutoutRlyLatchSig	85A	Ign-AccSignal	79	12V_Wup
85H	DiodetoR1	85	24VIgnition	79	TranducerLow-Side
85H	CutoutRlyLatchSig	85	24VIgnition	79	TranducerLow-Side
85G	EgineStartPwrSw58	85	24VIgnition	79	TranducerLow-Side
85G	Ign-AccSignal	85	24VIgnition	79	TranducerLow-Side
85G	Ign-AccSignal	85	24VIgnition	79	TranducerLow-Side
85G	Ign-AccSignal	85	Ign-AccSignal	79	TranducerLow-Side
85G	Ign-AccSignal	85	Ign-AccSignal	79	TranducerLow-Side
85G	Ign-AccSignal	85	24VIgnition	78	StopLightSensorSig
85G	Ign-AccSignal	85		78	StopLightSensorSig
85G	Ign-AccSignal	85	Ign-AccSignal	78	StopLightSensorSig
85F	24VIgnition	85	Ign-AccSignal	78	StopLightSensorSig
85F	VecrInside	85	VecrInside	78	StopLightSensorSig
85F	VecrInside	84B	StartSigSw83	78	StopLightSensorSig
85F	24VIgnition	84B	StartSigSw83	77K	CoilThermostatSignal
85E	RearStartSignal	83	24vAccessories	77C	PassandPRackLiquidValve
85E	RearStartSignal	83	24vAccessories	77BB	A/CClutchsmlla/c
85D	RearStartPwr	83	24vAccessories	77BB	A/CClutch
85D	RearStartPwr	83	24vAccessories	77BA	A/CClutch
85D	RearStartPwr	82Up	StopRearUpperLamps	77BA	A/CClutch
85D	RearStartPwr	82Up	StopRearUpperLamps	77BA	A/CClutch
85C	PositionNormalSw58	82Up	StopRearUpperLamps	77BA	
85C	PositionNormalSw58	82Up	TrailerStopLights	77BA	A/CClutch
85B	Wake-upSig	82Up	StopRearUpperLamps	77BA	A/CClutch
85B	Wake-upSig	82Up	StopRearUpperLamps	77BA	A/CClutch
85B	Wake_Up_Signal	82Up	StopRearUpperLamps	77BA	A/CClutch
85B	Wake-upSig	82Up	StopRearUpperLamps	77BA	A/CClutch
85B	Wake-upSig	82Low	StopRearLowerLamp	77B	PassandPRackLiquidValve
85B	Wake-upSig	82Low	StopRearLowerLamp	77B	PassandPRackLiquidValve
85B	Wake-upSig	82Low	StopRearLowerLamp	77B	PassandPRackLiquidValve
85B	Wake-upSig	82Low	StopRearLowerLamp	77B	PassandPRackLiquidValve
85B	Wake-upSig	82Low	StopRearLowerLamp	77	TransducerHi-Side

CIRCUITS LIST

CircuitID	Description	CircuitID	Description	CircuitID	Description
77	TransducerHi-Side	66	MarkersSigSw2	63	ClearanceLts
77	TransducerHi-Side	66	MarkersSigSw2	63	ClearanceLts
77	TransducerHi-Side	66	MarkersSigSw2	63	ClearanceLts
77	TransducerHi-Side	65P	Pass.Cylinder	63	ClearanceLts
77	TransducerHi-Side	65D	DriverCylinder	63	ClearanceLts
77	TransducerHi-Side	65A	FootDamper	63	ClearanceLts
76C	FuelLevelSig	65A	FootDamper	63	ClearanceLts
76C	fuelsignal	65	FootDamper	63	UpperRearLights
76C	FuelLevelSig	65	FootDamper	63	DPF
76C	FuelLevelSig	64A	Blinker	61	HeadLtsSig
76	FuelLevelSig	64A	Blinker	61	HeadLtsSig
76	fuelsignal	63BB	ClearanceLts	61	HeadLtsSig
76	FuelLevelSig	63BB	ClearanceLts	61	HeadLtsSig
76	FuelLevelSig	63BB	ClearanceLts	61	HeadLtsSig
74D	Sunvisor	63AA	ClearanceLts	60	FogsLtsSwSig
74D	Sunvisor	63AA	ClearanceLts	59	Hi/LowBeamSignal
72R	GndRJB	63AA	ClearanceLts	59	Hi/LowBeamSignal
72R	GndRJB	63A	FrontClearanceLts	58Rtn	HeadLampRHRtn
72R	GndMarkersandStopLts	63A	FrontClearanceLts	58Rtn	HeadLampRHRtn
72R	GndRJB	63A	FrontClearanceLts	58Rtn	GndReturn
72C	Sunvisor	63A	FrontClearanceLts	58Rtn	HeadLampRHRtn
72C	Sunvisor	63A	FrontClearanceLts	58Rtn	HeadLampRHRtn
72C	Sunvisor	63A	FrontClearanceLts	58Rtn	HeadLampRHRtn
72C	Sunvisor	63A	FrontClearanceLts	58Rtn	HeadLampRHRtn
72C	Sunvisor	63A	FrontClearanceLts	58Rtn	HeadLampRHRtn
72B	Sunvisor	63A	FrontClearanceLts	58Rtn	HeadLampRHRtn
72B	Sunvisor	63A	FrontClearanceLts	58Rtn	HeadLampRHRtn
72A	DockingLtsRH	63A	FrontClearanceLts	58Rtn	HeadLampRHRtn
72A	DockingLtsRH	63A	FrontClearanceLts	58R	LowBeamRH
71A	DockingLtsLH	63A	FrontClearanceLts	58R	LowBeamRH
71A	DockingLtsLH	63	ClearanceLts	58R	LowBeamRH
69A	PneumaticHorn	63	ClearanceLts	58L	LowBeam
69A	PneumaticHorn	63	ClearanceLts	58L	LowBeam
69A	PneumaticHorn	63	ClearanceLts	58L	LowBeam
69	ElectricalHorn	63	ClearanceLts	57Rtn	SignalRtnHeadLtsLH
69	HornSignal	63	ClearanceLts	57Rtn	SignalRtnHeadLtsLH
68A	DashDamper	63	ClearanceLts	57Rtn	SignalRtnHeadLtsLH
68A	DashDamper	63	ClearanceLts	57Rtn	SignalRtnHeadLtsLH
68	DashDamper	63	ClearanceLts	57Rtn	SignalRtnHeadLtsLH
68	DashDamper	63	ClearanceLts	57Rtn	SignalRtnHeadLtsLH
67A	Condensor1stSpdSig	63	DPF	57Rtn	SignalRtnHeadLtsLH
67	EvaporatorPwr	63	ClearanceLts	57Rtn	SignalRtnHeadLtsLH
66	MarkersSigSw2	63	DPF	57Rtn	SignalRtnHeadLtsLH

CIRCUITS LIST

CircuitID	Description	CircuitID	Description	CircuitID	Description
57Rtn	GndReturn	52	Sw102	46	MarkersLightsRear
57R	HighBeamRH	50	WitnessGndSig	46	MarkersLightsRear
57R	HighBeamRH	50	DriverHeatValve	46	MarkersLightsRear
57R	HighBeamRH	50	DriverHeatValve	46	MarkersCenter
57L	Hi-Beam	49A	DoorInsideSwCloseSig	46	MarkersCenter
57L	Hi-Beam	49A	DoorInsideSwCloseSig	46	MarkersCenter
57L	Hi-Beam	48C	DoorUpperPenSig	46	MarkersCenter
57A	AuxiliaryWaterPump	48C	DoorUpperPenSig	46	MarkersCenter
57A	AuxiliaryWaterPump	48B	DoorUpperPenSig	46	MarkersCenter
57A	AuxiliaryWaterPump	48B	DoorUpperPenSig	46	MarkersCenter
57A	Waterpump	48A	DoorUpperPen	46	MarkersCenter
57A	WaterPump	48A	DoorUpperPen	46	MarkersCenter
57A	Waterpump	47	DoorOpenSignal	45A	PassengerHeatSig
57A	Waterpump	47	DoorOpenSignal	45A	PassengerHeatSig
53K	KeyLessSig	46A	FrontMarkers	45	UpperdefrosterSwSig
53J	HornElectric	46A	FrontMarkers	45	UpperdefrosterSwSig
53J	HornElectric	46A	FrontMarkers	41A1	CondensorPwr
53H	LowerWiper	46A	FrontMarkers	41A1	CondensorPwr
53F	LowerWasherPump	46A	FrontMarkers	41A1	CondensorPwr
53F	LowerWasherPump	46	FrontFlasherRh	41A1	CondensorPwr
53F	LowerWasherPump	46	FrontFlasherRh	41A1	CondensorPwr
53F	LowerWasherPump	46	FrontFlasherRh	41A1	CondensorPwr
53F	LowerWasherPump	46	FrontFlasherRh	41A1	CondensorPwr
53E	LowerWiper1stSpd	46	MarkersCenter	41A1	CondensorPwr
53D	LowerWip.WasherSwSig	46	MarkersCenter	41A1	CondensorPwr
53D	LowerWip.WasherSwSig	46	MarkersCenter	41A1	CondensorPwr
53C	LowerWip.IntSig	46	MarkersLightsRear	41A1	CondensorPwr
53C	LowerWip.IntSig	46	MarkersLightsRear	41A1	CondensorPwr
53B	Wiper	46	MarkersLightsRear	41A1	PassandPRackLiquidValve
53B	Wiper	46	MarkersLightsRear	41A1	CondensorPwr
53B	Wiper	46	TrailerMarkerLights	41A1	CondensorPwr
53B	Wiper	46	MarkersLightsRear	41A1	CondensorPwr
53B	Wiper	46	MarkersLightsRear	41A1	CondensorPwr
53A	ElectricalHorn	46	MarkersLightsRear	41A1	CondensorPwr
53A	ElectricalHorn	46	MarkersLightsRear	41A1	CondensorPwr
53A	ElectricalHorn	46	MarkersLightsRear	41A1	CondensorPwr
53A	ElectricalHorn	46	MarkersLightsRear	41A1	CondensorPwr
53A	ElectricalHorn	46	MarkersLightsRear	41A1	CondensorPwr
53	LowerWip.Spd1Sig	46	MarkersLightsRear	41A1	CondensorPwr
53	LowerWip1stSpd	46	MarkersLightsRear	41	24VCondensor
53	LowerWip1stSpd	46	MarkersLightsRear	40	WitnessGnd
53	LowerWip.Spd1Sig	46	MarkersLightsRear	39Rtn	GndDriverLt
53	LowerWip1stSpd	46	MarkersLightsRear	39Rtn	GndDriverLt

CIRCUITS LIST

CircuitID	Description	CircuitID	Description	CircuitID	Description
39D	DriverLt	26D	EntranceWdo	24V18	24V1toMux
39D	DriverLt	26D	EntranceWdo	24V18	24V1toMux
39D	DriverLt	26B	DriverWdo	24V18	24V1toMux
39B	KeyLessSig	26B	DriverWdo	24V18	24V1toMux
39AA	GndElectronic	26B	DriverWdo	24V18	24V1LevelLowSwitch
39	DriverLtSwSig	26B	DriverWdo	24V18	
39	DriverLtSwSig	26B	DriverWdo	24V18	24V1LevelLowSwitch
35A	EntranceLight	26A	DriverWdo	24V18	24V1LevelLowSwitch
35A	EntranceLight	26A	DriverWdo	24V18	24V1toMux
35	EntranceDoorLights	26A	DriverWdo	24V17	WiperPower
35	EntranceDoorLights	26A	DriverWdo	24V17	LowerWiperPwr
35	EntranceDoorLights	26A	DriverWdo	24V17	LowerWiperPwr
35	EntranceLight	26	DriverWdoPwr	24V17	WiperPower
32D	BackupLtandalarm	26		24V17	LowerWiperPwr
32D	BackupLtandalarm	26		24V17	LowerWiperPwr
32D	TrailerBackupLights	26	DriverWdoPwr	24V17	LowerWiperPwr
32D	BackupLtandalarm	26	DriverWdoPwr	24V16	PwrtoDefrostUnit
32D	BackupLtandalarm	26	DriverWdoPwr	24V16	PwrtoDefrostUnit
32D	BackupLtandalarm	25A4	BatteryNotChargingSig	24V16	PwrtoDefrostUnit
32A	BackupLtandalarm	25A4	BatteryNotChargingSig	24V16	PwrtoDefrostUnit
32A	BackupLtandalarm	25A2	Alternator2Signal	24V16	PwrtoDefrostUnit
32A	BackupLtandalarm	25A2	ExcitationSignal	24V16	PwrtoDefrostUnit
32A	BackupLtandalarm	25A2	ExcitationSignal	24V16	PwrtoDefrostUnit
32	FrontSlideOutExtending	25A1	ExcitationSignal	24V16	PwrtoDefrostUnit
32	FrontSlideOutExtending	25A1	ExcitationSignal	24V15	24V1ofMuxmodules
31B	WiperPower	25A1	ExcitationSignal	24V15	24V1ofMuxmodules
31B	LowerWip1stSpd	25	EngineRunSignal	24V15	24V1Logic
31	UnloaderRH	25	EngineRunSignal	24V15	24V1ofMuxmodules
31	UnloaderRH	24Wup1	24WUpFront	24V15	24V1Logic
31	UnloaderRH	24Wup1	24WUpFront	24V15	24V1Logic
31		24Wup1	24WUpFront	24V15	24V1Logic
31	UnloaderRH	24Wup1	R22_PWR	24V15	
31	UnloaderRH	24Wup1	24WUpFront	24V15	
31		24Wup1	24VWUptoA47	24V14	SunVisorsPwr
31		24VIF	24V1toFrontVEC	24V14	SunVisorsPwr
27	PowerEntranceDoorWdo	24VICust	24VICustomer	24V14	
27	PowerEntranceDoorWdo	24VICust	24VICustomer	24V14	
27	PowerEntranceDoorWdo	24VIA	Cut-outPneumaticAcc	24V14	
27	PowerEntranceDoorWdo	24VIA	Cut-OutPneumaticAcc.	24V13	24V1gn
26E	EntranceWdo	24V19A	24V1ofA54	24V13	24V1
26E	EntranceWdo	24V19A	24V1ofA54	24V13	24V1
26E	EntranceWdo	24V19A	24V1ofA54	24V12	Multifunctionswitchpower
26D	EntranceWdo	24V18	24V1toMux	24V12	

CIRCUITS LIST

CircuitID	Description	CircuitID	Description	CircuitID	Description
24VI1	24VItoRearVec	24VI	Vecr_Inside	24VD2	24VDEng.StartSw83
24vi	VecrInside	24VI	Vecr_Inside	24VD2	24VDEng.StartSw83
24vi	VecrInside	24VI	Vecr_Inside	24VD2	24VDEng.StartSw83
24vi	VecrInside	24VI	Vecr_Inside	24VD2	24VDEng.StartSw83
24vi	VecrInside	24VI	Vecr_Inside	24VD1	24VDtoFront
24vi	VecrInside	24VI	Vecr_Inside	24VD1	MasterRelayPwr
24vi	VecrInside	24VI	Vecr_Inside	24VD1	24VD
24vi	VecrInside	24VI	Vecr_Inside	24VD1	24VDDriverLiq
24vi	VecrInside	24VI	Vecr_Inside	24VD1	24VDDriverLiq
24vi	VecrInside	24VDS	Driver_Seat_Pwr	24vd	VecrInside
24vi	VecrInside	24VDS		24vd	VecrInside
24vi	VecrInside	24VDCust	24VDCustomer	24vd	VecrInside
24vi	VecrInside	24VDCust	24VDCustomer	24vd	VecrInside
24vi	VecrInside	24VD8B	UreaPowerACM	24vd	VecrInside
24vi	VecrInside	24VD8A	UreaPowerACM	24vd	VecrInside
24vi	VecrInside	24VD8A	UreaPowerACM	24vd	VecrInside
24vi	VecrInside	24VD8A	UreaPowerACM	24VD	MasterRelayPwr
24vi	VecrInside	24VD8	24VD_ACM	24VD	24VD
24vi	VecrInside	24VD8	UreaPowerACM	24VD	Vecr_Inside
24vi	VecrInside	24VD8	UreaPowerACM	24VD	Vecr_Inside
24VI	24VI	24VD8	UreaPowerACM	24VD	Vecr_Inside
24VI	24VI	24VD8	UreaPowerACM	24VD	Vecr_Inside
24VI	Vecr_Inside	24VD8	UreaPowerACM	24VD	Vecr_Inside
24VI	Vecr_Inside	24VD8	UreaPowerACM	24VD	Vecr_Inside
24VI	Vecr_Inside	24VD8	UreaPowerACM	24VD	Vecr_Inside
24VI	Vecr_Inside	24VD8	UreaPowerACM	24VD	Vecr_Inside
24VI	Vecr_Inside	24VD8	UreaPowerACM	24VD	Vecr_Inside
24VI	Vecr_Inside	24VD8	UreaPowerACM	24VD	Vecr_Inside
24VI	Vecr_Inside	24VD8	UreaPowerACM	24VD	Vecr_Inside
24VI	Vecr_Inside	24VD8	UreaPowerACM	24VD	Vecr_Inside
24VI	Vecr_Inside	24VD8	UreaPowerACM	24VD	Vecr_Inside
24VI	Vecr_Inside	24VD8	UreaPowerACM	24VD	Vecr_Inside
24VI	Vecr_Inside	24VD8	UreaPowerACM	24VD	Vecr_Inside
24VI	Vecr_Inside	24VD8	UreaPowerACM	24VD	Vecr_Inside
24VI	Vecr_Inside	24VD7	PassandPRackPwr	24VB2	24VEnginePreheater
24VI	Vecr_Inside	24VD7	PassandPRackPwr	24VB1	24VEnginePreheater
24VI	Vecr_Inside	24VD7	PassandPRackPwr	24VB	24VEnginePreheater
24VI	Vecr_Inside	24VD7	PassandPRackPwr	24VA	24vEquilizer
24VI	Vecr_Inside	24VD7	PassandPRackPwr	24EE2	24Ignition
24VI	Vecr_Inside	24VD5	24VD	24EE1	24Ignition
24VI	Vecr_Inside	24VD5		24D	24Direct
24VI	Vecr_Inside	24VD4	24VDFrontWake-up	24CO	24COtoSw58
24VI	Vecr_Inside	24VD3	24VDofCECM	24CO	24COtoSw58
24VI	Vecr_Inside	24VD3	24VDofCECM	24CO	24COtoSw58
24VI	Vecr_Inside	24VD3	24VDofCECM	24CO	24COtoSw58
24VI	Vecr_Inside	24VD2	24VDtoRearVec	24CO	24COtoSw58

CIRCUITS LIST

CircuitID	Description	CircuitID	Description	CircuitID	Description
24AW	Awining_Wind_Pwr	23B	CorneringLtsRH	21B	CorneringLtsLH
24AW	AwiningWindowsPower	23AA	FrontFlasherRHSide	21B	CorneringLtsLH
24AW	AwiningWindowsPower	23AA	TrailerFlasherRH	21B	CorneringLtsLH
24AW	AwiningWindowsPower	23AA	FlashersRearRH	21B	CorneringLtsLH
24AW	AwiningWindowsPower	23AA	FlashersRearRH	21AA	FlashersRearLH
24AW	AwiningWindowsPower	23AA	FlashersRearRH	21AA	FlashersRearLH
24AW	AwiningWindowsPower	23AA	FlashersRearRH	21AA	FlashersRearLH
24AW	AwiningWindowsPower	23AA	FlashersRearRH	21AA	FlashersRearLH
24AW	AwiningWindowsPower	23AA	FlashersRearRH	21AA	FlashersRearLH
24AW	AwiningWindowsPower	23AA	TrailerFlasherRH	21AA	FlashersRearLH
24AW	AwiningWindowsPower	23AA	FlashersRearRH	21AA	FlashersRearLH
24AW	AwiningWindowsPower	23AA	FlashersRearRH	21AA	FlashersRearLH
24AW	AwiningWindowsPower	23AA	FlashersRearRH	21AA	FlashersRearLH
24AW	AwiningWindowsPower	23A	FrontFlasherRH	21AA	TrailerFlasherLH
24AW	AwiningWindowsPower	23A	FrontFlasherRH	21A	FrontFlasher
24AW	AwiningWindowsPower	23A	FrontFlasherRH	21A	FrontFlasher
24AW	AwiningWindowsPower	23A	FlasherCenterRH	21A	FrontFlasher
24AW	AwiningWindowsPower	23A	FlasherCenterRH	21A	FrontFlasher
24AW	AwiningWindowsPower	23A	FlasherCenterRH	21A	FrontFlasher
24AW	AwiningWindowsPower	23A	FlasherCenterRH	21A	FrontFlasher
24AW	AwiningWindowsPower	23A	FlasherCenterRH	21A	FrontFlasher
24AW	AwiningWindowsPower	23	FlasherRHSig	21A	FlashersCenterLH
24AW	AwiningWindowsPower	23	FlasherRHSig	21A	FlashersCenterLH
24Alt	PwrtoExcitationResistor	23	FlasherRHSig	21A	FlashersCenterLH
24Alt		23	FlasherRHSig	21A	FlashersCenterLH
24Alt		23	FlasherRHSig	21A	FlashersCenterLH
24Alt	ExcitationSignal	23	FlasherRHSig	21A	FlashersCenterLH
24Alt	ExcitationSignal	23	FlasherRHSig	21A	FlashersCenterLH
24Alt	ExcitationSignal	22	HazardSwSig	21	FlasherLHSig
24Alt	ExcitationSignal	22	HazardSwSig	21	FlasherLHSig
24A	Booster_Block	21C	UpperRearLights	21	FlasherLHSig
23C	UpperRearLights	21C	UpperRearLights	21	FlasherLHSig
23C	UpperRearLights	21C	UpperRearLights	21	FlasherLHSig
23C	UpperRearLights	21C	UpperRearLights	21	FlasherLHSig
23C	UpperRearLights	21C	UpperRearLights	20	Air_Dryer_Pwr
23C	UpperRearLights	21C	UpperRearLights	20	Air_Dryer_Pwr
23C	UpperRearLights	21C	DPF	20	Air_Dryer_Pwr
23C	UpperRearLights	21BR	GndFoglights	18	Wip.WasherLevel
23BR	GndFogandCorneringLtsRH	21BR	GndFoglights	18	Wip.WasherLevel
23BR	GndFogandCorneringLtsRH	21BR	GndFoglights	18	Wip.WasherLevel
23BR	GndFogandCorneringLtsRH	21BR	GndFoglights	18	WindWasherLowLev
23B	CorneringLtsRH	21BR	GndFoglights	18	Wip.WasherLevel

CIRCUITS LIST

CircuitID	Description	CircuitID	Description	CircuitID	Description
18	Wip.WasherLevel	12Wup	Vecr_Inside	12VI6	12VDDDriverseat
16	SpeedSignal	12Wup	Vecr_Inside	12VI6	
16	SpeedSignal	12Wup	Vecr_Inside	12VI6	
16	SpeedSignal	12Wup	Vecr_Inside	12VI6	
16	SpeedSignal	12Wup	VecrInside	12VI6	
16	SpeedSignal	12Wup	24WupLuggageslock	12VI6	
16	SpeedSignal	12w_up	VecrInside	12VI5	12VIttoVECR
16	SpeedSignal	12w_up	VecrInside	12VI4	PwrOutletandCigarLighter
16	SpeedSignal	12w_up	VecrInside	12VI4	PwrOutletandCigarLighter
16	SpeedSignal	12w_up	VecrInside	12VI4	PwrOutletandCigarLighter
13	GndTransducer	12w_up	VecrInside	12VI4	PwrOutletandCigarLighter
13	GndTransducer	12w_up	VecrInside	12VI4	PwrOutletandCigarLighter
13	GndTransducer	12w_up	VecrInside	12VI3	PwrOutletDrawer
13	GndTransducer	12VIZF	ZFsterringControl	12VI3	PwrOutletDrawer
13	GndTransducer	12VIZF	ZFsterringControl	12VI2	MirrorPwr
13	GndTransducer	12VIF19	12VI_DDDL	12VI2	MirrorPwr
13	GndTransducer	12VIF19	12VI_DDDL	12VI2	MirrorPwr
13	GndTransducer	12VIF	12VIttoFrontVec	12VI2	MirrorPwr
13	GndTransducer	12VICust	12VICustomer	12VI2	MirrorPwr
13	GndTransducer	12VICust	12VICustomer	12VI2	MirrorPwr
13	GndTransducer	12VI9	TPMSPow	12VI1	12VlofA44
13	GndTransducer	12VI9	TPMSPow	12vi	VecrInside
13		12VI9	TPMSPow	12vi	VecrInside
13		12VI9	TPMSPow	12vi	VecrInside
12WUp5	PwrtoModuleA51	12VI9	TPMSPow	12vi	VecrInside
12WUp5	PwrtoDDEC	12VI9	TPMSPow	12vi	VecrInside
12WUp5	PwrtoModuleA51	12VI8	Preaheter_Fuel_Filter_PWR	12vi	VecrInside
12Wup2	12WUptoDash	12VI8		12VI	12VIttoCB10
12Wup2	12WUptoDash	12VI8	AirDryer	12VI	Vecr_Inside
12Wup2	12WUpRear	12VI8	AirDryer	12VI	Vecr_Inside
12Wup1	12WUpFront	12VI8	AirDryer	12VI	Vecr_Inside
12Wup1	12WUpFront	12VI8	AirDryer	12VI	Vecr_Inside
12Wup1	12WUpFront	12VI8	AirDryer	12VI	Vecr_Inside
12Wup1	12WUpFront	12VI8	AirDryer	12VI	Vecr_Inside
12Wup1	12VWUptoA48	12VI8	AirDryer	12VI	Vecr_Inside
12Wup1	12WUpFront	12VI7	TrailerABSPower	12VI	Vecr_Inside
12Wup	Vecr_Inside	12VI7	TrailerABSPower	12VI	Vecr_Inside
12Wup	Vecr_Inside	12VI7	TrailerABSPower	12VI	Vecr_Inside
12Wup	Vecr_Inside	12VI7	TrailerABSPower	12VI	Vecr_Inside
12Wup	Vecr_Inside	12VI7	TrailerABSPower	12VI	Vecr_Inside
12Wup	Vecr_Inside	12VI7	TrailerABSPower	12VI	Vecr_Inside
12Wup	Vecr_Inside	12VI6	PwrtoModuleA50	12VI	VecrInside
12Wup	Vecr_Inside	12VI6	12VDDDriverseat	12VDF	12VDtoFrontVec

CIRCUITS LIST

CircuitID	Description	CircuitID	Description	CircuitID	Description
12VDCust	12VDCustomer	10A	LuggageCmpt.LtsPwr	0Y2	GndChassisABSSol
12VD4	12v_Engine_Ecu	10A	LuggageCmpt.LtsPwr	0Y2	GndChassisABSSol
12VD4	12VDWitnessPwrSw4	10A	LuggageCmpt.LtsPwr	0Y	ABS_Gnd
12VD4	12VDdash	10A	LuggageCmpt.LtsPwr	0Y	Gnd
12VD4	12VDdash	10A	LuggageCmpt.LtsPwr	0Y	GndChassistoABSModule
12VD4	12vDDDR	10A	LuggageCmpt.LtsPwr	0Y	GndChassistoABSModule
12VD4	12VD	10A	LuggageCmpt.LtsPwr	0Y	GndChassistoABSModule
12VD3	12vRearwake-up	10A	LuggageCmpt.LtsPwr	0Y	GndChassistoABSModule
12VD3	RLock/RUnlock_Door	10	LuggageCmpt.LtsPwr	0Y	GndChassistoABSModule
12VD3	RLock/RUnlock_Door	10	LuggageCmpt.LtsPwr	0VE	EqualizerGnd
12VD3	RLock/RUnlock_Door	10	LuggageCmpt.LtsPwr	0V5	LuggageDoorOpenSig
12VD3	RLock/RUnlock_Door	10	LuggageCmpt.LtsPwr	0V5	LuggageDoorOpenSig
12VD2	12Direct	10	DPFVolvo	0V5	LuggageDoorOpenSig
12VD2	R22_DDEC	10	DPFVolvo	0V5	LuggageDoorOpenSig
12VD1	12VDTOCB2	10	DPFVolvo	0V5	LuggageDoorOpenSig
12VD1	12VDFrontWake-up	9B	EngineCmpt.Lt	0V3	LuggageDoorOpenSig
12VD1	12VDFrontWake-up	9B	EngineCmpt.Lt	0V3	LuggageDoorOpenSig
12VD1	12VDFrontWake-up	9B	EngineCmpt.Lt	0V3	LuggageDoorOpenSig
12VD	12VDTOCB2	9B	EngineCmpt.Lt	0V3	LuggageDoorOpenSig
12VA	12vEqualizer	9B	EngineCmpt.Lt	0V3	LuggageDoorOpenSig
12K	KeyLessIgn	9B	EngineCmpt.Lt	0V2	LuggageDoorOpenSig
12ecu	VecrInside	9B	EngineCmpt.Lt	0V2	LuggageDoorOpenSig
12ecu	VecrInside	9B	EngineCmpt.Lt	0V2	LuggageDoorOpenSig
12ecu	VecrInside	9A	GndEngineDoorSe	0V2	LuggageDoorOpenSig
12ecu	VecrInside	9A	GndEngineDoorSe	0V2	LuggageDoorOpenSig
12Ecu	VecrInside	9A	GndEngineDoorSe	0V1	LuggageDoorOpenSig
12Ecu	12v_Engine_Ecu	9A	GndEngineDoorSe	0V1	LuggageDoorOpenSig
12Ecu	VecrInside	7	DriverSensorRtn	0V1	LuggageDoorOpenSig
12Ecu	12v_Engine_Ecu	2B	CondSndSpdSig	0V1	LuggageDoorOpenSig
12Ecu	12v_Engine_Ecu	2B	CondSndSpdSig	0V1	LuggageDoorOpenSig
12Ecu	VecrInside	2B	CondSndSpdSig	0SA1	GND_Alt120A
12Ecu	VecrInside	2B	CondSndSpdSig	0SA1	GND_Alt120A
12CPC	R22_DDEC	2B	CondSndSpdSig	0RC5B	Gnd
12A	12Direct	2B	CondSndSpdSig	0RC5A	Gnd
12	RearSlideOutRetractingSignal	2B	CondSndSpdSig	0RC5	Gnd
12	RearSlideOutRetractingSignal	2B	CondSndSpdSig	0RC5	Gnd
10A	LuggageCmpt.LtsPwr	1	Transmission	0RC5	Gnd
10A	LuggageCmpt.LtsPwr	0Y3	GndChassisABSSol	0RC5	Gnd
10A	LuggageCmpt.LtsPwr	0Y3	GndChassisABSSol	0RC5	Gnd
10A	LuggageCmpt.LtsPwr	0Y3	GndChassisABSSol	0RC5	Gnd
10A	LuggageCmpt.LtsPwr	0Y3	GndChassisABSSol	0RC5	Gnd
10A	LuggageCmpt.LtsPwr	0Y2	GndChassisABSSol	0RC4	Gnd
10A	LuggageCmpt.LtsPwr	0Y2	GndChassisABSSol	0RC4	GndKeylessKeypad

CIRCUITS LIST

CircuitID	Description	CircuitID	Description	CircuitID	Description
ORC4	GndKeylessKeypad	ORB8	GndtoACM	ORB6	AirDryer
ORC4	GndKeylessKeypad	ORB8	GndtoACM	ORB4	Air_Dryer_Gnd
ORC4	GndKeylessKeypad	ORB8	GndtoACM	ORB4	Air_Dryer_Gnd
ORC3	GND	ORB7	GndToEcm	ORB3	Gnd
ORC3	ElectricGnd	ORB7	GndAwningWindow	ORB3	GndRearLighting
ORC3	ElectricGnd	ORB7	GndAwningWindow	ORB3	GndRearLighting
ORC3	Gnd	ORB7	GndAwningWindow	ORB3	GndRearLighting
ORC3	GndR23	ORB7	GndWindowAjar	ORB3	GndRearLighting
ORC3	GndLowerWiperMotor	ORB7	GndWindowAjar	ORB3	GndRearLighting
ORC3	Acces_Gnd	ORB7	GndAwningWindow	ORB3	GndRearLighting
ORC3	Gnd	ORB7	GndAwningWindow	ORB3	Gnd
ORC3	GndLowerWiperMotor	ORB7	GndAwningWindow	ORB3	Gnd
ORC3	GndLowerWiperMotor	ORB7	GndWindowAjar	ORB3	Gnd
ORC3	GndLowerWiperMotor	ORB7	GndWindowAjar	ORB3	Gnd
ORC3	GndLowerWiperMotor	ORB7	GndWindowAjar	ORB3	GndMarkersandStopLts
ORC3	GndLowerWiperMotor	ORB7	GndWindowAjar	ORB3	GndMarkersandStopLts
ORC3	GndLowerWiperMotor	ORB7	GndWindowAjar	ORB3	GndMarkersandStopLts
ORC3	Gnd	ORB7	GndWindowAjar	ORB3	GndFlashersandMarkersCenter
ORC3	Gnd	ORB7	GndWindowAjar	ORB3	GndFlashersandMarkersCenter
ORC2	GndDriverCylinder	ORB7	GndWindowAjar	ORB3	GndRearLighting
ORB8B	GndtoACM	ORB7	GndWindowAjar	ORB3	GndRearLighting
ORB8B	GndtoACM	ORB7	GndAwningWindow	ORB3	GndRearLighting
ORB8B	GndtoACM	ORB7	GndAwningWindow	ORB3	GndRearClearanceLts
ORB8A	GndtoACM	ORB7	GndAwningWindow	ORB3	GndMarkersandStopLts
ORB8A	GndtoACM	ORB7	GndAwningWindow	ORB3	DPF
ORB8A	GndtoACM	ORB7	GndAwningWindow	ORB3	GndRearClearanceLts
ORB8A	GndtoACM	ORB7	DPFVolvo	ORB3	GndMarkersandStopLts
ORB8A	GndtoACM	ORB7	DPFVolvo	ORB3	GndMarkersandStopLts
ORB8	GndtoACM	ORB7	GndToEcm	ORB3	GndRearClearanceLts
ORB8	GndTrailerConnector	ORB7	DPFVolvo	ORB3	DPF
ORB8	GndTrailerConnector	ORB7	GndToEcm	ORB3	GndRearClearanceLts
ORB8	GndTrailerConnector	ORB6	Luggageslockunlockrelay	ORB3	DPF
ORB8	GndTrailerConnector	ORB6	Luggageslockunlockrelay	ORB3	GndFlashersandMarkersCenter
ORB8	GndTrailerConnector	ORB6	Luggageslockunlockrelay	ORB3	GndMarkersandStopLts
ORB8	GndTrailerConnector	ORB6	Luggageslockunlockrelay	ORB3	GndMarkersandStopLts
ORB8	GndTrailerconnector	ORB6	Luggageslockunlockrelay	ORB3	GndMarkersandStopLts
ORB8		ORB6	Luggageslockunlockrelay	ORB3	GndMarkersandStopLts
ORB8		ORB6		ORB3	GndRearClearanceLts
ORB8	GndtoACM	ORB6	GndCustomer	ORB3	GndMarkersandStopLts
ORB8	GndtoACM	ORB6	Air_Dryer_Gnd	ORB3	GndMarkersandStopLts
ORB8	GndtoACM	ORB6	Luggageslockunlockrelay	ORB3	GndMarkersandStopLts
ORB8	GndtoACM	ORB6	AirDryer	ORB3	GndMarkersandStopLts
ORB8	GndtoACM	ORB6	AirDryer	ORB3	GndMarkersandStopLts

CIRCUITS LIST

CircuitID	Description	CircuitID	Description	CircuitID	Description
ORB3	GndRearClearanceLts	ORA2	GndRJB	0H	GroundCoolantSensor
ORB3	GndMarkersandStopLts	ORA2	SignalGndR1	0G	GndofA54
ORB3	GndMarkersandStopLts	ORA2	GndWake-upRly	0G	GndofA54
ORB3	GndMarkersandStopLts	ORA2	GndRJB	0FE	Gnd_AFSS
ORB3	GndMarkersandStopLts	ORA2	SignalGndR1	0FE	Gnd_AFSS
ORB3	GndMarkersandStopLts	ORA2	GndRJB	0FDS	Driver_Seat_Gnd
ORB3	GndMarkersandStopLts	ORA2	GndEngineCmpt.Lts	0FDS	Driver_seat_optional
ORB3	GndRearClearanceLts	ORA2	GndEngineCmpt.Lts	0FD1	GNDMuxpower
ORB3	GndMarkersandStopLts	ORA2	GndRJB	0FD1	GndFanRJB
ORB3	GndMarkersandStopLts	ORA2	GndEngineCmpt.Lts	0FD1	GNDCustomer
ORB3	GndRearClearanceLts	ORA2	GndRJB	0FD1	GNDCustomer
ORB3	GndMarkersandStopLts	ORA2	VecrInside	0FD1	GndFanRJB
ORB3	GndRearClearanceLts	ORA2	VecrInside	0FC4	ElectricalHorn
ORB3	GndMarkersandStopLts	ORA2	VecrInside	0FC4	ElectricalHorn
ORB3	GndMarkersandStopLts	ORA2	ComprerssorGnd	0FC4	ElectricalHorn
ORB3	GndMarkersandStopLts	ORA2	ComprerssorGnd	0FC1	Driverseat
ORB3	GndRearClearanceLts	ORA2	GndUnloader	0FC1	GndHorns
ORB3	GndMarkersandStopLts	ORA2		0FC1	GndFrtExtlighting
ORB3	GndRearLighting	ORA2		0FC1	GndFJB
ORB3	GndRearLighting	ORA2	GndUnloader	0FC1	GndHorns
ORB3	GndRearLighting	ORA2	Comprerssor	0FC1	GndHorns
ORB3	GndRearLighting	ORA2	GndRJB	0FC1	GndFrtExtlighting
ORB3	GndFlashersandMarkersCenter	ORA2	GndRJB	0FC1	GndFrtExtlighting
ORB3	GndFlashersandMarkersCenter	ORA2	GndRJB	0FB3	GNDCustomer
ORB3	GndFlashersandMarkersCenter	ORA2	Comprerssor	0FB3	TPMSGND
ORB3	GndFlashersandMarkersCenter	OPR2	GndFrontClearanceLts	0FB3	TPMSGND
ORB3	GndRearLighting	OPR2	GndFrontClearanceLts	0FB3	TPMSGND
ORB3	GndRearLighting	OPR2	GndFrontClearanceLts	0FB3	TPMSGND
ORB3	GndRearLighting	OPR2	GndFrontClearanceLts	0FB3	TPMSGND
ORB3	GndRearLighting	OPR2	GndFrontClearanceLts	0FB3	TPMSGND
ORB3	GndRearLighting	OPR2	GndFrontClearanceLts	0FB3	TPMSGND
ORB3	GndRearLighting	OPR2	GndFrontClearanceLts	0FB3	TPMSGND
ORB3	GndRearLighting	OPR2	GndFrontClearanceLts	0FB2	GndDriverWdo
ORB3	GndRearLighting	OPR2	GndFrontClearanceLts	0FB2	GndofAccessories
ORB3	GndRearLighting	OPR2	GndFrontClearanceLts	0FB2	GndDriverWdo
ORB3	GndRearLighting	OPR2	GndFrontClearanceLts	0FB2	GndDriverWdo
ORA2	SignalGndR1	OPR2	GndFrontClearanceLts	0FB1	GndMirrors
ORA2	SignalGndR1	OPR2	GndFrontClearanceLts	0FB1	ChassisGnd
ORA2	DiodetoR1	OPR2	GndFrontClearanceLts	0FB1	GndWindshieldWasherPump
ORA2	GndR3	0L282		0FB1	GndofAccessoires
ORA2	SignalGndR1	0L	KeylessModuleKeypadGnd	0FB1	GndMirrors
ORA2	GndWake-upRly	0L	KeylessModuleKeypadGnd	0FB1	GndMirrors
ORA2	GndRJB	0L	KeylessModuleKeypadGnd	0FB1	Gnd
ORA2	GndRJB	0L	KeylessModuleKeypadGnd	0FB1	GndFogandCorneringLtsRH

CIRCUITS LIST

CircuitID	Description	CircuitID	Description	CircuitID	Description
0FB1	GndFogandCorneringLtsRH	0EV2	GndHvac	00B1	GndEng.Start
0FB1	GndWindshieldWasherPump	0EV2	GndCondensor	00B1	GndEng.Start
0FB1	GndWindshieldWasherPump	0EV2	GndHvac	0B1	GndEnginePreheater
0FB1	GndWindshieldWasherPump	0EV2	GndHvac	00B	ElectronicGndofMuxModules
0FB1	GndWindshieldWasherPump	0EV2	GndHvac	00B	ElectronicGndofMuxModules
0FB1	GndWindshieldWasherPump	0EV2	GndHvac	00B	ElectronicGndofMuxModules
0FB1	ChassisGnd	0EV2	GndHvac	00B	ElectronicGndofMuxModules
0FB1	ChassisGnd	0EV2	GndCondensor	00B	ElectronicGndofMuxModules
0FB1	GndMirrors	0EV2	GndCondensor	00B	ElectronicGndofMuxModules
0FB1	GndMirrors	0EV2	GndHvac	00B	ElectronicGndofMuxModules
0FB1	GndMirrors	0EV2	GndHvac	00B	ElectronicGndofMuxModules
0FB1	GndMirrors	0EV2	GndHvac	00B	ElectronicGndofMuxModules
0FB1	GndMirrors	0EV2	GndHvac	00B	ElectronicGndofMuxModules
0FB1	GndMirrors	0EV1	CondensorPwr	00B	ElectronicGndofMuxModules
0FB1	GndMirrors	0EV1	CondensorPwr	00B	ElectronicGndofMuxModules
0FB1	GndMirrors	0EV1	CondensorPwr	00B	ElectronicGndofMuxModules
0FB1	GndMirrors	0EV1	CondensorPwr	00B	ElectronicGndofMuxModules
0FB1	GndMirrors	0EV1	CondensorPwr	00B	ElectronicGndofMuxModules
0FB1	GndMirrors	0EV1	CondensorPwr	00B	ElectronicGndofMuxModules
0FB1	GndMirrors	0EV1	CondensorPwr	00B	ElectronicGndofMuxModules
0FB1	GndMirrors	0EV1	CondensorPwr	00B	ElectronicGndofMuxModules
0FB1	GndMirrors	0EV1	CondensorPwr	00B	ElectronicGndofMuxModules
0FB1	GndMirrors	0EV1	CondensorPwr	00B	ElectronicGndofMuxModules
0FB1	GndMirrors	0EV1	CondensorPwr	00B	ElectronicGndofMuxModules
0FB1	GndMirrors	0CG	67888	00B	ElectronicGndofMuxModules
0FB1	GndMirrors	0CE	GND448A47	00B	ElectronicGndofMuxModules
0FA4	Chassisgnd	0CE	ChassisGndtoA47	00B	ElectronicGndofMuxModules
0FA1	GndofEntranceWdo	0CE	ChassisGndtoA47	00B	ElectronicGndofMuxModules
0FA1	GndofAccessoires	0CE	GND448A47	00B	ElectronicGndofMuxModules
0FA1	GndofAccessoires	0CE	R19GND	00B	ElectronicGndofMuxModules
0FA1	GndPwrOutlet	0CE	GND448A47	00B	ElectronicGndofMuxModules
0FA1	GndofAccessoires	0CE	GndWake-upRly	00B	ElectronicGndofMuxModules
0FA1	GndPwrOutlet	0CE	R22_GND	00B	ElectronicGndofMuxModules
0FA1	GndofEntranceWdo	0C	GndStarter062214	00B	ElectronicGnd
0FA1	GndofEntranceWdo	0BF	GND_Preheater_Fuel_Filter	00B	GndEng.Start
0FA1	GndPwrOutlet	0BB	SensorGnd	00B	GndEng.Start
0FA1	GndPwrOutlet	0BB	SensorGnd	00B	GndEng.Start
0FA1	GndPwrOutlet	0BB	SensorGnd	00B	GndEng.Start
0F	FJBDoorOpenSig	0BB	SensorGnd	00B	GndTransAlisson
0F	FJBDoorOpenSig	0BB	SensorGnd	00B	GndAwningWindow
0F	FJBDoorOpenSig	0BB	GndElectronic	00B	ElectronicGnd
0F	FJBDoorOpenSig	0BB	SensorGnd	00B	ElectronicGnd
0EV2	GndHvac	0BB	GndElectronic	00B	GndEngineDoorSe
0EV2	GndHvac	0BB	GndElectronic	00B	DDDL_RJB
0EV2	GndHvac	0BB	GndElectronic	00B	GndEngineDoorSe

CIRCUITS LIST

CircuitID	Description	CircuitID	Description	CircuitID	Description
00B	GndRearLighting	00B		00A	ElectronicGnd
00B	GndRearLighting	00B		00A	GndElectronic
00B	GndEngineDoorSe	00B		00A	GndElectronic
00B	GndEngineDoorSe	00B	ElectronicGndofMuxModules	00A	GndElectronic
00B	GndTransAlisson	00B		00A	GndElectronic
00B	GndTransAlisson	00AB	Sw103A	00A	GndElectronic
00B	GndTransAlisson	00AB	gnd	00A	GndElectronic
00B	GndTransAlisson	00A1	GndElectronic	00A	GndElectronic
00B	GndTransAlisson	00A1	LDWLeftMotor	00A	GndElectronic
00B	GndTransAlisson	00A1	LDWRighrMotor	00A	GndElectronic
00B	GndTransAlisson	00A1	LDWLeftMotor	00A	GndElectronic
00B	GndTransAlisson	00A	GndElectronic	00A	GndElectronic
00B	GndTransAlisson	00A	GndElectronic	00A	GndElectronic
00B	GndEngineDoorSe	00A	GndElectronic	00A	GndElectronic
00B	GndEngineDoorSe	00A	Gnd	00A	GndElectronic
00B	ElectronicGnd	00A	ElectronicGnd	00A	GndElectronic
00B	ElectronicGnd	00A	GndElectronic	00A	GndElectronic
00B	ElectronicGnd	00A	GndElectronic	00A	GndElectronic
00B	ElectronicGnd	00A	GndElectronic	00A	GndElectronic
00B	ElectronicGnd	00A	GndElectronic	00A	GndElectronic
00B	ElectronicGnd	00A	GndElectronic	00A	GndElectronic
00B	ElectronicGnd	00A	GndElectronic	00A	GndElectronic
00B	ElectronicGnd	00A	GndElectronic	00A	GndElectronic
00B	ElectronicGnd	00A	GndElectronic	00A	GndElectronic
00B	ElectronicGnd	00A	GndElectronic	00A	GndElectronic
00B	ElectronicGnd	00A	GndElectronic	00A	GndElectronic
00B	ElectronicGnd	00A	GndElectronic	00A	GndElectronic
00B	ElectronicGnd	00A	GndElectronic	00A	GndElectronic
00B	ElectronicGnd	00A	GndElectronic	00A	GndElectronic
00B	ElectronicGnd	00A	GndElectronic	00A	GndElectronic
00B	ElectronicGnd	00A	GndElectronic	00A	GndElectronic
00B	ElectronicGnd	00A	GndElectronic	00A	GndElectronic
00B	ElectronicGnd	00A	GndElectronic	00A	GndElectronic
00B	ElectronicGnd	00A	GndElectronic	00A	GndElectronic
00B	ElectronicGnd	00A	GndElectronic	00A	GndElectronic
00B	ElectronicGnd	00A	GndElectronic	00A	GndElectronic
00B	ElectronicGnd	00A	GndElectronic	00A	GndElectronic
00B	ElectronicGnd	00A	GndElectronic	00A	GndElectronic
00B	ElectronicGnd	00A	ElectronicGnd	00A	GndElectronic
00B	ElectronicGnd	00A	ElectricGnd	00A	GndElectronic
00B	ElectronicGnd	00A	ElectricGnd	00A	GndElectronic
00B	ElectronicGnd	00A	ElectricGnd	00A	GndElectronic
00B	ElectronicGnd	00A	ElectricGnd	00A	GndElectronic
00B	ElectronicGnd	00A	ElectricGnd	00A	GndElectronic
00B	ElectronicGnd	00A	GndElectronic	00A	GndElectronic
00B	ElectronicGnd	00A	GndElectronic	00A	GndElectronic
00B	ElectronicGnd	00A	GndElectronic	00A	GndElectronic
00B	ElectronicGnd	00A	GndElectronic	00A	GndElectronic
00B	ElectronicGnd	00A	GndElectronic	00A	GndElectronic
00B	ElectronicGnd	00A	GndElectronic	00A	GndElectronic
00B	ElectronicGnd	00A	GndElectronic	00A	GndElectronic
00B	ElectronicGnd	00A	ElectronicGnd	00A	GndElectronic
00B	DDDL_RJB	00A		00A	GndElectronic
00B	Gnd	00A	AFSS	00A	GndElectronic
00B		00A	Gnd_Sw14_17	00A	GndElectronic
00B		00A	ElectronicGnd	00A	GndElectronic
00B		00A	GndElectronic	00A	GndElectronic

Symbol	Label	Symbol	Description	Symbol	Description
SW	SW1	SW	SW1	SW	SW1
SW	SW2	SW	SW2	SW	SW2
SW	SW3	SW	SW3	SW	SW3
SW	SW4	SW	SW4	SW	SW4
SW	SW5	SW	SW5	SW	SW5
SW	SW6	SW	SW6	SW	SW6
SW	SW7	SW	SW7	SW	SW7
SW	SW8	SW	SW8	SW	SW8
SW	SW9	SW	SW9	SW	SW9
SW	SW10	SW	SW10	SW	SW10
SW	SW11	SW	SW11	SW	SW11
SW	SW12	SW	SW12	SW	SW12
SW	SW13	SW	SW13	SW	SW13
SW	SW14	SW	SW14	SW	SW14
SW	SW15	SW	SW15	SW	SW15
SW	SW16	SW	SW16	SW	SW16
SW	SW17	SW	SW17	SW	SW17
SW	SW18	SW	SW18	SW	SW18
SW	SW19	SW	SW19	SW	SW19
SW	SW20	SW	SW20	SW	SW20
SW	SW21	SW	SW21	SW	SW21
SW	SW22	SW	SW22	SW	SW22
SW	SW23	SW	SW23	SW	SW23
SW	SW24	SW	SW24	SW	SW24
SW	SW25	SW	SW25	SW	SW25
SW	SW26	SW	SW26	SW	SW26
SW	SW27	SW	SW27	SW	SW27
SW	SW28	SW	SW28	SW	SW28
SW	SW29	SW	SW29	SW	SW29
SW	SW30	SW	SW30	SW	SW30
SW	SW31	SW	SW31	SW	SW31
SW	SW32	SW	SW32	SW	SW32
SW	SW33	SW	SW33	SW	SW33
SW	SW34	SW	SW34	SW	SW34
SW	SW35	SW	SW35	SW	SW35
SW	SW36	SW	SW36	SW	SW36
SW	SW37	SW	SW37	SW	SW37
SW	SW38	SW	SW38	SW	SW38
SW	SW39	SW	SW39	SW	SW39
SW	SW40	SW	SW40	SW	SW40
SW	SW41	SW	SW41	SW	SW41
SW	SW42	SW	SW42	SW	SW42
SW	SW43	SW	SW43	SW	SW43
SW	SW44	SW	SW44	SW	SW44
SW	SW45	SW	SW45	SW	SW45
SW	SW46	SW	SW46	SW	SW46
SW	SW47	SW	SW47	SW	SW47
SW	SW48	SW	SW48	SW	SW48
SW	SW49	SW	SW49	SW	SW49
SW	SW50	SW	SW50	SW	SW50
SW	SW51	SW	SW51	SW	SW51
SW	SW52	SW	SW52	SW	SW52
SW	SW53	SW	SW53	SW	SW53
SW	SW54	SW	SW54	SW	SW54
SW	SW55	SW	SW55	SW	SW55
SW	SW56	SW	SW56	SW	SW56
SW	SW57	SW	SW57	SW	SW57
SW	SW58	SW	SW58	SW	SW58
SW	SW59	SW	SW59	SW	SW59
SW	SW60	SW	SW60	SW	SW60
SW	SW61	SW	SW61	SW	SW61
SW	SW62	SW	SW62	SW	SW62
SW	SW63	SW	SW63	SW	SW63
SW	SW64	SW	SW64	SW	SW64
SW	SW65	SW	SW65	SW	SW65
SW	SW66	SW	SW66	SW	SW66
SW	SW67	SW	SW67	SW	SW67
SW	SW68	SW	SW68	SW	SW68
SW	SW69	SW	SW69	SW	SW69
SW	SW70	SW	SW70	SW	SW70
SW	SW71	SW	SW71	SW	SW71
SW	SW72	SW	SW72	SW	SW72
SW	SW73	SW	SW73	SW	SW73
SW	SW74	SW	SW74	SW	SW74
SW	SW75	SW	SW75	SW	SW75
SW	SW76	SW	SW76	SW	SW76
SW	SW77	SW	SW77	SW	SW77
SW	SW78	SW	SW78	SW	SW78
SW	SW79	SW	SW79	SW	SW79
SW	SW80	SW	SW80	SW	SW80
SW	SW81	SW	SW81	SW	SW81
SW	SW82	SW	SW82	SW	SW82
SW	SW83	SW	SW83	SW	SW83
SW	SW84	SW	SW84	SW	SW84
SW	SW85	SW	SW85	SW	SW85
SW	SW86	SW	SW86	SW	SW86
SW	SW87	SW	SW87	SW	SW87
SW	SW88	SW	SW88	SW	SW88
SW	SW89	SW	SW89	SW	SW89
SW	SW90	SW	SW90	SW	SW90
SW	SW91	SW	SW91	SW	SW91
SW	SW92	SW	SW92	SW	SW92
SW	SW93	SW	SW93	SW	SW93
SW	SW94	SW	SW94	SW	SW94
SW	SW95	SW	SW95	SW	SW95
SW	SW96	SW	SW96	SW	SW96
SW	SW97	SW	SW97	SW	SW97
SW	SW98	SW	SW98	SW	SW98
SW	SW99	SW	SW99	SW	SW99
SW	SW100	SW	SW100	SW	SW100

24V

24V

24V

24V

24V

24V

24V

24V

24V

24V

24V

24V

24V

24V

24V

24V

24V

24V

24V

24V

24V

13/11/2018

BREAKERS LIST

No	Location	Part #	Function	Rating	Page							
CB1	RJB	563425	12VD	90amp	3.1							
CB2	RJB	563424	24VD	70amp	3.1							
CB3	RJB	562687	24VIF	70amp	3.1							
CB4	RJB	562686	24SO	40amp	3.1							
CB5	RJB	562687	24HVAC	70amp	3.1							
CB6	RJB	562683	HVAC	90amp	3.1							
CB7	RJB	562687	24VI	70amp	3.1							
CB8	RJB	562687	12VI	70amp	3.1							
CB60	{RJBVECR}	563699	Luggage_Door_Lock	20amp	5.1							
CB61	{RJBVECR}	563699	Luggage_Door_Lock	20amp	5.1							
CB82	{FJBVECF}	564464	Lower_Wiper	20amp	4.1							

CONNECTORS LIST

No	Location	Part #	Gender	No	Location	Part #	Gender
A1	RJB	563975	male	A45.J3	FJB	562957	male
A2		563984	male	A46.J1	FJB	563133	male
A4A.A	Service_Cmpt	562428	female	A46.J2	FJB	563132	male
A4A.B	Service_Cmpt	561188	female	A46.J3	FJB	562957	male
A5A.A	Service_Cmpt	562428	female	A47.J1	RightHandConsole	563133	male
A6	Engine_Cmpt	562427	male	A47.J2	RightHandConsole	563132	male
A7	Rr_Axle_Cmpt	563979	male	A47.J3	RightHandConsole	562957	male
A9.Cx1		564041	female	A48.J1	RH_Console	563133	male
A9.Cx2		563678	male	A48.J2	RH_Console	563132	male
A9.Cx3		564037	female	A48.J3	RH_Console	562957	male
A9.Cx4		564038	female	A49.J1	RJB	562767	male
A14A.A	Dash	562766	male	A49.J2	RJB	563132	male
A14A.B	Dash	562767	male	A49.J3	RJB	562957	male
A14A.C	Dash	562765	male	A50.J1	RJB	563133	male
A15	Dash	562464	male	A50.J2	RJB	563132	male
A18	FJB	562794	male	A50.J3	RJB	562957	male
A18.J2	FJB	562650	male	A51.J1	RJB	563133	male
A24	RH_Console	561889	female	A51.J2	RJB	563132	male
A24.A	RH_Console	561890	male	A51.J3	RJB	562957	male
A24.B	RH_Console	561566	female	A52.J1	RJB	563133	male
A27	ServiceCmpt.	562929	male	A52.J2	RJB	563132	male
A28	ServiceCmpt.	562928	male	A52.J3	RJB	562957	male
A30.A	RH_Console	561611	male	A54.J1	Evap.Cmpt.	563133	male
A30.C	RH_Console	561889	female	A54.J2	Evap.Cmpt.	563132	male
A31.A	FJB	562676	male	A54.J3	Evap.Cmpt.	562957	male
A31.B	FJB	562675	male	A55.J1	Dash	562767	male
A36.JA	FJB	562767	male	A55.J2	Dash	563132	male
A36.JB	FJB	562765	male	A55.J3	Dash	562957	male
A36.JC	FJB	562957	male	A56.J1	Slide-OutPanel	563133	male
A41.J1	FJB	562767	male	A56.J2	Slide-OutPanel	563132	male
A41.J2	FJB	563132	male	A56.J3	Slide-OutPanel	562957	male
A41.J3	FJB	562957	male	A57.J1	Slide-OutPanel	563133	male
A42.J1	FJB	562767	male	A57.J2	Slide-OutPanel	563132	male
A42.J2	FJB	563132	male	A57.J3	Slide-OutPanel	562957	male
A42.J3	FJB	562957	male	A61A	FJB	564205	male
A43.J1	FJB	562767	male	A77		564547	male
A43.J2	FJB	563132	male	A78		562583	female
A43.J3	FJB	562957	male	A79		562583	female
A44.J1	FJB	563133	male	A80		562479	female
A44.J2	FJB	563132	male	A81A.JA	FJB	562767	male
A44.J3	FJB	562957	male	A81A.JB	FJB	562765	male
A45.J1	FJB	563133	male	A81A.JC	FJB	562957	male
A45.J2	FJB	563132	male	A96	FJB	564073	female

CONNECTORS LIST

No	Location	Part #	Gender	No	Location	Part #	Gender
A97	Dash	563226	male	C6	ServiceCmpt.	563582	male
A100	Front_Axle_Cmpt	563758	female	C6	ServiceCmpt.	563583	female
A101	Rear_Axle_Cmpt	563758	female	C7	ServiceCmpt.	562566	male
A102	Rear_Axle_Cmpt	563758	female	C7	ServiceCmpt.	562565	female
A103	Dash	562070	female	C8	FJB	563227	male
A114		563850	male	C8	FJB	563614	female
A115		562865	male	C10	Engine_Cmpt	562477	male
A130	Driver_Area	563226	male	C10	Engine_Cmpt	562479	female
A131.A	Engine_Cmpt	561782	male	C11	ServiceCmpt.	563580	male
A131.B	Engine_Cmpt	561781	female	C11	ServiceCmpt.	563581	female
A137A	Cond_Cmpt	20429843	male	C12	Engine_Cmpt	562581	male
A138	Cond_Cmpt	563787	male	C12	Engine_Cmpt	562583	female
A139	Dash	564501	male	C13_plug	RH_Console	563589	male
Alt1D.A	Engine_Cmpt	563746	female	C13_socket	RH_Console	563590	female
Alt1D.B	Engine_Cmpt	560815	female	C13S	RH_Console	563593	male
Alt1D.C	Engine_Cmpt	564469	female	C13S	RH_Console	563590	female
Alt2D.A	Engine_Cmpt	563746	female	C15	Evap_Cmpt	562477	male
Alt2D.B	Engine_Cmpt	560815	female	C15	Evap_Cmpt	562479	female
Alt2D.C	Engine_Cmpt	564469	female	C17	RJB	561986	male
B85	Engine_Cmpt	563815	male	C17	RJB	561987	female
B96.J1		563821	male	C18	FJB	561986	male
B96B		563823	male	C18	FJB	561987	female
B97	Engine_Cmpt	563816	male	C19	RJB	561986	male
B98.J1	Engine_Cmpt	563817	female	C19	RJB	561987	female
B115		563818	female	C20	Evap_Cmpt	561986	male
C1	FJB	563589	male	C20	Evap_Cmpt	561987	female
C1	FJB	563590	female	C21	RJB	562285	male
C1S	FJB	563589	male	C21	RJB	562282	female
C1S	FJB	563590	female	C22	RJB	564034	male
C2	ServiceCmpt.	563580	male	C22	RJB	564035	female
C2	ServiceCmpt.	563581	female	C22A	Evap_Cmpt	564034	male
C2A	FJB	563580	male	C22A	Evap_Cmpt	564035	female
C2A	FJB	563581	female	C23	3rd_Lugg_Cmpt	561643	male
C3_plug	RJB	563589	male	C23	3rd_Lugg_Cmpt	561642	female
C3_socket	RJB	563590	female	C24_plug	Evap_Cmpt	561690	male
C3S	RJB	563593	male	C24_socket	Evap_Cmpt	561566	female
C3S	RJB	563590	female	C26	Cond_Cmpt	563580	male
C4	ServiceCmpt.	563580	male	C26	Cond_Cmpt	563581	female
C4	ServiceCmpt.	563581	female	C27	RJB	562284	male
C5	FJB	563589	male	C27	RJB	562281	female
C5	FJB	563590	female	C28	Evap_Cmpt	562477	male
C5S	FJB	563589	male	C28	Evap_Cmpt	562479	female
C5S	FJB	563590	female	C34	RightHandConsole	561986	male

CONNECTORS LIST

No	Location	Part #	Gender	No	Location	Part #	Gender
C34	RightHandConsole	561987	female	C81		562477	male
C35	RJB	561986	male	C81		562479	female
C35	RJB	561987	female	C82		562477	male
C36	FJB	561986	male	C82		562479	female
C36	FJB	561987	female	C83		562477	male
C41	RJB	562477	male	C83		562479	female
C41	RJB	562479	female	C84		562477	male
C44_plug	FJB	561577	male	C84		562479	female
C44_socket	FJB	561605	female	C85		562477	male
C45	FJB	561643	male	C85		562479	female
C45	FJB	561642	female	C86		562477	male
C48	ServiceCmpt.	561690	male	C86		562479	female
C48	ServiceCmpt.	561566	female	C87	Lavatory	562485	male
C49A	FJB	562005	male	C87	Lavatory	562486	female
C49A	FJB	561714	female	C90		562350	male
C50		561782	male	C90		563764	female
C50		561781	female	C91	RJB	562285	male
C54	Engine_Cmpt	563580	male	C91	RJB	562282	female
C54	Engine_Cmpt	563581	female	C94_plug		563589	male
C58		564567	male	C94_socket		563590	female
C58		564568	female	C95	Entrance_Door	562581	male
C60	RJB	561986	male	C95	Entrance_Door	562583	female
C60	RJB	561987	female	C96	FJB	561643	male
C61	Fr_Service_Door	561669	male	C96	FJB	561642	female
C61	Fr_Service_Door	561670	female	C97	FJB	561640	male
C62	Fr_Service_Door	562566	male	C97	FJB	561639	female
C62	Fr_Service_Door	562565	female	C99_plug		563589	male
C63	Front_Axle_Cmpt	562477	male	C99_socket		563590	female
C63	Front_Axle_Cmpt	562479	female	C100	Evap_Cmpt	563589	male
C64	Engine_Cmpt	563580	male	C100	Evap_Cmpt	563590	female
C64	Engine_Cmpt	563581	female	C100S	Evap_Cmpt	563589	male
C71	FJB	561646	male	C100S	Evap_Cmpt	563590	female
C71	FJB	561645	female	C101	ServiceCmpt.	561690	male
C72	ServiceCmpt.	561646	male	C101	ServiceCmpt.	561566	female
C72	ServiceCmpt.	561645	female	C102	Service_Cmpt	561690	male
C74	ServiceCmpt.	561645	female	C102	Service_Cmpt	561566	female
C74	ServiceCmpt.	561646	male	C102A		563226	male
C75		562477	male	C102A		563613	female
C75		562479	female	C105	FJB	562581	male
C77		562477	male	C105	FJB	562583	female
C77		562479	female	C106_plug	FJB	562581	male
C78	Engine_Cmpt	561690	male	C106_socket	FJB	562583	female
C78	Engine_Cmpt	561566	female	C112	RJB	562284	male

CONNECTORS LIST

No	Location	Part #	Gender	No	Location	Part #	Gender
C112	RJB	562281	female	C266	Entrance_Door	561640	male
C112B	RJB	562284	male	C266	Entrance_Door	561639	female
C112B	RJB	562281	female	C269	Mirror_RH	563090	male
C119	EngineDoor	561607	male	C269	Mirror_RH	563091	female
C119	EngineDoor	561606	female	C279	Service_Cmpt	562477	male
C120	EngineDoor	561607	male	C279	Service_Cmpt	562479	female
C120	EngineDoor	561606	female	C281	LH_Console	560852	male
C152	Cond_Cmpt	561611	male	C281	LH_Console	560851	female
C152	Cond_Cmpt	561610	female	C290	Rr_Vehicule	560852	male
C171	LH_Console	561646	male	C290	Rr_Vehicule	560851	female
C171	LH_Console	561645	female	C304	2nd_Lugg_Cmpt	560852	male
C172	Service_Cmpt	561637	male	C304	2nd_Lugg_Cmpt	560851	female
C172	Service_Cmpt	561635	female	C305	2nd_Lugg_Cmpt	560852	male
C193_plug	RJB	563589	male	C305	2nd_Lugg_Cmpt	560851	female
C193_socket	RJB	563590	female	C330	FJB	561690	male
C194	FJB	563589	male	C330	FJB	561566	female
C194	FJB	563590	female	C380	Dash	563180	male
C200_plug	RJB	562471	male	C380	Dash	563347	female
C200_socket	RJB	562348	female	C380A	Dash	564222	male
C222	FJB	562477	male	C380A	Dash	564224	female
C222	FJB	562479	female	C397	RJB	562285	male
C223	FJB	563227	male	C397	RJB	562282	female
C223	FJB	563614	female	C400_plug	Engine_Cmpt	561782	male
C224	FJB	561637	male	C400_socket	Engine_Cmpt	561781	female
C224	FJB	561636	female	C426	Engine_Cmpt	561611	male
C225	FJB	562650	male	C426	Engine_Cmpt	561610	female
C225	FJB	562649	female	C463	Rear_Axle_Cmpt	562571	male
C226	FJB	562650	male	C463	Rear_Axle_Cmpt	562570	female
C226	FJB	562649	female	C464	RJB	563180	male
C228		563227	male	C464	RJB	563347	female
C228		563614	female	C464A	RJB	564222	male
C228A		563227	male	C464A	RJB	564224	female
C228A		563614	female	C551	3rd_Lugg_Cmpt	561476	male
C230	EngineCmpt.	562485	male	C551	3rd_Lugg_Cmpt	561477	female
C230	EngineCmpt.	562486	female	C553	2nd_Lugg_Cmpt	561476	male
C242	ServiceCmpt.	563347	male	C553	2nd_Lugg_Cmpt	561477	female
C242	ServiceCmpt.	563180	female	C554	1st_Lugg_Cmpt	561476	male
C243	ServiceCmpt.	563347	male	C554	1st_Lugg_Cmpt	561477	female
C243	ServiceCmpt.	563180	female	C555	1st_Lugg_Cmpt	561476	male
C246	ServiceCmpt.	563090	male	C555	1st_Lugg_Cmpt	561477	female
C246	ServiceCmpt.	563091	female	C556	3rd_Lugg_Cmpt	561476	male
C264	Entrance_Door	561637	male	C556	3rd_Lugg_Cmpt	561477	female
C264	Entrance_Door	561636	female	C557	2nd_Lugg_Cmpt	561476	male

CONNECTORS LIST

No	Location	Part #	Gender	No	Location	Part #	Gender
C557	2nd_Lugg_Cmpt	561477	female	CS07	SlideOut_Panel	561694	female
C558	2nd_Lugg_Cmpt	561476	male	CT2	Engine_Cmpt	563226	male
C558	2nd_Lugg_Cmpt	561477	female	CT2	Engine_Cmpt	563613	female
C559	3rd_Lugg_Cmpt	561476	male	EIA		563739	male
C559	3rd_Lugg_Cmpt	561477	female	L1	Service_Cmpt	562848	male
C560	3rd_Lugg_Cmpt	561476	male	L16	FrontRoof	562803	male
C560	3rd_Lugg_Cmpt	561477	female	L17	Entrance_Door	562803	male
C561	3rd_Lugg_Cmpt	561476	male	L18.A	Entrance_Door	561539	male
C561	3rd_Lugg_Cmpt	561477	female	L18.B	Entrance_Door	561539	male
C562	3rd_Lugg_Cmpt	561476	male	L21.A	FrontRoof	561608	female
C562	3rd_Lugg_Cmpt	561477	female	L21.B	FrontRoof	562286	male
C617	Mirror_LH	563801	male	L22.A	FrontRoof	561608	female
C617	Mirror_LH	563800	female	L22.B	FrontRoof	562286	male
C618	Mirror_RH	563801	male	L23.A	FrontRoof	561608	female
C618	Mirror_RH	563800	female	L23.B	FrontRoof	562286	male
C717	RJB	561646	male	L24.A	FrontRoof	561608	female
C717	RJB	561645	female	L24.B	FrontRoof	562286	male
C_ALT1	Engine_Cmpt	562477	male	L25.A	FrontRoof	561608	female
C_ALT1	Engine_Cmpt	562479	female	L25.B	FrontRoof	562286	male
C_ALT2	Engine_Cmpt	562477	male	L26.A	FrontRoof	561608	female
C_ALT2	Engine_Cmpt	562479	female	L26.B	FrontRoof	562286	male
C_EVAP	Evap_Cmpt	563582	male	L27.A	FrontRoof	561608	female
C_EVAP	Evap_Cmpt	563583	female	L27.B	FrontRoof	562286	male
C_EvpDr	Evap_Cmpt	562477	male	L57.A	OutSide_Front_RH	563366	male
C_EvpDr	Evap_Cmpt	562479	female	L57.B	OutSide_Front_RH	562623	male
CC1	FJB	563227	male	L58.A	OutSide_Front_LH	562623	male
CC1	FJB	563614	female	L58.B	OutSide_Front_LH	562623	male
CC2	FJB	563226	male	L59.A	Outside_Front_RH	562623	male
CC2	FJB	563613	female	L59.B	Outside_Front_RH	562623	male
CCust	RJB	562477	male	L60.A	Outside_Front_LH	562623	male
CCust	RJB	562479	female	L60.B	Outside_Front_LH	562623	male
CFHF1		564560	male	L61	Front_OutSide_RH	562601	male
CR1	RJB	561247	male	L62	Outside_Front_LH	562601	male
CR1	RJB	561248	female	L63	Outside_Front_RH	562155	male
CS01	SlideOut_Panel	562581	male	L64	Outside_Front_RH	562155	male
CS01	SlideOut_Panel	562583	female	L65	Outside_Front_LH	562155	male
CS01S	SlideOut_Panel	562581	male	L66	Outside_Front_LH	562155	male
CS01S	SlideOut_Panel	562583	female	L67	3rdLuggCmpt.	562155	male
CS02	SlideOut_Panel	561643	male	L68	3rdLuggCmpt.	562155	male
CS02	SlideOut_Panel	561641	female	L69	Evap_Cmpt.	562155	male
CS05	SlideOut_Panel	561847	male	L70	Evap_Cmpt.	562155	male
CS05	SlideOut_Panel	561862	female	L71	Rear_Engine_Door	562601	male
CS07	SlideOut_Panel	561695	male	L72	Rear_Vehicle	562155	male

CONNECTORS LIST

No	Location	Part #	Gender	No	Location	Part #	Gender
L73	Rear_Vehicle	562601	male	L179	1st_LuggCmpt.	561247	male
L74	Rear_Vehicle	562155	male	L180	2ndLuggCmpt.	561247	male
L75	Rear_Vehicle	562155	male	L181	2ndLuggCmpt.	561247	male
L76	Rear_Engine_Door	562155	male	L182	3rd_LuggCmpt.	561247	male
L77	Rear_Engine_Door	562601	male	L183	3rd_LuggCmpt.	561247	male
L78	Rear_Engine_Door	562601	male	L184	ServiceCmpt.	561247	male
L79	Rear_Engine_Door	562601	male	L187	Engine_Cmpt	561690	male
L80	Rear_Engine_Door	562601	male	L189	Outside_Front_RH	562069	male
L81.A	Rear_Engine_Door	562835	female	L190	Outside_Front_LH	562069	male
L81.B	Rear_Engine_Door	562834	male	L193.A	Dash	560488	female
L82	Rear_Engine_Door	562348	female	L193.B	Dash	560488	female
L83	Rear_Engine_Door	562348	female	L194.A	LH_Console	562019	female
L84.A	RearRoof	561608	female	L194.B	LH_Console	560488	female
L84.B	RearRoof	562286	male	L195.A	LH_Console	560488	female
L85.A	RearRoof	561608	female	L195.B	LH_Console	560488	female
L85.B	RearRoof	562286	male	L199	EngineCmpt.	562471	male
L86.A	RearRoof	561608	female	L203	RH_Console	561690	male
L86.B	RearRoof	562286	male	L205.A	Evap.Cmpt.	562485	male
L87.A	RearRoof	561608	female	L282A	Engine_Cmpt	561690	male
L87.B	RearRoof	562286	male	L285	Dash	561247	male
L88.A	RearRoof	561608	female	L286.A	Rear_Vehicule	562835	female
L88.B	RearRoof	562286	male	L286.B	Rear_Vehicule	562834	male
L89.A	RearRoof	561608	female	L297.A	Rear_Vehicule	562835	female
L89.B	RearRoof	562286	male	L297.B	Rear_Vehicule	562834	male
L90.A	RearRoof	561608	female	L298	Engine_Cmpt	563590	female
L90.B	RearRoof	562286	male	L299	Engine_Cmpt	563590	female
L91	EngineCmpt.	562755	male	L304	OutSide_1st_Lugg_Door_LH	562155	male
L92	EngineCmpt.	562755	male	L305	OutSide_1st_Lugg_Door_RH	562155	male
L93.A	Rear_OutSide_LH	563069	female	L306	OutSide_1st_Lugg_Door_RH	562155	male
L93.B	Rear_OutSide_LH	563069	female	L307	OutSide_1st_Lugg_Door_LH	562155	male
L94.A	Rear_OutSide_RH	563069	female	L350	Rr_Axle_Cmpt	562251	male
L94.B	Rear_OutSide_RH	563069	female	L350A.A		564552	male
L95	Outside_Front_LH	562902	female	L350A.B		563340	male
L96	Outside_Front_RH	562902	female	L350A.C		562251	male
L97.A	Outside_Front_LH	563069	female	Mo3	Dash	561667	female
L97.B	Outside_Front_LH	563069	female	Mo4	Dash	562076	male
L98.A	Entrance_Door	563069	female	Mo7	Cond_Cmpt	563691	male
L98.B	Outside_Front_RH	563069	female	Mo8	Cond_Cmpt	563691	male
L173	Engine_Cmpt	563590	female	Mo12.A	Evap.Cmpt.	561690	male
L174	Engine_Cmpt	563590	female	Mo15	Front_Ceiling	560900	female
L176	Evap_Cmpt.	561247	male	Mo16	Front_Ceiling	560900	female
L177	Cond_Cmpt.	561247	male	Mo17	RH_Console	563626	male
L178	1st_LuggCmpt.	561247	male	Mo19	{ServiceCmpt.}	562474	male

CONNECTORS LIST

No	Location	Part #	Gender	No	Location	Part #	Gender
Mo20	{ServiceCmpt.}	562474	male	R34	RJB	564210	male
Mo22	RightHandConsole	561186	male	R41	FJB	561183	male
Mo24	RightHandConsole	562348	female	R42	FJB	561183	male
Mo25	RightHandConsole	562348	female	R43	FJB	561183	male
Mo26	Entrance_Door	564161	male	Res3	RJB	563590	female
Mo27	Cond_Cmpt	563691	male	Res4.A	{RightHandConsole}	563590	female
Mo28	Cond_Cmpt	563691	male	Res6		563590	female
Mo31	3rd_Door_Lugg_RH	564161	male	Res7.A	FJB	563590	female
Mo35		564161	male	Res15	Engine_Cmpt	561782	male
Mo37	1st_Door_Lugg_RH	564161	male	Res31	Cond_Cmpt	562350	male
Mo38	2nd_Door_Lugg_LH	564161	male	Res32	Cond_Cmpt	563764	female
Mo40	1st_Lugg_Cmpt_LH	561477	female	Res53.A	FJB	563590	female
Mo44	3rd_Lugg_Cmpt_LH	561477	female	RLock	Service_Cmpt	561183	male
Mo50	Service_Cmpt	561782	male	RSo1.A	SlideOut_Jct_Box	561626	female
Mo53	RJB	561248	female	RSo1.B	SlideOut_Jct_Box	561626	female
Mo54	Service_Cmpt	562474	male	RSo2.A	SlideOut_Jct_Box	561626	female
Mo55.A	Entrance_Door	563626	male	RSo2.B	SlideOut_Jct_Box	561626	female
Mo56	Engine_Door	564161	male	RSo3.A	SlideOut_Jct_Box	561626	female
Mo57.A	2nd_Lugg_Cmpt_LH	561477	female	RSo3.B	SlideOut_Jct_Box	561626	female
Mo58.A	2nd_Lugg_Cmpt_LH	561477	female	RSo4.A	SlideOut_Jct_Box	561626	female
Mo60		562783	male	RSo4.B	SlideOut_Jct_Box	561626	female
Mo61		562783	male	RUnlock	Service_Cmpt	561183	male
MoSo1.A	SlideOut_Fr_LH	561967	male	Se11.A	Cond_Cmpt	564460	female
MOSO2.A	SlideOut_Fr_LH	561967	male	Se11.B	Cond_Cmpt	564460	female
Pot1.A	Dash	560488	female	Se11.C	Cond_Cmpt	564460	female
Pot1.B	Dash	560488	female	Se13	EngineCmpt.	562350	male
Pot1.C	Dash	560488	female	Se14.A	Driver_Area	561782	male
R3	RJB	563409	male	Se14.B	Driver_Area	561781	female
R10.A	Evap.Cmpt.	563409	male	Se15.A	Entrance_Door	562651	female
R11	RJB	561183	male	Se15.B	Entrance_Door	562651	female
R12.A	Evap.Cmpt.	563409	male	Se15.C	Entrance_Door	562651	female
R17	RJB	564210	male	Se16.A	Entrance_Door	562651	female
R17_0_1		562367	male	Se16.B	Entrance_Door	562651	female
R18	FJB	564210	male	Se17.A	Service_Cmpt	562291	female
R19	FJB	564210	male	Se17.B	Service_Cmpt	562291	female
R22	RJB	561183	male	Se17.C	Service_Cmpt	562291	female
R23	RightHandConsole	561183	male	Se18.A	Service_Cmpt	560815	female
R25	RJB	561183	male	Se18.B	Service_Cmpt	560815	female
R29	RJB	563409	male	Se19.A	Service_Cmpt	563677	male
R30	RJB	561183	male	Se19A.A	Service_Cmpt	563677	male
R31	RJB	561183	male	Se20	Evap_Cmpt	562426	male
R32	RJB	561183	male	Se21	Dash	561248	female
R33	RJB	561183	male	Se23	EngineCmpt.	563159	male

CONNECTORS LIST

No	Location	Part #	Gender	No	Location	Part #	Gender
Se24	EngineCmpt.	563159	male	So23	Rear_Axle_Cmpt	564046	female
Se25	Evap_Cmpt	561248	female	So24	Rear_Axle_Cmpt	564046	female
Se29	Engine_Cmpt	561566	female	So26	Service_Cmpt	562848	male
Se30	Engine_Cmpt	562877	female	So27		564045	female
Se31	Engine_Cmpt	562877	female	So28	Engine_Cmpt	641385	male
Se32	Rear_Axle_Cmpt	563057	male	So29	Service_Cmpt	641385	male
Se33	Rear_Axle_Cmpt	562856	male	So30	Service_Cmpt	641385	male
Se34	Rear_Axle_Cmpt	563057	male	So31	Service_Cmpt	641385	male
Se35	Rear_Axle_Cmpt	563057	male	So32	Service_Cmpt	641385	male
Se36	Rear_Axle_Cmpt	563629	female	So36	Engine_Cmpt	561690	male
Se37	Front_Axle_Cmpt	641132	female	So50		564046	female
Se38	Front_Axle_Cmpt	641132	female	SoSo1.A	SlideOut_Panel	564045	female
Se39	Rear_Axle_Cmpt	641132	female	SOSO4.A	SlideOut_Panel	641385	male
Se40	Rear_Axle_Cmpt	641132	female	SoSo5.A	SlideOut_Panel	564045	female
Se45	{ServiceCmpt.}	562426	male	spBar4	Engine_Cmpt	564135	male
Se46	Rear_Axle_Cmpt	562348	female	spBar5	Engine_Cmpt	564135	male
Se50	Engine_Cmpt	562426	male	spBar7		564135	male
Se52.A	RH_Console	560488	female	Sw1.C258	Dash	561188	female
Se52.B	RH_Console	560488	female	Sw1.C259	Dash	561186	male
Se53	Service_Cmpt	563159	female	Sw2	Dash	562763	male
Se54	Service_Cmpt	563159	female	Sw3	Dash	562763	male
Se55	Service_Cmpt	563159	female	Sw4	Dash	562763	male
Se60	Service_Cmpt	563409	male	Sw6	Dash	562763	male
Se63		641132	female	Sw11A	LH_Console	562763	male
Se64		641132	female	Sw14	Dash	562763	male
Se65		564042	female	Sw16	Dash	562763	male
Se66	Front_Axle_Cmpt	564039	female	Sw17	Dash	562763	male
Se66		564039	female	Sw18A	LH_Console	562763	male
Se67		563159	female	Sw21	Dash	562763	male
Se69		563159	female	Sw24	Dash	562763	male
SESO1.A	SlideOut_Panel	563159	male	Sw34	Dash	562763	male
SESO2.A	SlideOut_Fr_LH	562479	female	Sw35	LH_Console	562763	male
SESO3.A	SlideOut_Fr_LH	562479	female	Sw38	LeftHandConsole	562763	male
SESO5.A	SlideOut_Rr_LH	562479	female	Sw40	LeftHandConsole	561690	male
SESO6.A	SlideOut_Rr_LH	562479	female	Sw41	LeftHandConsole	562749	male
So3	RH_Console	641385	male	Sw44.A	Service_Cmpt	562403	female
So7	ServiceCmpt.	561566	male	Sw44.B	Service_Cmpt	562403	female
So8	ServiceCmpt.	563204	female	Sw45.A	Evap_Cmpt	562403	female
So9	Engine_Cmpt	561566	female	Sw45.B	Evap_Cmpt	562403	female
So11.A	Cond_Cmpt	561566	female	Sw46.A	Cond_Cmpt	562403	female
So13.A	Evap_Cmpt	563204	female	Sw46.B	Cond_Cmpt	562403	female
So21	Front_Axle_Cmpt	564046	female	Sw47.A	1st_Lugg_Cmpt	562403	female
So22	Front_Axle_Cmpt	564046	female	Sw47.B	1st_Lugg_Cmpt	562403	female

CONNECTORS LIST

No	Location	Part #	Gender	No	Location	Part #	Gender
Sw48.A	1st_Lugg_Cmpt	562403	female	Sw117.B	Lugg_Cmpt_RH	560079	female
Sw48.B	1st_Lugg_Cmpt	562403	female	Sw120	Service_Cmpt	562237	female
Sw49.A	2ndLuggCmpt.	562403	female	Sw122	Service_Cmpt	562763	male
Sw49.B	2ndLuggCmpt.	562403	female	Sw134.A	Engine_Cmpt	560079	female
Sw50.A	2ndLuggCmpt.	562403	female	Sw134.B	Engine_Cmpt	560079	female
Sw50.B	2ndLuggCmpt.	562403	female	Sw137	Dash	562763	male
Sw51.A	3rd_Lugg_Cmpt	562403	female	Sw152	Driver_Area	562471	male
Sw51.B	3rd_Lugg_Cmpt	562403	female	Sw153		562763	male
Sw52	3rd_Lugg_Cmpt	562403	female	SwSo1.A	Front_Slide_Out	561552	female
Sw52.B	3rd_Lugg_Cmpt	562403	female	SwSo2.A	Front_Slide_Out	561552	female
Sw58	EngineCmpt.	562581	male	VECF1	FJB	563186	male
Sw59	EngineCmpt.	562348	female	VECF2	FJB	563183	male
Sw63A	LH_Console	562763	male	VECF3	FJB	563185	male
Sw64.A	Service_Cmpt	560815	female	VECF4	FJB	563182	male
Sw64.B	Service_Cmpt	560815	female	VECF9	FJB	563448	male
Sw83.A	Dash	560082	female	VECF10	FJB	563181	male
Sw83.B	Dash	560815	female	VECF11	FJB	563184	male
Sw83.C	Dash	560082	female	VECF12	FJB	563187	male
Sw83.D	Dash	560815	female	Vecr1	RJB	563186	male
Sw85	LeftHandConsole	562749	male	Vecr2	RJB	563183	male
Sw99	Dash	562763	male	Vecr3	RJB	563185	male
Sw102	Dash	562763	male	VECR4	RJB	563182	male
Sw103A	LH_Console	562763	male	Vecr9	RJB	563448	male
Sw104	Dash	562763	male	Vecr10	RJB	563181	male
Sw106	FJB	561637	male	VECR11	RJB	563184	male
Sw107.A	LH_Console	561190	female	VECR12	RJB	563187	male
Sw107.B	LH_Console	561190	female	Y80	Eng_Cmpt	563789	male
Sw107.C	LH_Console	561190	female	Y81	Cond_Cmpt	563793	male
Sw107.D	LH_Console	561190	female				
Sw107.E	LH_Console	561190	female				
Sw107.F	LH_Console	561190	female				
Sw107.G	LH_Console	561190	female				
Sw107.H	{LeftHandConsole}	561190	female				
Sw107.J	{LeftHandConsole}	561190	female				
Sw107.K	{LeftHandConsole}	561190	female				
Sw108	LH_Console	562763	male				
Sw112.A	3rd_Lugg_Cmpt_RH	560079	female				
Sw112.B	3rd_Lugg_Cmpt_RH	560079	female				
Sw113.A		560079	female				
Sw113.B		560079	female				
Sw116.A		560079	female				
Sw116.B		560079	female				
Sw117.A	Lugg_Cmpt_RH	560079	female				

CONNECTORS LIST

No	Location	Part #	Gender	No	Location	Part #	Gender
A1	RJB	563975	male	A45.J3	FJB	562957	male
A2	LH_Consol	563984	male	A46.J1	FJB	563133	male
A4A.A	Service_Cmpt	562428	female	A46.J2	FJB	563132	male
A4A.B	Service_Cmpt	561188	female	A46.J3	FJB	562957	male
A5A.A	Service_Cmpt	562428	female	A47.J1	RightHandConsole	563133	male
A6	Engine_Cmpt	562427	male	A47.J2	RightHandConsole	563132	male
A7	Rr_Axle_Cmpt	563979	male	A47.J3	RightHandConsole	562957	male
A9.Cx1	FJB	564041	female	A48.J1	RH_Console	563133	male
A9.Cx2	FJB	563678	male	A48.J2	RH_Console	563132	male
A9.Cx3	FJB	564037	female	A48.J3	RH_Console	562957	male
A9.Cx4	FJB	564038	female	A49.J1	RJB	562767	male
A14A.A	Dash	562766	male	A49.J2	RJB	563132	male
A14A.B	Dash	562767	male	A49.J3	RJB	562957	male
A14A.C	Dash	562765	male	A50.J1	RJB	563133	male
A15	Dash	562464	male	A50.J2	RJB	563132	male
A18	FJB	562794	male	A50.J3	RJB	562957	male
A18.J2	FJB	562650	male	A51.J1	RJB	563133	male
A24	RH_Console	561889	female	A51.J2	RJB	563132	male
A24.A	RH_Console	561890	male	A51.J3	RJB	562957	male
A24.B	RH_Console	561566	female	A52.J1	RJB	563133	male
A27	ServiceCmpt.	562929	male	A52.J2	RJB	563132	male
A28	ServiceCmpt.	562928	male	A52.J3	RJB	562957	male
A30.A	RH_Console	561611	male	A54.J1	Evap.Cmpt.	563133	male
A30.C	RH_Console	561889	female	A54.J2	Evap.Cmpt.	563132	male
A31.A	FJB	562676	male	A54.J3	Evap.Cmpt.	562957	male
A31.B	FJB	562675	male	A55.J1	Dash	562767	male
A36.JA	FJB	562767	male	A55.J2	Dash	563132	male
A36.JB	FJB	562765	male	A55.J3	Dash	562957	male
A36.JC	FJB	562957	male	A56.J1	Slide-OutPanel	563133	male
A41.J1	FJB	562767	male	A56.J2	Slide-OutPanel	563132	male
A41.J2	FJB	563132	male	A56.J3	Slide-OutPanel	562957	male
A41.J3	FJB	562957	male	A57.J1	Slide-OutPanel	563133	male
A42.J1	FJB	562767	male	A57.J2	Slide-OutPanel	563132	male
A42.J2	FJB	563132	male	A57.J3	Slide-OutPanel	562957	male
A42.J3	FJB	562957	male	A61A	FJB	564205	male
A43.J1	FJB	562767	male	A77	RJB	564547	male
A43.J2	FJB	563132	male	A78	RJB	562583	female
A43.J3	FJB	562957	male	A79	RJB	562583	female
A44.J1	FJB	563133	male	A80	RJB	562479	female
A44.J2	FJB	563132	male	A81A.JA	FJB	562767	male
A44.J3	FJB	562957	male	A81A.JB	FJB	562765	male
A45.J1	FJB	563133	male	A81A.JC	FJB	562957	male
A45.J2	FJB	563132	male	A83	FJB	565970	male

CONNECTORS LIST

No	Location	Part #	Gender	No	Location	Part #	Gender
A96	FJB	564073	female	C6	ServiceCmpt.	563582	male
A97	Dash	563758	female	C6	ServiceCmpt.	563583	female
A100	Front_Axle_Cmpt	563758	female	C7	ServiceCmpt.	562566	male
A101	Rear_Axle_Cmpt	563758	female	C7	ServiceCmpt.	562565	female
A102	Rear_Axle_Cmpt	562070	female	C8	FJB	563227	male
A103	Dash	563850	male	C8	FJB	563614	female
A114	ServiceCmpt.			C10	Engine_Cmpt	562477	male
A130	Driver_Area	563226	male	C10	Engine_Cmpt	562479	female
A131.A	Engine_Cmpt	561782	male	C11	ServiceCmpt.	563580	male
A131.B	Engine_Cmpt	561781	female	C11	ServiceCmpt.	563581	female
A137A	Cond_Cmpt	20429843	male	C12	Engine_Cmpt	562581	male
A138	Cond_Cmpt	563787	male	C12	Engine_Cmpt	562583	female
A139	Dash	564501	male	C13_plug	RH_Console	563589	male
Alt1D.A	Engine_Cmpt	563746	female	C13_socket	RH_Console	563590	female
Alt1D.B	Engine_Cmpt	560815	female	C13S	RH_Console	563593	male
Alt1D.C	Engine_Cmpt	564469	female	C13S	RH_Console	563590	female
Alt2D.A	Engine_Cmpt	563746	female	C15	Evap_Cmpt	562477	male
Alt2D.B	Engine_Cmpt	560815	female	C15	Evap_Cmpt	562479	female
Alt2D.C	Engine_Cmpt	564469	female	C17	RJB	561986	male
B85	Engine_Cmpt	563815	male	C17	RJB	561987	female
B96.J1		563821	male	C18	FJB	561986	male
B96B		563823	male	C18	FJB	561987	female
B97	Engine_Cmpt	563816	male	C19	RJB	561986	male
B98.J1	Engine_Cmpt	563817	female	C19	RJB	561987	female
B115		563818	female	C20	Evap_Cmpt	561986	male
C1	FJB	563589	male	C20	Evap_Cmpt	561987	female
C1	FJB	563590	female	C21	RJB	562285	male
C1S	FJB	563589	male	C21	RJB	562282	female
C1S	FJB	563590	female	C22	RJB	564034	male
C2	ServiceCmpt.	563580	male	C22	RJB	564035	female
C2	ServiceCmpt.	563581	female	C22A	Evap_Cmpt	564034	male
C2A	FJB	563580	male	C22A	Evap_Cmpt	564035	female
C2A	FJB	563581	female	C23	3rd_Lugg_Cmpt	561643	male
C3_plug	RJB	563589	male	C23	3rd_Lugg_Cmpt	561642	female
C3_socket	RJB	563590	female	C24_plug	Evap_Cmpt	561690	male
C3S	RJB	563593	male	C24_socket	Evap_Cmpt	561566	female
C3S	RJB	563590	female	C26	Cond_Cmpt	563580	male
C4	ServiceCmpt.	563580	male	C26	Cond_Cmpt	563581	female
C4	ServiceCmpt.	563581	female	C27	RJB	562284	male
C5	FJB	563589	male	C27	RJB	562281	female
C5	FJB	563590	female	C28	Evap_Cmpt	562477	male
C5S	FJB	563589	male	C28	Evap_Cmpt	562479	female
C5S	FJB	563590	female	C34	RightHandConsole	561986	male

CONNECTORS LIST

No	Location	Part #	Gender	No	Location	Part #	Gender
C34	RightHandConsole	561987	female	C81		562477	male
C35	RJB	561986	male	C81		562479	female
C35	RJB	561987	female	C82		562477	male
C36	FJB	561986	male	C82		562479	female
C36	FJB	561987	female	C83		562477	male
C41	RJB	562477	male	C83		562479	female
C41	RJB	562479	female	C84		562477	male
C44_plug	FJB	561577	male	C84		562479	female
C44_socket	FJB	561605	female	C85		562477	male
C45	FJB	561643	male	C85		562479	female
C45	FJB	561642	female	C86		562477	male
C48	ServiceCmpt.	561690	male	C86		562479	female
C48	ServiceCmpt.	561566	female	C87	Lavatory	562485	male
C49A	FJB	562005	male	C87	Lavatory	562486	female
C49A	FJB	561714	female	C90		562350	male
C50		561782	male	C90		563764	female
C50		561781	female	C91	RJB	562285	male
C54	Engine_Cmpt	563580	male	C91	RJB	562282	female
C54	Engine_Cmpt	563581	female	C94_plug		563589	male
C58		564567	male	C94_socket		563590	female
C58		564568	female	C95	Entrance_Door	562581	male
C60	RJB	561986	male	C95	Entrance_Door	562583	female
C60	RJB	561987	female	C96	FJB	561643	male
C61	Fr_Service_Door	561669	male	C96	FJB	561642	female
C61	Fr_Service_Door	561670	female	C97	FJB	561640	male
C62	Fr_Service_Door	562566	male	C97	FJB	561639	female
C62	Fr_Service_Door	562565	female	C99_plug		563589	male
C63	Front_Axle_Cmpt	562477	male	C99_socket		563590	female
C63	Front_Axle_Cmpt	562479	female	C100	Evap_Cmpt	563589	male
C64	Engine_Cmpt	563580	male	C100	Evap_Cmpt	563590	female
C64	Engine_Cmpt	563581	female	C100S	Evap_Cmpt	563589	male
C71	FJB	561646	male	C100S	Evap_Cmpt	563590	female
C71	FJB	561645	female	C101	ServiceCmpt.	561690	male
C72	ServiceCmpt.	561646	male	C101	ServiceCmpt.	561566	female
C72	ServiceCmpt.	561645	female	C102	Service_Cmpt	561690	male
C74	ServiceCmpt.	561645	female	C102	Service_Cmpt	561566	female
C74	ServiceCmpt.	561646	male	C102A		563226	male
C75		562477	male	C102A		563613	female
C75		562479	female	C105	FJB	562581	male
C77		562477	male	C105	FJB	562583	female
C77		562479	female	C106_plug	FJB	562581	male
C78	Engine_Cmpt	561690	male	C106_socket	FJB	562583	female
C78	Engine_Cmpt	561566	female	C112	RJB	562284	male

CONNECTORS LIST

No	Location	Part #	Gender	No	Location	Part #	Gender
C112	RJB	562281	female	C266	Entrance_Door	561640	male
C112B	RJB	562284	male	C266	Entrance_Door	561639	female
C112B	RJB	562281	female	C269	Mirror_RH	563090	male
C119	EngineDoor	561607	male	C269	Mirror_RH	563091	female
C119	EngineDoor	561606	female	C279	Service_Cmpt	562477	male
C120	EngineDoor	561607	male	C279	Service_Cmpt	562479	female
C120	EngineDoor	561606	female	C281	LH_Console	560852	male
C152	Cond_Cmpt	561611	male	C281	LH_Console	560851	female
C152	Cond_Cmpt	561610	female	C290	Rr_Vehicule	560852	male
C171	LH_Console	561646	male	C290	Rr_Vehicule	560851	female
C171	LH_Console	561645	female	C304	2nd_Lugg_Cmpt	560852	male
C172	Service_Cmpt	561637	male	C304	2nd_Lugg_Cmpt	560851	female
C172	Service_Cmpt	561635	female	C305	2nd_Lugg_Cmpt	560852	male
C193_plug	RJB	563589	male	C305	2nd_Lugg_Cmpt	560851	female
C193_socket	RJB	563590	female	C330	FJB	561690	male
C194	FJB	563589	male	C330	FJB	561566	female
C194	FJB	563590	female	C380	Dash	563180	male
C200_plug	RJB	562471	male	C380	Dash	563347	female
C200_socket	RJB	562348	female	C380A	Dash	564222	male
C222	FJB	562477	male	C380A	Dash	564224	female
C222	FJB	562479	female	C397	RJB	562285	male
C223	FJB	563227	male	C397	RJB	562282	female
C223	FJB	563614	female	C400_plug	Engine_Cmpt	561782	male
C224	FJB	561637	male	C400_socket	Engine_Cmpt	561781	female
C224	FJB	561636	female	C426	Engine_Cmpt	561611	male
C225	FJB	562650	male	C426	Engine_Cmpt	561610	female
C225	FJB	562649	female	C463	Rear_Axle_Cmpt	562571	male
C226	FJB	562650	male	C463	Rear_Axle_Cmpt	562570	female
C226	FJB	562649	female	C464	RJB	563180	male
C228		563227	male	C464	RJB	563347	female
C228		563614	female	C464A	RJB	564222	male
C228A		563227	male	C464A	RJB	564224	female
C228A		563614	female	C551	3rd_Lugg_Cmpt	561476	male
C230	EngineCmpt.	562485	male	C551	3rd_Lugg_Cmpt	561477	female
C230	EngineCmpt.	562486	female	C553	2nd_Lugg_Cmpt	561476	male
C242	ServiceCmpt.	563347	male	C553	2nd_Lugg_Cmpt	561477	female
C242	ServiceCmpt.	563180	female	C554	1st_Lugg_Cmpt	561476	male
C243	ServiceCmpt.	563347	male	C554	1st_Lugg_Cmpt	561477	female
C243	ServiceCmpt.	563180	female	C555	1st_Lugg_Cmpt	561476	male
C246	ServiceCmpt.	563090	male	C555	1st_Lugg_Cmpt	561477	female
C246	ServiceCmpt.	563091	female	C556	3rd_Lugg_Cmpt	561476	male
C264	Entrance_Door	561637	male	C556	3rd_Lugg_Cmpt	561477	female
C264	Entrance_Door	561636	female	C557	2nd_Lugg_Cmpt	561476	male

CONNECTORS LIST

No	Location	Part #	Gender	No	Location	Part #	Gender
C557	2nd_Lugg_Cmpt	561477	female	CS07	SlideOut_Panel	561694	female
C558	2nd_Lugg_Cmpt	561476	male	CT2	Engine_Cmpt	563226	male
C558	2nd_Lugg_Cmpt	561477	female	CT2	Engine_Cmpt	563613	female
C559	3rd_Lugg_Cmpt	561476	male	EIA		563739	male
C559	3rd_Lugg_Cmpt	561477	female	L1	Service_Cmpt	562848	male
C560	3rd_Lugg_Cmpt	561476	male	L16	FrontRoof	562803	male
C560	3rd_Lugg_Cmpt	561477	female	L17	Entrance_Door	562803	male
C561	3rd_Lugg_Cmpt	561476	male	L18.A	Entrance_Door	561539	male
C561	3rd_Lugg_Cmpt	561477	female	L18.B	Entrance_Door	561539	male
C562	3rd_Lugg_Cmpt	561476	male	L21.A	FrontRoof	561608	female
C562	3rd_Lugg_Cmpt	561477	female	L21.B	FrontRoof	562286	male
C617	Mirror_LH	563801	male	L22.A	FrontRoof	561608	female
C617	Mirror_LH	563800	female	L22.B	FrontRoof	562286	male
C618	Mirror_RH	563801	male	L23.A	FrontRoof	561608	female
C618	Mirror_RH	563800	female	L23.B	FrontRoof	562286	male
C717	RJB	561646	male	L24.A	FrontRoof	561608	female
C717	RJB	561645	female	L24.B	FrontRoof	562286	male
C_ALT1	Engine_Cmpt	562477	male	L25.A	FrontRoof	561608	female
C_ALT1	Engine_Cmpt	562479	female	L25.B	FrontRoof	562286	male
C_ALT2	Engine_Cmpt	562477	male	L26.A	FrontRoof	561608	female
C_ALT2	Engine_Cmpt	562479	female	L26.B	FrontRoof	562286	male
C_EVAP	Evap_Cmpt	563582	male	L27.A	FrontRoof	561608	female
C_EVAP	Evap_Cmpt	563583	female	L27.B	FrontRoof	562286	male
C_EvpDr	Evap_Cmpt	562477	male	L57.A	OutSide_Front_RH	563366	male
C_EvpDr	Evap_Cmpt	562479	female	L57.B	OutSide_Front_RH	562623	male
CC1	FJB	563227	male	L58.A	OutSide_Front_LH	562623	male
CC1	FJB	563614	female	L58.B	OutSide_Front_LH	562623	male
CC2	FJB	563226	male	L59.A	Outside_Front_RH	562623	male
CC2	FJB	563613	female	L59.B	Outside_Front_RH	562623	male
CCust	RJB	562477	male	L60.A	Outside_Front_LH	562623	male
CCust	RJB	562479	female	L60.B	Outside_Front_LH	562623	male
CFHF1		564560	male	L61	Front_OutSide_RH	562601	male
CR1	RJB	561247	male	L62	Outside_Front_LH	562601	male
CR1	RJB	561248	female	L63	Outside_Front_RH	562155	male
CS01	SlideOut_Panel	562581	male	L64	Outside_Front_RH	562155	male
CS01	SlideOut_Panel	562583	female	L65	Outside_Front_LH	562155	male
CS01S	SlideOut_Panel	562581	male	L66	Outside_Front_LH	562155	male
CS01S	SlideOut_Panel	562583	female	L67	3rdLuggCmpt.	562155	male
CS02	SlideOut_Panel	561643	male	L68	3rdLuggCmpt.	562155	male
CS02	SlideOut_Panel	561641	female	L69	Evap_Cmpt.	562155	male
CS05	SlideOut_Panel	561847	male	L70	Evap_Cmpt.	562155	male
CS05	SlideOut_Panel	561862	female	L71	Rear_Engine_Door	562601	male
CS07	SlideOut_Panel	561695	male	L72	Rear_Vehicle	562155	male

CONNECTORS LIST

No	Location	Part #	Gender	No	Location	Part #	Gender
L73	Rear_Vehicle	562601	male	L179	1st_LuggCmpt.	561247	male
L74	Rear_Vehicle	562155	male	L180	2ndLuggCmpt.	561247	male
L75	Rear_Vehicle	562155	male	L181	2ndLuggCmpt.	561247	male
L76	Rear_Engine_Door	562155	male	L182	3rd_LuggCmpt.	561247	male
L77	Rear_Engine_Door	562601	male	L183	3rd_LuggCmpt.	561247	male
L78	Rear_Engine_Door	562601	male	L184	ServiceCmpt.	561247	male
L79	Rear_Engine_Door	562601	male	L187	Engine_Cmpt	561690	male
L80	Rear_Engine_Door	562601	male	L189	Outside_Front_RH	562069	male
L81.A	Rear_Engine_Door	562835	female	L190	Outside_Front_LH	562069	male
L81.B	Rear_Engine_Door	562834	male	L193.A	Dash	560488	female
L82	Rear_Engine_Door	562348	female	L193.B	Dash	560488	female
L83	Rear_Engine_Door	562348	female	L194.A	LH_Console	562019	female
L84.A	RearRoof	561608	female	L194.B	LH_Console	560488	female
L84.B	RearRoof	562286	male	L195.A	LH_Console	560488	female
L85.A	RearRoof	561608	female	L195.B	LH_Console	560488	female
L85.B	RearRoof	562286	male	L199	EngineCmpt.	562471	male
L86.A	RearRoof	561608	female	L203	RH_Console	561690	male
L86.B	RearRoof	562286	male	L205.A	Evap.Cmpt.	562485	male
L87.A	RearRoof	561608	female	L282A	Engine_Cmpt	561690	male
L87.B	RearRoof	562286	male	L285	Dash	561247	male
L88.A	RearRoof	561608	female	L286.A	Rear_Vehicule	562835	female
L88.B	RearRoof	562286	male	L286.B	Rear_Vehicule	562834	male
L89.A	RearRoof	561608	female	L297.A	Rear_Vehicule	562835	female
L89.B	RearRoof	562286	male	L297.B	Rear_Vehicule	562834	male
L90.A	RearRoof	561608	female	L298	Engine_Cmpt	563590	female
L90.B	RearRoof	562286	male	L299	Engine_Cmpt	563590	female
L91	EngineCmpt.	562755	male	L304	OutSide_1st_Lugg_Door_LH	562155	male
L92	EngineCmpt.	562755	male	L305	OutSide_1st_Lugg_Door_RH	562155	male
L93.A	Rear_OutSide_LH	563069	female	L306	OutSide_1st_Lugg_Door_RH	562155	male
L93.B	Rear_OutSide_LH	563069	female	L307	OutSide_1st_Lugg_Door_LH	562155	male
L94.A	Rear_OutSide_RH	563069	female	L350	Rr_Axle_Cmpt	562251	male
L94.B	Rear_OutSide_RH	563069	female	L350A.A		564552	male
L95	Outside_Front_LH	562902	female	L350A.B		563340	male
L96	Outside_Front_RH	562902	female	L350A.C		562251	male
L97.A	Outside_Front_LH	563069	female	Mo3	Dash	561667	female
L97.B	Outside_Front_LH	563069	female	Mo4	Dash	562076	male
L98.A	Entrance_Door	563069	female	Mo7	Cond_Cmpt	563691	male
L98.B	Outside_Front_RH	563069	female	Mo8	Cond_Cmpt	563691	male
L173	Engine_Cmpt	563590	female	Mo12.A	Evap.Cmpt.	561690	male
L174	Engine_Cmpt	563590	female	Mo15	Front_Ceiling	560900	female
L176	Evap_Cmpt.	561247	male	Mo16	Front_Ceiling	560900	female
L177	Cond_Cmpt.	561247	male	Mo17	RH_Console	563626	male
L178	1st_LuggCmpt.	561247	male	Mo19	{ServiceCmpt.}	562474	male

CONNECTORS LIST

No	Location	Part #	Gender	No	Location	Part #	Gender
Mo20	{ServiceCmpt.}	562474	male	R34	RJB	564210	male
Mo22	RightHandConsole	561186	male	R41	FJB	561183	male
Mo24	RightHandConsole	562348	female	R42	FJB	561183	male
Mo25	RightHandConsole	562348	female	R43	FJB	561183	male
Mo26	Entrance_Door	564161	male	Res3	RJB	563590	female
Mo27	Cond_Cmpt	563691	male	Res4.A	{RightHandConsole}	563590	female
Mo28	Cond_Cmpt	563691	male	Res6		563590	female
Mo31	3rd_Door_Lugg_RH	564161	male	Res7.A	FJB	563590	female
Mo35		564161	male	Res15	Engine_Cmpt	561782	male
Mo37	1st_Door_Lugg_RH	564161	male	Res31	Cond_Cmpt	562350	male
Mo38	2nd_Door_Lugg_LH	564161	male	Res32	Cond_Cmpt	563764	female
Mo40	1st_Lugg_Cmpt_LH	561477	female	Res53.A	FJB	563590	female
Mo44	3rd_Lugg_Cmpt_LH	561477	female	RLock	Service_Cmpt	561183	male
Mo50	Service_Cmpt	561782	male	RSo1.A	SlideOut_Jct_Box	561626	female
Mo53	RJB	561248	female	RSo1.B	SlideOut_Jct_Box	561626	female
Mo54	Service_Cmpt	562474	male	RSo2.A	SlideOut_Jct_Box	561626	female
Mo55.A	Entrance_Door	563626	male	RSo2.B	SlideOut_Jct_Box	561626	female
Mo56	Engine_Door	564161	male	RSo3.A	SlideOut_Jct_Box	561626	female
Mo57.A	2nd_Lugg_Cmpt_LH	561477	female	RSo3.B	SlideOut_Jct_Box	561626	female
Mo58.A	2nd_Lugg_Cmpt_LH	561477	female	RSo4.A	SlideOut_Jct_Box	561626	female
Mo60		562783	male	RSo4.B	SlideOut_Jct_Box	561626	female
Mo61		562783	male	RUnlock	Service_Cmpt	561183	male
MoSo1.A	SlideOut_Fr_LH	561967	male	Se11.A	Cond_Cmpt	564460	female
MOSO2.A	SlideOut_Fr_LH	561967	male	Se11.B	Cond_Cmpt	564460	female
Pot1.A	Dash	560488	female	Se11.C	Cond_Cmpt	564460	female
Pot1.B	Dash	560488	female	Se13	EngineCmpt.	562350	male
Pot1.C	Dash	560488	female	Se14.A	Driver_Area	561782	male
R3	RJB	563409	male	Se14.B	Driver_Area	561781	female
R10.A	Evap.Cmpt.	563409	male	Se15.A	Entrance_Door	562651	female
R11	RJB	561183	male	Se15.B	Entrance_Door	562651	female
R12.A	Evap.Cmpt.	563409	male	Se15.C	Entrance_Door	562651	female
R17	RJB	564210	male	Se16.A	Entrance_Door	562651	female
R17_0_1		562367	male	Se16.B	Entrance_Door	562651	female
R18	FJB	564210	male	Se17.A	Service_Cmpt	562291	female
R19	FJB	564210	male	Se17.B	Service_Cmpt	562291	female
R22	RJB	561183	male	Se17.C	Service_Cmpt	562291	female
R23	RightHandConsole	561183	male	Se18.A	Service_Cmpt	560815	female
R25	RJB	561183	male	Se18.B	Service_Cmpt	560815	female
R29	RJB	563409	male	Se19.A	Service_Cmpt	563677	male
R30	RJB	561183	male	Se19A.A	Service_Cmpt	563677	male
R31	RJB	561183	male	Se20	Evap_Cmpt	562426	male
R32	RJB	561183	male	Se21	Dash	561248	female
R33	RJB	561183	male	Se23	EngineCmpt.	563159	male

CONNECTORS LIST

No	Location	Part #	Gender	No	Location	Part #	Gender
Se24	EngineCmpt.	563159	male	So23	Rear_Axle_Cmpt	564046	female
Se25	Evap_Cmpt	561248	female	So24	Rear_Axle_Cmpt	564046	female
Se29	Engine_Cmpt	561566	female	So26	Service_Cmpt	562848	male
Se30	Engine_Cmpt	562877	female	So27		564045	female
Se31	Engine_Cmpt	562877	female	So28	Engine_Cmpt	641385	male
Se32	Rear_Axle_Cmpt	563057	male	So29	Service_Cmpt	641385	male
Se33	Rear_Axle_Cmpt	562856	male	So30	Service_Cmpt	641385	male
Se34	Rear_Axle_Cmpt	563057	male	So31	Service_Cmpt	641385	male
Se35	Rear_Axle_Cmpt	563057	male	So32	Service_Cmpt	641385	male
Se36	Rear_Axle_Cmpt	563629	female	So36	Engine_Cmpt	561690	male
Se37	Front_Axle_Cmpt	641132	female	So50		564046	female
Se38	Front_Axle_Cmpt	641132	female	SoSo1.A	SlideOut_Panel	564045	female
Se39	Rear_Axle_Cmpt	641132	female	SOSO4.A	SlideOut_Panel	641385	male
Se40	Rear_Axle_Cmpt	641132	female	SoSo5.A	SlideOut_Panel	564045	female
Se45	{ServiceCmpt.}	562426	male	spBar4	Engine_Cmpt	564135	male
Se46	Rear_Axle_Cmpt	562348	female	spBar5	Engine_Cmpt	564135	male
Se50	Engine_Cmpt	562426	male	spBar7		564135	male
Se52.A	RH_Console	560488	female	Sw1.C258	Dash	561188	female
Se52.B	RH_Console	560488	female	Sw1.C259	Dash	561186	male
Se53	Service_Cmpt	563159	female	Sw2	Dash	562763	male
Se54	Service_Cmpt	563159	female	Sw3	Dash	562763	male
Se55	Service_Cmpt	563159	female	Sw4	Dash	562763	male
Se60	Service_Cmpt	563409	male	Sw6	Dash	562763	male
Se63		641132	female	Sw11A	LH_Console	562763	male
Se64		641132	female	Sw14	Dash	562763	male
Se65		564042	female	Sw16	Dash	562763	male
Se66	Front_Axle_Cmpt	564039	female	Sw17	Dash	562763	male
Se66		564039	female	Sw18A	LH_Console	562763	male
Se67		563159	female	Sw21	Dash	562763	male
Se69		563159	female	Sw24	Dash	562763	male
SESO1.A	SlideOut_Panel	563159	male	Sw34	Dash	562763	male
SESO2.A	SlideOut_Fr_LH	562479	female	Sw35	LH_Console	562763	male
SESO3.A	SlideOut_Fr_LH	562479	female	Sw38	LeftHandConsole	562763	male
SESO5.A	SlideOut_Rr_LH	562479	female	Sw40	LeftHandConsole	561690	male
SESO6.A	SlideOut_Rr_LH	562479	female	Sw41	LeftHandConsole	562749	male
So3	RH_Console	641385	male	Sw44.A	Service_Cmpt	562403	female
So7	ServiceCmpt.	561566	male	Sw44.B	Service_Cmpt	562403	female
So8	ServiceCmpt.	563204	female	Sw45.A	Evap_Cmpt	562403	female
So9	Engine_Cmpt	561566	female	Sw45.B	Evap_Cmpt	562403	female
So11.A	Cond_Cmpt	561566	female	Sw46.A	Cond_Cmpt	562403	female
So13.A	Evap_Cmpt	563204	female	Sw46.B	Cond_Cmpt	562403	female
So21	Front_Axle_Cmpt	564046	female	Sw47.A	1st_Lugg_Cmpt	562403	female
So22	Front_Axle_Cmpt	564046	female	Sw47.B	1st_Lugg_Cmpt	562403	female

CONNECTORS LIST

No	Location	Part #	Gender	No	Location	Part #	Gender
Sw48.A	1st_Lugg_Cmpt	562403	female	Sw117.B	Lugg_Cmpt_RH	560079	female
Sw48.B	1st_Lugg_Cmpt	562403	female	Sw120	Service_Cmpt	562237	female
Sw49.A	2ndLuggCmpt.	562403	female	Sw122	Service_Cmpt	562763	male
Sw49.B	2ndLuggCmpt.	562403	female	Sw134.A	Engine_Cmpt	560079	female
Sw50.A	2ndLuggCmpt.	562403	female	Sw134.B	Engine_Cmpt	560079	female
Sw50.B	2ndLuggCmpt.	562403	female	Sw137	Dash	562763	male
Sw51.A	3rd_Lugg_Cmpt	562403	female	Sw152	Driver_Area	562471	male
Sw51.B	3rd_Lugg_Cmpt	562403	female	Sw160	Dash	562763	male
Sw52	3rd_Lugg_Cmpt	562403	female	Sw161	Dash	562763	male
Sw52.B	3rd_Lugg_Cmpt	562403	female	SwSo1.A	Front_Slide_Out	561552	female
Sw58	EngineCmpt.	562581	male	SwSo2.A	Front_Slide_Out	561552	female
Sw59	EngineCmpt.	562348	female	VECF1	FJB	563186	male
Sw63A	LH_Console	562763	male	VECF2	FJB	563183	male
Sw64.A	Service_Cmpt	560815	female	VECF3	FJB	563185	male
Sw64.B	Service_Cmpt	560815	female	VECF4	FJB	563182	male
Sw83.A	Dash	560082	female	VECF9	FJB	563448	male
Sw83.B	Dash	560815	female	VECF10	FJB	563181	male
Sw83.C	Dash	560082	female	VECF11	FJB	563184	male
Sw83.D	Dash	560815	female	VECF12	FJB	563187	male
Sw85	LeftHandConsole	562749	male	Vecr1	RJB	563186	male
Sw99	Dash	562763	male	Vecr2	RJB	563183	male
Sw102	Dash	562763	male	Vecr3	RJB	563185	male
Sw103A	LH_Console	562763	male	VECR4	RJB	563182	male
Sw104	Dash	562763	male	Vecr9	RJB	563448	male
Sw106	FJB	561637	male	Vecr10	RJB	563181	male
Sw107.A	LH_Console	561190	female	VECR11	RJB	563184	male
Sw107.B	LH_Console	561190	female	VECR12	RJB	563187	male
Sw107.C	LH_Console	561190	female	Y80	Eng_Cmpt	563789	male
Sw107.D	LH_Console	561190	female	Y81	Cond_Cmpt	563793	male
Sw107.E	LH_Console	561190	female				
Sw107.F	LH_Console	561190	female				
Sw107.G	LH_Console	561190	female				
Sw107.H	{LeftHandConsole}	561190	female				
Sw107.J	{LeftHandConsole}	561190	female				
Sw107.K	{LeftHandConsole}	561190	female				
Sw108	LH_Console	562763	male				
Sw112.A	3rd_Lugg_Cmpt_RH	560079	female				
Sw112.B	3rd_Lugg_Cmpt_RH	560079	female				
Sw113.A	2ndLuggCmpt.RH	560079	female				
Sw113.B	2ndLuggCmpt.RH	560079	female				
Sw116.A	2ndLuggCmpt.LH	560079	female				
Sw116.B	2ndLuggCmpt.LH	560079	female				
Sw117.A	Lugg_Cmpt_RH	560079	female				

CONNECTORS LIST

No	Location	Part #	Gender	No	Location	Part #	Gender
A2	Steering_Column	563984	male	A45.J2	FJB	563132	male
A4A.A	Service_Cmpt	562428	female	A45.J3	FJB	562957	male
A4A.B	Service_Cmpt	561188	female	A46.J1	FJB	563133	male
A5A.A	Service_Cmpt	562428	female	A46.J2	FJB	563132	male
A6	Engine_Cmpt	562427	male	A46.J3	FJB	562957	male
A7	Rr_Axle_Cmpt	563979	male	A47.J1	RightHandConsole	563133	male
A9.Cx1	FJB	564041	female	A47.J2	RightHandConsole	563132	male
A9.Cx2	FJB	563678	male	A47.J3	RightHandConsole	562957	male
A9.Cx3	FJB	564037	female	A48.J1	RH_Console	563133	male
A9.Cx4	FJB	564038	female	A48.J2	RH_Console	563132	male
A14A.A	Dash	562766	male	A48.J3	RH_Console	562957	male
A14A.B	Dash	562767	male	A49.J1	RJB	562767	male
A14A.C	Dash	562765	male	A49.J2	RJB	563132	male
A15	Dash	562464	male	A49.J3	RJB	562957	male
A18.J2	FJB	562650	male	A50.J1	RJB	563133	male
A24.A	RH_Console	561890	male	A50.J2	RJB	563132	male
A24.B	RH_Console	561566	female	A50.J3	RJB	562957	male
A24.C	RH_Console	561889	female	A51.J1	RJB	563133	male
A27	ServiceCmpt.	562929	male	A51.J2	RJB	563132	male
A28	ServiceCmpt.	562928	male	A51.J3	RJB	562957	male
A30.A	RH_Console	561611	male	A52.J1	RJB	563133	male
A30.C	RH_Console	561889	female	A52.J2	RJB	563132	male
A31.J1	Dash	562780	male	A52.J3	RJB	562957	male
A31.J2	Dash	562842	male	A54.J1	Evap.Cmpt.	563133	male
A31.J3	Dash	562464	male	A54.J2	Evap.Cmpt.	563132	male
A31.J4	Dash	562465	male	A54.J3	Evap.Cmpt.	562957	male
A31.J5	Dash	563071	male	A55.J1	Dash	562767	male
A36.JA	FJB	562767	male	A55.J2	Dash	563132	male
A36.JB	FJB	562765	male	A55.J3	Dash	562957	male
A36.JC	FJB	562957	male	A56.J1	Slide-OutPanel	563133	male
A41.J1	FJB	562767	male	A56.J2	Slide-OutPanel	563132	male
A41.J2	FJB	563132	male	A56.J3	Slide-OutPanel	562957	male
A41.J3	FJB	562957	male	A57.J1	Slide-OutPanel	563133	male
A42.J1	FJB	562767	male	A57.J2	Slide-OutPanel	563132	male
A42.J2	FJB	563132	male	A57.J3	Slide-OutPanel	562957	male
A42.J3	FJB	562957	male	A77	Rear_Vehicle	564547	male
A43.J1	FJB	562767	male	A78	Batt_Cmpt	562583	female
A43.J2	FJB	563132	male	A79	Batt_Cmpt	562583	female
A43.J3	FJB	562957	male	A80	Batt_Cmpt	562479	female
A44.J1	FJB	563133	male	A81A.JA	FJB	562767	male
A44.J2	FJB	563132	male	A81A.JB	FJB	562765	male
A44.J3	FJB	562957	male	A81A.JC	FJB	562957	male
A45.J1	FJB	563133	male	A83.A	FJB	565970	female

CONNECTORS LIST

No	Location	Part #	Gender	No	Location	Part #	Gender
A96	FJB	564073	female	C5S	FJB	563589	male
A97	Dash	563226	male	C5S	FJB	563590	female
A100	Front_Axle_Cmpt	563758	female	C6	ServiceCmpt.	563582	male
A101	Rear_Axle_Cmpt	563758	female	C6	ServiceCmpt.	563583	female
A102	Rear_Axle_Cmpt	563758	female	C7	ServiceCmpt.	562566	male
A103	Dash	562070	female	C7	ServiceCmpt.	562565	female
A106	Entrance_Door	565974	male	C8	FJB	563227	male
A114	Outside_Front_LH	563850	male	C8	FJB	563614	female
A131.A	EngineCmpt.	561782	male	C9	Evap.Cmpt.	561986	male
A131.B	EngineCmpt.	561781	female	C9	Evap.Cmpt.	561987	female
A137A	Cond_Cmpt	20429843	male	C10	Engine_Cmpt	562477	male
A138	Cond_Cmpt	563787	male	C10	Engine_Cmpt	562479	female
A139	Dash	564501	male	C11	ServiceCmpt.	563580	male
Alt1D.A	Engine_Cmpt	563746	female	C11	ServiceCmpt.	563581	female
Alt1D.B	Engine_Cmpt	560815	female	C12	Engine_Cmpt	562581	male
Alt1D.C	Engine_Cmpt	564469	female	C12	Engine_Cmpt	562583	female
Alt2D.A	Engine_Cmpt	563746	female	C13_plug	RH_Console	563589	male
Alt2D.B	Engine_Cmpt	560815	female	C13_socket	RH_Console	563590	female
Alt2D.C	Engine_Cmpt	564469	female	C13S	RH_Console	563593	male
B85	Engine_Cmpt	563815	male	C13S	RH_Console	563590	female
B96.J1	EngineCmpt.	563821	male	C15AA	Evap.Cmpt.	568110	male
B96B	EngineCmpt.	563823	male	C15AA	Evap.Cmpt.	568109	female
B97	Engine_Cmpt	563816	male	C17	RJB	561986	male
B98.J1	Engine_Cmpt	563817	female	C17	RJB	561987	female
B115	EngineCmpt.	564226	male	C18	FJB	561986	male
B142	Cond_Cmpt	563793	male	C18	FJB	561987	female
B310	EngineCmpt.	565967	male	C19	RJB	561986	male
C1	FJB	563589	male	C19	RJB	561987	female
C1	FJB	563590	female	C21	RJB	562285	male
C1S	FJB	563589	male	C21	RJB	562282	female
C1S	FJB	563590	female	C22	RJB	564034	male
C2	ServiceCmpt.	563580	male	C22	RJB	564035	female
C2	ServiceCmpt.	563581	female	C22A	Evap_Cmpt	564034	male
C2A	FJB	563580	male	C22A	Evap_Cmpt	564035	female
C2A	FJB	563581	female	C23	3rd_Lugg_Cmpt	561643	male
C3_plug	RJB	563589	male	C23	3rd_Lugg_Cmpt	561642	female
C3_socket	RJB	563590	female	C24_plug	Evap_Cmpt	561690	male
C3S	RJB	563593	male	C24_socket	Evap_Cmpt	561566	female
C3S	RJB	563590	female	C26	Cond_Cmpt	563226	male
C4	ServiceCmpt.	563580	male	C26	Cond_Cmpt	563613	female
C4	ServiceCmpt.	563581	female	C26A	Cond_Cmpt	563358	male
C5	FJB	563589	male	C26A	Cond_Cmpt	563359	female
C5	FJB	563590	female	C26AA	Cond_Cmpt	568110	male

CONNECTORS LIST

No	Location	Part #	Gender	No	Location	Part #	Gender
C26AA	Cond_Cmpt	568109	female	C64A	EngineCmpt.	568110	male
C26B	Cond_Cmpt	563227	male	C64A	EngineCmpt.	568109	female
C26B	Cond_Cmpt	563614	female	C71	FJB	561646	male
C27	RJB	562284	male	C71	FJB	561645	female
C27	RJB	562281	female	C72	ServiceCmpt.	561646	male
C28	Evap.Cmpt.	562485	male	C72	ServiceCmpt.	561645	female
C28	Evap.Cmpt.	562486	female	C74	ServiceCmpt.	561645	female
C34	RightHandConsole	561986	male	C74	ServiceCmpt.	561646	male
C34	RightHandConsole	561987	female	C75	LuggageCmpt.	562477	male
C35	RH_Console	561986	male	C75	LuggageCmpt.	562479	female
C35	RH_Console	561987	female	C77	LuggageCmpt.	562477	male
C35A	Evap.Cmpt.	561607	male	C77	LuggageCmpt.	562479	female
C35A	Evap.Cmpt.	561606	female	C81	LuggageCmpt.	562477	male
C36	FJB	561986	male	C81	LuggageCmpt.	562479	female
C36	FJB	561987	female	C82	LuggageCmpt.	562477	male
C39A	Eng._Cmpt	561782	male	C82	LuggageCmpt.	562479	female
C39A	Eng._Cmpt	561781	female	C83	LuggageCmpt.	562477	male
C41	RJB	562477	male	C83	LuggageCmpt.	562479	female
C41	RJB	562479	female	C84	LuggageCmpt.	562477	male
C44_plug	FJB	561577	male	C84	LuggageCmpt.	562479	female
C44_socket	FJB	561605	female	C85	LuggageCmpt.	562477	male
C45	FJB	561643	male	C85	LuggageCmpt.	562479	female
C45	FJB	561642	female	C86	LuggageCmpt.	562477	male
C49A	FJB	562005	male	C86	LuggageCmpt.	562479	female
C49A	FJB	561714	female	C87	Lavatory	562485	male
C50	Batt_Cmpt	561782	male	C87	Lavatory	562486	female
C50	Batt_Cmpt	561781	female	C91	RJB	562285	male
C52	Evap.Cmpt.	563618	male	C91	RJB	562282	female
C52	Evap.Cmpt.	563616	female	C94_plug	FJB	563589	male
C54	EngineCmpt.	563226	male	C94_socket	FJB	563590	female
C54	EngineCmpt.	563613	female	C96	FJB	561643	male
C54AA	EngineCmpt.	568110	male	C96	FJB	561642	female
C54AA	EngineCmpt.	568109	female	C97	FJB	561643	male
C54B	EngineCmpt.	563589	male	C97	FJB	561642	female
C54B	EngineCmpt.	563590	female	C99_plug	RJB	563589	male
C58	Cond_Cmpt	564567	male	C99_socket	RJB	563590	female
C58	Cond_Cmpt	564568	female	C100	Evap_Cmpt	563589	male
C60	RJB	561986	male	C100	Evap_Cmpt	563590	female
C60	RJB	561987	female	C100S	Evap_Cmpt	563589	male
C61	Fr_Service_Door	561669	male	C100S	Evap_Cmpt	563590	female
C61	Fr_Service_Door	561670	female	C101	ServiceCmpt.	561690	male
C62	Fr_Service_Door	562566	male	C101	ServiceCmpt.	561566	female
C62	Fr_Service_Door	562565	female	C102A	Cond_Cmpt	563226	male

CONNECTORS LIST

No	Location	Part #	Gender	No	Location	Part #	Gender
C102A	RR_Axle_Cmpt	563613	female	C242	ServiceCmpt.	563347	male
C105	FJB	562581	male	C242	ServiceCmpt.	563180	female
C105	FJB	562583	female	C243	ServiceCmpt.	563347	male
C106_plug	FJB	562581	male	C243	ServiceCmpt.	563180	female
C106_socket	FJB	562583	female	C246	ServiceCmpt.	563090	male
C110A	Service_Cmpt	568110	male	C246	ServiceCmpt.	563091	female
C110A	Service_Cmpt	568109	female	C266	Entrance_Door	561640	male
C112	RJB	562284	male	C266	Entrance_Door	561639	female
C112	RJB	562281	female	C269	Mirror_RH	563090	male
C112B	RJB	562284	male	C269	Mirror_RH	563091	female
C112B	RJB	562281	female	C279	Service_Cmpt	562477	male
C119	Engine_Door	568110	male	C279	Service_Cmpt	562479	female
C119	Engine_Door	568109	female	C304	2nd_Lugg_Cmpt	560852	male
C121	Engine_Door	562566	male	C304	2nd_Lugg_Cmpt	560851	female
C121	Engine_Door	562565	female	C305	2nd_Lugg_Cmpt	560852	male
C122	Engine_Door	562566	male	C305	2nd_Lugg_Cmpt	560851	female
C122	Engine_Door	562565	female	C330	FJB	561690	male
C152	Cond_Cmpt	561611	male	C330	FJB	561566	female
C152	Cond_Cmpt	561610	female	C380A	Dash	564222	male
C171	LH_Console	561646	male	C380A	Dash	564224	female
C171	LH_Console	561645	female	C397	RJB	562285	male
C172	Service_Cmpt	561637	male	C397	RJB	562282	female
C172	Service_Cmpt	561635	female	C400_plug	Engine_Cmpt	561782	male
C193_plug	RJB	563589	male	C400_socket	Engine_Cmpt	561781	female
C193_socket	RJB	563590	female	C426	Engine_Cmpt	561611	male
C194	FJB	563589	male	C426	Engine_Cmpt	561610	female
C194	FJB	563590	female	C463	EngineCmpt.	568111	male
C200_plug	RJB	562471	male	C463	EngineCmpt.	568112	female
C200_socket	RJB	562348	female	C464A	RJB	564222	male
C222	FJB	562477	male	C464A	RJB	564224	female
C222	FJB	562479	female	C551	3rd_Lugg_Cmpt	561476	male
C223	FJB	563227	male	C551	3rd_Lugg_Cmpt	561477	female
C223	FJB	563614	female	C553	2nd_Lugg_Cmpt	561476	male
C224	FJB	561637	male	C553	2nd_Lugg_Cmpt	561477	female
C224	FJB	561636	female	C554	1st_Lugg_Cmpt	561476	male
C225	FJB	562650	male	C554	1st_Lugg_Cmpt	561477	female
C225	FJB	562649	female	C555	1st_Lugg_Cmpt	561476	male
C226	FJB	562650	male	C555	1st_Lugg_Cmpt	561477	female
C226	FJB	562649	female	C556	3rd_Lugg_Cmpt	561476	male
C228	EngineCmpt.	563227	male	C556	3rd_Lugg_Cmpt	561477	female
C228	EngineCmpt.	563614	female	C557	2nd_Lugg_Cmpt	561476	male
C228A	EngineCmpt.	563227	male	C557	2nd_Lugg_Cmpt	561477	female
C228A	EngineCmpt.	563614	female	C559	3rd_Lugg_Cmpt	561476	male

CONNECTORS LIST

No	Location	Part #	Gender	No	Location	Part #	Gender
C559	3rd_Lugg_Cmpt	561477	female	L18.A	Entrance_Door	561626	female
C560	3rd_Lugg_Cmpt	561476	male	L18.B	Entrance_Door	561626	female
C560	3rd_Lugg_Cmpt	561477	female	L21.A	FrontRoof	561608	female
C561	3rd_Lugg_Cmpt	561476	male	L21.B	FrontRoof	562286	male
C561	3rd_Lugg_Cmpt	561477	female	L22.A	FrontRoof	561608	female
C562	3rd_Lugg_Cmpt	561476	male	L22.B	FrontRoof	562286	male
C562	3rd_Lugg_Cmpt	561477	female	L23.A	FrontRoof	561608	female
C617	Mirror_LH	563801	male	L23.B	FrontRoof	562286	male
C617	Mirror_LH	563800	female	L24.A	FrontRoof	561608	female
C618	Mirror_RH	563801	male	L24.B	FrontRoof	562286	male
C618	Mirror_RH	563800	female	L25.A	FrontRoof	561608	female
C717	RJB	561646	male	L25.B	FrontRoof	562286	male
C717	RJB	561645	female	L26.A	FrontRoof	561608	female
C_ALT1	Engine_Cmpt	562477	male	L26.B	FrontRoof	562286	male
C_ALT1	Engine_Cmpt	562479	female	L27.A	FrontRoof	561608	female
C_ALT2	Engine_Cmpt	562477	male	L27.B	FrontRoof	562286	male
C_ALT2	Engine_Cmpt	562479	female	L57.A	OutSide_Front_RH	563366	male
CC1	FJB	563227	male	L57.B	OutSide_Front_RH	562623	male
CC1	FJB	563614	female	L58.A	OutSide_Front_LH	562623	male
CC2	FJB	563226	male	L58.B	OutSide_Front_LH	562623	male
CC2	FJB	563613	female	L59.A	Outside_Front_RH	562623	male
CCust	RJB	562477	male	L59.B	Outside_Front_RH	562623	male
CCust	RJB	562479	female	L60.A	Outside_Front_LH	562623	male
CFHAC	Evap.Cmpt.	564238	male	L60.B	Outside_Front_LH	562623	male
CFHF1	FJB	564560	male	L63	Outside_Front_RH	562155	male
CR1	RJB	561247	male	L64	Outside_Front_RH	562155	male
CR1	RJB	561248	female	L65	Outside_Front_LH	562155	male
CSo1	SlideOut_Panel	562581	male	L66	Outside_Front_LH	562155	male
CSo1	SlideOut_Panel	562583	female	L67.A	3rdLuggCmpt.	562155	male
CSo1S	SlideOut_Panel	562581	male	L68.A	3rdLuggCmpt.	562155	male
CSo1S	SlideOut_Panel	562583	female	L69.A	Evap.Cmpt.	562155	male
CSo2	SlideOut_Panel	561643	male	L70.A	Evap_Cmpt.	562155	male
CSo2	SlideOut_Panel	561641	female	L71A	OutSide_Rr_LH	562601	male
CSo5	SlideOut_Panel	561847	male	L72	OutSide_Rr_LH	562155	male
CSo5	SlideOut_Panel	561862	female	L73A	OutSide_Rr_RH	562601	male
CSo7	SlideOut_Panel	561695	male	L74	OutSide_Rr_RH	562155	male
CSo7	SlideOut_Panel	561694	female	L75	OutSide_Rr_LH	562155	male
CT2	Engine_Cmpt	563226	male	L76	OutSide_Rr_RH	562155	male
CT2	Engine_Cmpt	563613	female	L77A	OutSide_Rr_RH	562601	male
EIA	EngineCmpt.	563739	male	L78A	OutSide_Rr_RH	562601	male
L1	Service_Cmpt	562848	male	L79A	OutSide_Rr_LH	562601	male
L16	FrontRoof	562803	male	L80A	OutSide_Rr_LH	562601	male
L17	Entrance_Door	562803	male	L81.A	Rear_Engine_Door	562835	female

CONNECTORS LIST

No	Location	Part #	Gender	No	Location	Part #	Gender
L81.B	Rear_Engine_Door	562834	male	L193.A	Dash	560488	female
L82A	Rear_Engine_Door	562348	female	L193.B	Dash	560488	female
L83A	OutSide_Rr_LH	562348	female	L194.A	LH_Console	562019	female
L84.A	RearRoof	561608	female	L194.B	LH_Console	560488	female
L84.B	RearRoof	562286	male	L195.A	LH_Console	560488	female
L85.A	RearRoof	561608	female	L195.B	LH_Console	560488	female
L85.B	RearRoof	562286	male	L199	EngineCmpt.	562848	male
L86.A	RearRoof	561608	female	L203	RH_Console	561690	male
L86.B	RearRoof	562286	male	L205.A	Evap.Cmpt.	562485	male
L87.A	RearRoof	561608	female	L282A	Evap.Cmpt.	561690	male
L87.B	RearRoof	562286	male	L285	Dash	561247	male
L88.A	RearRoof	561608	female	L286.A	Rear_Vehicule	562835	female
L88.B	RearRoof	562286	male	L286.B	Rear_Vehicule	562834	male
L89.A	RearRoof	561608	female	L297.A	Rear_Vehicule	562835	female
L89.B	RearRoof	562286	male	L297.B	Rear_Vehicule	562834	male
L90.A	RearRoof	561608	female	L298	Engine_Cmpt	563590	female
L90.B	RearRoof	562286	male	L304	OutSide_Lugg_Door_LH	562155	male
L91A	OutSide_Rr_LH	562601	male	L305	OutSide_Lugg_Door_RH	562155	male
L92A	OutSide_Rr_RH	562601	male	L306	OutSide_Lugg_Door_RH	562155	male
L93.A	Rear_OutSide_LH	563069	female	L307	OutSide_Lugg_Door_LH	562155	male
L93.B	Rear_OutSide_LH	563069	female	L350	RR_Axle_Cmpt	562251	male
L94.A	Rear_OutSide_RH	563069	female	L350A.A	RR_Axle_Cmpt	564552	male
L94.B	Rear_OutSide_RH	563069	female	L350A.B	RR_Axle_Cmpt	563340	male
L95	Outside_Front_LH	562902	female	L350A.C	RR_Axle_Cmpt	562251	male
L96	Outside_Front_RH	562902	female	Mo3	Dash	561667	female
L97.A	Outside_Front_LH	563069	female	Mo4	Dash	562076	male
L97.B	Outside_Front_LH	563069	female	Mo7	Cond_Cmpt	563691	male
L98.A	Entrance_Door	563069	female	Mo8	Cond_Cmpt	563691	male
L98.B	Outside_Front_RH	563069	female	Mo12.A	Evap.Cmpt.	561690	male
L173	Engine_Cmpt	563590	female	Mo15	Front_Ceiling	560900	female
L174	Engine_Cmpt	563590	female	Mo16	Front_Ceiling	560900	female
L176	Evap_Cmpt.	561247	male	Mo17	RH_Console	563626	male
L177	Cond_Cmpt.	561247	male	Mo19	{ServiceCmpt.}	562474	male
L178	1st_LuggCmpt.	561247	male	Mo20	{ServiceCmpt.}	562474	male
L179	1st_LuggCmpt.	561247	male	Mo22	RightHandConsole	561186	male
L180	2ndLuggCmpt.	561247	male	Mo24	RightHandConsole	562348	female
L181	2ndLuggCmpt.	561247	male	Mo25	RightHandConsole	562348	female
L182	3rd_LuggCmpt.	561247	male	Mo26	Entrance_Door	564161	male
L183	3rd_LuggCmpt.	561247	male	Mo27	Cond_Cmpt	563691	male
L184	ServiceCmpt.	561247	male	Mo28	Cond_Cmpt	563691	male
L187	Engine_Cmpt	561690	male	Mo31	3rd_Door_Lugg_RH	564161	male
L189	Outside_Front_RH	562069	male	Mo35	2nd_Door_Lugg_RH	564161	male
L190	Outside_Front_LH	562069	male	Mo37	1st_Door_Lugg_RH	564161	male

CONNECTORS LIST

No	Location	Part #	Gender	No	Location	Part #	Gender
Mo38	2nd_Door_Lugg_LH	564161	male	Se11.A	Cond_Cmpt	564460	female
Mo40	1st_Lugg_Cmpt_LH	561477	female	Se11.B	Cond_Cmpt	564460	female
Mo44	3rd_Lugg_Cmpt_LH	561477	female	Se11.C	Cond_Cmpt	564460	female
Mo50	Front_Axle_Cmpt.	561690	male	Se13	EngineCmpt.	562350	male
Mo54	Service_Cmpt	562474	male	Se14.A	Driver_Area	561782	male
Mo55	Entrance_Door	563626	male	Se14.B	Driver_Area	561781	female
Mo56	Engine_Door	564161	male	Se15.A	Entrance_Door	560488	female
Mo57	2nd_Lugg_Cmpt_LH	561477	female	Se15.B	Entrance_Door	560488	female
Mo58	2nd_Lugg_Cmpt_LH	561477	female	Se15.C	Entrance_Door	560488	female
MoSo1	SlideOut_Fr_LH	561967	male	Se16.A	Entrance_Door	562651	female
Pot1.A	Dash	560488	female	Se16.B	Entrance_Door	562651	female
Pot1.B	Dash	560488	female	Se17.A	Entrance_Door	562291	female
Pot1.C	Dash	560488	female	Se17.B	Entrance_Door	562291	female
R3	RJB	563409	male	Se17.C	Entrance_Door	562291	female
R10.A	Evap.Cmpt.	563409	male	Se18	Service_Cmpt	561566	female
R11	RJB	561183	male	Se19	Service_Cmpt	563677	male
R12.A	Evap.Cmpt.	563409	male	Se19A	Service_Cmpt	563677	male
R17	RJB	564210	male	Se20	Evap_Cmpt	562426	male
R18	FJB	564210	male	Se21	Dash	561248	female
R19	FJB	564210	male	Se23	EngineCmpt.	563159	male
R22	RJB	561183	male	Se24	EngineCmpt.	563159	male
R23	RightHandConsole	561183	male	Se25	Evap_Cmpt	561248	female
R25	RJB	561183	male	Se29	EngineCmpt.	561566	female
R29	RJB	563409	male	Se30	Engine_Cmpt	562877	female
R30	RJB	564496	male	Se31	Engine_Cmpt	562877	female
R31	RJB	564496	male	Se32	Rear_Axle_Cmpt	563057	male
R32	RJB	564496	male	Se33	Rear_Axle_Cmpt	562856	male
R33	RJB	564496	male	Se34	Rear_Axle_Cmpt	563057	male
R34	RJB	564210	male	Se35	Rear_Axle_Cmpt	563057	male
R41	FJB	561183	male	Se36	Rear_Axle_Cmpt	563629	female
R42	FJB	561183	male	Se37	Front_Axle_Cmpt	641132	female
R43	FJB	561183	male	Se38	Front_Axle_Cmpt	641132	female
Res3	RJB	563590	female	Se39	Rear_Axle_Cmpt	641132	female
Res4	{RightHandConsole}	563590	female	Se40	Rear_Axle_Cmpt	641132	female
Res6	RJB	563590	female	Se45	{ServiceCmpt.}	562426	male
Res7	FJB	563590	female	Se46	Rear_Axle_Cmpt	562348	female
Res19	Dash	563590	female	Se50	Engine_Cmpt	562426	male
Res20	Entrance_Door	563590	female	Se52.A	RH_Console	560488	female
Res31	Cond_Cmpt	562350	male	Se52.B	RH_Console	560488	female
Res32	Cond_Cmpt	563764	female	Se53	Service_Cmpt	563159	female
Res53.A	FJB	563590	female	Se54	Service_Cmpt	563159	female
RLock	Service_Cmpt	561183	male	Se55	Service_Cmpt	563159	female
RUnlock	Service_Cmpt	561183	male	Se60	Service_Cmpt	563409	male

CONNECTORS LIST

No	Location	Part #	Gender	No	Location	Part #	Gender
Se63	RearAxleCmpt.	641132	female	spBar13	EngineCmpt.	564135	male
Se64	RearAxleCmpt.	641132	female	spBar14	EngineCmpt.	564135	male
Se65	Dash	564042	female	spBar15	EngineCmpt.	564135	male
Se66	FR_Axle_Cmpt	564039	female	spBar16	EngineCmpt.	564135	male
Se67	ServiceCmpt.	563159	female	spBar19	Cond_Cmpt	564135	male
Se69	ServiceCmpt.	563159	female	spBar20	Cond_Cmpt	564135	male
SESO1	SlideOut_Panel	563159	male	spBar21	Cond_Cmpt	564135	male
SESO2	SlideOut_Fr_LH	562479	female	Sw1.C258	Dash	561188	female
SESO3	SlideOut_Fr_LH	562479	female	Sw1.C259	Dash	561186	male
SESO5	SlideOut_Rr_LH	562479	female	Sw2	Dash	562763	male
SESO6	SlideOut_Rr_LH	562479	female	Sw3	Dash	562763	male
shell1	FJB	562794	male	Sw4	Dash	562763	male
shell3	3rd_Lugg_Cmpt	562403	female	Sw6	Dash	562763	male
So3	RH_Console	641385	male	Sw11A	LH_Console	562763	male
So7	ServiceCmpt.	561566	male	Sw14	Dash	562763	male
So8	FR_Axle_Cmpt	641385	male	Sw16	Dash	562763	male
So9	EngineCmpt.	560016	female	Sw17	Dash	562763	male
So11.A	Cond_Cmpt	561566	female	Sw18	RH_Console	562763	male
So13.A	Evap_Cmpt	563204	female	Sw18A	LH_Console	562763	male
So21	Front_Axle_Cmpt	564046	female	Sw21	Dash	562763	male
So22	Front_Axle_Cmpt	564046	female	Sw24	Dash	562763	male
So23	Rear_Axle_Cmpt	564046	female	Sw34	Dash	562763	male
So24	Rear_Axle_Cmpt	564046	female	Sw34A	Dash	562763	male
So27	RR_Axle_Cmpt	564045	female	Sw35	LH_Console	562763	male
So28	ServiceCmpt.	641385	male	Sw38	LeftHandConsole	562763	male
So29	ServiceCmpt.	641385	male	Sw40	LeftHandConsole	561690	male
So30	ServiceCmpt.	641385	male	Sw41	LeftHandConsole	562749	male
So31	ServiceCmpt.	641385	male	Sw44.A	Service_Cmpt	562403	female
So32	ServiceCmpt.	641385	male	Sw44.B	Service_Cmpt	562403	female
So36	Engine_Cmpt	561690	male	Sw45.A	Evap_Cmpt	562403	female
So50	RR_Axle_Cmpt	564046	female	Sw45.B	Evap_Cmpt	562403	female
SoSo1	FR_LH_Slide_Out	564045	female	Sw46.A	Cond_Cmpt	562403	female
SoSo2	FR_LH_Slide_Out	564045	female	Sw46.B	Cond_Cmpt	562403	female
SoSo3	RR_LH_Slide_Out	564045	female	Sw47.A	1st_Lugg_Cmpt	562403	female
SOSO4	FR_LH_Slide_Out	564045	female	Sw47.B	1st_Lugg_Cmpt	562403	female
SoSo5	FR_LH_Slide_Out	564045	female	Sw48.A	1st_Lugg_Cmpt	562403	female
SoSo6	RR_LH_Slide_Out	564045	female	Sw48.B	1st_Lugg_Cmpt	562403	female
spBar4	EngineCmpt.	564135	male	Sw49.A	2ndLuggCmpt.	562403	female
spBar5	EngineCmpt.	564135	male	Sw49.B	2ndLuggCmpt.	562403	female
spBar6	EngineCmpt.	564135	male	Sw50.A	2ndLuggCmpt.	562403	female
spBar7	Cond_Cmpt	564135	male	Sw50.B	2ndLuggCmpt.	562403	female
spBar11	Engine_Door	564135	male	Sw51.A	3rd_Lugg_Cmpt	562403	female
spBar12	Engine_Door	564135	male	Sw51.B	3rd_Lugg_Cmpt	562403	female

CONNECTORS LIST

No	Location	Part #	Gender	No	Location	Part #	Gender
Sw52.B	3rd_Lugg_Cmpt	562403	female	SwSo2	Front_Slide_Out	561552	female
Sw58	EngineCmpt.	562581	male	VECF1	FJB	563186	male
Sw59	EngineCmpt.	562348	female	VECF2	FJB	563183	male
Sw63A	LH_Console	562763	male	VECF3	FJB	563185	male
Sw64.A	Service_Cmpt	560815	female	VECF4	FJB	563182	male
Sw64.B	Service_Cmpt	560815	female	VECF9	FJB	563448	male
Sw83.A	Dash	560082	female	VECF10	FJB	563181	male
Sw83.B	Dash	560815	female	VECF11	FJB	563184	male
Sw83.C	Dash	560082	female	VECF12	FJB	563187	male
Sw83.D	Dash	560815	female	Vecr1	RJB	563716	male
Sw85	LeftHandConsole	562749	male	Vecr2	RJB	563713	male
Sw99	Dash	562763	male	Vecr3	RJB	563715	male
Sw102	Dash	562763	male	VECR4	RJB	563712	male
Sw103A	LH_Console	562763	male	Vecr9	RJB	563718	male
Sw104	Dash	562763	male	Vecr10	RJB	563711	male
Sw107.A	LH_Console	561457	female	VECR11	RJB	563714	male
Sw107.B	LH_Console	561457	female	VECR12	RJB	563717	male
Sw107.C	LH_Console	561457	female	Y80	Eng_Cmpt	563789	male
Sw107.D	LH_Console	561457	female	Y81	Cond_Cmpt	563793	male
Sw107.E	LH_Console	561457	female				
Sw107.F	LH_Console	561457	female				
Sw107.G	LH_Console	561457	female				
Sw107.H	LH_Console	561457	female				
Sw107.J	LH_Console	561457	female				
Sw107.K	LH_Console	561457	female				
Sw108	LH_Console	562763	male				
Sw112.A	3rd_Lugg_Cmpt_RH	560079	female				
Sw112.B	3rd_Lugg_Cmpt_RH	560079	female				
Sw113.A	Dash	560079	female				
Sw113.B	LuggageCmpt.	560079	female				
Sw116.A	LuggageCmpt.	560079	female				
Sw116.B	LuggageCmpt.	560079	female				
Sw117.A	Lugg_Cmpt_RH	560079	female				
Sw117.B	Lugg_Cmpt_RH	560079	female				
Sw120	Service_Cmpt	562237	female				
Sw122	Service_Cmpt	562763	male				
Sw134.A	Engine_Cmpt	560079	female				
Sw134.B	Engine_Cmpt	560079	female				
Sw137	Dash	562763	male				
Sw139	Dash	562763	male				
Sw160	Dash	562763	male				
Sw161	Dash	562763	male				
SwSo1	Front_Slide_Out	561552	female				

DIODES LIST

No	Location	Part #	Function	Page					
D1	FJB	561740	AccessoriesDiode	3.2					
D2	FJB	561740	DiodeDriverLiq.Sol.	18.1					
D4	RHConsole	561740	SuppressorDiodeLowerWiper2ndSpd	31.1					
D5	RHConsole	561740	SuppressorDiodeLowerWiper1stSpd	31.1					
D6	RJB	561740	SuppressorDiodeMasterrelay	3.1					
D11	Evap.Cmpt.	561740	DiodePass.Liq.Sol	18.2					
D15	RJB	561740	WakeUpDiode	3.2					
D24	Evap_Cmpt_	561740	SuppressorDiodeCondensorFans	18.2					
D25	Evap.Cmpt.	561740	SuppressorDiodeEvaporatorFan	18.2					
D29	RJB	561740	SuppressorDiodeUnloaderRH	18.2					
D30	Evap.Cmpt.	561740	SuppressorDiodeWaterPump	18.2					
D31	RJB	561740	SuppressorDiodeA/CClutch	18.2					
D36	RJB	561740	SuppressorDiodeRadiatorFanClutch2ndSpd	13.1					
D37	RJB	561740	SuppressorDiodeRadiatorFanClutch1stSpd	13.1					
D44	FJB	561740	IgnitionDiode	3.2					
D51	ServiceCmpt.	561740	LevelLow_Diode	28.1					
D54	RJB	561740	*opt*	5.1					
D62	RJB	561740	Cut_Out_Relay	3.2					
D66	ServiceCmpt.	561740	SuppressorDiodeWaterPump	18.1					
D67	RJB	561740	DiodeforCyclope	26.2					
D68	RJB	561740	DiodeforCyclope	26.2					
D69	RJB	561740	DiodeforCyclope	26.2					
D70	RJB	561740	DiodeforCyclope	26.2					
D71	LHConsole	563374	Front_Door_Lock	29.1					
D72	LHConsole	563374	Front_Door_Lock	29.1					
D73	Evap.Cmpt.	561740	Front_Door	29.1					
D75	SlideOut_Jct_Box	561740	ParkBrakeDiode	20.1					
D79	ServiceCmpt.	561740	LevelLow_Diode	28.1					
D80	ServiceCmpt.	561740	Level_Low	28.1					
D81	Evap.Cmpt.	561740	Entrance_Door	29.1					
D82	Evap.Cmpt.	561740	Entrance_Door	29.1					
d1_87				21.1					
DSO1	Slide_Out_Jct_Box	563375	Front_SlideOut	20.1					
DSO2	Slide_Out_Jct_Box	563375	Front_SlideOut	20.1					
DSO3	Slide_Out_Jct_Box	563375	Rear_SlideOut	20.1					
DSO4	Slide_Out_Jct_Box	563375	Rear_SlideOut	20.1					

RESISTORS LIST

No	Location	Part #	Function	Page					
Res3	RJB	563593	TerminaisonResistor	6.1					
Res4	RJB	563593	TerminaisonResistor	6.1					
Res6	FJB	563593	*opt*	6.2					
Res7	FJB	563593	TerminaisonResistor	6.2					
Res9	Dash	564164	Dimmer_Resistor	19.1					
Res15	EngineCmpt.	563587	ENDOFFLINEDEVICE	35.1					
Res16	RJB	563006	CurrentLimitResistor	26.2					
Res17	RJB	563006	CurrentLimitResistor	26.2					
Res31	Cond.Cmpt.	NA	UreaHoseHeater	14.4					
Res32	Cond.Cmpt.	NA	Urea_Hose_Heater	14.4					
Res33	FJB	561534	Cluster_Switch_Select	10.1					
Res34	FJB	561534	Cluster_Switch_Escape	10.1					
Res35	FJB	561534	Cluster_Switch_Up	10.1					
Res36	FJB	561534	Cluster_Switch_Down	10.1					
Res37	ServiceCmpt.	565894	Resistor25R	33.1					
Res53	FJB	563593	*opt*	6.2					

RELAYS LIST

No	Location	Part #	Function	Page					
R1	RJB	562364	24vIgn&AccRelay	3.1					
R3	RJB	563348	12vIgn&AccRelay	3.1					
R10	Evap.Cmpt.	563348	CondensorRelay1stSpeed	18.2					
R11	RJBVECR	563332	24V_Ign	5.1					
R12	Evap.Cmpt.	563348	EvaporatorRelay	18.2					
R17	FJB	564218	12vRrWup	3.3					
R18	FJB	564218	24vFrWUpRelay	3.3					
R19	FJB	564218	12vFrWUpRelay	3.3					
R21	RJB	563269	EmergencyCutoutRelay	3.2					
R22	FJB	563269	12_WakeUp_To_CPC	3.3					
R23	RHConsole	563332	LowerWiperRelay	31.1					
R25	RJBVECR	563332	Ecmlgn	5.1					
R29	RJB	563348	Preheater_Volvo	14.2					
R30	RJB	563332	Luggage_Door_LockUnlock	24.2					
R31	RJB	563332	Luggage_Door_LockUnlock	24.2					
R32	RJB	563332	Luggage_Door_LockUnlock	24.2					
R33	RJB	563332	Luggage_Door_LockUnlock	24.2					
R34	FJB	564218	12v_Rr_Engine_Ecu	3.3					
R41	FJB	563332	SunVisor_Relay	32.1					
R42	FJB	563332	SunVisor_Relay	32.1					
R43	FJB	563332	SunVisor_Relay	32.1					
R_Starter	RJB	564095	Starter_Relay	3.2					
r1_10				21.1					
r2_10				21.1					
r3_10				21.1					
r4_10				21.1					
r5_10				21.1					
r6_10				21.1					
RLock	Front	563332	Keyless	29.1					
RSo1	Slide_Out_Jct_Box	563445	SlideOut_Relay	20.1					
RSo2	Slide_Out_Jct_Box	563445	SlideOut_Relay	20.1					
RSo3	Slide_Out_Jct_Box	563445	SlideOut_Relay	20.1					
RSo4	Slide_Out_Jct_Box	563445	SlideOut_Relay	20.1					
RUnlock	Front	563332	Keyless	29.1					

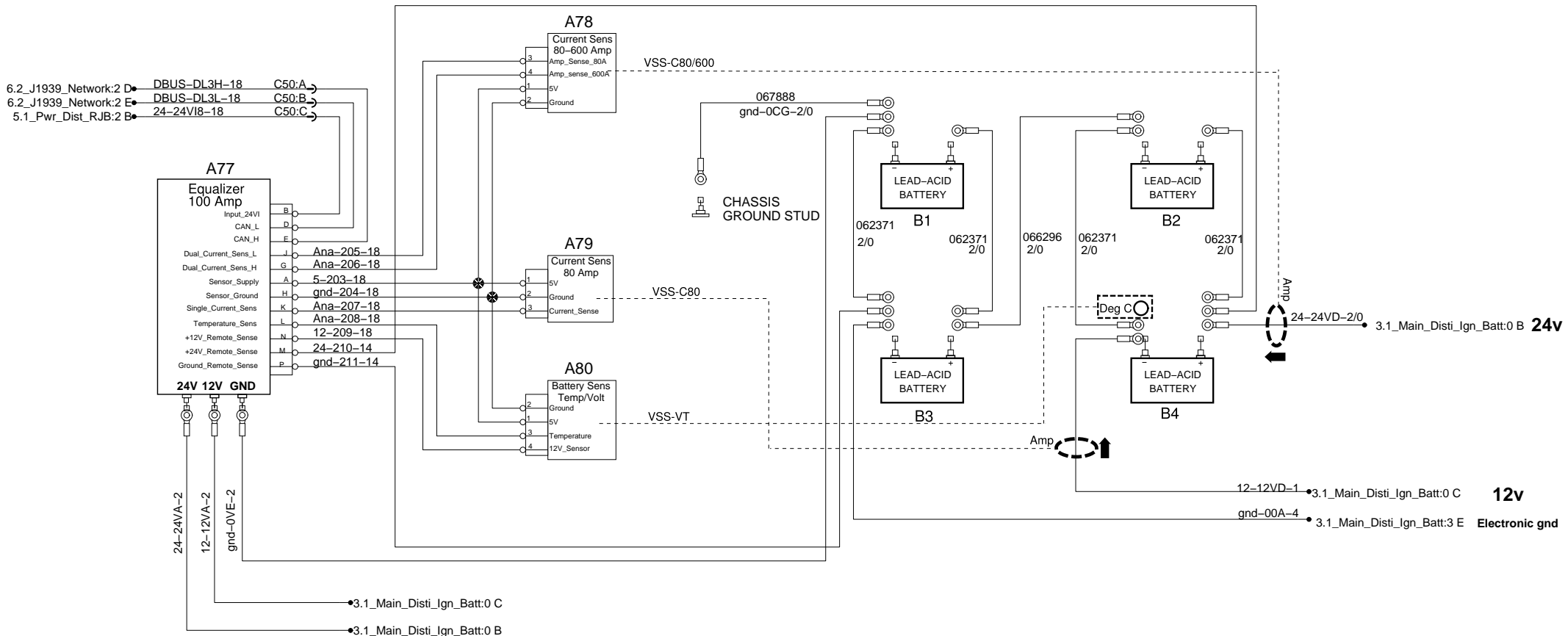
FUSES LIST

No	Location	Part #	Function	Rating	Page
F1	FuseBoxFJB	563279	CecmPower	3amp	4.1
F2	FuseBoxFJB	563279	FrontStartMainSwitch	3amp	4.1
F3	FuseBoxFJB	563279	EnginePre-HeatH.W.+DrvLiq.Vlv	3amp	4.1
F4	FuseBoxFJB	563280	Spare	5Amp	4.1
F5	FuseBoxFJB	563165	24vtoWUp	30amp	4.1
F6	FuseBoxFJB	563005	Customer24VD	7.5amp	4.1
F7	FuseBoxFJB	563279	Abs+PreHeatController	3amp	4.1
F8	FuseBoxFJB	563279	AirHorn	3amp	4.1
F9	FuseBoxFJB	563284	Spare	15amp	4.1
F10	FuseBoxFJB	563279	SpareFuse	3amp	4.1
F11	FuseBoxFJB	563279	SunVisor	3amp	4.1
F12	FuseBoxFJB	563282	PwrMuxModule	20amp	4.1
F13	FuseBoxFJB	563282	PwrMuxModule	20amp	4.1
F14	FuseBoxFJB	563284	Customer	15amp	4.1
F15	FuseBoxFJB	563004	Spare	2Amp	4.1
F16	FuseBoxFJB	563153	DefrosterUnit	25Amp	4.1
F17	FuseBoxFJB	563280	DestinationSign	5Amp	4.1
F18	FuseBoxFJB	563284	Spare	15amp	4.1
F19	FuseBoxFJB	563279	Prodriver	3amp	4.1
F20	FuseBoxFJB	563005	WitnessLedPower	7.5amp	4.1
F21	FuseBoxFJB	563282	PwrMuxA44	20amp	4.1
F22	FuseBoxFJB	563279	SteeringCtrl	3amp	4.1
F23	FuseBoxFJB	563284	ABS	15amp	4.1
F24	FuseBoxFJB	563005	Mirror	7.5amp	4.1
F25	FuseBoxFJB	563280	Spare	5Amp	4.1
F26	FuseBoxFJB	563279	SpareFuse	3amp	4.1
F27	FuseBoxFJB	563284	Customer	15amp	4.1
F28	FuseBoxFJB	563282	DriverWindow	20amp	4.1
F29	FuseBoxFJB	563279	ClusterandDDDR	3amp	4.1
F30	FuseBoxFJB	563284	PwrOutletandCigarLighter	15amp	4.1
F31	FuseBoxFJB	563279	KeylessModule	3amp	4.1
F32	FuseBoxFJB	563282	Spare	20amp	4.1
F33	FuseBoxFJB	563165	12VDtoWakeUp	30amp	4.1
F34	FuseBoxFJB	563165	12VDtoWakeUp	30amp	4.1
F35	FuseBoxFJB	563283	12vPwrOutlet	10amp	4.1
F36	FuseBoxFJB	563279	PwrHvacandTtItModule	3amp	4.1
F37	FuseBoxFJB	563283	Spare	10amp	4.1
F38	FuseBoxFJB	563283	SpareFuse	10amp	4.1
F39	FuseBoxFJB	563283	ElectricalDriverSeatOption	10amp	4.1
F40	FuseBoxFJB	563284	SpareFuse	15amp	4.1
F41	FuseBoxFJB	563283	SpareFuse	10amp	4.1
F42	FuseBoxFJB	563283	Spare	10amp	4.1
F43	FuseBoxFJB	563282	Spare	20amp	4.1

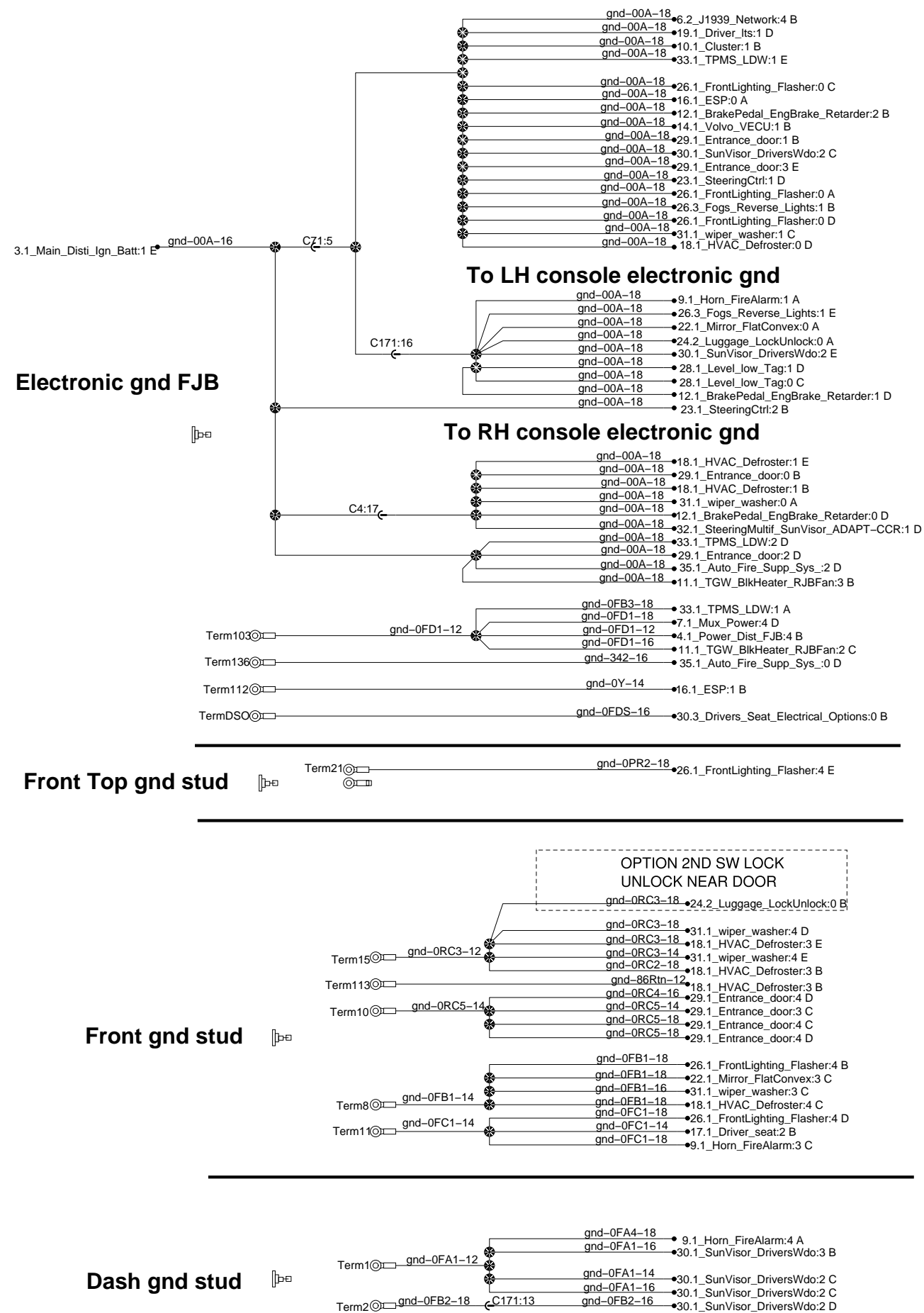
FUSES LIST

No	Location	Part #	Function	Rating	Page
F45		563284	AFSS	15amp	3.3
F50	FuseBoxRJB	563284	EnginePre-Heat	15amp	5.1
F51	FuseBoxRJB	563284	EnginePre-Heat	25Amp	5.1
F52	FuseBoxRJB	563284	SpareFuse	15amp	5.1
F53	FuseBoxRJB	563284	PwrMuxA54	15amp	5.1
F54	FuseBoxRJB	563153	Customer	25Amp	5.1
F55	FuseBoxRJB	563283	Spare	10amp	5.1
F56	FuseBoxRJB	563282	Spare	20amp	5.1
F57	FuseBoxRJB	563283	Spare	10amp	5.1
F58	FuseBoxRJB	563282	Spare	20amp	5.1
F59	FuseBoxRJB	563283	DirectLightingRH	10amp	5.1
F62	FuseBoxRJB	563283	Spare	10amp	5.1
F63	FuseBoxRJB	563283	EnginePre-Heat	10amp	5.1
F64	FuseBoxRJB	563283	Spare	10amp	5.1
F65	FuseBoxRJB	563165	PwrMuxModuleRJB	30amp	5.1
F66	FuseBoxRJB	563279	RadiatorFanClutch	3amp	5.1
F67	FuseBoxRJB	563153	PwrMuxA54	25Amp	5.1
F68	FuseBoxRJB	563153	PwmMuxA54	25Amp	5.1
F69	FuseBoxRJB	563279	R8Power	3amp	5.1
F70	FuseBoxRJB	563005	Customer24VI	7.5amp	5.1
F71	FuseBoxRJB	563284	Spare	15amp	5.1
F72	FuseBoxRJB	563153	PwrMuxA50	25Amp	5.1
F73	FuseBoxRJB	563282	Spare	20amp	5.1
F74	FuseBoxRJB	563283	EcuEngineIgnition	10amp	5.1
F75	FuseBoxRJB	563283	EcuTransmissionIgn	10amp	5.1
F76	FuseBoxRJB	563283	Customer	10amp	5.1
F77	FuseBoxRJB	563283	EcuTransmissionWakeUp	10amp	5.1
F78	FuseBoxRJB	563284	Spare	15amp	5.1
F79	FuseBoxRJB	563284	Spare	15amp	5.1
F80	FuseBoxRJB	563284	PwrMuxA51	15amp	5.1
F81	FuseBoxRJB	563004	PwrOfRearSwitchBox	2Amp	5.1
F83	FuseBoxFJB	563283	VECU	10amp	4.1
F84	FuseBoxFJB	563284	Customer	15amp	4.1
F85	FuseBoxRJB	563283	SpareFuse	10amp	5.1
F86	FuseBoxRJB	563283	SpareFuse	10amp	5.1
F87	FuseBoxRJB	563282	TrailerPackage	20amp	5.1
F88	FuseBoxRJB	563282	Spare	20amp	5.1
F89	FuseBoxRJB	563282	Spare	20amp	5.1
F90	FuseBoxRJB	563153	Volvo_Engine	25Amp	5.1
F91	FuseBoxRJB	563282	Volvo_Engine	20amp	5.1
F96	FuseBoxRJB	563282	Spare	20amp	5.1
F98	FuseBoxRJB	563284	Spare	15amp	5.1
F99	FuseBoxRJB	563165	Volvo_Engine	30amp	5.1

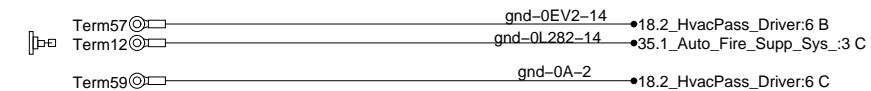
BATTERIES STANDARD



Ground Distribution



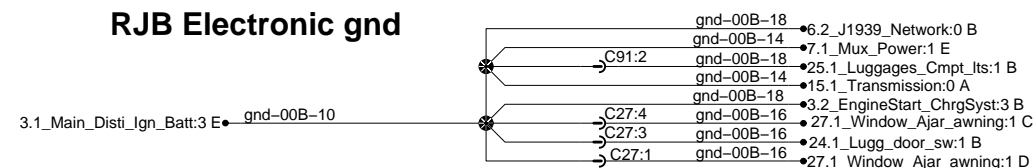
Evaporator cmpt gnd stud



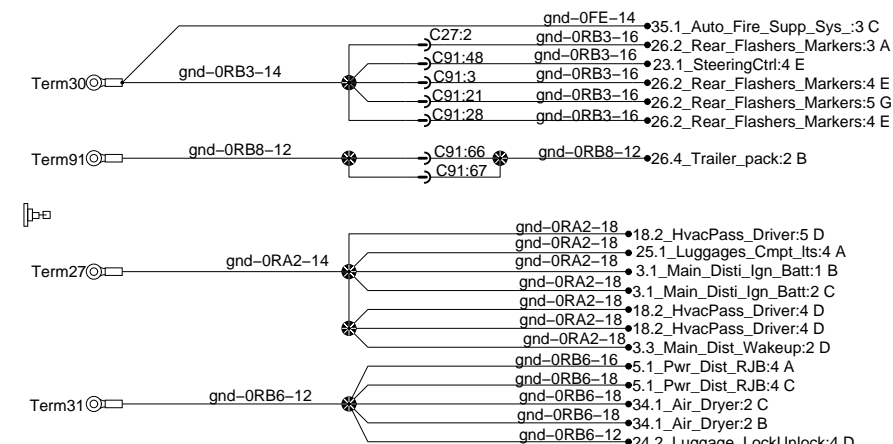
Condensor cmpt gnd stud



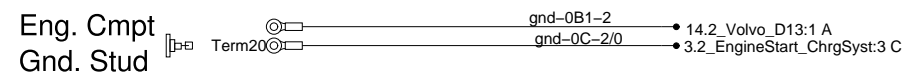
RJB Electronic gnd



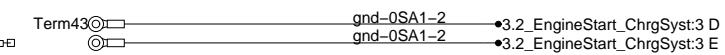
RJB gnd stud



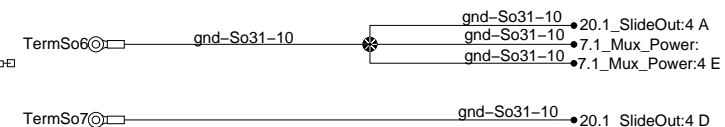
Eng. cmpt gnd stud



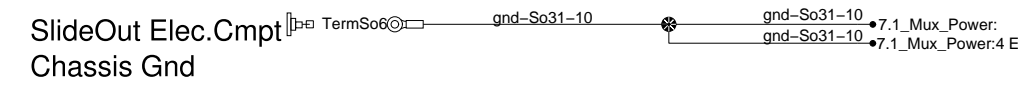
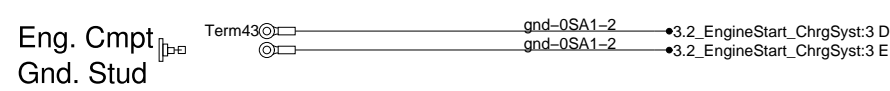
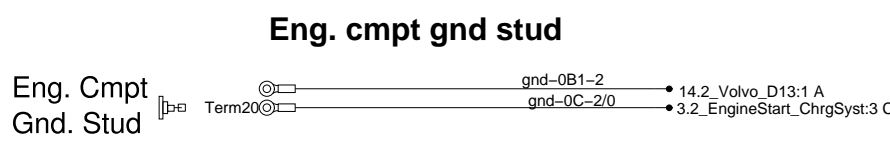
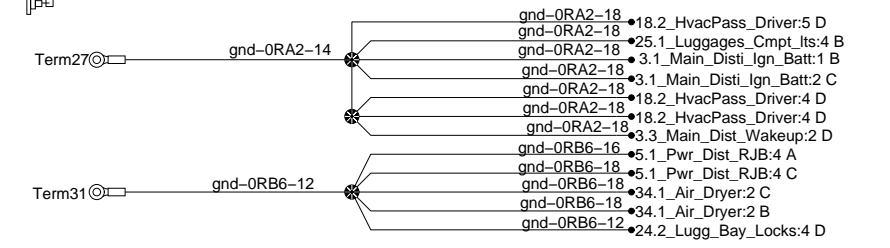
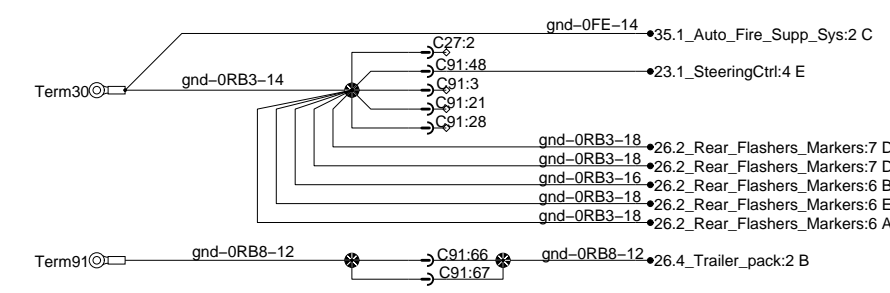
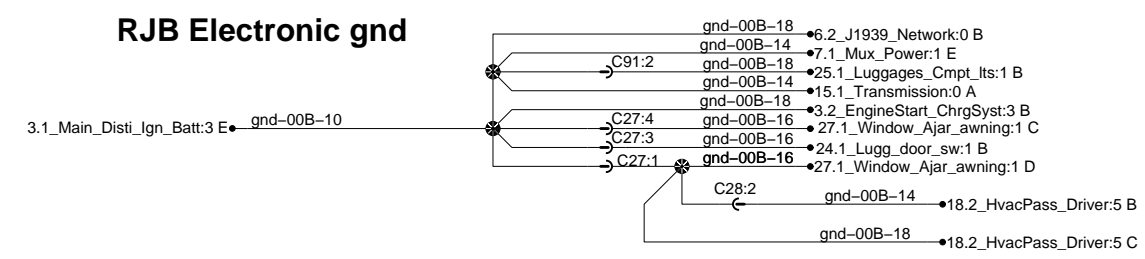
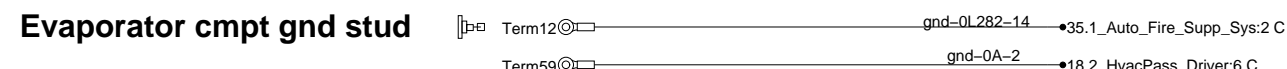
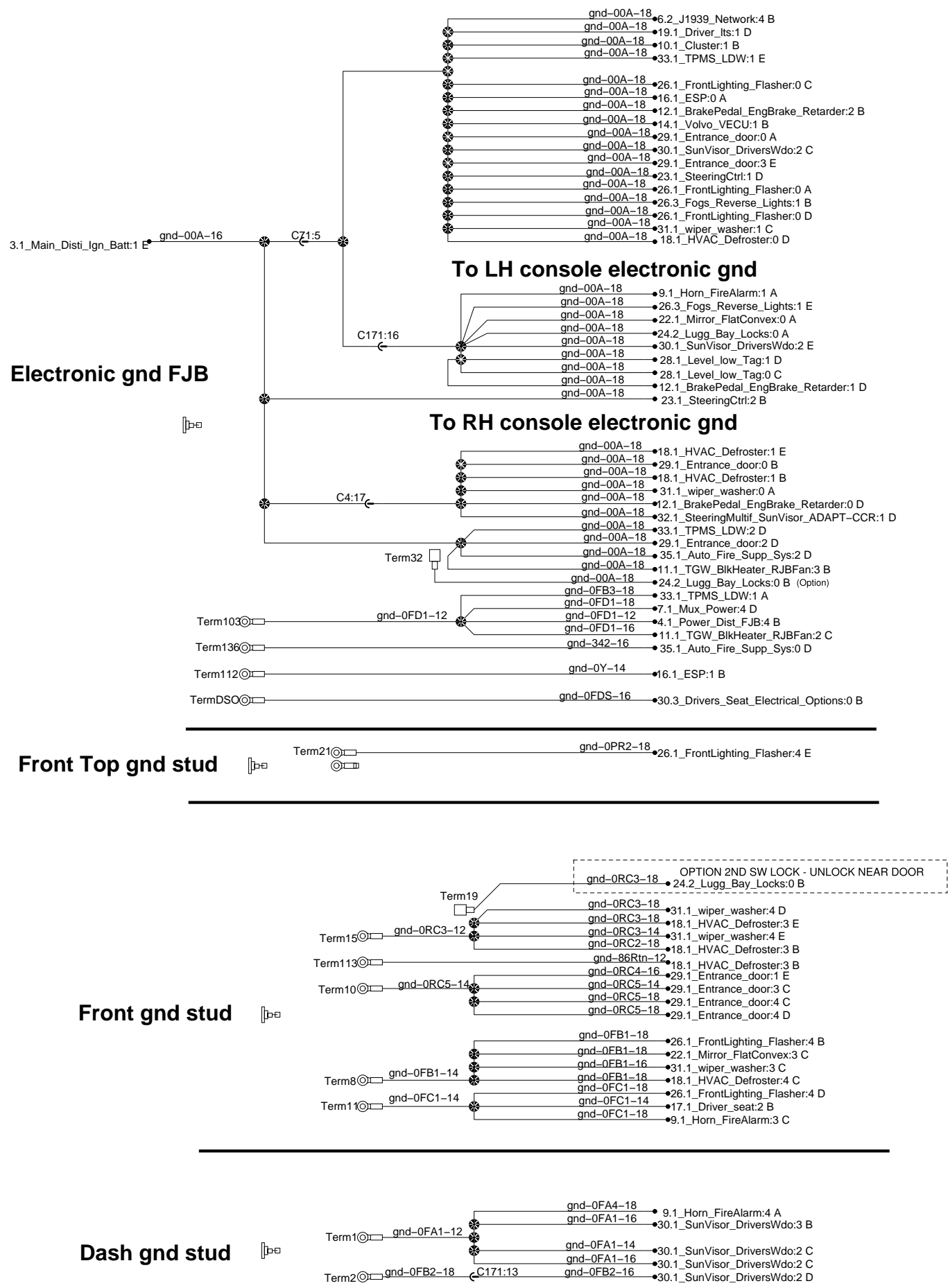
Eng. Cmpt Gnd. Stud



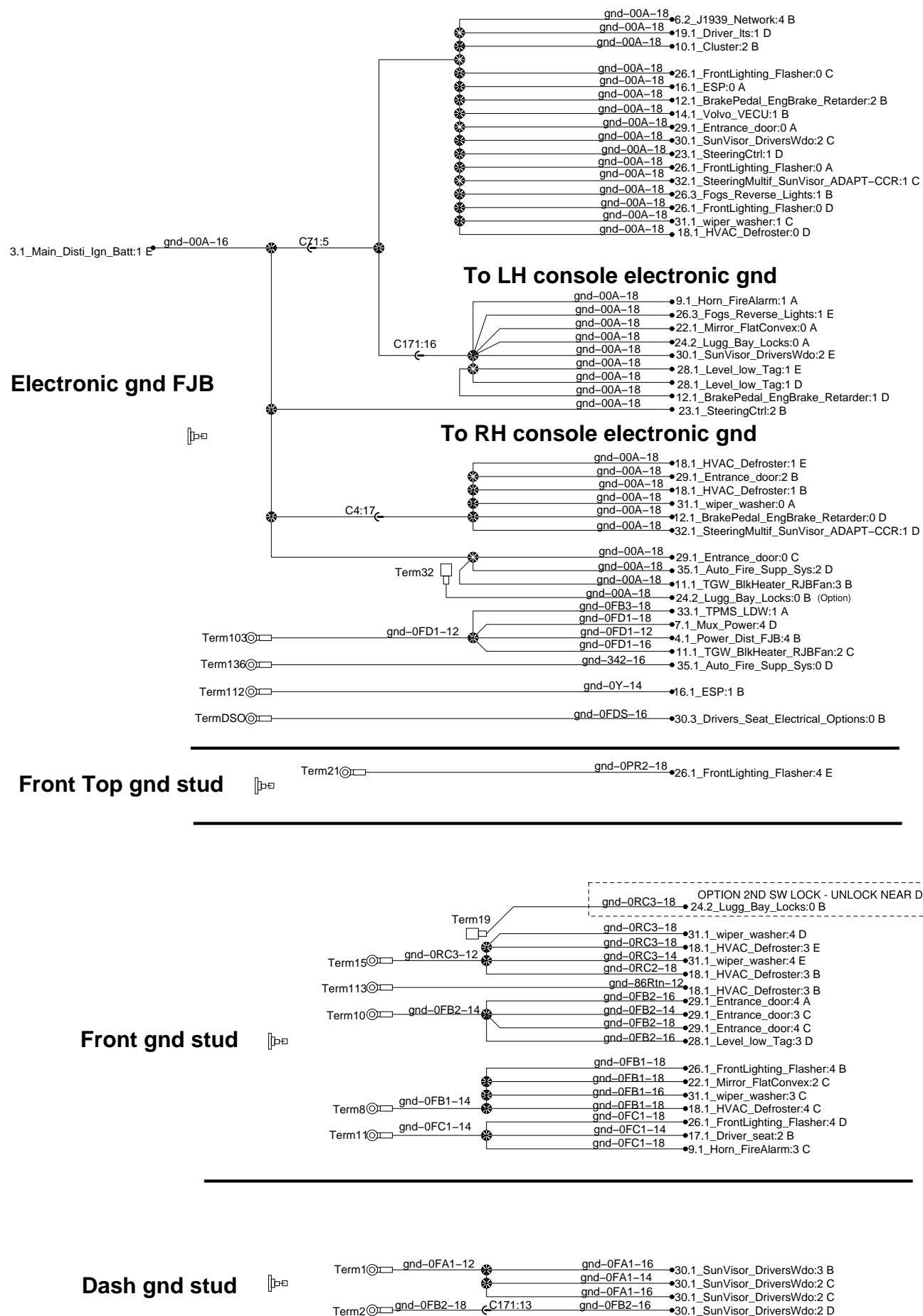
SlideOut Elec.Cmpt Chassis Gnd



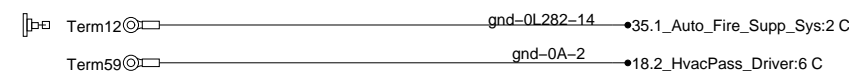
Ground Distribution



Ground Distribution



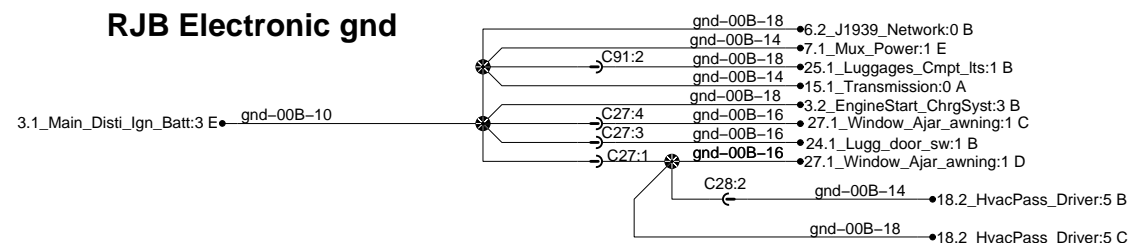
Evaporator cmpt gnd stud



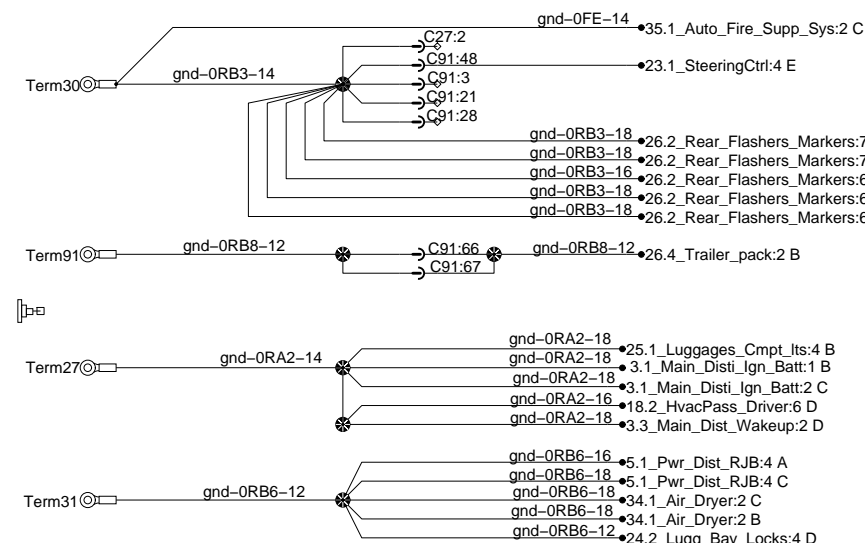
Condensator cmpt gnd stud



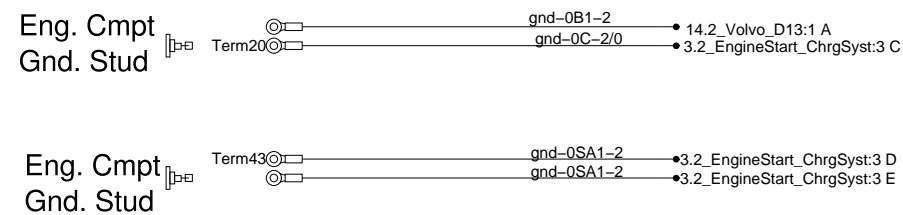
RJB Electronic gnd



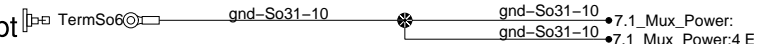
RJB gnd stud



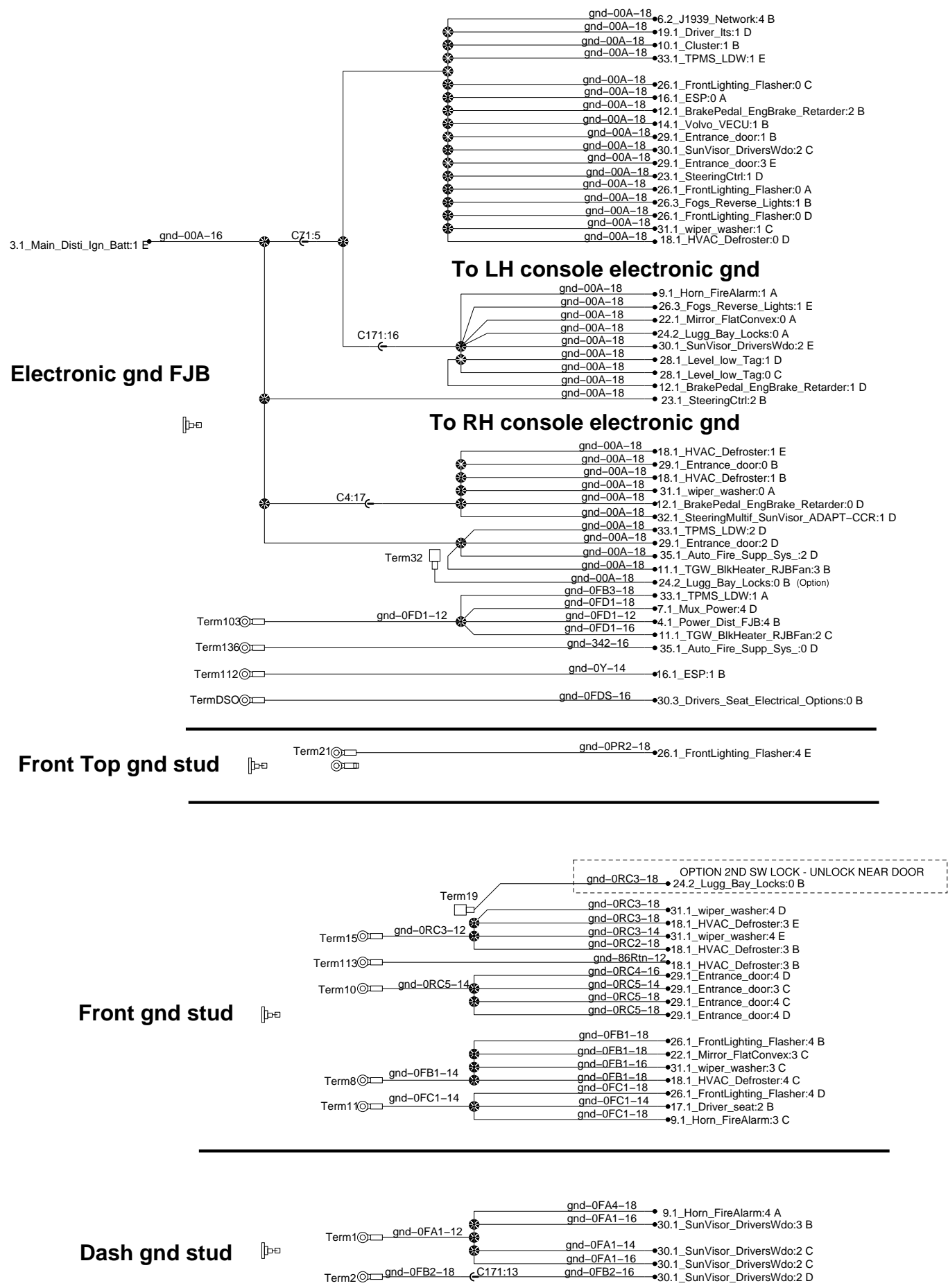
Eng. cmpt gnd stud



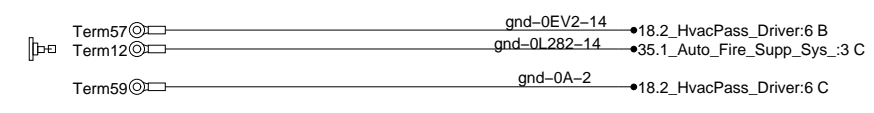
SlideOut Elec.Cmpt Chassis Gnd



Ground Distribution



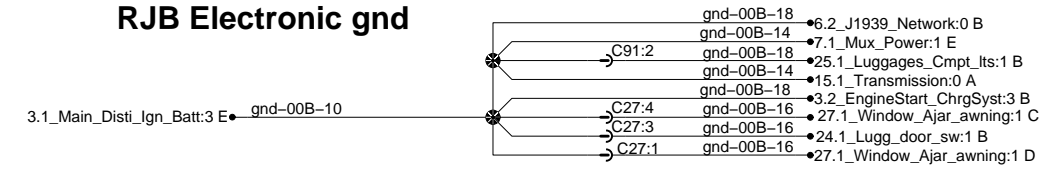
Evaporator cmpt gnd stud



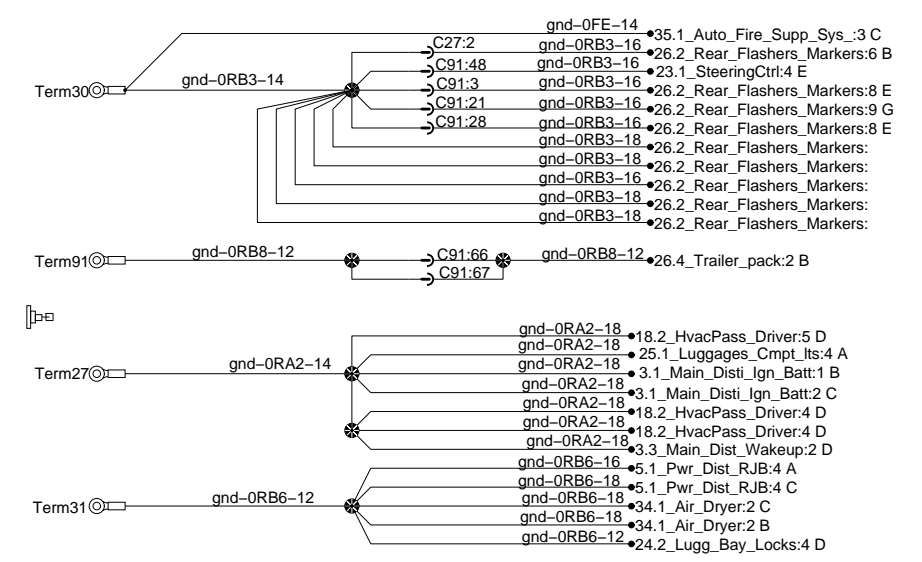
Condensator cmpt gnd stud



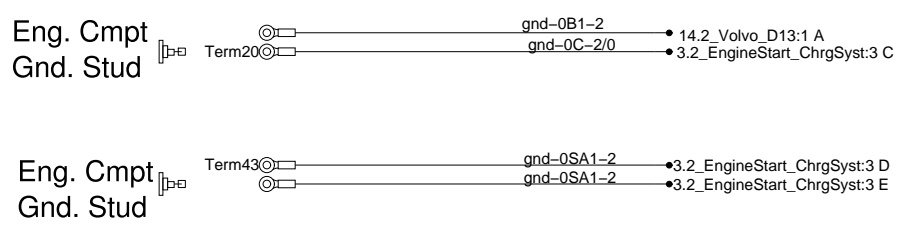
RJB Electronic gnd



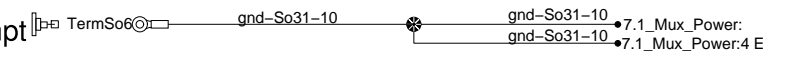
RJB gnd stud



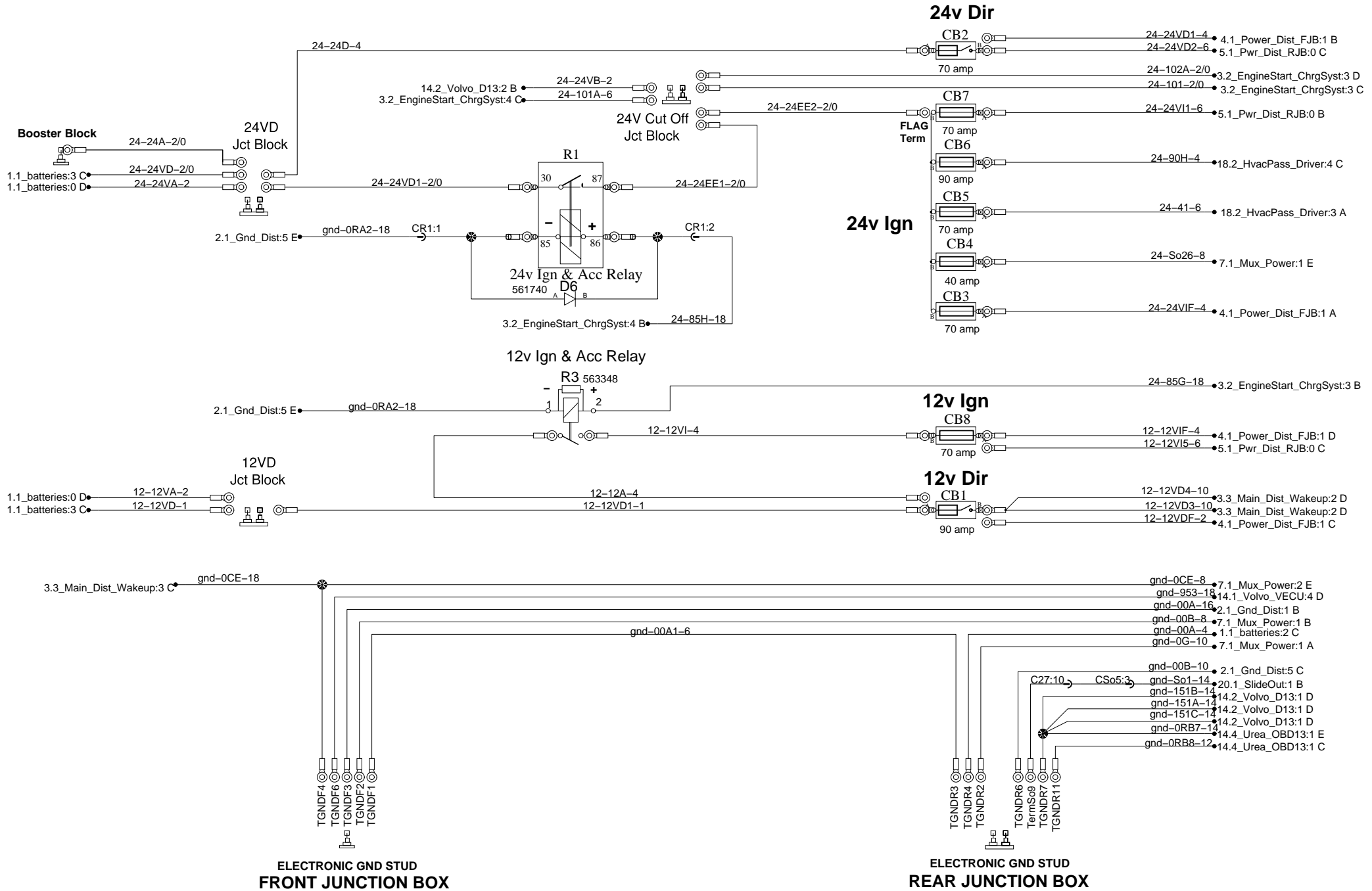
Eng. cmpt gnd stud



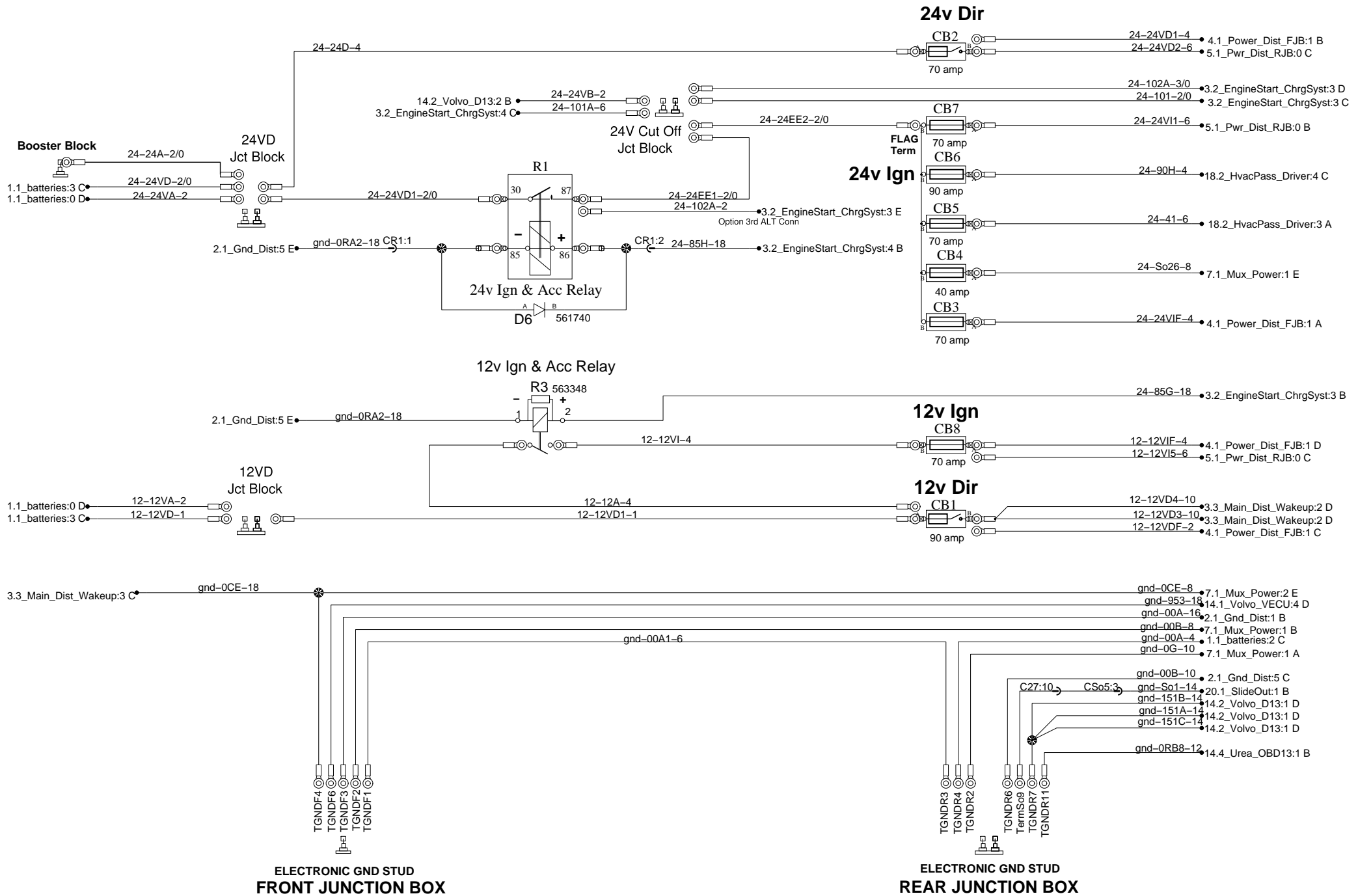
SlideOut Elec.Cmpt Chassis Gnd



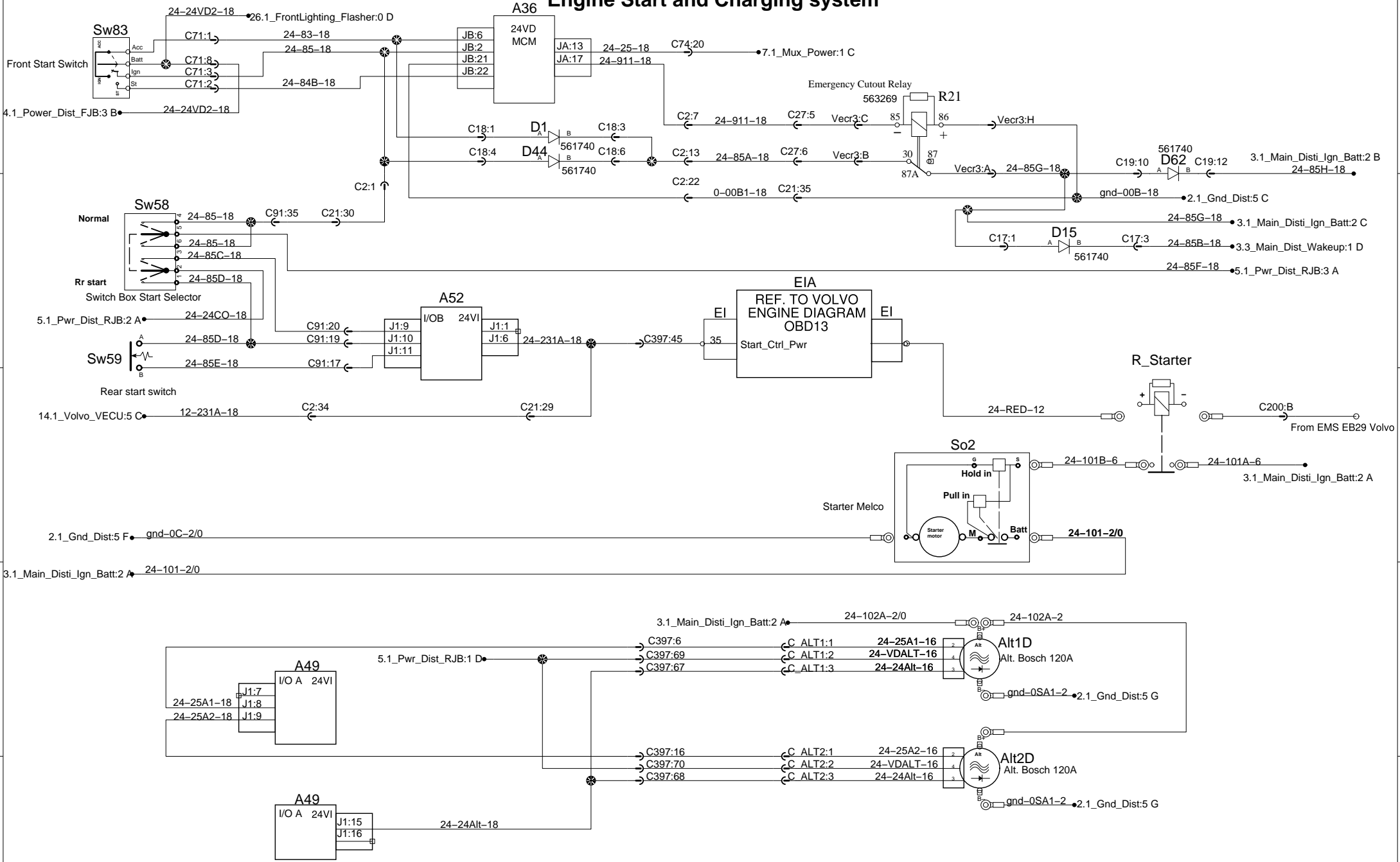
MAIN DISTRIBUTION & IGNITION



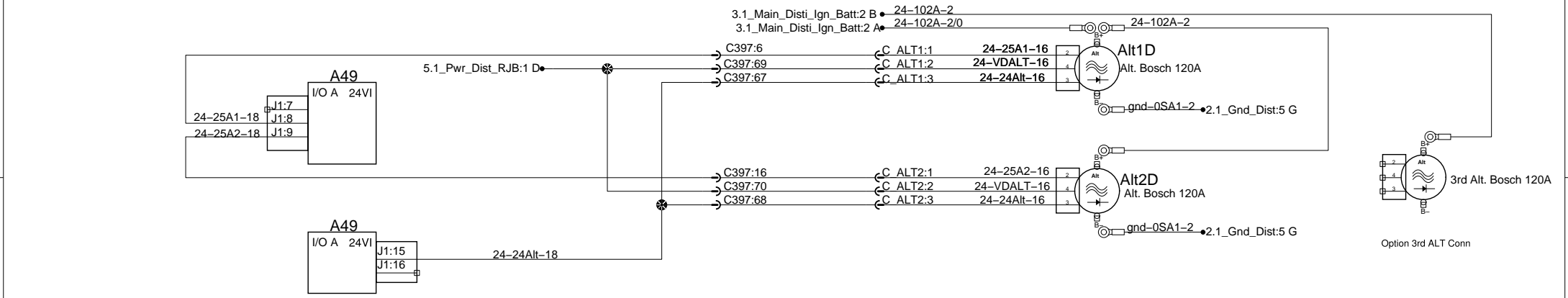
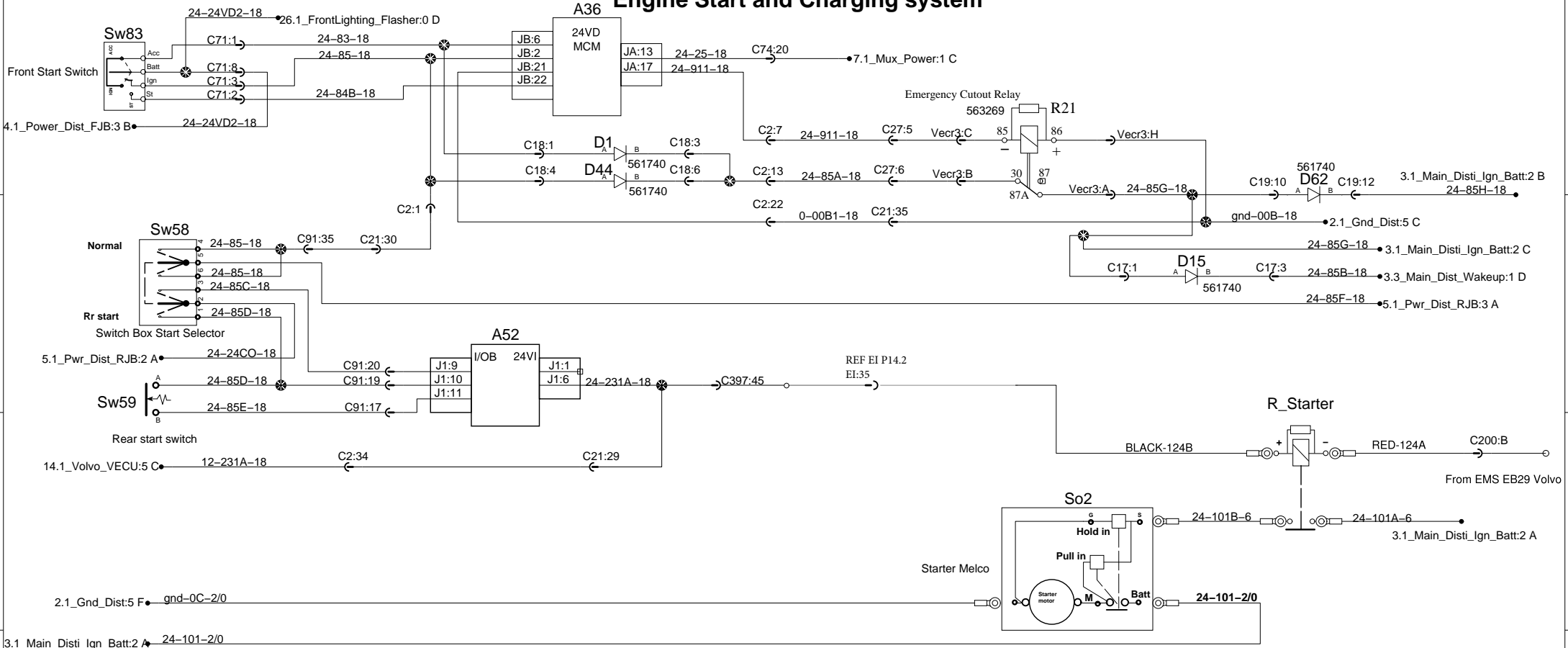
MAIN DISTRIBUTION & IGNITION



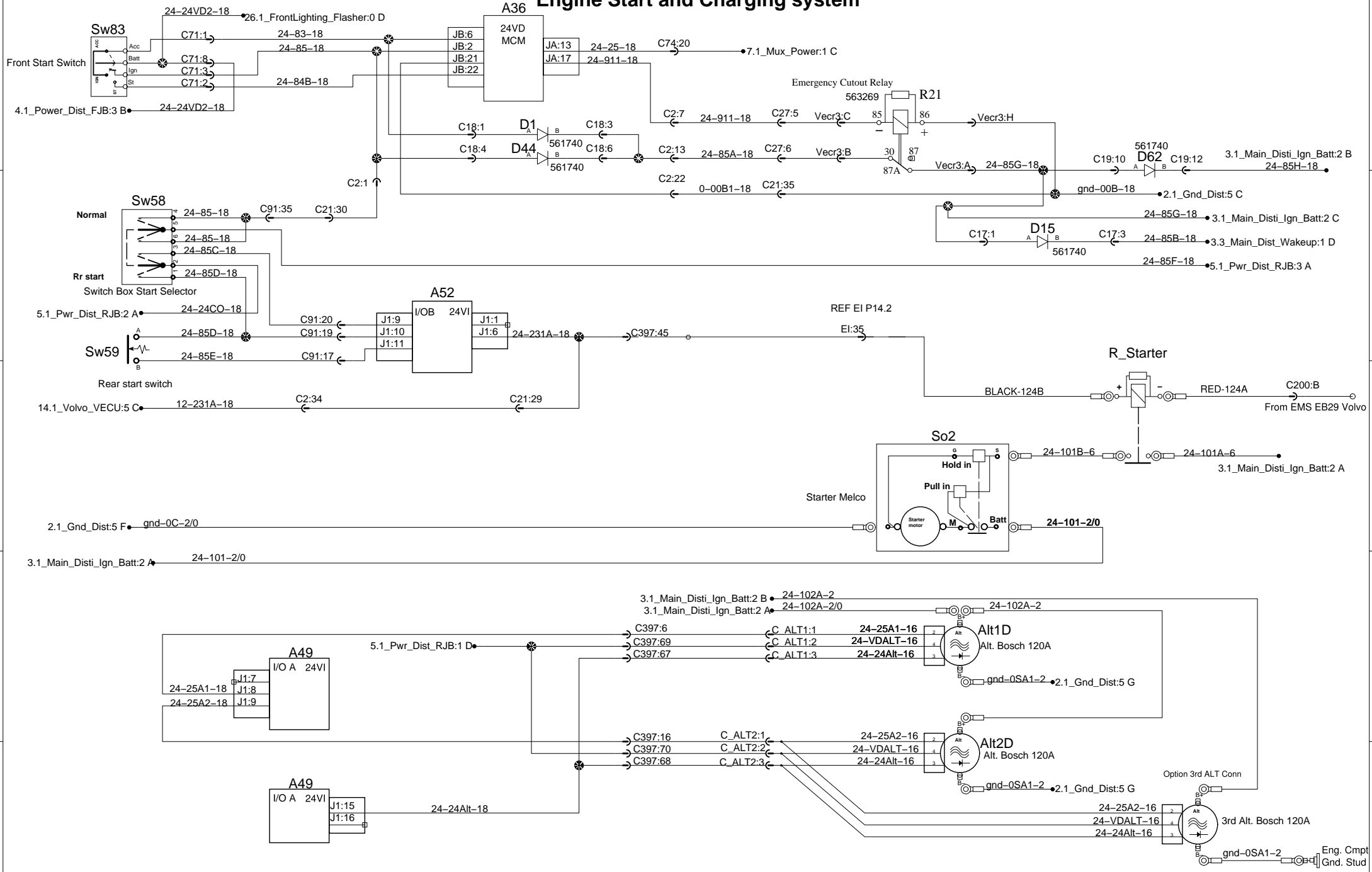
Engine Start and Charging system



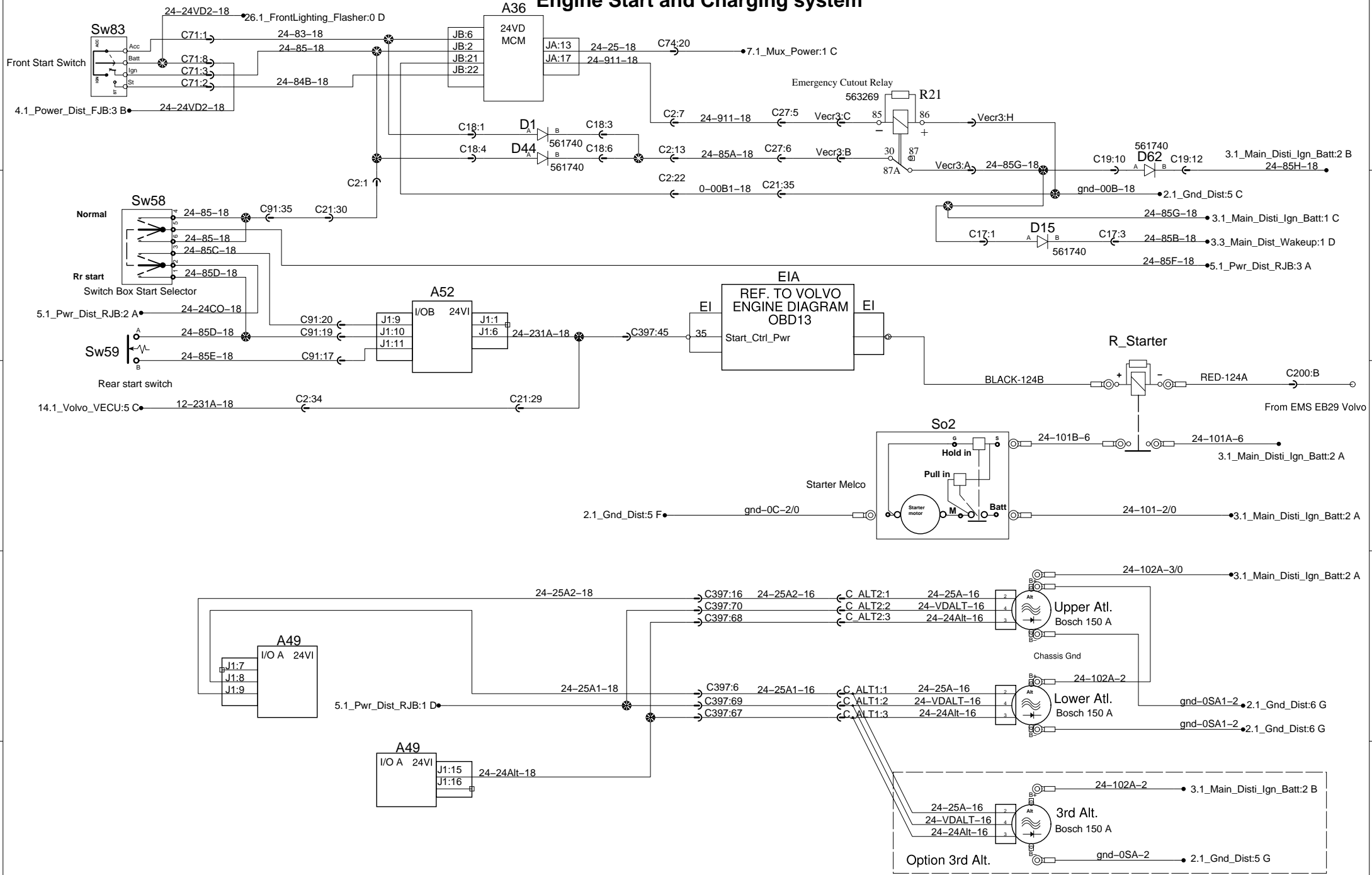
Engine Start and Charging system



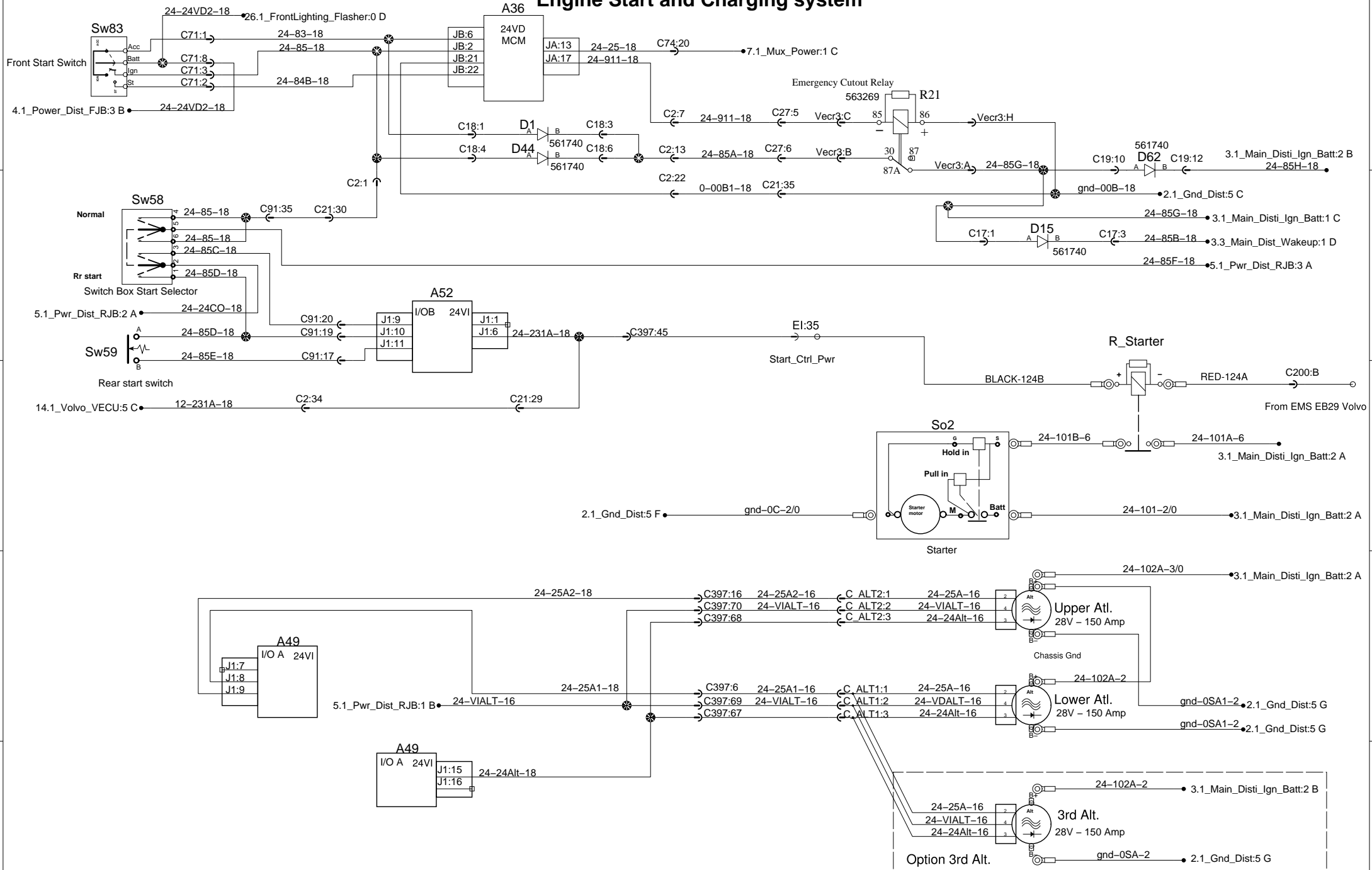
Engine Start and Charging system



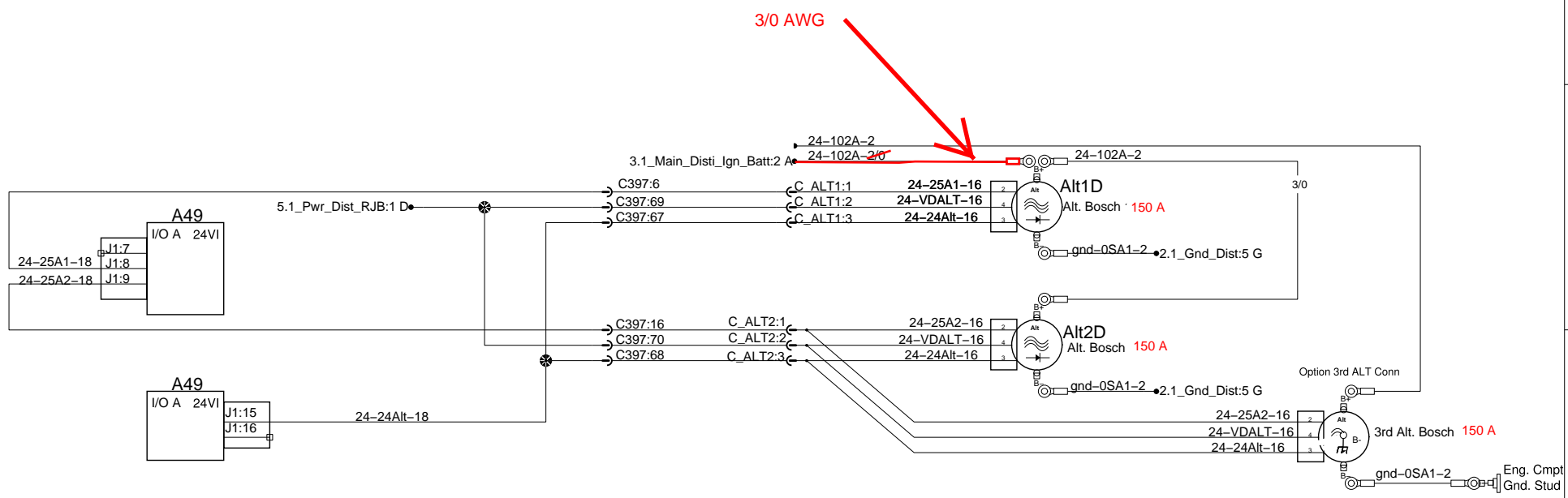
Engine Start and Charging system



Engine Start and Charging system



Engine Start and Charging system



0

1

2

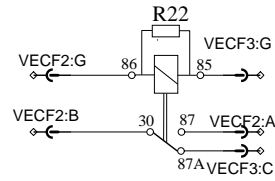
3

4

MAIN DISTRIBUTION Wake-Up

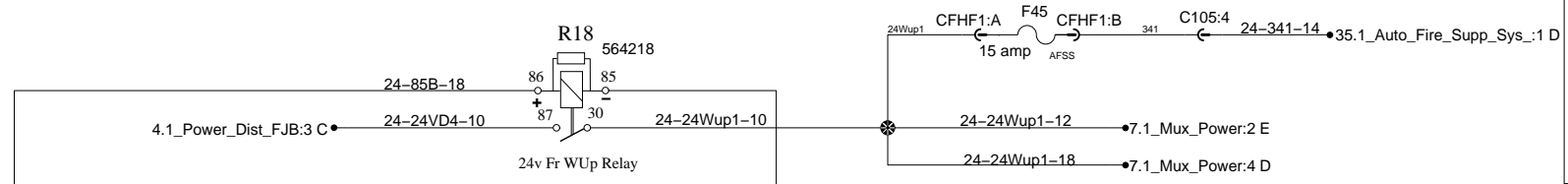
A

A



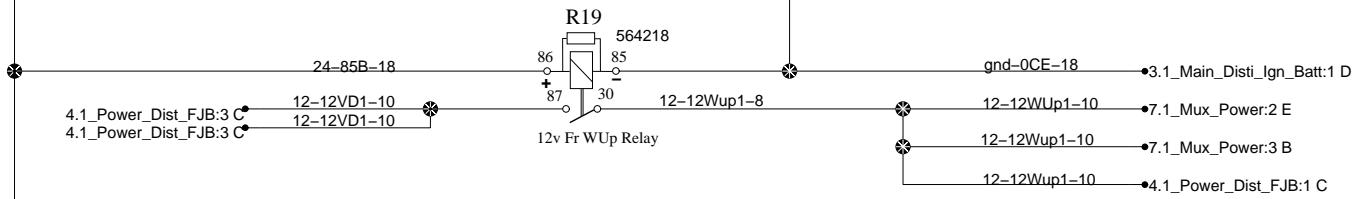
B

B



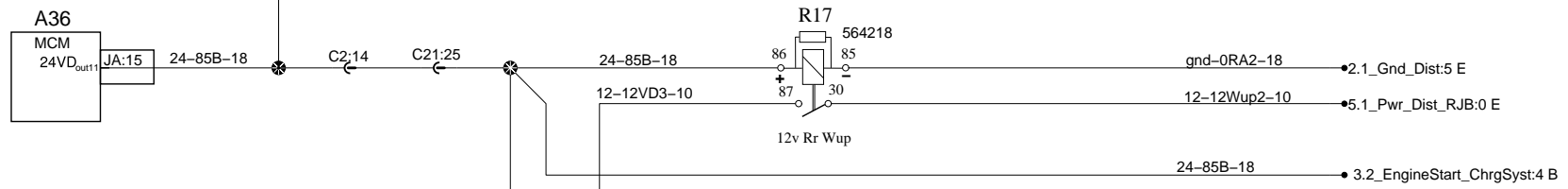
C

C



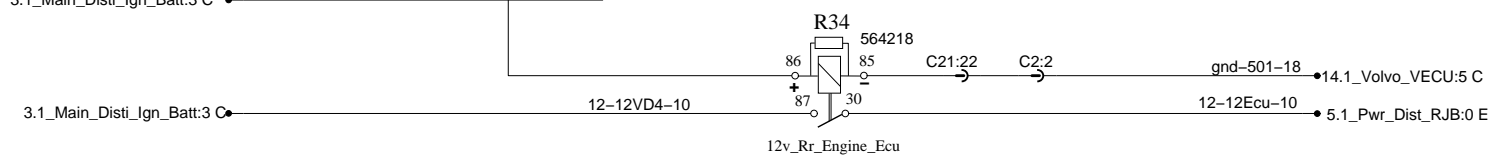
D

D



E

E



0

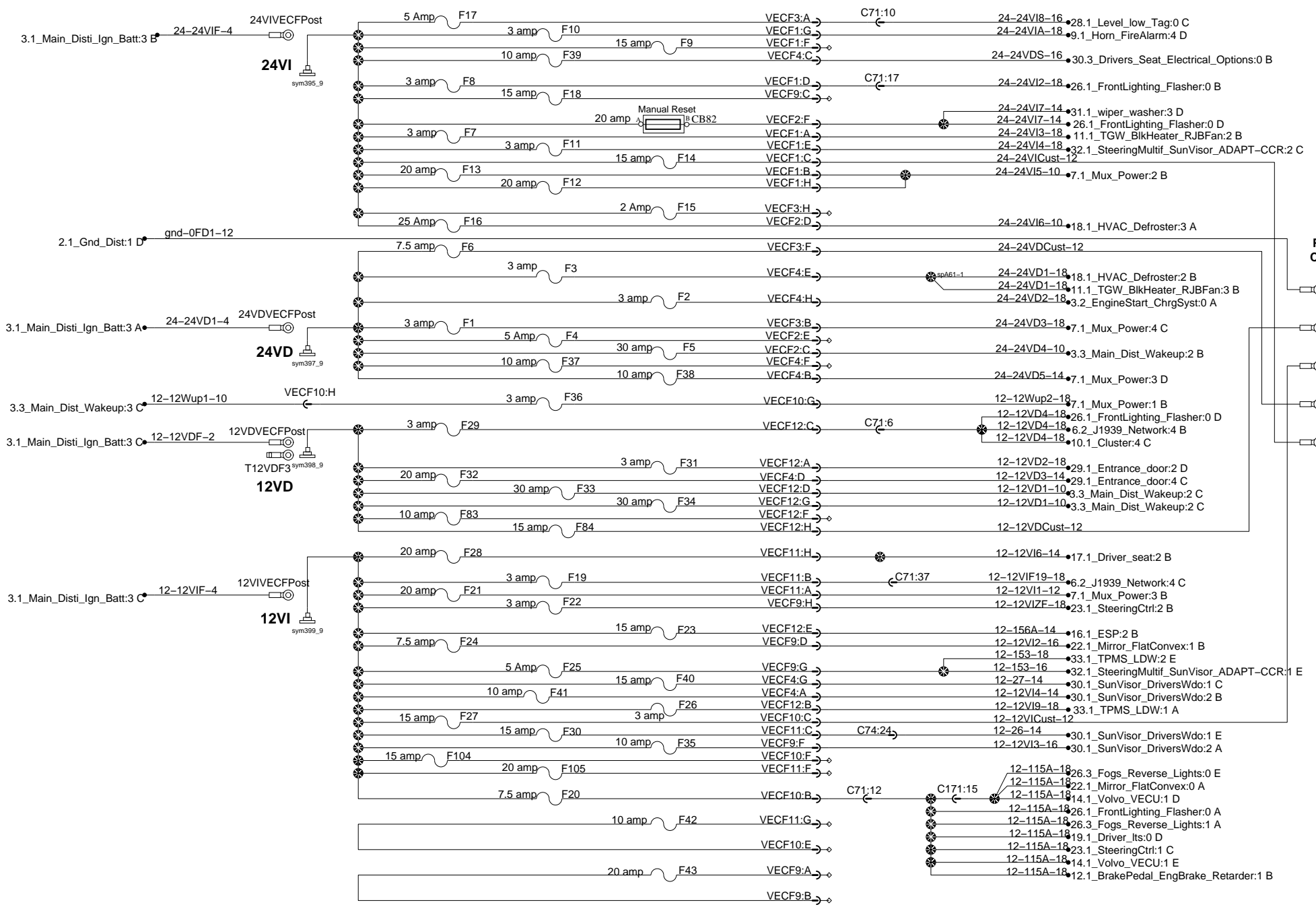
1

2

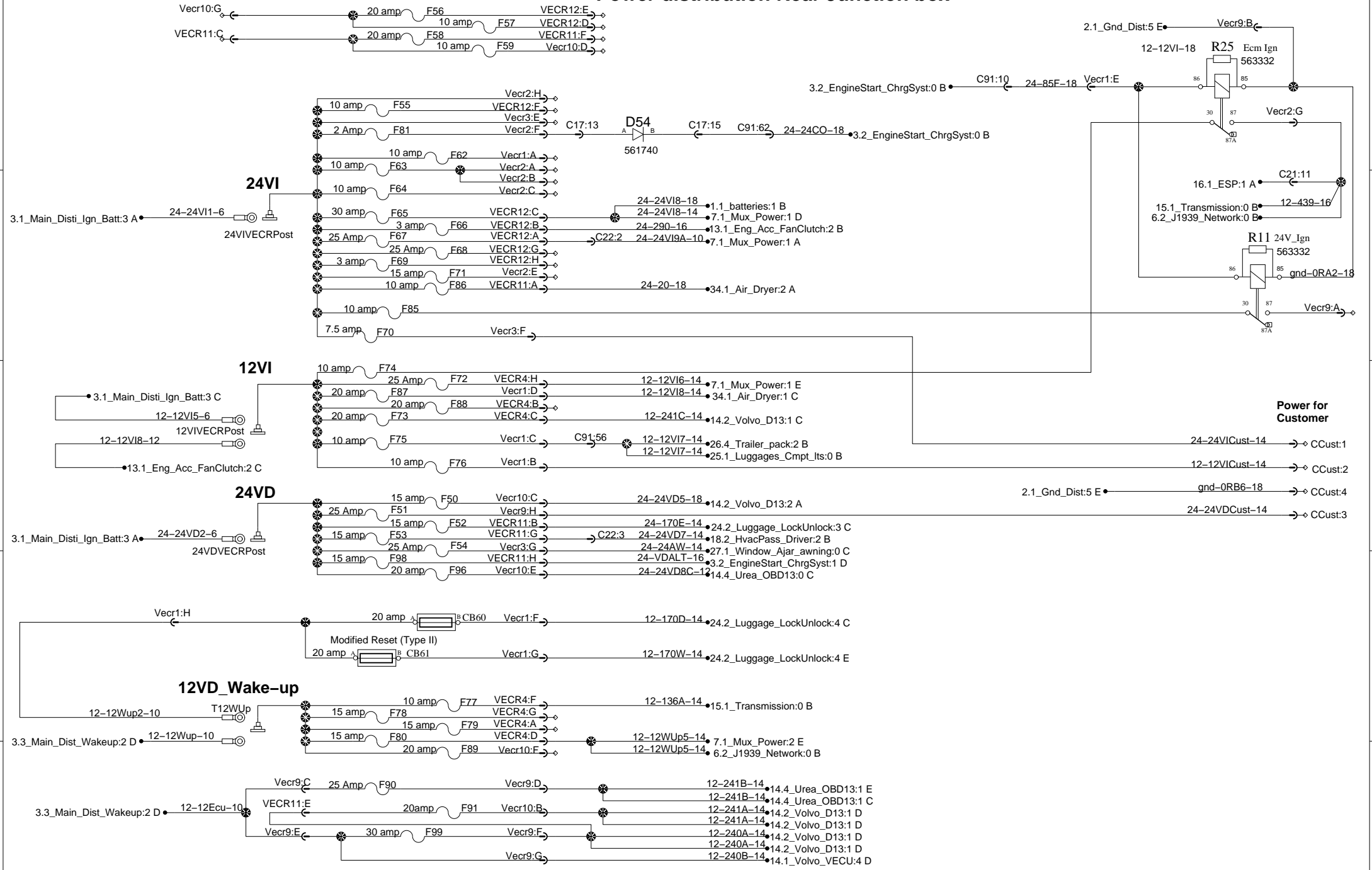
3

4

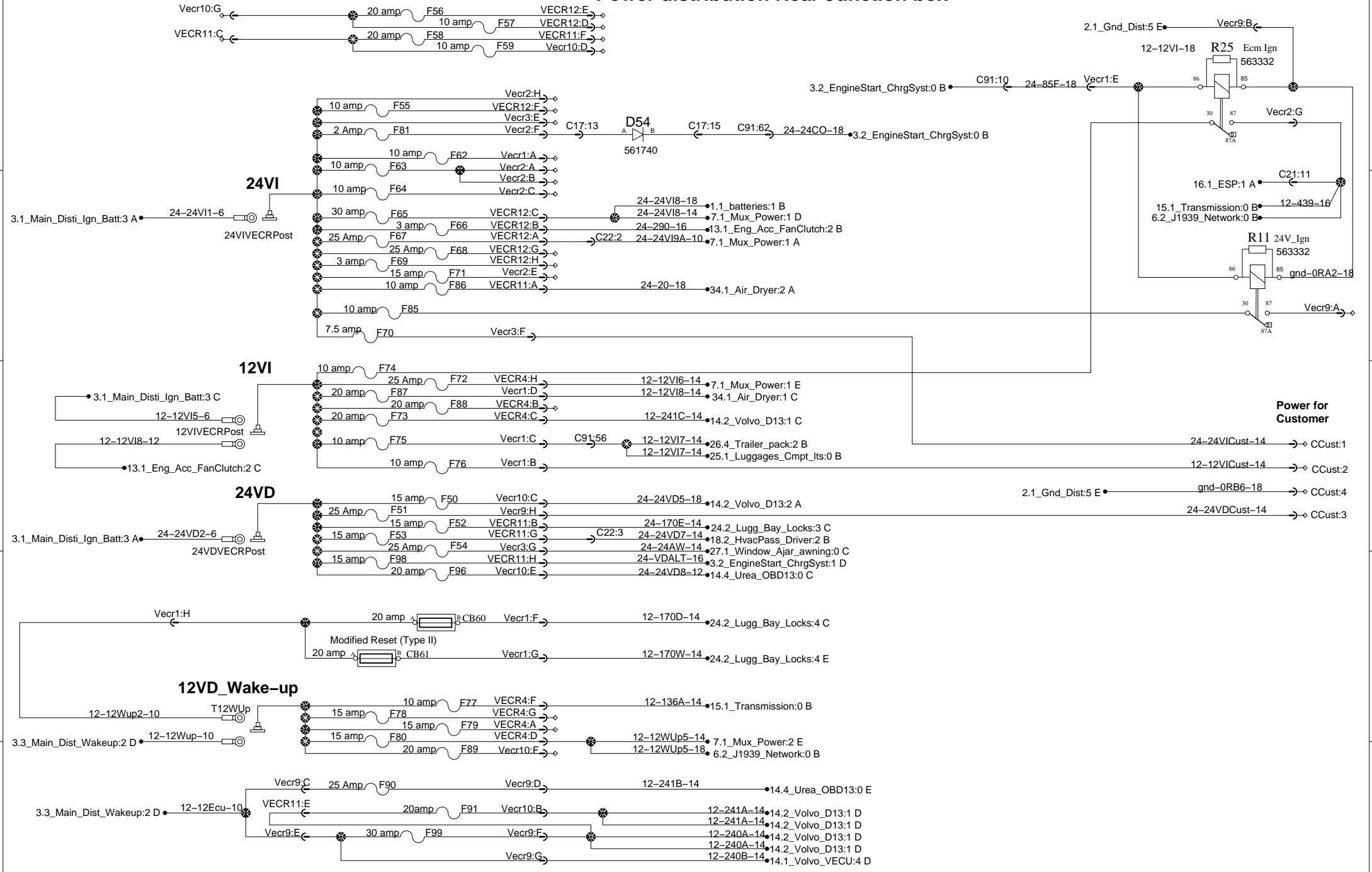
Power Distribution Front Junction Box



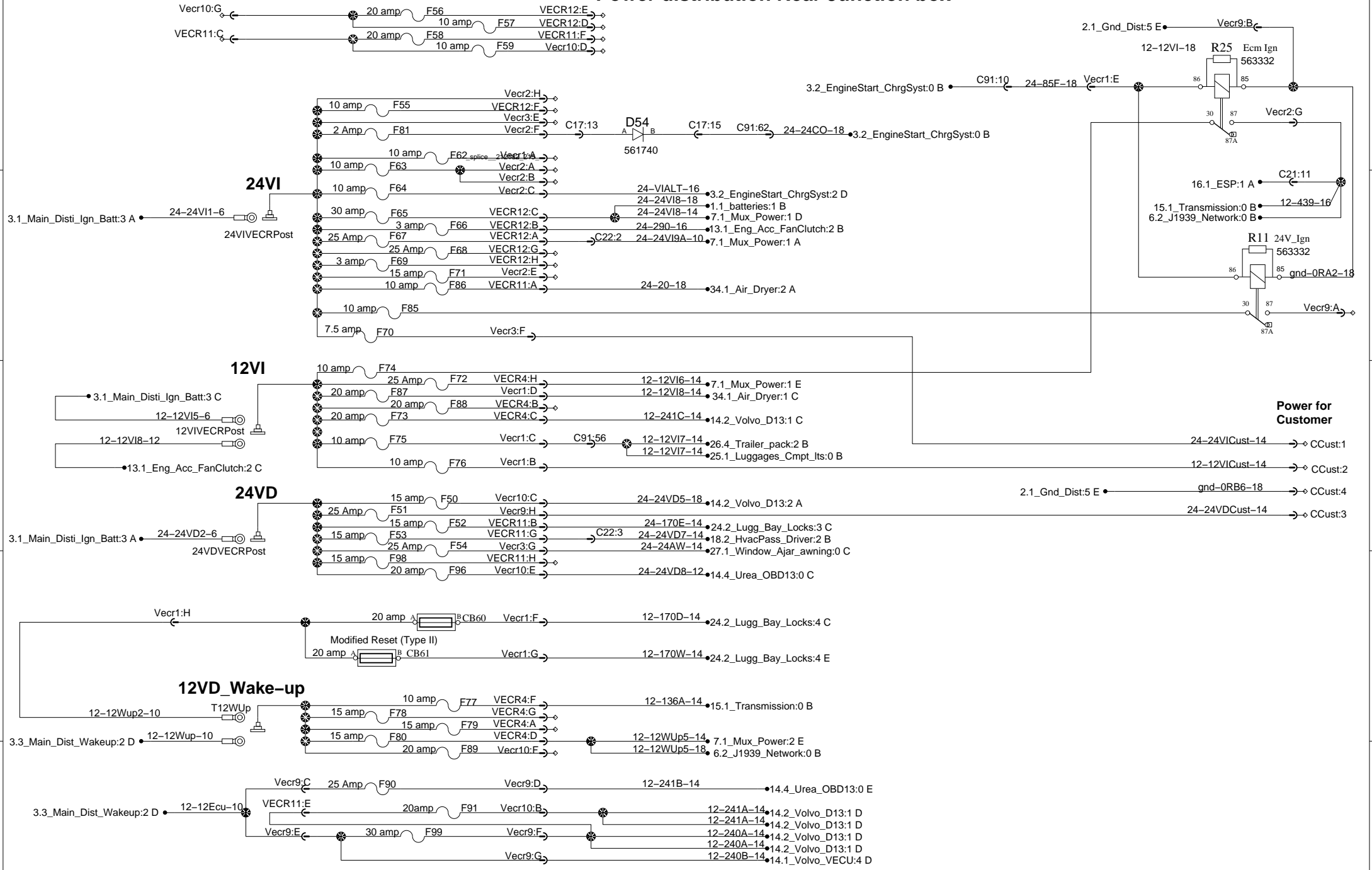
Power distribution Rear Junction box



Power distribution Rear Junction box



Power distribution Rear Junction box



Multiplex Can, J1587 Network and Addressing

Rear junction box

A51

SlideOut 1st Lugg. Cmpnt.

A52

A50

A54

A57

A56

Front junction box

A36

A46

A55

A47

A48

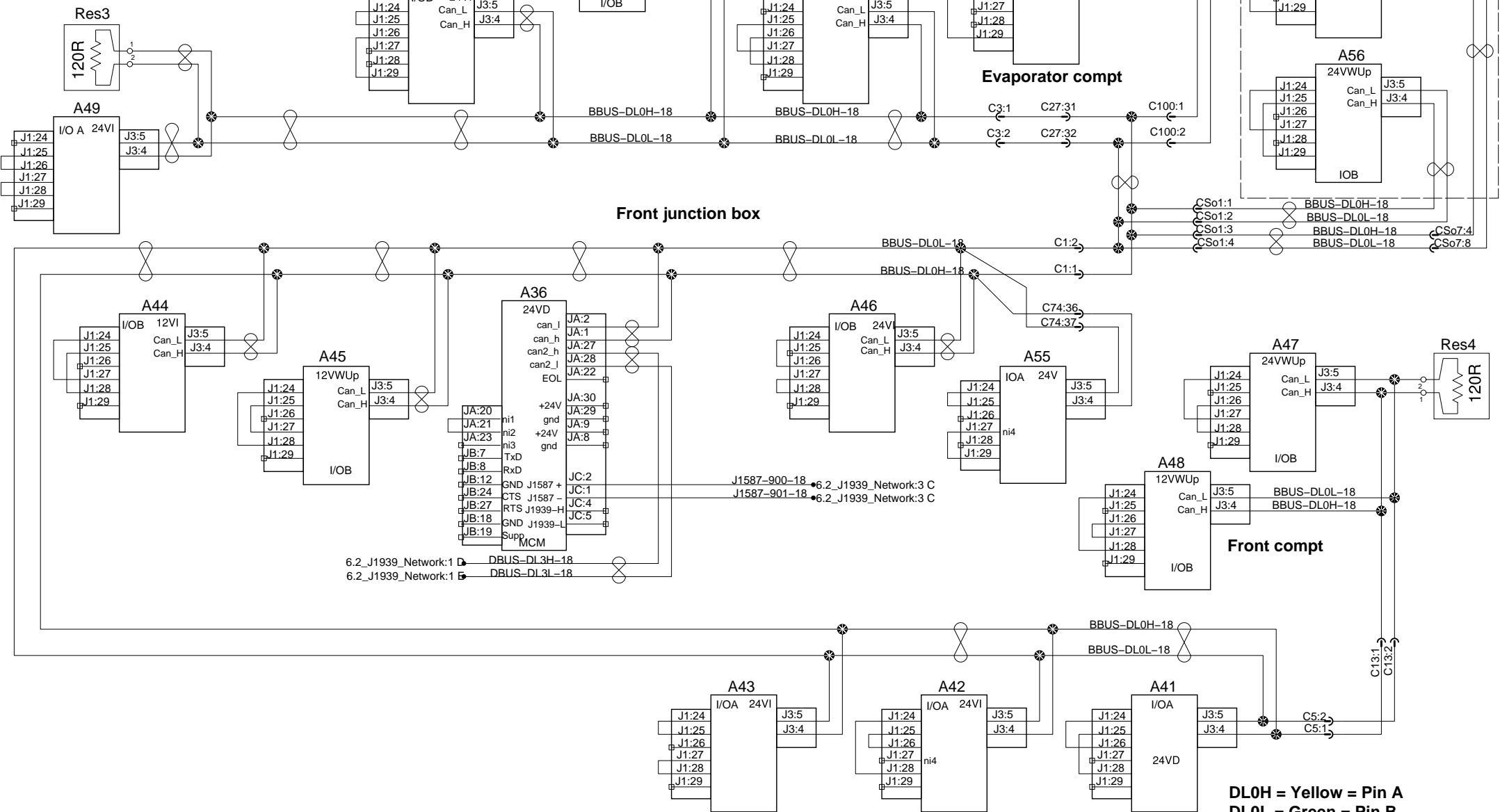
Front compt

A43

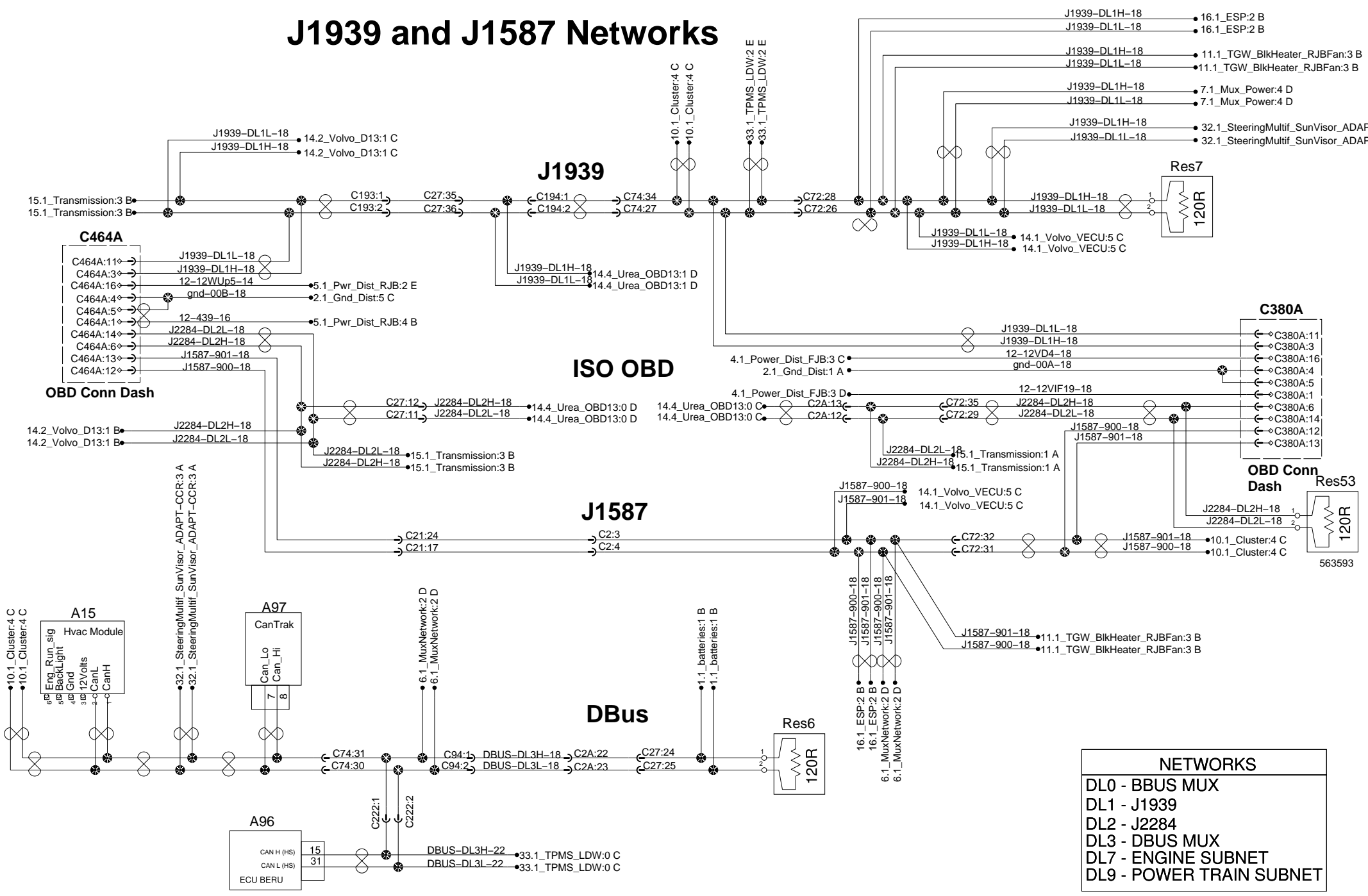
A42

A41

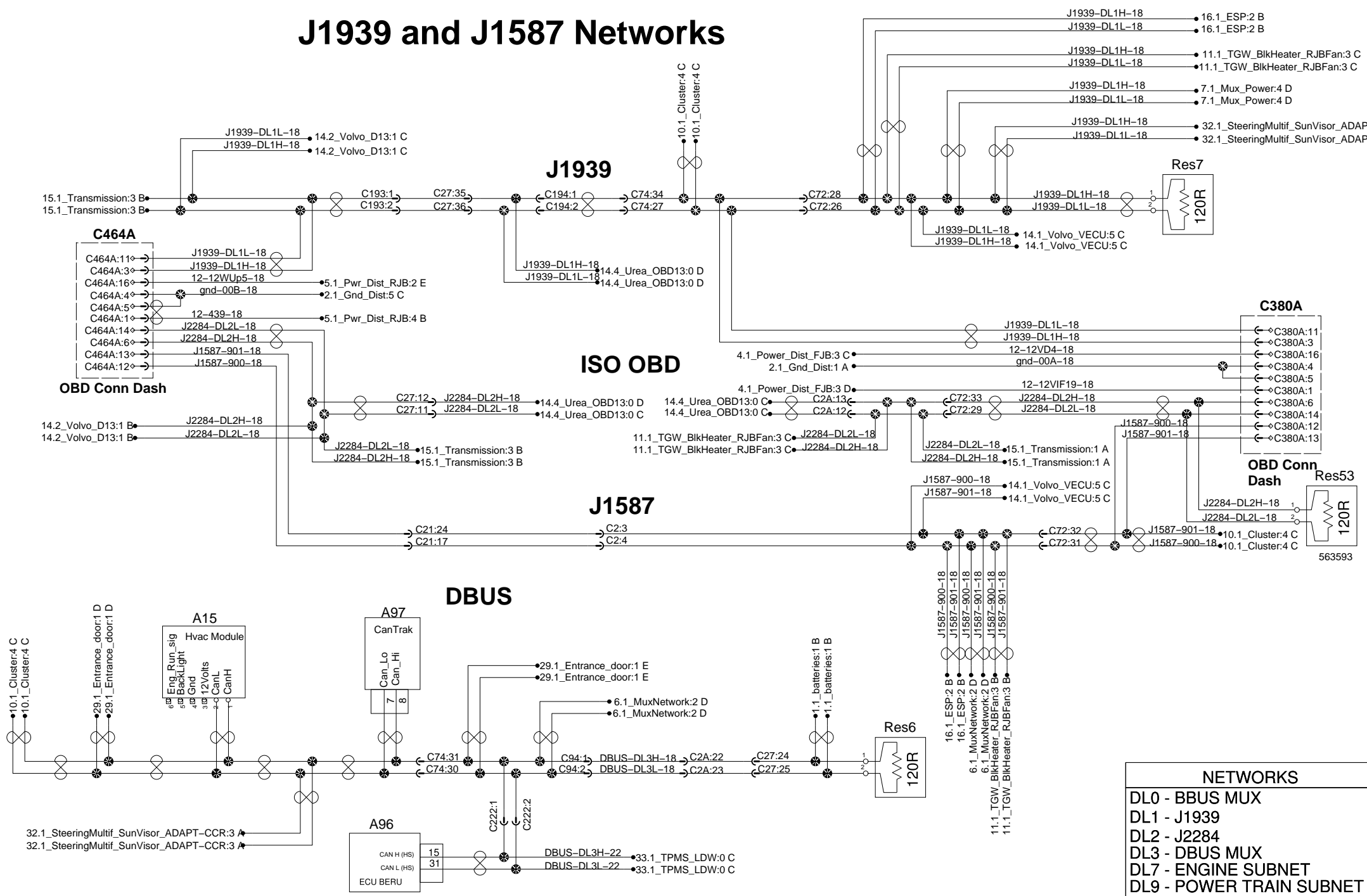
DL0H = Yellow = Pin A
DL0L = Green = Pin B



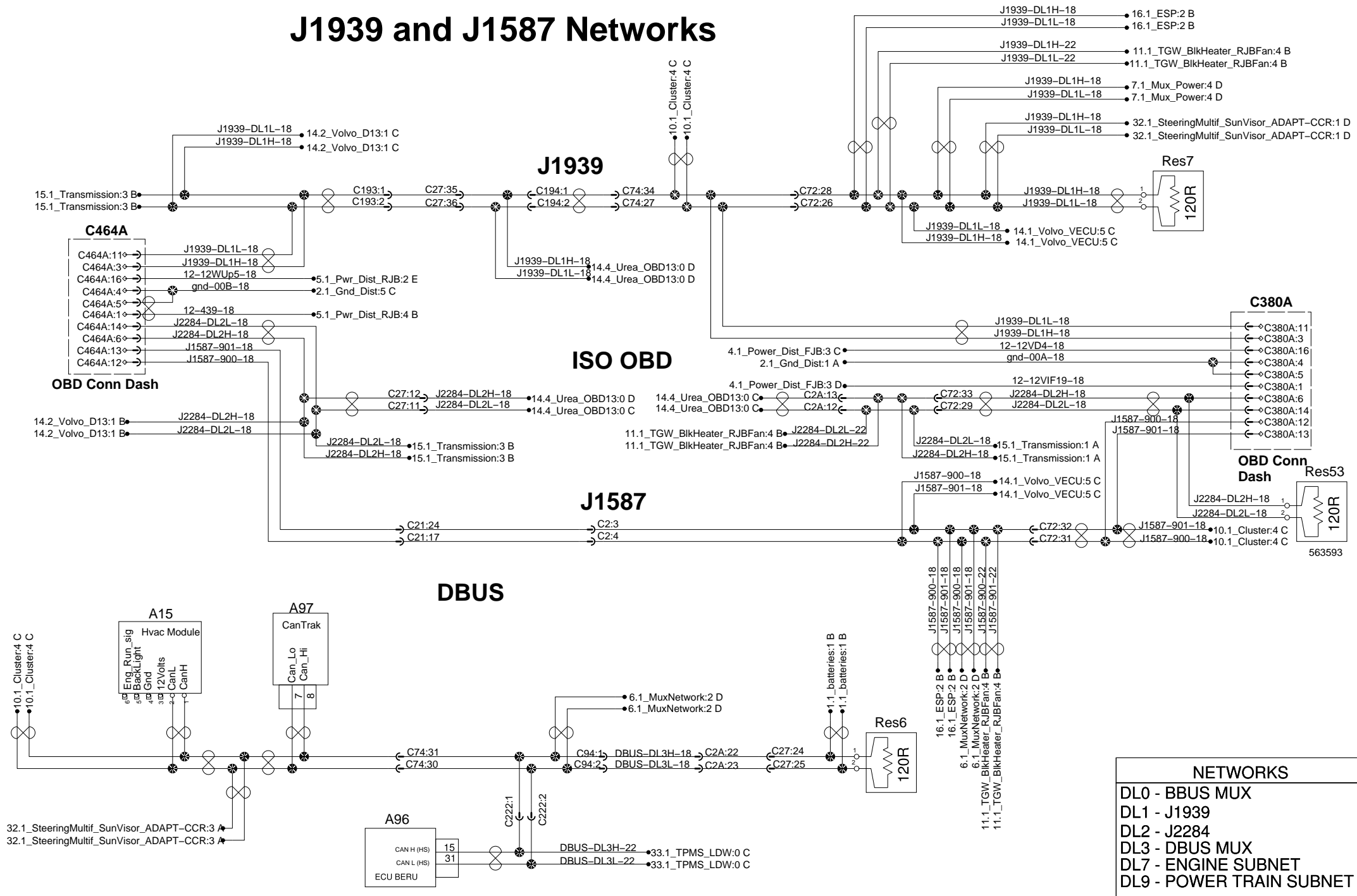
J1939 and J1587 Networks



J1939 and J1587 Networks



J1939 and J1587 Networks



Evaporator Cmpt.

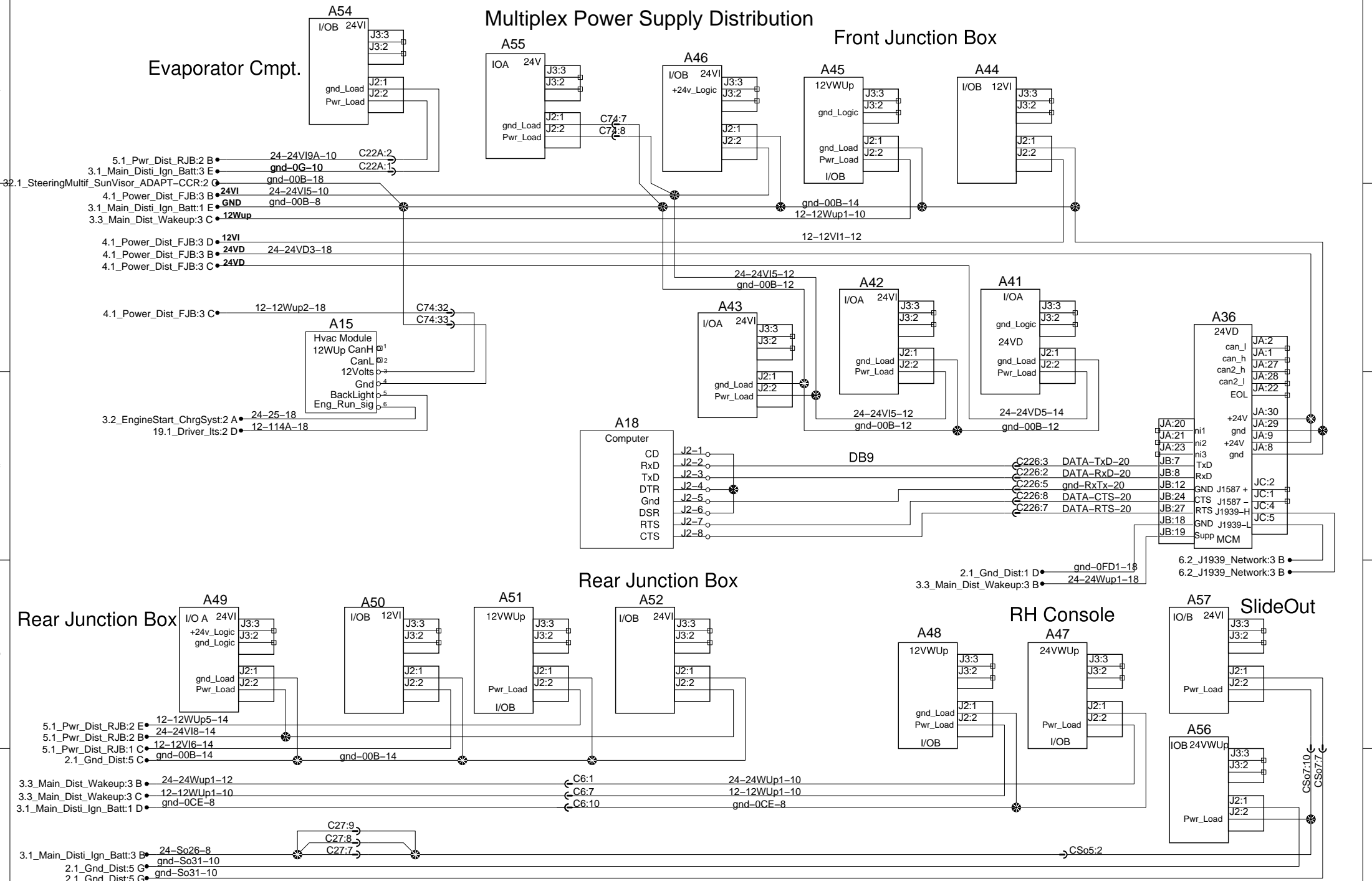
Multiplex Power Supply Distribution

Front Junction Box

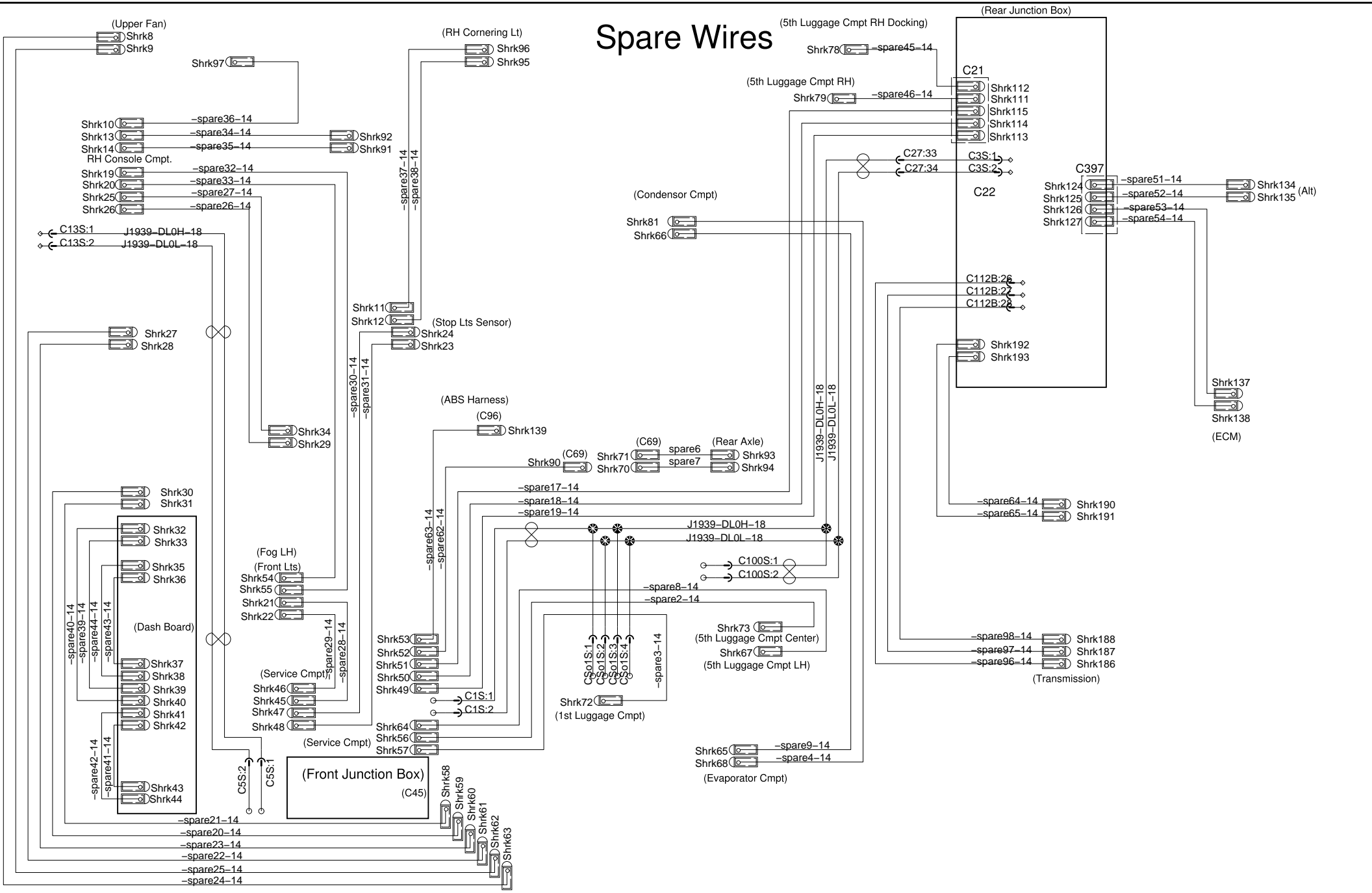
Rear Junction Box

RH Console

SlideOut



Spare Wires



0

1

2

3

4

A

A

B

B

C

C

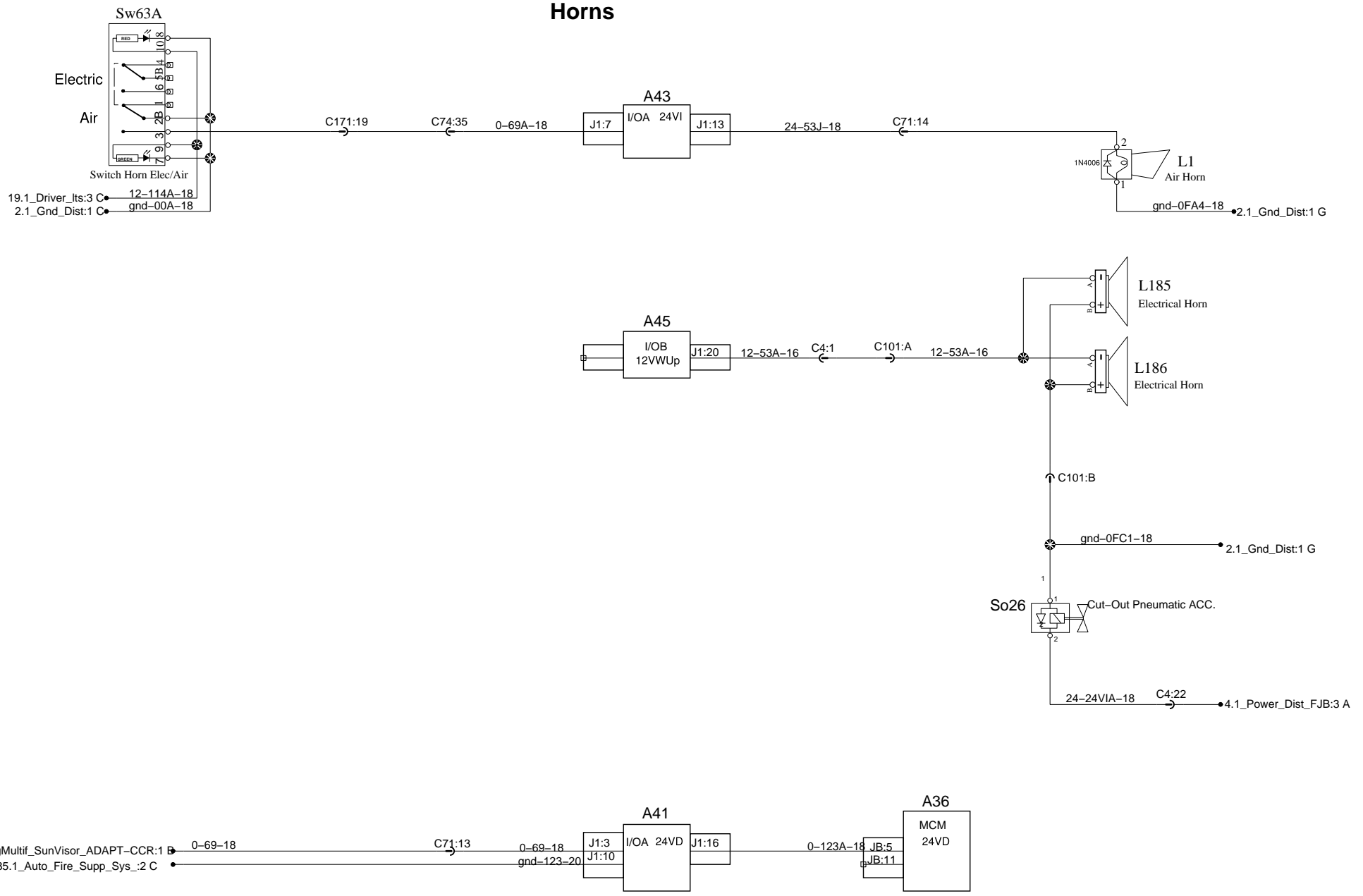
D

D

E

E

Horns



0

1

2

3

4

0

1

2

3

4

A

A

B

B

C

C

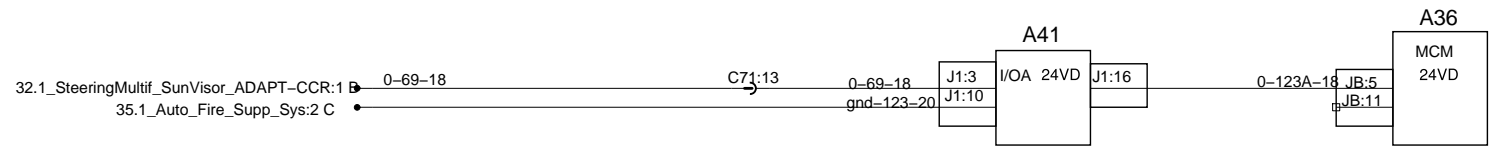
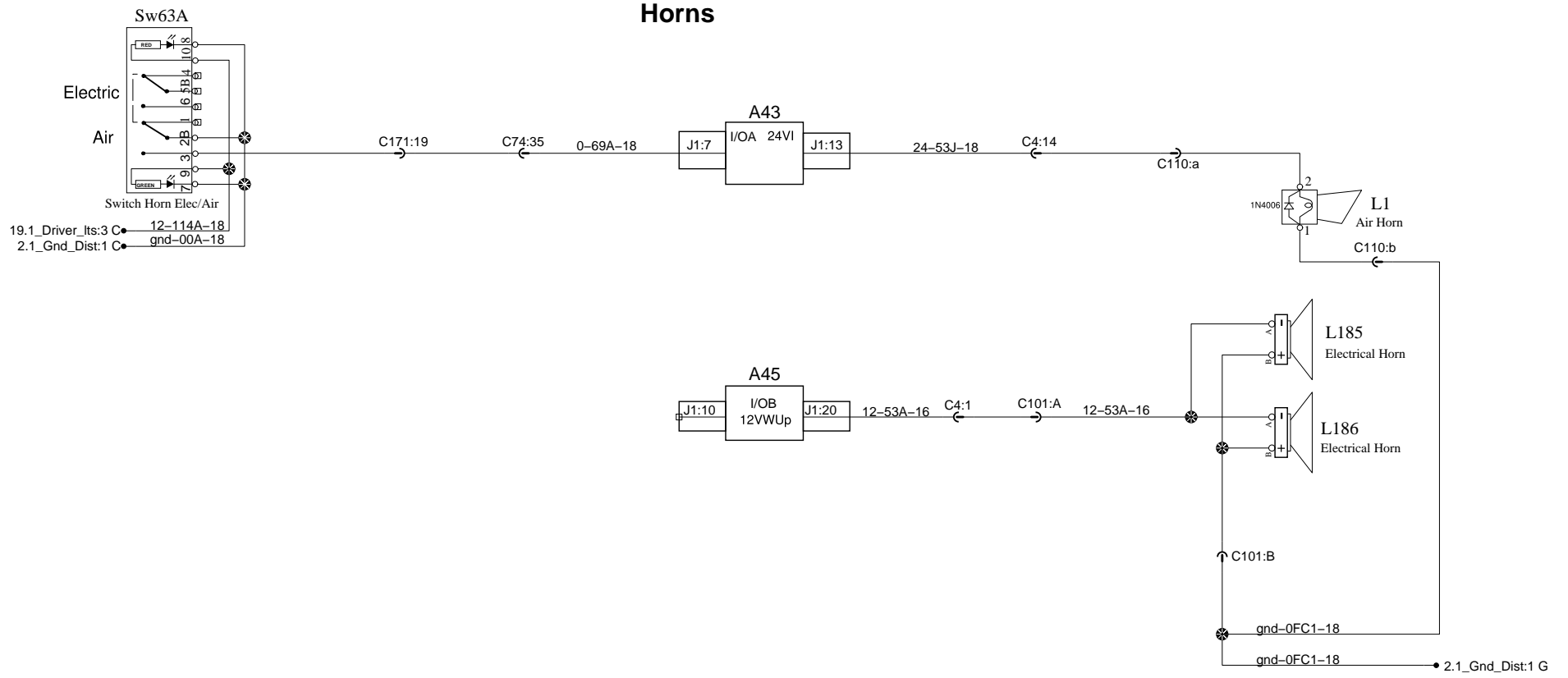
D

D

E

E

Horns



0

1

2

3

4

0

1

2

3

4

A

A

B

B

C

C

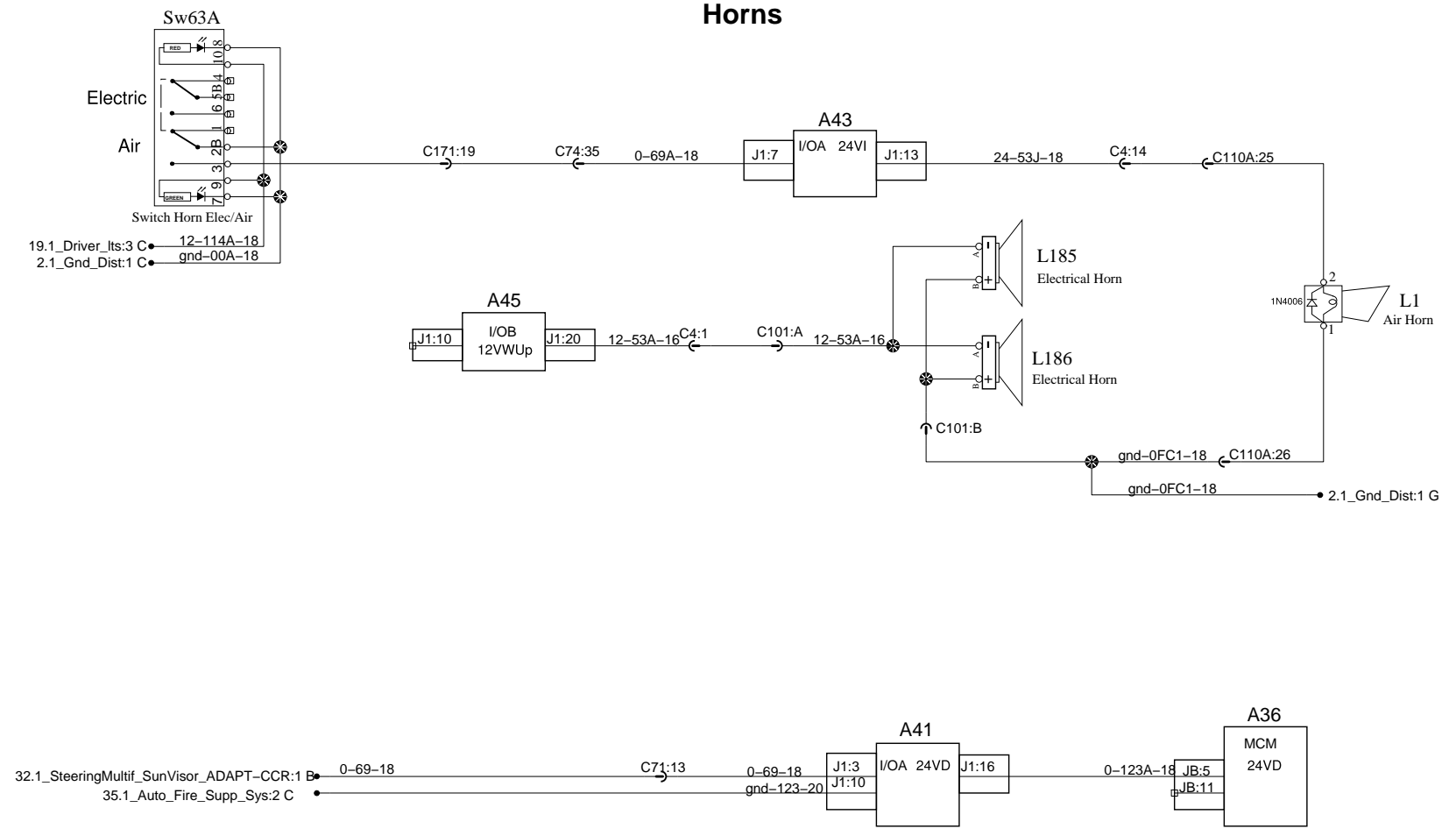
D

D

E

E

Horns



0

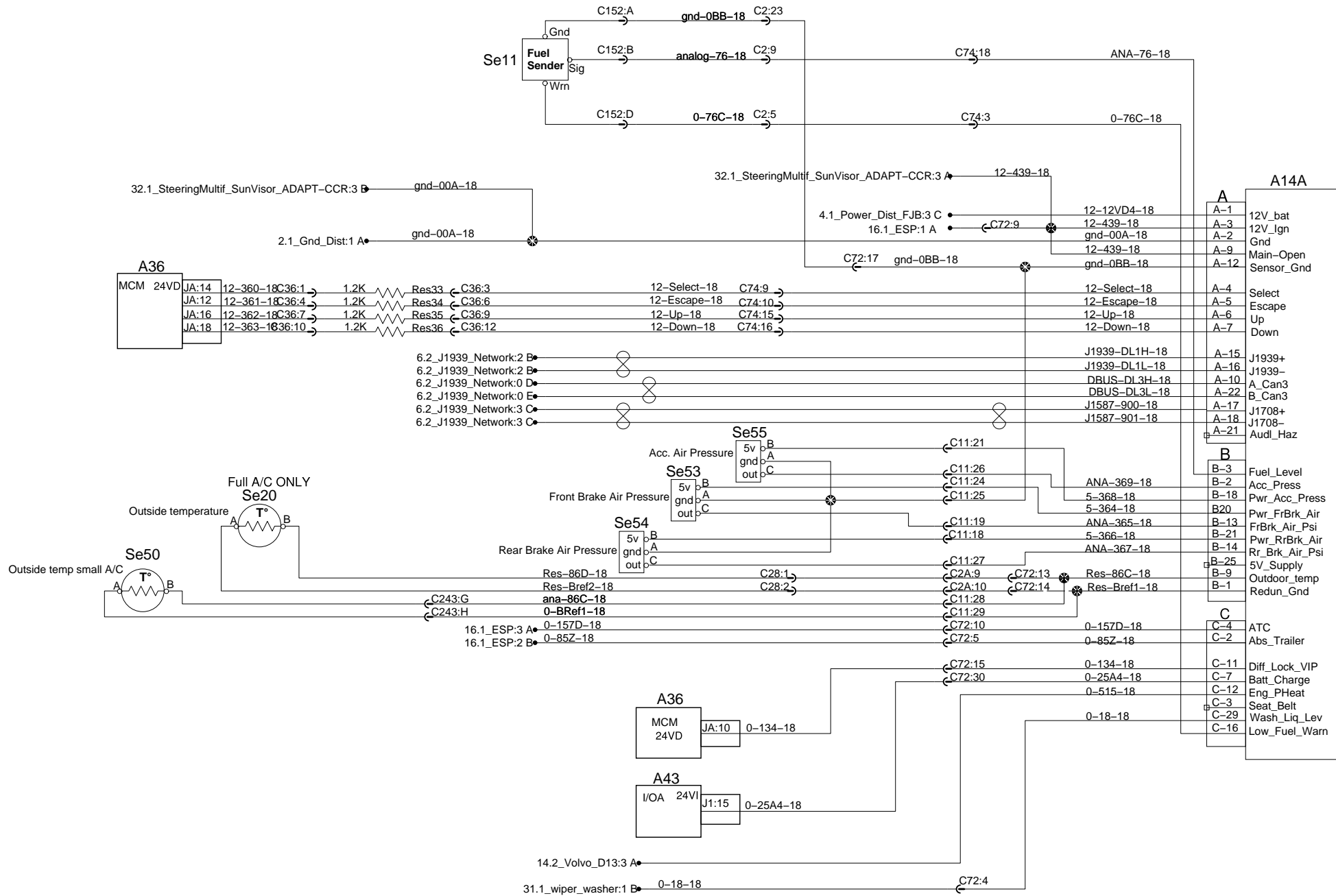
1

2

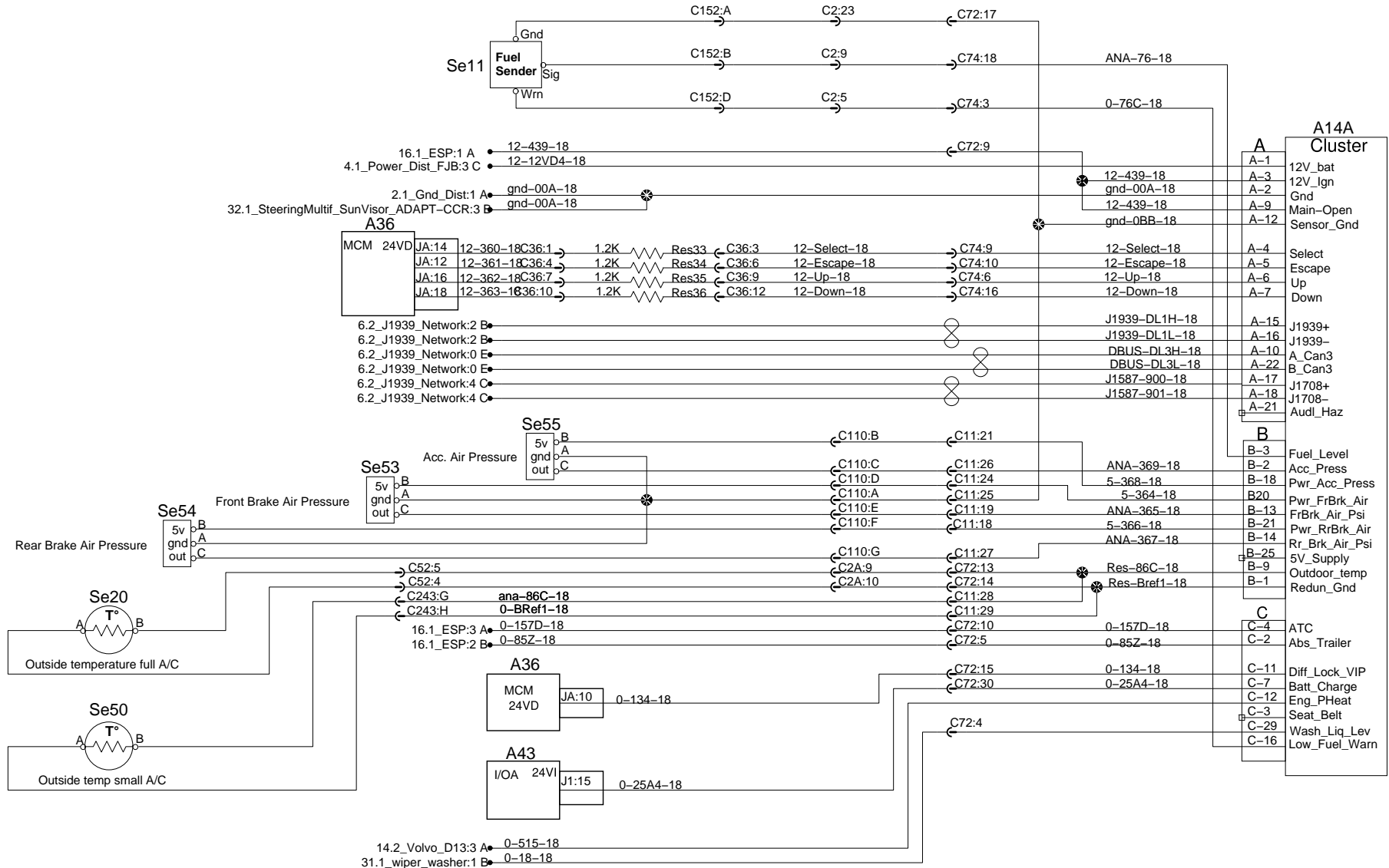
3

4

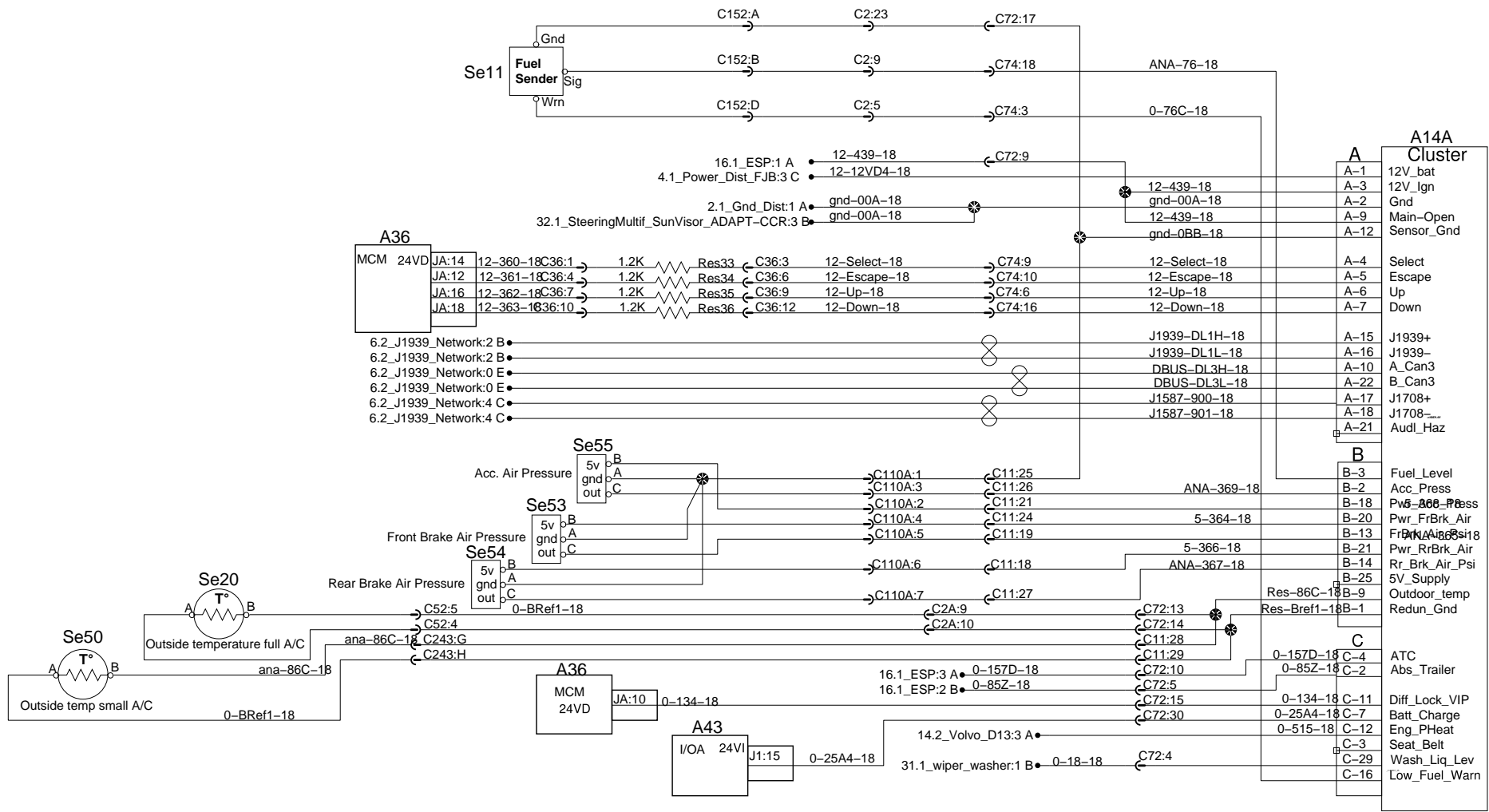
Cluster



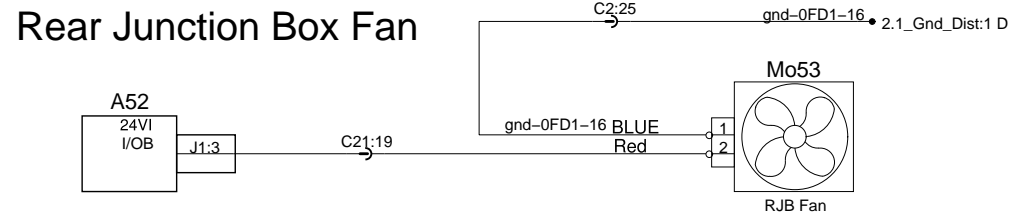
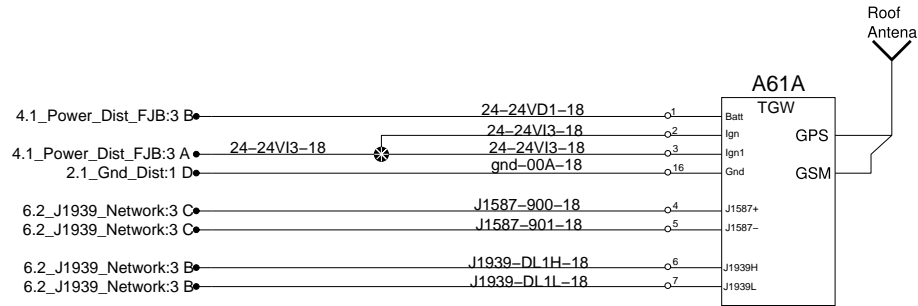
Cluster



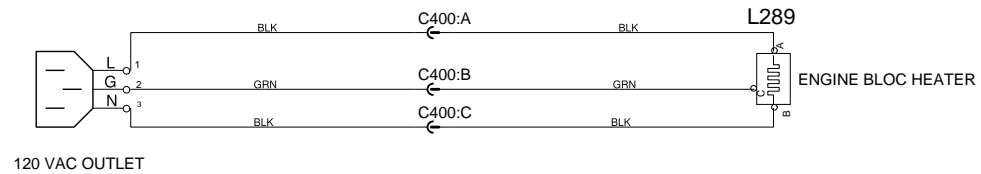
Cluster



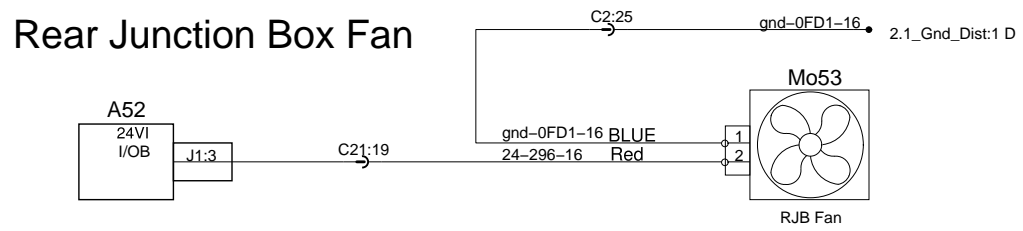
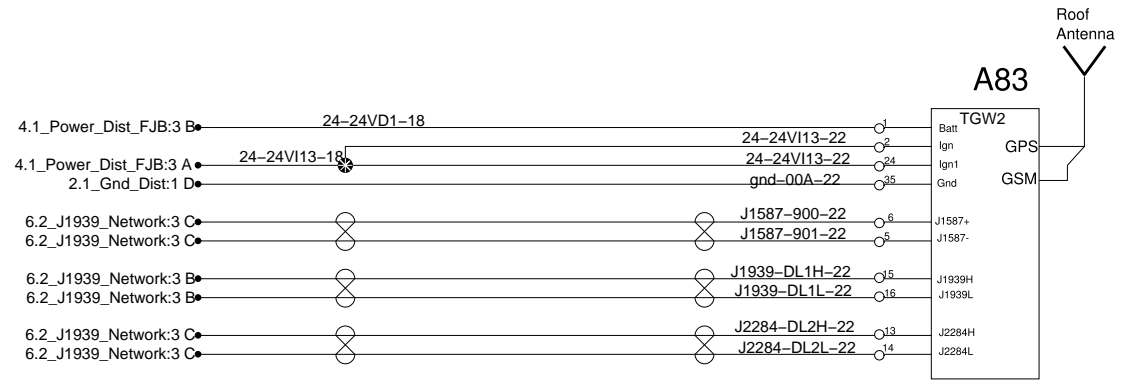
Volvo Link (TGW)



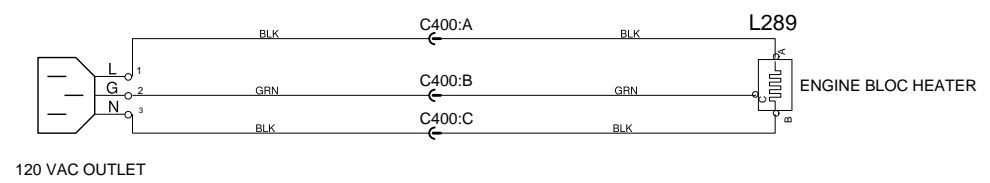
ENGINE BLOCK HEATER



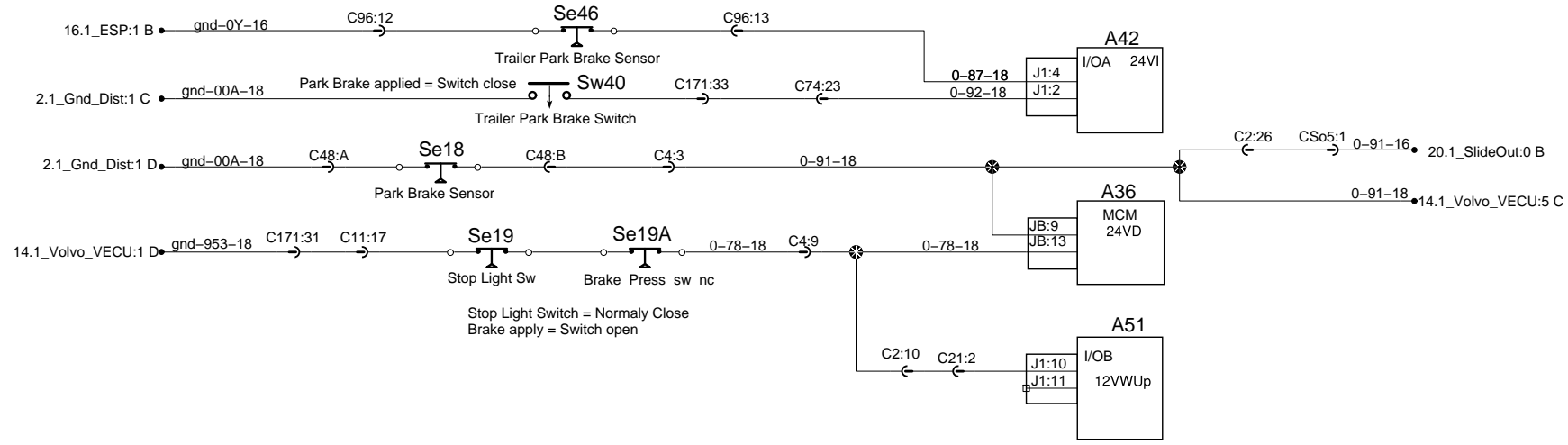
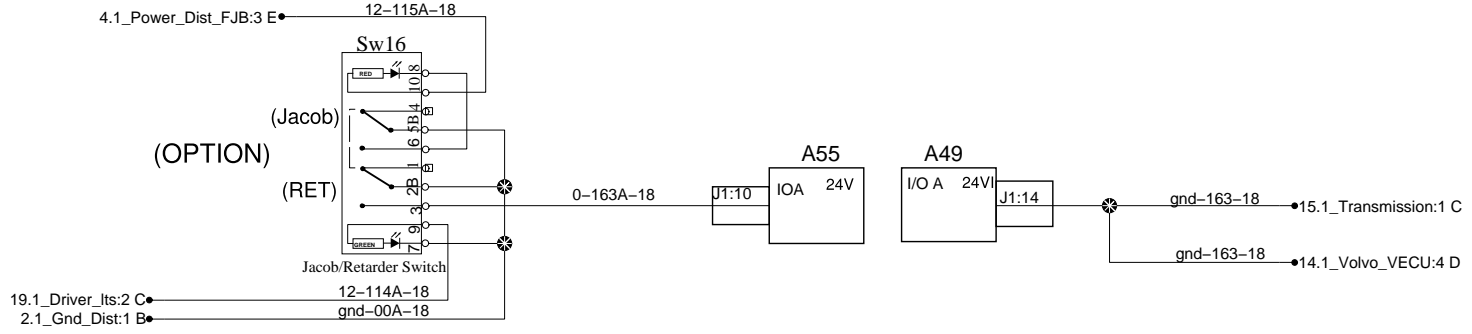
Volvo Link (TGW)



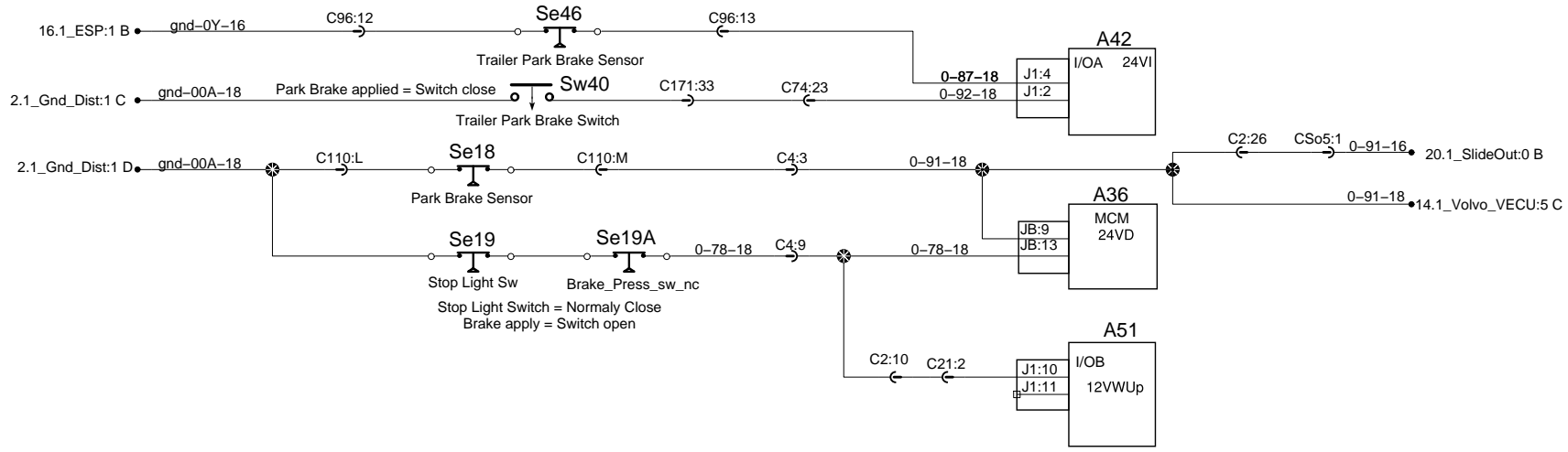
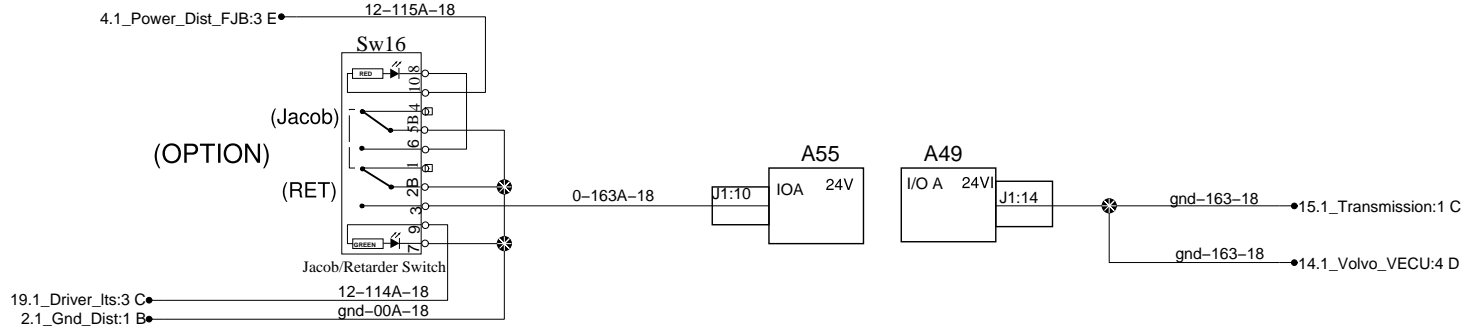
ENGINE BLOCK HEATER



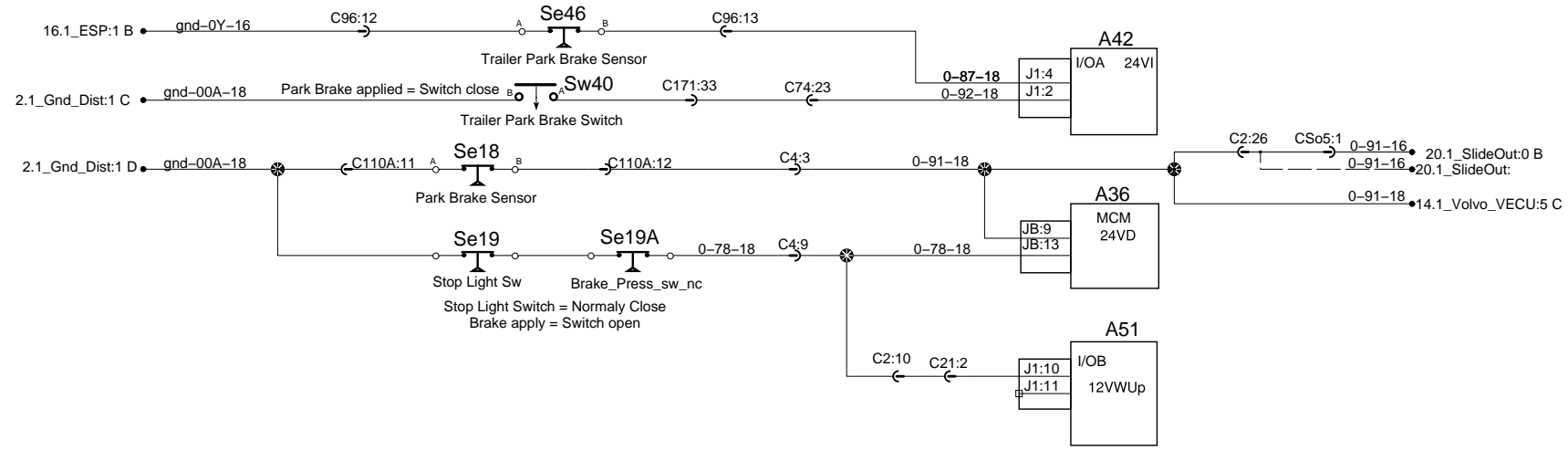
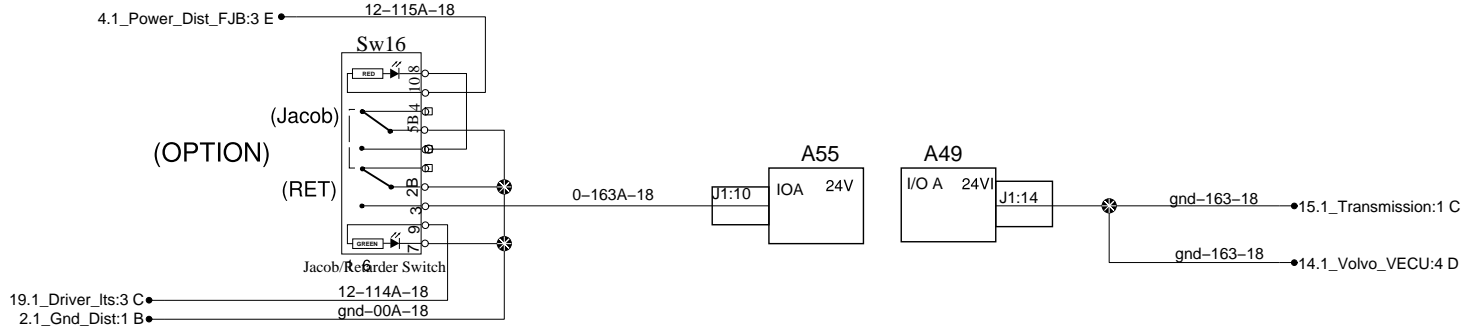
Brake, Engine Brake and Retarder



Brake, Engine Brake and Retarder



Brake, Engine Brake and Retarder



0

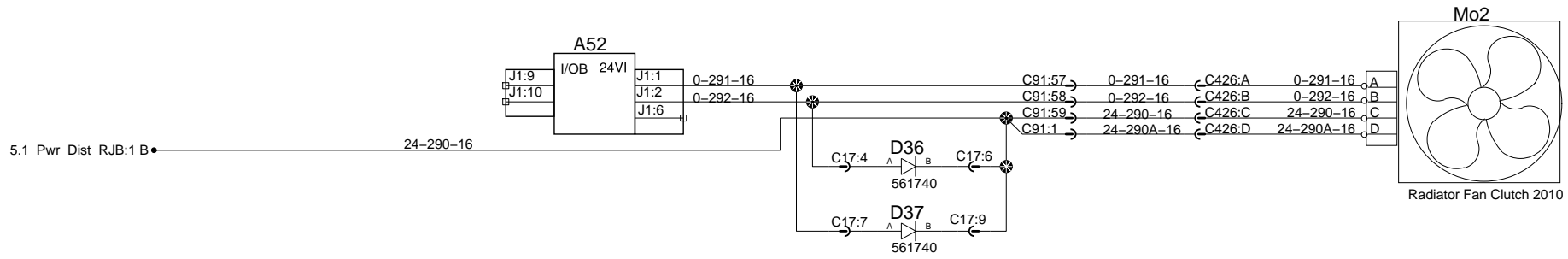
1

2

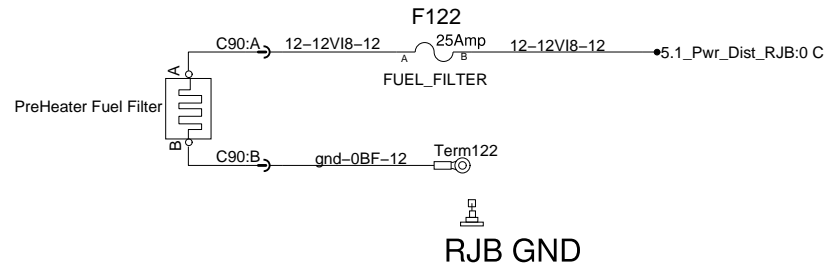
3

4

Fan Clutch



Preheater Fuel Filter



0

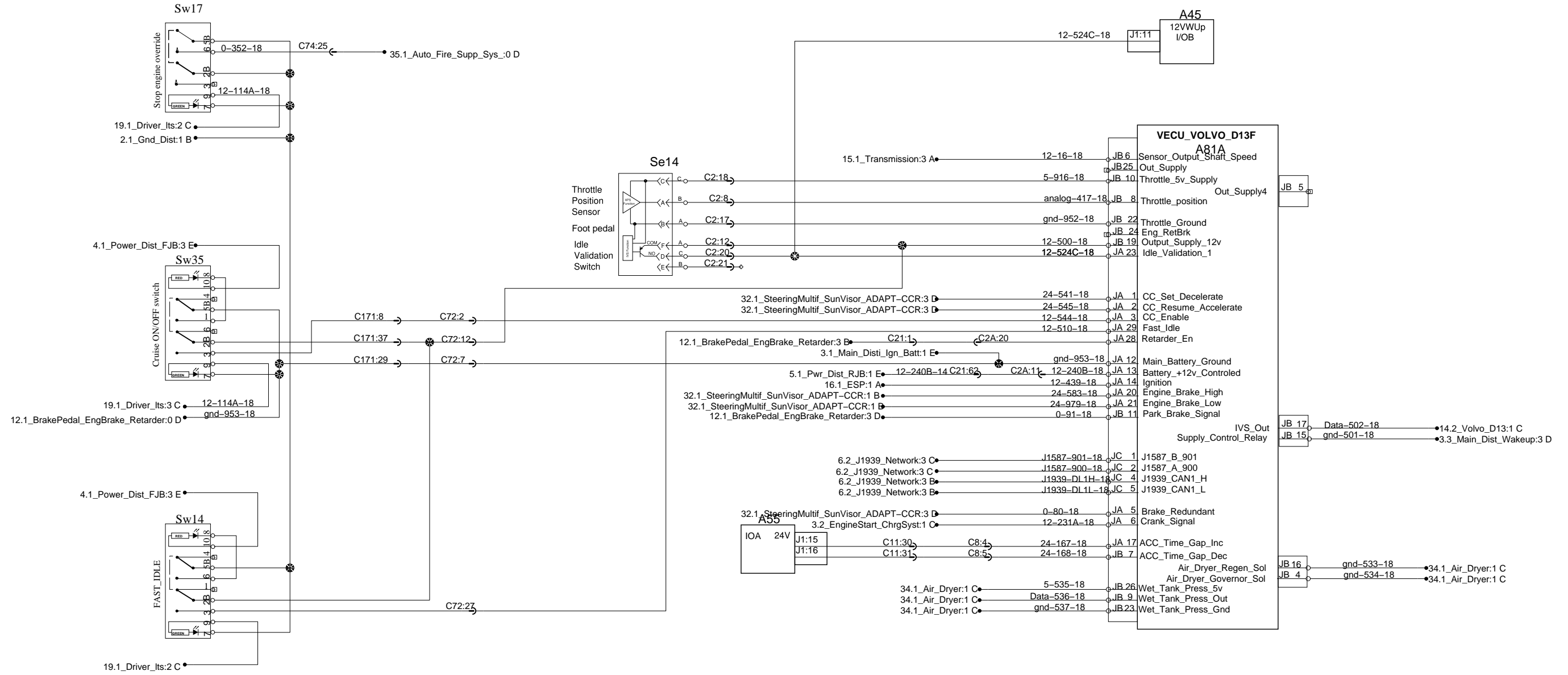
1

2

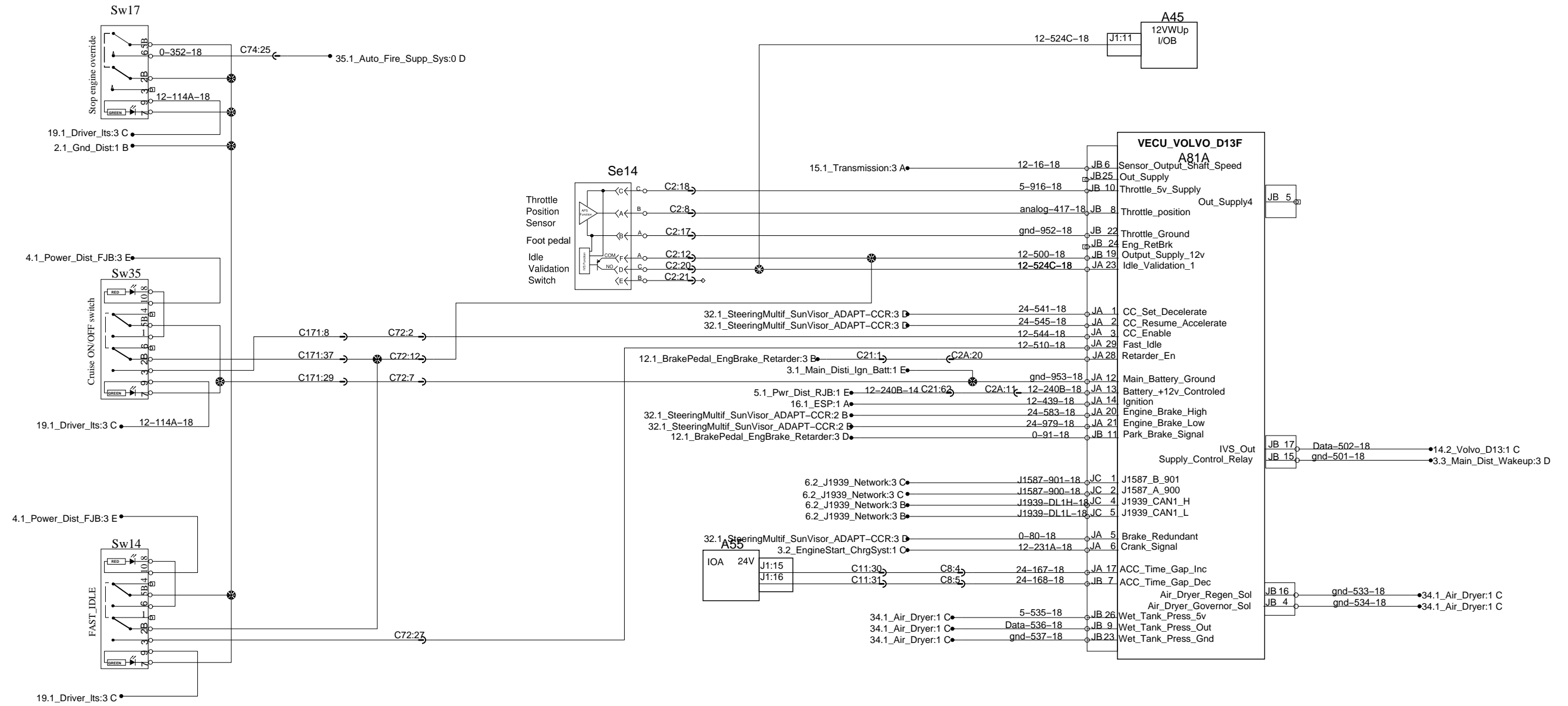
3

4

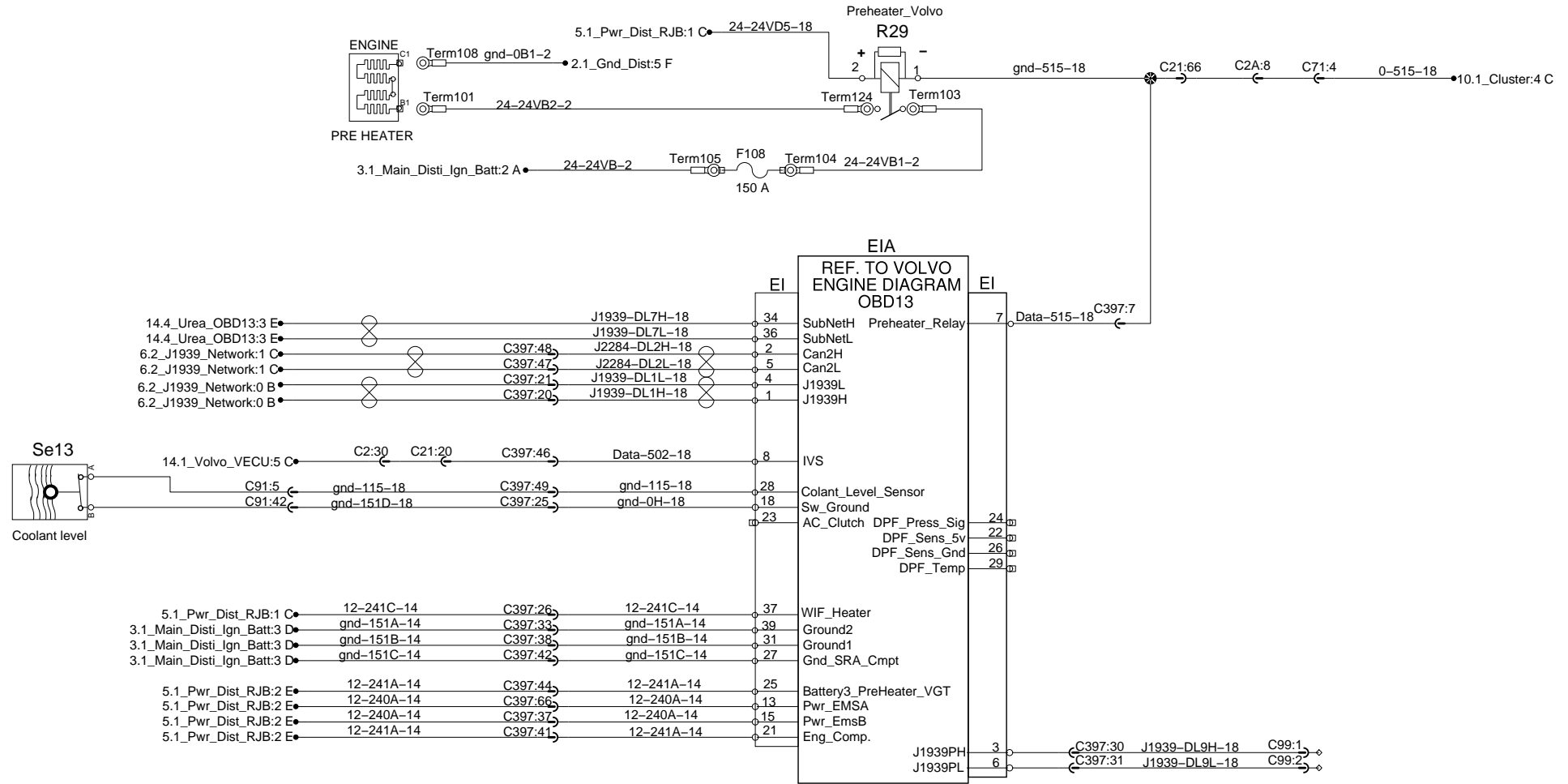
Engine ECU Volvo



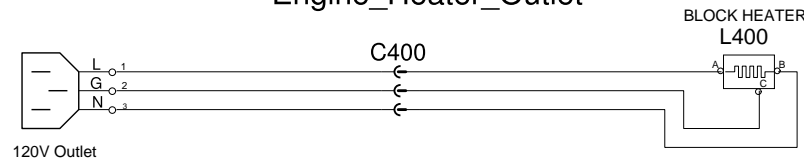
Engine ECU Volvo



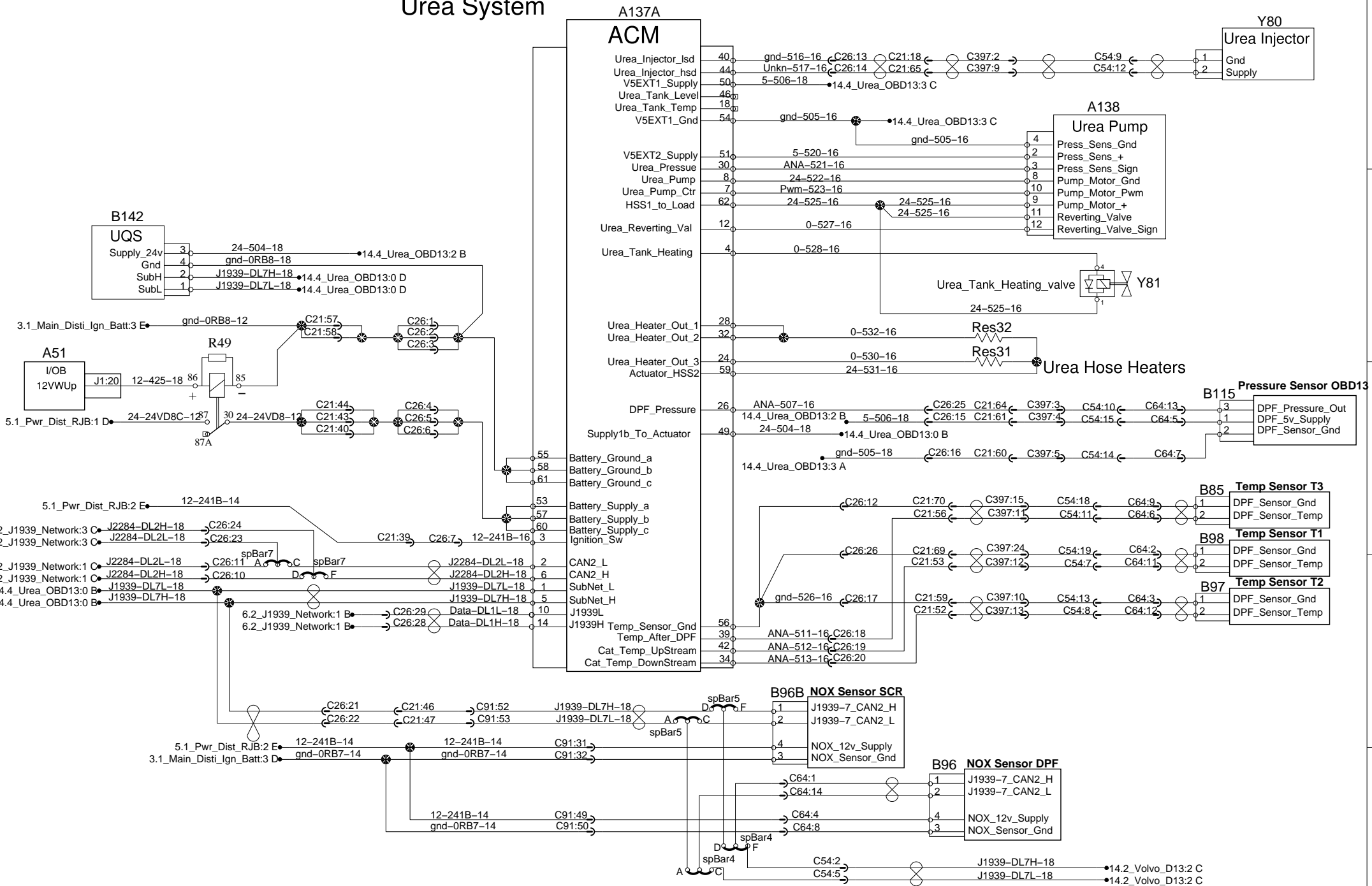
Engine ECU Volvo



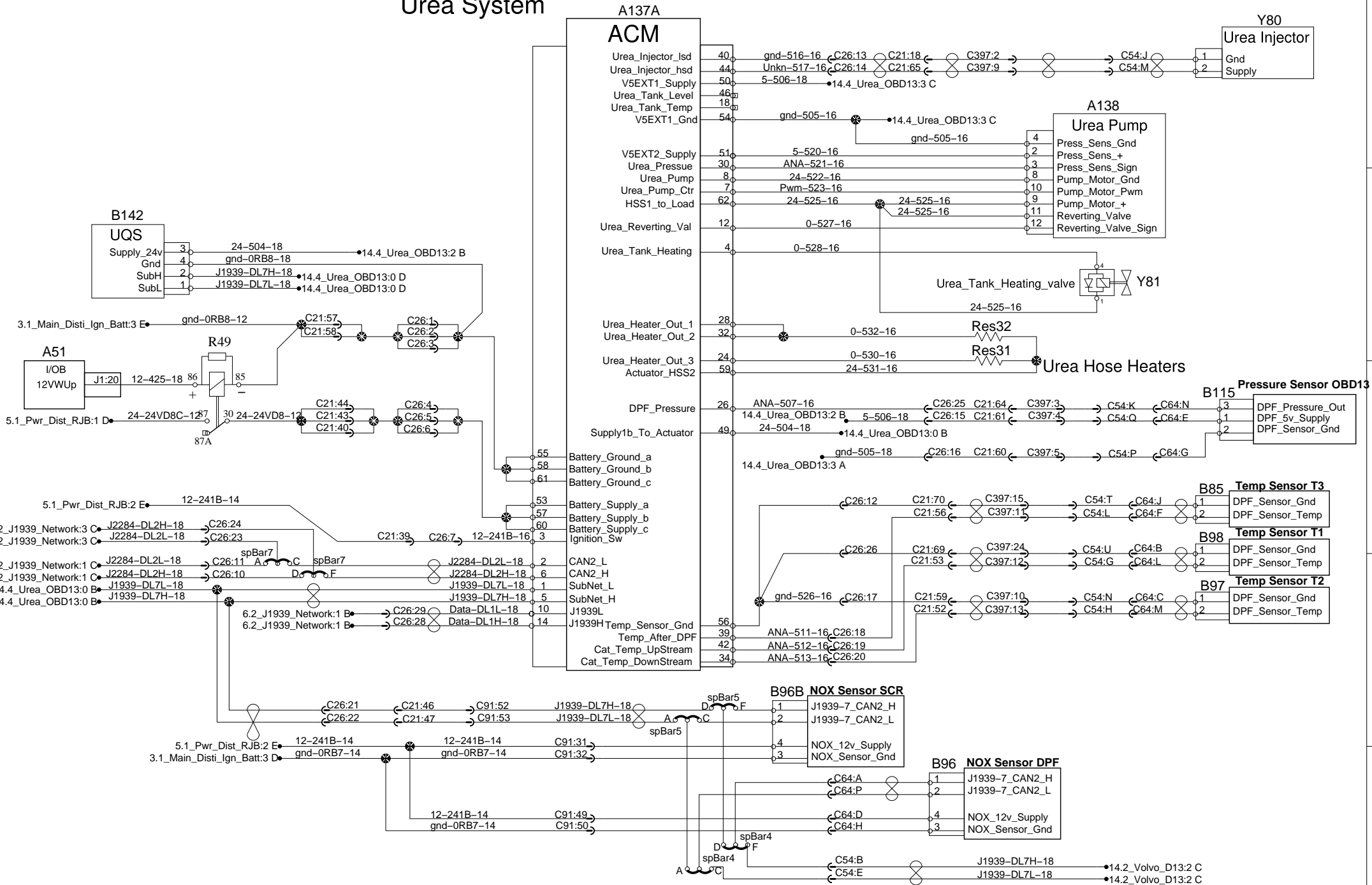
Engine_Heater_Outlet



Urea System



Urea System



Urea System

A137A

ACM

Y80

Urea Injector
1 Gnd
2 Supply

A138

Urea Pump

4 Press_Sens_Gnd
2 Press_Sens_+
3 Press_Sens_Sign
8 Pump_Motor_Gnd
10 Pump_Motor_Pwm
9 Pump_Motor_+
11 Reverting_Valve
12 Reverting_Valve_Sign

Y81

Urea Tank Heating_valve

Res32

Res31

Urea Hose Heaters

B115 Pressure Sensor OBD13

1 DPF_5v_Supply
2 DPF_Sensor_Gnd
3 DPF_Pressure_Out

B85 Temp Sensor T3

1 DPF_Sensor_Gnd
2 DPF_Sensor_Temp

B98 Temp Sensor T1

1 DPF_Sensor_Gnd
2 DPF_Sensor_Temp

B97 Temp Sensor T2

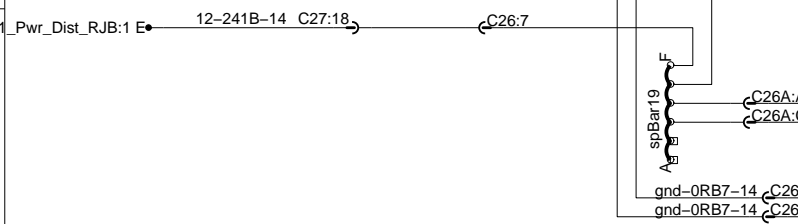
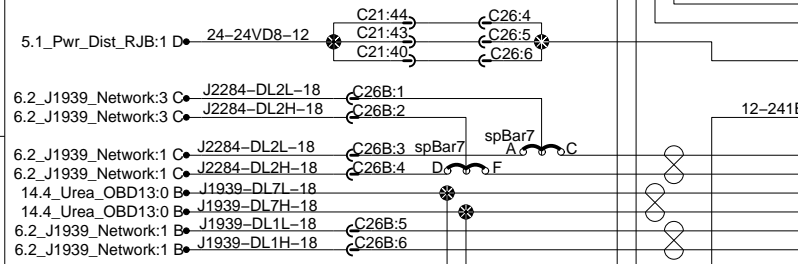
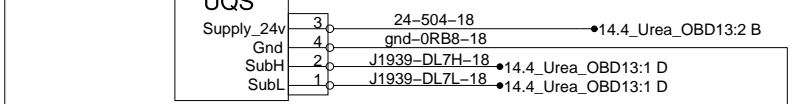
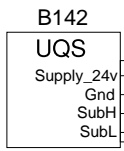
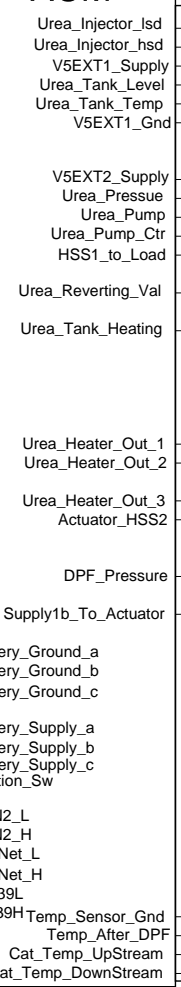
1 DPF_Sensor_Gnd
2 DPF_Sensor_Temp

B96B NOX Sensor SCR

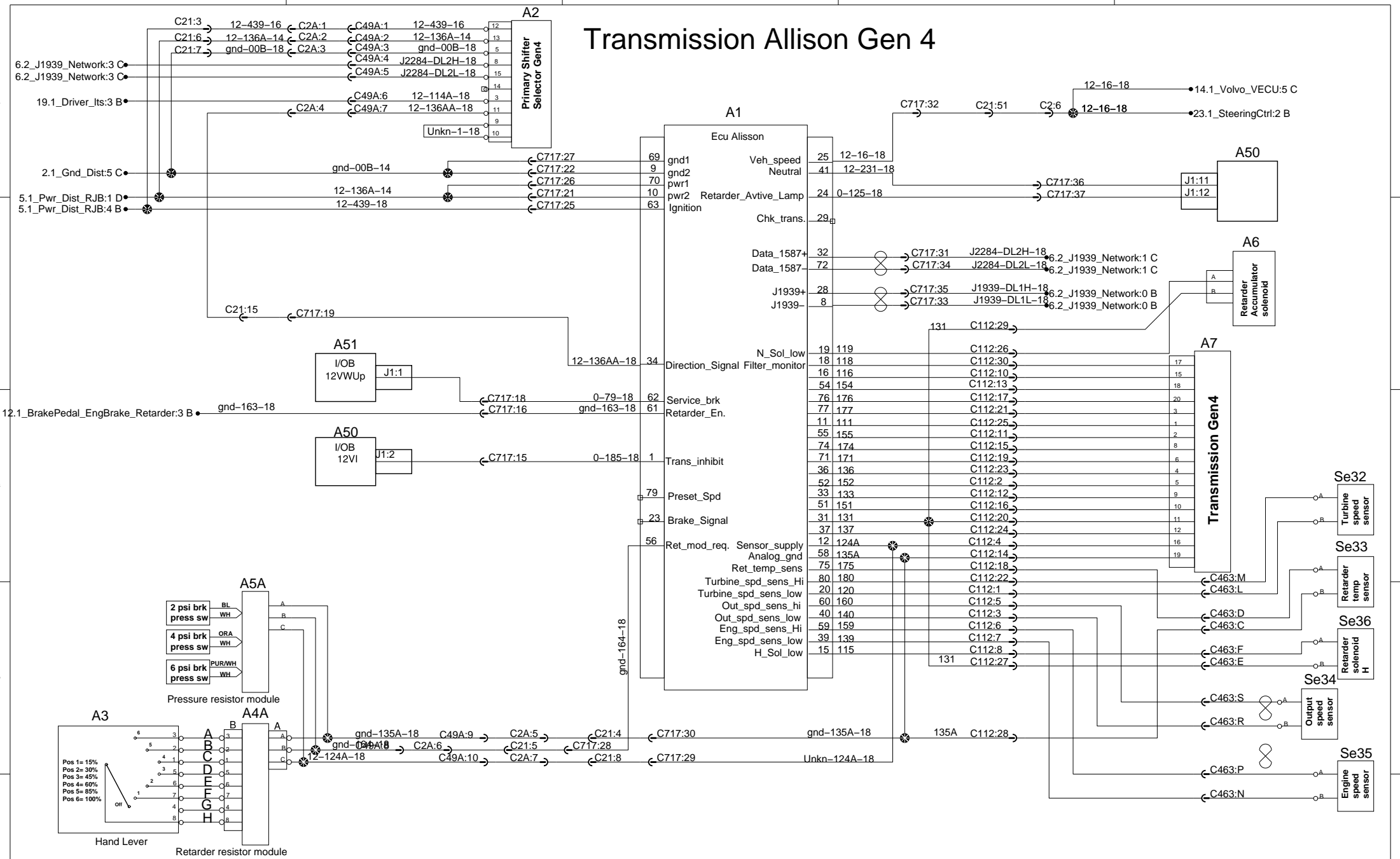
1 J1939-7_CAN2_H
2 J1939-7_CAN2_L
4 NOX_12v_Supply
3 NOX_Sensor_Gnd

B96 NOX Sensor DPF

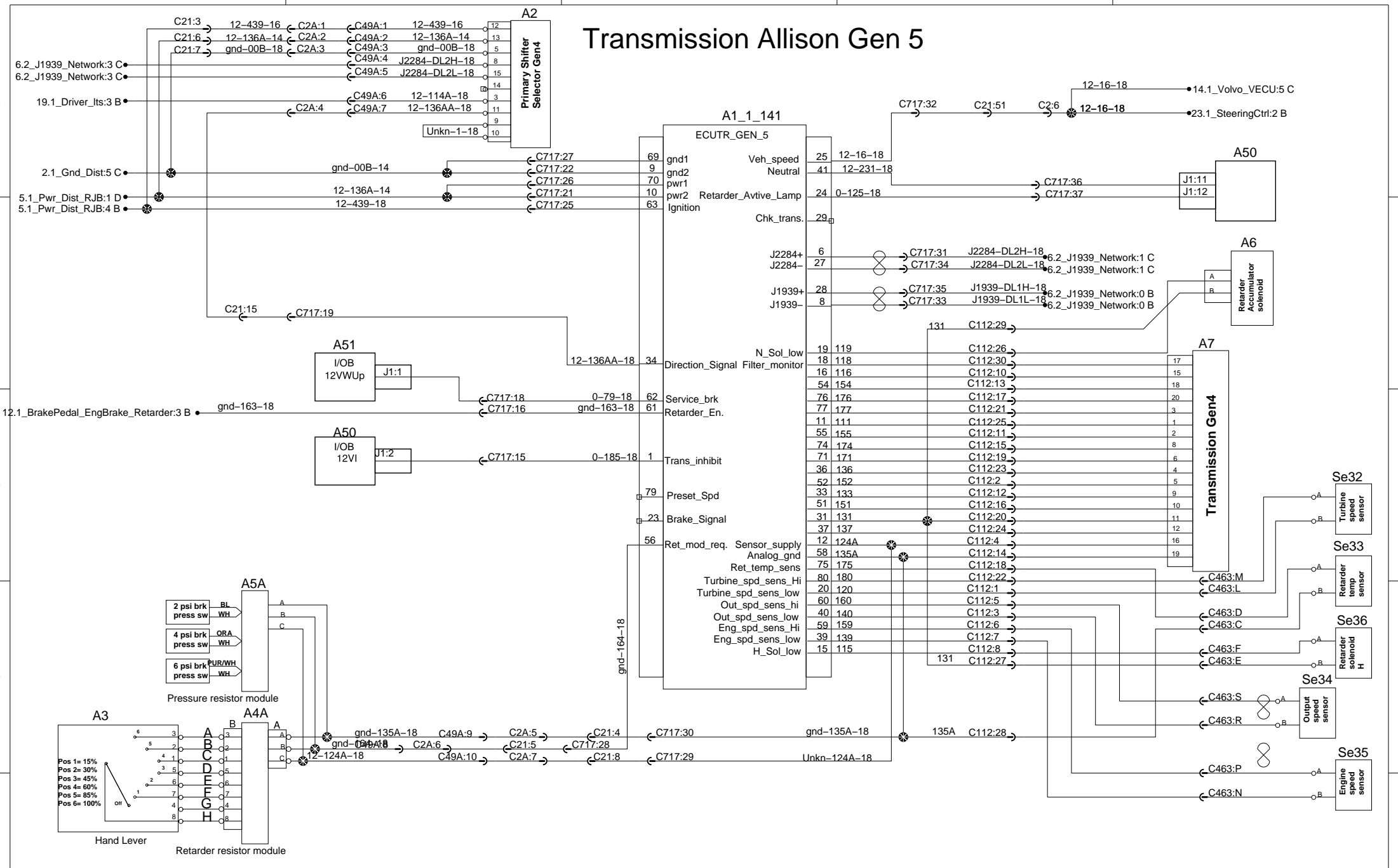
1 J1939-7_CAN2_H
2 J1939-7_CAN2_L
4 NOX_12v_Supply
3 NOX_Sensor_Gnd



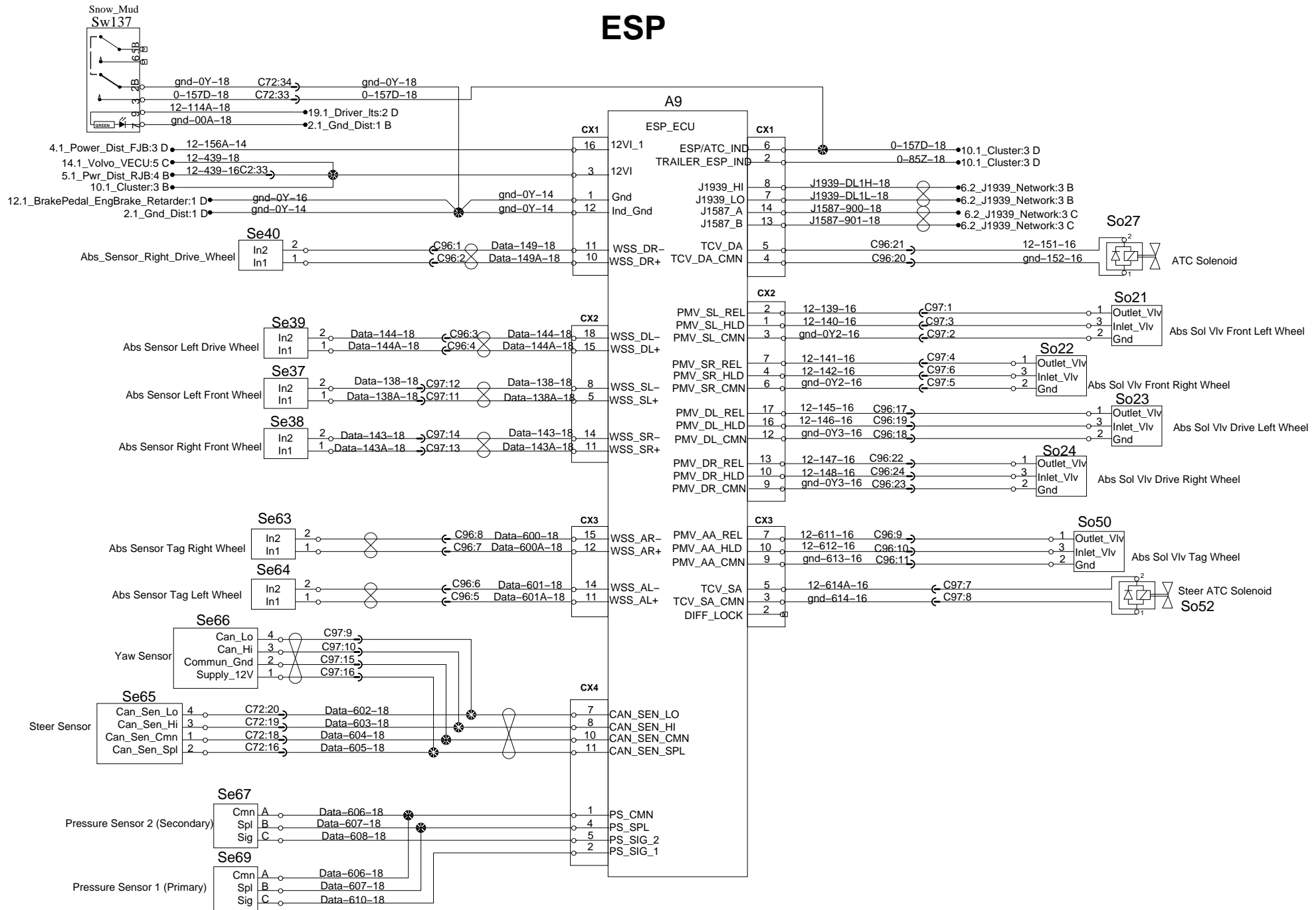
Transmission Allison Gen 4



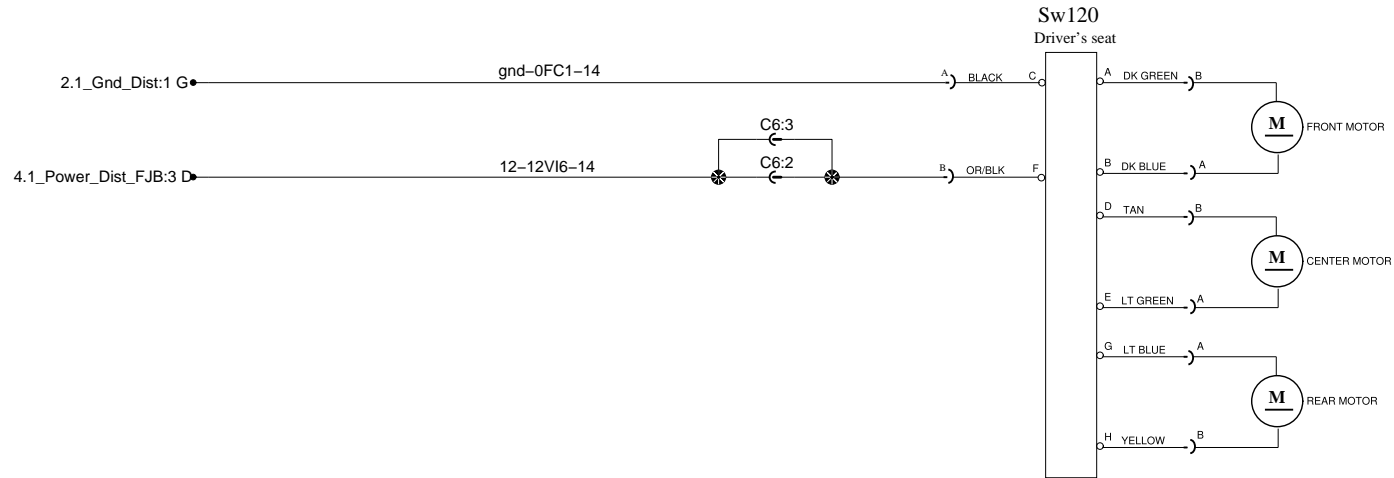
Transmission Allison Gen 5



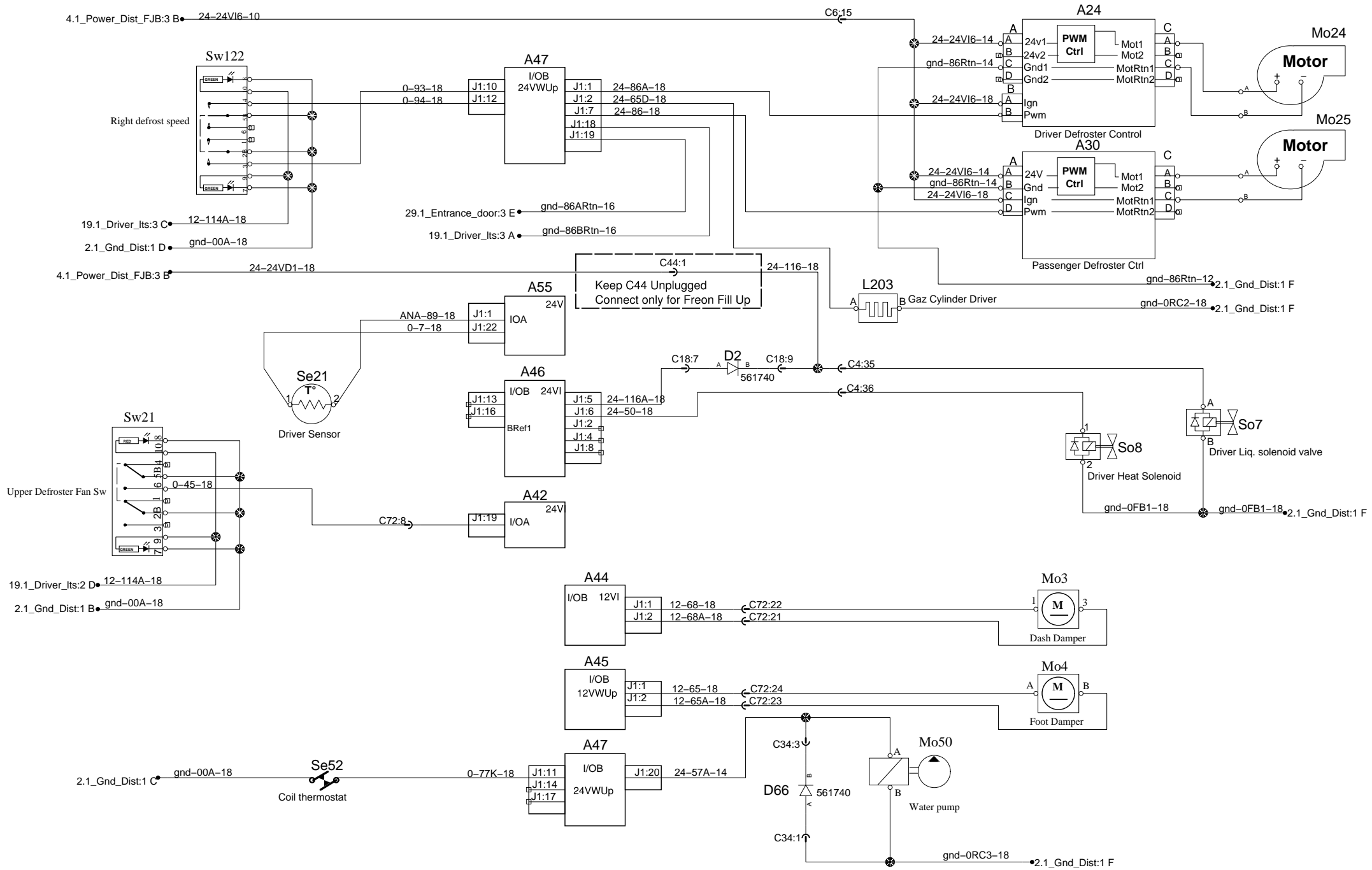
ESP



Driver seat



Hvac_Defroster



Hvac System

Wiring identifiers Full A/C
 Small A/C

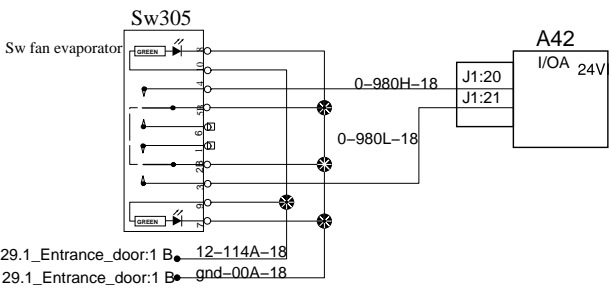
(If 2B wire is 24V= Low speed : 0V = Hi speed)

3.1_Main_Disti_Ign_Batt:3 B ● 24-41-6

Keep C24 Unplugged
 Connect only for Freon Fill up

5.1_Pwr_Dist_RJB:2 C ● 24-24VD7-14 C22A:3

Pass. Sensor
 Se25



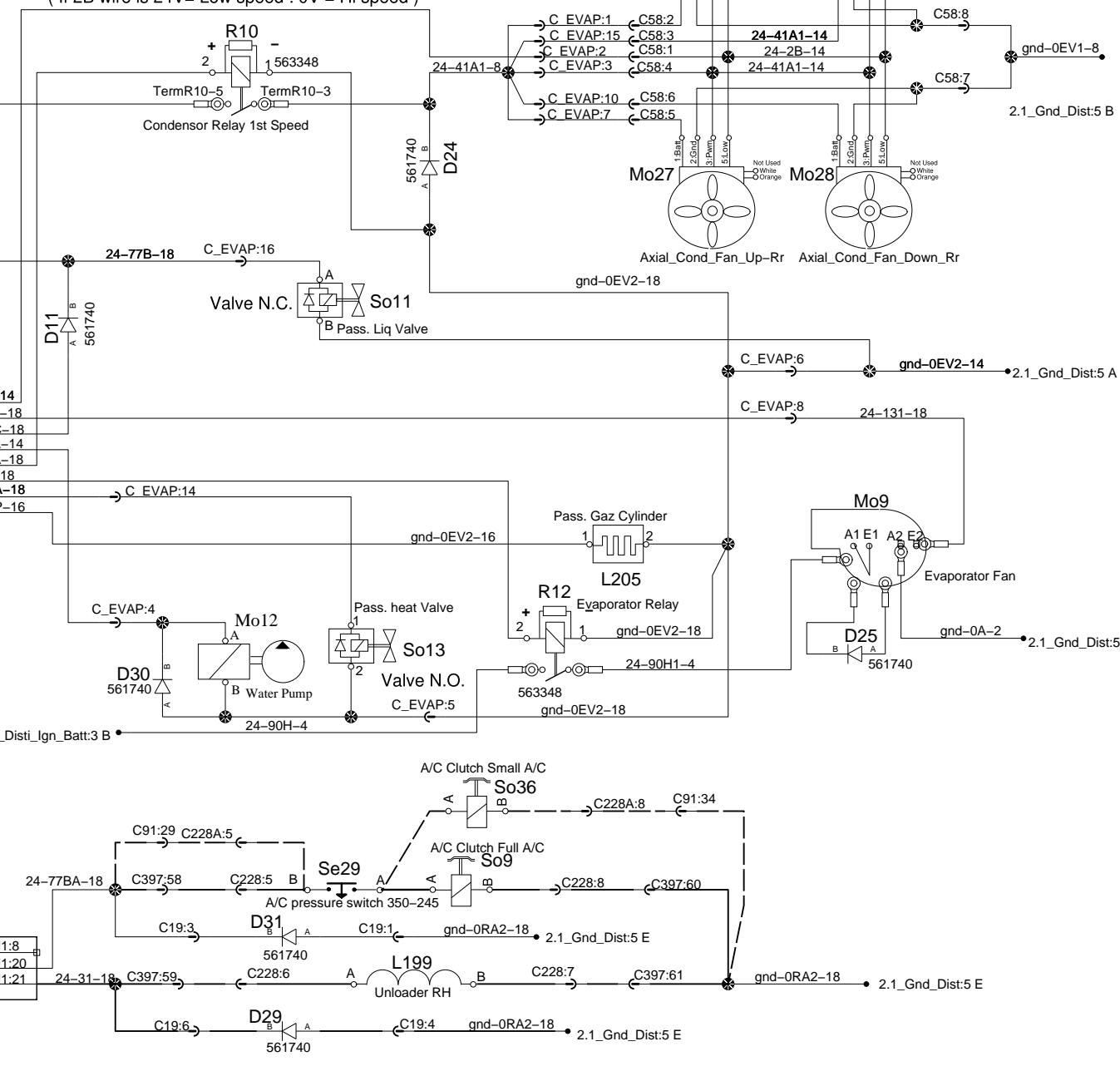
OPTION HIGH, LO SW TO CONTROL EVAPOR FAN

Pressure transducer Hi-Side
 Se23

Pressure transducer Low-Side
 Se24

J1:1	24-2B-14
J1:2	24-131-18
J1:3	24-77C-18
J1:4	24-57A-14
J1:5	24-67A-18
J1:7	24-67-18
J1:8	24-45A-18
J1:20	24-65P-16

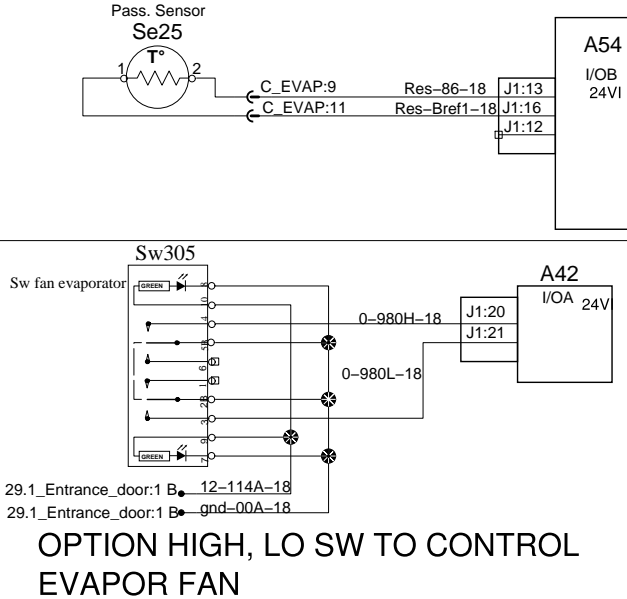
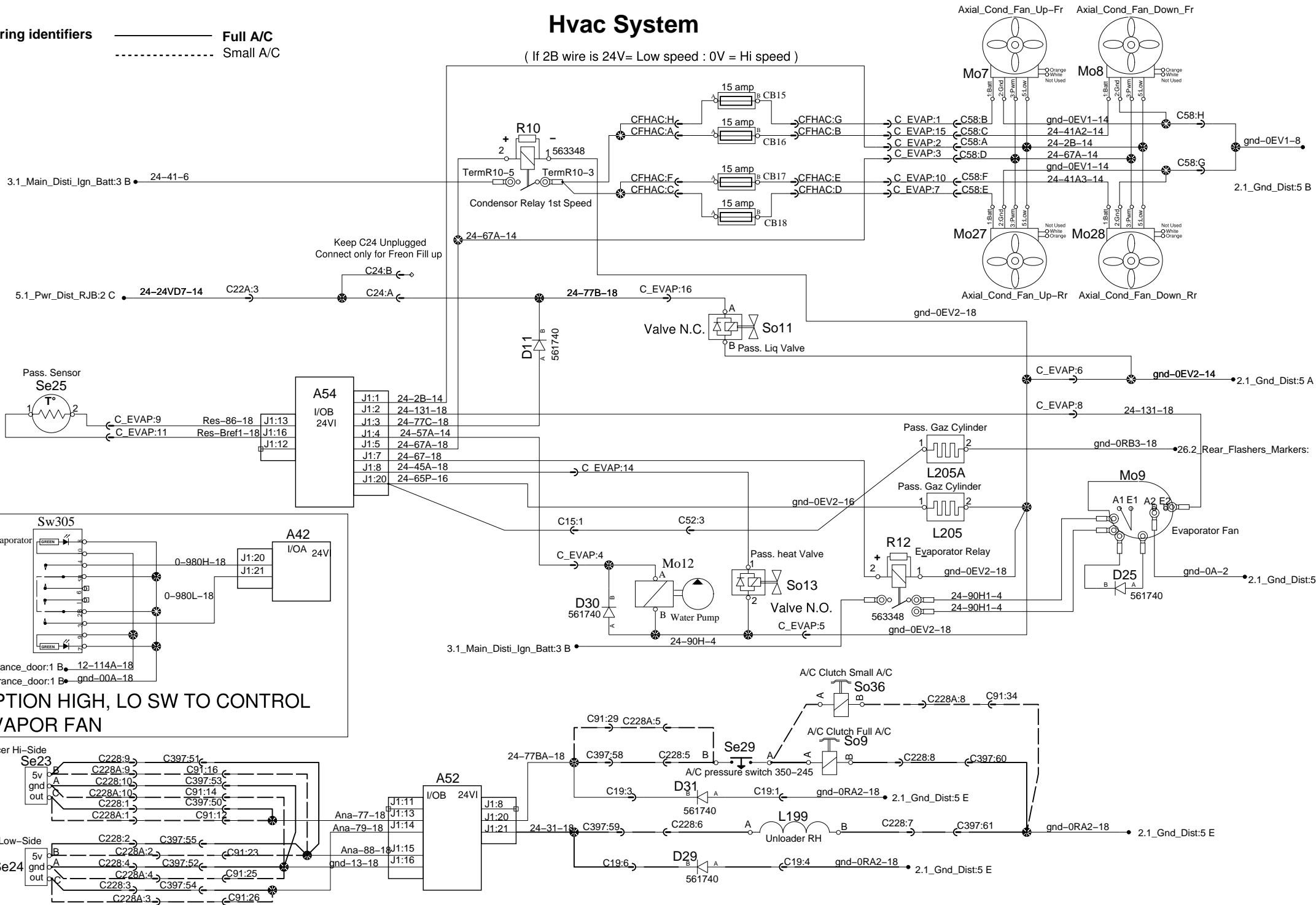
J1:11	Ana-77-18
J1:13	Ana-79-18
J1:14	Ana-88-18
J1:15	gnd-13-18
J1:16	



Wiring identifiers ————— Full A/C
 - - - - - Small A/C

Hvac System

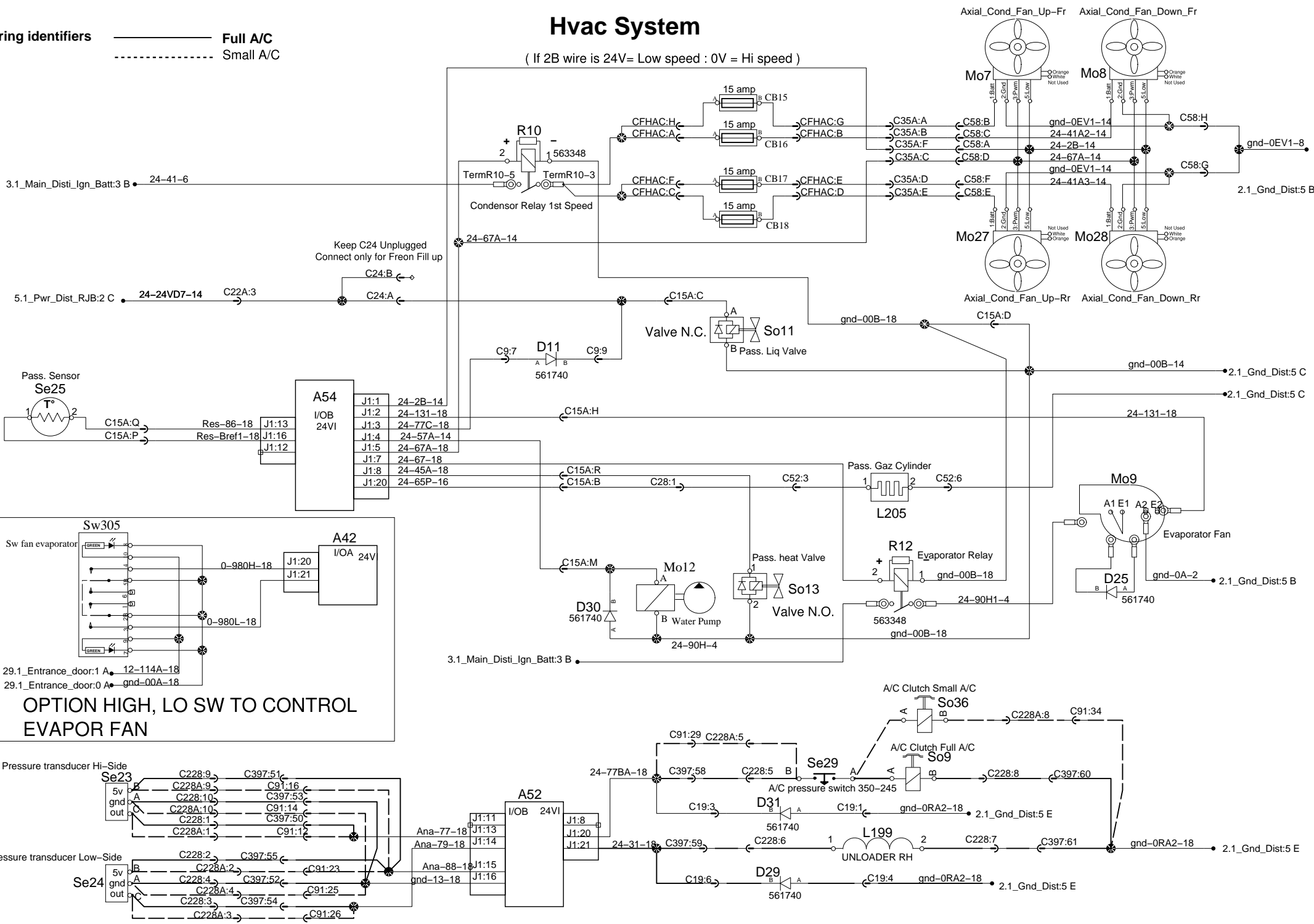
(If 2B wire is 24V= Low speed : 0V = Hi speed)



Hvac System

(If 2B wire is 24V= Low speed : 0V = Hi speed)

Wiring identifiers
 _____ Full A/C
 - - - - - Small A/C



OPTION HIGH, LO SW TO CONTROL EVAPOR FAN

Sw fan evaporator

A42 I/OA 24V

0-980H-18

0-980L-18

29.1_Entrance_door:1 A 12-114A-18

29.1_Entrance_door:0 A gnd-00A-18

Pressure transducer Hi-Side

Se23

5v

gnd

out

C228:9

C228:10

C228:10

C228:1

C397:51

C91:16

C397:53

C91:14

C397:50

C91:12

Pressure transducer Low-Side

Se24

5v

gnd

out

C228:2

C228:4

C228:4

C228:3

C397:55

C91:23

C397:52

C91:25

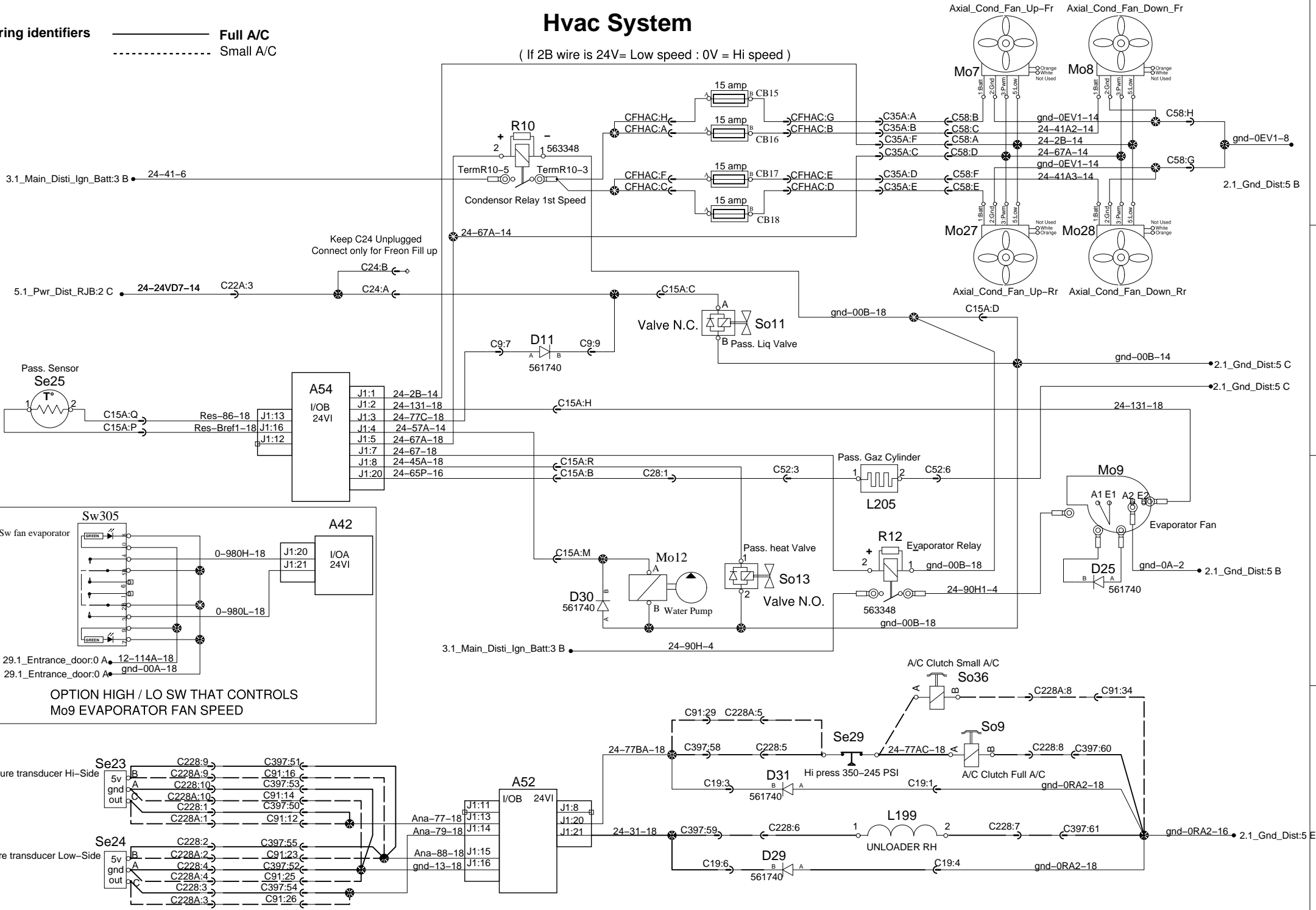
C397:54

C91:26

Hvac System

(If 2B wire is 24V= Low speed : 0V = Hi speed)

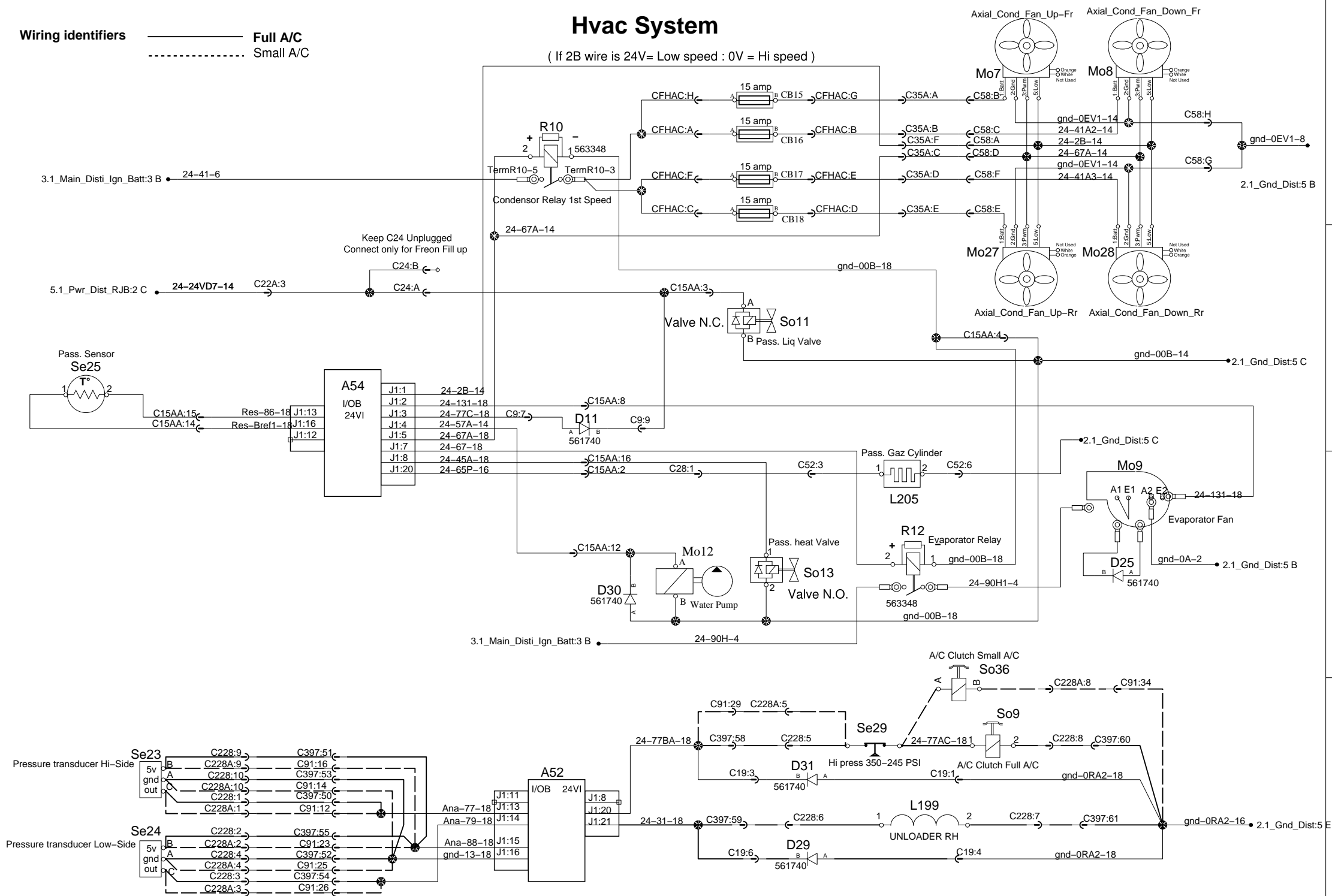
Wiring identifiers Full A/C
 Small A/C



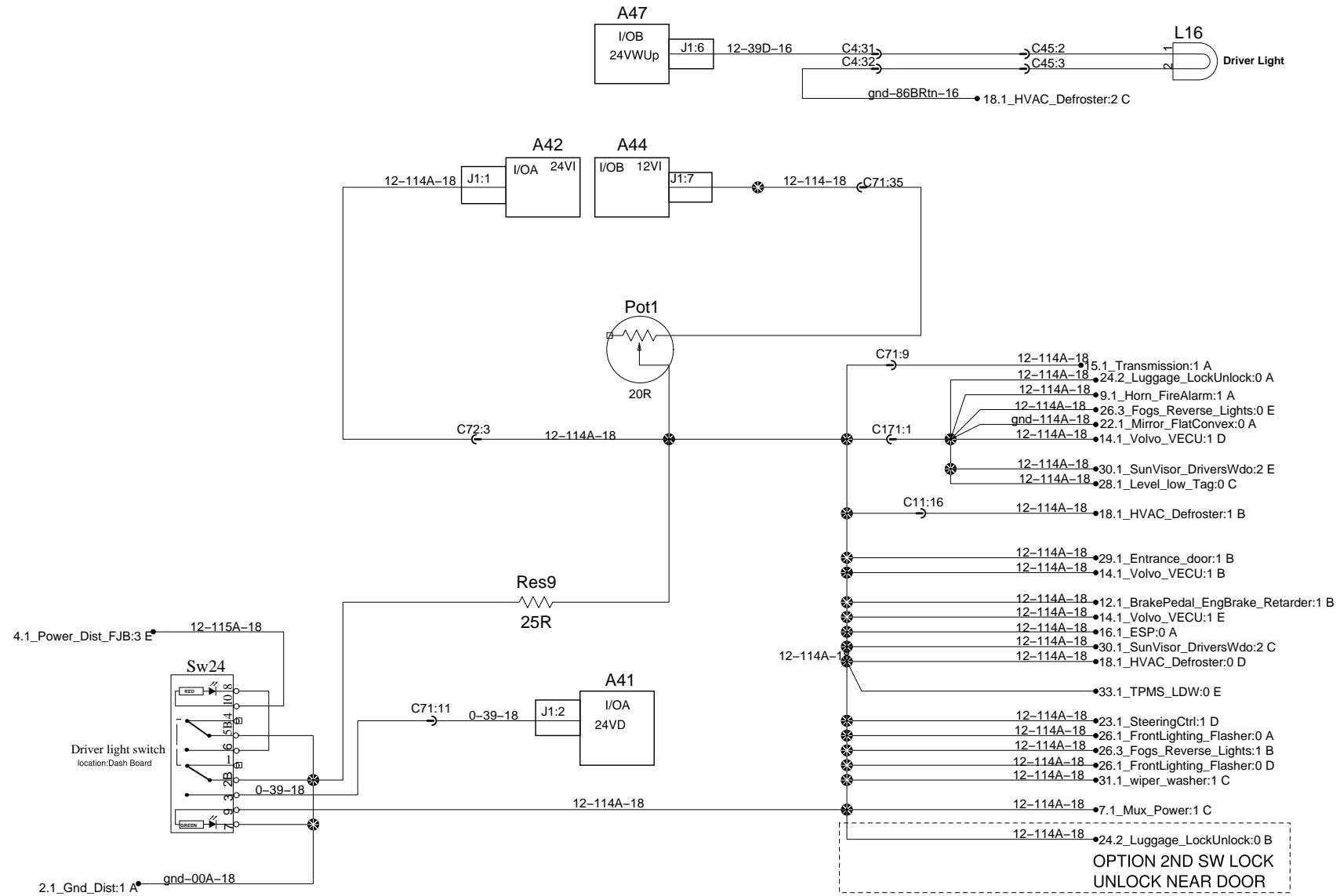
Hvac System

(If 2B wire is 24V= Low speed : 0V = Hi speed)

Wiring identifiers Full A/C
 Small A/C

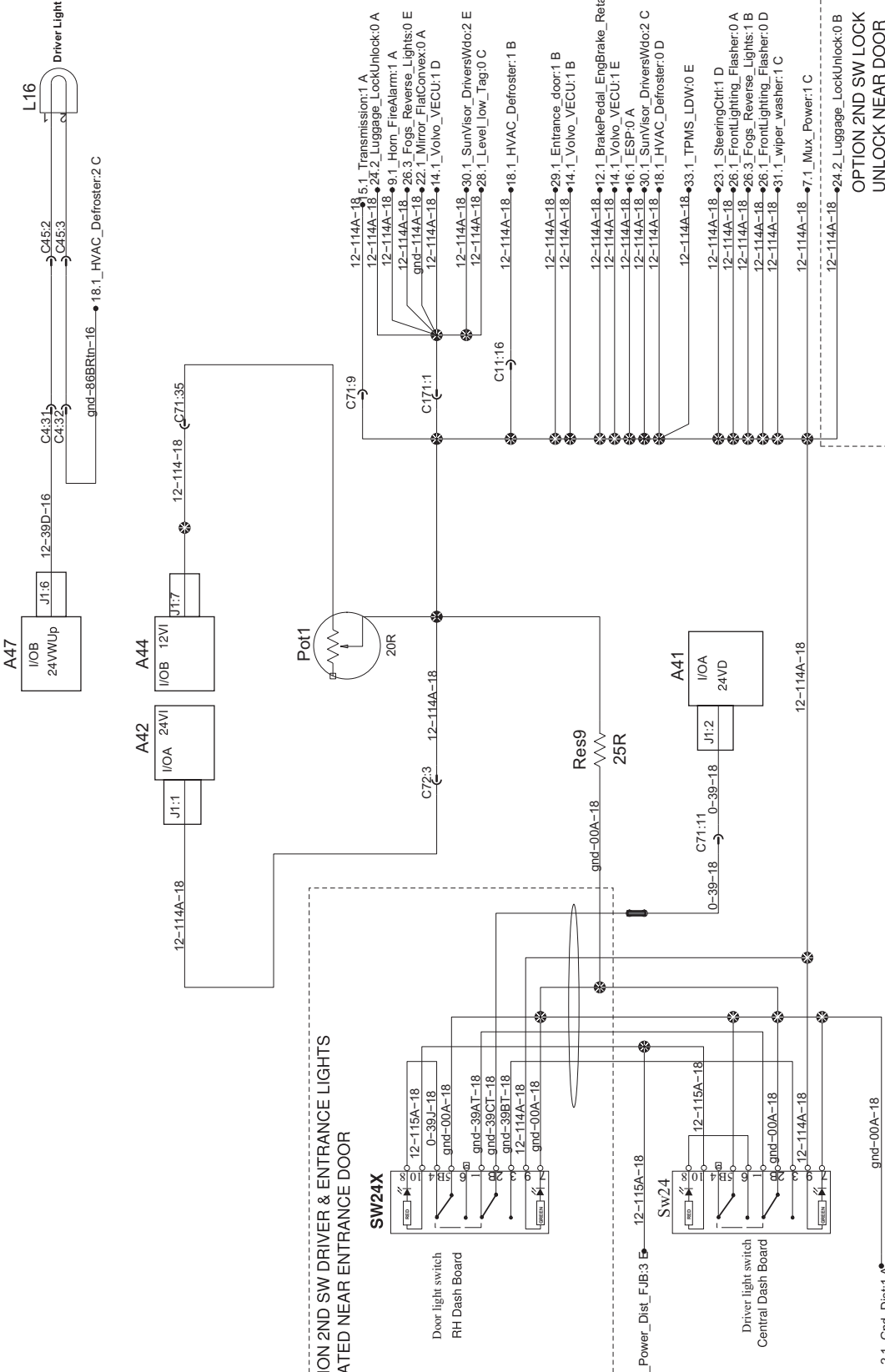


Driver lights

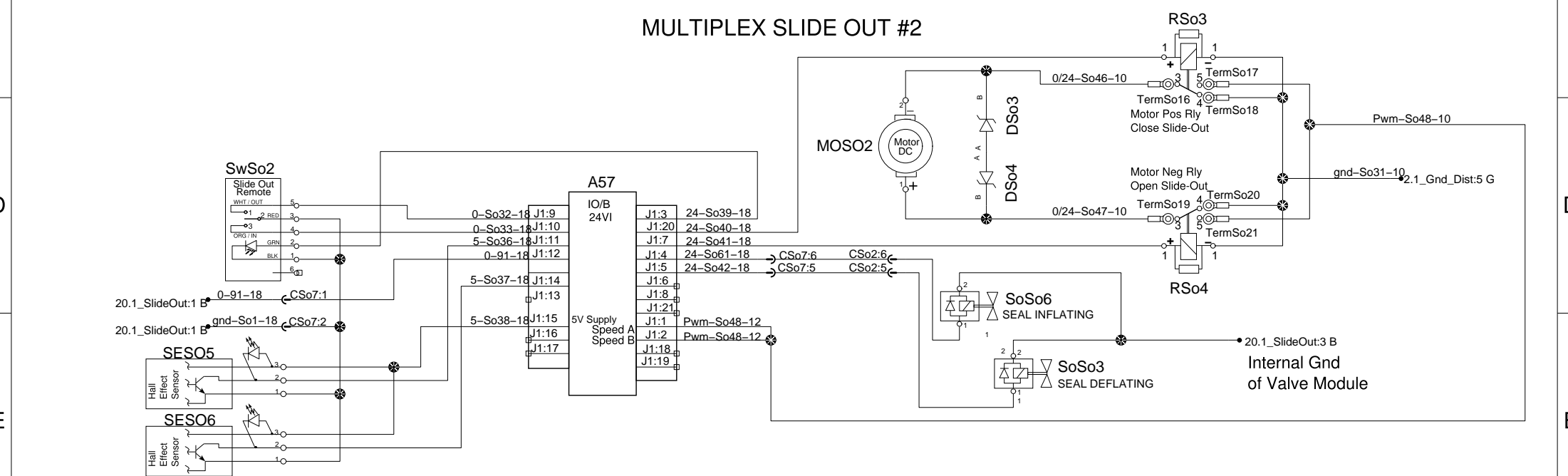
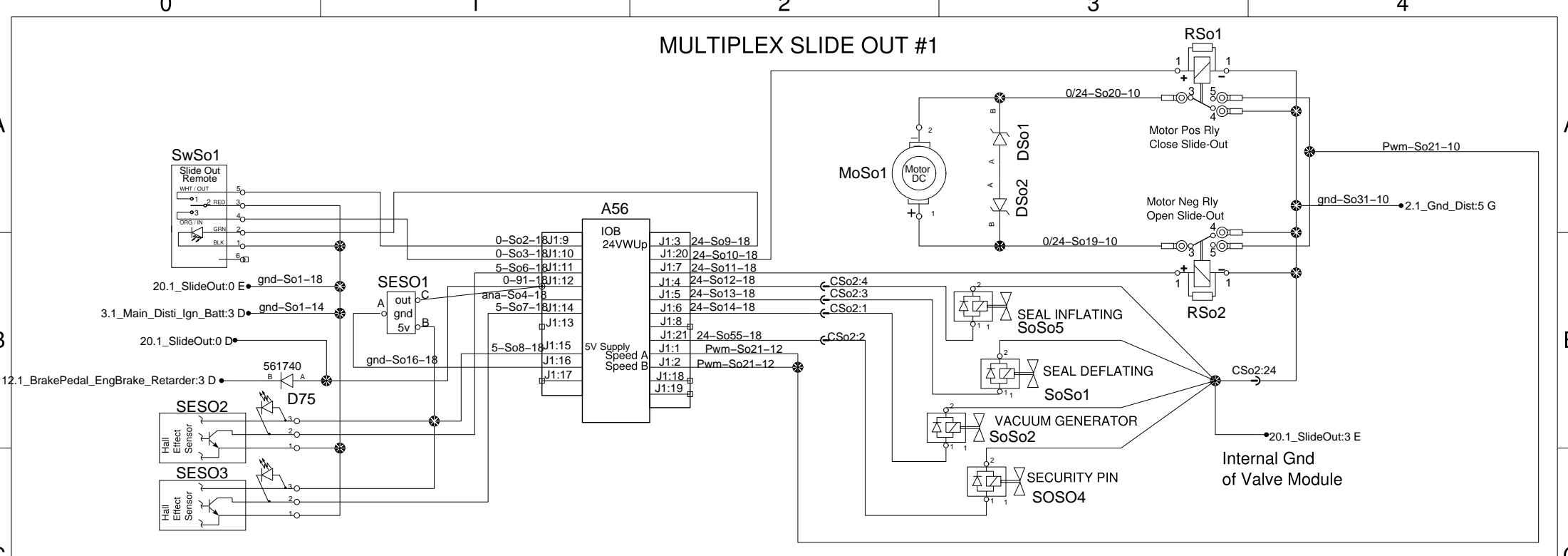


0 1 2 3 4

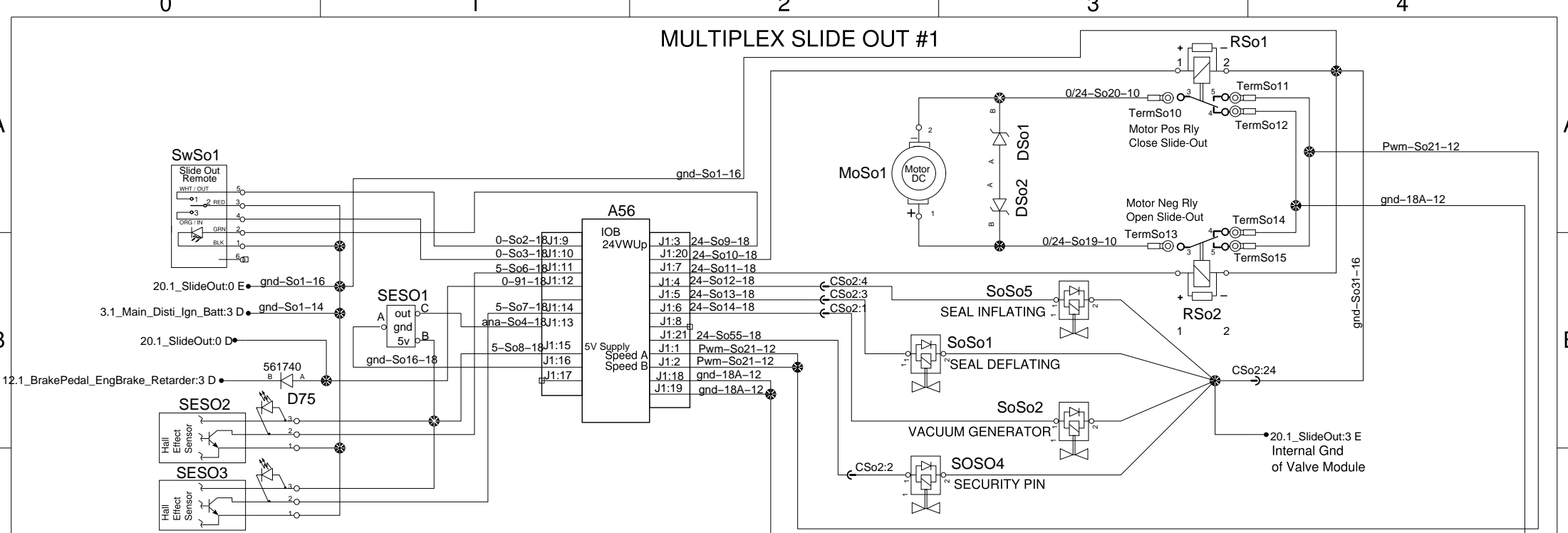
Driver lights



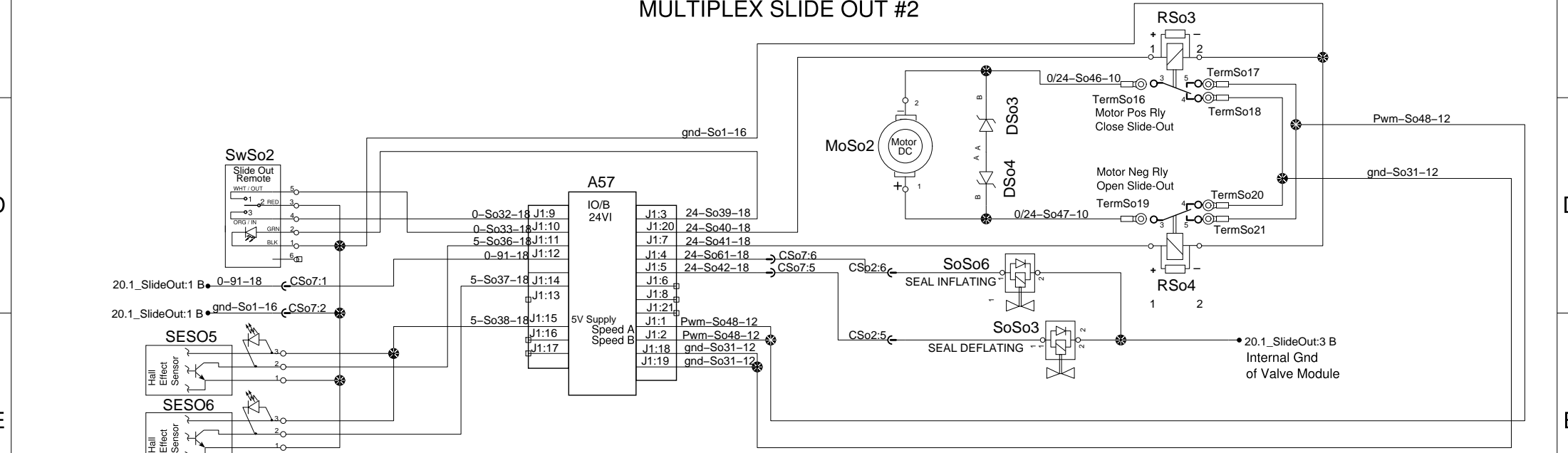
0 1 2 3 4



MULTIPLEX SLIDE OUT #1



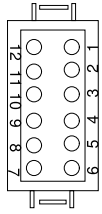
MULTIPLEX SLIDE OUT #2



Converter interface

Front junction box

CC1 (BLACK)



BACK OF CONNECTOR
PREVOST PART 563227
SOCKET TERMINALS 562482
SECONDARY LOCK 563228

CC2 (GREY)



BACK OF CONNECTOR
PREVOST PART 563226
SOCKET TERMINALS 562482
SECONDARY LOCK 563228

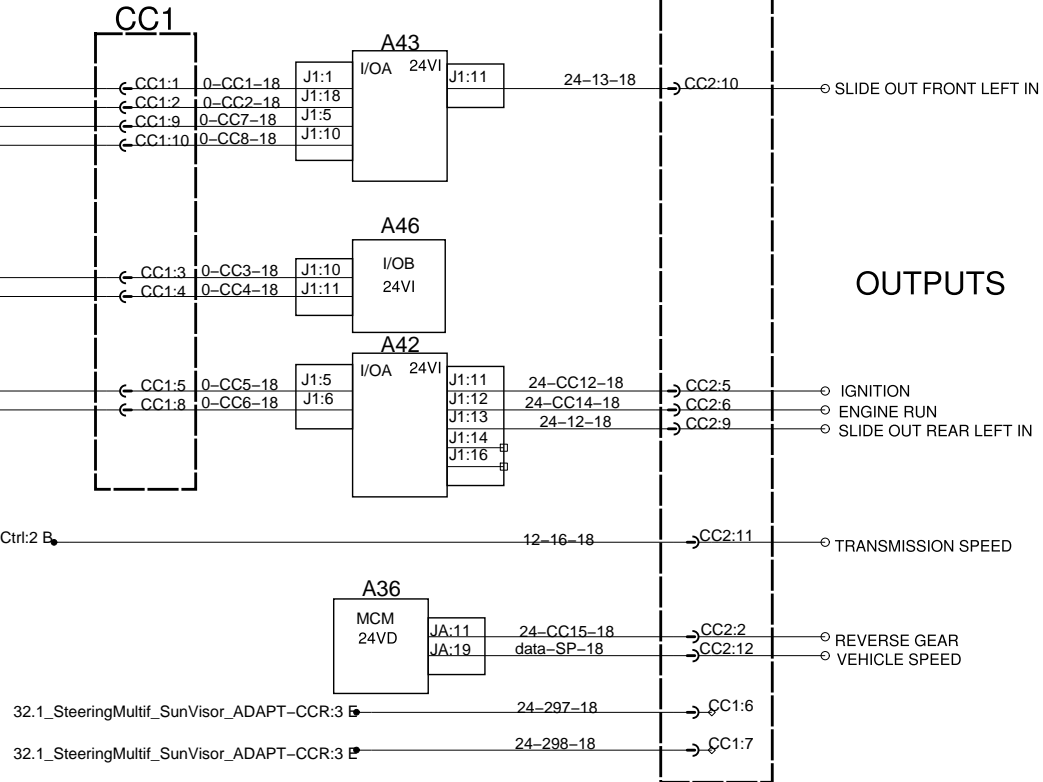
INPUTS

Retract slide out
Store roof antenna
House alternator fault
Awning windows opened

Close front bumper
Store side awning

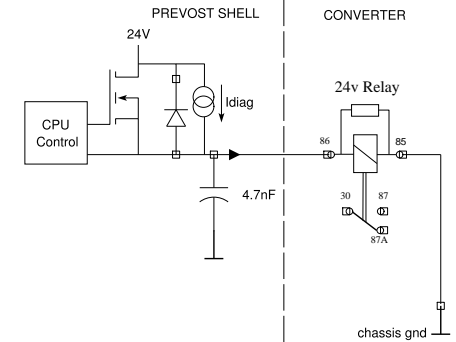
Generator problem
Shore power cord

23.1_SteeringCtrl:2 B

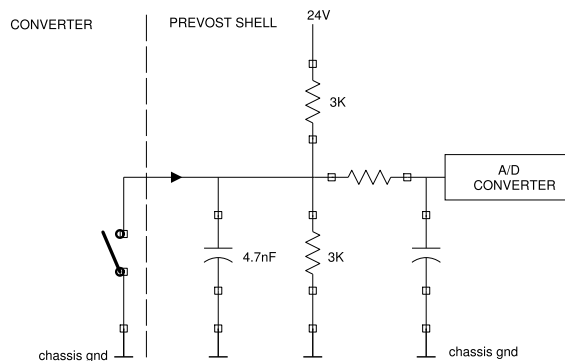


OUTPUTS

* SPECIAL CIRCUIT CECM J1:12



TYPICAL CIRCUIT



INPUT SPECIFICATION

Active state (input contact closed):

Sourcing current : 8mA
Maximum allowed voltage drop across contact: 3V

Inactive state(input contact open):

Voltage on input:12V
Maximum allowed leakage current across contact: 3ma

OUTPUT SPECIFICATION

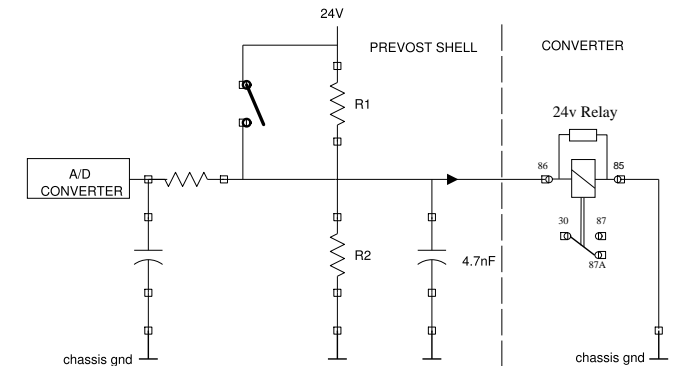
Active state

Maximum current: 1A I/OA /125ma CECM
Minimum output voltage: 22.5V

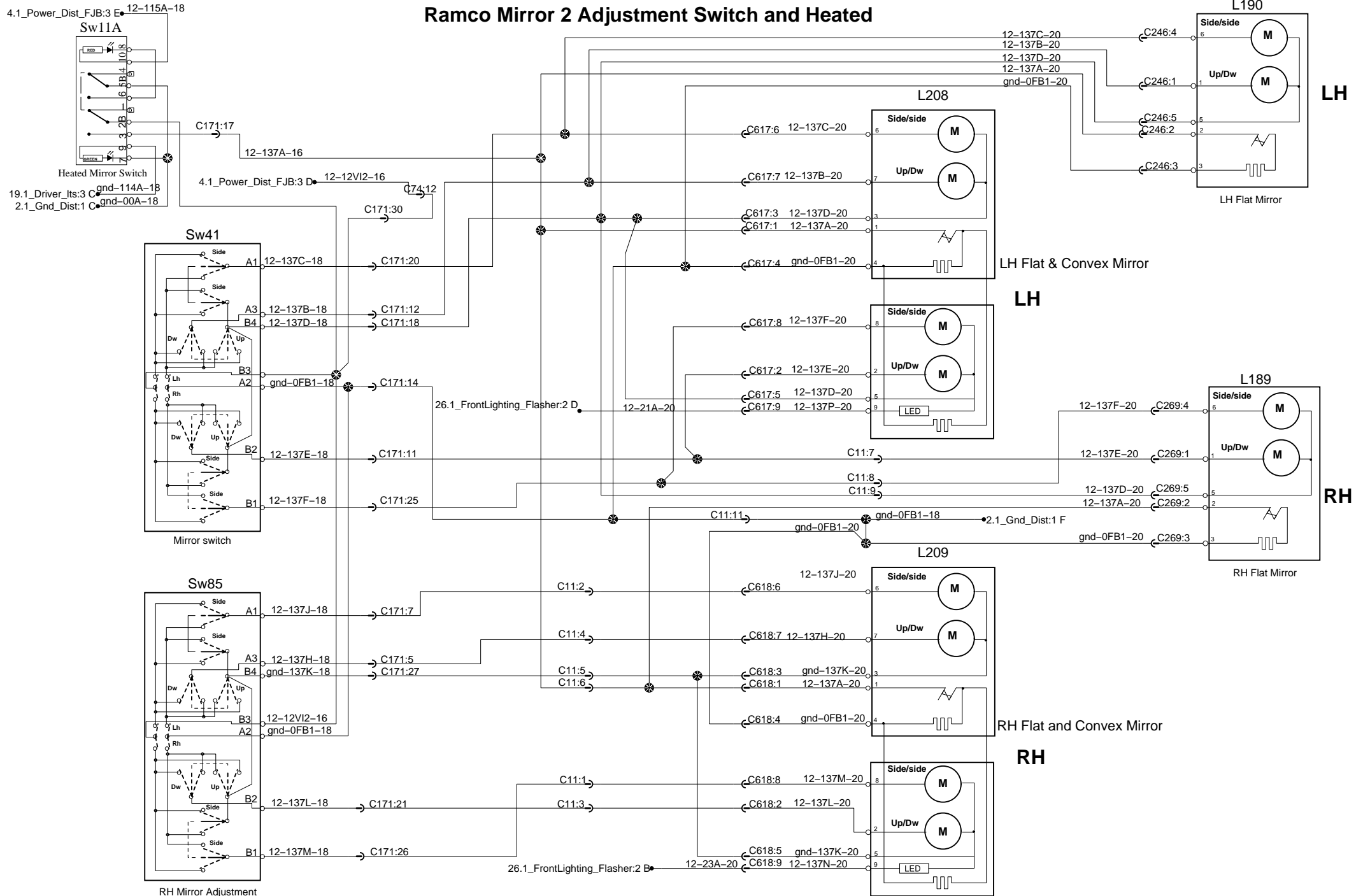
Inactive state

Open circuit voltage: 6v to 8v except CECM J1:12 = 0v *
Leakage current: 0.8ma

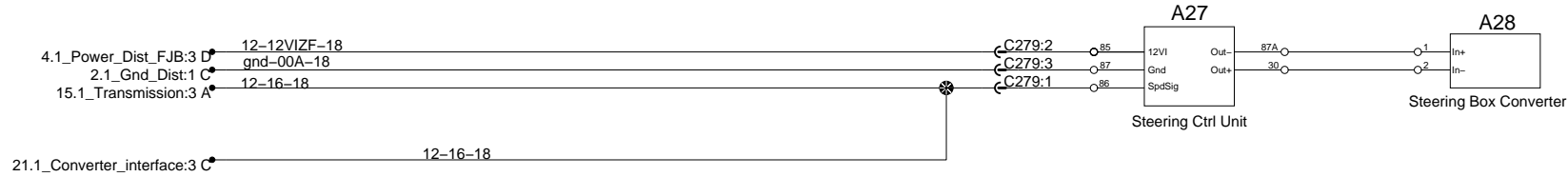
TYPICAL CIRCUIT I/OA & CECM



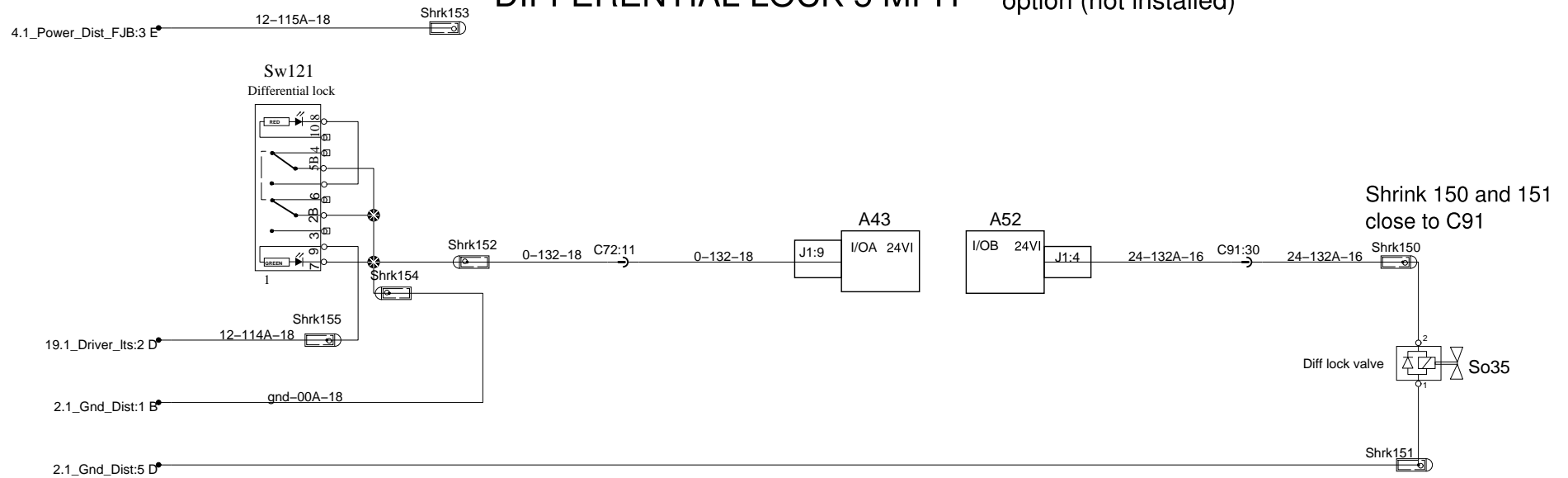
Ramco Mirror 2 Adjustment Switch and Heated



ZF Steering Control

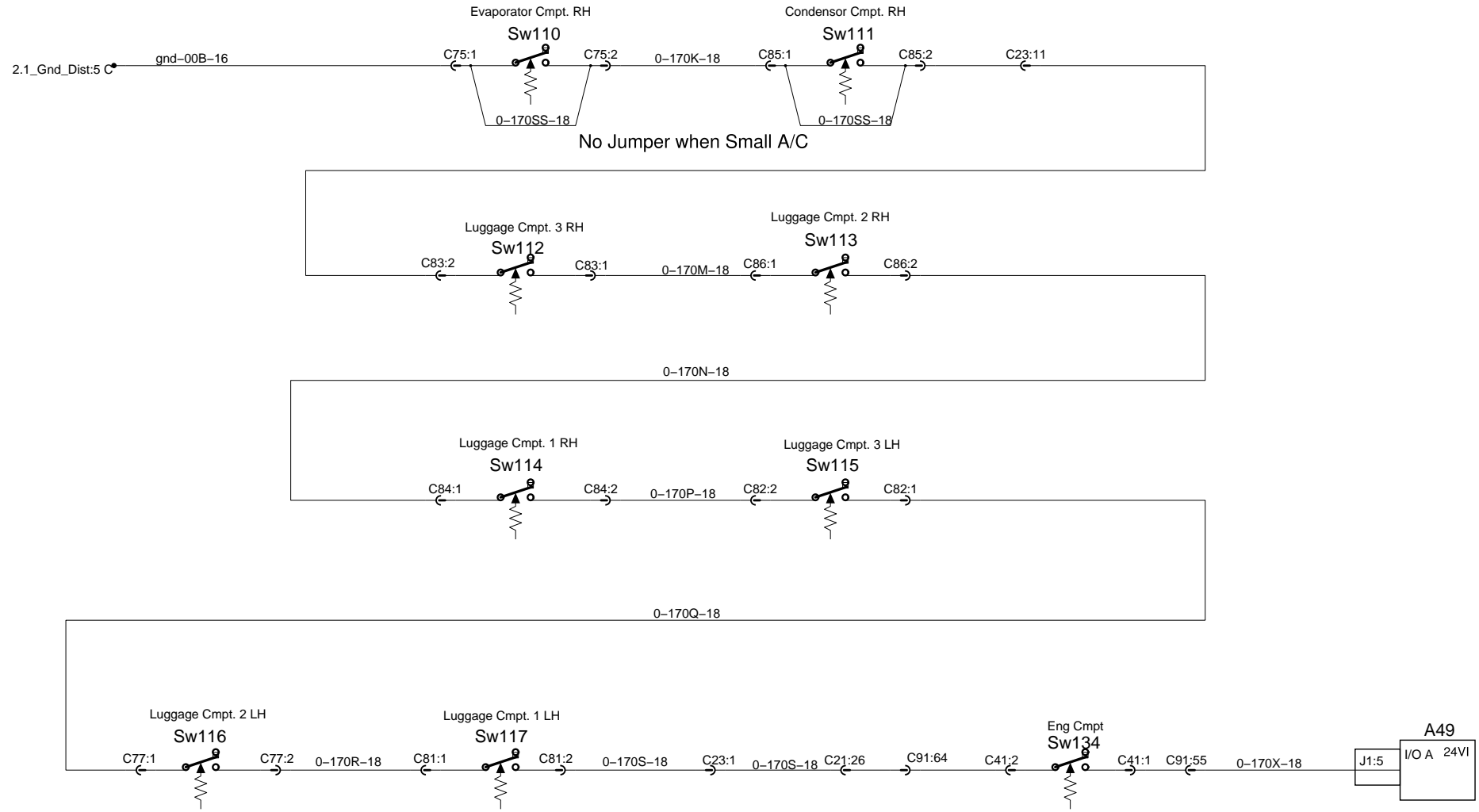


DIFFERENTIAL LOCK 5 MPH option (not installed)

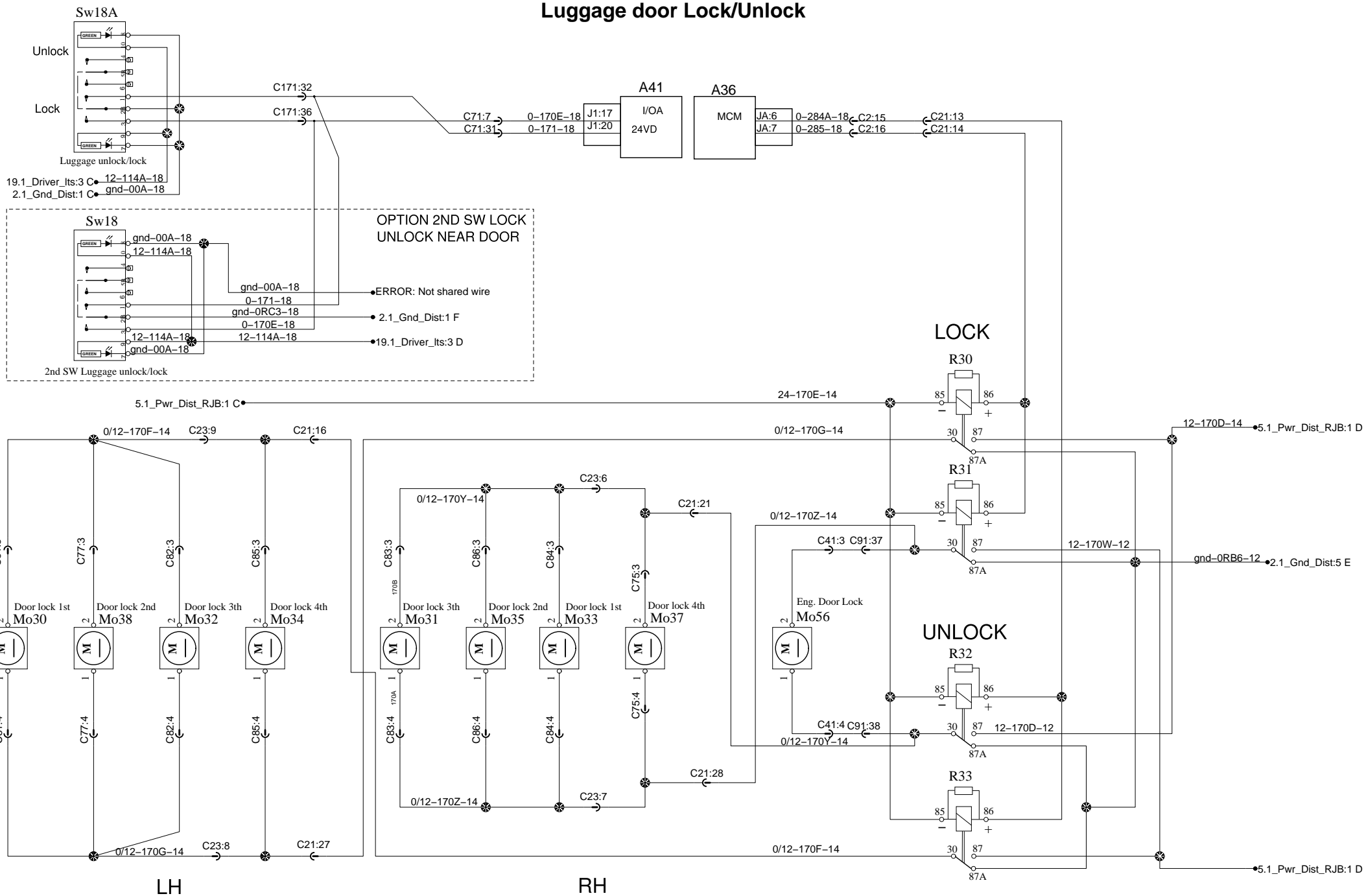


Luggage doors locks switches

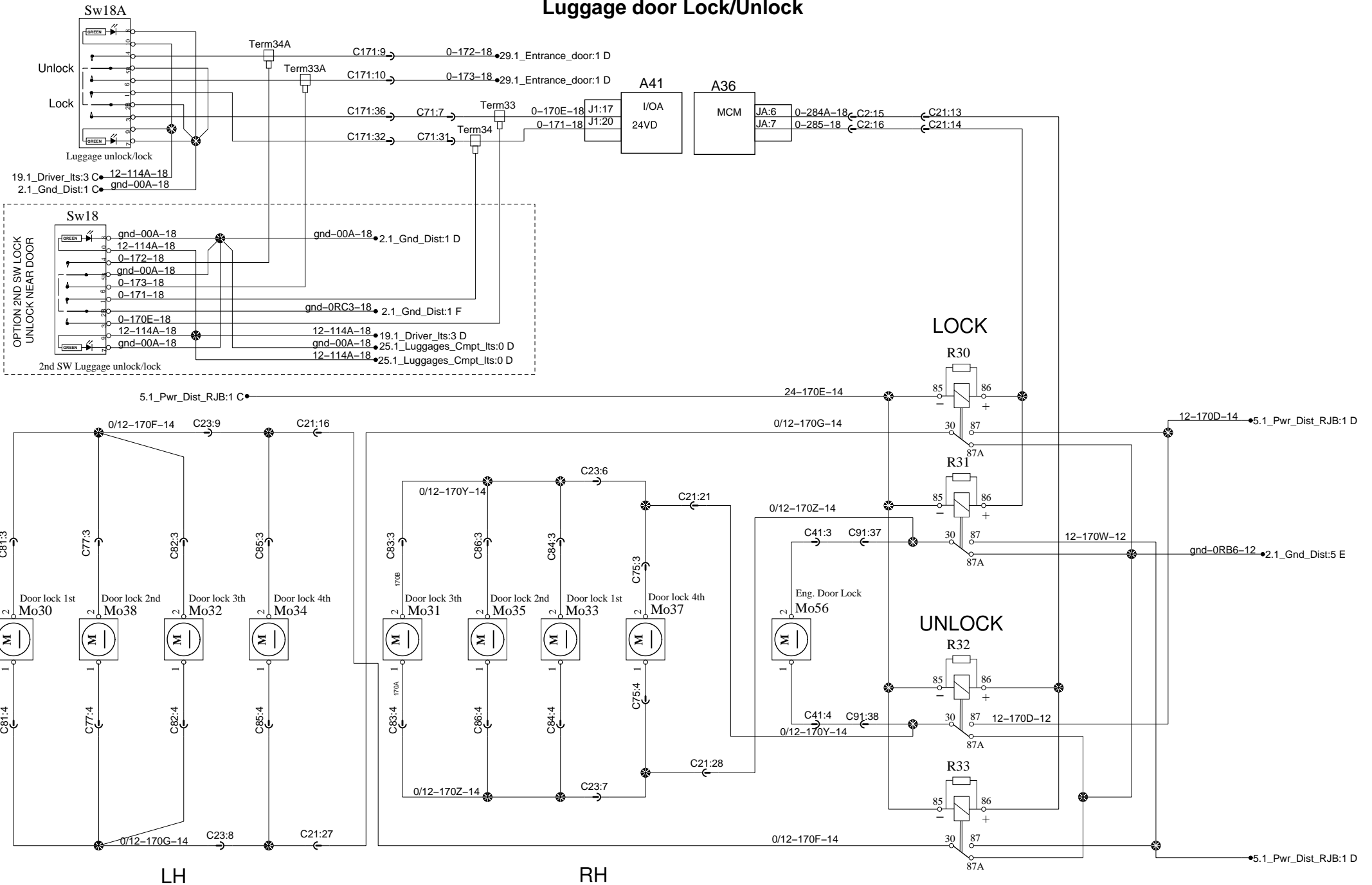
(Switch closed=door locked)



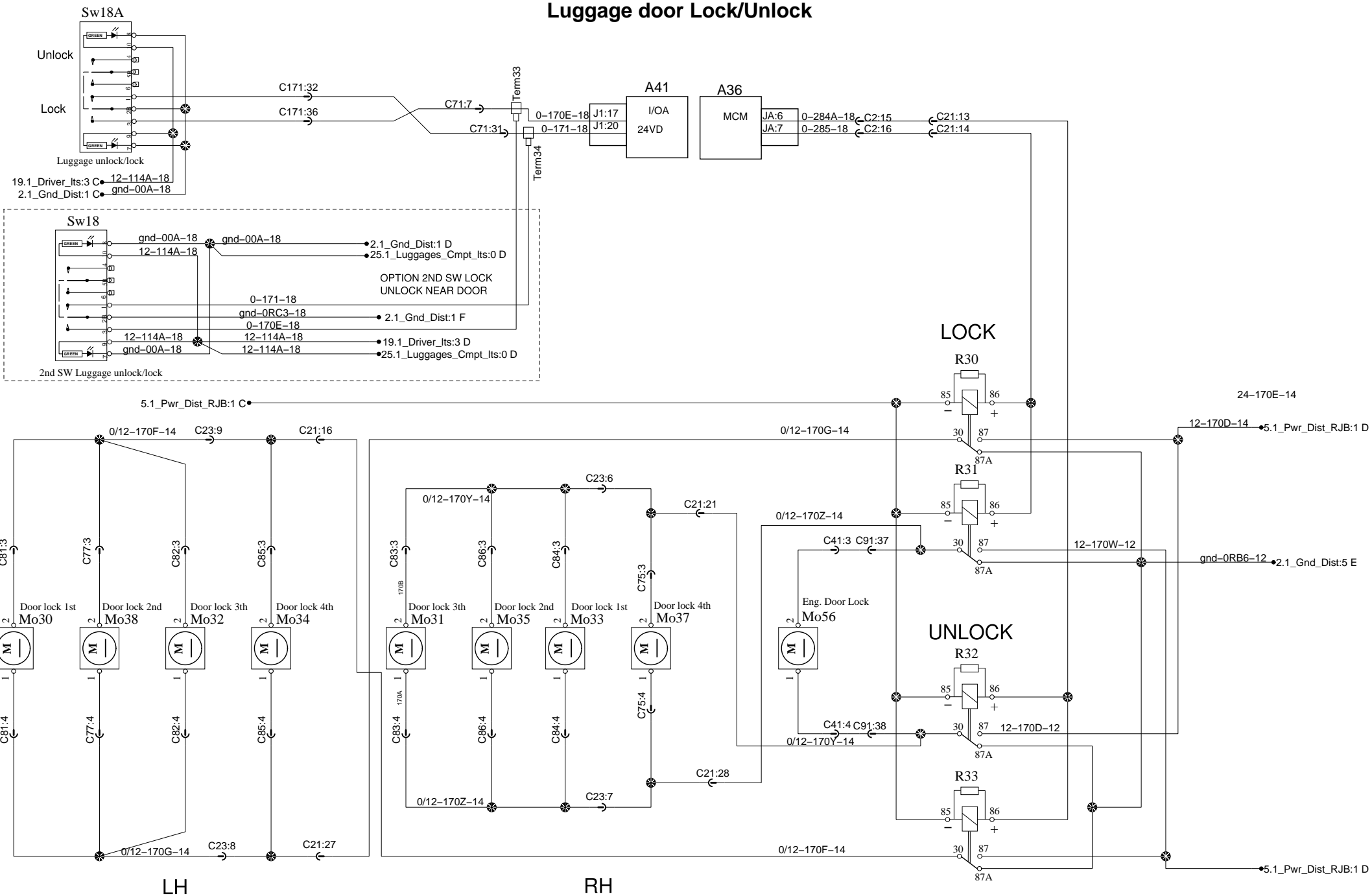
Luggage door Lock/Unlock



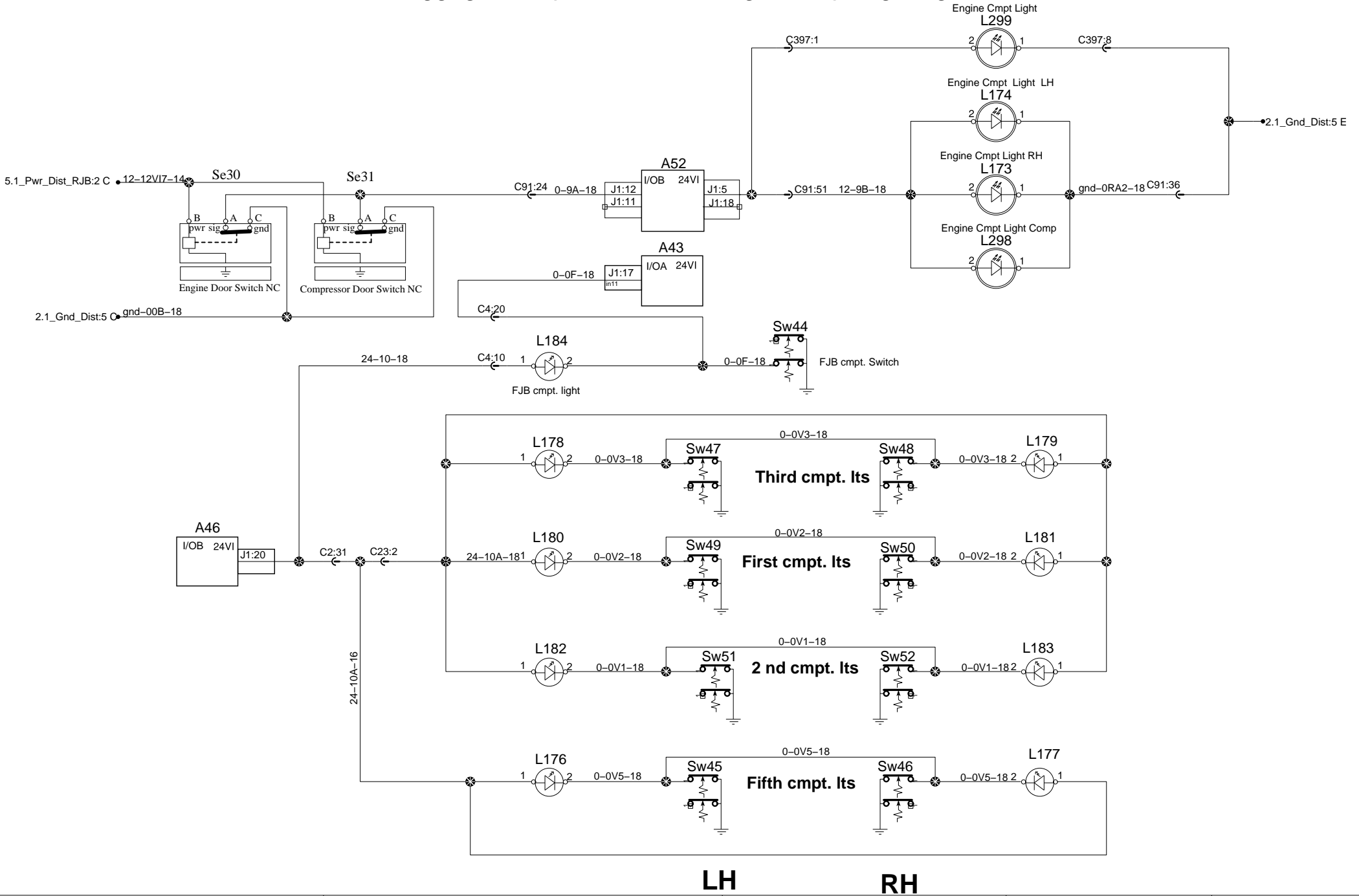
Luggage door Lock/Unlock



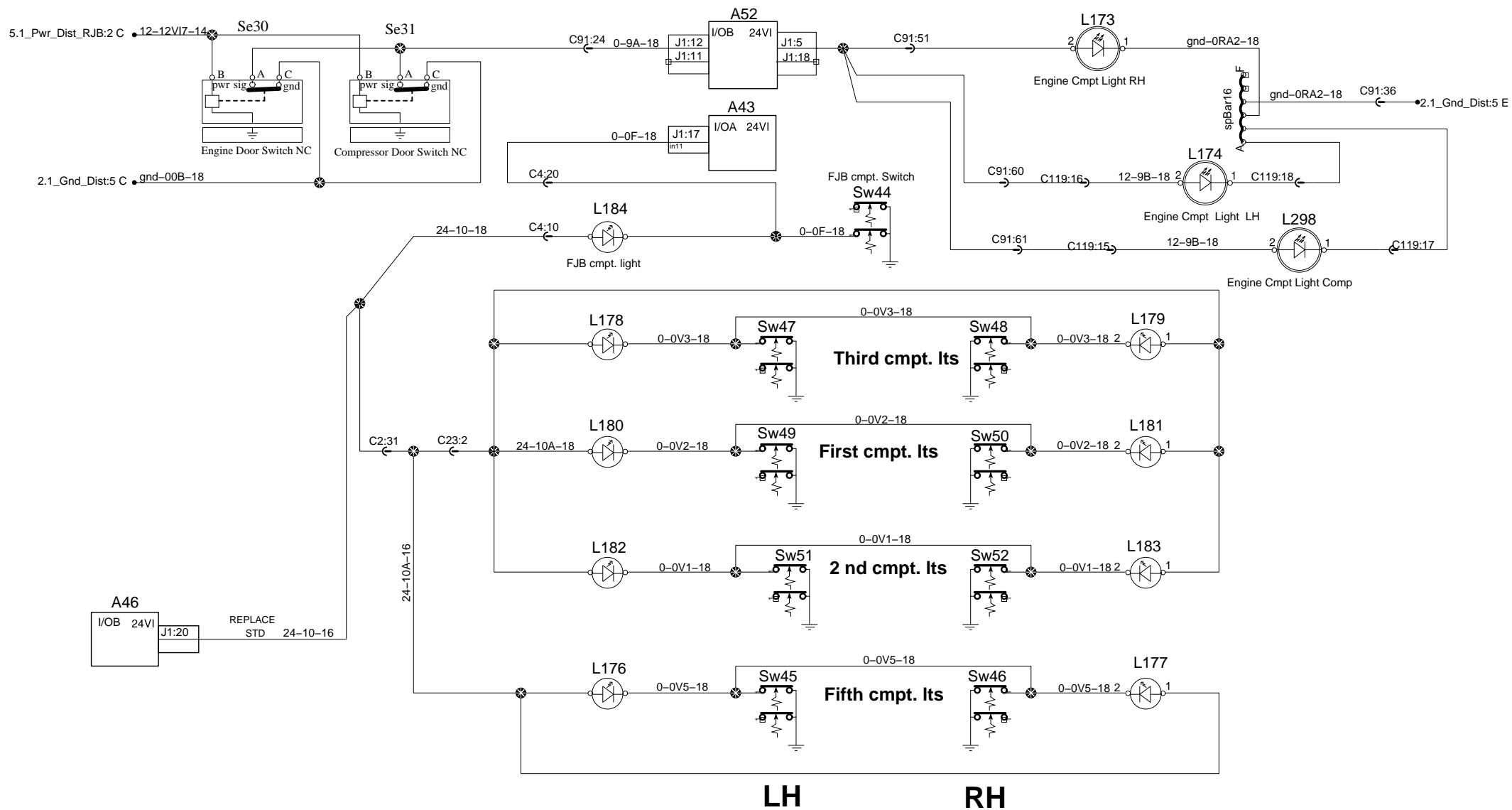
Luggage door Lock/Unlock



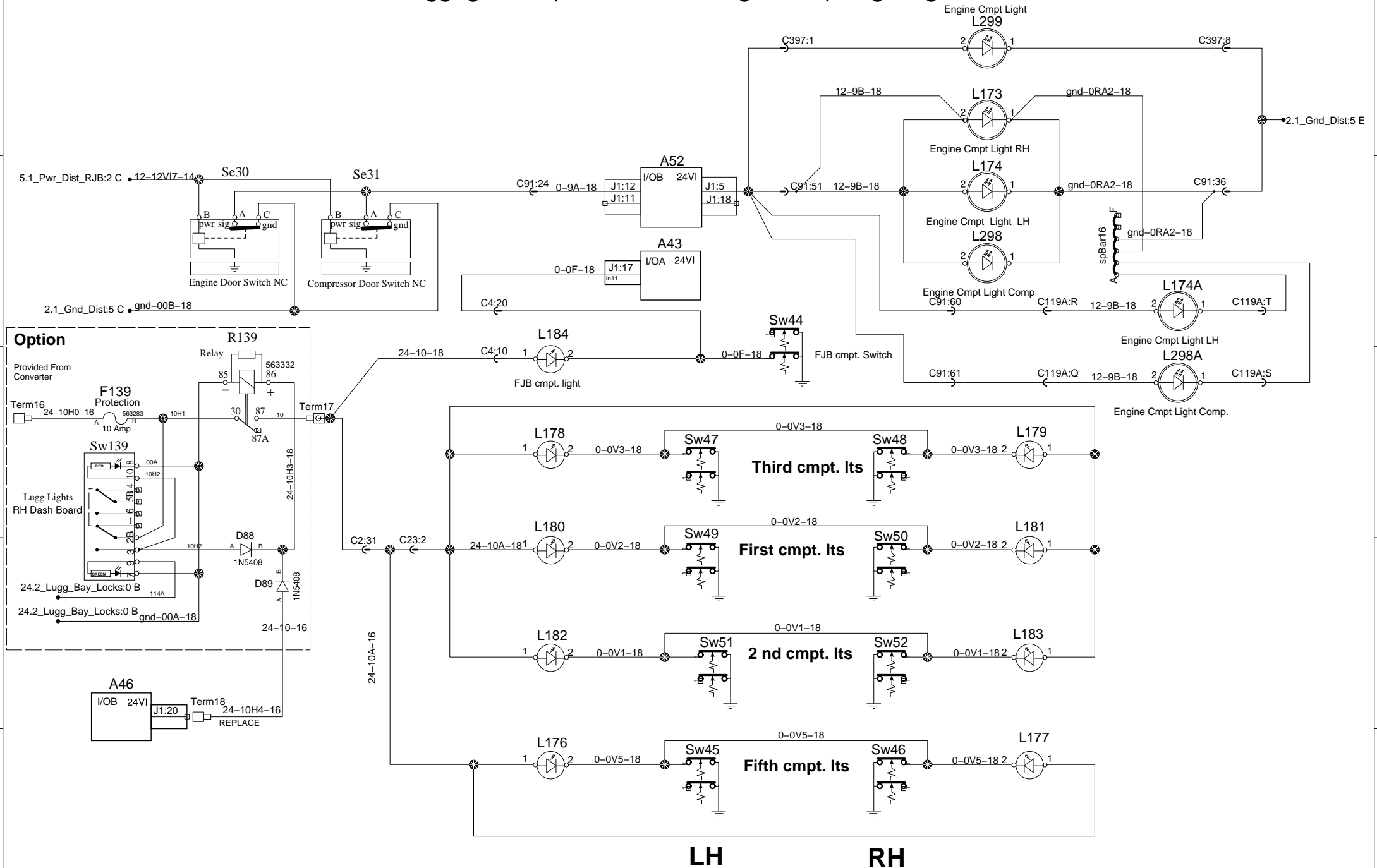
Luggage Compartment and Engine cmpt. lighting



Luggage Compartment and Engine cmpt. lighting

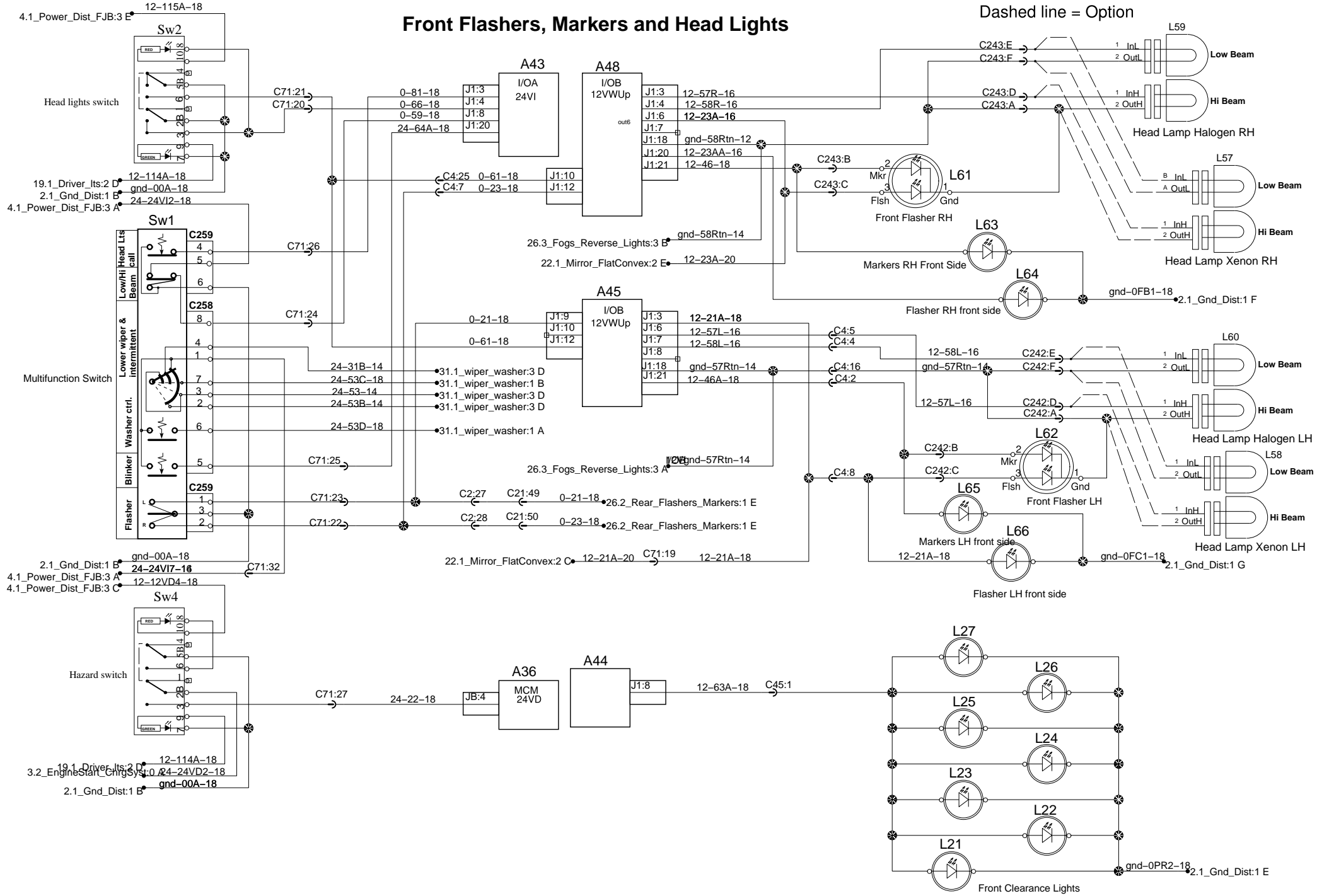


Luggage Compartment and Engine cmpt. lighting

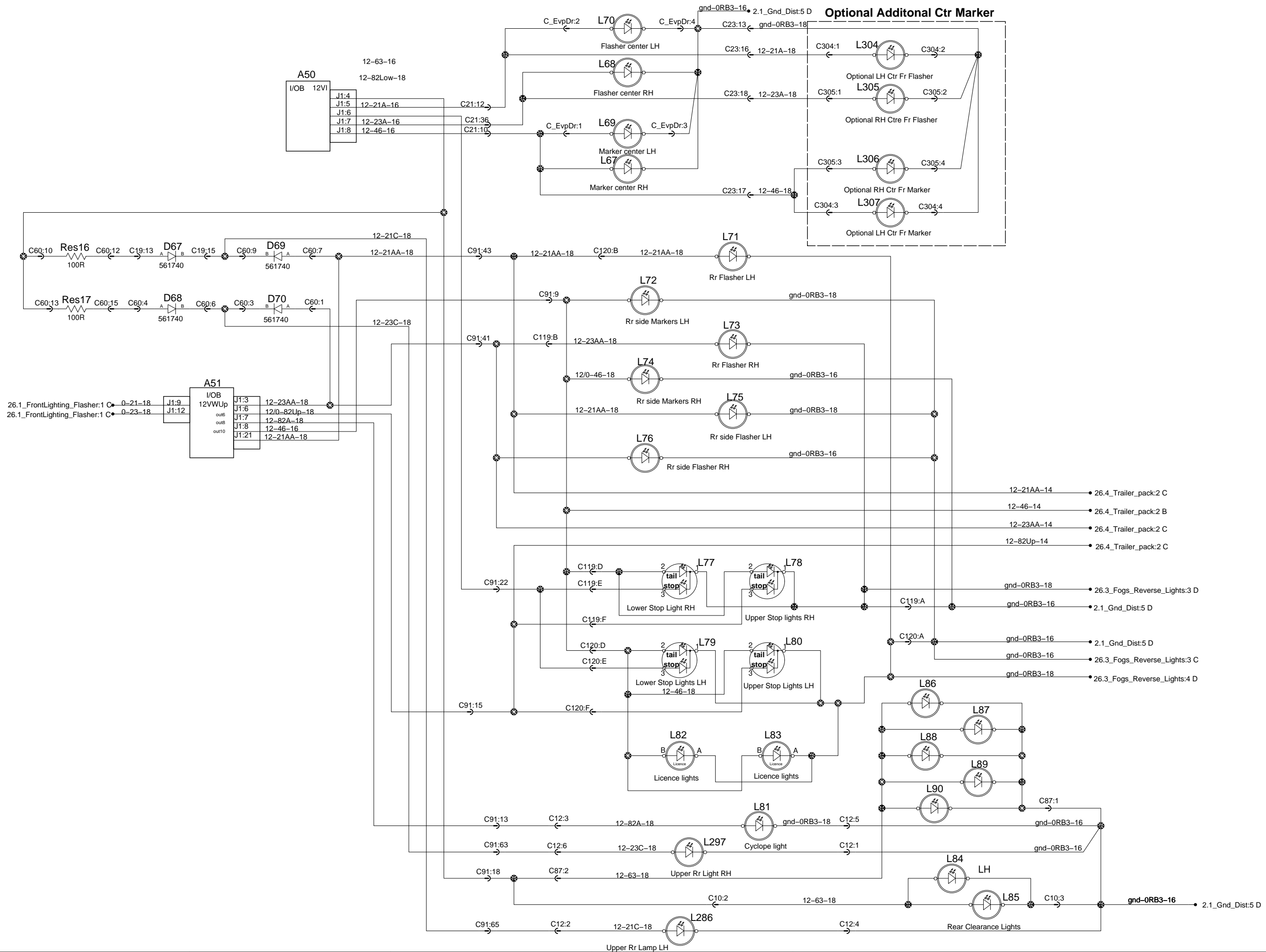


Front Flashers, Markers and Head Lights

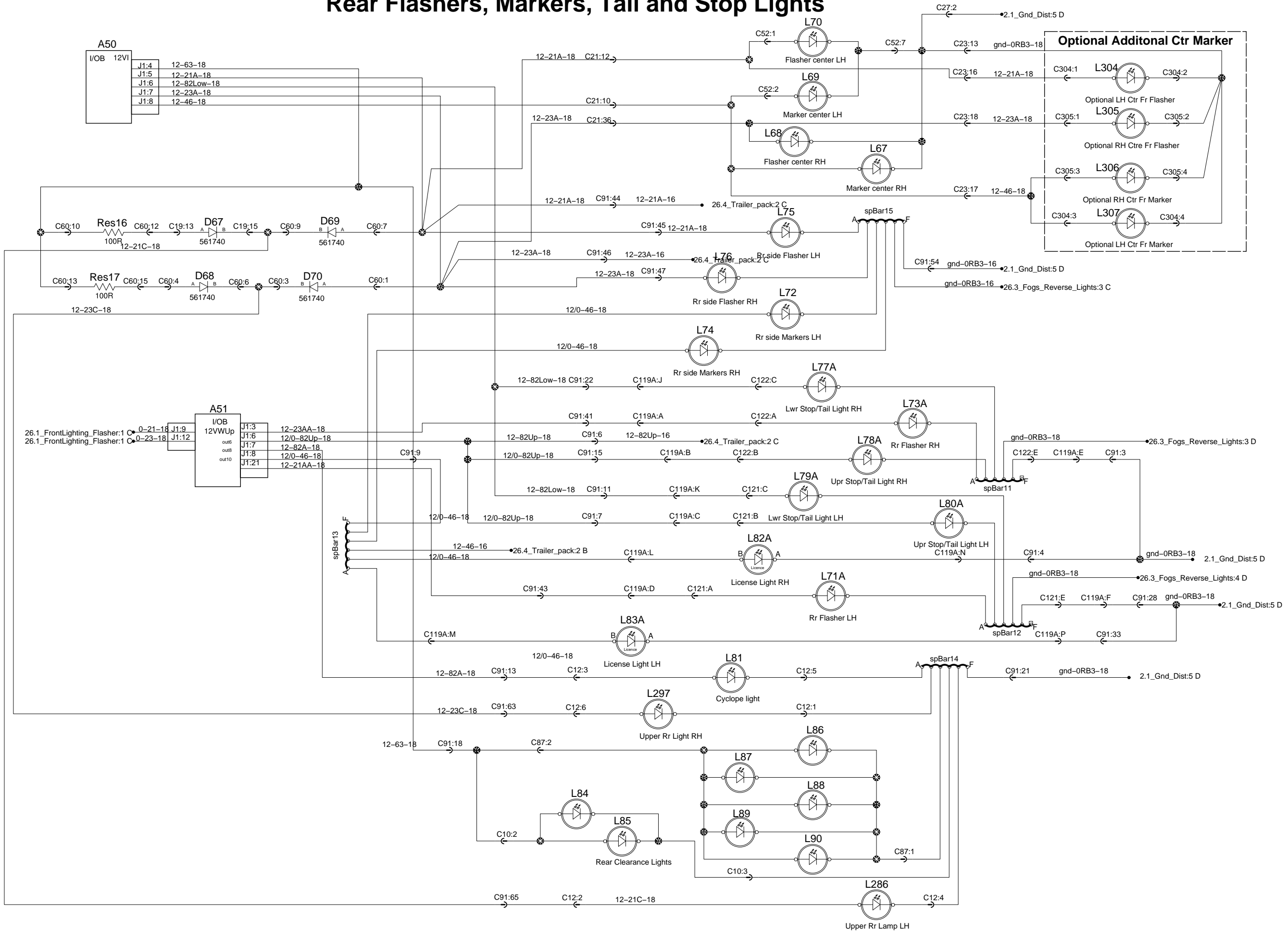
Dashed line = Option



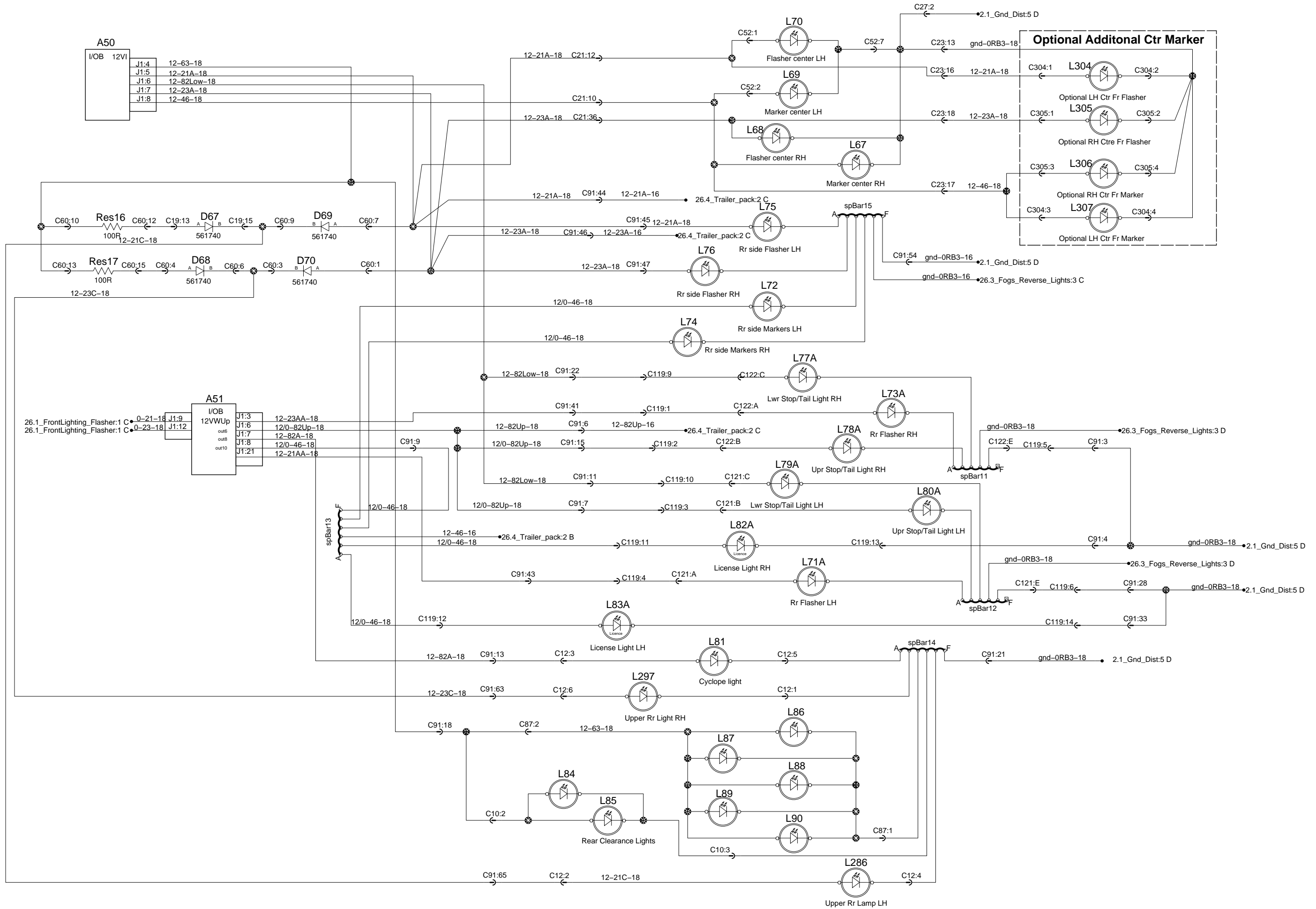
Rear Flashers, Markers, Tail and Stop Lights



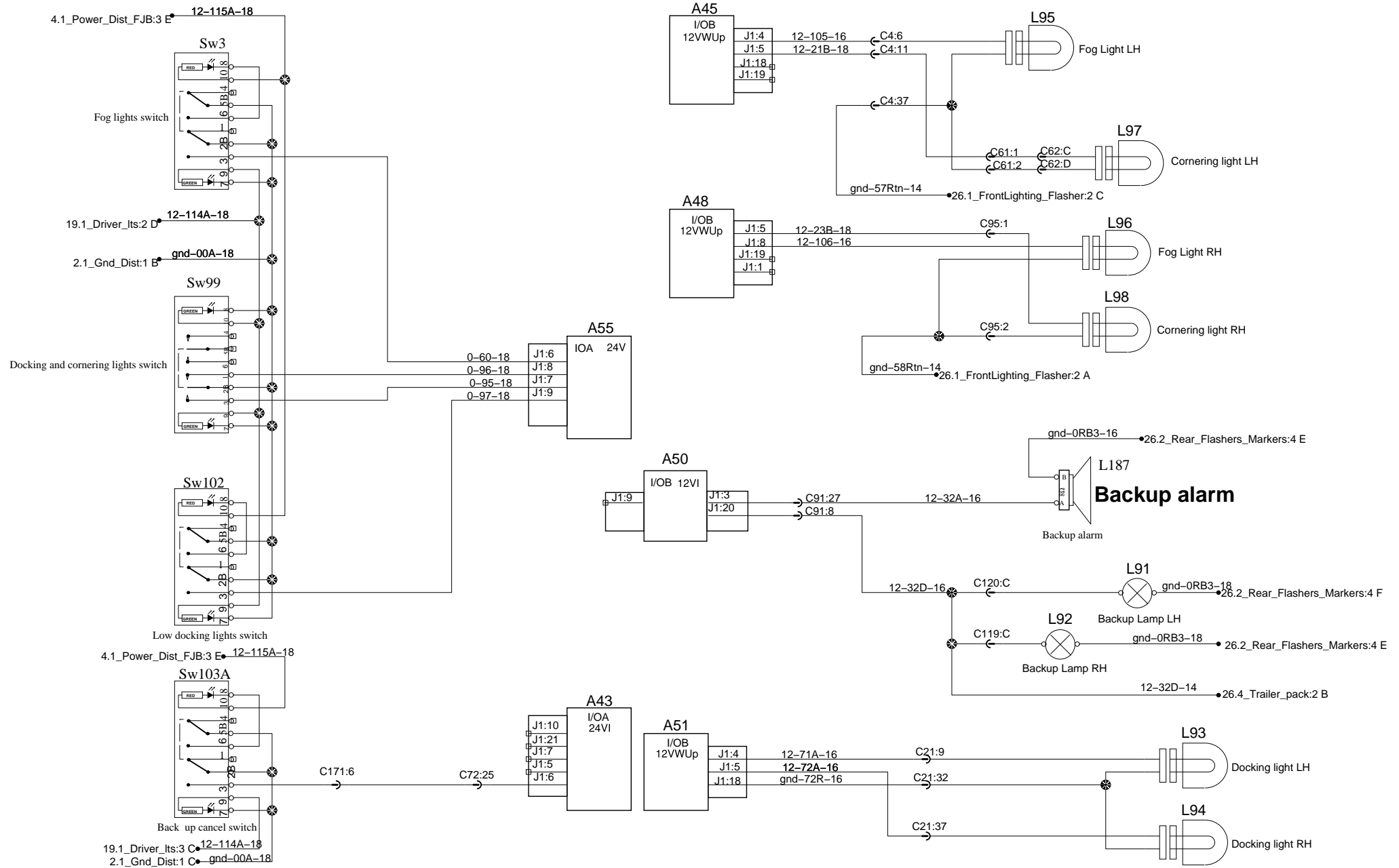
Rear Flashers, Markers, Tail and Stop Lights



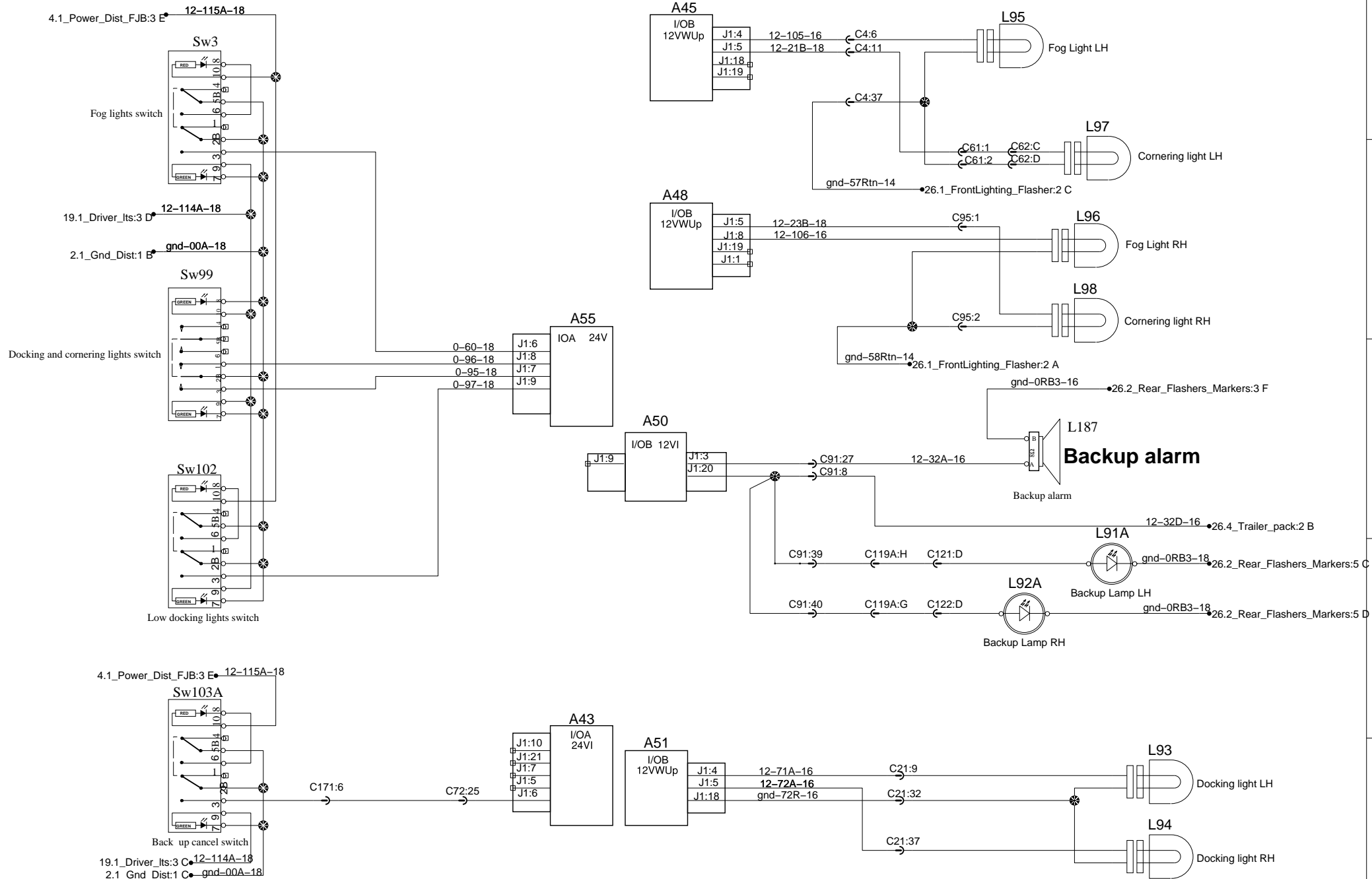
Rear Flashers, Markers, Tail and Stop Lights



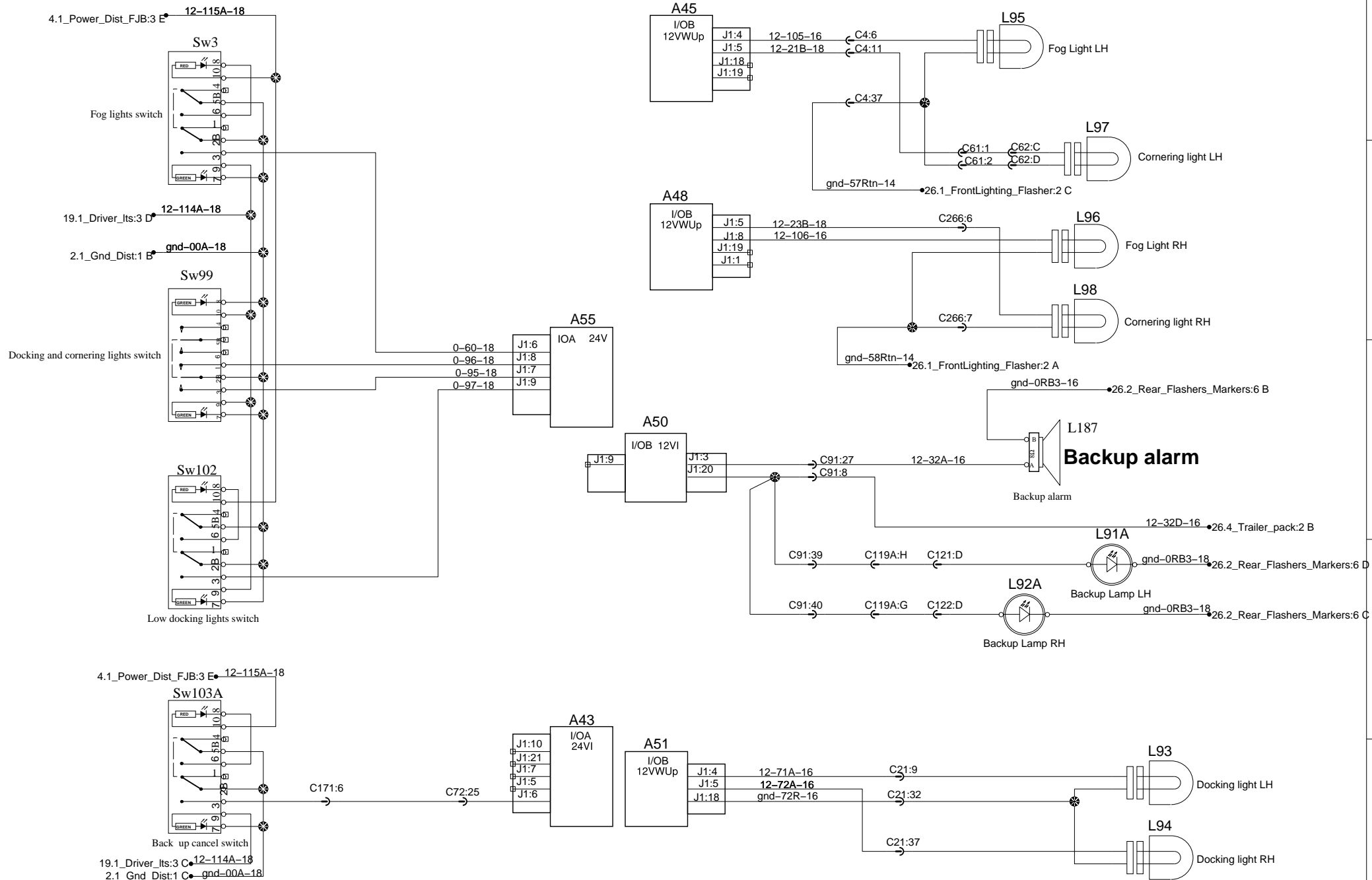
Fog's Lights and Backup Lights and Alarm



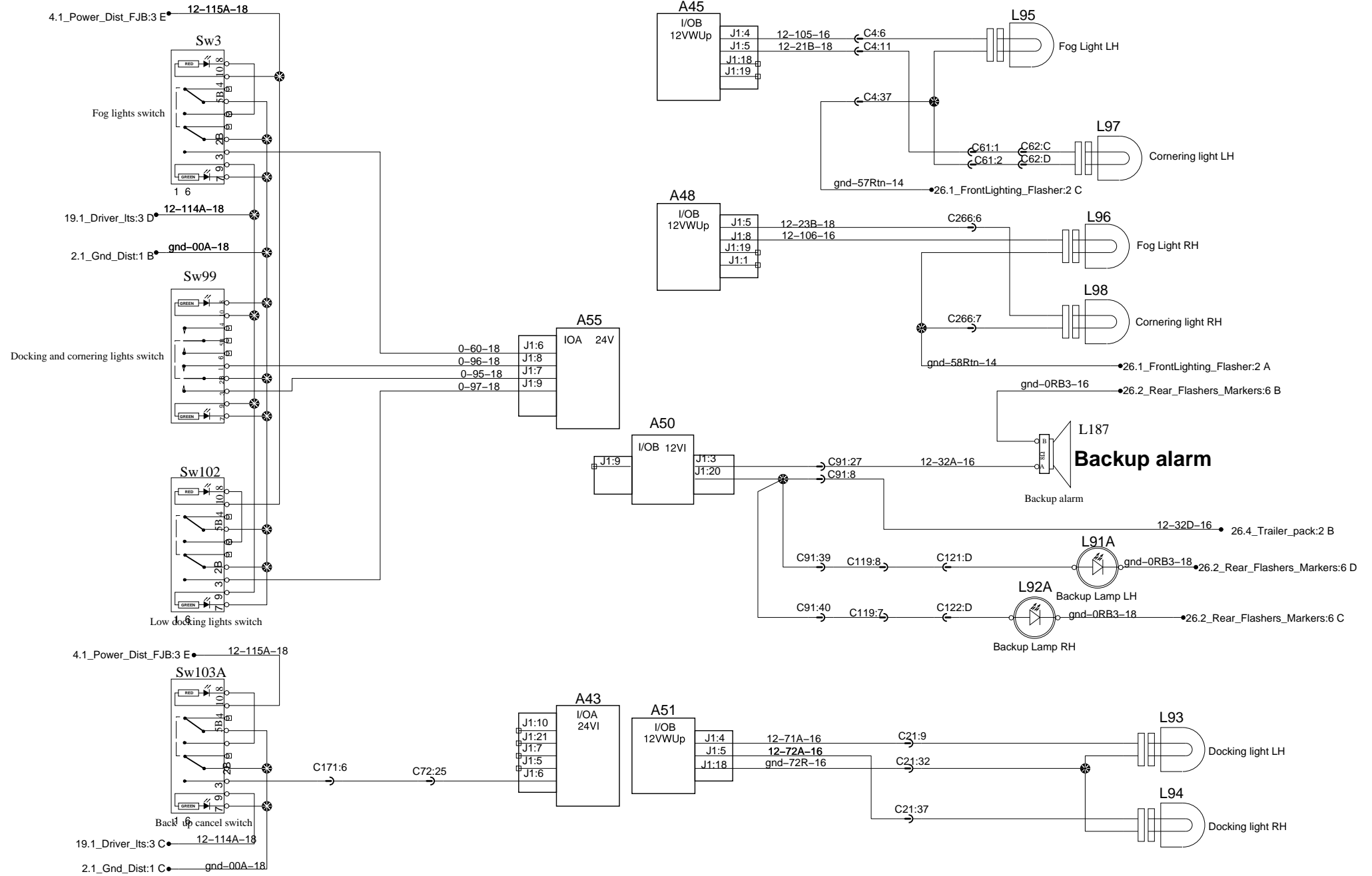
Fog's Lights and Backup Lights and Alarm



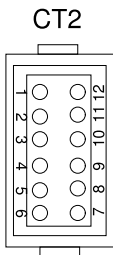
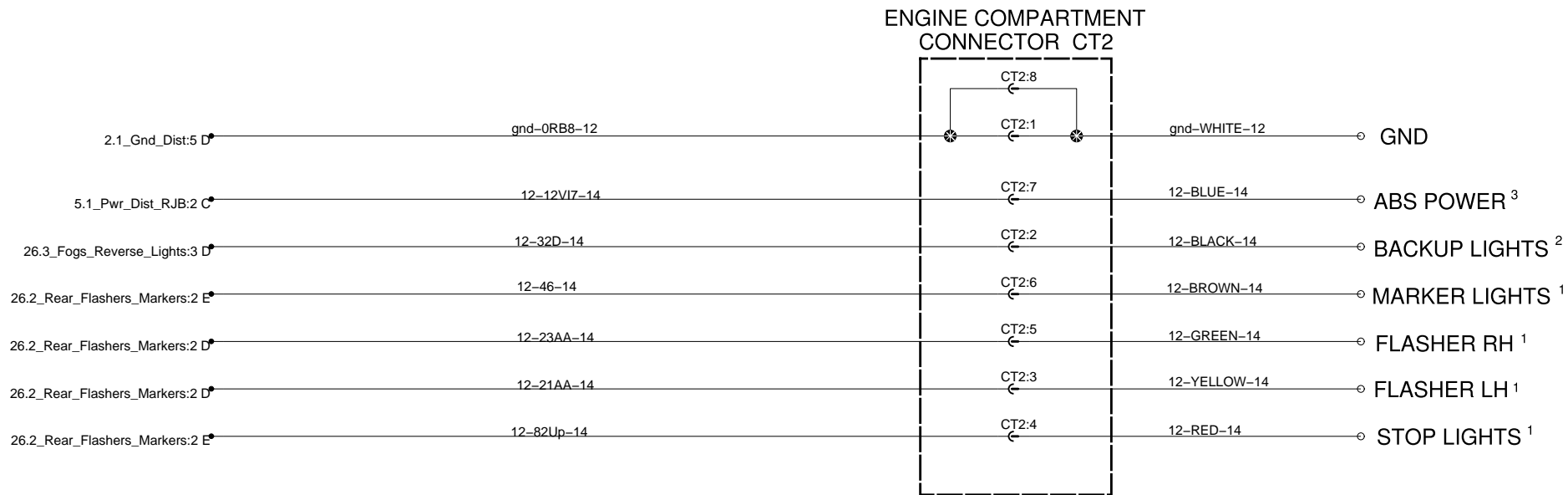
Fog's Lights and Backup Lights and Alarm



Fog's Lights and Backup Lights and Alarm



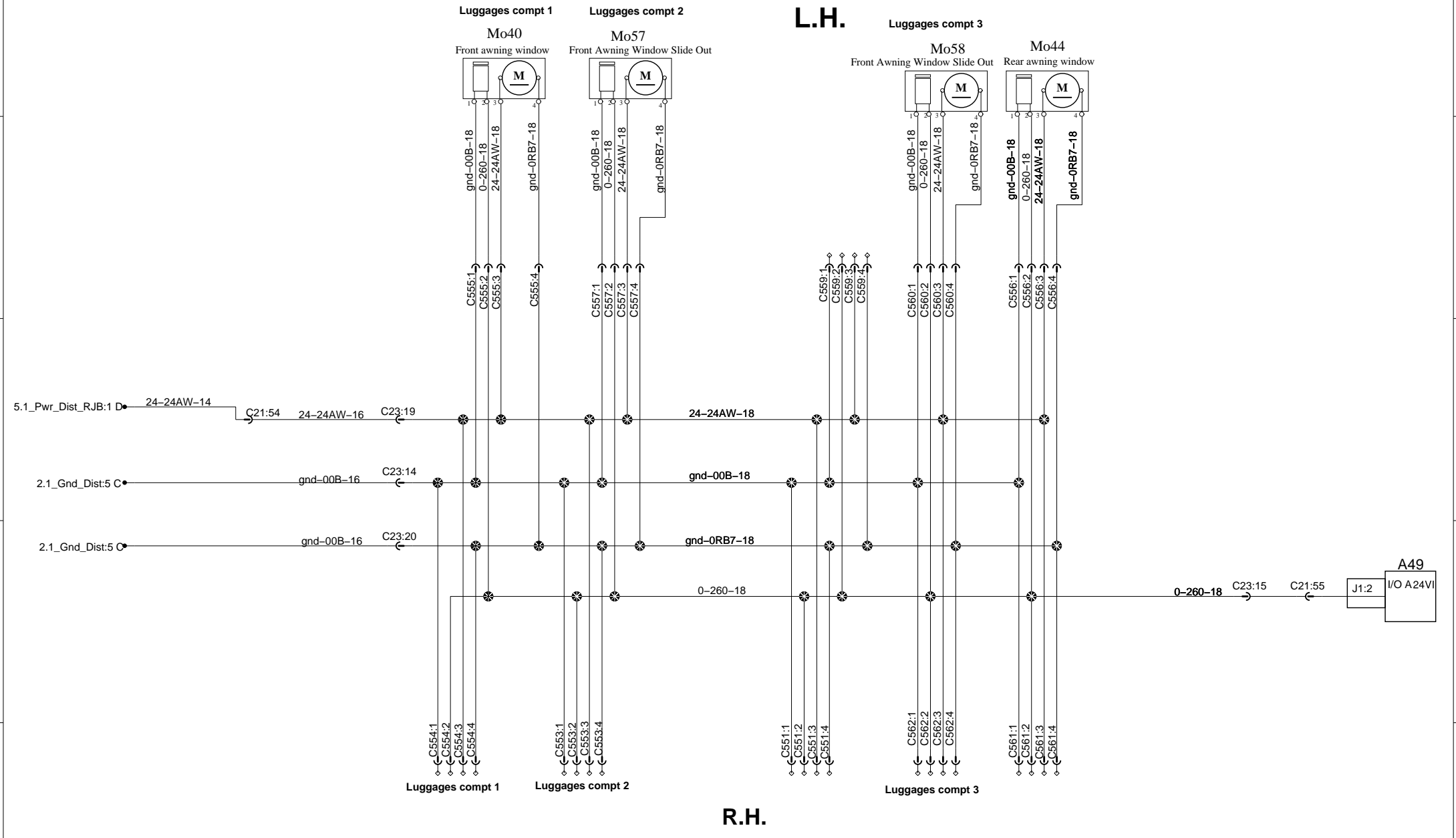
Trailer Package

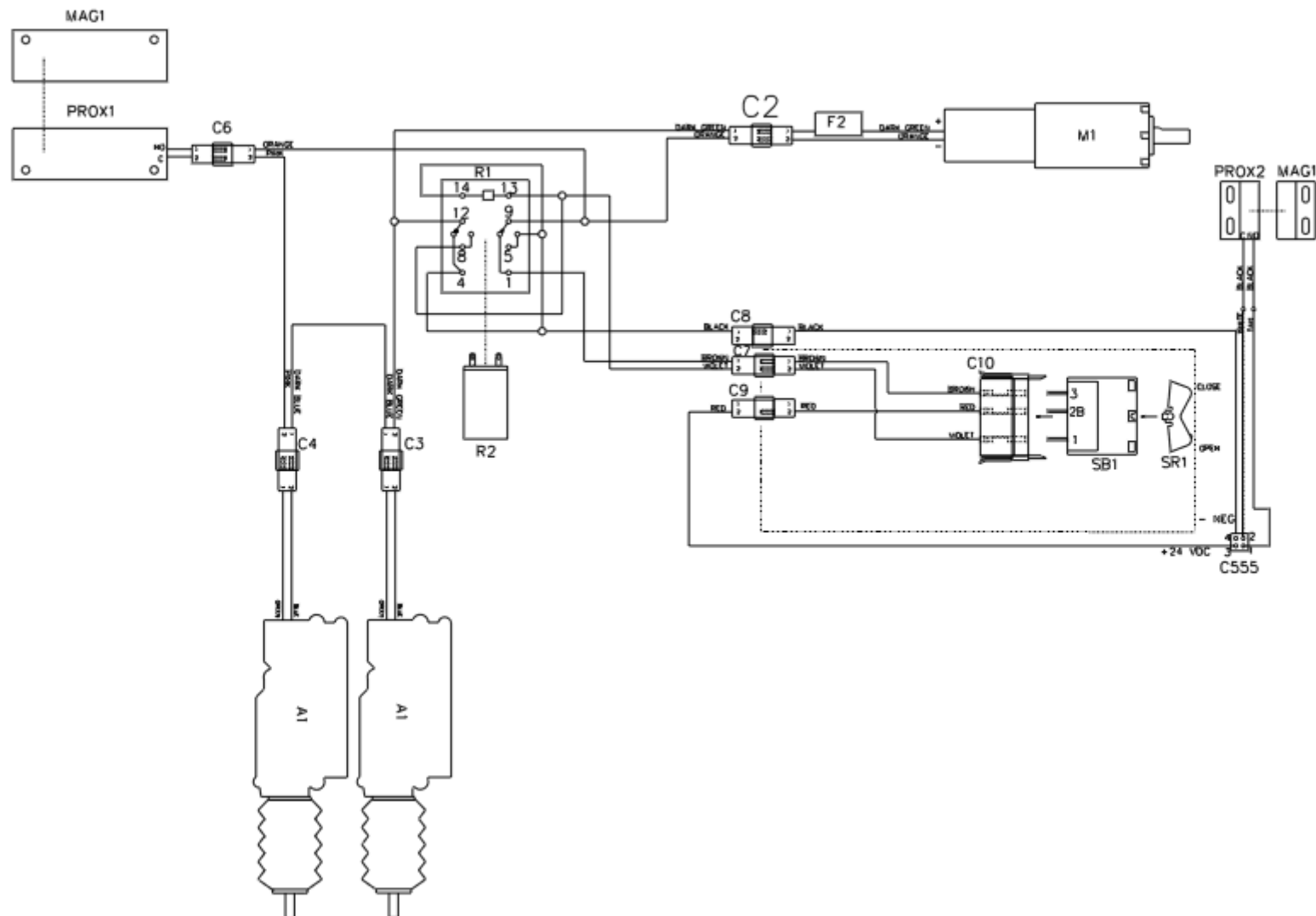


BACK OF CONNECTOR
PREVOST PART 563613
PIN TERMINALS 562481
SECONDARY LOCK

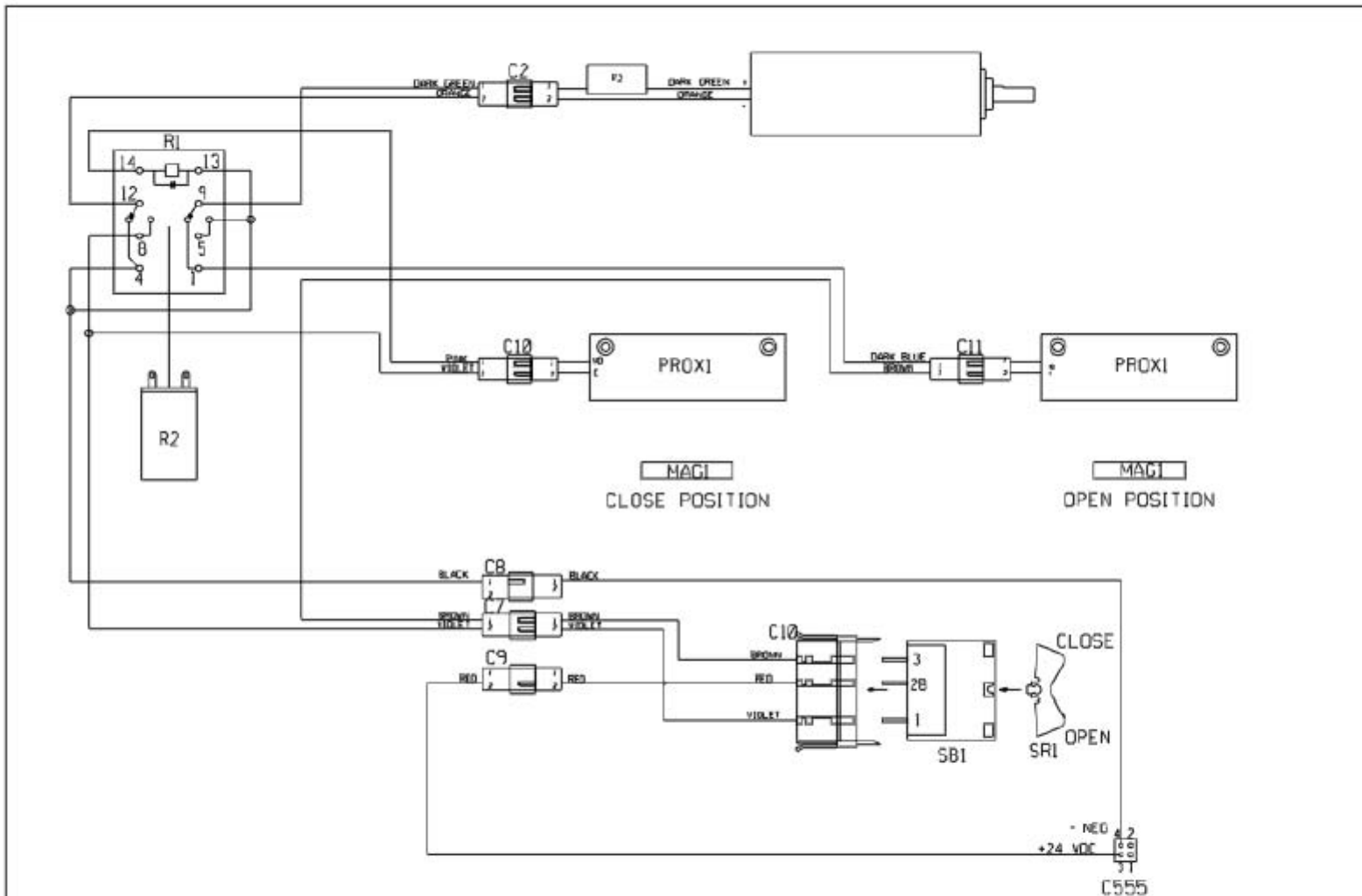
NOTE 1:MAXIMUM CURRENT LOAD IS 8A .
NOTE 2 :MAXIMUM CURRENT LOAD IS 4A .
NOTE 3 :MAXIMUM CURRENT LOAD IS 10A .

Window Ajar and awning mecanism



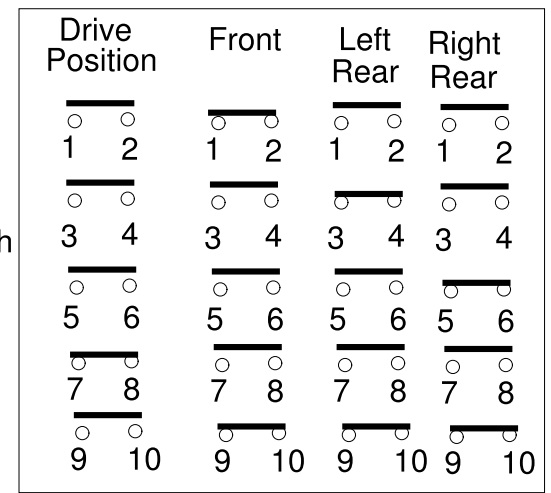


INTERNAL SCHEMATIC AWNING WINDOW

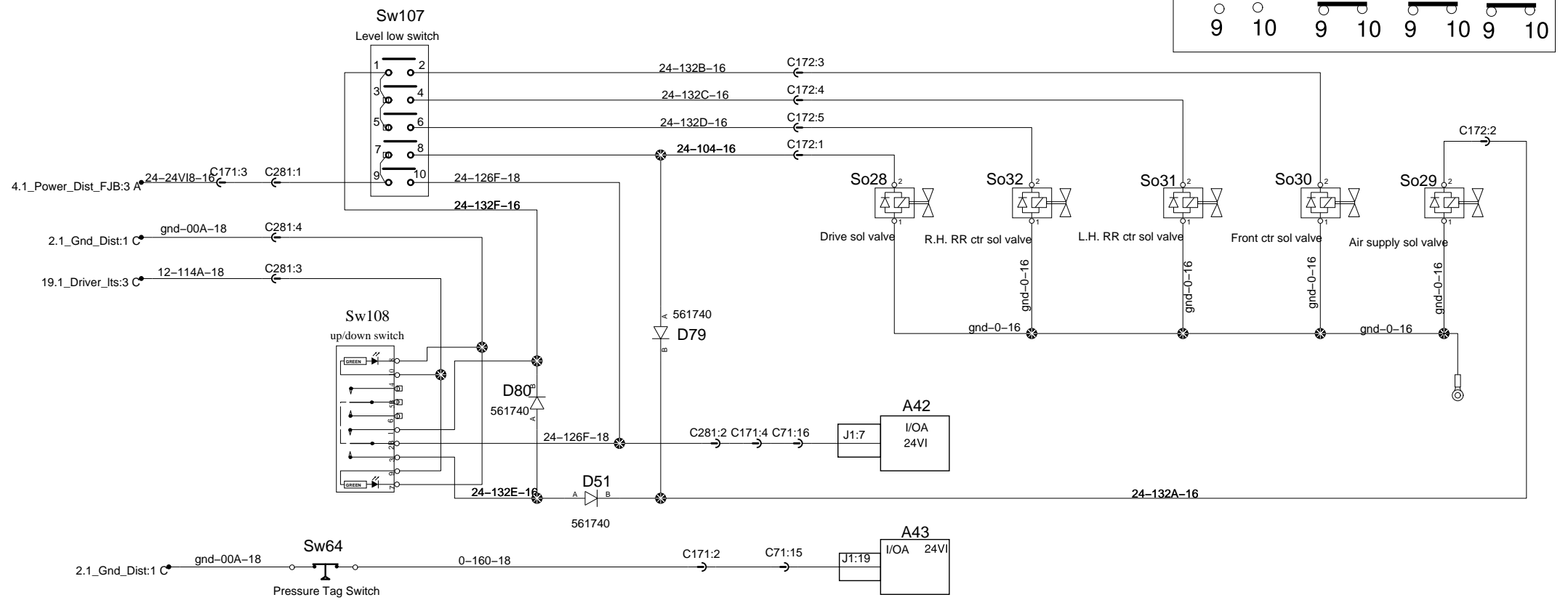


INTERNAL SCHEMATIC SLIDING WINDOW

Tag and Level low

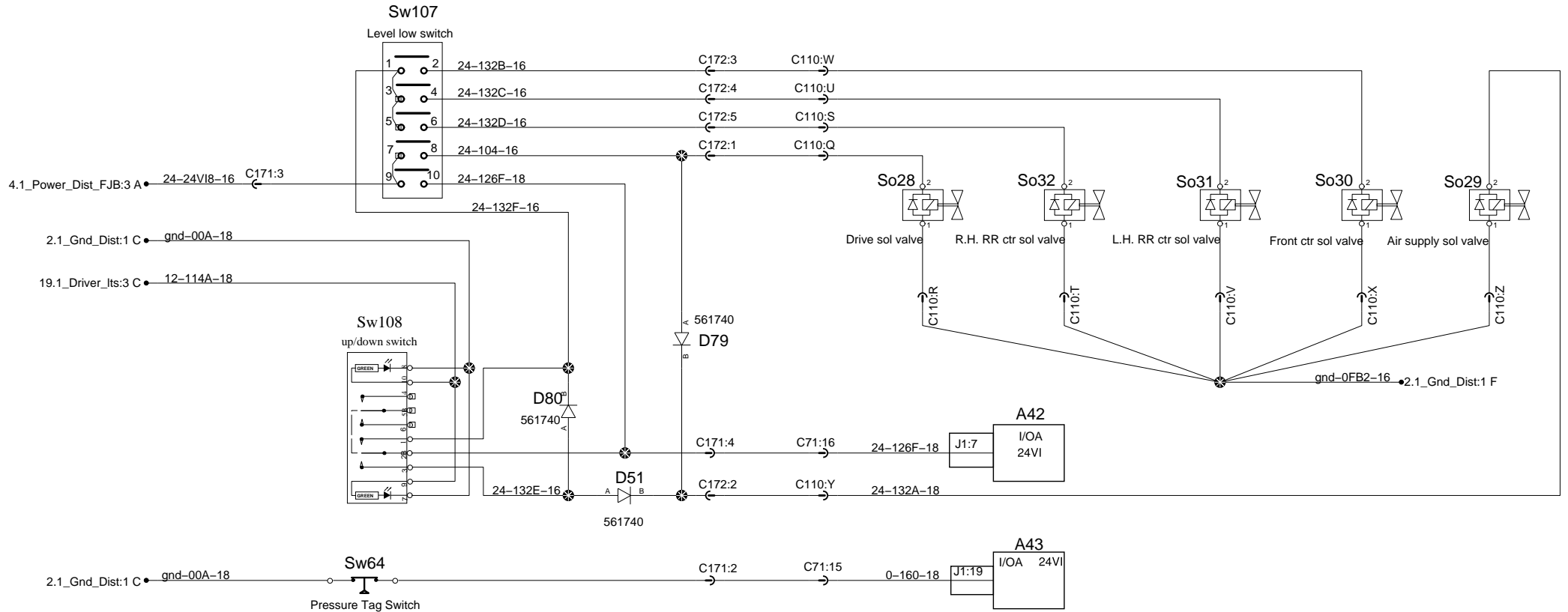
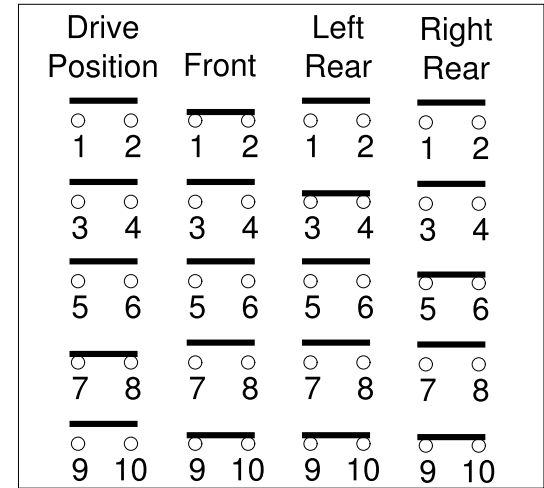


Level low control switch



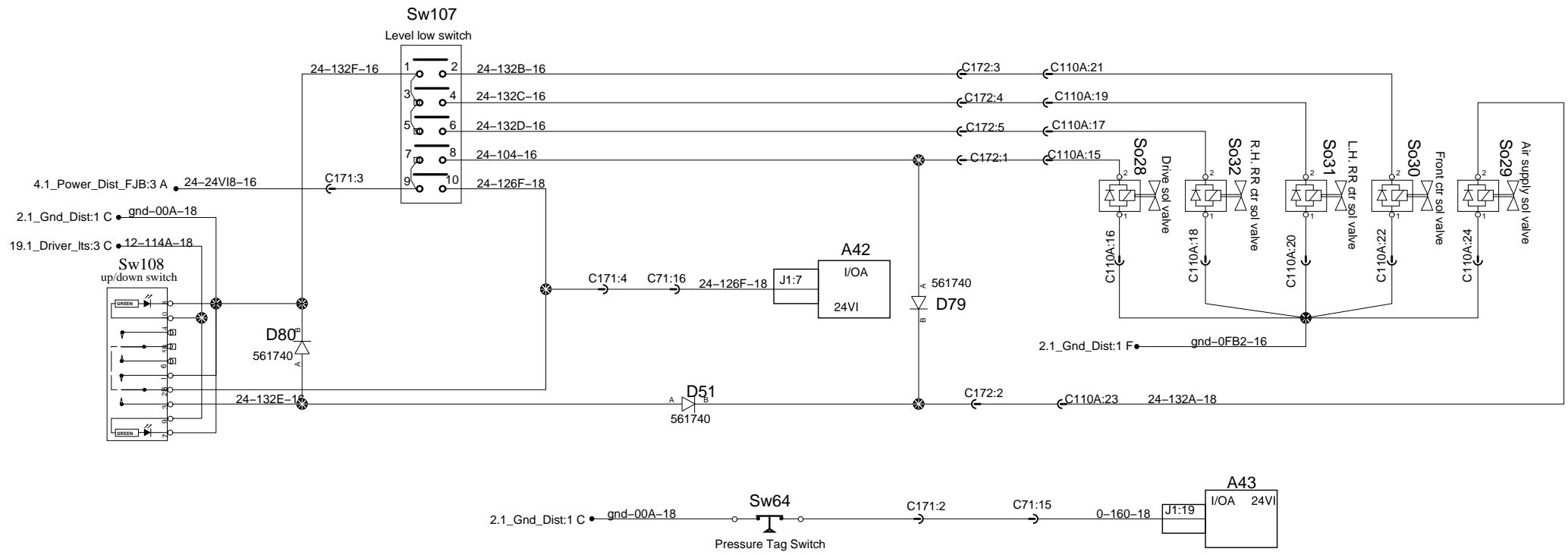
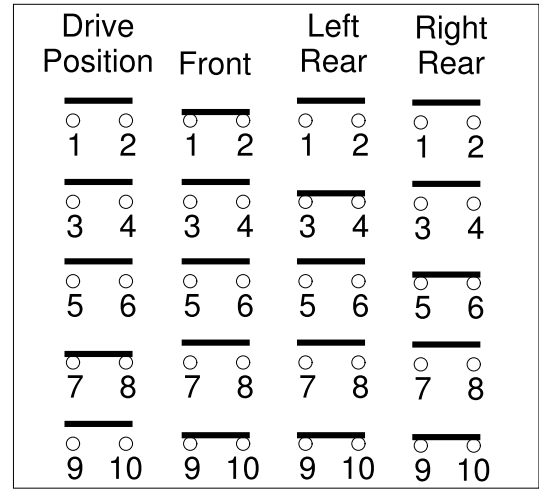
Tag and Level low

Level low control switch

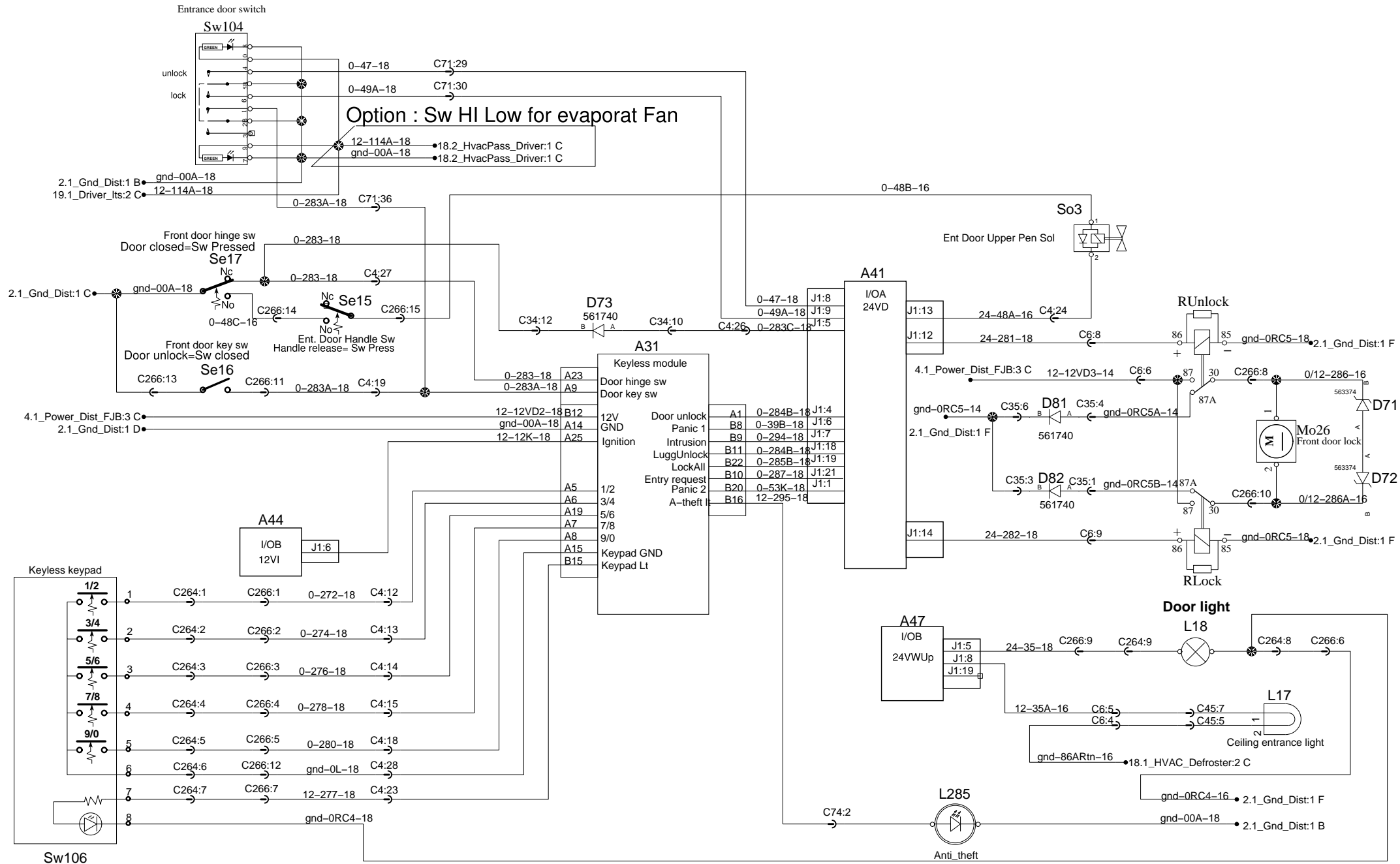


Tag and Level low

Level low control switch



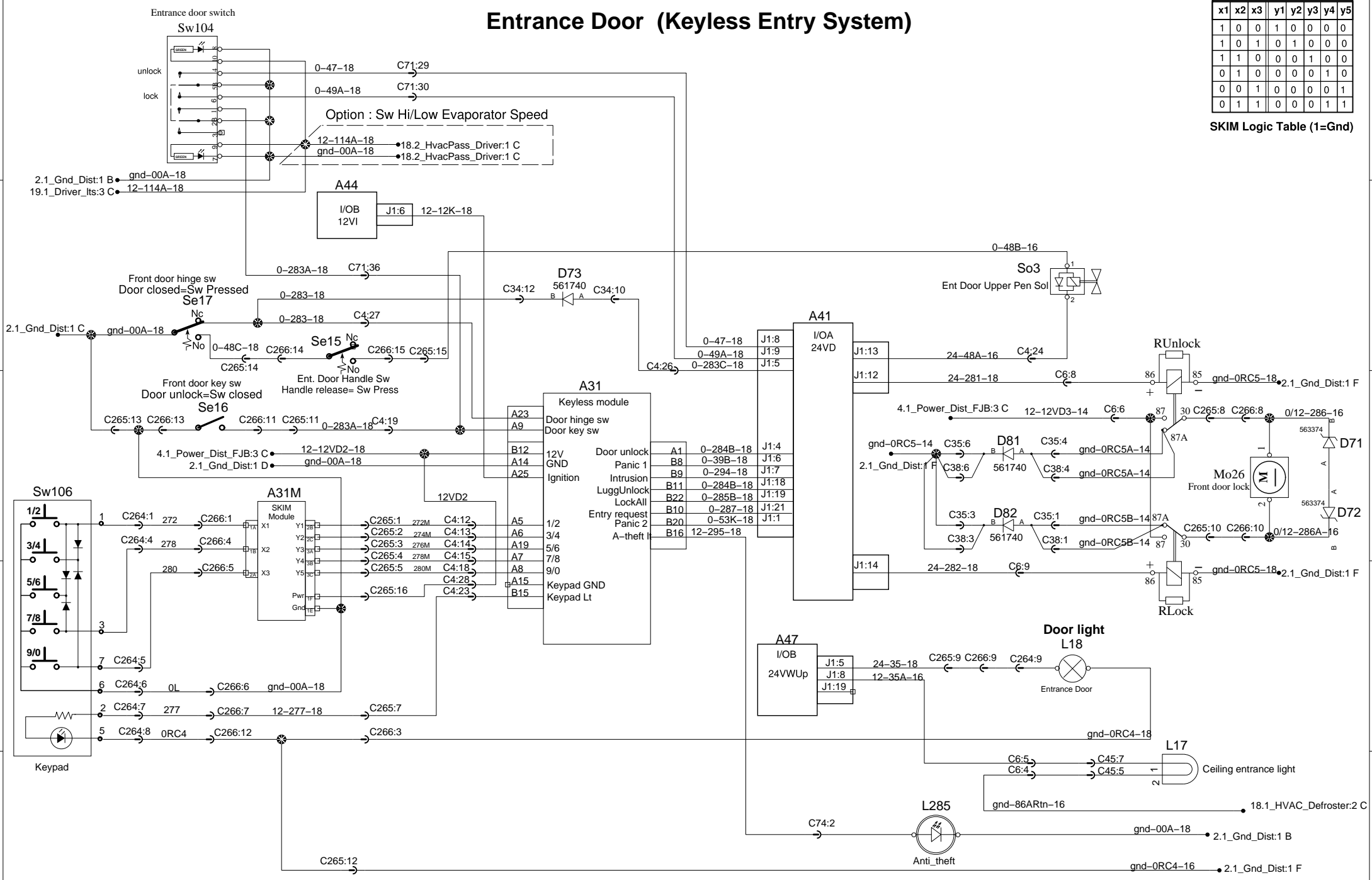
Entrance door,Keyless



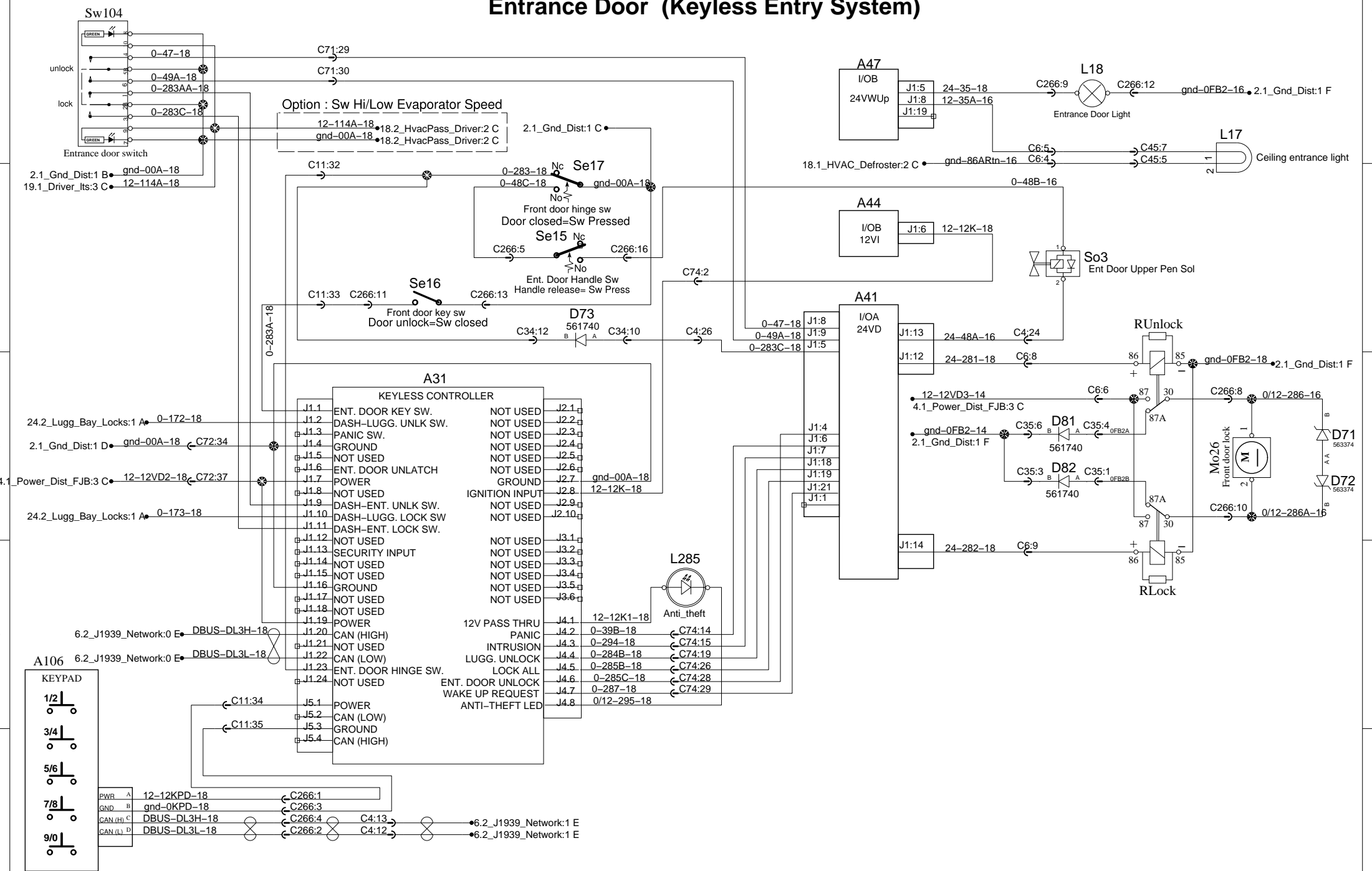
Entrance Door (Keyless Entry System)

x1	x2	x3	y1	y2	y3	y4	y5
1	0	0	1	0	0	0	0
1	0	1	0	1	0	0	0
1	1	0	0	0	1	0	0
0	1	0	0	0	0	1	0
0	0	1	0	0	0	0	1
0	1	1	0	0	0	1	1

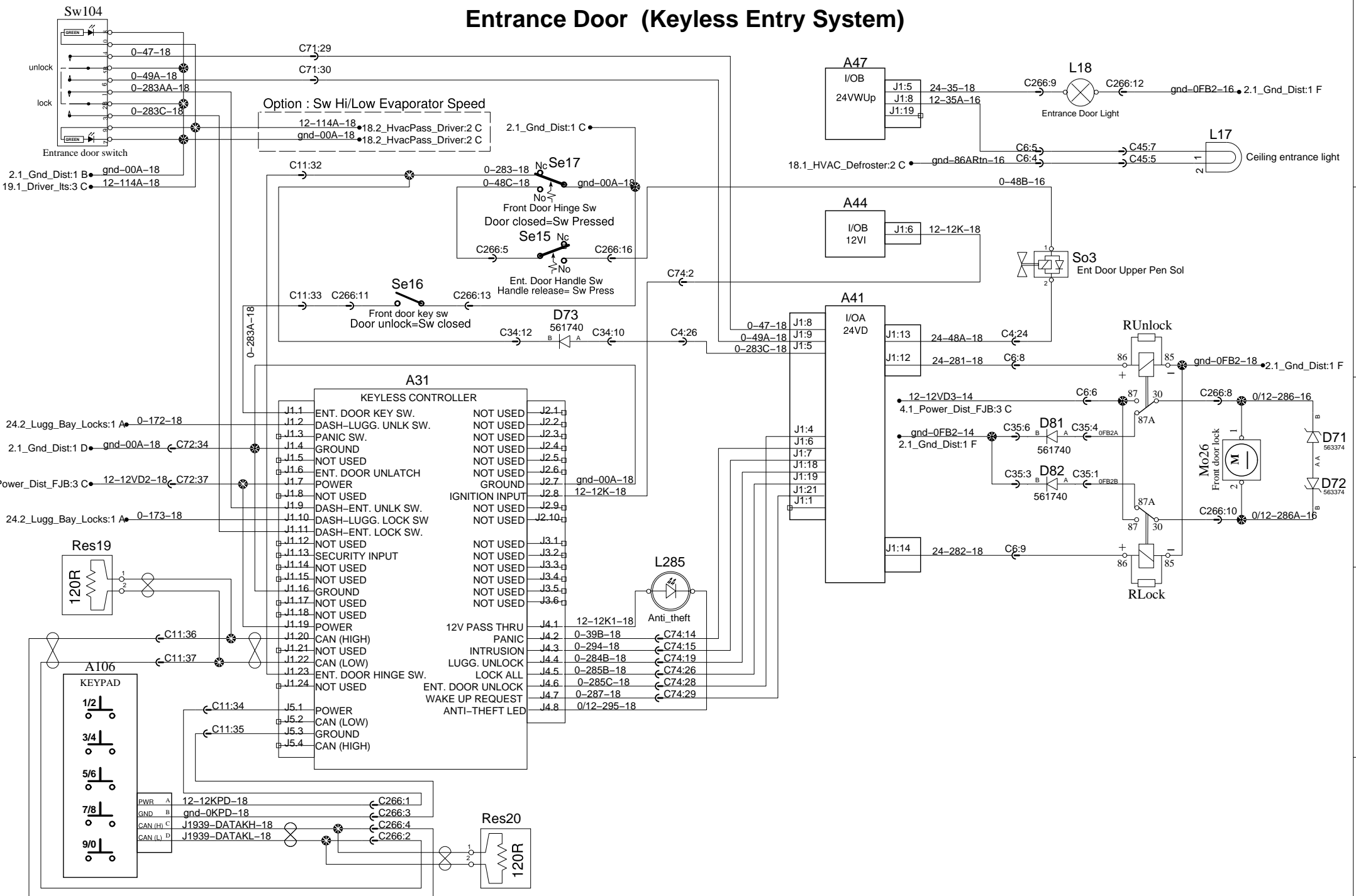
SKIM Logic Table (1=Gnd)



Entrance Door (Keyless Entry System)



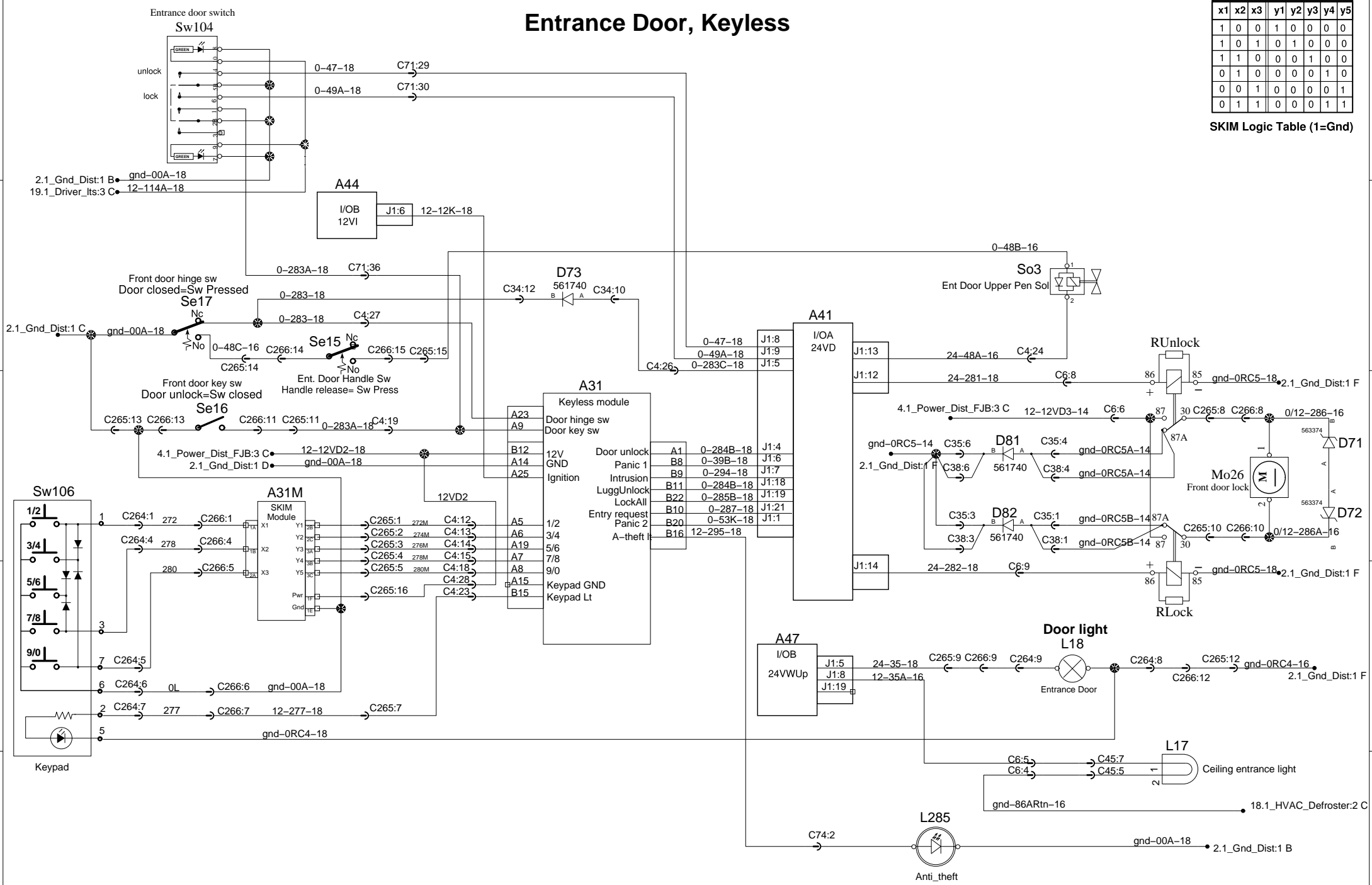
Entrance Door (Keyless Entry System)



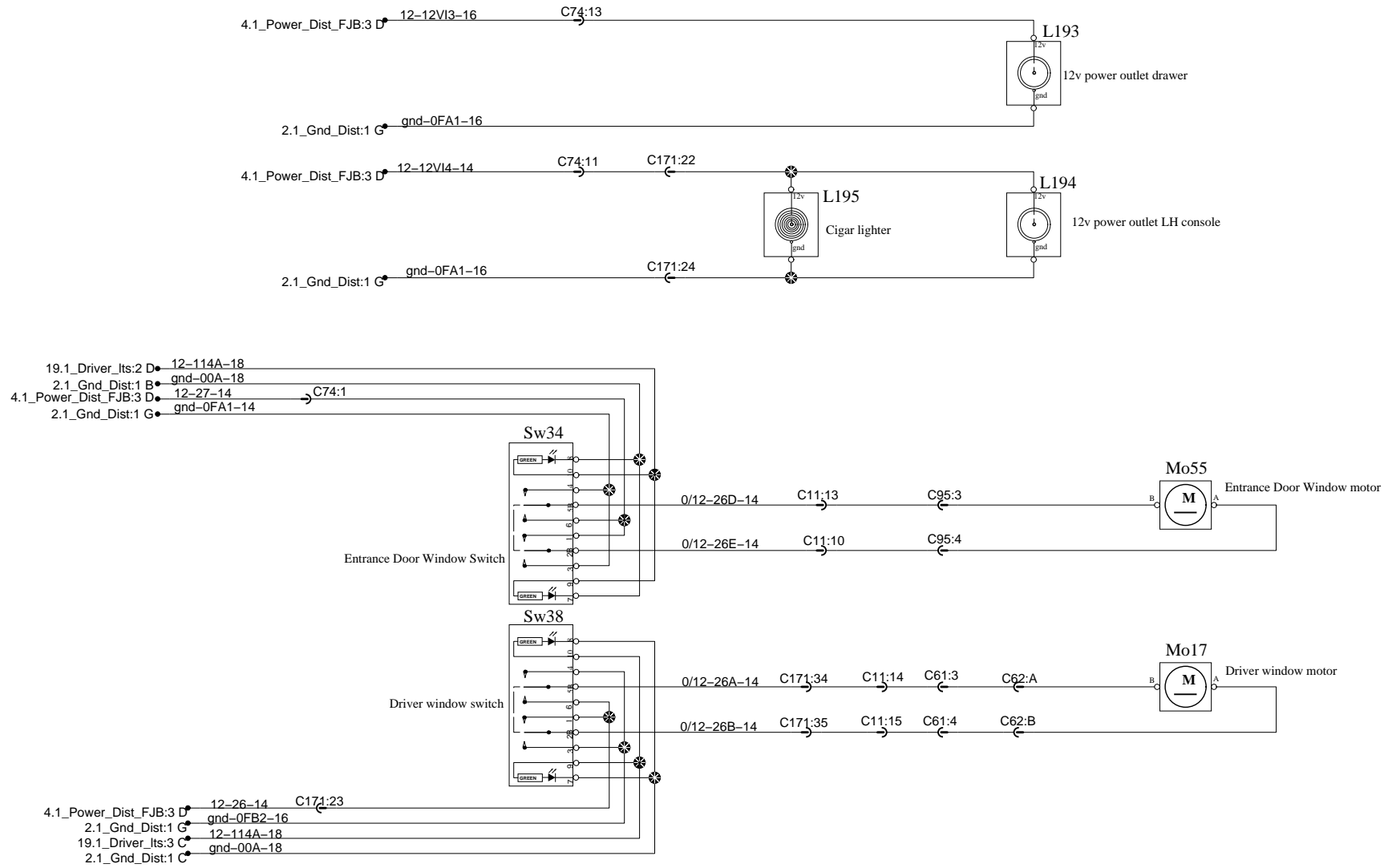
Entrance Door, Keyless

x1	x2	x3	y1	y2	y3	y4	y5
1	0	0	1	0	0	0	0
1	0	1	0	1	0	0	0
1	1	0	0	0	1	0	0
0	1	0	0	0	0	1	0
0	0	1	0	0	0	0	1
0	1	1	0	0	0	1	1

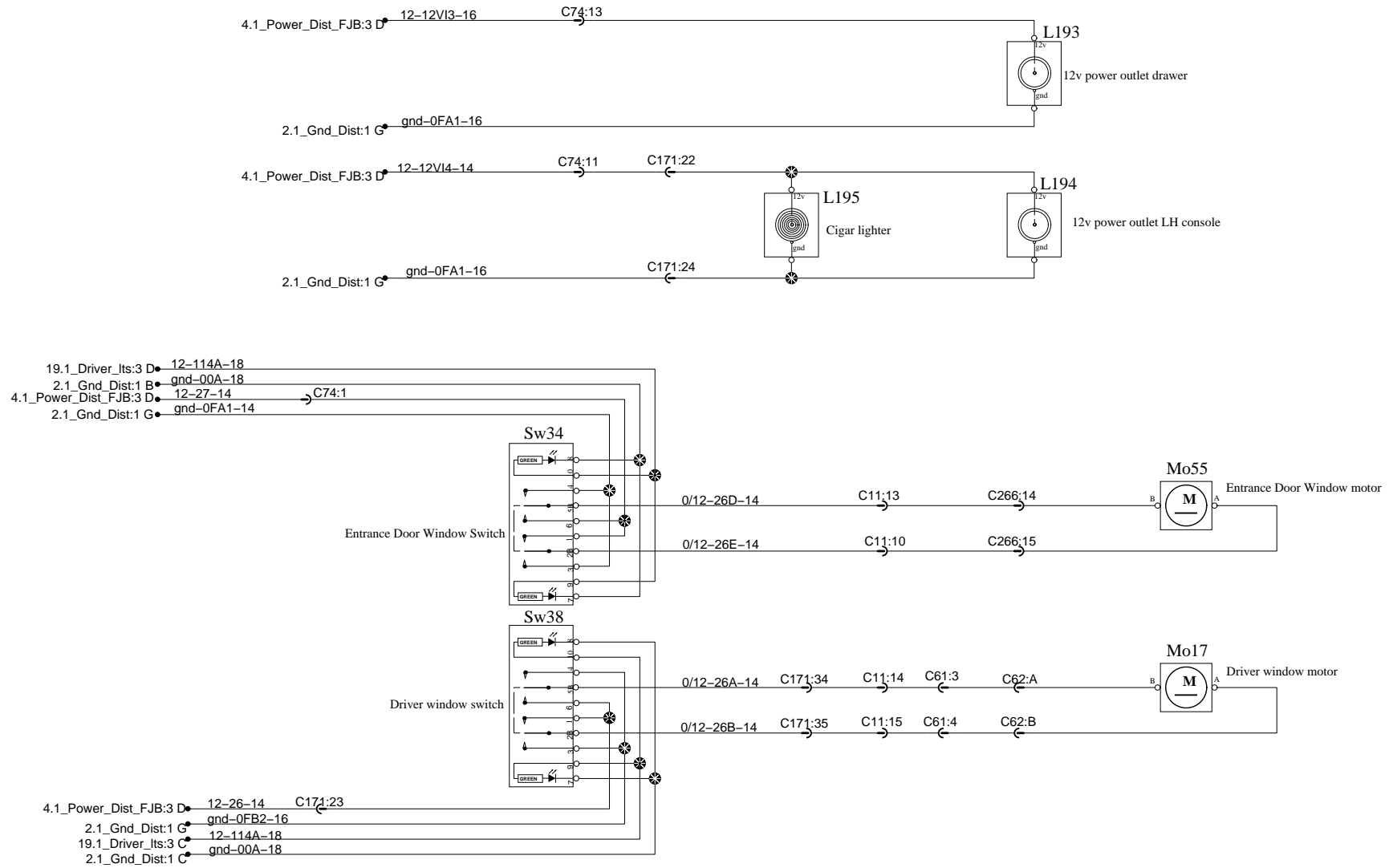
SKIM Logic Table (1=Gnd)



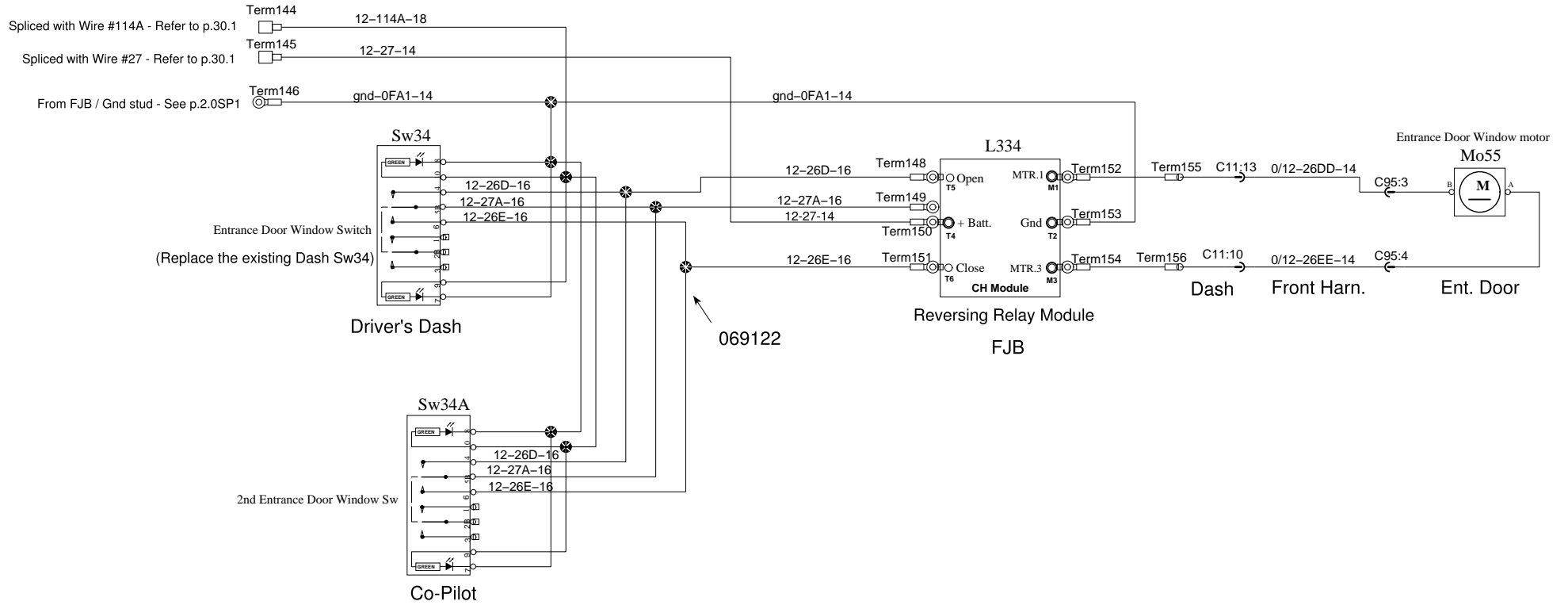
Driver and Entrance Window and 12V Outlet



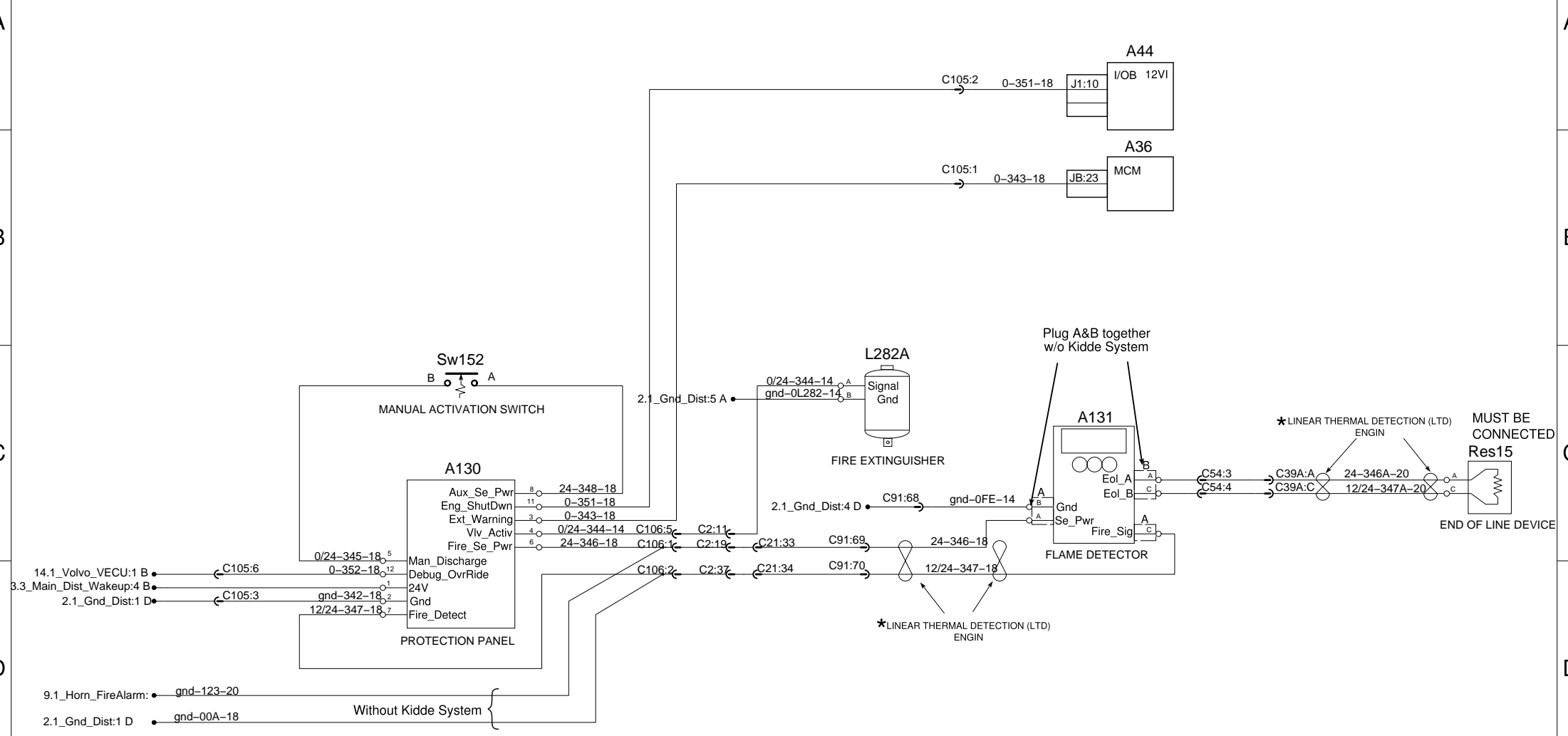
Driver and Entrance Window and 12V Outlet



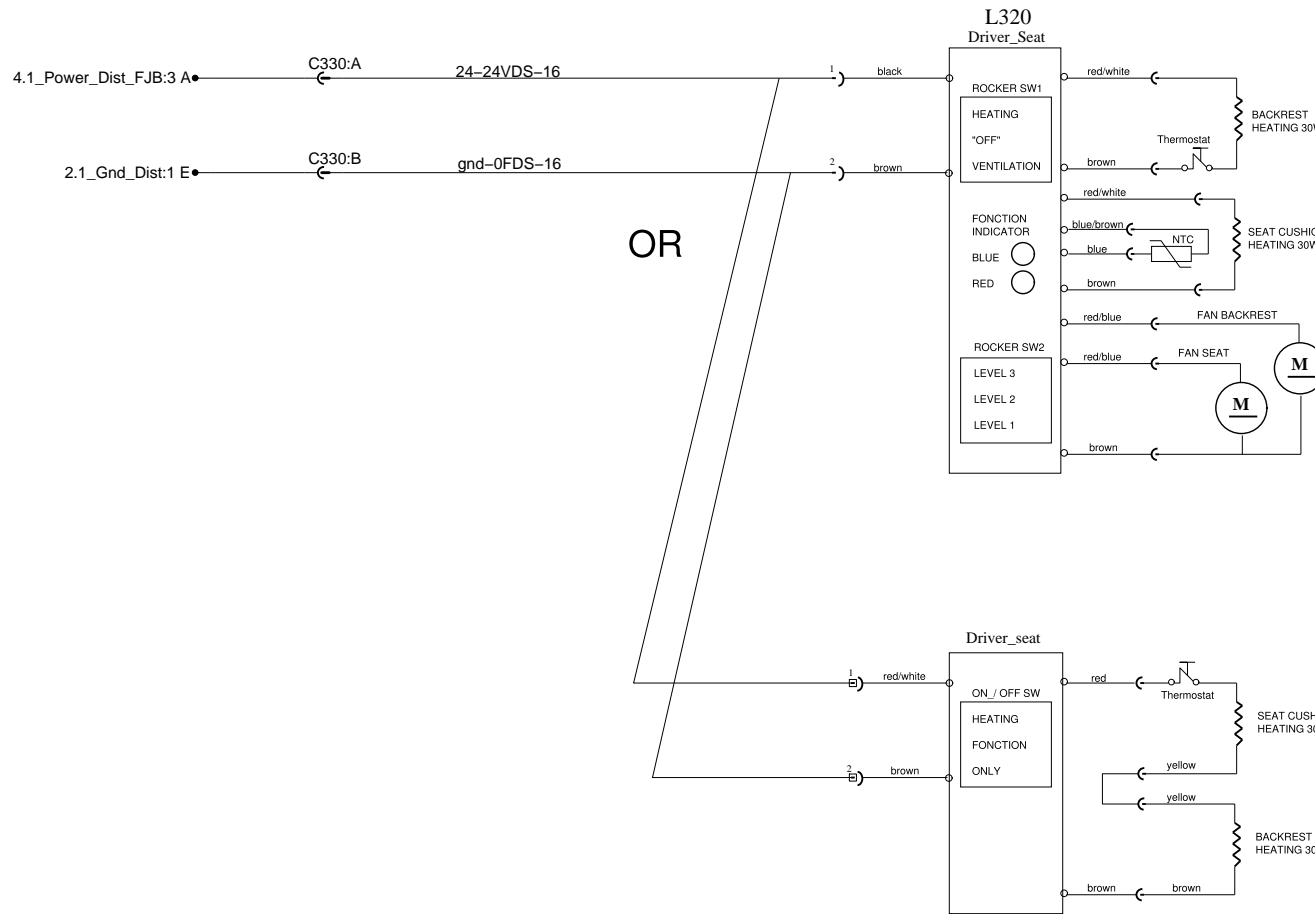
CUSTOMER'S SPECIAL REQUEST
ADD A SWITCH FOR ENT. DOOR WINDOW (CO-PILOT)



Automatic Fire Suppression System



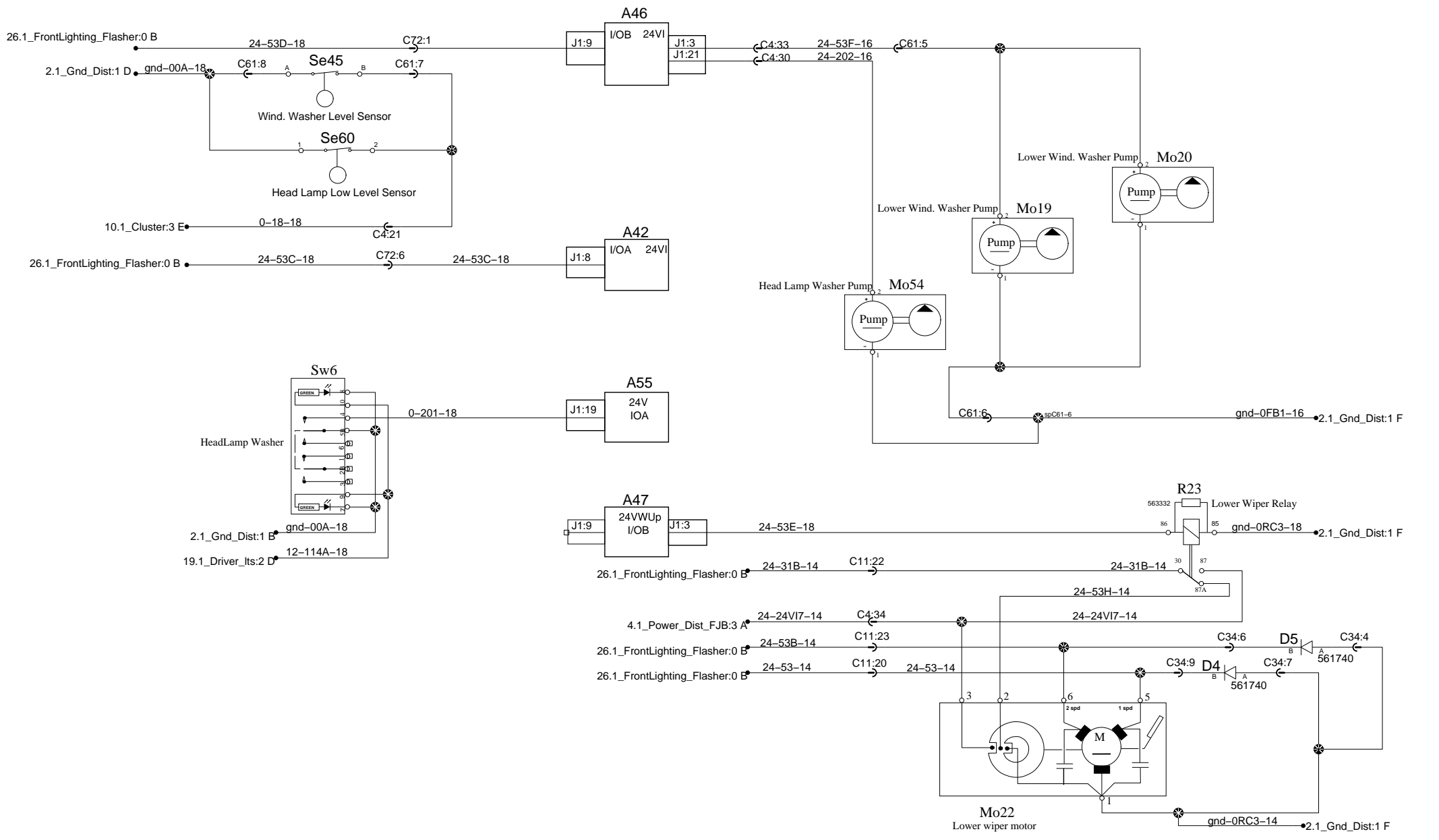
DRIVER SEAT: ELECTRICAL OPTIONS



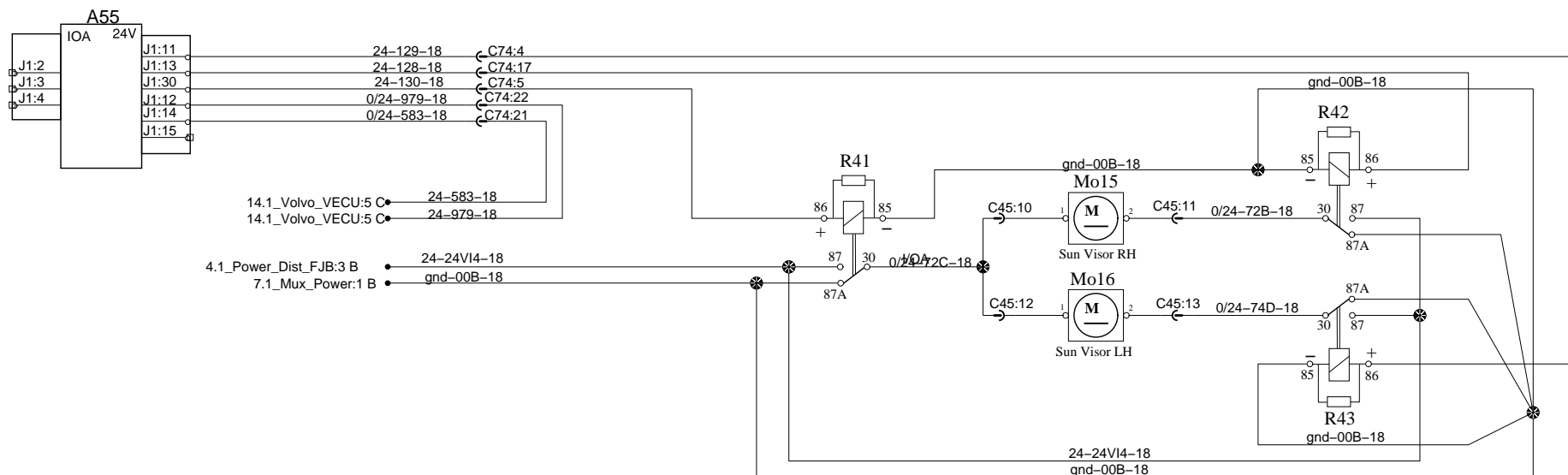
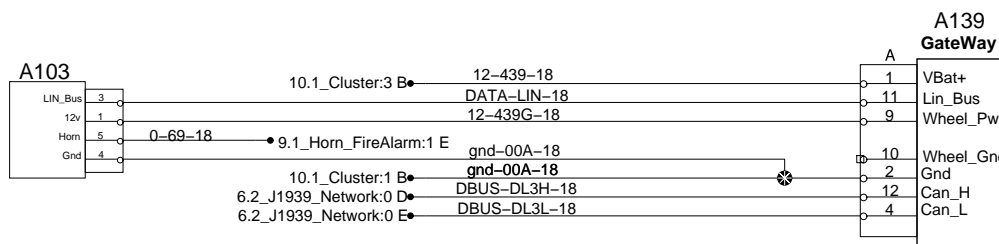
HEATING AND VENTILATION

HEATING ELEMENTS ONLY

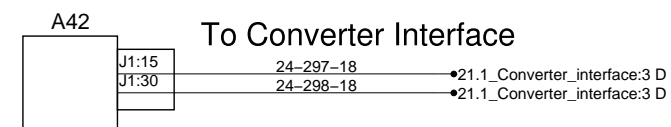
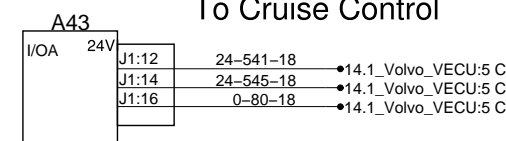
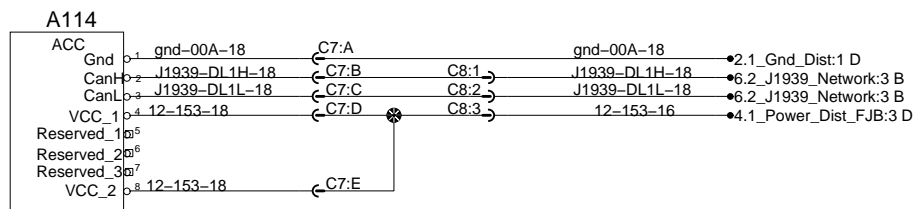
Wiper and washer



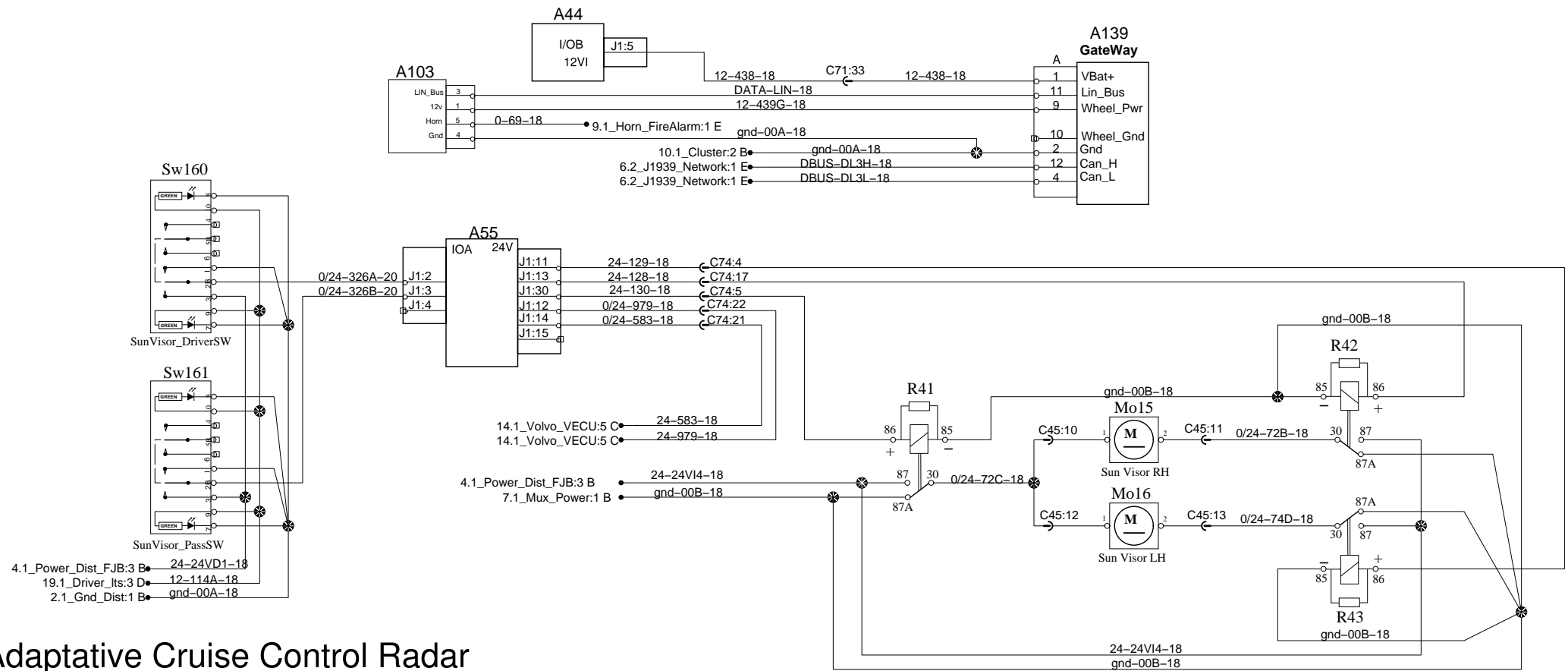
Steering Multifunctions & Sun Visor & ACCR



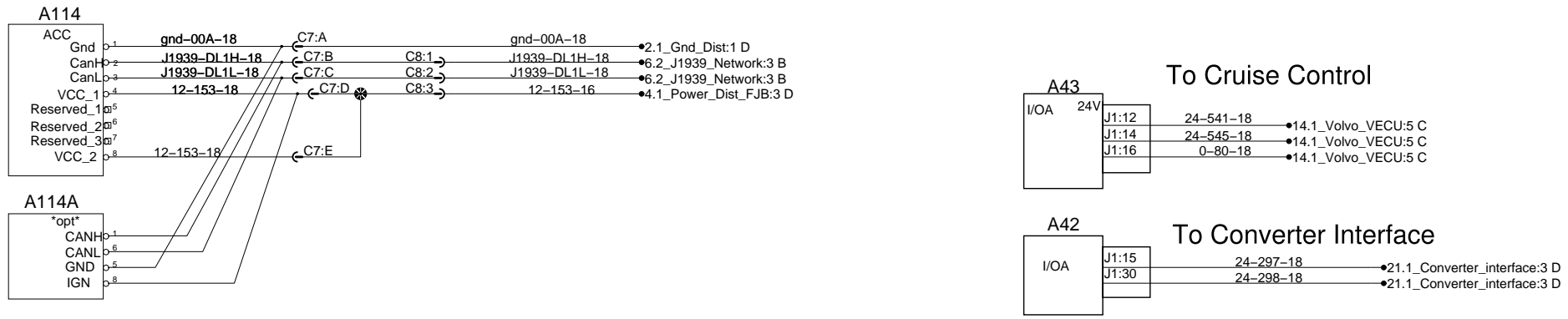
Adaptative Cruise Control Radar



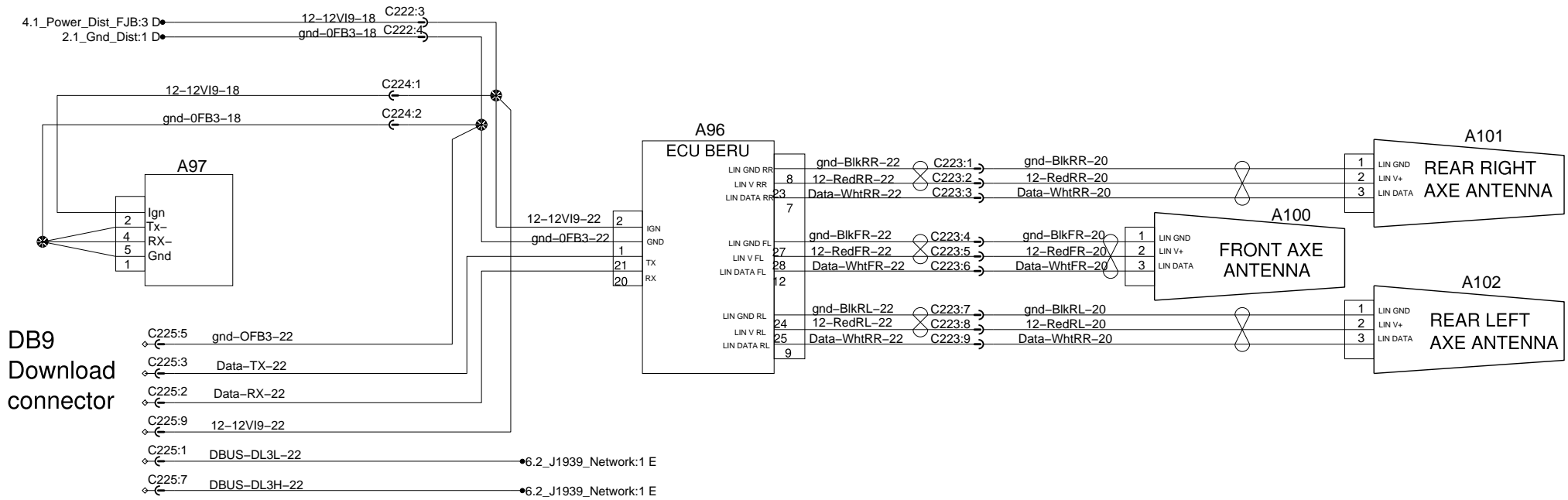
Steering Multifunctions & Sun Visor & ACCR



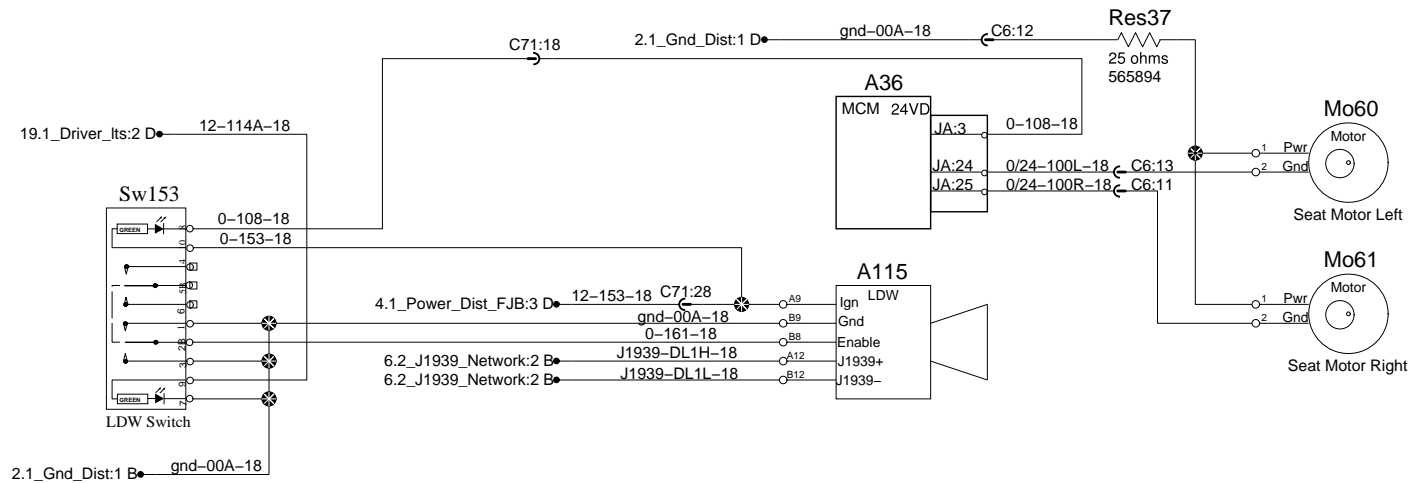
Adaptative Cruise Control Radar



Tire Pressure Monitoring System



Lane Departure Warning



0

1

2

3

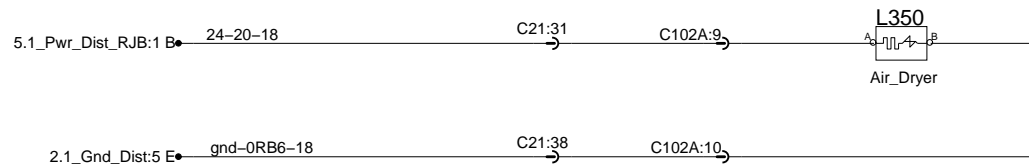
4

A

A

Air Dryer

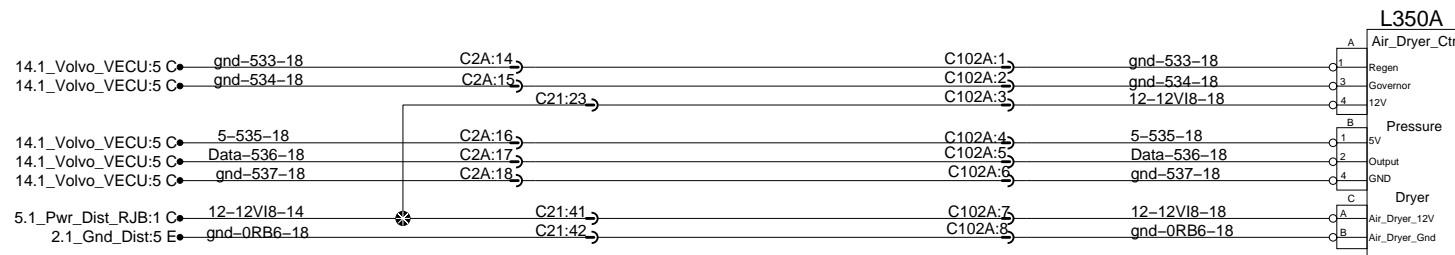
Electric Heater Only



B

B

Electric Control And Heater



C

C

D

D

E

E

0

1

2

3

4

0

1

2

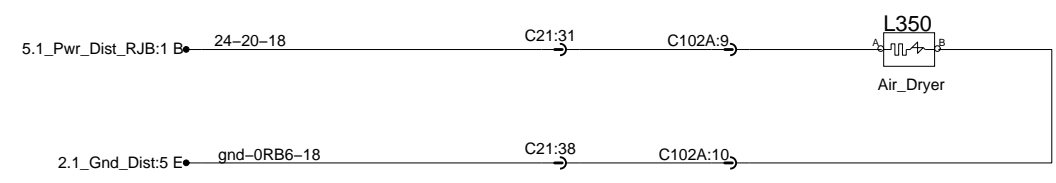
3

4

A

A

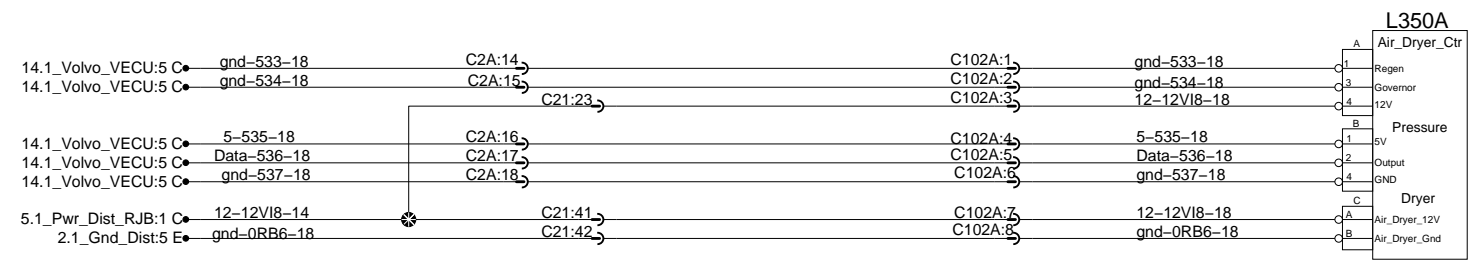
Air Dryer Heater Only



B

B

Air Dryer Electric Control And Heater



C

C

D

D

E

E

0

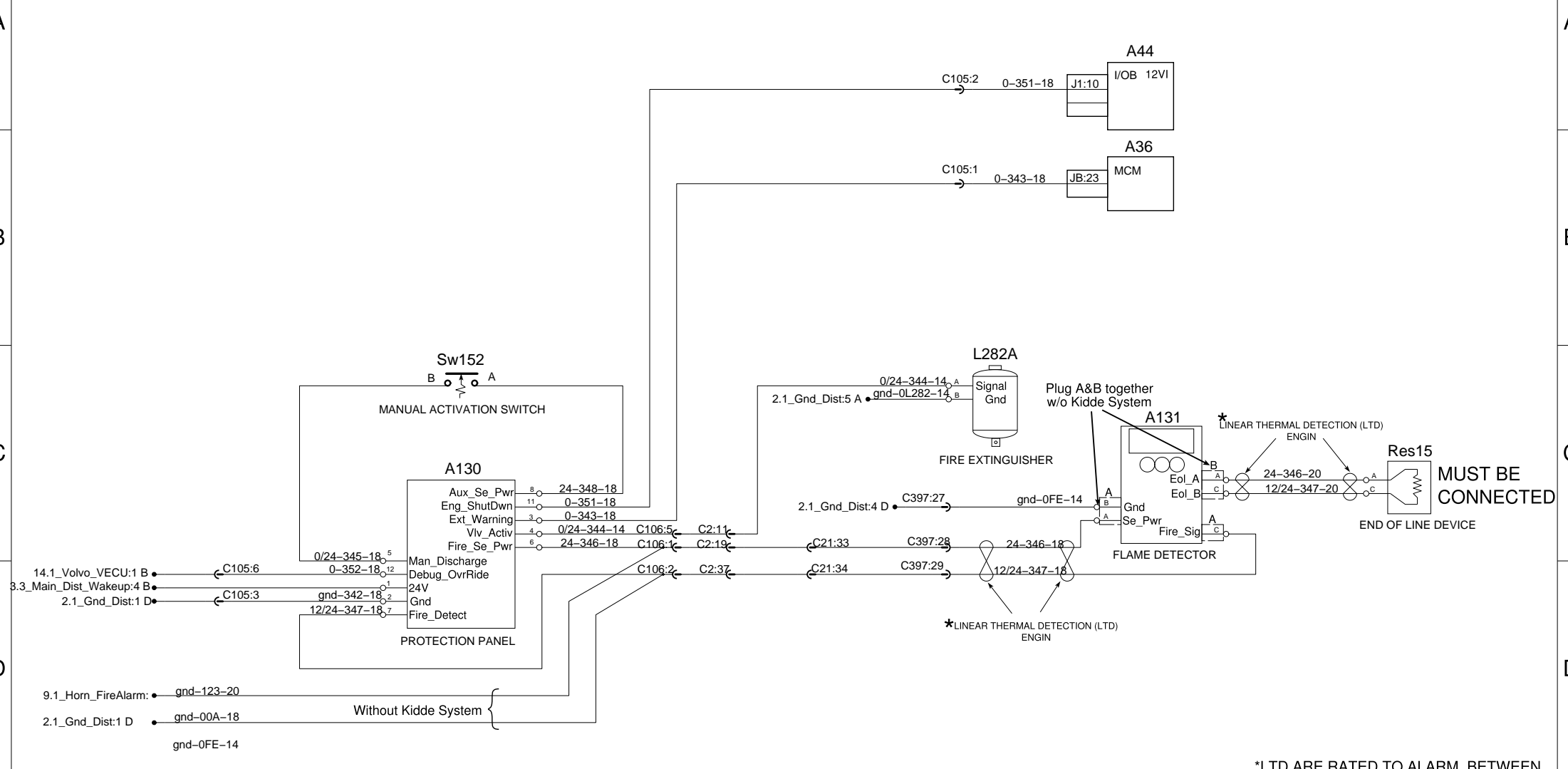
1

2

3

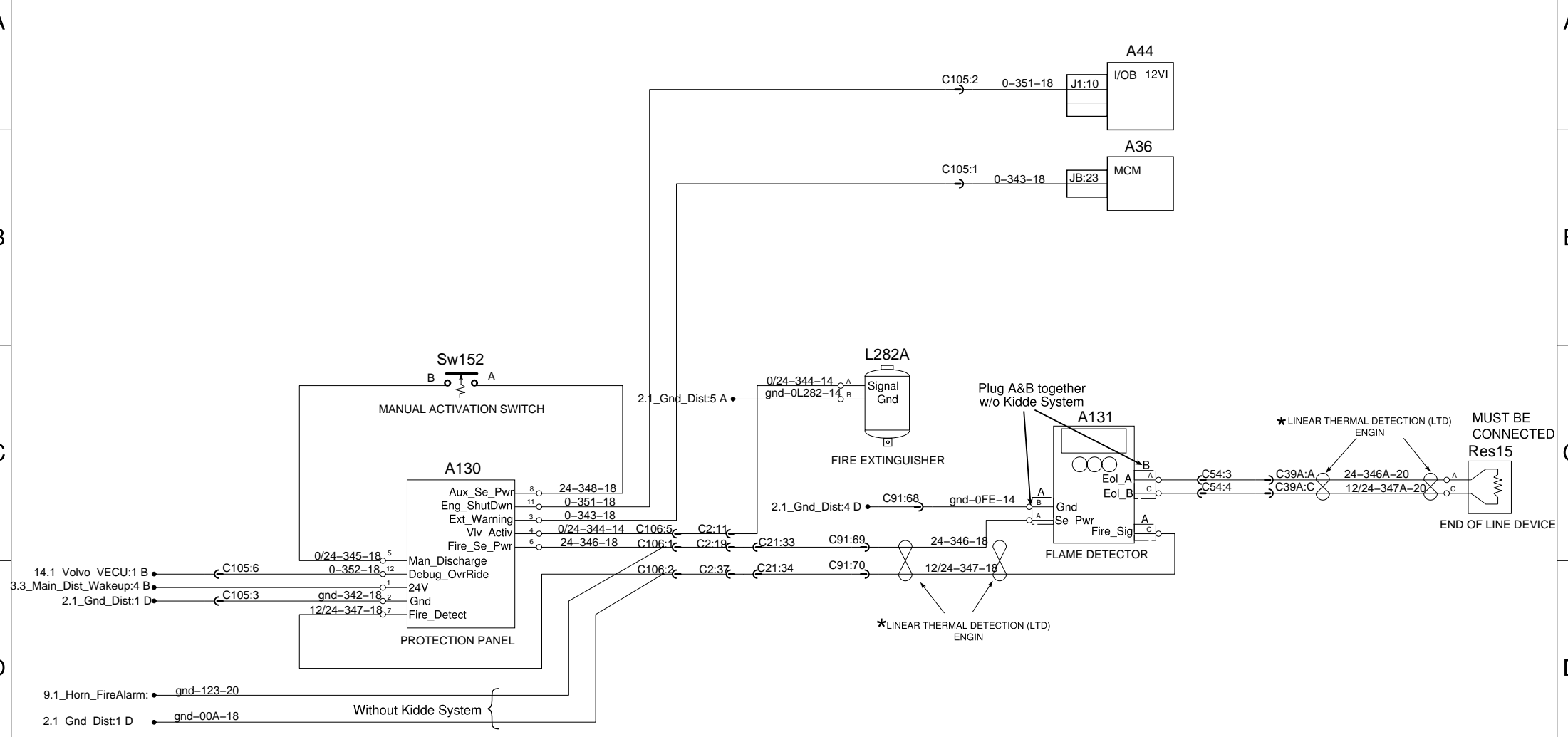
4

Automatic Fire Suppression System



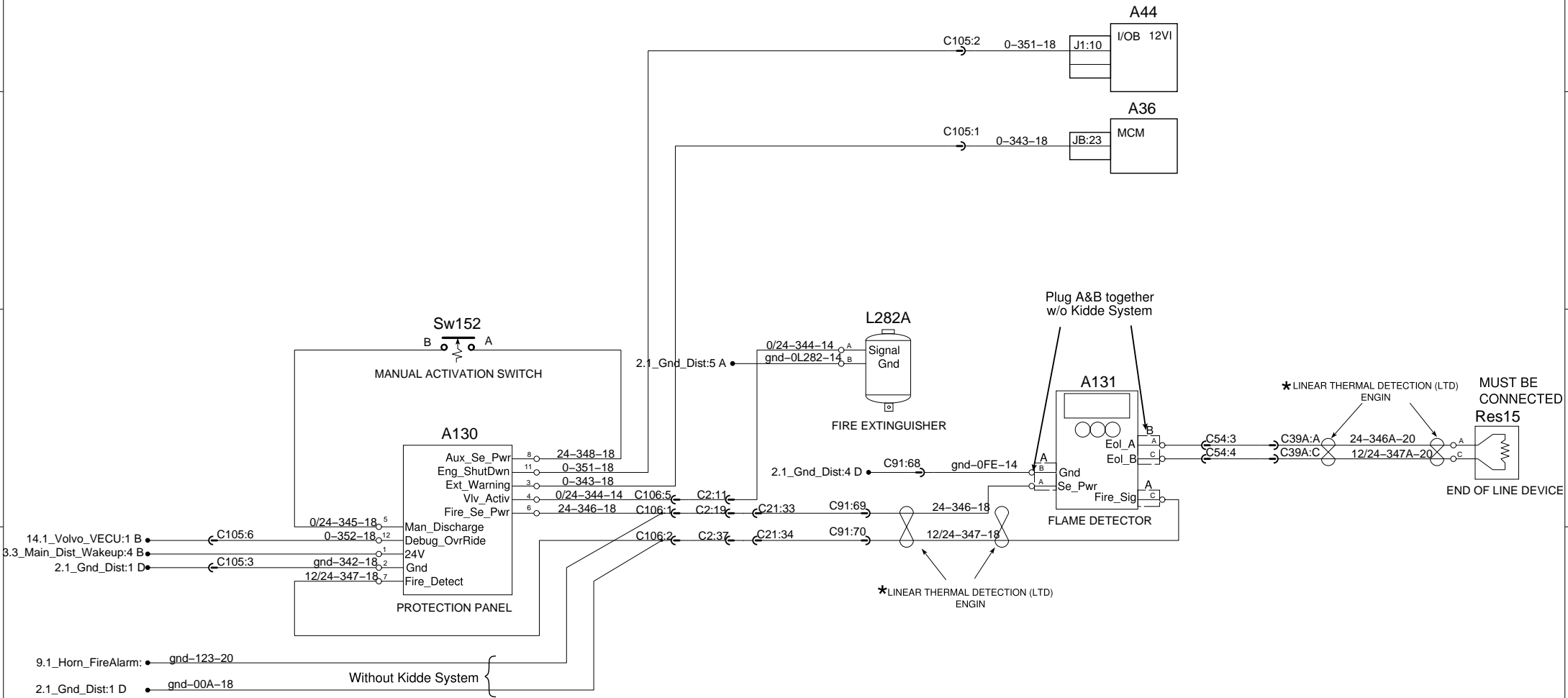
*LTD ARE RATED TO ALARM BETWEEN 334F (168C) AND 356F (180C), IF THE TEMPERATURE-SENSITIVE INSULATION MELT, THE TWO WIRES GIVE A SIGNAL BY A SHORT-CIRCUITING.

Automatic Fire Suppression System



*LTD ARE RATED TO ALARM BETWEEN 334F (168C) AND 356F (180C), IF THE TEMPERATURE-SENSITIVE INSULATION MELT, THE TWO WIRES GIVE A SIGNAL BY A SHORT-CIRCUITING.

Automatic Fire Suppression System



*LTD ARE RATED TO ALARM BETWEEN 334F (168C) AND 356F (180C), IF THE TEMPERATURE-SENSITIVE INSULATION MELT, THE TWO WIRES GIVE A SIGNAL BY A SHORT-CIRCUITING.