



X3-45 COMMUTER

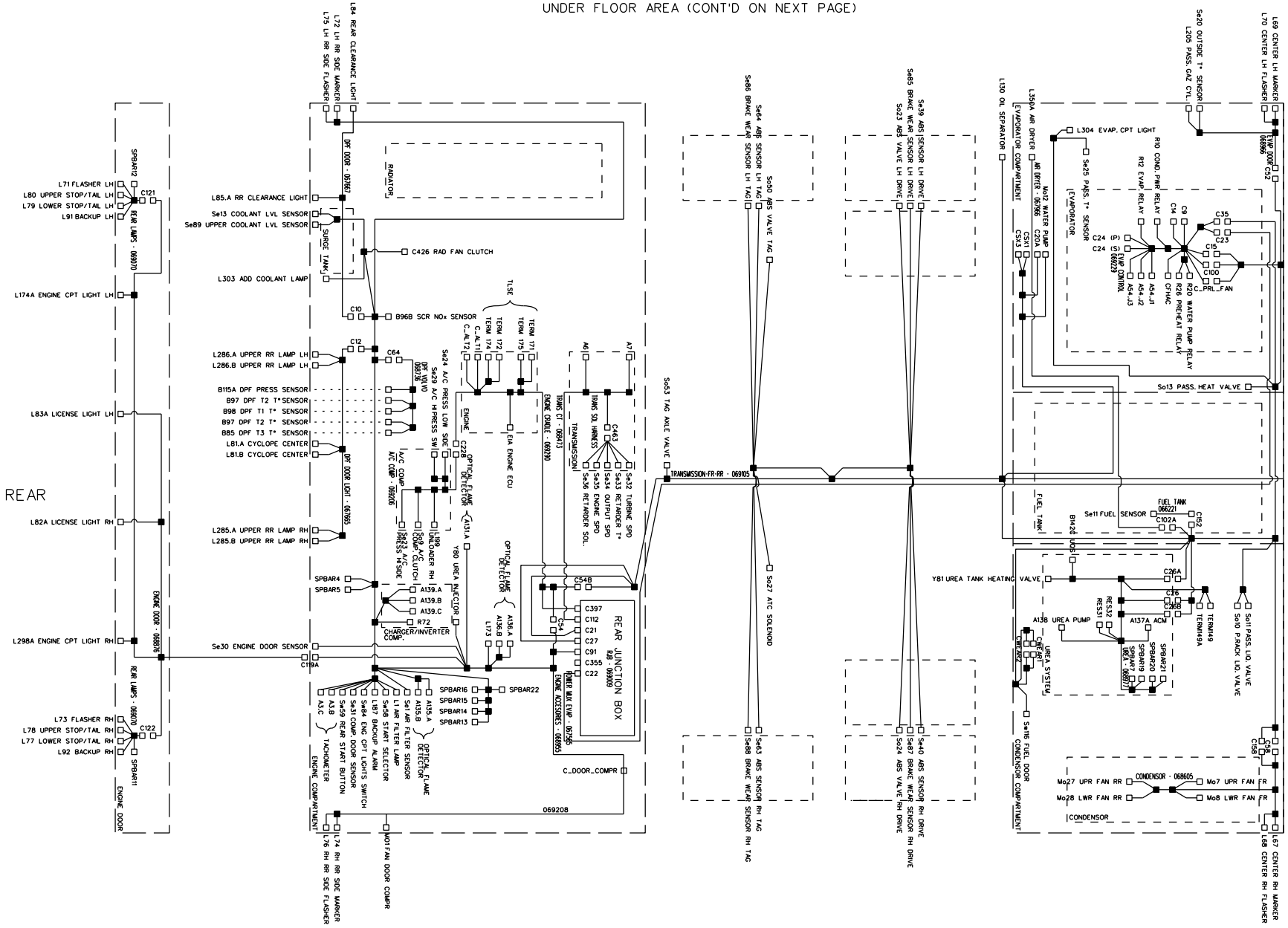


REV.	DATE	O.C.	EFF.	DESCRIPTION	PAGE(S)	BY	CK.	APPR.
0	2014-05-09	2012111	E-7001	START OF PRODUCTION VEH. E-7001	ALL	Gab	CLEM	CLEM
1	2014-08-19	2012111		Pages Update	0,2.1,4.1,9.1,14.1,38.1,C1	Sbel	CLEM	CLEM
2	2014-12-17	2012111	E-7001	Bitzer Compressor Wiring diagram updates for Run # Sign, Destination Sign and Motorola VIP	C1, E, G, 0, 2.1, 4.1, 15.1, 18.2, 28.1, 35.8	EL Gab	CLEM	CLEM
3	2015-04-09	2012111	E-7001	WET Tank automatic Fan door compre TLSE UPDATE	37.1, 0, C1 14.1, 5.1, 2.1 38.1	SB	CLEM	CLEM
4	2014-04-15	2015001	F-7027	OBD15 - EPA 2015	N/A (Software only)	E.L.	CLEM	CLEM
		2015003	F-7027	Alternator 150 Amp Hi Temp w/larger gauge on main cable (000 AWG)	0, 1.1, 2.1, 3.1, 3.2			
		2015004	F-7027	Pages update	A, 5.1, 12.1, 14.1, 22.2, 26.2, 28.1 31.1, 35.2, 35.7			
5	2015-09-25	2015147	G-7287	CHARGING SYSTEM IMPROVEMENTS	0, C1, 3.2, 5.1	Gab	CLEM	CLEM
6	2015-12-14	N/A	N/A	MobileView components added to schematic	0, 3.2, 14.1, 35.7, 35.8, 36.1	Gab	CLEM	CLEM

WIRING DIAGRAM PAGES LIST

Information pages		D		I		R	
Multiplex output list	B1	Dash Lights	19.1	Indirect & Hat Rack Lighting	23.1	Radiator Fan Clutch	14.1
Multiplex input list	B2	Destination Sign	28.1	IVN (Cleaver Device)	35.8	Reading Lamp	22.1
Multiplex error messages list	B3	Direct Lighting	24.1	Inverter (s) & 120V outlets	40.1	Retarder	12.1 - 15.1
Arrangement - Harness	C1.1- C1.4	Docking Lights (Optional)	26.5				
Circuit Number Listing	E	Driver's Light & Backlight	19.1	K		S	
Circuit Breaker code	F	Driver's Window	30.1	Kneeling system	32.1	Speaker Arrangment	35.2
Connectors code	G	Driver's Seat	30.3			Spare Wires	8.1
Diode Number Code	H			L		Stop Lights	26.2
Resistors Number Code	J			Luggage Door Lock/Unlock	33.1 - 33.2	Steering Control ZF	37.2
Fuses Code	L	E				Steering Wheel Control	41.1
Relay Code	K	Engine ECU Volvo	14.1	M		Sun Visor	41.1
Symbol List	M	Engine Block Heater	14.1	MobileView	35.7		
		Engine Start	3.2	Main Distribution Ignition & Batt.	3.1		
A		Entrance Door & Lights	29.1	Main Distribution Wake-Up	3.3		
ACM - Urea	14.2	ESP	16.1	Marker Lights	26.1 - 26.2	T	
Air Dryer	37.1			Mirror w/ Adjustment	31.1	Tag Automatic Unload system	32.1
Air Exhaust Fan	11.1			Multiplexing Power	7.1	Tail & Licence Lights	26.2
Air Filter Sensor	39.1	F		Multiplexing Network	6.1 - 6.2	Tachometer Rear	39.1
A/C 120V Outlets	40.1	Fan Rear Jonction Box	1.1			TLSE > See Fire Supp. Sys.	38.1
		Farebox	28.1	N		Trailer Package	26.4
B		Fast Idle	14.1	Next Stop Indicator	37.1	Trailer Park Brake	12.2
Back-up lights & Alarm	26.3	Fire Alarm	38.1			Transmission Alisson Gen 5	15.1
Batteries & Equalizer	1.1	Fire Suppression System	38.1				
Battery Charger	17.1	Flashers	26.1 - 26.2	O		U	
Brake and Brk Interlock	12.1	Fog Lights	26.5	Oil Separator - WET Tank	37.1	Under Floor Lighting	25.1 - 25.2
Brake Wear Sensor	13.1	Fuel Gauge	10.1			Upper Defrost	18.4
		Fuel water Filter	13.1			Urea System	14.2
C		G		P		V	
Charging System	3.2	Ground Distribution	2.1	Parcel Rack A/C system	18.3	Volvo Link (TGW)	37.1
Cigar Lighter	30.2			Park Brake Sensor	12.1		
Clearance Lights Rear & Front	26.1 - 26.2	H		Park Brake Trailer Sensor	12.2	W	
Cluster	10.1	Hazard	26.1	Pneumatic Cut-Out Acc.	9.1	Watch Your step	29.1
Compressor Cooling Fan	14.1	Head Lights	26.1	Power Distribution FJB	4.1	Water Pump Relay	17.1
Cornering Lights (Optional)	26.5	Horn (Electric)	9.1	Power Distribution RJB	5.1	Wheelchair Lift Ricon	36.1
Coolant Level Led	39.1	Hostess Chime	22.2	Power Outlet	30.2	Window Ajar	27.1
Cooland Preheater Spheros	17.1	Hvac Defroster	18.1			Wiper & Washer	34.1
Cruise Control	14.1	Hvac Passengers	18.2				
Clever Devices	35.8 , 35.9						

LEFT
UNDER FLOOR AREA (CONT'D ON NEXT PAGE)

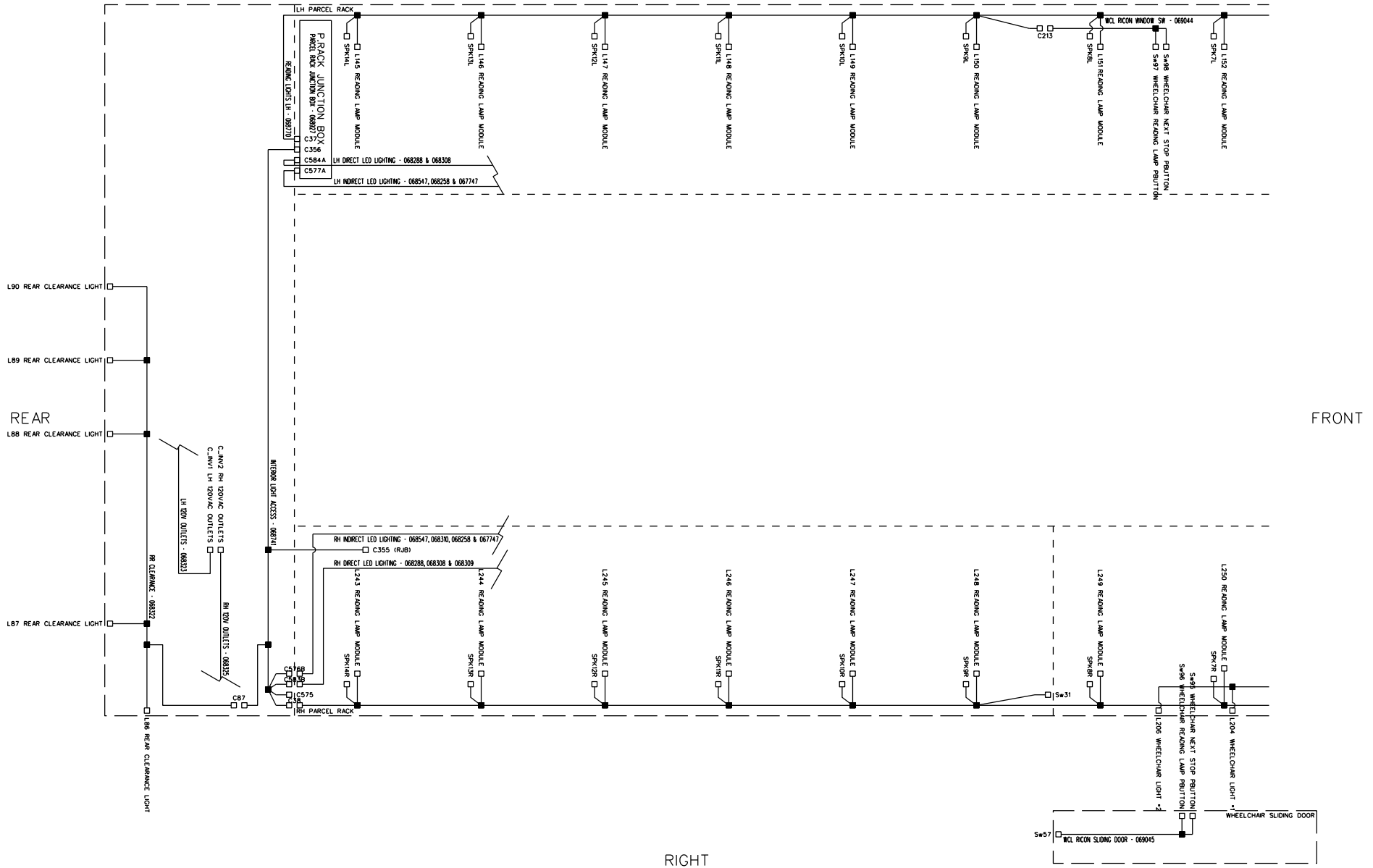


REAR

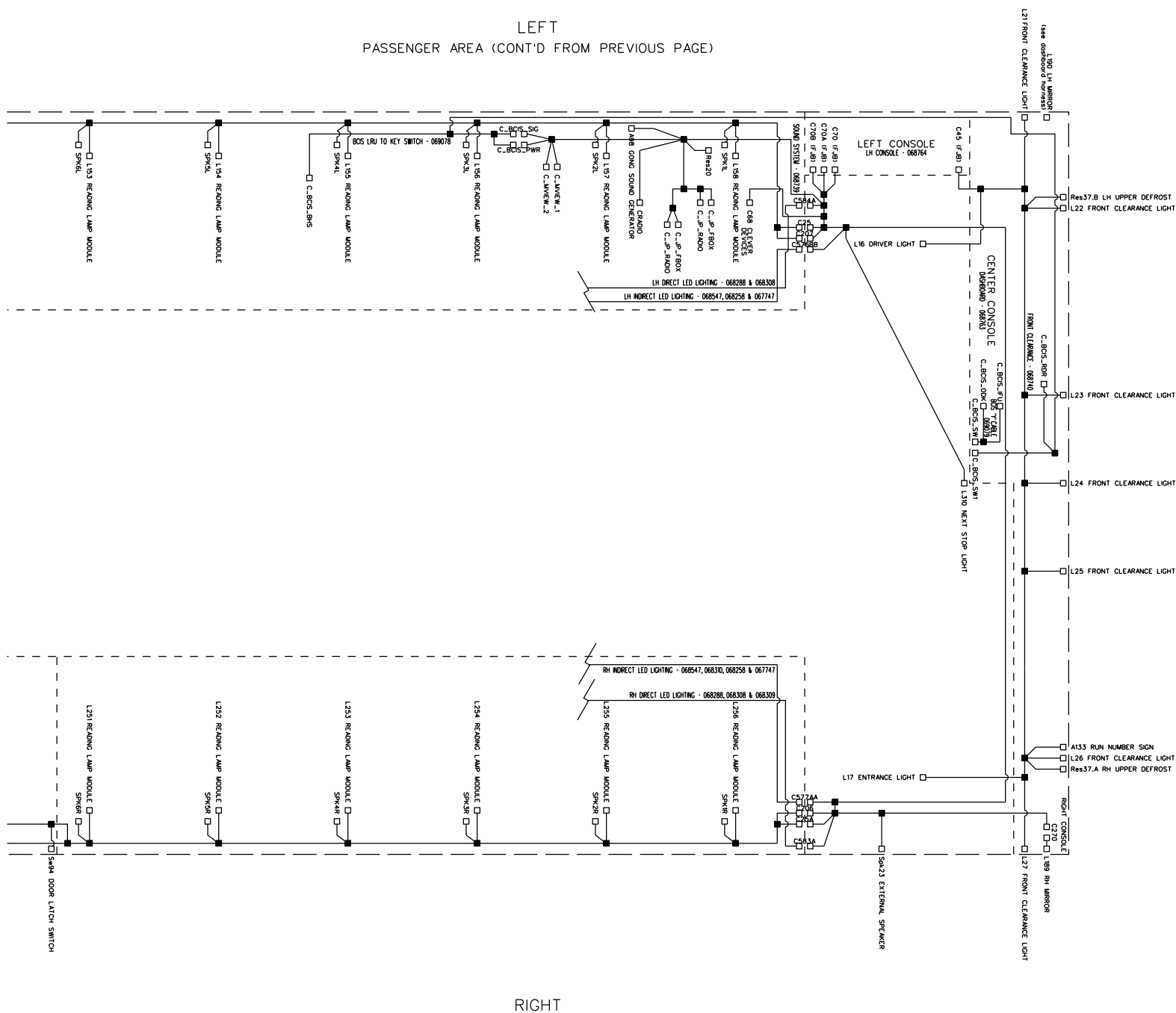
FRONT

RIGHT

LEFT
PASSENGER AREA (CONT'D ON NEXT PAGE)



LEFT
PASSENGER AREA (CONT'D FROM PREVIOUS PAGE)

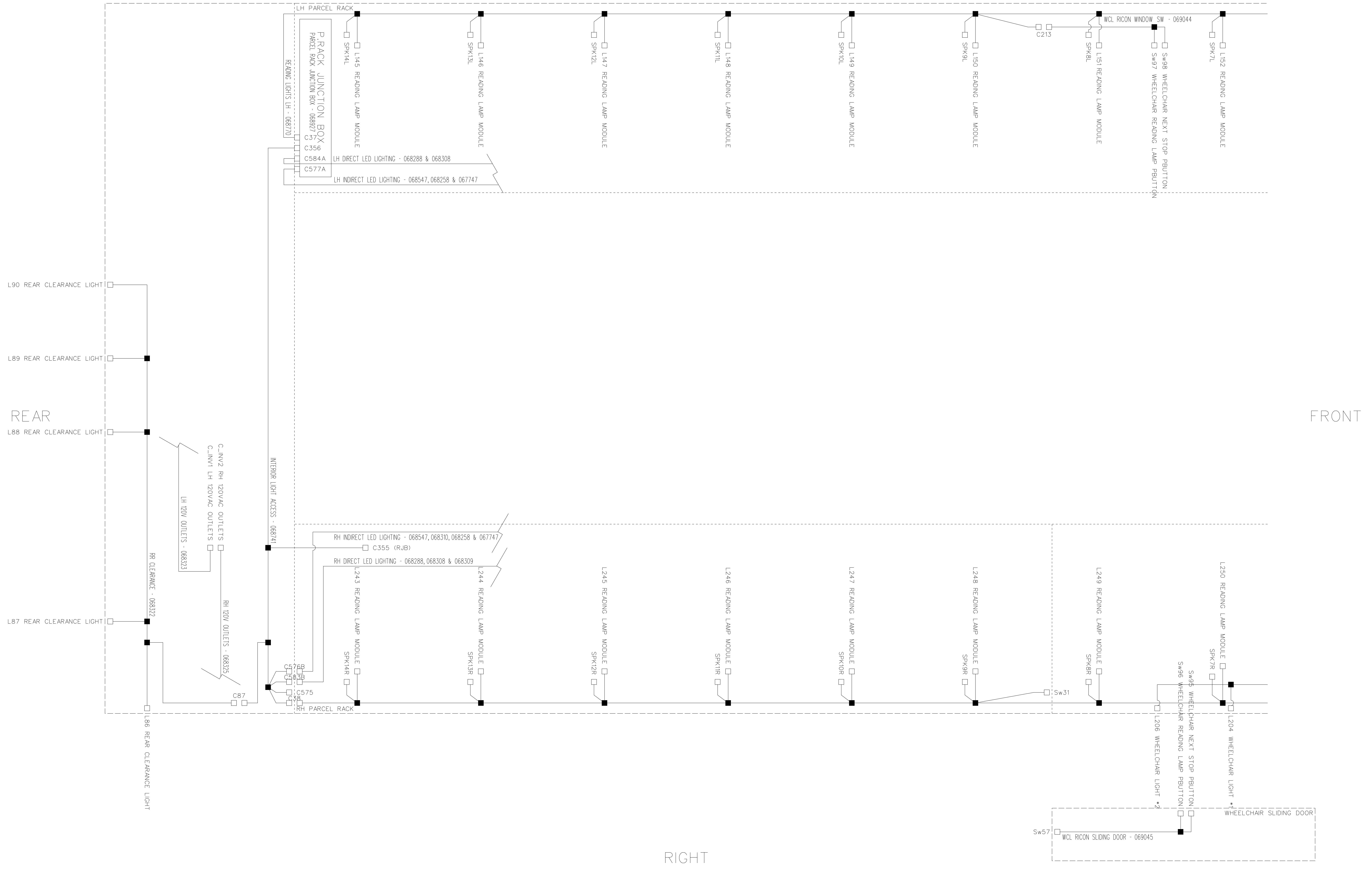


REAR

FRONT

RIGHT

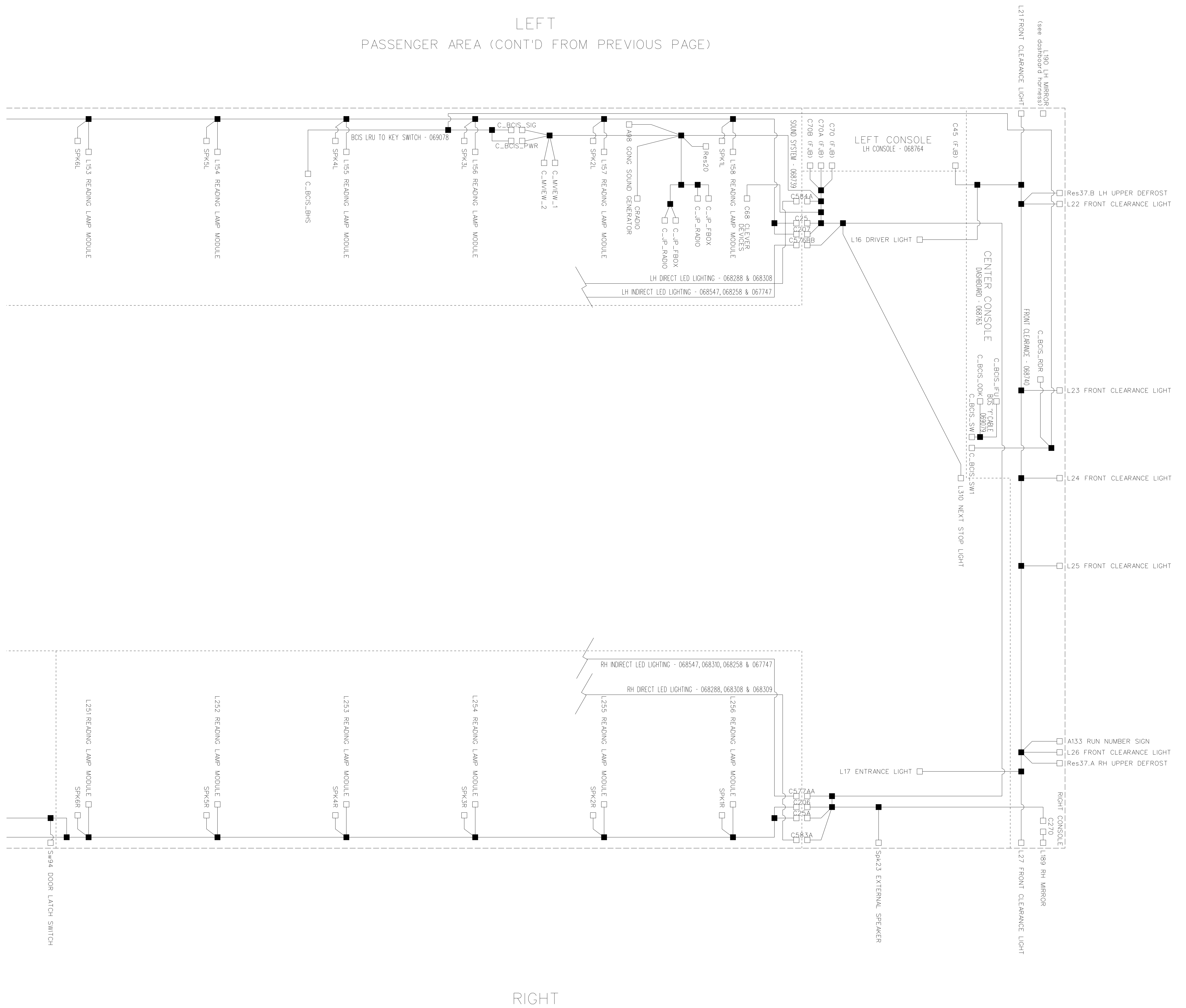
LEFT
PASSENGER AREA (CONT'D ON NEXT PAGE)



LEFT
PASSENGER AREA (CONT'D FROM PREVIOUS PAGE)

REAR

FRONT



CIRCUITS LIST

CircuitID	Description	CircuitID	Description	CircuitID	Description
0	WCLRemoteCtrl	OR1		5C	
0A	EvaporatorMain	OR2		5vKnee	KneelingLevel
00A	GndElectronic	OR3		6	GndWitnessSw24
00A1	GndElectronic	OR4		7	GndDriverSensor
00A2	GndSw29	OR51		8	GndParkBrakeSol
0B	EngineChassisGnd	OR52		9A	EngineDoorOpenSig
00B	ElectronicGndofMuxModules	ORA1	GndEngineCmpt.Lts	9C	EngineDoorOpenSig
0B1	GndEnginePreheater	ORA2	GNDRJBFAN	10	LuggageCmpt.LtsPwr
0BB	SensorGnd	ORA3	DiodetoR1	10A	
0BP1	BrakeInterlock	ORB3	ChassisGnd	10R	LuggageDoorOpenSig
0C	GndStarter	ORB5	GndPre-Heat	11	
00C	GndElectronic	ORB6		11A	
0CE	Front_Electronic_Gnd	ORB7	GndToEcm	12Ecu	12vEngineEcu
0CG		ORB8	GndElectronic	12SS1	12VMotorola
00D	Gnd_AFSS	ORC2	GndDefrostUnit	12SS2	
00E	Gnd_AFSS	ORC3	GndR23	12SS3	
0EV1	CondensorGnd	ORC4	GndEntranceLights	12VA	12vEqualizer
0EV2	GndHvac	ORC5		12VD	12VDTOCB2
0EV3	Evap_Compt_Gnd	OSA1	ChassisGnd	12VD1	12VDTOCB2
0EV4	PRackChassisGnd	OSS		12VD2	DirectElectricalHorn
0F	FJBDdoorOpenSig	OSW		12VD3	12vRearwake-up
0F1		OSW1		12VD4	12vEngineEcu
0F2		OSW2		12VDCust	12VDCustomer
0FA4	GndPwrOutlet	0V		12VDF	12VDtoFrontVec
0FARE		0V2		12VI	12VltoCB10
0FB1		0V3		12VI1	12VlofA44
0FB2	GndDriverWdo	0VE	EqualizerGnd	12VI5	12VltoVECR
0FB3	GndMasterID	0W	WCLGnd	12VI6	PwrtoModuleA50
0FC1		0WC	WCLGnd	12VI7	DOORLOCK
0FC2	DirectLightSwSig	0Y	GndSignal	12VI8	
0FC3	GndSw25	0Y2	GndChassisABSSol	12VI8B	AirDryer
0FC4	ElectricalHorn	0Y3	GndChassisABSSol	12VI9	
0G	GndElectronic	1	Transmission	12VI10	MirrorPwr
0H	CoolantLevelGround	2	PowerPACommuter	12VICust	12VICustomer
0I4		2B	CondensorLow	12VIF	12VltoFrontVec
0LAV		2mph	WitnessPwr	12VIF19	12vDDDR
0Lav	GndReadingLamps	3	DoorLatchSig	12VIZF	ZFsterringControl
0LAV1	IndirectLightsPwr	4A	WitnessGnd	12W	DoorUnlockSol
0Lav1	GndDirectLights	4C	HostessChimeSig	12WUp1	12VWUptoA48
0MOTO		4CWcl		12Wup1	12WUpFront
0PR	GndElectronic	5A	UpperDefrostfan	12Wup2	12WUptoDash
0PR2	Gnd_Fr_Clearance_Lts	5B	UpperDefrostfan	12Wup3	AirFilterLedPower
0PR3	UpperDefrosterGnd	5BP1	BrakeInterlock	12WUp5	PwrtoModuleA51

CIRCUITS LIST

CircuitID	Description	CircuitID	Description	CircuitID	Description
13	GndTransducer	24VD14		32AA	BackupLtandalarm
14	LuggageCmpt.LtsPwr	24VD15		32D	
15		24VD16		35	EntranceDoorLights
16	Speed_Signal	24VDCH	BattCharger	35A	
17	PWRRJBFAN	24VDCust	24VDCustomer	38AA	IndirectLightsPwr
17A	StairFanSpeedCtr	24VDR4	AFSS	39	DriverLtSwSig
17B	StairFanSpeedCtr	24VFB	CommuterOption	39D	DriverLt
18	Wip.WasherLevel	24VI	24VI	40	WitnessGnd
19	PWRSTAIRFAN	24VI1	24VItoRearVec	41	24VCondensor
20	PWRSTAIRFAN	24VI3		41A	CondensorPwr
21	FlasherLHSig	24VI5	24VIofMuxmodules	41A1	CondensorPwr
21A	FrontFlasher	24VI6	PwrtoDefrostUnit	41A2	CondensorPwr
21AA	FrontFlasher	24VI7	LowerWiperPwr	41A3	CondensorPwr
21C	FlashersRearRH	24VI8	24VItoMux	41A4	CondensorPwr
21D	ClearanceLts	24VI9		43	P-RackLHFan
22	HazardSwSig	24VI9A	24VItoA54	43F	WitnessGndSw27
23	FlasherRHSig	24VI13	Volvo_Link	43G	Parcel_Rack_Vent
23A	FrontFlasherRH	24VI15		44	PRackRH
23AA	FrontFlasherRH	24VI16	CommuterOption	45	Pre-HeatSigRly
23C	ClearanceLts	24VI17		45A	PassengerHeatSig
23D	ClearanceLts	24VIA	Cut-outPneumaticAcc	46	FrontFlasherRh
24Alt	PwrtoExcitationResistor	24VICust	24VICustomer	46A	FrontMarkers
24Alt2	PwrtoExcitationResistor	24VIF	24VItoFrontVEC	46B	MarkersCenter
24CO	24COtoSw58	24WC	WCL24VDPower	47	DoorOpenSignal
24D	24Direct	24WUp1	24WUp_To_A47_A48	47A	DoorOpenSignal
24D1	24Direct	24Wup1	24WUp_Front	48A	DoorOpenSol
24EE2	24VI_To_CB	24Wup2		49	DoorCloseSignal
24IZ	24VII_Shift	24Wup3	24Wup3ofA41	49A	DoorInsideSwCloseSig
24V		24Wup4		50	DriverHeatValve
24VA	24vEquilizer	24Wup9		51	WitnessGnd
24VB2	24VEnginePreheater	24Wup12		52	ElectricalHorn
24VD		24Wup76		52A	ElectricalHorn
24VD1		25	EngineRunSignal	53	LowerWip1stSpd
24VD2	24VDEng.StartSw83	25A1	ExcitationSignal	53B	LowerWip2ndSpd
24VD3		25A2	ExcitationSignal	53D	Washer_ctrl
24VD4	24VDFrontWake-up	25A4	BatteryNotChargingSig	53E	LowerWiper1stSpd
24VD5	24VDtoPre-Heat	26	DriverWindoPw	53F	LowerWasherPump
24VD6	24VDPre-Heat	26A	DriverWdo	53G	LowerWip1stSpd
24VD7	PassandPRackPwr	26B	DriverWdo	53H	LowerWip.IntSig
24VD8	UreaSystem	29	TagAxleValveSig	53J	Washer_ctrl
24VD9		31	UnloaderRH	55	Lugg_Door_Lock_Signal
24VD10	Volvo_Link	31B	WiperParkPwr	57A	WaterPump
24VD11		32A	BackupLtandalarm	57G	Pre-HeatWebasto

CIRCUITS LIST

CircuitID	Description	CircuitID	Description	CircuitID	Description
57GA	Pre-HeattoWtrPmpRly	82		116A	DriverLiq
57H	Pre-HeattoWtrPmpRly	82A	CyclopeSignal	118	Transmission
57L	Hi-Beam	82Low	StopRearLowerLamp	119	Transmission
57R	HighBeamRH	82Up	StopRearUpperLamps	120	Transmission
57Rtn	SignalRtnHeadLtsLH	84	StartSigSw83	124	FireAlarm_Detector
58L	LowBeam	84A	StartSigSw83	124A	ShifterSignal
58R	LowBeamRH	84B	StartSigSw83	125	RetarderActiveLamp
58Rtn		85	24VIgnition	126A	KneelingUpSwSig
59	Hi/LowBeamSignal	85A	Ign-AccSignal	126B	KneelingDownSwSig
61	HeadLtsSig	85B	Wake-upSig	126F	KneelingDownSol
63	ClearanceLts	85BB	Ign-AccSignal	126G	KneelingUpSol
63A	FrontClearanceLts	85C	PositionNormalSw58	126H	KneelingCtrl.Sol
63B	ClearanceLts	85D	RearStartPwr	126P	KneelingBuzzer
65	FootDamper	85E	RearStartSignal	127	Pre-HeatSignal
65A	FootDamper	85F	EgnineStartPwr	128	Pre-HeatStatus
65D	DriverCylinder	85G	Ign-AccSignal	128B	Pre-HeatTTLT
65P	Pass.Cylinder	85X	24VIgn	131	Evaporator2ndSpd
65T	SignalToPre-heatrelay	85Z	ABS_Trailer_Sig	133	Transmission
66	MarkersSigSw2	86	DefrostunitSpd	135	Transmission
67	EvaporatorPwr	86ARtn	EntranceCeilingLtGnd	135A	HandLevelSig
67A	Condensor1stSpdSig	86BRtn	Gnd	136	Transmission
68	DashDamper	88	TransducerPwr	136A	TransmissionPwr
68A	DashDamper	89	DriverSensorSig	136AA	ShifterSignal
69		90H	Evap_Rly_Power	137	Transmission
73	HostessChimePwr	90H1	EvaporatorMain	137B	Mirrors
74	ReadingLampSig	91	ParkBrakeSig	137C	Mirrors
74A	ReadingLampsRH	91B	WitnessSigSw14	137D	Mirrors
74B	ReadingLampsRH	98	BackupAlarmCancel	137E	Mirrors
75	ReadingLampsRH	99	Sw20Gnd	137F	Mirrors
76	FuelLevelSig	100	IndirectLight	137H	Mirrors
76C	FuelGaugeWrn	100A	IndirectLightLH	137J	Mirrors
77	TransducerHi-Side	100B	IndirectLight	137K	Mirrors
77AC	A/Cclutch	101	R1toStarter	137L	Mirrors
77B	PassandPRackLiquidValve	101A	StarterCtr	137M	Mirrors
77BA	A/Cclutch	101B	StarterCtr	138	ABSSensor
77BB		102A	Alternator	138A	ABSSensor
77C	PassandPRackLiquidValve	111	Transmission	139	ABSSolenoid
78	StopLightSensorSig	114	DriverLt	140	ABSSolenoid
78BA		114A	Backlight	141	ABSSolenoid
78BB		114AA	Backlight	142	ABSSolenoid
79	TranducerLow-Side	115	Transmission	143	ABSSensor
79A	StopLightSensorSig	115A	WitnessPwr	143A	ABSSensor
80	ParkBrakeSig	116	DriverLiq	144	ABSSensor

CIRCUITS LIST

CircuitID	Description	CircuitID	Description	CircuitID	Description
144A	ABSSensor	175	Transmission	304A	WheelChairLift
145	ABSSolenoid	176	Transmission	305	ParkBrakeSol
146	ABSSolenoid	177	Transmission	305A	WCLUpperDoorSignal
146A	PwrtoModuleA50	180	Transmission	306	
147	ABSSolenoid	181	PassengerSensor	307	WCL
148	ABSSolenoid	185	TransmissionInhibitSig	308	WCL
149	ABSSensor	188	AutomaticTagUnload	309	WCL
149A	ABSSensor	203	VannerCtr	310	PwrWCLDoorSe
150	Transmission	204	VannerCtr	311	WCLTopLights
151	ABSRearAtcSolenoid	205	VannerCtr	312	DoorFirstLatchSignal
151A	GndElectronic	206	VannerCtr	313	WCL
151B	GndElectronic	207	VannerCtr	314	WCL_Se62
151C	GndElectronic	208	VannerCtr	341	
152	ABSRearAtcSolenoid	209	VannerCtr	342	AFSS_Panel_Gnd
154	Transmission	210	VannerCtr	343	
155	Transmission	211	GndElectronic	343A	See_H3_Design
156A	12VtoABS	213		344	See_H3_Design
157D	ATCSignal	215		345	See_H3_Design
159	Transmission	216		346	See_H3_Design
160	TagSignal	217		346A	PowerSensors
162	Gnd_Service_Brake	218		346B	PowerSensors
163A	RetarderSig	219		346C	PowerSensors
163B	Retarder_Sig	220		347	Fire_Detect_Alarme
164	HandLevelSig	221		347A	Fire_Detect_Alarme
166	WitnessSigSw16	225	LavatoryFan	347B	Fire_Detect_Alarme
170	LuggageLock_UnlockSig	231	NeutralSig	347C	Fire_Detect_Alarme
170A	Lugg_Door_Lock	231A	StarterRelay	348	See_H3_Design
170B	Lugg_Door_Lock	240A	ECMPOWER	349	Fire_Detect_Alarme
170D	Lugg_Door_Lock	240B	CPC_Supply	350	Fire_Detect_Alarme
170E	Lugg_Door_Lock	241A	ECMPOWER	350A	Fire_Detect_Alarme
170F	Lugg_Door_Lock	241B	24VoltIgnition	351	EngineShout-downSignal
170G	Lugg_Door_Lock	241C	WIF_Heater	352	OverrideSignal
170H	Lugg_Door_Lock_Signal	260	WindowAjarSig	364	Trans.RearAirBrake
170Q	LuggageLock_UnlockSig	290	GndFanClutch	365	Trans.RearAirBrake
170R	Electronic_Gnd	290A	GndFanClutch	366	Trans.RearAirBrake
170S	LuggageLock_UnlockSig	291	FanClutch	367	Trans.RearAirBrake
170T	LuggageLock_UnlockSig	292	FanClutch	368	AccAirPressureSig
170U	LuggageLock_UnlockSig	300	WCLTopLightSliding	369	AccAirPressureSig
170V	LuggageLock_UnlockSig	301	WheelChairLiftSwitch	417	ThrottlePositionSignal
170W	LuggageLock_UnlockSig	302	WCLRicon	439	12VtoABS
170X	LuggageLock_UnlockSig	302A	WCLSlidingdoorSig	500	12VPwrIdleValid
171	Transmission	303	WCLRicon	501	SupplyControl
174	Transmission	304		502	IVSOut

CIRCUITS LIST

CircuitID	Description	CircuitID	Description	CircuitID	Description
503	WheelChairLift	610	ABSPressuresensor	CIS_SPR8	
504	UreaSystem	611	AbsTagSolenoid	CIS_USB	
505	UreaSystem	612	AbsTagSolenoid	CTRL	
506	UreaSystem	613	AbsTagSolenoid	CTS	MCMData
507	UreaSystem	614	ABSSteeringSolenoid	Cts	ComputerSignals
510	FastIdleSignal	614A	ABSSteeringSolenoid	DL0H	SparesFr-to-RearHarness
511	UreaSystem	900		DL0HS	SparesCanFrontHarness
512	UreaSystem	901		DL0L	SparesFr-to-RearHarness
513	UreaSystem	910	L_SPEAKER_HARNESS	DL0LS	SparesCanFrontHarness
515	GroundPreheaterRelay	911	EmergencyCutoutRlySignal	DL1H	J1939
516	UreaSystem	916	5VSensorPwr	DL1L	J1939
517	UreaSystem	952	GndSensorRtn	DL2H	BB2
520	UreaSystem	953	GndElectronic	DL2L	BB2
521	UreaSystem	AuxBP		DL3H	DBusSignal
522	UreaSystem	BK	CommuterOption	DL3L	DBusSignal
523	UreaSystem	BLACK	120VACOutlet	DL7H	EngineSubnet
524C	IdleValidationSig	Black	PwrBatteryCharger	DL7L	EngineSubnet
525	UreaSystem	BRef1	SensorGnd	DL9H	
526	UreaSystem	Bref2	PassengerSensor	DL9L	
526A	DPFVolvo	BrkAux	BrakeAuxBypass	down	ClusterCtr
526B	DPFVolvo	BrkNeg	HillStartAssist	Driver-Relay+	
526C	UreaSystem	BRKP	BrakeInterlock	Driver-Relay-	
527	UreaSystem	BUSBAR		escape	ClusterCtr
528	UreaSystem	BussBar		fuilf	fake
530	UreaSystem	CAN1-HI	GatewayCan2	GND	
531	UreaSystem	CAN1-LO	GatewayCan2	gnd	GroundFuelTank
532	UreaSystem	CanH2	SpareCan	GndA	ComputerSignals
533	Control_Ground_Relay	CanL2	SpareCan	GNDMOTO	
534	Control_Ground_Relay	CARD_READER		GNDMV	
535	WettankPress5v	Cd1	ComputerSignals	Gong	Chime
536	WettankPressOut	Chgr	Battery_Charger_Gnd	GREEN	120VACOutlet
537	WettankPress5v	CIS_24VDC		Green	PwrBatteryCharger
600	ABSSensor	CIS_DASH_CAT5_1		IFU	
600A	ABSSensor	CIS_DASH_CAT5_2		IFU2	
601	ABSSensor	CIS_GND		IFU3	
601A	ABSSensor	CIS_IGN		IFU5	
602	ABSSteering&Yawsensor	CIS_REV		INTLK	BrakeInterlock
603	ABSSteering&Yawsensor	CIS_SPD		IVNSTAT	
604	ABSSteering&Yawsensor	CIS_SPR0		KneeLevel	KneelingLevel
605	ABSSteering&Yawsensor	CIS_SPR1		KneeRef	KneelingLevel
606	ABSPressuresensor	CIS_SPR3		L303	
607	ABSPressuresensor	CIS_SPR4		L303A	
608	ABSPressuresensor	CIS_SPR7		LF+	L_SPEAKER_HARNESS

CIRCUITS LIST

CircuitID	Description	CircuitID	Description	CircuitID	Description
LF-	L_SPEAKER_HARNESS	ODK5		SL13	L_SPEAKER_HARNESS
LR+	FR_SPEAKER_HARNESS_	ODK_CAT5		SL24	L_SPEAKER_HARNESS
LR-	FR_SPEAKER_HARNESS_	OilSep		SL35	L_SPEAKER_HARNESS
Master	MasterInterlockBypass	Out+	Speaker	SL46	L_SPEAKER_HARNESS
Motorola	TriggerMotorola	Out-	Speaker	SL57	L_SPEAKER_HARNESS
Mute	GndPACommuter	OutL+	Speaker	SL68	L_SPEAKER_HARNESS
N1	A41Adress	OutL-	Speaker	SL1012	L_SPEAKER_HARNESS
N2	A41Adress	OutR+		SL1113	L_SPEAKER_HARNESS
N3	A42Adress	OutR-	Speaker	SL1214	L_SPEAKER_HARNESS
N4	A42Adress	PA-Relay+		spare10	SparesInteriorLtsHarness
N7	A44Adress	PA-Relay-		spare11	SparesInteriorLtsHarness
N8	A44Adress	PP1	InverterPwr	spare12	SparesInteriorHarness
N9	A45Adress	Pw1		spare13	SparesInteriorHarness
N10	A45Adress	Pw2		spare14	SparesInteriorHarness
N11	A46Adress	Pw3		spare15	SparesInteriorHarness
N12	A46Adress	RDR_GND		spare16	SparesInteriorHarness
N13	A47Adress	RDR_PWR		spare17	SparesFr-to-RearHarness
N14	A47Adress	RELAY		spare18	SparesFr-to-RearHarness
N15	A48Adress	RetOff	RetarderOffLight	spare19	SparesFr-to-RearHarness
N16	A48Adress	RF+	L_SPEAKER_HARNESS	spare20	SparesClearanceLts
N17	A49Adress	RF-	L_SPEAKER_HARNESS	spare21	SparesClearanceLts
N18	A49Adress	RR+	FR_SPEAKER_HARNESS_	spare22	SparesClearanceLts
N19	A50Adress	RR-	FR_SPEAKER_HARNESS_	spare23	SparesClearanceLts
N20	A50Adress	RTS	MCMDData	spare24	SparesClearanceLts
N21	A51Adress	Rts	ComputerSignals	spare25	SparesClearanceLts
N22	A51Adress	RX	CommuterOption	spare28	SparesFrontHarness
N23	A52Adress	RxD	ComputerSignals	spare29	SparesFrontHarness
N24	A52Adress	RxTx	MCMDData	spare30	SparesFrontHarness
N25	A53Adress	RXTXCTR1		spare31	SparesFrontHarness
N26	A53Adress	RXTXCTR2		spare32	SparesFrontHarness
N27	A54Adress	Sbelt		spare33	SparesFrontHarness
N28	A54Adress	select	ClusterCtr	spare34	SparesFrontHarness
N29	A36Adress	SHD	CommuterOption	spare35	SparesFrontHarness
O1C		SHIELD		spare39	SparesDash
O1JP		Shield		spare40	SparesDash
O1NC		Shield1		spare41	SparesDash
O1NO		Shield_PS		spare42	SparesDash
O2C		Shield_T1		spare43	SparesDash
O2JP		Shield_T2		spare44	SparesDash
O2NC		Shield_T3		spare51	SparesEngineCradle
ODK		SHLD		spare52	SparesEngineCradle
ODK2		SilentAlarm+	SilentAlarm	spare53	SparesEngineCradle
ODK3		SilentAlarm-	SilentAlarm	spare54	SparesEngineCradle

CIRCUITS LIST

CircuitID	Description	CircuitID	Description		
spare62	spareABSHarness	WeR2			
spare64	Spare_Transmission	WeR3			
spare65	Spare_Transmission	WeR4			
spare72	spare	WHITE	120VACOutlet		
spare73	spare	White	PwrBatteryCharger		
spare74	SparesInteriorHarness				
spare75	SparesInteriorHarness				
spare76	SparesInteriorHarness				
SpkDriver+					
SpkDriver-					
SpkIn+	Speaker				
SpkIn-	Speaker				
SpkIVN+	Speaker				
SpkIVN-	Speaker				
SpkOut+	Speaker				
SpkOut-	Speaker				
SpkPA+	Speaker				
SpkPA-	Speaker				
SR13	FR_SPEAKER_HARNESS_				
SR24	FR_SPEAKER_HARNESS_				
SR35	FR_SPEAKER_HARNESS_				
SR46	FR_SPEAKER_HARNESS_				
SR57	FR_SPEAKER_HARNESS_				
SR68	FR_SPEAKER_HARNESS_				
SR911	R_SPEAKER_HARNESS_WCL				
SR1012	R_SPEAKER_HARNESS_WCL				
SR1113	R_SPEAKER_HARNESS_WCL				
SR1214	R_SPEAKER_HARNESS_WCL				
Sto-Loc	WCLRemoteCtrl				
TX	CommuterOption				
TxD	MCMDData				
up	ClusterCtr				
VD15	24VDTachometer				
VDALT					
WC2	WCLRemoteCtrl				
WC3	WCLRemoteCtrl				
WC4	WCLRemoteCtrl				
WC6	WCLRemoteCtrl				
WC7	WCLRemoteCtrl				
WCGong	Chime				
WeF1					
WeF2					
WeR1					

BREAKERS LIST

No	Location	Part #	Function	Rating	Page	No	Location	Part #	Function	Rating	Page
CB1	RJB	562683	24VIFront	90amp	3.1	CB29V	FJB_VECF	563637	*opt*	5amp	4.1
CB2	RJB	563425	*opt*	90amp	3.1	CB2V	FJB_VECF	563647	*opt*	5A	4.1
CB3	RJB	562683	24VIEvaporator	90amp	3.1	CB30V	RJB_VECR	563639	*opt*	15amp	4.1
CB5	RJB	562684	24VIRear	150amp	3.1	CB31V	FJB_VECF	563637	*opt*	5amp	4.1
CB6	RJB	563424	*opt*	70amp	3.1	CB32V	RJB_VECR	564341	*opt*	25amp	4.1
CB7	RJB	562687	24VICondensor	70amp	3.1	CB33V	RJB_VECR	563641	*opt*	30amp	4.1
CB8	RJB	562686	12VIRear	40amp	3.1	CB34V	RJB_VECR	563641	*opt*	30amp	4.1
CB9	RJB	563355	WCL	50amp	3.1	CB35V	RJB_VECR	563638	*opt*	10amp	4.1
CB10	RJB	562687	12VIFront	70amp	3.1	CB36V	FJB_VECF	563637	*opt*	5amp	4.1
CB13	RJB	562684	24VI_Option	150amp	3.1	CB37V	RJB_VECR	563649	*opt*	10amp	4.1
CB15	FJB_VECF	564340	*opt*	20amp	18.2	CB38V	RJB_VECR	564399	*opt*	20amp	4.1
CB16	FJB_VECF	564340	*opt*	20amp	18.2	CB39V	RJB_VECR	563649	*opt*	10amp	4.1
CB17	FJB_VECF	564340	*opt*	20amp	18.2	CB3V	FJB_VECF	563647	*opt*	5A	4.1
CB18	FJB_VECF	564340	*opt*	20amp	18.2	CB40V	RJB_VECR	563639	*opt*	15amp	4.1
CB44	FJB_VECF	564464	*opt*	5amp	3.3	CB41V	RJB_VECR	563638	*opt*	10amp	4.1
CB82	FJB_VECF	564464	Lower_Wiper	20amp	4.1	CB42V	RJB_VECR	563649	*opt*	10amp	4.1
CB88	RJB_VECR	563699	LuggageLockUnlock	20amp	5.1	CB43V	RJB_VECR	563647	*opt*	5amp	4.1
CB106	FJB_VECF	563637	*opt*	5amp	35.8	CB4V	FJB_VECF	563647	*opt*	5A	4.1
CB109	FJB_VECF	563639	*opt*	15amp	3.3	CB50V	RJB_VECR	564340	*opt*	15amp	5.1
CB110	FJB_VECF	564464	*opt*	15amp	3.3	CB51V	RJB_VECR	564341	*opt*	25amp	5.1
CB100V	RJB_VECR	563638	*opt*	10amp	5.1	CB52V	RJB_VECR	563699	*opt*	5amp	5.1
CB104V	RJB_VECR	563639	*opt*	15amp	4.1	CB53V	RJB_VECR	564340	*opt*	15amp	5.1
CB105V	RJB_VECR	563699	*opt*	20amp	4.1	CB54V	RJB_VECR	564341	*opt*	25amp	5.1
CB10V	FJB_VECF	563647	*opt*	5A	4.1	CB55V	RJB_VECR	563649	*opt*	10amp	5.1
CB11V	FJB_VECF	563647	*opt*	5A	4.1	CB56V	RJB_VECR	564399	*opt*	20amp	5.1
CB12V	RJB_VECR	564399	*opt*	20amp	4.1	CB57V	RJB_VECR	563649	*opt*	10amp	5.1
CB13V	RJB_VECR	564399	*opt*	20amp	4.1	CB58V	RJB_VECR	564399	*opt*	20amp	5.1
CB14V	RJB_VECR	564340	*opt*	15amp	4.1	CB59V	RJB_VECR	563649	*opt*	10amp	5.1
CB15V	FJB_VECF	563647	*opt*	5A	4.1	CB5V	RJB_VECR	564342	*opt*	30amp	4.1
CB16V	RJB_VECR	564341	*opt*	25amp	4.1	CB60V	RJB_VECR	563639	*opt*	15amp	5.1
CB17V	FJB_VECF	563647	*opt*	5A	4.1	CB61V	RJB_VECR	563699	*opt*	20amp	5.1
CB18V	RJB_VECR	564340	*opt*	15amp	4.1	CB62V	RJB_VECR	563649	*opt*	10amp	5.1
CB19V	FJB_VECF	563637	*opt*	5amp	4.1	CB63V	RJB_VECR	563649	*opt*	10amp	5.1
CB1V	FJB_VECF	563648	*opt*	7.5A	4.1	CB64V	RJB_VECR	563649	*opt*	10amp	5.1
CB20V	RJB_VECR	563642	*opt*	7.5amp	4.1	CB65V	RJB_VECR	564342	*opt*	30amp	5.1
CB21V	RJB_VECR	563699	*opt*	20amp	4.1	CB66V	RJB_VECR	563647	*opt*	5amp	5.1
CB22V	FJB_VECF	563637	*opt*	5amp	4.1	CB67V	RJB_VECR	564341	*opt*	25amp	5.1
CB23V	RJB_VECR	563641	*opt*	30amp	4.1	CB68V	RJB_VECR	564341	*opt*	25amp	5.1
CB24V	RJB_VECR	563642	*opt*	7.5amp	4.1	CB69V	RJB_VECR	563647	*opt*	5amp	5.1
CB25V	FJB_VECF	563637	*opt*	5amp	4.1	CB6V	RJB_VECR	563648	*opt*	7.5amp	4.1
CB26V	FJB_VECF	563637	*opt*	5amp	4.1	CB70V	RJB_VECR	563648	*opt*	7.5amp	5.1
CB27V	RJB_VECR	563639	*opt*	15amp	4.1	CB71V	RJB_VECR	564340	*opt*	15amp	5.1
CB28V	RJB_VECR	563699	*opt*	20amp	4.1	CB72V	RJB_VECR	563640	*opt*	25amp	5.1

CONNECTORS LIST

No	Location	Part #	Gender	No	Location	Part #	Gender
C71	FJB	561646	male	A48.J3	RH_Console	562957	male
C71	FJB	561645	female	A48.J1	RH_Console	563133	male
C397	RJB	562285	male	A45.J2	FJB	563132	male
C397	RJB	562282	female	A45.J3	FJB	562957	male
A49.J2	RJB	563132	male	A45.J1	FJB	563133	male
A49.J3	RJB	562957	male	C82	1st_Lugg_Cmpt	562477	male
A49.J1	RJB	562767	male	C82	1st_Lugg_Cmpt	562479	female
A54.J2	Evap_Cmpt	563132	male	A46.J2	FJB	563132	male
A54.J3	Evap_Cmpt	562957	male	A46.J3	FJB	562957	male
A54.J1	Evap_Cmpt	563133	male	A46.J1	FJB	563133	male
C171		561640	male	C72	FJB	561646	male
C171		561639	female	C72	FJB	561645	female
A44.J2	FJB	563132	male	Mo22	RH_Console	561186	male
A44.J3	FJB	562957	male	A47.J2	RH_Console	563132	male
A44.J1	FJB	563133	male	A47.J3	RH_Console	562957	male
C45	FJB	561643	male	A47.J1	RH_Console	563133	male
C45	FJB	561642	female	Mo3	Dash	561667	female
C4	FJB	563580	male	C2	Service_Cmpt	563580	male
C4	FJB	563581	female	C2	Service_Cmpt	563581	female
C601	LHRoofWinAjar	561476	male	C101	Service_Cmpt	561690	male
C601	LHRoofWinAjar	561477	female	C101	Service_Cmpt	561566	female
C603	RHRoofWinAjar	561476	male	Pot1.A	Dash	560488	female
C603	RHRoofWinAjar	561477	female	Pot1.B	Dash	560488	female
C582	FJB	561690	female	Pot1.C	Dash	560488	female
C582	FJB	561566	female	Sw33	Dash	561476	male
A41.J2	FJB	563132	male	Sw32	Dash	561477	female
A41.J3	FJB	562957	male	L65	Outside_Front_LH	562155	male
A41.J1	FJB	562767	male	L64	Outside_Front_RH	562155	male
C91	RJB	562285	male	A5	Service_Cmpt	562428	female
C91	RJB	562282	female	C463	Rear_Axle_Cmpt	562570	female
A52.J2	RJB	563132	male	C463	Rear_Axle_Cmpt	562571	male
A52.J3	RJB	562957	male	Se32	Rear_Axle_Cmpt	563057	male
A52.J1	RJB	563133	male	Se33	Rear_Axle_Cmpt	562856	male
A42.J2	FJB	563132	male	Se34	Rear_Axle_Cmpt	563057	male
A42.J3	FJB	562957	male	Se35	Rear_Axle_Cmpt	563057	male
A42.J1	FJB	562767	male	L176	3rd_Lugg_Cmpt	561247	male
Sw2	Dash	562763	male	L177	3rd_Lugg_Cmpt	561247	male
A51.J2	RJB	563132	male	C37	Parcel_Rack_LH	562557	male
A51.J3	RJB	562957	male	C37	Parcel_Rack_LH	562558	female
A51.J1	RJB	563133	male	C38	P_Rack	562555	male
C119		563358	male	C38	P_Rack	562556	female
C119		563359	female	Sw25	Dash	562763	male
A48.J2	RH_Console	563132	male	C430	LH_Console	562363	male

CONNECTORS LIST

No	Location	Part #	Gender	No	Location	Part #	Gender
C430	LH_Console	561188	female	VECF1		563716	male
A11	LH_Console	563142	male	VECF2		563713	male
Sw38	LH_Console	562763	male	VECF3		563715	male
C6	FJB	563582	male	VECF4		563712	male
C6	FJB	563583	female	VECF10		563711	male
Sw58	Engine_Cmpt	562581	male	VECF11		563714	male
So7	Service_Cmpt	561566	female	VECF12		563717	male
C1	FJB	563589	male	C24_plug	Evap_Cmpt	561690	male
C1	FJB	563590	female	C24_socket	Evap_Cmpt	561566	female
C3_plug	RJB	563589	male	Sw64.A	Service_Cmpt	560815	female
C3_socket	RJB	563590	female	Sw64.B	Service_Cmpt	560815	female
C87	Engine_Cmpt	562485	male	C30	3rd_Lugg_Cmpt	561710	male
C87	Engine_Cmpt	562486	female	C30	3rd_Lugg_Cmpt	561709	female
C426	Engine_Cmpt	561611	male	C29	3rd_Lugg_Cmpt	563651	male
C426	Engine_Cmpt	561610	female	C29	3rd_Lugg_Cmpt	563652	female
C5	FJB	563589	male	C31	3rdLugg_Cmpt	561734	male
C5	FJB	563590	female	C31	3rdLugg_Cmpt	561735	female
C17	RJB	561986	male	C11	Service_Cmpt	563580	male
C17	RJB	561987	female	C11	Service_Cmpt	563581	female
C18	FJB	561986	male	L67	4rd_Lugg_Cmpt	562155	male
C18	FJB	561987	female	L68	4rd_Lugg_Cmpt	562155	male
C9	RJB	561986	male	L69	4rd_Lugg_Cmpt	562155	male
C9	RJB	561987	female	L70	4rd_Lugg_Cmpt	562155	male
C19	RJB	561986	male	Mo12	Engine_Cmpt	561690	male
C19	RJB	561987	female	So13	Evap_Cmpt	563204	female
C14	RJB	561986	male	L81.A	Rear_Vehicle	562835	female
C14	RJB	561987	female	L81.B	Rear_Vehicle	562834	male
Se23	Engine_Cmpt	563159	male	R3	RJB	563409	male
Se24	Engine_Cmpt	563159	male	R12	Evap_Cmpt	563409	male
Se7	Window_LH	561477	female	R10	Evap_Cmpt	563409	male
Se8	Window_LH	561477	female	A15	Dash	562464	male
Se9	Window_LH	561477	female	L27.B	Front_Roof	562286	male
Se6	Window_RH	561477	female	L27.A	Front_Roof	561608	female
Se5	Window_RH	561477	female	L26.B	Front_Roof	562286	male
Se4	Window_RH	561477	female	L26.A	Front_Roof	561608	female
Se21	Dash	561248	female	L25.B	Front_Roof	562286	male
A50.J2	RJB	563132	male	L25.A	Front_Roof	561608	female
A50.J3	RJB	562957	male	L24.B	Front_Roof	562286	male
A50.J1	RJB	563133	male	L24.A	Front_Roof	561608	female
L76	Rear_Engine_Door	562155	male	L23.B	Front_Roof	562286	male
L74	Rear_Vehicle	562155	male	L23.A	Front_Roof	561608	female
L75	Rear_Vehicle	562155	male	L22.B	Front_Roof	562286	male
L72	Rear_Vehicle	562155	male	L22.A	Front_Roof	561608	female

CONNECTORS LIST

No	Location	Part #	Gender	No	Location	Part #	Gender
L21.B	Front_Roof	562286	male	CSX3	Engine_Cmpt	563135	male
L21.A	Front_Roof	561608	female	CSX3	Engine_Cmpt	563134	female
L88.B	Rear_Roof	562286	male	A24.B	RH_Console	561566	female
L84.A	Rear_Roof	561608	female	A24	RH_Console	561889	female
L90.A	Rear_Roof	561608	female	A24.A	RH_Console	561890	male
L86.A	Rear_Roof	561608	female	Sw46.A	3rd_Lugg_Cmpt	562403	female
L89.A	Rear_Roof	561608	female	Sw46.B	3rd_Lugg_Cmpt	562403	female
L85.A	Rear_Roof	561608	female	Sw45.A	3rd_Lugg_Cmpt	562403	female
L88.A	Rear_Roof	561608	female	Sw97.B		562615	female
L87.A	Rear_Roof	561608	female	Sw97.A		562615	female
C243	Service_Cmpt	562789	male	Sw96.B	WCL_Door	562615	female
C243	Service_Cmpt	565131	female	Sw96.A	WCL_Door	562615	female
C242	Service_Cmpt	562789	male	L206	Parcel_Rack_RH	562803	male
C242	Service_Cmpt	565131	female	Sw42	Lugg_Cmpt	561636	female
L84.B	Rear_Roof	562286	male	Mo24	RH_Console	562348	female
L85.B	Rear_Roof	562286	male	Mo25	RH_Console	562348	female
L86.B	Rear_Roof	562286	male	A27	Service_Cmpt	562929	male
L87.B	Rear_Roof	562286	male	C51	Engine_Cmpt	561932	male
L89.B	Rear_Roof	562286	male	C51	Engine_Cmpt	560933	female
L90.B	Rear_Roof	562286	male	A17	RJB	561932	male
C40	Dash	562485	male	C290	Rear_Vehicle	562477	male
C40	Dash	562486	female	C290	Rear_Vehicle	562479	female
A53.J2	RJB	563132	male	C85	4rd_Lugg_Cmpt	562477	male
A53.J3	RJB	562957	male	C85	2nd_Lugg_Cmpt	562479	female
A53.J1	RJB	563133	male	C84	2nd_Lugg_Cmpt	562477	male
C34	RH_Console	561986	male	C84	2nd_Lugg_Cmpt	562479	female
C34	RH_Console	561987	female	C83	2nd_Lugg_Cmpt	562477	male
Sw83.D	Dash	560815	female	C83	2nd_Lugg_Cmpt	562479	female
Sw83.B	Dash	560815	female	C81	1st_Lugg_Cmpt	562477	male
Sw83.C	Dash	560082	female	C81	1st_Lugg_Cmpt	562479	female
C44_plug	FJB	561577	male	C3S	RJB	563593	male
C44_socket	FJB	561605	female	C3S	RJB	563590	female
A10.X1	Engine_Cmpt	563135	male	C1S	FJB	563589	male
A10.X3	Engine_Cmpt	563134	female	C1S	FJB	563590	female
A18.J2	FJB	562650	male	C5S	FJB	563589	male
A18	FJB	562794	male	C5S	FJB	563590	female
L205	Engine_Cmpt	562485	male	C13S	RH_Console	563589	male
Se25	Passenger_Area	561248	female	C13S	RH_Console	563590	female
Sw34	Outside_Front_RH	562477	male	C59	RJB	561643	male
So11	Cond_Cmpt	561566	female	C59	RJB	561642	female
Sw44.A	Service_Cmpt	562403	female	L285.A	Rear_Vehicle	562835	female
CSX1	Engine_Cmpt	563135	male	L285.B	Rear_Vehicle	562834	male
CSX1	Engine_Cmpt	563134	female	Sw125.A	Service_Cmpt	561457	female

CONNECTORS LIST

No	Location	Part #	Gender	No	Location	Part #	Gender
Sw125.B	Service_Cmpt	561457	female	C207	Parcel_Rack_LH	562507	female
C61	Fr_Service_Door	561669	male	Spk1_R	Parcel_Rack_RH	563994	male
C61	Fr_Service_Door	561670	female	Spk2_R	Parcel_Rack_RH	563994	male
C62	Fr_Service_Door	562566	male	Spk3_R	Parcel_Rack_RH	563994	male
C62	Fr_Service_Door	562565	female	Spk4_R	Parcel_Rack_RH	563994	male
C63	Entrance_Door	562477	male	Spk5_R	Parcel_Rack_RH	563994	male
C63	Entrance_Door	562479	female	Spk6_R	Parcel_Rack_RH	563994	male
L203	RH_Console	561690	male	Spk7_R	Parcel_Rack_RH	563994	male
So6	RH_Console	641385	male	Spk8_R	Parcel_Rack_RH	563994	male
So5	RH_Console	641385	male	Spk10_R	Parcel_Rack_RH	563994	male
So4	RH_Console	641385	male	Spk11_R	Parcel_Rack_RH	563994	male
L188	Service_Cmpt	562486	female	Spk12_R	Parcel_Rack_RH	563994	male
C213	Parcel_Rack_LH	561515	male	Spk13_R	Parcel_Rack_RH	563994	male
C213	Parcel_Rack_LH	561552	female	Spk14_R	Parcel_Rack_RH	563994	male
Se29	Engine_Cmpt	561566	female	Spk1_L	Parcel_Rack_LH	563994	male
So9	Engine_Cmpt	561566	female	Spk2_L	Parcel_Rack_LH	563994	male
L286.A	Rear_Vehicle	562835	female	Spk3_L	Parcel_Rack_LH	563994	male
L286.B	Rear_Vehicle	562834	male	Spk4_L	Parcel_Rack_LH	563994	male
C60	RJB	561986	male	Spk5_L	Parcel_Rack_LH	563994	male
C60	RJB	561987	female	Spk6_L	Parcel_Rack_LH	563994	male
Mo17	RH_Console	563626	male	Spk7_L	Parcel_Rack_LH	563994	male
L283	Service_Cmpt	562485	male	Spk8_L	Parcel_Rack_LH	563994	male
Se62	WCL_System	561690	male	Spk9_L	Parcel_Rack_LH	563994	male
Se60	Service_Cmpt	563409	male	Spk10_L	Parcel_Rack_LH	563994	male
Mo20	Fr_Service_Door	562474	male	Spk11_L	Parcel_Rack_LH	563994	male
Mo19	Fr_Service_Door	562474	male	Spk12_L	Parcel_Rack_LH	563994	male
A7	Rear_Axle_Cmpt	563979	male	Spk13_L	Parcel_Rack_LH	563994	male
Se36	Rear_Axle_Cmpt	563629	female	Spk14_L	Parcel_Rack_LH	563994	male
Res4	FJB	563590	female	VECF9		563718	male
Sw44.B	Service_Cmpt	562403	female	C10	Engine_Cmpt	562477	male
Sw45.B	3rd_Lugg_Cmpt	562403	female	C10	Engine_Cmpt	562479	female
Res6	FJB	563590	female	C22	RJB	561847	male
Res3.A	RJB	563590	female	C22	RJB	561862	female
L187	Engine_Cmpt	561690	male	So21	Front_Axle_Cmpt	564046	female
C13_plug	RH_Console	563589	male	So22	Front_Axle_Cmpt	564046	female
C13_socket	RH_Console	563590	female	So23	Rear_Axle_Cmpt	564046	female
C193_plug	RJB	563589	male	So24	Rear_Axle_Cmpt	564046	female
C193_socket	RJB	563590	female	Se38	Front_Axle_RH	641132	female
C194	FJB	563589	male	Se37	Front_Axle_LH	641132	female
C194	FJB	563590	female	Se40	Rear_Axle_LH	641132	female
C206	Parcel_Rack_RH	562503	male	Se39	Rear_Axle_LH	641132	female
C206	Parcel_Rack_RH	562507	female	C25		561550	male
C207	Parcel_Rack_LH	562503	male	C25		561667	female

CONNECTORS LIST

No	Location	Part #	Gender	No	Location	Part #	Gender
C97	FJB	561643	male	C2A	FJB	563581	female
C97	FJB	561642	female	C21	RJB	562285	male
Res7	FJB	563590	female	C21	RJB	562282	female
R29	RJB	563409	male	C100S	Evap_Cmpt	563589	male
So53	Rear_Axle_Cmpt	641385	male	C100S	Evap_Cmpt	563590	female
Sw10A	LH_Console	562763	male	A36.JB	FJB	562765	male
Sw16	Dash	562763	male	A36.JC	FJB	562957	male
Sw24	Dash	562763	male	A36.JA	FJB	562767	male
Sw21	Dash	562763	male	C27	RJB	562284	male
Sw20	Dash	562763	male	C27	RJB	562281	female
Sw5	Dash	562763	male	Se55	Service_Cmpt	563159	female
Sw27	Dash	562763	male	A6	Engine_Cmpt	562427	male
Sw4	Dash	562763	male	B96B	Engine_Cmpt	563823	male
Sw152	Driver_Area	562471	male	B96	Engine_Cmpt	563821	male
Res15	Engine_Cmpt	561782	male	B98	Engine_Cmpt	563817	male
A130	Driver_Area	563226	male	B97	Engine_Cmpt	563816	male
Se19A	Service_Cmpt	563677	male	B85	Engine_Cmpt	563815	male
Se19	Service_Cmpt	563677	male	CCust	Parcel_Rack_Fr_WCL	562477	male
L185.A	Service_Cmpt	562651	female	CCust	RJB	562479	female
L185.B	Service_Cmpt	562290	female	Sw137	Dash	562763	male
So26	Service_Cmpt	562848	male	Alt1D.A	Engine_Cmpt	563746	female
Se20	Evap_Cmpt	562426	male	Alt1D.B	Engine_Cmpt	560815	female
C26		563226	male	Alt1D.C	Engine_Cmpt	564469	female
C26		563613	female	Alt2D.A	Engine_Cmpt	563746	female
A14A.A	Dash	562766	male	Alt2D.B	Engine_Cmpt	560815	female
A14A.B	Dash	562767	male	Alt2D.C	Engine_Cmpt	564469	female
A14A.C	Dash	562765	male	L173	Engine_Cmpt	563590	female
Se54	Service_Cmpt	563159	female	L174	Engine_Cmpt	563590	female
Se53	Service_Cmpt	563159	female	L298	Engine_Cmpt	563590	female
Y80	Engine_Cmpt	563789	male	Se13	Engine_Cmpt	562350	male
A138	Cond_Cmpt	563787	male	C12	Engine_Cmpt	562581	male
Y81	Cond_Cmpt	563793	male	C12	Engine_Cmpt	562583	female
C100	Evap_Cmpt	563589	male	Sw57	WCL_Door	563543	male
C100	Evap_Cmpt	563590	female	Sw94.A	WCL_Door	562403	female
C23		564034	male	Sw94.B	WCL_Door	562403	female
C23		564035	female	Se11.A	Cond_Cmpt	564460	female
A81.JB	FJB	562765	male	Se11.B	Cond_Cmpt	564460	female
A81.JC	FJB	562957	male	Se11.C	Cond_Cmpt	564460	female
A81.JA	FJB	562767	male	C20A	Evap_Cmpt	562485	male
Sw14	Dash	562763	male	C20A	Evap_Cmpt	562486	female
C112	RJB	562284	male	Se30	Engine_Door	562877	female
C112	RJB	562281	female	C20B	Evap_Cmpt	562485	male
C2A	FJB	563580	male	C20B	Evap_Cmpt	562486	female

CONNECTORS LIST

No	Location	Part #	Gender	No	Location	Part #	Gender
Mo4	Dash	562076	male	L63	Front_Side_LH	562155	male
Sw59	Engine_Cmpt	562348	female	L66	Out_Side_Front_LH	562155	male
L18	Entrance_Door	562549	male	L61	Out_Side_Front_RH	562601	male
C152	Cond_Cmpt	561611	male	L62	Out_Side_Front_LH	562601	male
C152	Cond_Cmpt	561610	female	R20	RJB	564496	male
sym553_136.A	Compr_Door	561932	male	R26	Evap_Cmpt	564496	male
sym553_136.B	Compr_Door	561701	female	A83	FJB	564205	male
sym553_136.C	Compr_Door	561701	female	C576B	Parcel_Rack_RH	562006	male
CR1	RJB	561247	male	C576B	Parcel_Rack_RH	560908	female
CR1	RJB	561248	female	C226	FJB	562650	male
Se31	Compr_Door	562877	female	C226	FJB	562649	female
Se14.A	Driver_Area	561782	male	C270	Mirror_RH	564512	male
Se14.B	Driver_Area	561781	female	C270	Mirror_RH	564513	female
L204	Parcel_Rack_RH	562803	male	C25A		561550	male
C_ALT2	Engine_Cmpt	562477	male	C25A		561667	female
C_ALT2	Engine_Cmpt	562479	female	A104	Dash	561606	female
Spk9_R	Parcel_Rack_RH	563994	male	L184	Service_Cmpt	561247	male
C_Foot	Driver_Area	563347	male	R4	FJB	564496	male
C_Foot	Driver_Area	563180	female	C583A	Parcel_Rack_RH	562006	male
CXC1	Service_Cmpt	562477	male	C583A	Parcel_Rack_RH	560908	female
CXC1	Service_Cmpt	562479	female	C584A	Parcel_Rack_LH	562006	male
C77		562350	male	C584A	Parcel_Rack_LH	560908	female
C77		563764	female	Sw81.A	Dash	562905	male
CJUP4	FJB	560898	male	Sw81.B	Dash	562905	male
CJUP4	FJB	560900	female	L282	Engine_Cmpt	561690	male
CPUP5	FJB	560898	male	R18	FJB	564210	male
CPUP5	FJB	560900	female	R34	RJB	564210	male
CJUP1	FJB	560898	male	R17	RJB	564210	male
CJUP1	FJB	560900	female	R19	FJB	564210	male
CPUP2	FJB	560898	male	CJUR2	LH_Console	561577	male
CPUP2	FJB	560900	female	CJUR2	LH_Console	561605	female
CPUP3	FJB	560898	male	R47	WCH_Pump_Box	564496	male
CPUP3	FJB	560900	female	C42	FJB	561668	male
C68	Parcel_Rack_LH	561643	male	C42	FJB	561551	female
C68	Parcel_Rack_LH	561642	female	Se45.A	Service_Cmpt	563409	male
C70	FJB	561646	male	Sw82	RJB	562479	female
C70	FJB	561645	female	Sw31.A	WCL_Door	563543	male
C577A	Parcel_Rack	562006	male	C46	WCL_Cmpt	562549	male
C577A	Parcel_Rack	560908	female	C46	WCL_Cmpt	562550	female
C246	Mirror_LH	564512	male	EIA	Engine_Cmpt	563739	male
C246	Mirror_LH	564513	female	A137A	Cond_Cmpt	20429843	male
Se79	Front_Axle	563340	male	C464A	RJB	564222	male
R23	RH_Console	564496	male	C464A	RJB	564224	female

CONNECTORS LIST

No	Location	Part #	Gender	No	Location	Part #	Gender
C380A	Dash	564222	male	A9.Cx1	FJB	564041	female
C380A	Dash	564224	female	A9.Cx3	FJB	564037	female
L19	Entrance_Door_Step	562549	male	A9.Cx4	FJB	564038	female
L20	Entrance_Door_Step	562549	male	Se63	Rear_Axl_RH	641132	female
Res53.A	Service_Cmpt	563590	female	Se64	Rear_Axl_LH	641132	female
spBar5	Engine_Cmpt	564135	male	So50	Rear_Axle	564046	female
spBar4	Engine_Cmpt	564135	male	So27	Rear_Axel_Cmpt	564045	female
Se100	WCL_Door	562479	female	Se69	Front_Axle	563159	female
Res32	Cond_Cmpt	563764	female	Se67	Front_Axle	563159	female
Res31	Cond_Cmpt	562350	male	A9.Cx2	FJB	563678	male
Vecr10		563711	male	Se65	Frontofdriveaxel	564042	female
Vecr9		563718	male	C355	RJB	563582	male
C_ALT1	Engine_Cmpt	562477	male	C355	RJB	565887	female
C_ALT1	Engine_Cmpt	562479	female	C356	P_Rack	561695	male
spBar7	Engine_Cmpt	564135	male	C356	P_Rack	561693	female
B142C	Cond_Cmpt	563793	male	C32W	3rd_Lugg_Cmpt	561515	male
C583.A	Parcel_Rack	560908	female	C32W	3rd_Lugg_Cmpt	561552	female
C583.B	Parcel_Rack	560908	female	C584.A	Parcel_Rack	560908	female
C585.A	Parcel_Rack	560908	female	C584.B	Parcel_Rack	560908	female
C585.B	Parcel_Rack	560908	female	A2	LH_Console	563984	male
CDIR-1.A	Parcel_Rack	560908	female	Sw26	Dash	562763	male
CDIR-1.B	Parcel_Rack	560908	female	Mo10	P_Rack_LH	561515	male
CDIR-2.A	Parcel_Rack	560908	female	C94_plug	FJB	563589	male
CDIR-2.B	Parcel_Rack	560908	female	C94_socket	FJB	563590	female
CDIRW-1.A	Parcel_Rack	560908	female	CFHF1		564238	male
CDIRW-1.B	Parcel_Rack	560908	female	C58	Cond_Cmpt	564567	male
CIND-1.A	Parcel_Rack	560908	female	C58	Cond_Cmpt	564568	female
CIND-1.B	Parcel_Rack	560908	female	C158	Cond_Cmpt	562477	male
CIND-2.A	Parcel_Rack	560908	female	C158	Cond_Cmpt	562479	female
CIND-2.B	Parcel_Rack	560908	female	C102A	Cond_Cmpt	563226	male
tab70.A	P_Rack	562651	N/A	C102A	Cond_Cmpt	563613	female
tab69.A	P_Rack	562651	N/A	L350A.A	Front_Roof	564552	male
CINDWC-1.A	Parcel_Rack	560908	female	L350A.B	Front_Roof	563340	male
CINDWC-1.B	Parcel_Rack	560908	female	L350A.C	Front_Roof	562251	male
L30A.A	Parcel_Rack	560898	male	C50	RJB	561782	male
Tab70b.A	P_Rack	562651	N/A	C50	RJB	561781	female
Tab70a.A	P_Rack	562651	N/A	Res37.A	Front_Clearance	561690	male
C576BB	Parcel_Rack	562006	male	Res37.B	Front_Clearance	561690	male
C576BB	Parcel_Rack	560908	female	R44	P_Rack	564496	male
C577AA	Parcel_Rack	562006	male	Sw105	LH_Console	563590	female
C577AA	Parcel_Rack	560908	female	L60A	OutSide_Front_LH	562485	male
L30B.A	Parcel_Rack	560898	male	R37	FJB	564496	male
tab71a.A	P_Rack	562651	N/A	L30BB.A	Parcel_Rack	560898	male

CONNECTORS LIST

No	Location	Part #	Gender	No	Location	Part #	Gender
Sw143	Foot_Driver	561690	male	L247.A	P_Rack	562756	male
Sw83.A	Dash	560082	female	L248.A	P_Rack	562756	male
C96	FJB	561643	male	L249.A	P_Rack	562756	male
C96	FJB	561642	female	L250.A	P_Rack	562756	male
Se66	Frontofdriveaxel	564039	female	L251.A	P_Rack	562756	male
So52	Front_Axle	564045	female	L252.A	P_Rack	562756	male
A132.B	Driver_Area	561551	female	L253.A	P_Rack	562756	male
A103	Dash	562070	female	L254.A	P_Rack	562756	male
Sw103	LH_Console	562763	male	L255.A	P_Rack	562756	male
Spk22	Dash	563994	male	L256.A	P_Rack	562756	male
Sw17	Dash	562763	male	C1A	FJB	561611	male
Sw122	Dash	562763	male	C1A	FJB	561610	female
Sw142	LH_Console	562763	male	C_PRL_FAN	P_Rack	562601	male
Sw18A	LH_Console	562763	male	C_PRL_FAN	P_Rack	563411	female
Res19	P_Rack	563590	female	C_PRR_FAN	P_Rack	562601	male
Res20	P_Rack	563590	female	C_PRR_FAN	P_Rack	563411	female
A32.A	FJB	564221	male	A77		564547	male
A32.B	FJB	564518	male	A78		562583	female
Sw140	FJB	561566	female	A79		562583	female
Spk23	OutSide_Front_RH	563994	male	A80		562479	female
L301	Service_Cmpt	560898	male	C95		561643	male
R33	RJB	564496	male	C95		561642	female
R32	RJB	564496	male	Se76		562479	female
R31	RJB	564496	male	R14		564210	male
R30	RJB	564496	male	Sw84		561566	female
L145.A	P_Rack	562756	male	L20A		562486	female
L146.A	P_Rack	562756	male	Sw114.A		560079	female
L147.A	P_Rack	562756	male	Sw114.B		560079	female
L148.A	P_Rack	562756	male	Mo35		564161	male
L149.A	P_Rack	562756	male	L182		561247	male
L150.A	P_Rack	562756	male	L180		561247	male
L151.A	P_Rack	562756	male	Sw49.A		562403	female
L152.A	P_Rack	562756	male	Sw49.B		562403	female
L153.A	P_Rack	562756	male	Sw50.A		562403	female
L154.A	P_Rack	562756	male	L181		561247	male
L155.A	P_Rack	562756	male	L183		561247	male
L156.A	P_Rack	562756	male	Sw52.A		562403	female
L157.A	P_Rack	562756	male	Sw51.A		562403	female
L158.A	P_Rack	562756	male	L60B		562485	male
L243.A	P_Rack	562756	male	C122		562566	male
L244.A	P_Rack	562756	male	C122		562565	female
L245.A	P_Rack	562756	male	C121		562566	male
L246.A	P_Rack	562756	male	C121		562565	female

CONNECTORS LIST

No	Location	Part #	Gender	No	Location	Part #	Gender
A3.A		565910	male	C JP_FBOX_socket		561781	female
A3.C		565909	male	VECR4		563712	male
A3.B		565908	male	VECR11		563714	male
spBar16		564135	male	VECR12		563717	male
Se1		563324	female	Vecr1		563716	male
A1		563975	male	Vecr2		563713	male
spBar11		564135	male	Vecr3		563715	male
spBar12		564135	male	C_BCIS_SIG		561690	male
spBar15		564135	male	C_BCIS_SIG		561566	female
spBar14		564135	male	C_MVIEW_1		561247	male
spBar13		564135	male	C_MVIEW_1		561248	female
C54		563226	male	C_MVIEW_2		561247	male
C54		563613	female	C_MVIEW_2		561248	female
C64		563358	male	C_BCIS_PWR		561550	male
C64		563359	female	C_BCIS_PWR		561667	female
CFHAC	EVAP_DOOR	564238	male	C_MVIEW_3		562581	male
C35	CMPT_EVAP	561607	male	C_MVIEW_3		562583	female
C35	CMPT_EVAP	561606	female	R51		564496	male
Sw12		562763	male	R52		564496	male
Sw13.A		562763	male	C52		563618	male
Se78		563159	female	C52		563616	female
Se77		563159	female	CSw42		561637	male
R45		564496	male	CSw42		561635	female
C86		562581	male	A104_4_118.A		562464	male
C86		562583	female	A104_4_118.D		562779	male
C70A		561583	male	C26A		563358	male
C70A		561585	female	C26A		563359	female
R2		563409	male	spBar20		564135	male
L303		563590	female	spBar19		564135	male
Se89		562350	male	spBar21		564135	male
A131.A		561782	male	C54A		563358	male
A131.B		561781	female	C54A		563359	female
C15		563358	male	C54B		563589	male
C15		563359	female	C54B		563590	female
A135.A		561782	male	L16.A		562168	female
A135.B		561781	female	L16.B		562168	female
A136.A		561782	male	L17.A		562168	female
A136.B		561781	female	L17.B		562168	female
C70B		561247	male	C26B		563227	male
C70B		561248	female	C26B		563614	female
C JP_Radio_plug		561782	male	spBar22		564135	male
C JP_Radio_socket		561781	female	CJUR1		562485	male
C JP_FBOX_plug		561782	male	CJUR1		562486	female

CONNECTORS LIST

No	Location	Part #	Gender	No	Location	Part #	Gender
CVIP		568085	male	C99_socket		563590	female
CWEAR2_plug		561607	male	Sw85		562749	male
CWEAR2_socket		561606	female	Sw41		562749	male
CWEAR1_plug		561946	male	L1		563590	female
CWEAR1_socket		563383	female	L199		562848	male
Se85		642190	female	L130		561690	male
Se86		642190	female	R54		564496	male
Se87		642190	female	R53		564496	male
Se88		642190	female	L73		562601	male
Se83		642190	female	L77		562601	male
Se84		642190	female	L78		562601	male
So29		641385	male	L92		562601	male
Se56		562479	female	L91		562601	male
Sw116		562877	female	Mo37		562477	male
A139.A		561782	male	R55		564496	male
A139.B		561781	female	C73		563589	male
C7		561986	male	C73		563590	female
C7		561987	female	A133		562076	male
CRadio		565922	male	C_INV1		562337	male
A139.C		565158	female	C_INV1		562338	female
B115A		564226	male	C_INV2		562337	male
C_BCIS_IFU		562650	male	C_INV2		562338	female
C_BCIS_IFU		562649	female	A132.A		563967	male
C_BCIS_ODK		562650	male	C_BCIS_BHS		561643	male
C_BCIS_ODK		562649	female	C_BCIS_BHS		561641	female
C_BCIS_SW		561637	male	C_BCIS_RDR		565940	male
C_BCIS_SW		561636	female	C_BCIS_SW1		561637	male
L310		560898	male	C_BCIS_SW1		561636	female
R72		563409	male	L304		563590	female
So55		562848	male	Sw46A.A		562403	female
So17		562848	male	Sw46A.B		562403	female
A98		563953	male	So10		562485	male
C36		561986	male	C110		563358	male
C36		561987	female	C110		563359	female
Sw97.C		562615	female	Se18		561566	female
Sw98.A		562615	female	So15		641385	male
Sw98.B		562615	female	So16		641385	male
Sw98.C		562615	female	So20		641385	male
Sw95.A		562615	female	Mo29		563590	female
Sw95.B		562615	female	L177A		561690	male
Sw95.C		562615	female	L177B		561690	male
Sw96.C		562615	female	C_TLSE_plug		562485	male
C99_plug		563589	male	C_TLSE_socket		562486	female

CONNECTORS LIST

No	Location	Part #	Gender	No	Location	Part #	Gender
A1	RJB	563975	male	A47.J1	RH_Console	563133	male
A2	LH_Console	563984	male	A47.J2	RH_Console	563132	male
A3.A	Dash	565910	male	A47.J3	RH_Console	562957	male
A3.B	Dash	565908	male	A48.J1	RH_Console	563133	male
A3.C	Dash	565909	male	A48.J2	RH_Console	563132	male
A5	Service_Cmpt	562428	female	A48.J3	RH_Console	562957	male
A6	Engine_Cmpt	562427	male	A49.J1	RJB	562767	male
A7	Rear_Axle_Cmpt	563979	male	A49.J2	RJB	563132	male
A9.Cx1	FJB	564041	female	A49.J3	RJB	562957	male
A9.Cx2	FJB	563678	male	A50.J1	RJB	563133	male
A9.Cx3	FJB	564037	female	A50.J2	RJB	563132	male
A9.Cx4	FJB	564038	female	A50.J3	RJB	562957	male
A10.X1	Preheater_Cmpt	563135	male	A51.J1	RJB	563133	male
A10.X3	Preheater_Cmpt	563134	female	A51.J2	RJB	563132	male
A11	LH_Console	563142	male	A51.J3	RJB	562957	male
A14A.A	Dash	562766	male	A52.J1	RJB	563133	male
A14A.B	Dash	562767	male	A52.J2	RJB	563132	male
A14A.C	Dash	562765	male	A52.J3	RJB	562957	male
A15	Dash	562464	male	A53.J1	RJB	563133	male
A18.J2	FJB	562650	male	A53.J2	RJB	563132	male
A24.A	RH_Console	561890	male	A53.J3	RJB	562957	male
A24.B	RH_Console	561566	female	A54.J1	Evap_Cmpt	563133	male
A27	Service_Cmpt	562929	male	A54.J2	Evap_Cmpt	563132	male
A32.A	FJB	564221	male	A54.J3	Evap_Cmpt	562957	male
A32.B	FJB	564518	male	A77	RJB	564547	male
A36.JA	FJB	562767	male	A78	RJB	562583	female
A36.JB	FJB	562765	male	A79	RJB	562583	female
A36.JC	FJB	562957	male	A80	Engine_Cmpt	562479	female
A41.J1	FJB	562767	male	A81.JA	FJB	562767	male
A41.J2	FJB	563132	male	A81.JB	FJB	562765	male
A41.J3	FJB	562957	male	A81.JC	FJB	562957	male
A42.J1	FJB	562767	male	A83	FJB	564205	male
A42.J2	FJB	563132	male	A96	FJB	564073	female
A42.J3	FJB	562957	male	A98	Upperfront	563953	male
A44.J1	FJB	563133	male	A100	FrontAxleCmpt	563758	female
A44.J2	FJB	563132	male	A101	RearAxleCmpt	563758	female
A44.J3	FJB	562957	male	A102	RearAxleCmpt	563758	female
A45.J1	FJB	563133	male	A103	Dash	562070	female
A45.J2	FJB	563132	male	A104	Dash	561606	female
A45.J3	FJB	562957	male	A130	Driver_Area	563226	male
A46.J1	FJB	563133	male	A131.A	Engine_Cmpt	561782	male
A46.J2	FJB	563132	male	A131.B	Engine_Cmpt	561781	female
A46.J3	FJB	562957	male	A132.A	Driver_Area	563967	male

CONNECTORS LIST

No	Location	Part #	Gender	No	Location	Part #	Gender
A132.B	Driver_Area	561551	female	C6	FJB	563582	male
A135.A	Engine_Cmpt	561782	male	C6	FJB	563583	female
A135.B	Engine_Cmpt	561781	female	C7	RJB	561986	male
A136.A	Engine_Cmpt	561782	male	C7	RJB	561987	female
A136.B	Engine_Cmpt	561781	female	C9	RJB	561986	male
A137A	Cond_Cmpt	20429843	male	C9	RJB	561987	female
A138	Cond_Cmpt	563787	male	C10	Engine_Cmpt	562477	male
A139.A	Engine_Cmpt	561782	male	C10	Engine_Cmpt	562479	female
A139.B	Engine_Cmpt	561781	female	C11	Service_Cmpt	563580	male
A139.C	Engine_Cmpt	565158	female	C11	Service_Cmpt	563581	female
Alt1D.A	Engine_Cmpt	563746	female	C12	Engine_Cmpt	562581	male
Alt1D.B	Engine_Cmpt	560815	female	C12	Engine_Cmpt	562583	female
Alt1D.C	Engine_Cmpt	564469	female	C13_plug	RH_Console	563589	male
Alt2D.A	Engine_Cmpt	563746	female	C13_socket	RH_Console	563590	female
Alt2D.B	Engine_Cmpt	560815	female	C13S	RH_Console	563589	male
Alt2D.C	Engine_Cmpt	564469	female	C13S	RH_Console	563590	female
B85	Engine_Cmpt	563815	male	C14	RJB	561986	male
B96	Engine_Cmpt	563821	male	C14	RJB	561987	female
B96B	Engine_Cmpt	563823	male	C15	Evap_Cmpt	563358	male
B97	Engine_Cmpt	563816	male	C15	Evap_Cmpt	563359	female
B98	Engine_Cmpt	563817	male	C16	RJB	561577	male
B115A	Engine_Cmpt	564226	male	C16	RJB	561605	female
B142C	Cond_Cmpt	563793	male	C17	RJB	561986	male
C1	FJB	563589	male	C17	RJB	561987	female
C1	FJB	563590	female	C18	FJB	561986	male
C1A	FJB	561611	male	C18	FJB	561987	female
C1A	FJB	561610	female	C19	RJB	561986	male
C1S	FJB	563589	male	C19	RJB	561987	female
C1S	FJB	563590	female	C20A	Preheater_Cmpt	562485	male
C2	Service_Cmpt	563580	male	C20A	Preheater_Cmpt	562486	female
C2	Service_Cmpt	563581	female	C20B	Evap_Cmpt	562485	male
C2A	FJB	563580	male	C20B	Evap_Cmpt	562486	female
C2A	FJB	563581	female	C21	RJB	562285	male
C3_plug	RJB	563589	male	C21	RJB	562282	female
C3_socket	RJB	563590	female	C22	RJB	561847	male
C3S	RJB	563593	male	C22	RJB	561862	female
C3S	RJB	563590	female	C23	Evap_Cmpt	564034	male
C4	FJB	563580	male	C23	Evap_Cmpt	564035	female
C4	FJB	563581	female	C24_plug	Evap_Cmpt	561690	male
C5	FJB	563589	male	C24_socket	Evap_Cmpt	561566	female
C5	FJB	563590	female	C25	ParcelRack_LH	561550	male
C5S	FJB	563589	male	C25	ParcelRack_LH	561667	female
C5S	FJB	563590	female	C25A	ParcelRack_LH	561550	male

CONNECTORS LIST

No	Location	Part #	Gender	No	Location	Part #	Gender
C25A	ParcelRack_LH	561667	female	C51	Engine_Cmpt	561932	male
C26	Urea_Cmpt	563226	male	C51	Engine_Cmpt	560933	female
C26	Urea_Cmpt	563613	female	C52	Evap_Cmpt	563618	male
C26A	Urea_Cmpt	563358	male	C52	Evap_Cmpt	563616	female
C26A	Urea_Cmpt	563359	female	C54	Engine_Cmpt	563226	male
C26B	Urea_Cmpt	563227	male	C54	Engine_Cmpt	563613	female
C26B	Urea_Cmpt	563614	female	C54A	Engine_Cmpt	563358	male
C27	RJB	562284	male	C54A	Engine_Cmpt	563359	female
C27	RJB	562281	female	C54B	Engine_Cmpt	563589	male
C29	3rd_Lugg_Cmpt	563651	male	C54B	Engine_Cmpt	563590	female
C29	3rd_Lugg_Cmpt	563652	female	C58	Cond_Cmpt	564567	male
C30	3rd_Lugg_Cmpt	561710	male	C58	Cond_Cmpt	564568	female
C30	3rd_Lugg_Cmpt	561709	female	C59	RJB	561643	male
C31	3rdLugg_Cmpt	561734	male	C59	RJB	561642	female
C31	3rdLugg_Cmpt	561735	female	C60	RJB	561986	male
C32W	WCL_Cmpt	561515	male	C60	RJB	561987	female
C32W	WCL_Cmpt	561552	female	C61	Fr_Service_Door	561669	male
C34	RH_Console	561986	male	C61	Fr_Service_Door	561670	female
C34	RH_Console	561987	female	C62	Fr_Service_Door	562566	male
C35	WCL_Door	561607	male	C62	Fr_Service_Door	562565	female
C35	WCL_Door	561606	female	C63	Entrance_Door	562477	male
C36	FJB	561986	male	C63	Entrance_Door	562479	female
C36	FJB	561987	female	C64	Engine_Cmpt	563358	male
C37	Parcel_Rack_LH	562557	male	C64	Engine_Cmpt	563359	female
C37	Parcel_Rack_LH	562558	female	C68	Parcel_Rack_LH	561643	male
C38	ParcelRack_RH	562555	male	C68	Parcel_Rack_LH	561642	female
C38	ParcelRack_RH	562556	female	C70	FJB	561646	male
C40	Dash	562485	male	C70	FJB	561645	female
C40	Dash	562486	female	C70A	FJB	561583	male
C42	FJB	561668	male	C70A	FJB	561585	female
C42	FJB	561551	female	C70B	FJB	561247	male
C44_plug	FJB	561577	male	C70B	FJB	561248	female
C44_socket	FJB	561605	female	C71	FJB	561646	male
C45	FJB	561643	male	C71	FJB	561645	female
C45	FJB	561642	female	C72	FJB	561646	male
C46	WCL_Cmpt	562549	male	C72	FJB	561645	female
C46	WCL_Cmpt	562550	female	C73	FJB	563589	male
C50	RJB	561782	male	C73	FJB	563590	female
C50	RJB	561781	female	C77	FJB	562350	male

CONNECTORS LIST

No	Location	Part #	Gender	No	Location	Part #	Gender
C77	FJB	563764	female	C171	LH_Console	561639	female
C86	WCL_Cmpt	562581	male	C193_plug	RJB	563589	male
C86	WCL_Cmpt	562583	female	C193_socket	RJB	563590	female
C87	Rear_Roof	562485	male	C194	FJB	563589	male
C87	Rear_Roof	562486	female	C194	FJB	563590	female
C91	RJB	564619	male	C206	Parcel_Rack_RH	562503	male
C91	RJB	562282	female	C206	Parcel_Rack_RH	562507	female
C94_plug	FJB	563589	male	C207	Parcel_Rack_LH	562503	male
C94_socket	FJB	563590	female	C207	Parcel_Rack_LH	562507	female
C94A_plug	FJB	563589	male	C213	Parcel_Rack_LH	561515	male
C94A_socket	FJB	563590	female	C213	Parcel_Rack_LH	561552	female
C95	FJB	561643	male	C223	FJB	563227	male
C95	FJB	561642	female	C223	FJB	563614	female
C96	FJB	561643	male	C225	FJB	562650	male
C96	FJB	561642	female	C225	FJB	562649	female
C97	FJB	561643	male	C226	FJB	562650	male
C97	FJB	561642	female	C226	FJB	562649	female
C99	RJB	563589	male	C228	Engine_Cmpt	563227	male
C99	RJB	563590	female	C228	Engine_Cmpt	563614	female
C100	Evap_Cmpt	563589	male	C242	Service_Cmpt	562789	male
C100	Evap_Cmpt	563590	female	C242	Service_Cmpt	565131	female
C100S	Evap_Cmpt	563589	male	C243	Service_Cmpt	562789	male
C100S	Evap_Cmpt	563590	female	C243	Service_Cmpt	565131	female
C101	Service_Cmpt	561690	male	C246	Mirror_LH	564512	male
C101	Service_Cmpt	561566	female	C246	Mirror_LH	564513	female
C102A	Cond_Cmpt	563226	male	C270	Mirror_RH	564512	male
C102A	Cond_Cmpt	563613	female	C270	Mirror_RH	564513	female
C110	PneuPlate	563358	male	C271_plug	Mirror_RH	563618	male
C110	PneuPlate	563359	female	C271_socket	Mirror_RH	563616	female
C112	RJB	562284	male	C290	Rear_Vehicle	562477	male
C112	RJB	562281	female	C290	Rear_Vehicle	562479	female
C119	Engine_Door	563358	male	C349	Engine_Cmpt	565170	male
C119	Engine_Door	563359	female	C350	Engine_Cmpt	565170	male
C121	Engine_Door	562566	male	C355	RJB	563582	male
C121	Engine_Door	562565	female	C355	RJB	565887	female
C122	Engine_Door	562566	male	C356	ParcelRack_JB	561695	male
C122	Engine_Door	562565	female	C356	ParcelRack_JB	561693	female
C152	Cond_Cmpt	561611	male	C380A	Dash	564222	male
C152	Cond_Cmpt	561610	female	C380A	Dash	564224	female
C158	Cond_Cmpt	562477	male	C397	RJB	564619	male
C158	Cond_Cmpt	562479	female	C397	RJB	562282	female
C171	LH_Console	561640	male	C426	Engine_Cmpt	561611	male

CONNECTORS LIST

No	Location	Part #	Gender	No	Location	Part #	Gender
C426	Engine_Cmpt	561610	female	C_BCIS_SIG	ParcelRack	561690	male
C430	LH_Console	562363	male	C_BCIS_SIG	ParcelRack	561566	female
C430	LH_Console	561188	female	C_BCIS_SW	ParcelRack	561637	male
C463	Rear_Axle_Cmpt	562570	female	C_BCIS_SW	ParcelRack	561636	female
C463	Rear_Axle_Cmpt	562571	male	C_BCIS_SW1	ParcelRack	561637	male
C464A	RJB	564222	male	C_BCIS_SW1	ParcelRack	561636	female
C464A	RJB	564224	female	C_Door_Cmpr	Door_Cmpr	564547	male
C576B	Parcel_Rack_RH	562006	male	C_Door_Cmpr	Door_Cmpr	564562	female
C576B	Parcel_Rack_RH	560908	female	C_EIF	Engine_Cmpt	563135	male
C576BB	Parcel_Rack	562006	male	C_EIF	Engine_Cmpt	563134	female
C576BB	Parcel_Rack	560908	female	C_Foot	FJB	563347	male
C577A	Parcel_Rack	562006	male	C_Foot	FJB	563180	female
C577A	Parcel_Rack	560908	female	C_INV1	ParcelRack	562337	male
C577AA	Parcel_Rack	562006	male	C_INV1	ParcelRack	562338	female
C577AA	Parcel_Rack	560908	female	C_INV2	ParcelRack	562337	male
C582	FJB	561690	female	C_INV2	ParcelRack	562338	female
C582	FJB	561566	female	C_JP_FBOX_plug	ParcelRack	561782	male
C583.A	Parcel_Rack	560908	female	C_JP_FBOX_socket	ParcelRack	561781	female
C583.B	Parcel_Rack	560908	female	C_JP_Radio_plug	ParcelRack	561782	male
C583A	Parcel_Rack_RH	562006	male	C_JP_Radio_socket	ParcelRack	561781	female
C583A	Parcel_Rack_RH	560908	female	C_MVIEW_1	ParcelRack	561247	male
C584.A	Parcel_Rack	560908	female	C_MVIEW_1	ParcelRack	561248	female
C584.B	Parcel_Rack	560908	female	C_MVIEW_2	ParcelRack	561247	male
C584A	Parcel_Rack_LH	562006	male	C_MVIEW_2	ParcelRack	561248	female
C584A	Parcel_Rack_LH	560908	female	C_MVIEW_3	ParcelRack	562581	male
C585.A	Parcel_Rack	560908	female	C_MVIEW_3	ParcelRack	562583	female
C585.B	Parcel_Rack	560908	female	C_PRL_FAN	P_Rack	562601	male
C601	LHRoofWinAjar	561476	male	C_PRL_FAN	P_Rack	563411	female
C601	LHRoofWinAjar	561477	female	C_PRR_FAN	WCL_Bay	562601	male
C603	RHRoofWinAjar	561477	female	C_PRR_FAN	WCL_Bay	563411	female
C_ALT1	Engine_Cmpt	562477	male	C_TLSE_plug	Engine_Cmpt	562485	male
C_ALT1	Engine_Cmpt	562479	female	C_TLSE_socket	Engine_Cmpt	562486	female
C_ALT2	Engine_Cmpt	562477	male	CCust	RJB	562477	male
C_ALT2	Engine_Cmpt	562479	female	CCust	RJB	562479	female
C_BCIS_BHS	ParcelRack	561643	male	CDIR-1.A	Parcel_Rack	560908	female
C_BCIS_BHS	ParcelRack	561641	female	CDIR-1.B	Parcel_Rack	560908	female
C_BCIS_IFU	ParcelRack	562650	male	CDIR-2.A	Parcel_Rack	560908	female
C_BCIS_IFU	ParcelRack	562649	female	CDIR-2.B	Parcel_Rack	560908	female
C_BCIS_ODK	ParcelRack	562650	male	CDIRW-1.A	Parcel_Rack	560908	female
C_BCIS_ODK	ParcelRack	562649	female	CDIRW-1.B	Parcel_Rack	560908	female
C_BCIS_PWR	ParcelRack	561550	male	CFHAC	EVAP_DOOR	564238	male
C_BCIS_PWR	ParcelRack	561667	female	CFHF1	FJB	564238	male
C_BCIS_RDR	ParcelRack	565940	male	CIND-1.A	Parcel_Rack	560908	female

CONNECTORS LIST

No	Location	Part #	Gender	No	Location	Part #	Gender
CIND-1.B	Parcel_Rack	560908	female	L19	Entrance_Door_Step	562549	male
CIND-2.A	Parcel_Rack	560908	female	L20	Entrance_Door_Step	562549	male
CIND-2.B	Parcel_Rack	560908	female	L20A	Entrance_Door_Step	562486	female
CINDWC-1.A	Parcel_Rack	560908	female	L21.A	Front_Roof	561608	female
CINDWC-1.B	Parcel_Rack	560908	female	L21.B	Front_Roof	562286	male
CJUP1	FJB	560898	male	L22.A	Front_Roof	561608	female
CJUP1	FJB	560900	female	L22.B	Front_Roof	562286	male
CJUP4	FJB	560898	male	L23.A	Front_Roof	561608	female
CJUP4	FJB	560900	female	L23.B	Front_Roof	562286	male
CJUR1	Dash	562485	male	L24.A	Front_Roof	561608	female
CJUR1	Dash	562486	female	L24.B	Front_Roof	562286	male
CJUR2	Dash	561577	male	L25.A	Front_Roof	561608	female
CJUR2	Dash	561605	female	L25.B	Front_Roof	562286	male
CPUP2	FJB	560898	male	L26.A	Front_Roof	561608	female
CPUP2	FJB	560900	female	L26.B	Front_Roof	562286	male
CPUP3	FJB	560898	male	L27.A	Front_Roof	561608	female
CPUP3	FJB	560900	female	L27.B	Front_Roof	562286	male
CPUP5	FJB	560898	male	L30A.A	Parcel_Rack	560898	male
CPUP5	FJB	560900	female	L30B.A	Parcel_Rack	560898	male
CR1	RJB	561247	male	L30BB.A	Parcel_Rack	560898	male
CR1	RJB	561248	female	L60A	OutSide_Front_LH	562485	male
CRadio	ParcelRack	565922	male	L60B	OutsideFrontLH	562485	male
CSw42	WCL_Cmpt	561637	male	L61	Out_Side_Front_RH	562601	male
CSw42	WCL_Cmpt	561635	female	L62	Out_Side_Front_LH	562601	male
CSX1	Preheater_Cmpt	563135	male	L63	Front_Side_LH	562155	male
CSX1	Preheater_Cmpt	563134	female	L64	Outside_Front_RH	562155	male
CSX3	Preheater_Cmpt	563135	male	L65	Outside_Front_LH	562155	male
CSX3	Preheater_Cmpt	563134	female	L66	Out_Side_Front_LH	562155	male
CVIP	Dash	568085	male	L67	4rd_Lugg_Cmpt	562155	male
CWEAR1_plug	RearAxleCmpt	561946	male	L68	4rd_Lugg_Cmpt	562155	male
CWEAR1_socket	RearAxleCmpt	563383	female	L69	4rd_Lugg_Cmpt	562155	male
CWEAR2_plug	RearAxleCmpt	561607	male	L70	4rd_Lugg_Cmpt	562155	male
CWEAR2_socket	RearAxleCmpt	561606	female	L72	RearVehicule	562155	male
CXC1	Service_Cmpt	562477	male	L73	RearVehicule	562601	male
CXC1	Service_Cmpt	562479	female	L74	Rear_Vehicle	562155	male
EIA	Engine_Cmpt	563739	male	L75	RearVehicule	562155	male
L1	Engine_Cmpt	563590	female	L76	RearVehicule	562155	male
L15	FrontRoof	561247	male	L77	RearVehicule	562601	male
L16.A	FrontRoof	562168	female	L78	RearVehicule	562601	male
L16.B	FrontRoof	562168	female	L81.A	Rear_Vehicle	562835	female
L17.A	FrontRoof	562168	female	L81.B	Rear_Vehicle	562834	male
L17.B	FrontRoof	562168	female	L84.A	Rear_Roof	561608	female

CONNECTORS LIST

No	Location	Part #	Gender	No	Location	Part #	Gender
L84.B	Rear_Roof	562286	male	L185.B	Service_Cmpt	562290	female
L85.A	Rear_Roof	561608	female	L187	Engine_Cmpt	561690	male
L85.B	Rear_Roof	562286	male	L188	Service_Cmpt	562486	female
L86.A	Rear_Roof	561608	female	L199	Engine_Cmpt	562848	male
L86.B	Rear_Roof	562286	male	L203	RH_Console	561690	male
L87.A	Rear_Roof	561608	female	L204	Parcel_Rack_RH	562803	male
L87.B	Rear_Roof	562286	male	L205	Engine_Cmpt	562485	male
L88.A	Rear_Roof	561608	female	L206	Parcel_Rack_RH	562803	male
L88.B	Rear_Roof	562286	male	L243.A	P_Rack	562756	male
L89.A	Rear_Roof	561608	female	L244.A	P_Rack	562756	male
L89.B	Rear_Roof	562286	male	L245.A	P_Rack	562756	male
L90.A	Rear_Roof	561608	female	L246.A	P_Rack	562756	male
L90.B	Rear_Roof	562286	male	L247.A	P_Rack	562756	male
L91	RearVehicule	562601	male	L248.A	P_Rack	562756	male
L92	RearVehicule	562601	male	L249.A	P_Rack	562756	male
L130	Rear_Axle_Cmpt	561690	male	L250.A	P_Rack	562756	male
L131	Rear_Axle_Cmpt	561690	male	L251.A	P_Rack	562756	male
L145.A	P_Rack	562756	male	L252.A	P_Rack	562756	male
L146.A	P_Rack	562756	male	L253.A	P_Rack	562756	male
L147.A	P_Rack	562756	male	L254.A	P_Rack	562756	male
L148.A	P_Rack	562756	male	L255.A	P_Rack	562756	male
L149.A	P_Rack	562756	male	L256.A	P_Rack	562756	male
L150.A	P_Rack	562756	male	L282	Luggage_Cmpt	561690	male
L151.A	P_Rack	562756	male	L283	Service_Cmpt	562485	male
L152.A	P_Rack	562756	male	L285.A	Rear_Vehicle	562835	female
L153.A	P_Rack	562756	male	L285.B	Rear_Vehicle	562834	male
L154.A	P_Rack	562756	male	L286.A	Rear_Vehicle	562835	female
L155.A	P_Rack	562756	male	L286.B	Rear_Vehicle	562834	male
L156.A	P_Rack	562756	male	L298	Engine_Cmpt	563590	female
L157.A	P_Rack	562756	male	L301	Outside_Front	560898	male
L158.A	P_Rack	562756	male	L303	Engine_Cmpt	563590	female
L173	Engine_Cmpt	563590	female	L304	Engine_Cmpt	563590	female
L174	Engine_Cmpt	563590	female	L305.H1	Condensor	562350	male
L176	3rd_Lugg_Cmpt	561247	male	L305.P1	Condensor	563134	female
L177	3rd_Lugg_Cmpt	561247	male	L310	Front_Roof	560898	male
L177A	WCL_Lugg_Dorr	561690	male	L350A.A	Rear_Axle_Cmpt	564552	male
L177B	WCL_Lugg_Dorr	561690	male	L350A.B	Rear_Axle_Cmpt	563340	male
L180	2nd_Lugg_Cmpt	561247	male	L350A.C	Rear_Axle_Cmpt	562251	male
L181	2nd_Lugg_Cmpt	561247	male	Mo1	Door_Cmpr	563691	male
L182	1st_Lugg_Cmpt	561247	male	Mo3	Dash	561667	female
L183	1st_Lugg_Cmpt	561247	male	Mo4	Dash	562076	male
L184	Service_Cmpt	561247	male	Mo7	Cond_Cmpt	563691	male
L185.A	Service_Cmpt	562651	female	Mo8	Cond_Cmpt	563691	male

CONNECTORS LIST

No	Location	Part #	Gender	No	Location	Part #	Gender
Mo10	P_Rack_LH	561515	male	R72	Rear_Seat	563409	male
Mo12	Evap_Cmpt	561690	male	Res3.A	RJB	563590	female
Mo17	Service_Cmpt	563626	male	Res4	FJB	563590	female
Mo19	Service_Cmpt	562474	male	Res6	RJB	563590	female
Mo20	Service_Cmpt	562474	male	Res7	FJB	563590	female
Mo22	RH_Console	561186	male	Res15	Engine_Cmpt	561782	male
Mo24	RH_Console	562348	female	Res19	FJB	563590	female
Mo25	RH_Console	562348	female	Res20	P_Rack	563590	female
Mo27	Cond_Cmpt	563691	male	Res31	Urea_Cmpt	562350	male
Mo28	Cond_Cmpt	563691	male	Res32	Urea_Cmpt	563764	female
Mo29	RJB	563590	female	Res37.A	Front_Clearance	561690	male
Mo37	ServiceCmpt	562477	male	Res37.B	Front_Clearance	561690	male
PCB1	Dash	565982	male	Res53.A	Service_Cmpt	563590	female
Pot1.A	Dash	560488	female	Se1	Engine_Cmpt	563324	female
Pot1.B	Dash	560488	female	Se4	Window_RH	561477	female
Pot1.C	Dash	560488	female	Se5	Window_RH	561477	female
R2	RJB	563409	male	Se6	Window_RH	561477	female
R3	RJB	563409	male	Se7	Window_LH	561477	female
R4	FJB	564496	male	Se8	Window_LH	561477	female
R10	Evap_Cmpt	563409	male	Se9	Window_LH	561477	female
R12	Evap_Cmpt	563409	male	Se11.A	Cond_Cmpt	564460	female
R13	WCL_Cmpt	564496	male	Se11.B	Cond_Cmpt	564460	female
R14	WCL_Cmpt	564210	male	Se11.C	Cond_Cmpt	564460	female
R17	RJB	564210	male	Se13	Engine_Cmpt	562350	male
R18	FJB	564210	male	Se14.A	Driver_Area	561782	male
R19	FJB	564210	male	Se14.B	Driver_Area	561781	female
R20	RJB	564496	male	Se18	PneuPlate	561566	female
R23	RH_Console	564496	male	Se19	Service_Cmpt	563677	male
R26	Evap_Cmpt	564496	male	Se19A	Service_Cmpt	563677	male
R29	RJB	563409	male	Se20	Evap_Cmpt	562426	male
R34	RJB	564210	male	Se21	Dash	561248	female
R37	FJB	564496	male	Se23	Engine_Cmpt	563159	male
R44	P_Rack	564496	male	Se24	Engine_Cmpt	563159	male
R45	ParcelRack	564496	male	Se25	Passenger_Area	561248	female
R47	WCL_Cmpt	564496	male	Se29	Engine_Cmpt	561566	female
R51	FJB	564496	male	Se30	Engine_Door	562877	female
R52	FJB	564496	male	Se31	Compr_Door	562877	female
R53	FJB	564496	male	Se32	Rear_Axle_Cmpt	563057	male
R54	FJB	564496	male	Se33	Rear_Axle_Cmpt	562856	male
R55	FJB	564496	male	Se34	Rear_Axle_Cmpt	563057	male
R57	RJB	564210	male	Se35	Rear_Axle_Cmpt	563057	male

CONNECTORS LIST

No	Location	Part #	Gender	No	Location	Part #	Gender
Se36	Rear_Axle_Cmpt	563629	female	So13	Evap_Cmpt	563204	female
Se37	Front_Axle_LH	641132	female	So15	PneuPlate	641385	male
Se38	Front_Axle_RH	641132	female	So16	PneuPlate	641385	male
Se39	Rear_Axle_LH	641132	female	So17	PneuPlate	562848	male
Se40	Rear_Axle_LH	641132	female	So20	PneuPlate	641385	male
Se45.A	Service_Cmpt	563409	male	So21	Front_Axle_Cmpt	564046	female
Se53	Service_Cmpt	563159	female	So22	Front_Axle_Cmpt	564046	female
Se54	Service_Cmpt	563159	female	So23	Rear_Axle_Cmpt	564046	female
Se55	Service_Cmpt	563159	female	So24	Rear_Axle_Cmpt	564046	female
Se56	WCL_Cmpt	562479	female	So26	Service_Cmpt	562848	male
Se60	Service_Cmpt	563409	male	So27	Rear_Axel_Cmpt	564045	female
Se62	WCL_Cassette_Door	561690	male	So29	WCL_Cmpt	641385	male
Se63	Rear_Axle_RH	641132	female	So50	Rear_Axle	564046	female
Se64	Rear_Axl_LH	641132	female	So52	Front_Axle	564045	female
Se65	Dash	564042	female	So53	Rear_Axle_Cmpt	641385	male
Se66	Front_Axle_Cmpt	564039	female	So55	PneuPlate	562848	male
Se67	Front_Axle	563159	female	spBar4	Urea_Cmpt	564135	male
Se69	Front_Axle	563159	female	spBar5	Urea_Cmpt	564135	male
Se76	Entrance_Door	562479	female	spBar7	Urea_Cmpt	564135	male
Se77	Front_Vehicule	563159	female	spBar11	Rear_Vehicule	564135	male
Se78	PneuPlate	563159	female	spBar12	Rear_Vehicule	564135	male
Se79	Front_Axle	563340	male	spBar13	Engine_Cmpt	564135	male
Se83	FrontAxle	642190	female	spBar14	Engine_Cmpt	564135	male
Se84	FrontAxle	642190	female	spBar15	Engine_Cmpt	564135	male
Se85	Rear_Axle	642190	female	spBar16	Engine_Cmpt	564135	male
Se86	Rear_Axle	642190	female	spBar19	Urea_Cmpt	564135	male
Se87	Rear_Axle	642190	female	spBar20	Urea_Cmpt	564135	male
Se88	Rear_Axle	642190	female	spBar21	Urea_Cmpt	564135	male
Se89	Engine_Cmpt	562350	male	spBar22	Engine_Cmpt	564135	male
Se93	Engine_Cmpt	565968	female	Spk1_L	Parcel_Rack_LH	563994	male
Se100	WCL_Upper_Door	562479	female	Spk1_R	Parcel_Rack_RH	563994	male
shell1	RJB	561932	male	Spk2_L	Parcel_Rack_LH	563994	male
shell2	FJB	562794	male	Spk2_R	Parcel_Rack_RH	563994	male
shell3	RH_Console	561889	female	Spk3_L	Parcel_Rack_LH	563994	male
shell4	RHRoofWinAjar	561476	male	Spk3_R	Parcel_Rack_RH	563994	male
So4	RH_Console	641385	male	Spk4_L	Parcel_Rack_LH	563994	male
So5	RH_Console	641385	male	Spk4_R	Parcel_Rack_RH	563994	male
So6	RH_Console	641385	male	Spk5_L	Parcel_Rack_LH	563994	male
So7	Service_Cmpt	561566	female	Spk5_R	Parcel_Rack_RH	563994	male
So8	Service_Cmpt	641385	male	Spk6_L	Parcel_Rack_LH	563994	male
So9	Engine_Cmpt	561566	female	Spk6_R	Parcel_Rack_RH	563994	male
So10	CondCmpt	562485	male	Spk7_L	Parcel_Rack_LH	563994	male
So11	Cond_Cmpt	561566	female	Spk7_R	Parcel_Rack_RH	563994	male

CONNECTORS LIST

No	Location	Part #	Gender	No	Location	Part #	Gender
Spk8_L	Parcel_Rack_LH	563994	male	Sw46.A	3rd_Lugg_Cmpt	562403	female
Spk8_R	Parcel_Rack_RH	563994	male	Sw46.B	3rd_Lugg_Cmpt	562403	female
Spk9_L	Parcel_Rack_LH	563994	male	Sw46A.A	3rd_Lugg_Cmpt	562403	female
Spk9_R	Parcel_Rack_RH	563994	male	Sw46A.B	3rd_Lugg_Cmpt	562403	female
Spk10_L	Parcel_Rack_LH	563994	male	Sw49.A	2nd_Lugg_Cmpt	562403	female
Spk10_R	Parcel_Rack_RH	563994	male	Sw49.B	2nd_Lugg_Cmpt	562403	female
Spk11_L	Parcel_Rack_LH	563994	male	Sw50.A	2nd_Lugg_Cmpt	562403	female
Spk11_R	Parcel_Rack_RH	563994	male	Sw51.A	1st_Lugg_Cmpt	562403	female
Spk12_L	Parcel_Rack_LH	563994	male	Sw52.A	1st_Lugg_Cmpt	562403	female
Spk12_R	Parcel_Rack_RH	563994	male	Sw57	WCL_Door	563543	male
Spk13_L	Parcel_Rack_LH	563994	male	Sw58	Engine_Cmpt	562581	male
Spk13_R	Parcel_Rack_RH	563994	male	Sw59	Engine_Cmpt	562348	female
Spk14_L	Parcel_Rack_LH	563994	male	Sw64.A	Service_Cmpt	560815	female
Spk14_R	Parcel_Rack_RH	563994	male	Sw64.B	Service_Cmpt	560815	female
Spk22	Dash	563994	male	Sw81.A	Dash	562905	male
Spk23	OutSide_Front_RH	563994	male	Sw81.B	Dash	562905	male
Sw2	Dash	562763	male	Sw82	RJB	562479	female
Sw4	Dash	562763	male	Sw83.A	Dash	560082	female
Sw5	Dash	562763	male	Sw83.B	Dash	560815	female
Sw10A	LH_Console	562763	male	Sw83.C	Dash	560082	female
Sw12	Dash	562763	male	Sw83.D	Dash	560815	female
Sw13	Dash	562763	male	Sw84	Engine_Cmpt	561566	female
Sw14	Dash	562763	male	Sw85	LH_Console	562749	male
Sw16	Dash	562763	male	Sw94.A	WCL_Door	562403	female
Sw17	Dash	562763	male	Sw94.B	WCL_Door	562403	female
Sw18A	LH_Console	562763	male	Sw95.A	WCL_Door	562615	female
Sw20	Dash	562763	male	Sw95.B	WCL_Door	562615	female
Sw24	Dash	562763	male	Sw95.C	WCL_Door	562615	female
Sw25	Dash	562763	male	Sw96.A	WCL_Door	562615	female
Sw26	Dash	562763	male	Sw96.B	WCL_Door	562615	female
Sw27	Dash	562763	male	Sw96.C	WCL_Door	562615	female
Sw31.A	WCL_Door	563543	male	Sw97.A	WCL_System	562615	female
Sw32	Dash	561477	female	Sw97.B	WCL_System	562615	female
Sw33	Dash	561476	male	Sw97.C	WCL_System	562615	female
Sw34	Outside_Front_RH	562477	male	Sw98.A	WCL_System	562615	female
Sw38	LH_Console	562763	male	Sw98.B	WCL_System	562615	female
Sw41	LH_Console	562749	male	Sw98.C	WCL_System	562615	female
Sw42	WCL_Cmpt	561636	female	Sw103	LH_Console	562763	male
Sw45.A	3rd_Lugg_Cmpt	562403	female	Sw105	LH_Console	563590	female
Sw45.B	3rd_Lugg_Cmpt	562403	female	Sw116	Luggages	562877	female

CONNECTORS LIST

No	Location	Part #	Gender				
Sw122	Dash	562763	male				
Sw125.A	Service_Cmpt	561457	female				
Sw125.B	Service_Cmpt	561457	female				
Sw137	Dash	562763	male				
Sw140	FJB	561566	female				
Sw142	LH_Console	562763	male				
Sw143	Foot_Driver	561690	male				
Sw152	Driver_Area	562471	male				
tab69.A	ParcelRack	565180	N/A				
tab70.A	ParcelRack	565180	N/A				
Tab70a.A	ParcelRack	565180	N/A				
Tab70b.A	ParcelRack	565180	N/A				
tab71a.A	ParcelRack	565180	N/A				
VECF1	FJB	563716	male				
VECF2	FJB	563713	male				
VECF3	FJB	563715	male				
VECF4	FJB	563712	male				
VECF9	FJB	563718	male				
VECF10	FJB	563711	male				
VECF11	FJB	563714	male				
VECF12(1)	FJB	563717	male				
VECF12(2)	FJB	563717	male				
Vecr1	RJB	563716	male				
Vecr2	RJB	563713	male				
Vecr3	RJB	563715	male				
VECR4	RJB	563712	male				
Vecr9	RJB	563718	male				
Vecr10	RJB	563711	male				
VECR11	RJB	563714	male				
VECR12	RJB	563717	male				
Y80	Engine_Cmpt	563789	male				
Y81	Cond_Cmpt	563793	male				

DIODES LIST

No	Location	Part #	Function	Page					
D2	FJB	561740	DiodeDriverLiq.Sol.	18.1					
D4	RHConsole	561740	SuppressorDiodeLowerWiper2ndSpd	34.1					
D5	RHConsole	561740	SuppressorDiodeLowerWiper1stSpd	34.1					
D6	RJB	561740	SuppressorDiodeMasterrelay	3.1					
D7	RH_Console	561740	EntanceDoorDiode	29.1					
D8	RHP-Rack	561740	*opt*	18.3					
D9	Evap_Cmpt	561740	HvacDiode	17.1					
D10	Evap_Cmpt	561740	Pre-HeatDiode	17.1					
D11	Evap_Cmpt	561740	DiodePass.Liq.Sol	18.2					
D12	FJB	561740	*opt*	9.1					
D15	RJB	561740	WakeUpDiode	3.2					
D17	Evap_Cmpt	561740	LuggageDiode5thCmpt	25.2					
D19	Evap_Cmpt	561740	LuggageDiode2ndCmpt	25.2					
D20	Evap_Cmpt	561740	LuggageDiode1erCmpt	25.2					
D26	LHP-Rack	561740	SuppressorDiodeP-RackFanLH	18.3					
D27	RHP-Rack	561740	SuppressorDiodeP-RackFanRH	18.3					
D29	RJB	561740	SuppressorDiodeUnloaderRH	18.2					
D30	Evap_Cmpt	561740	SuppressorDiodeWaterPump	18.2					
D31	RJB	561740	SuppressorDiodeA/Cclutch	18.2					
D32	Engine_Cmpt	561740	*opt*	40.1					
D36	RJB	561740	SuppressorDiodeRadiatorFanClutch2ndSpd	14.1					
D37	RJB	561740	SuppressorDiodeRadiatorFanClutch1stSpd	14.1					
D44	FJB	561740	IgnitionDiode	3.2					
D51	Engine_Cmpt	561740	WasherPumpCommuter	34.1					
D59		560931	*opt*	39.1					
D60		560931	*opt*	39.1					
D67	RJB	561740	SuppressorDiodeRearLamps	26.2					
D68	RJB	561740	SuppressorDiodeRearLamps	26.2					
D69	RJB	561740	SuppressorDiodeRearLamps	26.2					
D70	RJB	561740	SuppressorDiodeRearLamps	26.2					
D80	Evap_Cmpt	561740	CutOffWaterPreHeat	38.1					
d2_189				sdsheet57					

RESISTORS LIST

No	Location	Part #	Function	Page					
Res3	RJB	563593	CAN_Network	6.1					
Res4	FJB	563593	CAN_Network	6.1					
Res6	FJB	563593	DBus_Network	6.2					
Res7	FJB	563593	J939Network	6.2					
Res9	Dash	564164	25R	19.1					
Res10	Dash	562892	KeyPadCluster100R	10.1					
Res15	Engine_Cmpt	563587	EndOfLineDevice	38.1					
Res16	RJB	563006	UpperRearLampRH	26.2					
Res17	RJB	563006	UpperRearLampLH	26.2					
Res19	Parcel_Rack_LH	563593	GatewayNetwork	35.8					
Res20	Parcel_Rack_LH	563593	GatewayNetwork	35.8					
Res24	RJB	563006	*opt*	10.1					
Res25	RJB	563006	*opt*	18.2					
Res26	RJB	563006	*opt*	18.2					
Res31		*opt*	*opt*	14.2					
Res32		*opt*	*opt*	14.2					
Res37	Parcel_Rack_LH	N/A	UpperDefrost	18.4					
Res39		561897	4.32K1/4W	35.8					
Res40		561897	4.32K1/4W	35.8					
Res41	Dash	561534	1.2k	26.2					
Res42	Dash	561534	1.2k	22.2					
Res53	FJB	563593	*opt*	6.2					

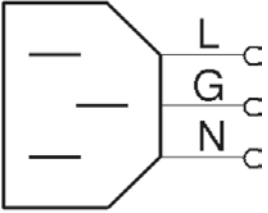
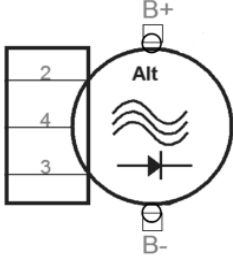
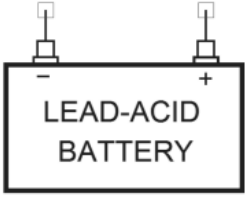
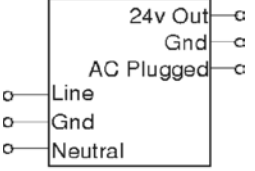
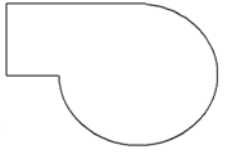
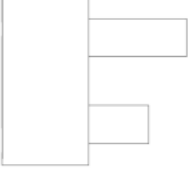



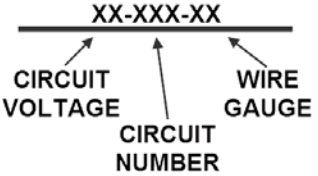
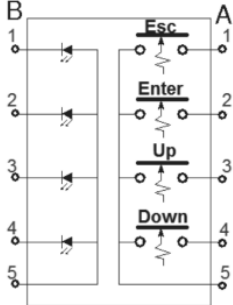


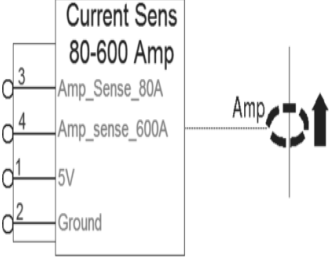

RELAYS LIST

No	Location	Part #	Function	Page					
R1	RJB	562364	MasterRelay	3.1					
R2	RJB	563348	12vDirect	3.1					
R3	RJB	563348	12vIgn&AccRelay	3.1					
R4	RJB	563332	Cutoffwaterpreheater	38.1					
R10	Evap_Cmpt	563348	CondensorPowerRelay	18.2					
R11	RJB_VECR	563332	24Ign	5.1					
R12	RJB	563551	EvaporatorRelay	18.2					
R14	FJB	564218	24vRrWupRelay	3.3					
R17	RJB	564218	12vRrWUpRelay	3.3					
R18	FJB	564218	24vFrWupRelay	3.3					
R19	FJB	564218	12vFrWUpRelay	3.3					
R20	RJB	563332	WaterPumpRelay	17.1					
R21	RJB_VECR	563269	EmergencyCutoutRelay	3.2					
R22	FJB_VECF	563269	Ign_Relay_VecuCpc	4.1					
R23	RHConsole	563332	LowerWiperRelay	34.1					
R25	RJB_VECR	563332	Ecmlgn	5.1					
R26	Evap_Cmpt	563332	Pre-HeatRelay	18.2					
R29	RJB	563348	Preheater_Volvo	14.1					
R30	RJB	563332	Lugg_Door_Lock	33.1					
R31	RJB	563332	*opt*	33.1					
R32	RJB	563332	*opt*	33.1					
R33	RJB	563332	Lugg_Door_Unlock	33.1					
R34	RJB	564218	12vRrEngineEcu	3.3					
R37	FJB	563332	*opt*	9.1					
R44	Parcel_Rack_LH	563337	IVN/MOTOROLAAUDIO+RELAY	35.8					
R45	Parcel_Rack_LH	563337	IVN/MOTOROLAAUDIO-RELAY	35.8					
R47	WCLPump	563332	WCLDoorOpen	36.1					
R51	Parcel_Rack_LH	563332	MOTOROLAPOWERRELAY	35.8					
R52	Parcel_Rack_LH	563332	FAREBOXPOWERRELAY	35.8					
R53	Parcel_Rack_LH	563332	MOTOROLACTRLRELAY	35.8					
R54	Parcel_Rack_LH	563332	FAREBOXCTRLRELAY	35.8					
R55	Evap_Cmpt	563332	SpeedCtr	18.2					
R72	RJB	563348	InverterRelay	40.1					
R_Starter	RJB	564095	StarterRelayCtr	3.2					

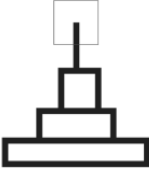
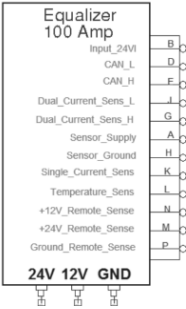
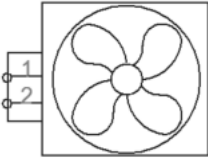
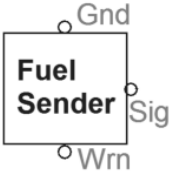

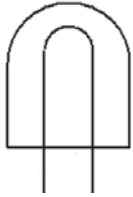
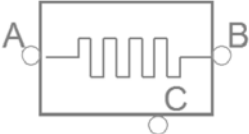

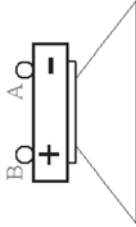
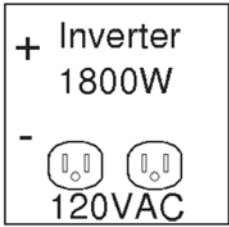
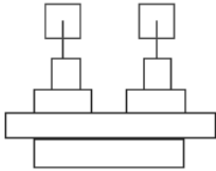

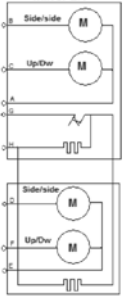
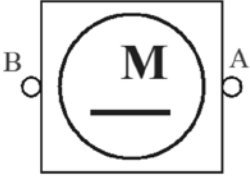
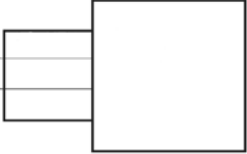
RELAYS LIST

No	Location	Part #	Function	Page						
R1	RJB	562364	MasterRelay	3.1						
R2	RJB	563348	12vDirect	3.1						
R3	RJB	563348	12vIgn&AccRelay	3.1						
R4	FJB	563332	Cutoffwaterpreheater	38.1						
R10	Evap_Cmpt	563348	CondensorPowerRelay	18.2						
R11	RJB_VECR	563332	24Ign	5.1						
R12	EVAP_CMPT	563551	EvaporatorRelay	18.2						
R13	RJB	563337	ComprFanRelay	14.1						
R14	RJB	564218	24vRrWupRelay	3.3						
R17	RJB	564218	12vRrWUpRelay	3.3						
R18	FJB	564218	24vFrWupRelay	3.3						
R19	FJB	564218	12vFrWUpRelay	3.3						
R20	Evap_Cmpt	563332	WaterPumpRelay	17.1						
R21	RJB_VECR	563269	EmergencyCutoutRelay	3.2						
R22	FJB_VECF	563269	Ign_Relay_VecuCpc	4.1						
R23	RHConsole	563332	LowerWiperRelay	34.1						
R25	RJB_VECR	563332	Ecmlgn	5.1						
R26	Evap_Cmpt	563332	Pre-HeatRelay	18.2						
R29	RJB	563348	Preheater_Volvo	14.1						
R30	RJB	563332	Lugg_Door_Lock	33.1						
R31	RJB	563332	Lugg_Door_Lock	33.1						
R32	RJB	563332	Lugg_Door_Unlock	33.1						
R33	RJB	563332	Lugg_Door_Unlock	33.1						
R34	RJB	564218	12vRrEngineEcu	3.3						
R37	FJB	563332	Horn	9.1						
R44	Parcel_Rack_LH	563337	IVN/MOTOROLAAUDIO+RELAY	35.8						
R45	Parcel_Rack_LH	563337	IVN/MOTOROLAAUDIO-RELAY	35.8						
R47	WCLPump	563332	WCLDoorOpen	36.1						
R51	Parcel_Rack_LH	563332	MOTOROLAPOWERRELAY	35.8						
R52	Parcel_Rack_LH	563332	FAREBOXPOWERRELAY	35.8						
R53	Parcel_Rack_LH	563332	MOTOROLACTRLRELAY	35.8						
R54	Parcel_Rack_LH	563332	FAREBOXCTRLRELAY	35.8						
R55	FJB	563332	SpeedCtr	18.2						
R57	RJB	564218	Preheat_Pro_Fuel	14.1						
R72	Inverter	563348	InverterRelay	40.1						
R_ Starter	RJB	564095	StarterRelayCtr	3.2						

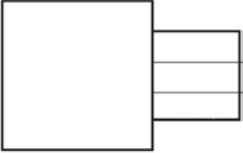
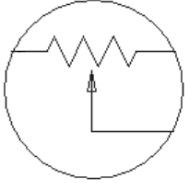
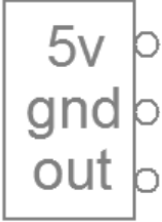
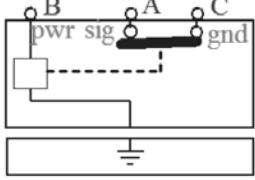
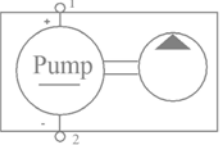
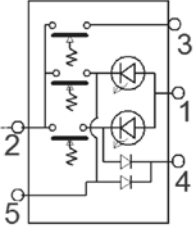
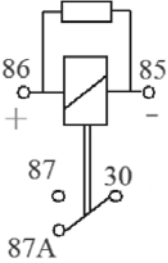

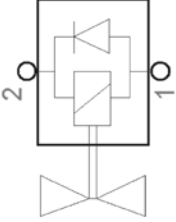
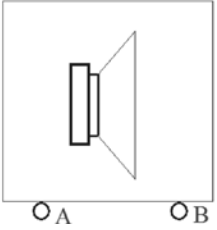
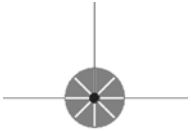

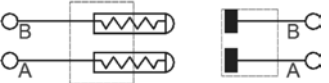
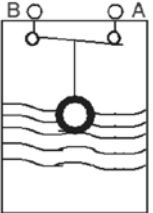
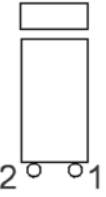
Symbol List

AC PLUG	ALTERNATOR	BATTERY	BATTERY CHARGER	BLOWER
				
BOOSTER PLUG	BREAKER	BUZZER	CHASSIS GROUND	CIRCUIT ANNOTATION
<p>Julian</p> 				
CLUSTER KEYPAD	COIL	CONNECTOR	CURRENT SENSOR	DIODE
				

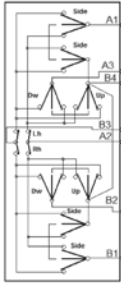
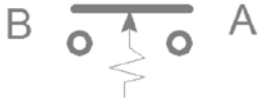

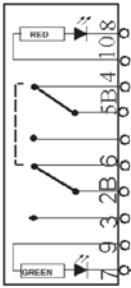
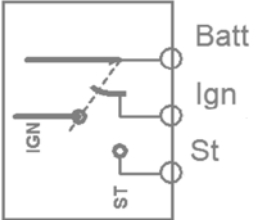

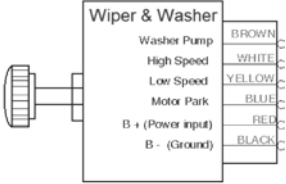


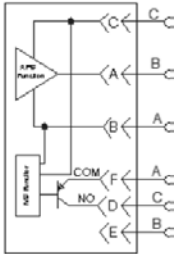
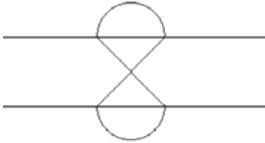
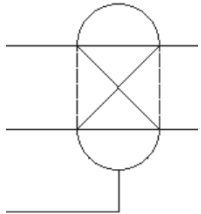
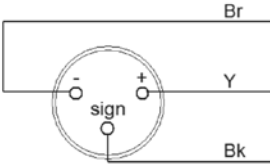
Symbol List

ELECTRICAL POST	EQUALIZER	FAN	FUEL LEVEL SENSOR	FUSE
				
HALOGEN LAMP	HEATER	HEAT SHRINK TUBING	HORN / BACKUP ALARM	INVERTER
				
JUNCTION BLOCK	LED	MIRROR	MOTOR	MULTIPLEX INPUT
				

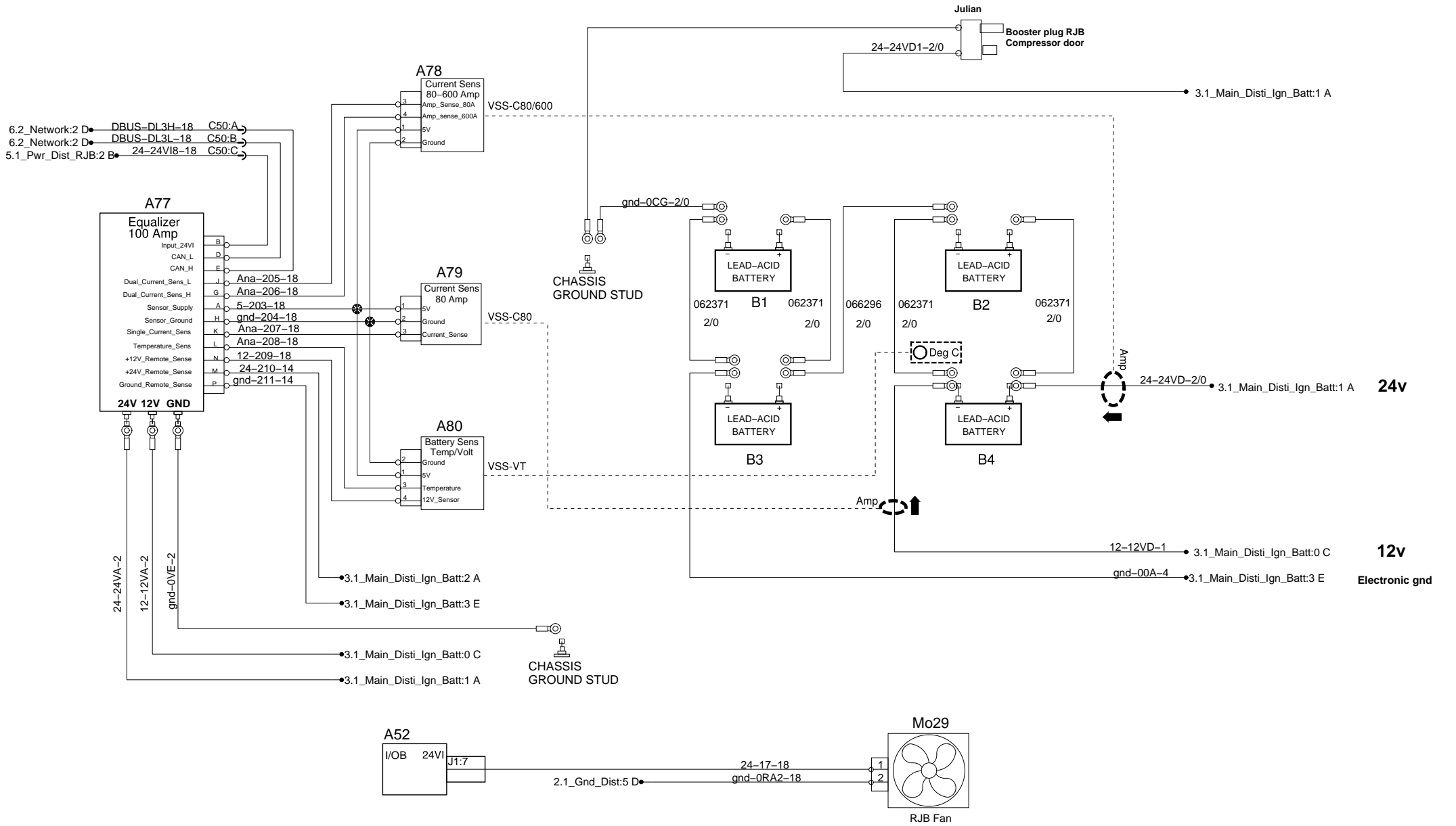
Symbol List

MULTIPLEX OUTPUT	POTENTIOMETER	PRESSURE SENSOR	PROXIMITY SENSOR	PUMP
				
READING LIGHT MODULE	RELAY	RESISTOR	SOLENOID VALVE	SPEAKER
				
SPLICE	SPLICE BAR CONNECTOR	SWITCH (DOOR)	SWITCH (LEVEL)	SWITCH (MAGNETIC)
				

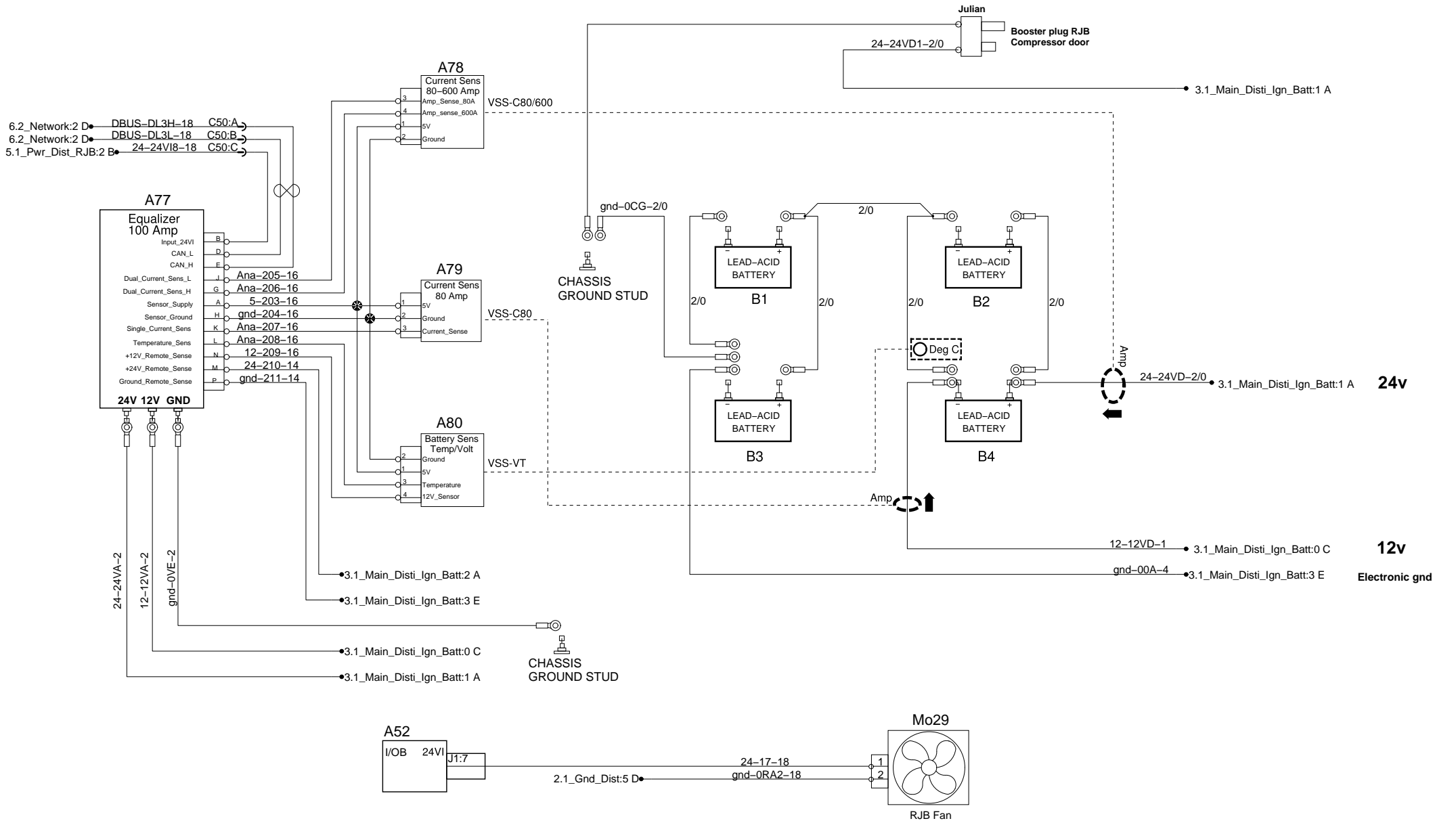
Symbol List

SWITCH (MIRROR)	SWITCH (MOMENTARY)	SWITCH (PRESSURE)	SWITCH (ROCKER)	SWITCH (STARTER)
				
SWITCH (TOGGLE)	SWITCH (WIPER)	TEMPERATURE SENSOR	TERMINAL	THROTTLE POSITION SENSOR
				
TWISTED PAIR	TWISTED PAIR (SHIELDED)	(BRAKE) WEAR SENSOR		
				

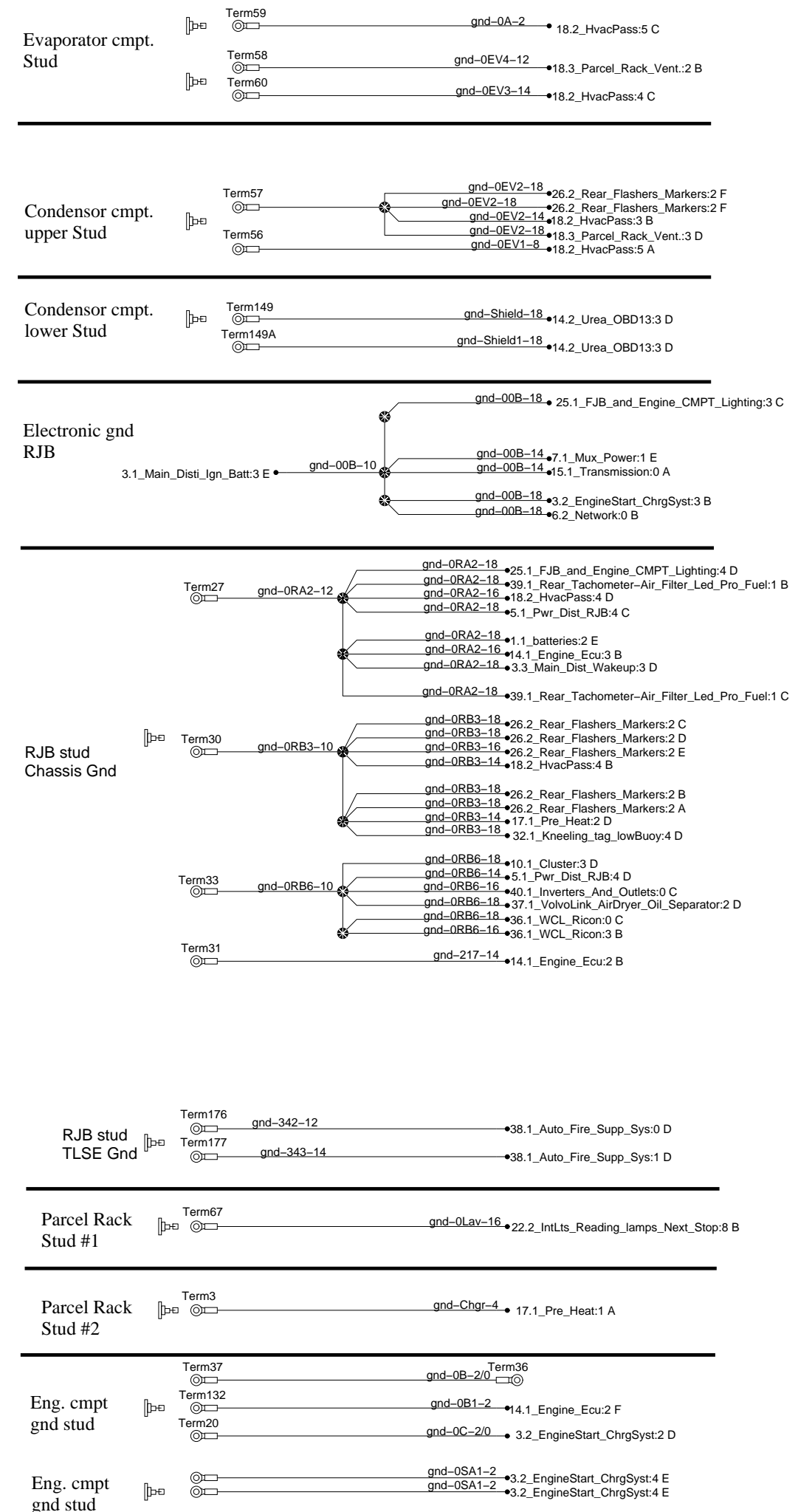
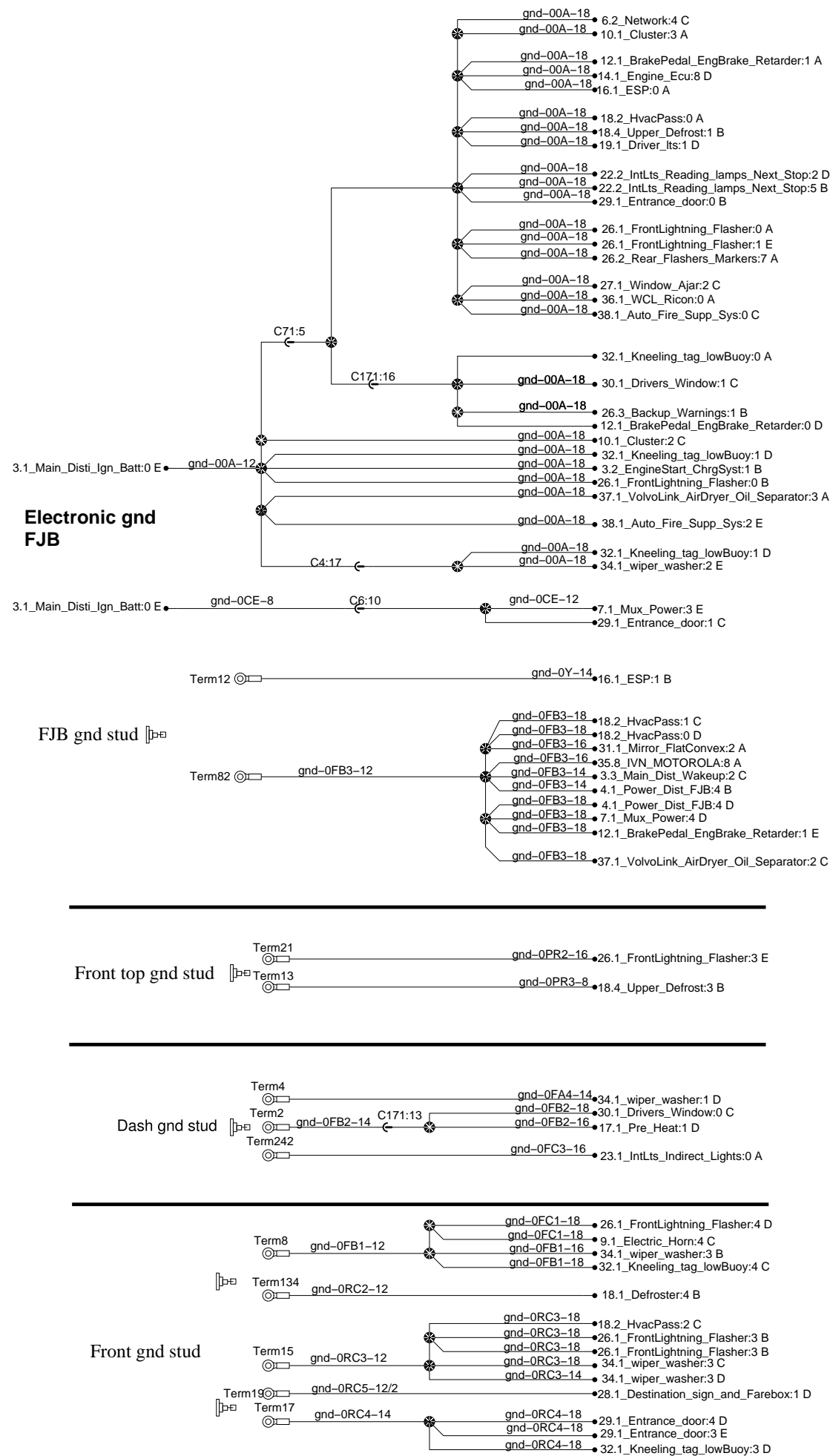
BATTERIES



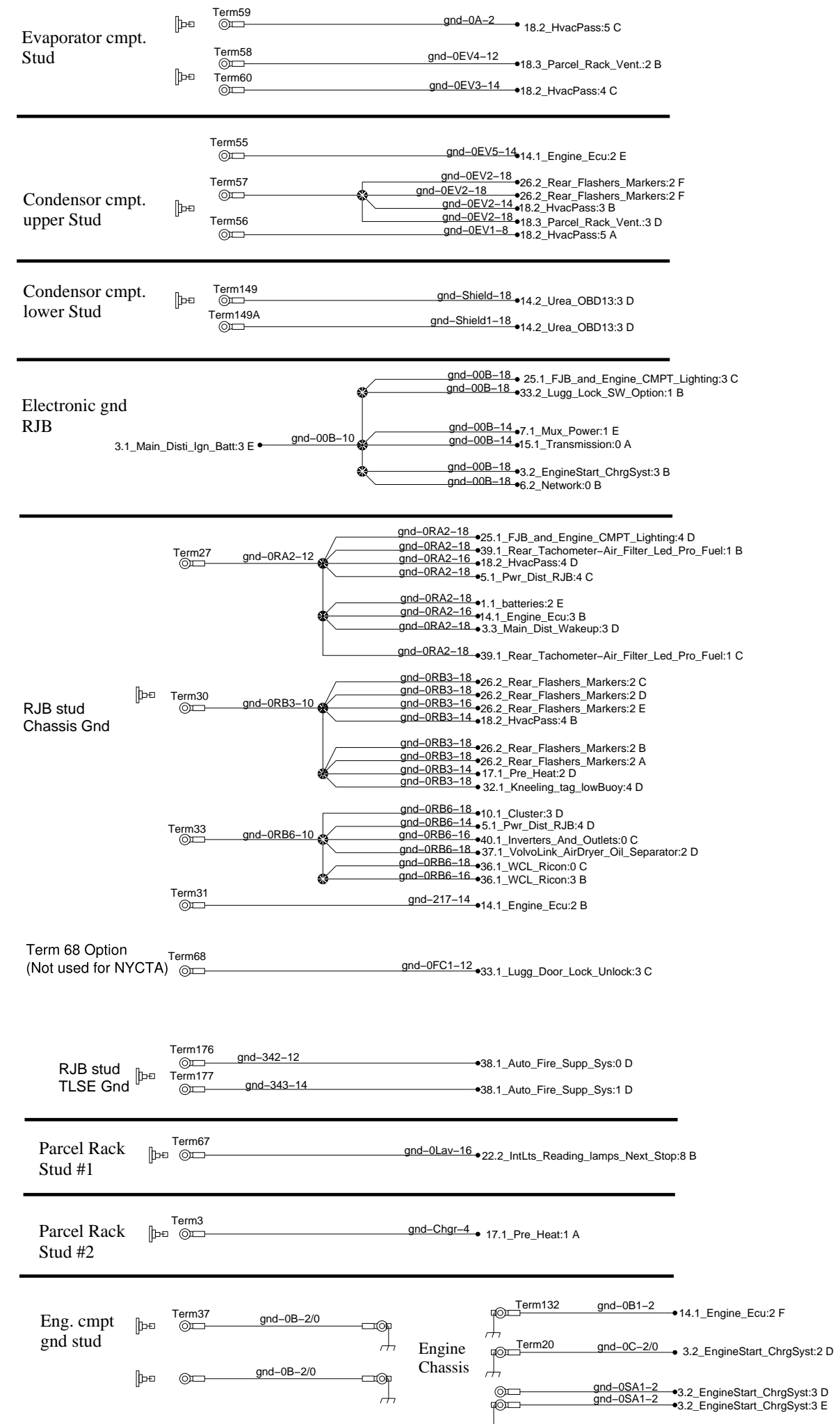
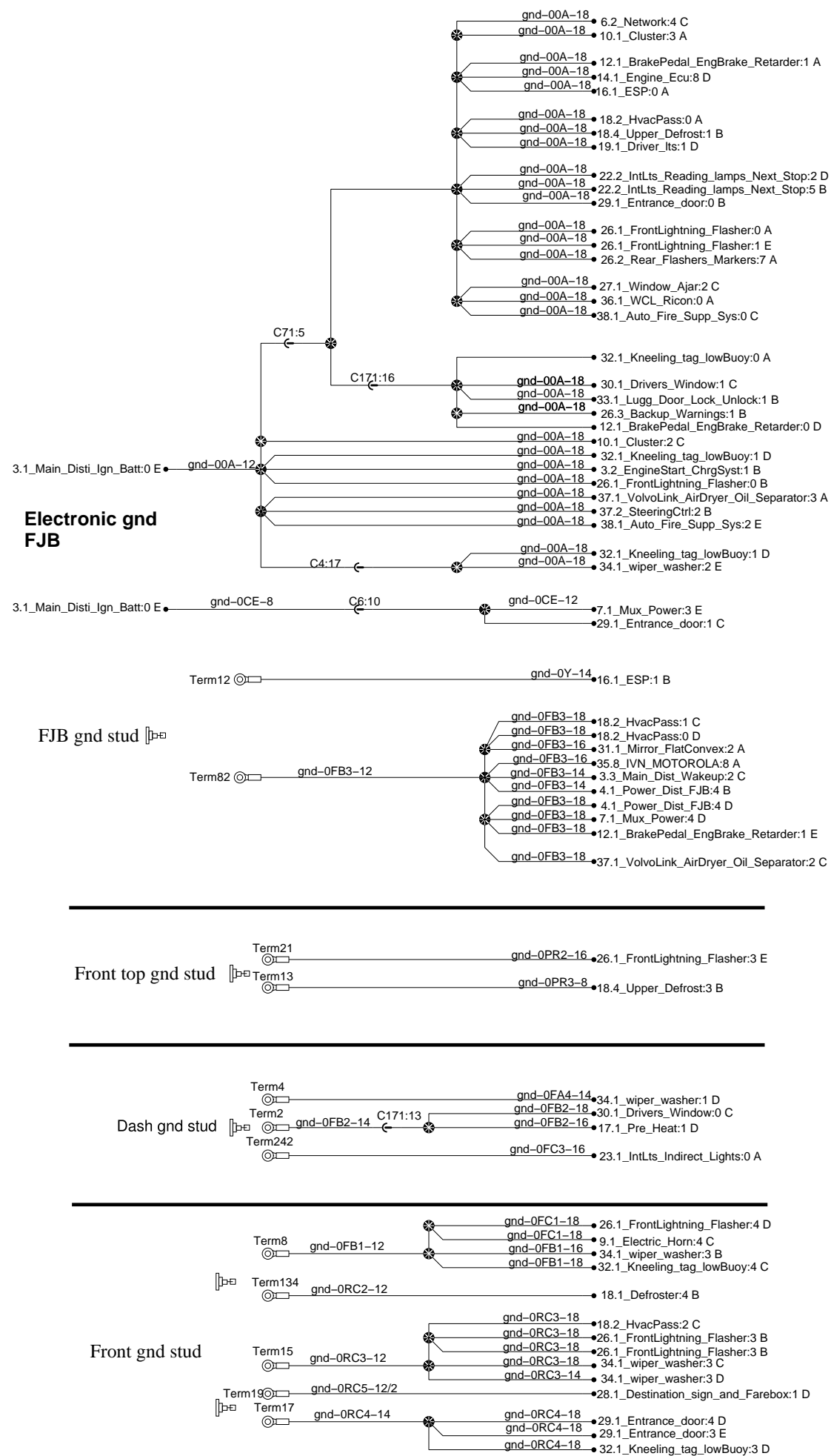
BATTERIES



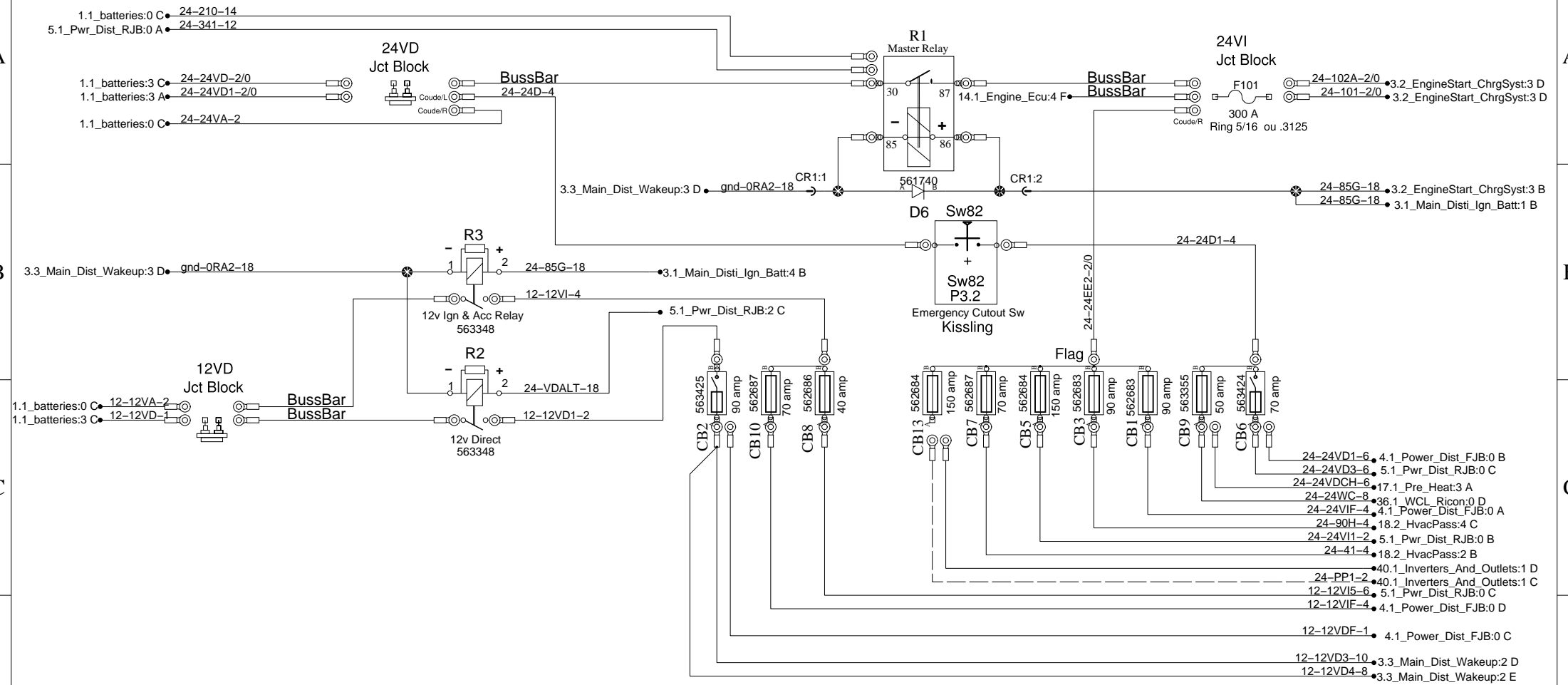
GROUND DISTRIBUTION



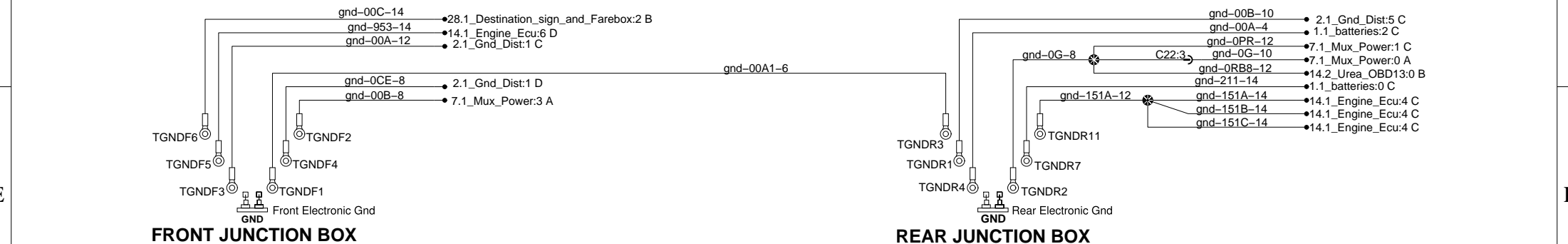
GROUND DISTRIBUTION



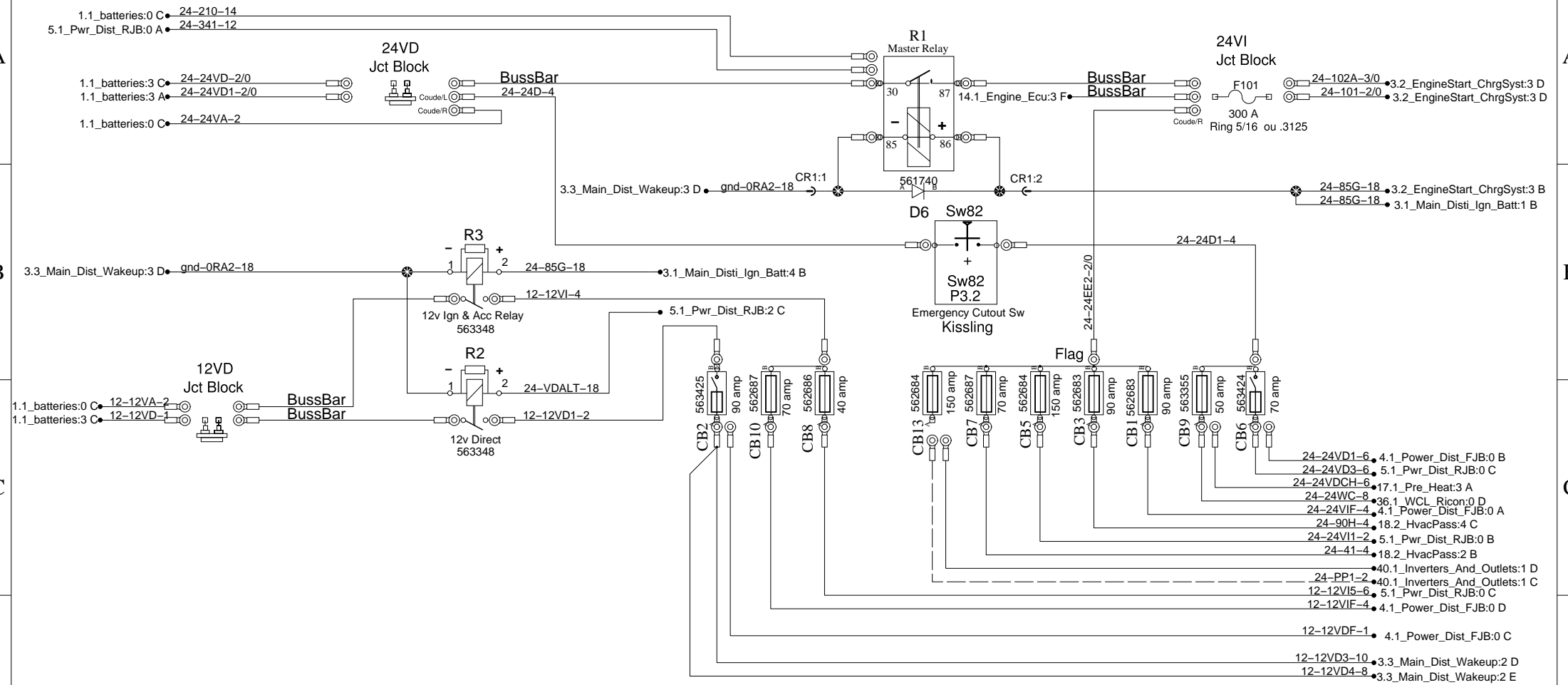
MAIN DISTRIBUTION, BATTERIES & IGNITION



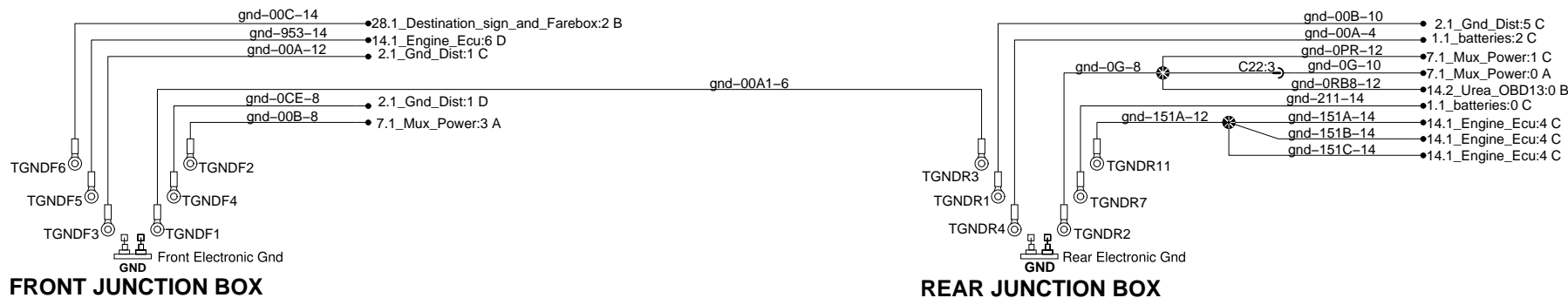
ELECTRONIC GROUND



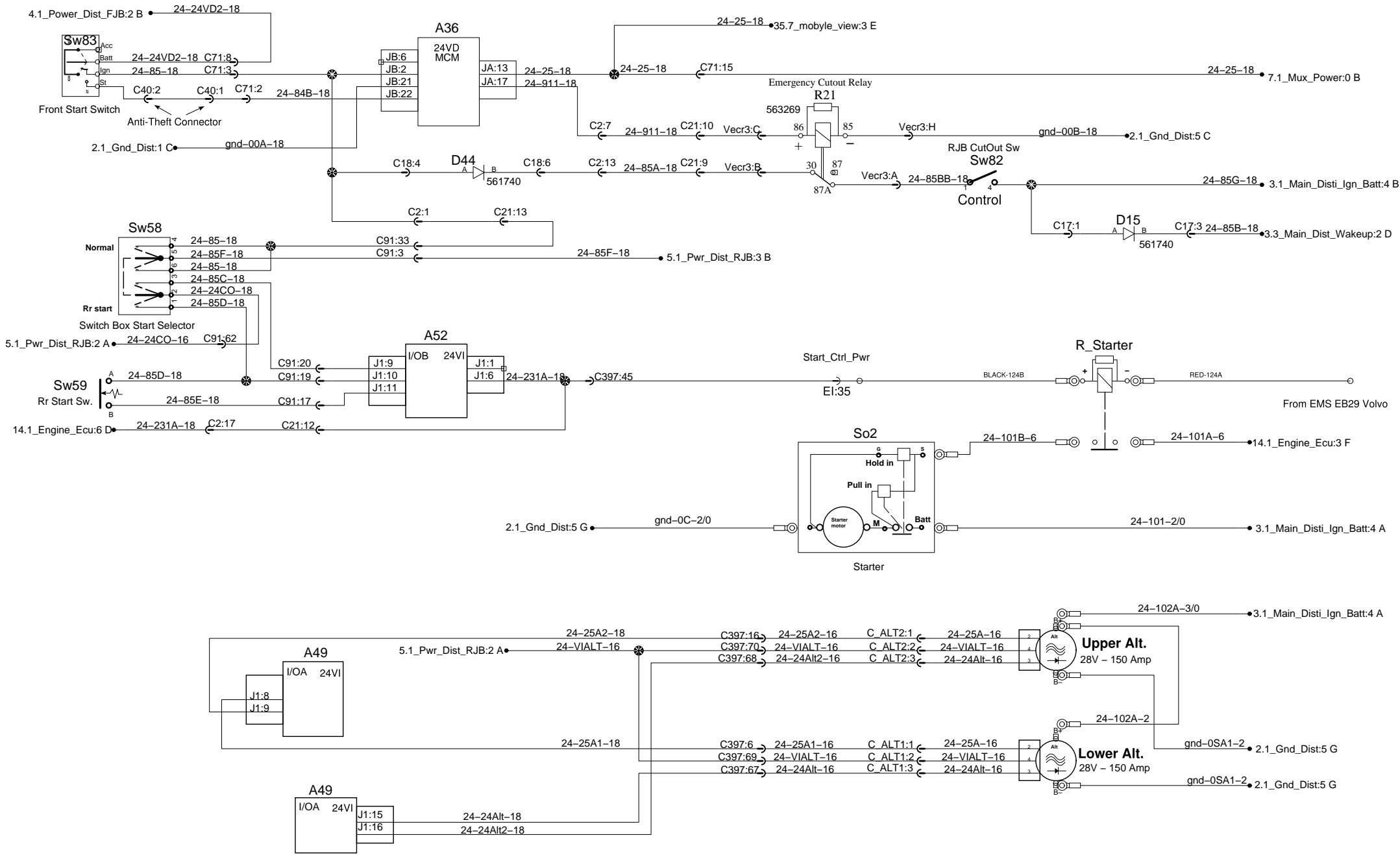
MAIN DISTRIBUTION, BATTERIES & IGNITION



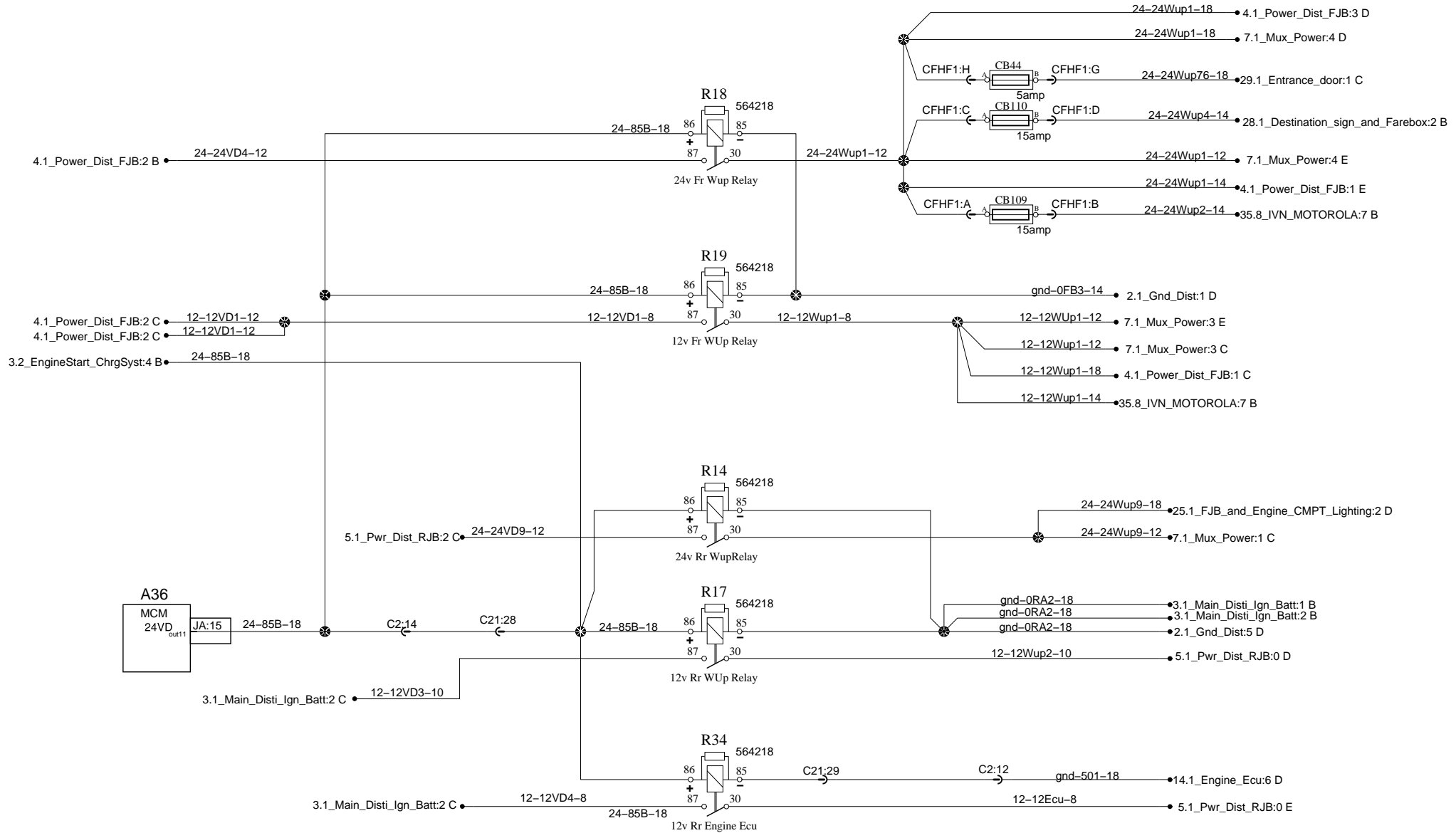
ELECTRONIC GROUND



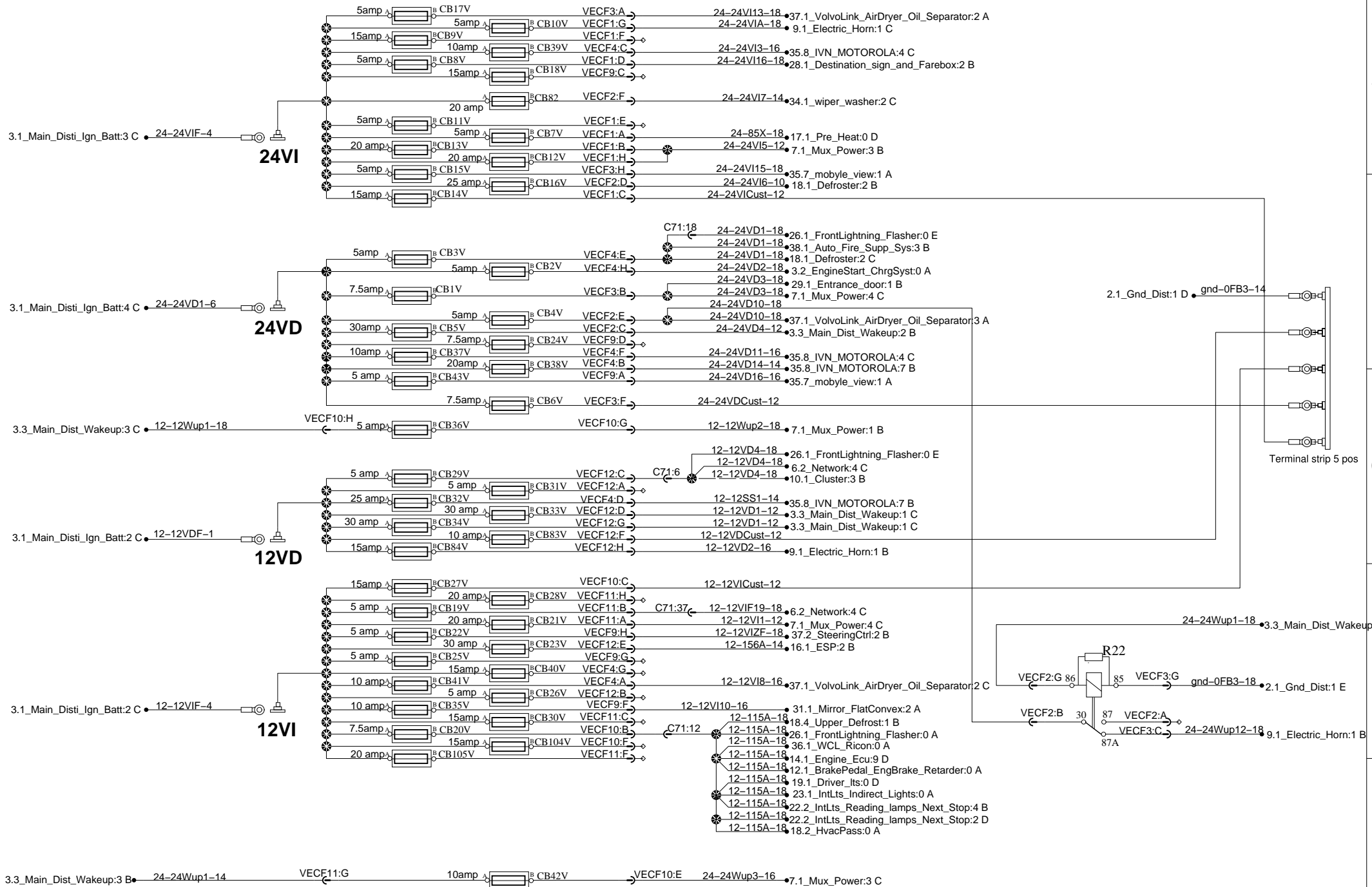
Engine Start and Charging system



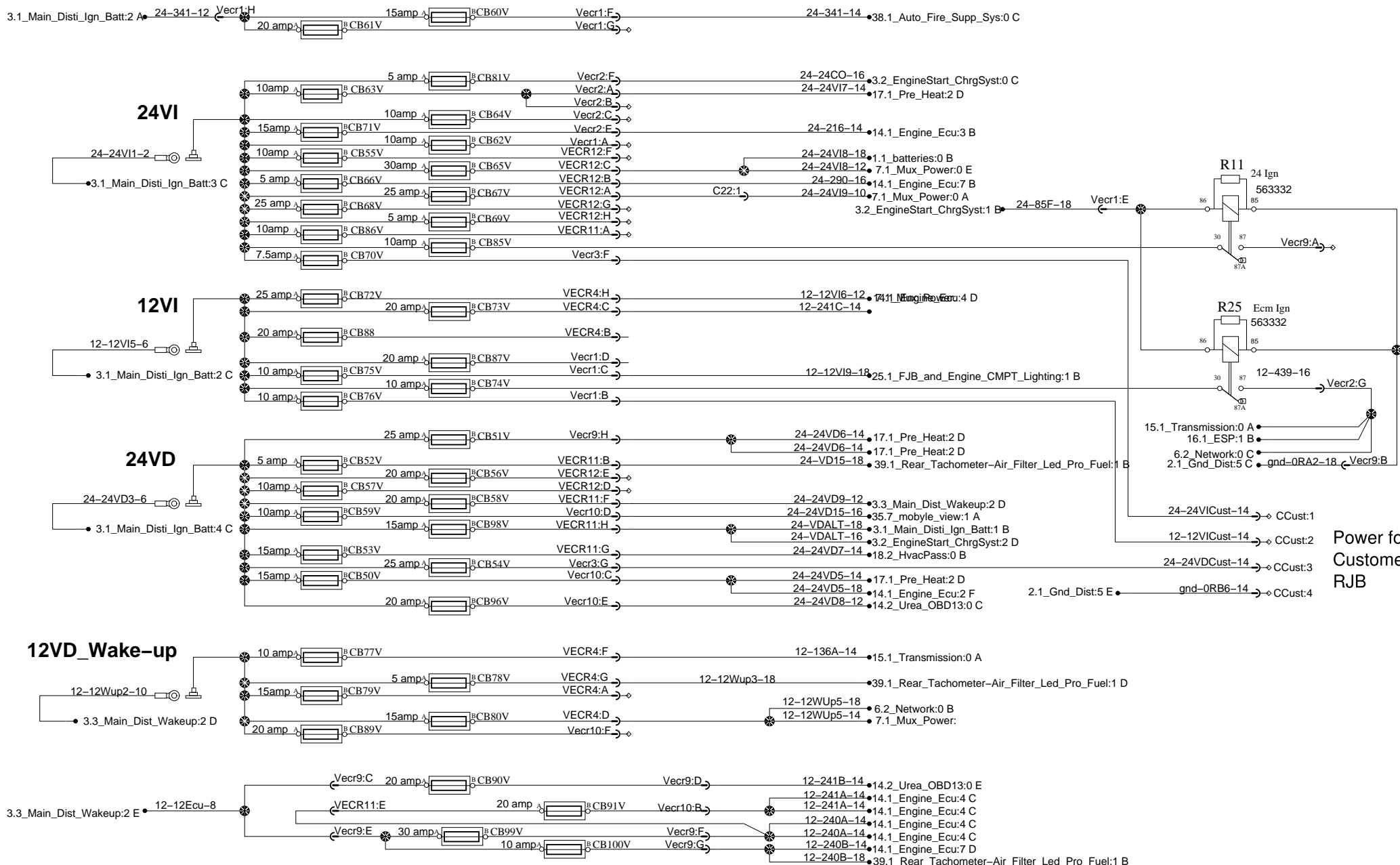
MAIN DISTRIBUTION Wake-Up



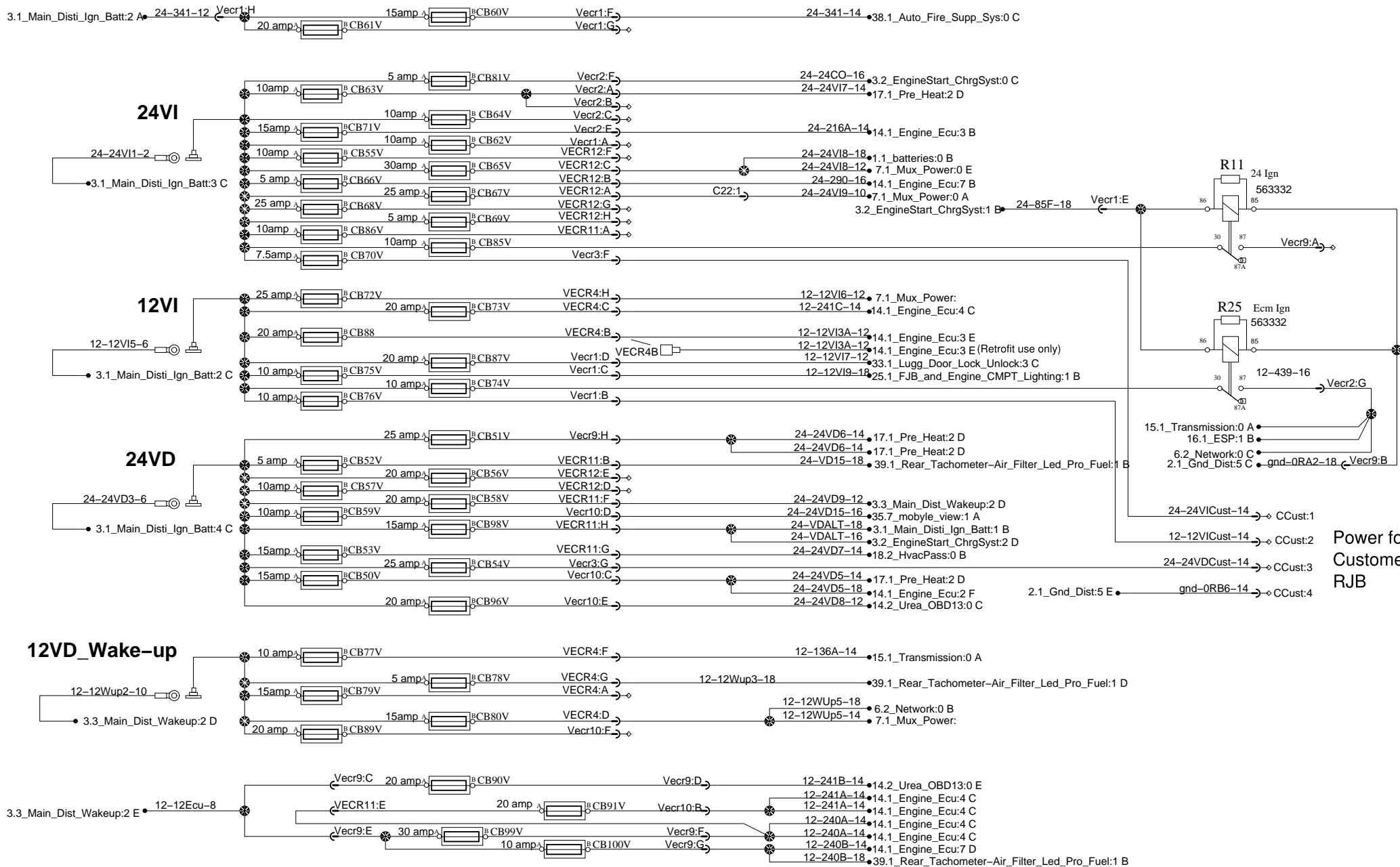
Power Distribution Front Junction Box



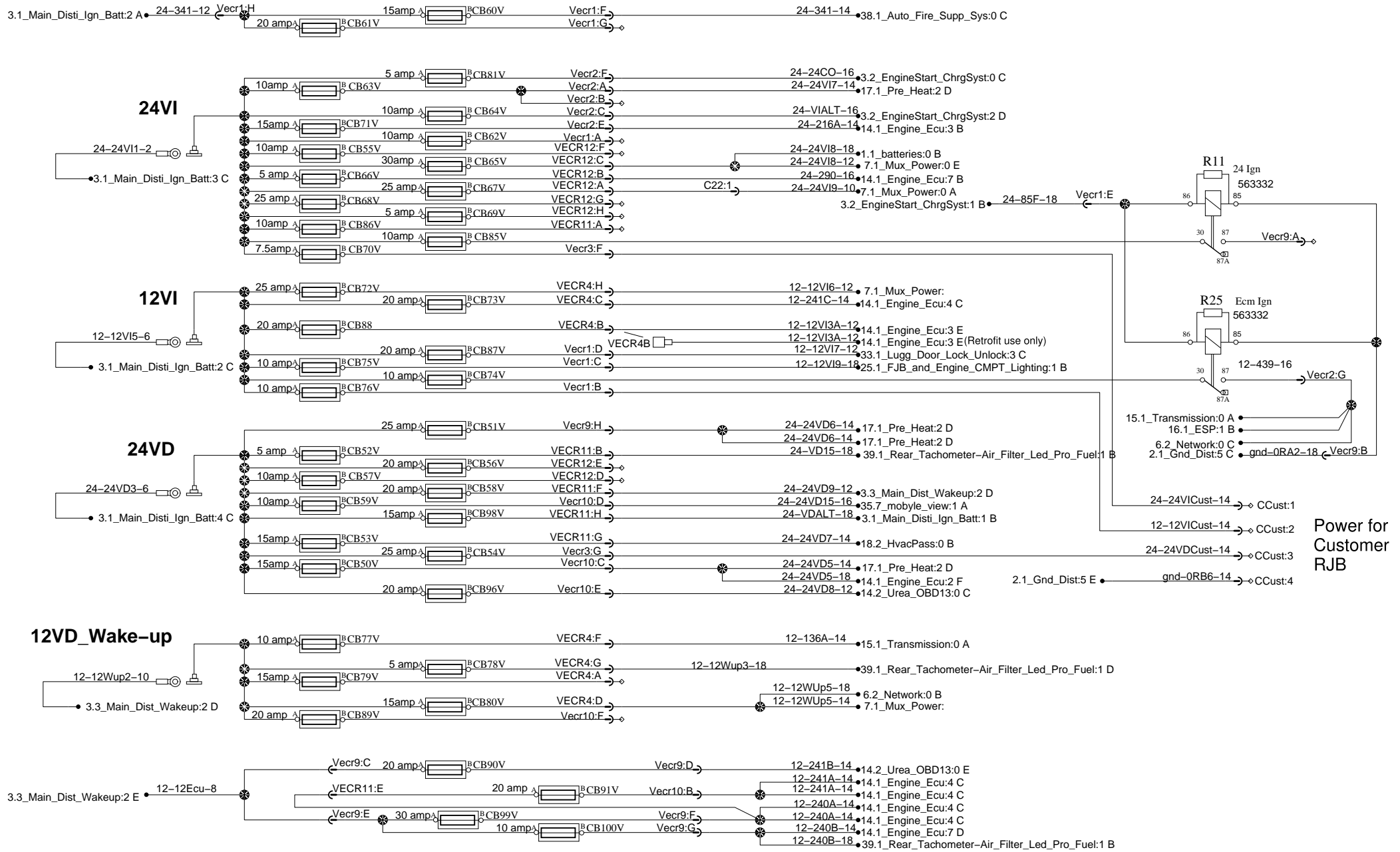
Power distribution Rear Junction box



Power distribution Rear Junction box

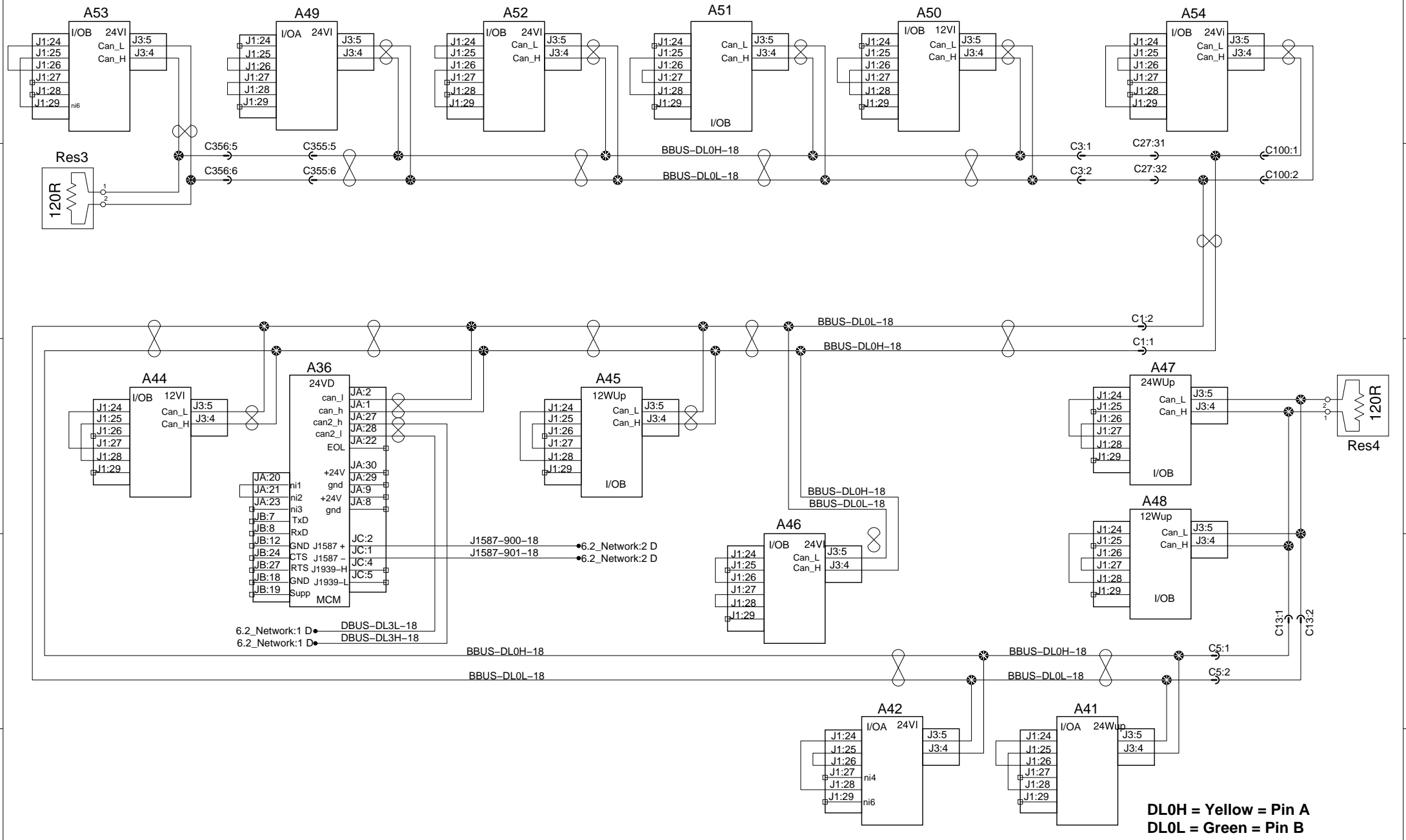


Power distribution Rear Junction box

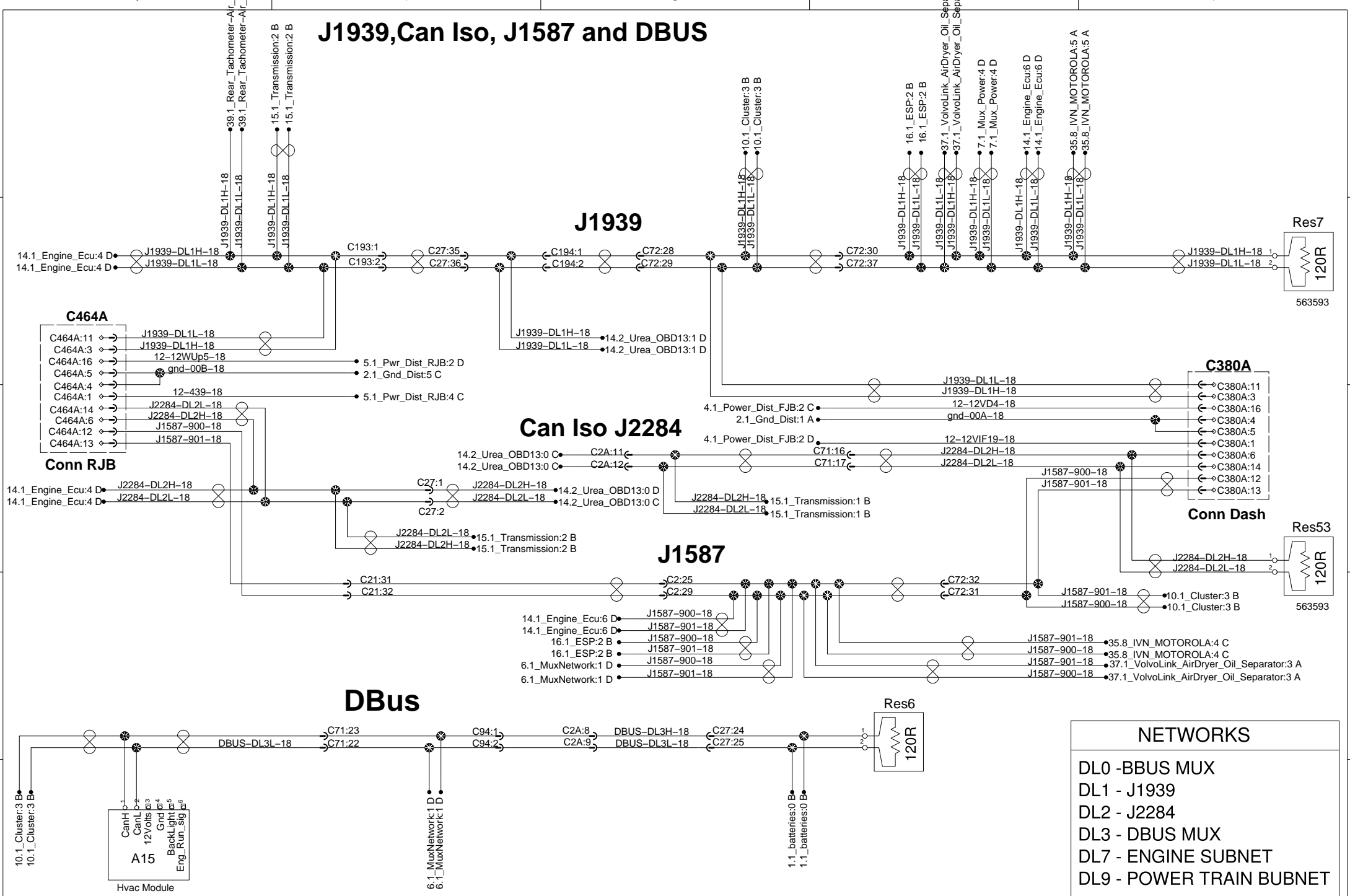


Power for Customer RJB

Multiplex Can, J1587 Network and Addressing

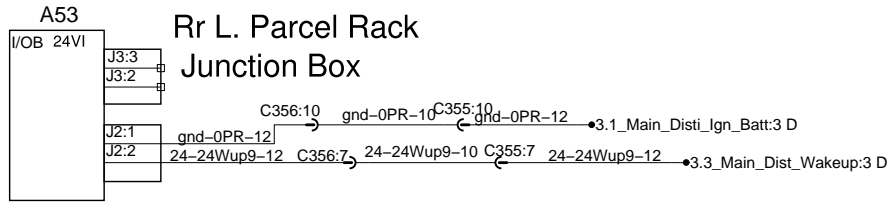
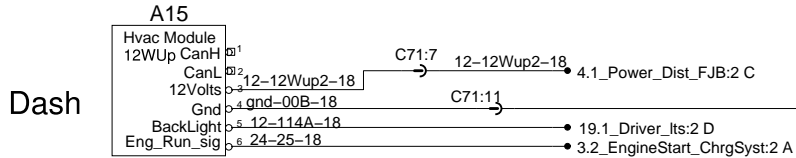
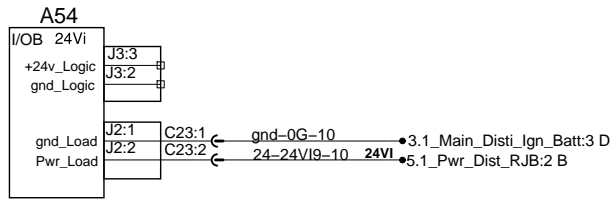


J1939, Can Iso, J1587 and DBUS



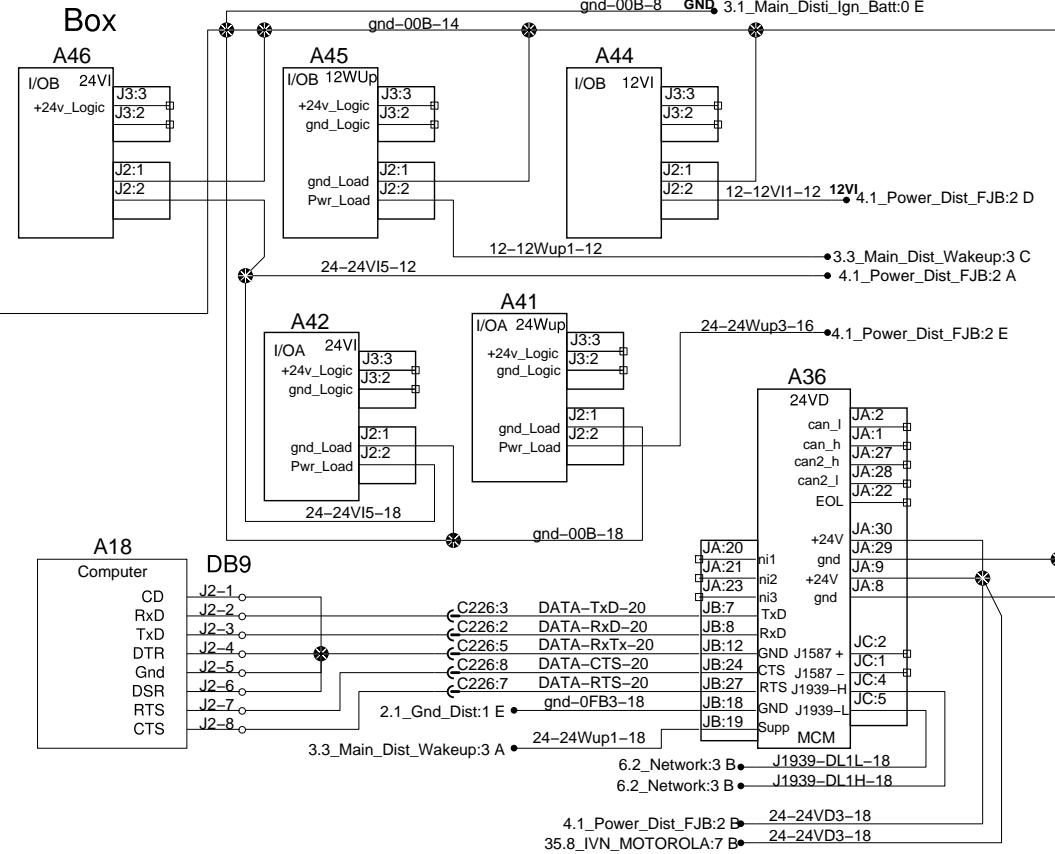
NETWORKS
DL0 -BBUS MUX
DL1 - J1939
DL2 - J2284
DL3 - DBUS MUX
DL7 - ENGINE SUBNET
DL9 - POWER TRAIN BUBNET

Evaporator
Cmpt.

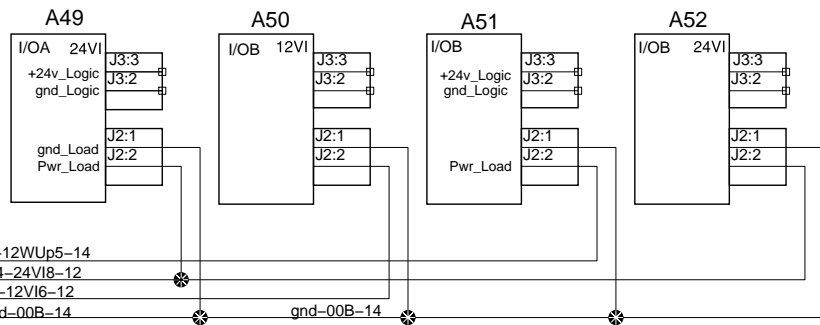


Multiplex Power Supply Distribution

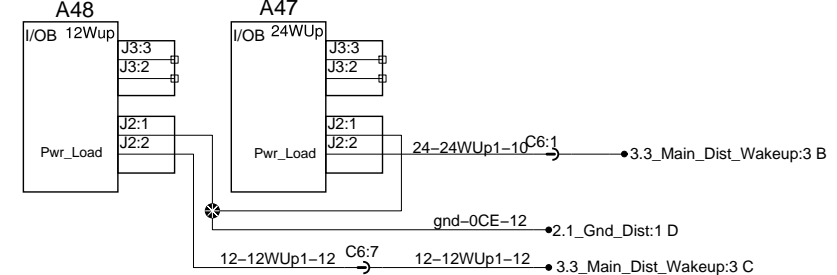
Front Junction Box



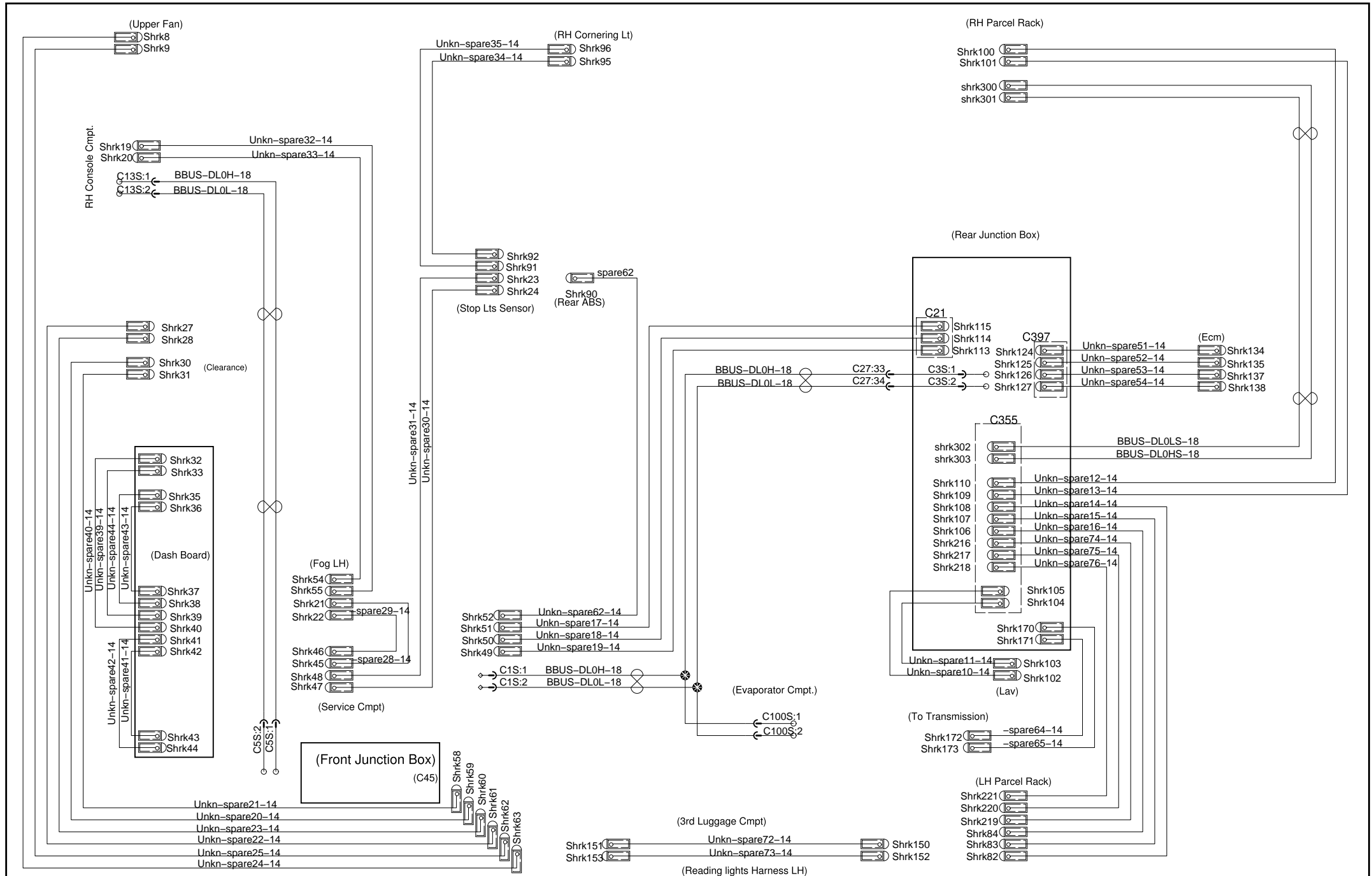
Rear Junction Box



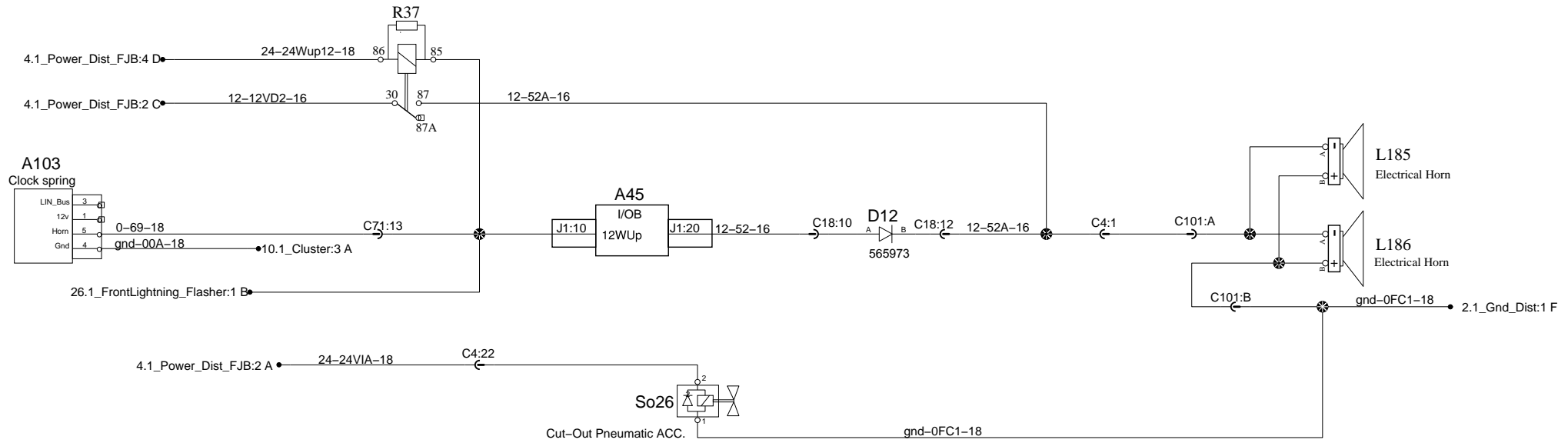
RH Console



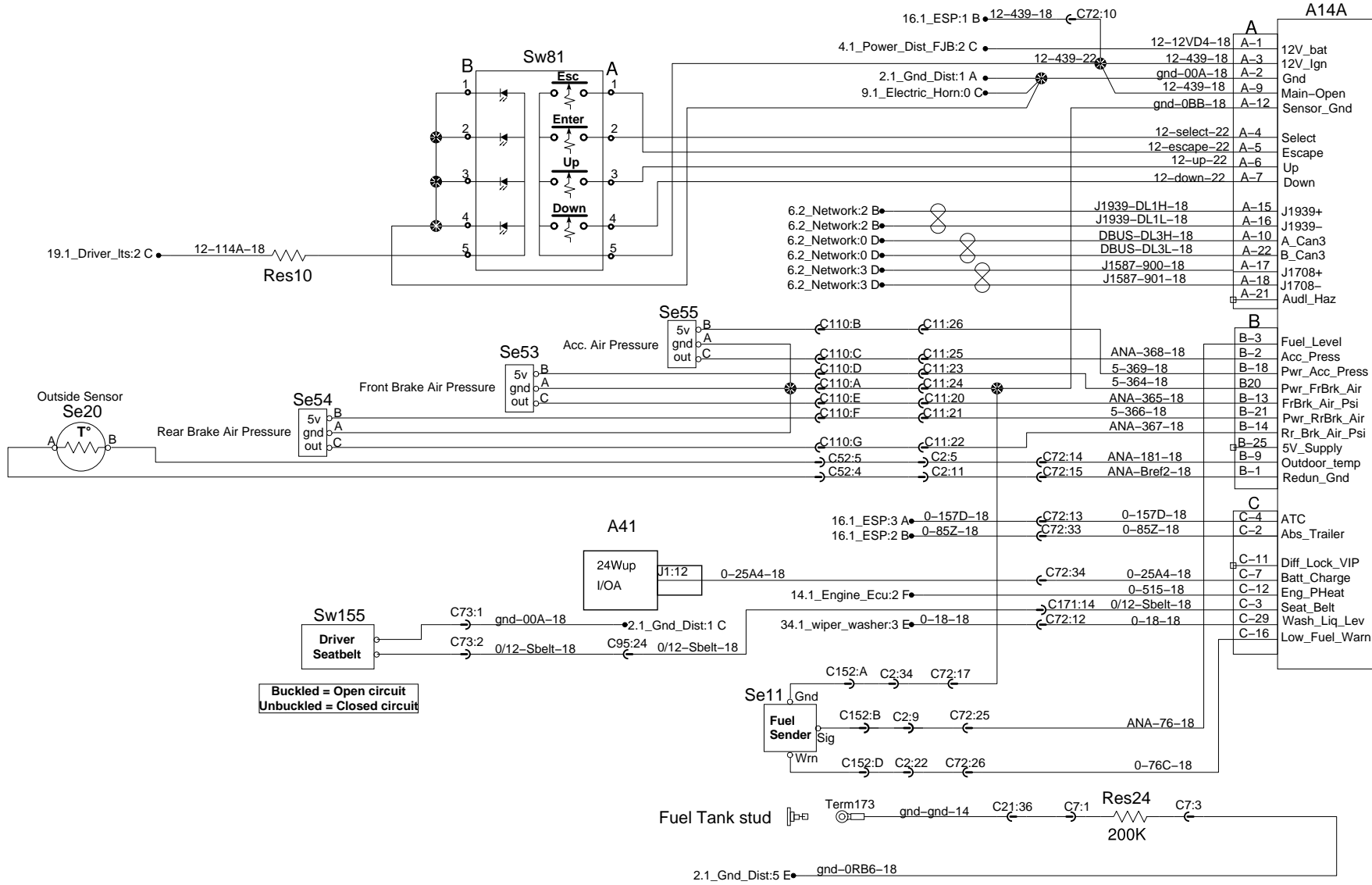
Spare Wires



Electric Horn



Cluster



Brake, Brake Interlock and Retarder

A

B

C

D

E

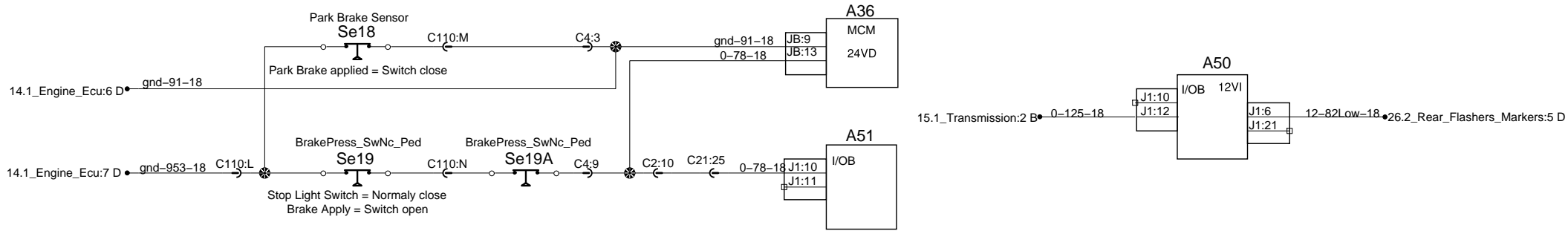
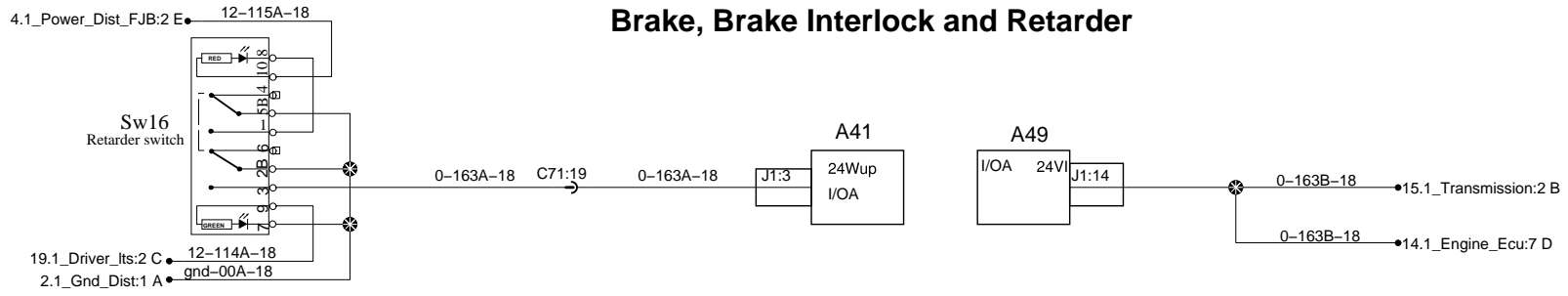
A

B

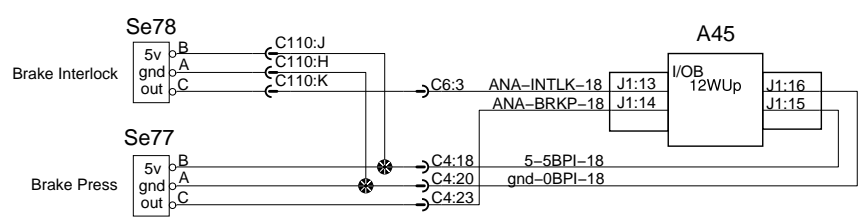
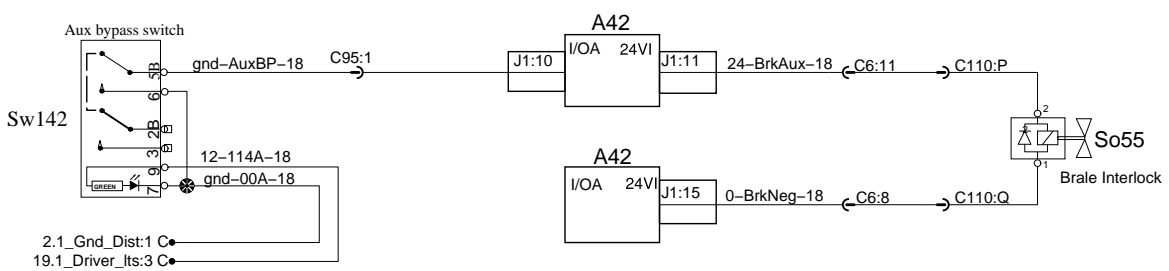
C

D

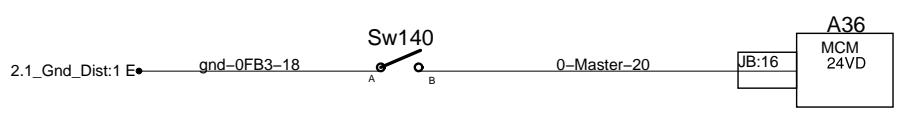
E



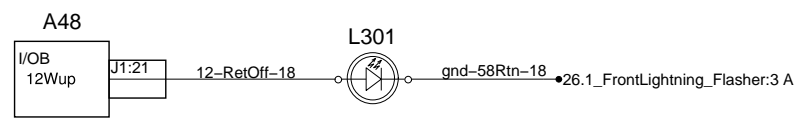
BRAKE INTERLOCK



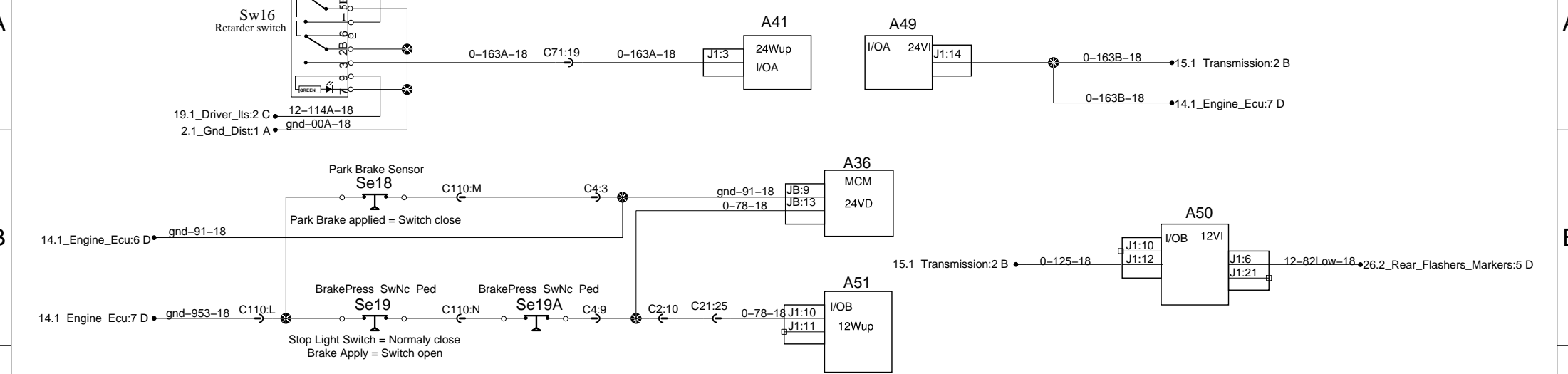
MASTER INTERLOCK BYPASS



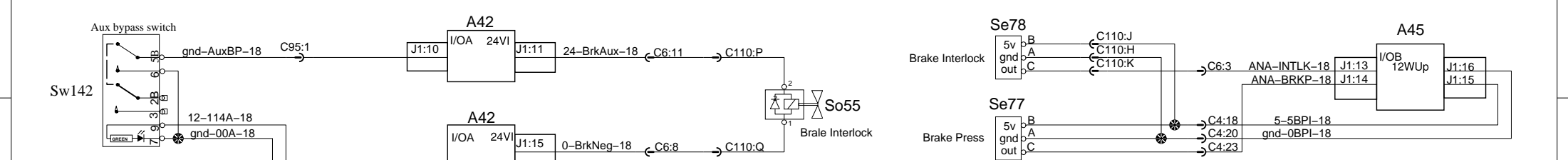
RETARDER OFF LIGHT



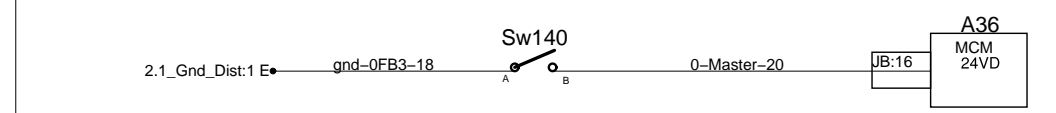
Brake, Brake Interlock and Retarder



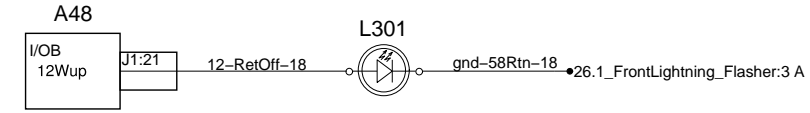
Brake Interlock



Master Interlock Bypass

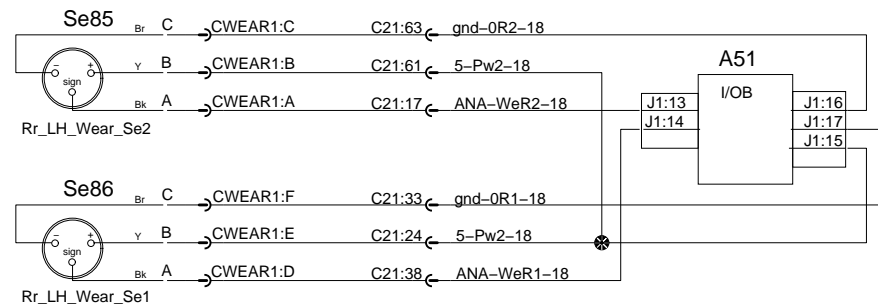
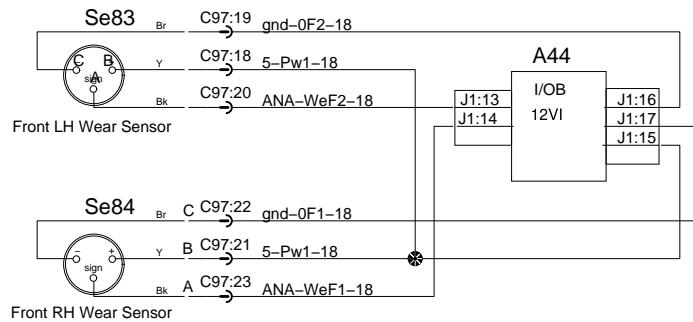
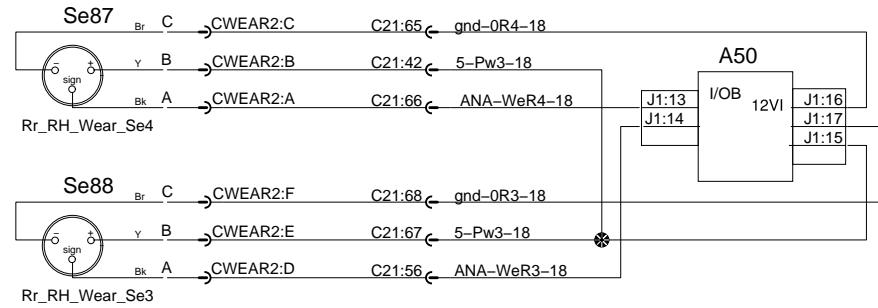
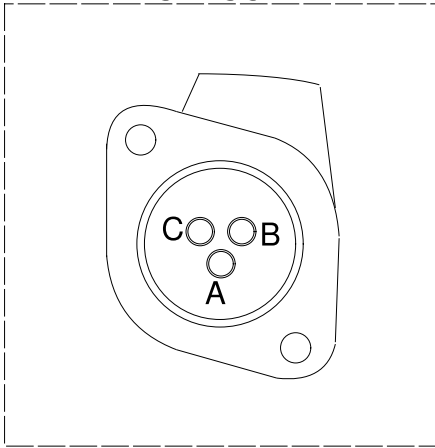


Retarder Off Light

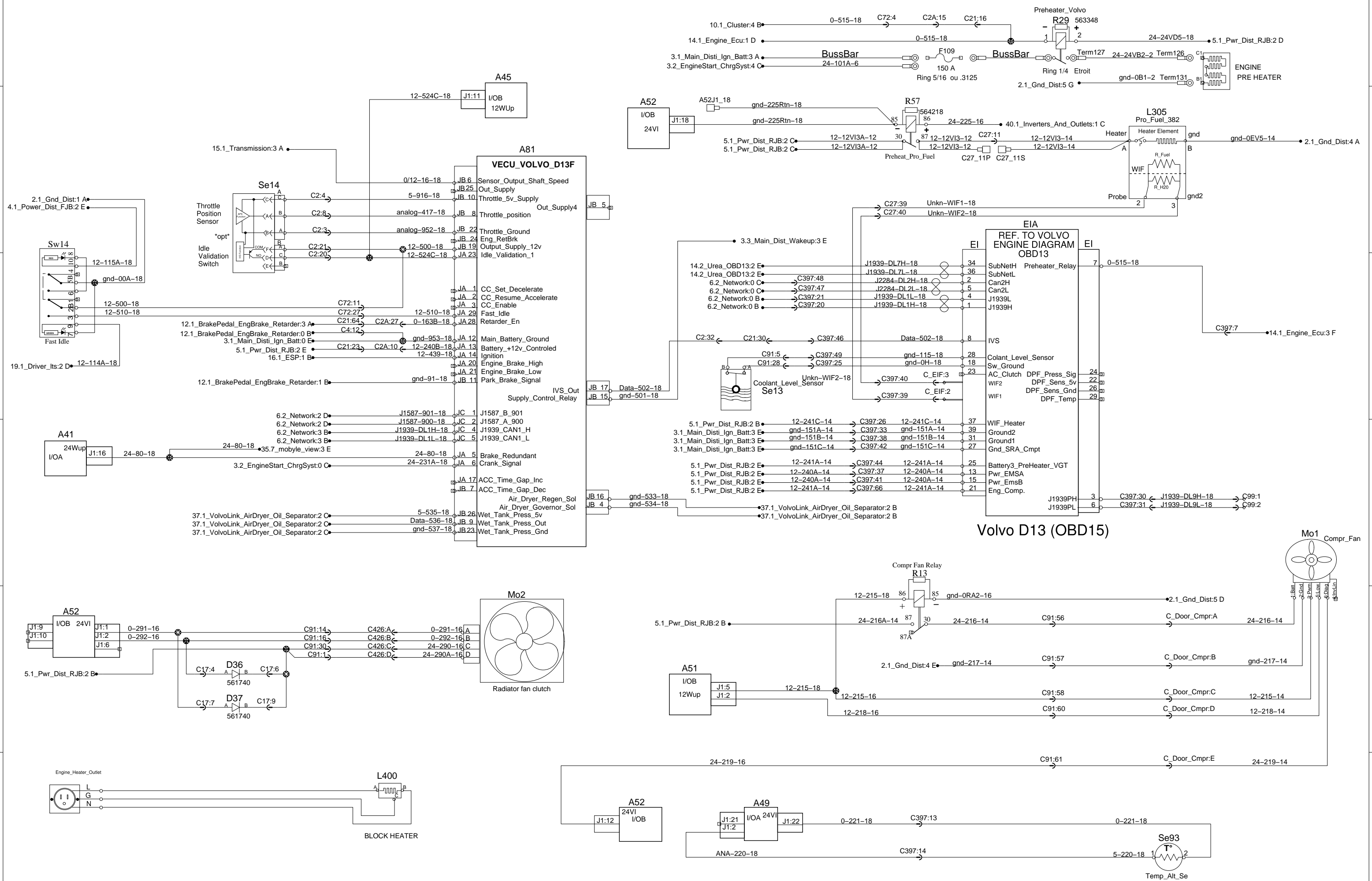


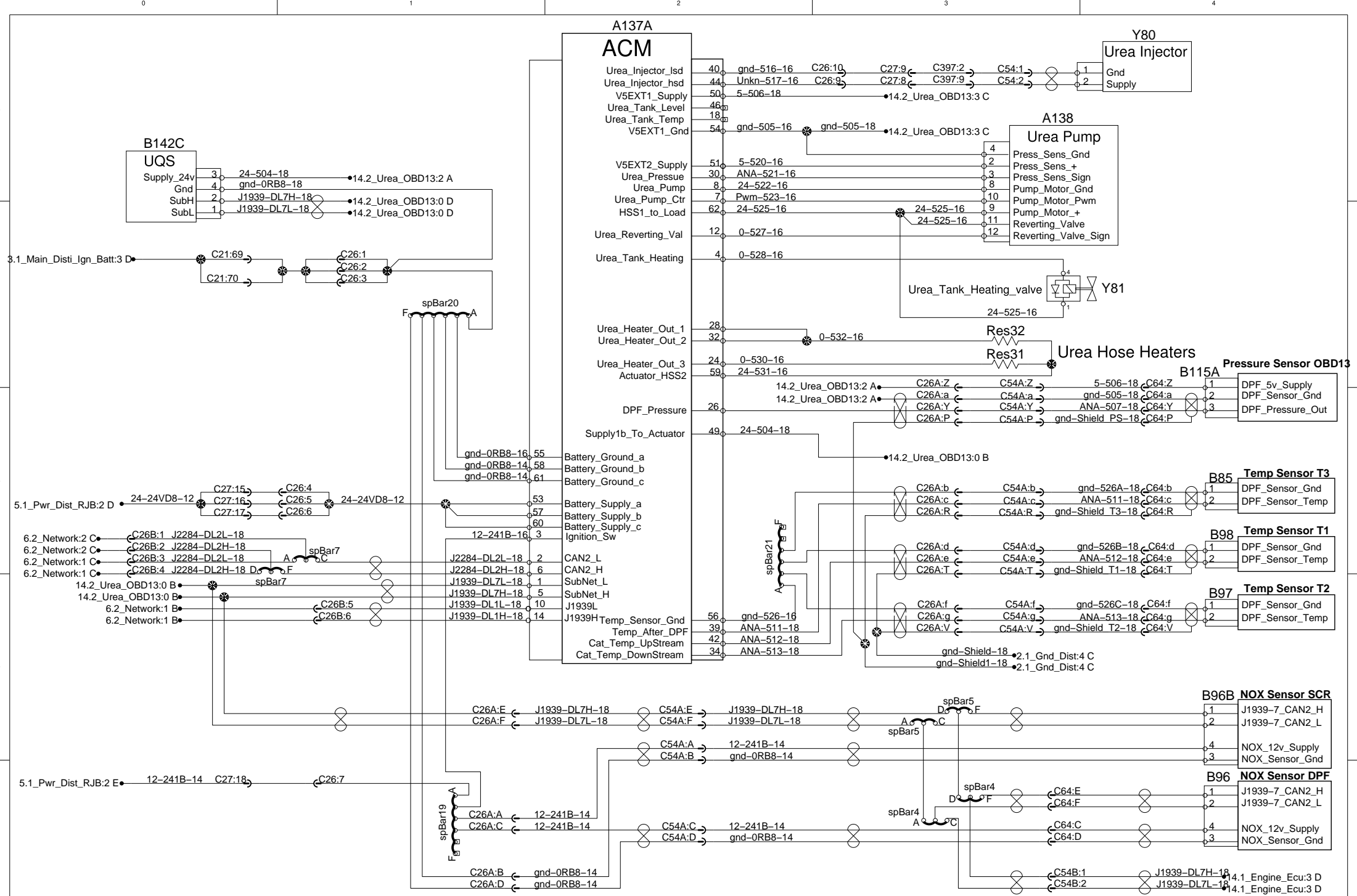
Brake Wear Sensors

WEAR SENSOR DETAIL

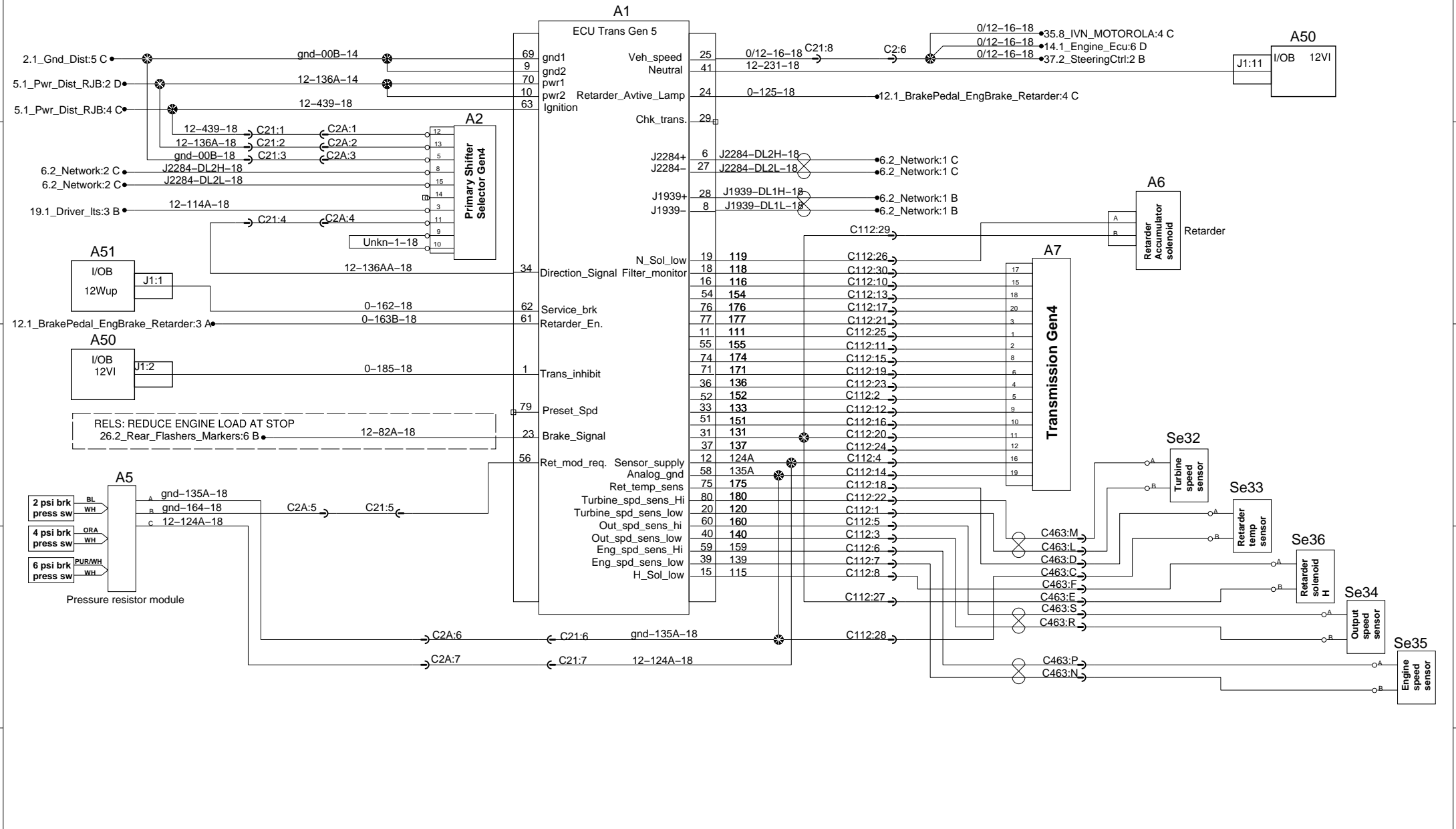


Engine ECU Volvo

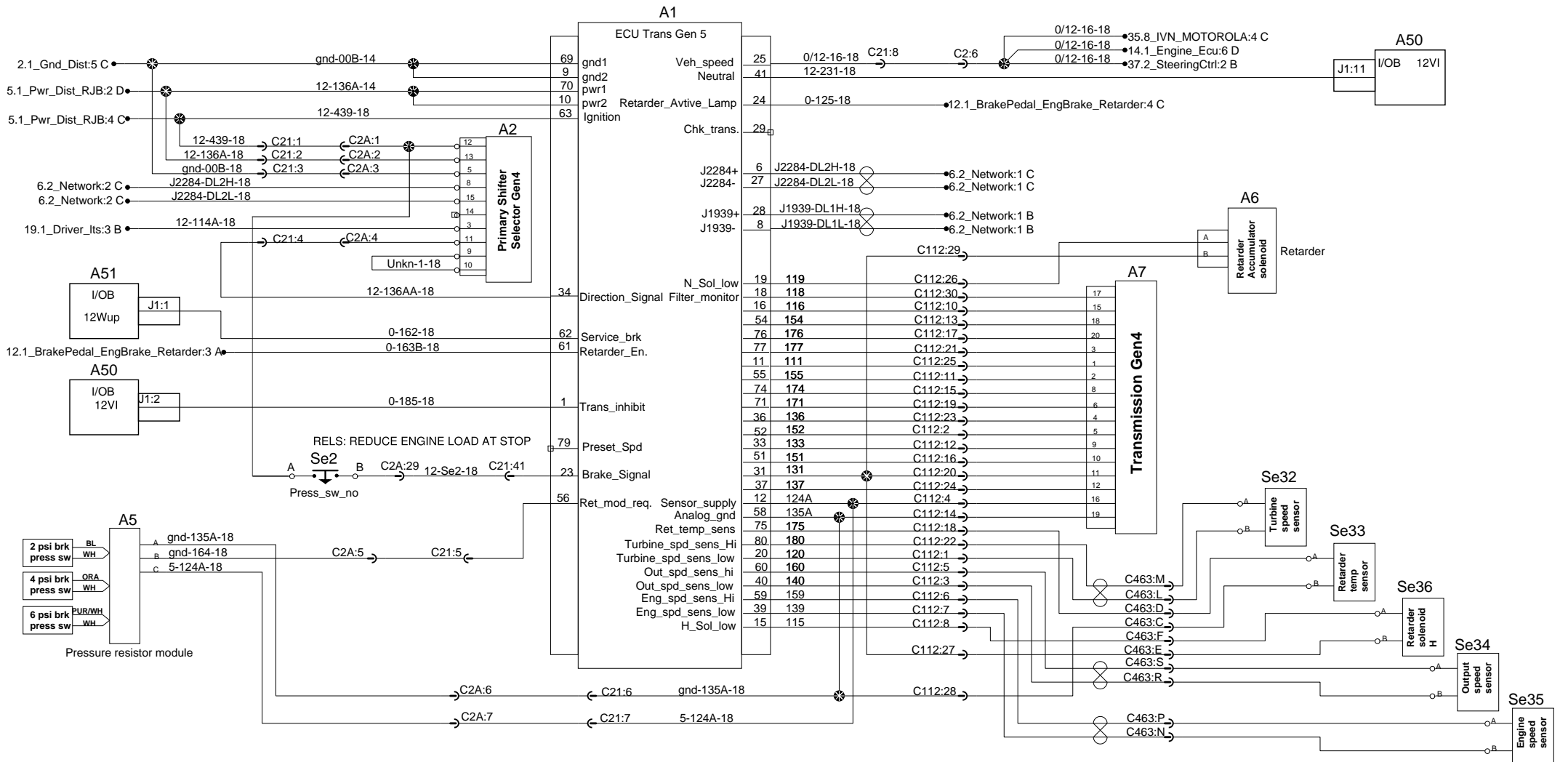




Transmission Alisson Gen 5

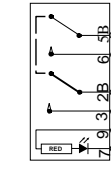


Transmission Alisson Gen 5

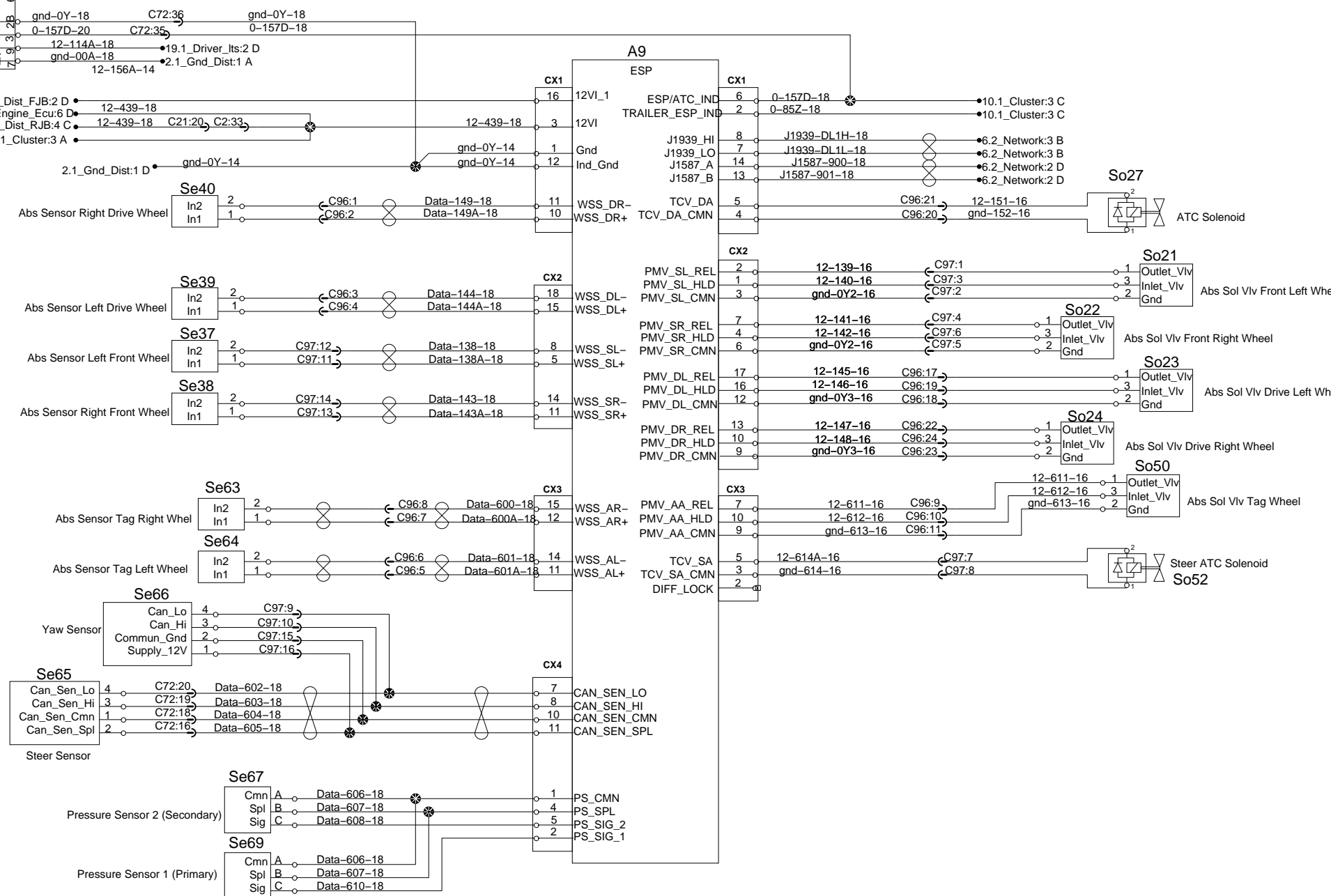


ESP

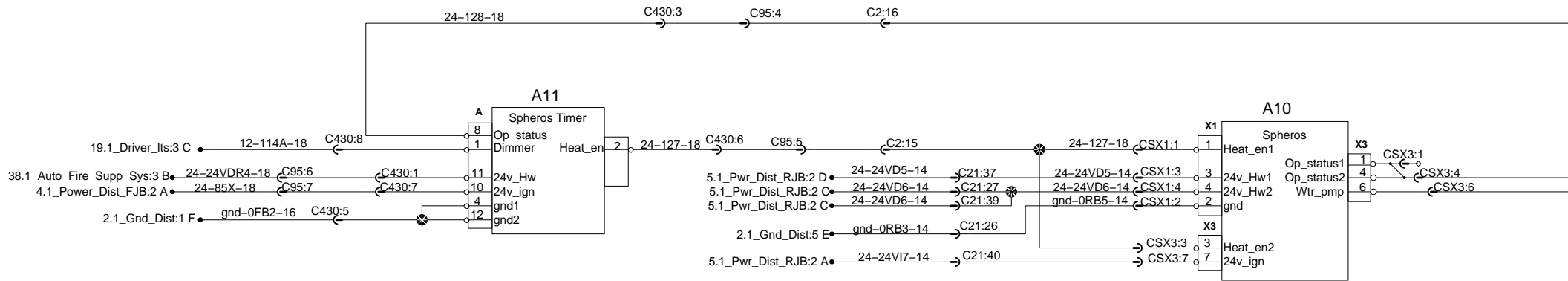
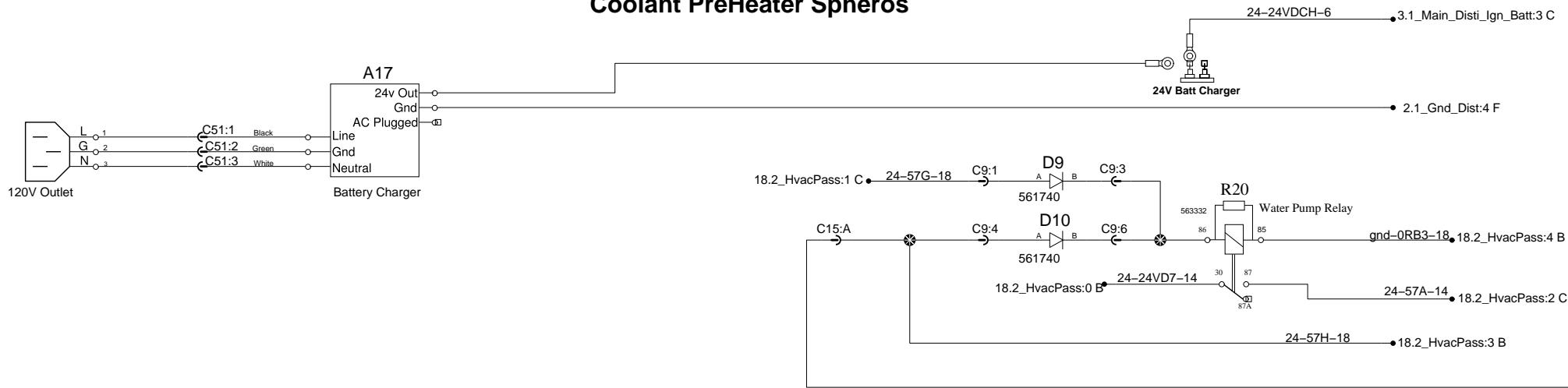
Sw137
Snow_Mud



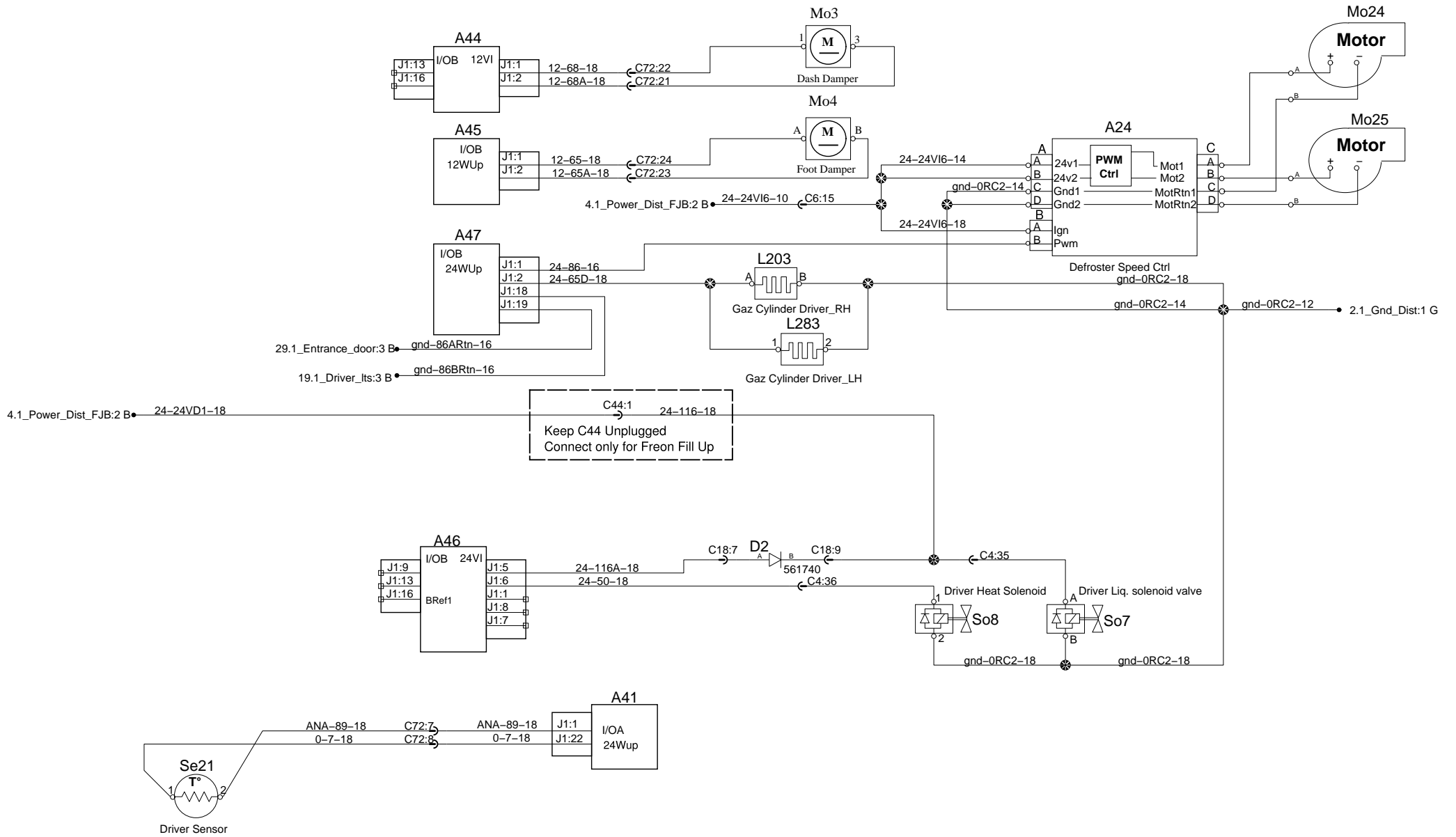
- 4.1_Power_Dist_FJB:2 D
- 14.1_Engine_Ecu:6 D
- 5.1_Pwr_Dist_RJB:4 C
- 10.1_Cluster:3 A



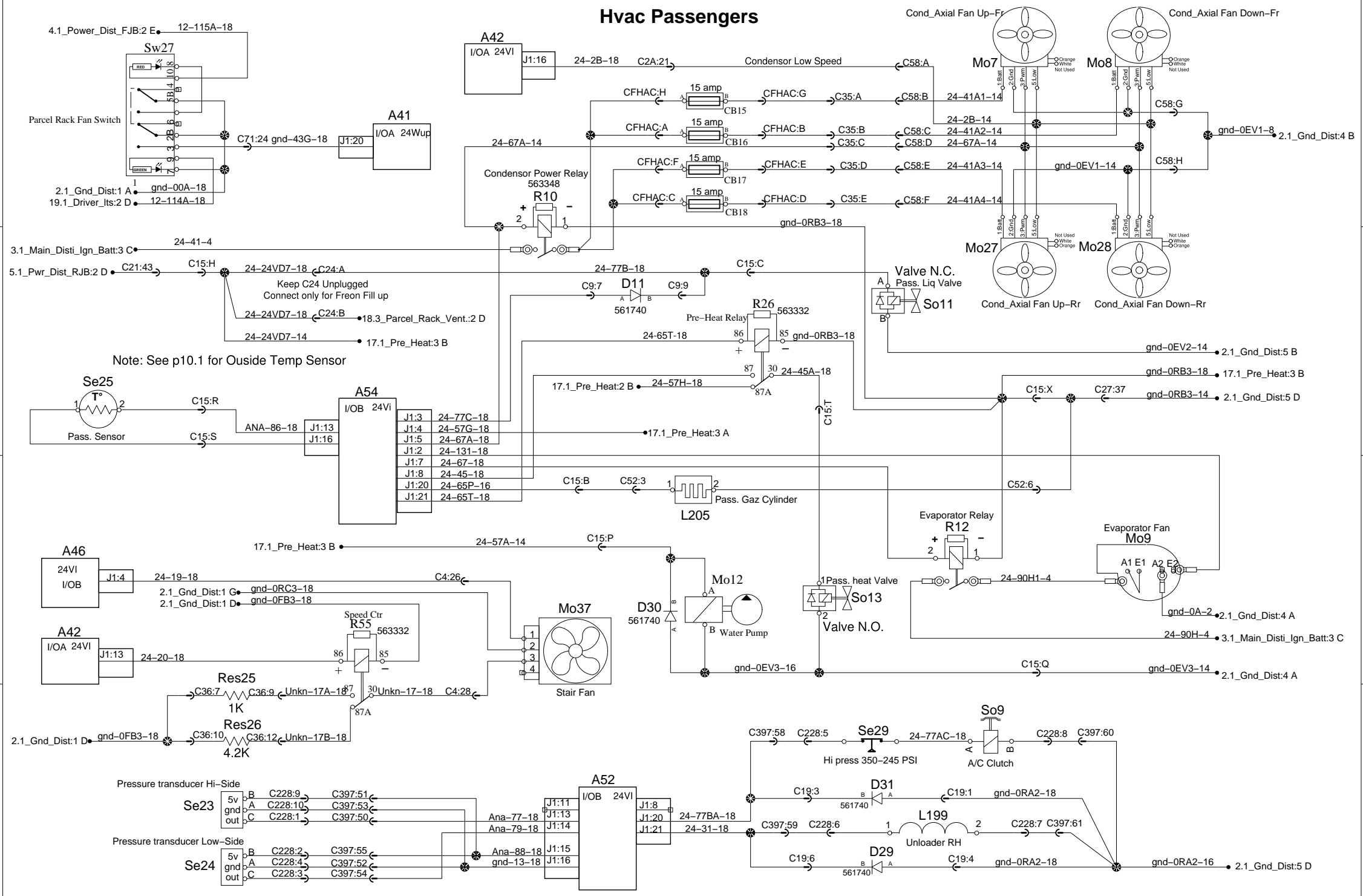
Coolant PreHeater Spheros



Hvac_Defroster



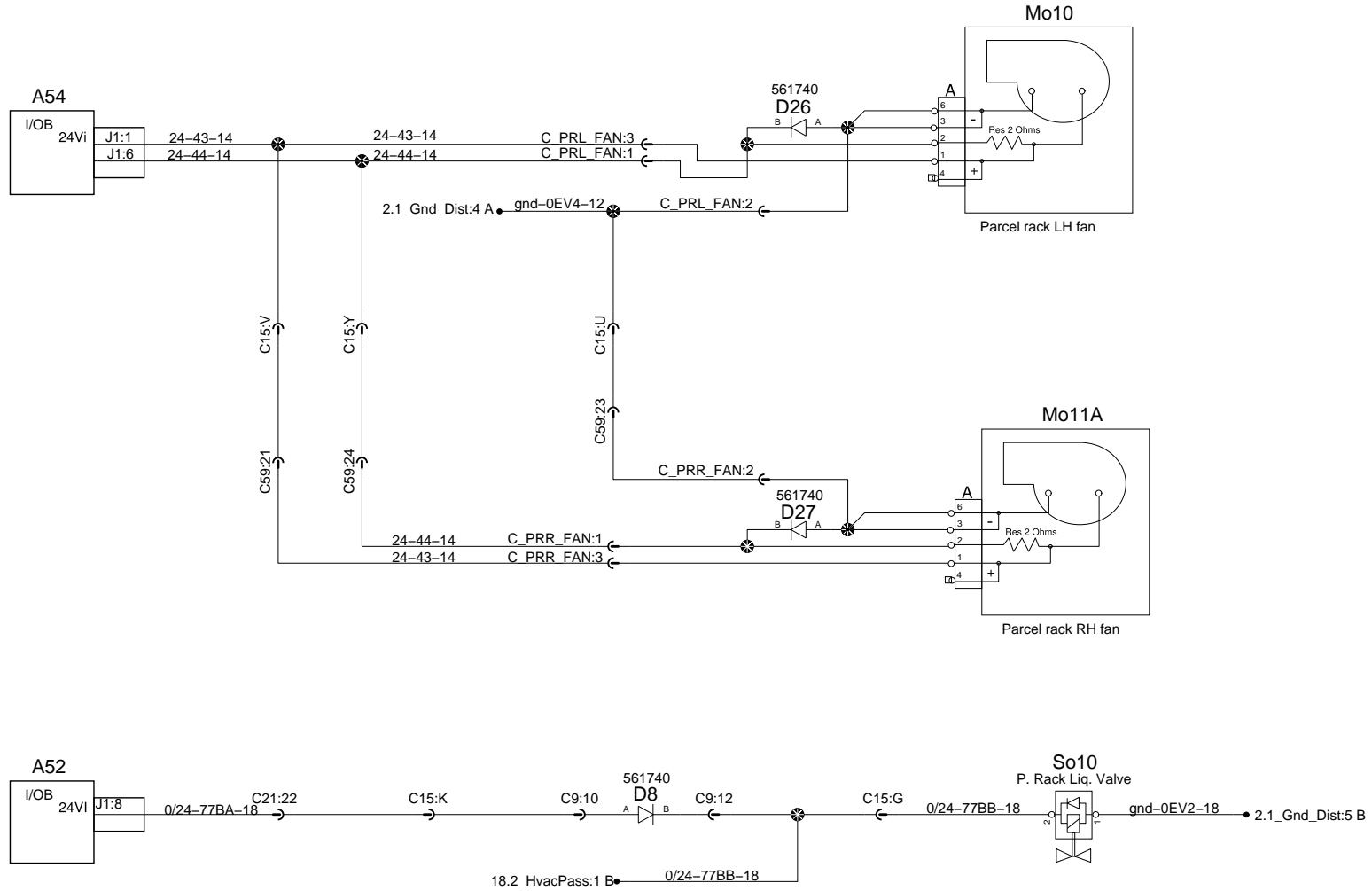
Hvac Passengers



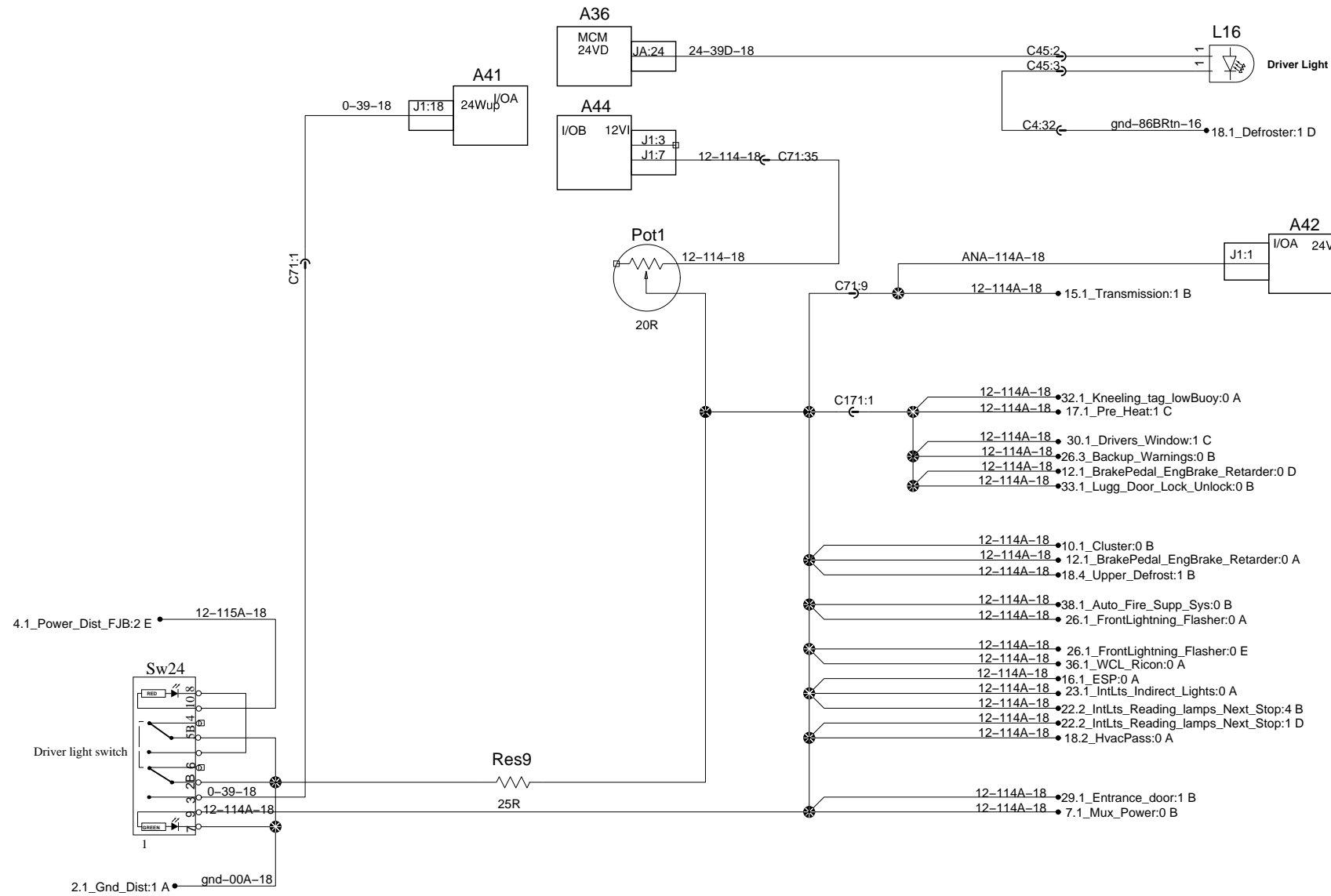
Note: See p10.1 for Outside Temp Sensor

Keep C24 Unplugged
Connect only for Freon Fill up

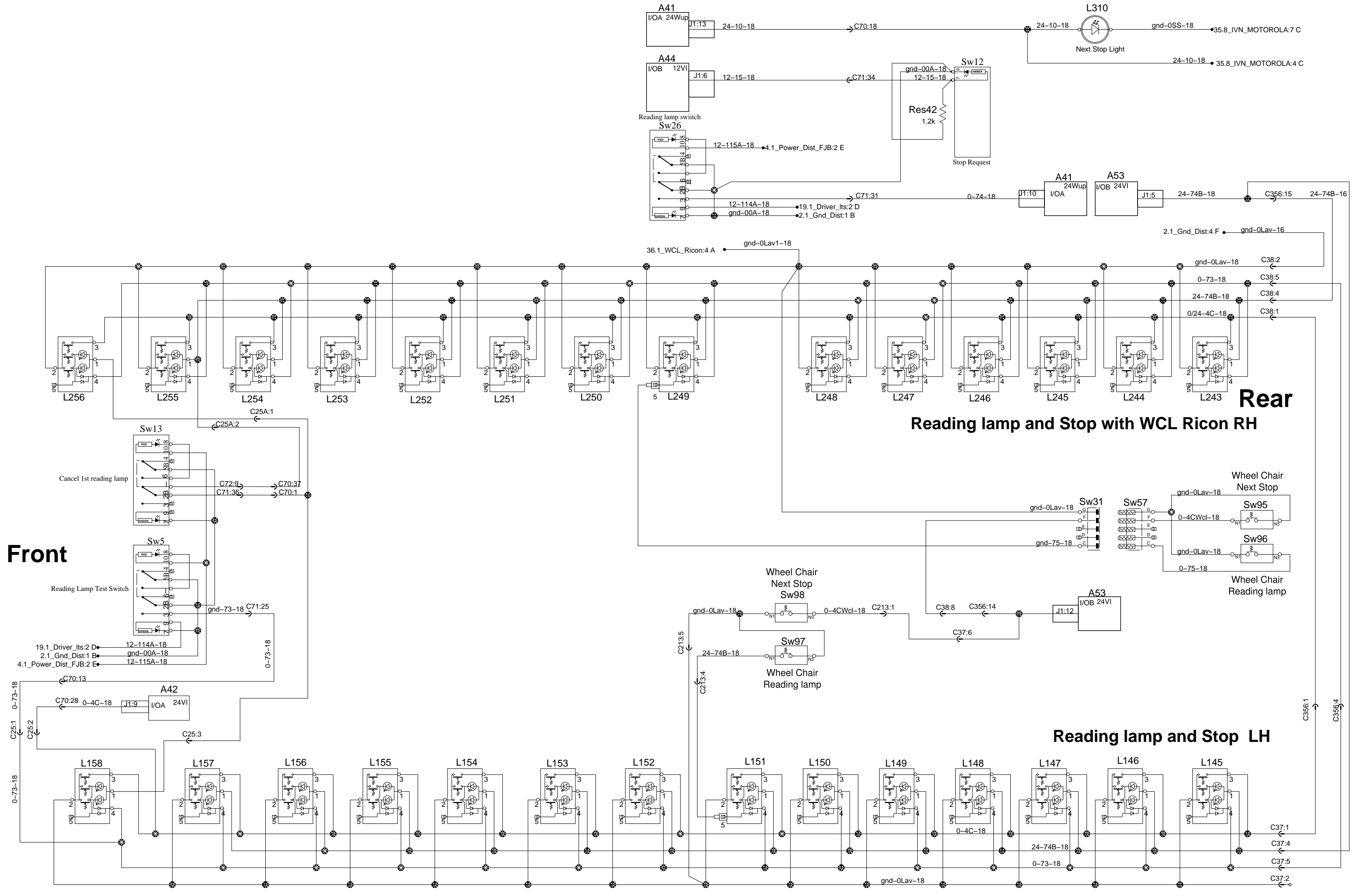
Parcel Rack Ventilation System



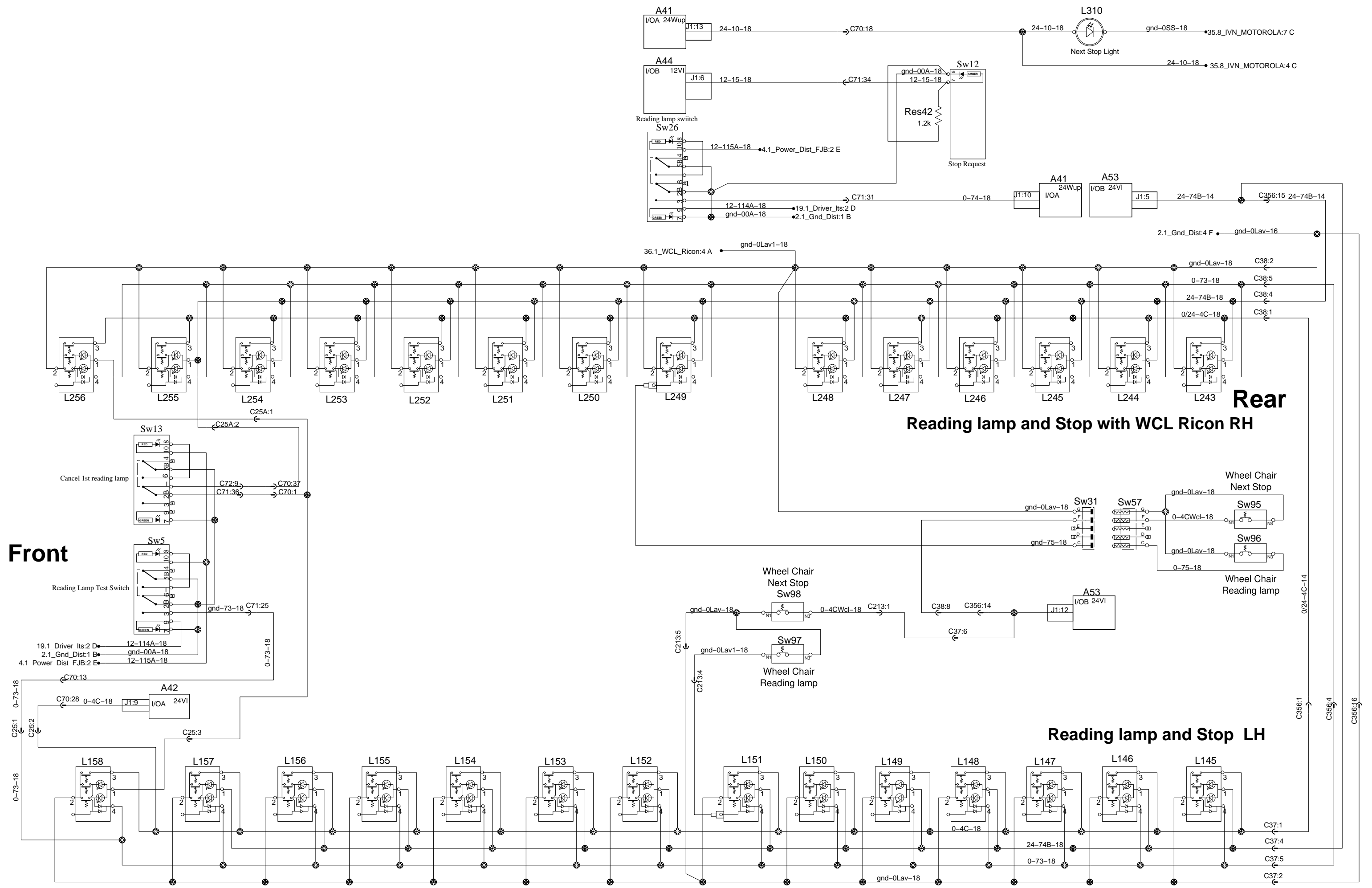
Driver lights



Reading lamp and Next Stop



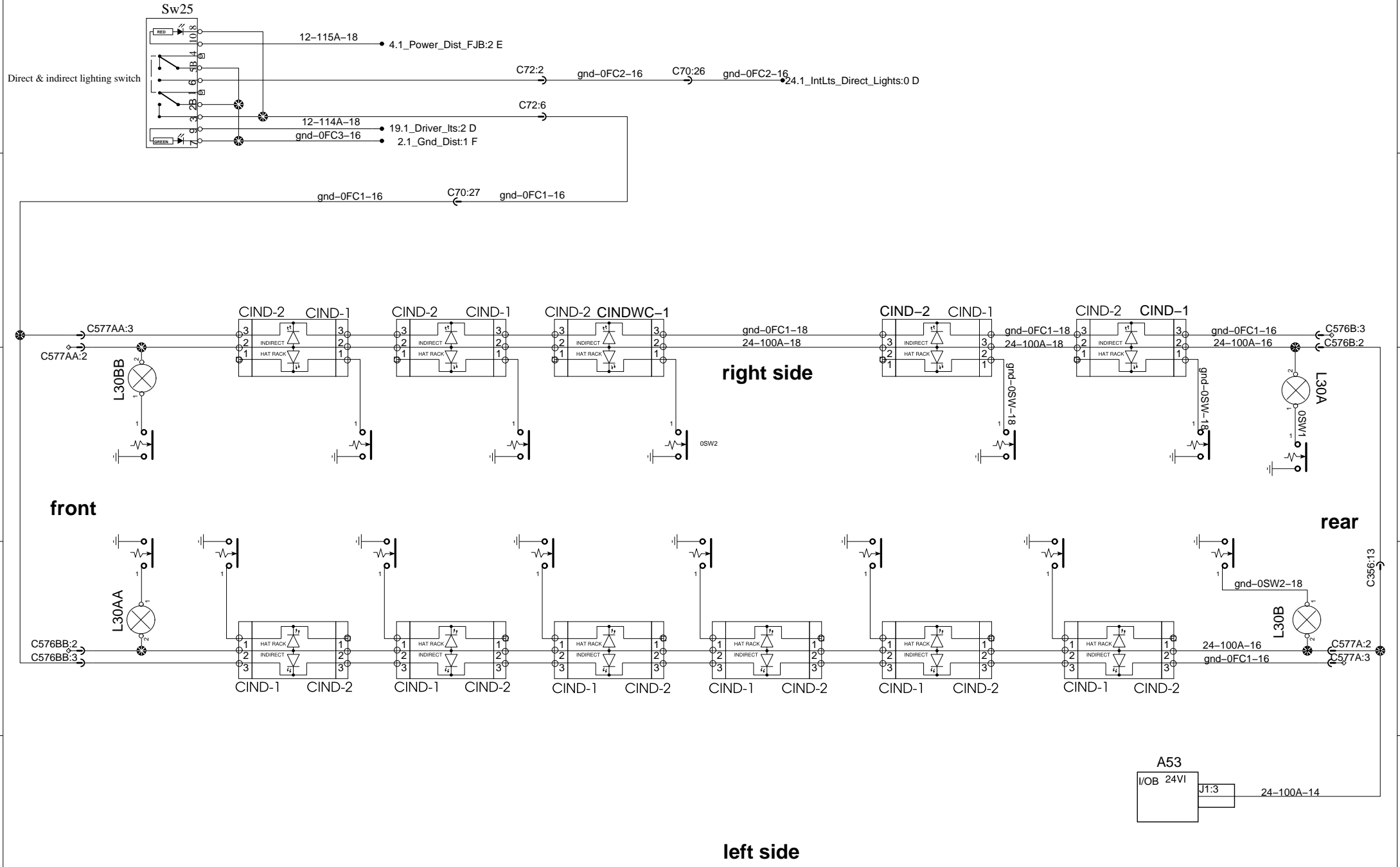
Reading lamp and Next Stop



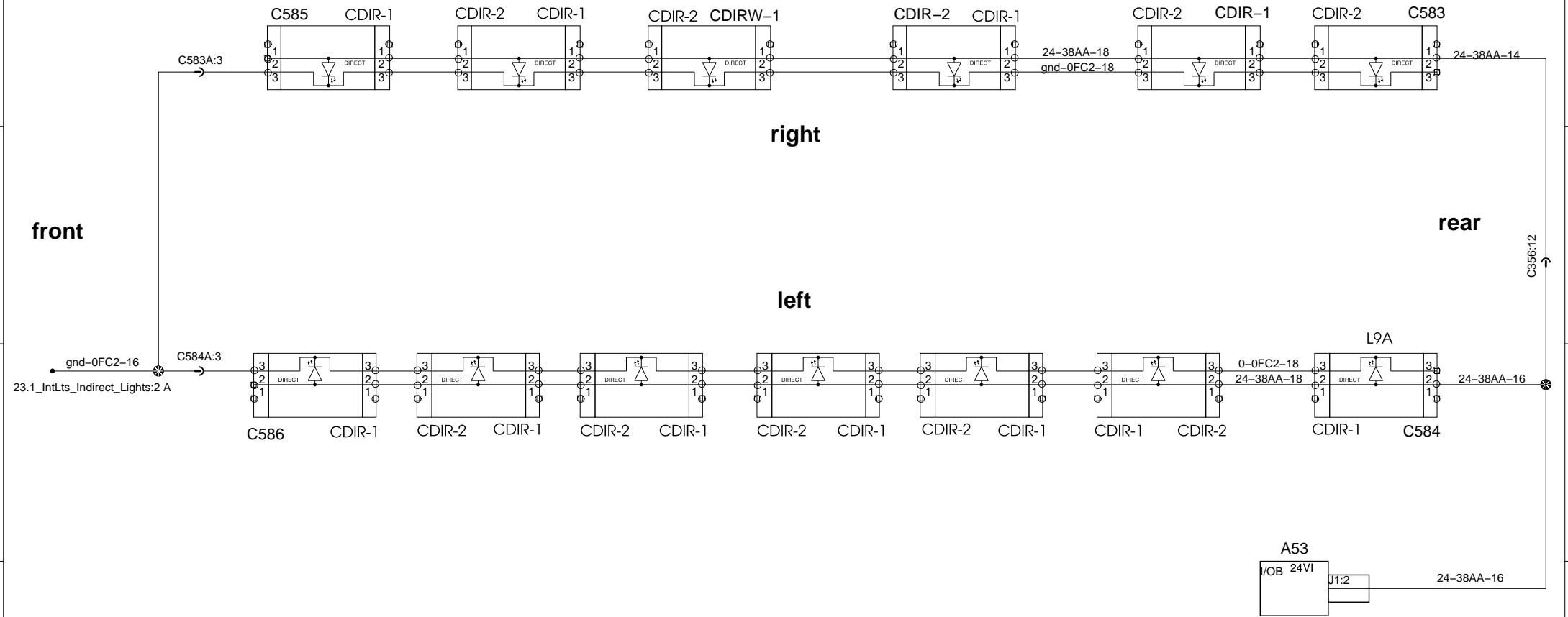
Front

Rear

Indirect and hat rack lighting

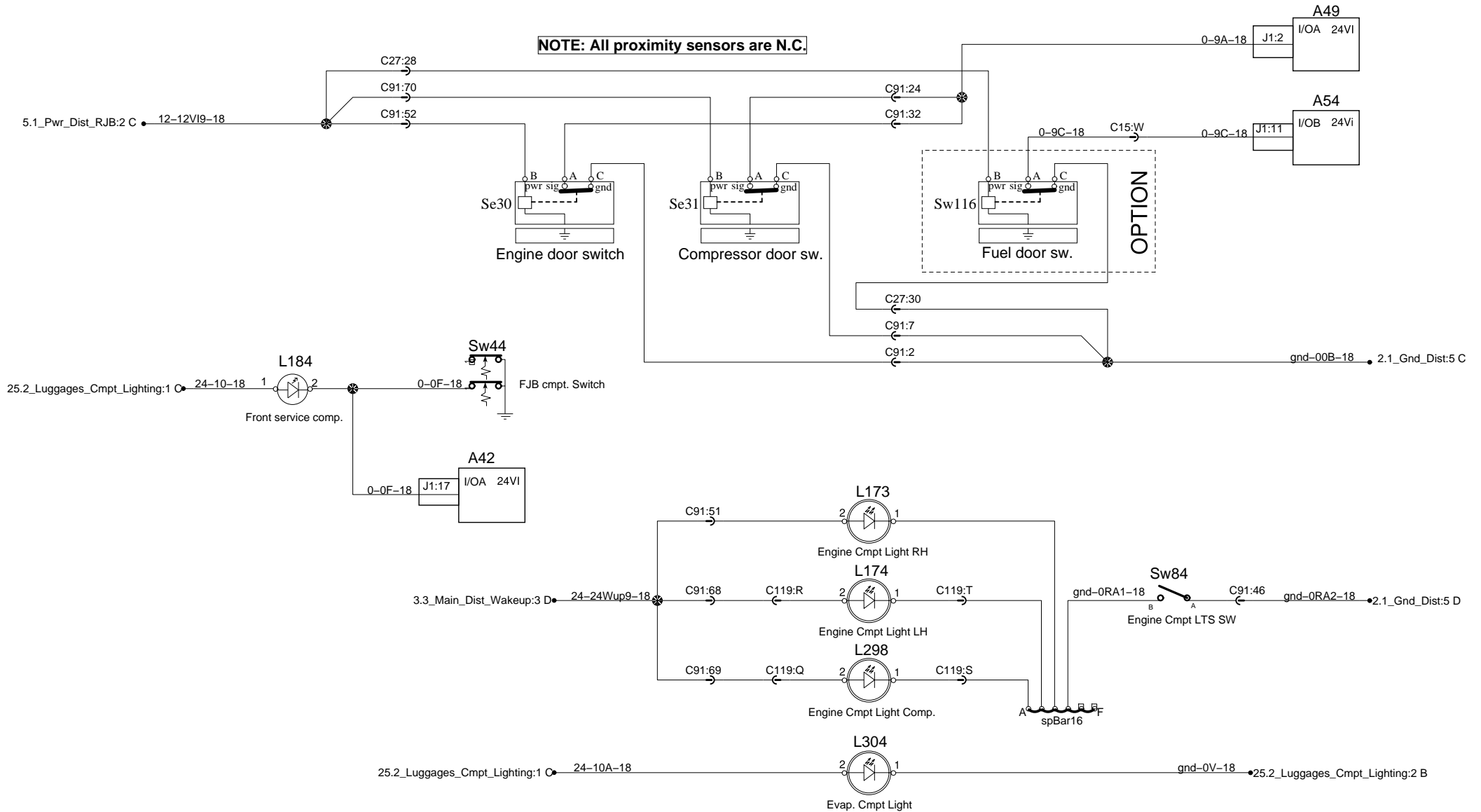


Direct lightning

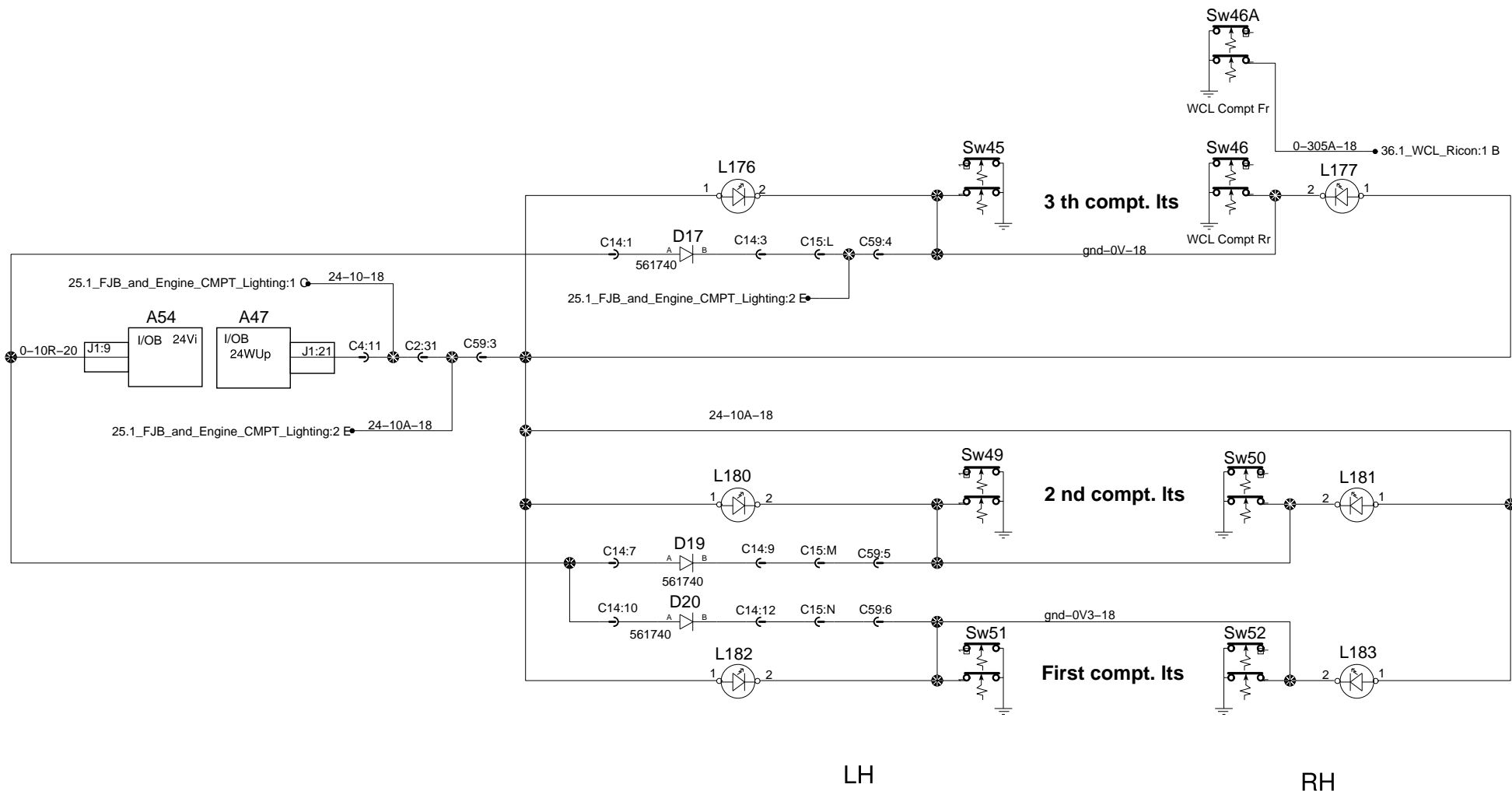


FJB AND ENGINE COMPT. LIGHTING

NOTE: All proximity sensors are N.C.



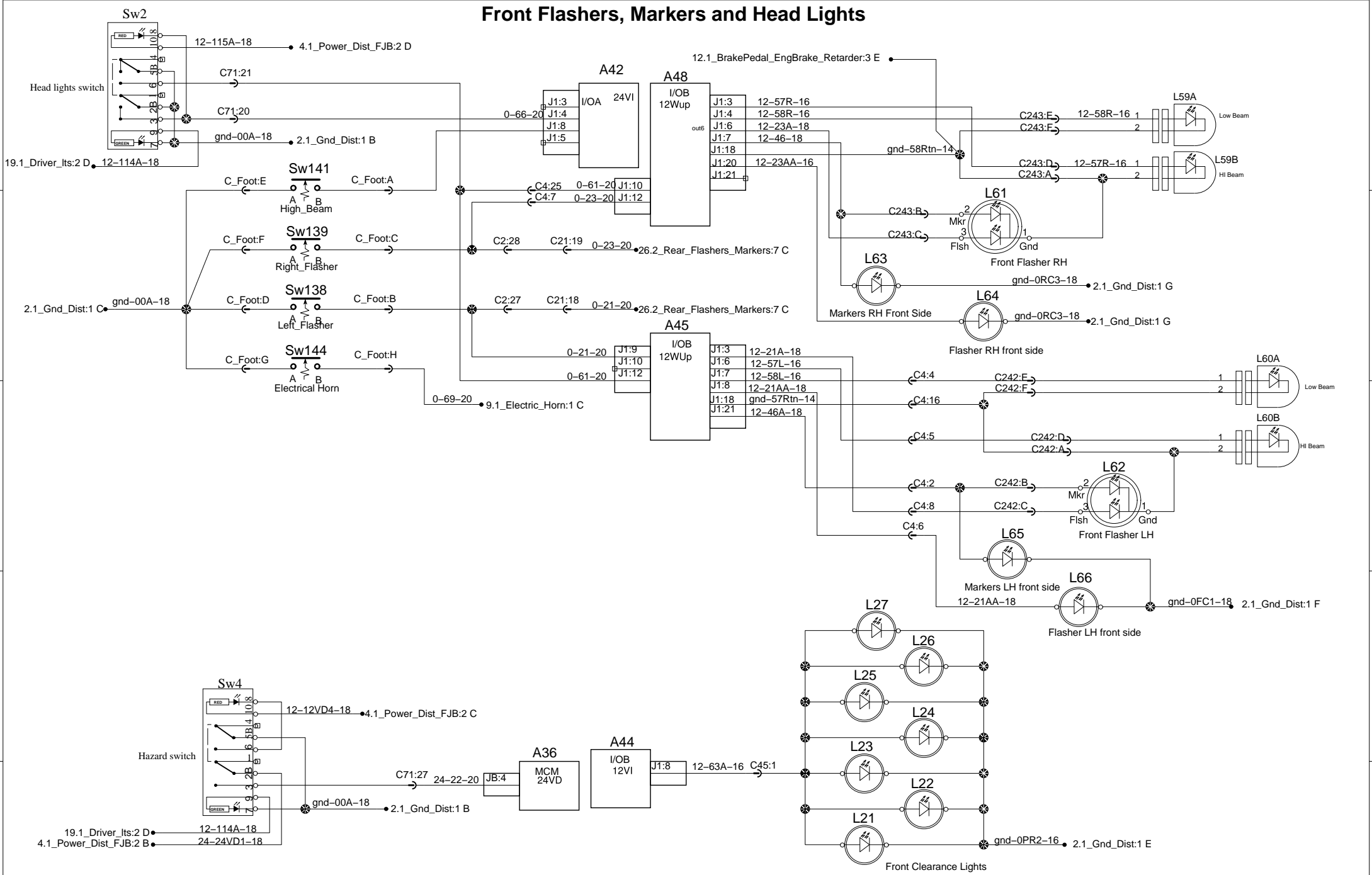
Luggages compartment lighting



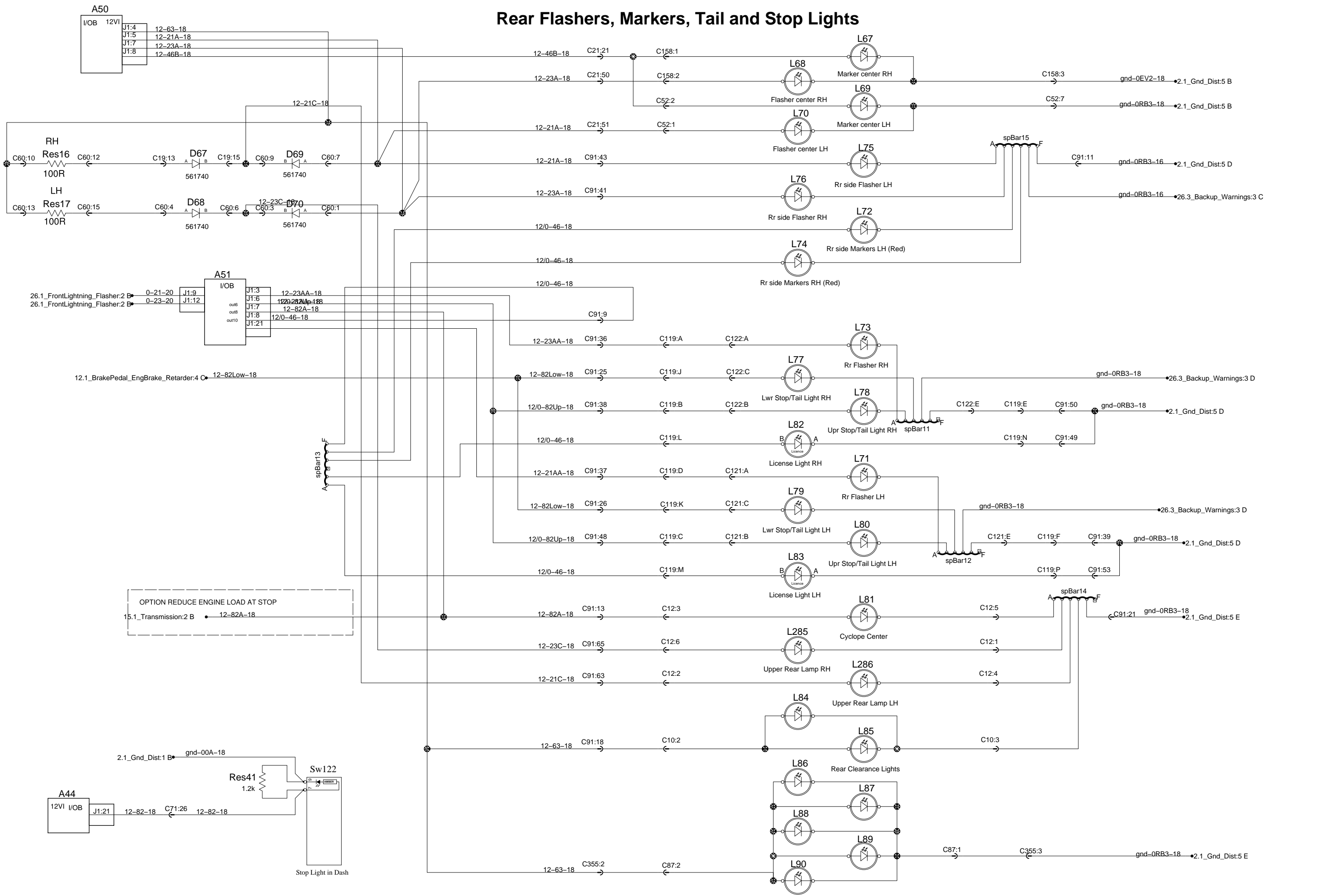
LH

RH

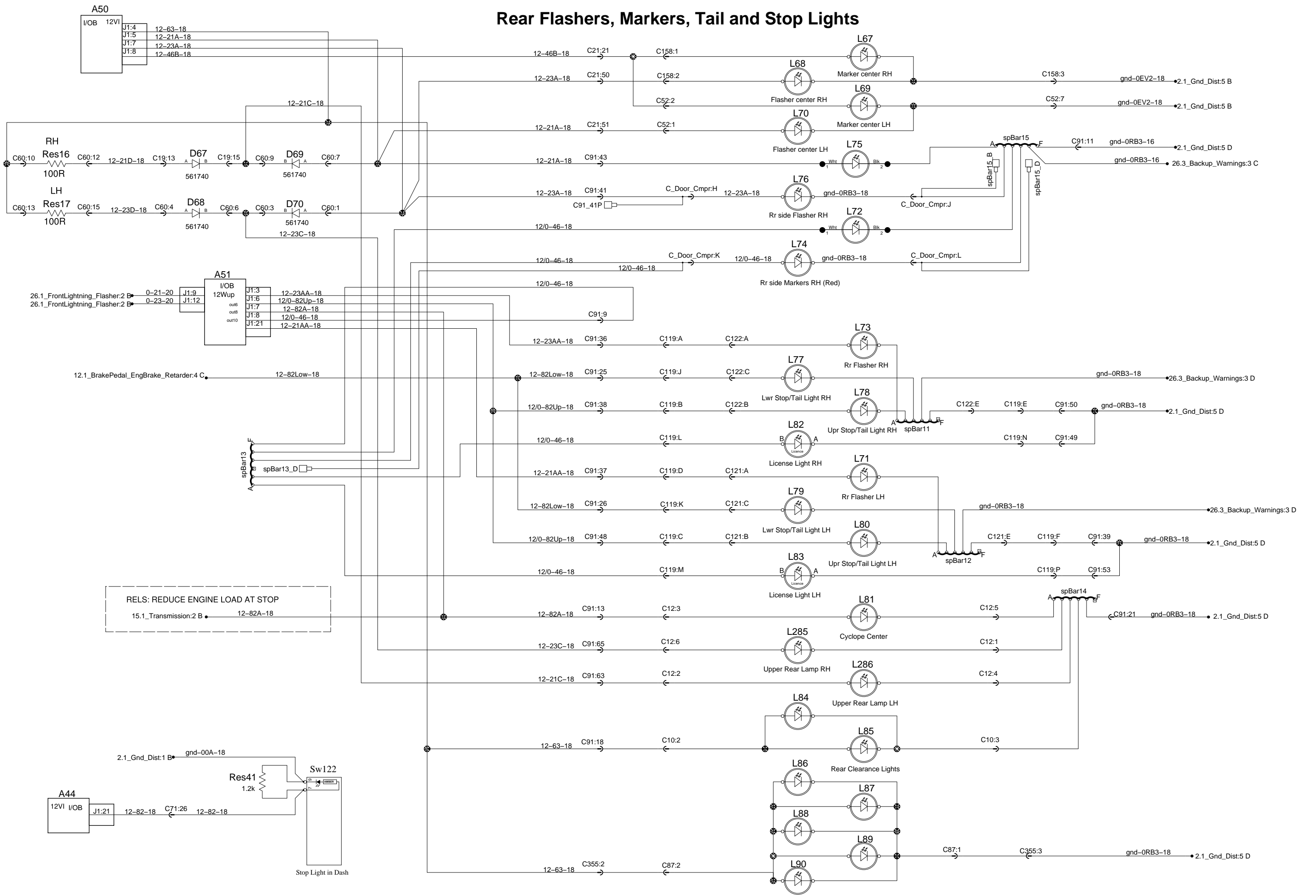
Front Flashers, Markers and Head Lights



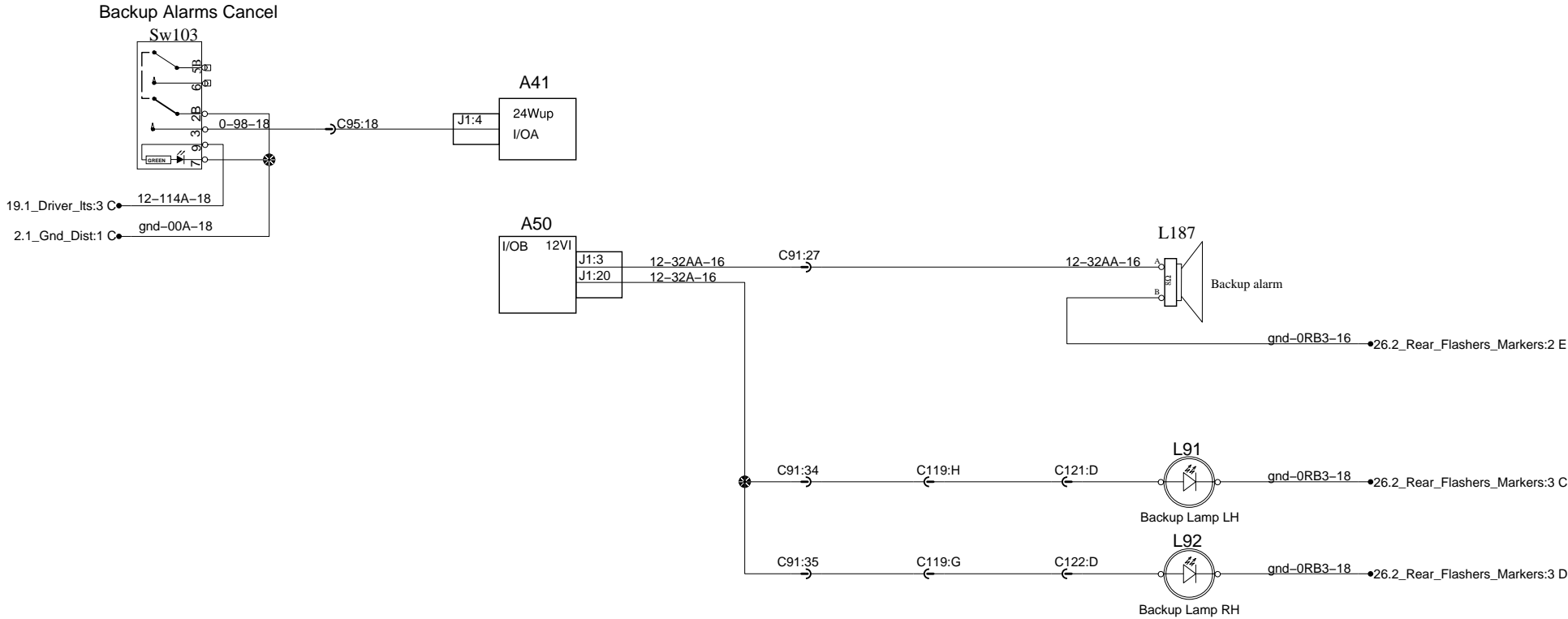
Rear Flashers, Markers, Tail and Stop Lights



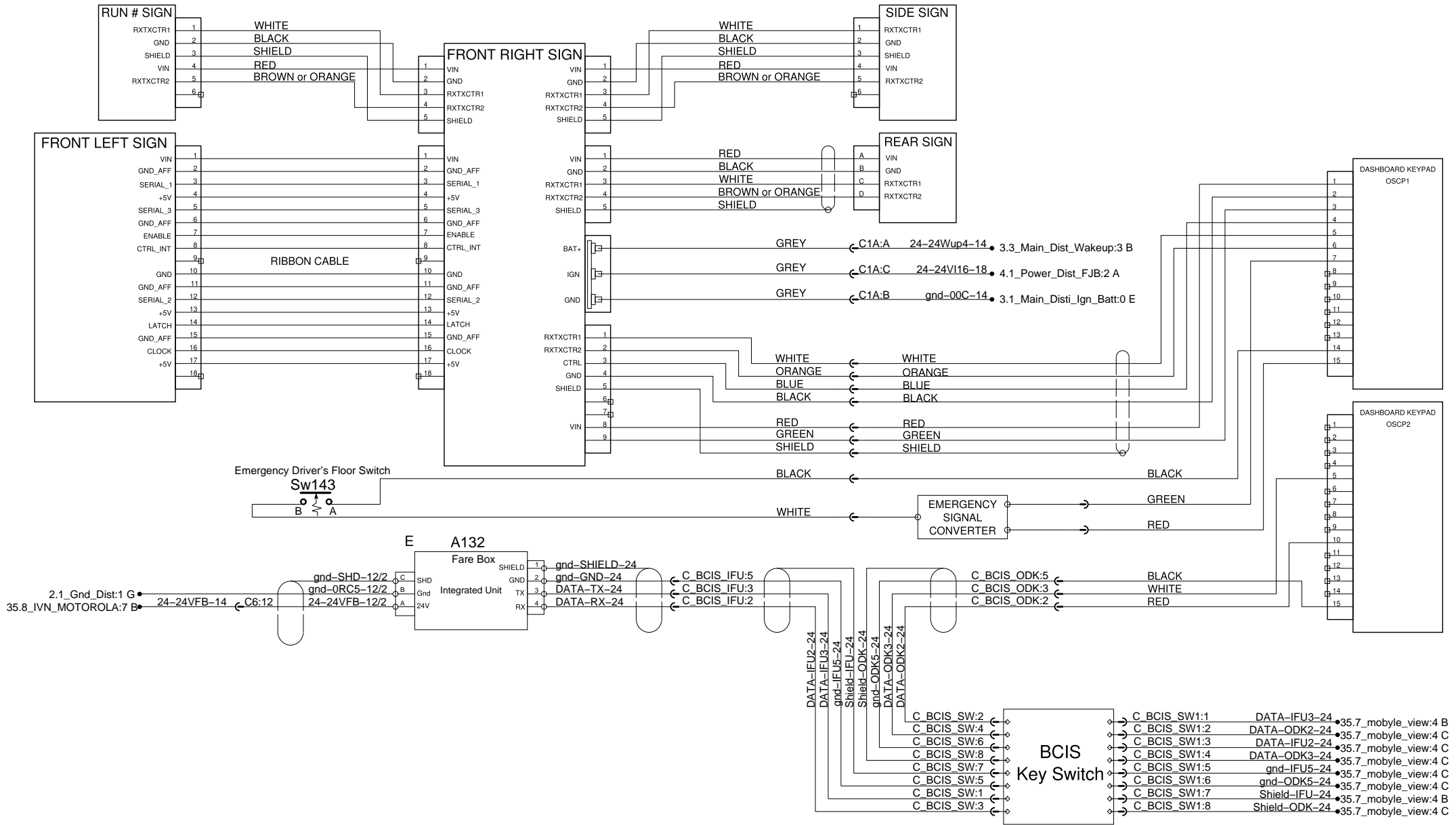
Rear Flashers, Markers, Tail and Stop Lights



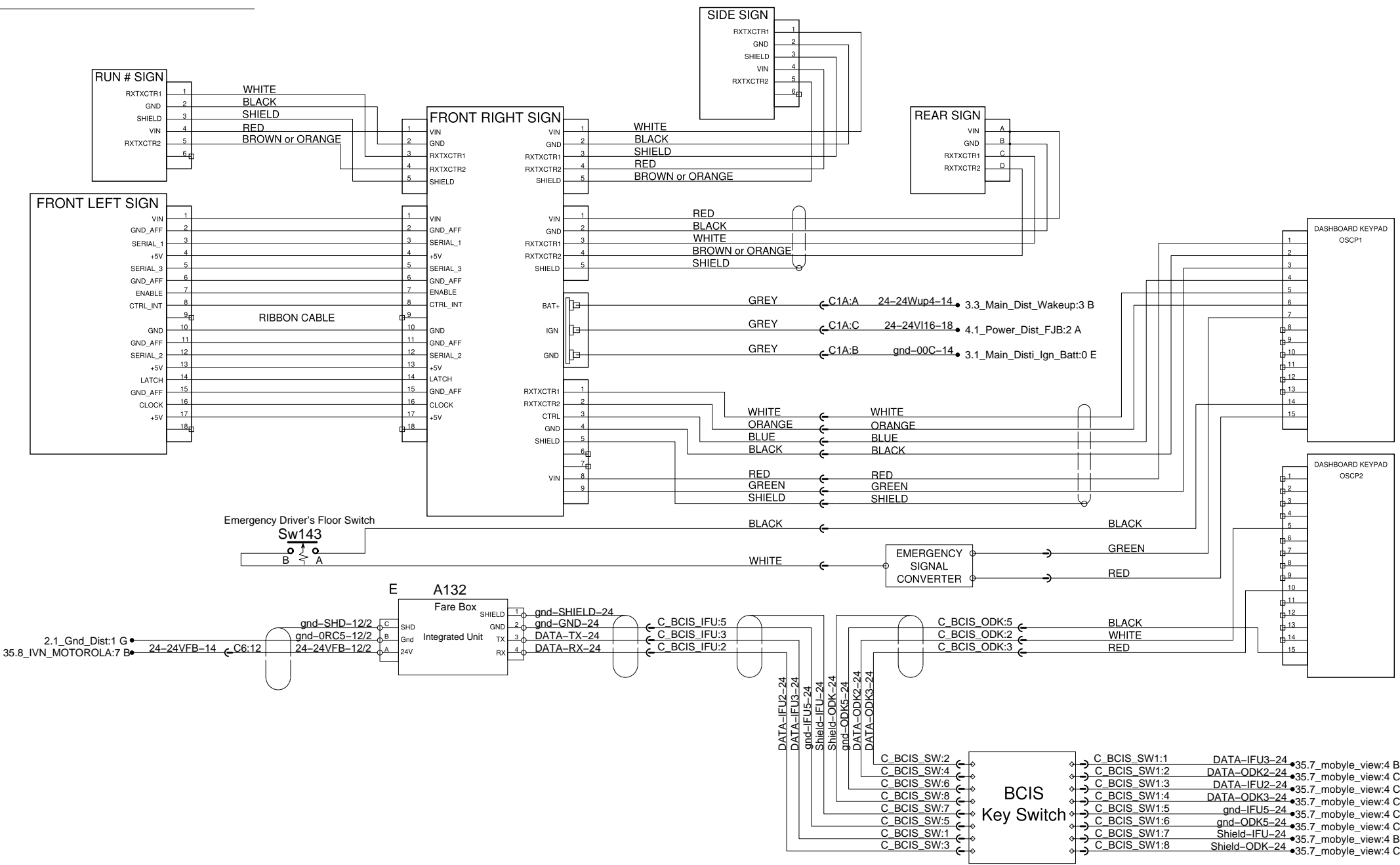
Backup warnings



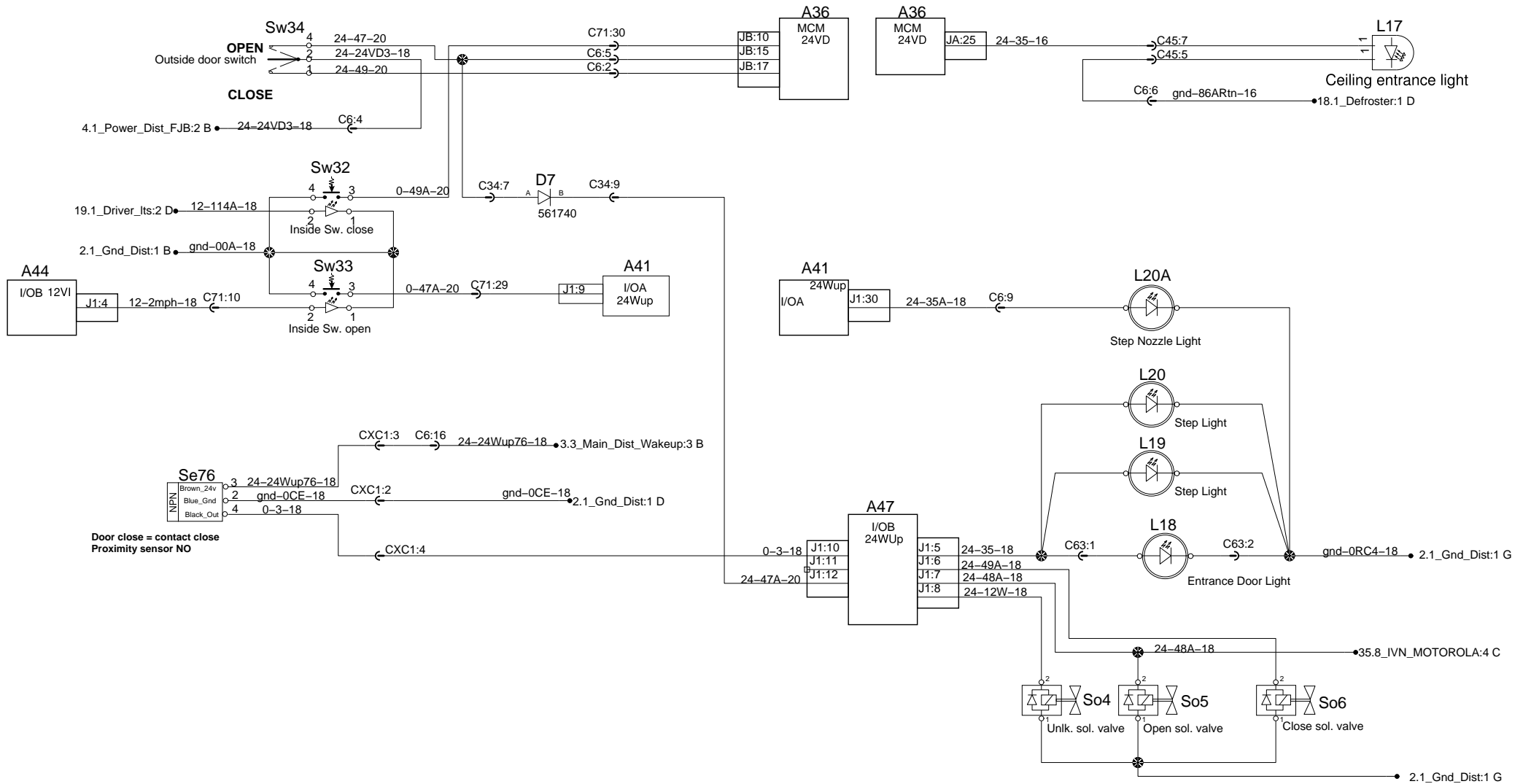
Destination Sign and Farebox



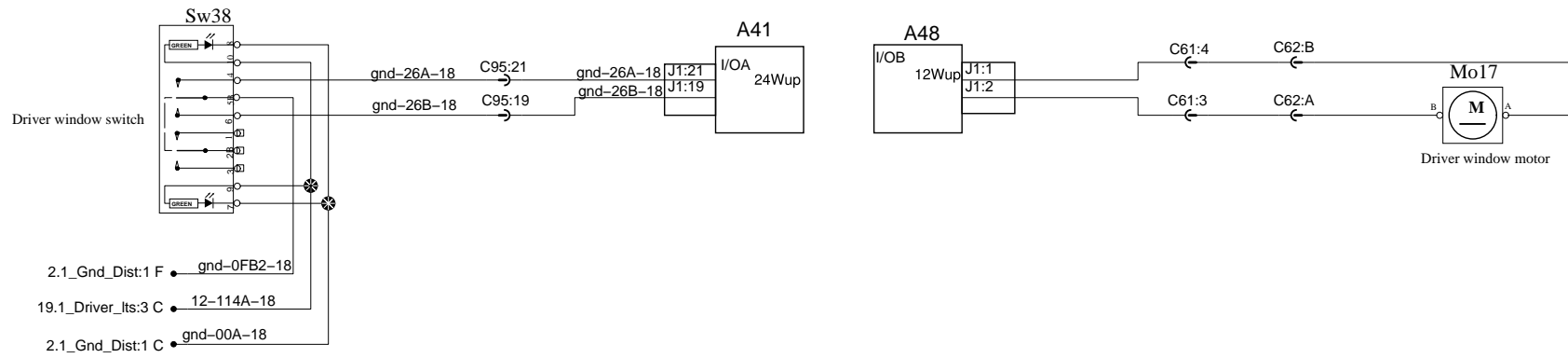
Destination Sign and Farebox



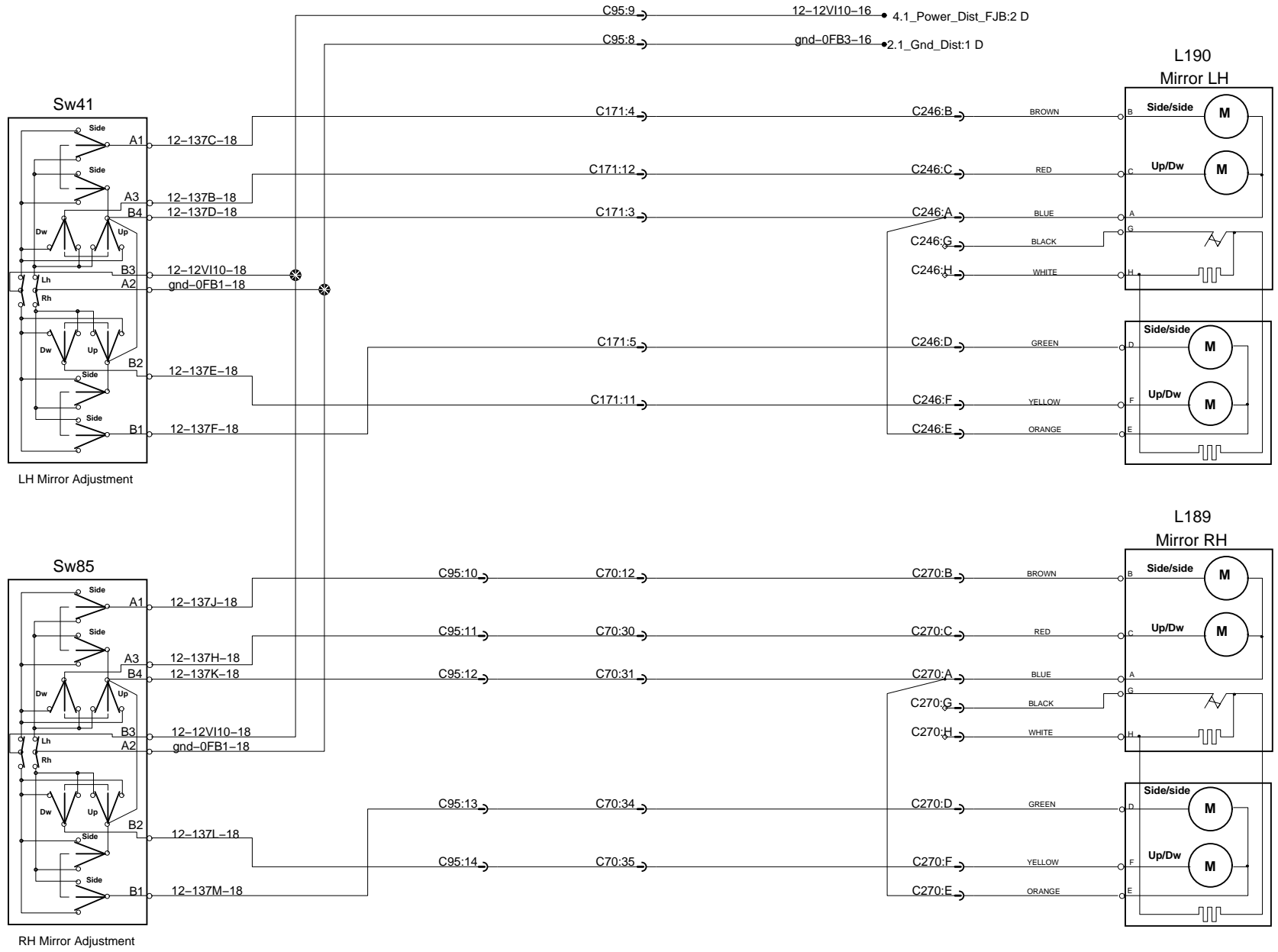
Entrance door



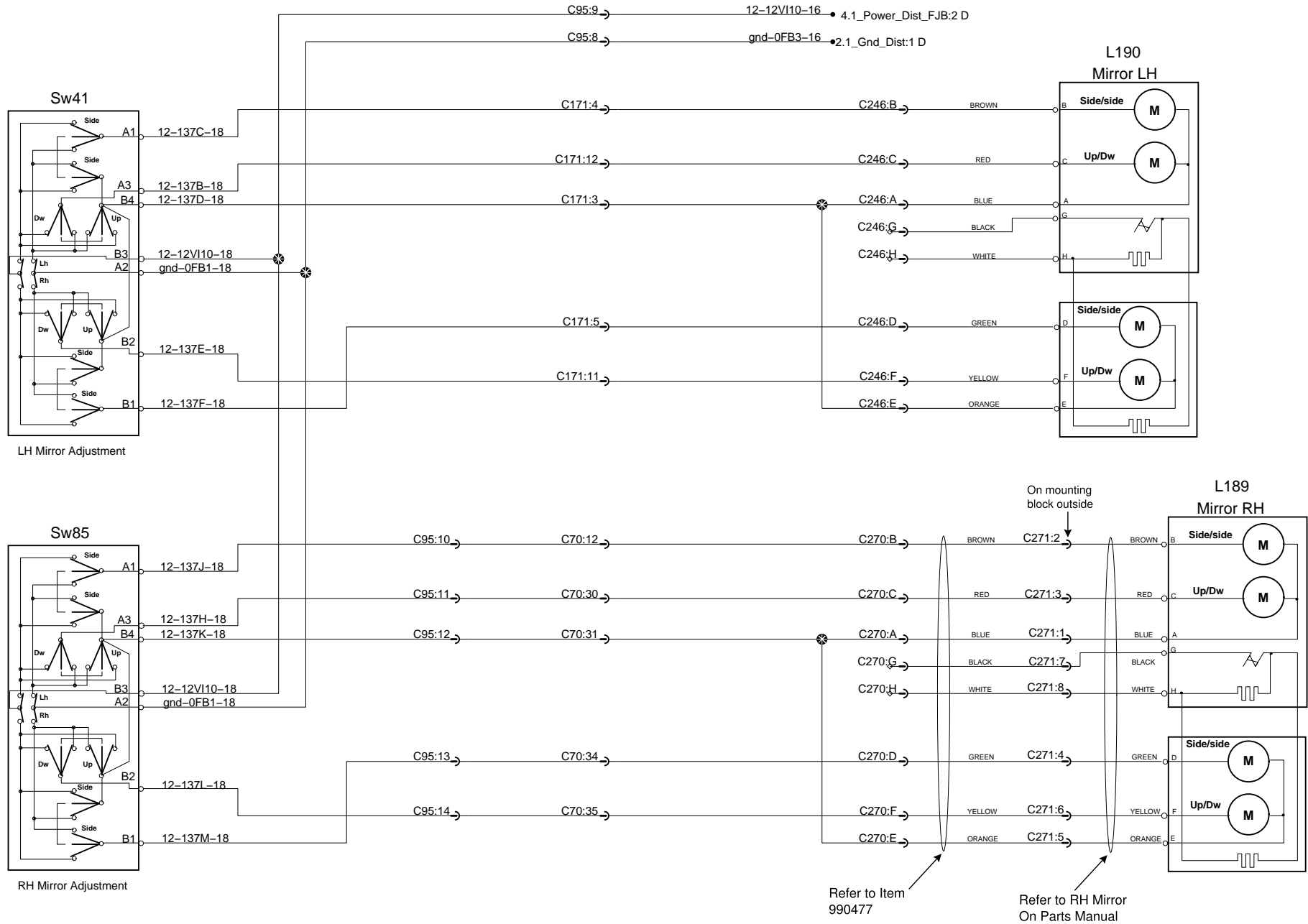
Driver Window



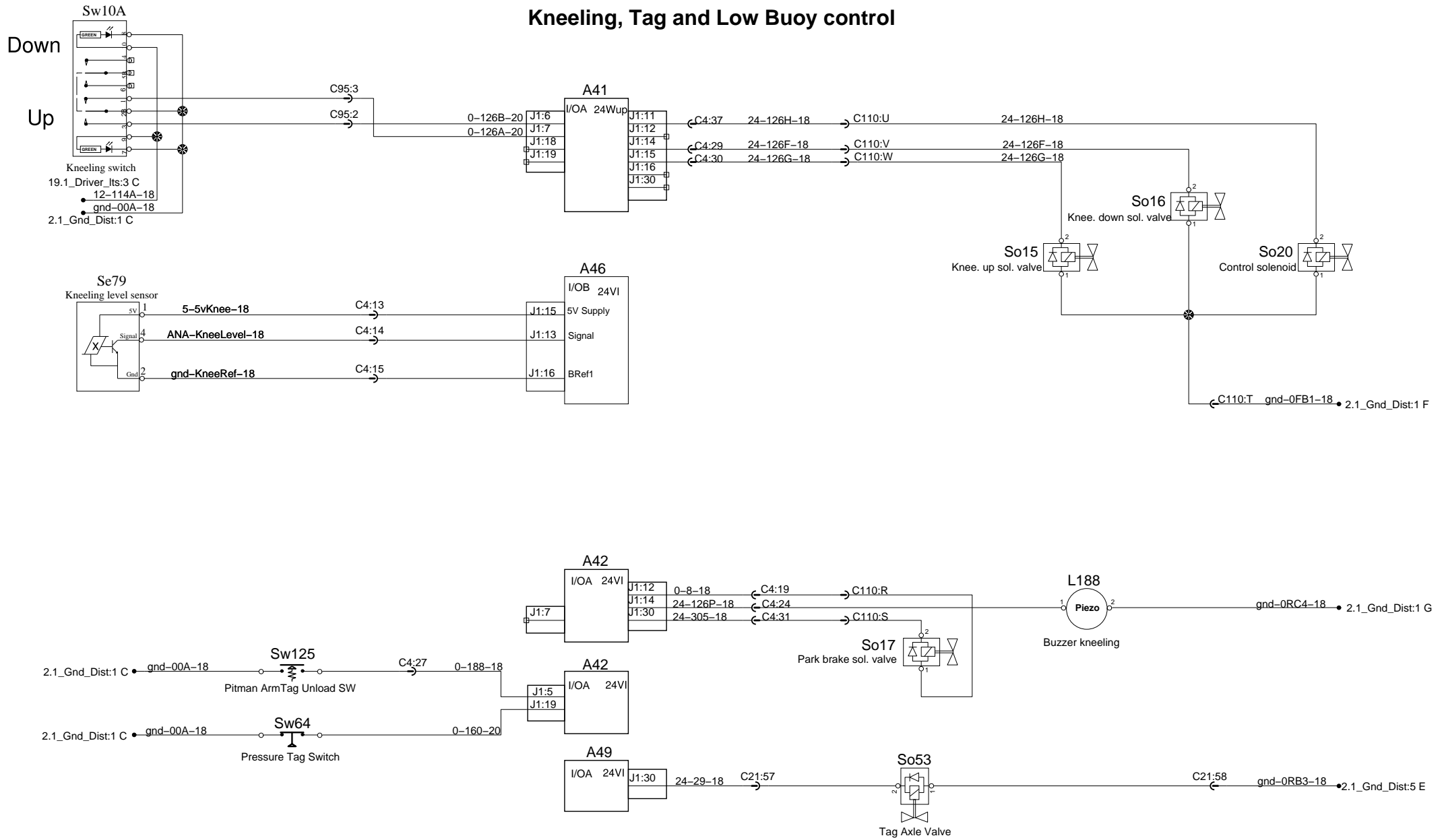
Mirror 2 Adjustment Switch



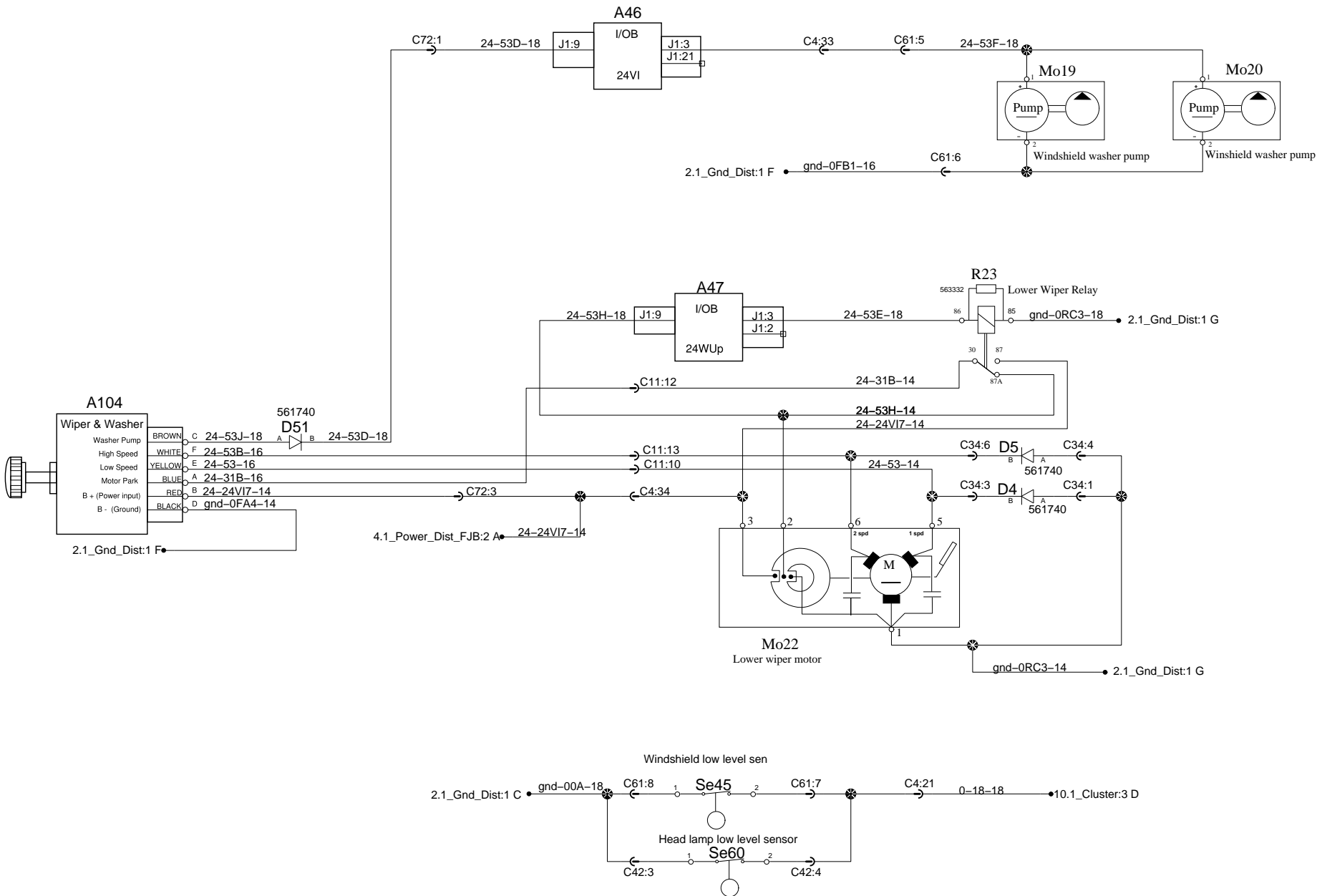
Mirror 2 Adjustment Switch



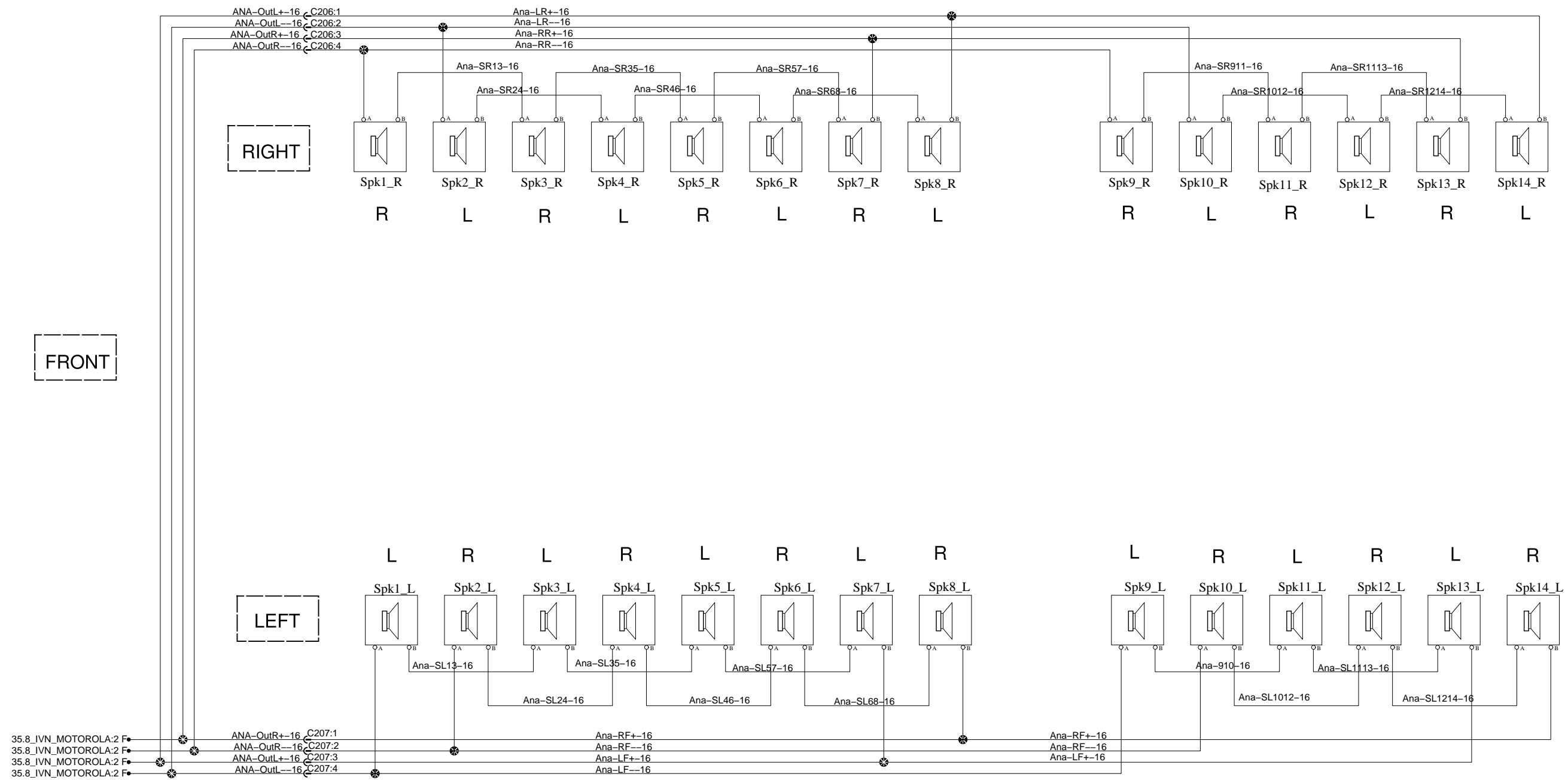
Kneeling, Tag and Low Buoy control



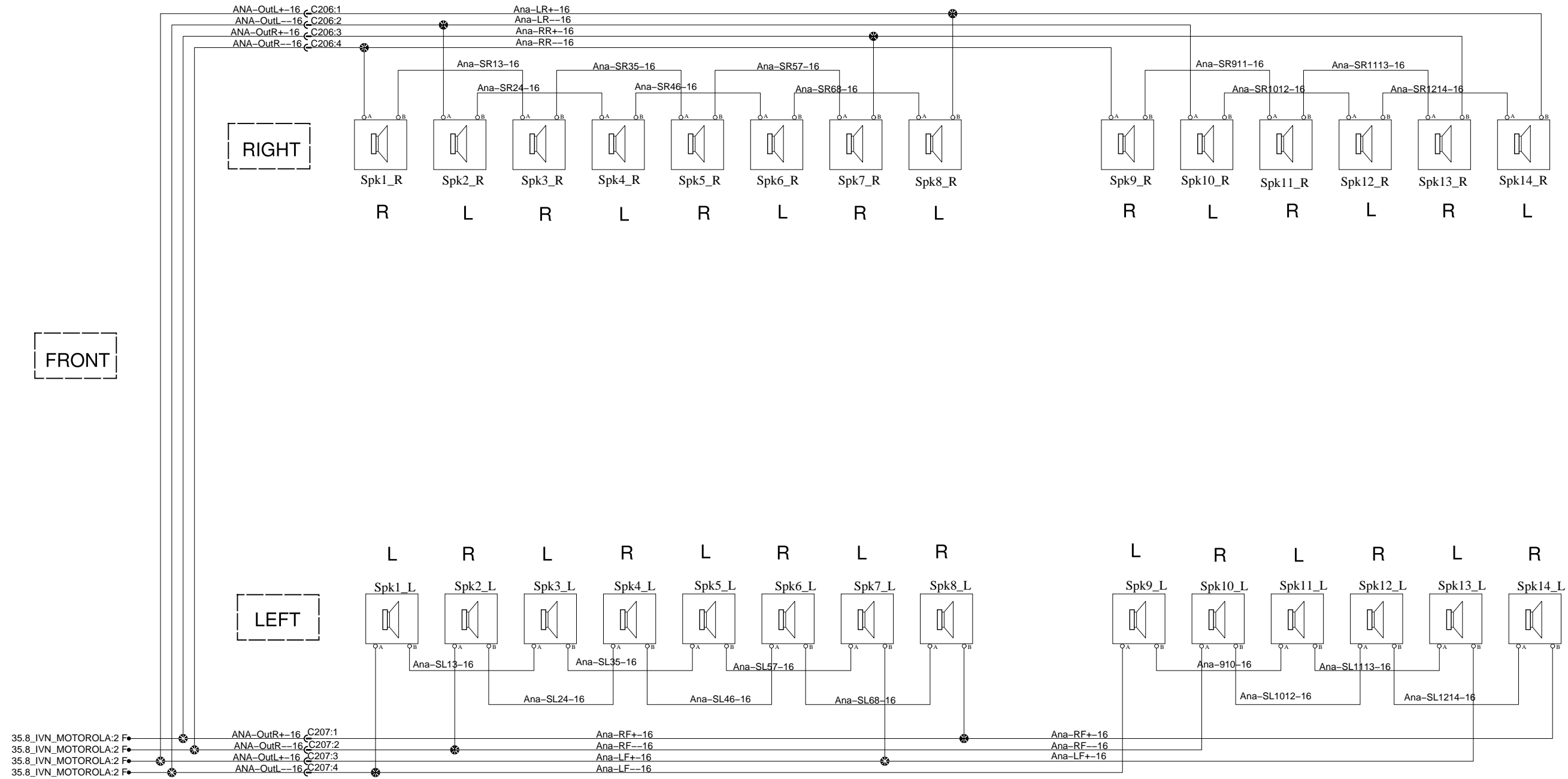
Wiper and washer



SPEAKERS ARRANGENT (DELTA CONFIGURATION)

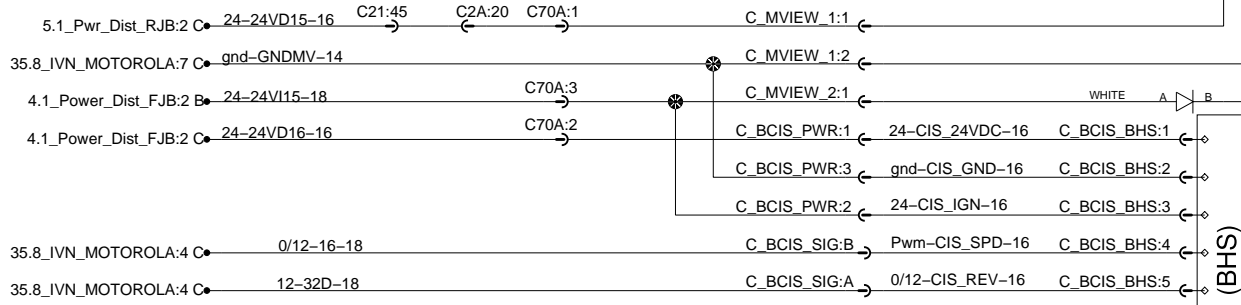


ARRANGEMENT OF SPEAKERS (DELTA CONFIGURATION)

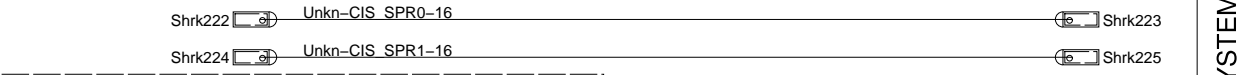


MobileView & BCIS

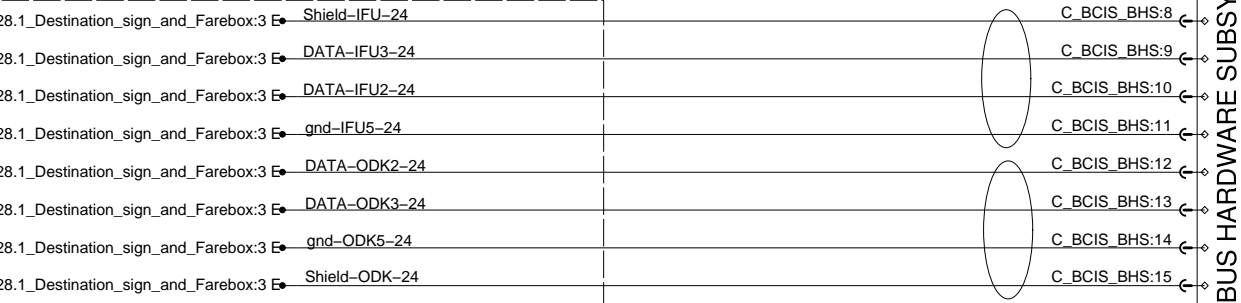
A



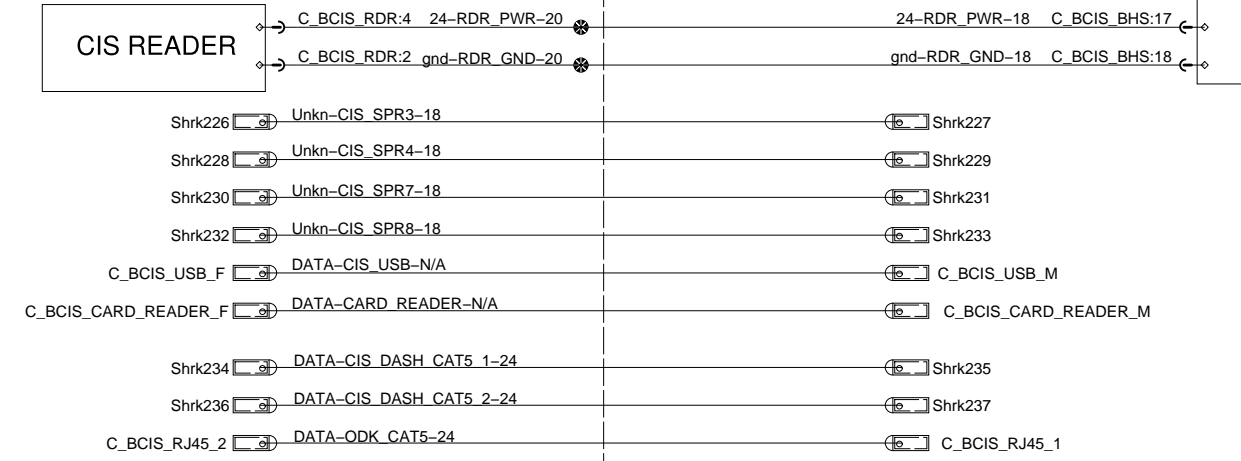
B



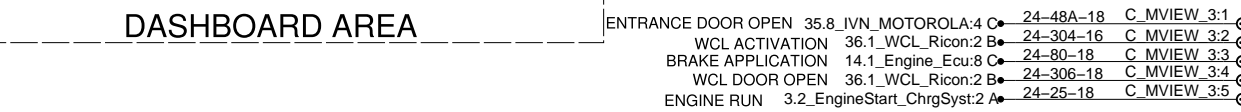
C



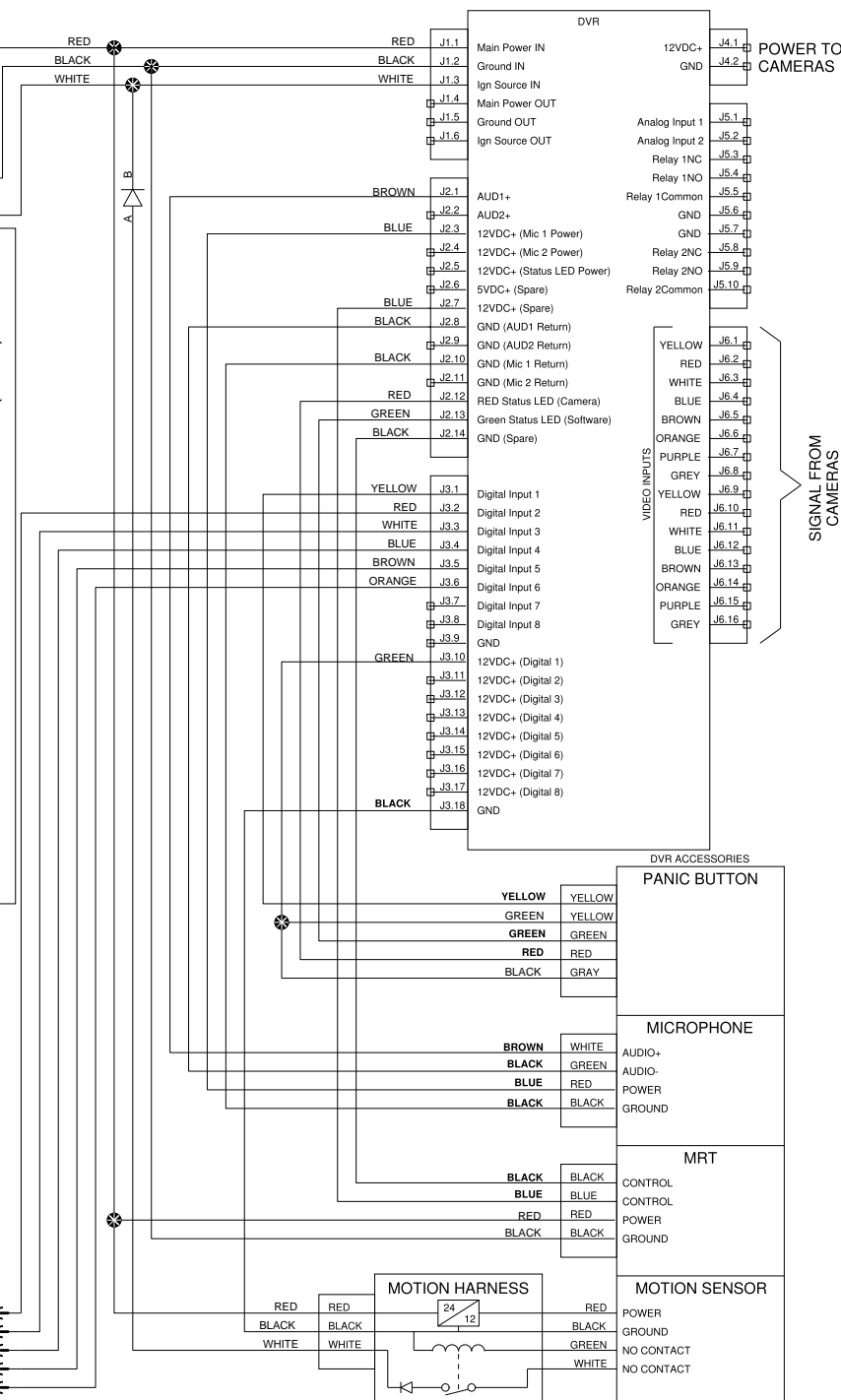
D



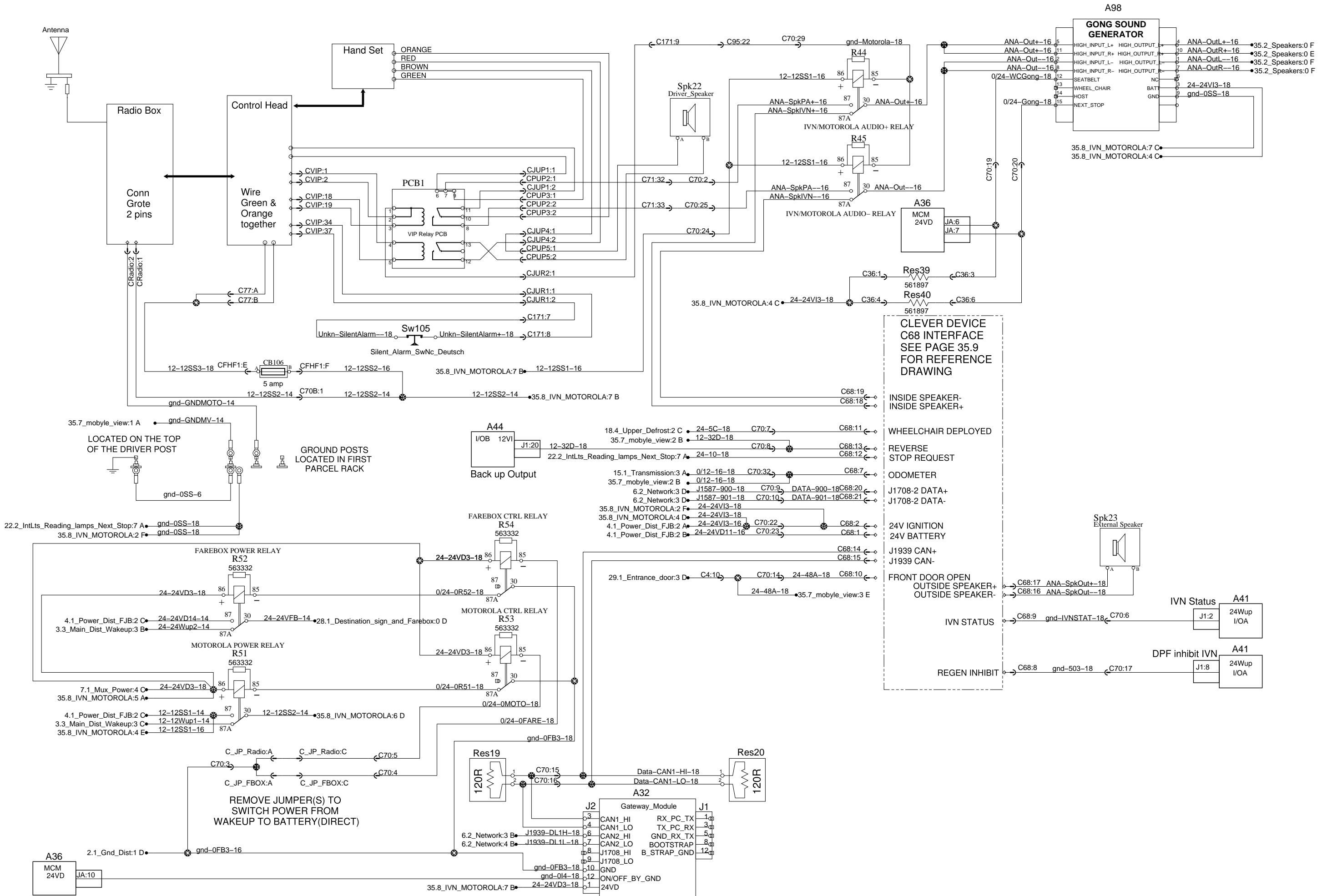
E



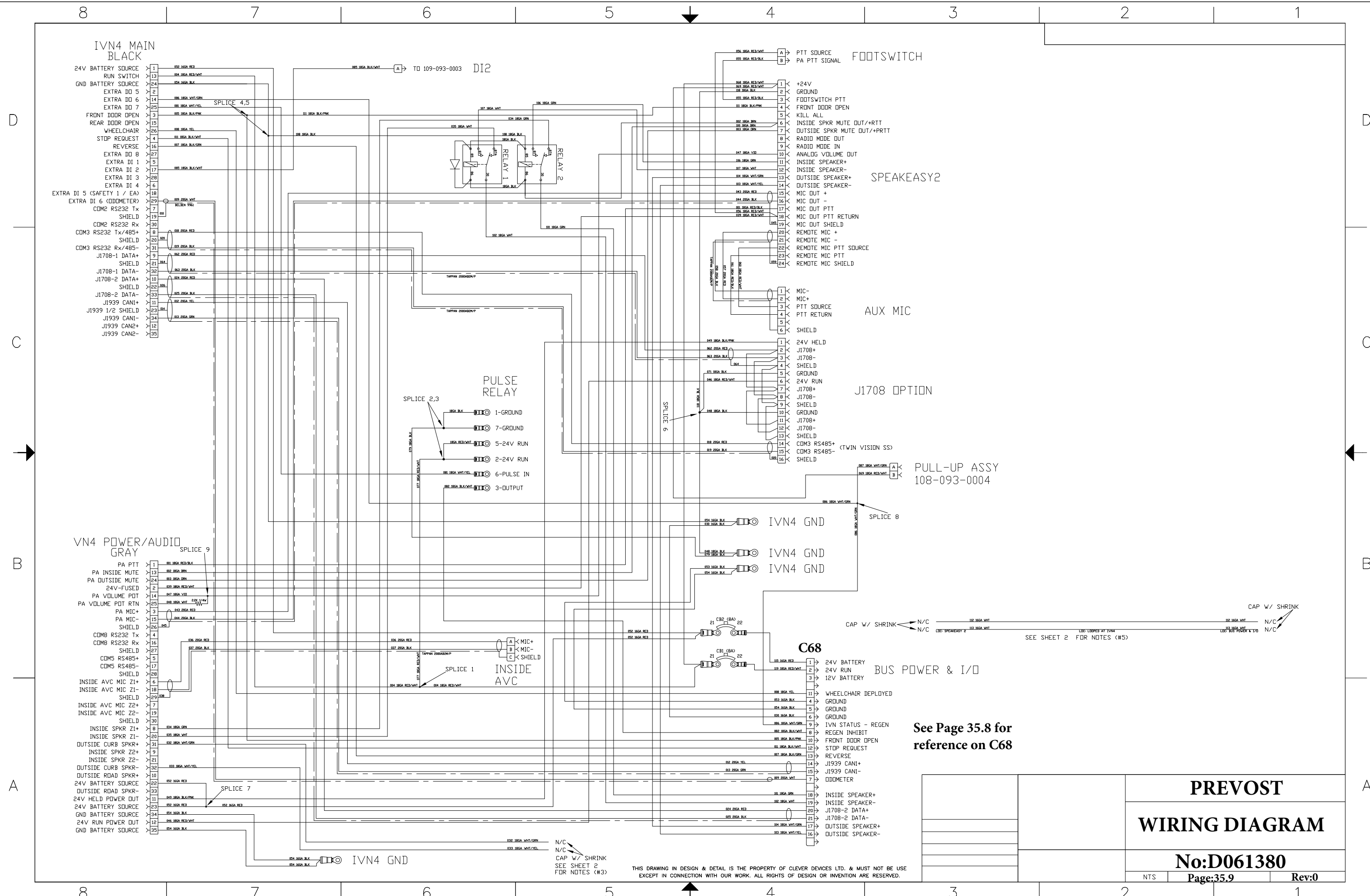
BUS HARDWARE SUBSYSTEM (BHS)



IVN (Clever Device)



180-331-0001B.DWG
10/9/2013
VINCENT CORONA



See Page 35.8 for reference on C68

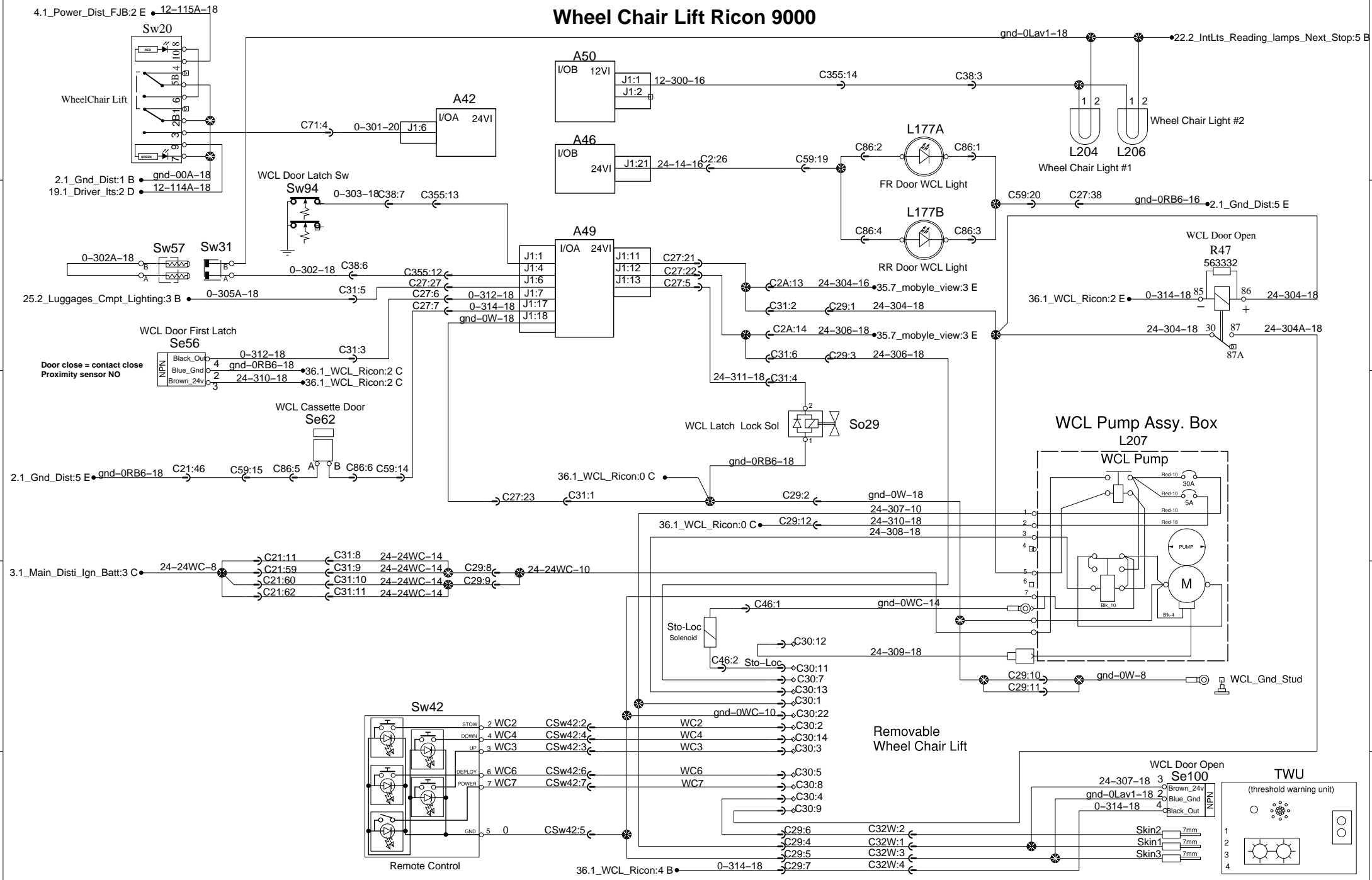
PREVOST
WIRING DIAGRAM

No:D061380

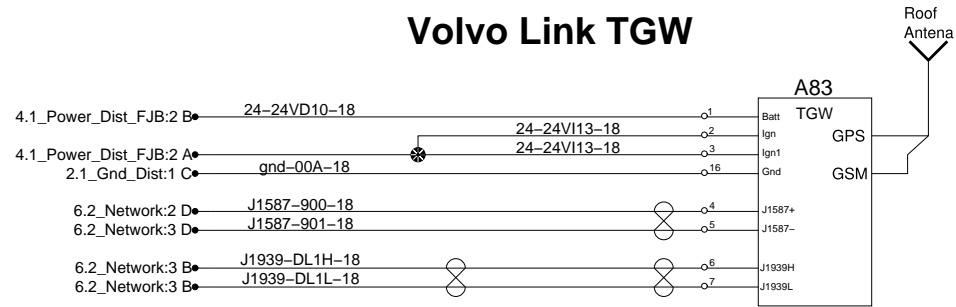
Page:35.9 Rev:0

THIS DRAWING IN DESIGN & DETAIL IS THE PROPERTY OF CLEVER DEVICES LTD. & MUST NOT BE USED EXCEPT IN CONNECTION WITH OUR WORK. ALL RIGHTS OF DESIGN OR INVENTION ARE RESERVED.

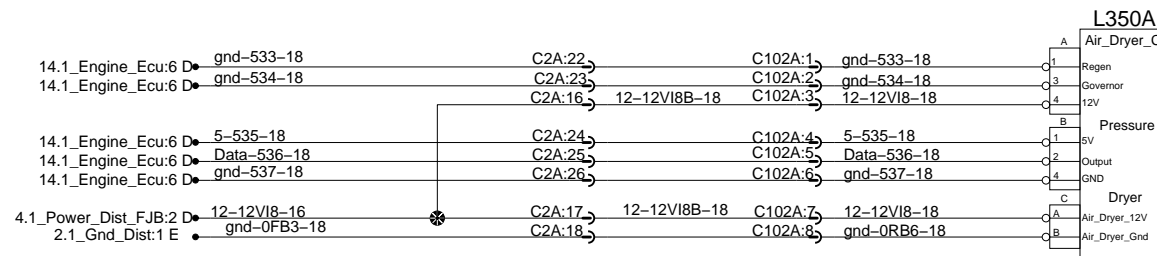
Wheel Chair Lift Ricon 9000



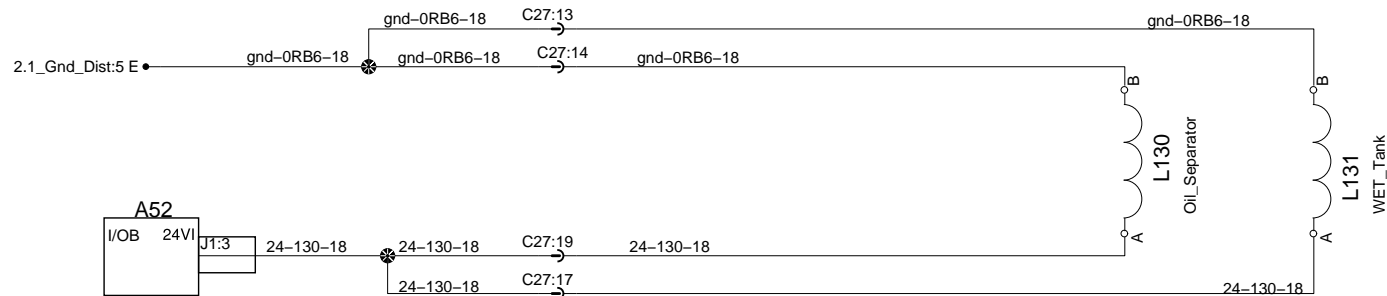
Volvo Link TGW



Electric Air Dryer Control and Heater

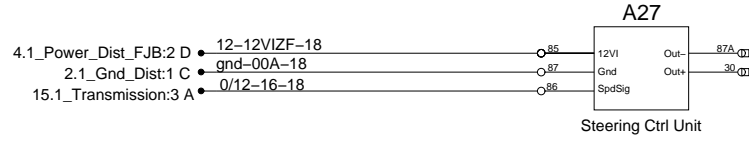


OIL Separator – WET Tank

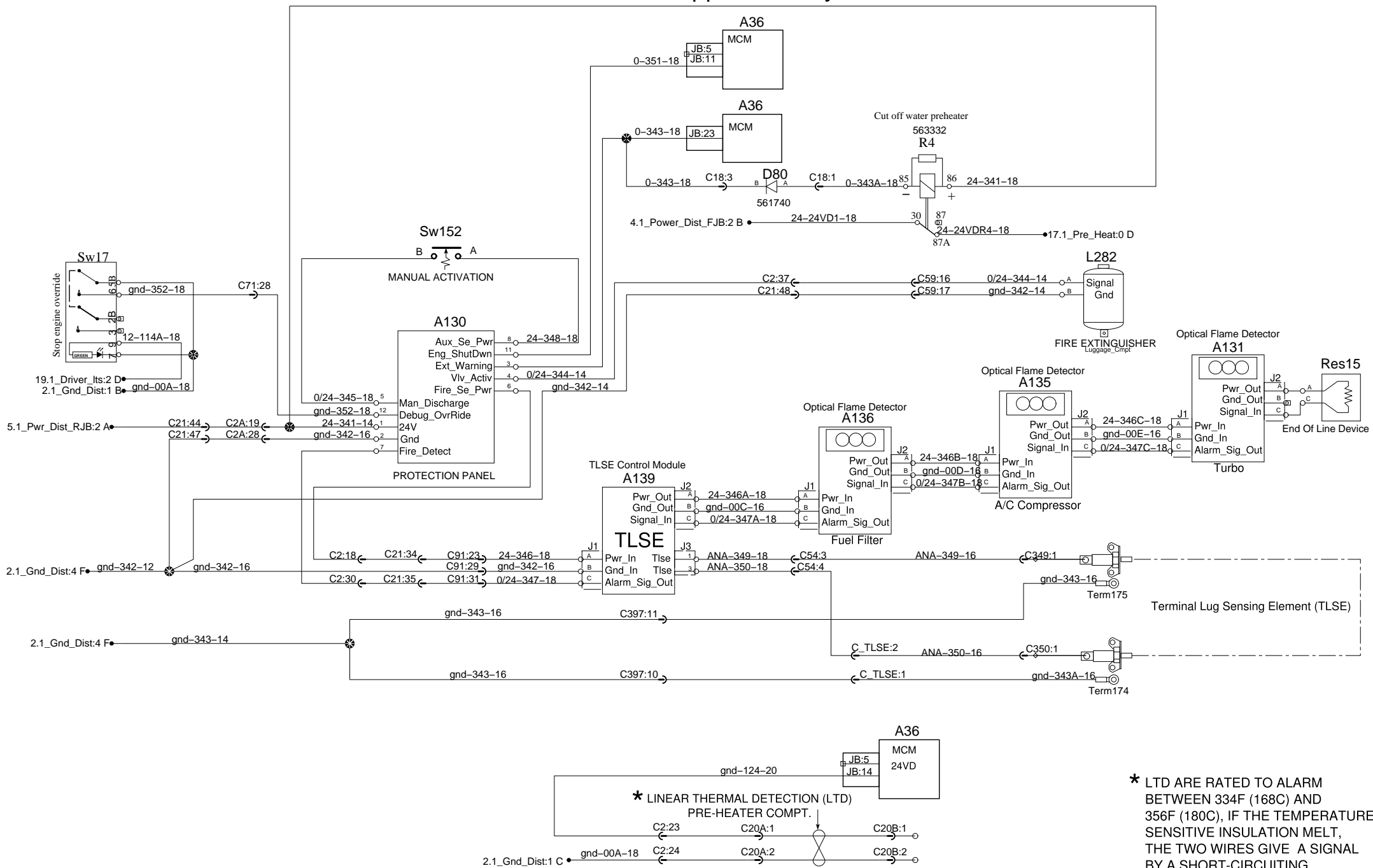


ZF Steering Control

creer nouveau numero pour 066570
CON ne le prend pas



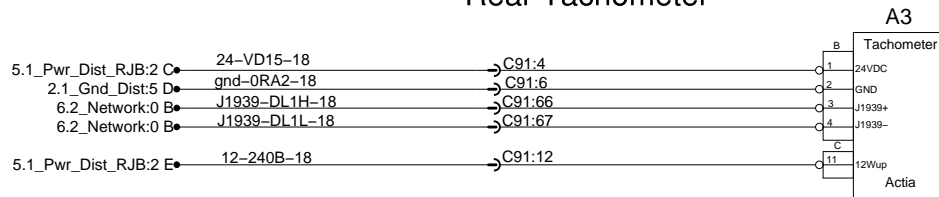
Automatic Fire Suppression System



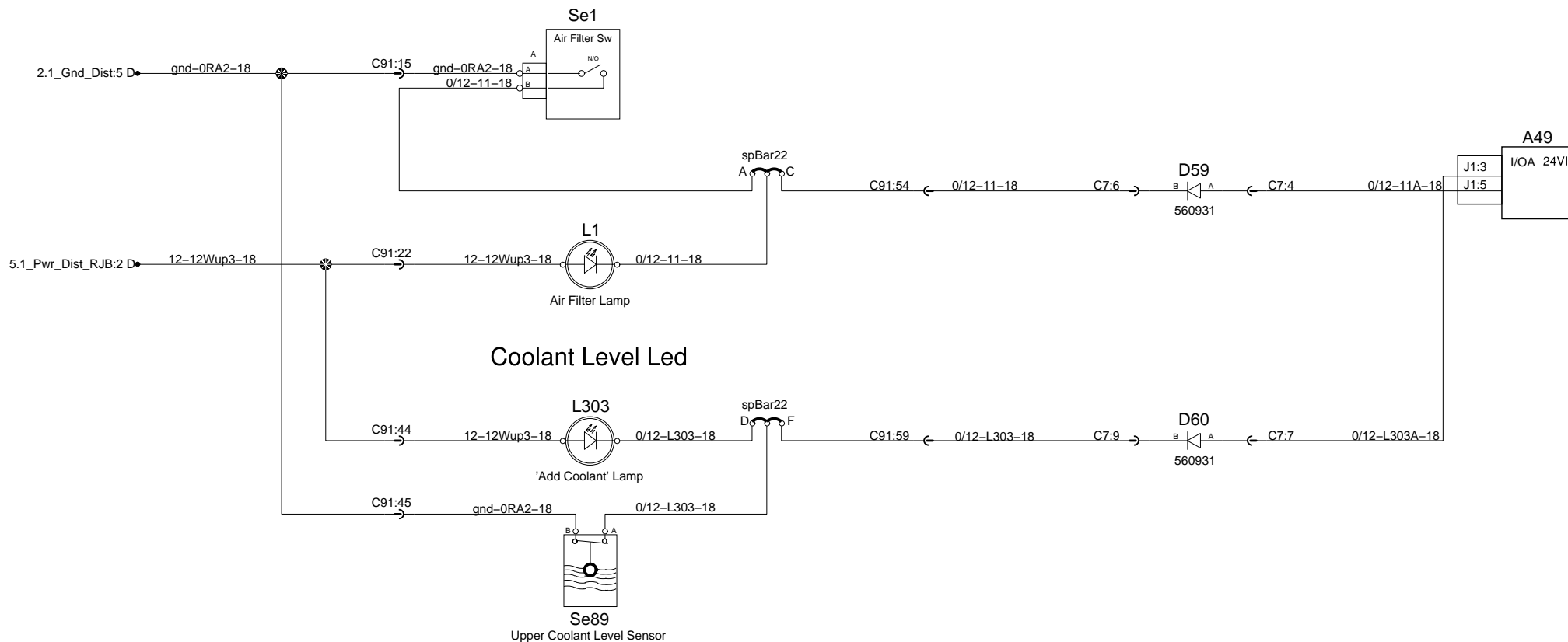
* LTD ARE RATED TO ALARM BETWEEN 334F (168C) AND 356F (180C), IF THE TEMPERATURE SENSITIVE INSULATION MELT, THE TWO WIRES GIVE A SIGNAL BY A SHORT-CIRCUITING.

Rear Tachometer - Air Filter Led - Coolant Level Led

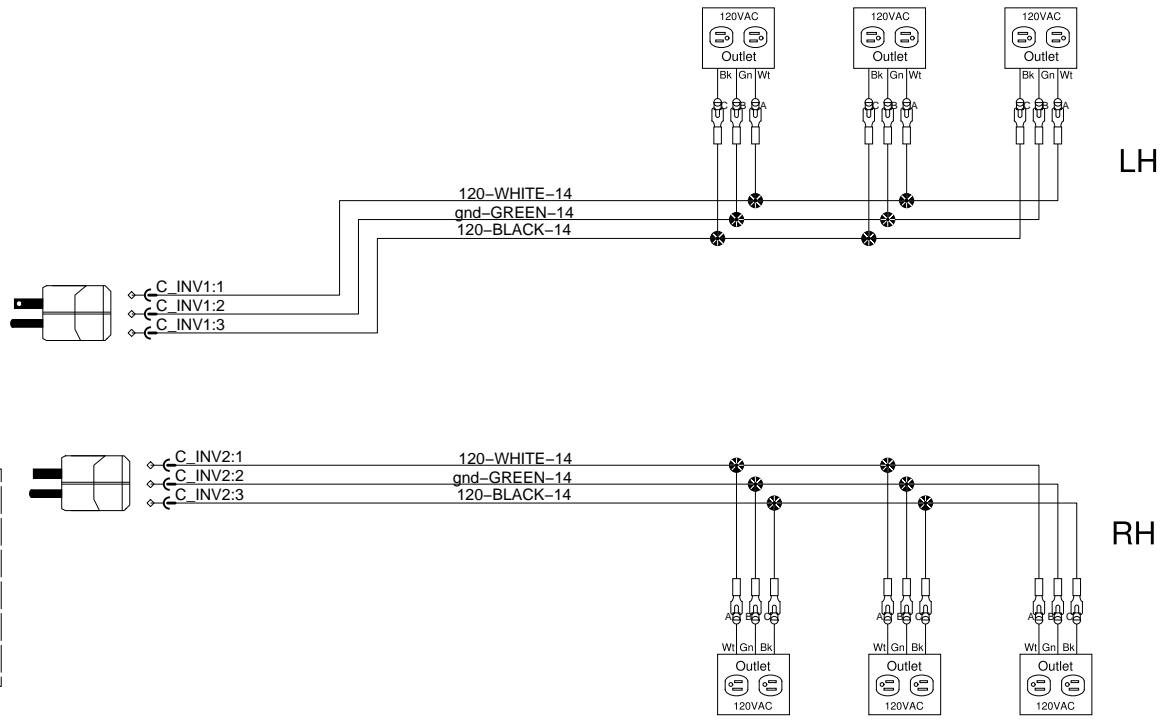
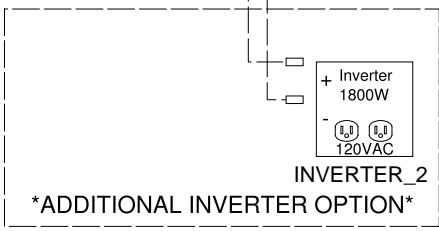
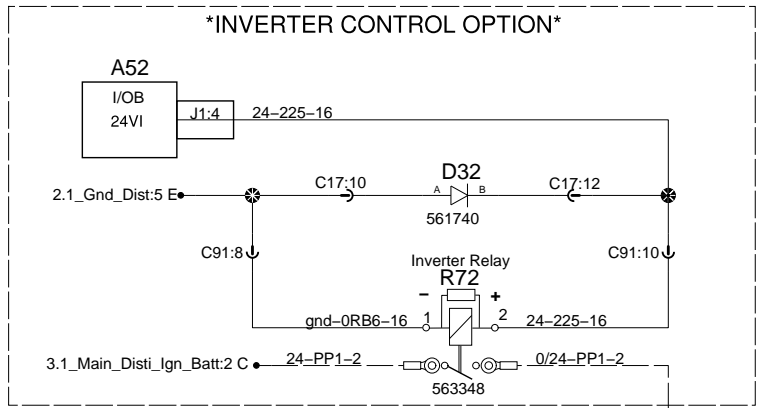
Rear Tachometer



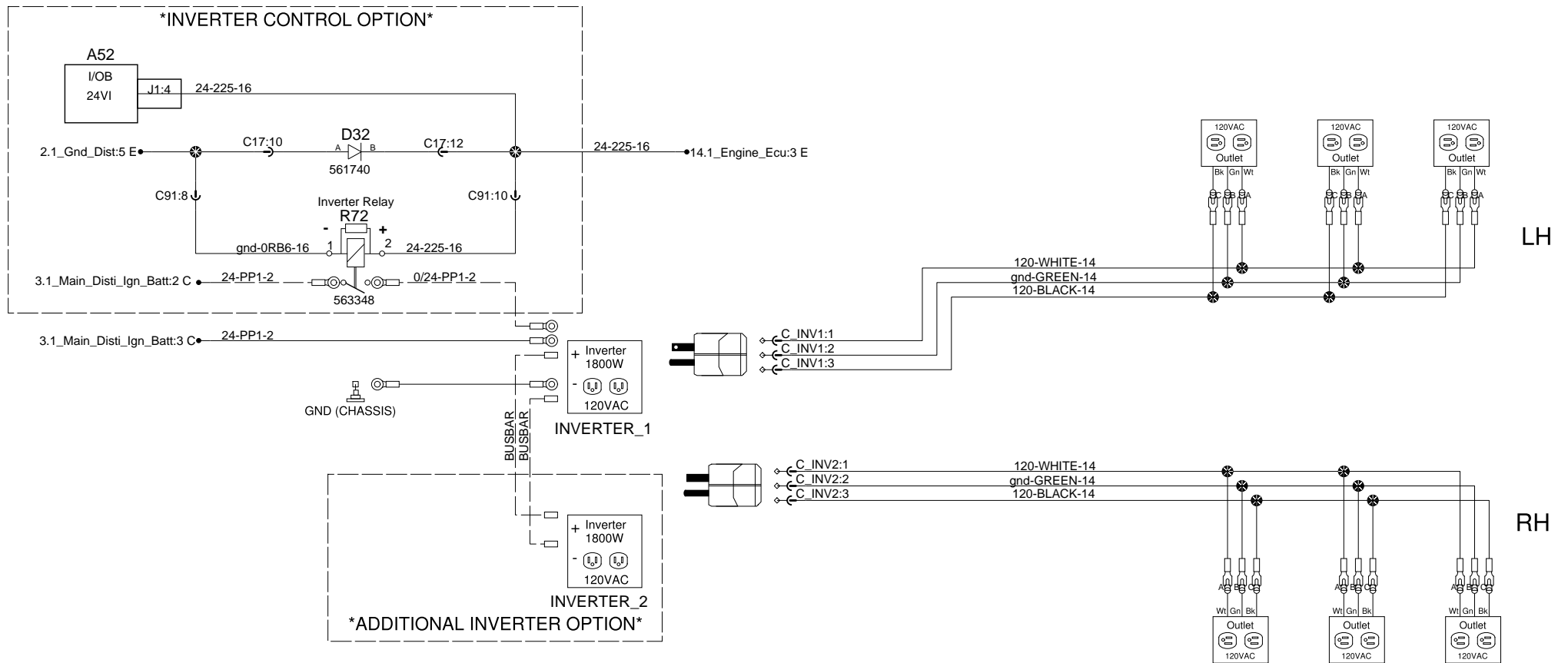
Engine Air Filter Sensor



INVERTERS & 120VAC OUTLETS



INVERTERS & 120VAC OUTLETS



SNOW CHAINS

