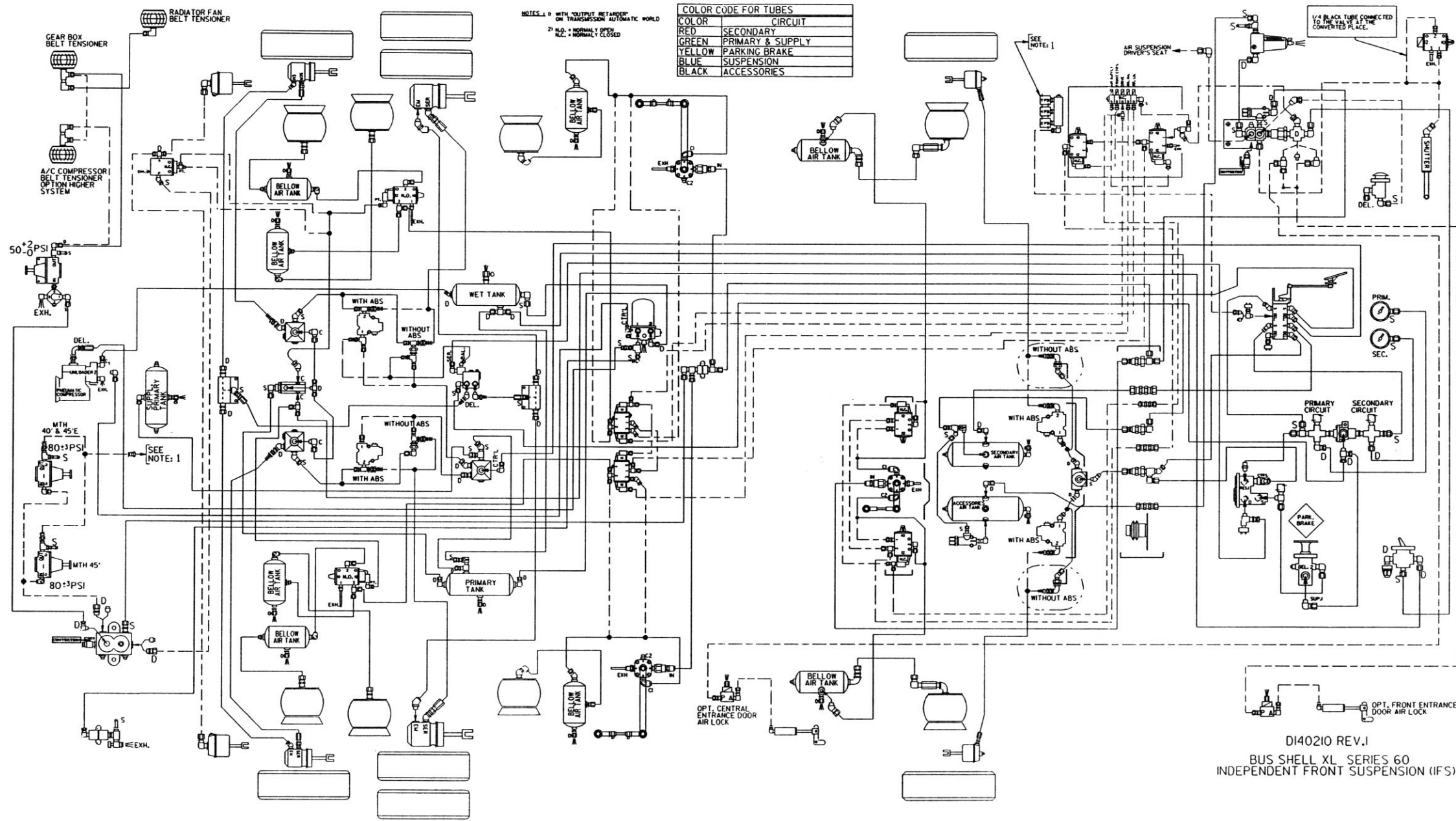


COLOR	CIRCUIT
RED	SECONDARY
GREEN	PRIMARY & SUPPLY
YELLOW	PARKING BRAKE
BLUE	SUSPENSION
BLACK	ACCESSORIES

NOTES: 1. WITH "OUTPUT RETAINER" ON TRANSMISSION AUTOMATIC WORLD
 2. N.C. = NORMALLY CLOSED

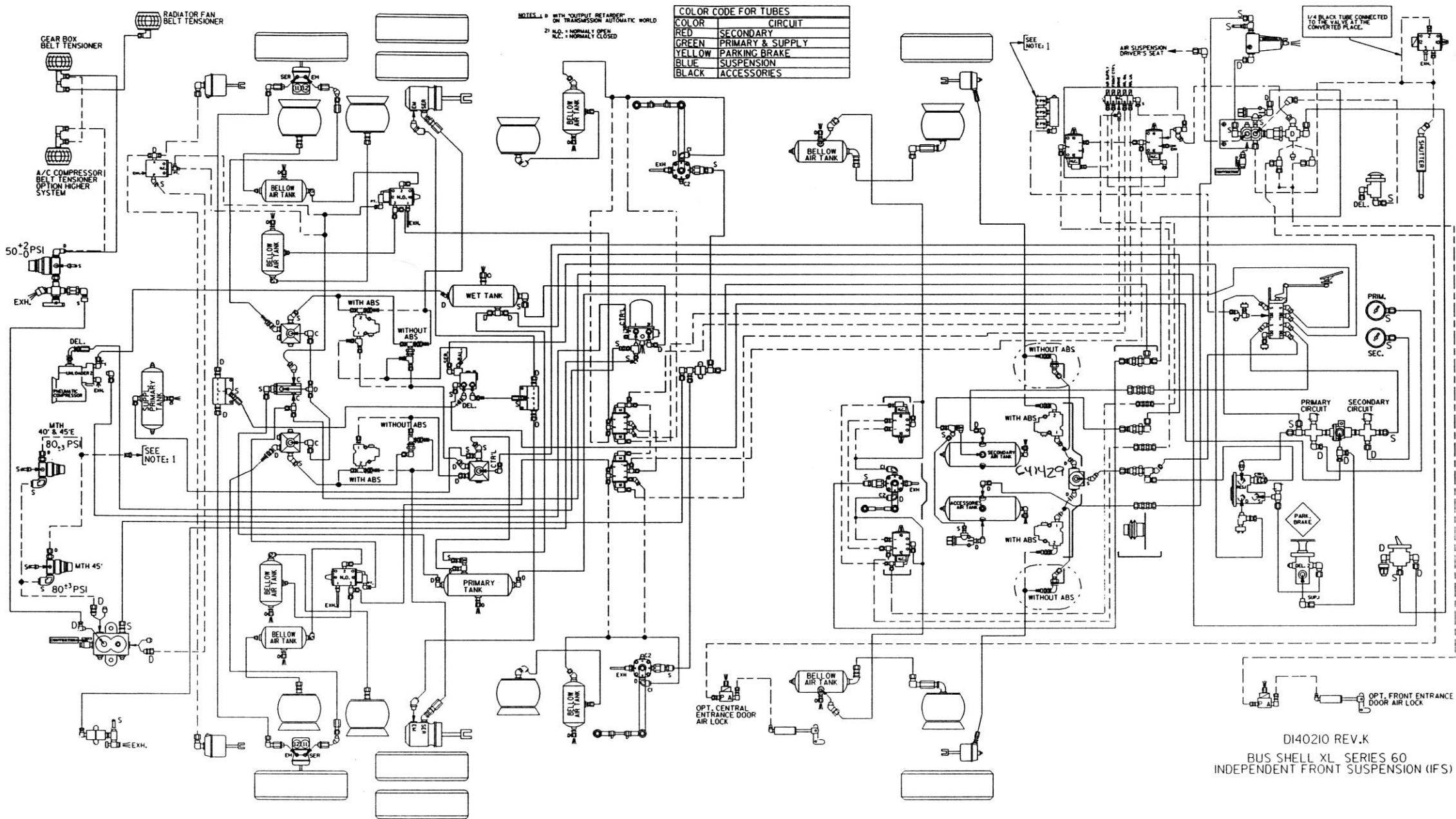
D140210 REV.H
 BUS SHELL XL SERIES 60
 INDEPENDENT FRONT SUSPENSION (IFS)



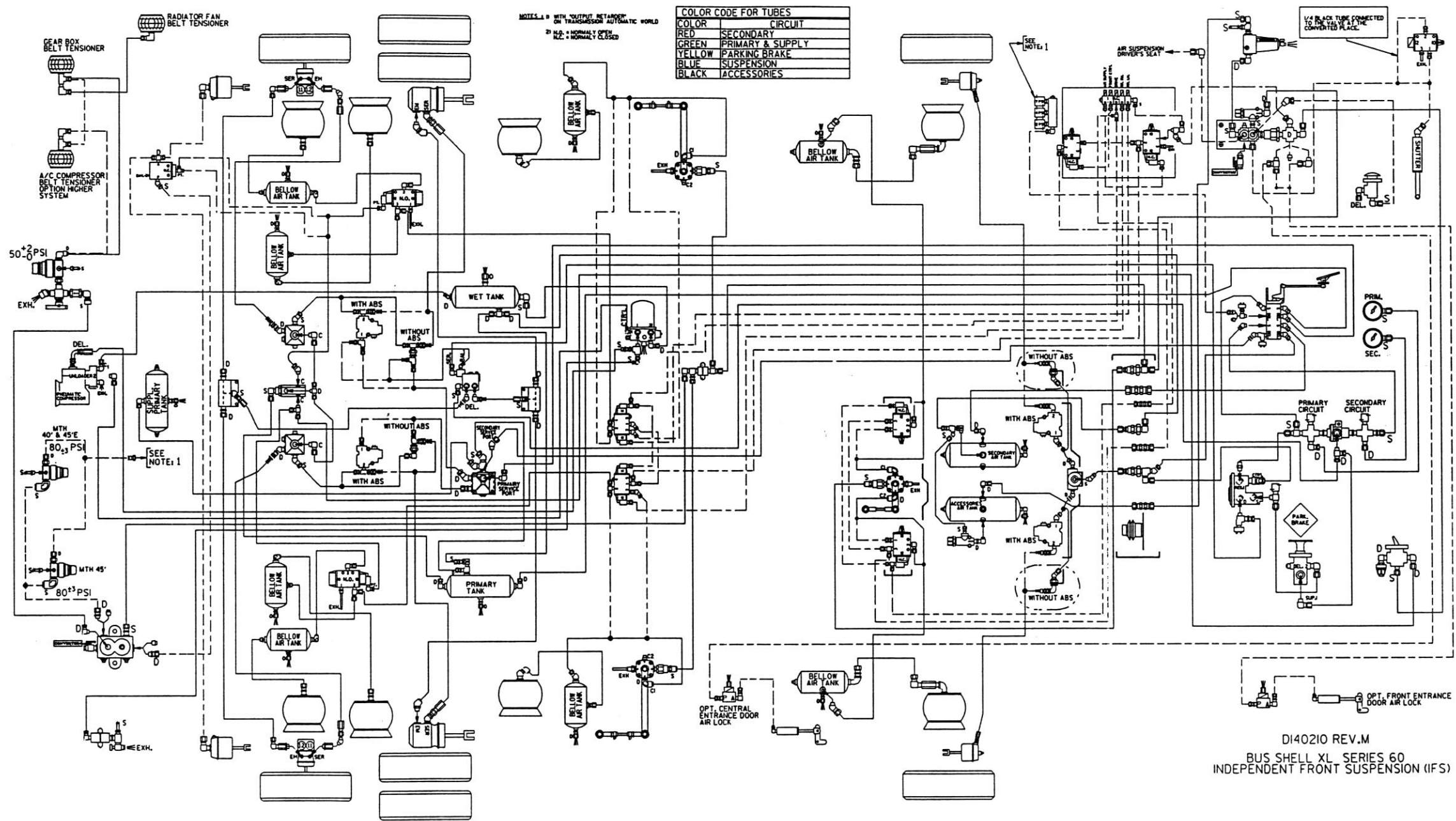
NOTES: 1 WITH QUALITY RETARDER
ON TRANSMISSION AUTOMATIC WORLD
21 N.O. = NORMAL OPEN
N.C. = NORMAL CLOSED

COLOR CODE FOR TUBES	
COLOR	CIRCUIT
RED	SECONDARY
GREEN	PRIMARY & SUPPLY
YELLOW	PARKING BRAKE
BLUE	SUSPENSION
BLACK	ACCESSORIES

DI40210 REV.1
BUS SHELL XL SERIES 60
INDEPENDENT FRONT SUSPENSION (IFS)



DI40210 REV.K
 BUS SHELL XL SERIES 60
 INDEPENDENT FRONT SUSPENSION (IFS)

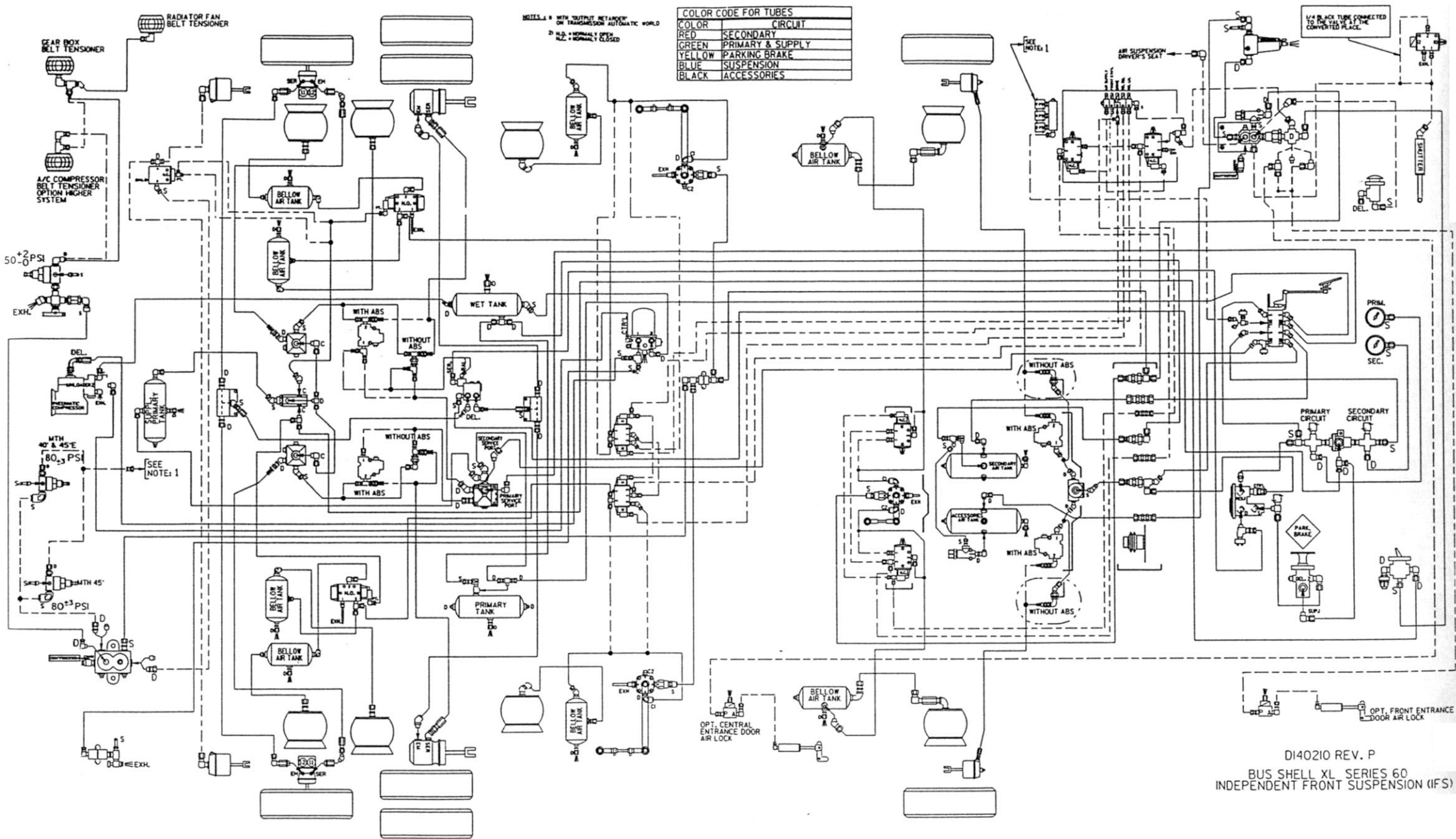


COLOR CODE FOR TUBES

COLOR	CIRCUIT
RED	SECONDARY
GREEN	PRIMARY & SUPPLY
YELLOW	PARKING BRAKE
BLUE	SUSPENSION
BLACK	ACCESSORIES

NOTES: 1. 0 WITH "OUTPUT RETARDER" ON TRANSMISSION AUTOMATIC WORLD
 2. N.O. = NORMALLY OPEN
 N.C. = NORMALLY CLOSED

DI40210 REV.M
 BUS SHELL XL SERIES 60
 INDEPENDENT FRONT SUSPENSION (IFS)



NOTE: 1 WITH OUTPUT RELAY OF TRANSMISSION AUTOMATIC WORLD
 2) N.O. = NORMAL OPEN
 N.C. = NORMAL CLOSED

COLOR	CIRCUIT
RED	SECONDARY
GREEN	PRIMARY & SUPPLY
YELLOW	PARKING BRAKE
BLUE	SUSPENSION
BLACK	ACCESSORIES

D140210 REV. P
 BUS SHELL XL SERIES 60
 INDEPENDENT FRONT SUSPENSION (IFS)