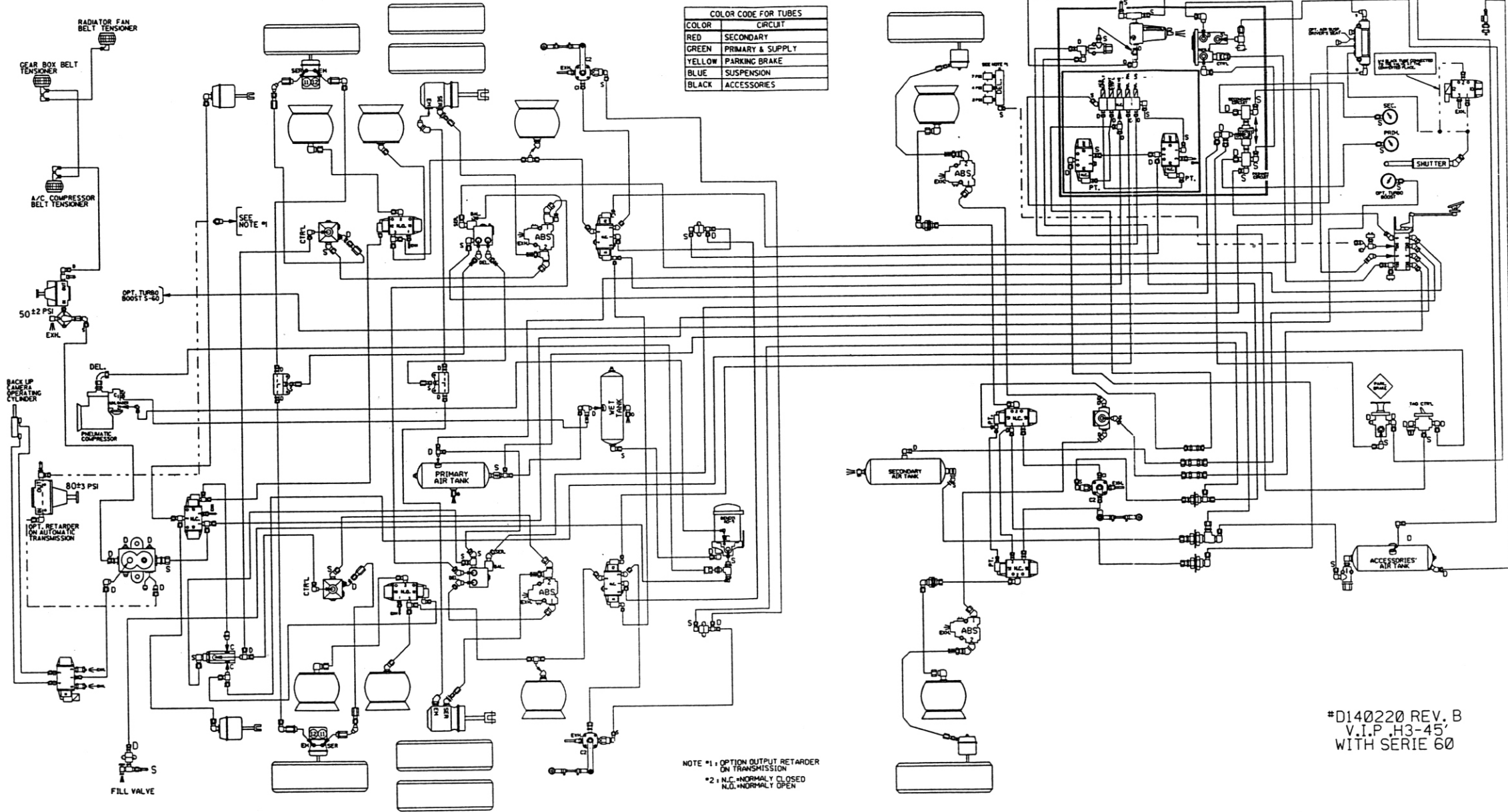
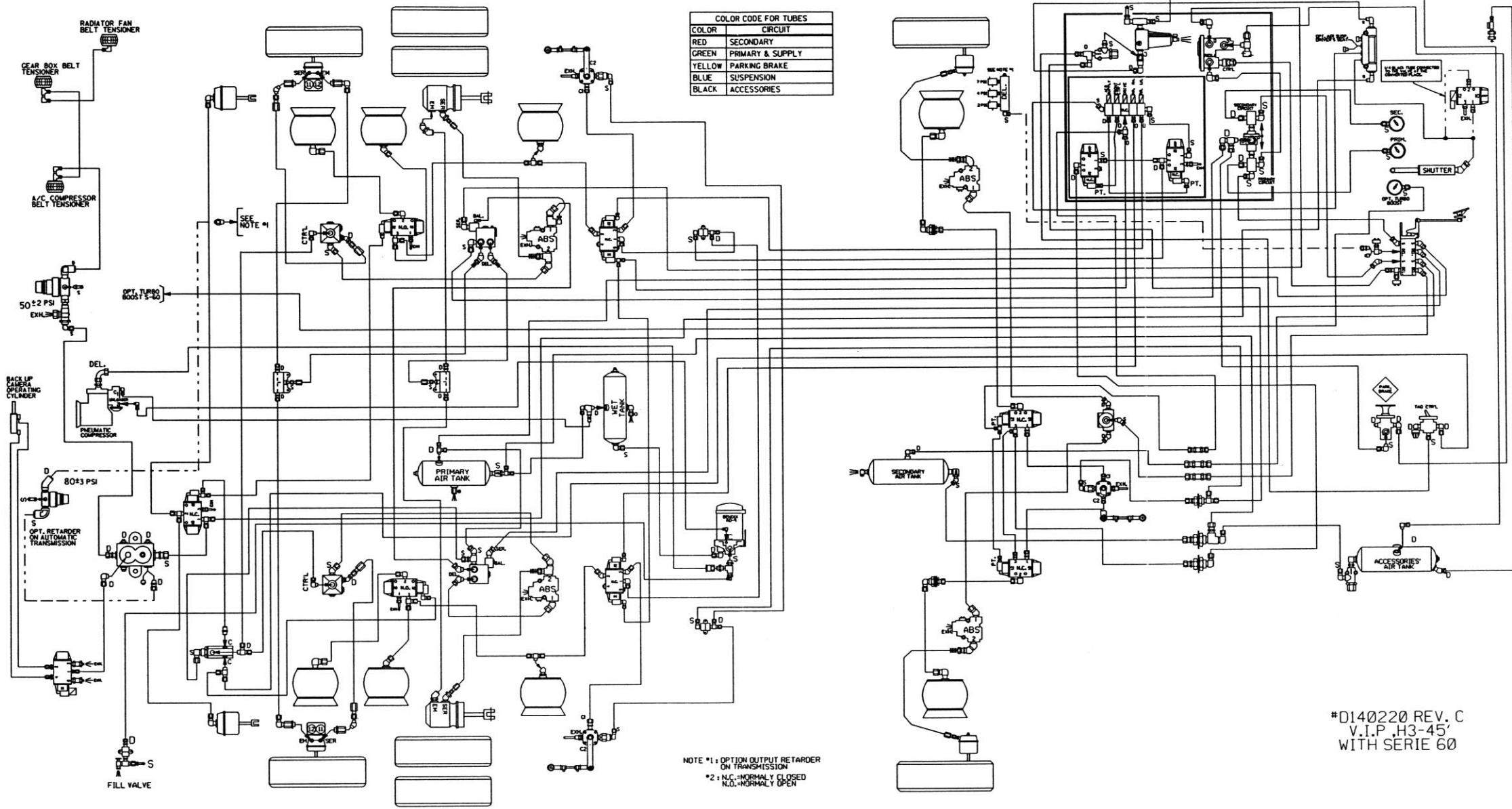


COLOR CODE FOR TUBES	
COLOR	CIRCUIT
RED	SECONDARY
GREEN	PRIMARY & SUPPLY
YELLOW	PARKING BRAKE
BLUE	SUSPENSION
BLACK	ACCESSORIES



NOTE #1: OPTION OUTPUT RETARDER ON TRANSMISSION
 #2: N.C. = NORMALLY CLOSED
 N.O. = NORMALLY OPEN

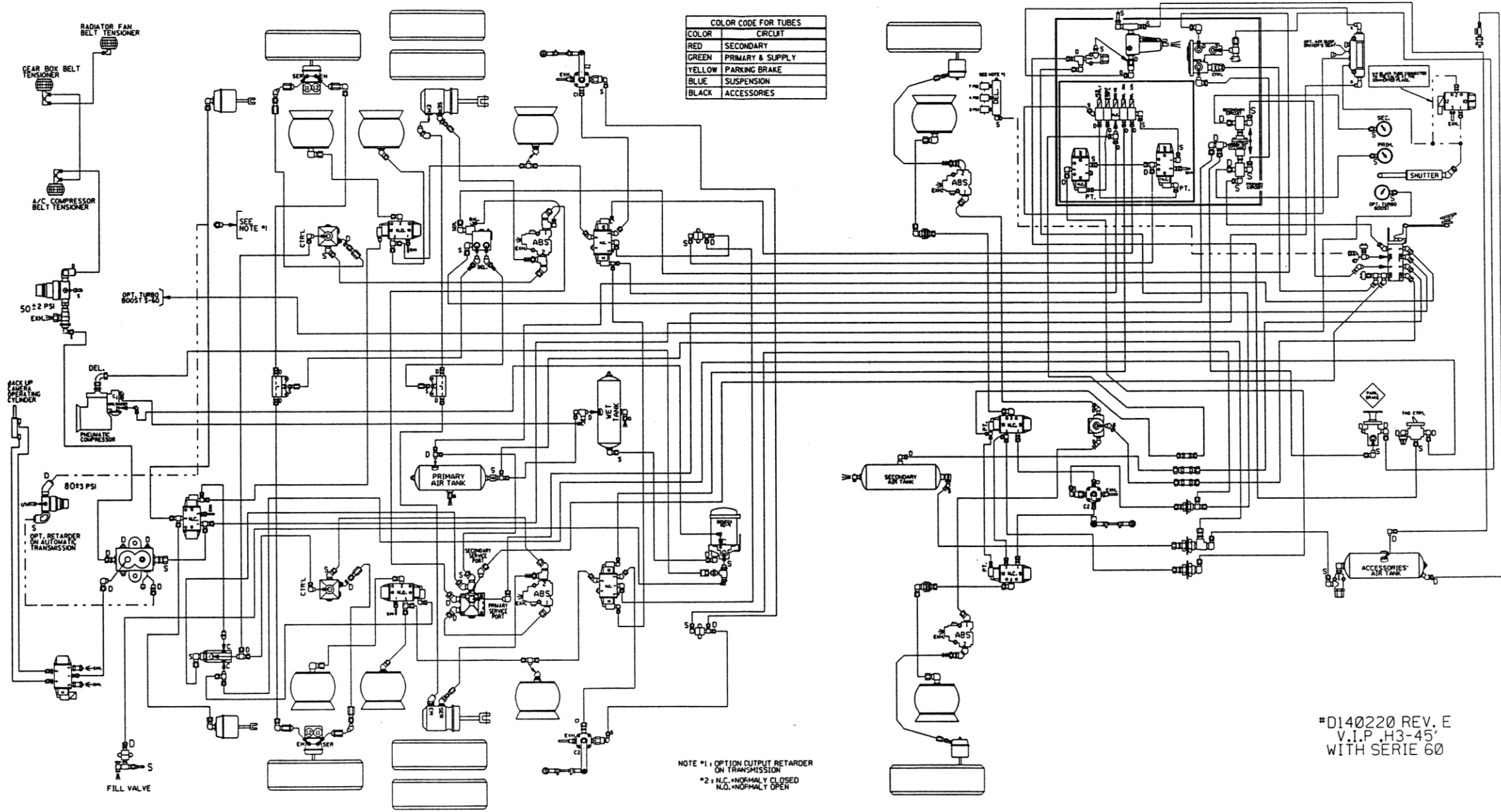
#D140220 REV. B
 V.I.P. H3-45
 WITH SERIE 60



COLOR CODE FOR TUBES	
COLOR	CIRCUIT
RED	SECONDARY
GREEN	PRIMARY & SUPPLY
YELLOW	PARKING BRAKE
BLUE	SUSPENSION
BLACK	ACCESSORIES

NOTE *1: OPTION OUTPUT RETARDER ON TRANSMISSION
 *2: N.C.=NORMALLY CLOSED
 N.O.=NORMALLY OPEN

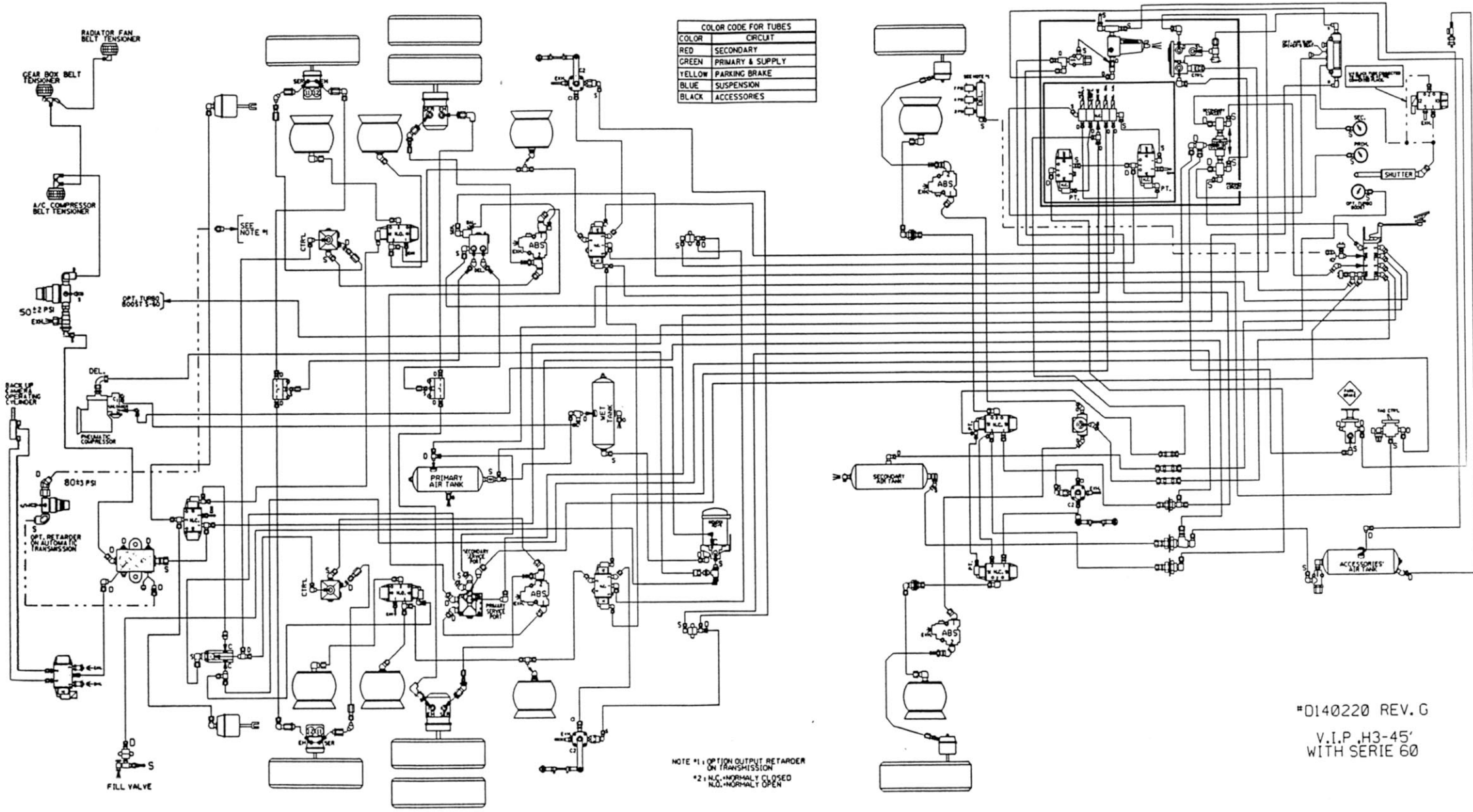
#D140220 REV. C
 V.I.P. H3-45,
 WITH SERIE 60



COLOR CODE FOR TUBES	
COLOR	CIRCUIT
RED	SECONDARY
GREEN	PRIMARY & SUPPLY
YELLOW	PARKING BRAKE
BLUE	SUSPENSION
BLACK	ACCESSORIES

NOTE #1: OPTION OUTPUT RETARDER ON TRANSMISSION
 #2: N.C. = NORMALLY CLOSED
 N.O. = NORMALLY OPEN

#D140220 REV. E
 V.I.P. H3-45'
 WITH SERIE 60



COLOR CODE FOR TUBES

COLOR	CIRCUIT
RED	SECONDARY
GREEN	PRIMARY & SUPPLY
YELLOW	PARKING BRAKE
BLUE	SUSPENSION
BLACK	ACCESSORIES

NOTE #1: OPTION OUTPUT RETARDER ON TRANSMISSION
 #2: N.C., NORMALLY CLOSED
 N.O., NORMALLY OPEN

#0140220 REV. G
 V.I.P. H3-45'
 WITH SERIE 60