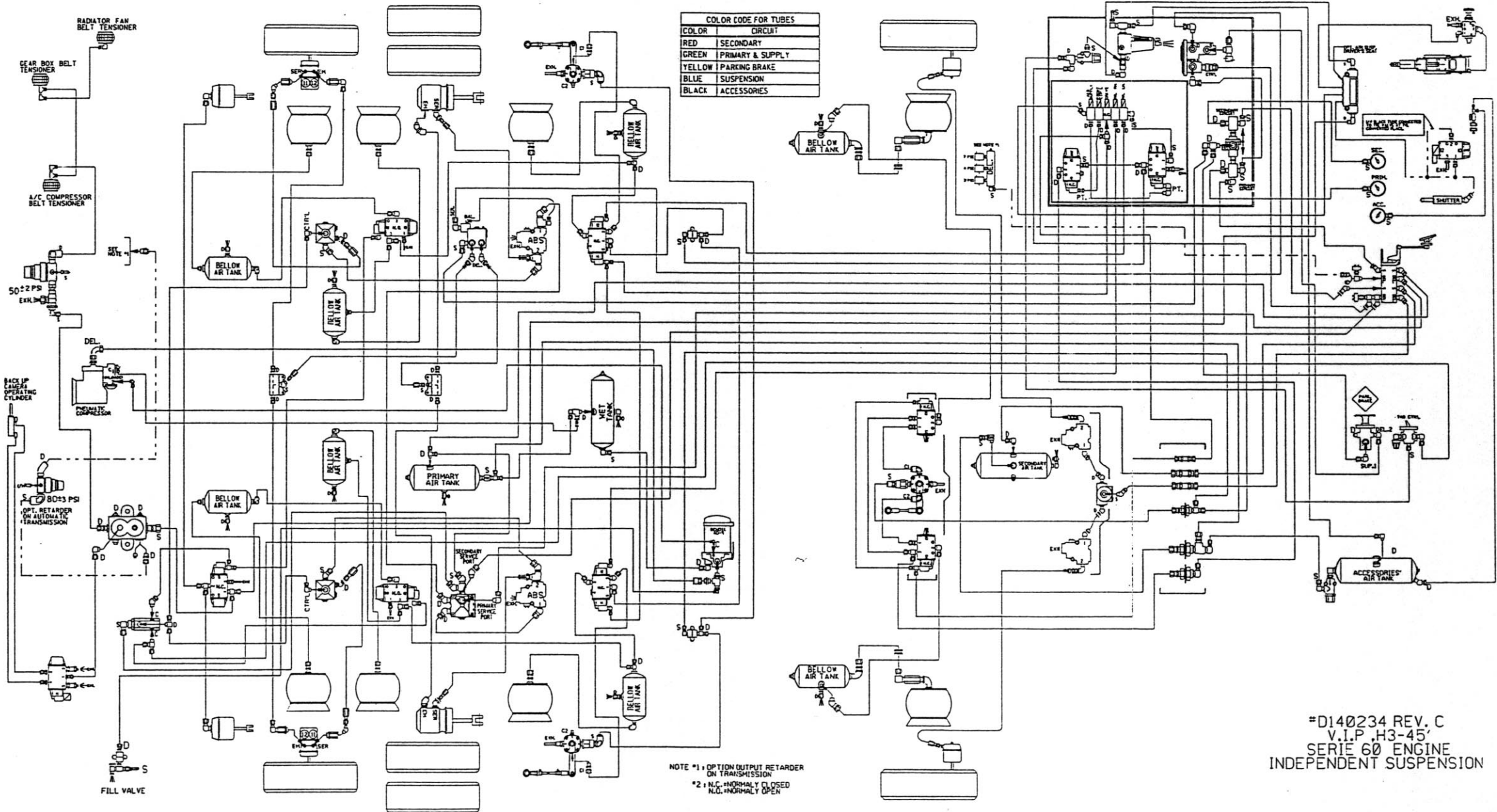


COLOR CODE FOR TUBES	
COLOR	CIRCUIT
RED	SECONDARY
GREEN	PRIMARY & SUPPLY
YELLOW	PARKING BRAKE
BLUE	SUSPENSION
BLACK	ACCESSORIES

NOTE #1: OPTION OUTPUT RETARDER ON TRANSMISSION
 #2 : N.C.-NORMALLY CLOSED
 N.O.-NORMALLY OPEN

#D140234 REV. A
 V.I.P. H3-45
 SERIE 60 ENGINE
 INDEPENDENT SUSPENSION

DATE : 1997-04

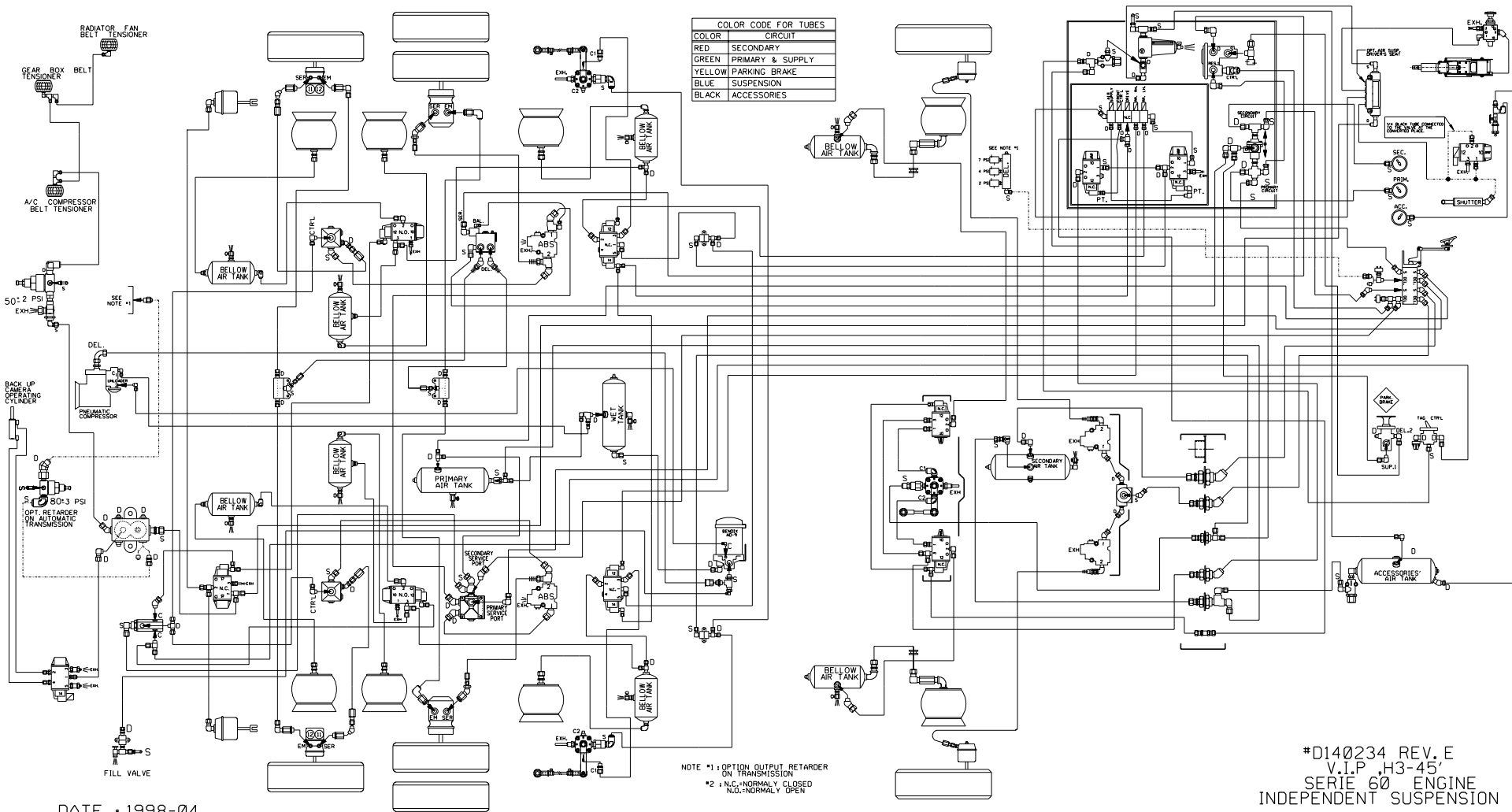


COLOR CODE FOR TUBES

COLOR	CIRCUIT
RED	SECONDARY
GREEN	PRIMARY & SUPPLY
YELLOW	PARKING BRAKE
BLUE	SUSPENSION
BLACK	ACCESSORIES

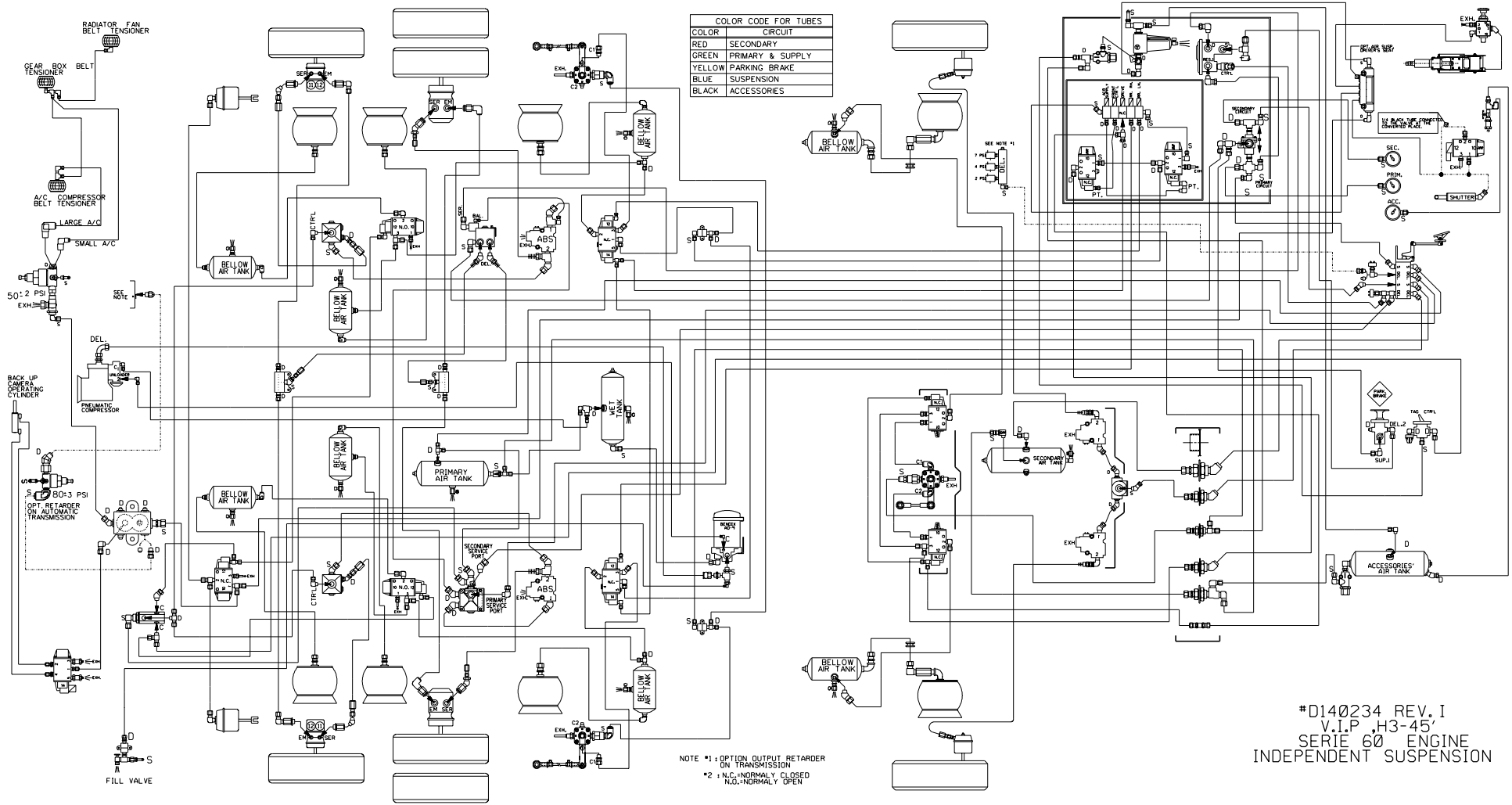
NOTE #1: OPTION OUTPUT RETARDER ON TRANSMISSION
 #2: N.C., NORMALLY CLOSED
 N.O., NORMALLY OPEN

#D140234 REV. C
 V.I.P. H3-45
 SERIE 60 ENGINE
 INDEPENDENT SUSPENSION



DATE : 1998-04

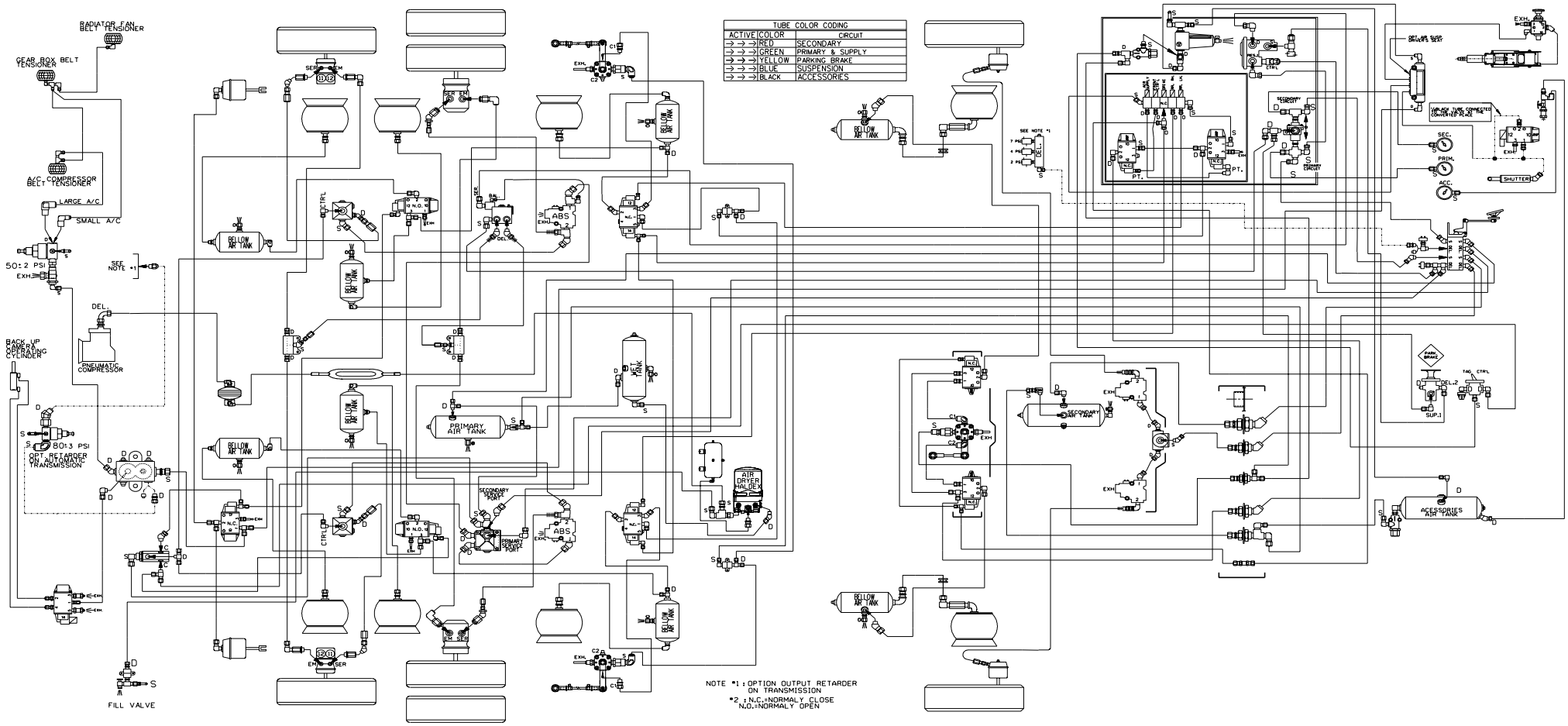
#D140234 REV. E
 V.I.P. 'H3-45'
 SERIE 60 ENGINE
 INDEPENDENT SUSPENSION



COLOR	CIRCUIT
RED	SECONDARY
GREEN	PRIMARY & SUPPLY
YELLOW	PARKING BRAKE
BLUE	SUSPENSION
BLACK	ACCESSORIES

NOTE #1: OPTION OUTPUT RETARDER ON TRANSMISSION
 #2: N.C.=NORMALLY CLOSED
 N.O.=NORMALLY OPEN

#D140234 REV. I
 V.I.P. H3-45'
 SERIE 60 ENGINE
 INDEPENDENT SUSPENSION

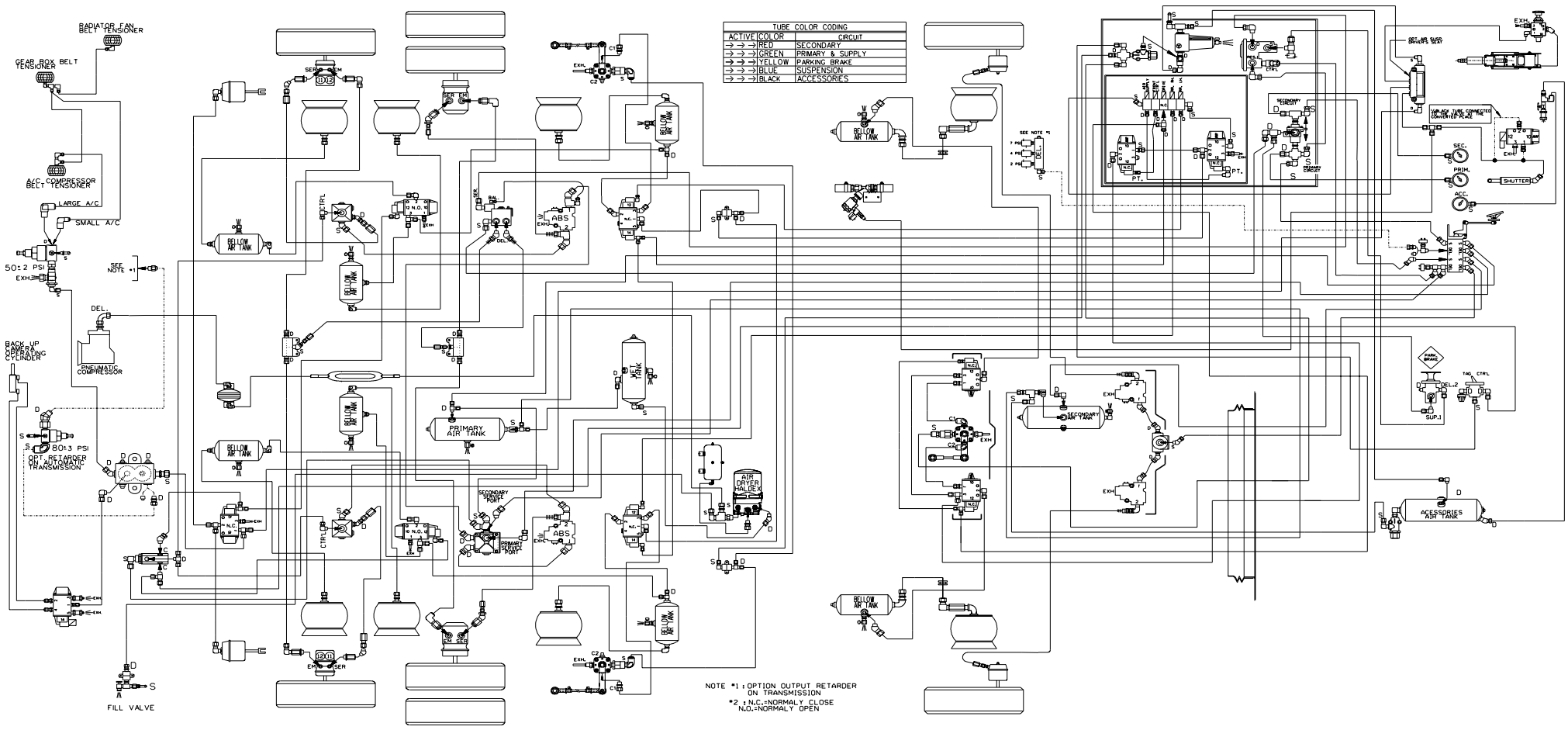


TUBE COLOR CODING	
ACTIVE COLOR	CIRCUIT
RED	SECONDARY
GREEN	PRIMARY & SUPPLY
YELLOW	PARKING BRAKE
BLUE	SUSPENSION
BLACK	ACCESSORIES

NOTE *1: OPTION OUTPUT RETARDER ON TRANSMISSION
 *2: N.C.=NORMALY_CLOSE
 N.O.=NORMALY_OPEN

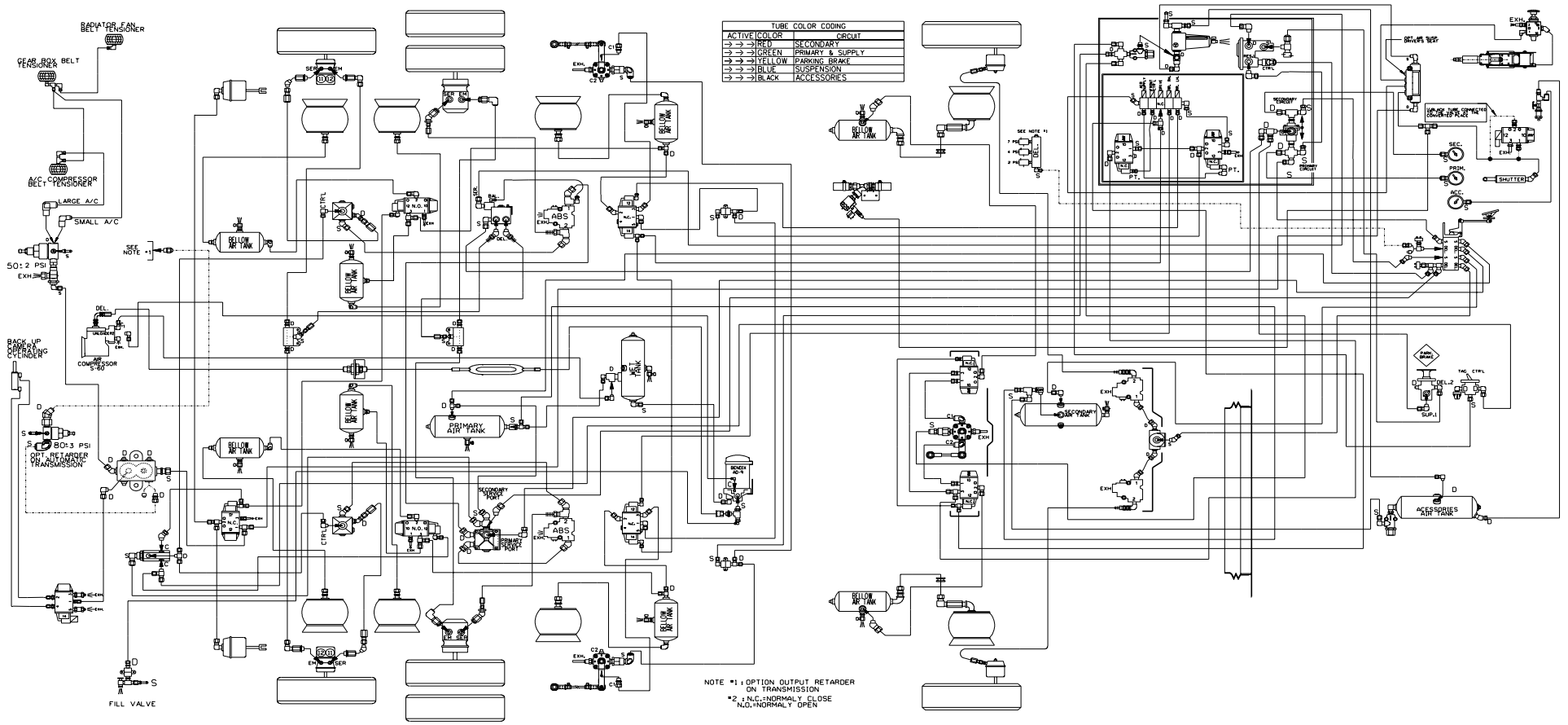
DATE: 2001-07

*D140234_REV.J
 V.I.P. H3-45
 SERIE 60 ENGINE
 INDEPENDENT SUSPENSION



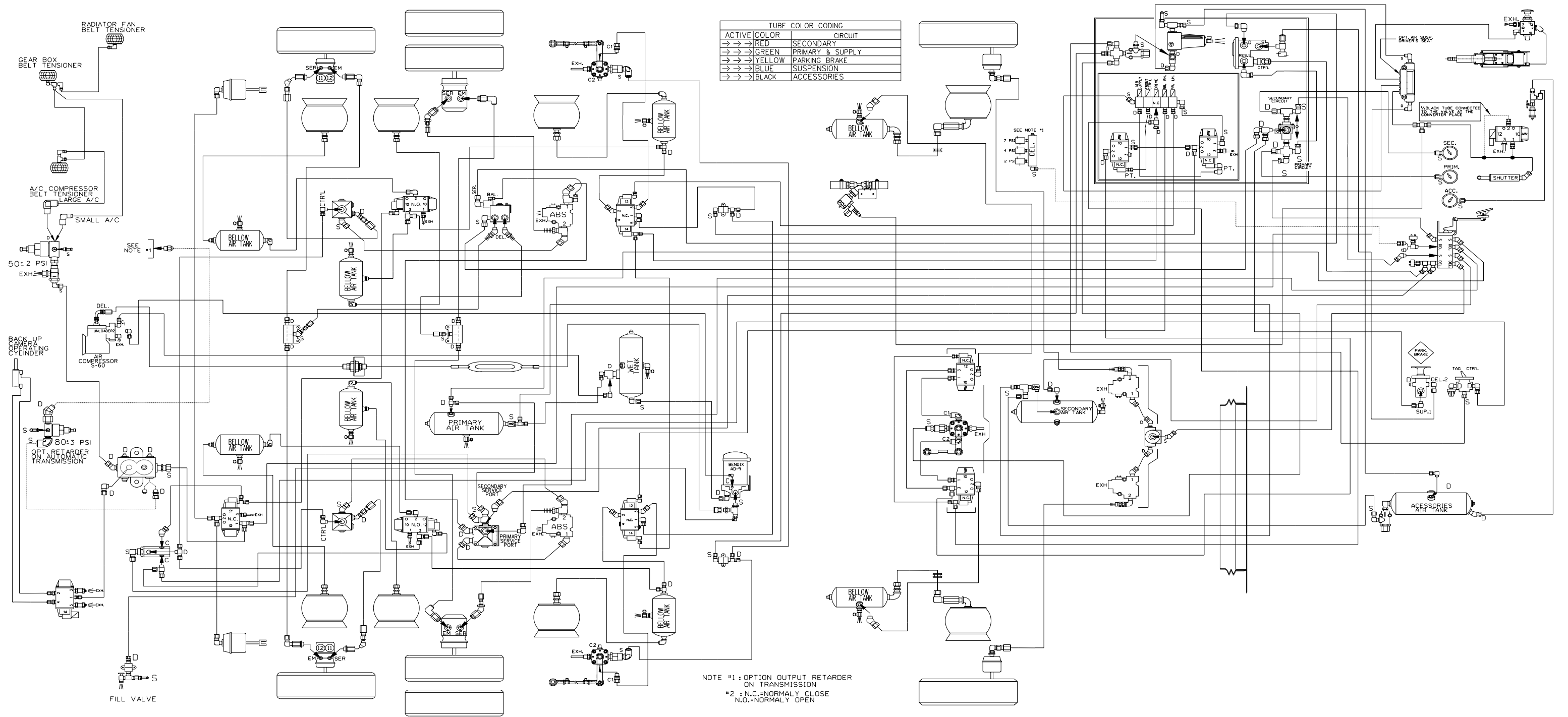
DATE: 2002-01

*D140234 REV.L
 V.I.P. H3-45
 SERIE 60 ENGINE
 INDEPENDENT SUSPENSION



DATE: 2002-06

*D140234_REV.M
 V.I.P. H3-45
 SERIES 60 ENGINE
 INDEPENDENT SUSPENSION



TUBE COLOR CODING	
→ → RED	SECONDARY
→ → GREEN	PRIMARY & SUPPLY
→ → YELLOW	PARKING BRAKE
→ → BLUE	SUSPENSION
→ → BLACK	ACCESSORIES

NOTE #1: OPTION OUTPUT RETARDER ON TRANSMISSION
 #2: N.C.=NORMALY CLOSE
 N.O.=NORMALY OPEN

DATE: 2003-01

#D140234 REV.N
 V.I.P. H3-45
 SERIE 60 ENGINE
 INDEPENDENT SUSPENSION