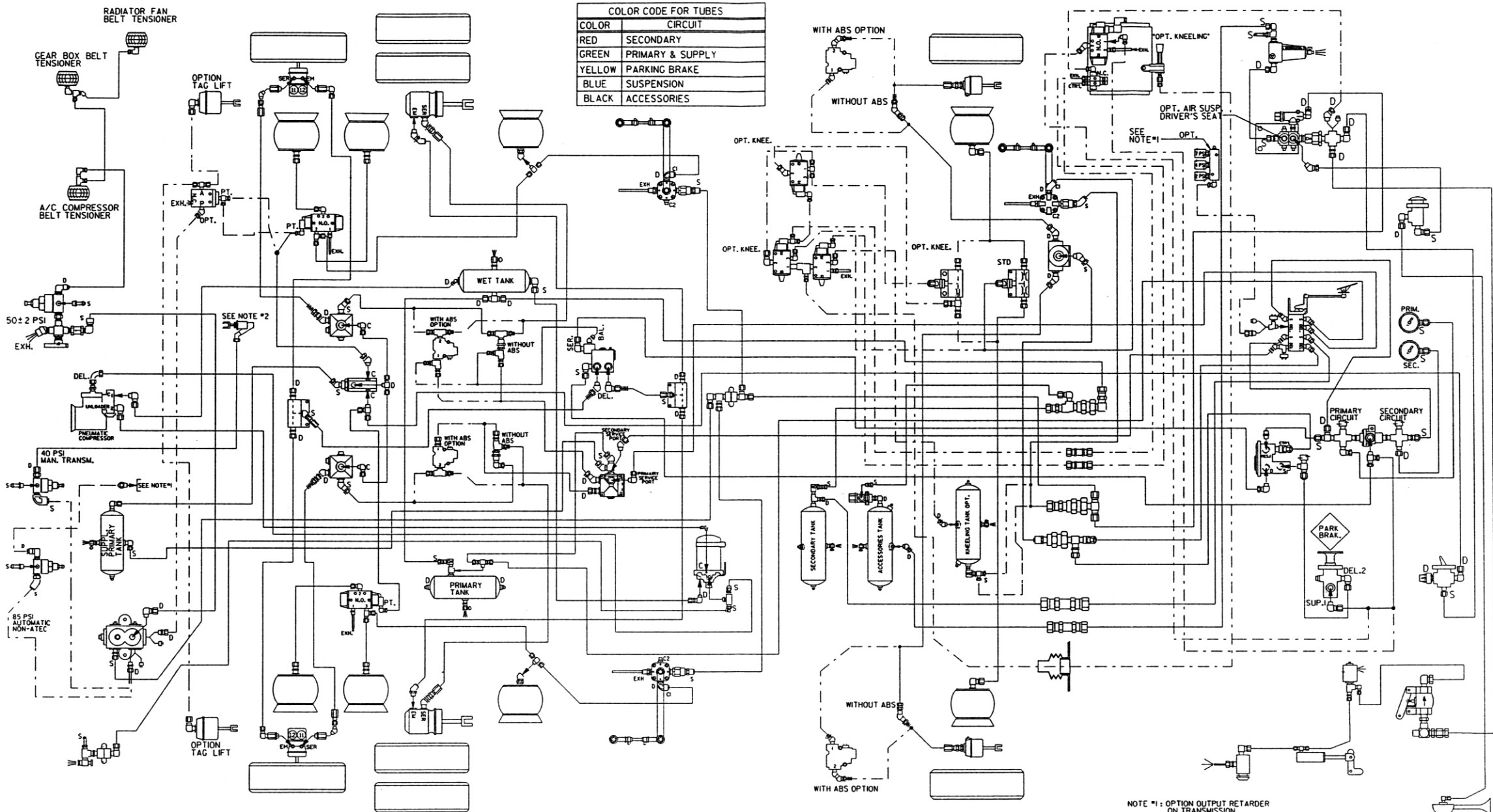


COLOR CODE FOR TUBES	
COLOR	CIRCUIT
RED	SECONDARY
GREEN	PRIMARY & SUPPLY
YELLOW	PARKING BRAKE
BLUE	SUSPENSION
BLACK	ACCESSORIES

- NOTE #1: OPTION OUTPUT RETARDER ON TRANSMISSION.
- #2: POWERED-ASSISTED CLUTCH.
- #3: N.O. =NORMALY OPEN  
N.C. =NORMALY CLOSE



COLOR CODE FOR TUBES	
COLOR	CIRCUIT
RED	SECONDARY
GREEN	PRIMARY & SUPPLY
YELLOW	PARKING BRAKE
BLUE	SUSPENSION
BLACK	ACCESSORIES

- NOTE #1: OPTION OUTPUT RETARDER ON TRANSMISSION.
- \*2: POWERED-ASSISTED CLUTCH.
- \*3: N.O. =NORMALY OPEN  
N.C. =NORMALY CLOSE