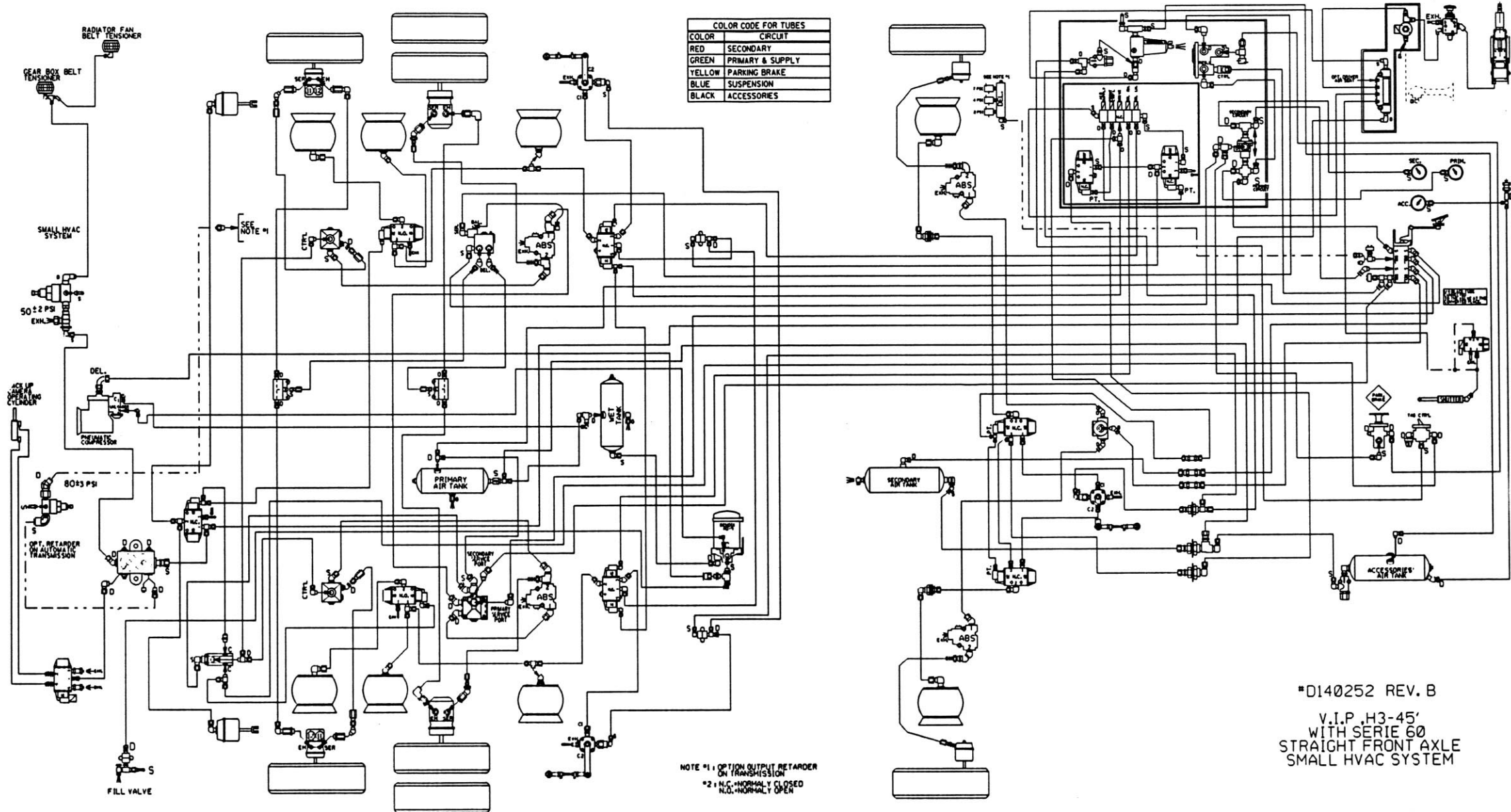


COLOR CODE FOR TUBES	
COLOR	CIRCUIT
RED	SECONDARY
GREEN	PRIMARY & SUPPLY
YELLOW	PARKING BRAKE
BLUE	SUSPENSION
BLACK	ACCESSORIES

NOTE #1: OPTION OUTPUT RETARDER ON TRANSMISSION  
 #2: N.C. - NORMALLY CLOSED  
 N.O. - NORMALLY OPEN

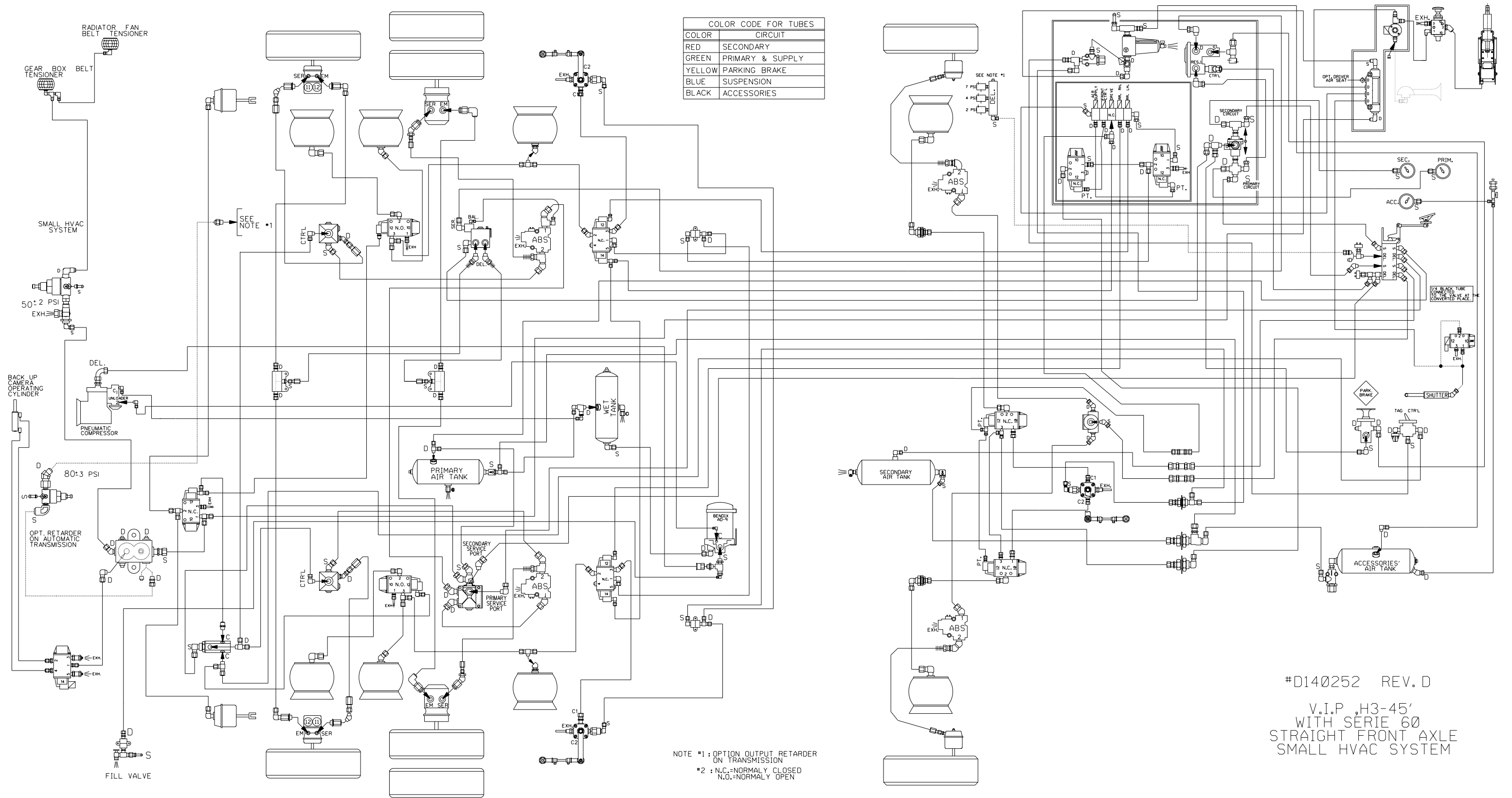
\*D140252 REV. A  
 V.I.P. H3-45'  
 WITH SERIE 60  
 STRAIGHT FRONT AXLE  
 SMALL HVAC SYSTEM

COLOR CODE FOR TUBES	
COLOR	CIRCUIT
RED	SECONDARY
GREEN	PRIMARY & SUPPLY
YELLOW	PARKING BRAKE
BLUE	SUSPENSION
BLACK	ACCESSORIES

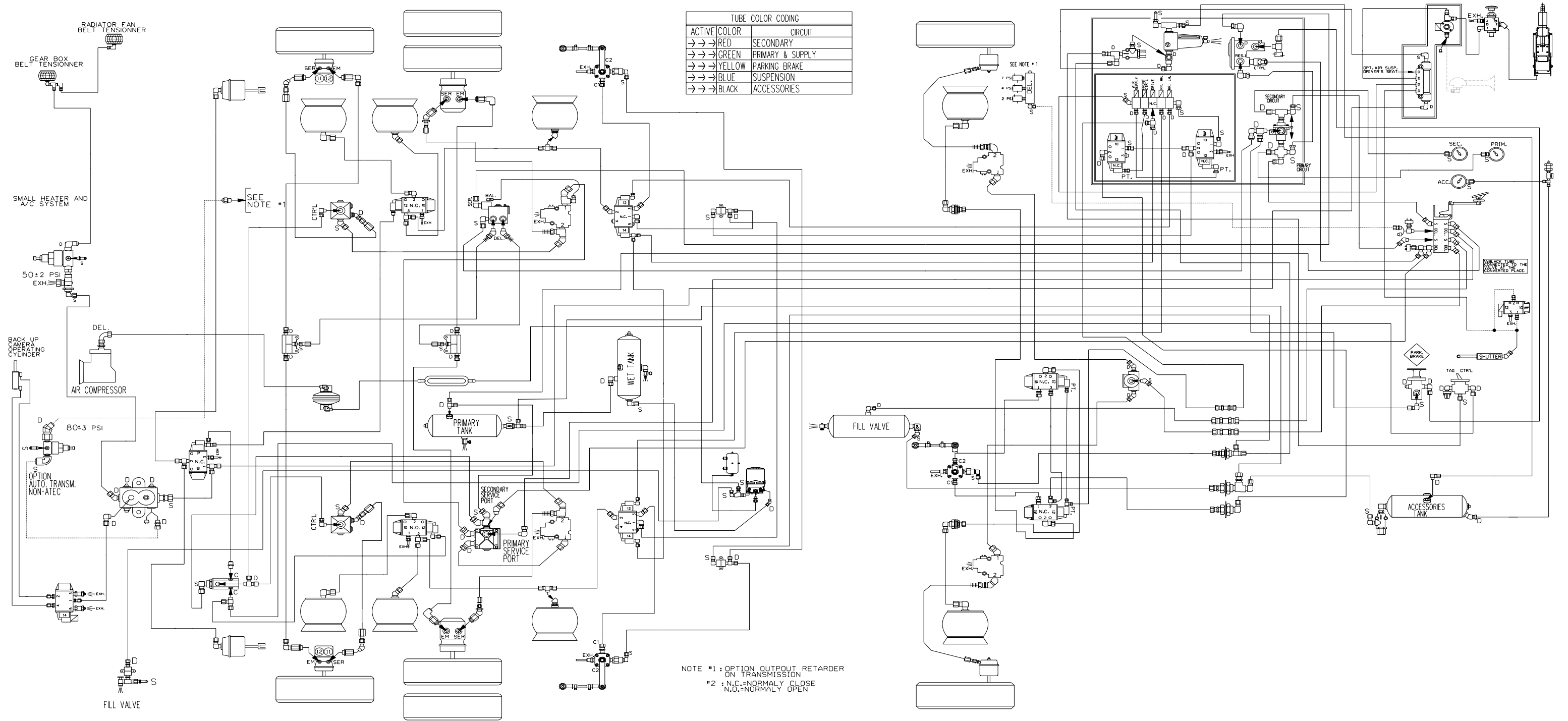


NOTE #1: OPTION OUTPUT RETARDER ON TRANSMISSION  
 #2: N.C. - NORMALLY CLOSED  
 N.O. - NORMALLY OPEN

\*D140252 REV. B  
 V.I.P. H3-45'  
 WITH SERIE 60  
 STRAIGHT FRONT AXLE  
 SMALL HVAC SYSTEM



#D140252 REV. D  
 V.I.P. H3-45'  
 WITH SERIE 60  
 STRAIGHT FRONT AXLE  
 SMALL HVAC SYSTEM

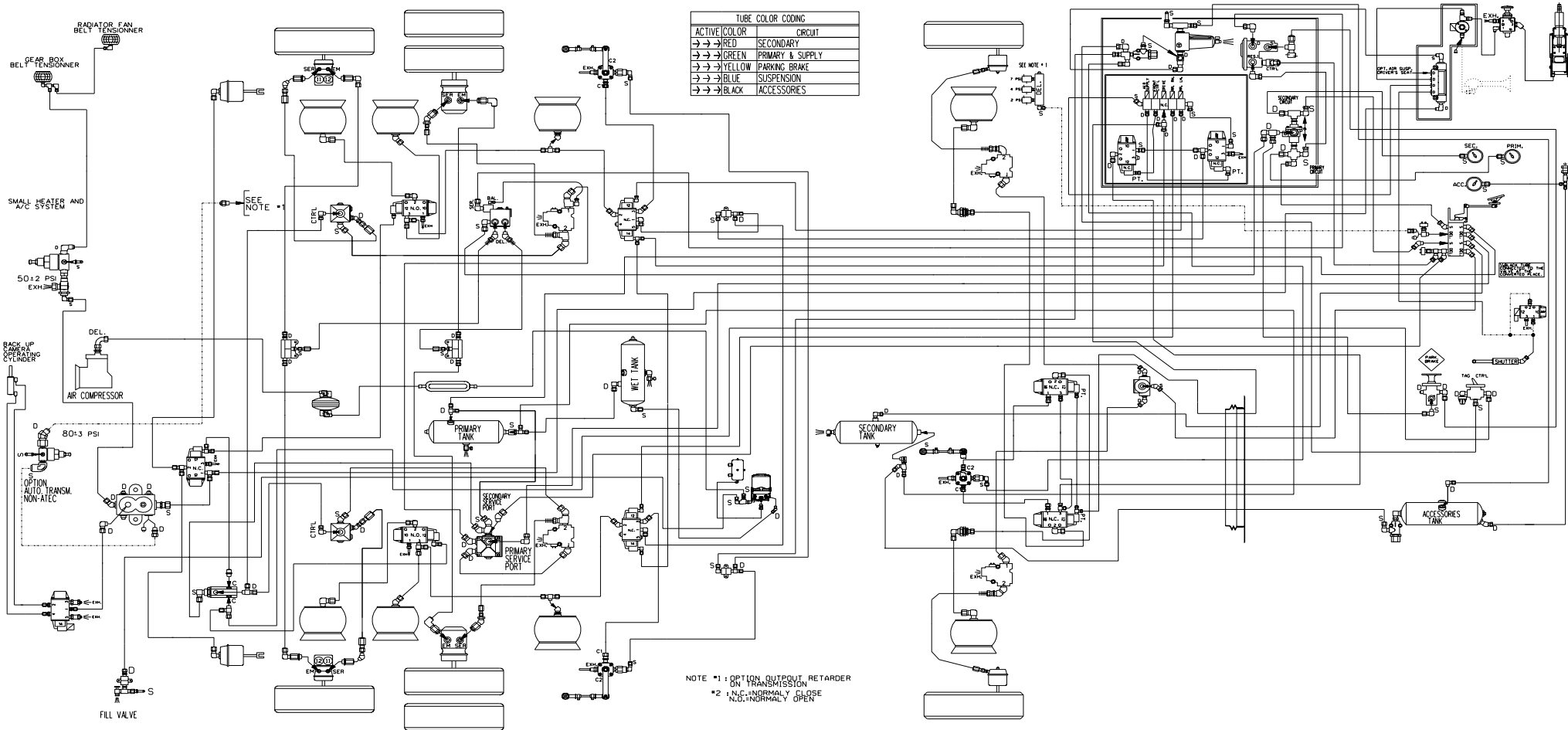


ACTIVE	COLOR	CIRCUIT
→→→	RED	SECONDARY
→→→	GREEN	PRIMARY & SUPPLY
→→→	YELLOW	PARKING BRAKE
→→→	BLUE	SUSPENSION
→→→	BLACK	ACCESSORIES

NOTE \*1 : OPTION OUTPUT RETARDER ON TRANSMISSION  
 \*2 : N.C.=NORMALY CLOSE  
 N.O.=NORMALY OPEN

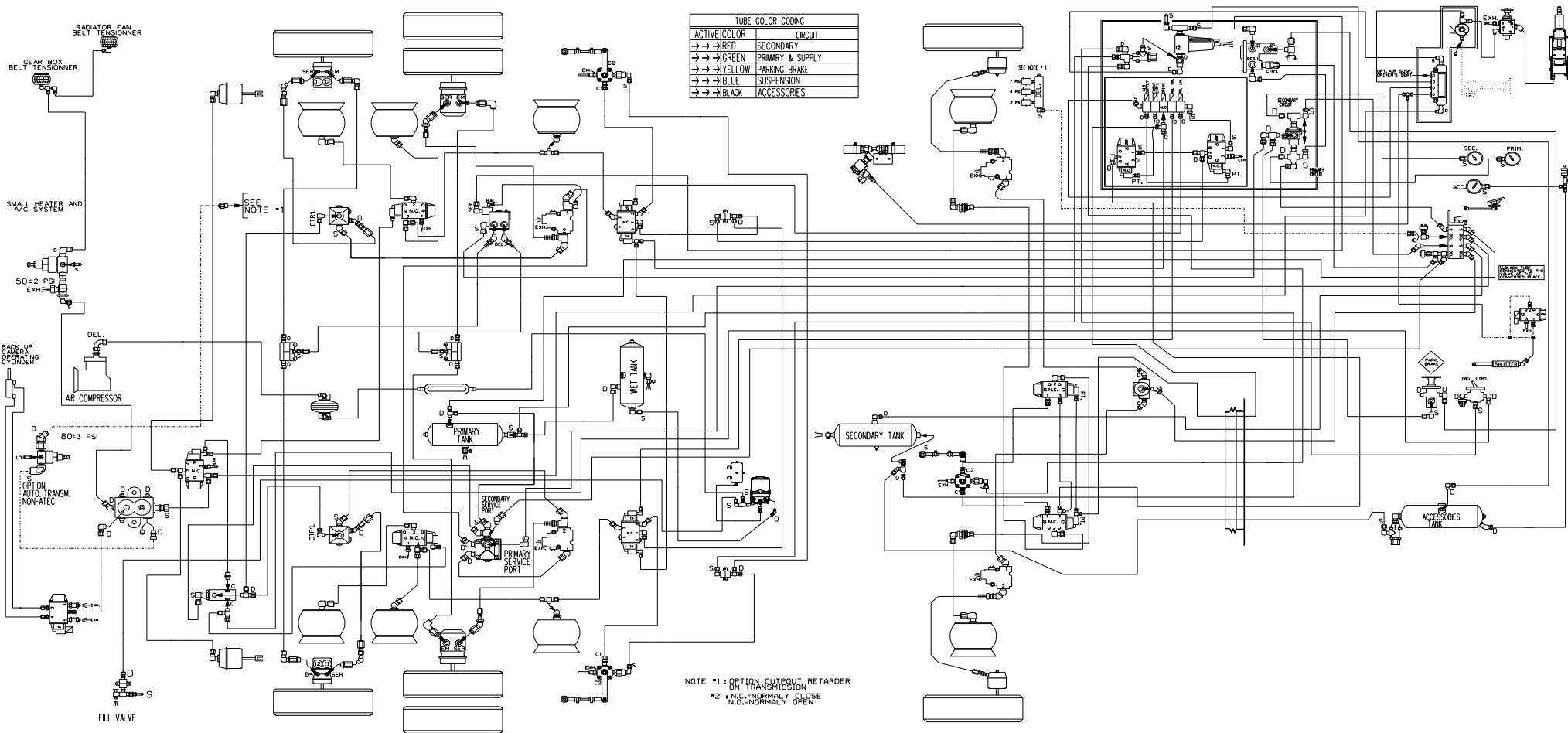
DATE: 2001-08

D140252, REVISION i  
 VIP H3-45  
 SERIE 60 ENGINE, SMALL A/C  
 RIGID FRONT AXLE



DATE: 2001-09

D140252\_P1 REVISION j  
 VIP H3-4S  
 SERIE 60 ENGINE SMALL A/C  
 RIGID FRONT AXLE



DATE: 2002-01

D140252, REVISION K  
 VIP-13-45  
 SERIE 60, ENGINE, SMALL A/C  
 RIGID FRONT AXLE

