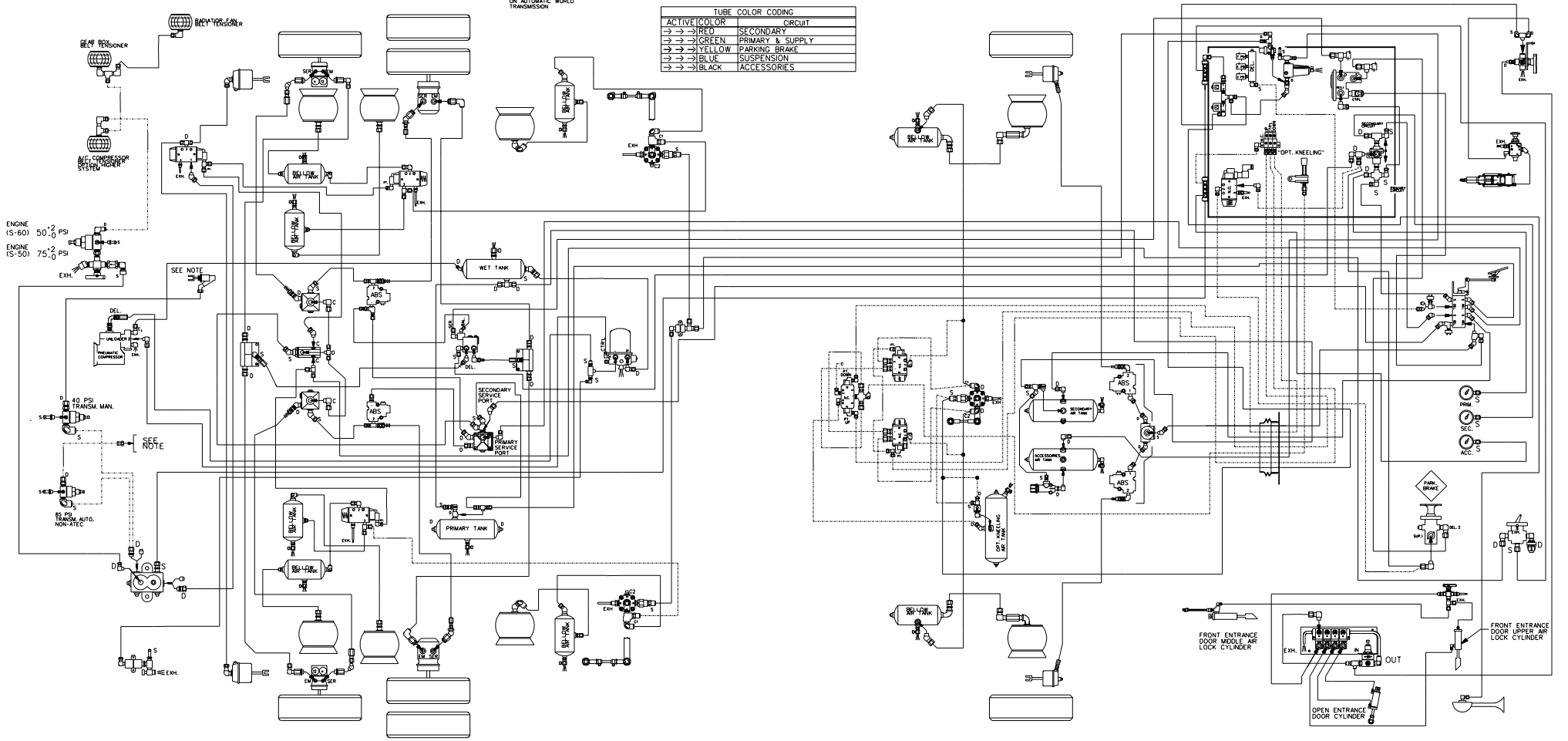


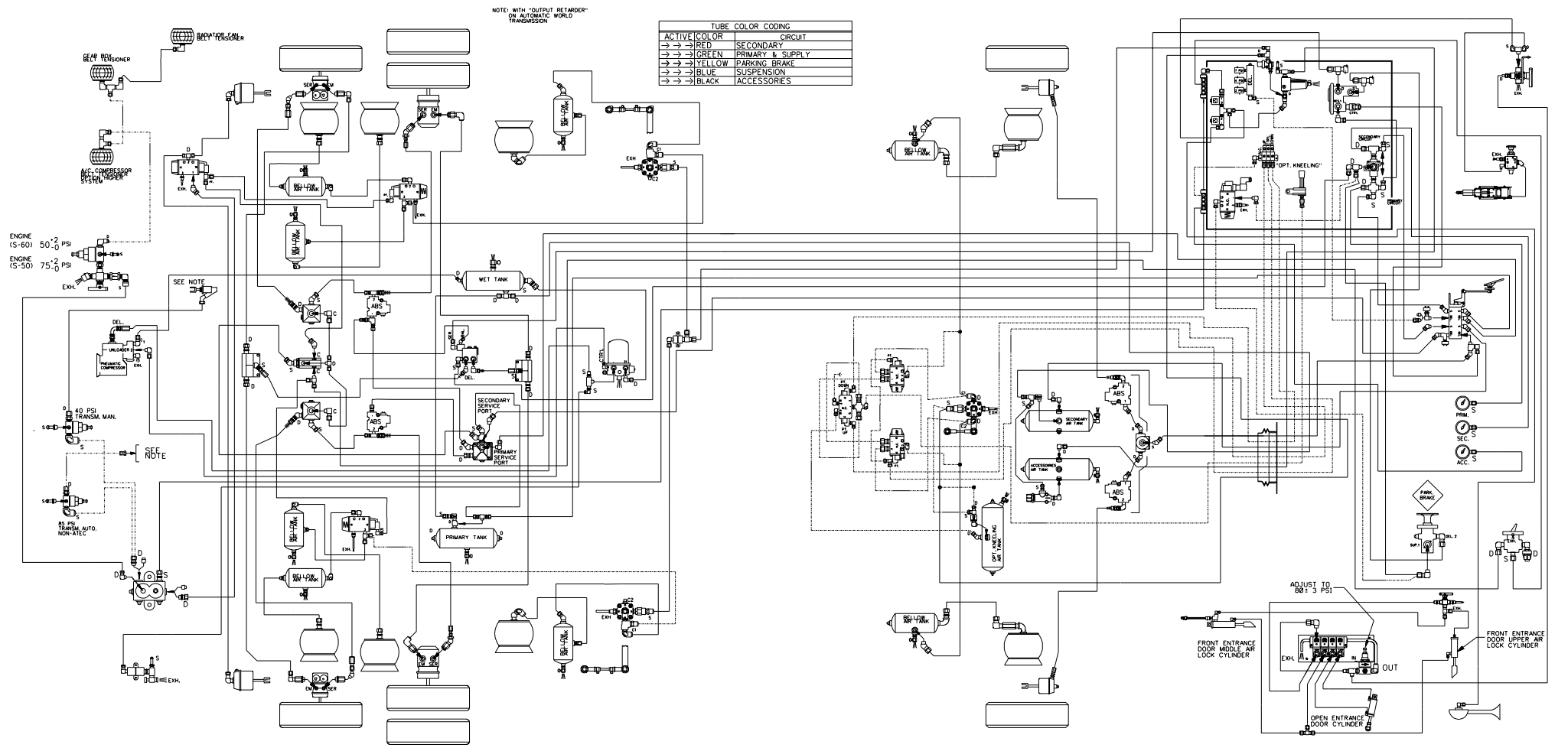
NOTE: WITH "OUTPUT RETARDER" ON AUTOMATIC WORLD TRANSMISSION

ACTIVE COLOR	CIRCUIT
→ → → RED	SECONDARY
→ → → GREEN	PRIMARY & SUPPLY
→ → → YELLOW	PARKING BRAKE
→ → → BLUE	SUSPENSION
→ → → BLACK	ACCESSORIES



DATE: 12-1999

#D140256 P.1 REV.B
 COACH XL2 45' (I.S.S.)
 INDEPENDENT SUSPENSION SYSTEM

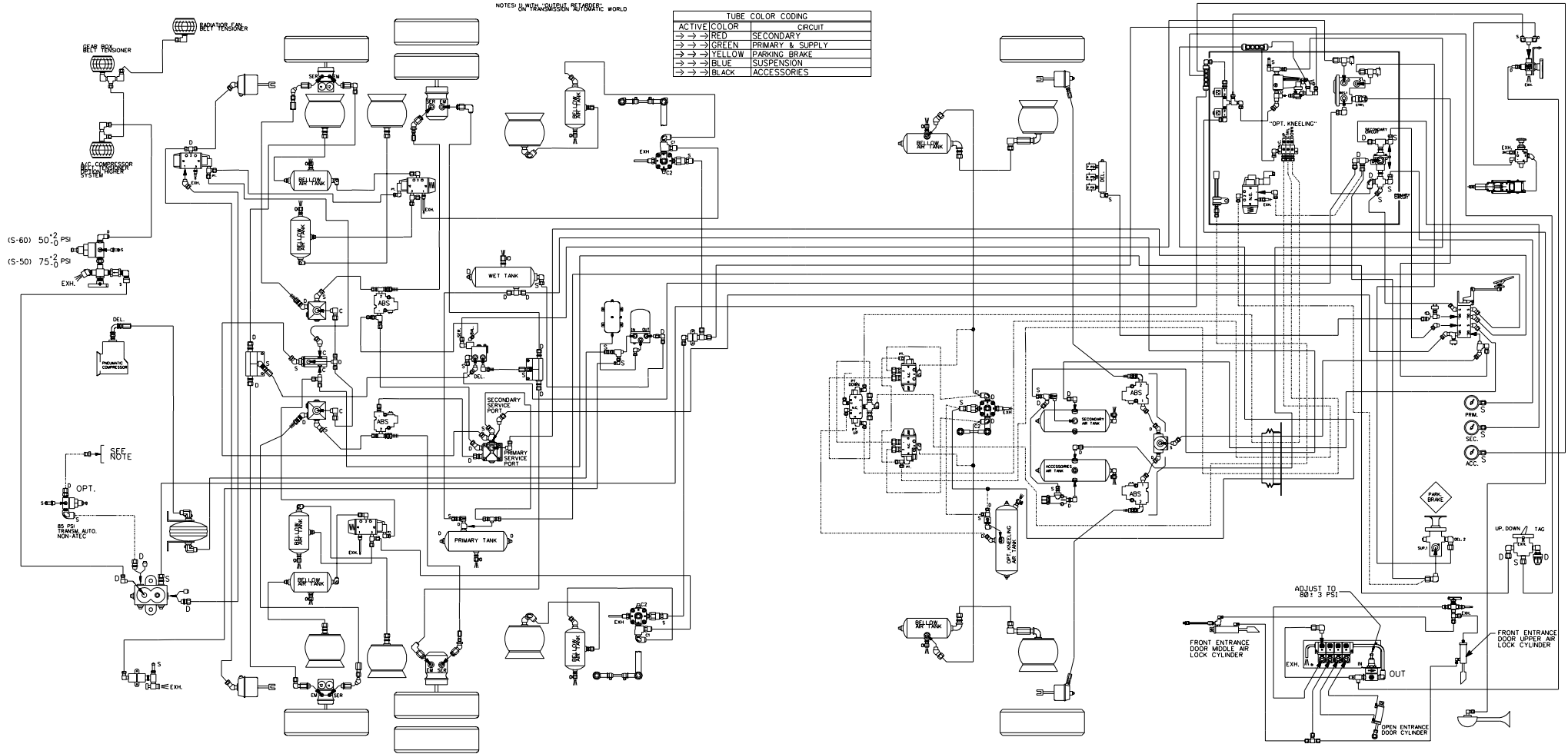


DATE: 07-2000

#D140256 P.1 REV.D
COACH XL2 45' (I.S.S.)
INDEPENDENT SUSPENSION SYSTEM

NOTES: IN THIS SYSTEM, SEPARATE WORLD

TUBE COLOR CODING	
ACTIVE COLOR	CIRCUIT
→ → → RED	SECONDARY
→ → → GREEN	PRIMARY & SUPPLY
→ → → YELLOW	PARKING BRAKE
→ → → BLUE	SUSPENSION
→ → → BLACK	ACCESSORIES

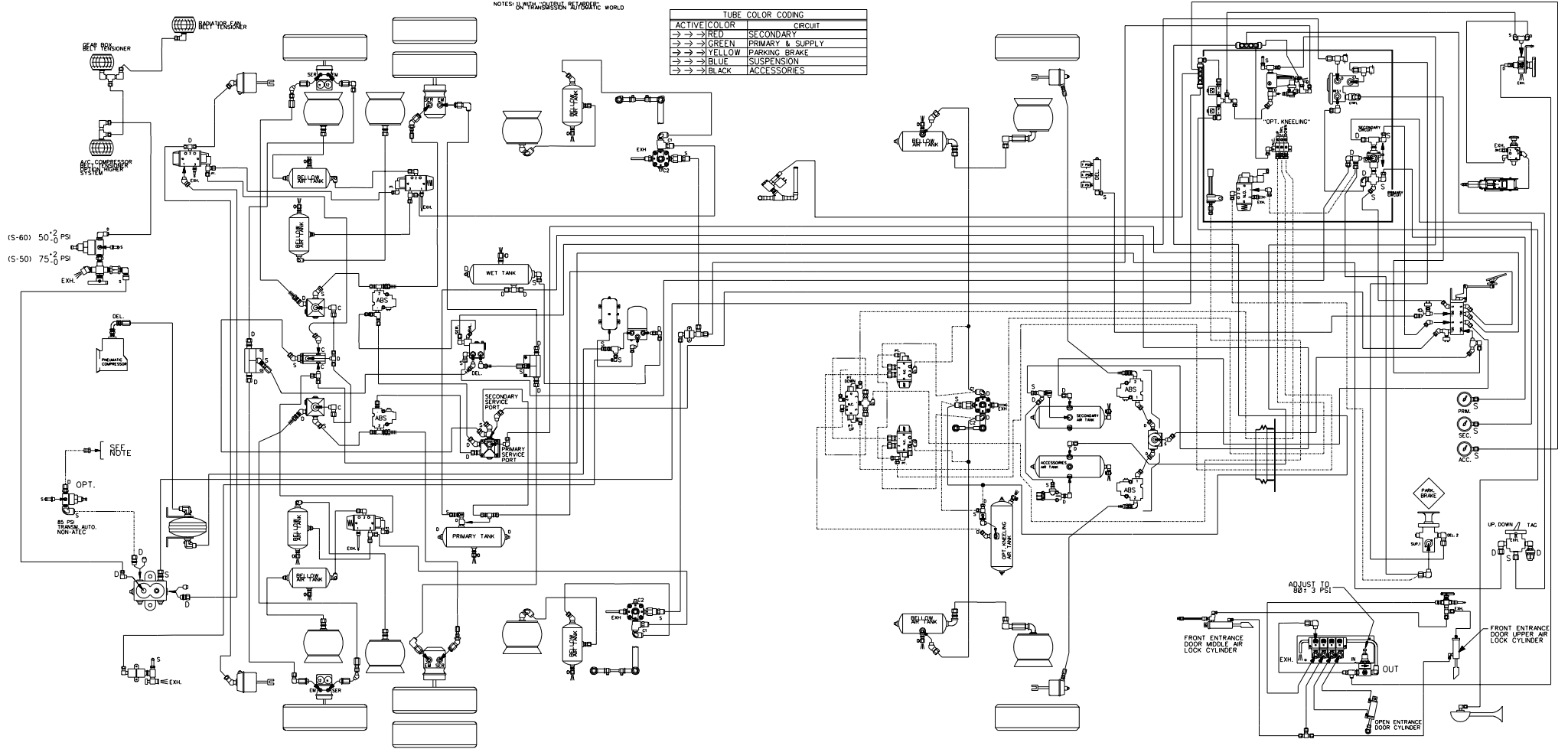


DATE: 2001-06

•D140256 P.1 REV.G
 COACH XL2 45' (I.S.S.)
 INDEPENDENT SUSPENSION SYSTEM

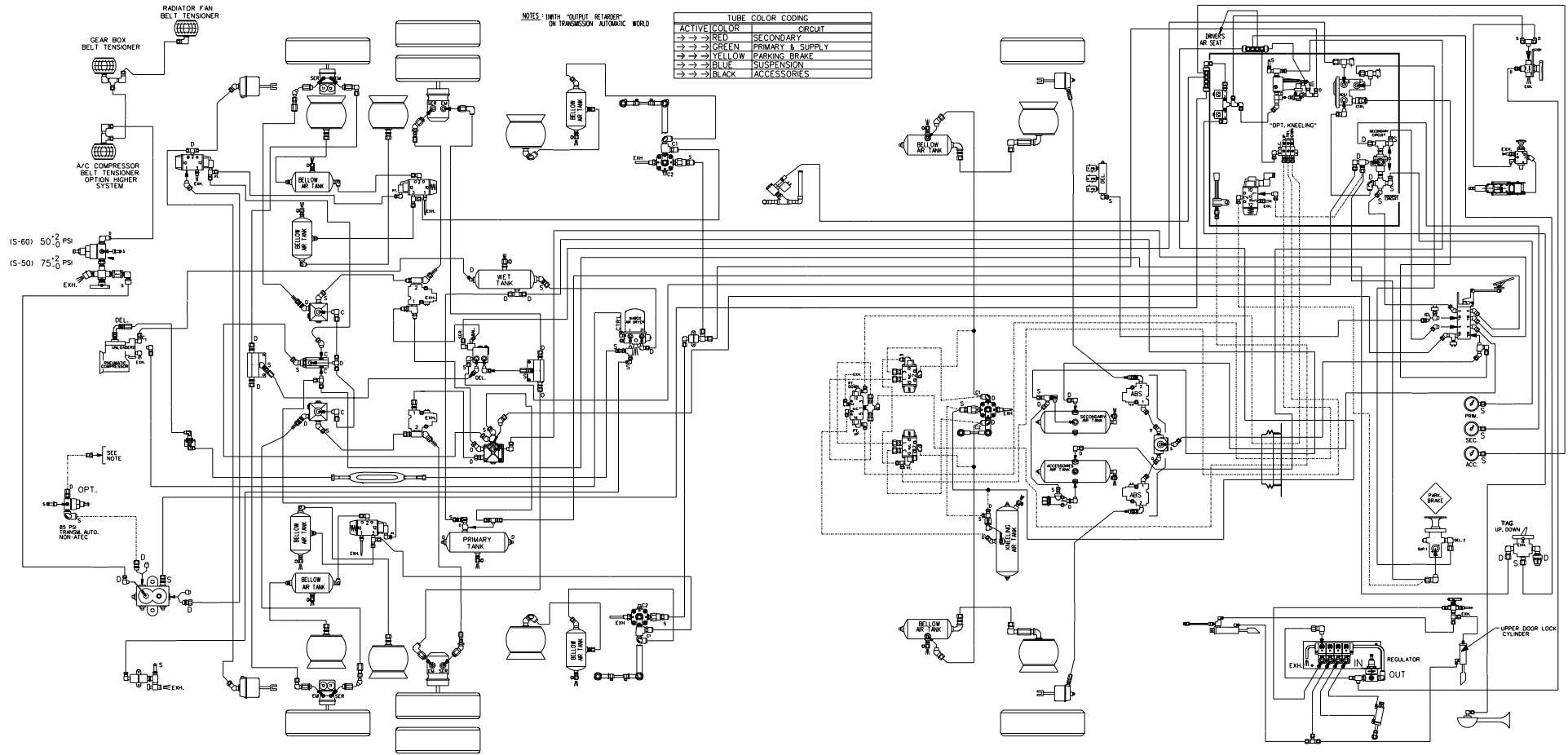
NOTES: 1. WET TANKS SET TO 80 ± 3 PSI

ACTIVE COLOR	CIRCUIT
→ → → RED	SECONDARY
→ → → GREEN	PRIMARY & SUPPLY
→ → → YELLOW	PARKING BRAKE
→ → → BLUE	SUSPENSION
→ → → BLACK	ACCESSORIES



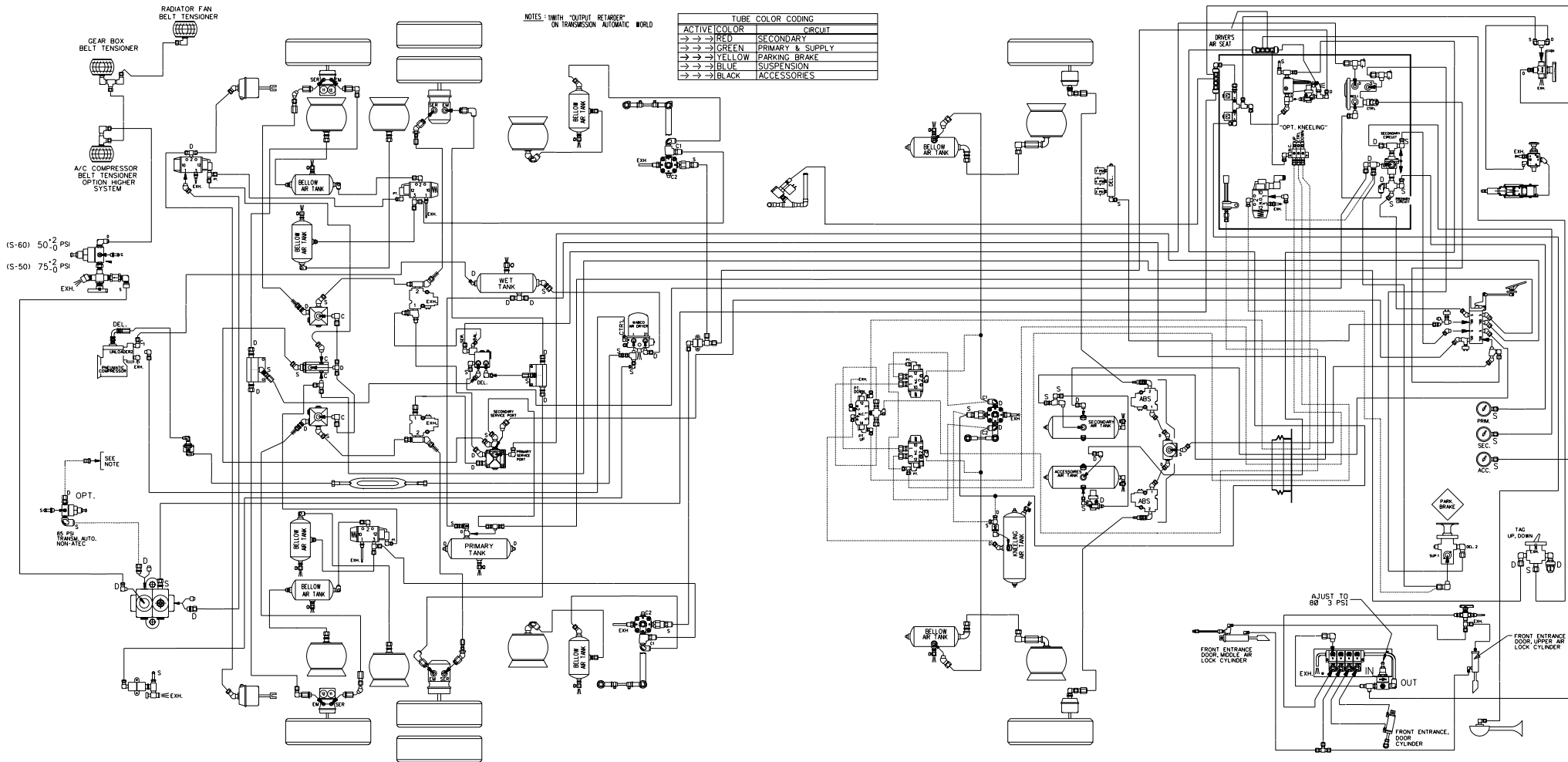
DATE: 2001-12

#D140256 P.1 REV.H
 COACH XL2 45' (I.S.S.)
 INDEPENDENT SUSPENSION SYSTEM



DATE: 05/2002

D140256 P.1 REV.1
 COACH XL2 SERIES 60
 INDEPENDENT FRONT SUSPENSION (I.F.S.)



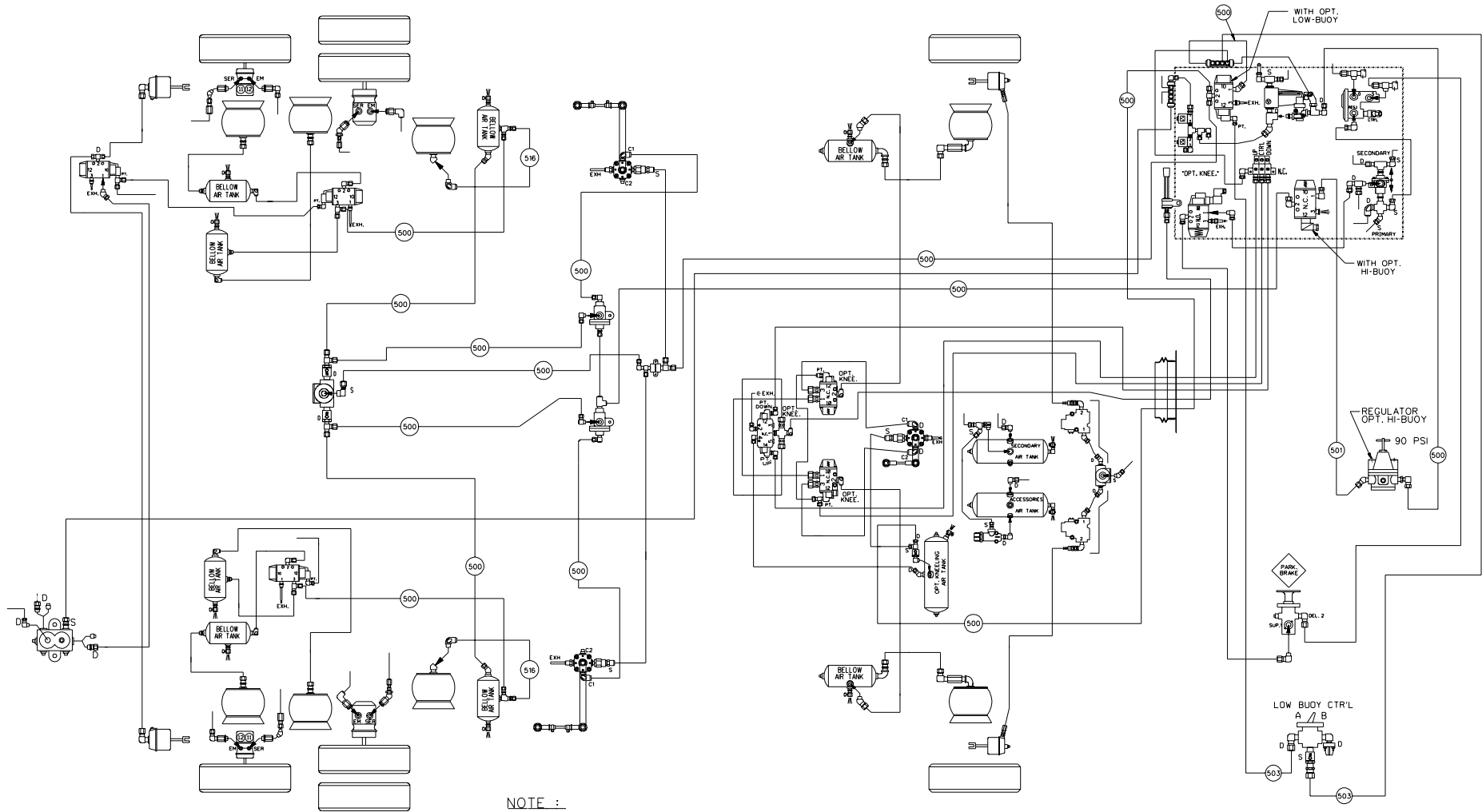
NOTES: WITH "OUTPUT RETARDER" ON TRANSMISSION AUTOMATIC WORLD

ACTIVE	COLOR	CIRCUIT
→ →	RED	SECONDARY
→ →	GREEN	PRIMARY & SUPPLY
→ →	YELLOW	PARKING BRAKE
→ →	BLUE	SUSPENSION
→ →	BLACK	ACCESSORIES

(S-60) 50.0 PSI
(S-50) 75.0 PSI

D140256 P.1 REV.J
COACH XL2
SERIE 60 ENGINE
INDEPENDENT FRONT SUSPENSION (I.F.S.)

DATE: 2003-01



NOTE :

CONTROL VALVE OPT. "LOW-BUOY", "A" OR "B" SETTING:

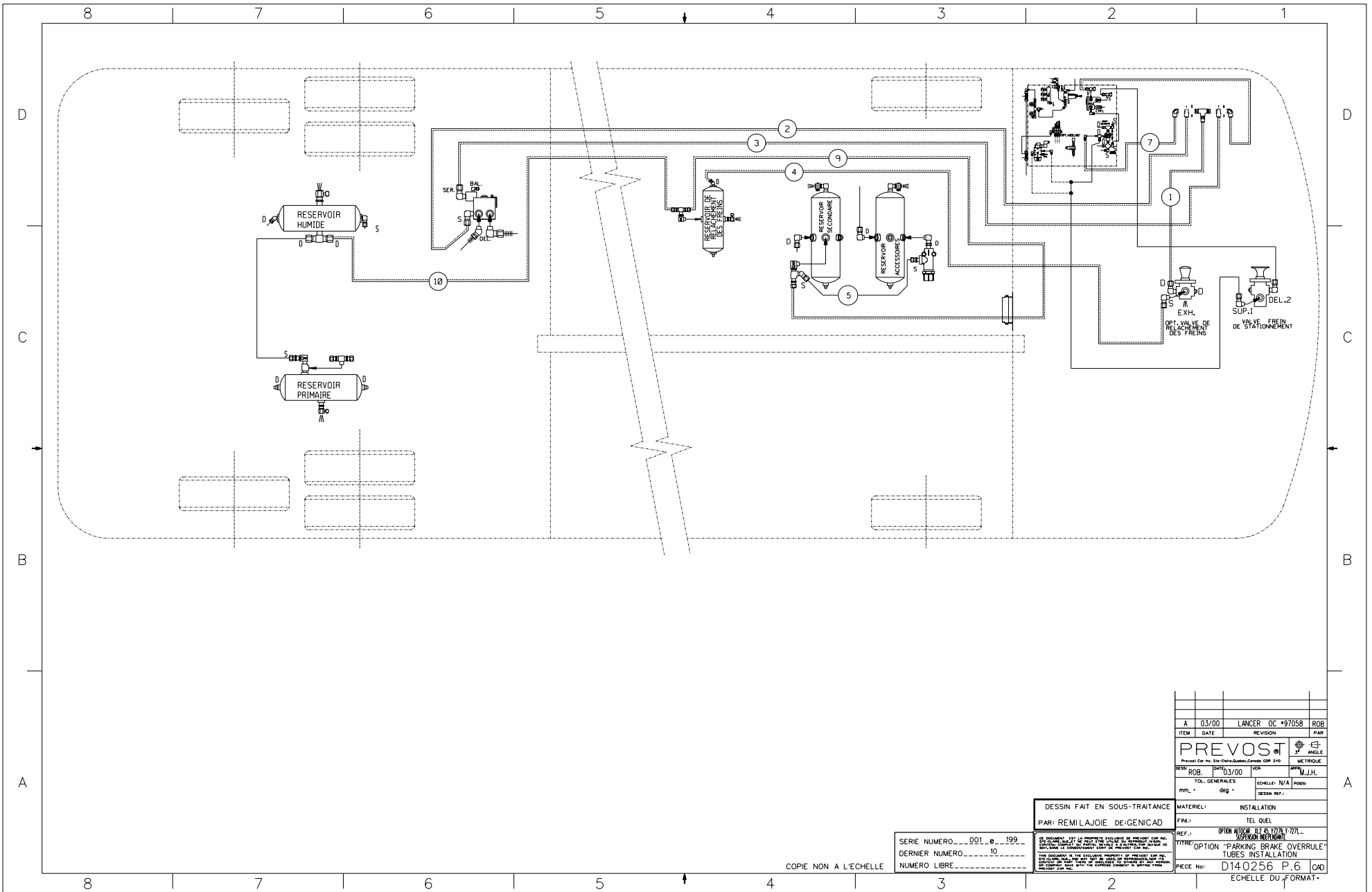
POSITION "A": VALVE OPEN .
AIR FLOW BETWEEN SUPPLY (S) AND
DELIVERY (D), LOW-BUOY IS NOT IN FONCTION.

POSITION "B": VALVE CLOSED .
AIR DOES NOT FLOW BETWEEN SUPPLY (S)
AND DELIVERY (D), LOW-BUOY IS IN FONCTION.

ITEM	DESCRIPTION
500	3/8" O.D. BLUE
501	1/2" O.D. BLUE
516	3/4" O.D. BLACK
503	1/4" O.D. BLACK

COACH XL2
WITH INDEPENDENT SUSPENSION (I.S.S.)
WITH FRONT KNEELING , LOW-BUOY
AND HIGH-BUOY COMBINATION

D140256 P.5 REV.B

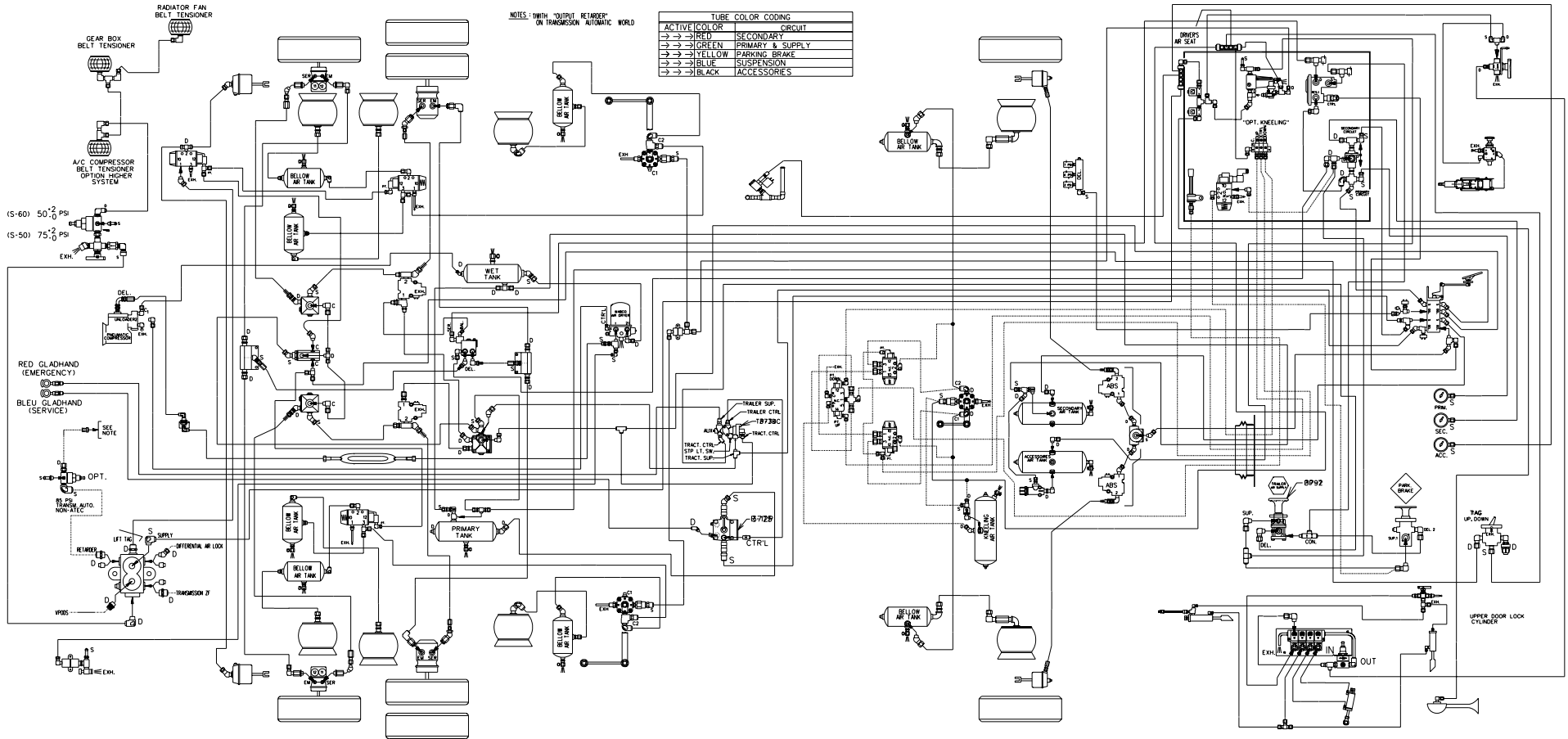


COPIE NON A L'ECHELLE

SERIE NUMERO...001...199
 DERNIER NUMERO...10
 NUMERO LIBRE.....

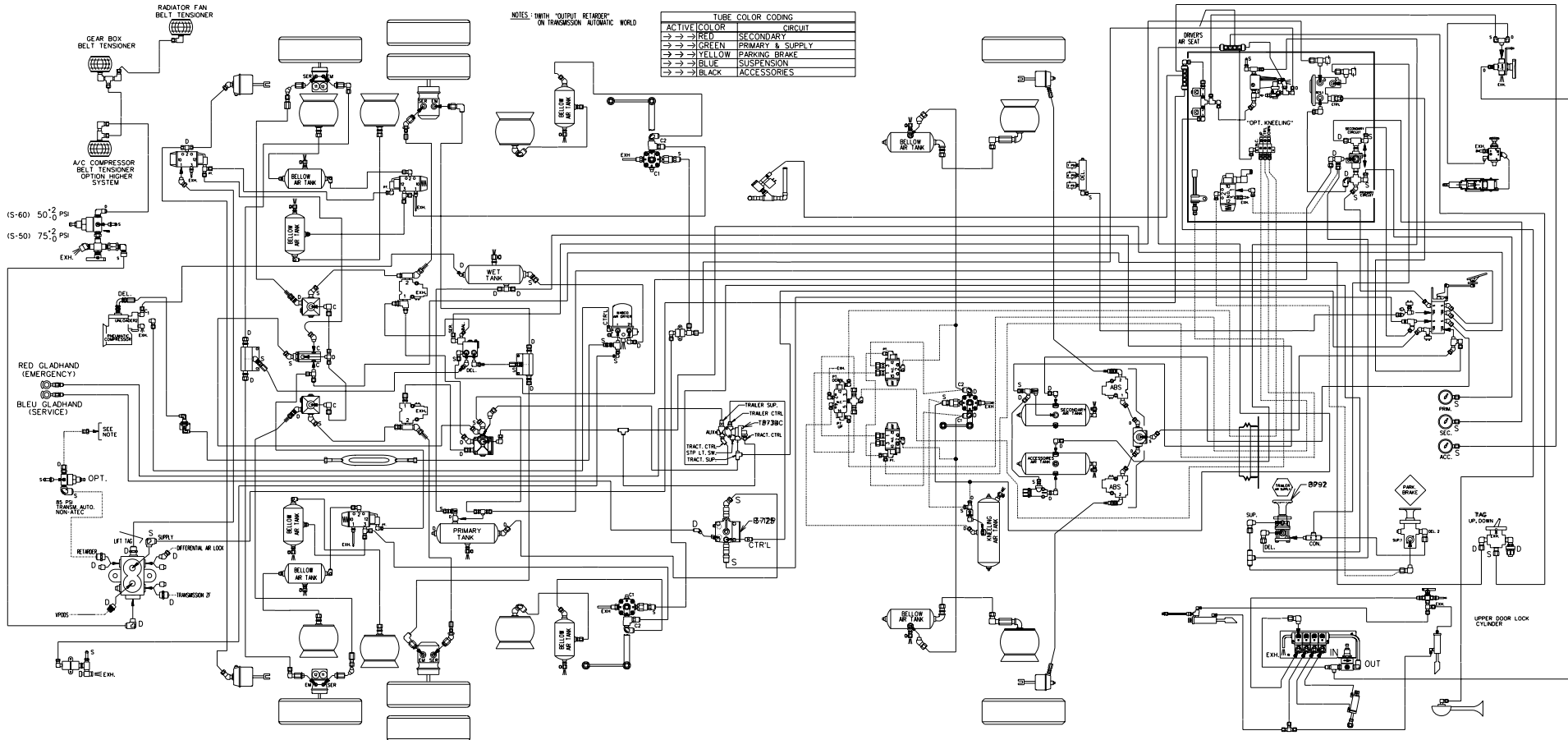
DESSIN FAIT EN SOUS-TRAITANCE
 PAR: REMI LAJOIE DE-GENICAD

ITEM	DATE	REVISION	PAR
A	03/00	LANCER OC *97058	ROB
PREVOST			ANGLE
Prévoist Car Inc. 511-Chester-Quinté-Canada QP 2VD			METRIQUE
DESIN	ROB	03/00	PAR M.J.H.
TOL. GENERALES		ECHELLE: N/A	POSS:
MIL. * 950 *		DESSIN REF.	
MATERIEL:		INSTALLATION	
PAR: REMI LAJOIE DE-GENICAD		TEL QUEL	
REF.1		OPTION "PARKING BRAKE OVERRULE"	
REF.2		TUBES INSTALLATION	
REF.3		SUSPENSION MECANIQUE	
REF.4		PIECE No: D140256 P. 6 CAD	
ECHELLE DU FORMAT:			



DATE: 10/2002

D140256 P.9 REV.A
ORLEANS COACH XL2 SERIES 60
INDEPENDENT FRONT SUSPENSION (I.F.S.)



DATE: 11/2002

D140256 P.9 REV.B
ORLEANS COACH XL2 SERIES 60
INDEPENDENT FRONT SUSPENSION (I.F.S.)