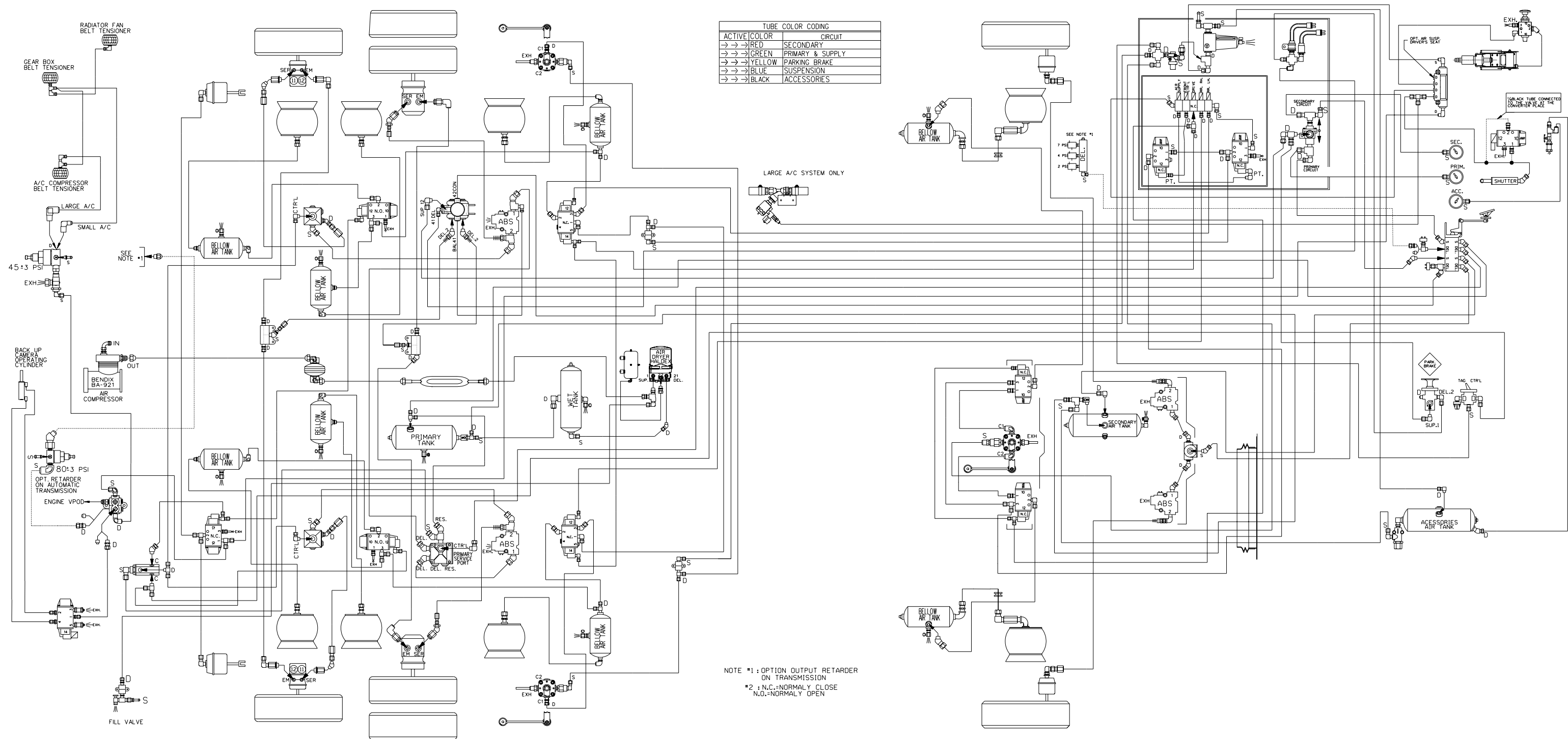


TUBE COLOR CODING	
ACTIVE COLOR	CIRCUIT
→ → → RED	SECONDARY
→ → → GREEN	PRIMARY & SUPPLY
→ → → YELLOW	PARKING BRAKE
→ → → BLUE	SUSPENSION
→ → → BLACK	ACCESSORIES

NOTE *1 : OPTION OUTPUT RETARDER ON TRANSMISSION
 *2 : N.C.,NORMALY CLOSE
 N.O.,NORMALY OPEN

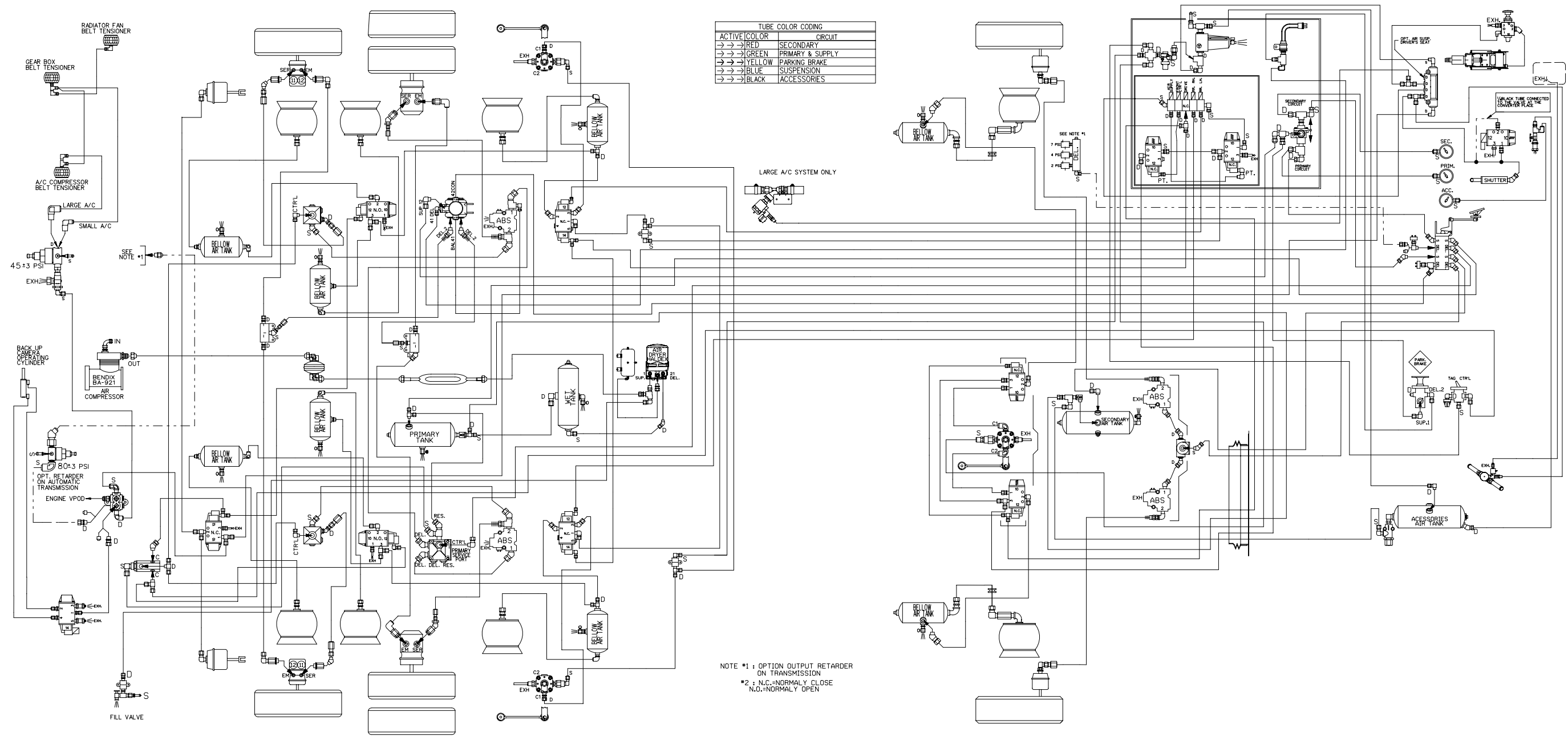
DATE: 2003/02

*D140298P1 REV.A
 H3-45 VIP ENGINE 2002
 WITH INDEPENDENT SUSPENSION



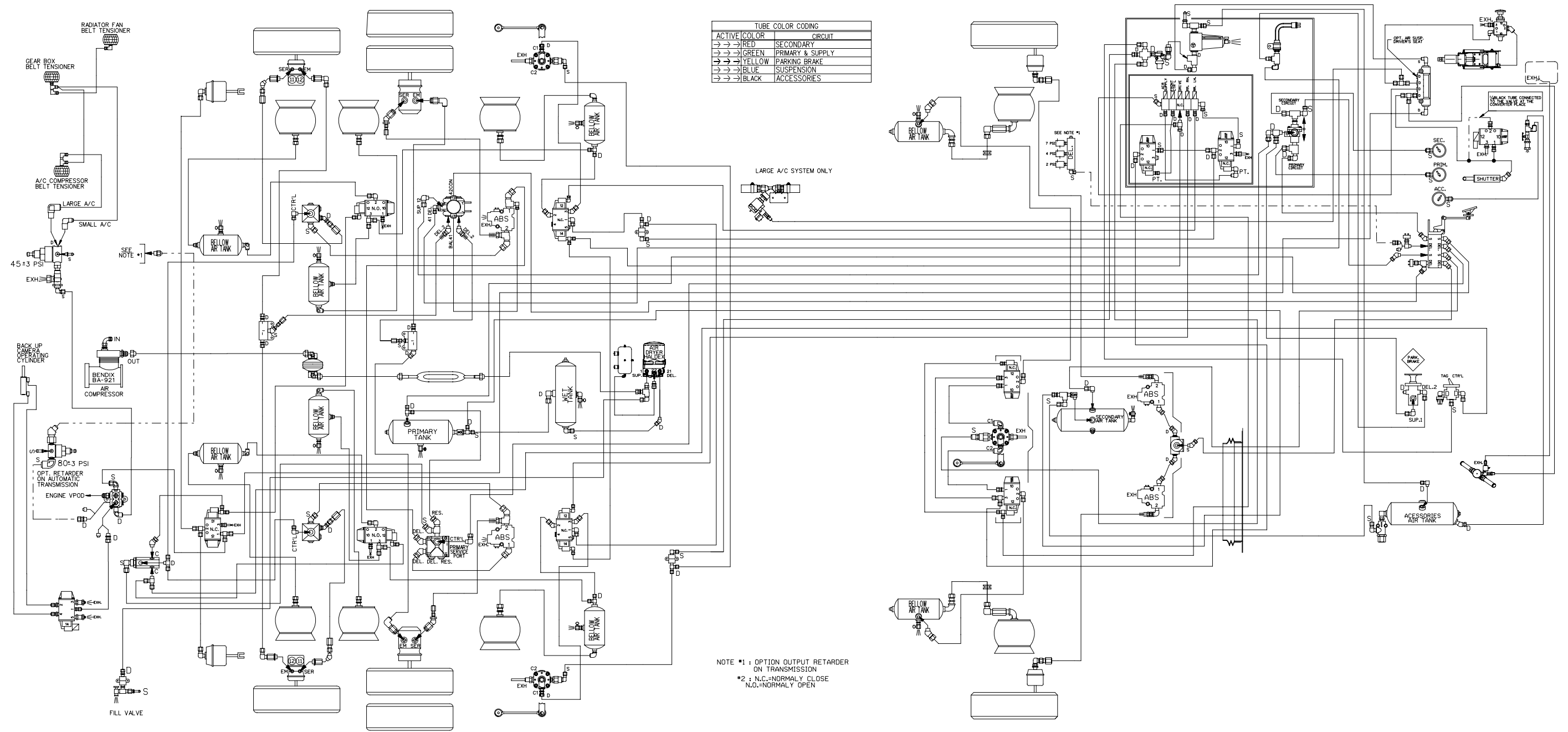
DATE: 2004/01

#D140298P1 REV.C
 H3-45 VIP, ENGINE 2002
 WITH INDEPENDENT SUSPENSION



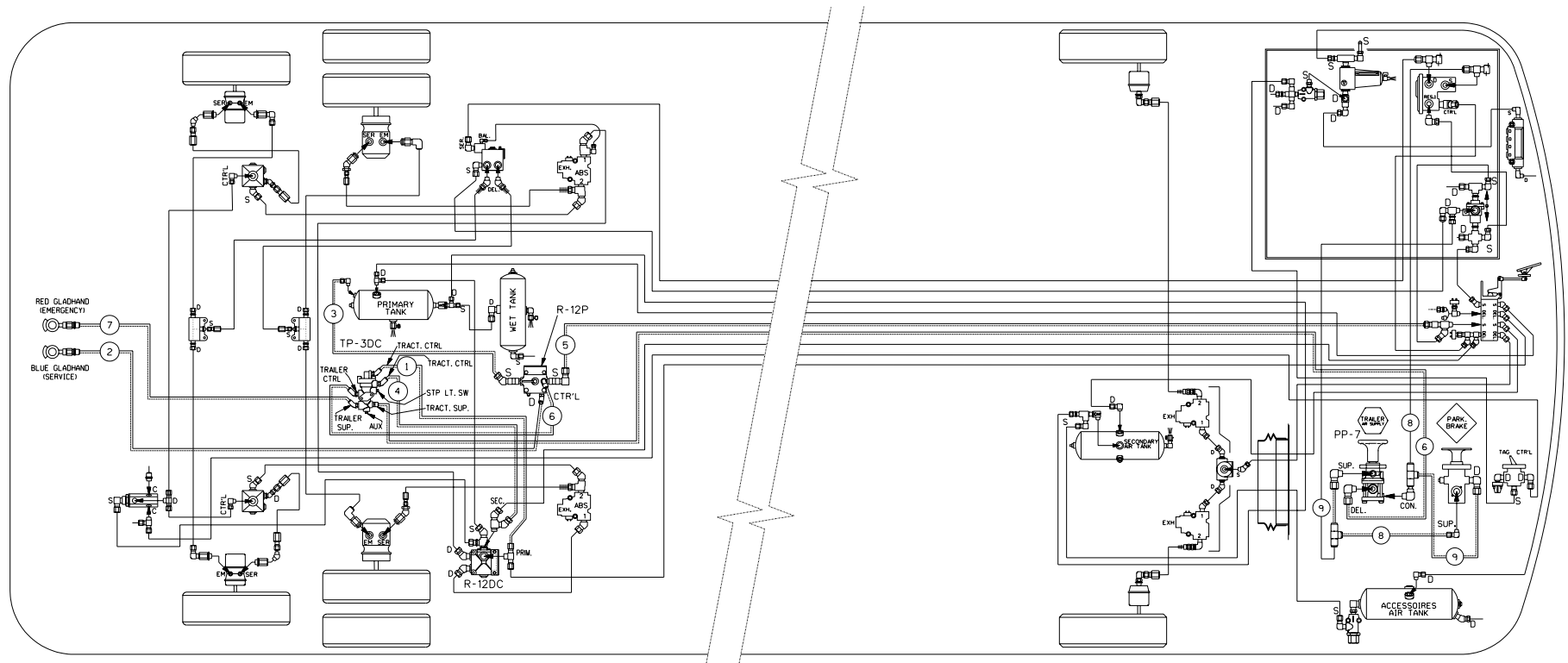
2005/11

#D140298P1 REV.E
H3-45 VIP, ENGINE 2002
WITH INDEPENDENT SUSPENSION



2006/04

*D140298P1 REV.F
H3-45 VIP, ENGINE 2002
WITH INDEPENDENT SUSPENSION

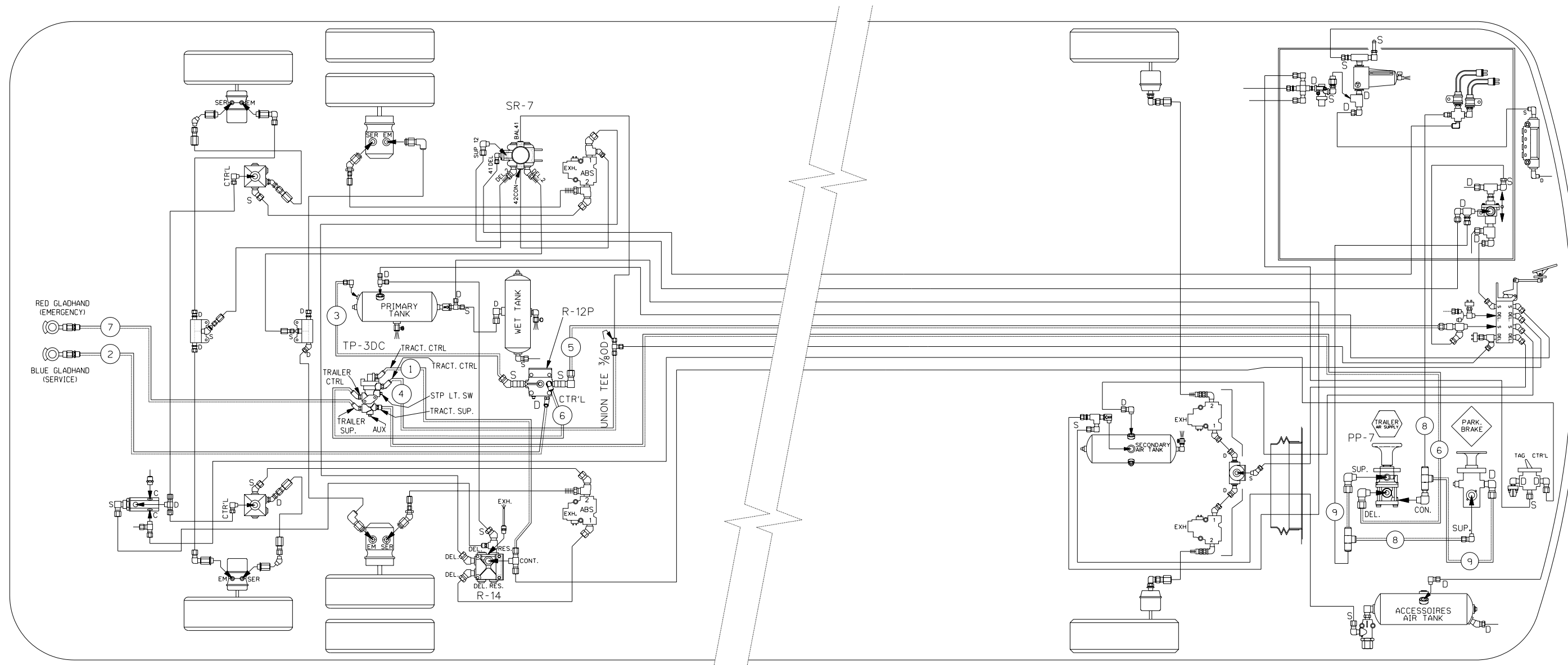


TUBE COLOR CODING	
ACTIVE COLOR	CIRCUIT
→ → → RED	SECONDARY
→ → → GREEN	PRIMARY & SUPPLY
→ → → YELLOW	PARKING BRAKE
→ → → BLUE	SUSPENSION
→ → → BLACK	ACCESSORIES

BALLOON	PIPE
*1	3/8" O.D. GREEN
*2	1/2" O.D. GREEN
*3	5/8" O.D. GREEN
*4	3/8" O.D. RED
*5	5/8" O.D. RED
*6	3/8" O.D. BROWN
*7	1/2" O.D. BROWN
*8	1/4" O.D. YELLOW
*9	3/8" O.D. YELLOW
—	STD PIPING
=====	OPTIONAL PIPING

H3-45 VIP,
 ENGINE 2002
 WITH I. F. S.
 WITH OPTION
 TRAILER HITCH
 D140298 P2 REV. A

DATE : 2003/06



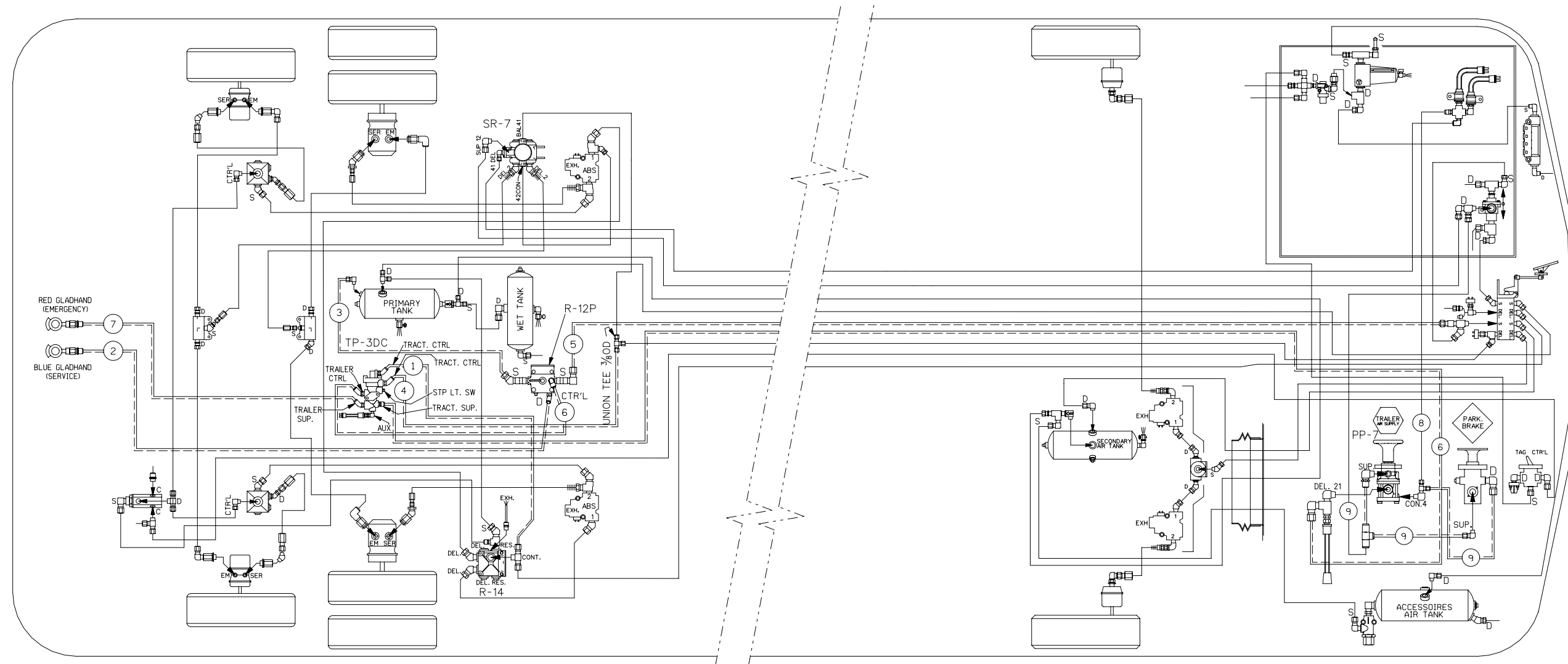
TUBE COLOR CODING	
ACTIVE COLOR	CIRCUIT
→ → → RED	SECONDARY
→ → → GREEN	PRIMARY & SUPPLY
→ → → YELLOW	PARKING BRAKE
→ → → BLUE	SUSPENSION
→ → → BLACK	ACCESSORIES

BALLOON	PIPE
#1	3/8" O.D. GREEN
#2	1/2" O.D. GREEN
#3	5/8" O.D. GREEN
#4	3/8" O.D. RED
#5	5/8" O.D. RED
#6	3/8" O.D. BROWN
#7	1/2" O.D. BROWN
#8	1/4" O.D. YELLOW
#9	3/8" O.D. YELLOW
=====	STD PIPING
=====	OPTIONAL PIPING

H3-45 VIP,
ENGINE 2002
WITH I.F.S.

WITH OPTION
TRAILER HITCH

D1 40298 P2 REV. B



TUBE COLOR CODING	
ACTIVE COLOR	CIRCUIT
→ → RED	SECONDARY
→ → GREEN	PRIMARY & SUPPLY
→ → YELLOW	PARKING BRAKE
→ → BLUE	SUSPENSION
→ → BLACK	ACCESSORIES

BALLOON	PIPE
#1	3/8" O.D. GREEN
#2	1/2" O.D. GREEN
#3	5/8" O.D. GREEN
#4	3/8" O.D. RED
#5	5/8" O.D. RED
#6	3/8" O.D. BROWN
#7	1/2" O.D. BROWN
#8	1/4" O.D. YELLOW
#9	3/8" O.D. YELLOW
—————	STD PIPING
=====	OPTIONAL PIPING

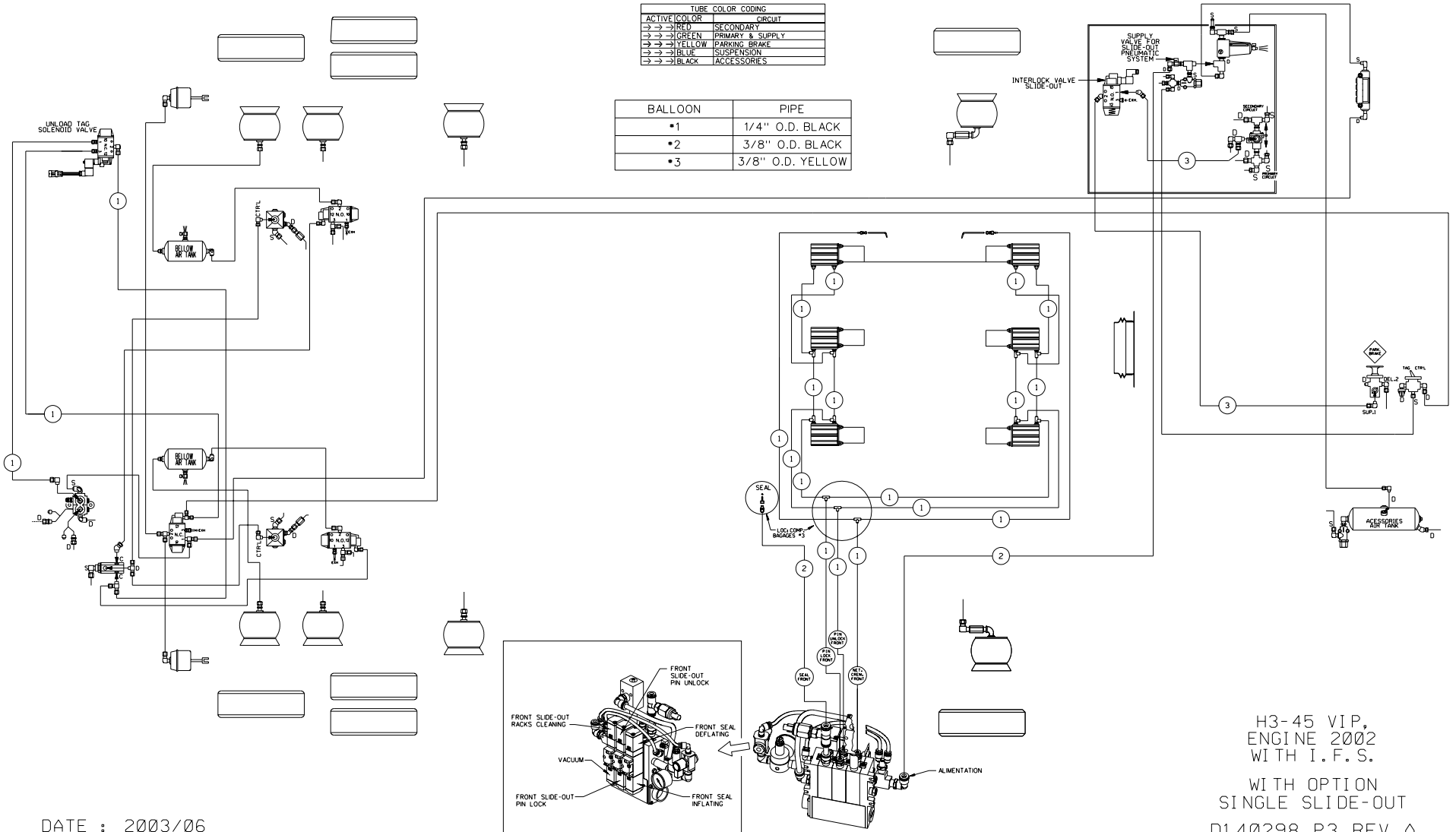
H3-45 VIP,
 ENGINE 2002
 WITH I.F.S.

 WITH OPTION
 TRAILER HITCH
 D1 40298 P2 REV. C

DATE : 2004/11

TUBE COLOR CODING	
ACTIVE COLOR	CIRCUIT
→ →	RED SECONDARY
→ →	GREEN PRIMARY & SUPPLY
→ →	YELLOW PARKING BRAKE
→ →	BLUE SUSPENSION
→ →	BLACK ACCESSORIES

BALLOON	PIPE
*1	1/4" O.D. BLACK
*2	3/8" O.D. BLACK
*3	3/8" O.D. YELLOW

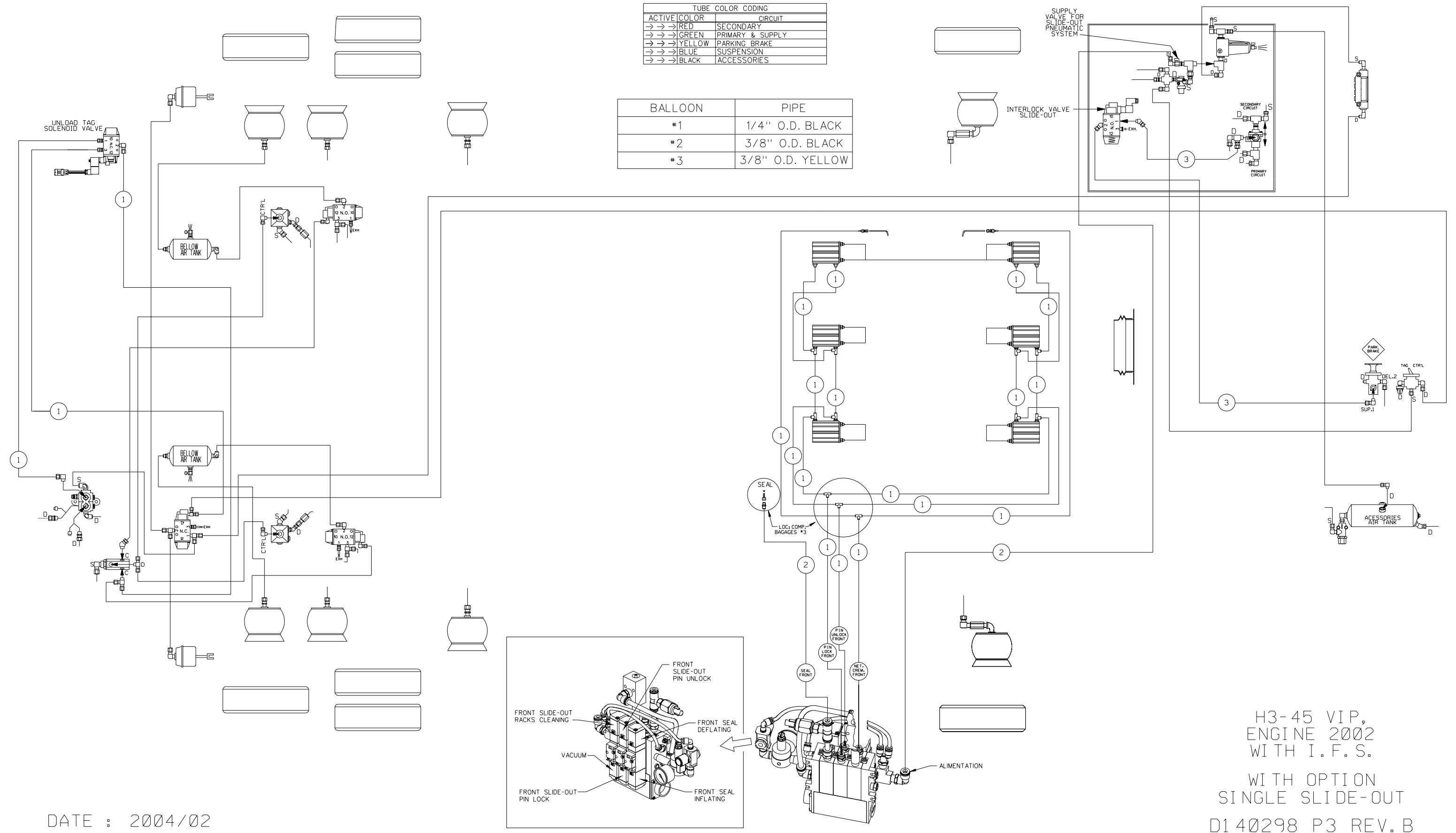


DATE : 2003/06

H3-45 VIP,
ENGINE 2002
WITH I. F. S.
WITH OPTION
SINGLE SLIDE-OUT
D140298 P3 REV. A

TUBE COLOR CODING		
ACTIVE	COLOR	CIRCUIT
→ →	RED	SECONDARY
→ →	GREEN	PRIMARY & SUPPLY
→ →	YELLOW	PARKING BRAKE
→ →	BLUE	SUSPENSION
→ →	BLACK	ACCESSORIES

BALLOON	PIPE
#1	1/4" O.D. BLACK
#2	3/8" O.D. BLACK
#3	3/8" O.D. YELLOW



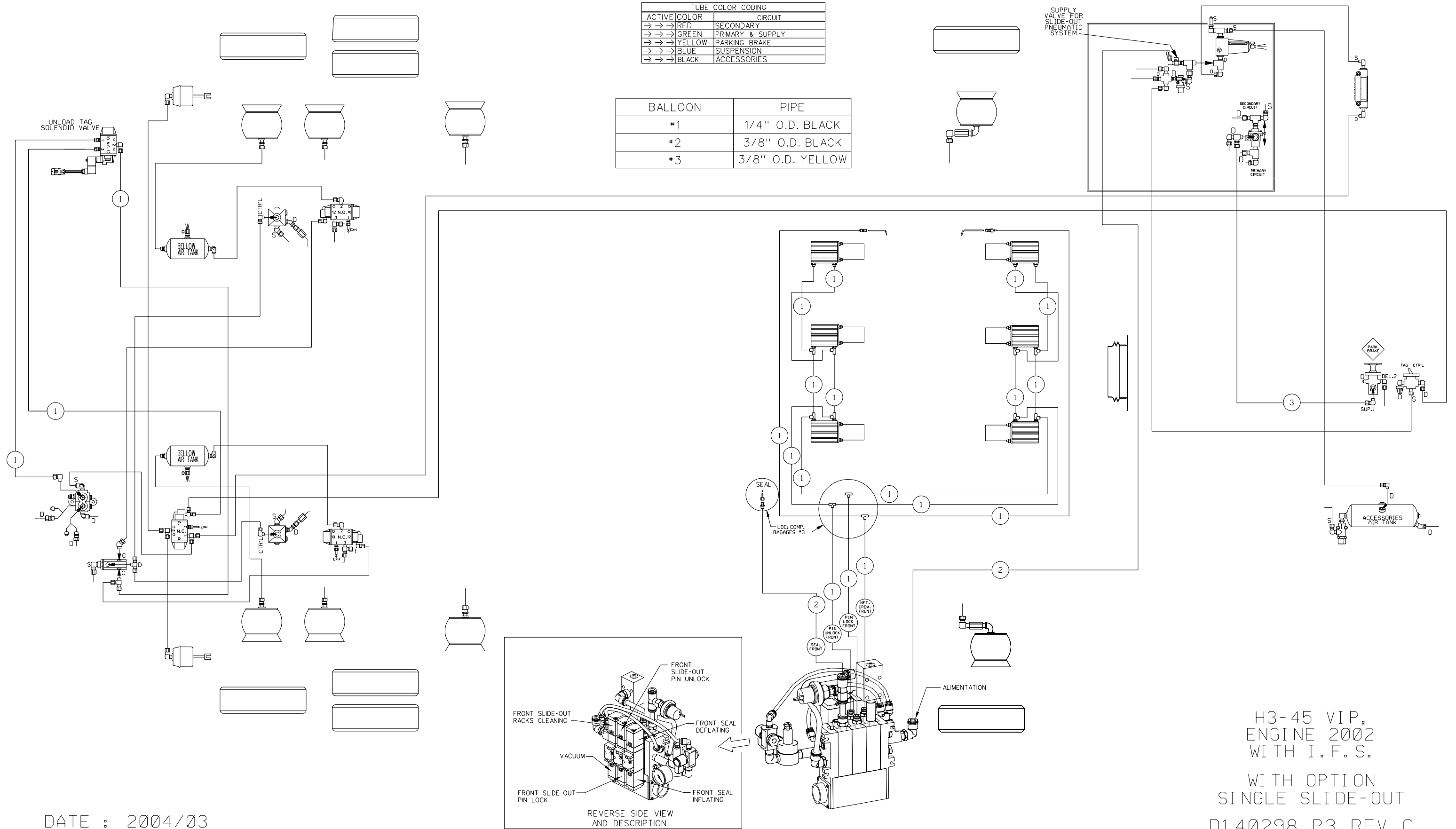
DATE : 2004/02

H3-45 VIP,
ENGINE 2002
WITH I.F.S.

WITH OPTION
SINGLE SLIDE-OUT
D140298 P3 REV.B

TUBE COLOR CODING		
ACTIVE	COLOR	CIRCUIT
→ →	RED	SECONDARY
→ →	GREEN	PRIMARY & SUPPLY
→ →	YELLOW	PARKING BRAKE
→ →	BLUE	SUSPENSION
→ →	BLACK	ACCESSORIES

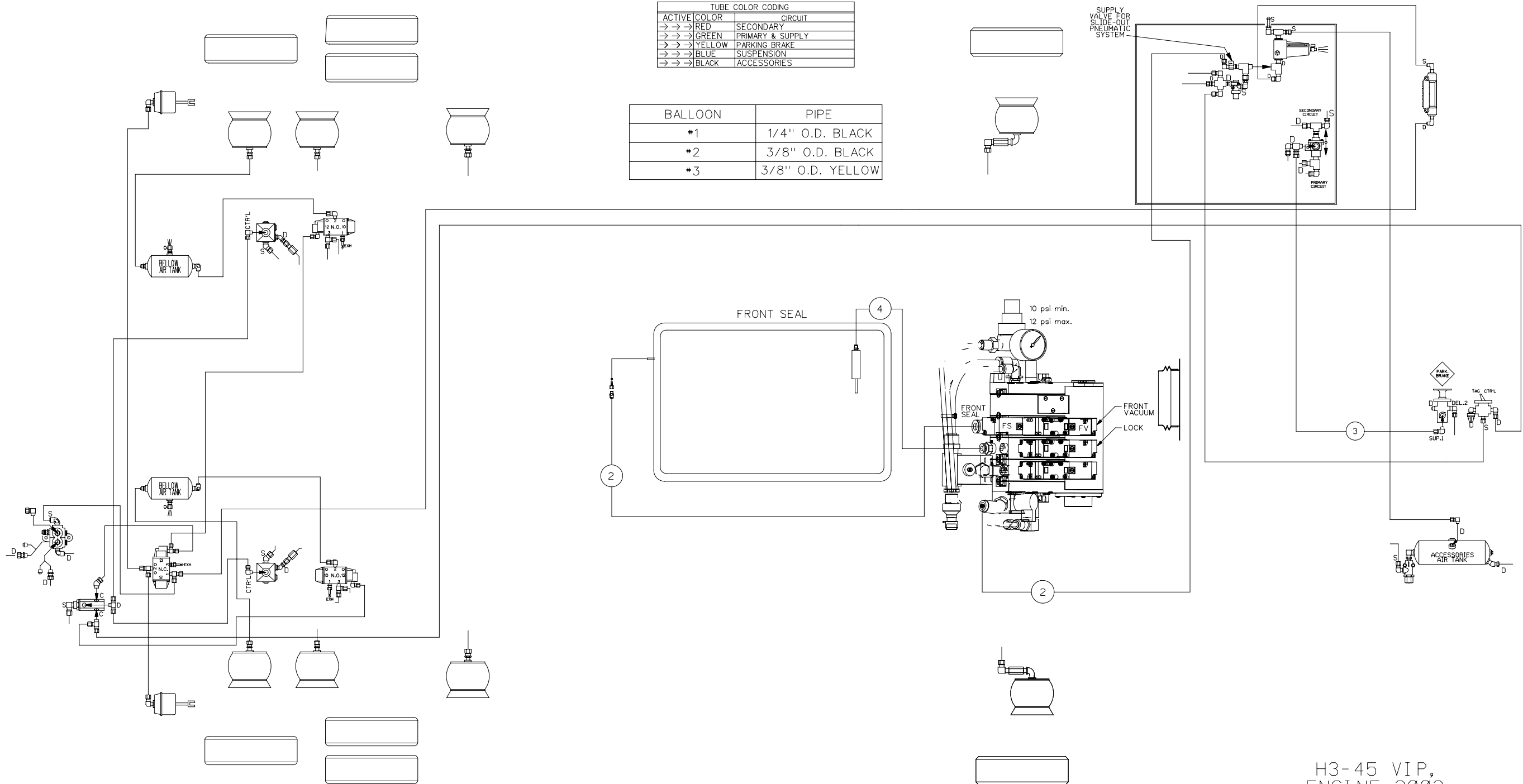
BALLOON	PIPE
#1	1/4" O.D. BLACK
#2	3/8" O.D. BLACK
#3	3/8" O.D. YELLOW



DATE : 2004/03

H3-45 VIP,
ENGINE 2002
WITH I.F.S.

WITH OPTION
SINGLE SLIDE-OUT
D140298 P3 REV.C



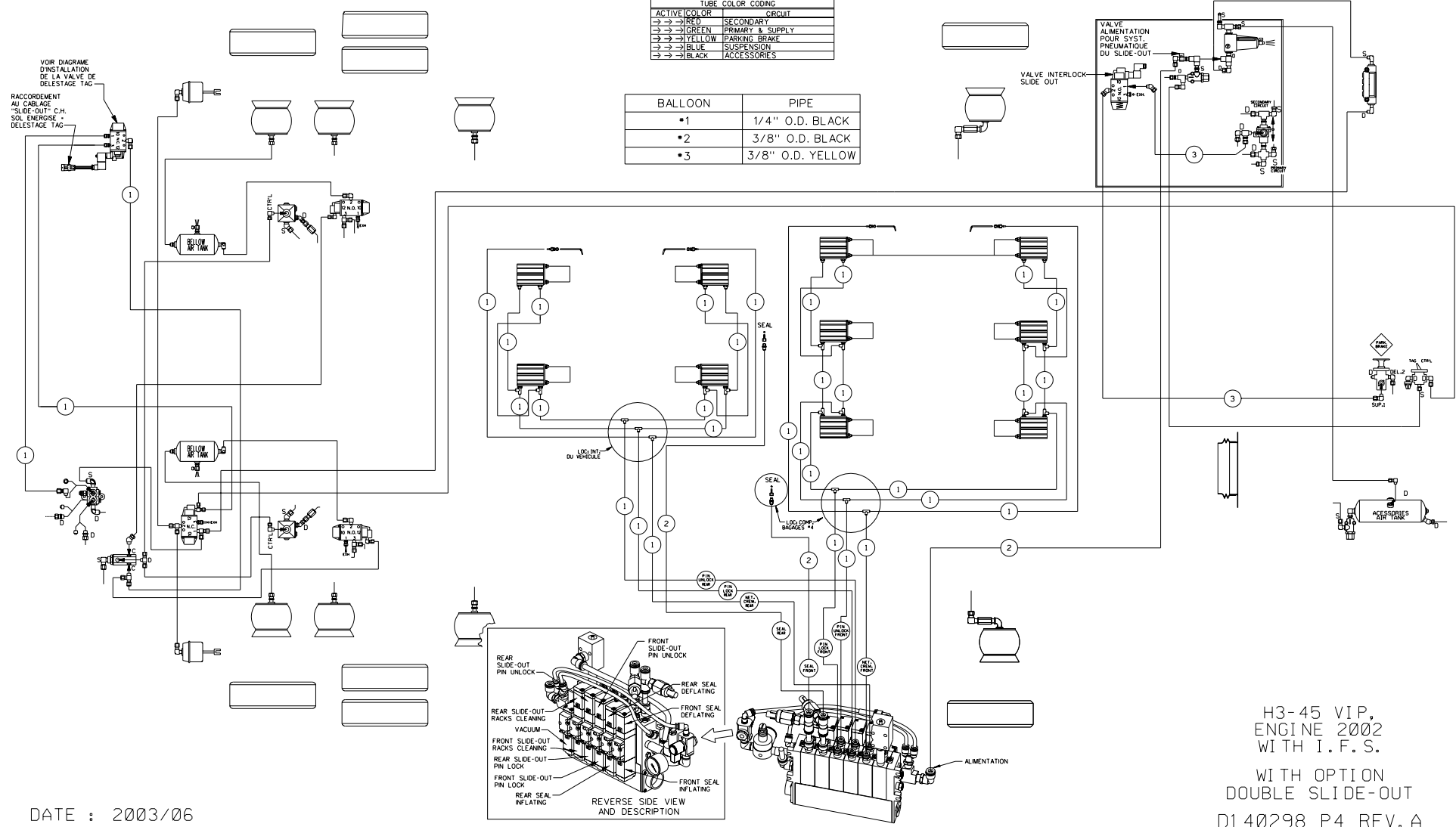
TUBE COLOR CODING	
ACTIVE COLOR	CIRCUIT
→ → RED	SECONDARY
→ → GREEN	PRIMARY & SUPPLY
→ → YELLOW	PARKING BRAKE
→ → BLUE	SUSPENSION
→ → BLACK	ACCESSORIES

BALLOON	PIPE
#1	1/4" O.D. BLACK
#2	3/8" O.D. BLACK
#3	3/8" O.D. YELLOW

DATE : 2006/06

H3-45 VIP,
ENGINE 2002
WITH I. F. S.

WITH OPTION
SINGLE SLIDE-OUT
D140298 P3 REV.D

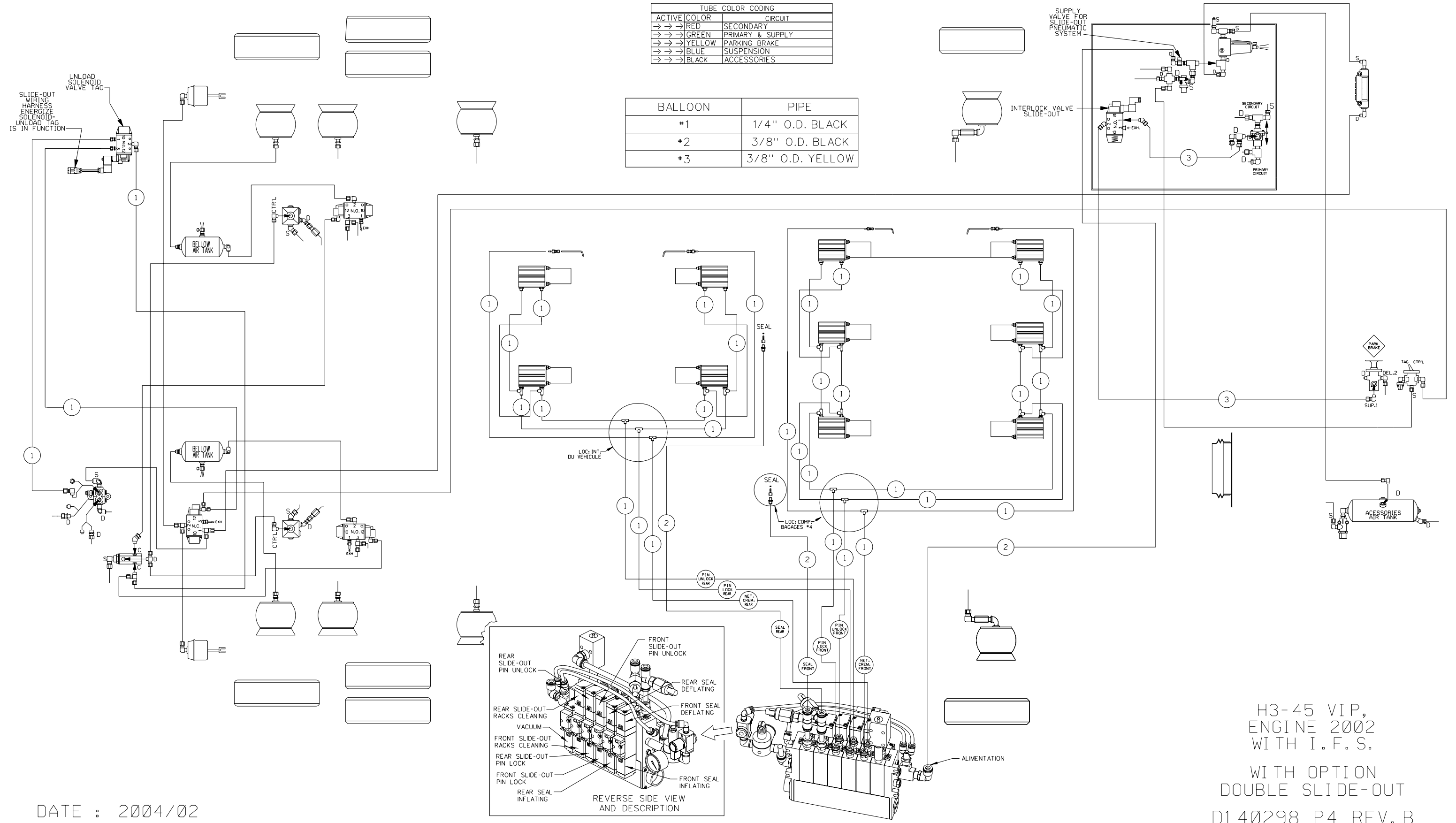


DATE : 2003/06

H3-45 VIP,
ENGINE 2002
WITH I.F.S.
WITH OPTION
DOUBLE SLIDE-OUT
D140298 P4 REV. A

TUBE COLOR CODING	
ACTIVE COLOR	CIRCUIT
→ → RED	SECONDARY
→ → GREEN	PRIMARY & SUPPLY
→ → YELLOW	PARKING BRAKE
→ → BLUE	SUSPENSION
→ → BLACK	ACCESSORIES

BALLOON	PIPE
#1	1/4" O.D. BLACK
#2	3/8" O.D. BLACK
#3	3/8" O.D. YELLOW

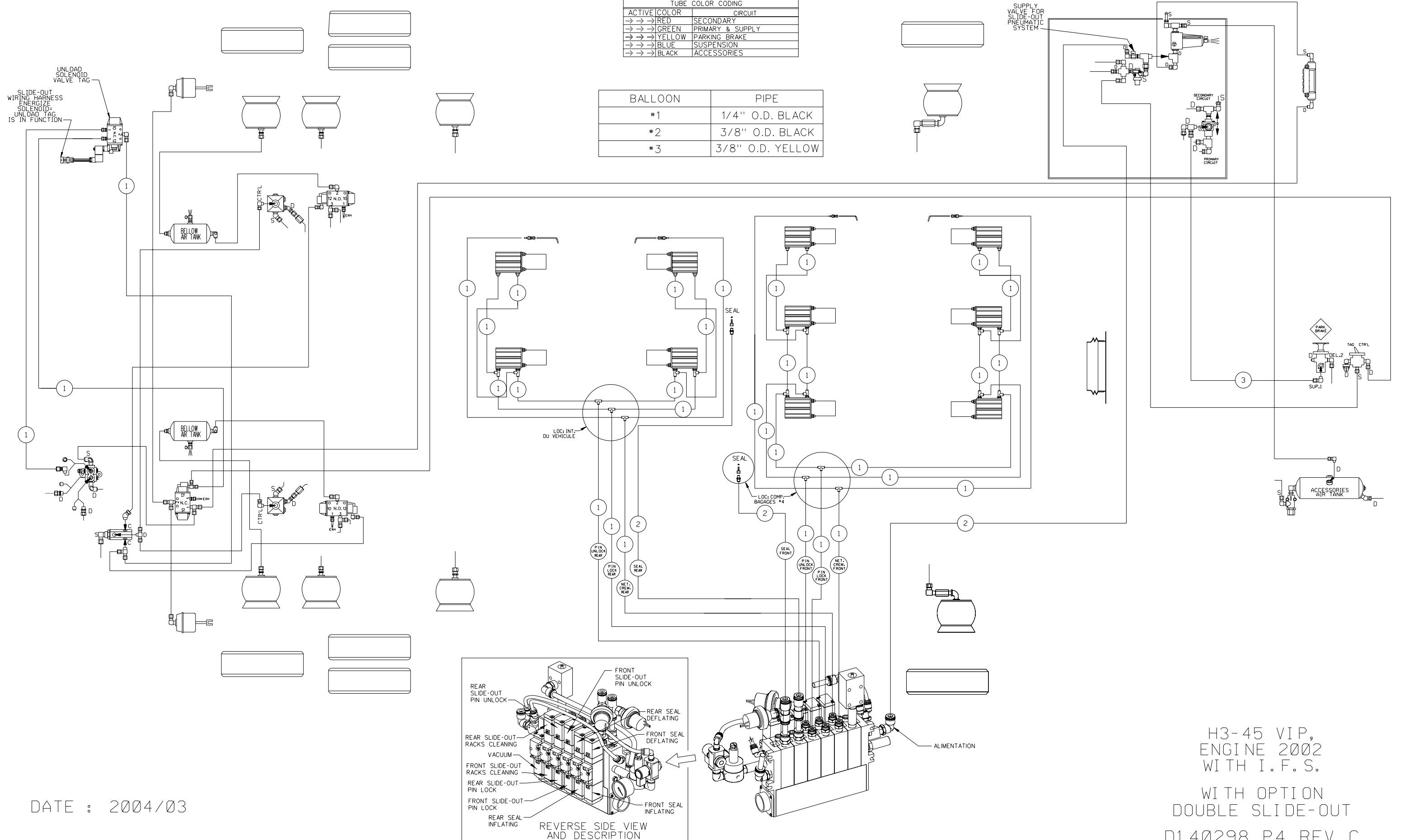


DATE : 2004/02

H3-45 VIP,
ENGINE 2002
WITH I.F.S.
WITH OPTION
DOUBLE SLIDE-OUT
D140298 P4 REV.B

ACTIVE	COLOR	CIRCUIT
→ →	RED	SECONDARY
→ →	GREEN	PRIMARY & SUPPLY
→ →	YELLOW	PARKING BRAKE
→ →	BLUE	SUSPENSION
→ →	BLACK	ACCESSORIES

BALLOON	PIPE
#1	1/4" O.D. BLACK
#2	3/8" O.D. BLACK
#3	3/8" O.D. YELLOW



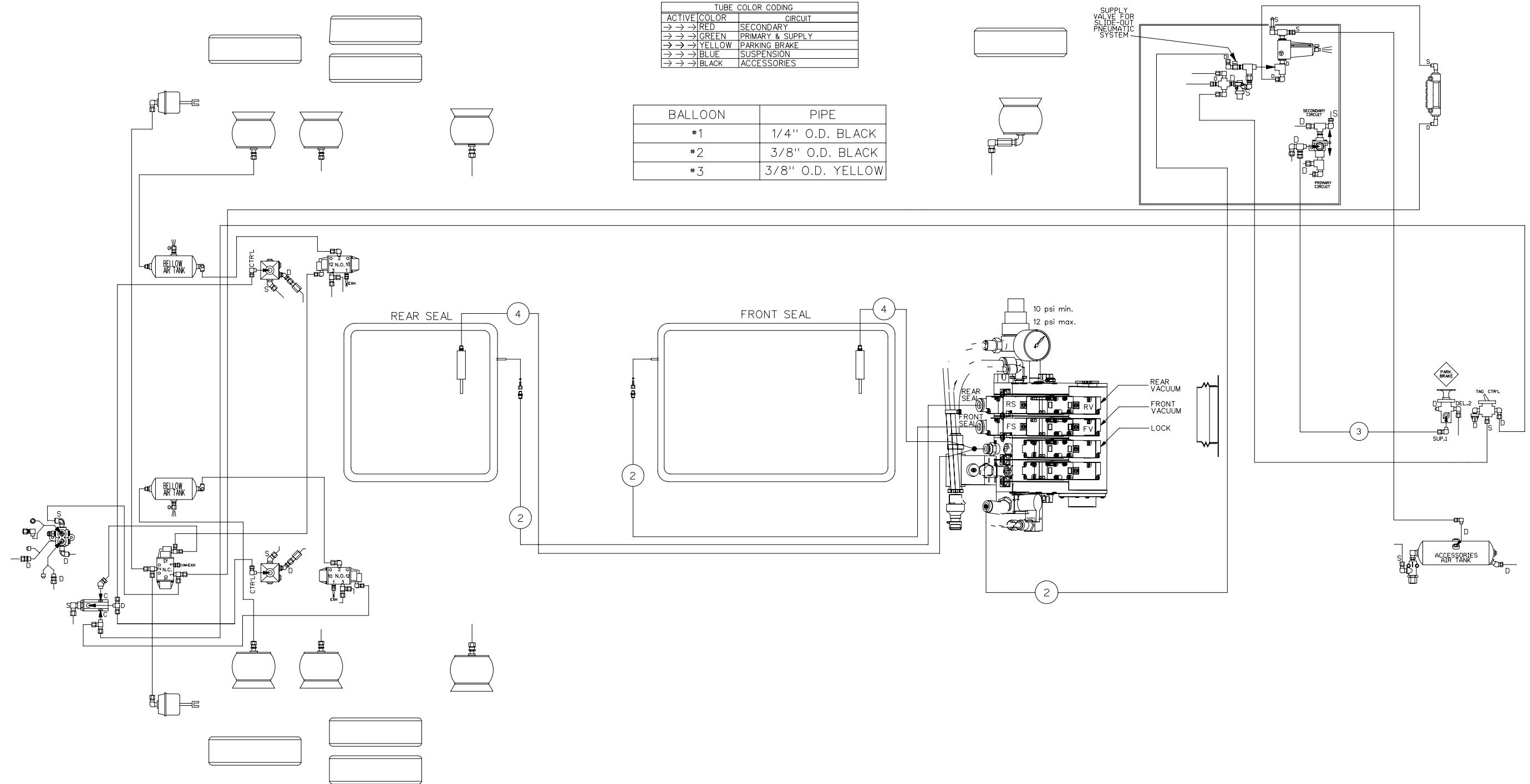
DATE : 2004/03

H3-45 VIP,
ENGINE 2002
WITH I.F.S.

WITH OPTION
DOUBLE SLIDE-OUT
D140298 P4 REV.C

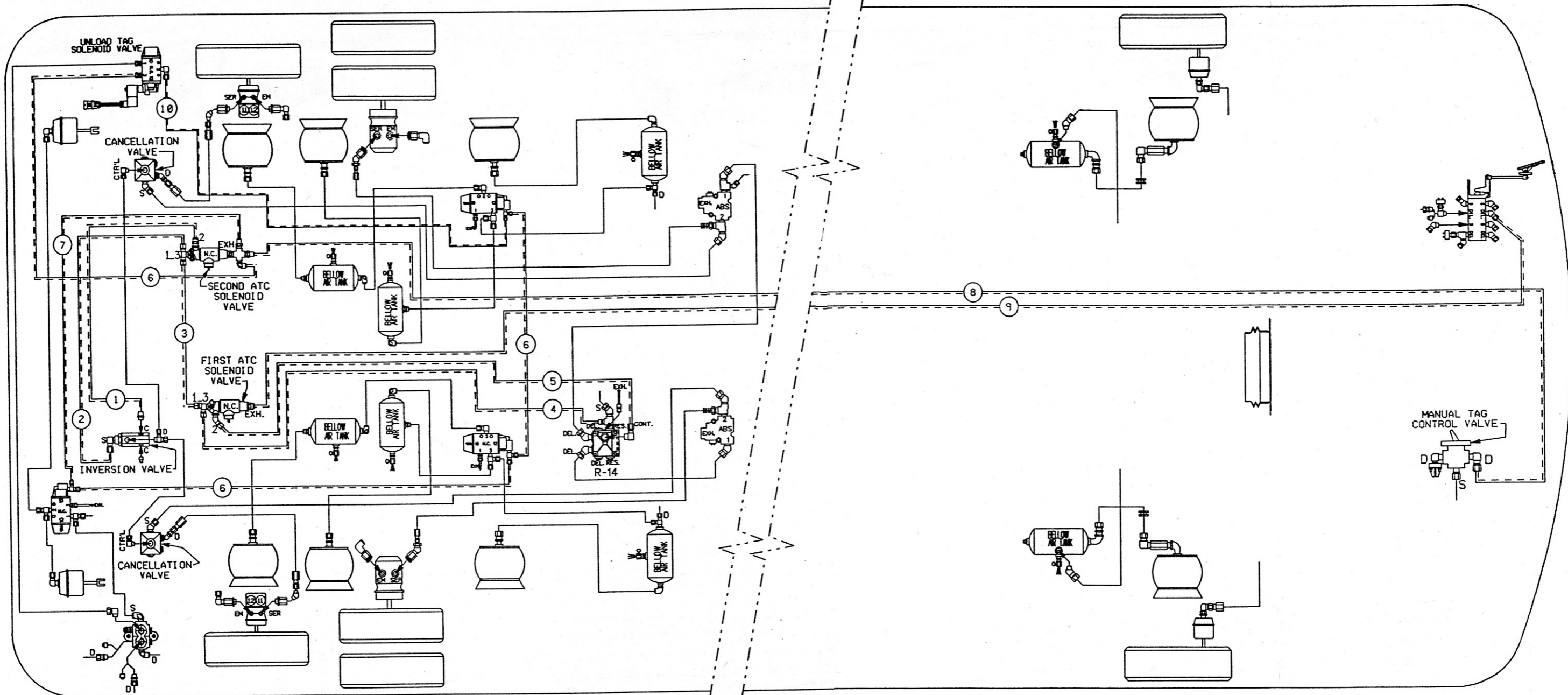
TUBE COLOR CODING	
ACTIVE COLOR	CIRCUIT
→ → RED	SECONDARY
→ → GREEN	PRIMARY & SUPPLY
→ → YELLOW	PARKING BRAKE
→ → BLUE	SUSPENSION
→ → BLACK	ACCESSORIES

BALLOON	PIPE
#1	1/4" O.D. BLACK
#2	3/8" O.D. BLACK
#3	3/8" O.D. YELLOW



DATE : 2006/06

H3-45 VIP,
 ENGINE 2002
 WITH I. F. S.
 WITH OPTION
 DOUBLE SLIDE-OUT
 D1 40298 P4 REV. D



Traction Control(ATC) with ABS

For the ATC with an ABS 4 sensors and 4 modulator valves we are using our regular tag brake cancellation system when the ATC is in function.

Let's first look at the regular system. When we want to raise the tag, we flip the manual tag control to supply pilot pressure to the inversion valve controlport. This pressure is now passing through a second ATC valve. With pressure on controlport, the inversion valve will dump delivery air. This is removing control pressure on relay valves that will then shut pressure to the tag brake chambers and remove any pressure that might have been in the chamber.

Using the brake cancellation system adds a second ATC valve as mentioned. It is controlled by the contact side of a relay being energized by the ATC light ECU output as accepted by Wabco. So when you check the ATC light, pressure is building in line *1. When light shuts off, pressure is exhausting at tag control valve nearby the driver, giving him a audible indication that it's valve is working. The explanation for the ATC system itself can be found in the Rockwell Wabco maintenance manual no. 30.

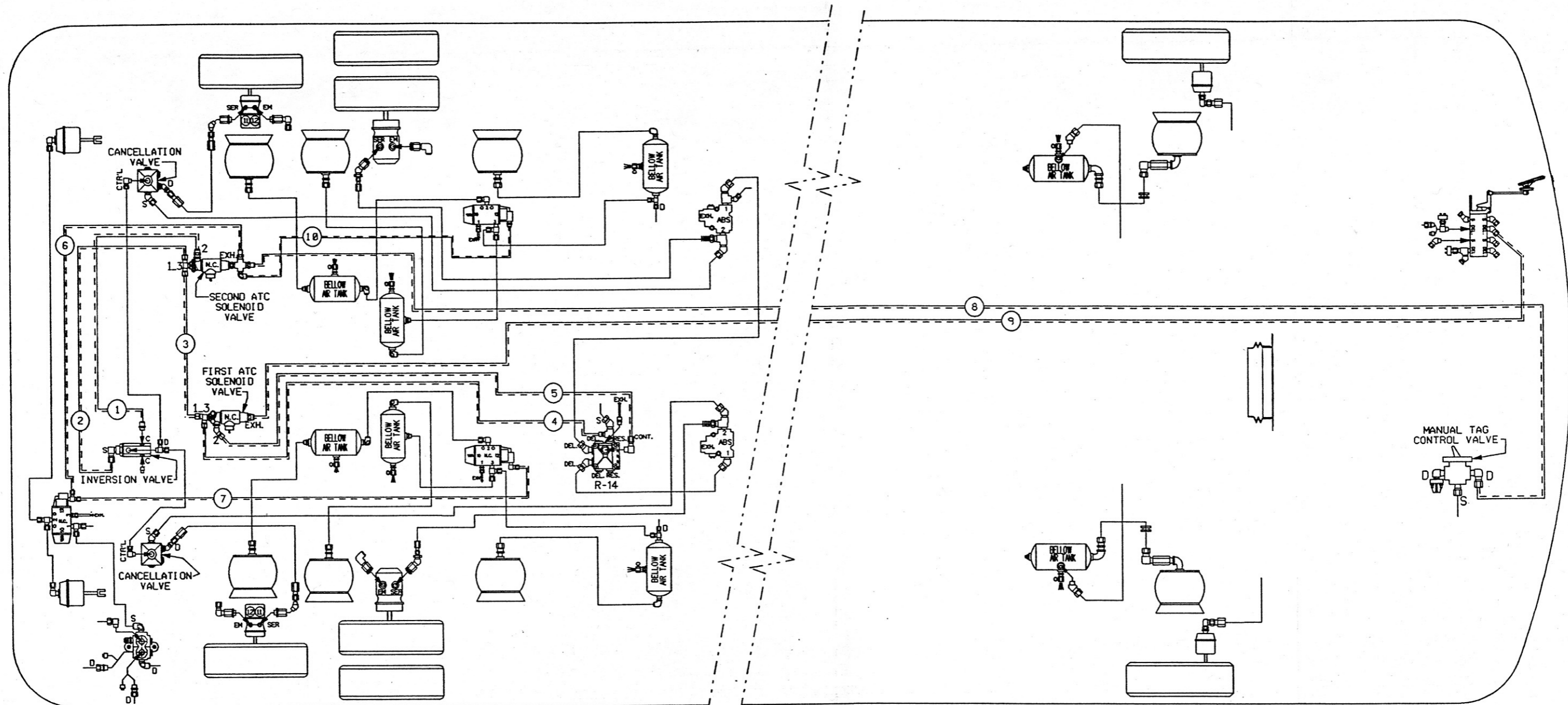
NOTE:

FIRST AND SECOND ATC VALVE SOLENOID ARE NORMALLY CLOSE
 ATC SYSTEM "OFF" : 2 & EXH. OPEN , 1,3 CLOSE
 ATC SYSTEM "ON" : 1,3 & 2 OPEN , EXH. CLOSE

BALLOON	PIPE
*1, *6, *7, *8, *10	1/4" O.D. BLACK
*2, *3, *4, *5, *9	3/8" O.D. VERT
————	STD PIPING
-----	OPTIONAL PIPING

TUBE COLOR CODING	
ACTIVE COLOR	CIRCUIT
→→→ RED	SECONDARY
→→→ GREEN	PRIMARY & SUPPLY
→→→ YELLOW	PARKING BRAKE
→→→ BLUE	SUSPENSION
→→→ BLACK	ACCESSORIES

H3-45 VIP
 ENGINE 2004 WITH
 (IFS) INDEPENDENT SUSPENSION SYSTEM
 WITH SLIDE OUT
 OPTION
 TRACTION CONTROL ATC WITH ABS



Traction Control(ATC) with ABS

For the ATC with an ABS 4 sensors and 4 modulator valves we are using our regular tag brake cancellation system when the ATC is in function.

Let's first look at the regular system. When we want to raise the tag, we flip the manual tag control to supply pilot pressure to the inversion valve controlport. This pressure is now passing through a second ATC valve. With pressure on controlport, the inversion valve will dump delivery air. This is removing control pressure on relay valves that will then shut pressure to the tag brake chambers and remove any pressure that might have been in the chamber.

Using the brake cancellation system adds a second ATC valve as mentioned. It is controlled by the contact side of a relay being energized by the ATC light ECU output as accepted by Wabco. So when you check the ATC light, pressure is building in line *1. When light shuts off, pressure is exhausting at tag control valve nearby the driver, giving him a audible indication that it's valve is working. The explanation for the ATC system itself can be found in the Rockwell Wabco maintenance manual no. 30.

NOTE:

FIRST AND SECOND ATC VALVE SOLENOID ARE NORMALLY CLOSE
 ATC SYSTEM "OFF" : 2 & EXH. OPEN , 1_3 CLOSE
 ATC SYSTEM "ON" : 1_3 & 2 OPEN , EXH. CLOSE

BALLOON	PIPE
*1, *6, *7, *8, *10,	1/4" O.D. BLACK
*2, *3, *4, *5, *9	3/8" O.D. VERT
—————	STD PIPING
—————	OPTIONAL PIPING

TUBE COLOR CODING	
ACTIVE COLOR	CIRCUIT
→→→ RED	SECONDARY
→→→ GREEN	PRIMARY & SUPPLY
→→→ YELLOW	PARKING BRAKE
→→→ BLUE	SUSPENSION
→→→ BLACK	ACCESSORIES

H3-45 VIP
 ENGINE 2004 WITH
 (IFS) INDEPENDENT SUSPENSION SYSTEM
 WITHOUT SLIDE OUT
 OPTION
 TRACTION CONTROL ATC WITH ABS