

# Service Manual

# Buses

Group **37**

Release **01**

Multiplex electrical system Version 2

Wiring Diagram

B13R with D13C

B13R with D13F



# Foreword

The information in this manual is based on present design in February 2009.

The products are under continuous development. This may effect the correctness of the information in this manual. If the differences are significant, new editions of this manual will be released to cover the changes.

**Volvo Bus Corporation**

Göteborg, Sweden

**Order number: TP 16782**

© 2009 Volvo Bus Corporation, Göteborg, Sweden

All rights reserved. No part of this publication may be reproduced, stored in retrieval system, or transmitted in any forms by any means, electronic, mechanical, photocopying, recording or otherwise, without the prior written permission of Volvo Bus Corporation.

Engineering Release Notice (ERN)	Location	Change Description	A = Added U = Deleted	W = Was	Document Release Status <b>RELEASED</b>
D-13924-25					Date 2008-11-28 Modification Count

## WIRING DIAGRAM INDEX, B13

NAME	DESCRIPTION	PAGE		NAME	DESCRIPTION	PAGE
AA	IGNITION AND STARTING SYSTEM	02		GA	LCM, REAR LIGHTS	17
AB	POWER SUPPLY, EQUALIZER	03		GB	LCM, FRONT LIGHTS	18
AF	STARTER MOTOR AND ALTERNATORS	04		GE	LCM, BI-XENON LIGHTS	19
				GM	WIPER, WASHER	20
BA	VECU, VEHICLE ECU	05		GN	LCM, XENON LIGHT RELAY	21
BB	BBM, BODY BUILDER MODULE	06				
BC	BBM, BODY BUILDER MODULE	07		IS	HORN, SWM	22
				IU	AUDIO	23
CL	BIO, BUS I/O	08				
CR	EECU D13, ENGINE	09		NA	BIC, BUS INSTRUMENT CLUSTER	24
CS	EECU D13, ENGINE	10		NB	TACHOGRAPH	25
CU	UDS, UREA DOSING SYSTEM, DPF	11		NC	DYNAFLEET	26
				NE	FMS GATEWAY	27
DN	I-SHIFT	12				
				XC	CAN, SAE1939	28
EO	EBS, ELECTRONIC BRAKE SYSTEM	13		XD	CAN, SAE1587	29
EP	EBS, ELECTRONIC BRAKE SYSTEM	14		XF	CAN2, SAE1939_7	30
FA	ECS, AIR SUSPENSION	15		ZC	GROUND	31
FB	ECS, AIR SUSPENSION	16				

VOLUME NO	CONTENT	PAGES
01	WIRING DIAGRAM	1-31
02	BILL OF MATERIAL/COMPONENT LIST	1-26

The copying, distribution and utilization of this document as well as the communication of its contents to others without expressed authorization is prohibited. Offenders will be held liable for payment of damages. All rights reserved in the event of the grant of a patent, utility model or ornamental design registration.

Document Title  
**WIRING DIAGRAM**  
B13R, D13C, D13F

**VOLVO**  
Volvo Bus Corporation

Document Type  
**PRODUCT SCHEMATIC**

Owner Domain: Document Prefix

Document No  
TP 16782

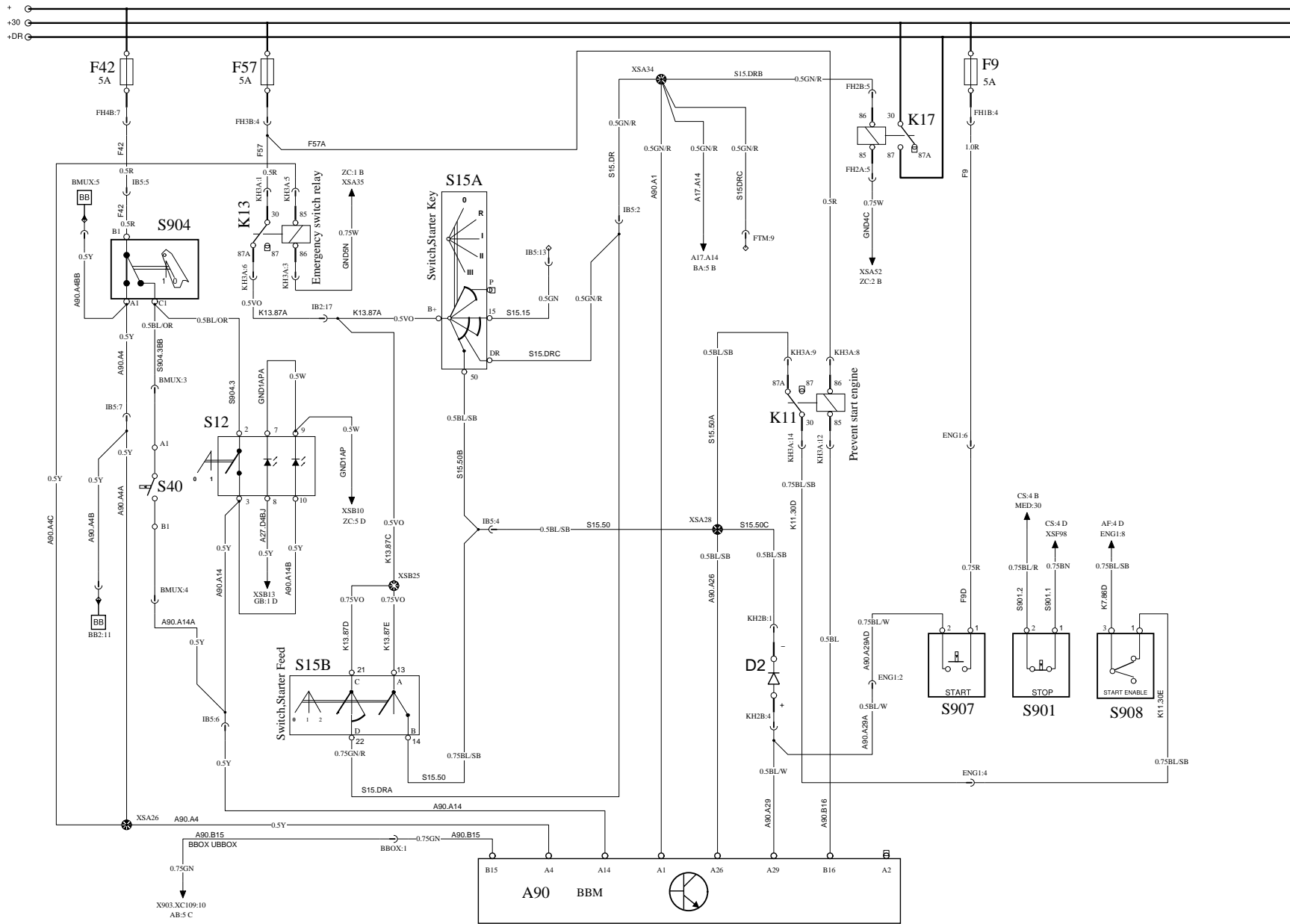
Issue Index  
**02**

Volume No  
01(02)

Page No  
**1(31)**

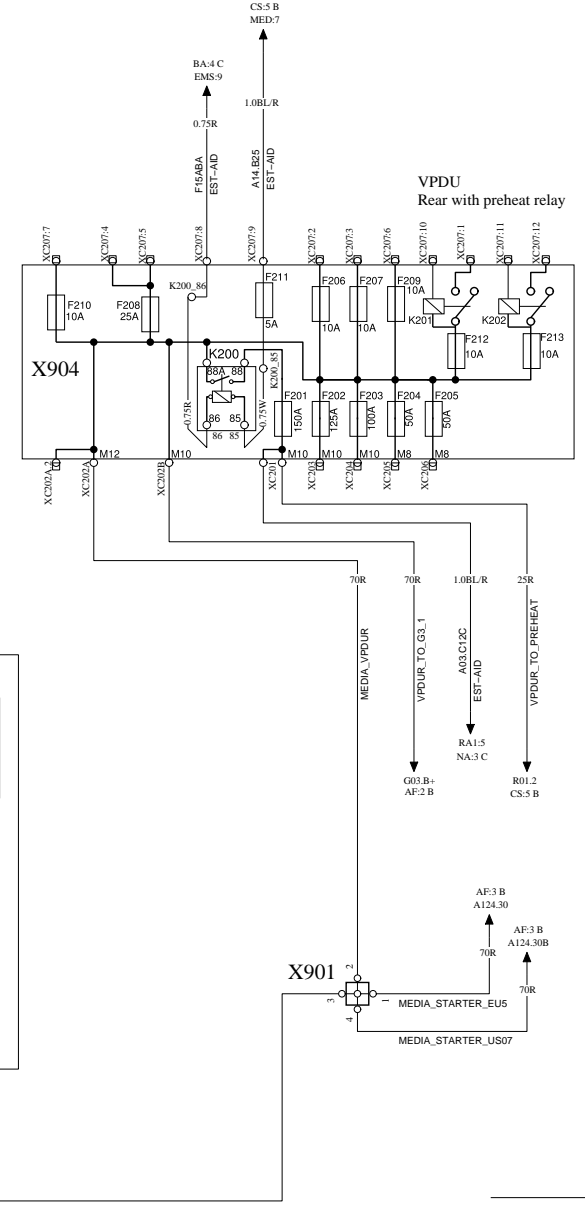
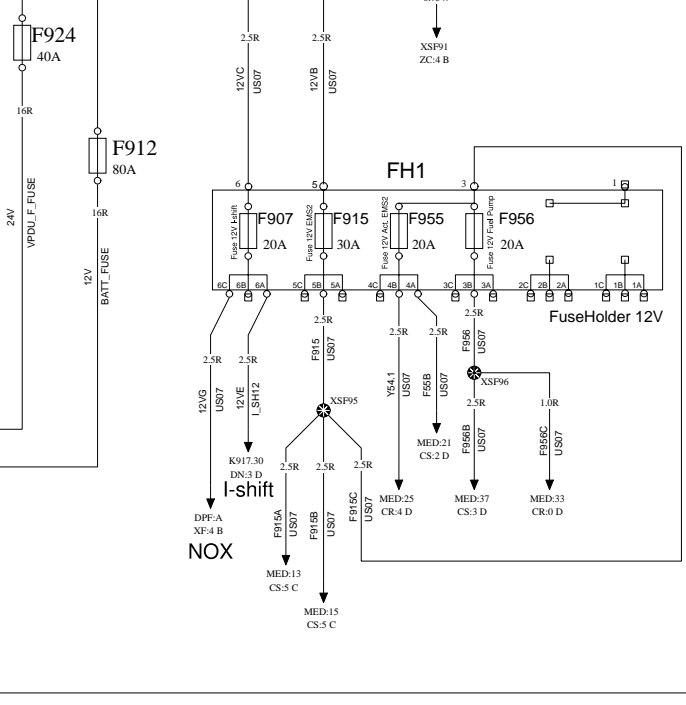
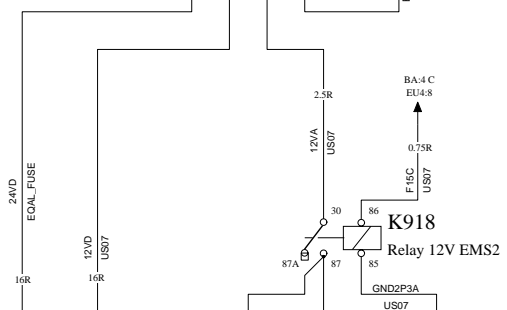
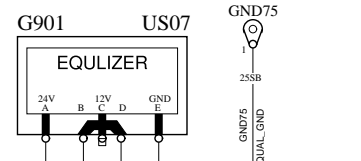
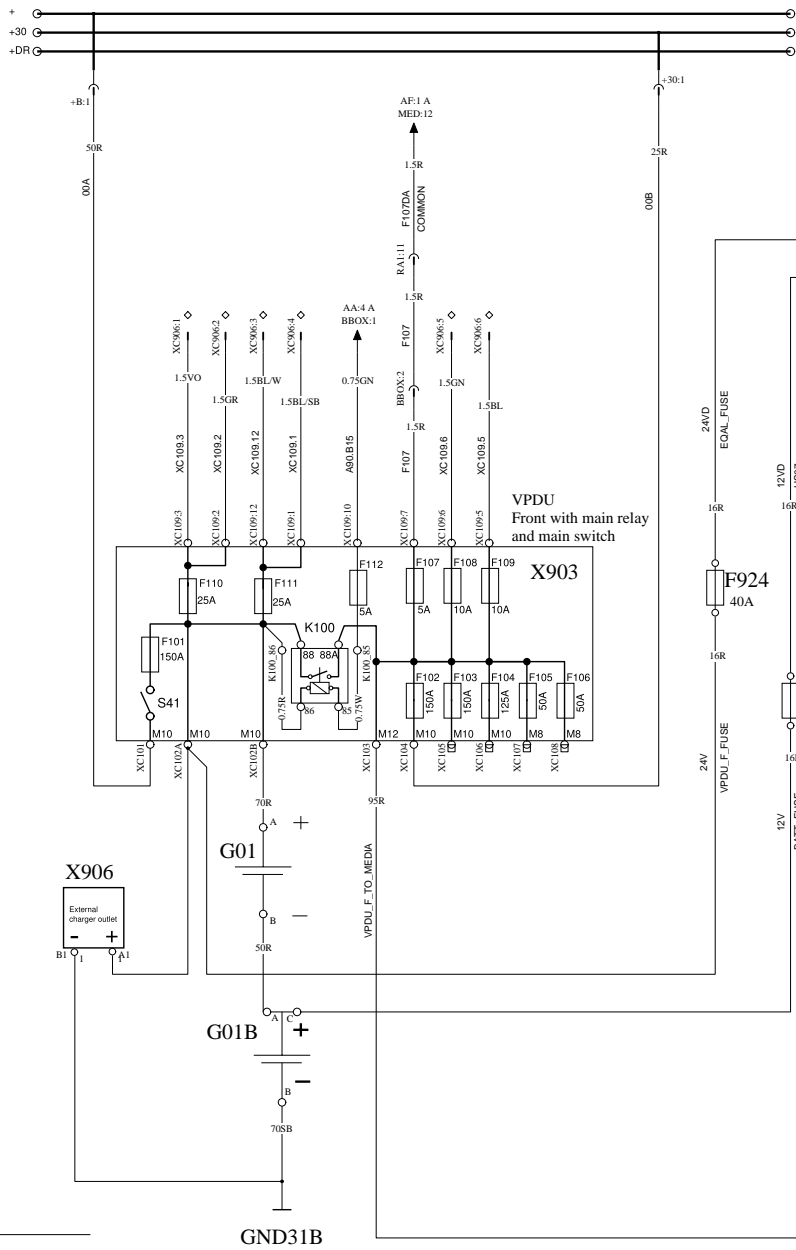
# IGNITION AND STARTING SYSTEM

# WIRING DIAGRAM AA



# POWER SUPPLY

# WIRING DIAGRAM AB



Volvo Bus Corporation

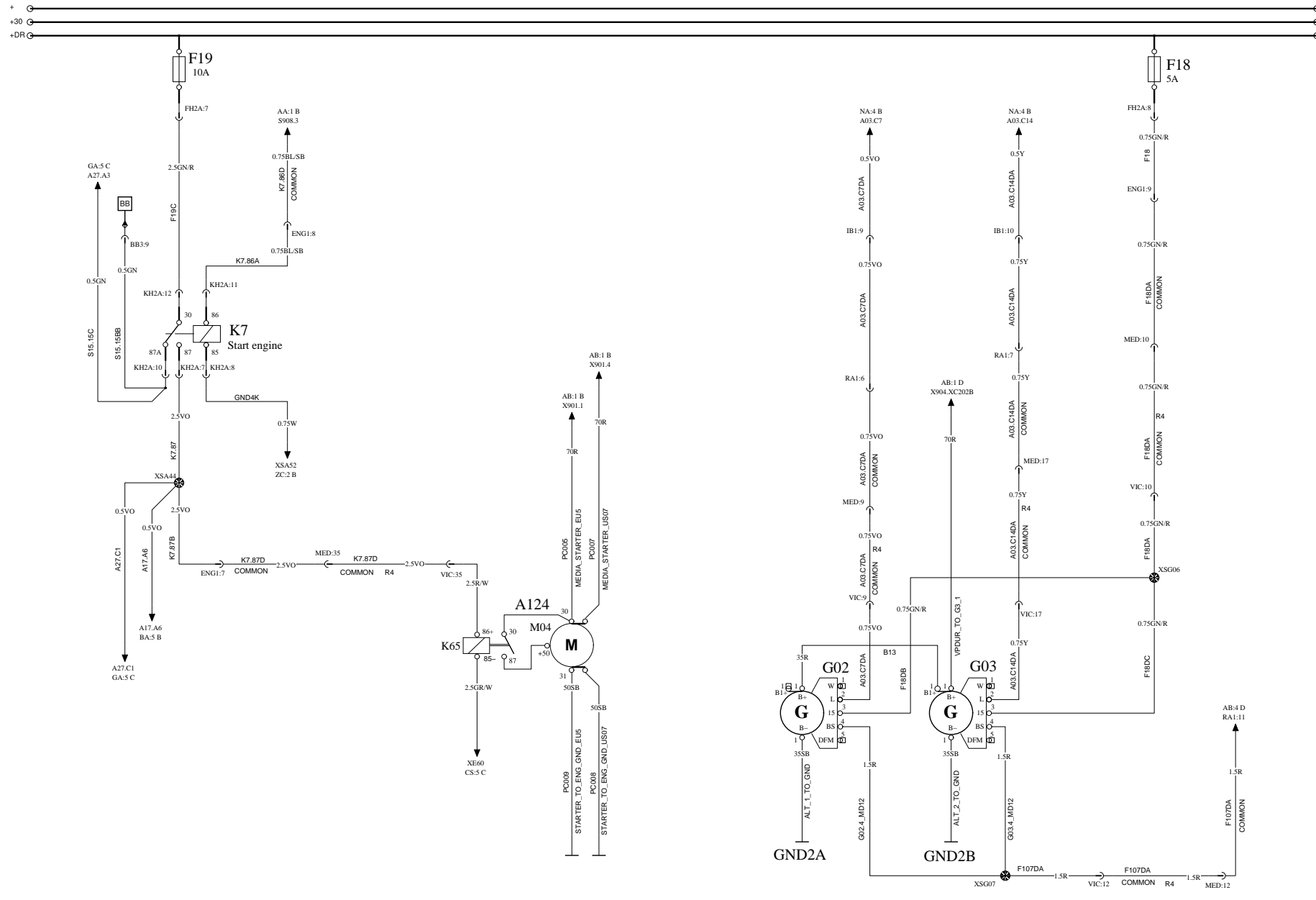
Document title  
WIRING DIAGRAM AB  
Document type  
PRODUCT SCHEMATIC

Document No  
TP 16782

Issue	Volume	Page
02	01(02)	03(31)

# STARTER MOTOR AND ALTERNATORS

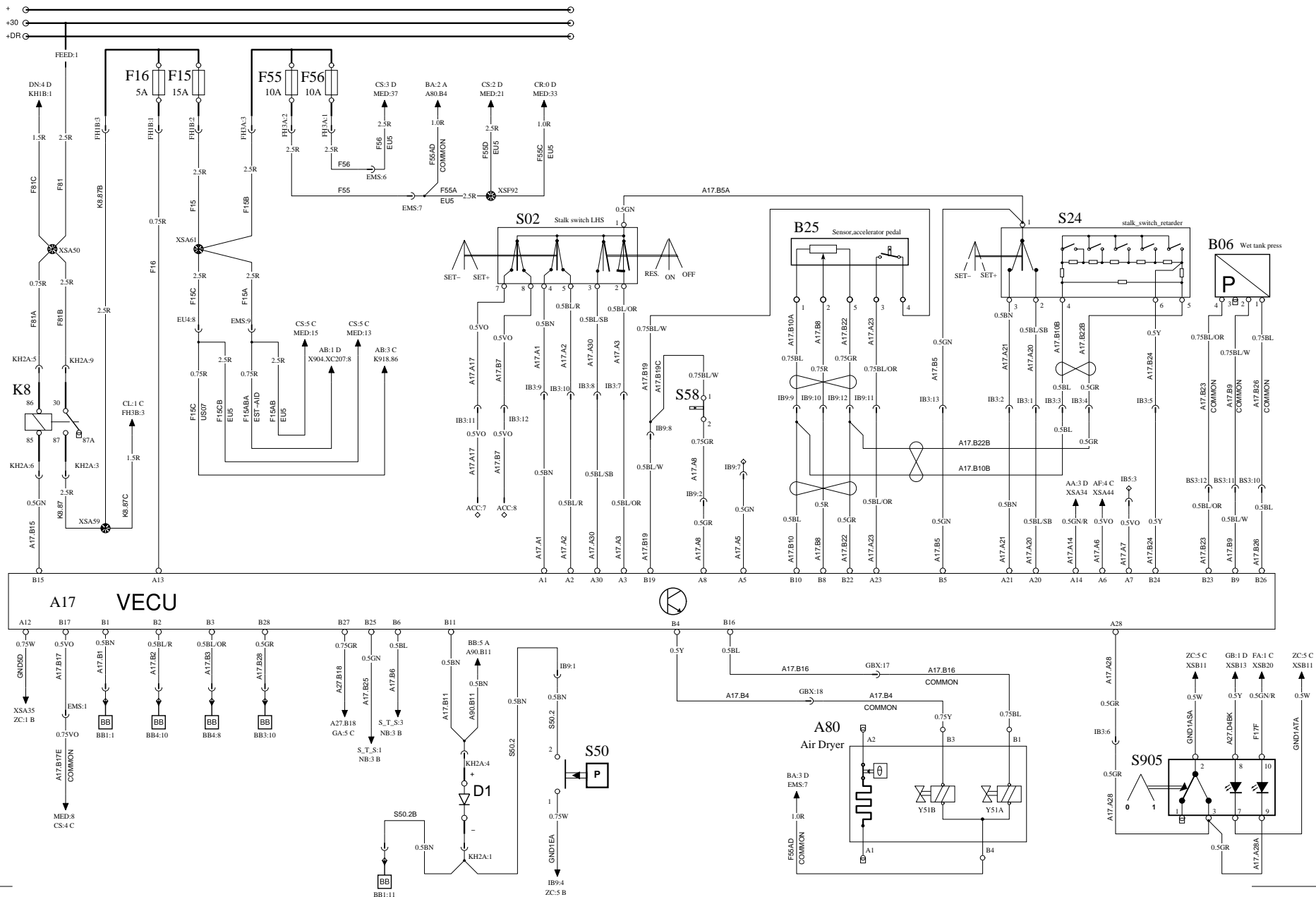
# WIRING DIAGRAM AF



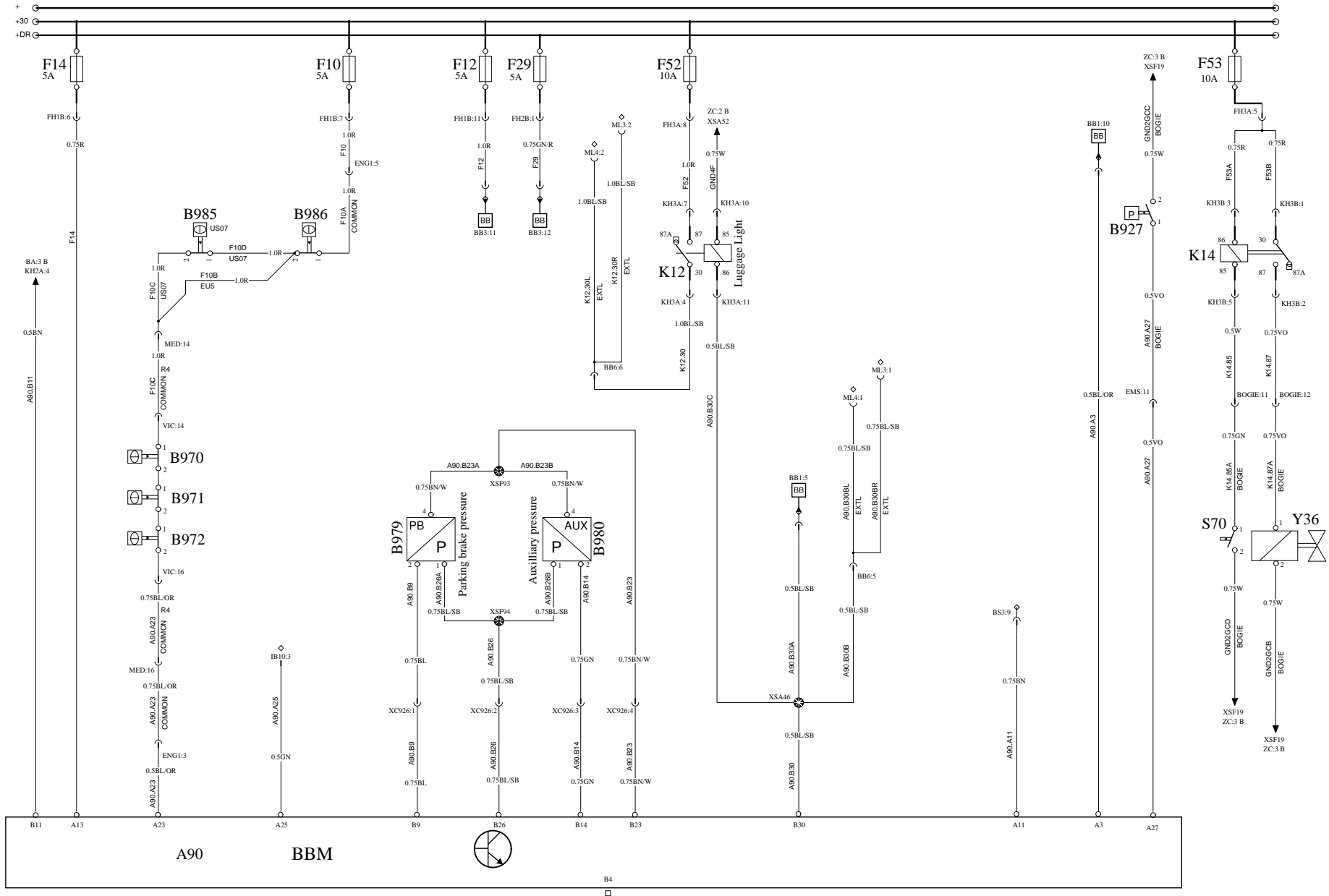
VECU

VEHICLE ECU

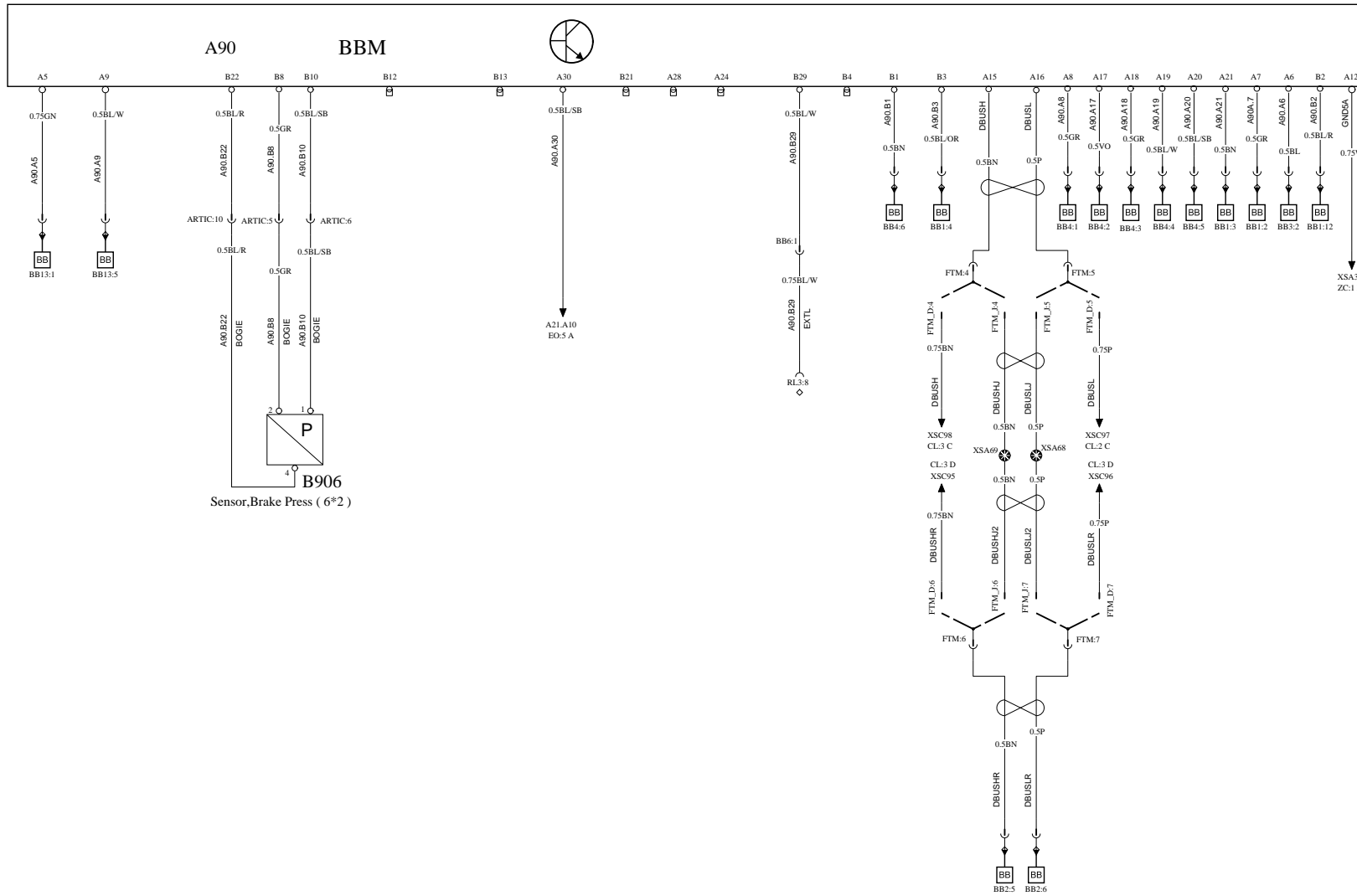
WIRING DIAGRAM BA

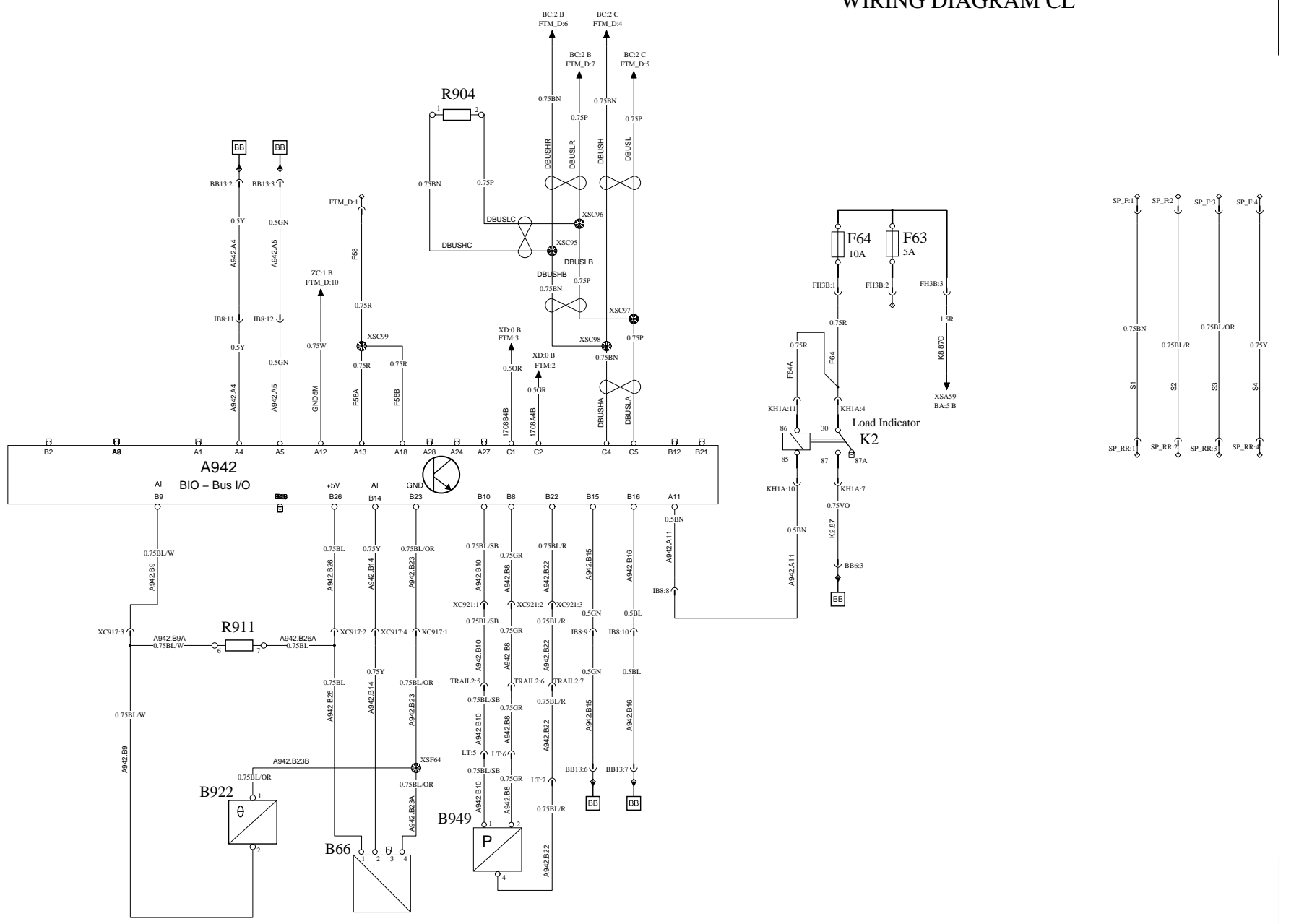


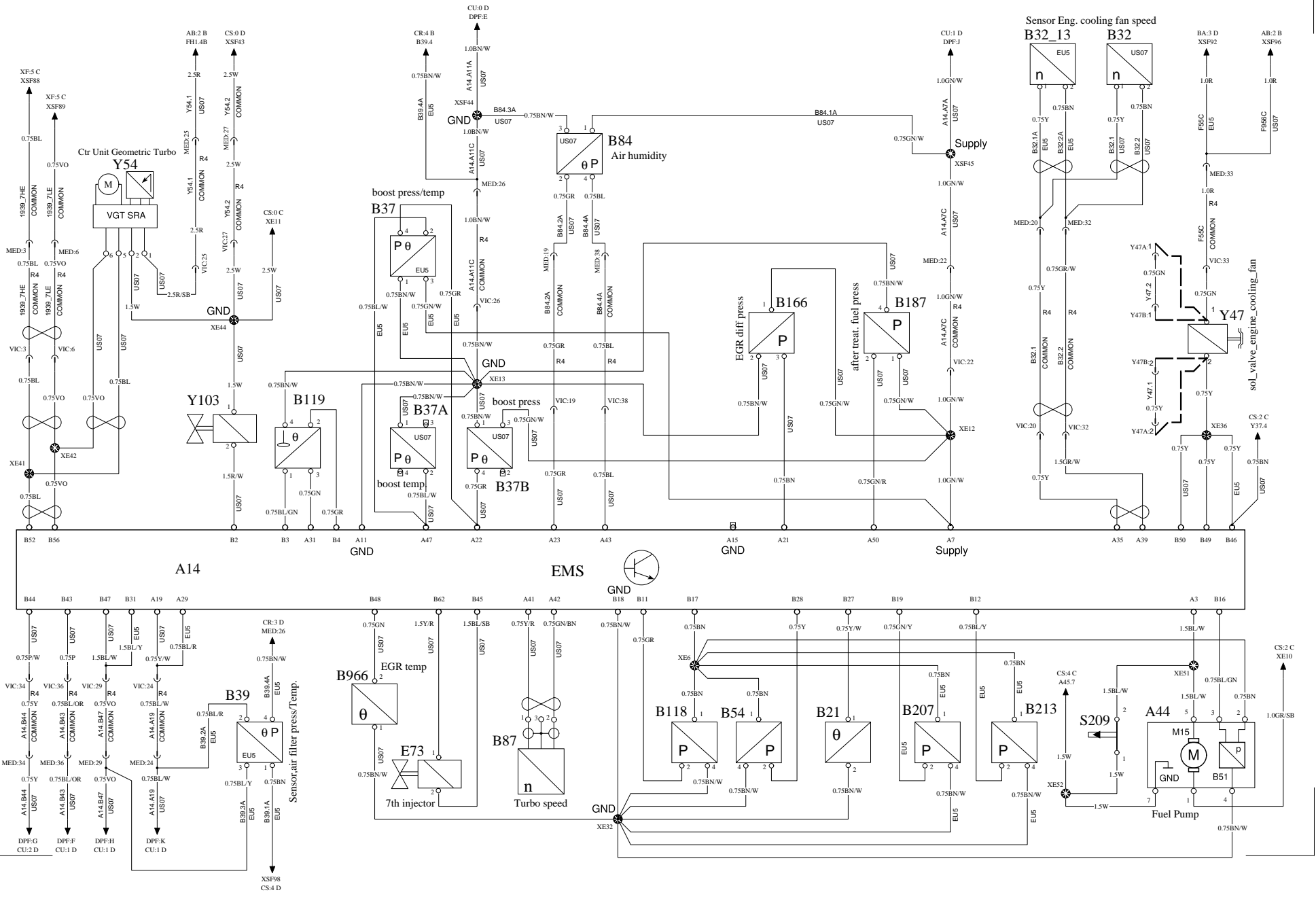
# BBM BODY BUILDER MODULE WIRING DIAGRAM BB





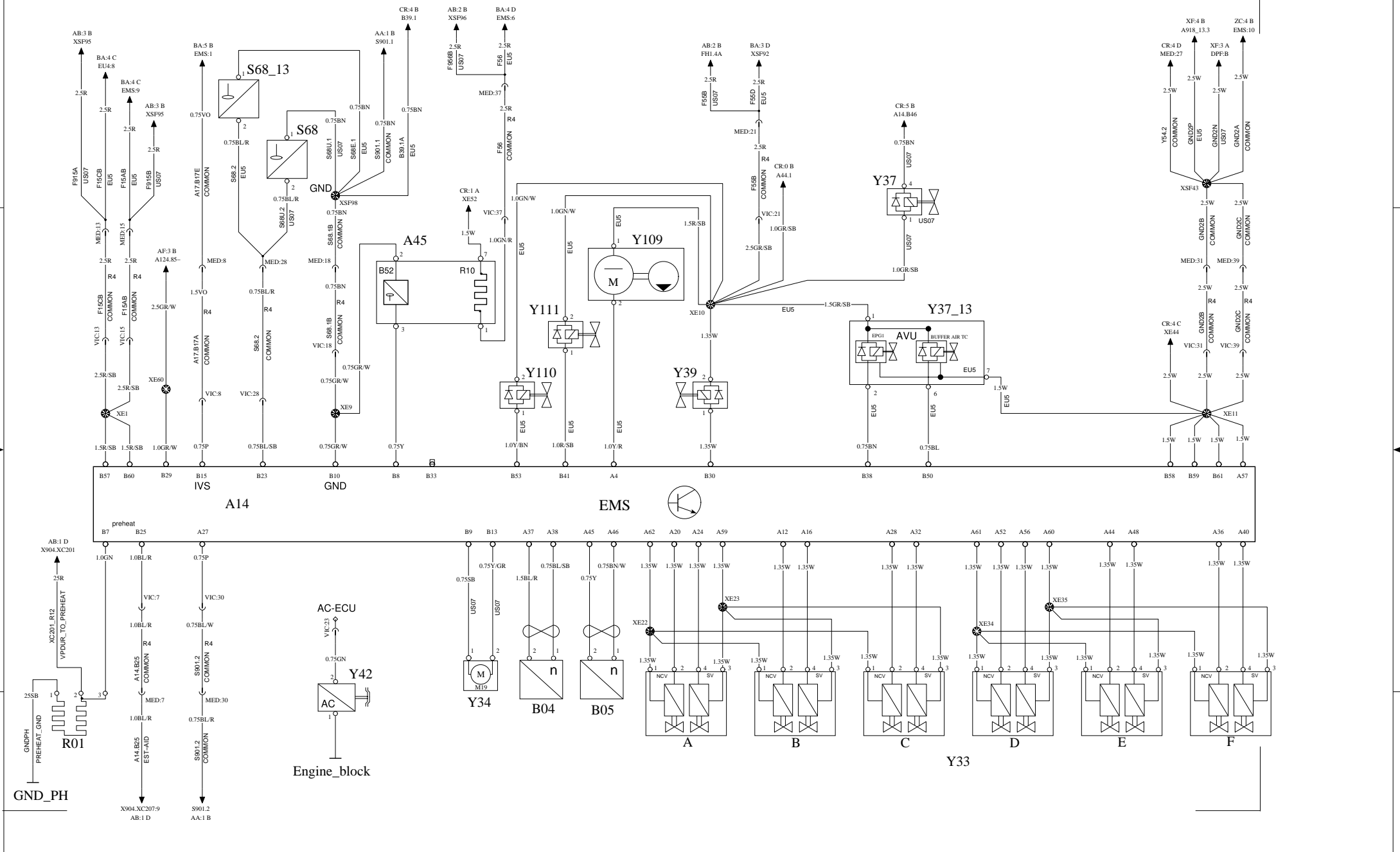






EECU D13\_2

WIRING DIAGRAM CS

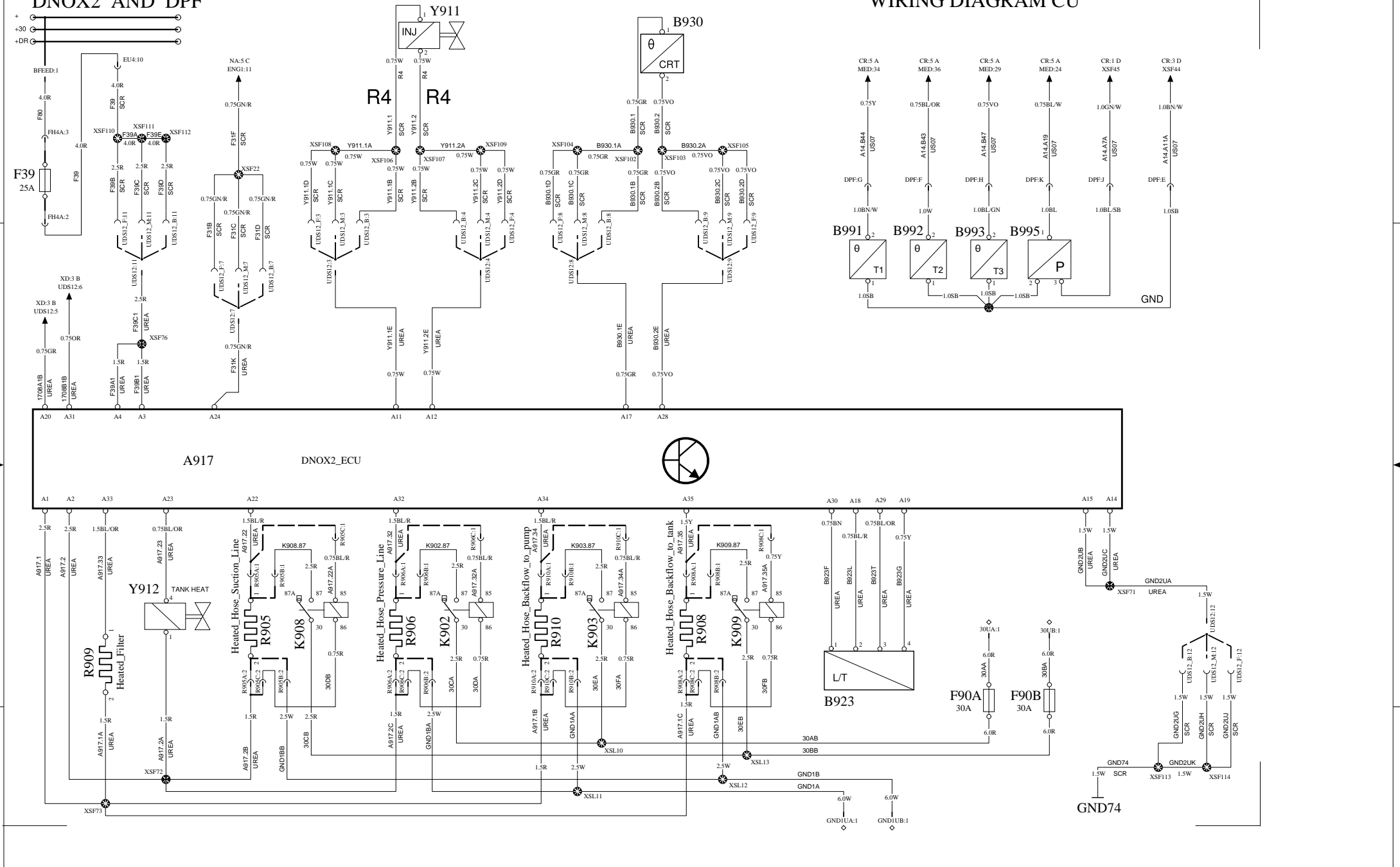


Volvo Bus Corporation

Document title <b>WIRING DIAGRAM CS</b>	Document No <b>TP 16782</b>	Issue <b>02</b>	Volume <b>01(02)</b>	Page <b>10(31)</b>

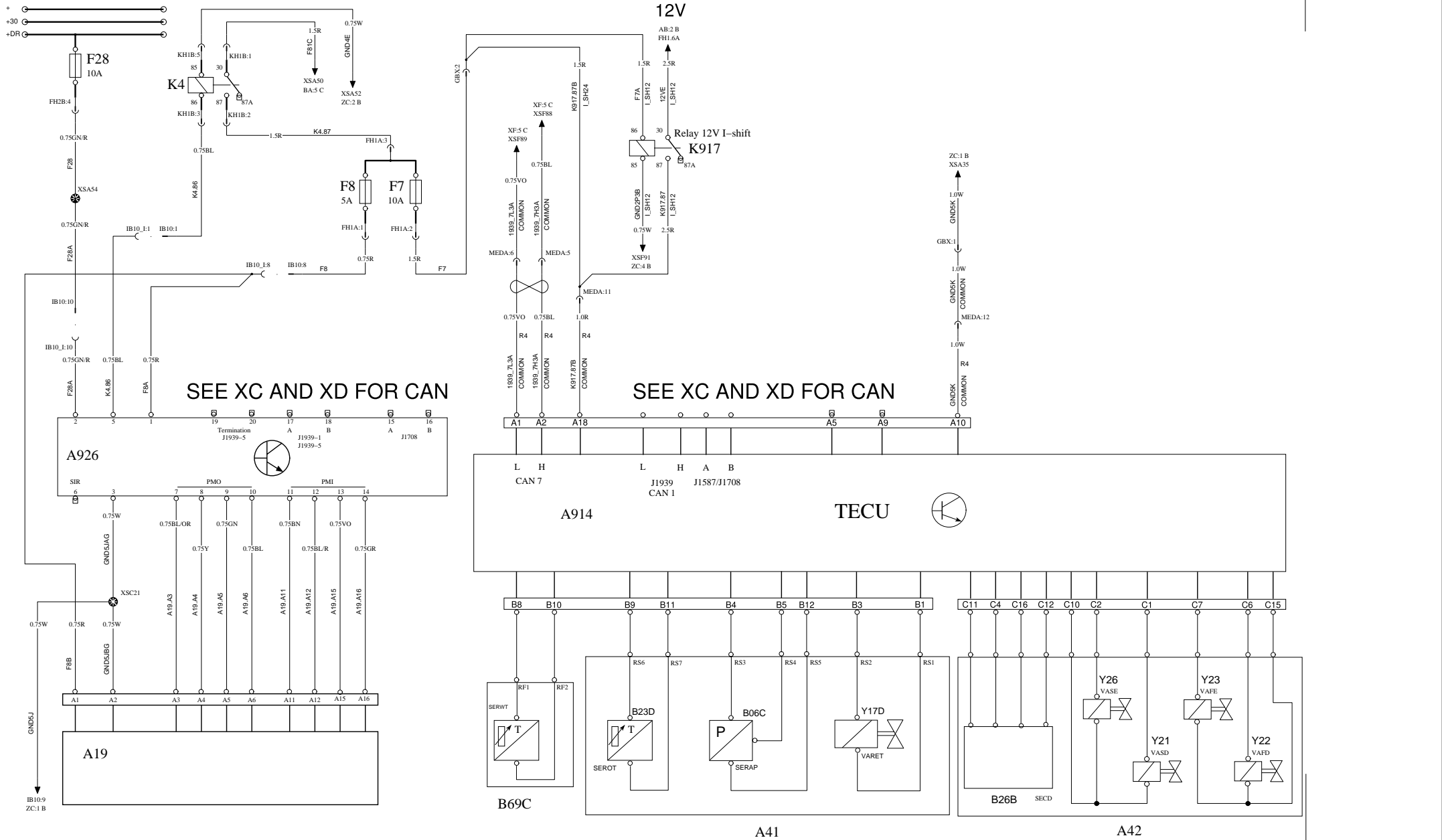
# DNOX2 AND DPF

# WIRING DIAGRAM CU



# I-SHIFT

# WIRING DIAGRAM DN

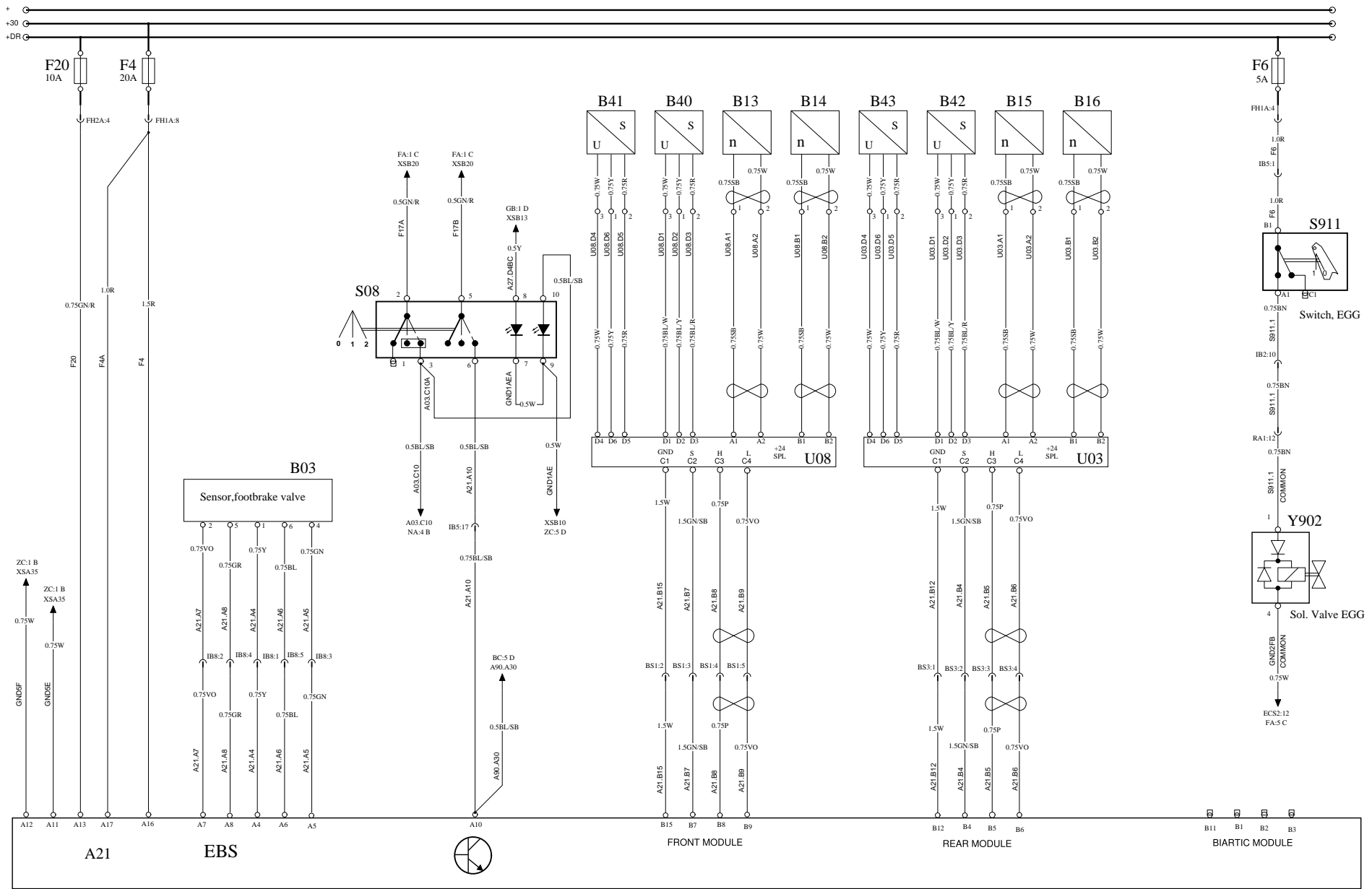


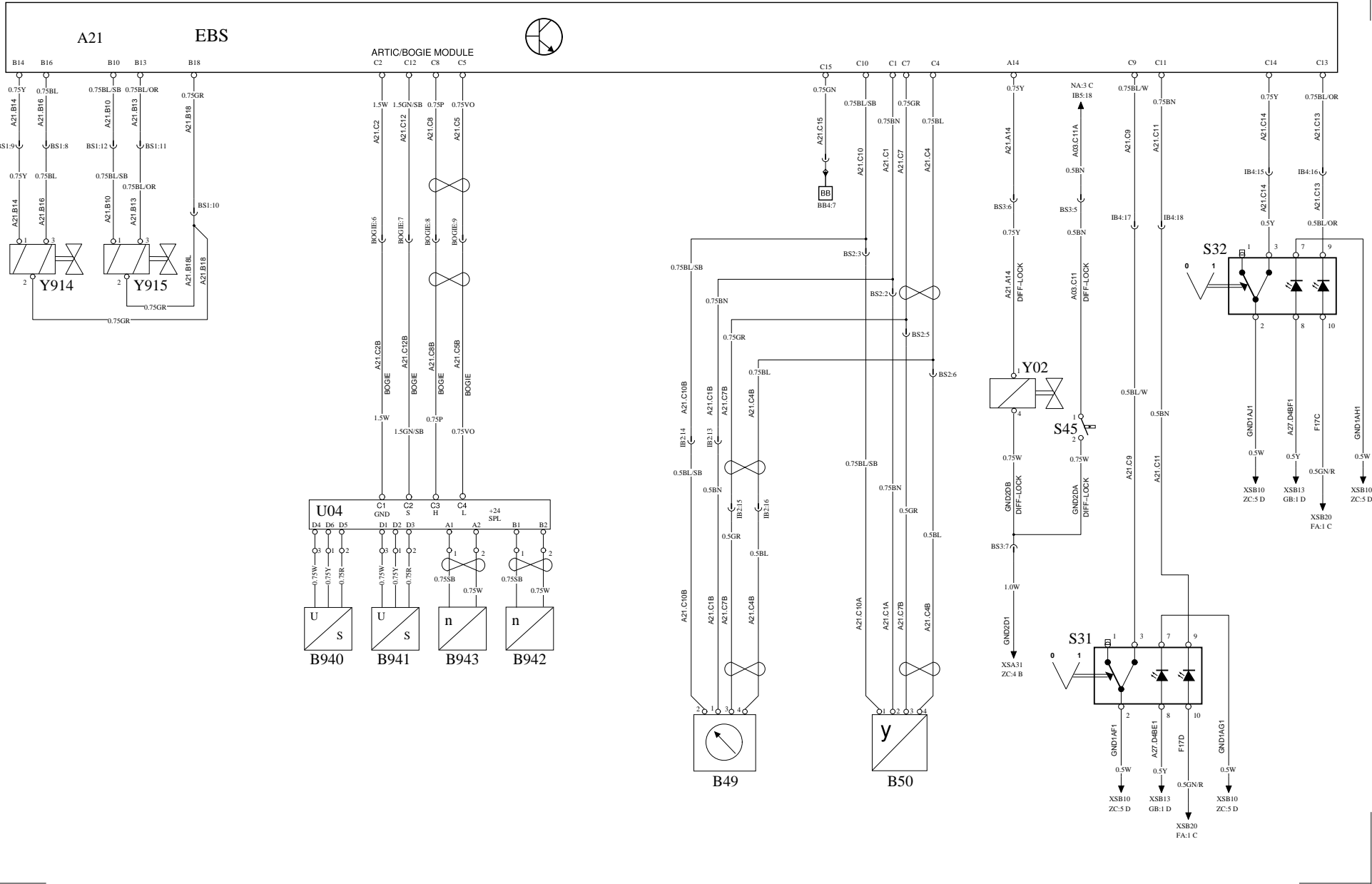
SEE XC AND XD FOR CAN

SEE XC AND XD FOR CAN

EBS

WIRING DIAGRAM EO

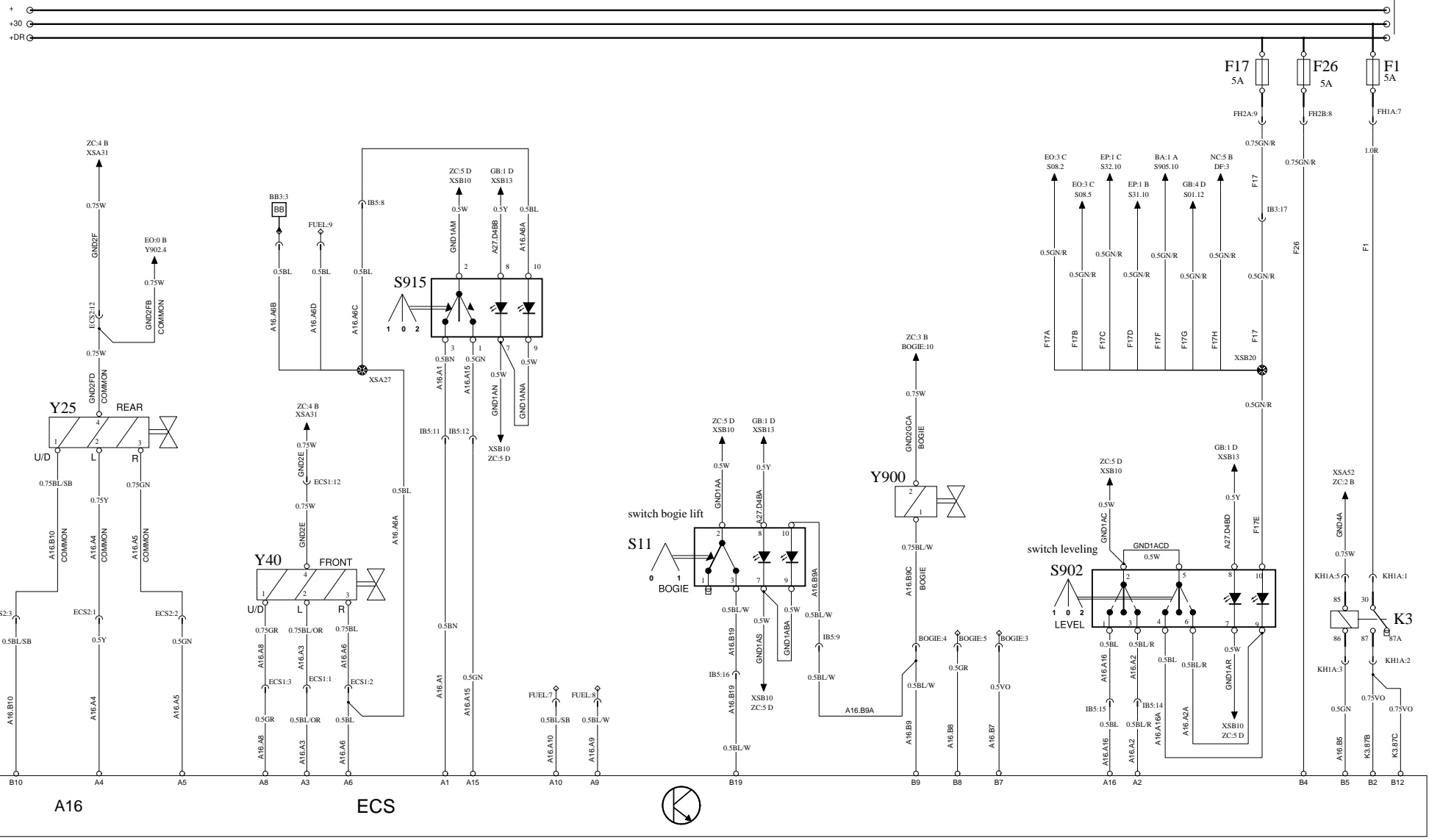






# AIR SUSPENSION ECS

# WIRING DIAGRAM FA



Volvo Bus Corporation

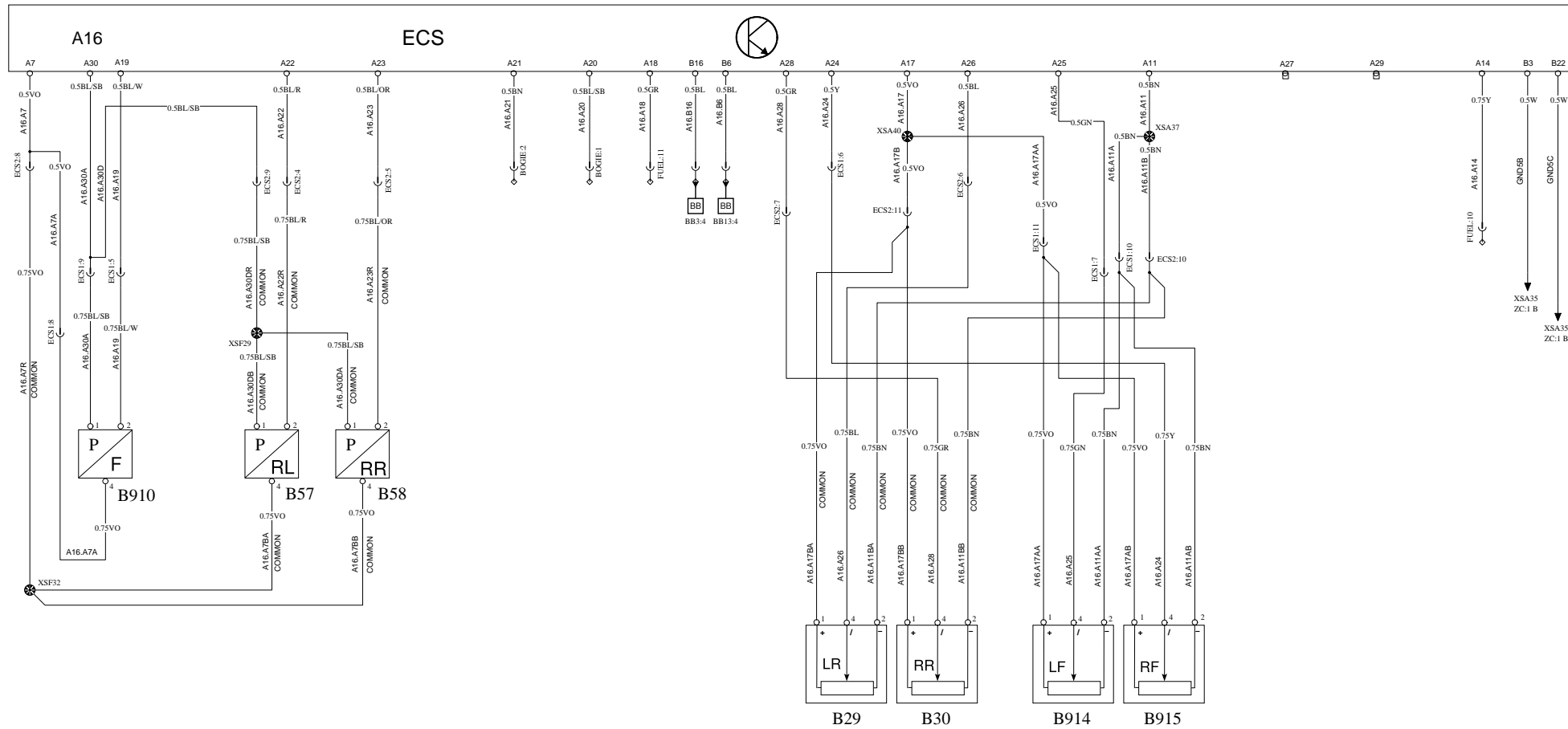
Document title WIRING DIAGRAM FA
Document type PRODUCT SCHEMATIC

Document No TP 16782
-------------------------

Issue 02	Volume 01(02)	Page 15(31)
-------------	------------------	----------------

# AIR SUSPENSION ECS

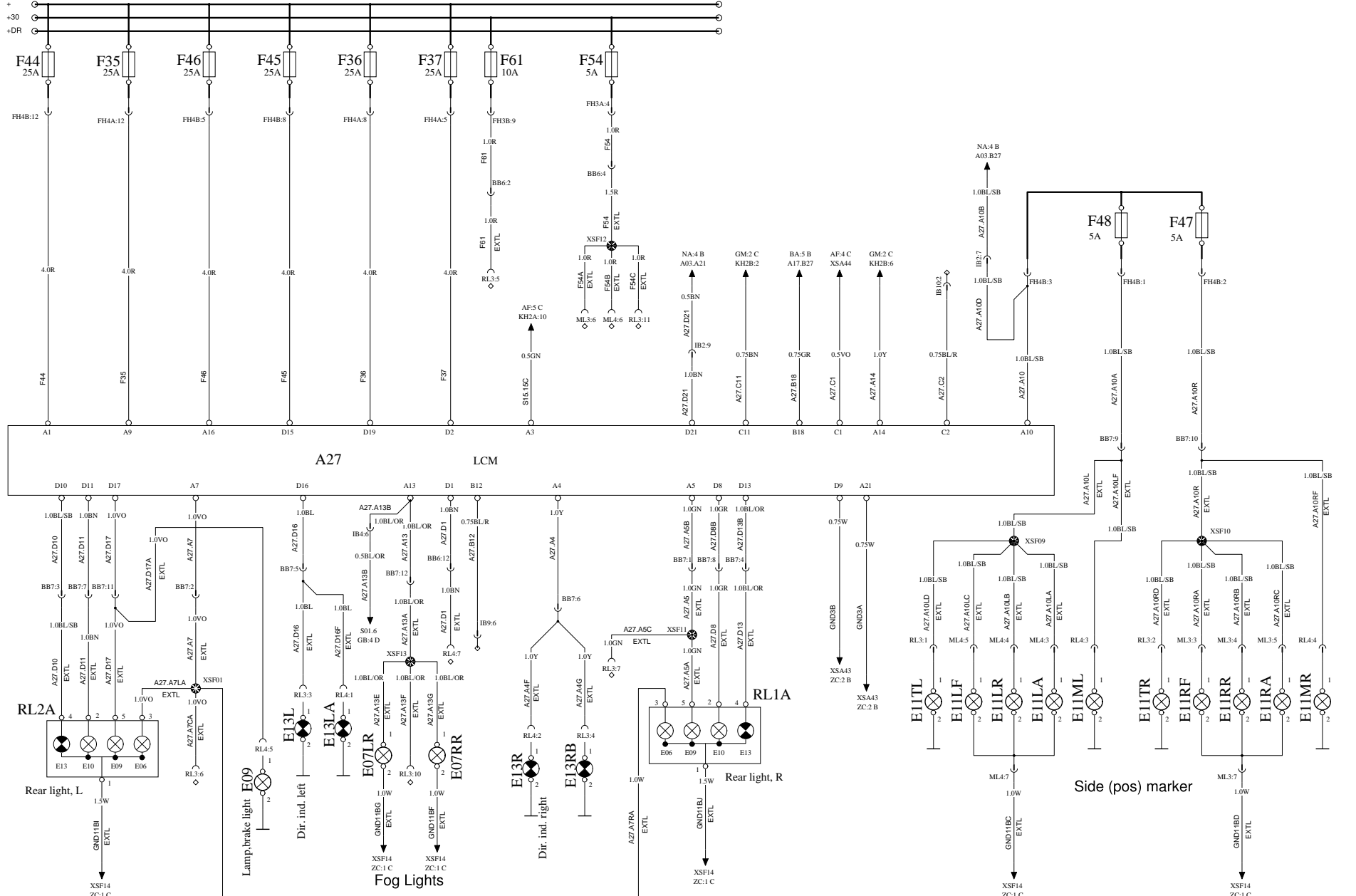
# WIRING DIAGRAM FB

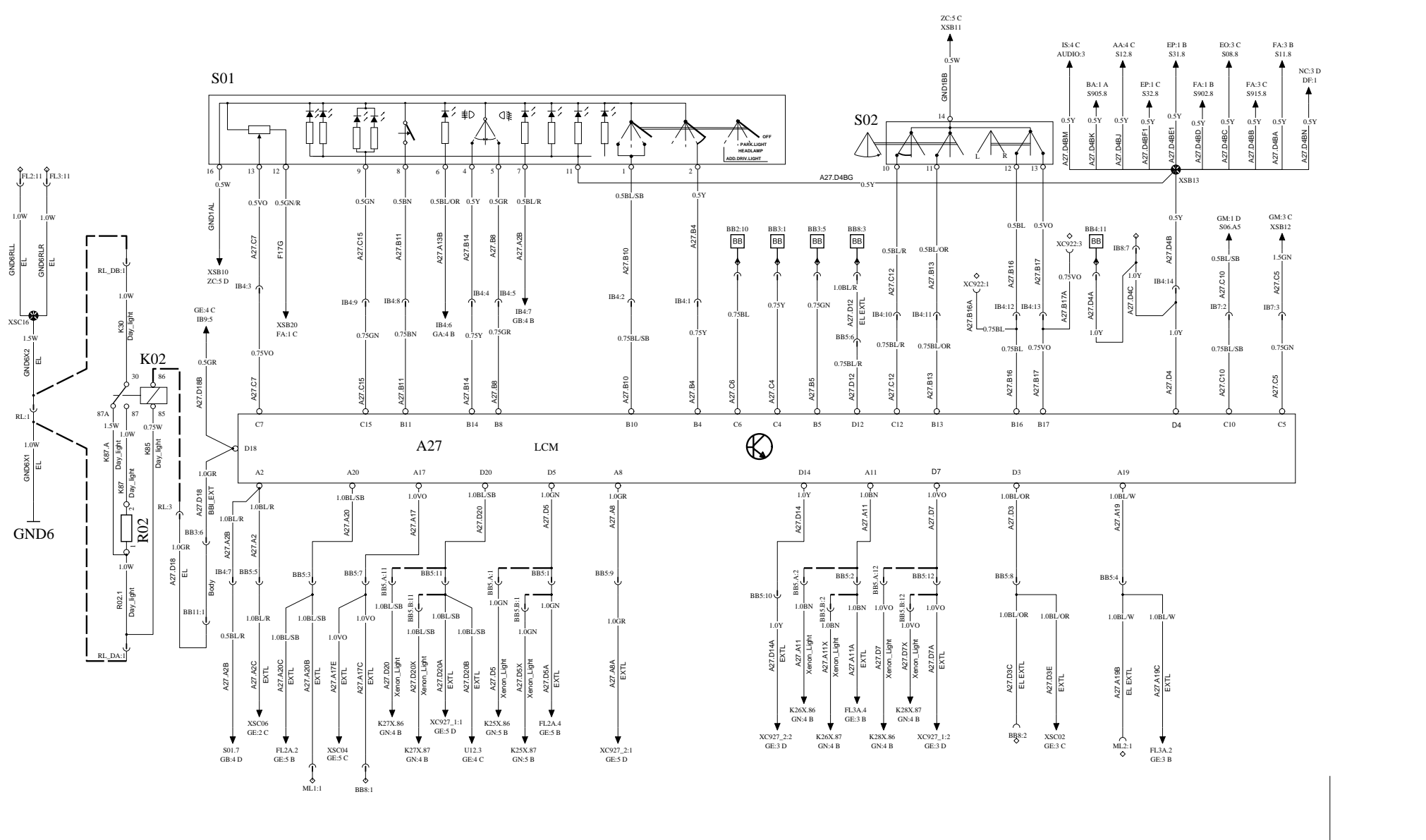


# LCM

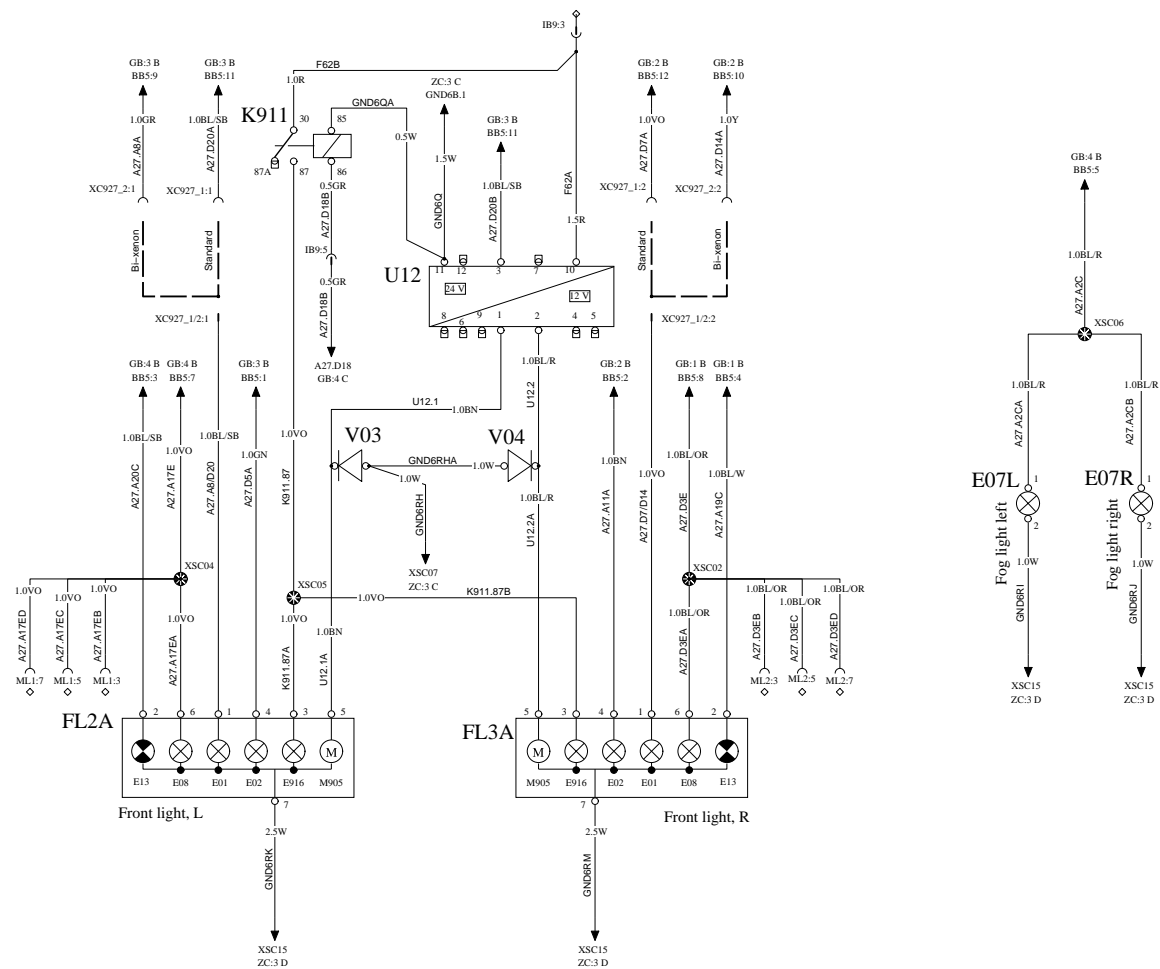
# REAR LIGHTS

# WIRING DIAGRAM GA



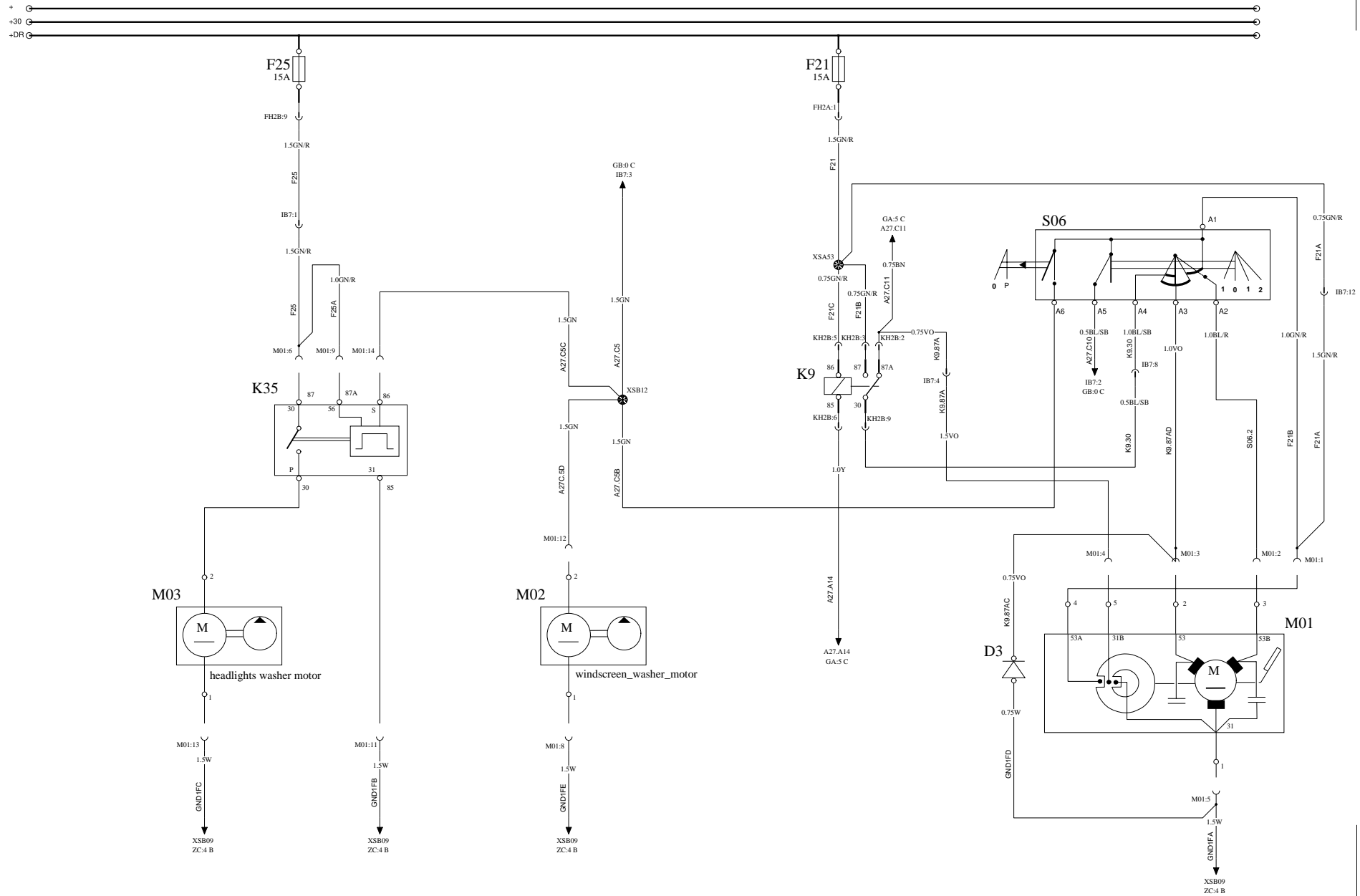


FRONT LIGHT



# WIPER, WASHER

# WIRING DIAGRAM GM



Volvo Bus Corporation

Document title  
WIRING DIAGRAM GM  
Document type  
PRODUCT SCHEMATIC

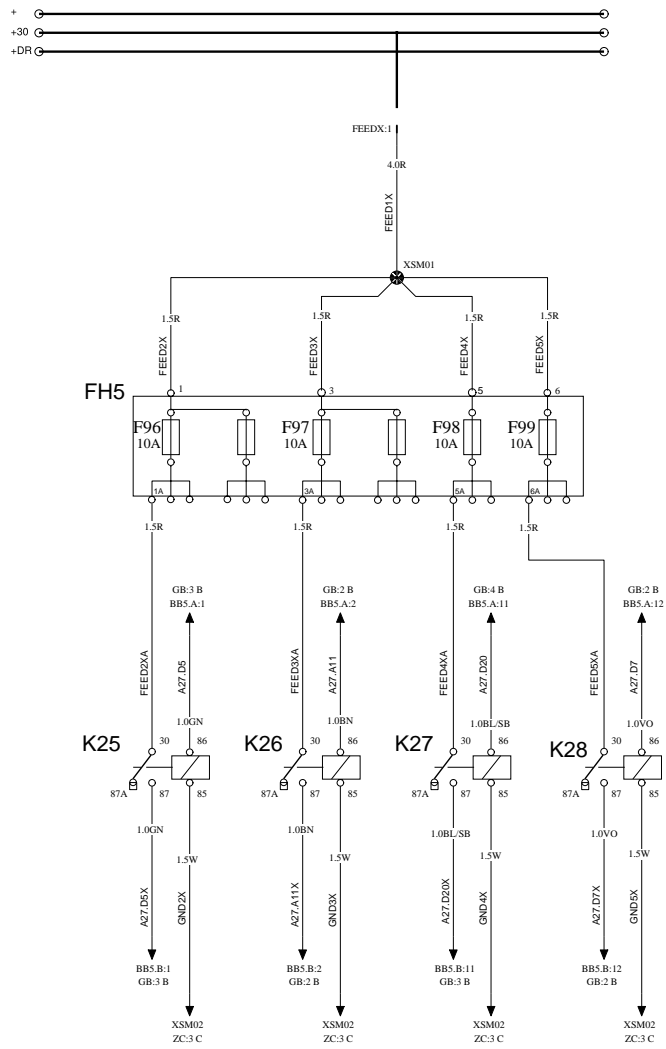
Document No  
TP 16782

Issue  
02

Volume  
01(02)

Page  
20(31)

LCM XENON LIGHTS RELAY WIRING DIAGRAM GN



Volvo Bus Corporation

Document title  
WIRING DIAGRAM GN

Document type  
PRODUCT SCHEMATIC

Document No  
TP 16782

Issue

02

Volume

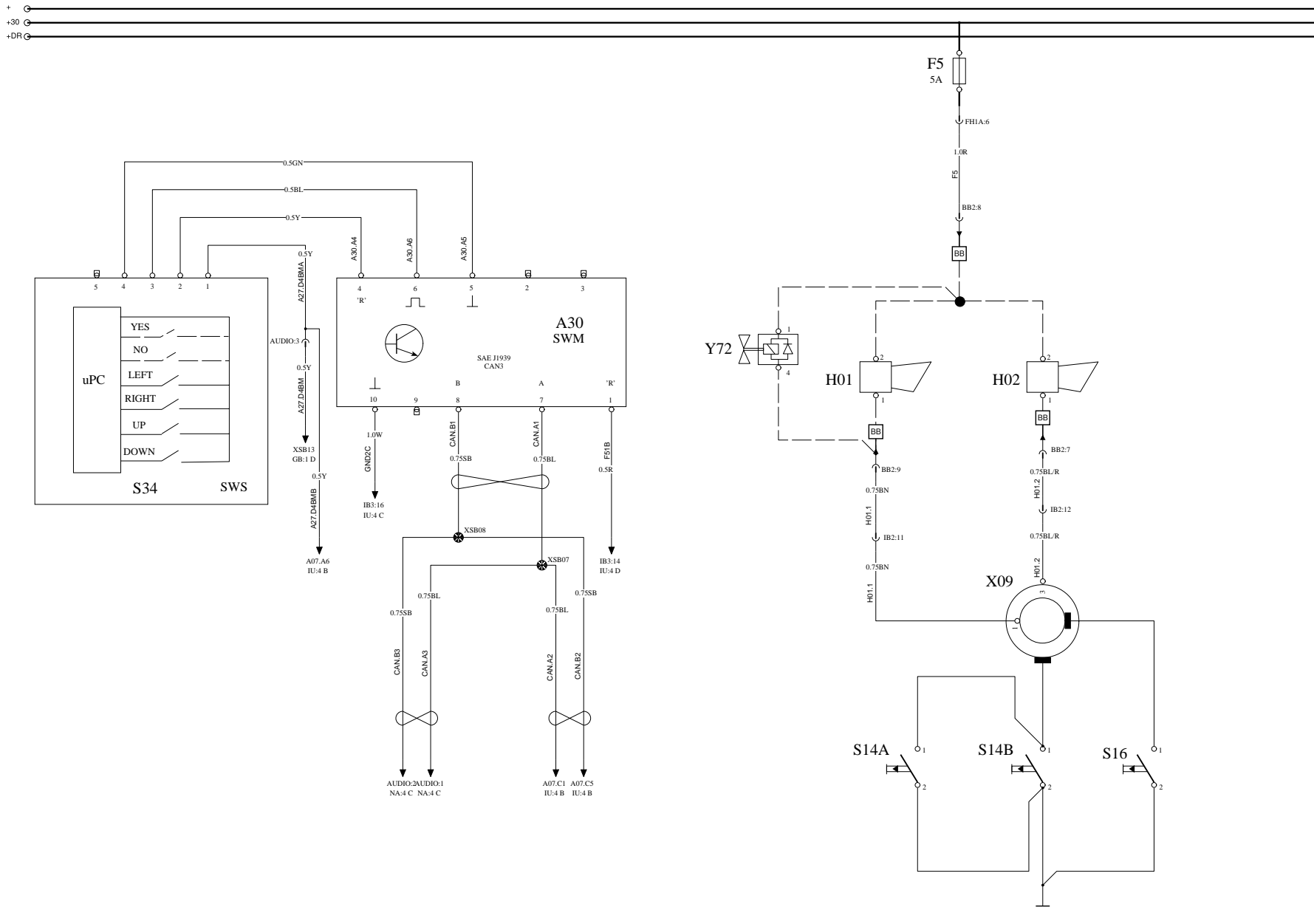
01(02)

Page

21(31)

# HORN, SWM

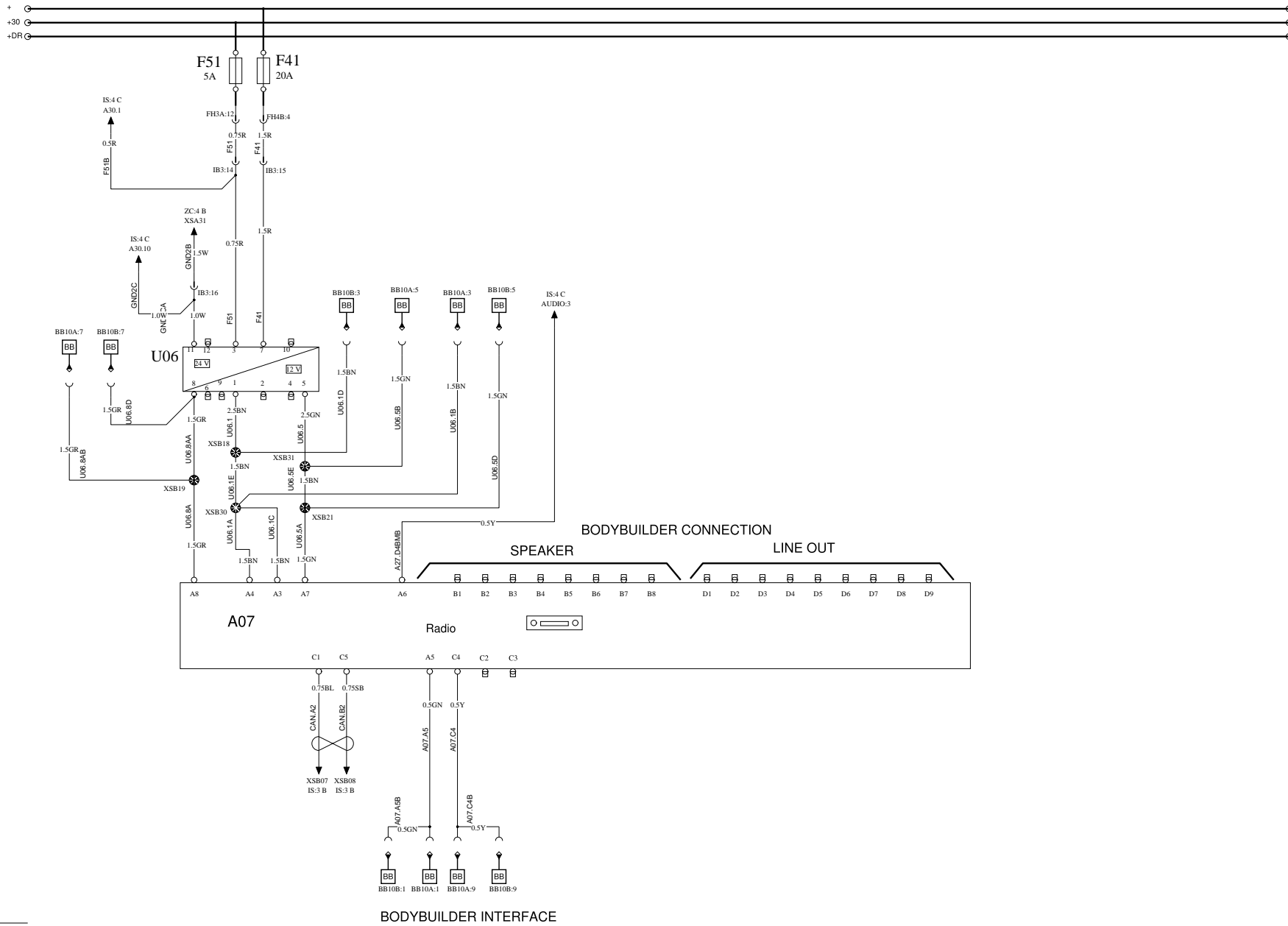
# WIRING DIAGRAM IS





# AUDIO

# WIRING DIAGRAM IU



Volvo Bus Corporation

Document title  
WIRING DIAGRAM IU  
Document type  
PRODUCT SCHEMATIC

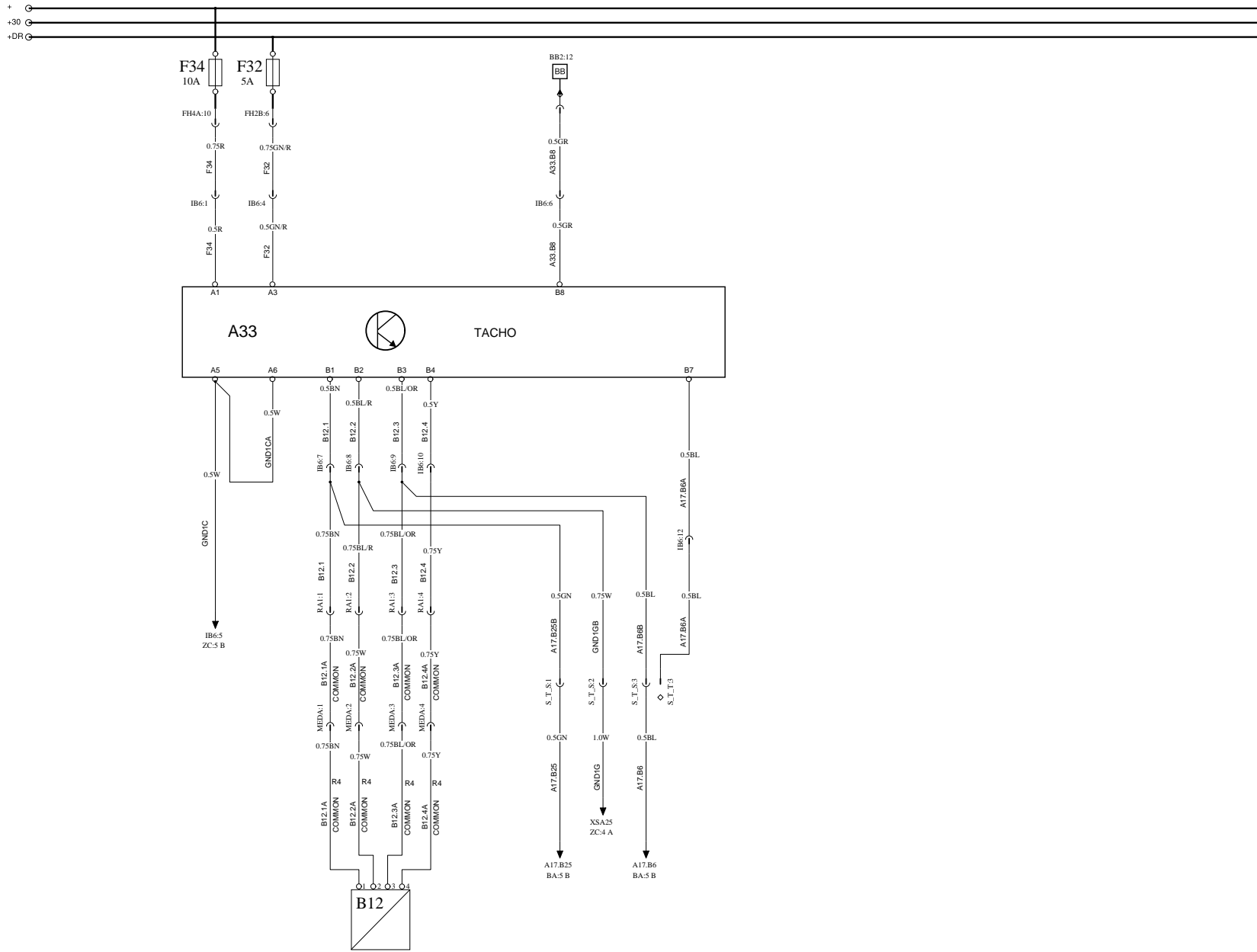
Document No  
TP 16782

Issue	Volume	Page
02	01(02)	23(31)



# TACHOGRAPH

# WIRING DIAGRAM NB



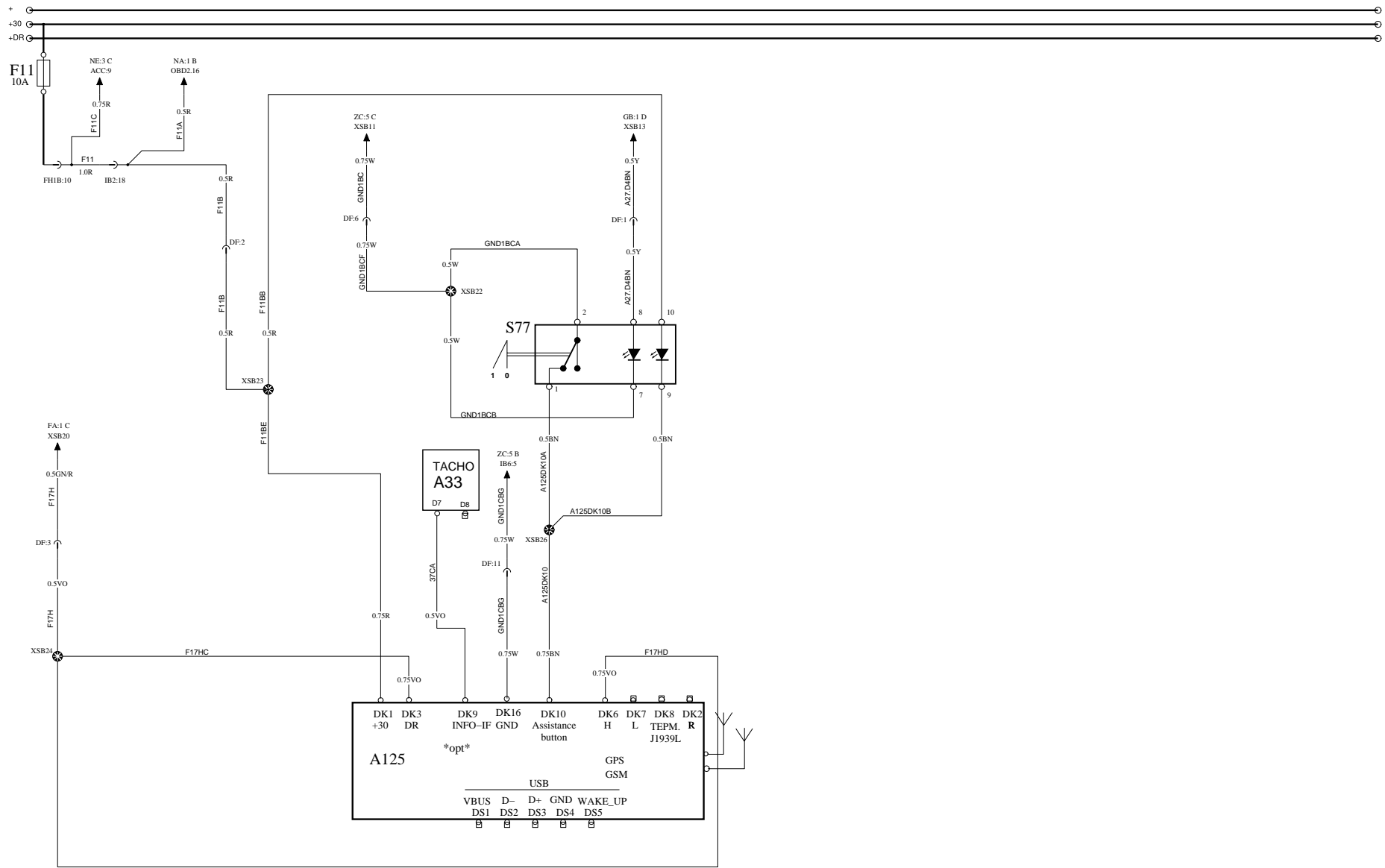
**VOLVO**

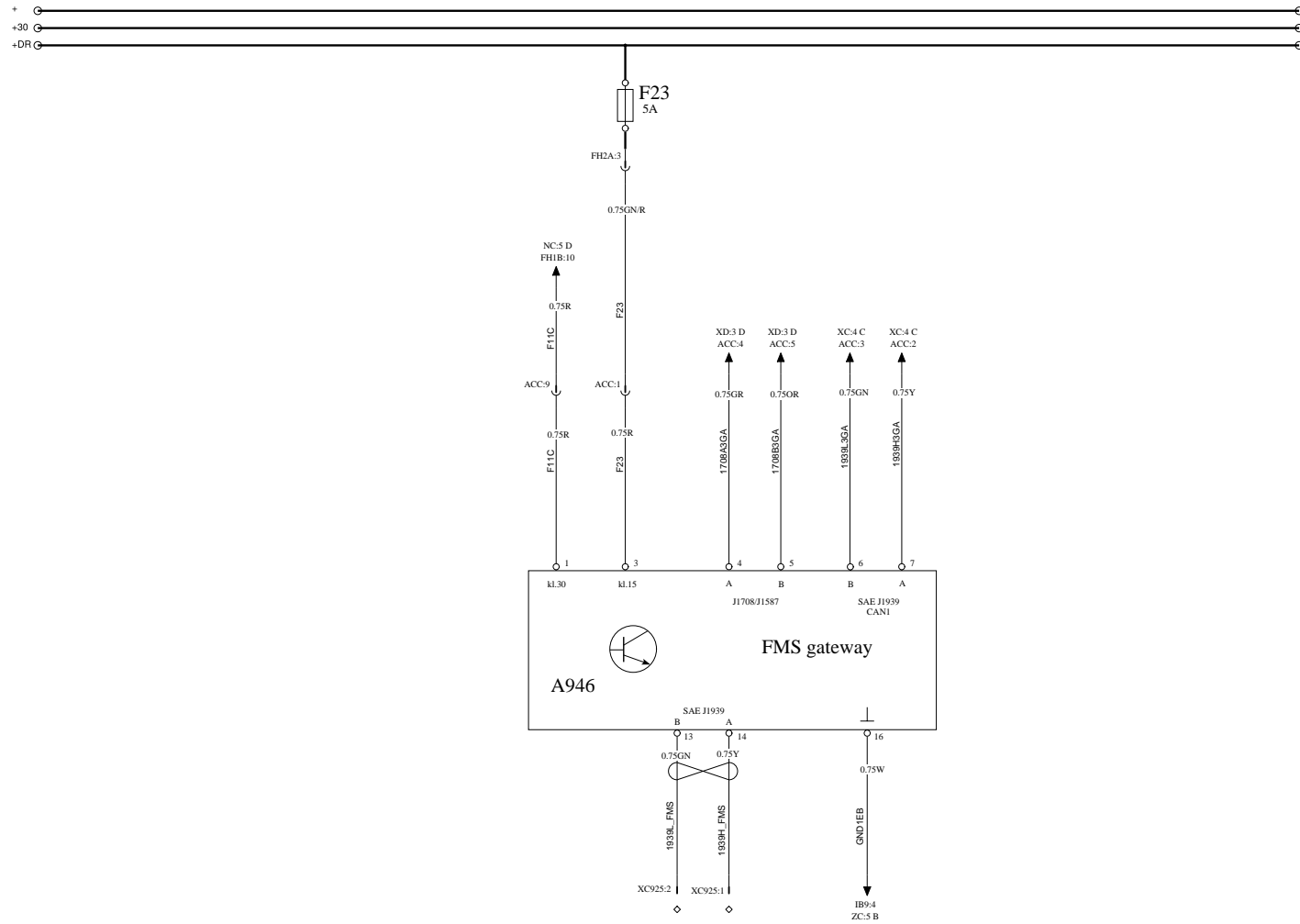
Volvo Bus Corporation

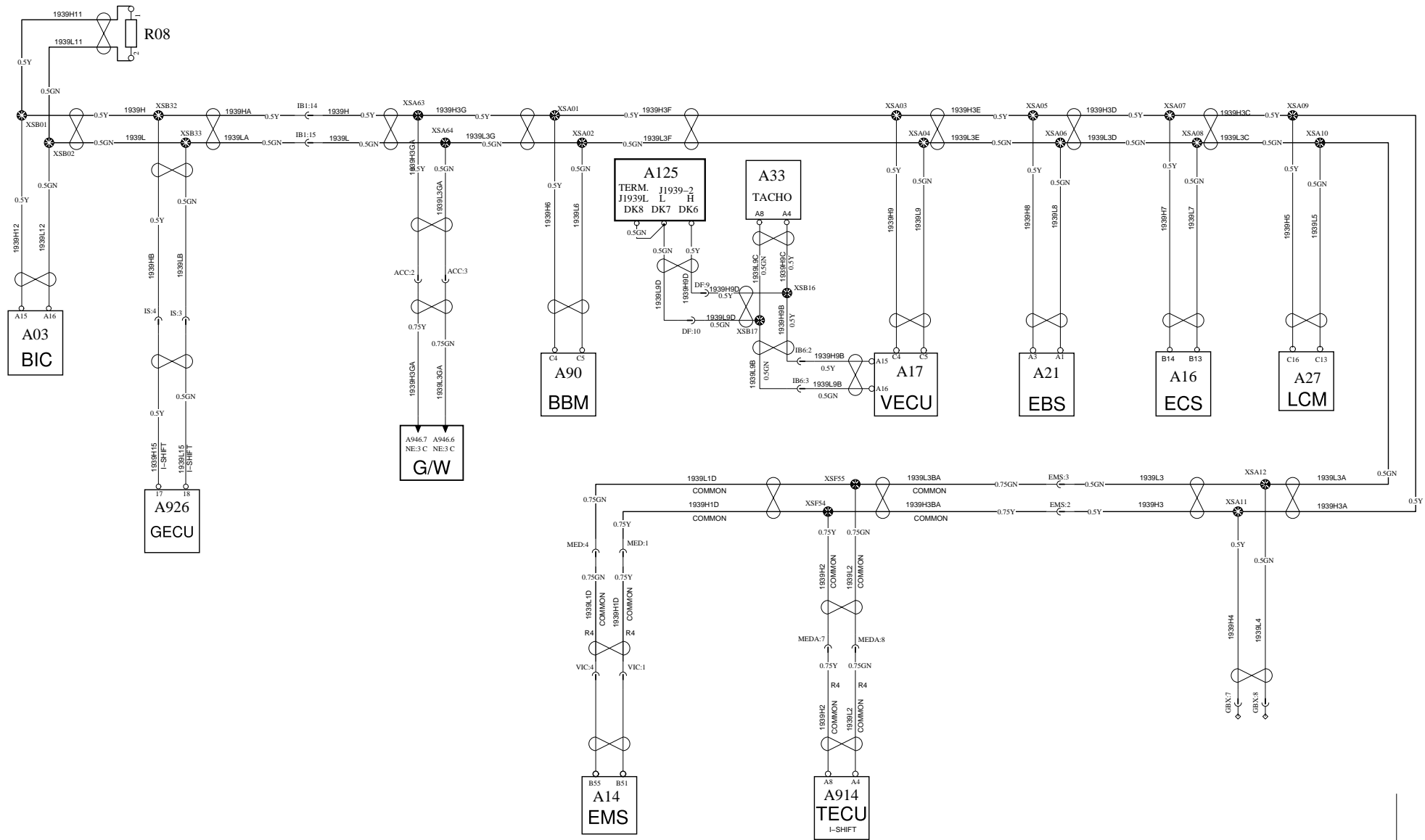
Document title WIRING DIAGRAM NB
Document type PRODUCT SCHEMATIC

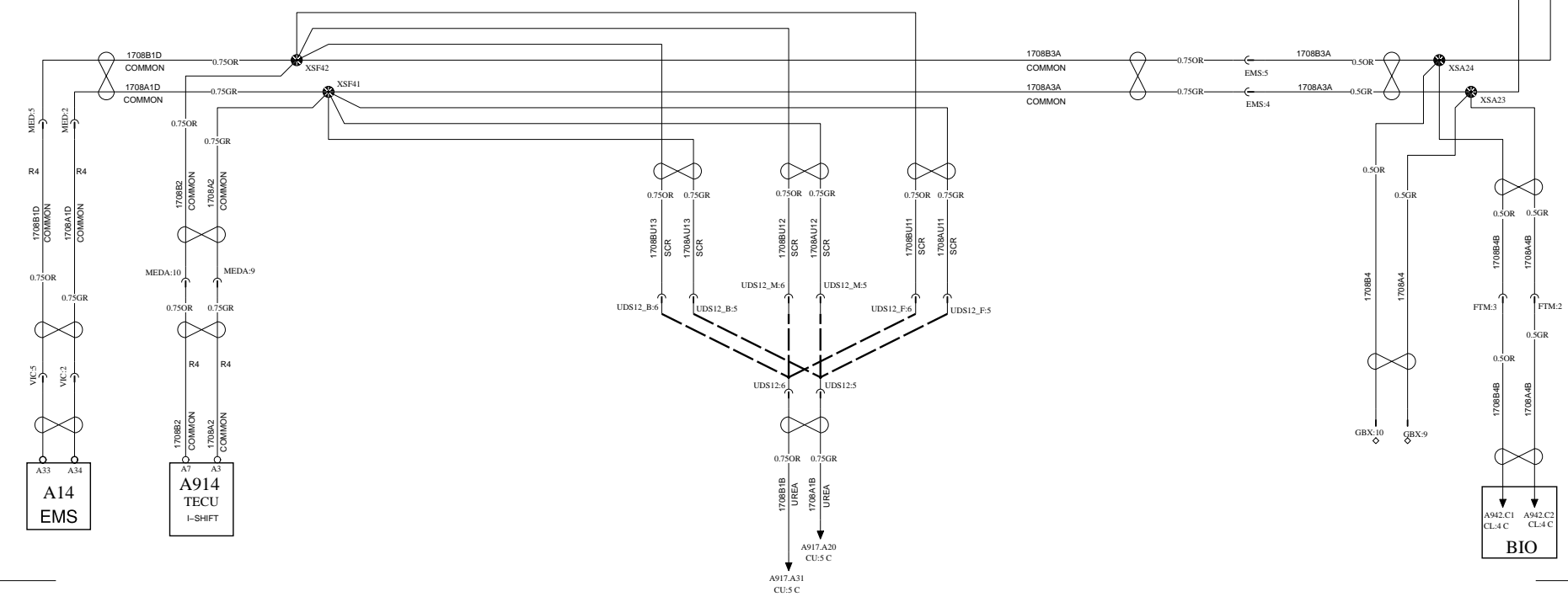
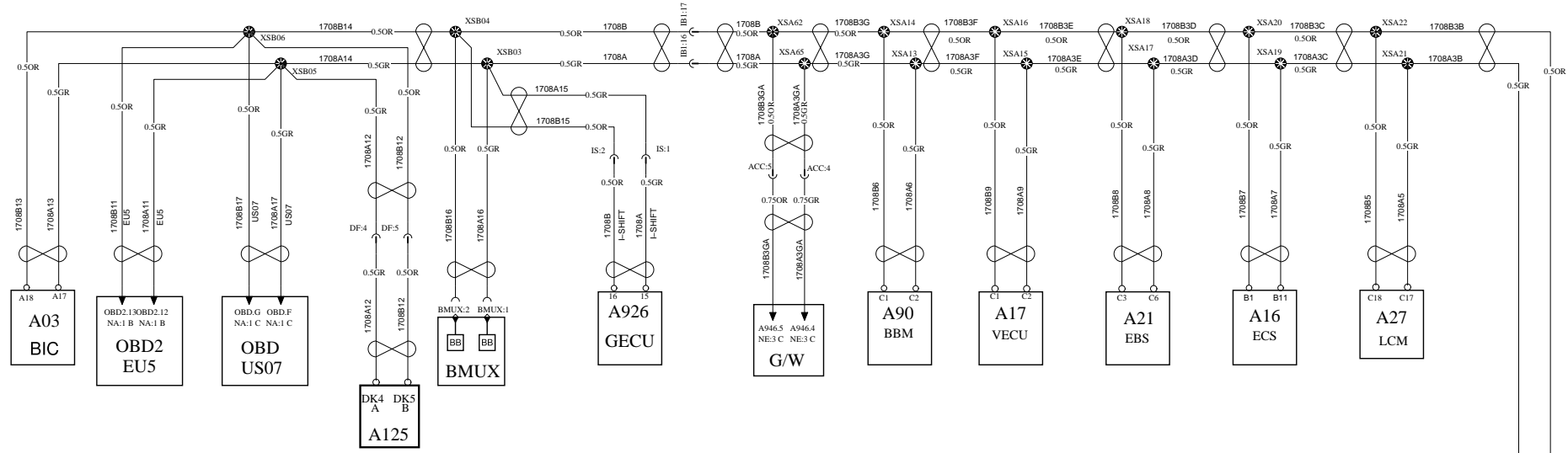
Document No TP 16782
-------------------------

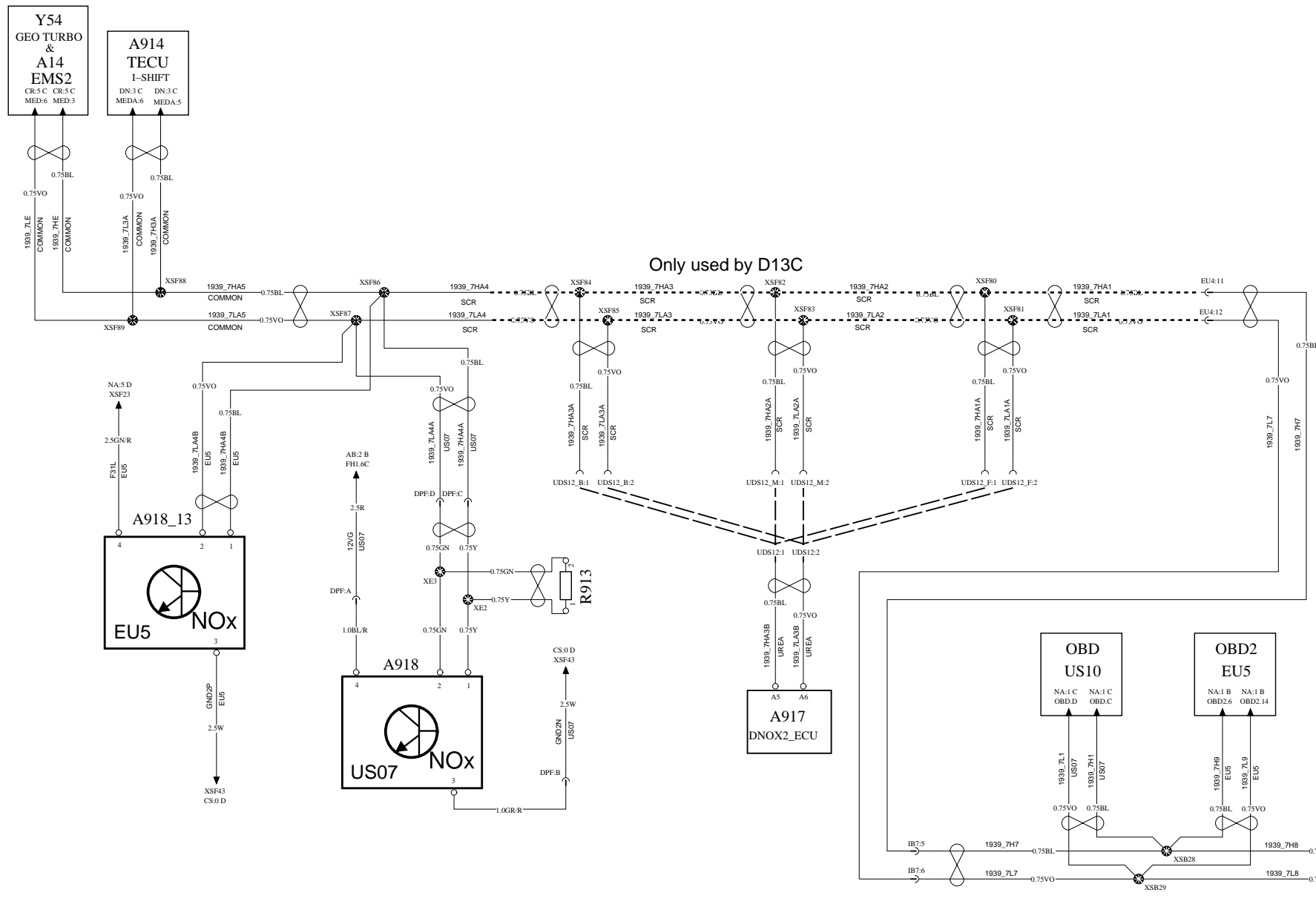
Issue 02	Volume 01(02)	Page 25(31)
-------------	------------------	----------------







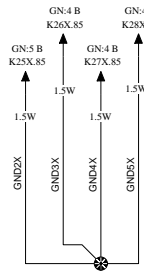
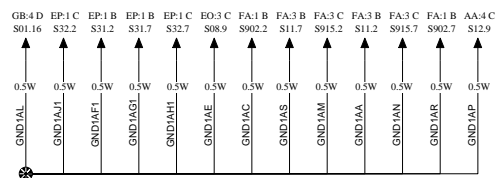




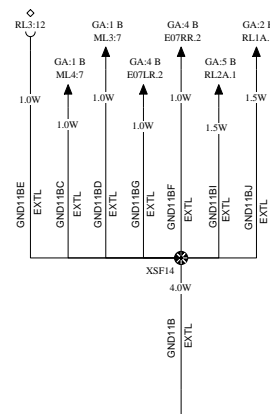


# GROUND

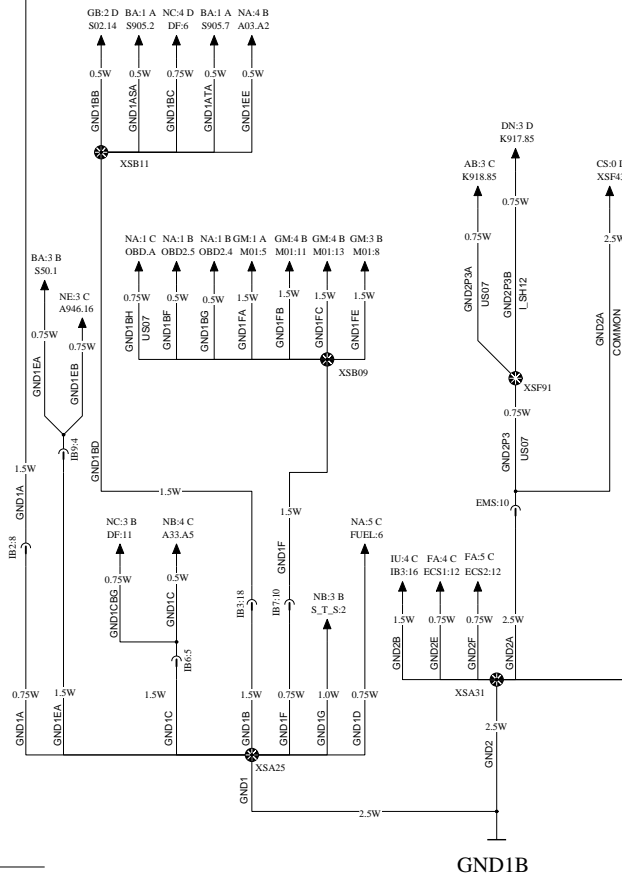
# WIRING DIAGRAM ZC



GND6B



GND11

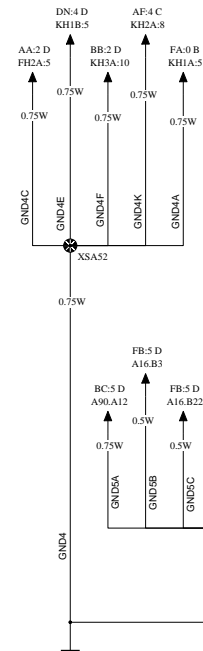


GND1B

GNDX



GND1A



GND1C

GND31A

GND1D

31P  
35SB

Engineering Release Notice (ERN)	Location	Change Description	A = Added U = Deleted	W = Was	Document Release Status	
D-13924-25					Date 2008-11-28	Modification Count

**BILL OF MATERIAL/COMPONENT LIST**

Part Name	Description	Location	Part Type
A03	Instrument cluster	{NA 4 B} {XC 5 C} {XD 5 C}	componentSymbol
A07	Radio	{IU 4 B}	componentSymbol
A14	Control unit EMS	{XC 3 A} {XD 5 A} {CR 5 B} {CS 5 B}	componentSymbol
A16	ECS	{FA 5 B} {XC 1 C} {XD 1 C} {FB 5 D}	componentSymbol
A17	VECU	{BA 5 B} {XC 2 C} {XD 2 C}	componentSymbol
A19	GECU	{DN 5 B}	componentSymbol
A21	EBS	{XC 1 C} {EO 5 A} {XD 2 C} {EP 5 D}	componentSymbol
A27	LCM	{Wrong world, out of range.} {GA 5 C} {GB 4 C} {XD 2 D}	componentSymbol
A30	Control unite,SWM(Steering Wheel Module)	{IS 4 C}	componentSymbol
A33	TACHO	{NB 4 C} {XC 2 C} {NC 3 B}	componentSymbol
A41	Component group transmission.Contains B23,B06 and Y17.	{DN 3 B}	componentSymbol
A42	Component group transmission.Contains B26, Y21,Y22, Y23 and Y26.	{DN 1 B}	componentSymbol
A44	Fuel Pump	{CR 0 B}	componentSymbol
A45	Fuel conditioner	{CS 4 C}	componentSymbol
A80	Air Dryer	{BA 2 A}	componentSymbol

The copying, distribution and utilization of this document as well as the communication of its contents to others without expressed authorization is prohibited. Offenders will be held liable for payment of damages. All rights reserved in the event of the grant of a patent, utility model or ornamental design registration.

Document Title  
**WIRING DIAGRAM**  
B13R, D13C, D13F

**VOLVO**  
Volvo Bus Corporation

Document Type  
**PRODUCT SCHEMATIC**

Owner Domain:Document Prefix

Document No TP 16782	Issue Index <b>02</b>	Volume No <b>02(02)</b>	Page No <b>1(27)</b>
-------------------------	--------------------------	----------------------------	-------------------------

Part Name	Description	Location	Part Type
A90	BBM	{BB 5 A} {XC 3 C} {AA 4 A} {XD 2 C} {BC 5 D}	componentSymbol
A124		{AF 3 B}	componentSymbol
A125		{XC 3 C} {NC 4 B} {XD 4 C}	componentSymbol
A914	TECU	{XC 2 A} {DN 3 C} {XD 5 A}	componentSymbol
A917	DNOX2_ECU	{CU 5 C} {XF 2 B}	componentSymbol
A918	NOx-sensor	{XF 4 B}	componentSymbol
A918_13	NOx-sensor	{XF 4 B}	componentSymbol
A926	GearShift_ECU	{XC 5 B} {DN 5 C} {XD 3 C}	componentSymbol
A942	BIO - Bus I/O	{CL 4 C}	componentSymbol
A946	FMS GATEWAY	{NE 3 C}	componentSymbol
B03	Sensor,footbrake valve	{EO 4 B}	componentSymbol
B04	Sensor,engine speed,crankshaft	{CS 3 B}	componentSymbol
B05	Sensor,engine speed,camshaft	{CS 3 B}	componentSymbol
B06	Wet tank press	{BA 0 C}	componentSymbol
B07	Sensor,fuel level front axle	{NA 4 A}	componentSymbol
B12	Sensor,tachograph/speedometer	{NB 4 A}	componentSymbol
B13	Sensor,wheel speed, lhs. 1:st front axle	{EO 2 D}	componentSymbol
B14	Sensor,wheel speed, rhs. 1:st front axle	{EO 2 D}	componentSymbol
B15	Sensor,Wheel speed, lhs. 1:st driven rear axle	{EO 1 D}	componentSymbol
B16	Sensor,Wheel speed, rhs. 1:st driven rear axle	{EO 1 D}	componentSymbol
B21	Sensor,coolant temperature	{CR 2 B}	componentSymbol
B22	Sensor, outdoor temperature	{NA 3 A}	componentSymbol
B25	Sensor,accelerator pedal	{BA 2 C}	componentSymbol
B29	sensor chassis level rear axle LHS	{FB 3 B}	componentSymbol
B30	sensor chassis level rear axle RHS	{FB 2 B}	componentSymbol
B32	Sensor,engine cooling fan speed	{CR 1 D}	componentSymbol
B32_13	Sensor Eng. cooling fan speed	{CR 1 D}	componentSymbol
B37	boost press/temp	{CR 4 C}	componentSymbol
B37A	boost temp.	{CR 4 C}	componentSymbol
B37B	boost press	{CR 3 C}	componentSymbol
B39	Sensor,air filter press/Temp.	{CR 4 B}	componentSymbol
B40	Sensor,brake lining wear indicator,lhs. 1:st front axle	{EO 3 D}	componentSymbol
B41	Sensor,brake lining wear indicator,rhs. 1:st front axle	{EO 3 D}	componentSymbol
B42	Sensor,brake lining wear indicator,lhs. 1:st driven rear axle	{EO 2 D}	componentSymbol
B43	Sensor,brake lining wear indicator,rhs.1:st driven rear axle	{EO 2 D}	componentSymbol

# VOLVO

Volvo Bus Corporation

Document Title

**WIRING DIAGRAM**

Document Type

**PRODUCT SCHEMATIC**

Document No

TP 16782

Issue Index

**02**

Volume No

**02(02)**

Page No

**2(27)**

Part Name	Description	Location	Part Type
B49	Sensor,steering angle	{EP 3 B}	componentSymbol
B50	Sensor,yaw-rate	{EP 2 B}	componentSymbol
B54	Sensor,pressure crankhouse	{CR 2 A}	componentSymbol
B57	Sensor,air pressure, suspension bellows,lhs.rear	{FB 4 C}	componentSymbol
B58	Sensor,air perssure,suspension bellow,rhs. rear	{FB 4 C}	componentSymbol
B59	Sensor, indoor temperature	{NA 3 A}	componentSymbol
B66		{CL 3 A}	componentSymbol
B69C	Sensor,coolant temperature, retarder	{DN 3 B}	componentSymbol
B84	Air humidity	{CR 3 D}	componentSymbol
B87	Turbo speed	{CR 3 B}	componentSymbol
B118	Sensor_Oil_Pressure	{CR 3 A}	componentSymbol
B119	Sensor_oil_level_and_oil_temp	{CR 4 C}	componentSymbol
B166	EGR diff press	{CR 2 C}	componentSymbol
B187	after treat. fuel press	{CR 2 C}	componentSymbol
B207	sensor, oil cooling jet press	{CR 2 A}	componentSymbol
B213	Sensor, press. butterfly valve backpress	{CR 1 A}	componentSymbol
B904	hydr_oil_level_sens	{NA 4 C}	componentSymbol
B906	Sensor,Brake Press ( 6*2 )	{BC 4 C}	componentSymbol
B910	sensor air press. ECS port 21	{FB 5 C}	componentSymbol
B914	sensor chassis level front axle LHS	{FB 2 B}	componentSymbol
B915	sensor chassis level front axle RHS	{FB 1 B}	componentSymbol
B918	Hydraulic oil level sensor_2	{NA 4 C}	componentSymbol
B920	Sensor,fuel level 2 front axle	{NA 4 A}	componentSymbol
B922	Sensor_temp_downstream_scr DNOX2	{CL 4 B}	componentSymbol
B923	Sensor_temp/level_adblue_tank_SCRT_D NOX2	{CU 2 B}	componentSymbol
B927	Sensor Hydr.oil press	{BB 1 D}	componentSymbol
B930	Sensor_temp_upstream_scr DNOX2	{CU 3 D}	componentSymbol
B940	Sensor brake lining wear indicator,A/B R	{EP 4 B}	componentSymbol
B941	Sensor brake lining wear indicator,A/B L	{EP 4 B}	componentSymbol
B942	sensor_wheel_speed_A/B_R	{EP 3 B}	componentSymbol
B943	sensor_wheel_speed_A/B_L	{EP 3 B}	componentSymbol
B949	Last trailer air brake pressure sensor (biartic)	{CL 3 A}	componentSymbol
B966	EGR temp	{CR 4 B}	componentSymbol
B970	Fire sensor, 110°C	{BB 4 C}	componentSymbol
B971	Fire sensor, 110°C	{BB 4 C}	componentSymbol
B972	Fire sensor, 110°C	{BB 4 B}	componentSymbol
B977	Sensor, brake pressure	{NA 5 A}	componentSymbol
B978	Sensor, brake pressure	{NA 5 A}	componentSymbol
B979	Parking brake pressure	{BB 3 B}	componentSymbol
B980	Auxilliary pressure	{BB 3 B}	componentSymbol
B985	Fire sensor 4, D13	{BB 4 C}	componentSymbol
B986	Fire sensor 5, D13	{BB 4 C}	componentSymbol
B991	Temp. cat upstream	{CU 2 C}	componentSymbol
B992	Temp. cat downstream	{CU 2 C}	componentSymbol
B993	Temp. DPF	{CU 1 C}	componentSymbol
B995	DPF diff press.	{CU 1 C}	componentSymbol
D1	Diod	{BA 3 A}	componentSymbol
D2	Diod	{AA 2 B}	componentSymbol

# VOLVO

Volvo Bus Corporation

Document Title

**WIRING DIAGRAM**

Document Type

**PRODUCT SCHEMATIC**

Document No

TP 16782

Issue Index

**02**

Volume No

**02(02)**

Page No

**3(27)**

Part Name	Description	Location	Part Type
D3		{GM 1 B}	componentSymbol
E07L	Fog light left	{GE 2 C}	componentSymbol
E07LR	Fog light left rear	{GA 4 B}	componentSymbol
E07R	Fog light right	{GE 2 C}	componentSymbol
E07RR	Fog light right rear	{GA 4 B}	componentSymbol
E09	Lamp,brake light	{GA 4 B}	componentSymbol
E11LA	Side marker light left	{GA 1 B}	componentSymbol
E11LF	Side marker light left front	{GA 2 B}	componentSymbol
E11LR	Side marker light left rear	{GA 1 B}	componentSymbol
E11ML	Side marker light middle left	{GA 1 B}	componentSymbol
E11MR	Side marker light middle right	{GA 0 B}	componentSymbol
E11RA	Side marker light right	{GA 0 B}	componentSymbol
E11RF	Side marker light right front	{GA 1 B}	componentSymbol
E11RR	Side marker light right rear	{GA 1 B}	componentSymbol
E11TL	Position Light,Left(Trailer)	{GA 2 B}	componentSymbol
E11TR	Position Light,Right(Trailer)	{GA 1 B}	componentSymbol
E13L	Dir. ind. left	{GA 4 B}	componentSymbol
E13LA	Dir.indicator left	{GA 4 B}	componentSymbol
E13R	Dir. ind. right	{GA 3 B}	componentSymbol
E13RB	Dir.indicator right	{GA 3 B}	componentSymbol
E73	7th injector	{CR 3 A}	componentSymbol
Engine_block	Ground	{CS 4 A}	componentSymbol
F1	ECS, 5A	{FA 0 D}	componentSymbol
F2	BIC2,10A	{NA 1 D}	componentSymbol
F4	EBS,20A	{EO 5 D}	componentSymbol
F5	Horn,5A	{IS 2 D}	componentSymbol
F6	Emergency parking brake release, 5A	{EO 0 D}	componentSymbol
F7	Gearbox ECU I-shift, 10A	{DN 4 D}	componentSymbol
F8	Gear selector ,I-Shift,5A	{DN 4 D}	componentSymbol
F9	Switchbox start/stop rear, 5A	{AA 2 D}	componentSymbol
F10	Fire Alarm,5A	{BB 4 D}	componentSymbol
F11	Dyna fleet, FMS, 10A	{NC 5 D}	componentSymbol
F12	Body +30,5A	{BB 3 D}	componentSymbol
F14	BBM,5A	{BB 5 D}	componentSymbol
F15	EECU, 15A	{BA 4 D}	componentSymbol
F16	VECU,5A	{BA 4 D}	componentSymbol
F17	Switch feed, 5A	{FA 1 D}	componentSymbol
F18	Alternator, 5A	{AF 1 D}	componentSymbol
F19	Hymer, 10A	{AF 4 D}	componentSymbol
F20	EBS,10A	{EO 5 D}	componentSymbol
F21	Wiper,Washer, 15A	{GM 2 D}	componentSymbol
F23	ACC, FMS,5A	{NE 3 D}	componentSymbol
F24	BIC 2,5A	{NA 2 D}	componentSymbol
F25	Washer motor, 15A	{GM 4 D}	componentSymbol
F26	ECS,5A	{FA 0 D}	componentSymbol
F28	Retarder, 10A	{DN 5 D}	componentSymbol
F29	Body +DR, 5A	{BB 3 D}	componentSymbol
F31	Hydraulic oil, DNOx2, 10A	{NA 5 D}	componentSymbol
F32	Tachograph,5A	{NB 4 D}	componentSymbol
F33	BIC 2,5A	{NA 2 D}	componentSymbol
F34	Tachograph,10A	{NB 4 D}	componentSymbol

# VOLVO

Volvo Bus Corporation

Document Title

**WIRING DIAGRAM**

Document Type

**PRODUCT SCHEMATIC**

Document No

TP 16782

Issue Index

**02**

Volume No

**02(02)**

Page No

**4(27)**

Part Name	Description	Location	Part Type
F35	LCM ,25A	{GA 5 D}	componentSymbol
F36	LCM,25A	{GA 4 D}	componentSymbol
F37	LCM,25A	{GA 3 D}	componentSymbol
F39	DNOx2, 25A	{CU 5 D}	componentSymbol
F41	Radio,20A	{IU 4 D}	componentSymbol
F42	Maine Switch,5A	{AA 5 D}	componentSymbol
F44	LCM,25A	{GA 5 D}	componentSymbol
F45	LCM,25A	{GA 4 D}	componentSymbol
F46	LCM,25A	{GA 4 D}	componentSymbol
F47	Side marker L, 5A	{GA 1 D}	componentSymbol
F48	Side marker R, 5A	{GA 1 D}	componentSymbol
F49	Fuel cut off valve, 5A	{NA 5 D}	componentSymbol
F51	Radio,5A	{IU 4 D}	componentSymbol
F52	Luggage Light,10A	{BB 2 D}	componentSymbol
F53	Bogie Valve, Heater waterseperator, 5A	{BB 0 D}	componentSymbol
F54	Engine/Luggage hatch,5A	{GA 3 D}	componentSymbol
F55	Engine brake valve, Preheat relay, Fan speed clutch,10A	{BA 4 D}	componentSymbol
F56	Engine brake, 10A	{BA 4 D}	componentSymbol
F57	Key switch,5A	{AA 4 D}	componentSymbol
F61	Light, luggageroom,10A	{GA 3 D}	componentSymbol
F63		{CL 1 D}	componentSymbol
F64	Load Indicator	{CL 2 C}	componentSymbol
F90A		{CU 1 B}	componentSymbol
F90B		{CU 1 B}	componentSymbol
F96	Fuse, Xenon low beam L, 10A	{GN 5 C}	componentSymbol
F97	Fuse, Xenon low beam R, 10A	{GN 4 C}	componentSymbol
F98	Fuse, Xenon high beam L, 10A	{GN 4 C}	componentSymbol
F99	Fuse, Xenon high beam R,10A	{GN 4 C}	componentSymbol
F907	Fuse 12V I-shift	{AB 3 B}	componentSymbol
F912		{AB 3 C}	componentSymbol
F915	Fuse 12V EMS2	{AB 3 B}	componentSymbol
F924		{AB 3 C}	componentSymbol
F955	Fuse 12V Act. EMS2	{AB 2 B}	componentSymbol
F956	Fuse 12V Fuel Pump	{AB 2 B}	componentSymbol
FH1	FuseHolder 12V	{AB 2 B}	componentSymbol
FH5	Fuse house, Xenon light	{GN 5 C}	componentSymbol
FL2A	Front light, L	{GE 5 B}	componentSymbol
FL3A	Front light, R	{GE 3 B}	componentSymbol
G01	Battery	{AB 5 B}	componentSymbol
G01B	Battery	{AB 4 B}	componentSymbol
G02	Alternator 1	{AF 2 B}	componentSymbol
G03	Alternator 2	{AF 2 B}	componentSymbol
G901	Battery Equalizer	{AB 3 D}	componentSymbol
GND1A		{ZC 2 B}	componentSymbol
GND1B		{ZC 4 A}	componentSymbol
GND1C		{ZC 2 A}	componentSymbol
GND1D		{ZC 0 A}	componentSymbol
GND2A		{AF 2 A}	componentSymbol
GND2B		{AF 2 A}	componentSymbol
GND6		{GB 5 B}	componentSymbol

**VOLVO**

Volvo Bus Corporation

Document Title

**WIRING DIAGRAM**

Document Type

**PRODUCT SCHEMATIC**

Document No

TP 16782

Issue Index

**02**

Volume No

**02(02)**

Page No

**5(27)**

Part Name	Description	Location	Part Type
GND6B		{ZC 3 C}	componentSymbol
GND11		{ZC 1 C}	componentSymbol
GND31A		{ZC 1 A}	componentSymbol
GND31B		{AB 4 A}	componentSymbol
GND40		{AF 3 A}	componentSymbol
GND41		{AF 3 A}	componentSymbol
GND74		{CU 1 A}	componentSymbol
GND75		{AB 2 D}	componentSymbol
GND_PH		{CS 5 A}	componentSymbol
GNDX		{ZC 3 C}	componentSymbol
H01	Air,Operated	{IS 2 C}	componentSymbol
H02	Diaphragm horn	{IS 1 C}	componentSymbol
K2	Load Indicator	{CL 2 C}	componentSymbol
K02		{GB 5 C}	componentSymbol
K3	ECS	{FA 0 B}	componentSymbol
K4	I-Shift/Voith	{DN 4 D}	componentSymbol
K7	Start engine	{AF 4 C}	componentSymbol
K8	VECU/EMS	{BA 5 C}	componentSymbol
K9	Wiper/Washer	{GM 2 C}	componentSymbol
K11	Prevent start engine	{AA 2 C}	componentSymbol
K12	Luggage Light	{BB 2 C}	componentSymbol
K13	Emergency switch relay	{AA 4 D}	componentSymbol
K14	Bogie	{BB 0 D}	componentSymbol
K17	Ignition +15	{AA 2 D}	componentSymbol
K25X	Xenon light low beam left	{GN 5 B}	componentSymbol
K26X	Xenon light low beam right	{GN 4 B}	componentSymbol
K27X	Xenon light high beam left	{GN 4 B}	componentSymbol
K28X	Xenon light high beam right	{GN 4 B}	componentSymbol
K35	relay_disconn_headlight_wash	{GM 4 C}	componentSymbol
K902		{CU 3 B}	componentSymbol
K903		{CU 3 B}	componentSymbol
K908		{CU 4 B}	componentSymbol
K909		{CU 2 B}	componentSymbol
K911	Relay, DRL Light	{GE 4 D}	componentSymbol
K917	Relay 12V I-shift	{DN 3 D}	componentSymbol
K918	Relay 12V EMS2	{AB 3 C}	componentSymbol
M01	Motor, windscreen wiper	{GM 1 B}	componentSymbol
M02	windscreen_washer_motor	{GM 3 B}	componentSymbol
M03	headlights washer motor	{GM 4 B}	componentSymbol
OBD		{NA 1 C}	componentSymbol
OBD2		{NA 1 B}	componentSymbol
R01	Heater, engine preheat	{CS 5 B}	componentSymbol
R02	Heater, rear view mirror	{GB 5 B}	componentSymbol
R08	Termination resistor,CAN-bus	{XC 5 D}	componentSymbol
R904	Resistor_DBUS	{CL 3 D}	componentSymbol
R905	Heated_Hose_Suction_Line	{CU 4 B}	componentSymbol
R906	Heated_Hose_Pressure_Line	{CU 4 B}	componentSymbol
R907		{XF 0 A}	componentSymbol
R908	Heated_Hose_Backflow_to_tank	{CU 2 B}	componentSymbol
R909	Heated_Filter	{CU 5 B}	componentSymbol
R910	Heated_Hose_Backflow_to_pump	{CU 3 B}	componentSymbol

# VOLVO

Volvo Bus Corporation

Document Title

**WIRING DIAGRAM**

Document Type

**PRODUCT SCHEMATIC**

Document No

TP 16782

Issue Index

**02**

Volume No

**02(02)**

Page No

**6(27)**

Part Name	Description	Location	Part Type
R911		{CL 4 B}	componentSymbol
RL1A	Rear light, R	{GA 2 B}	componentSymbol
RL2A	Rear light, L	{GA 5 B}	componentSymbol
S01	Switch,main lighting,selector type	{GB 4 D}	componentSymbol
S02	Stalk switch LHS	{BA 3 D} {GB 2 D}	componentSymbol
S06	Stalk switch , windscreen wiper, selector type	{NA 2 B} {GM 1 D}	componentSymbol
S08	Switch,differential gear lock,rear wheels	{EO 3 C}	componentSymbol
S11	switch bogie lift	{FA 3 B}	componentSymbol
S12	Main switch	{AA 4 C}	componentSymbol
S14A	Switch, push button, horn	{IS 2 B}	componentSymbol
S14B	Switch, push button, horn	{IS 1 B}	componentSymbol
S15A	Switch,Starter Key	{AA 3 D}	componentSymbol
S15B	Switch,Starter Feed	{AA 4 B}	componentSymbol
S16	Switch,push button,air horn	{IS 1 B}	componentSymbol
S24	stalk_switch_retarder	{BA 1 D}	componentSymbol
S31	Switch, TCS ( Traction Control System )	{EP 1 B}	componentSymbol
S32	Brake hold	{EP 1 C}	componentSymbol
S34	Switch unit, steering wheel push buttons	{IS 5 C}	componentSymbol
S40	Switch, battery main switch	{AA 5 C}	componentSymbol
S45	Position switch,differential gear lock indicator,rear wheels,NC.or NO.	{EP 1 C}	componentSymbol
S50	Pressure switch, exhaust pressure governor,NC	{BA 3 B}	componentSymbol
S58	clutch_switch	{BA 2 C}	componentSymbol
S68	Sensor coolant level	{CS 4 D}	componentSymbol
S68_13	Sensor Coolant level	{CS 4 D}	componentSymbol
S70	Switch Hydr.oil ,Flow sensor	{BB 0 B}	componentSymbol
S77	Assistantnce call	{NC 3 C}	componentSymbol
S209	Switch fuel pump	{CR 1 A}	componentSymbol
S901	eng_stop_rear	{AA 1 B}	componentSymbol
S902	switch leveling	{FA 1 B}	componentSymbol
S904	Switch,emergency cut-out	{AA 4 D}	componentSymbol
S905	Switch,Retarder	{BA 1 A}	componentSymbol
S907	eng_start_rear	{AA 2 B}	componentSymbol
S908	eng_start_enable_rear	{AA 1 B}	componentSymbol
S911	Switch, EGG	{EO 0 D}	componentSymbol
S915	Switch,kneeling	{FA 3 C}	componentSymbol
U03	Modulator,EBS,rear axle(drive axle)	{EO 2 C}	componentSymbol
U04	Modulator EBS, bogie	{EP 4 B}	componentSymbol
U06	Voltage converter	{IU 4 C}	componentSymbol
U08	Modulator,EBS,front	{EO 3 C}	componentSymbol
U12	Voltage converter, Bi-xenon	{GE 4 C}	componentSymbol
V03	Diod, Light	{GE 4 C}	componentSymbol
V04	Diod, Light	{GE 4 C}	componentSymbol
X09	Slip contact/Horne	{IS 1 B}	componentSymbol
X901	Connector Battery +	{AB 1 B}	componentSymbol
X903	VPDU Front with main relay and main switch	{AB 5 C}	componentSymbol
X904	VPDU Rear with preheat relay	{AB 1 D}	componentSymbol
X906	EXTERNAL CHARGER OUTLET	{AB 5 B}	componentSymbol

# VOLVO

Volvo Bus Corporation

Document Title

**WIRING DIAGRAM**

Document Type

**PRODUCT SCHEMATIC**

Document No

TP 16782

Issue Index

**02**

Volume No

**02(02)**

Page No

**7(27)**



Part Name	Description	Location	Part Type
Y02	Solenoid valve,Differential lock,rear wheels	{EP 1 C}	componentSymbol
Y25	Solenoid valve unit, ECS, Rear axle	{FA 5 C}	componentSymbol
Y33	Solenoid valve, UI (Unit Injector)	{CS 3 B}	componentSymbol
Y34	Solenoid valve, EGR (exhaust gas recirculation)	{CS 3 B}	componentSymbol
Y36	Solenoid valve,Steerable axle,Bogie	{BB 0 B}	componentSymbol
Y37	Solenoid valve AVU, engine brake / EPG (Exhaust pressure governor).	{CS 2 C}	componentSymbol
Y37_13	Sol. valve unit eng. brake ( EPG )	{CS 2 C}	componentSymbol
Y39	Solenoid valve, VEB (Volvo Engine Brake).	{CS 2 C}	componentSymbol
Y40	Solenoid valve unit, ECS, Front axle	{FA 4 B}	componentSymbol
Y42	Clutch, magnetic, air conditioning compressor	{CS 4 A}	componentSymbol
Y47	sol_valve_engine_cooling_fan	{CR 0 C}	componentSymbol
Y54	Ctr Unit Geometric Turbo	{CR 5 C}	componentSymbol
Y72	Valve, Horn	{IS 2 C}	componentSymbol
Y103	Safety valve fuel system ATI	{CR 4 C}	componentSymbol
Y109	coolant pump clutch	{CS 3 C}	componentSymbol
Y110	sol. valve, oil temp	{CS 3 C}	componentSymbol
Y111	sol. valve, piston cooling	{CS 3 C}	componentSymbol
Y900	solenoid valve unit, ECS, Bogie axle	{FA 2 C}	componentSymbol
Y901	Fuel cut off valve front axle	{NA 5 C}	componentSymbol
Y902	Sol. Valve EGG	{EO 0 B}	componentSymbol
Y911	sol_valve_inj_SCRT_DNOX2	{CU 4 D}	componentSymbol
Y912	sol_valve_adblue_tank_heating_SCRT_D NOX2	{CU 5 B}	componentSymbol
Y914	Pressure control valve(PCU/R)	{EP 5 C}	componentSymbol
Y915	Pressure controll valve (PCU/R)	{EP 5 C}	componentSymbol
+30:1		{AB 3 D}	inline_connector
+B:1		{AB 5 D}	inline_connector
30UA:1		{CU 1 B}	inline_connector
30UB:1		{CU 1 B}	inline_connector
ACC:1		{NE 3 C}	inline_connector
ACC:2		{XC 4 C}	inline_connector
ACC:3		{XC 4 C}	inline_connector
ACC:4		{XD 3 D}	inline_connector
ACC:5		{XD 3 D}	inline_connector
ACC:6		{ZC 1 B}	inline_connector
ACC:7		{BA 3 B}	inline_connector
ACC:8		{BA 3 B}	inline_connector
ACC:9		{NE 3 C}	inline_connector
ARTIC:5		{BC 4 C}	inline_connector
ARTIC:6		{BC 4 C}	inline_connector
ARTIC:10		{BC 4 C}	inline_connector
AUDIO:1		{NA 4 C}	inline_connector
AUDIO:2		{NA 4 C}	inline_connector
AUDIO:3		{IS 4 C}	inline_connector
BB1:1	Idle switch	{BA 5 B}	inline_connector
BB1:2	Start disable	{BC 1 C}	inline_connector
BB1:3	Fire alarm,body	{BC 1 C}	inline_connector

# VOLVO

Volvo Bus Corporation

Document Title

**WIRING DIAGRAM**

Document Type

**PRODUCT SCHEMATIC**

Document No

TP 16782

Issue Index

**02**

Volume No

**02(02)**

Page No

**8(27)**

Part Name	Description	Location	Part Type
BB1:4	Low priority loads, relay	{BC 2 C}	inline_connector
BB1:5	Luggage hatch ,open	{BB 2 B}	inline_connector
BB1:6	Safety belt indicator	{NA 2 A}	inline_connector
BB1:8	Washer fluid low level	{NA 2 A}	inline_connector
BB1:9	Altenator charging	{NA 2 A}	inline_connector
BB1:10	AC 1	{BB 1 D}	inline_connector
BB1:11	Parking brake applied	{BA 4 A}	inline_connector
BB1:12	AC Disable	{BC 1 C}	inline_connector
BB2:1	Indoor temperatur +	{NA 3 A}	inline_connector
BB2:2	Indoor temperature -	{NA 3 B}	inline_connector
BB2:3	Out door temperatur +	{NA 3 A}	inline_connector
BB2:4	Out door temperatur-	{NA 3 B}	inline_connector
BB2:5	D-CAN H	{BC 2 A}	inline_connector
BB2:6	D-CAN L	{BC 2 A}	inline_connector
BB2:7	Horn(contacts steering wheelside)	{IS 1 C}	inline_connector
BB2:8	Horn supply	{IS 2 D}	inline_connector
BB2:9	Horn (contacts steer.wheel centre)	{IS 2 C}	inline_connector
BB2:10	Alarm	{GB 2 C}	inline_connector
BB2:11	Emergency switch	{AA 5 B}	inline_connector
BB2:12	Signal 4 pulses/meter C6	{NB 3 D}	inline_connector
BB3:1	Head lamps off	{GB 2 C}	inline_connector
BB3:2	Prevent ECS action	{BC 1 C}	inline_connector
BB3:3	Kneeling position	{FA 4 C}	inline_connector
BB3:4		{FB 3 D}	inline_connector
BB3:5	Hazard warning lamps	{GB 2 C}	inline_connector
BB3:6	N/A	{GB 4 B}	inline_connector
BB3:7	Next stop indicator	{NA 2 A}	inline_connector
BB3:8	pram indicator	{NA 2 A}	inline_connector
BB3:9	N/A	{AF 5 C}	inline_connector
BB3:10	Speed signal C3	{BA 4 B}	inline_connector
BB3:11	+30 main switch (fuse F12)	{BB 3 D}	inline_connector
BB3:12	+15 ignition(fuse F29)	{BB 3 D}	inline_connector
BB4:1	Glass heating	{BC 2 C}	inline_connector
BB4:2	Host call	{BC 2 C}	inline_connector
BB4:3	Toilet fluid level	{BC 1 C}	inline_connector
BB4:4	Toilet occupied	{BC 1 C}	inline_connector
BB4:5	Door failure	{BC 1 C}	inline_connector
BB4:6	Door brake, status	{BC 2 C}	inline_connector
BB4:7	Door brake,request	{EP 2 D}	inline_connector
BB4:8	Speed signal 5 km/h	{BA 4 B}	inline_connector
BB4:9	Any door open	{NA 2 A}	inline_connector
BB4:10	Speed signal X km/h	{BA 4 B}	inline_connector
BB4:11	Dimmer,dashboard illumination	{GB 1 C}	inline_connector
BB5.A:1		{GB 3 B}	inline_connector
BB5.A:2		{GB 2 B}	inline_connector
BB5.A:11		{GB 4 B}	inline_connector
BB5.A:12		{GB 2 B}	inline_connector
BB5.B:1		{GB 3 B}	inline_connector
BB5.B:2		{GB 2 B}	inline_connector
BB5.B:11		{GB 3 B}	inline_connector
BB5.B:12		{GB 2 B}	inline_connector

**VOLVO**

Volvo Bus Corporation

Document Title

**WIRING DIAGRAM**

Document Type

**PRODUCT SCHEMATIC**

Document No

TP 16782

Issue Index

**02**

Volume No

**02(02)**

Page No

**9(27)**

Part Name	Description	Location	Part Type
BB5:1	dipped beam.Left	{GB 3 B}	inline_connector
BB5:2	Dipped beam.Right	{GB 2 B}	inline_connector
BB5:3	Direction indicator,front and side.Left	{GB 4 B}	inline_connector
BB5:4	Direction indicator,Front and side. Right	{GB 1 B}	inline_connector
BB5:5	Fog lamps,front	{GB 4 B}	inline_connector
BB5:6	Additional main beam	{GB 2 C}	inline_connector
BB5:7	End-outline maker,side marker,position lamps.Left	{GB 4 B}	inline_connector
BB5:8	End-outline marker,side marker, position lamps.Right	{GB 1 B}	inline_connector
BB5:9	Main beam 2. Left	{GB 3 B}	inline_connector
BB5:10	Main beam 2.Right	{GB 2 B}	inline_connector
BB5:11	Main beam 1.Left	{GB 3 B}	inline_connector
BB5:12	Main beam 1.Right	{GB 2 B}	inline_connector
BB6:1	Starter inhibitor, engine hatch	{BC 3 C}	inline_connector
BB6:2	N/A	{GA 3 D}	inline_connector
BB6:3	AC compressor 3	{CL 2 B}	inline_connector
BB6:4	+30 main swith(fuse F54)	{GA 3 D}	inline_connector
BB6:5	Luggage hatch, open	{BB 2 B}	inline_connector
BB6:6	Luggage compartment light	{BB 3 C}	inline_connector
BB6:12	Reverse warning signal	{GA 3 B}	inline_connector
BB7:1	Stop lamp.Right	{GA 3 B}	inline_connector
BB7:2	Reversing lamps	{GA 4 B}	inline_connector
BB7:3	Direction indicator.Rear left	{GA 5 B}	inline_connector
BB7:4	Direction indicator.Rear right	{GA 2 B}	inline_connector
BB7:5	Extra direction indicator.Left	{GA 4 B}	inline_connector
BB7:6	Extra direction indicator.Right	{GA 3 B}	inline_connector
BB7:7	Rear position lamps.Left	{GA 5 B}	inline_connector
BB7:8	Rear position lamp.Right	{GA 2 B}	inline_connector
BB7:9	End-outline marker,sidemarkers lamps.Rear left	{GA 1 C}	inline_connector
BB7:10	End-outline marker,side marker lamps.Rear right	{GA 1 C}	inline_connector
BB7:11	Stop lamp,left and Category S3 stop lamps	{GA 5 B}	inline_connector
BB7:12	Fog lamps,Rear	{GA 4 B}	inline_connector
BB8:1	End-outline marker lamp.Front left	{GB 4 A}	inline_connector
BB8:2	End-outline marker lamp.Front right	{GB 1 A}	inline_connector
BB8:3	Extra main beam	{GB 2 C}	inline_connector
BB10A:1	remote control of extra power amplifier(12V)	{IU 4 A}	inline_connector
BB10A:3	+15(12V)	{IU 3 C}	inline_connector
BB10A:5	+30(12V)	{IU 4 C}	inline_connector
BB10A:7	Ground	{IU 5 C}	inline_connector
BB10A:9	N/A	{IU 3 A}	inline_connector
BB10B:1	remote control of extra power amplifier (12V)	{IU 4 A}	inline_connector
BB10B:3	+15(12V)	{IU 4 C}	inline_connector
BB10B:5	+30(12V)	{IU 3 C}	inline_connector
BB10B:7	Ground	{IU 5 C}	inline_connector
BB10B:9	N/A	{IU 3 A}	inline_connector
BB11:1		{GB 4 B}	inline_connector

# VOLVO

Volvo Bus Corporation

Document Title

**WIRING DIAGRAM**

Document Type

**PRODUCT SCHEMATIC**

Document No

TP 16782

Issue Index

**02**

Volume No

**02(02)**

Page No

**10(27)**

Part Name	Description	Location	Part Type
BB13:1	AC 1 - 50%	{BC 5 C}	inline_connector
BB13:2	AC compressor 2	{CL 4 D}	inline_connector
BB13:3	AC compressor 3	{CL 4 D}	inline_connector
BB13:4		{FB 3 D}	inline_connector
BB13:5	TORQUE REDUCTION	{BC 5 C}	inline_connector
BB13:6	AC compressor 2	{CL 3 B}	inline_connector
BB13:7	AC compressor 3	{CL 2 B}	inline_connector
BBOX:1		{AA 4 A}	inline_connector
BBOX:2		{AB 4 C}	inline_connector
BFEED:1		{CU 5 D}	inline_connector
BMUX:1		{XD 4 C}	inline_connector
BMUX:2		{XD 4 C}	inline_connector
BMUX:3	Externa main switch	{AA 5 C}	inline_connector
BMUX:4	Externa main switch	{AA 5 B}	inline_connector
BMUX:5		{AA 5 D}	inline_connector
BOGIE:1		{FB 3 D}	inline_connector
BOGIE:2		{FB 4 D}	inline_connector
BOGIE:3		{FA 1 B}	inline_connector
BOGIE:4		{FA 2 B}	inline_connector
BOGIE:5		{FA 2 B}	inline_connector
BOGIE:6		{EP 4 C}	inline_connector
BOGIE:7		{EP 4 C}	inline_connector
BOGIE:8		{EP 4 C}	inline_connector
BOGIE:9		{EP 3 C}	inline_connector
BOGIE:10		{ZC 3 B}	inline_connector
BOGIE:11		{BB 0 C}	inline_connector
BOGIE:12		{BB 0 C}	inline_connector
BS1:2		{EO 3 B}	inline_connector
BS1:3		{EO 3 B}	inline_connector
BS1:4		{EO 3 B}	inline_connector
BS1:5		{EO 2 B}	inline_connector
BS1:8		{EP 5 D}	inline_connector
BS1:9		{EP 5 D}	inline_connector
BS1:10		{EP 4 D}	inline_connector
BS1:11		{EP 5 D}	inline_connector
BS1:12		{EP 5 D}	inline_connector
BS2:2		{EP 2 C}	inline_connector
BS2:3		{EP 2 C}	inline_connector
BS2:5		{EP 2 C}	inline_connector
BS2:6		{EP 2 C}	inline_connector
BS3:1		{EO 2 B}	inline_connector
BS3:2		{EO 2 B}	inline_connector
BS3:3		{EO 2 B}	inline_connector
BS3:4		{EO 1 B}	inline_connector
BS3:5		{EP 1 D}	inline_connector
BS3:6		{EP 1 D}	inline_connector
BS3:7		{EP 1 B}	inline_connector
BS3:8		{NA 2 C}	inline_connector
BS3:9		{BB 1 B}	inline_connector
BS3:10		{BA 0 C}	inline_connector
BS3:11		{BA 0 C}	inline_connector

**VOLVO**

Volvo Bus Corporation

Document Title

**WIRING DIAGRAM**

Document Type

**PRODUCT SCHEMATIC**

Document No

TP 16782

Issue Index

**02**

Volume No

**02(02)**

Page No

**11(27)**

Part Name	Description	Location	Part Type
BS3:12		{BA 0 C}	inline_connector
DF:1		{NC 3 D}	inline_connector
DF:2		{NC 4 C}	inline_connector
DF:3		{NC 5 B}	inline_connector
DF:4		{XD 4 D}	inline_connector
DF:5		{XD 4 D}	inline_connector
DF:6		{NC 4 D}	inline_connector
DF:9		{XC 3 C}	inline_connector
DF:10		{XC 3 C}	inline_connector
DF:11		{NC 3 B}	inline_connector
DPF:A		{XF 4 B}	inline_connector
DPF:B		{XF 3 B}	inline_connector
DPF:C		{XF 4 B}	inline_connector
DPF:D		{XF 4 B}	inline_connector
DPF:E		{CU 0 D}	inline_connector
DPF:F		{CU 1 D}	inline_connector
DPF:G		{CU 2 D}	inline_connector
DPF:H		{CU 1 D}	inline_connector
DPF:J		{CU 1 D}	inline_connector
DPF:K		{CU 1 D}	inline_connector
ECS1:1		{FA 4 B}	inline_connector
ECS1:2		{FA 4 B}	inline_connector
ECS1:3		{FA 4 B}	inline_connector
ECS1:5		{FB 5 C}	inline_connector
ECS1:6		{FB 2 D}	inline_connector
ECS1:7		{FB 2 C}	inline_connector
ECS1:8		{FB 5 C}	inline_connector
ECS1:9		{FB 5 C}	inline_connector
ECS1:10		{FB 2 C}	inline_connector
ECS1:11		{FB 2 C}	inline_connector
ECS1:12		{FA 4 C}	inline_connector
ECS2:1		{FA 5 B}	inline_connector
ECS2:2		{FA 4 B}	inline_connector
ECS2:3		{FA 5 B}	inline_connector
ECS2:4		{FB 4 D}	inline_connector
ECS2:5		{FB 4 D}	inline_connector
ECS2:6		{FB 2 D}	inline_connector
ECS2:7		{FB 3 C}	inline_connector
ECS2:8		{FB 5 D}	inline_connector
ECS2:9		{FB 4 D}	inline_connector
ECS2:10		{FB 1 C}	inline_connector
ECS2:11		{FB 2 C}	inline_connector
ECS2:12		{FA 5 C}	inline_connector
EMS:1		{BA 5 B}	inline_connector
EMS:2		{XC 1 B}	inline_connector
EMS:3		{XC 1 B}	inline_connector
EMS:4		{XD 1 C}	inline_connector
EMS:5		{XD 1 C}	inline_connector
EMS:6		{BA 4 D}	inline_connector
EMS:7		{BA 3 D}	inline_connector
EMS:9		{BA 4 C}	inline_connector

**VOLVO**

Volvo Bus Corporation

Document Title

**WIRING DIAGRAM**

Document Type

**PRODUCT SCHEMATIC**

Document No

TP 16782

Issue Index

**02**

Volume No

**02(02)**

Page No

**12(27)**

Part Name	Description	Location	Part Type
EMS:10		{ZC 4 B}	inline_connector
EMS:11		{BB 1 C}	inline_connector
ENG1:2		{AA 2 B}	inline_connector
ENG1:3		{BB 4 B}	inline_connector
ENG1:4		{AA 2 B}	inline_connector
ENG1:5		{BB 4 D}	inline_connector
ENG1:6		{AA 2 C}	inline_connector
ENG1:7		{AF 4 B}	inline_connector
ENG1:8		{AF 4 D}	inline_connector
ENG1:9		{AF 1 D}	inline_connector
ENG1:10		{NA 0 C}	inline_connector
ENG1:11		{NA 5 C}	inline_connector
ENG1:12		{ZC 3 B}	inline_connector
EU4:3		{NA 4 A}	inline_connector
EU4:8		{BA 4 C}	inline_connector
EU4:10		{CU 5 D}	inline_connector
EU4:11		{XF 1 C}	inline_connector
EU4:12		{XF 1 C}	inline_connector
FEED:1		{BA 5 D}	inline_connector
FEEDX:1		{GN 4 D}	inline_connector
FH1A:1		{DN 4 C}	inline_connector
FH1A:2		{DN 4 C}	inline_connector
FH1A:3		{DN 4 D}	inline_connector
FH1A:4		{EO 0 D}	inline_connector
FH1A:6		{IS 2 D}	inline_connector
FH1A:7		{FA 0 D}	inline_connector
FH1A:8		{EO 5 D}	inline_connector
FH1A:10		{NA 1 D}	inline_connector
FH1B:1		{BA 4 D}	inline_connector
FH1B:2		{BA 4 D}	inline_connector
FH1B:3		{BA 5 D}	inline_connector
FH1B:4		{AA 2 D}	inline_connector
FH1B:6		{BB 5 D}	inline_connector
FH1B:7		{BB 4 D}	inline_connector
FH1B:10		{NC 5 D}	inline_connector
FH1B:11		{BB 3 D}	inline_connector
FH2A:1		{GM 2 D}	inline_connector
FH2A:3		{NE 3 D}	inline_connector
FH2A:4		{EO 5 D}	inline_connector
FH2A:5		{AA 2 D}	inline_connector
FH2A:6		{NA 2 D}	inline_connector
FH2A:7		{AF 4 D}	inline_connector
FH2A:8		{AF 1 D}	inline_connector
FH2A:9		{FA 1 D}	inline_connector
FH2B:1		{BB 3 D}	inline_connector
FH2B:3		{NA 5 D}	inline_connector
FH2B:4		{DN 5 D}	inline_connector
FH2B:5		{AA 2 D}	inline_connector
FH2B:6		{NB 4 D}	inline_connector
FH2B:8		{FA 0 D}	inline_connector
FH2B:9		{GM 4 D}	inline_connector

**VOLVO**

Volvo Bus Corporation

Document Title

**WIRING DIAGRAM**

Document Type

**PRODUCT SCHEMATIC**

Document No

TP 16782

Issue Index

**02**

Volume No

**02(02)**

Page No

**13(27)**

Part Name	Description	Location	Part Type
FH3A:1		{BA 4 D}	inline_connector
FH3A:2		{BA 4 D}	inline_connector
FH3A:3		{BA 4 D}	inline_connector
FH3A:4		{GA 3 D}	inline_connector
FH3A:5		{BB 0 D}	inline_connector
FH3A:7		{NA 5 D}	inline_connector
FH3A:8		{BB 2 D}	inline_connector
FH3A:12		{IU 4 D}	inline_connector
FH3B:1		{CL 2 C}	inline_connector
FH3B:2		{CL 1 C}	inline_connector
FH3B:3		{CL 1 C}	inline_connector
FH3B:4		{AA 4 D}	inline_connector
FH3B:9		{GA 3 D}	inline_connector
FH4A:2		{CU 5 D}	inline_connector
FH4A:3		{CU 5 D}	inline_connector
FH4A:5		{GA 3 D}	inline_connector
FH4A:7		{NA 2 D}	inline_connector
FH4A:8		{GA 4 D}	inline_connector
FH4A:10		{NB 4 D}	inline_connector
FH4A:12		{GA 5 D}	inline_connector
FH4B:1		{GA 1 C}	inline_connector
FH4B:2		{GA 1 C}	inline_connector
FH4B:3		{GA 1 C}	inline_connector
FH4B:4		{IU 4 D}	inline_connector
FH4B:5		{GA 4 D}	inline_connector
FH4B:7		{AA 5 D}	inline_connector
FH4B:8		{GA 4 D}	inline_connector
FH4B:12		{GA 5 D}	inline_connector
FL2:11		{GB 5 D}	inline_connector
FL3:11		{GB 5 D}	inline_connector
FTM:2		{XD 0 B}	inline_connector
FTM:3		{XD 0 B}	inline_connector
FTM:4		{BC 2 C}	inline_connector
FTM:5		{BC 2 C}	inline_connector
FTM:6		{BC 2 B}	inline_connector
FTM:7		{BC 2 B}	inline_connector
FTM:9		{AA 2 D}	inline_connector
FTM:10		{ZC 1 B}	inline_connector
FTM_D:1		{CL 3 D}	inline_connector
FTM_D:4		{BC 2 C}	inline_connector
FTM_D:5		{BC 2 C}	inline_connector
FTM_D:6		{BC 2 B}	inline_connector
FTM_D:7		{BC 2 B}	inline_connector
FTM_D:10		{ZC 1 B}	inline_connector
FTM_J:4		{BC 2 C}	inline_connector
FTM_J:5		{BC 2 C}	inline_connector
FTM_J:6		{BC 2 B}	inline_connector
FTM_J:7		{BC 2 B}	inline_connector
FUEL:1		{NA 4 A}	inline_connector
FUEL:2		{NA 4 A}	inline_connector
FUEL:3		{NA 4 B}	inline_connector

**VOLVO**

Volvo Bus Corporation

Document Title

**WIRING DIAGRAM**

Document Type

**PRODUCT SCHEMATIC**

Document No

TP 16782

Issue Index

**02**

Volume No

**02(02)**

Page No

**14(27)**

Part Name	Description	Location	Part Type
FUEL:5		{NA 5 D}	inline_connector
FUEL:6		{NA 5 C}	inline_connector
FUEL:7		{FA 3 B}	inline_connector
FUEL:8		{FA 3 B}	inline_connector
FUEL:9		{FA 4 C}	inline_connector
FUEL:10		{FB 0 C}	inline_connector
FUEL:11		{FB 3 D}	inline_connector
GBX:1		{DN 1 C}	inline_connector
GBX:2		{DN 3 D}	inline_connector
GBX:7		{XC 1 B}	inline_connector
GBX:8		{XC 1 B}	inline_connector
GBX:9		{XD 1 B}	inline_connector
GBX:10		{XD 1 B}	inline_connector
GBX:13		{NA 4 C}	inline_connector
GBX:17		{BA 2 B}	inline_connector
GBX:18		{BA 2 B}	inline_connector
GND1UA:1		{CU 2 A}	inline_connector
GND1UB:1		{CU 2 A}	inline_connector
IB1:1		{NA 2 D}	inline_connector
IB1:2		{NA 2 B}	inline_connector
IB1:3		{NA 2 B}	inline_connector
IB1:4		{NA 2 B}	inline_connector
IB1:5		{NA 2 B}	inline_connector
IB1:6		{NA 2 B}	inline_connector
IB1:7		{NA 1 D}	inline_connector
IB1:8		{NA 3 C}	inline_connector
IB1:9		{AF 2 C}	inline_connector
IB1:10		{AF 1 C}	inline_connector
IB1:12		{NA 4 C}	inline_connector
IB1:13		{NA 4 C}	inline_connector
IB1:14		{XC 4 D}	inline_connector
IB1:15		{XC 4 D}	inline_connector
IB1:16		{XD 3 D}	inline_connector
IB1:17		{XD 3 D}	inline_connector
IB1:18		{NA 2 D}	inline_connector
IB2:1		{NA 3 B}	inline_connector
IB2:2		{NA 3 B}	inline_connector
IB2:3		{NA 3 B}	inline_connector
IB2:4		{NA 3 B}	inline_connector
IB2:5		{NA 4 C}	inline_connector
IB2:6		{NA 4 B}	inline_connector
IB2:7		{GA 1 C}	inline_connector
IB2:8		{ZC 5 B}	inline_connector
IB2:9		{GA 3 C}	inline_connector
IB2:10		{EO 0 C}	inline_connector
IB2:11		{IS 2 B}	inline_connector
IB2:12		{IS 1 C}	inline_connector
IB2:13		{EP 2 C}	inline_connector
IB2:14		{EP 3 C}	inline_connector
IB2:15		{EP 2 B}	inline_connector
IB2:16		{EP 2 B}	inline_connector

**VOLVO**

Volvo Bus Corporation

Document Title

**WIRING DIAGRAM**

Document Type

**PRODUCT SCHEMATIC**

Document No

TP 16782

Issue Index

**02**

Volume No

**02(02)**

Page No

**15(27)**



Part Name	Description	Location	Part Type
IB2:17		{AA 4 C}	inline_connector
IB2:18		{NC 5 D}	inline_connector
IB3:1		{BA 1 C}	inline_connector
IB3:2		{BA 1 C}	inline_connector
IB3:3		{BA 1 C}	inline_connector
IB3:4		{BA 1 C}	inline_connector
IB3:5		{BA 1 C}	inline_connector
IB3:6		{BA 1 B}	inline_connector
IB3:7		{BA 3 C}	inline_connector
IB3:8		{BA 3 C}	inline_connector
IB3:9		{BA 3 C}	inline_connector
IB3:10		{BA 3 C}	inline_connector
IB3:11		{BA 3 C}	inline_connector
IB3:12		{BA 3 C}	inline_connector
IB3:13		{BA 1 C}	inline_connector
IB3:14		{IU 4 D}	inline_connector
IB3:15		{IU 4 D}	inline_connector
IB3:16		{IU 4 C}	inline_connector
IB3:17		{FA 1 D}	inline_connector
IB3:18		{ZC 4 B}	inline_connector
IB4:1		{GB 2 C}	inline_connector
IB4:2		{GB 3 C}	inline_connector
IB4:3		{GB 4 C}	inline_connector
IB4:4		{GB 3 C}	inline_connector
IB4:5		{GB 3 C}	inline_connector
IB4:6		{GA 4 B}	inline_connector
IB4:7		{GB 4 B}	inline_connector
IB4:8		{GB 4 C}	inline_connector
IB4:9		{GB 4 C}	inline_connector
IB4:10		{GB 2 C}	inline_connector
IB4:11		{GB 2 C}	inline_connector
IB4:12		{GB 1 C}	inline_connector
IB4:13		{GB 1 C}	inline_connector
IB4:14		{GB 1 C}	inline_connector
IB4:15		{EP 0 D}	inline_connector
IB4:16		{EP 0 D}	inline_connector
IB4:17		{EP 1 C}	inline_connector
IB4:18		{EP 1 C}	inline_connector
IB5:1		{EO 0 D}	inline_connector
IB5:2		{AA 3 D}	inline_connector
IB5:3		{BA 1 B}	inline_connector
IB5:4		{AA 3 B}	inline_connector
IB5:5		{AA 5 D}	inline_connector
IB5:6		{AA 4 B}	inline_connector
IB5:7		{AA 5 C}	inline_connector
IB5:8		{FA 4 D}	inline_connector
IB5:9		{FA 2 B}	inline_connector
IB5:10		{NA 0 B}	inline_connector
IB5:11		{FA 3 C}	inline_connector
IB5:12		{FA 3 C}	inline_connector
IB5:13		{AA 3 C}	inline_connector

**VOLVO**

Volvo Bus Corporation

Document Title

**WIRING DIAGRAM**

Document Type

**PRODUCT SCHEMATIC**

Document No

TP 16782

Issue Index

**02**

Volume No

**02(02)**

Page No

**16(27)**

Part Name	Description	Location	Part Type
IB5:14		{FA 1 B}	inline_connector
IB5:15		{FA 1 B}	inline_connector
IB5:16		{FA 2 B}	inline_connector
IB5:17		{EO 3 B}	inline_connector
IB5:18		{NA 3 C}	inline_connector
IB6:1		{NB 4 D}	inline_connector
IB6:2		{XC 2 C}	inline_connector
IB6:3		{XC 2 C}	inline_connector
IB6:4		{NB 4 D}	inline_connector
IB6:5		{ZC 5 B}	inline_connector
IB6:6		{NB 3 D}	inline_connector
IB6:7		{NB 4 C}	inline_connector
IB6:8		{NB 4 C}	inline_connector
IB6:9		{NB 4 C}	inline_connector
IB6:10		{NB 4 C}	inline_connector
IB6:12		{NB 3 B}	inline_connector
IB7:1		{GM 4 D}	inline_connector
IB7:2		{GB 0 C}	inline_connector
IB7:3		{GB 0 C}	inline_connector
IB7:4		{GM 2 C}	inline_connector
IB7:5		{XF 2 A}	inline_connector
IB7:6		{XF 2 A}	inline_connector
IB7:7		{NA 2 C}	inline_connector
IB7:8		{GM 1 C}	inline_connector
IB7:10		{ZC 4 B}	inline_connector
IB7:11		{NA 2 B}	inline_connector
IB7:12		{GM 0 C}	inline_connector
IB8:1		{EO 4 B}	inline_connector
IB8:2		{EO 4 B}	inline_connector
IB8:3		{EO 4 B}	inline_connector
IB8:4		{EO 4 B}	inline_connector
IB8:5		{EO 4 B}	inline_connector
IB8:7		{GB 1 C}	inline_connector
IB8:8		{CL 2 B}	inline_connector
IB8:9		{CL 3 B}	inline_connector
IB8:10		{CL 2 B}	inline_connector
IB8:11		{CL 4 C}	inline_connector
IB8:12		{CL 4 C}	inline_connector
IB9:1		{BA 3 B}	inline_connector
IB9:2		{BA 2 B}	inline_connector
IB9:3		{GE 4 D}	inline_connector
IB9:4		{ZC 5 B}	inline_connector
IB9:5		{GE 4 C}	inline_connector
IB9:6		{GA 3 B}	inline_connector
IB9:7		{BA 2 C}	inline_connector
IB9:8		{BA 3 C}	inline_connector
IB9:9		{BA 2 C}	inline_connector
IB9:10		{BA 2 C}	inline_connector
IB9:11		{BA 2 C}	inline_connector
IB9:12		{BA 2 C}	inline_connector
IB10:1		{DN 5 C}	inline_connector

**VOLVO**

Volvo Bus Corporation

Document Title

**WIRING DIAGRAM**

Document Type

**PRODUCT SCHEMATIC**

Document No

TP 16782

Issue Index

**02**

Volume No

**02(02)**

Page No

**17(27)**

Part Name	Description	Location	Part Type
IB10:2		{GA 2 C}	inline_connector
IB10:3		{BB 4 B}	inline_connector
IB10:8		{DN 4 C}	inline_connector
IB10:9		{ZC 1 B}	inline_connector
IB10:10		{DN 5 C}	inline_connector
IB10_I:1		{DN 5 C}	inline_connector
IB10_I:8		{DN 4 C}	inline_connector
IB10_I:10		{DN 5 C}	inline_connector
IS:1		{XD 3 D}	inline_connector
IS:2		{XD 3 D}	inline_connector
IS:3		{XC 4 C}	inline_connector
IS:4		{XC 5 C}	inline_connector
KH1A:1		{FA 0 B}	inline_connector
KH1A:2		{FA 0 B}	inline_connector
KH1A:3		{FA 0 B}	inline_connector
KH1A:4		{CL 2 C}	inline_connector
KH1A:5		{FA 0 B}	inline_connector
KH1A:7		{CL 2 C}	inline_connector
KH1A:10		{CL 2 C}	inline_connector
KH1A:11		{CL 2 C}	inline_connector
KH1B:1		{DN 4 D}	inline_connector
KH1B:2		{DN 4 D}	inline_connector
KH1B:3		{DN 4 D}	inline_connector
KH1B:5		{DN 4 D}	inline_connector
KH2A:1		{BA 3 A}	inline_connector
KH2A:3		{BA 5 C}	inline_connector
KH2A:4		{BA 3 B}	inline_connector
KH2A:5		{BA 5 C}	inline_connector
KH2A:6		{BA 5 C}	inline_connector
KH2A:7		{AF 4 C}	inline_connector
KH2A:8		{AF 4 C}	inline_connector
KH2A:9		{BA 5 C}	inline_connector
KH2A:10		{AF 5 C}	inline_connector
KH2A:11		{AF 4 C}	inline_connector
KH2A:12		{AF 4 C}	inline_connector
KH2B:1		{AA 2 B}	inline_connector
KH2B:2		{GM 2 C}	inline_connector
KH2B:3		{GM 2 C}	inline_connector
KH2B:4		{AA 2 B}	inline_connector
KH2B:5		{GM 2 C}	inline_connector
KH2B:6		{GM 2 C}	inline_connector
KH2B:9		{GM 2 C}	inline_connector
KH3A:1		{AA 4 D}	inline_connector
KH3A:3		{AA 4 C}	inline_connector
KH3A:4		{BB 2 C}	inline_connector
KH3A:5		{AA 4 D}	inline_connector
KH3A:6		{AA 4 C}	inline_connector
KH3A:7		{BB 2 D}	inline_connector
KH3A:8		{AA 2 C}	inline_connector
KH3A:9		{AA 2 C}	inline_connector
KH3A:10		{BB 2 D}	inline_connector

**VOLVO**

Volvo Bus Corporation

Document Title

**WIRING DIAGRAM**

Document Type

**PRODUCT SCHEMATIC**

Document No

TP 16782

Issue Index

**02**

Volume No

**02(02)**

Page No

**18(27)**

Part Name	Description	Location	Part Type
KH3A:11		{BB 2 C}	inline_connector
KH3A:12		{AA 2 C}	inline_connector
KH3A:14		{AA 2 C}	inline_connector
KH3B:1		{BB 0 D}	inline_connector
KH3B:2		{BB 0 C}	inline_connector
KH3B:3		{BB 0 D}	inline_connector
KH3B:5		{BB 0 C}	inline_connector
LT:5		{CL 3 B}	inline_connector
LT:6		{CL 3 B}	inline_connector
LT:7		{CL 3 B}	inline_connector
M01:1		{GM 0 B}	inline_connector
M01:2		{GM 0 B}	inline_connector
M01:3		{GM 1 B}	inline_connector
M01:4		{GM 1 B}	inline_connector
M01:5		{GM 1 A}	inline_connector
M01:6		{GM 4 C}	inline_connector
M01:8		{GM 3 B}	inline_connector
M01:9		{GM 4 C}	inline_connector
M01:11		{GM 4 B}	inline_connector
M01:12		{GM 3 B}	inline_connector
M01:13		{GM 4 B}	inline_connector
M01:14		{GM 4 C}	inline_connector
MED:1		{XC 3 B}	inline_connector
MED:2		{XD 5 B}	inline_connector
MED:3		{CR 5 C}	inline_connector
MED:4		{XC 3 B}	inline_connector
MED:5		{XD 5 B}	inline_connector
MED:6		{CR 5 C}	inline_connector
MED:7		{CS 5 B}	inline_connector
MED:8		{CS 4 C}	inline_connector
MED:9		{AF 2 B}	inline_connector
MED:10		{AF 1 C}	inline_connector
MED:12		{AF 1 A}	inline_connector
MED:13		{CS 5 C}	inline_connector
MED:14		{BB 4 C}	inline_connector
MED:15		{CS 5 C}	inline_connector
MED:16		{BB 4 B}	inline_connector
MED:17		{AF 1 C}	inline_connector
MED:18		{CS 4 C}	inline_connector
MED:19		{CR 3 C}	inline_connector
MED:20		{CR 1 C}	inline_connector
MED:21		{CS 2 D}	inline_connector
MED:22		{CR 1 C}	inline_connector
MED:24		{CR 5 A}	inline_connector
MED:25		{CR 4 D}	inline_connector
MED:26		{CR 3 D}	inline_connector
MED:27		{CR 4 D}	inline_connector
MED:28		{CS 4 C}	inline_connector
MED:29		{CR 5 A}	inline_connector
MED:30		{CS 4 B}	inline_connector
MED:31		{CS 0 C}	inline_connector

**VOLVO**

Volvo Bus Corporation

Document Title

**WIRING DIAGRAM**

Document Type

**PRODUCT SCHEMATIC**

Document No

TP 16782

Issue Index

**02**

Volume No

**02(02)**

Page No

**19(27)**

Part Name	Description	Location	Part Type
MED:32		{CR 1 C}	inline_connector
MED:33		{CR 0 D}	inline_connector
MED:34		{CR 5 A}	inline_connector
MED:35		{AF 4 B}	inline_connector
MED:36		{CR 5 A}	inline_connector
MED:37		{CS 3 D}	inline_connector
MED:38		{CR 3 C}	inline_connector
MED:39		{CS 0 C}	inline_connector
MEDA:1		{NB 4 B}	inline_connector
MEDA:2		{NB 4 B}	inline_connector
MEDA:3		{NB 4 B}	inline_connector
MEDA:4		{NB 4 B}	inline_connector
MEDA:5		{DN 3 C}	inline_connector
MEDA:6		{DN 3 C}	inline_connector
MEDA:7		{XC 2 B}	inline_connector
MEDA:8		{XC 2 B}	inline_connector
MEDA:9		{XD 4 B}	inline_connector
MEDA:10		{XD 5 B}	inline_connector
MEDA:11		{DN 3 C}	inline_connector
MEDA:12		{DN 1 C}	inline_connector
ML1:1		{GB 4 A}	inline_connector
ML1:2		{ZC 3 D}	inline_connector
ML1:3		{GE 5 B}	inline_connector
ML1:4		{ZC 2 D}	inline_connector
ML1:5		{GE 5 B}	inline_connector
ML1:6		{ZC 2 D}	inline_connector
ML1:7		{GE 5 B}	inline_connector
ML2:1		{GB 1 A}	inline_connector
ML2:2		{ZC 2 D}	inline_connector
ML2:3		{GE 3 B}	inline_connector
ML2:4		{ZC 2 D}	inline_connector
ML2:5		{GE 3 B}	inline_connector
ML2:6		{ZC 2 D}	inline_connector
ML2:7		{GE 3 B}	inline_connector
ML3:1		{BB 2 C}	inline_connector
ML3:2		{BB 3 D}	inline_connector
ML3:3		{GA 1 B}	inline_connector
ML3:4		{GA 1 B}	inline_connector
ML3:5		{GA 0 B}	inline_connector
ML3:6		{GA 3 C}	inline_connector
ML3:7		{GA 1 B}	inline_connector
ML4:1		{BB 2 C}	inline_connector
ML4:2		{BB 3 D}	inline_connector
ML4:3		{GA 1 B}	inline_connector
ML4:4		{GA 1 B}	inline_connector
ML4:5		{GA 2 B}	inline_connector
ML4:6		{GA 3 C}	inline_connector
ML4:7		{GA 1 B}	inline_connector
R905A:1		{CU 4 B}	inline_connector
R905A:2		{CU 4 B}	inline_connector
R905B:1		{CU 4 B}	inline_connector

**VOLVO**

Volvo Bus Corporation

Document Title

**WIRING DIAGRAM**

Document Type

**PRODUCT SCHEMATIC**

Document No

TP 16782

Issue Index

**02**

Volume No

**02(02)**

Page No

**20(27)**

Part Name	Description	Location	Part Type
R905B:2		{CU 4 B}	inline_connector
R905C:1		{CU 4 B}	inline_connector
R905C:2		{CU 4 B}	inline_connector
R906A:1		{CU 4 B}	inline_connector
R906A:2		{CU 4 B}	inline_connector
R906B:1		{CU 4 B}	inline_connector
R906B:2		{CU 3 B}	inline_connector
R906C:1		{CU 3 B}	inline_connector
R906C:2		{CU 4 B}	inline_connector
R908A:1		{CU 2 B}	inline_connector
R908A:2		{CU 2 B}	inline_connector
R908B:1		{CU 2 B}	inline_connector
R908B:2		{CU 2 B}	inline_connector
R908C:1		{CU 2 B}	inline_connector
R908C:2		{CU 2 B}	inline_connector
R910A:1		{CU 3 B}	inline_connector
R910A:2		{CU 3 B}	inline_connector
R910B:1		{CU 3 B}	inline_connector
R910B:2		{CU 3 B}	inline_connector
R910C:1		{CU 3 B}	inline_connector
R910C:2		{CU 3 B}	inline_connector
RA1:1		{NB 4 B}	inline_connector
RA1:2		{NB 4 B}	inline_connector
RA1:3		{NB 4 B}	inline_connector
RA1:4		{NB 4 B}	inline_connector
RA1:5		{NA 3 C}	inline_connector
RA1:6		{AF 2 C}	inline_connector
RA1:7		{AF 1 C}	inline_connector
RA1:10		{NA 4 C}	inline_connector
RA1:11		{AB 4 D}	inline_connector
RA1:12		{EO 0 C}	inline_connector
RL3:1		{GA 2 B}	inline_connector
RL3:2		{GA 1 B}	inline_connector
RL3:3		{GA 4 B}	inline_connector
RL3:4		{GA 3 B}	inline_connector
RL3:5		{GA 3 C}	inline_connector
RL3:6		{GA 4 B}	inline_connector
RL3:7		{GA 3 B}	inline_connector
RL3:8		{BC 3 C}	inline_connector
RL3:10		{GA 4 B}	inline_connector
RL3:11		{GA 3 C}	inline_connector
RL3:12		{ZC 1 D}	inline_connector
RL4:1		{GA 4 B}	inline_connector
RL4:2		{GA 3 B}	inline_connector
RL4:3		{GA 1 B}	inline_connector
RL4:4		{GA 0 B}	inline_connector
RL4:5		{GA 4 B}	inline_connector
RL4:7		{GA 3 B}	inline_connector
RL:1		{GB 5 C}	inline_connector
RL:3		{GB 4 B}	inline_connector
RL_DA:1		{GB 5 B}	inline_connector

**VOLVO**

Volvo Bus Corporation

Document Title

**WIRING DIAGRAM**

Document Type

**PRODUCT SCHEMATIC**

Document No

TP 16782

Issue Index

**02**

Volume No

**02(02)**

Page No

**21(27)**

Part Name	Description	Location	Part Type
RL_DB:1		{GB 5 C}	inline_connector
S_T_S:1		{NB 3 B}	inline_connector
S_T_S:2		{NB 3 B}	inline_connector
S_T_S:3		{NB 3 B}	inline_connector
S_T_T:3		{NB 3 B}	inline_connector
SP_F:1		{CL 1 D}	inline_connector
SP_F:2		{CL 0 D}	inline_connector
SP_F:3		{CL 0 D}	inline_connector
SP_F:4		{CL 0 D}	inline_connector
SP_RR:1		{CL 1 C}	inline_connector
SP_RR:2		{CL 0 C}	inline_connector
SP_RR:3		{CL 0 C}	inline_connector
SP_RR:4		{CL 0 C}	inline_connector
TRAIL2:5		{CL 3 B}	inline_connector
TRAIL2:6		{CL 3 B}	inline_connector
TRAIL2:7		{CL 3 B}	inline_connector
UDS12:1		{XF 2 B}	inline_connector
UDS12:2		{XF 2 B}	inline_connector
UDS12:3		{CU 4 C}	inline_connector
UDS12:4		{CU 3 C}	inline_connector
UDS12:5		{XD 3 B}	inline_connector
UDS12:6		{XD 3 B}	inline_connector
UDS12:7		{CU 4 C}	inline_connector
UDS12:8		{CU 3 C}	inline_connector
UDS12:9		{CU 2 C}	inline_connector
UDS12:11		{CU 5 C}	inline_connector
UDS12:12		{CU 0 B}	inline_connector
UDS12_B:1		{XF 3 C}	inline_connector
UDS12_B:2		{XF 3 C}	inline_connector
UDS12_B:3		{CU 4 D}	inline_connector
UDS12_B:4		{CU 3 D}	inline_connector
UDS12_B:5		{XD 3 B}	inline_connector
UDS12_B:6		{XD 3 B}	inline_connector
UDS12_B:7		{CU 4 C}	inline_connector
UDS12_B:8		{CU 3 D}	inline_connector
UDS12_B:9		{CU 2 D}	inline_connector
UDS12_B:11		{CU 5 D}	inline_connector
UDS12_B:12		{CU 0 B}	inline_connector
UDS12_F:1		{XF 2 C}	inline_connector
UDS12_F:2		{XF 2 C}	inline_connector
UDS12_F:3		{CU 4 D}	inline_connector
UDS12_F:4		{CU 3 D}	inline_connector
UDS12_F:5		{XD 2 B}	inline_connector
UDS12_F:6		{XD 2 B}	inline_connector
UDS12_F:7		{CU 4 C}	inline_connector
UDS12_F:8		{CU 3 D}	inline_connector
UDS12_F:9		{CU 2 D}	inline_connector
UDS12_F:11		{CU 5 D}	inline_connector
UDS12_F:12		{CU 0 B}	inline_connector
UDS12_M:1		{XF 2 C}	inline_connector
UDS12_M:2		{XF 2 C}	inline_connector

**VOLVO**

Volvo Bus Corporation

Document Title

**WIRING DIAGRAM**

Document Type

**PRODUCT SCHEMATIC**

Document No

TP 16782

Issue Index

**02**

Volume No

**02(02)**

Page No

**22(27)**

Part Name	Description	Location	Part Type
UDS12_M:3		{CU 4 D}	inline_connector
UDS12_M:4		{CU 3 D}	inline_connector
UDS12_M:5		{XD 3 B}	inline_connector
UDS12_M:6		{XD 3 B}	inline_connector
UDS12_M:7		{CU 4 C}	inline_connector
UDS12_M:8		{CU 3 D}	inline_connector
UDS12_M:9		{CU 2 D}	inline_connector
UDS12_M:11		{CU 5 D}	inline_connector
UDS12_M:12		{CU 0 B}	inline_connector
VIC:1		{XC 3 B}	inline_connector
VIC:2		{XD 5 B}	inline_connector
VIC:3		{CR 5 C}	inline_connector
VIC:4		{XC 3 B}	inline_connector
VIC:5		{XD 5 B}	inline_connector
VIC:6		{CR 5 C}	inline_connector
VIC:7		{CS 5 B}	inline_connector
VIC:8		{CS 4 C}	inline_connector
VIC:9		{AF 2 B}	inline_connector
VIC:10		{AF 1 C}	inline_connector
VIC:12		{AF 1 A}	inline_connector
VIC:13		{CS 5 C}	inline_connector
VIC:14		{BB 4 C}	inline_connector
VIC:15		{CS 5 C}	inline_connector
VIC:16		{BB 4 B}	inline_connector
VIC:17		{AF 1 B}	inline_connector
VIC:18		{CS 4 C}	inline_connector
VIC:19		{CR 3 C}	inline_connector
VIC:20		{CR 1 C}	inline_connector
VIC:21		{CS 2 C}	inline_connector
VIC:22		{CR 1 C}	inline_connector
VIC:23		{CS 4 B}	inline_connector
VIC:24		{CR 5 B}	inline_connector
VIC:25		{CR 4 C}	inline_connector
VIC:26		{CR 3 C}	inline_connector
VIC:27		{CR 4 C}	inline_connector
VIC:28		{CS 4 C}	inline_connector
VIC:29		{CR 5 B}	inline_connector
VIC:30		{CS 4 B}	inline_connector
VIC:31		{CS 0 C}	inline_connector
VIC:32		{CR 1 C}	inline_connector
VIC:33		{CR 0 C}	inline_connector
VIC:34		{CR 5 B}	inline_connector
VIC:35		{AF 3 B}	inline_connector
VIC:36		{CR 5 B}	inline_connector
VIC:37		{CS 3 C}	inline_connector
VIC:38		{CR 3 C}	inline_connector
VIC:39		{CS 0 C}	inline_connector
XC906:1		{AB 5 C}	inline_connector
XC906:2		{AB 5 C}	inline_connector
XC906:3		{AB 5 C}	inline_connector
XC906:4		{AB 4 C}	inline_connector

**VOLVO**

Volvo Bus Corporation

Document Title

**WIRING DIAGRAM**

Document Type

**PRODUCT SCHEMATIC**

Document No

TP 16782

Issue Index

**02**

Volume No

**02(02)**

Page No

**23(27)**



Part Name	Description	Location	Part Type
XC906:5		{AB 4 C}	inline_connector
XC906:6		{AB 4 C}	inline_connector
XC917:1		{CL 3 B}	inline_connector
XC917:2		{CL 4 B}	inline_connector
XC917:3		{CL 4 B}	inline_connector
XC917:4		{CL 3 B}	inline_connector
XC921:1		{CL 3 B}	inline_connector
XC921:2		{CL 3 B}	inline_connector
XC921:3		{CL 3 B}	inline_connector
XC922:1		{GB 1 C}	inline_connector
XC922:3		{GB 1 C}	inline_connector
XC925:1		{NE 3 B}	inline_connector
XC925:2		{NE 3 B}	inline_connector
XC926:1		{BB 3 B}	inline_connector
XC926:2		{BB 3 B}	inline_connector
XC926:3		{BB 3 B}	inline_connector
XC926:4		{BB 3 B}	inline_connector
XC927_1/2:1		{GE 5 C}	inline_connector
XC927_1/2:2		{GE 3 C}	inline_connector
XC927_1:1		{GE 5 D}	inline_connector
XC927_1:2		{GE 3 D}	inline_connector
XC927_2:1		{GE 5 D}	inline_connector
XC927_2:2		{GE 3 D}	inline_connector
Y47A:1		{CR 1 C}	inline_connector
Y47A:2		{CR 1 C}	inline_connector
Y47B:1		{CR 1 C}	inline_connector
Y47B:2		{CR 1 C}	inline_connector
XE1		{CS 5 C}	physical_splice_connector
XE3		{CR 3 A}	physical_splice_connector
XE6		{CR 2 B}	physical_splice_connector
XE9		{CS 4 C}	physical_splice_connector
XE10		{CS 2 C}	physical_splice_connector
XE11		{CS 0 C}	physical_splice_connector
XE12		{CR 1 C}	physical_splice_connector
XE13		{CR 3 C}	physical_splice_connector
XE22		{CS 3 B}	physical_splice_connector
XE23		{CS 2 B}	physical_splice_connector
XE33		{CU 1 C}	physical_splice_connector
XE34		{CS 1 B}	physical_splice_connector
XE35		{CS 1 B}	physical_splice_connector
XE36		{CR 0 C}	physical_splice_connector
XE41		{CR 5 C}	physical_splice_connector
XE42		{CR 5 C}	physical_splice_connector
XE44		{CR 4 C}	physical_splice_connector
XE51		{CR 1 B}	physical_splice_connector
XE52		{CR 1 A}	physical_splice_connector
XE60		{CS 5 C}	physical_splice_connector
XSA01		{XC 3 D}	physical_splice_connector
XSA02		{XC 3 D}	physical_splice_connector
XSA03		{XC 2 D}	physical_splice_connector
XSA04		{XC 2 D}	physical_splice_connector

**VOLVO**

Volvo Bus Corporation

Document Title

**WIRING DIAGRAM**

Document Type

**PRODUCT SCHEMATIC**

Document No

TP 16782

Issue Index

**02**

Volume No

**02(02)**

Page No

**24(27)**

Part Name	Description	Location	Part Type
XSA05		{XC 1 D}	physical_splice_connector
XSA06		{XC 1 D}	physical_splice_connector
XSA07		{XC 1 D}	physical_splice_connector
XSA08		{XC 1 D}	physical_splice_connector
XSA09		{XC 0 D}	physical_splice_connector
XSA10		{XC 0 D}	physical_splice_connector
XSA11		{XC 1 B}	physical_splice_connector
XSA12		{XC 1 B}	physical_splice_connector
XSA13		{XD 2 D}	physical_splice_connector
XSA14		{XD 2 D}	physical_splice_connector
XSA15		{XD 2 D}	physical_splice_connector
XSA16		{XD 2 D}	physical_splice_connector
XSA17		{XD 2 D}	physical_splice_connector
XSA18		{XD 2 D}	physical_splice_connector
XSA19		{XD 1 D}	physical_splice_connector
XSA20		{XD 1 D}	physical_splice_connector
XSA21		{XD 1 D}	physical_splice_connector
XSA22		{XD 1 D}	physical_splice_connector
XSA23		{XD 1 C}	physical_splice_connector
XSA24		{XD 1 C}	physical_splice_connector
XSA25		{ZC 4 A}	physical_splice_connector
XSA26		{AA 5 A}	physical_splice_connector
XSA27		{FA 4 C}	physical_splice_connector
XSA28		{AA 3 B}	physical_splice_connector
XSA31		{ZC 4 B}	physical_splice_connector
XSA34		{AA 3 D}	physical_splice_connector
XSA35		{ZC 1 B}	physical_splice_connector
XSA37		{FB 1 D}	physical_splice_connector
XSA40		{FB 2 D}	physical_splice_connector
XSA43		{ZC 2 B}	physical_splice_connector
XSA44		{AF 4 C}	physical_splice_connector
XSA46		{BB 2 B}	physical_splice_connector
XSA50		{BA 5 C}	physical_splice_connector
XSA52		{ZC 2 B}	physical_splice_connector
XSA53		{GM 2 C}	physical_splice_connector
XSA54		{DN 5 D}	physical_splice_connector
XSA59		{BA 5 B}	physical_splice_connector
XSA60		{NA 4 B}	physical_splice_connector
XSA61		{BA 4 C}	physical_splice_connector
XSA62		{XD 3 D}	physical_splice_connector
XSA63		{XC 4 D}	physical_splice_connector
XSA64		{XC 4 D}	physical_splice_connector
XSA65		{XD 3 D}	physical_splice_connector
XSA68		{BC 2 C}	physical_splice_connector
XSA69		{BC 2 C}	physical_splice_connector
XSB01		{XC 5 D}	physical_splice_connector
XSB02		{XC 5 D}	physical_splice_connector
XSB03		{XD 4 D}	physical_splice_connector
XSB04		{XD 4 D}	physical_splice_connector
XSB05		{XD 4 D}	physical_splice_connector
XSB06		{XD 4 D}	physical_splice_connector

**VOLVO**

Volvo Bus Corporation

Document Title

**WIRING DIAGRAM**

Document Type

**PRODUCT SCHEMATIC**

Document No

TP 16782

Issue Index

**02**

Volume No

**02(02)**

Page No

**25(27)**

Part Name	Description	Location	Part Type
XSB07		{IS 3 B}	physical_splice_connector
XSB08		{IS 3 B}	physical_splice_connector
XSB09		{ZC 4 B}	physical_splice_connector
XSB10		{ZC 5 D}	physical_splice_connector
XSB11		{ZC 5 C}	physical_splice_connector
XSB12		{GM 3 C}	physical_splice_connector
XSB13		{GB 1 D}	physical_splice_connector
XSB16		{XC 2 C}	physical_splice_connector
XSB17		{XC 2 C}	physical_splice_connector
XSB18		{IU 4 C}	physical_splice_connector
XSB19		{IU 4 C}	physical_splice_connector
XSB20		{FA 1 C}	physical_splice_connector
XSB21		{IU 4 C}	physical_splice_connector
XSB22		{NC 3 C}	physical_splice_connector
XSB23		{NC 4 C}	physical_splice_connector
XSB24		{NC 5 B}	physical_splice_connector
XSB25		{AA 4 B}	physical_splice_connector
XSB26		{NC 3 B}	physical_splice_connector
XSB28		{XF 1 A}	physical_splice_connector
XSB29		{XF 1 A}	physical_splice_connector
XSB30		{IU 4 C}	physical_splice_connector
XSB31		{IU 4 C}	physical_splice_connector
XSB32		{XC 5 D}	physical_splice_connector
XSB33		{XC 4 D}	physical_splice_connector
XSB34		{NA 2 C}	physical_splice_connector
XSB36		{NA 4 B}	physical_splice_connector
XSB40		{NA 1 C}	physical_splice_connector
XSC02		{GE 3 C}	physical_splice_connector
XSC04		{GE 5 C}	physical_splice_connector
XSC05		{GE 4 B}	physical_splice_connector
XSC06		{GE 2 C}	physical_splice_connector
XSC07		{ZC 3 C}	physical_splice_connector
XSC15		{ZC 3 D}	physical_splice_connector
XSC16		{GB 5 C}	physical_splice_connector
XSC21		{DN 5 B}	physical_splice_connector
XSC95		{CL 3 D}	physical_splice_connector
XSC96		{CL 3 D}	physical_splice_connector
XSC97		{CL 2 C}	physical_splice_connector
XSC98		{CL 3 C}	physical_splice_connector
XSC99		{CL 3 C}	physical_splice_connector
XSF01		{GA 4 B}	physical_splice_connector
XSF09		{GA 1 B}	physical_splice_connector
XSF10		{GA 1 B}	physical_splice_connector
XSF11		{GA 3 B}	physical_splice_connector
XSF12		{GA 3 C}	physical_splice_connector
XSF13		{GA 4 B}	physical_splice_connector
XSF14		{ZC 1 C}	physical_splice_connector
XSF19		{ZC 3 B}	physical_splice_connector
XSF22		{CU 4 D}	physical_splice_connector
XSF23		{NA 5 D}	physical_splice_connector
XSF29		{FB 4 C}	physical_splice_connector

**VOLVO**

Volvo Bus Corporation

Document Title

**WIRING DIAGRAM**

Document Type

**PRODUCT SCHEMATIC**

Document No

TP 16782

Issue Index

**02**

Volume No

**02(02)**

Page No

**26(27)**

Part Name	Description	Location	Part Type
XSF32		{FB 5 B}	physical_splice_connector
XSF41		{XD 4 C}	physical_splice_connector
XSF42		{XD 4 C}	physical_splice_connector
XSF43		{CS 0 D}	physical_splice_connector
XSF44		{CR 3 D}	physical_splice_connector
XSF45		{CR 1 D}	physical_splice_connector
XSF54		{XC 2 B}	physical_splice_connector
XSF55		{XC 2 B}	physical_splice_connector
XSF64		{CL 3 B}	physical_splice_connector
XSF71		{CU 1 B}	physical_splice_connector
XSF72		{CU 5 A}	physical_splice_connector
XSF73		{CU 5 A}	physical_splice_connector
XSF76		{CU 5 C}	physical_splice_connector
XSF80		{XF 2 C}	physical_splice_connector
XSF81		{XF 2 C}	physical_splice_connector
XSF82		{XF 2 C}	physical_splice_connector
XSF83		{XF 2 C}	physical_splice_connector
XSF84		{XF 3 C}	physical_splice_connector
XSF85		{XF 3 C}	physical_splice_connector
XSF86		{XF 4 C}	physical_splice_connector
XSF87		{XF 4 C}	physical_splice_connector
XSF88		{XF 5 C}	physical_splice_connector
XSF89		{XF 5 C}	physical_splice_connector
XSF91		{ZC 4 B}	physical_splice_connector
XSF92		{BA 3 D}	physical_splice_connector
XSF93		{BB 3 C}	physical_splice_connector
XSF94		{BB 3 B}	physical_splice_connector
XSF95		{AB 3 B}	physical_splice_connector
XSF96		{AB 2 B}	physical_splice_connector
XSF98		{CS 4 D}	physical_splice_connector
XSF102		{CU 3 D}	physical_splice_connector
XSF103		{CU 3 D}	physical_splice_connector
XSF104		{CU 3 D}	physical_splice_connector
XSF105		{CU 2 D}	physical_splice_connector
XSF106		{CU 4 D}	physical_splice_connector
XSF107		{CU 4 D}	physical_splice_connector
XSF108		{CU 4 D}	physical_splice_connector
XSF109		{CU 3 D}	physical_splice_connector
XSF110		{CU 5 D}	physical_splice_connector
XSF111		{CU 5 D}	physical_splice_connector
XSF112		{CU 5 D}	physical_splice_connector
XSF113		{CU 0 A}	physical_splice_connector
XSF114		{CU 0 A}	physical_splice_connector
XSG06		{AF 1 B}	physical_splice_connector
XSG07		{AF 1 A}	physical_splice_connector
XSL10		{CU 3 A}	physical_splice_connector
XSL11		{CU 3 A}	physical_splice_connector
XSL12		{CU 2 A}	physical_splice_connector
XSL13		{CU 2 A}	physical_splice_connector
XSM01		{GN 4 D}	physical_splice_connector
XSM02		{ZC 3 C}	physical_splice_connector

**VOLVO**

Volvo Bus Corporation

Document Title

**WIRING DIAGRAM**

Document Type

**PRODUCT SCHEMATIC**

Document No

TP 16782

Issue Index

**02**

Volume No

**02(02)**

Page No

**27(27)**