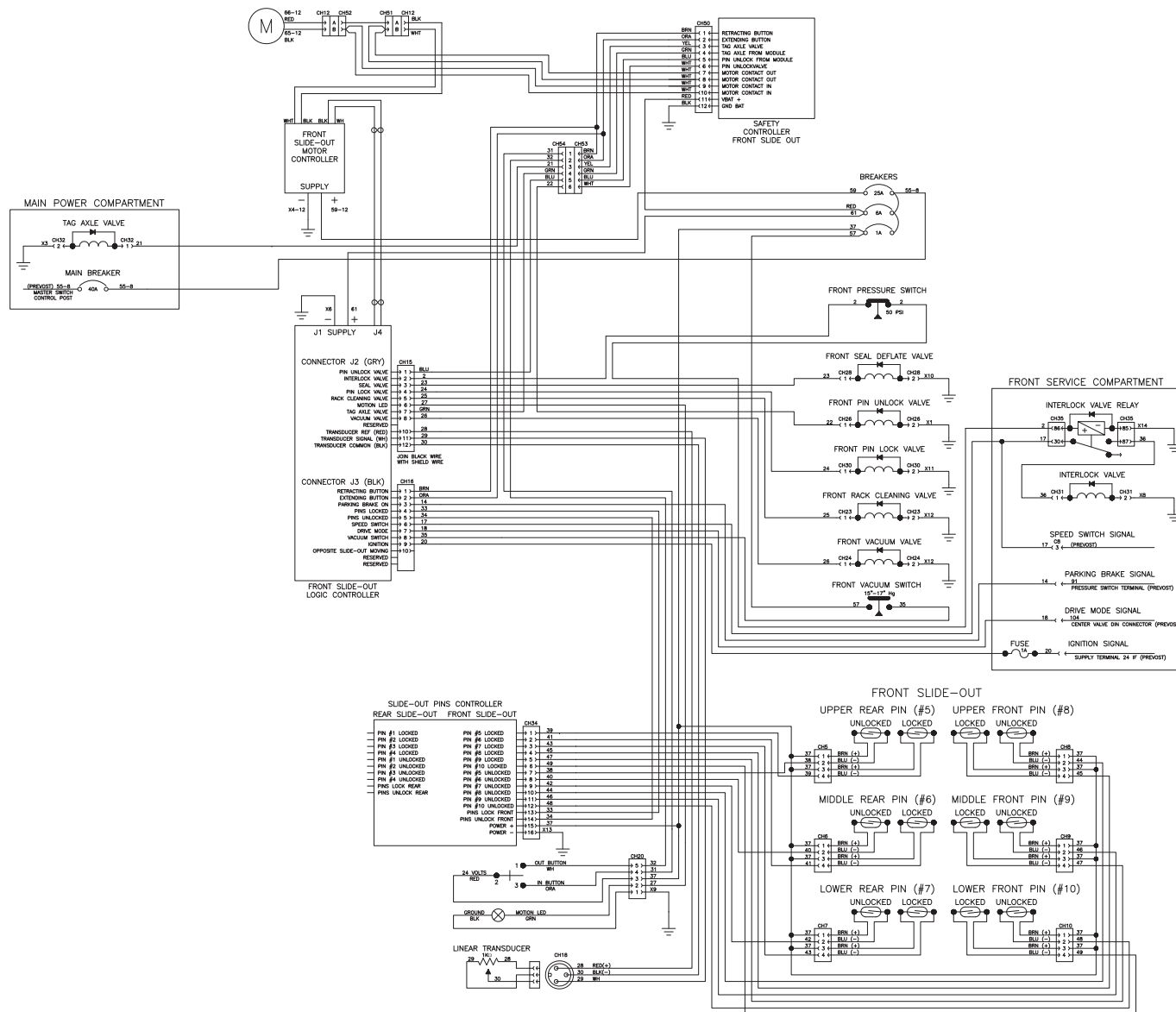


XL2 DOUBLE SLIDE-OUT ELECTRIC DIAGRAM (RETROFIT)
 EFFECTIVE FROM SERIAL NUMBER Y-7450 TO 1-7718
 AND FROM 1-7724 TO 1-7773
 (ALL WIRES ARE 18 AWG EXCEPT WHEN SPECIFIED)



XL2 SINGLE SLIDE-OUT ELECTRIC DIAGRAM (RETROFIT)
 EFFECTIVE FROM SERIAL NUMBER Y-7450 TO 1-7718
 AND FROM 1-7724 TO 1-7773

(ALL WIRES ARE 18 AWG EXCEPT WHEN SPECIFIED)

