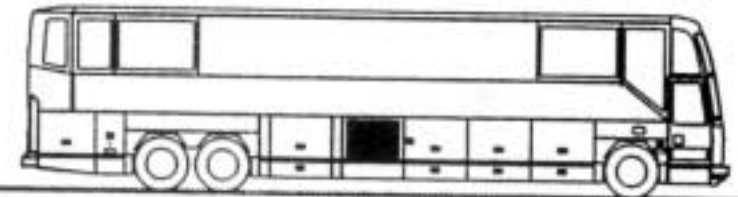


# WIRING DIAGRAM

PREVOST CAR INC.

H3-45 VIP



REFERENCE:

STANDARD

NO:

D060842

EFF. W/ OC# 93035

PRIOR TO / OC#

DR. MARTIN LAFLAMME

DATE: 94-04-01

EFF. W/ VEH.# 5057

PRIOR TO / VEH.#

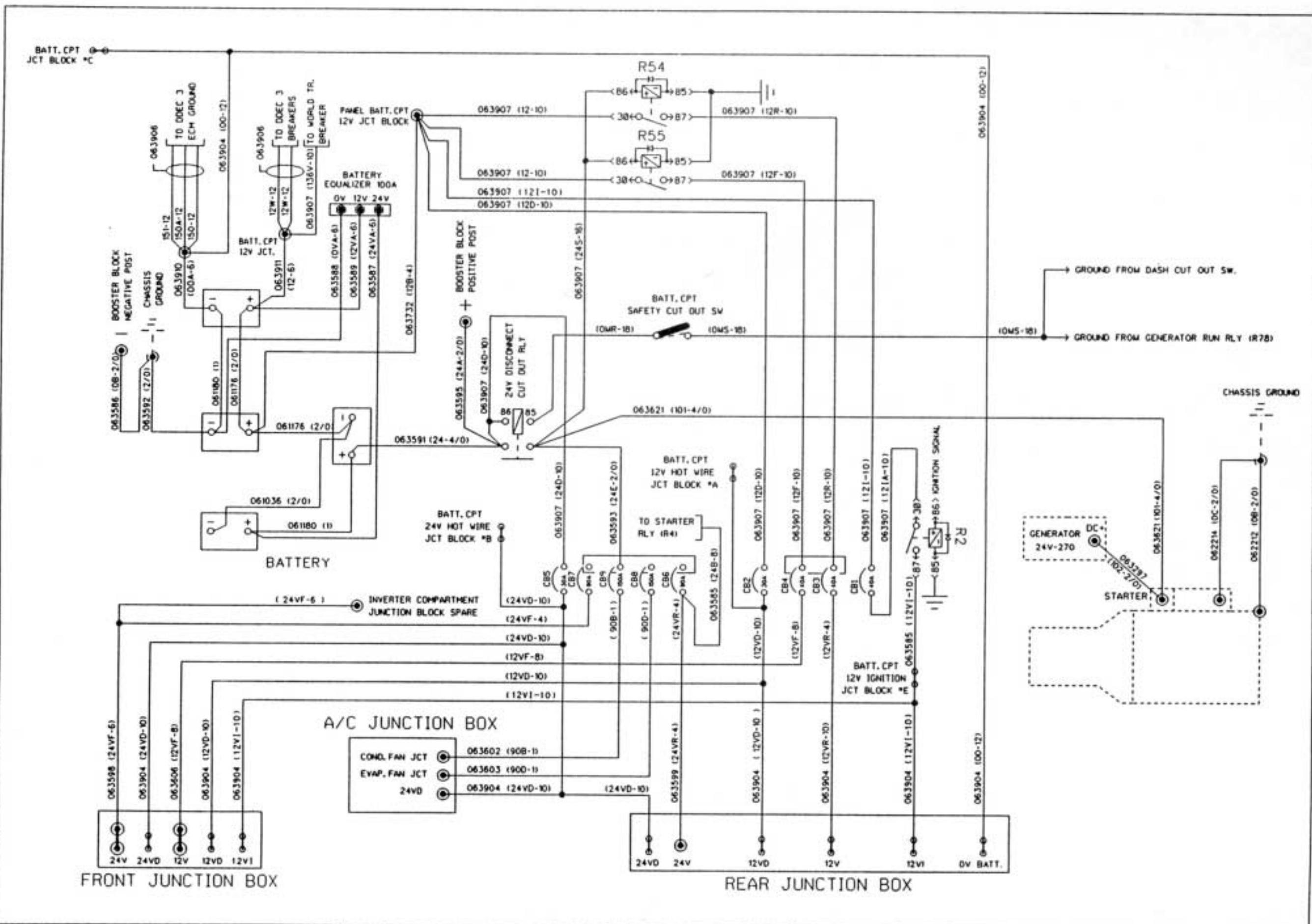
CK. ROCH CHAMPAGNE

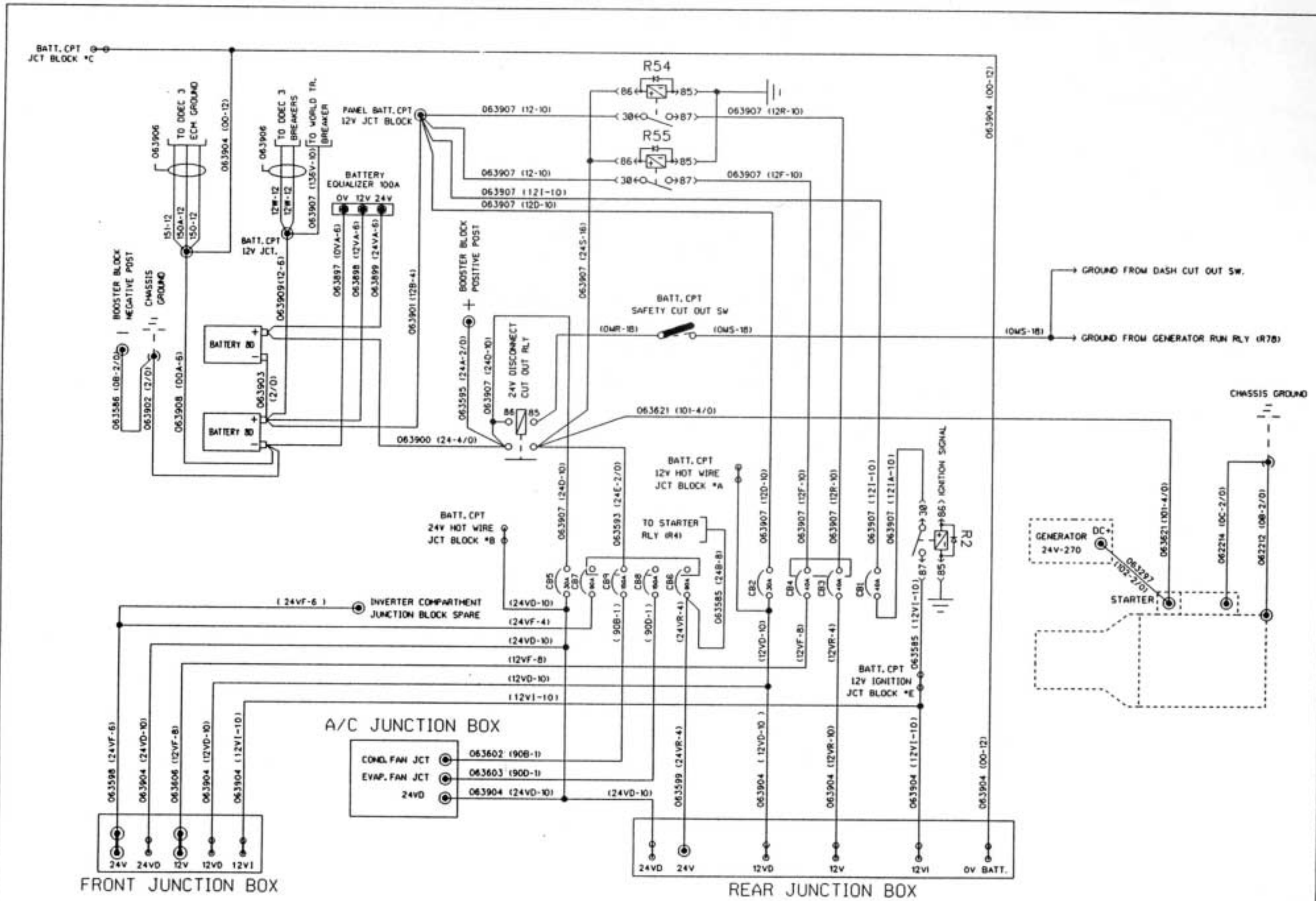
APPR. ROLAND LAPOINTE

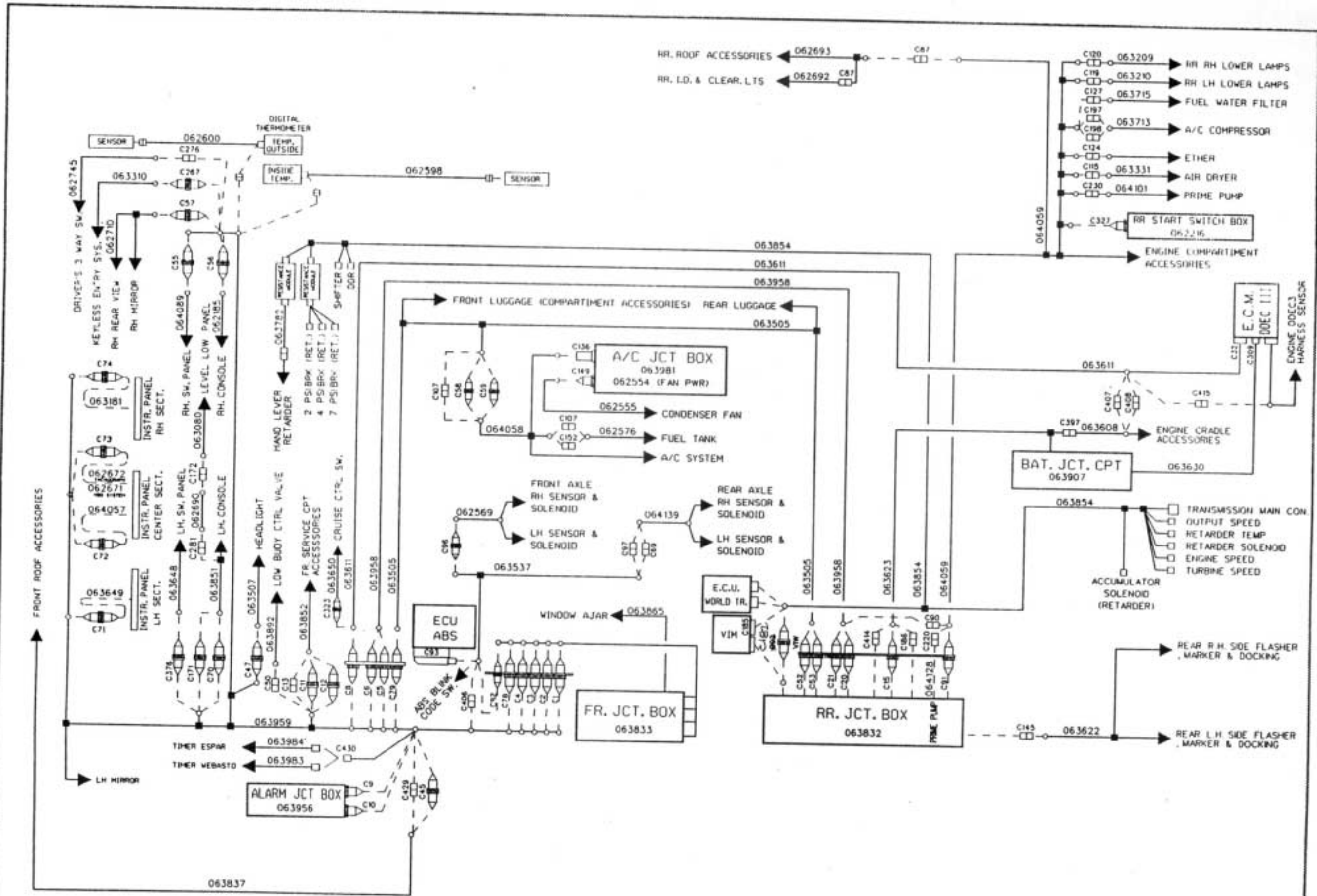
REVISION DATE	DESCRIPTION	PAGE	BY	CK.	APPR.
94-05-03	UPDATE PAGES: G p3/3, 6, 17, 21				
94-05-18	BATTERY COMPT. NEW ARRANGEMENT ( BATTERY 8D ) PRIOR TO R084 OC*94034	← SEE B,C,1	R.C.	<i>h</i>	<i>h</i>
94-05-18	BATTERY COMPT. NEW ARRANGEMENT ( BATTERY 8D ) EFF. W/R084 OC*94034	Ba,Ca,1a	MLAF	<i>h</i>	<i>h</i>
94-05-18	UPDATE PAGES: A, 1a, 4, 5, 6, 7, 18, 25	← SEE	S.G.	<i>h</i>	<i>h</i>
94-06-28	UPDATE PAGES: F, 8, 22	← SEE	S.G.	<i>h</i>	<i>h</i>
94-09-01	WORLD TRANSMISSION HARNESS (P.E.D. CONNECTOR) PRIOR TO S122 OC*94099	Ca, 6	R.C.	<i>h</i>	<i>h</i>
94-09-01	WORLD TRANSMISSION HARNESS (DEUTSCH CONNECTOR) EFF. W/S122 OC*94099	Cb, 6a	R.C.	<i>h</i>	<i>h</i>
94-09-16	WATER HEATER W/O BYPASS VALVE PRIOR TO S129 OC*94108 PAGES: Cb, 1, 17, 18, 19	← SEE	R.C.	<i>h</i>	<i>h</i>
94-09-16	WATER HEATER W/ BYPASS VALVE EFF. W/ S129 OC*94108 PAGES: Cc, 1a, 17a, 18a, 19a	← SEE	R.C.	<i>h</i>	<i>h</i>
94-09-16	UPDATE PAGES: E p1/3, E p2/3, G p2/3, G p3/3, H	← SEE	R.C.	<i>h</i>	<i>h</i>
94-11-17	WORLD TRANSM. ECU V7 PRIOR TO S130 OC*94157	21	MLAF	<i>h</i>	<i>h</i>
94-11-17	WORLD TRANSM. ECU V7 EFF. W/S130 OC*94157	21a	MLAF	<i>h</i>	<i>h</i>
95-02-09	CONDENSER DOOR AJAR SWITCH PRIOR TO S200 OC*94158	Cc,19a	S.G.	<i>h</i>	<i>h</i>
95-02-09	CONDENSER DOOR AJAR SWITCH EFF. W/S200 OC*94158	Cd,19b	S.G.	<i>h</i>	<i>h</i>
95-02-09	UPDATE PAGES: A, Gp2/3, 6, 6a, 8, 9, 10, 17, 17a, 25	← SEE	S.G.	<i>h</i>	<i>h</i>
95-02-16	ABS IN CARRIER PRIOR TO S207 OC*94162	Cd,26	MLAF	<i>h</i>	<i>h</i>
95-02-16	ABS IN CARRIER PRIOR EFF. W/S207 OC*94162	Ce,26a	MLAF	<i>h</i>	<i>h</i>
95-02-16	UPDATE PAGES: F, G, H, 1, 1a, 7	← SEE	MLAF	<i>h</i>	<i>h</i>
95-07-11	UPDATE PAGES: Gp.2/3, 5, 10	← SEE	S.G.	<i>h</i>	<i>h</i>

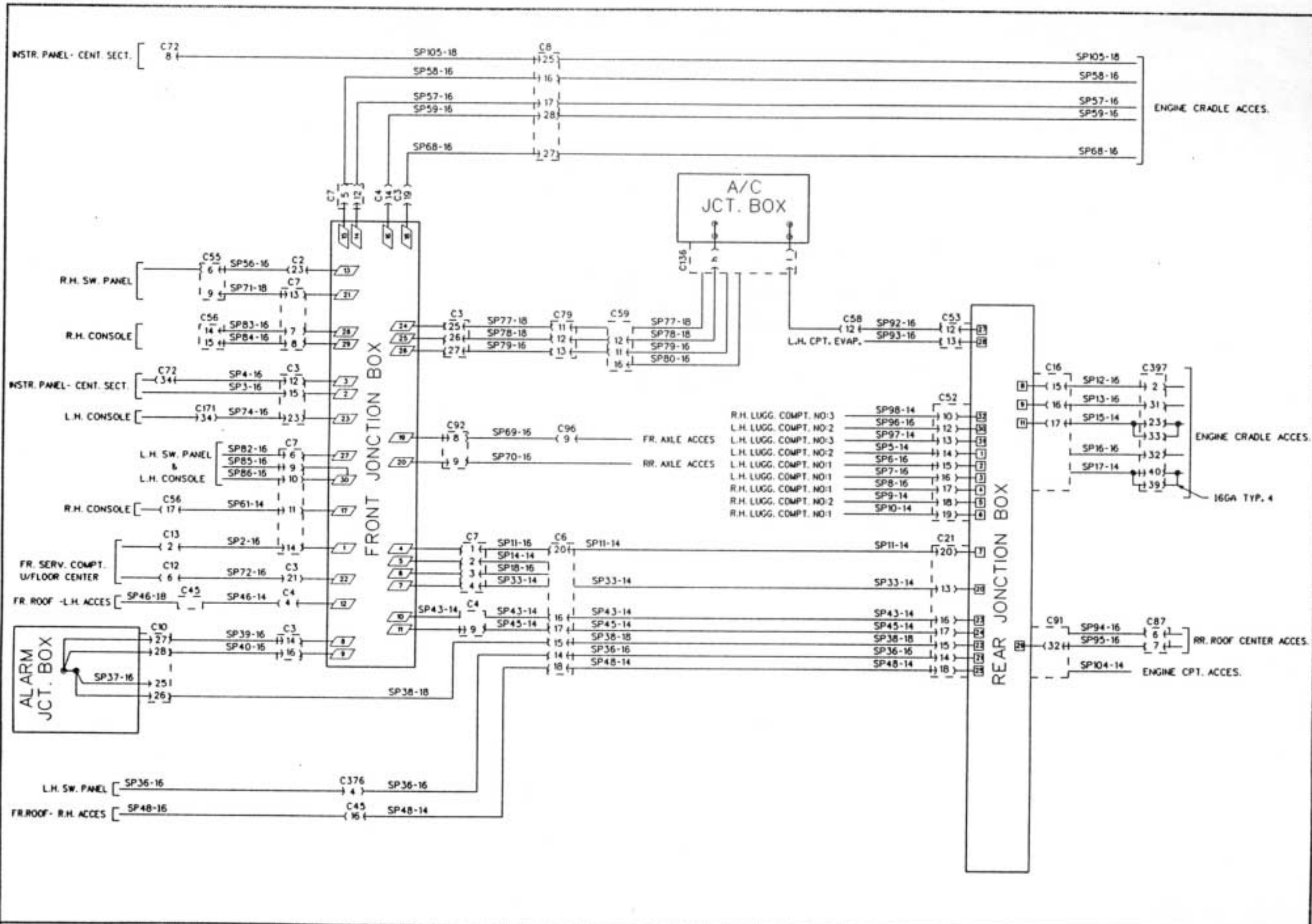
# INDEX

A	A/C AND HEAT SYSTEM	P. 18	E	ENGINE BLOCK HEATER	P. 17	P	PARKING BRAKE ALARM	P. 7
	AIR DRYER	P. 8		ENGINE BRAKE SYSTEM	P. 25		PARKING BRAKE SWITCH	P. 8
	ALARM AND SIGNAL	P. 7		ENGINE CONTROL	P. 4		*PRODRIVER	P. 8
	ABS	P. 27		ETHER COLD START	P. 8		PYROMETER	P. 23
	ARRANGEMENT - CABLE	P. B		EXTERIOR LIGHTING	P. 9	R	RETARDER	P. 25
	ARRANGEMENT - HARNESS	P. C	F	FAN CLUTCH-RADIATOR	P. 8	S	SPEEDOMETER (VDO)	P. 21
	ARRANGEMENT - SPARE WIRE	P. D		FAST IDLE	P. 5		SUN VISOR	P. 23
B	BACK-UP ALARM	P. 11		FUEL (LO) WARNING LT.	P. 8	T	TACHOMETER (VDO)	P. 21
	BACK-UP MONITOR	P. 24		FUEL WATER FILTER	P. 8		THERMOMETER-DIGITAL	P. 24
C	CHARGING SYSTEM	P. 4	G	GROUND SYSTEM	P. 3		TRANSMISSION WORLD	P. 6
	CIGAR LIGHTER	P. 23	I	INTERIOR LIGHTING	P. 13	W	WATER HEATER PRE-HEAT	P. 17
	CODE - CIRCUIT NUMBER	P. E	K	KEYLESS ENTRY SYSTEM	P. 15		WINDOW AJAR	P. 23
	CODE - CIRCUIT BREAKER	P. F	L	LEVEL LOW SYSTEM	P. 22		WINDSHIELD(UP)-HEATED	P. 16
	CODE - CONNECTOR	P. G		LUGGAGE DOOR LOCK	P. 16		WIPER & WASHER	P. 12
	CODE - DIODE	P. H	M	MIRROR-RR VIEW ADJUST. & HEATED	P. 20			
	CODE - RELAY	P. I						
	CODE - RESISTOR	P. J						
	CODE - WIRING KEY	P. K						
	CRUISE CONTROL - D.D.E.C.	P. 5						
D	D.D.E.C. III	P. 5						
	DIFFERENTIAL OIL TEMP.	P. 8						
	DISTRIBUTION 12V	P. 2						
	DISTRIBUTION 24V	P. 1						
	DRIVER'S WINDOW LIFTER	P. 23						
	DRIVER'S SEAT-ELECT. ADJ.	P. 16						
	DRIVER'S SEAT-HEATER	P. 16						









No.	SYSTEM	No.	SYSTEM
0	BC - BAT. CPT GRD	0X2	FR JCT BOX CPT GRD STUD
0	CONDENSER CPT GRD	0Y	RR JCT BOX GRD
0	A/C - A/C JCT BOX GRD	0Y	FR JCT BOX CPT GRD STUD
0	FJB - FR JCT BOX GRD	0Y	ABS FR JCT BOX CPT GRD STUD
0A	A/C - A/C JCT BOX GRD	0Y1	ABS FR JCT BOX CPT GRD STUD
0A	FRS - FR ROOF ACCES. GRD	0Z	FR JCT BOX CPT GRD STUD
0A	RS - LUG. CPT ACCES. GRD	0Z	RR JCT BOX CPT GRD STUD
0A	AJB - ALARM JCT BOX GRD	00	RR JCT BOX CPT BATT. GRD
0A	FJB - FR JCT BOX GRD	1	TACHO SYSTEM
0AA	RS - VOLTAGE REGULATOR GRD	2B	A/C & HEAT SYSTEM-COOL 1 SIGN
0B	EC - ENGINE GRD	2C	A/C & HEAT SYSTEM-LO PRESS SW
0B	FRS - FR ROOF HEAT WIND GRD	2D	A/C & HEAT SYSTEM-LO PRESS TT LT
0B	FS - FR ROOF ACCES. GRD	8	TACHOMETER GRD SHIELD
0B	RS - LUG. CPT ACCES. GRD	9	INTERIOR LTS-ENGINE CPT
0B	A/C - A/C JCT BOX GRD	9A	INTERIOR LTS-ENGINE CPT
0B	FJB - FR JCT BOX GRD	9E	INTERIOR LTS-FR SERVICE CPT
0BE	RJB - BAT. EQUAL. BAT GRD	9F	INTERIOR LTS-FR SERVICE CPT
0C	EC - STARTER MOTOR GRD	10	INTERIOR LTS-LUGGAGE CPT
0C	BAT. EQUALIZER GRD	10A	INTERIOR LTS-LUGGAGE CPT
0C	FS - SERV. CPT ACCES. GRD	10B	INTERIOR LTS-LUGGAGE CPT
0C	RS - ENGINE ACCES. GRD	10D	INTERIOR LTS-LUGGAGE CPT
0C	RJB - SPEED SW. BATT. GRD	10F	INTERIOR LTS-LUGGAGE CPT
OCR	24V DISC. SW. RLY GRD SIGNAL	10H	INTERIOR LTS-LUGGAGE CPT
OCS	24V DISC. SW. RLY GRD SIGNAL	10K	INTERIOR LTS-LUGGAGE CPT
OD	FS - SERV. CPT ACCES. GRD	10R	INTERIOR LTS-LUGGAGE DOOR AJAR
ODF	RS - RR SIDE FLASH & MARK GRD	12	BAT CPT 12V BATTERY
OE	FS - FR LAMPS GRD	12	FR JCT BOX 12V DISC SW
OE2	FRS - HEAD & CORNERING LTS GRD	12	12V BAT CPT JCT BLOCK
OEE	FRS - HEAD & CORNERING LTS GRD	12A	FR JCT BOX 12V DISC SW
OG	FS - INSTR. PANEL LH GRD	12A	RR JCT BOX 12V DISC SW
OH	FS - INSTR. PANEL CENT GRD	12B	FR JCT BOX 12V DISC SW
OI	FS - INSTR. PANEL RH GRD	12B	12V BAT CPT JCT BLOCK
OJ	FS - SW CONSOLE LH GRD	12BE	BAT. EQUALIZER MONITOR
OJ	RS - RR ROOF ACCES. GRD	12C	FR JCT BOX 12V DISC SW
OK	RS - RR ROOF ACCES. GRD	12D	BAT CPT 12V BATTERY
OL	RS - ENGINE CPT ACCES. GRD	12E	FR JCT BOX 12V DISC SW
OL	FS - UNDER DASH RH GRD	12E	RR JCT BOX 12V DISC SW
OLH	RS - RR END LAMPS LH GRD	12F	FR JCT BOX 12V DISC SW
OM	RS - ENGINE CPT ACCES. GRD	12F	RR JCT BOX 12V DISC SW
OM	FS - UNDER DASH RH GRD	12F	BAT CPT 12V FJB & IC
OMR	24V DISC. SW. RLY GRD SIGNAL	12I	RR JCT BOX 12V IGNITION
OMS	24V DISC. SW. RLY GRD SIGNAL	12I	12V IGNITION DISTRIBUTION
ON	FS - UNDER DASH RH GRD	12IA	FR JCT BOX 12V IGNITION
ON	RS - ENGINE CPT ACCES. GRD	12IA	12V IGNITION DISTRIBUTION
OP	FS - ALARM JCT BOX GRD	12IB	FR JCT BOX 12V IGNITION
OP	RS - ENGINE CPT ACCES. GRD	12IF	FR JCT BOX 12V IGNITION
OR	FS - UNDER DASH LH GRD	12R	BAT CPT 12V DISC RLY TO RJB
OR	RS - ENGINE CPT ACCES. GRD	12SS	FJB TO BAT 12V HOT WIRE
ORH	RS - RR END LAMPS RH GRD	12VA	BATTERY TO EQUALIZER 12V
OT	FS - LUG. CPT ACCES. GRD	12VD	12V HOT WIRE DISTRIBUTION
OV	RR JCT BOX CPT GRD STUD	12VF	BAT CPT 12V FJB & IC
OV	FS - FR JCT BOX CPT GRD STUD	12V1	12V IGNITION DISTRIBUTION
OVA	BATTERY TO EQUALISER OV	12VR	BAT CPT 12V DISC RLY TO RJB
OW	FS - UNDER DASH CENT GRD	12W	12V BATTERY DDEC III
OW	RS - RR JCT BOX GRD	12X	FR JCT BOX 12V DISC SW
OW	FS - FR JCT BOX CPT GRD STUD	12X2	FR JCT BOX 12V DISC SW
OWB	PRE-HEAT WATER HEATER	12Y	FR JCT BOX 12V DISC SW
OX	FS - TO LH CONS. C483 NOT USED	13A	ALARM & SIGNAL-LO AIR PRIM.
OX	FR JCT BOX CPT GRD STUD	13B	ALARM & SIGNAL-LO AIR SEC.
OX	RS - RR JCT BOX GRD		

No.	SYSTEM	No.	SYSTEM
15	EXTERIOR LTS-MULTI FUNC LEVEL	24S	24V DISC SW RLY SIGNAL
15A	WIPER & WASHER UPPER WINDSHIELD	24T	RR JCT BOX 24V DISC SW
16	SPEEDO - SIGN	24V2	RR JCT BOX 24V DISC SW
16S	SPEEDO - TRANSMITTER	24V3	RR JCT BOX 24V DISC SW
16T	SPEEDO - TRANSMITTER	24V4	RR JCT BOX 24V DISC SW
17	EXTERIOR LTS-FLASHER UNIT	24V5	RR JCT BOX 24V DISC SW
17A	EXTERIOR LTS-FLASHER UNIT	24VA	BATTERY TO EQUALIZER 24V
19	DIFFERENTIAL OIL TEMP	24VD	24V HOT WIRE DISTRIBUTION
20	SPEEDO - NEGATIVE SIGN	24VF	BAT CPT 24V SW TO FJB & IC
20T	SPEEDO - NEGATIVE SIGN	24V1	RR JCT BOX 24V IGNITION
21	EXTERIOR LTS-DIRECTIONNAL LH	24VR	BAT CPT 24V DISC SW TO RJB
21A	EXTERIOR LTS-DIRECTIONNAL LH	24X	FR JCT BOX 24V DISC SW
21B	EXTERIOR LTS-HAZARD	24X2	FR JCT BOX 24V DISC SW
21C	EXTERIOR LTS-CORNERING LH	24Y	FR JCT BOX 24V DISC SW
21H	EXTERIOR LTS-DIRECTIONNAL LH	24Y2	FR JCT BOX 24V DISC SW
21K	EXTERIOR LTS-CORNERING	25	12VAC GEN RLY ON SIGNAL
21N	EXTERIOR LTS-CORNERING LH	25A	NOT GENERATOR-WARNING LT
21R	EXTERIOR LTS-HI CORNERING	25B	EXTERIOR LTS-DAYTIME RUN LTS
21P	EXTERIOR LTS-CORNERING LH	26	DRIVER'S WINDOW LIFTER
23	EXTERIOR LTS-DIRECTIONNAL RH	26	CIGAR LIGHTER
23	EXTERIOR LTS-DIRECTIONNAL RH	26A	CIGAR LIGHTER
23A	EXTERIOR LTS-DIRECTIONNAL RH	26B	DRIVER'S WINDOW LIFTER
23B	EXTERIOR LTS-DIRECTIONNAL RH	26C	DRIVER'S WINDOW LIFTER
23C	EXTERIOR LTS-CORNERING RH	27	PARKING BRAKE SONALERT
23K	EXTERIOR LTS-HI DOCKING	27A	PARKING BRAKE SONALERT
23N	EXTERIOR LTS-CORNERING RH	28A	A/C & HEAT SYSTEM-HI PRESSURE
23P	EXTERIOR LTS-CORNERING RH	29	A/C & HEAT SYSTEM-DRIVER'S HTR
23T	EXTERIOR LTS-HI CORNERING	29A	A/C & HEAT SYSTEM-DRIVER'S HTR
24	BAT CPT 24V BATTERY	29B	A/C & HEAT SYSTEM-DRIVER'S HTR
24	FR JCT BOX 24V DISC SW	31A	A/C & HEAT SYSTEM-UNLOADER
24A	BOOSTER BLOCK 24V DISC SW	31B	A/C & HEAT SYSTEM-UNLOADER
24A	FR JCT BOX 24V DISC SW	31B	WIPER & WASHER SYSTEM
24B	RR JCT BOX 24V DISC SW	31C	WIPER & WASHER SYSTEM
24B	FR JCT BOX 24V DISC SW	31D	WIPER & WASHER SYSTEM
24B	24V STARTER RLY FEEDING	31E	WIPER & WASHER SYSTEM
24BE	RJB CPT-BAT ED MONITOR HOT WIRE	31J	WIPER & WASHER SYSTEM
24C	FR JCT BOX 24V DISC SW	31X	WIPER & WASHER SYSTEM
24D	BAT CPT 24V HOT WIRE	32	EXTERIOR LTS-BACK-UP
24D	FR JCT BOX 24V HOT WIRE	32B	EXTERIOR LTS-BACK-UP
24D	RR JCT BOX 24V HOT WIRE	32C	BACK-UP PWR & SIGNAL
24DP	A/C JCT BOX 24V HOT WIRE	32D	BACK-UP ALARM
24E	BAT CPT 24V DISC SW	32F	BACK-UP MONITOR
24E	FR JCT BOX 24V DISC SW	35	ENTRANCE DODR
24F	FR JCT BOX 24V DISC SW	35B	ENTRANCE DOOR
24F	RR JCT BOX 24V DISC SW	36	JACOB BRAKE SYSEM
24G	FR JCT BOX 24V DISC SW	36A	JACOB BRAKE SYSEM
24H	FR JCT BOX 24V DISC SW	39	INTERIOR LTS-DRIVER'S LTS
24I	FR JCT BOX 24V IGNITION	39A	INTERIOR LTS-DRIVER'S LTS
24I	RR JCT BOX 24V IGNITION	39B	INTERIOR LTS-DRIVER'S LTS
24IA	FR JCT BOX 24V IGNITION	39C	INTERIOR LTS-DRIVER'S LTS
24IA	RR JCT BOX 24V IGNITION	41	A/C & HEAT SYSTEM-COND FAN MOT
24IB	FR JCT BOX 24V IGNITION	41A	A/C & HEAT SYSTEM-COND FAN MOT
24IB	RR JCT BOX 24V IGNITION	41B	A/C & HEAT SYSTEM-COND FAN MOT
24IC	FR JCT BOX 24V IGNITION	42	A/C & HEAT SYSTEM-COND FAN MOT
24ID	FR JCT BOX 24V IGNITION	42A	A/C & HEAT SYSTEM-COND FAN MOT
24IF	FR JCT BOX 24V IGNITION	44	EXTERIOR LTS-FOG
24J	FR JCT BOX 24V DISC SW	44A	EXTERIOR LTS-FOG
24K	FR JCT BOX 24V DISC SW	44B	EXTERIOR LTS-FOG
24P	FR JCT BOX 24V DISC SW	44C	EXTERIOR LTS-FOG & HAZARD

No.	SYSTEM	No.	SYSTEM
45B	A/C & HEAT SYSTEM-HEAT 3 SIGN	71K	EXTERIOR LTS-LO DOCKING
45D	A/C & HEAT SYSTEM-WATER VALVE	71L	EXTERIOR LTS-DOCKING
45E	A/C & HEAT SYSTEM-HEAT 1 SIGN	71R	EXTERIOR LTS-DOCKING
45G	A/C & HEAT SYSTEM-DRIVER'S HTR	72	SUN VISOR-FEEDING
45H	A/C & HEAT SYSTEM-DRIVER'S HTR	72A	SUN VISOR-RH
45W	A/C & HEAT SYSTEM-DRIVER'S HTR	72B	SUN VISOR-RH
46	EXTERIOR LTS-MARKER	72C	SUN VISOR-LH
46A	EXTERIOR LTS-MARKER	72D	SUN VISOR-LH
46B	EXTERIOR LTS-MARKER	76	FUEL TANK GAUGE
46B	EXTERIOR LTS-MARKER	76B	LOW FUEL LT & ETHER COLD START
46C	EXTERIOR LTS-MARKER	76C	LOW FUEL LT
47	A/C & HEAT SYSTEM-DRIVER'S HTR	77	A/C & HEAT SYSTEM-HI PRESSURE
50	AIR DRYER	77A	A/C & HEAT SYSTEM-DRIVER'S HTR
52	ALARM & SIGNAL-ELEC. HORN	77B	A/C & HEAT SYSTEM-COMPRESSOR
52A	ALARM & SIGNAL-ELEC. HORN	77C	A/C & HEAT SYSTEM-COMPRESSOR
53	ALARM & SIGNAL-ELEC. HORN	77H	A/C & HEAT SYSTEM-COMPRESSOR
53A	WIPER & WASHER SYSTEM	81	EXTERIOR LTS-STOP SW
53B	WIPER & WASHER SYSTEM	82	EXTERIOR LTS-STOP SIGNAL
53C	WIPER & WASHER SYSTEM	82A	EXTERIOR LTS-STOP SIGNAL
53E	WIPER & WASHER SYSTEM	82B	EXTERIOR LTS-STOP LTS
53J	WIPER & WASHER SYSTEM	82K	EXTERIOR LTS-STOP PARK BRK
55	EXTERIOR LTS-HI BEAM	82L	EXTERIOR LTS-LH STOP
57	EXTERIOR LTS-HI BEAM	82R	EXTERIOR LTS-LH STOP
57A	EXTERIOR LTS-HI BEAM	83	ENGINE CTR-KEY SW ACCES SIGN
57A	A/C & HEAT SYSTEM-WATER PUMP	84	ENGINE CTR-KEY SW START SIGN
57B	A/C & HEAT SYSTEM-WATER PUMP	85	ENGINE CTR-KEY SW IGNITION SIGN
57C	PRE-HEAT WATER HEATER	85	24V IGNITION SIGNAL
57CC	PRE-HEAT WATER HEATER	85A	24V IGN DASH INSTRUMENTATION
57E	EXTERIOR LTS-HEAD LTS	85B	ENGINE CTR-24V IGNITION
58	EXTERIOR LTS-LO BEAM	85C	PARKING BRAKE SWITCH
58A	EXTERIOR LTS-LO BEAM	85F	LO AIR SONALERT
58B	EXTERIOR LTS-LO BEAM	85F	ENGINE CTR-ENGINE CTRL SW IGN
58E	EXTERIOR LTS-LO BEAM	85W	24V IGN ANTI SKID
59A	JACOB BRAKE SYSTEM	85X	24V IGN ANTI SKID
61	EXTERIOR LTS-24V FEED SW	85Y	ANTI SKID-WARNING LT
61A	EXTERIOR LTS-HEAD SIGNAL	86	ENGINE CTR-STARTER SOL SIGN
63	EXTERIOR LTS-CLEARANCE	86A	ENGINE CTR-STARTER SOL SIGN
63A	EXTERIOR LTS-CLEARANCE	88	ENGINE CTR-RR START SIGNAL
63B	EXTERIOR LTS-CLEARANCE	89	ENGINE CTR-RR START SIGNAL
63C	EXTERIOR LTS-MARKER SIGNAL	90A	A/C & HEAT SYSTEM-COND FAN MOT
63D	EXTERIOR LTS-MARKER & TAIL	90B	A/C & HEAT SYSTEM-COND FAN MOT
63E	EXTERIOR LTS-CLEARANCE	90B	ENGINE CTR-MAST KEY SW FEED
63F	EXTERIOR LTS-MARKER BLINKER	90C	A/C & HEAT SYSTEM-COND FAN MOT
63H	EXTERIOR LTS-TAIL	90D	A/C & HEAT SYSTEM-EVAP FAN MOT
67	A/C & HEAT SYSTEM	90F	CHARG SYST-VOLTAGE REGUL. "B"
67A	A/C & HEAT SYSTEM	90G	A/C & HEAT SYSTEM-COND FAN MOT
67AA	A/C & HEAT SYSTEM	90H	A/C & HEAT SYSTEM-EVAP FAN MOT
67B	A/C & HEAT SYSTEM	90J	A/C & HEAT SYSTEM-COND FAN MOT
67C	A/C & HEAT SYSTEM & HEAT WINDS.	91	PARKING BRAKE SW SIGNAL
67K	A/C & HEAT SYSTEM-COND FAN CTR	91A	DDEC-FAST IDLE SIGNAL
67L	A/C & HEAT SYSTEM-COND FAN CTR	92	BATTERY EQUALIZER-CHECK BALANCE
67V	A/C & HEAT SYSTEM-WATER VALVE	93	BATTERY EQUALIZER-CHECK LO/HI
71	EXTERIOR LTS-DOCKING	95A	ENGINE BRAKE & RETARDER SYSTEM
71A	EXTERIOR LTS-HI DOCKING	97	TACHOMETER (-)
71C	EXTERIOR LTS-DOCKING	101	24V STARTER SOL FEEDING
71D	EXTERIOR LTS-DOCKING	101	WORLD TRANSM-LO SIGNAL SOL. LO
71E	EXTERIOR LTS-LO DOCKING	102	24V STARTER TO GENERATOR
71F	EXTERIOR LTS-LO DOCKING	102	WORLD TRANSM-SOL. GRD 1
71G	EXTERIOR LTS-DOCKING	102	WORLD TRANSM-SOL. C3
71H	EXTERIOR LTS-LO DOCKING	104	WORLD TRANSM-SOL. FORWARD

No.	SYSTEM	No.	SYSTEM
104	LEVEL LOW SYSTEM	130	WORLD TRANSM-SOL. GRD 3
105	WORLD TRANSM-RETARDER & SUMP	131	WORLD TRANSM-SOL. C4
105W	WORLD TRANSM-RETARDER & SUMP	132	WORLD TRANSM-ENG BRK OUTPUT (-)
106	WORLD TRANSM-OIL LEVEL HI	132A	LEVEL LOW SYSTEM
107	CHARG SYST-VOLTAGE REGUL. "F"	132B	LEVEL LOW SYSTEM
107	WORLD TRANSM-LOCKUP SOL. HI	132C	LEVEL LOW SYSTEM
108	WORLD TRANSM-REMOTE PWR WAKE UP	132D	LEVEL LOW SYSTEM
109	WORLD TRANSM-RET. SOL. LO	132E	LEVEL LOW SYSTEM
110	ALARM & SIGNAL-WATER TEMP	132F	LEVEL LOW SYSTEM
110	WORLD TRANSM-LOCKUP SOL. LO	132G	LEVEL LOW SYSTEM
111	WORLD TRANSM-SOL. C6	132H	LEVEL LOW SYSTEM
112	WORLD TRANSM-SPARE OUTPUT (+)	132J	LEVEL LOW SYSTEM
113	ALARM & SIGNAL-OIL PRESS	132K	LEVEL LOW SYSTEM
113	WORLD TRANSM-REVERSE WARNING	132W	WORLD TRANSM-ENG BRK OUTPUT (-)
114	WORLD TRANSM-SPARE OUTPUT (-)	133	WORLD TRANSM-RET. ACTUATOR HI
114	INTERIOR LTS-DASH LT REGUL.	134	WORLD TRANSM-RET. APPLY SOL. HI
114A	INTERIOR LTS-DASH LT	135	A/C & HEAT SYSTEM-AIR SENSOR
114B	INTERIOR LTS-DASH LT REGUL.	135	WORLD TRANSM-ANALOG GRD
114D	INTERIOR LTS-DASH LT REGUL.	135A	A/C & HEAT SYSTEM-AIR SENSOR
114E	INTERIOR LTS-DASH LT REGUL.	135C	WORLD TRANSM-RETARDER TEMP
115	ALARM & SIGNAL-TAG PRESS	135C	A/C & HEAT SYSTEM-AIR SENSOR
115	DDEC III-COOLANT LEVEL	135D	WORLD TRANSM-RETARDER RES MOD
115	WORLD TRANSM-DO NOT SHIFT SIGNAL	135D	A/C & HEAT SYSTEM-AIR SENSOR
115C	DDEC III-COOLANT LEVEL	136	WORLD TRANSM-ECU POWER
115W	WORLD TRANSM-DO NOT SHIFT SIGNAL	136V	WORLD TRANSM-12V BATTERY
116	WORLD TRANSM-LO SIGNAL SOL. HI	136W	WORLD TRANSM-12V BATTERY
116B	A/C & HEAT SYSTEM-DRIVER'S HTR	136X	WORLD TRANSM-12V BATTERY
117	WORLD TRANSM-SPARE INPUT (-)	137	WORLD TRANSM-RETARDER
117A	ALARM & SIGNAL-TRANSM OIL TEMP	137	MIRROR (SPARTAN & RAMCO)
117A	ALARM & SIGNAL-TRANSM OIL TEMP	137A	MIRROR (SPARTAN & RAMCO)
118	WORLD TRANSM-SPARE INPUT (+)	137B	RR VIEW MIRROR (SPARTAN)
119	WORLD TRANSM-ENG BRK INPUT (+)	137C	RR VIEW MIRROR (SPARTAN)
120	WORLD TRANSM-SOL. C1	137D	RR VIEW MIRROR (SPARTAN)
121	WORLD TRANSM-SOL. GRD 2	137E	RR VIEW MIRROR (SPARTAN)
122	WORLD TRANSM-SOL. GRD 4	137F	RR VIEW MIRROR (SPARTAN)
122	A/C & HEAT SYSTEM-DRIVER'S HTR	137G	RR VIEW MIRROR (SPARTAN)
122A	A/C & HEAT SYSTEM-FRESH AIR	138	WORLD TRANSM-RETARDER TEMP
123	A/C & HEAT SYSTEM-FRESH AIR	138	ABS SYSTEM
123A	WORLD TRANSM-NEUTRAL START	138A	ABS SYSTEM
123B	ALARM & SIGNAL-FIRE DETECTOR	139	WORLD TRANSM-OUTPUT SPEED HI
124	ALARM & SIGNAL-FIRE DETECTOR	139	ABS SYSTEM
124	WORLD TRANSM-THROTTLE (HI)	140	WORLD TRANSM-OUTPUT SPEED LO
125	WORLD TRANSM-RETARDER INDICATOR	140	ABS SYSTEM
125W	WORLD TRANSM-RETARDER INDICATOR	141	ABS SYSTEM
126	WORLD TRANSM-LUBE PRESS SW.	141	WORLD TRANSM-ENGINE SPEED HI
126	LEVEL LOW SYSTEM	142	ABS SYSTEM
127	WORLD TRANSM-RETARDER FEED SOL.	142	WORLD TRANSM-SERIAL COM. A
127	PRE-HEAT WATER HEATER	143	ABS SYSTEM
127A	PRE-HEAT WATER HEATER	143	WORLD TRANSM-ECU BATTERY GRD
127B	PRE-HEAT WATER HEATER	143A	ABS SYSTEM
127S	PRE-HEAT WATER HEATER	143W	WORLD TRANSM-BATTERY GRD
127W	PRE-HEAT WATER HEATER	143X	WORLD TRANSM-BATTERY GRD
128	WORLD TRANSM-SOL. C2	144	WORLD TRANSM-ECU CHASSIS GRD
128	PRE-HEAT WATER HEATER	144	ABS SYSTEM
128A	PRE-HEAT WATER HEATER	144A	ABS SYSTEM
128B	PRE-HEAT WATER HEATER	145	ABS SYSTEM
128W	PRE-HEAT WATER HEATER	146	ABS SYSTEM
129	PRE-HEAT WATER HEATER	146	WORLD TRANSM-IGNITION SENSE
129	WORLD TRANSM-SOL. C5	146W	WORLD TRANSM-12V IGNITION
129B	PRE-HEAT WATER HEATER	146X	WORLD TRANSM-12V IGNITION



No.	SYSTEM	No.	SYSTEM
147	WORLD TRANSM-OIL TEMP	170L	LUGGAGE DOOR LOCK
147	ABS SYSTEM	170M	LUGGAGE DOOR LOCK
147	ETHER COLD START	170N	LUGGAGE DOOR LOCK
147C	ETHER COLD START	170P	LUGGAGE DOOR LOCK
148	WORLD TRANSM-OUTPUT SPEED LO	170R	LUGGAGE DOOR LOCK
148	ABS SYSTEM	170S	LUGGAGE DOOR LOCK
149	WORLD TRANSM-TURBINE SPEED HI	170V	LUGGAGE DOOR LOCK
149	ABS SYSTEM	170W	LUGGAGE DOOR LOCK
149A	ABS SYSTEM	170X	LUGGAGE DOOR LOCK
150	WORLD TRANSM-ENGINE SPEED LO	170Y	LUGGAGE DOOR LOCK
150	DDEC III-ECM BATTERY GRD	170Z	LUGGAGE DOOR LOCK
150A	DDEC III-ECM BATTERY GRD	173	BACK-UP MONITOR
151	DDEC III-ECM BATTERY GRD	174	BACK-UP MONITOR
151	WORLD TRANSM-SERIAL COM. B	175	BACK-UP MONITOR
151	ABS SYSTEM	175A	BACK-UP MONITOR
151A	ABS SYSTEM	175B	BACK-UP MONITOR
152	ABS SYSTEM	175C	BACK-UP MONITOR
152A	ABS SYSTEM	180	DIGITAL THERMOMETER
153	ABS SYSTEM	180	DRIVER'S SEAT HEATER
153	WORLD TRANSM-SPARE INPUT (-)	180A	DRIVER'S SEAT HEATER
153	ABS SYSTEM	180B	CO-PILOT SEAT HEATER
154	WORLD TRANSM-ABS RETARDER INPUT	180C	CO-PILOT SEAT HEATER
154	ABS SYSTEM	181	DIGITAL THERMOMETER
155	WORLD TRANSM-SPARE INPUT (-)	182	PYROMETER
155	ABS SYSTEM	182A	PYROMETER
156	WORLD TRANSM-THROTTLE POS.	197	FUEL WATER FILTER
156	ABS SYSTEM	197A	FUEL WATER FILTER
156A	ABS SYSTEM	197B	FUEL WATER FILTER
157	WORLD TRANSM-SPEEDOMETER SIGNAL	201	WORLD TRANSM-SPARE
157	ABS SYSTEM	202	WORLD TRANSM-SPARE
157A	ABS SYSTEM	203	WORLD TRANSM-SPARE
157B	ABS SYSTEM	204	WORLD TRANSM-SPARE
158	WORLD TRANSM-DIMMER	205	WORLD TRANSM-SPARE
160	ALARM & SIGNAL-TAG PRESS SW	206	WORLD TRANSM-SPARE
160	WORLD TRANSM-SER. INTERFACE (-)	214	WORLD TRANSM-BACK UP SIGNAL
161	WORLD TRANSM-SIGNAL GRD	231	NEUTRAL SIGNAL GRD
161B	WORLD TRANSM-SIGNAL GRD	240	DDEC III-ECM 12V FEEDING
162	WORLD TRANSM-PRESS. SW C3	241	DDEC III-ECM 12V FEEDING
163	WORLD TRANSM-RETARDER ENABLE	251	PRODRIVER FEEDING
164	WORLD TRANSM-RET. ACTUATOR SIGN	257	WINDSHIELD HEATED
165	WORLD TRANSM-OIL LEVEL SIGNAL	257A	WINDSHIELD HEATED
165	A/C & HEAT SYSTEM-TRANSMITER	257B	WINDSHIELD HEATED
165A	A/C & HEAT SYSTEM-TRANSMITER	257C	WINDSHIELD HEATED
165B	A/C & HEAT SYSTEM-TRANSMITER	257D	WINDSHIELD HEATED SPARE
165C	A/C & HEAT SYSTEM-TRANSMITER	257E	WINDSHIELD HEATED SPARE
165D	A/C & HEAT SYSTEM-TRANSMITER	258	WINDSHIELD HEATED
166B	A/C & HEAT SYSTEM-EVAP. MOD.	258A	WINDSHIELD HEATED
167	A/C & HEAT SYSTEM-TEMP. CTR	259	WINDSHIELD HEATED
167A	A/C & HEAT SYSTEM-TEMP. CTR	259A	WINDSHIELD HEATED
168	WORLD TRANSM-SER. INTERFACE (+)	260	WINDOW AJAR
168	A/C & HEAT SYSTEM-HUMIDISTAT	270	KEYLESS ENTRY SYSTEM
168A	A/C & HEAT SYSTEM-HUMIDISTAT	272	KEYLESS ENTRY SYSTEM
170C	LUGGAGE DOOR LOCK	274	KEYLESS ENTRY SYSTEM
170D	LUGGAGE DOOR LOCK	275	KEYLESS ENTRY SYSTEM
170E	LUGGAGE DOOR LOCK	276	KEYLESS ENTRY SYSTEM
170F	LUGGAGE DOOR LOCK	277	KEYLESS ENTRY SYSTEM
170G	LUGGAGE DOOR LOCK	278	KEYLESS ENTRY SYSTEM
170H	LUGGAGE DOOR LOCK	279	KEYLESS ENTRY SYSTEM
170K	LUGGAGE DOOR LOCK	280	KEYLESS ENTRY SYSTEM

No.	SYSTEM	No.	SYSTEM
283	KEYLESS ENTRY SYSTEM	SP9	SPARE-RJB TO LUGG CPT #2
284A	KEYLESS ENTRY SYSTEM	SP10	SPARE-RJB TO LUGG CPT #1
285	KEYLESS ENTRY SYSTEM	SP11	SPARE-RJB TO ENGINE
286	KEYLESS ENTRY SYSTEM	SP12	SPARE-RJB TO ENGINE
286A	KEYLESS ENTRY SYSTEM	SP13	SPARE-RJB TO ENGINE
291	KEYLESS ENTRY SYSTEM	SP14	SPARE-FJB TO FR SERV CPT
293	KEYLESS ENTRY SYSTEM	SP15	SPARE-RJB TO ENGINE
290	FAN CLUTCH RADIATOR	SP16	SPARE-RJB TO ENGINE
291	FAN CLUTCH RADIATOR SPD 1	SP17	SPARE-RJB TO ENGINE
292	FAN CLUTCH RADIATOR SPD 2	SP18	SPARE-FJB TO FR SERV CPT
417	DDEC III-LIMIT SPEED GOVERNOR	SP33	SPARE-FJB TO RJB
419	DDEC III-CHECK ENGINE LIGHT	SP36	SPARE-RJB TO LH SW PANEL
439	DDEC III-12V IGNITION	SP37	SPARE-ALARM JCT BOX
440	DDEC III-12V IGNITION	SP38	SPARE-ALARM JCT BOX TO RJB
440A	DDEC III-12V IGNITION	SP39	SPARE-ALARM JCT BOX TO FJB
451	DDEC III-A/C FAN CLUTCH	SP40	SPARE-ALARM JCT BOX TO FJB
505	DDEC III-TACHOMETER DRIVE	SP43	SPARE-FJB TO RJB
509	DDEC III-STOP ENGINE LIGHT	SP45	SPARE-FJB TO RJB
510	DDEC III-FAST IDLE SIGNAL	SP46	SPARE-RJB TO LH FR ROOF
524	DDEC III-ENGINE BRAKE DISABLE	SP48	SPARE-RJB TO RH FR ROOF
525	DDEC III-FAST IDLE SIGNAL	SP56	SPARE-FJB TO RH SW PANEL
528	DDEC III-STOP ENG. OVERRIDE	SP57	SPARE-FJB TO ENGINE
531	DDEC III-CRUISE CLUTCH RELEASE	SP58	SPARE-FJB TO ENGINE
541	DDEC III-CRUISE SET SW	SP59	SPARE-FJB TO ENGINE
543	DDEC III-CRUISE STOP SW CUT IN	SP61	SPARE-FJB TO RH CONSOLE
544	DDEC III-CRUISE ON/OFF SW	SP68	SPARE-FJB TO ENGINE ECM
545	DDEC III-CRUISE RESUME SW	SP69	SPARE-FJB TO FR AXLE
555	DDEC III-FAN CLUTCH SPEED# 1	SP70	SPARE-FJB TO FR AXLE
558	DDEC III-VEHICLE SPEED (+)	SP71	SPARE-FJB TO RH SW PANEL
563	DDEC III-FAN CLUTCH SPEED# 2	SP72	SPARE-FJB TO FR SERV CPT
564	DDEC III-DIGITAL OUTPUT	SP74	SPARE-FJB TO LH CONSOLE
565	DDEC III-ENGINE BRAKE ACTIVE	SP77	SPARE-FJB TO A/C JB CPT
583	DDEC III-ENGINE BRAKE 4 CYL.	SP78	SPARE-FJB TO A/C JCT BOX
750	PRODRIVER ILLUMINATION	SP79	SPARE-FJB TO A/C JCT BOX
900	DDEC III-DATA LINK (+)	SP80	SPARE-TO A/C JCT BOX CPT
901	DDEC III-DATA LINK (-)	SP82	SPARE-FJB TO LH CONSOLE
901A	ABS SYSTEM	SP83	SPARE-FJB TO RH CONSOLE
908	DDEC III-HYDRAULIC PWM#1 OUTPUT	SP84	SPARE-FJB TO RH CONSOLE
916	DDEC III-SENSOR SUPPLY (5VDC)	SP85	SPARE-FJB TO LH CONS & SW PAN
952	DDEC III-SENSOR RETURN	SP86	SPARE-FJB TO LH CONS & SW PAN
953	DDEC III-BATTERY GRD	SP92	SPARE-RJB TO A/C JCT BOX
979	DDEC III-ENGINE BRAKE 2 CYL.	SP93	SPARE-RJB TO EVAPORATOR CPT
A	LEVEL LOW SYSTEM	SP94	SPARE-RJB TO RR ROOF
B	LEVEL LOW SYSTEM	SP95	SPARE-RJB TO RR ROOF
C	LEVEL LOW SYSTEM	SP96	SPARE-RJB TO LUGG CPT #2
B00	RR JCT BOX CPT BATT GRD	SP97	SPARE-RJB TO LUGG CPT #3
B000	RR JCT BOX CPT BATT GRD	SP98	SPARE-RJB TO LUGG CPT #3
L8	ENG. BLK & WATER TANK-HEATER	SP104	SPARE-RJB TO ENGINE CPT
L9	ENG. BLK & WATER TANK-HEATER	SP105	SPARE-DASH TO ENGINE CRADLE ACCES.
WC	A/C & HEAT SYST-EVAP CTR SIGN		
SH2	SPEEDOMETER-SHIELD GRD		
SH4	SPEEDOMETER-SHIELD GRD		
SP2	SPARE-FJB TO FR SERV CPT		
SP3	SPARE-FJB TO CENTER DASH		
SP4	SPARE-FJB TO CENTER DASH		
SP5	SPARE-RJB TO LUGG CPT #2		
SP6	SPARE-RJB TO LUGG CPT #1		
SP7	SPARE-RJB TO LUGG CPT #1		
SP8	SPARE-RJB TO LUGG CPT #1		

## CIRCUIT BREAKER CODE (CB)

Page F : 1

NO.	PAGE	AMPERE	#PREVOST	LOCATION	FUNCTION
CB1	2	40A	560703	BAT CPT	12V IGNITION
CB2	1	30A	870690	BAT CPT	12V HOT WIRE
CB3	1	40A	560703	BAT CPT	12V FEED RR JCT BOX
CB4	1	40A	560703	BAT CPT	12V FEED FR JCT BOX
CB5	1	30A	870690	BAT CPT	24V HOT WIRE
CB6	1	90A	560298	BAT CPT	24V FEED RJ B & STARTER RLY
CB7	1	90A	560298	BAT CPT	24V FEED FJB & INVERTER CPT
CB8	1	150A	560299	BAT CPT	A/C JCT BOX & EVAP. FAN
CB9	1	150A	560299	BAT CPT	CONDENSER FAN MOTOR
CB10	4	8A	561791	FR JCT BOX	MASTER SWITCH
CB14	17	15A	561793	RR JCT BOX	PRE-HEAT WATER HEATER (WEBASTO)
CB15	17	15A	561793	RR JCT BOX	PRE-HEAT WATER HEATER
CB16	4	8A	561791	RR JCT BOX	ENGINE-RR CTR & START SW
CB18	4	8A	561791	RR JCT BOX	ENGINE-FR CTR SW
CB19	5	15A	561793	BAT CPT	E.C.M. DDEC III
CB20	5	15A	561793	BAT CPT	E.C.M. DDEC III
CB21	5	6A	561790	BAT CPT	12V IGNITION DDEC III
CB24	6	20A	561794	BAT CPT	V.I.M. WORLD TRANSMISSION
CB26	11	10A	561792	RR JCT BOX	BACK-UP LTS
CB27	7	8A	561791	FR JCT BOX	24V IGN DASH ACCESSORIES
CB28	7	6A	561790	FR JCT BOX	12V IGN. VOLTMETER & SPEEDO-TACHO
CB29	7	20A	561794	FR JCT BOX	ELECTRICAL HORNS
CB30	7	6A	561790	FR JCT BOX	FIRE ALARM
CB31	8	8A	561791	RR JCT BOX	AIR DRYER
CB32	8	6A	561790	FR JCT BOX	LO FUEL & ETHER COLD START
CB33	8	6A	561790	FR JCT BOX	PARKING BRAKE SW
CB34	11	10A	561792	RR JCT BOX	BACK-UP ALARM
CB35	11	6A	561790	FR JCT BOX	FOG & HAZARD SW
CB36	11	15A	561793	FR JCT BOX	FOG LTS
CB37	9	6A	561790	FR JCT BOX	HEAD & MULTI-FUNC. SW
CB38	9	10A	561792	FR JCT BOX	FR MARKER LTS
CB39	9	20A	561794	FR JCT BOX	CLEARANCE & IDENT. LTS
CB40	9	8A	561791	FR JCT BOX	FR CLEARANCE & IDENT. LTS
CB41	9	8A	561791	RR JCT BOX	RR CLEARANCE & IDENT. LTS
CB42	9	8A	561791	RR JCT BOX	RR MARKER, TAIL, LICENCE LTS
CB43	9	20A	561794	FR JCT BOX	HEADLAMP (HI)
CB44	9	15A	561793	FR JCT BOX	HEADLAMP (LO)
CB45	10	10A	561792	FR JCT BOX	MULTI-FUNC. SW (WIPER CTR)
CB46	10	20A	561794	FR JCT BOX	FLASHER & HAZARD UNIT
CB47	10	10A	561792	FR JCT BOX	CORNERING LTS
CB48	11	6A	561790	FR JCT BOX	STOP SW
CB49	11	15A	561793	RR JCT BOX	STOP & CYCLOP LTS
CB51	12	10A	561792	FR JCT BOX	UP WINDSH. WIPER & WASHER
CB52	13	15A	561793	RR JCT BOX	LUGGAGE LTS & DOOR AJAR LTS
CB53	13	6A	561790	RR JCT BOX	ENGINE COMPT. LTS
CB54	13	6A	561790	RR JCT BOX	FR SERVICE COMPT. LTS
CB57	14	8A	561791	FR JCT BOX	DASH LTS RHEOSTAT
CB59	14	8A	561791	FR JCT BOX	DRIVER'S LTS
CB70	18	6A	561790	FR JCT BOX	A/C & HEAT SW
CB71	18	10A	561792	A/C JCT BOX	A/C LOGIC PANEL
CB72	18	6A	561790	A/C JCT BOX	A/C COMPRESSOR CLUTCH
CB73	18	15A	561793	A/C JCT BOX	WATER PUMP
CB77	19	40A	560703	A/C JCT BOX	CONDENSER FAN MOTOR RH
CB78	19	40A	560703	A/C JCT BOX	CONDENSER FAN MOTOR LH
CB79	19	10A	561792	FR JCT BOX	DRIVER'S HTR FAN
CB80	20	8A	561791	FR JCT BOX	MIRROR-ADJUST & HEATED SW
CB81	23	15A	561793	FR JCT BOX	DRIVER'S WINDOW-LIFT & LIGHTER

## CIRCUIT BREAKER CODE (CB)

Page F : 1

NO.	PAGE	AMPERE	#PREVOST	LOCATION	FUNCTION
CB83	17	6A	561790	FR JCT BOX	WATER HEATER TIMER
CB84	23	3A	561792	FR JCT BOX	SUN VISOR
CB85	14	6A	561790	FR JCT BOX	ENTRANCE DOOR-STEP LTS
CB87	24	3A	561797	RR JCT BOX	BACK-UP MONITOR DOOR SOLENOID
CB91	16	6A	561790	FR JCT BOX	DRV SEAT HEATER & DIGITAL THERMOMETER
CB95	24	6A	561790	RR JCT BOX	BACK-UP MONITOR CAMERA HEATER
CB105	26	6A	561790	FR JCT BOX	E.C.U. ABS
CB106	26	10A	561792	FR JCT BOX	E.C.U. ABS
CB107	26	10A	561792	FR JCT BOX	E.C.U. ABS
CB108	24	6A	561790	RR JCT BOX	BACK-UP MONITOR CAMERA
CB113	11	10A	561792	RR JCT BOX	DOCKING LTS
CB114	16	6A	561790	FR JCT BOX	CO-PILOT SEAT HEATER
CB115	15	8A	561791	FR JCT BOX	KEYLESS ENTRY SYSTEM-MODULE
CB118	15	20A	561794	RR JCT BOX	KEYLESS ENTRY SYSTEM-LUGGAGE DOOR LOCK
CB119	15	3A	561797	RR JCT BOX	KEYLESS ENTRY SYS-LUG DOOR UNLOCK WARNING
CB120	15	20A	561794	RR JCT BOX	KEYLESS ENTRY SYSTEM-LUGGAGE DOOR LOCK
CB121	16	20A	561794	FR JCT BOX	HEATING WINDSHEILD LH
CB122	16	20A	561794	FR JCT BOX	HEATING WINDSHEILD RH
CB123	16	25A	561795	FR JCT BOX	DRIVER'S SEAT ELECTRICAL ADJUSTMENT
CB124	8	6A	561790	RR JCT BOX	RADIATOR FAN CLUTCH

No.	LOCATION	TYPE	(NB) CAVITY	#PIN HOUSING	#SOCKET HOUSING
C1	FR JCT BOX COMPARTMENT	AMP CPC	37	561644	561646
C2	FR JCT BOX COMPARTMENT	AMP CPC	24	561641	561643
C3	FR JCT BOX COMPARTMENT	AMP CPC	37	561714	561713
C4	FR JCT BOX COMPARTMENT	AMP CPC	16	561693	561695
C5	FR SERVICE COMPT.-UNDERNEATH	AMP CPC	37	561644	561646
C6	FR SERVICE COMPT.-UNDERNEATH	AMP CPC	24	561641	561643
C7	FR JCT BOX COMPT.-UNDERNEATH	AMP MNL	15	561987	561986
C8	FR SERVICE COMPT.-UNDERNEATH	AMP CPC	37	561714	561713
C9	ALARM JCT BOX	AMP CPC	16	561693	561695
C10	ALARM JCT BOX	AMP CPC	37	561644	561646
C11	FR SERVICE COMPARTMENT	AMP CPC	24	561642	561643
C12	FR SERVICE COMPARTMENT	AMP CPC	16	561639	561640
C13	FR SERVICE COMPT.	AMP MNL	6	561552	561515
C15	RR JCT BOX	AMP CPC	24	561641	561643
C16	LH CONSOLE SW-CRUISE ON OFF	SWF	8	-----	561107
C17	LH CONSOLE SW-CRUISE RESUME	SWF	8	-----	561107
C18	LH CONSOLE SW-CRUISE SET	SWF	8	-----	561107
C20	RR JCT BOX	AMP CPC	37	561644	561646
C21	RR JCT BOX	AMP CPC	24	561641	561643
C32	DDEC ENGINE-ECM	PED	30	-----	561600
C45	ALARM JCT BOX COMPARTMENT	AMP CPC	24	561642	561643
C47	FR SERVICE COMPARTMENT	AMP CPC	16	561694	561695
C49	BATTERIE COMPT.-LT	AMP MNL	2	561248	561247
C52	RR JCT BOX	AMP CPC	22	561709	561710
C53	RR JCT BOX	AMP CPC	14	561585	561584
C55	UNDER DASH-RH SW PANEL	AMP CPC	9	561636	561637
C56	UNDER DASH-RH CONSOLE	AMP CPC	24	561642	561643
C57	UNDER DASH-RH ACCESSORIES	AMP CPC	22	561989	561710
C58	EVAPORATOR COMPARTMENT	AMP CPC	14	561585	561583
C59	EVAPORATOR COMPARTMENT	AMP CPC	16	561639	561640
C60	RR JCT BOX COMPT.-LT	AMP MNL	2	561248	561247
C61	LUGGAGE COMPARTMENT LTS	AMP MNL	2	561248	561247
C62	LUGGAGE COMPARTMENT LTS	AMP MNL	2	561248	561247
C63	LUGGAGE COMPARTMENT LTS	AMP MNL	2	561248	561247
C64	LUGGAGE COMPARTMENT LTS	AMP MNL	2	561248	561247
C65	LUGGAGE COMPARTMENT LTS	AMP MNL	2	561248	561247
C66	LUGGAGE COMPARTMENT LTS	AMP MNL	2	561248	561247
C67	LUGGAGE COMPARTMENT LTS	AMP MNL	2	561248	561247
C68	LUGGAGE COMPARTMENT LTS	AMP MNL	2	561248	561247
C69	RR AXLE ACC-INSIDE PVC END	PED WP	6	561568	561578
C70	ALARM JCT BOX COMPARTMENT	AMP CPC	24	561642	561643
C71	UNDER INSTRUMENT PANEL-LH	AMP CPC	37	561645	561646
C72	UNDER INSTRUMENT PANEL-CENT.	AMP CPC	37	561645	561646
C73	UNDER INSTRUMENT PANEL-CENT.	AMP CPC	16	561639	561640
C74	UNDER INSTRUMENT PANEL-RH	AMP CPC	24	561642	561643

No.	LOCATION	TYPE	(NB) CAVITY	#PIN HOUSING	#SOCKET HOUSING
C76	LUGGAGE COMPT.-AIR RET.SENS.	AMP MNL	2	561248	561247
C77	LUGGAGE COMPT.-AIR RET.SENS.	AMP MNL	2	561248	561247
C78	FR JCT BOX COMPARTMENT	AMP CPC	22	561709	561710
C79	FR SERVICE COMPT.-UNDERNEATH	AMP CPC	37	561644	561646
C80	LUGGAGE COMPT.-AIR RET.SENS.	AMP MNL	2	561248	561247
C81	LUGGAGE COMPT.-DOOR LOCK	AMP MNL	4	561551	561668
C82	LUGGAGE COMPT.-DOOR LOCK	AMP MNL	4	561551	561668
C83	LUGGAGE COMPT.-DOOR LOCK	AMP MNL	4	561551	561668
C84	LUGGAGE COMPT.-DOOR LOCK	AMP MNL	4	561551	561668
C85	LUGGAGE COMPT.-DOOR LOCK	AMP MNL	4	561551	561668
C86	LUGGAGE COMPT.-DOOR LOCK	AMP MNL	4	561551	561668
C87	RR END ROOF	AMP CPC	9	561636	561637
C88	RR END ROOF-CLEARANCE LTS	AMP MNL	2	560900	560898
C89	RR END ROOF-B/U MONITOR	AMP CPC	4	561582	561581
C90	RR JCT BOX	AMP CPC	15	561987	561986
C91	RR JCT BOX	AMP CPC	37	561714	561713
C92	FR JCT BOX COMPT-ANTI SKID	AMP CPC	9	561635	561637
C93	FR JCT BOX COMPT-ANTI SKID	WABCO	35	-----	641094
C96	FR AXLE ACCESSORIES	AMP CPC	14	561585	561585
C97	RR AXLE ACC-INSIDE PVC END	PED WP	6	561568	561578
C98	FR SERVICE COMPT-EL.FT.PEDAL	PED WP	3	561782	561781
C99	FR SERVICE COMPT LTS	AMP MNL	2	561248	561247
C100	FR SERVICE COMPT-CORNERING LT	PED WP	2	561566	561690
C101	FR SERVICE COMPT-ELEC. HORNS	PED WP	2	561566	561690
C102	FR SERV & SIDE CPT-FLASH. LH	ITT SS	2	561813	561812
C103	FR SERV & SIDE CPT-MARKERS	ITT SS	2	561813	561812
C104	FR SERV & SIDE CPT-FLASH. RH	ITT SS	2	561813	561812
C105	FR SERVICE COMPT-LIQ.S.VALVE	PED WP	2	561566	561690
C106	FR SERVICE COMPT-WATER VALVE	PED WP	2	561566	561690
C107	EVAPORATOR COMPT-DAMPER	PED WP	2	561566	561690
C111	EVAPORATOR COMPT-DAMPER	ITT SS	2	561813	561812
C113	BATT. & RR J.B.CPT.MARKER LT	ITT SS	2	561813	561812
C115	ENGINE COMPT-AIR DRYER	PED WP	2	561566	561690
C116	ENGINE COMPT. LTS	PED WP	2	561566	561690
C117	ENGINE COMPT. LTS	PED WP	2	930210	-----
C119	ENGINE CPT RR DOOR RH LO LAMP	PED WP	6	561606	561607
C120	ENGINE CPT RR DOOR LH LO LAMP	PED WP	6	561606	561607
C121	BATTERIE CPT. DOOR DIR LT RH	ITT SS	2	561813	561812
C122	ENGINE CPT-CAMERA DOOR VALVE	PED WP	2	561566	561690
C124	ENGINE CPT-ETHER SW	PED WP	2	561566	561690
C114	RR J. BOX CPT DOOR DIR LT LH	ITT SS	2	561813	561812

No.	LOCATION	TYPE	(NB) CAVITY	#PIN HOUSING	#SOCKET HOUSING
C125	ENGINE CPT-B/U ALARM	PED WP	2	561566	561690
C127	ENGINE CPT-FUEL FILTER	PED WP	2	561566	561690
C128	ENGINE CPT-A/C COMPR. CLUTCH	ITT SS	2	561813	561812
C129	ENGINE CPT-PRE-HEAT WATER	AMP FF	6	561672	561186
C130	ENGINE CPT-UNLOADER	ITT SS	2	561813	561812
C131	ENGINE CPT-UNLOADER	ITT SS	2	561813	561812
C132	ENGINE CPT-A/C LO PRESS SW	PED WP	2	561566	561690
C133	ENGINE CPT-A/C HI PRESS SW	PED WP	2	561566	561690
C134	FR JCT BOX-LUGGAGE DIODE CON.	AMP MNL	15	561987	561986
C135	FR JCT BOX-LUGGAGE DIODE CON.	AMP MNL	15	561987	561986
C136	A/C JCT BOX (PRIOR)	VEAM	37	561743	561744
C136	A/C JCT BOX	DEUTSCH	40	562281	562284
C137	A/C JCT BOX-TRANSMITTER	AMP MNL	2	560900	560898
C138	A/C JCT BOX-CONTROL MODULE	AMP HDP	15	-----	562012
C139	A/C JCT BOX-LOGIC MODULE	AMP HDP	15	562011	-----
C145	RR JCT BOX CPT-RR SIDE LTS	AMP MNL	9	561670	561669
C146	ENGINE CPT-MODULATOR VALVE	AMP HNDL	2	-----	560412
C147	BATT & RR J.B. CPT-DOCK. LTS	PED WP	2	561566	561690
C148	FR JCT BOX COMPT. LTS	AMP MNL	2	561248	561247
C149	CONDENSER CPT-FAN MOTOR	ORDNANCE	3	562555	562001
C152	CONDENSER CPT-FUEL GAUGE	PED WP	4	561610	561611
C153	EVAPORATOR CPT-AIR AMB. SENS	AMP MNL	2	561248	561247
C154	EVAPORATOR CPT-FRESH AIR SENS	ITT SS	2	561813	561812
C155	EVAPORATOR CPT-WATER VALVE	PED WP	4	561610	561611
C157	EVAPORATOR CPT-WATER PUMP	PED WP	2	561566	561690
C158	CONDENSER CPT-A/C LO TEMP.	PED WP	2	561566	561690
C159	CONDENSER CPT-A/C HI TEMP.	PED WP	2	561566	561690
C160	FR AXLE-ABS RH SENSOR	WABCO	2	641132	-----
C161	FR AXLE-ABS RH VALVE	WABCO	3	-----	641098
C162	FR AXLE-ABS LH VALVE	WABCO	3	-----	641098
C163	FR AXLE-ABS LH SENSOR	WABCO	2	641132	-----
C164	RR AXLE-ABS LH SENSOR	WABCO	2	641132	-----
C164	RR AXLE-ABS LH SENSOR	DEUTSCH	2	562486	562485
C165	RR AXLE-ABS LH VALVE	WABCO	3	-----	641098
C166	RR AXLE-ABS RH VALVE	WABCO	3	-----	641098
C167	RR AXLE-ABS RH SENSOR	WABCO	2	641132	-----
C167	RR AXLE-ABS RH SENSOR	DEUTSCH	2	562486	562485
C168	RR AXLE-ABS DPT ATC	PED WP	4	561610	561611
C169	RR JCT BOX-SPEED SW	AMP HDP	15	-----	562012
C170	FR JCT BOX-FLASHER UNIT	TC	2	-----	561940
C171	ALARM JCT BOX CPT-LH CONSOLE	AMP CPC	37	561645	561646
C172	ENGINE COMPT-WATER TANK HEAT.	PED WP	2	561566	561690
C174	UNDER DASH RH-HTR MODULE	AMP MNL	9	561670	561669
C175	UNDER DASH RH-HTR MODULE	AMP MNL	9	561670	561669
C176	UNDER DASH RH-WIPER PULSE	AMP FF	6	-----	561186
C177	UNDER DASH RH-WIPER MOTOR	AMP FF	6	-----	561186
C178	UNDER DASH RH-LH FAN	TC	2	561030	560997
C179	UNDER DASH RH-RH FAN	TC	2	561030	560997
C180	RR JCT BOX-DIODE CONNECTOR	AMP MNL	15	561987	561986
C181	RR JCT BOX-DIODE CONNECTOR	AMP MNL	15	561987	561986
C182	RR JCT BOX COMPT.-WT VIM	AMP CPC	16	561639	561640
C185	RR JCT BOX COMPT.-WT VIM	PED	30	-----	561600
C186	RR JCT BOX-SPEED SIGNAL	PED WP	2	561566	561690
C187	RR JCT BOX-RPM RESISTOR CON.	AMP MNL	6	561552	561515

No.	LOCATION	TYPE	(NB) CAVITY	#PIN HOUSING	#SOCKET HOUSING
C189	ENGINE CPT RR DOOR B/U LT	PED WP	2	561566	561690
C190	ENGINE CPT RR DOOR TAIL LT	PED WP	2	561566	561690
C191	ENGINE CPT RR DOOR RH STOP LT	PED WP	2	561566	561690
C192	ENGINE CPT RR DOOR RH DIR. LT	PED WP	2	561566	561690
C194	ENGINE CPT RR DOOR LH DIR. LT	PED WP	2	561566	561690
C195	ENGINE CPT RR DOOR LH STOP LT	PED WP	2	561566	561690
C196	ENGINE CPT RR DOOR CYCLOP LT	PED WP	2	561566	561690
C197	ENGINE CPT-A/C COMPRESSOR	PED WP	4	561889	561890
C198	ENGINE CPT-A/C COMPRESSOR	PED WP	4	561889	561890
C199	ENGINE CPT RR DOOR LICENCE LT	DOM AUTO	2	930210	-----
C211	FR ROOF-STORE LH	AMP MNL	2	560900	560898
C212	FR ROOF-STORE RH	AMP MNL	2	560900	560898
C213	FR ROOF-CLEARANCE LT	AMP MNL	2	560900	560898
C237	UNDER DASH LH-JACOB CLUTCH SW	ITT SS	3	561111	561080
C238	A/C JCT BOX-DIODE CONNECTOR	AMP MNL	9	561670	561669
C240	LUGG. CPT.-CO-PILOT SEAT HEAT.	AMP MNL	2	560900	560898
C241	FR SERVICE CPT-FDG RESISTOR	AMP CPC	3	561847	561862
C242	FR SERVICE CPT-MARK & DIR LT	ITT SS	3	561111	561080
C243	FR SERVICE CPT-HEADLAMPS	TC	3	-----	561071
C244	FR SERVICE CPT-LH FOG LAMP	ITT SS	2	561813	561812
C245	FR SERVICE CPT-RH FOG LAMP	ITT SS	2	561813	561812
C246	FR SERVICE CPT-MARK & DIR LT	ITT SS	3	561111	561080
C247	UNDER SEAT-CO-PIL. SEAT HEAT.	AMP MNL	2	560900	560898
C248	ALARM JCT BOX-WIPER PULSE GEN	AMP FF	6	-----	561108
C250	ALARM JCT BOX-DASH LTS REGUL.	AMP MNL	6	561552	561515
C251	LH SW PANEL-FAST IDLE	SWF	8	-----	561107
C252	LH SW PANEL-SWITCH LT	SWF	2	-----	561837
C253	LH SW PANEL-ETHER	SWF	8	-----	561107
C255	LH SW PANEL-JACOB	SWF	8	-----	561107
C257	INSTRUMENT PANEL CENT-SPEEDO	AMP MNL	4	560851	560852
C258	LH SW PANEL-MULTI FUNC. SW	AMP FF	8	561188	-----
C259	LH SW PANEL-MULTI FUNC. SW	AMP FF	6	-----	561108
C262	UNDER DASH RH-KEYLESS MOD	PL. ENG	14	-----	562066
C263	UNDER DASH RH-KEYLESS MOD	HOF PL.	14	-----	562067
C264	UNDER DASH RH-KEYPAD	AMP CPC	9	561636	561637
C265	RH SW PANEL-DRIVER'S DOOR SW.	SWF	8	-----	561107
C266	RH SW PANEL-DRIVER'S LT SW.	SWF	2	-----	561837
C267	UNDER DASH RH	AMP CPC	24	561642	561643
C268	UNDER DASH LH-MIRROR	AMP MNL	6	561552	561515
C269	UNDER DASH RH-MIRROR	AMP MNL	6	561552	561515
C270	LH MIRROR POST	MOLEX	6	562070	562069
C271	RH MIRROR POST	MOLEX	6	562070	562069
C272	LH MIRROR	SPARTAN	6	-----	990158
C273	RH MIRROR	SPARTAN	6	-----	990158
C276	UNDER DASH RH-3 WAY LTS	AMP MNL	6	561552	561515
C277	LH CONSOLE-DOCK & CORN SW.	SWF	8	-----	561107

No.	LOCATION	TYPE	(NB) CAVITY	#PIN HOUSING	#SOCKET HOUSING
C278	LH CONSOLE-BACK-UP CANCEL SW.	SWF	8	-----	561107
C280	UNDER DASH RH-3 WAY SW	SWF	8	-----	561107
C281	LH CONSOLE-LEVEL LOW	SWF	8	560851	560825
C282	LH CONSOLE-MONITOR OPER. SW.	SWF	8	-----	561107
C283	LH CONSOLE-LOW DOCKING SW.	SWF	8	-----	561107
C285	ENTRANCE DOOR-SOL. DOOR	PED PO	2	-----	562076
C286	RH SW PANEL-A/C & HEAT	SWF	8	-----	561107
C287	ENGINE COMPT-LTS SW	PED WP	2	561566	561690
C288	RH SW PANEL-FRESH AIR	SWF	8	-----	561107
C289	RH SW PANEL-SWITCH LT	SWF	2	-----	561837
C290	LUGGAGE COMPT.-DOOR LOCK	AMP MNL	4	561551	561668
C291	LUGGAGE COMPT.-DOOR LOCK	AMP MNL	4	561551	561668
C297	INSTRUMENT PANEL RH -LTS	AMP MNL	2	560900	560898
C301	INSTRUMENT PANEL CENT-TACHO	AMP MNL	4	560851	560852
C307	LH CONSOLE-DRIVER'S SEAT HEAT	AMP CPC	4	561686	561687
C308	LH CONSOLE SW-RHEDSTAT	AMP MNL	2	561248	561247
C309	DDEC ENGINE-ECM POWER CON.	PED MP	5	-----	562345
C310	LH CONSOLE SW-LUG. DOOR LCK	SWF	8	-----	561107
C315	LH CONSOLE SW-LH STORE	SWF	8	-----	561107
C317	LH CONSOLE SW-RH STORE	SWF	8	-----	561107
C318	LH CONSOLE SW-DRV WINDOW LIFT	SWF	8	-----	561107
C319	LH CONSOLE-DRIV. SEAT HEAT SW	SWF	4	-----	561107
C320	LH CONSOLE SW-DRIVER'S LTS	SWF	8	-----	561107
C321	LH CONSOLE-DRIV. SEAT HEAT SW	SWF	4	-----	561107
C322	LH CONSOLE DRV WIND LIFT MOT	PED PO	2	-----	561848
C323	LH CONSOLE CRUISE CTR SW PAN.	AMP CPC	9	561636	561637
C327	ENGINE COMPT-RR START SW BOX	AMP CPC	9	561635	561637
C329	ENGINE TACHO SIGNAL	PED WP	3	561781	561789
C336	INSTRUMENT PANEL RH-DIF OIL T	AMP MNL	3	561667	561550
C337	INSTR PANEL LH-UP WIPER SW	SWF	8	-----	561107
C338	INSTR PANEL LH-UP DEFROST SW	SWF	8	-----	561107
C339	INSTR PANEL LH-UP WASHER SW	SWF	8	-----	561107
C340	ALARM JCT. BOX COMPT.	AMP MNL	2	560900	560898
C341	INSTR PANEL LH-HEAT MIRROR SW	SWF	8	-----	561107
C343	INSTR PANEL LH-HEADLAMP SW	SWF	8	-----	561107
C344	INSTR PANEL LH-HAZARD LT SW	SWF	8	-----	561107
C345	INSTR PANEL LH-FOG LT SW	SWF	8	-----	561107
C346	INSTR PANEL LH-SWITCH LTS	SWF	2	-----	561837
C347	INSTR PANEL LH-DASH LT SW	AMP MNL	2	560900	560898
C348	INSTR PANEL CENT-RACOR MODULE	AMP MNL	3	561667	561550
C349	RH CONSOLE-RED LED HTR	AMP MNL	2	561248	561247
C350	RH CONSOLE-THERMOMETER	AMP MNL	3	561667	561550
C352	RH CONSOLE-DRV TEMP SENSOR	BURNDY	4	-----	561104
C353	INSTR PANEL RH-DRV FAN RHEDST	AMP MNL	6	561552	561515
C354	INSTR PANEL RH-DRV TEMP CTR	AMP MNL	6	561552	561515
C355	INSTR PANEL RH-FR TEMP CTR	AMP MNL	3	561667	561550
C357	INSTR PANEL RH-WATER TEMP GA	AMP MNL	3	561667	561550
C358	INSTR PANEL RH-FUEL LEVEL GA	AMP MNL	3	561667	561550
C359	INSTR PANEL CENT-TAC & SPD LT	AMP MNL	2	560900	560898
C360	INSTR PANEL RH-B/U MONITOR	AMP MNL	2	561248	561247

No.	LOCATION	TYPE	(NB) CAVITY	#PIN HOUSING	#SOCKET HOUSING
C361	FR ROOF-WIPER MOTOR	AMP FF	6	-----	561186
C366	RH CONSOLE-GRN LED	AMP MNL	2	561248	561247
C367	ENGINE COMPT-DIF OIL T SENSOR	PED WP	2	561566	561690
C372	FR ROOF-DEST. SIGN SPEED SW	MOLEX	4	561477	561476
C374	ALARM JCT BOX COMPT-MASTER SW	AMP MNL	6	561552	561515
C375	ALARM JCT BOX COMPT-LH CONSOL	AMP MNL	6	561552	561515
C376	ALARM JCT BOX COMPT-LH CONS.	AMP CPC	37	561714	562005
C378	LUGGAGE COMPT.-WINDOW AJAR	MOLEX	4	561477	561476
C379	WINDOW AWNING-WINDOW AJAR	MOLEX	4	561477	561476
C377	LH SW PANEL-STOP ENG.OVERRIDE	SWF	8	-----	561107
C380	LH CONSOLE-DDR CONNECTOR	DEUTSCH	6	562360	-----
C397	ENGINE COMPT. CRADLE ACC.	DEUTSCH	40	562281	562284
C400	ENGINE COMPT. BLOCK HEATER	PED MP	3	561781	561782
C402	RR DRIVE AXLE-AIR DRYER	PED MP	2	-----	562251
C406	FR JCT BOX COMPT.-ANTI-SKID	AMP MNL	2	560900	560898
C407	ENGINE COMPT. -SIGNAL	PED WP	6	561606	561607
C408	ENGINE COMPT. -SIGNAL	PED WP	6	561606	561607
C409	ENGINE CPT -LOW COOL. LEVEL	PED MP	2	-----	562350
C410	FR JCT BOX-DIODE CONNECTOR	AMP MNL	15	561987	561986
C411	FR JCT BOX-DIODE CONNECTOR	AMP MNL	15	561987	561986
C412	LH SW PANEL-MASTER SWITCH	SWF	8	-----	561107
C413	ENG CPT-A/C HI UNLOAD PRS SW	PED WP	2	561566	561690
C414	RR JCT BOX	AMP MNL	9	561670	561669
C415	ENGINE CRADLE-FAN SIGNAL	PED WP	3	561781	561782
C416	ENGINE CRADLE-FAN SIGNAL	PED P-C	3	562237	-----
C417	FRONT JCT BOX-DIODES	AMP MNL	15	561987	561986
C418	INSTR. PANEL LH-HTR WINDSH.SW	SWF	8	-----	561107
C419	FR JCT BOX-RETARDER OR JACOB	AMP MNL	3	561667	561550
C420	ENGINE COMPT.-WATER HEATER	TC	2	-----	561597
C421	ENGINE COMPT.-WATER HEATER	TC	1	-----	561073
C422	ENGINE COMPT.-WATER HEATER	TC	2	-----	561597
C424	UNDER INSTRUMENT PANEL CENTER	AMP MNL	3	561667	561550
C425	ALARM JCT BOX-DIODES	AMP MNL	15	561987	561986
C426	ENGINE COMPT. CLUTCH CTR FAN	PED MP	3	561781	561782
C429	ALARM JCT BOX COMPT.	AMP MNL	6	561552	561515
C430	LH CONSOLE-WATER HTR TIMER	AMP FF	8	561188	562363
C431	LH CONSOLE-WATER HTR TIMER	AMP TAB	1	-----	561539
C432	ENG.CPT.- PROX.SW. DOOR AJAR	DEUTSCH	4	562479	562477
C483	UNDER DRIV. SEAT-ELECT.SEAT	PED PO	2	562237	-----
C500	ALARM JCT BOX CPT-PRODRIVER	MOLEX	6	562070	562069
C501	LH CONSOLE-PRODRIVER MODULE	PED MP	7	562433	-----
C502	LH CONSOLE-WATER HTR SW	SWF	8	-----	561107
C503	LH CONSOLE-WATER HTR SW	SWF	2	-----	561837
C504	LH CONSOLE WEBASTO TIMER	AMP FF	8	561188	562363
C505	LH CONSOLE ESPAR TIMER	AMP	3	-----	562034

## DIODE CODE (D)

Page H : 1

## DIODE CODE (D)

Page H : 1

NO.	PAGE	AMP	#PREVOST	LOCATION	FUNCTION
D1	7	3A	561740	ALARM JCT BOX	LO-AIR SONALERT-PRIMARY
D2	7	3A	561740	ALARM JCT BOX	LO-AIR SONALERT-SECONDARY
D4	10	3A	561740	FR JCT BOX	WARNING HAZARD-RH
D5	10	3A	561740	FR JCT BOX	WARNING HAZARD-LH
D17	10	3A	561740	FR JCT BOX	WARNING HAZARD-LH
D18	10	3A	561740	FR JCT BOX	WARNING HAZARD-RH
D19	9	3A	561740	FR JCT BOX	DAYTIME RUN LTS-PARK BRK
D20	9	3A	561740	FR JCT BOX	DAYTIME RUN LTS-HEAD LT SW
D25	13	3A	561740	FR JCT BOX	LUGGAGE DOOR AJAR T.T.LT.
D26	13	3A	561740	FR JCT BOX	LUGGAGE DOOR AJAR T.T.LT.
D27	13	3A	561740	FR JCT BOX	LUGGAGE DOOR AJAR T.T.LT.
D28	13	3A	561740	FR JCT BOX	LUGGAGE DOOR AJAR T.T.LT.
D29	13	3A	561740	FR JCT BOX	LUGGAGE DOOR AJAR T.T.LT.
D30	13	3A	561740	FR JCT BOX	LUGGAGE DOOR AJAR T.T.LT.
D31	13	3A	561740	FR JCT BOX	LUGGAGE DOOR AJAR T.T.LT.
D39	10	3A	561740	FR JCT BOX	CORNERING LT-LH
D40	10	3A	561740	FR JCT BOX	FR DOCKING LT LH-HI
D41	10	3A	561740	FR JCT BOX	FR DOCKING LT RH-HI
D42	10	3A	561740	FR JCT BOX	CORNERING LT-RH
D51	14	3A	561740	FR JCT BOX	ENTRANCE DOOR-STEP LTS
D53	11	3A	561740	FR JCT BOX	CORNERING LT-GROUND
D55	24	3A	561740	RR JCT BOX	BACK-UP MONITOR
D56	10	3A	561740	FR JCT BOX	FR DOCKING LT LH-LOW
D57	10	3A	561740	FR JCT BOX	FR DOCKING LT RH-LOW
D60	18	3A	561740	RR JCT BOX	A/C COMPR.CLUTCH SUPPRESSOR
D62	18	3A	561740	A/C JCT BOX	WATER PUMP - A/C SYSTEM
D63	7	3A	561740	ALARM JCT BOX	PARKING BRAKE SONALERT
D64	22	3A	561740	ALARM JCT BOX	LEVEL LOW SONALERT
D65	18	3A	561740	A/C JCT BOX	WATER PUMP - PRE-HEAT FEED
D66	18	3A	561740	A/C JCT BOX	WATER VALVE - HEAT SW FEED
D67	10	3A	561740	UNDER DASH	AUDIBLE FLASHER RLY - RH
D68	10	3A	561740	UNDER DASH	AUDIBLE FLASHER RLY - LH
D74	1	3A	561740	FR JCT BOX	DASH MASTER CUT OUT SW.
D75	4	3A	060798	BAT CPT	STARTER-SUPPRESSOR COIL RLY
D78	17	3A	561740	LH CONSOLE	WATER HEATER SWITCH & TIMER
D79	17	3A	561740	LH CONSOLE	WATER HEATER SWITCH & TIMER
D80	9	3A	561740	FR JCT BOX	DAYTIME RUN LTS-HEAD LTS CALL SW.

NO.	PAGE	AMP	#PREVOST	LOCATION	FUNCTION
-----	------	-----	----------	----------	----------

## RELAYS CODE (R)

Page 1 : 1

NO.	PAGE	COIL V	#PREVOST	LOCATION	FUNCTION
R1	1	24V	561991	FR JCT BOX	ENGINE RUN (24) FR
R2	2	24V	561991	BATT. CPT.	ENGINE RUN (12) FR & RR
R3	4	24V	561707	BATT. CPT.	FIELD RELAY
R4	4	24V	561005	BATT. CPT.	STARTING MOTOR
R5	5	24V	561707	FR JCT BOX	CRUISE CTR. STOP SIGN.
R6	11	24V	561707	RR JCT BOX	STOP LTS-PARKING BRAKE
R7	5	24V	561707	FR JCT BOX	FAST IDLE
R8	6	24V	561707	RR JCT BOX	12V IGNITION WT
R9	11	24V	561707	RR JCT BOX	BACK-UP LTS
R11	5	24V	561707	RR JCT BOX	12V IGNITION DDEC3
R12	7	12V	562092	FR JCT BOX	ELECTRICAL HORNS
R13	11	24V	561707	FR JCT BOX	FOG LTS
R14	9	24V	561707	FR JCT BOX	BLINKER
R15	9	24V	561707	FR JCT BOX	FR MARKER LTS
R16	9	24V	561707	FR JCT BOX	IDENT. & CLEARANCE LTS
R17	9	24V	561707	RR JCT BOX	TAIL-LICENCE-MARKER-RR LTS
R18	9	24V	561707	FR JCT BOX	D R L-PARK BRK CUT-IN
R19	9	24V	561707	FR JCT BOX	HEADLAMPS (HI)
R20	9	24V	561707	FR JCT BOX	HEADLAMPS (LO)
R21	10	24V	561707	FR JCT BOX	L.H. DIRECTIONNAL LT
R22	7	24V	561707	FR JCT BOX	PARKING BRAKE - ALARM
R23	10	24V	561707	FR JCT BOX	R.H. DIRECTIONNAL LT
R24	10	24V	561707	FR JCT BOX	R.H. CORNERING LT
R25	10	24V	561707	FR JCT BOX	L.H. CORNERING LT
R26	11	24V	561707	RR JCT BOX	STOP LTS
R28	14	24V	561707	FR JCT BOX	DASH LTS RHEOSTAT
R33	18	12V	561538	FR JCT BOX	BLOWER CUT-IN RLY
R34	18	24V	561707	A/C JCT BOX	A/C LOGIC PANEL
R35	18	24V	561707	A/C JCT BOX	WATER PUMP
R36	18	24V	561707	A/C JCT BOX	A/C COMPRESSOR CLUTCH
R39	19	24V	560407	A/C JCT BOX	CONDENSER FAN MOTOR
R40	19	24V	561014	A/C JCT BOX	CONDENSER SPEED CTR HI
R41	19	24V	560407	A/C JCT BOX	CONDENSER SPEED CTR HI
R46	24	12V	562092	RR JCT BOX	CAMERA DOOR
R49	26	24V	561707	FR JCT BOX	ABS - SERVICE BRK RLY
R50	26	24V	561707	FR JCT BOX	ABS - VR2 RLY
R51	26	24V	561707	FR JCT BOX	ABS - WARNING RLY
R52	26	24V	561707	FR JCT BOX	ABS - VR1 RLY
R53	1	24V	561991	RR JCT BOX	ENGINE RUN (24) RR
R54	1	24V	561991	BATT. CPT.	12V CUT OUT RLY RR
R55	1	24V	561991	BATT. CPT.	12V CUT OUT RLY FR
R57	9	24V	561707	FR JCT BOX	DAY'S BLINKER
R59	11	24V	561707	RR JCT BOX	DOCKING LTS
R60	9	12V	561538	FR JCT BOX	DAYTIME RUN LTS
R61	11	24V	561707	RR JCT BOX	STOP LTS-JACOB & RET. SIGNAL
R64	14	12V	562092	FR JCT BOX	ENTRANCE DOOR SW. & LTS
R65	10	24V	561707	FR JCT BOX	CORNERING LTS CONTROL
R66	10	24V	561707	FR JCT BOX	LOW DOCKING-FR (CORNERING)
R67	11	24V	561707	RR JCT BOX	LOW DOCKING LTS
R68	26	24V	561557	FR JCT BOX	SOUND SYSTEM CUT IN
R69	15	12V	562092	RR JCT BOX	LUGGAGE DOOR LOCK
R70	15	12V	562092	RR JCT BOX	LUGGAGE DOOR UNLOCK
R71	15	24V	561707	RR JCT BOX	LUGGAGE DOOR UNLOCK T.T. LT.
R74	15	12V	562092	RR JCT BOX	LUGGAGE DOOR LOCK
R75	15	12V	562092	RR JCT BOX	LUGGAGE DOOR UNLOCK
R78	1	12V	561538	FR JCT BOX	MASTER SWITCH
R82	25	24V	561707	FR JCT BOX	RETARDER WT

## RELAYS CODE (R)

Page 1 : 1

NO.	PAGE	COIL V	#PREVOST	LOCATION	FUNCTION
R83	9	12V	561538	FR JCT BOX	DAYTIME RUN LTS
R84	8	24V	561707	RR JCT BOX	FAN CLUTCH-FIRST SPEED
R85	8	24V	561707	RR JCT BOX	FAN CLUTCH-SECOND SPEED
R87	25	24V	561707	RR JCT BOX	ENGINE BRAKE REQUEST WT
R88	11	24V	561707	RR JCT BOX	DOCKING LTS WITH FLASHER (SPECIAL)
R89	16	24V	561707	FR JCT BOX	HEATING WINDSHIELD
R90	16	24V	561707	FR JCT BOX	HEATING WINDSHIELD
R91	16	24V	561707	FR JCT BOX	HEATING WINDSHIELD
R92	16	24V	561707	FR JCT BOX	HEATING WINDSHIELD
R93	17	24V	561707	RR JCT BOX	WATER HEATER WEBASTO 2020

## RESISTOR CODE (RS)

Page J : 1

NO.	PAGE	OHMS	#PREVOST	LOCATION	FUNCTION
RS1	5	11 K	561898	FR JCT BOX	FAST IDLE DDEC CONTROL
RS2	5	3.6 K	561897	FR JCT BOX	FAST IDLE DDEC CONTROL
RS3	11	1 (2)	561537	FR SERV. COMPT.	FOG LT - RH
RS4	11	1 (2)	561537	FR SERV. COMPT.	FOG LT - LH
RS5	10	1 (2)	061976	FR JCT BOX	CORNERING LT - LH
RS7	11	.82 (2)	060806	RR JCT BOX	PARKING BRAKE STOP LTS
RS8	10	1 (2)	061976	FR JCT BOX	CORNERING LT - RH
RS9	11	1 (2)	061976	RR JCT BOX	DOCKING LT - RH
RS10	11	1 (2)	061976	RR JCT BOX	DOCKING LT - LH
RS14	9	.82 (2)	060806	FR JCT BOX	DAYTIME RUN LTS
RS15	10	1 (2)	061976	FR JCT BOX	LOW DOCKING LTS - FRONT
RS16	11	1 (2)	061976	RR JCT BOX	LOW DOCKING LTS - REAR

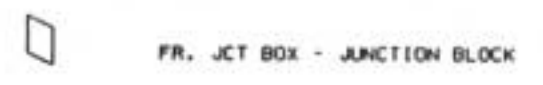
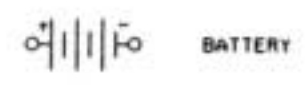
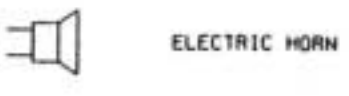
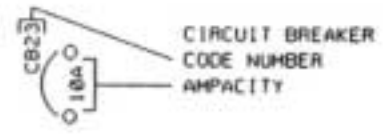
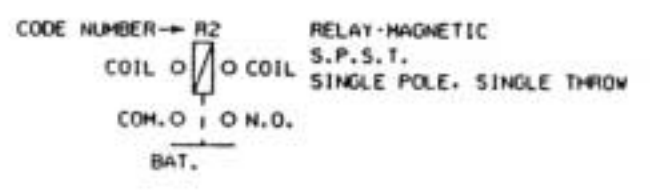
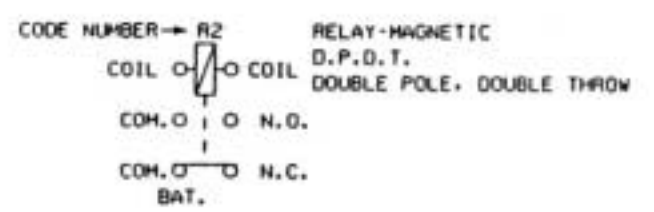
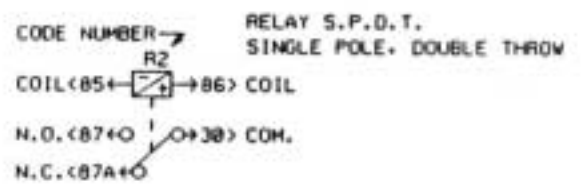
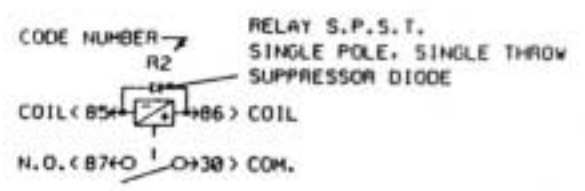
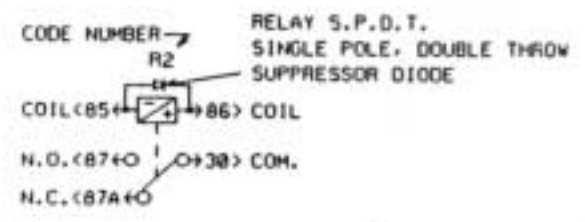
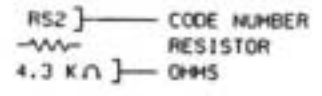
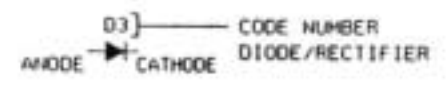
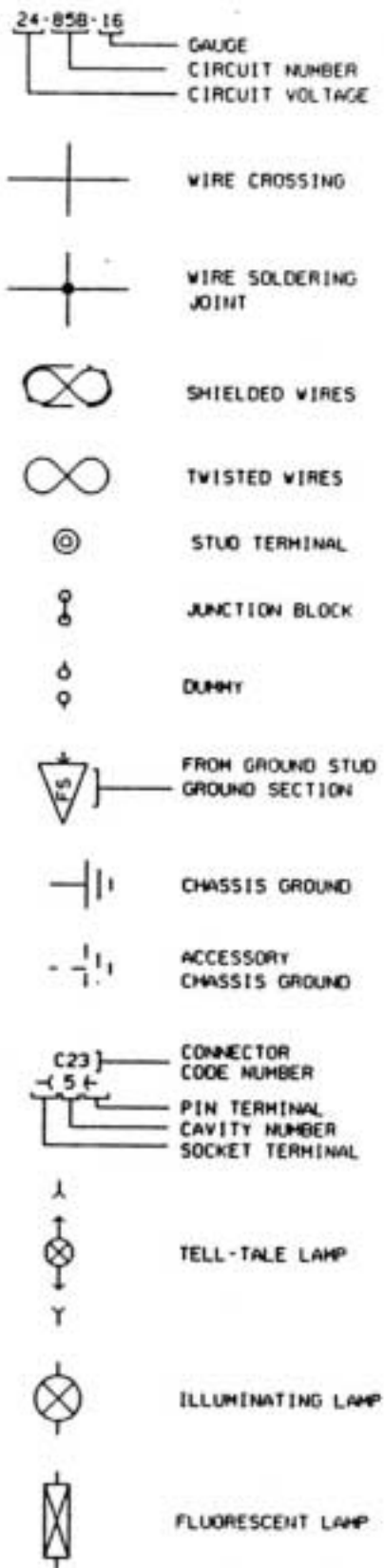
## RESISTOR CODE (RS)

Page J : 1

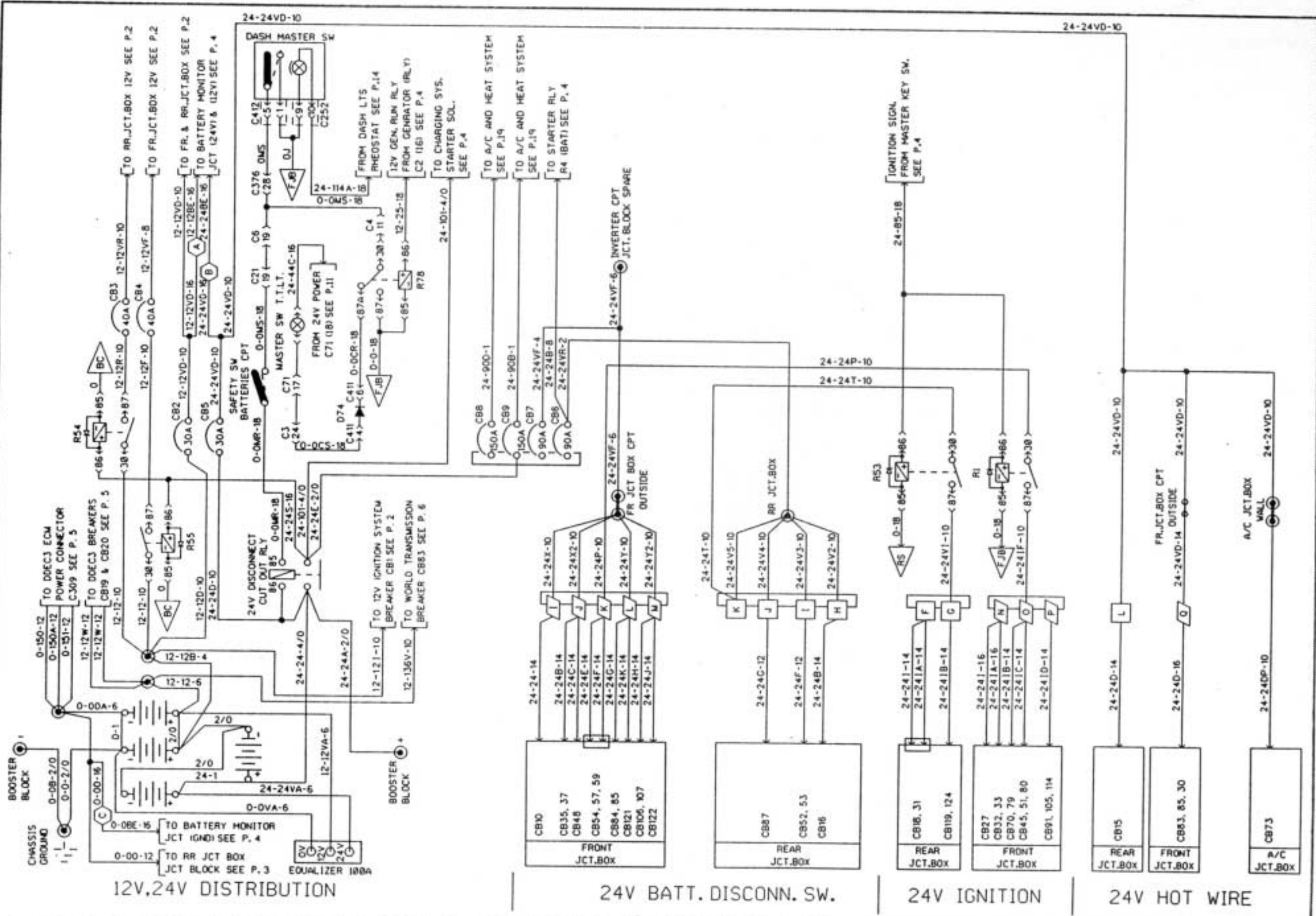
NO.	PAGE	OHMS	#PREVOST	LOCATION	FUNCTION
-----	------	------	----------	----------	----------

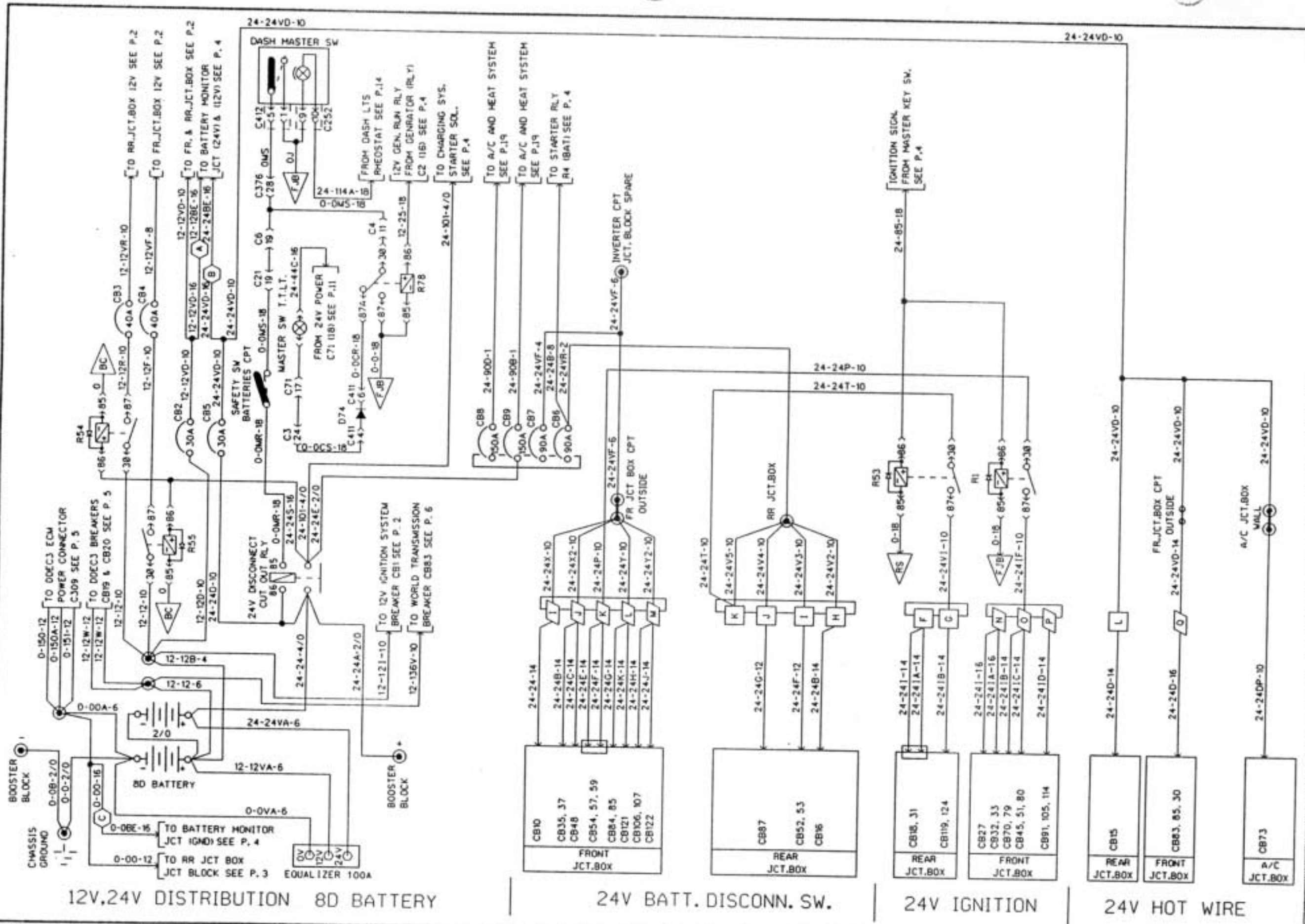


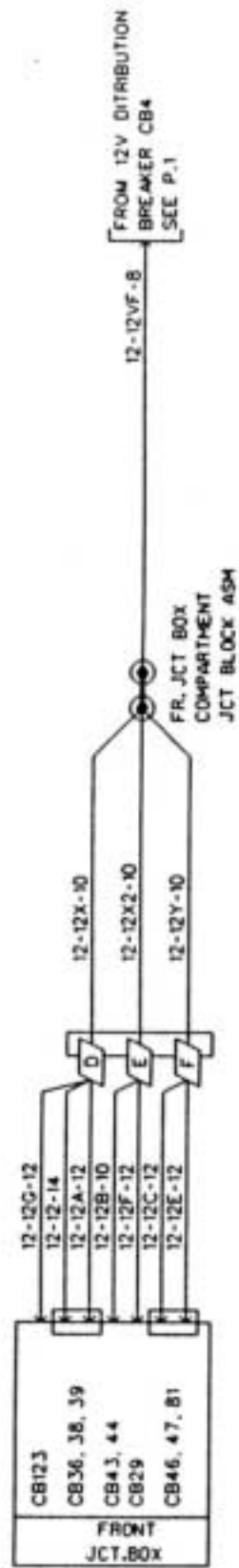
# WIRING DIAGRAM KEYS



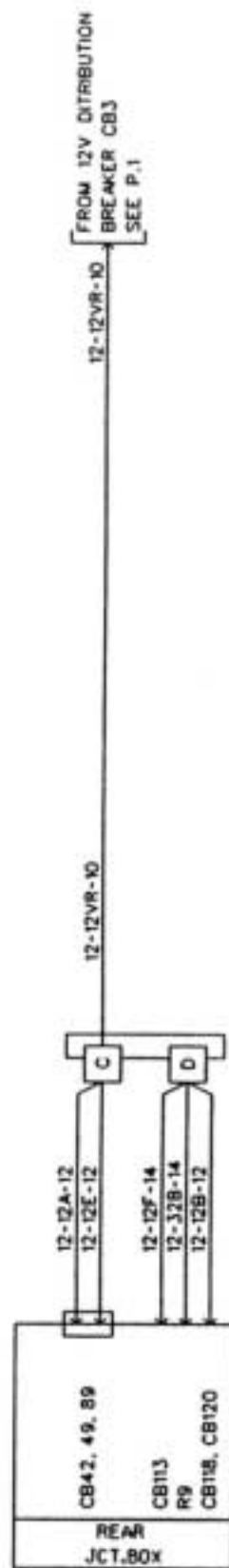
- BLK BLACK
- YEL YELLOW
- RED RED
- WH WHITE
- GRY GREY
- ORA ORANGE
- BLU BLUE
- GRN GREEN
- BRN BROWN
- PUR PURPLE
- PK PINK



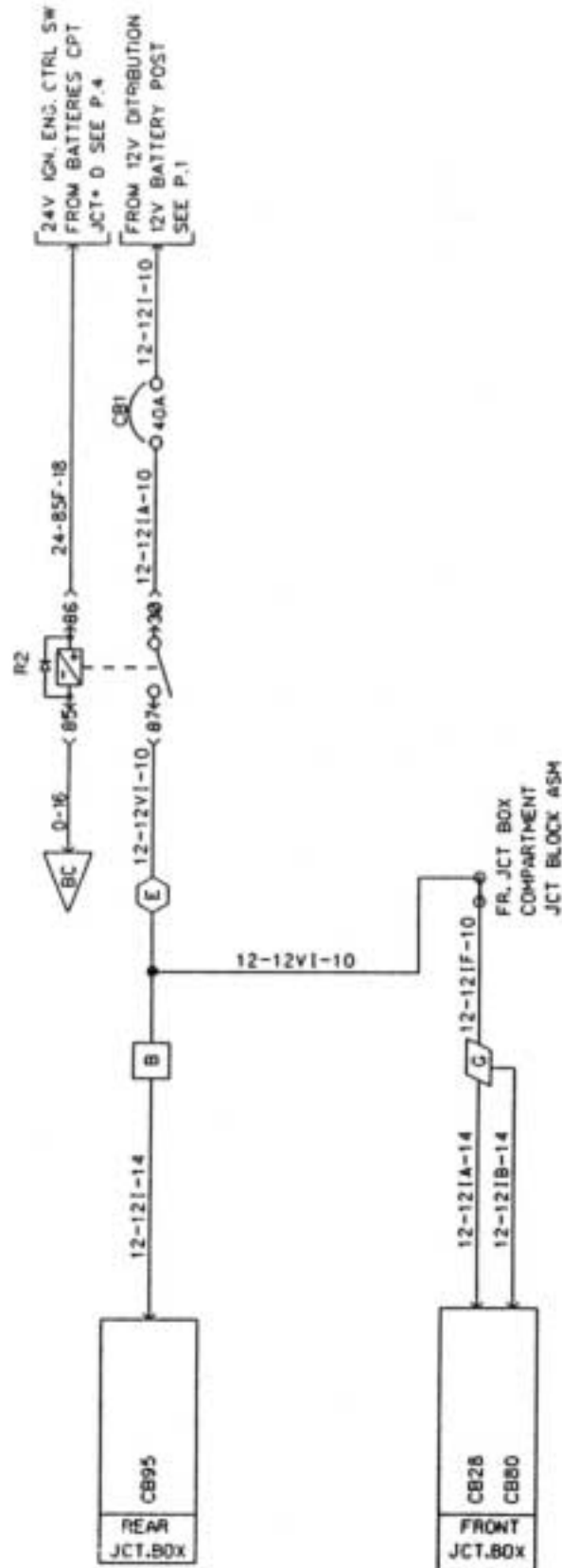




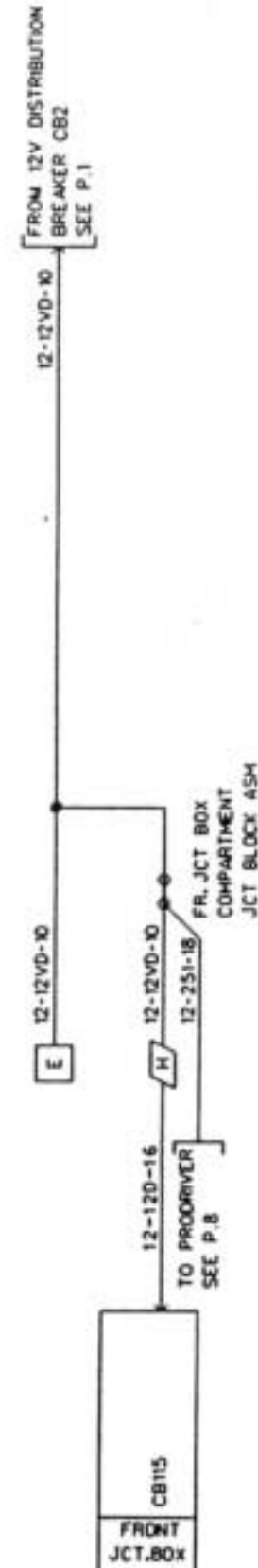
12V BATT. DISCONN. SW.

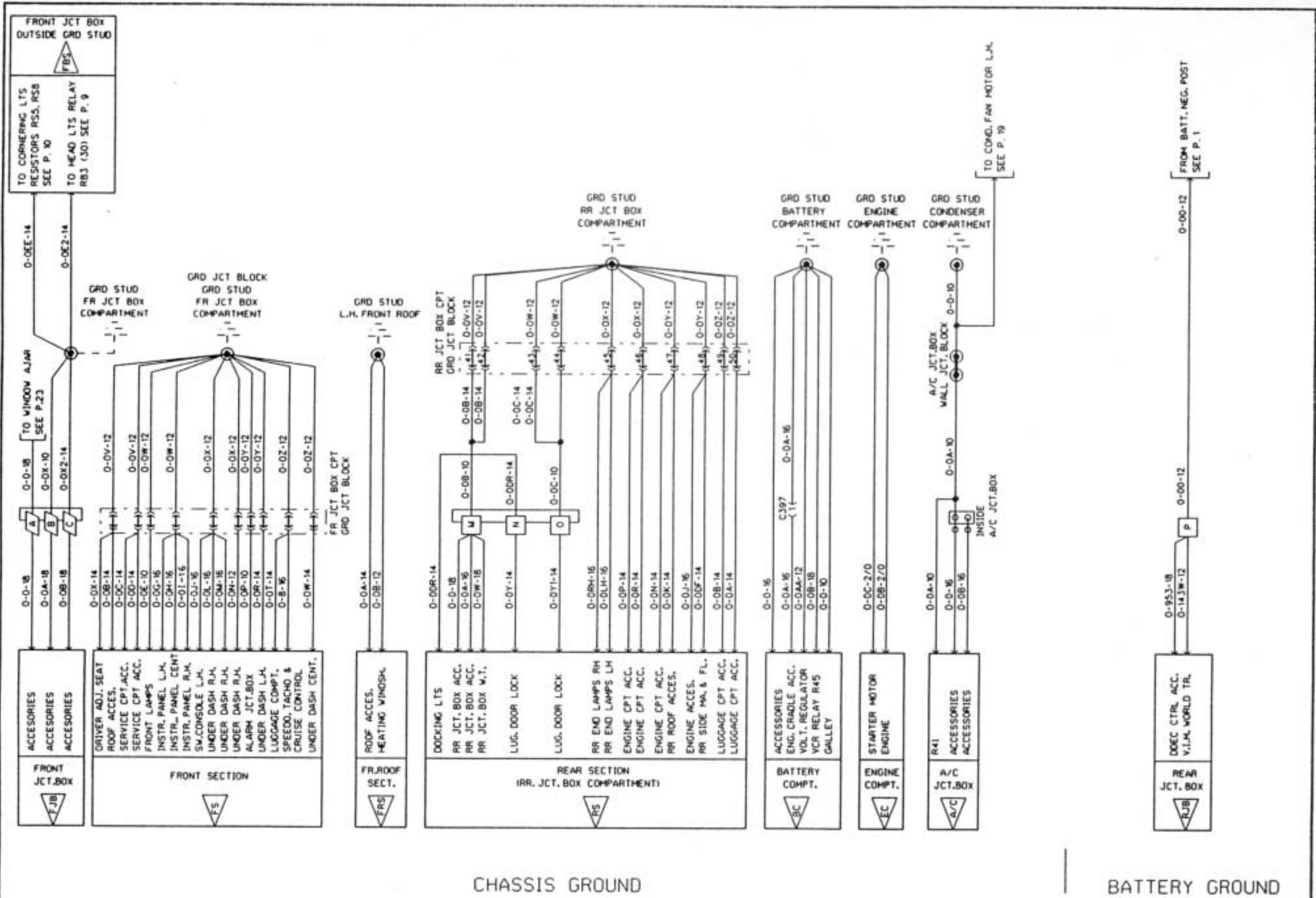


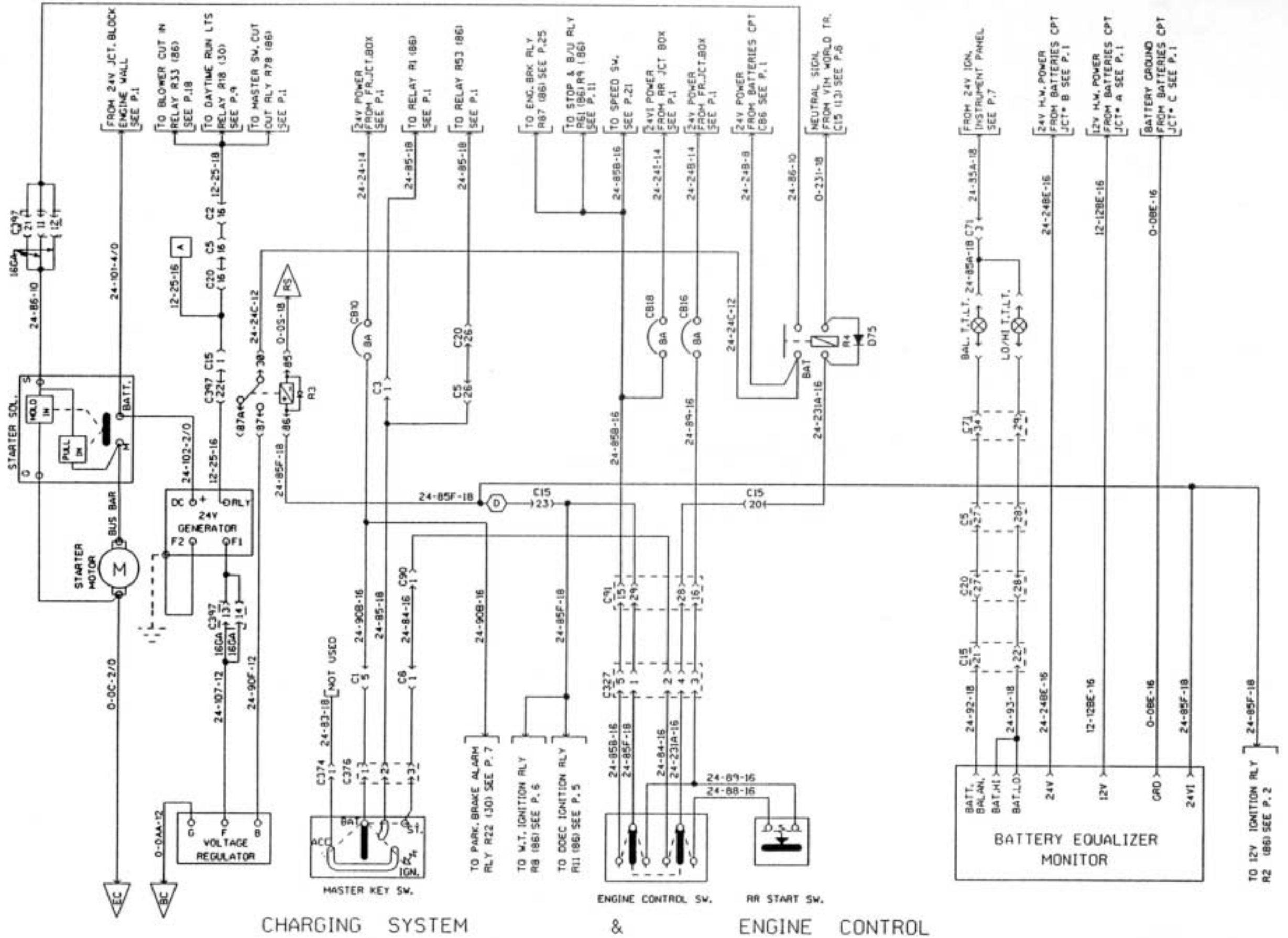
12V IGNITION

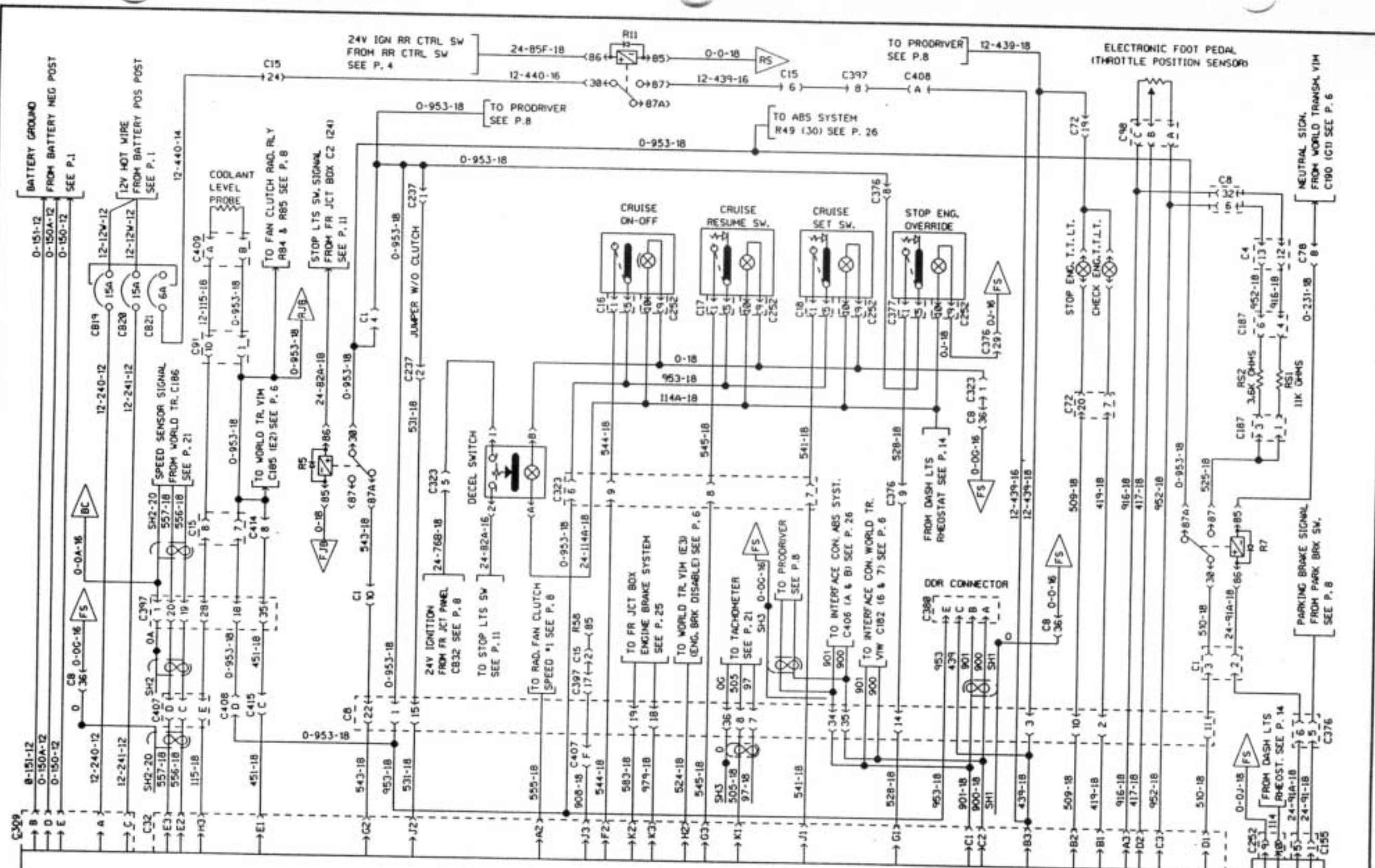


12V HOT WIRE



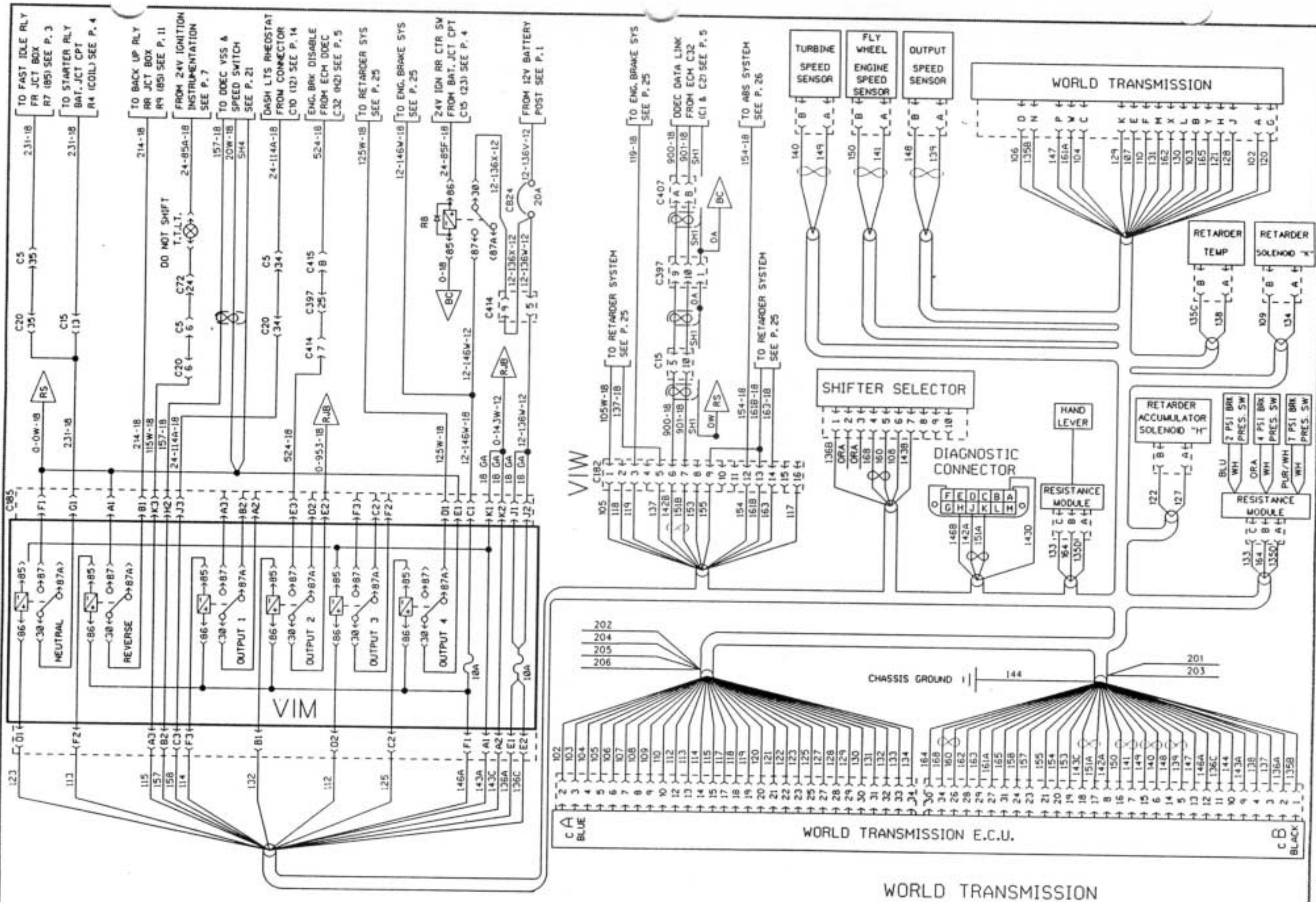






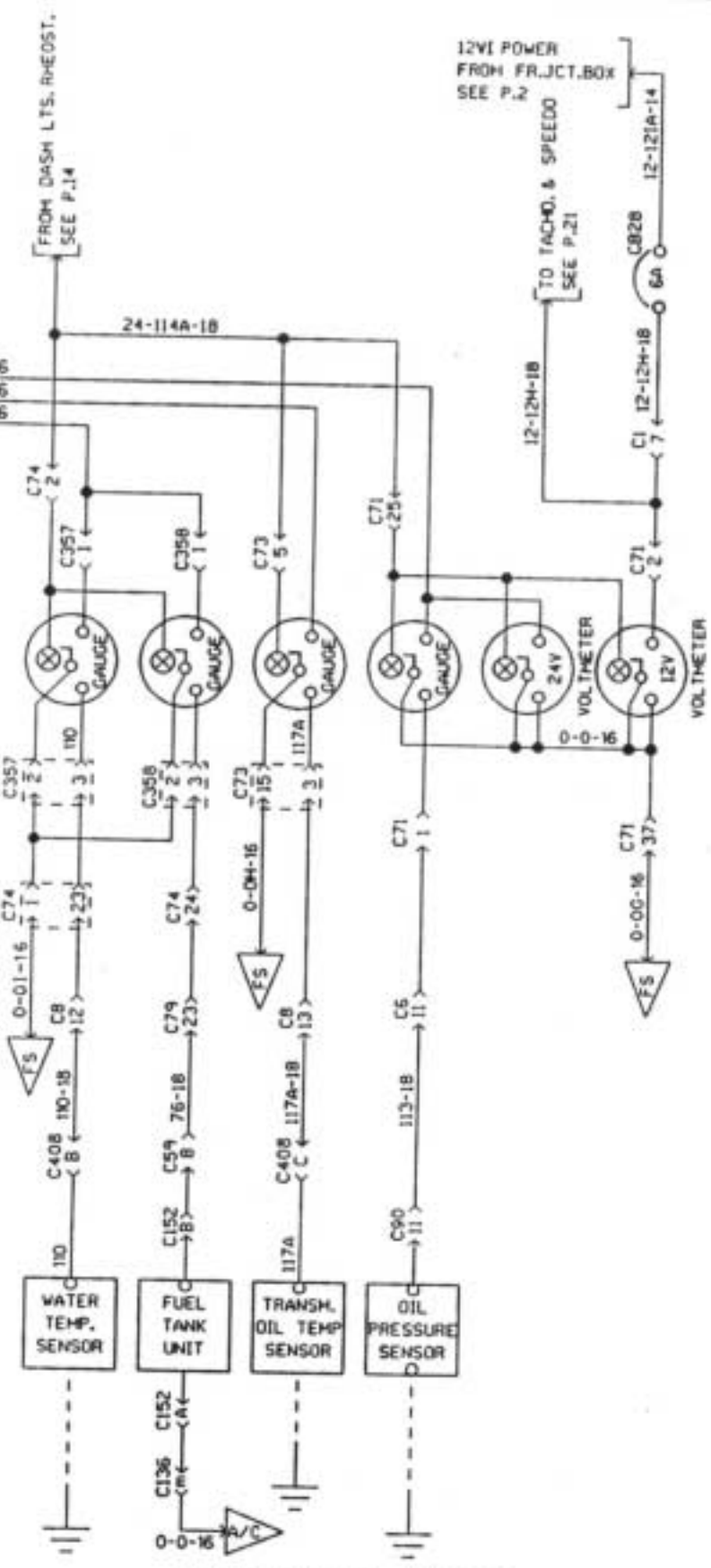
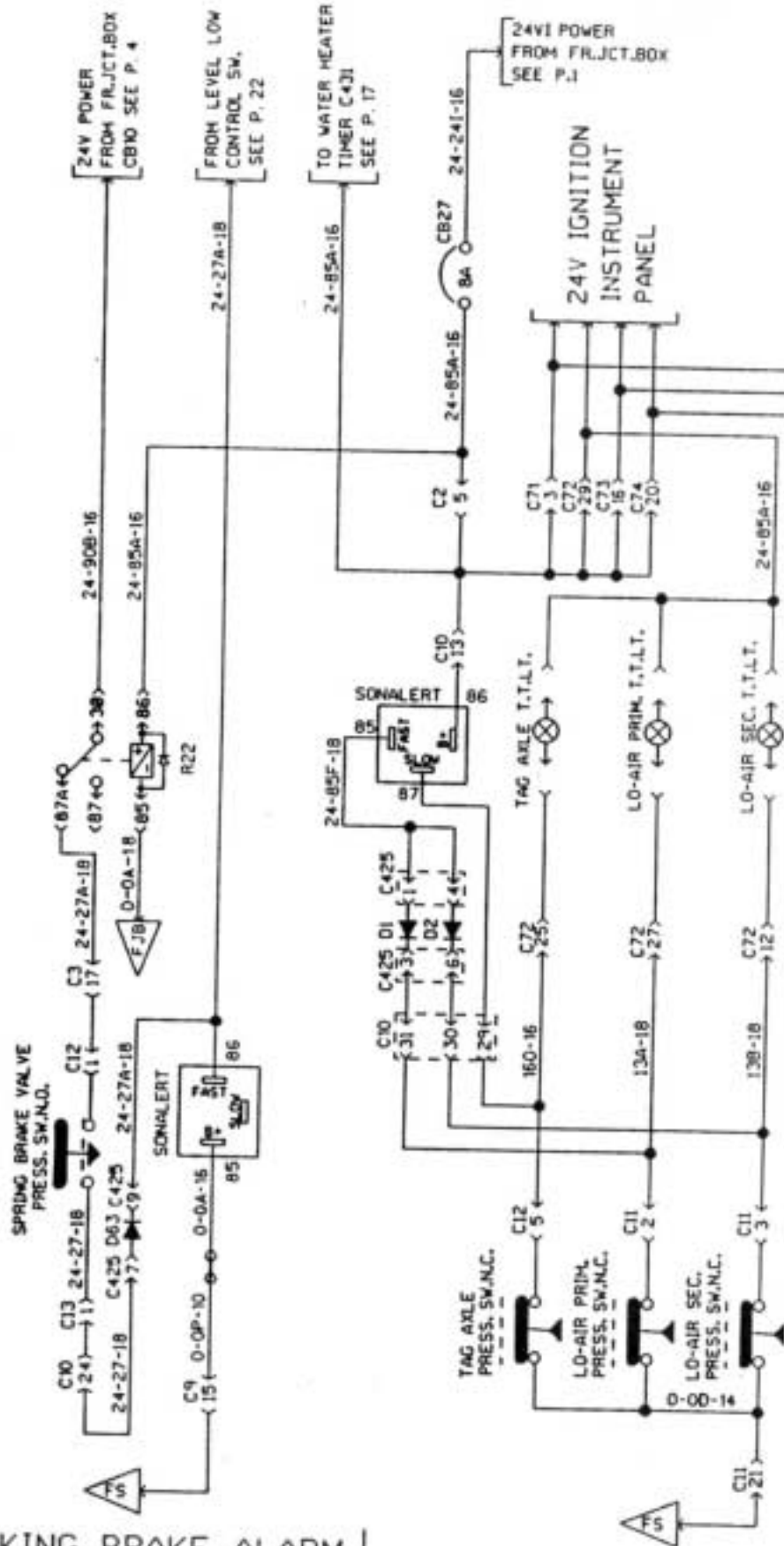
E.C.M. D.D.E.C. III

D.D.E.C. III

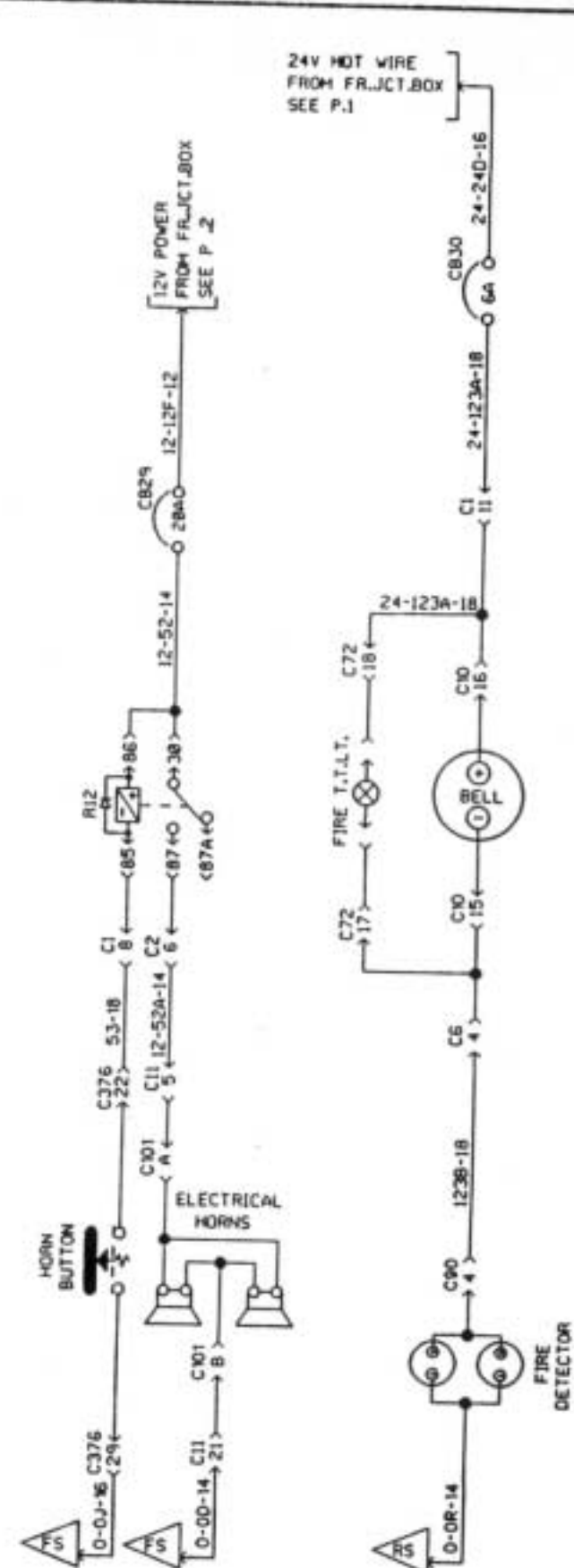


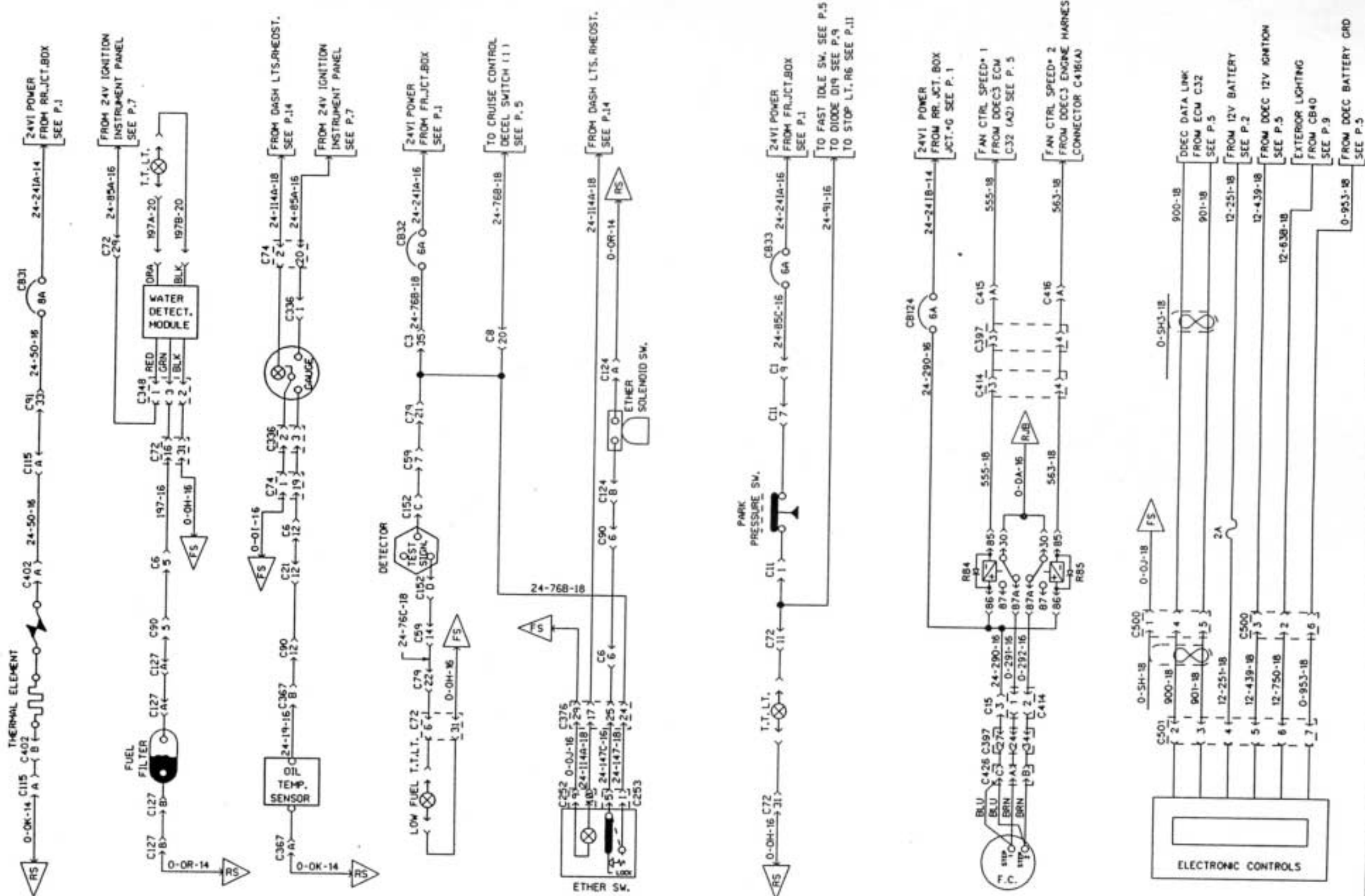


PARKING BRAKE ALARM



ALARM AND SIGNAL





AIR DRYER

FUEL FILTER

DIFFERENTIAL OIL TEMP.

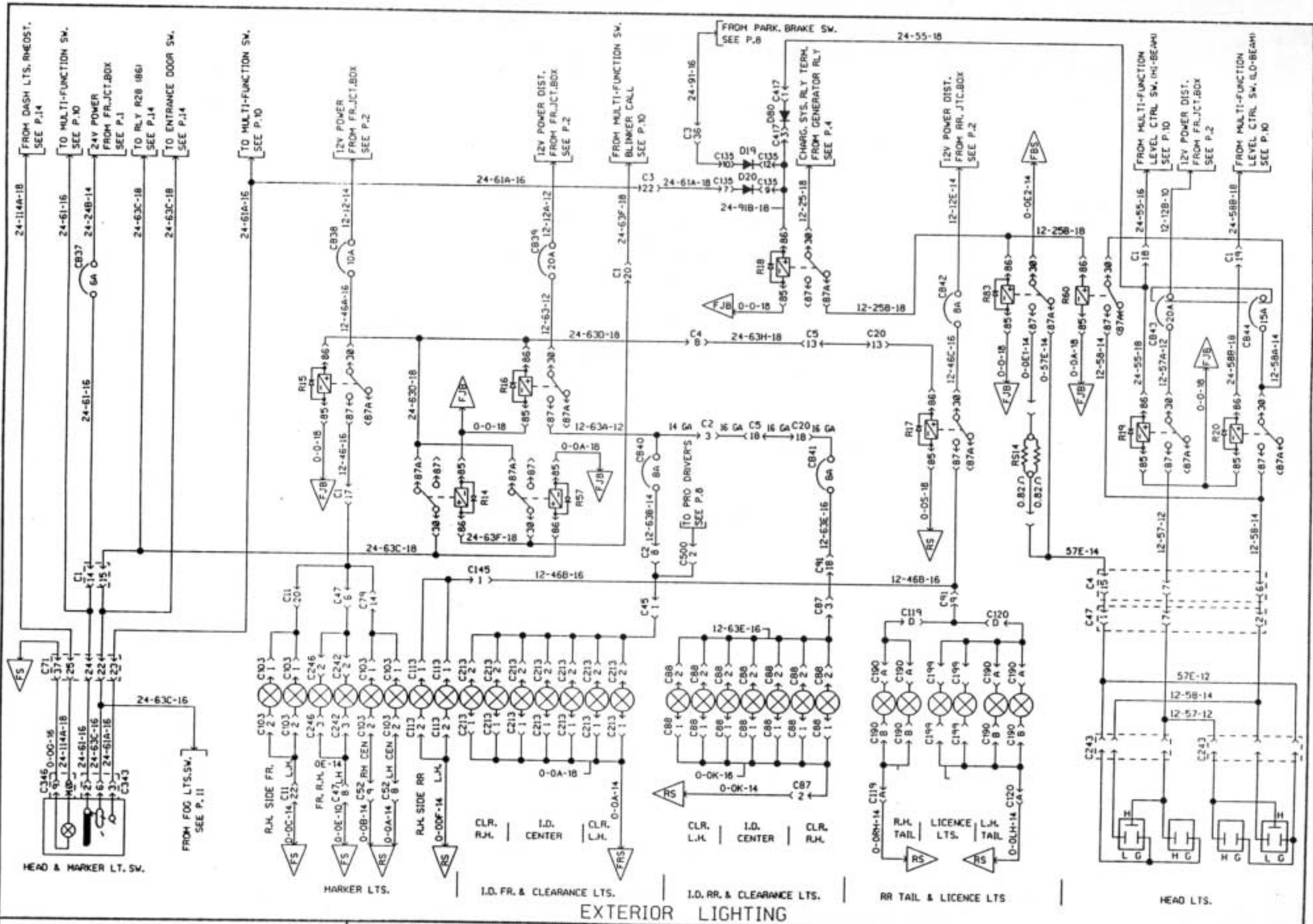
LOW FUEL LIGHT

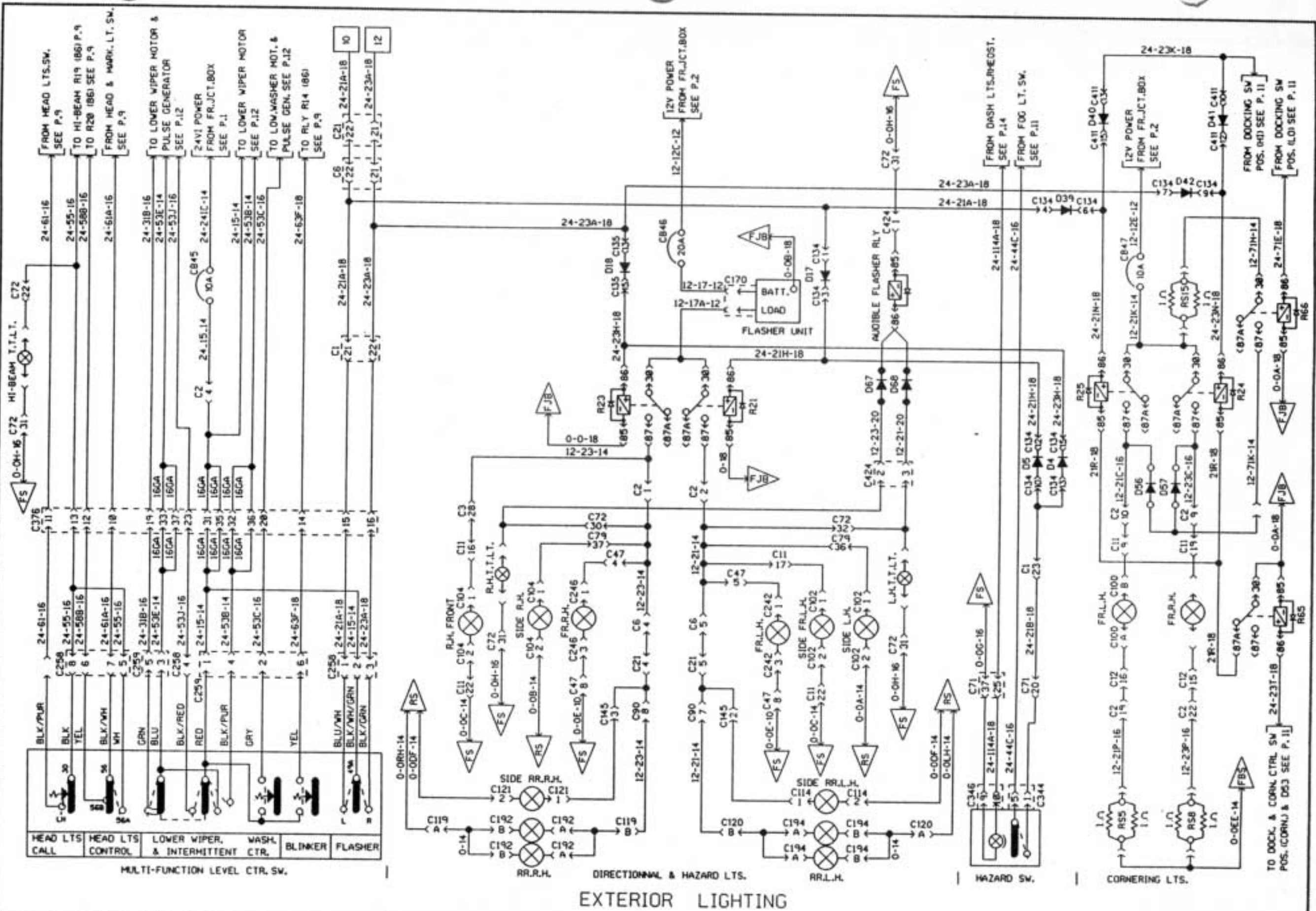
ETHER COLD START

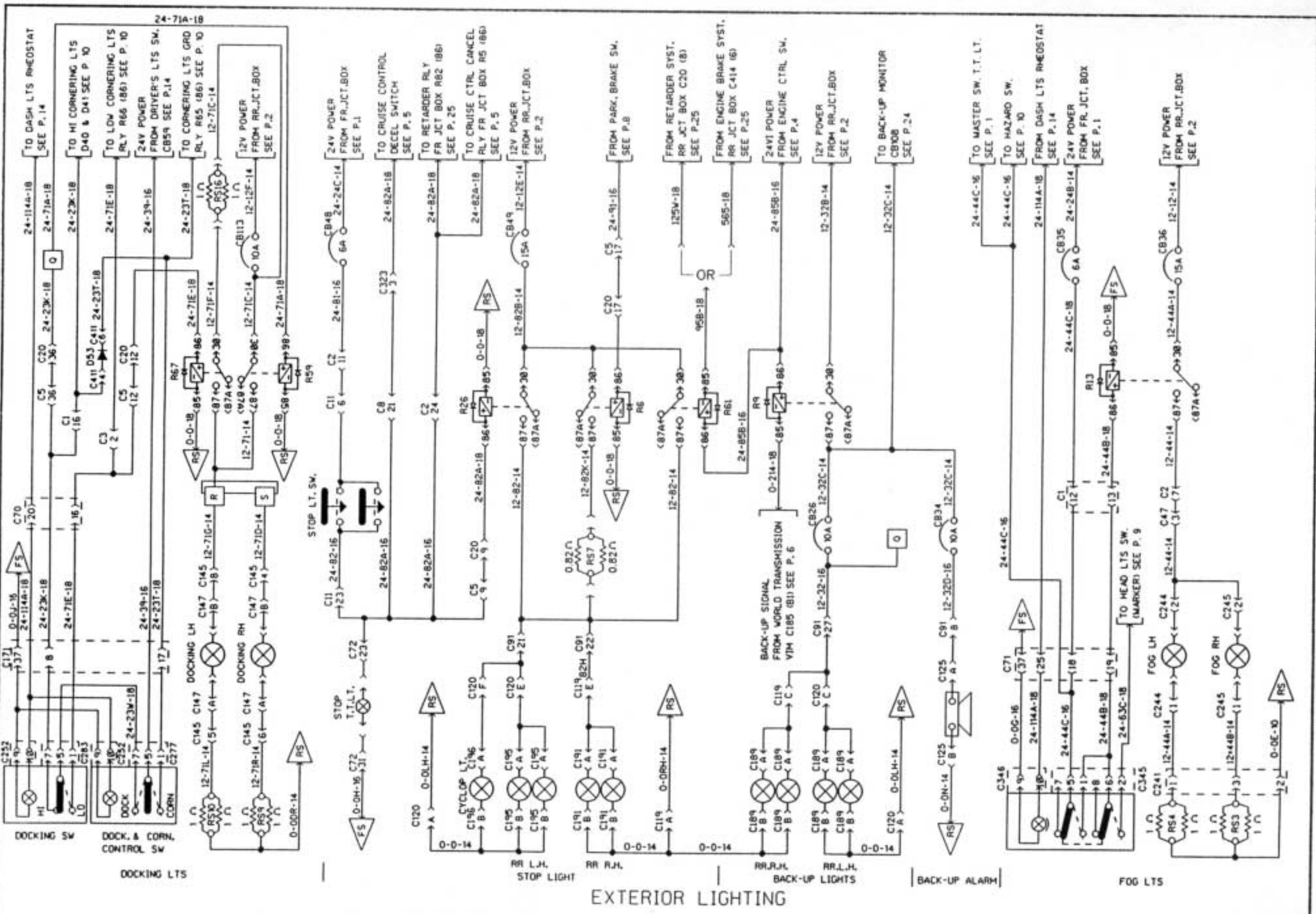
PARKING BRAKE SWITCH

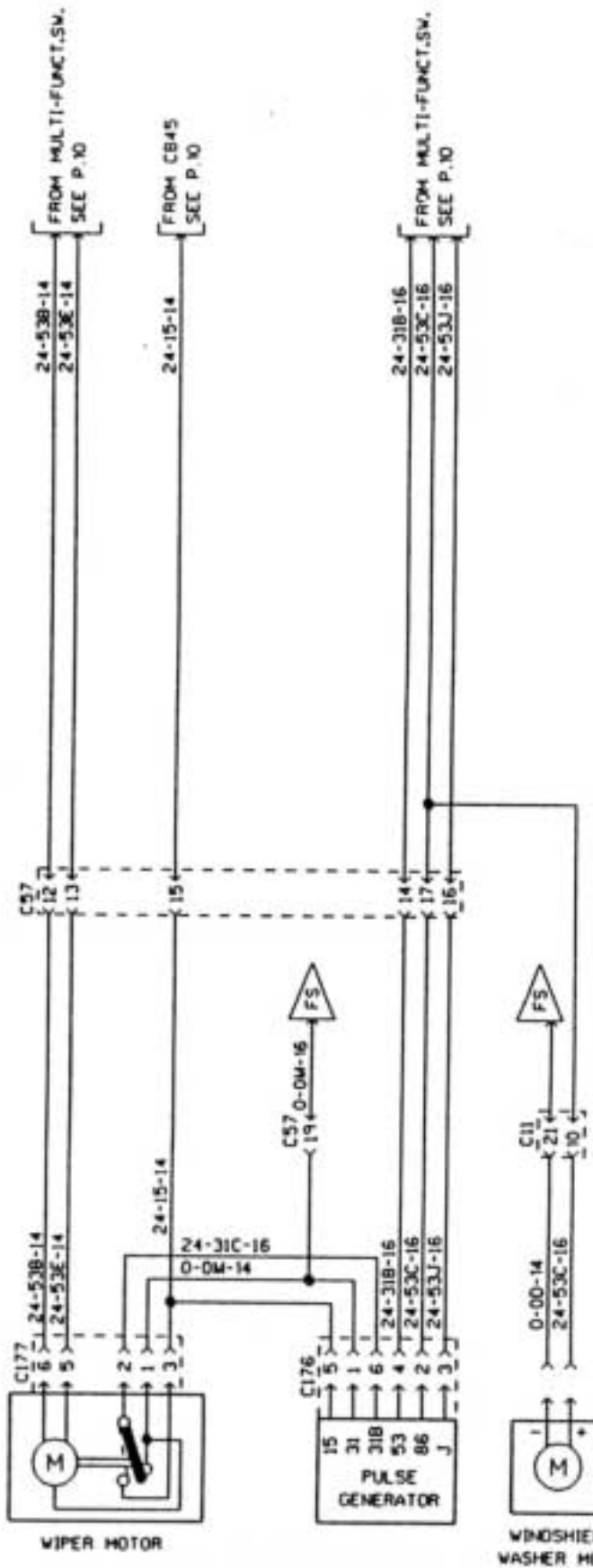
RADIATOR FAN CLUTCH

PRODRIVER

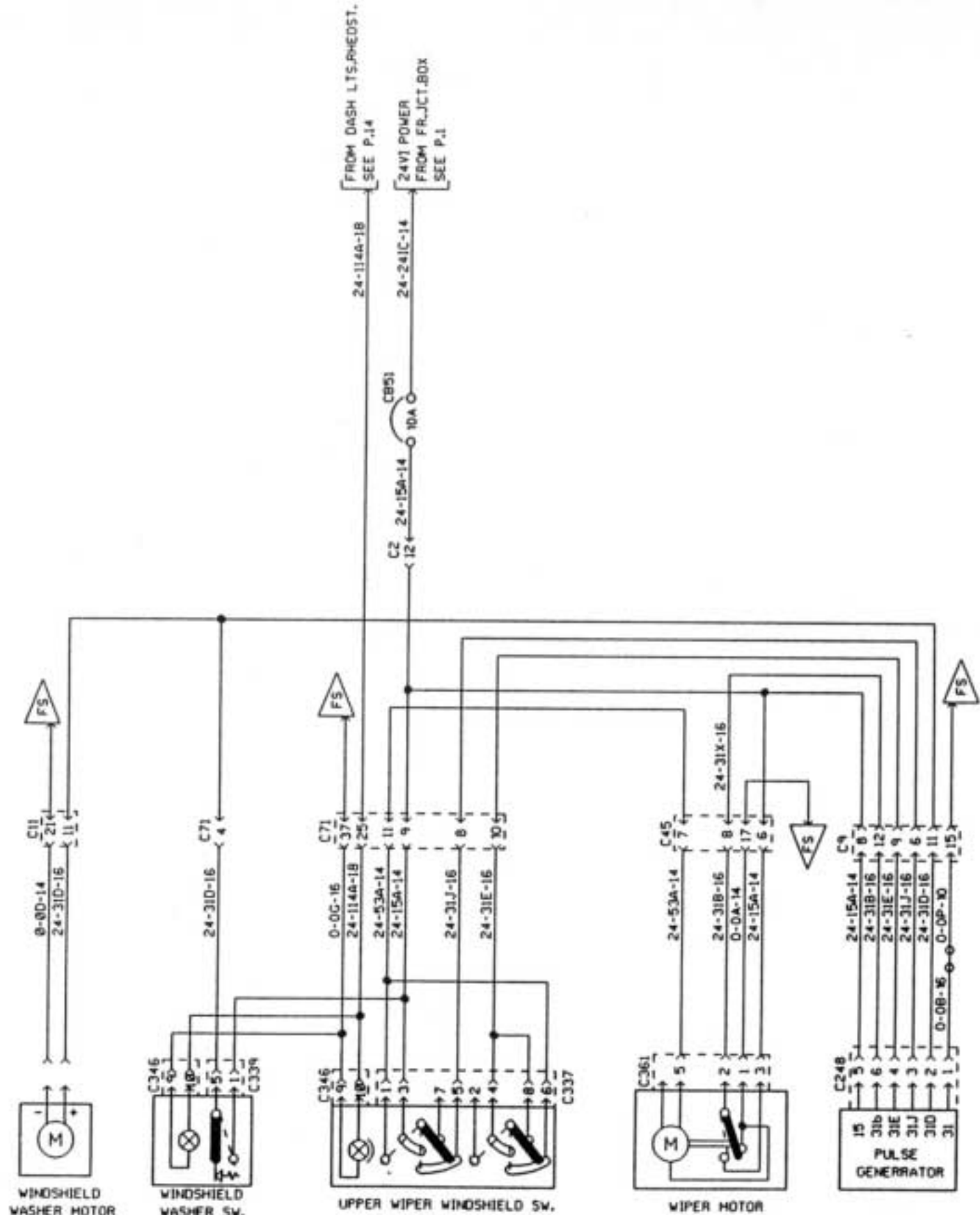




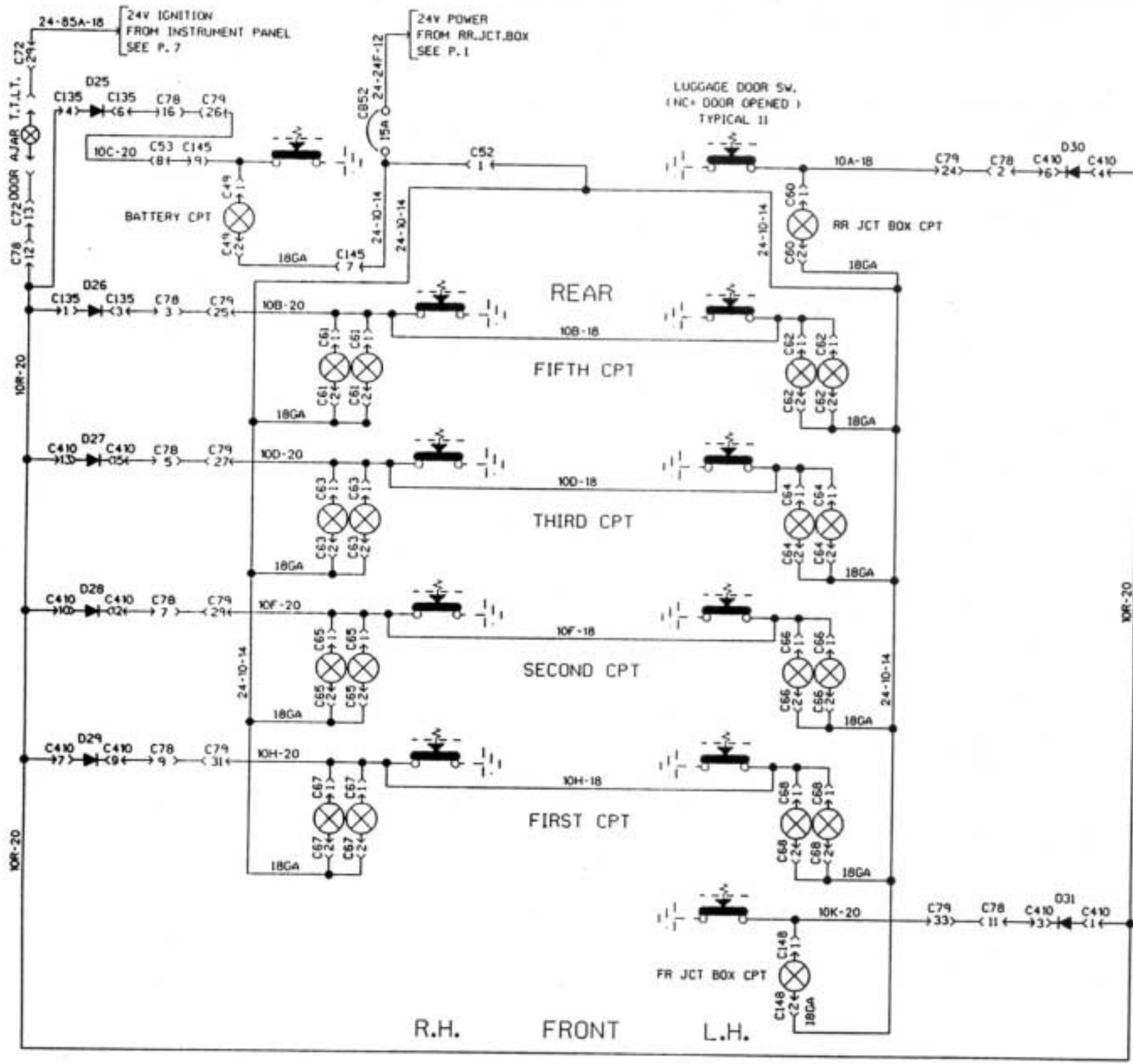




LOWER WINDSHIELD WIPER AND WASHER

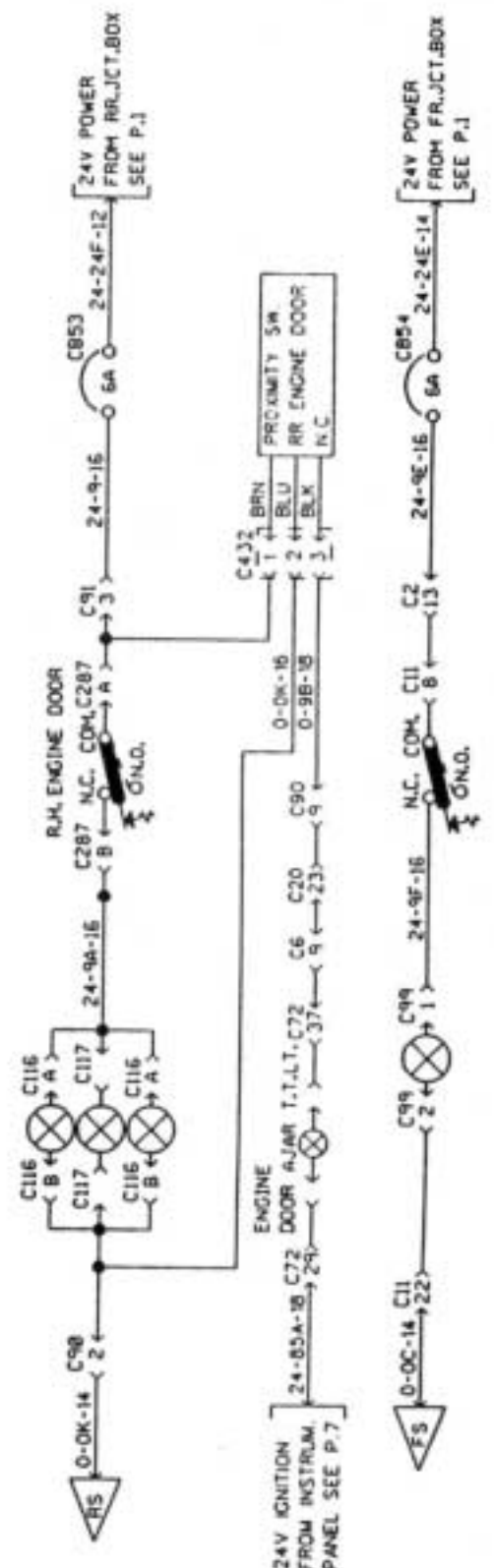


UPPER WINDSHIELD WIPER AND WASHER



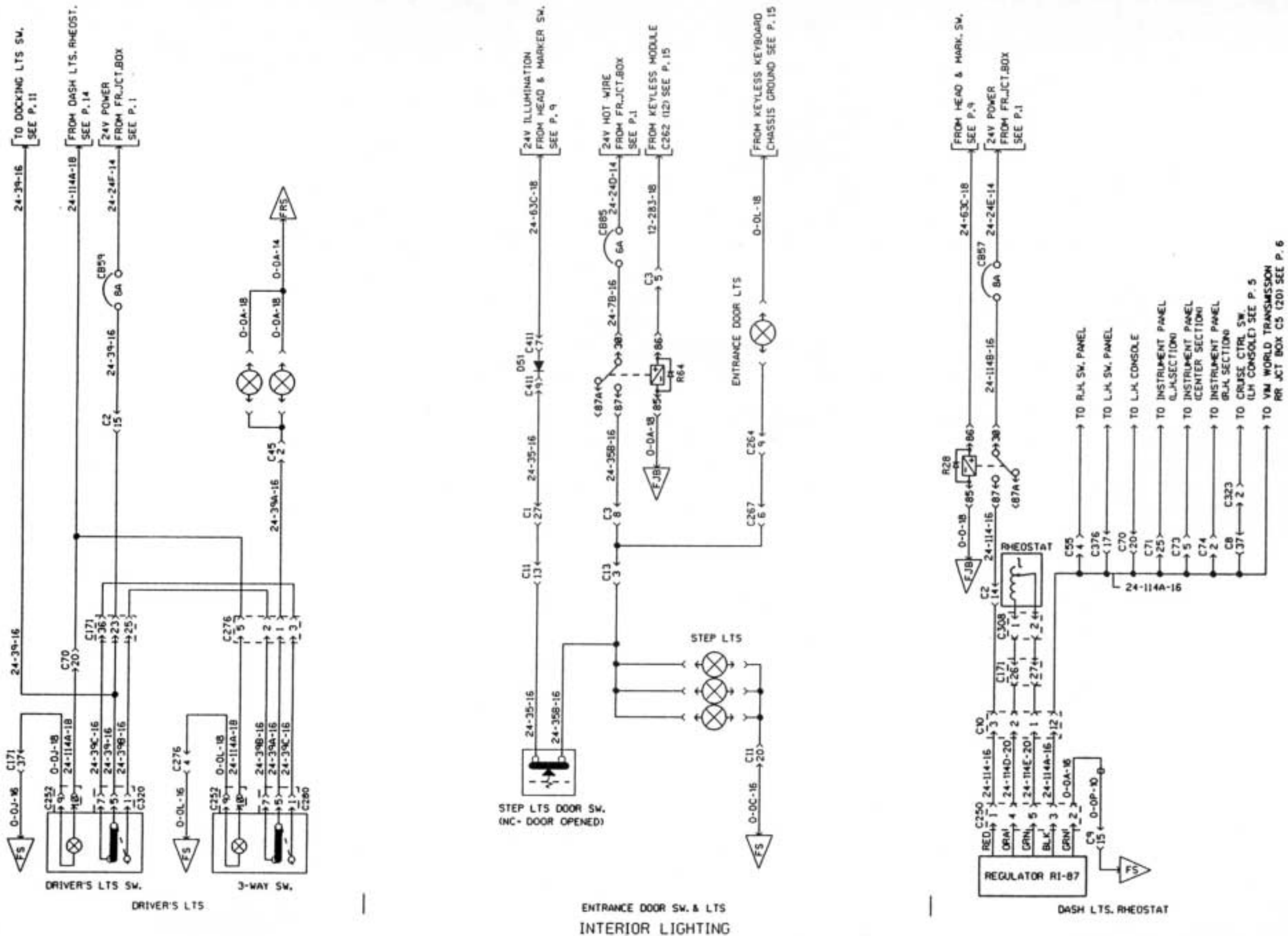
LUGGAGE COMPARTMENT AND DOOR AJAR LTS

### INTERIOR LIGHTING

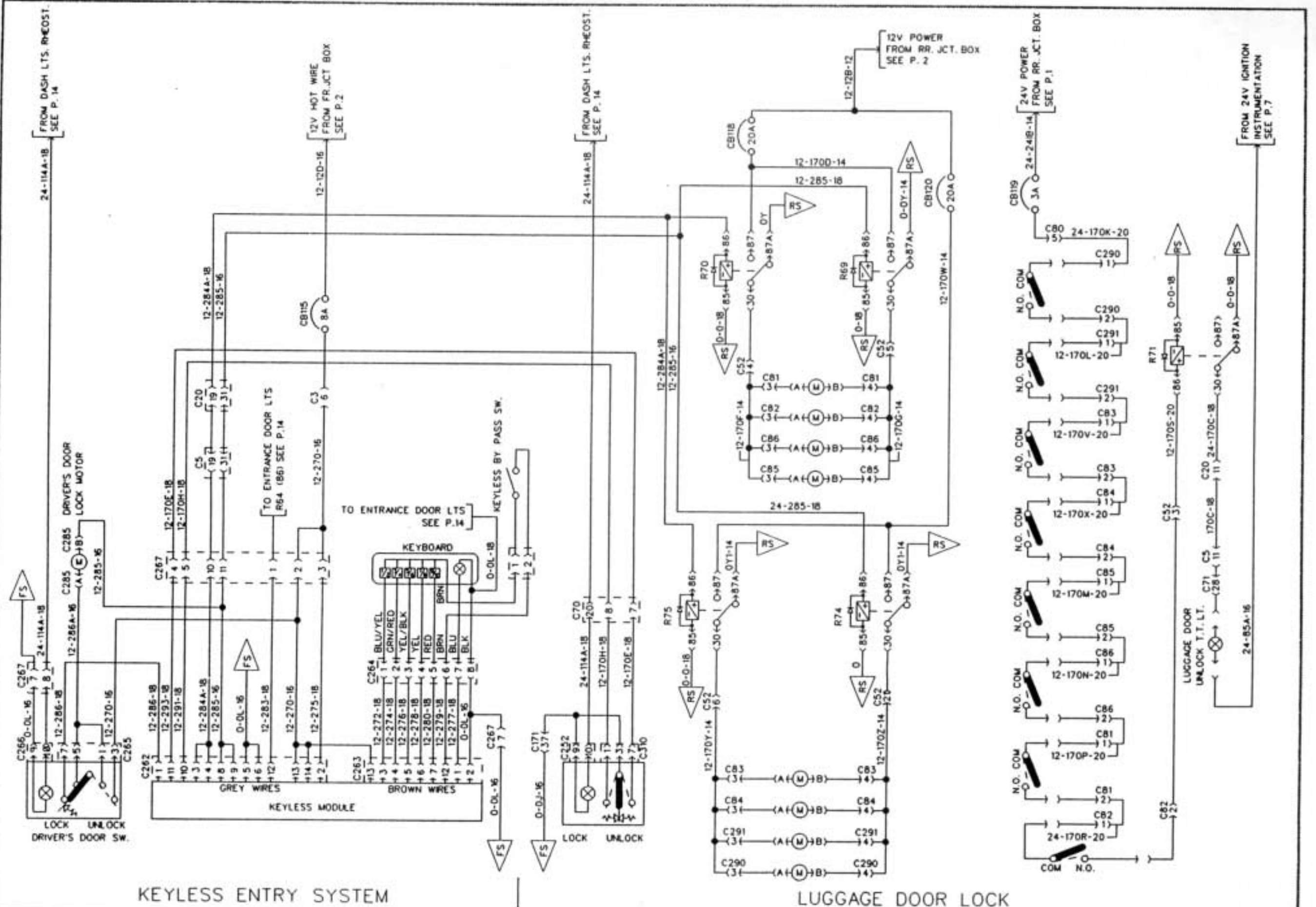


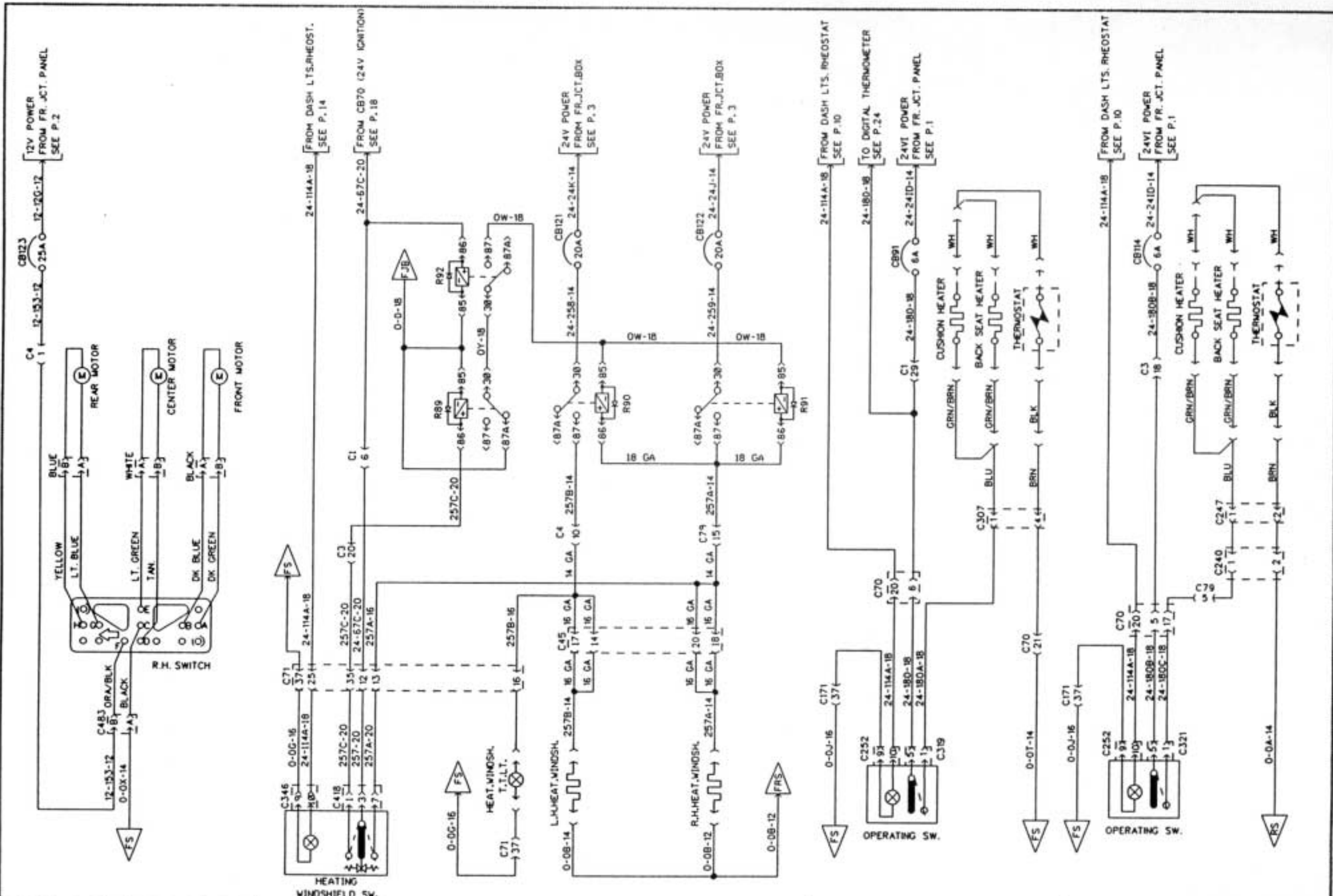
ENGINE COMP. LTS.

FRONT SERVICE COMP. LT.





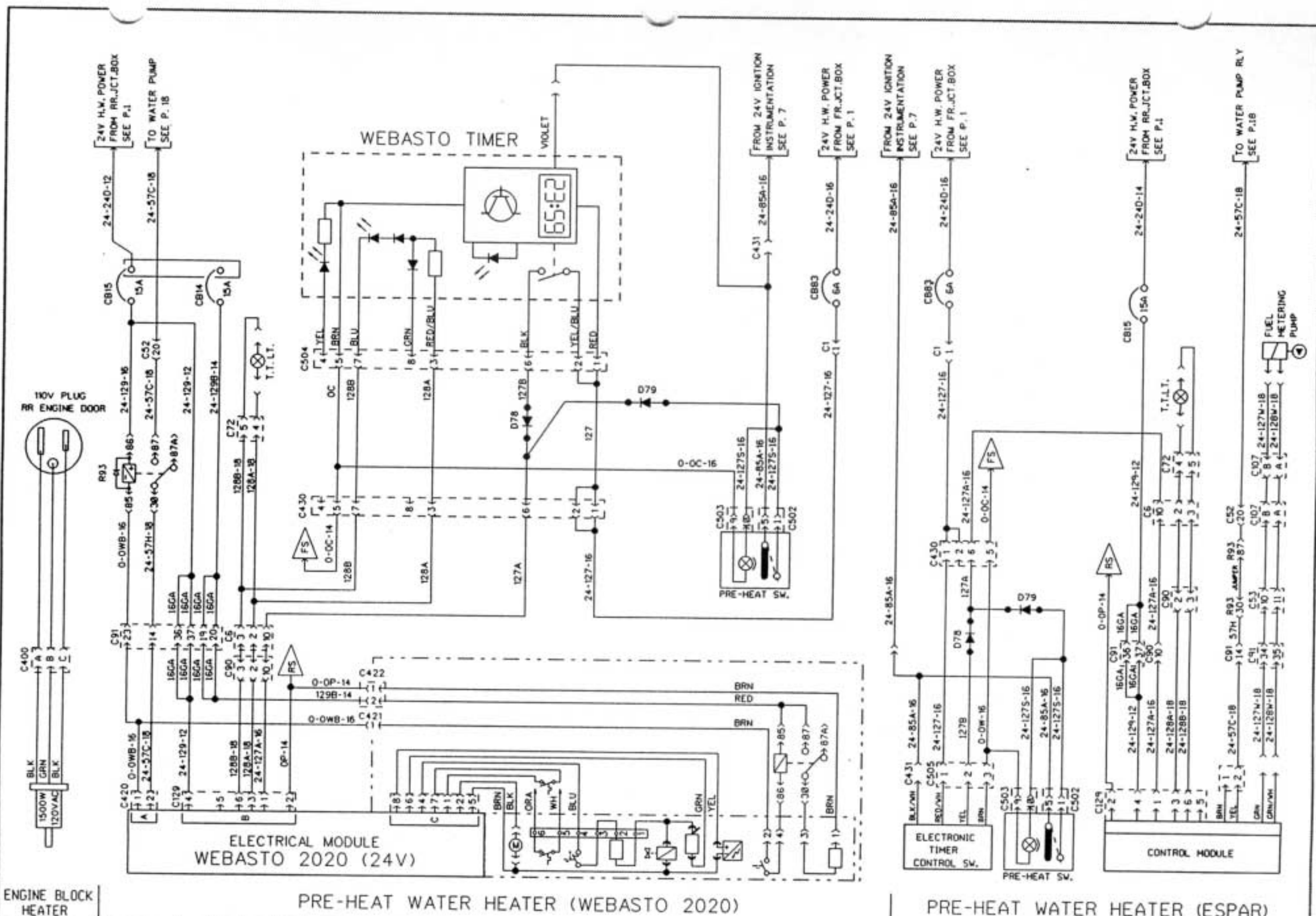




DRIVER'S SEAT ELECT. ADJ. |

HEATED WINDSHIELD

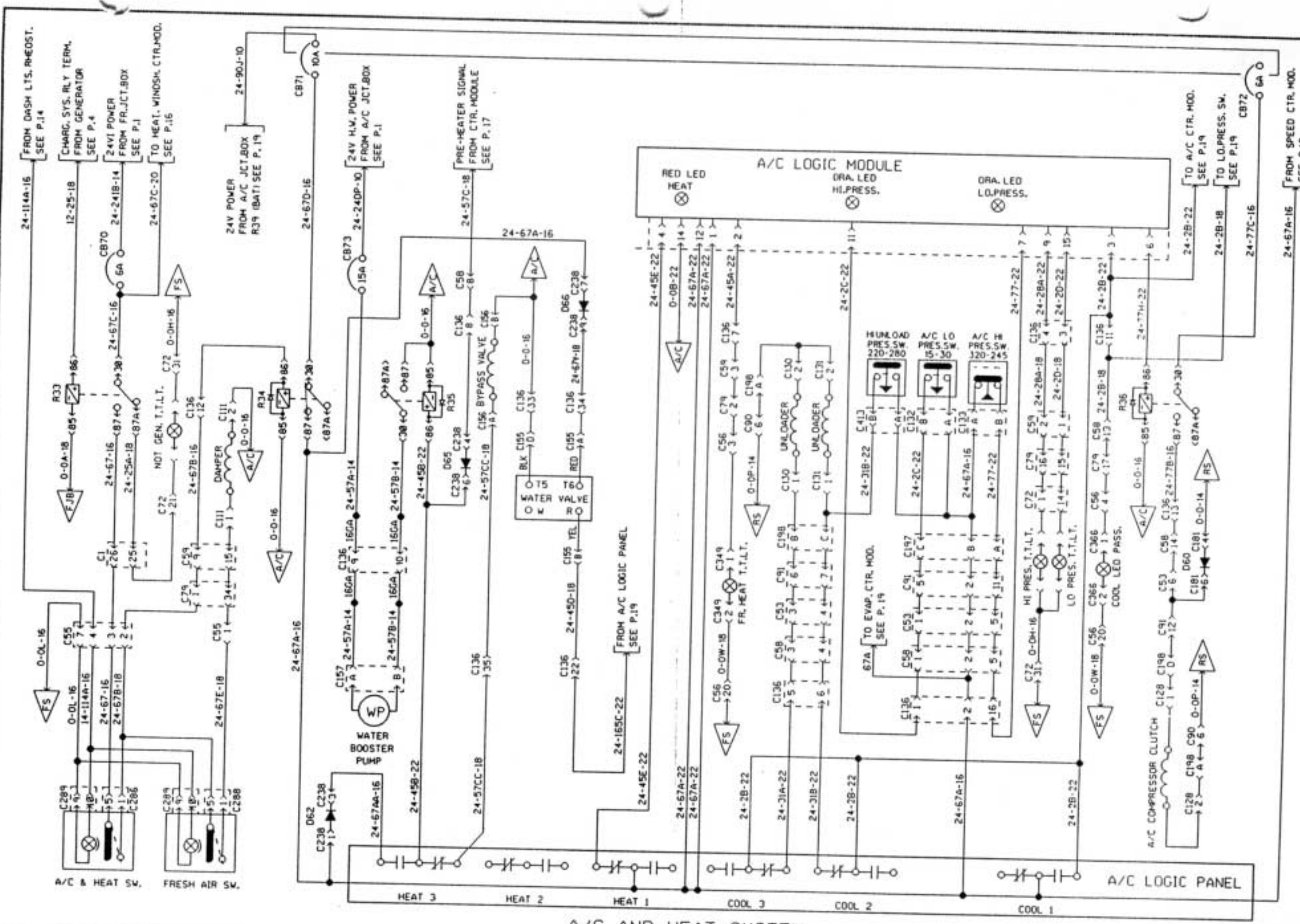
| DRIVER'S SEAT HEATER | CO-PILOT SEAT HEATER



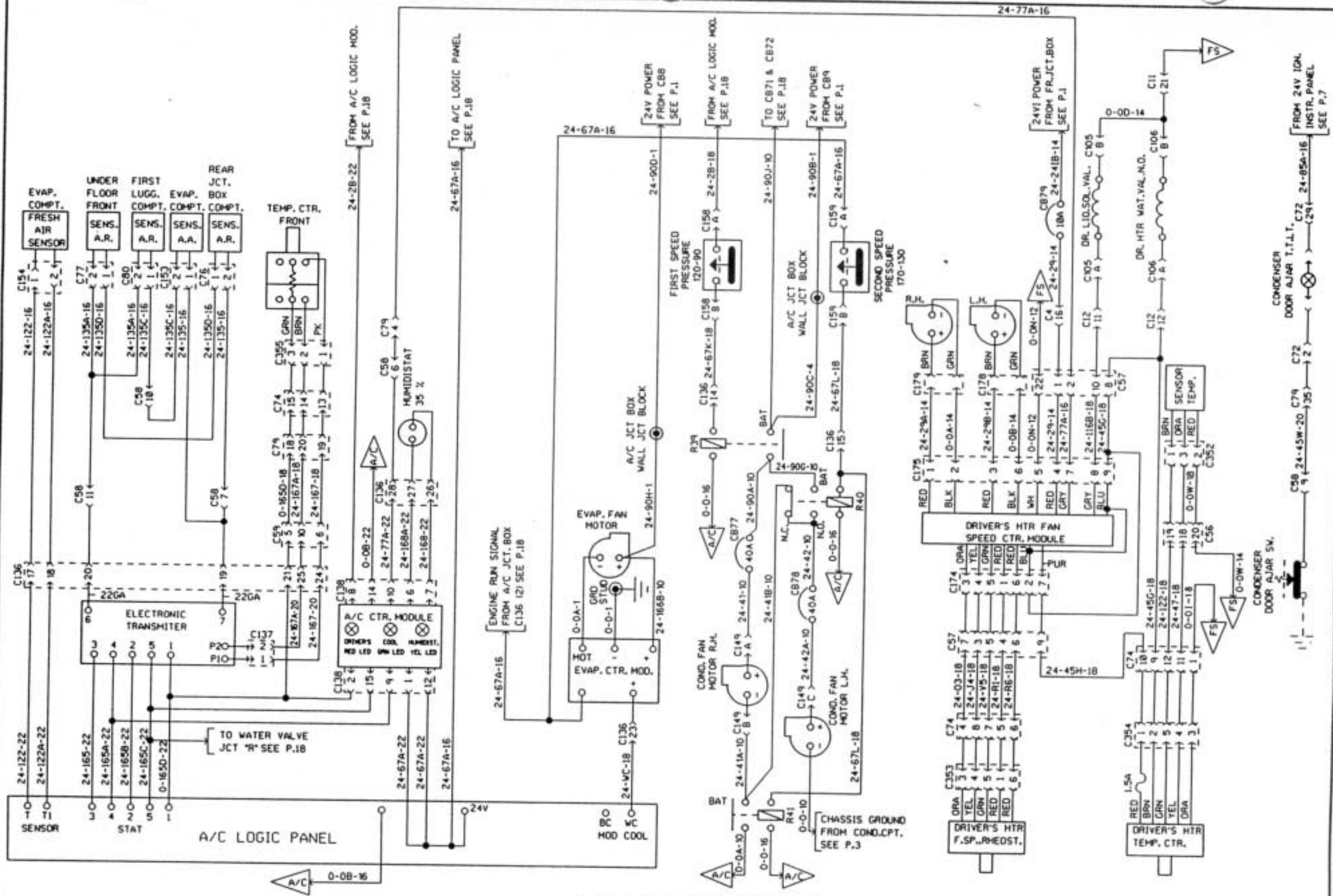
ENGINE BLOCK HEATER

PRE-HEAT WATER HEATER (WEBASTO 2020)

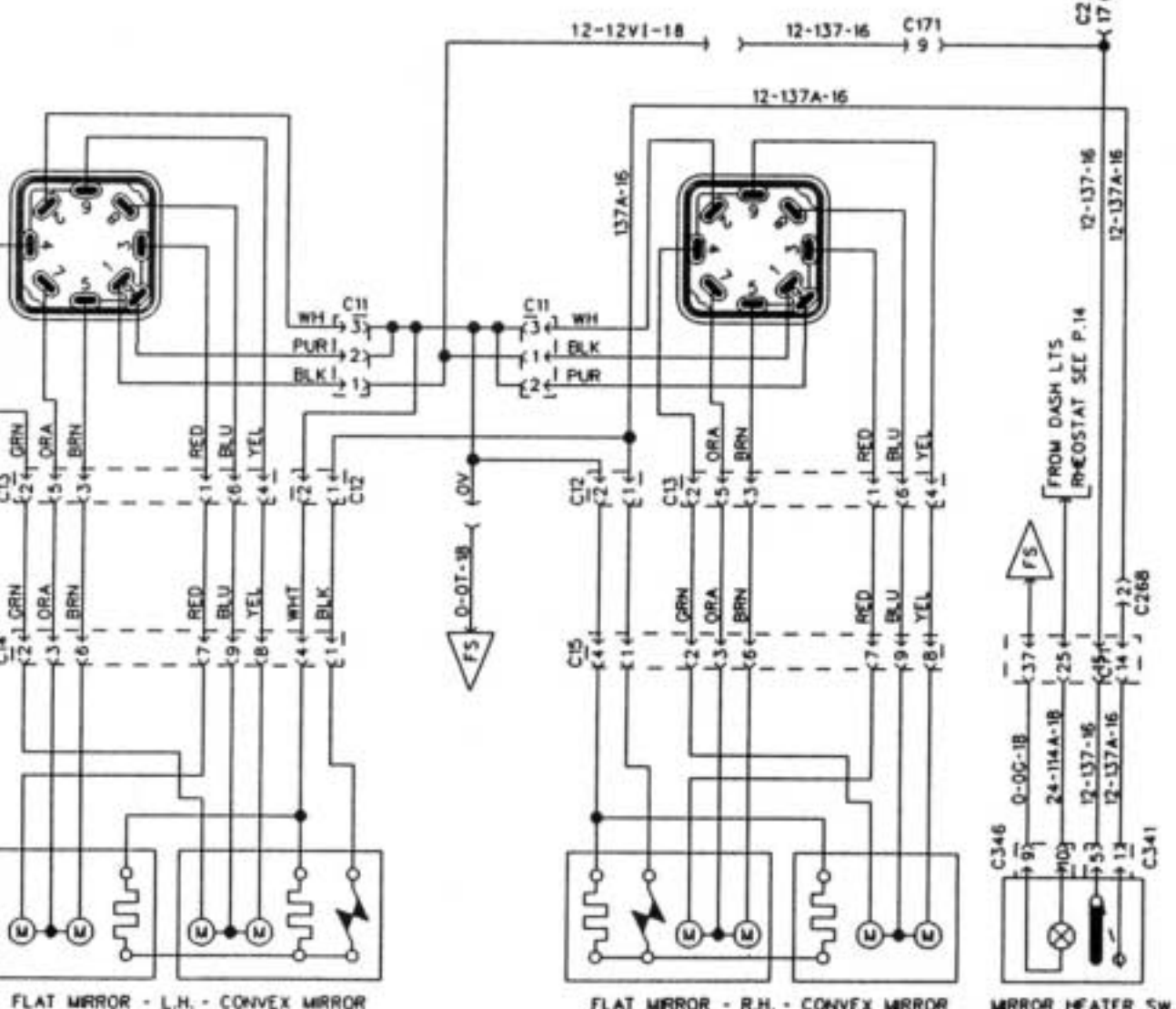
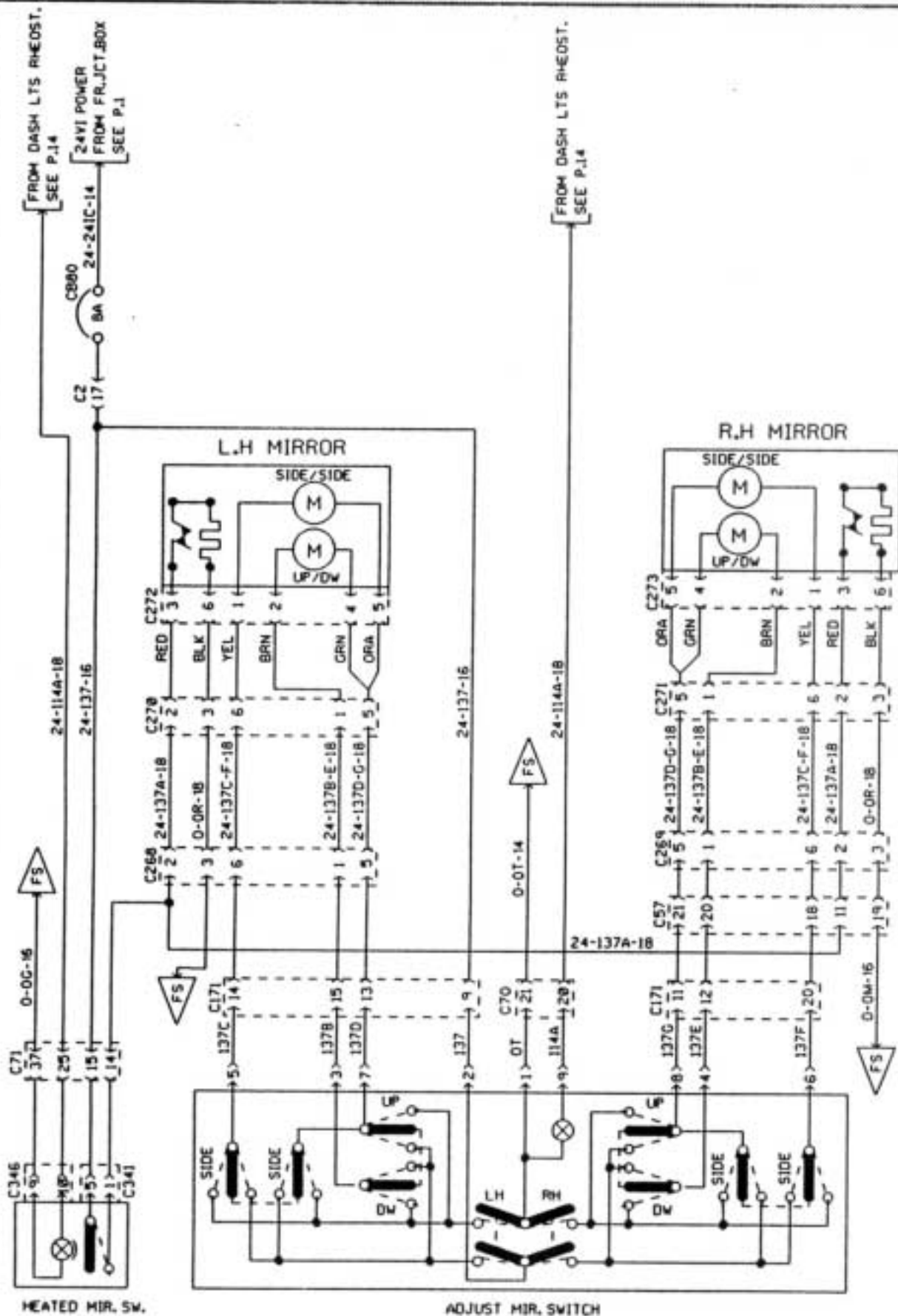
PRE-HEAT WATER HEATER (ESPAR)



A/C AND HEAT SYSTEM

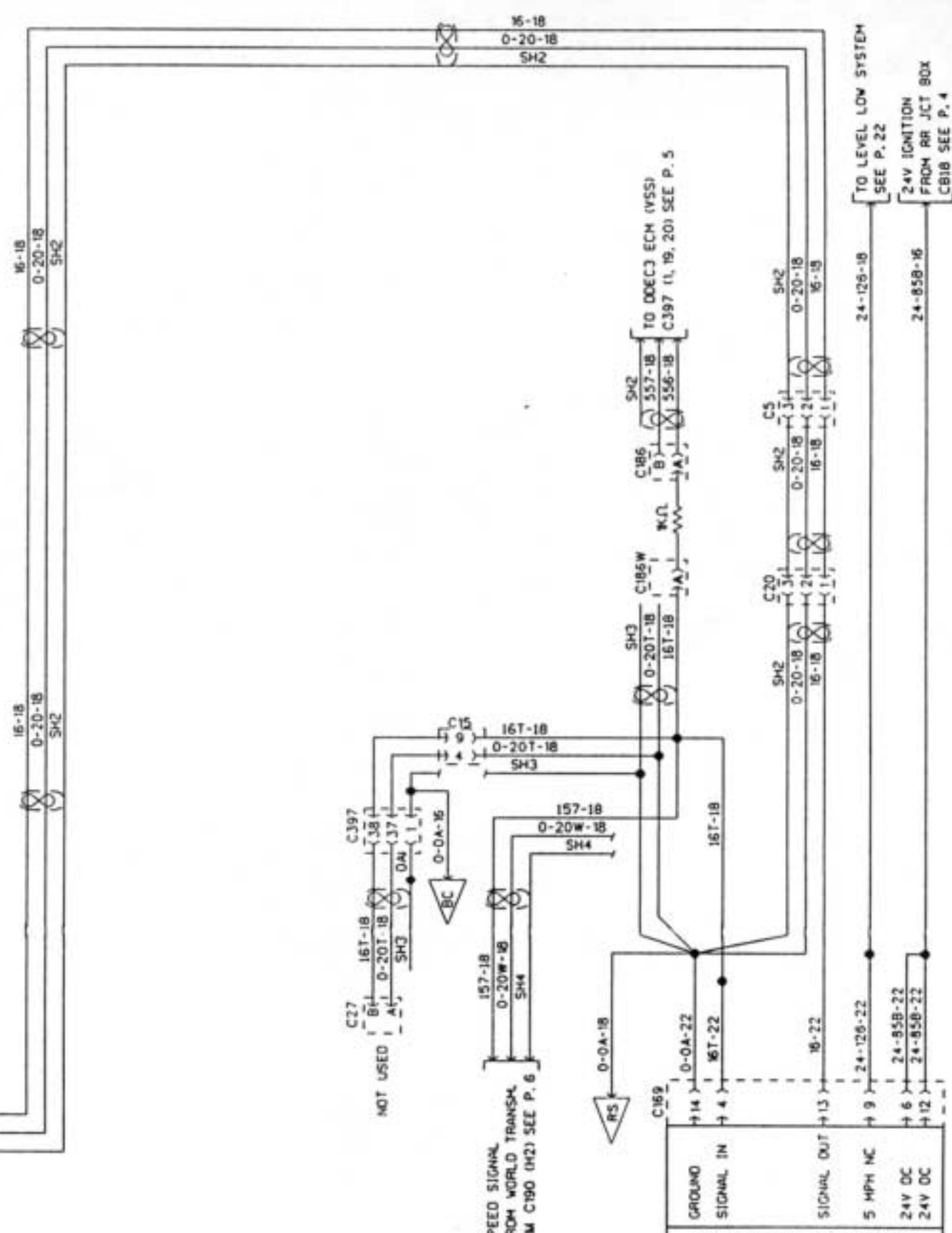
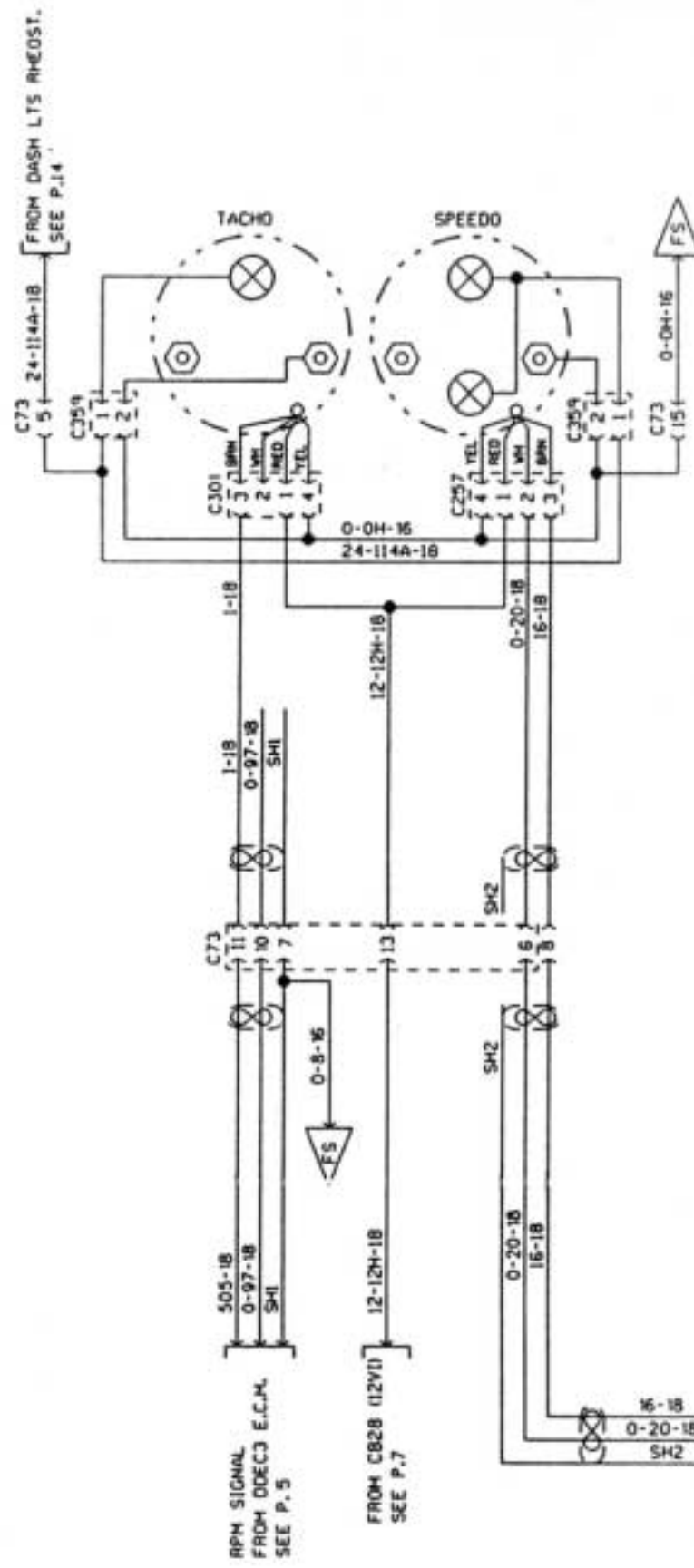


A/C AND HEAT SYSTEM

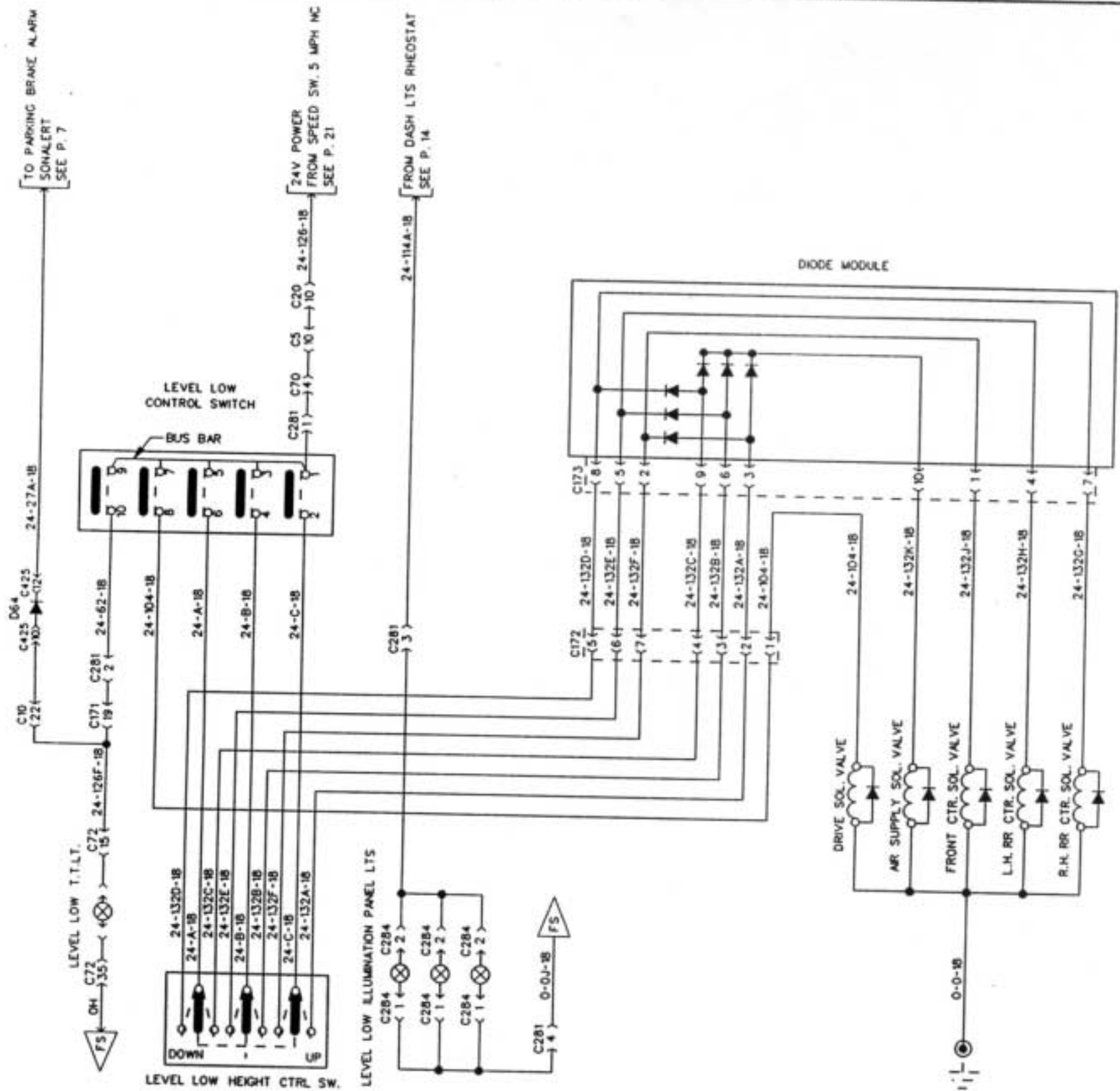


REAR VIEW - ADJUSTMENT & HEATED SW. (SPARTAN)

REAR VIEW MIRROR - ADJUSTMENT & HEATER SW. (RAMCO)



TACHO. & SPEEDO. -VDO

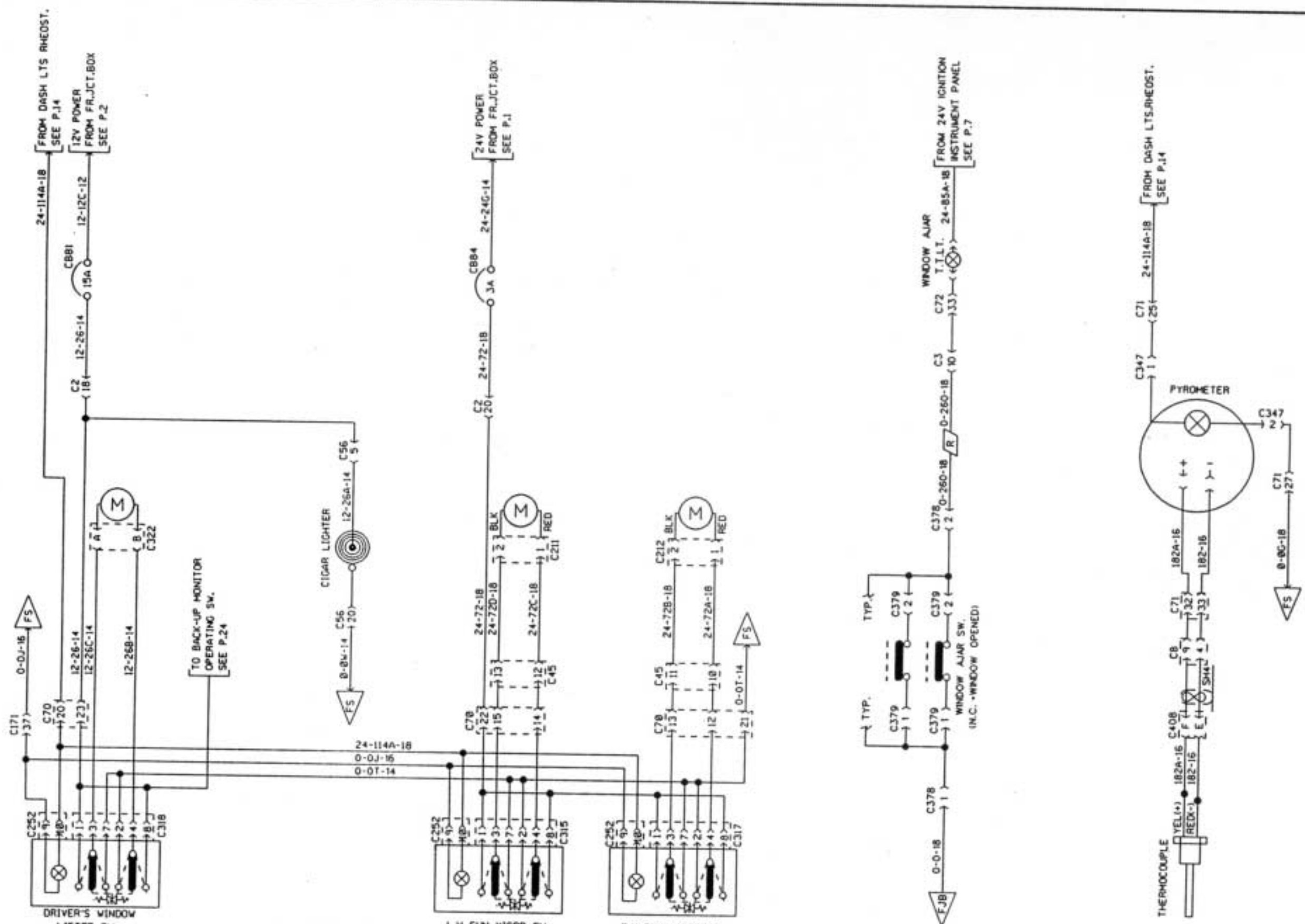


LEVEL - LOW CONTROL SWITCH

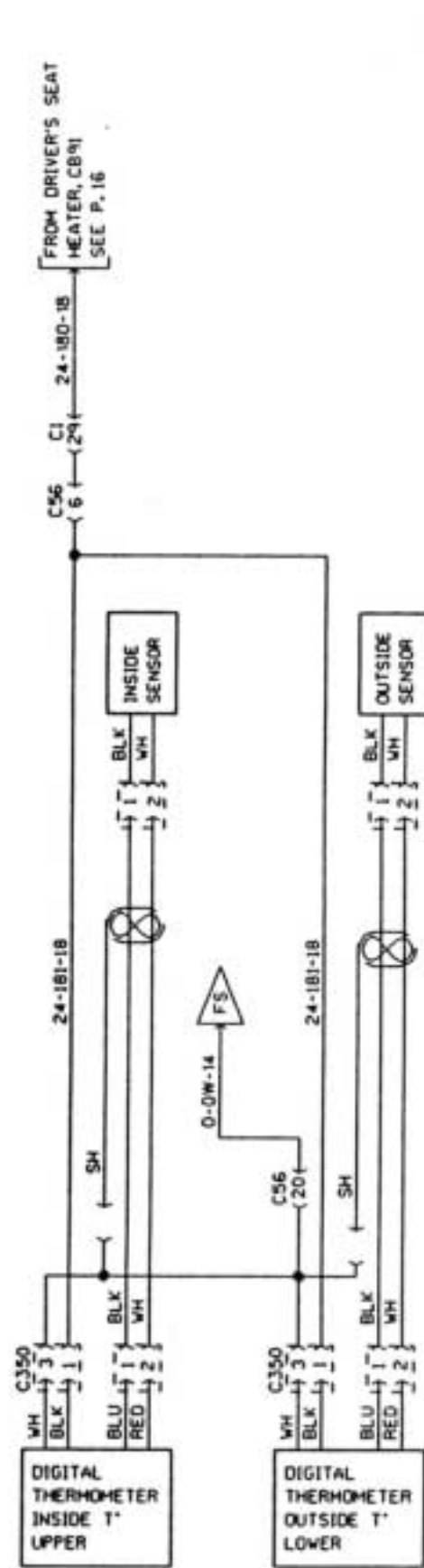
DRIVE POSITION	FRONT	LEFT REAR	RIGHT REAR

LEVEL - LOW SYSTEM

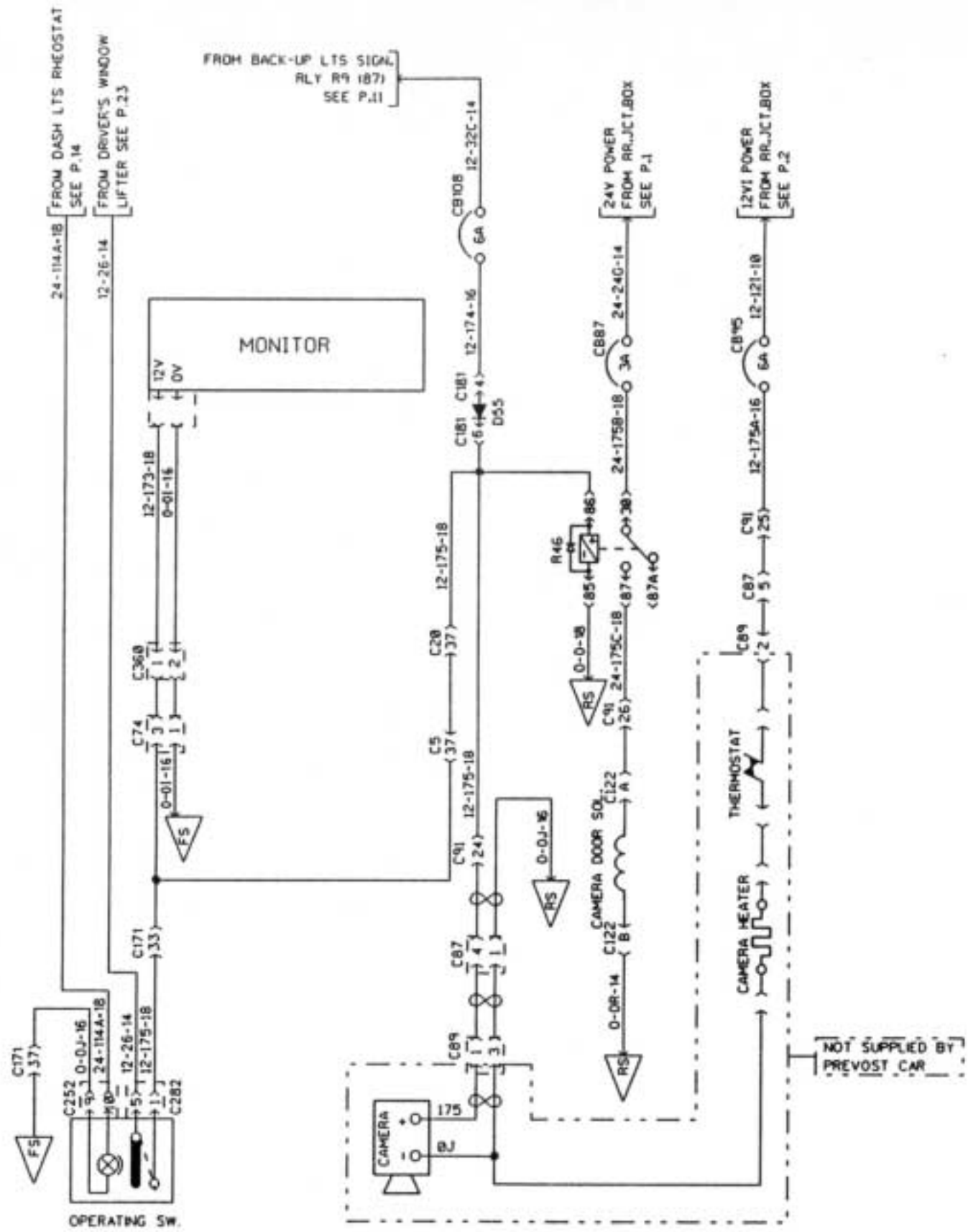




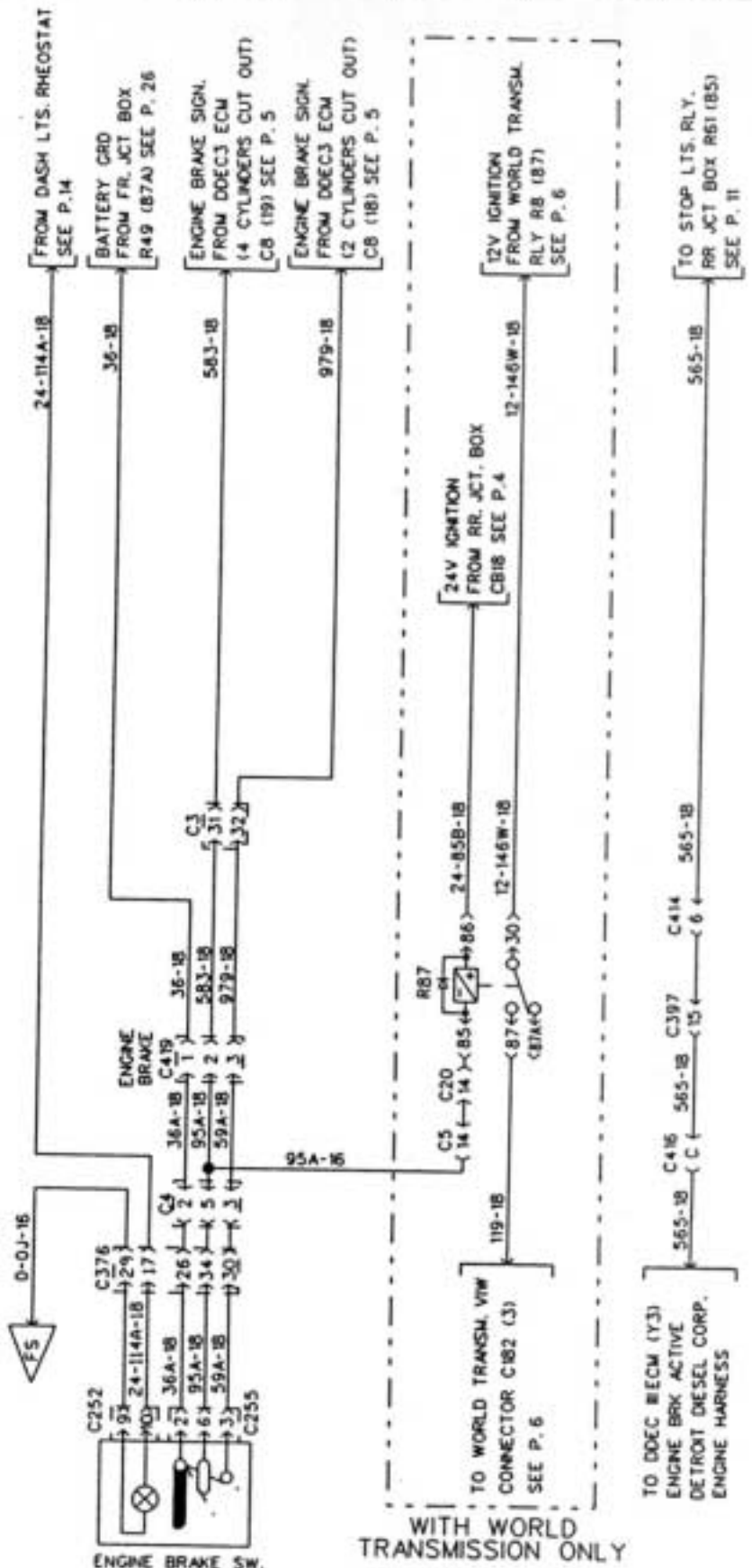
DRIVER'S WINDOW LIFTER | CIGAR LIGHTER | SUN VISOR | WINDOW AJAR | PYROMETER



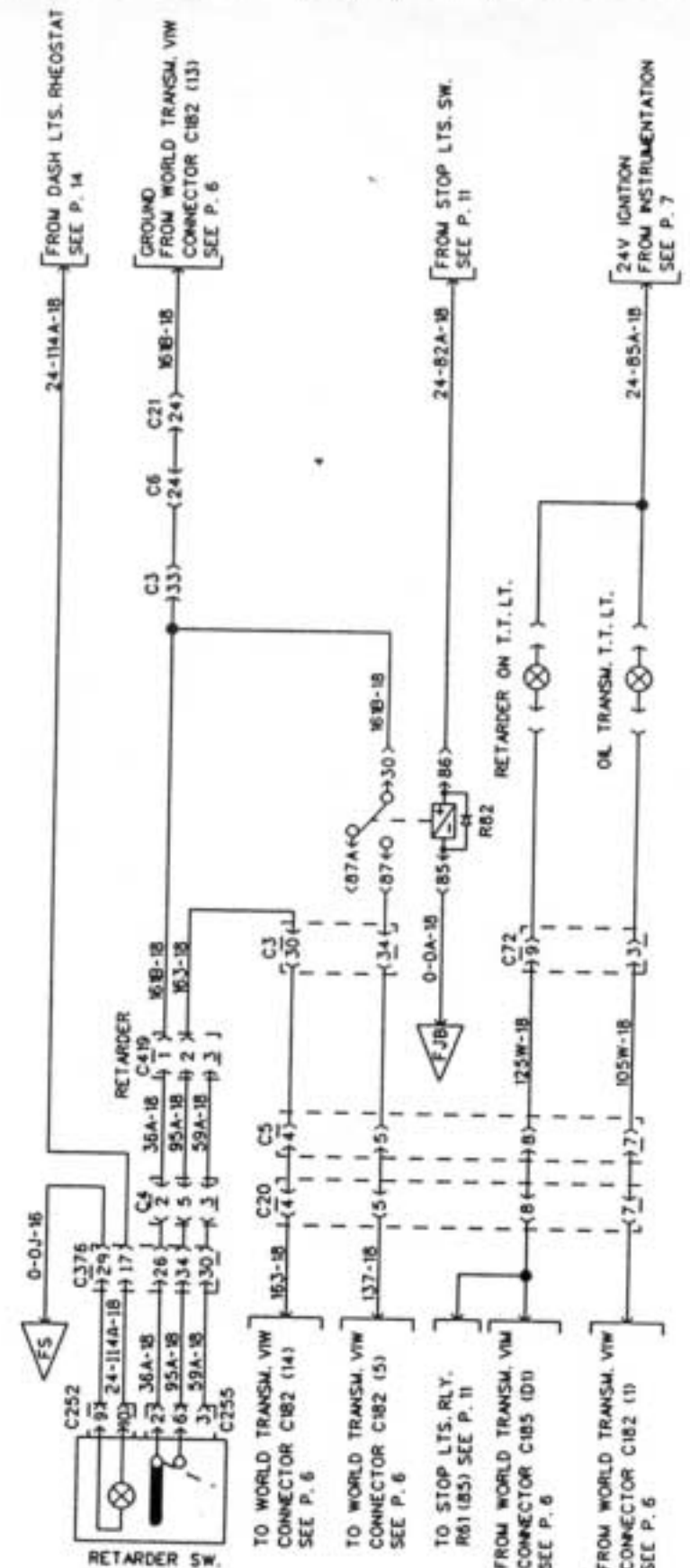
DIGITAL THERMOMETER



BACK-UP MONITOR



ENGINE BRAKE SYSTEM



RETARDER SYSTEM (WORLD TRANSMISSION)

