

PREVOST

Instruction Sheet

IS-12024

WATER MANAGEMENT ROOF DEFLECTOR INSTALLATION

APPLICATION: X3-45 COACHES

MATERIAL

Kit #294117 includes the following parts:

Part No.	Description	Qty
294115	DEFLECTOR, CURBSIDE	1
294116	DEFLECTOR, ROADSIDE	1
500393	SCREW, THREAD CUTTING BDG PH #10 - 24 X 3/8" LG	4
IS-12024	Instruction Sheet	1
FI-12024	Feuille d'instructions	1

NOTE

Material can be obtained through regular channels.

Bulk material required:

Part No.	Description	Qty
506761	DOUBLE FACE ADHESIVE TAPE, 1/16X3/8	A/R
684517	SIMSON ISR 70-03 SEALANT ADHESIVE, 900ml CARTRIDGE	1

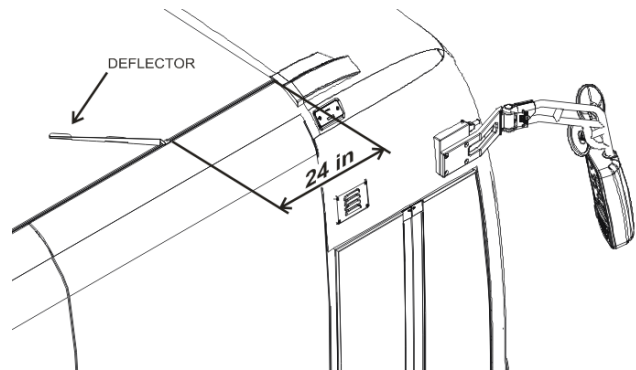
PROCEDURE



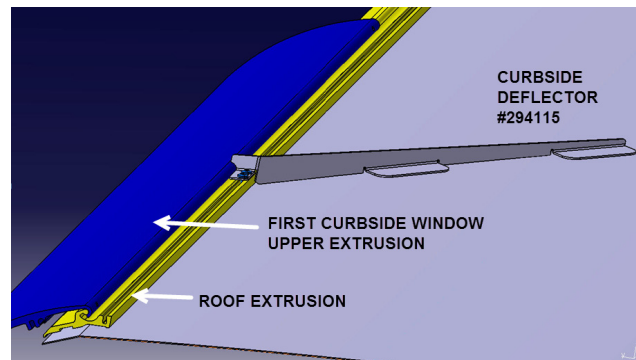
DANGER

Park vehicle safely, apply parking brake, stop engine and set battery master switch(es) to the OFF position prior to working on the vehicle.

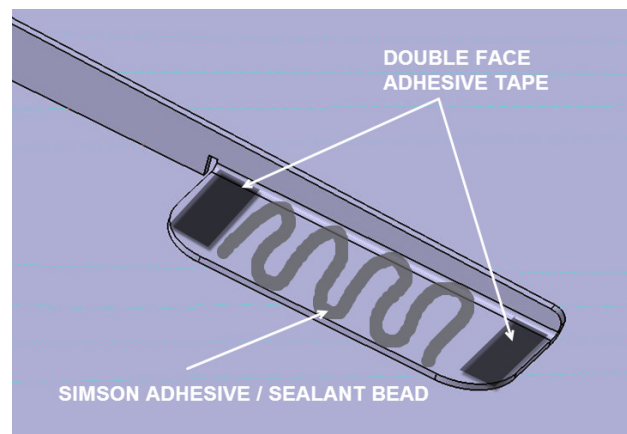
1. Both curbside and roadside deflectors will be placed at 24 inches from the first window upper extrusion edge.



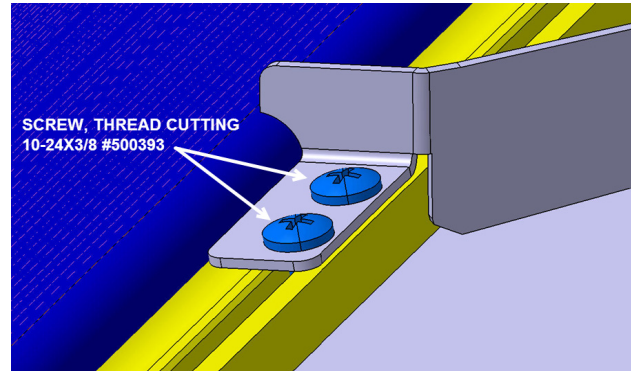
2. Using isopropyl alcohol or Sika cleaner, clean the roof surface and deflector where Simson sealant adhesive will be applied and allow drying.



3. Place pieces of double face adhesive tape as shown on the deflector.
4. Apply Simson sealant adhesive on the deflector as shown (2 locations).
5. Place the deflector on the roof and apply pressure so the double face adhesive tape will stick to the roof surface. Remove glue in excess if applicable.



- Using screws #500393 (2 screws per deflector), fix the deflector to the roof extrusion as shown.



- Using Simson sealant adhesive, apply a bead of sealant along the deflector to assure watertightness.
- Leave enough time for the sealant to cure (ideally 4 hours).

